

CAPRI 3V EcoDesign

PANADERO

MEASURES

DIMENSIONS H x W x D	695x640x393 mm
GROSS/NET WEIGHT	103/93 kg
FIREWOOD ENTRANCE	465x260 mm
SMOKE FLUE	Ø 150-153 mm Top

CHARACTERISTICS

CAST IRON GRILL	
THREE-SIDED VISION	
STEEL BODY SHEET	4 mm
NOMINAL HEAT OUTPUT	5,9 KW
EFFICIENCY	77 %
CO EMISSIONS	0,10 %
HEAT RESISTANT PAINT	800°C
CERAMIC GLASS HEAT RESISTANCE	750°C

EAN 8426964184556
REF. PANADERO 18455

PRODUCT PLUS

ECODESIGN 2022



EXTERNAL AIR INTAKE



VERMICULITE LINING



WOOD LOGS 50 CM



HEATING VOLUME



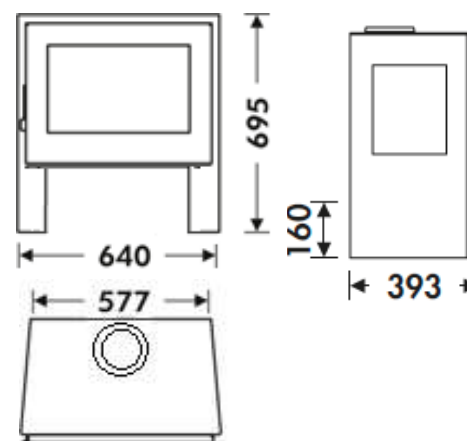
CLEAN GLASS SYSTEM



PRINTED GLASS



TRIPLE COMBUSTION



Art. 15a B-VG

BImSchV2



flamme
VERTE

Le label
du chauffage
au bois

7 ★



CAPRI