

FENIX EcoDesign

PANADERO

MEASURES

DIMENSIONS H x W x D	854x796x463 mm
GROSS/NET WEIGHT	155/141 kg
FIREWOOD ENTRANCE	620x286 mm
SMOKE FLUE	Ø 150-153 mm Top

CHARACTERISTICS

CAST IRON GRILL	
PANORAMIC VISION	
STEEL BODY SHEET	5 mm
NOMINAL HEAT OUTPUT	7,2 KW
EFFICIENCY	78,9 %
CO EMISSIONS	0,10 %
HEAT RESISTANT PAINT	800°C
CERAMIC GLASS HEAT RESISTANCE	750°C

EAN 8426964184150
REF. PANADERO 18415

PRODUCT PLUS

ECODESIGN 2022



EXTERNAL AIR INTAKE



VERMICULITE LINING



WOOD LOG STORAGE



WOOD LOGS 60 CM



HEATING VOLUME



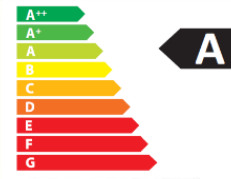
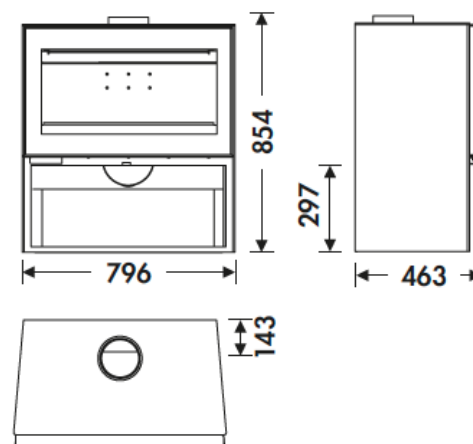
CLEAN GLASS SYSTEM



TRIPLE COMBUSTION



DOUBLE LOCK



Art. 15a B-VG

BlmSchV2



flamme
VERTE

Le label
du chauffage
au bois

7 ★



FENIX