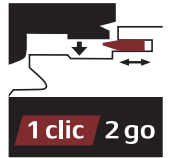


1 clic 2 go installation



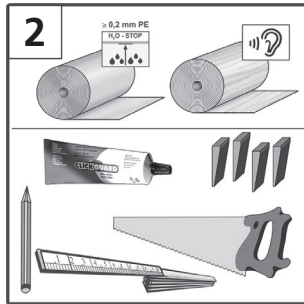
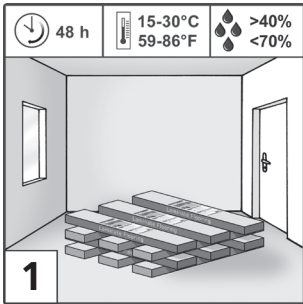
Important notice: prior to and during the flooring installation, please read the installation instructions completely! The flooring procedure is accomplished according to ATV DIN 18365.

Follow these instructions precisely, in order to retain full claim privilege on the guarantee.

Various possibilities for installation are offered depending on the surface area to be used:

1. Quick and easy installation without glue

2. Installation with Clickguard™: for the installation of laminate flooring in commercially-utilized rooms, a sealing procedure must be carried out [10]. Clickguard™ protects the flooring from the top down for the long-term against the effects of moisture. The floor lamination can be removed later and newly installed. When using Clickguard™, please follow the installation instructions. In the event that a sealant is to be used, sufficient quantities of Clickguard™ are to be applied to the tongue-spring side [10] (1 layer lengthwise and 1 layer for the width). The excess Clickguard™ should be scraped off from the surface with a plastic spatula after max. 15 - 20 minutes. Eventual remnants (residue) can be removed with household solvent cleanser.



Preparation: Please store the packets 48 hours prior to installation under the same climatic conditions (temperature and moisture) as the actual installation process [1]. Important pre-condition for proper fitting and long-term durability of the laminated flooring is a room temperature of ca. 20°C/68°F and a relative humidity of around 50 – 70%.

Necessary Materials and Tools: polyethylene-foil, separation shims, fit-up aid, footfall sound insulation [2]
If necessary: Clickguard™, joint sealing mass

The sub-surface that the laminate flooring will be applied to must be furnished in such a way that the laminate flooring can be installed as required by the manufacturer's instructions. Appropriate sub-surfaces are, among others, mineral sub-surfaces (such as floor screed, concrete, asphalt), particle-board sheets and timber floor boards. The sub-surface must be absolutely even, dry, clean and stable. Floor irregularities measuring more than 3 mm per 1 meter/0.12" per 39.37" length must be evened out by a professional (according to DIN 18202) [3]. The evenness of the sub-surface can be best ascertained by means of a straightedge or a spirit level. When installing onto a mineral sub-surface such as concrete, cement-screed, anhydrite-screed or flagstone (among others), a moisture measurement must first be carried out. The following remnant-moisture levels in the screed may not be exceeded, prior to installation:

- Cement-screed: with under-floor heating < 1,8% CM;
without under-floor heating < 2,0% CM
- Anhydrite-screed: with under-floor heating < 0,3% CM;
without under-floor heating < 0,5% CM

Check the panels under good lighting conditions for irregularities.

For already-fitted or previously-worked panels, a reclamation claim from you is no longer possible [4].

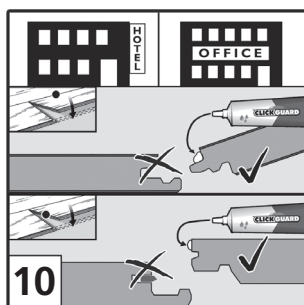
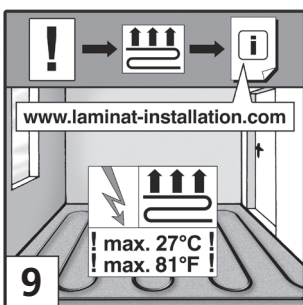
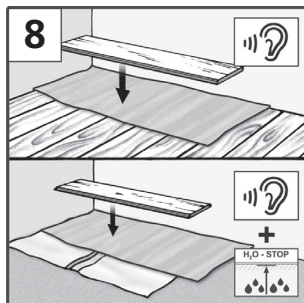
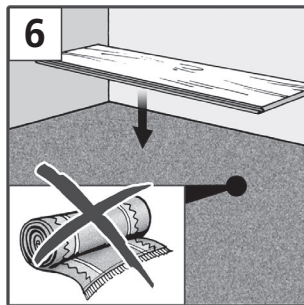
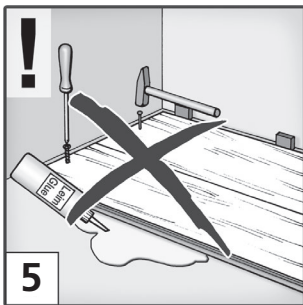
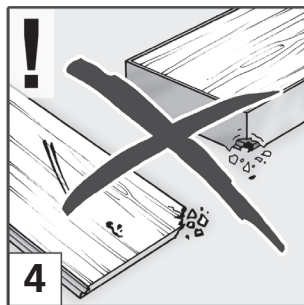
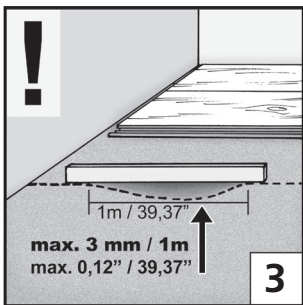
Lamination flooring is installed under "floating" conditions and may not be glued, screwed, nailed, or in any other fashion fixed (e.g. by using a door-stopper) to the floor [5]!

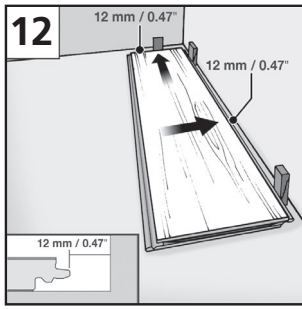
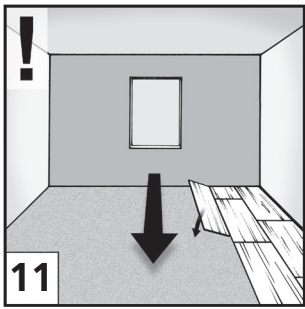
Carpet flooring must be removed and is not suitable as a sub-surface for the lamination flooring. Due to the carpeting lying under the lamination, problems arise when the laminate is walked on in that a spring-motion occurs and considerable pressure is exerted on the lamination edges. This destroys the groove-tongue connection and leads to the formation of a gap. The carpet flooring must also be removed for hygienic reasons [6].

Please note that this laminate flooring is not suitable for wet-rooms (e.g. bath or sauna) [7].

In the case of a wooden sub-surface such as installed sheets or floorboards, no polyethylene foil may be installed. Prior to installing the laminate flooring on a mineral-based sub-surface, (concrete, screed, etc) it is crucial that a suitable vapour barrier sheet (PE-foil) is put down (with 1-2 centimetre/0.40"-0.80" 90° edging at the sides- like a shallow tub) as a protection against moisture. The tile channels are installed about 20 cm/7.87" overlapping next to one another and fixed with special adhesive tape. A system-referenced footfall sound insulation is recommended for all sub-surfaces. The footfall sound insulation should be installed canted and not overlapping [8].

Use of underfloor heating (hot water/electric) is only possible if it is properly installed, if it is properly run taking into account the laminate flooring laid above it and if the temperature at the underside of the flooring does not exceed 27°C/81°F at any time or in any place [9]. Any complaints and claims related to the running or installation of underfloor heating will not be accepted. Claims can be made only within the scope of our general Warranty and Guarantee Terms.





It is recommended that the panels be sorted according to the desired pattern lines and (if necessary) colour nuances prior to installation. You should start working with packages of laminate flooring immediately after opening!

Installation: It is recommended that you lay out the panels in the direction of the length and the source of light [11].

For non-straight walls, you must first transfer the profile of the wall-line to the first row of panels and saw the panels accordingly. Measure, prior to installation, the spatial dimensions of the room as well. In the event that the first row of panels proves to have a width of less than 5 cm/2", you must then evenly partition the remaining length (excess length) among the first and last row of panels in such a manner that both rows are cut to size with the same (symmetrical) panel-width.

Begin your installation in the left corner of the room. Lay out the first panels with the tongue-spring side facing the wall and secure the edge separation (gap) with shims. It is important to retain a 12-15 mm/0.5"-0.6" edge distance (expansion gap) from the wall, heating pipes, posts, doorstep, etc [12].

Place a second panel flatly [13] on its face in the groove profiling of the first panel from the wall and then press from above until you hear an audible click [13, 14]. Ensure that the facing profiles are parallel and that the longitudinal edges are in a row, not offset and forming a straight line. This is necessary in order to be able to place the second row of panels in the longitudinal profiling without gaps.

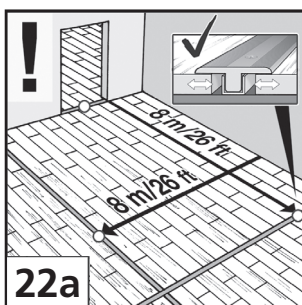
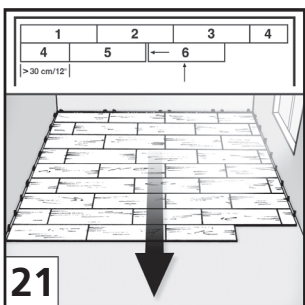
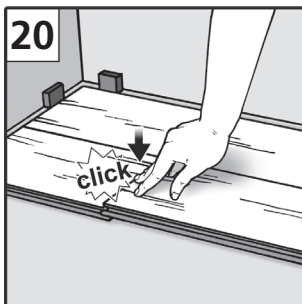
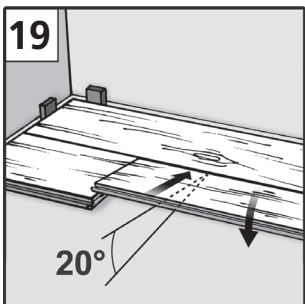
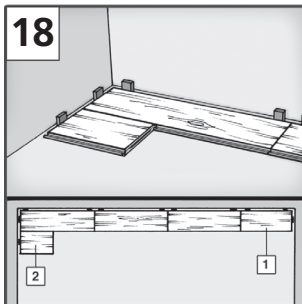
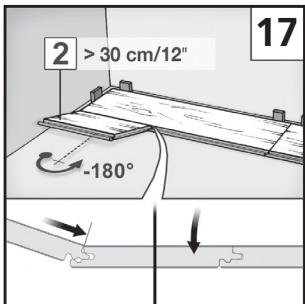
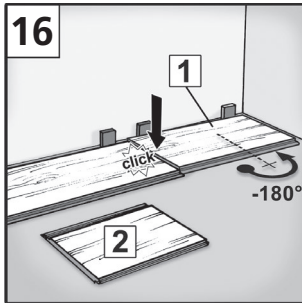
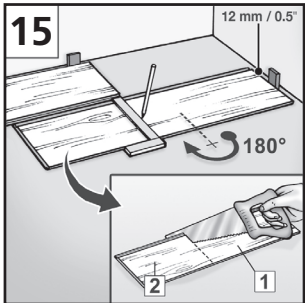
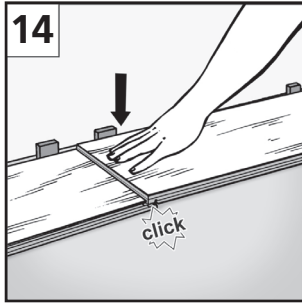
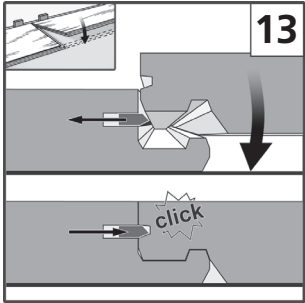
Attach the remaining panels to the end of the first row.

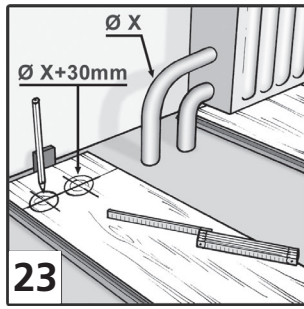
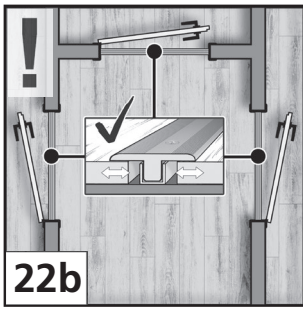
Turn the last panel in the row [15] by 180° for adjustment/trimming; place the decorated side up next to the existing row (groove cheek to groove cheek) on the right side of the wall. Take an edge distance of 12-15 mm/0.5"-0.6" on the facing side into account. Mark and cut the panel lengths. In order to avoid splintering of the edges, the decorated side should face down when using electrical jigsaws or hand-held circular saws. Otherwise, cut down from the top of the panel. Begin each new row with the remnants (at least 30 cm/12" in length) of the previous row.

Begin the second row with a half panel (length < 95 cm/ 37.40") or with this remnant (length > 30 cm/12") [15-17]. Insert the panel section length-wise in the groove profiling in the first row and lock it in place/bend it. [17, 18]. The transverse joint offset must be at least 30 cm/12" from row to row.

Place a second panel length-wise in the groove profiling of the panel area and push it to the left at an angle of 20° to the panel already in place [19]. Then bend it downwards and press from above until you hear an audible click [20]. In doing so, ensure that the panel is inserted and guided cleanly through the longitudinal profile.

For installation surfaces with more than 8 metre/26ft length or width, and for considerably angled rooms, expansion joints (at least 2 cm/0.8" wide) are necessary [22]. This allows the floor to respectively expand or contract during climactic changes. Keep this in mind also when making overlapping installation from one room to another. In this case, the surfaces in the area of the door frame must be interrupted. Expansion joints can be properly masked with corresponding profiles.



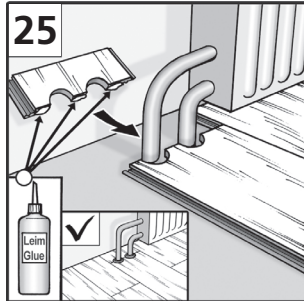
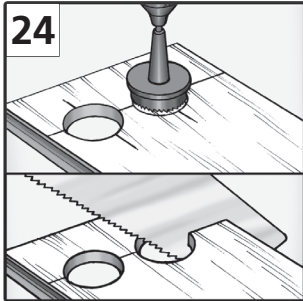


For heating-radiator pipes, holes that are drilled 3 cm/1.2" larger than the pipe diameter must be avoided. A "fitting piece" should be cut out, glued, fitted in and fixed in place with a wedge until the glue has dried. Then cover the recesses with a radiator-sleeve [23, 24, 25].

Wooden doorframes should be shortened enough that a panel with footfall sound insulation including 2-3 mm/0.8"-1.2" gap can fit underneath [26, 27].

After installation, remove the separation wedges.

Then, for a perfect completion of your project, attach the baseboard cleats in intervals of 40-50 cm/16"-20" onto the wall and put the respectively cut baseboard in place [30].



Cleaning and Maintenance

Remove non-sticking dirt by sweeping or with a vacuum suitable for hard floors [31].

For the on-going care, use only the wiping materials recommended by the manufacturer of the laminate. The following are not suitable for the treatment of laminate flooring surfaces: polish and cleanser with treatment additives such as wax, oil, etc. The laminate flooring may not be polished [31].

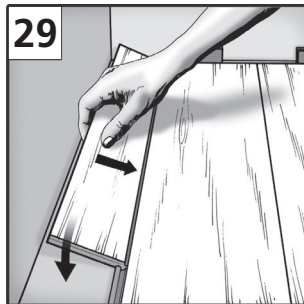
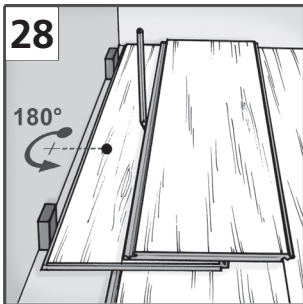
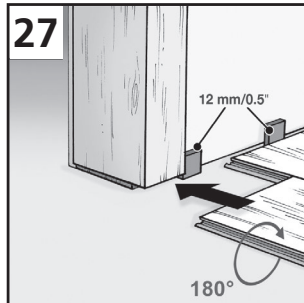
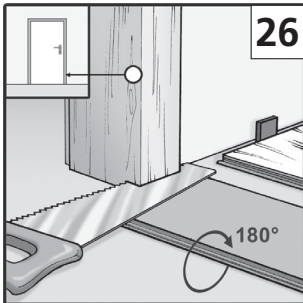
Wipe up foot-prints and dirt with a thoroughly-squeezed and drip-free cloth. Standing water should be avoided in all circumstances [32]!

Special care should be taken regarding flower pots, vases, etc that are standing on the laminate. Use a water-proof support underneath the object.

Stubborn spots should be selectively cleaned and removed with a suitable cleanser spray or acetone. Do not apply additional sealant onto the laminate flooring surface.

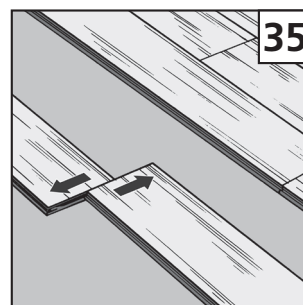
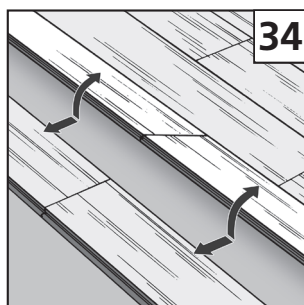
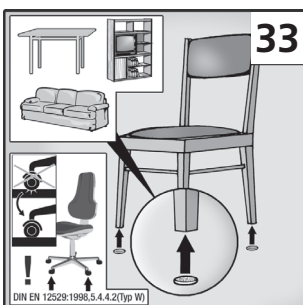
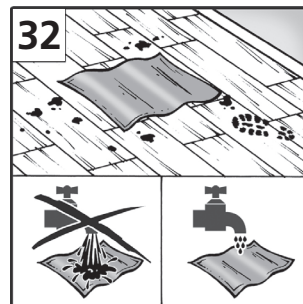
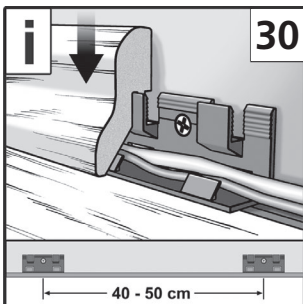
Attention! Protect the flooring from scratches or indentations! Use a sufficiently large dirt-magnet around the entry areas.

Furniture feet made of wood, metal or plastic must be furnished with felt-protectors. Office chairs with soft rollers (DIN 12529) only are to be used [33], or lay down a commercial quality protective matt. With consideration of these instructions, you will extend the longevity of your laminate flooring and be able to retain complete claim to the guarantee particulars.



Lifting or removing

It is possible to replace or remove panels that have been laid as floating flooring in living areas and commercial areas without causing damage by first releasing the whole row along the long side by angling it to free it from the locking mechanism [34]. Next, slide the panels against one another in a parallel direction, keeping the front side flat to the floor [35]. Please be particularly diligent and careful when undertaking this work in order to avoid damaging the tongue-and-groove sections.



DIN EN 12529:1998,5.4.4.2(Typ W)