

**65 L CONCRETE MIXER**

- Mixing drum of 63 litres with a capacity of max. 55 kg and 27.5 rpm
- 220 watt electric motor
- Drum opening of 260 mm
- Drum swivel height of 620 mm allows comfortable filling
- Easy transportation and stability thanks to the transport fixture and wide wheelbase
- Easy to maintain, durable and robust



SPECIFICATIONS	
Dimensions L x W x H	1161 x 550 x 935 mm
Drum capacity	63 L
Max. drum speed	27.5 rpm
Motor	230 V~
Input	220 W
Drum diameter	260 mm

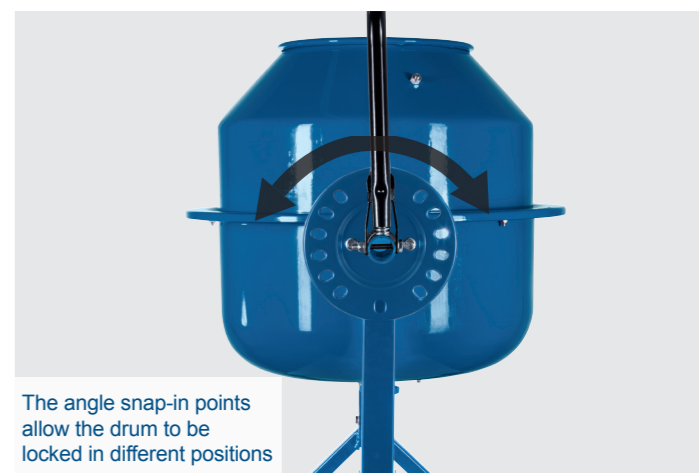
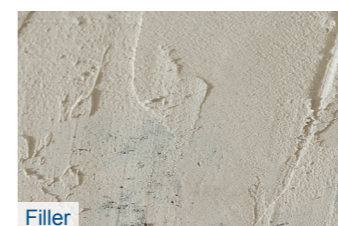
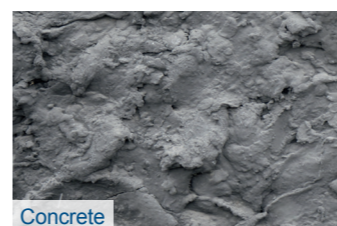
LOGISTICAL DATA	
Weight net / gross	25 / 28 kg
Packaging dimensions	670 x 600 x 400 mm
Article number	5908408904
Barcode	4046664123149
20 container	135 pcs
40 container	285 pcs
40 HQ container	342 pcs

**EXAMPLES OF USE**

Garden

Construction site

Yard



**PRODUCT DETAILS**

220 W

230 V connection

Robust

Transportable

