

LANDXCAPE™

Installation guide	EN	P02
Installationsvejledning	DK	P14
Asennusopas	FIN	P26
Installasjonsguide	NOR	P38
Installationsguide	SV	P50

Original instructions



WARNING: Read all safety warnings and all instructions. Failure to follow the warnings and instructions may result in electric shock, fire and/or serious injury.

Carefully read the instructions for the safe operation of the machine.

Save all warnings and instructions for future reference.

How to install your Landxcape™

The installation of your Landxcape™ is easy. The entire process only takes a little time, depending on the size of your garden. If you are like us, you hate wasting time to mow your lawn. Your Landxcape™ will prove to be a great investment, providing you with years of lawn care.

You can watch the installation demo video at www.landxcape-robotics.com.

Landxcape™ loves to mow

Your Landxcape™ is designed to mow regularly, maintaining a healthy and better looking lawn than before. Depending on the size of your lawn, your Landxcape™ may be programmed to operate at any time or frequency with no restrictions. It is here to work for you.

PREPARATION

Before starting the installation process, read through this entire Installation Guide carefully. Sketch the working area, including all obstacles, to make it easier to see the ideal positions for the charging base and where the boundary wires should be routed.

In the box



Landxcape™



Charging base



Base fixing nails



Hex key



Spare blades



Boundary wire reel



Wire pegs



Power adapter



Connector (if supplied)



Distance gauge



Installation Guide



Owner's Manual



Warranty statement



Technical Data and
Declaration of Conformity



Charger manual

From your shed



Scissors



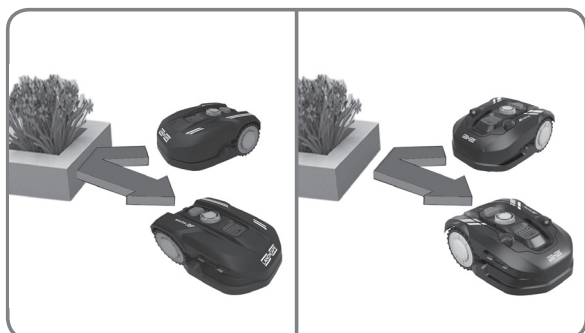
Hammer



Tape

Landxcape™'s new home: your garden

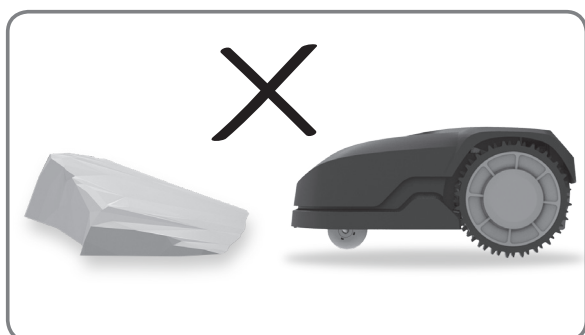
Let's start by having a closer look at Landxcape™'s new home - your lawn - highlighting the areas where it can safely go and areas Landxcape™ should avoid.



Obstacles

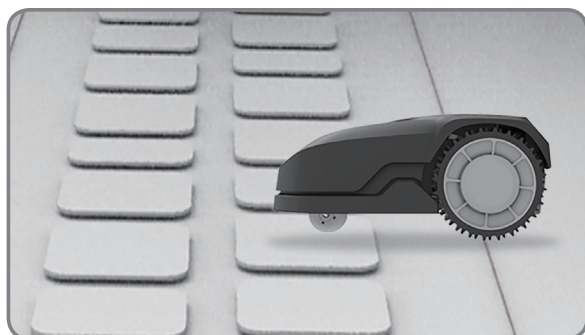
When hitting any obstacle that's rigid, stable and taller than 10cm - such as a wall or a fence - Landxcape™ will stop and re-direct away from the obstacle.

With the ultrasonic function, your Landxcape™ has the ability to get round/avoid the obstacles taller than 19cm (only for specific model, please check Technical Data & Declaration of Conformity).



Stones

Stones too heavy to be moved by your Landxcape™ can be safely hit. However, if a stone has an inclined surface that your Landxcape™ can climb, it should be removed or excluded from the working area.

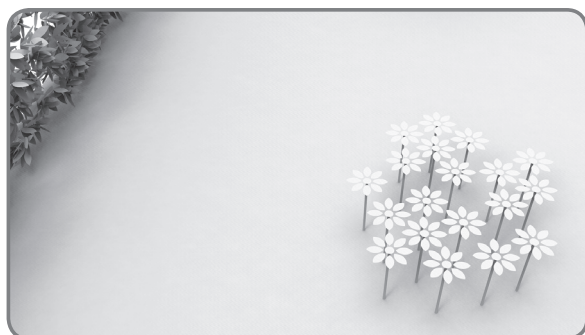


Driveways

If your driveway is level with your lawn, without any protruding surface, Landxcape™ can freely run over it. If you'd like Landxcape™ to avoid it, place the boundary wire 10cm* away from it.

If it's covered with gravel, you should not allow Landxcape™ to travel over it. Using the distance gauge for spacing, keep a 26cm* space between the boundary wire and the driveway.

* This is the recommended distance. The provided distance gauge ensures proper installation.



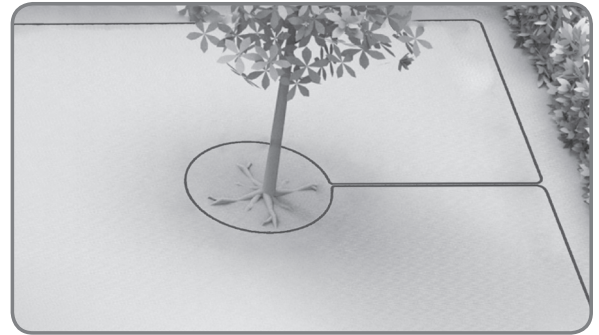
Flowerbeds, ponds, pools..

You certainly don't want Landxcape™ to mow your flowers, or fall into the water. These areas should be avoided.

Additionally, obstacles between 2cm-10cm high should also be excluded from Landxcape™'s operation area.

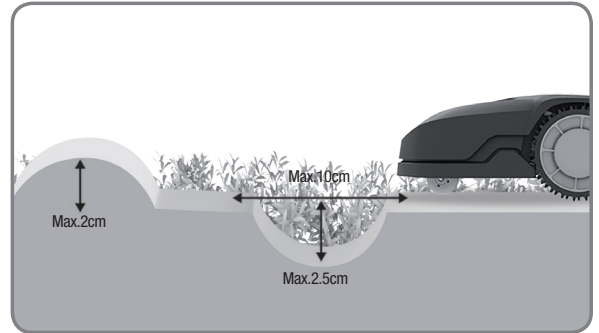
Trees

Roots emerging from the ground should be avoided to prevent damage.



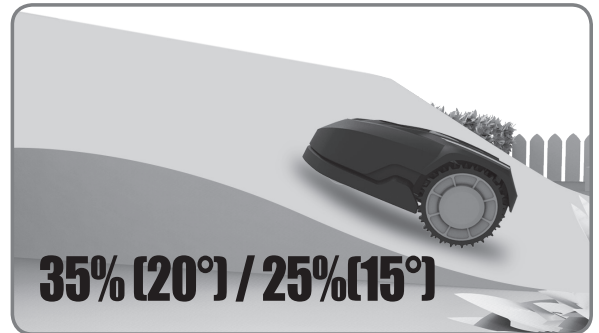
Depressions and bumps

In case of large bumps (higher than 2cm) or dips (wider than 10cm and deeper than 2.5cm), please determine if the blades would touch the ground or if Landxcape™ would get stuck. If this is the case, either make the inclines smoother or exclude these areas from Landxcape™'s operation.



Slopes

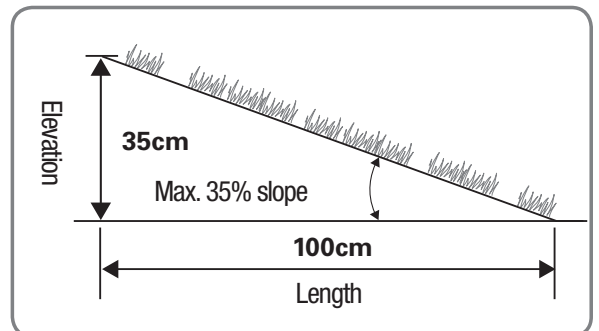
Your Landxcape™ has the ability to safely climb slopes up to 35% (20°)**/25% (15°)(Please refer to the Technical Data & Declaration of Conformity for Max.slope), so please avoid areas steeper than this.



**How to calculate the slope of your lawn:

The slope would be:

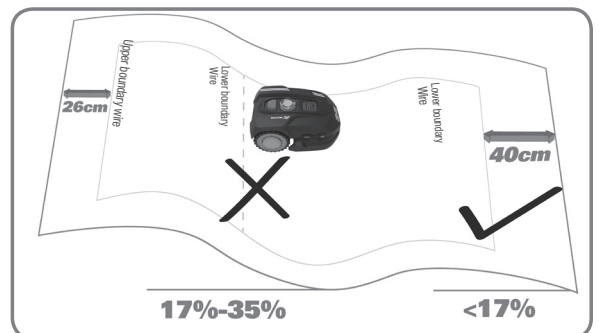
$$\frac{35\text{cm (Elevation)}}{100\text{cm (Length)}} = 35\% \text{ (slope)}$$



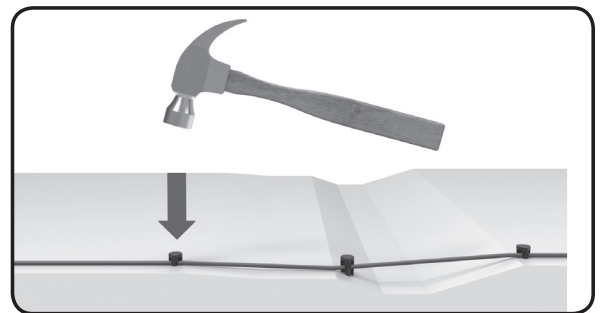
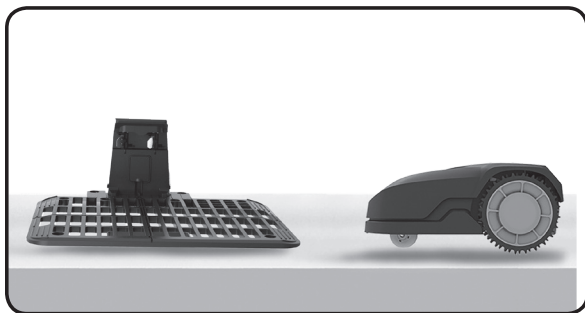
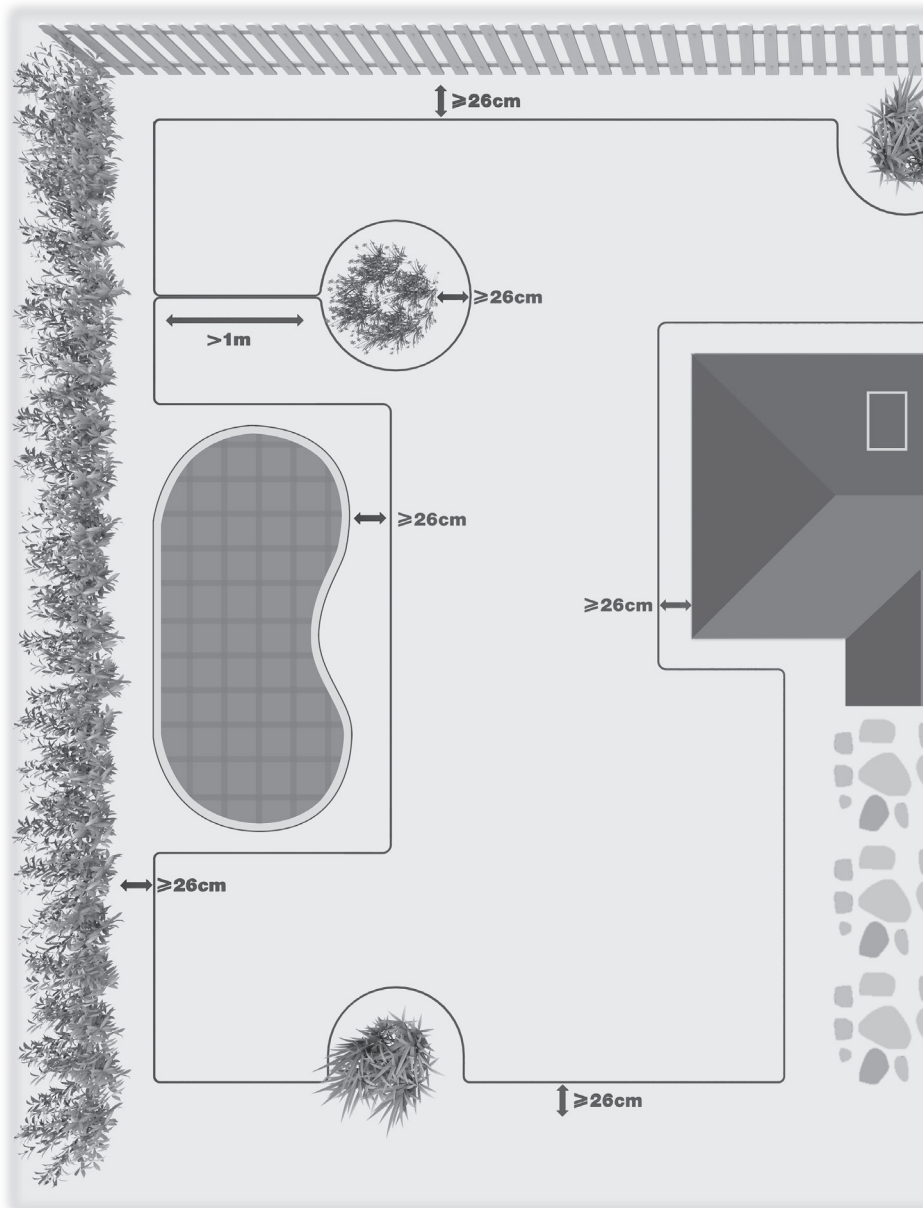
Placement of boundary wire on slopes

The upper boundary wire should NOT be placed on slopes steeper than 35% (20°) / 25% (15°)(Please refer to the Technical Data & Declaration of Conformity for Max.slope), and it should be placed at a distance of 26cm from any obstacle. The lower boundary wire should NOT be placed on slopes steeper than 17% (10°), and it should be placed at least 40cm away from any obstacle when positioned on a slope that is 17%.

NOTE: The lower boundary wire cannot be laid across a slope steeper than 17% as Landxcape™ will slip and cross outside the wire, especially when the grass is wet.



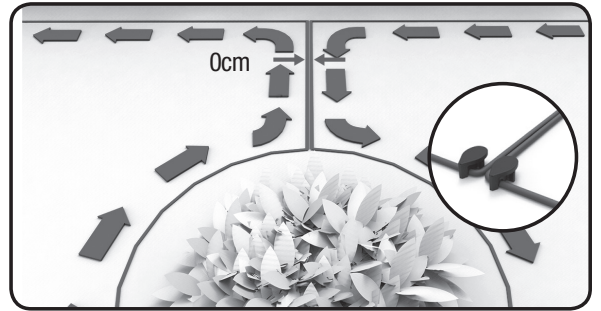
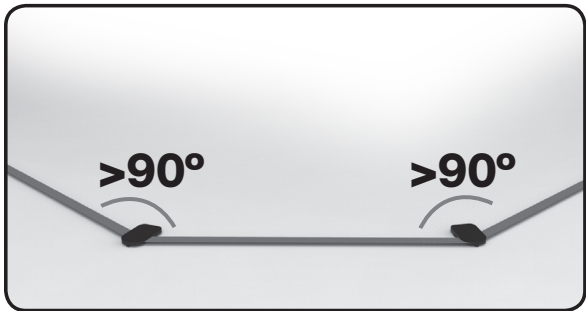
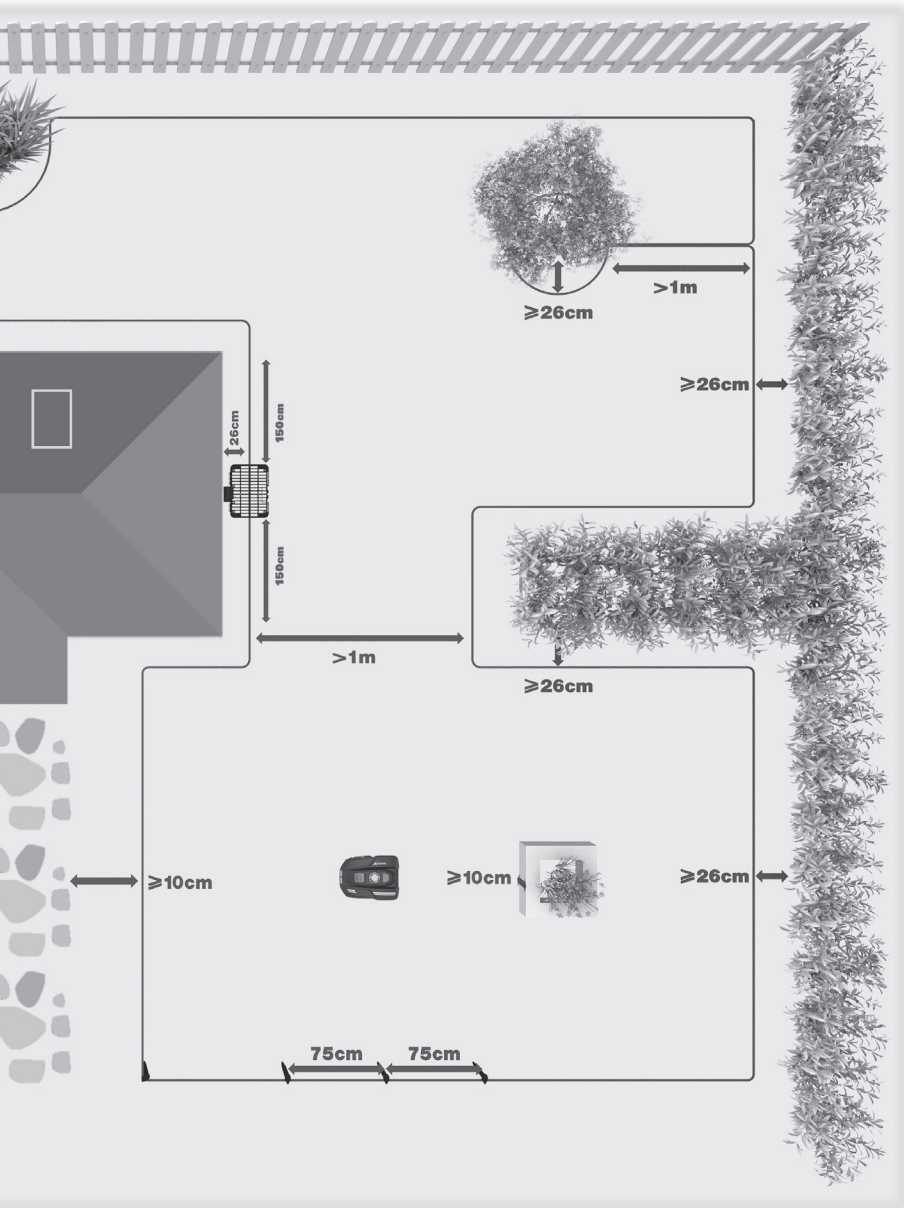
Overview



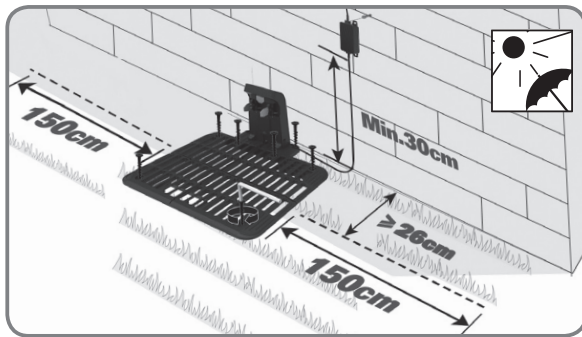
Your Landxcape™ needs to know where to mow. Using the boundary wire, you'll define Landxcape™'s working area and form an invisible fence. This wire will also guide Landxcape™ to its charging base.

“Please note: Under certain conditions, additional magnetical fields generated by reinforcement steel (Rebar), which is often found in underground constructions like a parking garage or an underground hangar, can lead to navigational disturbances of robotics lawn mowers.”

If your neighbor also uses a Landxcape™, you must keep a space of at least 1 metre between your boundary wire and your neighbor's.



Installation



1. Place the charging base

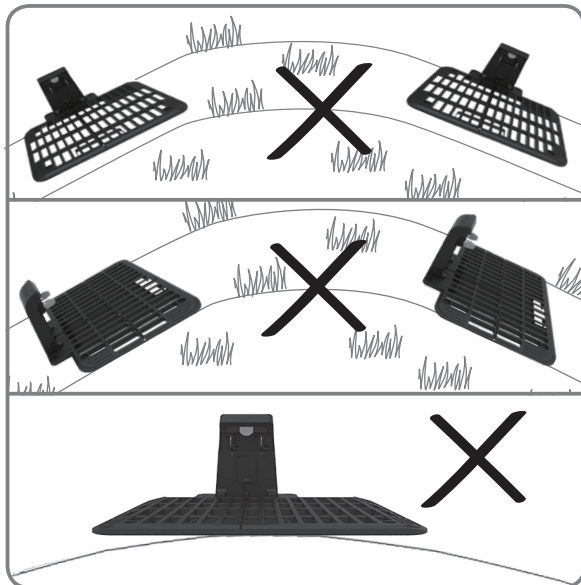
Find a flat surface for the charging base, the place should be dry and away from direct sun light. And the adapter can be mounted on the wall.

Landxcape™'s charging base can be placed against the wall or fence, with the charging components facing your lawn. If possible, place the charging base in the shade, and it is better to charge the battery in a cool place.

When laying the boundary wire, leave at least 150cm of straight wire with no obstacles on each side of the charging base. Make sure the adapter and electrical outlet are always kept in a dry place.

You can now permanently fix the charging base to the ground by tightening the supplied base fixing nails with the supplied hex key.

NOTE: Boundary wire on each side of the charging base should be straight for 150cm without corners or obstacles to ensure proper docking.



The charging station must be positioned on relatively level ground. It must not be positioned on an inclined surface or anywhere that makes its plate bend.

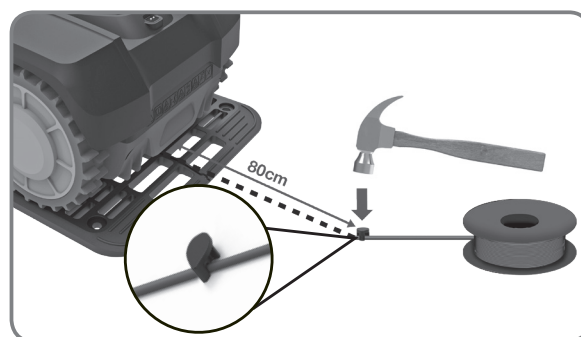
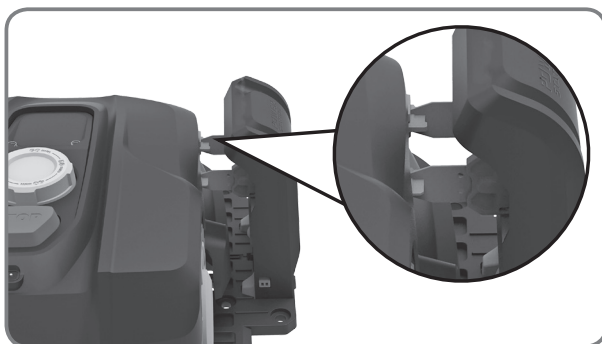
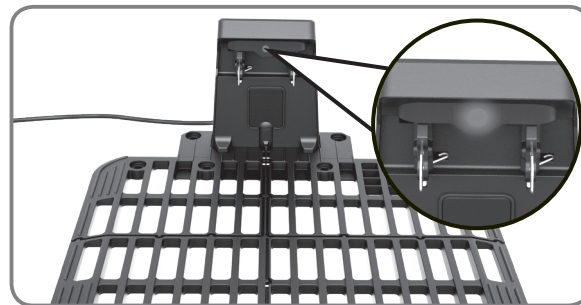
2. Charge your Landxcape™ before the first operation

Connect the power cord of the charging base to the adapter, please refer to “charger manual”.

Connect the adapter to the electrical outlet. The LED on the charging base will turn on in green color. Manually dock Landxcape™ into the charging base while Landxcape™ is powered off. The green light on the charging base will be flashing and Landxcape™ will begin to charge.

If the power cord is in Landxcape™’s working area, you may bury it if desired.

NOTE: If you want to plug the adapter in an indoor electrical outlet, you need to route the power cord through the hole in the wall. Please refer to charger manual.

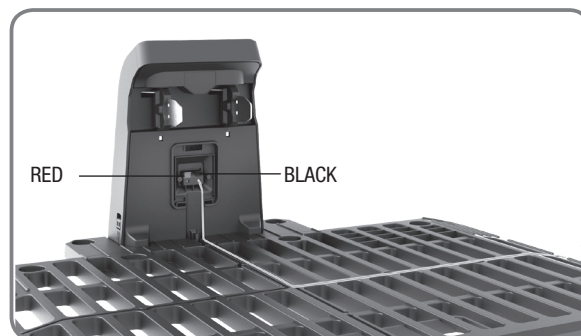


3. Peg the boundary wire

Before pegging the boundary wire, it is recommended to use a normal lawn mower or a grass trimmer to cut the grass along the boundary. Then the wire should be laid as close as possible to the ground to prevent your Landxcape™ accidentally cutting the wire. The boundary wire is powered with a very low voltage totally safe to humans and pets.

Pull out a length of boundary wire around 80cm and fasten it to the ground near the charging base. Later, this end of the boundary wire (IN-wire) will be connected to the BLACK terminal after pegging your boundary wire.

NOTE: The extended boundary wire should not exceed 400m or it may cause signal problem.

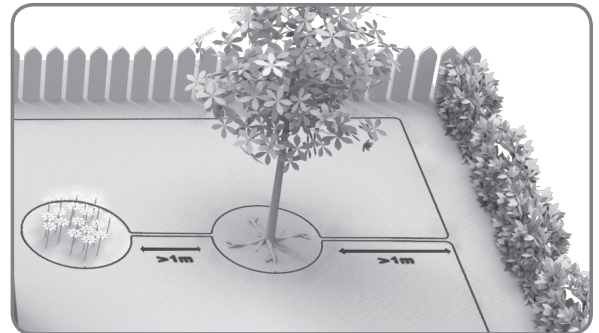
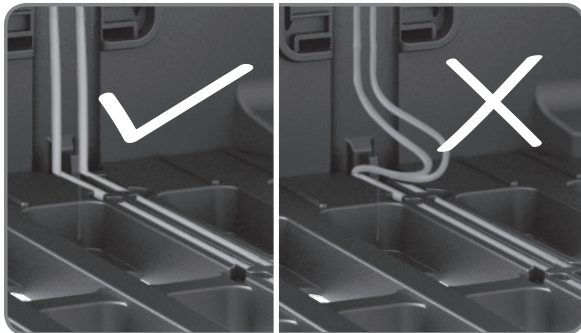
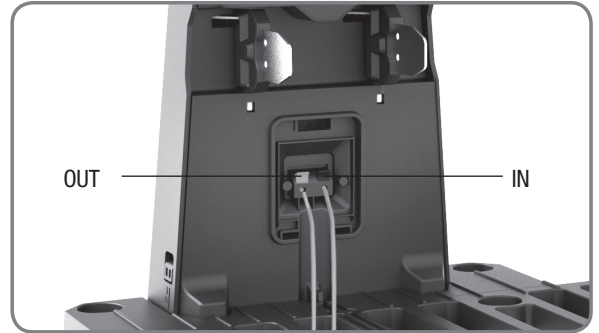
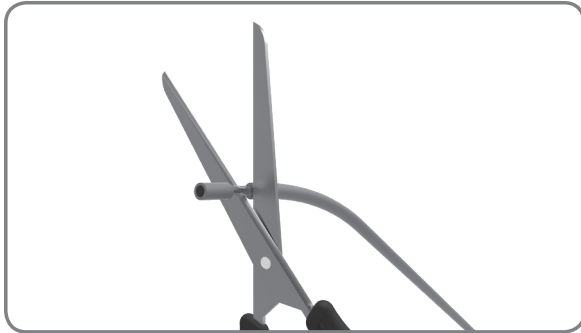
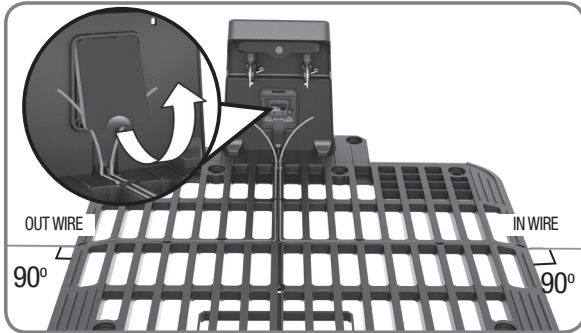
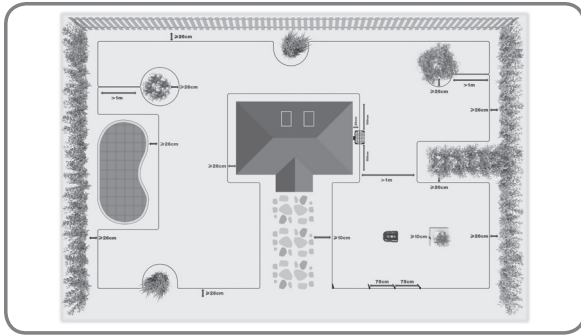


4. Complete the entire boundary wire setup

Lay down the boundary wire around the working area as the illustration shown.

After pegging the boundary wire, please take your Landxcape™ away from the charging base. Lead the boundary wire back to the charging base, leave a length of the boundary wire (OUT-wire) around 80cm and cut it off. Insert both wire ends into the grooves on the charging base. Peel off the plastic skin at the end of both wires (around 1cm), and connect the naked metal wire end of the IN-wire to the BLACK terminal and the end of OUT-wire to the RED terminal.

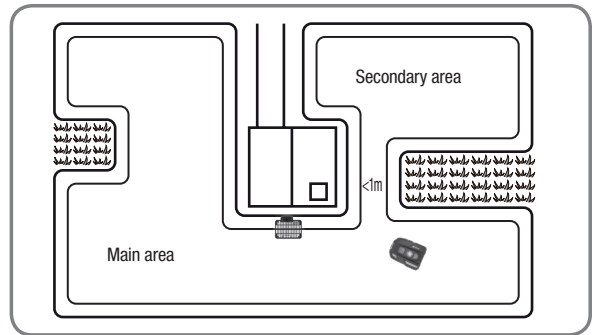
NOTE: If you need to extend the boundary wire, please refer to “Joining the Boundary Wire” in Owner’s Manual for instructions.



In the case of two islands that are close to each other, it would be convenient to lay out the wire as illustrated in the picture.

Landxcape™ can travel freely over the boundary wire between the areas and the mowing boundary.

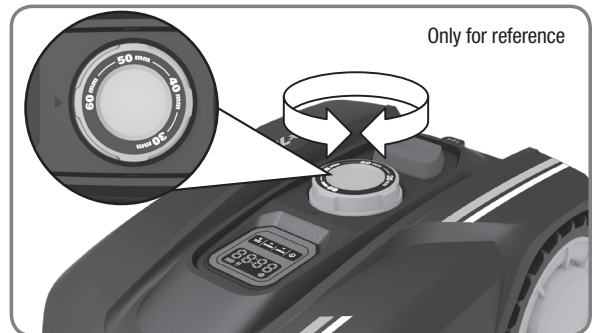
If your lawn has multiple areas connected to each other by a corridor, it should be at least 1 meter wide. If the corridor is narrower than 1 meter, Landxcape™ will have difficulty travelling between. In this case, it is recommended to set up a main area and a secondary area in your lawn. The boundary wire should be placed as illustrated in the picture. When the secondary area has to be cut, please pick up Landxcape™ and bring it to the secondary area. Landxcape™ will mow without problem, but you have to bring it back to the charging base when the battery runs out.



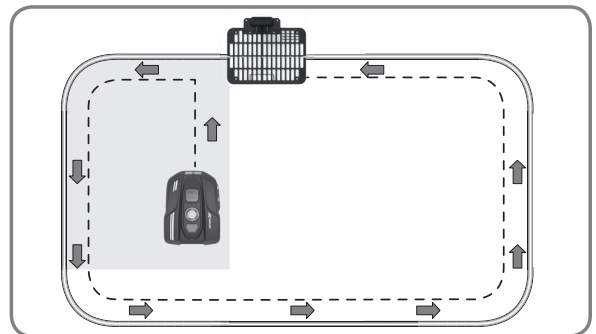
Verification

Before it starts mowing for the first time, make sure Landxcape™'s working area is clear of objects such as toys and branches...

1. Set the cutting height to the maximum level.



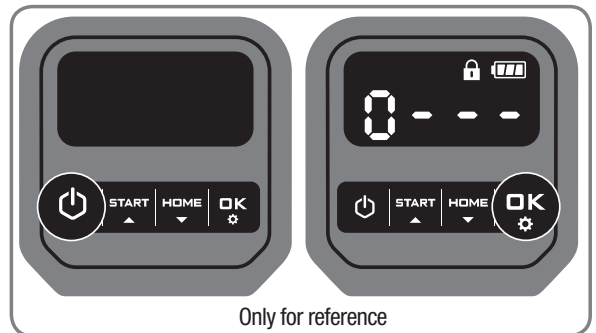
2. Place your Landxcape™ a few meters in front of the charging base.

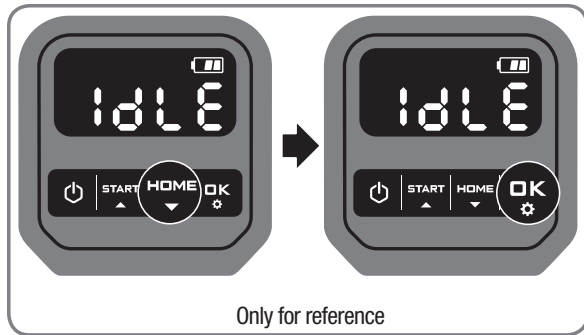


3. Press  until Landxcape™ turns on. For the first use, input the default PIN code 0000 by pressing  for four times when the number 0 is blinking.

NOTE: When Landxcape™ turns on, all lights on the display will be illuminated and then turn off. Check if there is any light damaged. It is recommended to shield the display with your hand when the outdoor light gets too strong.

NOTE: Landxcape™ will turn off if it does not receive any input within 30 seconds after it is turned on. If you enter wrong PIN code three times, Landxcape™ will raise the alarm “di-di” and then turn off.





4. Press **HOME** then **OK** to send Landxcape™ back to the charging base. Landxcape™ will follow the boundary wire to the charging base. When Landxcape™ touches the boundary wire, ultrasonic function * turns off automatically (only for specific model, please check Technical Data & Declaration of Conformity).
* With the ultrasonic function, your Landxcape™ has the ability to get round/avoid the obstacles by using ultrasonic sensor.

5. Fine tune the outline shape of the boundary wire if necessary.
NOTE: If the boundary wire is broken during the testing or you need to extend the boundary wire, please refer to “**Joining the Boundary Wire**” in Owner’s Manual for instructions. Check the status of the LED light indicator on the charging base to make sure the connection is OK. If the verification test is completed smoothly, you can start mowing by pressing **START** then **OK**. If there is any problem during verification test, please refer to “**Owner’s manual-Troubleshooting**”.

LED light indicator on the charging base	Status	Action
Light does not turn on	There is no power.	Confirm that the power cord is connected properly to the charger and that the charger is connected to a suitable power supply.
Green light on	Boundary wire is connected successfully; Landxcape™ is fully charged.	/
Red light on	The boundary wire isn’t connected.	Confirm that there are no breaks in the boundary wire.
	Power supply is connected successfully, while the wire is connected unsuccessfully.	Check that the boundary wire has been connected correctly to the charging base. Confirm that there are no breaks in the boundary wire.
Green light flashing	Landxcape™ is auto charging.	/

! WARNING

- If your Landxcape™ is outside its territory, it will not move and “- E ; -“ will be displayed. Move it inside its territory and repeat Verification.
- If your Landxcape™ is inside its territory but “- E ; -“ is displayed, please refer to “**Error Messages**” in Owner’s Manual for solutions.
- Your Landxcape™ should always remain switched on. If you ever need to turn it off, then make sure you place it within its boundary area before you switching it back on again.
- Should your Landxcape™ stop operating, simply restart it and operate it as you normally would.

NOTE: Please refer to the Owner’s Manual for more information.

Setting

Please refer to Owner’s Manual “4.3 Setting”.

App

Please refer to Owner’s Manual “5. App”.

Øversættelse af den originale brugsanvisning



ADVARSEL! Læs samtlige anvisninger. Manglende overholdelse af nedenstående anvisninger kan resultere i elektrisk stød, brand og/eller alvorlig personskaðe.

Læs alle vejledninger omhyggeligt, så denne maskine betjenes på en sikker måde.

Gem alle advarsler og vejledninger til senere brug.

Sådan installerer du din Landxcape™

Installationen af din Landxcape™ er let. Afhængig af størrelsen af din have, tager hele processen kun et kort stykke tid. Hvis du er ligesom os, hader du at spilde din kostbare fritid med at slå græs. Landxcape™ vil vise sig at være en god investering og yde pleje til din græsplæne i flere år.

Du kan se en installations demo video på www.landxcape-robotics.com.

Landxcape™ elsker at slå græs

Den er designet til at slå græs ofte, for at vedligeholde en sundere og bedre udseende plæne end nogensinde før. Afhængig af størrelsen af din plæne, kan Landxcape™ programmeres til at operere på ethvert tidspunkt og på enhver frekvens uden nogen restriktioner. Den er her for at arbejde for dig.

Forberedelse

Før installationen påbegyndes, læs hele denne installationsvejledning omhyggeligt igennem. Hvis du tegner en skitse over hele arbejdsområdet inklusiv alle forhindringer, vil det være lettere for dig at bestemme den ideelle placering for opladerstationen og, hvor grænsekablerne skal lægges.

I kassen



Landxcape™



Opladestation



Pløkker til opladestationen



Allennøgle



Ekstra klinger



Rulle til grænsekabel



Pløkker til grænsekabel



Strømadapter



Ledningssamler
(hvis leveret)



Afstandsmåler til grænsekablet



Installationsvejledning



Ejermanual



Garantibevis



Tekniske data og
overensstemmelseserklæring



Opladningshåndbog

Fra dit skur



En saks



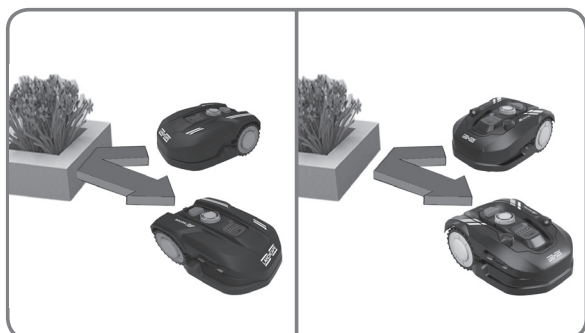
En hammer



Målebånd

Din Landxcape™'s nye hjem: din have

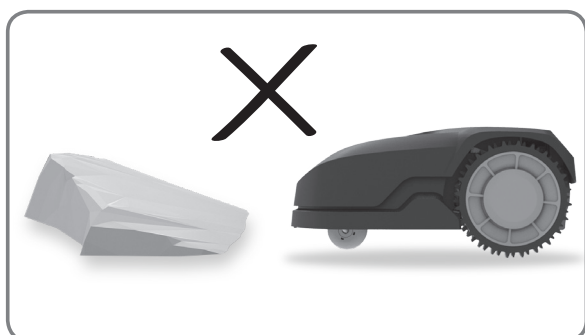
Lad os starte med et kig på din Landxcape™'s nye hjem – din have – her skal du finde de områder, hvor den sikkert kan køre, og de områder, som helt skal undgås.



Hindring

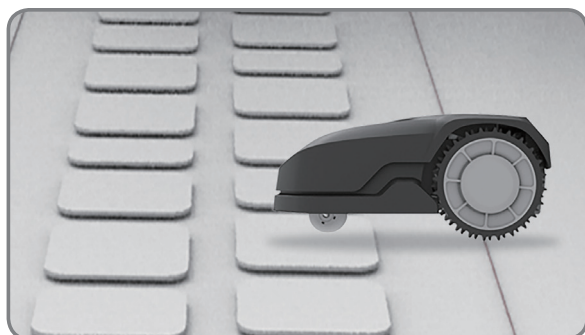
Hvis din Landxcape™ rammer genstande, som er solide, stabile og højere end 10cm - såsom en væg eller et hegn - vil den blot stoppe og dreje væk fra genstanden.

Med ultralydsfunktion kan din Landxcape™ omgå / undgå forhindringer over 19 cm (kun for specifikke modeller, bedes du kontrollere tekniske data & overensstemmelseserklæring).



Sten

Sten som er tunge nok til at de ikke kan flyttes, kan din Landxcape™ sagtens køre imod. Men hvis stenen har en skrå overflade, som din Landxcape™ kan køre opad, skal du flytte stenen eller fjerne den helt fra området.

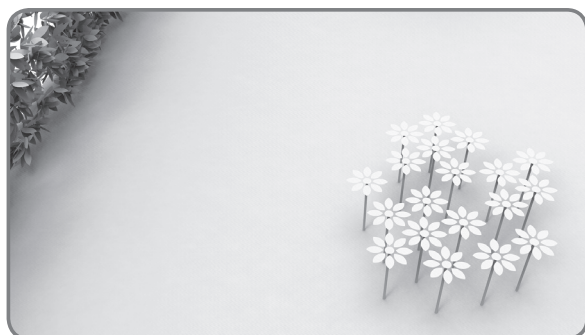


Indkørsler

Hvis din indkørsel er plan med græsplænen, og der ikke stikker noget op mellem dem, kan Landxcape™ køre over den uden problemer. Hvis du ønsker at Landxcape™ skal undgå den, behøves kun en afstand på 10cm* imellem grænsekablet og plænen.

Hvis indkørslen er grusbelagt, må din Landxcape™ ikke køre over den, hold i dette tilfælde en afstand på 26cm* imellem grænsekablet og plænen ved hjælp af afstandsmåleren.

*Dette er den anbefalede afstand. Brug afstandsmåleren, som følger med, så du sikrer en ordentlig opsætning.

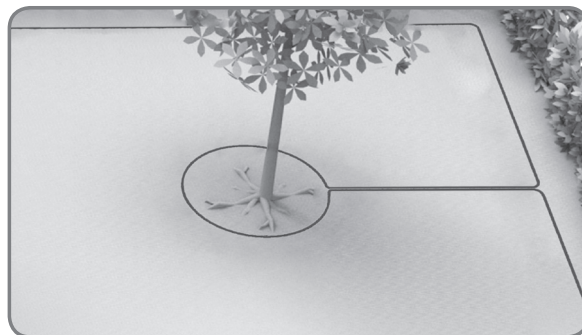


Blomsterbed, kær, swimmingpools...

Du vil nok helst ikke have, at din Landxcape™ køre over din blomster eller køre i vandet. Så disse områder skal undgås. Også forhindringer, der er 2-10 cm høje, skal fjernes fra Landxcape™'s arbejdsområde.

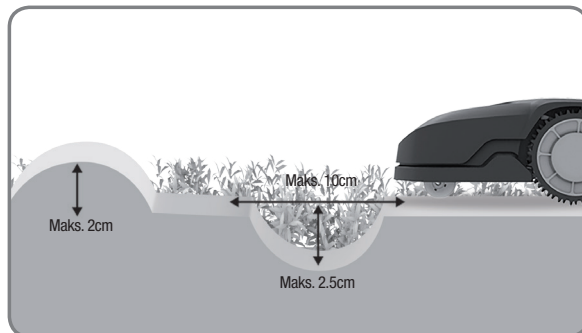
Træer

Hvis der stikker rødder op fra jorden, bør disse områder undgås for ikke at beskadige rødderne..



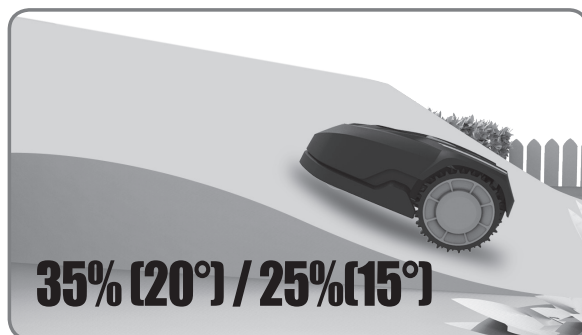
Fordybninger og bump

Hvis der er større bump (højere end 2 cm) eller fordybninger (bredere end 10 cm og dybere end 2,5 cm), skal du vurdere om klingerne kan nå jorden ellers vil Landxcape™ sidde fast i dem. Hvis dette ikke er tilfældet, skal du enten udjævne overfladen eller undgå området.



Bakker

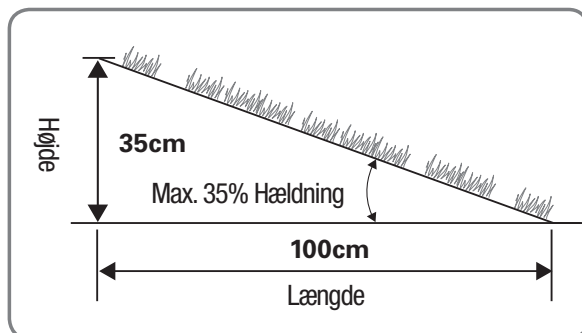
Din Landxcape™ er i stand til at køre op ad bakker op til 35% (20°)**/25% (15°)(Se tekniske data & Overensstemmelseserklæring for maks. Hældning), så du skal blot undgå stejlere bakker end dette.



** Hvordan beregner du hældningen på din plæne?

Så hældningen er:

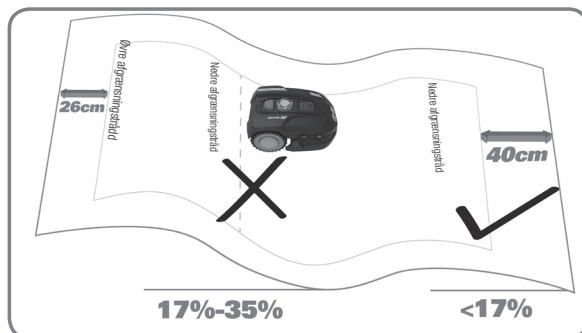
$$\frac{35\text{cm (Højde)}}{100\text{cm (Længde)}} = 35\% \text{ (Hældning)}$$



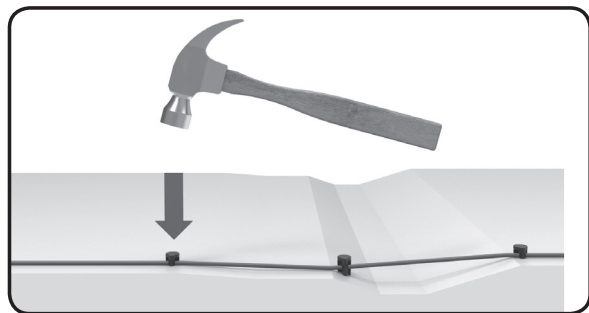
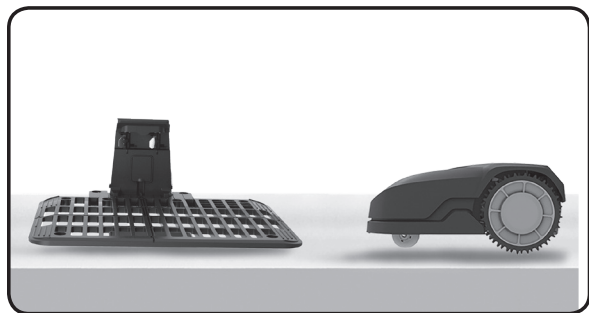
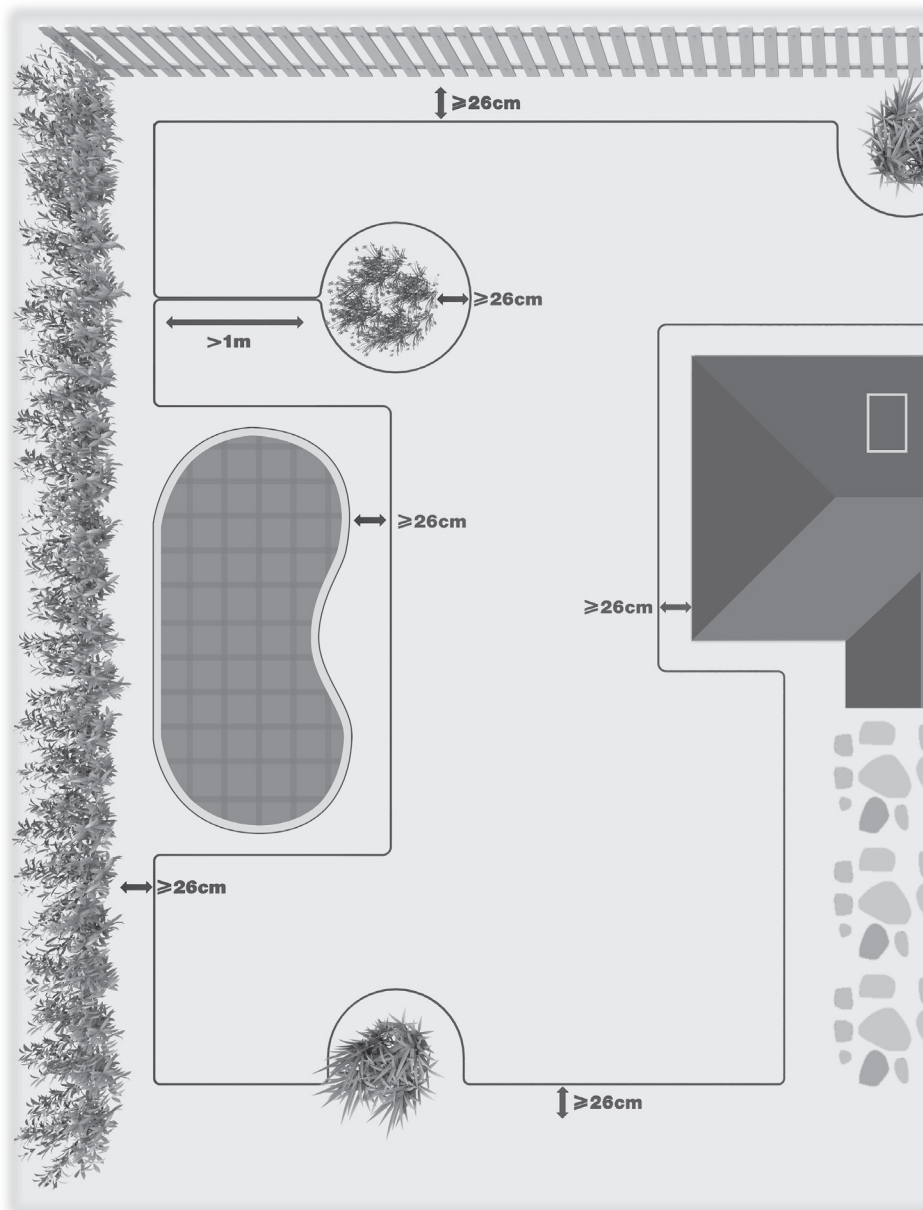
Placering af afgrænsningstråd på skråninger

Den øvre afgrænsningstråd må IKKE placeres på skråninger, som er stejlere end 35% (20°)/25% (15°)(Se tekniske data & Overensstemmelseserklæring for maks. Hældning). Den øvre afgrænsningstråd skal have en afstand på mindst 26 cm til andre genstande. Den nedre afgrænsningstråd må IKKE placeres på skråninger, som er stejlere end 17% (10°). Den nedre afgrænsningstråd skal have en afstand på mindst 40 cm til andre genstande, når den placeres på en skråning på 17%.

Bemærk: Afgrænsningstråden kan ikke udlægges på tværs af en skråning, der er stejlere end 17%, da Landxcape™ vil glide og komme uden for tråden, især når græsset er vådt.



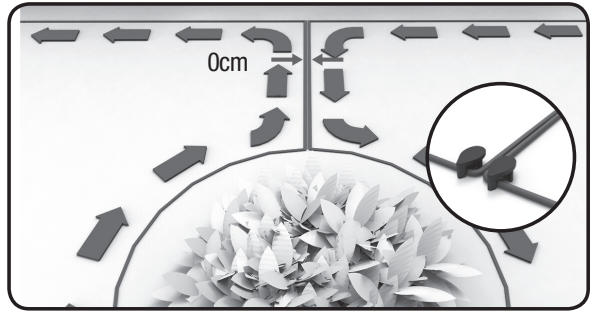
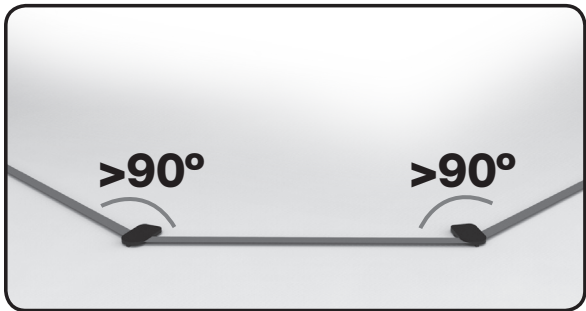
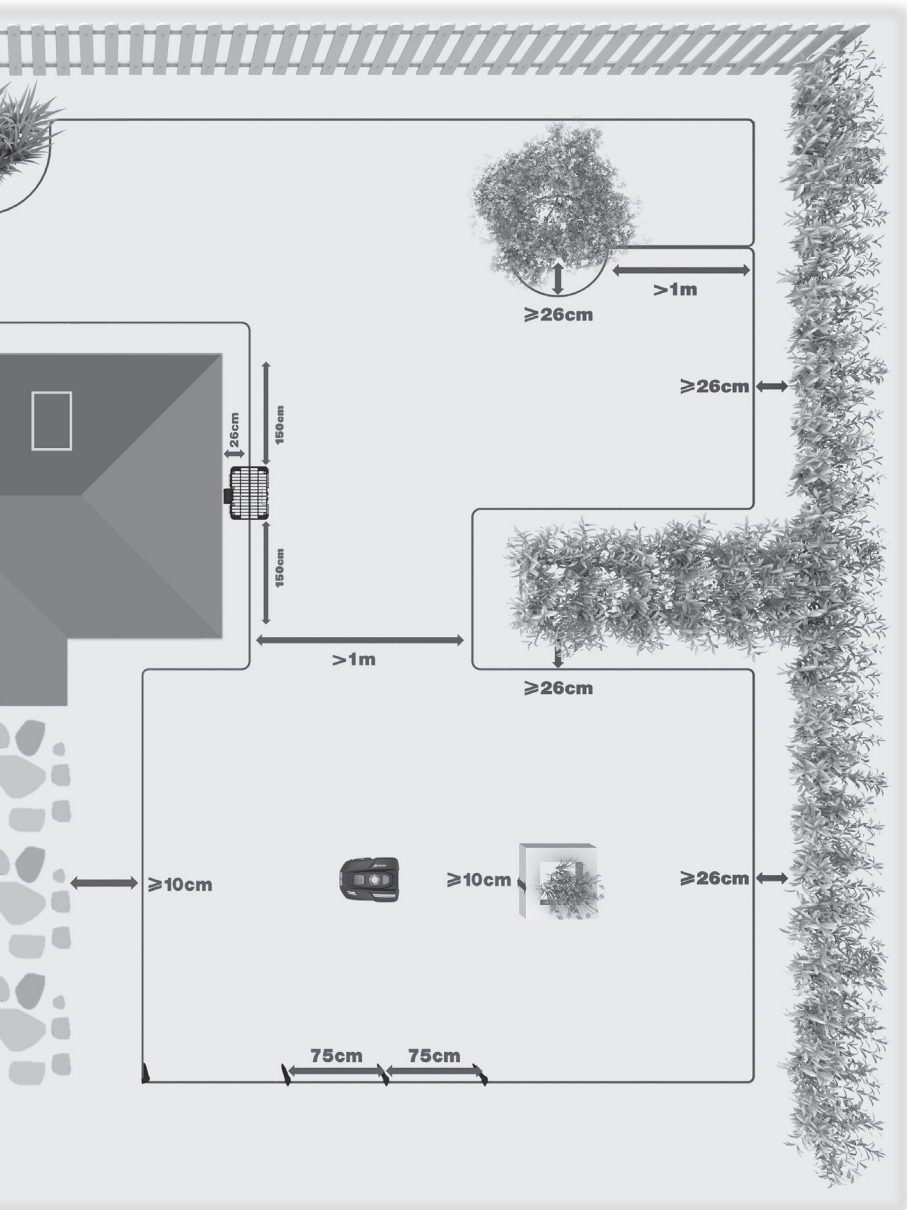
Oversigt



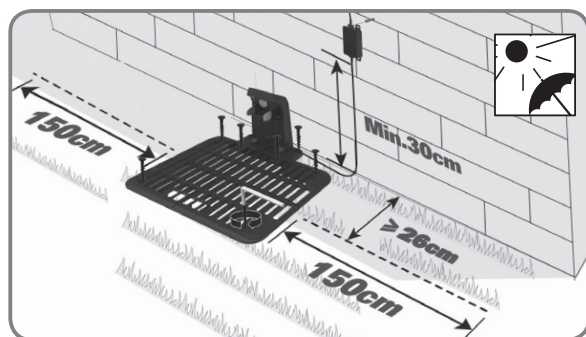
Din Landxcape™ skal vide, hvor den skal slå græsset. Du skal derfor afmærke dens arbejdsområde ved brug af grænsekablet, som laver en form for usynligt hegn. Dette kabel leder også din Landxcape™ til dens opladestation.

“Bemærk venligst: Under visse betingelser, ekstra magnetiske felter genereret af styrkelse stål (Armeringsjern), som ofte findes i underjordiske konstruktioner som en garage eller en underjordisk hangar, kan føre til navigationsmæssige forstyrrelser af robotik plæneklippere.”

Hvis din nabo også bruger Landxcape™, skal der være en afstand på mindst 1 meter mellem dit grænsekabel og naboens.



Installation



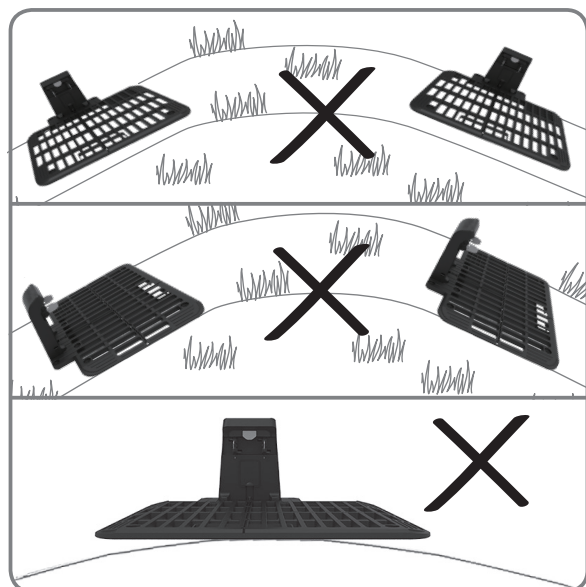
1. Placering af opladestationen

Find en flad overflade til ladestationen, stedet skal være tørt og væk fra direkte sollys, og adapteren kan monteres på væggen.

Landxcape™'s opladerstation kan placeres mod en mur eller et hegn med opladerkomponenterne pegende ud mod din plæne. Hvis muligt, skal du stille opladestationen i skyggen – batterier oplades bedre, når de er på et køligt sted. Lad afgrænsningstråden gå i en lige linje på mindst 150cm uden forhindringer til venstre og til højre for opladestationen. Sørg for, at adapteren og stikkontakt holdes altid på et tørt sted.

Du kan nu fastspænde opladestationen permanent til jorden, ved at spænde de medfølgende pløkker på med unbrakonøglen.

BEMÆRK: Afgrænsningskablet på hver side af opladningsbasen bør være lige over 150cm uden hjørner eller hindringer for at sikre korrekt docking.



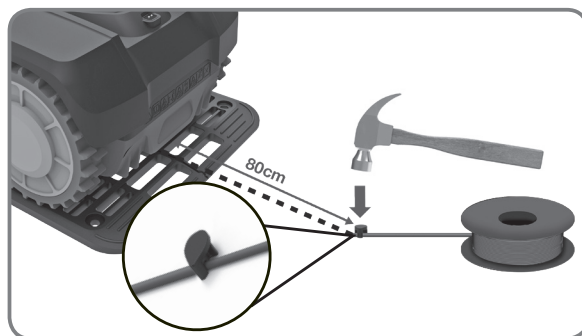
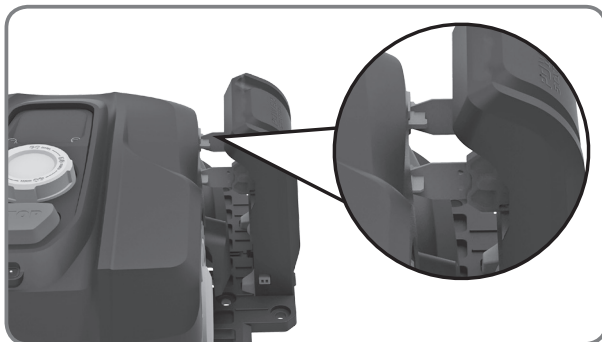
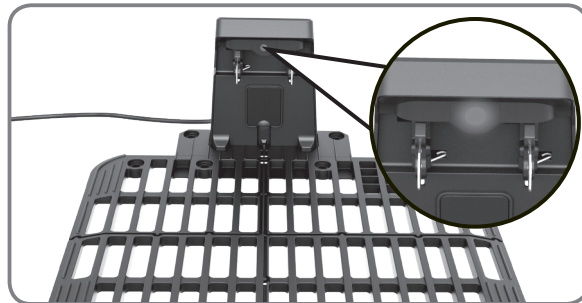
Opladerstationen skal placeres på et plant område. Den må ikke placeres på en skrå overflade eller et sted, hvor pladen kan blive bøjet.

2. Oplad Landxcape™ før første anvendelse

Slut holderens netledning til adapteren, se "opladningshåndbogen". Forbind derefter adapteren til en strømkontakt. LED'en på ladestationen tændes med grønt lys. Tilslut manuelt Landxcape™ til opladningsstationen mens Landxcape™ er slukket. Grønt lys blinker på opladningsstationen og Landxcape™ vil begynde at oplade.

Hvis el-ledningen er inden for arbejdsområdet, kan du også grave den ned, hvis nødvendigt.

BEMÆRK Hvis du vil tilslutte adapteren til en indendørs stikkontakt, skal du føre strømledningen gennem hullet i væggen. Se opladningshåndbogen.

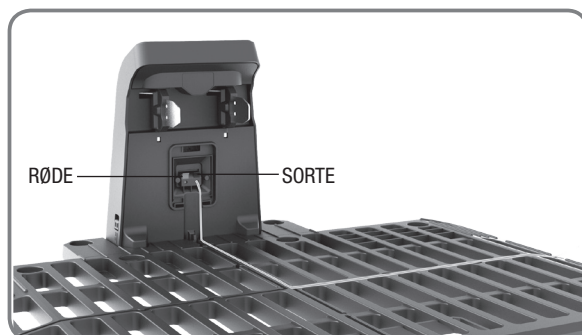


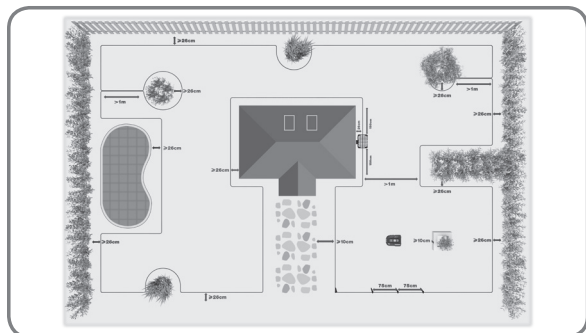
3. Sådan pløkkes grænsekablet i jorden

Når grænsekablet lægges ud, anbefales det at anvende en almindelig plæneklipper eller en græstrimmer til at slå græsset langs grænsen. Således kan kablet lægges så tæt som muligt på jorden for at forhindre, at Landxcape™ ved et uheld klipper kablet over. Grænsekablet har en meget lav spænding gennem sig, som er sikker for mennesker og dyr.

Træk omkring 80 cm grænsekabel ud og fastgør den til jorden nær ladestationen. Senere forbindes denne ende af grænsekablet (IND-kabel) til den SORTE terminal, når du har lagt grænsekablet.

BEMÆRK: Det forlængede afgrænsningskabel bør ikke være over 400 m. Ellers kan det forårsage signalproblemer.

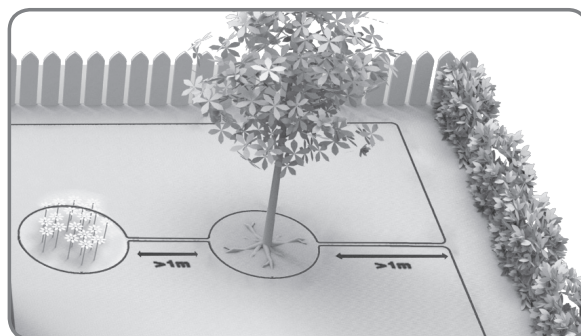
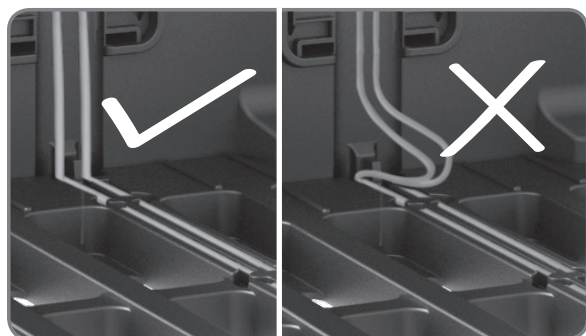
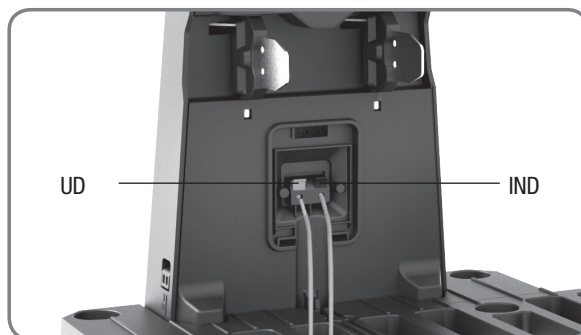
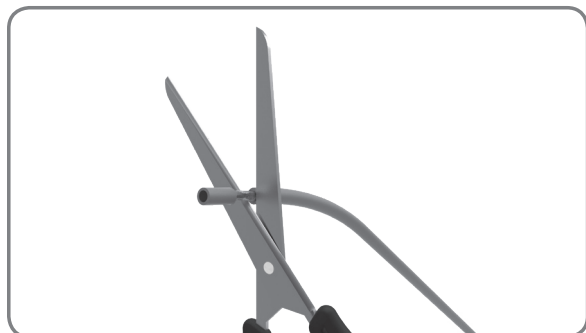
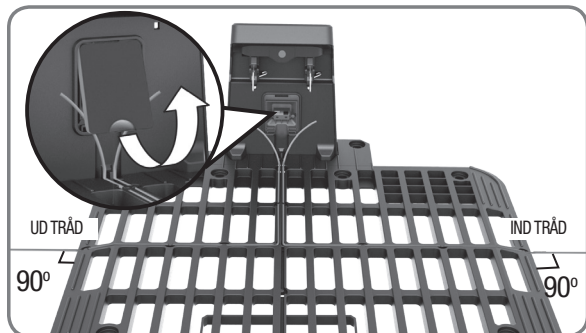




4. Færdiggørelse af opsætningen af afgrænsningstråden

Læg grænsekablet omkring arbejdsområdet som vist i illustrationen. Når du har lagt grænsekablet, skal du tage din Landxcape™ væk fra ladestationen. Før grænsekablet tilbage til ladestationen, sørg for at der er omkring 80 cm overskydende grænsekabel (UD-kabel) og klip resten af. Indsæt begge kabelender i rillerne på ladestationen. Fjern isoleringen på begge kabler (ca. 1 cm), og tilslut den afisolerede ende af IND-kablet til den SORTE terminal og UD-kablet til den RØDE terminal.

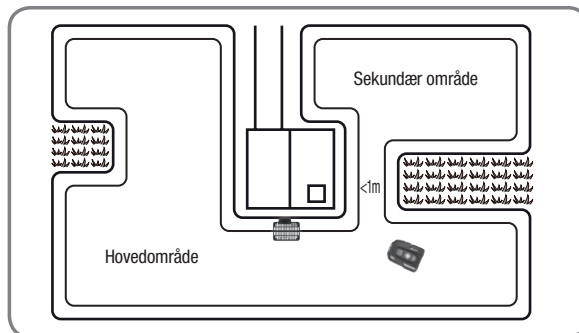
BEMÆRK: Hvis du har brug for at forlænge afgrænsningskablet, bedes du se i brugermanualen under "Tilslutning af afgrænsningskablet" for at få vejledning.



I tilfælde af to øer, der ligger tæt ved hinanden, ville det være passende at udlægge kablet som vist på billedet.

Din Landxcape™ kan frit køre over grænsekablet mellem øerne og kanten.

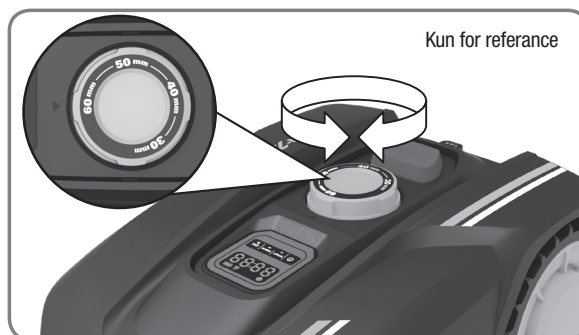
Hvis din græsplæne har to eller flere separate områder, som er forbundet med en gang, skal denne gang være mindst 1 meter bred. Hvis korridoren er smallere end 1 meter, vil Landxcape™ have svært ved rejser mellem. I dette tilfælde det anbefales at oprette et hovedområde og et sekundært område i din græsplæne. Grænseledningen skal placeres som illustreret i dette billede. Når det sekundært område skal skæres, afhent venligst Landxcape™ og bring det til det sekundært område. Landxcape™ vil slå uden problem, men du skal medbringe det tilbage til opladningsstationen, når batteriet løber ud.



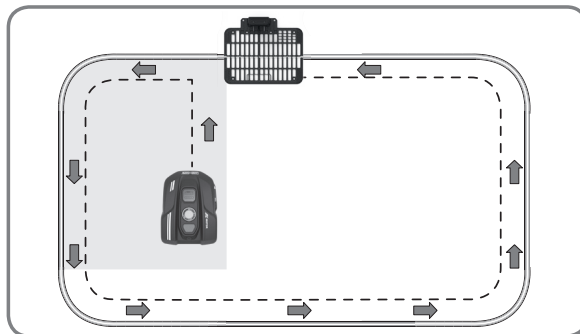
Kontrol

Før du starter den for første gang, skal du sørge for, at græsplænen er fri for genstande, såsom legetøj og grene...

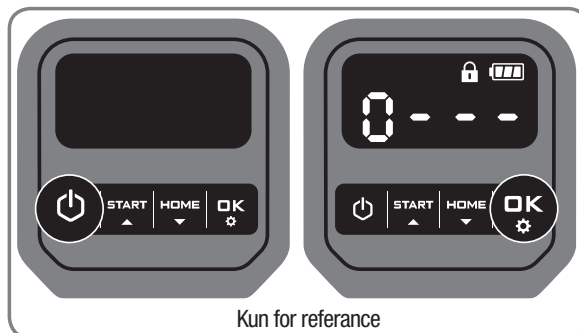
1. Indstil klippehøjden til det højeste niveau.

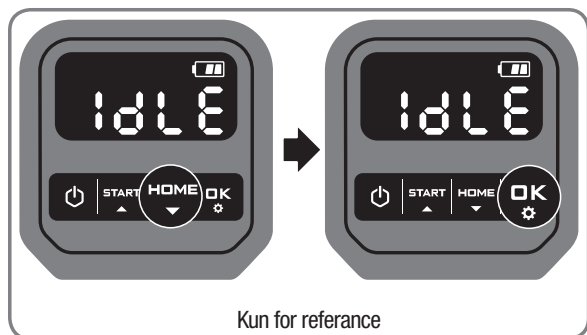


2. Anbring din Landxcape™ et par meter fra ladestationen.



3. Tryk på  indtil Landxcape™ tænder. For den første brug, input den standard PIN-kode 0000 ved at trykke  fire gange når tallet 0 blinker. **BEMÆRK:** Når Landxcape™ tændes, alle lysene på displayet vil blive belyst og derefter slukkes. Tjek om der er nogen lys beskadiget. Det anbefales at beskytte skærmen med hånden når udendørslyset bliver for stærkt. **BEMÆRK:** Landxcape™ vil slukke, hvis det ikke får nogen input inden for 30 sekunder efter at den er tændt. Hvis du indtaster forkert PIN-kode tre gange, vil Landxcape™ øge alarmen "di-di" og derefter slukke.





4. Tryk på **HOME** og **OK** for at sende Landxcape™ tilbage til ladestationen. Din Landxcape™ vil følge grænsekablet tilbage til ladestationen. Når Landxcape™ rører ved grænselinjen, slukkes ultralydsfunktionen * automatisk (kun for specifikke modeller, kontroller de tekniske data & overensstemmelseserklæring).
* Med ultralydsfunktion kan din Landxcape™ omgå / undgå forhindringer ved hjælp af ultralydssensorer.

5. Finjustér grænsekablet, hvis det er nødvendigt.

BEMÆRK: Hvis afgrænsningskablet er brudt under afprøvning, eller du synes, at du har brug for at forlænge afgrænsningskablet, se "**Samling med afgrænsningskablet**" i Brugervejledning.

Tjek status for LED lysindikatoren på opladnings stationen for at sikre at forbindelsen er OK.

Hvis verifikationen er fuldført uden problemer, kan du starte slåning ved at trykke **START** **OK** på derefter.

Hvis der opstår problemer under kontroltesten, se venligst "**Brugermanual - Fejlfinding**".

LED lysindikator på opladningsstationen	Status	Handling
Lyset tænder ikke	Der er ingen strøm.	Kontrollér, om strømkablet er korrekt forbundet til opladerstationen, og at opladerstationen er forbundet til en passende strømkontakt.
Grønt lyst tændt	Grænsekablet er forbundet korrekt; helt opladet.	/
Lamper lyser rød	Grænsekablet er ikke tilsluttet.	Tjek, at der ikke er brud på grænsekablet.
	Strømforsyningen er forbundet korrekt, men kablet er ikke forbundet korrekt	Kontrollér og forbind kablet igen. Kontrollér, at afgrænsningstråden ikke er afbrudt.
Grønt lys blinker	Landxcape™ oplader automatisk.	/

! ADVARSEL

- Hvis din Landxcape™ er uden for dets område, vil den ikke bevæge sig og "-- E !--" vil vises. Flyt det inde i dets område og gentag **Verifikation**.
- Hvis din Landxcape™ er inden for dens område, men "-- E !--" er vist, henvis venligst til "Fejl Besked" i Ejerens instruktionsbog til at finde løsninger.
- Din Landxcape™ skal altid være tændt. Hvis du får brug for at slukke for den, skal du sørge for at den er indenfor klippeområdet, når du tænder den igen.
- Hvis din Landxcape™ stopper driften, genstart den som du normalt ville gøre.

BEMÆRK: Se venligst Installationsvejledningen for flere oplysninger.

Indstilling

Se venligst Brugermanual "4.3 Indstilling".

App

Se brugsanvisningen "5. App".

Käännös alkuperäisestä ohjeiden



VAROITUS: Lue kaikki turvavaroitukset ja ohjeet. Varoitusten ja ohjeiden noudattamatta jättäminen voi johtaa sähköiskuun, tulipalloon ja/tai vakavaan vammaan.

Lue ohjeet huolellisesti koneen käyttämiseksi turvallisesti.

Säilytä kaikki varoitukset ja ohjeet tulevaa käyttöä varten.

Landxcape™ -ruohonleikkurin asentaminen

Landxcape™ in asennus on helppoa. Puutarhasi koon mukaan koko toimenpide kestää vain hetken. Jos olet samanlainen kuin me, et pidä ajatuksesta käyttää kallisarvoista aikaasi nurmikon leikkaamiseen. Landxcape™ on hieno investointi, joka tarjoaa nurmikon hoitoa vuosiksi eteenpäin.

Katso asennuksen esittelyvideo osoitteessa www.landxcape-robotics.com.

Landxcape™ rakastaa nurmikon leikkuuta

Se on suunniteltu leikkaamaan nurmikko usein, joten nurmikko pysyy terveempänä ja paremman näköisenä kuin koskaan aikaisemmin. Nurmikon koon mukaan Landxcape™ in voi ohjelmoida toimimaan ilman rajoitusta milloin ja miten usein tahansa. Landxcape™ on palveluksessasi.

Valmistelut

Ennen asennuksen aloitusta lue koko tämä Asennusopas huolellisesti. Piirrä kaavakuva työalueista kaikkine esteineen, niin sinun on helpompi löytää paras mahdollinen paikka latausalustalle ja selvittää, miten kehäjohtot on paras vetää.

Laatikon sisältö



Landxcape™



Latausalusta



Alustan kiinnikettä



Kuusiokulma-avain



Varaterää



Kehäjohtokela



Kehäjohton kiinnikettä



Verkkoalaite



Liitin (jos toimitettu)



Kehäjohton etäisyysmitta



Asennusopas



Käyttöohje



Takuuehdot



Tekniset tiedot ja
vaatimustenmukaisuusvakuutus



laturi
Manuaalinen

Vajastasi



Sakset



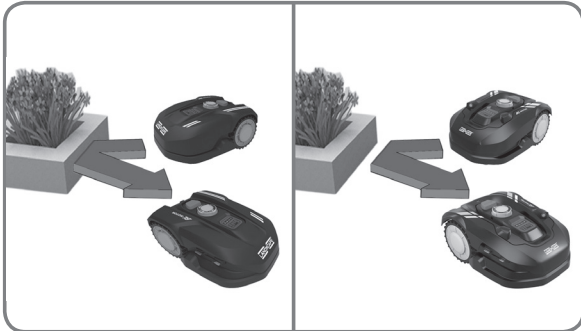
Vasara



Mittanauha

Landxcape™ in uusi koti: sinun puutarhasi

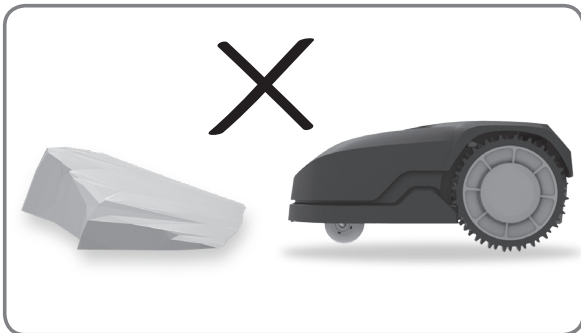
Aloitetaan tutkimalla tarkemmin Landxcape™ in uutta kotia - sinun nurmikkoasi - ja korostetaan alueita, joihin se voi mennä turvallisesti ja alueita, joita Landxcape™ in on parasta välttää.



Esteet

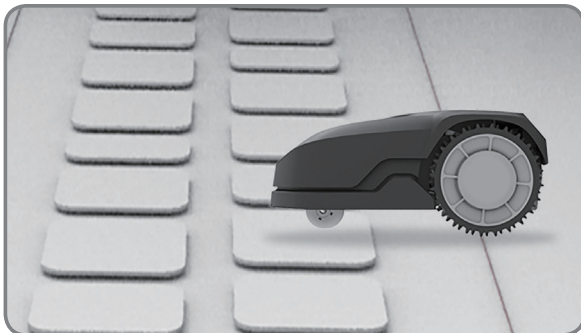
Osuessaan esteeseen, joka on kova, kiinteä ja korkeampi kuin 10 cm – kuten seinä tai aita – Landxcape™ yksinkertaisesti pysähtyy ja muuttaa suuntaansa pois päin esteestä.

Ultraäänitoiminnolla Landxcape™ voi ohittaa / välttää yli 19 cm:n esteitä (vain tietyissä malleissa, tarkista tekniset tiedot & vaatimustenmukaisuusvakuutus).



Kivet

Kiviin, jotka ovat liian painavia Landxcape™ in siirrettäväksi, on turvallista osua. Jos kivi on kaltevapintainen, jolle Landxcape™ voi kiivetä, se on poistettava tai kohta on suljettava pois työskentelyalueesta.



Ajotiet

Jos ajotie on samalla tasolla kuin nurmikko ja ilman esiin kohoavaa pintaa, Landxcape™ pystyy kulkemaan sen yli vapaasti. Jos haluat Landxcape™ in välttävän sitä, tarvitaan vain 10 cm:n väli kehäjohdon ja ajotien välissä.

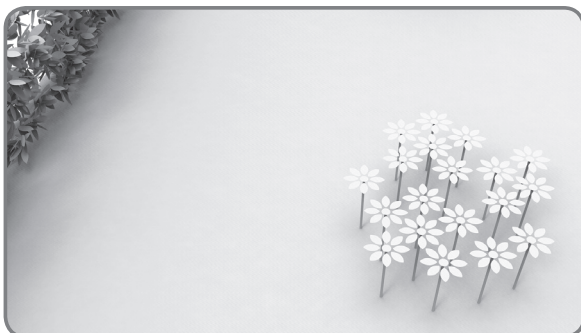
Jos ajotie on sorapintainen, Landxcape™:llä on estettävä sen päällä kulkeminen käyttäen etäisyyttä tilan jättämiseksi tässä tapauksessa säilyttäen 26 cm välin kehäjohdon ja ajotien välillä.

* Tämä on suositeltava etäisyys. Käytä toimitukseen kuuluvaa mittaa varmistamaan oikea asennus.

Kukkapenkit, lammikot, altaat...

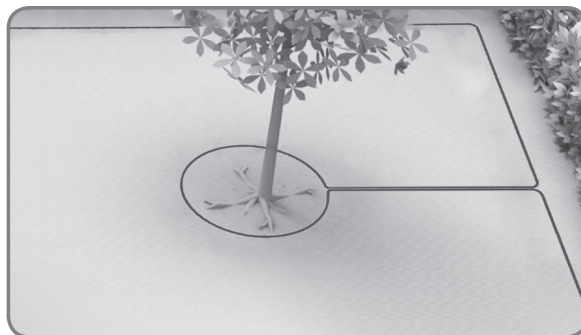
Et varmaankaan halua Landxcape™ in leikkaavan kukkiasi tai putoavan veteen. Näitä alueita on vältettävä.

Lisäksi 2 – 10 cm korkeat esteet on myös jätettävä pois Landxcape™ in toiminta-alueelta.



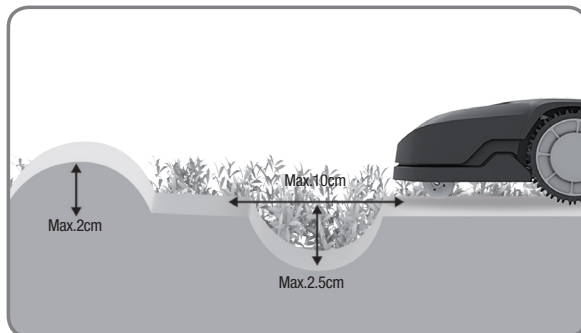
Puut

Jos maasta nousee juuria, näitä alueita tulisi välttää, jotta juuret eivät vahingoitu.



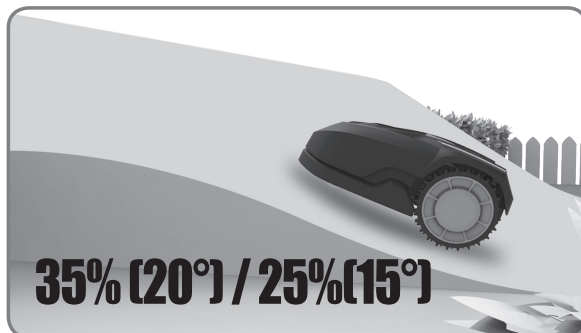
Kuopat ja töyssyt

Jos alueella on suuria töyssyjä (yli 2 cm korkeita) tai kuoppia (leveämpiä kuin 10 cm ja syvempiä kuin 2,5 cm), tarkista voivatko terät koskettaa maata tai voiko Landxcape™ juuttua kuoppiin tai töyssyihin. Jos näin on, tee pinnasta kaltevampi tai erota alue Landxcape™ in käyttöalueesta.



Rinteet

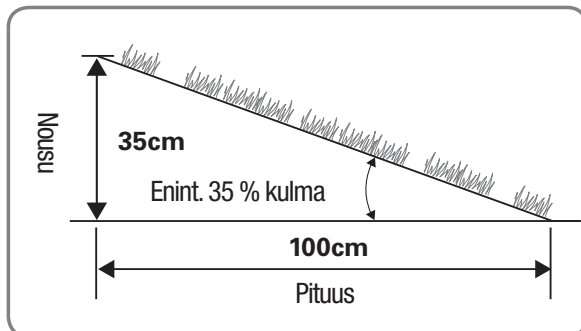
Landxcape™ pystyy kiipeämään turvallisesti rinnettä, jonka kallistus on enintään 35% (20°)**/25% (15°)(Katso tekniset tiedot & Vaatimustenmukaisuusvakuutus Maks.rinne), joten vältä tätä jyrkempiä rinteitä.



**Kuinka pystyt laskemaan nurmikkosi kaltevuuskulman?

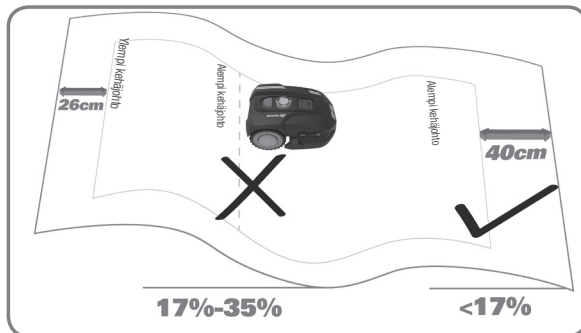
Joten rinne olisi:

$$\frac{35\text{cm (Nousu)}}{100\text{cm (Pituus)}} = 35\% \text{ (Kaltevuuskulma)}$$

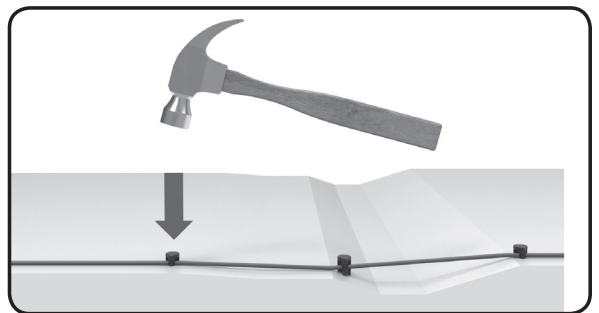
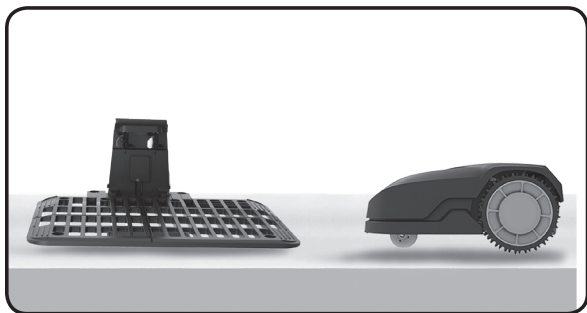
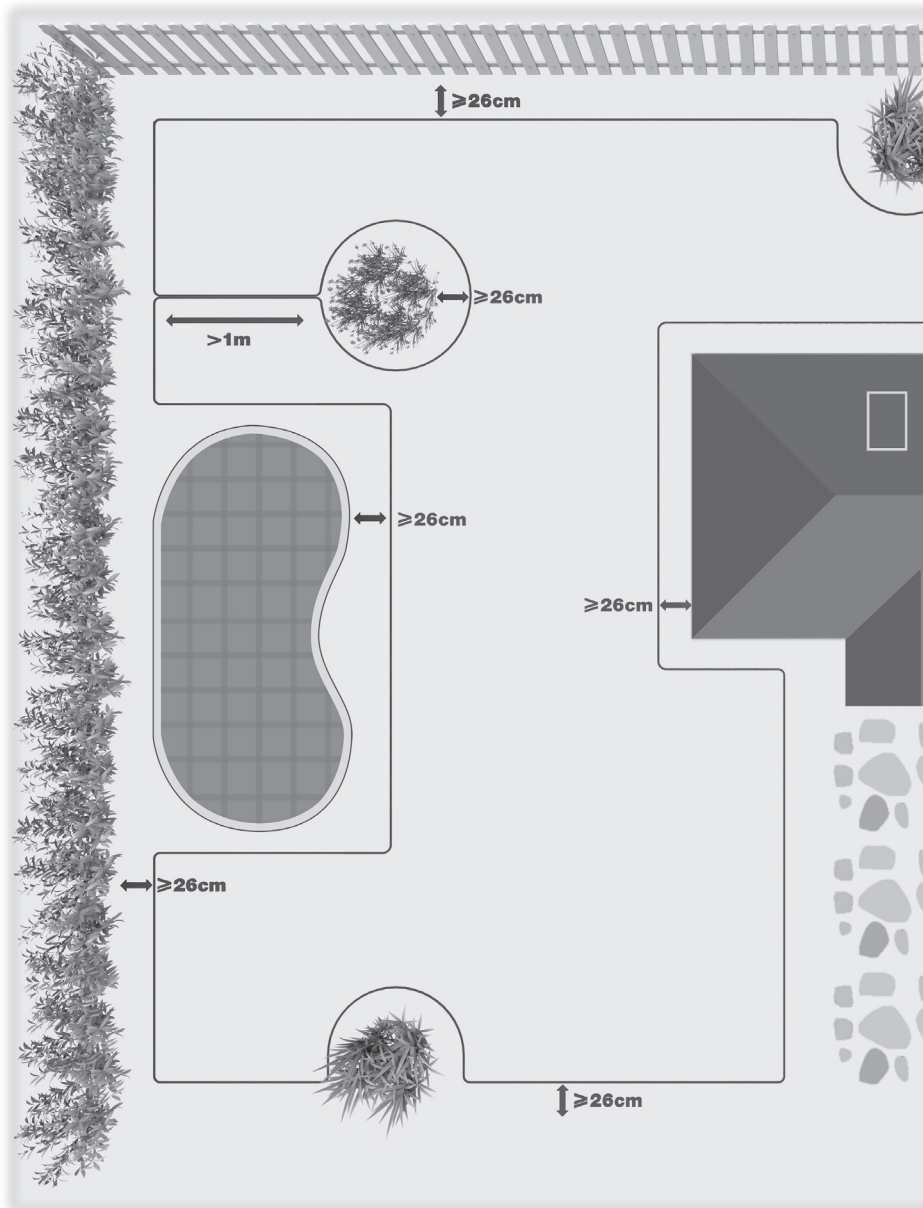


Kehäjohton asettaminen mäkiin

Ylempää kehäjohtoa EI tule asettaa mäkiin, joiden jyrkkyys on suurempi kuin 35% (20°)/25% (15°)(Katso tekniset tiedot & Vaatimustenmukaisuusvakuutus Maks.rinne). Ylemmän kehäjohton tulee olla vähintään 26 cm:n etäisyydellä kaikista esteistä. Alemmaa kehäjohtoa EI tule asettaa mäkiin, joiden jyrkkyys on suurempi kuin 17 % (10°). Alemman kehäjohton tulee olla vähintään 40 cm:n etäisyydellä kaikista esteistä, kun se on asetettu mäkeen, jonka jyrkkyys on 17 %. Huomautus: Kehäjohtoa ei voida asettaa rinteisiin, jotka ovat jyrkempiä kuin 17 %, tai Landxcape™ luistaa ja liukuu johdon ulkopuolelle, erityisesti, jos nurmikko on märkä.

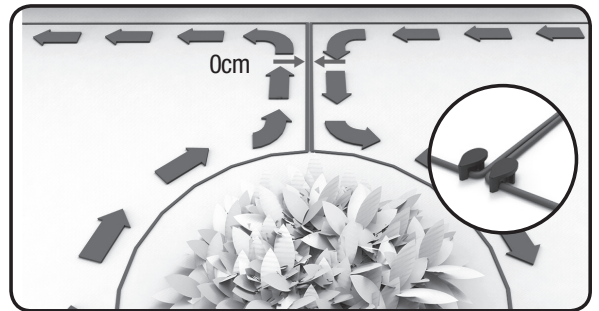
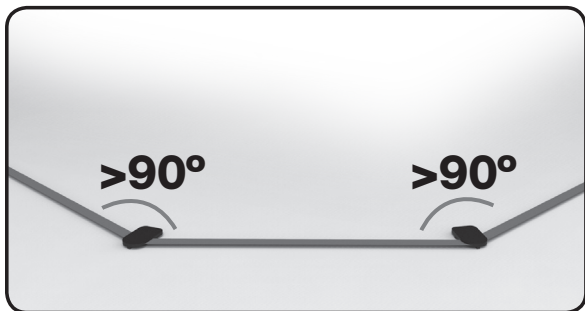
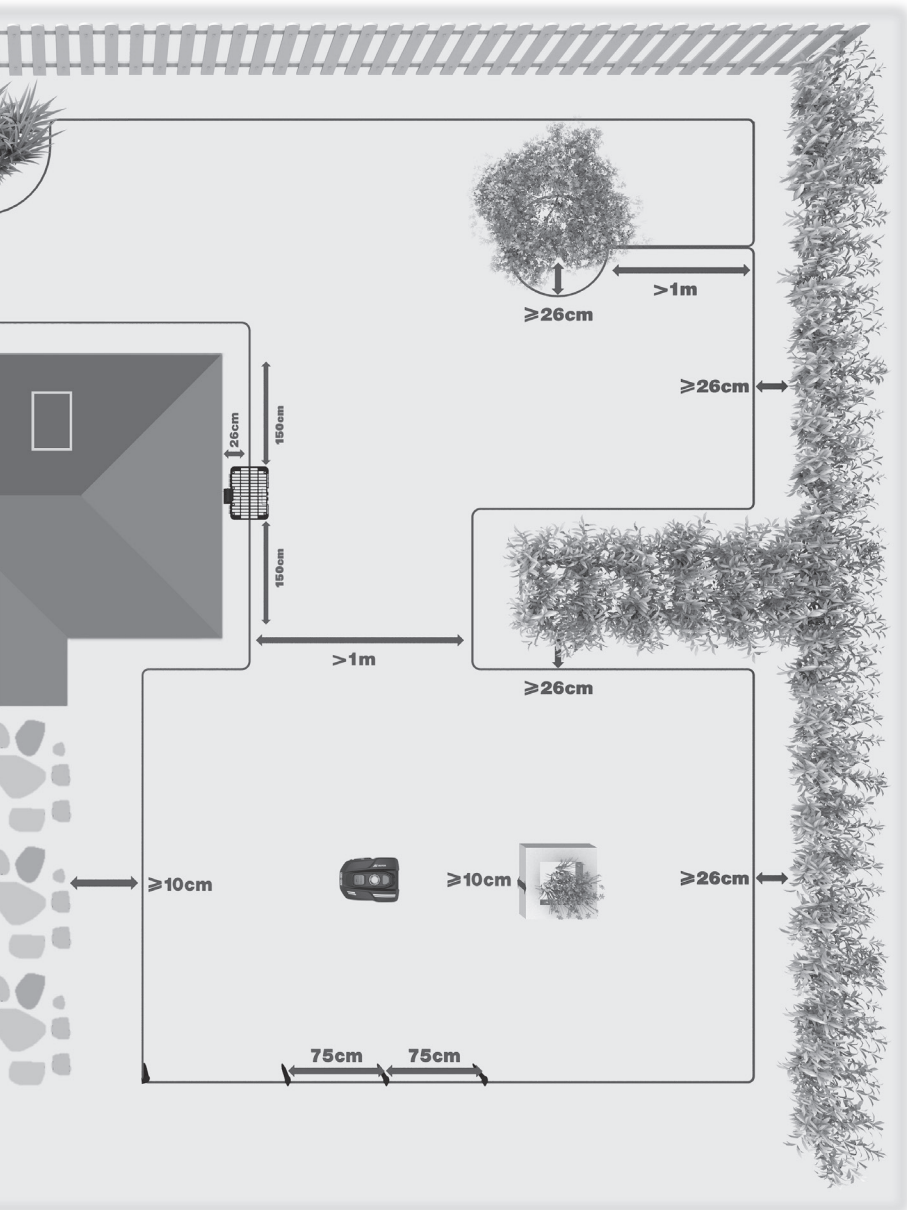


Yleiskatsaus

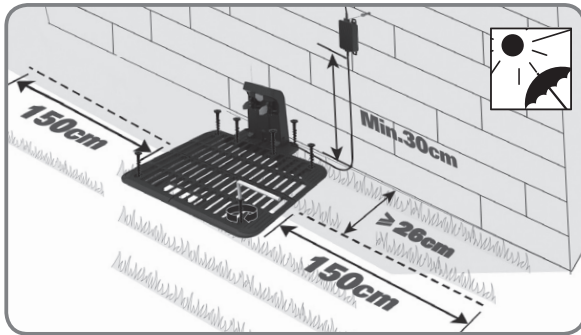


Landxcape™ in on tiedettävä, missä sen on leikattava nurmikkoa. Siksi sinun on merkittävä sen työskentelyalue kehäjohdolla, joka muodostaa näkymättömän aidan. Tämä johto myös opastaa Landxcape™ in latausalustalle.

“Huomioi: Tietyissä olosuhteissa lisätyt magneettikentät, jotka luodaan teräksestä (Raudoitus), jota usein esiintyy maanalaisissa rakenteissa, kuten parkkihalli tai maanalaiset hallit, voi johtaa automaattisten ruohonleikkureiden navigointihäiriöihin.”
Jos myös naapurisi käyttää Landxcape™ -ruohonleikkuria, pidä vähintään 1 metriä väliä oman kehäjohtosi ja naapurin johdon välillä.



Asennus



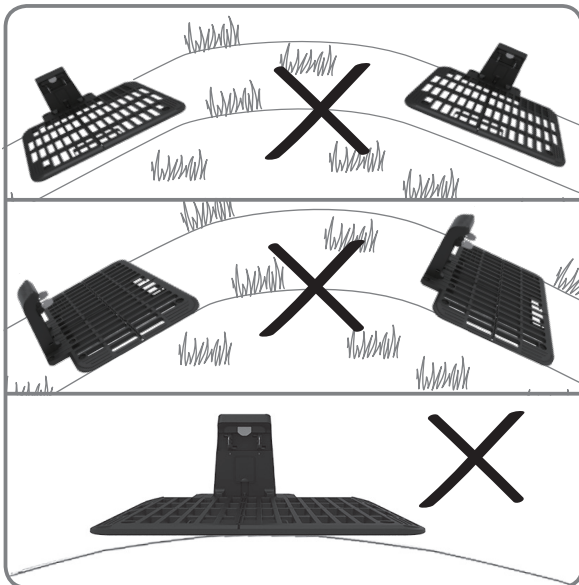
1. Latausalustan sijoittaminen

Etsi latausasemalle tasainen pinta. Paikan tulisi olla kuiva ja suojassa suoralta auringonvalolta, ja sovitin voidaan asentaa seinälle.

Landcape™ in latausalusta voidaan sijoittaa seinää tai aitaa vasten, latausosat kohti nurmikkoa. Jos mahdollista sijoita latausalusta varjoon: akut latautuvat paremmin viileässä paikassa. Jätä latausalustan vasemmalle ja oikealle puolelle vähintään 150cm pitkä suora ja esteetön kehäjohton osuus. Varmista, että sovitin ja virtajohtosäilytetään aina kuivassa paikassa.

Nyt voit kiinnittää latausalustan pysyvästi kiristämällä toimitukseen kuuluvat alustan kiinnikkeet kuusiokulma-avaimella.

HUOMAA: Rajakaapelin on oltava suorassa latausaseman kummallakin puolella suora 150cm ilman kulmia tai esteitä, jotta varmistetaan asianmukainen telakoituminen.



Latausalusta on sijoitettava suhteellisen tasaiselle maalle. Se ei saa olla kaltevalla pinnalla tai paikassa, jossa sen levy taipuu.

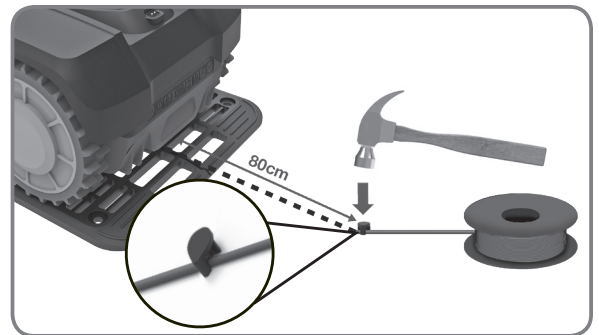
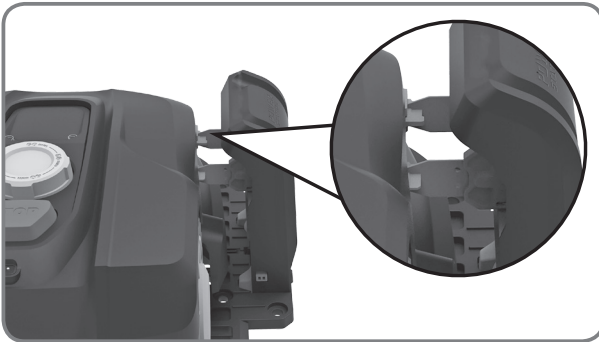
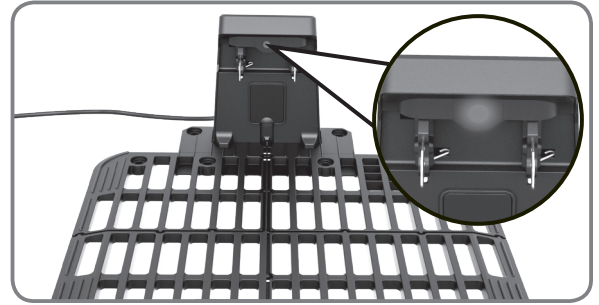
2. Lataa Landxcape™ ennen ensimmäistä käyttökertaa

Kytke telineen virtajohto adapteriin, katso” laturin käyttöohjeet “.

Liitä sitten sovitin verkkopistorasiaan. Latausaseman LED muuttuu vihreäksi. Aseta Landxcape™ käsin latausalustalle, kun Landxcape™ on sammutettu. Vihreä valo välkkyi latausasemassa ja Landxcape™ alkaa latautua.

Jos virtajohto on työskentelyalueella, se on kaivettava tarpeen mukaan maahan.

HUOMAA: Jos haluat kytkeä sovittimen sisällä olevaan sähköpistorasiaan, virtajohto on reititettävä seinään tehdyn reiän läpi. Katso laturin käyttöohjeet.

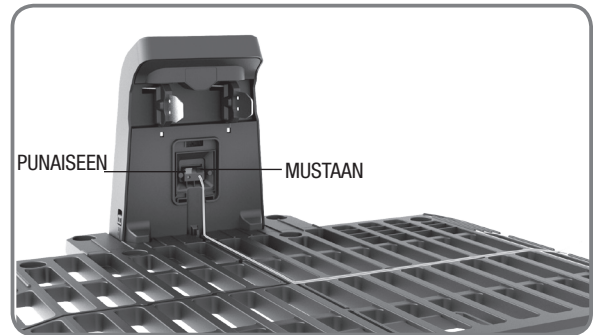


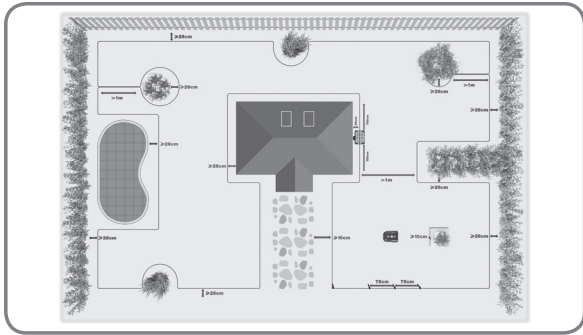
3. Kehäjohton kiinnittäminen

Kun kiinnität kehäjohtoa, suosittelemme tavallisen ruohonleikkurin tai trimmerin käyttöä ruohon leikkaamiseksi rajaa pitkin. Näin kehäjohton voi asettaa mahdollisimman lähelle maata, jotta Landxcape™ ei vahingossa leikkaa johtoa. Kehäjohtossa on hyvin matala jännite, joten se on täysin vaaraton ihmisille ja lemmikkieläimille.

Vedä rajalankaa noin 80 cm ulos ja kiinnitä se maahan lähelle latausasemaa. Myöhemmin tämä rajalangan pää (IN-lanka) liitetään MUSTAAN liittimeen sen jälkeen, kun rajalanka on kiinnitetty tapilla.

HUOMAA: Jatketun rajakaapelin pituus ei saa ylittää 400 metriä tai se voi aiheuttaa signaaliongelman.

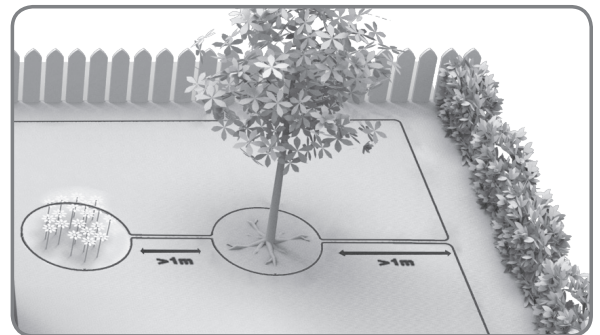
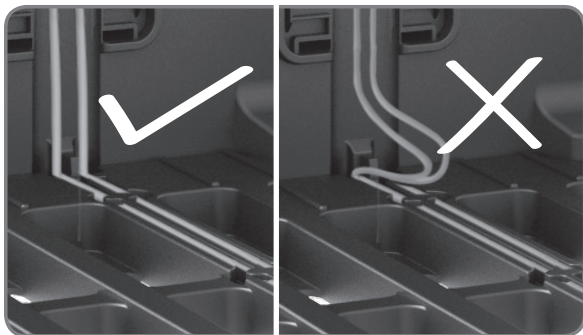
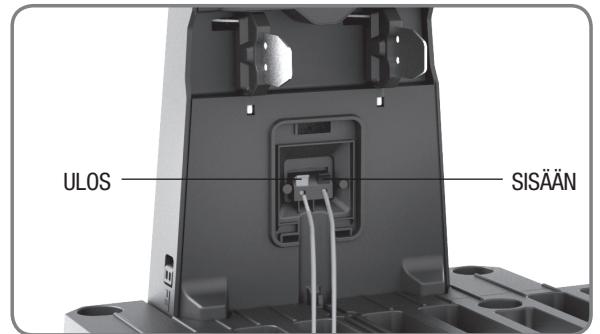
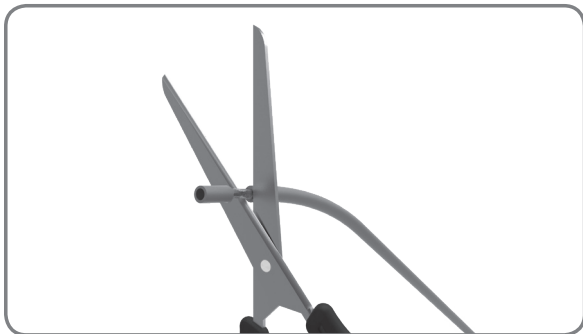
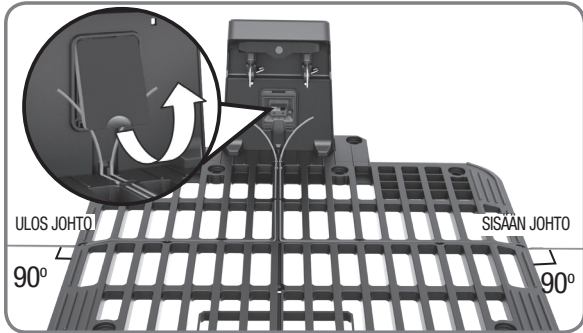




4. Kehäjohton asennuksen viimeistely

Laske rajalanka alas toiminta-alueen ympärille kuvassa näytetyllä tavalla. Kun rajalanka on kiinnitetty, ota Landxcape™ pois latausasemasta. Johda rajalanka takaisin latausasemaan, jätä rajalankaa (OUT-lanka) noin 80 cm:n pituus ja katkaise se. Laita molempien lankojen päät latausaseman uriin. Irrota muovikuorta molempien lankojen päistä (noin 1 cm) ja kytke IN-langan pään paljas metallilanka MUSTAAN liittimeen ja OUT-langan pään PUNAISEEN liittimeen.

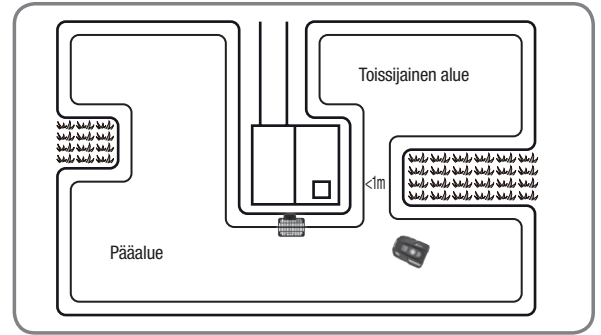
HUOMAA: Jos rajakaapelia on jatkettava, katso ohjeet omistajan käyttöoppaan osasta **“Rajakaapelin liittäminen”**.



Jos kyseessä on kaksi lähekkäin olevaa saarekettä, on kätevää asettaa johto yllä kuvatulla tavalla.

Landxcape™ pystyy kulkemaan vapaasti kehäjohton yli saarekkeiden ja leikkausrajan välillä.

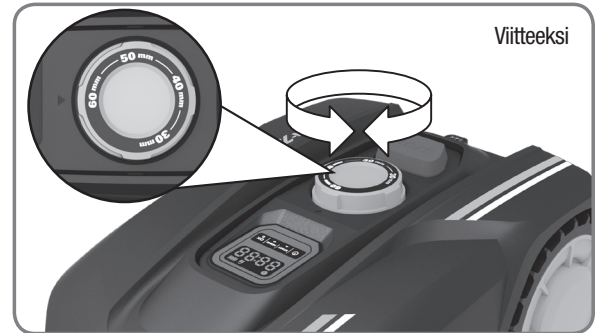
Jos nurmikoon kuuluu kaksi tai useampia erillisiä alueita, joiden välillä on käytävä, sen tulisi olla vähintään 1 metriä leveä. Jos tila on kapeampi kuin 1 metrin levyinen, Landxcape™:llä on vaikeuksia liikkua. Tässä tapauksessa on suositeltavaa perustaa pääalue ja toissijainen alue nurmikolle. Rajoituskaapeli tulee sijoittaa kuvan mukaisesti. Kun toissijainen alue on leikattava, ota Landxcape™ ja vie se toissijaiselle alueelle. Landxcape™ leikkaa ilman ongelmia, mutta sinun on palautettava se takaisin lataustelineeseen, kun akku loppuu.



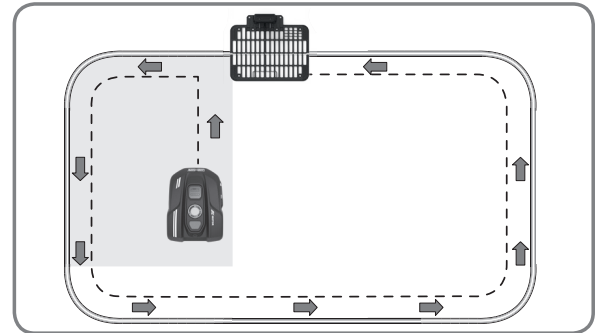
Varmistus

Ennen kuin käynnistät laitteen ensimmäistä kertaa, varmista, ettei käyttöalueella ole esineitä kuten leluja tai oksia.

1. Säädä leikkauskorkeus maksimitasolle.



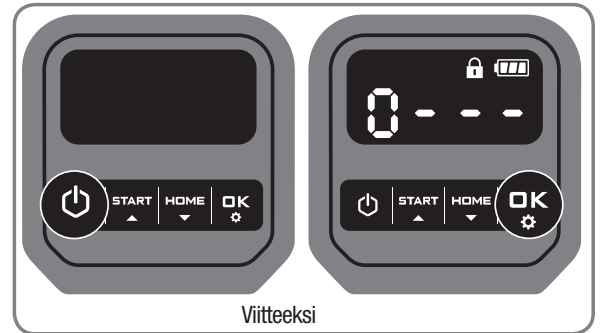
2. Aseta Landxcape™ työskentelyalueen sisäpuolelle muutama metri latausalustan taakse.

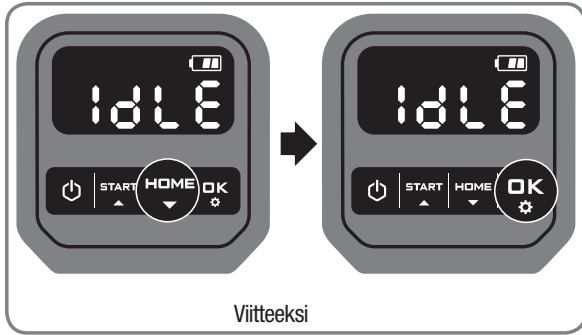


3. Paina , kunnes Landxcape™ kytkeytyy päälle. Syötä oletus PIN-koodi 0000 painamalla  numeroa 0 neljä kertaa, kun numero 0 vilkkuu.

HUOMIO! Kun Landxcape™ käynnistyy, kaikki näytön valot syttyvät ja sammuvat sitten. Tarkista, onko jokin valoista vaurioitunut. On suositeltavaa suojata näyttö kädellä, kun ulkona on kirkasta.

HUOMIO! Landxcape™ kytkeytyy pois päältä, jos sille ei saa käskyä 30 sekunnin kuluessa sen käynnistämisestä. Jos syötät väärän PIN-koodin kolme kertaa, Landxcape™ hälyttää äänellä "di-di" ja sammuu sitten.





4. Paina **HOME** ja **OK** lähettääksesi Landxcape™ takaisin latausasemaan. Landxcape™ seuraa rajalankaa latausasemaan. Kun Landxcape™ koskettaa rajaviivaa, ultraäänitoiminto * sammuu automaattisesti (vain tietyissä malleissa, tarkista tekniset tiedot & vaatimustenmukaisuusvakuutus).
* Ultraäänitoiminnolla Landxcape™ voi ohittaa / välttää esteitä ultraäänianturien avulla.

5. Hienosäädä rajalangan muotoa tarvittaessa.

HUOMAA: Jos rajoituskaapeli on rikki testauksen aikana tai jos huomaat, että rajoituskaapelia on jatkettava, katso ohjeet Omistajan käyttöoppaasta kohdasta **“Rajoituskaapelin yhdistäminen”**.

Tarkista latausyksikön LED-merkkivalon tila varmistaaksesi, että yhteys on kunnossa.

Jos varmennus testi on suoritettu onnistuneesti, voit aloittaa leikkaamisen painamalla **START** sitten **OK**.

Jos tarkistustestin aikana oli ongelmia, katso ohjeita **“Omistajan käyttöoppaasta-Vianetsintä”**.

LED-merkkivalo lataustelineessä	Tila	Toiminta
Valo ei syty	Virta ei ole kytketty.	Tarkista onko virtajohto liitetty oikein laturiin, ja että laturi on kytketty sopivaan pistorasiaan.
Vihreä valo palaa	Kehäjohto on liitetty oikein, täyteen ladattu.	/
Punainen valo palaa	Kehäjohtoa ei ole liitetty.	Tarkista, että kehäjohtossa ei ole katkoja tai murtumia.
	Sähkönsyöttö on liitetty oikein, mutta johto on liitetty väärin.	Tarkista ja liitä johto uudelleen. Tarkista, että kehäjohtossa ei ole katkoksia.
Vihreä valo vilkkuu	Landxcape™ latautuu automaattisesti.	/

VAROITUS

- Jos Landxcape™ on sen raja-alueen ulkopuolella, se ei liiku ja “- E ! -” tulee näkyviin näytölle. Siirrä sealueelle ja toista varmennustesti.
- Jos Landxcape™ on sen raja-alueella, mutta näytöllä näkyy “- E ! -”, katso ohjeet kohdasta “Virheviestit” käyttöoppaassa.
- Landxcape™ tulee aina olla kytkettynä päälle. Jos se on sammutettava, varmista, että asetat sen paikkaan, joka on leikkausalueen sisällä ennen kuin kytket sen takaisin päälle.
- Jos Landxcape™ lakkaa toimimasta, käynnistä se uudelleen ja käytä normaalisti.

HUOMAUTUS: Katso lisätietoja Käyttöohjeesta.

Asetukset

Katso ohjeita Omistajan käyttöoppaasta ”4.3 Asetukset”.

App

Katso käyttöohjeet ”5. Sovellus App”.

Øversettelse av den opprinnelige beskrivelsen



ADVARSEL Les gjennom alle advarslene og alle anvisningene. Hvis advarslene og anvisningene ikke følges, kan det forårsake elektriske støt, brann og/eller alvorlige skader.

Les nøye gjennom anvisningene for trygg bruk av maskinen.

Ta vare på alle advarsler og anvisninger slik at du kan lese dem senere.

Slik installerer du Landxcape™

Det er lett å installere Landxcape™. Dessuten er installasjonen fort gjort, litt avhengig av størrelsen på hagen. Du er sikkert enig med oss i at det burde være unødvendig å kaste bort verdifull fritid på å klippe plen. Landxcape™ vil vise seg å være en god investering som vil gi deg mange år med godt hagestell.

Du kan se en video som viser installasjonen på www.landxcape-robotics.com.

Landxcape™ liker å klippe plenen

Den er konstruert for å klippe plenen regelmessig, slik at du får en penere plen en noen gang før. Avhengig av hvor stor plenen er, kan du programmere Landxcape™ til å arbeide når som helst eller med jevne mellomrom uten restriksjoner. Den er her for å jobbe for deg.

Forberedelse

Les gjennom hele installasjonsguiden nøye før du begynner installasjonen. Å tegne et utkast av arbeidsområdet inkludert alle hindre, vil gjøre det enklere for deg å se de ideelle posisjonene for basestasjonen, og hvor grenseledningene bør legges.

I esken



Landxcape™



Ladestasjon



Låsepinner for basestasjon



Sekskantnøkkel



Reserveblader



Hjul for begrensningskabel



Begrensningspinner



Strømadapter



Kobling (hvis gitt)



Avstandsmåler for grenseledning



Installasjonsguide



Brukermanual



Garanti redegjørelse



Tekniske data og samsvarserklæring



Laderhåndbok

Fra skuret ditt



Saks



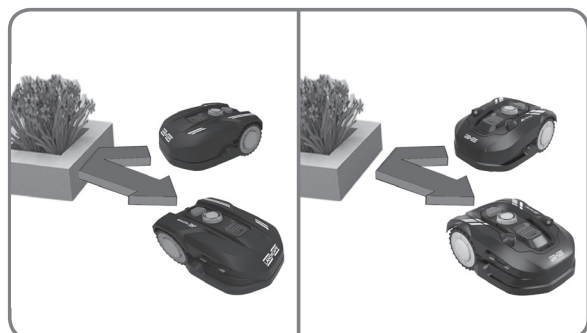
Hammer



Teip

Landxcape™ s nye hjem: hagen din

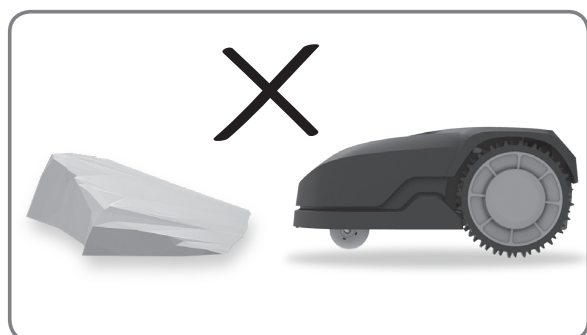
Vi starter med å ta en nærmere kikk på Landxcape™ s nye hjem – gressplenen din – og markerer de stedene det er trygt at den går, og de stedene Landxcape™ helst bør unngå.



Hindringer

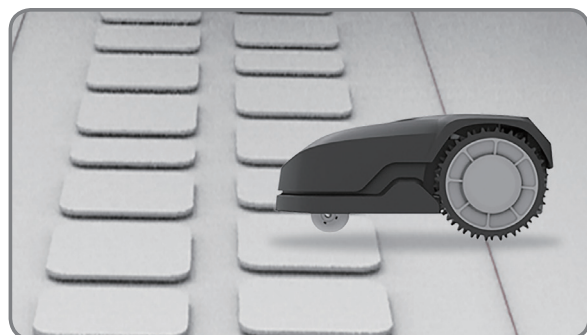
Når Landxcape™ treffer en hindring som er hard, stabil og høyere enn 10 centimeter, for eksempel en vegg eller et gjerde, tar den ganske enkelt og stopper og svinger vekk fra hindringen.

Med ultralydfunksjon kan Landxcape™ omgå / unngå hindringer over 19 cm (kun for spesifikke modeller, vennligst sjekk tekniske data & samsvarserklæring).



Steiner

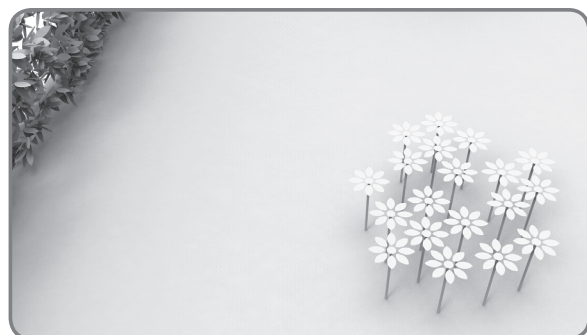
Steiner som er så tunge at de ikke blir flyttet på av Landxcape™, kan trygt bli liggende. Men hvis en stein en har skrånende overflate som Landxcape™ kan klatre på, bør den enten fjernes eller holdes utenfor arbeidsområdet.



Oppkjørsler

Hvis oppkjørselen ligger like høyt som plenen og dekket ikke stikker opp, kan Landxcape™ kjøre greit over den. Hvis du ønsker at Landxcape™ skal unngå den, trengs det bare en avstand på 10 cm* mellom grensetråden og veien. Hvis det er singel i oppkjørselen, bør ikke Landxcape™ kjøre over den. slik at det holdes en avstand på 26 cm* mellom grensetråden og veien.

* Dette er den anbefalte avstanden. Bruk den medfølgende avstandsholderen for å sikre riktig installasjon.

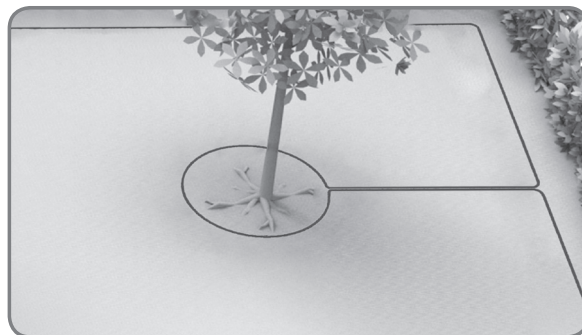


Blomsterbed, dammer, basseng ...

Du vil helt sikkert ikke at Landxcape™ skal klippe blomstene dine eller falle ut i vannet. Disse områdene bør unngås. I tillegg bør områder som er 2 cm - 10 cm høye også ekskluderes fra Landxcape™ s arbeidsområde.

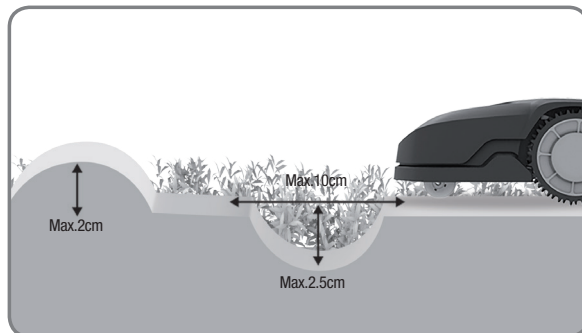
Trær

Hvis det er røtter som kommer opp av bakken, bør disse områdene unngås slik at røttene ikke skades.



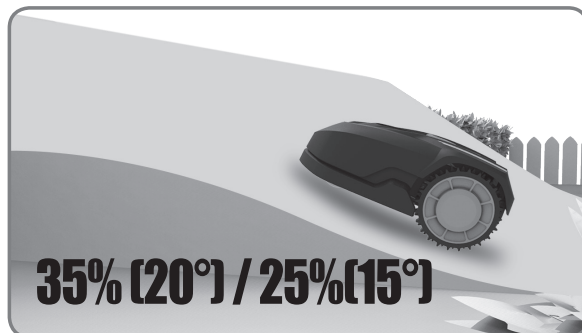
Nedsenkninger og humper

Hvis det finnes store humper (høyere enn 2 cm) eller groper (bredere enn 10 cm og dypere enn 2,5 cm), bør du se om bladene tar nedi bakken eller om Landxcape™ kan sette seg fast på dem. Hvis dette er tilfelle, bør du enten gjøre nedsenkningene mindre eller utelate disse områdene fra Landxcape™'s driftsområde.



Bakker

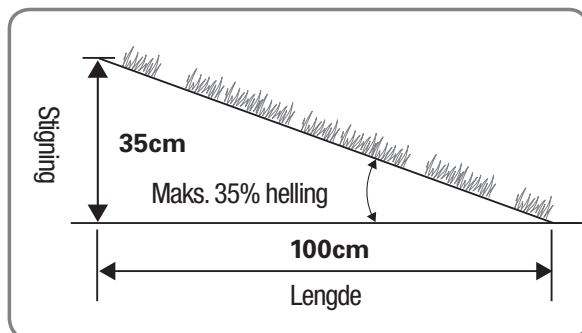
Landxcape™ kan klatre opp bakker med helling inntil 35% (20°)**/25% (15°) (Se tekniske data & Samsvarserklæring for maks. Skråningen), så noe som er brattere enn dette bør unngås.



** Hvordan beregne hellingen på plenen din?

Så hellingen vil være:

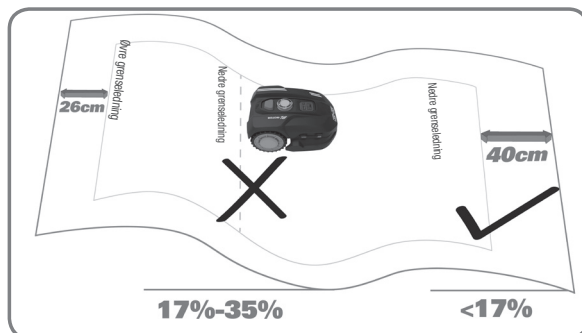
$$\frac{35\text{cm (Stigning)}}{100\text{cm (Lengde)}} = 35\% \text{ (Helling)}$$



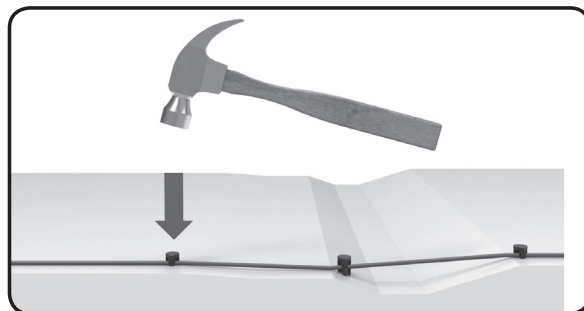
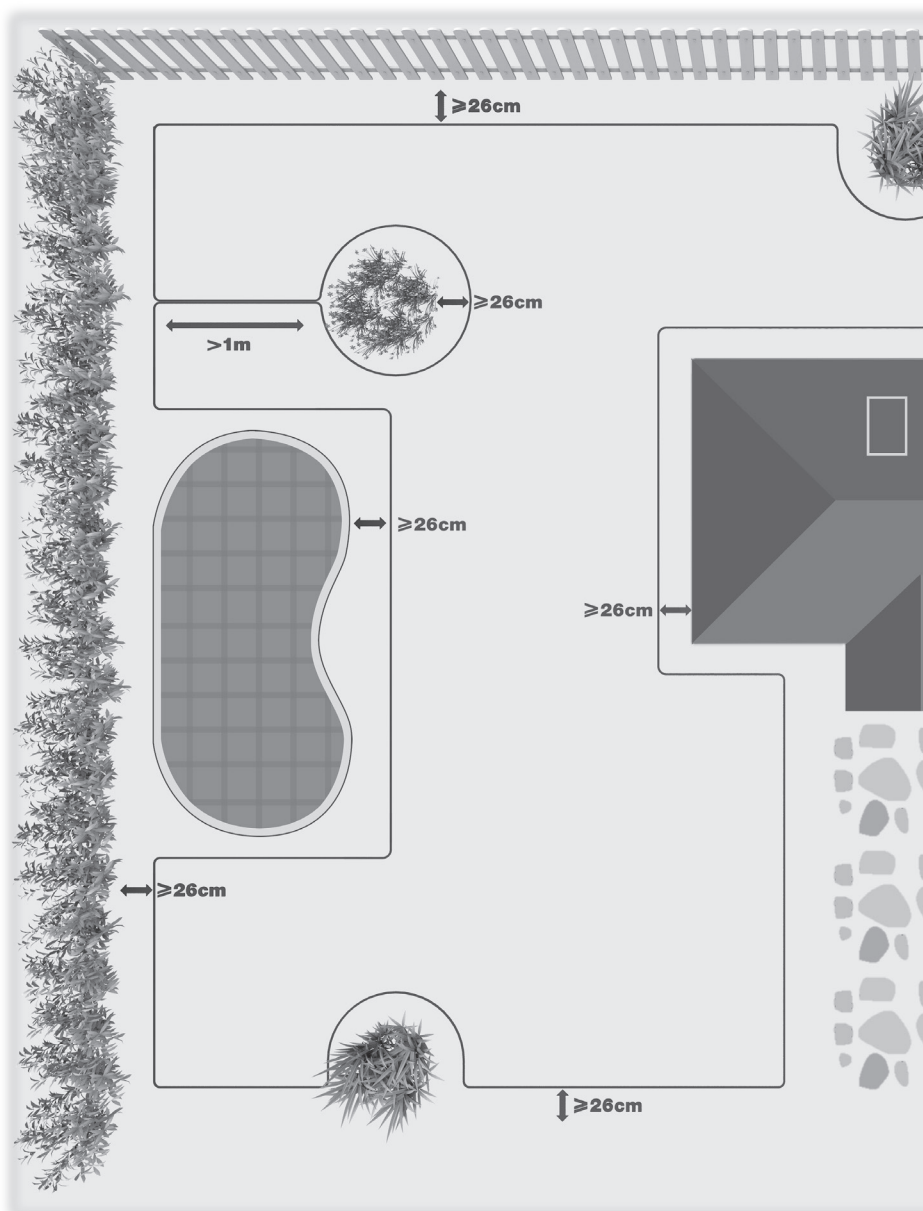
Plassering av grenseledninger på hellinger

Den øvre grenseledningen bør IKKE plasseres på hellinger som er brattere enn 35% (20°)/25% (15°) (Se tekniske data & Samsvarserklæring for maks. Skråningen). Øvre grenseledning bør ha en avstand på minst 26 cm mellom alle hindringer. Den nedre grenseledningen bør IKKE plasseres på hellinger som er brattere enn 17% (10°). Den nedre grenseledningen bør ha en avstand på minst 40 cm mellom alle hindringer når den er plassert på en helling som er 17%.

MERK: Grenseledningen kan ikke legges på tvers av en helling brattere 17%, ellers vil Landxcape™ skli og krysse utenfor ledningen, spesielt når gresset er vått.



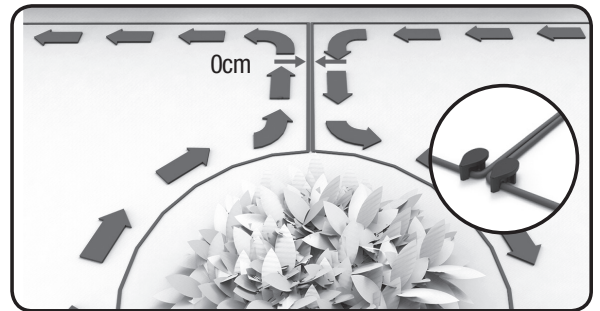
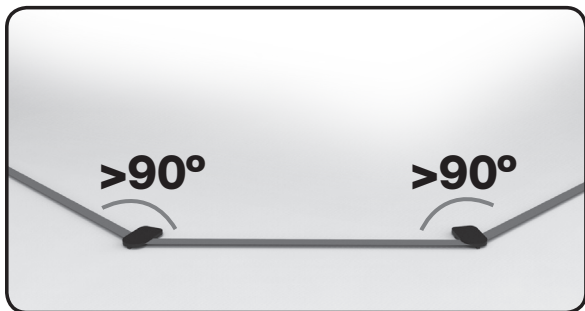
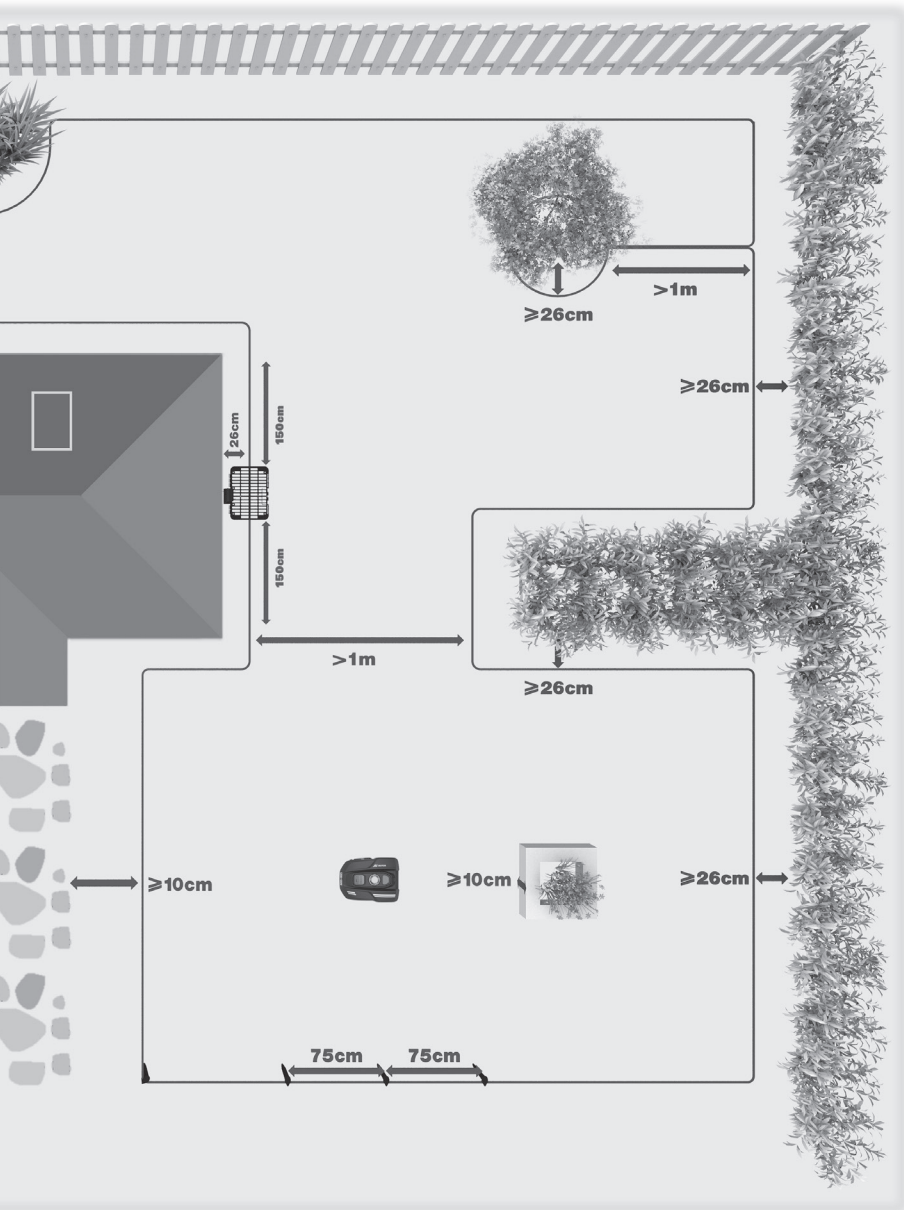
Oversikt



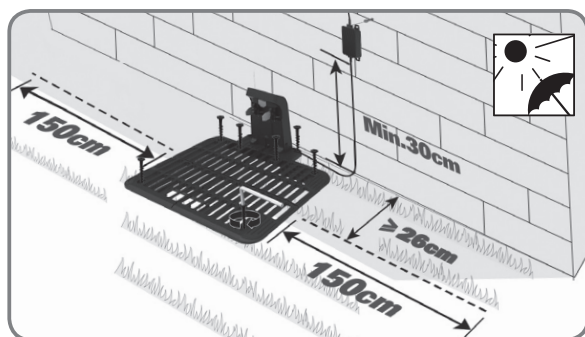
Landxcape™ må vite hvor den skal klippe. Derfor må du markere arbeidsområdet med en grenseledning som danner et usynlig gjerde. Denne ledningen viser også Landxcape™ hvor ladestasjonen er.

“Vær oppmerksom på: Under vise forhold, ekstra magnetiske felt utviklet av forsterkning stål (Armering), som ofte finnes i underjordiske konstruksjoner som et parkeringshus eller en underjordisk Hangar, kan føre til navigasjonsforstyrrelser av robotikk gressklippere.”

Hvis naboen også bruker en Landxcape™ må du ha en avstand på minst 1 meter mellom din grenseledning og naboens.



Installasjon



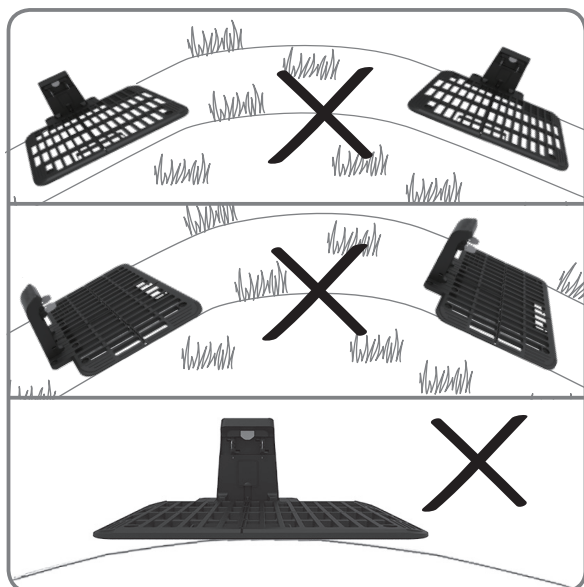
1. Plassering av ladestasjonen

Finn en flat overflate for ladestasjonen. Stedet må være tørt og beskyttet mot direkte sollys. Adapteren kan monteres på veggen.

Landxcape™'s basestasjon kan plasseres mot en vegg eller et gjerde, med ladekomponentene vendt inn mot plenen din. Hvis det er mulig skal ladestasjonen plasseres i skyggen – batteriene lades bedre på et kjølig sted. La det være plass til en rett grenseledning, minst 150cm lang uten hindre til venstre og høyre for basestasjonen. Forsikre deg at adapteren og lektrisk uttak alltid holdes på et tørt sted.

Du kan nå feste ladersokkelen permanent på bakken ved å stramme de medfølgende sokkelholderpluggene med den medfølgende sekskantnøkkelen.

MERK: Grensekabelen på hver side av ladestasjonen må være rett i en lengde på 150cm på hver side uten hjørner eller hindre for å sikre riktig dokking.



Basestasjonen må plasseres på relativt jevnt underlag. Den må ikke plasseres på en hellende overflate eller et sted som gjør at platen bøyes.

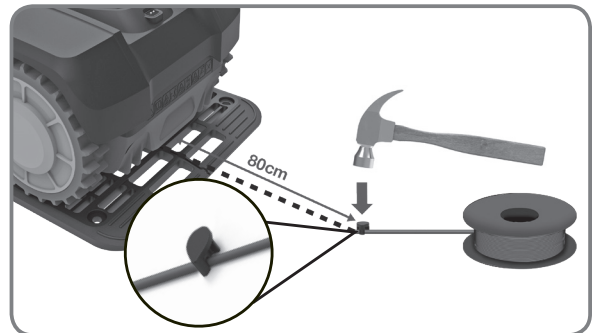
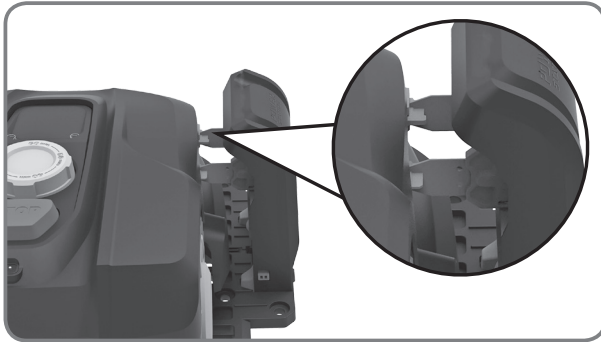
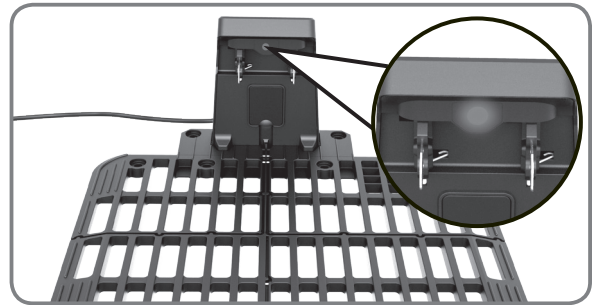
2. Lade Landxcape™ før første gangs bruk

Koble strømkabelen til holderen til adapteren, se " Laderhåndbok ". Koble adapteret til strømuttaket. Lysdioden på ladestasjonen vil begynne å lyse grønt. Trekk fra manuelt Landxcape™ til ladestasjonen mens Landxcape™ er slått av. Lampen på ladebasen blinker grønt og Landxcape™ begynner å lade.

Hvis strømledningen er innenfor klippeområdet, kan den om nødvendig graves ned.

MERK: Hvis du vil koble adapteren til en stikkontakt, må du føre strømledningen gjennom hullet i vegg.

Se ladehåndbok.

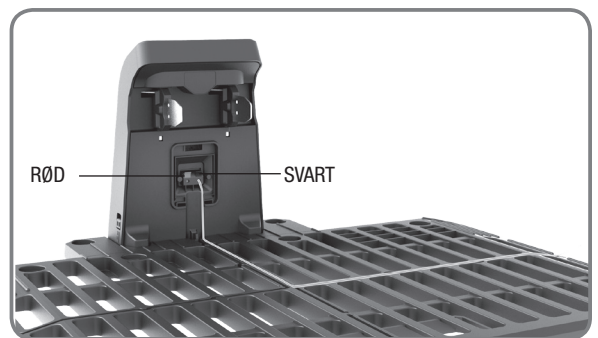


3. Plugge grenseledningen

Når grenseledningen plugges, anbefales det å bruke en normal gressklipper eller en gresstrimmer til å klippe gresset langs grensen. Da kan ledningen legges så nærme bakken som mulig, for å forhindre at Landxcape™ utilsiktet kutter den. Grenseledningen leder strøm med svært lav spenning slik at det er helt trygt for mennesker og dyr å komme borti den.

Trekk ut en lengde på rundt 80 cm avgrensningskabel og fest den til bakken nær ladestasjonen. Senere vil denne enden av avgrensningskabelen (INN-ledningen) kobles til den SORTE terminalen etter at du har bundet avgrensningskabelen.

MERK: Den utlagte grensekabelen må ikke være over 400 meter for ikke å forårsake signalproblemer.

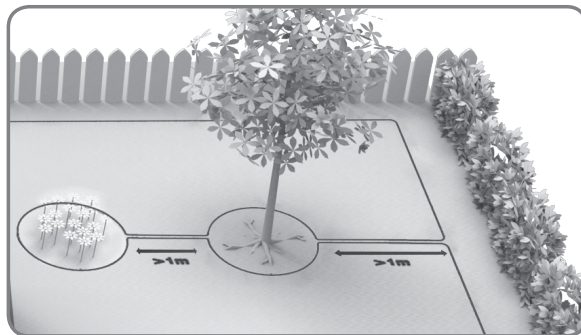
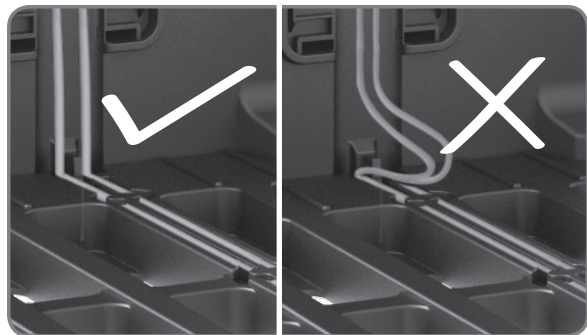
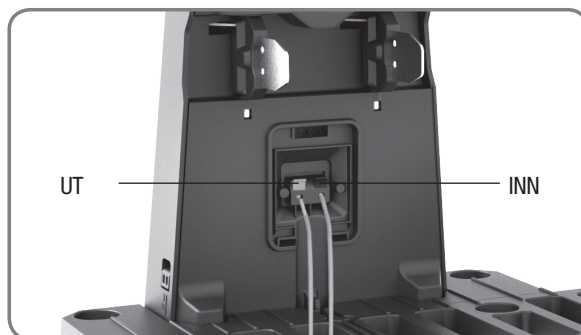
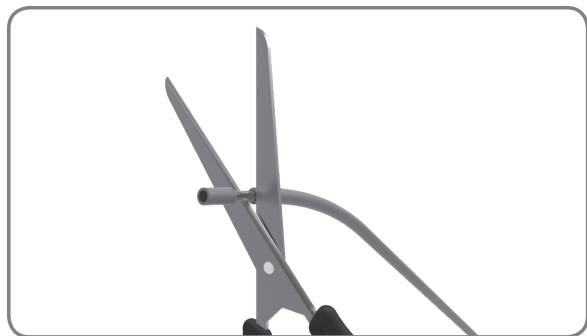
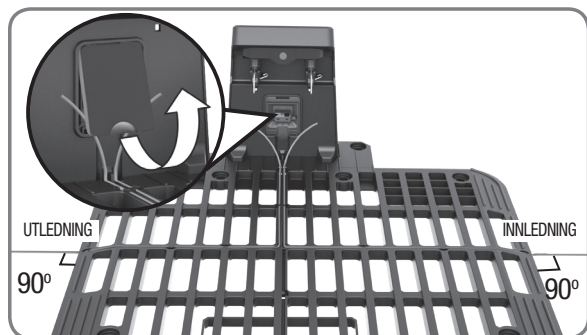
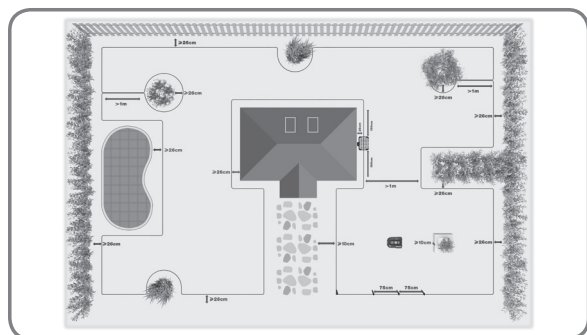


4. Fullføre oppsett av grenseledningen

Legg ned avgrensingskabelen rundt arbeidsområdet som vist på illustrasjonen.

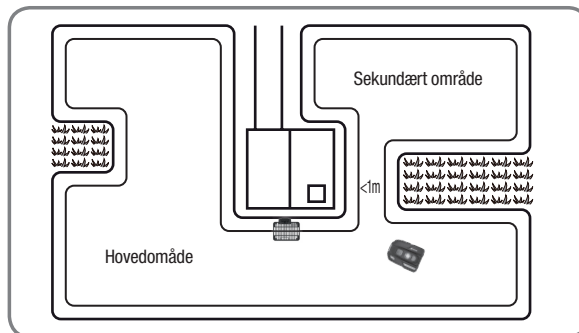
Etter å ha bundet avgrensingskabelen, ta Landxcape™ bort fra ladestasjonen. Led avgrensingskabelen tilbake til ladestasjonen, mål av en lengde av avgrensingskabelen (UT-ledningen) på rundt 80 cm og kutt den. Sett begge ledningene inn i sporene på ladestasjonen. Fjern plastbelegget på begge ledningene (rundt 1 cm), og koble den nakne metalltråddenden for INN-kabelen til den SORTE terminalen og enden av UT-ledningen til den RØDE terminalen.

MERK: Dersom du må forlenge grenseledningen, se under kapitlet "Skjøting av grenseledningen" Brukerhåndboken for instruksjoner.



I de tilfeller der plenen består av to øyer som ligger tett sammen, vil det være hensiktsmessig å legge ut ledningen slik som vist på bildet. Landxcape™ kan bevege seg fritt over grenseledningen mellom øyene og klippegrensen.

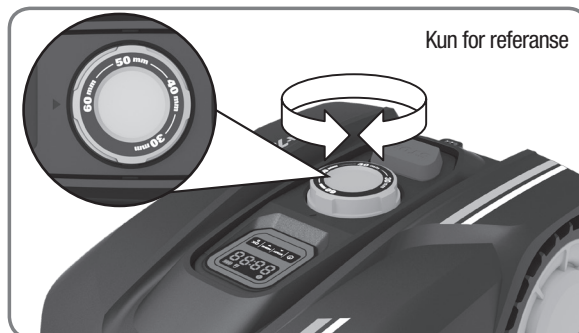
Hvis plenen har to eller flere avgrensede områder koblet sammen via en passasje, må passasjen være minst 1 meter bred. Hvis korridoren er smalere enn 1 meter, er det besværlig for Landxcape™ å reise mellom. I dette tilfellet anbefales det å sette opp et hovedområde og et sekundært område i plenen. Grensetråden skal plasseres som vist på bildet. Når det sekundære området må kuttes, vær så snill og hent Landxcape™ og bring det til det sekundære området. Landxcape™ vil slå av uten problem, men du må ta det tilbake til ladestasjonen når batteriet går tom.



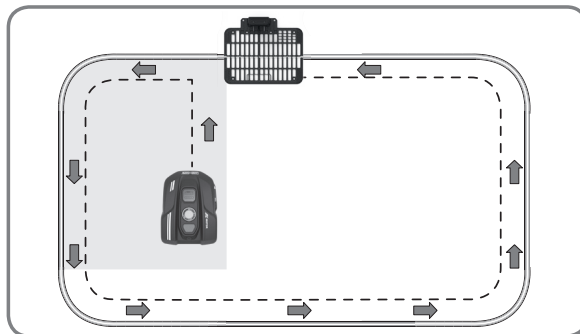
Kontroll

Før du starter den for første gang, må du kontrollere at driftsområdet er fritt for ting som leker og grener...

1. Innstill klippehøyden til maksimal høyde.



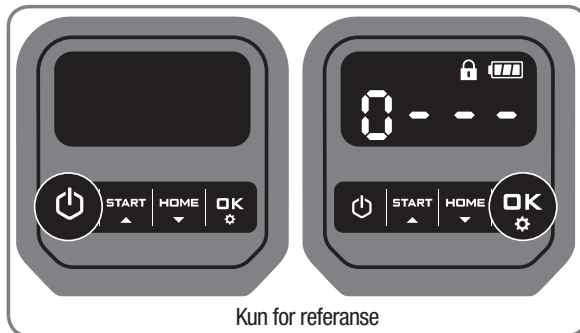
2. Plasser Landxcape™ noen få meter foran ladestasjonen.

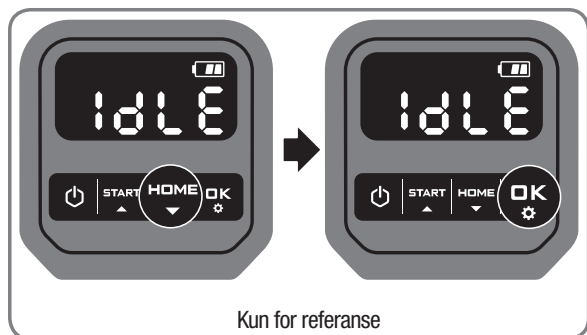


3. Trykk på  til Landxcape™ slår seg på. For første gang, skriv inn standard PIN-kode 0000 ved å trykke  for fire ganger når nummer 0 blinker.

MERK: Når Landxcape™ slås på, erklæres alle lysene på skjermen og slås av. Sjekk om det er noe lys skadet. Det anbefales å hytte skjermen med hånden når utelyset blir for sterkt.

MERK: Landxcape™ slås av hvis den ikke mottar noen input innen 30 sekunder etter at den er slått på. Hvis du angir feil PIN-kode tre ganger, vil Landxcape™ vil heve alarmen "di-di" og deretter slå av.





4. Trykk på **HOME** og **OK** for å sende Landxcape™ tilbake til ladestasjonen. Landxcape™ vil følge avgrensingskabelen til ladestasjonen. Når Landxcape™ berører grenselinjen, slås ultralydfunksjonen * automatisk av (kun for spesifikke modeller, vennligst sjekk tekniske data & samsvarserklæring).
* Med ultralydfunksjon kan Landxcape™ omgå / unngå hindringer ved å bruke ultrasoniske sensorer.

5. Finjuster formen for ytterlinjen av avgrensingskabelen om nødvendig. **MERK:** Hvis grenseledningen brytes under testing eller hvis du må forlenge den, se "**Skjote sammen grenseledningen**" i bruksanvisningen for instruksjoner.

Kontroller LED-lys indikator status på ladestasjonen for å være sikkert at tilkoblingen er OK.

Hvis bekreftelsestesten er fullført, kan du begynne å klippe ved å trykke på **START** & **OK**.

Dersom kontrolltesten ikke er vellykket, se "**Brukerhåndbok-Feilsøking**".

LED-lys indikator på ladestasjonen	Status	Håndtering
Lys tenner ikke	Det er ingen strøm.	Kontroller om strømledningen er korrekt tilkoblet til laderen, og at laderen er koblet til en egnet strømforsyning.
Grønt lys på	Grenseledning er korrekt tilkoblet; fullt ladet	/
Rødt lys på	Grenseledningen er ikke koblet til.	Sjekk at det ikke er brudd på grenseledningen.
	Strømforsyning er korrekt tilkoblet, men ledningen er ikke korrekt tilkoblet	Kontroller og koble ledningen til igjen. Kontroller at det ikke er brudd i grenseledningen.
Grønt blinkende lys	Landxcape™ lader seg automatisk.	/

ADVARSEL

- Hvis Landxcape™ er utenfor sitt territorium, vil det ikke bevege seg og "- E !-" vises. Flytt den innenfor sitt territorium og gjenta verifisering.
- Hvis Landxcape™ er innenfor sitt territorium, men det er viset "- E !-", vær så snill og se "**Feilmeldinger**" i brukerhåndboken for løsninger.
- Landxcape™ skal alltid være på. Hvis du må slå den av, pass på at den står inne i arbeidsområdet når du slår den på igjen.
- Hvis din Landxcape™ stopper å operere, starter du den bare på nytt, og bruker den som normalt.

Obs! Se brukermanualen for mer informasjon.

Innstilling

Se Brukerhåndbok "4.3 Innstilling".

App

Se bruksanvisningen "5. App".

Översättning av originalinstruktioner



VARNING: Läs igenom alla varningar och säkerhetsinstruktioner. Underlåtelse att beakta varningar och säkerhetsinstruktioner kan leda till elstöt, brand och/eller allvarlig personskada.

Läs noga igenom instruktionerna för att kunna använda enheten på ett säkert sätt.

Spara alla varningar och säkerhetsinstruktioner för framtida referens.

Så här installerar du din Landxcape™

Det går enkelt att installera din Landxcape™. Beroende på hur stor trädgård du har tar hela processen bara en kort stund. Om du precis som oss hatar att slösa din lediga tid på att klippa gräsmattan är Landxcape™ en bra investering, som ger dig år av gräsmattevård.

Du kan titta på demovideon på www.landxcape-robotics.com.

Landxcape™ älskar att klippa

Den är konstruerad att klippa ofta och hålla gräsmatta finare och i bättre form än någonsin. Beroende på din gräsmattas storlek kan Landxcape™ programmeras att arbeta när som helst eller regelbundet utan begränsningar. Den är här för att arbeta åt dig.

Förberedelse

Innan du installerar måste du läsa hela installationsguiden noga. Att skissa arbetsområdet inklusive alla hinder gör det enklare för dig att avgöra det bästa stället att placera laddningsbasen och var gränstrådarna ska dras.

I förpackningen



Landxcape™



Laddningsbas



Fästspikar för laddningsbas



Insexnyckel



Reservblad



Gränstråd rulle



Gränstråd pinnar



Strömadapter



Ledningskarv (om tillhandahålls)



Avståndsmätare för gränstråd



Installationsguide



Bruksanvisning



Garantiavtal



Tekniska data och försäkran om överensstämmelse



Laddare manual

Från din bod



Sax



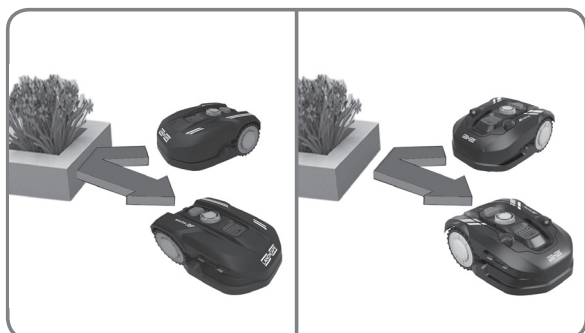
Hammare



Måttband

Landxcape™ s nya hem: din trädgård

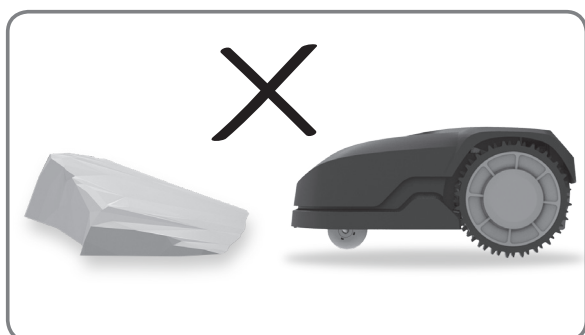
Vi börjar med att ta en titt på Landxcape™ s nya hem – din trädgård – och var enheten säkert kan arbeta och vilka platser som din Landxcape™ bör undvika.



Hinder

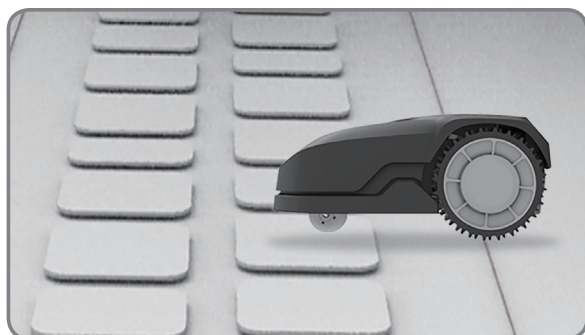
Om din Landxcape™ kör på ett hinder som är styvt, stabilt och högre än 10 cm – som t.ex. en vägg eller ett staket – kommer din Landxcape™ helt enkelt att stanna och byta riktning.

Med ultraljudsfunktion kan din Landxcape™ kringgå / undvika hinder över 19 cm (endast för specifika modeller, kontrollera teknisk information & överensstämmelse).



Stenar

Stenar som är så pass tunga att de inte kan flyttas av din Landxcape™ kan köras på av enheten utan fara. Men om stenen är sluttade så att din Landxcape™ kan köra upp på den ska du antingen flytta på stenen eller avgränsa den från klippområdet.

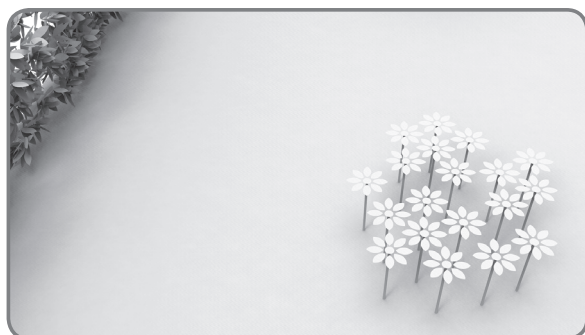


Uppfarter

Uppfarter

Om gången är på samma nivå som gräsmattan och utan några uppstickande ytor kan din Landxcape™ passera den utan problem. Om du vill att Landxcape™ skall undvika det behövs endast 10 cm* utrymme mellan gränstråden och uppfarten. Om uppfarten är täckt av grus ska du inte låta din Landxcape™ passera den. Använd avståndsmätaren och lämna 26 cm* utrymme mellan gränstråden och uppfarten.

* Rekommenderat avstånd. Använd den medföljande avståndsmätaren för korrekt installation.

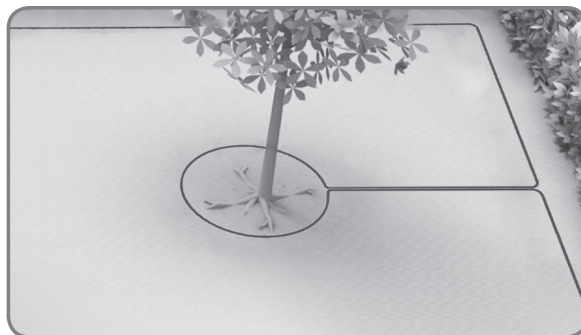


Rabatter, dammar, bassänger...

Du vill absolut inte att din Landxcape™ ska klippa dina blommor eller trilla ner i vattnet. Undvik dessa områden. Dessutom bör hinder som är 2–10 cm höga uteslutas från Landxcape™ s arbetsområde.

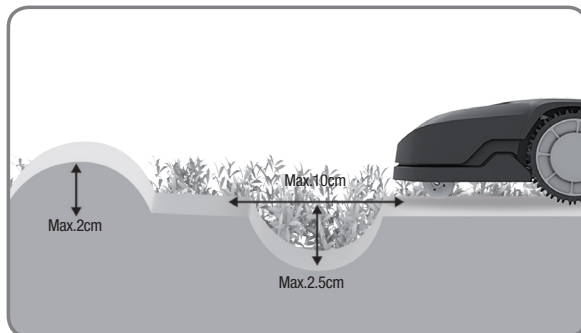
Träd

Om det finns rötter framväxande från marken bör dessa områden undvikas för att inte skada rötterna.



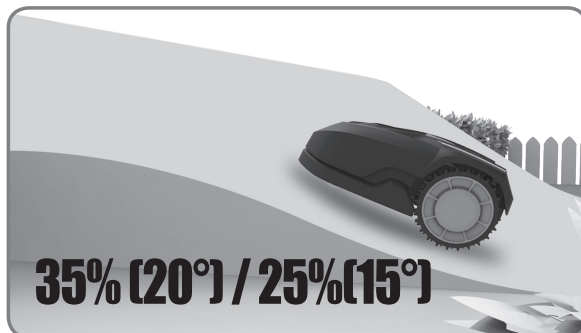
Fördjupningar och knölar

Om det handlar om stora fördjupningar (högre än 2 cm) eller knölar (bredare än 10 cm och djupare än 2,5 cm), kontrollera om bladen riskerar att komma i kontakt med marken eller om Landxcape™ riskerar att fastna på dem. Om så är fallet, fyll i fördjupningen eller jämna ut knölen eller låt inte din Landxcape™ arbeta på detta område.



Sluttningar

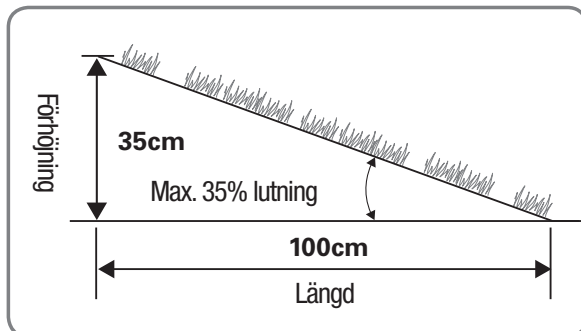
Din Landxcape™ klarar utan problem av sluttningar upp till 35% (20°)**/25% (15°) (Se teknisk information & Försäkringen om överensstämmelse för max. Backe) Brantare sluttningar ska undvikas.



**Hur man beräknar lutningen på sin gräsmatta?

Så lutningen skulle:

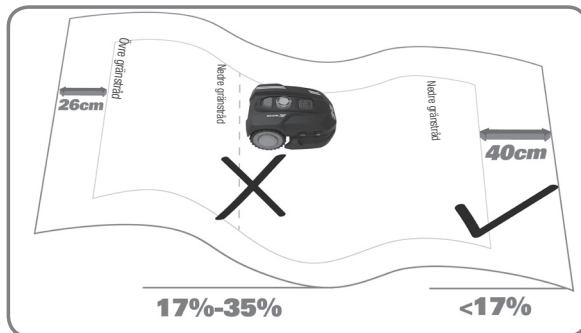
$$\frac{35\text{cm (Förhöjning)}}{100\text{cm (Längd)}} = 35\% \text{ (Lutning)}$$



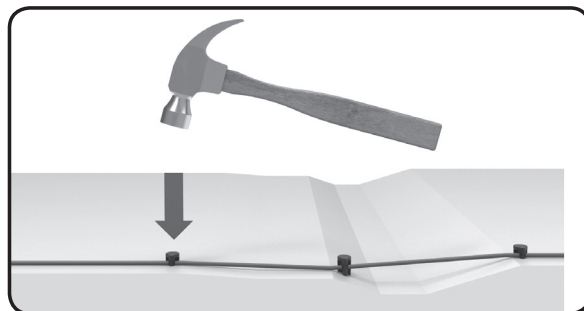
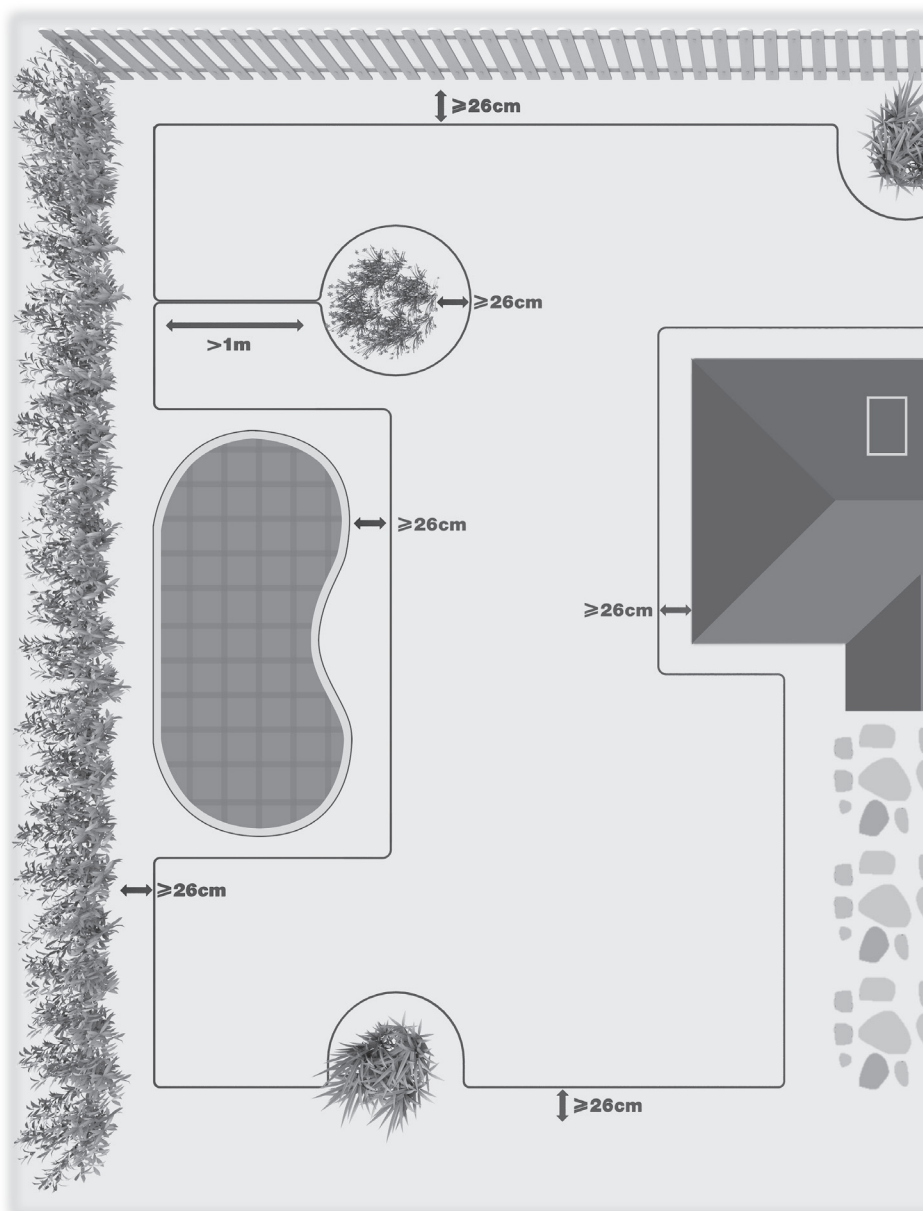
Placering av gränstråd på sluttningar

Den övre gränstråden skall INTE placeras på sluttningar brantare än 35% (20°)/25% (15°) (Se teknisk information & Försäkringen om överensstämmelse för max. Backe) Den övre gränstråden skall ha ett avstånd på minst 26 cm till eventuella hinder. Den nedre gränstråden skall INTE placeras på sluttningar brantare än 17% (10°). Den nedre gränstråden skall ha ett avstånd på minst 40 cm till eventuella hinder när den placeras i sluttningar som är 17%.

OBS: Gränstråden kan inte läggas längs sluttningar brantare än 17%, annars kommer Landxcape™ att glida och hamna utanför tråden, särskilt om gräset är fuktigt.



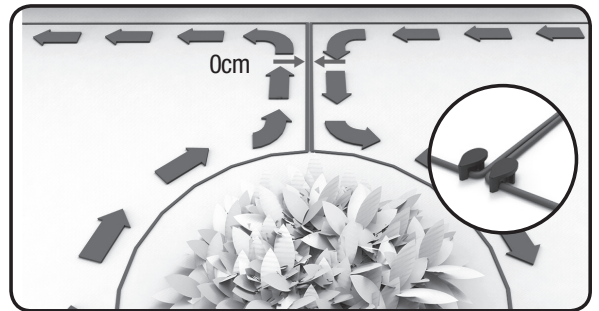
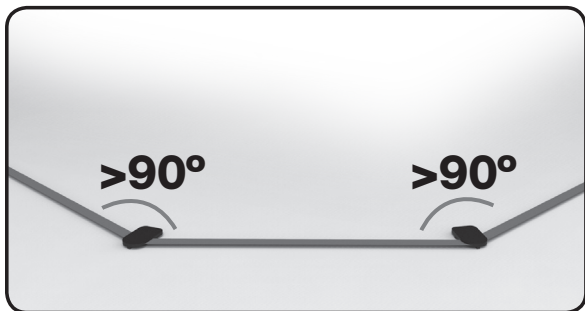
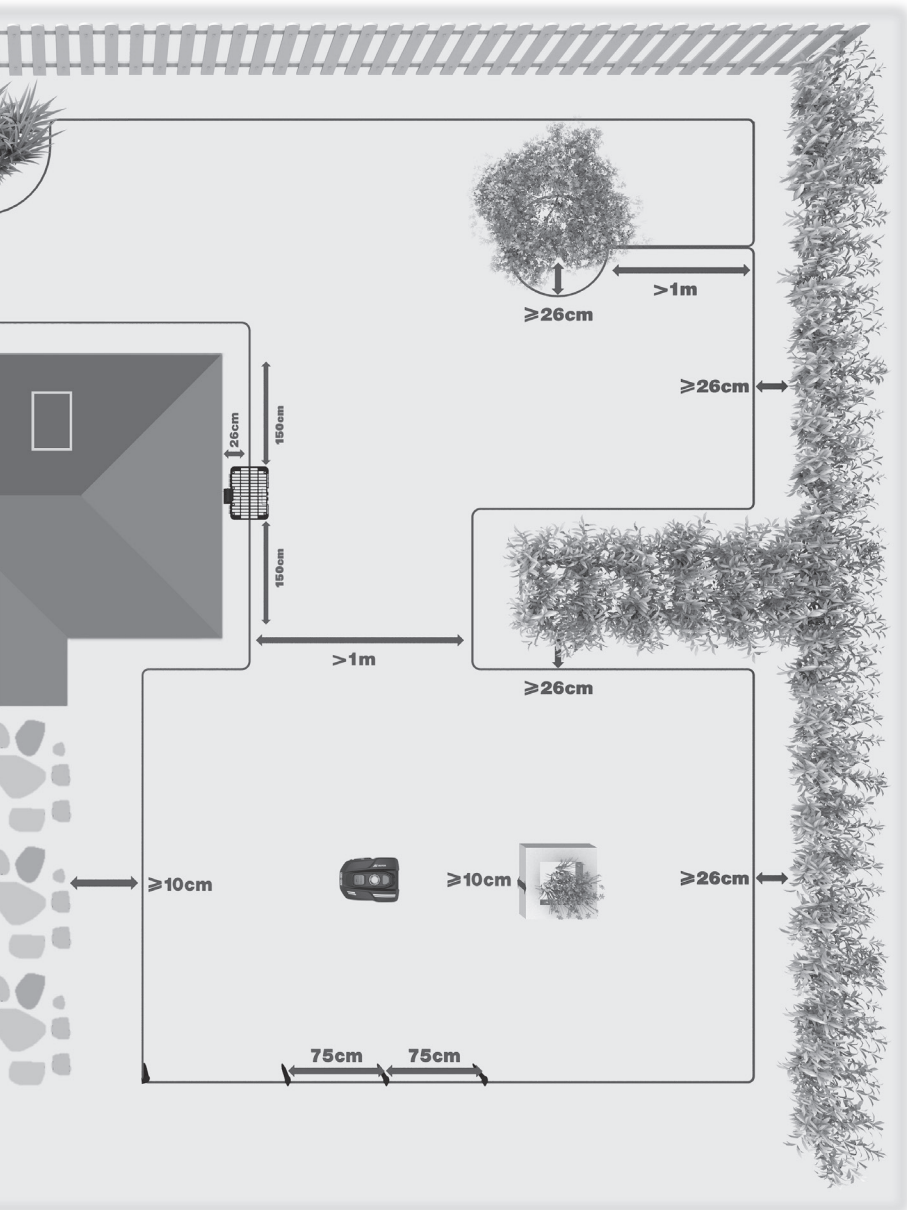
Översikt



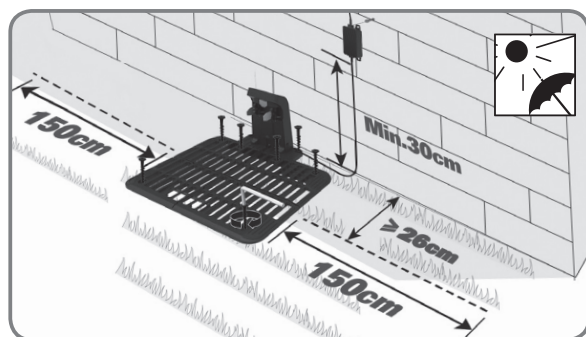
Din Landxcape™ behöver få veta var den ska klippa gräs. Därför måste du markera klippområdet med en gränstråd, vilken fungerar som ett osynligt staket. Denna gränstråd hjälper även din Landxcape™ att hitta tillbaka till sin laddningsbas.

“Observera Under vissa omständigheter, genereras ytterligare magnetfält av förstärkt stål (Mrmeringsjärn), som ofta hittas i underjordskonstruktioner som ett parkeringsgarage eller en underjordisk hangar, vilket kan ge upphov till navigeringsstörningar hos robotgräsklippare.”

Om din granne också använder en Landxcape™ måste du hålla ett avstånd på minst 1 meter mellan din gränstråd och din grannes.



Installering



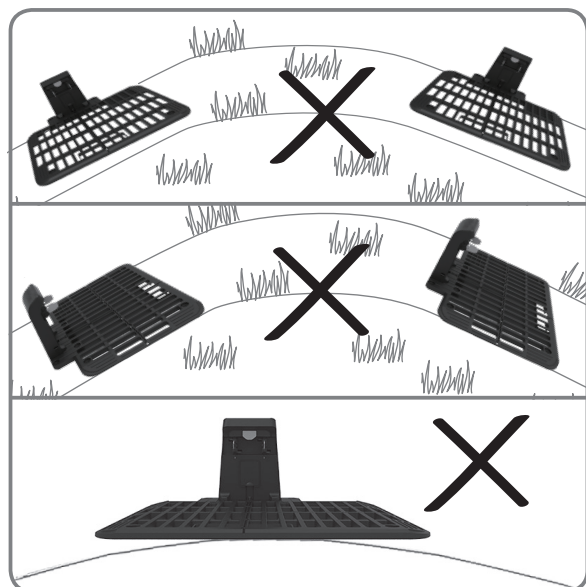
1. Placering av laddningsbas

Välj ett plant underlag för laddningsstationen, det bör vara en torr plats och inte i direkt solljus och adaptorn ska kunna monteras på en vägg.

Landxcape™'s laddningsbas kan placeras mot murar eller stängsel om laddningsdelarna är riktade mot din gräsmatta. Om möjligt ska laddningsbasen placeras i skugga då batteriet laddar bättre på en sval plats. Dra en rak gränstråd på minst 150cm utan hinder till vänster och höger om laddningsbasen. Se till att adaptorn och eluttaget alltid förvaras på en torr plats.

Nu kan du fästa laddningsbasen permanent i marken genom att dra åt de medföljande basfästspinnarna med den medföljande insexnyckeln.

OBS: Gränstråden på vardera sidan av laddningsbasen måste gå rakt i 150cm utan hörn eller hinder för att garantera rätt dockning.



Laddningsstationen måste placeras på förhållandevis plant underlag. Den får inte placeras på sluttande ytor eller ytor som gör att dess platta böjs.

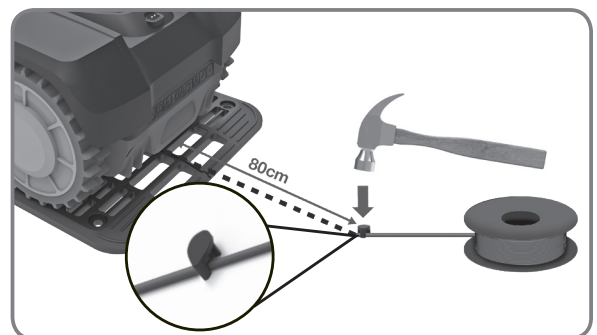
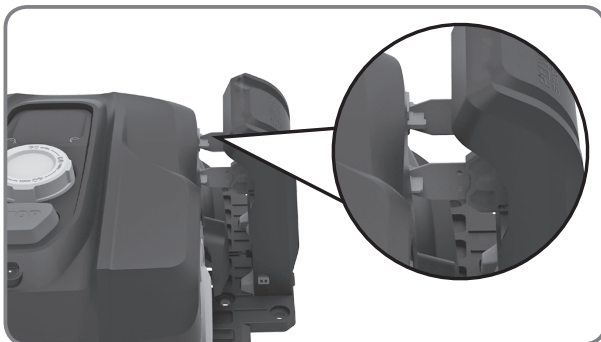
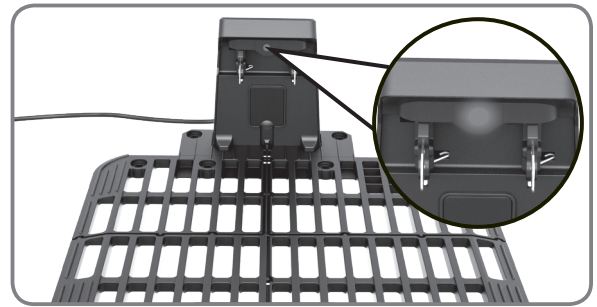
2. Ladda Landxcape™ före första användning

Anslut elsladden på hållaren till adaptern, se " laddningshandboken ". Anslut sedan adapter till växelströmsuttaget. LED-indikatorn på laddningsbasen tänds. Docka manuellt Landxcape™ i laddstationen med Landxcape™ avstängd. Grönt ljus som blinkar på laddningsbasen och Landxcape™ kommer att börja ladda.

Om strömsladden ligger inom klippområdet kan du behöva gräva ner den.

OBS: Om du vill koppla i adaptern i eluttaget måste du dra strömkabeln genom hålet i väggen.

Se laddningshandboken .

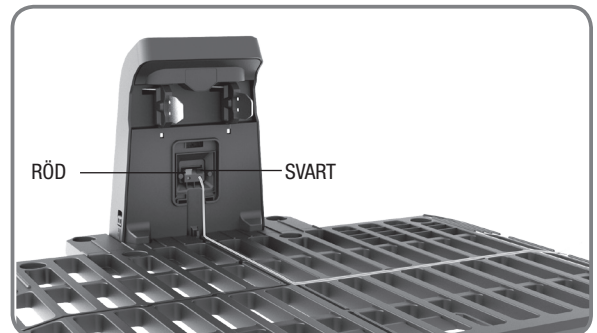


3. Sätta ut gränstråden

När gränstråden sätts fast för första gången är det rekommenderat att använda en vanlig gräsklippare eller en grästrimmer för klippning av gräset längs gränsen. Sedan kan tråden läggas så nära marken som möjligt för att förhindra att Landxcape™ oavsiktligt skär av tråden. Gränstråden leder en mycket låg spänning och är därför ofarlig för människor och djur.

Dra ut cirka 80 cm av gränskabeln och fäst den i marken nära laddningsstationen. Senare kommer denna ände av gränskabeln (IN-kabel) att kopplas till den SVARTA terminalen när gränskabeln pluggats fast.

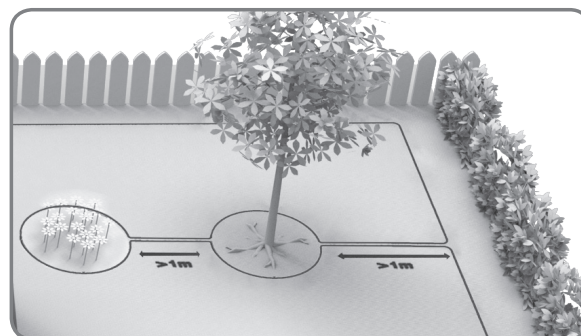
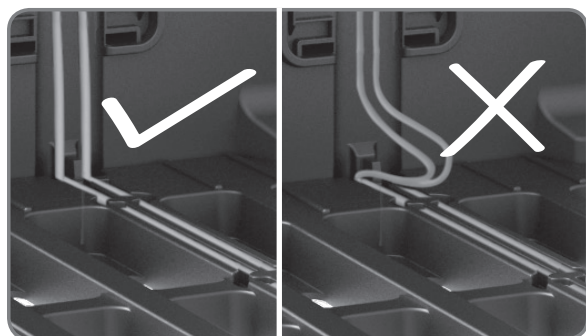
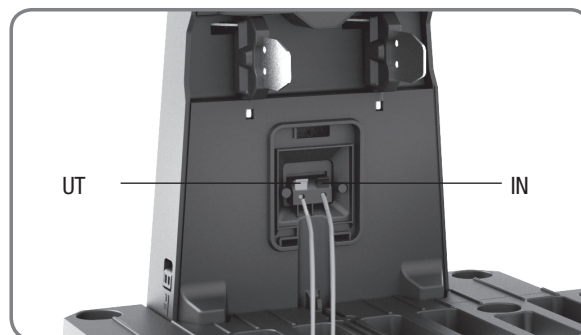
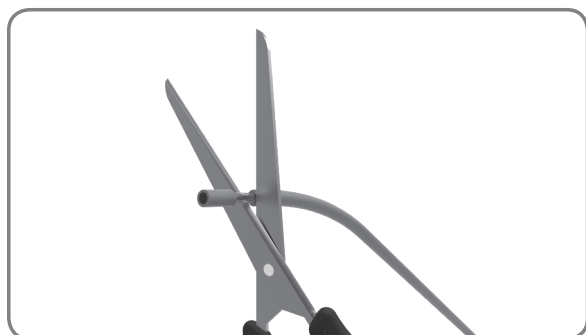
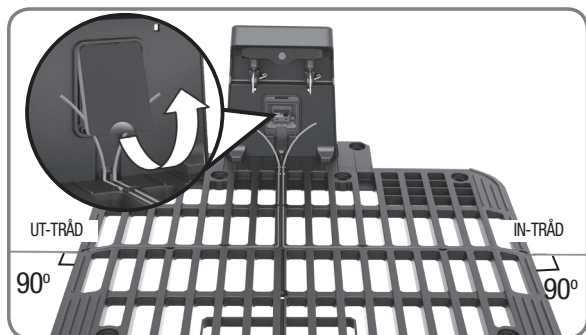
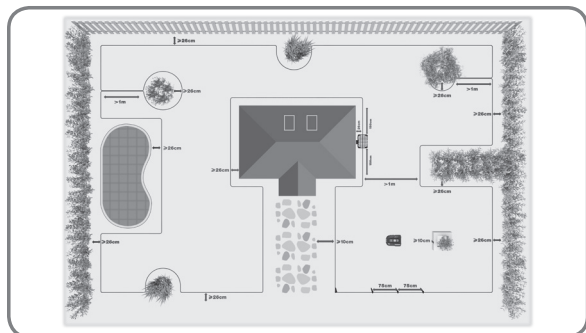
OBS: Den förlängda gränstråden bör inte överskrida 400 m då detta kan orsaka signalfel.



4. Slutföra installationen av gränstråden

Placera gränskabeln runt arbetsområdet som bilden visar. När gränskabeln pluggats ner ska Landcape™ tas bort från laddningsstationen. För tillbaka gränskabeln till laddningsstationen, se till att lämna cirka 80 cm av gränskabeln (UT-kabel) och klipp sedan av den. För in båda ändarna av kabeln i spåren på laddningsstationen. Ta bort plasthöljet i båda ändarna av kabeln (cirka 1 cm), och koppla ihop den metalledningen i IN-kabeln med den SVARTA terminalen och änden av UT-kabeln till den RÖDA terminalen.

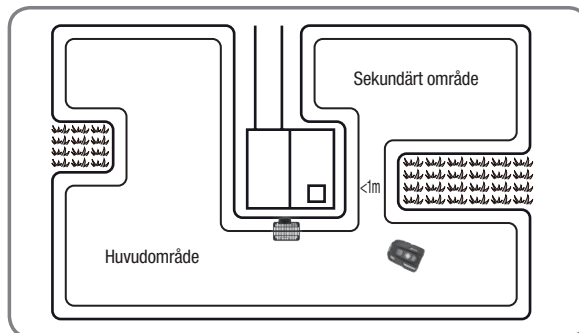
OBS: Om du måste förlänga gränstråden, se "Foga gränstråden" i ägarhandboken för mer information.



I fallet med två öar som ligger nära varandra vore det bästa att placera tråden enligt illustrationen.

Din Landcape™ kan röra sig fritt över gränstråden mellan öarna och klippgränsen.

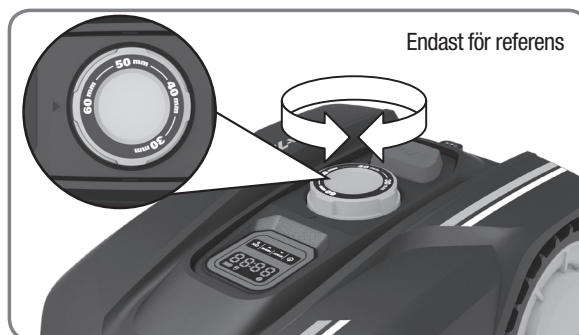
Om din gräsmatta har två eller flera separata områden som är anslutna till varandra genom en korridor måste den vara minst en meter bred. Om korridoren är trängre än 1 meter, så kommer Landxcape™ ha svårt att ta sig fram emellan. I detta fall, rekommenderas det att upprätta ett huvudområde och ett sekundärt område på din gräsmatta. Begränsningskabeln ska placeras såsom illustreras i bilden. När sekundära området måste klippas, plocka då upp Landxcape™ och ta den till det sekundära området. Landxcape™ kommer att klippa utan problem, men du måste ta den tillbaka till laddstationen när batteriet tar slut.



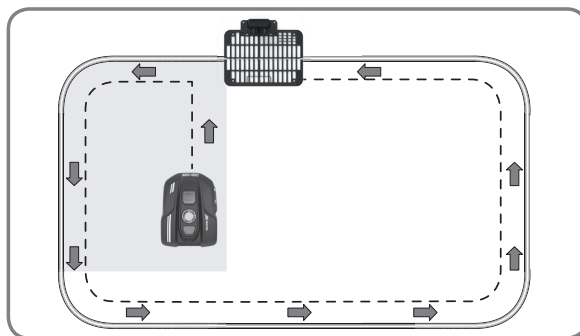
Verifiering


Innan första gången du startar den, kontrollera att klippområdet är fritt från föremål som leksaker, grenar etc.

1. Justera klipphöjden till den högsta inställningen.



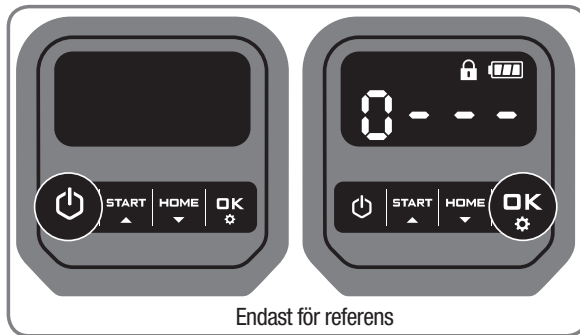
2. Placera din Landxcape™ inuti klippområdet några få meter från baksidan på laddningsbasen.

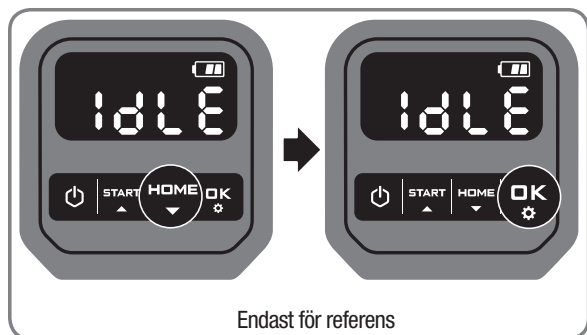


3. Tryck  tills Landxcape™ startar upp. Vid först användning, mata in standardmässig PIN kod 0000 genom att trycka  fyra gånger när siffran 0 blinkar.

OBSERVERA: När Landxcape™ slås på, kommer alla lampor på skärmen tändas och sedan släckas. Kontrollera om någon lampa är skadad. Det rekommenderas att man skyddar skärmen med sin hand när solljuset blir för starkt.

OBSERVERA: Landxcape™ stängs av när den inte får någon input inom 30 sekunder efter att den har slagits på. Om du matar in fel PIN-kod tre gånger, så kommer Landxcape™ att ljuda larmet "di-di" och sedan stängas av.





4. Tryck **HOME** och **OK** för att skicka Landxcape™ tillbaka till laddningsstationen. Landxcape™ följer då gränskabeln till laddningsstationen.

När Landxcape™ vidrör gränslinjen stängs ultraljudsfunktionen* automatiskt av (endast för specifika modeller, kontrollera tekniska data & överensstämmelse).

* Med ultraljudsfunktion kan din Landxcape™ kringgå / undvika hinder med hjälp av ultraljudssensorer.

5. Finjustera gränskabelns yttre form om nödvändigt.

OBS: Om gränstråden går av under test eller om du behöver förlänga gränstråden, se "**Anslutning av gränstråden**" i bruksanvisningen för instruktioner.

Kontrollera status hos LED-lampindikatorn på laddstationen för att säkerställa att anslutningen är OK.

Om verifieringstestet slutförs smidigt, så kan du påbörja gräsklippningen genom att trycka **START** då **OK**.

Om problem uppstår under verifieringstestet, se "**Ägarmanual-Troubleshooting**".

LED-lampindikatorn på laddstationen	Status	Åtgärd
Lampan tänds inte	Det finns ingen ström.	Kontrollera att strömsladden är korrekt ansluten till laddaren och att laddaren är ansluten till en lämplig strömkälla.
Grön lampa på	Gränstråden är ansluten; fulladdad	/
Röd lampa lyser	Gränstråden är inte ansluten.	Kontrollera att gränstråden är hel.
	Strömförslutning är ansluten, medan tråden är felaktigt ansluten.	Kontrollera och anslut tråden igen. Kontrollera att gränstråden är hel.
Grön lampa blinkar	Landxcape™ autoladdar.	/

! WARNING

- Om din Landxcape™ är utanför dess territorium, så kommer den inte att röra på sig och "-- E :-" kommer att visas. Ta in den i sitt territorium och upprepa Verifieringen.
- Om din Landxcape™ är inom dess territorium men "-- E :-" visas, leta då lösningen genom att hänvisa till "Felmeddelanden" i bruksanvisningen.
- Din Landxcape™ ska alltid vara på. Om du någonsin behöver stänga av den, sätt tillbaka den i klippområdet innan du sätter på den igen.
- Om din Landxcape™ stannar startar du om den och kör den som vanligt.

OBS: Se ägarhandboken för mer information.

Inställning

Se Ägarmanual "4.3 Inställning".

App

Se bruksanvisningen "5. App".



Copyright © 2019, Positec. All Rights Reserved.
AR01485900