



80,5 – 91,5 cm



93,5 – 194,5 cm

UMF1550

UNIVERSAL BASE FRAME

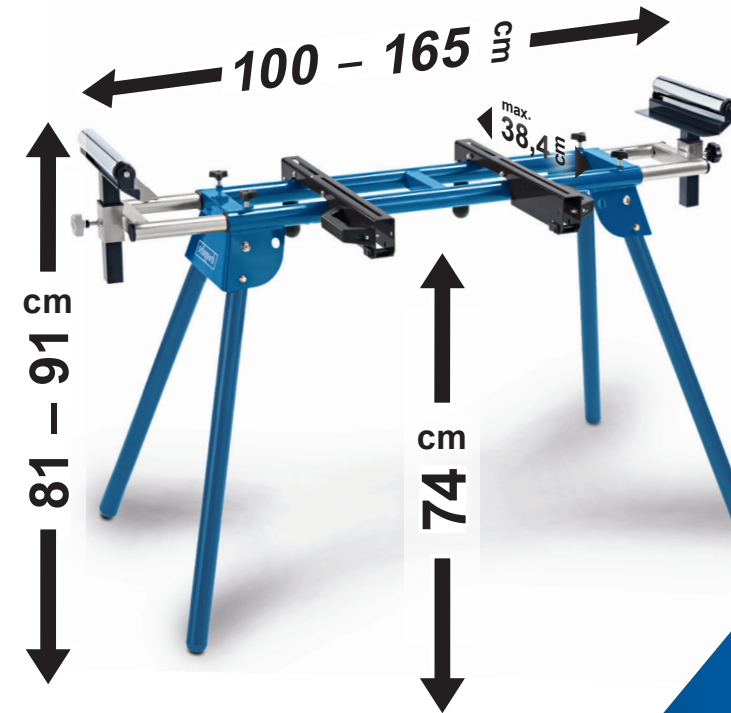
- Working at an ergonomic height
- Robust yet compact lightweight design for easy transport and storage
- Stable device mounting that can be used universally for almost all makes
- Device mounting easy to secure for safe and ergonomic work
- Sturdy lateral extension for sawing long work pieces from 0.93 – 1.94 m (UMF1550)
- Sturdy lateral extension for sawing long work pieces from 1.0 – 1.65 m (UMF1600)
- Sturdy lateral extension for sawing long work pieces from 1.16 – 2.0 m (UMF2000)

SPECIFICATIONS

| | |
|----------------------|---------------------------------|
| Dimensions L x W x H | 935 – 1945 x 545 x 805 – 915 mm |
| Stand height | 763 mm |
| Extension | 935 – 1945 mm |
| Max. load capacity | 150 kg |

LOGISTICAL DATA

| | |
|----------------------|--------------------|
| Weight net / gross | 9.8 / 10.8 kg |
| Packaging dimensions | 910 x 250 x 150 mm |
| Article number | 5907107900 |
| Barcode | 4046664040521 |
| 20 Container | 880 pcs |
| 40 Container | 1810 pcs |
| 40 HQ Container | 2070 pcs |



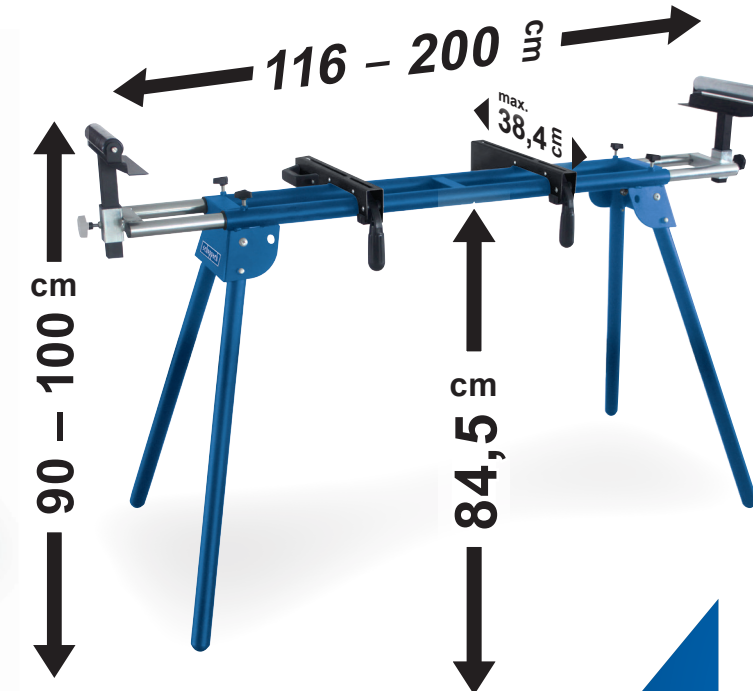
UMF1600

SPECIFICATIONS

| | |
|----------------------|----------------------------------|
| Dimensions L x W x H | 1000 – 1650 x 580 x 810 – 910 mm |
| Stand height | 740 mm |
| Extension | 1000 – 1650 mm |
| Max. load capacity | 200 kg |

LOGISTICAL DATA

| | |
|----------------------|---------------------|
| Weight net / gross | 12,3 / 13,2 kg |
| Packaging dimensions | 1075 x 260 x 190 mm |
| Article number | 5907103900 |
| Barcode | 4046664031888 |
| 20 Container | 540 pcs |
| 40 Container | 1140 pcs |
| 40 HQ Container | 1320 pcs |



UMF2000

SPECIFICATIONS

| | |
|----------------------|-----------------------------------|
| Dimensions L x W x H | 1160 – 2000 x 632 x 900 – 1000 mm |
| Stand height | 845 mm |
| Extension | 1160 – 2000 mm |
| Max. load capacity | 250 kg |

LOGISTICAL DATA

| | |
|----------------------|---------------------|
| Weight net / gross | 13.5 / 15 kg |
| Packaging dimensions | 1240 x 290 x 200 mm |
| Article number | 5907102900 |
| Barcode | 4046664031499 |
| 20 Container | 460 pcs |
| 40 Container | 960 pcs |
| 40 HQ Container | 1120 pcs |