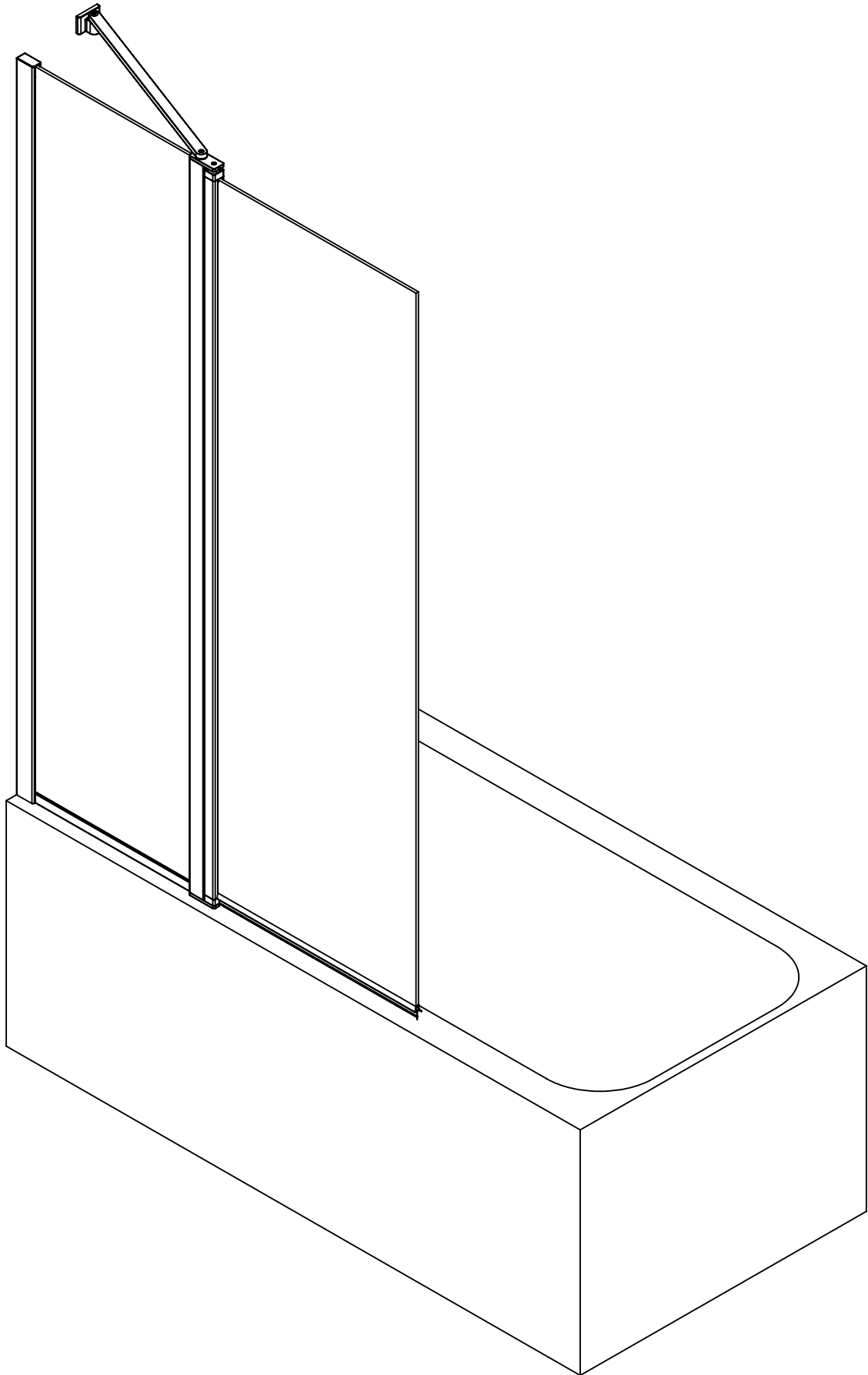
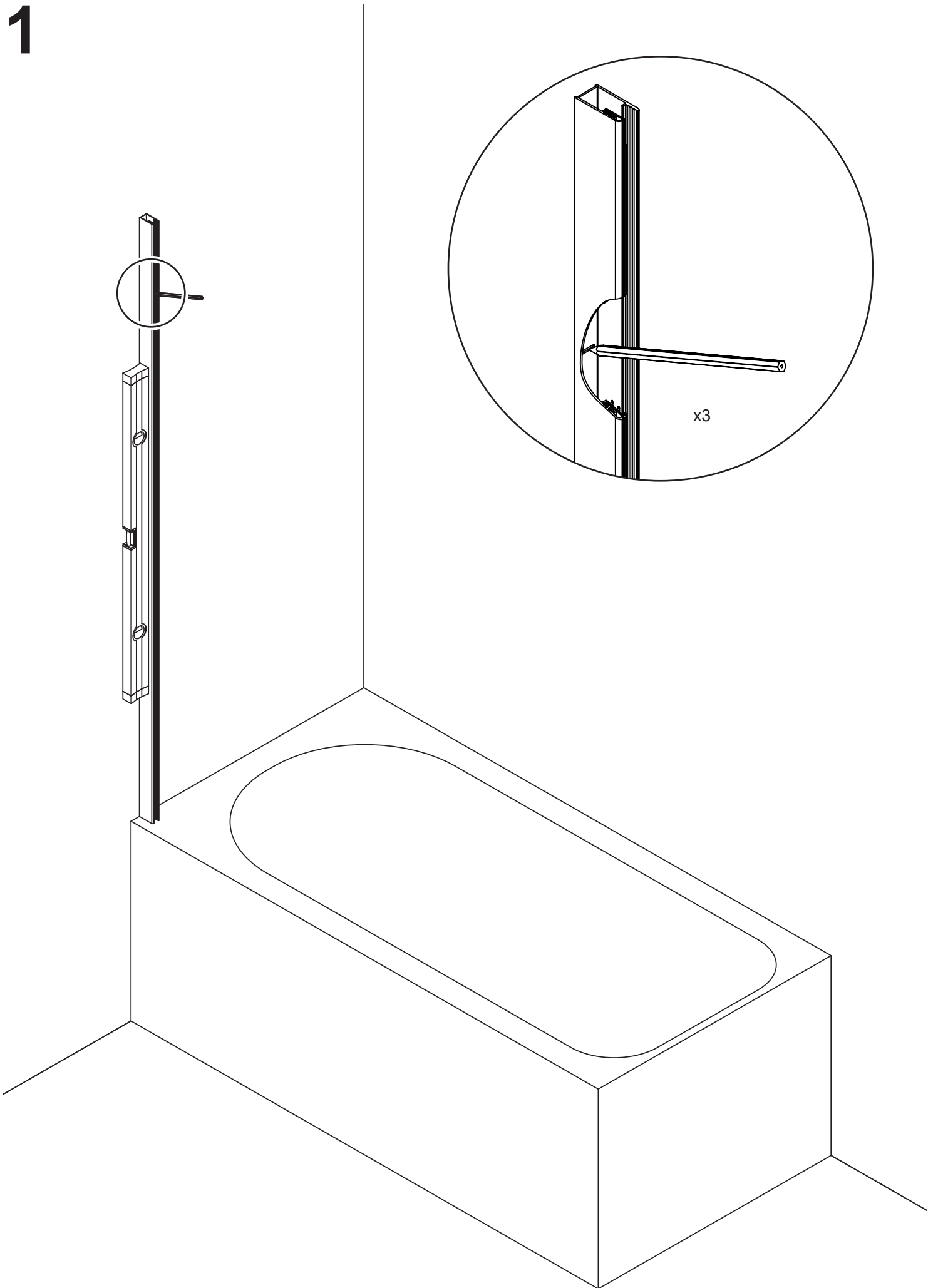




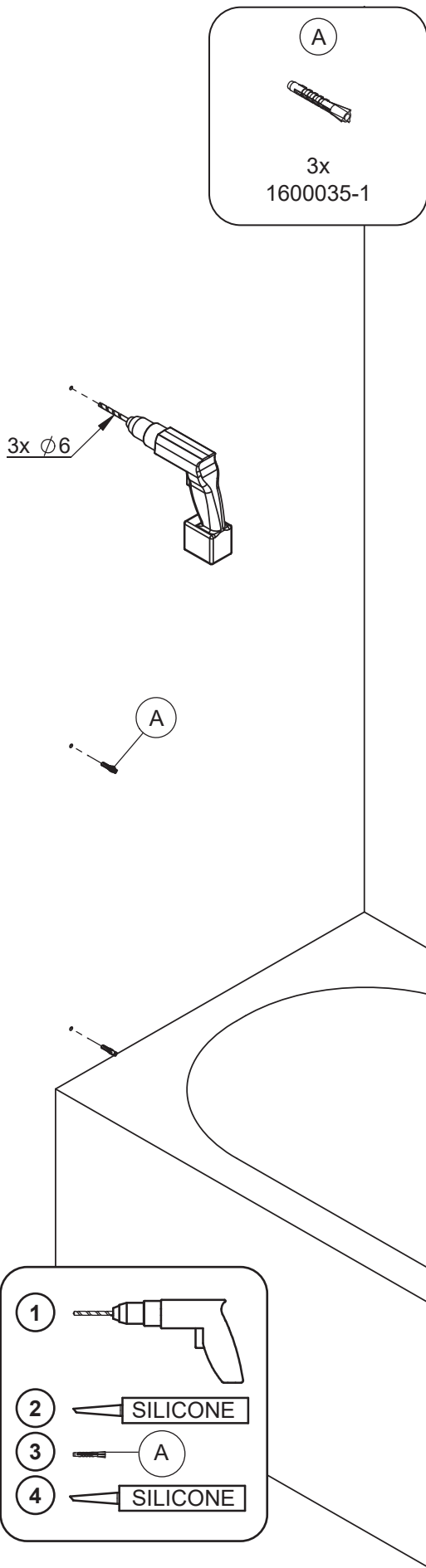
DANSANI
DANISH BATHROOM DESIGN



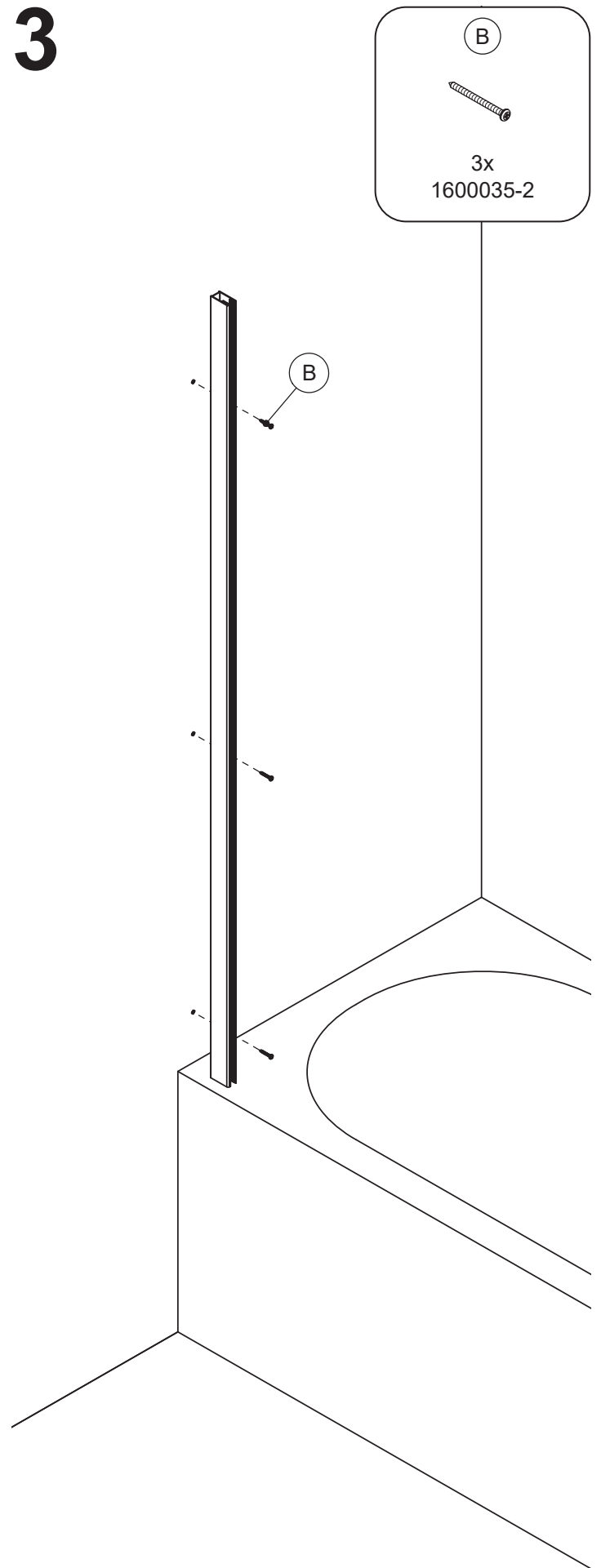
1



2



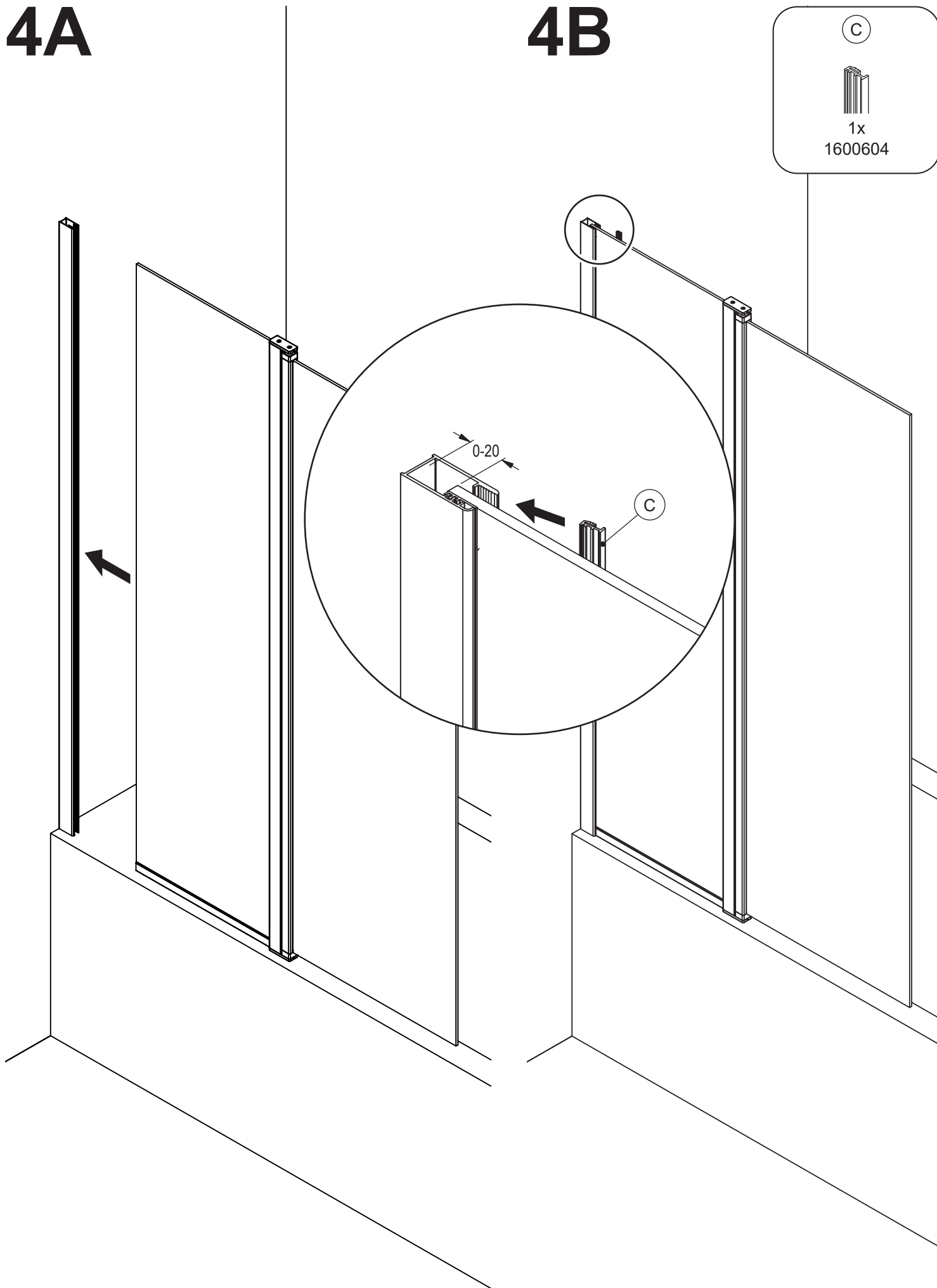
3



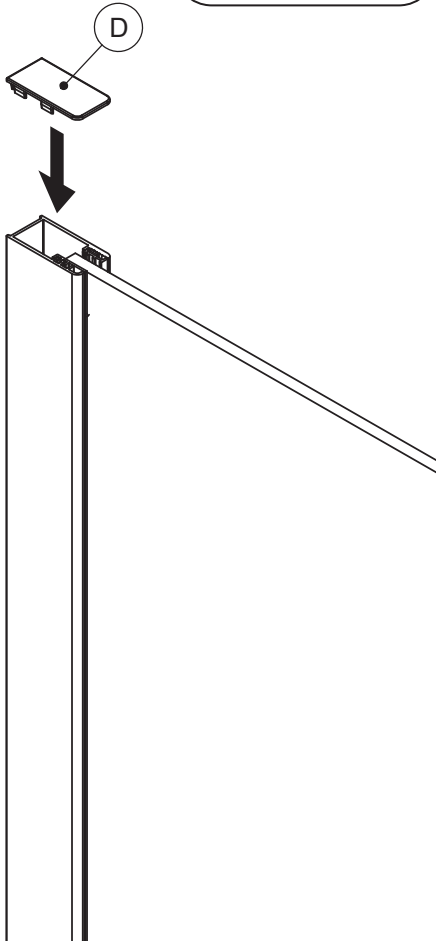
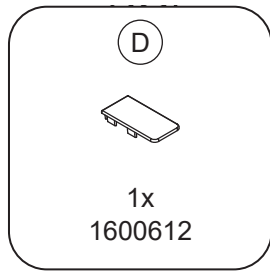
4A

4B

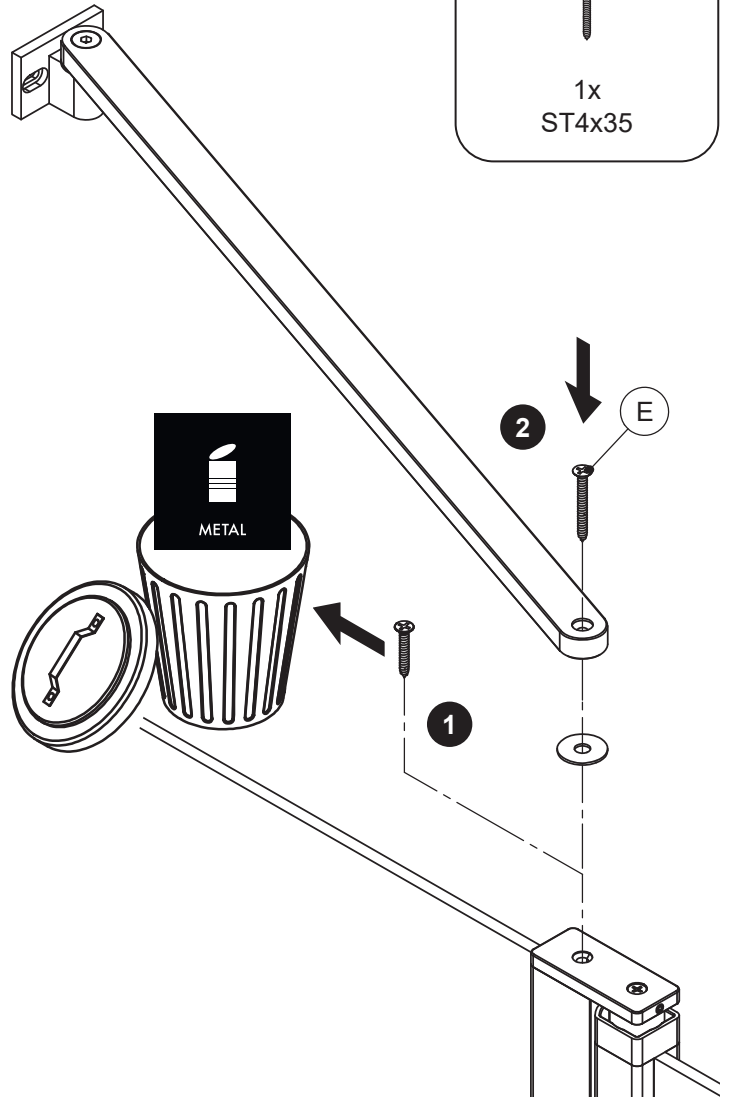
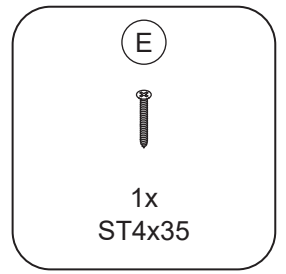
(C)
1x
1600604



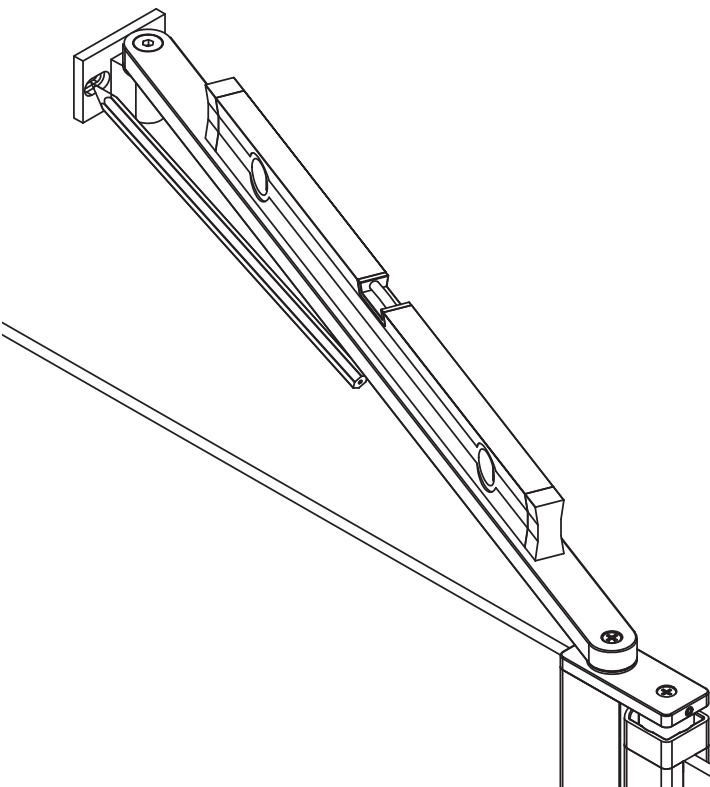
5



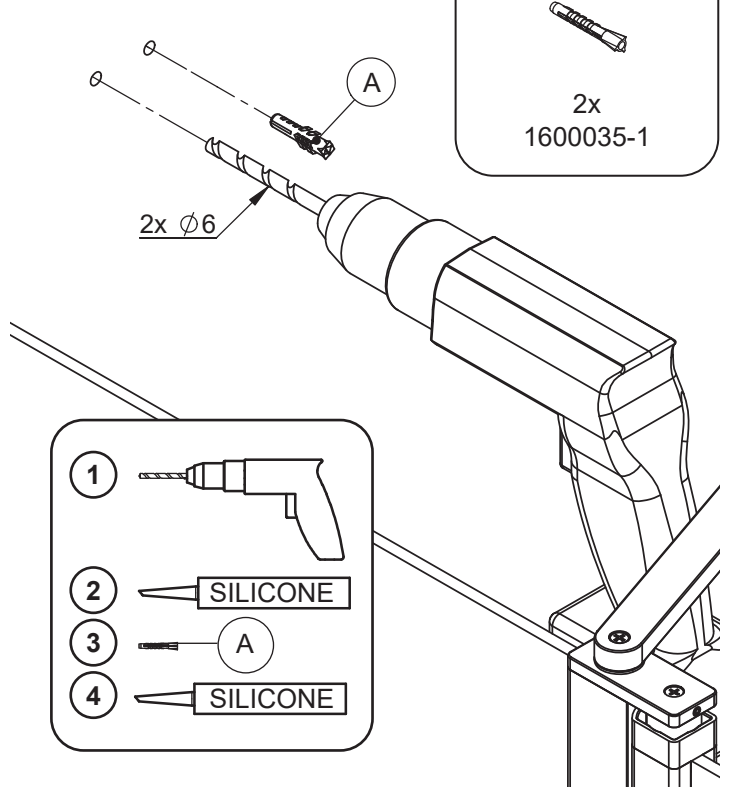
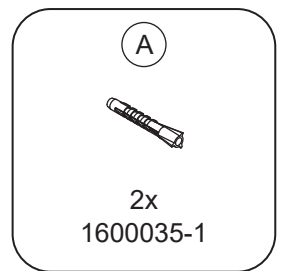
6



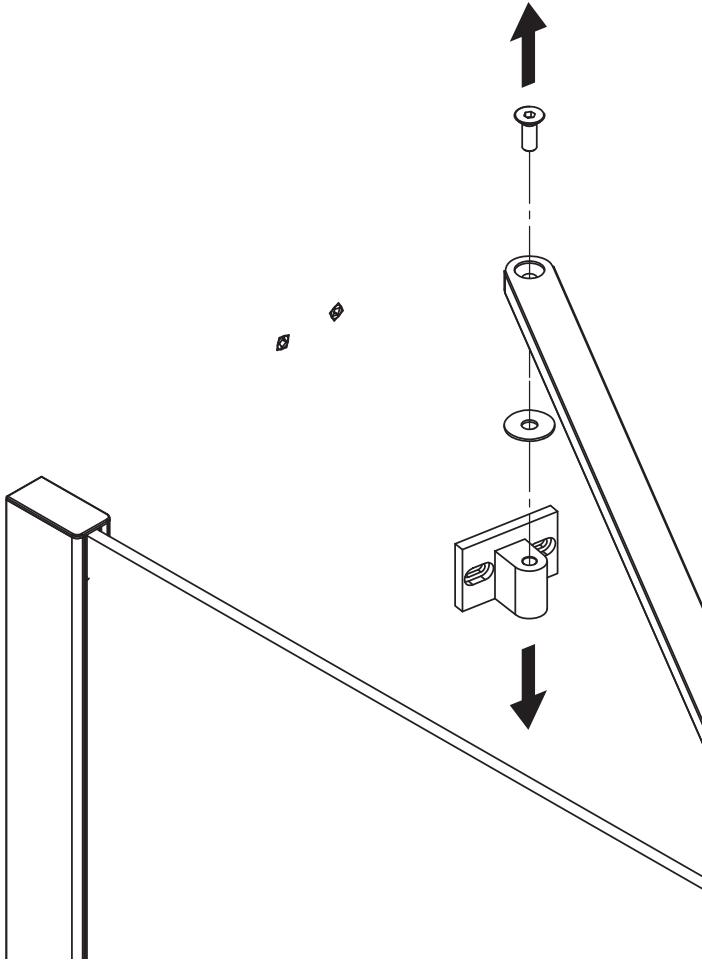
7



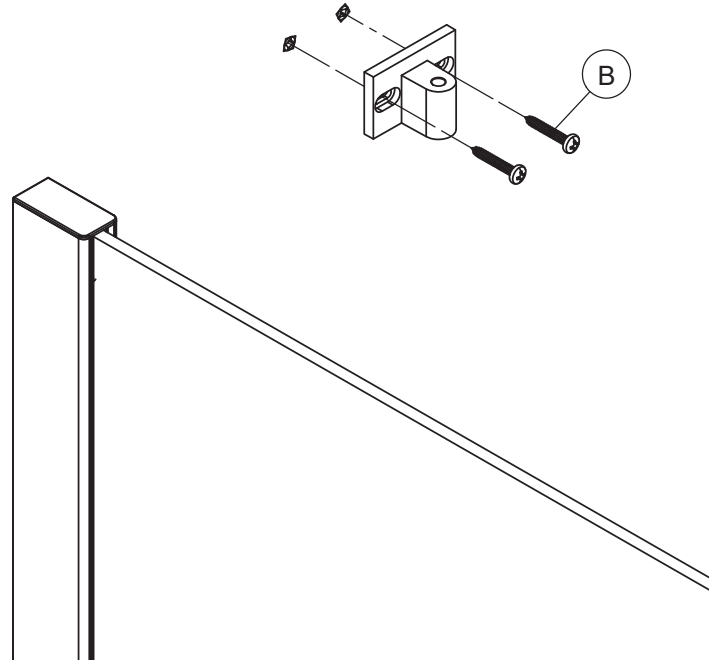
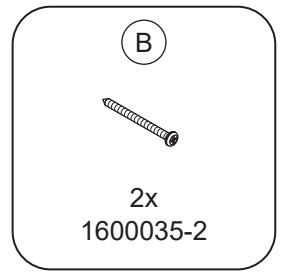
8



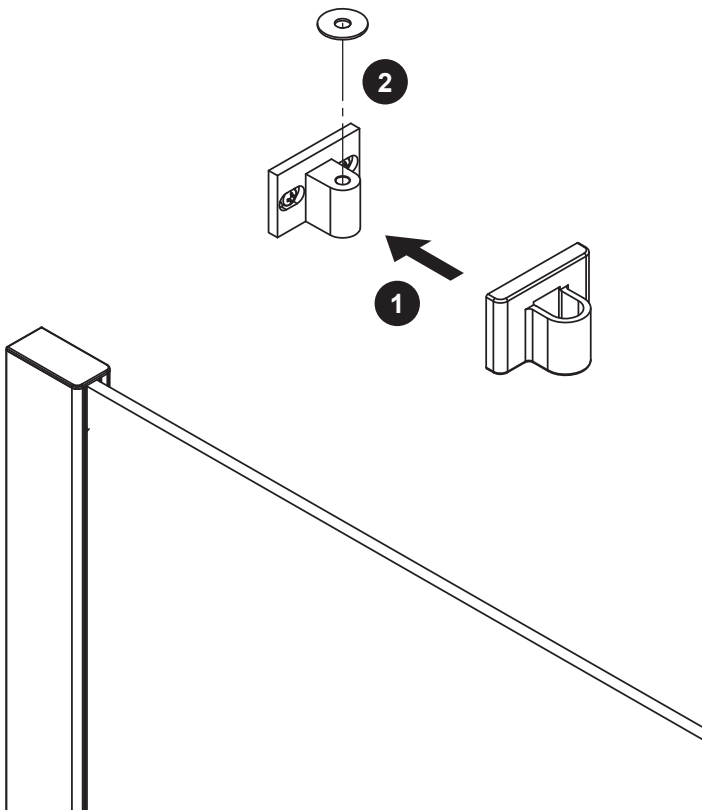
9



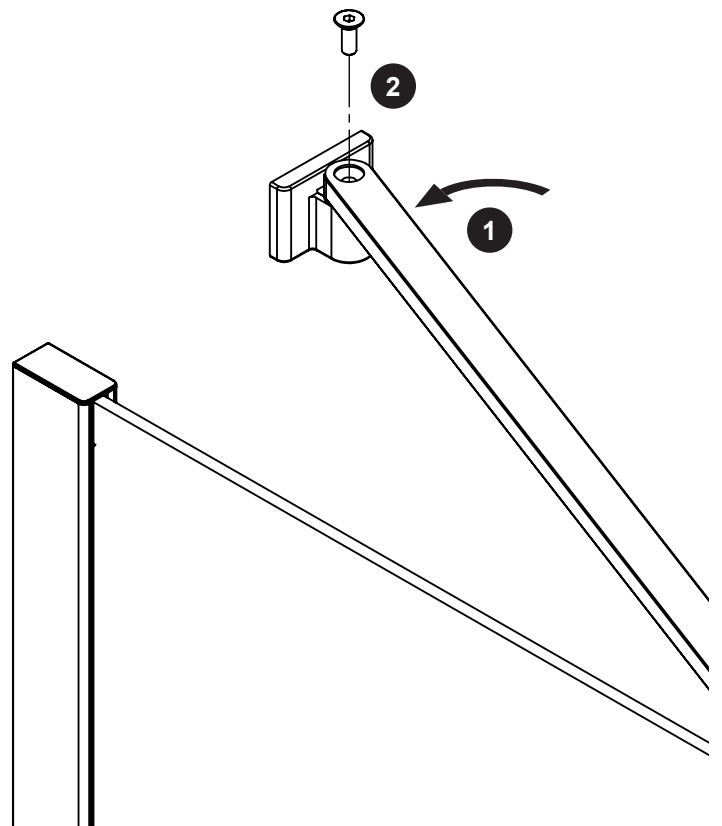
10

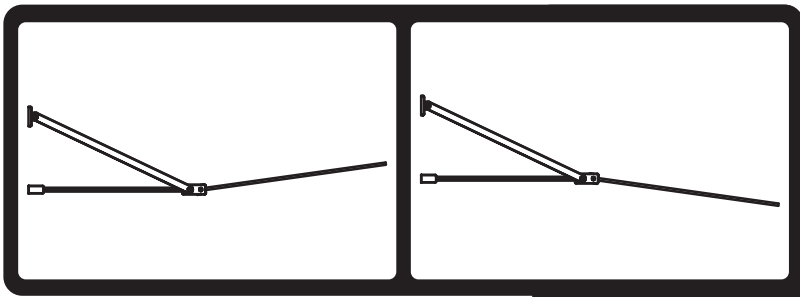


11

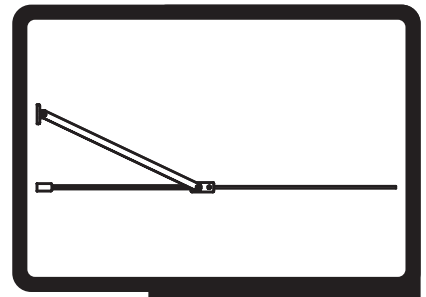


12



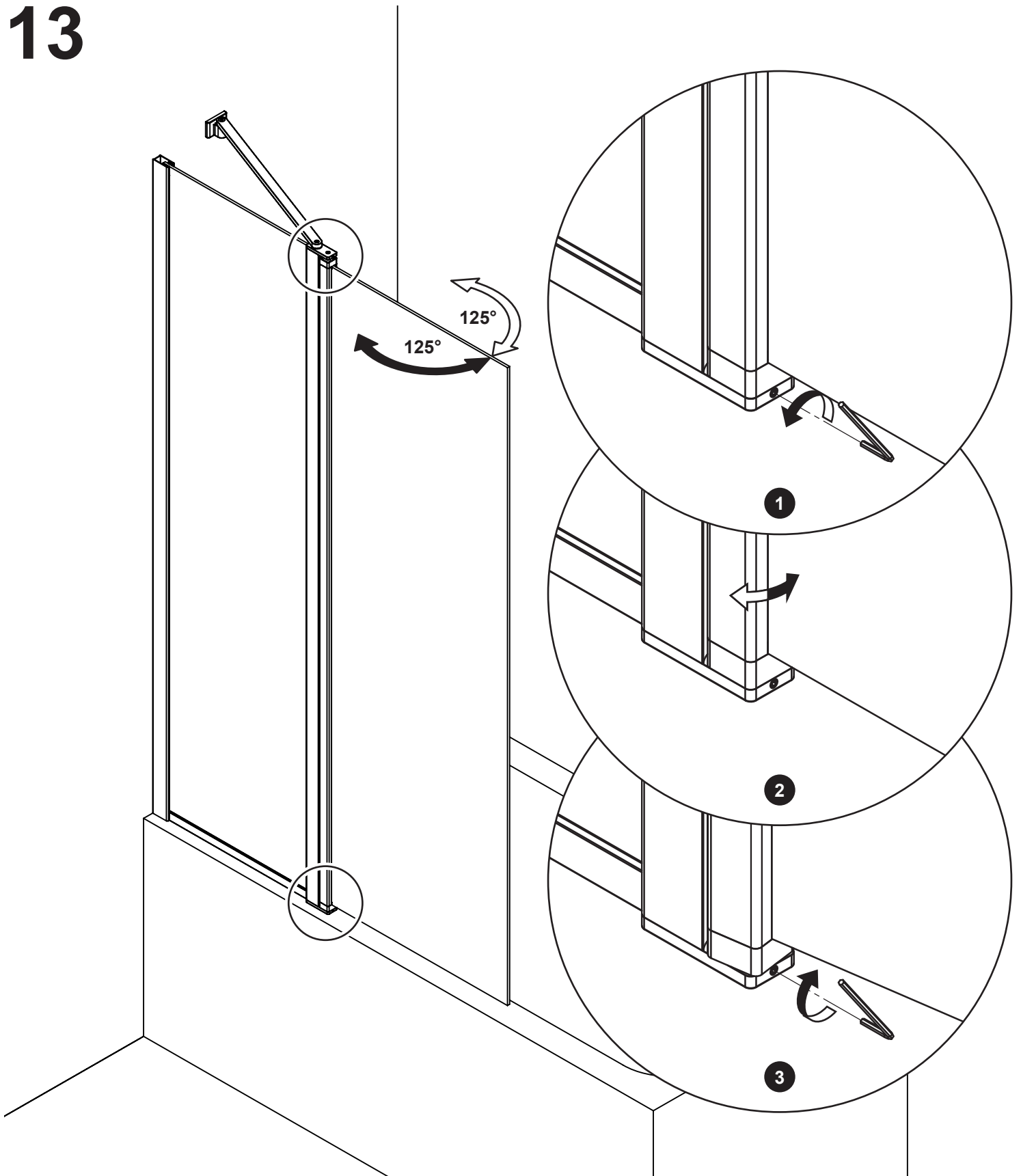


→ 13

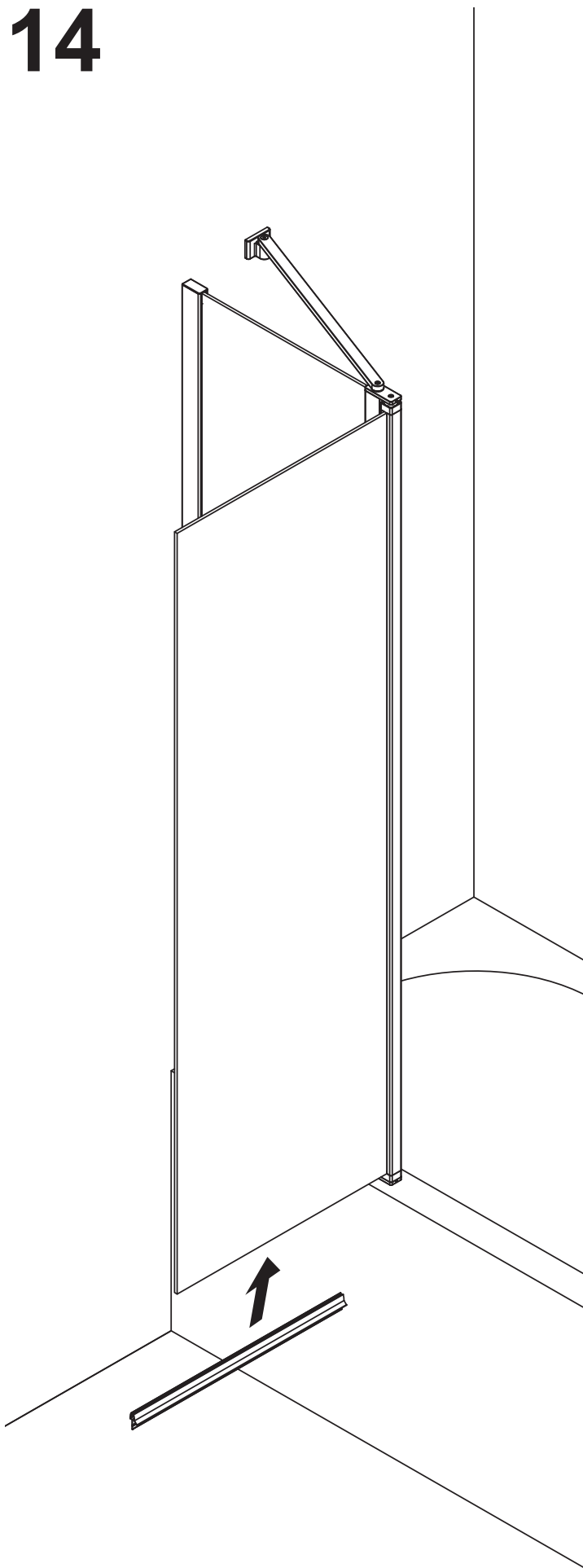


→ 14

13



14



15

