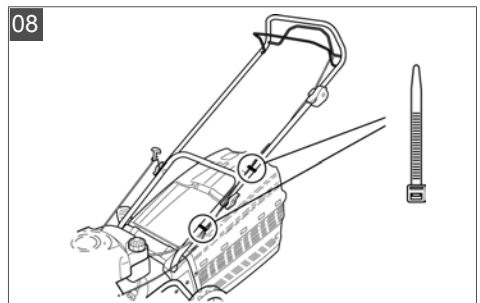
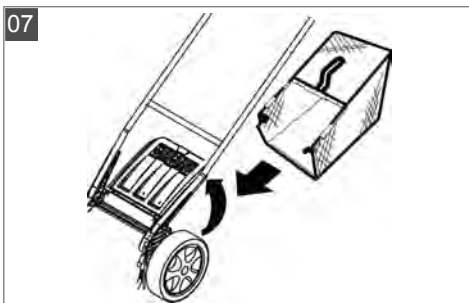
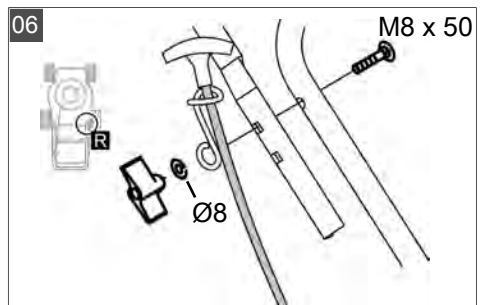
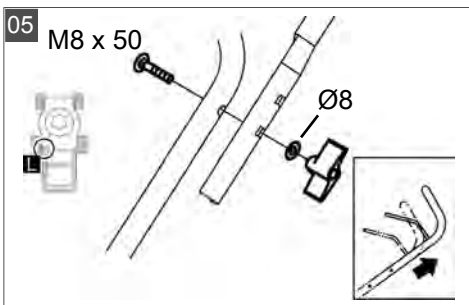
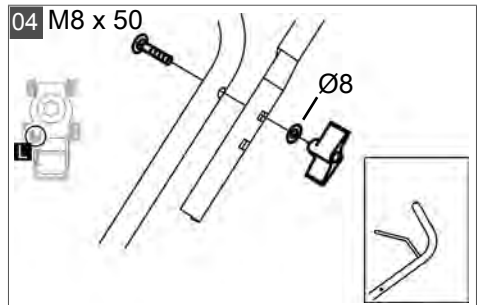
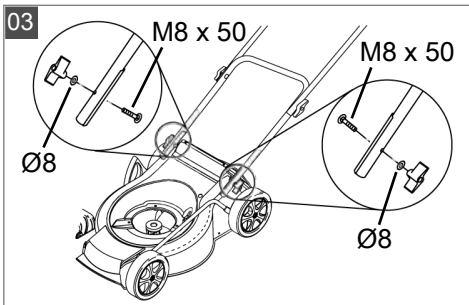
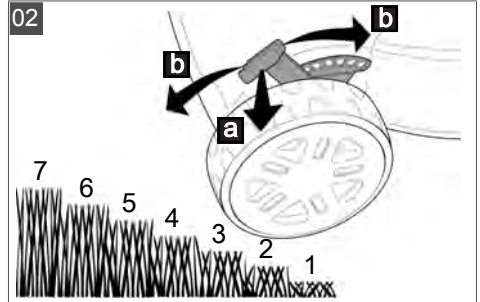
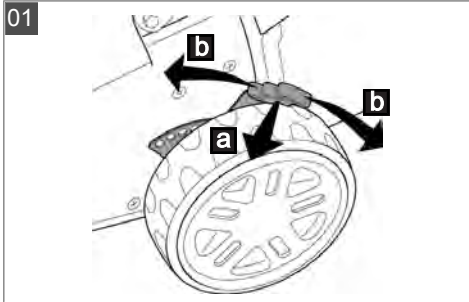


# MONTAGEANLEITUNG BENZIN-RASENMÄHER

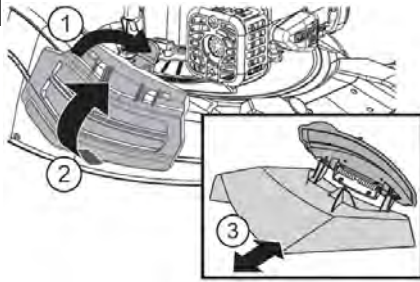
EASY 4.20 P-S | 4.60 SP-S | 5.10 SP-S
















TR 066



09



	 <b>EASY 4.20 P-S</b> Art.-Nr. 113794	 <b>EASY 4.60 SP-S</b> Art.-Nr. 113795	 <b>EASY 5.10 SP-S</b> Art.-Nr. 113796
	(1350 x 480 x 1050) mm	(1580 x 570 x 1050) mm	(1610 x 570 x 1050) mm
	2,0 kW 2900 min <sup>-1</sup>	2,0 kW 2900 min <sup>-1</sup>	2,3 kW 2900 min <sup>-1</sup>
	ca. 21,8 kg	ca. 28,1 kg	ca. 31,8 kg
	42 cm	46 cm	51 cm
	30-75 mm	30 – 75 mm	30 – 75 mm
	ca. 50 l	ca. 60 l	ca. 60 l
	avhw = 8,16 m/s <sup>2</sup> EN ISO 5395 K = 1,5 m/s <sup>2</sup>	avhw = 8,16 m/s <sup>2</sup> EN ISO 5395 K = 1,5 m/s <sup>2</sup>	avhw = 7,51 m/s <sup>2</sup> EN ISO 5395 K = 1,5 m/s <sup>2</sup>
	L <sub>pA</sub> = 84,5 dB(A) EN ISO 5395 EN ISO 11201 K = 3 dB(A)	L <sub>pA</sub> = 81,7 dB(A) EN ISO 5395 EN ISO 11201 K = 3 dB(A)	L <sub>pA</sub> = 84,6 dB(A) EN ISO 5395 EN ISO 11201 K = 3 dB(A)
	L <sub>wA</sub> = 96 dB(A) EN ISO 3744	L <sub>wA</sub> = 96 dB(A) EN ISO 3744	L <sub>wA</sub> = 98 dB(A) EN ISO 3744

**AL-KO GERÄTE GmbH** | Head Quarter | Ichenhauser Str. 14 | 89359 Kötz | Deutschland

Telefon: (+49)8221/203-0 | Telefax: (+49)8221/203-8199 | [www.al-ko.com](http://www.al-ko.com)

AL-KO Service: [www.al-ko.com/service-contacts](http://www.al-ko.com/service-contacts)