

Pack washbasin with furniture

86315.5

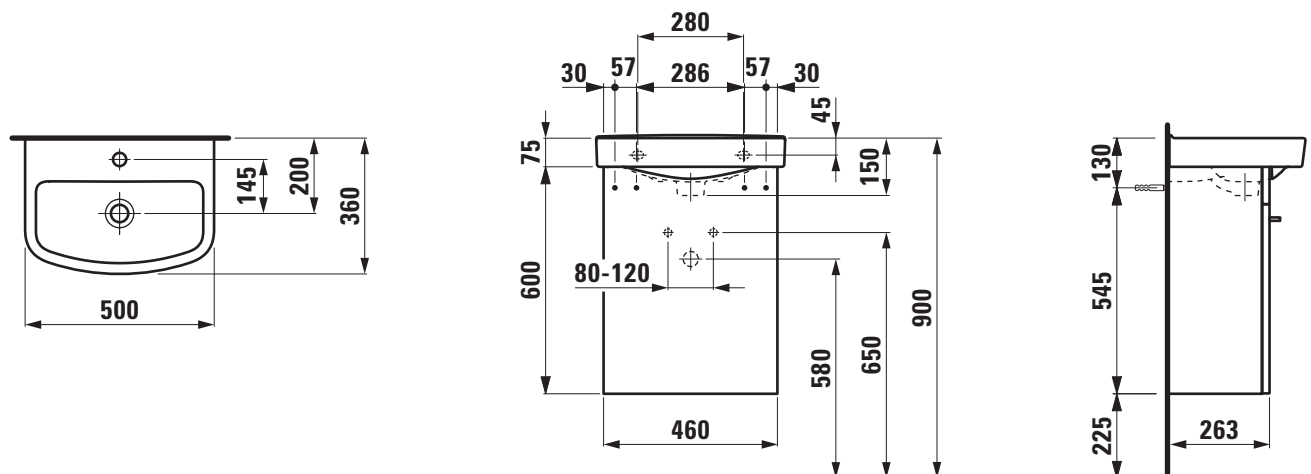
86315.6



TECHNICAL DATA

Order no.	86315.5 – washbasin with vanity unit door hinge left 86315.6 – washbasin with vanity unit door hinge right	Mounting information	The walls installed on must meet the requirements of the furniture in terms of weight and the supplied fastening elements. If this cannot be guaranteed another method of installation needs to be chosen
Certified to	Washbasin – EN 31	Colours ceramic	000 – White
Dimensions (WxHxD)	500 x 675 x 360 mm	Colours furniture	220 – White matt
Inside dimensions of the basin	440 x 215 mm	SPECIFICATION TEXT	
Specification	Washbasin: Always to be fixed to the wall. Charge 104 – 1 centre tap hole Furniture: Body/Front – melamine P3 chipboard, acrylic lacquer UV hardened with ABS edges with chrome handle 1 door (soft-close mechanism) 1 internal shelf, white (adjustable)	Pack washbasin with furniture KOMPAS Washbasin: sanitary ceramic, EN 31, dimensions (WxD) 500 x 360 mm, symmetric, 1 centre tap hole Special feature: overflow channel glazed Vanity unit: Body/Front – melamine P3 chipboard, acrylic lacquer UV hardened, ABS edges, with chrome handle, 1 door (soft-close mechanism), dimensions (WxHxD) 460 x 608 x 263 mm Further options / accessories: furniture Order no. 86315.5 – washbasin with vanity unit, door hinge left, 86315.6 – washbasin with vanity unit, door hinge right	
Weight	20,9 kg		
Mounting acc. incl.	Installation set for furniture, order no. 49388.1		

TECHNICAL DRAWINGS / S 1 : 20





TECHNICAL DATA

Order no.	86315.7 – washbasin with vanity unit
Certified to	Washbasin – EN 31
Dimensions (WxHxD)	560 x 675 x 420 mm
Inside dimensions of the basin	500 x 270 mm
Specification	Washbasin: Always to be fixed to the wall. Charge 104 – 1 centre tap hole Furniture: Body/Front – melamine P3 chipboard, acrylic lacquer UV hardened with ABS edges with chrome handles 2 doors (soft-close mechanism) 1 internal shelf, white (adjustable)
Weight	24,8 kg
Mounting acc. incl.	Installation set for furniture, order no. 49388.1

Mounting information The walls installed on must meet the requirements of the furniture in terms of weight and the supplied fastening elements. If this cannot be guaranteed another method of installation needs to be chosen

Colours ceramic 000 – White

Colours furniture 220 – White matt

SPECIFICATION TEXT

Pack washbasin with furniture KOMPAS

Washbasin: sanitary ceramic, EN 31, dimensions (WxD) 560 x 420 mm, symmetric, 1 centre tap hole

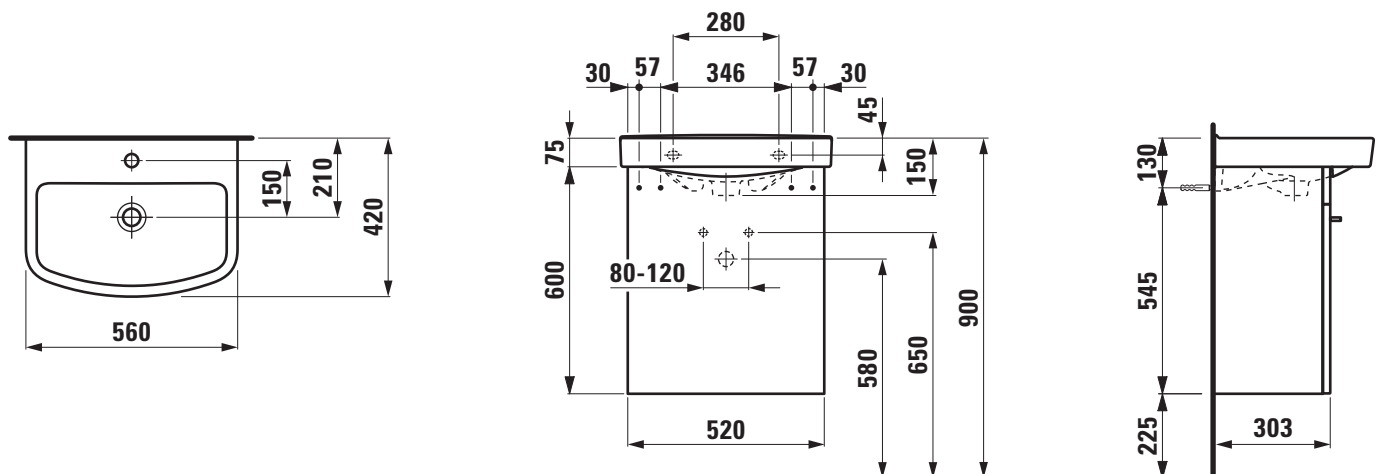
Special feature: overflow channel glazed

Vanity unit: Body/Front – melamine P3 chipboard, acrylic lacquer UV hardened, ABS edges, with chrome handles, 2 doors (soft-close mechanism), dimensions (WxHxD) 520 x 608 x 303 mm

Further options / accessories: furniture

Order no. 86315.7 – washbasin with vanity unit

TECHNICAL DRAWINGS / S 1 : 20





TECHNICAL DATA

Order no.	86315.8 – washbasin with vanity unit
Certified to	Washbasin – EN 31
Dimensions (WxHxD)	600 x 675 x 420 mm
Inside dimensions of the basin	500 x 270 mm
Specification	Washbasin: Always to be fixed to the wall. Charge 104 – 1 centre tap hole Furniture: Body/Front – melamine P3 chipboard, acrylic lacquer UV hardened with ABS edges with chrome handles 2 doors (soft-close mechanism) 1 internal shelf, white (adjustable)
Weight	26,2 kg
Mounting acc. incl.	Installation set for furniture, order no. 49388.1

Mounting information The walls installed on must meet the requirements of the furniture in terms of weight and the supplied fastening elements. If this cannot be guaranteed another method of installation needs to be chosen

Colours ceramic 000 – White

Colours furniture 220 – White matt

SPECIFICATION TEXT

Pack washbasin with furniture KOMPAS

Washbasin: sanitary ceramic, EN 31, dimensions (WxD) 600 x 420 mm, symmetric, 1 centre tap hole

Special feature: overflow channel glazed

Vanity unit: Body/Front – melamine P3 chipboard, acrylic lacquer UV hardened, ABS edges, with chrome handles, 2 doors (soft-close mechanism), dimensions (WxHxD) 560 x 608 x 303 mm

Further options / accessories: furniture

Order no. 86315.8 – washbasin with vanity unit

TECHNICAL DRAWINGS / S 1 : 20

