

Pine

Thermixa 700 Thermostatic Bath/Shower Mixer

Article no.: 575074600
Finish: Steel PVD
Series: Pine

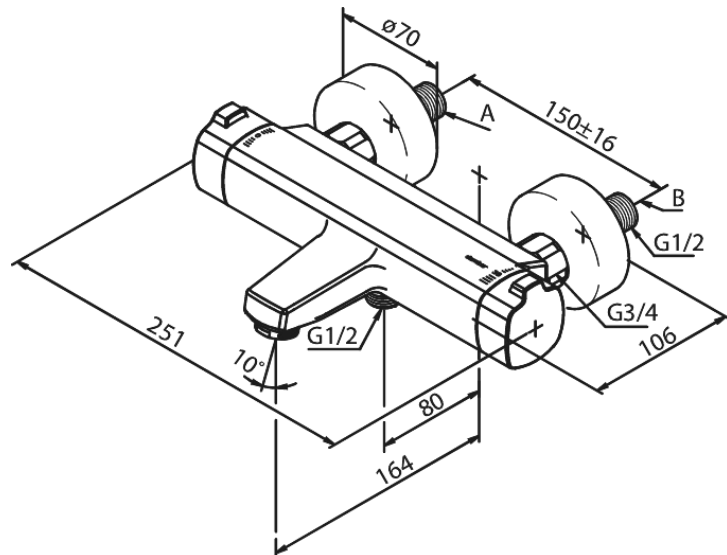
EAN no.: 5708516832898



Standard features:

Ceramic cartridge
Water consumption max.23/13 l/min
Standard 150mm centres
With 3/4" wall plates & eccentric unions
1/2" connection for hand shower hose

Product features



FM Mattsson Denmark ApS
Hvidkærvej 48, 5250 Odense SV, DK-56416218

+45 88 33 00 34 damixa-international@fmmattsongroup.com

Mere information på damixa.com

damixa