


GB	ORIGINAL INSTRUCTIONS	15	UA	ОРИГІНАЛЬНА ІНСТРУКЦІЯ З ЕКСПЛУАТАЦІЇ	122
F	NOTICE ORIGINALE	21	GR	ΠΡΟΤΟΤΥΠΟ ΟΔΗΓΙΩΝ ΧΡΗΣΗΣ	129
D	ORIGINALBETRIEBSANLEITUNG	27	RO	INSTRUCȚIUNI DE FOLOSIRE ORIGINALE	137
NL	ORIGINELE GEBRUIKSAANWIJZING	35	BG	ОРИГИНАЛНО РЪКОВОДСТВО ЗА ЕКСПЛОАТАЦИЯ	144
S	BRUKSANVISNING I ORIGINAL	42	SK	PŮVODNÝ NÁVOD NA POUŽITIE	151
DK	ORIGINAL BRUGSANVISNING	48	HR	ORIGINALNE UPUTE ZA RAD	158
N	ORIGINAL BRUKSANVISNING	54	SRB	ORIGINALNO UPUTSTVO ZA RAD	164
FIN	ALKUPERÄISET OHJEET	60	SLO	IZVIRNA NAVODILA	170
E	MANUAL ORIGINAL	66	EST	ALGUPÄRANE KASUTUSJUHEND	177
P	MANUAL ORIGINAL	73	LV	ORIĢINĀLĀ LIETOŠANAS PAMĀCĪBA	183
I	ISTRUZIONI ORIGINALI	80	LT	ORIGINALI INSTRUKCIJA	189
H	EREDETI HASZNÁLATI UTASÍTÁS	87	MK	ИЗБОРНО УПАТСТВО ЗА РАБОТА	196
CZ	PŮVODNÍM NÁVODEM K POUŽÍVÁNÍ	94	AL	UDHËZIMET ORIGINALE	203
TR	ORİJİNAL İŞLETME TALİMATI	100	AR	دليل الاستعمال	220
PL	INSTRUKCJA ORYGINALNA	106	FA	راهنمای اصلی	216
RU	ПОДЛИННИК РУКОВОДСТВА ПО ЭКСПЛУАТАЦИИ	114			



EAC

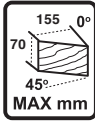
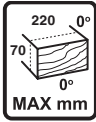
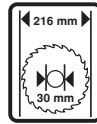
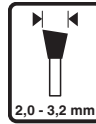
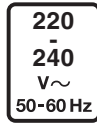
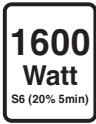


GB	EU Declaration of conformity		We declare under our sole responsibility that the stated products comply with all applicable provisions of the directives and regulations listed below and are in conformity with the following standards.
	Sliding mitre saw	Article number	Technical file at:*
F	Déclaration de conformité UE		Nous déclarons sous notre propre responsabilité que les produits décrits sont en conformité avec les directives, règlements normatifs et normes énumérés ci-dessous. Dossier technique auprès de:*
	Scie à onglets radiale	Numéro d'article	
D	EU-Konformitätserklärung		Wir erklären in alleiniger Verantwortung, dass die genannten Produkte allen einschlägigen Bestimmungen der nachfolgend aufgeführten Richtlinien und Verordnungen entsprechen und mit folgenden Normen übereinstimmen. Technische Unterlagen bei:*
	Paneelsäge	Sachnummer	
NL	EU-conformiteitsverklaring		Wij verklaren op eigen verantwoordelijkheid dat de genoemde producten voldoen aan alle desbetreffende bepalingen van de hierna genoemde richtlijnen en verordeningen en overeenstemmen met de volgende normen. Technisch dossier bij:*
	Telescopische verstekzaag	Productnummer	
S	EU-konformitetsförklaring		Vi förklarar under eget ansvar att de nämnda produkterna uppfyller kraven i alla gällande bestämmelser i de nedan angivna direktiven och förordningarna och att de stämmer överens med följande normer. Teknisk dokumentation:*
	Utdragbar kap- och gersåg	Produktnummer	
DK	EU-overensstemmelseserklæring		Vi erklærer som eneansvarlige, at det beskrevne produkt er i overensstemmelse med alle gældende bestemmelser i følgende direktiver og forordninger og opfylder følgende standarder. Tekniske bilag ved:*
	Kap- og geringsav	Typenummer	
N	EU-samsvarserklæring		Vi erklærer under eneansvar at de nevnte produktene er i overensstemmelse med alle relevante bestemmelser i direktivene og forordningene nedenfor og med følgende standarder. Teknisk dokumentasjon hos:*
	Kapp- og gjæringssag med glidekinnene	Produktnummer	
FIN	EU-vaatimustenmukaisuusvakuutus		Vakuutamme täten, että mainitut tuotteet vastaavat kaikkia seuraavien direktiivien ja asetusten asiaankuuluvia vaatimuksia ja ovat seuraavien standardien vaatimusten mukaisia. Tekniset asiakirjat saatavana:*
	Katkaisu- ja jirisaaha	Tuotenumero	
E	Declaración de conformidad UE		Declaramos bajo nuestra exclusiva responsabilidad, que los productos nombrados cumplen con todas las disposiciones correspondientes de las directivas y los reglamentos mencionados a continuación y están en conformidad con las siguientes normas. Documentos técnicos de:*
	Ingletadora telescópica	Número de artículo	
P	Declaração de conformidade CE		Declaramos sob nossa exclusiva responsabilidade que os produtos mencionados cumprem todas as disposições e os regulamentos indicados e estão em conformidade com as seguintes normas. Documentação técnica pertencente a:*
	Serra de esquadria deslizante	Número do produto	
I	Dichiarazione di conformità UE		Dichiariamo sotto la nostra piena responsabilità che i prodotti indicati sono conformi a tutte le disposizioni pertinenti delle direttive e dei regolamenti elencati di seguito, nonché alle seguenti normative. Documentazione tecnica presso:*
	Troncatrice radiale	Codice prodotto	
H	EU konformitási nyilatkozat		Egyedüli felelőséggel kijelentjük, hogy a megnevezett termékek megfelelnek az alábbiakban felsorolásra kerülő irányelvek és rendeletek valamennyi idevágó előírásainak és megfelelnek a következő szabványoknak. Műszaki dokumentumok megőrzési pontja:*
	Csúszó gérvágó fűrész	Cikkszám	
CZ	EU prohlášení o shodě		Prohlašujeme na výhradní zodpovědnost, že uvedený výrobek splňuje všechna příslušná ustanovení níže uvedených směrnic a nařízení a je v souladu s následujícími normami. Technické podklady u:*
	Pokosová pila se zákluzem	Objednací číslo	
TR	AB Uygunluk beyanı		Tek sorumlu olarak, tanımlanan ürünün aşağıdaki yönetmelik ve direktiflerin geçerli bütün hükümlerine ve aşağıdaki standartlara uygun olduğunu beyan ederiz. Teknik belgelerin bulunduğu yer:*
	Raylık gönyeli testere	Ürün kodu	
PL	Deklaracja zgodności UE		Oświadczamy z pełną odpowiedzialnością, że niniejsze produkty odpowiadają wszystkim wymaganiom poniżej wyszczególnionych dyrektyw i rozporządzeń, oraz że są zgodne z następującymi normami. Dokumentacja techniczna:*
	Pilarka ukośnica	Numer katalogowy	
RU	Заявление о соответствии ЕС		Мы заявляем под нашу единоличную ответственность, что названные продукты соответствуют всем действующим предписаниям нижеуказанных директив и распоряжений, а также нижеуказанных норм. Техническая документация хранится у:*
	Торцово-усовочная пила (стусло)	Товарный номер	
UA	Заява про відповідність ЄС		Мизявляємо під нашу одноособову відповідальність, що названі вироби відповідають усім чинним положенням нижчеозначених директив і розпоряджень, а також нижчеозначеним нормам. Технічна документація зберігається у:*
	Торцювальна пила для вирізання під нутом	Товарний номер	

<p>GR</p>	<p>Δήλωση πιστότητας ΕΕ Κινούμενο φαλτσπρίοιο Αριθμός ευρετηρίου</p>	<p>Δηλώνουμε με αποκλειστική μας ευθύνη, ότι τα αναφερόμενα προϊόντα αντιστοιχούν σε όλες τις σχετικές διατάξεις των πιο κάτω αναφερόμενων οδηγιών και κανονισμών και ταυτίζονται με τα ακόλουθα πρότυπα. Τεχνικά έγγραφα στη:*</p>
<p>RO</p>	<p>Declarație de conformitate UE Ferăstrău unghiular glisant Număr de identificare</p>	<p>Declarăm pe proprie răspundere că produsele menționate corespund tuturor dispozițiilor relevante ale directivei și reglementărilor enumerate în cele ce urmează și sunt în conformitate cu următoarele standarde. Documentație tehnică la:*</p>
<p>BG</p>	<p>ЕС декларация за съответствие Циркуляр за ламперия Каталоген номер</p>	<p>С пълна отговорност ние декларираме, че посочените продукти отговарят на всички валидни изисквания на директивите и разпоредбите по-долу и съответства на следните стандарти. Техническа документация при:*</p>
<p>SK</p>	<p>Pôvodnej EU vyhlásenie o zhode Pokosová píla se zákluzem Vecné číslo</p>	<p>Vyhlasujeme na výhradnú zodpovednosť, že uvedený výrobok spĺňa všetky príslušné ustanovenia nižšie uvedených smerníc a nariadení a je v súlade s nasledujúcimi normami. Technické podklady má spoločnosť:*</p>
<p>HR</p>	<p>EU izjava o sukladnosti Potezna kutna pila Kataloški broj</p>	<p>Pod punom odgovornošću izjavljujemo da navedeni proizvodi odgovaraju svim relevantnim odredbama direktiva i propisima navedenima u nastavku i da su sukladni sa sledećim normama. Tehnička dokumentacija se može dobiti kod:*</p>
<p>SRB</p>	<p>EU-izjava o usaglašenosti Klizna ugaona testera Broj predmeta</p>	<p>Na sopstvenu odgovornost izjavljujemo, da navedeni proizvodi odgovaraju svim dotičnim odredbama naknadno navedenih smernica u uredaba i da su u skladu sa sledećim standardima. Tehnička dokumentacija kod:*</p>
<p>SLO</p>	<p>Izjava o skladnosti ES Potezna zajeralna žaga Številka artikla</p>	<p>Izjavljamo pod izključno odgovornostjo, da je omenjen izdelek v skladu z vsemi relevantnimi določili direktiv in uredb ter ustreza naslednjim standardom. Tehnična dokumentacija pri:*</p>
<p>EST</p>	<p>EL-vastavusdeklaratsioon Liugsiinidega järkamissaag Tootenumber</p>	<p>Kinnitame ainuvastutajatena, et nimetatud tooted vastavad järgnevalt loetletud direktiivide ja määruste kõikidele asjaomastele nõuetele ja on kooskõlas järgmiste normidega. Tehnilised dokumendid saadaval:*</p>
<p>LV</p>	<p>Deklarācija par atbilstību EK standartiem Leņķzāģis ar asmens pārbīdi Izstrādājuma numurs</p>	<p>Mēs ar pilnu atbildību paziņojam, ka šeit aplūkoti izstrādājumi atbilst visiem tālāk minētajās direktīvās un rīkojumos ietvertajām saistošajām nostādņēm, kā arī sekojošiem standartiem. Tehniskā dokumentācija no:*</p>
<p>LT</p>	<p>ES atitikties deklaracija Slankusis skersavimo pjūklas Gaminio numeris</p>	<p>Atsakingai pareiškiame, kad išvardyti gaminiai atitinka visus privalomus žemiau nurodytų direktyvų ir reglamentų reikalavimus ir šiuos standartus. Techninė dokumentacija saugoma:*</p>
<p>MK</p>	<p>EU-Изјава за сообразност Циркулар на лигање Број на артикл</p>	<p>Со целосна одговорност изјавуваме, дека опишаните производи се во согласност со сите релевантни одредби на следните регулативи и прописи и се во согласност со следните норми. Техничка документација кај:*</p>
<p>AL</p>	<p>EU Deklarata e konformitetit Sharrë kornizash teleskopike Numri i nenit</p>	<p>Ne deklarojmë me përgjegjësinë tonë të vetme se produktet e paraqitura janë në përputhje me të gjitha dispozitat e zbatueshme të direktivave dhe rregulloreve të listuara më poshtë dhe janë në përputhje me standardet si më poshtë. Dosja teknike në:*</p>
<p>1310 BT1*1310**</p>		<p>2006/42/EC EN 62841-1:2015 2014/30/EU EN 62841-3-9:2015 + A11:2017 2011/65/EU EN 60825-1:2014</p> <p>EN 55014-1:2017 EN 55014-2:2015 EN 61000-3-2:2014 EN 61000-3-3:2013 + A1:2019</p> <p>EN 50581:2012</p> <p>SKIL® * Skil BV Konijnenberg 62 4825 BD Breda The Netherlands</p> <p>Olaf Dijkgraaf Approval Manager</p>  <p>Skil BV, Konijnenberg 62, 4825 BD Breda, NL 10.02.2021</p>

1

1310



2



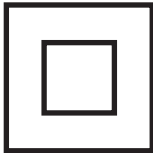
3



4



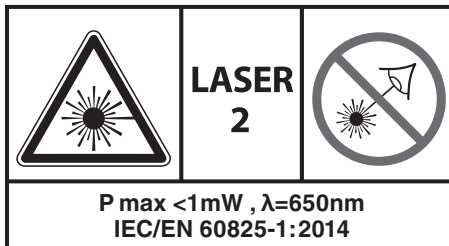
5



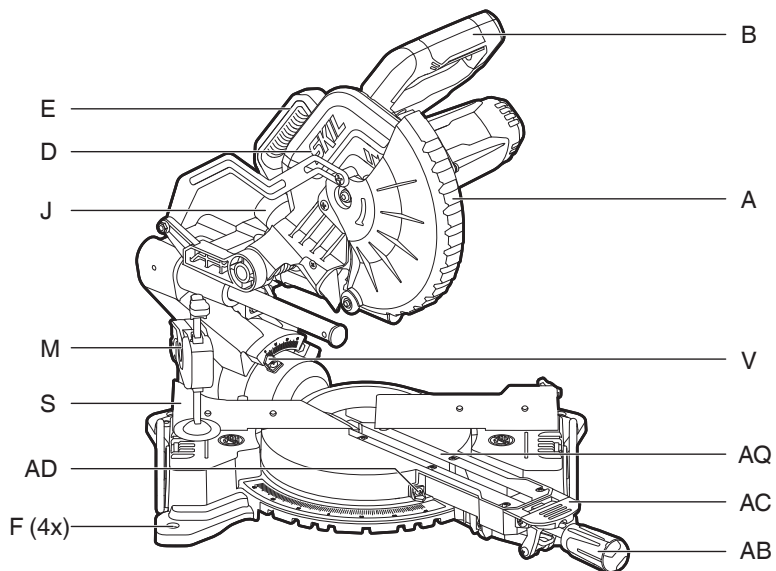
6



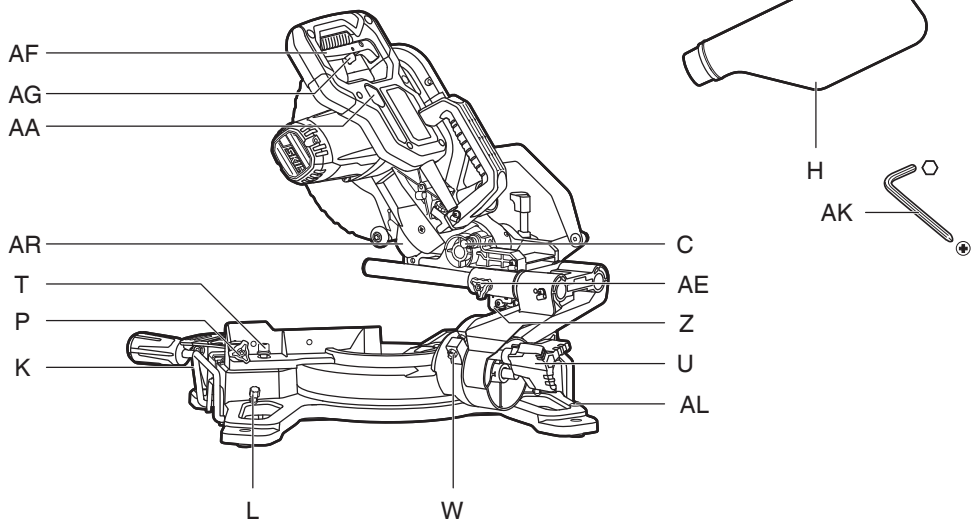
7

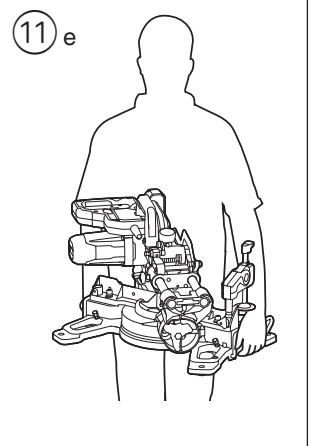
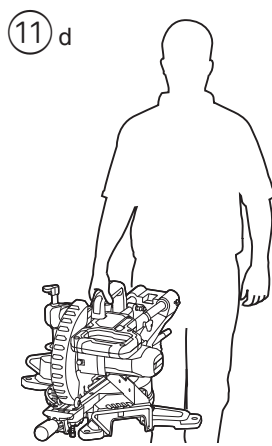
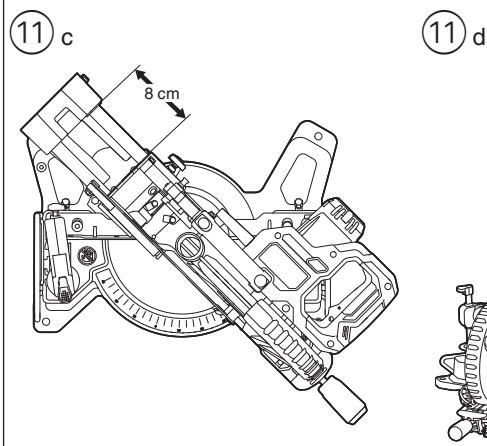
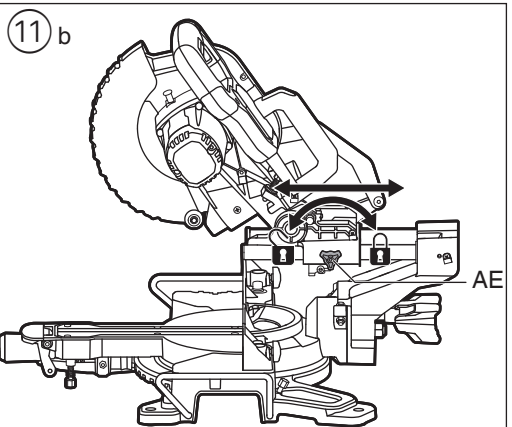
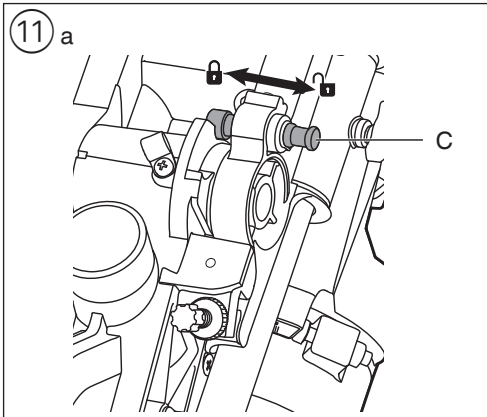
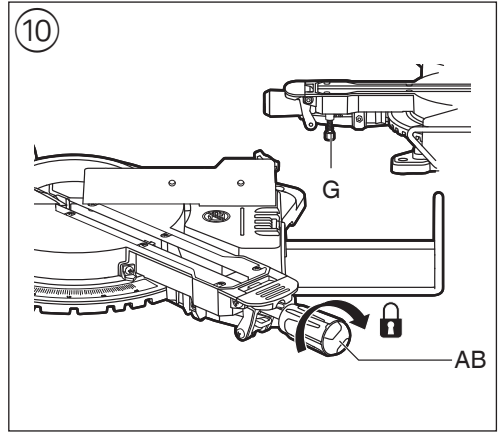
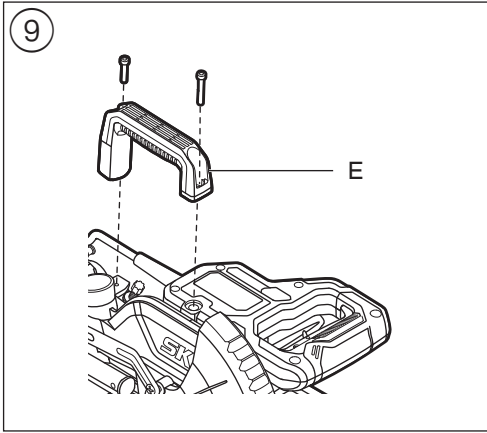


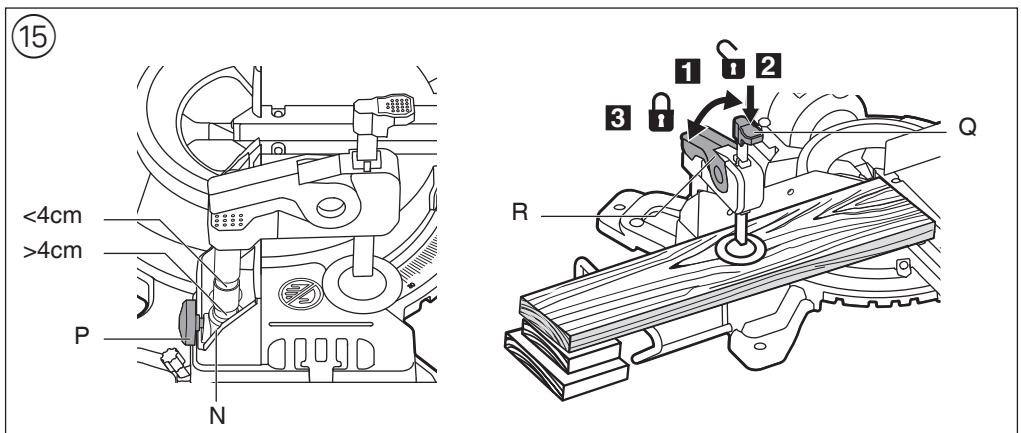
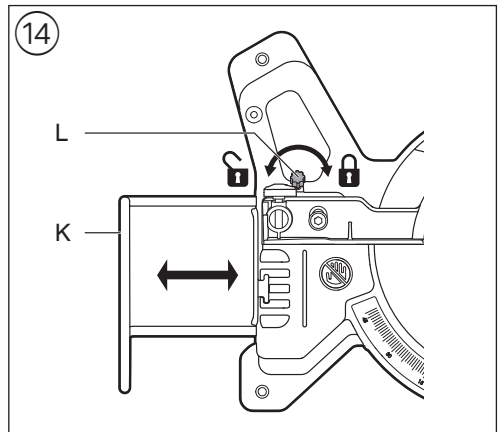
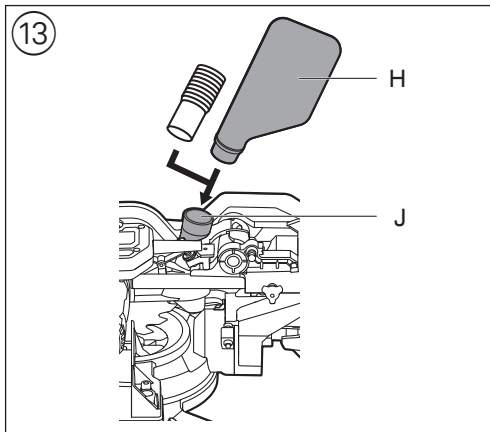
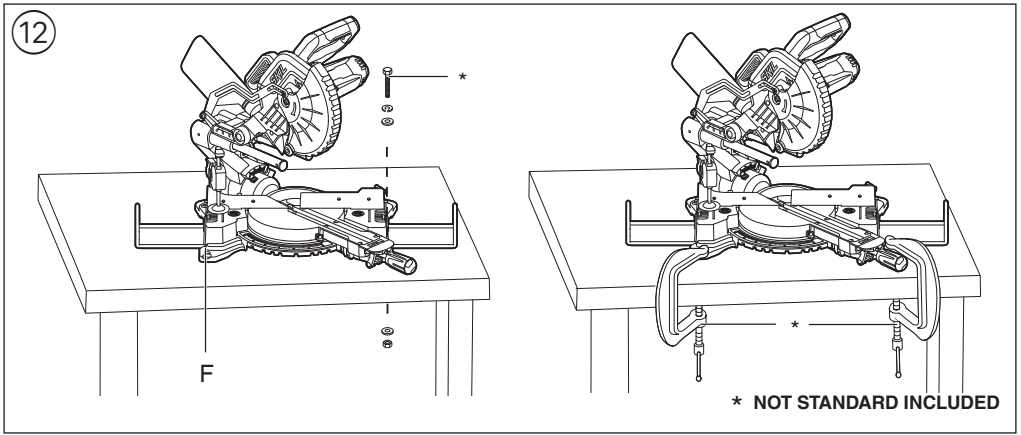
8 a




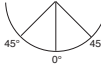
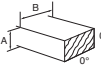
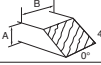
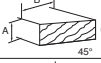

8 b



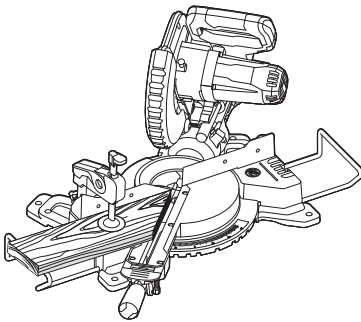
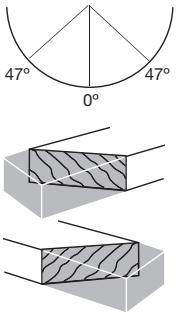




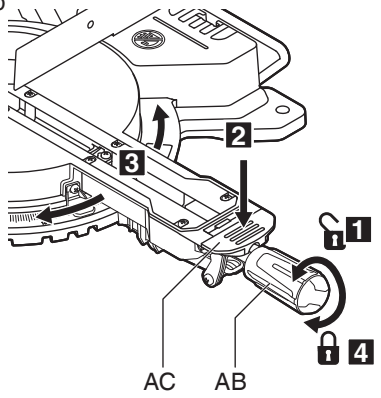
16

			Max A x Max B
0°	0°		70 x 220 mm
45°	0°		40 x 220 mm
0°	45°		70 x 155 mm
45°	45°		40 x 155 mm

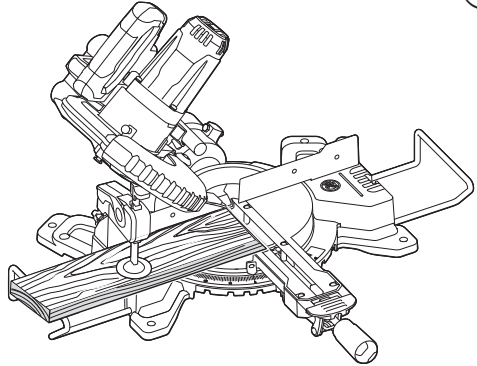
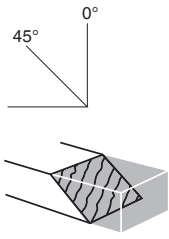
17 a



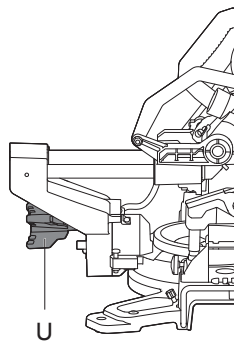
17 b



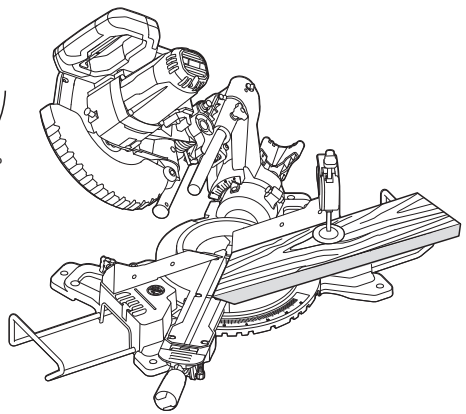
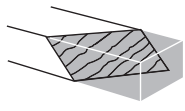
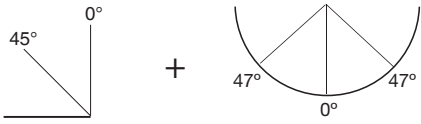
18 a



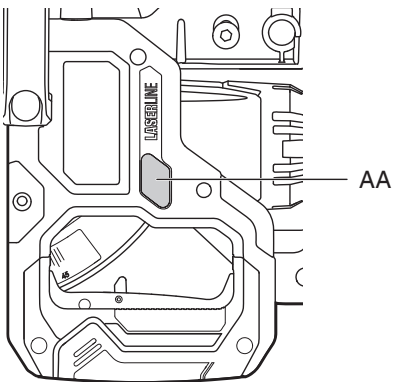
18 b



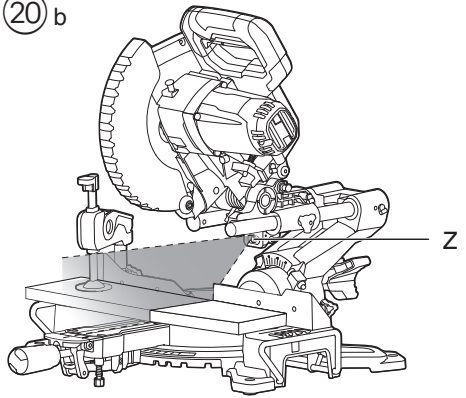
19



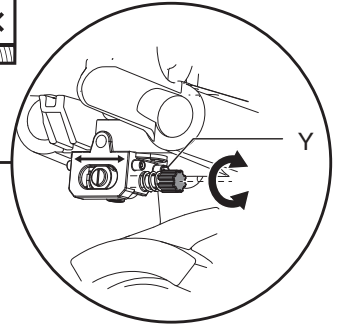
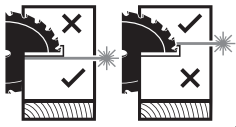
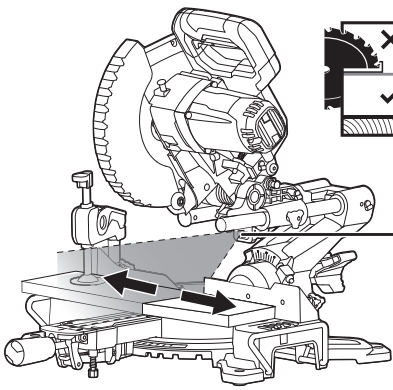
20 a



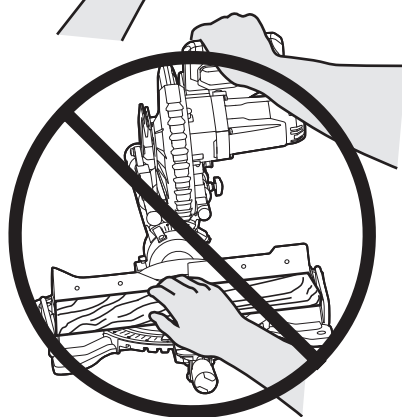
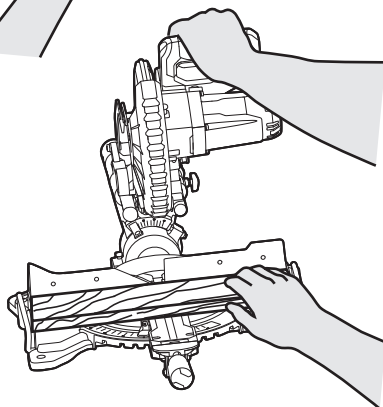
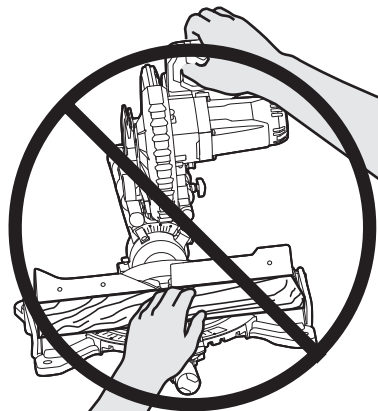
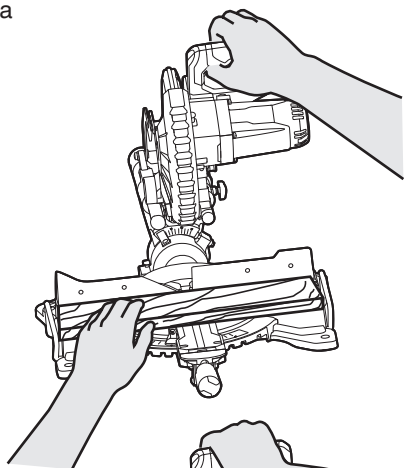
20 b



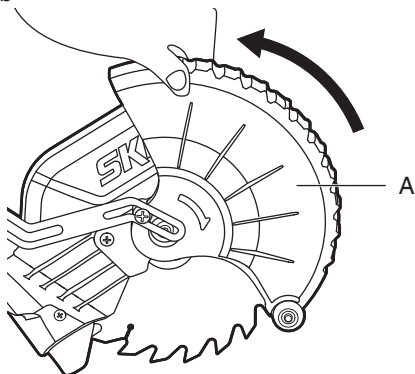
20 c



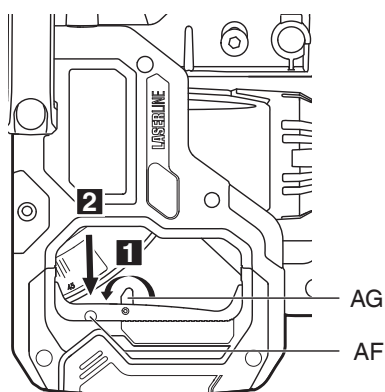
21 a

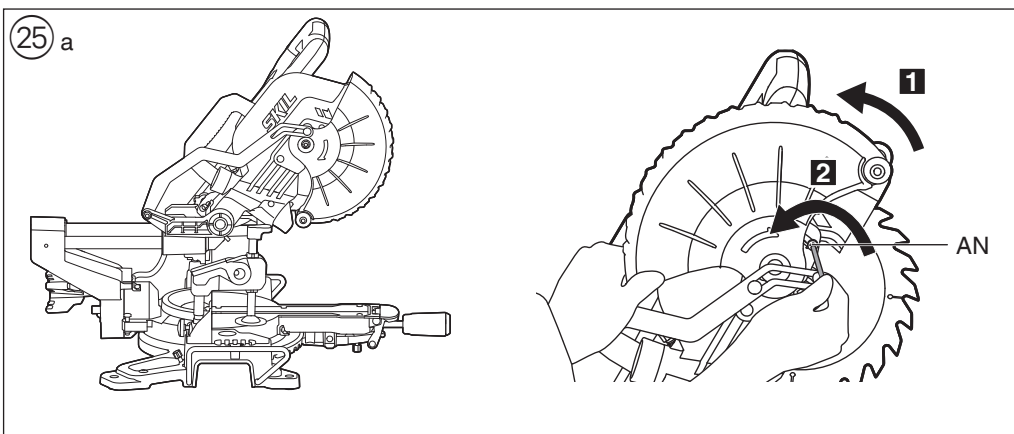
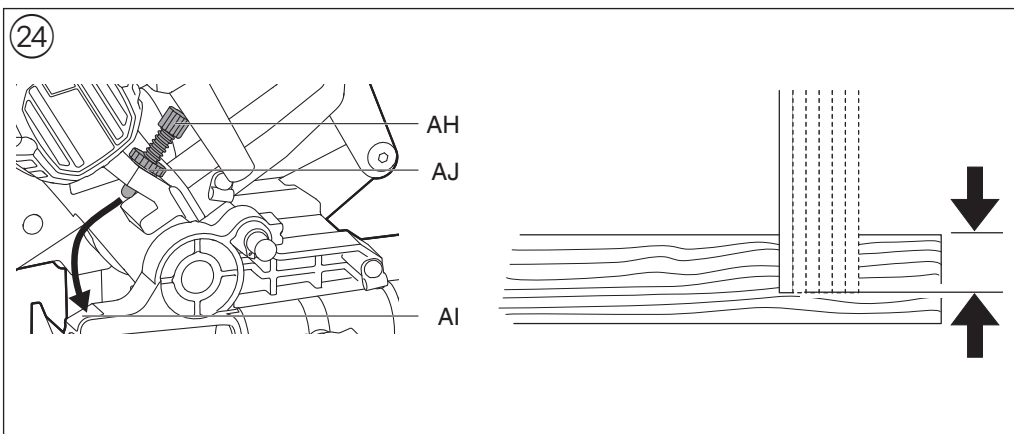
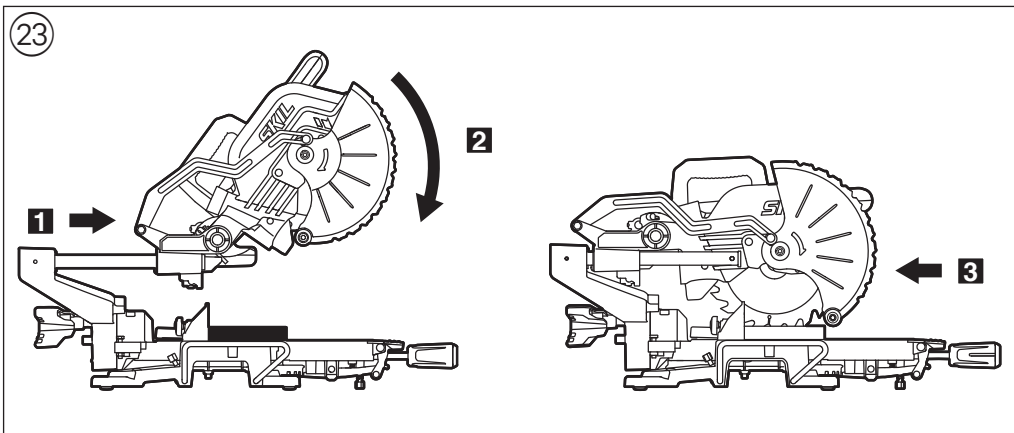


21 b

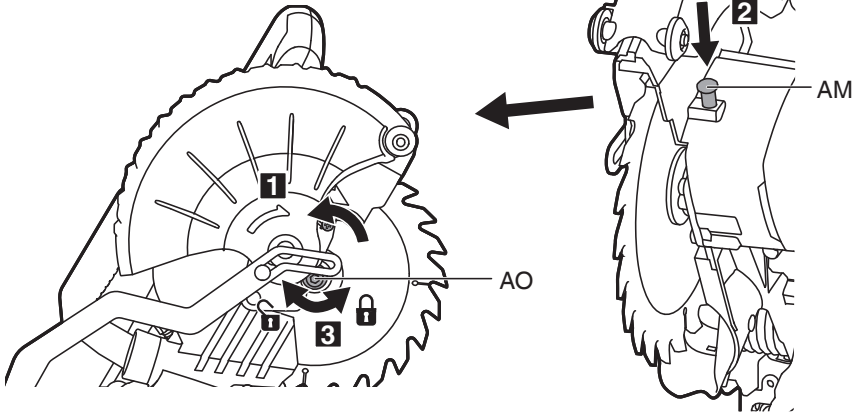


22

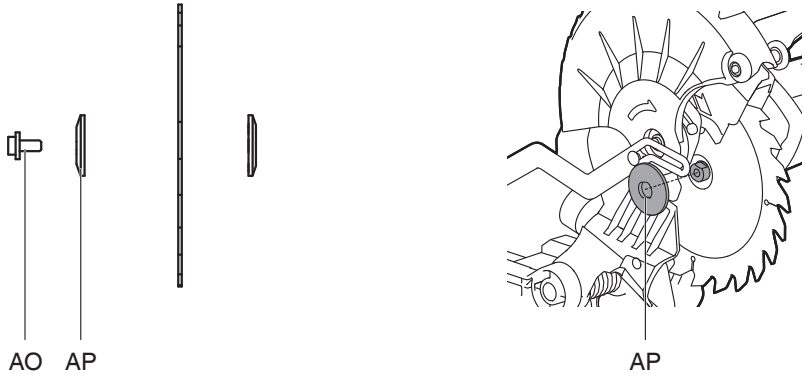




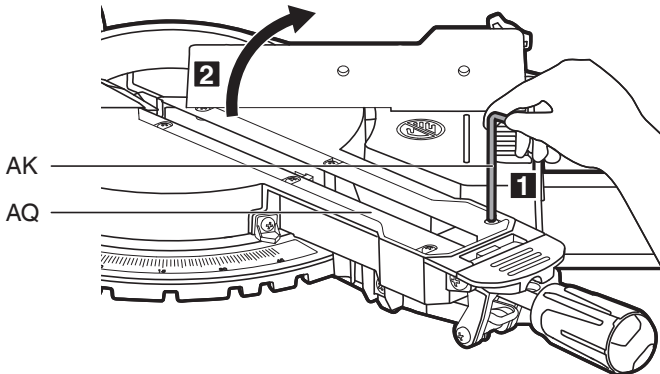
25 b



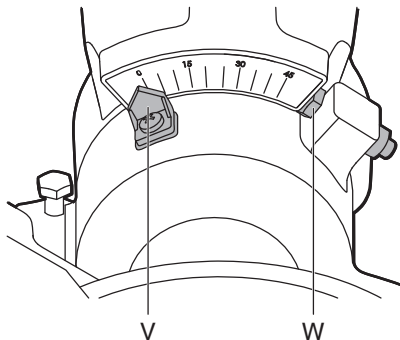
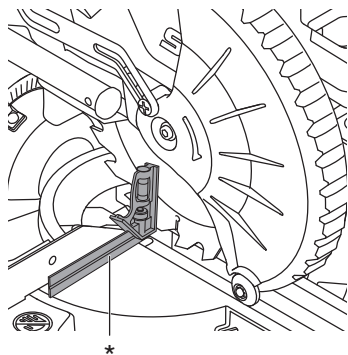
25 c



26

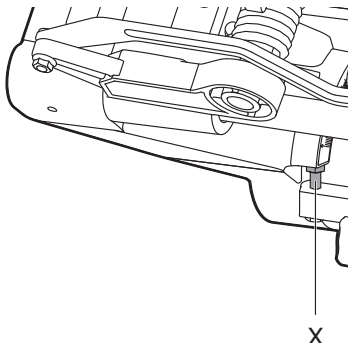
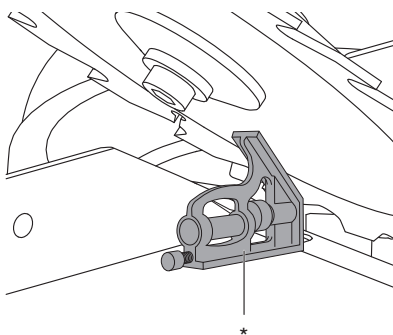


27



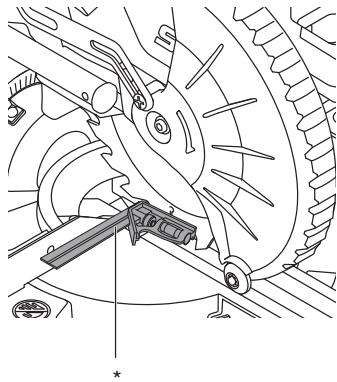
* NOT STANDARD INCLUDED

28

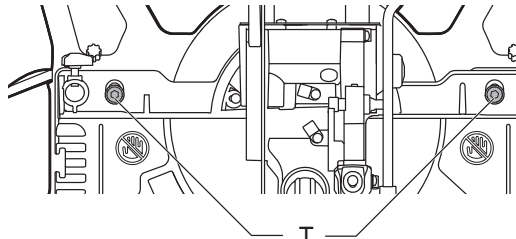


* NOT STANDARD INCLUDED

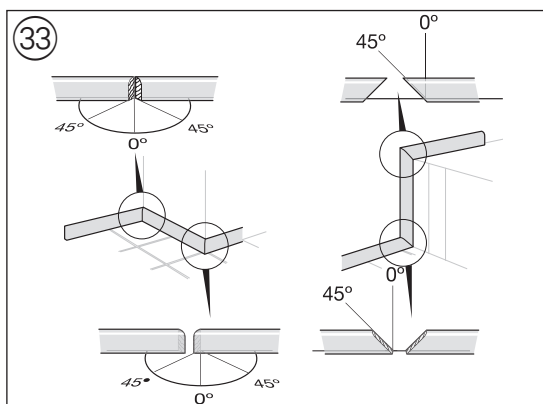
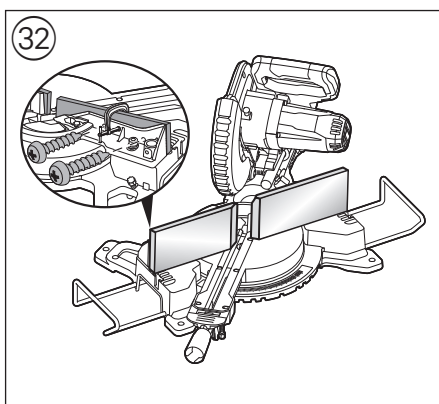
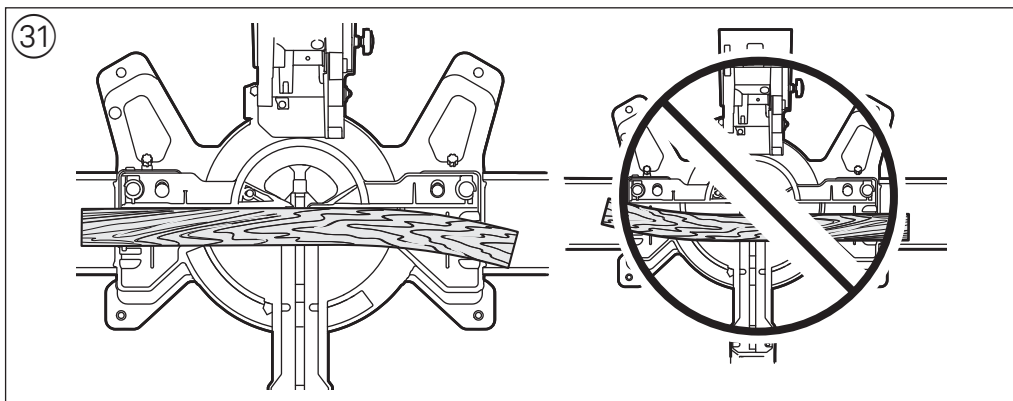
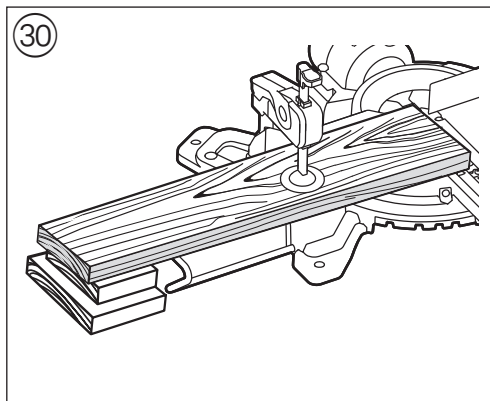
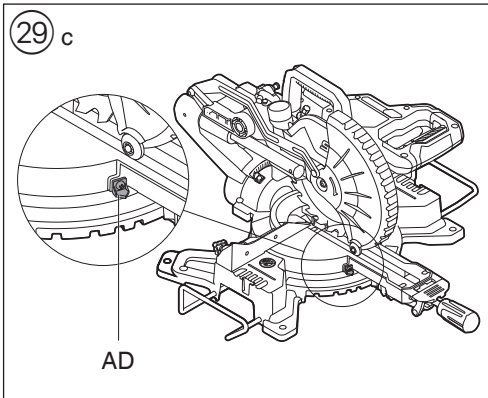
29 a



29 b



* NOT STANDARD INCLUDED



ACCESSORIES



WWW.SKIL.COM

Sliding mitre saw

1310

INTRODUCTION

- This tool is intended as a stationary machine for lengthways and crossways cutting of wood with straight cuts as well as angle cuts (horizontal mitre angles of -47° to $+47^\circ$ as well as vertical bevel angles of 0° to 45° are possible)
- Read and save this instruction manual ②
- This tool is not intended for professional use
- **Only use the tool when correctly and completely assembled** (be aware that Skil cannot be held responsible for tool damage and/or personal injuries resulting from the incorrect assembly of the tool)

TECHNICAL DATA ①

TOOL ELEMENTS ⑧

- A Lower guard
- B Switch handle
- C Locking pin for transport
- D Upper guard
- E Transport handle
- F Mounting holes
- G Support foot
- H Dust bag
- J Dust port
- K Extension bars
- L Knobs for locking extension bars
- M Clamp for mounting workpiece
- N Support hole
- P Knob for fastening clamp
- Q Knob for adjusting clamp
- R Clamping lever
- S Fence
- T Hex screws for adjusting fence (2x)
- U Locking knob (bevel angles)
- V Bevel angle indicator
- W Screw for adjusting bevel angle (right)
- X Screw for adjusting bevel angle (left)
- Y Laser adjustment screw
- Z Laser light
- AA On/off switch laser
- AB Locking handle (mitre angles)
- AC Mitre detent release lever
- AD Mitre angle indicator
- AE Locking knob for slide device
- AF On/off switch
- AG Safety lever
- AH Cutting depth limiter
- AI Depth stop
- AJ Depth stop nut
- AK Hex key
- AL Storage for hex key
- AM Spindle-lock button
- AN Cover plate screw
- AO Blade bolt
- AP Flange
- AQ Table insert
- AR Dust deflector

SAFETY

GENERAL POWER TOOL SAFETY WARNINGS

⚠ WARNING Read all safety warnings, instructions, illustrations and specifications provided with this power tool. Failure to follow all instructions listed below may result in electric shock, fire and/or serious injury.

Save all warnings and instructions for future reference.

The term "power tool" in the warnings refers to your mains-operated (corded) power tool or battery-operated (cordless) power tool.

1) WORK AREA SAFETY

- a) **Keep work area clean and well lit.** Cluttered or dark areas invite accidents.
- b) **Do not operate power tools in explosive atmospheres, such as in the presence of flammable liquids, gases or dust.** Power tools create sparks which may ignite the dust or fumes.
- c) **Keep children and bystanders away while operating a power tool.** Distractions can cause you to lose control.

2) ELECTRICAL SAFETY

- a) **Power tool plugs must match the outlet. Never modify the plug in any way. Do not use any adapter plugs with earthed (grounded) power tools.** Unmodified plugs and matching outlets will reduce risk of electric shock.
- b) **Avoid body contact with earthed or grounded surfaces such as pipes, radiators, ranges and refrigerators.** There is an increased risk of electric shock if your body is earthed or grounded.
- c) **Do not expose power tools to rain or wet conditions.** Water entering a power tool will increase the risk of electric shock.
- d) **Do not abuse the cord. Never use the cord for carrying, pulling or unplugging the power tool. Keep cord away from heat, oil, sharp edges or moving parts.** Damaged or entangled cords increase the risk of electric shock.
- e) **When operating a power tool outdoors, use an extension cord suitable for outdoor use.** Use of a cord suitable for outdoor use reduces the risk of electric shock.
- f) **If operating a power tool in a damp location is unavoidable, use a residual current device (RCD) protected supply.** Use of an RCD reduces the risk of electric shock.

3) PERSONAL SAFETY

- a) **Stay alert, watch what you are doing and use common sense when operating a power tool. Do not use a power tool while you are tired or under the influence of drugs, alcohol or medication.** A moment of inattention while operating power tools may result in serious personal injury.
- b) **Use personal protective equipment. Always wear eye protection.** Protective equipment such as a dust mask, non-skid safety shoes, hard hat, or hearing protection used for appropriate conditions will reduce personal injuries.
- c) **Prevent unintentional starting. Ensure the switch is in the off-position before connecting to power source and/or battery pack, picking up or carrying**

the tool. Carrying power tools with your finger on the switch or energising power tools that have the switch on invites accidents.

- d) **Remove any adjusting key or wrench before turning the power tool on.** A wrench or a key left attached to a rotating part of the power tool may result in personal injury.
- e) **Do not overreach. Keep proper footing and balance at all times.** This enables better control of the power tool in unexpected situations.
- f) **Dress properly. Do not wear loose clothing or jewellery. Keep your hair and clothing away from moving parts.** Loose clothes, jewellery or long hair can be caught in moving parts.
- g) **If devices are provided for the connection of dust extraction and collection facilities, ensure these are connected and properly used.** Use of dust collection can reduce dust-related hazards.
- h) **Do not let familiarity gained from frequent use of tools allow you to become complacent and ignore tool safety principles.** A careless action can cause severe injury within a fraction of a second.

4) POWER TOOL USE AND CARE

- a) **Do not force the power tool. Use the correct power tool for your application.** The correct power tool will do the job better and safer at the rate for which it was designed.
 - b) **Do not use the power tool if the switch does not turn it on and off.** Any power tool that cannot be controlled with the switch is dangerous and must be repaired.
 - c) **Disconnect the plug from the power source and/ or remove the battery pack, if detachable, from the power tool before making any adjustments, changing accessories, or storing power tools.** Such preventive safety measures reduce the risk of starting the power tool accidentally.
 - d) **Store idle power tools out of the reach of children and do not allow persons unfamiliar with the power tool or these instructions to operate the power tool.** Power tools are dangerous in the hands of untrained users.
 - e) **Maintain power tools and accessories. Check for misalignment or binding of moving parts, breakage of parts and any other condition that may affect the power tool's operation. If damaged, have the power tool repaired before use.** Many accidents are caused by poorly maintained power tools.
 - f) **Keep cutting tools sharp and clean.** Properly maintained cutting tools with sharp cutting edges are less likely to bind and are easier to control.
 - g) **Use the power tool, accessories and tool bits etc., in accordance with these instructions, taking into account the working conditions and the work to be performed.** Use of the power tool for operations different from those intended could result in a hazardous situation.
 - h) **Keep handles and grasping surfaces dry, clean and free from oil and grease.** Slippery handles and grasping surfaces do not allow for safe handling and control of the tool in unexpected situations.
- #### 5) SERVICE

- a) **Have your power tool serviced by a qualified repair person using only identical replacement parts.** This will ensure that the safety of the power tool is maintained.

SAFETY INSTRUCTIONS FOR MITRE SAWS

- **Mitre saws are intended to cut wood or wood-like products, they cannot be used with abrasive cut-off wheels for cutting ferrous materials such as bars, rods, studs, etc** Abrasive dust causes moving parts such as lower guard to jam. Sparks from abrasive cutting will burn the lower guard, the kerf insert and other plastic parts.
- **Use clamps to support workpiece whenever possible. If supporting the workpiece by hand, you must always keep hand at least 100 mm from either side of the saw blade. Do not use this saw to cut pieces that are too small to be securely clamped or held by hand** If your hand is placed too close to the saw blade, there is an increased risk of injury from blade contact.
- **The workpiece must be stationary and clamped or held against both the fence and the table. Do not feed the workpiece into the blade or cut "freehand" in any way** Unrestrained or moving workpieces could be thrown at high speeds, causing injury.
- **Push the saw through the workpiece. Do not pull the saw through the workpiece. To make a cut, raise the saw head and pull it out over the workpiece without cutting, start the motor, press the saw head down and push the saw through the workpiece** Cutting on the pull stroke is likely to cause the saw blade to climb on top of the workpiece and violently throw the blade assembly towards the operator.
- **Never cross your hand over the intended line of cutting either in front or behind the saw blade** Supporting the workpiece "cross handed" i.e. holding the workpiece to the right of the saw blade with your left hand or vice versa is very dangerous.
- **Do not reach behind the fence with either hand closer than 100 mm from either side of the saw blade, to remove wood scraps, or for any other reason while the blade is spinning** The proximity of the spinning saw blade to your hand may not be obvious and you may be seriously injured.
- **Inspect your workpiece before cutting** If the workpiece is bowed or warped, clamp it with the outside bowed face toward the fence. Always make certain that there is no gap between the workpiece, fence and table along the line of the cut Bent or warped workpieces can twist or shift and may cause binding on the spinning saw blade while cutting. There should be no nails or foreign objects in the workpiece.
- **Do not use the saw until the table is clear of all tools, wood scraps, etc , except for the workpiece** Small debris or loose pieces of wood or other objects that contact the revolving blade can be thrown with high speed.
- **Cut only one workpiece at a time** Stacked multiple workpieces cannot be adequately clamped or braced and may bind on the blade or shift during cutting.
- **Ensure the mitre saw is mounted or placed on a level, firm work surface before use.** A level and firm work surface reduces the risk of the mitre saw becoming unstable.
- **Plan your work! Every time you change the bevel or mitre angle setting, make sure the adjustable fence is set correctly to support the workpiece and will not interfere with blade or the guarding system** Without turning the tool "ON" and with no workpiece on the table, move the saw blade through a complete

simulated cut to assure there will be no interference or danger of cutting the fence.

- **Provide adequate support such as table extensions, saw horses, etc. for a workpiece that is wider or longer than the table top.** Workpieces longer or wider than the mitre saw table can tip if not securely supported. If the cut-off piece or workpiece tips, it can lift the lower guard or be thrown by the spinning blade.
- **Do not use another person as a substitute for a table extension or as additional support** Unstable support for the workpiece can cause the blade to bind or the workpiece to shift during the cutting operation pulling you and the helper into the spinning blade.
- **The cut-off piece must not be jammed or pressed by any means against the spinning saw blade** If confined, i.e. using length stops, the cut-off piece could get wedged against the blade and thrown violently.
- **Always use a clamp or a fixture designed to properly support round material such as rods or tubing** Rods have a tendency to roll while being cut, causing the blade to "bite" and pull the work with your hand into the blade.
- **Let the blade reach full speed before contacting the workpiece** This will reduce the risk of the workpiece being thrown.
- **If the workpiece or blade becomes jammed, turn the mitre saw off. Wait for all moving parts to stop and disconnect the plug from the power source and/or remove the battery pack. Then work to free the jammed material** Continued sawing with a jammed workpiece could cause loss of control or damage to the mitre saw.
- **After finishing the cut, release the switch, hold the saw head down and wait for the blade to stop before removing the cut-off piece** Reaching with your hand near the coasting blade is dangerous.
- **Hold the handle firmly when making an incomplete cut or when releasing the switch before the saw head is completely in the down position** The braking action of the saw may cause the saw head to be suddenly pulled downward, causing a risk of injury.

ADDITIONAL SAFETY INSTRUCTIONS

- Inrush currents cause short-time voltage drops; under unfavourable power supply conditions, other equipment may be affected (if the system impedance of the power supply is lower than 0.464 Ohm, disturbances are unlikely to occur); if you need further clarification, you may contact your local power supply authority

GENERAL

- Only use the tool for cutting wood
- Always check that the supply voltage is the same as the voltage indicated on the nameplate of the tool
- **Do not stand on tool or its stand** Serious injury may occur if the tool is tipped or if the cutting tool is accidentally contacted. Do not store materials on or near the tool such that it is necessary to stand on the tool or its stand to reach them.
- **Always disconnect plug from power source before making any adjustment or changing any accessory**
- **Always disconnect plug from power source before transporting the mitre saw** Unplug, lower head assembly and lock into position, use the carry handle and one of the hand indentations in the saw base.
- **Do not leave tool until it comes to a complete stop**
- **When cutting irregularly shaped workpieces, plan**

your work so it will not slip and pinch the blade and be torn from your hand

- This tool should not be used by people under the age of 16 years
- This tool is not suitable for wet cutting

OUTDOOR USE

- When used outdoors, connect the tool via a fault current (FI) circuit breaker with a triggering current of 30 mA maximum, and only use an extension cord which is intended for outdoor use and equipped with a splashproof coupling-socket

BEFORE USE

- Use completely unrolled and safe extension cords with a capacity of 16 Amps (U.K. 13 Amps)
- Wear protective glasses, hearing protection, and protective gloves
- Dust from material such as paint containing lead, some wood species, minerals and metal may be harmful (contact with or inhalation of the dust may cause allergic reactions and/or respiratory diseases to the operator or bystanders); **wear a dust mask and work with a dust extraction device when connectable**
- Certain kinds of dust are classified as carcinogenic (such as oak and beech dust) especially in conjunction with additives for wood conditioning; **wear a dust mask and work with a dust extraction device when connectable**
- Follow the dust-related national requirements for the materials you want to work with
- **Do not work materials containing asbestos** (asbestos is considered carcinogenic)
- Never use the tool without the original protection guard system
- Check the protective guard for proper closing before each use
- Do not operate the saw if the protective guard does not move freely and close instantly
- Never clamp or tie the protective guard into the open position
- Never use the tool without the table insert; replace a defective or worn table insert
- Remove all obstacles on top of as well as underneath the cutting path before you start cutting
- Avoid damage that can be caused by screws, nails and other elements in your workpiece; remove them before you start working

ACCESSORIES

- Never use grinding/cutting discs with this tool
- SKIL can assure flawless functioning of the tool only when the correct accessories are used which can be obtained from your SKIL dealer
- For mounting/using non-SKIL accessories observe the instructions of the manufacturer concerned
- Use only saw blades that correspond with the characteristic data given in these operation instructions and that are tested and marked in accordance with EN 847-1
- Use only accessories with an allowable speed matching at least the highest no-load speed of the tool
- Never use saw blades made of high speed steel (HSS)
- Do not use a saw blade which is cracked, deformed or dull
- Only use saw blades with a hole diameter which fits the tool spindle without play; never use reducers or adaptors to fit large-hole saw blades
- Protect accessories from impact, shock and grease

DURING USE

- **Do not force the tool** (apply light and continuous pressure in order to avoid overheating the blade tips and, in case of cutting plastics, melting the plastic material)
- Keep fingers, hands and arms away from the rotating saw blade
- If the saw blade becomes blocked, switch off the tool immediately and disconnect the plug; only then remove the wedged workpiece
- In case of jamming or electrical or mechanical malfunction, immediately switch off the tool and disconnect the plug
- If the cord is damaged or cut through while working, do not touch the cord, but immediately disconnect the plug
- Never use the tool when the cord is damaged; it must be replaced by a specially prepared cord available through the service organization.

LASER RADIATION

- **Do not direct the laser beam at persons or animals and do not stare into the direct or reflected laser beam yourself, not even from a distance** (you could blind somebody, cause accidents or damage your eyes)
- If laser radiation strikes your eye, you must deliberately close your eyes and immediately turn your head away from the beam
- Do not make any modifications to the laser equipment
- Do not look into the laser beam (laser radiation)
- Do not use any magnifying optical tools (such as magnifying glasses, telescopes, or binoculars) to view the laser beam
- Do not operate the tool in the presence of flammable liquids, gases or dust
- Do not operate the tool with children around
- Do not replace the installed laser with another laser type

AFTER USE

- After switching off the tool, never stop the rotation of the accessory by a lateral force applied against it
- Only remove cut-offs or other parts of the workpiece from the cutting area when all moving parts have come to a complete standstill
- The saw blade becomes very hot during use; do not touch it before it has cooled down
- Store the tool **indoors** in a dry and locked-up place, out of reach of children

EXPLANATION OF SYMBOLS ON TOOL

- ② Read the instruction manual before use
- ③ Wear protective glasses and hearing protection
- ④ **Danger area! No hands zone. Keep hands, fingers or arms away from this area.**
- ⑤ Double insulation (no earth wire required)
- ⑥ Do not dispose of electric tools and batteries together with household waste material
- ⑦ **Laser radiation / Do not stare into beam / Class 2 laser product**

WHEN CONNECTING NEW 3-PIN PLUG (U.K. ONLY):

- Do not connect the blue (= neutral) or brown (= live) wire in the cord of this tool to the earth terminal of the plug
- If for any reason the old plug is cut off the cord of this tool, it must be disposed of safely and not left unattended

USE

- Assembly
 - assemble the transport handle with 2 bolts using hex key AK⑨
 - assemble the mitre lock knob AB into the front of the table ⑩

- Transport/working position
For releasing the tool (**working** position)
 - press handle B downward with one hand while pulling out locking pin C with the other hand ⑪a
 - guide the head assembly slowly upward
 - for sawing with slide movement loosen locking knob AE ⑪b
- For securing the tool (**transport** position)
 - slide the head assembly to the stop in the direction of fence S and tighten locking knob AE ⑪c
 - set the bevel angle to 0° (see Setting bevel angle)
 - set the mitre angle to 45° left or right (see Setting mitre angle)
 - press handle B downward with one hand while pushing locking pin C with the other hand
 - wind up the power cord
 - use transport handle E for carrying the tool ⑪d
 - alternatively, use the side handles for carrying the tool ⑪e
- **! never lift the tool by holding the main handle, or the power cord**
- Mounting tool on working surface ⑫
 - **! for safe handling always mount tool on a flat and stable working surface (e.g. workbench)**
 - use 4 mounting holes F for attaching the tool with suitable screws to the working surface
 - you may also clamp the tool to the working surface with commercially available screw clamps
 - for stabilizing the tool the height of support foot G can be adjusted
 - alternatively, the tool can be mounted onto a mitre saw stand
- **! read all the warnings and instructions included with the saw stand**
- Dust/chip extraction ⑬
 - mount dustbag H/vacuum cleaner as illustrated
 - empty dust bag regularly for optimal dust pick-up performance
- **! never let the vacuum cleaner hose interfere with the lower guard or the cutting operation**
- Saw table extension ⑭
 - use knobs L to fasten extension bars K (on either side of the tool)
 - the length of extension bars K is steplessly adjustable from minimum to maximum
- Clamping the workpiece ⑮
 - **! for optimum working safety always firmly clamp the workpiece with the adjustable clamp supplied**
 - do not work with workpieces that are too small to clamp
 - for **maximal** workpiece dimensions use table ⑯ as reference
 - fasten workpiece clamp into support hole N with knob P (on either side of the tool)
 - use 1 of the 2 grooves; for workpiece thickness up to 4cm and workpiece thickness over 4cm
 - press the workpiece firmly against fence S
 - unlock lever R
 - adapt clamp to the workpiece
 - firmly clamp the workpiece by locking lever R
- **! for some mitre and bevel combinations, or depending on the size of the workpiece, it may be necessary to use commercially available screw clamps instead of the workpiece clamp**
- Setting mitre angles ⑰
 - loosen locking handle AB

- push mitre detent release lever AC
- rotate the saw table to the left or right and set the desired mitre angle (from 0° to 47°) by using indicator AD
- release lever AC
- tighten locking handle AB (**do not tighten the handle too firmly**)
- for quick and precise setting of often used mitre angles (0°, 15°, 22.5°, 31.6°, 45°) the mitre detent lever clicks into place at the corresponding positions
- Setting bevel angles ⑮
 - loosen three-legged knob U ⑮b
 - swing the saw head to the left until bevel angle indicator V points to the desired bevel angle
 - hold the saw head in this position and tighten knob U
- Compound cuts ⑰
 - compound cuts require both a mitre angle setting and a bevel angle setting
 - ! do not operate the saw in certain of the mitre and bevel combinations which may result in interference between the sliding and stationary parts of the saw or between the sliding parts and the workpiece**
 - ! always test out first on a piece of scrap material**
- Laser line ⑳
 - for guiding tool along desired line of cut marked on the workpiece
 - switch on/off laser line by pressing switch AA
 - the laser is aligned to the left side of the cut
 - the horizontal alignment of the laser can be easily adjusted with screw Y
 - ! before starting a job, check the alignment of the laser line with the actual line of cut by making a trial cut on a piece of waste material**
- Sawing without slide movement (small workpieces)
 - loosen locking knob AE in case it is tightened
 - slide the saw head to the stop in the direction of fence S and retighten locking knob AE
 - ! failure to lock the mechanism can cause the blade to suddenly climb up on the top of the workpiece and force itself toward you**
 - set tool into working position
 - ! ensure that the workpiece is firmly clamped against the saw table and fence S**
 - switch on the tool by releasing the lock-off AG and pulling the main switch AF ㉔
 - ! do not cross your arms when operating the saw head ㉑a**
 - saw through the workpiece with uniform advancing
 - ! the tool should run at full speed before the blade enters into the workpiece**
 - switch off the tool by releasing switch AF
 - wait until the sawblade has come to a complete standstill before guiding the saw head slowly upward
- Sawing with slide movement (wide workpieces)
 - ! be aware that the method described below is the only safe one**
 - do not pull the saw through the workpiece
 - loosen locking knob AE in case it is tightened
 - ! ensure that the workpiece is firmly clamped against the saw table and fence S**
 - pull the saw head away from fence S far enough so that the saw blade is in front of the workpiece ㉓
 - switch on the tool by pushing safety lever AG and pulling the main switch AF ㉔

- ! do not cross your arms when operating the saw head ㉑a**
- push the saw head in the direction of fence S and saw through the workpiece with uniform advancing ㉓
- ! the tool should run at full speed before the blade enters into the workpiece**
- ! if the lower guard does not automatically open which can happen under certain conditions (e.g. a workpiece which is very close to the maximum capacity) you may have to open the guard by hand ㉑b**
- switch off the tool by releasing switch AF
- wait until the sawblade has come to a complete standstill before guiding the saw head slowly upward
- Sawing grooves ㉔
 - set the desired depth with depth stop AH and lock it in place by tightening nut AJ
 - a wooden spacer shall be placed between the workpiece and the fence for a consistent depth over the full length of the groove
 - ! ensure that the saw blade does not get jammed in the workpiece**
 - ! always test out first on a piece of scrap material**
- Changing saw blade ㉕
 - ! disconnect the plug**
 - take hex key AK from storage AL
 - hold protective guard A in open position
 - loosen cover plate screw AN (**do not unscrew the screw completely**) ㉕a
 - rotate protective guard A completely backwards ㉕b
 - push spindle-lock button AM and hold it while you remove blade bolt AO by turning hex key AK **CLOCKWISE** (= in same direction as arrow printed on saw blade)
 - ! push spindle-lock button AM only when tool is at a standstill**
 - release spindle-lock button AM
 - remove flange AP and saw blade
 - ! change saw blade with saw teeth and arrow printed on saw blade pointing in same direction as arrow on protective guard A**
 - mount flange AP ㉕c
 - push spindle-lock button AM and hold it while you tighten blade bolt by turning hex key AK **COUNTER CLOCKWISE** 1/8 turn past finger tight (ensures slippage of saw blade when it encounters excessive resistance thus reducing motor overload and saw kickback)
 - tighten cover plate screw AN
- Replacing table insert AQ ㉖
 - Replace a defective or worn table insert as follows:
 - ! disconnect the plug**
 - take hex key AK from storage AL
 - remove all 6 screws as illustrated
 - remove old table insert by first lifting it at the front and then pulling it out completely
 - place new table insert
 - ! firmly tighten all 6 screws**
- Checking/adjusting of 90° blade alignment ㉗
 - ! disconnect the plug**
 - rotate the saw table to the 0° mitre position and lock in place
 - swing the saw head to 0° bevel position
 - lower the saw head and lock in place

- check for a 90° angle between blade and table with a square
- if necessary, adjust the 90° blade alignment as follows:
 1. loosen three-legged knob U
 2. adjust screw W with a blade wrench 10 (not standard included)
 3. re-check with square
 4. reset the bevel indicator V to 0°
- Checking/adjusting of 45° blade alignment (28)
 - ! **disconnect the plug**
 - rotate the saw table to the 0° mitre position and lock in place
 - loosen three-legged knob U
 - swing the saw head to the left
 - check for a 45° angle between blade and table with a mitre square
 - check that bevel indicator V is on the 45° mark
 - if necessary, adjust the 45° blade alignment as follows:
 1. adjust screw X with a blade wrench 10 (not standard included)
 2. re-check with mitre square
- Checking/adjusting of 90° fence alignment (29)
 - ! **disconnect the plug**
 - rotate the saw table to the 0° mitre position and lock in place
 - lower the saw head and lock in place
 - check for a 90° angle between blade and fence S with a square (ensure the square contacts the saw blade body and not its teeth) (29)a
 - if necessary, adjust the 90° fence alignment as follows:
 1. loosen 2 hex screws T (29)b
 2. adjust fence until blade and fence have full contact with the square
 3. tighten 2 hex screws T
 4. reset the mitre indicator to 0° (29)c

APPLICATION ADVICE

- Special workpieces
 - always support the free ends of a long workpiece (30)
 - ensure that curved or round workpieces are especially secured against slipping (31)
 - at the cutting line no gap may exist between the workpiece and the fence or saw table
 - if necessary, fabricate an auxiliary fence; the holes in the sliding fence shall be used to secure the auxiliary fence (32)
 - ! **the auxiliary fence can only be used at 0° bevel**
- For working with floor mouldings illustration (33) can be used as reference
- Always face the good side of the workpiece down to ensure minimum splintering
- Only use sharp saw blades of the correct type
 - quality of cut improves by the number of teeth
 - carbide tipped blades stay sharp up to 30 times longer than ordinary blades

MAINTENANCE / SERVICE

- Always keep tool and cord clean (especially the ventilation slots at the back-end of the motor housing)
- Develop a regular check to make sure the lower guard is working properly. Clean the lower guard of any sawdust build up with a damp cloth.
- ! **disconnect the plug before cleaning**

- lift the lower guard to the fully open position and release it; if it does not immediately and fully close it should be checked by an after-sales service centre for SKIL power tools
- Clean saw blade immediately after use (especially from resin and glue)
 - ! **the saw blade becomes very hot during use; do not touch it before it has cooled down**
- Clean the laser light AC with a soft brush after each use to keep a good visibility of the laser line (make sure that you do not change the setting of the laser)
- If the tool should fail despite the care taken in manufacturing and testing procedures, repair should be carried out by an after-sales service centre for SKIL power tools
 - send the tool **undismantled** together with proof of purchase to your dealer or the nearest SKIL service station (addresses as well as the service diagram of the tool are listed on www.skil.com)
- Be aware that damage due to overload or improper handling of the tool will be excluded from the warranty (for the SKIL warranty conditions see www.skil.com or ask your dealer)

ENVIRONMENT

- **Do not dispose of electric tools, batteries, accessories and packaging together with household waste material** (only for EU countries)
 - in observance of European Directive 2012/19/EC on waste of electric and electronic equipment and its implementation in accordance with national law, electric tools that have reached the end of their life must be collected separately and returned to an environmentally compatible recycling facility
 - symbol (6) will remind you of this when the need for disposing occurs

NOISE

- Measured in accordance with EN 62841 the sound pressure level of this tool is 100.0 dB(A) and the sound power level 109.5 dB(A) (uncertainty K = 3 dB)
- The noise emission level has been measured in accordance with a standardised test given in EN 62841; it may be used to compare one tool with another and as a preliminary assessment of exposure to noise when using the tool for the applications mentioned
 - using the tool for different applications, or with different or poorly maintained accessories, may significantly **increase** the exposure level
 - the times when the tool is switched off or when it is running but not actually doing the job, may significantly **reduce** the exposure level

F

Scie à onglets radiale

1310

INTRODUCTION

- Cet outil est une machine fixe, conçue pour effectuer dans le bois des coupes droites longitudinales et transversales ainsi que des angles d'onglet (il est possible de réaliser des angles d'onglet horizontaux de -47° à +47° et des angles de biseau verticaux de 0° à 45°)

- Lisez et conservez ce manuel d'instruction ②
- Cet outil n'est pas conçu pour un usage professionnel
- **Utilisez uniquement l'outil lorsqu'il est tout à fait assemblé correctement** (veuillez noter que Skil ne peut être tenue responsable de dégâts à l'outil et/ou de blessures personnelles résultant du montage incorrect de l'outil)

CARACTERISTIQUES TECHNIQUES ①

ELEMENTS DE L'OUTIL ⑧

- A Carter intérieur
- B Levier de manoeuvre
- C Goupille de verrouillage pour le transport
- D Protection supérieure
- E Poignée de transport
- F Trous de fixation
- G Pied
- H Sac à poussière
- J Sortie de poussière
- K Barres d'extension
- L Boutons pour verrouillage des rallonges
- M Collier de serrage pour montage de la pièce
- N Trou du support
- P Bouton pour fixer le collier de serrage
- Q Bouton pour régler le collier de serrage
- R Levier de serrage
- S Protection
- T Vis hexagonales pour régler la protection (2x)
- U Bouton de blocage (angles de biseau)
- V Indicateur de l'angle de biseau
- W Vis pour régler l'indicateur de l'angle de biseau (à droite)
- X Vis pour régler l'indicateur de l'angle de biseau (à gauche)
- Y Vis de réglage du laser
- Z Rayon laser
- AA Interrupteur marche/arrêt laser
- AB Poignée de blocage (angles d'onglet)
- AC Levier de libération de cran d'onglet
- AD Indicateur de l'angle d'onglet
- AE Bouton de verrouillage pour dispositif coulissant
- AF Interrupteur marche/arrêt
- AG Levier de sécurité
- AH Limiteur de profondeur de coupe
- AI Butée de profondeur
- AJ Écrou de butée de profondeur
- AK Clé hexagonale
- AL Rangement pour la clé hexagonale
- AM Bouton de blocage de l'arbre
- AN Vis de la plaque de protection
- AO Boulon de la lame
- AP Bride
- AQ Plaque amovible
- AR Déflecteur de poussière

SECURITE

AVERTISSEMENTS DE SECURITE GENERAUX POUR L'OUTIL ELECTRIQUE

AVERTISSEMENT Lisez tous les avertissements de sécurité, toutes les instructions, illustrations et caractéristiques fournies avec cet outil électrique.

Le non-respect du suivi de toutes les instructions reprises ci-dessous peut provoquer un électrochoc, un incendie et/ou des blessures graves.

Conservez tous les avertissements et toutes les instructions pour pouvoir s'y reporter ultérieurement.

Le terme "outil électrique" dans les avertissements se rapporte à des outils électriques raccordés au secteur (avec câble de raccordement) et à des outils électriques à batterie (sans câble de raccordement).

1) SECURITE DE LA ZONE DE TRAVAIL

- a) **Maintenez l'endroit de travail propre et bien éclairé.**
Un lieu de travail en désordre ou mal éclairé augmente le risque d'accidents.
- b) **N'utilisez pas l'outil électrique dans un environnement présentant des risques d'explosion et où se trouvent des liquides, des gaz ou poussières inflammables.** Les outils électriques génèrent des étincelles risquant d'enflammer les poussières ou les vapeurs.
- c) **Tenez les enfants et autres personnes éloignés durant l'utilisation de l'outil électrique.** En cas d'inattention vous risquez de perdre le contrôle sur l'outil électrique.

2) SECURITE RELATIVE AU SYSTEME ELECTRIQUE

- a) **La fiche de secteur de l'outil électrique doit être appropriée à la prise de courant. Ne modifiez en aucun cas la fiche. N'utilisez pas de fiches d'adaptateur avec des outils électriques avec mise à la terre.** Les fiches non modifiées et les prises de courant appropriées réduisent le risque de choc électrique.
 - b) **Évitez le contact physique avec des surfaces mises à la terre telles que tuyaux, radiateurs, fours et réfrigérateurs.** Il y a un risque élevé de choc électrique au cas où votre corps serait relié à la terre.
 - c) **N'exposez pas l'outil électrique à la pluie ou à l'humidité.** La pénétration d'eau dans un outil électrique augmente le risque d'un choc électrique.
 - d) **N'utilisez pas le câble à d'autres fins que celles prévues, n'utilisez pas le câble pour porter l'outil électrique ou pour l'accrocher ou encore pour le débrancher de la prise de courant. Maintenez le câble éloigné des sources de chaleur, des parties grasses, des bords tranchants ou des parties de l'outil électrique en rotation.** Un câble endommagé ou torsadé augmente le risque d'un choc électrique.
 - e) **Au cas où vous utiliseriez l'outil électrique à l'extérieur, utilisez une rallonge autorisée homologuée pour les applications extérieures.** L'utilisation d'une rallonge électrique homologuée pour les applications extérieures réduit le risque d'un choc électrique.
 - f) **Si l'usage d'un outil dans un emplacement humide est inévitable, utilisez un disjoncteur de fuite à la terre.** L'utilisation d'un disjoncteur de fuite à la terre réduit le risque de choc électrique.
- #### 3) SECURITE DES PERSONNES
- a) **Restez vigilant, surveillez ce que vous faites. Faites preuve de bon sens en utilisant l'outil électrique. N'utilisez pas l'outil électrique lorsque vous êtes fatigué ou après avoir consommé de l'alcool, des**

drogues ou avoir pris des médicaments. Un moment d'inattention lors de l'utilisation de l'outil électrique peut entraîner de graves blessures sur les personnes.

- b) **Portez des équipements de protection. Portez toujours des lunettes de protection.** Le fait de porter des équipements de protection personnels tels que masque anti-poussières, chaussures de sécurité antidérapantes, casque de protection ou protection acoustique suivant le travail à effectuer, réduit le risque de blessures.
- c) **Évitez tout démarrage intempestif. S'assurez que l'interrupteur est en position arrêt avant de brancher l'outil au secteur et/ou au bloc de batteries, de le ramasser ou de le porter.** Porter les outils en ayant le doigt sur l'interrupteur ou brancher des outils dont l'interrupteur est en position marche est source d'accidents.
- d) **Enlevez tout outil de réglage ou toute clé avant de mettre l'outil électrique en fonctionnement.** Une clé ou un outil se trouvant sur une partie en rotation peut causer des blessures.
- e) **Ne surestimez pas vos capacités. Veillez à garder toujours une position stable et équilibrée.** Ceci vous permet de mieux contrôler l'outil électrique dans des situations inattendues.
- f) **Portez des vêtements appropriés. Ne portez pas de vêtements amples ni de bijoux. Gardez les cheveux et les vêtements à distance des parties en mouvement.** Des vêtements amples, des bijoux ou des cheveux longs peuvent être happés par des pièces en mouvement.
- g) **Si des dispositifs servant à aspirer ou à recueillir les poussières doivent être utilisés, vérifiez que ceux-ci soient effectivement raccordés et qu'ils sont correctement utilisés.** L'utilisation des collecteurs de poussière réduit les dangers dus aux poussières.
- h) **Restez vigilant et ne pas négligez les principes de sécurité de l'outil sous prétexte que vous avez l'habitude de l'utiliser.** Une fraction de seconde d'inattention peut provoquer une blessure grave.
- 4) **UTILISATION ET EMPLOI SOIGNEUX DE L'OUTIL ELECTRIQUE**
 - a) **Ne surchargez pas l'outil électrique. Utilisez l'outil électrique approprié au travail à effectuer.** Avec l'outil électrique approprié, vous travaillerez mieux et avec plus de sécurité à la vitesse pour laquelle il est prévu.
 - b) **N'utilisez pas un outil électrique dont l'interrupteur est défectueux.** Un outil électrique qui ne peut plus être mis en ou hors fonctionnement est dangereux et doit être réparé.
 - c) **Débranchez la fiche de la source d'alimentation et/ou enlevez le bloc de batteries, s'il est amovible, avant tout réglage, changement d'accessoires ou avant de ranger l'outil électrique.** De telles mesures de sécurité préventives réduisent le risque de démarrage accidentel de l'outil électrique.
 - d) **Gardez les outils électriques non utilisés hors de portée des enfants. Ne permettez pas l'utilisation de l'outil électrique à des personnes qui ne se sont pas familiarisées avec celui-ci ou qui n'ont pas lu ces instructions.** Les outils électriques sont dangereux lorsqu'ils sont utilisés par des personnes non initiées.
 - e) **Observez la maintenance des outils électriques et des accessoires. Vérifiez que les parties en**

mouvement fonctionnent correctement et qu'elles ne soient pas coincées, et contrôlez si des parties sont cassées ou endommagées de telle sorte que le bon fonctionnement de l'outil électrique s'en trouve entravé. Faites réparer les parties endommagées avant d'utiliser l'outil électrique. De nombreux accidents sont dus à des outils électriques mal entretenus.

- f) **Maintenez les outils de coupe aiguisés et propres.** Des outils soigneusement entretenus avec des bords tranchants bien aiguisés se coincent moins souvent et peuvent être guidés plus facilement.
 - g) **Utilisez l'outil électrique, les accessoires, les outils à monter etc. conformément à ces instructions. Tenez compte également des conditions de travail et du travail à effectuer.** L'utilisation de l'outil électrique à d'autres fins que celles prévues peut entraîner des situations dangereuses.
 - h) **Il faut que les poignées et les surfaces de préhension restent sèches, propres et dépourvues d'huiles et de graisses.** Des poignées et des surfaces de préhension glissantes rendent impossibles la manipulation et le contrôle en toute sécurité de l'outil dans les situations inattendues.
- 5) **SERVICE**
- a) **Ne faites réparer votre outil électrique que par un personnel qualifié et seulement avec des pièces de rechange d'origine.** Ceci permet d'assurer la sécurité de l'outil électrique.

CONSIGNES DE SÉCURITÉ RELATIVES AUX SCIES À ONGLETS

- **Les scies à onglets sont conçues pour scier du bois ou des produits similaires. Elles ne peuvent pas être utilisées pour couper des métaux ferreux (barres, tiges, profils etc.** La poussière abrasive peut entraîner le blocage de pièces mobiles comme le carénage inférieur. Les étincelles provoquées par une coupe abrasive vont faire brûler le carénage inférieur, l'insertion du trait de scie et d'autres pièces en plastique.
- **Utilisez des colliers de serrage pour fixer la pièce chaque fois que c'est possible. Si vous maintenez la pièce à la main, vous devez toujours garder la main au moins à 100 mm de chaque côté de la lame. N'utilisez pas cette scie pour couper des pièces qui sont trop petites pour pouvoir être tenues à la main en toute sécurité.** Si votre main est placée trop près de la lame, le risque de blessure due au contact avec la lame est accru.
- **La pièce doit être immobile et fixée ou maintenue à la fois contre le guide et contre la table. Ne poussez pas la pièce vers la lame et ne coupez jamais "à main levée"** Une pièce non fixée ou mobile pourrait être projetée à grande vitesse et provoquer des blessures.
- **Poussez la scie sur la pièce. Ne tirez la pièce sur la scie. Pour faire une coupe, levez la tête de la scie et tirez-la sur la pièce sans couper, démarrez le moteur, poussez la tête de scie vers le bas et sciez la pièce** Si vous sciez en tirant, la lame de la scie pourrait escalader la pièce et repousserait violemment l'ensemble de la lame vers l'opérateur.
- **Ne placez jamais la main en travers de la ligne de coupe prévue, que ce soit devant ou derrière**

la lame Soutenir la pièce en croisant la main (c'est-à-dire en maintenant la pièce à droite de la lame avec votre main gauche et inversement) est extrêmement dangereux.

- **Ne passez jamais une main derrière le guide à moins de 100 mm de chaque côté de la lame ou pour toute autre raison si la lame tourne encore** Vous pourriez ne pas vous rendre compte de la proximité entre la lame tournant et votre main et risqueriez d'être sérieusement blessé.
- **Contrôlez votre pièce avant de couper** Si la pièce est cintrée ou déformée, serrez-la avec la face cintrée extérieure vers le guide. Assurez-vous toujours qu'il n'y a pas d'espace entre la pièce, le guide et la table le long de la ligne de coupe. Les pièces cintrées ou déformées pourraient bouger et entraîner le blocage de la lame pendant la coupe. Il ne peut pas y avoir de clous ou d'objets étrangers dans la pièce.
- **N'utilisez pas la scie tant qu'il y a des outils, des débris de bois etc. sur la table (à l'exception de la pièce)** De petits débris ou des morceaux de bois ou autres entrant en contact avec la lame en mouvement pourraient être projetés à haute vitesse.
- **Coupez une seule pièce à la fois** Plusieurs pièces à usiner empilées ne peuvent pas être correctement fixées ou immobilisées et peuvent bloquer la lame ou glisser pendant la coupe.
- **Assurez-vous que la scie à onglets est placée sur une surface de travail horizontale et solide avant de l'utiliser.** Une surface de travail horizontale et solide réduit le risque de déstabilisation de la scie.
- **Planifiez votre travail! Chaque fois que vous changez l'angle d'onglet ou l'angle de biseau, assurez-vous que le guide réglable est bien réglé pour soutenir la pièce et ne peut pas gêner la lame ou le carénage.** Sans mettre l'outil sous tension et sans qu'aucune pièce soit sur la table, déplacez la lame le long d'une coupe simulée complète pour vous assurer qu'il n'y aura pas d'interférence ou de risque de couper le guide.
- **Prévoyez un support adéquat, comme des extensions de table etc. pour une pièce plus large ou plus longue que le plateau de la table.** Les pièces à usiner plus longues ou plus larges que la table de la scie à onglet pourraient basculer si elles ne sont pas correctement soutenues. En basculant, une pièce (découpée) pourrait soulever le carénage inférieur ou être projetée par la lame en mouvement.
- **N'utilisez jamais une autre personne pour remplacer une extension de table ou comme support supplémentaire** Un support instable de la pièce peut entraîner l'adhérence de la lame ou un mouvement de la pièce pendant la coupe, projetant l'opérateur et son aide vers la lame en mouvement.
- **La pièce découpée ne peut jamais être poussée contre la lame en mouvement.** En étant serrée (p. ex. par des butées), la pièce découpée pourrait se retrouver calée contre la lame et être éjectée violemment.
- **Utilisez toujours une pince ou une fixation conçue pour soutenir correctement des matériaux ronds (tige, tube)** Les tiges ont tendance à rouler lorsqu'on les scie, provoquant une "morsure" de la lame qui peut projeter la pièce et votre main vers la lame.
- **Laissez la lame atteindre sa vitesse maximum avant de la mettre en contact avec la pièce** Cela réduira le risque d'éjection de la pièce.

- **En cas de bourrage de la pièce ou de la lame, éteignez la scie à onglets. Attendez que toutes les pièces mobiles se soient immobilisées et déconnectez la fiche de la prise ou déposez la batterie. Débloquez ensuite le matériau qui a provoqué le bourrage** Si vous continuez à scier avec une pièce bloquée, vous pourriez endommager la scie ou en perdre le contrôle.
- **Après avoir terminé la coupe, relâchez l'interrupteur, maintenez la tête de la scie vers le bas et attendez que la lame s'arrête avant de retirer la pièce découpée** Il est dangereux d'approcher la main de la lame qui tourne encore.
- **Tenez la poignée fermement lorsque vous réalisez une coupe incomplète ou lorsque vous relâchez l'interrupteur alors que la tête de scie est complètement abaissée.** Le freinage de la scie pourrait relever soudainement la tête de la scie, ce qui constitue un risque de blessure.

INSTRUCTIONS DE SECURITE SUPPLEMENTAIRES

- Les processus de mise en fonctionnement provoquent des baisses momentanées de tension; en cas de conditions défavorables de secteur, il peut y avoir des répercussions sur d'autres appareils (pour des impédances du secteur inférieures à 0,464 ohms, il est assez improbable que des perturbations se produisent); pour tout renseignement complémentaire, vous pouvez contacter directement votre fournisseur local d'énergie

GENERALITES

- Utilisez uniquement l'outil pour couper du bois
- Contrôlez toujours si la tension secteur correspond à la tension indiquée sur la plaquette signalétique de l'outil
- **Ne vous placez pas sur l'outil ou son support** Le basculement de l'outil ou un contact accidentel avec l'outil de coupe peut provoquer de graves blessures. Ne stockez pas des matériaux sur ou près de l'outil de sorte qu'il soit nécessaire de marcher sur l'outil ou sur son support pour y accéder.
- **Débranchez toujours l'outil avant tout réglage ou changement d'accessoire**
- **Retirez toujours la fiche de la prise avant de transporter la scie à onglets.** Débranchez, abaissez la tête et verrouillez-la à sa position, utilisez la poignée de transport et une des indentations présentes dans la base de la scie.
- **N'abandonnez pas l'outil tant qu'il n'est pas totalement immobilisé**
- **Si vous devez découper des pièces de forme irrégulière, planifiez votre travail de façon à ce qu'elles ne glissent pas ou ne viennent pas bloquer la lame et vous échappent de la main**
- Cet outil ne doit pas être utilisé par des personnes de moins de 16 ans
- Cet outil ne convient pas pour couper à mouillage

UTILISATION A L'EXTERIEUR

- En cas d'usage à l'extérieur, branchez l'outil par l'intermédiaire d'un coupe-circuit (FI) avec courant de réaction de 30 mA au maximum, et utilisez uniquement un câble de prolongement spécial pour l'extérieur équipé d'une prise résistant aux éclaboussures

AVANT L'USAGE

- Utilisez un câble de prolongement complètement déroulé et de bonne qualité d'une capacité de 16 A
- Utilisez des lunettes de protection, des casques anti-bruit, et des gants de protection

- La poussière de matériaux, tels que la peinture contenant du plomb, certaines espèces de bois, certains minéraux et différents métaux, peut être nocive (le contact avec la poussière ou son inhalation peut provoquer des réactions allergiques et/ou des maladies respiratoires chez l'opérateur ou des personnes se trouvant à proximité); **portez un masque antipoussières et travaillez avec un appareil de dépoussiérage lorsqu'il est possible d'en connecter un**
- Certains types de poussières sont classifiés comme étant cancérigènes (tels que la poussière de chêne ou de hêtre), en particulier en combinaison avec des additifs de traitement du bois; **portez un masque antipoussières et travaillez avec un appareil de dépoussiérage lorsqu'il est possible d'en connecter un**
- Suivez les directives nationales relatives au dépoussiérage pour les matériaux à travailler
- **Ne travaillez pas de matériaux contenant de l'amiante** (l'amiante est considéré comme étant cancérigène)
- Ne jamais utilisez votre outil sans le guide de sécurité d'origine
- Veillez à ce que le protège-main soit bien fermé avant toute utilisation
- Ne faites pas fonctionner la scie si le protège-main ne se déplace pas librement et ne ferme pas instantanément
- Ne bloquez jamais ou n'attachez jamais le protège-main en position ouverte
- N'utilisez jamais l'outil sans la plaque amovible ; remplacez la plaque amovible si elle est défectueuse ou usée
- Enlevez tout corps étranger du tracé avant d'effectuer toute coupe
- Faites attention aux vis, clous ou autres éléments qui pourraient se trouver dans la pièce à travailler et qui risqueraient d'endommager très fortement votre outil; enlevez-les avant de commencer le travail

ACCESSOIRES

- Ne jamais utilisez de disques de meulage/tronçonnage avec cet outil
- SKIL ne peut se porter garant du bon fonctionnement de cet outil que s'il a été utilisé avec les accessoires appropriés en vente chez votre distributeur SKIL
- Pour le montage et l'utilisation d'accessoires n'étant pas de la marque SKIL, observez les instructions du fabricant concerné
- N'utilisez que des lames de scie qui correspondent aux caractéristiques techniques indiquées dans les présentes instructions d'utilisation et qui sont contrôlées conformément à la norme EN 847-1 et marquées en conséquence
- La vitesse admissible des accessoires utilisés doit être au moins aussi élevée que la vitesse à vide maximale de l'outil
- Ne jamais utilisez de lame de scie faite en acier rapide (HSS)
- Ne pas utiliser une lame fendue, déformée ou émoussée
- Utilisez uniquement les lames de scie dont l'orifice s'adapte parfaitement à la broche porte-outil sans qu'il y ait de jeu ; n'utilisez jamais de réducteurs ni d'adaptateurs pour ajuster des lames de scie ayant un orifice plus grand
- Protégez les accessoires contre les impacts, les chocs et la graisse

PENDANT L'USAGE

- **Ne forcez pas l'outil** (effectuez une pression légère et constante afin d'éviter la surchauffe des bouts de lame

et, si vous coupez du plastique, la fonte du matériel plastique)

- Tenez les doigts, les mains et les bras à l'écart d'une lame de scie en mouvement
- Si la lame de scie se bloque, mettez immédiatement l'outil à l'arrêt et débranchez la fiche ; ce n'est qu'alors que vous pouvez enlever la pièce coincée
- En cas de blocage ou d'anomalie électrique ou mécanique, coupez immédiatement l'outil et débranchez la prise
- Si le câble est endommagé ou rompu pendant le travail, n'y touchez pas, mais débranchez immédiatement la prise
- N'utilisez jamais l'outil si le cordon d'alimentation est endommagé, il doit être remplacé par un cordon spécialement préparé disponible par le biais du service d'assistance.

RAYONNEMENT LASER

- **Ne pas diriger le faisceau laser vers des personnes ou des animaux et ne jamais regarder soi-même dans le faisceau laser** (vous risquez sinon d'éblouir des personnes, de causer des accidents ou de blesser les yeux)
- Au cas où le faisceau laser frappe un oeil, fermez immédiatement les yeux et déplacez la tête pour l'éloigner du faisceau
- Ne jamais apporter de modifications au dispositif laser
- Ne projetez pas le rayon laser dans vos yeux (rayonnement laser)
- N'utilisez pas d'outils optiques grossissants (loupes, télescopes ou jumelles) pour voir le rayon laser
- N'utilisez pas cet outil en la présence de liquides inflammables, de gaz ou de poussière
- N'utilisez pas cet outil en la présence d'enfants
- Ne remplacez pas le laser installé par un autre type de laser

APRES L'USAGE

- Après la mise hors service de l'outil, ne jamais arrêtez la rotation de l'accessoire en y appliquant une force latérale
- Enlevez uniquement les découpes ou autres parties de la pièce de la zone de coupe quand toutes les pièces mobiles sont complètement arrêtées
- la lame de scie s'échauffe fortement à l'usage ; ne pas y touchez avant qu'elle ne se soit refroidie
- Rangez l'outil à l'intérieur dans un endroit sec et fermer à clé, hors de la portée des enfants

EXPLICATION DES SYMBOLES SUR L'OUTIL

- ② Veuillez lire le mode d'emploi avant d'utiliser l'outil
- ③ Utilisez des lunettes de protection et des casques anti-bruit
- ④ **Zone dangereuse ! Zone où il est interdit de mettre les mains. Gardez les mains, les doigts ou les bras éloignés de cette zone.**
- ⑤ Double-isolation (ne nécessite pas de mise à la terre)
- ⑥ Ne jetez pas les outils électriques et les piles dans les ordures ménagères
- ⑦ **Rayonnement laser / Ne projetez pas le rayon dans vos yeux / Produit laser de catégorie 2**

UTILISATION

- Montage
 - montez la poignée de transport avec 2 boulons en utilisant une clé hexagonale AK^⑨
 - montez le bouton de verrouillage d'onglet AB sur le devant de la table ^⑩

- Position de transport/de travail
Pour relâcher l'outil (**position** de travail)
 - poussez la poignée B d'une main en tirant la goupille de verrouillage C de l'autre ⑪a
 - guidez lentement l'ensemble de la tête vers le haut
 - pour scier avec le mouvement coulissant, desserrez le bouton de verrouillage AE ⑪b
- Pour bien fixer l'outil (**position** de transport)
 - faites glisser le bras de l'outil vers la butée dans le sens du guide S et serrez le bouton de verrouillage AE ⑪c
 - réglez l'angle de biseau sur 0° (voir Réglage de l'angle de biseau)
 - réglez l'angle d'onglet sur 45° à gauche ou à droite (voir Régler l'angle d'onglet)
 - poussez la poignée B d'une main en tirant la goupille de verrouillage C de l'autre
 - enroulez le cordon d'alimentation
 - utilisez la poignée de transport E pour porter l'outil ⑪d
 - vous pouvez également utiliser les poignées latérales pour porter l'outil ⑪e
- **! ne levez jamais l'outil par la poignée principale ou par le cordon d'alimentation**
- Montage de l'outil sur la surface de travail ⑫
 - **! pour une manipulation prudente, montez toujours l'outil sur une surface de travail plane et stable (par ex. un établi)**
 - utilisez 4 trous de fixation F pour attacher l'outil avec les vis adéquates à la surface de travail
 - vous pouvez aussi bloquer l'outil sur la surface de travail avec les griffes à vis de serrage disponibles dans le commerce
 - vous pouvez régler la hauteur du pied G pour stabiliser l'outil
 - vous pouvez également monter l'outil sur un support de scie à onglets
- **! lisez tous les avertissements et toutes les instructions fournies avec le support de scie à onglets**
- Aspiration de poussières/de copeaux ⑬
 - montez le sac à poussière H/aspirateur comme illustré
 - videz le sac à poussières régulièrement pour une récupération optimale des poussières
- **! ne laissez jamais le tuyau de l'aspirateur gêner le carter inférieur ou l'opération de coupe**
- Extension de la table de sciage ⑭
 - utilisez les boutons L pour fixer les barres d'extension K (de chaque côté de l'outil)
 - la longueur des barres d'extension K s'ajuste en continu du minimum au maximum
- Blocage de la pièce ⑮
 - **! pour assurer une sécurité optimale du travail, bloquez toujours fermement la pièce à l'aide du collier de serrage réglable fourni**
 - ne travaillez pas avec des pièces trop petites pour être bloquées
 - pour connaître les dimensions **maximales** des pièces, utilisez le tableau ⑮ comme référence
 - serrez le collier de serrage monté dans le trou du support N avec le bouton P (de chaque côté de l'outil)
 - utilisez 1 des rainures 2 ; pour une pièce faisant jusqu'à 4cm d'épaisseur et 4cm d'épaisseur
 - appuyez fermement la pièce contre la protection S
 - déverrouillez le levier R
- adaptez le collier de serrage à la pièce
- bloquez fermement la pièce en verrouillant le levier R
- **! pour certaines combinaisons d'onglet et de biseau, ou en fonction de la taille de la pièce, il peut s'avérer nécessaire d'utiliser des colliers de serrage disponibles dans le commerce au lieu du collier de serrage fourni avec l'outil**
- Réglage des angles d'onglet ⑰
 - desserrez la poignée de verrouillage AB
 - poussez le levier de libération de cran d'onglet AC
 - faites pivoter la table de sciage vers la gauche ou la droite et réglez l'angle d'onglet souhaité (de 0° à 47°) en utilisant l'indicateur AD
 - libérez le levier AC
 - serrez la poignée de verrouillage AB (**ne la serrez pas trop fort**)
 - pour un réglage rapide et précis d'angles d'onglet souvent employés (0°, 15°, 22.5°, 31.6°, 45°), le levier de libération de cran d'onglet s'emboîte en place dans les positions correspondantes
- Réglage des angles de biseau ⑱
 - desserrez le boulon à trois jambes U ⑱b
 - faites basculer le bras de l'outil vers la gauche jusqu'à ce que l'indicateur de l'angle de biseau V pointe vers l'angle de biseau souhaité
 - maintenez la tête de la scie dans cette position et serrez le bouton U
- Coupes combinées ⑲
 - les coupes combinées nécessitent tant un réglage de l'angle d'onglet qu'un réglage de l'angle de biseau
 - **! n'utilisez pas la scie dans certaines combinaisons d'onglet et de biseau, car cela pourrait provoquer des interférences entre les parties coulissantes et fixes de la scie ou entre les parties coulissantes et la pièce**
 - **! faites toujours un essai sur une pièce de rebut**
- Ligne laser ⑳
 - pour guider l'outil le long du tracé souhaité
 - mettez en marche/arrêtez la ligne laser en poussant l'interrupteur AA
 - le laser est aligné sur le côté gauche de la coupe
 - l'alignement horizontal du laser est facile avec la vis Y
 - **! avant de commencer à travailler, vérifiez l'alignement de la ligne laser par rapport à la ligne de coupe réelle en effectuant un essai de coupe**
- Sciage sans mouvement coulissant (petites pièces)
 - desserrez le bouton de verrouillage AE s'il est serré
 - faites glisser le bras de l'outil vers la butée dans le sens du guide S et resserrez le bouton de verrouillage AE
 - **! si vous oubliez de verrouiller le mécanisme, la lame pourrait soudainement monter sur la pièce et projeter cette dernière vers vous**
 - réglez l'outil en position de travail
 - **! veillez à ce que la pièce soit fermement bloquée contre la table de sciage et la protection S**
 - mettez l'outil sous tension en libérant le verrouillage AG et en tirant sur l'interrupteur principal AF ㉑
 - **! ne croisez pas les bras lorsque vous utilisez la tête de scie ㉒a**
 - sciez la pièce en avançant de manière régulière
 - **! l'outil devra tourner à la vitesse maximum avant que la lamen'entre dans la pièce à travailler**
 - arrêtez votre outil en relâchant l'interrupteur AF

- attendez que la lame de scie soit entièrement arrêtée avant de guider la tête de scie lentement vers le haut
- Sciage **avec** mouvement coulissant (**pièces** larges)
 - ! **n'oubliez jamais que la méthode décrite ci-dessous est la seule méthode sûre**
 - ne placez pas la scie en travers de la pièce
 - desserrez le bouton de verrouillage AE s'il est serré
 - ! **veillez à ce que la pièce soit fermement bloquée contre la table de sciage et la protection S**
 - tirez la tête de scie suffisamment loin du guide S pour que la lame de scie se trouve face à la pièce ②3
 - mettez l'outil sous tension en poussant le levier de sécurité AG et en tirant sur l'interrupteur principal AF ②2
 - ! **ne croisez pas les bras lorsque vous utilisez la tête de scie** ②1a
 - poussez le bras de l'outil en direction du guide S et sciez la pièce en avançant de manière régulière ②3
 - ! **l'outil devra tourner à la vitesse maximum avant que la lame n'entre dans la pièce à travailler**
 - ! **Si le carénage inférieur ne s'ouvre pas automatiquement, ce qui peut se produire dans certaines conditions (p. ex. une pièce qui est très proche de la capacité maximum), vous pourriez devoir ouvrir le carénage à la main** ②1b
 - arrêtez votre outil en relâchant l'interrupteur AF
 - attendez que la lame de scie soit entièrement arrêtée avant de guider la tête de scie lentement vers le haut
- Découpage de rainures ②4
 - réglez la profondeur désirée avec la butée de profondeur AH et bloquez-la en place en serrant l'écrou AJ
 - une entretoise en bois sera placée entre la pièce et le guide pour garantir une profondeur identique sur toute la longueur de la rainure
 - ! **assurez-vous que la lame ne se retrouve pas bloquée dans la pièce**
 - ! **faites toujours un essai sur une pièce de rebut**
- Changement des lames de scie ②5
 - ! **débranchez la fiche**
 - prenez la clé hexagonale AK de son magasin AL
 - maintenez le carénage de protection A en position ouverte
 - desserrez les vis du capot AN (**ne les desserrez pas complètement**) ②5a
 - faites pivoter le carénage de protection A entièrement vers l'arrière ②5b
 - appuyez sur le bouton de blocage de l'arbre AM et maintenez-le tandis que vous enlevez le boulon de la lame AO en faisant tourner la clé hexagonale AK **DANS LE SENS DES AIGUILLES D'UNE MONTRE** (= dans le même sens que la flèche imprimée sur la lame de scie)
 - ! **appuyez sur le bouton AM de blocage de l'arbre uniquement lorsque l'outil est complètement arrêté**
 - relâchez le bouton AM de blocage de l'arbre
 - enlevez la bride AP et la lame de scie
 - ! **changez la lame, les dents de scie et la flèche imprimée à la lame pointée dans le même direction que la flèche située sur le protège-main A**
- montez la bride AP ②5c
- appuyez sur le bouton AM de verrouillage de l'arbre et le maintenez tandis que vous serrez le boulon de la lame avec la clé hexagonale AK d'un 1/8ème de tour **DANS LE SENS ANTIHORAIRE** (permet le débrayage de la lame en cas de trop forte résistance du matériau permettant ainsi de réduire la surcharge du moteur et l'effet de rebond)
 - serrez la vis de la plaque de protection AN
- Remplacement de la plaque amovible AQ ②6
 - Remplacez une plaque amovible défectueuse ou usée comme suit :
 - ! **débranchez la fiche**
 - prenez la clé hexagonale AK de son magasin AL
 - enlevez toutes les 6 vis comme indiqué
 - enlevez l'ancienne plaque amovible en la soulevant d'abord à l'avant puis en la tirant tout à fait
 - placez la nouvelle plaque amovible
 - ! **serrez fortement toutes les 6 vis**
- Vérification/réglage de l'alignement de la lame à 90° k
 - ! **débranchez la fiche**
 - faites pivoter la table de sciage en position d'onglet 0° et verrouillez-la
 - positionnez la tête de scie en position de biseau 0°
 - abaissez la tête de la scie et verrouillez-la
 - veillez à l'aide d'une équerre à ce qu'il y ait un angle de 90° entre la lame et la table
 - si nécessaire, réglez l'alignement de la lame à 90° comme suit :
 1. desserrez le bouton triple U
 2. réglez la vis W avec une clé à lame 10 (non fournie)
 3. revérifiez avec une équerre
 4. remettez l'indicateur de biseau V sur 0°
- Vérification/réglage de l'alignement de la lame à 45° ②6
 - ! **débranchez la fiche**
 - faites pivoter la table de sciage en position d'onglet 0° et verrouillez-la
 - desserrez le bouton triple U
 - faites basculer la tête de scie vers la gauche
 - veillez à l'aide d'une équerre d'angle à ce qu'il y ait un angle de 45° entre la lame et la table
 - veillez à ce que l'indicateur de biseau V se trouve sur la marque 45°
 - si nécessaire, réglez l'alignement de la lame à 45° comme suit :
 1. réglez la vis X avec une clé à lame 10 (non fournie)
 2. revérifiez avec une équerre d'angle
- Vérification/réglage de l'alignement de la protection à 90° ②6
 - ! **débranchez la fiche**
 - faites pivoter la table de sciage en position d'onglet 0° et verrouillez-la
 - abaissez la tête de la scie et verrouillez-la
 - veillez à ce qu'il y ait un angle de 90° entre la lame et la protection S à l'aide d'une équerre (assurez-vous que l'équerre est en contact avec le corps de la lame de scie et non ses dents) ②6a
 - si nécessaire, réglez l'alignement de la protection à 90° comme suit :
 1. desserrez 2 vis hexagonales T ②6b

2. réglez la protection jusqu'à ce que la lame et la protection soit en contact parfait avec l'équerre
3. serrez 2 vis hexagonales T
4. remettez l'indicateur d'onglet sur 0° ②c

CONSEILS D'UTILISATION

- Pièces spéciales
 - soutenez toujours les extrémités libres d'une longue pièce ③
 - veillez à ce que les pièces courbes ou rondes soient particulièrement bien fixées afin de ne pas glisser ③
 - sur la ligne de découpe il ne peut pas y avoir de trou entre la pièce et la protection ou la table de sciage
 - Si nécessaire, fabriquez un guide auxiliaire ; les trous dans le guide seront utilisés pour fixer le guide auxiliaire ②
- ! le guide auxiliaire ne peut être utilisé qu'avec le biseau 0°
- Pour réaliser des moulures d'embase, l'illustration ③ peut être utilisée comme référence
- Toujours inversez la partie visible pour avoir un minimum d'éclat
- Utilisez seulement des lames de scie coupantes et appropriées
 - la qualité de coupe s'améliore avec le nombre de dents
 - lames avec denture à mise de carbure coupent 30 fois plus longtemps que des lames ordinaires

ENTRETIEN / SERVICE APRES-VENTE

- Gardez toujours votre outil et le câble propres (spécialement les aérations à l'arrière du carter moteur)
- Prévoyez un contrôle régulier pour vous assurer que le carénage inférieur fonctionne correctement. Éliminez toute la sciure qui s'est accumulée sur le carénage inférieur avec un chiffon humide.
 - ! **débranchez la fiche avant le nettoyage**
 - relevez le carénage inférieur en position totalement ouverte et libérez-le ; s'il ne se referme pas complètement immédiatement, faites-le vérifier par un centre d'entretien pour outils électroportatifs SKIL
- Toujours nettoyez la lame de scie après toute utilisation (tout particulièrement dans le cas d'utilisation de résine)
 - ! **la lame de scie s'échauffe fortement à l'usage ; ne pas y touchez avant qu'elle ne se soit refroidie**
- Nettoyez le laser AC avec une brosse souple après chaque utilisation pour maintenir une bonne visibilité de la ligne laser (veillez à ne pas modifier le réglage du laser)
- Si, malgré tous les soins apportés à la fabrication et au contrôle de l'outil, celui-ci devait avoir un défaut, la réparation ne doit être confiée qu'à une station de service après-vente agréée pour outillage SKIL
 - retournez l'outil **non démonté** avec votre preuve d'achat au revendeur ou au centre de service après-vente SKIL le plus proche (les adresses ainsi que la vue éclatée de l'outil figurent sur www.skil.com)
- Veuillez noter que tout dégât causé par une surcharge ou une mauvaise utilisation de l'outil ne sera pas couvert par la garantie (pour connaître les conditions de la garantie SKIL, surfez sur www.skil.com ou adressez-vous à votre revendeur)

ENVIRONNEMENT

- **Ne jetez pas les outils électriques, les piles, les accessoires et l'emballage dans les ordures ménagères** (pour les pays européens uniquement)
 - conformément à la directive européenne 2012/19/EG relative aux déchets d'équipements électriques ou électroniques, et à sa transposition dans la législation nationale, les outils électriques usés doivent être collectés séparément et faire l'objet d'un recyclage respectueux de l'environnement
 - le symbole ⑥ vous le rappellera au moment de la mise au rebut de l'outil



BRUIT

- Mesurés selon EN 62841, le niveau de pression sonore de cet outil est de 100,0 dB(A), le niveau de puissance acoustique est de 109,5 dB(A) (incertitude K = 3 dB)
- Le niveau de bruit émis a été mesuré conformément à l'essai normalisé de la norme EN 62841 ; il peut être utilisé pour comparer plusieurs outils et pour réaliser une évaluation préliminaire de l'exposition au bruit lors de l'utilisation de l'outil pour les applications mentionnées
 - l'utilisation de l'outil dans d'autres applications, ou avec des accessoires différents ou mal entretenus, peut considérablement **augmenter** le niveau d'exposition
 - la mise hors tension de l'outil et sa non-utilisation pendant qu'il est allumé peuvent considérablement **réduire** le niveau d'exposition

D

Paneelsäge

1310

EINLEITUNG

- Dieses Werkzeug ist als fest aufgestellte Maschine für den Längs- und Querschnitt von Holz mit gerader und schräger Schnittkante (horizontaler Gehrungswinkel von -47° bis +47° und vertikaler Schrägschnittwinkel von 0° bis 45° möglich) konstruiert
- Bitte diese Bedienungsanleitung sorgfältig lesen und aufbewahren ②
- Dieses Werkzeug eignet sich nicht für den professionellen Einsatz
- **Verwenden Sie das Werkzeug erst, wenn es richtig und vollständig zusammengebaut ist** (Skil ist nicht haftbar für Schäden am Werkzeug oder für Verletzungen, die auf eine fehlerhafte Montage des Werkzeugs zurückzuführen sind)

TECHNISCHE DATEN ①

WERKZEUGKOMponentEN ⑧

- A Unterer Blattschutz
- B Griff mit Schalter
- C Feststellstift für den Transport
- D Oberer Blattschutz
- E Transportgriff
- F Montagelöcher
- G Stützfuß
- H Staubbeutel
- J Stauböffnung
- K Verlängerungsstangen
- L Knäufel für die Befestigung der Verlängerungsstützen
- M Klemmen für Fixierung des Sägeguts
- N Klemmen-Führungsloch
- P Knopf zum Feststellen der Klemmen
- Q Knopf zum Einstellen der Klemmen
- R Spannhebel
- S Anschlag
- T Sechskant-Schrauben zur Einstellung des Anschlags (2x)
- U Feststellknopf (Schrägschnittwinkel)
- V Schrägschnittwinkelanzeige
- W Schraube zur Einstellung des Schrägschnittwinkels (rechts)
- X Schraube zur Einstellung des Schrägschnittwinkels (links)
- Y Lasereinstellschraube
- Z Laserlicht
- AA Ein/Aus-Schalter Laser
- AB Feststellgriff (Gehrungswinkel)
- AC Auslösehebel für Gehrungs-Arretierung
- AD Gehrungswinkelanzeige
- AE Feststellknopf für Schlitten
- AF Ein/Aus-Schalter
- AG Sicherungshebel
- AH Schnitttiefe-Begrenzer
- AI Tiefenanschlag
- AJ Mutter für Tiefenanschlag
- AK Sechskantschlüssel
- AL Halterung für Sechskantschlüssel
- AM Spindelarretierungsknopf
- AN Abdeckplattenschraube
- AO Sägeblattbolzen
- AP Flansch
- AQ Tischeinsatz
- AR Staubabweiser

SICHERHEIT

ALLGEMEINE SICHERHEITSHINWEISE FÜR ELEKTROWERKZEUGE

⚠️ WARNUNG Lesen Sie alle Sicherheitshinweise, Anweisungen, Abbildungen und technischen Daten dieses Elektrogeräts. Die Nichtbeachtung der nachfolgenden Anweisungen kann zu Stromschlägen, Bränden bzw. ernsthaften Verletzungen führen.

Bewahren Sie alle Sicherheitshinweise und Anweisungen für die Zukunft auf.

Der in den Sicherheitshinweisen verwendete Begriff "Elektrowerkzeug" bezieht sich auf netzbetriebene

Elektrowerkzeuge (mit Netzkabel) und auf akkubetriebene Elektrowerkzeuge (ohne Netzkabel).

1) ARBEITSPLATZSICHERHEIT

- a) **Halten Sie Ihren Arbeitsbereich sauber und gut beleuchtet.** Unordnung oder unbeleuchtete Arbeitsbereiche können zu Unfällen führen.
- b) **Arbeiten Sie mit dem Elektrowerkzeug nicht in explosionsgefährdeter Umgebung, in der sich brennbare Flüssigkeiten, Gase oder Stäube befinden.** Elektrowerkzeuge erzeugen Funken, die den Staub oder die Dämpfe entzünden können.
- c) **Halten Sie Kinder und andere Personen während der Benutzung des Elektrowerkzeuges fern.** Bei Ablenkung können Sie die Kontrolle über das Elektrowerkzeug verlieren.

2) ELEKTRISCHE SICHERHEIT

- a) **Der Anschlussstecker des Elektrowerkzeuges muss in die Steckdose passen. Der Stecker darf in keiner Weise verändert werden. Verwenden Sie keine Adapterstecker gemeinsam mit geschützten Elektrowerkzeugen.** Unveränderte Stecker und passende Steckdosen verringern das Risiko eines elektrischen Schlages.
- b) **Vermeiden Sie Körperkontakt mit geerdeten Oberflächen, wie von Rohren, Heizungen, Herden und Kühlschränken.** Es besteht ein erhöhtes Risiko durch elektrischen Schlag, wenn Ihr Körper geerdet ist.
- c) **Halten Sie das Elektrowerkzeug von Regen oder Nässe fern.** Das Eindringen von Wasser in ein Elektrogerät erhöht das Risiko eines elektrischen Schlages.
- d) **Zweckfremden Sie das Kabel nicht, um das Elektrowerkzeug zu tragen, aufzuhängen oder um den Stecker aus der Steckdose zu ziehen. Halten Sie das Kabel fern von Hitze, Öl, scharfen Kanten oder sich bewegenden Elektrowerkzeugteilen.** Beschädigte oder verwickelte Kabel erhöhen das Risiko eines elektrischen Schlages.
- e) **Wenn Sie mit einem Elektrowerkzeug im Freien arbeiten, verwenden Sie nur Verlängerungskabel, die auch für den Außenbereich zugelassen sind.** Die Anwendung eines für den Außenbereich geeigneten Verlängerungskabels verringert das Risiko eines elektrischen Schlages.
- f) **Wenn der Betrieb des Elektrowerkzeuges in feuchter Umgebung nicht vermeidbar ist, verwenden Sie einen Fehlerstromschutzschalter.** Der Einsatz eines Fehlerstromschutzschalters vermindert das Risiko eines elektrischen Schlages.

3) SICHERHEIT VON PERSONEN

- a) **Seien Sie aufmerksam, achten Sie darauf, was Sie tun, und gehen Sie mit Vernunft an die Arbeit mit einem Elektrowerkzeug. Benutzen Sie das Elektrowerkzeug nicht, wenn Sie müde sind oder unter dem Einfluss von Drogen, Alkohol oder Medikamenten stehen.** Ein Moment der Unachtsamkeit beim Gebrauch des Elektrowerkzeuges kann zu ernsthaften Verletzungen führen.
- b) **Tragen Sie persönliche Schutzausrüstung und immer eine Schutzbrille.** Das Tragen persönlicher Schutzausrüstung, wie Staubmaske, rutschfeste Sicherheitsschuhe, Schutzhelm oder Gehörschutz, je

nach Art und Einsatz des Elektrowerkzeuges, verringert das Risiko von Verletzungen.

- c) **Vermeiden Sie eine unbeabsichtigte Inbetriebnahme. Vergewissern Sie sich, dass das Elektrowerkzeug ausgeschaltet ist, bevor Sie es an die Stromversorgung und/oder den Akku anschließen, es aufnehmen oder tragen.** Wenn Sie beim Tragen des Elektrowerkzeuges den Finger am Schalter haben oder das Elektrowerkzeug eingeschaltet an die Stromversorgung anschließen, kann dies zu Unfällen führen.
 - d) **Entfernen Sie Einstellwerkzeuge oder Schraubenschlüssel, bevor Sie das Elektrowerkzeug einschalten.** Ein Werkzeug oder Schlüssel, der sich in einem drehenden Elektrowerkzeugeteil befindet, kann zu Verletzungen führen.
 - e) **Überschätzen Sie sich nicht. Sorgen Sie für einen sicheren Stand und halten Sie jederzeit das Gleichgewicht.** Dadurch können Sie das Elektrowerkzeug in unerwarteten Situationen besser kontrollieren.
 - f) **Tragen Sie geeignete Kleidung. Tragen Sie keine weite Kleidung oder Schmuck. Halten Sie Haare und Kleidung fern von sich bewegenden Teilen.** Lockere Kleidung, Schmuck oder lange Haare können von sich bewegenden Teilen erfasst werden.
 - g) **Wenn Staubabsaug- und -auffangeinrichtungen montiert werden können, vergewissern Sie sich, dass diese angeschlossen sind und richtig verwendet werden.** Verwendung einer Staubabsaugung verringert Gefährdungen durch Staub.
 - h) **Wiegen Sie sich nicht in falscher Sicherheit und setzen Sie sich nicht über die Sicherheitsregeln für Elektrowerkzeuge hinweg, auch wenn Sie nach vielfachem Gebrauch mit dem Elektrowerkzeug vertraut sind.** Achtloses Handeln kann binnen Sekundenbruchteilen zu schweren Verletzungen führen.
- #### 4) SORGFÄLTIGER UMGANG UND GEBRAUCH VON ELEKTROWERKZEUGEN
- a) **Überlasten Sie das Elektrowerkzeug nicht. Verwenden Sie für Ihre Arbeit das dafür bestimmte Elektrowerkzeug.** Mit dem passenden Elektrowerkzeug arbeiten Sie besser und sicherer im angegebenen Leistungsbereich.
 - b) **Benutzen Sie kein Elektrowerkzeug, dessen Schalter defekt ist.** Ein Elektrowerkzeug, das sich nicht mehr ein- oder ausschalten lässt, ist gefährlich und muss repariert werden.
 - c) **Ziehen Sie den Stecker aus der Steckdose und/oder entfernen Sie einen abnehmbaren Akku, bevor Sie Geräteeinstellungen vornehmen, Zubehörteile wechseln oder das Elektrowerkzeug weglegen.** Diese Vorsichtsmaßnahme verhindert den unbeabsichtigten Start des Elektrowerkzeuges.
 - d) **Bewahren Sie unbenutzte Elektrowerkzeuge außerhalb der Reichweite von Kindern auf. Lassen Sie Personen das Elektrowerkzeug nicht benutzen, die mit diesem nicht vertraut sind oder diese Anweisungen nicht gelesen haben.** Elektrowerkzeuge sind gefährlich, wenn Sie von unerfahrenen Personen benutzt werden.
 - e) **Pflegen Sie Elektrowerkzeuge und Zubehör mit Sorgfalt. Kontrollieren Sie, ob bewegliche**

- Elektrowerkzeugeteile einwandfrei funktionieren und nicht klemmen, ob Teile gebrochen oder so beschädigt sind, dass die Funktion des Elektrowerkzeuges beeinträchtigt ist. Lassen Sie beschädigte Teile vor dem Einsatz des Elektrowerkzeuges reparieren.** Viele Unfälle haben ihre Ursache in schlecht gewarteten Elektrowerkzeugen.
 - f) **Halten Sie Schneidwerkzeuge scharf und sauber.** Sorgfältig gepflegte Schneidwerkzeuge mit scharfen Schneidkanten verklemmen sich weniger und sind leichter zu führen.
 - g) **Verwenden Sie Elektrowerkzeug, Zubehör, Einsatzwerkzeuge usw. entsprechend diesen Anweisungen. Berücksichtigen Sie dabei die Arbeitsbedingungen und die auszuführende Tätigkeit.** Der Gebrauch von Elektrowerkzeugen für andere als die vorgesehenen Anwendungen kann zu gefährlichen Situationen führen.
 - h) **Halten Sie Griffe und Griffflächen trocken, sauber und frei von Öl und Fett.** Rutschige Griffe und Griffflächen erlauben keine sichere Bedienung und Kontrolle des Elektrowerkzeuges in unvorhergesehenen Situationen.
- #### 5) SERVICE
- a) **Lassen Sie Ihr Elektrowerkzeug nur von qualifiziertem Fachpersonal und nur mit Original-Ersatzteilen reparieren.** Damit wird sichergestellt, dass die Sicherheit des Elektrowerkzeuges erhalten bleibt.

SICHERHEITSHINWEISE FÜR GEHRUNGSSÄGEN

- **Gehrungssägen eignen sich zum Trennen von Holz oder holzähnlichen Produkten. Sie können nicht mit Trennschleifscheiben zum Schneiden von eisenhaltigen Materialien wie Stangen, Stäben, Bolzen usw. verwendet werden** Abriebstaub führt zum Verkleben beweglicher Teile wie z. B. der unteren Schutzvorrichtung. Funken vom Abrasivschneiden können die untere Führung, den Spalteinsatz und andere Kunststoffteile verbrennen.
- **Verwenden Sie, wann immer möglich, Klammern, um das Werkstück zu befestigen. Wenn Sie das Werkstück von Hand abstützen, müssen Sie Ihre Hand immer mindestens 100 mm von jeder Seite des Sägeblatts entfernt halten. Verwenden Sie diese Säge nicht zum Sägen von Stücken, die zu klein sind, um eingespannt oder von Hand gehalten zu werden** Wenn Ihre Hand zu nahe am Sägeblatt gehalten wird, besteht ein erhöhtes Verletzungsrisiko durch den Kontakt mit dem Blatt.
- **Das Werkstück muss festgeklemmt sein und sowohl gegen den Anschlag als auch gegen den Tisch gespannt oder gehalten werden. Führen Sie das Werkstück nicht auf die Klinge und sägen Sie auf keinen Fall „freihändig“** Nicht festgehaltene oder bewegte Werkstücke könnten bei hohen Geschwindigkeiten umhergeschleudert werden und so Verletzungen verursachen.
- **Führen Sie die Säge durch das Werkstück. Ziehen Sie die Säge nicht durch das Werkstück. Um einen Schnitt zu machen, heben Sie den Sägekopf an und halten Sie ihn über das Werkstück, ohne zu sägen, starten Sie dann den Motor, drücken Sie die Sägekopf nach unten und führen Sie die Säge durch das Werkstück** Das Sägen beim Ziehen würde

wahrscheinlich dazu führen, dass das Sägeblatt Richtung Werkstück „klettert“ und das Sägeblatt gewaltsam in Richtung der Bedienerin oder des Bedieners weiterführt.

- **Kreuzen Sie niemals Ihre Hände über der vorgesehenen Sägelinie vor oder hinter dem Sägeblatt** Das Werkstück mit überkreuzten Händen abzustützen, das Werkstück also mit der linken Hand rechts vom Sägeblatt zu halten oder umgekehrt, ist sehr gefährlich.
- **Greifen Sie mit Ihrer Hand nicht näher als 100 mm von beiden Seiten des Sägeblatts hinter den Anschlag, um Holzreste zu entfernen oder aus einem anderen Grund, während sich das Sägeblatt dreht** Die Nähe des sich drehenden Sägeblatts zu Ihrer Hand ist möglicherweise nicht offensichtlich und Sie könnten ernsthafte Verletzungen davon tragen.
- **Prüfen Sie das Werkstück, bevor Sie es zersägen** Wenn das Werkstück gewölbt oder verzogen ist, klemmen Sie es mit der äußeren gewölbten Seite zum Anschlag hin. Achten Sie immer darauf, dass zwischen dem Werkstück, dem Anschlag und dem Tisch entlang der Sägelinie keine Lücke ist Verbogene oder verzogene Werkstücke können sich verdrehen oder verschieben und sich beim Sägen am sich drehenden Sägeblatt verklebten. Im Werkstück sollten sich keine Nägel oder Fremdkörper befinden.
- **Verwenden Sie die Säge erst dann, wenn der Tisch von allen Werkzeugen, Holzresten usw., bis auf das Werkstück selbst, frei ist** Kleine Rückstände, lose Holzstücke oder andere Objekte, die mit dem sich drehenden Sägeblatt in Berührung kommen können, könnten mit hoher Geschwindigkeit umhergeschleudert werden.
- **Schneiden Sie immer nur ein Werkstück zugleich** Mehrere gestapelte Werkstücke können nicht ausreichend festgeklemmt oder verspannt werden und können sich auf der Klinge festsetzen oder während des Sägens verschoben werden.
- **Achten Sie darauf, dass die Gehrungssäge vor dem Gebrauch auf einer ebenen, stabilen Arbeitsfläche montiert oder aufgestellt ist.** Eine ebene und stabile Arbeitsfläche verringert das Risiko, dass die Gehrungssäge instabil wird.
- **Planen Sie Ihre Arbeit! Jedes Mal, wenn Sie die Hebel- oder die Gehrungswinkeleinstellung ändern, müssen Sie darauf achten, dass der einstellbare Anschlag so eingestellt ist, dass das Werkstück abgestützt ist und das Sägeblatt oder das Führungssystem nicht behindert.** Führen Sie das Sägeblatt in einem kompletten simulierten Schnitt, ohne das Gerät einzuschalten (EIN) und ohne ein Werkstück auf dem Tisch, um sicher zu gehen, dass keine Hindernisse oder Gefahren beim Schneiden auftreten.
- **Arbeiten Sie mit einer geeigneten Unterstützung für Werkstücke, die breiter oder länger als die Tischplatte sind, beispielsweise eine Tischverlängerung, oder Sägeböcke.** Werkstücke, die länger oder breiter als der Gehrungssägetisch sind, können kippen, wenn sie nicht sicher gestützt werden. Wenn das abgesägte Teil oder Werkstück vom Tisch kippt, kann es die untere Schutzvorrichtung anheben oder von der rotierenden Klinge umhergeschleudert werden.
- **Setzen Sie keine andere Person als Ersatz für eine Tischverlängerung oder als zusätzliche Stütze ein** Eine instabile Auflage des Werkstücks kann dazu führen,

dass sich die Klinge verklebmt oder sich das Werkstück während des Sägens verschiebt, und Sie und die helfende Person in die rotierende Klinge zieht.

- **Das abgesägte Teil darf auf keinen Fall eingeklemmt oder auf irgendeine Weise gegen das rotierende Sägeblatt gedrückt werden** Wenn es bsp. durch Längenanschläge eingeklemmt wird, könnte das abgeschnittene Stück gegen das Blatt gedrückt und gewaltsam weggeschleudert werden.
- **Arbeiten Sie immer mit einer Klemme oder einer Halterung, die so konstruiert ist, dass sie runde Materialien wie Stangen oder Rohre richtig halten** kann Stangen neigen das, sich beim Sägen zu rollen, wodurch die Klinge sich „festbeißt“ und das Werkstück in die Klinge gezogen wird.
- **Die Klinge muss erst ihre volle Geschwindigkeit erreicht haben, bevor sie das Werkstück berührt** So wird die Gefahr verringert, dass das Werkstück umhergeschleudert wird.
- **Wenn das Werkstück oder das Blatt verklebmt, schalten Sie die Gehrungssäge aus. Warten Sie einen Moment, bis alle Teile zum Stillstand gekommen sind und trennen Sie das Gerät von der Stromversorgung und/oder entfernen Sie die den Akku. Beseitigen Sie dann das aufgestaute Material** Die Fortführung der Arbeit mit einem verklebten Werkstück kann dazu führen, dass Sie die Kontrolle verlieren oder die Gehrungssäge beschädigen.
- **Nach Beendigung des Sägevorgangs halten Sie den Sägekopf nach unten und warten Sie, bis das Sägeblatt still steht, bevor Sie das abgesägte Stück entfernen** Es ist gefährlich, Ihre Hand in die Nähe des noch nachrotierenden Sägeblatts zu halten.
- **Halten Sie den Griff fest, wenn Sie einen unvollständigen Schnitt durchführen oder wenn Sie den Schalter lösen, bevor der Sägekopf vollständig in der unteren Position angelangt ist** Die Bremswirkung der Säge kann dazu führen, dass der Sägekopf plötzlich nach unten gezogen wird und so eine Verletzungsgefahr darstellt.

ZUSÄTZLICHE SICHERHEITSHINWEISE

- Einschaltvorgänge erzeugen kurzfristige Spannungsabsenkungen; bei ungünstigen Netzbedingungen können Beeinträchtigungen anderer Geräte auftreten (bei Netzimpedanzen kleiner als 0,464 Ohm sind keine Störungen zu erwarten); für weitere Auskünfte setzen Sie sich bitte mit Ihrem örtlichen Energieversorger in Verbindung

ALLGEMEINES

- Nur zur Verwendung mit Holz geeignet
- Stets nachprüfen, daß die Netzspannung mit der auf dem Typenschild des Werkzeuges angegebenen Spannung übereinstimmt
- **Stehen Sie nicht auf dem Werkzeug oder dem Ständer** Es kann schwere Verletzungen zur Folge haben, wenn das Werkzeug umkippt oder wenn das Schneidwerkzeug versehentlich berührt wird. Lagern Sie keine Materialien auf oder in der Nähe des Werkzeugs, wenn Sie sie auf das Werkzeug steigen müssen, um sie zu erreichen.
- **Ziehen Sie grundsätzlich den Netzstecker, bevor Sie beliebige Änderungen an den Einstellungen oder einen Zubehörwechsel vornehmen**
- **Trennen Sie den Stecker immer von der Steckdose,**

bevor Sie die Gehrungssäge transportieren

Zum Transport Stecker abziehen, Kopfbaugruppe senken und verriegeln, den Tragegriff und eine der Handeinbuchungen am Säge Tisch verwenden.

- **Verlassen Sie das Werkzeug nicht, bevor es nicht vollständig zum Stillstand gekommen ist**
- **Wenn Sie unregelmäßig geformte Werkstücke schneiden, planen Sie Ihre Arbeit so, dass sie nicht abrutschen, die Klinge verklemmen oder aus Ihrer Hand gerissen werden können**
- Der Benutzer dieses Werkzeuges sollte älter als 16 Jahre sein
- Dieses Werkzeug ist für Naßschnitte nicht geeignet

ANWENDUNG IM FREIEN

- Bei Anwendung im Freien das Werkzeug über einen Fehlerstrom- (FI) Schutzschalter mit einem Auslösestrom von 30 mA max. anschließen, und nur ein Verlängerungskabel benutzen, das für die Anwendung im Freien vorgesehen und mit einer spritzwassergeschützten Anschlussstelle versehen ist

VOR DER ANWENDUNG

- Bei Benutzung von Verlängerungskabeln ist darauf zu achten, daß das Kabel vollständig abgerollt ist und eine Kapazität von 16 A hat
- Schutzbrille, Gehörschutz, und Schutzhandschuhe tragen
- Staub von Materialien wie Farbe, die Blei enthält, einigen Holzarten, Mineralien und Metall kann schädlich sein (Kontakt mit oder Einatmen des Staubs kann zu allergischen Reaktionen und/oder Atemwegskrankheiten beim Bediener oder Umstehenden führen); **tragen Sie eine Staubmaske und arbeiten Sie mit einem Staubabsaugungssystem, wenn ein solches angeschlossen werden kann**
- Bestimmte Arten von Staub sind als karzinogen klassifiziert (beispielsweise Eichen- und Buchenholzstaub), insbesondere in Verbindung mit Zusätzen für die Holzvorbehandlung; **tragen Sie eine Staubmaske und arbeiten Sie mit einem Staubabsaugungssystem, wenn ein solches angeschlossen werden kann**
- Beachten Sie die für Ihr verwendetes Verbrauchsmaterial gültigen nationalen Staubschutzvorgaben
- **Bearbeiten Sie kein asbesthaltiges Material** (Asbest gilt als krebserregend)
- Das Werkzeug niemals ohne das Original-Schutz benutzen
- Prüfen Sie, ob die Schutzabdeckung richtig schließt, bevor Sie das Werkzeug verwenden
- Bedienen Sie die Säge nicht, wenn die Schutzabdeckung nicht frei bewegt werden kann und sofort schließt
- Stellen Sie die Schutzabdeckung niemals in offener Position fest
- Verwenden Sie das Werkzeug niemals ohne Tischeinsatz; tauschen Sie einen beschädigten oder verschlissenen Tischeinsatz aus
- Bevor Sie mit dem Schnitt beginnen, alle Hindernisse von der Ober- wie auch von der Unterfläche entfernen, die auf der Schnittstrecke liegen
- Beschädigungen durch Schrauben, Nägel und ähnliches an Ihrem Werkstück vermeiden; diese vor Arbeitsbeginn entfernen

ZUBEHÖR

- Niemals Schleif-/Trennscheiben mit diesem Werkzeug verwenden

- SKIL kann nur dann die einwandfreie Funktion des Werkzeuges zusichern, wenn das entsprechende Zubehör verwendet wird, welches bei ihren Fachhändlern erhältlich ist
 - Bei Verwendung von Fremdfabrikaten beim Zubehör bitte die Hinweise des Herstellers beachten
 - Verwenden Sie nur Sägeblätter, die den in dieser Betriebsanleitung angegebenen Kenndaten entsprechen und nach EN 847-1 geprüft und entsprechend gekennzeichnet sind
 - Nur Zubehör verwenden, dessen zulässige Drehzahl mindestens so hoch ist wie die höchste Leerlaufdrehzahl des Werkzeuges
 - Die Benutzung von Sägeblättern aus hochlegiertem Schnell- arbeitsstahl (HSS) ist nicht zulässig
 - Rissige oder stumpfe Sägeblätter, oder solche, die ihre Form verändert haben, dürfen nicht verwendet werden
 - Verwenden Sie ausschließlich Sägeblätter mit einem Lochdurchmesser, der ohne Spiel in die Werkzeugachse passt; verwenden Sie niemals Verkleinerungen oder Adapter, um Sägeblätter mit größerem Lochdurchmesser zu befestigen
 - Zubehör schützen vor Stoß-, Schlag- und Fetteinwirkung
- ### **WÄHREND DER ANWENDUNG**
- **Drücken Sie nicht übermäßig auf das Werkzeug** (wenden Sie einen leichten und gleichmäßigen Druck an, um die Blattspitzen nicht zu überhitzen und beim Sägen von Kunststoff ein Schmelzen des Kunststoffmaterials zu vermeiden)
 - Halten Sie Finger, Hände und Arme vom rotierenden Sägeblatt fern
 - Wenn das Sägeblatt blockiert wird, schalten Sie das Werkzeug sofort aus und ziehen Sie den Netzstecker ab; erst dann dürfen Sie das verkantete Sägegut herausnehmen
 - Im Falle von Blockieren, atypischem Verhalten oder Fremdgeräuschen, das Werkzeug sofort abschalten und den Netzstecker ziehen
 - Wird bei der Arbeit das Kabel beschädigt oder durchtrennt, Kabel nicht berühren, sondern sofort den Netzstecker ziehen
 - Verwenden Sie das Werkzeug niemals, wenn das Kabel beschädigt ist; es muss durch ein speziell vorbereitetes Kabel ersetzt werden, das über die Serviceorganisation erhältlich ist.

LASERSTRAHLUNG

- **Richten Sie den Laserstrahl nicht auf Personen oder Tiere und blicken Sie nicht selbst in den direkten oder reflektierten Laserstrahl** (dadurch können Sie Personen blenden, Unfälle verursachen oder das Auge schädigen)
- Falls Laserstrahlung ins Auge trifft, sind die Augen bewusst zu schließen und der Kopf sofort aus dem Strahl zu bewegen
- Nehmen Sie keine Änderungen an der Lasereinrichtung vor
- Nicht in den Laserstrahl blicken (Laserstrahlung)
- Keine vergrößernden optischen Geräte (z.B. Vergrößerungsgläser, Teleskope oder Ferngläser) zum Betrachten des Laserstrahls benutzen
- Das Gerät nicht in der Gegenwart von entzündlichen Flüssigkeiten, Gasen oder Stäuben benutzen
- Das Gerät nicht benutzen, wenn sich Kinder in seiner Nähe befinden
- Ersetzen Sie den montierten Laser nicht durch einen anderen Lasertyp

NACH DER ANWENDUNG

- Zubehör darf nach dem Ausschalten des Antriebes nicht durch seitliches Gegendrücken gebremst werden
- Entfernen Sie Holzreste oder andere Teile des Sägeguts aus dem Schnittbereich erst dann, wenn alle beweglichen Teile vollständig still stehen
- das Sägeblatt wird bei Gebrauch heiß; berühren Sie es nicht, bevor es abgekühlt ist
- Das Werkzeug **drinnen** an trockener und abgesperrter Stelle, für Kinder unzugänglich, lagern

ERKLÄRUNG DER SYMBOLE AUF DEM WERKZEUG

- ② Die Bedienungsanleitung vor dem Gebrauch lesen
- ③ Schutzbrille und Gehörschutz tragen
- ④ **Gefahrenbereich! Keine Handzone. Halten Sie Hände, Finger und Arme aus diesem Bereich fern.**
- ⑤ Doppelte Isolierung (kein Erdleiter erforderlich)
- ⑥ Elektrowerkzeuge und Batterien nicht in den Hausmüll werfen
- ⑦ **Laserstrahlung / Nicht in den Strahl blicken / Laserprodukt Klasse 2**

BEDIENUNG

- Montage
 - Bringen Sie den Transportgriff mit 2 Schrauben und einem Inbusschlüssel an AK ⑨ an
 - Bringen Sie den Gehrungsspannknauf AB an der Vorderseite des Tisches ⑩ an
- Transport/Arbeitsposition
 - Lösen des Werkzeugs (**Arbeits-Position**)
 - Drücken Sie den Griff B mit einer Hand nach unten und ziehen Sie mit der anderen Hand den Verriegelungsstift C heraus ⑪a
 - Führen Sie den Werkzeugkopf langsam nach oben
 - Lösen Sie für das Sägen mit Schlitzenbewegungen den Feststellknauf AE ⑪b
 - Zur Sicherung des Werkzeugs (**Transport-Position**)
 - Schieben Sie den Sägekopf in Richtung des Anschlags S und ziehen Sie den Feststellknauf AE fest ⑪c
 - Stellen Sie den Fasenwinkel auf 0° ein (siehe Fasenwinkel einstellen)
 - Stellen Sie den Gehrungswinkel auf 45° links oder rechts ein (siehe Gehrungswinkel einstellen)
 - Drücken Sie den Griff B mit einer Hand nach unten und drücken Sie mit der anderen Hand den Verriegelungsstift C heraus
 - Wickeln Sie das Netzkabel auf
 - Nutzen Sie den Transportgriff E zum Tragen des Werkzeugs ⑪d
 - Alternativ können Sie die seitlichen Griffe zum Tragen des Werkzeugs ⑪e nutzen
- ! **Heben Sie das Werkzeug niemals am Hauptgriff oder am Netzkabel an**
- Befestigung des Werkzeugs auf der Arbeitsfläche ⑫
 - ! **für sicheres Arbeiten montieren Sie das Werkzeug immer auf eine flache und stabile Arbeitsfläche (z. B. Werkbank)**
 - verwenden Sie 4 Montagelöcher F für die Befestigung des Werkzeugs mit geeigneten Schrauben auf der Arbeitsfläche
 - Sie können das Werkzeug an der Arbeitsfläche auch mit herkömmlichen Schraubzwingen festklemmen
 - Zur Stabilisierung des Werkzeugs kann die Höhe des Stützfußes G eingestellt werden

- Alternativ kann das Werkzeug auf einem Gehrungssägebock angebracht werden
- ! **Lesen Sie alle Warnhinweise und Anweisungen, die dem Sägeständer beiliegen**
- Staub-/Späneabsaugung ⑬
 - Bringen Sie einen Staubbeutel H/Staubsauger wie abgebildet an
 - regelmäßige Entleerung des Staubbeutels sorgt für optimale Staubaufnahme
 - ! **achten Sie darauf, dass der Staubsaugerschlauch die Öffnung des unteren Blattschutzes oder die Schnitтарbeit niemals hemmt**
- Sägegetischverlängerung ⑭
 - Verwenden Sie Knäufe L, um Verlängerungsstangen K zu befestigen (auf beiden Seiten des Werkzeugs)
 - Die Länge der Verlängerungsstützen K ist stufenlos von minimal bis maximal einstellbar
- Sägegut festklemmen ⑮
 - ! **für optimale Arbeitssicherung fixieren Sie das Sägegut immer gut mit der mitgelieferten einstellbaren Klemme**
 - arbeiten Sie nicht mit Werkstücken, die zu klein für die Klemme sind
 - für **maximale** Werkstückmaße sehen Sie in der Tabelle ⑮ nach
 - Klemmen Sie das Werkstück mit dem Knauf P in die Führungslöcher N (auf beiden Seiten des Werkzeugs)
 - Verwenden Sie 1 der 2-Schlitzte; für eine Werkstückdicke bis zu 4 cm und eine Werkstückdicke über 4 cm
 - drücken Sie das Sägegut gut gegen den Anschlag S
 - Hebel R lösen
 - Klemme am Werkstück anbringen
 - Klemmen Sie das Werkstück durch Feststellen des Hebels R gut fest
 - ! **Bei einigen Gehrungs- und Fasen-Kombinationen oder je nach Größe des Werkstücks kann es erforderlich sein, anstelle der Werkstückklemme handelsübliche Schraubzwingen zu verwenden**
- Einstellen der Gehrungswinkel ⑰
 - Verriegelungshebel AB lösen
 - Drücken Sie den Entriegelungshebel für die Gehrungsarretierung AC heraus
 - Drehen Sie den Sägegetisch nach links oder rechts und stellen Sie den gewünschten Gehrungswinkel mithilfe der Anzeigen AD ein (0° bis 47°)
 - Hebel AC lösen
 - Ziehen Sie den Verriegelungshebel AB fest (**ziehen Sie ihn aber nicht zu fest**)
 - Für eine schnelle und genaue Einstellung oft verwendeter Gehrungswinkel (0°, 15°, 22,5°, 31,6°, 45°) rastet der den Gehrungsrasthebel in die entsprechenden Markierungen ein
- Einstellen der Schrägschnittwinkel ⑱
 - Lösen Sie den dreiarmligen Knauf U ⑱b
 - Schwingen Sie den Sägekopf nach rechts, bis die Schrägschnittwinkelanzeige V den gewünschten Schrägschnittwinkel anzeigt
 - Halten Sie den Sägekopf in dieser Position und ziehen Sie den Knauf fest U
- Compound-Schnitte ⑲
 - Compound-Schnitte erfordern sowohl die Einstellung eines Gehrungswinkels als auch eines Schrägschnittwinkels

! Arbeiten Sie mit der Säge nicht in bestimmten Gehrungs- und Fasen-Kombinationen, die zu Interferenzen zwischen den gleitenden und den feststehenden Teilen der Säge oder zwischen den gleitenden Teilen und dem Werkstück führen können

! immer zuerst an einem Probestück ausprobieren

- Laserlinie ②0
 - für die präzise Führung des Werkzeuges die auf dem Werkstück gezogene Schnittlinie entlang
 - schalten Sie Laserlinie ein/aus durch Druck auf Schalter AA
 - Der Laser wird auf die linke Seite des Schnitts ausgerichtet
 - Die horizontale Ausrichtung des Lasers kann mit einer Schraube Y leicht eingestellt werden

! vor dem Beginn der Arbeiten, die Ausrichtung der Laserlinie kontrollieren mit der tatsächlichen Schnittlinie durch die Durchführung eines Probeschnitts an einem Abfallstück

- Sägen ohne Schlittenbewegung (kleine Werkstücke)
 - Lösen Sie den Feststellknopf AE, wenn er angezogen ist
 - Schieben Sie den Sägekopf in Richtung des Anschlags S und ziehen Sie den Feststellknopf AE wieder fest

! Wenn sich der Mechanismus nicht verriegeln lässt, kann es dazu kommen, dass die Klinge plötzlich auf die Oberseite des Werkstücks klettert und sich auf Sie zubewegt

- Werkzeug in Arbeitsposition einstellen

! stellen Sie sicher, dass das Sägegut am Sägekopf und dem Anschlag anliegt und gut festgeklemmt ist S

- Schalten Sie das Werkzeug durch Lösen der Verriegelung AG ein und ziehen Sie den Hauptschalter heraus AF ②2

! Kreuzen Sie bei der Bedienung des Sägekopfes ②1a Ihre Arme nicht

- sägen Sie das Sägegut mit gleichbleibender Aufmerksamkeit

! die Säge muß erst die Höchstgeschwindigkeit erreichen bevor das Sägeblatt in das Werkstück eingeführt wird

- Schalten Sie das Werkzeug durch Loslassen des Schalters AF aus

- Warten Sie, bis der Sägekopf vollkommen zum Stillstand gekommen ist, bevor Sie den Sägekopf langsam aufwärts bewegen

- Sägen mit Schlittenbewegung (breite Werkstücke)

! Die nachfolgend beschriebene Methode ist die einzig sichere

- Ziehen Sie die Säge nicht durch das Werkstück

- Lösen Sie den Feststellknopf AE, wenn er angezogen ist

! stellen Sie sicher, dass das Sägegut am Sägekopf und dem Anschlag anliegt und gut festgeklemmt ist S

- Ziehen Sie den Sägekopf weit genug vom Anschlag S weg, so dass sich der Sägekopf vor dem Werkstück befindet ②3

- Schalten Sie das Werkzeug durch Drücken des Schutzhebels AG ein und ziehen Sie den Hauptschalter heraus AF ②2

! Kreuzen Sie bei der Bedienung des Sägekopfes

②1a Ihre Arme nicht

- Schieben Sie den Sägekopf in Richtung des Anschlags S und sägen Sie das Werkstück mit gleichmäßiger Bewegung ②3

! die Säge muß erst die Höchstgeschwindigkeit erreichen bevor das Sägeblatt in das Werkstück eingeführt wird

! Wenn sich die untere Führung nicht automatisch öffnet, was unter bestimmten Bedingungen passieren kann (z. B. wenn das Werkstück nahe an der maximalen Kapazität liegt), müssen Sie die Schutzvorrichtung möglicherweise per Hand öffnen ②1b

- Schalten Sie das Werkzeug durch Loslassen des Schalters AF aus

- Warten Sie, bis der Sägekopf vollkommen zum Stillstand gekommen ist, bevor Sie den Sägekopf langsam aufwärts bewegen

- Sägen von Nuten ②4
 - Stellen Sie die gewünschte Tiefe mit dem Schnitttiefen-Begrenzer AH ein und arretieren Sie ihn mit der Befestigungsmutter AJ
 - Ein hölzerner Abstandhalter wird zwischen dem Werkstück und dem Anschlag angebracht, um eine gleichmäßige Tiefe über die gesamte Länge der Nut zu gewährleisten

! Achten Sie darauf, dass das Sägeblatt nicht im Werkstück stecken bleibt

! immer zuerst an einem Probestück ausprobieren

- Sägeblattwechsel ②5
 - ! Netzstecker ziehen**
 - Sechskantschlüssel AK aus Halterung AL nehmen
 - Schutzvorrichtung A in offener Position halten
 - Lösen Sie die Abdeckplattenschraube AN (**Nehmen Sie die Schraube nicht ganz heraus**) ②5a
 - Die Schutzvorrichtung A vollständig nach hinten drehen ②5b
 - drücken Sie den Spindelarretierungs-Schalter AM und halten Sie ihn gedrückt, solange Sie den Sägeblattbolzen entfernen AO, indem Sie den Sechskantschlüssel AK **IM UHRZEIGERSINN** (= Richtung des Pfeils auf dem Sägeblatt) drehen

! Spindelarretierungsknopf AM nur bei stillstehendem Werkzeug drücken

- Spindelarretierungsknopf AM loslassen

- entfernen Sie Flansch AP und Sägeblatt

! wechseln Sie das Sägeblatt, wobei Sägezähne und auf das Sägeblatt aufgedruckter Pfeil in dieselbe Richtung wie der Pfeil auf der Schutzhaube A zeigen

- Flansch AP montieren ②5c

- Drücken Sie auf den Spindelarretierungsknopf AM und halten Sie ihn, während der Sägeblattbolzen durch Drehen des Sechskantschlüssels AK angezogen wird, und zwar fingerfest 1/8 Drehung **GEGEN DEN UHRZEIGERSINN** (gewährleistet Rutschen des Sägeblatts, wenn es auf einen zu großen Widerstand trifft, wodurch Motorüberlastung und Rückschlag der Säge reduziert werden)

- ziehen Sie die Abdeckplattenschraube AN fest

- Austauschen des Tischeinsatzes AQ ②6
 - Tauschen Sie einen beschädigten oder verschlissenen

Tischeinsatz folgendermaßen aus:

! Netzstecker ziehen

- Sechskantschlüssel AK aus Halterung AL nehmen
- entfernen Sie alle 6 Schrauben wie abgebildet
- entfernen Sie den alten Tischeinsatz, indem Sie ihn erst vorne anheben und dann vollständig ausschleiben
- bringen den neuen Tischeinsatz an

! ziehen Sie alle 6 Schrauben fest

- Prüfung/Einstellung der 90°-Ausrichtung des Blatts 27

! Netzstecker ziehen

- Drehen Sie den Sägefisch in die 0°-Gehrungsposition und befestigen Sie ihn
- Schwenken Sie den Sägekopf in die 0°-Fasenposition
- Senken Sie den Sägekopf ab und stellen Sie ihn fest
- prüfen Sie den 90°-Winkel zwischen Blatt und Tisch mit einem Winkelmaß
- falls notwendig, stellen Sie die 90°-Ausrichtung des Blatts folgendermaßen ein:

1. lösen Sie den dreiarmigen Knopf U
2. Stellen Sie die Mutter W mit einem Schraubenschlüssel der Größe 10 (nicht im Lieferumfang enthalten) ein
3. Prüfen Sie den Winkel erneut nach
4. Setzen Sie den Fasenindikator V auf 0° zurück

- Prüfung/Einstellung der 45°-Ausrichtung des Blatts 28

! Netzstecker ziehen

- Drehen Sie den Sägefisch in die 0°-Gehrungsposition und befestigen Sie ihn
- lösen Sie den dreiarmigen Knopf U
- Schwenken Sie den Sägekopf nach links
- prüfen Sie den 45°-Winkel zwischen Blatt und Tisch mit einem Gehrungsmaß
- prüfen Sie, ob die Schrägschnittanzeige V 45° anzeigt
- falls notwendig, stellen Sie die 45°-Ausrichtung des Blatts folgendermaßen ein:

1. Bringen Sie die Mutter X mit einem Schraubenschlüssel der Größe 10 (nicht im Lieferumfang enthalten) an
2. Prüfen Sie den Winkel erneut mit dem Gehrungsmaß

- Prüfung/Einstellung der 90°-Ausrichtung des Anschlags 29

! Netzstecker ziehen

- Drehen Sie den Sägefisch in die 0°-Gehrungsposition und befestigen Sie ihn
- Senken Sie den Sägekopf ab und stellen Sie ihn fest
- Prüfen Sie den 90°-Winkel zwischen Blatt und Anschlag S mit einem Winkelmaß (das Winkelmaß muss dabei am Blatt anliegen und nicht an den Zähnen) 29a
- falls notwendig, stellen Sie die 90°-Ausrichtung des Anschlags folgendermaßen ein:

 1. lösen Sie die 2 Sechskant-Schrauben T 29b
 2. stellen Sie den Anschlag so ein, dass Blatt und Anschlag ganz am Winkelmaß anliegen
 3. ziehen Sie die 2 Sechskant-Schrauben fest T
 4. Setzen Sie den Gehrungsanzeige auf 0° zurück 29c

ANWENDUNGSHINWEISE

- Spezielles Sägegut
 - stützen Sie das freie Ende eines langen Sägeguts immer ab 30
 - gebogenes oder rundes Sägegut muss besonders gegen Wegrutschen gesichert werden 31

- an der Schnittkante darf zwischen Sägegut und Anschlag oder Sägefisch keine Lücke sein
- Fertigen Sie bei Bedarf einen Hilfsanschlag an; die Löcher im Schiebeanschlag sollten zur Sicherung des Hilfsanschlags verwendet werden 32

! Der Hilfsanschlag kann nur bei einer Fase von 0° verwendet werden

- Für die Arbeit mit Fußbodenleisten beachten Sie die Abbildung 33
- Die Oberfläche des Werkstücks grundsätzlich nach unten zeigend auflegen, um somit Absplittierungen auf ein Mindestmaß zu begrenzen
- Nur scharfe Sägeblätter vom richtigen Typ benutzen
 - die Qualität des Schnittes erhöht sich mit der Anzahl der Zähne
 - Hartmetallbestückte Sägeblätter haben eine bis zu 30 Mal längere Lebensdauer als konventionelle Sägeblätter

WARTUNG / SERVICE

- Werkzeug und Kabel immer sauber halten (vor allem die Gebläseöffnungen an der Rückseite der Motorabdeckung)
- Entwickeln Sie eine regelmäßige Überprüfung, um sicherzustellen, dass die untere Führung gut funktioniert. Reinigen Sie die untere Führung mit einem feuchten Tuch von Sägespänen, die sich angesammelt haben können.
- **! Netzstecker vor dem Säubern ziehen**
 - Heben Sie die untere Führung in die vollständig geöffnete Position und lassen Sie sie los. Wenn sie nicht sofort und vollständig schließt, sollte sie von einem Kundendienstzentrum für SKIL-Elektrowerkzeuge überprüft werden
- Das Sägeblatt unmittelbar nach der Benutzung reinigen (insbesondere von Harz- und Leimrückständen)
 - **! das Sägeblatt wird bei Gebrauch heiß; berühren Sie es nicht, bevor es abgekühlt ist**
- Reinigen Sie das Laserlicht AC nach jedem Gebrauch mit einer weichen Bürste, damit die Laserlinie immer gut sichtbar bleibt (beachten, dass Sie die Einstellung des Lasers dabei nicht verändern)
- Sollte das Elektrowerkzeug trotz sorgfältiger Herstellungs- und Prüfverfahren einmal ausfallen, ist die Reparatur von einer autorisierten Kundendienststelle für SKIL-Elektrowerkzeuge ausführen zu lassen
 - das Werkzeug **unzerlegt**, zusammen mit dem Kaufbeleg, an den Lieferer oder die nächste SKIL-Vertragswerkstätte senden (die Anschriften so wie die Ersatzteilzeichnung des Werkzeuges finden Sie unter www.skil.com)
- Beachten Sie, dass ein falscher oder unsachgemäßer Gebrauch des Werkzeugs zum Erlöschen der Garantie führt (die SKIL-Garantiebedingungen finden Sie unter www.skil.com oder fragen Sie Ihren Händler)

UMWELT

- **Elektrowerkzeuge, Batterien, Zubehör und Verpackungen nicht in den Hausmüll werfen** (nur für EU-Länder)
 - gemäss Europäischer Richtlinie 2012/19/EG über Elektro- und Elektronik- Altgeräte und Umsetzung in nationales Recht müssen nicht mehr gebrauchsfähige Elektrowerkzeuge getrennt gesammelt und einer umweltgerechten Wiederverwertung zugeführt werden

- hieran soll Sie Symbol © erinnern

GERÄUSCH

- Gemessen in Übereinstimmung mit EN 62841 beträgt der Schalldruck dieses Werkzeugs 100,0 dB(A) und die Schallleistung 109,5 dB(A) (Unsicherheit K = 3 dB)
- Der Schalldruckpegel wurde mit einem standardisierten Test gemäß EN 62841 gemessen. Er kann verwendet werden, um ein Werkzeug mit einem anderen zu vergleichen und als vorläufige Beurteilung der Schallexposition bei Verwendung des Werkzeugs für die angegebenen Anwendungszwecke
 - die Verwendung des Werkzeugs für andere Anwendungen oder mit anderem oder schlecht gewartetem Zubehör kann die Expositionsstufe erheblich **erhöhen**
 - Zeiten, zu denen das Werkzeug ausgeschaltet ist, oder wenn es läuft aber eigentlich nicht eingesetzt wird, können die Expositionsstufe erheblich **verringern**

NL

Telescopische verstekzaag 1310

INTRODUCTIE

- Deze machine is bestemd voor stationair gebruik voor het schulpen en afkorten van hout met een rechte zaaglijn tot onder een hoek (horizontale verstekhoeken van -47° tot +47° en verticale afschuinhoeken van 0° tot 45°)
- Lees en bewaar deze gebruiksaanwijzing ②
- Deze machine is niet bedoeld voor professioneel gebruik
- **Gebruik de machine uitsluitend wanneer deze correct en volledig is gemonteerd** (Skil kan niet verantwoordelijk worden gehouden voor schade aan de machine en/of letsel als gevolg van onjuiste montage van de machine)

TECHNISCHE GEGEVENS ①

MACHINE-ELEMENTEN ⑧

- A Onderste beschermkap
- B Schakelaarhendel
- C Vergrendelpin voor transport
- D Bovenste beschermkap
- E Transportgreep
- F Montagegaten
- G Steunvoet
- H Stofzak
- J Stofuitlaat
- K Verlengbalken
- L Knoppen voor het vergrendelen van de verlengbalken
- M Klem voor montage van werkstuk
- N Gat voor klemondersteuning
- P Knop voor vastzetten van klem
- Q Knop voor verstellen van klem
- R Spanhendel
- S Langsgeleider
- T Zeskantschroeven voor afstellen van geleider (2x)
- U Vergrendelingsknop (afschuinhoeken)
- V Indicator afschuinhoek

- W Schroef voor afstellen afschuinhoek (rechts)
- X Schroef voor afstellen afschuinhoek (links)
- Y Instelschroef laser
- Z Laserlicht
- AA Aan/uit schakelaar van laser
- AB Vergrendelingshendel (verstekhoeken)
- AC Hendel voor vrijgave pal verstekhoek
- AD Indicator verstekhoek
- AE Vergrendelingsknop voor schuifinrichting
- AF Aan/uit schakelaar
- AG Veiligheidshendel
- AH Begrenzer zaagdiepte
- AI Diepte-aanslag
- AJ Moer diepte-aanslag
- AK Zeskantsleutel
- AL Opbergplaats voor zeskantsleutel
- AM Asvergrendelknop
- AN Schroef van afdekking
- AO Zaagbladbout
- AP Flens
- AQ Tafelinzet
- AR Stofdeflector

VEILIGHEID

ALGEMENE VEILIGHEIDSWAARSCHUWINGEN VOOR ELEKTRISCHE GEREEDSCHAPPEN

⚠ WAARSCHUWING Lees alle veiligheidswaarschuwingen, instructies, afbeeldingen en specificaties die met dit elektrische gereedschap zijn meegeleverd. Het niet volgen van alle hieronder genoemde instructies kan elektrische schokken, brand en/of ernstig letsel tot gevolg hebben.

Bewaar alle waarschuwingen en voorschriften voor toekomstig gebruik.

Het in de waarschuwingen gebruikte begrip "elektrisch gereedschap" heeft betrekking op elektrische gereedschappen voor gebruik op het stroomnet (met netsnoer) en op elektrische gereedschappen voor gebruik met een accu (zonder netsnoer).

1) VEILIGHEID VAN DE WERKOMGEVING

- a) **Houd uw werkomgeving schoon en opgeruimd.** Een rommelige of onverlichte werkomgeving kan tot ongevallen leiden.
- b) **Werk met het gereedschap niet in een omgeving met explosiegevaar waarin zich brandbare vloeistoffen, gassen of stof bevinden.** Elektrische gereedschappen veroorzaken vonken die het stof of de dampen tot ontsteking kunnen brengen.
- c) **Houd kinderen en andere personen tijdens het gebruik van het elektrische gereedschap uit de buurt.** Wanneer u wordt afgeleid, kunt u de controle over het gereedschap verliezen.

2) ELEKTRISCHE VEILIGHEID

- a) **De aansluitstekker van het gereedschap moet in het stopcontact passen. De stekker mag in geen geval worden veranderd. Gebruik geen adapterstekkers in combinatie met geaarde gereedschappen.** Onveranderde stekkers en passende stopcontacten beperken het risico van een elektrische schok.

- b) **Voorkom aanraking van het lichaam met geaarde oppervlakken, bijvoorbeeld van buizen, verwarmingen, fornuizen en koelkasten.** Er bestaat een verhoogd risico door een elektrische schok wanneer uw lichaam geaard is.
- c) **Houd het gereedschap uit de buurt van regen en vocht.** Het binnendringen van water in het elektrische gereedschap vergroot het risico van een elektrische schok.
- d) **Gebruik de kabel niet voor een verkeerd doel, om het gereedschap te dragen of op te hangen of om de stekker uit het stopcontact te trekken. Houd de kabel uit de buurt van hitte, olie, scherpe randen en bewegende gereedschapsdelen.** Beschadigde of in de war geraakte kabels vergroten het risico van een elektrische schok.
- e) **Wanneer u buitenshuis met elektrisch gereedschap werkt, dient u alleen verlengkabels te gebruiken die voor gebruik buitenshuis zijn goedgekeurd.** Het gebruik van een voor gebruik buitenshuis geschikte verlengkabel beperkt het risico van een elektrische schok.
- f) **Als het gebruik van het elektrische gereedschap in een vochtige omgeving onvermijdelijk is, dient u een aardlekschakelaar te gebruiken.** Het gebruik van een aardlekschakelaar vermindert het risico van een elektrische schok.
- 3) PERSOONLIJKE VEILIGHEID**
- a) **Wees alert, let goed op wat u doet en ga met verstand te werk bij het gebruik van het elektrische gereedschap. Gebruik het gereedschap niet wanneer u moe bent of onder invloed staat van drugs, alcohol of medicijnen.** Een moment van onoplettendheid bij het gebruik van het gereedschap kan tot ernstige verwondingen leiden.
- b) **Draag persoonlijke beschermende uitrusting en altijd een veiligheidsbril.** Het dragen van persoonlijke beschermende uitrusting zoals een stofmasker, slipvastes werkschoenen, een veiligheidshelm of gehoorbescherming, afhankelijk van de aard en het gebruik van het elektrische gereedschap, vermindert het risico van verwondingen.
- c) **Voorkom per ongeluk inschakelen. Controleer dat het elektrische gereedschap uitgeschakeld is voordat u de stekker in het stopcontact steekt of de accu aansluit en voordat u het gereedschap oppakt of draagt.** Wanneer u bij het dragen van het elektrische gereedschap uw vinger aan de schakelaar hebt of wanneer u het gereedschap ingeschakeld op de stroomvoorziening aansluit, kan dit tot ongevallen leiden.
- d) **Verwijder instelgereedschappen of schroefslutels voordat u het gereedschap inschakelt.** Een instelgereedschap of sleutel in een draaiend deel van het gereedschap kan tot verwondingen leiden.
- e) **Probeer niet ver te reiken. Zorg ervoor dat u stevig staat en steeds in evenwicht blijft.** Daardoor kunt u het gereedschap in onverwachte situaties beter onder controle houden.
- f) **Draag geschikte kleding. Draag geen loshangende kleding of sieraden. Houd haren en kleding uit de buurt van bewegende delen.** Loshangende kleding, sieraden en lange haren kunnen door bewegende delen worden meegenomen.
- g) **Wanneer stofafzuigings- of stofopvangvoorzieningen kunnen worden gemonteerd, dient u zich ervan te verzekeren dat deze zijn aangesloten en juist worden gebruikt.** Het gebruik van een stofafzuiging beperkt het gevaar door stof.
- h) **Ondanks het feit dat u eventueel heel goed vertrouwd bent met het gebruik van gereedschappen, moet u ervoor zorgen dat u niet nonchalant wordt en veiligheidsvoorschriften voor het gereedschap gaat negeren.** Een onoplettende handeling kan binnen een fractie van een seconde ernstig letsel veroorzaken.
- 4) GEBRUIK EN ONDERHOUD VAN ELEKTRISCHE GEREEDSCHAPPEN**
- a) **Overbelast het gereedschap niet. Gebruik voor uw werkzaamheden het daarvoor bestemde elektrische gereedschap.** Met het passende elektrische gereedschap werkt u beter en veiliger binnen het aangegeven capaciteitsbereik.
- b) **Gebruik geen elektrisch gereedschap waarvan de schakelaar defect is.** Elektrisch gereedschap dat niet meer kan worden in- of uitgeschakeld, is gevaarlijk en moet worden gerepareerd.
- c) **Trek de stekker uit het stopcontact en/of neem de accu (indien uitneembaar) uit het elektrische gereedschap voordat u het elektrische gereedschap instelt, accessoire wisselt of het elektrische gereedschap overbegt.** Deze voorzorgsmaatregel voorkomt onbedoeld starten van het elektrische gereedschap.
- d) **Bewaar niet-gebruikte elektrische gereedschappen buiten bereik van kinderen. Laat het gereedschap niet gebruiken door personen die er niet mee vertrouwd zijn en deze aanwijzingen niet hebben gelezen.** Elektrische gereedschappen zijn gevaarlijk wanneer deze door onervaren personen worden gebruikt.
- e) **Verzorg het gereedschap zorgvuldig. Controleer of bewegende delen van het gereedschap correct functioneren en niet vastklemmen en of onderdelen zodanig gebroken of beschadigd zijn dat de werking van het gereedschap nadelig wordt beïnvloed. Laat beschadigde delen repareren voordat u het gereedschap gebruikt.** Veel ongevallen hebben hun oorzaak in slecht onderhouden elektrische gereedschappen.
- f) **Houd snijdende inzetgereedschappen scherp en schoon.** Zorgvuldig onderhouden snijdende inzetgereedschappen met scherpe snijkanten klemmen minder snel vast en zijn gemakkelijker te geleiden.
- g) **Gebruik elektrische gereedschappen, toebehoren, inzetgereedschappen en dergelijke volgens deze aanwijzingen. Let daarbij op de arbeidsomstandigheden en de uit te voeren werkzaamheden.** Het gebruik van elektrische gereedschappen voor andere dan de voorziene toepassingen kan tot gevaarlijke situaties leiden.
- h) **Houd handgrepen en greepvlakken droog, schoon en vrij van olie en vet.** Gladde handgrepen en greepvlakken verhinderen dat het gereedschap in onverwachte situaties veilig kan worden gehanteerd en bediend.

5) SERVICE

- a) **Laat het gereedschap alleen repareren door gekwalificeerd en vakkundig personeel en alleen met originele vervangingsonderdelen.**
Daarmee wordt gewaarborgd dat de veiligheid van het gereedschap in stand blijft.

VEILIGHEIDSVOORSCHRIFTEN VOOR VERSTEKZAGEN

- **Verstekzagen zijn bedoeld voor het zagen van hout of houtachtige producten. Zij kunnen niet worden gebruikt met doorslijpschijven voor het zagen van ijzerhoudende materialen zoals balken, staven, tapbouts, etc.** Schurend stof kan ertoe leiden dat bewegende onderdelen, zoals een onderste beschermkap, vast komen te zitten. Vonken veroorzakt door doorslijpen verbranden de onderste beschermkap, de zaagsnede-inzet en overige plastic onderdelen.
- **Gebruik indien mogelijk klemmen om het werkstuk te ondersteunen. Als u het werkstuk met de hand ondersteunt, moet u uw hand ten minste 100 mm vanaf de zijkanten van het zaagblad houden. Gebruik deze zaag niet om stukken te zagen die te klein zijn om veilig vastgezet te worden of met de hand te worden vastgehouden.** Als uw hand te dicht bij het zaagblad komt bestaat er een groter risico op letsel als gevolg van contact met het zaagblad.
- **Het werkstuk moet staan en vastgeklemd zijn of tegen zowel de geleider als de tafel worden gehouden. Voer het werkstuk niet naar het zaagblad en zaag nooit "met de losse hand"** Niet vastgeklemd of bewegende werkstukken kunnen met hoge snelheid worden weggegooid en letsel veroorzaken.
- **Duw de zaag door het werkstuk. U moet niet de zaag door het werkstuk trekken. Om een snede te maken, brengt u de zaagkop omhoog en trekt u hem over het werkstuk zonder te zagen. Vervolgens start u de motor, drukt u de zaagkop omlaag en duwt u de zaag door het werkstuk.** Zagen met een trekbeweging kan ertoe leiden dat het zaagblad op het werkstuk klimt en de zaagassemblage met geweld naar de gebruiker wordt geworpen.
- **Ga nooit met uw hand over de beoogde zaaglijn vóór of achter het zaagblad.** Ondersteunen van het werkstuk met "gekruiste handen" (d.w.z. dat u met uw linkerhand het werkstuk vasthoudt aan de rechterkant van het zaagblad, of andersom) is bijzonder gevaarlijk.
- **Kom, terwijl het zaagblad draait, niet met één van de handen achter de geleider, minder dan 100 mm van het zaagblad om houtafval te verwijderen, of om andere redenen.** U kunt misschien niet zien hoe dicht het draaiende zaagblad bij uw hand is, waardoor u ernstig verwond kunt raken.
- **Inspecteer uw werkstuk vóór u hem gaat zagen. Indien het werkstuk verbogen of vervormd is, moet u hem vastzetten met het naar buiten verbogen vlak naar de geleider. Zorg er altijd voor dat er langs de zaaglijn geen ruimte is tussen het werkstuk, de geleider en de tafel.** Gebogen of vervormde werkstukken kunnen draaien of verschuiven en zouden verklemming kunnen veroorzaken op het ronddraaiende zaagblad tijdens het zagen. Er mogen geen spijkers of vreemde objecten in het werkstuk zitten.
- **Gebruik de zaag niet tot alle gereedschappen, houtresten, etc. van de tafel zijn verwijderd, m.u.v. het werkstuk.** Klein afval of losse stukken

houten of andere objecten die contact maken met het draaiende zaagblad kunnen met hoge snelheid worden weggegooid.

- **Zaag slechts één werkstuk tegelijkertijd.** Meerdere gestapelde werkstukken kunnen niet goed worden vastgeklemd of vastgezet en kunnen verklemmen op het zaagblad of gaan schuiven tijdens het zagen.
- **Zorg ervoor dat de verstekzaag vóór gebruik op een horizontaal en stevig werkoppervlak is gemonteerd of geplaatst.** Een horizontaal en stevig werkoppervlak verlaagt het risico dat de verstekzaag onstabiel wordt.
- **Plan uw werkzaamheden!** Elke keer wanneer u de afschuifhoek of verstekhoek wijzigt, moet u ervoor zorgen dat de verstelbare geleider correct is ingesteld om het werkstuk te ondersteunen en dat het zaagblad of het beschermingssysteem niet wordt belemmerd. Laat, zonder de machine "AAN" te zetten en zonder werkstuk op tafel, het zaagblad een volledig gesimuleerd zaagproces doorlopen om er zeker van te zijn dat er geen belemmering is of risico dat de geleider wordt doorgezaagd.
- **Voor werkstukken die breder of langer zijn dan het tafelblad moet u zorgen voor voldoende ondersteuning, zoals zaagtafeluitbreidingen, zaagbokken, etc.** Werkstukken die langer of breder zijn dan de verstekzaagtafel kunnen kantelen als ze niet veilig worden ondersteund. Als het afgezaagde stuk of het werkstuk kantelt, kan de onderste beschermkap omhoog komen of worden weggegooid door het ronddraaiende zaagblad.
- **Maak geen gebruik van een ander persoon als vervanging van een tafeluitbreiding of als extra ondersteuning.** Onstabiele ondersteuning van het werkstuk kan ertoe leiden dat het zaagblad verklemt of dat het werkstuk verschuift tijdens de zaagwerkzaamheden, waardoor u en uw hulp naar het ronddraaiende zaagblad worden getrokken.
- **Het afgezaagde stuk mag niet op enige wijze tegen het ronddraaiende zaagblad worden geklemd of gedrukt.** Indien ingesloten (d.w.z. als er gebruik wordt gemaakt van lengte-aanslagen), kan het afgezaagde stuk vastgeklemd worden tegen het zaagblad en met kracht worden weggegooid.
- **Maak altijd gebruik van een klem of inrichting om ronde materialen zoals staven of buizen goed te ondersteunen.** Staven hebben de neiging om te gaan rollen tijdens het zagen, waardoor het zaagblad gaat "bijten" en het werkstuk samen met uw hand naar het zaagblad wordt getrokken.
- **Laat het zaagblad op volledige snelheid komen voordat er contact wordt gemaakt met het werkstuk.** Dit verlaagt het risico dat het werkstuk wordt weggegooid.
- **Als het werkstuk of zaagblad vast komt te zitten moet u de verstekzaag uit zetten. Wacht tot alle bewegende onderdelen tot stilstand zijn gekomen en trek de stekker uit het stopcontact en/of verwijder de accu. Verwijder vervolgens het vastzittende materiaal.** Verder blijven zagen met een vastgelopen werkstuk kan leiden tot minder controle of schade aan de verstekzaag.
- **Laat, na afloop van het zagen, de schakelaar los, houd de zaagkop omlaag en wacht tot het zaagblad tot stilstand is gekomen voordat u het afgezaagde stuk verwijdert.** Het is gevaarlijk om met uw hand in de buurt van het uitlopende zaagblad te komen.

- **Houd de handgreep stevig vast wanneer u een onvolledige zaaghandeling uitvoert of wanneer u de schakelaar loslaat voordat de zaagkop zich volledig in de lage stand bevindt** De remactie van de zaag kan ertoe leiden dat de zaagkop plotseling naar beneden wordt getrokken, waardoor er een risico op letsel ontstaat.

EXTRA VEILIGHEIDSVORSCHRIFTEN

- Inschakeling veroorzaakt een kortdurende spanningsdaling; bij een ongunstige conditie van het stroomnet kunnen nadelige gevolgen voor andere apparaten optreden (bij netimpedanties van minder dan 0,464 Ohm is het onwaarschijnlijk, dat er storingen optreden); voor meer informatie kunt u contact opnemen met uw plaatselijke energie-leverancier

ALGEMEEN

- Gebruik deze machine uitsluitend voor het zagen van hout
- Controleer altijd of het voltage, dat vermeld staat op het typeplaatje van de machine, overeenkomt met de netspanning
- **Ga niet op de machine of standaard staan** Er kan ernstig letsel worden veroorzaakt wanneer de machine kantelt of als er per ongeluk contact wordt gemaakt met het zaaggereedschap. Bewaar geen materialen op zodanige wijze op of bij de machine dat het nodig is om op de machine of standaard te staan om er bij te kunnen.
- **Trek altijd de stekker uit het stopcontact voordat u een instelling verandert of een accessoire verwisselt**
- **Haal de stekker altijd uit het stopcontact voordat u de verstekzaag verplaatst** Haal de stekker eruit, breng de kopassemblage omlaag en zet hem vast. Gebruik de draaghandgreep en één van de handinkepingen in de basis van de zaag.
- **Laat de machine niet onbeheerd achter tot deze volledig tot stilstand is gekomen**
- **Bij het zagen van onregelmatig gevormde werkstukken moet u uw werk zodanig plannen dat het werkstuk niet gaat slippen en het zaagblad gaat blokkeren waardoor het uit uw hand wordt getrokken**
- Deze machine mag niet worden gebruikt door personen onder de 16 jaar
- Deze machine is niet geschikt voor nat-zagen

GEBRUIK BUITENSHUIS

- Sluit uw machine, bij gebruik buitenshuis, aan via een aardlekschakelaar (FI) met maximaal 30 mA uitschakelstroom, en gebruik alleen voor buitenshuis gebruik goedgekeurde verlengsnoeren, voorzien van een spatwaterdichte contactstop

VOÓR GEBRUIK

- Gebruik volledig uitgerolde en veilige verlengsnoeren met een capaciteit van 16 Ampère
- Draag een veiligheidsbril, gehoorbescherming, en veiligheidshandschoenen
- Stof van materiaal zoals loodhoudende verf, sommige houtsoorten, mineralen en metaal kunnen schadelijk zijn (contact met of inademing van de stof kan allergische reacties en/of ademhalingsziekten bij gebruiker of omstanders veroorzaken); **draag een stofmasker en werk met een stofopvang-voorziening als die kan worden aangesloten**

- Bepaalde soorten stof zijn geclassificeerd als kankerverwekkend (zoals stof van eiken en beuken), met name in combinatie met toevoegingsmiddelen voor houtverzorging; **draag een stofmasker en werk met een stofopvang-voorziening als die kan worden aangesloten**
- Neem voor de door u te bewerken materialen de nationale voorschriften aangaande stofopvang in acht
- **Bewerk geen asbesthoudend materiaal** (asbest geldt als kankerverwekkend)
- Gebruik uw machine nooit zonder het originele beschermkapsysteem
- Controleer voorafgaand aan gebruik altijd of de beschermkap goed is gesloten
- Gebruik de zaag niet wanneer de beschermkap niet vrij kan bewegen en niet direct sluit
- Zet de beschermkap nooit met een klem of een touw vast in de geopende stand
- Gebruik de machine nooit zonder de tafelinzet; vervang een defecte of versleten inzet
- Verwijder, voordat u begint te zagen, alle obstakels zowel boven als onder het zaagvlak
- Voorkom schade, die kan ontstaan door schroeven, spijkers en andere voorwerpen in uw werkstuk; verwijder deze, voordat u aan een karwei begint

ACCESSOIRES

- Gebruik nooit afbraam-/ (door)slijpschijven bij deze machine
- SKIL kan alleen een correcte werking van de machine garanderen, indien de juiste accessoires worden gebruikt, die verkrijgbaar zijn bij de vakhandel
- Neem voor het monteren/gebruiken van niet-SKIL accessoires de instructies van de betreffende fabrikant in acht
- Gebruik alleen zaagbladen die voldoen aan de in deze gebruiksaanwijzing vermelde specificaties, volgens EN 847-1 zijn gecontroleerd en overeenkomstig zijn gemarkeerd
- Gebruik alleen accessoires met een toegestaan toerental, dat minstens even hoog is als het hoogste onbelaste toerental van de machine
- Gebruik nooit HSS-zaagbladen
- Gebruik geen beschadigd, vervormd of bot zaagblad
- Gebruik uitsluitend zaagbladen met een asgat-diameter dat past op de as zonder dat er sprake is van enige speling; gebruik nooit klein- of aansluitstukken om zaagbladen met een groot gat passend te maken
- Bescherm accessoires tegen slagen, stoten, en vet

TIJDEN GEBRUIK

- **Forceer de machine niet** (oefen lichte en constante druk uit om oververhitting van de zaagbladpunten en het smelten van kunststof materiaal te voorkomen)
- Houd uw vingers, handen en armen uit de buurt van het draaiende zaagblad
- Wanneer het zaagblad blokkeert, moet u de machine direct uitschakelen en de stekker uit het stopcontact halen; verwijder vervolgens het werkstuk
- Schakel, in geval van blokkeren of elektrische of mechanische storing, de machine onmiddellijk uit en trek de stekker uit het stopcontact
- Raak het snoer niet aan, als dit tijdens de werkzaamheden wordt beschadigd of doorgesneden, maar trek onmiddellijk de stekker uit het stopcontact
- Gebruik de machine nooit als het snoer is beschadigd; het moet worden vervangen door een speciaal gemaakt snoer dat verkrijgbaar is via de serviceorganisatie.

STRALINGSGEVAAR

- **Richt de laserstraal niet op personen of dieren en kijk niet zelf in de directe of reflecterende laserstraal** (daardoor kunt u personen verblinden, ongevallen veroorzaken of het oog beschadigen)
- Als laserstraling het oog raakt, dan moeten de ogen bewust gesloten worden en moet het hoofd onmiddellijk uit de straal bewogen worden
- Breng geen wijzigingen aan de laserinrichting aan
- Kijk niet in de laserstraal (stralingsgevaar)
- Gebruik geen enkel optisch vergrootmiddel (zoals vergrootglas, telescoop, of verrekijker) om in de laserstraal te kijken
- Het apparaat niet gebruiken in de buurt van ontvlambare vloeistoffen, gassen of stof
- Het apparaat niet gebruiken wanneer er kinderen in de buurt zijn
- Vervang de geïnstalleerde laser niet door een ander lasertype

NA GEBRUIK

- Na uitschakeling van uw machine, nooit een draaiend accessoire stoppen door er aan de zijkant iets tegenaan te drukken
- Verwijder afsnijdingen of andere delen van het werkstuk alleen uit het zaaggebied wanneer alle bewegende delen tot stilstand zijn gekomen
- het zaagblad wordt heet tijdens gebruik; raak het niet aan voordat het is afgekoeld
- Berg de machine **binnenshuis** op in droge, afgesloten ruimten, buiten het bereik van kinderen

UITLEG VAN SYMBOLEN OP MACHINE

- ② Lees de gebruiksaanwijzing vóór gebruik
- ③ Draag een veiligheidsbril en gehoorbescherming
- ④ **Gevaarlijk gebied! Verboden zone voor handen. Houd handen, vingers en armen uit de buurt van dit gebied.**
- ⑤ Dubbele isolatie (geen aarddraad nodig)
- ⑥ Geef elektrisch gereedschap en batterijen niet met het huisvuil mee
- ⑦ **Laser-straling / Kijk niet in de straal / Klasse 2 laser product**

GEBRUIK

- Montage
 - monteer de transportgreep met 2 bouten met behulp van zeskantsleutel AK ⑨
 - monteer de verstekvergrendelingsknop AB in de voorzijde van de tafel ⑩
- Transport/werkpositie
 - Voor het vrijgeven van de machine (**werkpositie**)
 - druk handgreep B met één hand omlaag en trek tegelijkertijd aan de vergrendelingspen C met uw andere hand ⑪a
 - geleid de kopassemblage langzaam naar boven
 - Voor zagen met schuifbeweging, draai vergrendelingsknop AE los ⑪b
 - Voor het borgen van de machine (**transportpositie**)
 - schuif de kopassemblage naar de aanslag in de richting van geleider S en draai vergrendelingsknop AE aan ⑪c
 - stel de afschuinhoek in op 0° (zie Afschuinhoek instellen)
 - stel de verstekhoek in op 45° links of rechts (zie Verstekhoek instellen)

- druk handgreep B omlaag met één hand en duw tegelijkertijd op de vergrendelingspen C met uw andere hand
- wikkel het stroomsnoer op
- gebruik de transportgreep E om de machine te dragen ⑪d
- gebruik als alternatief de handgrepen aan de zijkant om de machine te dragen ⑪e
- ! **til de machine nooit op aan de hoofdhandgreep of het stroomsnoer**
- Monteren van machine op werkoppervlak ⑫
 - ! **monteer de machine voor veilig gebruik altijd op een vlak en stabiel werkoppervlak (zoals een werkbank)**
 - gebruik de vier montagegaten F om de machine met geschikte schroeven aan het werkoppervlak vast te zetten
 - u kunt de machine ook aan het werkoppervlak vastklemmen met commercieel beschikbare schroefklemmen
 - om de machine te stabiliseren kan de hoogte van de steunvoet G worden aangepast
 - eventueel kan de machine ook worden gemonteerd op een verstekzaagstandaard
 - ! **lees alle waarschuwingen en instructies die bij de zaagstandaard zijn geleverd**
- Opvangvoorziening voor stof en spanen ⑬
 - monteer de stofzak H/stofzuiger zoals afgebeeld
 - ledig de stofzak regelmatig voor optimale stofafzuiging
 - ! **laat de stofzuigerslang nooit het openen van de beschermkap of het zagen belemmeren**
- Zaagtafeluitbreiding ⑭
 - gebruik de knoppen L om de uitbreidingsbeugels vast te zetten K (aan één van beide kanten van de machine)
 - de lengte van de uitbreidingsbeugels K kan staploos worden ingesteld van minimum tot en met maximum
- Vastklemmen van werkstuk ⑮
 - ! **voor optimale veiligheid tijdens het werk moet u het werkstuk altijd vastklemmen met de meegeleverde instelbare klem**
 - werk niet met werkstukken, die te klein zijn om te worden vastgeklemd
 - gebruik tabel ⑯ voor het bepalen van de **maximale** werkstukmaten
 - bevestig de werkstukkleem in ondersteuningsgat N met knop P (aan een van beide kanten van de machine)
 - gebruik 1 van de 2 groeven; voor werkstukdikte tot en met 4cm en werkstukdikte boven 4cm
 - duw het werkstuk stevig tegen geleider S
 - ontgrendel hendel R
 - stel de klem af op het werkstuk
 - klem het werkstuk stevig vast door hendel R te vergrendelen
 - ! **voor sommige verstek- en afschuincombinaties, of afhankelijk van de grootte van het werkstuk, kan het noodzakelijk zijn in de handel verkrijgbare schroefklemmen te gebruiken in plaats van de werkstukkleem**
- Verstekhoeken instellen ⑰
 - maak vergrendelingshendel AB los
 - duw op hendel voor vrijgave pal verstekhoek AC
 - draai de zaagtafel naar links of rechts en stel de gewenste verstekhoek in (van 0° tot 47°) door gebruik te maken van indicator AD

- ontgrendel hendel AC
 - draai vergrendelingshendel AB aan (**draai de hendel niet te vast aan**)
 - voor het snel en nauwkeurig instellen van veelgebruikte verstekhoeken (0°, 15°, 22.5°, 31.6°, 45°) klikt de palhendel voor de verstekhoek vast bij de desbetreffende posities
 - Afschuinhoeken instellen ⁽¹⁸⁾
 - draai driepotige knop U los ⁽¹⁸⁾b
 - zwenk de zaagkop naar links totdat de hoekindicator V de gewenste afschuinhoek aangeeft
 - houd de zaagkop in deze stand en draai knop U aan
 - Verstekzaagsneden ⁽¹⁹⁾
 - bij verstekzaagsneden moet zowel een verstekhoek als een afschuinhoek worden ingesteld
 - ! gebruik de zaag niet in bepaalde verstek- en afschuincombinaties die kunnen leiden tot interferentie tussen de schuivende en stationaire onderdelen van de zaag of tussen de schuivende onderdelen en het werkstuk**
 - ! altijd eerst uitproberen op een stuk afvalmateriaal**
 - Laserlijn ⁽²⁰⁾
 - voor het langs de gewenste, op werkstuk aangegeven, zaaglijn geleiden van machine
 - schakel laserlijn aan/uit door op schakelaar AA te drukken
 - de laser is uitgelijnd aan de linkerzijde van de zaagsnede
 - de horizontale uitlijning van de laser kan eenvoudig worden aangepast met schroef Y
 - ! controleer, vóór u begint, of de laserlijn op één lijn ligt met de gewenste zaaglijn door eerst op een stuk afvalmateriaal te oefenen**
 - Zagen zonder schuifbeweging (kleine werkstukken)
 - draai vergrendelingsknop AE los als deze is aangedraaid
 - schuif de zaagkop naar de aanslag in de richting van de geleider S en draai vergrendelingsknop AE weer aan
 - ! het niet vergrendelen van het mechanisme kan ertoe leiden dat het zaagblad onverwachts boven op het werkstuk klimt en naar u toe beweegt**
 - zet de machine in de werkpositie
 - ! controleer of het werkstuk stevig tegen de zaagtafel en geleider is geklemd S**
 - zet de machine aan door de veiligheidshendel AG vrij te geven en aan de hoofdschakelaar AF te trekken ⁽²²⁾
 - ! kruis uw armen niet wanneer u de zaagkop bedient ⁽²¹⁾a**
 - zaag gelijkmatig door het werkstuk
 - ! het zaagblad moet eerst op volle snelheid zijn voordat u het in het werkstuk leidt**
 - zet de machine uit door schakelaar AF los te laten
 - wacht tot het zaagblad volledig tot stilstand is gekomen voordat u de zaagkop langzaam omhoog brengt
 - Zagen met schuifbeweging (brede werkstukken)
 - ! denk erom dat de hierna beschreven methode de enige veilige methode is**
 - trek de zaag niet door het werkstuk
 - draai vergrendelingsknop AE los als deze is aangedraaid
 - ! controleer of het werkstuk stevig tegen de zaagtafel en geleider is geklemd S**
 - trek de zaagkop ver genoeg weg van geleider S dat het zaagblad zich vóór het werkstuk ⁽²³⁾ bevindt
 - zet de machine aan door op de veiligheidshendel AG te duwen en aan de hoofdschakelaar AF te trekken ⁽²²⁾
 - ! kruis uw armen niet wanneer u de zaagkop bedient ⁽²¹⁾a**
 - duw de zaagkop in de richting van geleider S en zaag gelijkmatig door het werkstuk ⁽²³⁾
 - ! het zaagblad moet eerst op volle snelheid zijn voordat u het in het werkstuk leidt**
 - ! als de onderste beschermkap niet automatisch opengaat, wat kan gebeuren onder bepaalde omstandigheden (bijv. een werkstuk dat heel dicht bij de maximale capaciteit zit), moet u misschien de beschermkap met de hand openen ⁽²¹⁾b**
 - zet de machine uit door schakelaar AF los te laten
 - wacht tot het zaagblad volledig tot stilstand is gekomen voordat u de zaagkop langzaam omhoog brengt
- Groeven zagen ⁽²⁴⁾
 - stel de gewenste diepte in met diepteaanslag AH en zet deze vast door moer AJ aan te draaien
 - er wordt een houten afstandsstuk geplaatst tussen het werkstuk en de geleider om een consistente diepte te verkrijgen over de hele lengte van de groef
 - ! zorg ervoor dat het zaagblad niet komt vast te zitten in het werkstuk**
 - ! altijd eerst uitproberen op een stuk afvalmateriaal**
- Vervisselen van het zaagblad ⁽²⁵⁾
 - ! trek de stekker uit het stopcontact**
 - haal zeskantsleutel AK uit opbergplaats AL
 - houd de beschermkap A in open stand
 - draai schroef van afdekking AN los (**draai de schroef niet helemaal los**) ⁽²⁵⁾a
 - draai de beschermkap A volledig naar achteren ⁽²⁵⁾b
 - druk op asvergrendelknop AM en houd deze ingedrukt terwijl u zaagbladbout AO verwijderd door zeskantsleutel AK **RECHTSOM** te draaien (in de richting van de pijl op het zaagblad)
 - ! druk asvergrendelknop AM alleen in als machine helemaal stilstaat**
 - laat asvergrendelknop AM los
 - verwijder flens AP en het zaagblad
 - ! verwissel het zaagblad met de zaagtanden en de pijl op het zaagblad in dezelfde richting wijzend als de pijl op onderste beschermkap A**
 - monteer flens AP ⁽²⁵⁾c
 - druk asvergrendelingsknop AM in en houd deze vast terwijl u de bout vastdraait door de zeskantsleutel AK 1/8 slag linksom verder vast te draaien (zorgt voor slippen van het zaagblad wanneer dit grote weerstand ondervindt, waardoor kans op overbelasting van de motor en machine-terugslag kleiner wordt)
 - draai afdekkingsschroef AN vast
- Tafelinzet vervangen AQ ⁽²⁶⁾
 - Vervang een defecte of versleten tafelinzet als volgt:
 - ! trek de stekker uit het stopcontact**
 - haal zeskantsleutel AK uit opbergplaats AL
 - verwijder alle 6 de schroeven zoals aangegeven
 - verwijder de oude tafelinzet door deze eerst aan de voorkant op te tillen en vervolgens geheel uit te trekken
 - plaats de nieuwe tafelinzet
 - ! draai alle 6 de schroeven stevig aan**
- Bladpositionering (90°) controleren/afstellen ⁽²⁷⁾
 - ! trek de stekker uit het stopcontact**

- draai de zaagtafel naar een verstekstand van 0° en zet deze vast
- zwenk de zaagkop naar de afschuinstand van 0°
- laat de zaagkop zakken en zet hem vast
- controleer op een hoek van 90° tussen zaagblad en tafel met een winkelhaak
- pas de bladpositionering (90°) zo nodig als volgt aan:
 1. draai driepotige knop U los
 2. verstel schroef W met een zaagbladsleutel 10 (niet standaard meegeleverd)
 3. controleer opnieuw met winkelhaak
 4. reset de indicator afschuinhoek V op 0°

- **Bladpositionering (45°) controleren/afstellen** ㉔

- **! trek de stekker uit het stopcontact**

- draai de zaagtafel naar een verstekstand van 0° en zet deze vast
- draai driepotige knop U los
- zwenk de zaagkop naar links
- controleer op een hoek van 45° tussen zaagblad en tafel met een verstekhaak
- controleer of indicator afschuinhoek V 45° aangeeft
- pas de bladpositionering (45°) zo nodig als volgt aan:
 1. verstel schroef X met een zaagbladsleutel 10 (wordt niet standaard meegeleverd)
 2. controleer opnieuw met verstekhaak

- **Geleiderpositionering (90°) controleren/afstellen** ㉔

- **! trek de stekker uit het stopcontact**

- draai de zaagtafel naar een verstekstand van 0° en zet deze vast
- laat de zaagkop zakken en zet hem vast
- controleer op een hoek van 90° tussen zaagblad en geleider S met een winkelhaak (zorg dat de winkelhaak het zaagblad zelf raakt, niet de tanden) ㉔a
- pas de geleiderpositionering (90°) zo nodig als volgt aan:
 1. draai de 2 zeskantschroeven T los ㉔b
 2. stel de geleider af totdat het zaagblad en de geleider volledig in contact komen met de winkelhaak
 3. draai de vier zeskantschroeven T aan
 4. reset de indicator verstekhoek op 0° ㉔c

TOEPASSINGSADVIES

- **Speciale werkstukken**
 - ondersteun altijd de losse uiteinden van een lang werkstuk ㉔
 - zorg dat met name ronde werkstukken of werkstukken met bochten goed zijn vastgeklemd om schuiven te voorkomen ㉔
 - bij de zaaglijn mag geen ruimte bestaan tussen het werkstuk en de geleider of de zaagtafel
 - indien noodzakelijk, maak een hulpgeleider; de gaten in de schuifgeleider worden dan gebruikt om de hulpgeleider vast te zetten ㉔
- **! de hulpgeleider kan alleen worden gebruikt bij een afschuinhoek van 0°**
- Wanneer u vloerlijsten maakt, kunt u afbeelding ㉔ gebruiken ter referentie
- Leg de goede kant van het werkstuk altijd naar beneden om splinters tot een minimum te beperken
- Gebruik uitsluitend scherpe zaagbladen van het juiste type
 - hoe meer tanden, des te beter de zaagsnede

- zaagbladen met hardmetalen tanden blijven tot 30 maal langer scherp dan gewone zaagbladen

ONDERHOUD / SERVICE

- Houd machine en snoer altijd schoon (met name de ventilatieopeningen aan de achterzijde van de motorbehuizing)
- Ontwikkel een regelmatige controle om er zeker van te zijn dat de onderste beschermkap goed werkt. Ontdoe de onderste beschermkap van eventueel verzameld zaagsel met behulp van een vochtige doek.
 - **! trek de stekker uit het stopcontact vóór het reinigen**
 - breng de onderste beschermkap omhoog tot de volledig open stand en laat hem los; als hij niet direct en volledig sluit moet hij worden gecontroleerd door een erkende klantenservice voor SKIL elektrische gereedschappen
- Maak zaagblad onmiddellijk na gebruik schoon (met name als er hars of lijm op zit)
 - **! het zaagblad wordt heet tijdens gebruik; raak het niet aan voordat het is afgekoeld**
- Reinig de laserlamp AC met een zachte borstel na elk gebruik om een goede zichtbaarheid van de laserlijn te behouden (let erop dat u de instelling van de laser niet verandert)
- Mocht het elektrische gereedschap ondanks zorgvuldige fabricage- en testmethoden toch defect raken, dient de reparatie te worden uitgevoerd door een erkende klantenservice voor SKIL elektrische gereedschappen
 - stuur de machine **ongedemonteerd**, samen met het aankoopbewijs, naar het verkoopadres of het dichtstbijzijnde SKIL service-station (de adressen evenals de onderdeelentekening van de machine vindt u op www.skil.com)
- Denk erom, dat beschadigingen als gevolg van overbelasting of onjuist gebruik van de machine niet onder de garantie vallen (voor de garantievoorwaarden van SKIL zie www.skil.com of raadpleeg uw dealer)

MILIEU

- **Geef elektrisch gereedschap, batterijen, accessoires en verpakkingen niet met het huisvuil mee** (alleen voor EU-landen)
 - volgens de Europese richtlijn 2012/19/EG inzake oude elektrische en elektronische apparaten en de toepassing daarvan binnen de nationale wetgeving, dient afgedankt elektrisch gereedschap gescheiden te worden ingezameld en te worden afgevoerd naar een recycle-bedrijf, dat voldoet aan de geldende milieu-eisen
 - symbool ㉔ zal u in het afdankstadium hieraan herinneren

GELUID

- Gemeten in navolging van EN 62841 is het geluidsdrukniveau van deze machine 100,0 dB(A) en het geluidsvermogensniveau 109,5 dB(A) (onzekerheid K = 3 dB)
- Het geluidsemissieniveau is gemeten in overeenstemming met een gestandaardiseerde test volgens EN 62841; deze mag worden gebruikt om twee

machines met elkaar te vergelijken en als voorlopige beoordeling van de blootstelling aan geluid bij gebruik van de machine voor de vermelde toepassingen

- gebruik van de machine voor andere toepassingen, of met andere of slecht onderhouden accessoires, kan het blootstellingsniveau aanzienlijk **verhogen**
- wanneer de machine is uitgeschakeld of wanneer deze loopt maar geen werk verricht, kan dit het blootstellingsniveau aanzienlijk **reduceren**

S

Utdragbar kap- och gersåg 1310

INTRODUKTION

- Detta verktyg är avsett som stationär maskin för klyvning och kapning av trä, både råta snitt och geringssnitt (horisontella geringsvinklar från -47° till +47° är möjliga, liksom vertikala fasvinklar från 0° till 45°)
- Läs och spara denna instruktionsbok ②
- Det här verktyget är inte avsett för yrkesmässig användning
- **Använd bara verktyget om det är korrekt och fullständigt monterat** (var medveten om att Skil inte kan hållas ansvarigt för verktygsskador och/eller personsador till följd av felaktig montering av verktyget)

TEKNISKA DATA ①

VERKTYGSELEMENT ⑧

- A Undre skydd
- B Manöverhandtag
- C Låssprint för transport
- D Övre skydd
- E Transporthandtag
- F Monteringshål
- G Stödfot
- H Dammpåse
- J Dammutlopp
- K Förlängningsbyglar
- L Vred för låsning av förlängningsbyglar
- M Klämman för montering av arbetsstycket
- N Stödhål
- P Knapp för åtdragning av klämman
- Q Knapp för inställning av klämman
- R Klämspark
- S Anslag
- T Insexskruvar för justering av anslaget (2x)
- U Spärrknapp (fasvinklar)
- V Visare fasvinkel
- W Skruv för justering av fasvinkeln (höger)
- X Skruv för justering av fasvinkeln (vänster)
- Y Laserjusteringssskruv
- Z Laserljus
- AA Till/från strömbrytare laser
- AB Spärrhandtag (geringsvinklar)
- AC Frigöringsppak för geringsvinkeluttag
- AD Visare geringsvinkel
- AE Låsknapp för skjutenthet
- AF Till/från strömbrytare
- AG Säkerhetsgrepp
- AH Sågdjupsbegränsare
- AI Djupstopp

- AJ Djupstoppsmutter
- AK Sexkantsnyckel
- AL Förvaring av sexkantsnyckel
- AM Spindelåsknapp
- AN Skruv för täckplåt
- AO Fästskruv för sågblad
- AP Fläns
- AQ Bordsinsats
- AR Dammavvisare

SÄKERHET

ALLMÄNNA SÄKERHETSANVISNINGAR FÖR ELVERKTYG

⚠ VARNING Studera alla varningar, anvisningar, bilder och specifikationer gällande säkerhet som medföljer verktyget. Om anvisningarna inte följs kan det resultera i elektriska stötar, brand och/eller allvarliga personsador.

Förvara alla varningar och anvisningar för framtida bruk.

Nedan använt begrepp "elverktyg" hänförs sig till nätdrivna elverktyg (med nätsladd) och till batteridrivna elverktyg (sladdlösa).

1) ARBETSPLATSSÄKERHET

- Håll arbetsplatsen ren och välbelyst.** Oordning på arbetsplatsen eller dåligt belyst arbetsområde kan leda till olyckor.
- Använd inte elverktyget i explosionsfarlig omgivning med brännbara vätskor, gaser eller damm.** Elverktygen alstrar gnistor som kan antända dammet eller gaserna.
- Håll under arbetet med elverktyget barn och obehöriga personer på betryggande avstånd.** Om du störs av obehöriga personer kan du förlora kontrollen över elverktyget.

2) ELEKTRISK SÄKERHET

- Elverktygets stickpropp måste passa till vägguttaget. Stickproppen får absolut inte förändras. Använd inte adapterkontakter tillsammans med skyddsjordade elverktyg.** Oförändrade stickproppar och passande vägguttag reducerar risken för elektriskt slag.
- Undvik kroppskontakt med jordade ytor som t. ex. rör, värmeelement, spisar och kylskåp.** Det finns en större risk för elektriskt slag om din kropp är jordad.
- Skydda elverktyget mot regn och väta.** Tränger vatten in i ett elverktyg ökar risken för elektriskt slag.
- Missbruka inte nätsladden och använd den inte för att bära eller hänga upp elverktyget och inte heller för att dra stickproppen ur vägguttaget. Håll nätsladden på avstånd från värme, olja, skarpa kanter och rörliga maskindelar.** Skadade eller tilltrasslade ledningar ökar risken för elektriskt slag.
- När du arbetar med ett elverktyg utomhus använd endast förlängningssladdar som är godkända för utomhusbruk.** Om en lämplig förlängningssladd för utomhusbruk används minskar risken för elektriskt slag.
- Använd en jordfelsbrytare om det inte är möjligt att undvika elverktygets användning i fuktig miljö.** Genom att använda en jordfelsbrytare minskas risken för elstöt.

3) PERSONSÄKERHET

- a) **Var uppmärksam, kontrollera vad du gör och använd elverktyget med förnuft. Använd inte elverktyget när du är trött eller om du är påverkad av droger, alkohol eller mediciner.** Under användning av elverktyg kan även en kort uppmärksamhet leda till allvarliga kroppsskador.
- b) **Bär alltid personlig skyddsutrustning och skyddsglasögon.** Användning av personlig skyddsutrustning som t. ex. dammfiltermask, halkfria säkerhetsskor, skyddshjälm och hörselskydd reducerar alltefter elverktygets typ och användning risken för kroppsskada.
- c) **Undvik oavsiktlig igångsättning. Kontrollera att elverktyget är fränkopplat innan du ansluter stickproppen till vägguttaget och/eller ansluter/tar bort batteriet, tar upp eller bär elverktyget.** Om du bär elverktyget med fingret på strömställaren eller ansluter påkopplat elverktyg till nätströmmen kan olycka uppstå.
- d) **Ta bort alla inställningsverktyg och skruvnycklar innan du kopplar på elverktyget.** Ett verktyg eller en nyckel i en roterande komponent kan medföra kroppsskada.
- e) **Överskatta inte din förmåga. Se till att du står stadigt och håller balansen.** I detta fall kan du lättare kontrollera elverktyget i oväntade situationer.
- f) **Bär lämpliga kläder. Bär inte löst hängande kläder eller smycken. Håll håret och kläderna på avstånd från de rörliga delarna.** Löst hängande kläder, smycken och långt hår kan dras in av roterande delar.
- g) **Vid elverktyg med dammsugnings- och -uppsamlingsutrustning kontrollera att anordningarna är rätt monterade och används på korrekt sätt.** Användning av dammsugning minskar de risker damm orsakar.
- h) **Låt inte vanan att ofta använda verktygen göra att du blir slarvig och ignorerar verktygets säkerhetsprinciper.** En vårdslös åtgärd kan leda till allvarlig personskada inom bråkdelen av en sekund.
- 4) **OMSORGSFULL HANTERING OCH ANVÄNDNING AV ELVERKTYG**
- a) **Överbelasta inte elverktyget. Använd för aktuellt arbete avsett elverktyg.** Med ett lämpligt elverktyg kan du arbeta bättre och säkrare inom angivet effektområde.
- b) **Ett elverktyg med defekt strömställare får inte längre användas.** Ett elverktyg som inte kan kopplas in eller ur är farligt och måste repareras.
- c) **Dra stickproppen ur vägguttaget och/eller ta bort batteriet, om det kan tas ut ur elverktyget, innan inställningar utförs, tillbehörsdelar byts ut eller elverktyget lagras.** Denna skyddsåtgärd förhindrar oavsiktlig inkoppling av elverktyget.
- d) **Förvara elverktygen oåtkomliga för barn. Låt elverktyget inte användas om angivet effektområde är för trogna med dess användning eller inte läst denna anvisning.** Elverktygen är farliga om de används av oerfarna personer.
- e) **Underhåll elverktyg och tillbehör omsorgsfullt. Kontrollera att rörliga komponenter fungerar felfritt och inte kärvar, att komponenter inte brustit eller skadats; orsaker som kan leda till att elverktygets funktioner påverkas menligt. Låt skadade delar**

repareras innan elverktyget återanvänds. Många olyckor orsakas av dåligt skötta elverktyg.

- f) **Håll skärverktygen skarpa och rena.** Omsorgsfullt skötta skärverktyg med skarpa egg kommer inte så lätt i kläm och går lättare att styra.
- g) **Använd elverktyget, tillbehör, insatsverktyg osv. enligt dessa anvisningar. Ta hänsyn till arbetsvillkoren och arbetsmomenten.** Används elverktyget på icke ändamålsenligt sätt kan farliga situationer uppstå.
- h) **Håll handtag och greppytor torra, rena och fria från olja och fett.** Hala handtag och greppytor ger ingen säker hantering och kontroll över verktyget i oväntade situationer.
- 5) **SERVICE**
- a) **Låt elverktyget repareras endast av kvalificerad fackpersonal och med originalreservdelar.** Detta garanterar att elverktygets säkerhet upprätthålls.

SÄKERHETSANVISNINGAR FÖR GERINGSSÅGAR

- **Geringssågar är avsedda att såga trä eller träliknande produkter och de kan inte användas med kapsliskivor i syfte att såga järnhaltiga material som skenor, stänger, tappar osv.** Slipande damm orsakar att rörliga delar, till exempel det nedre skyddet, fastnar. Gnistor vid slipning bränner det nedre skyddet, sågsparret och andra plastdelar.
- **Använd klämmor för att stödja arbetsstycket när så är möjligt. Om du stödjer arbetsstycket för hand måste du alltid hålla handen på ett avstånd av minst 100 mm från sågklingans sidor. Använd inte den här sägen till att såga delar som är för små för att kunna klämmas fast eller hållas i handen.** Om du placerar händerna för nära sågklingan förekommer ökad risk för personskador till följd av kontakt med klingan.
- **Arbetsstycket måste vara orörligt och klämmas fast vid eller hållas mot både anhållet och bordet. Måta inte arbetsstycket mot klingan och såga inte "på fri hand" på något sätt.** Arbetsstycken som inte hålls fast eller som är rörliga kan slungas iväg med höga hastigheter, vilket kan orsaka personskador.
- **Skjut sägen genom arbetsstycket. Dra inte sägen genom arbetsstycket. Såga genom att höja såghuvudet och dra ut det över arbetsstycket utan att såga, starta motorn, tryck såghuvudet nedåt och skjut sägen genom arbetsstycket.** Sågning när såghuvudet dras ut medför stor risk för att sågklingan dras upp på arbetsstycket och att klingens slungas mot användaren med våldsamt kraft.
- **Håll aldrig en hand över den avsedda såglinjen, antingen framför eller bakom sågklingan.** Det är mycket farligt att stödja arbetsstycket med "omvänt grepp", dvs. hålla arbetsstycket till höger om sågklingan med vänster hand eller vice versa.
- **Sträck dig inte bakom anhållet med någon hand närmare än på 100 mm avstånd från någon av klingans sidor i syfte att ta bort träfragment eller av något annat skäl medan klingan snurrar.** Närheten till den snurrande sågklingan kanske inte är påtaglig, och du kan få allvarliga personskador.
- **Kontrollera arbetsstycket innan du sågar.** Om arbetsstycket är böjt eller skevt klämmer du fast det med utesidan av den böjda ytan mot anhållet. Se alltid till att det inte finns ett avstånd mellan

arbetsstycket, anhållet och bordet längs såglinjen Böjda eller skeva arbetsstycken kan vrida sig eller förskjutas och kan orsaka att den snurrande sågklingan kan komma i kläm vid sågning. Det får inte finnas spikar eller främmande föremål i arbetsstycket.

- **Använd inte sågen förrän bordet är fritt från alla verktyg, träfragment osv., förutom arbetsstycket** Små skräpfragment, lösa träbitar eller andra föremål som kommer i kontakt med den snurrande klingan kan slungas iväg med hög hastighet.
- **Såga bara ett arbetsstycke åt gången** Flera arbetsstycken som staplas på varandra kan inte klämmas eller spännas fast på ett fullgott sätt och kan orsaka att klingan kommer i kläm eller förskjuts vid sågning.
- **Se till att geringssågen är monterad eller placerad på en jämn, stabil arbetsyta före användning.** En jämn och stabil arbetsyta minskar risken för att geringssågen blir instabil.
- **Planera arbetet! Varje gång du ändrar inställningen av fas- eller geringsvinkeln ska du se till att det justerbara anhållet ställs in korrekt för att stödja arbetsstycket och att det inte stör klingan eller skyddssystemet** Utan att slå "PÅ" verktyget och utan ett arbetsstycke på bordet ska du förflytta sågklingan genom en fullständig, simulerad sågningscykel i syfte att säkerställa att det inte förekommer störningar eller risk för att såga i anhållet.
- **Ordna tillräckligt med stöd, t.ex. bordsförlängningar, sågbocker osv. för arbetsstycken som är bredare eller längre än bordskivan.** Arbetsstycken som är längre eller bredare är geringssågens bord kan falla om de inte stöds ordentligt. Om en avsågad del eller arbetsstycket faller kan det medföra att det nedre skyddet lyfts upp eller att delen eller arbetsstycket slungas iväg av den snurrande klingan.
- **Använd inte en annan person istället för en bordsförlängning eller som extra stöd** Instabilt stöd för arbetsstycket kan orsaka att klingan kan komma i kläm eller att arbetsstycket förskjuts under sågning, vilket kan dra in dig och medhjälparen i den snurrande klingan.
- **Den avsågade delen får inte klämmas eller tryckas mot den snurrande sågklingan på något som helst sätt** Om utrymmet är begränsat, dvs. om långdstopp används, kan den avsågade delen kilas in mot klingan och slungas iväg på ett våldsamt sätt.
- **Använd alltid en klämma eller en fixtur som är utformad för att stödja runt material som stänger eller rörelseledningar## på ett fullgott sätt** Stänger har en tendens att rulla när de sågas, vilket orsakar att klingan "biter sig fast" och drar in arbetsstycket och din hand i klingan.
- **Låt klingan uppnå full hastighet innan den kommer i kontakt med arbetsstycket** Det minskar risken för att arbetsstycket slungas iväg.
- **Om arbetsstycket eller klingan kommer i kläm ska geringssågen stängas av. Vänta tills alla rörliga delar har stoppat och koppla bort kontakten från strömkällan och/eller ta bort batteriet. Sedan kan du frigöra det material som har kommit i kläm** Om sågningen fortsätter när ett arbetsstycke har kommit i kläm kan det orsaka förlorad kontroll över eller skador på geringssågen.
- **När sågningen är klar släpper du brytaren, håller ned såghuvudet och väntar på att klingan stannar innan du tar bort den avsågade delen** Det är farligt att placera en hand i närheten av sågklingan.

- **Håll stadigt i handtaget när en sågning inte är fullständig eller när brytaren släpps innan såghuvudet är helt och hållet i det nedre läget** Bromsningen av sågen kan orsaka att såghuvudet plötsligt dras nedåt, vilket skapar risk för personskador.

EXTRA SÄKERHETSANVISNINGAR

- Inkopplingsförloppen orsakar korta spänningssänkningar; vid ogynnsamma nätförutsättningar kan dessa enligt påverka andra maskiner (vid nätimpedanser under 0,464 ohm behöver inte störningar befaras); i fall ni önskar ytterligare klagörande, var vänlig kontakta er lokala elleverantör myndighet

ALLMÄNT

- Använd verktyget endast till att såga trä
- Kontrollera alltid att den tillförda strömtypen stämmer med spänningen som anges på maskinens märkplåt
- **Stå inte på verktyget eller stativet** Allvarliga personskador kan bli följden om verktyget välter eller vid oavsiktlig kontakt med sågverktyget. Förvara inte material på eller i närheten av verktyget så att det är nödvändigt att stå på verktyget eller stativet för att kunna nå materialet.
- **Dra alltid ur stickkontakten från väggurtaget innan du gör någon justering eller byter tillbehör**
- **Koppla alltid bort kontakten från strömkällan före transport av geringssågen** Koppla bort, sänk huvudenheten och lås den på plats med hjälp av bärhandtaget och en av handfördjupningarna i sågbasen.
- **Lämna inte verktyget förrän det har stannat helt**
- **Vid sågning av oregelbundet formade arbetsstycken ska du planera arbetet så att arbetsstycket inte glider och gör att klingan kommer i kläm, vilket kan leda till att arbetsstycket slits bort från din hand**
- Den här maskinen ska inte användas av personer under 16 år
- Denna maskin är inte lämplig till våtsågning

ANVÄNDNING UTOMHUS

- Om maskinen används utomhus skall den vara ansluten till en jordfelsbrytare (FI) på högst 30 mA; använd bara en förlängningssladd avsedd för utomhusbruk och utrustad med en stänkskyddad kontakt

FÖRE ANVÄNDNINGEN

- Använd helt utrullade och säkra förlängningssladdar med kapacitet på 16 A
- Använd skyddsglasögon, hörselskydd, och skyddshandskar
- Viss typ av damm, exempelvis färg som innehåller bly, vissa träsorter, mineraler och metaller kan vara hälsovådliga om de inhaleras (hudkontakt eller inhalering kan ge allergisk reaktion och/eller luftvägsproblem/sjukdom hos personer i närheten); **använd andningsskydd och arbeta med en dammuppsamlare om sådan anslutning finns**
- Vissa typer av damm är klassificerade så som carcinogena (t.ex. ek- och björkdamm) särskilt i kombination med tillsatser för träbehandling; **använd andningsskydd och arbeta med en dammuppsamlare om sådan anslutning finns**
- Följ de nationella krav, som finns angående damm, för de material du skall arbeta med
- **Asbesthaltigt material får inte bearbetas** (asbest anses vara cancerframkallande)
- Använd aldrig din maskin utan maskinens original säkerhetsdetaljer

- Kontrollera före varje bruk att skyddskåpan stängs ordentligt
- Använd inte sågen om skyddskåpan inte löper fritt och stängs omedelbart
- Skyddskåpan får aldrig klämmas eller bindas fast i öppet läge
- Använd aldrig verktyget utan bordsinsatsen; en trasig eller sliten insats måste bytas ut
- Se till att arbetsområdet är fritt från föremål innan du startar arbetet
- Undvik skador genom att ta bort skruvar, spikar eller andra föremål ur arbetsstycket; ta dem bort innan du startar ett arbete

TILLBEHÖR

- Använd aldrig slip/kapskivor till denna maskin
- SKIL kan endast garantera att maskinen fungerar felfritt om rätt tillbehör används som du kan köpa hos närmaste SKIL-återförsäljare
- Vid montering av tillbehör från andra tillverkare än SKIL skall anvisningarna från vederbörande tillverkare följas
- Använd endast sågklingor som motsvarar de i instruktionsboken angivna specifikationerna, som testats enligt EN 847-1 och försetts med godkännandemärke
- Använd endast tillbehör vilkas tillåtna varvtal åtminstone motsvarar maskinens högsta tomgångsvarvtal
- Använd aldrig en blad, som är gjord av snabbstål
- Använd inte en trasig, deformerad eller slö blad
- Använd endast sågblad vars håldiameter passar på verktygets spindel utan spelrum; använd aldrig en passring eller adapter för att montera blad med större hål
- Skydda tillbehören från slag, stötar och fett

UNDER ANVÄNDNINGEN

- **Överbelasta inte maskinen** (använd lätt och jämnt tryck för att undvika överhettning av bladspetsarna och att plasten smälter om plastmaterial bearbetas)
- Håll fingrar, händer och armar undan från det roterande sågbladet
- Om sågbladet fastnar ska du genast stänga av verktyget och dra ur nätkontakten; sedan kan det fastnade arbetsstycket avlägsnas
- I händelse av fastkörning, onormala elektriska eller mekaniska störningar, stäng genast av maskinen och dra ur stickkontakten
- Skadas eller kapas nätsladden under arbetet, rör inte vid sladden utan dra genast ut stickkontakten
- Använd aldrig verktyget om sladden är skadad; den måste bytas mot en särskilt utformad sladd som finns via serviceorganisationen.

LASERSTRÅLNING

- **Rikta inte laserstrålen mot människor eller djur och rikta inte heller själv blicken mot den direkta eller reflekterade laserstrålen** (därigenom kan du blända personer, orsaka olyckor eller skada ögat)
- Om laserstrålen träffar ögat, blunda och vrid bort huvudet från strålen
- Gör inga ändringar på laseranordningen
- Titta inte in i laserstrålen (laserstrålning)
- Använd inga förstöringsverktyg (såsom förstöringsglas, teleskop eller kikare) för att se laserstrålen
- Använd inte verktyget i närvaro av antändliga vätskor, gaser eller damm
- Använd inte verktyget i närheten av barn
- Byt inte den installerade lasern mot en annan lasertyp

EFTER ANVÄNDNINGEN

- Få aldrig tillbehöret att sluta rotera genom att utöva kraft på det från sidan efter det att maskinen har stängts av

- Avlägsna inte avsågade ändrar eller andra delar av arbetsstycket från sågområdet förrän alla rörliga delar har stannat helt
- sågbladet blir mycket varmt under bruk; vidrör det inte förrän det har svalnat
- Förvara maskinen **inomhus** på torrt ställe utom räckhåll för barn

FÖRKLARING AV SYMBOLERNA PÅ VERKTYGET

- ② Läs bruksanvisningen före användning
- ③ Använd skyddsglasögon och hörselskydd
- ④ **Farligt område! Inga händer får finnas i området. Håll händer, fingrar eller armar borta från det här området.**
- ⑤ Dubbel isolering (ingen jordning krävs)
- ⑥ Elektriska verktyg och batterier får inte kastas i hushållssoporna
- ⑦ **Laserstrålning / Titta inte in i strålen / Laserprodukt av klass 2**

ANVÄNDNING

- Montering
 - montera transporthandtaget med 2 bultar med hjälp av sexkantsnyckeln AK ④
 - montera geringsstågens låsvred AB på bordets framsida ⑩
- Transport/arbetsposition

För att frigöra verktyget (**arbetsposition**)

 - tryck handtaget B nedåt med en hand och dra samtidigt ur låssprinten C med den andra handen ⑪a
 - styr huvudenheten långsamt uppåt
 - för sågning med glidrörelse lossar du låsvredet AE ⑪b

För att spärra verktyget (**transportposition**)

 - skjut huvudenheten till stoppet i riktning mot anslaget S och dra åt låsvredet AE ⑪c
 - ställ in fasvinkeln på 0° (se Ställa in fasvinkel)
 - ställ in geringsvinkeln på 45° åt vänster eller höger (se Ställa in geringsvinkel)
 - tryck handtaget B nedåt med en hand och skjut samtidigt låssprinten C med den andra handen
 - linda upp nätsladden
 - använd transporthandtaget E när du bär verktyget ⑪d
 - du kan även använda sidohandtagen när du bär verktyget ⑪e

! lyft aldrig verktyget genom att hålla i huvudhandtaget eller i nätsladden
- Montering av verktyget på arbetsytan ⑫

! för säker hantering ska verktyget alltid monteras på en plan och stabil arbetsyta (t.ex. en arbetsbänk)

 - använd de 4 monteringshålen F till att fästa verktyget med lämpade skruvar på arbetsytan
 - du kan även klämma fast verktyget på arbetsytan med skruvklämmor av handelstyp
 - höjden på stödfoten G kan justeras för stabilisering av verktyget
 - verktyget kan även monteras på ett stativ för geringsågar

! läs alla varningar och anvisningar som medföljer sågstativet
- Damm-/spånutsugning ⑬
 - montera dammpåsen H/dammsugaren enligt bilden
 - töm dammpåsen regelbundet för att få bäst dammupsugning

! låt ej dammsugarslangen hindra undre klingskyddet eller sågning

- Sågbordsförlängning ⁽¹⁴⁾
 - använd vred L för att fästa förlängningsbyglarna K (på valfri sida av verktyget)
 - förlängningsbyglarnas K längd är steglöst justerbar från kortast till längst
- Klämning av arbetsstycket ⁽¹⁵⁾

! för optimal säkerhet under arbetet ska arbetsstycket alltid klämmas stadigt med den bifogade, ställbara klämman

 - bearbeta inga arbetsstycken som är för små för att klämmas
 - för arbetsstyckets **maximala** mått ska bordet ⁽¹⁶⁾ användas som referens
 - fäst arbetsstyckets klämma i stödhålet N med vredet P (på valfri sida av verktyget)
 - använd 1 av 2 spår; för arbetsstyckstjocklek upp till 4cm och arbetsstyckstjocklek över 4cm
 - tryck arbetsstycket stadigt mot anslaget S
 - lås upp spaken R
 - anpassa klämman till arbetsstycket
 - kläm fast arbetsstycket stadigt med låsspaken R

! för vissa kombinationer av gerings- och fäsvinklar eller beroende på arbetsstyckets storlek kan det vara nödvändigt att använda kommersiellt tillgängliga skruvklämmor istället för klämman för arbetsstycken
- Inställning geringsvinkel ⁽¹⁷⁾
 - lossa spärrhandtaget AB
 - tryck på frigöringsspaken för geringsvinkeluttag AC
 - vrid sågbordet åt vänster eller höger och ställ in önskad geringsvinkel (från 0° till 47°) genom att använda indikatorn AD
 - släpp spaken AC
 - dra åt spärrhandtaget AB (**dra inte åt handtaget för mycket**)
 - för snabb och exakt inställning av ofta använda geringsvinklar (0°, 15°, 22,5°, 31,6°, 45°) klickar spaken för geringsvinkeluttag på plats i motsvarande lägen
- Ställa in fäsvinklar ⁽¹⁸⁾
 - lossa trebensvredet U ^(18b)
 - sväng såghuvudet åt vänster tills fäsvinkelindikatorn V pekar på önskad fäsvinkel
 - håll såghuvudet i det här läget och dra åt vredet U
- Kombinationssnitt ⁽¹⁹⁾
 - för kombinationssnitt ska både en geringsvinkel och en fäsvinkel ställas in

! använd inte sågen i vissa kombinationer av gerings- och fäsvinklar eftersom det kan resultera i störningar mellan sågens glidande och orörliga delar eller mellan glidande delar och arbetsstycket

! testa alltid först på ett överblivet material
- Laserstråle ⁽²⁰⁾
 - för att föra maskinen längs önskad såglinje markerat på arbetsstycket
 - sätt på/stäng av laserstrålen genom att trycka brytaren AA
 - lasern är inriktad med snittets vänstra sida
 - laserns horisontella inriktning kan enkelt justeras med skruven Y

! innan du börjar med en uppgift, kontrollera att den laserstrålen är ställd parallellt med den linje som

du ska såga efter genom att göra en provsågning på en bit överskottsmaterial

- Såga utan glidrörelse (små arbetsstycken)
 - lossa låsvredet AE om det är ådraget
 - skjut såghuvudet till stoppet i riktning mot anhållet S och dra åt låsvredet AE igen
- ! om du inte läser mekanismen kan klingan dras upp på arbetsstycket och tvingas mot dig**
 - sätt verktyget i arbetsläge
- ! se till att arbetsstycket är stadigt klämt mot sågbordet och anslaget S**
 - starta verktyget genom att frigöra låsningen AG och dra i huvudbrytaren AF ⁽²²⁾
- ! korsa inte armarna när såghuvudet ^(21a) används**
 - såga genom arbetsstycket med en jämn rörelse
- ! maskinen skall ha nått max. varvtal innan bladet kommer i kontakt med arbetsstycket**
 - stäng av verktyget genom att släppa strömbrytaren AF
 - vänta tills sågklingan är helt stillastående innan du styr såghuvudet långsamt uppåt
- Såga med glidrörelse (breda arbetsstycken)
 - ! var medveten om att metoden som beskrivs nedan är den enda säkra**
 - dra inte sågen genom arbetsstycket
 - lossa låsvredet AE om det är ådraget
 - ! se till att arbetsstycket är stadigt klämt mot sågbordet och anslaget S**
 - dra bort såghuvudet från anhållet S tillräckligt långt så att sågklingan är framför arbetsstycket ⁽²³⁾
 - starta verktyget genom att trycka på säkerhetsgreppet AG och dra i huvudbrytaren AF ⁽²²⁾
 - ! korsa inte armarna när såghuvudet ^(21a) används**
 - skjut såghuvudet i riktning mot anhållet S och såga genom arbetsstycket med en jämn rörelse ⁽²³⁾
 - ! maskinen skall ha nått max. varvtal innan bladet kommer i kontakt med arbetsstycket**
 - ! om det nedre skyddet inte öppnas automatiskt, vilket kan hända under vissa förhållanden (t.ex. ett arbetsstycke som är mycket nära maximal kapacitet) kanske du måste öppna skyddet för hand ^(21b)**
 - stäng av verktyget genom att släppa strömbrytaren AF
 - vänta tills sågklingan är helt stillastående innan du styr såghuvudet långsamt uppåt
- Såga spår ⁽²⁴⁾
 - ställ in önskat djup med djupstoppet AH och lås det på plats genom att dra åt muttern AJ
 - en trådistansbricka ska placeras mellan arbetsstycket och anhållet för enhetligt djup över spårets hela längd
- ! se till att sågklingan inte kläms fast i arbetsstycket**
 - ! testa alltid först på ett överblivet material**
- Sägbladbyte ⁽²⁵⁾
 - ! drag ur stickkontakten**
 - ta fram hexnyckeln AK från förvaringsutrymmet AL
 - håll skyddsskåpan A i öppet läge
 - lossa täckplåtens skruv AN (**skruva inte ur skruven helt och hållet**) ^(25a)
 - vrid skyddsskåpan A helt bakåt ^(25b)
 - tryck in spindelns spärrknapp AM och håll den intryckt medan du avlägsnar bladbulen AO genom att vrida hexnyckeln AK MEDURS (= i samma riktning som pilen på sågbladet)
 - ! tryck bara på spindellåsknappen AM medan verktyget står stilla**

- släpp upp spindellåsknappen AM
- avlägsna flänsen AP och sågbladet
- ! **placera det nya bladet så att sågtänderna och pilen på sågbladet pekar i samma riktning som pilen på skyddskåpan A**
- sätt tillbaka flänsen AP ^{25c}
- håll ned spindellåsknappen AM medan du drar åt klingbulten genom att vrida sexkantsnyckeln AK MOTURS 1/8 varv mer än med handkraft (möjliggör slirning av sågklinga vid sågning med hårt sågmotstånd och minskar på så sätt överbelastning på motorn samt motverkar kast)

- dra åt täckplåtens skruven AN

- Byte av bordsinsatsen AQ ²⁶

Byt ut en trasig eller sliten bordsinsats så här:

! drag ur stickkontakten

- ta fram hexnyckeln AK från förvaringsutrymmet AL
- avlägsna alla de 6 skruvarna enligt bilden
- avlägsna den gamla bordsinsatsen genom att först lyfta framsidan och sedan dra ut den helt
- placera den nya bordsinsatsen

! dra åt alla 6 skruvarna stadigt

- Kontroll/justering av 90° bladriktning ²⁷

! drag ur stickkontakten

- vrid sågbordet till 0° geringsvinkeläge och lås det på plats
- sväng såghuvudet till 0° fasvinkeläge
- sänk såghuvudet och lås det på plats
- kontrollera med en vinkelhake att vinkeln mellan sågblad och bord är 90°
- justera vid behov bladets 90° riktning så här:
 1. lossa trebensknappen U
 2. justera skruven W med en bladnyckel 10 (medföljer inte som standard)
 3. kontrollera igen med en vinkelhake
 4. återställ fasvinkelindikatorn V till 0°

- Kontroll/justering av 45° bladriktning ²⁸

! drag ur stickkontakten

- vrid sågbordet till 0° geringsvinkeläge och lås det på plats
- lossa trebensknappen U
- sväng såghuvudet åt vänster
- kontrollera med en geringshake att vinkeln mellan sågblad och bord är 45°
- kontrollera att fasvisaren V anger 45°
- justera vid behov bladets 45° riktning så här:
 1. justera skruven X med en bladnyckel, format 10 (medföljer inte som standard)
 2. kontrollera igen med en geringshake

- Kontroll/justering av 90° anslagsriktning ²⁹

! drag ur stickkontakten

- vrid sågbordet till 0° geringsvinkeläge och lås det på plats
- sänk såghuvudet och lås det på plats
- kontrollera med en vinkelhake att vinkeln mellan klingan och anslaget S är 90° (se till att vinkelhaken kommer i kontakt med sågklingans kropp och inte vidrör tänderna) ^{29a}
- justera vid behov anslaget 90° riktning så här:
 1. lossa de 2 insexskruvarna T ^{29b}
 2. justera anslaget tills både sågblad och anslag ligger helt mot vinkelhaken
 3. dra åt de 2 insexskruvarna T
 4. Återställ geringsvinkelindikatorn till 0° ^{29c}

ANVÄNDNINGSTIPS

- Avvikande arbetsstycken
 - stöd alltid ändarna av ett långt arbetsstycke ³⁰
 - se till att böjda eller runda arbetsstycken är ordentligt säkrade mot att glida ³¹
 - vid såglinjen får inget utrymme finnas mellan arbetsstycket och anslaget eller sågbordet
 - montera vid behov ett extra anhall; hålen i glidanhållet ska användas för att säkra det extra anhallat ³²
- ! **det extra anhallat kan bara användas vid 0° fasvinkel**
- För arbete med golvlister kan figur ³³ användas som referens
- Lägg alltid den finaste sidan av arbetsstycket nedåt för att förhindra minimum av flis
- Använd endast skarpa sågblad av rätt sort
 - kvaliteten på sågsnittet förbättras genom antalet tänder
 - hårdmetallblad förblir vassa upp till 30 gånger längre än vanliga blad

UNDERHÅLL / SERVICE

- Håll alltid verktyget och sladden rena (särskilt ventilationsspringorna på motorhusets baksida)
- Utveckla en regelbunden kontroll för att se till att det nedre skyddet fungerar korrekt. Rengör det nedre skyddet från eventuella sågspånsansamlingar med en fuktad trasa.
 - ! **drag ur stickkontakten innan rengöring**
 - lyft det nedre skyddet till helt öppet läge och släpp det; om det inte stängs omedelbart och fullständigt ska det kontrolleras i en auktoriserad serviceverkstad för SKIL-elverktyg
- Rengör sågbladet direkt efter användning (speciellt efter kåda och lim)
 - ! **sågbladet blir mycket varmt under bruk; vidrör det inte förrän det har svalnat**
- Rengör laserlampan AC med en mjuk borste efter varje användning för att laserlinjen ska synas tydligt (se till att du inte ändrar laserinställningen)
- Om i elverktyget trots exakt tillverkning och sträng kontroll störning skulle uppstå, bör reparation utföras av auktoriserad serviceverkstad för SKIL elverktyg
 - sänd in verktyget i **odemonterat skick** tillsammans med inköpsbevis till försäljaren eller till närmaste SKIL serviceverkstad (adresser till servicestationer och sprängskisser av maskiner finns på www.skil.com)
- Observera att skada till följd av ovarsamhet eller överbelastning inte täcks av garantin (för SKIL garantivillkor gå till www.skil.com eller fråga återförsäljaren)

MILJÖ

- **Elektriska verktyg, batterier, tillbehör och förpackning får inte kastas i hushållssoporna** (gäller endast EU-länder)
 - enligt direktivet 2012/19/EG som avser äldre elektrisk och elektronisk utrustning och dess tillämpning enligt nationell lagstiftning ska uttjänta elektriska verktyg sorteras separat och lämnas till miljövänlig återvinning
 - symbolen ⁶ kommer att påminna om detta när det är tid att kassera

LJUD

- Det här verktygets ljudtrycksnivå som har uppmätts enligt EN 62841 är 100,0 dB(A), ljudeffektnivån är 109,5 dB(A) (osäkerhet K = 3 dB)
- Ljudnivån har uppmätts enligt ett standardiserat test i enlighet med EN 62841; det kan användas för att jämföra ett verktyg med ett annat och som en ungefärlig uppskattning av exponering för buller när verktyget används enligt det avsedda syftet
 - om verktyget används på ett annat än det avsedda syftet eller med fel eller dåligt underhållna tillbehör kan detta drastiskt **öka** vibrationsnivån
 - när verktyget stängs av eller är på men inte används, kan detta avsevärt **minska** vibrationsnivån

DK

Kap- och geringsav

1310

INLEDNING

- Dette værktøj er beregnet som en stationær maskine til at udføre længde- og tværsnit med lige snitforløb og geringsvinkler i træ (både horisontal geringsvinkel på -47° til +47° og vertikal smigvinkel på 0° to 45° er muligt)
- Læs og gem denne betjeningsvejledning ②
- Dette værktøj er ikke beregnet til professionelt brug
- **Brug kun værktøjet, hvis det er korrekt og fuldstændigt samlet** (vær opmærksom på, at Skil ikke kan holdes ansvarlig for værktøjsbeskadigelse og/eller personskade forårsaget af forkert samling af værktøjet)

TEKNISKE DATA ①

VÆRKTØJETS DELE ⑧

- A Nederste afskærmning
- B Aktiveringshåndtag
- C Låsestift til transport
- D Øverste afskærmning
- E Transporthåndtag
- F Monteringshuller
- G Støttefod
- H Støvpose
- J Støvpport
- K Forlængerskiner
- L Knapper til at låse forlængerskiner
- M Klemme til monteringsemnet
- N Støttehul
- P Knap til fastgøring af klemme
- Q Knap til indstilling af klemme
- R Spændearm
- S Styr
- T Sekskantsskruer til indstilling af styr (2x)
- U Låseknap (smigvinkel)
- V Indikator for smigvinkel
- W Indstillingskrue for smigvinkel (højre)
- X Indstillingskrue for smigvinkel (venstre)
- Y Laserjusteringskrue
- Z Laserlys
- AA Tænd/sluk laserafbryder
- AB Låsehåndtag (geringsvinkel)
- AC Udløserhåndtag til geringslås
- AD Indikator for geringsvinkel

- AE Låseknap til skydeenhed
- AF Tænd/sluk afbryder
- AG Sikringshåndtag
- AH Skæredybdebegrænser
- AI Dybdestop
- AJ Dybdestopmøtrik
- AK Sekskantnøgle
- AL Opbevaring for stiftnøgle
- AM Spindellåseknap
- AN Skrue for dækselplade
- AO Klingebolt
- AP Flange
- AQ Bordindsats
- AR Støvsværn

SIKKERHED

GENERELLE SIKKERHEDSINSTRUKSER FOR EL-VÆRKTØJ

⚠ ADVARSEL Læs alle sikkerhedsadvarsler, instruktioner, illustrationer og specifikationer, der leveres med dette elektriske værktøj. Hvis alle instruktioner opført herunder ikke følges, kan det medføre elektrisk stød, brand og/eller alvorlige kvæstelser.

Gem alle advarsler og instruktioner til senere brug.

Begrebet "elværktøj" i advarslerne refererer til elværktøj, der kører på lysnettet (med netkabel) samt batteridrevet værktøj (uden netkabel).

1) SIKKERHED PÅ ARBEJDSPLADSEN

- a) **Sørg for, at arbejdsområdet er rent og ryddeligt.** Uorden eller uoplyste arbejdsområder øger faren for uheld.
- b) **Brug ikke elværktøjet i eksplosionsruede omgivelser, hvor der er brændbare væsker, gasser eller støv.** Elværktøj kan slå gnister, der kan antænde støv eller dampe.
- c) **Sørg for, at andre personer og ikke mindst børn holdes væk fra arbejdsområdet, når el-værktøjet er i brug.** Hvis man distraheres, kan man miste kontrollen over elværktøjet.

2) ELEKTRISK SIKKERHED

- a) **Elværktøjets stik skal passe til kontakten. Stikket må under ingen omstændigheder ændres. Brug ikke adapterstik sammen med jordforbundet elværktøj.** Uændrede stik, der passer til kontakterne, nedsætter risikoen for elektrisk stød.
- b) **Undgå kropskontakt med jordforbundne overflader som f.eks. rør, radiatorer, komfurer og køleskabe.** Hvis din krop er jordforbundet, øges risikoen for elektrisk stød.
- c) **Elværktøjet må ikke udsættes for regn eller fugt.** Indtrængning af vand i et elværktøj øger risikoen for elektrisk stød.
- d) **Brug ikke ledningen til formål, den ikke er beregnet til. Du må aldrig bære elværktøjet i ledningen, hænge elværktøjet op i ledningen eller rykke i ledningen for at trække stikket ud af kontakten. Beskyt ledningen mod varme, olie, skarpe kanter eller maskindele, der er i bevægelse.** Beskadigede eller udviklede ledninger øger risikoen for elektrisk stød.

- e) Hvis elværktøjet benyttes i det fri, må der kun benyttes en forlængerledning, der er egnet til udendørs brug. Brug af forlængerledning til udendørs brug nedsætter risikoen for elektrisk stød.
- f) Hvis det ikke kan undgås at bruge elværktøjet i fugtige omgivelser, skal der bruges et HFI-relæ. Brug af et HFI-relæ reducerer risikoen for at få elektrisk stød.
- 3) PERSONLIG SIKKERHED**
- a) Det er vigtigt at være opmærksom, se, hvad man laver, og bruge el-værktøjet fornuftigt. Brug ikke noget el-værktøj, hvis du er træt, har nydt alkohol eller er påvirket af medikamenter eller euforiserende stoffer. Få sekunders uopmærksomhed ved brug af el-værktøjet kan føre til alvorlige personskader.
- b) Brug beskyttelsesudstyr og hav altid beskyttelsesbriller på. Brug af sikkerhedsudstyr som f.eks. støvmaske, skridsikkert fodtøj, beskyttelseshjelm eller hørevern afhængig af maskintype og anvendelse nedsætter risikoen for personskader.
- c) Undgå utilsigtet igangsætning. Kontrollér, at el-værktøjet er slukket, før du tilslutter det til strømtilførslen og/eller akkuen, løfter eller bærer det. Undgå at bære el-værktøjet med fingeren på afbryderen og sørg for, at el-værktøjet ikke er tændt, når det sluttes til nettet, da dette øger risikoen for personskader.
- d) Gør det til en vane altid at fjerne indstillingsværktøj eller skruenøgle, før el-værktøjet tændes. Hvis et stykke værktøj eller en nøgle sidder i en roterende maskindel, er der risiko for personskader.
- e) Undgå en unormal legemsposition. Sørg for at stå sikkert, mens der arbejdes, og kom ikke ud af balance. Dermed har du bedre muligheder for at kontrollere el-værktøjet, hvis der skulle opstå uventede situationer.
- f) Brug egnet arbejdstøj. Undgå løse beklædningsgenstande eller smykker. Hold hår og tøj væk fra dele, der bevæger sig. Dele, der er i bevægelse, kan gribe fat i løstsiddende tøj, smykker eller langt hår.
- g) Hvis støvudsugnings- og opsamlingsudstyr kan monteres, er det vigtigt, at dette tilsluttes og benyttes korrekt. Brug af en støvopsugning kan reducere støvmængden og dermed den fare, der er forbundet støv.
- h) Selvom du kender værktøjet godt og er vant til at bruge det, skal du alligevel være opmærksom og overholde sikkerhedsanvisningerne. Et øjeblik uopmærksomhed kan medføre alvorlige personskader.
- 4) OMHYGGE LIG OMGANG MED OG BRUG AF EL-VÆRKTØJ**
- a) Undgå overbelastning af el-værktøjet. Brug altid et el-værktøj, der er beregnet til det stykke arbejde, der skal udføres. Med det passende el-værktøj arbejder man bedst og mest sikkert inden for det angivne effektområde.
- b) Brug ikke et el-værktøj, hvis afbryder er defekt. Et el-værktøj, der ikke kan startes og stoppes, er farligt og skal repareres.
- c) Træk stikket ud af stikkontakten og/eller fjern akkuen, hvis den er aftagelig, før maskinen indstilles, før skift af tilbehørsdele eller før el-værktøjet lægges til opbevaring. Disse sikkerhedsforanstaltninger forhindrer utilsigtet start af el-værktøjet.
- d) Opbevar ubenyttet el-værktøj uden for børns rækkevidde. Lad aldrig personer, der ikke er fortrolige med el-værktøjet eller ikke har gennemlæst disse instrukser, benytte el-værktøjet. El-værktøj er farligt, hvis det benyttes af ukyndige personer.
- e) Vedligehold el-værktøj og tilbehørsdele. Kontroller, om bevægelige maskindele fungerer korrekt og ikke sidder fast, og om delene er brækket eller beskadiget, således at el-værktøjets funktion påvirkes. Få beskadigede dele repareret, inden el-værktøjet tages i brug. Mange uheld skyldes dårligt vedligeholdte el-værktøjer.
- f) Sørg for, at skæreværktøjer er skarpe og rene. Omhyggeligt vedligeholdte skæreværktøjer med skarpe skærekanten sætter sig ikke så hurtigt fast og er nemmere at føre.
- g) Brug el-værktøj, tilbehør, indsatsværktøj osv. iht. disse instrukser. Tag hensyn til arbejdsforholdene og det arbejde, der skal udføres. Anvendelse af el-værktøjet til formål, som ligger uden for det fastsatte anvendelsesområde, kan føre til farlige situationer.
- h) Hold håndtag og gribeblader tørre, rene og fri for olie og smørefedt. Hvis håndtag og gribeblader er glatte, kan værktøjet ikke håndteres og styres sikkert, hvis der sker noget uventet.
- 5) SERVICE**
- a) Sørg for, at el-værktøj kun repareres af kvalificerede fagfolk og at der kun benyttes originale reservedele. Dermed sikres størst mulig maskinsikkerhed.

SIKKERHEDSINSTRUKTIONER FOR GERINGSSAV

- Geringssave er beregnet til at skære i træ eller træ lignende produkter og kan ikke bruges med slibende afskæringshjul til skærearbejde i jernholdige materialer som bjælker, stænger, stifter osv. Slibestov kan få bevægelige dele som f.eks. underskærmen til at sidde fast. Gnister fra slibende skærearbejde kan brænde underskærmen, saveindsatsen og andre plastikdele.
- Brug klemmer til at støtte arbejdsemnet, når det er muligt. Hvis du støtter emnet med hånden, skal du altid holde hånden mindst 100 mm fra begge sider af savklingen. Brug ikke denne sav til at skære stykker, der er for små til at kunne spændes fast eller holdes i hånden. Hvis din hånd placeres for tæt på savklingen, er der øget risiko for tilskadekomst ved kontakt med klingens.
- Arbejdsemnet skal være stationært og spændes fast eller holdes mod både styret og bordet. Før ikke arbejdsemnet hen til klingens og skær ikke "i fri hånd" på nogen måde. Ikke-støttede eller bevægelige arbejdsemner kan blive kastet rundt med høj hastighed og forårsage personskade.
- Saven skal skubbes gennem arbejdsemnet. Saven må ikke trækkes gennem arbejdsemnet. For at save skal du løfte savhovedet og trække det ud over arbejdsemnet uden at skære, start så motoren, tryk savhovedet ned og skub saven gennem arbejdsemnet. Hvis du skærer, mens du trækker, kan det sandsynligvis få savklingen til at vandre op over

arbejdsemnet og få den til at blive kastet kraftigt ind mod operatøren.

- **Kryds aldrig din hånd ind over den tilsigtede skærelinje hverken foran eller bag ved savklingen** Det er meget farligt at støtte arbejdsemnet på tværs af skærelinjen, dvs. at holde arbejdsemnet til højre for savklingen med din venstre hånd eller modsat.
- **Ræk ikke ind over styret med hænderne tættere end 100 mm fra savklingen for at fjerne trærester eller af anden grund, mens klingen kører** Afstanden fra den roterende savklinge til din hånd kan være svær at vurdere, og du kan komme alvorligt til skade.
- **Undersøg dit arbejdsemne, inden du skærer, og hvis emnet buer eller er deformt, skal du fastspænde det med det nødvendige af bøiningen ind mod styret. Sørg altid for, at der ikke er mellemrum mellem arbejdsemnet, styret og bordet langs skærelinjen** Buede eller deforme arbejdsemner kan vride sig eller forskyde sig og kan forårsage, at emnet binder om den roterende savklinge under savearbejdet. Der må ikke være søm eller andre fremmedlegemer i arbejdsemnet.
- **Brug ikke saven, hvis bordet ikke er frit for værktøj, trærester osv. bortset fra selve arbejdsemnet** Små stykker affald eller løse stykker træ eller andre genstande, der kommer i kontakt med den roterende klinge, kan blive kastet rundt med høj hastighed.
- **Skær kun ét arbejdsemne ad gangen** Flere stablede emner kan ikke fastspændes eller spændes tilstrækkeligt sammen og kan binde om klingen eller forskyde sig under savearbejdet.
- **Sørg inden brug for, at geringssaven er monteret eller placeret på en plan og fast arbejdsoverflade.** En plan og fast arbejdsoverflade reducerer risikoen for, at geringssaven bliver ustabil.
- **Planlæg dit arbejde! Hver gang du ændrer indstillingen af smigskæringsvinkler eller geringsvinkler, skal du sørge for, at det justerbare styr indstilles korrekt til at kunne støtte emnet og ikke vil interferere med klingen eller beskyttelsessystemet** Flyt savklingen gennem et komplet simuleret snit uden at tænde for værktøjet og uden arbejdsemne på bordet for at sikre, at styret ikke interfererer, eller at der er fare for at skære i styret.
- **Sørg for tilstrækkelig støtte såsom bordforlængere, savbukke osv., hvis arbejdsemnet er bredere eller længere end bordpladen.** Arbejdsstykker, der er længere eller bredere end geringssavens bord, kan vælte, hvis de ikke understøttes sikkert. Hvis det afskærne emne eller arbejdsemnet vælter, kan det løfte underskærmen eller blive kastet afsted af den roterende klinge.
- **Brug ikke en anden person til at holde i stedet for en bordudvidelse eller som ekstra støtte** Ustabil understøtning af arbejdsemnet kan få klingen til at binde sig fast eller få arbejdsemnet til at forskyde sig under savehandlingen, så du og din hjælper bliver trukket ind mod den roterende klinge.
- **Det afskærne emne må ikke klemmes eller på nogen måde presses mod den roterende savklinge** Hvis det begrænses. f.eks. ved hjælp af længdestop, kan det afskærne stykke blive klemt ind mod klingen og blive kastet voldsomt afsted.
- **Brug altid en klemme eller en emneholder, der er beregnet til korrekt at kunne støtte rundt materiale som stænger eller slanger** Stænger har en tendens til at rulle, når man skærer i dem, hvilket får klingen til

at "bide" og trække arbejdsemnet og din hånd ind mod klingen.

- **Lad klingen nå fuld hastighed, før du skaber kontakt med arbejdsemnet** Dette reducerer risikoen for, at emnet kastes afsted.
- **Hvis arbejdsemnet eller klingen sætter sig fast, skal du slukke for geringssaven. Vent, til alle bevægelige dele stopper, og tag stikket ud af strømkilden og/eller tag batteriet ud. Prøv så at frigøre det materiale, der sidder fast** Hvis man fortsætter med at save, mens et arbejdsemne sidder fast, kan det medføre tab af kontrol eller beskadigelse af geringssaven.
- **Når du er færdig med at save, skal du slippe kontakten, holde savhovedet nede og vente på, at klingen stopper, inden du fjerner det afskærne stykke** Det er farligt at række hånden ud mod klingen, mens den kører.
- **Hold godt fast i håndtaget, når du udfører et ufuldstændigt snit, eller hvis du slipper kontakten, inden savhovedet er helt i nedadgående position** Savens bremsevirkning kan medføre, at savhovedet pludselig trækkes nedad, og det skaber risiko for personskade.

EKSTRA SIKKERHEDSANVISNINGER

- Indkoblingsstrømstødet kan forårsage kortfristede spændingsfald; under ugunstige netbetingelser kan andre apparater blive påvirket heraf (hvis strømtilførsels systemimpedans er mindre end 0,464 Ohm, er det usandsynligt, at der opstår ulemper); ønsker de yderligere afklaring, kontakt venligst din lokale el leverandør

GENERELT

- Værktøjet må kun bruges til at skære i træ
- Kontrollér altid at forsyningsspændingen er den samme som den spænding, der er anført på værktøjets navneskilt
- **Stå ikke oven på værktøjet eller dets stativ** Der kan opstå alvorlig personskade, hvis værktøjet vælter, eller hvis man ved et uheld kommer i kontakt med det kørende værktøj. Opbevar ikke materialer på eller i nærheden af værktøjet, hvor det er nødvendigt at stå på værktøjet eller dets stativ for at nå dem.
- **Fjern altid først stikket fra kontakten, før De foretager nogle ændringer eller skifter tilbehør**
- **Tag altid stikket ud af strømkilden, før geringssaven flyttes** Træk stikket ud, sænk savhovedet og lås det på plads ved hjælp af bærehåndtaget og et af håndindhuggene i savens bundplade.
- **Forlad ikke saven, før den er fuldstændigt stoppet**
- **Når du skærer uregelmæssigt formede arbejdsemner, skal du planlægge dit arbejde, så arbejdsemnet ikke kan glide og klemme sig fast om klingen og dermed blive revet ud af din hånd**
- Dette værktøj må ikke bruges af personer under 16 år
- Dette værktøj er ikke egnet til vandsavning

UDENDØRS BRUG

- Når værktøjet anvendes udendørs, skal det forbindes via en fejlstrømsafbryder (FI) med en triggestrøm på 30 mA maksimum, og man må kun anvende en forlængerledning, som er beregnet til udendørs brug og er udstyret med en stænkbeskyttet koblings-stikkontakt

INDEN BRUG

- Anvend helt udrullede og sikre forlængerledninger med en kapacitet på 16 A

- Brug beskyttelsesbriller, høreværn, og beskyttelseshandsker
- Støv fra materiale som f.eks. maling, der indeholder bly, nogle træsorter, mineraler og metal kan være skadeligt (kontakt med eller indånding af støvet kan forårsage allergiske reaktioner og/eller sygdomme i luftvejene hos den, der anvender værktøjet, eller hos omkringstående); **bær en støvmaske og arbejd med en støvudsugningsanordning, hvor en sådan kan slutes til**
- Visse slags støv er klassificeret som kræftfremkaldende (som f.eks. støv fra eg og bøg) især i forbindelse med tilsætningsstoffer til træbehandling; **bær en støvmaske og arbejd med en støvudsugningsanordning, hvor en sådan kan slutes til**
- Følg de nationale krav, hvad angår støv, for de materialer, du ønsker at arbejde med
- **Bearbejd ikke asbestholdigt materiale** (asbest er kræftfremkaldende)
- Brug aldrig værktøjet uden den originale beskyttelsesskærm
- Kontroller beskyttelsesskærmen for korrekt lukning før hver brug
- Anvend ikke saven, hvis beskyttelsesskærmen ikke bevæger sig frit og lukker øjeblikkeligt
- Tving eller bind aldrig beskyttelsesskærmen i åben position
- Brug aldrig værktøjet uden bordindsatsen. Udskift en defekt eller slidt bordindsats
- Fjern alle genstande såvel ovenpå som nedenunder savlinjen, før De begynder at save
- Undgå skader forårsaget af skruer, søm eller andre materialer i arbejdsstykket; fjern disse før De begynder at arbejde

TILBEHØR

- Anvend aldrig slibe/skæreskiver til dette værktøj
- SKIL kan kun sikre en korrekt funktion af værktøjet, hvis der benyttes den rigtige tilbehør, som kan fås hos SKIL-forhandleren
- Ved montering/anvendelse af tilbehør, der ikke er fremstillet af SKIL, skal den pågældende producentens instruktioner overholdes nøje
- Brug kun savklinger, der svarer til de tekniske data, der er angivet i denne vejledning, og som er kontrolleret og mærket tilsvarende iht. EN 847-1
- Der må kun benyttes tilbehør, hvis godkendte omdrejningstal er mindst så højt som værktøjets max. omdrejningstal i ubelastet tilstand
- Brug aldrig savklinger der er lavet af HSS stål
- Brug aldrig savklinger der er sløve, skæve eller på anden måde beskadigede
- Brug kun savklinger med en hul diameter, som passer til værktøjsspindelen uden spillerum; brug aldrig reduktionsmuffer eller adaptere for at få savklinger med større huller til at passe
- Beskyt tilbehør mod slag, stød og fedt

UNDER BRUG

- **Overbelast ikke værktøjet** (anvend et let og vedvarende tryk for at undgå overophedning af savklinger og, i tilfælde af skæring af plastik, at smelte plastikmaterialet)
- Hold fingre, hænder og arme væk fra den roterende savklinge
- Hvis savklingen blokeres, skal du straks slukke for værktøjet og tage stikket ud.; først derefter må du fjerne det fastklemte arbejdsemne

- I tilfælde af blokering eller ved elektrisk eller mekanisk fejlfunktion, afbryd straks værktøjet og tag stikket ud af kontakten
- Hvis kablet beskadiges eller skæres over under arbejdet, ikke berør kablet, og straks træk ud stikket
- Anvend aldrig værktøjet, hvis ledningen er beskadiget. Den skal udskiftes med en specielt forberedt ledning, der kan fås gennem kundeservice.

LASERSTRÅLING

- **Ret ikke laserstrålen mod personer eller dyr, og kig aldrig ind i den direkte eller reflekterede laserstråle** (det kan blænde personer, forårsage ulykker eller beskadige øjnene)
- Hvis du får laserstrålen i øjnene, skal du lukke dem med det samme og straks bevæge hovedet ud af stråleområdet
- Foretag aldrig ændringer af laseranordningen
- Se ikke ind i laserstrålen (laserstråling)
- Brug ikke optiske forstørrelsesanordninger (som f.eks. forstørrelsesglas, teleskoper eller kikkerter) til at se ind i laserstrålen
- Anvend ikke værktøjet i nærheden af brandfarlige væsker, gasser eller støv
- Anvend ikke værktøjet, når der er børn i nærheden
- Den installerede laser må ikke udskiftes med en anden lasertype

EFTER BRUG

- Efter at man har slukket for værktøjet, må man aldrig standse tilbehørets rotation ved at påføre en sidelæns kraft mod det
- Fjern kun afskæringer eller andre dele fra arbejdsemnet fra skærområdet, når alle bevægelige dele er standset helt
- Savklingen bliver meget varm under brug, rør ikke ved den, før den er kølet af
- Opbevar værktøjet **indendørs** på et tørt, aflåst sted, utilgængeligt for børn

FORKLÆNING TIL SYMBOLERNE PÅ VÆRKTØJET

- ② Læs instruktionen inden brugen
- ③ Brug beskyttelsesbriller og høreværn
- ④ **Fareområde! Hænder forbudt. Hold hænder, fingre og arme på afstand af dette område.**
- ⑤ Dobbelt isolering (jordforbindelse unødvendig)
- ⑥ Elværktøj og batterier må ikke bortskaffes som almindeligt affald
- ⑦ **Laserstråling / Se ikke ind i strålen / Klasse 2 laserprodukt**

BETJENING

- Montering
 - monter transporthåndtaget med 2 bolte ved hjælp af stiftnøglen AK ⑨
 - monter geringslåseknappen AB på forsiden af bordet ⑩
- Transport-/arbejdsposition
 - For at løsne værktøjet (**arbejdsposition**)
 - tryk håndtaget B ned med én hånd, men du trækker låsestiften C ud med den anden hånd ⑪a
 - før hovedet langsomt opad
 - for at kunne save med en skubbende bevægelse skal du løsne låseknappen AE ⑪b
 - For fastgøring af værktøjet (**transportposition**)
 - skub hovedet hen til stoppet i retning mod styret S og stram låseknappen AE ⑪c

- indstil smigskæringsvinklen til 0° (se Indstilling af smigskæringsvinkel)
- indstil geringsvinklen til 45° (se Indstilling af geringsvinkel)
- tryk håndtaget B ned med én hånd, men du skubber til låsestiften C med den anden hånd
- saml strømledningen sammen
- brug transporthåndtaget E til at bære værktøjet ^⑪d
- alternativt skal du bruge sidehåndtagene til at bære værktøjet ^⑪e
- ! **løft aldrig værktøjet ved at holde i hovedhåndtaget eller strømledningen**
- Montering af værktøj på arbejdsoverfladen ^⑫
 - ! **monér altid værktøjet på en jævn og stabil arbejdsoverflade (f.eks. en arbejdsbænk) for sikker håndtering**
 - brug 4 monteringshuller F til at fastgøre værktøjet med passende skruer til arbejdsoverfladen
 - du kan også spænde værktøjet fast til arbejdsoverfladen med de skruevinger, der er tilgængelige på markedet
 - for at stabilisere værktøjet kan du justere højden af støttefoden G
 - alternativt kan værktøjet monteres på et geringssavstativ
 - ! **læs alle advarsler og instruktioner, der følger med savstativet**
- Støv-/spåneopsugning ^⑬
 - monter støvposen H/støvsugeren som vist
 - tøm støvposen med regelmæssige mellemrum for optimal støvopsugning
 - ! **lad aldrig støvsugerslangen komme i kontakt med underskærmen eller savningen**
- Savbordsforlænger ^⑭
 - brug knapperne L til at fastgøre forlængerskinne K (på hver side af værktøjet)
 - længden af forlængerskinne K kan justeres trinvis fra minimum til maksimum
- Fastspænding af arbejdsemnet ^⑮
 - ! **for optimal arbejdsikkerhed skal du altid fastspænde arbejdsemnet sikkert med den medfølgende justerbare klemme**
 - arbejd ikke med arbejdsemner, der er for små til at blive spændt fast
 - for **maksimal** mål for arbejdsemnet skal du bruge tabellen ^⑯ som reference
 - fastgør den samlede klemme i støttehullet N med knappen P (på hver side af værktøjet)
 - brug 1 af de 2 riller; for arbejdsemner med en tykkelse op til 4 cm og over 4 cm
 - pres arbejdsemnet fast mod styret S
 - lås op for håndtaget R
 - tilpas klemmen til arbejdsemnet
 - spænd arbejdsemnet sikkert fast ved at låse håndtaget R
 - ! **ved nogle gerings- og smigskæringskombinationer eller afhængigt af arbejdsemnets størrelse kan det være nødvendigt at bruge kommercielt tilgængelige skruerklemmer i stedet for at bruge emneholderen**
- Indstilling af geringsvinkel ^⑰
 - løsn låsehåndtaget AB
 - skub til geringslåsens udløserhåndtag AC
- drej savbordet til venstre eller højre og indstil den ønskede geringsvinkel (fra 0° til 47°) ved hjælp af indikator AD
- slip håndtaget AC
- stram låsehåndtaget AB (**stram ikke håndtaget for hårdt**)
- for hurtig og præcis indstilling af ofte anvendte geringsvinkler (0°, 15°, 22,5°, 31,6°, 45°) vil geringslåsens håndtag klikke på plads i de tilsvarende positioner
- Indstilling af smigvinkel ^⑱
 - løsn den trebenede knap U ^⑲b
 - sving savhovedet til venstre, indtil indikatoren for smigvinklen V peger i den ønskede smigvinkel
 - hold savhovedet i denne position og stram knappen U
- Sammensatte snit ^⑲
 - sammensatte snit kræver både indstilling af geringsvinkel og indstilling af smigvinkel
 - ! **betjen ikke saven i visse gerings- og smigskæringskombinationer, der kan resultere i interferens mellem savens glidende og stationære dele eller mellem de glidende dele og arbejdsemnet**
 - ! **test altid først på et stykke kasseret materiale**
- Laserlinje ^⑳
 - for præcis savning langs den ønskede savelinjen markeret på arbejdsemnet
 - tænd/sluk laserlinje ved at trykke afbryderen AA
 - laseren er justeret ind efter venstre side af snittet
 - den horisontale justering af laseren kan let justeres med en skrue Y
 - ! **før du starter på et arbejde, skal du kontrollere, at den laserlinje står på linje med den aktuelle skærelinje, ved at lave et prøvesnit på et stykke affaldsmateriale**
- Savning uden skubbende bevægelse (små arbejdsemner)
 - løsgør låseknappen AE, hvis den er stram
 - skub savhovedet hen til stoppet i retning mod styret S og stram låseknappen AE igen
 - ! **hvis mekanismen ikke låses, kan det få klingens til pludselig at vandre op over arbejdsemnet og arbejde sig hen mod dig**
 - indstil værktøj til arbejdsposition
 - ! **sørg for, at arbejdsemnet sidder, så der udøves tryk mod savbordet og styret S**
 - tænd for værktøjet ved at frigøre låsen AG og trække i hovedkontakten AF ^㉑
 - ! **dine arme må ikke være krydset, når savhovedet betjenes** ^㉒a
 - sav gennem arbejdsemnet med jævne fremryk
 - ! **værktøjet skal køre med max. hastighed inden savklingen berører arbejdsemnet**
 - sluk værktøj ved at slippe afbryder AF
 - vent, indtil savklingen står fuldstændigt stille, før du langsomt fører savhovedet opad
- Savning med skubbende bevægelse (brede arbejdsemner)
 - ! **vær opmærksom på, at den nedenfor beskrevne metode er den eneste sikre**
 - saven må ikke trækkes gennem arbejdsemnet
 - løsgør låseknappen AE, hvis den er stram
 - ! **sørg for, at arbejdsemnet sidder, så der udøves tryk mod savbordet og styret S**

- træk savhovedet så langt væk fra styret S, at savklingen befinder sig foran arbejdsemnet ⁽²⁾
- tænd for værktøjet ved at trykke på sikkerhedshåndtaget AG og trække i hovedkontakten AF ⁽²⁾
- ! **dine arme må ikke være krydset, når savhovedet betjenes** ^(21a)
- tryk savhovedet i retning mod styret S og sav gennem arbejdsemnet med ensartede, fremadrettede bevægelser ⁽²³⁾
- ! **værktøjet skal køre med max. hastighed inden savklingen berører arbejdsemnet**
- ! **hvis underskærmen ikke automatisk åbnes, hvilket kan ske under visse forhold (f.eks. med et arbejdsemne meget tæt på den maksimale kapacitet), kan det være nødvendigt at åbne afskærmningen manuelt** ^(21b)
- sluk værktøj ved at slippe afbryder AF
- vent, indtil savklingen står fuldstændigt stille, før du langsomt fører savhovedet opad
- Saveriller ⁽²⁴⁾
 - indstil den ønskede dybde med dybdestoppet AH og lås det på plads ved at stramme møtrikken AJ
 - der skal placeres et afstandsstykke af træ mellem arbejdsemnet og afskærmningen, for at man kan få en ensartet dybde i rillens fulde længde
 - ! **sørg for, at savklingen ikke sætter sig fast i arbejdsemnet**
 - ! **test altid først på et stykke kasseret materiale**
- Udskiftning af savklinge ⁽²⁵⁾
 - ! **træk stikket ud af kontakten**
 - tag sekskantnøglen AK ud af opbevaringspladsen AL
 - hold den beskyttende afskærmning A i åben position
 - løsgør dækladens skrue AN (**skru ikke skruen helt ud**) ^(25a)
 - drej den beskyttende afskærmning A helt tilbage ^(25b)
 - tryk på spindellåseknappen AM og hold den nede, mens klingebolten fjernes AO ved at dreje stiftnøglen AK **MED URET** (= i samme retning som pilen, der er trykt på savklingen)
 - ! **tryk kun på spindellåseknappen AM, når værktøjet ikke bevæger sig**
 - udløs spindellåseknappen AM
 - fjern flange AP og savklinge
 - ! **udskift savklingen med savtænderne og pilen trykt på savklingen pegende i samme retning som pilen på beskyttelsesskærmen A**
 - monter flangen AP ^(25c)
 - tryk på spindellåseknappen AM og hold den nede, mens du spænder klingebolten med stiftnøglen AK MOD URET 1/8 omgang forbi fingerstramt (det sikrer, at savklingen kan glide, når den udsættes for ekstrem modstand for at reducere motoroverbelastning og tilbageslag)
 - stram skruen for dækselplade AN
- Udskiftning af bordindsats AQ ⁽²⁶⁾
 - Udskift en defekt eller slidt bordindsats som følger:
 - ! **træk stikket ud af kontakten**
 - tag stiftnøglen AK ud af opbevaringspladsen AL
 - fjern alle 6 skrue som illustreret
 - fjern den gamle bordindsats ved først at løfte den foran og derefter ved at trække den helt ud
 - anbring en ny bordindsats
 - ! **stram alle 6 skrue**
- Kontrol/justering af 90° bladindstilling ⁽²⁷⁾
 - ! **træk stikket ud af kontakten**
 - drej savbordet til geringsposition 0° og lås på plads
 - sving savhovedet til 0° smigskæringsposition
 - sænk savhovedet og lås på plads
 - kontroller, at der er en vinkel på 90° mellem savklinge og bord med en vinkel
 - hvis det er nødvendigt justeres 90° bladindstilling som følger:
 1. løs den trebenede knap U
 2. juster skruen W med en bladnøgle 10 (ikke inkluderet som standard)
 3. kontroller igen med vinkelmåleren
 4. nulstil smigskæringsindikator V til 0°
- Kontrol/justering af 45° bladindstilling ⁽²⁸⁾
 - ! **træk stikket ud af kontakten**
 - drej savbordet til geringsposition 0° og lås på plads
 - løs den trebenede knap U
 - sving savhovedet til venstre
 - kontroller, at der er en vinkel på 45° mellem savklinge og bord med en geringsvinkel
 - kontroller, at smigindikator V er på afmærkningen 45°
 - hvis det er nødvendigt justeres 45° bladindstilling som følger:
 1. juster skruen X med en bladnøgle 10 (ikke inkluderet som standard)
 2. kontroller igen med geringsvinkelmåleren
- Kontrol/justering af 90° styreindstilling ⁽²⁹⁾
 - ! **træk stikket ud af kontakten**
 - drej savbordet til geringsposition 0° og lås på plads
 - sænk savhovedet og lås på plads
 - kontroller, at der er en vinkel på 90° mellem blad og styr S med en vinkelmåler (sørg for, at vinkelmåleren rører ved selve savklingen og ikke dens tænder) ^(29a)
 - hvis det er nødvendigt justeres 90° styreindstilling som følger:
 1. løs 2 sekskantsskrue T ^(29b)
 2. juster styr, indtil blad og styr har fuld kontakt med vinklen
 3. stram 2 sekskantsskrue T
 4. nulstil geringsindikator til 0° ^(29c)


GODE RÅD

- Specielle arbejdsemner
 - støt altid et langt arbejdsemnes frie ender ⁽³⁰⁾
 - sørg for, at kurvede og runde arbejdsemner er særligt sikrede mod at smutte ⁽³¹⁾
 - i skærelinjen må der ikke være mellemrum mellem arbejdsemnet og styret eller savbordet
 - om nødvendigt skal der laves et ekstrastyr, og hullerne i skydestyret skal bruges til at fastgøre ekstrastyret ⁽³²⁾
- ! **ekstrastyret kan kun bruges ved smigskæringsposition 0°**
- Illustrationen ⁽³³⁾ kan bruges som reference ved arbejde med guldviser
- Læg altid den pæneste side af arbejdsemnet nedad for at minimere splitning
- Brug kun skarpe savklinger af den korrekte type
 - kvaliteten af snittet forøges med antallet af tænder
 - hårdmetalsavklinger holder skæret op til 30 gange længere end alm. klinger

VEDLIGEHOLDELSE/SERVICE

- Hold altid værktøj og ledning ren (særligt udluftningsrillerne på motorhusets bagende)
- Kontroller regelmæssigt for at sikre, at underskærmen fungerer korrekt. Rengør underskærmen for ophobet savsmuld med en fugtig klud.
! træk stikket ud før rensning
 - løft underskærmen til helt åben position, og slip den; hvis den ikke lukkes straks og helt, skal den kontrolleres på et SKIL-center, hvor udføres eftersalgsservice af elværktøj
- Rengør savklingen straks efter brug (specielt for harpiks og lim)
! savklingen bliver meget varm under brug, rør ikke ved den, før den er kølet af
- Rengør laserlyset AC med en blød børste efter hver brug for at bevare en god synlighed af laserlinjen (pas på, at du ikke kommer til at ændre laserens indstilling)
- Skulle elværktøjet trods omhyggelig fabrikation og kontrol skulle holde op med at fungere, skal reparationen udføres af et autoriseret serviceværksted for SKIL-elektroværktøj
 - send det **ikke adskilte** værktøj sammen med et købsbevis til forhandleren eller nærmeste SKIL-serviceværksted (adresser og reservedelstegning af værktøjet findes på www.skil.com)
- Husk, at beskadigelse som følge af overbelastning eller forkert håndtering af værktøjet ikke er omfattet af garantien (se www.skil.com vedrørende SKIL-garantibetingelserne, eller spørg din forhandler)

MILJØ

- **Elværktøj, batterier, tilbehør og emballage må ikke bortskaffes som almindeligt affald** (kun for EU-lande)
 - i henhold til det europæiske direktiv 2012/19/EF om bortskaffelse af elektriske og elektroniske produkter og gældende national lovgivning, skal brugt elværktøj indsamles separat og bortskaffes på en måde, der skåner miljøet mest muligt
 - symbolet  erindrer dig om dette, når udskiftning er nødvendig

STØJ


- Målt i overensstemmelse med EN 62841 er lydtryksniveauet for dette værktøj på 100,0 dB (A) og lydeffektniveauet på 109,5 dB (A) (med en usikkerhed K = 3 dB)
- Støjemissionsniveauet er målt i henhold til den standardiserede test som anført i EN 62841, og det kan benyttes til at sammenligne to værktøjer med hinanden og til en foreløbig vurdering af støjeksponeringen, når værktøjet anvendes til de nævnte anvendelser
 - anvendes værktøjet til andre formål eller med andet eller dårligt vedligehold tilbehør, kan dette **øge** udsættelsesniveauet betydeligt
 - de tidsrum, hvor værktøjet er slukket, eller hvor det kører uden reelt at udføre noget arbejde, kan **reducere** udsættelsesniveauet betydeligt

N

Kapp- og gjæringsssag med glideskinne

1310

INTRODUKSJON

- Dette verktøyet skal brukes som en stasjonær maskin for å sage langsgående og tverrgående snitt i tre, samt til gjæring (horisontal gjæringsvinkel på -47° til +47° og vertikal skråvinkel på 0° til 45° er mulig)
- Les og ta vare på denne brukerveiledningen 
- Dette verktøyet er ikke beregnet på profesjonell bruk
- **Verktøyet må kun brukes når det er riktig og fullstendig montert** (vær klar over at Skil ikke kan holdes ansvarlig for verktøyskader og/eller personskader som oppstår som en følge av uriktig montering av verktøyet)

TEKNISKE DATA

VERKTØYELEMENTER

- A** Underskjerm
- B** Bryterhåndtak
- C** Låsepinne for transport
- D** Øvre vern
- E** Transporthåndtak
- F** Monteringshull
- G** Støttefot
- H** Støvpose
- J** Støvpott
- K** Forlengelsesstenger
- L** Knott for låsing av forlengelsesstenger
- M** Klemme for festing av arbeidsstykke
- N** Støttehull
- P** Knott til festing av klemme
- Q** Knott til justering av klemme
- R** Klemespak
- S** Anlegg
- T** Sekskantskrue for justering av anlegg (2x)
- U** Låseknott (skråvinkler)
- V** Skråvinkel-indikator
- W** Skrue for justering av skråvinkel (høyre)
- X** Skrue for justering av skråvinkel (venstre)
- Y** Justeringskrue for laser
- Z** Laserlys
- AA** På/av-bryter laser
- AB** Låsehendel (gjæringsvinkler)
- AC** Utløserhåndtak for gjæring
- AD** Gjæringsvinkel-indikator
- AE** Låseknott for skyveenhett
- AF** Av/på bryter
- AG** Sikkerhetshendel
- AH** Begrenser for skjæredybde
- AI** Dybdestopp
- AJ** Dybdestoppmutter
- AK** Sekskantnøkkel
- AL** Oppbevaring for sekskantnøkkel
- AM** Spindellåseknapp
- AN** Dekkplateskrue
- AO** Bladbolt
- AP** Flens

SIKKERHET

GENERELLE ADVARSLER FOR ELEKTROVERKTØY

⚠ ADVARSEL Les alle sikkerhetsadvarsler, instruksjoner, illustrasjoner og spesifikasjoner som følger med dette elektroverktøyet. Hvis du unnlater å følge noen av instruksjonene som er listet opp ovenfor, kan det føre til elektrisk støt, brann og/eller alvorlige personskader.

Ta godt vare på alle advarslene og informasjonene.

Det nedenstående anvendte uttrykket "elektroverktøy" gjelder for strømdrevne (med ledning) og batteridrevne elektroverktøy (uten ledning).

1) SIKKERHET PÅ ARBEIDSPLASSEN

- Hold arbeidsområdet rent og ryddig.** Rotete arbeidsområder eller arbeidsområder uten lys kan føre til ulykker.
- Ikke arbeid med elektroverktøyet i eksplosjonsfarlige atmosfærer – der det befinner seg brennbare væsker, gass eller støv.** Elektroverktøy lager gnister som kan antenne støv eller damper.
- Hold barn og andre personer unna når elektroverktøyet brukes.** Hvis du blir forstyrret under arbeidet, kan du miste kontrollen over elektroverktøyet.

2) ELEKTRISK SIKKERHET

- Støpselet til elektroverktøyet må passe inn i stikkkontakten. Støpselet må ikke forandres på noen som helst måte. Ikke bruk adapterstøpsler sammen med jordede maskiner.** Bruk av støpsler som ikke er forandret på og passende stikkontakter reduserer risikoen for elektriske støt.
- Unngå kroppskontakt med jordede overflater slik som rør, ovner, komfyrer og kjøleskap.** Det er større fare ved elektriske støt hvis kroppen din er jordet.
- Hold elektroverktøyet unna regn eller fuktighet.** Dersom det kommer vann i et elektroverktøy, øker risikoen for elektriske støt.
- Ikke bruk ledningen til andre formål, f.eks. til å bære elektroverktøyet, henge den opp eller trekke den ut av stikkkontakten. Hold ledningen unna varme, olje, skarpe kanter eller maskindeler som beveger seg.** Med skadede eller opphopede ledninger øker risikoen for elektriske støt.
- Når du arbeider utendørs med et elektroverktøy, må du kun bruke en skjoteledning som er godkjent til utendørs bruk.** Når du bruker en skjoteledning som er egnet for utendørs bruk, reduseres risikoen for elektriske støt.
- Hvis det ikke kan unngås å bruke elektroverktøyet i fuktige omgivelser, må du bruke en jordfeilbryter.** Bruk av en jordfeilbryter reduserer risikoen for elektriske støt.

3) PERSONSIKKERHET

- Vær oppmerksom, pass på hva du gjør, gå fornuftig frem når du arbeider med et elektroverktøy. Ikke bruk elektroverktøyet når du er trett eller er påvirket av narkotika, alkohol eller medikamenter.** Et øyeblikks

uoppmerksomhet ved bruk av elektroverktøyet kan føre til alvorlige skader.

- Bruk personlig verneutstyr og husk alltid å bruke vernebriller.** Bruk av personlig sikkerhetsutstyr som støvmaske, sklifaste arbeidssko, hjelm eller hørselvern – avhengig av type og bruk av elektroverktøyet – reduserer risikoen for skader.
- Unngå å starte verktøyet ved en feiltagelse. Forviss deg om at elektroverktøyet er slått av før du kobler det til strømmen og/eller batteriet, løfter det opp eller bærer det.** Hvis du holder fingeren på bryteren når du bærer elektroverktøyet eller kobler elektroverktøyet til strømmen i innkoblet tilstand, kan dette føre til uhell.
- Fjern innstillingsverktøy eller skrunøkler før du slår på elektroverktøyet.** Et verktøy eller en nøkkel som befinner seg i en roterende maskindel, kan føre til skader.
- Ikke overvurder deg selv. Sørg for å stå stødig og i balanse.** Dermed kan du kontrollere elektroverktøyet bedre i uventede situasjoner.
- Bruk alltid egnede klær. Ikke bruk vide klær eller smykker.** Hold hår og klær unna deler som beveger seg. Løstsittende tøy, smykker eller langt hår kan komme inn i deler som beveger seg.
- Hvis det kan monteres støvavsug- og oppsamlingsinnretninger, må du forvise deg om at disse er tilkoblet og brukes på korrekt måte.** Bruk av et støvavsug reduserer faren på grunn av støv.
- Selv når du er blitt vant til verktøyet, må du ikke bli sløv og ignorere sikkerhetsreglene for verktøyet.** En uforsiktig handling kan forårsake alvorlig personskade i løpet av et brøkdels sekund.

4) AKTSOM HÅNTERING OG BRUK AV ELEKTROVERKTØY

- Ikke overbelast elektroverktøyet. Bruk et elektroverktøy som er beregnet til den type arbeid du vil utføre.** Med et passende elektroverktøy arbeider du bedre og sikrer i det angitte effektområdet.
- Ikke bruk elektroverktøyet med defekt på-/avbryter.** Et elektroverktøy som ikke lenger kan slås av eller på, er farlig og må repareres.
- Trekk støpselet ut av stikkkontakten og/eller fjern batteriet (hvis demonterbart) før du utfører innstillinger på elektroverktøyet, skifter tilbehørsdeler eller legger elektroverktøyet bort.** Disse tiltakene forhindrer en utilsikket startung av elektroverktøyet.
- Elektroverktøy som ikke er i bruk må oppbevares utilgjengelig for barn. Ikke la elektroverktøyet brukes av personer som ikke er fortlørlig med dette eller ikke har lest disse anvisningene.** Elektroverktøy er farlige når de brukes av uerfarne personer.
- Vær nøye med vedlikeholdet av elektroverktøyet og tilbehøret. Kontroller om bevegelige maskindeler fungerer feilfritt og ikke klemmes fast, og om deler er brukt eller skadet, slik at dette innvirker på elektroverktøyet funksjon. La skadede deler repareres før elektroverktøyet brukes.** Dårlig vedlikeholdte elektroverktøy er årsaken til mange uhell.
- Hold skjæreverktøyene skarpe og rene.** Godt stelte skjæreverktøy med skarpe skjær setter seg ikke så ofte fast og er lettere å føre.
- Bruk elektroverktøy, tilbehør, verktøy osv. i henhold til disse anvisningene. Ta hensyn til**

arbeidsforholdene og arbeidet som skal utføres.

Bruk av elektroverktøy til andre formål enn det som er angitt kan føre til farlige situasjoner.

- h) **Hold håndtak og gripeflater tørre, rene og uten olje eller fett.** Glatte håndtak og gripeflater hindrer sikker håndtering og styring av verktøyet i uventede situasjoner.
- 5) **SERVICE**
- a) **Maskinen din skal alltid kun repareres av kvalifisert fagpersonale og kun med originale reservedeler.** Slik opprettholdes elektroverktøys sikkerhet.

SIKKERHETSANVISNINGER FOR GJÆRINGSSAG

- **Gjæringssager er tiltenkt å kutte ved eller produkter som er lik ved, de kan ikke brukes med slipende kuttehull for kutting laget for å kutte jernholdige materialer slik som jernstanger eller pigger m.m.** Slipestøv kan føre til at bevegende deler, slik som det nedre vernet, blokkeres. Gnister fra slipende kutting forbrenner det nedre vernet, innsatsen og andre plastdeler.
- **Bruk klemmer til å støtte arbeidsstykket der det er mulig. Hvis arbeidsstykket støttes med hånden, må du alltid holde hånden minst 100 mm unna hver side av sagbladet. Ikke bruk denne saken til å kutte deler som er for små til kunne holdes med klemmer eller hånden** Hvis hånden er for nært sagbladet, er det økt fare for personskader fra kontakt med sagbladet.
- **Arbeidsstykket må være stasjonært og være klemt eller hold både mot anlegget og bordet. Ikke mat arbeidsstykket inn mot bladet eller kutt «frihånd» på noen måte** Løse eller bevegende arbeidsstykker kan kastes med høy hastighet og føre til personskader.
- **Trykk saken gjennom arbeidsstykket. Ikke dra saken gjennom arbeidsstykket. For å lage et kutt, løft saghodet og dra det ut over arbeidsstykket uten å kutte, start motoren, trykk saghodet ned og trykk saken gjennom arbeidsstykket** Ved kutting på trekkslaget er det større fare for at saken trekkes opp på arbeidsstykket, dette kan kaste sagbladaggregatet mot brukeren med stor kraft.
- **Kryss aldri hånden over den tiltenkte kuttelinjen, enten foran eller bak sagbladet** Støtte av arbeidsstykket «overkryss» dvs. holde arbeidsstykket til høyre av sagbladet med venstre hånden eller omvendt er meget farlig.
- **Mens bladet roterer skal du ikke rekke hendene bak anlegget nærmere enn 100 mm fra begge sider av sagbladet for å fjerne trebiter eller av en hvilken som helst annen grunn** Avstanden fra det roterende bladet og hånden din er gjerne ikke åpenbar og du kan få alvorlige skader.
- **Inspiser arbeidsstykket før du kutter** Hvis arbeidsstykket er buet eller vridd, skal du sette det i klemme med utsiden av buen mot anlegget. **Sørg alltid for at det ikke er mellomrom mellom arbeidsstykket, anlegget og bordet langs kuttelinjen** Bøyde eller vridd arbeidsstykker kan vri eller bevege seg og kan føre til binding på det roterende sagbladet under kutting. Arbeidsstykket skal være uten spikker eller fremmedlegemer.
- **Ikke bruk saken til bordet er ryddet for verktøy, trebiter m.m. bare arbeidsstykket skal være på bordet** Små biter med rusk, løse trebiter eller andre gjenstander som kommer i kontakt med det roterende bladet, kan kastes ut med stor hastighet.

- **Kutt bare ett arbeidsstykket om gangen** Flere arbeidsstykket stablet opp på hverandre kan ikke klemmes eller holdes godt nok og kan binde på bladet eller bevege seg mens du kutter.
- **Sørg for at gjæringssagen er montert eller plassert på en jevn, fast arbeidsoverflate før bruk.** En jevn og fast arbeidsoverflate reduserer risikoen for at gjæringssagen blir ustabil.
- **Planlegg arbeidet!** Hver gang du endrer vinkelen eller innstillingen for gjæringssagen, skal du se etter at det justerbare anlegget er innstilt slik at arbeidsstykket støttes skikkelig og at det ikke kommer i kontakt med bladet eller anlegget Uten å slå verktøyet «PÅ» og uten et arbeidsstykket på bordet, bevege saken gjennom et komplett simulert kutt for å sjekke at det er ingen hindringer eller fare for å kutte anlegget.
- **For et arbeidsstykke som er bredere eller lengre enn bordoverflaten skal du gi tilstrekkelig støtte, slik som bordforlengelser, sagbuks osv.** Arbeidsstykker som er bredere eller lengre enn bordet til gjæringssagen kan velte hvis de ikke er tilstrekkelig støttet. Hvis delen som kuttes av eller arbeidsstykket velter, kan det løfte det øvre vernet eller det kan kastes av det roterende bladet.
- **Ikke bruk en annen person som erstatning for en bordforlengelse eller som ekstra støtte** Ustabil støtte for arbeidsstykket kan føre til at bladet bindes eller at arbeidsstykket beveger seg under kutting, og dra deg og din medhjelper inn i det roterende bladet.
- **Delen som kuttes av skal ikke på noen måte skyves eller trykkes inn mot det roterende sagbladet** hvis det klemmes inn, dvs. ved bruk av lengdestopp, kan delen som kuttes av kile seg mot bladet og kastes ut med stor kraft.
- **Bruk alltid en klemme eller annen feste utformet til å gi skikkelig støtte til runde materialer, slik som stenger eller rør** Stenger har en tendens til å rulle mens de kutte, det kan føre til at bladet biter og drar arbeidsstykket og hånden inn mot bladet.
- **La bladet må full hastighet før det har kontakt med arbeidsstykket** Dette reduserer risikoen for at arbeidsstykket kastes.
- **Hvis arbeidsstykket eller bladet kiles fast, skal du slå gjæringssagen av.** Vent til alle bevegende deler er stoppet helt og frakoble støpselet fra stikkontakten og/eller ta ut batteripakken. Fjern deretter det fastkilt arbeidsstykket Forsetter du å sage med et fastkilt arbeidsstykket kan føre til at man mister kontroll eller skader gjæringssagen.
- **Etter kuttet er ferdig, slipp bryteren, hold saghodet nede og vent til bladet stopper før du tar fjerner den avkuttete delen** Det er farlig å føre hånden i nærheten til et blad som fremdeles roterer.
- **Hold godt fast i håndtaket når du kutter et ufullstendig kutt eller når du slipper bryteren før saghodet er helt nede** Nedbremsingen av saken kan føre til at sagbladet plutselig trekkes nedover, dette fører til risiko for personskade.

EKSTRA SIKKERHETSANVISNINGER

- Innkoblinger fører til korte spenningsreduksjoner; ved ugunstige nettvikår kan det oppstå forstyrrelser på andre apparater (ved nettipedansere på mindre enn 0,464 Ohm forventes det ingen forstyrrelser); hvis De ønsker ytterligere klargjørelse, kontakt vennligst din lokale el leverandør myndighet

GENERELL

- Verktøyet skal bare brukes til saging av tre
- Sjekk alltid at tilført spenningen er den samme som oppgitt på verktøyet merkeplate
- **Ikke stå på verktøyet eller dets stativ** Det kan oppstå alvorlige personskader hvis verktøyet veltet eller hvis man kommer ved uhell i kontakt med kutteverktøyet. Ikke lagre materialer på eller i nærheten av verktøyet, slik at det ikke er nødvendig å stå på verktøyet eller dets stativ for å nå disse.
- **Ta alltid ut kontakten før du forandrer innstillinger på sagen eller skifter tilbehør**
- **Støpselet skal alltid plugges ut av stikkkontakten før gjæringssagen transporteres** Plugg ut, senk saghodet og lås det på plass. Bruk bærehåndtaket og utsparringen til hånden i bunnen av sagen.
- **Ikke forlat verktøyet før det er stoppet helt opp**
- **Når du kutter arbeidsstykker med uregelmessig fasong, skal du planlegge arbeidet slik at det ikke sklir, klemmer bladet og slites ut av hånden**
- Verktøyet må ikke brukes av personer under 16 år
- Dette verktøyet er ikke beregnet for vannsaging

BRUK

- Når verktøyet skal brukes utendørs, må det koples til en feilstrombryter (FI) feilstrombryter som vil kople ut på 30 mA maksimum; det skal også bare brukes skjøteledninger som er beregnet for bruk utendørs og som er utstyrt med sprutsikker stikkontakt

FØR BRUK

- Bruk helt utrullet og sikker skjøteledning med en kapasitet på 16 A
- Bruk beskyttelsesbriller, hørselsvern, og beskyttelseshansker
- Støv fra materialer som blyholdig maling, visse tresorter, mineraler og metall kan være skadelig (kontakt med eller inhalering av støv kan gi allergiske reaksjoner og/eller sykdommer i åndedretsorganene for brukeren eller personer i nærheten); **bruk støvmaske og arbeid med støvfjerningsutstyr når det er mulig**
- Visse typer støv er klassifisert som kreftfremkallende (som f.eks. støv fra eik og bøk), spesielt sammen med tilsetningsstoffer for trebehandling; **bruk støvmaske og arbeid med støvfjerningsutstyr når det er mulig**
- Følg de nasjonale krav, når det gjelder støv for de materialer du ønsker å arbeide med
- **Ikke bearbeid asbestholdig material** (asbest kan fremkalle kreft)
- Bruk aldri verktøyet uten det originale beskyttelsessystemet
- Kontroller alltid sikkerhetsdekselet før bruk
- Ikke bruk sagen hvis ikke sikkerhetsdekselet beveger seg fritt og lukker umiddelbart
- Sikkerhetsdekselet må aldri klemmes eller bindes fast i åpen posisjon
- Bruk aldri verktøyet uten bordinnsats; skift bordinnsatsen hvis den er ødelagt eller slitt
- Rydd unna alle hindringer i arbeidsområdet før du begynner å sage
- Unngå skade pga. skruer, spiker eller andre elementer i arbeidsstykket; fjernes før man starter jobben

TILBEHØR

- Bruk aldri slipe-/kappeskiver til dette verktøyet
- SKIL kan kun garantere et feilfritt verktøy dersom riktig tilbehør brukes, som leveres fra SKIL-forhandleren på stedet

- For montering og bruk av ikke-originalt SKIL tilbehør, henvises det til brukerveiledning fra aktuell produsent
- Bruk kun sagblad som tilsvarer de tekniske dataene som er angitt i denne bruksanvisningen og som er kontrollert jf. EN 847-1 og tilsvarende markert
- Bruk kun tilbehør med et godkjent turtall som er minst like høyt som verktøyet høyeste tomgangsturtall
- Bruk aldri sagblader av HSS (stål)
- Bruk aldri skjævt, deformert eller sløvt sagblad
- Bruk bare sagblader med hulldiameter som passer til spindelen uten dødgang; bruk aldri reduksjoner eller adaptere for å montere et sagblad med stort hull
- Beskytt tilbehøret mot slag, støt og fett

UNDER BRUK

- **Ikke bruk makt på verktøyet** (før verktøyet lett og kontinuerlig for å unngå overoppheting av bladspissene, og ved kutting av plast, smelting av plastmaterialet)
- Hold fingre, hender og armer unna det roterende sagbladet
- Hvis sagbladet blir sittende fast, må du straks slå av verktøyet og trekke ut støpselet; først deretter fjerner du arbeidsstykket
- Ved fastkjøring eller ved elektriske/mekaniske problemer, slå øyeblikkelig av bryteren og dra ut støpslet
- Hvis kabelen skades eller kappes under arbeid må kabelen ikke berøres, men støpselet straks trekkes ut
- Verktøyet skal aldri brukes hvis ledningen er skadet. Det må byttes ut med en spesialledning tilgjengelig via serviceavdelingen.

LASERSTRÅLING

- **Retts aldri laserstrålen mot personer eller dyr, og se ikke selv rett inn i den direkte eller reflekterte laserstrålen** (det kan føre til blinding, uhell og øyeskader)
- Ved øyekontakt med laserstrålen må øyet lukkes bevisst og hodet straks beveges bort fra strålen
- Det må ikke gjøres endringer på laserstyret
- Ikke se inn i laserstrålen (laserstråling)
- Ikke bruk noen som helst forstørrende optisk anordning (som f.eks. forstørrelsesglass, teleskop eller kikkert) til å se laserstrålen
- Ikke bruk verktøyet i nærheten av brannfarlig væske, gass eller støv
- Ikke bruk verktøyet hvis det er barn i nærheten
- Skift ikke ut den installerte laseren med en annen lasertype

ETTER BRUK

- Etter at verktøyet er slått av, prøv aldri å stoppe tilbehørets rotasjonen med bruk av sideveis kraft
- Avsagde biter og andre deler av arbeidsstykket må ikke fjernes fra skjæreområdet før alle bevegende deler står helt stille
- sagbladet blir svært varmt under bruk; ikke ta på det før det er avkjølt
- Verktøyet skal oppbevares **innendørs** på et tørt sted hvor det er låst inne og er utilgjengelig for barn

FORKLARING AV SYMBOLER PÅ VERKTØY

- ② Les instruksjonsboken for bruk
- ③ Bruk beskyttelsesbriller og hørselsvern
- ④ **Fareområde! Ingen-hender-soner. Hold hendene, fingrene eller armene unna dette området.**
- ⑤ Dobbeltisolert (ikke nødvendig med jordingsleder)
- ⑥ Kast aldri elektroverktøy og batterier i husholdningsavfallet
- ⑦ **Laserstråling / Ikke se inn i strålen / Laserprodukt klasse 2**

BRUK

- Montering
 - monter transporthåndtaket med 2 bolter ved bruk av en sekskantnøkkel AK^②
 - monter låseknotten for gjæring AB inni forsiden av bordet ^⑩
- Transport/arbeids-posisjon
 - For å frigjøre verktøyet (**arbeids**-posisjon)
 - trykk håndtaket B nedover med én hånd med du drar ut låsepinnen C med den andre hånden ^{⑪a}
 - før verktøyhodet sakte oppover
 - løsne låseknotten for å sage med skyvebevegelse AE ^{⑪b}
 - For å sikre verktøyet (**transport**-posisjon)
 - skyv verktøyarmen til stoppen i retning mot anlegget, S og stram til låseknotten AE^{⑪c}
 - sett skråvinkelen til 0° (se Sette skråvinkel)
 - sett gjæringsvinkel til 45° venstre eller høyre (se Stille inn gjæringsvinkel)
 - trykk håndtaket B nedover med én hånd mens låsepinnen trykkes inn C med den andre hånden
 - kveil sammen strømledningen
 - bruk transporthåndtaket E til å bære verktøyet ^{⑪d}
 - alternativt kan du bruke sidehåndtakene til å bære verktøyet ^{⑪e}
- ! **løft verktøyet aldri ved hovedhåndtaket eller strømledningen**
- Montering av verktøyet på arbeidsflaten ^⑫
 - ! **for å oppnå sikker bruk skal verktøyet alltid monteres på en flat og stabil arbeidsflate (f.eks. arbeidsbenk)**
 - bruk 4 monteringshull F og fest verktøyet til arbeidsflaten med egnede skruer
 - det er også mulig å klemme verktøyet til arbeidsflaten med skrutvinger
 - du kan justere høyden på støttefoten for å G stabilisere verktøyet
 - alternativt kan verktøyet monteres på stativet til en gjæringssag
- ! **les alle advarslene og instruksene som medfølger gjæringssagstativet**
- Støv-/sponavsug ^⑬
 - monter støvposen H/støvsuger som vist
 - tøm støvposen regelmessig for optimalt støvavsug
 - ! **ikke la støvsugerslangen komme i kontakt med underskjermen eller selve kuttingen**
- Sagbordutvidelse ^⑭
 - bruk knottene L for å stramme til forlengelsestengene K (på en av sidene til verktøyet)
 - lengden til forlengelsestengene K kan justeres trinnløst fra minimum to maksimum
- Oppspenning av arbeidsstykket ^⑮
 - ! **for optimal arbeidssikkerhet skal arbeidsstykket alltid settes godt fast med den medleverte justerbare klemmen**
 - ikke bruk arbeidsstykker som er for små til klemmen
 - for **maksimale** dimensjoner på arbeidsstykket, bruk tabellen ^⑯ som referanse
 - fest den monterte klemmen til hullet N med knotten P (på en av sidene til verktøyet)
 - Bruk 1 til 2 sporene; for arbeidsstykker med tykkelse opptil 4 cm og arbeidsstykker over 4 cm
 - press arbeidsstykket kraftig mot anlegget S

- spake til å låse opp R
- tilpass klemmen til arbeidsstykket
- Klem arbeidsstykket godt fast ved å bruke låsespaken R
- ! **til noen skråkant- og gjæringskombinasjoner, eller avhengig av størrelsen til arbeidsstykket, kan det være nødvendig å bruke kommersielt tilgjengelige skruklemmer i stedet for klemmer til arbeidsstykket**
- Innstilling av gjæringsvinkler ^⑰
 - løsne låsehåndtaket AB
 - trykk på utløserhåndtaket AC
 - vri sagbordet mot høyre eller venstre og innstill ønsket gjæringsvinkel (fra 0° til 47°) ved hjelp av indikatoren AD
 - utløsespaken AC
 - stram til låsehåndtaket AB (**ikke stram til håndtaket for mye**)
 - for rask og nøyaktig innstilling av vanlige gjæringsvinkler (0°, 15°, 22,5°, 31,6°, 45°) klikker utløserspaken for gjæringsvinkelen inn i de korresponderende hakkene
- Innstilling av skråvinkler ^⑱
 - løsne låseknotten med tre bein U ^{⑲b}
 - sving saghodet til venstre inntil skråvinkel-indikatoren V peker mot ønsket skråvinkel
 - hold saghodet i denne posisjonen og stram knotten U
- Sammensatte kutt ^⑲
 - sammensatte kutt krever innstilling av både gjæringsvinkel og skråvinkel
- ! **ikke betjen sagen i noen gjærings- og skråkantkombinasjoner, da dette kan føre til forstyrrelser mellom de skyvende og stillestående deler av sagen eller mellom de skyvende deler og arbeidsstykket**
- ! **prøv alltid først på et stykke restmateriale**
- Laserlinje ^⑳
 - for å føre verktøyet langs ønskede saglinjen, markert på arbeidsstykket
 - slå på/av laserlinjen ved å trykke bryteren AA
 - laseren er justert til venstre side av kuttet
 - den horisontale justeringen av lasene kan lett justeres med skruen Y
- ! **før sagingen begynner kontrolleres justeringen av den laserlinjen i forhold det virkelige saglinjen ved å ta et prøvekutt på et stykke avfall**
- Saging uten skyvebevegelse (små arbeidsstykker)
 - løsne låseknotten AE hvis den er strammet
 - skyv saghodet til stoppen i retning mot anlegget, S og stram til låseknotten på nytt AE
- ! **Unnlatelse av å låse mekanismen kan føre til at bladet plutselig klatre opp på arbeidsstykket og tvinge seg mot deg**
- sett verktøyet i arbeidsposisjon
- ! **sørg for at arbeidsstykket er godt fastklemt mot sagbladet og anslaget S**
- slå på verktøyet ved å frigjøre låsen AG og dra ut hovedbryteren AF ^㉑
- ! **ikke kryss armene når du bruker saghodet ^{㉒a}**
- sag gjennom arbeidsstykket med en jevn bevegelse
- ! **verktøyet må ha nådd maks. hastighet før sagbladet kommer i kontakt med arbeidsstykket**
- slå av verktøyet ved å slippe bryteren AF

- vent til sagbladet har stoppet helt opp før du fører saghodet sakte oppover
- Sage **med** skyvebevegelse (**brede** arbeidsstykker)
 - ! **metoden som er beskrevet nedenfor, er den eneste sikre**
 - Ikke trekk sagen gjennom arbeidsstykket
 - løsne låseknotten AE hvis den er strammet
 - ! **sørg for at arbeidsstykket er godt fastklemt mot sagbladet og anslaget S**
 - dra verktøyarmen så langt vekk fra anlegget S fat sagbladet kommer foran arbeidsstykket 23
 - slå på verktøyet ved å trykke inn sikkerhetsspaken AG og dra ut hovedbryteren AF 22
 - ! **ikke kryss armene når du bruker saghodet 21a**
 - skyv verktøyarmen i retning mot anlegget S og sag gjennom arbeidsstykket med en jevn bevegelse 23
 - ! **verktøyet må ha nådd maks. hastighet før sagbladet kommer i kontakt med arbeidsstykket**
 - ! **hvis det nedre vernet ikke åpnes automatisk, som kan skje under visse forhold (f.eks. et arbeidsstykke er nesten ved maksimum kapasitet), må du kanskje åpne vernet manuelt 21b**
 - slå av verktøyet ved å slippe bryteren AF
 - vent til sagbladet har stoppet helt opp før du fører saghodet sakte oppover
- Sagespor 24
 - still inn ønsket dybde med dybdestoppen, AH og lås den fast ved å trekke til mutteren AJ
 - et avstandstykk i tre skal legges mellom arbeidsstykket og anlegget for konsekvent dybde over hele sporets lengde
 - ! **viktig å unngå at sagbladet kan bli sittende fast i arbeidsstykket**
 - ! **prøv alltid først på et stykke restmateriale**
- Bytte av sagblad 25
 - ! **trekk ut støpselet av stikkkontakten**
 - ta frem sekskantnøkkelen AK fra oppbevaring AL
 - hold vernet A i åpen posisjon
 - løsne skruen til dekselplaten AN (**ikke skru skruen helt ut**) 25a
 - drei vernet A helt bakover 25b
 - trykk på spindellåseknappen AM og hold den inne mens du fjerner bladbolten AO ved å dreie sekskantnøkkelen AK **MED URVISEREN** (= samme vei som pilen på sagbladet)
 - ! **vent med å trykke på spindellåsknappen AM til verktøyet har stanset og er i ro**
 - slipp spindellåsknappen AM
 - fjern flensen AP og sagbladet
 - ! **skift sagbladet slik at bladets tenner og pilen på bladet peker samme vei som pilen på sikkerhetsdekslet A**
 - monter flensen AP 25c
 - trykk på spindellåsknappen AM og hold den inne mens du strammer bladbolten ved å vri sekskantnøkkelen 1/8 omdreining AK **MOT URVISEREN** mer enn trukket til for hånd (sikrer at sagbladet slipper hvis det møter for stor motstand og reduserer derfor overbelastning av motoren og tilbakeslag)
 - stram dekkplateskruen AN
- Skifting av bordinnsats AQ 26
 - Skift en ødelagt eller slitt bordinnsats slik:
 - ! **trekk ut støpselet av stikkkontakten**
 - ta frem sekskantnøkkelen AK fra oppbevaring AL

- fjern alle 6 skruer som vist
- fjern den gamle bordinnsatsen ved å løfte den foran og trekke den helt ut
- monter ny bordinnsats
- ! **stram de 6 skruene grundig**
- Kontroll/justering av 90° innretting av bladet 27
 - ! **trekk ut støpselet av stikkkontakten**
 - drei sagbordet til gjæringsposisjonen 0° og lås det
 - sett saghodet til skråposisjon 0°
 - senk saghodet og lås den
 - bruk en vinkelhake og kontroller at vinkelen mellom bladet og bordet er 90°
 - om nødvendig justeres bladets 90° innretting slik:
 1. løsne knotten som har tre knaster U
 2. juster skruen W med bladnøkkel 10 (ikke levert som standard)
 3. kontroller på nytt med en gjæringsvinkel
 4. tilbakestill skråkant-indikator V til 0°
- Kontroll/justering av 45° innretting av bladet 28
 - ! **trekk ut støpselet av stikkkontakten**
 - drei sagbordet til gjæringsposisjonen 0° og lås det
 - løsne knotten som har tre knaster U
 - sving saghodet mot venstre
 - bruk en vinkelhake og kontroller at vinkelen mellom bladet og bordet er 45°
 - kontroller at skråvinkel-indikatoren V er på 45° merket
 - om nødvendig justeres bladets 45° innretting slik:
 1. juster skruen X med bladnøkkel 10 (ikke levert som standard)
 2. kontroller med en gjæringsvinkel
- Kontroll/justering av 90° innretting av anlegget 29
 - ! **trekk ut støpselet av stikkkontakten**
 - drei sagbordet til gjæringsposisjonen 0° og lås det
 - senk saghodet og lås den
 - kontroller ved hjelp av en vinkelhake at vinkelen mellom bladet og anlegget S er 90° (pass på at vinkelhaken berører selve sagbladet og ikke tennene) 29a
 - hold vernet A i åpen posisjon
 - om nødvendig justeres anleggets 90° innretting slik:
 1. løsne 2 sekskantskruer T 29b
 2. juster anlegget slik at bladet og anlegget har full kontakt med vinkelhaken
 3. stram 2 sekskantskruer T
 4. tilbakestill gjærings-indikator til 0° 29c

BRUKER TIPS

- Spesielle arbeidsstykker
 - de fri endene på lange arbeidsstykker på alltid støttes 30
 - sørg for at buede eller runde arbeidsstykker sikres ekstra godt mot å løsne 31
 - ved skjærelinjen må det ikke være åpning mellom arbeidsstykket og anlegget eller sagbordet
 - om nødvendig, lag et ekstra anlegg. Hullene i skyveanlegget skal brukes til å feste det ekstra anlegget 32
 - ! **det ekstra anlegget kan bare brukes ved 0° skråkant**
- Ved arbeid med gulvlister kan illustrasjon 33 brukes som referanse
- Legg alltid den pene siden av arbeidsstykket ned for å forsikre deg om minimum splintring av materialet

- Bruk alltid skarpe sagblader av riktig type
 - kvaliteten på sagingen økes med antall tenner på sagbladet
 - hårdmetall-blader har 30 ganger lengre levetid enn vanlige blader

VEDLIKEHOLD / SERVICE

- Hold alltid verktøyet og ledningen ren (spesielt ventilasjonshullene på baksiden av motorhuset)
- Utfør regelmessige kontroller for å være sikker på at det nedre vernet virker som det skal. Rengjør det nedre vernet for sagflis med bruk av en fuktig klut.
 - ! **dra ut støpselet før rengjøring**
 - løft det nedre vernet til helt åpen posisjon og slip det. Hvis det ikke lukker helt med en gang, skal det sjekkes av et service senter for SKIL-elektroverktøy
- Rengjør sagblad straks etter bruk (spesielt for kvae og lim)
 - ! **sagbladet blir svært varmt under bruk; ikke ta på det før det er avkjølt**
- Rengjør laserlyset AC med en myk kost etter hver bruk slik at god synlighet av laserlinjen opprettholdes (sørg for at du ikke endrer innstillingen til laseren)
- Hvis elektroverktøyet til tross for omhyggelige produksjons- og kontrollmetoder en gang skulle svikte, må reparasjonen utføres av et autorisert serviceverksted for SKIL-elektroverktøy
 - send verktøyet i **montert** tilstand sammen med kjøpebevis til forhandleren eller nærmeste SKIL servicesenter (adresser liksom service diagram av verktøyet finner du på www.skil.com)
- Vær klar over at skade som skyldes overbelastning eller feilbehandling av verktøyet ikke dekkes av garantien (for SKIL garantibetingelser se www.skil.com eller spør din forhandler)

MILJØ

- **Kast aldri elektroverktøy, batterier, tilbehør og emballasje i husholdningsavfallet** (kun for EU-land)
 - i henhold til EU-direktiv 2012/19/EF om kasserte elektriske og elektroniske produkter og direktivets iverksetting i nasjonal rett, må elektroverktøy som ikke lenger skal brukes, samles separat og returneres til et miljøvennlig gjenvinningsanlegg
 - symbolet ⑥ er påtrykt som en påminnelse når utskifting er nødvendig

STØY

- Målt i samsvar med EN 62841 lydtrykknivået av dette verktøyet er 100,0 dB(A) og lydstyrkenivået 109,5 dB(A) (usikkerhet K = 3 dB)
- Støyutslippet har blitt målt i samsvar med en standardisert test gitt i EN 62841. Det kan brukes til å sammenligne ett verktøy med ett annet og til foreløbig vurdering av utsettelse til støy når verktøyet brukes til de nevnte bruksformål
 - bruk av verktøyet til andre oppgaver, eller med annet eller mangelfullt vedlikeholdt utstyr, kan gi en vesentlig **økning** av eksponeringsnivået
 - tidsrommene når verktøyet er avslått eller når det går men ikke arbeider, kan gi en vesentlig **reduksjon** av eksponeringsnivået

FIN

Katkaisu- ja jirisaaha

1310

ESITTELY

- Tämä työkalu on tarkoitettu kiinteäksi koneeksi suorien ja kulmasahausten (vaakasuurat -47°...+47° viistekulmat ja pystysuurat 0°...45° kaltevuuskulmat ovat mahdollisia) tekemiseen puuhun pitkittäis- ja poikittaissuunnassa
- Lue ja säilytä tämä ohjekirja ②
- Tätä työkalua ei ole tarkoitettu ammattikäyttöön
- **Käyttö työkalua ainoastaan silloin, kun se on asennettu oikein ja kokonaan** (huomaa, että Skil ei voi ottaa vastuuta työkalun vaurioitumisesta ja/ tai henkilövahingoista, joita voi aiheutua työkalun virheellisestä asennuksesta)

TEKNISET TIEDOT ①

LAITTEEN OSAT ⑧

- A Alasuojus
- B Kytinkahva
- C Lukitustappi kuljetusta varten
- D Ylempi suojus
- E Kuljetuskahva
- F Kiinnitysreiät
- G Tukijalka
- H Pölypussi
- J Pölyportti
- K Jatkokiskot
- L Nupit jatkokiskojen lukitsemista varten
- M Pidike työkappaleen kiinnittämiseen
- N Tukiaukko
- P Nuppi pidikkeen kiinnitykseen
- Q Nuppi pidikkeen säätämiseen
- R Kiristysvipu
- S Ohjain
- T Kuusioruuvit ohjaimen säätämiseen (2x)
- U Lukitusnuppi (viistekulmat)
- V Kaltevuuskulamittari
- W Ruuvi kaltevuuskulman säätämiseen (oikealla)
- X Ruuvi kaltevuuskulman säätämiseen (vasemmalla)
- Y Laserin säätöruuvi
- Z Laservalo
- AA Laserin virtakytkin
- AB Lukituskahva (viistekulmat)
- AC Viisteen lukitsimen vapautusvipu
- AD Viistekulamittari
- AE Lukitusnuppi liukulaitteelle
- AF Virtakytkin
- AG Varmistin
- AH Sahaussyvyiden rajoitin
- AI Syvyydenrajoitin
- AJ Syvyydenrajoitinmutteri
- AK Kuusiokoloavain
- AL Säilytyspaikka kuusiokoloavainta varten
- AM Karanlukituspainike
- AN Suojalevyn ruuvi
- AO Teräpultti
- AP Laippa

AQ Pöydän irtopala

AR Pölydeflektori

TURVALLISUUS

YLEISET SÄHKÖTÖYKALUJEN TURVALLISUUTEEN LIITTYVÄT VAROITUKSET

VAROITUS: Perehdy kaikkiin tämän sähkötyökalun mukana toimitettuihin varoituksiin, ohjeisiin, kuviin ja tekniisiin tietoihin. Jos kaikkia alla olevia ohjeita ei noudateta, seurauksena voi olla sähköisku, tulipalo ja/tai vakava loukkaantuminen.

Säilytä kaikki turvallisuus- ja muut ohjeet tulevaisuutta varten.

Turvallisuusohjeissa käytetty käsite "sähkötyökalu" käsittää verkkokäyttöisiä sähkötyökaluja (verkkojohdolla) ja akkukäyttöisiä sähkötyökaluja (ilman verkkojohtoa).

1) TYÖPAIKAN TURVALLISUUS

- Pidä työskentelyalue puhtaana ja hyvin valaistuna.** Työpaikan epäjärjestys tai valaisemattomat työalueet voivat johtaa tapaturmiin.
- Älä työskentele sähkötyökalulla räjähdysalttiissa ympäristössä, jossa on palavaa nestettä, kaasua tai pölyä.** Sähkötyökalu muodostaa kipinöitä, jotka saattavat syyttää pölyn tai höyryt.
- Pidä lapset ja sivulliset loitolla sähkötyökalua käyttäessäsi.** Voit menettää laitteesi hallinnan, huomiosi suuntautuessa muualle.

2) SÄHKÖTURVALLISUUS

- Sähkötyökalun pistotulpan tulee sopia pistorasiaan.** Pistotulppaa ei saa muuttaa millään tavalla. Älä käytä mitään pistorasia-adaptoreita maadoitettujen sähkötyökalujen kanssa. Alkuperäisessä kunnossa olevat pistotulpat ja sopivat pistorasiat vähentävät sähköiskun vaaraa.
- Vältä koskettamasta maadoitettuja pintoja, kuten putkia, pattereita, liesiä tai jääkaappeja.** Sähköiskun vaara kasvaa, jos kehosi on maadoitettu.
- Älä aseta sähkötyökalua alttiiksi sateelle tai kosteudelle.** Veden tunkeutuminen sähkötyökalun sisään kasvattaa sähköiskun riskiä.
- Älä käytä verkkojohtoa väärin. Älä käytä sitä sähkötyökalun kantamiseen, vetämiseen tai pistotulpan irrottamiseen pistorasiasta.** Pidä johto loitolla kuumuudesta, öljystä, terävistä reunoista ja liikkuvista osista. Vahingoittuneet tai sotkeutuneet johdot kasvattavat sähköiskun vaaraa.
- Käyttäessäsi sähkötyökalua ulkona, käytä ainoastaan ulkokäyttöön soveltuvaa jatkojohtoa.** Ulkokäyttöön soveltuvan jatkojohdon käyttö pienentää sähköiskun vaaraa.
- Jos sähkötyökalun käyttö kosteassa ympäristössä ei ole välttävissä, tulee käyttää maavuotokatkaisijaa.** Maavuotokatkaisijan käyttö vähentää sähköiskun vaaraa.

3) HENKILÖTURVALLISUUS

- Ole valpas, kiinnitä huomiota työskentelyysi ja noudata tervettä järkeä sähkötyökalua käyttäessäsi. Älä käytä sähkötyökalua, jos olet väsynyt tai huumeiden, alkoholin tahi lääkkeiden**

vaikutuksen alaisena. Hetken tarkkaamattomuus sähkötyökalua käytettäessä, saattaa johtaa vakavaan loukkaantumiseen.

- Käytä suojavarusteita. Käytä aina suojalaseja.** Henkilökohtaisen suojavarustuksen käyttö, kuten pölynaamarin, luistamattomien turvakenkien, suojakypärän tai kuulonsuojaimien, riippuen sähkötyökalun lajista ja käyttötavasta, vähentää loukkaantumisriskiä.
 - Vältä tahatonta käynnistämistä. Varmista, että sähkötyökalu on poiskytkettyä, ennen kuin liität sen sähköverkkoon ja/tai liität akun, otat sen käteen tai kannat sitä.** Jos kannat sähkötyökalua sormi käynnistyskytkimellä tai kytket sähkötyökalun pistotulpan pistorasiaan, käynnistyskytkimen ollessa käyntiasennossa, altistat itsesi onnettomuuksille.
 - Poista kaikki säätötyökalut ja ruuvitalat, ennen kuin käynnistät sähkötyökalun.** Työkalu tai avain, joka sijaitsee laitteen pyörivässä osassa, saattaa johtaa loukkaantumiseen.
 - Älä ylläriivä itseäsi. Huolehdi aina tukevasta seisoma-asennosta ja tasapainosta.** Täten voit paremmin hallita sähkötyökalua odottamattomissa tilanteissa.
 - Käytä tarkoitukseen soveltuvia vaatteita. Älä käytä löysiä työvaatteita tai koruja. Pidä hiukset ja vaatteet poissa liikkuvien osien ulottuvilta.** Väljät vaatteet, korut ja pitkät hiukset voivat takertua liikkuviin osiin.
 - Jos pölynimu- ja keräilylaitteita voidaan asentaa, tulee sinun tarkistaa, että ne on liitetty ja että ne käytetään oikealla tavalla.** Pölynimulaitteiston käyttö vähentää pölyn aiheuttamia vaaroja.
 - Työskentele keskittyneesti ja noudata aina turvallisuusmääräyksiä.** Hetkellinenkin huolimattomuus voi aiheuttaa vakavia vammoja.
- #### 4) SÄHKÖTÖYKALUJEN KÄYTTÖ JA HOITO
- Älä ylikuormita laitetta. Käytä kypseeseen työhön tarkoitettua sähkötyökalua.** Sopivaa sähkötyökalua käyttäen työskentelet paremmin ja varmemmin tehoalueella, jolle sähkötyökalu on tarkoitettu.
 - Älä käytä sähkötyökalua, jota ei voida käynnistää ja pysäyttää käynnistyskytkimestä.** Sähkötyökalu, jota ei enää voida käynnistää ja pysäyttää käynnistyskytkimellä, on vaarallinen ja se täytyy korjata.
 - Irrota pistotulppa pistorasiasta ja/tai irrota akku (jos irrotettava) sähkötyökalusta, ennen kuin suoritat säätöjä, vaihdat tarvikkeita tai viet sähkötyökalun varastoon.** Nämä turvatoimenpiteet pienentävät sähkötyökalun tahattoman käynnistysriskin.
 - Säilytä sähkötyökalut poissa lasten ulottuvilta, kun niitä ei käytetä. Älä anna sellaisten henkilöiden käyttää sähkötyökalua, jotka eivät tunne sitä tai jotka eivät ole lukeneet tätä käyttöohjetta.** Sähkötyökalut ovat vaarallisia, jos niitä käyttävät kokemattomat henkilöt.
 - Pidä sähkötyökalut ja tarvikkeet hyvässä kunnossa. Tarkista, että liikkuvat osat toimivat moitteettomasti, eivätkä ole puristuksessa sekä, että siinä ei ole murtuneita tai vahingoittuneita osia, jotka saattaisivat vaikuttaa haitallisesti sähkötyökalun toimintaan. Anna korjauttaa mahdolliset viat ennen käyttöönottoa.** Monen tapaturman syyt löytyvät huonosti huolletuista laitteista.

- f) **Pidä leikkausterät terävinä ja puhtaina.** Huolellisesti hoidetut leikkaustyökalut, joiden leikkausreunat ovat teräviä, eivät tartu helposti kiinni ja niitä on helpompi hallita.
- g) **Käytä sähkötyökaluja, tarvikkeita, vaihtotyökaluja jne. näiden ohjeiden mukaisesti. Ota tällöin huomioon työolosuhteet ja suoritettava toimenpide.** Sähkötyökalun käyttö muuhun kuin sille määrättyyn käyttöön, saattaa johtaa vaarallisiin tilanteisiin.
- h) **Pidä kahvat ja kädensijat kuivina ja puhtaina (öljytöminä ja rasvattomina).** Jos kahvat ja kädensijat ovat liukkaita, et pysty ylläpitävissä tilanteissa ohjaamaan ja hallitsemaan työkalua turvallisesti.
- 5) **HUOLTO**
- a) **Anna koulutettujen ammattihenkilöiden korjata sähkötyökalusi ja hyväksy korjauksiin vain alkuperäisiä varaosia.** Täten varmistat, että sähkötyökalu säilyy turvallisena.

JIIIRISAHAN TURVALLISUUSOHJEET

- **Jiirisahat on tarkoitettu puun tai puunkaltaisten tuotteiden leikkaamiseen. Niitä ei saa käyttää hiomalaikoilla rautaisten materiaalien, kuten esimerkiksi tankojen, palkkien tai putkien, leikkaamiseen.** Hiomapöly aiheuttaa liikkuvien osien, kuten alasuojan, kiinnitarttumiseen. Hiovan katkaisun aikana syntyvät kipinät polttavat alasuojan, halkaisukappaleen ja muut muoviosat.
- **Käytä puristimia työkalun tukemiseen aina kuin mahdollista. Jos pidät työkalua paikoillaan käsin, käsien on oltava vähintään 10 cm etäisyydellä sahanterän molemmista reunoista. Älä käytä tätä sahaa liian pienten kappaleiden leikkaamiseen, joita ei voida turvallisesti kiinnittää tai pitää paikoillaan käsin.** Jos käyttäjän kädet ovat liian lähellä sahanterää, loukkaantumisen riski kasvaa.
- **Työkappaleen on oltava paikoillaan ja kiinnitettynä molempiin ohjaimiin ja pöytään. Älä syötä työkalua terään äläkä leikkaa mitään ”vapaalla kädellä”.** Kiinnittämättömät tai liikkuvat työkalut voivat lentää suurella nopeudella ja aiheuttaa loukkaantumisen.
- **Työnnä saha työkalun läpi. Älä vedä sahaa työkalun läpi. Aloita sahaus nostamalla sahanpää se työkalun päälle leikkaamatta sitä. Käynnistä moottori, paina sahanpäää alas päin ja työnnä se työkalun läpi.** Työkappaleen leikkaaminen vetämällä sahaa itseä kohti aiheuttaa todennäköisesti sahanterän hyyppäämisen työkalun yläosaan ja sieltä iskeytymisen käyttäjään.
- **Älä koskaan risti käsiäsi leikkulinjan yli sahanterän edestä tai takaa.** Työkappaleen tukeminen ristimällä kädet, eli pitämällä työkalusta kiinni oikealla kädellä ja leikkaamalla vasemmalla kädellä, on erittäin vaarallista.
- **Älä kurottele ohjaimen taakse puupalojen poistamiseksi tai muusta syystä niin, että kädet ovat alle 10 cm:n päässä sahanterän reunasta, silloin kun terä on käynnissä.** Pyörivä sahanterä voi aiheuttaa vakavan loukkaantumisen.
- **Tarkasta työkalu ennen leikkausta. Jos se on kaartunut tai vääntynyt, kiinnitä se niin, että kaartuneen osan ulkoreuna on ohjaimen suuntaan. Varmista aina, ettei työkalun ohjaimen ja pöydän välissä ole rakoa missään kohtaa leikkulinjaa.** Taittuneet tai vääntyneet työkalut voivat kaantua tai siirtyä ja aiheuttaa näin sahanterän kiinnitarttumisen sahausseensa aikana. Työkappaleessa ei saa olla nauvoja tai muita vieraita esineitä.
- **Älä koskaan käytä sahaa, ennen kuin pöydältä on siivottu kaikki työkalut, puukappaleet ja muut esineet.** Pöydällä saa olla vain työkalu. Pienet roskat, irtonaiset puukappaleet tai muut esineet voivat lentää suurella nopeudella joutuessaan kosketuksiin pyörivän terän kanssa.
- **Leikkaa vain yhtä työkalua samaan aikaan.** Työkappaleino ei voida kiinnittää asianmukaisesti, ja kappaleet saattavat liikkua tai terä voi tarttua kiinni sahausseensa aikana.
- **Varmista ennen käyttöä, että jiirisaha on asennettu tai sijoitettu tasaiselle ja vakaalle työalustalle.** Tasainen ja vakaa työalusta pienentää jiirisahan epävakaa toiminnan riskiä.
- **Suunnittele työ! Varmista aina ennen kallistus- ja viistekulma-asetusten muuttamista, että säädettävä ohjain on asetettu oikein niin, että se tukee työkalua eikä estä terää tai suojaimia toimimasta.** Älä käynnistä (ON) työkalua vielä äläkä aseta työkalua vielä pöydälle. Liikuta sahaa mukailien leikkuliikettä ja varmista, ettei terä osu tai leikkaa ohjainta.
- **Varmista asianmukaiset tuet, kuten pöydän irtopalat ja sahapukit, mikäli työkalu on leveämpi tai pidempi kuin pöytä.** Jiirisahan pöytä on leveämpi tai pidempi työkalut voivat pudota, jos niitä ei tueta kunnolla. Jos jäämäkappale tai työkalu putoo, se saattaa nostaa alasuojan tai kappale saattaa lentää osuessaan pyörivään terään.
- **Älä pyydä ketään toista henkilöä tukemaan kappaleita tai tarjoamaan lisätukea, vaan käytä pöydän irtopalaa.** Epävakaat työkalut voi aiheuttaa terän kiinnitarttumisen tai työkalun liikkumisen sahausseensa aikana, mikä voi johtaa käyttäjän paiskautumiseen pyörivää terää kohti.
- **Jäämäkappale ei saa tarttua kiinni pyörivään sahanterään eikä joutua sen painamaksi.** Jos jäämäkappale jää jumiin esimerkiksi pituussuuntaisiin rajoittimiin, se saattaa osua terään ja lentää suurella nopeudella.
- **Käytä aina erityisesti pyöreiden esineiden, kuten tankojen ja putkien, tukemiseen tarkoitettuja kiinnikkeitä tai kiinnittimiä.** Tangoilla on taipumus pyöriä leikkua aikana, jolloin terä ”leikkaa kiinni” ja vääntää työkalun ja käyttäjän käden terää kohti.
- **Odota, että terä on täydessä nopeudessaan, ennen kuin aloitat työkalun leikkaamisen.** Tämä pienentää työkalun lentämisen riskiä.
- **Jos työkalu tai terä tarttuu kiinni, sammuta jiirisaha. Odota, että kaikki liikkuvat osat ovat pysähtyneet, ja irrota pistoke virtalähteestä ja poista akku. Irrota sitten kiinnitartunut kappale.** Sahaamisen jatkaminen työkalun ollessa tarttuneena voi aiheuttaa jiirisahan hallinnan menetyksen tai vaurioitumisen.
- **Sahauskäynnätyksi vapautu kytkin, pidä sahanpäää alas päin ja odota, että terä pysähtyy kokonaan, ennen kuin poistat jäämäkappaleen.** Käden kurottaminen jälkikäynnä terää kohti on vaarallista.
- **Pidä kahvaa vakaasti, jos teet osittaisen leikkun tai jos vapautat kytkimen, ennen kuin sahanpää on**

kokonaan ala-asennossa- Sahan jarruttaminen voi saada sahanpään vetäytymään yhtäkkiä alaspäin, mikä aiheuttaa loukkaantumisriskin.

LISÄ-TURVALLISUUSOHJEET

- KytKentäpapahtumat aikaansaavat lyhytaikaisia jännitteen alenemisiä; huonoissa verkko-olosuhteissa saattaa tämä vaikuttaa haitallisesti muihin laitteisiin (verkoimpedanssin ollessa alle 0,464 Ohm ei häiriötä ole odotettavissa); jos tarvitset lisätietoa, ole hyvä ja ota yhteyttä omaan sähkönjakelijaaasi

YLEISTÄ

- Käytä työkalua ainoastaan puun sahaamiseen
- Tarkista aina, että syöttöjännite on sama kuin työkalun nimilaatan osoittama jännite
- **Älä seiso työkalun tai sen jalustan päällä.** Työkalun tippuminen tai kosketus terän kanssa voi aiheuttaa loukkaantumisen. Älä säilytä materiaaleja työkalun päällä tai sen läheisyydessä niin, että materiaalien saavuttaminen edellyttää työkalun tai sen jalustan päällä seisomista.
- **Irrota aina pistotulppa pistorasiasta, ennen kuin suoritat laitteelle mitään säätöjä tai vaihdat tarvikkeita**
- **Irrota aina pistoke virtalähteestä ennen jiirisahan kuljettamista.** Irrota pistoke virtalähteestä ja laske sahanpää alas lukitusasentoon. Käytä kantokahvaa ja sahan rungossa olevaa kantolovea.
- **Älä irrota otetta työkalusta, ennen kuin se on kokonaan pysähtynyt**
- **Kun leikkaat epäsäännöllisen mallisia työkappaleita, suunnittele työ niin, ettei työkappale pääse lipsahtamaan kädestä ja osumaan terään**
- Tätä työkalua saavat käyttää vain 16 vuotta täyttäneet henkilöt
- Tämä sahala ei sovellu märkäsahaukseen

KÄYTTÖ ULKOTILASSA

- Ulkotilassa käytettäessä liitä työkalu vikavirran (FI) piirikatkaisimen kautta laukaisuvirtaan, jonka maksimi on 30 mA ka; käytä vain sellaista jatkojohtoa, joka on tarkoitettu ulkotilassa käytettäväksi ja varustettu roiskevedenpitävällä kytkentäliittimellä

ENNEN KÄYTTÖÄ

- Käytä täysin rullaamattomia ja turvallisia jatkejohtoja, joiden kapasiteetti on 16 ampeeria
- Käytä suojalaseja, kuulonsuojaimia, ja suojakäsineitä
- Materiaaleista, kuten lyijypitoinen maali, jotkut puulajit, mineraalit ja metalli, tuleva pöly voi olla vahingollista (kosketuksiin joutuminen pölyn kanssa tai sen sisään hengittäminen voi aiheuttaa käyttäjälle tai sivustakatsojille allergiareaktioita ja/tai hengitysvaivoja); **käytä pölynaamaria ja työskentele pölynpoistolaitteen kanssa, kun sellainen on liitettävissä**
- Tietäntyyppiset pölyt on luokiteltu karsinogeenisiksi (kuten tammi- ja pyökkipöly) erityisesti puun käsittelyyn käytettävien lisäainesten yhteydessä; **käytä pölynaamaria ja työskentele pölynpoistolaitteen kanssa, kun sellainen on liitettävissä**
- Noudata maakohtaisia pölyyn liittyviä sääntöjä
- **Älä koskaan työstä asbestipitoista ainetta** (asbestia pidetään karsinogeenisena)
- Älä koskaan käytä konettasi ilman alkuperäisiä suojavarusteita

- Varmista aina ennen käyttöä, että suojuus sulkeutuu kunnolla
- Älä käytä sahaa, jos suojuus ei liiku vapaasti tai sulkeudu heti
- Älä koskaan purista tai sido suojusta auki-asentoon
- Älä koskaan käytä työkalua ilman pöydän irtopalaa, vaihda villinen tai kulunut pöydän irtopala
- Poista kaikki esteet sahauslinjan ylä- ja alapuolelta ennen sahausta
- Vältä vaaralliset vahingot, jotka voivat aiheutua nauloista, ruuveista tai muista aineista työstettävässä materiaalissa; poista ne ennen työskentelyä aloittamista

VARUSTEET

- Älä käytä hionta- tai jyrshintälevyjä tämän koneen kanssa
- SKIL pystyy takaamaan työkalun moitteettoman toiminnan vain, kun käytetään oikeita tarvikkeita, jotka ovat saatavana SKIL-myyntiliikkeestä
- Muita kuin SKIL-varusteita kiinnitettäessä/käytettäessä noudata kyseisen valmistajan antamia ohjeita
- Käytä ainoastaan sahanteriä, jotka vastaavat tässä käyttöohjeessa määriteltyjä ominaistietoja, ovat koestettuja EN 847-1 mukaan ja vastaavasti merkityjä
- Käytä vain tarvikkeita, joiden sallittu kierrosnopeus on vähintään yhtä suuri kuin laitteen suurin tyhjäkäyntikierrosnopeus
- Älä koskaan käytä pikateräksestä tehtyjä sahanteriä
- Älä käytä rikkiäistä, tylsää tai väännynttä sahanteriä
- Käytä ainoastaan sahanteriä, joiden reiän halkaisija sopii työkalukaraan välyksettä; älä koskaan käytä pienennys- tai sovitussosia isoreikäisten sahanterien asentamiseen
- Suojele varusteita iskuja, törmäyksiä ja rasvaantumista vastaan

KÄYTÖN AIKANA

- **Älä liikuta työkalua väkisin** (paina sitä kevyesti ja jatkuvasti välttääksesi terän kärkien ylikuumenemisen, ja jos sahaat muovivia, muovin sulamisen)
- Pidä sormet, kädet ja käsivarret poissa pyörivän sahanterän läheltä
- Jos sahanterä jumittuu, sammuta työkalu välittömästi ja irrota pistoke pistorasiasta; irrota työkappale vasta sitten
- Jos sahaa juuttuu kiinni tai jos huomaa siinä sähköisen tai mekaanisen vian, sulje se heti ja irrota pistotulppa pistorasiasta
- Jos sähkötoivo vahingoittuu tai katkeaa työn aikana ei johtoa saa koskettaa, vaan pistotulppa on välittömästi irrotettava pistorasiasta
- Älä käytä työkalua, jonka johto on vioittunut; johto on vaihdettava erikoisvalmisteseen johtoon, jonka voi hankkia mistä tahansa huolto-organisaatioon kuuluvasta liikkeestä.

LASERSÄTEILY

- **Älä suuntaa lasersädettä ihmisiin tai eläimiin äläkä myöskään itse katso suoraan kohti tulevaan tai heijastuneeseen lasersäteeseen** (lasersäde voi aiheuttaa häikäistymistä, onnettomuuksia tai vaurioittaa silmiä)
- Jos lasersäde osuu silmään, sulje silmät tarkoituksella ja käännä pää välittömästi pois säteen linjalta
- Älä tee mitään muutoksia laserlaitteistoon
- Älä katso suoraan lasersäteeseen (lasersäteily)
- Älä käytä optisia suurennuslaitteita (kuten suurennuslasit, teleskoopit tai kiikarit) lasersäteen katmiseksi
- Älä käytä työkalua ympäristössä, jossa on syttyviä nesteitä, kaasuja tai pölyä
- Älä käytä työkalua lasten ollessa lähetyvillä
- Älä vaihda asennetun laserin tilalle toista lasertyyppiä

KÄYTÖN JÄLKEEN

- Kun olet kytkenyt työkalun irti, älä koskaan pysäytä varusteen pyörintää siihen kohdistetulla poikittaisella voimalla
- Poista jäämät tai muut työkappaleen osat sahausalueelta vasta, kun kaikki liikkuvat osat ovat pysähtyneet kokonaan
- sahanterä kuumenee erittäin paljon käytön aikana; älä koske kehukseen ennen kuin se on jäähtynyt
- Säilytä työkalu **sisätiloissa** kuivassa ja lukitussa paikassa lasten ulottumattomissa

TYÖKALUN SYMBOLIEN SELITYKSET

- ② Lue käyttöohjeet ennen käyttöä
- ③ Käytä suojalaseja ja kuulonsuojaimia
- ④ **Vaara-alue! Ei käsiä -alue. Pidä kädet, sormet ja käsivarret kaukana tältä alueelta.**
- ⑤ Kaksoiseristys (ei tarvita maajohtoa)
- ⑥ Älä hävitä sähkötyökalua ja paristoja tavallisen kotitalousjätteen mukana
- ⑦ **Lasersäteily / Älä katso suoraan säteeseen / Luokan 2 lasertuote**

KÄYTTÖ

- Asennus
 - kiinnitä kuljetuskahva pulteilla ja kiristä 2 pulttia kuusiokoloavaimella AK^⑨
 - asenna viisteen lukitusnuppi AB pöydän etuosaan ^⑩
- Kuljetus-/työskentelyasento
 - Työkalun irrottaminen (**työskentely**-asento)
 - paina kahvaa B alaspäin yhdellä kädellä samalla, kun vedät lukitustapin ulos C toisella kädellä ^{①a}
 - ohjaa sahanpäättä hitaasti ylöspäin
 - halutessasi sahata liukuvalla liikkeellä löysää lukitusnuppi AE ^{①b}
 - Työkalun kiinnittäminen (**kuljetus**-asento)
 - liu'uta sahanpää rajoittimeen asti ohjaimen suuntaan S ja kiristä lukitusnuppi AE ^{①c}
 - aseta kallistuskulmaksi 0° (ks. Kallistuskulmien asettaminen)
 - aseta viistekulmaksi 45° vasemmalle tai oikealle (ks. Viistekulmien asettaminen)
 - paina kahvaa B alaspäin yhdellä kädellä samalla, kun painat toisella kädellä lukitustappia C
 - kierrä virtajohto rullalle
 - käytä kuljetuskahvaa E työkalun kuljettamiseen ^{①d}
 - voit kantaa työkalua myös sivukahvoista ^{①e}
- ! **älä koskaan nosta työkalua pitämällä kiinni pääkahvasta tai virtajohdosta**
- Työkalun kiinnittäminen työpinnalle ^⑫
 - ! **jotta käsittely olisi turvallista, kiinnitä työkalu aina tasaiselle ja tukevalle työpinnalle (esim. työpennkkiin)**
 - käytä 4 kiinnitysreikää F työkalun kiinnittämiseen työpintaan sopivilla ruuveilla
 - voit myös kiinnittää työkalun työpintaan kaupasta saatavilla ruuvipuristimilla
 - työkalun vakauttamiseksi tukijalan korkeutta G voit säätää
 - työkalu voidaan asentaa myös jiirisahan jalustaan
 - ! **lue kaikki sahan jalustan varoitukset ja ohjeet**
- Pölyn-/lastunimu ^⑬
 - asenna pölypussi H/pölynimuri, kuten kuvassa on esitetty
- tyhjennä pölypussi säännöllisesti optimaalisen pölynimurin saavuttamiseksi
- ! **varmist, että pölyimurin letku ei pääse häiritsemään alasuojaa eikä sahausta**
- Sahauspöydän irtopala ^⑭
 - kiinnitä jatkokiskot L nupuilla K (kummalle puolelle työkalua tahansa)
 - jatkokiskojen K pituutta voidaan säätää portaattomasti minimistä maksimiin
- Työkappaleen kiinnittäminen ^⑮
 - ! **kiinnitä työturvallisuuden varmistamiseksi työkappale tukevasti mukana tulleella säädettävällä puristimella**
 - älä käsittele työkappaleita, jotka ovat liian pieniä puristimella kiinnitettäväksi
 - katso työkappaleen **maksimimitat** taulukosta ^⑯
 - kiinnitä puristin tukiaukkoon N nupilla P (kummalle puolelle työkalua tahansa)
 - käytä 1 2 urista; sellaisten työkappaleiden kohdalla, joiden paksaus on enintään 4cm, ja sellaisten, joiden paksaus on yli 4cm
 - paina työkappale tukevasti ohjainta vasten S
 - vapauta vipu R
 - kiinnitä puristin työkappaleeseen
 - kiinnitä työkappale tukevasti lukitsemalla vipu R
- ! **joissakin viiste- ja kallistusyhdistelmässä tai riippuen työkappaleen koosta voi olla tarpeen kiinnittää kaupasta saatavia ruuvipuristimia työkappaleen puristimen sijaan**
- Viistekulmien asettaminen ^⑰
 - löysää lukituskahva AB
 - paina viisteen lukitsimen vapautusvipua AC
 - kierrä sahauspöytää vasta- tai myötäpäivään ja aseta haluamasi viistekulma (0° - 47°) astemitan avulla AD
 - vapauta vipu AC
 - kiristä lukituskahvaa AB (**älä kiristä kahvaa liian tiukalle**)
 - usein käytettävien viistekulmien (0°, 15°, 22,5°, 31,6°, 45°) nopeaa ja tarkkaa asettamista varten viisteen säätövipu napsahtaa paikalleen vastaaviin asentoihin
- Kallistuskulmien asettaminen ^⑱
 - löysää kolmijalkaista nuppia U ^{⑱b}
 - käännä sahanpäättä vastapäivään, kunnes kallistuskulmamittari V osoittaa haluamaasi kallistuskulmaa
 - pidä sahanpäättä tässä asennossa ja kiristä nuppi U
- Yhdistelmäsaahaukset ^⑲
 - yhdistelmäsaahaukset edellyttävät sekä viistekulman että kallistuskulman asettamista
 - ! **älä käytä sahaa tietyissä viiste- ja kallistusyhdistelmässä, jotka voivat aiheuttaa kosketusta sahan liukuviin ja kiinteisiin osiin tai liukuvien osien ja työkappaleen välillä**
 - ! **testaa ensin kappaleella**
- Laserlinjaa ^⑳
 - ohjaa sahaa haluttua sahauslinjaa pitkin, joka on merkitty työkappaleeseen
 - kiinnitä/sammuta laserlinjojen painamalla kytkintä AA
 - laser on kohdistettu leikkuun vasemman puolen kanssa
 - laserin horisontaalista kohdistusta voidaan helposti säätää ruuvista Y

- ! **ennen kuin aloitat, tarkasta laserlinjojen suunta todelliseen sahauslinjaan nähden tekemällä koehausaus jätemateriaaliin**
- Sahaaminen ilman liukuvaa liikettä (pienet työkappaleet)
 - löysää lukitusnuppi AE, jos se on kiristetty
 - liu'uta sahanpää rajoittimeen asti suojuksen suuntaan S ja kiristä lukitusnuppi uudelleen AE
- ! **jos mekanismia ei lukita, terä saattaa yhtäkkiä hypätä työkappaleen yläpuolelle ja kohti käyttäjää**
- aseta työkalu työasentoon
- ! **varmistu, että työkappale on puristettuna tukevasti sahauspöytää ja ohjainta vasten S**
- käynnistä työkalu vapauttamalla lukitus AG ja vetämällä pääkytkimestä AF ²²
- ! **älä risti käsivarsiasi, kun käytät sahanpäättä ²¹a**
- kuljeta saha työkappaleen poikki tasaista vauhtia
- ! **koneen pitää käydä täysillä kierroksilla ennen sahanterän kosketusta työstettävään kappaleeseen**
- sammuta työkalu vapauttamalla kytkin AF
- odota, kunnes sahanterä on pysähtynyt kokonaan, ennen kuin ohjaat sahanpäättä hitaasti ylöspäin
- Sahaaminen liukuvalla liikkeellä (leveät työkappaleet)
- ! **huomaa, että alla kuvattu menetelmä on ainoa turvallinen menetelmä**
- älä vedä sahaa työkappaleen läpi
- löysää lukitusnuppi AE, jos se on kiristetty
- ! **varmistu, että työkappale on puristettuna tukevasti sahauspöytää ja ohjainta vasten S**
- vedä sahanpäättä pois päin ohjaimesta S niin pitkälle, että sahanterä on työkappaleen edessä ²³
- käynnistä työkalu painamalla turvavipua AG ja vetämällä pääkytkimestä AF ²²
- ! **älä risti käsivarsiasi, kun käytät sahanpäättä ²¹a**
- työnnä sahanpää ohjaimen suuntaan S ja kuljeta saha työkappaleen poikki tasaista vauhtia ²³
- ! **koneen pitää käydä täysillä kierroksilla ennen sahanterän kosketusta työstettävään kappaleeseen**
- ! **jos alasuoja ei avaudu automaattisesti, mikä voi olla mahdollista tietyissä tilanteissa (esim. jos työkappale on erittäin lähellä maksimikapasiteettia), käyttäjän on avattava alasuoja käsin ²¹b**
- sammuta työkalu vapauttamalla kytkin AF
- odota, kunnes sahanterä on pysähtynyt kokonaan, ennen kuin ohjaat sahanpäättä hitaasti ylöspäin
- Sahausrat ²⁴
- säädä haluamasi syvyys syvyydenrajoittimella AH ja lukitse se paikoilleen kiristämällä mutteri AJ
- työkappaleen ja ohjaimen väliin pitää asettaa saman paksuinen puinen välilevy koko uran pituudelle
- ! **varmistu, ettei sahanterä jumitu työkappaleeseen**
- ! **testaa ensin kappaleella**
- Sahanterän vaihto ²⁵
- ! **vedä pistoke pistorasiasta**
- ota kuusiokoloavain AK pidikkeestä AL
- pidä suojuks A avoimessa asennossa
- löysää kansilevyn ruuvia AN (älä avaa ruuvia kokonaan) ²⁵a
- käännä suojuks A kokonaan taaksepäin ²⁵b
- paina karan lukitusnuppi AM ja pidä se pohjassa irrottaessasi terän pultin AO kääntämällä kuusiokoloavainta AK **MYÖTÄPÄIVÄÄN** (= sahanterään painetun nuolen suuntaan)
- ! **paina karanlukituspainiketta AM vain sahan ollessa pysähdyksissä**
- vapauta karanlukituspainike AM
- irrota laippa AP ja sahanterä
- ! **vaihda sahanterä ja varmista, että hampaat ja terään merkitty nuoli ovat samansuuntaisia suojuksessa A olevan nuolen kanssa**
- kiinnitä laippa AP ²⁵c
- paina karanlukituspainiketta AM ja pidä sitä painettuna samalla kun kiristät terän pulttia kääntämällä kuusiokoloavainta AK **VASTAPÄIVÄÄN** 1/8 kierroksen verran olemaan sommikiireyttä tiukemmalla (varmistaa, että saha ei vahingoitu silloin, kun terään kohdistuu voimakas rasitus tai takaisku)
- kiristä suojaelevyn ruuvi AN
- Pöydän irtopalan vaihtaminen AQ ²⁶
- Vaihda villinen tai kulunut pöydän irtopala seuraavasti:
- ! **vedä pistoke pistorasiasta**
- ota kuusiokoloavain AK pidikkeestä AL
- irrota kaikki 6 ruuvia kuten kuvassa
- irrota vanha pöydän irtopala nostamalla sitä ensin edestä ja vetämällä se sitten kokonaan irti
- aseta uusi pöydän irtopala paikalleen
- ! **kiristä tukevasti kaikki 6 ruuvia**
- 90° Terän kohdistuksen tarkistaminen/säätäminen ²⁷
- ! **vedä pistoke pistorasiasta**
- käännä sahauspöytä 0 asteen viistekulmaan ja lukitse se paikalleen
- käännä sahanpää 0 asteen kallistuskulmaan
- laske sahanpää ja lukitse se paikalleen
- tarkista suorakulman avulla, että terän ja pöydän välinen kulma on 90°
- säädä terän 90° kohdistus tarvittaessa seuraavasti:
 1. löysää kolmijalkainen nuppi U
 2. säädä ruuvia W teräavaimella 10 (ei sisälly vakiona)
 3. tarkista vielä kulmamittarilla
 4. aseta kallistuskulma V 0 asteeseen
- 45° Terän kohdistuksen tarkistaminen/säätäminen ²⁸
- ! **vedä pistoke pistorasiasta**
- käännä sahauspöytä 0 asteen viistekulmaan ja lukitse se paikalleen
- löysää kolmijalkainen nuppi U
- käännä sahanpäättä vasemmalle
- tarkista viistekulmamittarin avulla, että terän ja pöydän välinen kulma on 45°
- varmista, että kallistuskulmamittari V on 45° merkin kohdalla
- säädä terän 45° kohdistus tarvittaessa seuraavasti:
 1. kiristä ruuvi X koon 10 ruuviaavaimella (ei sisälly vakiovarustukseen)
 2. tarkista vielä viistemittarilla
- 90° Ohjaimen kohdistuksen tarkistaminen/säätäminen ²⁹
- ! **vedä pistoke pistorasiasta**
- käännä sahauspöytä 0 asteen viistekulmaan ja lukitse se paikalleen
- laske sahanpää ja lukitse se paikalleen
- tarkista suorakulman avulla, että terän ja ohjaimen välillä on 90 asteen kulma S (varmistu, että suorakulma koskettaa sahanterän runkoa, ei sen hampaita ²⁹a

- säädä ohjaimen 90° kohdistus tarvittaessa seuraavasti:
 1. löysää 2 kuusioruuvia T ²⁹b
 2. säädä ohjainta, kunnes terä ja ohjain koskettavat kokonaan suorakulmaan
 3. kiristä 2 kuusioruuvia T
 4. aseta viistekulma 0 asteeseen ²⁹c

VINKKEJÄ

- Erikoistyökappaleet
 - tue aina pitkän työkappaleen vapaat päät ³⁰
 - varmista, että kaarevat tai pyöreät työkappaleet on kiinnitetty erityisen hyvin niiden luiskahtelun estämiseksi ³¹
 - sahauslinjalla ei saa olla väliä työkappaleen ja ohjaimen tai sahauspöydän välissä
 - rakenna tarvittaessa apuohjain; apuohjain kiinnitetään liukuvan ohjaimen reikiin ³²
- ! **apuohjain voi olla vain 0 asteen kallistuskulmassa**
- Käytä lattialistoja käsitellessäsi apuna kuvaa ³³
- Käännä aina työkappaleen parempi puoli alaspäin, jotta reunan repeäminen olisi mahdollisimman vähäistä
- Käytä vain oikeantyyppisiä teräviä sahanterä
 - sahausken laatu riippuu hammastuksen tiheydestä
 - kovametallikärkiset terät pysyvät terävinä jopa 30 kertaa kauemmin kuin tavalliset sahanterät

HOITO / HUOLTO

- Pidä työkalu ja johto aina puhtaina (etenkin ilmanvaihtoreiät moottorin kotolon takana)
- Tarkista säännöllisesti, että alasuoja toimii asianmukaisesti. Puhdista alasuojasta mahdollinen sahauspöly kostealla liinalla.
- ! **irrota liitosjohto aina puhdistuksen ajaksi pistorasiasta**
 - nosta alasuoja kokonaan avoimeen asentoon ja vapauta se; jos se ei välittömästi sulkeudu kokonaan, se on tarkastettava SKIL-sopimushuollossa
- Puhdista sahanterä välittömästi käytön jälkeen (erityisesti pihkasta ja liimasta)
 - ! **sahanterä kuumenee erittäin paljon käytön aikana; älä koske kehukseen ennen kuin se on jäähtynyt**
- Puhdista laservalo AC pehmeällä harjalla jokaisen käyttökerran jälkeen, jotta näkyvyys pysyy hyvänä laserviivalla (varmista, ettei laserin asetuksia muuteta)
- Jos sähkötyökalussa, huolellisesta valmistuksesta ja keustusmenettelystä huolimatta esiintyy vikaa, tulee korjaus antaa SKIL sopimushuollon tehtäväksi
 - toimita työkalu sitä osiin **purkamatta** lähimpään SKIL-huoltoon (osoitteet ja työkalun huoltokaava ovat tarjolla web-osoitteessa www.skil.com) ostotodiste mukaan liitettynä
- Ota huomioon, että takuu ei kata työkalun yliuorimituksesta tai väärästä käsittelystä johtuvia vahinkoja (katso SKILin takuuehdot osoitteesta www.skil.com tai kysy jälleenmyyjältä)

YMPÄRISTÖNSUOJELU

- **Älä hävitä sähkötyökalua, paristoja, tarvikkeita tai pakkausta tavallisen kotitalousjätteen mukana** (koskee vain EU-maita)
 - vanhoja sähkö- ja elektroniikkalaitteita koskevan EU-direktiivin 2012/19/ETY ja sen maakohtaisten sovellusten mukaisesti käytetyt sähkötyökalut on

toimitettava ongelmajätteen keräyspisteeseen ja ohjattava ympäristöstävälliseen kierrätykseen

- symboli ⁶ muistuttaa tästä, kun käytöstä poisto tulee ajankohtaiseksi

MELU

- Tämän työkalun äänenpainetaso standardin 62841 mukaisesti mitattuna on 100,0 dB(A) ja äänenvoimakkuus 109,5 dB(A) (epävarmuus K = 3 dB)
- Melutaso on mitattu standardin EN 62841 mukaisen standarditestin mukaisesti; sitä voidaan käyttää verrattaessa yhtä laitetta toiseen sekä alustavana melulle altistumisen arviona käytettäessä laitetta manituissa käyttötarkoituksissa
 - laitteen käyttö eri käyttötarkoituksiin tai erilaisten tai huonosti ylläpidettyjen lisälaitteiden kanssa voi **lisätä** merkittävästi altistumistasoa
 - laitteen ollessa sammuksissa tai kun se on käynnissä, mutta sillä ei tehdä työtä, altistumistaso voi olla huomattavasti **pienempi**

E

Ingletadora telescópica

1310

INTRODUCCIÓN

- Esta herramienta está concebida como máquina estacionaria para el corte longitudinal y transversal, y recto y en ángulo, de la madera (son posibles ángulos horizontales de inglete de -47° a +47°, y ángulos verticales de bisel de 0° a 45°)
- Lea y conserve este manual de instrucciones ²
- Esta herramienta no está concebida para uso profesional
- **Utilice esta herramienta solo cuando esté correcta y totalmente montada** (tenga presente que Skil no asumirá ninguna responsabilidad por daños en la herramienta ni por lesiones personales que se deriven del montaje incorrecto de la herramienta)

DATOS TÉCNICOS ¹

ELEMENTOS DE LA HERRAMIENTA ⁸

- A** Guarda inferior
- B** Empuñadura con interruptor
- C** Pasador de bloqueo para el transporte
- D** Protección superior
- E** Empuñadura para transporte
- F** Orificios de montaje
- G** Pie de apoyo
- H** Bolsa de polvo
- J** Puerto de polvo
- K** Barras de extensión
- L** Botones de bloqueo de las barras de prolongación
- M** Mordaza para montaje de pieza de trabajo
- N** Orificio de soporte
- P** Botón de apriete de mordaza
- Q** Botón de ajuste de mordaza
- R** Palanca de sujeción
- S** Guía
- T** Tornillos de cabeza hexagonal de ajuste de la guía (2x)
- U** Botón de bloqueo (ángulos de bisel)

V	Indicador de ángulo de bisel
W	Tornillo de ajuste de ángulo de bisel (derecho)
X	Tornillo de ajuste de ángulo de bisel (izquierdo)
Y	Tornillos de ajuste del láser
Z	Luz láser
AA	Interruptor para activar/desactivar láser
AB	Mango de bloqueo (ángulos de inglete)
AC	Palanca de liberación del trinquete del inglete
AD	Indicador de ángulo de inglete
AE	Botón de bloqueo del dispositivo deslizante
AF	Interruptor de activación/desactivación
AG	Palanca de seguridad
AH	Limitador de profundidad de corte
AI	Tope de profundidad
AJ	Tuerca del tope de profundidad
AK	Llave hexagonal
AL	Alojamiento para la llave hexagonal
AM	Botón de bloqueo del eje
AN	Tornillo de placa de cubierta
AO	Tornillo de la hoja
AP	Brida
AQ	Inserción de base
AR	Deflector de polvo

SEGURIDAD

ADVERTENCIAS DE PELIGRO GENERALES PARA HERRAMIENTAS ELÉCTRICAS

⚠ ADVERTENCIA Lea todas las advertencias de seguridad, instrucciones, ilustraciones y especificaciones entregadas con esta herramienta eléctrica. El incumplimiento de alguna de las instrucciones que figuran a continuación puede ser causa de descargas eléctricas, incendios o lesiones graves.

Guardar todas las advertencias de peligro e instrucciones para futuras consultas.

El término “herramienta eléctrica” empleado en las siguientes advertencias de peligro se refiere a herramientas eléctricas de conexión a la red (con cable de red) y a herramientas eléctricas accionadas por acumulador (o sea, sin cable de red).

1) SEGURIDAD DEL PUESTO DE TRABAJO

- Mantenga limpia y bien iluminada su área de trabajo.** El desorden o una iluminación débil en las áreas de trabajo pueden provocar accidentes.
- No utilice la herramienta eléctrica en un entorno con peligro de explosión, en el que se encuentren combustibles líquidos, gases o material en polvo.** Las herramientas eléctricas producen chispas que pueden llegar a inflamar los materiales en polvo o vapores.
- Mantenga alejados a los niños y otras personas de su área de trabajo al emplear la herramienta eléctrica.** Una distracción le puede hacer perder el control sobre la herramienta.

2) SEGURIDAD ELÉCTRICA

- El enchufe de la herramienta eléctrica debe corresponder a la toma de corriente utilizada. No es admisible modificar el enchufe en forma alguna. No emplear adaptadores en herramientas eléctricas dotadas con una toma de tierra.** Los enchufes

- sin modificar adecuados a las respectivas tomas de corriente reducen el riesgo de una descarga eléctrica.
- Evite que su cuerpo toque partes conectadas a tierra como tuberías, radiadores, cocinas y refrigeradores.** El riesgo a quedar expuesto a una descarga eléctrica es mayor si su cuerpo tiene contacto con tomas de tierra.
 - No exponga las herramientas eléctricas a la lluvia o a condiciones de humedad.** Existe el peligro de recibir una descarga eléctrica si penetran líquidos en la herramienta eléctrica.
 - No utilice el cable de red para transportar o colgar la herramienta eléctrica, ni tire de él para sacar el enchufe de la toma de corriente. Mantenga el cable de red alejado del calor, aceite, esquinas cortantes o piezas móviles.** Los cables de red dañados o enredados pueden provocar una descarga eléctrica.
 - Al trabajar con la herramienta eléctrica en la intemperie utilice solamente cables de prolongación homologados para su uso en exteriores.** La utilización de un cable de prolongación adecuado para su uso en exteriores reduce el riesgo de una descarga eléctrica.
 - Si el funcionamiento de una herramienta eléctrica en un lugar húmedo fuese inevitable, utilice un cortacircuito de fuga a tierra.** El uso de un cortacircuito de fuga a tierra reduce el riesgo de descarga eléctrica.
- ### 3) SEGURIDAD DE PERSONAS
- Esté atento y emplee la herramienta eléctrica con prudencia. No utilice la herramienta eléctrica si estuviese cansado, ni bajo los efectos de alcohol, drogas o medicamentos.** El no estar atento durante el uso de una herramienta eléctrica puede provocarle serias lesiones.
 - Utilice un equipo de protección personal y en todo caso unas gafas de protección.** El riesgo a lesionarse se reduce considerablemente si, dependiendo del tipo y la aplicación de la herramienta eléctrica empleada, se utiliza un equipo de protección adecuado como una mascarilla antipolvo, zapatos de seguridad con suela antideslizante, casco, o protectores auditivos.
 - Evite una puesta en marcha fortuita. Asegurarse de que la herramienta eléctrica esté desconectada antes de conectarla a la toma de corriente y/o al montar el acumulador, al recogerla, y al transportarla.** Si transporta la herramienta eléctrica sujetándola por el interruptor de conexión/desconexión, o si introduce el enchufe en la toma de corriente con la herramienta eléctrica conectada, ello puede dar lugar a un accidente.
 - Retire las herramientas de ajuste o llaves fijas antes de conectar la herramienta eléctrica.** Una herramienta o llave colocada en una pieza rotativa puede producir lesiones graves al accionar la herramienta eléctrica.
 - Sea precavido. Trabaje sobre una base firme y mantenga el equilibrio en todo momento.** Ello le permitirá controlar mejor la herramienta eléctrica en caso de presentarse una situación inesperada.
 - Lleve puesta una vestimenta de trabajo adecuada. No utilice vestimenta amplia ni joyas. Mantenga su pelo y vestimenta alejados de las piezas móviles.**

La vestimenta suelta, las joyas y el pelo largo se pueden enganchar con las piezas en movimiento.

- g) **Siempre que sea posible utilizar equipos de aspiración o captación de polvo, asegúrese que éstos estén montados y que sean utilizados correctamente.** El empleo de estos equipos reduce los riesgos derivados del polvo.
- h) **No permita que la familiaridad ganada por el uso frecuente de la herramienta eléctrica lo deje creerse seguro e ignorar las normas de seguridad.** Una acción negligente puede causar lesiones graves en una fracción de segundo.

4) CUIDADO Y UTILIZACIÓN DE HERRAMIENTAS ELÉCTRICAS

- a) **No sobrecargue la herramienta eléctrica. Use la herramienta eléctrica prevista para el trabajo a realizar.** Con la herramienta eléctrica adecuada podrá trabajar mejor y con mayor seguridad dentro del margen de potencia indicado.
- b) **No utilice herramientas eléctricas con un interruptor defectuoso.** Las herramientas eléctricas que no se puedan conectar o desconectar son peligrosas y deben repararse.
- c) **Saque el enchufe de la red y/o retire el acumulador desmontable de la herramienta eléctrica, antes de realizar un ajuste, cambiar de accesorio o al guardar la herramienta eléctrica.** Esta medida preventiva reduce el riesgo de conectar accidentalmente la herramienta eléctrica.
- d) **Guarde las herramientas eléctricas fuera del alcance de los niños y de las personas que no estén familiarizadas con su uso.** Las herramientas eléctricas utilizadas por personas inexpertas son peligrosas.
- e) **Cuide la herramienta eléctrica y los accesorios con esmero. Controle si funcionan correctamente, sin atascarse, las partes móviles de la herramienta eléctrica, y si existen partes rotas o deterioradas que pudieran afectar al funcionamiento de la herramienta eléctrica. Si la herramienta eléctrica estuviese defectuosa haga repararla antes de volver a utilizarla.** Muchos de los accidentes se deben a herramientas eléctricas con un mantenimiento deficiente.
- f) **Mantenga los útiles limpios y afilados.** Los útiles mantenidos correctamente se dejan guiar y controlar mejor.
- g) **Utilice herramientas eléctricas, accesorios, útiles, etc. de acuerdo con estas instrucciones, teniendo en cuenta las condiciones de trabajo y la tarea a realizar.** El uso de herramientas eléctricas para trabajos diferentes de aquellos para los que han sido concebidas puede resultar peligroso.
- h) **Mantenga las empuñaduras y las superficies de las empuñaduras secas, limpias y libres de aceite y grasa.** Las empuñaduras y las superficies de las empuñaduras resbaladizas no permiten un manejo y control seguro de la herramienta eléctrica en situaciones imprevistas.
- 5) **SERVICIO**
- a) **Únicamente haga reparar su herramienta eléctrica por un profesional, empleando exclusivamente piezas de repuesto originales.** Solamente así se mantiene la seguridad de la herramienta eléctrica.

INSTRUCCIONES DE SEGURIDAD PARA SIERRAS DE INGLETE

- **Las sierras de inglete están diseñadas para cortar madera o productos similares a la madera, no pueden utilizarse con discos de corte abrasivos para cortar materiales ferrosos como barras, varillas, tacos, etc.** El polvo abrasivo provoca que las partes móviles, como la protección inferior, se atasquen. Las chispas provocadas por el corte abrasivo quemarán la guarda inferior, la inserción de corte y otras piezas de plástico.
- **Cuando sea posible, use mordazas para sujetar la pieza de trabajo. Si sujeta la pieza de trabajo a mano, debe mantener siempre la mano a una distancia mínima de 100 mm de cada lado de la hoja de sierra. No use esta sierra para cortar piezas que sean demasiado pequeñas para sujetarlas con seguridad o con la mano.** Si coloca su mano demasiado cerca de la hoja de la sierra, hay un mayor riesgo de lesiones por el contacto con ésta.
- **La pieza debe permanecer fija y sujetarse o mantenerse contra la guía y la base. No introduzca la pieza de trabajo en la hoja o corte "a mano alzada" de ninguna manera.** Las piezas de trabajo que no están sujetas o que se mueven pueden salir disparadas a altas velocidades, causando lesiones.
- **Empuje la sierra a lo largo de la pieza de trabajo. No tire de la sierra a lo largo de la pieza de trabajo. Para hacer un corte, levante el cabezal de la sierra y colóquelo sobre la pieza de trabajo sin cortar, encienda el motor, presione el cabezal de la sierra hacia abajo y empuje la sierra a lo largo de la pieza de trabajo.** Es probable que el corte tirando hacia el cuerpo cause que la hoja de sierra se monte sobre la pieza de trabajo y lance violentamente el conjunto de la hoja hacia el operario.
- **Nunca pase la mano por encima de la línea de corte, ni delante ni detrás de la hoja de la sierra.** Sostener la pieza de trabajo "con las manos en cruz", es decir, sujetar la pieza de trabajo a la derecha de la hoja de sierra con la mano izquierda o viceversa, es muy peligroso.
- **No introduzca la mano detrás de la guía a menos de 100 mm de cada lado de la hoja de la sierra, para retirar los restos de madera o por cualquier otra razón mientras la hoja está girando.** La cercanía a su mano de la hoja de sierra giratoria puede no ser obvia y podría resultar gravemente herido.
- **Inspeccione su pieza de trabajo antes de cortar. Si la pieza de trabajo está arqueada o deformada, sujétela con la cara exterior arqueada hacia la guía. Asegúrese siempre de que no haya ningún hueco entre la pieza, la guía y la base a lo largo de la línea de corte.** Las piezas de trabajo dobladas o deformadas pueden torcerse o desplazarse y causar atascos en la hoja de sierra giratoria durante el corte. No debe haber clavos ni objetos extraños en la pieza de trabajo.
- **No utilice la sierra hasta que no despeje la mesa de herramientas, restos de madera, etc., todo, excepto la pieza de trabajo.** Los residuos pequeños, los trozos de madera sueltos y otros objetos que entren en contacto con la hoja en movimiento pueden salir lanzados a alta velocidad.

- **Corte una pieza de trabajo de cada vez** Si apila varias piezas de trabajo, no podrá sujetarlas como corresponde y podrían atascarse en la hoja o moverse al cortarlas.
- **Compruebe que la sierra de ingletes esté situada sobre una superficie de trabajo firme y nivelada antes de usarla.** Una superficie de trabajo firme y nivelada reduce el riesgo de inestabilidad de la sierra.
- **¡Planifique su trabajo! Cada vez que cambie el ajuste del ángulo de bisel o del ángulo de inglete, compruebe que la guía ajustable esté bien configurada para sujetar la pieza de trabajo y que no interferirá ni con la hoja ni con el sistema de protección** Sin colocar la herramienta en posición «ON» y sin pieza de trabajo, mueva la hoja de la sierra simulando un corte completo para asegurarse de que no hay interferencias ni peligro de cortar la guía.
- **Proporcione un soporte adecuado, como prolongaciones de la base, caballetes, etc., para las piezas de trabajo que sean más anchas o más largas que la propia base de trabajo.** Las piezas de trabajo más largas o más anchas que la base de la sierra de ingletes pueden volcar si no se sujetan con seguridad. Si la pieza cortada o la pieza de trabajo vuelca, puede elevar la protección trasera o ser lanzada por la hoja en movimiento.
- **No utilice a una persona para sujetar la parte de la pieza que sobresalga de la base** Una sujeción inestable de la pieza de trabajo puede atascar la hoja o hacer que la pieza se mueva durante la operación de corte, atrayéndole a usted y a su ayudante hacia la hoja en movimiento.
- **La pieza cortada no debe presionarse contra la hoja de la sierra en movimiento** Si está limitada de algún modo, es decir, con tope de longitud, la pieza cortada podría quedar atrapada contra la hoja y ser lanzada violentamente.
- **Utilice una mordaza o una herramienta diseñada para sujetar correctamente material circular, como varillas o tubos** Las varillas tienden a enrollarse al cortarlas, haciendo que la sierra las «muerda» y tire de la pieza de trabajo hacia la hoja.
- **Deje que la hoja alcance la máxima velocidad antes de entrar en contacto con la pieza de trabajo** De esta forma se reducirá el riesgo de que la pieza de trabajo salga despedida.
- **Si la pieza de trabajo o la hoja se atascan, apague la sierra de ingletes. Espere a que se detengan todas las piezas móviles y desconecte el enchufe o quite la batería. Seguidamente, desataseque el material** Si sigue serrando con una pieza de trabajo atascada podría perder el control de la sierra de inglete o dañarla.
- **Cuando termine de cortar, libere el interruptor, sujete la sierra con el cabezal hacia abajo y espere a que la hoja se detenga antes de retirar la pieza cortada** Es peligroso acercar la mano a la hoja de corte.
- **Sujete firmemente la empuñadura cuando realice un corte incompleto o cuando libere el interruptor antes de colocar el cabezal en posición totalmente bajada** La acción de frenado de la sierra puede hacer que su cabezal se vea atraído repentinamente hacia abajo, ocasionando un riesgo de lesiones.

INSTRUCCIONES DE SEGURIDAD ADICIONALES

- Los picos de intensidad durante la conmutación causan un descenso transitorio de la tensión; si las condiciones

en la red fuesen desfavorables, ello puede llegar a afectar a otros aparatos (con impedancias de red inferiores a 0,464 ohmios es muy improbable que se produzcan perturbaciones); si usted necesita alguna aclaración, contacte con su proveedor de energía eléctrica

GENERAL

- Utilice la herramienta sólo para cortar madera
- Compruebe siempre que la tensión de alimentación es la misma que la indicada en la placa de características de la herramienta
- **No se ponga de pie sobre la herramienta ni sobre su soporte** Podría sufrir lesiones graves si la herramienta vuelca o entra accidentalmente en contacto con la herramienta de corte. No almacene materiales cerca de la herramienta de forma que para alcanzarlos sea necesario ponerse de pie sobre la herramienta o su soporte.
- **Desenchufar siempre la herramienta antes de realizar cualquier ajuste o cambiar algún accesorio**
- **Desconecte el enchufe siempre antes de transportar la sierra de ingletes** Desenchufe, baje el conjunto del cabezal y bloquee; utilice el asa de transporte y una de las hendiduras para la mano situadas en la base de la sierra.
- **No abandone la herramienta hasta que no se pare por completo**
- **Al cortar piezas con forma irregular, planifique su trabajo para que esta no se resbale, «pellizque» la hoja y le sea arrancada de la mano**
- Esta herramienta no debe utilizarse por personas menores de 16 años
- Esta herramienta no es adecuada para hacer cortes con agua

USO EXTERIOR

- Cuando utilice la herramienta en el exterior, enchúfela a través del interruptor de la corriente (FI) con un interruptor diferencial de 30 mA como máximo; sólo utilice un cable de extensión apropiado para su uso en el exterior y equipado con un enchufe a prueba de salpicaduras

ANTES DEL USO

- Utilice cables de extensión seguros y completamente desenrollados con una capacidad de 16 amperios
- Utilice gafas de protección, protección para los oídos, y guantes de protección
- El polvo del material, como la pintura que contiene plomo, algunas especies de madera, minerales y metal podrían ser dañinos (el contacto o inhalación del polvo podría producir reacciones alérgicas y trastornos respiratorios al operador o a otras personas que se encontrasen en la zona); **utilice una máscara contra el polvo y trabaje con un dispositivo de extracción de polvo cuando lo conecte**
- Ciertos tipos de polvo están catalogados como cancerígenos (por ejemplo el polvo de roble y de haya) especialmente junto con aditivos para el acondicionamiento de la madera; **utilice una máscara contra el polvo y trabaje con un dispositivo de extracción de polvo cuando lo conecte**
- Siga la normativa nacional en cuanto a extracción de polvo, en función de los materiales que vayan a ser utilizados
- **No trabaje materiales que contengan amianto** (el amianto es cancerígeno)

- Nunca utilice su herramienta sin la capa de protección original sistemática
- Verifique el adecuado cierre de la cubierta de protección antes de cada uso
- No trabaje con la sierra si la cubierta de protección no se mueve libremente ni se cierra al instante
- Nunca trabaje ni fije la cubierta de protección en posición abierta
- No utilice nunca la herramienta sin la inserción de base, sustituya una inserción de base defectuosa o desgastada
- Antes de empezar a cortar, aparte todos los obstáculos que haya encima y debajo de la línea de corte
- Evite los daños que puedan causar los tornillos, clavos y otros objetos sobre la pieza de trabajo; retírelos antes de empezar a trabajar

ACCESORIOS

- Nunca utilice discos de amolar/tronzar con esta herramienta
- SKIL únicamente puede garantizar un funcionamiento correcto de la herramienta, cuando se utilicen los accesorios adecuados que podrá obtener de su proveedor de SKIL
- Cuando monte/utilice accesorios distintos de la marca SKIL, respete las instrucciones del fabricante
- Únicamente use hojas de sierra con las características indicadas en estas instrucciones de manejo que hayan sido ensayadas y vayan marcadas conforme a EN 847-1
- Utilice únicamente accesorios cuyo límite de revoluciones permitido sea como mínimo igual a las revoluciones en vacío máximas de la herramienta
- No utilice nunca hojas de sierras de HSS
- No utilice nunca hojas rotas, desformadas o desgastadas
- Utilice sólo hojas de sierra con un diámetro de orificio que se ajuste sin holgura al eje de la herramienta; no use nunca reductores o adaptadores para ajustar hojas de sierra de orificio grande
- Proteja los accesorios de golpes, choques y grasa

DURANTE EL USO

- **No fuerce la herramienta** (aplique una presión ligera y continua para evitar que se recalienten las puntas de las hojas y, en caso de estar cortando plásticos, que se funda el material plástico)
- Mantenga los dedos, las manos y los brazos alejados de la hoja giratoria de la sierra
- Si la hoja de la sierra se bloquea, apague la herramienta inmediatamente y desconecte el enchufe; sólo después retire la pieza que hace cuña.
- En caso de bloqueo o de un mal funcionamiento eléctrico o mecánico, desconecte la herramienta inmediatamente y sacar el enchufe del contacto
- Si llega a dañarse o cortarse el cable eléctrico durante el trabajo, no tocar el cable, sino extraer inmediatamente el enchufe de la red
- Nunca utilice la herramienta si el cable está dañado; debe ser sustituido por un cable especialmente preparado disponible a través de la organización de asistencia.

RADIACIÓN LÁSER

- **No oriente el rayo láser sobre personas o animales y no mire hacia el rayo láser directo o reflejado** (debido a ello, puede deslumbrar personas, causar accidentes o dañar el ojo)
- Si la radiación láser incide en el ojo, debe cerrar conscientemente los ojos y mover inmediatamente la cabeza fuera del rayo

- No efectúe modificaciones en el equipamiento del láser
- No mire al rayo láser o (radiación láser)
- No utilice herramientas ópticas de aumento (como lupas, telescopios o binoculares) para ver el rayo láser
- No haga funcionar la herramienta en la presencia de líquidos inflamables, gases o polvo
- No haga funcionar la herramienta si hay niños cerca
- No sustituya el láser instalado por otro tipo de láser

DESPUÉS DEL USO

- Después de apagar la herramienta, nunca detenga la rotación del accesorio ejerciendo una fuerza lateral contra él
- Retire los cortes u otros fragmentos de la pieza del área de corte cuando todas las piezas móviles se hayan detenido por completo
- la hoja de la sierra se calienta mucho durante su uso; no la toque hasta que se haya enfriado
- Guarde la herramienta **dentro de la casa** en un lugar seco y cerrado con llave, lejos del alcance de los niños

EXPLICACIÓN DE LOS SÍMBOLOS DE LA HERRAMIENTA

- ② Lea el manual de instrucciones antes de utilizarla
- ③ Utilice gafas de protección y protección para los oídos
- ④ **¡Zona de peligro! No acercar las manos. Mantenga las manos, los dedos y los brazos alejados de esta zona.**
- ⑤ Doble aislamiento (no requiere cable de tierra)
- ⑥ No deseche las herramientas eléctricas y las pilas junto con los residuos domésticos
- ⑦ **Radiación láser / No mire al rayo / Producto láser clase 2**

USO

- Montaje
 - monte el asa de transporte con 2 los pernos utilizando la llave hexagonal AK③
 - monte el mando de bloqueo del inglete AB en la parte delantera de la base ⑩
- Posición de transporte/funcionamiento

Para liberar la herramienta (posición de **funcionamiento**)

 - presione la empuñadura B hacia abajo con una mano mientras tira hacia fuera del pasador de bloqueo C con la otra ①a
 - conduzca el conjunto del cabezal lentamente hacia arriba
 - para serrar con movimiento deslizante afloje el botón de bloqueo AE ①b

Para bloquear la herramienta (posición de **transporte**)

 - deslice el juego del cabezal hasta el tope en la dirección de la guía S y apriete el botón de bloqueo AE ①c
 - ajuste el ángulo de bisel en 0° (véase Ajuste del ángulo de bisel)
 - ajuste el ángulo de inglete en 45° a izquierda o derecha (véase Ajuste del ángulo de inglete)
 - presione la empuñadura B hacia abajo con una mano mientras empuja el pasador de bloqueo C con la otra
 - enrolle el cable de alimentación
 - utilice el asa de transporte E para transportar la herramienta ①d
 - si lo prefiere, utilice las asas laterales para transportar la herramienta ①e

- ! **no levante la herramienta por la empuñadura principal ni el cable de alimentación**
- Montaje de la herramienta en la superficie de trabajo ⑫
 - ! **para que la manipulación sea segura, instale la herramienta siempre sobre una superficie de trabajo plana y estable (por ejemplo, un banco de trabajo)**
 - utilice los 4 orificios de montaje F para fijar la herramienta a la superficie de trabajo con tornillos adecuados
 - también puede fijar la herramienta a la superficie de trabajo con abrazaderas ajustables disponibles en el mercado
 - para estabilizar la herramienta se puede ajustar la altura del pie de soporte G
 - si lo prefiere, puede montar la herramienta sobre un soporte para sierra de ingletes
 - ! **lea todas las advertencias y las instrucciones incluidas con el soporte de la sierra**
- Extracción de virutas y polvo ⑬
 - monte la bolsa de polvo H/el aspirador según se indica
 - vacíe con regularidad la bolsa de polvo para una aspiración óptima del polvo
 - ! **nunca permita que la media del aspirador interfiera con la chapa protectora o con la operación de corte**
- Prolongación de la base de la sierra ⑭
 - utilice perillas L para sujetar las barras de prolongación K (a cada lado de la herramienta)
 - la longitud de las barras de prolongación K es regulable de forma continua desde el mínimo hasta el máximo
- Fijación de la pieza ⑮
 - ! **para lograr una seguridad óptima en el trabajo, fije siempre la pieza firmemente con la mordaza ajustable suministrada**
 - no trabaje con piezas demasiado pequeñas para su fijación
 - para conocer las dimensiones **máximas** de la pieza de trabajo, utilice la tabla ⑯ como referencia
 - apriete la mordaza en el orificio de soporte N con la perilla P (a cada lado de la herramienta)
 - use 1 de las 2 ranuras; para piezas con un grosor máximo de 4cm y piezas de un grosor superior a 4cm presione la pieza firmemente contra la guía S
 - desbloquee la palanca R
 - adapte la mordaza a la pieza de trabajo
 - sujete firmemente la pieza bloqueando la palanca R
 - ! **para algunas combinaciones de inglete y bisel, o en función del tamaño de la pieza de trabajo, puede que resulte necesario usar mordazas de tornillo en lugar de la mordaza de la pieza de trabajo**
- Ajuste de ángulos de inglete ⑰
 - afloje la empuñadura de bloqueo AB
 - empuje la palanca de liberación del trinquete del inglete AC
 - gire la base de la sierra hacia la izquierda o hacia la derecha y ajuste el ángulo de inglete deseado (desde 0° hasta 47°) utilizando el indicador AD
 - suelte la palanca AC
 - apriete la empuñadura de bloqueo AB (**no apriete en exceso la empuñadura**)
- la palanca del trinquete del inglete se acopla en las posiciones correspondientes para el ajuste rápido y preciso de los ángulos de inglete utilizados frecuentemente (0°, 15°, 22,5°, 31,6°, 45°)
- Ajuste de los ángulos de bisel ⑱
 - afloje el botón de tres puntas U ⑲b
 - gire el cabezal de la herramienta hacia la izquierda hasta que el indicador de ángulo de bisel V señale el ángulo de bisel deseado
 - sostenga el cabezal de la sierra en esta posición y apriete el botón U
- Cortes compuestos ⑲
 - los cortes compuestos requieren el ajuste tanto del ángulo de inglete como del de bisel
 - ! **no accione la sierra en algunas de las combinaciones de inglete y bisel que puedan provocar interferencias entre las piezas deslizantes y las piezas fijas de la sierra, o entre las piezas deslizantes y la pieza de trabajo**
 - ! **pruebe siempre con un trozo de material de desecho**
- Línea láser ⑳
 - para guiar la herramienta a lo largo de la línea de corte deseada, márquela en la pieza de trabajo
 - ponga en marcha/pare la línea láser apretando el interruptor AA
 - el láser se alinea a la izquierda del corte
 - la alineación horizontal del láser se puede ajustar fácilmente con una llave hexagonal de Y
 - ! **antes de empezar un trabajo, compruebe la alineación de la línea láser con la línea actual de corte para realizar un corte de prueba en la pieza de desecho**
- Para serrar **sin** movimiento deslizante (piezas de trabajo **pequeñas**)
 - afloje el botón de bloqueo AE en caso de que esté apretado
 - deslice el cabezal de la herramienta hasta el tope en la dirección de la guía S y vuelva a apretar el botón de bloqueo AE
 - ! **si no bloquea el mecanismo, la sierra podría montarse repentinamente sobre la pieza de trabajo y empujarla hacia usted**
 - ajuste la herramienta en la posición de trabajo
 - ! **asegúrese de que la pieza está firmemente fijada a la base de la sierra y a la guía S**
 - accione la herramienta liberando el bloqueo AG y tirando del interruptor de alimentación AF ㉒
 - ! **no cruce los brazos cuando accione el cabezal de la sierra ㉑a**
 - sierra la pieza con un avance uniforme
 - ! **la herramienta debe funcionar a la velocidad máxima antes de que la hoja penetre en la pieza de trabajo**
 - pare la herramienta soltando el interruptor AF
 - espere hasta que la hoja se pare totalmente para empezar a conducir el cabezal de la herramienta lentamente hacia arriba
- Para serrar **con** movimiento deslizante (piezas de trabajo **grandes**)
 - ! **tenga presente que el único método seguro es el que se describe a continuación**
 - no tire de la sierra a lo largo de la pieza de trabajo

- afloje el botón de bloqueo AE en caso de que esté apretado
- ! **asegúrese de que la pieza está firmemente fijada a la base de la sierra y a la guía S**
- tire del cabezal de la sierra separándolo de la guía S lo suficiente como para que la hoja de la sierra se sitúe frente a la pieza de trabajo ⁽²³⁾
- accione la herramienta presionando la palanca de bloqueo AG y tirando del interruptor de alimentación AF ⁽²²⁾
- ! **no cruce los brazos cuando accione el cabezal de la sierra ⁽²¹⁾a**
- empuje el cabezal de la sierra en la dirección de la guía S y sierre la pieza con un avance uniforme ⁽²³⁾
- ! **la herramienta debe funcionar a la velocidad máxima antes de que la hoja penetre en la pieza de trabajo**
- ! **Si la protección inferior no se abre automáticamente, lo que podría ocurrir en determinadas condiciones (p. ej., una pieza de trabajo muy cercana a la capacidad máxima), puede que tenga que abrirla manualmente ⁽²¹⁾b**
- pare la herramienta soltando el interruptor AF
- espere hasta que la hoja se pare totalmente para empezar a conducir el cabezal de la herramienta lentamente hacia arriba
- Para serrar ranuras ⁽²⁴⁾
 - ajuste la profundidad deseada mediante el tope de profundidad AH y bloquéelo en su posición apretando la tuerca AJ
 - para conseguir una profundidad uniforme a lo largo de toda la ranura, se debe colocar un espaciador de madera entre la pieza de trabajo y la guía
- ! **compruebe que la hoja de la sierra no se atasca en la pieza de trabajo**
- ! **pruebe siempre con un trozo de material de descarte**
- Cambio de la hoja de sierra ⁽²⁵⁾
 - ! **desenchufar la herramienta**
 - coger la llave hexagonal AK del depósito AL
 - sujete el protector de seguridad A en posición abierta
 - afloje el tornillo de placa de cubierta AN (**no desatornille el tornillo por completo**) ⁽²³⁾a
 - gire la protección de seguridad A totalmente hacia atrás ⁽²⁵⁾b
 - presione el botón de bloqueo del eje AM y sujételo mientras extrae el tornillo de la hoja AO girando la llave hexagonal AK **EN SENTIDO HORARIO** (= en la misma dirección que la de la flecha impresa en la hoja de la sierra)
 - ! **apriete el botón de cierre de husillo AM solamente cuando la herramienta se haya detenido**
 - suelte el botón de cierre de husillo AM
 - retire la brida AP y la hoja de la sierra
 - ! **cambie la hoja de la sierra, con los dientes y la flecha impresa en la hoja apuntando hacia la misma dirección que la flecha indicada en la cubierta de protección A**
 - monte la brida AP ⁽²⁵⁾c
 - pulse el botón de cierre de husillo AM y manténgalo pulsado mientras aprieta el tornillo de la hoja girando la llave hexagonal AK **EN SENTIDO ANTIHORARIO**
- 1/8 de giro después de que esté apretado al máximo con los dedos (asegura que la hoja de sierra resbale si encuentra excesiva resistencia, y evita que el motor se sobrecargue y la sierra retroceda)
 - apriete el tornillo de la placa de cubierta AN
- Sustitución de la inserción de base AQ ⁽²⁶⁾
 - Sustituya una inserción de base defectuosa o desgastada del siguiente modo:
 - ! **desenchufar la herramienta**
 - coger la llave hexagonal AK del depósito AL
 - extraiga los 6 tornillos como se indica en la ilustración
 - retire la inserción de base antigua en primer lugar levantándola por la parte delantera y, a continuación, tirando de ella hacia afuera completamente
 - coloque una nueva inserción de base
 - ! **apriete con fuerza los 6 tornillos**
- Verificación/ajuste de la alineación a 90° de la hoja ⁽²⁷⁾
 - ! **desenchufar la herramienta**
 - gire la base de la sierra a la posición de inglete de 0° y fjela ahí
 - gire el cabezal de la sierra a la posición de bisel de 0°
 - baje el cabezal de la sierra y bloquéelo
 - verifique con una escuadra la existencia de un ángulo de 90° entre la hoja y la base
 - si es necesario, ajuste la alineación a 90° de la hoja del siguiente modo:
 1. afloje el botón de tres puntas U
 2. ajuste el tornillo W con una llave fija del 10 (no incluida de serie)
 3. vuelva a comprobar con una escuadra
 4. restablezca el indicador de bisel V en 0°
- Verificación/ajuste de la alineación a 45° de la hoja ⁽²⁸⁾
 - ! **desenchufar la herramienta**
 - gire la base de la sierra a la posición de inglete de 0° y fjela ahí
 - afloje el botón de tres puntas U
 - gire el cabezal de la sierra hacia la izquierda
 - verifique con una escuadra a 45° la existencia de un ángulo de 45° entre la hoja y la base
 - verifique que el indicador de bisel V se encuentra en la marca de 45°
 - si es necesario, ajuste la alineación a 45° de la hoja del siguiente modo:
 1. ajuste el tornillo X con una llave fija del 10 (no incluida de serie)
 2. vuelva a comprobar con una escuadra
- Verificación/ajuste de la alineación a 90° de la guía ⁽²⁹⁾
 - ! **desenchufar la herramienta**
 - gire la base de la sierra a la posición de inglete de 0° y fjela ahí
 - baje el cabezal de la sierra y bloquéelo
 - verifique con una escuadra la existencia de un ángulo de 90° entre la hoja y la guía S (asegúrese de que la escuadra está en contacto con el cuerpo de la hoja y no con sus dientes ⁽²⁹⁾a
 - si es necesario, ajuste la alineación a 90° de la guía del siguiente modo:
 1. afloje los 2 tornillos de cabeza hexagonal T ⁽²⁹⁾b
 2. ajuste la guía hasta que la hoja y la guía contacten por completo con la escuadra
 3. apriete los 2 tornillos de cabeza hexagonal T
 4. restablezca el indicador de inglete en 0° ⁽²⁹⁾c

CONSEJOS DE APLICACIÓN

- Piezas de trabajo especiales
 - apoye siempre los extremos libres de una pieza larga ³⁰
 - asegúrese de que se fijan de forma especial las piezas curvadas o redondeadas para impedir su deslizamiento ³¹
 - en la línea de corte no puede existir ningún hueco entre la pieza de trabajo y la guía o la base de la sierra
 - si es necesario, fabrique una guía auxiliar; los orificios de la guía deslizante se utilizarán para sujetar la guía auxiliar ³²
- ! **la guía auxiliar solo se puede utilizar con ángulo de bisel de 0°**
- Para trabajar con molduras de suelo se puede utilizar la ilustración ³³ como referencia
- Poner siempre el lado bueno de la pieza de trabajo hacia abajo, para asegurar un mínimo astillado
- Utilice únicamente hojas de sierra afiladas del modelo adecuado
 - cuantos más dientes, más alisado el corte
 - hojas de sierra con dientes de metal duro (Widia) se mantienen 30 veces más afiladas que las hojas normales

MANTENIMIENTO / SERVICIO

- Mantenga siempre la herramienta y el cable limpios (especialmente las ranuras de ventilación situadas en el lado posterior del alojamiento del motor)
- Compruebe regularmente que la protección inferior funcione correctamente. Limpie el serrín acumulado en la protección inferior con un paño húmedo.
! **desenchufar la herramienta antes de limpiar**
 - levante la protección inferior hasta la posición totalmente abierta y suéltela; si no se cierra de inmediato y del todo, debe ser revisada por un servicio técnico autorizado para herramientas eléctricas SKIL
- Limpie la hoja de sierra después de cada uso (especialmente de resina y cola)
! **la hoja de la sierra se calienta mucho durante su uso; no la toque hasta que se haya enfriado**
- Limpie la luz láser AC con un cepillo blando después de cada uso para mantener la correcta visibilidad de la línea láser (no cambie el ajuste del láser)
- Si a pesar de los esmerados procesos de fabricación y control, la herramienta llegase a averiarse, la reparación deberá encargarse a un servicio técnico autorizado para herramientas eléctricas SKIL
 - envíe la herramienta **sin desmontar** junto con una prueba de su compra a su distribuidor o a la estación de servicio más cercana de SKIL (los nombres así como el despiece de piezas de la herramienta figuran en www.skil.com)
- Tenga presente que los daños debido a sobrecargas o al manejo inadecuado de la herramienta serán excluidos de la garantía (consulte las condiciones de garantía de SKIL en www.skil.com o consulte a su distribuidor)

AMBIENTE

- **No deseche las herramientas eléctricas, las pilas, los accesorios y embalajes junto con los residuos domésticos** (sólo para países de la Unión Europea)
 - de conformidad con la Directiva Europea 2012/19/CE

sobre residuos de aparatos eléctricos y electrónicos y su aplicación de acuerdo con la legislación nacional, las herramientas eléctricas cuya vida útil haya llegado a su fin se deberán recoger por separado y trasladar a una planta de reciclaje que cumpla con las exigencias ecológicas

- símbolo ⁶ llamará su atención en caso de necesidad de tirarlas

RUIDOS

- Realizando mediciones según EN 62841, el nivel de presión acústica de esta herramienta es 100,0 dB(A) y el nivel de potencia acústica es de 109,5 dB(A) (incertidumbre K = 3 dB)
- El nivel de emisión de vibraciones ha sido medido según una prueba estándar proporcionada en EN62841 puede utilizarse para comparar una herramienta con otra y como valoración preliminar de la exposición a las vibraciones al utilizar la herramienta con las aplicaciones mencionadas
 - al utilizarla para distintas aplicaciones o con accesorios diferentes o con un mantenimiento deficiente, podría **augmentar** de forma notable el nivel de exposición
 - en las ocasiones en que se apaga la herramienta o cuando está funcionando pero no está realizando ningún trabajo, se podría **reducir** el nivel de exposición de forma importante

P

Serra de esquadria deslizante 1310

INTRODUÇÃO

- Esta ferramenta trabalha como uma máquina imóvel para corte longitudinal e transversal de madeira com cortes direitos e angulares (são possíveis ângulos de esquadria horizontais de -47° a +47° e ângulos de chanfradura verticais de 0° a 45°)
- Leia e guarde este manual de instruções ²
- Esta ferramenta não se destina a utilização profissional
- **Utilize apenas a ferramenta quando montada correcta e completamente** (não se esqueça de que a Skil não se responsabiliza por danos e/ou lesões pessoais resultantes da montagem incorrecta da ferramenta)

DADOS TÉCNICOS ¹

ELEMENTOS DA FERRAMENTA ⁸

- A Guarda inferior
- B Punho do interruptor
- C Pino de fixação para transporte
- D Guarda superior
- E Pega de transporte
- F Orifícios de montagem
- G Pé de suporte
- H Saco do pó
- J Orifício de saída do pó
- K Barras de extensão
- L Botões de fixação das barras de extensão
- M Grampo de montagem da peça de trabalho
- N Orifício de suporte

- P Botão de fixação do grampo
- Q Botão de ajuste do grampo
- R Alavanca de fixação
- S Divisória
- T Parafusos sextavados de ajuste da divisória (2x)
- U Botão de fixação (ângulos de chanfradura)
- V Indicador do ângulo de chanfradura
- W Parafuso de ajuste do ângulo de chanfradura (direita)
- X Parafuso de ajuste do ângulo de chanfradura (esquadria)
- Y Parafuso de ajuste do laser
- Z Luz laser
- AA Interruptor para ligar/desligar laser
- AB Pega de fixação (ângulos de esquadria)
- AC Alavanca de desbloqueio de detenção de esquadria
- AD Indicador do ângulo de esquadria
- AE Botão de fixação para dispositivo deslizante
- AF Interruptor para ligar/desligar
- AG Alavanca de segurança
- AH Limitador de profundidade de corte
- AI Paragem de profundidade
- AJ Porca de paragem de profundidade
- AK Chave sextavada
- AL Alojamento da chave hexagonal
- AM Botão de bloqueio do veio
- AN Parafuso da placa da tampa
- AO Parafuso da lâmina
- AP Flange
- AQ Inserção da mesa
- AR Defletor de pó

SEGURANÇA

INDICAÇÕES GERAIS DE SEGURANÇA PARA FERRAMENTAS ELÉTRICAS

AVISO Leia todos os avisos de segurança, instruções, ilustrações e especificações fornecidas com esta ferramenta eléctrica. O incumprimento de todas as instruções enumeradas abaixo poderá resultar em choque eléctrico, incêndio e/ou lesão grave.

Guarde bem todas as advertências e instruções para futura referência.

O termo “ferramenta eléctrica” utilizado a seguir nas indicações de advertência, refere-se a ferramentas eléctricas operadas com corrente de rede (com cabo de rede) e a ferramentas eléctricas operadas com acumulador (sem cabo de rede).

1) SEGURANÇA DA ÁREA DE TRABALHO

- a) **Mantenha a sua área de trabalho limpa e arrumada.** Desordem ou áreas de trabalho com fraca iluminação podem causar acidentes.
- b) **Não trabalhar com a ferramenta eléctrica em áreas com risco de explosão, nas quais se encontrem líquidos, gases ou pós inflamáveis.** Ferramentas eléctricas produzem faíscas que podem provocar a ignição de pó e vapores.
- c) **Mantenha crianças e outras pessoas afastadas da ferramenta eléctrica durante o trabalho com a ferramenta.** Distrações podem causar a falta de controlo sobre o aparelho.

2) SEGURANÇA ELÉTRICA

- a) **As fichas das ferramentas eléctricas devem caber na tomada. A ficha não deve ser modificada de modo algum. Não utilize quaisquer fichas de adaptação junto com ferramentas eléctricas ligadas à terra.** Fichas sem modificações e tomadas adequadas reduzem o risco de choques eléctricos.
- b) **Evite que o corpo entre em contacto com superfícies ligadas à terra, como por exemplo tubos, radiadores, fogões e geladeiras.** Há um risco elevado de choques eléctricos, caso o corpo for ligado à terra.
- c) **A ferramenta eléctrica não deve ser exposta à chuva nem humidade.** A penetração de água na ferramenta eléctrica aumenta o risco de choques eléctricos.
- d) **O cabo do aparelho não deve ser utilizado para o transporte, para pendurar o aparelho, nem para puxar a ficha da tomada. Mantenha o cabo afastado de calor, óleo, cantos afiados ou partes em movimento do aparelho.** Cabos danificados ou torcidos aumentam o risco de choques eléctricos.
- e) **Ao trabalhar com a ferramenta eléctrica ao ar livre, use um cabo de extensão apropriado para áreas externas.** O uso de um cabo apropriado para áreas externas reduz o risco de choques eléctricos.
- f) **Se não for possível evitar o funcionamento da ferramenta eléctrica em áreas húmidas, deverá ser utilizado um disjuntor de corrente de avaria.** A utilização de um disjuntor de corrente de avaria reduz o risco de um choque eléctrico.

3) SEGURANÇA DE PESSOAS

- a) **Esteja alerta, observe o que está a fazer, e tenha prudência ao trabalhar com a ferramenta eléctrica. Não use a ferramenta eléctrica se estiver fatigado ou sob a influência de drogas, álcool ou medicamentos.** Um momento de falta de atenção durante a operação da ferramenta eléctrica pode causar graves lesões.
- b) **Utilizar equipamento de protecção pessoal e sempre óculos de protecção.** A utilização de equipamento de protecção pessoal, como máscara de protecção contra pó, sapatos de segurança antiderrapantes, capacete de segurança ou protecção auricular, de acordo com o tipo e aplicação da ferramenta eléctrica, reduz o risco de lesões.
- c) **Evitar uma colocação em funcionamento involuntária. Assegure-se de que a ferramenta eléctrica esteja desligada, antes de conectá-la à alimentação de rede e/ou ao acumulador, antes de levantá-la ou de transportá-la.** Se tiver o dedo no interruptor ao transportar a ferramenta eléctrica ou se o aparelho for conectado à alimentação de rede enquanto estiver ligado, poderão ocorrer acidentes.
- d) **Remover chaves de ajustes ou chaves de fenda, antes de ligar a ferramenta eléctrica.** Uma chave de fenda ou chave de ajuste que se encontre numa parte móvel do aparelho, pode levar a lesões.
- e) **Não se sobrestime. Mantenha uma posição firme e mantenha sempre o equilíbrio.** Desta forma poderá ser mais fácil controlar o aparelho em situações inesperadas.
- f) **Use roupa apropriada. Não use roupa larga ou jóias. Mantenha os cabelos e roupas afastados de partes**

em movimento. Roupas largas, jóias ou cabelos longos podem ser agarradas por partes em movimento.

- g) **Se for prevista a montagem de dispositivos de aspiração de pó e de dispositivos de recolha, assegure-se de que estão conectados e que sejam utilizados de forma correcta.** A utilização de uma aspiração de pó pode reduzir o perigo devido ao pó.
- h) **Não deixe que a familiaridade resultante de uma utilização frequente de ferramentas permita que você se torne complacente e ignore os princípios de segurança da ferramenta.** Uma acção descuidada pode causar ferimentos graves numa fração de segundo.
- 4) **USO E TRATAMENTO DE FERRAMENTAS ELÉTRICAS**
- a) **Não sobrecarregue a ferramenta eléctrica. Use para o seu trabalho a ferramenta eléctrica correcta.** A ferramenta correcta realizará o trabalho de forma melhor e mais segura dentro da faixa de potência indicada.
- b) **Não utilize a ferramenta eléctrica se o interruptor não puder ser ligado nem desligado.** Qualquer ferramenta eléctrica que não possa ser controlada através do interruptor de ligar-desligar, é perigosa e deve ser reparada.
- c) **Puxe a ficha da tomada e/ou remover o acumulador, se amovível, antes de executar ajustes na ferramenta, de substituir acessórios ou de guardar a ferramenta.** Esta medida de segurança evita que a ferramenta eléctrica seja ligada acidentalmente.
- d) **Guarde ferramentas eléctricas que não estiverem sendo utilizadas, for a do alcance de crianças. Não permita que o aparelho seja utilizado por pessoas não familiarizadas com o mesmo ou que não tenham lido estas instruções.** Ferramentas eléctricas são perigosas nas mãos de pessoas sem treinamento.
- e) **Trate a ferramenta eléctrica e os acessórios com cuidado. Verifique se as partes móveis do aparelho funcionam perfeitamente e não emperram, se há peças quebradas ou danificadas, que possam influenciar o funcionamento do aparelho. Peças danificadas devem ser reparadas antes da utilização do aparelho.** Muitos acidentes tem como causa uma manutenção insuficiente das ferramentas eléctricas.
- f) **Mantenha as ferramentas de corte sempre afiadas e limpas.** Ferramentas de cortes devidamente tratadas, com cantos afiados travam com menos frequência e podem ser controladas com maior facilidade.
- g) **Use a ferramenta eléctrica, os acessórios os bits da ferramenta etc., de acordo com estas instruções. Considere também as condições de trabalho e o trabalho a ser efectuado.** A utilização da ferramenta eléctrica para outros fins que os previstos, pode resultar em situações perigosas.
- h) **Mantenha os punhos e as superfícies de agarrar secas, limpas e livres de óleo e massa consistente.** Punhos e superfícies de agarrar escorregadias não permitem o manuseio e controlo seguros da ferramenta em situações inesperadas.
- 5) **SERVIÇO**
- a) **A sua ferramenta eléctrica só deve ser reparada por pessoal qualificado e só devem ser colocadas peças sobressalentes originais.** Desta forma é assegurada a segurança da ferramenta eléctrica.

INSTRUÇÕES DE SEGURANÇA PARA SERRAS DE ESQUADRIA

- **As serras de esquadria destinam-se a cortar madeira ou produtos que não sejam de madeira. Não podem ser utilizadas com discos de corte abrasivos para cortar materiais ferrosos, tais como barras, hastes, vigas, etc.** O pó abrasivo provoca a obstrução das peças móveis, tais como a proteção inferior. As faiscas provenientes do corte abrasivo queimarão a proteção inferior, a inserção de corte e as outras peças de plástico.
- **Utilize grampos para suportar a peça de trabalho, sempre que for possível. Se apoiar manualmente a peça de trabalho, deve manter sempre a mão a, pelo menos, 100 mm de cada lado da lâmina da serra. Não utilize esta serra para cortar peças demasiado pequenas para serem fixadas ou sustentadas manualmente** Se a sua mão estiver demasiado perto da lâmina da serra, existe um risco elevado de lesões pelo contacto com a lâmina.
- **A peça de trabalho deve estar imóvel e fixada ou sustentada contra a guia e a mesa. Não introduza a peça de trabalho na lâmina ou corte "à mão livre" de forma nenhuma** As peças de trabalho livres ou em movimento podem ser projetadas a altas velocidades, provocando lesões.
- **Empurre a serra através da peça de trabalho. Não puxe a serra através da peça de trabalho. Para fazer um corte, levante a cabeça da serra e puxe-a sobre a peça de trabalho sem cortar, ligue o motor, pressione a cabeça da serra para baixo e empurre a serra através da peça de trabalho** O corte no curso de tração pode fazer com que a lâmina da serra suba para o topo da peça de trabalho e projete o conjunto da lâmina contra o utilizador.
- **Nunca cruze a mão sobre a linha de corte prevista, à frente ou atrás da lâmina de corte** Apoiar a peça de trabalho "com as mãos cruzadas", ou seja, segurar a peça de trabalho à direita da lâmina da serra com a sua mão esquerda ou vice-versa é muito perigoso.
- **Enquanto a lâmina estiver em rotação, não coloque nenhuma das mãos atrás da guia a menos de 100 mm de cada lado da lâmina da serra, para retirar pedaços de madeira ou por qualquer outro motivo** A proximidade da lâmina da serra em rotação em relação à sua mão pode não ser perceptível e provocar lesões graves.
- **Verifique a sua peça de trabalho antes de cortar. Se a peça de trabalho estiver curvada ou empenada, fixe-a com o lado exterior curvado virado para a guia. Assegure-se sempre de que não existe nenhuma folga entre a peça de trabalho, a guia e a mesa em toda a linha de corte** As peças de trabalho tortas ou empenadas podem torcer ou deslocar-se e emperrar na lâmina da serra em rotação durante o corte. Não podem existir pregos ou objetos estranhos na peça de trabalho.
- **Não utilize a motosserra até a mesa estar limpa de todas as ferramentas, pedaços de madeira, etc., ficando apenas com a peça de trabalho** Os detritos pequenos ou os pedaços de madeira soltos ou outros objetos em contacto com a lâmina em rotação podem ser projetados a alta velocidade.
- **Corte apenas uma peça de trabalho de cada vez** Várias peças de trabalho sobrepostas não podem ser

fixadas ou juntas devidamente e podem emperrar na lâmina ou deslocar-se durante o corte.

- **Antes da utilização, assegure-se de que a serra de esquadria está montada ou colocada numa superfície de trabalho firme e plana.** Uma superfície de trabalho firme e plana diminui o risco da serra de esquadria se tornar instável.
- **Planeie o seu trabalho! Sempre que alterar o ajuste da chanfradura ou do ângulo de esquadria, assegure-se de que a guia ajustável está colocada corretamente para apoiar a peça de trabalho e não interferirá com a lâmina ou o sistema de proteção** Sem ligar a ferramenta e sem nenhuma peça de trabalho na mesa, desloque a lâmina da serra através de um corte simulado completo, para garantir que não existirá interferência ou perigo de cortar a guia.
- **Forneça apoios adequados, como extensões de mesa, cavaletes, etc. para uma peça de trabalho mais larga ou mais comprida do que o tempo da mesa.** As peças de trabalho mais compridas ou mais largas do que a mesa da serra de esquadria podem inclinar, se não estiverem devidamente apoiadas. Se a peça cortada ou a peça de trabalho inclinar, pode levantar a proteção inferior ou ser projetada pela lâmina em rotação.
- **Não utilize outra pessoa para substituir uma extensão de mesa ou como apoio adicional** O apoio instável para a peça de trabalho pode fazer com que a lâmina emperre ou a peça de trabalho se desloque durante a operação de corte, arrastando-o a si e ao seu ajudante para a lâmina em rotação.
- **A peça cortada não deve ser apertada ou pressionada de qualquer forma contra a lâmina da serra em rotação** Se estiver limitada, ou seja, utilizando limitadores de comprimento, a peça cortada pode ficar cuneiforme contra a lâmina e ser projetada com violência.
- **Utilize sempre um grampo ou uma peça fixa concebida para apoiar devidamente material redondo, como hastes ou tubos** As hastes têm tendência para rolar enquanto são cortadas, fazendo com que a lâmina "morda" e puxe o trabalho com a sua mão para dentro da lâmina.
- **Deixe que a lâmina atinja a velocidade máxima antes de entrar em contacto com a peça de trabalho** Isso reduzirá o risco da peça de trabalho ser projetada.
- **Se a peça de trabalho ou a lâmina ficar presa, desligue a serra de esquadria. Espere que todas as peças móveis parem e desligue a ficha da fonte de alimentação e/ou retire a bateria. Depois, trabalhe para libertar o material preso** Se continuar a serrar uma peça de trabalho presa, pode perder o controlo ou danificar a serra de esquadria.
- **Depois de terminar o corte, solte o interruptor, mantenha a cabeça da serra para baixo e espere que a lâmina pare antes de retirar a peça cortada** É perigoso aproximar a sua mão da lâmina a funcionar por inércia.
- **Segure firmemente a pega enquanto faz um corte incompleto ou ao soltar o interruptor antes da cabeça da serra estar completamente na posição para baixo** A ação de travagem da serra pode fazer com que a cabeça da serra seja puxada repentinamente para baixo, causando o perigo de lesões.

INSTRUÇÕES DE SEGURANÇA ADICIONAIS

- Os processos de ligação causam durante pouco tempo reduções de tensão; no caso de condições de rede desfavoráveis, podem ocorrer impedimentos devido a outros aparelhos (no caso de impedâncias de rede inferiores a 0,464 ohms não é de se esperar quaisquer interferências); se necessita de algum esclarecimento adicional, contacte o seu fornecedor de energia eléctrica

GENERAL

- Utilize apenas a ferramenta para cortar madeira
- Certifique-se sempre de que a tensão de alimentação está de acordo com a tensão indicada na placa de identificação da ferramenta
- **Não se apoie na ferramenta ou no seu suporte** Podem ocorrer lesões graves se a ferramenta cair ou se a ferramenta de corte for tocada acidentalmente. Não guarde materiais sobre a ferramenta ou junto à mesma, de modo a ser necessário apoiar-se na ferramenta ou no seu suporte para os alcançar.
- **Desligue sempre a ficha da tomada antes de proceder a qualquer ajustamento ou troca de acessório**
- **Desligue sempre a ficha da fonte de alimentação, antes de transportar a serra de esquadria** Desligue, baixe o conjunto da cabeça e bloqueie na posição, utilize a pega de transporte e uma das reentrâncias para as mãos na base da motosserra.
- **Não deixe a ferramenta até ela parar completamente**
- **Ao cortar peças de trabalho com formas irregulares, planeie o seu trabalho de modo que as peças de trabalho não deslizem, prendam a lâmina e sejam arrancadas da sua mão**
- Esta ferramenta não deve ser utilizada por pessoas menores de 16 anos
- Esta ferramenta não é aconselhada para cortar com água

UTILIZAÇÃO NO EXTERIOR

- Quando utilizar a ferramenta no exterior, ligue-a utilizando um disjuntor de corrente de falha (FI) com uma corrente de disparo de 30 mA no máximo e utilize apenas uma extensão destinada a utilização no exterior e que esteja equipada com uma tomada de união à prova de salpicos

ANTES DA UTILIZAÇÃO

- Utilize extensões completamente desenroladas e seguras, com uma capacidade de 16 Amp
- Use óculos de protecção, protectores para os ouvidos, e luvas de protecção
- O pó do material, como tinta com chumbo, algumas espécies de madeira, minerais e metais, pode ser prejudicial (contacto ou inalação do pó pode provocar reacções alérgicas e/ou doenças respiratórias ao operador ou às pessoas presentes); **use máscara respiratória e trabalhe com um dispositivo de extracção de pó quando ligado a**
- Determinados tipos de pó são classificados como substâncias cancerígenas (como pó de carvalho e faia), em especial, juntamente com aditivos para acondicionamento da madeira; **use máscara respiratória e trabalhe com um dispositivo de extracção de pó quando ligado a**
- Siga o regulamento nacional quanto a extracção de pó, em função dos materiais que vão ser utilizados
- **Não processe material que contenha asbesto** (asbesto é considerado como sendo cancerígeno)

- Nunca utilize a ferramenta sem o sistema de protecção original
- Verifique se a guarda de protecção fecha correctamente antes de cada utilização
- Não utilize a serra se a guarda de protecção não se mover livremente e fechar imediatamente
- Nunca fixe ou aperte a guarda de protecção na posição de abertura
- Nunca utilize a ferramenta sem a inserção da mesa; substitua uma inserção da mesa avariada ou gasta
- Retire todos os obstáculos que se encontram no topo superior e na parte inferior da peça a cortar antes de iniciar o trabalho
- Evite danificar a ferramenta em superfícies com pregos ou parafusos; remova-os antes de começar a trabalhar

ACESSÓRIOS

- Nunca utilize discos de rebarbe/corte com esta ferramenta
- A SKIL só pode garantir um funcionamento perfeito da ferramenta, quando utilizada com os acessórios adequados que poderá adquirir nos revendedores autorizados SKIL
- Para montar/usar acessórios de outras marcas que não sejam SKIL, respeite as instruções do respectivo fabricante
- Só utilizar lâminas de serra que correspondam aos dados característicos indicados nesta instrução de serviço e que sejam controlados conforme EN 847-1 e respectivamente marcados
- Utilize apenas acessórios com um número de rotação admissível no mínimo tão alto como o mais alto número de rotação em vazio da ferramenta
- Nunca utilize lâminas para serras em HSS
- Não utilize lâminas que se encontrem rachadas, deformadas ou cagas
- Utilize apenas lâminas da serra com um diâmetro do orifício que encaixe no veio da ferramenta sem folga; nunca utilize redutores ou adaptadores para encaixar lâminas de orifícios grandes na serra
- Proteja os acessórios contra impacto, choques e gordura

DURANTE A UTILIZAÇÃO

- **Não force a ferramenta** (aplique uma pressão contínua e leve para evitar o sobreaquecimento das pontas das lâminas e, em plásticos de corte, o derretimento do material de plástico)
- Mantenha os dedos, as mãos e os braços afastados da lâmina da serra rotativa
- Se a lâmina da serra ficar bloqueada, desligue a ferramenta imediatamente e retire a ficha; após estas operações, retire a peça de trabalho cuneiforme
- Em caso de bloqueio ou de anomalias eléctricas ou mecânicas, desligue imediatamente a ferramenta e a ficha da tomada
- Caso o fio for danificado ou cortado durante o trabalho, não toque no fio, mas tire imediatamente a ficha da tomada
- Nunca use a ferramenta se o cabo estiver danificado; este tem de ser substituído por um cabo especialmente preparado disponível através da organização de assistência.

RADIAÇÕES LASER

- **Não direcione o feixe de orientação a laser para pessoas ou animais e não olhe directamente ou para o reflexo do mesmo** (isso pode provocar encandeamento, causar acidentes ou danos oculares)

- Caso a radiação laser atinja o olho, feche propositadamente os olhos e desvie imediatamente a cabeça do feixe
- Não faça alterações ao dispositivo a laser
- Não olhe directamente para o feixe laser (radiações laser)
- Não use quaisquer instrumentos ópticos de ampliação (como lupas, telescópios ou binóculos) para ver o feixe laser
- Não utilize a ferramenta na presença de líquidos, gases, ou pó inflamáveis
- Não utilize a ferramenta com crianças à volta
- Não substitua o laser instalado por outro tipo de laser

APÓS A UTILIZAÇÃO

- Depois de desligar a ferramenta, nunca pare a rotação do acessório exercendo força lateral sobre o mesmo
- Retire apenas os cortes ou outras partes da peça de trabalho da área de corte quando todas as peças em movimento pararem completamente
- A lâmina da serra aquece durante a utilização; não lhe toque antes de arrefecer
- Guarde a ferramenta **no interior** num local seco e seguro, fora do alcance das crianças

EXPLICAÇÃO DOS SÍMBOLOS DA FERRAMENTA

- Leia o manual de instruções antes de utilizar o equipamento
- Use óculos de protecção e protectores para os ouvidos
- Área de perigo! Zona sem mãos. Mantenha as mãos, os dedos ou os braços afastados desta área.**
- Isolamento duplo (nenhum fio de terra necessário)
- Não deite ferramentas eléctricas e pilhas no lixo doméstico
- Radiações laser / Não olhar directamente para o feixe / Produto laser da classe 2**

MANUSEAMENTO

- Montagem
 - monte a pega de transporte com 2 parafusos, servindo-se da chave hexagonal AK^⑨
 - monte o botão de bloqueio de esquadria AB na parte da frente da mesa ^⑩
- Posição de transporte/trabalho

Para libertar a ferramenta (**posição de trabalho**)

 - pressione a pega B para baixo com uma mão, enquanto retira o pino de fixação C com a outra mão ^{⑪a}
 - guie o conjunto da cabeça lentamente para cima
 - para serrar com movimento deslizante, desaperte o botão de fixação AE ^{⑪b}

Para segurar a ferramenta (**posição de transporte**)

 - deslize o conjunto da cabeça para o limitador na direção da guia S e aperte o botão de bloqueio AE ^{⑪c}
 - defina o ângulo de chanfradura para 0° (ver Definir ângulo de chanfradura)
 - defina o ângulo de esquadria para 45° à esquerda ou à direita (ver Definir ângulo de esquadria)
 - pressione a pega B para baixo com uma mão, enquanto pressiona o pino de fixação C com a outra mão
 - enrole o cabo de alimentação
 - utilize a pega de transporte E para transportar a ferramenta ^{⑪d}
 - em alternativa, utilize as pegas laterais para transportar a ferramenta ^{⑪e}

- ! **nunca levante a ferramenta segurando pela pega principal ou pelo cabo de alimentação**
- Montagem da ferramenta na superfície de trabalho ¹²
 - ! **para manuseamento seguro, monte sempre a ferramenta numa superfície de trabalho plana e estável (por exemplo, bancada)**
 - utilize os 4 orifícios de montagem F para prender a ferramenta com os parafusos adequados à superfície de trabalho
 - pode também fixar a ferramenta à superfície de trabalho com os grampos de parafusos disponíveis comercialmente
 - para estabilizar a ferramenta, pode ajustar a altura do pé de suporte G
 - em alternativa, a ferramenta pode montar-se num suporte para serra de esquadria
 - ! **leia todos os avisos e instruções incluídos no suporte da serra**
- Extracção de pó/aparas ¹³
 - monte o saco do pó H/aspirador conforme ilustrado
 - esvazie regularmente o saco do pó para uma melhor recolha do pó
 - ! **nunca deixe que o tubo do aspirador interfere com a protecção inferior ou com a operação de corte**
- Extensão da mesa da serra ¹⁴
 - utilize botões L para fixar as barras de extensão K (de cada lado da ferramenta)
 - o comprimento das barras de extensão K é ajustável continuamente do mínimo até ao máximo
- Fixar a peça de trabalho ¹⁵
 - ! **para segurança do trabalho óptimo, fixe sempre a peça de trabalho com o grampo ajustável fornecido**
 - não trabalhe com peças de trabalho demasiado pequenas para fixar
 - para dimensões **máximas** da peça de trabalho, utilize a mesa ¹⁶ como referência
 - aperte o grampo da peça de trabalho no orifício de suporte N com o botão P (de cada lado da ferramenta)
 - utilize 1 das 2 ranhuras; para uma espessura da peça de trabalho de até 4cm e uma espessura da peça de trabalho superior a 4cm
 - prima a peça de trabalho firmemente contra a divisória S
 - desbloqueie a alavanca R
 - adapte o grampo à peça de trabalho
 - fixe firmemente a peça de trabalho, bloqueando a alavanca R
 - ! **para algumas combinações de esquadria e chanfradura, ou conforme o tamanho da peça de trabalho, pode ser necessário utilizar grampos de parafusos disponíveis comercialmente**
- Definir ângulos de esquadria ¹⁷
 - desaperte a pega de fixação AB
 - empurre a alavanca de desbloqueio de detenção de esquadria AC
 - rode a mesa da serra para a esquerda ou para a direita e defina o ângulo de esquadria pretendido (de 0° to 47°) com o indicador AD
 - solte a alavanca AC
 - aperte a pega de fixação AB (**não aperte a pega muito firmemente**)
- para um ajuste rápido e preciso de ângulos de esquadria utilizados frequentemente (0°, 15°, 22,5°, 31,6°, 45°), a alavanca de detenção de esquadria clica quando encaixa nas posições correspondentes
- Definir ângulos de chanfradura ¹⁸
 - desaperte o botão de três lados U ^{18b}
 - rode a cabeça da serra para a esquerda até o indicador do ângulo de chanfradura V apontar para o ângulo de chanfradura pretendido
 - mantenha a cabeça da serra nesta posição e aperte o botão U
- Cortes compostos ¹⁹
 - os cortes compostos requerem uma definição do ângulo de esquadria e uma definição do ângulo de chanfradura
 - ! **não utilize a serra em algumas combinações de chanfradura e esquadria que podem resultar em interferência entre as peças móveis e as peças fixas da serra ou entre as peças móveis e a peça de trabalho**
 - ! **experimente sempre primeiro num pedaço de material**
- Linha laser ²⁰
 - para guiar a ferramenta ao longo da linha de corte marcada na peça a trabalhar
 - ligue/desligue a linha laser puxando o interruptor AA
 - o laser está alinhado com o lado esquerdo do corte
 - o alinhamento horizontal do laser pode ser ajustado facilmente com o parafuso Y
 - ! **antes de iniciar um trabalho, verifique o alinhamento da linha laser com a linha de corte actual, fazendo um corte experimental num material inútil**
- Serrar **sem** movimento deslizante (peças de trabalho **pequenas**)
 - desaperte o botão de bloqueio AE, caso esteja apertado
 - deslize a cabeça da serra para o limitador na direcção da guia S e volte a apertar o botão de bloqueio AE
 - ! **Se o mecanismo não for bloqueado, a lâmina pode subir para o topo da peça de trabalho e mover-se violentamente na sua direcção**
 - coloque a ferramenta na posição de trabalho
 - ! **certifique-se de que a peça de trabalho está firmemente fixa contra a divisória e a mesa da serra S**
 - ligue a ferramenta, desbloqueando o bloqueio AG e puxando o interruptor principal AF ²²
 - ! **não cruze os braços enquanto utiliza a cabeça da serra ^{21a}**
 - serre através da peça de trabalho com o avanço uniforme
 - ! **a ferramenta deverá trabalhar na velocidade máxima, antes da lâmina da serra penetrar na peça a trabalhar**
 - solte o interruptor para desligar a ferramenta AF
 - aguarde até a lâmina da serra ficar completamente parada antes de orientar a cabeça da serra lentamente para cima
- Serrar **com** movimento deslizante (peças de trabalho **grandes**)
 - ! **não se esqueça de que o método descrito abaixo é o único método seguro**

- não puxe a serra através da peça de trabalho
- desaperte o botão de bloqueio AE, caso esteja apertado
- ! **certifique-se de que a peça de trabalho está firmemente fixa contra a divisória e a mesa da serra S**
- afaste a cabeça da serra da guia S o suficiente para que a lâmina da serra fique em frente à peça de trabalho 23
- ligue a ferramenta, empurrando alavanca de segurança AG e puxando o interruptor principal AF 22
- ! **não cruze os braços enquanto utiliza a cabeça da serra 21a**
- empurre a cabeça da serra na direção da guia S e serre a peça de trabalho com o avanço uniforme 23
- ! **a ferramenta deverá trabalhar na velocidade máxima, antes da lâmina da serra penetrar na peça a trabalhar**
- ! **se a proteção inferior não abrir automaticamente, o que pode acontecer em determinadas circunstâncias (por ex., uma peça de trabalho que está muito perto da capacidade máxima), pode ter de abrir a proteção manualmente 21b**
- solte o interruptor para desligar a ferramenta AF
- aguarde até a lâmina da serra ficar completamente parada antes de orientar a cabeça da serra lentamente para cima
- Serrar ranhuras 24
 - defina a profundidade pretendida com o limitador de profundidade AH e bloqueie-a com a porca AJ
 - deve colocar-se um espaçador de madeira entre a peça de trabalho e a guia, para uma profundidade consistente em todo o comprimento da ranhura
 - ! **certifique-se de que a lâmina da serra não fica encravada na peça de trabalho**
 - ! **experimente sempre primeiro num pedaço de material**
- Troca de lâminas da serra 25
 - ! **desligar da fonte de corrente**
 - tire a chave hexagonal AK do alojamento AL
 - mantenha a proteção de segurança A na posição aberta
 - desaperte o parafuso da placa da tampa AN (não desaperte completamente o parafuso) 25a
 - rode a proteção de segurança A completamente para trás 25b
 - prima o botão de fecho do veio AM e mantenha-o premido enquanto retira o parafuso da lâmina AO através da rotação da chave hexagonal AK **PARA A DIREITA** (= na mesma direção como a seta impressa na lâmina da serra)
 - ! **pressione o botão AM de fecho do veio somente quando a ferramenta estiver parada**
 - solte o botão AM de fecho do veio
 - retire a flange AP e a lâmina da serra
 - ! **troque a lâmina da serra com os dentes da serra e a seta imprimida na lâmina na mesma direção da seta da guarda de protecção A**
 - aplique o anel AP 25c
 - pressione o botão de fecho do veio AM e mantenha-o nessa posição, enquanto aperta o parafuso da lâmina com a chave hexagonal AK **PARA A ESQUERDA** 1/8 de volta após ter apertado à mão (a lâmina patina quando encontra demasiada resistência reduzindo sobrecargas do motor e ressaltos da lâmina)
- Substituir a inserção da mesa AQ 26
 - Substitua uma inserção da mesa avariada ou gasta da seguinte forma:
 - ! **desligar da fonte de corrente**
 - tire a chave hexagonal AK do alojamento AL
 - retire os 6 parafusos conforme ilustrado
 - retire a inserção da mesa antiga, levantando primeiro a parte frontal e, em seguida, retirando-a completamente
 - coloque a inserção da mesa nova
 - ! **aperte todos os 6 parafusos**
- Verificar/ajustar o alinhamento da lâmina de 90° 27
 - ! **desligar da fonte de corrente**
 - rode a mesa da serra para a posição de esquadria de 0° e bloqueie-a
 - gire a cabeça da serra para a posição de chanfradura de 0°
 - baixe a cabeça da serra e bloqueie-a
 - procure um ângulo de 90° entre a lâmina e a mesa com um esquadro
 - se for necessário, ajuste o alinhamento da lâmina de 90° da seguinte forma:
 1. desaperte o botão de três lados U
 2. ajuste o parafuso W com uma chave da lâmina n.º 10 (não incluída de série)
 3. volte a verificar com o esquadro
 4. redefina o indicador de chanfradura V para os 0°
- Verificar/ajustar o alinhamento da lâmina de 45° 28
 - ! **desligar da fonte de corrente**
 - rode a mesa da serra para a posição de esquadria de 0° e bloqueie-a
 - desaperte o botão de três lados U
 - gire a cabeça da serra para a esquerda
 - procure um ângulo de 45° entre a lâmina e a mesa com um esquadro a 45°
 - verifique se o indicador de chanfradura V está na marca de 45°
 - se for necessário, ajuste o alinhamento da lâmina de 45° da seguinte forma:
 1. ajuste o parafuso X com uma chave da lâmina n.º 10 (não incluída de série)
 2. volte a verificar a esquadria
- Verificar/ajustar o alinhamento da divisória de 90° 29
 - ! **desligar da fonte de corrente**
 - rode a mesa da serra para a posição de esquadria de 0° e bloqueie-a
 - baixe a cabeça da serra e bloqueie-a
 - procure um ângulo de 90° entre a lâmina e a guia S com um esquadro (certifique-se de que o esquadro contacta com o corpo da lâmina da serra e não com os dentes) 29a
 - se for necessário, ajuste o alinhamento da divisória de 90° da seguinte forma:
 1. desaperte os 2 parafusos sextavados T 29b
 2. ajuste a divisória até a lâmina e a divisória estarem em contacto total com o esquadro
 3. aperte os 2 parafusos sextavados T
 4. redefina o indicador de esquadria para os 0° 29c

CONSELHOS DE APLICAÇÃO

- Peças de trabalho especiais
 - apoie sempre as extremidades livres de uma peça de trabalho longa ③
 - certifique-se de que as peças de trabalho curvas ou redondas estão especialmente fixas contra deslizamento ③
 - não pode existir nenhuma folga na linha de corte entre a peça de trabalho e a divisória ou a mesa da serra
 - se necessário, fabrique uma guia auxiliar; os orifícios na guia móvel devem utilizar-se para fixar a guia auxiliar ③
- ! **a guia auxiliar só pode utilizar-se na chanfradura a 0°**
- Para trabalhar com as moldagens do chão, pode utilizar a ilustração ③ como referência
- Coloque sempre a peça a trabalhar com a face virada para baixo assegurando assim o mínimo de estilhaçamento
- Use sempre lâminas da serra devidamente afiadas e do tipo correcto
 - a qualidade de corte melhora consoante o número de dentes
 - lâminas c/ pastilhas Widia mantêm-se afiadas 30 vezes mais do que as lâminas normais

MANUTENÇÃO / SERVIÇO

- Mantenha a ferramenta e o cabo sempre limpos (em especial, as ranhuras de ventilação na parte posterior do alojamento do motor)
- Verifique regularmente se a proteção inferior está a funcionar adequadamente. Servindo-se de um pano húmido, limpe toda a serradura da proteção inferior.
! **desligar a ferramenta da fonte de corrente antes de limpar**
 - levante a proteção inferior para a posição totalmente aberta e solte-a; se não fechar completamente de imediato, deve ser verificada por um centro de assistência pós-venda para ferramentas eléctricas SKIL
- Limpe a lâmina logo após a sua utilização (especialmente de resina ou cola)
! **a lâmina da serra aquece durante a utilização; não lhe toque antes de arrefecer**
- Após cada utilização, limpe a luz laser AC com uma escova macia para manter uma boa visibilidade da linha do laser (assegure-se de que não altera a definição do laser)
- Se a ferramenta falhar apesar de cuidadosos processos de fabricação e de teste, a reparação deverá ser executada por uma oficina de serviço autorizada para ferramentas eléctricas SKIL
 - envie a ferramenta **sem desmontar**, juntamente com a prova de compra, para o seu revendedor ou para o centro de assistência SKIL mais próximo (os endereços assim como a mapa de peças da ferramenta estão mencionados no www.skil.com)
- Não se esqueça de que os danos provocados por sobrecarga ou manuseamento incorrecto da ferramenta estão excluídos da garantia (para mais informações sobre as condições da garantia da SKIL, consulte www.skil.com ou pergunte ao seu revendedor)

AMBIENTE

- **Não deite ferramentas eléctricas, pilhas, acessórios e embalagem no lixo doméstico** (apenas para países da UE)
 - de acordo com a directiva europeia 2012/19/CE sobre ferramentas eléctricas e electrónicas usadas e a transposição para as leis nacionais, as ferramentas eléctricas usadas devem ser recolhidas em separado e encaminhadas a uma instalação de reciclagem dos materiais ecológica
 - símbolo ⑥ lhe avisará em caso de necessidade de arranjar-las

RUÍDO

- O nível de pressão sonora desta ferramenta, medido de acordo com a EN 62841, é de 100,0 dB(A) e o nível de potência acústica é de 109,5 dB(A) (incerteza K = 3 dB)
- O nível de emissão de ruído foi medido de acordo com um teste normalizado fornecido na EN 62841; pode ser utilizado para comparar uma ferramenta com outra e como uma avaliação preliminar da exposição ao ruído ao utilizar a ferramenta para as aplicações mencionadas
 - utilizar a ferramenta para diferentes aplicações ou com acessórios diferentes ou mantidos deficientemente, pode **augmentar** significativamente o nível de exposição
 - o número de vezes que a ferramenta é desligada ou quando estiver a trabalhar sem fazer nada, pode **reduzir** significativamente o nível de exposição

1

Troncatrice radiale

1310

INTRODUZIONE

- L'utensile è idoneo come macchina fissa per l'esecuzione di tagli longitudinali e trasversali nel legno realizzando tagli diritti e tagli con angolazioni (è possibile eseguire angoli inclinati orizzontali da -47° a +47° oltre ad angoli sbiechi verticali da 0° a 45°)
- Leggete e conservate questo manuale di istruzione ②
- Questo utensile non è inteso per un uso professionale
- **Utilizzare l'utensile solo se è completamente assemblato** (Skil non è responsabile per il danneggiamento dell'utensile e/o per lesioni causate dal montaggio errato dell'utensile)

DATI TECNICI ①

ELEMENTI UTENSILE ⑧

- A** Protezione inferiore
- B** Maniglia con interruttore
- C** Perno di bloccaggio per il trasporto
- D** Protezione superiore
- E** Maniglia per il trasporto
- F** Fori di fissaggio
- G** Piede del supporto
- H** Sacchetto della polvere
- J** Porta per la polvere
- K** Prolunghe laterali
- L** Manopole per il bloccaggio delle prolunghe laterali

M	Morsa per bloccare il pezzo
N	Foro del supporto
P	Manopola per fissare la morsa
Q	Manopola per regolare la morsa
R	Leva morsa
S	Guida per il pezzo
T	Viti esagonali per regolare la guida (2x)
U	Manopola di bloccaggio (angoli obliqui)
V	Indicatore angolo obliquo
W	Vite per regolare l'angolo obliquo (destra)
X	Vite per regolare l'angolo obliquo (sinistra)
Y	Vite di regolazione laser
Z	Raggio laser
AA	Interruttore acceso/spento laser
AB	Manopola di bloccaggio (angoli inclinati)
AC	Leva di sblocco con dente d'arresto
AD	Indicatore angolo inclinato
AE	Manopola di bloccaggio per far scorrere l'utensile
AF	Interruttore di acceso/spento
AG	Leva di sicurezza
AH	Limitatore della profondità di taglio
AI	Fermo di profondità
AJ	Dado del fermo di profondità
AK	Chiave esagonale
AL	Alloggiamento per la chiave esagonale
AM	Tasto di bloccaggio dell'albero
AN	Vite piastra di protezione
AO	Bullone della lama
AP	Flangia
AQ	Inserito del piano tavolo
AR	Deflettore antipolvere

SICUREZZA

AVVERTENZE GENERALI DI PERICOLO PER ELETTROUTENSILI

AVVERTENZA Leggere tutte le avvertenze di sicurezza, istruzioni, illustrazioni e specifiche fornite con l'utensile. La mancata osservanza di tutte le istruzioni sottoelencate potrebbe causare delle scariche elettriche, principi d'incendio e/o gravi lesioni.

Conservare tutte le avvertenze di pericolo e le istruzioni operative per ogni esigenza futura.

Il termine "elettroutensile" utilizzato nelle avvertenze di pericolo si riferisce ad elettroutensili alimentati dalla rete (con linea di allacciamento) ed ad elettroutensili alimentati a batteria (senza linea di allacciamento).

1) SICUREZZA DELLA POSTAZIONE DI LAVORO

- Mantenere pulito ed ordinato il posto di lavoro.** Il disordine o le zone di lavoro non illuminate possono essere fonte di incidenti.
- Evitare d'impiegare l'elettroutensile in ambienti soggetti al rischio di esplosioni nei quali si trovino liquidi, gas o polveri infiammabili.** Gli elettroutensili producono scintille che possono far infiammare la polvere o i gas.
- Mantenere lontani i bambini ed altre persone durante l'impiego dell'elettroutensile.** Eventuali distrazioni potranno comportare la perdita del controllo sull'elettroutensile.

2) SICUREZZA ELETTRICA

- La spina per la presa di corrente dovrà essere adatta alla presa. Evitare assolutamente di apportare modifiche alla spina. Non impiegare spine adattatrici assieme ad elettroutensili con collegamento a terra.** Le spine non modificate e le prese adatte allo scopo riducono il rischio di scosse elettriche.
- Evitare il contatto fisico con superfici collegate a terra, come tubi, riscaldamenti, cucine elettriche e frigoriferi.** Sussiste un maggior rischio di scosse elettriche nel momento in cui il corpo è messo a massa.
- Custodire l'elettroutensile al riparo dalla pioggia o dall'umidità.** L'eventuale infiltrazione di acqua in un elettroutensile va ad aumentare il rischio d'insorgenza di scosse elettriche.
- Non usare il cavo per scopi diversi da quelli previsti al fine di trasportare o appendere l'elettroutensile, oppure di togliere la spina dalla presa di corrente. Mantenere l'elettroutensile al riparo da fonti di calore, dall'olio, dagli spigoli o da pezzi in movimento.** I cavi danneggiati o aggrovigliati aumentano il rischio d'insorgenza di scosse elettriche.
- Qualora si voglia usare l'elettroutensile all'aperto, impiegare solo ed esclusivamente cavi di prolunga omologati per l'impiego all'esterno.** L'uso di un cavo di prolunga omologato per l'impiego all'esterno riduce il rischio d'insorgenza di scosse elettriche.
- Qualora non fosse possibile evitare di utilizzare l'elettroutensile in ambiente umido, utilizzare un interruttore di messa a terra.** L'uso di un interruttore di messa a terra riduce il rischio di una scossa elettrica.

3) SICUREZZA DELLE PERSONE

- È importante concentrarsi su ciò che si sta facendo e a maneggiare con giudizio l'elettroutensile durante le operazioni di lavoro. Non utilizzare l'elettroutensile in caso di stanchezza o sotto l'effetto di droghe, bevande alcoliche e medicinali.** Un attimo di distrazione durante l'uso dell'elettroutensile potrà causare lesioni gravi.
- Indossare sempre equipaggiamento protettivo individuale. Usare sempre protezioni per gli occhi.** Se si avrà cura d'indossare equipaggiamento protettivo individuale come la maschera antipolvere, la calzatura antisdrucciolevole di sicurezza, il casco protettivo o la protezione dell'udito, a seconda dell'impiego previsto per l'elettroutensile, si potrà ridurre il rischio di ferite.
- Evitare l'accensione involontaria dell'elettroutensile. Prima di collegarlo alla rete di alimentazione elettrica e/o alla batteria ricaricabile, prima di prenderlo oppure prima di iniziare a trasportarlo, assicurarsi che l'elettroutensile sia spento.** Tenendo il dito sopra l'interruttore mentre si trasporta l'elettroutensile oppure collegandolo all'alimentazione di corrente con l'interruttore inserito, si vengono a creare situazioni pericolose in cui possono verificarsi seri incidenti.
- Togliere gli attrezzi di regolazione o la chiave inglese prima di accendere l'elettroutensile.** Un elettroutensile o una chiave inglese che si trovino in una parte dell'elettroutensile in rotazione potranno causare lesioni.

- e) **È importante non sopravvalutarsi. Avere cura di mettersi in posizione sicura e di mantenere l'equilibrio.** In tale maniera sarà possibile controllare meglio l'elettrotensile in situazioni inaspettate.
- f) **Indossare vestiti adeguati. Evitare di indossare vestiti lenti o gioielli. Tenere capelli e vestiti lontani da parti in movimento.** Vestiti lenti, gioielli o capelli lunghi potranno impigliarsi in pezzi in movimento.
- g) **Se sussiste la possibilità di montare dispositivi di aspirazione o di captazione della polvere, assicurarsi che gli stessi siano stati installati correttamente e vengano utilizzati senza errori.** L'utilizzo di un'aspirazione polvere può ridurre lo svilupparsi di situazioni pericolose dovute alla polvere.
- h) **Una volta presa confidenza con gli utensili, evitare di trascurare le norme di sicurezza.** Una mancanza di attenzione può causare gravi lesioni in una frazione di secondo.
- 4) MANEGGIO ED IMPIEGO ACCURATO DI ELETTROTENSILI**
- a) **Non sovraccaricare l'elettrotensile. Impiegare l'elettrotensile adatto per sbrigare il lavoro.** Utilizzando l'elettrotensile adatto si potrà lavorare meglio e con maggior sicurezza nell'ambito della gamma di potenza indicata.
- b) **Non utilizzare elettrotensili con interruttori difettosi.** Un elettrotensile che non si può più accendere o spegnere è pericoloso e dovrà essere riparato.
- c) **Prima di procedere ad operazioni di regolazione sull'elettrotensile, prima di sostituire parti accessorie oppure prima di posare l'elettrotensile al termine di un lavoro, estrarre sempre la spina dalla presa della corrente e/o estrarre la batteria ricaricabile, se rimovibile.** Tale precauzione eviterà che l'elettrotensile possa essere messo in funzione inavvertitamente.
- d) **Custodire gli elettrotensili non utilizzati al di fuori della portata dei bambini. Non fare usare l'elettrotensile a persone che non sono abituate ad usarlo o che non abbiano letto le presenti istruzioni.** Gli elettrotensili sono pericolosi se utilizzati da persone inesperte.
- e) **Eseguire la manutenzione degli elettrotensili e degli accessori. Verificare che le parti mobili dell'elettrotensile funzionino perfettamente e non s'incastrino, che non ci siano pezzi rotti o danneggiati al punto tale da limitare la funzione dell'elettrotensile stesso. Far riparare le parti danneggiate prima d'impiegare l'elettrotensile.** Numerosi incidenti vengono causati da elettrotensili la cui manutenzione è stata effettuata poco accuratamente.
- f) **Mantenere affilati e puliti gli elettrotensili da taglio.** Gli elettrotensili da taglio curati con particolare attenzione e con taglienti affilati s'incastrano meno frequentemente e sono più facili da condurre.
- g) **Utilizzare elettrotensili, accessori, attrezzi, ecc. in conformità con le presenti istruzioni. Osservare le condizioni di lavoro ed il lavoro da eseguirsi durante l'impiego.** L'impiego di elettrotensili per usi diversi da quelli consentiti potrà dar luogo a situazioni di pericolo.
- h) **Mantenere impugnature e superfici di presa asciutte, pulite e prive di olio e grasso.** Impugnature

e superfici di presa scivolose non consentono di manipolare e controllare l'utensile in caso di situazioni inaspettate.

5) ASSISTENZA

- a) **Fare riparare l'elettrotensile solo ed esclusivamente da personale specializzato e solo impiegando pezzi di ricambio originali.** In tale maniera potrà essere salvaguardata la sicurezza dell'elettrotensile.

ISTRUZIONI DI SICUREZZA PER TRONCATRICI

- **Le troncatrici sono concepite per tagliare legno o prodotti legnosi, e non possono essere usate con ruote di taglio abrasive per tagliare metalli ferrosi quali barre, tondini, bulloni, ecc.** La polvere abrasiva fa inceppare le parti mobili come la protezione inferiore. Le scintille provenienti dall'operazione di taglio abrasiva bruceranno la protezione inferiore, la tacca inserto e altre parti in plastica.
- **Usare delle pinze per sostenere il pezzo in lavorazione, ove possibile. Se il pezzo viene tenuto in mano, bisogna sempre tenere la mano distante almeno 100 mm da entrambi i lati della lama. Non usare questa sega per tagliare dei pezzi troppo piccoli che non si riescono a bloccare in sicurezza o a tenere in mano.** Se la mano si avvicina troppo alla lama, aumenta il rischio di ferirsi toccando la lama.
- **Il pezzo da tagliare deve essere stabile e bloccato o tenuto fermo contro la guida e il tavolo. Non inserire il pezzo nella lama o tagliare "a mano libera" in nessun modo.** Dei pezzi fuori controllo o in movimento potrebbero schizzare ad alte velocità, causando delle lesioni.
- **Spingere la sega attraverso il pezzo. Non tirare la sega attraverso il pezzo. Per fare un taglio, alzare la testa della lama e appoggiarla sul pezzo senza tagliare, avviare il motore, premere la testa della lama e spingere la lama sul pezzo.** Tagliare mentre si sta tirando potrebbe far sì che la lama finisca sopra il pezzo e scagli violentemente il gruppo lama verso l'operatore.
- **Non incrociare mai la mano sulla linea di taglio, né davanti né dietro la lama.** Tenere il pezzo "con la mano incrociata", cioè tenendo il pezzo sulla destra della lama con la mano sinistra o viceversa, è un'operazione molto pericolosa.
- **Non avvicinarsi a più di 100 mm dalla guida con entrambe le mani e da entrambi i lati della lama, magari per rimuovere dei pezzettini di legno, o per qualsiasi altro motivo mentre la lama sta girando.** Potreste non rendervi conto che la mano si sta avvicinando alla lama che giro e potreste rimanere gravemente feriti.
- **Controllate bene il vostro pezzo prima di tagliare. Se il pezzo è piegato o deformato, bloccatelo con la parte esterna piegata verso la guida. Accertarsi sempre che non vi sia spazio fra il pezzo, la guida e il tavolo lungo la linea del taglio.** Eventuali pezzi piegati o deformati possono girarsi o spostarsi e potrebbero incepparsi sulla lama che sta girando durante l'operazione di taglio. Nel pezzo non devono essere presenti chiodi o corpi estranei.
- **Non usare la sega fino a quando il tavolo non sarà libero da altri utensili, pezzettini di legno, ecc.:** deve esserci solo il pezzo da lavorare. Piccoli detriti o

pezzettini di legno vaganti o altri oggetti che toccano la lama in movimento potrebbero schizzare ad alta velocità.

- **Tagliare un solo pezzo alla volta** Più pezzi impilati non possono essere fissati o sostenuti adeguatamente e potrebbero legarsi sulla lama o spostarsi durante l'operazione di taglio.
- **Accertarsi, prima dell'uso, che la troncatrice sia montata o posizionata su una superficie di lavoro livellata e stabile.** Una superficie di lavoro livellata e stabile riduce il rischio che la troncatrice diventi instabile.
- **Pianifica il tuo lavoro! Ogni volta che si cambia l'impostazione dello smusso o dell'angolo di troncatrice, bisogna sempre accertarsi che la guida regolabile sia impostata correttamente per supportare il pezzo e che non interferisca con la lama o con il sistema di protezione** Senza "ACCENDERE" l'utensile e senza il pezzo sul tavolo, spostare la lama simulando un taglio completo per accertarsi che non vi sarà interferenza o pericolo di tagliare la guida.
- **Fornire un supporto adeguato quale allungamenti per il tavolo, cavalletti, ecc. se il pezzo da lavorare è più largo o più lungo della superficie del tavolo.** I pezzi più lunghi o più larghi del tavolo di taglio per la troncatrice potrebbero rovesciarsi se non vengono adeguatamente sostenuti. Se il pezzo tagliato o il pezzo da lavorare si rovescia, potrebbe sollevare la protezione inferiore o venire schizzato via dalla lama che gira.
- **Non usare un'altra persona in sostituzione di un allungamento del tavolo o come sostegno aggiuntivo** Un sostegno instabile per il pezzo può far sì che la lama si leghi o che il pezzo si sposti durante l'operazione di taglio, tirando voi e la persona che sta aiutando nella lama che gira.
- **Il pezzo tagliato non deve essere inceppato o premuto in nessun modo contro la lama che gira** Se confinato, ad es. usando dei fermi di lunghezza, il pezzo tagliato potrebbe incunearsi contro il tavolo e schizzare via violentemente.
- **Usare sempre una morsa o un dispositivo di fissaggio adeguato per bloccare correttamente materiali tondi quali tondini o tubi** I tondini tendono a rotolare durante il taglio, quindi la lama "morde" e tira il pezzo con la vostra mano nella lama.
- **Far raggiungere la massima velocità alla lama prima di far toccare il pezzo** Questo ridurrà il rischio che il pezzo schizzi via.
- **Se il pezzo o la lama si inceppano, spegnere la troncatrice. Attendere che tutte le parti in movimento si siano fermate e staccare la spina dalla presa di corrente e/o rimuovere la batteria.** Quindi lavorare per liberare il materiale inceppato Continuare a usare l'utensile con un pezzo inceppato potrebbe causare una perdita di controllo o danneggiare la troncatrice.
- **Una volta terminato il taglio, rilasciare l'interruttore, tenere la testa della sega verso il basso e attendere che la lama si fermi prima di rimuovere il pezzo tagliato** Avvicinarsi con la mano alla lama che sta rallentando, è pericoloso.
- **Tenere l'impugnatura ben calda quando si fa un taglio incompleto o quando si rilascia l'interruttore prima che la testa della sega si trovi completamente in posizione abbassata** L'azione di frenatura della sega potrebbe far sì che la testa della sega venga tirata giù improvvisamente, causando il rischio di lesioni.

ISTRUZIONI DI SICUREZZA ULTERIORI

- Le operazioni di accensione producono temporanei abbassamenti di tensione; in caso di reti di alimentazioni che non siano in condizioni ottimali può capitare che altre macchine possano subire dei disturbi (in caso di impedenze di rete minori di 0,464 Ohm non ci si aspetta nessun disturbo); per ulteriori chiarimenti, contattare la vostra società fornitrice di energia elettrica

NOTE GENERALI

- Utilizzare l'utensile solo per tagliare il legno
- Controllare che la tensione dell'alimentazione sia la stessa di quella indicata sulla targhetta dell'utensile
- **Non salire sull'utensile o sul suo supporto** Potrebbero verificarsi delle lesioni gravi se l'utensile si rovescia o se si tocca accidentalmente l'utensile di taglio. Non riporre materiali sopra o in prossimità dell'utensile, per evitare di dover salire sopra l'utensile stesso o sul supporto per recuperarli.
- **Staccate sempre la spina dell'utensile prima di effettuare regolazioni o cambiare gli accessori**
- **Staccare sempre la spina dalla presa di corrente prima di trasportare la troncatrice** Staccare la spina, abbassare il gruppo testa inferiore e bloccarlo in posizione, usare l'apposita maniglia per il trasporto e una delle apposite rientranze per inserire la mano nella base dell'utensile.
- **Non abbandonare l'utensile fino a quando non si sarà completamente fermato**
- **Se si taglia un pezzo dalla forma irregolare, pianificare il lavoro di modo che non scivoli, pizzichi la lama e vi venga strappato di mano**
- Questo utensile non dev'essere utilizzato da persone di età inferiore ai 16 anni
- Quest'utensile non può lavorare con acqua

USO ALL'ESTERNO

- Quando usato all'esterno, collegare l'utensile ad un interruttore automatico di rete (FI) con una corrente di scatto di 30 mA massimo, ed usare solamente il cavo di prolunga inteso per uso esterno e munito di una presa antispruzzo

PRIMA DELL'USO

- Usare cavi di prolunga completamente srotolati e sicure con una capacità di 16 Amp
- Portare occhiali di protezione, protezione dell'udito, e guanti di protezione
- Le polveri di materiali come vernici contenenti piombo, alcune specie di legno, minerali e metallo possono essere nocive (il contatto con queste polveri o la loro inalazione possono causare reazioni allergiche e/o disturbi respiratori all'operatore o ad altre persone presenti sul posto); **indossare una maschera protettiva per la polvere e utilizzare un dispositivo per l'estrazione della polvere se è presente una presa di collegamento**
- Alcuni tipi di polvere sono classificati come cancerogeni (quali le polveri di quercia e faggio) specialmente se associate ad additivi per il trattamento del legno; **indossare una maschera protettiva per la polvere e utilizzare un dispositivo per l'estrazione della polvere se è presente una presa di collegamento**
- Rispettare le istruzioni nazionali riguardanti l'estrazione della polvere per i materiali in lavorazione
- **Non lavorare mai materiali contenenti amianto** (l'amianto è ritenuto materiale cancerogeno)

- Non usate mai l'utensile senza il suo sistema protettivo originale
- Verificare che la protezione sia chiusa bene prima di utilizzare l'utensile
- Non utilizzare la sega se la protezione non si muove liberamente e si chiude istantaneamente
- Non serrare mai la protezione nella posizione aperta
- Non usare mai l'utensile senza l'insero del piano tavolo; sostituire un inserto del piano tavolo difettoso o consumato
- Rimuovete tutti gli ostacoli sopra e sotto la linea di taglio prima di iniziare il lavoro
- Evitate possibili danneggiamenti da viti e chiodi sporgenti; rimuoverli prima di iniziare la lavorazione

ACCESSORI

- Non usare mai dischi da smeriglio/taglio con quest'utensile
- La SKIL garantisce un perfetto funzionamento dell'utensile soltanto se vengono utilizzati accessori corretti che si possono ottenere presso il vostro negoziante
- Per il montaggio/uso di accessori non di produzione SKIL, osservare le istruzioni del fabbricante interessato
- Utilizzare esclusivamente lame per sega che corrispondono ai dati caratteristici indicati nelle presenti istruzioni d'uso, omologate secondo la norma EN 847-1 e munite della rispettivo contrassegno
- Utilizzate solo accessori il cui numero massimo di giri corrisponda almeno al massimo dei numeri di giri dell'utensile
- Mai utilizzate lame per sega in acciaio ad alta velocità (HSS)
- Non usate la lama in caso sia crepata, deformata o non tagliente
- Usare solo lame con il diametro del foro adatto all'albero dell'utensile senza che vi sia del gioco; non usare mai riduttori o adattatori per adattarli su lame con un foro più grande
- Proteggere gli accessori da impatto, da urti e dal grasso

DURANTE L'USO

- **Non forzare l'utensile** (applicare una pressione leggera e continua per evitare un surriscaldamento delle punte della lama e di fondere la plastica, se si sta tagliando plastica)
- Tenere le dita, le mani e le braccia lontane dalle lame rotative
- Se la lama dovesse bloccarsi, spegnere immediatamente l'utensile e staccare l'alimentazione; solo dopo aver fatto ciò rimuovere il pezzo incastrato
- Nel caso l'utensile si blocchi o di cattivo funzionamento elettrico o meccanico, spegnete subito l'utensile e staccate la spina
- Se durante un'operazione di lavoro viene danneggiato oppure troncato il cavo, non toccare il cavo ma estrarre immediatamente la spina dalla presa
- Non usare mai l'utensile se il cavo è danneggiato; sostituire con un cavo apposito disponibile presso i centri di assistenza.

RADIAZIONI LASER

- **Non dirigere mai il raggio laser verso persone oppure animali ed evitare di guardare direttamente il raggio laser o di guardarne il riflesso** (il raggio laser potrebbe abbagliare le persone, provocare incidenti o danneggiare gli occhi)
- Se un raggio laser dovesse colpire un occhio, chiudere subito gli occhi e distogliere immediatamente la testa dal raggio

- Non effettuare modifiche al dispositivo laser
- Non guardare direttamente nel raggio del laser (radiazioni laser)
- Non utilizzare nessun attrezzo d'ingrandimento (come una lente d'ingrandimento, telescopio, o binocoli) per veder il raggio laser
- Non usare l'utensile se sono presenti dei liquidi infiammabili, dei gas o della polvere
- Non adoperare l'utensile in presenza di bambini
- Non sostituire il laser installato con un altro tipo di laser

DOPO L'USO

- Dopo aver spento l'utensile, non arrestare mai la rotazione dell'accessorio applicandovi una forza laterale
- Rimuovere parti tagliate o altre parti del pezzo dalla zona di taglio solo quando tutte le parti in movimento si sono fermate completamente
- la lama si scalda molto durante l'uso; non toccatela prima che si sia raffreddata
- Conservare l'utensile **all'interno** in un posto asciutto e chiuso a chiave, distante dalla portata dei bambini

SPIEGAZIONE DEI SIMBOLI PRESENTI SULL'UTENSILE

- ② Leggere il manuale di istruzioni prima dell'uso
- ③ Portare occhiali di protezione e protezione dell'udito
- ④ **Area pericolosa! Zona niente mani. Tenere mani, dita o braccia lontano da quest'area.**
- ⑤ Doppio isolamento (non è necessario alcun cavo di terra)
- ⑥ Non gettare l'elettrotensile e le batterie con i rifiuti domestici
- ⑦ **Radiazioni al laser / Non guardare direttamente nel raggio / Prodotto laser classe 2**

USO

- Montaggio
 - montare la maniglia per il trasporto con 2 i bulloni usando la chiave esagonale AK^⑨
 - montare la manopola di blocco AB nella parte anteriore del tavolo ^⑩
- Posizione di trasporto/lavoro

Per il rilascio dell'utensile (posizione di **lavoro**)

 - spingere la maniglia B verso il basso mentre si estrae il perno di bloccaggio C con l'altra mano ^{⑪a}
 - accompagnare lentamente la testa verso l'alto
 - Per tagliare con movimento scivolato allentare la manopola di blocco AE ^{⑪b}

Per il bloccaggio dell'utensile (posizione di **trasporto**)

 - spostare la testa nel fermo in direzione della guida S e serrare la manopola di blocco AE ^{⑪c}
 - impostare l'angolo di smussatura a 0° (vedi Impostazione angolo di smussatura)
 - impostare l'angolo inclinato a 45° a sinistra o a destra (vedere Impostazione angolo inclinato)
 - premere la maniglia B verso il basso con una mano mentre si spinge il perno di blocco C con l'altra mano
 - avvolgere il cavo di alimentazione
 - usare la maniglia per il trasporto E per spostare l'utensile ^{⑪d}
 - in alternativa, trasportare l'utensile usando le maniglie laterali ^{⑪e}

! non sollevare mai l'utensile prendendolo per la maniglia principale, o per il cavo di alimentazione
- Montaggio dell'utensile sulla superficie di lavoro ^⑫

! per un utilizzo sicuro, fissare sempre l'utensile su una superficie di lavoro piana e stabile (p.es. un banco da lavoro)

- usare 4 fori di fissaggio F per fissare l'utensile con viti adatte alla superficie di lavoro
- l'utensile può anche essere fissato sulla superficie di lavoro usando delle morse a vite normalmente in commercio
- per stabilizzare l'utensile è possibile regolare l'altezza del piede del supporto G
- in alternativa, si può montare l'utensile su un supporto per troncatrice
- ! leggere tutte le avvertenze e le istruzioni fornite con il supporto
- Aspirazione polvere/trucioli 13
 - Montare il sacchetto della polvere H/aspirapolvere come illustrato
 - svuotare regolarmente il sacchetto della polvere per ottimale raccolta della polvere
 - ! tenere lontano il tubo dell'aspirapolvere dalla protezione inferiore o dalla zona di taglio
- allungamento del tavolo di taglio 14
 - usare le manopole L per serrare le prolunghe laterali K (su entrambi i lati dell'utensile)
 - la lunghezza delle prolunghe K è facilmente regolabile dal minimo al massimo
- Bloccaggio del pezzo 15
 - ! per una sicurezza di funzionamento ottimale, bloccare sempre bene il pezzo con la morsa regolabile fornita
 - non usare pezzi che siano troppo piccoli da bloccare
 - per conoscere le dimensioni massime del pezzo, usare la tabella 16 come riferimento
 - bloccare la morsa per il pezzo nel foro del supporto N usando la manopola P (su entrambi i lati dell'utensile)
 - usare 1 delle 2 scanalature; per pezzi con spessore fino a 4cm e pezzi con spessore oltre 4cm
 - spingere bene il pezzo contro la guida S
 - sbloccare la leva R
 - adattare la morsa sul pezzo
 - bloccare bene il pezzo utilizzando la leva di blocco R
 - ! per alcune combinazioni di smussatura e inclinazione, o in funzione della dimensione del pezzo, potrebbe essere necessario l'uso di morsetti a vite disponibili in commercio anziché la morsa per il pezzo
- Impostazione degli angoli inclinati 17
 - allentare la maniglia di bloccaggio AB
 - premere la leva di sblocco con dente d'arresto AC
 - ruotare il tavolo di taglio verso destra o verso sinistra e impostare l'angolo di inclinazione desiderato (da 0° a 47°) utilizzando l'indicatore AD
 - rilasciare la leva AC
 - serrare la manopola di bloccaggio AB (senza stringerla troppo)
 - per un'impostazione rapida e precisa di angoli usati di frequente (0°, 15°, 22.5°, 31.6°, 45°) la leva di sblocco con dente d'arresto si mette nelle posizioni corrispondenti
- impostazione degli angoli di smusso 18
 - allentare la manopola a tre razze U 18b
 - spostare la testa di taglio a sinistra fino a quando l'indicatore dell'angolo di smusso V non punterà all'angolo di smusso desiderato
 - tenere la testa di taglio in questa posizione e serrare la manopola U
- Tagli composti 19
 - i tagli composti richiedono sia l'impostazione di un angolo inclinato che di un angolo sbieco
 - ! non utilizzare la sega con alcune delle combinazioni di angolazione e smusso che potrebbero causare un'interferenza fra le parti scorrevoli e fisse della sega o fra le parti scorrevoli e il pezzo
 - ! effettuate sempre una prova su un pezzo di materiale di scarto
- Linea laser 20
 - per guidare l'utensile sulla linea di taglio marcata sul pezzo in lavorazione
 - attivare/disattivate la linea laser premendo l'interruttore AA
 - il laser è allineato sul lato sinistro del taglio
 - l'allineamento orizzontale del laser può essere facilmente regolato con la vite Y
 - ! prima di iniziare un lavoro, verificare l'allineamento della linea laser con la linea di taglio corrente eseguendo un taglio di prova su un pezzo di materiale di scarto
- Tagliare senza movimento scorrevole (piccoli pezzi)
 - allentare la manopola di blocco AE se dovesse essere serrata
 - far scivolare la testa di taglio fino al fermo nella direzione della guida S e serrare nuovamente la manopola di blocco AE
 - ! il mancato blocco del meccanismo può far sì che la lama salga improvvisamente sul pezzo e si spinga verso di voi
 - impostare l'utensile in posizione di lavoro
 - ! accertarsi che il pezzo sia bloccato bene contro il tavolo di taglio e la guida S
 - accendere l'utensile rilasciando il blocco AG e tirano l'interruttore generale AF 22
 - ! non incrociare le braccia quando si utilizza la testa di taglio 21a
 - segare il pezzo con avanzamenti uniformi
 - ! l'utensile deve avere la massima velocità prima che la lama entri nel pezzo in lavorazione
 - spegnere l'utensile rilasciando l'interruttore AF
 - prima di guidare la testa di taglio leggermente verso l'alto assicurarsi che la lama sia completamente ferma
- Tagliare con movimento scorrevole (pezzi larghi)
 - ! N.B. il metodo descritto qui di seguito è l'unico metodo sicuro
 - non appoggiare la lama sul pezzo
 - allentare la manopola di blocco AE se dovesse essere serrata
 - ! accertarsi che il pezzo sia bloccato bene contro il tavolo di taglio e la guida S
 - allontanare la testa di taglio dalla guida S abbastanza per far sì che la lama di taglio si trovi davanti al pezzo 23
 - Accendere l'utensile spingendo la leva di sicurezza AG e tirando l'interruttore generale AF 22
 - ! non incrociare le braccia quando si utilizza la testa di taglio 21a
 - spingere la testa di taglio nella direzione della guida S e tagliare attraverso il pezzo con un avanzamento uniforme 23
 - ! l'utensile deve avere la massima velocità prima che la lama entri nel pezzo in lavorazione

- ! **Se la protezione inferiore non si apre automaticamente, il che potrebbe verificarsi in determinate condizioni (ad es. con un pezzo molto vicino alla sua massima capacità), potrebbe essere necessario aprire la protezione manualmente** 21b
- spegnere l'utensile rilasciando l'interruttore AF
- prima di guidare la testa di taglio leggermente verso l'alto assicurarsi che la lama sia completamente ferma
- Scanalature di taglio 24
 - impostare la profondità desiderata con il fermo di profondità AH e bloccare con il dado di serraggio AJ
 - si dovrà inserire uno spessore in legno fra il pezzo e la guida per avere una profondità costante su tutta la lunghezza della scanalatura
 - ! **accertarsi che la lama di taglio non si inceppi nel pezzo**
 - ! **effettuare sempre una prova su un pezzo di materiale di scarto**
- Cambio della lama da sega 25
 - ! **estrarre la spina dalla presa**
 - prendete la chiave esagonale AK dall'alloggiamento AL
 - tenere la protezione A in posizione aperta
 - allentare la vite della piastra di protezione AN (non svitare la vite completamente) 25a
 - ruotare la protezione A completamente all'indietro 25b
 - premere il pulsante di blocco del perno AM e tenerlo premuto fino a quando non verrà rimosso il bullone della lama AO ruotando la chiave esagonale AK IN SENSO ORARIO (= nella stessa direzione della freccia stampata sulla lama)
 - ! **premete il pulsante AM del blocca alberino soltanto quando l'utensile è a riposo**
 - rilasciare il pulsante AM del blocca alberino
 - rimuovere la flangia AP e la lama
 - ! **cambiare la lama con i denti e la freccia stampata sulla lama rivolti nella stessa direzione della freccia sulla protezione A**
 - montate la flangia AP 25c
 - Premere il pulsante di blocco del mandrino AM e tenerlo premuto mentre si stringe il bullone della lama girando la chiave esagonale AK IN SENSO ANTIORARIO di 1/8 per un serraggio a mano (garantisce lo slittamento della lama quando incontra un'eccessiva resistenza, quindi riducendo il sovraccarico del motore e il contraccolpo della sega)
 - serrare la vite della piastra di protezione AN
- Sostituzione dell'inserito del piano tavolo AQ 26
 - Per sostituire un inserto del piano tavolo difettoso o consumato, procedere nel seguente modo:
 - ! **estrarre la spina dalla presa**
 - prendete la chiave esagonale AK dall'alloggiamento AL
 - rimuovere tutte e 6 le viti come illustrato
 - rimuovere l'inserito del piano tavolo da sostituire sollevandolo prima nella parte anteriore e quindi estraendolo completamente
 - posizionare il nuovo inserto del piano tavolo
 - ! **serrare bene tutte e 6 le viti**
- Verifica/regolazione dell'allineamento della lama a 90° 27
 - ! **estrarre la spina dalla presa**
 - ruotare il tavolo di taglio nella posizione di troncatura a 0° e bloccarlo
 - spostare la testa di taglio in posizione di smusso a 0°
 - abbassare la testa di taglio e bloccarla
 - verificare che vi sia un angolo di 90° fra la lama e il tavolo utilizzando una squadra
 - se necessario, regolare l'allineamento della lama a 90° nel seguente modo:
 1. allentare la manopola a tre razze U
 2. regolare la vite W con una chiave per lame da 10 (non inclusa di serie)
 3. ricontrollare con una squadra
 4. resettare l'indicatore di smusso V a 0°
- Verifica/regolazione dell'allineamento della lama a 45° 28
 - ! **estrarre la spina dalla presa**
 - ruotare il tavolo di taglio nella posizione di troncatura a 0° e bloccarlo
 - allentare la manopola a tre razze U
 - spostare la testa di taglio a sinistra
 - verificare che vi sia un angolo di 45° fra la lama e il tavolo utilizzando una squadra a 45°
 - verificare che l'indicatore obliquo V si trovi sulla tacca di 45°
 - se necessario, regolare l'allineamento della lama a 45° nel seguente modo:
 1. regolare la vite X con una chiave per lama da 10 (non inclusa di serie)
 2. ricontrollare con la squadra
- Verifica/regolazione dell'allineamento della guida a 90° 29
 - ! **estrarre la spina dalla presa**
 - ruotare il tavolo di taglio nella posizione di troncatura a 0° e bloccarlo
 - abbassare la testa di taglio e bloccarla
 - verificare che vi sia un angolo di 90° fra la lama e la guida S utilizzando una squadra (accertarsi che la squadra tocchi il corpo della lama e non i suoi denti) 29a
 - se necessario, regolare l'allineamento della guida a 90° nel seguente modo:
 1. allentare le 2 viti esagonali T 29b
 2. regolare la guida fino a quando la lama e la guida non toccheranno completamente la squadra
 3. serrare le 2 viti esagonali T
 4. resettare l'indicatore di smusso a 0° 29c


CONSIGLIO PRATICO

- Pezzi speciali
 - supportare sempre le estremità libere di un pezzo lungo 30
 - accertarsi che i pezzi curvi o rotondi vengano posizionati di modo che non possano scivolare via 31
 - sulla linea di taglio non deve esserci dello spazio fra il pezzo e la guida o il tavolo di taglio
 - se necessario, realizzare una guida ausiliaria; i fori nella guida scorrevole verranno usati per fissare la guida ausiliaria 32
 - ! **la guida ausiliaria può essere usata solo con uno smusso a 0°**
- Se si lavora con modanature per il pavimento, si può utilizzare come riferimento l'illustrazione 33
- Posizionate la parte più rifinita del pezzo in lavorazione verso il basso
- Usate solo lame affilate e del tipo suggerito
 - la qualità di taglio è proporzionale al numero dei denti
 - lame con denti riportati al carburo conservano l'affilatura 30 volte più a lungo

MANUTENZIONE / ASSISTENZA

- Tenere sempre puliti utensili e cavo (soprattutto le feritoie di ventilazione sulla parte posteriore del vano motore)
- Programmare una verifica regolare per accertarsi che la protezione inferiore stia funzionando correttamente. Pulire la protezione inferiore da eventuale polvere di taglio accumulata utilizzando un panno umido.
! prima di pulire estrarre la spina dalla presa
- Sollevare la protezione inferiore in posizione interamente aperta e rilasciarla; se non si chiude subito completamente andrebbe controllata da un centro di assistenza post-vendita per utensili SKIL
- Pulite la lama immediatamente dopo l'uso (specie da resina o colla)
! la lama si scalda molto durante l'uso; non toccatela prima che si sia raffreddata
- Pulire il raggio laser AC con un pennello morbido dopo ogni utilizzo per mantenere una buona visibilità della linea laser (controllando di non cambiare l'impostazione del laser)
- Se nonostante gli accurati procedimenti di produzione e di controllo l'utensile dovesse guastarsi, la riparazione va fatta effettuare da un punto di assistenza autorizzato per gli elettroutensili SKIL
- inviare l'utensile **non smontato** assieme alle prove di acquisto al rivenditore oppure al più vicino centro assistenza SKIL (l'indirizzo ed il disegno delle parti di ricambio dell'utensile sono riportati su www.skil.com)
- Tenere presente che danni causati da sovraccarico o utilizzo improprio sono esclusi dalla garanzia (per la condizioni di garanzia SKIL, visitare il sito www.skil.com o contattare il proprio rivenditore)

TUTELA DELL'AMBIENTE

- **Non gettare l'elettroutensile, le batterie, gli accessori e l'imballaggio con i rifiuti domestici** (solo per Paesi UE)
- secondo la Direttiva Europea 2012/19/CE sui rifiuti di utensili elettrici ed elettronici e la sua attuazione in conformità alle norme nazionali, gli elettroutensili esausti devono essere raccolti separatamente, al fine di essere reimpiegati in modo eco-compatibile
- il simbolo  vi ricorderà questo fatto in fase di smaltimento

RUMOROSITÀ


- Misurato secondo EN 62841 il livello di pressione sonora di questo utensile è di 100,0 dB(A) e il livello di rumorosità è di 109,5 dB(A) (incertezza K = 3 dB)
- Il livello di emissione di rumorosità è stato misurato secondo un test standardizzato stabilito dalla norma EN 62841; questo valore potrebbe essere utilizzato per mettere a confronto due utensili e come valutazione preliminare di esposizione al rumore quando si utilizza l'utensile per le applicazioni menzionate
- se si utilizza l'utensile per applicazioni diverse, oppure con accessori differenti o in scarse condizioni, il livello di esposizione potrebbe **aumentare** notevolmente
- i momenti in cui l'utensile è spento oppure è in funzione ma non viene effettivamente utilizzato per il lavoro, possono contribuire a **ridurre** il livello di esposizione

H

Csúszó gérvágó fűrés

1310

BEVEZETÉS

- Ez a szerszám rögzített gépként fa hosszanti és keresztirányú vágására szolgál, egyenes és szög alatti vágásokkal (-47° és +47° közötti vízszintes gérvágási szögek, valamint 0° és 45° közötti függőleges ferdevágási szögek lehetségesek)
- Olvassa el figyelmesen és őrizze meg a használati utasítást 
- A szerszám nem professzionális használatra készült
- **Csak akkor használja a szerszámot, ha már megfelelően és teljesen összeszerelte** (ne feledje, hogy a Skil nem vállalhat felelősséget a szerszám nem megfelelő összeszereléséből adódó károsodásáért és/vagy a személyi sérülésekért)

MŰSZAKI ADATOK

SZERSZÁMGÉP ELEMEI

- A** Alsó fűrészlappvédő pajzs
- B** Kapcsolófogantyú
- C** Rögzítőcsap a szállításhoz
- D** Felső védőburkolat
- E** Szállítófogantyú
- F** Rögzítőfuratok
- G** Támasztóláb
- H** Porzsák
- J** Forgácskivető nyílás
- K** Hosszabbító rudak
- L** A hosszabbító rudak rögzítésére szolgáló gombok
- M** A munkadarab rögzítésére szolgáló szorító
- N** Tartófurat
- P** A szorító rögzítésére szolgáló gomb
- Q** A szorító beállítására szolgáló gomb
- R** Szorítókar
- S** Vezetőléc
- T** A vezetőléc beállítására szolgáló imbuzscsavarok (2x)
- U** Rögzítógomb (ferdevágási szögek)
- V** Ferdevágási szög mutató
- W** A ferdevágási szög (jobb) beállítására szolgáló csavar
- X** A ferdevágási szög (bal) beállítására szolgáló csavar
- Y** Lézerbeállító csavar
- Z** Lézersugár
- AA** Lézer be/ki kapcsológomb
- AB** Rögzítőfogantyú (gérvágási szögek)
- AC** Gérvágóretesz kioldókarja
- AD** Gérvágási szög mutató
- AE** Elcsúsztatást rögzítő gomb
- AF** Be/ki kapcsológomb
- AG** Biztonsági kar
- AH** Vágómélység határoló
- AI** Mélységi ütköző
- AJ** Mélységi ütköző anya
- AK** Hatszögkulcs
- AL** Imbusz kulcs tartója
- AM** Elfordulás elleni gomb
- AN** Fedőlemez csavar
- AO** Fűrészlapp szorítócsavar

AP Peremes gyűrű
AQ Asztalbetét
AR Porterelő

BIZTONSÁG

ÁLTALÁNOS BIZTONSÁGI ELŐÍRÁSOK AZ ELEKTROMOS KÉZISZERSZÁMOKHOZ

FIGYELMEZTETÉS Olvassa el a szerszámgépezet tartozó biztonsági figyelmeztetéseket, utasításokat, ábrákat és specifikációkat. Az alábbi utasítások figyelmen kívül hagyása elektromos áramütéshez, tűzhez és/vagy súlyos balesetkez vezethet.

Őrizze meg a jövőbeli használatra is valamennyi biztonsági előírást és utasítást.

Az alább alkalmazott "elektromos kéziszerszám" fogalom a hálózati elektromos kéziszerszámokat (hálózati csatlakozó kábellel) és az akkumulátoros elektromos kéziszerszámokat (hálózati csatlakozó kábel nélkül) foglalja magában.

1) MUNKAHELYI BIZTONSÁG

- Tartsa tisztán és tartsa rendben a munkahelyét.** Rendetlen munkahelyek vagy megvilágítatlan munkaterületek balesetekhez vezethetnek.
- Ne dolgozzon az elektromos kéziszerszámmal olyan robbanásveszélyes környezetben, ahol éghető folyadékok, gázok vagy porok vannak.** Az elektromos kéziszerszámok szikrákat bocsáthatnak ki, amelyek meggyújthatják a port vagy a gőzöket.
- Tartsa távol a gyerekeket és az idegen személyeket a munkahelytől, ha az elektromos kéziszerszámot használja.** Ha elvonják a figyelmét a munkától, könnyen elvesztheti az uralmát a berendezés felett.

2) ELEKTROMOS BIZTONSÁGI ELŐÍRÁSOK

- A készülék csatlakozó dugójának bele kell illeszkednie a dugaszolóaljzatba. A csatlakozó dugót semmilyen módon sem szabad megváltoztatni. Védőföldeléssel ellátott készülékekkel kapcsolatban ne használjon csatlakozó adaptert.** A változtatás nélküli csatlakozó dugók és a megfelelő dugaszoló aljzatok csökkentik az áramütés kockázatát.
 - Ne érjen hozzá földelt felületekhez, mint csövekhez, fűtőtestekhez, kályhákhoz és hűtőszekrényekhez.** Az áramütési veszély megnövekszik, ha a teste le van földelve.
 - Tartsa távol az elektromos kéziszerszámot az esőtől és a nedvesség hatásaitól.** Ha víz hatol be egy elektromos kéziszerszámba, ez megnöveli az áramütés veszélyét.
 - Ne használja a kábelt a rendeltetésétől eltérő célokra, vagyis a szerszámot soha ne hordozza vagy akassza fel a kábelnél fogva, és soha ne húzza ki a hálózati csatlakozó dugót a kábelnél fogva. Tartsa távol a kábelt hőforrásoktól, olajtól, éles élektől, sarkaktól és mozgó gépalkatrészekről.** Egy megrongálódott vagy csomókkal teli kábel megnöveli az áramütés veszélyét.
 - Ha egy elektromos kéziszerszámmal a szabad ég alatt dolgozik, csak a szabadban való használatra engedélyezett hosszabbítót használjon. A szabadban való használatra engedélyezett hosszabbító használata csökkenti az áramütés veszélyét.**
 - Ha nem lehet elkerülni az elektromos kéziszerszám nedves környezetben való használatát, alkalmazzon egy földzárlat megszakítót.** Egy földzárlat megszakító alkalmazása csökkenti az áramütés kockázatát.
- ### 3) SZEMÉLYI BIZTONSÁGI ELŐÍRÁSOK
- Munka közben mindig figyeljen, ügyeljen arra, amit csinál, és meggondoltan dolgozzon az elektromos kéziszerszámmal. Ha fáradt, ha kábítószerek vagy alkohol hatása alatt áll, vagy orvosságokat vett be, ne használja a berendezést.** A berendezéssel végzett munka közben már egy pillanatnyi figyelmetlenség is komoly sérülésekhez vezethet.
 - Viseljen személyi védőfelszerelést és mindig viseljen védőszemüveget.** A személyi védőfelszerelések, mint porvédő álarc, csúszásbiztos védőcipő, védősapka és fülvédő használata az elektromos kéziszerszám használata jellegének megfelelően csökkenti a személyes sérülések kockázatát.
 - Kerülje el a készülék akaratlan üzembe helyezését. Győződjön meg arról, hogy az elektromos kéziszerszám ki van kapcsolva, mielőtt bedugná a csatlakozó dugót a dugaszolóaljzatba, csatlakoztatná az akkumulátor-csomagot, és mielőtt felvenné és vinni kezdené az elektromos kéziszerszámot.** Ha az elektromos kéziszerszám felemelése közben az ujját a kapcsolón tartja, vagy ha a készüléket bekapcsolt állapotban csatlakoztatja az áramforráshoz, ez balesetekhez vezethet.
 - Az elektromos kéziszerszám bekapcsolása előtt okvetlenül távolítsa el a beállító szerszámokat vagy csavarkulcsokat.** Az elektromos kéziszerszám forgó részeiben felejtett beállító szerszám vagy csavarkulcs sérüléseket okozhat.
 - Ne becsülje túl önmagát. Kerülje el a normálistól eltérő testtartást, ügyeljen arra, hogy mindig biztosan álljon és az egyensúlyát megtartsa.** Így az elektromos kéziszerszám felett váratlan helyzetekben is jobban tud uralkodni.
 - Viseljen megfelelő ruhát. Ne viseljen bő ruhát vagy ékszereket. Tartsa távol a haját és a ruháját a mozgó részekről.** A bő ruhát, az ékszereket és a hosszú haját a mozgó alkatrészek magukkal ránthatják.
 - Ha az elektromos kéziszerszámra fel lehet szerelni a por elszívásához és összegyűjtéséhez szükséges berendezéseket, ellenőrizze, hogy azok megfelelő módon hozzá vannak kapcsolva a készülékhez és rendeltetésüknek megfelelően működnek.** A porgyűjtő berendezések használata csökkenti a munka során keletkező por veszélyes hatását.
 - Ne hagyja, hogy az elektromos kéziszerszám gyakori használata során szerzett tapasztalatok olyan önelégültté tegyék, hogy figyelmen kívül hagyja az idevonatkozó biztonsági alapelveket.** Egy gondatlan művelet egy másodperc törtrésze alatt súlyos sérüléseket okozhat.
- ### 4) AZ ELEKTROMOS KÉZISZERSZÁMOK GONDOS KEZELÉSE ÉS HASZNÁLATA
- Ne terhelje túl az elektromos kéziszerszámot. A munkájához csak az arra szolgáló elektromos kéziszerszámot használja.** Egy alkalmas elektromos kéziszerszámmal a megadott teljesítménytartományon belül jobban és biztonságosabban lehet dolgozni.

- b) Ne használjon olyan elektromos kéziszerszámot, amelynek a kapcsolója elromlott. Egy olyan elektromos kéziszerszám, amelyet nem lehet sem be-, sem kikapcsolni, veszélyes és meg kell javíttatni.
- c) Húzza ki a csatlakozó dugót a dugaszolóaljzatból és/vagy távolítsa el az akkumulátor-csomagot (ha az leválasztható) az elektromos kéziszerszámtól, mielőtt az elektromos kéziszerszámot beállítási munkákat végez, tartozékokat cserél vagy a szerszámot tárolásra elteszi. Ez az elővigyázatossági intézkedés meggátolja a szerszám akaratlan üzembe helyezését.
- d) A használaton kívüli elektromos kéziszerszámokat olyan helyen tárolja, ahol azokhoz gyerekek ne férhessnek hozzá. Ne hagyja, hogy olyan személyek használják az elektromos kéziszerszámot, akik nem ismerik a szerszámot, vagy nem olvasták el ezt az útmutatót. Az elektromos kéziszerszámok veszélyesek, ha azokat gyakorlatlan személyek használják.
- e) Az elektromos kéziszerszámot és tartozékait gondosan tartsa karban. Ellenőrizze, hogy a mozgó alkatrészek kifogástalanul működnek-e, nincsenek-e beszorulva, és nincsenek-e eltörve vagy megrongálódva olyan alkatrészek, amelyek hatással lehetnek az elektromos kéziszerszám működésére. A megrongálódott részeket a készülék használata előtt javíttassa meg. Sok olyan baleset történik, amelyet az elektromos kéziszerszám nem kielégítő karbantartására lehet visszavezetni.
- f) Tartsa tisztán és éles állapotban a vágószerszámokat. Az éles vágóélekkel rendelkező és gondosan ápolott vágószerszámok ritkábban ékelődnek be és azokat könnyebben lehet vezetni és irányítani.
- g) Az elektromos kéziszerszámokat, tartozékokat, betétszerszámokat stb. csak ezen előírásoknak használja. Vegye figyelembe a munkafeltételeket és a kivitelezendő munka sajátosságait. Az elektromos kéziszerszám eredeti rendeltetésétől eltérő célokra való alkalmazása veszélyes helyzetekhez vezethet.
- h) Tartsa szárazon, tisztán és olaj- és zsírmentes állapotban a fogantyúkat és markoló felületeket. A csúszós fogantyúk és markoló felületek váratlan helyzetekben lehetetlenné teszik az elektromos kéziszerszám biztonságos kezelését és irányítását.
- 5) SZERVIZ
- a) Az elektromos kéziszerszámot csak szakképzett személyzet és csak eredeti pótalkatrészek felhasználásával javíthatja. Ez biztosítja, hogy az elektromos kéziszerszám biztonságos szerszám maradjon.

GÉRVÁGÓ FŰRÉSZEKRE VONATKOZÓ BIZTONSÁGI ELŐÍRÁSOK

- A gérvágó fűrészek fa vagy faszter termékek vágására szolgálnak, nem használhatók csiszoló hasítókorongokkal vassfémekből készült anyagok, pl. rudak, csapok stb. vágására. A csiszolásból eredő por elakadást okoz a mozgó alkatrészeknél, pl. az alsó védőelemnél. A csiszolóvágból származó szikrák megégethetik az alsó védőelemet, a rovatkolt betétet és az egyéb műanyag részeket.
- Használjon szorítóelemeket a munkadarab tartására, amikor csak lehetséges. Ha a

- munkadarabot kézzel támasztja meg, akkor mindig legyen legalább 100 mm távolság a keze és fűrészlap mindkét oldala között. Ne használja ezt a fűrészelt olyan munkadarabok vágására, amelyek mérete túl kicsi ahhoz, hogy biztonságosan be lehessen fogni vagy kézzel meg lehessen fogni őket. Ha túl közel helyezi a kezét a fűrészlaphoz, azzal növeli a fűrészlap okozta sérülések kockázatát.
- A munkadarabnak egy helyben kell maradnia, azt be kell szorítani vagy a vezetőléchez és az asztalhoz is hozzá kell illeszteni. A munkadarab pengéjéhez való adagolását vagy a vágást semmilyen módon ne végezze „szabad kézzel”. A nem rögzített vagy mozgó munkadarabokat nagy sebességgel kivetheti a fűrész, ami sérüléseket okoz.
- Tolja át a fűrészelt a munkadarabon. Ne húzza át a fűrészelt a munkadarabon. Vágáshoz emelje fel a fűrészfejet és húzza ki a munkadarab felett vágás nélkül, indítsa be a motort, nyomja le a fűrészfejet, és tolja át a fűrészelt a munkadarabon. Ha a húzó mozdulat alatt vág, akkor a fűrészlap valószínűleg a munkadarab tetejére kerül, és erőteljesen kivetí a fűrészlap szerelvényét a kezelő felé.
- Soha ne érjen át a keze a tervezett vágás vonalán a fűrész előtt és után sem. Ha „keresztezett kézzel” támasztja meg a munkadarabot, vagyis ha a fűrészlap jobb oldalán tartja a munkadarabot bal kézzel vagy fordítva, az nagyon veszélyes.
- Soha ne nyúljon egyik kezével sem a vezetőléc mögé úgy, hogy keze 100 mm-nél kisebb távolságban legyen a fűrészlap bármilyen oldalától a fahulladék eltávolítására vagy bármilyen egyéb okból, amikor a fűrészlap mozgásban van. Nem minden esetben egyértelmű, hogy mennyire van közel a keze a forgásban lévő fűrészlaphoz, és súlyos sérüléseket szenvedhet.
- Vágás előtt vizsgálja meg a munkadarabot. Ha a munkadarab görbe vagy megvetemedett, akkor szorítsa be úgy, hogy a külső görbe fele a vezetőléc felé nézzen. Mindig győződjön meg arról, hogy nincs hézag a munkadarab, a vezetőléc és az asztal között a vágás vonala mentén. A görbe vagy megvetemedett munkadarabok elcsavarodhatnak vagy elmozdulhatnak, és a vágás során a forgó fűrészlaphoz tapadhatnak. A munkadarabban nem lehetnek szegek vagy idegen tárgyak.
- A fűrész használata előtt távolítsa el minden szerszámot, fahulladékot stb. az asztalról, csak a munkadarab lehet rajta. Az apró törmelék, a nem beszorított fadarabok vagy az egyéb tárgyak, amelyek a forgó fűrészlaphoz érnek, nagy sebességgel kivetődhetnek.
- Egyszerre csak egy munkadarabot vágjon Több, egymásra rakott munkadarabot nem lehet megfelelően rögzíteni vagy leszorítani, így vágás közben a fűrészlaphoz tapadhatnak vagy elmozdulhatnak.
- Használat előtt győződjön meg arról, hogy a gérvágó fűrész vízszintes, szilárd munkafelületre van felszerelve vagy elhelyezve. Vízszintes, szilárd munkafelület esetén kisebb a kockázata annak, hogy a gérvágó fűrész instabillá válik.
- Tervezze meg a munkát! A ferdevágás és a gérvágás szögének beállításakor, minden alkalommal győződjön meg arról, hogy az állítható vezetőléc helyesen van beállítva a munkadarab alátámasztásához, és hogy nem zavarja a fűrészlapot vagy a védőrendszert Anélkül, hogy

bekapcsolná a szerszámot, vezesse végig a fűrészlapot egy teljesen szimulált vágáson munkadarab nélkül, és győződjön meg arról, hogy nincsenek akadályok, illetve hogy nem áll fenn a vezetőlécz átvágásának a veszélye.

- **Az asztallapnál szélesebb vagy hosszabb munkadarab vágásakor biztosítson megfelelő alátámasztást, pl. asztalhosszabbítót, fűrészakot stb.** A gérvágó fűrészasztalnál hosszabb vagy szélesebb munkadarabok megfelelő alátámasztás nélkül eldőlhethetnek. Ha a levágott darab vagy a munkadarab eldőlt, akkor megemelheti az alsó védőelemet, vagy a forgó fűrészlap hatására kivethető.
- **Ne használjon másik személyt az asztalhosszabbító vagy további támasz helyettesítésére.** Ha nem támasztják alá megfelelően a munkadarabot, akkor a fűrészlap beszorulhat, a munkadarab pedig elmozdulhat a vágás során, és a forgó fűrészlaphoz ránthatja a kezelőt vagy a segítőt.
- **A levágott darab nem akadhat meg a forgó fűrészlapnál, és semmilyen módon nem szabad ahhoz hozzányomni.** Zárt helyen, azaz hosszirányú útközök használatakor a levágott darab a fűrészlaphoz ékelődhet és nagy erővel kivethető.
- **Mindig használjon beszorított vagy hengeres anyagok, pl. rudak vagy csövek megfelelő alátámasztására tervezett rögzítést.** A rudak gyakran elfordulnak vágás közben, melynek hatására a fűrészlap „ráharap” és a fűrészlaphoz rántja a munkadarabot a kezelő kezével együtt.
- **Várja meg, amíg a fűrészlap eléri a maximális sebességet, mielőtt a munkadarabhoz érintené.** Ezzel csökkentheti a munkadarab kivetésének kockázatát.
- **Ha a munkadarab vagy a fűrészlap beszorul, akkor kapcsolja ki a gérvágó fűrészelt. Várja meg, amíg az összes mozgó alkatrész leáll, majd válassza le az áramforrásról és/vagy vegye ki az akkumulátort. Majd szabadítsa ki a beszorított anyagot.** Ha beszorult munkadarabbal folytatja a fűrészélést, akkor elveszítheti fölötté az irányítást, illetve károsodhat a gérvágó fűrész.
- **A vágás befejezése után oldja ki a kapcsolót, tartsa lent a fűrészfejet, és a levágott darab eltávolítása előtt várja meg, amíg a teljesen megáll a fűrészlap.** A lelassuló fűrészlap közelébe nyúlni veszélyes.
- **Erősen fogja a fogantyút részleges vágásokor, vagy ha azelőtt engedi fel a kapcsolót, hogy a fűrészfej teljesen elérné az alsó pozíciót.** A fűrész fékezése hirtelen lefelé húzhatja a fűrészfejet, ami sérülés kockázatát eredményezi.

KIEGÉSZÍTŐ BIZTONSÁGI ELŐÍRÁSOK

- A bekapcsolási folyamatok rövid időtartamú feszültségcsökkenéshez vezetnek; bizonyos hálózati feltételek mellett ez befolyásolhatja más berendezések működését (ha a hálózati impedancia nem haladja meg a 0,464 Ohm értéket, nem lépnek fel zavarok); amennyiben egyéb információra van szüksége, kérjük lépjen kapcsolatba a helyi áramszolgáltatójával

ÁLTALÁNOS TUDNIVALÓK

- A szerszámot kizárólag fa vágására használja
- Mindig ellenőrizze, hogy a hálózati feszültség megegyezik-e a szerszám adattábláján feltüntetett értékkel
- **Ne álljon a szerszámra vagy annak állványára.** Súlyos sérülést eredményezhet, ha a szerszám felborul,

vagy ha véletlenül hozzáér a vágószerszámhoz. Ne tároljon anyagokat a szerszámon vagy annak közelében úgy, hogy fel kelljen állnia a szerszámra vagy annak állványára ahhoz, hogy elérje őket.

- **Mindig húzza ki a dugaszolóaljzatot mielőtt tartozékot cserélne vagy bármit változtatna a gép beállításán**
- **A gérvágó fűrész áthelyezése előtt mindig húzza ki a tápkábel dugaszát a tápcsatlakozó aljzatból** Húzza ki a szerszámot, eressze le és rögzítse a fejszerelvényt, és használja a szállítófogantyút, valamint az alapzaton található mélyedést.
- **Ne hagyja ott a szerszámot, mielőtt az teljesen leállna**
- **Szabálytalan alakú munkadarabok vágásakor tervezze meg a munkát úgy, hogy a munkadarab ne csúszhasson el és szorulhasson a fűrészlapba, amely kirántja a kezéből**
- A készüléket csak 16 éven felüli személyek használják
- Ez a készülék nedves vágási munkálatokhoz nem használható

KÜLTÉRI HASZNÁLAT

- Amennyiben szabadban használja a szerszámot (FI), 30 mA indítóáramú hibaáram megszakítón keresztül csatlakozzon a hálózathoz, és csak olyan hosszabbító vezetéket használjon, mely szabadtéri használatra készült, és freccsenő víz ellen védett csatlakozójelzátana van

HASZNÁLAT ELŐTT

- Használjon teljesen letekert és biztonságos hosszabbítókábelt, 16 A-es teljesítménnyel
- Viseljen védőszemüveget, zaj elleni fülvédőt, és védőkesztyűt
- például az őlmot, néhány fafajtát, ásványi anyagokat és fémek tartalmazó festék) káros lehet (a por érintése vagy belégzése allergiás reakciókat és/vagy légzőszervi betegségeket okozhat a kezelő, illetve a közelben állók esetében); **viseljen pormaszkot és amennyiben csatlakoztatható, dolgozzon porelszívó berendezéssel**
- Bizonyos porfajták rákkeltő besorolással rendelkeznek (ilyen például a tölgypora és a bükkfa pora), különösen a fa kondicionálására szolgáló adalékokkal együtt; **viseljen pormaszkot és amennyiben csatlakoztatható, dolgozzon porelszívó berendezéssel**
- Kövesse a por kezelésével kapcsolatos helyi előírásokat azon termékek kapcsolatban, amellyel dolgozni kíván
- **Ne munkáljon meg a berendezéssel azbesztt tartalmazó anyagokat** (az azbeszttnek rákkeltő hatása van)
- Sohase használja a készüléket az eredeti védőburkolat nélkül
- Minden használat előtt ellenőrizze a védőlemez megfelelő záródását
- Ne használja a fűrészelt, ha a védőlemez nem mozog szabadon vagy nem záródik vissza azonnal
- Ne rögzítse, vagy kösse ki a védőlemezt nyitott pozícióban
- Ne használja a szerszámot az asztalbetét nélkül, cserélje ki a hibás vagy elkopott asztalbetétet
- Mielőtt elkezdené a vágást, távolítson el minden akadályt a vágási vonal elől
- Ügyeljen arra, hogy a munkadarabban lévő csavar, szög vagy hasonló sérüléseket ne okozhasson; a munka megkezdése előtt eltávolítandó

TARTOZÉKOK

- Ezt a készülékhez ne használjon csiszoló- vagy vágókorongot
- A SKIL cég kizárólag eredeti alkatrészek és kiegészítők alkalmazása esetén tudja garantálni a gép problémamentes működését, melyek a SKIL-márkakereskedőknél kaphatók
- Ha nem SKIL-tartozékokat szerel fel/használ, az adott gyártó előírásait tartsa be
- Csak olyan fűrészlapokat használjon, amelyek megfelelnek az ezen kezelési utasításban megadott adatoknak és amelyeket az EN 847-1 szabványnak megfelelően ellenőriztek és megfelelőnek találtak
- Csak olyan tartozékot használjon, amelyek legmagasabb megengedett fordulatszáma legalább akkora, mint a berendezés legmagasabb üresjárati fordulatszáma
- Sohase használja készülékét HSS acélból készült fűrészlappal
- Ne használjon repedt, deformált vagy tompa fűrészlapot
- Csak olyan furatátmérőjű fűrészlapot használjon, amely kotyogás nélkül illeszkedik a szerszám tengelyéhez; nagy furatméretű fűrészlap alkalmazása érdekében tilos átmérőcsökkentő áttételt vagy rátétet használni
- A tartozékokat védje az ütődésektől és a kenőanyagoktól

HASZNÁLAT KÖZBEN

- Ne erőltesse a szerszámot** (alkalmazzon enyhe és folyamatos nyomást a vágópengé hegy túlhevülésének, műanyagok vágásakor pedig a munkadarab megolvadásának megelőzésére)
- Ujjait, kezét és karját tartsa távol a forgó fűrészlaptól
- Ha a fűrészlap elakadt, azonnal kapcsolja ki a szerszámot és húzza ki a csatlakozódugót; csak ezután távolítsa el a beszorult munkadarabot
- Amennyiben készüléke hirtelen megáll vagy a normálístól eltérő működést ill. szokatlan, idegen furcsa zajokat észlel, úgy a készülékét azonnal kapcsolja ki és a kábelt húzza ki a fali dugaszoló aljzatból
- Ha a kábel munka közben megsérül vagy el van vága, ne érjen a kábelhez, hanem azonnal húzza ki a konektorból
- Soha ne használja a szerszámot, ha a kábel sérült; ilyen esetben azt egy speciális kábelre kell cserélni, amely a szervizelést végző ügyfélszolgálatnál érhető el.

LÉZERSUGÁRZÁS

- Ne irányítsa a lézersugarat más személyekre vagy állatokra és saját maga se nézzen bele sem a közvetlen, sem a visszavert lézersugárba** (ellenkező esetben a személyeket elvakíthatja, baleseteket okozhat és megsértheti az érintett személy szemét)
- Ha a szemét lézersugárzás éri, csukja be a szemét és lépjen azonnal ki a lézersugár vonalából
- Ne hajtson végre a lézerberendezésen semmiféle változtatást
- Ne nézzen a lézersugárba (lézersugárzás)
- Ne használjon semminemű nagyító jellegű optikai eszközt (pl. nagyító, teleszkóp vagy távcső) a lézersugár megtekintéséhez
- Ne használja a készülékét gyúlékony folyadékok/ gázok/ por jelenlétében
- Ne használja a készülékét gyermekek jelenlétében
- Ne cserélje ki az eredeti lézert más típusúra

A HASZNÁLATOT KÖVETŐEN

- Miután kikapcsolta a gépet, a tartozék forgását sose annak síkjára merőleges erővel állítsa meg
- A levágott darabokat és a munkadarab más részeit csak akkor távolítsa el a vágási területről, ha a szerszám minden mozgó alkatrésze teljesen megállt

- használat közben a fűrészlap felmelegszik; ne érintse meg, amíg le nem hűlt
- A szerszám **beltéri** száraz és zárt helyen tárolja, ahol gyermekek nem férhetnek hozzá

A SZERSZÁMON TALÁLHATÓ SZIMBÓLUMOK MAGYARÁZATA

- Használat előtt olvassa el a használati utasítást
- Viseljen védőszemüveget és zaj elleni fülvédőt
- Veszélyes terület! Tilos kézzel benyúlni. Kezét, ujjait és karját tartsa távol ettől a területtől.**
- Kettős szigetelés (földelővezeték nem szükséges)
- Ne dobja az elektromos kéziszerszámokat és elemek a háztartási szemétkébe
- Lézersugárzás / Ne nézzen a lézersugárba / 2. Osztályú lézer termék**

KEZELÉS

- Összeszerelés
 - szerelje fel a szállítófogantyút 2 csavarokkal egy hatszögkulcs AK⁹ segítségével
 - szerelje fel a gérvágó rögzítógombját AB az asztal elejébe¹⁰
- Szállítási/megmunkálási pozíció
 - A szerszám kiengedése (**megmunkálási** pozíció)
 - egyik kezével nyomja le a kart B, és közben a másik kezével húzza ki a rögzítőcsapot C¹¹a
 - vezesse lassan felfelé a fejszerelvényt
 - elcsúsztatva történő fűrészeléshez lazítsa ki a rögzítógombot AE¹¹b
 - A szerszám rögzítése (**szállítási** pozíció)
 - csúsztassa a fejszerelvényt a vezetőlé S irányába, és szorítsa meg a rögzítógombot AE¹¹c
 - állítsa 0°-ra e ferdevágás szögét (Lásd: A ferdevágási szögek beállítását)
 - állítsa jobb vagy bal oldalán 45°-ra a gérvágás szögét (Lásd: A gérvágási szögek beállítását)
 - egyik kezével nyomja le a kart B, és közben a másik kezével húzza ki a rögzítőcsapot C
 - tekerje fel a tápkábelt
 - használja a szállítófogantyút E a szerszám szállításához¹¹d
 - alternatívaként használhatja az oldalsó fogantyúkat a szerszám szállítására¹¹e
- ! soha ne emelje fel a szerszámot a fő fogantyúnál vagy a tápkábelnél fogva**
- A szerszám felszerelése a munkafelületre¹²
 - ! a biztonságos kezelés érdekében a szerszámot mindig sík és stabil munkafelülethez (pl. munkapadhoz) rögzítse**
 - a 4 szerelőfurat F és megfelelő csavarok segítségével rögzítse a szerszámot a munkafelülethez
 - a szerszámot kereskedelemben kapható csavaros szorítókkal is rögzítheti a munkafelülethez
 - a támasztóláb G magassága a szerszám stabilizálása érdekében állítható
 - alternatívaként a szerszámot felszerelheti gérvágó fűrészállványra
 - ! olvassa el a fűrészállványhoz mellékelt összes figyelemzést és utasítást**
- Por-/forgácselzívó¹³
 - szerelje fel a porzsákot H/porszívót az ábrán látható módon
 - a porzsákot időben történő ürítése segíti a tökéletes porgyűjtést

- ! **figyeljen arra, hogy a porszívócső soha ne akadályozza az alsó fűrészlapvédő nyílást vagy a vágási munkálatokat**
- Asztalhosszabbító ⁽¹⁴⁾
 - a gombok L segítségével rögzítse a hosszabbító rudakat K (a szerszám mindkét oldalán)
 - a hosszabbító rudak K hossza a teljesen betölt és a teljesen kihűzt helyzet között fokozatmentesen állítható
- A munkadarab rögzítése ⁽¹⁵⁾
 - ! **a biztonságos munkavégzés érdekében a mellékelt állítható szorító segítségével mindig szilárdan rögzítse a munkadarabot**
 - ne dolgozzon olyan munkadarabokkal, amelyek túl kicsik a leszorításhoz
 - a munkadarab **maximális** méreteinek meghatározásához használja a ⁽¹⁶⁾ tájékoztató táblázatot
 - rögzítse a munkadarab-szorítót a tartófuratba N a gombbal P (a szerszám mindkét oldalán)
 - használjon 1 / 2 hornyot; legfeljebb 4 cm vastag és 4 cm-nél vastagabb munkadarabok esetén
 - nyomja a munkadarabot erősen a vezetőlécnek S
 - oldja ki a kar rögzítését R
 - állítsa be a szorítót a munkadarabnak megfelelően
 - szorítsa be erősen a munkadarabot a kar rögzítésével R
 - ! **a munkadarab méretétől függően a gérvágás és ferdevágás egyes kombinációinak esetén munkadarab-szorító helyett a kereskedelemben kapható csavaros szorító használatára lehet szükség**
- A gérvágási szögek beállítása ⁽¹⁷⁾
 - lazítsa meg a rögzítőkart AB
 - nyomja meg a gérvágóretesz kioldókarját AC
 - forgassa el jobbra vagy balra a fűrészasztalt, és állítsa be a kívánt gérvágási szöget (0° és 47° között) a mutató AD segítségével
 - oldja ki a kart AC
 - szorítsa meg a rögzítőkart AB **(ne szorítsa meg túl erősen)**
 - a gyakran használt gérvágási szögek (0°, 15°, 22,5°, 31,6°, 45°) gyors és pontos beállításához a gérvágóretesz kioldókarja a megfelelő helyzetbe kattann
- A ferdevágási szögek beállítása ⁽¹⁸⁾
 - engedje ki a háromfűlű gombot U ^(18b)
 - mozgassa balra a fűrészfejet addig, amíg a ferdevágási szög mutatója V a kívánt ferdevágási szögre nem mutat
 - tartsa meg a fűrészfejet ebben a pozícióban, és szorítsa meg a gombot U
- Kombinált vágások ⁽¹⁹⁾
 - kombinált vágásoknál a gérvágási és a ferdevágási szöget is be kell állítani
 - ! **ne működtesse a fűrész a gérvágás és a ferdevágás azon kombinációiban, amelyek során a fűrész csúszó és a rögzített alkatrészei vagy a csúszó alkatrészek és a munkadarab zavarhatják egymást**
 - ! **hulladék anyagon próbálja ki a munka megkezdése előtt**
- Lézeres vonal ⁽²⁰⁾
 - a gép pontos használata érdekében vágjon a munkadarabon a rajzolt vonal mentén
 - az lézeres vonal, az AA kapcsolóval kapcsolható ki/be
- a lézert a vágás bal oldalára kell beállítani
- a lézer vízszintes irányra a(z) Y csavarral könnyen állítható
- ! **a munka megkezdése előtt végezzen próbavágást egy darab hulladékanyagon és ellenőrizze a lézeres vonal egyenesbe hozását a tényleges vágási vonallal**
- Fűrészelés elcsúsztatás nélkül (kis méretű munkadarabok)
 - lazítsa ki a rögzítógombot AE, ha meg van húzva
 - csúsztassa a fűrészfejet az ütközőig a vezetőléc S irányába, és szorítsa meg újra a rögzítógombot AE
 - ! **ha nem rögzíti a mechanizmust, akkor a fűrészlap hirtelen a munkadarab tetejére ugorhat, és a kezelő felé vetődhet**
 - állítsa a szerszámot megmunkálási pozícióba
 - ! **ellenőrizze, hogy a munkadarab szilárdan rögzítve van a fűrészasztal és a vezetőléc mentén S**
 - kapcsolja be a szerszámot a zár AG kioldásával és a főkapcsoló AF meghúzásával ⁽²²⁾
 - ! **ne keresseztse a karját a fűrészfej működtetése során ^(21a)**
 - egyetlenesen előre haladva vágja át a munkadarabot
 - ! **körfűrésznek teljes fordulatszámon kell működnié mielőtt a munkadarabba vezetjük**
 - a kapcsolót AF felengedve kapcsolja ki a szerszámot
 - várja meg, amíg a fűrészlap teljesen leáll, csak ezután emelje fel lassan a fűrészfejet
- Fűrészelés csúsztatással (széles munkadarabok)
 - ! **felhívjuk figyelmét, hogy az alább ismertetett az egyedüli biztonságos módszer**
 - ne húzza át a fűrész a munkadarabon
 - lazítsa ki a rögzítógombot AE, ha meg van húzva
 - ! **ellenőrizze, hogy a munkadarab szilárdan rögzítve van a fűrészasztal és a vezetőléc mentén S**
 - húzza el a fűrészfejet S annyira, hogy a fűrészlap a munkadarab ⁽²³⁾ elé kerüljön
 - kapcsolja be a szerszámot a biztonsági kar AG megnyomásával és a főkapcsoló AF meghúzásával ⁽²²⁾
 - ! **ne keresseztse a karját a fűrészfej működtetése során ^(21a)**
 - tolja a fűrészfejet a vezetőléc S felé, és vágja át a munkadarabot egyetlenes előtollással ⁽²³⁾
 - ! **a körfűrésznek teljes fordulatszámon kell működnié mielőtt a munkadarabba vezetjük**
 - ! **ha az alsó védőelem nem nyílik ki automatikusan, amely bizonyos körülmények között (pl. a maximális teherbíráshoz túl közeli munkadarab esetén) megtörténhet, akkor kézzel kell kinyitni a védőelemet ^(21b)**
 - a kapcsolót AF felengedve kapcsolja ki a szerszámot
 - várja meg, amíg a fűrészlap teljesen leáll, csak ezután emelje fel lassan a fűrészfejet
- Horony fűrészélése ⁽²⁴⁾
 - állítsa be a kívánt mélységet a mélységütközővel (AH), és rögzítse a helyére az anya AJ meghúzásával
 - annak érdekében, hogy a vágás mélysége egyetlenes legyen a horony teljes hosszában, a munkadarab és a vezetőléc közé fából készült távtartót kell elhelyezni
 - ! **ügyeljen arra, hogy a fűrészlap ne akadjon el a munkadarabban**
 - ! **hulladék anyagon próbálja ki a munka megkezdése előtt**

- Fűrészlap csere ²⁵
 - ! húzzuk ki a kábel dugóját a csatlakozó aljzattól
 - vegye ki a hatszögkulcsot AK a tartóból AL
 - tartsa a védőburkolatot A nyitott pozícióban
 - lazítsa meg a fedőlemez csavarját AN (ne csavarozza ki teljesen) ^{25a}
 - fordítsa teljesen hátra a védőburkolatot A ^{25b}
 - nyomja be a tengelyt reteszelő AM gombot, és tartsa benyomva, amíg a hatszögkulcsot AK AZ ÓRAMUTATÓ JÁRÁSÁNAK IRÁNYÁBA (= ugyanabba az irányba, amelybe a fűrészlapon nyomtatott nyíl is mutat) elfordítva eltávolítja a fűrészlap AO szorítócsavarját
 - ! csak akkor nyomja be a tengelyt reteszelő AM gombot, amikor a készülék üzemen kívüli állapotban van
 - engedje el a tengelyt reteszelő AM gombot
 - vegye le a peremes gyűrűt AP és a fűrészlapot
 - ! a fűrészlapcserénél figyeljen arra, hogy a fűrészlapon található nyíl ugyanabba az irányba mutasson mint a védőburkolaton A
 - helyezze vissza az AP peremes gyűrűt ^{25c}
 - nyomja be a tengelyt reteszelő gombot AM, és tartsa benyomva, amíg meghúzza a fűrészlap szorítócsavarját kézzel, majd hatszögkulccsal AK 1/8 fordulatot az ÓRAMUTATÓ JÁRÁSÁVAL MEGEGYEZŐ irányban (meggátolja a fűrészlap megcsúszását, amennyiben az nagy ellenállásba ütközne, ill. csökken a motor túlterhelése és visszarúgás)
 - húzza meg a fedőlemez csavarját AN
- Az asztalbetét cseréje AQ ²⁶
 - A hibás vagy elkopott asztalbetét a következő módon cserélhető ki:
 - ! húzzuk ki a kábel dugóját a csatlakozó aljzattól
 - vegye ki a hatszögkulcsot AK a tartóból AL
 - csavarja ki a 6 csavart az ábrán látható módon
 - vegye le a régi asztalbetétet úgy, hogy előbb felemeli az előlű részét, majd teljesen kihúzza
 - helyezze be az új asztalbetétet
 - ! erősen húzza meg mind a 6 csavart
- A fűrészlap 90°-os beállításának ellenőrzése/beállítása ²⁷
 - ! húzzuk ki a kábel dugóját a csatlakozó aljzattól
 - fordítsa a fűrészasztalt a 0°-os gérvágási pozícióba és rögzítse a helyére
 - állítsa a fűrészfeket 0°-os ferdevágási pozícióba
 - engedje le a fűrészfeket és rögzítse a helyére
 - ellenőrizze a 90°-os szöget a fűrészlap és az asztal között egy szögmérővel
 - szükség esetén állítsa be a 90°-os fűrészlapbeállítást a következő módon:
 1. engedje ki a háromfűlű gombot U
 2. állítsa be a csavart W 10-es fűrészlapkulccsal (nem standard tartozék)
 3. ellenőrizze egy derékszögmérővel
 4. állítsa vissza a ferdevágás mutatóját V 0°-ra
- A fűrészlap 45°-os beállításának ellenőrzése/beállítása ²⁸
 - ! húzzuk ki a kábel dugóját a csatlakozó aljzattól
 - fordítsa a fűrészasztalt a 0°-os gérvágási pozícióba és rögzítse a helyére
 - engedje ki a háromfűlű gombot U
 - állítsa a fűrészfeket balra

- ellenőrizze a 45°-os szöget a fűrészlap és az asztal között egy félderékszögmérővel
- ellenőrizze, hogy a ferdevágás mutató V a 45° jelzést mutatja
- szükség esetén állítsa be a 45°-os fűrészlapbeállítást a következő módon:
 1. állítsa be a csavart X 10-es fűrészlapkulccsal (nem standard tartozék)
 2. ellenőrizze egy félderékszögmérővel
- A vezetőléc 90°-os beállításának ellenőrzése/beállítása ²⁹
 - ! húzzuk ki a kábel dugóját a csatlakozó aljzattól
 - fordítsa a fűrészasztalt a 0°-os gérvágási pozícióba és rögzítse a helyére
 - engedje le a fűrészfeket és rögzítse a helyére
 - szögmérővel ellenőrizze a 90°-os szöget a fűrészlap és a vezetőléc S között (ügyeljen rá, hogy a derékszögmérő a fűrészlap oldalával érintkezzen, ne a fogakkal) ^{29a}
 - szükség esetén állítsa be a vezetőléc 90°-os beállítását a következő módon:
 1. lazítsa meg a 2 imbuszcsavart T ^{29b}
 2. állítsa be a vezetőlécet úgy, hogy a fűrészlap és a vezetőléc teljesen érintkezzenek a szögmérővel
 3. húzza meg a 2 imbuszcsavart T
 4. állítsa vissza a gérvágás mutatóját 0°-ra ^{29c}

HASZNÁLAT


- Speciális munkadarabok
 - a hosszú munkadarabok szabad végét mindig támassa meg ³⁰
 - különösen figyeljen oda arra, hogy az ívelt vagy kerek munkadarabok csúszásbiztosan rögzítve legyenek ³¹
 - a vágási vonalnál nem lehet hézag a munkadarab és a vezetőléc vagy a fűrészasztal között
 - szükség esetén készítsen kiegészítő vezetőlécet; a kiegészítő vezetőléc a csúszó vezetőléccen található résekkel rögzíthető ³²
- ! a kiegészítő vezetőléc kizárólag 0°-os ferdevágásnál használható
- Padlók szegélylécének megmunkálásakor tájékozódhat az ábráról ³³
- Vágás közben a munkadarab használandó oldala mindig lefelé mutasson annak érdekében, hogy sérülések a munkadarab használandó oldalán minimálisak legyenek
- Mindig csak éles és az elvégzendő munkálatokhoz megfelelő típusú fűrészlapokat használjon
 - a vágás minősége egyaránt növekszik a fűrészfogak számával
 - keményfémlepkés fűrészlapnak 30-szor hosszabb az élettartama mint egy hagyományosé

KARBANTARTÁS / SZERVIZ

- Mindig tartsa tisztán a gépet és a vezetékét (különös tekintettel a szellőzőnyílásokra a motor burkolatának hátsó részén)
- Rendszeresen ellenőrizze az alsó védőelem megfelelő működését. Egy benedvesített ruhával tisztítsa le a védőelemre rakódott fűrészport.
- ! tisztítás előtt húzza ki a csatlakozódugót
- emelje az alsó védőelemet teljesen nyitott pozícióba és oldja ki; ha nem oldódik ki azonnal, és teljesen bezárul,

- akkor ellenőriztesse a SKIL elektromos szerszámok egyik értékesítés utáni szolgáltatóközpontjában
- Közvetlen a használat után tisztítsa meg a kőfűrészlapot (főleg a gyantától és a ragasztótól)
 - ! **használat közben a fűrészlappal felmelegszik; ne érintse meg, amíg le nem hűlt**
 - A lézérlámpát AC minden használat után tisztítsa meg egy puha kefével (ügyeljen arra, hogy ne változtassa meg a lézér beállítását)
 - Ha a gép a gondos gyártási és ellenőrzési eljárás ellenére egyszer mégis meghibásodna, akkor a javítással csak SKIL elektromos kéziszerszám-műhely ügyfélszolgálatát szabad megbízni
 - küldje az **összeszerelt** gépet a vásárlást bizonyító számlával együtt a kereskedő vagy a legközelebbi SKIL szervizállomás címére (a címlista és a gép szervizdiagramja a www.skil.com címen található)
 - Vegye figyelembe, hogy a garancia nem fedí le a túlterhelés és a gép helytelen használatából eredő károkat (a SKIL garanciális feltételeit elolvashatja a www.skil.com oldalon, vagy kérdezze meg kereskedőjét)

KÖRNYEZET


- **Az elektromos kéziszerszámokat, elemek, tartozékokat és csomagolást ne dobja a háztartási szemétkébe** (csak EU-országok számára)
 - a használt villamos és elektronikai készülékekről szóló 2012/19/EK irányelv és annak a nemzeti jogba való átültetése szerint az elhasznált elektromos kéziszerszámokat külön kell gyűjteni, és környezetbarát módon újra kell hasznosítani
 - erre emlékeztet a  jelzés, amennyiben felmerül az intézkedésre való igény

ZAJ

- Az EN 62841 szabványnak megfelelően végzett mérés szerint a szerszám hangnyomása 100,0 dB(A), hangerőszintje pedig 109,5 dB(A) (bizonytalanság K = 3 dB)
- A zajkibocsátási szint mérése az EN 62841 szerinti szabványosított teszttel összhangban történt; ez egy eszköznek egy másik eszközzel történő összehasonlítására, illetve a zajnak való kitettség előzetes felmérésére használható fel az eszköznek az említett alkalmazásokra történő felhasználása során
 - az eszköznek eltérő alkalmazásokra, vagy eltérő, illetve rosszul karbantartott tartozékokkal történő felhasználása jelentősen **emelheti** a kitettség szintjét
 - az idő, amikor az eszköz ki van kapcsolva, vagy amikor ugyan működik, de ténylegesen nem végez munkát, jelentősen **csökkentheti** a kitettség szintjét

CZ

Pokosová pila se zákluzem 1310 ÚVOD

- Tento nástroj je určen pro stacionární rovné a také pokosové řezání dřeva v podélném a příčném směru (k dispozici jsou vodorovné úhly pokosu -47° až +47° a svislé úhly úkosu 0° až 45°)
- Tento návod s pokyny si pečlivě přečtěte a uschovejte 
- Tento nástroj není určen k profesionálnímu použití

- **Používejte nástroj pouze tehdy, pokud je kompletně sestaven** (společnost Skil nenese zodpovědnost za poškození nástroje a/nebo poranění osob způsobená následkem nesprávného sestavení nástroje)


TECHNICKÁ DATA

SOUČÁSTI NÁSTROJE

- A Spodní ochranný kryt
- B Rukojeť s vypínačem
- C Blokovací kolík pro převážení
- D Horní vodítko
- E Rukojeť pro převážení
- F Montážní otvory
- G Opěrná noha
- H Prachový sáček
- J Lapač prachu
- K Prodlužovací tyče
- L Tlačítka pro zajištění prodlužovacích tyčí
- M Svorka pro upnutí obrobku
- N Opěrný otvor
- P Knoflík pro aretaci svorky
- Q Knoflík pro nastavení svorky
- R Upínací páčka
- S Stavítko
- T Šrouby se šestihrannou hlavou pro nastavení stavítka (2x)
- U Aretační šroub (úhly úkosu)
- V Indikátor úhlu úkosu
- W Šroub pro nastavení úhlu úkosu (pravý)
- X Šroub pro nastavení úhlu úkosu (levý)
- Y Seřizovací šroub laseru
- Z Laser
- AA Vypínač laseru
- AB Aretační rukojeť (úhly pokosu)
- AC Uvolňovací páka zářáčky pokosu
- AD Indikátor úhlu pokosu
- AE Blokovací tlačítko pro posuvné zařízení
- AF Spínač "zapnuto/vypnuto"
- AG Bezpečnostní páčka
- AH Omezovač hloubky řezu
- AI Hloubková zářáčka
- AJ Matka hloubkového dorazu
- AK Šestihranný klíč
- AL Uložení imbusového klíče
- AM Tlačítko k zajištění vřetena
- AN Šroub krycí desky
- AO Šroub upevnění listu
- AP Upevňovací podložka
- AQ Vložka stolu
- AR Usměrňovač prachu

BEZPEČNOST

OBEČNÉ BEZPEČNOSTNÍ POKYNY PRO ELEKTRONÁŘADÍ

 **VAROVÁNÍ** Přečtěte si veškerá bezpečnostní upozornění, pokyny, obrázky a technické údaje, které jsou s tímto elektrickým nástrojem dodávány. Nedodržení všech níže uvedených pokynů může vést k úrazu elektrickým proudem, požáru a/nebo vážnému zranění.

Všechny pokyny a výstrahy uchovejte pro budoucí potřebu.

Ve varovných upozorněních použitý pojem "elektronářadí" se vztahuje na elektronářadí provozované na el. síti (se síťovým kabelem) a na elektronářadí provozované na akumulátoru (bez síťového kabelu).

1) BEZPEČNOST PRACOVNÍHO MÍSTA

- a) **Udržujte Vaše pracovní místo čisté a uklizené.**
Nepořádek nebo neosvětlené pracovní oblasti mohou vést k úrazům.
- b) **Se strojem nepracujte v prostředích ohrožených explozí, kde se nacházejí hořlavé kapaliny, plyny nebo prach.** Elektronářadí vytváří jiskry, které mohou prach nebo páry zapálit.
- c) **Děti a jiné osoby udržujte při použití elektronářadí daleko od Vašeho pracovního místa.** Při rozptýlení můžete ztratit kontrolu nad strojem.

2) ELEKTRICKÁ BEZPEČNOST

- a) **Připojovací zástrčka stroje musí lícovat se zásuvkou. Zástrčka nesmí být žádným způsobem upravena. Společně se stroji s ochranným uzemněním nepoužívejte žádné adaptérové zástrčky.** Neupravené zástrčky a vhodné zásuvky snižují riziko elektrického úderu.
- b) **Zabraňte kontaktu těla s uzemněnými povrchy, jako např. potrubí, topení, sporáky a chladničky.** Je-li Vaše tělo uzemněno, existuje zvýšené riziko elektrického úderu.
- c) **Chraňte stroj před deštěm a vlhkem.** Vniknutí vody do elektrického stroje zvyšuje nebezpečí elektrického úderu.
- d) **Dbejte na účel kabelu, nepoužívejte jej k nošení či zavěšení stroje nebo vytažení zástrčky ze zásuvky. Udržujte kabel daleko od tepla, oleje, ostrých hran nebo pohyblivých dílů stroje.** Poškozené nebo spletené kabely zvyšují riziko elektrického úderu.
- e) **Pokud pracujete s elektronářadím venku, použijte pouze takové prodlužovací kabely, které jsou schváleny i pro venkovní použití.** Použití prodlužovacího kabelu, jež je vhodný pro použití venku, snižuje riziko elektrického úderu.
- f) **Pokud se nelze vyhnout provozu elektronářadí ve vlhkém prostředí, použijte ochranný jistič.** Nasazení ochranného jističe snižuje riziko úderu elektrickým proudem.

3) BEZPEČNOST OSOB

- a) **Buďte pozorní, dávejte pozor na to, co děláte a přistupujte k práci s elektronářadím rozumně. Stroj nepoužívejte pokud jste unavení nebo pod vlivem drog, alkoholu nebo léků.** Moment nepozornosti při použití elektronářadí může vést k vážným poraněním.
- b) **Noste osobní ochranné pomůcky a vždy ochranné brýle.** Nošení osobních ochranných pomůcek jako maska proti prachu, bezpečnostní obuv s protiskluzovou podrážkou, ochranná přilba nebo sluchátka, podle druhu nasazení elektronářadí, snižují riziko poranění.
- c) **Zabraňte neúmyslnému uvedení do provozu. Přesvědčte se, že je elektronářadí vypnuté dříve než jej uchopíte, ponesejte či připojíte na zdroj proudu a/ nebo akumulátor.** Máte-li při nošení elektronářadí prst na spínači nebo pokud stroj připojíte ke zdroji proudu zapnutý, pak to může vést k úrazům.
- d) **Než stroj zapnete, odstraňte seřizovací nástroje nebo šroubovák.** Nástroj nebo klíč, který se nachází v

otáčivém dílu stroje, může vést k poranění.

- e) **Nepřečunujte se. Zajistěte si bezpečný postoj a vždy udržujte rovnováhu.** Tím můžete stroj v neočekávaných situacích lépe kontrolovat.
 - f) **Noste vhodný oděv. Nenoste žádný volný oděv nebo šperky. Vlasy a oděv udržujte daleko od pohyblivých se dílů.** Volný oděv, šperky nebo dlouhé vlasy mohou být zachyceny pohyblivými se díly.
 - g) **Lze-li namontovat odsávací či zachycující přípravky, přesvědčte se, že jsou připojeny a správně použity.** Použití odsávání prachu může snížit ohrožení prachem.
 - h) **Dbejte na to, abyste při častém používání nářadí nebyli méně ostražití a nezapomínali na bezpečnostní zásady.** Nedbalé ovládání může způsobit těžké poranění za zlomek sekundy.
- ### 4) SVĚDOMITÉ ZACHÁZENÍ A POUŽÍVÁNÍ ELEKTRONÁŘADÍ
- a) **Stroj nepřetěžujte. Pro svou práci použijte k tomu určený stroj.** S vhodným elektronářadím budete pracovat v udané oblasti výkonu lépe a bezpečněji.
 - b) **Nepoužívejte žádné elektronářadí, jehož spínač je vadný.** Elektronářadí, které nelze zapnout či vypnout je nebezpečné a musí se opravit.
 - c) **Než provedete seřízení stroje, výměnu dílů příslušenství nebo stroj odložíte, vytáhněte zástrčku ze zásuvky a/nebo odstraňte odpojitelný akumulátor.** Toto preventivní opatření zabrání neúmyslnému zapnutí stroje.
 - d) **Uchovávejte nepoužívané elektronářadí mimo dosah dětí. Nenechte stroj používat osobám, které se strojem nejsou seznámeny nebo nečetly tyto pokyny.** Elektronářadí je nebezpečné, je-li používáno nezkušenými osobami.
 - e) **Pečujte o elektronářadí a příslušenství svědomitě. Kontrolujte, zda pohyblivé díly stroje bezvadně fungují a nevzpříčují se, zda díly nejsou zlomené nebo poškozené tak, že je omezena funkce stroje. Poškozené díly nechte před nasazením stroje opravit.** Mnoho úrazů má příčinu ve špatně udržovaném elektronářadí.
 - f) **Řezné nástroje udržujte ostré a čisté.** Pečlivě ošetřované řezné nástroje s ostrými řeznými hranami se méně vzpříčují a dají se lehčeji vést.
 - g) **Používejte elektronářadí, příslušenství, nasazovací nástroje apod. podle těchto pokynů. Respektujte přitom pracovní podmínky a prováděnou činnost.** Použití elektronářadí pro jiné než určující použití může vést k nebezpečným situacím.
 - h) **Udržujte rukojeti a úchytné plochy suché, čisté a bez oleje a maziwa.** Kluzké rukojeti a úchytné plochy neumožňují bezpečnou manipulaci a ovládání nářadí v neočekávaných situacích.
- ### 5) SERVIS
- a) **Nechte Váš stroj opravit pouze kvalifikovaným odborným personálem a pouze s originálními náhradními díly.** Tím bude zajištěno, že bezpečnost stroje zůstane zachována.

BEZPEČNOSTNÍ POKYNY PRO POKOSOVÉ PILY

- Pokosové pily jsou určeny k řezání dřeva nebo imitace dřeva, nelze je použít s brusnými ostřími pro řezání železných materiálů, jako jsou tyče,

pruty, čepy atd. Abrazivní prach způsobuje zaseknutí pohyblivých částí, jako je spodní kryt. Jiskry z abrazivního řezání spálí spodní kryt, vložku řezu a další plastové části.

- **Kdykoli je to možné, použijte k upnutí obrobku svorky.** Při ručním podepení obrobku musíte vždy držet ruku nejméně 100 mm od obou stran pilového ostří. **Nepoužívejte tuto pilu k řezání kusů, které jsou příliš malé na bezpečné upnutí nebo ruční držení.** Je-li vaše ruka příliš blízko pilového ostří, hrozí větší riziko poranění dotykem pilového ostří.
- **Obrodek musí být pevně na místě, upnutý nebo přidržovaný jak zarážkou, tak i stolem.** Nedávejte obrodek do ostří a nikdy neřezejte jen s ručním držením. Neuchycené nebo pohybující se obrobky se mohou vymrštit vysokou rychlostí a způsobit zranění.
- **Protlačte pilu obrobkem. Netahejte pilu obrobkem.** Chcete-li provést řez, zvedněte hlavu pily a vytáhněte ji přes obrodek bez řezání, nastartujte motor, stlačte hlavu pily dolů a protlačte pilu obrobkem. Řez směrem k tělu může velmi pravděpodobně způsobit, že se pilové ostří vymene na obrodek a prudce odhodí sestavu ostří směrem k pracovníkovi.
- **Nikdy nedávejte ruku přes zamýšlenou linii řezu, ať už před pilovým ostřím nebo za ním.** Podepení obrobku „rukama křížem“, tj. držení obrobku napravo od pilového ostří levou rukou nebo naopak, je velmi nebezpečné.
- **Nesahejte za zarážku ani jednou rukou blíže než 100 mm od obou stran pilového ostří, chcete-li odstranit zbytky dřeva nebo z jiného důvodu, pokud se ostří otáčí.** Nemusíte si uvědomit, že máte ruku tak blízko u pilového ostří a můžete se vážně zranit.
- **Před řezáním zkontrolujte obrodek.** Pokud je obrodek zakřivený nebo hrbolatý, upněte jej vnější zakřivenou stranou směrem k zarážce. Vždy se ujistěte, že mezi obrobkem, zarážkou a stolem není podél linie řezu žádná mezera. Zakřivené nebo hrbolaté obrobky se mohou zkroutit nebo posunout a při řezání mohou uvíznout na pilovém ostří. V obrobku nesmí být žádné hřebíky ani cizí předměty.
- **Nepoužívejte pilu, dokud ze stolu neuklidíte všechno nářadí, zbytky dřeva atd., kromě obrobku.** Malé úlomky, uvolněné kusky dřeva nebo jiné předměty, které se dotknou rotujícího ostří, mohou být odhozeny vysokou rychlostí.
- **Řežte pouze jeden obrodek najednou.** Několik naskládaných obrobků nelze vhodně upnout svorkou ani podepřít, a mohou se během řezání zachytit o ostří nebo se posunout.
- **Před použitím se ujistěte, že je pokosová pila namontovaná nebo postavená na rovné a pevné pracovní ploše.** Rovný a pevný pracovní povrch snižuje riziko nestability pokosové pily.
- **Naplánujte si práci! Pokaždé, když změníte nastavení úhlu úkosu nebo pokosu, ujistěte se, že je nastavitelná zarážka správně nastavena tak, aby podpírala obrodek a nezasahovala do ostří nebo ochranného systému.** Bez zapnutí nástroje a bez obrobku na stole pohybujte pilovým ostřím úplným simulovaným řezem, abyste zkontrolovali, že nedojde k žádnému zkřížení nebo nebezpečí řezu do zarážky.
- **Pro obrodek, který je širší nebo delší než deska stolu, zajistěte odpovídající oporu, jako jsou prodloužení stolu, kozy atd.** Pokud nejsou obrobky delší nebo širší než stůl pokosové pily bezpečně

podepřené, mohou se převrhnout. Pokud se odříznutý kus nebo obrodek převrátí, může zvednout spodní kryt nebo být vymršten rotujícím ostřím.

- **Nevyužívejte další osoby jako náhrady za prodloužení stolu nebo jako další podporu.** Nestabilní podepení obrobku může způsobit, že se ostří během řezání sevře, nebo že se obrodek posune, a vás i pomocníka vtáhne do rotujícího ostří.
- **Odříznutý kus se nesmí v žádném případě zaseknout nebo přitlačit k rotujícímu pilovému ostří.** Pokud je omezen, např. pomocí délkových zarážek, může se odříznutý kus zaklínit o ostří a prudce vystřelit.
- **Vždy používejte svorku nebo úchyt určené k řádnému jištění kulatého materiálu, jako jsou tyče nebo hadice.** Tyče se mohou při řezání kutalet a způsobit, že se ostří „kousne“ a vtáhne vám ruku.
- **Než se ostřím dotknete obrobku, nechte ho dosáhnout plné rychlosti.** Tím se sníží riziko vymrštení obrobku.
- **Pokud se obrodek nebo ostří zaseknou, pokosovou pilu vypněte. Počkejte, až se všechny pohyblivé části zastaví, a odpojte zástrčku ze zdroje napájení, nebo vyjměte baterii.** Potom uvolněte zaseknutý materiál. Pokračující řezání se zaseknutým obrobkem může způsobit ztrátu kontroly nebo poškození pokosové pily.
- **Po dokončení řezu uvolněte spínač, podržte hlavu pily dolů a počkejte, až se ostří zastaví, a teprve potom odstraňte odříznutý kus.** Nesahejte rukou do blízkosti dojíždějícího ostří, je to nebezpečné.
- **Při neúplném řezu nebo při uvolnění spínače držte pevně rukojeť dokud není hlava pily zcela ve spodní poloze.** Brzdný účinek pily může způsobit, že se hlava pily náhle stáhne dolů, což může způsobit zranění.

DOPLŇKOVÉ BEZPEČNOSTNÍ PŘEDPISY

- Proces sepnutí způsobí krátkodobý pokles napětí; při nepříznivých podmínkách v síti se může projevit omezení jiných strojů (při síťové impedanci menší než 0,464 ohmů se nedají očekávat žádné poruchy); pro bližší vysvětlení se můžete obrátit na svého lokálního distributora elektrické energie

OBECNÉ

- Tento nástroj používejte pouze pro řezání dřeva
- Vždy zkontrolujte, zda je napájecí napětí stejné jako napětí uvedené na typovém štítku nástroje
- **Nestůjte na nástroji ani na jeho stojanu.** Při přepravě nástroje nebo při náhodném kontaktu řezného nástroje může dojít k vážnému zranění. Neškodujte materiál na nástroji nebo v jeho blízkosti tak, abyste na něj dosáhli jenom po stoupnutí na nástroj nebo jeho stojan.
- **Před seřizováním, měněním pilových listů a příslušenství, vždy vytáhněte zástrčku nářadí z el. sítě**
- **Před dopravou pokosové pily vždy odpojte zástrčku od zdroje napájení.** Odpojte zástrčku, skloňte sestavu hlavy, zajistěte ji v dané poloze; pro přenášení použijte rukojeť a jednu z prohlubní na ruce v základně pily.
- **Neodcházejte od nástroje, dokud se úplně nezastaví**
- **Při řezání nepravidel tvarovaných obrobků naplánujte práci tak, aby neklouzaly a neštípaly ostří a nevytrhly se vám z ruky**
- Tento nástroj nesmí používat osoby mladší 16 let
- Nářadí není vhodný k řezání za vlhka

VENKOVNÍ POUŽITÍ

- Při venkovním použití zapojte nástroj přes jistič poruchového proudu (FI) se spouštěcím proudem max. 30 mA, a používejte pouze takovou prodlužovací šňůru, která je určena pro venkovní použití a je vybavena spojovací zásuvkou chráněnou proti střikající vodě

PŘED POUŽITÍM

- Používejte zcela rozvinutá a bezpečně prodlužovací šňůry o kapacitě 16 ampér
- Noste ochranné brýle, ochranu sluchu, a ochranné rukavice
- Prach z látek, jako jsou barvy obsahující olovo, některé druhy dřeva, minerály a kovy, může být škodlivý (kontakt s prachem nebo jeho vdechnutí může způsobit alergickou reakci a/nebo vyvolat respirační choroby u obsluhy nebo přihlížejících); **noste protiprachovou masku a pracujte se zařízením na odsávání prachu, pokud je možné jej připojit**
- Některé druhy prachu jsou klasifikovány jako karcinogenní (například dubový a bukový prach) zejména ve spojení s přísadami pro úpravu dřeva; **noste protiprachovou masku a pracujte se zařízením na odsávání prachu, pokud je možné jej připojit**
- Dodržujte stanovená nařízení pro práci v prašném prostředí
- **Nepracovávajte žádný materiál obsahující azbest** (azbest je karcinogenní)
- Nikdy nepoužívejte nářadí bez originálního chrániče
- Před každým používáním zkontrolujte, zda se ochranný kryt správně zavírá
- Pokud se ochranný kryt nepohybuje volně a nezavírá se ihned, pilu nepoužívejte
- Ochranný kryt nikdy neupínejte ani nezajišťujte v otevřené poloze
- Nikdy nepoužívejte tento nástroj bez vložky stolu; poškozenou nebo opotřebovanou vložku stolu vyměňte
- Před začátkem řezání odstraňte z řezané dráhy všechny překážky jak nahoře tak vespod obrobku
- Vrtačku nepoužívejte je-li navlhla a npracujte v blízkosti snadno zápalných nebo výbušných materiálů; před zahájením práce je odstraňte

PŘÍSLUŠENSTVÍ

- Nikdy nepoužívejte brusné/řezné kotouče s tímto nářadím
- SKIL zajistí bezchybnou funkci nářadí pouze tehdy, používáte-li odpovídající příslušenství, které obdržíte u svého prodejce SKIL
- Při montáži nebo používání jiného příslušenství než značky SKIL se řište pokyny daného výrobce
- Používejte pouze pilové kotouče, jež odpovídají charakteristickým údajům uvedeným v tomto návodu k obsluze a jsou zkoušeny podle EN 847-1 a příslušné označeny
- Používejte pouze příslušenství, jejichž dovolené otáčky jsou alespoň tak vysoké jako nejvyšší otáčky stroje naprázdno
- Není přípustné používání listů z vysoce legovaných, rychle pracujících ocelí (HSS)
- Nepoužívejte pilu, je-li list prasklý, zdeformovaný nebo matný
- Používejte pouze pilové kotouče s průměrem otvoru, který bez vůle odpovídá průměru vřetene nástroje; k nasazení pilových kotoučů s velkým otvorem nikdy nepoužívejte redukce ani adaptéry
- Chraňte příslušenství před nárazy, otřesy a mastnotou

BĚHEM POUŽITÍ

- **Na nástroj netlačte příliš** (tlačte na něj zlehka a plynule, abyste zamezili přehřívání hrotů čepele, a pokud řezáte plast, také tavení plastu)
- Udržujte prsty, ruce a paže v bezpečné vzdálenosti od otáčejícího se pilového kotouče
- Dojde-li k zablokování pilového kotouče, ihned vypněte nástroj a odpojte zástrčku z elektrické zásuvky; teprve poté vyjměte zaklíněný obrobek
- V případě zaseknutí nářadí či jiné závady okamžitě nářadí vypněte a vytáhněte zástrčku z el. sítě
- Jestliže přívodní šňůru při práci podkodíte nebo proříznete, nedotýkejte se jí a okamžitě ji vytáhněte ze síťové zásuvky
- Nikdy nástroj nepoužívejte, je-li jeho přívodní šňůra poškozená, šňůra musí být vyměněna za speciálně navrženou šňůru, která je k dispozici přes servisní středisko.

LASEROVÉ ZÁŘENÍ

- **Laserový paprsek nemiřte proti osobám nebo zvířatům a nedívejte se do přímého ani do odraženého laserového paprsku** (může to způsobit oslepení osob, nehody nebo poškození zraku)
- Pokud laserový paprsek dopadne do oka, je třeba vědomě zavřít oči a okamžitě hlavou uhnout od paprsku
- Na laserovém zařízení neprovádějte žádné změny
- Nedívejte se do laserového paprsku (laserové záření)
- Nedívejte se na laserový paprsek žádným optickým zvětšovacím přístrojem (jako je zvětšovací sklo, teleskop či dalekohled)
- Neprovozujte přístroj v přítomnosti vznětlivých tekutin, plynů a prachu
- Neprovozujte přístroj v přítomnosti dětí
- Nenahrazujte nainstalovaný laser laserem jiného typu

PO POUŽITÍ

- Po vypnutí nástroje nikdy nezastavujte otáčení příslušenství tlakem ze strany
- Třísky a další součásti obrobku odstraňte z řezacího prostoru teprve poté, až se veškeré pohyblivé součásti zcela zastaví
- pilový kotouč se během používání velmi zahřívá; nedotýkejte se ho, dokud nevychladne
- Nástroj skladujte **uvnitř budov** na suchém a uzamčeném místě mimo dosah dětí

VYSVĚTLENÍ SYMBOLŮ NA NÁŘADÍ

- ② Před použitím si přečtěte návod k použití
- ③ Noste ochranné brýle a ochranu sluchu
- ④ **Nebezpečná oblast! Zóna bez rukou. Ruce, prsty nebo paže udržte v dostatečné vzdálenosti od této oblasti.**
- ⑤ Dvojité izolace (není nutný zemnicí drát)
- ⑥ Nevyhazujte elektrické nářadí a baterie do komunálního odpadu
- ⑦ **Laserové záření / Nedívejte se do paprsku / Laserový výrobek třídy 2**

OBSLUHA

- Montáž
 - Smontujte přepravní rukojeť pomocí 2 šroubů s šestih. klíčem AK ⑨
 - Namontujte blokovací knoflík pokosu AB do přední části stolu ⑩
- Přepravní/pracovní poloha
 - Pokyny pro uvolnění nástroje (**pracovní** poloha)
 - Stlačte rukojeť B jednou rukou dolů a současně

- vytáhněte blokovací kolík C druhou rukou ⑪a
- Ved'te sestavu hlavy pomalu nahoru
- Pro řezání posuvným pohybem povolte blokovací knoflík AE ⑪b
- Pokyny pro zajištění nástroje (**přepavní poloha**)
- Posuňte sestavu hlavy na doraz ve směru zarážky S a utáhněte blokovací knoflík AE ⑪c
- Nastavte úhel úkosu na 0 ° (viz Nastavení úhlu úkosu)
- Nastavte úhel pokosu na 45 ° nalevo nebo napravo (viz Nastavení úhlu pokosu)
- Stlačte rukojeť B jednou rukou dolů a současně vytáhněte blokovací kolík C druhou rukou
- Namotejte napájecí kabel
- Použijte přepravní rukojeť E pro přenášení nástroje ⑪d
- K přenášení nástroje můžete také použít boční rukojeť ⑪e
- ! Nikdy nezvedte nástroj za hlavní rukojeť nebo za napájecí kabel**
- Připevnění nástroje na pracovní plochu ⑫
- ! pro zajištění bezpečné manipulace vždy tento nástroj připevněte na rovnou a stabilní pracovní plochu (například na pracovní stůl)**
- pro připevnění nástroje na pracovní plochu pomocí vhodných šroubů použijte 4 montážní otvory F
- nástroj můžete rovněž připevnit k pracovní ploše běžně dostupnými šroubovacími svorkami
- Za účelem stabilizace nástroje lze upravit výšku opěrné nohy G
- Můžete také nástroj namontovat na stojan pokosové pily
- ! Přečtěte si všechna varování a pokyny dodávané se stojanem pily**
- Odsávání prachu/třísek ⑬
- Instalujte sáček na prach H/vysavač, jak je znázorněno
- k zajištění optimálního odsávání prachu pravidelně vyprázdňete prachový sáček
- ! dbejte, aby hadice odsávající při řezání nepřekážela spodnímu chrániči a obsluze nářadí**
- Prodloužení pilového stolu ⑭
- Použijte knoflíky L k upevnění prodlužovacích tyčí K (na obou stranách nástroje)
- Délka prodlužovacích tyčí K je plynule nastavitelná od minima po maximum
- Upevnění obrobku ⑮
- ! pro zajištění optimální bezpečnosti práce vždy pevně upevněte obrobek do dodané nastavitelné svorky**
- nepracujte s obrobky, které jsou příliš malé na upnutí
- **maximální** rozměry obrobku viz tabulka ⑮
- Upevněte svorku obrobku do otvoru držákuN pomocí knoflíku P (na obou stranách nástroje)
- Použijte 1 ze 2 drážek; Pro tloušťku obrobku do 4cm a tloušťku obrobku nad 4cm
- přitlačte obrobek proti stavítku S
- Odblokujte páku R
- Přizpůsobte svorku obrobku
- Pevně upněte obrobek blokovací pákou R
- ! U některých kombinací pokosu a úkosu nebo v závislosti na velikosti obrobku může být nutné místo svorky obrobku použít komerčně dostupné šroubové svorky**
- Nastavování úhlu pokosu ⑰
- Uvolněte blokovací rukojeť AB
- Stlačte uvolňovací páku zarážky pokosu AC
- Otočte stůl pily doleva nebo doprava a nastavte požadovaný úhel pokosu (od 0° až 47°) pomocí ukazatele AD
- Uvolněte páku AC
- Utáhněte blokovací rukojeť AB (**neutahujte rukojeť příliš pevně**)
- Pro rychlé a přesné nastavení často používaných úhlů pokosu (0 °, 15 °, 22,5 °, 31,6 °, 45 °) uvolňovací páku zarážky pokosu zacvakne na místo v odpovídajících polohách
- Nastavení úhlu úkosu ⑱
- Uvolněte třínohý knoflík U ⑱b
- Otočte hlavu pily doleva, až ukazatel úhlu úkosu V ukáže na požadovaný úhel úkosu
- Držte hlavu pily v této poloze a utáhněte knoflík U
- Kombinované řezání ⑲
- kombinované řezání vyžaduje nastavení úhlu pokosu a úkosu
- ! Nepoužívejte pilu v takových kombinacích pokosu a úkosu, které by mohly mít za následek křížení mezi posuvnými a pevnými částmi pily nebo mezi posuvnými částmi a obrobkem**
- ! vždy nejprve proveďte zkoušku na očištěném kousku materiálu**
- Laserová ryska ⑳
- pro přesné vedení nářadí po obrobku v požadovaném směru
- zapněte/vypněte laserové rysky pomocí spínače AA
- Laser je vyrovnán k levé straně řezu
- Vodorovné vyrovnání laseru lze snadno upravit pomocí šroubu Y
- ! před započítím práce zkontrolujte zarovnaní laserové rysky s aktuální linií řezu tak, že provedete zkušební řez na kusu odpadového materiálu**
- Řezání bez posuvného pohybu (**malé obrobky**)
- Uvolněte blokovací knoflík AE v případě, že je utažený
- Posuňte hlavu pily na doraz ve směru zarážky S a dotáhněte blokovací knoflík AE
- ! Nezajištění mechanismu může způsobit, že se ostří náhle vyšplhá na obrobek a bude směřovat k vám**
- nastavte nástroj do pracovní polohy
- ! zkontrolujte, zda je obrobek pevně zajištěn k pilovému stolu a stavítku S**
- Zapněte nástroj uvolněním aretace AG a zatažením za hlavní vypínač AF ㉔
- ! Při použití pilové hlavy nepřekřížujte ruce ㉔a**
- konstantní rychlostí proveďte řez
- ! nářadí by neměl běžet na plný výkon před vniknutím do obrobku**
- uvolněním spínače vypněte nástroj AF
- Počkejte, až se pilové ostří úplně zastaví, a potom ved'te hlavu pily pomalu nahoru
- Řezání s posuvným pohybem (**široké obrobky**)
- ! Uvědomte si, že níže popsany způsob je jediný bezpečný pracovní postup**
- Netahaňte pilu obrobkem
- Uvolněte blokovací knoflík AE v případě, že je utažený
- ! zkontrolujte, zda je obrobek pevně zajištěn k pilovému stolu a stavítku S**
- Hlavu pily táhněte dostatečně daleko od zarážky S, aby bylo pilové ostří před obrobkem ㉔

- Zapněte nástroj stlačením pojistné páky AG a zatažením za hlavní vypínač AF ²²
- ! **Při použití pilové hlavy nepřekřížujte ruce** ^{21a}
- Zatlačte hlavu pily ve směru zarážky S a řežete plynulým posunem obrobkem vpřed ²³
- ! **nářadí by neměl běžet na plný výkon před vniknutím do obrobku**
- ! **Pokud se spodní kryt automaticky neotevře, což se může stát za určitých podmínek (např. obrobek, který je velmi blízko maximálním rozměrům), možná budete muset kryt otevřít ručně** ^{21b}
- uvolněním spínače vypněte nástroj AF
- Počkejte, až se pilové ostří úplně zastaví, a potom ved'te hlavu pily pomalu nahoru
- Řezání drážek ²⁴
 - Nastavte požadovanou hloubku pomocí hloubkového dorazu AH a zajistěte jej na místě utažením matice AJ
 - Mezi obrobek a zarážku se umístí dřevěná rozpěrka, která zajistí stejnou hloubku po celé délce drážky
 - ! **Dávejte pozor, aby se pilové ostří nezaseklo v obrobku**
 - ! **vždy nejprve proveďte zkoušku na očištěném kousku materiálu**
- Výměna pilového listu ²⁵
 - ! **rozpojte přívodní šňůru**
 - vyjměte klíče šestihřanným AK z držáku AL
 - Držte ochranný kryt A v otevřené poloze
 - Povolte šroub krycí desky AN (**neodšroubujte úplně šroub**) ^{25a}
 - Otočte ochranný kryt A úplně dozadu ^{25b}
 - stiskněte blokovací tlačítko vřetene AM a přidržujte jej během demontování šroubu kotouče AO otáčením klíče šestihřanným AK **PO SMĚRU HODINOVÝCH RUČÍČEK** (= stejným směrem, kterým ukazuje šípka na pilovém kotouči)
 - ! **blokovací tlačítko vřetene AM stlačte pouze tehdy, když je nářadí v klidu**
 - uvolněte blokovací tlačítko vřetene AM
 - sejměte přírubu AP a pilový kotouč
 - ! **vyměňte pilový kotouč tak, aby zuby a šípka označující směr otáčení na pilovém listu souhlasily se šípkou na ochranném krytu A**
 - nasad'te podložku AP ^{25c}
 - Stiskněte tlačítko aretace vřetene AM a držte jej, zatímco utahujete šroub ostří otáčením šestihř. klíče AK **PROTI SMĚRU HODINOVÝCH RUČÍČEK** o 1/8 otáčky po ručním utažení (zajišťuje prokluz pilového ostří, když narazí na nadměrný odpor, čímž se sníží přetížení motoru a zpětný ráz pily)
 - utáhněte šroub krycí desky AN
- Výměna vložky stolu AQ ²⁶
 - Při výměně poškozené nebo opotřebované vložky stolu postupujte podle následujících pokynů:
 - ! **rozpojte přívodní šňůru**
 - vyjměte klíče šestihřanným AK z držáku AL
 - odmontujte všechny 6 šrouby podle obrázku
 - při vyjímání nejdříve zvedněte přední část staré vložky stolu a potom vložku zcela vysuňte
 - vložte novou vložku stolu
 - ! **pevně utáhněte všechny 6 šrouby**
 - Kontrola/seřízení 90° polohy kotouče ²⁷
 - ! **rozpojte přívodní šňůru**
 - Otočte stůl pily do polohy 0° pokosu a zajistěte v této pozici
 - Otočte hlavu pily do polohy 0° úkosu
 - Sklopte hlavu pily a zajistěte v této pozici
 - pomocí úhelníku zkontrolujte úhel 90° mezi pilovým kotoučem a stolem
 - je-li třeba, seříd'te 90° polohu kotouče podle následujících pokynů:
 - 1. uvolněte třínohý knoflík U
 - 2. Seříd'te šroub W klíčem na ostří 10 (není součástí standardní výbavy)
 - 3. Znovu zkontrolujte úhelníkem
 - 4. Znovu nastavte ukazatel úkosu V na 0°
- Kontrola/seřízení 45° polohy kotouče ²⁸
 - ! **rozpojte přívodní šňůru**
 - Otočte stůl pily do polohy 0° pokosu a zajistěte v této pozici
 - uvolněte třínohý knoflík U
 - Otočte hlavu pily doleva
 - pomocí úhelníku zkontrolujte úhel 45° mezi pilovým kotoučem a stolem
 - zkontrolujte, zda se indikátor úkosu V nachází na značce 45°
 - je-li třeba, seříd'te 45° polohu kotouče podle následujících pokynů:
 - 1. Seříd'te šroub X klíčem 10 (není součástí standardní výbavy)
 - 2. Znovu zkontrolujte úhelníkem
- Kontrola/seřízení 90° polohy stavítka ²⁹
 - ! **rozpojte přívodní šňůru**
 - Otočte stůl pily do polohy 0° pokosu a zajistěte v této pozici
 - Sklopte hlavu pily a zajistěte v této pozici
 - Zkontrolujte úhel 90° mezi ostrím a zarážkou S úhelníkem (zajistěte, aby se úhelník dotýkal těla pilového ostří, nikoli jeho zubů) ^{29a}
 - je-li třeba seříd'te 90° polohu stavítka podle následujících pokynů:
 - 1. uvolněte 2 šrouby se šestihřannou hlavou T ^{29b}
 - 2. seříd'te stavítko tak, aby se kotouč a stavítko zcela dotýkaly úhelníku
 - 3. utáhněte 2 šrouby se šestihřannou hlavou T
 - 4. Nastavte ukazatel pokosu na 0° ^{29c}

NÁVOD K POUŽITÍ

- Speciální obrobky
 - volně konce dlouhého obrobku vždy podepřete ³⁰
 - zakřivené nebo oblé obrobky musí být zvláště zajištěné proti vysmeknutí ³¹
 - mezi obrobkem a stavítkem nebo pilovým stolem nesmí být v linii řezu žádná mezera
 - V případě potřeby připravte pomocnou zarážku; otvory v posuvné zarážce jsou určeny k zajištění pomocné zarážky ³²
- ! **Pomocnou zarážku lze použít pouze při úkosu 0°**
- Pro práci s podlahovými lištami lze použít jako referenci obrázek ³³
- Při řezání položte obrobek tak, aby strana s lepším povrchem byla vespod k zajištění min. stěpení
- Používejte pouze ostré pilového listy správného typu
 - kvalita řezu se zvyší počtem ozubení na pilového listu
 - pilového listy z tvrdých kovů mají až 30 krát delší životnost než běžné pilového listy


ÚDRŽBA / SERVIS

- Vždy udržujte nástroj a kabel v čistotě (zejména větrací otvory na zadní straně skříně motoru)
- Pravidelně kontrolujte, zda spodní kryt správně funguje. Spodní kryt čistěte od případných usazenin pilin vlhkým hadříkem.

! před čištěním odpojte zástrčku

- Zvedněte spodní kryt do plně otevřené polohy a uvolněte jej; pokud se nezavře okamžitě a úplně, měl by být zkontrolován poprodejním servisním střediskem pro elektrické nástroje SKIL
- Pilové listy čistěte okamžitě po jejich použití (především od pryskyřice a lepidla)
! pilový kotouč se během používání velmi zahřívá; nedotýkejte se ho, dokud nevychladne
- Vyčistěte laserové světlo AC měkkým kartáčem po každém použití, abyste udrželi dobrou viditelnost laserové linky (dbejte na to, abyste nezměnili nastavení laseru)
- Pokud dojde i přes pečlivou výrobu a náročné kontroly k poruše nástroje, svěďte provedení opravy autorizovanému servisnímu středisku pro elektronářadí firmy SKIL
- zašlete nástroj **nerozebraný** spolu s potvrzením o nákupu své prodejně nebo nejbližšímu servisu značky SKIL (adresy a servisní schema nástroje najdete na www.skil.com)
- Uvědomte si, že na poškození způsobené přetížením nebo nesprávným zacházením se nevztahuje záruka (záruční podmínky společnosti SKIL najdete na adrese www.skil.com nebo se obraťte na prodejce)

ŽIVOTNÍ PROSTŘEDÍ

- **Elektrické nářadí, baterie, doplňky a balení nevyhazujte do komunálního odpadu** (jen pro státy EU)
- podle evropské směrnice 2012/19/EG o nakládání s použitými elektrickými a elektronickými zařízeními a odpovídajících ustanovení právních předpisů jednotlivých zemí se použítá elektrická nářadí, musí sbírat odděleně od ostatního odpadu a podrobit ekologicky šetrnému recyklování
- symbol  na to upozorňuje

HLUČNOSTI


- Měřeno podle EN 62841 je hladina akustického tlaku tohoto nástroje 100,0 dB (A) a úroveň akustického výkonu 109,5 dB (A) (nejšota K = 3 dB)
- Úroveň emisí hluku byla měřena podle standardizovaného testu uvedeného v EN 62841; lze jej použít k porovnání jednoho nástroje s druhým a jako předběžné posouzení expozice hluku při použití nástroje pro uvedené činnosti
- používání přístroje k jiným aplikacím nebo s jiným či špatně udržovaným příslušenstvím může zásadně **zvýšit** úroveň vystavení se vibracím
- doba, kdy je přístroj vypnutý nebo kdy běží, ale ve skutečnosti není využíván, může zásadně **snížit** úroveň vystavení se vibracím

TR

Raylık gönyeli testere

1310

GİRİŞ

- Bu alet; ahşap malzemede uzunlamasına ve enine düz hatlar halinde ve açılı olarak kesme yapan sabit bir makine olarak geliştirilmiştir (yatay olarak -47° ile +47° ve dikey olarak 0° ile 45° açılı kesme işleri yapılabilir)
- Bu kullanma kılavuzunu okuyun ve saklayın 
- Bu alet profesyonel kullanıma yönelik değildir
- **Aleti, sadece montajı doğru ve tam olarak doğru yapıldığında kullanın** (aletin hatalı olarak montajından kaynaklanan alet hasarlarından ve/veya kişisel yaralanmalardan dolayı sorumlu tutulamayacağıni unutmayın)

TEKNİK VERİLER

ALET BİLEŞENLERİ

- A** Alt muhafaza
- B** Anahtar tutamağı
- C** Taşıma için kilit pimi
- D** Üst koruyucu başlık
- E** Nakliye kolu
- F** Montaj delikleri
- G** Destek ayağı
- H** Toz torbası
- J** Toz çıkışı
- K** Uzatma çubukları
- L** Uzatma çubukları için kilit düğmeleri
- M** İş parçası montaj kelepçesi
- N** Destek deliği
- P** Kelepçe sıkma düğmesi
- Q** Kelepçe ayar düğmesi
- R** Sıkma kolu
- S** Destek
- T** Destek ayarı için altigen vidalar (2x)
- U** Kilit düğmesi (kesme açıları)
- V** Gönye açısı skalası
- W** Gönye açısı ayar vidası (sağ)
- X** Gönye açısı ayar vidası (sol)
- Y** Lazer ayar vidası
- Z** Lazer ışığı
- AA** Lazer açma/kapama anahtarı
- AB** Kilit kolu (kesme açıları)
- AC** Gönye kanalı açma kolu
- AD** Gönyeli kesme skalası
- AE** Kaydırma aparatı kilit düğmesi
- AF** Açma/kapama şalteri
- AG** Güvenlik kolu
- AH** Kesme derinliği sınırlayıcısı
- AI** Derinlik mesnedi
- AJ** Derinlik mesnedi somunu
- AK** Altigen anahtar
- AL** Alyen anahtarı bölmesi
- AM** Mil kilitleme düğmesi (**6398**)
- AN** Kapak plakası vidası
- AO** Bıçak civatası
- AP** Flaş
- AQ** Talaş emniyeti
- AR** Toz itici

GÜVENLİK

GENEL ELEKTRİKLİ EL ALETİ GÜVENLİK UYARILARI

⚠ UYARI Bu elektrikli alet ile birlikte verilen tüm uyarıları, talimatları, resimleri ve özellikleri okuyun.

Aşağıda listelenen talimatların tamamına uyulmaması durumunda elektrik çarpması, yangın ve/veya ciddi yaralanmalar meydana gelebilir.

Tüm uyarı ve talimatları ilerde kullanmak üzere saklayın.

Uyarı ve talimat hükümlerinde kullanılan "elektrikli el alet" kavramı, akım şebekesine bağlı (şebeke bağlantı kablosu ile) aletlerle akü ile çalışan aletleri (akım şebekesine bağlantısı olmayan aletler) kapsamaktadır.

1) ÇALIŞMA YERİ GÜVENLİĞİ

- Çalıştığınız yeri temiz ve düzenli tutun.** Düzensizlik veya yetersiz aydınlatma kazalara neden olabilir.
- Yanıcı sıvıların, gazların veya tozların bulunduğu ortamda patlama tehlikesi olan yer ve mekânlarda aletle çalışmayın.** Elektrikli el aletleri, toz veya buharların tutuşmasına veya yanmasına neden olan kıvılcıklar çıkarırlar.
- Elektrikli el aletleriyle çalışırken çocukları ve başkalarını çalışma alanınızın uzağında tutun.** Yakınınızda bulunan kişiler dikkatinizi dağıtabilir ve bu da alet üzerindeki kontrolünüzü kaybetmenize neden olabilir.

2) ELEKTRİKSEL GÜVENLİK

- Aletin bağlantı fişi prize uymalıdır. Fişi hiçbir şekilde değiştirmeyin. Koruyucu topraklamalı aletlerle adaptörlü fiş kullanmayın.** Değiştirilmemiş, orijinal fiş ve uygun prizler elektrik çarpması tehlikesini azaltır.
- Borular, kalorifer tesisatı, ısıtıcılar ve buzdolapları gibi topraklanmış yüzeylerle bedensel temasa geçmekten kaçının.** Eğer bedeniniz topraklanacak olursa yüksek bir elektrik çarpması tehlikesi ortaya çıkar.
- Aleti yağmur ve nemden koruyun.** Elektrikli el aletinin içine suyun sızması elektrik çarpması tehlikesini yükseltir.
- Kabloyu kendi amacı dışında kullanmayın; örneğin aleti kablodan tutarak taşımayın, aleti kablo ile asmayın veya kablodan çekerek fişi prize çıkarmayın.** Kabloyu aşırı ısıktan, yağlardan, keskin kenarlı cisimlerden veya aletin hareketli parçalarından uzak tutun. Hasarlı veya dolaşmış kablo elektrik çarpması tehlikesini yükseltir.
- Elektrikli el aletleriyle açık havada çalışırken mutlaka açık havada kullanılmaya uygun uzatma kablosu kullanın.** Açık havada kullanılmaya uygun uzatma kablosunun kullanılması elektrik çarpması tehlikesini azaltır.
- Elektrikli el aletinin nemli ortamlarda çalıştırılması şartsa, mutlaka kaçak akım cihazı (RCD) kullanın.** RCD kullanımını elektrik çarpması tehlikesini azaltır.

3) KİŞİLERİN GÜVENLİĞİ

- Dikkatli olun, ne yaptığınıza dikkat edin ve elektrikli el aletleriyle çalışırken makul hareket edin.** Yorgunsanız, ilaç kullanıyorsanız veya uyuşturucu madde ya da alkol etkisi altındaysanız aleti kullanmayın. Aleti kullanırken bir anlık dikkatsizliğiniz ciddi yaralanmalara yol açabilir.

- Daima kişisel korunma donanımları ve bir koruyucu gözlük kullanın.** Elektrikli el aletinin türü ve kullanımına uygun olarak kullanacağınız toz maskesi, kaymayan sağlam iş ayakkabıları, koruyucu kask veya koruyucu kulaklık gibi kişisel korunma donanımlarını kullanmanızı yaralanma tehlikesini büyük ölçüde azaltır.
 - Aleti yanlışlıkla çalıştırmaktan kaçının. Akım ikmal şebekesine ve/veya aküye bağlamadan, elinize alıp taşımadan önce elektrikli el aletinin kapalı durumda olduğundan emin olun.** Elektrikli el aletini parmağınız şalter üzerinde dururken taşırırsanız ve alet açıkken fişi prize sokarsanız kazalara neden olabilirsiniz.
 - Aleti çalıştırmadan önce ayar aletlerini veya tornavidaları aletten uzaklaştırın.** Dönen alet parçasına temas halinde bulunan bir uç veya anahtar yaralanmalara neden olabilir.
 - Kendinizi çok fazla güvenmeyin. Duruşunuzun güvenli olmasına dikkat edin ve daima dengeyi koruyun.** Bu sayede aleti beklenmedik durumlarda daha iyi kontrol edersiniz.
 - Uygun iş elbiseleri giyin. Geniş giysiler giymeyin ve takı takmayın. Saçlarınızı ve giysilerinizi aletin hareketli parçalarından uzak tutun.** Bol giysiler, takılar veya uzun saçlar aletin hareketli parçaları tarafından tutulabilir.
 - Aletinize toz emme donanımı ve toz tutma donanımı takılabiliyorsa, bunların bağlı olup olmadığını ve doğru işlev görüp görmediklerini kontrol edin.** Toz emme donanımının kullanımı tozdan kaynaklanabilecek tehlikeleri azaltır.
 - Aletleri sık kullanmanız sebebiyle kazandığınız alışkanlıklar, güvenlik prensiplerine uymanızı önlememelidir.** Dikkatsiz bir hareket, bir anda ciddi yaralanmalara yol açabilir.
- ### 4) ELEKTRİKLİ EL ALETLERİYLE DİKKATLİ ÇALIŞMAK VE ALETİ DOĞRU KULLANMAK
- Aleti aşırı ölçüde zorlamayın. İşinize uygun elektrikli el aletini kullanın.** Uygun elektrikli el aleti ile belirtilen performans alanında daha iyi ve daha güvenli çalışırsınız.
 - Açma/kapama şalteri arızalı olan elektrikli el aletini kullanmayın.** Açılıp kapanamayan bir elektrikli el aleti tehlikelidir ve onarılması gerekir.
 - Alette bir ayarlama işlemine başlamadan, herhangi bir aksesuarı değiştirirken veya aleti elinizden bırakırken fişi prizden çekin veya aküyü çıkarın.** Bu önlem, elektrikli el aletinin yanlışlıkla çalışmasını önler.
 - Kullanım dışında iken elektrikli el aletinizi çocukların ulaşamayacağı bir yerde saklayın. Aleti kullanmayı bilmeyen veya bu güvenlik talimatını okumayan kişilerin aleti kullanımına izin vermeyin.** Deneyimsiz kişiler tarafından kullanıldıkları takdirde elektrikli el aletleri tehlikeli olabilirler.
 - Elektrikli el aletinin ve aksesuarların bakımını özenle yapın. Aletin hareketli parçalarının kusursuz işlev görüp görmediklerini ve sıkışmadıklarını, parçaların kırık veya hasarlı olup olmadıklarını kontrol edin, aksi takdirde alet işlevini tam olarak yerine getiremez. Aleti kullanmadan önce hasarlı parçaları onartın.** Birçok iş kazası aletlerin kötü ve yetersiz bakımından kaynaklanır.
 - Kesici uçları keskin ve temiz tutun.** İyi bakım görmüş kesici uçlar daha ender sıkıştırlar ve daha iyi yönlendirilirler.

- g) **Elektrikli el aletlerini, aksesuarı, uçları ve benzerlerini bu güvenlik talimatına uygun olarak kullanın. Aleti kullanırken çalışma koşullarını ve yaptığınızı işi daima dikkate alın.** Elektrikli el aletlerini kendileri için öngörülen işlerin dışında kullanmak tehlikeli durumların ortaya çıkmasına neden olabilir.
- h) **Tutamak ve kavrama yüzeylerini kuru, yağsız ve temiz tutun.** Kaygan tutamak ve kavrama yüzeyleri, aletin beklenmeyen durumlarda güvenli şekilde tutulmasını ve kontrol edilmesini engeller.

5) SERVİS

- a) **Aleti sadece uzman bir elemana ve orijinal yedek parçalar kullanarak onartın.** Böylelikle aletin güvenliğini korumuş olursunuz.

GÖNYE TESTERELER İÇİN GÜVENLİK TALİMATLARI

- **Gönye testereleler ahşap veya ahşap benzeri ürünleri kesmek için tasarlandığından bara, çubuk, saplama vb. gibi demirli malzemeleri kesmek için aşındırıcı kesme diskleri ile birlikte kullanılamaz.** Aşındırıcı toz, alt koruma gibi hareketli parçaların sıkışmasına neden olur. Aşındırıcı kesimle ortaya çıkan kıvılcıklar alt korumayı, kanal ucunu ve diğer plastik parçaları yakabilir.
- **Mümkün olduğunda iş parçasını desteklemek için mengene kullanın. İş parçasını elinizle destekliyorsanız elinizi her zaman testere bıçağının her iki tarafından da en az 100 mm uzakta tutun. Bu testereyi mengeneyle sabitlemek veya elle tutmak için çok küçük parçaları kesmek için kullanmayın.** Ellerinizi testere bıçağına çok yakın koyarsanız bıçakla temas nedeniyle yaralanma riski artar.
- **İş parçası sabit olmalı ve hem dayama rayına hem de tablaya mengeneyle sabitlenmeli ya da sıkıca tutulmalıdır. İş parçasını hiçbir şekilde “desteksiz” olarak bıçağa doğru beslemeyin veya kesmeyin.** Sabitlenmemiş veya hareketli iş parçaları yüksek hızda fırlayarak yaralanmalara neden olabilir.
- **Testereyi iş parçasının içinden geçirin. Testereyi iş parçasından geriye doğru çekmeyin. Kesim yapmak için testere başını kaldırıp iş parçasının üzerinden geriye çekin, motoru çalıştırın, testere başını aşağı doğru bastırın ve testereyi iş parçasının içinden geçirin.** Geriye çekme hareketiyle kesim yapmak testere bıçağının iş parçasının üzerine çıkmasına ve bıçak grubunun operatöre doğru şiddetli biçimde fırlamasına neden olabilir.
- **Elinizi hiçbir zaman testere bıçağının önündeki veya arkasındaki kesme hattının içinden geçirmeyin.** İş parçasını “çapraz” tutmak, yani iş parçasını sol elinizle testere bıçağının sağından tutmak ya da tam tersini yapmak çok tehlikelidir.
- **Bıçak dönerken ufak ahşap parçalarını temizlemek için veya başka bir sebeple elinizi testere bıçağına 100 mm’den daha yakın olacak şekilde dayama rayının arkasına uzatmayın.** Dönen testere bıçağının elinize ne kadar yakın olduğunu göremeyebilir ve ağır şekilde yaralanabilirsiniz.
- **Kesim yapmadan önce iş parçasını inceleyin.** İş parçası eğri ya da bükülmüşse, eğri yüzü dışarıda dayama rayına bakacak şekilde mengeneyle sabitleyin. Her zaman kesim hattı boyunca iş parçası, dayama rayı ve tabla arasında boşluk bırakmadığınızdan emin olun. Eğri veya bükülmüş iş parçaları dönerek veya kayarak kesim sırasında dönmeye

devam eden testere bıçağına sıkışabilir. İş parçasında çivi veya yabancı hiçbir nesne bulunmamalıdır.

- **Tabla iş parçası dışında tüm aletlerden, küçük ahşap parçalardan vb. temizlenene kadar testereyi kullanmayın.** Dönmeye devam eden bıçağa temas eden küçük artıklar veya gevşek ahşap parçaları yüksek hızda fırlayabilir.
- **Bir seferde sadece tek bir iş parçası kesin.** İstiflenen çok sayıda iş parçası mengeneyle doğru şekilde sabitlenemeyeceği ya da birbirine tutturulamayacağı için kesim sırasında bıçağa sıkışabilir veya kayabilir.
- **Kullanmadan önce gönye testerenin düzgün ve sağlam bir çalışma yüzeyi üzerine monte edildiğinden veya yerleştirildiğinden emin olun.** Düzgün ve sağlam bir çalışma yüzeyi, gönye testerenin dengesini kaybetme riskini azaltır.
- **Yapacağınız işleri planlayın! Eğim veya gönye açısı ayarını her değiştirdiğinizde ayarlanabilir dayama rayını iş parçasını desteklemek için doğru şekilde ayarladığınızdan ve bıçağa ya da koruma sistemine engel olmayacağından emin olun.** Aleti “ON” (AÇIK) konuma getirirmeden ve tablanın üzerine iş parçası koymadan önce engel oluşturan hiçbir durum veya dayama rayını kesme tehlikesi bulunmadığından emin olmak için tam bir kesme testi yapın.
- **Tezgahtarın üst kısmından daha geniş veya daha uzun iş parçaları için tabla uzatmaları gibi uygun destekler kullanın.** Gönye testere tablasından daha uzun veya daha geniş iş parçaları sağlam bir şekilde desteklenmezse eğilebilir. Kesilen parça veya iş parçası eğilirse alt korumayı kaldırabilir veya dönmeye devam eden bıçaktan fırlayabilir.
- **Başka bir kişiyi tabla uzatması veya ek destek olarak kullanmayın.** İş parçasının yeterince desteklenmemesi kesim çalışması sırasında bıçağın sıkışmasına veya iş parçasının kayarak sizin ve yardımcınızın dönmeye devam eden bıçağa doğru çekilmesine neden olabilir.
- **Kesilen parça hiçbir şekilde sıkıştırılmamalı veya dönmeye devam eden testere bıçağına doğru bastırılmamalıdır.** Örneğin uzunluk mesnedi kullanılarak çalışma alanı kısıtlanmıyorsa, kesilen parça bıçağa sıkışarak şiddetli biçimde fırlayabilir.
- **Her zaman çubuk veya boru gibi yuvarlak malzemeleri düzgün şekilde desteklemek üzere tasarlanmış bir mengene ya da tespit elemanı kullanın.** Çubuklar kesim sırasında dönerkek bıçağın elinizi kapmasına neden olabilir ve elinizi iş parçasıyla birlikte bıçağa doğru çekebilir.
- **İş parçasını bıçağa temas ettirmeden önce bıçağın tam hız ulaşmasını bekleyin.** Bu, iş parçasının fırlama riskini azaltacaktır.
- **İş parçası veya bıçak sıkışırsa, gönye testereyi kapatın.** Tüm hareketli parçaların durmasını bekleyin ve güç kaynağının fişini çekin ve/veya akü takımını çıkartın. Daha sonra sıkışan malzemeyi çıkarmayı deneyin. İş parçası sıkışmış hâlde testereyle kesime devam etmek, kontrolü kaybetmenize veya gönye testerenin zarar görmesine neden olabilir.
- **Kesimi tamamladıktan sonra düğmeyi açın, testere başını aşağıda tutun ve kesilen parçayı çıkarmadan önce bıçağın durmasını bekleyin.** Elinizi yavaşlamak olan bıçağın yakınına uzatmak tehlikelidir.
- **Yarım kesim yaparken veya düğmeyi testere başını tamamen aşağıya indirmeden önce biraktığınızda tutamağı sıkıca tutun.** Testerenin frenleme hareketi testere başının aniden aşağı doğru çekilmesine neden olabilir ve yaralanma riski oluşturabilir.

EK GÜVENLİK TALİMATI

- Açma ve anahtarlama işlemleri kısa süreli gerilim düşmelerine neden olur; elektrik şebekelerinin koşulları uygun olmadığı takdirde bu durum diğer aletlerin çalışmasına olumsuz yönde etkiye bulunabilir (0,464 Ohm'dan daha küçük şebeke empedanslarında arızalar ortaya çıkmaz); daha aydınlatıcı bilgi için, bölgenizde bulunan yetkili servise başvurun

GENEL

- Aleti, sadece ahşap malzeme kesmek için kullanın
- Güç geriliminin, aletin özellik plakasında belirtilen voltaj değeriyle aynı olduğunu sık sık kontrol edin
- **Aletin veya sehpanın üzerine çıkmayın** Alet devrilirse veya kesim aletine kazara temas ederseniz ağır yaralanma meydana gelebilir. Erişmek için aletin veya sehpanın üzerinde olması gerekmeyen malzemeleri aletin üzerinde veya yakınında saklamayın.
- **İsteddiğiniz ayar değişikliklerini ve aksesuar değişikliklerini yapmadan önce mutlaka şebeke fişini prizden çekin**
- **Gönye testereyi başka bir yere taşımadan önce her zaman aletin fişini elektrik kaynağından çekin** Aletin fişini çekin, testere başı grubunu indirip yerine kilitleyin ve taşıma tutamağı ile testere tabanındaki el girintilerinden birini kullanın.
- **Tamamen durana kadar aletin başından ayrılmayın**
- **Şekli düzgün olmayan iş parçalarını keserken iş parçasının kayıp bıçağı sıkıştırmaması ve elinizden kaçmaması için yapacağınız işleri planlayın**
- Bu alet 16 yaşın altındaki kişiler tarafından kullanılmamalıdır
- Bu alet sulu kesme işlerine uygun değildir

DISARIDA KULLANIM

- Açık havada kullanırken, cihazı maksimum 30 mA tetikleyici akımı olan bir hatalı akım (FI) devre kesicisine bağlayın ve yalnızca açık havada kullanıma uygun ve su geçirmez ara prizli olan bir uzatma kablosu kullanın

KULLANMADAN ÖNCE

- Tamamen kusursuz ve güvenli 16 Amp uzatma kabloları kullanın
- Koruyucu gözlük, koruyucu kulaklık, ve koruyucu eldiven giyin
- Kurşun içeren boya, bazı ahşap türleri, mineral ve metal gibi malzemelerden çıkan toz zararlı olabilir (tozla temasta bulunulması veya solunması operatörde veya yakında bulunan kişilerde alerjik reaksiyonlara ve/veya solunum yolu hastalıklarına neden olabilir); **toz maskesi takın ve toz ekstraksiyon cihazıyla çalışın (bağlanabiliyorsa)**
- Bazı toz tipleri (örneğin meşe ve kayın ağacı tozu), bilhassa ahşap yenileme katkı maddeleriyle birlikte, kanserojenik olarak sınıflandırılır; **toz maskesi takın ve toz ekstraksiyon cihazı ile çalışın (bağlanabiliyorsa)**
- Çalışmak istediğiniz malzemelerin, toz ile ilgili ulusal taleplerini takip edin
- **Bu aletle asbest içeren malzemeleri işlemeyin** (asbest kanserojen bir madde kabul edilir)
- Orijinal koruma tertibatı olmadan aleti asla kullanmayın
- Her kullanımdan önce koruyucu muhafazasının doğru kapanıp kapanmadığını kontrol edin
- Koruyucu muhafaza serbest hareket etmiyor ve anında kapanıyorsa testereyi kullanmayın
- Koruyucu muhafazayı asla açık konuma sıkıştırmayın veya bağlamayın

- Aleti asla talaş emniyeti olmadan kullanmayın; arızalı veya aşınmış talaş emniyetini değiştirin
- Kesme işlemine başlamadan önce, kesme hattı altındaki ve üstündeki bütün engelleri uzaklaştırın
- İş parçasının vida, çivi ve benzeri malzeme tarafından hasar görmemesi için dikkatli olun; çalışmaya başlamadan önce bunları çıkartın

AKSESUARLAR

- Bu aletle taşlama/kesme diskleri kullanmayın
- SKIL sadece SKIL satıcısından temin edeceğiniz uygun aksesuarlar kullanıldığında aletin düzgün çalışmasını garanti eder
- SKIL olmayan aksesuarların montajı/kullanımı için üreticisi tarafından verilen açıklamaları inceleyin
- Sadece bu kullanım kılavuzunda belirtilen tırtım değerlerine uygun, EN 847-1'e göre test edilmiş ve buna uygun olarak işaretlenmiş testere bıçaklarını kullanın
- Bu aletle kullanacağınız aksesuar edilen devir sayısı en azından aletin boşta en yüksek devir sayısı kadar olmalıdır
- HSS testere bıçaklarının bu aletle kullanılmasına müsaade yoktur
- Çatlamaş, eskimiş ve kör bıçakları kullanmayın
- Sadece alet miline oynama olmadan oturacak delik çapına sahip testere bıçakları kullanın; asla geniş delikli testere bıçaklarını uydurmak için daraltıcı parçalar veya adaptörler kullanmayın
- Aksesuarları çarpmalardan darbelerden ve yağlı ortamlardan koruyun

KULLANIM SIRASINDA

- **Aleti gereğinden fazla zorlamayın** (bıçak uçlarının aşırınmasını ve plastik keserken plastiği eritmesini önlemek için hafif ve sürekli basınç uygulayın)
- Döner testere bıçağından parmaklarınızı, ellerinizi ve kollarınızı uzak tutun
- Testere bıçağı bloke olursa, aleti hemen kapatın ve fişi çekin; bunun ardından takılan iş parçasını çıkarın
- Aletinize bloke olursa, veya alet normal çalışmıyorsa veya değişik gürültüler geliyorsa, aleti hemen kapatın ve fişi prizden çekin
- Eğer cihazı kullanırken kordon hasar görür ya da kesilirse, kordona kesinlikle dokunmayın ve derhal fişi çekin
- Aleti asla kablo hasarlıyken kullanmayın; kablounun yetkili servis tarafından özel olarak hazırlanmış bir kablo ile değiştirilmesi gerekir.

LAZER RADYASYONU

- **Lazer ışınına başkalarına veya hayvanlara doğrultmayın ve kendiniz de doğrudan veya yansarak gelen lazer ışınına bakmayın** (aksi takdirde başkalarının gözünü kamaştırabilir, kazalara neden olabilir veya gözlerde hasara neden olabilirsiniz)
- Lazer ışını gözünüze gelecek olursa gözlerinizi bilinçli olarak kapatın ve hemen başınızı başka tarafa çevirin
- Lazer donanımında hiçbir değişiklik yapmayın
- Lazer ışınına bakmayın (lazer radyasyonu)
- Lazer ışınına bakmak için (büyüteç, teleskop veya dürbün gibi) büyüteçli hiç bir optik araç kullanmayın
- Aleti yarımcı sıvı, gaz veya toz bulunan yerlerde çalıştırmayın
- Aleti çocukların bulunduğu yerde çalıştırmayın
- Monte edilmiş olan lazeri başka bir lazer türüyle değiştirmeyin

KULLANIMDAN SONRA

- Aleti kapattıktan sonra hiçbir zaman yandan güç vererek aksesuarın dönüşünü durdurmayın

- Sadece tüm hareketli parçalar tam olarak durduktan sonra kesikleri ve diğer iş parçası kısımlarını kesme alanından alın
- kullanım sırasında testere bıçağı aşırı ısınabilir; soğuyana kadar elle temas etmeyin
- Aleti, çocukların erişemeyeceği, **iç mekanlarda** kilitli ve kuru bir yerde saklayın

ALET ÜZERİNDEKİ SİMGELERİN AÇIKLAMASI

- ② Kullanmadan önce kılavuzu okuyun
- ③ Koruyucu gözlük ve koruyucu kulaklık giyin
- ④ **Tehlikeli alan! Ellerinizi koymayın. Ellerinizi, parmaklarınızı veya kollarınızı bu alandan uzak tutun.**
- ⑤ Çift yalıtım (topraklama kablosu gerekli değildir)
- ⑥ Elektrikli aletlerini ve pilleri evdeki çöp kutusuna atmayın
- ⑦ **Lazer radyasyonu / Lazer ışınına bakmayın / 2. Sınıf laser ürünü**

KULLANIM

- Montaj
 - alyan anahtarı AK⑨ kullanarak taşıma tutamağını 2 civata ile monte edin
 - gönye kilitleme topuzunu AB tablanın ön tarafına ⑩ monte edin
- Nakliye/çalışma konumu

Aleti serbest bırakmak için (**çalışma** konumu)

 - bir elinizle tutamağı B aşağı doğru bastırırken diğer elinizle ⑪ a kilitleme pimini C dışarıya doğru çekin
 - testere başı grubunu yavaşça yukarı kaldırın
 - kayma hareketiyle kesim için kilitleme topuzunu gevşetin AE ⑪b

Aleti sabitlemek için (**nakliye** konumu)

 - testere başı grubunu dayama rayı S yönündeki mesnedne kadar kaydırın ve kilitleme topuzunu AE sıkın ⑪c
 - eğim açısını 0°'ye ayarlayın (Eğim açısını ayarlama bölümüne bakın)
 - gönye açısını 45°'ye ayarlayın (Gönye açısını ayarlama bölümüne bakın)
 - bir elinizle tutamağı B aşağı doğru bastırırken diğer elinizle kilitleme pimini C itin
 - güç kablosunu sararak toplayın
 - aleti ⑪ d taşımak için taşıma tutamağını E kullanın
 - alternatif olarak aleti ⑪e taşımak için yan tutamakları kullanın

! aleti hiçbir zaman ana tutamaktan veya güç kablosundan tutarak kaldırmayın
- Çalışma yüzeyine aleti monte etme ⑫

! güvenli taşıma için, aleti daima düz ve stabil bir çalışma yüzeyine (örneğin çalışma tezgahına) monte edin

 - uygun vidalarla aleti çalışma yüzeyine tutturmak için 4 montaj deliği F kullanın
 - ayrıca aleti çalışma yüzeyine piyasada mevcut vidalı kelepçelerle sabitleyebilirsiniz
 - aleti dengelemek için destek ayağının G yüksekliği ayarlanabilir
 - alternatif olarak alet, bir gönye testere sehpasına monte edilebilir

! testere sehпасıyla birlikte verilen tüm uyarıları ve talimatları okuyun
- Toz/talaş çıkarma ⑬
 - toz torbasını H/vakumlu temizleyiciyi resimde gösterildiği gibi monte edin

- toz torbasının düzenli olarak temizlenmesi toz tutma kapasitesini optimal düzeyde tutar
- ! elektrik süpürgesi hortumu hiçbir zaman alt bıçak koruma parçası deliğini kapatmamalı veya kesme işlemine engel olmamalıdır**
- Testere tablası uzatması ⑭
 - uzatma çubuklarını K (aletin herhangi bir tarafına) sabitlemek için topuzları L kullanın
 - uzatma çubuklarının K uzunluğu minimum seviyeden maksimum seviyeye kadar kademesiz olarak ayarlanabilir
- İş parçasını sıkıştırma ⑮

! optimum çalışma güvenliği için daima sağlanan ayarlanabilir kelepçe ile iş parçasını iyice sıkıştırın

 - sıkıştırılmayacak kadar küçük iş parçalarında çalışmayın
 - maksimum iş parçası kalınlığı için tabloyu ⑯ referans olarak kullanın
 - iş parçası mengenesini topuzu P kullanarak destek deliğine N (aletin herhangi bir tarafına) sabitleyin
 - 2 kanaldan 1 kadarını kullanın; 4cm'ye kadar olan iş parçası kalınlığı ve 4cm'nin üzerindeki iş parçası kalınlığı için
 - iş parçasını desteğe S karşı sıkıca bastırın
 - kolun R kilidini açın
 - mengeneyi iş parçasına göre ayarlayın
 - kilitleme kolu R ile iş parçasını sıkıca sabitleyin

! bazı gönye ve eğimli kesim kombinasyonlarında veya iş parçasının büyüklüğüne bağlı olarak iş parçası mengenesinin yerine piyasada satılan vidalı mengenerin kullanılmasını gerektirir
- Kesme açılarını ayarlama ⑰
 - kilitleme kolunu AB gevşetin
 - gönye kanalı açma kolunu AC itin
 - testere tablasını sola veya sağa doğru döndürün ve istediğiniz gönye açısını (0° ile 47° arasında) ayarlamak için göstergeli AD kullanın
 - kolu AC açın
 - kilitleme kolunu AB sıkın (**kolu çok fazla sıkımayın**)
 - sık kullanılan gönye açıları (0°, 15°, 22,5°, 31,6°, 45°) hızlı ve hassas şekilde ayarlamak için gönye kanalı kolu ilgili konumlarda yerine oturun
- Eğim açılarını ayarlama ⑱
 - üç ayaklı topuzu U gevşetin ⑱b
 - Eğim açısı göstergesi V istenilen eğim açısını gösterene kadar testere başını sola doğru çevirin
 - testere başını bu konumda tutun ve topuzu U sıkın
- Bileşik kesme ⑲
 - bileşik kesme hem kesme açısı ayarı hem gönye açısı ayarı gerektirir

! testereyi, testerenin kayan ve sabit parçaları arasındaki hareketi veya kayan parçalar ve iş parçası hareketi engelleyebilecek belirli gönye ve eğim açısı kombinasyonlarında kullanmayın

! başlangıçta daima bir deneme parçası üzerinde deneme yapın
- Lazer çizgisi ⑳
 - aletin, iş parçası üzerinde çizilen kesme hattı üzerinde hassas biçimde yönlendirilmesini sağlar
 - lazer çizgisinin konumdaki açık/kapalı anahtarını AA konumuna getirerek çalıştırabilirsiniz
 - lazer yapılan kesimin sol tarafına göre hizalanır
 - yatay lazer hizası vidayla Y kolayca ayarlanabilir

- ! bir işe başlamadan önce, bir atık malzeme parçası üzerinde deneme kesimi yaparak lazer çizgisinin gerçek kesim çizgisine göre hizasını kontrol edin
- Kaydırma hareketi yapmadan kesim (küçük iş parçaları)
 - sıkılmış olması durumunda kilitleme topuzunu AE gevşetin
 - testere başını dayama rayı S yönündeki mesnede kadar kaydırın ve kilitleme topuzunu AE yeniden sıkın
- ! mekanizmanın kilitlememesi, bıçağın aniden iş parçasının üzerine çıkarak size doğru şiddetli bir şekilde geri tepmesine neden olabilir
 - aleti çalışma konumuna ayarlayın
- ! iş parçasının testere tezgahı ve desteğe S karşı iyice sıkıştırıldığından emin olun
 - kilidi AG açarak ve ana anahtara AF 22 basarak aleti çalıştırın
- ! testere başı 21a çalışırken kollarınızı önünden geçirmeyin
 - iş parçasını düzenli ilerleyerek kesin
- ! testere, testere bıçağı iş parçası içine girmeden önce maksimum hıza erişmelidir
 - anahtarı AF bırakarak aleti kapatın
 - testere başını yavaşça yukarı doğru yönlendirmeden önce testere bıçağının tamamen durmasını bekleyin
- Kayma hareketiyle kesme (geniş iş parçaları)
 - ! aşağıda belirtilen yolun tek güvenli yol olduğunu unutmayın
 - testereyi iş parçasından geriye doğru çekmeyin
 - sıkılmış olması durumunda kilitleme topuzunu AE gevşetin
 - ! iş parçasının testere tezgahı ve desteğe S karşı iyice sıkıştırıldığından emin olun
 - testere başını kaydırma rayından S testere bıçağı, iş parçasının 23 önünde olacak kadar uzağa çekin
 - emniyet kolunu AG iterek ve ana anahtarı AF 22 çekerek aleti çalıştırın
 - ! testere başı 21a çalışırken kollarınızı önünden geçirmeyin
 - testere başını kaydırma rayı S yönünde itin ve iş parçasını aynı hızda 23 ilerleterek kesin
 - ! testere, testere bıçağı iş parçası içine girmeden önce maksimum hıza erişmelidir
 - ! belirli koşullarda olduğu gibi (örn. iş parçası maksimum kapasiteye çok yakın olduğunda) alt koruma otomatik olarak açılmıyorsa korumayı elinizle 21b açmanız gerekebilir
 - anahtarı AF bırakarak aleti kapatın
 - testere başını yavaşça yukarı doğru yönlendirmeden önce testere bıçağının tamamen durmasını bekleyin
- Kanal kesme 24
 - derinlik mesnediyle AH istenilen derinliği ayarlayın ve somunu AJ sıkarak yerine kilitleyin
 - kanal uzunluğu boyunca derinliği korumak için iş parçası ve kaydırma rayı arasına bir tahta ara parça yerleştirilmelidir
 - ! testere bıçağının iş parçasına sıkışmadığından emin olun
 - ! başlangıçta daima bir deneme parçası üzerinde deneme yapın
- Testere bıçağı değiştirme 25
 - ! şebeke fişini çekin
 - altıgen anahtarını AK levhasındaki AL tutucusundan alın
 - koruyucu kapağı A açık konumda tutun

- kapak vidasını AN gevşetin (vidayı tamamen sökmeyin) 25a
- kapağı A tamamen geriye doğru 25b döndürün
- mil kilitleme düğmesine AM basılı tutarak bıçak civatasını AO altıgen anahtarını AK YELKOVAN YÖNÜNDE çevirerek açın (= testere bıçağına basılı okla aynı yönde)
- ! eksen kilidi düğmesine AM yalnızca alet çalışmıyorken basın
 - eksen kilidi düğmesini AM bırakın
 - flanşı AP ve testere bıçağını çıkarın
- ! testere bıçağını, testere dişleri ve testere bıçağı üzerindeki oklar ile koruyucu başlık A üzerindeki oklar aynı yönü gösterecek şekilde değiştirin
 - halkayı AP takın 25c
 - mil kilitleme düğmesine AM basılı tutarken alyan anahtarı AK SAAT YÖNÜNÜN TERSİNE çevirerek elle sıkıştırabileceğiniz kuvvetten 1/8 tur daha fazla sıkın (aşırı dirençle karşılaştığında testere bıçağının kaymasını önleyerek motorun aşırı yüklenme ve testerenin geri tepme riskini azaltır)
 - kapak plakası vidayı AN sıkın
- Talas emniyetini AQ değiştirme 26
 - Arzalı veya aşınmış talas emniyetini aşağıdaki şekilde değiştirin:
 - ! şebeke fişini çekin
 - altıgen anahtarını AK levhasındaki AL tutucusundan alın
 - resimdeki gibi 6 vidanın hepsini çıkarın
 - öncelikle önden kaldırarak ve ardından tamamen çekerek eski talas emniyetini çıkarın
 - yeni talas emniyetini takın
 - ! 6 vidanın hepsini iyice sıkın
- 90° Bıçak hizalaması kontrolü/ayarı 27
 - ! şebeke fişini çekin
 - testere tablasını 0° gönye konumuna döndürün ve yerinde kilitleyin
 - testere başını 0° eğim konumuna çevirin
 - testere başını indirin ve yerinde kilitleyin
 - bıçak ve tezgah arasında gönyeyle 90° açı kontrolü yapın
 - gerekirse 90° bıçak hizalamasını aşağıdaki şekilde kontrol edin:
 1. üç ayaklı düğmeyi U gevşetin
 2. testere bıçağı anahtarıyla 10 vidayı W ayarlayın (standart olarak dahil değildir)
 3. ayarlı gönyeyle tekrar kontrol edin
 4. eğim açısı göstergesini V 0°'ye sıfırlayın
- 45° Bıçak hizalaması kontrolü/ayarı I
 - ! şebeke fişini çekin
 - testere tablasını 0° gönye konumuna döndürün ve yerinde kilitleyin
 - üç ayaklı düğmeyi U gevşetin
 - testere başını sola doğru çevirin
 - bıçak ve tezgah arasında şev gönyeyle 45° açı kontrolü yapın
 - gönye skalasının V 45° işaretini kontrol edin
 - gerekirse 45° bıçak hizalamasını aşağıdaki şekilde kontrol edin:
 1. testere bıçağı anahtarıyla 10 vidayı X ayarlayın (standart olarak dahil değildir)
 2. ayarlı gönyeyle tekrar kontrol edin
- 90° Destek hizalaması 28 kontrolü/ayarı
 - ! şebeke fişini çekin

- testere tablasını 0° gönye konumuna döndürün ve yerinde kilitleyin
- testere başını indirin ve yerinde kilitleyin
- bıçak ve dayama rayı S arasında mastarla 90°'lik açı olduğunu kontrol edin (mastarın testere bıçağı gövdesine temas ettiğinden ve dişlere değmediğinden emin olun) 29a
- gerekirse 90° destek hizalamasını aşağıdaki şekilde kontrol edin:
 1. 2 altıgen vidayı gevşetin T 29b
 2. bıçak ve destek gönyeye tam temas edene kadar desteği ayarlayın
 3. 2 altıgen vidayı sıkın T
 4. gönye açısı göstergesini 0°'ye 29c sıfırlayın

UYGULAMA ÖNERİLERİ

- Özel iş parçaları
 - uzun bir iş parçasının serbest uçlarını daima destekleyin 30
 - bombeli veya yuvarlak iş parçalarının kaymayacak şekilde özel olarak sıkıldığından emin olun 31
 - kesme hattında iş parçası ve destek ile testere tezgahı arasında boşluk olmamalıdır
 - gerekirse yardımcı bir dayama rayı hazırlayın; kayar dayama rayındaki delikler yardımcı dayama rayını 32 sabitlemek için kullanılır
- ! **yardımcı dayama rayı sadece 0° eğim açısında kullanılabilir**
- Zemin döşemeleriyle çalışma için 33 resmi referans olarak kullanılabilir
- Parçalanma ve yarılmaları minimum düzeyde tutabilmek için iş parçasının iyi olan tarafını daima aşağı bakacak biçimde yerleştirin
- Daima doğru tip ve keskin testere bıçakları kullanın
 - kesme kalitesi dişlerin sayısı ile düz orantılı olarak artar
 - sert metalli testere bıçaklarının kullanım ömrü, geleneksel testere bıçaklarına oranla 30 kat daha uzundur

BAKIM / SERVİS

- Aleti ve kablolarını daima temiz tutun (özellikle motor yuvasının arka ucundaki havalandırma yuvalarını)
- Alt korumanın düzgün şekilde çalıştığından emin olmak için düzenli bir kontrol planı hazırlayın. Alt korumada biriken bıçkı tozunu nemli bir bezle temizleyin.
- ! **temizlemeden önce, cihazın fişini prizden çekin** - alt korumayı tamamen açık konuma kaldırıp bırakın; hemen ve tamamen kapanmıyorsa SKIL marka elektrikli aletlerden sorumlu bir satış sonrası hizmet merkezine kontrol ettirilmelidir
- Testere bıçağını işiniz biter bitmez temizleyin (özellikle üzerinde reçine ve tutkal kalıntıları varsa)
 - ! **kullanım sırasında testere bıçağı aşırı ısınabilir; soğuyana kadar elle temas etmeyin**
- Lazer ışığı AC lazer ışınının net bir şekilde görünmesini sağlamak için her kullanımdan sonra yumuşak bir bezle temizleyin (lazer ayarını değiştirmedığınızden emin olun)
- Dikkatli biçimde yürütülen üretim ve test yöntemlerine rağmen alet arıza yapacak olursa, onarım SKIL elektrikli aletleri için yetkili bir serviste yapılmalıdır
 - aleti **ambalajıyla** birlikte satın alma belgenizi de ekleyerek satıcınıza veya en yakın SKIL servisine ulaştırın (adresler ve aletin servis şemaları www.skil.com adresinde listelenmiştir)

- Aşırı yüklenme ve yanlış kullanımın aleti garanti kapsamından çıkaracağını unutmayın (SKIL garanti koşulları için www.skil.com adresine bakın veya satıcınıza başvurun)

ÇEVRE

- **Elektrikli aletlerini, piller, aksesuarları ve ambalajları evdeki çöp kutusuna atmayın** (sadece AB ülkeleri için)
 - kullanılmış elektrikli aletleri, elektrik ve elektronik eski cihazlar hakkındaki 2012/19/EC Avrupa yönergelerine göre ve bu yönergeler ulusal hukuk kurallarına göre uyarlanarak, ayrı olarak toplanmalı ve çevre şartlarına uygun bir şekilde tekrar değerlendirilmeye gönderilmelidir
 - sembol 6 size bunu anımsatmalıdır

GÜRÜLTÜ

- Bu aletin EN 62841 uyarınca ölçülen ses basıncı seviyesi 100,0 dB(A) ve ses gücü seviyesi 109,5 dB(A)'dır (tolerans K = 3 dB'dir)
- Gürültü emisyon seviyesi EN 62841 içerisinde belirtilen standart teste göre ölçülmüştür; bu seviye, bir aleti bir başkasıyla karşılaştırmak amacıyla ve aletin söz konusu uygulamalarda kullanımı sırasında gürültüye maruz kalma derecesinin ön değerlendirmesi olarak kullanılabilir
 - aletin farklı uygulamalar için veya farklı ya da bakımı yetersiz yapılmış aksesuarlarla kullanılması, maruz kalma seviyesini belirgin biçimde **arttırabilir**
 - aletin kapalı olduğu veya çalıştığı ancak gerçek anlamda iş yapmadığı zamanlarda, maruz kalma seviyesi belirgin biçimde **azalabilir**

PL

Pilarka ukońnica

1310

WSTĘP

- Narzędzie jest stacjonarnym narzędziem do wzdłużnego i poprzecznego cięcia drewna z cięciem prostym i ukośnym (można ustawić poziome ukosy o kącie od -47° do +47°, jak również pionowe ukosy o kącie od 0° to 45°)
- Przeczytać i zachować niniejszą instrukcję obsługi 2
- Narzędzie nie jest przeznaczone do zastosowań profesjonalnych
- **Narzędzia wolno używać wyłącznie po jego poprawnym i całkowitym zmontowaniu** (Skil nie ponosi odpowiedzialności za uszkodzenia narzędzia i/lub obrażenia ciała wynikające z nieprawidłowego montażu narzędzia)

DANE TECHNICZNE 1

ELEMENTY NARZĘDZIA 8

- A Dolna osłona
- B Rękojeź z włącznikiem
- C Trzpień blokujący na czas transportu
- D Górna osłona
- E Rękojeź do transportu
- F Otwory mocujące
- G Płyta podstawy
- H Worek na pył

J Wylot wiórów
K Drażki przedłużające
L Pokrętło do blokady drążków przedłużających
M Zacisk do zamocowania obrabianego elementu
N Otwór pomocniczy
P Pokrętło do zamocowania zacisku
Q Pokrętło do regulacji zacisku
R Dźwignia mocująca
S Prowadnica
T Śruby z łbami sześciokątymi do regulacji przewodnicy (2x)
U Pokrętło blokujące (kąty ukosów poziomych)
V Wskaźnik kąta ukosów poziomych
W Śruba do regulacji kąta ukosów poziomych (prawa strona)
X Śruba do regulacji kąta ukosów poziomych (lewa strona)
Y Śruba regulacji lasera
Z Lampka lasera
AA Włacznik/wyłącznik laserowy
AB Rękojeść blokująca (kąty ukosów pionowych)
AC Dźwignia zwalniająca zatrząsk ukośnicy
AD Wskaźnik kąta ukosów pionowych
AE Pokrętło blokujące urządzenia przesuwane
AF Włacznik/wyłącznik
AG Dźwignia bezpieczeństwa
AH Ogranicznik głębokości cięcia
AI Ogranicznik głębokości
AJ Nakrętka ogranicznika głębokości
AK Klucz sześciokątny
AL Schowek na klucz sześciokątny
AM Przycisk blokady wrzeciona
AN Śruba pokryw
AO Śruba mocująca tarczę
AP Kryza
AQ Podpórka
AR Deflektor przeciwpyłowy

BEZPIECZEŃSTWO

OGÓLNE OSTRZEŻENIA DOTYCZĄCE BEZPIECZEŃSTWA UŻYTKOWANIA ELEKTRONARZĘDZIA

! **OSTRZEŻENIE** Należy przeczytać wszystkie ostrzeżenia dotyczące bezpieczeństwa, instrukcje, ilustracje i dane techniczne dostarczone z tym elektronarzędziem. Nieprzestrzeganie wszystkich poniższych instrukcji może skutkować porażeniem prądem, pożarem i/lub poważnym obrażeniem ciała.

Wszystkie ostrzeżenia i wskazówki należy zachować do dalszego zastosowania.

Użyte w poniższym tekście pojęcie "elektronarzędzie" odnosi się do elektronarzędzi zasilanych energią elektryczną z sieci (z przewodem zasilającym) i do elektronarzędzi zasilanych akumulatorami (bez przewodu zasilającego).

1) BEZPIECZEŃSTWO MIEJSCA PRACY

- Miejsce pracy należy utrzymywać w czystości i dobrze oświetlone. Nieporządek lub nie oświetlone miejsce pracy mogą doprowadzić do wypadków.
- Nie należy pracować tym narzędziem w otoczeniu zagrożonym wybuchem, w którym znajdują się np. łatwopalne ciecze, gazy lub pyły. Elektronarzędzia

wytwarzają iskry, które mogą podpalić ten pył lub parę.

- Elektronarzędzie trzymać podczas pracy z daleka od dzieci i innych osób.** Przy nieuwadze można stracić kontrolę nad narzędziem.
- #### 2) BEZPIECZEŃSTWO ELEKTRYCZNE
- Wtyczka urządzenia musi pasować do gniazda. Nie wolno modyfikować wtyczki w jakikolwiek sposób. Nie należy używać wtyczek adapterowych razem z uziemionymi narzędziami.** Niezmienione wtyczki i pasujące gniazda zmniejszają ryzyko porażenia prądem.
 - Należy unikać kontaktu z uziemionymi powierzchniami jak rury, grzejniki, piece i lodówki.** Istnieje zwiększone ryzyko porażenia prądem, gdy Państwa ciało jest uziemnione.
 - Urządzenie należy przechowywać zabezpieczone przed deszczem i wilgocią.** Wniknięcie wody do elektronarzędzia podwyższa ryzyko porażenia prądem.
 - Nigdy nie używać kabla do noszenia urządzenia za kabel, zawieszenia lub do wyciągania wtyczki z gniazda. Kabel należy trzymać z daleka od wysokich temperatur, oleju, ostrych krawędzi lub ruchomych części urządzenia.** Uszkodzone lub poplątane kable zwiększają ryzyko porażenia prądem.
 - W przypadku, kiedy elektronarzędziem pracuje się na świeżym powietrzu należy używać kabla przedłużającego, który dopuszczony jest do używania na zewnątrz.** Użycie dopuszczonego do używania na zewnątrz kabla przedłużającego zmniejsza ryzyko porażenia prądem.
 - Jeżeli nie da się uniknąć zastosowania elektronarzędzia w wilgotnym otoczeniu, należy użyć wyłącznika ochronnego różnicowo-prądowego.** Zastosowanie wyłącznika ochronnego różnicowo-prądowego zmniejsza ryzyko porażenia prądem.
- #### 3) BEZPIECZEŃSTWO OSÓB
- Należy być uważnym, uważać na to co się robi i pracę elektronarzędziem rozpoczynać z rozsądkiem. Nie należy używać urządzenia gdy jest się zmęczonym lub pod wpływem narkotyków, alkoholu lub leków.** Moment nieuwagi przy użyciu urządzenia może doprowadzić do poważnych urażeń ciała.
 - Należy nosić osobiste wyposażenie ochronne i zawsze okulary ochronne.** Noszenie osobistego wyposażenia ochronnego jak maska przeciwpyłowa, nie ślizgające się buty robocze, hełm ochronny lub ochrona słuchu, w zależności od rodzaju i zastosowania elektronarzędzia zmniejsza ryzyko obrażeń ciała.
 - Należy unikać niezamierzonego uruchomienia narzędzia. Przed włożeniem wtyczki do gniazda i/lub podłączeniem do akumulatora, a także przed podniesieniem lub przeniesieniem elektronarzędzia, należy upewnić się, że elektronarzędzie jest wyłączone.** Trzymanie palca na wyłączniku podczas przenoszenia elektronarzędzia lub podłączenie do prądu włączonego narzędzia, może stać się przyczyną wypadków.
 - Zanim urządzenie zostanie włączone należy usunąć narzędzia nastawcze lub klucze.** Narzędzie lub klucz, które znajdują się w ruchomych częściach urządzenia mogą doprowadzić do obrażeń ciała.
 - Nie należy przeceniać swoich możliwości. Należy dbać o bezpieczną pozycję pracy i zawsze**

utrzymywać równowagę. Przez to możliwa jest lepsza kontrola urządzenia w nieprzewidzianych sytuacjach.

- f) **Należy nosić odpowiednie ubranie. Nie należy nosić luźnego ubrania lub biżuterii. Włosy i ubranie należy trzymać z daleka od ruchomych elementów.** Luźne ubranie, biżuteria lub długie włosy mogą zostać pociągnięte przez poruszające się części.
- g) **W przypadku, kiedy możliwe jest zamontowanie urządzeń odsysających lub podchwytyjących należy upewnić się, czy są one właściwie podłączone i prawidłowo użyte.** Użycie urządzenia odsysającego pył może zmniejszyć zagrożenie pyłami.
- h) **Nie wolno pozwolić, aby rutyna nabyta w wyniku wielokrotnego użycia elektronarzędzia, zastąpiła ściśle przestrzeganie zasad bezpieczeństwa.** Niedbale obsługiwane elektronarzędzie może w ułamku sekundy wyrządzić istotne szkody lub spowodować ciężkie obrażenia.

4) UWAŻNE OBCOWANIE ORAZ UŻYCIE ELEKTRONARZĘDZIA

- a) **Nie należy przeciążać urządzenia. Do pracy używać należy elektronarzędzia, które jest do tego przewidziane.** Odpowiednim narzędziem pracuje się lepiej i bezpieczniej w podanym zakresie sprawności.
- b) **Nie należy używać elektronarzędzia, którego włącznik/wyłącznik jest uszkodzony.** Elektronarzędzie, którego nie można włączyć lub wyłączyć jest niebezpieczne i musi zostać naprawione.
- c) **Przed rozpoczęciem jakichkolwiek prac nastawczych, przed wymianą osprzętu lub przed odłożeniem elektronarzędzia należy wyjąć wtyczkę z gniazda sieciowego i/lub usunąć akumulator.** Ten środek ostrożności zapobiega niezamierzonemu włączeniu się urządzenia.
- d) **Elektronarzędzia należy przechowywać poza zasięgiem dzieci. Nie należy udostępniać narzędzia osobom, które jego nie umieją lub nie przeczytały tych przepisów.** Używane przez niedoświadczonych osoby elektronarzędzia są niebezpieczne.
- e) **Elektronarzędzia i osprzęt należy utrzymywać w nienagannym stanie technicznym. Należy kontrolować, czy ruchome części urządzenia funkcjonują bez zarzutu i nie są zablokowane, czy części nie są pęknięte lub uszkodzone, co mogłoby mieć wpływ na prawidłowe funkcjonowanie urządzenia. Uszkodzone narzędzie należy przed użyciem urządzenia oddać do naprawy.** Wiele wypadków spowodowanych jest przez niewłaściwą konserwację elektronarzędzi.
- f) **Osprzęt tnący należy utrzymywać ostry i czysty.** Starannie pielęgnowany osprzęt tnący z ostrymi krawędziami tnącymi blokuje się rzadziej i łatwiej się używa.
- g) **Elektronarzędzia, osprzęt, narzędzia itd. należy używać odpowiednio do tych przepisów. Uwzględnić należy przy tym warunki pracy i czynność do wykonania.** Użycie elektronarzędzi do innych niż przewidziane prace może doprowadzić do niebezpiecznych sytuacji.
- h) **Uchwyty i powierzchnie chwytowe powinny być zawsze suche, czyste, niezabrudzone olejem ani smarem.** Śliskie uchwyty i powierzchnie chwytowe nie

pozwalają na bezpieczne trzymanie narzędzia i kontrolę nad nim w nieoczekiwanych sytuacjach.

5) SERWIS

- a) **Naprawę urządzenia należy zlecić jedynie kwalifikowanemu fachowcowi i przy użyciu oryginalnych części zamiennych.** To gwarantuje, że bezpieczeństwo użytkowania zostanie zachowane.

INSTRUKCJA BEZPIECZEŃSTWA UKOŚNIC

- **Ukośnice są przeznaczone do cięcia drewna lub produktów drewnopodobnych, nie należy ich używać wraz ze ściernicami do cięcia materiałów zawierających żelazo, takich jak drążki, pręty, kołki itd.** Pyły ściernic powodują zablokowanie osłony dolnej. Iskry powstałe podczas cięcia tarczą spowodują stopienie dolnej osłony, szczeliny w płycie podawczej i innych części z tworzywa sztucznego.
- **Jeśli można zapewnić obrabianemu elementowi dodatkowe podparcie, należy użyć zacisku.** W przypadku podpierania obrabianego elementu dłońmi, zachować co najmniej 100 mm odstęp od tarczy tnącej z każdej strony. Nie używać piły do cięcia elementów zbyt małych, aby bezpiecznie chwycić je kleszczami lub ręką. W przypadku umieszczenia dłoni zbyt blisko tarczy tnącej istnieje zwiększone ryzyko obrażeń w wyniku kontaktu z tarczą.
- **Obrabiany element musi być nieruchomo przyciśnięty do prowadnicy i stołu. Nie podawać obrabianego elementu w kierunku tarczy tnącej ani nie ciąć odrczynnie w żaden sposób.** Niezabezpieczone lub poruszające się obrabiane elementy mogą zostać wyrzucone z dużą prędkością, powodując obrażenia.
- **Docisnąć piłę do obrabianego elementu. Nie przeciągać piły przez obrabiany element. Aby przeciąć, unieść głowicę piły i przeciągnąć ją nad obrabianym elementem bez cięcia, uruchomić silnik, docisnąć głowicę w dół i przesuwać piłę przez obrabiany element.** Technika cięcia ciągniętego zwiększa ryzyko wspięcia się tarczy tnącej na obrabiany element i gwałtownego wyrzucenia zespołu tarczy tnącej w kierunku operatora.
- **Nigdy nie krzyżować rąk nad planowaną linią cięcia z przodu, jak i z tyłu tarczy tnącej.** Podpieranie obrabianego elementu „skrzyżowanymi rękami”, tj. przytrzymując obrabiany element z prawej strony tarczy tnącej lewą ręką i na odwrót jest bardzo niebezpieczne.
- **Nie sięgać dłonią poza prowadnicę na odległość mniejszą niż 100 mm z każdej strony tarczy tnącej, aby usunąć ścinki drewna lub z innego powodu podczas obracania się tarczy tnącej.** Odległość obracającej się tarczy tnącej od ręki może nie być oczywista, powodując poważne obrażenia.
- **Sprawdzić obrabiany element przed przystąpieniem do cięcia. Jeśli obrabiany element jest pochylony lub wygięty, docisnąć go zewnętrzną pochyloną powierzchnią w kierunku prowadnicy. Zawsze upewnić się, czy pomiędzy obrabianym elementem, prowadnicą a stołem nie ma szczeliny wzdłuż linii cięcia.** Pochylone lub wygięte obrabiane elementy mogą skrócić się lub przesunąć, co może spowodować zablokowanie obracającej się tarczy tnącej podczas cięcia. Na obrabianym elemencie nie powinny znajdować się gwoździe ani obce przedmioty.

- **Nie używać piły, jeśli na stole oprócz obrabianego elementu znajdują się narzędzia, ścinki drewna itd.** Niewielkie odpady, luźne kawałki drewna lub inne obiekty stykające się z obracającą się tarczą tnącą mogą zostać wyrzucone z dużą prędkością.
- **Ciąć jeden obrabiany element na raz.** Odpowiednie dociśnięcie lub zamocowanie kilku ułożonych na sobie obrabianych elementów może być niemożliwe, co może doprowadzić do zablokowania tarczy tnącej lub przesunięcia podczas cięcia.
- **Upewnić się, że ukośnica została zamontowana lub umieszczona na równej, stabilnej powierzchni roboczej przed użyciem.** Równa i stabilna powierzchnia robocza zmniejsza ryzyko utraty stabilności ukośnicy.
- **Zaplanuj pracę! Podczas każdej zmiany ustawienia kąta ukośki poziomu lub pionowego upewnij się, że regulowana prowadnica jest ustawiona prawidłowo, aby podprzeć obrabiany element, nie zakłócając pracy tarczy tnącej ani systemu zabezpieczeń.** Bez ustawienia „ON” (WŁ.) narzędzia oraz po zdjęciu obrabianego elementu ze stołu przesunąć tarczę tnącą w ramach kompletnego, symulowanego cięcia, aby uniknąć zakłóceń oraz ryzyka przecięcia przewodnicy.
- **Zapewnić odpowiednie podparcie, takie jak przedłużenia stołu roboczego, koźły do piłowania drewna itd. do obrabianego elementu szerszego lub dłuższego niż powierzchnia stołu.** Obrabiane elementy dłuższe lub szersze niż stół ukośnicy mogą się przechylić, jeśli nie będą bezpiecznie podparte. Jeśli odcięty fragment lub obrabiany element przechylił się, może unieść dolną osłonę lub zostać wyrzucony przez obracającą się tarczę.
- **Nie korzystaj z pomocy drugiej osoby zamiast przedłużenia stołu roboczego lub jako dodatkowej podpory.** Niestabilne podparcie obrabianego elementu może powodować zablokowanie tarczy tnącej lub przesunięcie obrabianego elementu podczas cięcia, pociągając operatora i osobę pomagającą w kierunku obracającej się tarczy.
- **Odcięty element nie może zablokować się ani docisnąć do obracającej się tarczy tnącej.** W przypadku ograniczenia, np. przy użyciu ograniczników długości, może dojść do zablokowania i gwałtownego wyrzucenia obrabianego elementu przez tarczę tnącą.
- **Zawsze korzystaj z zacisku lub urządzenia do prawidłowego podparcia materiału okrągłego, takiego jak pręty lub rury.** Pręty mają tendencję do obracania się podczas cięcia, powodując „kaszanie” przez tarczę tnącą oraz pociągnięcie obrabianego elementu wraz z dłońmi w kierunku tarczy.
- **Odczekaj do osiągnięcia pełnej prędkości przez tarczę tnącą przed zetknięciem z obrabianym elementem.** Zmniejszy to ryzyko wyrzucenia obrabianego elementu.
- **W przypadku zakleszczenia obrabianego elementu lub tarczy tnącej wyłączyc ukośnicę. Odczekaj na zatrzymanie wszystkich poruszających się części, odłączyc wtyczkę od źródła zasilania i/lub wyjąć akumulator. Następnie wyjąć zablokowany materiał.** Dalsze cięcie z zablokowanym obrabianym elementem może spowodować utratę kontroli lub uszkodzenie ukośnicy.

- **Po ukończeniu cięcia zwolnić przełącznik, pozostawić głowicę piły skierowaną w dół i odczekać na zatrzymanie tarczy tnącej przed wyjęciem odciętego elementu.** Sięganie dłońmi w pobliżu poruszającej się tarczy jest niebezpieczne.
- **Mocno trzymać uchwyt podczas wykonywania niepełnego nacięcia lub w przypadku zwolnienia przełącznika zanim głowica piły znajdzie się w położeniu dolnym.** Hamowanie piły może spowodować gwałtowne pociągnięcie głowicy piły w dół, skutkując obrażeniami.

DODATKOWE INSTRUKCJE BEZPIECZEŃSTWA

- Włączenia urządzenia powodują krótkotrwałe obniżenia napięcia w sieci; przy niekorzystnych warunkach sieciowych mogą wystąpić zakłócenia pracy innych urządzeń (przy impedancjach sieciowych mniejszych niż 0,464 Ohm zakłócenia nie występują); w razie potrzeby dodatkowych wyjaśnień, prosimy o kontakt z lokalnym dostawcą energii elektrycznej

OGÓLNE

- Narzędzie służy wyłącznie do cięcia drewna
- Każdorazowo należy sprawdzać, czy napięcie zasilania jest zgodne z napięciem podanym na tabliczce znamionowej urządzenia
- **Nie stawać na narzędziu ani jego stole.** Może dojść do poważnych obrażeń, jeśli narzędzie się przewróci lub w razie przypadkowego kontaktu z narzędziem. Nie przechowywać materiałów na narzędziu ani w jego pobliżu, co wymagałoby wejścia na narzędzie lub jego stół w celu sięgnięcia materiałów.
- **Przed przystąpieniem do wykonywania jakichkolwiek czynności przy narzędziu, w czasie przerwy w pracy jak również po jej zakończeniu wyjąć wtyczkę z gniazda sieciowego**
- **Zawsze odłączać wtyczkę od źródła zasilania przed transportem ukośnicy.** Odłączyć, obniżyć i zablokować zespół głowicy, skorzystać z uchwytu do przenoszenia oraz jednego z wgłębień w podstawie piły.
- **Nie zostawiać narzędzia zanim całkowicie się zatrzyma**
- **Podczas cięcia obrabianych elementów o nieregularnym kształcie zaplanować pracę, aby uniknąć jego ześlizgnięcia i uderzenia w tarczę oraz wyrwania z rąk**
- Narzędzie nie powinny używać dzieci poniżej 16 roku życia
- Urządzenie przeznaczone jest tylko do cięcia na sucho

STOSOWANIE NA DWORZE

- Pracując na otwartym powietrzu podłączyć urządzenie za pośrednictwem wyłącznika prądu zakłóceńowego (FI), wyzwalanego prądem o natężeniu nie przekraczającym 30 mA; używać wyłącznie specjalnego przedłużacza do pracy na otwartym powietrzu wyposażonego w bryzgoszczelne gniazdo sprzęgające

PRZED UŻYCIEM

- W przypadku korzystania z kabla przedłużającego należy zwrócić uwagę, aby był maksymalnie nawięty na bęben oraz był przystosowany do przewodzenia prądu o natężeniu przynajmniej 16 A
- Należy stosować okulary ochronne, ochraniacze suchu, i rękawice ochronne
- Pył pochodzący z takich materiałów, jak farby zawierające ołów, niektóre gatunki drzewa, minerały

i metal może być szkodliwy (kontakt z nim lub wdychanie takiego pyłu może powodować reakcje alergiczne i/lub niewydolność oddechową u operatora lub osób towarzyszących); **należy zakładać maskę przeciwpyłową i pracować z urządzeniem odsysającym, jeżeli można je podłączyć**

- Niektóre rodzaje pyłu są zaklasyfikowane jako rakotwórcze (takie, jak pył dębu i buka) szczególnie w połączeniu z dodatkami do kondycjonowania drewna; **należy zakładać maskę przeciwpyłową i pracować z urządzeniem odsysającym pył, jeżeli można je podłączyć**
- Należy stosować się do lokalnych wymogów dotyczących pracy w otoczeniu pyłu powstającego podczas obróbki materiału
- **Nie należy obrabiać materiału zawierającego azbest** (azbest jest rakotwórczy)
- Elektronarzędzie można stosować wyłącznie wraz z zamontowanymi wszystkimi urządzeniami służącymi bezpieczeństwu użytkownika
- Przed każdym użyciem narzędzia należy sprawdzić, czy pokrywa ochronna jest prawidłowo zamknięta
- Nie należy uruchamiać pilarki, jeśli pokrywa ochronna nie porusza się swobodnie i natychmiast się zamyka
- Nie wolno unieruchamiać pokrywy ochronnej w otwartym położeniu
- Nigdy nie należy uruchamiać urządzenia bez wkładanej podpórki; w razie stwierdzenia uszkodzenia lub zużycia podpórki, należy ją wymienić
- Przed przystąpieniem do obróbki należy usunąć wszelkie przeszkody znajdujące się po obu stronach obrabianego przedmiotu wzdłuż linii cięcia
- Uwaga na gwoździe, śruby i inne twarde przedmioty; przed przystąpieniem do obróbki powinny być usunięte z obrabianego przedmiotu; usunąć je przed rozpoczęciem pracy

AKCESORIA

- Nigdy nie należy stosować tarczy szlifierskich/tnących z tym elektronarzędziem
- SKIL może zagwarantować bezawaryjne działanie narzędzia tylko przy korzystaniu z odpowiedniego wyposażenia dodatkowego, dostępnego u dystrybutorów produktów SKIL
- Montując/używając akcesoriów innych producentów, należy przestrzegać instrukcji określonych przez danego producenta
- Stosować należy wyłącznie tarcze tnące, których parametry są zgodne z podanymi w niniejszej instrukcji obsługi ulotce i zostały przetestowane zgodnie z wymaganiami normy EN 847-1 i odpowiednio oznakowane
- Używać tylko akcesoriów, których dopuszczalna prędkość obrotowa jest co najmniej tak wysoka jak najwyższa prędkość obrotowa urządzenia na biegu bez obciążenia
- Nie należy stosować pił z wysokostopowej stali szybko tnącej (HSS)
- Nie używać pękniętego, odkształconego lub tępego brzeszczotu
- Należy używać wyłącznie pił tarczowych o średnicy otworu pasującej bez żadnego luzu do średnicy wrzeciona; nie wolno stosować podkładek ani pierścieni adaptacyjnych do mocowania piły tarczowej o zbyt dużej średnicy otworu
- Akcesoria należy chronić przed uderzeniami, wstrząsami i smarem

PODCZAS UŻYWANIA

- **Nie wolno przeciążać narzędzia** (należy stosować lekki miarowy docisk, co pozwoli uniknąć przegrzania końcówek brzeszczotu, a w przypadku cięcia plastiku - stopienia go)
- Nie wolno zbliżać palców, dłoni ani ręk do obrabianej się piły tarczowej
- Jeśli piła tarczowa utknie w obrabianym elemencie, należy natychmiast wyłączyć urządzenie i odłączyć je od zasilania; dopiero po wykonaniu tych czynności można usunąć zablokowany obrabiany element
- W przypadku zablokowania się piły w obrabianym materiale, stwierdzenia nietypowego zachowania się elektronarzędzia lub obcych dźwięków natychmiast wyłączyć zasilanie i wyjąć wtyczkę z gniazda sieciowego
- W przypadku uszkodzenia lub przecięcia przewodu podczas pracy, nie wolno go dotykać, tylko należy natychmiast wyciągnąć z gniazodka wtyczkę
- Nigdy nie używać narzędzia, gdy przewód jest uszkodzony; musi on zostać wymieniony na przewód specjalny dostępny w sieci serwisowej.

PROMIEN LASERA

- **Nie wolno kierować wiązki laserowej w stronę osób i zwierząt, nie wolno również spoglądać w wiązkę ani w jej odbicie** (można w ten sposób spowodować wypadek, czyjeśślepienie lub uszkodzenie wzroku)
- W razie, gdy promień lasera natrafi na oko, należy natychmiast zamknąć oczy i usunąć głowę z zasięgu padania wiązki
- Nie wolno dokonywać żadnych zmian ani modyfikacji urządzenia laserowego
- Nie patrzeć w wiązkę światła lasera (promień lasera)
- Nie używać żadnych optycznych przyrządów powiększających (jak soczewki powiększające, teleskopy lub lornetki) do spoglądania w wiązkę lasera
- Nie używać narzędzia w obecności palnych cieczy, gazów lub pyłów
- Nie używać narzędzia przy dzieciach
- Nie wymieniać zamontowanego lasera na inny

PO UŻYCIU

- Po wyłączeniu narzędzia nigdy nie należy zatrzymywać wirujących elementów działając na nie z bocznie przyłożoną siłą
- Odcięte fragmenty lub inne części obrabianego elementu można usunąć z obszaru piłowania dopiero po całkowitym zatrzymaniu się wszystkich ruchomych części urządzenia
- piła tarczowa nagrzewa się podczas pracy narzędzia; nie należy jej dotykać przed ostygnięciem
- Przechowywać urządzenie w wiązce lasera w zamkniętym pomieszczeniu z dala od dzieci

OBJAŚNIENIE SYMBOLI NA NARZĘDZIU

- ② Przed użyciem przeczytaj instrukcję obsługi
- ③ Należy stosować okulary ochronne i ochraniacze suchu
- ④ **Obszar niebezpieczny! Nie umieszczać rąk. Trzymać dłonie, palce lub ręce z dala od tego obszaru.**
- ⑤ Podwójna izolacja (brak uzimienia)
- ⑥ Nie wyrzucaj elektronarzędzi i baterie wraz z odpadami z gospodarstwa domowego
- ⑦ **Promieniowanie laserowe / Nie spoglądaj w wiązkę / Wyrób laserowy klasy 2**

UŻYTKOWANIE

- Montaż
 - zamontować uchwyt transportowy przy użyciu śrub 2

- oraz klucza sześciokątnego AK^⑨
- zamontować pokrętko mocowania ukośnicy AB w przedniej części stołu ^⑩
- Położenie transportowe/robocze
Aby zwolnić urządzenie (położenie **robocze**)
 - nacisnąć uchwyt B w dół jedną ręką, wyciągając trzpień blokujący C drugą ręką ^{⑪a}
 - pozwoli podnieść zespół głowicy
 - do pilowania ruchem przesuwym należy poluzować pokrętko blokujące AE ^{⑪b}
- Aby zabezpieczyć narzędzie (położenie **transportowe**)
 - przesunąć zespół głowicy do ogranicznika w kierunku prowadnicy S i dokręcić ponownie pokrętko blokujące AE ^{⑪c}
 - ustawić kąt ukosu poziomego na 0° (zob. Ustawianie kąta ukosu poziomego)
 - ustawić kąt ukosu pionowego na 45° (zob. Ustawianie kąta ukosu pionowego)
 - nacisnąć uchwyt B w dół jedną ręką, wsuwając trzpień blokujący C drugą ręką
 - zwinąć przewód zasilania
 - użyć uchwytu transportowego E do przeniesienia narzędzia ^{⑪d}
 - alternatywnie użyć uchwytów bocznych do przeniesienia narzędzia ^{⑪e}
- ! nigdy nie podnosić narzędzia, trzymając za uchwyt główny lub przewód zasilania**
- Mocowanie narzędzia na powierzchni roboczej ^⑫
! aby zapewnić bezpieczeństwo eksploatacji, narzędzie należy zawsze mocować na płaskiej i stabilnej powierzchni roboczej (np. stole warsztatowym)
 - do przymocowania narzędzia do powierzchni roboczej przy użyciu odpowiednich śrub należy użyć 4 otworów mocujących F
 - można również zamocować narzędzie do powierzchni roboczej przy użyciu dostępnych w sklepach zacisków śrubowych
 - istnieje możliwość ustawienia wysokości płyty podstawy G w celu stabilizacji narzędzia
 - alternatywnie można zamontować narzędzie na stole do ukośnicy
- ! przeczytać wszystkie ostrzeżenia i instrukcje dostarczone wraz ze stołem do piły**
- Usuwanie pyłu/wiórów ^⑬
 - zamontować worek na pył H / odkurzacz zgodnie z rysunkiem
 - w celu zapewnienia optymalnego odpylania należy regularnie opróżniać worka na pył
- ! należy zwrócić uwagę, aby wąż odkurzacza nigdy nie blokował swobody ruchu osłony oraz nie utrudniał prowadzenia pilarki**
- Przedłużenie stołu roboczego ^⑭
 - użyć pokręteł L do zamocowania drążków przedłużających K (po obu stronach narzędzia)
 - długość drążków przedłużających K jest płynnie regulowana od minimum do maksimum
- Mocowanie obrabianego elementu za pomocą zacisków ^⑮
! aby zapewnić optymalne bezpieczeństwo pracy, należy zawsze starannie zamocować obrabiany element przy użyciu regulowanego zacisku dostarczonego wraz z narzędziem

- nie wolno obrabiać elementów, których niewielkie rozmiary uniemożliwiają ich zamocowanie
- informacje dotyczące **maksymalnych** rozmiarów obrabianego elementu można znaleźć w tabeli ^⑯
- zamocować zacisk obrabianego elementu w otworze pomocniczym N przy użyciu pokrętkła P (po obu stronach narzędzia)
- użyć 1 rowków 2; w przypadku obrabianych elementów o grubości do 4 cm oraz przekraczających grubość 4 cm
- obrabiany element należy mocno docisnąć do prowadnicy S
- odblokować dźwignię R
- dostosować wysokość zacisku do obrabianego elementu
- za pomocą dźwigni blokującej mocno dokręcić zacisk na obrabianym elemencie R
- ! W przypadku niektórych kombinacji ukosów pionowych i poziomych lub w zależności od wielkości obrabianego elementu konieczne może być użycie dostępnych w sklepach zacisków śrubowych zamiast zacisków obrabianego elementu**
- Ustawianie kątów ukosów pionowych ^⑰
 - poluzować rękojeść blokującą AB
 - popchnąć dźwignię zwalniającą zatrask ukośnicy AC
 - przekręcić stół roboczy w lewo lub w prawo, a następnie ustawić żądany kąt ukosu pionowego (od 0° do 47°) przy użyciu wskaźnika AD
 - zwolnić dźwignię AC
 - dokręcić rękojeść blokującą AB (**nie dokręcać rękojeści zbyt mocno**)
 - szybkie i precyzyjne ustawienie często stosowanych kątów ukosów pionowych (0°, 15°, 22,5°, 31,6°, 45°) jest możliwe dzięki zatraskowaniu dźwigni zwalniającej zatrask ukośnicy w odpowiednich pozycjach
- Ustawianie kątów ukosów poziomych ^⑱
 - poluzować pokrętko z trzema wypustkami U ^{⑱b}
 - należy przesunąć głowicę piły w lewo do momentu, w którym wskaźnik kąta ukosu poziomego V wskaże żądany kąt ukosu poziomego
 - przytrzymać głowicę piły w tym położeniu i dokręcić pokrętko U
- Cięcia złożone ^⑲
 - cięcia złożone wymagają ustawienia zarówno kąta ukosu pionowego, jak i kąta ukosu poziomego
 - ! nie obsługiwać piły w pewnych kombinacjach ukosów pionowych i poziomych, ponieważ może to skutkować zakłóceniami między suwanymi i nieruchomymi częściami piły lub pomiędzy częściami suwanymi a obrabianym elementem**
 - ! zawsze wypróbować na kawałku zbędnego materiału**
- Linie laserowe ^⑳
 - pokazuje pozycję piły tarczowej przy cięciu wzdłuż uprzednio naniesionej linii
 - włączanie/wyłączanie linii laserowej przez naciśnięcie włącznika AA
 - laser jest wyrównany do lewej strony cięcia
 - poziome wyrównanie lasera można łatwo wyregulować przy użyciu śruby Y
 - ! przed rozpoczęciem pracy należy sprawdzić, czy linie laserowe pokrywają się z rzeczywistością**

- linią cięcia, wykonując cięcie próbne na kawałku materiału odpadowego**
- Piłowanie **bez** ruchu przesuwnego (**małe** obrabiane elementy)
 - jeśli pokrętko blokujące AE jest zaciśnięte, poluzować je
 - przesunąć głowicę piły do ogranicznika w kierunku prowadnicy S i zaciśnąć ponownie pokrętko blokujące AE
 - ! **niezablokowanie mechanizmu może spowodować nagłe wspięcie się tarczy tnącej na obrabiany element i przepchnięcie go w kierunku operatora**
 - należy ustawić narzędzie w położeniu roboczym
 - ! **należy się upewnić, czy element roboczy jest stabilnie zamocowany za pomocą zacisków do stołu roboczego i prowadnicy S**
 - włączyć narzędzie, zwalniając blokadę AG i używając przełącznika głównego AF 22
 - ! **nie krzyżować rąk podczas obsługi głowicy piły 21a**
 - należy przepiłować obrabiany element równomiernym cięciem
 - ! **piłę przystawiać do obrabianego przedmiotu dopiero po osiągnięciu przez elektronarzędzie pełnej prędkości obrotowej**
 - narzędzie jest wyłączane przez zwolnienie przełącznika AF
 - przed powolnym podniesieniem głowicy piły do góry upewnić się, że tarcza tnąca zatrzymała się całkowicie
 - Cięcie piłą z ruchem przesuwym (**duże** obrabiane elementy)
 - ! **uwaga: metoda opisana powyżej jest jedyną bezpieczną metodą**
 - nie przeciągać piły przez obrabiany element
 - jeśli pokrętko blokujące AE jest zaciśnięte, poluzować je
 - ! **należy się upewnić, czy element roboczy jest stabilnie zamocowany za pomocą zacisków do stołu roboczego i prowadnicy S**
 - odciągnąć głowicę piły od prowadnicy S na tyle daleko, aby tarcza tnąca znajdowała się z przodu obrabianego elementu 23
 - włączyć narzędzie, dociskając dźwignię zabezpieczającą AG i używając przełącznika głównego AF 22
 - ! **nie krzyżować rąk podczas obsługi głowicy piły 21a**
 - popchnąć głowicę piły w kierunku prowadnicy S i przepiłować obrabiany element równomiernym cięciem 23
 - ! **piłę przystawiać do obrabianego przedmiotu dopiero po osiągnięciu przez elektronarzędzie pełnej prędkości obrotowej**
 - ! **jeśli dolna osłona nie otwiera się automatycznie, co może zdarzyć się w pewnych okolicznościach (np. obrabiany element jest zbliżony do maksymalnej objętości), konieczne może być otwarcie osłony ręcznie 21b**
 - narzędzie jest wyłączane przez zwolnienie przełącznika AF
 - przed powolnym podniesieniem głowicy piły do góry upewnić się, że tarcza tnąca zatrzymała się całkowicie
 - Rowki piłowania 24
 - ustawić głębokość przy użyciu ogranicznika głębokości AH i zablokować ją, dokręcając nakrętkę AJ
- pomiędzy obrabianym elementem a prowadnicą należy umieścić drewnianą przekładkę, aby zapewnić stałą głębokość na całej długości rowka
 - ! **zwrócić uwagę, czy tarcza tnąca nie zaczyna się w obrabianym elemencie**
 - ! **zawsze wypróbować na kawałku zbędnego materiału**
 - Wymiana piły tarczowej 25
 - ! **wyjąć wtyk z gniazda sieciowego**
 - wyjąć klucz sześciokątny AK z gniazda AL
 - przytrzymać osłonę ochronną A w położeniu otwartym
 - poluzować śruby płyty osłony AN (**nie odkręcać całkowicie śrub**) 25a
 - obrócić osłonę ochronną A całkowicie do tyłu 25b
 - należy nacisnąć przycisk blokady wrzeczona AM i przytrzymać go w tym położeniu podczas wykręcania śruby mocowania piły tarczowej AO, zkręcając klucz sześciokątny AK **W KIERUNKU ZGODNYM Z RUCHEM WSKAZÓWEK ZEGARA** (= kierunek wskazany przez strzałkę znajdującą się na pile tarczowej)
 - ! **przycisk AM blokady wrzeczona naciskać tylko wtedy, gdy tarcza piły jest nieruchoma**
 - zwolnić przycisk AM blokady wrzeczona
 - należy zdjąć kołnierzyk AP i piłę tarczową
 - ! **wymienić piłę tarczową, zwracając przy montażu uwagę na to, aby zęby piły wybiegały spod klina rozszczepiającego, a kierunek strzałki na osłonie A był zgodny z kierunkiem strzałki na pile tarczowej**
 - założyć kryzęc AP 25c
 - nacisnąć przycisk AM blokady wrzeczona i przytrzymać go podczas dokręcania śruby mocującej tarczę kluczem sześciokątnym AK W LEWO o 1/8 obrotu ponad siłę dokręcenia palcami (zapewnia to poślizg tarczy tnącej po napotkaniu zbyt dużego oporu cięcia, a tym samym pozwala uniknąć przecięcia silnika i odrzutu piły)
 - dokręcić śrubę pokrywy ochronnej AN
 - Wymiana wkładanej podpórki AQ 26
 - Uszkodzoną lub zużytą podpórkę wymień w następujący sposób:
 - ! **wyjąć wtyk z gniazda sieciowego**
 - wyjąć klucz sześciokątny AK z gniazda AL
 - wykręć wszystkie 6 śruby, zgodnie z rysunkiem
 - wyjmij starą podpórkę, unosząc ją z przodu, a następnie wysuwając z narzędzia
 - zamocuj nową podpórkę
 - ! **mocno dokręć wszystkie 6 śruby**
 - Sprawdzenie/regulacja ustawienia kąta prostego piły tarczowej 27
 - ! **wyjąć wtyk z gniazda sieciowego**
 - ustawić i zablokować stół roboczy w położeniu 0° ukosu pionowego
 - przesunąć głowicę piły do położenia 0° ukosu poziomego
 - opuścić głowicę piły i zablokować w tym położeniu - za pomocą kątownika należy sprawdzić kąt prosty między piłą tarczową a stołem roboczym
 - w razie potrzeby wyreguluj 90° ustawienie piły tarczowej w następujący sposób:
 1. należy poluzować pokrętko z trzema uchwytnymi U
 2. dokręcić śrubę W za pomocą klucza trzpieniowego

- 10 (nie należy do standardowego wyposażenia)
- 3. sprawdzić ponownie przy użyciu przymiaru kąтового
- 4. wyzerować wskaźnik ukosu poziomego V do 0°
- Sprawdzanie/regulacja ustawienia kąta prostego piły tarczowej 29
 - ! **wyjąć wtyk z gniazda sieciowego**
 - ustawić i zablokować stół roboczy w położeniu 0° ukosu pionowego
 - należy poluzować pokrętko z trzema uchwyty U
 - przesunąć głowicę piły w lewo
 - za pomocą kątownika stałego 45° należy sprawdzić kąt 45° między piłą tarczową a stołem roboczym
 - należy sprawdzić, czy wskaźnik kąta ukosu poziomego V wskazuje 45°
 - w razie potrzeby wyreguluj 45° ustawienie piły tarczowej w następujący sposób:
 1. dokręcić śrubę X za pomocą klucza trzpieniowego 10 (nie należy do standardowego wyposażenia)
 2. sprawdzić ponownie przy użyciu kątownika stałego
- Sprawdzanie/regulacja ustawienia kąta prostego prowadnicy 29
 - ! **wyjąć wtyk z gniazda sieciowego**
 - ustawić i zablokować stół roboczy w położeniu 0° ukosu pionowego
 - opuścić głowicę piły i zablokować w tym położeniu
 - należy sprawdzić kąt prosty między tarczą tnącą a prowadnicą S za pomocą kątownika (należy sprawdzić, czy kątownik przylega do powierzchni tarczy tnącej nie do jej zębów) 29a
 - w razie potrzeby wyreguluj 90° ustawienie prowadnicy w następujący sposób:
 1. należy poluzować 2 śruby z łbami sześciokątnymi T 29b
 2. wyreguluj prowadnicę tak, aby piła tarczowa i prowadnica całkowicie stykały się z kątownikiem
 3. należy dokręcić 2 śruby z łbami sześciokątnymi T
 4. wyzerować wskaźnik ukosu pionowego do 0° 29c

WSKAZÓWKI UŻYTKOWANIA

- Specjalne obrabiane elementy
 - zawsze należy podeprzeć swobodne końce długiego obrabianego elementu 30
 - należy się upewnić, czy wygięte lub okrągłe obrabiane elementy są odpowiednio zabezpieczone przed przesuwaniem 31
 - na linii cięcia nie może być luzu między obrabianym elementem a prowadnicą lub stołem roboczym
 - w razie konieczności nasmarować dodatkową prowadnicę; otwory w prowadnicy suwanej powinny być stosowane do zamocowania prowadnicy dodatkowej 32
- ! **prowadnica dodatkowa może być stosowana wyłącznie przy ukosie poziomym 0°**
- Informacje dotyczące pracy nad kształtowanymi elementami podłogi można skorzystać z rysunku 33 w charakterze referencji
- W celu ograniczenia zjawiska wykruszania krawędzi powierzchnia przedmiotu o wymaganym ładnym wyglądzie powinna być skierowana do dołu
- Stosować tylko ostre piły tarczowe nie wykazujące uszkodzeń o odpowiednich wymiarach
 - jakość cięcia poprawia się wraz ze wzrostem ilości zębów wykorzystywanej piły tarczowej

- piły tarczowe z zębami z węglików spiekanych posiadają o ok. 30-to krotnie większą żywotność w stosunku do pił konwencjonalnych

KONSERWACJA / SERWIS

- Urządzenie i przewód należy utrzymywać w czystości (dotyczy to zwłaszcza otworów wentylacyjnych w tylnej części obudowy silnika)
- Przeprowadzać regularne kontrole, aby upewnić się, czy dolna osłona działa prawidłowo. Czyścić dolną osłonę z nawarstwionych trocin wilgotną szmatką.
- ! **przed przystąpieniem do czyszczenia należy wyjąć wtyk z gniazda sieciowego**
 - unieść dolną osłonę do położenia całkowicie otwartego i zwolnić ją; jeśli nie zamknie się niezwłocznie i całkowicie, należy przekazać ją do sprawdzenia w autoryzowanym serwisie elektronarzędzi firmy SKIL
- Piłę tarczową czyścić każdorazowo po zakończonej pracy (szczególnie z żywicy i pozostałości klejów)
- ! **piła tarczowa nagrzewa się podczas pracy narzędzia; nie należy jej dotykać przed ostygnięciem**
- Oczyszczyć lampkę lasera AC miękką szcztotką po każdym użyciu, aby zapewnić dobrą widoczność wiązki lasera (upewnić się, że ustawienia lasera nie zostały zmienione)
- Jeśli narzędzie, mimo dokładnej i wszechstronnej kontroli produkcyjnej ulegnie kiedykolwiek awarii, naprawę powinien przeprowadzić autoryzowany serwis elektronarzędzi firmy SKIL
 - odesłać **nierozebrany** narzędzie, wraz z dowodem zakupu, do dealera lub do najbliższego punktu usługowego SKIL (adresy oraz diagram serwisowy narzędzenia znajdują się na stronach www.skil.com)
- Prosimy pamiętać, że uszkodzenia spowodowane przeciążeniem lub niewłaściwym użytkowaniem narzędzia nie podlegają gwarancji (warunki gwarancji SKIL znajdują się na www.skil.com lub pytać swojego dealera)

ŚRODOWISKO

- **Nie wyrzucaj elektronarzędzi, baterie, akcesoriów i opakowania wraz z odpadami z gospodarstwa domowego** (dotyczy tylko państw UE)
 - zgodnie z Europejską Dyrektywą 2012/19/WE w sprawie zużytego sprzętu elektrotechnicznego i elektronicznego oraz dostosowaniem jej do prawa krajowego, zużyte elektronarzędzia należy posegregować i zutylizować w sposób przyjazny dla środowiska
 - w przypadku potrzeby pozbycia się narzędzia, akcesoriów i opakowania - symbol 34 przypomni Ci o tym

HAŁASU

- Poziom ciśnienia akustycznego mierzonego zgodnie z normą EN 62841 wynosi 100,0 dB(A), a poziom mocy akustycznej wynosi 109,5 dB(A) (niepewność pomiaru K = 3 dB)
- Poziom emisji hałasu został zmierzony zgodnie z testem standaryzowanym podanym w EN 62841; może służyć do porównania jednego narzędzia z innym i jako ocena wstępna narazenia na hałas w trakcie używania narzędzia do wymienionych zadań

- używanie narzędzia do innych zadań, lub z innymi albo źle utrzymanymi akcesoriami, może znacząco **zwiększyć** poziom narażenia
- przypadki, kiedy narzędzie jest wyłączone lub jest czynne, ale aktualnie nie wykonuje zadania, mogą znacząco **zmniejszyć** poziom narażenia

(RU)

Торцово-усовочная пила 1310 (стусло)

В состав эксплуатационных документов, предусмотренных изготовителем для продукции, могут входить настоящее руководство по эксплуатации, а также приложения. Информация о подтверждении соответствия содержится в приложении.

Срок службы изделия

Срок службы изделия составляет 7 лет. Не рекомендуется к эксплуатации по истечении 5 лет хранения с даты изготовления без предварительной проверки (дату изготовления см. на этикетке).

Перечень критических отказов и ошибочные действия персонала или пользователя

- не использовать с поврежденной рукояткой или поврежденным защитным кожухом
- не использовать при появлении дыма непосредственно из корпуса изделия
- не использовать с перебитым или оголенным электрическим кабелем
- не использовать на открытом пространстве во время дождя (в распыляемой воде)
- не включать при попадании воды в корпус
- не использовать при сильном искрении
- не использовать при появлении сильной вибрации

Критерии предельных состояний

- перетёрт или повреждён электрический кабель
- повреждён корпус изделия

Тип и периодичность технического обслуживания

Рекомендуется очистить инструмент от пыли после каждого использования.

Хранение

- необходимо хранить в сухом месте
- необходимо хранить вдали от источников повышенных температур и воздействия солнечных лучей
- при хранении необходимо избегать резкого перепада температур
- хранение без упаковки не допускается
- подробные требования к условиям хранения смотрите в ГОСТ 15150 (Условие 1)

Транспортировка

- категорически не допускается падение и любые механические воздействия на упаковку при транспортировке
- при разгрузке/погрузке не допускается использование любого вида техники, работающей по принципу зажима упаковки
- подробные требования к условиям транспортировки смотрите в ГОСТ 15150 (Условие 5)

ВНИМАНИЕ!

В случае возникновения перебоя в работе электроинструмента вследствие полного или частичного прекращения энергоснабжения или повреждения цепи управления энергоснабжением установите выключатель в положение Выкл., убедившись, что он не заблокирован (при его наличии) и отключите сетевую вилку от розетки или отсоедините съёмный аккумулятор (этим предотвращается неконтролируемый повторный запуск)

ВВЕДЕНИЕ

- Данный инструмент предназначен для использования в качестве неподвижной машины, выполняющей продольную и поперечную порезку деревянных брусков под прямым углом и под различными косыми углами распила (возможно задавать горизонтальные углы скоса от -47° до $+47^\circ$, вертикальные углы скоса от 0° до 45°)
- Прочитайте и сохраните с данной инструкцией ②
- Данный инструмент не подходит для промышленного использования
- **Используйте инструмент только в полностью и правильно собранном виде** (компания Skil не несет ответственность за повреждение инструмента и/или травмы, возникающие вследствие неверной сборки инструмента)

ТЕХНИЧЕСКИЕ ДАННЫЕ ①

СТРАНА ИЗГОТОВЛЕНИЯ

Сделано в Китае

ДЕТАЛИ ИНСТРУМЕНТА ⑧

- A** Нижнее ограждение
- B** Рукоятка с выключателем
- C** Фиксатор для транспортировки
- D** Верхний кожух
- E** Рукоятка для транспортировки
- F** Монтажные отверстия
- G** Опора
- H** Пылесборный мешок
- J** Отверстие для отвода пыли
- K** Удлинитель
- L** Ручки крепления удлинителей стола
- M** Зажим для крепления заготовки
- N** Опорное отверстие
- P** Ручка крепления зажима
- Q** Ручка регулировки зажима
- R** Зажимной рычаг
- S** Упор
- T** Шестигранные винты для регулировки положения упора (2x)
- U** Ручка фиксации (вертикальные углы скоса)
- V** Индикатор вертикального угла скоса
- W** Винт для регулировки вертикального угла скоса (правый)
- X** Винт для регулировки вертикального угла скоса (левый)
- Y** Винт регулировки лазера
- Z** Лазерный луч
- AA** Лазер выключателя вкл/выкл

- AB** Рукоятка блокировки (горизонтальные углы скоса)
- AC** Рукоятка фиксации горизонтального угла скоса
- AD** Индикатор горизонтального угла скоса
- AE** Ручка фиксации для ползунка
- AF** Выключатель вкл/выкл
- AG** Предохранитель
- AH** Ограничитель глубины пропила
- AI** Ограничитель глубины
- AJ** Гайка ограничителя глубины
- AK** Ключ-шестигранник
- AL** Отделение для шестигранного ключа
- AM** Кнопка блокировки шпинделя
- AN** Крепежный винт защитной крышки
- AO** Болт крепления режущего диска
- AP** Фланец
- AQ** Вставка стола
- AR** Дефлектор пыли

БЕЗОПАСНОСТЬ

ОБЩИЕ УКАЗАНИЯ ПО ТЕХНИКЕ БЕЗОПАСНОСТИ ОБ- РАЩЕНИЯ С ЭЛЕКТРОИНСТРУМЕНТАМИ

ВНИМАНИЕ! Следует ознакомиться со всеми правилами техники безопасности, инструкциями, иллюстрациями и техническими данными, содержащимися в прилагаемых к этому электроинструменту материалах. Несоблюдение нижеперечисленных инструкций в полном объеме может повлечь поражение электрическим током, пожар и/или серьезную травму.

Сохраняйте эти инструкции и указания для будущего использования.

Использованное в настоящих инструкциях и указаниях понятие “электроинструмент” распространяется на электроинструмент с питанием от сети (с кабелем питания от электросети) и на аккумуляторный электроинструмент (без кабеля питания от электросети).

1) БЕЗОПАСНОСТЬ РАБОЧЕГО МЕСТА

- a) **Соблюдайте чистоту и поддерживайте надлежащую освещенность на рабочем месте.** Беспорядок на рабочем месте или его плохое освещение могут привести к несчастным случаям.
- b) **Не используйте с электроинструментом во взрывоопасной среде, т.е. в непосредственной близости от легковоспламеняющихся жидкостей, газов или пыли.** В процессе работы электроинструмент искрит и искры могут воспламенить газы или пыль.

- c) **При работе с электроинструментом не допускайте детей или посторонних на Ваше рабочее место.** Отвлечение Вашего внимания может привести к потере контроля над работой электроинструмента.

2) ЭЛЕКТРИЧЕСКАЯ БЕЗОПАСНОСТЬ

- a) **Штепсельная вилка кабеля питания электроинструмента должна соответствовать розетке электросети. Не вносите никаких изменений в конструкцию вилки. Не используйте адаптеры для электроинструмента с защитным заземлением. Заводские штепсельные вилки и**

соответствующие им сетевые розетки существенно снижают вероятность электрошока.

- b) **Избегайте механических контактов с такими заземленными поверхностями, как трубопроводы, системы отопления, плиты и холодильники.** При соприкосновении человека с заземленными предметами во время работы инструментом вероятность электрошока существенно возрастает.
 - c) **Оберегайте электроинструмент от воздействия дождя и влаги.** Попадание воды в электроинструмент повышает вероятность электрического удара.
 - d) **Используйте кабель строго по назначению. Не допускается тянуть и передвигать электроинструмент за кабель или использовать кабель для вытягивания вилки из розетки. Оберегайте кабель инструмента от воздействия высоких температур, масла, острых кромок или движущихся частей электроинструмента.** Поврежденный или спутанный кабель повышает возможность электрического удара.
 - e) **При работе на улице используйте удлинитель, предназначенный для работы вне помещения.** Использование такого удлинителя снижает вероятность электрического удара.
 - f) **Если невозможно избежать применения электроинструмента в сыром помещении, то устанавливайте устройство защиты от утечки в землю.** Использование устройства защиты от утечки в землю снижает риск электрического поражения.
- #### 3) ЛИЧНАЯ БЕЗОПАСНОСТЬ
- a) **Будьте внимательны, следите за тем, что Вы делаете и выполняйте работу обдуманно. Не пользуйтесь электроинструментом, если Вы устали или находитесь под воздействием транквилизаторов, алкоголя или медицинских препаратов.** Секундная потеря концентрации в работе с электроинструментом может привести к серьезным травмам.
 - b) **Используйте средства индивидуальной защиты. Защитные очки обязательны.** Средства индивидуальной защиты, такие как противопылевой респиратор, нескользящая защитная обувь, шлем-каска, средства защиты органов слуха применяются в соответствующих условиях работы обстоятельствах и минимизируют возможность получения травм.
 - c) **Предотвращайте непреднамеренное включение электроинструмента. Перед подключением электроинструмента к электропитанию и/или к аккумулятору убедитесь в выключенном состоянии электроинструмента.** Если Вы при транспортировке электроинструмента держите палец на выключателе или включенный электроинструмент подключаете к сети питания, то это может привести к несчастному случаю.
 - d) **Во избежание травм перед включением электроинструмента удалите регулировочный или гаечный ключ из вращающейся части электроинструмента.**
 - e) **Не переоценивайте свои возможности. Твердо стойте на ногах и удерживайте равновесие. В**

таком положении вы сможете лучше контролировать электроинструмент в неожиданных ситуациях.

- f) **Используйте подходящую рабочую одежду. Не надевайте свободную одежду и украшения. Держите волосы и одежду вдали от движущихся частей.** Свободная одежда, украшения или длинные волосы легко могут попасть в движущиеся части электроинструмента.
- g) **При наличии пылеотсасывающих и пылесборных приспособлений убедитесь в том, что они подсоединены и используются надлежащим образом.** Применение пылеотсоса может снизить опасности, создаваемые пылью.
- h) **Хорошее знание электроинструментов, полученное в результате частого их использования, не должно приводить к самоуверенности и игнорированию техники безопасности обращения с электроинструментами.** Одно небрежное действие за долю секунды может привести к серьезным травмам.

4) ЭКСПЛУАТАЦИЯ И УХОД ЗА ЭЛЕКТРОИНСТРУМЕНТОМ

- a) **Не перегружайте электроинструмент. Используйте тот электроинструмент, который предназначен для данной работы.** С подходящим электроинструментом Вы выполните работу лучше и надежней, используя весь диапазон его возможностей.
- b) **Не используйте электроинструмент с неисправным выключателем.** Инструмент с неисправным выключателем опасен и подлежит ремонту.
- c) **До начала наладки электроинструмента, замены принадлежностей или прекращения работы отключайте штепсельную вилку от розетки сети и/или выньте, если это возможно, аккумулятор.** Данная мера предосторожности предотвращает случайное включение электроинструмента.
- d) **Храните неиспользуемый электроинструмент в недоступном для детей месте и не позволяйте использовать его лицам, не умеющим с ним обращаться или не ознакомленным с инструкцией по эксплуатации.** Электроинструменты представляют собой опасность в руках неопытных пользователей.
- e) **Тщательно ухаживайте за электроинструментом и принадлежностями. Проверяйте безупречность функции подвижных частей, лёгкость их хода, целостность всех частей и отсутствие повреждений, которые могут негативно сказаться на работе инструмента. При обнаружении повреждений сдайте инструмент в ремонт.** Большое число несчастных случаев связано с неудовлетворительным уходом за электроинструментом.
- f) **Режущие части инструмента необходимо поддерживать в заточенном и чистом состоянии.** При надлежащем уходе за режущими принадлежностями с острыми кромками они реже заклиниваются и инструмент лучше поддаётся контролю.
- g) **Используйте электроинструмент, принадлежности, биты и т.д. в соответствии**

с данными инструкциями, исходя из особенностей условий и характера выполняемой работы. Использование электроинструмента не по назначению может привести к опасным последствиям.

- h) **Держите ручки и поверхности захвата сухими и чистыми, следите чтобы на них чтобы на них не было жидкой или неконсистентной смазки.** Скользкие ручки и поверхности захвата препятствуют безопасному обращению с инструментом и не дают надежно контролировать его в непредвиденных ситуациях.

5) СЕРВИСНОЕ ОБСЛУЖИВАНИЕ

- a) **Передавайте электроинструмент на сервисное обслуживание только квалифицированному персоналу, использующему только подлинные запасные части.** Это обеспечит сохранение безопасности электроинструмента.

ПРАВИЛА ТЕХНИКИ БЕЗОПАСНОСТИ ПРИ РАБОТЕ С ТОРЦОВО-УСОВОЧНЫМИ ПИЛАМИ

- Торцово-усовочные пилы предназначены для пиления изделий из дерева и подобных материалов. Их нельзя использовать с абразивным отрезным кругом для резки изделий из черных металлов (прутьев, стержней, шпилек и т. п.) Абразивная пыль приводит к заклиниванию движущихся частей, таких как нижний кожух. Искры от абразивной резки могут прожечь нижний кожух, вставку со шкалой и другие пластмассовые детали.
- По возможности используйте зажимы для фиксации заготовки. Удерживая заготовку руками, располагайте руки на расстоянии не менее 100 мм от каждой стороны пильного диска. Запрещается использовать пилу для резки заготовок, которые слишком малы, чтобы их можно было надежно зафиксировать зажимами или рукой. Если вы расположите руки слишком близко к пильному диску, возрастает риск травмирования из-за контакта с полотном.
- Заготовка должна быть неподвижной и зафиксированной или удерживаться прижатой к опору и к столу. Никогда не подталкивайте заготовку к полотну и не пытайтесь выполнять резку, удерживая заготовку только руками. Незакрепленные или движущиеся заготовки могут быть отброшены с высокой скоростью, что может привести к травмам.
- При резке ведите пилу по заготовке толкающим движением. Тянуть пилу по заготовке на себя нельзя. Для выполнения резки поднимите пильную головку и сдвиньте ее так, чтобы она оказалась над заготовкой, затем запустите двигатель, нажмите на головку вниз и толкающим движением направьте пилу в заготовку. Резка тянущим движением с большой вероятностью приведет к тому, что пильное полотно поднимется на верхнюю часть заготовки и лезвие будет резко выброшено в сторону оператора.
- Никогда не помещайте руки на предполагаемой линии резки впереди или позади пильного диска. Удерживание заготовки руками «крест-накрест», когда левая рука держит заготовку справа или наоборот, представляет серьезную опасность.

- **Не тянитесь из-за упора рукой, протягивая ее к вращающемуся пильному диску с любой стороны ближе чем на 100 мм, чтобы убрать обрезки или по какой-либо другой причине** Вы можете не заметить, как вращающийся диск приблизится к вашей руке, и получить серьезную травму.
- **Осмотрите заготовку, прежде чем резать ее. Если она изогнута или покороблена, надо зажимать ее выступающей стороной и упору.** Всегда следите за тем, чтобы по линии реза не было зазоров между заготовкой, упором и столом. Изогнутые или покоробленные заготовки могут скручиваться или сдвигаться и в результате цепляться за вращающийся диск во время резки. В заготовке не должно быть гвоздей или других посторонних предметов.
- **Не начинайте работу с пилой, пока не будут убраны все инструменты, обрезки древесины и т. п. и на столе не останется ничего, кроме заготовки** Обрезки, куски дерева или другие предметы при соприкосновении с вращающимся диском могут быть отброшены с высокой скоростью.
- **За один раз можно резать только одну заготовку** При штабелировании нескольких заготовок их невозможно зафиксировать надлежащим образом — во время резки они могут цепляться за пильный диск или сдвигаться.
- **Перед использованием торцово-усовочной пилы убедитесь, что она установлена на ровной прочной поверхности.** Ровная и прочная поверхность снижает риск потери устойчивости пилы.
- **Заранее планируйте свои действия! Каждый раз при изменении настройки вертикального или горизонтального угла сноса проверяйте, будет ли регулируемый упор правильно поддерживать заготовку и не окажется ли она на пути режущего диска или защитного кожуха** Без включения инструмента и без заготовки на столе выполните имитацию предстоящей резки, перемещая пильное полотно на всю длину, чтобы убедиться в отсутствии помех и опасности разрезания упора.
- **Если заготовка длиннее или шире стола торцово-усовочной пилы, предусмотрите подходящую опору, например удлинитель стола, пильные козлы и т. п.** Такие крупные заготовки могут опрокинуться, если не обеспечить им надежную опору. В случае опрокидывания отрезанная часть или сама заготовка может поднять нижний кожух или отскочить от вращающегося диска.
- **Не привлекайте других людей для поддержки заготовки вместо использования удлинителя стола или опоры** Неустойчивая поддержка заготовки может вызвать застревание диска или смещение заготовки во время резки, в результате чего вас и вашего помощника потянет к вращающемуся диску.
- **Отрезанная часть не должна защемляться или каним-либо образом прижиматься к вращающемуся пильному диску** В случае подпора, например при использовании ограничителей длины, отрезанная часть может быть зацеплена диском и с силой выброшена.

- **Всегда используйте зажим или фиксатор, предназначенный для закрепления заготовок круглого сечения, таких как стержни или трубы** Стержни часто проворачиваются во время резки, что вызывает биение диска и притягивает заготовку вместе с вашей рукой к режущему полотну.
- **Дайте пильному диску набрать полную скорость перед контактом с заготовкой** Это снизит риск выбрасывания заготовки.
- **Если заготовка или диск окажутся зажатыми, выключите торцово-усовочную пилу. Дождитесь остановки всех движущихся частей и достаньте вилку из розетки и/или извлеките аккумулятор.** После этого освободите зажатый материал. Продолжение резки зажатой заготовки может привести к потере контроля или повреждению торцово-усовочной пилы.
- **По окончании резки отпустите выключатель и, удерживая пильную головку в нижнем положении, дождитесь полной остановки диска перед тем, как убрать отрезанную часть** Приблизить руки к движущемуся по инерции диску опасно.
- **Держите рукоятку крепко, когда делаете неполный пропил и после отпущения выключателя, пока пильная головка не опустится полностью в нижнее положение** Торможение пилы может привести к внезапному опусканию пильной головки и опасности получения травмы.

ДОПОЛНИТЕЛЬНЫЕ ИНСТРУКЦИИ ПО ТЕХНИКЕ БЕЗОПАСНОСТИ

- Процессы включения вызывают кратковременное снижение напряжения; при неблагоприятных условиях в сети может возникнуть отрицательное влияние на другие приборы (при импедансе сети меньше, чем 0,464 Ом, какие-либо нарушения не ожидаются); за разъяснениями просим обратиться к организациям - поставщикам электроэнергии в Вашем регионе

ОБЩЕЕ

- Используйте пилу исключительно для резки дерева
- Обязательно убедитесь, что напряжение питания соответствует напряжению, указанному на фирменном штепселе инструмента
- **Не становитесь на инструмент или его стэнд** Опрокидывание инструмента или случайный контакт с режущим инструментом могут привести к серьезным травмам. Не храните материалы на инструменте или рядом с ним — в месте, для доступа к которому нужно встать на инструмент или на его стэнд.
- **Перед регулировкой или сменой принадлежности обязательно выньте вилку из сетевой розетки**
- **Перед перемещением торцово-усовочной пилы всегда вынимайте вилку из розетки** Отключите инструмент от сети, зафиксируйте режущую головку в нижнем положении, используйте рукоятку для переноски и одно из углублений для руки в основании пилы.
- **Не отходите от инструмента, пока он не остановится полностью**

- При резке заготовок нестандартной формы планируйте свои действия так, чтобы заготовка не соскользнула, не защемила диск и не вырвалась из ваших рук
- Инструмент нельзя использовать лицам в возрасте до 16 лет
- Этот инструмент непригоден для резки со смачиванием

ИСПОЛЬЗОВАНИЕ ВНЕ ПОМЕЩЕНИЯ

- При работе вне помещения, подключайте инструмент через предохранитель короткого замыкания (FI) с максимальным пусковым током 30 мА и используйте только удлинительный шнур, предназначенный для внешних работ и оборудованный защищенной от брызг розеткой

ПЕРЕД ИСПОЛЬЗОВАНИЕМ

- Используйте полностью размотанные и безопасные удлинители, рассчитанные на ток не менее 16 А
- Одевайте защитные очки, средства защиты волос, и защитные перчатки
- Пыль от таких материалов, как свинцовосодержащая краска, некоторые породы дерева, минералы и металл, может быть вредна (контакт с такой пылью или ее вдыхание может стать причиной возникновения у оператора или находящихся рядом лиц аллергических реакций и/или респираторных заболеваний); **надевайте респиратор и работайте с пылеудаляющим устройством при включении инструмента**
- Некоторые виды пыли классифицируются как канцерогенные (например, дубовая или буковая пыль), особенно в сочетании с добавками для кондиционирования древесины; **надевайте респиратор и работайте с пылеудаляющим устройством при включении инструмента**
- Следуйте принятым в вашей стране требованиям/нормативам относительно пыли для тех материалов, с которыми вы собираетесь работать
- **Не обрабатывайте материалы с содержанием асбеста** (асбест считается канцерогеном)
- Запрещается использовать инструмент без штатной системы защитных щитков
- Перед каждым использованием инструмента проверяйте правильность закрывания защитного кожуха
- Не включайте пилу, если защитный кожух не двигается свободно и не закрывает режущий диск
- Никогда не закрепляйте и не привязывайте защитный кожух в открытом положении
- Никогда не работайте с инструментом без вставки стола; заменяйте поврежденные или изношенные вставки
- Прежде чем приступить к резке, удалите все препятствия над траекторией резания и под ней
- Избегайте повреждений, которые могут быть вызваны винтами, гвоздями и прочими элементами, находящимися в обрабатываемом предмете; перед началом работы их нужно удалить

ПРИНАДЛЕЖНОСТИ

- В данном инструменте не допускается применение шлифовальных/отрезных кругов
- SKIL обеспечивает надежную работу инструмента только при использовании соответствующей оснастки, которую можно приобрести у Вашего дилера фирмы SKIL

- При установке/использовании насадок не от фирмы SKIL, соблюдайте инструкции соответствующего завода-изготовителя
- Применяйте только пыльные диски с параметрами, указанными в этом руководстве по эксплуатации, которые испытаны по EN 847-1 и имеют соответствующее обозначение
- Использовать только принадлежности, предельно допустимая скорость вращения которых не меньше, чем максимальная скорость вращения прибора на холостом ходу
- Не допускается использовать режущие диски, изготовленные из быстрорежущей стали
- Не используйте деформированные, тупые пилки/диски и т.п. и пилки/диски с трещинами
- Используйте только режущие диски с диаметром крепежного отверстия, обеспечивающим плотное надевание шпинделя инструмента без люфта; никогда не используйте муфты или переходники для крепления режущих дисков с большим диаметром крепежного отверстия
- Предохраняйте насадки от воздействия ударных нагрузок и попадания на них смазки

ВО ВРЕМЯ ИСПОЛЬЗОВАНИЯ

- **Не прикладывайте к инструменту чрезмерных усилий** (нажим должен быть легким и равномерным, чтобы острия лезвия не перегрелись и, в случае разрезания пластиковых деталей, не начал плавиться пластик)
- Держите руки, кисти и пальцы за пределами зоны вращения режущего диска
- Если режущий диск заблокирован, немедленно выключите инструмент и выдерните шнур питания из розетки; только после этого извлекайте заклинившую диск заготовку
- В случае заедания или какой-либо электрической или механической неисправности немедленно отключите инструмент и выньте вилку из розетки
- При повреждении или разрезании сетевого шнура во время работы не прикасайтесь к нему, и немедленно выньте вилку из розетки
- Никогда не пользуйтесь инструментом с поврежденным кабелем питания; его необходимо заменить специальным кабелем питания, обратившись в сервисную организацию.

СИМТНТИУ ГИНПІТЬПУ

- **Не направляйте луч лазера на людей или животных и сами не смотрите на прямой или отражаемый луч лазера** (этот луч может слепить людей, стать причиной несчастного случая или повредить глаза)
- В случае попадания лазерного луча в глаз глаза нужно намеренно закрыть и немедленно отвернуться от луча
- Не меняйте ничего в лазерном устройстве
- Не смотрите на лазерный луч (лазерное излучение)
- Не следует использовать увеличительных оптических инструментов (напр., увеличительные стекла, телескопы или бинокли) для рассматривания лазерного луча
- Не следует использовать инструмент в присутствии легковоспламеняющихся жидкостей, газов и пыли
- Не следует использовать инструмент в присутствии детей
- Не заменяйте установленный лазер лазерами других типов

ПОСЛЕ ИСПОЛЬЗОВАНИЯ

- После выключения инструмента никогда не пытайтесь остановить вращение насадок приложением поперечной силы
- Убирайте стружки, опилки или части заготовок из зоны резки только после того, как все движущиеся детали полностью остановились
- режущий диск очень сильно нагревается во время работы; не дотрагивайтесь до него, пока диск не остынет
- Храните инструмент **в помещении** в сухом, запираемом, не доступном для детей месте

ПОЯСНЕНИЕ К УСЛОВНЫМ ОБОЗНАЧЕНИЯМ НА ИНСТРУМЕНТЕ

- ② Перед использованием ознакомьтесь с руководством по эксплуатации
- ③ Одевайте защитные очки и средства защиты волос
- ④ **Опасная зона! Зона опасности для рук. Держите руки в стороне от этой зоны.**
- ⑤ Двойная изоляция (заземляющий провод не требуется)
- ⑥ Не выкидывайте электроинструмент и батареи вместе с бытовым мусором
- ⑦ **Лазерная радиация / Не смотрите на луч / Лазерное изделие класса 2**

ИСПОЛЬЗОВАНИЕ

- Сборка
 - установите рукоятку для транспортировки с помощью 2 болтов и ключа-шестигранника АК^⑨
 - установите ручку фиксатора угла скоса АВ в переднюю часть стола^⑩
- Положение транспортировки/работы
 - Раскладывание инструмента (положение **работы**)
 - надавите на рукоятку В одной рукой и вытяните фиксатор С другой^{⑪а}
 - медленно поднимите головку вверх
 - для распила со скольжением ослабьте ручку фиксации АЕ^{⑪b}
- Складывание инструмента (положение **транспортировки**)
 - сдвиньте головку до конца в направлении упора S и затяните ручку фиксации АЕ^{⑪c}
 - установите вертикальный угол скоса на 0° (см. пункт «Установка вертикальных углов скоса»)
 - установите горизонтальный угол скоса на 45° влево или вправо (см. пункт «Установка горизонтальных углов скоса»)
 - надавите на рукоятку В одной рукой, одновременно нажимая на фиксатор С другой
 - смотайте шнур питания
 - используйте рукоятку для транспортировки Е для переноски инструмента^{⑪d}
 - или используйте боковые ручки для переноски инструмента^{⑪e}
- ! никогда не поднимайте инструмент за основную рукоятку или шнур питания**
- Крепление инструмента на рабочей поверхности^⑫
 - ! для обеспечения безопасной работы всегда устанавливайте инструмент на плоской и устойчивой рабочей поверхности (например, на верстаке)**
 - используйте 4 крепежных отверстия F для

крепления инструмента к рабочей поверхности подходящими винтами

- инструмент также можно закрепить на рабочей поверхности с помощью доступных в продаже струбцин
- чтобы придать инструменту устойчивое положение, можно отрегулировать высоту опоры G
- в качестве альтернативы инструмент можно установить на стенд для торцово-усовочной пилы
- ! прочтите все предупреждения и инструкции, прилагаемые к стенду для пилы**
- Уборка обрезков/опилок^⑬
 - установите пылесборный мешок H/пылесос, как показано на рисунке
 - опустошайте пылесборный мешок регулярно для обеспечения оптимального отсоса пыли
 - ! не допускайте, чтобы шланг пылесоса мешал нижнему щитку или процессу пиления**
- Удлинение пильного стола^⑭
 - используйте ручки L для фиксации удлинителей стола К (с обеих сторон инструмента)
 - длину удлинителей стола К можно регулировать пошагово, от минимального до максимального значения
- Крепление заготовки^⑮
 - ! для обеспечения максимальной безопасности работы всегда надежно закрепляйте заготовку скобой из комплекта**
 - не работайте с заготовками, которые слишком малы, чтобы их надежно закрепить
 - **максимальные** габаритные размеры заготовки, см таблицу^⑮
 - закрепите зажим для заготовки в опорном отверстии N с помощью ручки Р (по обеим сторонам инструмента)
 - используйте 1 из 2 пазов: для заготовок толщиной до 4 см и для заготовок толщиной более 4 см
 - плотно прижмите заготовку к упору S
 - разблокируйте рычаг R
 - подгоните зажим к заготовке
 - надежно зажмите заготовку фиксирующим рычагом R
 - ! для некоторых комбинаций горизонтальных и вертикальных углов скоса или в зависимости от размера заготовки вместо зажимов могут потребоваться струбцины (приобретаются отдельно)**
- Установка горизонтальных углов скоса^⑰
 - ослабьте рукоятку блокировки АВ
 - нажмите на рычаг фиксации горизонтального угла скоса АС
 - поверните пильный стол влево или вправо и установите необходимый горизонтальный угол скоса (от 0° до 47°) с помощью индикатора AD
 - отпустите рычаг АС
 - Затяните рукоятку блокировки АВ (**не затягивайте ее слишком сильно**)
 - для быстрой и точной установки часто используемых горизонтальных углов скоса (0°, 15°, 22,5°, 31,6°, 45°) рычаг фиксации горизонтального угла скоса со щелчком фиксируется в соответствующих положениях
- Установка вертикальных углов скоса^⑱
 - отпустите ручку треноги U^{⑱b}

- поверните пильную головку влево, пока индикатор вертикальных углов V не укажет на нужный вертикальный угол
- удерживая пильную головку в этом положении, затяните ручку U
- Сложные пропилы 19
 - сложные пропилы требуют задания горизонтальных и вертикальных углов скоса
 - ! не работайте с пилой, используя такие комбинации вертикальных и горизонтальных углов скоса, которые могут привести к столкновению между движущимися и неподвижными частями пилы или между движущимися частями и заготовкой**
 - ! всегда сначала тестируйте на образце металлолома**
- Линия лазера 20
 - используется для направления инструмента вдоль требуемой линии пропила, размеченной на заготовке
 - включите/отключите линии лазера нажав переключатель AA
 - лазер выравнивается по левой стороне пильного диска
 - горизонтальное выравнивание лазера можно легко отрегулировать с помощью винта Y
 - ! перед началом работы, проверьте совпадение линии лазера с намеченной линией пропила, сделав пробный надрез на ненужном кусочке материала**
- Распил без скопления (небольшие заготовки)
 - ослабьте ручку фиксации AE, если она затянута
 - сдвиньте пильную головку до конца в направлении упора S и затяните ручку фиксации AE
 - ! если не заблокировать механизм, это может привести к тому, что пильное полотно поднимется поверх заготовки и будет отброшено в сторону оператора**
 - установите инструмент в рабочее положение
 - ! убедитесь, что заготовка надежно прижата к пильному столу и к упору S**
 - включите инструмент, отпустив фиксатор AG и переключив выключатель AF 22
 - ! не перекрещивайте руки при работе с пильной головкой 21a**
 - распилывайте заготовку равномерно прижимая рукоятку
 - ! инструмент не должен работать на полной скорости, пока режущий диск не войдет в заготовку**
 - выключите инструмент отпустив выключатель AF
 - дождитесь, пока режущий диск полностью остановится, прежде чем медленно направить пильную головку вверх
- Распил со скоплением (широкие заготовки)
 - ! помните, что описанный ниже способ является единственным безопасным**
 - тянуть пилу по заготовке на себя нельзя
 - ослабьте ручку фиксации AE, если она затянута
 - ! убедитесь, что заготовка надежно прижата к пильному столу и к упору S**
 - отведите пильную головку от упора S достаточно далеко, чтобы пильный диск находился перед заготовкой 23
- включите инструмент, нажав предохранитель AG и переключив выключатель AF 22
- ! не перекрещивайте руки при работе с пильной головкой 21a**
- нажмите на пильную головку в направлении упора S и пропилите заготовку, прикладывая равномерное усилие 23
- ! инструмент не должен работать на полной скорости, пока режущий диск не войдет в заготовку**
- ! если нижний кожух не открывается автоматически, что может происходить при определенных условиях (например, при работе с крупной заготовкой), возможно, потребуется открыть его вручную 21b**
- выключите инструмент отпустив выключатель AF
- дождитесь, пока режущий диск полностью остановится, прежде чем медленно направить пильную головку вверх
- Пильные пазы 24
 - установите требуемую глубину с помощью ограничителя глубины AH и закрепите гайкой AJ
 - между заготовкой и упором должна быть установлена деревянная распорка, чтобы обеспечить одинаковую глубину по всей длине паза
 - ! следите, чтобы пильный диск не застрял в заготовке**
 - ! всегда сначала тестируйте на образце металлолома**
- Смена режущего диска 25
 - ! разъединить штепсельный разъём**
 - достаньте ключ-шестигранник АК из ящичка AL
 - удерживайте защитный кожух A в открытом положении
 - ослабьте крепежный винт защитной крышки AN (не выкручивайте винт полностью) 25a
 - поверните защитный кожух A назад до упора 25b
 - нажмите кнопку блокировки шпинделя AM и удерживайте ее нажатой все время, пока вынимаете крепежный болт режущего диска
 - АО монтажным ключом-шестигранником АК ПО ЧАСОВОЙ СТРЕЛКЕ (= в направлении, указанном стрелкой на режущем диске)**
 - ! нажимайте кнопку шпинделя AM только при полной остановке инструмента**
 - освободите блокировочную кнопку шпинделя AM
 - снимите фланец AP и режущий диск
 - ! замените режущий диск; зубья пилы и стрелка, нанесенная на диск, должны быть направлены одинаково со стрелкой на защитном кожухе A**
 - установите фланец AP 25c
 - нажмите блокировочную кнопку шпинделя AM и держите ее, пока не затяните болт полотна, повернув ключ-шестигранник АК на 1/8 оборота
 - ПРОТИВ ЧАСОВОЙ СТРЕЛКИ** после затяжки пальцами (гарантирует проскальзывание полотна пилы при избыточном сопротивлении материала, что снижает перегрузку мотора и отдачу пилы)
 - затяните крепежный винт защитной крышки AN
- Замена вставки стола AQ 26
 - Процедура замены поврежденной или изношенной вставки стола:
 - ! разъединить штепсельный разъём**
 - достаньте ключ-шестигранник АК из ящичка AL

- снимите все 6 винта как показано на рисунке
- снимите старую вставку стола, сначала приподнимите ее за переднюю часть, затем извлеките полностью
- установите новую вставку стола
- ! **надежно затяните все 6 винта**
- Проверка/регулировка положения диска под углом 90° ②7
- ! **разъединить штепсельный разъём**
- поверните пильный стол в положение для горизонтального скоса под углом 0° и зафиксируйте его
- поверните пильную головку в положение для вертикального скоса под углом 0°
- опустите пильную головку и зафиксируйте ее
- проверьте угол 90° между диском и столом с помощью угольника
- при необходимости отрегулируйте угол диска 90° следующим образом:
 1. отпустите ручку треноги U
 2. отрегулируйте винт W с помощью специального ключа 10 (не входит в стандартный комплект поставки)
 3. повторно проверьте с помощью угольника
 4. сбросьте индикатор вертикальных углов V на 0°
- Проверка/регулировка положения диска под углом 45° ②8
- ! **разъединить штепсельный разъём**
- поверните пильный стол в положение для горизонтального скоса под углом 0° и зафиксируйте его
- отпустите ручку треноги U
- поверните пильную головку влево
- проверьте угол 45° между диском и столом с помощью малки
- проверьте, что индикатор вертикальных углов V показывает значение 45°
- при необходимости отрегулируйте угол диска 45° следующим образом:
 1. отрегулируйте винт X с помощью специального ключа 10 (не входит в стандартный комплект поставки)
 2. повторно проверьте с помощью малки
- Проверка/регулировка положения упора под углом 90° ②9
- ! **разъединить штепсельный разъём**
- поверните пильный стол в положение для горизонтального скоса под углом 0° и зафиксируйте его
- опустите пильную головку и зафиксируйте ее
- проверьте угол 90° между диском и упором S с помощью угольника (убедитесь, что угольник касается поверхности режущего диска, а не зубцов) ②9а
- при необходимости отрегулируйте угол упора 90° следующим образом:
 1. ослабьте 2 винта с шестигранными головками T ②9b
 2. отрегулируйте положение упора, пока упор и диск не будут касаться угольника всей плоскостью
 3. затяните 2 винта с шестигранными головками T
 4. сбросьте индикатор горизонтальных углов скоса на 0° ②9с

СОВЕТЫ ПО ИСПОЛЬЗОВАНИЮ

- Специальные заготовки
 - всегда кладите на опору свободные концы длинных заготовок ③0
 - убедитесь, что фигурные или круглые заготовки надежно закреплены от проскальзывания ③1
 - на линии резки отсутствуют зазоры между заготовкой и упором или пильным столом
 - при необходимости смонтируйте дополнительный упор; закрепите его, используя отверстия в смещаемом упоре ③2
- ! **дополнительный упор можно использовать только при настройке вертикального угла скоса на 0°**
- Работа с плитусами, см .рисунок ③3
- Для обеспечения минимального расщепления заготовку располагайте обработанной стороной вниз
- Пользуйтесь только острыми режущими дисками надлежащего типа
 - качество пропила улучшается с увеличением числа зубьев
 - режущие диски с твердосплавными пластинками служат в 30 раз дольше, чем обычные режущие диски

ТЕХОБСЛУЖИВАНИЕ / СЕРВИС

- Содержите инструмент и шнур питания в чистоте (особенно вентиляционные отверстия в задней части кожуха двигателя)
- Регулярно проверяйте правильность работы нижнего кожуха. Очищайте нижний кожух от скопившихся опилок влажной тканью.
- ! **перед чистой инструмента выньте вилку из розетки**
 - поднимите нижний кожух в полностью открытое положение и отпустите его; если он не закроется сразу полностью, его следует проверить в авторизованной сервисной мастерской для электроинструментов SKIL
- Производите чистку режущего диска сразу же после использования (особенно от смолы и клея)
- ! **режущий диск очень сильно нагревается во время работы; не затрагивайте до него, пока диск не остынет**
- Очищайте лазер AC мягкой щеткой после каждого использования, чтобы линия лазера была хорошо видна (убедитесь, что вы не изменили настройки лазера)
- Если инструмент, несмотря на тщательные методы изготовления и испытания, выйдет из строя, то ремонт следует производить силами авторизованной сервисной мастерской для электроинструментов фирмы SKIL
 - отправьте **неразобранный** инструмент со свидетельством покупки Вашему дилеру или в ближайшую станцию обслуживания фирмы SKIL (адреса и схема обслуживания инструмента приведены в вебсайте www.skil.com)
- Примите к сведению, что повреждения вследствие перегрузки или ненадлежащего обращения с инструментом не будут включены в гарантию (условия гарантии SKIL см. на сайте www.skil.com или узнайте у дилера в Вашем регионе)

ОХРАНА ОКРУЖАЮЩЕЙ СРЕДЫ

- **Не выкидывайте электроинструмент, батареи, принадлежности и упаковку вместе с бытовым мусором** (только для стран ЕС)
 - во исполнение европейской директивы 2012/19/ЕС об утилизации отслужившего свой срок электрического и электронного оборудования и в соответствии с действующим законодательством, утилизация электроинструментов производится отдельно от других отходов на предприятиях, соответствующих условиям экологической безопасности
 - значок  напомним Вам об этом, когда появится необходимость сдать электроинструмент на утилизацию


ШУМ

- Уровень звукового давления этого инструмента, измеренный в соответствии со стандартом EN 62841, составляет 100,0 дБ(А), а уровень звуковой мощности — 109,5 дБ(А) (погрешность K = 3 дБ)
- Уровень шума был измерен в соответствии со стандартизированным испытанием, приведенном в стандарте EN 62841; данная характеристика может использоваться для сравнения одного инструмента с другим, а также для предварительной оценки воздействия шума при использовании данного инструмента для указанных целей
 - при использовании инструмента в других целях или с другими/неисправными вспомогательными приспособлениями уровень воздействия вибрации может значительно **повышаться**
 - в периоды, когда инструмент отключен или функционирует без фактического выполнения работы, уровень воздействия вибрации может значительно **снижаться**

UA

Торцовальна пила для врізання під кутом 1310

ВСТУП

- Цей інструмент є стаціонарною машиною, він призначений для поздовжнього та поперечного розпилювання деревини прямими розрізами, а також розрізами під кутом (горизонтальні кути скосу від -47° до +47°, вертикальні кути скосу від 0° до 45°)
- Прочитайте і збережіть цю Інструкцію з експлуатації 
- Цей інструмент не придатний для промислового використання
- **Використовуйте цей інструмент тільки повністю та правильно зібраним** (пам'ятайте, що компанія Skil не несе відповідальність за пошкодження інструменту та/або травмування осіб, спричинені неправильним збиранням інструменту)


ТЕХНІЧНІ ДАНІ

ЕЛЕМЕНТИ ІНСТРУМЕНТА

- A** Нижній обмежувач
- B** Ручка з вимикачем
- C** Фіксатор для транспортування
- D** Верхній щиток
- E** Ручка для транспортування
- F** Монтажні отвори
- G** Опора
- H** Мішок
- J** Канал для пилу
- K** Подовжувачі
- L** Ручки для блокування подовжувачів стола
- M** Затискач для закріплення заготовки
- N** Отвір опори
- P** Ручка для кріплення затискача
- Q** Ручка для регулювання затискача
- R** Затискний важіль
- S** Обмежувач
- T** Шестигранний гвинт для регулювання обмежувача (2x)
- U** Стопорна ручка (вертикальні кути скосу)
- V** Індикатор вертикального кута скосу
- W** Ручка для регулювання вертикального кута скосу (правий)
- X** Гвинт для регулювання вертикального кута скосу (лівий)
- Y** Регулювальний гвинт лазера
- Z** Лазерний промінь
- AA** Лазер вимикача
- AB** Стопорна ручка (горизонтальні кути скосу)
- AC** Важіль звільнення фіксатора нахилу
- AD** Індикатор горизонтального кута скосу
- AE** Стопорна ручка для ковзних пристроїв
- AF** Вимикач живлення
- AG** Запобіжник
- AH** Обмежувач висоти розпилу
- AI** Обмежувач глибини
- AJ** Гайка обмежувача глибини
- AK** Шестигранний ключ
- AL** Контейнер для збереження шестигранного ключа
- AM** Кнопка блокування шпинделя
- AN** Гвинт захисної кришки
- AO** Болт кріплення ріжучого диску
- AP** Фланець
- AQ** Вставка стола
- AR** Пиловідбивач

БЕЗПЕКА

ЗАГАЛЬНІ ВКАЗІВКИ З ТЕХНІКИ БЕЗПЕКИ ПОВОДЖЕННЯ З ЕЛЕКТРОІНСТРУМЕНТАМИ

 **ПОПЕРЕДЖЕННЯ** Уважно вивчіть запобіжні заходи та ілюстрації, а також прочитайте вказівки та технічні умови, що входять в комплект поставки цього електроінструменту. Недотримання нижчеперелічених вказівок у повному обсязі може спричинити ураження електричним струмом, пожежу та / або серйозну травму.

Добре зберігайте на майбутнє ці попередження і вказівки.

Під поняттям "електроприлад" в цих попередженнях мається на увазі електроприлад, що працює від мережі (з електрокабелем) або від акумуляторної батареї (без електрокабелю).

1) БЕЗПЕКА НА РОБОЧОМУ МІСЦІ

- a) **Примайте своє робоче місце в чистоті та прибирайте його.** Безлад або погане освітлення на робочому місці можуть призводити до нещасних випадків.
- b) **Не працюйте з приладом у середовищі, де існує небезпека вибуху внаслідок присутності горючих рідин, газів або пилу.** Електроприлади можуть породжувати іскри, від яких може займатися пил або пара.
- c) **Під час працювання з приладом не підпускайте до робочого місця дітей та інших людей.** Ви можете втратити контроль над приладом, якщо Ваша увага буде відвернута.

2) ЕЛЕКТРИЧНА БЕЗПЕКА

- a) **Штепсель приладу повинен пасувати до розетки. Не дозволяється що-небудь міняти в штепселі.** Для роботи з приладами, що мають захисне заземлення, не використовуйте адаптери. Використання оригінального штепселя та належної розетки зменшує ризик удару електричним струмом.
- b) **Уникайте контакту частей тіла із заземленими поверхнями, як напр., трубами, батареями опалення, печами та холодильниками.** Коли Ваше тіло заземлене, існує збільшена небезпека удару електричним струмом.
- c) **Захищайте прилад від дощу та вологи.** Попадання води в електрострументамент збільшує ризик удару електричним струмом.
- d) **Не використовуйте кабель для перенесення приладу, підвишування або витягування штепселя з розетки.** Захищайте кабель від жару, олії, гострих країв та деталей приладу, що рухаються. Пошкоджені або закручені кабель збільшує ризик удару електричним струмом.
- e) **Для зовнішніх робіт обов'язково використовуйте лише такий подовжувач, що допущений для зовнішніх робіт.** Використання подовжувача, що розрахований на зовнішні роботи, зменшує ризик удару електричним струмом.
- f) **Якщо не можна запобігти використанню електроприладу у вологому середовищі, використовуйте пристрій захисту від витоків в землю.** Використання зрестрою захисту від витоків в землю зменшує ризик удару електричним струмом.

3) БЕЗПЕКА ЛЮДЕЙ

- a) **Будьте уважними, слідкуйте за тим, що Ви робите, та розсудливо поведіться під час роботи з електроприладом.** Не користуйтеся приладом, якщо Ви стомлені або знаходитесь під дією наркотиків, спиртних напоїв або лік. Мить неуважності при користуванні приладом може призводити до серйозних травм.
- b) **Вдягайте особисте захисне спорядження та обов'язково вдягайте захисні окуляри.** Вдягання особистого захисного спорядження, як напр., - в залежності від виду робіт - захисної маски, спецвзуття, що не ковзається, каски або навушників, зменшує ризик травм.

- c) **Уникайте ненавмисного вмикання. Перш ніж вмикати електроприлад в електромережу або встромляти акумуляторну батарею, брати його в руки або переносити, впевніться в тому, що електроприлад вимкнутий.** Тримання пальця на вимикачі під час перенесення електроприладу або встромляння в розетку увімкненого приладу може призводити до травм.
 - d) **Перед тим, як вмикати прилад, приберіть налагоджувальні інструменти та гайковий ключ.** Знаходження налагоджувального інструмента або ключа в деталі, що обертається, може призводити до травм.
 - e) **Не переоцінюйте себе. Зберігайте стійке положення та завжди зберігайте рівновагу.** Це дозволить Вам краще зберігати контроль над приладом у несподіваних ситуаціях.
 - f) **Вдягайте придатний одяг. Не вдягайте просторий одяг та прикраси. Не підставляйте волосся й одяг до деталей, що рухаються.** Просторий одяга, прикраси та довге волосся можуть попадати в деталі, що рухаються.
 - g) **Якщо існує можливість монтувати пиловідсмоктувальні або пилоуловлювальні пристрої, переконайтеся, щоб вони були добре під'єднані та правильно використовувалися.** Використання пиловідсмоктувального пристрою може зменшити небезпеки, зумовлені пилом.
 - h) **Добре знання електроінструментів, отримане в результаті частого їх використання, не повинно призводити до самовпевненості й ігнорування принципів техніки безпеки.** Необережна дія може в одну мить призвести до важкої травми.
- ### 4) ПРАВИЛЬНЕ ПОВЕДІННЯ ТА КОРИСТУВАННЯ ЕЛЕКТРОПРИЛАДАМИ
- a) **Не перевантажуйте прилад. Використовуйте такий прилад, що спеціально призначений для певної роботи.** З придатним приладом Ви з меншим ризиком отримаєте кращі результати роботи, якщо будете працювати в зазначеному діапазоні потужності.
 - b) **Не користуйтеся приладом з пошкодженням вимикачем.** Прилад, який не можна увімкнути або вимкнути, є небезпечним і його треба відремонтувати.
 - c) **Перед тим, як регулювати що-небудь на приладі, міняйте приладдя або ховати прилад, витягніть штепсель із розетки та/або витягніть акумуляторну батарею, якщо вона знімається.** Ці попереджувальні заходи з техніки безпеки зменшують ризик ненавмисного запуску приладу.
 - d) **Зберігайте електроприлади, якими Ви саме не користуетесь, далеко від дітей. Не дозволяйте користуватися електроприладом особам, що не знайомі з його роботою або не читали ці вказівки.** У разі застосування недосвідченими особами прилади несуть в собі небезпеку.
 - e) **Старанно дотримуйтеся за електроінструментами і приладдям. Перевірте, щоб рухомі деталі приладу бездоганно працювали та не заїдали, не були ще м'якшими або настільки пошкодженими, що це могло вплинути на функціонування приладу.** Пошкоджені деталі треба

відремонтувати в авторизованій майстерні, перш ніж ними можна знову користуватися. Велика кількість нещасних випадків спричиняється поганим доглядом за електроприладами.

- f) **Тримайте різальні інструменти добре нагостреними та в чистоті.** Старанно доглянути різальні інструменти з гострим різальним краєм менше застряють та їх легше вести.
 - g) **Використовуйте електроприлади, приладдя до них, робочі інструменти т.і. відповідно до цих вказівок.** Беріть до уваги при цьому умови роботи та специфіку виконуваної роботи. Використання електроприладів для робіт, для яких вони не передбачені, може призводити до небезпечних ситуацій.
 - h) **Тримайте рукоятки і поверхні захвату сухими і чистими, слідуйте, щоб на них не було оливи або густо мастила.** Слизькі рукоятки і поверхні захвату унеможливають безпечно поводження з електроінструментом та його контролювання в неочікуваних ситуаціях.
- 5) СЕРВІС**
- a) **Віддавайте свій прилад на ремонт лише кваліфікованим фахівцям та лише з використанням оригінальних запчастин.** Це забезпечить безпечність приладу на довгий час.

ІНСТРУКЦІ З ТЕХНІКИ БЕЗПЕКИ ДЛЯ ТОРЦЮВАЛЬНОЇ ПИЛИ

- **Торцювальні пили призначені для різання деревини або деревоподібних виробів, вони не можуть використовуватися з абразивними відрізними кругами для різання металевих матеріалів, таких як прутки, стрижні, шпильки і т.д., абразивний пил викликає заклинювання рухомих частин, таких як нижній кожух. Іскри від абразивного різання спаллять нижній кожух, врізний отвір та інші пластикові деталі.**
- **Де це можливо, застосовуйте затисначі, щоб зафіксувати виріб, що обробляється.** Якщо ви тримаєте заготовку руками, то завжди тримайте руку на відстані не менше 100 мм з обох сторін лева пили. Не використовуйте цю руку для різання шматків, які занадто малі, щоб їх можна було надійно затиснути або втримати рукою. Якщо ваша рука знаходиться занадто близько до лева пили, існує підвищений ризик отримання травми від контакту з лезом.
- **Заготовка має бути міцно затиснутою або прикріпленою як до обмежувача, так і до столу. Ні в якому разі не подавайте заготовку до лева та не ріжте "від руки"** Незакріплені чи рухомі заготовки можуть бути викинуті з великою швидкістю та завдати травм.
- **Штовхайте пилу крізь заготовку. Не тягніть пилу крізь заготовку. Щоб зробити розріз, підніміть головку пили і витягніть її над заготовкою без різання, запусіть двигун, натисніть головку пили вниз і штовхайте пилу крізь заготовку** Різання на витягуванні, ймовірно, призведе до того, що лево пили підніметься на заготовку і з силою відкине вузол диска до оператора.
- **Ніколи не перетинайте рукою намічену лінію розрізу ні спереду, ні ззаду лева пили** Тримати

заготовку "схрещеними руками", тобто тримати заготовку праворуч від пильного диска лівою рукою та напалки, дуже небезпечно.

- **Не простягайте руку за обмежувач ближче ніж на 100 мм з обох сторін лева пили, щоб видалити деревні обрізки, або з будь-якої іншої причини, коли лево обертається** Наближення лева пили, що обертається, до Вашої руки може бути неочевидним, і Ви можете отримати серйозну травму.
- **Огляньте заготовку перед різанням** якщо заготовка вигнута або деформована, затисніть її зовнішньою вигнутою стороною до обмежувача. Завжди стенте за тим, щоб між заготовкою, обмежувачем і столом не було зазору по лінії розрізу
- **Вигнуті або деформовані заготовки можуть скручуватися або зміщуватися і можуть затиснути полотно лева пили під час різання.** Заготовка не має містити в собі цвяхів або сторонніх предметів.
- **Не використовуйте пилку, поки стіл не очищено від усіх інструментів, обрізків деревини тощо, за винятком заготовки** Дрібне сміття або незакріплені шматки дерева або інших предметів, що контактують з лезом, можуть бути кинуті з високою швидкістю.
- **Ріжте тільки одну заготовку за раз** Складені кілька заготовок не можуть бути належним чином затиснуті або закріплені і можуть затиснути лево або зсунутися під час різання.
- **Перед використанням переконайтеся, що торцювальна пила закріплено або встановлено на рівній твердій робочій поверхні.** Рівна і тверда робоча поверхня знижує ризик того, що торцювальна пила буде нестабільною.
- **Плануйте свою роботу!** Кожен раз, коли ви змінюєте налаштування кута нахилу або фаски, переконайтеся, що регульований обмежувач встановлено правильно для підтримки заготовки і він не завантажить лезу або системи захисту
- **Не вмикаючи інструмент та без заготовки на столі, перемістіть лево пили, імітуючи повний розріз, щоб переконалися, що не буде ніяких перешкод або небезпек розрізання обмежувача.**
- **Забезпечте адекватну підтримку, таку як подовжувачі столів, носли для планіяння, та інше для заготовки, яка ширше або довше стільниці.** Заготовки більшої довжини чи ширини, ніж стіл для торцювальної пили, можуть перекоситися, якщо вони не будуть надійно закріплені. В кінці відрізу деталь або заготовка може підняти нижній запобіжник або бути кинута обертювим лезом.
- **Не використовуйте іншу людину в якості заміни подовжувача столу або в якості додаткової опори** Нестабільна опора для заготовки може привести до затискання лева або зміщення заготовки під час різання, втягуючи Вас і помічника в обертюве лево.
- **Відрізувана деталь не має бути затиснута або притиснута будь-яким чином до обертювого лева пили** Якщо вона обмежена, наприклад, за допомогою обмежувачів довжини, відрізна деталь може заклинити лево та відлетіти з великою швидкістю.
- **Завжди використовуйте затиснач або пристосування, призначене для правильної підтримки круглого матеріалу, такого як стрижні або труби** Стрижні які мають тенденцію котитися під час різання, змушуючи лево "закушувати" і затягувати матеріал разом з рукою під лево.

- **Дайте лезу набрати повної швидкості обертання до контакту із заготовкою** Це зменшить ризик того, що заготовку буде кинуте.
- **Якщо заготовку або лезо заклинило, вимкніть торцювальну пилу. Дочекайтеся зупинки всіх рухомих частин, від'єднайте вилку від джерела живлення та/або вийміть акумулятор. Потім вивільніть матеріал, що заклинив** Продовження пиляння заклиненої заготовки може призвести до втрати контролю або пошкодження торцювальної пили.
- **Після завершення розрізу вимкніть перемикач, утримуйте головку пилки опущеною і почекайте, поки лезо зупиниться, перш ніж виймати відрізану частину** Тягнувшись рукою до леза, що обертається, небезпечно.
- **Міцно тримайте ручку при виконанні неповного розрізу або при вимкнанні перемикача до того, як головка пили повністю опуститься** Гальмівна дія пили може привести до того, що головка раптово опуститься, що може призвести до травми.

ДОДАТКОВІ ВНАЗІВКИ З ТЕХНІКИ БЕЗПЕКИ

- Кидки струму викликають короточасні перепади напруги; при несприятливих умовах енергозабезпечення можливий вплив на інше встаткування (якщо імпеданс системи нижче 0,464 Ом, малоімовірне виникнення несправностей); якщо вам потрібні додаткові роз'яснення, ви можете звернутися в місцеву організацію енергопостачання

ЗАГАЛЬНЕ

- Використовуйте цей інструмент лише для розпилювання деревини
- Перед роботою перевірте відповідність струму в мережі із струмом, позначені на інструменті
- **Не стійте на інструменті або його підставці** Перекидання інструменту або випадковий контакт з інструментом можуть призвести до серйозних травм. Не зберігайте матеріали на інструменті або поруч з ним таким чином, щоб до них можна було дотягнутися, лише стоячи на інструменті або його підставці.
- **Перед регулюванням або заміною приладдя обов'язково вийміть вилку із сітьової розетки**
- **Завжди від'єднуйте вилку від джерела живлення перед транспортуванням торцювальної пили** Від'єднайте вилку, опустіть вузол головки і зафіксуйте її в потрібному положенні, використовуйте ручку для перенесення і одне з заглиблень для руки в основі пилки.
- **Не залишайте інструмент без нагляду до тих пір, поки він повністю не зупиниться**
- **При різанні заготовок неправильної форми плануєте свою роботу так, щоб вони не зісхували, не защемляли лезо і не виривалися з Вашої руки**
- Цей інструмент не можна використовувати особам віком до 16 років
- Цей інструмент не підходить для мокрого розпилювання

ВИКОРИСТАННЯ ПОЗА ПРИМІЩЕННЯМ

- При роботі на дворі підключайте інструмент через запобіжник короткого замикання (FI) із максимальним пусковим струмом 30 мА та

використовуйте подовжувач, призначений для зовнішніх робіт, що обладнаний захистом від бризів

ПЕРЕД ВИКОРИСТАННЯМ

- Використовуйте повністю розгорнений шнур подовжувача, який може витримувати навантаження в 16 Ампер
- Одягайте захисні окуляри, засоби захисту волосся, та захисні рукавички
- Пил від таких матеріалів, як свинцовотримуюча фарба, деякі породи дерева, мінерали і метал, може бути шкідливим (контакт із таким пилом або його вдихання може стати причиною виникнення в оператора або осіб, що перебувають поруч, алергійних реакцій і/або респіраторних захворювань); **надягайте респіратор і працюйте з пиловидальючим пристроєм під час увімкнення інструмента**
- Деякі види пилу класифікуються як канцерогенні (наприклад, дубовий або буковий пил), особливо в сполученні з добавками для кондиціонування деревини; **надягайте респіратор і працюйте з пиловидальючим пристроєм під час увімкнення інструмента**
- Слідуйте інструкціям по роботі з матеріалами, продуцями пил
- **Не обробляйте матеріали, що містять асбест** (асбест вважається канцерогенним)
- Ніколи не використовуйте цей інструмент без оригінальної системи захисних обмежувачів
- Перед кожним використанням перевіряйте правильність закриття захисного кожуха
- Забороняється використовувати пилку, якщо захисний кожух не рухається вільно та одразу не закривається
- Забороняється фіксувати чи прив'язувати захисний кожух у відкритому положенні
- Забороняється використовувати інструмент без вставки стола; замініть дефектну чи зношену вставку стола
- Перш ніж почати розпилювання, видаліть всі перешкоди на поверхні та під лінією розпилю
- Не допускайте пошкоджень, які можуть нанести шурупи, цвяхи і інші елементи вашою виробу; видаліть їх перед початком роботи

АНКСЕСУАРИ

- Ніколи не використовуйте в цьому інструменті фідувальні / ріжучі диски
- SKIL гарантує надійну роботу інструмента тільки при використанні відповідного приладдя, які можна отримати у Вашого дилера фірми SKIL
- При установці/використанні насадок не від фірми SKIL, дотримуйтеся інструкцій відповідного заводу-виробника
- Використовуйте лише пиляльні диски, що відповідають характеристикам, зазначеним в цій інструкції, перевірені за EN 847-1 та мають відповідне маркування
- Використовуйте лише приладдя, припустима швидкість обертання якого як мінімум відповідає найвищій швидкості інструмента без навантаження
- Ніколи не використовуйте леза, виготовлені з швидкохідною сталлю (HSS)
- Не використовуйте тупі, деформовані та поламані пилки
- Використовуйте леза з отвором, який точно відповідає шпинделю інструмента без люфту;

забороняється використовувати муфти чи перехідники для прилаштування лез з отвором більшого діаметру

- Бережіть насадки від ударів, струсів і мастила

ПІД ЧАС ВИКОРИСТАННЯ

- **Використовуючи інструмент, не докладайте надмірного зусилля** (зусилля має бути помірним та постійним, щоб запобігти перегріванню вістря леза та, якщо розрізаються пластикові деталі, плавленню пластика)
- Тримайте пальці та руки подалі від леза, що обертається
- Якщо лезо застрягло, негайно вимкніть інструмент і вийміть вилку з розетки; лише після цього витягніть заблоковану заготовку
- У випадку електричної чи механічної несправності негайно вимкніть інструмент та вийміть вилку з розетки
- Якщо шнур пошкоджений або прорізаний при роботі, не доторкайтеся до нього і негайно витягніть його з розетки
- Категорично забороняється користуватися інструментом при пошкодженні електричного шнура; заміна на аналогічний підготовлений шнур повинна проводитися організацією з обслуговування.

ЛАЗЕРНЕ ВИПРОМІНЮВАННЯ

- **Не направляйте лазерний промінь на людей або тварин, і самі не дивіться на прямий або відображений лазерний промінь** (він може засліпити інших людей, спричинити нещасні випадки або пошкодити очі)
- У разі потрапляння лазерного променя в око, навмисне заплющіть очі і відразу відверніться від променя
- Нічого не міняйте в лазерному пристрої
- Не дивіться в промінь лазера (лазерне випромінювання)
- Не дивіться на промінь лазера через будь-які оптичні прилади (такі як збільшувальне скло, телескоп чи бінокль)
- Не користуйтеся приладом у місцях, де є займісті рідини, газу чи пилу
- Не користуйтеся приладом, коли поруч є діти
- Не замінюйте встановлений лазер лазером іншого типу

ПІСЛЯ ВИКОРИСТАННЯ

- Після вимкнення інструмента ніколи не намагайтесь зупинити обертання насадок за допомогою прикладання поперечної сили
- Прибирайте обрізки чи інші частини заготовки із зони різання лише після того, коли всі рухомі частини повністю зупиняться
- лезо пилки сильно нагрівається під час роботи; не торкайтеся леза, поки воно не охолоне
- Зберігати інструмент у **приміщенні** в сухому, не доступному для дітей місці

ПОЯСНЕННЯ ДО УМОВНИХ ПОЗНАЧОК НА ІНСТРУМЕНТІ

- ② Перед використанням прочитайте інструкцію із застосування
- ③ Одягайте захисні окуляри та засоби захисту волосся
- ④ **Небезпечна зона / Зона без рун. Не наближайте руки, пальці або передпліччя до цієї зони.**
- ⑤ Подвійна ізоляція (заземлюючий провід не потрібен)
- ⑥ Не викидайте електроінструмент та батареї разом зі звичайним сміттям

⑦ Лазерне випромінювання / Не дивіться в промінь / Лазерний продукт 2 класу

ВИКОРИСТАННЯ

- **Монтаж**
 - скріпіть транспортну ручку болтами 2за допомогою шестигранного ключа АК⑨
 - вставте ручку фіксатора торцювальної пили АВ в передню частину столу ⑩
- **Положення для транспортування/роботи**
Відпускання інструмента (**положення для роботи**):
 - натисніть ручку В вниз однією рукою, одночасно витягуючи стопорний штифт С іншою рукою ⑪а
 - повільно піднімайте вузол головки
 - для розпилювання ковзними рухами ослабте стопорну ручку АЕ ⑪b**Фіксування інструмента (положення для транспортування):**
 - посуňte головку в зборі до упору в напрямку обмежувача S і затягніть стопорну ручку АЕ ⑪ c
 - натисніть кут фаски на 0° (див. розділ Налаштування кута фаски)
 - встановіть кут торцювання на 45° вліво або вправо (див. розділ Установка кута торцювання)
 - натисніть ручку В вниз однією рукою, одночасно натискаючи стопорний штифт С іншою рукою
 - намотайте шнур живлення
 - використовуйте транспортну ручку Е для перенесення інструменту ⑪d
 - крім того, використовуйте бічні ручки для перенесення інструменту ⑪e**! ніколи не піднімайте інструмент, тримаючись за основну ручку або шнур живлення**
- **Встановлення інструмента на робочу поверхню ⑫**
! для безпеки використання завжди встановлюйте інструмент на рівну та стійку робочу поверхню (наприклад, верстак)
 - використовуйте 4 монтажні отвори F для кріплення інструмента до робочої поверхні відповідними гвинтами
 - можна також кріпити інструмент до робочої поверхні за допомогою наявних у продажу струбцин
 - для стабілізації інструменту можна регулювати висоту опорної ніжки G
 - в якості альтернативи інструмент можна встановити на підставку для торцювальної пили**! прочитайте всі попередження та інструкції, що додаються до підставки для пили**
- **Прибирання обрізків/стружки ⑬**
 - прикріпіть мішок для пилу H/пилосос, як показано на малюнку
 - регулярно спороняйте мішок для оптимального засмоктування пилу**! не дозволяйте шлангу пилососа заваяти функціонуванню нижнього обмежувача або розпилюванню**
- **Розширення столу пили ⑭**
 - використовуйте ручки L для кріплення подовжувачів K (з обох сторін інструменту)
 - довжина подовжувачів K плавно регулюється від мінімальної до максимальної

- Фіксація заготовки ⑮
 - ! для забезпечення оптимального рівня безпеки під час роботи завжди міцно фіксуйте заготовку за допомогою регульованого затискача з комплекту

- забороняється працювати із заготовками, які є надто малими для кріплення
- дані про **максимальні** розміри заготовок див. таблицю ⑮
- закріпіть затискач заготовки в опорному отворі N за допомогою ручки P (з обох сторін інструменту)
- використовуйте 1 з 2 канавок; для товщини заготовки до 4 см і товщини заготовки більше 4 см
- міцно притисніть заготовку до обмежувача S
- важіль розблокування R
- пристосуйте затискач до заготовки
- міцно затисніть заготовку фіксуючим важелем R

! для деяких комбінацій нахилів та фасок або залежно від розміру заготовки може знадобитися використовувати гвинтові затискачі інших виробників замість комплектного затискача заготовки

- Встановлення горизонтальних кутів скосу ⑰

- послабте ручку фіксатора АВ
- натискний важіль фіксатора нахилу АС
- поверніть стіл пили вліво або вправо і встановіть бажаний кут нахилу (від 0° до 47°) за допомогою індикатора AD
- відпустіть важіль АС
- затягніть ручку фіксатора АВ (не затягуйте ручку занадто сильно)
- для швидкої і точної установки часто використовуваних кутів нахилу (0°, 15°, 22.5°, 31.6°, 45°) важіль фіксації кута нахилу фіксується у відповідних положеннях

- Встановлення кутів фаски ⑱

- послабте триниогу ручку U ⑱b
- повертайте головку пили вліво до тих пір, поки індикатор кута фаски V не вкаже на потрібний кут фаски
- тримайте головку пили в цьому положенні і затягніть ручку U

- Комбіновані розрізи ⑲

- комбіновані розрізи вимагають установлення як горизонтального, так і вертикального кутів скосу
- ! не використовуйте пилу в деяких комбінаціях фаски і нахилу, які можуть призвести до виникнення перешкод між ковзними і нерухомими частинами пили або між ковзними частинами і заготовкою

! завжди спочатку тестуйте на взірці металобрухту

- Лінія лазеру ⑳

- для спрямування інструменту поздовж необхідній лінії розрізу, яка накреслена на виробі
- включати та виключати лінія лазеру за допомогою натискання кнопки AA
- лазер вирівнюється по лівій стороні розрізу
- горизонтальне вирівнювання лазера можна легко відрегулювати за допомогою гвинта Y

! до початку роботи, перевірте чи співпадає лінія лазеру із наміченою лінією пропилу та зробіть пробний надріз на непотрібному шматочку матеріалу

- Розпилювання без ковзних рухів (малі вироби)

- послабте ручку фіксатора АЕ у випадку, якщо вона зятагнута

- зосуньте головку пили до упору в напрямку обмежувача S і знову затягніть ручку фіксатора АЕ

! якщо не заблокувати механізм, то лезо може раптово заскочити на верхню частину заготовки та рухатиметься у бік оператора

- установіть інструмент у робоче положення

! переконайтеся, що заготовка міцно прикріплена до розпилювального стола та обмежувача S

- увімкніть інструмент, відпустивши блокування АG і потягнувши за головний вимикач АF ⑳

! не перехресуйте руки при роботі з головною пилою ⑳a

- розпиляйте заготовку із рівномірним просуванням

! перш, ніж лезо пили торкнеться виробу, інструмент має працювати на повну швидкість

- вимкніть інструмент, відпустивши вимикач АF

- зачекайте, поки лезо пили повністю зупиниться, перш ніж повільно підняти головку пили

- Розпилювання з ковзним рухом (широкі заготовки)

! пам'ятайте, що описаний далі метод є єдиним безпечним методом

- не тягніть пилу крізь заготовку

- послабте ручку фіксатора АЕ у випадку, якщо вона зятагнута

! переконайтеся, що заготовка міцно прикріплена до розпилювального стола та обмежувача S

- відсуньте головку пили від обмежувача S на таку відстань, щоб лезо пили знаходилося перед заготовкою ㉑

- увімкніть інструмент, натиснувши на запобіжний важіль АG і потягнувши за головний вимикач АF ㉑

! не перехресуйте руки при роботі з головною пилою ㉑a

- штовхайте головку пили у напрямку до обмежувача S та розпиліть заготовку із рівномірним просуванням ㉑

! перш, ніж лезо пили торкнеться виробу, інструмент має працювати на повну швидкість

! якщо нижній кожух не відкривається автоматично, що може статися за певних умов (наприклад, заготовка, розмір якої дуже близький до максимального), Вам, можливо, доведеться відкрити кожух вручну ㉑b

- вимкніть інструмент, відпустивши вимикач АF

- зачекайте, поки лезо пили повністю зупиниться, перш ніж повільно підняти головку пили

- Випилювання прорізів ㉒

- встановіть потрібну глибину за допомогою обмежувача глибини АН і зафіксуйте на місце, затагнувши гайку АJ

- дерев'яна прокладка має бути поміщена між заготовкою і обмежувачем на постійну глибину по всій довжині канавки

! переконайтеся, що лезо не застрягає в заготовці

! завжди спочатку тестуйте на взірці металобрухту

- Заміна леза пили 25
 - ! **вийняти вилку з розетки**
 - візьміть шестигранний ключ АК з контейнера AL
 - тримаючи захисний кожух А у відкритому положенні
 - послабте гвинт кришки AN (не викручуйте гвинт повністю) 25a
 - поверніть захисний кожух А повністю назад 25b
 - натисніть кнопку блокування шпинделя AM та утримуйте її, доки не знімете болт леза АО, повертаючи монтажний шестигранний ключ АК
 - ЗА ГОДИННИКОВОЮ СТРІЛКОЮ** (= у напрямку стрілки, зображеної на лезі пилки)
 - ! **натисніть кнопку блокування шпинделя AM, тільки коли жодний елемент інструмента не рухається**
 - відпустіть кнопку блокування шпинделя AM
 - зніміть фланець AP і лезо пилки
 - ! **замінійте лезо пилки, встановлюючи його таким чином, щоб зубці та стрілка на лезі вказували в тому ж напрямку, що й стрілка на захисному кожуху А**
 - встановіть фланець AP 25c
 - натисніть кнопку блокування шпинделя AM і утримуйте її, поки ви затягуєте болт леза, повертаючи шестигранний ключ АК ПРОТИ ГОДИННИКОВОЇ СТРІЛКИ на 1/8 обороту щільніше ніж можна пальцями (забезпечує прослизання полотна леза, коли воно стикається з надмірним опором, таким чином зменшуючи переважання двигуна і віддачу пили)
 - затягніть гвинт захисної панелі AN
- Заміна вставки стола 26
 - Процедура заміни дефектної чи спрацьованої вставки стола:
 - ! **вийняти вилку з розетки**
 - візьміть шестигранний ключ АК з контейнера AL
 - викрутіть усі 6 гвинти, як показано на малюнку
 - зніміть стару вставку стола, посуваючи її спочатку вперед, а потім витягнувши її повністю
 - вставте нову вставку стола
 - ! **міцно затисніть усі 6 гвинтів**
- Перевірка/регулювання вирівнювання леза на 90° 27
 - ! **вийняти вилку з розетки**
 - поверніть стіл пили в положення нахилу 0° і зафіксуйте його на місці
 - поверніть головку пили в положення фаски 0°
 - опустіть головку пили і зафіксуйте її на місці
 - перевірте наявність кута 90° між лезом і столом за допомогою косинця
 - за потреби, встановіть лезо на 90° таким чином:
 1. відпустіть ручку триноги U
 2. регулювальний гвинт W з лезовим ключем на 10 (не входить в стандартну комплектацію) (
 3. перевірте ще раз з квадратом
 4. скиньте індикатор фаски V на 0°
- Перевірка/регулювання вирівнювання леза на 45° 28
 - ! **вийняти вилку з розетки**
 - поверніть стіл пили в положення нахилу 0° і зафіксуйте його на місці
 - відпустіть ручку триноги U
 - поверніть головку пилки вліво
 - перевірте наявність кута 45° між лезом і столом за допомогою малки

- перевірте, щоб індикатор вертикальних кутів скосу V був на позначці 45°
- за потреби, встановіть лезо на 45° таким чином:
 1. відрегулюйте гвинт X лезовим ключем на 10 (не входить в стандартну комплектацію)
 2. повторно перевірте кут косинцем
- Перевірка/регулювання вирівнювання обмежувача на 90° 29
 - ! **вийняти вилку з розетки**
 - поверніть стіл пили в положення нахилу 0° і зафіксуйте його на місці
 - опустіть головку пили і зафіксуйте її на місці
 - перевірте кут 90° між лезом і обмежувачем S за допомогою квадрата (переконайтеся, що квадрат контактує з корпусом леза пили, а не з його зубцями) 29 a
 - за потреби, встановіть обмежувач на 90° таким чином:
 1. відпустіть 2 шестигранних гвинта T 29b
 2. відрегулюйте обмежувач, доки лезо та обмежувач не торкатимуться косинця всією площиною
 3. затягніть 2 шестигранних гвинта T
 4. скиньте індикатор нахилу на 0° 29c

ПОРАДИ ПО ВИКОРИСТАННЮ

- Спеціальні заготовки
 - завжди тримайте на опорах вільні кінці довгої заготовки 30
 - переконайтеся, що фігурні чи круглі заготовки зафіксовані особливо міцно, щоб запобігти їх ковзанню 31
 - на лінії різання не має бути щілин між заготовкою та обмежувачем або розпилювальним столом
 - за потреби виготовте допоміжний обмежувач; отвори в рухомому обмежувачі мають бути використані для кріплення допоміжного обмежувача 32
- ! **допоміжний обмежувач можна використовувати тільки при фасці 0°**
- Робота з плінтусами, див. малюнок 33
- Завжди розташовуйте виріб лицьовою стороною донизу, щоб забезпечити мінімальний ризик розколювання
- Використовуйте лише гострі леза пили відповідного типу
 - якість розпилювання покращується зі збільшенням кількості зубів леза
 - твердосплавні леза залишаються гострими у 30 разів довше, ніж звичайні леза

ДОГЛЯД/ОБСЛУГОВУВАННЯ

- Завжди тримайте інструмент і дріт живлення чистими (особливо вентиляційні отвори на задній частині корпусу двигуна)
- Регулярно перевіряйте, що нижній кожух працює належним чином. Очищайте нижній кожух від тирси, що накопичується, вологою тканиною.
- ! **перед чистою інструменту необхідно роз'єднати штепсельний роз'єм**
- підніміть нижній кожух у повністю відкрите положення та відпустіть його; якщо він не відразу

і повністю закривається, його слід перевірити в сервісному центрі післяпродажного обслуговування електроінструментів SKIL

- Прочистіть лезо пили негайно після використання (особливо від залишків резини та клею)
! лезо пилки сильно нагрівається під час роботи; не торкайтеся леза, поки воно не охолоне
- Очищайте лазерний промінь АС м'якою щіткою після кожного використання, щоб забезпечити хорошу видимість лазерної лінії (переконайтеся, що ви не змінюєте налаштування лазера)
- Якщо незважаючи на ретельну технологію виготовлення і перевірки інструмент все-таки вийде з ладу, його ремонт дозволяється виконувати лише в авторизованій сервісній майстерні для електроприладів SKIL
 - надішліть **нерозібраний** інструмент разом з доназом купівлі до Вашого дилера або до найближчого центру обслуговування SKIL (адреси, а також діаграма обслуговування пристрою, подаються на сайті www.skil.com)
- Візьміть до відома, що ушкодження внаслідок перевантаження або неналежного поводження з інструментом не будуть включені в гарантію (умови гарантії SKIL див. на сайті www.skil.com або довідайтеся в дилера у Вашому регіоні)

ОХОРОНА НАВКОЛИШНЬОЇ СЕРЕДИ

- **Не викидайте електроінструмент, батареї, належності та упакування разом зі звичайним сміттям** (тільки для країн ЄС)
 - відповідно до європейської директиви 2012/19/ЄС щодо утилізації старих електричних та електронних приладів, в залежності з місцевим законодавством, електроінструмент, який перебував в експлуатації повинен бути утилізований окремо, безпечним для навколишнього середовища шляхом
 - малюнок ⑥ нагадає вам про це

ШУМ

- Вимірний відповідно до EN 62841 рівень звукового тиску для цього інструменту становить 100,0 дБ(А), а рівень звукової потужності 109,5 дБ(А) (коефіцієнт неточності K = 3 дБ)
- Рівень шуму був вимірний відповідно до стандартизованого випробування, наведеного в EN 62841; він може бути використаний для порівняння одного інструменту з іншим і в якості попередньої оцінки впливу шуму при використанні інструменту для зазначених застосувань
 - при використанні інструмента в інших цілях або з іншими/несправними допоміжними пристосуваннями рівень впливу вібрації може значно **підвищуватися**
 - у періоди, коли інструмент вимикнений або функціонує без фактичного виконання роботи, рівень впливу вібрації може значно **знижуватися**

Кину́мено фалтсопріоно 1310

ΕΙΣΑΓΩΓΗ

- Αυτό το εργαλείο προορίζεται για χρήση ως σταθερός μηχανισμός για κοπή ξύλου κατά μήκος και χιαστί με ευθεία ή υπό γωνία κοψίματα (είναι δυνατές οι οριζόντιες φалтσογωνίες από -47° έως +47° καθώς και οι κατακόρυφες γωνίες λοξοτομής από 0° έως 45°)
- Διαβάστε και φυλάξτε αυτές τις οδηγίες χρήσεως ②
- Αυτό το εργαλείο δεν προορίζεται για επαγγελματική χρήση
- **Να χρησιμοποιείτε το εργαλείο μόνο εφόσον είναι συναρμολογημένο άρτια και σωστά** (να έχετε υπ' όψη σας ότι η Skil δε μπορεί να θεωρηθεί υπεύθυνη για τυχόν βλάβη στο εργαλείο και/ή ατομικό τραυματισμό λόγω εσφαλμένης συναρμολόγησης του εργαλείου)

ΤΕΧΝΙΚΑ ΧΑΡΑΚΤΗΡΙΣΤΙΚΑ ①

ΜΕΡΗ ΤΟΥ ΕΡΓΑΛΕΙΟΥ ⑧

- A** Κάτω προφυλακτήρας
- B** Λαβή διακόπτη
- C** Ακίδα ασφάλισης για μεταφορά
- D** Άνω προφυλακτήρας
- E** Λαβή μεταφοράς
- F** Οπές ανάρτησης
- G** Πόδι υποστήριξης
- H** Σάκκο συλλογής σκόνης
- J** Στόμιο εξαγωγής σκόνης
- K** Ράβδοι επέκτασης
- L** Περιστρεφόμενος διακόπτης για το κλειδωμα των ράβδων επέκτασης
- M** Σφιγκτήρας για ανάρτηση κομματιού εργασίας
- N** Οπή υποστήριξης
- P** Περιστρεφόμενος διακόπτης για συγκράτηση σφιγκτήρα
- Q** Περιστρεφόμενος διακόπτης για προσαρμογή σφιγκτήρα
- R** Μοχλός μανδάλωσης
- S** Οδηγός
- T** Εξάγωνες βίδες για προσαρμογή του οδηγού (2x)
- U** Περιστρεφόμενος διακόπτης ασφάλισης (γωνίες λοξοτομής)
- V** Δείκτης γωνίας λοξοτομής
- W** Βίδα για προσαρμογή γωνίας λοξοτομής (δεξιά)
- X** Βίδα για προσαρμογή γωνίας λοξοτομής (αριστερά)
- Y** Βίδα ρύθμισης λέιζερ
- Z** Φωτεινή δέσμη λέιζερ
- AA** Λέιζερ διακόπτη ενεργοποίησης/απενεργοποίησης
- AB** Λαβή ασφάλισης (φαλтσογωνίες)
- AC** Μοχλός απελευθέρωσης συγκράτησης φалтσοκοπής
- AD** Δείκτης φалтσογωνίας
- AE** Διακόπτης στερέωσης της συσκευής ολιόθησης
- AF** Διακόπτης εκκίνησης/στάσης
- AG** Μοχλός ασφαλείας
- AH** Περιοριστής βάθους κοπής
- AI** Στοπ (τέρμα) βάθους
- AJ** Παξιμάδι στοπ βάθους
- AK** Εξάγωνο κλειδί

- AL Θέση αποθήκευσης του εξάγωνου κλειδιού
- AM Κουμπί ασφάλισης της άτρακτου
- AN Βίδα καλύμματος
- AO Κοχλίας δίσκου
- AP Φλάντζα
- AQ Παρέμβλημα τραπεζιού
- AR Εκτροπέας σκόνης

ΑΣΦΑΛΕΙΑ

ΓΕΝΙΚΕΣ ΥΠΟΔΕΙΞΕΙΣ ΑΣΦΑΛΕΙΑΣ ΓΙΑ ΗΛΕΚΤΡΙΚΑ ΕΡΓΑΛΕΙΑ

ΠΡΟΕΙΔΟΠΟΙΗΣΗ Διαβάστε όλες τις προειδοποιήσεις ασφαλείας καθώς και τις οδηγίες, εικόνες και προδιαγραφές που παρέχονται με αυτό το ηλεκτρικό εργαλείο. Αμέλεια τήρησης όλων των οδηγιών που παρατίθενται παρακάτω μπορεί να προκαλέσει ηλεκτροπληξία, πυρκαγιά ή/και σοβαρό τραυματισμό.

Φυλάξτε όλες τις υποδείξεις ασφαλείας και τις οδηγίες για το μέλλον.

Ο ορισμός "ηλεκτρικό εργαλείο" που χρησιμοποιείται στις προειδοποιητικές υποδείξεις αναφέρεται σε ηλεκτρικά εργαλεία που τροφοδοτούνται από το ηλεκτρικό δίκτυο (με ηλεκτρικό καλώδιο) καθώς και σε ηλεκτρικά εργαλεία που τροφοδοτούνται από μπαταρία (χωρίς ηλεκτρικό καλώδιο).

1) ΑΣΦΑΛΕΙΑ ΣΤΟ ΧΩΡΟ ΕΡΓΑΣΙΑΣ

- a) **Διατηρείτε το χώρο που εργάζεστε καθαρό και καλά φωτισμένο.** Αταξία στο χώρο που εργάζεστε ή μη φωτισμένες περιοχές εργασίας μπορεί να οδηγήσουν σε ατυχήματα.
- b) **Μην εργάζεστε με το ηλεκτρικό εργαλείο σε περιβάλλον που υπάρχει κίνδυνος έκρηξης, στο οποίο υπάρχουν εύφλεκτα υγρά, αέρια ή σκόνη.** Τα ηλεκτρικά εργαλεία μπορεί να δημιουργήσουν σπινθηρισμό ο οποίος μπορεί να αναφλέξει τη σκόνη ή τις αναθυμιάσεις.

- c) **Όταν χρησιμοποιείτε το ηλεκτρικό εργαλείο κρατάτε τα παιδιά κι άλλα τυχόν πρόσωπα μακριά από το χώρο που εργάζεστε.** Σε περίπτωση που άλλα άτομα αποσπάσουν την προσοχή σας μπορεί να χάσετε τον έλεγχο του μηχανήματος.

2) ΗΛΕΚΤΡΙΚΗ ΑΣΦΑΛΕΙΑ

- a) **Το φως του καλωδίου του ηλεκτρικού εργαλείου πρέπει να ταιριάζει στην αντίστοιχη πρίζα. Δεν επιτρέπεται με κανένα τρόπο η μετασκευή του φως. Μη χρησιμοποιείτε προσαρμοστικά φως σε συνδυασμό με ηλεκτρικά εργαλεία συνδεδεμένα με τη γη (γειωμένα).** Αθικτα φως και κατάλληλες πρίζες μειώνουν τον κίνδυνο ηλεκτροπληξίας.
- b) **Αποφεύγετε την επαφή του σώματός σας με γειωμένες επιφάνειες όπως σωλήνες, θερμαντικά σώματα (καλοριφέρ), κουζίνες και ψυγεία.** Όταν το σώμα σας είναι γειωμένο αυξάνεται ο κίνδυνος ηλεκτροπληξίας.
- c) **Μην εκθέτετε το ηλεκτρικό εργαλείο στη βροχή ή την υγρασία.** Η διείσδυση νερού στο ηλεκτρικό εργαλείο αυξάνει τον κίνδυνο ηλεκτροπληξίας.
- d) **Μη χρησιμοποιείτε το καλώδιο για να μεταφέρετε ή ν' αναρτήσετε το ηλεκτρικό εργαλείο ή για να βγάλετε το φως από την πρίζα. Κρατάτε το**

καλώδιο μακριά από υψηλές θερμοκρασίες, λάδια, κοφτερές ακμές ή κινούμενα εξαρτήματα. Τυχόν χαλασμένα ή υπερδεμένα καλώδια αυξάνουν τον κίνδυνο ηλεκτροπληξίας.

- e) **Όταν εργάζεστε με το ηλεκτρικό εργαλείο στο ύπαιθρο χρησιμοποιείτε πάντοτε καλώδια επιμήκυνσης (μπαλαντάζες) που έχουν εγκριθεί για χρήση σε εξωτερικούς χώρους.** Η χρήση καλωδίων επιμήκυνσης εγκριμένων για εργασία σε εξωτερικούς χώρους μειώνει τον κίνδυνο ηλεκτροπληξίας.
 - f) **Όταν η χρήση του ηλεκτρικού εργαλείου σε υγρό περιβάλλον είναι αναπόφευκτη, τότε χρησιμοποιήστε έναν προστατευτικό διακόπτη διαρροής.** Η χρήση ενός προστατευτικού διακόπτη διαρροής ελαττώνει τον κίνδυνο ηλεκτροπληξίας.
- #### 3) ΑΣΦΑΛΕΙΑ ΠΡΟΣΩΠΩΝ
- a) **Να είστε πάντοτε προσεκτικός/προσεκτική, να δίνετε προσοχή στην εργασία που κάνετε και να χειρίζεστε το ηλεκτρικό εργαλείο με περίσκεψη. Μην κάνετε χρήση του ηλεκτρικού εργαλείου όταν είστε κουρασμένος/κουρασμένη ή όταν βρίσκεσθε υπό την επιρροή ναρκωτικών, οινοπνεύματος ή φαρμάκων.** Μια στιγμιαία απροσεξία κατά το χειρισμό του ηλεκτρικού εργαλείου μπορεί να οδηγήσει σε σοβαρούς τραυματισμούς.
 - b) **Φοράτε προστατευτικά ενδύματα και πάντοτε προστατευτικά γυαλιά.** Όταν φοράτε ενδύματα ασφαλείας, ανάλογα με το υπό χρήση ηλεκτρικό εργαλείο, όπως προσωπίδα προστασίας από σκόνη, αντιολισθητικά παπούτσια ασφαλείας, κράνη ή ωατοπίδες, μειώνεται ο κίνδυνος τραυματισμών.
 - c) **Αποφεύγετε την αθέλητη εκκίνηση. Βεβαιωθείτε ότι το ηλεκτρικό εργαλείο έχει αποσυνεχτεί πριν το συνδέσετε με το ηλεκτρικό δίκτυο ή/και με την μπαταρία καθώς και πριν το παραλάβετε ή το μεταφέρετε.** Όταν μεταφέρετε το ηλεκτρικό εργαλείο έχοντας το δάχτυλό σας στο διακόπτη ή όταν συνδέσετε το μηχανήμα με την πηγή ρεύματος όταν αυτό είναι ακόμη συζευγμένο, τότε δημιουργείται κίνδυνος τραυματισμών.
 - d) **Αφαιρείτε από τα ηλεκτρικά εργαλεία πριν τα θέσετε σε λειτουργία τυχόν συναρμολογημένα χρησιμοποιήσιμα εργαλεία ή κλειδιά.** Ένα εργαλείο ή κλειδί συναρμολογημένο στο περιστρεφόμενο εξάρτημα ενός ηλεκτρικού εργαλείου μπορεί να οδηγήσει σε τραυματισμούς.
 - e) **Μην υπερκτιμάτε τον εαυτό σας. Φροντίζετε για την ασφαλή στήριξη του σώματός σας και διατηρείτε πάντοτε την ισορροπία σας.** Αυτό σας επιτρέπει τον καλύτερο έλεγχο το ηλεκτρικού εργαλείου σε περιπτώσεις απροσδόκητων καταστάσεων.
 - f) **Φοράτε κατάλληλη ενδυμασία εργασίας. Μη φοράτε φαρδιά ρούχα ή κοσμήματα. Κρατάτε τα μαλλιά και τα ρούχα σας μακριά από κινούμενα εξαρτήματα.** Χαλαρή ενδυμασία, κοσμήματα και μακριά μαλλιά μπορεί να εμπλακούν στα κινούμενα εξαρτήματα.
 - g) **Αν υπάρχει η δυνατότητα συναρμολόγησης διατάξεων αναρρόφησης ή συλλογής σκόνης, βεβαιωθείτε αν οι διατάξεις αυτές είναι συνδεδεμένες καθώς κι αν χρησιμοποιούνται**

σωστά. Η χρήση μιας αναρρόφησης σκόνης μπορεί να ελαττώσει τον κίνδυνο που προκαλείται από τη σκόνη.

- h) **Μην εφησυχάζετε σε μια λάθος ασφάλεια και μην αφηφάτε τους κανόνες ασφαλείας για τα ηλεκτρικά εργαλεία, ακόμα και όταν μετά από συχνή χρήση είστε εξοικειωμένοι με το εργαλείο.** Ένας απρόσεκτος χειρισμός μπορεί μέσα σε κλάσματα του δευτερολέπτου να οδηγήσει σε σοβαρούς τραυματισμούς.
- 4) **ΧΡΗΣΗ ΚΙ ΕΠΙΜΕΛΗΣ ΧΕΙΡΙΣΜΟΣ ΤΩΝ ΗΛΕΚΤΡΙΚΩΝ ΕΡΓΑΛΕΙΩΝ**
- a) **Μην υπερφορτώνετε το ηλεκτρικό εργαλείο.** Χρησιμοποιείτε για την εκάστοτε εργασία σας το ηλεκτρικό εργαλείο που προορίζεται γι' αυτήν. Με το κατάλληλο ηλεκτρικό εργαλείο εργάζεσθε καλύτερα και ασφαλέστερα στην αναφερόμενη περιοχή ισχύος.
- b) **Μη χρησιμοποιείτε ποτέ ένα ηλεκτρικό εργαλείο του οποίου ο διακόπτης ON/OFF είναι χαλασμένος.** Ένα ηλεκτρικό εργαλείο το οποίο δεν μπορεί να τεθεί πλέον σε ή εκτός λειτουργίας είναι επικίνδυνο και πρέπει να επισκευαστεί.
- c) **Τραβήξτε το φιο από την πρίζα και/ή απομακρύνετε μια αποσπώμενη μπαταρία, προτού εκτελέσετε ρυθμίσεις στο ηλεκτρικό εργαλείο, προτού αλλάξετε εξαρτήματα ή φυλάξετε το ηλεκτρικό εργαλείο.** Αυτά τα προληπτικά μέτρα ασφαλείας μειώνουν τον κίνδυνο από τυχόν αθέλητη εκκίνηση του ηλεκτρικού εργαλείου.
- d) **Διαφυλάγετε τα ηλεκτρικά εργαλεία που δε χρησιμοποιείτε μακριά από παιδιά. Μην αφήνετε άτομα που δεν είναι εξοικειωμένα με το ηλεκτρικό εργαλείο ή δεν έχουν διαβάσει αυτές τις οδηγίες χρήσης να το χρησιμοποιήσουν.** Τα ηλεκτρικά εργαλεία είναι επικίνδυνα όταν χρησιμοποιούνται από άπειρα πρόσωπα.
- e) **Φροντίζετε τα ηλεκτρικά εργαλεία και τα εξάρτημα με επιμέλεια. Ελέγχετε, αν τα κινούμενα εξαρτήματα λειτουργούν άψογα, χωρίς να μπλοκάρουν, ή μήπως έχουν σπάσει ή φθαρεί τυχόν εξαρτήματα τα οποία επηρεάζουν τον τρόπο λειτουργίας του ηλεκτρικού εργαλείου. Δώστε αυτά τα χαλασμένα εξαρτήματα για επισκευή πριν τα ξαναχρησιμοποιήσετε.** Η κακή συντήρηση των ηλεκτρικών εργαλείων αποτελεί αιτία πολλών ατυχημάτων.
- f) **Διατηρείτε τα κοπτικά εργαλεία κοφτερά και καθαρά.** Τα κοπτικά εργαλεία που συντηρούνται με προσοχή μπορούν να οδηγήσουν εύκολα και να ελεγχθούν καλύτερα.
- g) **Χρησιμοποιείτε τα ηλεκτρικά εργαλεία, τα εξαρτήματα, τα χρησιμοποιήσιμα εργαλεία κτλ. σύμφωνα με τις παρούσες οδηγίες καθώς. Λαμβάνετε ταυτόχρονα υπόψη σας τις συνθήκες εργασίας και την υπό εκτέλεση εργασία.** Η χρήση του ηλεκτρικού εργαλείου για άλλες εκτός από τις προβλεπόμενες εργασίες μπορεί να δημιουργήσει επικίνδυνες καταστάσεις.
- h) **Διατηρείτε τις λαβές και επιφάνειες λαβής στεγνές, καθαρές και ελεύθερες από λάδι και γράσο.** Οι ολισθηρές λαβές και επιφάνειες λαβής δεν επιτρέπουν κανέναν ασφαλή χειρισμό και έλεγχο του ηλεκτρικού εργαλείου σε τυχόν απρόβλεπτες καταστάσεις.

5) ΣΕΡΒΙΣ

- a) **Δίνετε το ηλεκτρικό σας εργαλείο για επισκευή από άριστα ειδικευμένο προσωπικό, μόνο με γνήσια ανταλλακτικά.** Ετσι εξασφαλίζεται η διατήρηση της ασφάλειας του ηλεκτρικού εργαλείου.

ΟΔΗΓΙΕΣ ΑΣΦΑΛΕΙΑΣ ΓΙΑ ΦΑΛΤΣΟΠΡΙΟΝΑ

- Τα φάλτσοπρίονα προορίζονται για κοπή ξύλων και προϊόντων από παρεμφερή υλικά, δεν μπορούν να χρησιμοποιούνται με δίσκους λείανσης για την κοπή σιδηρούχων υλικών όπως ράβδους, στύλους, καρφιά κλπ. Η σκόνη από τη λείανση προκαλεί εμπλοκή στα κινούμενα μέρη όπως τον κάτω προφυλακτήρα. Οι σπινθήρες από τη λείανση θα κάψουν τον κάτω προφυλακτήρα, τον ένθετο αρμό κοπής και τα υπόλοιπα πλαστικά μέρη.
- Να χρησιμοποιείτε σφιγκτήρες για τη στερέωση του κομματιού εργασίας, όταν είναι εφικτό. Αν στηρίζετε το κομμάτι εργασίας με το χέρι, πρέπει πάντα να κρατάτε το χέρι σε απόσταση τουλάχιστον 100 mm εκατέρωθεν του δίσκου κοπής. Μην χρησιμοποιείτε αυτό το πριόνι για να κόψετε κομμάτια εργασίας που είναι πολύ μικρά και δεν μπορούν να στερεωθούν καλά ή να κρατηθούν με το χέρι. Αν το χέρι σας βρίσκεται πολύ κοντά στον δίσκο κοπής, υπάρχει αυξημένος κίνδυνος τραυματισμού από επαφή με τον δίσκο.
- Το κομμάτι εργασίας πρέπει να είναι σταθερό και να το έχετε στερεώσει ή να το κρατάτε κόντρα στον οδηγό και στο τραπέζι. Μην τροφοδοτείτε το κομμάτι εργασίας στον δίσκο ούτε να κόβετε στιδήποτε "με τα χέρια". Τα κομμάτια εργασίας που δεν είναι στερεωμένα ή που κινούνται μπορούν να εκσφενδονιστούν με υψηλή ταχύτητα προκαλώντας τραυματισμό.
- Σπρώξτε το πριόνι μέσα από το κομμάτι εργασίας. Μην τραβάτε το πριόνι μέσα από το κομμάτι εργασίας. Για να κάνετε μια τομή, ανασηκώστε την κεφαλή κοπής και τραβήξτε την έξω και πάνω από το κομμάτι εργασίας χωρίς να κόψετε, ανοίξτε το μοτέρ, πιέστε την κεφαλή κοπής προς τα κάτω και σπρώξτε το πριόνι μέσα από το κομμάτι εργασίας. Αν κόβετε κατά τη διαδρομή έλξης είναι πιθανό ο δίσκος κοπής να καβαλήσει το κομμάτι εργασίας και να εκσφενδονιστεί τη διάταξη του δίσκου προς το μέρος του χειριστή.
- Ποτέ μην περνάτε το χέρι πάνω από την επιθυμητή γραμμή κοπής είτε εμπρός είτε πίσω από τον δίσκο κοπής. Αν στηρίζετε το κομμάτι εργασίας με «σταυρωμένα χέρια» δηλ. αν κρατάτε το κομμάτι εργασίας στα δεξιά του δίσκου κοπής με το αριστερό χέρι ή το αντίστροφο, είναι πολύ επικίνδυνο.
- Ποτέ μη βάζετε τα χέρια σας πίσω από τον οδηγό σε απόσταση μικρότερη από 100 mm από οποιαδήποτε πλευρά του δίσκου κοπής π.χ. για να απομακρύνετε ροκανίδια ή για κάποιον άλλο λόγο όσο ο δίσκος περιστρέφεται. Η εγγύτητα του περιστρεφόμενου δίσκου κοπής στο χέρι σας μπορεί να μην είναι προφανής και ενδέχεται να τραυματιστείτε σοβαρά.
- Επιθεωρείτε το κομμάτι εργασίας πριν την κοπή. Αν το κομμάτι εργασίας έχει κυρτωθεί ή έχει στρεβλωθεί, σφίξτε το με την εξωτερική κυρτωμένη όψη προς το μέρος του οδηγού. Φροντίζετε πάντα να μην υπάρχει κανένα ανάμεσα

στο κομμάτι εργασίας, τον οδηγό και το τραπέζι κατά μήκος της γραμμής της κοπής Τα κυρτωμένα ή στρεβλωμένα κομμάτια εργασίας μπορούν να περιστραφούν ή να μετατοπιστούν και να σφηνώσουν στον περιστρεφόμενο δίσκο κατά την κοπή. Στο κομμάτι εργασίας δεν πρέπει να υπάρχουν καρφιά ή ξένα αντικείμενα.

- **Μην χρησιμοποιείτε το φάλτσοπρίνο προτού καθαρίσετε το τραπέζι από όλα τα εργαλεία, τα ροκανίδια κλπ. εκτός από το κομμάτι εργασίας** Τα μικρά υλικά κοπής ή κομμάτια ξύλου ή άλλα αντικείμενα που έρχονται σε επαφή με τον περιστρεφόμενο δίσκο μπορούν να εκσφενδονιστούν με υψηλή ταχύτητα.
- **Να κόβετε ένα κομμάτι εργασίας κάθε φορά** Τα στοιβαγμένα κομμάτια εργασίας δεν μπορούν να σφικτούν ή να στερεωθούν κατάλληλα και ενδέχεται να σφηνώσουν στον δίσκο ή να μετατοπιστούν κατά την κοπή.
- **Φροντίστε να στερεώσετε ή να τοποθετήσετε το φάλτσοπρίνο σε επίπεδη, σταθερή επιφάνεια εργασίας, πριν το χρησιμοποιήσετε.** Η επίπεδη και σταθερή επιφάνεια εργασίας μειώνει τον κίνδυνο αστάθειας του φάλτσοπρίνου.
- **Σχεδιάστε τη δουλειά σας! Κάθε φορά που αλλάζετε τη ρύθμιση για τη λοξοτομή ή τη φάλτσογωνία, να βεβαιώνετε ότι ο ρυθμιζόμενος οδηγός είναι στη σωστή θέση για να στηρίζει το κομμάτι εργασίας και δε θα παρεμποδίσει τον δίσκο ή το προστατευτικό σύστημα προφύλαξης** Χωρίς να ενεργοποιήσετε το εργαλείο και χωρίς κομμάτι εργασίας στο τραπέζι, μετακινήστε τον δίσκο κάνοντας μια πλήρη προσομοίωση της κοπής για να βεβαιωθείτε ότι δε θα προκύψει παρεμβολή ή κίνδυνος κοπής του οδηγού.
- **Μεριμνήστε για επαρκή υποστήριξη όπως επεκτάσεις τραπεζιών, τρίποδα, κλπ. για τα κομμάτια εργασίας που έχουν μεγαλύτερο φάρδος ή μήκος από τον πάγκο εργασίας.** Τα κομμάτια εργασίας που έχουν μεγαλύτερο μήκος ή φάρδος από το τραπέζι του φάλτσοπρίνου μπορούν να ανατραπούν αν δεν έχουν καλή υποστήριξη. Αν το τεμάχιο αποκοπής ή το κομμάτι εργασίας ανατραπεί, μπορεί να ανασηκώσει τον κάτω προφυλακτήρα ή να πεταχτεί από τον περιστρεφόμενο δίσκο.
- **Μην χρησιμοποιείτε άλλο άτομο ως υποκατάστατο για επέκταση τραπεζιού ή ως πρόσθετο στήριγμα** Η ασταθής στήριξη για το κομμάτι εργασίας μπορεί να προκαλέσει το σφηνώμα του δίσκου ή τη μετατόπιση του κομματιού εργασίας κατά τη διάρκεια της κοπής τραβώντας εσάς και τον βοηθό στον περιστρεφόμενο δίσκο.
- **Το τεμάχιο αποκοπής δεν πρέπει να μπλοκάρει ή να πιέζεται με οποιονδήποτε τρόπο πάνω στον περιστρεφόμενο δίσκο κοπής** Αν είναι περιορισμένο, π.χ. επειδή χρησιμοποιούνται οδηγοί μήκους, το τεμάχιο αποκοπής μπορεί να σφηνωθεί πάνω στον δίσκο και να πεταχτεί βίαια.
- **Χρησιμοποιείτε πάντα σφικκτρήρα ή εξάρτημα που έχει σχεδιαστεί για να υποστηρίζει σωστά το στρογγυλό υλικό, όπως ράβδους ή σωλήνωση** Οι ράβδοι έχουν την τάση να κυλούν ενώ κόβονται, με αποτέλεσμα ο δίσκος να "μαγκώνει" και να τραβεί το κομμάτι εργασίας μαζί με το χέρι σας προς τον δίσκο.
- **Αφήστε τον δίσκο να φθάσει στην πλήρη ταχύτητα πριν τον φέρετε σε επαφή με το κομμάτι εργασίας** Αυτό θα μειώσει τον κίνδυνο να πεταχτεί το κομμάτι εργασίας.

- **Εάν το κομμάτι εργασίας ή ο δίσκος μπλοκαριστεί, απενεργοποιήστε το φάλτσοπρίνο. Περιμένετε να σταματήσουν όλα τα κινούμενα μέρη και αποσυνδέστε το φως από την πηγή τροφοδοσίας ή/και αφαιρέστε την μπαταρία. Μετά δουλέψτε για να ξεκολλήσετε το μπλοκαρισμένο υλικό** Το συνεχές πρόβλημα με μπλοκαρισμένο κομμάτι εργασίας θα μπορούσε να προκαλέσει απώλεια ελέγχου ή βλάβη στο φάλτσοπρίνο.
- **Αφού ολοκληρώσετε την κοπή, αφήστε τον διακόπτη, κρατήστε την κεφαλή κοπής προς τα κάτω και περιμένετε να σταματήσει ο δίσκος πριν αφαιρέσετε το τεμάχιο αποκοπής** Είναι επικίνδυνο να βάζετε το χέρι σας κοντά στον περιστρεφόμενο δίσκο.
- **Κρατήστε τη λαβή σταθερά όταν κάνετε ατελή κοπή ή όταν αφήνετε τον διακόπτη προτού η κεφαλή κοπής φτάσει στην εντελώς κάτω θέση** Με το φρενάρημα του φάλτσοπρίνου η κεφαλή κοπής μπορεί να τραβηχτεί απότομα προς τα κάτω, με επακόλουθο κίνδυνο τραυματισμού.

ΣΥΜΠΛΗΡΩΜΑΤΙΚΕΣ ΥΠΟΔΕΙΞΕΙΣ ΑΣΦΑΛΕΙΑΣ

- Οι διαδικασίες ζεύξης προκαλούν σύντομες πτώσεις τάσης - υπό δυσμενείς συνθήκες δικτύου μπορεί να επηρεαστούν αρνητικά άλλες συσκευές (άν η σύνθετη αντίσταση δικτύου είναι μικρότερη από 0,464 Ohm δεν αναμένονται παρενοχλήσεις) - για οποιοδήποτε επεξηγήσεις μπορείτε να απευθυνθείτε στον τοπικό φορέα παροχής ηλεκτρικού ρεύματος

ΓΕΝΙΚΑ

- Χρησιμοποιείτε το εργαλείο μόνο για την κοπή ξύλου
 - Βεβαιωθείτε ότι η τάση του παρεχόμενου ρεύματος είναι ίδια με την τάση που υποδεικνύεται στην πινακίδα δεδομένων του εργαλείου
 - **Μη στέκεστε πάνω στο εργαλείο ή στη βάση του** Μπορεί να προκληθεί σοβαρός τραυματισμός αν το εργαλείο ανατραπεί ή αν γίνει τυχαία επαφή με το εργαλείο κοπής. Μην αποθηκεύετε υλικά πάνω ή κοντά στο εργαλείο έτσι που να αναγκάζετε να σταθείτε πάνω στο εργαλείο ή στη βάση του για να τα φτάσετε.
 - **Πάντα να αποσυνδέεται την πρίζα από το ηλεκτρικό δίκτυο πριν κάνετε κάποια ρύθμιση ή αλλάξετε εξάρτημα**
 - **Πάντα να αποσυνδέετε το φως από την πηγή τροφοδοσίας πριν μεταφέρετε το φάλτσοπρίνο** Αποσυνδέετε, κατεβάζετε τη διάταξη κεφαλής και την ασφαλίσετε στη θέση της, χρησιμοποιείτε τη λαβή μεταφοράς και μία από τις υποδοχές για τα χέρια στη βάση του πριονιού.
 - **Μην αφήνετε το εργαλείο προτού έρθει σε πλήρη στάση**
 - **Όταν κόβετε ακανόνιστα διαμορφωμένα κομμάτια, σχεδιάστε την εργασία σας έτσι ώστε να μη γλιστρήσει το κομμάτι και μαγκώσει στον δίσκο και τραβηχτεί από το χέρι σας**
 - Αυτό το εργαλείο δεν πρέπει να χρησιμοποιείται από άτομα κάτω των 16 ετών
 - Αυτό το εργαλείο δεν είναι κατάλληλο για κοπή με νερό
- ## ΥΠΑΙΘΡΙΑ ΧΡΗΣΗ
- Όταν χρησιμοποιείτε το εργαλείο στο ύπαιθρο, συνδέστε το χρησιμοποιώντας έναν διακόπτη ασφαλείας με μέγιστο όριο ενεργοποίησης 30 mA, και χρησιμοποιείτε μόνο καλώδιο προέκτασης ειδικό για υπαίθρια χρήση και εξοπλισμένο με αδιάβροχη πρίζα σύνδεσης

ΠΡΙΝ ΑΠΟ ΤΗ ΧΡΗΣΗ

- Χρησιμοποιείτε ασφαλείς, τελείως ξετυλιγμένες προεκτάσεις καλωδίου με χωρητικότητα 16 Amps
- Να φοράτε προστατευτικά γυαλιά, προστατευτικά μέσα ακοής, και προστατευτικά γάντια
- Η σκόνη από υλικά όπως μογιές που περιέχουν μόλυβδο, ορισμένα είδη ξύλου, ανόργανα στοιχεία και μέταλλα μπορεί να είναι επιβλαβής (η επαφή ή η εισπνοή της σκόνης μπορεί να προκαλέσει αλλεργικές αντιδράσεις ή/και αναπνευστικές ασθένειες στον χειριστή ή σε άτομα που παρίστανται) - **να φοράτε προσωπίδα προστασίας από τη σκόνη και να εργάζεστε με συσκευή αφαίρεσης σκόνης όταν είναι δυνατό**
- Ορισμένα είδη σκόνης ταξινομούνται ως καρκινογόνα (όπως η σκόνη από τη δρυ ή την οξεία) ιδιαίτερα σε συνδυασμό με πρόσθετα συντήρησης ξύλου - **να φοράτε προσωπίδα προστασίας από τη σκόνη και να εργάζεστε με συσκευή αφαίρεσης σκόνης όταν είναι δυνατό**
- Ακολουθήστε τις σχετικές με σκόνη εθνικές διατάξεις για τα υλικά που θέλετε να εργαστείτε
- **Μην κατεργάζεστε υλικά που περιέχουν αμιάντο** (το αμιάντο θεωρείται σαν καρκινογόνο υλικό)
- Μην χρησιμοποιείτε ποτέ το εργαλείο σας χωρίς το προστατευτικό σύστημα που δίνει ο κατασκευαστής
- Ελέγχετε ότι ο προστατευτικός οδηγός κλείνει σωστά πριν από κάθε χρήση
- Μην θέτετε σε λειτουργία το πριόνι εάν ο προστατευτικός οδηγός δεν μετακινείται ελεύθερα και κλείνει ακαριαία
- Μην σφίγγετε ή δένετε τον προστατευτικό οδηγό στην ανοιχτή θέση
- Μην χρησιμοποιείτε ποτέ το εργαλείο χωρίς το παρεμβλήμα τραπέζιου; αντικαθιστάτε ελαττωματικά ή φθαρμένα παρεμβλήματα τραπέζιου
- Αφαιρέστε όλα τα εμπόδια από την γραμμή κοπής, πάνω και κάτω, πριν ξεκινήσετε την κοπή
- Προφυλάξτε το εργαλείο από τυχόν φθορές από ξένα σώματα (βίδες, καρφιά ή άλλα) που ίσως είναι μέσα στο κομμάτι που θα δουλέψετε - αφαιρέστε τα πριν αρχίσετε την εργασία

ΕΞΑΡΤΗΜΑΤΑ

- Με το εργαλείο ποτέ μην χρησιμοποιείτε δίσκους τροχίσματος/κοπής
- Η SKIL εγγυάται την τέλεια λειτουργία του εργαλείου μόνο όταν χρησιμοποιούνται σωστά εξαρτήματα, τα οποία μπορείτε να προμηθευτείτε από το τοπικό κατάστημα διαανομής εργαλείων SKIL
- Για τη συναρμολόγηση/χρήση εξαρτημάτων άλλου εργοστασίου, ακολουθήστε τις οδηγίες του σχετικού κατασκευαστή
- Να χρησιμοποιείτε μόνο πριονόδισκους με τα τεχνικά χαρακτηριστικά που αναφέρονται σ' αυτές τις οδηγίες χειρισμού και οι οποίοι έχουν ελεγχθεί σύμφωνα με το πρότυπο EN 847-1 και φέρουν τα αντίστοιχα χαρακτηριστικά
- Χρησιμοποιείτε μόνο εξαρτήματα των οποίων ο ύψιστος επιτρεπτός αριθμός στροφών είναι τουλάχιστον τόσο υψηλός, όσο ο ύψιστος αριθμός στροφών χωρίς φορτίο του εργαλείου
- Μην χρησιμοποιείτε ποτέ δίσκους κοπής από ταχυχάλυβα (HSS)
- Μην χρησιμοποιείτε ραγισμένες, παραμορφωμένες ή στομωμένες πριονολεπίδες

- Χρησιμοποιείτε μόνο πριονόλαμες με διάμετρο οπής που εφαρμόζει στην άτρακτο του εργαλείου χωρίς περιθώρια μετακίνησης - μην χρησιμοποιείτε ποτέ μειωτήρες ή προσαρμογείς για να εφαρμόσετε πριονόλαμες με μεγάλες οπές
- Προστατέψτε τα εξαρτήματα από κραδασμούς, δονήσεις και γράσα

ΚΑΤΑ ΤΗ ΧΡΗΣΗ

- **Μη ζορίζετε το εργαλείο** (να ασκείτε ελαφρά αλλά συνεχή πίεση προκειμένου να αποφευχθεί υπερθέρμανση των άκρων των λεπίδων και - σε περίπτωση που κόβετε πλαστικά - λιώσιμο του πλαστικού)
- Κρατάτε τα δάχτυλα και τα χέρια σας μακριά από την περιστρεφόμενη πριονόλαμα
- Σε περίπτωση εμπλοκής της πριονόλαμας, απενεργοποιήστε το εργαλείο αμέσως και αποσυνδέστε την πρίζα. Μόνο τότε αφαιρέστε το παγιδευμένο κομμάτι εργασίας
- Σε περίπτωση που το εργαλείο σας θα "κολλήσει", ή σε περίπτωση κακής ηλεκτρικής ή μηχανικής λειτουργίας, σταματήστε αμέσως το εργαλείο και βγάλτε το από την πρίζα
- Σε περίπτωση που υποστεί βλάβη ή κοπεί το καλώδιο κατά την εργασία, μην αγγίζετε το καλώδιο, αλλά αποσυνδέστε αμέσως το φιν από την πρίζα
- Ποτέ μην χρησιμοποιείτε το εργαλείο όταν το καλώδιο είναι φθαρμένο. Θα πρέπει να αντικατασταθεί από ειδικά προτομασμένο καλώδιο το οποίο υπάρχει διαθέσιμο στο δίκτυο εξυπηρέτησης.

ΑΚΤΙΝΟΒΟΛΙΑ ΛΕΙΞΕΡ

- **Μην κατευθύνετε την ακτίνα λέιζερ επάνω σε πρόσωπα ή ζώα και μην κοιτάξετε οι ίδιοι κατευθείαν στην άμεση ή ανακλώμενη ακτίνα λέιζερ** (έτσι μπορεί να τυφλώσετε άτομα, να προκαλέσετε ατυχήματα ή να βλάψετε τα μάτια σας)
- Σε περίπτωση που η ακτίνα λέιζερ πέσει στα μάτια σας, πρέπει να κλείσετε τα μάτια συνειδητά και να απομακρύνετε το κεφάλι σας αμέσως από την ακτίνα
- Μην προβείτε σε καμία αλλαγή στη διάταξη λέιζερ
- Μην κοιτάτε απευθείας μέσα στη δέσμη του λέιζερ (ακτινοβολία λέιζερ)
- Μην χρησιμοποιείτε μεγεθυντικά οπτικά όργανα (π.χ. μεγεθυντικούς φακούς, τηλεσκόπια ή κιιάλια) για να δείτε τη δέσμη του λέιζερ
- Μην χρησιμοποιείτε το εργαλείο σε χώρους στους οποίους υπάρχουν εύφλεκτα υγρά, αέρια ή σκόνης
- Μην χρησιμοποιείτε το εργαλείο εάν υπάρχουν παιδιά στον ίδιο χώρο
- Μην αντικαθιστάτε το λέιζερ που διαθέτει η συσκευή με λέιζερ άλλου τύπου

ΜΕΤΑ ΤΗ ΧΡΗΣΗ

- Μετά το σβήσιμο του εργαλείου, μην σταματάτε την περιστροφή του εξαρτήματος εφαρμόζοντας πλάγια δύναμη σ' αυτό
- Αφαιρείτε τα υπολείμματα κοπής ή άλλα τμήματα του κομματιού εργασίας από την περιοχή κοπής όταν όλα τα κινούμενα στοιχεία είναι πλήρως ακινητοποιημένα
- Η πριονόλαμα θερμαίνεται εξαιρετικά κατά τη χρήση, γ' αυτό μην την αγγίζετε μέχρι να κρυώσει
- Αποθηκεύστε το εργαλείο **σε εσωτερικούς χώρους** σε μέρος δροσερό και κλειδωμένο, μακριά από παιδιά

ΕΠΕΞΗΓΗΣΗ ΤΩΝ ΣΥΜΒΟΛΩΝ ΣΤΟ ΕΡΓΑΛΕΙΟ

- ② Διαβάστε το εγχειρίδιο οδηγιών πριν από τη χρήση
- ③ Να φοράτε προστατευτικά γυαλιά και προστατευτικά μέσα ακοής

- ④ **Επικίνδυνη ζώνη! Ζώνη απαγόρευσης εισόδου χεριών. Κρατήστε τις παλάμες, τα δάχτυλα ή τα χέρια μακριά από αυτήν την περιοχή.**
- ⑤ Διπλή μόνωση (δεν απαιτείται καλώδιο γείωσης)
- ⑥ Μην πετάτε τα ηλεκτρικά εργαλεία και μπαταρίες στον κάδο οικιακών απορριμμάτων
- ⑦ **Ακτινοβολία λέιζερ / Μην κοιτάτε απευθείας μέσα στην ακτίνα / Προϊόν λέιζερ κλάσης 2**

ΧΡΗΣΗ

- Συναρμολόγηση
 - συναρμολογήστε τη λαβή μεταφοράς με τα μπουλόνια 2 χρησιμοποιώντας το εξάγωνο κλειδί AK ⑨
 - συναρμολογήστε το κομμάτι ασφάλισης φάλτσκοπής AB στο μπροστινό μέρος του τραπεζιού ⑩
- Θέση μεταφοράς/λειτουργίας
 - Για να απελευθερώσετε το εργαλείο (**θέση εργασίας**)
 - πιέστε τη λαβή B προς τα κάτω με το ένα χέρι ενώ τραβάτε τον πείρο ασφάλισης C με το άλλο χέρι ⑪a
 - μετακινήστε τη διάταξη της κεφαλής αργά προς τα πάνω
 - για πριόνισμα με συρταρωτή κίνηση, ξεσφίξτε τον διακόπτη ασφάλισης AE ⑪b
 - Για να ασφαλίσετε το εργαλείο (**θέση μεταφοράς**)
 - σύρτε τη διάταξη της κεφαλής προς το στοπ στην κατεύθυνση του οδηγού S και σφίξτε τον διακόπτη ασφάλισης AE ⑪c
 - ρυθμίστε τη γωνία λοξοτομής σε 0° (βλ. Ρύθμιση γωνιών λοξοτομής)
 - ρυθμίστε τη φάλτσογωνία σε 45° αριστερά ή δεξιά (βλ. Ρύθμιση φάλτσογωνιών)
 - πιέστε τη λαβή B προς τα κάτω με το ένα χέρι ενώ σπρώχνετε τον πείρο ασφάλισης C με το άλλο χέρι
 - τυλίξτε το καλώδιο τροφοδοσίας
 - χρησιμοποιήστε τη λαβή μεταφοράς E για τη μεταφορά του εργαλείου ⑪d
 - εναλλακτικά, χρησιμοποιήστε τις πλευρικές λαβές για τη μεταφορά του εργαλείου ⑪e
- ! **ποτέ μην ανασηκωνετε το εργαλείο κρατώντας την κύρια λαβή ή το καλώδιο τροφοδοσίας**
- Τοποθέτηση εργαλείου σε επιφάνεια εργασίας ⑫
 - ! **για ασφαλή χειρισμό, αναρτάτε πάντα το εργαλείο σε επίπεδη και σταθερή επιφάνεια εργασίας (π.χ. σε πάγκο εργασίας)**
 - χρησιμοποιήστε 4 οπές ανάρτησης F για να προσαρτήσετε το εργαλείο με κατάλληλες βίδες στην επιφάνεια εργασίας
 - μπορείτε επίσης να σφίξετε το εργαλείο στην επιφάνεια εργασίας χρησιμοποιώντας κοχλιωτούς σφιγκτήρες που διατίθενται στο εμπόριο
 - για τη σταθεροποίηση του εργαλείου, το ύψος του ποδιού στερέωσης G μπορεί να ρυθμιστεί
 - εναλλακτικά, το εργαλείο μπορεί να τοποθετηθεί επάνω σε βάση φάλτσκοπικού
- ! **διαβάστε όλες τις προειδοποιήσεις και τις οδηγίες που περιλαμβάνονται στη βάση του πριονιού**
- Αφαίρεση σκόνης/θραυσμάτων ⑬
 - τοποθετήστε τον σάκο σκόνης H/ την ηλεκτρική σκούπα όπως απεικονίζεται
 - να αδειάζετε κανονικά το σάκκο για καλύτερη συλλογή της σκόνης

- ! **ποτέ μην αφήσετε τον σωλήνα της ηλεκτρικής σκούπας να εμπλακεί με τον κάτω προφυλακτήρα με τη διαδικασία κοπής**
- Επέκταση τραπεζιού εργασίας ⑭
 - χρησιμοποιήστε τα κομμάτια L για να στερεώσετε τις ράβδους επέκτασης K (σε κάθε πλευρά του εργαλείου)
 - τον μήκος των ράβδων επέκτασης K ρυθμίζεται με αδιαβάθμιτο τρόπο, από το ελάχιστο στο μέγιστο
- Σύσφιξη του κομματιού εργασίας ⑮
 - ! **για βέλτιστη ασφάλεια κατά την εργασία, σφίγγετε πάντα το κομμάτι εργασίας καλά χρησιμοποιώντας το ρυθμιζόμενο σφιγκτήρα που παρέχεται**
 - μην χρησιμοποιείτε κομμάτια εργασίας που έχουν πολύ μικρό μέγεθος για σύσφιξη
 - για τις **μέγιστες** δυνατές διαστάσεις του κομματιού εργασίας, χρησιμοποιήστε τον πίνακα ⑯ για αναφορά
 - στερεώστε τον σφιγκτήρα των κομματιών εργασίας στην οπή υποστήριξης N με τον περιστρεφόμενο διακόπτη P (σε κάθε πλευρά του εργαλείου)
 - χρησιμοποιήστε το 1 των αυλακώσεων του 2· για κομμάτια εργασίας με πάχος έως 4cm και για κομμάτια εργασίας με πάχος πάνω από 4cm
 - πιέστε το κομμάτι εργασίας σταθερά προς τον οδηγό S
 - απασφαλίστε τον μοχλό R
 - προσαρμόστε τον σφιγκτήρα στο κομμάτι εργασίας
 - σφίξτε το κομμάτι εργασίας καλά με τον μοχλό ασφάλισης R
- ! **για ορισμένους συνδυασμούς φάλτσκοπής και λοξοτομής ή ανάλογα με το μέγεθος του κομματιού εργασίας, μπορεί να χρειαστεί να χρησιμοποιήσετε βιδωτούς σφιγκτήρες του εμπορίου στη θέση του σφιγκτήρα των κομματιών εργασίας**
- Ρύθμιση φάλτσογωνιών ⑰
 - ξεσφίξτε τη λαβή ασφάλισης AB
 - σπρώξτε τον μοχλό απελευθέρωσης συγκράτησης φάλτσκοπής AC
 - περιστρέψτε το τραπεζί εργασίας προς τα αριστερά ή τα δεξιά και ρυθμίστε την επιθυμητή φάλτσογωνία (από 0° έως 47°) χρησιμοποιώντας τον δείκτη AD
 - απελευθερώστε τον μοχλό AC
 - σφίξτε τη λαβή ασφάλισης AB (**μη σφίξετε υπερβολικά τη λαβή**)
 - για γρήγορη και ακριβή ρύθμιση φάλτσογωνιών που χρησιμοποιούνται συχνά (0°, 15°, 22,5°, 31,6°, 45°) ο μοχλός συγκράτησης φάλτσκοπής κουμπώνει στις αντίστοιχες θέσεις
- Ρύθμιση γωνιών λοξοτομής ⑱
 - λασκάρτε τον τρίτοδο περιστρεφόμενο διακόπτη U ⑱b
 - μετακινήστε την κεφαλή κοπής προς τα αριστερά έως ότου ο δείκτης της γωνίας λοξοτομής V υποδείξει την επιθυμητή γωνία
 - κρατήστε την κεφαλή του εργαλείου σε αυτή τη θέση και σφίξτε τον περιστρεφόμενο διακόπτη U
- Σύνθετα κοψίματα ⑲
 - τα σύνθετα κοψίματα απαιτούν ρύθμιση και φάλτσογωνίας και γωνίας λοξοτομής
 - ! **μην χρησιμοποιείτε το μχάνημα για ορισμένους συνδυασμούς φάλτσκοπής και λοξοτομής που μπορεί να προκαλέσουν παρεμβολή ανάμεσα**

στα συρταρωτά και τα σταθερά μέρη του μηχανήματος ή ανάμεσα στα συρταρωτά μέρη και το κομμάτι εργασίας

! πάντα δοκιμάστε πρώτα πάνω σ'ένα κομμάτι άχρηστο υλικό

- Γραμμή λείζερ ②0
 - ώστε να κατευθύνεται το εργαλείο κατά μήκος της χαραγμένης γραμμής κοπής πάνω στο κομμάτι
 - ενεργοποιείτε/απενεργοποιείτε τη γραμμή λείζερ σπρώχνοντας το διακόπτη AA
 - το λείζερ ευθυγραμμίζεται στην αριστερή πλευρά της κοπής
 - η οριζόντια ευθυγράμμιση του λείζερ μπορεί να ρυθμιστεί εύκολα με τη βίδα Y
- **! πριν ξεκινήσετε μια εργασία, ελέγξτε την ευθυγράμμιση της γραμμής λείζερ με την πραγματική γραμμή κοπής, κάνοντας μια δοκιμαστική κοπή σε ένα κομμάτι άχρηστου υλικού**
- Πριόνισμα χωρίς συρταρωτή κίνηση (μικρά κομμάτια εργασίας)
 - λασκάρτε τον διακόπτη ασφάλισης AE σε περίπτωση που είναι σφιγμένος
 - σύρετε την κεφαλή κοπής προς το στοπ στην κατεύθυνση του οδηγού S και ξανασφίξτε τον διακόπτη ασφάλισης AE
- **! αν δεν ασφαλίσετε τον μηχανισμό, ο δίσκος μπορεί να καβαλήσει απότομα το κομμάτι εργασίας και να κινηθεί προς το μέρος σας**
 - τοποθετήστε το εργαλείο στη θέση εργασίας
- **! βεβαιωθείτε ότι το κομμάτι εργασίας είναι στερεωμένο καλά στο τραπέζι εργασίας και τον οδηγό S**
 - ενεργοποιήστε το εργαλείο απελευθερώνοντας το κλειδίωμα AG και τραβώντας τον γενικό διακόπτη AF ②2
- **! μη σταυρώνετε τα χέρια όταν χειρίζεστε την κεφαλή κοπής ②a**
 - πριονίστε το κομμάτι εργασίας με σταθερό ρυθμό
- **! το εργαλείο πρέπει να λειτουργεί με πλήρη ταχύτητα προτού ο δίσκος κοπής εισχωρήσει το υλικό που κόβετε**
 - απενεργοποιήστε το εργαλείο απελευθερώνοντας το διακόπτη AF
 - περιμένετε μέχρι ο δίσκος κοπής να σταματήσει τελείως, προτού οδηγήσετε την κεφαλή κοπής σιγά-σιγά προς τα πάνω
- Πριόνισμα με συρταρωτή κίνηση (φαρδιά κομμάτια εργασίας)
 - **! να έχετε υπ' όψη σας ότι η μέθοδος που περιγράφεται παρακάτω είναι η μόνη ασφαλής**
 - μην τραβάτε το πριόνι μέσα από το κομμάτι εργασίας
 - λασκάρτε τον διακόπτη ασφάλισης AE σε περίπτωση που είναι σφιγμένος
 - **! βεβαιωθείτε ότι το κομμάτι εργασίας είναι στερεωμένο καλά στο τραπέζι εργασίας και τον οδηγό S**
 - τραβήξτε και απομακρύνετε την κεφαλή κοπής από τον οδηγό S σε αρκετή απόσταση έτσι ώστε ο δίσκος κοπής να είναι εμπρός από το κομμάτι εργασίας ②3
 - ενεργοποιήστε το εργαλείο απελευθερώνοντας τον μοχλό ασφαλείας AG και τραβώντας τον γενικό διακόπτη AF ②2

! μη σταυρώνετε τα χέρια όταν χειρίζεστε την κεφαλή κοπής ②a

- ωθήστε την κεφαλή κοπής στην κατεύθυνση του οδηγού S και διαπεράστε με πριόνισμα το κομμάτι εργασίας, με ομοιόμορφη προώθηση ②3

! το εργαλείο πρέπει να λειτουργεί με πλήρη ταχύτητα προτού ο δίσκος κοπής εισχωρήσει το υλικό που κόβετε

! Αν ο κάτω προφυλακτήρας δεν ανοίγει αυτόματα, κάτι που μπορεί να συμβεί υπό ορισμένες συνθήκες (π.χ. το κομμάτι εργασίας βρίσκεται πολύ κοντά στη μέγιστη χωρητικότητα), ίσως χρειαστεί να ανοίξετε τον προφυλακτήρα με το χέρι ②b

- απενεργοποιήστε το εργαλείο απελευθερώνοντας το διακόπτη AF

- περιμένετε μέχρι ο δίσκος κοπής να σταματήσει τελείως, προτού οδηγήσετε την κεφαλή κοπής σιγά-σιγά προς τα πάνω

• Αυλακώσεις πριονίσματος ②4

- ρυθμίστε το επιθυμητό βάθος με το στοπ βάθους AH και κουμπώστε το στη θέση του σφίγγοντας το παξιμάδι AJ

- ένα ξύλινο διαχωριστικό θα τοποθετηθεί ανάμεσα στο κομμάτι εργασίας και τον οδηγό για σταθερό βάθος σε όλο το μήκος της αυλακωσης

! βεβαιωθείτε ότι ο δίσκος κοπής δεν παγιδεύεται στο κομμάτι εργασίας

! πάντα δοκιμάστε πρώτα πάνω σ'ένα κομμάτι άχρηστο υλικό

• Αλλαγή του δίσκου κοπής ②5

! βγάλτε το φινι από την πρίζα

- πάρτε το εξάγωνο κλειδί AK από τη θήκη του αποθήκευσης AL

- κρατήστε τον προφυλακτήρα A στην ανοιχτή θέση

- ξεσφίξτε τη βίδα του καλύμματος AN (μην ξεβιδώσετε εντελώς τη βίδα) ②5a

- περιστρέψτε τον προφυλακτήρα A εντελώς προς τα πίσω ②5b

- πιέστε το κουμπί ασφάλισης της ατράκτου AM και κρατήστε το καθώς αφαιρείτε τον κοχλία της λάμας AO μετακινώντας το εξάγωνο κλειδί AK **ΔΕΞΙΟΣΤΡΟΦΑ** (δηλαδή, στην ίδια κατεύθυνση με το βέλος που αναγράφεται στην πριονόλαμα)

! πιέστε το κουμπί ασφάλισης της ατράκτου AM μόνο όταν είναι σταματημένο το εργαλείο

- αφήστε το κουμπί ασφάλισης της ατράκτου AM

- αφαιρέστε τη φλάντζα AP και την πριονόλαμα

! αλλάξτε πριονόλαμα όταν τα δόντια του πριονιού και το βέλος της πριονόλαμας έχουν την ίδια φορά με το βέλος που αναγράφεται στον προστατευτικό οδηγό A

- τοποθετήστε τη φλάντζα AP ②5c

- πιέστε το κουμπί ασφάλισης της ατράκτου AM και κρατήστε το πατημένο ενώ σφίγγετε τον κοχλία του δίσκου γυρίζοντάς τον με το εξάγωνο κλειδί AK ΑΡΙΣΤΕΡΟΣΤΡΟΦΑ 1/8 του κύκλου πέρα από

το σημείο μέχρι το οποίο σφίγγει με το χέρι (έτσι διασφαλίζεται το γλιστρήμα του δίσκου κοπής όταν αντιμετωπίζει υπέρμετρη αντίσταση, αποφεύγοντας με τον τρόπο αυτό την υπερφόρτωση του μοτέρ και το κλότσημα του εργαλείου)

- σφίξτε τη βίδα του καλύμματος AN

- Αντικατάσταση παρεμβλήματος τραπεζιού AQ ²⁶
Αντικαταστήστε ένα ελαττωματικό ή φθαρμένο παρεμβλήμα τραπεζιού ως εξής:

! βγάλετε το φιν από την πρίζα

- πάρτε το εξάγωνο κλειδί AK από τη θήκη του αποθήκευσης AL
- αφαιρέστε και τις 6 βίδες όπως απεικονίζεται
- αφαιρέστε το παλιό παρεμβλήμα τραπεζιού ανασκινώντας το από μπροστά και, στη συνέχεια, τραβώντας το εντελώς προς τα έξω
- τοποθετήστε το νέο παρεμβλήμα τραπεζιού

! σφίξτε καλά και τις 6 βίδες

- Έλεγχος/προσαρμογή ευθυγράμμισης λάμας στις 90° ²⁷

! βγάλετε το φιν από την πρίζα

- περιστρέψτε το τραπέζι εργασίας στη θέση φάλτσοκοπής 0° και ασφαλίστε το στη θέση του
- μετακινήστε την κεφαλή κοπής σε θέση λοξοτομής 0°
- χαμηλώστε την κεφαλή κοπής και ασφαλίστε την στη θέση της
- ελέγξτε εάν η γωνία μεταξύ της λάμας και του τραπεζιού είναι 90° χρησιμοποιώντας γνώμονα
- εάν είναι απαραίτητο, προσαρμόστε την ευθυγράμμιση της λάμας κατά 90° ως εξής:
 1. Ξεσφίξτε τον περιστρεφόμενο διακόπτη με τα τρία σκέλη U
 2. ρυθμίστε τη βίδα W με κλειδί δίσκου νούμερο 10 (δεν περιλαμβάνεται στον βασικό εξοπλισμό)
 3. ελέγξτε ξανά με το γνώμονα
 4. επαναφέρετε τον δείκτη λοξοτομής V στις 0°

- Έλεγχος/προσαρμογή ευθυγράμμισης λάμας στις 45° ²⁸

! βγάλετε το φιν από την πρίζα

- περιστρέψτε το τραπέζι εργασίας στη θέση φάλτσοκοπής 0° και ασφαλίστε το στη θέση του
- ξεσφίξτε τον περιστρεφόμενο διακόπτη με τα τρία σκέλη U
- μετακινήστε την κεφαλή κοπής προς τα αριστερά
- ελέγξτε εάν η γωνία μεταξύ της λάμας και του τραπεζιού είναι 45° χρησιμοποιώντας γνώμονα φάλτσογωνίας
- ελέγξτε εάν ο δείκτης λοξοτομής V βρίσκεται στις 45°
- εάν είναι απαραίτητο, προσαρμόστε την ευθυγράμμιση της λάμας κατά 45° ως εξής:
 1. ρυθμίστε τη βίδα X με κλειδί δίσκου νούμερο 10 (δεν περιλαμβάνεται στον βασικό εξοπλισμό)
 2. ελέγξτε ξανά με το γνώμονα φάλτσογωνίας

- Έλεγχος/προσαρμογή ευθυγράμμισης οδηγού στις 90° ²⁹

! βγάλετε το φιν από την πρίζα

- περιστρέψτε το τραπέζι εργασίας στη θέση φάλτσοκοπής 0° και ασφαλίστε το στη θέση του
- χαμηλώστε την κεφαλή κοπής και ασφαλίστε την στη θέση της
- ελέγξτε εάν η γωνία μεταξύ του δίσκου και του οδηγού είναι στις 90° S χρησιμοποιώντας γνώμονα (βεβαιωθείτε ότι ο γνώμονας εφάπτεται στο σώμα του δίσκου κοπής και όχι στα δόντια του) ^{29a}
- εάν είναι απαραίτητο, προσαρμόστε την ευθυγράμμιση του οδηγού κατά 90° ως εξής:
 1. Ξεσφίξτε τις 2 εξάγωνες βίδες T ^{29b}
 2. προσαρμόστε τον οδηγό έως ότου η λάμα και ο οδηγός εφάπτονται πλήρως με τον γνώμονα

3. Ξεσφίξτε τις 2 εξάγωνες βίδες T

4. επαναφέρετε τον δείκτη φάλτσοκοπής στις 0° ^{29c}

ΟΔΗΓΙΕΣ ΕΦΑΡΜΟΓΗΣ

- Ειδικά κομμάτια εργασίας
 - χρησιμοποιείτε πάντα υποστήριξη για τα ελεύθερα άκρα μακρών κομματιών εργασίας ³⁰
 - βεβαιωθείτε ότι τα κυρτά ή στρογγυλά κομμάτια εργασίας είναι ειδικά ασφαλισμένα ώστε να μην ολισθαίνουν ³¹
 - στη γραμμή κοπής δεν πρέπει να υπάρχει κενό μεταξύ του κομματιού εργασίας και του οδηγού ή του τραπεζιού εργασίας
 - αν χρειαστεί, κατασκευάστε βοηθητικό οδηγό· οι οπές στον συρταρωτό οδηγό θα χρησιμοποιηθούν για να στερεωθεί ο βοηθητικός οδηγός ³²
- **! ο βοηθητικός οδηγός μπορεί να χρησιμοποιηθεί μόνο σε Λοξοτομή 0°**
- Για εργασία σε καλοτύπια διαπέδων, μπορείτε να ανατρέξετε στην εικόνα ³³ για αναφορά
- Φροντίστε ώστε πάντα η "καλή" πλευρά του κομματιού εργασίας να αντικρύζει προς τα κάτω ώστε να αποφεύγεται το "Ξεφτισμα"
- Χρησιμοποιείτε μόνο δίσκους κοπής που κόβουν καλά και είναι ο σωστός τύπος για τη δουλειά που κάνετε
 - ο αριθμός δοντιών που διαθέτουν όσο μεγαλύτερος ο αριθμός δοντιών βελτιωμένη ποιότητα κοπής
 - οι δίσκους κοπής με άκρα καρβιδίου παραμένουν κοφτεροί έως και 30 φορές περισσότερο από τους συνήθεις δίσκους κοπής


ΣΥΝΤΗΡΗΣΗ / ΣΕΡΒΙΣ

- Διατηρείτε πάντα το εργαλείο και το καλώδιο καθαρά (ειδικά τις σχισμές εξερισμού που βρίσκονται στο πίσω μέρος του περιβλήματος του μοτέρ)
- Αναπτύξτε τακτικό έλεγχο για να βεβαιωθείτε ότι ο κάτω προφυλακτήρας λειτουργεί κανονικά. Καθαρίζετε τον κάτω προφυλακτήρα από το πριονίδι που μπορεί να συσσωρεύεται εκεί με ένα υψοτό πανί.
- **! αφαιρέστε την πρίζα πριν το καθαρίσμα**
 - ανασκώστε τον κάτω προφυλακτήρα στην τελειώς ανοιχτή θέση για να τον αποδεσμεύσετε· αν δεν κλείσει αμέσως και τελειώς, θα πρέπει να ελεγχθεί από κέντρο σέρβις για ηλεκτρικά εργαλεία SKIL
- Καθαρίστε τον δίσκο κοπής αμέσως μετά τη χρήση (κυρίως από κόλλα ή βερνίκια)
- **! η πριονόλαμα θερμαίνεται εξαιρετικά κατά τη χρήση, γι' αυτό μην την αγγίζετε μέχρι να κρυώσει**
- Καθαρίζετε τη διάταξη λέιζερ AC με ένα μαλακό πινέλο ύστερα από κάθε χρήση για να διατηρήσετε καλή την ορατότητα της γραμμής λέιζερ (προσέξτε να μην αλλάζετε τη ρύθμιση του λέιζερ)
- Αν παρ' όλες τις επιμελημένες μεθόδους κατασκευής κι ελέγχου το εργαλείο σταματήσει κάποτε να λειτουργεί, τότε η επισκευή του πρέπει να ανατεθεί σ' ένα εξουσιοδοτημένο συνεργείο για ηλεκτρικά εργαλεία της SKIL
 - στείλετε το εργαλείο **χωρίς να το αποσυρμαμολογήσετε** μαζί με την απόδειξη αγοράς στο κατάστημα από το οποίο το αγοράσατε ή στον πλησιέστερο σταθμό τεχνικής εξυπηρέτησης της SKIL (θα βρείτε τις διευθύνσεις και το διάγραμμα

συντήρησης του εργαλείου στην ιστοσελίδα www.skil.com)

- Να γνωρίζετε ότι βλάβες που προκαλούνται λόγω υπερφόρτωσης ή ακατάλληλου χειρισμού του εργαλείου, δεν καλύπτονται από την εγγύηση (για τους όρους της εγγύησης της SKIL επισκεφτείτε τη διεύθυνση www.skil.com ή απευθυνθείτε στον πλησιέστερο αντιπρόσωπο)

ΠΕΡΙΒΑΛΛΟΝ

- **Μην πετάτε τα ηλεκτρικά εργαλεία, μπαταρίες, εξαρτημάτα και συσκευασία στον κάδο οικιακών απορριμμάτων** (μόνο για τις χώρες της ΕΕ)
 - σύμφωνα με την ευρωπαϊκή οδηγία 2012/19/EK περί ηλεκτρικών και ηλεκτρονικών συσκευών και την ενσωμάτωσή της στο εθνικό δίκαιο, τα ηλεκτρικά εργαλεία πρέπει να συλλέγονται ξεχωριστά και να επιστρέφονται για ανακύκλωση με τρόπο φιλικό προς το περιβάλλον
 - το σύμβολο  θα σας το θυμήσει αυτό όταν έλθει η ώρα να πετάξετε τις


ΘΟΡΥΒΟΣ

- Βάσει της μέτρησης σύμφωνα με το EN 62841 η στάθμη ηχητικής πίεσης αυτού του εργαλείου είναι 100,0 dB(A) και η στάθμη ηχητικής ισχύος 109,5 dB(A) (αβεβαιότητα K = 3 dB)
- Το επίπεδο εκπομπής θορύβου έχει μετρηθεί σύμφωνα με μια τυποποιημένη δοκιμή που αναφέρεται στο πρότυπο EN 62841 - μπορεί να χρησιμοποιηθεί για τη σύγκριση ενός εργαλείου με ένα άλλο, καθώς και ως προκαταρκτική αξιολόγηση της έκθεσης στον θόρυβο όταν το εργαλείο χρησιμοποιείται για τις εφαρμογές που αναφέρονται
 - η χρήση του εργαλείου για διαφορετικές εφαρμογές ή με διαφορετικά ή κακοσυντηρημένα εξαρτήματα μπορεί να **αυξήσει** σημαντικά το επίπεδο έκθεσης
 - όταν το εργαλείο είναι απενεργοποιημένο ή δουλεύει αλλά δεν εκτελεί την εργασία, το επίπεδο έκθεσης μπορεί να **μειωθεί** σημαντικά

RO

Ferăstrău unghiular glisant 1310

INTRODUCERE

- Această sculă este destinată, ca mașină fixă, tăierilor longitudinale și transversale în lemn atât cu secțiuni drepte, cât și cu secțiuni unghiulare (sunt posibile unghiuri de înclinare pe orizontală de -47° până la +47°, precum și unghiuri de înclinare pe verticală de 0° până la 45°)
- Citiți și păstrați acest manual de instrucțiuni 
- Această sculă nu este destinată utilizării profesionale
- **Utilizați scula numai când este asamblată corect și complet** (rețineți că Skil nu își poate asuma răspunderea pentru deteriorarea sculei și/sau leziunile corporale produse ca rezultat al asamblării incorecte a sculei)

DATE TEHNICE

ELEMENTELE SCULEI

- A** Apărătoare inferioară
- B** Mâner comutator
- C** Știft de blocare pentru transport
- D** Dispozitiv superior de protecție
- E** Mâner pentru transport
- F** Orificii de montare
- G** Picioar de susținere
- H** Sacul pentru praf
- J** Racord pentru aspirația prafului
- K** Bare de extensie
- L** Butoane pentru blocarea barelor de extensie
- M** Clemă pentru montarea piesei de lucru
- N** Orificii de suport
- P** Buton pentru fixarea clemei
- Q** Buton pentru reglarea clemei
- R** Manetă de prindere
- S** Ghidaj
- T** Șuruburi hexagonale pentru reglare ghidaj (2x)
- U** Buton de blocare (unghiuri de înclinare pe verticală)
- V** Indicator unghi de înclinare pe verticală
- W** Șurub pentru reglarea unghiului de înclinare pe verticală (dreapta)
- X** Șurub pentru reglarea unghiului de înclinare pe verticală (stânga)
- Y** Șurub pentru reglarea laserului
- Z** Fascicul laser
- AA** Întrerupător pornit/oprit laser
- AB** Mâner pentru blocare (unghiuri de înclinare pe orizontală)
- AC** Manetă de eliberare pentru detenta la înclinarea pe orizontală
- AD** Indicator unghi de înclinare pe orizontală
- AE** Buton de blocare pentru dispozitivul de glisare
- AF** Întrerupător pornit/oprit
- AG** Manetă de siguranță
- AH** Limitator al adâncimii de tăiere
- AI** Opritor de adâncime
- AJ** Piulița opritorului de adâncime
- AK** Cheia hexagonală
- AL** Locaș de depozitare pentru cheia hexagonală
- AM** Buton de blocare a axului
- AN** Șurub placă de acoperire
- AO** Șurub de disc
- AP** Flanșă
- AQ** Inserție masă
- AR** Deflector de praf

SIGURANȚĂ

INSTRUCȚIUNI GENERALE DE SIGURANȚĂ PENTRU SCULE ELECTRICE

 **AVERTISMENT** Citiți toate avertismentele, instrucțiunile, ilustrațiile și specificațiile furnizate împreună cu această sculă electrică. Neconformarea la instrucțiunile de mai jos poate produce șoc electric, incendiu și/sau răni grave.

Păstrați toate avertizările și instrucțiunile în vederea consultării ulterioare.

Termenul de "sculă electrică" folosit în indicațiile de avertizare se referă la sculele electrice alimentate de la rețea (cu cablu de alimentare) și la sculele electrice cu acumulator (fără cablu de alimentare).

1) SIGURANȚA LA LOCUL DE MUNCĂ

- a) **Păstrați-vă locul de muncă curat și bine iluminat.** Dezordinea la locul de muncă sau existența unor sectoare de lucru neiluminată poate duce la accidente.
- b) **Nu folosiți mașina în medii cu pericol de explozie, acolo unde există lichide, gaze sau pulberi inflamabile.** Sculele electrice pot produce scânteii care să aprindă pulberile sau vaporii.
- c) **Nu permiteți accesul copiilor și al altor persoane în timpul lucrului cu mașina.** Dacă vi se distrage atenția puteți pierde controlul asupra mașinii.

2) SECURITATE ELECTRICĂ

- a) **Ștecherul de racordare a mașinii trebuie să se potrivească cu priză de alimentare. Nu este permisă în nici-un caz modificarea ștecherului. Nu folosiți adaptoare pentru ștechere la mașinile legate la pământ.** Ștecherile nemodificate și prizele de curent adecvate acestora reduc riscul de electrocutare.
- b) **Evitați contactul corporal cu suprafețe legate la pământ ca țevi, radiatoare, plite electrice și frigider.** Există un risc crescut de electrocutare atunci când corpul dv. este și el legat la pământ.
- c) **Nu lăsați mașina afară în ploaie sau în mediu umed.** Riscul de electrocutare crește atunci când într-o sculă electrică pătrunde apă.
- d) **Nu trageți niciodată mașina de cordonul de alimentare pentru a o transporta, a o atârna sau a scoate ștecherul din priză de curent. Feriți cordonul de alimentare de căldură, ulei, micii ascuțite sau de subsansamble aflate în mișcare.** Un cordon de alimentare deteriorat sau înfășurat mărește riscul de electrocutare.
- e) **Atunci când lucrați cu scula electrică în aer liber, folosiți numai cordoane prelungitoare autorizate pentru exterior.** Întrebuințarea unui cordon prelungitor adecvat utilizării în aer liber reduce riscul de electrocutare.
- f) **Atunci când nu poate fi evitată utilizarea sculei electrice în mediu umed, folosiți un întrerupător de circuit cu împământare.** Folosirea unei întrerupător de circuit cu împământare reduce riscul de electrocutare.

3) SECURITATEA PERSOANELOR

- a) **Fiiți vigilenți, fiiți atenți la ceea ce faceți și procedați rațional atunci când lucrați cu scula electrică. Nu folosiți mașina dacă sunteți obosiți sau vă aflați sub influența drogurilor, alcoolului sau a medicamentelor.** Un moment de neatenție în timpul lucrului cu mașina poate duce la răni grave.
- b) **Purtați echipament de protecție personală și întotdeauna ochelari de protecție.** Folosirea echipamentelor de protecție a persoanei ca mască de protecție împotriva prafului, încălțăminte antiderapantă, cască de protecție sau aparat de protecție auditivă, în funcție de tipul și domeniul de folosire al sculei electrice, reduce riscul rănilor.
- c) **Evitați o punere în funcțiune involuntară. Înainte de a introduce ștecherul în priză și/sau de a introduce acumulatorul în scula electrică, de a o ridica sau de**

a o transporta, asigurați vă că aceasta este oprită.

- Dacă atunci când transportați scula electrică țineți degetul pe întrerupător sau dacă porniți scula electrică înainte de a o racorda la rețeaua de curent, puteți provoca accidente.
- d) **Înainte de a pune mașina în funcțiune scoateți afară cheile reglabile și fixe.** O cheie reglabilă sau fixă, aflată într-o componentă de mașină care se rotește, poate provoca răni.
 - e) **Nu vă supraapreciați. Asigurați-vă o poziție stabilă și păstrați-vă întotdeauna echilibrul.** Astfel veți putea controla mai bine mașina în situații neașteptate.
 - f) **Purtați îmbrăcăminte de lucru adecvată. Nu purtați haine largi sau podoabe. Feriți părul și îmbrăcămintea de piesele aflate în mișcare.** Îmbrăcămintea largă, podoabele și părul lung pot fi prinse de piesele aflate în mișcare.
 - g) **Dacă există posibilitatea montării de echipamente și instalații de aspirare și colectare a prafului, asigurați-vă că acestea sunt conectate și folosite corect.** Folosirea unei instalații de aspirare a prafului poate duce la reducerea poluării cu praf.
 - h) **Nu vă lăsați amăgiți de ușurința în operare dobândită în urma folosirii frecvente a sculelor electrice și nu ignorați principiile de siguranță ale acestora.** Neglijența poate provoca, într-o fracțiune de secundă, vătămări corporale grave
- ### 4) MANEVRAȚI ȘI FOLOȘIȚI CU GRIJĂ SCULELE ELECTRICE
- a) **Nu suprasolicitați mașina. Folosiți scula electrică destinată executării lucrării dumneavoastră.** Cu scula electrică potrivită lucrați mai bine și mai sigur în domeniul de putere specificat.
 - b) **Nu folosiți scula electrică dacă are întrerupătorul defect.** O sculă electrică, care nu mai poate fi pornită sau oprită este periculoasă și trebuie reparată.
 - c) **Scoateți ștecherul afară din priză și/sau îndepărtați acumulatorul dacă este detașabil, înainte de a executa reglaje, a schimba accesoriilor sau a depozita scula electrică.** Această măsură preventivă reduce riscul unei porniri involuntare a mașinii.
 - d) **În caz de nefolosire păstrați mașinile la loc inaccesibil copiilor. Nu permiteți persoanelor care nu sunt familiarizate cu mașina sau care n-au citit prezentele instrucțiuni, să folosească mașina.** Sculele electrice sunt periculoase atunci când sunt folosite de persoane fără experiență.
 - e) **Întrețineți sculele electrice și accesoriile acestora. Controlați dacă componentele mobile funcționează corect și dacă nu se blochează, dacă nu există piese defecte sau deteriorate, care să afecteze funcționarea mașinii. Înainte de a repune în funcțiune mașina, duceți-o la un atelier de asistență service pentru repararea sau înlocuirea pieselor deteriorate.** Multe accidente s-au datorat întreținerii defectuoase a sculelor electrice.
 - f) **Păstrați accesoriile bine ascuțite și curate.** Accesoriile atent întreținute, cu muchii tăietoare bine ascuțite se blochează mai greu și pot fi conduse mai ușor.
 - g) **Folosiți sculele electrice, accesoriile, dispozitivele de lucru etc. conform prezentelor instrucțiuni. Țineți seama de condițiile de lucru și de lucrarea care**

trebuie executată. Întrebuințarea unor scule electrice destinate altor utilizări decât cele preconizate, poate duce la situații periculoase.

- h) **Mențineți mânerele și zonele de prindere uscate, curate și ferii-le de ulei și unsoare.** Mănerele și zonele de prindere alunecoase nu permit manevrarea și controlul sigur al sculei electrice în situații neașteptate.

5) SERVICIU

- a) **Permiteți repararea mașinii dumneavoastră numai de către un specialist calificat și numai cu piese de schimb originale.** În acest mod este garantată menținerea siguranței de exploatare a mașinii.

INSTRUCȚIUNI DE SIGURANȚĂ PENTRU FERĂȘTRAIE DE TĂIERE ÎN UNGHII

- **Ferăștraiele de tăiere în unghii sunt concepute pentru tăierea lemnului sau a produselor lemnoase; nu pot fi utilizate cu discuri de tăiere abrazive pentru tăierea materialelor foase, precum bare, tije, bolțuri etc.** Praful abraziv cauzează blocarea pieselor mobile, precum apărătoarea inferioară. Scănteile cauzate de tăierea abrazivă va arde apărătoarea inferioară, inserția pentru tăietură și alte piese din plastic.
- **Utilizați cleme pentru a susține piesa de prelucrat oricând este posibil. Dacă sprijiniți cu mâna piesa de prelucrat, trebuie să țineți mâna întotdeauna la cel puțin 100 mm de ambele laturi ale pânzei ferăștrăului. Nu utilizați acest ferăștrău pentru a tăia piese care sunt prea mici pentru a fi fixate sau ținute cu mâna în siguranță** Dacă mâna dvs. este prea aproape de pânza ferăștrăului, există un risc sporit de vătămare în urma contactului cu pânza.
- **Piesa de prelucrat trebuie să fie staționară și fixată sau sprijinită manual pe masă și ghidaj. Nu avansați piesa de prelucrat spre pânză și nu tăiați „la liber” în niciun mod** Piese nefixate sau mobile pot fi proiectate la viteze mari și pot cauza vătămări.
- **Împingeți ferăștrăul prin piesa de prelucrat. Nu trageți ferăștrăul prin piesa de prelucrat. Pentru a efectua o tăiere, ridicați capul ferăștrăului și trageți-l peste piesa de prelucrat fără a tăia, porniți motorul, apăsați capul ferăștrăului în jos și împingeți ferăștrăul prin piesa de prelucrat** Tăierea în timpul mișcării de tragere poate determina pânza ferăștrăului să urce peste piesa de prelucrat și poate proiecta violent ansamblul pânzei spre operator.
- **Nu poziționați niciodată mâna peste marcajul pentru tăiere, nici în fața, nici în spatele pânzei ferăștrăului** Sprijinirea „în crucișată” a piesei de prelucrat, adică ținerea piesei de prelucrat cu mâna stângă în partea dreaptă a pânzei ferăștrăului sau invers, este foarte periculoasă.
- **Nu vă întindeți dincolo de ghidaj cu niciuna dintre mâini la mai puțin de 100 mm de oricare latură a pânzei ferăștrăului, pentru a elimina resturi de lemn sau pentru orice alt motiv, cât timp pânza se rotește** Proximitatea pânzei ferăștrăului aflate în rotație față de mâna dvs. poate să nu fie evidentă și puteți suferi vătămări grave.
- **Inspectați piesa de prelucrat înainte de tăiere** Dacă piesa de prelucrat este curbată sau deformată, fixați-o cu partea exterioră curbată spre ghidaj. Asigurați-vă întotdeauna că nu există niciun spațiu liber între piesa de prelucrat, ghidaj și masă, de-a lungul liniei de tăiere Piese de prelucrat îndoite

sau deformat se pot răsuci sau deplasa și pot cauza griparea pânzei de ferăștrău aflate în rotație în timpul tăierii. Nu trebuie să existe cuie sau obiecte străine în piesa de prelucrat.

- **Nu utilizați ferăștrăul dacă masa nu este eliberată de toate unelele, resturile lemnoase, etc. cu excepția piesei de prelucrat** Resturile mici sau bucățile de lemn libere sau alte obiecte care pot intra în contact cu pânza aflată în rotație pot fi proiectate la viteză ridicată.
- **Tăiați o singură piesă de prelucrat pe rând** Mai multe piese de prelucrat suprapuse nu pot fi fixate sau sprijinite în mod adecvat și se pot bloca pe pânză sau se pot deplasa în timpul tăierii.
- **Asigurați-vă că ferăștrăul de tăiere în unghii este montat sau amplasat pe o suprafață de lucru nivelată și robustă înainte de utilizare.** O suprafață de lucru nivelată și robustă reduce riscul de instabilitate a ferăștrăului de tăiere în unghii.
- **Planificați-vă lucrarea! De fiecare dată când modificați setarea pentru unghiul de înclinare pe verticală sau pe orizontală, asigurați-vă că ghidajul reglabil este setat corect pentru sprijinirea piesei de prelucrat și că nu va obstrucționa pânza sau sistemul de protecție** Fără a porni unealta și fără piese de prelucrat pe masă, mișcați pânza ferăștrăului într-o mișcare de tăiere simulată completă, pentru a vă asigura că nu există obstrucții sau pericolul de tăiere a ghidajului.
- **Asigurați mijloace de sprijin adecvate, precum extensii de masă, capre etc. pentru o piesă de prelucrat care este mai lată sau mai lungă decât blatul mesei.** Piese de prelucrat mai lungi sau mai late decât masa ferăștrăului de tăiere în unghii se pot răsturna dacă nu sunt sprijinite în siguranță. Dacă piesa tăiată sau piesa de prelucrat se răstoarnă, aceasta poate ridica apărătoarea inferioară sau poate fi proiectată de pânza aflată în rotație.
- **Nu utilizați o altă persoană ca înlocuitor pentru o extensie de masă sau ca sprijin suplimentar** Sprijinul instabil al piesei de prelucrat poate cauza griparea pânzei sau deplasarea piesei de prelucrat în timpul operației de tăiere, trăgându-vă pe dvs. și pe ajutorul dvs. spre pânza aflată în rotație.
- **Piesa tăiată nu trebuie să fie blocată sau presată în niciun mod spre pânza de ferăștrău aflată în rotație** Dacă este delimitată, de exemplu utilizând opritoare de lungime, piesa tăiată se poate bloca în pânză și poate fi proiectată violent.
- **Utilizați întotdeauna o clemă sau un dispozitiv de fixare conceput pentru susținerea adecvată a materialelor rotunjite, precum tije sau conducte** Tijele au tendința să ruleze în timpul tăierii, făcând pânza să „muște” și să tragă piesa de prelucrat împreună cu mâna dvs. spre pânză.
- **Lăsați pânza să atingă viteza maximă înainte de a intra în contact cu piesa de prelucrat** Astfel, se va reduce riscul de proiectare a piesei de prelucrat.
- **Dacă piesa de prelucrat sau pânza se blochează, opriți ferăștrăul de tăiere în unghii. Așteptați ca toate piesele mobile să se oprească și deconectați ștecărul de la sursa de alimentare și/sau scoateți acumulatorul. Apoi eliberați materialul blocat** Continuarea tăierii cu o piesă de prelucrat blocată poate cauza pierderea controlului sau avariarea ferăștrăului de tăiere în unghii.
- **După finalizarea tăierii, eliberați comutatorul, țineți ferăștrăul cu capul în jos și așteptați ca pânza să**

se oprească înainte de a îndepărta piesa tăiată
Întinderea mâinii în apropierea pânzei care încă se mișcă din inerție este periculoasă.

- **Țineți mânerul cu fermitate atunci când efectuați o tăietură incompletă sau când eliberați comutatorul înainte de coborârea completă a capului ferăstrăului**
Acțiunea de frânare a ferăstrăului poate determina capul ferăstrăului să fie tras brusc în jos, prezentând un risc de vătămare.

INSTRUCȚIUNI DE SIGURANȚĂ SUPPLEMENTARE

- Șocurile de curent la anclanșare produc căderi de tensiune de scurtă durată; în caz de condiții nefavorabile în rețea pot fi afectate și alte aparate (pentru impedența de linie sub 0,464 Ohmi probabilitatea producerii deranjamentelor este nulă); pentru informații suplimentare vă rugăm contactați furnizorul dumneavoastră de energie electrică

GENERALITĂȚI

- Utilizați scula doar pentru tăierea lemnului
- Verificați întotdeauna dacă tensiunea de alimentare este aceeași cu tensiunea indicată pe plăcuța de identificare a sculei
- **Nu stați pe unealtă sau pe suportul acesteia** Dacă unealta este răsturnată sau dacă intrați în contact accidental cu unealta de tăiere, pot avea loc vătămări grave. Nu depozitați materiale pe unealtă sau în apropierea uneltei, astfel încât să fie necesar să vă urcați pe unealtă sau pe suportul acesteia pentru a ajunge la ele.
- **Decuplați întotdeauna ștecherul de la sursa de alimentare înainte de a face o reglare sau o schimbare de accesoriu**
- **Deconectați întotdeauna ștecărul de la sursa de alimentare înainte de a transporta ferăstrăul de tăiere în unghi** Deconectați, coborâți ansamblul capului și blocați-l în poziție, utilizați mânerul de transport și una dintre cavitățile pentru mână din baza ferăstrăului.
- **Nu părăsiți unealta până nu se oprește în totalitate**
- **Atunci când tăiați piese de prelucrat cu formă neregulată, planificați-vă lucrarea, astfel încât să nu alunece și să prindă pânda și să fie proiectată din mâna dvs.**
- Această sculă nu trebuie să fie folosit de persoane sub 16 ani
- Această sculă nu este potrivită pentru tăiere umedă

UTILIZARE ÎN AER LIBER

- Atunci când o folosiți în aer liber, conectați scula prin intermediul unui întrerupător de curent de defect (FI) cu un curent de declanșare de maximum 30mA și folosiți doar un cordon de racord destinat utilizării în aer liber echipat cu o priză protejată împotriva stropirii

ÎNAINTEA UTILIZĂRII

- Folosiți cabluri de prelungire derulate complet, protejate/izolate, cu o capacitate de 16 amperi
- Purtați ochelari de protecție, căști antifonice, și mănuși de protecție
- Praful rezultat din materiale precum vopseaua care conține plumb, unele specii de lemn, minerale și metale poate fi periculos (contactul cu praful sau inhalarea acestuia poate provoca reacții alergice și/sau afecțiuni respiratorii operatorului sau persoanelor care stau în apropiere); **purtați o mască de praf și lucrați cu un dispozitiv de extragere a prafului când poate fi conectat**

- Anumite tipuri de praf sunt clasificate ca fiind cancerigene (cum ar fi praful de stejar și fag) în special în combinație cu aditivi pentru tratarea lemnului; **purtați o mască de praf și lucrați cu un dispozitiv de extragere a prafului când poate fi conectat**
- Respectați reglementările naționale referitoare la aspirația prafului în funcție de materialele de lucru folosite
- **Nu prelucrați materiale care conțin azbest** (azbestul este considerat a fi cancerigen)
- Nu folosiți niciodată scula fără sistemul original de protecție
- Înainte de fiecare utilizare verificați închiderea corectă a apărătorii de protecție
- Nu operați ferăstrăul dacă apărătoarea de protecție nu se mișcă liber și nu închide imediat
- Este interzis să prindeți sau să legați apărătoarea de protecție în poziția deschisă
- Este interzis să utilizați scula fără inserția mesei; înlocuiți o inserție de masă defectă sau uzată
- Îndepărtați toate obstacolele aflate deasupra precum și sub traseul de tăiere înainte de a începe tăierea
- Evitați daunele provocate de șuruburi, țiște și alte elemente din timpul lucrului; înlăturați aceste elemente înainte de a trece la acțiune

ACCESORII

- Nu folosiți niciodată discuri de șlefuire/tăiere cu această sculă
- SKIL garantează funcționarea perfectă a sculei electrice numai dacă sunt folosite accesoriile corecte, care pot fi obținute de la dealerul dumneavoastră de produse SKIL
- Pentru montarea/utilizarea accesoriilor care nu provin de la firma SKIL respectați instrucțiunile respectivului producător
- Folosiți numai pânze de ferăstrău care corespund specificațiilor din prezentele instrucțiuni și care au fost verificate și marcate corespunzător, conform EN 847-1
- Folosiți numai accesoriile a căror turație admisă este cel puțin egală cu turația maximă la mers în gol a aparatului
- Nu utilizați niciodată pânze de ferăstrău confecționate din oțel rapid de scule (HSS)
- Nu folosiți o pânda de ferăstrău care este crăpată, deformată sau tocită
- Utilizați doar pânze de ferăstrău cu un diametru al găurii care se potrivește cu fusul sculei fără joc; este interzis să utilizați reductoare sau adaptoare pentru a monta pânze de ferăstrău cu un diametru mai mare al găurii
- Feriți accesoriile de impacturi, șocuri și unsoare

ÎN TIMPUL FUNCȚIONĂRII

- **Nu forțați instrumentul** (aplicați presiune ușoară și continuați pentru a evita supraîncălzirea vârfului pânzei și, în cazul în care se taie materiale plastice, topirea materialului)
- Țineți degetele, mâinile și brațele la distanță de pânda în rotație a ferăstrăului
- Dacă pânda ferăstrăului se blochează, opriți imediat scula și deconectați ștecărul; abia apoi scoateți piesa de prelucrat împănată
- În caz de blocare sau de defecțiune electrică sau mecanică, deconectați imediat scula și decuplați cablul
- În cazul în care cordonul este deteriorat sau secționat în timpul lucrului, nu atingeți cordonul, dar deconectați imediat de la priză
- Nu utilizați niciodată scula electrică atunci când cablul este deteriorat; acesta trebuie înlocuit cu un cablu

special, disponibil prin intermediul organizației de service.

FASCICULUL LASER

- **Nu îndreptați raza laser asupra persoanelor sau animalelor și nu priviți nici dumneavoastră direct raza laser sau reflexia acesteia** (prin aceasta ați putea provoca orbirea persoanelor, cauza accidente sau vătămă ochii)
- În cazul în care raza laser vă nimereste în ochi, trebuie să închideți voluntar ochii și să deplasați imediat capul în afara razei
- Nu aduceți modificări echipamentului laser
- Nu priviți în raza laser (fasciculul laser)
- Nu folosiți nici-un fel de instrument optic (lupă, telescop, binoclu) pentru a privi în fasciculul laser
- Nu operați cu instrumentul în prezența lichidelor sau gazelor inflamabile sau a prafului
- Nu operați cu instrumentul în prezența copiilor prin apropiere
- Nu înlocuiți laserul instalat cu alt tip de laser

DUPĂ UTILIZARE

- După oprirea sculei, nu opriți niciodată rotația accesoriului aplicându-i acestuia o forță laterală
- Scoateți părțile tăiate sau alte părți ale piesei de lucru din zona de secționare doar atunci când toate piesele în mișcare s-au oprit complet
- Pânza de ferăstrău devine foarte fierbinte în timpul utilizării; nu o atingeți până nu s-a răcit
- Depozitați scula în interior, într-un loc uscat și încluiat, la care copiii să nu aibă acces

EXPLICAȚIA SIMBOLURILOR DE PE INSTRUMENT

- ② Citiți manual de instrucțiuni înainte de utilizare
- ③ Purtați ochelari de protecție și căști antifonice
- ④ **Zonă de pericol! Zonă fără mâini. Țineți mâinile, degetele și brațele departe de această zonă.**
- ⑤ Izolație dublă (nu este necesar fir de împământare)
- ⑥ Nu aruncați sculele electrice și bateriile direct la pubelele de gunoi
- ⑦ **Radiația laser / Nu priviți în fascicul / Produs laser clasa 2**

UTILIZAREA

- Montarea
 - asamblați mânerul de transport cu 2 șuruburi utilizând cheia hexagonală AK⑨
 - asamblați butonul de blocare a înclinării pe orizontală AB în partea frontală a mesei ⑩
- Poziție de transport/lucru
Pentru eliberarea sculei (**poziția** de lucru)
 - apăsați mânerul B în jos cu o mână, în timp ce trageți în afară știftul de blocare C cu cealaltă mână ⑪a
 - ghidați ansamblul capului ușor în sus
 - pentru tăiere cu glisare, slăbiți butonul de blocare AE ⑪b
- Pentru fixarea sculei (**poziția** de transport)
 - glisați ansamblul capului până la opritor în direcția ghidajului S și strângeți butonul de blocare AE ⑪c
 - setați unghiul de înclinare pe verticală la 0° (consultați secțiunea Setarea unghiului de înclinare pe verticală)
 - setați unghiul de înclinare pe orizontală la 45° spre stânga sau spre dreapta (consultați secțiunea Setarea unghiului de înclinare pe orizontală)
 - apăsați mânerul B în jos cu o mână, în timp ce împingeți știftul de blocare C cu cealaltă mână

- înfășurați cablul de alimentare
- utilizați mânerul de transport E pentru a transporta unealta ⑪d
- ca alternativă, utilizați mânerul lateral pentru a transporta unealta ⑪e

! nu ridicați niciodată unealta ținând-o de mânerul principal sau de cablul de alimentare

- Montarea sculei pe suprafața de lucru ⑫
 - ! în vederea siguranței manipulării montați întotdeauna scula pe o suprafață de lucru plată și stabilă (de ex. banc de lucru)**
 - utilizați 4 orificii de montare F pentru atașarea sculei cu șuruburi adecvate la suprafața de lucru
 - puteți prinde de asemenea scula la suprafața de lucru cu cleme cu șurub disponibile în comerț
 - pentru stabilizarea uneltei, poate fi reglată înălțimea piciorului de susținere G
 - ca alternativă, unealta poate fi montată pe un suport pentru ferăstraie de tăiere în unghi
- ! citiți toate avertismentele și instrucțiunile furnizate împreună cu suportul pentru ferăstrău**
- Extragerea rumegușului/așchilor ⑬
 - montați sacul pentru praf H/aspiratorul conform ilustrației
 - goliți regulat sacul pentru praf pentru realizarea unui randament optimal de aspirare a prafului
 - ! nu lăsați niciodată furtunul aspiratorului să stânjenească dispozitivul inferior de protecție sau operația de tăiere**
- Extensia mesei ferăstrăului ⑭
 - utilizați butoanele L pentru fixarea barelor de extensie K (pe fiecare parte a uneltei)
 - lungimea barelor de extensie K este reglabilă, fără trepte, de la minim la maxim
- Prinderea piesei de prelucrat ⑮
 - ! pentru siguranță de lucru optimă prindeți întotdeauna ferm piesa de prelucrat cu clema reglabilă furnizată**
 - nu lucrați cu piese de prelucrat care sunt prea mici pentru a fi prinse
 - pentru dimensiunile **maxime** ale piesei de prelucrat utilizați tabelul ⑯ ca referință
 - fixați clema pentru piesa de prelucrat în orificiul de susținere N cu butonul P (pe fiecare parte a uneltei)
 - utilizați 1 dintre cele 2 caneluri; pentru piese de prelucrat cu grosimi de până la 4 cm și piese de prelucrat cu grosimi de peste 4 cm
 - apăsați ferm piesa de prelucrat pe ghidaj S
 - deblocați maneta R
 - adaptați clema la piesa de prelucrat
 - fixați cu fermitate piesa de prelucrat blocând maneta R
 - ! în cazul unor combinații de înclinare pe orizontală și pe verticală sau în funcție de dimensiunea piesei de prelucrat, poate fi necesar să utilizați cleme cu șurub disponibile pe piață în locul clemei pentru piesa de prelucrat**
- Reglarea unghiurilor de înclinare pe orizontală ⑰
 - slăbiți mânerul de blocare AB
 - împingeți maneta de eliberare pentru detenta la înclinarea pe orizontală AC
 - rotiți masa ferăstrăului spre stânga sau spre dreapta și setați unghiul de înclinare pe orizontală dorit (între 0° și 47°) utilizând indicatorul AD

- eliberați maneta AC
- strângeți mânerul de blocare AB (**nu strângeți mânerul prea ferm**)
- pentru setarea rapidă și precisă a unghiurilor de înclinare pe orizontală utilizate des (0°, 15°, 22,5°, 31,6°, 45°), maneta pentru detenta la înclinarea pe orizontală se fixează în pozițiile corespunzătoare
- Setarea unghiurilor de înclinare pe verticală ⑱
 - slăbiți butonul cu trei picioare U ⑱b
 - basculați capul unelei la stânga până când indicatorul unghiului de înclinare pe verticală V este îndreptat spre unghiul de înclinare pe verticală dorit
 - țineți capul ferăstrăului în această poziție și strângeți butonul U
- Tăieri combinate ⑲
 - tăierile combinate necesită atât reglarea unghiului de înclinare pe orizontală cât și cea a unghiului de înclinare pe verticală
 - ! nu acționați ferăstrăul în anumite combinații de înclinare pe orizontală și pe verticală care pot cauza interferențe între piesele glisante și cele staționare ale ferăstrăului sau între piesele glisante și piesa de prelucrat**
 - ! întotdeauna încercați mai întâi pe un rest de material**
- Linia de laser ⑳
 - pentru ghidarea sculei de-a lungul liniei dorite de tăiere marcate pe piesa de prelucrat
 - conectați/deconectați linia de laser prin apăsarea întrerupătorului AA
 - laserul este aliniat la stânga tăieturii
 - alinierea orizontală a laserului poate fi reglată ușor cu șurubul Y
 - ! înainte ca să începeți o operație, verificați alinierea liniei de laser față de linia reală de tăiere, practicând o tăiere de probă pe o bucată de material de deșeuri**
- Tăierea fără glisare (piese de prelucrat mici)
 - slăbiți butonul de blocare AE dacă este strâns
 - glisați capul ferăstrăului până la opritor în direcția ghidajului S și strângeți la loc butonul de blocare AE
 - ! incapacitatea de blocare a mecanismului poate determina pânza să se urce brusc peste piesa de prelucrat și să avanseze forțat spre dvs.**
 - fixați scula în poziția de lucru
 - ! asigurați-vă că piesa de prelucrat este prinsă ferm între masa ferăstrăului și ghidaj S**
 - porniți unealta eliberând blocarea AG și trăgând comutatorul principal AF ⑳
 - ! nu încrușițați brațele când utilizați capul ferăstrăului ㉑a**
 - secționați piesa de prelucrat cu avans uniform
 - ! scula trebuie să funcționeze la turația completă înainte ca pânza să intre în piesa de prelucrat**
 - opriți scula prin eliberarea întrerupătorului AF
 - așteptați până când pânza ferăstrăului s-a oprit complet din mișcare înainte de a ghida capul ferăstrăului încet în sus
- Tăierea cu glisare (piese de prelucrat late)
 - ! rețineți că metoda descrisă mai jos este singura sigură**
 - nu trageți ferăstrăul prin piesa de prelucrat
 - slăbiți butonul de blocare AE dacă este strâns

- ! asigurați-vă că piesa de prelucrat este prinsă ferm între masa ferăstrăului și ghidaj S**
- trageți capul ferăstrăului depărtându-l de ghidaj S suficient de mult astfel încât pânza ferăstrăului să se afle în fața piesei de prelucrat ㉒
- porniți unealta împingând maneta de siguranță AG și trăgând comutatorul principal AF ㉒
- ! nu încrușițați brațele când utilizați capul ferăstrăului ㉑a**
- împingeți capul ferăstrăului în direcția ghidajului S și tăiați piesa de prelucrat avansând uniform ㉒
- ! scula trebuie să funcționeze la turația completă înainte ca pânza să intre în piesa de prelucrat**
- ! dacă apărătura inferioară nu se deschide automat, fapt care poate avea loc în anumite condiții (de ex. o piesă de prelucrat foarte apropiată de capacitatea maximă), poate fi necesar să deschideți apărătura manual ㉑b**
- opriți scula prin eliberarea întrerupătorului AF
- așteptați până când pânza ferăstrăului s-a oprit complet din mișcare înainte de a ghida capul ferăstrăului încet în sus
- Tăierea canelurilor ㉓
 - setați adâncimea dorită cu opritorul de adâncime AH și blocați-l strângând piulița AJ
 - un distanțier din lemn trebuie așezat între piesa de prelucrat și ghidaj, pentru o adâncime constantă pe toată lungimea canelurii
 - ! asigurați-vă că pânza ferăstrăului nu se blochează în piesa de prelucrat**
 - ! întotdeauna încercați mai întâi pe un rest de material**
- Schimbarea pânzei de ferăstrău ㉔
 - ! deconectați priza**
 - luați cheia hexagonală AK din magazia AL
 - țineți apărătura A în poziția deschisă
 - slăbiți șurubul plăcii de acoperire AN (**nu deșurubați șurubul în totalitate**) ㉔a
 - rotiți apărătura A complet înapoi ㉔b
 - apăsați butonul de blocare a axului AM și țineți-l până când scoateți șurubul pânzei AO prin rotirea cheii hexagonale AK **ÎN SENS ORAR** (= în aceeași direcție cu săgeata imprimată pe pânza ferăstrăului)
 - ! apăsați butonul AM de blocare a axului numai atunci când scula este în poziția de oprire**
 - lăsați liber butonul AM de blocare a axului
 - scoateți flanșa AP și pânza de ferăstrău
 - ! schimbați pânza de ferăstrău încât dantura ferăstrăului și săgeata imprimată pe pânza de ferăstrău să fie orientate în aceeași direcție ca și săgeata de pe apărătura de protecție A**
 - montați flanșa AP ㉔c
 - apăsați butonul de blocare a axului AM și mențineți-l apăsat în timp ce strângeți șurubul pânzei rotind cheia hexagonală AK SPRE STÂNGA cu 1/8 de rotație mai strâns decât o strângere cu degetele (asigură alunecarea pânzei de ferăstrău atunci când acestea întâlnesc o rezistență excesivă, reducând astfel suprasarcina motorului și reculul ferăstrăului)
 - strângeți șurubul plăcii de acoperire AN
- Înclocuirea inserției mesei AQ ㉕
 - Înclocuiți o inserție de masă defectă sau uzată după cum urmează:
 - ! deconectați priza**

- luați cheia hexagonală AK din magazia AL
- scoateți toate cele 6 șuruburi conform ilustrației
- scoateți inserția veche a mesei ridicând-o mai întâi din față și apoi trăgând-o afară complet
- plasați noua inserție de masă
- ! **strângeți ferm toate cele 6 șuruburi**
- Verificarea/reglarea alinierii pânzei la 90° ⑳
- ! **deconectați priza**
- rotiți masa ferăstrăului în poziția de înclinare pe orizontală de 0° și blocați-o în loc
- basculați capul ferăstrăului în poziția de înclinare pe verticală de 0°
- coborâți capul ferăstrăului și blocați-l în loc
- verificați unghiul de 90° dintre pânză și masă cu un echer
- dacă este necesar, reglați alinierea pânzei la 90° după cum urmează:
 1. slăbiți butonul cu trei picioare U
 2. reglați șurubul W cu o cheie fixă pentru pânză 10 (nu este inclusă în versiunea standard)
 3. verificați din nou cu un echer
 4. resetați indicatorul pentru înclinarea pe verticală V la 0°
- Verificarea/reglarea alinierii pânzei la 45° ㉔
- ! **deconectați priza**
- rotiți masa ferăstrăului în poziția de înclinare pe orizontală de 0° și blocați-o în loc
- slăbiți butonul cu trei picioare U
- basculați capul ferăstrăului spre stânga
- verificați unghiul de 45° dintre pânză și masă cu un raportor
- verificați dacă indicatorul înclinării pe verticală V este pe marcăjul 45°
- dacă este necesar, reglați alinierea pânzei la 45° după cum urmează:
 1. reglați șurubul X cu o cheie fixă pentru pânză 10 (nu este inclusă în versiunea standard)
 2. verificați din nou cu un echer pentru înclinarea pe orizontală
- Verificarea/reglarea alinierii ghidajului la 90° ㉔
- ! **deconectați priza**
- rotiți masa ferăstrăului în poziția de înclinare pe orizontală de 0° și blocați-o în loc
- coborâți capul ferăstrăului și blocați-l în loc
- verificați unghiul de 90° dintre pânză și ghidaj S cu un echer (asigurați-vă că echerul intră în contact cu corpul pânzei și nu cu dinții acesteia) ㉔a
- dacă este necesar, reglați alinierea ghidajului la 90° după cum urmează:
 1. slăbiți 2 șuruburi hexagonale T ㉔b
 2. reglați ghidajul până când pânza și ghidajul intră complet în contact cu echerul
 3. strângeți 2 șuruburi hexagonale T
 4. resetați indicatorul pentru înclinarea pe orizontală la 0° ㉔c

SFATURI PENTRU UTILIZARE

- Piese de lucru speciale
 - sprijiniți întotdeauna capetele libere ale unei piese de lucru lungi ㉔
 - asigurați-vă că piesele de lucru curbate sau rotunde sunt fixate special împotriva alunecării ㉔

- la linia de secționare nu trebuie să existe nicio distanță între piesa de prelucrat și ghidaj sau masa ferăstrăului
- dacă este necesar, fabricați un ghidaj auxiliar; orificiile din ghidajul glisant vor fi utilizate pentru fixarea ghidajului auxiliar ㉔

! **ghidajul auxiliar poate fi utilizat numai la înclinare pe verticală de 0°**

- Pentru lucrul cu plinte, poate fi utilizată ca referință ilustrația ㉔
- Așezați întotdeauna partea bună a piesei de prelucrat în jos pentru a asigura o împrăștiere minimă a așchilor
- Folosiți doar pânze ascuțite de tipul corect
 - calitatea tăierii se îmbunătățește cu numărul de dinți
 - pânzele placate cu carburi rămân ascuțite pe perioade de până la de 30 de ori lungi decât pânzele obișnuite

ÎNȚREȚINERE / SERVICE

- Păstrați întotdeauna curățenia sculei și cordonului (în special orificiile de aerisire din partea posterioară a carcasei motorului)
- Efectuați o verificare periodică pentru a vă asigura că apărătoarea inferioară funcționează corect. Curățați apărătoarea inferioară de acumulările de rumeguș cu o lavetă umedă.
- ! **deconectați de la priză înainte de a curăța**
- ridicați apărătoarea inferioară în poziția complet deschisă și eliberați-o; dacă nu se închide imediat și în totalitate, aceasta trebuie verificată de un centru de service post-vânzare pentru unelte electrice SKIL
- Curățați pânza de ferăstrău imediat după utilizare (în special de rășini și clei)
- ! **pânza de ferăstrău devine foarte fierbinte în timpul utilizării; nu o atingeți până nu s-a răcit**
- Curățați fasciculul laser AC cu o perie moale după fiecare utilizare, pentru a menține o bună vizibilitate a liniei laserului (asigurați-vă că nu modificați setarea laserului)
- Dacă în ciuda procedeelelor de fabricație și control riguroase scula are totuși o pană, repararea acesteia se va face numai la un atelier de asistență service autorizat pentru scule electrice SKIL
 - trimiteți scula în **totalitatea lui** cu bonul de cumpărare la distribuitorul sau la centrul de service SKIL cel mai apropiat (adrese și diagrame de service se găsesc la www.skil.com)
- Trebuie să fiți conștienți de faptul că deteriorarea datorată suprasarcinii sau utilizării incorecte a sculei vor fi excluse din garanție (pentru condițiile de garanție SKIL consultați www.skil.com sau întrebați distribuitorul)

MEDIUL

- **Nu aruncați sculele electrice, bateriile, accesoriile sau ambalajele direct la pubelele de gunoi** (numai pentru țările din Comunitatea Europeană)
 - Directiva Europeană 2012/19/EC face referire la modul de aruncare a echipamentelor electrice și electronice și modul de aplicare a normelor în conformitate cu legislația națională; sculele electrice în momentul în care au atins un grad avansat de uzură și trebuie aruncate, ele trebuie colectate separat și reciclate într-un mod ce respectă normele de protecție a mediului înconjurător
 - simbolul ㉔ va vă reaminti acest lucru

ZGOMOT

- Мăсурат в конформитe cu EN 62841, нивелу де прeсиунe сонорă ал ацeстeи унелe естe де 100,0 dB(A), iar нивелу де згомот естe де 109,5 dB(A) (incertitudinea K = 3 dB)
- Нивелу емисиил де згомот а fost мăсурат в конформитe cu un test standardizat precizat в EN 62841; poate fi folosit pentru а compara o unealtă cu alta și а evaluare preliminară а expunerii la згомот atunci când folosii unealta pentru aplicațiile menționate
 - utilizarea sculei pentru aplicații diferite sau cu accesorii diferite și prost întreținute poate **crește** semnificativ нивелу де expunere
 - momentele в care scula е oprită sau când funcționează dar nu execută nicio lucrare, pot **reduce** semnificativ нивелу де expunere

BG

Циркуляр за ламперия

1310

УВОД

- Този инструмент е предназначен като стационарна машина за надлъжно и напречно рязане на дърво с рязане под прав ъгъл, както и рязане под ъгъл (възможни са хоризонтални ъгли на скосяване от -47° до +47°, както и вертикални ъгли на рязане от 0° до 45°)
- Прочетете и пазете това ръководство за работа ②
- Този инструмент не е предназначен за професионална употреба
- **Използвайте електроинструмента само когато е правилно и напълно слобен** (имайте предвид, че Skil не носи отговорност за повреда на инструмента и/или телесни повреди, причинени от неправилно сглобяване на инструмента)

ТЕХНИЧЕСКИ ДАННИ ①

ЕЛЕМЕНТИ НА ИНСТРУМЕНТА ⑧

- A Долен предпазител
- B Ръчка на превключателя
- C Блокираща шийка за транспорт
- D Горен предпазен кожух
- E Транспортна ръкохватка
- F Монтажни отвори
- G Опорно краче
- H Торбичката за прах
- J Порт за прахоулавяне
- K Удължителни греди
- L Ръкохватки за фиксиране на удължителните греди
- M Скоба за монтажен детайл
- N Отвор за опора
- P Копче за затягане на скобата
- Q Копче за регулиране на скобата
- R Затягащ лост
- S Ограничител
- T Шестостенни винтове за регулиране на предпазителя (2x)
- U Блокиращо копче (ъгли на рязане)
- V Индикатор на ъгъла на рязане
- W Винт за регулиране на ъгъла на рязане (дясно)
- X Винт за регулиране на ъгъла на рязане (ляво)

- Y Регулиращ винт на лазера
- Z Лазерен лъч
- AA Вкл/изкл ключ на лазера
- AB Фиксираща ръкохватка (ъгли на скосяване)
- AC Лост за освобождаване на ограничителя на скосяване
- AD Индикатор на ъгъла на скосяване
- AE Заклучваща ръкохватка за плъзгащото се устройство
- AF Прекъсвач за включване/изключване
- AG Лост за изключване
- AH Ограничител на дълбочината на рязане
- AI Стопер за дълбочина
- AJ Гайка на стопера за дълбочина
- AK Шестостенен ключ
- AL Място за съхранение на шестостенния ключ
- AM Бутон за заключване на шпиндела
- AN Винт на покривната плоча
- AO Болт за острието
- AP Фланец
- AQ Вложка-табла
- AR Дефлектор за прах

БЕЗОПАСНОСТ

ОБЩИ УКАЗАНИЯ ЗА БЕЗОПАСНА РАБОТА С ЕЛЕКТРОИНСТРУМЕНТИ

⚠ ПРЕДУПРЕЖДЕНИЕ Прочете всички предупреждения за безопасност, инструкции, илюстрации и спецификации, доставени с този електроинструмент. Неспазването на всички описани по-долу инструкции може да доведе до токов удар, пожар и/или тежко нараняване.

Запазете всички предупреждения и указания за ползване в бъдеще.

Използваният по-долу термин "електроинструмент" се отнася до захранвани от електрическата мрежа електроинструменти (със захранващ кабел) и до захранвани от акумулаторна батерия електроинструменти (без захранващ кабел).

1) БЕЗОПАСНОСТ НА РАБОТНОТО МЯСТО

- Поддържайте работното си място чисто и подредено.** Безпорядъкът или недостатъчното осветление могат да спомогнат за възникването на трудова злополука.
 - Не работете с електроинструмента в среда с повишена опасност от възникване на експлозия, в близост до леснозапалими течности, газове или прахообразни материали.** По време на работа в електроинструментите се отделят искри, които могат да възпламенят прахообразни материали или пари.
 - Дръжте деца и странични лица на безопасно разстояние, докато работите с електроинструмента.** Ако вниманието Ви бъде отклонено, може да загубите контрола над електроинструмента.
- #### 2) БЕЗОПАСНОСТ ПРИ РАБОТА С ЕЛЕКТРИЧЕСКИ ТОН
- Щепселът на електроинструмента трябва да е подходящ за ползвания контакт. В никакъв**

- случай не се допуска изменение на конструкцията на щепсела. Когато работите със занулени електрореди, не използвайте адаптери за щепсела. Ползването на оригинални щепсели и контакти намалява риска от възникване на токов удар.
- b) **Избягвайте допира на тялото Ви до заземени тела, напр. тръби, отоплителни уреди, пещи и хладилници.** Когато тялото Ви е заземено, рискът от възникване на токов удар е по-голям.
- c) **Предпазвайте електроредната си от дъжд и влага.** Проникването на вода в електроредната повишава опасността от токов удар.
- d) **Не използвайте захранващ кабел за цели, за които той не е предвиден, напр. за да носите електроредната за кабела или да извадите щепсела от контакта.** Предпазвайте кабела от нагряване, омасляване, допир до остри ръбове или до подвижни звена на машини. Повредени или усукани кабели увеличават риска от възникване на токов удар.
- e) **Когато работите с електроредна навън, използвайте само удължителни кабели, предназначени за работа на открито.** Използването на удължител, предназначен за работа на открито, намалява риска от възникване на токов удар.
- f) **Ако се налага използването на електроредната във влажна среда, използвайте предпазен прекъсвач за утечни токове.** Използването на предпазен прекъсвач за утечни токове намалява опасността от възникване на токов удар.
- 3) БЕЗОПАСЕН НАЧИН НА РАБОТА**
- a) **Бъдете концентрирани, следете внимателно действията си и постъпвайте предпазливо и разумно. Не използвайте електроредната, когато сте уморени или под влиянието на наркотични вещества, алкохол или упойващи лекарства.** Един миг разсеяност при работа с електроредна може да има за последствие изключително тежки наранявания.
- b) **Работете с предпазващо работно облекло и винаги с предпазни очила.** Носенето на подходящи за ползвания електроредна и извършваната дейност лични предпазни средства, като дихателна маска, здрави плътнотзатворени обувки със стабилен грайфер, защитна каска или шумозаглушители (антифони), намалява риска от възникване на трудова злополука.
- c) **Избягвайте опасността от включване на електроредната по невнимание. Преди да включите щепсела в захранващата мрежа или да поставите акумуляторната батерия, се уверявайте, че пусковият прекъсвач е в положение изключено.** Ако, когато носите електроредната, държите пръста си върху пусковия прекъсвач, или ако подавате захранващо напрежение на електроредната, когато е включен, съществува опасност от възникване на трудова злополука.
- d) **Преди да включите електроредната, се уверявайте, че сте отстранили от него всички помощни инструменти и гаечни ключове.** Помощен инструмент, забравен на въртящо се звено, може да причини травми.
- e) **Не надценявайте възможностите си. Работете в стабилно положение на тялото и във всеки момент поддържайте равновесие.** Така ще можете да контролирате електроредната по-добре и по-безопасно, ако възникне неочаквана ситуация.
- f) **Работете с подходящо облекло. Не работете с широки дрехи или украшения. Дръжте косата и дрехите си на безопасно разстояние от движещи се звена.** Широките дрехи, украшенията, дългите коси могат да бъдат захванати и увлечени от въртящи се звена.
- g) **Ако е възможно използването на външна аспирационна система, се уверявайте, че тя е включена и функционира изправно.** Използването на аспирационна система намалява рисковете, дължащи се на отделящата се при работа прах.
- h) **Доброто познаване на електроредната вследствие на честа работа с него не е повод за намаляване на вниманието и пренебрегване на мерките за безопасност.** Едно невнимателно действие може да предизвика тежки наранявания само за части от секундата.
- 4) ВНИМАТЕЛНО ОТНОШЕНИЕ КЪМ ЕЛЕКТРОИНСТРУМЕНТИ**
- a) **Не претоварвайте електроредната. Използвайте електроредните само съобразно тяхното предназначение.** Ще работите по-добре и по-безопасно, когато използвате подходящия електроредна в зададения от производителя диапазон на натоварване.
- b) **Не използвайте електроредна, чиито пусков прекъсвач е повреден.** Електроредна, който не може да бъде изключван и включван по предвидения от производителя начин, е опасен и трябва да бъде ремонтиран.
- c) **Преди да извършвате наковито и да е дейности по електроредната, напр. настройване, смяна на работен инструмент, канто и когато го прибирате, изключвайте щепсела от контакта, респ. изваждайте батерията, ако е възможно.** Тази мярка премахва опасността от задействане на електроредната по невнимание.
- d) **Съхранявайте електроредните на места, където не могат да бъдат достигнати от деца. Не допускайте те да бъдат използвани от лица, които не са запознати с начина на работа с тях и не са прочели тези инструкции.** Когато са в ръцете на неопитни потребители, електроредните могат да бъдат изключително опасни.
- e) **Поддържайте добре електроредните си и аксесоарите им. Проверявайте дали подвижните звена функционират безукорно, дали не заклиняват, дали има счупени или повредени детайли, които нарушават или изменят функциите на електроредната. Преди да използвате електроредната, се погрижете повредените детайли да бъдат ремонтирани.** Много от трудовите злополуки се дължат на недобре поддържани електроредни инструменти и уреди.

- f) **Поддържайте ренещите инструменти винаги добре заточени и чисти.** Добре поддържаните ренещи инструменти с остри ръбове оказват по-малко съпротивление и се водят по-леко.
- g) **Използвайте електроринструментите, допълнителните приспособления, работните инструменти и т.н., съобразно инструкциите на производителя. С дейности и процедури, евентуално предписани от различни нормативни документи.** Използването на електроринструменти за различни от предвидените от производителя приложения повишава опасността от възникване на трудови злополуки.
- h) **Поддържайте дръжките и ръкохватите сухи, чисти и неомаслени.** Хлъзгавите дръжки и ръкохватки не позволяват безопасната работа и доброто контролиране на електроринструмента при възникване на неочаквана ситуация.
- 5) **ПОДДЪРЖАНЕ**
- a) **Допускайте ремонтът на електроринструментите Ви да се извършва само от квалифицирани специалисти и само с използването на оригинални резервни части.** По този начин се гарантира съхраняване на безопасността на електроринструмента.

ИНСТРУКЦИИ ЗА БЕЗОПАСНОСТ ПРИ РАБОТА С НАСТОЛНИ ПОТАПАЯЩИ ЦИРКУЛЯРИ

- **Настолните потапящи циркуляри са замислени за рязане на дърво или подобни изделия, те не могат да се използват с абразивни ренещи дискове за рязане на съдържащи желязо материали, като греди, прътове, гвоздеи и др.** Абразивният прах води до блокиране на движещите се части (като например долния протектор). Искрите от абразивното рязане ще прогорят долния протектор, вложката с прорез и другите пластмасови части.
- **Когато е възможно, използвайте стеги за захващане на обработвания детайл.** Ако подпирате работния детайл на ръка, трябва винаги да държите ръката на минимум 100 mm от всяка страна на циркулярния диск. Не използвайте този трион за рязане на елементи, които са твърде малки, за да се закрепят безопасно или да се държат с ръка. Ако ръката ви е поставена твърде близо до циркулярния диск, има увеличен риск от нараняване от контакт с диска.
- **Обработваният детайл трябва да е неподвижен и да е захванат или задържан както към преградата, така и към масата.** Не подавайте обработвания детайл към диска и не режете по никакъв начин "само с ръце". Неограничените или движещи се обработвани детайли могат да се изхвърлят с висока скорост и да причинят нараняване.
- **Натиснете циркуляра през обработвания детайл.** Не изтегляйте циркуляра през обработвания детайл. За извършване на прорез повдигнете главата на циркуляра и я изтеглете през обработвания детайл без рязане, стартирайте мотора, натиснете главата на циркуляра надолу и натиснете циркуляра през обработвания детайл. Срязването при хода по изтегляне може да причини изкачване на циркулярния диск догоре върху обработвания детайл и силно да изхвърли модула на диска към оператора.
- **Никога не прекъсвайте ръка през проектираната линия на рязане отпред или отзад на циркулярния диск.** Поддържането на детайла "с кръстосани ръце", т.е. задържането на детайла вдясно от циркулярния диск с лявата ръка, или обратно, е много опасно.
- **Не бъркайте зад преградата с ръка на по-близо от 100 mm от която и да е страна на циркулярния диск за отстраняване на остатъци от дърво или по каквато и да е причина, докато дискът се върти.** Близостта на въртящия се циркулярен диск до ръката ви може да не е видима и може да се нараните сериозно.
- **Инспектирайте обработвания детайл преди рязане.** Ако обработваният детайл е извит или прегънат, захванете го с въшната извита страна към преградата. Винаги се уверявайте, че няма пролука между обработвания детайл, преградата и масата по дължината на рязането. Извитите или прегънати детайли могат да се усучат или изместят и могат да причинят зацепване на въртящия се циркулярен диск при рязане. Не трябва да има гвоздеи или чужди предмети в обработвания детайл.
- **Не използвайте циркуляра, ако масата не е почистена от всички инструменти, дървени остатъци и др. и върху нея не е останал само обработвания детайл.** Малките замърсявания или свободните парченца дърво или други предмети могат да влезнат в контакт с въртящия се диск и да бъдат изхвърлени с висока скорост.
- **Резете само по един обработван детайл наведнъж.** Натрупаните на купчина обработвани детайли не могат адекватно да се захващат или затягат и могат да се захванат върху диска или да се изместят при рязане.
- **Уверявайте се, че настолния потапящ циркуляр е монтиран или поставен на равна, здрава работна основа преди употреба.** Равната и здрава работна основа намалява риска от това настолният потапящ циркуляр да стане нестабилен.
- **Планирайте работата си!** Всеки път, когато промените настройката на ъгъла на рязане или на скосяване, се уверявайте, че регулируемата преграда е правилно поставена, така че да подпират обработвания детайл и да не пречи на диска или предпазната система. Без да включвате инструмента и без да има детайл върху масата, преместете циркулярния диск през цял симулиран срез, за да гарантирате, че няма да има сблъскване или опасност от срязване на преградата.
- **Осигурявайте адекватна опора, като например удължения на масата, стойки за рязане и др. за обработван детайл, който е по-широк или по-дълъг от плота.** Детайлите, които са по-дълги или по-широки от масата на настолния потапящ циркуляр, могат да се преобърнат, ако не са сигурно закрепени. Ако отрязаната част или детайлът се наклонят, това може да повдигне долния протектор или да се стигне до изхвърляне от въртящия се диск.
- **Не използвайте друг човек като заместител на удължението на масата или като допълнителна опора.** Нестабилната опора за детайла може да накара дискът да се захване или обработвания

детайл да се измести по време на работата по рязане, което ще изтегли вас и помощника ви към въртящия се диск.

- **Отрязаната част не трябва да се блокира или притиска по друг начин към въртящия се циркуларен диск** Ако е ограничен, т.е. ако се използват стопери на дължината, отрязаната част може да се заклинни към диска и да се изхвърли с голяма сила.
- **Винаги използвайте сноба или фиксатор, проектиран за правилно подпиране на кръгъл материал, като например пръти или тръби** Прътите имат тенденция да се изтърбулват, докато се режат, което ще накара дискът да "захапне" и изтегли детайла заедно с ръката ви направо в диска.
- **Оставете дискът да достигне пълни обороти, преди да влезне в контакт с детайла** Това ще намали риска от изхвърляне на детайла.
- **Ако детайлът и дискът се блокират, изключете настолния потапящ циркулар.** Изчаканите всички движещи се части да спрат и разкачете щепсела от контакта и/или извадете акумулаторната батерия. След това осигурете освобождаване на блокирания материал. Продължаването на рязането с блокиран детайл може да доведе до загуба на контрол или повреда на настолния потапящ циркулар.
- **След завършване на среза отпуснете превключвателя, задръжте надолу главата на циркуляра и изчаканите дискът да спре, преди да изваждате отрязаната част** Протягането на ръка близо до движещия се по инерция диск е опасно.
- **Задръжте дръжката здраво, когато правите непълен срез или когато отпускате превключвателя, преди главата на циркуляра да застане напълно в долна позиция** Спиращото действие на циркуляра може да накара главата на циркуляра внезапно да се изтегли надолу, водейки до риск от нараняване.

ДОПЪЛНИТЕЛНИ УКАЗАНИЯ ЗА БЕЗОПАСНА РАБОТА

- При включване на мощни електроуреди е възможно възникването на кратковременни колебания на напрежението в захранващата мрежа; при съвпадение на неблагоприятни обстоятелства е възможно увреждане на други включени в мрежата уреди (при импеданс на захранващата мрежа, по-малък от 0,464 Ω смущенията са пренебрежимо малки); ако се нуждаете от допълнителни разяснения, моля обърнете се към Вашия локален специалист от Електроснабдяване

ОБЩИ

- Използвайте инструмента само за рязане на дърво
- Преди включване на инструмента в контакта се уверете, че мрежовото напрежение отговаря на напрежението, обозначено на фирмената табелка на инструмента
- **Не стойте върху инструмента или върху стойката му** Сериозно нараняване може да се получи, ако инструментът се наклони или ако режещият инструмент се докосне инцидентно. Не съхранявайте материали върху или в близост до инструмента, ако е необходимо да застанете върху инструмента или стойката му, за да ги достигнете.

- **Преди извършването на канвата и да било настройка или смяна на принадлежност винаги изваждайте щепсела от конгата на електроснабдяването**
- **Винаги разкачайте щепсела от източника на електричество, преди да транспортирате настолния потапящ циркулар** Откачете, снижете модула на главата и заключете на място, използвайте дръжката за носене и една от вдлъбнатините за ръка в основата на циркуляра.
- **Не оставяйте инструмента, докато не спре напълно**
- **Когато режете детайли с неправилна форма, планирайте работата си така, че да не се плъзнат и притиснат диска и да не излязат от ръката ви**
- Машината не трябва да се използва от лица под 16 години
- Този инструмент не е подходящ за мокро рязане

УПОТРЕБА НА ОТКРИТО

- При употреба на открито, свържете инструмента посредством електрически прекъсвач (FI) с максимален начален ток 30 mA, и използвайте единствено кабела, предназначен за употреба на открито и снабден със защитени съединителни контакти

ПРЕДИ УПОТРЕБА

- Използвайте напълно развити и обезопасени разклонители с капацитет 16 A
- Носете защитни очила, тапи за уши, и защитни ръкавици
- Прахът от някои материали, като например съдържача олово боя, някои видове дървесина, минерали и метали може да бъде вреден (контакт или вдишване на такъв прах могат да причинят алергични реакции и/или респираторни заболявания на оператора или стоящите наблизо лица); **използвайте противопрахова масна и работете с аспиращо прахта устройство, когато такова може да бъде свързано**
- Определени видове прах са класифицирани като карциногенни (като прах от дъб и бук) особено когато са комбинирани с добавки за подобряване на състоянието на дървесината; **използвайте противопрахова масна и работете с аспиращо прахта устройство, когато такова може да бъде свързано**
- Следвайте дефинираните по БДС изисквания относно запрашеността за материалите, които желаете да обработвате
- **Не обработвайте азбестосъдържащ материал** (азбестът е канцерогенен)
- Не използвайте никога инструмента без оригиналната му предпазна система
- Проверете защитния капак за правилно затваряне преди всяка употреба
- Не работете с триона, ако защитният му капак не се движи свободно и не се затваря незабавно
- Никога не фиксирайте и не връзвайте защитния капак в отворена позиция
- Никога не използвайте инструмента без вложката за масата; заменете дефектна или износена вложка-табла
- Премахнете всички препятствия върху повърхността, а също и под пътя на рязане, преди да започнете рязането

- Избягвайте повреди, които могат да бъдат причинени от винтове, гвоздеи и други метални елементи в обработвания детайл; отстранете ги преди да започнете работа

АНКСЕОАРИ

- С този инструмент никога не използвайте шлифовачи/режещи дискове
- SKIL може да осигури безаварийна работа на електроинструмента само ако се използват подходящите консумативи, които можете да намерите при оторизираните дистрибутори на SKIL
- При монтиране и употреба на консумативи, не произведени от SKIL, следвайте инструкциите на съответния производител
- Използвайте само циркулярни дискове, които съответстват на посочените в това ръководство за експлоатация данни и са изпитани по EN 847-1 и обозначени по съответния начин.
- Използвайте само принадлежности, чиято допустима скорост на въртене е по-голяма или равна на максималната скорост на въртене на празен ход на електроинструмента
- Никога не използвайте режещи дискове, изработени от бързорежеща стомана (HSS)
- Не използвайте режеща лента, която е напукана, деформирана или затъпена
- Използвайте режещи дискове само с диаметър на отвора, който съпада с шпиндела на инструмента без хлабина; никога не използвайте редуктори или адаптери за да напаснете режещи дискове с голям отвор
- Пазете консумативите от удари и сътресения

ПРИ УПОТРЕБА

- **Не насилвайте инструмента** (приложете лек и непрекъснат натиск, за да не прегреят върховете на режещите острия и в случай, че се реже пластмаса – да не се топи материалът)
- Пазете пръстите, дланите и ръцете си настрана от въртящия се режещ диск
- Ако режещият диск бъде блокиран, незабавно изключете инструмента и извадете щепсела; едва след това отстранете заклениния детайл
- В случай на заяждане или електрическа или механична неизправност незабавно изключете инструмента и извадете щепсела от контакта
- Ако кабелът се повреди или среже по време на работа, не го докосвайте, веднага изключете щепсела, никога не използвайте инструмента с повреден кабел
- Никога не използвайте инструмента, ако кабелът е повреден; той трябва да бъде заменен със специално подготвен кабел, наличен през сервизната организация.

ЛАЗЕРНО ЛЪЧЕНИЕ

- **Не насочвайте лазерния лъч към хора и животни и внимавайте да не погледнете непосредствено срещу лазерния лъч или срещу негово отражение** (така можете да заслепите хора, да причините трудови злополуки или да предизвикате увреждане на очите)
- Ако лазерният лъч попадне в очите, ги затворете възможно най-бързо и отдръпнете главата си от лазерния лъч
- Не извършвайте изменения по лазерното оборудване
- Не гледайте в лазерния лъч (лазерно лъчение)

- Не използвайте каквито и да било увеличителни оптически инструменти (като напр. очила, телескопи или бинокли), за да гледате лазерния лъч
- Не работете с инструмента в присъствие на възпламеними течности, газове или прах
- Не работете с инструмента, ако наоколо има деца
- Не подменяйте инсталирания лазер с друг тип лазер

СЛЕД РАБОТА

- След като изключите инструмента, никога не прилагайте допълнителна сила за да спрете въртенето на аксесоарите
- Отстранявайте обрезки или други части от детайла от зоната на рязане едва след като всички движещи се части са се установили изцяло в покой
- по време на употреба, режещият диск става много горещ; не го докосвайте докато не изстине напълно
- Съхранявайте инструмента **на закрито** в сухи и сигурни помещения, недостъпни за деца

ОБЯСНЕНИЕ НА СИМВОЛИТЕ ПО ИНСТРУМЕНТА

- ② Преди употреба прочетете ръководството с указания
- ③ Носете защитни очила и тапи за уши
- ④ **Опасна зона! Зона без ръце. Пазете ръцете и пръстите си далеч от тази зона.**
- ⑤ Двойна изолация (не се изисква кабел за заземяване)
- ⑥ Не извърляйте електроуредите и батерии заедно с битови отпадъци
- ⑦ **Лазерно лъчение / Не гледайте в лъча / Лазерен продукт клас 2**

УПОТРЕБА

- Монтиране
 - сглобете транспортната дръжка с 2 болта, като използвате шестограмния ключ АК^⑨
 - сглобете фиксиращата ръкохватка на скосяването АВ в предната част на масата ^⑩
 - Транспортна/рабочна позиция
 - За да приведете в движение инструмента (**рабочна позиция**)
 - натиснете дръжката В надолу с една ръка, докато изтеглите заключващия щифт С с другата ^{⑪а}
 - насочете модула на главата бавно нагоре
 - за рязане с плъзгане разхлэбете заключващата ръкохватка АЕ ^{⑪b}
 - За обезопасяване на инструмента (**транспортна позиция**)
 - плъзнете модула на главата към стопера по посока на преградата S и затегнете заключващата ръкохватка АЕ ^{⑪c}
 - настройте ъгъла на рязане на 0° (вж. Настройка на ъгъла на рязане)
 - настройте ъгъла на скосяване на 45° отляво или отдясно (вж. Настройка на ъгъла на скосяване)
 - натиснете дръжката В надолу с една ръка, докато избутвате заключващия щифт С с другата
 - намотайте електрическия кабел
 - използвайте транспортната дръжка Е за пренасяне на инструмента ^{⑪d}
 - алтернативно използвайте страничните дръжки за пренасяне на инструмента ^{⑪e}
- ! никога не повдигайте инструмента, като го държите за основната дръжка или за електрическия кабел**

- Монтиране на инструмента върху работна повърхност ¹²
 - ! **за безопасно манипулиране винаги монтирайте инструмента върху плоска и стабилна работна повърхност (например работен плот)**
 - използвайте 4 монтажни отвора F за да прикрепите инструмента с подходящи винтове към работната повърхност
 - можете също да затегнете инструмента към работната повърхност с обикновени винтови скоби
 - за стабилизиране на инструмента може да се регулира височината на опорното краче G
 - алтернативно инструментът може да се монтира върху стойка за настолен потапящ циркуляр
 - ! **прочетете всички предупреждения и инструкции, включени към стойката за циркуляра**
- Изтегляне на прах/стружки ¹³
 - монтирайте торбата за прах H/прахосмукачката, както е показано
 - изпразвайте торбичката за прах редовно за оптимален резултат при прахоизсмукването
 - ! **внимавайте тръбата на прахосмукачката да не пречи на долния предпазител или на операцията на рязане**
- Удължение на масата на циркуляра ¹⁴
 - използвайте ръкохватките L за затягане на удължителните греди K (от всяка страна на инструмента)
 - дължината на удължителните греди K се регулира плавно от минимум до максимум
- Фиксиране на детайла ¹⁵
 - ! **за оптимална безопасност на труда, винаги фиксирайте неподвижно детайла с предоставената регулируема сноба**
 - не работете с детайли, които са твърде малки за да бъдат фиксирани
 - за **максимални** размери на детайла използвайте масата ¹⁶ като еталон
 - прикрепете стягата за детайла в отвора на опората N с ръкохватка P (от всяка страна на инструмента)
 - използвайте 1 от 2 жлеба; за дебелина на детайла до 4 cm и дебелина на детайла над 4 cm
 - притиснете здраво детайла срещу предпазителя S
 - отключете лоста R
 - нагласете стягата към детайла
 - закрепете неподвижно детайла чрез заключващия лост R
 - ! **за някои комбинации от сносяване и рязане или в зависимост от размера на детайла може да е нужно да се използват налични в търговската мрежа винтови стеги вместо стягата за детайла**
- Задаване на ъгли на сносяване ¹⁷
 - освободете заключващата ръкохватка AB
 - избутайте лоста за освобождаване на ограничителя на сносяване AC
 - завъртете масата на циркуляра наляво или надясно и настройте желания ъгъл на сносяване (от 0° до 47°), като използвате индикатор AD
 - освободете лоста AC
 - затегнете заключващата ръкохватка AB (**не затягайте ръкохватката твърде здраво**)
- за бързо и точно задаване на често използвани ъгли на сносяване (0°, 15°, 22,5°, 31,6°, 45°) лостът на ограничителя на сносяване се застопорява на съответните позиции
- Задаване на ъгли на рязане ¹⁸
 - разхлабете тройната ръкохватка U ^{18b}
 - отклонете главата на циркуляра наляво, докато индикаторът за ъгъл на рязане V посочи желания ъгъл на рязане
 - задържете главата на циркуляра в тази позиция и затегнете ръкохватката U
- Отрязвания под различен ъгъл ¹⁹
 - рязанията под различен ъгъл изискват както задаване на ъгъл на сносяване, така и задаване на ъгъл на рязане
 - ! **не използвайте циркуляра в определени комбинации за сносяване и рязане, които могат да доведат до сблъскване между плъзгащите се и стационарни части на циркуляра или между плъзгащите се части и детайла**
 - ! **винаги изпробвайте първо върху ненужно парче материал**
- Линия лазер ²⁰
 - за водене на инструмента по желаната линия на рязане, отбелязана върху детайла
 - включвайте/изключвайте линията лазер като придвижвате ключ AA
 - лазерът се приравнява към лявата страна на среза
 - хоризонталното подравняване на лазера може лесно да се регулира с винта Y
 - ! **преди да започнете работа, проверете подравняването на линията лазер спрямо действителната линия на рязане, като направите пробно разрязване върху парче ненужен материал**
- Рязане без плъзгане (малки детайли)
 - развийте фиксиращата ръкохватка AE, в случай че е затегната
 - плъзнете главата на циркуляра към стопера в посока на преградата S и затегнете повторно фиксиращата ръкохватка AE
 - ! **ако механизмът не се заключи, дискът внезапно може да се вдигне върху детайла и да се засили към вас**
 - установете инструмента в работно положение
 - ! **уверете се, че детайлът е неподвижно фиксиран спрямо масата на триона и предпазителя S**
 - включете инструмента чрез освобождаване на блокировката AG и изтегляне на главния превключвател AF ²²
 - ! **не кръстосвайте ръцете си, когато работите с главата на циркуляра ^{21a}**
 - режете детайла с постоянно придвижване
 - ! **преди режещият диск да влезе в детайла, инструментът трябва да работи на пълна скорост**
 - изключете инструмента като отпуснете включвателя AF
 - изчакайте, докато режещият диск спре напълно, преди да вдигнете главата на циркуляра бавно нагоре

- Рязане с плъзгане (широки обработвани детайли)
 - ! **имайте предвид, че описаният по-долу метод е единственият, който е безопасен**
 - не изтегляйте циркуляра през детайла
 - развийте фиксиращата ръкохватка АЕ, в случай че е затегната
 - ! **уверете се, че детайлът е неподвижно фиксиран спрямо масата на триона и предпазителя S**
 - издърпайте главата на циркуляра достатъчно настрани от преградата S, така че циркулярният диск да е пред обработвания детайл 23
 - включете инструмента чрез избутване на лоста за безопасност АG и изтегляне на главния превключвател АF 22
 - ! **не кръстосвайте ръцете си, когато работите с главата на циркуляра 21а**
 - бутнете главата на циркуляра в посоката на преградата S и разрежете обработвания детайл с равномерно напредване 23
 - ! **преди режещият диск да влезе в детайла, инструментът трябва да работи на пълна скорост**
 - ! **ако долният протектор не се отвори автоматично, което може да се случи при определени условия (напр. детайл, който е много близо до максималния капацитет), може да трябва да отворите протектора с ръка 21b**
 - изключете инструмента като отпуснете включвателя АF
 - изчакайте, докато режещият диск спре напълно, преди да вдигнете главата на циркуляра бавно нагоре
- Рязане на жлебове 24
 - задайте желаната дълбочина със стопера за дълбочина АН и го застопорете чрез затягане на гайката АJ
 - дървен раздалечител трябва да се постави между детайла и преградата за постоянна дълбочина по цялата дължина на жлеба
 - ! **уверете се, че циркулярният диск не се заклтва в детайла**
 - ! **винаги изпробвайте първо върху ненужно парче материал**
- Смяна на режещия диск 25
 - ! **изключете щепсела**
 - вземете шестостенния ключ АK от комплекта АL
 - задръжте предпазния протектор А в отворена позиция
 - разхлабете винта за покриващата плоскост АN (не отвивайте винта докрай) 25а
 - завъртете предпазния протектор А докрай назад 25b
 - натиснете бутона за блокиране на шпиндела АМ и го задръжте докато отстраните болта на диска, АO като въртите шестостенния ключ АK **ПО ЧАСОВНИКОВАТА СТРЕЛКА** (= в същата посока, както е показано със стрелка върху режещия диск)
 - ! **натиснете блокиращия въртенето бутон АМ само когато инструментът е напълно спрял**
 - освободете блокиращия въртенето бутон АМ
 - отстранете фланеца АР и режещия диск
 - ! **сменете режещия диск, като зъбите на триона и стрелката, означена върху режещия диск,**
- **сочат в същата посока, както и стрелната върху предпазителя А**
 - поставете фланеца АР 25c
 - натиснете блокиращия шпиндела бутон АМ и го задръжте, докато затегнете болта на диска с шестостенен ключ АK **ОБРАТНО НА ЧАСОВНИКА** на 1/8 оборот след позицията на ръчно затягане (позволява приплъзване на циркулярния диск при голямо съпротивление, което намалява претоварването на мотора и отката на циркуляра)
 - затегнете винта на покривната плоча АN
- Смяна на вложката-табла АQ 26
 - Заменете дефектна или износена вложка-табла както следва:
 - ! **изключете щепсела**
 - вземете шестостенния ключ АK от комплекта АL
 - отстранете всичките 6 винта, както е илюстрирано
 - отстранете старата вложка-табла, като първо я повдигнете отпред и след това я изтеглите изцяло
 - поставете нова вложка-табла
 - ! **затегнете здраво и 6-те винта**
- Проверка/регулиране на 90° ориентирането на диска 27
 - ! **изключете щепсела**
 - завъртете масата на циркуляра до позицията на скосяване 0° и заключете на място
 - отклонете главата на циркуляра до позицията на рязане 0°
 - смъкнете главата на циркуляра и заключете на място
 - проверете ъгъла 90° между диска и вложката с перпендикулар
 - ако е необходимо, регулирайте 90° ориентирането на диска както следва:
 1. освободете тристранното копче U
 2. регулирайте винта W с гаечен ключ 10 (не е включен стандартно в окомплектовката)
 3. затегнете отново с ъгълник
 4. нулирайте индикатора за рязане V на 0°
- Проверка/регулиране на 45° ориентирането на диска 28
 - ! **изключете щепсела**
 - завъртете масата на циркуляра до позицията на скосяване 0° и заключете на място
 - освободете тристранното копче U
 - отклонете главата на циркуляра наляво
 - проверете ъгъла 45° между диска и вложката с ъгъл 45°
 - проверете дали индикаторът за ъгъл на рязане V се намира върху обозначението 45°
 - ако е необходимо, регулирайте 45° ориентирането на диска както следва:
 1. регулирайте винта X с гаечен ключ 10 (не е включен стандартно в окомплектовката)
 2. проверете отново с ъгълник за скосени ъгли
- Проверка/регулиране на 90° ориентирането на предпазителя 29
 - ! **изключете щепсела**
 - завъртете масата на циркуляра до позицията на скосяване 0° и заключете на място
 - смъкнете главата на циркуляра и заключете на място
 - проверете за ъгъл 90° между диска и предпазителя S с перпендикулар (уверете се, че

перпендикулярът докосва тялото на диска, а не зъбите му) 29a

- ако е необходимо, регулирайте 90° ориентацията на предпазителя както следва:

1. освободете 2-те шестостенни винта Т 29b
2. регулирайте предпазителя, докато се получи пълен контакт на диска и предпазителя с перпендикуляра
3. затегнете 2-те шестостенни винта Т
4. нулирайте индикатора за скосяване на 0° 29c

УКАЗАНИЯ ЗА РАБОТА

- Специални детайли
 - винаги поддържайте свободните краища на дълги детайли 30
 - уверете се, че заоблени или кръгли детайли са обезопасени специално срещу изплъзване 31
 - не може да има хлабина по линията на рязане между детайла и предпазителя или таблата на триона
 - ако е нужно, изгответе спомагателна планка; отворите в плъзгачата преграда трябва да се използват за закрепване на спомагателната планка 32

! спомагателната планка може да се използва само при рязане от 0°

- За работа с подови формования може да се използва илюстрация 33 като еталон
- Винаги обръщайте добрата страна на обработвания детайл надолу, за да осигурите минимално отцепване на трески
- Използвайте само остри режещи дискове от подходящ тип
 - качеството на рязане се подобрява при по-голям брой на зъбите
 - режещи дискове с карбиден връх остават остри до 30 пъти по-дълго време от обикновените режещи дискове

ПОДДРЪЖКА / СЕРВИЗ

- Винаги поддържайте инструмента и шнура чисти (специално вентилиращите прорези на задния край на корпуса на двигателя)
- Разработете редовна проверка за гарантиране на това, че долният протектор работи правилно. Почистете долния протектор от натрупани стърготини с мокър парцал.
! преди почистване изключете щепсела
 - повдигнете долния протектор до напълно отворена позиция и го освободете; ако той не се затвори незабавно и напълно, трябва да се провери от център за следпродажбено обслужване за електроинструменти на SKIL
- Почиствайте режещия диск непосредствено след употреба (особено от смола и лепило)
! по време на употреба, режещият диск става много горещ; не го докосвайте докато не изстине напълно
- Почиствайте лазерната светлина АС с мека четка след всяка употреба, за да поддържате добра видимост на лазерната линия (уверете се, че не променят настройката на лазера)

- Ако въпреки прецизното производство и внимателно изпитване възникне повреда, инструмента да се занесе за ремонт в оторизиран сервиз за електроинструменти на SKIL
 - занесете инструмента **в неразглобен вид** заедно с доказателство за покупката му в търговския обект, откъдето сте го закупили, или в най-близкия сервиз на SKIL (адресите, както и схемата за сервизно обслужване на електроинструмента, можете да намерите на адрес www.skil.com)
- Имайте предвид, че повреда поради претоварване или неправилно манипулиране с инструмента ще бъдат изключени от гаранцията (за условията на гаранцията от SKIL виж на интернет адрес: www.skil.com или попитайте вашия дилър)

ОПАЗВАНЕ НА ОКОЛНАТА СРЕДА

- **Не изхвърляйте електроуредите, батерии, приспособленията и опановките заедно с битови отпадъци** (само за страни от ЕС)
 - съобразно Директивата на ЕС 2012/19/EG относно износени електрически и електронни уреди и отразяването ѝ в националното законодателство износените електроуреди следва да се събират отделно и да се предават за рециклиране според изискванията за опазване на околната среда
 - за това указва символът 6 тогава когато трябва да бъдат унищожени

ШУМ

- Измерено в съответствие с EN 62841, нивото на звуковото налягане на този инструмент е 100,0 dB(A), а нивото на звуковата мощност е 109,5 dB(A) (неопределеност K = 3 dB)
- Нивото на емисия на шум е измерено в съответствие със стандартизирания тест, определен в EN 62841; то може да се използва за сравнение на един инструмент с друг и като предварителна оценка на подлагането на шум при използването на инструмента за посочените приложения
 - използването на инструмента за различни от тези приложения или с други, или лошо поддържани аксесоари може значително **да повиши** нивото на което сте подложени
 - периодите от време, когато инструмента е изключен или съответно включен, но с него не се работи в момента могат значително **да намалят** нивото на което сте подложени

SK

Pokosová pila se zákluzem

1310

ÚVOD

- Tento nástroj je určený ako stacionárny prístroj na pozdĺžne a priečne rezanie dreva priamymi rezmi a tiež rezmi pod uhlami (sú možné vodorovné uhly -47° až +47°, ako aj zvislé uhly 0° až 45°)
- Prečítajte a uschovajte tento návod na použitie 2
- Tento nástroj nie je vhodný pre profesionálne použitie
- **Nástroj používajte len správne a kompletne zostavený** (majte na pamäti, že spoločnosť Skil nenesie

zodpovednosť za poškodenie nástroja a zranenia spôsobené nesprávnou montážou nástroja)

TECHNICKÉ ÚDAJE ①

ČASTI NÁSTROJA ⑧

- A Spodný ochranný kryt
- B Rúčka s vypínačom
- C Prepravný zaisťovací kolík
- D Horný kryt
- E Prepravná rúčka
- F Upevňovacie otvory
- G Podporná nôžka
- H Prachové vrecko
- J Nádobka na prach
- K Predlžovacie tyčky
- L Kolieska na zaistenie predlžovacích tyčiek
- M Svorka na uchytenie obrábaného predmetu
- N Podporný otvor
- P Koliesko na upevnenie svorky
- Q Koliesko na nastavenie svorky
- R Upinacia páka
- S Opierka
- T Skrutky so šesťhrannou hlavou na nastavenie opierky (2x)
- U Zaisťovacie koliesko (zvislý uhol)
- V Indikátor zvislého uhla
- W Skrutka na nastavenie zvislého uhla (vpravo)
- X Skrutka na nastavenie zvislého uhla (vľavo)
- Y Skrutka na nastavenie lasera
- Z Laserové svetlo
- AA Vypínač lasera
- AB Zaisťovacia rúčka (vodorovný uhol)
- AC Uvoľňovacia páčka aretácie pokosu
- AD Indikátor vodorovného uhla
- AE Zaisťovacie koliesko pre posúvacie zariadenie
- AF Vypínač zapnutie/vypnutie
- AG Bezpečnostná páčka
- AH Obmedzovač hĺbky rezu
- AI Hĺbková zarážka
- AJ Matica hĺbkovej zarážky
- AK Imbusový kľúč
- AL Úložné miesto pre šesťhranný kľúč
- AM Gombík na uzamknutie vretena
- AN Skrutka krycej dosky
- AO Skrutka
- AP Prstenec
- AQ Vložka stola
- AR Vychýľovač prachu

BEZPEČNOSŤ

VŠEOBECNÉ BEZPEČNOSTNÉ UPOZORNENIA TÝKAJÚCE SA ELEKTRICKÉHO NÁRADIA

⚠ VÝSTRAHA Prečítajte si všetky bezpečnostné výstrahy, pokyny, ilustrácie a technické údaje, ktoré sú dodané s týmto elektrickým nástrojom. Nedodržanie všetkých nižšie uvedených pokynov môže viesť k poraneniu elektrickým prúdom, požiaru a/alebo vážnemu poraneniu.

Všetky upozornenia a pokyny si odložte na ďalšie použitie.

Pojem „elektrické náradie“ používaný v nasledujúcom texte sa vzťahuje na ručné elektrické náradie napájané zo siete (s prírodnou šnúrou) a na ručné elektrické náradie napájané akumulátorovou batériou (bez prírodnej šnúry).

1) BEZPEČNOSŤ NA PRACOVISKU

- a) **Udržiavajte svoje pracovisko čisté a upratané.** Neporiadok na pracovisku alebo neosvetlené časti pracoviska môžu viesť k úrazom.
- b) **Nepracujte elektrickým náradím v prostredí ohrozenom výbuchom, v ktorom sa nachádzajú horľavé kvapaliny, plyny alebo prach.** Elektrické náradie produkuje iskry, ktoré môžu prach alebo pary zapáliť.
- c) **Deti a iné osoby udržiavajte počas práce od ručného elektrického náradia v dostatočnej vzdialenosti.** V prípade odpútania Vašej pozornosti by ste mohli stratiť kontrolu nad náradím.

2) ELEKTRICKÁ BEZPEČNOSŤ

- a) **Zástrčka prírodnej šnúry sa musí hodiť do napájacej zásuvky. Zástrčka sa v žiadnom prípade nesmie meniť. Pri uzemnených spotrebičoch nepoužívajte spolu s nimi žiadne adaptéry.** Nezmenená zástrčka a vhodná zásuvka znižujú riziko zásahu elektrickým prúdom.
- b) **Vyhýbajte sa telesnému kontaktu s povrchovými plochami uzemnených spotrebičov, ako sú elektrické rúry, vyhrievacie telesá, sporáky a chladničky.** Keď je Vaše telo uzemnené, riziko zásahu elektrickým prúdom je vyššie.
- c) **Chráňte ručné elektrické náradie pred dažďom a vlhkom.** Vniknutie vody do ručného elektrického náradia zvyšuje riziko zásahu elektrickým prúdom.
- d) **Nepoužívajte prírodnú šnúru na prenášanie náradia, na jeho vešanie, ani za ňu nevyťahujte zástrčku zo zásuvky. Prírodnú šnúru chráňte pred horúčavou, olejom, ostrými hranami alebo pohybujúcimi sa časťami náradia.** Poškodené alebo zauzlené šnúry zvyšujú riziko zásahu elektrickým prúdom.
- e) **Ak pracujete s ručným elektrickým náradím vonku, používajte len také predlžovacie šnúry, ktoré sú schválené pre používanie vo vonkajších priestoroch.** Používanie predlžovacej šnúry určenej do vonkajšieho prostredia znižuje riziko zásahu elektrickým prúdom.
- f) **Ak sa nedá vyhnúť použitiu ručného elektrického náradia vo vlhkom prostredí, použite prerušovač uzemňovacieho obvodu.** Používanie prerušovača uzemňovacieho obvodu znižuje riziko zásahu elektrickým prúdom.

3) BEZPEČNOSŤ OSÓB

- a) **Buďte pozorní, dávajte pozor na to, čo robíte a k práci s elektrickým náradím pristupujte rozumne. Nepoužívajte elektrické náradie, keď ste unavení alebo keď ste pod vplyvom drog, alkoholu alebo liekov.** Chvíľa nepozornosti pri používaní náradia môže viesť k vážnym poraneniam.
- b) **Noste osobné ochranné pomôcky, ochranný odev a vždy majte nasadené ochranné okuliare.** Nosenie pracovného odevu a používanie ochranných pomôcok ako ochrannej dýchacej masky, bezpečnostných protišmykových topánok, prilby alebo chrániča sluchu, podľa druhu elektrického náradia, znižuje riziko poranenia.

- c) **Vyhýbajte sa neúmyselnému uvedeniu ručného elektrického náradia do činnosti. Pred zasunutím zástrčky do zásuvky a/alebo pred pripojením akumulátora, pred chytením alebo prenášaním ručného elektrického náradia sa vždy presvedčte sa, či je ručné elektrické náradie vypnuté.** Ak budete mať pri prenášaní ručného elektrického náradia prst na vypínači, alebo ak ručné elektrické náradie pripojíte na elektrickú sieť zapnuté, môže to mať za následok nehodu.
- d) **Skôr ako ručné elektrické náradie zapnete, odstráňte nastavovacie a montážne nástroje.** Nástroj alebo kľúč, ktorý sa nachádza v pohyblivej časti náradia, môže spôsobiť poranenie.
- e) **Neprecoňujte sa. Zabezpečte si pevný postoj a neprestajne udržiavajte rovnováhu.** Takto budete môcť ručné elektrické náradie v neočakávaných situáciách lepšie kontrolovať.
- f) **Pri práci noste vhodný pracovný odev. Nenoste široké odevy a nemajte na sebe šperky. Vyvarujte sa toho, aby sa vaše vlasy a odev dostali do blízkosti pohyblivých častí.** Voľný odev, dlhé vlasy alebo šperky môžu byť zachytené rotujúcimi časťami ručného elektrického náradia.
- g) **Ak možno namontovať zariadenie na odsávanie alebo zachytávanie prachu, presvedčte sa, či je pripojené a správne používané.** Používanie odsávacieho zariadenia a zariadenia na zachytávanie prachu znižuje riziko ohrozenia zdravia prachom.
- h) **Nepodliehajte falošnému pocitu istoty získanej z častého používania náradia a nekonajte v rozpore s princípmi bezpečného používania náradia.** Nepozorná práca môže v priebehu zlomkov sekundy viesť k ťažkému poraneniu.
- 4) **STAROSTLIVÉ ZAOBCHÁDZANIE S ELEKTRICKÝM NÁRADÍM A JEHO POUŽÍVANIE**
- a) **Náradie nepreťažujte. Pre svoju prácu používajte určené elektrické náradie.** Pomocou vhodného ručného elektrického náradia budete môcť v uvedenom rozsahu výkonu pracovať lepšie a bezpečnejšie.
- b) **Nepoužívajte žiadne ručné elektrické náradie, ktoré má pokazený vypínač.** Ručné elektrické náradie, ktoré sa už nedá zapínať alebo vypínať, je nebezpečné a treba ho dať opraviť.
- c) **Skôr ako začnete náradie nastavovať alebo prestavovať, vymieňať príslušenstvo alebo ako odložiť náradie, vždy vytiahnite koncovku sieťovej šnúry zo zásuvky a/alebo vyberte akumulátor, ak sa dá vybrať.** Toto preventívne opatrenie zabraňuje neúmyselnému spusteniu ručného elektrického náradia.
- d) **Nepoužívajte ručné elektrické náradie uschovávať mimo dosahu detí. Nedopusťte, aby ručné elektrické náradie používali osoby, ktoré s ním nie sú dôkladne oboznámené, alebo ktoré si neprecítali tento Návod na používanie.** Ak ručné elektrické náradie používajú neskusené osoby, stáva sa nebezpečným nástrojom.
- e) **Ručné elektrické náradie a príslušenstvo starostlivo ošetrte.** Skontrolujte, či pohyblivé súčiastky náradia bezchybne fungujú a neblokujú a či nie sú zlomené alebo poškodené niektoré súčiastky, ktoré by mohli negatívne ovplyvniť fungovanie ručného elektrického náradia. Pred použitím ručného elektrického náradia dajte poškodené súčiastky

opraviť. Nejednen úraz bol spôsobený zle udržiavaným náradím.

- f) **Používané nástroje udržiavajte ostré a čisté.** Starostlivo ošetrované nástroje s ostrými reznými hranami sa menej často zablokujú a ich vedenie je podstatne ľahšie.
- g) **Používajte ručné elektrické náradie, príslušenstvo, pracovné nástroje a pod. podľa týchto pokynov. Zohľadnite pritom konkrétne pracovné podmienky a činnosť, ktorú máte vykonať.** Používanie ručného elektrického náradia na iné ako určené účely môže viesť k nebezpečným situáciám.
- h) **Rukováti a úchopové povrchy udržujte suché, čisté a bez oleja alebo mazacieho tuku.** Šmykľavé rukováti a úchopové povrchy neumožňujú bezpečnú manipuláciu a ovládanie náradia v neočakávaných situáciách.
- 5) **SERVIS**
- a) **Ručné elektrické náradie zverte do opravy len kvalifikovanému personálu a používajte len originálne náhradné súčiastky.** Tým sa zabezpečí zachovanie bezpečnosti ručného elektrického náradia.

BEZPEČNOSTNÉ POKYNY PRE POKOSOVÉ PÍLY

- **Pokosové píly sú určené na pílenie dreva alebo drevných výrobkov, nesmú sa používať s reznými kotúčmi na pílenie kovových materiálov, ako sú lišty, tyče, koly atď.** Brúsený prach spôsobuje zaseknutie pohyblivých častí, ako je napríklad spodný ochranný kryt. Iskry vznikajúce pri pílení reznými kotúčmi spôsobia spálenie spodného ochranného krytu, vložky drážky a iných plastových dielov.
- **Ak je to možné, vždy použite svorky na upevnenie obrobku. Ak obrobok pridrziate rukou, musíte udržiavať bezpečnú vzdialenosť minimálne 100 mm od každej strany píloveho kotúča. Nepoužívajte túto pílu na pílenie obrobkov, ktoré sú príliš malé na bezpečné uchytenie svorkou alebo pridržanie rukou** Ak máte ruku príliš blízko píloveho kotúča, hrozí zvýšené riziko poranenia pri kontakte s kotúčom.
- **Obrobok musí byť nehybný a upevnený svorkami alebo pridrzívaný oproti vodiacej lište aj stolu.** **Neposúvajte obrobok do kotúča ani žiadnym spôsobom nepíľte „voľnou rukou“** Voľný alebo pohybujúci sa obrobok môže byť vymrštený vysokou rýchlosťou a spôsobí zranenie.
- **Tlačte pílu cez obrobok. Pílu cez obrobok neťahajte. Na pílenie nadvihnite hlavu píly a potiahnite ju ponad obrobok bez pílenia, spustíte motor, zatlačte hlavu píly nadol tlačte pílu cez obrobok** Pílenie ťahaním s veľkou pravdepodobnosťou spôsobí, že pílový kotúč vyjde na vrch obrobku a prudko vymrští zostavu kotúča smerom k obsluhu.
- **Nikdy nedávajte ruku križom cez zamýšľanú líniu pílenia, šu už pred alebo za pílovým kotúčom** Pridržiavanie obrobku rukou „do križa“, t. j. pridržavanie obrobku napravo od píloveho kotúča ľavou rukou alebo naopak je veľmi nebezpečné.
- **Nesiahajte žiadnou rukou za vodiacu lištu do vzdialenosti menej ako 100 mm od ktorejkoľvek strany píloveho kotúča, kým sa točí, na odstránenie pilín alebo z akéhokoľvek iného dôvodu** Blízkosť rotujúceho píloveho kotúča k vašej ruke nemusí byť zrejma a môžete sa vážne poraniť.

- **Pred pílením obrobok skontrolujte. Ak je obrobok ohnutý alebo skrútený, upevnite ho svorkou vonkajšou stranou ohnutia k vodiacej lište. Vždy sa uistite, že medzi obrobkom, vodiacou lištou a stolom nie je žiadna medzera pozdĺž celej línie pílenia** Ohnutý alebo skrútený obrobok sa môže pretočiť alebo posunúť a môže sa zaseknúť v rotujúcom pilovom kotúči počas pílenia. Obrobok nesmie obsahovať žiadne klince ani iné cudzie materiály.
- **Pílu nepoužívajte, kým nie sú zo stola odstránené všetky nástroje, piliny atď. okrem samotného obrobku** Malé úlomky, uvoľnené kusy dreva alebo iné predmety môžu byť pri kontakte s rotujúcim pilovým kotúčom vymrštené veľkou rýchlosťou.
- **Naraz pilte len jeden obrobok** Viaceré obrobky uložené na sebe alebo za sebou sa nedajú riadne upevniť a môžu spôsobiť ich zaseknutie v kotúči alebo sa počas pílenia môžu posunúť.
- **Pred použitím sa uistite sa, že pokosová píla je namontovaná alebo umiestnená na rovnej a pevnej pracovnej ploche.** Rovná a pevná pracovná plocha znižuje riziko nestability pokosovej píly.
- **Prácu si naplánujte! Pri každej zmene nastavenia zvislého alebo vodorovného uhla sa uistite, že nastaviteľná vodiaca lišta je správne nastavená tak, aby podopierala obrobok a nekrížila sa s kotúčom alebo vodiacim systémom S** vypnutým náradím a bez obrobku na stole posuňte pilový kotúč pozdĺž celého simulovaného rezu s cieľom uistiť sa, že nedôjde k žiadnemu kríženiu alebo nebezpečenstvu kontaktu vodiacej lišty pri pílení.
- **Zabezpečte primeranú oporu, napríklad nadstavce na stôl, stojany na pílenie atď., pre obrobky, ktoré sú širšie alebo dlhšie ako doska pracovného stola.** Obrobky, ktoré sú dlhšie alebo širšie ako stôl pokosovej píly, sa môžu prevrátiť, ak nie sú pevne podopreté. Ak sa odrezaný diel alebo obrobok prevráti, môžu nadvihnúť spodný ochranný kryt alebo ich rotujúci kotúč môže vymrštiť.
- **Nepoužívajte pomoc druhej osoby ako náhradu za nastavce stola, alebo ako dodatočnú oporu** Nestabilná opora obrobku môže spôsobiť zaseknutie kotúča alebo posunutie obrobku počas pílenia a vťahnutie vás alebo pomocníka do rotujúceho kotúča.
- **Odrezaný kus sa nesmie zaseknúť ani žiadnym spôsobom pritlačiť o rotujúci pilový kotúč** V prípade zamedzenia posunu, ak sa napríklad používa dĺžkový doraz, sa odrezaný kus môže zaseknúť v kotúči a prudko vymrštiť.
- **Vždy používajte svorku alebo upínacie prvky navrhnuté na správnu oporu okrúhlych materiálov, ako sú napríklad tyče alebo rúrky** Tyče majú tendenciu sa prevalovať počas pílenia, čo môže spôsobiť „zahryznutie“ kotúča a vťahnutie obrobku spolu s rukou do kotúča.
- **Pred kontaktom s obrobkom nechajte kotúč rozbehnúť sa na plné otáčky** Takto sa zníži riziko vymrštenia obrobku.
- **Ak sa obrobok alebo kotúč zasekne, vypnite pokosovú pílu. Počkajte, kým sa všetky pohyblivé diely nezastavia a odpojte zástrčku od zdroja napájania, a/alebo vyberte akumulátorovú batériu. Potom uvoľnite zaseknutý materiál** Pokračovanie v pílení so zaseknutým obrobkom môže viesť k strate kontroly alebo poškodeniu pokosovej píly.

- **Po dokončení rezu uvoľnite spínač, podržte hlavu píly dolu a pred vybratím obrobku počkajte, kým sa kotúč nezastaví** Priblíženie sa rukou k rotujúcemu kotúču je nebezpečné.
- **Držte pevne rukoväť pri vykonávaní neúplného rezu, alebo keď uvoľníte spínač pred tým, ako je hlava píly v úplne spodnej polohe** Brzdny účinok píly môže spôsobiť náhle vťahnutie hlavy píly nadol, čo predstavuje riziko poranenia.

ĎALŠIE BEZPEČNOSTNÉ POKYNY

- Pri zapínaní vzniká krátkodobý pokles napätia; za nepriaznivých podmienok v elektrickej sieti to môže mať negatívny vplyv na ostatné spotrebiče (v prípade impedance menšej ako 0,464 Ohmov sa poruchy neobjavujú); ak potrebujete ďalšie informácie môžete sa obrátiť na svojho lokálneho distribútora elektrickej energie

VŠEOBECNE

- Tento nástroj používajte len na rezanie dreva
- Vždy skontrolujte či je napájacie napätie rovnaké ako napätie uvedené na štítku nástroja
- **Nestúpajte na náradie ani na stojan** Môže dôjsť k vážnemu poraneniu, keď sa náradie prevráti, alebo keď sa náhodne dotknete rezacieho nástroja. Neukladajte materiály na náradie alebo do jeho blízkosti tak, že na ich dosiahnutie je nutné stúpiť na náradie alebo stojan.
- **Pri nastavovaní alebo výmene príslušenstva vždy vyťahnite prívodný kábel zo zásuvky**
- **Pred prenášaním pokosovej píly vždy odpojte zástrčku od zdroja napájania** Odpojte zástrčku, spustíte zostavu hlavu nadol a zaistíte ju v tejto polohe, použite prepravnú rukoväť a jeden z otvorov na ruku v základni píly.
- **Náradie nepúšťajte, kým sa úplne nezastaví**
- **Pri pílení obrobkov nepravidelného tvaru si naplánujte prácu tak, aby sa obrobok neposunul a nezasekol v kotúči a nevytrhol z ruky**
- Tento nástroj by nemali používať osoby mladšie ako 16 rokov
- Tento stroj nie je vhodný pre rezanie za mokra

POUŽITIE VONKU

- Keď sa používa vonku, pripojte nástroj cez stykačový ističporuchového prúdu (FI) s maximálnym spúšťacím prúdom 30 mA a používajte predĺžovaciu šnúru, ktorá je určená na vonkajšie použitie a ktorá má vodotesnú pripojnú zástrčku

PRED POUŽITÍM

- Používajte úplne odmontovanú a bezpečnú predĺžovaciu šnúru s kapacitou 16 A
- Používajte ochranné okuliare, tlmíče hluku na uši, a ochranné rukavice
- , minerály a kovy môže byť škodlivý (styk alebo nadýchanie prachu môže spôsobiť alergické reakcie a/alebo respiračné ochorenia obsluhy a okolostojacich osôb); používajte ochrannú masku tváre a pracujte so zariadením na odsávanie prachu, ak je takéto zariadenie možné pripojiť
- Určité druhy prachu sú klasifikované ako karcinogénne (akým dubový a bukový prach), a to hlavne v spojení s prísadami pre úpravu dreva; používajte ochrannú masku tváre a pracujte so zariadením na odsávanie prachu, ak je takéto zariadenie možné pripojiť
- Dodržujte stanovené nariadenia pre prácu v prašnom prostredí

- **Neobrábajte materiál, ktorý obsahuje azbest** (azbest sa považuje za rakovinotvorný materiál)
- Nikdy nepoužívajte stroj bez originálnych ochranných krytov
- Pred každým použitím skontrolujte, či je ochranný kryt správne zatvorený
- Nepoužívajte pílu, ak sa ochranný kryt voľne nepohybuje a ihneď sa nezavrie
- Nikdy neuchytávajte ani neupevňujte ochranný kryt v otvorenej polohe
- Nástroj nikdy nepoužívajte bez vložky stola; poškodenú alebo opotrebovanú vložku stola vymeňte
- Predtým než začnete rezať, odstráňte všetky prekážky na vrchnej a spodnej strane reznej dráhy
- Zabráňte poškodeniu náradia skrutkami, klincami a inými kovovými predmetmi v obrobk; zoberte ich dole prv než začnete pracovať

PRÍSLUŠENSTVO

- Nikdy nepoužívajte brúsne/rezacie kotúče s týmto nástrojom
- SKIL zabezpečí bezchybný chod nástroja len ak sa používa správne príslušenstvo, ktoré môžete získať od vášho dileru SKIL
- Pri montáži/používaní iného príslušenstva ako SKIL si preštudujte pokyny daného výrobcu
- Používajte len také pilové kotúče, ktorých charakteristika zodpovedá údajom uvedeným v tomto Návode na používanie a ktoré sú testované podľa normy EN 847-1 a sú aj primerane označené
- Používajte iba príslušenstvo, u ktorého hodnota prípustných obrátok zodpovedá minimálne najvyšším obrátkam náradia
- Nikdy nepoužívajte pilové kotúče vyrobené z rýchloreznej ocele (HSS)
- Nepoužívajte prasknutý, deformovaný alebo otupený pilový list
- Používajte len pilové kotúče s takým priemerom otvoru, ktorý pasuje na hriadeľ nástroja bez vôle; nikdy nepoužívajte reduktory ani adaptéry, aby ste mohli založiť pilové kotúče s väčším otvorom
- Chráňte kotúče pred nárazom, otrasom a masťotou

POČAS PRÁCE

- **Netlačte príliš na nástroj** (vyvíjajte mierny a plynulý tlak tak, aby sa predišlo prehrievaniu špičiek čepelí a v prípade rezania plastov roztaveniu plastového materiálu)
- Dbajte na to, aby prsty, ruky a ramená boli v dostatočnej vzdialenosti od rotujúceho pilového kotúča
- V prípade zablokovania pilového kotúča okamžite vypnite nástroj a odpojte ho od elektrickej siete; až potom vyberte zaseknutý obrábaný predmet
- V prípade zaseknutia, mechanickej alebo elektrickej poruchy, okamžite vypnite stroj a odpojte prívodný kábel
- Ak je sieťová šnúra poškodená alebo ak sa prereže počas prevádzky, nedotýkajte sa jej ale ju ihneď odpojte z hlavnej elektrickej siete
- Nikdy nepoužívajte náradie s poškodeným káblom; kábel sa musí vymeniť za špeciálne pripravený kábel dostupný prostredníctvom servisného strediska.

VYŽAROVANIE LASERA

- **Nesmerujte laserový lúč na osoby ani na zvieratá, ani sami sa nepozerajte priamo či do odrazeného laserového lúča** (môže to spôsobiť oslepenie osôb, nehody alebo poškodenie zraku)
- Pokiaľ laserový lúč dopadne do oka, treba vedome zatvoríť oči a okamžite hlavu otočiť od lúča
- Na laserovom zariadení nevykonávajte žiadne zmeny

- Nepozerajte sa do laserového lúča (vyžarovanie lasera)
- Nepozerajte sa cez zväčšovacie optické nástroje (ako zväčšovacie sklo, teleskop, alebo ďalekohľad) na laserový lúč
- Nástroj nepoužívajte v prítomnosti horľavých kvapalín, plynov alebo prachu
- Nástroj nepoužívajte v prítomnosti detí
- Nenahrádzajte nainštalovaný laser iným typom lasera

PO PRAČI

- Po vypnutí nástroja nikdy nezastavujte rotáciu príslušenstva tak, že ho budete zastavovať priečnou silou proti nemu
- Odrážky a iné drobné časti obrábaného predmetu odstráňte z oblasti rezania až po úplnom zastavení všetkých pohyblivých častí
- Pilový kotúč je počas práce veľmi horúci; nedotýkajte sa ho, až kým nevychladne
- Nástroj skladujte v miestnosti na suchom a uzamknutom mieste, mimo dosahu detí

VYSVETLENIE SYMBOLOV NA NÁSTROJI

- 2 Pred použitím si prečítajte návod na obsluhu
- 3 Používajte ochranné okuliare a tlmiče hluku na uši
- 4 **Nebezpečná oblasť! Zóna so zakázaným prístupom rúk. Ruky, prsty a paže udržiavajte v bezpečnej vzdialenosti od tejto oblasti.**
- 5 Dvojjitá izolácia (nevýžaduje sa uzemňovací kábel)
- 6 Nevyhadzujte elektrické náradie a batérie do komunálneho odpadu
- 7 **Laserové žiarenie / Nepozerajte sa do lúča / Trieda 2 laserový výrobok**

POUŽITIE

- **Montáž**
 - namontujte prepravnú rukoväť pomocou 2 skrutiek použitím imbusového kľúča AK⁹
 - namontujte uzamykací krúžok AB do prednej časti stola ¹⁰
- **Prepravná/pracovná poloha**
Uvoľnenie nástroja (**pracovná** poloha)
 - jednou rukou zatlačte rukoväť B nadol a zároveň druhou rukou ťahajte zaistovací kolík C ¹¹a
 - pomaly posúvajte zostavu hlavy nahor
 - ak chcete píliť s posuvným pohybom, povoľte zaistovacie koliesko AE ¹¹b
- **Zaistenie nástroja (prepravná poloha)**
 - posuňte zostavu hlavy k zarážke v smere vodiacej lišty S a dotiahnite zaistovacie koliesko AE ¹¹c
 - nastavte zvislý uhol na 0° (pozrite si časť Nastavenie zvislého uhla)
 - nastavte vodorovný uhol na 45° vpravo alebo vľavo (pozrite si časť Nastavenie vodorovného uhla)
 - jednou rukou zatlačte rukoväť B nadol a zároveň druhou rukou ťahajte zaistovacie kolík C
 - zmotajte sieťový kábel
 - používajte sieťovú rukoväť E na prenášanie náradia ¹¹d
 - alternatívne môžete na prenášanie náradia použiť bočné rukoväti ¹¹e
- **! náradie nikdy nezdvíhajte pomocou hlavnej rukoväti alebo držaním za sieťový kábel**
- Upevnenie nástroja k pracovnej ploche ¹²
! pre bezpečnú prácu nástroj vždy upevnite na rovnú a stabilnú pracovnú plochu (napr. pracovný stôl)

- pomocou 4 upevňovacích otvorov F a vhodných skrutiek upevnite nástroj k pracovnej ploche
- nástroj môžete k pracovnej ploche taktiež prisvorkovať pomocou bežne dostupných závitových svoriek
- na zaistenie stability náradia je možné nastaviť výšku podpornej nôžky G
- alternatívne sa dá náradie namontovať na stojan na pokosovú pílu

! prečítajte si všetky výstrahy a pokyny k stojanu na pílu

- Odsávanie pilín a malých kúskov ⁽¹³⁾
 - namontujte prachové vrečko H/vysávač podľa obrázka
 - vyprázdňte vrečko na prach pravidelne aby sa čo najviac zvýšil výkon sania prachu

! nikdy nedovoľte, aby hadica vysávača zasahovala do spodného krytu alebo do priebehu rezania

- Nastavec stola píly ⁽¹⁴⁾
 - použite gombíky L na upevnenie predlžovacích tyčiek K (na každej strane náradia)
 - dĺžku predlžovacích tyčiek K je možné plynule nastaviť od minima po maximum
- Prisvorkovanie obrábaného predmetu ⁽¹⁵⁾

! pre optimálnu bezpečnosť práce obrábaný predmet vždy pevne prisvorkujte pomocou dodávanej nastaviteľnej svorky

- nepracujte s predmetmi, ktoré sú príliš malé na prisvorkovanie
- **maximálne** rozmery obrábaných predmetov nájdete v tabuľke ⁽¹⁶⁾

- upevnite svorku na obrobok do otvoru na svorku N pomocou gombíka P (na každej strane náradia)
- použite 1 z 2 drážok, pre obrobky s hrúbkou do 4cm a obrobky s hrúbkou nad 4cm

- obrábaný predmet pevne pritlačte k opierke S
- odistite páčku R
- prispôbte svorku obrobku
- bezpečne upevnite obrobok pomocou zaisťovacej páčky R

! Pri niektorých kombináciách nastavenia vodorovného a zvislého uhla alebo v závislosti od veľkosti obrobku môže byť potrebné namiesto svorky na obrobok použiť komerčne dostupné skrutkové svorky

- Nastavenie vodorovného uhla ⁽¹⁷⁾
 - povoľte zaisťovaciu rukoväť AB
 - zatlačte uvoľňovaciu páčku aretácie pokosu AC
 - Otočte stôl píly doľava alebo doprava a nastavte požadovaný vodorovný uhol (od 0° po 47°) použitím indikátora AD
 - uvoľnite páčku AC
 - dotiahnite zaisťovaciu rukoväť AB (**neuťahujte rukoväť príliš silno**)
 - na rýchle a presné nastavenie často používaných vodorovných uhlov (0°, 15°, 22,5°, 31,6°, 45°) uvoľňovacia páčka aretácie pokosu zacvakne na miesto v príslušných polohách
- Nastavenie zvislých uhlov ⁽¹⁸⁾
 - povoľte trojramenné koliesko U ^(19b)
 - otočte hlavu píly doľava, kým indikátor zvislého uhla V nebude ukazovať na požadovaný zvislý uhol
 - držte hlavu píly v tejto pozícii a dotiahnite gombík U
- Kombinované rezy ⁽¹⁹⁾
 - kombinované rezy vyžadujú nastavenie vodorovného aj zvislého uhla

! nepracujte s pilou pri určitých kombináciách vodorovného a zvislého uhla, ktoré môžu viesť k interferencii medzi posuvnými a stacionárnymi časťami píly alebo medzi posuvnými časťami a obrobkom

! vždy to najskôr vyskúšajte na kúsku odpadového materiálu

- Čiara laseru ⁽²⁰⁾
 - pre vedenie nástroja pozdĺž požadovanej čiary rezu vyznačenej na opracovávanom kuse
 - čiary laseru zapnite/vypnite stlačením vypínača AA
 - laser je zarovnaný na ľavej strane rezu
 - horizontálne nastavenie lasera sa dá jednoducho upraviť skrutkou Y
- **! pred začiatkom práce skontrolujte vyrovnanie čiary laseru so súčasnou čiarou rezu tak, že urobíte trojitý rez na kuse odpadového materiálu**
- Pílenie bez posuvného pohybu (malé obrobky)
 - povoľte zaisťovacie koliesko AE, ak je utiahnuté
 - posuňte hlavu píly k zarážke v smere vodiacej lišty S a znova utiahnite zaisťovacie koliesko AE
- **! ak nezaistíte tento mechanizmus, môže to spôsobiť, že kotúč sa náhle dostane na vrch obrobku a vymrští sa proti vám**
 - nastavte nástroj do pracovnej polohy
- **! dbajte na to, aby bol obrábaný predmet pevne prisvorkovaný k stolu píly a opretý o opierku S**
 - zapnite náradie uvoľnením blokovacieho tlačidla AG a potiahnutím sieťového vypínača AF ⁽²²⁾
- **! pri práci s hlavou píli nedávajte ruky do kríža ^(21a)**
 - reže obrábaný predmet rovnomerným posunom
- **! predtým, ako kotúč vnikne do opracovávaného predmetu musí stroj bežať na plné otáčky**
 - nástroj vypnite uvoľnením vypínača AF
 - pred pomalým vysunutím hlavy píly smerom nahor počkajte, kým sa pilový kotúč úplne nezastaví
- Pílenie s posuvným pohybom (široké obrobky)
 - **! majte na pamäti, že metóda opísaná nižšie predstavuje jedinú bezpečnú metódu**
 - pílu cez obrobok neťahajte
 - povoľte zaisťovacie koliesko AE, ak je utiahnuté
 - **! dbajte na to, aby bol obrábaný predmet pevne prisvorkovaný k stolu píly a opretý o opierku S**
 - odiahnite hlavu píly dostatočne ďaleko od vodiacej lišty S tak, aby sa pilový kotúč nachádzal pred obrobkom ⁽²³⁾
 - zapnite náradie zatlačením bezpečnostnej páčky AG a potiahnutím sieťového vypínača AF ⁽²²⁾
 - **! pri práci s hlavou píli nedávajte ruky do kríža ^(21a)**
 - potlačte hlavu píly v smere vodiacej lišty S a píľte obrobok rovnomerným posunom ⁽²³⁾
 - **! predtým, ako kotúč vnikne do opracovávaného predmetu musí stroj bežať na plné otáčky**
 - **! Ak sa spodný ochranný kryt automaticky neotvorí, čo môže nastať v určitých situáciách (ak je napríklad obrobok veľmi blízko maximálneho rozsahu), bude možno potrebné otvoriť kryt rukou ^(21b)**
 - nástroj vypnite uvoľnením vypínača AF
 - pred pomalým vysunutím hlavy píly smerom nahor počkajte, kým sa pilový kotúč úplne nezastaví
- Pílenie drážok ⁽²⁴⁾
 - nastavte požadovanú hĺbku pomocou hĺbkovej zarážky AH a zaistite ju na miesto utiahnutím matice AJ

- na dosiahnutie konzistentnej hĺbky po celej dĺžke drážky by sa mal medzi obrobok a vodiacu lištu umiestniť drevený medzerník
- ! zaistíte, aby sa pilový kotúč nezasekol v obrobku**
- ! vždy to najskôr vyskúšajte na kúsku odpadového materiálu**
- Výmena pilového kotúča (25)
 - ! odpojte zástrčku**
 - vyberte šesťhranný kľúč AK z puzdra AL
 - držte ochranný kryt A v otvorenej polohe
 - povoľte skrutku krycej dosky AN (skrutku **neuvoľňujte úplne**) (25a)
 - otočte ochranný kryt A úplne dozadu (25b)
 - stlačte tlačidlo zaistenia hriadeľa AM a držte ho stlačené, pričom točením šesťhranným kľúčom AK V **SMERU HODINOVÝCH RUČÍČIEK** (= v smere šípky na pilovom kotúči) odskrutkujte skrutku AO upevňujúcu kotúč
 - ! nástroj musí byť vypnutý keď stisnete tlačítko AM**
 - uvoľnite tyčinkové zamykajúce tlačítko AM
 - vyberte prstenec AP a pilový kotúč
 - ! vymeňte pilový kotúč tak, aby sa smer zubov a smer šípky vytlačenej na pilovom kotúči zhodoval so smerom šípky na ochrannom kryte A**
 - namontujte späť prstenec AP (25c)
 - stlačte blokovacie tlačidlo vretena AM a držte ho stlačené, kým pritiahnete upevňovaciu skrutku kotúča otočením imbusového kľúča AK PROTI SMERU HODINOVÝCH RUČÍČIEK o 1/8 otáčky po dotiahnutí rukou (zabezpečí prekĺzavanie pilového kotúča pri nadmernom odpore, čím sa znižuje riziko preťaženia motora a spätného nárazu pily)
 - utiahnite skrutku krycej dosky AN
- Výmena vložky stola AQ (26)
 - Poškodenú alebo opotrebovanú vložku stola vymeňte nasledovne:
 - ! odpojte zástrčku**
 - vyberte šesťhranný kľúč AK z puzdra AL
 - odskrutkujte všetky 6 skrutky podľa obrázka
 - vyberte starú vložku stola tak, že najskôr ju zdvihnete a potom ju úplne vytiahnete
 - vložte novú vložku stola
 - ! pevne utiahnite všetky 6 skrutky**
- Kontrola/nastavenie 90° zarovnania kotúča (27)
 - ! odpojte zástrčku**
 - otočte stôl pily do polohy vodorovného uhla 0° a zaistíte ho na mieste
 - natočte hlavu pily do polohy zvislého uhla 0°
 - spusťte hlavu pily nadol a zaistíte ju na mieste
 - pomocou uholníka skontrolujte uhol 90° medzi kotúčom a stolom
 - ak je to potrebné, nastavte zarovnanie 90° uhla kotúča nasledovne:
 1. uvoľnite trojramenné koliesko U
 2. nastavte skrutku W pomocou kľúča na kotúč 10 (štandardne sa nedodáva)
 3. znova skontrolujte pomocou uhlového meradla
 4. nastavte indikátor zvislého uhla V na 0°
- Kontrola/nastavenie 45° zarovnania kotúča (28)
 - ! odpojte zástrčku**
 - otočte stôl pily do polohy vodorovného uhla 0° a zaistíte ho na mieste
 - uvoľnite trojramenné koliesko U
 - natočte hlavu pily dol'ava
- pomocou uholníka skontrolujte uhol 45° medzi kotúčom a stolom
- skontrolujte, či je indikátor zvislého uhla V na značke 45°
- ak je to potrebné, nastavte zarovnanie 45° uhla kotúča nasledovne:
 1. nastavte skrutku X pomocou kľúča na kotúč 10 (nedodáva sa štandardne)
 2. znova skontrolujte zarovnanie pomocou uhlového meradla
- Kontrola/nastavenie 90° zarovnania opierky (29)
 - ! odpojte zástrčku**
 - otočte stôl pily do polohy vodorovného uhla 0° a zaistíte ho na mieste
 - spusťte hlavu pily nadol a zaistíte ju na mieste
 - pomocou uhlového meradla skontrolujte 90° uhol medzi kotúčom a vodiacou lištou S (dbajte na to, aby sa uhlové meradlo dotýkalo telesa pilového kotúča a nie jeho zubov) (29a)
 - ak je to potrebné, nastavte zarovnanie 90° uhla opierky nasledovne:
 1. povoľte 2 skrutky so šesťhrannou hlavou T (29b)
 2. nastavte opierku tak, aby sa kotúč a opierka úplne dotýkali uholníka
 3. utiahnite 2 skrutky so šesťhrannou hlavou T
 4. nastavte indikátor vodorovného uhla na 0° (29c)

RADA NA POUŽITIE


- Špeciálne obrábané predmety
 - voľné konce dlhého obrábaného predmetu vždy podoprite (30)
 - dbajte na to, aby zaoblené alebo okružle obrábané predmety boli obzvlášť pevne zaistené pred zošmyknutím (31)
 - v čiare rezu nemusí existovať žiadna medzera medzi obrábaným predmetom a opierkou alebo stolom pily
 - v prípade potreby si zhotovte pomocnú vodiacu lištu, na zaistenie pomocnej vodiacej lišty použijete otvory v posuvnej vodiacej lište (32)
- ! pomocná vodiaca lišta sa smie používať len pri zvislom uhle 0°**
- Na prácu s podlahovými lištami možno orientačne použiť obrázok (33)
- Vždy otočte čelnú stranu opracovávaného predmetu smerom dole, aby dochádzalo k minimálnemu štiepeniu
- Používajte len ostré kotúče správneho typu
 - kvalita rezu sa zlepšuje počtom zubov
 - kotúče zo spekaných karbidov zostávajú ostré až 30 krát dlhšie než bežné kotúče

ÚDRŽBA / SERVIS

- Nástroj a sieťový kábel udržiavajte stále čisté (zvlášť vetracie štrbiny na zadnej strane puzdra motora)
- Vykonávajte pravidelné kontroly s cieľom uistiť sa, že spodný ochranný kryt funguje správne. Mokrou handričkou očistite spodný ochranný kryt od usadených pilín.
- ! pred čistením odpojte z elektrickej siete**
- nadvihnite spodný ochranný kryt do úplne otvorenej polohy a uvoľnite ho, ak sa okamžite úplne nezatvorí, mali by ste ho dať skontrolovať do popredajného servisného strediska pre elektrické náradia SKIL

- Hned po použití očistite pilový kotúč (obzvlášť od živice a lepidla)
! pilový kotúč je počas práce veľmi horúci; nedotýkajte sa ho, až kým nevychladne
- Po každom použití očistite laserové svetlo AC mäkkou kefkou na zachovanie dobrej viditeľnosti laserovej línie (dbajte na to, aby ste nezmenili nastavenie lasera)
- Ak by nástroj napriek starostlivej výrobe a kontrole predsa len prestal niekedy fungovať, treba dať opravu vykonať autorizovanej servisnej opravovni elektrického náradia SKIL
 - pošlite nástroj **bez rozmontovania** spolu s dôkazom o kúpe; vášmu dilerovi alebo do najbližšieho servisného strediska SKIL (zoznam adries servisných stredísk a servisný diagram nástroja sú uvedené na www.skil.com)
- Uvedomte si, že poškodenie spôsobené preťažením alebo nesprávnym zaobchádzaním bude zo záruky vylúčené (záručné podmienky spoločnosti SKIL nájdete na stránke www.skil.com alebo si ich vyžiadajte u svojho predajcu)

ŽIVOTNÉ PROSTREDIE

- **Elektrické náradie, batérie, príslušenstvo a balenia nevyhadzujte do komunálneho odpadu** (len pre štáty EÚ)
 - podľa európskej smernice 2012/19/EG o nakladaní s použitými elektrickými a elektronickými zariadeniami a zodpovedajúcich ustanovení právnych predpisov jednotlivých krajín sa použité elektrické náradie musí zbierať oddelene od ostatného odpadu a podrobiť ekologicky šetrnej recyklácii
 - pripomenie vám to symbol , keď ju bude treba likvidovať

HLUKU

- Hladina akustického tlaku tohto náradia nameraná v súlade s normou EN 62841 je 100,0 dB(A) a hladina akustického výkonu je 109,5 dB(A) (neistota K = 3 dB)
- Hladina emisií hluku bola nameraná v súlade s normalizovaným testom uvedeným v norme EN 62841, môže sa používať na vzájomné porovnávanie náradí a na predbežné posúdenie vystavenia účinkom hluku pri používaní náradia pre uvedené aplikácie
 - používanie náradia na rôzne aplikácie, alebo v spojení s rôznymi alebo nedostatočne udržiavanými doplnkami môže značne **zvýšiť** úroveň vystavenia
 - časové doby počas ktorých je je náradie vypnuté alebo počas ktorých náradie beží ale v skutočnosti nevykonáva prácu môžu značne **znižovať** úroveň vystavenia

HR

Potezna kutna pila

1310

UVOD

- Ovaj alat namijenjen je stacionarnoj upotrebi za ravno ili kutno uzdužno i poprečno rezanje drveta (moguće je vodoravno rezanje pod kutom od -47° do +47°, kao i rezanje pod nagibom od 0° do 45°)
- Pažljivo pročitajte i sačuvajte ove upute za rukovanje ②
- Ovaj uređaj nije namijenjen profesionalnoj upotrebi

- **Koristite samo alat kad je ispravno i potpuno sastavljen** (imajte na umu da se tvrtka Skil ne može smatrati odgovornom za oštećenje alata i/ili osobne ozljede koje su posljedica neispravnog sastavljanja alata)

TEHNIČKI PODACI ①

DIJELOVI ALATA ⑧

- A Donji štitnik
- B Rukohvat s prekidačem
- C Sigurnosni klin za blokiranje tijekom transporta
- D Gornji štitnik
- E Rukohvat za nošenje
- F Ugradbeni otvori
- G Potporno podnožje
- H Vrećica za prašinu
- J Otvor za prašinu
- K Produžne šipke
- L Gumb za blokiranje produžnih šipki
- M Stezaljka za ugradnju
- N Otvor za nosač
- P Gumb za pričvršćivanje stezaljke
- Q Gumb za regulaciju stezaljke
- R Stezna poluga
- S Graničnik
- T Šesterokutni vijci za podešavanje graničnika (2x)
- U Gumb za blokiranje (nagibno rezanje)
- V Pokazivač kuta nagibnog rezanja
- W Vijak za podešavanje kuta pri nagibnom rezanju (udesno)
- X Vijak za podešavanje kuta pri nagibnom rezanju (ulijevo)
- Y Vijak za namještanje lasera
- Z Laserska zraka
- AA Prekidač za uključivanje/isključivanje lasera
- AB Ručica za blokiranje (zakretni kutovi)
- AC Poluga za otpuštanje blokiranja zakretnog kuta
- AD Pokazivač kuta zakretanja
- AE Ručica za blokiranje, za klizni uređaj
- AF Prekidač za uključivanje/isključivanje
- AG Sigurnosna ručica
- AH Ograničenje dubine rezanja
- AI Graničnik dubine
- AJ Matica graničnika dubine
- AK Šesterokutni ključ
- AL Skladište za šesterokutni ključ
- AM Gumb za aretiranje vretena
- AN Vijak pokrovne ploče
- AO Vijak lista pile
- AP Matica
- AQ Umetak stola
- AR Deflektor prašine

SIGURNOST

OPĆA SIGURNOSNA UPOZORENJA ZA ELEKTRIČNE ALATE

⚠ UPOZORENJE Pročitajte sva sigurnosna upozorenja, upute, ilustracije i specifikacije isporučene s ovim električnim alatom. Zbog nepridržavanja svih uputa koje su navedene u nastavku može doći do nastanka strujnog udara, požara i/ili teške ozljede.

Sva upozorenja i upute sačuvajte kao referencu za buduće upotrebe.

U daljnjem tekstu korišten pojam "električni alat" odnosi se na električne alate s priključkom na električnu mrežu (s mrežnim kablom) i na električne alate s napajanjem iz aku baterije (bez mrežnog kabela).

1) SIGURNOST NA RADNOM MJESTU

- a) **Vaše radno područje održavajte čisto i uredno.**
Nered ili neosvijetljeno radno područje mogu doći do nezgoda.
- b) **S uređajem ne radite u okolini ugroženoj eksplozijom, u kojoj se nalaze zapaljive tekućine, plinovi ili prašina.** Električni alati proizvode iskre koje mogu zapaliti prašinu ili pare.
- c) **Djecu i ostale osobe držite dalje tijekom korištenja električnog alata.** Ako bi skrenuli pozornost sa posla mogli bi izgubiti kontrolu nad uređajem.

2) ELEKTRIČNA SIGURNOST

- a) **Priključni utikač uređaja treba odgovarati utičnici. Na utikaču se ni u kojem slučaju ne smiju izvoditi izmjene. Ne koristite adapterske utikače zajedno sa uređajima koji su zaštićeni uzemljenjem.** Originalni utikač i odgovarajuće utičnice smanjuju opasnost od električnog udara.
- b) **Izbjegavajte dodir tijela s uzemljenim površinama kao što su cijevi, centralno grijanje, štednjaci i hladnjaci.** Postoji povećana opasnost od električnog udara ako je vaše tijelo uzemljeno.
- c) **Držite uređaj dalje od kiše ili vlage.** Prodiranje vode u električni uređaj povećava opasnost od električnog udara.
- d) **Priključni kabel ne koristite za nošenje, vješanje ili za izvlačenje utikača iz utičnice. Držite kabel dalje od izvora topline, ulja, oštih rubova ili pomičnih dijelova uređaja.** Oštećen ili usukan kabel povećava opasnost od električnog udara.
- e) **Ako s električnim uređajem radite na otvorenom, koristite samo produžni kabel odobren za uporabu na otvorenom.** Primjena produžnog kabela prikladnog za uporabu na otvorenom smanjuje opasnost od električnog udara.
- f) **Ako se ne može izbjeći uporaba električnog alata u vlažnoj okolini, upotrijebite sigurnosna sklopka za propuštanje u zemlju.** Upotrebom sigurnosne sklopke za propuštanje u zemlju smanjuje se opasnost od električnog udara.

3) SIGURNOST LJUDI

- a) **Budite oprezni, pazite što činite i postupajte razumno kod rada s električnim alatom. Ne koristite uređaj ako ste umorni ili pod utjecajem opojnih sredstava, alkohola ili lijekova.** Trenutak nepažnje kod uporabe uređaja može doći do ozbiljnih ozljeda.
- b) **Nosite sredstva osobne zaštite i uvijek zaštitne naočale.** Nošenje sredstava osobne zaštite, kao što je zaštitna maska, sigurnosne cipele koje ne klize, zaštitne kacige ili štitnika za sluh, ovisno od vrste i primjene električnog alata, smanjuje opasnost od nezgoda.
- c) **Izbjegavajte nehotično puštanje u rad. Prije nego što ćete utaknuti utikač u utičnicu i/ili staviti aku-bateriju, provjerite je li električni alat isključen.** Ako kod nošenja električnog alata imate prst na prekidaču ili se uključen uređaj priključi na električno napajanje, to može dovesti do nezgoda.

- d) **Prije nego što uređaj uključite, uklonite alate za podešavanje ili vijčane ključeve.** Alat ili ključ koji se nalazi u rotirajućem dijelu uređaja može doći do nezgoda.
- e) **Ne precjenjujte svoje sposobnosti. Zauzmite siguran i stabilan položaj tijela i držite u svakom trenutku ravnotežu.** Na taj način možete uređaj bolje kontrolirati u neočekivanim situacijama.

- f) **Nosite prikladnu odjeću. Ne nosite široku odjeću ili nakit. Kosu i odjeću držite dalje od pomičnih dijelova.** Široku odjeću, dugu kosu ili nakit mogu zahvatiti pomični dijelovi.
- g) **Ako se mogu montirati naprave za usisavanje i hvatanje prašine, provjerite da li su iste priključene i da li se pravilno koriste.** Primjena naprave za usisavanje može smanjiti ugroženost od prašine.
- h) **Nemojte postati previše bezbrižni i zanemariti sigurnosne upute zato što alat često upotrebljavate i smatrate da ste ga dobro poznali.** Samo jedan trenutak nepažnje dovoljan je za nastanak ozbiljnih ozljeda.

4) BRIŽLJIVA UPORABA ELEKTRIČNIH ALATA

- a) **Ne preopterećujte uređaj. Koristite za vaše radove za to predviđen električni alat.** S odgovarajućim električnim alatom radit ćete bolje i sigurnije, u navedenom području učinka.
 - b) **Ne koristite električni alat čiji je prekidač neispravan.** Električni alat koji se više ne može uključiti ili isključiti, opasan je i treba se popraviti.
 - c) **Alat prije podešavanja, izmjene pribora i odlaganja isključite iz izvora napajanja i/ili izvadite komplet baterije, ako se vadi iz uređaja.** Ovim mjerama opreza izbjeći će se nehotično uključivanje električnog alata.
 - d) **Nekorištene električne alate spremite izvan doseg djece. Ne dopustite da uređaj koriste osobe koje s njim nisu upoznate ili koje nisu pročitale upute za uporabu.** Električni alati su opasni ako ih koriste neiskusne osobe.
 - e) **Redovno održavajte električne alate i pribor. Kontrolirajte da li pomični dijelovi uređaja besprijekorno rade i da nisu zaglavljani, te da li su dijelovi polomljeni ili tako oštećeni da negativno djeluju na funkciju uređaja. Popravite oštećene dijelove prije uporabe uređaja.** Mnoge nezgode imaju svoj uzrok u loše održavanim uređajima.
 - f) **Rezne alate održavajte oštrim i čistim.** Pažljivo održavani rezni alati s oštrim oštricama neće se zaglaviti i lakši su za vođenje.
 - g) **Koristite električne alate, pribor, radne alate, itd., prema navedenim uputama. Pri tome uzmite u obzir radne uvjete i radove koje se izvode.** Uporaba električnih alata za neke druge primjene različite od predviđenih, može doći do opasnih situacija.
 - h) **Drške i zahvatne površine održavajte suhima, čistima i pazite da na njih ne dospiju ulje ili mast.** Skliske drške i zahvatne površine onemogućuju sigurno rukovanje i alat se teško kontrolira u neočekivanim situacijama.
- ### 5) SERVISIRANJE
- a) **Popravlak uređaja prepustite samo kvalificiranom stručnom osoblju i samo s originalnim rezervnim dijelovima.** Na taj će se način postići održanje stalne sigurnosti uređaja.

SIGURNOSNE UPUTE ZA PREKLOPNE PILE

- **Preklopne pile namijenjene su rezanju drva ili proizvoda sličnih drvu, ne mogu se upotrebljavati uz abrazivne kotače za rezanje kako bi se rezali željezni materijali poput šipki, poluga, vijaka itd.** Abrazivna prašina prouzrokuje zastoj rada pokretnih dijelova, poput donjeg štitnika. Iskrenjem abrazivnog rezanja progorjet će se donji štitnik, umetak za zasjek i druge plastične dijelove.
- **Stezaljka poduprite predmet obrade kad god je to moguće. Ako predmet obrade pridržavate rukom, ruku uvijek morate držati barem 100 mm udaljenom od bilo koje strane oštrice pile. Ovu pilu ne upotrebljavajte za rezanje predmeta koji su previše mali da bi se sigurno mogli pričvrstiti stezaljkom ili držati rukom** Ako vam je ruka previše blizu oštrici pile, postoji povećana opasnost od ozljede uslijed kontakta s oštricom.
- **Predmet obrade mora biti nepomičan i držati se ili pričvrstiti stezaljkom, i za graničnik i za stol. Predmet obrade koji nije pričvršten nemojte dovoditi u kontakt s oštricom ili ga rezati „prostoročno“ ni na koji način** Predmeti obrade koji se pomiču ili koji nisu pričvršćeni mogu odletjeti pri velikim brzinama i time prouzrokovati ozljedu.
- **Gurnite pilu kako bi prošla kroz predmet obrade. Nemojte povlačiti pilu kako bi prošla kroz predmet obrade. Kako biste načinili rez, podignite glavu pile i povucite je preko predmeta obrade bez rezanja, pokrenite motor, pritisnite glavu pile put dolje i gurnite pilu kroz predmet obrade** Pri rezanju povlačenjem velika je vjerojatnost da će oštrica pile dospjeti iznad predmeta obrade i da će se sklop oštrice velikom silinom odbaciti prema rukovatelju.
- **Nikada nemojte prekrížiti ruke preko crte kojom mislite rezati, ni ispred, ni iza oštrice** Pridržavanje predmeta obrade prekríženi rukom, tj. pridržavanje predmeta obrade lijevom rukom na desnoj strani oštrice i obrnuto, iznimno je opasno.
- **Dok se oštrica vrti, ne posežite iza graničnika ni jednom rukom kako biste uklonili drveni otpad ili iz kakvog drugog razloga, a da se ruka bilo kojoj strani oštrice pile primakne na bliže od 100 mm** Blizina oštrice vašoj ruci možda neće biti uočljiva te se možete teško ozlijediti.
- **Prije rezanja, pregledajte predmet obrade; ako je predmet obrade savinut ili izobličen, pričvrstite ga stezaljkom tako da je vanjska savinuta strana okrenuta prema graničniku. Uvijek potvrdite da nema razmaka između predmeta obrade, graničnika i stola duž linije reza** Savinuti ili izobličeni predmeti obrade mogu se izokrenuti ili pomaknuti čime se, tijekom rezanja, mogu iskriviti na oštrici pile koja se vrti. U predmetu obrade ne smiju se naći čavli ili strani predmeti.
- **Ne upotrebljavajte pilu dok sa stola nije raščišćen sav alat, drveni otpad itd., osim predmeta obrade** Sitni otpad ili okrhnuti dijelovi drva ili drugih predmeta koje zahvati oštrica u vrtnji mogu se odbaciti velikom brzinom.
- **Režite jedan po jedan predmet obrade** Predmeti obrade naslagani jedan na drugom ne mogu se ispravno stegnuti ili zahvatiti, čime se oštrica može iskriviti ili pomaknuti tijekom rezanja.
- **Prije upotrebe, pobrinite se da je preklopna pila pričvršćena ili postavljena na ravnu, čvrstu radnu**

površinu. Ravnom i čvrstom radnom površinom umanjuje se rizik od nestabilnosti preklopne pile.

- **Planirajte posao koji ćete provoditi! Svaki put kada promijenite postavku nagibnog ili zakretnog kuta, pobrinite se da je prilagodljivi graničnik ispravno postavljen kako bi podupirao predmet obrade** da nećete smetati sustavu oštrice ili zaštite Bez uključivanja alata („ON“) i predmeta obrade na stolu, pomaknite oštricu pile simulirajući cjelovit rez kako biste se uvjerali da nećete doći do smetnji ili opasnosti od rezanja graničnika.
- **Omogućite odgovarajuću potporu za predmet obrade koji je širi ili duži od površine stola, poput produžetaka za stol, stalaka za piljenje itd.** Predmeti obrade koji su duži ili širi od stola preklopne pile mogu se prevrnuti ako nemaju sigurnu potporu. Ako se odsječeni dio ili predmet obrade prevrne, može se podignuti donji štitnik ili ih oštrica u vrtnji može odbaciti.
- **Nemojte da vam druga osoba služi umjesto produžetka za stol ili kao dodatna potpora** Nestabilna potpora predmetu obrade može prouzrokovati iskrivljenje oštrice ili pomicanje predmeta obrade tijekom rezanja, čime će se vas i pomoćnika povući prema oštrici u vrtnji.
- **Dio koji se reže ni na koji način ne smije se utisnuti ni pritisnuti na oštricu pile u vrtnji** Ako se on stisne, tj. upotrebom graničnika dužine, dio koji se reže može se zaglaviti na oštrici i odbaciti velikom silinom.
- **Uvijek se služite stezaljkom ili pričvršnim priborom za odgovarajuće podupiranje obliha materijala, poput šipki ili cijevi** Šipke se mogu otkrotljati tijekom rezanja, čime oštrica može „zagristi“ i povući vam ruku s materijalom prema sebi.
- **Pustite da oštrica dostigne punu brzinu prije uvođenja predmeta obrade** Ovim će se umanjiti rizik od odbacivanja predmeta obrade.
- **Ako se predmet obrade ili oštrica zaglavi, isključite preklopnu pilu. Pričekajte da se svi pomični dijelovi zaustave i izvucite mrežni utikač iz izvora napajanja i/ili uklonite baterije. Zatim oslobodite zaglavljene materijal** Nastavljanje piljenja uz zaglavljene predmet obrade može dovesti do gubitka nadzora nad preklopnom pilom ili do njezina oštećenja.
- **Nakon završetka rezanja, otpustite prekiđač, držite glavu pile prema dolje i pričekajte da se oštrica zaustavi prije nego što izvadite predmet koji se reže** Dohvaćanje rukom dok je oštrica u praznom hodu jest opasno.
- **Čvrsto držite ručku kada ne radite cjeloviti rez ili kada otpuštate prekiđač prije nego što je glava pile u potpunosti spuštena** Kočenjem pile može se prouzrokovati naglo povlačenje glave pile prema dolje, čime se može prouzrokovati ozljeda.

DODATNE UPUTE ZA SIGURAN RAD

- Nagli prtok struje uzrokuje kratkotrajni pad napona, pod nepovoljnim uvjetima napajanja električnom energijom, može se oštetiti i druga oprema (ako je ovisnost sustava o električnom napajanju niža od 0,464 ohma, nije vjerojatno da će se pojaviti smetnje); ako su vam potrebna daljnja objašnjenja molim obratite se lokalnoj ustanovi za opskrbu električnom energijom

OPĆENITO

- Alat koristite isključivo za rezanje drva
- Uvijek provjerite je li napon napajanja isti kao onaj naveden na tipskoj pločici uređaja

- **Nemojte stajati na alatu ni na njegovu postolju** Može doći do teške ozljede ako se alat prevrne ili ako se alat za rezanje slučajno dodirne. Ne držite materijal na alatu ni u njegovoj blizini na način da morate stati na alat ili njegovu postolje kako biste dohvatili materijal.
- **Prije svih radova održavanja, podešavanja ili izmjene alata i pribora treba izvući utikač iz mrežne utičnice**
- **Uvijek isključite utikač iz izvora napajanja prije prenošenja preklapne pile** Isključite je, spustite sklop glave i onemogućite joj pomicanje, služite se ručkom za nošenje i jednom od utora za ruku u podnožju pile.
- **Ne napuštajte alat dok se u potpunosti nije zaustavio**
- **Kada režete predmete obrade nepravilnih oblika, planirajte tijek rada kako vam ne bi iskliznuli i priklještili oštricu te da vam se time ne izbiju iz ruke**
- Uređaj ne bi smjelo koristiti osobe mlađe od 16 godina
- Ovaj uređaj nije pogodan za mokro rezanje

UPORABA NA OTVORENOM

- Kod primjene na otvorenom, uređaj priključiti preko zaštitne sklopke struje kvara (FI), s okidačkom strujom od max. 30 mA i koristiti samo za to predviđen produžni kabel, koji je na priključnom mjestu zaštićen od prskanja

PRIJE UPORABE

- Upotrebjavajte samo neodmotane i zaštićene produžne kabele kapaciteta 16 ampera
- Nositi zaštitne naočale, štitnike za sluh, i zaštitne rukavice
- Prašina od materijala kao što su boje koje sadrže olovo, neke vrste drveća, minerali i metal mogu biti opasne (dodir s prašinom ili njeno udisanje mogu prouzročiti alergične reakcije i/ili respiratorna oboljenja rukovatelja ili posmatrača); **nosite masku za zaštitu od prašine i radite s uređajem za ekstrakciju prašine ukoliko ga možete priključiti**
- Određene vrste prašine klasificiraju se kao karcinogenske (kao što su prašina hrastovine i bukovine), osobito u sudejstvu s aditivima za kondicioniranje drveta; **nosite masku za zaštitu od prašine i radite s uređajem za ekstrakciju prašine ukoliko ga možete priključiti**
- Nacionalni uvjeti za materijale s kojima želite raditi
- **Ne obrađujte materijal koji sadrži azbest** (azbest se smatra kancerogenim)
- Uređaj nikada ne koristite bez originalne zaštite
- Prije svake upotrebe provjerite je li štitnik pravilno zatvoren
- Ne koristite pilu ako se štitnik ne pomiče neometano i ne zatvara trenutačno
- Štitnik nikada ne blokirajte ili pritezite u otvorenom položaju
- Nikada ne koristite alat bez stolnog umetka; zamijenite ga ako je oštećen ili istrošen
- Prije nego što počnete s rezanjem uklonite sve zapreke sa gornje kao i donje površine, koje se nalaze na liniji rezanja
- Izbjegavajte oštećenja od vijaka, čavala i sličnih predmeta na vašem izratku; prije početka rada ih izvadite

PRIBOR

- Na ovaj uređaj ne stezati brusne ploče za brušenje i rezanje namijenjene za kutnu brusilicu
- SKIL može osigurati besprijekoran rad uređaja samo ako se koristi odgovarajući pribor, koji se može dobiti u specijaliziranoj trgovačkoj mreži ili kod ovlaštenog distributera SKIL proizvođača

- Kod primjene proizvoda drugih proizvođača, molimo pridržavati se njihovih uputa za uporabu
- Koristite samo listove pile koji odgovaraju karakterističnim podacima navedenim u ovim uputama za uporabu i koji su ispitani prema EN 847-1 i odgovarajuće označeni
- Upotrebjavajte pribor čija dopuštena brzina odgovara najvećoj brzini alata u praznom hod
- Ne dopušta se korištenje listova pile od visokolegirano g brzozeznog čelika (HSS)
- Ne smiju se koristiti napukli ili tupi listovi pile ili takvi koji su promijenili svoj oblik
- Koristite isključivo listove pile koji povrtom odgovaraju vretenu alata i ne omogućuju slobodan hod; za postavljanje listova većeg provrta nikada ne koristite reduktore ili adaptere
- Dodatnu opremu zaštitite od udaraca, potresanja i zamašćivanja

TIJEKOM UPORABE

- **Nemojte preforsirati alat** (pritišćite lagano i stalno kako bi se izbjeglo pregrijavanje vrha noža te, u slučaju rezanja plastike, topljenje plastičnog materijala)
- Pazite da vam rotirajući list pile ne zahvati prste, šake ili ruke
- Ako se list zaglavi, smjesta isključite alat i izvucite utikač iz električnog napajanje; tek nakon toga uklonite zaglavljenu radni materijal
- U slučaju blokiranja, neobičajenog ponašanja alata neobičnih šumova, uređaj treba odmah isključiti i izvući utikač iz mrežne utičnice
- Ako se tijekom rada priključni kabel ošteti ili odreže, ne dirati priključni kabel, nego odmah izvući mrežni utikač
- Nikada ne upotrebjavajte alat ako je kabel oštećen; trebate ga zamijeniti posebno pripremljenim kabelom, pripremljenim u servisnoj službi.

LASERSKA RADIJACIJA

- **Ne usmjeravajte lasersku zraku na ljude ili životinje i ne gledajte u izravnu ili reflektiranu lasersku zraku** (time možete zaslijepiti ljude, izazvati nesreće ili oštetiti oko)
- Ako laserska zraka pogodi oko, svjesno zatvorite oči i glavu smjesta odmaknite od zrake
- Na laserskom uređaju ništa ne mijenjate
- Ne gledajte u lasersku zraku (laserska radijacija)
- Ne gledajte u lasersku zraku pomoću optičkih pomagala za povećavanje (kao što su povećala, teleskopi ili dalekozori)
- Ne upotrebjavajte alat u blizini zapaljivih tekućina, plinova ili prašine
- Ne upotrebjavajte alat dok su u blizini djeca
- Ugrađeni laser nemojte zamjenjivati laserom druge vrste

NAKON UPORABE

- Nakon što isključite uređaja, vrtnju rotirajućih dijelova nikad ne zaustavljajte primjenom bočne sile
- Odrezane komade i ostale dijelove radnog materijala uklonite iz područja rada tek nakon što se svi pokretni dijelovi u potpunosti zaustave
- list pile jako se zagrije tijekom upotrebe; ne dodirujte ga prije nego što se ohladi
- Uređaj spremite **unutra** na suho mjesto nedostupno za djecu

POJAŠNJENJE SIMBOLA NA UREĐAJU

- ② Prije upotrebe pročitajte korisnički priručnik
- ③ Nositi zaštitne naočale i štitnike za sluh
- ④ **Opasno područje! Područje bez služenja rukama. Ruke, šake i prste držite podalje od ovog područja.**

- ⑤ Dvostruka izolacija (dozerna žica nije potrebna)
- ⑥ Ne bacajte električne alate i baterij u kućni otpad
- ⑦ **Laserska radijacija / Ne gledajte u zraku / Laserski proizvod klase 2**

POSLUŽIVANJE

- **Montaža**
 - sastavite rukohvat za nošenje s vijcima 2 služeći se imbus-ključem AK ⑨
 - sastavite ručku za blokiranje zakretnog kuta AB na prednji dio stola ⑩
- **Transportni / Radni položaj**
 Za oslobađanje alata (**radni položaj**)
 - pritisnite ručku B prema dolje jednom rukom dok izvlačite zaporni zatik C drugom rukom ⑪a
 - polako vodite glavu sklopa prema gore
 - za piljenje kliznim pokretnom otpustite gumb za blokiranje AE ⑪b
- **Transportni položaj (transportni položaj)**
 Za osiguravanje alata (**transportni položaj**)
 - otklizite glavu sklopa do točke zaustavljanja u smjeru graničnika S i pričvrstite ručicu za blokiranje AE ⑪c
 - postavite kut nagiba na 0 ° (pogledajte „Postavljanje kuta nagiba”)
 - postavite zakretni kut na 45 ° ulijevo ili udesno (pogledajte „Postavljanje zakretnog kuta”)
 - pritisnite ručku B prema dolje jednom rukom dok uvlačite zaporni zatik C drugom rukom
 - smotajte kabel za napajanje
 - služite se rukohvatom za prenošenje E kako biste prenosili alat ⑪d
 - kao alternativno rješenje, služite se bočnim ručkama za prenošenje alata ⑪e
- **! alat nikada ne podižite služeći se glavnom ručkom ili kabeom za napajanje**
- **Ugradnja alata na radnu površinu ⑫**
! radi sigurnosti uvijek ugradite alat na ravnu i stabilnu radnu površinu (npr. na radni stol)
 - koristite 4 ugradbena otvora F kako biste alat odgovarajućim vijcima pričvrstili na radnu površinu
 - alat možete stegnuti na radnu površinu i vijčanim stezaljkama koje se nabavljaju u maloprodaji
 - za stabiliziranje alata može se namjestiti visina potpornog podnožja G
 - kao alternativno rješenje, alat se može postaviti na postolje preklopne pile
- **! pročitajte sva upozorenja i upute za stalak pile**
- **Uklanjanje prašine/strugotine ⑬**
 - postavite vrećicu za prašinu H/usisivač kako je prikazano
 - redovito prazniti vrećicu za prašinu jamči se optimalno usisavanje prašine
- **! paziti da crijevo usisavača prašine ne zatvori otvor donjeg štitnika lista ili da ne naruši rad rezanja**
- **Produžetak stola za piljenje ⑭**
 - služite se ručicama L za pričvršćivanje produžnih šipki K (na objema stranama alata)
 - duljina produžnih šipki K regulira se kontinuirano od minimuma do maksimuma
- **Stezanje radnog materijala ⑮**
! radi optimalne sigurnosti, radni materijal uvijek čvrsto stegnite isporučenom podesivom stezaljkom
 - ne radite s materijalima koji su premaleni za stezanje

- za **maksimalne** dimenzije radnog materijala pogledajte tablicu ⑯
- pričvrstite predmet obrade u otvor za nosač N ručicom P (na objema stranama alata)
- upotrijebite 1 od 2 utora; predmet obrade debljine do 4 cm i predmet obrade debljine preko 4 cm
- radni materijal čvrsto pritisnite uz graničnik S
- otključajte polugu R
- stezaljku prilagodite radnom materijalu
- čvrsto pritegnite predmet obrade polugom za blokiranje R
- **! za neke kombinacije nagiba i zakretnog kuta, ili ovisno o veličini predmeta obrade, možda će biti nužno upotrijebiti vijčane stezaljke dostupne u trgovinama umjesto stezaljki predmeta obrade**
- **Podošavanje zakretnih kutova ⑰**
 - otpustite ručicu za blokiranje AB
 - gurnite polugu za otpuštanje blokiranja zakretnog kuta AC
 - stol zakrenite ulijevo ili udesno i namjestite željeni zakretni kut (od 0 ° do 47 °) pomoću pokazivača AD
 - otpustite polugu AC
 - pritegnite ručicu za blokiranje AB (**ručicu nemojte prejakto pritezati**)
 - za brzo i precizno postavljanje često upotrebljivanih zakretnih kutova (0 °, 15 °, 22,5 °, 31,6 °, 45 °), zaporna poluga zakretnog kuta sjeda na mjesto na odgovarajućim položajima
- **Namještanje kutova nagiba ⑱**
 - otpustite trokraku ručku U ⑱b
 - glavom pile zamahnite ulijevo dok se pokazivačem kuta nagiba V ne prikaže željeni kut nagiba
 - glavu pile zadržite u tom položaju i pritegnite ručicu U
- **Kombinirano rezanje ⑲**
 - tijekom kombiniranog rezanja potrebno je podesiti i kut zakretanja i kut nagiba
- **! nemojte rukovati pilom u nekim kombinacijama nagiba i zakretnog kuta koje mogu dovesti do interferencije između kliznih i nepomičnih dijelova pile ili između kliznih dijelova i predmeta obrade**
! uvijek najprije isprobati na potrošnom komadu materijala
- **Laserska linija ⑳**
 - za precizno vođenje uređaja uzduž linije rezanja povučene na izratku
 - laserske linije uključiti/sključiti pritiskom prekidača AA
 - laser je poravnat s lijevom stranom reza
 - vodoravno poravnavanje lasera može se jednostavno namjestiti vijkom Y
- **! prije nego što započnete s radom, provjerite poravnanje laserske linije sa stvarnom linijom reza probnim rezom na komadu otpadnog materijala**
- **Piljenje bez kliznog pokreta (mali predmeti obrade)**
 - olabavite ručicu za blokiranje AE ako je pritegnuta
 - glavu pile pogurajte do graničnika u smjeru vodilice S i ponovno stegnite ručicu za blokiranje AE
- **! ako se mehanizam ne blokira, može doći do iznenadnog penjanja oštrice na predmet obrade i ona može velikom snagom krenuti na vas**
 - alat postavite u radni položaj
- **! provjerite je li radni materijal čvrsto stegnut uz stol i graničnik S**
 - uključite alat otpuštanjem blokiranja AG i povlačenjem glavnog prekidača AF ㉔

! nemojte prekriti ruke prilikom upotrebe glave pile 21a

- ravnomjerno režite kroz radni materijal

! pila treba postići maksimalni broj okretaja prije nego što list pile zarezé izradak

- alat isključite otpuštanjem prekidača AF
- pričekaite dok se list pile sasvim ne zaustavi prije nego što glavu pile polako povučete prema gore

- Piljenje uz klizni pokret (široki predmeti obrade)

! imajte na umu da je niže opisana metoda jedina sigurna

- nemojte povlačiti pilu kako bi prošla kroz predmet obrade

- olabavite ručicu za blokiranje AE ako je pritegnuta

! provjerite je li radni materijal čvrsto stegnut uz stol i graničnik S

- povucite glavu pile od vodilice S dovoljno daleko tako da se oštrica pile nalazi ispred predmeta obrade 23

- uključite alat guranjem sigurnosne poluge AG i povlačenjem glavnog prekidača AF 22

! nemojte prekriti ruke prilikom upotrebe glave pile 21a

- pogurajte glavu pile u smjeru graničnika S i postupno pilite kroz predmet obrade 23

! pila treba postići maksimalni broj okretaja prije nego što list pile zarezé izradak

! ako se donji štitnik automatski ne otvori, što se u određenim uvjetima može dogoditi (npr. predmet obrade vrlo je blizu maksimalnom kapacitetu), možda ćete morati ručno otvoriti štitnik 21b

- alat isključite otpuštanjem prekidača AF
- pričekaite dok se list pile sasvim ne zaustavi prije nego što glavu pile polako povučete prema gore

- Piljenje žljebova 24

- graničnikom dubine postavite željenu dubinu AH i blokirajte ga stezanjem matice AJ

- drveni odstoynik postaviti će se između predmeta obrade i graničnika za ujednačenu dubinu cijelom dužinom utora

! pazite da se list pile na zaglavi u radnom materijalu

! uvijek najprije isprobati na potrošnom komadu materijala

- Zamjena lista pile 25

! izvući mrežni utikač

- inbus ključ AK uzeti iz spremišta AL
- sigurnosni štitnik A držite u otvorenom položaju
- otpustite vijak pokrovne ploče AN (nemojte u potpunosti odviti vijak) 25a
- sigurnosni štitnik A u potpunosti zakrenite unatrag 25b
- potisnite gumb za blokiranje vretena AM i zadržite ga dok uklanjate zavrtanja lista AO okretanjem inbus ključa AK U SMJERU KAZALJKI NA SATU (= u istom smjeru koji je označen na listu)

! gumb AM za blokadu vretena pritisnuti samo ako je uređaj u stanju mirovanja

- otpustiti gumb AM za blokadu vretena
- skinite prirubnicu AP i list pile

! zamijenite list pile tako da zubi lista pile i strelica otisnuta na listu pile budu okrenuti u istom smjeru kao i strelica na štitniku A

- montirati prirubnicu AP 25c

- pritisnuti gumb AM za blokadu vretena i držite ga pritisnutim dok se steže vijak oštrice pile inbus-ključem AK OBRNUTO OD SMJERA KAZALJKE NA SATU za 1/8 okreta (oštrica pile mora klizati kada naide na prekomjerni otpor, smanjujući na taj način preopterećenje motora i mogućnost povratnog udara pile)

- pritegnite vijak pokrovne ploče AN

- Zamjena stolnog umetka AQ j

Oštećen ili istrošen stolni umetak zamijenite na sljedeći način:

! izvući mrežni utikač

- inbus ključ AK uzeti iz spremišta AL

- uklonite sva 6 vijka, kako je prikazano na ilustraciji

- uklonite stari stolni umetak tako da ga najprije podignete s prednje strane, a zatim ga izvučete do kraja

- namjestite novi stolni umetak

! čvrsto pritegnite sva 6 vijka

- Provjera/podešavanje poravnanja lista pod kutom od 90° 27

! izvući mrežni utikač

- stol za piljenje zakrenite u položaj zakretnog kuta od 0° i blokirajte ga

- zamahnite glavom pile do položaja nagiba od 0°

- spustite glavu pile i blokirajte je

- pomoću četverokuta provjerite je li kut između lista i stola 90°

- poravnanje od 90° po potrebi podesite na sljedeći način:

1. otpustite trokraki gumb U
2. namjestite vijak W ključem 10 za oštricu pile (nije uključeno u standardnu opremu)
3. ponovno provjerite kutnikom
4. ponovno postavite pokazivač nagiba V na 0°

- Provjera/podešavanje poravnanja lista pod kutom od 45° 28

! izvući mrežni utikač

- stol za piljenje zakrenite u položaj zakretnog kuta od 0° i blokirajte ga

- otpustite trokraki gumb U

- zamahnite glavom pile ulijevo

- pomoću kutomjera provjerite je li kut između lista i stola 45°

- provjerite je li pokazivač nagibnog rezanja V na oznaci 45°

- poravnanje lista pile od 45° po potrebi podesite na sljedeći način:

1. namjestite vijak X ključem 10 za oštricu pile (nije uključeno u standardnu opremu)
2. ponovo provjerite kružnim kutnikom

- Provjera/podešavanje poravnanja graničnika pod kutom od 90° 29

! izvući mrežni utikač

- stol za piljenje zakrenite u položaj zakretnog kuta od 0° i blokirajte ga

- spustite glavu pile i blokirajte je

- četverokutom provjerite je li kut između lista i graničnika S 90° (četverokut mora biti u kontaktu s tijelom lista, a ne sa zupcima) 29a

- poravnanje graničnika od 90° po potrebi podesite na sljedeći način:

1. otpustite 2 šesterokutna vijka T 29b

2. podešavajte graničnik dok list i graničnik ne budu u kontaktu s četverokutom
3. pritegnite 2 šesterokutna vijka T
3. ponovno postavite pokazivač zakretnog kuta na 0° ②③c

SAVJETI ZA PRIMJENU

- Posebni radni materijali
 - uvijek poduprite slobodne krajeve ako radite s dugim komadima ③
 - pazite da su zaobljeni ili okrugli radni materijali posebno osigurani protiv proklizavanja ③①
 - u liniji reza ne smije biti slobodnog prostora između radnog materijala i graničnika ili stola za piljenje
 - ako je to nužno, možete načiniti pomoćni graničnik; rupe u kliznom graničniku upotrijebit će se za osiguravanje pomoćnog graničnika ③②
- ! **pomoćni graničnik može se upotrebljavati samo pri nagibu od 0°**
- Pri radu s podnim letvicama kao referencu možete upotrijebiti ilustraciju ③
- Dobru stranu izratka položiti okrenutu prema dolje, kako bi se na najveću mjeru ograničilo stvaranje iveraka
- Koristite samo oštre listove pile odgovarajućeg tipa
 - kvaliteta reza povećava se sa brojem zubaca
 - listovi pile s reznim pločicama od tvrdog metala imaju do 30 puta dulji vijek trajanja od klasičnih listova pile

ODRŽAVANJE / SERVISIRANJE

- Alat i kabel uvijek održavajte čistima (posebno otvori za prozračivanje sa stražnje strane kućišta motora)
- Redovito provjeravajte radi li donji štitnik ispravno. Vlažnom krpom očistite svu nakupljenu piljevinu koja se nakupila u donjem štitniku.
 - ! **prije čišćenja treba izvršiti mrežni utikač**
 - podignite donji štitnik do potpunog otvorenog položaja i otpustite ga; ako se odmah i u potpunosti ne zatvori, potrebno ga je dati na pregled servisnom centru poduzeća SKIL za električne alate
- List pile očistite neposredno nakon korištenja (npr. od ostataka smole)
 - ! **list pile jako se zagrije tijekom upotrebe; ne dodirujte ga prije nego što se ohladi**
- Očistite lasersko svjetlo AC mekanom četkom nakon svake upotrebe kako biste održali dobru vidljivost crte lasera (pobrinite se da ne mijenjate postavke lasera)
- Ako bi uređaj unatoč brižljivih postupaka izrade i ispitivanja ipak prestao raditi, popravak treba prepustiti ovlaštenom servisu za SKIL električne alate
 - uređaj treba **nerastavljeno** predati, zajedno s računom o kupnji u najbližu SKIL ugovornu servisnu radionicu (popise servisa, kao i oznake rezervnih dijelova uređaja možete naći na adresi www.skil.com)
- Imajte na umu kako jamstvo ne obuhvaća štete nastale zbog preopterećenja ili nepravilnog rukovanja alatom (za uvjete iz SKIL jamstva, posjetite www.skil.com ili upitajte svog prodavača)

ZAŠTITA OKOLIŠA

- **Električne alate, baterij, pribor i ambalažu ne bacajte u kućni otpad** (samo za EU-države)
 - prema Europskoj direktivi 2012/19/EG o staroj električnoj i elektroničkoj opremi i njejoj primjeni u

skladu sa nacionalnim zakonom, istrošeni električni alati moraju se sakupljati odvojeno i odvesti u posebne pogone za reciklažu

- na to podsjeća simbol ⑥ kada se javi potreba za odlaganjem

BUKA

- Mjereno u skladu s normom EN 62841, razina zvučnog tlaka ovoga uređaja jest 100,0 dB(A), a razina zvučne snage jest 109,5 dB(A) (nesigurnost K = 3 dB)
- Razina emisije buke izmjerena je sukladno normiranom testu danom u EN 62841; može se upotrebljavati za usporedbu jednog alata s drugim te kao preliminarna procjena izloženosti buci pri uporabi alata u navedenim primjenama
 - uporaba ove alatke za druge namjene ili s drugim ili slabo održavanim nastavcima, može u značajnoj mjeri **uvećati** razinu izloženosti
 - vrijeme tokom kojega je alatka isključena, ili je uključena ali se njome ne radi, može značajno **umanjiti** razinu izloženosti

(SRB)

Klizna ugaona testera

1310

UPUTSTVO

- Ovaj alat namenjen je za stacionarnu upotrebu kao alat za ravno i koso rezanje drveta po dužini i širini (moguće je horizontalno rezanje pod uglovima od -47° do +47°, kao i vertikalno koso rezanje pod uglovima od 0° do 45°)
- Pažljivo pročitajte i sačuvajte ova uputstva za rukovanje ②
- Ovaj alat nije namenjen za profesionalnu upotrebu
- **Ovaj alat koristite samo ukoliko je u potpunosti sastavljen** (vodite računa da kompanija Skil ne može da se smatra odgovornom za oštećenje alata i/ili lične ozlede uzrokovane nepravilnim sastavljanjem alata)

TEHNIČKI PODACI ①

ELEMENTI ALATA ⑧

- A** Donji zaštitni mehanizam
- B** Ručka sa prekiđaćem
- C** Klin za blokadu prilikom prenošenja
- D** Gornji zaštitni mehanizam
- E** Ručka za prenošenje
- F** Montažni otvori
- G** Potporno podnožje
- H** Kesa za prašinu
- J** Odeljak za skupljanje prašine
- K** Produžne šipke
- L** Dugmad za blokadu produžnih šipki
- M** Stezaljka za drvo za obradu
- N** Otvor za nosač
- P** Dugme za pričvršćivanje stezaljke
- Q** Dugme za regulaciju stezaljke
- R** Poluga za stezanje
- S** Ograda
- T** Šestougaoni zavrtnji za regulaciju ograde (2x)
- U** Dugme za blokadu (uglovi kod kosog rezanja)

- V Indikator uglova kod kosog rezanja
- W Zavrtnaj za regulaciju ugla kod kosog rezanja (desno)
- X Zavrtnaj za regulaciju ugla kod kosog rezanja (levo)
- Y Zavrtnaj za podešavanje lasera
- Z Laserska svetlost
- AA Prekidač za uključivanje/isključivanje lasera
- AB Ručka za blokadu (uglova)
- AC Poluga za otpuštanje zadržavanja ugla
- AD Indikator ugla
- AE Dugme za blokadu za klizni uređaj
- AF Prekidač za uključivanje/isključivanje
- AG Sigurnosna poluga
- AH Ograničavač dubine rezanja
- AI Merač dubine
- AJ Zavrtnaj merača dubine
- AK Imbus ključa
- AL Skladište za heksagonalni ključ
- AM Dugme za zaključavanje vretana
- AN Zavrtnaj sa pokrovnom pločom
- AO Reza sečiva
- AP Štitnik
- AQ Umetak za sto
- AR Usmerivač prašine

SIGURNOST

OPŠTA SIGURNOSNA UPOZORENJA ZA ELEKTRIČNI ALAT

UPOZORENJE Pročitajte sva bezbednosna upozorenja, uputstva, ilustracije i specifikacije priložene uz ovaj električni alat. Ukoliko se ne slede sva uputstva navedena u nastavku može doći do strujnog udara, požara i/ili ozbiljne povrede.

Sačuvajte sva upozorenja i uputstva za buduću upotrebu.

Pojam upotrebljen u upozorenjima "električni alat" odnosi se na električne alate sa radom na mreži (sa mrežnim kablom) i na električne alate sa radom na akumulator (bez mrežnog kabla).

1) SIGURNOST NA RADNOM MESTU

- a) **Držite Vaše područje rada čisto i pospremljeno.** Nered ili neosvetljena radna područja mogu voditi nesrećama.
- b) **Ne koristite električni alat tamo gde postoji opasnost od eksplozije kao npr. u prisustvu zapaljivih tečnosti, gasova ili prašine.** Električni alati proizvode varnice, koje mogu zapaliti prašinu ili isparenja.
- c) **Za vreme korišćenja električnog alata držite podalje decu i druge osobe.** Kod skretanja možete izgubiti kontrolu nad alatom.

2) ELEKTRIČNA SIGURNOST

- a) **Utikač električnog alata mora odgovarati utičnici. Nikada nemojte modifikovati utikač. Ne upotrebljavajte adaptore utikača sa uzemljenim električnim alatom.** Nemodifikovani utikači i odgovarajuće utičnice smanjuju rizik od električnog udara.
- b) **Izbegavajte telesni kontakt sa uzemljenim gornjim površinama, kao što su cevi, grejanja, šporeti i rashladni ormani.** Postoji povećani rizik od električnog udara, ako je Vaše telo uzemljeno.

- c) **Ne izlažite električni alat kiši ili vlažnim uslovima.** Prodor vode u električni alat povećava rizik od električnog udara.
- d) **Ne zloupotrebljavajte kabl. Nikada nemojte koristiti kabl za nošenje i vučenje električnog alata ili za izvlačenje iz utičnice. Držite kabl dalje od vreline, ulja, oštih ivica ili pokretnih delova.** Oštećeni ili umršeni kablovi povećavaju rizik električnog udara.
- e) **Ako sa nekim električnim alatom radite u prirodi, upotrebljavajte samo produžne kablove koji su dozvoljeni za spoljno područje.** Upotreba produžnog kabla pogodnog za spoljno područje smanjuje rizik od električnog udara.
- f) **Ako rad električnog alata ne može da se izbegne u vlažnoj okolini, koristite prekidač strujne zaštite pri kvaru.** Upotreba prekidača strujne zaštite pri kvaru smanjuje rizik od električnog udara.

3) SIGURNOST OSOBA

- a) **Budite oprezni, pazite na to šta radite i razumno rukujte Vašim električnim alatom. Ne koristite električni alat dok ste umorni ili pod uticajem narkotika, alkohola ili lekova.** Momenat nepažnje kod upotrebe električnog alata može rezultirati ozbiljnim povredama.
 - b) **Nosite ličnu zaštitnu opremu i uvek zaštitne naočare.** Nošenje lične zaštitne opreme, kao maske za prašinu, sigurnosne cipele koje ne klizaju, zaštitni šlem ili zaštitu za sluh, zavisno od vrste i upotrebe električnog alata, smanjujete rizik od povreda.
 - c) **Sprečite nenamerno puštanje u rad. Pre priključivanja na struju i/ili na akumulatorsku bateriju, podizanja ili nošenja alata uverite se da je prekidač isključen.** Nošenje električnog alata sa prstom na prekidaču ili priključivanje na struju uključenog električnog alata vodi do nesreće.
 - d) **Uklonite bilo kakve ključeve za podešavanje ili ključeve za zavrtnjeve, pre nego što uključite električni alat.** Ostavljanje ključa za zavrtnjeve ili ključa prikačene na rotirajući deo električnog alata može rezultirati ličnom povredom.
 - e) **Ne zauzimajte neadekvatan položaj. Sve vreme držite ravnotežu i pravilan položaj nogu.** Ovo omogućava bolje upravljanje električnim alatom u neočekivanim situacijama.
 - f) **Nosite pogodno odelo. Ne nosite široko odelo ili nakit. Držite kosu i odeću dalje od pokretnih delova.** Opušteno odelo, nakit ili duža kosa mogu biti zahvaćeni od rotirajućih delova.
 - g) **Ako se mogu montirati uređaji za usisavanje prašine i uređaji za hvatanje prašine, uverite se da li su priključeni i ispravno koriste.** Upotreba usisavanja prašine može smanjiti opasnosti od prašine.
 - h) **Ne dozvolite da pouzdanje koje ste stekli čestom upotrebom alata utiče na to da postanete neoprezni i da zanemarite sigurnosne principe za upotrebu alata.** Neoprezno delovanje može prouzrokovati teške povrede u deliću sekunde.
- #### 4) BRIŽLJIVO OPHODNENJE I KORIŠĆENJE ELEKTRIČNIH ALATA
- a) **Ne preopterećujte električni alat. Koristite električni alat koji odgovara Vašoj primeni.** Sa odgovarajućim električnim alatom radite bolje i sigurnije tempom za koji je projektovan.

- b) **Ne upotrebljavajte električni alat, čiji je prekidač u kvaru.** Električni alat koji više ne može da se uključiti ili isključiti je opasan i mora da se popravi.
 - c) **Izvucite utikač iz utičnice i/ili izvadite akumulatorsku bateriju, ukoliko je to moguće, iz električnog alata pre nego što izvršite bilo kakva podešavanja, promenu pribora ili pre nego što uskladištite električni alat.** Takve preventivne sigurnosne mere smanjuju rizik od slučajnog pokretanja električnog alata.
 - d) **Čuvajte električne alate koje ne koristite izvan domašaja dece i ne dozvoljavajte osobama, koje nisu upoznate sa ovim električnim alatom ili sa ovim uputstvima, da rukuju električnim alatom.** U rukama neobučanih korisnika električni alati postaju opasni.
 - e) **Održavajte električni alat i pribore. Proverite da li su pokretni delovi u ravni i da li negde zapinju, da nije došlo do lomljenja delova i svako drugo stanje koje može uticati na rad električnog alata. Ukoliko je oštećen, odnesite električni alat na popravku pre korišćenja.** Mnoge nesreće su prouzrokovane lošim održavanjem električnih alata.
 - f) **Držite alate za sečenja oštre i čiste.** Brižljivo negovani alati za sečenje sa oštrim sečivima manje slepljuju i lakše se vode.
 - g) **Upotrebljavajte električne alate, pribor, alate koji se umeću itd. prema ovim uputstvima. Obratite pažnju pritom na uputstva za rad i posao koji treba izvesti.** Upotreba električnih alata za druge od propisanih namena može voditi opasnim situacijama.
 - h) **Održavajte drške i prihvatne površine suvim, čistim i bez ostataka ulja ili masnoće.** Klizave drške ili prihvatne površine ne omogućavaju bezbedno rukovanje i upravljanje alatom u neočekivanim situacijama.
- 5) SERVISIRANJE**
- a) **Vaš električni alat dajte na servisiranje samo kvalifikovanom licu za popravku, koristeći pritom samo identične rezervne delove.** Ovo će osigurati očuvanje bezbednosti električnog alata.

SIGURNOSNA UPUTSTVA ZA UGAONE TESTERE

- **Ugaone testere su namenjene za rezanje drveta ili proizvoda sličnih drvetu, ne mogu se koristiti sa brusnim reznim točkovima za rezanje gvozdениh materijala kao što su grede, šipke, klinovi itd.** Brusna prašina uzrokuje da se pokretni delovi kao što je donji štitnik zaglave. Varnice od brusnog rezanja će izgoreti donji štitnik, kerf uložak i druge plastične delove.
- **Kada god je to moguće, upotrebite steznicе za podupiranje radnog predmeta. Ako ručno podupirete radni predmet, morate da držite ruku na najmanje 100 mm od bilo koje strane lista testere. Ne koristite ovu testeru za rezanje komada koji su premali da biste ih bezbedno stegli ili držali rukom.** Ako se ruka postavi previše blizu lista testere, povećan je rizik od povrede zbog dodira sa listom.
- **Radni predmet mora da bude nepomičan i stegnut ili pridržavan i uz vodiču i uz sto. Ne ubacujte radni predmet na list i ne režite „slobodno“ ni na koji način.** Nekontrolisani ili pomični radni predmeti biti odbačeni pri velikim brzinama, uzrokujući povrede.
- **Gurnite testeru kroz radni predmet. Ne vucite testeru kroz radni predmet. Da biste napravili rez, podignite glavu testere i izvucite je preko radnog**

predmeta, pokrenite motor, pritisnite glavu testere nadole i gurnite testeru kroz radni predmet. Rezanje u potezu povlačenja će verovatno uzrokovati da se list testere popne na vrh radnog predmeta i silovito baci sklop lista prema rukovaocu.

- **Nikada ne prelazite rukom preko predviđene linije rezanja ni ispred niti iza lista testere.** Pridržavanje radnog predmeta „ukrštenih ruku“ tj. držanje radnog predmeta desno od lista testere levom rukom ili obrnuto je veoma opasno.
- **Ne posežite iza vodiče bilo kojom rukom bliže od 100 mm sa bilo koje strane lista testere, da biste uklonili komadiće drveta, ili iz bilo kog drugog razloga dok se list vrti.** Blizina lista testere koji se vrti možda ne bude očigledna i možete se ozbiljno povrediti.
- **Pregledajte vaš radni komad pre rezanja. Ako je radni komad povijen ili izvitoperen, stegnite ga sa spoljašnjom povijenom stranom okrenutoj prema vodiči. Uvek se uverite da nema razmaka između radnog komada, vodiče i stola duž linije reza.** Povijeni ili izvitopereni radni predmeti mogu da se izviju ili pomere i mogu da uzrokuju vezivanje na listu testere koji se vrti tokom rezanja. Ne bi trebalo da bude eksera ili stranih objekata u radnom predmetu.
- **Ne koristite testeru dok se sa stola ne uklone svi alati, komadići drveta, itd, osim radnog predmeta.** Male krhotine ili slobodni komadići drveta ili drugih predmeta koji dođu u dodir sa listom koji se okreće mogu biti odbačeni velikom brzinom.
- **Režite samo jedan radni predmet u jednom trenutku.** Više naslaganih radnih predmeta ne može da se stegne ili učvrsti na odgovarajući način i mogu da se upletu na listu ili pomere tokom rezanja.
- **Pre upotrebe uverite se da je kružna testera postavljena i smeštena na ravnu, čvrstu radnu površinu.** Ravna i čvrsta radna površina smanjuje rizik da kružna testera bude nestabilna.
- **Isplanirajte svoj rad! Prilikom svake promene podešavanja ugla nagiba i zakretanja, uverite se da je prilagodljiva vodiča ispravno podešena da podupire radni predmet i da neće ometati list testere ili sistem zaštite.** Bez uključivanja alata i bez radnog predmeta na stolu, prođite listom testere celim simuliranim rezom da biste se uverili da neće biti ometanja ili opasnosti od rezanja vodiče.
- **Obezbedite odgovarajuću potporu kao što su proširenja stola, nogare za rezanje drveta, itd. za radni predmet koji je širi ili duži od površine stola.** Radni predmeti duži i širi od stola kružne testere mogu da se prevrnu ako nisu bezbedno poduprti. Ako se odrezani komad ili radni predmet prevrne, on može da podigne donji štitnik ili da bude odbačen listom koji se vrti.
- **Ne koristite neku drugu osobu kao zamenu za proširenje stola ili kao dodatni podupirač.** Nestabilan podupirač za radni predmet može da uzrokuje da se list testere uplete ili da se radni predmet pomeri tokom rezanja uvlačeći vas i pomagачa u list testere koji se vrti.
- **Odreznati komad ne sme ni na koji način da se zaglavi ili pritisne uz list testere koji se vrti.** Ako se zadržati, tj. pomoću graničnika dužine testere, odrezani komad može da se zaglavi na listu testere i bude silovito odbačen.
- **Uvek koristite stegu ili pribor za pričvršćivanje predviđene za pravilno podupiranje okruglog materijala kao što su šipke ili cevi.** Šipke imaju tendenciju da se kotrljaju prilikom rezanja, uzrokujući da

list testere „grize“ i povučete predmet rada sa vašom rukom u nož.

- **Neka nož postigne punu brzinu pre nego što dodirne radni predmet** Ovo će smanjiti rizik da radni predmet bude odbačen.
- **Ako se radni predmet ili list testere zaglave, isključite kružnu testeru.** Sačekajte da se svi pokretni delovi zaustave i iskopčajte utikač iz izvora napajanja i/ili uklonite bateriju. Onda oslobodite zaglavljenu materijal Dalje testerisanje sa zaglavljenim radnim predmetom može da uzrokuje gubitak kontrole ili oštećenje kružne testere.
- **Kada dovršite rez, otpustite prekidač, držite testeru sa glavom dole i sačekajte da se list testere zaustavi pre uklanjanja odrezanog komada** Posezanje rukom blizu lista testere u pokretu pod inercijom je opasno.
- **Držite dršku čvrsto prilikom pravljenja nepotpunog reza ili prilikom otpuštanja prekidača pre nego što glava testere ne bude potpuno u donjem položaju** Kočenje testere može uzrokovati da se glava testere naglo povuče nadole, uzrokujući rizik od povreda.

DODATNA UPUTSTVA O SIGURNOSTI

- Naleti struje dovode do kratkotrajnih padova napona; pod nepovoljnim uslovima napajanja može da bude pogodena druga oprema (ako je impedanca napajanja el. energijom manja od 0,464 oma, ne postoji verovatnoća da će doći do poremećaja); ako vam je potrebno dodatno objašnjenje, možete se obratiti vašem lokalnom organu za snabdevanje el. energijom

OPŠTA

- Ovaj alat koristite samo za rezanje drveta
- Uvek se uverite da je napon struje isti kao i napon naveden na pločici sa nazivom alatu
- **Nemojte stajati na alatu ili njegovom postolju** Može doći do ozbiljne povrede ako je alat nagnut ili ako se slučajno dotakne rezni alat. Ne ostavljajte materijale na alatu ili blizu njega tako da je potrebno da stanete na alat ili njegovo postolje da biste ih dohvatili.
- **Obavezno iskopčajte alat iz električne utičnice pre nego što izvršite bilo kakva podešavanja ili zamenu pribora**
- **Uvek iskopčajte utikač iz izvora napajanja pre premeštanja kružne testere** Iskopčajte, spustite sklop glave i zaključajte u položaj, koristite ručku za nošenje i jedno od udubljenja u osnovi testere.
- **Ne ostavljajte alat dok se ne zaustavi potpuno**
- **Prilikom rezanja radnih predmeta nepravilnog oblika, isplanirajte svoj rad kako vam ne bi iskliznuo i stegnuo list testere i bio istrgnut iz ruke**
- Ovaj alat ne treba da koriste osobe ispod 16 godina
- Ovaj alat nije pogodan za vlažno sečenje

KORIŠĆENJE NA OTVORENOM

- Prilikom primene alata napolju, priključite ga preko FI sklopke sa strujom isključenja od maksimalnih 30mA i koristite samo jedan produžni gajtan, koji je dredviđen za korišćenje na otvorenom i koji ima utikač zaštićen od prodora vode

PRE UPOTREBE

- Produžni kabl koji koristite mora da bude sasvim odmotan i siguran, sa kapacitetom od 16 A
- Nosite zaštitne naočari, zaštitu za sluh, i zaštitne rukavice
- Prašina od materijala, kao što su boja koja sadrži olovo, neke vrste drveta, minerali i metal, može biti opasna (dodir ili udisanje prašine može prouzrokovati alergijske

reakcije i/ili respiratorna oboljenja rukovoaca i lica u blizini); **nosite masku protiv prašine i radite uz uključeni uređaj za ekstrakciju prašine kada radite na mestima gde ju je moguće priključiti**

- Određene vrste prašine su klasifikovane kao kancerogene (kao što su prašina hrastovine i bukovine), posebno u sadejstvu sa aditivima za pripremu drveta; **nosite masku protiv prašine i radite uz uključeni uređaj za ekstrakciju prašine kada radite na mestima gde ju je moguće priključiti**
- Prati nacionalne propise vezane za prašinu koja se proizvodi prilikom rada na obrađivanim materijalima
- **Ne obradjujte nikakav materijal koji sadrži azbest** (azbest važi kao izazivač raka)
- Nemojte nikada da koristite električni alat bez originalnog sistema za zaštitu
- Pre svake upotrebe proverite da li je zaštitni mehanizam propisno zatvoren
- Nemojte upotrebljavati testeru ako se zaštitni mehanizam ne kreće slobodno i ako se odmah ne zatvara
- Nikada nemojte da stežete ili blokirate zaštitni mehanizam u otvorenom položaju
- Nikada nemojte da koristite alat bez umetka za sto; zamenite umetak ako je oštećen ili istrošen
- Pre nego što započnete sečenje, uklonite sve prepreke na vrhu, kao i ispod putanje sečenja
- Izbegavajte oštećenja od šrafova, eksera i drugih predmeta na vašem području rada; uklonite ih pre nego što započnete rad

PRIBOR

- Uz ovaj električni alat nikad nemojte da koristite diskove za oštrenje/sečenje
- SKIL može priznati garanciju samo ukoliko je korišćen odgovarajući pribor koji možete da nabavite kod svog SKIL prodavca
- Za postavljanje i korišćenje pribora koji nisu SKIL, pogledajte uputstva proizvođača
- Upotrebljavajte samo listove testere, koji odgovaraju karakteristikama koje su navedene u ovom uputstvu za rad i prekontrolisani prema EN 847-1 i odgovarajuće obeleženi
- Koristite samo pribor čija je dozvoljena brzina u najmanju ruku jednaka najvećoj brzini pri praznom hodu električnog alata
- Nemojte nikada da koristite testere napravljene od HSS čelika
- Ne koristite sečivo koje je napuklo, deformisano ili tupo
- Koristite samo sečiva čiji prečnik otvora odgovara vretenu alata; nikada nemojte da koristite reduktore ili adaptere
- Zaštitite pribor od potresa, udara i masnih površina

TOKOM UPOTREBE

- **Ne koristite silu dok rukujete alatom** (primenite blag i kontinuiran pritisak da biste izbegli pregrevanje vrhova oštrica i, ukoliko sečete plastiku, topljenje plastičnog materijala)
- Pazite da vam sečivo tokom rada ne zahvati prste, šake ili ruke
- Ako se sečivo zaglavi, odmah isključite alat i izvucite utikač; tek posle toga izvucite zaglavljenu komad drveta
- U slučaju atipičnog ponašanja ili nepoznatih zvukova odmah isključite alat i izvucite prekidač iz struje
- Ako se kabl ošteti ili preseče u toku rada, odmah ga iskopčajte i nemojte ga dodirivati
- Nikada nemojte koristiti alat kada je kabl oštećen; on mora da se zameni posebnim kablom koji je dostupan u servisnoj organizaciji.

LASERSKA RADIJACIJA

- **Ne usmeravajte laserski zrak na osobe ili životinje i sami ne gledajte u direktan ili reflektujući laserski zrak** (na taj način možete da zaslepite lica, prouzrokuje te nezgode ili da oštetite oči)
- Ako lasersko zračenje dođe u oko, morate svesno da zatvorite oko i da glavu odmah okrenete od zraka
- Nemojte da vršite promene na laserskoj opremi
- Nemojte da gledate u laserski zrak (laserska radijacija)
- Nemojte da gledate laserski zrak pomoću optičkih pomagala za uvećavanje (kao što su lupe, teleskopi ili dvogledi)
- Nemojte da koristite alatku u blizini zapaljivih tečnosti, gasova ili prašine
- Nemojte da koristite alatku ukoliko su u blizini deca
- Montirani laser nemojte da zamenjujete drugim tipom lasera

NAKON UPOTREBE

- Nakon isključivanja električnog alata, nikada nemojte da zaustavljate obrtanje pribora primenom bočne sile
- Odsečene delove komada koji obrađujete uklonite iz radnog područja tek nakon što se svi pokretni delovi potpuno zaustave
- sečivo se prilikom upotrebe zagreva; ne dodirujte ga dok se ne ohladi
- Čuvajte alat na suvom **u njegovu** i zaključanom mestu, van domašaja dece

OBJAŠNJENJE SIMBOLA NA ALATU

- ② Pročitajte uputstvo za korišćenje pre prve upotrebe
- ③ Nosite zaštitne naočari i zaštitu za sluh
- ④ **Opasna oblast! Zona zabranjena za ruke. Držite prste daleko od ove oblasti.**
- ⑤ Dvostruka izolacija (nije potrebna žica za uzemljenje)
- ⑥ Ne odlazite električne alate i baterije u kućne otpatke
- ⑦ **Laserska radijacija / Nemojte da gledate u laserski zrak / Laserski proizvod klase 2**

UPUTSTVO ZA KORIŠĆENJE

- Montaža
 - ručku za prenošenje montirajte sa 2 zavrtnjima pomoću imbus ključa AK^⑨
 - sastavite okretnu ručku za blokadu AB na prednji deo stola^⑩
- Položaj za prenošenje/rad
 - Za otpuštanje alata (**radni položaj**)
 - pritisnite ručku B nadole rukom istovremeno izvlačeći klin za blokadu C drugom rukom^{⑪a}
 - polako pomerite sklop glave prema gore
 - za testerisanje kliznim pokretom oslobodite dugme za blokadu AE^{⑪b}
 - Za osiguravanje alata (**transportni položaj**)
 - pomerite sklop glave do kraja u pravcu vodice S i zategnite dugme za blokadu AE^{⑪c}
 - podesite ugao kod kosog rezanja na 0° (pogledajte Podešavanje uglova kod kosog rezanja)
 - podesite ugao zakretanja na 45° levo ili desno (pogledajte Podešavanje ugla zakretanja)
 - pritisnite ručku B nadole rukom istovremeno gurajući klin za blokadu C drugom rukom
 - uvijte napojni kabl
 - upotrebite ručku za prenošenje E za nošenje alata^{⑪d}
 - ili, upotrebite bočne ručice za nošenje alata^{⑪e}
- **! nikada nemojte podizati alat držeći glavnu ručku, ili strujni kabl**

- Montaža alata na radnu površinu^⑫
 - **! radi bezbednosti alat uvek montirajte na ravnu i stabilnu radnu površinu (npr. na radni sto)**
 - upotrebite 4 montažna otvora F za pričvršćivanje alata na radnu površinu odgovarajućim zavrtnjima
 - alat možete i stegnuti na radnu površinu vijčanim stezaljkama koje se kupuju u maloprodaji
 - za stabilizaciju alata može da se podesi visina potpornog podnožja G
 - ili, alat može da se postavi na postolje za kružnu testeru
 - **! pročitajte sva upozorenja i uputstva uključena uz postolje testere**
- Usisavanje prašine/opiljaka^⑬
 - montirajte kesu za prašinu H/usisivač kao što je ilustrovano
 - radi optimalnog usisavanja prašine redovno praznite kesu za prašinu
 - **! nikada nemojte da dozvolite da crevo usisivača dođe u dodir sa donjim zaštitnim mehanizmom ili operacijom sečenja**
- Produžetak stola za testeru^⑭
 - dugmadima L učvrstite produžne šipke K (sa bilo koje strane alata)
 - dužina produžnih šipki K može da se podešava kontinuirano od minimuma do maksimuma
- Stezanje komada drveta za obradu^⑮
 - **! radi optimalne bezbednosti uvek dobro stegnite komad drveta odgovarajućom stezaljkom koja se nalazi u kompletu**
 - nemojte komade drveta koji su premali za stezanje
 - **maksimalne** dimenzije komada drveta koji se mogu obrađivati možete pronaći u tabeli^⑯
 - pričvrstite stezaljku radnog predmeta u otvor za nosač N sa dugmetom P (sa bilo koje strane alata)
 - upotrebite 1 od 2 žlebova; za debljinu radnog predmeta do 4cm i radni predmet debljine preko 4cm
 - čvrsto pritisnite komad drveta koji obrađujete uz ogradu S
 - odblokirajte ručicu R
 - prilagodite stezaljku radnom predmetu
 - dobro stegnite radni predmet okretanjem poluge za blokadu R
 - **! za neke kombinacije rezanja pod zakretnim i kosim uglom, ili u zavisnosti od veličine radnog predmeta, možda će biti potrebno koristiti komercijalno dostupne stezne zavrtnjeve umesto stezaljke radnog predmeta**
- Podešavanje uglova^⑰
 - oslobodite ručku za blokiranje AB
 - gurnite polugu za otpuštanje zadržavanja ugla zakretanja AC
 - okrenite sto za testeru ulevo ili udesno da biste podesili ugao (od 0° do 47°) pomoću indikatora AD
 - otpustite ručicu AC
 - pritegnite ručku za blokiranje AB (**nemojte previše stezati ručku**)
 - za brzo i precizno nameštanje često korišćenih uglova zakretanja (0°, 15°, 22,5°, 31,6°, 45°) poluga za zadržavanje ugla seda na mesto na odgovarajućim pozicijama
- Podešavanje uglova kod kosog rezanja^⑱
 - olabavite trorog dugme U^{⑱b}

- okrećite glavu testere ulevo dok indikator ugla kod kosog rezanja V ne pokaže na željeni ugao
- zadržite glavu testere u tom položaju i pritegnite dugme U
- Kombinovano rezanje ¹⁹
 - kombinovano rezanje iziskuje podešavanje ugla rezanja i ugla zakošenja
 - ! **nemojte rukovati testerom u određenim kombinacijama ugla zakretanja i nagiba, jer može dovesti do smetnji između kliznih i nepokretnih delova testere ili između kliznih delova i radnog predmeta**
 - ! **uvek izvršite probu na višku materijala**
- Laserski zrak ²⁰
 - za vođenje električnog alata duž željene linije označene na području rada
 - uključiti/isključiti laserski zrak pritiskom prekidača AA
 - laser je poravnat na levoj strani reza
 - horizontalno poravnanje laseramože lako da se podesi pomoću zavrtnja Y
 - ! **pre početka rada, proveriti da li je laserski zrak poravnat sa pravom linijom sečenja tako što se izvrši probno sečenje na komadu otpadnog materijala**
- Testisanje **bez** kliznog pokreta (mali radni predmeti)
 - otpustite dugme za blokadu AE ako je pričvršćeno
 - glavu testere pomerite u pravcu vođice S i ponovo pritegnite dugme za blokadu AE
 - ! **ukoliko se mehanizam ne blokira, list testere može iznenada se popne na vrh radnog predmeta i naglo krene prema vama**
 - postavite alat u radni položaj
 - ! **pazite da komad drveta koji obrađujete bude čvrsto stegnut uz sto i ogradu S**
 - uključite alat otpuštanjem blokade AG i povlačenjem glavnog prekidača AF ²²
 - ! **nemojte da ukrštate vaše ruke dok rukujete glavom testere ²¹a**
 - ravnomerno gurajte komad drveta kroz testeru
 - ! **električni alat bi trebalo da bude u punoj brzini pre nego što sečivo dodirne područje rada**
 - isključite alat otpuštanjem prekidača AF
 - sačekajte dok se list testere sasvim ne zaustavi pre nego polagano pomerite glavu testere prema gore
- Testisanje **sa** kliznim pokretom (široki radni predmeti)
 - ! **vodite računa da je niže opisana metoda jedina bezbedna**
 - ne vucite testeru kroz radni predmet
 - otpustite dugme za blokadu AE ako je pričvršćeno
 - ! **pazite da komad drveta koji obrađujete bude čvrsto stegnut uz sto i ogradu S**
 - povucite glavu testere od vođice S dovoljno daleko tako da se sečivo testere nalazi ispred radnog predmeta ²³
 - uključite alat pritiskanjem sigurnosne ručice AG i povlačenjem glavnog prekidača AF ²²
 - ! **nemojte da ukrštate vaše ruke dok rukujete glavom testere ²¹a**
 - gurajte glavu testere u pravcu vođice S i ravnomerno secite kroz radni predmet ²³
 - ! **električni alat bi trebalo da bude u punoj brzini pre nego što sečivo dodirne područje rada**
 - ! **ako se donji štitnik ne otvori automatski do čega može doći pod određenim okolnostima (npr. radni predmet je suviše blizu maksimalnom kapacitetu), onda ćete možda morati rukom da otvorite štitnik ²¹b**
- isključite alat otpuštanjem prekidača AF
- sačekajte dok se list testere sasvim ne zaustavi pre nego polagano pomerite glavu testere prema gore
- Rezanje žlebova ²⁴
 - sa meraćem dubine namestite željenu dubinu AH i blokirajte ga na mesto pričvršćivanjem zavrtnja AJ
 - drveni razdelnik treba da se stavi između radnog predmeta i vođice da bi se dobila ujednačena dubina celom dužinom žleba
 - ! **pazite da se sečivo ne zaglavi u radnom predmetu**
 - ! **uvek izvršite probu na višku materijala**
- Zamena sečiva testere ²⁵
 - ! **iskopčajte utikač**
 - izvadite imbus ključ AK iz skladišta AL
 - zaštitni mehanizam držite A u otvorenom položaju
 - olabavite zavrtanj sa pokrovnom pločom AN (**nemojte odvijati zavrtanj do kraja**) ²⁵a
 - rotirajte zaštitni mehanizam A sasvim unazad ²⁵b
 - pritisnite dugme za blokiranje vretena AM i zadržite ga dok vadite zavrtanj sečiva AO okretanjem imbus ključa AK U PRAVCU SKAZALJKE NA SATU (= u istom pravcu kao strelice na sečivu)
 - ! **dugme za zaključavanje vretena AM pritisnite kada se električni alat sasvim zaustavi**
 - otpustite dugme za zaključavanje vretena AM
 - skinite flanšu AP i sečivo
 - ! **zamenite sečivo testere; zupci i strelica utisnuta na sečivu moraju da budu okrenuti u istom pravcu kao i strelica na donjem zaštitnom mehanizmu A**
 - postavite štitnik AP ²⁵c
 - pritisnite dugme za zaključavanje vretena AM i držite ga pritisnuto dok pričvršćujete rezu lista testere pomoću imbus ključa AK SUPROTNO SMERU KRETANJA KAZALJKI NA SATU 1/8 okreta nakon što zategnete prstima (tako se osigurava klizanje lista testere kada dođe do prekomernog otpora i zbog toga opterećenja motora i trzanja testere)
 - stegnite zavrtanj sa pokrovnom pločom AN
- Zamena umetka za sto AQ ²⁶
 - Oštećen ili istrošen umetak za sto zamenite na sledeći način:
 - ! **iskopčajte utikač**
 - izvadite imbus ključ AK iz skladišta AL
 - odvijte sva 6 zavrtnja prema ilustraciji
 - izvadite stari umetak tako da ga prvo podignete sa prednje strane, a zatim ga potpuno izvucite
 - stavite novi umetak za sto
 - ! **dobro stegnite sva 6 zavrtnja**
- Provera/regulacija poravnanja sečiva pod uglom od 90° ²⁷
 - ! **iskopčajte utikač**
 - okrenite sto sa testerom u zakretni položaj 0° i blokirajte ga
 - zakrenite glavu testere u kosi položaj 0°
 - spustite glavu testere i blokirajte je
 - uglomerom proverite da li je ugao između sečiva i stola 90°
 - po potrebi podesite poravnanje od 90° na sledeći način:
 1. otpustite trorogo dugme U

- 2. podesite zavrtnaj W ključem 10 (nije uključen u standardnu ponudu)
- 3. ponovo proverite sa uglomerom
- 4. resetujte indikator za koso sečenje V na 0°
- Provera/regulacija poravnanja sečiva pod uglom od 45° ²⁸

! iskopčajte utikač

- okrenite sto sa testerom u zakretni položaj 0° i blokirajte ga
- otpustite trorog dugme U
- okrenite glavu testere ulevo
- uglomerom proverite da li je ugao između sečiva i stola 45°
- proverite da li je indikator nakošenja V na oznaci 45°
- po potrebi podesite poravnanje od 45° na sledeći način:
 1. podesite zavrtnaj X ključem 10 (nije uključen u standardnu ponudu)
 2. ponovo proverite sa ugaonim meračem
- Provera/regulacija poravnanja ograde pod uglom od 90° ²⁹

! iskopčajte utikač

- okrenite sto sa testerom u zakretni položaj 0° i blokirajte ga
- spustite glavu testere i blokirajte je
- uglomerom proverite da li je između lista i vodice ugao od 90° S (uglomer mora da bude u kontaktu sa glavnim delom lista, a ne sa zupcima) ^{29a}
- po potrebi podesite poravnanje od 90° na sledeći način:
 1. odvijte 2 šestougaona zavrtnja T ^{29b}
 2. podešavajte ogradu dok sečivo i oграда ne budu potpuno u kontaktu sa uglomerom
 3. stegnite 2 šestougaona zavrtnja T
 4. resetujte mitre indikator na 0° ^{29c}

SAVETI ZA PRIMENU

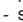
- Posebni komadi drveta
 - uvek poduprite slobodne krajeve dugačkih komada drveta ³⁰
 - zaobljeni ili okrugli delovi drveta moraju biti posebno učvršćeni i osigurani od proklizavanja ³¹
 - na liniji rezanja ne sme da bude slobodnog prostora između komada koji se obrađuje i ograde ili stola
 - ako je potrebno, napravite pomoćnu vodicu; otvori na kliznoj vodici treba da se koriste za učvršćivanje pomoćne vodice ³²
- ! **pomoćna vodica može da se koristi samo kod nagiba od 0°**
- Kod rada sa podnim letvicama kao referencu možete da iskoristite ilustraciju ³³
- Dobru stranu područja rada uvek okrenite nadole, da biste osigurali minimalno cepanje
- Koristite samo oštra sečiva, pravog tipa
 - kvalitet sečenja se poboljšava sa brojem zubaca
 - sečiva sa karbidnim vrhom ostaju oštra 30 puta duže od običnih sečiva

ODRŽAVANJE / SERVIS

- Alat i kabl uvek moraju da budu čisti (posebno otvori za ventilaciju sa zadnje strane kućišta motora)

- Redovno proveravajte da biste bili sigurni da donji štitnik pravilno funkcioniše. Očistite donji štitnik od nakupljene piljevine vlažnom krpom.
 - ! **pre čišćenja iskopčajte kabl iz utičnice**
 - podignite donji štitnik u potpuno otvoreni položaj i otpustite ga; ako se on odmah i potpuno ne zatvori, postprodajni servisni centar za SKIL električne alate treba da ga proveri
- Sečivo testere očistite neposredno posle upotrebe (posebno od smole i lepka)
 - ! **sečivo se prilikom upotrebe zagreva; ne dodirujte ga dok se ne ohladi**
- Očistite lasersko svetlo AC mekom četkom nakon svake upotrebe da biste zadržali dobru vidljivost laserske linije (pazite da ne promenite podešavanje lasera)
- Ako bi alat i pored brižljivog postupka izrade i kontrole nekada otkazao, popravku mora vršiti neki autorizovani servis za SKIL-električne alate
 - pošaljite **nerastavljeni** alat zajedno sa potvrdom o kupovini vašem nabavljaču ili najbližem SKIL servisu (adrese i oznake rezervnih delova možete naći na www.skil.com)
- Imajte na umu da za oštećenja nastala usled preopterećenja ili nepravilnog rukovanja neće važiti garancija (za uslove SKIL garancije posetite www.skil.com ili pitajte svog prodavca)

ZAŠTITA OKOLINE

- **Električne alate, baterije, pribora i ambalaže ne odlažite u kućne otpatke** (samo za EU-države)
 - prema Europskoj direktivi 2012/19/EG o staroj električnoj i elektronskoj opremi i njenoj upotrebi u skladu sa nacionalnim pravom, električni alati koji su istrošeni moraju biti sakupljeni odvojeno i dostavljeni pogonu za reciklažu
 - simbol  će vas podsetiti na to

BUKA

- Izmeren u skladu sa standardom EN 62841 nivo pritiska zvuka ovog alata je 100,0 dB(A) a nivo jačine zvuka 109,5 dB(A) (neizvesnost K = 3 dB)
- Nivo emisije vibracija izmeren je u skladu sa standardizovanim testom datim u EN 62841; on se može koristiti za upoređenje jedne alatke sa drugom, kao i za preliminarnu procenu izloženosti vibracijama pri korišćenju ove alatke za pomenute namene
 - korišćenje alatke u drugačije svrhe ili sa drugačijim ili slabo održavanim nastavcima može značajno **povećati** nivo izloženosti
 - vreme kada je alatka isključena ili kada je uključena, ali se njome ne radi, može značajno **smanjiti** nivo izloženosti



Potezna zajeralna žaga

1310

UVOD

- To orodje je stacionarni stroj za vzdolžno in prečno rezanje lesa, ravno ali pod kotom (vodoravni koti lahko znašajou od -47° do 47°, navpični pa od 0 do 45°)
- Preberite in shranite navodila za uporabo ²

- Orodje ni namenjeno profesionalni uporabi
- **Orodje uporabljajte samo takrat, ko je pravilno in v celoti sestavljeno** (ne pozabite, da družba Skil ne more biti odgovorna za škodo na orodju in/ali telesne poškodbe, ki bi nastale zaradi nepravilnega sestavljanja orodja)

TEHNIČNI PODATKI ①

DELI ORODJA ⑧

- A Gibljivi ščit
- B Ročaj s stikalom
- C Blokirni zatič za prevažanje
- D Zgornje varovalo
- E Transportni ročaj
- F Montažne luknje
- G Podporna noga
- H Vrečka za prah
- J Vrata za prah
- K Razširitvene palice
- L Gumbi za zaklepanje razširitvenih palic
- M Spona za vpenjanje obdelovanca
- N Podporna luknja
- P Gumb za pritrnitev sponse
- Q Gumb za nastavljanje sponse
- R Pritrdilna ročica
- S Ograja
- T Šestrobi vijaki za nastavitev ograje (2x)
- U Blokirni gumb (za navpične kote rezanja)
- V Skala kota navpičnega reza
- W Vijak za nastavitev skale kota navpičnega reza (desno)
- X Vijak za nastavitev skale kota navpičnega reza (levo)
- Y Vijak za prilagoditev laserja
- Z Laserska svetloba
- AA Stikalo za vklop/izklop laserja
- AB Blokirni ročaj (za kote rezanja)
- AC Ročica za sprostitve blokade zajere
- AD Skala kota reza
- AE Blokirni gumb za drsno napravo
- AF Stikalo vklopi/izklopi
- AG Varnostni vzvod
- AH Omejevalnik globine reza
- AI Globinski naslon
- AJ Matica globinskega naslona
- AK Imbus ključ
- AL Mesto za shranjevanje šestkotnega ključa
- AM Gumb za blokado vretena
- AN Pokrov za rezilo
- AO Vijak lista
- AP Prirobnica
- AQ Vstavek mize
- AR Protiprašna zaščita

VARNOST

SPLOŠNA VARNOŠTNA OPOZORILA ZA ELEKTRIČNA ORODJA

⚠ OPOZORILO Preberite vsa varnostna opozorila, navodila in tehnične podatke ter si oglejte slike, ki so priloženi temu električnemu orodju. Neupoštevanje spodaj navedenih navodil se lahko odrazi v električnem udaru, požaru in/ali hudih poškodbah.

Vsa opozorila in navodila shranite, saj jih boste v prihodnosti morda potrebovali.

Pojem "električno orodje", ki se pojavlja v nadaljnjem besedilu, se nanaša na električna orodja z električnim pogonom (z električnim kablom) in na akumulatorska električna orodja (brez električnega kabla).

1) VARNOŠT NA DELOVNEM MESTU

- a) **Poskrbite, da bo Vaše delovno mesto vedno čisto in urejeno.** Nered ali neosvetljena delovna področja lahko povzročijo nezgode.
- b) **Prosimo, da orodja ne uporabljate v okolju, kjer je nevarnost za eksplozije in v katerem se nahajajo gorljive tekočine, plini in prah.** Električna orodja povzročajo iskre, zato se gorljivi prah ali pare lahko vnamejo.
- c) **Ne dovolite otrokom in drugim osebam, da bi se medtem ko delate, približali električnemu orodju.** Druge osebe lahko odvrnejo Vašo pozornost drugam in izgubili boste nadzor nad orodjem.

2) ELEKTRIČNA VARNOŠT

- a) **Vtič mora ustrezati električni vtičnici in ga pod nobenim pogojem ne smete spreminjati. Uporaba adapterskih vtičev v kombinaciji z ozemljenimi orodji ni dovoljena.** Originalni oziroma nespremenjeni vtiči in ustrezne vtičnice zmanjšujejo tveganje električnega udara.
- b) **Izogibajte se telesnemu stiku z ozemljenimi površinami, na primer s cevmi, grelci, štedilniki in hladilniki.** Če je ozemljeno tudi vaše telo, obstaja povečano tveganje električnega udara.
- c) **Zavarujte orodje pred dežjem ali vlago.** Vdor vode v električno orodje povečuje tveganje električnega udara.
- d) **Električnega kabla ne uporabljajte za prenašanje ali obešanje orodja in ne vlecite vtič iz vtičnice tako, da vlečete za kabel. Zavarujte kabel pred vročino, oljem, ostrimi robovi in premikajočimi se deli orodja.** Poškodovani ali prepleteni kabli povečujejo tveganje električnega udara.
- e) **Če z električnim orodjem delate na prostem, uporabljajte izključno kabelski podaljšek, ki je atestiran za delo na prostem.** Uporaba kabelskega podaljška, primerne za delo na prostem, zmanjšuje tveganje električnega udara.
- f) **Če je uporaba električnega orodja v vlažnem okolju neizogibna, uporabljajte prekinjevalec električnega tokokroga.** Prekinjevalca električnega tokokroga zmanjšuje tveganje električnega udara.

3) OSEBNA VARNOŠT

- a) **Bodite zbrani in pazite, kaj delate. Dela z električnim orodjem se lotite razumno. Nikoli ne uporabljajte orodja, če ste utrujeni in če ste pod vplivom mamila, alkohola ali zdravil.** En sam trenutek nepazljivosti pri uporabi orodja ima lahko za posledico resne telesne poškodbe.
- b) **Uporabljajte osebna zaščitna sredstva in vedno nosite zaščitna očala.** Uporaba osebnih zaščitnih sredstev, na primer maske proti prahu, nedrsečih zaščitnih čevljev, zaščitne čelade in slušnic, odvisno od vrste in uporabe električnega orodja, zmanjšuje tveganje telesnih poškodb.
- c) **Izogibajte se nenamernemu zagonu. Pred priključitvijo električnega orodja na električno**

omrežje in/ali na akumulator in pred dviganjem ali nošenjem se prepričajte, če je električno orodje izklopljeno. Prenašanje naprave s prstom na stikalu ali priključitev vklopljenega električnega orodja na električno omrežje je lahko vzrok za nezgodo.

- d) **Pred vklopom orodja odstranite z nje nastavitvena orodja ali vijaki ključ.** Orodje ali ključ, ki se nahajata na vrtečem se delu električnega orodja, lahko povzročita nezgodo.
- e) **Ne precenjujte se in poskrbite za varno stojišče in stalno ravnotežje.** Tako boste lahko v nepričakovani situaciji bolje obvladali orodje.
- f) **Oblecite se primerno. Ne nosite ohlapnih oblačil ali nakita. Las in oblačil ne približujte premikajočim se delom.** Ohlapna oblačila, nakit ali dolgi lasje se lahko ujamejo v premikajoče se dele.
- g) **Če je možno na orodje namestiti priprave za odsesavanje in prestrezanje prahu, prepričajte se, ali so le-te priključene in, če jih pravilno uporabljate.** Uporaba priprave za odsesavanje prahu zmanjšuje zdravstveno ogroženost zaradi prahu.
- h) **Naj seznanjenost z orodjem, ki jo pridobite s pogosto uporabo, ne bo razlog za to, da postanete lahkomišeln in ignorirate varnostna načela.** V delčku sekunde lahko nepozorno dejanje pripelje do hude poškodbe.
- 4) **RAVNANJE IN NEGA ROČNEGA ORODJA**
 - a) **Ne preobremenjujte orodja. Za določeno delo uporabljajte električno orodje, ki je predvideno za opravljanje tega dela.** Z ustreznim električnim orodjem boste delo opravili bolje in varneje, ker je bilo v ta namen tudi konstruirano.
 - b) **Električno orodje, ki ima pokvarjeno stikalo, ne uporabljajte.** Električno orodje, ki ga ni možno izklopiti ali izklopiti, je nevarno in ga je potrebno popraviti.
 - c) **Izvalcite vtič iz vtičnice in/ali odstranite akumulatorsko baterijo, če jo je mogoče izvzeti, še preden orodje popravljate, menjujete pribor ali ga shranite.** Ti preventivni varnostni ukrepi zmanjšajo tveganje za nenamenski zažog orodja.
 - d) **Kadar orodja ne uporabljate ga shranjujte izven doseg otrok. Osebam, ki orodja ne poznajo ali niso prebrale teh navodil, orodja ne dovolite uporabljati.** Električna orodja so nevarna, če jih uporabljajo neizkušene osebe.
 - e) **Vzdržujte električna orodja in pribor. Preverite, če premikajoči se deli orodja delujejo brezhibno in če se ne zatikajo, oziroma, če kakšen del orodja ni zlomljen ali poškodovan do te mere, da bi oviral njegovo delovanje. Pred nadaljnjo uporabo je potrebno poškodovani del popraviti.** Vzrok za številne nezgode so ravno slabo vzdrževana električna orodja.
 - f) **Rezalna orodja naj bodo ostrina in čista.** Skrbno negovana rezalna orodja z ostrimi rezili se manj zatikajo in so bolj deljiva.
 - g) **Električna orodja, pribor, nastavke in podobno uporabljajte v skladu s temi navodili. Pri tem upoštevajte delovne pogoje in vrsto dela, ki ga nameravate opraviti.** Zaradi uporabe električnega orodja v druge, nepredvidene namene, lahko nastanejo nevarne situacije.
 - h) **Ročaji in površine za prijemanje naj bodo suhe, čiste in brez olja ali maščobe.** Gladki ročaji in površine

za prijemanje ne omogočajo varne uporabe in nadzora orodja v nepričakovanih situacijah.

5) SERVISIRANJE

- a) **Popravilo orodja lahko opravi samo usposobljena strokovna oseba in to izključno z originalnimi nadomestnimi deli.** Le tako bo ohranjena nadaljnja varnost orodja.

VARNOSTNA NAVODILA ZA ZAJERALNE ŽAGE

- **Zajeralne žage se uporabljajo za žaganje lesa ali lesu podobnih izdelkov in niso primerne za žaganje železnih materialov, kot so palice, cevi, zatiči itd., z brusnimi/rezalnimi koluti Zaradi prahu, ki nastane pri brušenju, lahko pride do zaskočitve premičnih delov, kot je spodnje varovalo. Iskre, ki nastanejo pri brušenju/rezanju, lahko uničijo spodnje varovalo, klinasti vstavek ali druge plastične dele.**
- **Če je mogoče, obdelovanec podprite s primeži. Če obdelovanec podprete z roko, poskrbite, da je vaša dlan vedno vsaj 100 mm oddaljena od katere koli strani žaginega lista. Te žage ne uporabljajte za žaganje predmetov, ki so premajhni, da bi jih bilo mogoče varno vpeti ali pridržati z roko Če dlan postavite približno žaginega lista, obstaja povečano tveganje pred osebnimi poškodbami, nastalimi zaradi stika z rezilom žage.**
- **Obdelovanec se ne sme premikati in mora biti vpet oz. pridržan ob prislon ter mizo. Obdelovanca ne usmerjajte v rezilo in ga ne režite »prostorčno«** Nevpete ali premikajoče se obdelovance lahko izvrže pri visoki hitrosti in lahko povzročijo telesne poškodbe.
- **Žago potisnite skozi obdelovanec. Žage ne vlecite skozi obdelovanec. Če želite zarezati, dvignite glavo žage in jo povlecite nad obdelovanec brez reza. Nato vklopite motor, glavo žage pritisnite navzdol in potisnite žago skozi obdelovanec Če rez izvedete ob vlečenju rezila, se žagin list lahko zareže v vrh obdelovanca in sestav rezila na silo izvrže v smeri upravljalca.**
- **Roke nikoli ne pomaknite čez namenjeno črto za žaganje – ne pred in ne za žaginim rezilom Če obdelovanec podprete »navzkrižno« – pridržite ga torej desno od žaginega lista z levo roko ali obratno –, je izjemno nevarno.**
- **Ne segajte z roko za prislon bližje kot 100 mm do katere koli strani žaginega lista, da bi odstranili lesene ostružke oz. zaradi poljubnega razloga, ko se rezilo vrti bližina vrtečega se žaginega lista do vaše dlani morda ni takoj očitna in lahko povzroči hujše telesne poškodbe.**
- **Pred žaganjem preglejte obdelovanec, ali je morda ukrvljen. Vpnite ga z zunanjo ukrvljeno stranjo, obrnjeno proti prslonu. Vedno se prepričajte, da ni vrzeli med obdelovancem, prslonom in mizo vzdolž linije za rezanje** Upognjeni ali zviti obdelovanci se lahko zvijejo ali premaknejo ter povzročijo upogibanje rezila med žaganjem. Poskrbite, da obdelovanec ne vsebuje nobenih žebeljev ali tujkov.
- **Žage ne uporabljajte, če so na mizi odstavljena orodja, ostanki lesa itd. Na mizi je lahko prisoten samo obdelovanec** Majhne ostanke ali druge predmete, ki pridejo v stik z vrtečim se rezilom, lahko izvrže pri visoki hitrosti.
- **Režite lahko samo en obdelovanec hkrati Če naložite več obdelovancev, jih ni mogoče ustrezno vpeti**

ali pridrži, zaradi česar se lahko ukrivi rezilo med žaganjem.

- **Pred uporabo zagotovite, da je zajeralna žaga vgrajena ali postavljena na ravni, trdni površini.** Ravna in trdna površina zmanjša tveganje, da bi zajeralna žaga postala nestabilna.
- **Načrtujte delo! Vsakokrat ko spremenite nastavitve naklona ali kota zajere, se prepričajte, da je prilagodljiv prislon nastavljen pravilno, da lahko podpre obdelovanec in ni na poti rezila oz. sistema varoval** Ko je orodje izklopljeno in ko na mizi ni nobenega obdelovanca, žagin list pomaknite po celotnem navideznom rezu, da zagotovite, da ne bo prišlo do ovir oz. nevarnosti zarezave v ograjo.
- **Zagotovite ustrezno podporo, npr. podaljške mize, koze za žaganje itd., za vsak obdelovanec, ki je širši ali daljši od vrhnjega dela mize.** Obdelovanci, ki so daljši ali širši od mize z zajeralno žago, se lahko prevrnejo, če niso ustrezno podprti. Če se prevrne odrezan del ali obdelovanec, lahko dvigne spodnje varovalo ali ga izvrže vrteče se rezilo.
- **Za dodatno podporo ali podaljšek mize ne uporabite druge osebe** Nestabilna opora obdelovanca lahko povzroči, da se rezilo upogne oz. obdelovanec premakne med žaganjem, vas oz. vašega pomočnika pa lahko vptegne v žago z vrtečim se rezilom.
- **Odžagani del se ne sme zagozditi ali ga pritisniti ob vrteči se žagin list** Ob prekinitvah po dolžini se odžagan del lahko zagozdi ob rezilo, ki ga nato na silo izvrže.
- **Vedno uporabite primež ali ustrezno pritrjevalo za oporo materiala, kot so palice ali cevi** Palice se med žaganjem rade zvijajo, zaradi česar se rezilo lahko »zareže« in obdelovanec skupaj z vašo roko vptegne v rezilo.
- **Počakajte, da rezilo razvije polno hitrost, preden ga zarežete v obdelovanec** Na ta način boste zmanjšali tveganje pred izvrženjem obdelovanca.
- **Če se zatakne obdelovanec ali razilo, izklopite zajeralno žago.** Počakajte, da se ustavi vrteči se deli, in vtič izključite iz napajanja in/ali odstranite akumulator. Nato sprostite zagozden material Če nadaljujete žaganje z zagozdenim materialom, lahko izgubite nadzor ali poškodujete zajeralno žago.
- **Ko končate rez, spustite stikalo, glavo žage pridržite navzdol in počakajte, da se rezilo ustavi, preden odstranite obdelovanec** Seganje z dlanjo v bližino še vrtečega se rezila je nevarno.
- **Pri nedokončanem rezu ali ko spustite stikalo, preden se glava žage pomakne v spodnji položaj, trdno poprimite za ročaj** Zaradi preklicanega dejanja žage lahko glavo žage nenadoma vptegne navzdol, kar lahko predstavlja tveganje pred telesnimi poškodbami.

DODATNA VARNOSTNA NAVODILA

- Navalni tokovi povzročajo kratkotrajne padce napetosti; v slabih pogojih oskrbe z električno energijo se lahko poškoduje ostala oprema (če je impedanca oskrbe z električno energijo nižja od 0,464 ohma, do motenj verjetno ne bo prišlo); če potrebujete nadaljnja pojasnila, se lahko obrnete na vašega lokalnega dobavitelja električne energije

SPLOŠNO

- Orodje uporabljajte samo za rezanje lesa

- Vedno preverite, če je napetost omrežja enaka napetosti, ki je navedena na tablici orodja
- **Ne stojte na orodju ali stojalu** Če se orodje prevrne ali če se po nesreči dotaknete rezalnega orodja, lahko pride do hujših telesnih poškodb. Materiala ne shranjujte na ali v bližini orodja na način, da morate stati na orodju ali stojalu, da ga lahko dosežete.
- **Vedno izvlecite električni vtič iz vtičnice preden spreminjate nastavitve ali menjate pribor**
- **Pred premikanjem zajeralne žage vedno izključite vtič iz napajanja** Izključite vtič, spustite sestav glave in ga zaklenite na položaj, uporabite ročaj za transport ter eno od udrtin za roko na ohišju žage.
- **Orodja ne pustite nenadzorovanega, preden se ne zaustavi v celoti**
- **Pri žaganju obdelovancev nepravilnih oblik načrtujte svoje delo, tako da vam obdelovanec ne bo zdrsnil in se dotaknil rezila ter posledično iztrgal iz rok**
- Orodja naj ne bi uporabljale osebe mlajše od 16 let
- To orodje ni primerno za mokro rezanje

ZUNANJA UPORABA

- Pri zunanji uporabi priključite orodje preko tokovnega zaščitnega stikala (FID) z občutljivostjo toka največ 30 mA; vedno uporabljajte podaljšek, ki je namenjen za zunanjo uporabo in z zaščito proti vlagi

PRED UPORABO

- Uporabljajte povsem iztegnjene in varne električne podaljške, z jakostjo 16 amperov
 - Uporabljajte zaščitna očala, zaščitno sluha, in zaščitne rokavice
 - Prah materialov, kot so barve, ki vsebujejo svinec, nekatere vrste lesa, mineralov ali kovin so lahko škodljivi (ob stiku ali vdihavanju lahko prah pri delavcu ali pri drugih prisotnih povzroči alergijsko reakcijo in/ali boleznih dihal); **nosite masko za prah in pri delu uporabljajte napravo za odsesavanje prahu, kjer je le-to možno priključiti**
 - Nekatere vrste prahu so klasificirane kot kancerogene (kot npr. prah hrasta in bukke) še posebno ob sočasni uporabi z dodatki za obdelavo lesa; **nosite masko za prah in pri delu uporabljajte napravo za odsesavanje prahu, kjer je le-to možno priključiti**
 - Upošteвайте nacionalne zahteve glede prahu za materiale katere želite obdelovati
 - **Ne obdelujte materiala, ki vsebuje azbest** (azbest povzroča rakasta obolenja)
 - Nikoli ne uporabljajte orodja brez originalnega sistema zaščite
 - Pred vsako uporabo preverite, ali se zaščitno varovalo pravilno zapira
 - Žage ne uporabljajte, če se zaščitno varovalo ne premika zlahka ali se ne zapre takoj
 - Zaščitnega varovala nikoli ne pripnite ali privežite v odprtem položaju
 - Orodja nikoli ne uporabljajte brez vstavka mize; zamenjajte pokvarjen ali obrabljen vstavek mize
 - Odstranite ovire nad in pod linijo reza že pred začetkom žaganja
 - Izogibajte se poškodb zaradi vijakov, žebeljev ali drugih elementov v obdelovancu; odstranite jih pred začetkom dela
- ## PRIBOR
- S tem orodjem nikoli ne uporabljajte brusilnih ali rezalnih plošč
 - SKIL zagotavlja brezhibno delovanje orodja le z uporabo

pravega dodatnega pribora, ki ga dobite pri SKIL-ovih trgovcih

- Pri uporabi in montaži ne SKIL-ovega pribora upoštevajte navodila proizvajalca uporabljenega pribora
- Uporabite samo žagine liste, ki ustrezajo karakteristikam, navedenim v teh navodilih za uporabo, in ki so preizkušeni po EN 847-1 ter ustrezno označeni
- Uporabljajte lahko dodatni pribor, katerega dovoljena hitrost je najmanj enaka največji hitrosti orodja
- Nikoli ne uporabljajte žaginih listov, ki so izdelani iz hitroreznega jekla (HSS)
- Ne uporabljajte poškodovanih, deformiranih ali topih žaginih listov
- Uporabljajte izključno žagine liste, ki imajo takšno luknjo, da se na vreteno orodje prilaga brez zračnosti; žaginih listov z veliko luknjo nikoli ne pritrдите z reduciranimi deli ali prilagodilniki
- Zaščitite dodatno opremo pred udarci, sunki in maščobami

MED UPORABO

- **Z orodjem ne ravajte nasilno** (pritisajte rahlo in neprekinjeno, da se izognete pregrevanju konic rezila, v primeru rezanja umetne mase pa tudi topljenju umetne mase)
- Prste, dlani in roke varujte pred stikom z vrtečim se žagininim listom
- Če se žagin list zatakne, orodje takoj izključite in odklopite vtič; šele takrat odstranite zataknjeni obdelovanec
- V primeru električnih ali mehanskih motenj takoj izključite orodje in izvlecite vtičak iz vtičnice
- Če je priključni kabel poškodovan ali se med delom pretрга se ga ne dotikajte, temveč takoj potegnite električni vtičak iz vtičnice
- Orodje ne smete nikoli uporabljati s poškodovanim kablom. Kabel morate zamenjati s posebej pripravljenim kablom, ki je na voljo pri servisnem podjetju.

SEVANJE LASERJA

- **Laserskega žarka ne usmerjajte v osebe ali živali in tudi sami ne gledajte neposredno v laserski žarek ali njegov odsev** (s tem lahko zaslepite ljudi, povzročite nesrečo ali poškodbe oči)
- Če laserski žarek usmerite v oči, le-te zaprite in glavno takoj obrnite stran od žarka
- Ne spreminjajte laserske naprave
- Ne gledajte v laserski žarek (sevanje laserja)
- Za opazovanje laserskega žarka ne uporabljajte nobenih optičnih povečevalnih orodij (povečevalno steklo, teleskop ali daljnogled)
- Ne uporabljajte orodja v bližini vnetljivih tekočin, plinov ali prahu
- Ne uporabljajte orodja, ko so v bližini otroci
- Vgrajenega laserja ne zamenjajte z drugo vrsto

PO UPORABI

- Po izključitvi stikala orodja nikoli ne ustavljajte vrtenja plošče s stranskim pritiskanjem
- Odrezke ali druge dele obdelovanca iz območja rezanja odstranite šele takrat, ko se vsi gibljivi deli popolnoma ustavijo
- med uporabo se žagin list močno segreje; dokler se ne ohladi, se ga ne dotikajte
- Shranjujte orodje v **zaprtem prostoru** na suhem mestu in izven dosega otrok

POJASNILO OZNAK NA ORODJU

- ② Pred uporabo preberite navodila za uporabo
- ③ Uporabljajte zaščitna očala in zaščitno sluha

④ **Območje nevarnosti! Nedovoljeno območje za roke. Zagotovite, da z dlanmi, prsti ali rokami ne segate na to območje.**

⑤ Dvojina izolacija (ozemljitveni kabel ni potreben)

⑥ Ne odstranjujte električnega orodja in baterije s hišnimi odpadki

⑦ **Lasersko sevanje / Ne glejte v žarek / Razred laserja 2 izdelek**

UPORABA

- **Montaža**
 - sestavite transportno ročico z vijaki 2 tako, da uporabite imbus ključ AK⑨
 - sestavite gumb za zaklep jerale AB na sprednjem delu mize ⑩
- **Položaj za transport/delo**
Za sprostitvev orodja (delovni položaj)
 - ročico B pritisnite navzdol z eno roko in pri tem izvlecite zaklepni zatič C z drugo roko ⑪a
 - sestav glave počasi pomaknite navzgor
 - za žaganje z drsnim mehanizmom popustite blokirni gumb AE ⑪b**Za pritrđitev orodja (transportni položaj)**
 - sestav glave žage premaknite do naslona v smeri prislona S in znova zategnite zaklepni gumb AE ⑪c
 - kot naklona nastavite na 0° (glejte razdelek o nastavitvi kota roba)
 - kot jerala nastavite na 45° na levi ali desni (glejte razdelek o nastavitvi kota jerala)
 - ročico B pritisnite navzdol z eno roko in pri tem potisnite zaklepni zatič C z drugo roko
 - navijte napajalni kabel
 - ročaj za transport E uporabite za prenašanje orodja ⑪d
 - lahko pa za prenašanje orodja uporabite tudi stranska ročaja ⑪e
- **! orodja nikoli ne dvignite tako, da ga pridržite na glavni ročaj ali napajalni kabel**
- Vgradnja orodja na delovno površino ⑫
 - **! za varno delo orodje vedno namestite na ravno in stabilno delovno površino (npr. delovno mizo)**
 - uporabite 4 montažne luknje F, s katerimi lahko orodje z ustreznimi vijaki pritrđite na delovno površino
 - orodje lahko na delovno površino vpnete tudi z običajnimi vijačnimi sponami
 - za stabilizacijo orodja lahko nastavite višino podperne noge G
 - lahko pa orodje vgradite na stojalo za zajeralno žago
- **! preberite vsa opozorila in navodila, priložena stojalu za žago**
- **Odstranjevanje prahu/žagovine ⑬**
 - namestite vrečko za prah H/vakuumski sesalnik, kot je prikazano na sliki
 - redno praznite vrečko za prah za najboljše delovanje
- **! cev sesalnika ne sme nikoli ovirati gibljivega ščita ali samega rezanja**
- Podaljšek mize z žago ⑭
 - Z gumbi L pritrđite razširitvene palice K (na obeh straneh orodja)
 - dolžina razširitvenih palic K je brezstopensko nastavljiva od najmanjše do največje vrednosti
- Vpenjanje obdelovanca ⑮
 - **! za najboljšo varnost pri delu vedno dobro vpnite obdelovanec s priloženo nastavljivo spono**

- ne delajte z obdelovanci, ki so premajhni za vpenjanje
- za **maksimalne** dimenzije obdelovanca glejte tabelo ⑩
- spono obdelovanca pritrдите v luknjo opornika N z gumbom P (na vsaki strani orodja)
- uporabite 1 od 2 utorov; za debeline obdelovanca do 4 cm in debeline obdelovanca od 4 cm
- obdelovavec trdno vpnite proti ograji S
- odklenite ročico R
- spono prilagodite obdelovancu
- obdelovavec trdno vpnite s privijanjem gumba R
- ! pri nekaterih kombinacijah jerala in naklona oz. odvisno od velikosti obdelovanca bo treba namesto spon obdelovanca treba uporabiti vijajne spon, ki so na voljo na trgu**
- Nastavitev kota reza ⑪
 - popustite zaklepni ročaj AB
 - potisnite ročico za sprostitev blokade zajere AC
 - zavrtite mizo z žago v levo ali desno in nastavite želeni kot zajere (od 0° do 47°) s pomočjo skale AD
 - sprostite ročico AC
 - sprostite zaklepno ročico AB (**ročaja ne zategnite preveč**)
 - za hitro in natančno nastavljanje pogosto uporabljenih kotov nagiba (0°, 15°, 22,5°, 31,6°, 45°) se ročica za zaklep zajere zatakne na ustreznih mestih
- nastavitev kotov naklona ⑫
 - odvijte tristopenjski gumb U ⑬b
 - roko orodja zavrtite v levo, dokler skala naklona V ne kaže želenega kota naklona
 - roko orodja držite v tem položaju in zategnite gumb U
- Sestavljeni rezi ⑬
 - sestavljeni rezi zahtevajo nastavitev kota rezanja in nastavitev navpičnega kota
 - ! žage ne upravljajte v določenih kombinacijah jerala in naklona, ker lahko pride do prekrivanja med drsnimi in nepremičnimi deli žage ali med drsnimi deli in obdelovancem**
 - ! vedno napravite test na odpadnem materialu**
- Laserski žarek ⑭
 - pri vodenju orodja po črti reza na obdelovancu
 - vklopite/izklopite laserski žarek s pritiskom stikala AA
 - laser je poravnana na levo stran reza
 - vodoravno poravnavo laserja lahko preprosto prilagodite Y
 - ! pred začetkom dela preverite, da je laserski žarek vzporeden z dejansko črto reza, tako da naredite poskusni rez na odpadnem materialu**
- Žaganje brez drsenja (majhni obdelovanci)
 - če je zategnjen, odvijte zaklepni gumb AE
 - glavo žage premaknite do naslona v smeri prislona S in znova zategnite zaklepni gumb AE
 - ! če ne zaklenete mehanizma, se rezilo lahko nenadoma povzpne na vrh obdelovanca in usmeri proti vam**
 - orodje nastavite v delovni položaj
 - ! poskrbite, da je obdelovavec trdno vpet proti žagini mizi in ograji S**
 - spustite zaklep AG in povlecite glavno stikalo AF ⑯, da vklopite orodje
 - ! pri upravljanju glave žage ⑰a ne prekrizajte rok**
 - skozi obdelovavec žagajte enakomerno
- ! orodje naj doseže polno hitrost, preden list žage zarezhe v obdelovavec**
 - orodje izključite tako, da spustite stikalo AF
 - prepričajte se, da rezilo žage popolnoma miruje, preden glavo orodja počasi premaknete navzgor
- Žaganje z drsnim mehanizmom (**široki obdelovanci**)
 - ! ne pozabite, da je edini varen način ta, ki je opisan v nadaljevanju**
 - žage ne vlecite skozi obdelovavec
 - če je zategnjen, odvijte zaklepni gumb AE
 - ! poskrbite, da je obdelovavec trdno vpet proti žagini mizi in ograji S**
 - glavo žage potegnite dovolj stran od prislona S, da je žagin list pred obdelovancem ⑳
 - potisnite varnostno ročico AG in povlecite glavno stikalo AF ⑳, da vklopite orodje
 - ! pri upravljanju glave žage ⑰a ne prekrizajte rok**
 - glavo žage potisnite v smeri prislona S in enakomerno prežagajte obdelovavec ㉑
 - ! orodje naj doseže polno hitrost, preden list žage zarezhe v obdelovavec**
 - ! če se spodnje varovalo ne odpre samodejno, kar se lahko pripeti v določenih okoliščinah (npr. pri obdelovancu, ki je po vrednostih zelo blizu največji zmogljivosti), boste morda varovalo morali odpreti ročno ㉒b**
 - orodje izključite tako, da spustite stikalo AF
 - prepričajte se, da rezilo žage popolnoma miruje, preden glavo orodja počasi premaknete navzgor
- Žaganje utorov ㉒
 - želeno globino nastavite z naslonom za globino AH, ki ga pritrđite z zategovanjem matice AJ
 - lesen distančnik vstavite med obdelovavec in prslon, da boste zagotovili enakomerno globino po celotni dolžini utora
 - ! pazite, da se žagin list ne zatakne v obdelovancu**
 - ! vedno napravite test na odpadnem materialu**
- Menjava žaginega lista ㉓
 - ! izključite vtičač**
 - vzemite inbus ključ AK, ki je shranjen v ležišču AL
 - zaščitno varovalo A pridržite v odprtem položaju
 - odvijte vijak prekrivne plošče AN (**vijaka ne odvijte v celoti**) ㉓a
 - zaščitno varovalo A do konca zasukajte nazaj ㉓b
 - pritisnite gumb za blokado vretena AM in ga držite, medtem ko odstranjujete vijak rezila AO, tako da inbus ključ AK v **DESNO** (= v isto smer, kot kaže puščica na žaginem listu)
 - ! gumb za blokado vretena AM pritisnite, ko je orodje popolnoma zaustavljeno**
 - sprostite gumb za blokado vretena AM
 - odstranite prirobnico AP in žagin list
 - ! zamenjajte žagin list, tako da zobje in natisnjena puščica kažejo v isto smer kot puščica na zaščitnem varovalu A**
 - namestite prirobnico AP ㉓c
 - pritisnite gumb za zaklep vretena AM in ga držite, medtem z inbus ključem AK pritegnite vijak lista za 1/8 vrtljaja več kot z roko V **NASPROTNI SMERI URINEGA KAZALCA** (to zagotavlja zdrs lista, če le ta naleti na premočno oviro; tako se zmanjša preobremenitev motorja in povratni sunek žage)
 - zategnite vijak plošče AN

- Zamenjava vstavka mize AQ ⁽²⁶⁾
Pokvarjen ali obrabljen vstavek mize zamenjajte takole:

! izključite vtičak

- vzemite inbus ključ AK, ki je shranjen v ležišču AL
- odstranite vse 6 vijake, kot kaže slika
- odstranite stari vstavek mize, tako da ga najprej dvignete spredaj, potem pa v celoti izvlčete
- namestite novi vstavek mize

! trdno privijte vse 6 vijake

- Preverjanje/nastavitev 90° izravnave rezila ⁽²⁷⁾

! izključite vtičak

- mizo z žago zavrtite v položaj 0° in jo blokirajte
- glavo žage zasukajte v položaj naklona 0°
- spustite glavo žage in jo blokirajte
- s kotnikom preverite, če kot med žaginim listom in mizo ustreza 90°
- po potrebi nastavite izravnavo rezila na 90° na naslednji način:
 1. popustite trinožni gumb U
 2. vijak W nastavite z viličastim ključem 10 (ni standardno priložen)
 3. znova preverite s kvadratom
 4. indikator naslona ponastavite V na 0°

- Preverjanje/nastavitev 45° izravnave rezila ⁽²⁸⁾

! izključite vtičak

- mizo z žago zavrtite v položaj 0° in jo blokirajte
- popustite trinožni gumb U
- glavo žage zasukajte v levo
- s kotnikom preverite, če kot med žaginim listom in mizo ustreza 45°
- preverite, ali je skala za navpični kot V na oznaki 45°
- po potrebi nastavite izravnavo rezila na 45° na naslednji način:
 1. vijak X nastavite z viličastim ključem 10 (ni standardno priložen)
 2. znova preverite s kvadratom jerala

- Preverjanje/nastavitev 90° izravnave ograje ⁽²⁹⁾

! izključite vtičak

- mizo z žago zavrtite v položaj 0° in jo blokirajte
- spustite glavo žage in jo blokirajte
- s kotnikom preverite, če kot med žaginim listom in naslonom S ustreza 90° (poskrbite, da se kotnik dotika žaginega lista in ne zob) ^(29a)
- po potrebi nastavite 90° izravnavo ograje na naslednji način:
 1. popustite 2 šestrobe vijake T ^(29b)
 2. nastavite ograjo, dokler se žagin list in ograja v celoti ne dotikata kotnika
 3. zategnite 2 šestrobe vijake T
 4. indikator jerala ponastavite na 0° ^(29c)

UPORABNI NASVETI

- Posebni obdelovanci
 - vedno podprite proste konce dolgega obdelovanca ⁽³⁰⁾
 - poskrbite, da so zaobljeni ali okrogli obdelovanci še posebej dobro zavarovani pred zdrsom ⁽³¹⁾
 - na črti reza ne sme biti reže med obdelovancem in ograjo ali žagino mizo
 - po potrebi izdelajte pomožno ograjo; odprtine v drsnem prislonu uporabite za pritrditev pomožnega prislona ⁽³²⁾
- ! pomožni prislon lahko uporabite samo pri naklonu 0°**
- Za delo s talnimi oblogami lahko za referenco uporabite sliko ⁽³³⁾

- Vedno obrnite boljšo stran obdelovanca navzdol, da zagotovite minimalno trganje obdelovanca
- Uporabljajte le ostre žagine liste pravih tipov
 - kvaliteta reza se izboljša z večjim številom zob lista
 - karbidne konice lista ostanejo ostre 30 krat dlje kot običajne konice

VZDRŽEVANJE/SERVISIRANJE

- Priključni kabel in orodje naj bosta vedno čista (še posebej prezračevalne odprtine na zadnji strani ohišja motorja)
- Redno preverjajte, ali spodnje varovalo deluje pravilno. Z vlažno krpo očistite morebitno žaganje s spodnjega varovala.
- ! izvlčite vtičak iz vtičnice pred čiščenjem**
 - spodnje varovalo dvignite v popolnoma odprt položaj in ga sprostite; če se ne zaprete takoj in v celoti, naj varovalo preverijo v poprodajnem servisnem centru za električna orodja SKIL
- Po uporabi takoj očistite žagin list (posebno od smol in lepil)
 - ! med uporabo se žagin list močno segreje; dokler se ne ohladi, se ga ne dotikajte**
- Po vsaki uporabi očistite lučko laserja AC z mehkim čopičem, da zagotovite dobro vidljivost laserske črte (zagotovite, da ne spremenite nastavitve laserja)
- Če bi kljub skrbnim postopkom izdelave in preizkušanja prišlo do izpada delovanja orodja, naj popravilo opravi servisna delavnica, pooblaščen za popravila SKILevih električnih orodij
 - pošljite **nerazstavljeno** orodje skupaj s potrdilom o nakupu pri vašemu prodajalcu v najbližjo SKIL servisno delavnico (naslovi, kot tudi spisek rezervnih delov se nahaja na www.skil.com)
- Zavedajte se, da garancija ne vključuje poškodb zaradi preobremenitve orodja ali nepravilne rabe (glede SKILovih garancijskih pogojev obiščite www.skil.com ali povprašajte prodajalca)

OKOLJE

- **Električna orodja, baterije, pribora in embalaže ne odstranjujte s hišnimi odpadki** (samo za države EU)
 - v skladu z Evropsko direktivo 2012/19/EG o odpadni električni in elektronski opremi in z njenim izvajanjem v nacionalni zakonodaji je treba električna orodja ob koncu njihove življenjske dobe ločeno zbirati in jih predati v postopek okolju prijaznega recikliranja
 - ko je potrebno odstranjevanje, naj vas o načinu spomni simbol ⁽⁶⁾

HRUP

- Izmerjena raven zvočnega tlaka tega orodja je 100,0 dB(A), raven zvočne moči pa 109,5 dB(A) (odstopanje K = 3 dB), kar je v skladu s standardom EN 62841
- Raven oddajanja hrupa je bila izmerjena v skladu s standardiziranimi testi, navedenimi v standardu EN 62841;; uporabiti jo je mogoče za primerjavo različnih orodij med seboj in za predhodno primerjavo izpostavljenosti vibracijam pri uporabi orodja za namene, ki so omenjeni
 - uporaba orodja za drugačne namene ali uporaba skupaj z drugimi, slabo vzdrževanimi nastavki lahko znatno **poveča** raven izpostavljenosti

- čas, ko je orodje izklopljeno ali ko teče, vendar z njim ne delamo, lahko znatno **zmanjša** raven izpostavljenosti

EST

Liugsiinidega järkamissaag 1310

SISSEJUHATUS

- Käesolev seade on mõeldud statsionaarse töövahendina piki- ja ristlõigete tegemiseks puidus otse või nurga all (võimalikud on horisontaalsed kalded vahemikus -47° kuni +47° ning vertikaalsed kalded vahemikus 0° kuni 45°)
- Palun lugege käesolev kasutusjuhend hoolikalt läbi ja hoidke alles ②
- Tööriist pole mõeldud professionaalseks kasutamiseks
- **Kasutage ainult õigesti ja täielikult monteeritud tööriista** (pidage meeles, et Skil ei vastuta valesti monteeritud tööriistaga põhjustatud kahjude ja/või vigastuste eest)

TEHNILISED ANDMED ①

SEADME OSAD ⑧

- A Alumine kettakaitse
- B Lülitiga käepide
- C Lukustustihvt transpordi ajal kasutamiseks
- D Ülemine kaitse
- E Transpordikäepide
- F Paigaldusaugud
- G Tugijalg
- H Tolmukott
- J Tolmu äratõmbeava
- K Pikenduslatid
- L Pikenduslatti lukustusnupud
- M Töödeldava detaili paigalduskamber
- N Tugiava
- P Klambri kinnitusnupp
- Q Klambri reguleerimisnupp
- R Kinnitushoob
- S Juhik
- T Tähtkruid juhiku regleerimiseks (2x)
- U Lukustusnupp (vertikaalsed kaldenurgad)
- V Vertikaalse kaldenurga indikaator
- W Krui vertikaalse kaldenurga indikaatori reguleerimiseks (parem)
- X Krui vertikaalse kaldenurga indikaatori reguleerimiseks (vasak)
- Y Laseri reguleerimiskruvi
- Z Laservalgus
- AA Laseri sisse/välja lülitamise nupp
- AB Lukustuskäepide (kaldenurgad)
- AC Horisontaalnurga piiriku vabastushoob
- AD Horisontaalse kaldenurga indikaator
- AE Liugseadme lukustusnupp
- AF Tööüliti (sisse/välja)
- AG Ohutuskang
- AH Lõikesügavuse piiraja
- AI Sügavuse stopper
- AJ Sügavuse stoppermutter

- AK Kuuskantvõtme
- AL Kuuskantvõtme hoidik
- AM Spindlilukustusnupp
- AN Katteplaadi kruvi
- AO Ketta polt
- AP Flanš
- AQ Pingi vahesiil
- AR Tolmudeflekto

OHUTUS

ÜLDISED OHUTUSNÕUDED ELEKTRILISTE TÖÖRIISTADE KASUTAMISEL

⚠ HOIATUS Lugege kõiki hoiatusi, juhiseid, kirjeldusi ja spetsifikatsioone, mis käivad tööriistaga kaasas. Kui kõiki allpool loetletud juhiseid ei õnnestu järgida, võib saada elektrilöögi, võib tekkida tulekahju ja/või saada raskelt vigastada.

Hoidke kõik ohutusnõuded ja juhised edaspidiseks alles.

Allpool kasutatud mõiste "elektriline tööriist" käib võrgutoitega (toitejuhtmega) elektriliste tööriistade ja akutoitega (ilma toitejuhtmeta) elektriliste tööriistade kohta.

1) OHUTUSNÕUDED TÖÖPIIRKONNAS

- a) **Hoidke töökoht puhas ja korras.** Segadus või valgustamata tööpiirkonnad võivad põhjustada õnnetusi.
- b) **Ärge kasutage seadet plahvatusohtlikus keskkonnas, kus leidub tuleohtlikke vedelikke, gaase või tolmu.** Elektrilistest tööriistadest lööb sädemeid, mis võivad tolmu või auru süüdata.
- c) **Kui kasutate elektrilist tööriista, hoidke lapsed ja teised isikud töökohast eemal.** Kui Teie tähelepanu kõrvale juhitakse, võib seade Teie kontrolli alt väljuda.

2) ELEKTRIOHUTUS

- a) **Seadme pistik peab pistikupesaga sobima. Pistikut kallal ei tohi teha mingeid muudatusi. Ärge kasutage kaitsemaandusega seadmete puhul adapterpistikuid.** Muutmata pistikud ja sobivad pistikupesad vähendavad elektrilöögi saamise riski.
- b) **Vältige kehakontakti maandatud pindadega, nagu torud, radiaatorid, pliidid ja külmikud.** Kui Teie keha on maandatud, on elektrilöögi risk suurem.
- c) **Hoidke seadet vihma ja niiskuse eest.** Kui elektriseadmesse on sattunud vett, on elektrilöögi saamise risk suurem.
- d) **Ärge kasutage toitejuhet selleks mitte ettenähtud otstarbel seadme kandmiseks, ülesriputamiseks ega pistiku pistikupesast väljatõmbamiseks. Hoidke toitejuhet kuumuse, õli, teravate servade ja seadme liikuva osade eest.** Kahjustatud või keerduläänud toitejuhtmed suurendavad elektrilöögi saamise riski.
- e) **Kui töotate elektrilise tööriistaga vabas õhus, kasutage ainult selliseid pikendusjuhtmeid, mida on lubatud kasutada ka välistingimustes.** Välistingimustes kasutamiseks sobiva pikendusjuhtme kasutamine vähendab elektrilöögi saamise riski.
- f) **Kui elektrilise tööriista kasutamine niiskes keskkonnas on vältimatu, kasutage maandusega lekkevoolukaitset.** Maandusega lekkevoolukaitse kasutamine vähendab elektrilöögi ohtu.

3) INIMESTE TURVALISUS

- a) **Olge tähelepanelik, jälgige, mida Te teete, ning toimige elektrilise tööriistaga töötades mõistlikult. Ärge kasutage seadet, kui olete väsinud või uimastite, alkoholi või ravimite mõju all.** Hetkeline tähelepanematus seadme kasutamisel võib põhjustada tõsiseid vigastusi.
- b) **Kandke isikukaitsevahendeid ja alati kaitseprille.** Isikukaitsevahendite, nagu tolumumask, libisemiskindlad turvajalatsid, kaitsekiiver või kuulmiskaitsevahendid, kandmine – sõltuvalt elektrilise tööriista tüübist ja kasutusala – vähendab vigastuste riski.
- c) **Vältige seadme tahtmatut käivitamist. Enne pistiku ühendamist pistikupessa, aku ühendamist seadme külge, seadme ülestõstmist ja kandmist veenduge, et elektriline tööriist on välja lülitatud.** Kui hoiate elektrilise tööriista kandmisel sõrme lülitil või ühendate vooluvõrku sisselülitatud seadme, võivad tagajärjeks olla õnnetused.
- d) **Enne seadme sisselülitamist eemaldage selle küljest reguleerimis- ja mutrivõtmed.** Seadme pöörleva osa küljes olev reguleerimis- või mutrivõti võib põhjustada vigastusi.
- e) **Ärge hinnake end üle. Võtke stabiilne tööasend ja hoidke kogu aeg tasakaalu.** Nii saate seadet ootamatutes olukordades paremini kontrollida.
- f) **Kandke sobivat rõivastust. Ärge kandke laiu riideid ega ehteid. Hoidke juukseid ja rõivad seadme liikuvatest osadest eemal.** Lotendavad riided, ehted või pikad juukseid võivad sattuda seadme liikuvate osade vahele.
- g) **Kui on võimalik paigaldada tolmueemaldus- ja tolmu kogumisseadiseid/seadmeid, veenduge, et need oleksid seadmega ühendatud ja et neid kasutatakse õigesti.** Tolmueemaldusseadise kasutamine vähendab tolmu põhjustatud ohte.
- h) **Ärge muutuge tööriista sagedasest kasutamisest hooletus ja ärge eirake ohutusnõudeid.** Hooletus võib sekundi murdosa jooksul kaasa tuua raskeid vigastusi.
- 4) **ELEKTRILISTE TÖÖRIISTADE HOOLIKAS KÄSITSEMINE JA KASUTAMINE**
- a) **Ärge koormake seadet üle. Kasutage töö tegemiseks selleks ettenähtud elektrilist tööriista.** Sobiva elektrilise tööriistaga töötate paremini ja turvalisemalt ettenähtud võimsusvahemikus.
- b) **Ärge kasutage elektrilist tööriista, mille lülitil on rikkis. Elektriline tööriist, mida ei ole enam võimalik sisse ja välja lülitada, on ohtlik ning seda tuleb remontida.**
- c) **Tõmmake pistik pistikupesast välja ja/või eemaldage seadmest aku, kui on eemaldatav, enne seadme reguleerimist, tarvikute vahetamist ja seadme ärapanekut.** See ettevaatusabinõu väldib seadme tahtmatut käivitamist.
- d) **Kasutusvälisel ajal hoidke elektrilisi tööriistu lastele kättesaamatult. Ärge laske seadet kasutada isikutel, kes seda ei tunne või pole siintoodud juhiseid lugenud.** Kogenemate kasutajate käes kujutavad elektrilised tööriistad ohtu.
- e) **Hoolitsege elektriliste tööriistade ja tarvikute eest korralikult. Kontrollige, kas seadme liikuvad osad funktsioneerivad korralikult ja ei kiildu kinni, ning ega mõned osad ei ole katki või sel**

määral kahjustatud, et võiksid mõjutada seadme töökindlust. Laske kahjustatud osad enne seadme kasutamist parandada. Paljude õnnetuste põhjuseks on halvasti hooldatud elektrilised tööriistad.

- f) **Hoidke lõiketarvikud teravad ja puhtad.** Hoolikalt hoitud, teravate lõikeservadega lõiketarvikud kiilduvad harvemini kinni ja neid on lihtsam juhtida.
- g) **Kasutage elektrilist tööriista, lisavarustust, tarvikuid jne vastavalt siintoodud juhistele. Arvestage seejuures töötingimuste ja teostatava töö iseloomuga.** Elektriliste tööriistade kasutamine mitte ettenähtud otstarbel võib põhjustada ohtlikke olukordi.
- h) **Hoidke käepidemed ja haardepinnad kuiva ja puhtana ning vabana õlist ja määrdeainetest.** Libedad käepidemed ja haardepinnad ei luba tööriista ohutult käsitseda ja ootamatutes olukordades kontrolli all hoida.
- 5) **TEENINDUS**
- a) **Laske seadet parandada ainult kvalifitseeritud spetsialistidel ja ainult originaalvaruosadega.** Nii tagate seadme püsimise turvalisena.

NURGASAAGIDE OHUTUSJUHISED

- **Nurgasaed on mõeldud puidu või puidusarnaste toodete lõikamiseks, neid ei saa kasutada lõike- ja liihvetastega raudmaterjali nagu lattide, varraste, tihvite jms lõikamiseks** Abrasiivne tolm põhjustab liikuvate osade (nagu alumine kaitsekate) ummistumist. Abrasiivlõikamisest tekkinud põletavad alumist kaitsekate, sisselõiget ja muid plastikosid.
- **Kasutage töödeldava detaili fikseerimiseks võimalusel fiksaatoreid.** Kui teostate töödeldavat detaili käega, peate hoidma kätt vähemalt 100 mm kaugusel saetera mõlemast küljest. Ärge kasutage seda saagi, et lõigata tükke, mis on liiga väikesed, et neid kindlalt fikseerida või käega kinni hoida. Kui teie käsi on saeterale liiga lähedal, suureneb teraga kokkupuutest tekkiva vigastuse oht.
- **Töödeldav detail peab olema paigal ja fikseeritud või hoitud vastu juhikut ja lauda.** Ärge söötkte töödeldavat detaili terale ega lõigake mingil juhul „vabakäega“ Fikseerimata või liikuvad töödeldavad osad võivad suurel kiirusel lahti paiskuda ja vigastusi põhjustada.
- **Vajutage saag läbi töödeldava detaili. Ärge tõmmake saagi läbi töödeldava detaili.** Lõikamiseks tõstke saepea üles ja tõmmake see lõikamata töödeldava detaili kohale, käivitage mootor, vajutage saepea alla ja vajutage saag läbi töödeldava detaili Tõmbeliigutusega lõikamine võib põhjustada saetera liikumist töödeldava detaili peale ja terakoostu jõulise viskumise operaatori poole.
- **Ärge pange oma kätt üle ettenähtud lõikejoone ei saetera ees ega taga** Töödeldava detaili toestamine „ristuvate kätega“, st kui hoiate töödeldavat detaili vasaku käega saeterast paremal pool või vastupidi, on väga ohtlik.
- **Ärge küünitage kummagi käega juhiku taha, lähemale kui 100 mm kummaltki saetera poolelt puidulaastude eemaldamiseks või mis tahes muul põhjusel, kui tera keerleb** Pöörleva saetera lähedus teie käele ei pruugi olla ilmnene ja te võite tõsiselt vigastada.

- **Kontrollige töödeldavad detaili enne lõikamist. Kui töödeldav detail on kaardus või moondunud, fikseerige see kaardus osaga juhiku poole. Veenduge alati, et töödeldava detaili, juhiku ja pingi vahel ei ole lõikejoonel vahet** Kaardunud või moondunud töödeldavad detailid võivad keerduva või nihkuda ning põhjustada pöörleva saetera kinnikiilumist. Töödeldavas detailis ei tohi olla naelu ega vöörkehi.
- **Ärge kasutage saagi enne kui pink on kõigist tööriistadest, puidujääkidest jne puhas (v.a töödeldav detail)** Pöörleva teraga kokku puutuv praht või lahtised puutükid või muud esemed võivad suure kiirusega laiali paiskuda.
- **Lõigake korraka ainult ühte töödeldavat detaili** Mitut töödeldavat detaili ei saa vinnastatult pisavalt hästi kinnitada või kinni hoida ja need võivad kettal kinni kiiluda või lõikamise ajal paigast nihkuda.
- **Veenduge enne kasutamist, et nurgasaag on paigaldatud tasasele ja tugevale pinnale.** Tasane ja tugev tööpinnas vähendab nurgasae ebastabiilsuse ohtu.
- **Planeerige oma tööd! Veenduge kaldenurga või nurga seadistamisel, et reguleeritav juhik toetab nõuetekohaselt töödeldavat detaili ega sega tera või kaitseesadist** Lülitamata tööriista asendile "ON" ning ilma, et töödeldav detail oleks pingil, liigutage saetera täielikult läbi lõikamisliigutuse, veendumaks, et ei esine takistusi ega ohtu lõigata juhikut.
- **Kui töödeldav detail on laiem või pikem kui laua ülaosa, tagage piisav toetus, nt pingipikendused, saagimispukid jne..** Nurgasae pingist pikemad või laiemad töödeldavad detailid võivad vajuda, kui neid kindlalt ei toetata. Kui lõigatav osa või töödeldav detail kaldub, võib see alumise kettakaitsme üles tõsta või pöörlev tera võib selle eemale paisata.
- **Ärge kasutage pingi pikenduse või täiendava toena teist inimest** Ebastabiilne tugi võib põhjustada ketta kinnikiilumise või töödeldava detaili paigalt nihkumise lõikamise ajal, tõmmates teie ja teie abilise pöörleva tera suunas.
- **Lõigatav osa ei tohi pöörleva saetera külge kinni jääda ega seda sinna vajutada** Piiramisel, nt pikkuse stopperite kasutamisel, võib lõigatav osa tera vastu kiiluda ja ootamatult eemale lennata.
- **Kasutage alati klambrit või kinnitusvahendit, mis on mõeldud ümara materjali (nt vardad või torud) õige kasutamiseks** Vardad kipuvad lõikamisel pöörlema, põhjustades tera „hammustamise“ ja töö teie käega terale tõmbamise.
- **Laske teral enne töödeldava detailiga kokkupuutumist täiskirvi saavutada** See vähendab töödeldava detaili eemalepaikamise ohtu.
- **Kui töödeldav osa või tera jääb kinni, lülitage nurgasaag välja. Oodake kuni kõik liikuvad osad seisukuvad ja eemaldage toiteallikas vooluvõrgust ja/ või eemaldage akukomplekt. Seejärel püüdke kinni jäänud materjal vabastada** Kui jätkate saagimist kinni jäänud töödeldava detailiga, võib see põhjustada kontrolli kaotamise või nurgasaagi kahjustada.
- **Pärast lõikamise lõpetamist vabastage lüliti, hoidke saepead all ja oodake enne lõigatud tüki eemaldamist tera seiskumiseni** Järelepöörleva tera poole käe küünitamine on ohtlik.
- **Hoidke käepidet tugevalt kui teete lõpetamata lõiget või kui vabastate lüliti enne kui saepa on täielikult alumises asendis** Sae pidurdustegevus võib põhjustada saepa äkilisi allapoole liikumise, mis võib vigastusi põhjustada.

TÄIENDAVAD OHUTUSJUHISED

- Äkilised sissevoolud põhjustavad lühiajalisi pingelangusi; ebasobivate toiteallikate tingimustes võib muu varustus saada mõjutatud (kui toiteallika takistussüsteem on madalam kui 0,464 Ohm, on ebatõenäoline, et esineb häirimist); kui soovite edasist selgust, võite kontakteeruda oma kohaliku vooluallika asutusega

ÜLDIST

- Kasutage seadet ainult puudu lõikamiseks
- Kontrollige alati, kas võrgupinge ühtib tööriista andesildil toodud pingega
- **Ärge seiske tööriistal ega selle alusel** Tööriista ümberminemisel või juhuslikul kokkupuutel lõiketeraga, võib saada raskeid vigastusi. Ärge ladustage materjale tööriistal või selle lähedal nii, et nende kättesaamiseks tuleb tööriistale või selle alusele seista.
- **Enne seadme reguleerimist või tarviku vahetust eemaldage seade vooluvõrgust (tõmmake pistik pistikupesast välja)**
- **Ühendage pistik alati nurgasae transportimisel vooluvõrgust lahti** Ühendage lahti, langetage ja lukustage peakomplekt asendisse, kasutage käepidet ja ühte käelohkudest sae alusel.
- **Ärge lahkuge tööriistast enne selle täielikku seiskumist**
- **Korrapäratu kujuga töödeldavate detailide lõikamisel planeerige oma tööd nii, et see ei libiseks ega suruks tera ning ei paiskuse teie käte vahelt välja**
- Tööriista kasutaja peab olema vähemalt 16 aastat vana
- Tööriist ei sobi märgloigete tegemiseks

KASUTAMINE VÄLISTINGIMUSTES

- Tööde teostamisel välitingimustes tuleb kasutada rikkevoolu-kaitselüliti (FI max 30 mA käivitusvool) ning ainult välitingimustes kasutamiseks ette nähtud ja veepritsmete eest kaitsitud pistikupesaga pikendusjuhet

ENNE KASUTAMIST

- Pikendusjuhtmete kasutamisel jälgige, et juhe oleks lõpuni lahti keritud ja vastaks 16 A voolutugevusele
- Kandke kaitseprille, kõrvalklappe, ja kaitsekindaid
- Värviga kaetud juhtmed, mõned puiduliigid, mineraalid ja metall eraldavad tolmu, mis võib olla kahjulik (kokkupuude tolmuga või selle sissehingamine võib seadme kasutajal või läheduses viibival inimesel põhjustada allergilisi reaktsioone ja/või hingamisteede haigusi); **kandke tolmumaski ja vajaduse korral töötage külgeühendatava tolmueemaldusseadmega**
- Teatud tüüpi tolm on klassifitseeritud kantserogeenina (nt tammest ja kaset eralduv tolm), eriti koos puudu niiskuse reguleerimiseks kasutatavate lisanditega; **kandke tolmumaski ja vajaduse korral töötage külgeühendatava tolmueemaldusseadmega**
- Erinevate materjalide töötlemisel tekkiva tolmu käitlemisel tuleb järgida kehtivaid nõudeid
- **Asbestisaldava materjali töötlemine on keelatud** (asbest võib tekitada vähki)
- Ärge kunagi kasutage tööriista ilma originaalkaitseesadisteta
- Enne igat käitamist kontrollige, kas kaitseesadis sulgub korralikult
- Ärge käitage saagi, kui kaitseesadis ei liigu vabalt ega sulgu koheselt
- Ärge kunagi kinnitage ega siduge kaitseesadist avatud positsiooni

- Ärge kunagi kasutage seadet ilma pingi vahesiiluta; vahetage katkine või kulunud vahesiil välja
- Enne saagimise alustamist eemaldage kõik nii töödeldava materjali peal- kui allpool lõikejoonel asuvad takistused
- Vältige töödeldavas esemes olevatest kruvidest, naeltest vms põhjustatud kahjustusi; eemaldage need enne töö alustamist

TARVIKUID

- Ärge kunagi kasutage selles tööriistas lihvimis-/ lõikekettaid
- SKIL tagab seadme häireteta töö üksnes sobivate tarvikute kasutamisel, mis on saadaval meie edasimüüjate juures või SKILI lepingulistest töökodades
- Teiste tootjate tarvikute kasutamisel järgige valmistaja antud juhiseid
- Kasutage üksnes saekettaid, mis vastavad käesolevas kasutusjuhendis esitatud andmetele ja mis on kontrollitud ja tähistatud vastavalt standardile EN 847-1
- Kasutage vaid neid tarvikuid, mille lubatud pöörete arv on vähemalt sama suur nagu maksimaalsed tühikäigupöörded
- Kiirliiketerasest (HSS) saeketaste kasutamine on keelatud
- Keelatud on kasutada rebenenud või nürisid, samuti deformeerunud saelehti
- Kasutage ainult saelehti, mille augu diameeter vastab võlli diameetritele ilma lõtkuta; ärge kunati kasutage diameetri vähendajaid või adaptereid, mis võimaldaks paigaldada suurema auguga saelehti
- Kaitske tarvikuid löökide, põrutuste ja määrdeainete eest

KASUTAMISE AJAL

- **Ärge koormake tööriista üle** (jälgige, et surve oleks kerge ja pidev, et vältida lõiketera otste ülekuumenemist ja plasti lõikamise korral plastmaterjali sulamist)
- Hoidke sõrmed, käed ja käevarred eemal liikuvast saelehest
- Kui saeleht blokeerub, lülitage seade kohe välja ja eemaldage vooluvõrgust; ainult seejärel eemaldage kinnikiilunud töödeldav detail
- Tööriista blokeerumisel või elektrilise või mehhaanilise tõrke korral lülitage see viivitamatult välja ning eemaldage pistik vooluvõrgust
- Kui toitejuhe saab töötamisel ajal kahjustada või see lõigatakse läbi, ärge toitejuhet puutuge, vaid eemaldage koheselt pistik vooluvõrgust
- Ärge kasutage kunagi tööriista, kui juhe on kahjustatud; see tuleb välja vahetada spetsiaalse juhtme vastu, mille saate hooldusteenust osutavalt ettevõttelt.

LASERKIIRGUS

- **Ärge juhtige laserkiirt inimeste ega loomade suunas ja ärge viige ka ise pilku otsese või peegelduva laserkiire suunas** (vastasel korral võite inimesi pimestada, põhjustada õnnetusi või kahjustada silmi)
- Kui laserkiir tabab silma, tuleb silmad teadlikult sulgeda ja pea laserkiire tasandilt viivitamatult välja viia
- Ärge tehke laserseadmes mingeid muudatusi
- Ärge vaadake laserkiire sisse (laserkiirgus)
- Ärge kasutage laserkiire nähtavuse parendamiseks suurendavaid optilisi seadmeid (nt luupi, teleskoopi, binokliit)
- Ärge kasutage seadet tuleohtlike vedelike, gaaside või tolmu läheduses
- Seadme kasutamisel hoidke lapsed seadmest eemal
- Ärge vahetage paigaldatud laserit muu laseri vastu

PÄRAST KASUTAMIST

- Keelatud on pidurdada tarvikuid pärast tööriista väljalülitamist külgsurvega
- Eemaldage töötlemissäägid või muud töödeldavate detailide osad lõikamispiirkonnas ainult siis, kui liikuvad osad on täielikult seisunud
- Kasutamisel muutub saeleht väga kuumaks: ärge katsuge seda enne, kui see on maha jahtunud
- Hoidke seadet **sisetingimustes**, kuivas ja suletud kohas, lastele kättesaamatult

TÖÖRIISTAL OLEVATE SÜMBOLITE SELGITUS

- ② Enne kasutamist tutvuge kasutusjuhendiga
- ③ Kandke kaitseprille ja kõrvaklappe
- ④ **Ohtlik piirkond! Käte keelutsoon. Hoidke käed, sõrmed või käsivarred sellest piirkonnast eemal.**
- ⑤ Topeltisolatsioon (maandusjuhe pole vajalik)
- ⑥ Ärge visake kasutuskõlmatuks muutunud elektrilisi tööriistu ja patareisid ära koos olmejäätmetega
- ⑦ **Laserkiirgus / Ärge vaadake laserkiire sisse / Lasertoode klassist 2**

KASUTAMINE

- Montaaž
 - pange transpordikäepide kokku 2 poltide ja kuuskantvõtmega AK③
 - kinnitage nurgasae lukustusnupp AB pingi esiossa ⑩
- Transpordi/töösasend
 - Seadme vabastamiseks (**töö asend**)
 - vajutage käepide B ühe käega alla, tõmmates samal ajal teise käega C lukustustihvti ⑪a
 - viige peakomplekt aeglaselt üles
 - liiguri liikumisega saagimiseks vabastage lukustusnupp AE ⑪b
 - Seadme kinnitamiseks (**transpordi asend**)
 - libistage peakomplekt seisukamiseks juhiku poole S ja pingutage lukustusnuppu AE ⑪c
 - reguleerige vertikaalnurk väärtusele 0° (vt Vertikaalnurkade reguleerimine)
 - reguleerige horisontaalnurk väärtusele 45° vasakule või paremale (vt Horisontaalnurkade reguleerimine)
 - vajutage käepide B ühe käega alla, vajutades teise käega C lukustustihvti
 - elektrijuhtme üleskeeramine
 - kasutage transpordikäepidet E tööriista kandmiseks ⑪d
 - teise võimalusena kandke tööriista külgmiste käepidemetega ⑪e
- ! **ärge tõstke kunagi tööriista põhikäepidemest või toitejuhtmest**
- Seadme paigaldamine tööpinna ⑫
 - ! **ohutuks käitamiseks paigaldage seade alati tasasele kindlale tööpinna (nt tööpingile)**
 - kasutage 4 paigaldusauku F seadme kinnitamiseks tööpingile sobivate kruvide abil
 - seadet on võimalik tööpingile kinnitada ka poest saadaolevate kruviklambrite abil
 - tööriista stabiliseerimiseks saab tugijalg G reguleerida
 - teise võimalusena saab tööriista kinnitada nurgasae alusele
 - ! **lugege kõiki sae alusega seotud hoiatusi ja juhiseid**
- Tolmu/laastude eemaldamine ⑬
 - kinnitage tolmukott H/tolmuimeja vastavalt joonisele

- tühjendage tolmukoti regulaarselt tagab optimaalse tolmuimevõimsuse säilimise
- ! **jälgige, et tolmuimeja voolik ei tõkestaks kunagi alumise kettakaitsme funktsioneerimist ega takistaks saagimistööd**
- Saepingi pikendus (14)
 - Kasutage nuppe L pikendusvarraste kinnitamiseks K (tööriista mõlemal küljel)
 - pikendusvarraste K pikkust saab sammudeta minimaalse ja maksimaalse asendi vahel reguleerida
- Töödeldava detaili kinnitamine (15)
 - ! **parima tööohutuse saamiseks kinnitake töödeldava detaili alati kindlalt kaasasoleva reguleeritava klambri abil**
 - ärge töödelge detaile, mis on kinnitamiseks liiga väikesed
 - töödeldavate detailide **maksimaalsed** mõõtmed on antud tabelis (16)
 - kinnitage töödeldava detaili klamber kinnitusavasse N nupuga P (tööriista mõlemal küljel)
 - kasutage 1 2 sooni, kui töödeldava detaili paksus on kuni 4cm ja üle 4cm
 - suruge töödeldav detail kindlalt vastu juhikut S
 - lukustage hoob lahti R
 - kohaldage klamber vastavalt töödeldavale detailile
 - kinnitage töödeldav detail kindlalt lukustuskäepidemega R
 - ! **Teatud horisontaal- ja vertikaalnurkade puhul või sõltuvalt töödeldava detaili suuruselt võib olla töödeldava detaili klambri asemel vajalik kasutada kaubanduslikult kättesaadavaid kruviklambreid**
- Horisontaalnurkade reguleerimine (17)
 - lödvendage lukustuskäepidet AB
 - vajutage horisontaalnurga piiriku vastastuhooba AC
 - liigutage saepinki kas vasakule või paremale ning seadistage soovitud horisontaalne kaldenurk (vahemikus 0° kuni 47°), kasutades indikaatorit AD
 - vabastage hoob AC
 - pingutage lukustuskäepidet AB (**ärge pingutage käepidet liialt**)
 - kiireks ja täpseks sagedasti kasutatavate horisontaalsete kaldenurkade seadistamiseks (0°, 15°, 22,5°, 31,6°, 45°) lukustub horisontaalnurga piiriku vastavatesse asenditesse
- Vertikaalnurkade reguleerimine (18)
 - lödvendage kolmejalgne nupp U (18)b
 - kallutage saepead vasakule kuni vertikaalnurga indikaator V on soovitud vertikaalnurga asendis
 - hoidke saepead selles positsioonis ning pingutage nuppu U
- Kompleksoid (19)
 - kompleksoidete puhul on vajalik seadistada nii horisontaal- kui vertikaalnurgad
 - ! **ärge käitage saagi teatud horisontaal- ja vertikaalnurga kombinatsioonides, mis võivad põhjustada häireid sae libisevate ja paigalseivate osade vahel või libisevate osade ja töödeldava detaili vahel**
 - ! **katsetage tööriista alati algul proovitükil**
- Laserjoon (20)
 - tööriista täpseks juhtimiseks mõõda töödeldavale esemele märgitud lõikejoont
 - laserjoone sisse-/väljalülitamiseks vajutage lülile AA
- laser on joondatud lõike vasakule poolele
- laseri horisontaalset joondust saab hõlpsasti reguleerida kruviga Y
- ! **enne töö alustamist kontrollige laserjoone joondust tegeliku lõikejoone peal, tehes mõne praaktüki sisse proovilõike**
- Saagimine ilma liuguri liigutamiseta (väikesed töödelavad detailid)
 - vabastage lukustusnupp AE, kui see on kinni keeratud
 - libistage saepea seiskamiseks juhiku suunas S ja pingutage uuesti lukustusnupp AE
 - ! **mehhanismi lukustamata jätmine võib tera äkiliselt töödelava detaili peale tuua ning teie poole suunata**
 - asetage seade tööasendis
 - ! **veenduge, et töödelav detail on kindlalt klambriga kinnitatud saepingi ja juhiku vastu S**
 - lülitage tööriist sisse, vabastades lukustuse AG ja tõmmates toitelüliti AF (22)
 - ! **ärge ristake saepea kasutamisel käsi (21a)**
 - saagige töödelavat detaili ühtlases tempos
 - ! **enne saeketta viimist töödeldavasse materjali peab saag saavutama täiskiiruse**
 - lülitage seade välja, vabastades lüliti AF
 - enne saepea aeglaselt ülespoole suunamist oodake, kuni saetera on täielikult seiskunud
- Saagimine koos liuguri liikumisega (laiad töödelavad detailid)
 - ! **pidage meeles, et ohutult võib kasutada ainult allpool kirjeldatud meetodit**
 - ärge tõmmake saagi läbi töödelava detaili
 - vabastage lukustusnupp AE, kui see on kinni keeratud
 - ! **veenduge, et töödelav detail on kindlalt klambriga kinnitatud saepingi ja juhiku vastu S**
 - tõmmake saepea juhikust eemale S nii kaugemale, et saetera on otse töödelava detaili ees (23)
 - lülitage tööriist sisse, vajutage ohutuskangi AG ja tõmmates toitelüliti AF (22)
 - ! **ärge ristake saepea kasutamisel käsi (21a)**
 - lükake saepead juhiku poole S ja saagige töödelavat detaili ühtlases tempos (23)
 - ! **enne saeketta viimist töödeldavasse materjali peab saag saavutama täiskiiruse**
 - ! **kui alumine kettakaits ei avane automaatselt, mida võib teatud tingimustes juhtuda (nt töödelava detaili puhul, mis on maksimumsuurusele väga lähedal), tuleb teil kettakaits käitsi avada (21b)**
 - lülitage seade välja, vabastades lüliti AF
 - enne saepea aeglaselt ülespoole suunamist oodake, kuni saetera on täielikult seiskunud
- Soonte saagimine (24)
 - määrake sügavuspiirikuga AH soovitud lõikesügavus ja lukustage mutriga AJ
 - kogu soone ulatuses ühtlase sügavuse tagamiseks tuleb töödelava detaili ja juhiku vahele asetada puidust vahepuks
 - ! **veenduge, et saeleht ei kiiluks töödeldavasse detaili**
 - ! **katsetage tööriista alati algul proovitükil**
- Saeketta vahetus (25)
 - ! **eemaldage seade vooluvõrgust**
 - võtke hoidikust AL välja kuuskantvõti AK

- hoidke kaitset A avatud asendis
- lõdvendage katteplaadi kruvi AN (**ärge keerake kruvi täiesti otsast**) 25a
- keerake kaitse A täielikult tagurpidi 25b
- vajutage võlli lukustusnuppu AM ja hoidke see all, kui te eemaldate saelehe poldi AO, keerates kuuskantvõti AK **KELLAOSUTI SUUNAS** (= samas suunas nagu näitab saelehele trükitud nool)

! spindilulukustusnupule AM tohib vajutada ainult siis, kui seade ei tööta

- vabastage spindilulukustusnupp AM
- vabastage võlli lukustusnupp AP eemaldage äärik
- ! vahetage välja hammastega aseketas, jälgides, et kettal oleva noole suund ühtiks kettakaitsele oleva noole suunaga A**

- paigaldage flanš AP 25c
- vajutage spindilulukustusnupule AM ja hoidke seda all, samal ajal pingutage ketta polti kuuskantvõtmega AK 1/8 pööret VASTUPÄEVA (tagab saeketta libisemise kokkupuutel suure takistusega, vähendades mootori ülekoormust ja sae tagasilööki)
- pingutage katteplaadi kruvi AN

- Saepingi vaheliistu väljavahetamine AQ 25i
Kahjustunud või kulunud saepingi vaheliistu väljavahetamiseks toimige järgmiselt:

! eemaldage seade vooluvõrgust

- võtke hoidikust AL välja kuuskantvõti AK
- eemaldage kõik 6 kruvi vastavalt joonisele
- eemaldage vana saepingi vaheliist esmalt seda eestpoolt tõstes ja seejärel täielikult välja tõmmates
- asetage kohale uus saepingi vaheliist

! pingutage kindlalt kõik 6 kruvi

- Saelehe 90° joonduse kontrollimine/seadistamine 27

! eemaldage seade vooluvõrgust

- viige saepink 0° horisontaalnurga asendisse ja lukustage paigale
- viige saepea 0° vertikaalnurga asendisse
- langetage saepea ja lukustage paigale
- kontrollige 90° nurka saeketta ja pingi vahel nurgamöödikuga
- vajadusel reguleerige saeketta 90° joondust järgmiselt
 1. lõdvendage kolmejalgne nupp U
 2. Reguleerige kruvi W saeketta võtmega 10 (ei kuulu standardkomplekti)
 3. kontrollige nurgaga üle
 4. lähtestage vertikaalnurga V näidik väärtusele 0°

- Saelehe 45° joonduse kontrollimine/seadistamine 28

! eemaldage seade vooluvõrgust

- viige saepink 0° horisontaalnurga asendisse ja lukustage paigale
- lõdvendage kolmejalgne nupp U
- keerake saepea vasakule
- kontrollige 45° nurka saeketta ja pingi vahel horisontaalse nurgamöödikuga
- kontrollige, et vertikaalnurga indikaator V on 45° juures
- vajadusel reguleerige saeketta 45° joondust järgmiselt[!]
 1. keerake kruvi X saeketta võtmega 10 (ei kuulu standardkomplekti)
 2. kontrollige lõikenurgaga üle

- Juhiku 90° joonduse kontrollimine/seadistamine 29

! eemaldage seade vooluvõrgust

- viige saepink 0° horisontaalnurga asendisse ja lukustage paigale

- langetage saepea ja lukustage paigale
- kontrollige 90° nurka saeketta ja juhiku vahel S nurgamöödikuga (veenduge, et nurgamöödik on kontaktis saelehe kere, mitte selle hammastega 29a
- vajadusel reguleerige saeketta 90° joondust järgmiselt:
 1. lõdvendage 2 tähtkruvi T 29b
 2. reguleerige juhikut, kuni saelett ja juhik puutuvad täielikult kokku nurgamöödikuga
 3. pingutage 2 tähtkruvi T
 4. lähtestage horisontaalnurga näidik väärtusele 0° 29c

TÖÖJUHISED

- Eriomased töödeldavad detailid
 - toestage alati pika töödeldava detaili vabasid otsi 30
 - veenduge, et kumerad või ümmargused töödeldavad detailid oleks kindlalt kinnitatud, et vältida nende libisemist 31
 - lõikejoonel ei tohi esineda vaba ruumi töödeldava detaili ja juhiku või saepingi vahel
 - vajaduse korral kasutage täiendavat juhikut; liugjuhiku avasid saab kasutada täiendava juhiku 32 kinnitamiseks
- ! täiendavat juhikut saab kasutada ainult 0° vertikaalnurgaga**
- Põrandale paigaldatavate vormide töötlemiseks võib juhiseana 33 kasutada joonist
- Asetage töödeldav ese alati ilusama poolega allapoole, et viia materjalikahjustused miinimumini
- Kasutage üksnes õiget tüüpi teravaid saekettaid
 - lõikekvaliteet paraneb saeketta hammaste arvu suurenedes
 - kõvasulam-saeketaste kasutusiga on võrreldes tavaliste saeketastega kuni 30 korda pikem

HOOLDUS/TEENINDUS

- Hoidke seade ja toitejuhe alati puhtad (eriti õhutusavad, mis asuvad mootorikorpuse tagaosas)
- Töötage välja regulaarne kontroll veendumaks, et alumine kettakaitse töötab nõuetekohaselt. Puhastage alumist kettakaitset saetolmust niiske lapiga.
 - ! enne puhastamist eemaldage seade vooluvõrgust**
 - Tõstke alumine kettakaitse täielikult avatud asendisse ja vabastage; kui see ei sulgu kohe ja täielikult, tuleb seda kontrollida SKIL-i elektritööriistade remonditöökojas
- Puhastage saeketas kohe pärast kasutamist (eelkõige vaigu- ja liimijääkidest)
 - ! kasutamisel muutub saelett väga kuumaks: ärge katsuge seda enne, kui see on maha jahtunud**
- Puhastage laservalgustit AC iga kasutuskorra järel pehme harjaga, et säilitada laserijoon hea nähtavus (ärge muutke laseri seadistust)
- Tööriist on hoolikalt valmistatud ja testitud; kui tööriist sellest hoolimata rikki läheb, tuleb see lasta parandada SKILi elektriliste käsitööriistade volitatud remonditöökojas
 - toimetage **lahitimonteerimata** seade koos ostukviitungiga tarnijale või lähimasse SKILi lepingulisse töökotta (aadressid ja tööriista varuosade joonise leiate aadressil www.skil.com)
- Arvestage sellega, et garantii ei hõlma seadme ülekoormamisest või ebaõigest käsitsemisest tulenevaid kahjustusi (taevet SKILi garantiitingimuste kohta

vaadake veebilehelt www.skil.com või küsige kohalikult müügiesindajalt)

KESKKOND

- **Ärge visake kasutuskõlbmatuks muutunud elektrilisi tööriistu, patareisid, lisatarvikuid ja pakendeid ära koos olmejäätmetega** (Üksnes EL liikmesriikidele)
 - vastavalt Euroopa Parlamendi ja nõukogu direktiivile 2012/19/EÜ elektri- ja elektroonikaseadmete jäätmete kohta ning direktiivi nõuete kohaldamisele liikmesriikides tuleb kasutuskõlbmatuks muutunud elektrilised tööriistad koguda eraldi ja keskkonnasäästlikult korduvkasutada või ringlusse võtta
 - seda meenutab Teile sümbol ⑥

MÜRA

- Standardi EN 62841 järgi mõõdetud tööriista helirõhu tase on 100,0 dB(A) ja helivõimsuse tase on 109,5 dB(A) (määramatus K = 3 dB)
- Mürasäde tase on mõõdetud vastavalt standardile EN 62841; seda võib kasutada tööriistade võrdlemiseks ja tööriista kasutamisel ettenähtud töödeks esineva müra esialgseks hindamiseks
 - tööriista kasutamisel muudeks rakendusteks või teiste/halvasti hooldatud tarvikute kasutamisel võib vibratsioon märkimisväärselt **suurened**
 - ajal, kui tööriist on väljalülitatud või on küll sisselülitatud, kuid tegelikult seda ei kasutata, võib vibratsioon märkimisväärselt **vähened**

LV

Leņķzāģis ar asmens pārbīdi 1310 IEVADS

- Šo instrumentu ir paredzēts lietot kā stacionāru darbmašīnu kokmateriālu garenzāģēšanai un šķērszāģēšanai, veidojot tajos taisnos zāģējuma, kā arī slīpos zāģējuma (horizontālā zāģējuma leņķi no -47° līdz +47° kā arī slīpie zāģējumi ar leņķi no 0° līdz 45° arī ir iespējami)
- Izlasiet un saglabājiet šo pamācību ②
- Šis darbarīks nav paredzēts profesionālai lietošanai
- **Izmantojiet instrumentu tikai, kad tas ir pareizi un pilnībā samontēts** (ņemiet vērā, ka Skil nevar būt atbildīgs par instrumenta bojājumiem un/vai personīgiem savainojumiem, kas radušies nepareizas instrumenta montāžas rezultātā)

TEHNISKIE PARAMETRI ①

INSTRUMENTA ELEMENTI ⑧

- A Apakšējais aizsargs
- B Slēdža rokturis
- C Fiksējoša tapa transportēšanai
- D Augšējais aizsargs
- E Transportēšanas rokturis
- F Ateres uzstādīšanai
- G Atbalsta pamatne
- H Putekļu maiss
- J Putekļu izvadatvere

- K Pagarinājuma stienī
- L Skrūves pagarinājuma stienī fiksēšanai
- M Spailes detaļas fiksēšanai
- N Atbalsta atvere
- P Skrūve spailes nostiprināšanai
- Q Skrūve spailes noregulēšanai
- R Piestiprināšanas svira
- S Vadotne
- T Sešstūra skrūves vadotnes noregulēšanai (2x)
- U Fiksējošs uzgrieznis (slīpuma leņķim)
- V Slīpuma leņķa indikators
- W Skrūve slīpuma leņķa noregulēšanai (labā puse)
- X Skrūve slīpuma leņķa noregulēšanai (kreisā puse)
- Y Lāzera korekcijas skrūve
- Z Lāzera gaismas
- AA Lāzera ieslēgšanas/izslēgšanas slēdzis
- AB Fiksējošais rokturis (zāģējumam leņķī)
- AC Zāģēšanas ripas sprūda atlaišanas svira
- AD Zāģējuma leņķa indikators
- AE Bīdņa fiksējošā skrūve
- AF Ieslēgšanas/izslēgšanas slēdzis
- AG Drošības svira
- AH Zāģēšanas dziļuma ierobežotājs
- AI Dziļuma atdure
- AJ Dziļuma atdures uzgrieznis
- AK Sešstūra stienīatslēga
- AL Nodalījums sešstūra stienīatslēgas glabāšanai
- AM Darbvārpstas fiksācijas poga
- AN Pārsedzošās plāksnes skrūve
- AO Zāģa asmens stiprinošā skrūve
- AP Paplāksne
- AQ Galda starplika
- AR Putekļu novadītājs

DROŠĪBA

VISPĀRĒJIE NOTEIKUMI ELEKTROINSTRUMENTU DROŠAI LIETOŠANAI

⚠ BRĪDINĀJUMS Iepazīstieties ar visiem šī elektroinstrumenta drošas lietošanas noteikumiem, norādījumiem, attēliem un specifiskajām. Visu turpmāk sniegto norādījumu neizpildes rezultātā lietotājs var ciest no elektrošoka, var izvērsties ugunsnelaime un/vai rasties smagi ievainojumi.

Saglabājiet visus noteikumus un norādījumus turpmākai atsaucēi.

Noteikumos minētais termins "elektroinstruments" nozīmē ar strāvu darbināmu (ar vadu aprīkotu) vai ar akumulatoru darbināmu (bezvadu) elektroinstrumentu.

1) DROŠĪBA DARBA VIETĀ

- Seko** jiet, lai darba vieta būtu tīra un sakārtota. Nekārtīgā darba vietā vai sliktā apgaismojumā var viegli notikt nelaimes gadījums.
- Nelietojiet elektroinstrumentu eksplozīvu vai ugunsnedrošu vielu tuvumā un vietās ar paaugstinātu gāzes vai putekļu saturu gaisā.** Darba laikā instruments nedaudz dzirksteļo, un tas var izsaukt viegli degošu putekļu vai tvaiku aizdegšanos.
- Lietojot elektroinstrumentu, neļaujiet nepiederošām personām un jo īpaši bērniem tuvoties darba vietai.**

Citu personu klātbūtnē var novērst uzmanību, un tā rezultātā jūs varat zaudēt kontroli pār instrumentu.

2) ELEKTRODROŠĪBA

- a) **Elektroinstrumenta kontaktdakšai jābūt piemērotai elektrotīkla kontaktlīgzdai. Kontaktdakšas konstrukciju nedrīkst nekādā veidā mainīt. Nelietojiet kontaktdakšas salāgotājus, ja elektroinstrumentas caur kabeli tiek savienots ar aizsargzēmējuma ķēdi. Neizmainītas konstrukcijas kontaktdakša, kas piemērota kontaktlīgzdai, ļauj samazināt elektriskā trieciena saņemšanas risku.**
 - b) **Darba laikā nepieskarieties saņemtiem priekšmetiem, piemēram, caurulēm, radiatoriem, plītvīm vai ledusskapjiem. Pieskaroties saņemtiem virsmām, pieaug risks saņemt elektrisko triecienu.**
 - c) **Nelietojiet elektroinstrumentu lietus laikā, neturiet to mitrumā. Mitrumam iekļūstot instrumentā, pieaug risks saņemt elektrisko triecienu.**
 - d) **Nenesiet un nepiekariet elektroinstrumentu aiz elektrokabeļa. Neraujiet aiz kabeļa, ja vēlaties atvienot instrumentu no elektrotīkla kontaktlīgzdas. Sargājiet elektrokabeļi no karstuma, eļļas, asām šķautnēm un instrumenta kustīgajām daļām. Bojāts vai samezģojies elektrokabeļis var būt par cēloni elektriskajam triecienam.**
 - e) **Darbinot elektroinstrumentu ārpus telpām, izmantojiet tā pievienošanai vienīgi tādas pagarinātājkabeļus, kuru lietošana ārpus telpām ir atļauta. Lietojot elektrokabeļi, kas piemērots darbam ārpus telpām, samazinās risks saņemt elektrisko triecienu.**
 - f) **Ja elektroinstrumentu tomēr nepieciešams lietot vietās ar paaugstinātu mitrumu, izmantojiet tā pievienošanai noplūdes strāvas aizsargreleju. Lietojot noplūdes strāvas aizsargreleju, samazinās risks saņemt elektrisko triecienu.**
- ## 3) PERSONISKĀ DROŠĪBA
- a) **Darba laikā saglabājiet paškontroli un rīkojieties saskaņā ar veselo saprātu. Pārtrauciet darbu, ja jūtaties noguris vai atrodaties alkohola, narkotiku vai medikamentu izraisītā reibumā. Strādājot ar elektroinstrumentu, pat viens neuzmanības mirklis var būt par cēloni nopietnam savainojumam.**
 - b) **Izmantojiet individuālos darba aizsardzības līdzekļus un darba laikā vienmēr nēsājiet aizsargbrilles. Individuālo darba aizsardzības līdzekļu (putekļu maskas, neslīdošu apavu un aizsargķiveres vai ausu aizsargu) pielietošana atbilstoši elektroinstrumenta tipam un veicamā darba raksturam ļauj izvairīties no savainojumiem.**
 - c) **Nepieļaujiet elektroinstrumenta patvaļīgu ieslēgšanos. Pirms elektroinstrumenta pievienošanas elektrotīklam, akumulatora ievietošanas vai izņemšanas, kā arī pirms elektroinstrumenta pārnesšanas pārliecinieties, ka tas ir izslēgts. Pārnesot elektroinstrumentu, ja pirksts atrodas uz ieslēdzēja, kā arī pievienojot to elektrobarošanas avotam laikā, kad elektroinstrumentis ir ieslēgts, var viegli notikt nelaimes gadījums.**
 - d) **Pirms instrumenta ieslēgšanas neaizmirstiet izņemt no tā regulējošos instrumentus vai skrūvjatslēgas. Patronatslēga vai skrūvjatslēga, kas instrumenta ieslēgšanas brīdī nav izņemta no tā, var radīt savainojumu.**

- e) **Strādājot ar elektroinstrumentu, ieturiet stingru stāju. Darba laikā vienmēr saglabājiet līdzsvaru un centieties nepaslidēt. Tas atvieglos instrumenta vadību neparedzētās situācijās.**
 - f) **Izvēlieties darbam piemērotu apģērbu. Darba laikā nenēsājiet brīvi plandošas drēbes un rotaslietas. Netuviniet garus matus un drēbes elektroinstrumenta kustīgajām daļām. Vaļīgas drēbes, rotaslietas un gari mati var iekerties instrumenta kustīgajās daļās.**
 - g) **Ja elektroinstrumenta konstrukcija ļauj tam pievienot ārējo putekļu uzsūkšanas vai savākšanas/uzkrāšanas ierīci, sekojiet, lai tā tiktu pievienota elektroinstrumentam un pareizi darbotos. Pielietojot putekļu uzsūkšanu vai savākšanu/uzkrāšanu, samazinās tokaitīgā ietekme uz strādājošās personas veselību.**
 - h) **Nepaļaujieties uz iemaņām, kas tiek iegūtas, bieži lietojot instrumentus, nesliegštie pašapmierinātībā un neignorējiet instrumenta drošas lietošanas principus. Neuzmanīgas rīcības dēļ dažās sekundes daļās var gūt nopietnu savainojumu.**
- ## 4) ELEKTROINSTRUMENTU LIETOŠANA UN APKOPE
- a) **Nepārslodojiet elektroinstrumentu. Katram darbam izvēlieties piemērotu instrumentu. Elektroinstrumentus darbosies labāk un drošāk pie nominālās slodzes.**
 - b) **Nelietojiet elektroinstrumentu, ja ir bojāts tā ieslēdzējs. Elektroinstrumentis, ko nevar ieslēgt un izslēgt, ir bīstams lietošanai un to nepieciešams remontēt.**
 - c) **Pirms elektroinstrumenta apkopes, regulēšanas vai darbinstrumenta nomaīņas atvienojiet tā kontaktdakšu no barojošā elektrotīkla vai izņemiet no tā akumulatoru, ja tas ir izņemams. Šādi iespējams samazināt elektroinstrumenta nejaušas ieslēgšanas risku.**
 - d) **Elektroinstrumentu, kas netiek darbināts, uzglabājiet piemērotā vietā, kur tas nav sasniedzams bērniem un personām, kuras neprot rīkoties ar instrumentu. Ja elektroinstrumentu lieto nekompetentas personas, tas var apdraudēt cilvēku veselību.**
 - e) **Savlaicīgi apkalpojiet elektroinstrumentus un to piederumus. Pārbaudiet, vai kustīgās daļas darbojas bez traucējumiem un nav iespīlētas, vai kāda no daļām nav salauzta vai bojāta, vai katra no tām pareizi funkcionē un pilda tai paredzēto uzdevumu. Nodrošiniet, lai bojātās daļas tiktu savlaicīgi nomainītas vai remontētas pilnvarotā remontu darbnīcā. Daudzi nelaimes gadījumi notiek tāpēc, ka elektroinstrumentis pirms lietošanas nav pienācīgi apkalpots.**
 - f) **Savlaicīgi notīriet un uzasiniet griezošos darbinstrumentus. Rūpīgi kopti instrumenti, kas apgādāti ar asiem griezējinstrumentiem, ļauj strādāt daudz ražīgāk un ir vieglāk vadāmi.**
 - g) **Lietojiet vienīgi tādas elektroinstrumentus, papildpiederumus, darbinstrumentus utt., kas paredzēti attiecīgajam pielietojuma veidam. Bez tam jāņem vērā arī konkrētie darba apstākļi un pielietojuma īpatnības. Elektroinstrumentu lietošana citiem mērķiem, nekā to ir paredzējusi ražotājfirma, ir bīstama un var novest pie neparedzamām sekām.**

- h) **Uzturiet elektroinstrumenta rokturus un noturvīrsmas sausas un tīras, sargājiet tās no eļļas un smērvielām.** Slideni rokturi un noturvīrsmas traucē efektīvi rīkoties ar elektroinstrumentu un to droši vadīt neparedzētās situācijās.
- 5) **APKALPOŠANA**
- a) **Nodrošiniet, lai Instrumenta remontu veiktu kvalificēts personāls, nomaīnai izmantojot oriģinālās rezerves daļas un piederumus.** Tikai tā iespējams panākt instrumenta ilgstošu un nevainojamu darbību bez atteikumiem.

LEŅĶZĀĢU DROŠĪBAS INSTRUKCIJAS

- **Leņķzāģi ir paredzēti koka vai koksnes izstrādājumu zāģēšanai, tos nevar izmantot, lai piestiprinātu abrazīvās griešanas ripas un ar tām zāģētu metāla materiālus, piemēram, stieņus, latus, spraišļus utt.** Abrazīvu putekļu dēļ var iesprūst kustīgās detaļas, piemēram, apakšējais aizsargs. Abrazīvās griešanas rezultātā radušās dzirksteles apdedzinās apakšējo aizsargu, ielocīto aizsargu un citas plastmasas detaļas.
- **Kad vien iespējams, sagataves nostiprināšanai izmantojiet spaiļes.** Ja sagatavi turat ar roku, tai vienmēr jāatrodas vismaz 100 mm attālumā no zāģa asmens. Neizmantojiet šo zāģi tādu gabalu nozāģēšanai, kas ir pārāk mazi, lai tos varētu droši nostiprināt vai turēt ar roku. Ja jūsu roka atrodas pārāk tuvu zāģa asmenim, paaugstinās risks gūt savainojumu, rokai saskaroties ar asmeni.
- **Sagatavei jābūt nekustīgai un piestiprinātai vai tā jātur, piespiesta pie vadotnes un darbagalda.** Nevirziet sagatavu virzienā uz asmeni un neizāģējiet to, brīvi turot rokās. Nenofiksētas vai kustīgas sagataves var tikt mestas lielā ātrumā, izraisot savainojumus.
- **Bīdīet zāģi cauri sagatavei.** Nevelciet zāģi cauri sagatavei. Lai zāģētu, paceliet zāģa galvu un izvelciet to virs sagataves, neveicot zāģēšanu, ieslēdziet motoru, pabīdīet zāģa galvu uz leju un izspiediet zāģi cauri sagatavei. Zāģējot ar vilkšanas kustību, ļoti iespējams, ka zāģa asmens nonāks uz sagataves virsmas un strauji trieksies operatora virzienā.
- **Nekad nelieciet roku krusteniski zāģa asmens priekšā vai aiz tā vietā, kurā ir plānots veikt zāģējumu.** Sagataves balstīšana "krukeniski", t.i., turēšana pa labi no zāģa ar kreiso roku vai otrādi, ir ļoti bīstama.
- **Nesniedzieties ar roku pāri vadotnei tuvāk par 100 mm no zāģa asmens, lai aizvāktu koksnes atgriezumus vai jebkāda cita iemesla dēļ, kamēr griežas asmens.** Kustīgā zāģa asmens tuvums rokai var nebūt acīmredzams, un jūs varat gūt smagus savainojumus.
- **Pirms zāģēšanas pārbaudiet sagatavi.** Ja sagatave ir saliekusies vai savijusies, nostipriniet to ar ārējo izliekto virsmu pret vadotni. Vienmēr pārliecinieties, ka starp sagatavi, vadotni un darbagalda zāģēšanas līnijā nav spraugas. Saliekta vai savīta sagataves var sagriezties vai nobīdīties un zāģēšanas laikā pieķerties rotējošam zāģa asmenim. Sagatavē nedrīkst būt naglas vai svešķermeņi.
- **Neizmantojiet zāģi, kamēr no darbagalda nav noņemti visi instrumenti, aizvākti koksnes atgriezumus utt., atstājot tikai sagatavi.** Sīki grūzi vai

nepiestiprināti koksnes gabali, vai citi priekšmeti, kas nonāk saskarē ar rotējošo asmeni, var lidot ļoti lielā ātrumā.

- **Vienlaicīgi grieziet tikai vienu sagatavi.** Vairākas vienlaikus kopā saliktas sagataves nav iespējams atbilstoši nofiksēt vai sastiprināt, un tās griešanas laikā var pieķerties asmenim vai izkustēties.
- **Leņķzāģi pirms izmantošanas uzstādi uz līdzenas, stingras darba virsmas.** Līdzena un stingra darba virsma samazina risku, ka leņķzāģis varētu kļūt nestabils.
- **Plānojiēt savu darbu! Katru reizi, kad maināt slīpuma vai ripas leņķa iestatījumu, pārliecinieties, ka regulējamā vadotne tiek iestatīta pareizi, lai atbalstītu sagatavi, un ka tā netraucē asmenim vai aizsargalemeņiem.** Neieslēdzot iekārtu un nenovietojot uz darbagalda sagatavi, veiciet pilnu simulētu zāģēšanas kustību, lai pārliecinātos, ka nebūs nekādu šķēršļu vai vadotnes sazāģēšanas riska.
- **Sagatavēm, kas ir platākas vai garākas par darbagalda virsmu, nodrošiniet piemērotus balstus, piemēram, darbagalda pagarinājumus, materiālu atbalstus u.c.** Sagataves, kas ir platākas vai garākas par darbagalda virsmu, drošas nenostiprināšanas gadījumā var sašķiebties. Ja nogriežamais gabals vai sagatave sašķiebtas, tā var pacelt apakšējo aizsargu vai arī to var aizsviest pa gaisu rotējošais asmens.
- **Darbagalda pagarinājumu vai papildu atbalstu neizstājiet ar citu cilvēku.** Nestabils sagataves atbalsts zāģēšanas laikā var izraisīt asmens pieķeršanos vai sagataves izkustēšanos, ievēlot jūs un palīgu rotējošajā asmenī.
- **Nogriežamais gabals nekādā veidā nedrīkst iesprūst vai tikt piespiests pie rotējošā zāģa asmens.** Ja tas tiek ierobežots ar garuma atduriem, nogriežamais gabals var saskarties ar asmeni un var tikt strauji aizsviests pa gaisu.
- **Vienmēr izmantojiet spaiļi vai armatūru, kas īpaši paredzēta, lai atbilstoši turētu apalus materiālus, piemēram, stieņus vai caurules.** Stieņi zāģēšanas laikā mēdz velties, kā dēļ asmens var tajos "ieķerties" un kopā ar darba materiālu var vilt jūsu roku virzienā uz asmeni.
- **Pirms asmens saskaras ar sagatavi, ļaujiet tam uzņemt maksimālos apgriezienus.** Tādējādi tiks samazināts sagataves aizsviešanas risks.
- **Ja sagatave vai asmens iesprūst, izslēdziet leņķzāģi.** Pagaidiet, līdz apstājas visas kustīgās detaļas, un tad atvienojiet spraudni no elektrības avota un/vai izņemiet akumulatoru. Pēc tam atbrīvojiet iesprūdušo materiālu. Zāģējot ar iesprūdušu sagatavi, varat zaudēt kontroli pār leņķzāģi vai to sabojāt.
- **Pēc zāģēšanas pabeigšanas atļaidiet slēdzi, turiet zāģi ar galvu uz leju, pagaidiet, līdz pārstāj griezties asmens, un tikai tad paņemiet nozāģēto gabalu.** Rokas tuvināšana rotējošam asmenim ir bīstama.
- **Stingri turiet rokturi, kad veicat tikai izzāģēšanu vai kad atļaidat slēdzi, pirms zāģa galva nonāk zemākajā pozīcijā.** Zāģa bremzēšanas darbība var izraisīt tā galvas pēkšņu vilšanu uz leju, radot savainojuma risku.

PAPILDUS DARBA DROŠĪBAS NOTEIKUMI

- Strāvas pieaugums kādēd rada īslaicīgus sprieguma kritumus; ja ir nelabvēlīgi strāvas padeves nosacījumi, var tikt ietekmēts cits aprīkojums (traucējumi parasti nav novērojami, ja elektroapgādes sistēmas pilna

iekšējā pretestība nepārsniedz 0,464 omus); ja Jums ir nepieciešams sīkāks skaidrojums, varat sazināties ar vietējo elektroapgādes iestādi

VISPĀRĒJA INFORMĀCIJA

- Instrumentu izmantojiet tikai kokmateriālu zāgēšanai
- Vienmēr pārliecīnieties, ka spriegums, kas uzrādīts uz instrumenta marķējuma plāksnītes, atbilst padeves spriegumam elektrotīklā
- Nestāviet uz instrumenta vai tā statīva** Instrumentam sašķiebjoties vai nejauši pieskaroties zāgēšanas rīkam, var gūt smagus savainojumus. Neuzglabāriet materiālus uz instrumenta vai tā tuvumā tādā veidā, lai to aizsniegtānai būtu jākāpj uz instrumenta vai tā statīva.
- Pirms instrumenta regulēšanas vai piederumu nomaiņas atvienojiet to no barojošā elektrotīkla**
- Pirms leņķzāga pārvietošanas vienmēr atvienojiet spraudni no elektrības avota** Atvienojiet, nolaidiet zemāk galvas bloku un nofiksējiet to pozīcijā, izmantojiet pārnēsāšanas rokturi un vienu no zāga pamatnē esošajiem ierobežojumiem.
- Neatstājiet instrumentu bez uzraudzības, pirms tā darbība pilnībā beigusies**
- Zāgējot neregulāras formas sagataves, plānojat darbu tā, lai tās neizkustētos un nepiespiestos asmenim, tādējādi tiekot izrautas no jūsu rokām**
- Šo instrumentu nedrīkst izmantot personas, kas jaunākas par 16 gadiem
- Šis ripzāģis nav paredzēts mitru priekšmetu zāgēšanai

STRĀDĀJOT ĀRPUS TĒLPĀM

- Ja instrumentu tiek izmantots ārpus telpām, pievienojiet to elektriskajam spriegumam izmantojot noplūdes strāvas releju - pārtraucēju, kas nostrādā, ja strāva instrumenta aizsargzemējuma ķēdē pārsniedz 30 mA; ārpus telpām izmantojiet tikai šādai lietošanai paredzētus elektrotīkla pagarinātājkabeļus, kuri ir apgādāti ar ūdensdrošu kontaktligzdu

PIRMS DARBA UZSĀKŠANAS

- Lietojiet pilnīgi attīstus un drošus pagarinātājkabeļus, kas paredzēti 16 A strāvai
- Darba laikā uzvelciet aizsargbrilles, ausu aizsargus, un aizsargcimdus
- Materiāla (piemēram, svīnu saturošas krāsas, dažu koka šķirņu, minerālu un metāla) putekļi var būt kaitīgi (saskare ar putekļiem vai to ieelpošana var izraisīt alerģiskas reakcijas un/vai elpošanas ceļu saslimšanas operatoram vai klātesošajiem); **izmantojiet putekļu masku un putekļsūcēju, ja to iespējams pievienot**
- Dažu veidu putekļi ir klasificēti kā kancerogēni (piemēram, ozola vai dižskābarža putekļi); jo īpaši apvienojumā ar koksnes kondicionēšanas piedevām; **izmantojiet putekļu masku un putekļsūcēju, ja to iespējams pievienot**
- Ievērojiet ar putekļu savākšanu saistītos nacionālos noteikumus, kas attiecas uz apstrādājamajiem materiāliem
- Neapstrādājiet materiālus, kas satur azbestu** (azbestam piemīt kancerogēnas īpašības)
- Nelietojiet ripzāģi, ja uz tā nav nostiprināti visi paredzētie asmens aizsargi
- Pirms katras lietošanas reizes pārbaudiet vai aizsargs ir atbilstoši aizvērts
- Nedarbiniet zāģi, ja aizsargs brīvi nekustas un momentāni neaizveras
- Nekad nesastipriniet vai nesavienojiet aizsargu atvērtā stāvoklī
- Nekad nelietojiet instrumentu bez galda starplikas; nomainiet bojātu vai nodilušu galda starpliku

- Pirms zāgēšanas nodrošiniet, lai zāgējuma trase no abām zāgējamā priekšmeta pusēm tiktu atbrīvota no jebkāda veida šķēršļiem
- Izvaiieties no instrumenta bojājumiem, ko var radīt apstrādājamajā priekšmetā esošās skrūves, naglas vai citi līdzīgi objekti; pirms darba uzsākšanas atbrīvojiet apstrādājamo materiālu no šādiem priekšmetiem

PIEDERUMI

- Neiestipriniet ripzāģi slīpēšanas vai griešanas diskus ar šo instrumentu
- SKIL garantē instrumenta nevainojamu darbību tikai tad, ja tiek lietoti pareizi izvēlēti papildpiederumi, kas iegādāti pie SKIL oficiālā izplatītāja
- Uzstādot/izmantojot citu firmu papildpiederumus, ievērojiet to ražotāju sniegtās instrukcijas
- Izmantojiet tikai zāga asmeņus, kas atbilst šajā lietošanas pamācībā noteiktajiem parametriem, ir pārbaudīti atbilstoši standarta EN 847-1 prasībām un attiecīgi marķēti
- Lietojiet tikai tādus darbinstrumentus, kuru pielājamais darbības ātrums ir vismaz tikpat liels, kā instrumenta maksimālais brīvgaitas ātrums
- Neiestipriniet zāģi asmeņus, kas izgatavoti no ātrgriezējterauda (HSS)
- Neizmantojiet ieplaisājušus, deformētus vai neasus zāga asmeņus
- Lietojiet tikai zāga asmeņus ar atveres diametru, kas pielāgojas instrumenta darbvārpstai bez spēles; nekad nelietojiet palīgpiederumus vai adapterus, lai pielāgotu zāga asmeņus ar lielāku atveri
- Sargājiet darbinstrumentus no triecieniem, sitieniem un smērvielām

DARBA LAIKĀ

- Nemēģiniet darbinstrumentam piemērot spēku** (piemērojiet vieglu un nepārtrauktu spiedienu, lai izvairītos no asmens galu pārkaršanas, vai, ja tiek griezta plastmasa, no plastmasas materiāla kušanas)
- Neturiet pirkstus, rokas un plaukstas rotējošā zāga asmens tuvumā
- Ja zāga asmens tiek bloķēta, nekavējoties izslēdziet instrumentu un atvienojiet elektrības vadu; tikai pēc tam izņemiet iekļēto zāgmateriālu
- Ja iestrēgst ripzāga asmens vai notiek jebkura cita mehāniska vai elektriska rakstura klūme, nekavējoties izslēdziet instrumentu un atvienojiet to no barojošā elektrotīkla
- Ja darba laikā tiek pārgriezts vai citādi mehāniski bojāts instrumenta elektrokabelis, nepieskarieties tam, bet nekavējoties atvienojiet elektrokabeļa kontaktdakšu no barojošā elektrotīkla
- Nekad neizmantojiet instrumentu, ja bojāts tā vads; tas jānomaina pret speciāli sagatavotu kabeli, kas pieejams servisa uzņēmumā.

LĀZERA IZSTAROJUMS

- Neversniet lāzera staru citu personu vai mājdzīvnieku virzienā un neskatieties tiešajā vai atstarotajā lāzera starā** (šāda rīcība var apžilbināt tuvumā esošas personas, izraisīt nelaimes gadījumus vai pat bojāt redzi)
- Ja lāzera starojums nokļūst acīs, nekavējoties aizveriet tās un pārvietojiet galvu tā, lai tā atrastos ārpus lāzera stara
- Neveiciet nekādas izmaiņas ar lāzera ierīci
- Neskatieties lāzera starā (lāzera izstarojums)
- Nelietojiet nekādus palielinošos optiskos instrumentus (piemēram, palielinošos stiklus, teleskopus vai binokļus), lai vērotu lāzera staru

- Nedarbiniet instrumentu, ja darba vietas tuvumā atrodas viegli degoši šķidrums, gāzes vai putekļi
- Nedarbiniet instrumentu, ja tuvumā atrodas bērni
- Neaizvietojiet uzstādīto lāzeri ar cita tipa lāzeri

PĒC DARBA PABEIGŠANAS

- Pēc instrumenta izslēgšanas nebremzējiet rotējošo darbinstrumentu ar sānspiedienu
- Atgrieziet instrumentu citā zāgmateriāla daļas noņemiet no zāgēšanas zonas tikai tad, kad visas kustīgās detaļas ir pilnībā apstājušās
- darba gaitā zāga asmens stipri sakarst; tāpēc nepieskarieties tam, pirms tas nav atdzisis
- Uzglabājiet instrumentu **tiepās** sausā, augstu izvietotā vietā, kur tas nav pieejams bērniem

UZ INSTRUMENTA ATTĒLOTO SIMBOLU SKAIDROJUMS

- ② Pirms izstrādājuma lietošanas izlasiet tā lietošanas pamācību
- ③ Darba laikā uzvelciet aizsargbrilles un ausu aizsargus
- ④ **Bīstamā zona! Rokas ievietot aizliegts. Šajā zonā neievietojiet plaukstu, pirkstus vai rokas.**
- ⑤ Divkārsa izolācija (nav jālieto zemējuma vads)
- ⑥ Neizmetiet elektroiekārtas un baterijas ar sadzīves materiālus atkritumu
- ⑦ **Lāzera starojums / Neskatieties lāzera starā / 2. Klases lāzera izstrādājums**

DARBS

- Montāža
 - piestipriniet transporta rokturi, izmantojot 2 skrūves un sešstūru atslēgu AK ⑨
 - piestipriniet ripas fiksēšanas pogu AB darbapalda priekšdaļā ⑩
- Transportēšanas/darba stāvoklis

Lai atbrīvotu instrumentu (**darba** stāvoklī)

 - ar vienu roku nospiediet uz leju rokturi B, ar otru roku vienlaikus izvelkot fiksatoru C ⑪a
 - lēnām virziet galvas bloku uz augšu
 - lai zāgētu, izmantojot slidošu kustību, atskrūvējiet vajīgāk fiksējošo skrūvi AE ⑪b

Lai nostiprinātu instrumentu (**transportēšanas** stāvoklī)

 - pabīdīet galvas bloku līdz atdurei vadotnes virzienā S un pievelciet fiksējošo skrūvi AE ⑪c
 - iestatiet slīpuma leņķi uz 0° (skatīt Slīpuma leņķa iestatīšana)
 - iestatiet ripas leņķi uz 45° virzienā pa kreisi vai pa labi (skatīt Ripas leņķa iestatīšana)
 - ar vienu roku nospiediet uz leju rokturi B, ar otru roku vienlaikus nospiežot fiksatoru C
 - satiniet barošanas vadu
 - instrumenta pārnēsāšanai izmantojiet transporta rokturi E ⑪d
 - vai arī instrumenta pārnēsāšanai izmantojiet sānu rokturus ⑪e

! nekad neceliet instrumentu, turot to aiz galvenā roktura vai barošanas vada
- Instrumenta uzstādīšana uz darba virsmas ⑫

! drošai ekspluatācijai instrumentu vienmēr uzstādīt uz līdzenas un stabilas darba virsmas (piemēram, uz skrūvgalda)

 - lietojiet 4 uzstādīšanas atveres F, lai instrumentu ar atbilstošām skrūvēm pievienotu darba virsmai
 - varat arī piestiprināt instrumentu pie darba virsmas ar tirdzniecībā pieejamām skrūvju spailēm

- lai padarītu instrumentu stabilāku, varat pieregulēt atbalsta kāju augstumu G
- vai arī instrumentu varat piestiprināt leņķzāga statīvam
- ! izlasiet visus zāga statīva komplektā esošo brīdinājumus un norādes**
- Putekļu/skaidu uzsūkšanas ierīce ⑬
 - piestipriniet putekļu maisu H/putekļu sūcēju, kā parādīts attēlā
 - lai nodrošinātu optimālu putekļu uzsūkšanu, regulāri iztukšojiet putekļu savācējmaisu
- ! darba laikā vadiet ripzāģi tā, lai putekļsūcēja caurule netraucētu apakšējā asmens aizsarga pārvietošanos vai zāgēšanas procesu**
- Zāga galda pagarinājums ⑭
 - lai atvienotu pagarinājuma stieņus K, izmantojiet pogas L (abās instrumenta pusēs)
 - pagarinājuma stieņu K garumu iespējams bezpakāpju veidā regulēt no minimālā uz maksimālo
- Priekšmeta nostiprināšana ⑮

! optimālai darba drošībai, vienmēr stingri nostipriniet zāgmateriālu ar komplektā esošo regulējamo spaili

 - nestrādājiet ar priekšmetiem, kuri ir pārāk maza izmēra, lai tos nostiprinātu
 - **maksimālu** priekšmetu izmēru noteikšanai, izmantojiet tabulu ⑯ kā uzziņu avotu
 - nostipriniet sagataves spaili atbalsta atverē N, izmantojot pogu P (abās instrumenta pusēs)
 - izmantojiet 2 grupu 1; ja sagatavu biežums ir līdz 4cm un pārsniedz 4cm
 - stingri spiediet zāgmateriālu pret vadotni S
 - atbrīvojiet sviru R
 - pielāgojiet spaili sagatavei
 - ar fiksēšanas spaili stingri nostipriniet zāgmateriālu R
 - ! dažās ripas un slīpuma kombinācijās vai atkarībā no sagataves lieluma sagataves spaiļes vietā var būt nepieciešams izmantot komerciāli pieejamās skrūvju spaiļes**
- Zāgējuma leņķu iestatīšana ⑰
 - atļaidiet vajīgāk fiksējošo rokturi AB
 - piespiediet zāgēšanas ripas sprūda atlaišanas sviru AC
 - pagrieziet zāga galdu pa kreisi vai pa labi un, izmantojot indikatoru, iestatiet vēlamo zāgējuma leņķi (no 0° līdz 47°) AD
 - atļaidiet sviru AC
 - pievelciet fiksēšanas rokturi AB (**nepievelciet rokturi pārāk cieši**)
 - ātrai un precīzai bieži lietotai zāgējuma leņķu iestatīšanai (0°, 15°, 22,5°, 31,6°, 45°) zāgēšanas ripas sprūda svira pie atbilstošajām pozīcijām ar klikšķi nofiksējas savā vietā
- Slīpuma leņķu iestatīšana ⑱
 - atļaidiet vajīgāk trīskāju skrūvi U ⑱b
 - pabīdīet zāga galvu pa kreisi, līdz slīpuma leņķa indikatora V norāda uz vēlamo slīpuma leņķi
 - turiet zāga galvu šādā stāvoklī un pievelciet pogu U
- Kombinētie zāgējumi ⑲
 - kombinētiem zāgējiem nepieciešams gan zāgējuma leņķa iestatīšana, gan slīpuma leņķa iestatīšana
 - ! neekspluatējiet zāģi noteiktās ripas un slīpuma kombinācijās, kas var izraisīt traucējumus zāga darbībā starp slidošajām un nekustīgajām detaļām vai starp slidošajām detaļām un sagatavi**

! pirms darba vienmēr veiciet apstrādes mēģinājumu uz materiāla atgriezuma

- Lāzera līnija 20
 - kalpo, lai atvieglotu instrumenta vadīšanu pa iepriekš iezīmētu zāgējuma līniju
 - ieslēdziet/izslēdziet lāzera līniju nospiežot slēdzi AA
 - lāzers ir noregulēts atbilstoši kreisajai zāgēšanas pusei
 - lāzera horizontālo korekciju var viegli mainīt ar skrūvi Y

! pirms darba uzsākšanas pārbaudiet lāzera līnijas atbilstību reālajai zāgējuma līnijai, veicot izmēģinājuma zāgējumu ar atgriezumu

- Zāgēšana bez bīdīšanas kustības (**nelielas** sagataves)
 - ja fiksējošā skrūve AE ir pievilktā, atļaidiet to vaļīgāk
 - bīdiēt zāga galvu vadotnes virzienā līdz atdurei S un no jauna pievelciet fiksējošo skrūvi AE

! nenofiksējot mehānismu, asmens var pēkšņi nonākt uz sagataves virsmas un pārvietoties jūsu virzienā

- iestatiet instrumentu darba stāvoklī

! pārliecinieties, ka zāgmateriāls ir stingri nostiprināts pret zāga galdu un vadotni S

- ieslēdziet instrumentu, atbrīvojot fiksatoru AG un pavelkot galveno slēdzi AF 22

! zāga galvas 21a ekspluatācijas laikā nekrustojiet rokas

- zāgējiet priekšmetu, vienmērīgi virzoties

! kontaktējiet instrumenta asmeni ar zāgējamo priekšmetu tikai pēc tam, kad tā asmens griešanās ātrums ir sasniedzis nominālo vērtību

- lai izslēgtu instrumentu, atļaidiet slēdzi AF

- nogaidiet, līdz zāga asmens ir pilnībā apstājies, un tad lēnām pavirziet zāga galvu uz augšu

- Zāgēšana ar plūstošu kustību (**platās** sagataves)

! ņemiet vērā, ka šī metode, kas aprakstīta zemāk, ir vienīgā metode, kas ir droša

- nevelciet zāgi cauri sagatavei

- ja fiksējošā skrūve AE ir pievilktā, atļaidiet to vaļīgāk

! pārliecinieties, ka zāgmateriāls ir stingri nostiprināts pret zāga galdu un vadotni S

- atvelciet zāga galvu no vadotnes S tik tālu, lai zāga asmens atstātos sagataves priekšā 23

- ieslēdziet instrumentu, nospiežot drošības sviru AG un pavelkot galveno slēdzi AF 22

! zāga galvas 21a ekspluatācijas laikā nekrustojiet rokas

- bīdiēt zāga galvu vadotnes virzienā S un vienmērīgi zāgējiet sagatavi 23

! kontaktējiet instrumenta asmeni ar zāgējamo priekšmetu tikai pēc tam, kad tā asmens griešanās ātrums ir sasniedzis nominālo vērtību

! ja apakšējais aizsargs automātiski neatveras, kas noteiktos apstākļos ir iespējams (piemēram, ja sagatave aizņem gandrīz maksimālo ietilpību), jūs aizsargu varat noņemt ar roku 21b

- lai izslēgtu instrumentu, atļaidiet slēdzi AF

- nogaidiet, līdz zāga asmens ir pilnībā apstājies, un tad lēnām pavirziet zāga galvu uz augšu

- Zāgēšanas gropes 24

- iestatiet vēlamo dziļumu, izmantojot dziļuma atduri AH un nofiksējiet to, izmantojot pievilksšanas uzgriezni AJ

- lai visā gropes garumā tiktu nodrošināts vienmērīgs dziļums, starp sagatavi un vadotni jāievietos koka starplika

! nodrošiniet, lai zāga asmens neiesprūst sagatavē

! pirms darba vienmēr veiciet apstrādes mēģinājumu uz materiāla atgriezuma

- Zāga asmens nomaīņa 25

! atvienojiet instrumentu no elektrotīkla

- izņemiet sešstūra stienātslēgu AK no ripzāga nodalījuma AL

- turiet aizsargu A atvērtā stāvoklī

- atļaidiet vaļīgāk pārsega plāksnes skrūvi AN (**neatskrūvējiet skrūvi pilnībā**) 25a

- līdz galam pagrieziet aizsargu A atpakaļ 25b

- nospiediet darbvārpstas bloķēšanas pogu AM un turiet to, kamēr izskrūvējiet asmeni skrūvi, AO pagriežot sešstūra stienātslēgu AK **PULKSTENRĀDĪTĀJU VIRZIENĀ** (= tajā pašā virzienā, kā to norāda uz zāga asmens attēlotā bultiņa)

! darbvārpstas fiksējošo pogu AM drīkst nospiegt tikai tad, kad instruments atrodas miera stāvoklī

- atļaidiet fiksējošo pogu AM

- noņemiet uzgriezni AP un zāga asmeni

! nomainiet zāga asmeni, sekojot, lai zāga asmens zobu vērsums un uz zāga asmens attēlotās bultas virziens sakristu ar bultas virzienu, kas attēlota uz aizsarga A

- novietojiet aplāksni AP uz zāga asmens 25c

- nospiediet vārpstas fiksējošo pogu AM un, turot to, ar sešstūru atslēgu AK pievelciet asmens skrūvi PRETĒJI PULKSTENĀ RĀDĪTĀJA GRIEŠANĀS VIRZIENĀM par 1/8 apgriezienu papildus ar rokām pievilktajam spēkam (šādi tiek nodrošināta zāga asmens slīdēšana pārmērīgas pretestības gadījumā, tādējādi samazinot motora pārslodzi un zāga atsitieni)

- pievelciet pārsedzošās plāksnes skrūvi AN

- Galda starplikas nomaīņa AQ 26

Nomainiet bojāto vai nodilušo galda starpliku šādā secībā:

! atvienojiet instrumentu no elektrotīkla

- izņemiet sešstūra stienātslēgu AK no ripzāga nodalījuma AL

- izskrūvējiet visas 6 skrūves, kā parādīts attēlā

- izņemiet esošo galda starpliku, vispirms pacelot to no priekšpuses un pēc tam pilnībā izvelkot to ārā

- ievietojiet jauno galda starpliku

! stingri pievelciet visas 6 skrūves

- 45° Asmeņa izlīdzināšanas pārbaudīšana/noregulēšana 27

! atvienojiet instrumentu no elektrotīkla

- pagrieziet zāga galdu ripas 0° leņķa stāvoklī un nofiksējiet to

- pabīdiēt zāga galvu 0° slīpuma stāvoklī

- nolaidiet zāga galvu zemāk un nofiksējiet to

- ar stūreņa palīdzību pārbaudiet 90° zāga asmens perpendikularitāti pret galdu

- ja nepieciešams, noregulējiet 90° asmens izlīdzināšanu šādā veidā:

1. atbrīvojiet trīsstatņu uzgriezni U

2. noregulējiet skrūvi W ar 10. izmēra asmens atslēgu (standarta komplektā nav iekļauta)

3. atkārtoti pārbaudiet ar stūreņi

4. atiestatiet slīpuma indikatoru V uz 0°

- 45° Asmeņa izlīdzināšanas pārbaudīšana/noregulēšana 28

! atvienojiet instrumentu no elektrotīkla

- pagrieziet zāga galdu ripas 0° leņķa stāvoklī un nofiksējiet to
- atbrīvojiet trīsstatņņu uzgriezni U
- pabīdiet zāga galvu pa kreisi
- ar zāgējuma stūreņa palīdzību pārbaudiet 45° leņķi starp zāga asmeni un galdu
- pārbaudiet, vai slīpuma indikators V atrodas uz 45° atzīmes
- ja nepieciešams, noregulējiet 45° asmens izlīdzināšanu šādā veidā:
 1. noregulējiet skrūvi X ar 10. izmēra asmens atslēgu (standarta komplektā nav iekļauta)
 2. atkārtoti pārbaudiet ar zāgējuma stūreni
- 90° Vadotnes izlīdzināšanas pārbaudīšana/noregulēšana ²⁹

! atvienojiet instrumentu no elektrotīkla

- pagrieziet zāga galdu ripas 0° leņķa stāvoklī un nofiksējiet to
- nolaidiet zāga galvu zemāk un nofiksējiet to
- pārbaudiet zāga asmens perpendikularitāti pret vadotni S izmantojot stūreni (pārliecinieties, ka stūrenis saskaras ar zāga asmens korpusu, bet ne ar tā zobiem) ^{29a}
- ja nepieciešams, noregulējiet 90° vadotnes izlīdzināšanu šādā veidā:
 1. atskrūvējiet 2 sešstūra skrūves T ^{29b}
 2. noregulējiet vadotni līdz zāga asmens un vadotne pilnībā saskaras ar stūreni
 3. pievelciet 2 sešstūra skrūves T
 4. atiestatiet zāgējuma leņķa indikatoru uz 0° ^{29c}

PRAKTISKI PADOMI

- Īpaši zāgmateriāli
 - vienmēr novietojiet uz atbalsta gara zāgmateriāla brīvos galus ³⁰
 - pārliecinieties, ka izliekti vai apaļi zāgmateriāli ir īpaši droši nostiprināti, lai izvairītos no izslīdēšanas ³¹
 - pie griezumā līnijas nedrīkst būt atstarpe starp zāgmateriālu un vadotni vai zāga galdu
 - ja nepieciešams, izveidojiet papildu vadotni; bīdāmās vadotnes caurumi jāizmanto, lai piestiprinātu papildu vadotni ³²
- ! **papildu vadotni var izmantot tikai 0° slīpumā**
- Strādājot ar grīdlīstēm, attēlu ³³ var lietot uzziņai
- Lai novērstu zāgējamā priekšmeta virsmas plaisāšanu, to ieteicams novietot tā, lai priekšmeta dekoratīvā puse (virspuse) būtu vērsta lejup
- Lietojiet tikai asus zāga asmeņus, kuru tips atbilst zāgējamā materiāla īpašībām un apstrādes veidam
 - zāgējuma kvalitāti iespējams uzlabot, lietojot zāga asmeni ar palielinātu zobu skaitu
 - zāga asmeņi ar cietmetāla zobiem saglabā darbam nepieciešamo asumu līdz 30 reizēm ilgāk, nekā parastā tipa zāga asmeņi

APKALPOŠANA / APKOPE

- Vienmēr raugieties, lai instruments un vads būtu tīri (it īpaši, gaisa atveres motora korpusa aizmugures daļā)
- Regulāri veiciet pārbaudi, lai pārliecinātos, ka apakšējais aizsargs darbojas pareizi. Notīriet no apakšējā aizsarga zāgu skaidas, izmantojot mitru drānu.

! **pirms instrumenta tīrīšanas atvienojiet to no elektrotīkla**

- Paceliet apakšējo aizsargu līdz galam atvērtā stāvoklī un atlaidiet to; ja tas uzreiz un pilnībā netiek aizvērts, tas jāpārbauda SKIL elektroinstrumentu pēc pārdošanas servisa centrā
- Pēc ripzāga lietošanas nekavējoties attīriet tā asmeni (īpaši no sveķiem un līmes paliekām)
- ! **darba gaitā zāga asmens stipri sakarst; tāpēc nepieskarieties tam, pirms tas nav atdzisis**
- Pēc katras lietošanas reizes ar mīkstu suku notīriet lāzera lēcu AC, lai nodrošinātu labu lāzera līnijas redzamību (nemainiet lāzera iestatījumus)
- Ja, neraugoties uz augsto izgatavošanas kvalitāti un rūpīgo pērcēražošanas pārbaudi, instruments tomēr sabojojas, tas jānogādā remontam firmas SKIL pilnvarotā elektroinstrumentu remonta darbnīcā
 - nogādājiet instrumentu **neizjauktā veidā** kopā ar iegādes dokumentiem tuvākajā tirdzniecības vietā vai firmas SKIL pilnvarotā pēciegādes apkalpošanas un remonta iestādē (adreses un instrumenta apkalpošanas shēma ir sniegta interneta vietnē www.skil.com)
- Ievērojiet, ka garantijā neietilpst pārslodzes vai nepareizas instrumenta ekspluatācijas izraisītie bojājumi (SKIL garantijas noteikumus skatiet www.skil.com vai vērsieties pie izplatītāja)

APKĀRTĒJĀS VIDES AIZSARDZĪBA

- **Neizmetiet elektroiekārtas, baterijas, piederumus un iesaiņojuma materiālus sadzīves atkritumos** (tikai ES valstīm)
 - saskaņā ar Eiropas Savienības direktīvu 2012/19/ES par nolietotajām elektriskajām un elektroniskajām iekārtām un tās atspoguļojumiem nacionālajā likumdošanā, nolietotās elektroiekārtas ir jāsavāc, jāizjauc un jānogādā atreizējai pārstrādei apkārtējai videi nekaitīgā veidā
 - īpašs simbols ⁶ atgādina par nepieciešamību izstrādājumus utilizēt videi nekaitīgā veidā

TROKSNIS

- Mērot saskaņā ar EN 62841, šī instrumenta skaņas spiediena līmenis ir 100,0 dB(A), bet skaņas jaudas līmenis 109,5 dB(A) (mainīgums K = 3 dB)
- Trokšņa emisijas līmenis ir izmērīts saskaņā ar standartizētu pārbaudi, kas dota EN 62841; to var izmantot, lai savstarpēji salīdzinātu instrumentus un lai veiktu sākotnējo trokšņa iedarbības novērtējumu, izmantojot instrumentu minējamo pielietojuma veidiem
 - instrumenta izmantošana citiem mērķiem vai ar citiem vai nepietiekami koptiem piederumiem var ievērojami palielināt kopējo vibrācijas iedarbības pakāpi
 - laika periodi, kad instruments ir izslēgts vai arī ir ieslēgts, taču darbs ar to nenotiek, var ievērojami samazināt kopējo vibrācijas iedarbības pakāpi

LT

Slankusis skersavimo pjūklas 1310 IĻVADAS

- Šī jrankī numatyta naudoti kaip stacionarias stakles, skirtas pjaustyti medieną skersai ir išilgai tiesiais

bei įstrižais kampais (galima pjauti horizontaliais nuožambiais, -47°- +47° kampais ir vertikaliais įstrižais, 0°- 45° kampais)

- Perskaitykite ir išsaugokite šią naudojimo instrukciją ②
- Šis įrankis neskirtas profesionaliam naudojimui
- **Prietaisą naudokite tik tinkamai ir iki galo jį surinkę** (turėkite omenyje, kad bendrovė Skil negali prisiimti atsakomybės už sugadintą prietaisą ar asmens sužeidimus, kilusius netinkamai surinkus prietaisą)

TECHNINIAI DUOMENYS ①

PRIETAISO ELEMENTAI ⑧

- A Apatinis apsauginis gaubtas
- B Rankena su jungikliu
- C Fiksavimo kaištis gabenimui
- D Viršutinė apsauga
- E Rankena, skirta įrankiui nešti
- F Montavimo angos
- G Atraminis flanšas
- H Dulkių maišelis
- J Dulkių išmetimo atvamzdis
- K Ilginamieji strypai
- L Rankenos ilginamiesiems strypams fiksuoti
- M Spaustukas ruošiniui tvirtinti
- N Atramos anga
- P Spaustuko fiksavimo rankena
- Q Spaustuko reguliavimo rankena
- R Tvirtinimo svirtis
- S Kreiptuvas
- T Šešiabriauniai varžtai kreiptuvui reguliuoti (2x)
- U Fiksavimo rankena (įstrižiams kampams)
- V Įstrižo kampo rodiklis
- W Įstrižių kampų reguliavimo varžtas (dešinėje)
- X Įstrižių kampų reguliavimo varžtas (kairėje)
- Y Lazerio reguliavimo varžtas
- Z Lazerio spindulys
- AA Lazerio įjungimo/išjungimo jungiklis
- AB Fiksavimo rankena (nuožambiams kampams)
- AC Įstrižojo pjūvio kampo horizontalioje plokštumoje fiksatoriaus atlaisvinimo svirtis
- AD Nuožambaus kampo rodiklis
- AE Slankiojo prietaiso fiksavimo rankena
- AF Įjungimo/išjungimo jungiklis
- AG Apsauginė svirtis
- AH Pjovimo gylio ribotuvas
- AI Gylio kaištis
- AJ Gylio kaiščio veržlė
- AK Šešiabriaunis raktas
- AL Dėklas veržliarakčiui
- AM Suklio blokavimo mygtukas
- AN Dangtelio plokštės varžtas
- AO Disko varžtas
- AP Flanšas
- AQ Įstatoma plokštelė
- AR Dujų deflektorius

SAUGA

BENDRIEJI ELEKTRINIŲ ĮRANKIŲ SAUGOS ĮSPĖJIMAI

⚠ ĮSPĖJIMAS Perskaitykite visus su šiuo elektriniu prietaisu pateiktus saugos perspėjimus, instrukcijas,

paveikslėlius ir specifikacijas. Nepaisant toliau pateiktų instrukcijų galite patirti elektros smūgį, įvykti gaisras ir / ar patirti rimtų sužalojimų.

Išsaugokite visus įspėjimus ir instrukcijas ateičiai.

Terminas „elektros įrankis“ įspėjimuose reiškia jūsų iš elektros tinklo (laidais) maitinamus įrankius arba elektros įrankius, veikiančius nuo baterijų (belaidžius).

1) DARBO VIETOS SAUGUMAS

- a) **Darbo vieta turi būti švari ir tvarkinga.** Netvarka ar blogai apšviesta darbo vieta gali tapti nelaimingų atsitikimų priežastimi.
- b) **Nedirbkite tokioje aplinkoje, kur yra degių skysčių, dujų ar dulkių.** Elektriniai įrankiai gali kibirkščiuoti, o nuo kibirkščių dulkės arba susikaupę garai gali užsidegti.
- c) **Dirbdami su elektriniu įrankiu neleiskite šalia būti žiūrovams, vaikams ir lankytojams.** Nukreipę dėmesį į kitus asmenis galite nebesuvaldyti prietaiso.

2) ELEKTROSAUGA

- a) **Maitinimo laido kištukas turi atitikti tinklo rozetės tipą.** Kištuko jokia būdu negalima modifikuoti. **Nenaudokite jokių kištuko adapterių su žemintais prietaisais.** Originalūs kištukai, tiksliai tinkantys elektros tinklo rozetei, sumažina elektros smūgio pavojų.
- b) **Venkite kūno kontakto su žemintais paviršiais, tokiais kaip vamzdžiai, šildytuvai, viryklės ar šaldytuvai.** Egzistuoja padidinta elektros smūgio rizika, jei Jūsų kūnas bus žemintas.
- c) **Saugokite prietaisą nuo lietaus ir drėgmės.** Jei vanduo patenka į elektrinį prietaisą, padidėja elektros smūgio rizika.
- d) **Nenaudokite maitinimo laido ne pagal paskirtį, t. y. neneškite prietaiso paėmę už laido, nekabinkite prietaiso už laido, netraukite už jo, norėdami išjungti kištuką iš rozetės.** Laidą klokite taip, kad jo neveiktų karštis, jis neišsitemptų alyva ir jo nepažeistų aštrios detalės ar judančios prietaiso dalys. Pažeisti arba susipynę laidai gali tapti elektros smūgio priežastimi.
- e) **Jei su elektriniu įrankiu dirbate lauke, naudokite tik tokius ilginimo kabelius, kurie tinka lauko darbams.** Naudojant lauko darbus pritaikytus ilginimo kabelius, sumažinamas elektros smūgio pavojus.
- f) **Jei su elektriniu įrankiu neišvengiamai reikia dirbti drėgnoje aplinkoje, naudokite žeminio grandinės pertraukiklį.** Naudojant žeminio grandinės pertraukiklį, sumažėja elektros smūgio pavojus.

3) ŽMONIŲ SAUGA

- a) **Būkite atidūs, sutelkite dėmesį į tai, ką Jūs darote ir, dirbdami su elektriniu įrankiu, vadovaukitės sveiku protu.** Nedirbkite su prietaisu, jei esate pavargę arba vartojote narkotikus, alkoholį ar medikamentus. Akimirksnio neatidumas naudojant prietaisą gali tapti rimtų sužalojimų priežastimi.
- b) **Naudokite asmenines apsaugos priemones ir visuomet užsidėkite apsauginius akinius.** Naudojant asmenines apsaugos priemones, pvz., respiratorių ar apsauginę kaukę, neslystančius batus, apsauginį šalną, klausos apsaugos priemones ir kt., rekomenduojamas dirbant su tam tikros rūšies įrankiais, sumažėja rizika susižeisti.
- c) **Saugokitės, kad neįjungtumėte prietaiso atsitiktinai.** Prieš prijungdami elektrinį įrankį prie elektros tinklo

ir/arba akumulatoriaus, prieš pakeldami ar nešdami įsitikinkite, kad jis yra išjungtas. Jeigu nešdami elektrinį įrankį pirštą laikysite ant jungiklio arba prietaisą įjungsite į elektros tinklą, kai jungiklis yra įjungtas, gali įvykti nelaimingas atsitikimas.

- d) **Prieš įjungdami prietaisą pašalinkite reguliavimo įrankius arba veržlių raktus.** Prietaiso besisukančioje dalyje esantis įrankis ar raktas gali tapti sužalojimų priežastimi.
- e) **Nepervertinkite savo galimybių. Dirbdami atsistokite patikimai ir visada išlaikykite pusiausvyrą.** Patikima stovėseną ir tinkamą kūno laikyseną leis geriau kontroliuoti prietaisą netikėtose situacijose.
- f) **Dėvėkite tinkamą aprangą. Nedėvėkite plačių drabužių ir papuošalų. Saugokite plaukus ir drabužius nuo besisukančių elektrinio įrankio dalių.** Laisvus drabužius, papuošalus bei ilgus plaukus gali įtraukti besisukančios dalys.
- g) **Jei yra numatyta galimybė prijungti dulkių nusiurbimo ar surinkimo įrenginius, visada įsitikinkite, ar jie yra prijungti ir ar teisingai naudojami.** Naudojant dulkių nusiurbimo įrenginius sumažėja kenksmingas dulkių poveikis.
- h) **Dažnai naudodami įrankį ir gerai su juo susipažinę pernelyg neatsipalaiduokite ir nepradėkite nepaisyti įrankio saugos principų.** Neatidus veiksmas gali sukelti sunkią traumą per sekundes dalį.
- 4) **RŪPESTINGA ELEKTRINIŲ ĮRANKIŲ PRIEŽIŪRA IR NAUDOJIMAS**
 - a) **Neperkraukite prietaiso. Naudokite Jūsų darbui tinkamą elektrinį įrankį.** Su tinkamu elektriniu įrankiu Jūs dirbsite geriau ir saugiau, jei neviršysite nurodyto galingumo.
 - b) **Nenaudokite elektrinio įrankio su sugedusiu jungikliu.** Elektrinis įrankis, kurio nebegalima įjungti ar išjungti, yra pavojingas ir jį reikia remontuoti.
 - c) **Prieš reguliuodami prietaisą, keisdami darbo įrankius ar prieš valydami prietaisą, iš elektros tinklo lizdo ištraukite kištuką ir/arba išimkite akumuliatorių, jeigu jis išimamas.** Ši saugumo priemonė apsaugos jus nuo netikėto prietaiso įsijungimo.
 - d) **Nenaudojamą prietaisą sandėliuokite vaikams ir nemokantiems juo naudotis asmenims neprieinamoje vietoje.** Elektriniai įrankiai yra pavojingi, kai juos naudoja nepatyrę asmenys.
 - e) **Priziūrėkite elektrinį įrankį ir priedus. Tikrinkite, ar besisukančios prietaiso dalys tinkamai veikia ir niekur nekliūva, ar nėra sulūžusių ar šiaip pažeistų dalių, kurios įtakotų prietaiso veikimą.** Prieš vėl naudojant prietaisą pažeistos prietaiso dalys turi būti suremontuotos. Daugelio nelaimingų atsitikimų priežastis yra blogai priziūrimi elektriniai įrankiai.
 - f) **Pjovimo įrankiai turi būti aštrūs ir švarūs.** Rūpestingai priziūrėti pjovimo įrankiai su aštriomis pjauamosiomis briaunomis mažiau stringa ir juos yra lengviau valdyti.
 - g) **Elektrinį įrankį, papildomą įrangą, darbo įrankius ir t. t. naudokite taip, kaip nurodyta šioje instrukcijoje. Taip pat atsižvelkite į darbo sąlygas bei atliekamo darbo pobūdį.** Naudojant elektrinius įrankius ne pagal jų paskirtį galima sukelti pavojingas situacijas.
 - h) **Rankenos ir suėmimo paviršiai turi būti sausi, švarūs, ant jų neturi būti alyvos ir tepalų.** Dėl slidžių

rankenų ir suėmimo paviršių negalėsite saugiai išlaikyti ir suvaldyti įrankio netikėtose situacijose.

5) APTARNAVIMAS

- a) **Prietaisą turi remontuoti tik kvalifikuotas specialistas ir naudoti tik originalias atsargines dalis.** Taip galima garantuoti, jog prietaisas išliks saugus.

SAUGOS NURODYMAI ASMENIMS, DIRBANTIEMS SU SKERSAVIMO IR SULEIDIMO PJŪKLAIS

- **Skersavimo ir suleidimo pjūklai skirti medienai ir kitoms panašioms medžiagoms pjauti; juos draudžiama naudoti su abrazybiniais šlifavimo diskais metalo ruošiniams, pvz., metalo sijoms, strypams, vinims ir pan., pjauti Dėl dulkių, susidaranciuų veikiant trinčiai, gali strigti judamosios dalys, pvz., apatinis apsaugas. Pjaunant tokias medžiagas dėl kylančių kibirkščių apdegs apatinis apsaugas, įstatomoji plokštelė ir kitos plastikinės dalys.**
- **Jei įmanoma, ruošinį visada pritvirtinkite spaustuvais. Jei ruošinį laikote ranka, ją visada laikykite bent 100 mm atstumu nuo bet kurios pjūklo disko pusės. Šiuo pjūklui nepjaukite ruošinių, kurie yra per smulkūs, kad juos būtų galima saugiai prispausti spaustuvais ar laikyti ranka. Jei ranką laikysite per arti pjūklo disko, prie jo prisilietę galite susižeisti.**
- **Ruošinyms turi nejudėti ir būti prispaustas spaustuvais arba laikomas prispaustas prie atramos ir stalo. Ruošinio nestumkite pjūklo disko link ir joki būdu nepjaukite nepritvirtintų ruošinių. Nepriveržti ar judantys ruošiniai gali būti išsviesti dideliu greičiu ir gali sužeisti.**
- **Pjūklą per ruošinį stumkite. Pjūklo per ruošinį netraukite. Norėdami pjauti, pakelkite pjūklo galvą ir padėkite ją ant ruošinio nepjudami, įjunkite variklį, paspauskite pjūklo galvą žemyn ir stumkite pjūklą per ruošinį. Jei pjaunant pjūklas per ruošinį traukiamas pirmyn atgal, pjūklo diskas gali įstrigti ruošinio paviršiuje ir pjūklo disko mazgas gali būti didelė jėga atmetas operatoriaus link.**
- **Niekada nelaiykite rankos skersai numatomos pjovimo linijos – nesvarbu, priešais ar už pjūklo disko. Ruošinį prispausti ranką laikant skersai, t. y. ruošinį laikyti kaire ranka į dešinę nuo pjūklo disko arba priešingai yra labai pavojinga.**
- **Kol pjūklas sukasi, prireikus nuvalyti pjūvenas ar atlikti kitą veiksmą nei viena ranka nebandykite siekti už atramos ir neikiškite rankų arčiau nei 100 mm atstumu iki pjūklo disko iš bet kurios pusės. Atstumu nuo rankos iki besisukančio pjūklo disko įvertinti sunku, todėl galite sunkiai susižeisti.**
- **Prieš pjudami, apžiūrėkite ir patikrinkite ruošinį. Jei ruošinys išlinkęs ar deformuotas, prispauskite jį išorinę išlinkimo pusę dėdami prie atramos. Visada įsitikinkite, kad tarp ruošinio, atramos ir stalo išilgai pjovimo linijos nėra tarpo. Išlinkę ar deformuoti ruošiniai gali pasisukti ar pasislinkti, todėl pjaunant besisukančius pjūklo diskas gali užstrigti. Ruošinyje neturi nebūti vinių ar kitų pašalinių objektų.**
- **Prieš naudodami pjūklą, nuimkite nuo stalo visus įrankius, nuvalykite medžio drožles ir pan., palikite tik ruošinį. Besisukančiam pjūklo diskui prisilietus prie smulkių skiedrų, medienos nuolaužų ar kitų objektų, jie gali būti dideliu greičiu nusviesti.**

- **Vienu metu pjaukite tik vieną ruošinį.** Keli vienas ant kito sudėti ruošiniai negali būti tinkamai prispausti ar įtvirtinti, todėl pjaunant pjūklą diskas gali juose užstrigti arba ruošiniai gali pasislinkti.
- **Prieš naudodami skersavimo ir suleidimo pjūklą, jį būtina pritvirtinkite arba padėkite ant lygaus, tvirtu darbinio paviršiaus.** Lygus ir tvirtas darbinis paviršius mažina pavojų, kad skersavimo ir suleidimo pjūklas taps nestabilus.
- **Planuokite numatomus darbus! Kaskart keisdami įstrižojo pjūvio kampo vertikaloje plokštumoje ar įstrižojo pjūvio kampo horizontalioje plokštumoje nustatymą, įsitikinkite, kad tinkamai nustatėte reguliuojamąjį kreiptuvą, jis yra prispaustas prie ruošinio ir netrukdo pjūklui diskui ar apsaugos sistemai.** Neįjungę įrankio ir nepadėję ant stalo ruošinio, perstumkite pjūklą diską išilgai visos numatomos pjovimo linijos, kad įsitikintumėte, jog nėra jokių trukdžių ir nekyla pavojus perpajauti atramą.
- **Jei ruošinys yra platesnis ar ilgesnis nei stalviršis, pasirūpinkite tinkama atrama, pavyzdžiui, stalo ilginamąja dalimi, pjovimo ožiais ar pan.** Jei ilgesnių ar platesnių nei skersavimo ir suleidimo pjūklą stalas ruošinių patikimai neparemsite, jie gali apvirsti. Nupjauta ruošinio dalis ar virstantis ruošinys gali pakelti apatinį apsauginį gaubtą ar ruošinį gali išsviesti besisukantis pjūklą diskas.
- **Neprašykite kito asmens, kad palaikytų ruošinį, užuot naudoję stalo ilginamąją dalį ar papildomą atramą.** Dėl nestabilios ruošinio atramos pjaunant diskas gali užstrigti arba ruošinys gali pasislinkti ir pastumti jus ar jusų pagalbininką besisukancio pjūklą diską link.
- **Būtina užtikrinti, kad nupjauta ruošinio dalis neužstrigtų ar nebūtų spaudžiama prie besisukancio pjūklą disko.** Jei yra nedaug vietos, pvz., naudojamos išilginės atramos, tai nupjauta dalis gali įstrigti ties pjūklą disku ir gali būti didele jėga išsviesta.
- **Visada naudokite spaustuvus ar fiksuojamą priemonę, skirtas tinkamai pritvirtinti apvaliems ruošiniams, pvz., strypus ar vamzdžius.** Pjaunant strypai gali riedėti, o pjūklą diskas į juos įsikirsti, ir dėl to ruošinys su jūsų ranka gali būti įtrauktas į diską.
- **Prieš pradėdami pjauti palaukite, kol pjūklas pasiekia reikiamą sukimosi greitį.** Taip sumažinsite ruošinio išsviedimo pavojų.
- **Jei ruošinys ar diskas užstringa, skersavimo ir suleidimo pjūklą išjunkite.** Palaukite, kol sustos visos besisukancios dalys, iš maitinimo lizdo ištraukite laido kištuką ir (arba) išimkite akumuliatorių. Tada pašalinkite įstrigusią medžiagą. Jei įstrigus ruošiniui pjausite toliau, gali nepavykti suvaldyti skersavimo ir suleidimo pjūklą, ir jis gali sugesti.
- **Baigę pjauti, atleiskite jungiklį, palaikykite pjūklą nuleidę, kol jis nustos sukstis, tada patraukite nupjautą dalį.** Laikyti ranką prie stojancio pjūklą yra pavojinga.
- **Jei norite įpjauti arba atleisti jungiklį prieš visiškai nuleisdami pjūklą galvą, tvirtai laikykite rankeną.** Jei pjūklą bandysite stabdyti, jo galva gali staiga nusileisti žemyn ir sukelti sužeidimo pavojų.

PAPILDOMOS DARBO SAUGOS INSTRUKCIJOS

- Įeinančios srovės sukelia trumpus įtampos kritimus; netinkamos elektros energijos tiekimo sąlygos gali turėti įtakos jūsų įrangai (jei sistemos srovės tiekimo suminė varža yra mažesnė kaip 0,464 omai, gali atsirasti

trukdžiai); jei reikia išsamesnio paaiškinimo, kreipkitės į savo vietinę elektros energijos tiekimo įstaigą

BENDROJI DALIS

- Įrankį naudokite tik medienai pjauti
- Visada patikrinkite, ar elektros tinklo įtampa sutampa su įtampos dydžiu, nurodytu prietaiso vardinėje lentelėje
- **Nestovėkite ant įrankio ar jo stovo.** Įrankiui pakrypus ar netyčia prie jo prisilietus, kyla pavojus sunkiai susižeisti. Nelaikykite medžiagų ant įrankio ar šalia jo taip, kad joms pasiekti reikėtų užlipti ant įrankio ar jo stovo.
- **Prieš reguliuojant prietaisą arba keičiant darbo įrankius, ištraukite kištuką iš el. tinklo lizdo**
- **Prieš transportuojami skersavimo ir suleidimo pjūklą, visada nuo maitinimo šaltinio atjunkite kištuką.** Atjungę nuleiskite galvos mazgą ir užfiksuokite toje padėtyje, naudokite nešimo rankeną ir vieną iš pjūklą pagrindu esančių rankos išėmų.
- **Nepalikite įrankio be priežiūros, kol jis visiškai nesustos**
- **Prieš pjudami netaisyklingos formos ruošinius, savo darbą suplanuokite taip, kad jie nenuslystų, neįstrigtų diske ir neištruktų iš jūsų rankos**
- Šį prietaisą turėtų naudoti tik asmenys, kuriems 16 ir daugiau metų
- Šis prietaisas netinka pjovimui šlapiuoju būdu

EKSPLOATACIJA LAUKE

- Jei su prietaisu dirbate lauke, jis turi būti prijungtas per nuotėkio srovės apsauginį išjungiklį (FI-), kurio suveikimo srovė yra ne didesnė, kaip 30 mA; naudokite tik lauko darbams skirtus prailginimo kabelius su hermetiškomis jungtimis

PRIEŠ EKSPLOATACIJĄ

- Naudodami ilginamuosius kabelius atkreipkite dėmesį į tai, kad kabelis būtų iki galo išvyniotas ir būtų pritaikytas 16 A elektros srovei
- Užsidėkite apsauginius akinius, klausos apsaugos priemones, ir apsaugines pirštines
- Kai kurių medžiagų, kaip antai dažų, kurių sudėtyje yra švino, kai kurių medžių rūšių medienos, mineralų ir metalo dulkių gali būti kenksmingos (kontaktas su šiomis dulkiemis arba įkvėptas dulkių gali sukelti operatoriui arba šalia esantiems žmonėms alergines reakcijas ir/arba kvėpavimo sistemos susirgimus); **mūvėkite priešdulkinę puskaukę arba dirbdami naudokite dulkių ištraukimo įrenginį, jei jį galima prijungti**
- Kai kurių rūšių dulkių priskiriamos kancerogeninėms (pvz., ažuolo arba buko medienos dulkių), ypač susimaišiusios su medienos taurinumi naudojamais priedais; **mūvėkite priešdulkinę puskaukę arba dirbdami naudokite dulkių ištraukimo įrenginį, jei jį galima prijungti**
- Vadovaukitės Jūsų šalyje taikomų direktyvų reikalavimais, skirtais medžiagoms, su kuriomis norite dirbti
- **Draudžiama apdirbti medžiagas, kurių sudėtyje yra asbesto** (asbestos pasižymi vežį suliančiu poveikiu)
- Niekuomet nenaudokite prietaiso be originalios apsauginės įrangos
- Kiekvieną kartą prieš naudodami, patikrinkite, ar tinkamai uždarytas apsauginis gaubtas
- Nedirbkite su pjūklą, jei apsauginis gaubtas negali laisvai judėti ir akimirksniu užsidaryti
- Niekada netvirtinkite ir neužfiksuokite apsauginio gaubto atviroje padėtyje
- Niekada nenaudokite staklės be įstatomos plokštelės; pakeiskite nusidėvėjusią ar pažeistą įstatomą plokštelę

- Prieš pradėdami pjauti pašalinkite visas pjūvio linijose esančias klūtis tiek ruošinio viršuje, tiek ir apačioje
- Saugokite, kad nepažeistumėte prietaiso į ruošinį esančius varžtus, vinis ir pan; prieš pradėdami darbą juos pašalinkite

PRIEDAI

- Nenaudokite brazyvinių pjovimo diskų dirbdami su šiuo prietaisu
- SKIL gali garantuoti nepriekaištingą prietaiso veikimą tik tuo atveju, jei naudojama tinkama papildoma įranga ir priedai, kuriuos galite įsigyti įgaliotųjų SKIL atstovų parduotuvėse
- Naudodami kitur pagamintą papildomą įrangą vadovaukitės gamintojo pateiktais nurodymais
- Naudokite tik tokius pjūklų diskus, kurie atitinka šioje naudojimo instrukcijoje pateiktus duomenis ir yra patikrinti pagal EN 847-1 bei atitinkamai paženklininti
- Leidžiama naudoti tik tokius įrankius, kurių maksimalus leistinas apsisukimų skaičius yra ne mažesnis, nei maksimalus Jūsų prietaiso sukčių skaičius
- Neleidžiama naudoti diskų iš aukštai legiruoto greitapjovio plieno (HSS)
- Nenaudokite įtrūkusių, sulenktų ar atšipusių pjūklelių
- Naudokite tik tokius pjūklų diskus, kurių angos spindulys atitinka staklių veleno spindulį; niekada nenaudokite reduktorių ar adapterių pjūklų diskams su didesne anga pritaikyti
- Papildomą įrangą saugokite nuo smūgių, sutrenkimų bei riebalų poveikio

EKSPLOATACIJA

- **Nespauskite įrankio** (kad neperkaistų pjūklų dantys ir, pjaustant plastiką, pastarasis nesilydytų, spauskite lengvai ir nuolat)
- Saugokite pirštus, plaštakas ir rankas nuo besisukančio pjūklų disko
- Jei pjūklų diskas užstrigo, iš karto išjunkite stakles ir ištraukite iš lizdo kištuką; tik tada atlaisvinkite ruošinį, į kurį įstrigo diskas
- Jeigu pjūklas užsiblokavo arba pajutote, kad prietaisas veikia ne taip, kaip visada, arba girdisi nebūdingi garsai, tuojau pat jį išjunkite ir ištraukite kištuką iš elektros tinklo lizdo
- Jei dirbant bus pažeistas ar nutrauktas kabelis, būtina noliečiant kabelio tuojau pat ištraukti kištuką iš elektros tinklo lizdo
- Niekada nenaudokite įrankio, jei laidas pažeistas; jį reikia pakeisti specialiu laidu remonto įmonėje.

LAZERIO RADIACIJA

- **Nenukreipkite lazerio spindulio į žmones ar gyvūnus ir patys nežiūrėkite į tiesioginį ar atspindėtą lazerio spindulį** (lazeriniais spinduliais galite apakinti kitus žmones, sukelti nelaimingus atsitikimus arba pakenkti akims)
- Jei į akis buvo nukreipta lazerio spinduliuotė, akis reikia sąmoningai užmerkti ir nedelsiant patraukti galvą iš spindulio kelio
- Nedarykite jokių lazerinio įtaiso pakeitimų
- Nežiūrėkite į lazerio spindulį (lazerio spinduliuotė)
- Nežiūrėkite į lazerio spindulį per kokius nors vaizdą padidinančius optinius įtaisus (pvz., didinamąjį stiklą, teleskopą ar žiūronus)
- Nenaudokite prietaiso tokioje aplinkoje, kur yra degių skysčių, dujų ar dulkių
- Nenaudokite prietaiso, jei netoliese yra vaiku
- Nekeiskite įmontuoto lazerio kito tipo lazeriu

PO EKSPLOATACIJOS

- Išjungę prietaisą, besisukančių darbo įrankių nestabdykite šoniniu prispaudimu
- Nupjautas dalis ar nuopjovas nuo ruošinio pašalinkite tik tada, kai visos judančios pjūklų dalys visiškai sustoja
- darbo metu pjūklų diskas labai įkaista; nelieskite jo rankomis, kol neatvės
- Laikykite prietaisą **patalpoje**, sausoje ir rakinamoje, vaikams neprieinamoje vietoje

ANT PRIETAISO ESANČIŲ SIMBOLIŲ REIKŠMĖS

- ② Prieš naudodami įrankį perskaitykite instrukcijų vadovą
- ③ Užsidėkite apsauginius akinius ir klausos apsaugos priemones
- ④ **Pavojiinga zona! Nekiškite rankų į šią zoną. Rankas laikykite toliau nuo šios zonos.**
- ⑤ Dviguba izoliacija (įžeminimo laido nereikia)
- ⑥ Nemeskite elektrinių įrankių ir baterijos į buitinių atliekų konteinerius
- ⑦ **Lazerio spinduliuavimas / Nežiūrėkite į spindulį / 2 Klasės lazerio gaminy**

NAUDOJIMAS

- Montavimas
 - Sumontuokite transportavimo rankeną naudodami 2 varžtus ir šešiakampį raktą AK ⑨
 - Sumontuokite fiksavimo rankenėlę AB įstrižojo pjūvio kampui užfiksuoti (horizontalioje plokštumoje) stalo ⑩ priekyje
- Transportavimo / darbinė padėtis
 - Įrankiui atlaisvinti (**darbinė** padėtis)
 - Paspauskite į apačią rankeną B viena ranka, ištraukdami fiksavimo kaitį C kita ranka ⑪a
 - Lėtai nukreipkite galvos mazgą aukštyn
 - Norėdami pjauti slenkamaisiais judesiais, atlaisvinkite fiksuojamąją rankenėlę AE ⑪b
 - Įrankiui užfiksuoti (**transportavimo** padėtyje)
 - Pjūklų galvos mazgą slinkite iki atramos kreiptuvo S kryptimi ir užfiksuokite rankenėlę AE ⑪c
 - Nustatykite įstrižojo pjūvio kampą vertikaloje plokštumoje ties 0° (žr. „Istrižojo pjūvio kampo vertikaloje plokštumoje nustatymas“)
 - Nustatykite įstrižojo pjūvio kampą horizontalioje plokštumoje ties 45° (žr. „Istrižojo pjūvio kampo horizontalioje plokštumoje nustatymas“)
 - Paspauskite rankenėlę B viena ranka į apačią, kita ranka stumdami fiksavimo kaitį C
 - Suvyniokite maitinimo laidą
 - Įrankiui ⑪d nešti naudokite transportavimo rankeną E
 - arba įrankį ⑪e neškite, paėmę už šoninių rankenų
 - ! Niekada nekelkite įrankio laikydami už pagrindinės rankenos ar maitinimo laido**
- Įrankio montavimas ant darbinio paviršiaus ⑫
 - ! saugos sumetimais visada statykite stakles ant stabilus ir plokščio darbinio paviršiaus (pvz., darbastalio)**
 - įrankį prie darbinio paviršiaus pritvirtinkite tinkamai varžtais, juos įsriegdami į 4 montavimo angas F
 - taip pat galite pritvirtinti įrankį prie darbinio paviršiaus parduodamais sriegiamaisiais spaustukais
 - Norėdami įrankį išlygiuoti, galite reguliuoti atraminę koją G
 - Įrankį taip pat galite montuoti ant skersavimo ir suleidimo pjūklų stovo

! Perskaitykite visus įspėjimus ir nurodymus, pridėdamus prie pjūklo stovo

- Dulkių ir skiedrų nuvalymas ¹³
 - Sumontuokite dulkių surinkimo maišelį H / dulkių ištraukimo įtaisą, kaip pavaizduota
 - reguliariai išvalykite dulkių surinkimo maišelį, tuomet dulkių nusirbimas bus optimalus
- ! **pasirūpinkite, kad nusiurbimo žarna nesudarytų kliūties apatiniam apsauginiam gaubtui ir netrukdytų dirbti**
- Pjūklo stalo pailginimas ¹⁴
 - Rankenėlėmis L užfiksuokite ilginamuosius strypus K (abiejose įrankio pusėse)
 - Ilginamųjų strypų K ilgis gali būti reguliuojamas nuo mažiausio iki didžiausio
- Ruošinio prispaudimas ¹⁵
 - ! **optimaliai darbų saugai užtikrinti visada tvirtai prispauskite ruošinį su pateikiamu reguliuojamu spaustu**
 - nedirbkite su ruošiniais, kurie yra per maži ir jų prispausti negalima
 - **maksimaliems** ruošinio išmatavimams nustatyti naudokitės nuorodine lentele ¹⁶
 - Pritvirtinkite ruošinio spaustuvą atramos angoje N, naudodami rankenėlę P (abiejose įrankio pusėse)
 - Naudokite 1 iš 2 griovelius; iki 4 cm storio ruošinių ir virš 4 cm storio ruošinių atveju
 - tvirtai prispauskite ruošinį prie kreiptuvo S
 - Atfiksuokite svirtį R
 - Pritaikykite spaustuvą ruošiniui
 - Tvirtai užfiksuokite ruošinį fiksavimo svirtimi R
- ! **Esant tam tikriems įstrižojo pjūvio kampo horizontalioje plokštumoje ir įstrižojo pjūvio kampo vertikalioje plokštumoje derinims arba ruošinio dydžiui, vietoj ruošinio spaustuvo gali tekti naudoti prekyboje esančius sraigtinius veržtuvus**
- Nuožambių kampų nustatymas ¹⁷
 - Atlaisvinkite fiksavimo rankenėlę AB
 - Nuspauskite įstrižojo pjūvio kampo horizontalioje plokštumoje fiksatoriaus atlaisvinimo svirtį AC
 - Pasukite pjovimo stalą į kairę arba į dešinę ir, vadovaudamiesi indikatoriumi AD, nustatykite norimą įstrižojo pjūvio kampą horizontalioje plokštumoje (nuo 0° iki 47°)
 - Atlaisvinkite svirtį AC
 - Priveržkite fiksavimo rankeną AB (**nepriveržkite jos per stipriai**)
 - Kad būtų galima greitai ir tiksliai nustatant dažnai naudojamus įstrižojo pjūvio kampus horizontalioje plokštumoje (0°, 15°, 22,5°, 31,6°, 45°), kampo fiksatoriaus svirtis užfiksuoja atitinkamose padėtyse
- Įstrižojo pjūvio kampų vertikalioje plokštumoje nustatymas ¹⁸
 - Atleiskite rankeną ant trijų laikiklių U ^{18b}
 - Sukite pjūklo galvą į kairę tol, kol įstrižojo pjūvio kampo vertikalioje plokštumoje žymeklis V parodys pageidaujamą įstrižojo pjūvio kampą vertikalioje plokštumoje
 - Laikydami pjūklo galvą šioje padėtyje, užfiksuokite rankeną U
- Sudėtiniai pjūviai ¹⁹
 - sudėtiniam pjūviams reikia kartu nustatyti ir nuožambių kampą, ir įstrižą kampą

! Nenaudokite pjūklo tam tikrų įstrižojo pjūvio kampo horizontalioje plokštumoje ir įstrižojo pjūvio kampo vertikalioje plokštumoje derinių, dėl kurių gali atsirasti trukdžių tarp slankiniųjų ir stacionarių pjūklo dalių arba tarp slankiniųjų dalių ir ruošinio

! visuomet pirmiausia išbandykite pjovimo greitį, pajudami bandomąjį ruošinio gabalėlį

- Lazerio spinduliai ²⁰
 - padeda tiksliai vesti prietaisą pagal ant ruošinio užbrėžtą liniją
 - lazerio spindulius įjungiamas/išjungiamas perstumiant jungiklį AA
 - Lazeris yra išlygiuotas su kaire pjūvio puse
 - Horizontalų lazerio išlygiavimą galima lengvai reguliuoti varžtu Y
- ! **prieš pradėdami darbą, patikrinkite, ar lazerio spinduliai sureguliuoti pagal tikrąjį pjūvio liniją, atlikdami ruošinio dalies bandomąjį pjūvį**
- Pjovimas **be** slenkamųjų judesių (**maži** ruošiniai)
 - Atlaisvinkite fiksavimo rankenėlę AE, jei ji užfiksuota
 - Pjūklo galvą slinkite iki atramos kreiptuvo S kryptimi ir vėl užfiksuokite rankenėlę AE
- ! **Nesugebėjus užfiksuoti mechanizmo, diskas gali staiga užvažiuoti ant ruošinio viršaus ir būti didele jėga atmetas jūsų link**
 - nustatykite įrankį į darbinę padėtį
- ! **patikrinkite, kad ruošinys būtų patikimai prispaustas prie pjūklo pagrindo ir kreiptuvo S**
 - Įjunkite įrankį atleisdami įjungimo bloktorių AG ir patraukdami pagrindinį jungiklį AF ²²
- ! **Dirbdami su pjūklo galva ^{21a} nelaikykite rankų skersai**
 - pajaukite ruošinį tolygiai judėdami į priekį
- ! **pjūklo diskas pirmiausia turi pilnai įsibėgėti, tik po to jį galima glausti prie ruošinio**
 - įrankis išjungiamas atleisdamas jungiklį AF
 - Palaukite, kol pjovimo diskas visiškai sustos, tada lėtai pakreipkite pjūklo galvą į viršų
- Pjovimas **su** slenkamaisiais judesiais (**dideli** ruošiniai)
 - ! **Nepamirškite, kad tik aprašytasis darbo metodas yra saugus**
 - Netraukite pjūklo per ruošinį
 - Atlaisvinkite fiksavimo rankenėlę AE, jei ji užfiksuota
- ! **patikrinkite, kad ruošinys būtų patikimai prispaustas prie pjūklo pagrindo ir kreiptuvo S**
 - Patraukite pjūklo galvą nuo kreiptuvo S tiek, kad pjovimo diskas atsidurtų priešais ruošinį ²³
 - Įjunkite įrankį pastumdami saugos svirtį AG ir patraukdami pagrindinį jungiklį AF ²²
- ! **Dirbdami su pjūklo galva ^{21a} nelaikykite rankų skersai**
 - Pjūklo galvą stumkite kreiptuvo kryptimi S ir pajaukite ruošinį tolygiai judėdami į priekį ²³
- ! **pjūklo diskas pirmiausia turi pilnai įsibėgėti, tik po to jį galima glausti prie ruošinio**
- ! **Jei apatinis gaubtas neatsiardo automatiškai, o taip gali būti tam tikromis sąlygomis (pvz., kai naudojamas beveik didžiausias leidžiamas ruošinys), gali tekti atidaryti gaubtą ranka ^{21b}**
 - įrankis išjungiamas atleisdamas jungiklį AF
 - Palaukite, kol pjovimo diskas visiškai sustos, tada lėtai pakreipkite pjūklo galvą į viršų

- Griovelių pjovimas 24
 - Gylio kaiščių nustatykite norimą gylį AH ir užfiksuokite jį fiksuojamąja veržle AJ
 - Tarp ruošinio ir kreiptuvo turi būti dedamas medinis tarpiklis, kad gylis būtų vienodas per visą griovelio ilgį
 - ! **Stebėkite, kad pjūklo diskas neįstrigtų ruošinyje**
 - ! **visuomet pirmiausia išbandykite pjovimo greitį, pjaudami bandomąjį ruošinio gabalėlį**
- Pjūklo disko pakeitimas 25
 - ! **ištraukite kištuką iš elektros lizdo**
 - iš lizdo AL atraminėje plokštėje išimkite šešiabriaunį raktą AK
 - Palikite apsauginį gaubtą A atidarytą
 - Atlaisvinkite dangtelio plokštės varžtą AN (**neišsukite varžto iki galo**) 25a
 - Pasukite apsauginį gaubtą A atgal iki galo 25b
 - nuspauskite veleno blokavimo mygtuką AM ir laikykite nuspaudę, kol išimsite disko varžtą AO, pasukdami šešiabriaunį raktą AK **LAIKRODŽIO RODYKLĖS KRYPTIMI** (= ant pjūklo disko pažymėtos rodyklės kryptimi)
 - ! **suklio blokavimo mygtuką AM spauskite tik prietaisui sustojus**
 - atleiskite suklio blokavimo mygtuką AM
 - nuimkite flanšą AP ir pjūklo diską
 - ! **pakeiskite pjūklo diską, kad pjūklo dantukai ir rodyklė ant pjūklo disko būtų nukreipti ta pačia kryptimi, kaip ir rodyklė ant apsauginio gaubto A**
 - uždėkite flanšą AP 25c
 - Suklio blokavimo mygtuką AM paspauskite ir laikykite, kol šešiabriaunio raktu AK PRIEŠ LAIKRODŽIO RODYKLĘ užveršite disko prispaudimiu varžtą iki galo, o po to atsukite jį 1/8 sukio (užtikrina disko praslydimą pjūklo dantims sutikus didelį pasipriešinimą; taip sumažėja variklio perkrova ir atatrunkos pavojus)
 - priveržkite dangtelio plokštelės varžtą AN
- Įstatomos plokštelės keitimas AQ j
 - Nusidėvėjusią ar pažeistą įstatomą plokštelę pakeiskite taip:
 - ! **ištraukite kištuką iš elektros lizdo**
 - iš lizdo AL atraminėje plokštėje išimkite šešiabriaunį raktą AK
 - išsukite visus 6 varžtus, kaip parodyta
 - išimkite seną įstatomą plokštelę, iš pradžių pakeldami ją iš priekio ir tada ištraukdami
 - įstatykite naują įstatomą plokštelę
 - ! **tvirtai priveržkite visus 6 varžtus**
- 90° Disko išlyginimo patikrinimas ir reguliavimas 27
 - ! **ištraukite kištuką iš elektros lizdo**
 - Pasukite pjovimo stalą į 0° įstrižojo pjūvio kampo horizontalioje plokštumoje padėtį ir užfiksuokite
 - Pasukite pjūklo galvą į 0° įstrižojo pjūvio kampo vertikaloje plokštumoje padėtį
 - Nuleiskite pjūklo galvą ir užfiksuokite
 - naudodami kampainį, patikrinkite, ar kampas tarp disko ir pagrindo sudaro 90°
 - jei reikia, pakoreguokite 90° disko išlyginimą taip:
 1. atleiskite rankeną ant trijų laikiklių U
 2. Sureguliuokite varžtą W disko veržliarakčiu Nr. 10 (nėra standartiniame komplekte)
 3. Dar kartą patikrinkite kampainiu
 4. Įstrižojo pjūvio kampo vertikaloje plokštumoje žymeklį iš naujo nustatykite V ties 0°

- 45° Disko išlyginimo patikrinimas ir reguliavimas 28
 - ! **ištraukite kištuką iš elektros lizdo**
 - Pasukite pjovimo stalą į 0° įstrižojo pjūvio kampo horizontalioje plokštumoje padėtį ir užfiksuokite
 - atleiskite rankeną ant trijų laikiklių U
 - Pasukite pjūklo galvą į kairę
 - naudodami nuožambų kampainį, patikrinkite, ar kampas tarp disko ir pagrindo sudaro 45°
 - patikrinkite, ar įstrižių kampų rodiklis V yra ties 45° žyme
 - jei reikia, pakoreguokite 45° disko išlyginimą taip:
 1. Sureguliuokite varžtą X disko veržliarakčiu Nr. 10 (standartiniame komplekte nėra)
 2. Dar kartą patikrinkite nuožambio kampainiu
- 90° Kreiptuvo išlyginimas patikrinimas ir koregavimas 29
 - ! **ištraukite kištuką iš elektros lizdo**
 - Pasukite pjovimo stalą į 0° įstrižojo pjūvio kampo horizontalioje plokštumoje padėtį ir užfiksuokite
 - Nuleiskite pjūklo galvą ir užfiksuokite
 - Kampainiu patikrinkite, ar tarp disko ir kreiptuvo S yra 90° kampas (įsitikinkite, kad kampainis liečia pjūklo disko korpusą, o ne jo dantukus) 29a
 - jei reikia, pakoreguokite 90° kreiptuvo išlyginimą taip:
 1. atsukite 2 šešiabriaunius varžtus T 29b
 2. pakoreguokite kreiptuvą taip, kad ir diskas, ir kreiptuvas visiškai liestų kampainį
 3. proveržkite 2 šešiabriaunius varžtus T
 4. Įstrižojo pjūvio kampo horizontalioje plokštumoje žymeklį iš naujo nustatykite ties 0° 29c

NAUDOJIMO PATARIMAI


- Specifiniai ruošiniai
 - visada prilaikykite arba į ką nors atremkite ilgo ruošinio laisvuosius galus 30
 - patikrinkite, kad išlenkti ar apvalūs ruošiniai būtų prspausti tinkamai ir neslystų 31
 - ties pjovimo linija tarp ruošinio ir kreiptuvo ar pjūklo pagrindo negali būti jokio tarpo
 - Jei reikia, pagaminkite pagalbinį kreiptuvą; angos slankiajame kreiptuve turi būti naudojamos pagalbiniam kreiptuvui 32 pritvirtinti
- ! **Pagalbinį kreiptuvą galima naudoti tik esant 0° kampui**
- Kaip nuorodą dirbant su grindlentėmis galima naudoti pav. 33
- Visuomet guldykite ruošinį gerąja puse į apačią, taip bus žymiai mažiau atplaišų
- Naudokite tik aštirus, tinkamos rūšies pjūklo diskus
 - geresnė pjūvio kokybė gaunama naudojant pjūklo diskus su didesniu dantų skaičiumi
 - pjūklo diskai su kietydinio plokštelėmis tarnauja iki 30 kartų ilgiau, nei įprastiniai pjūklo diskai

PRIEŽIŪRA / SERVISAS

- Visada valykite įrankį ir laidą, kad jie būtų švarūs (ypač ventilacijos angos variklio korpuso galinėje dalyje)
- Reguliariai tikrinkite, ar apatinis gaubtas veikia tinkamai. Susikaupusias pjūvenas nuo apatinio gaubto valykite drėgna šluoste.
- ! **prieš valydami ištraukite kištuką iš elektros tinklo lizdo**
- Kelkite apatinį gaubtą, kol jis visiškai atsidarys, ir jį paleiskite; jei jis iš karto visiškai neužsidaro, jį reikia patikrinti SKIL elektrinių įrankių remonto dirbtuvėse

- По пјовимо iš karto nuvalykite пјүкло дискą (ypač nuo dervų bei lakų liekanų)
! darbo metu пјүкло diskas labai įkaista; nelieskite jo rankomis, kol neataus
- Kiekvieną kartą po naudojimo minkštu šepetėliu nuvalykite lazerio lęšį AC, kad lazerio linija būtų gerai matoma (įsitikinkite, kad nepakeitėte lazerio nustatymo)
- Jeigu prietaisais, nepaisant gamykloje atliekamo kruopštaus gamybos ir kontrolės proceso, vis dėlto sugestų, jo remontas turi būti atliekamas įgaliotose SKIL elektrinių įrankių remonto dirbtuvėse
 - **neišardytą** prietaisą kartu su pirkimo čekiu siųskite tiekėjui arba į artimiausią SKIL firmos įgaliotą elektros prietaisų techninio aptarnavimo tarnybą (adresus bei atsarginių dalių brėžinius rasite www.skil.com)
- Turėkite omeny, kad garantija netaikoma, jei gedimas atsiranda dėl perkrovos ar netinkamo naudojimo (dėl SKIL garantijos sąlygų žr. www.skil.com arba kreipkitės į jus aptarnaujančią prekybos atstovą)

APLINKOSAUGA

- **Nemeskite elektrinių įrankių, baterijos, papildomos įrangos ir pakuočių į buitinii atliekų konteinerius** (galioja tik ES valstybėms)
 - pagal ES Direktyvą 2012/19/EG dėl naudotų elektrinių ir elektroninių prietaisų atliekų utilizavimo ir pagal vietinius valstybės įstatymus atitarnavę elektriniai įrankiai turi būti surenkami atskirai ir gabenami į antrinių žaliavų tvarkymo vietas, kur jie turi būti sunaikinami ar perdirbami aplinkai nekenksmingu būdu
 - apie tai primins simbolis , kai reikės išmesti atitarnavusį prietaisą

TRIUKŠMINGUMAS


- Pagal EN 62841 išmatuotas šio prietaiso 100,0 garso slėgio lygis yra dB(A), o garso galios lygis – 109,5 dB(A) (neapibrėžtis K = 3 dB)
- Triukšmo sklaidos lygis išmatuotas pagal standarte EN 62841 išdėstytus standartizuoto bandymo reikalavimus; ši vertė gali būti naudojama vienam įrankiui palyginti su kitu ir išankstinais triukšmo poveikiui įvertinti, kai įrankis naudojamas minėtais būdais
 - naudojant įrankį kitokiais būdais arba su kitokiais bei netinkamai prižiūrimais priedais, gali žymiai **padidėti** poveikio lygis
 - laikotarpiams, kai įrankis išjungtas arba yra įjungtas, tačiau juo nedirbama, gali žymiai **sumazėti** poveikio lygis

МК

Циркулар на лизгање

1310

УПАТСТВО

- Овој алат е наменет да се користи како стационарна машина за пресеци на дрво по должина и попреку со прави засекувања, но и за пресеци под агол (можни се хоризонтални засеци од -47° до +47°, како и вертикални засеци под агол од 0° до 45°)
- Внимателно прочитајте го и зачувајте го ова упатство за ракување 
- Овој алат не е наменет за професионална употреба

- **Користете го алатот само ако е правилно и целосно составен** (имајте предвид дека Skil не може да биде одговорен за оштетување на алатот и/или лични поведни кошта потекнуваат од неправилно составување на алатот)


ТЕХНИЧКИ ПОДАТОЦИ

ЕЛЕМЕНТИ НА АЛАТОТ

- A** Долен штитник
- B** Рачка на прекинувачот
- C** Клин за заклучување при транспорт
- D** Горен штитник
- E** Рачка за транспорт
- F** Отвори за поставување
- G** Потпорна подлога
- H** Меса за прашина
- J** Отвор за пилевина
- K** Продолжителни шипки
- L** Копчиња за заклучување на продолжителните шипките
- M** Стегалка за поставување парче за обработка
- N** Потпорен отвор
- P** Регулатор за прицврстување на стегалката
- Q** Регулатор за прилагодување на стегалката
- R** Рачка за стегање
- S** Заштитник
- T** шестоаголни шрафови за прилагодување на заштитникот (2x)
- U** Регулатор за заклучување (закосени агли)
- V** Индикатор за аголот на сечењето
- W** Шраф за прилагодување за конусен агол (оддесно)
- X** Шраф за прилагодување за конусен агол (одлево)
- Y** Завртка за прилагодување на ласерот
- Z** Ласерско осветлување
- AA** Безбедносен ласер за вклучување/исклучување
- AB** Рачка за заклучување (закосени агли)
- AC** Рачка за задржување на агли за сечење
- AD** Индикатор за аголот на сечењето
- AE** Копче за заклучување за лизгачки уред
- AF** Прекинувач за вклучување/исклучување
- AG** Безбедносна рачка
- AH** Ограничувач на длабочина на сечење
- AI** Ограничувач на длабочината
- AJ** Навртка на ограничувачот на длабочината
- AK** Хексагонален клуч
- AL** Лежиште за хексагонален клуч
- AM** Копче за заклучување на вретеното
- AN** Шраф за плочата на напакот
- AO** Завртка за сечивото
- AP** Штитник
- AQ** Вметнување на масата
- AR** Дефлектор за пилевина

БЕЗБЕДНОСТ

ОПШТИ ПРЕДУПРЕДУВАЊА ЗА БЕЗБЕДНОСТ НА ЕЛЕКТРИЧНИТЕ АЛАТИ

-  **ПРЕДУПРЕДУВАЊЕ** Прочитајте ги сите безбедносни предупредувања, упатства, слики и спецификации што се обезбедуваат со овој алат.

Непочитувањето на сите упатства подолу може да доведе до електричен удар, пожар и/или сериозна повреда..

Чувајте ги сите предупредувања и упатства за понатамошно упатување.

Поимот “електричен алат”, кој се користи во понатамошниот текст, се однесува на вашиот електричен алат (со приклучен кабел) и на електрични алати со погон на батерии (без приклучен кабел).

1) БЕЗБЕДНОСТ НА РАБОТНОТО МЕСТО

- a) **Одржувајте го вашето работно место чисто и уредно.** Неуреден или темен работен простор може да предизвикаат незгоди.
- b) **Немојте да работите со уредот во средина во која има опасност од експлозија, во која има запалливи течности, гасови и прашина.** Електричните алати произведуваат искри кои можат да запалат прашина или пара.
- c) **За време на употребата на електричниот алат, децата и останатите лица држете ги подалеку од местото на работите.** Одвраќање, би можеле да изгубите контрола врз уредот.

2) ЕЛЕКТРИЧНА СИГУРНОСТ

- a) **Утикач мора да одговара на приклучокот. Никане не смее да се прават измени на штекерот. Не користете адаптерски штекер заедно со уредот кој е заштитно заземјен.** Не променети штекери и соодветни приклучоци го намалуваат ризикот од електричен удар.
- b) **Избегнувајте допир на телото со заземјени површини, како што се цевки, радијатори, рерни и фрижидери.** Постои зголемена опасност од струен удар, доколку Вашето тело е заземјено.
- c) **Чувајте го уредот подалеку од дожд и влага.** Продирањето на вода во електричниот уред ја зголемува опасноста од струен удар.
- d) **Не злоупотребувајте го приклучниот кабел за носење, бесење на уредот или за извлекување на штекерот од мрежниот приклучок. Чувајте го кабелот подалеку од топлина, масло, остри рабови или деловите на апаратот кои се движат.** Оштетени или заплеткани кабли ја зголемуваат опасноста од струен удар.
- e) **Нога го употребувате полначот надвор, користете продолжен кабел кој е соодветен за употреба на отворен простор.** Примената на продолжен кабел соодветен за работа на отворен простор ја намалува опасноста од струен удар.
- f) **Доколку не може да се избегне работа со електричниот алат во влажна средина, користете прекинувач за струјна заштита при технички проблеми.** Употребата на прекинувачот за струјна заштита при технички проблеми го намалува ризикот од електричен удар.

3) ЛИЧНА ЗАШТИТА

- a) **Бидете внимателни, внимавајте што правите и постапувајте внимателно додека работите со електричниот алат. Не работете со уредот доколку сте уморни или под дејство на дрога, алкохол или лекови.** Еден момент на невнимание при употребата може да доведе до сериозни повреди.

- b) **Носете ја личната заштитна опрема и секогаш носете заштитни очила.** Носењето на личната заштитна опрема, како што е маската за прашина, безбедносната облека која не се лизга, заштитен шлем или штитник за слух, зависно од видот и примената на електричниот алат, ја намалува опасноста од повреда.
 - c) **Избегнувајте невнимателно вклучување за време на работата. Осигурајте се прекинувачот да биде во “OFF” позиција пред да го ставите штекерот во приклучокот.** Доколку го носите електричниот алат со прстот на прекинувачот или го приклучувате апаратот кој е приклучен со напојување на струја, може да предизвикате незгоди.
 - d) **Пред вклучување на уредот, тргнете ги алатите за подесување или клучот за навртување.** Алатот или клучот кој се наоѓа во вртливиот дел на уредот, може да предизвика незгода.
 - e) **Не ги преценувајте своите способности. Завземете сигурен и стабилен став и во секој момент одржувајте рамнотежа.** На тој начин можете подобро да го контролирате уредот во неочекувани ситуации.
 - f) **Носете соодветна облека. Не носете широка облека или накит. Косата и алиштата треба да бидат подалеку од подвижните делови.** Широката облека, накитот или долгата коса може да се закачат за подвижните делови.
 - g) **Доколку може да се монтираат направи за вшмукување и фаќање прашина, проверете дали се вклучени и дали можат исправно да се користат.** Примената на овие направи ја намалува опасноста од прашината.
 - h) **Не дозволувајте искуството стекнато со честа употреба на алатите да ве направи спокójни и да ги игнорирате безбедносните принципи при неговото користење.** Невнимателно движење може да предизвика сериозни повреди во дел од секунда.
- #### **4) ВНИМАТЕЛНА УПОТРЕБА И РАКУВАЊЕ СО ЕЛЕКТРИЧНИТЕ АЛАТИ**
- a) **Не го преоптеретувајте уредот. При вашата работа користете го предвидениот електричен алат за таа употреба.** Со соодветниот електричен алат ќе работите подобро и посигурно во наведената функционална област.
 - b) **Не користете електричен алат чиј прекинувач е неисправен.** Електричниот алат кој повеќе не може да се вклучува и исклучува е опасен и мора да се поправи.
 - c) **Исклучете го електричниот алат од струја и/или извадете го комплетот со батерии, ако се одделува, пред да правите неканви прилагодувања, менувате дополнителна опрема или да го складирате електричниот алат.** Со овие мерки на внимателност ќе се избегне невнимателното вклучување на уредот.
 - d) **Тргнете го електричниот алат кој не го користите од допирот на децата. Не допуштајте работа со уредот на лица кои не се запознаени со него или кои го немаат прочитано ова упатство.** Електричните алати се опасни доколку со нив работат неискусни лица.

- e) **Одржувајте го електричниот алат и дополнителната опрема. Имајте контрола околу тоа дали движечните делови на уредот работат беспрекорно и дали не се заглавени, дали деловите се скришени или оштетени до таа мерка што не може да се обезбеди функционирање на уредот. Пред примената, овие оштетени делови треба да се поправат.** Причина за многу незгоди е лошо одржуваниот електричен алат.
- f) **Алатите за сечење одржувајте ги остри и чисти.** Внимателно одржуваните алати за сечење со остри очтрици помалку ќе се заглавуваат и со нив работата ќе биде полесна.
- g) **Електричниот алат, прибор, работни алати итн., треба да ги користите според овие упатства, и на начин кој е опишан за соодветниот тип на уред.** При тоа, земете ги предвид работните услови и работата која се извршува. Употребата на електричните алати за други цели кои не се предвидени, може да предизвика опасни ситуации.
- h) **Рачките и површините за држење одржувајте ги суви, чисти и неизмастени.** Рачките и површините за држење што се лизгаат не овозможуваат безбедно ракување и контрола на алатот во неочекувани ситуации.
- 5) **СЕРВИСИРАЊЕ**
- a) **Електричниот алат сервисирајте го нај квалификувано лице кое користи само идентични резервни делови.** Со ова се обезбедува безбедно одржување на електричниот алат.

БЕЗБЕДНОСНИ УПАТСТВА ЗА АГОЛНИ ПИЛИ

- **Аголните пили се наменети за сечење дрво или производи слични на дрво, тие не можат да се користат со абразивни тркала за сечење на материјали што содржат железо, како што се решетки, прачки, столпчиња, итн.** Абразивната прашина предизвикува заглавување на подвижните делови, како што е долниот штитник. Искрите од абразивно сечење ќе го изгорат долниот штитник, делот што се отсекува и другите пластични делови.
- **Користете стеги за парчето за обработка секогаш кога тоа е можно. Ако го држите работното парче со рака, секогаш мора раката да ви биде најмалку 100 mm оддалечена од двете страни на сечилото на пилата. Не користете ја оваа пила за сечење парчиња што се премногу мали и не можат безбедно да се стегнат или да се држат со рака.** Ако вашата рака е поставена премногу близу до сечилото на пилата, постои зголемен ризик од повреда при контакт со сечилото.
- **Работното парче мора да биде статично и фатено со стега или да се држи потпрено и на оградата и на масата. Не ставајте го работното парче за обработка во сечилото или немојте „слободно“ да го сечете на кој било начин.** Неприцврстените или подвижните работни парчиња може да бидат отфрлени со голема брзина, предизвикувајќи повреда.
- **Туркајте ја пилата напред низ работното парче. Не повлекувајте ја пилата назад низ работното парче. За да направите рез, подигнете ја главата на пилата и поставете ја над работното парче без сечење, вклучете го моторот, притиснете ја главата на пилата надолу и туркајте ја пилата напред низ работното парче.** Ударот при сечење со повлекување назад најверојатно ќе предизвика сечилото на пилата да се качи на горниот дел од работното парче и насилно да го отфрли склопот на сечилото кон операторот.
- **Никогаш поставувајте ја раката прену предвидената линија за сечење или пред или зад сечилото на пилата.** „Вкрстеното“ држење на работното парче, т.е. држењето на работното парче на десно од сечилото на пилата со левата рака или обратно е многу опасно.
- **Не посегнувајте зад оградата со ниту една рака поблиску од 100 mm од која било страна на сечилото на пилата за да отстраните остатоци од дрво или заради која било друга причина додека сечилото се врти.** Близината на сечилото на пилата што се врти до вашата рака може да не е очигледна и можете да бидете сериозно поведени.
- **Проверете го вашето работно парче пред да го исечете.** Ако работното парче е свиено или искривено, затегнете го со надворешното свиено лице кон оградата. Секогаш осигурите се дека нема празнина помеѓу работното парче, оградата и масата по должината на линијата на сечење. Свиените или искривените работни парчиња можат да се извртат или да се поместат и може да предизвикаат врзување за сечилото на ротирачката пила при сечење. Не треба да има шајки или страни предмети во работното парче.
- **Не користете ја пилата сè додека не ги тргнете од масата сите алатки, остатоци од дрво и сл., освен работното парче.** Малите остатоци или лабавите парчиња дрво или другите предмети што имаат контакт со ротирачното сечило може да бидат отфрлени со голема брзина.
- **Сечете само едно работно парче во исто време.** Повеќе работни парчиња поставени едно врз друго не можат да бидат соодветно стегнати или ограничени и може да се вртат со сечилото или да се поместуваат за време на сечењето.
- **Осигурите се дека аголната пила е монтирана или поставена на нивелирана, цврста работна површина пред употреба.** Нивелираната и цврста работна површина го намалува ризикот аголната пила да стане нестабилна.
- **Планирајте ја вашата работа!** Сеној пат кога ќе го промените аголот на сечење или поставувањето на аголот на заносеност, проверете дали е правилно прилагодена прилагодливата ограда за да го поддржува работното парче и дека нема да го попречува сечилото или системот на штитници. Без вклучување на алатката на „ON“ и без работно парче на масата, поместете го сечилото на пилата за целосно симулиран рез за да се осигурате дека нема да има попреченост или опасност од сечење на оградата.
- **Обезбедете соодветна поддршка како што се проширување на масата, потпорни конструкции и сл. за работно парче кое е пошироко или подолго од горниот дел од масата.** Работните парчиња подолги или пошироки од масата за аголна пила може да се превртат ако не се безбедно прицврстени. Ако се превртат отсечените парчиња или работното парче, може да го подигнат долниот штитник или да бидат отфрлени од ротирачното сечило.

- **Не користете друго лице како замена за продолжеток на масата или како дополнителна поддршка** Нестабилната поддршка на работното парче може да предизвика врзување на сечилото или поместување на работното парче за време на операцијата за сечење, повлекувајќи ве вас и помошникот во ротирачкото сечило.
- **Отсеченото парче не смее да се заглави или да биде притиснато со што било врз ротирачкото сечило на пилата** Ако е заробено, т.е. со употреба на ограничувачи за должината, отсеченото парче може да се залепи на сечилото и да биде насилно отфрлено.
- **Секогаш користете стега или прицврстувач дизајниран за правилно поткрепување на кружен материјал, како што се праќи или цевки** Прачките имаат тенденција да се тркалаат додека се сечат, предизвикувајќи сечилото да „гризе“ и да го влече работното парче со раката во сечилото.
- **Оставете го сечилото да достигне целосна брзина пред да има контакт со работното парче** Ова ќе го намали ризикот од отфрлање на работното парче.
- **Ако работното парче или сечилото се заглават, исклучете ја аголната пила.** Почекајте сите подвижни делови да застанат и исклучете го приклучокот од изворот на напојување и/или извадете ја батеријата. Потоа, работете на ослободување на заглавениот материјал. Продолженото сечење со пилата со заглавено работно парче може да предизвика губење на контролата или оштетување на аголната пила.
- **По завршување на сечењето, ослободете го прекинувачот, држете ја главата на пилата надолу и почекајте да се запре сечилото пред да го отстраните отсеченото парче.** Опасно е да посегнувате со раката во близина на сечилото.
- **Држете ја рачната цврсто кога правите појлбеување или кога го ослободувате прекинувачот пред главата на пилата да биде целосно во спуштена положба** Дејството на сопирање на пилата може да предизвика главата на пилата одеднаш да се повлече надолу, предизвикувајќи ризик од повреда.

ДОПОЛНИТЕЛНИ УПАТСТВА ЗА БЕЗБЕДНОСТ

- Налети на струја доведуваат до краткотрајни падови на напонот; под неповолни услови на напојување може да биде оштетена другата опрема (доколку имоенданцијата на напојување со електрична енергија е помала од 0,464 ома, не постои можност да дојде до нарушувања); доколку ви е потребно дополнително објаснување, можете да се обратите до локалната служба за снабдување со електрична енергија

ОПШТИ

- Користете го овој алат само за сечење дрво
- Секогаш проверувајте напонот да е ист со оној кој е назначен на плочката на алатот
- **Немојте да стоите на алатот или на неговата подлога** Може да дојде до сериозна повреда ако алатката се преврти или ако случајно дојде до контакт со алатката за сечење. Не чувајте материјали на алатката или во нејзина близина доколку е потребно да стоите на алатот или на неговата подлога за да ги достигнете.

- **Обезбедете се алатот да е исклучен од струја пред да вршите било какво подесување или замена на приборот**
- **Секогаш исклучувајте го приклучокот од изворот на напојување пред да ја транспортирате аголната пила** Исклучете го приклучокот, спуштете го склопот на долниот дел на главата и заклучете го во положба, користете ја рачката за носење и една од вклопантините за раката во основата на пилата.
- **Не оставајте ја алатката додека не запре целосно**
- **Кога сечете работни парчиња со неправилна форма, испланирајте ја вашата работа за парчето да не се лизне и да не го притисне сечилото и да не ви биде истргнато од раната**
- Овој алат не треба да го користат лица под 16 години
- Овој алат не е подесен за сечење во присуство на влага

КОРИСТЕЊЕ НА ОТВОРЕНО

- Кога го користите на отворено, поврзете го алатот преку осигурувач за струја (FI) за погрешно напојување во струја за прекинување со максимум 30 mA и користете продолжен кабел којшто е наменет за употреба на отворено и опремен со водоотпорен приклучок

ПРЕД УПОТРЕБА

- Продолжениот кабел кој го користите, мора да биде сосема одмотан и безбеден, со капацитет од 16 A
- Носете заштитни очила, заштита за ушите, и заштитни ракавици
- Прашината од материјали како боја која содржи олово, некои видови дрво, минерали и метали, може да биде штетна за здравјето (контактот со прашината или нејзиното вдишување може да шредизвика алергии и/или болести на дишните органи за оној кој работи со алатот или луѓето во близина); **носете маска за прашина и работете со правосмукалки доколку можете да ги поврзете**
- Некои видови на прашина се канцерогени (како на пример прашината од даб или бука), особено заедно со адитиви за одржување на дрвото; **носете маска за прашина и работете со правосмукалки доколку можете да ги поврзете**
- Следете ги процедурите на вашата земја за прашина која се јавува како резултат од материјалите со кои работите
- **Не обработувајте никаков материјал кој содржи азбест** (азбестот важи за предизвикувач на рак)
- Никогаш не користете електричен алат без оригинален систем за заштита
- Проверете ја заштитата дали е правилно затворена пред секоја употреба
- Не вклучувајте го циркуларот за заштита не се движи слободно и веднаш се затвора
- Никогаш не стегајте ниту не врзувајте за заштитата во отворена позиција
- Никогаш не користете го алатот без подметок за масата. Заменете оштетен или изабен подметок за масата
- Пред да почнете со сечење, отстранете ги сите пречки на и под местото каде сечете
- Избегнувајте оштетувања од штрафови, шајки и други предмети во местото каде работите; тргнете ги пред да почнете со работа

ПРИБОР

- Никогаш не користете дискови за оштрење/сечење со овој електричен алат

- SKIL може да признае гаранција само доколку е користен соодветен прибор кој може да се набаво во сите SKIL продавници
- За поставување и користење на приборите кои не се SKIL погледнете го упатството на производителот
- Користете само листови за пила, кои одговараат на наведените податоци во ова упатство за употреба или се проверени според EN 847-1 и се соодветно означени
- Користете само прибор чија дозволена брзина е во најмала рака еднаква на најголемата брзина при празен од на електричниот алат
- никогаш не користете сечила за пили направени од брзоротирачки челик (HSS)
- Не користете сечиво што е напукнато, деформирано или тапо
- Користете ги само сечивата за пили со дијаметар на отворот којшто се вклопува на ободот на алатот без да се мрда; никогаш не користете редуктори или адаптери за сечива од пили за големи отвори
- Заштитете го приборот од потреси, удари и масни површини

ВО ТЕКОТ НА УПОТРЕБАТА

- **Не применувајте сила врз алатот** (применете лесен и континуиран притисок за да избегнете прегревање на врвовите на сечивата и во случај на сечење пластика, топење на пластичниот материјал)
- Чувајте ги прстите, дланките и рацете подалеку од ротирачкото сечиво на циркуларот
- Ако се блокира сечивото, веднаш исклучете го алатот и прекинете го напојувањето; дури тогаш извадете го парчето што го пробивате
- Во случај на атипично однесување или непознати звуци, веднаш исклучете го алатот и извлекете го штекерот од електричниот приклучок
- Ако кабелот се оштети или пресече за време на работата, веднаш исклучете го и не го допирајте
- Никогаш не користете го алатот кога кабелот е оштетен; тој мора да се замени со специјално подготвен кабел достапен преку организацијата на услуги.

РАДИЈАЦИЈА НА ЛАСЕРОТ

- **Не го насочувајте ласерскиот зрак на лица или животни и не погледнувајте директно во него или неговата рефлексија** (така може да ги заслепите лицата, да предизвикате несреќи или да ги оштетите очите)
- Доколку ласерскиот зрак доспее до очите, веднаш треба да ги затворите и да ја тргнете главата од ласерскиот зрак
- Не вршете никакви промени на ласерскиот уред
- Не гледајте во зракот на ласерот (радијација на ласерот)
- Не користете оптички алати за аголемување (како што се лупа, телескоп или двоглед) за да го гледате зракот на ласерот
- Не вклучувајте го алатот во присуство на запаливи течности, гасови или прашина
- Не вклучувајте го алатот ако во близина има деца
- Не заменувајте го инсталираниот ласер со друг вид ласер

ПО УПОТРЕБА

- По исклучувањето на електричниот алат, никогаш не го запирајте вртењето на приборот со користење на странична сила

- Тргајте ги отсечените делови или другите парчиња од работниот материјал кога деловите што се движат ќе се смират сосема
- сечивото многу се вжештува во текот на работата. Не допирајте го пред да се излади
- Чувајте ја машината **во затворен простор** на суво и затворено место и подалеку од дофат на деца

ОБЈАСНУВАЊЕ ЗА СИМБОЛИТЕ ЗА АЛАТОТ

- ② Пред употреба прочитајте го прирачникот за употреба
- ③ Носете заштитни очила и заштита за ушите
- ④ **Опасна област! Зона каде не се ставаат рацете. Држете ги дланките, прстите или рацете подалеку од оваа област.**
- ⑤ Двојна изолација (не е потребна заземна жица)
- ⑥ Не се ослободувајте од електрични алати и батерии во домашниот отпад
- ⑦ **Ласерско зрачење / Не гледајте во зракот/ Ласерски производ класа 2**

УПОТРЕБА

- Составување
 - склопете ја рачката за транспорт со 2 завртки со инбус АК^③
 - склопете го копчето за заклучување на аголот АВ во предниот дел на масата ^⑩
- Позиција при транспорт/работа
 - Ослободување на алатот (**работна позиција**)
 - Притиснете ја рачката В надолу со едната рака додека ја извлекувате иглата за заклучување С со другата рака ^{⑪а}
 - водете го склопот на главата полека нагоре
 - за сечење со лизгачко движење, ослободете го копчето за заклучување АЕ ^{⑪b}
 - за обезбедување на алатот (**позиција** за транспорт)
 - лизнете го склопот со главата до ограничувачот во насока на оградата S и затегнете го копчето за заклучување АЕ ^{⑪c}
 - поставете го аголот на закосеност на 0 ° (видете Поставување агол на закосеност)
 - Поставете го аголот на сечење на 45 ° лево или десно (видете Поставување на аголот на сечење)
 - притиснете ја рачката В надолу со едната рака додека со другата рака ја притискате иглата за заклучување С
 - намотајте го кабелот за напојување
 - користете ја рачката за транспорт Е за носење на алатката ^{⑪d}
 - алтернативно, користете ги страничните рачки за носење на алатката ^{⑪e}
- ! **никогаш не кревајте ја алатката држејќи ја главната рачка или кабелот за напојување**
- Поставување на алатот на работната површина ^⑫
 - ! **за безбедно ранување, сеногаш поставувајте го алатот врз рамна и стабилна работна површина (на пр. работна подлога)**
 - употребете ги 4 отвори за поставување F за прикачување на алатот и соодветните шrafoви на работната површина
 - може и да го стегнете алатот за работната површина со комерцијално достапни стегалки со шrafoви

- за стабилизирање на алатот може да се прилагоди висината на потпорната ногарка G
- алтернативно, алатот може да се монтира на држач за аголна пила
- ! **прочитајте ги сите предупредувања и упатства вклучени во држачот за пила**
- Вадење прашина/честички ⑬
 - поставете вреќа за пилевина H/правосмукалка како што е илустрирано
 - празнете ја редовно кесата за прашина за да постигнете оптимално собирање на прашината
 - ! **никогаш не дозволувајте цревето на правосмукалната да дојде во допир со долниот заштитен механизам или со операцијата на сечење**
- Продолжеток на масата за пила ⑭
 - користете ги копчињата L за прицврстување на продолжителните шипки K (од двете страни на алатот)
 - должината на продолжителните шипки K е прилагодлива без чекори од минимална до максимална
- Стегање на парчето за обработка ⑮
 - ! **за оптимално безбедна работна средина, секогаш цврсто стегнете го парчето за обработка со доставените прилагодливи стеги**
 - не работете со парчиња што се премногу мали за стегане
 - за **максималните** димензии на парчето, користете ја масата ⑯ како референца
 - прицврстете ја стегата на работното парче во потпорната дупка N со копчето P (од двете страни на алатот)
 - Користете 1 од жлебовите 2; за дебелина на работното парче до 4 cm и дебелина на работното парче над 4 cm
 - притиснете го работното парче цврсто до заштитата S
 - отклучете ја рачката R
 - прилагодете ја стегата на работното парче
 - цврсто затегнете го работното парче со заклучување на рачката R
 - ! **за некои комбинации на агол на сечење и агол на закосеност, или во зависност од големината на работното парче, може да биде потребно да се користат комерцијално достапни стеги со завртни наместо стегата на работното парче**
- Поставување агли за засекување ⑰
 - олабавете ја рачката за заклучување AB
 - притиснете ја рачката за задржување на агли за сечење AC
 - завртете ја табелата за пила на лево или на десно и поставете го саканиот агол на сечење (од 0° до 47°) со употреба на индикаторот AD
 - рачка за ослободување AC
 - затегнете ја рачката за заклучување AB (**не ја затегнувајте рачката премногу цврсто**)
 - за брзо и прецизно поставување на често користените агли на сечење (0°, 15°, 22,5°, 31,6°, 45°), рачката за задржување на агли за сечење кликнува на место во соодветните позиции
- Поставување агли на закосеност ⑱
 - олабавете го копчето со три краци U ⑲b
- вртете ја главата на пилата на лево додека индикаторот за агол на закосеност V не покаже кон посакуваниот агол на закосеност
- држете ја главата на пилата во оваа положба и затегнете го копчето U
- Сложени пресеци ⑲
 - сложените пресеци се прават и со поставување на агол на засекување и на аголот за забодување
 - ! **не управувајте со пилата во одредени комбинации на агли на сечење и агли на закосеност, што може да резултира со пречни помеѓу лизгачните и фиксните делови на пилата или помеѓу лизгачните делови и работното парче**
 - ! **секогаш прво испробајте на парче стар материјал**
- Линија на ласерот ⑳
 - за водење на електричниот алат низ саканата линија означена на местото на работата
 - вклучете/исклучете ја линијата на ласерот со притискање на прекинувачот AA
 - ласерот е порамнет на левата страна на резот
 - хоризонталното порамнување на ласерот може лесно да се прилагоди со завртка Y
 - ! **пред да започнете со работа, проверете го порамнување на линијата на ласерот со вистинската линија на пресенот така што ќе направите пробен засек во отпаден материјал**
- Пила без лизгачко движење (мали работни парчиња)
 - олабавете го копчето за заклучување AE во случај да е затегнато
 - лизнете ја главата на пилата до ограничувачот во насока на оградата S и повторно затегнете го копчето за заклучување AE
 - ! **незаклучувањето на механизмот може да предизвика сечилото одеднаш да се искачи на врвот на работното парче и насилно да се насочи кон вас**
 - поставете го алатот во работната положба
 - ! **проверете дали парчето за обработка е цврсто стегнато на таблата за сечење и до заштитата S**
 - вклучете ја алатката преку ослободување на заклучувањето AG и повлекување на главниот прекинувач AF ㉒
 - ! **не прекрстувајте ги рацете кога ракувате со главата на пилата ㉑a**
 - сечете низ парчето за обработка со еднакво напредување
 - ! **електричниот алат би требало да се наоѓа во полна брзина пред сечилото да дојде во допир со местото каде се работи**
 - исклучете го алатот со пуштање на прекинувачот AF
 - почекајте додека пилата не дојде до целосен застој пред да ја насочите главата на пилата полека нагоре
- Пила со лизгачко движење (широки работни парчиња)
 - ! **бидете свесни дека методот опишан подолу е единствениот безбеден метод**
 - не влечете ја пилата низ работното парче
 - олабавете го копчето за заклучување AE во случај да е затегнато

- ! проверете дали парчето за обработна е цврсто стегнато на таблата за сечење и до заштитата S
- повлечете ја главата на пилата далеку од оградата S доволно, така што сечилото на пилата е пред работното парче 23
- вклучете ја алатката преку притискање на безбедносната рачка AG и повлекување на главниот прекинувач AF 22
- ! не прекрстувајте ги рацете кога ракувате со главата на пилата 21a
- турнете ја главата на пилата во насока на оградата S и сечете низ работното парче со рамномерно напредување 23
- ! електричниот алат би требало да се наоѓа во полна брзина пред сечилото да дојде во допир со местото каде се работи
- ! ако долниот штитник не се отвори автоматски, што може да се случи под одредени услови (на пр. работно парче кое е многу близу до максималниот капацитет), можеби ќе треба да го отворите штитникот рачно 21b
- исклучете го алатот со пуштање на прекинувачот AF
- почекајте додека пилата не дојде до целосен застој пред да ја насочите главата на пилата полека нагоре
- Сечење жлебови 24
 - поставете ја саканата длабочина со ограничувач на длабочината AH и заклучете го на место со затегнување на завртката AJ
 - треба да се постави дрвен дистанцер помеѓу работното парче и оградата за постојана длабочина врз целата должина на жлебот
- ! осигурите се сечилото на пилата да не се заглави во работното парче
- ! секогаш прво испробајте на парче стар материјал
- Замена на сечилата на пилата 25
 - ! извлечете го приклучокот ако набелот
 - земете хексагонален клуч АК од складот AL
 - држете го штитникот A во отворена положба
 - олабавете ја завртката на табличката за покривање AN (не одвртувајте ја завртката целосно) 25a
 - ротирајте го штитникот A целосно наназад 25b
 - притиснете го копчето за заклучување AM и држете го додека ја отстранувате навртката за разлабавување на сечивото AO еден круг со инбус АК ВО ПРАВЕЦ НА СТРЕЛНИТЕ НА ЧАСОВНИКОТ (= во истиот правец како и стрелката отпечатена на сечивото)
 - ! копчето за заклучување на вретеното AM притиснете го кога електричниот алат целосно ќе застане
 - пуштете го копчето за заклучување на вретеното AM
 - извадете ги крилцето AP и сечивото
 - ! сменете го сечивото за циркуларот со запците и стрелката отпечатена на сечивото насочени во ист правец како и стрелката на штитникот A
 - поставете штитник AP 25c
 - притиснете го копчето за заклучување на вретеното AM и држете го притиснато додека ја прицврстувате завртката на сечилото со вртење на
- инбусот АК НА ЛЕВО за 1/8 вртења по што треба да затегнете со прстите (така се осигурува лизгањето на сечилото на пилата кога ќе дојде до прекумерен отпор и оптеретување на моторот и повратен удар на пилата)
 - затегнете го шрафот за плочата на капакот AN
- Замена на додаток за масата AQ 26
 - ! извлечете го приклучокот ако набелот
 - земете хексагонален клуч АК од складот AL
 - извадете ги сите 6 шрафови како што е посочено
 - извадете го стариот додаток за таблата прво со подигање однапред и потоа со комплетно извлекување
 - ставете го новиот додаток за масата
 - ! цврсто затегнете ги сите 6 шрафови
- Проверка/прилагодување за 90° на сечивото 27
 - ! извлечете го приклучокот ако набелот
 - завртете ја масата за пила во положба од 0° спрема аголот за сечење и заклучете ја на место
 - завртете ја главата на пилата во положба на агол на закосеност од 0°
 - спуштете ја главата на пилата и заклучете ја на место
 - проверете го аголот од 90° меѓу сечивото и масата со квадрат
 - ако е неопходно, прилагодете го порамнувањето на сечивото на 90° како што следи:
 1. разлабавете го регулаторот со три крака U
 2. прилагодете ја завртката W со клуч за сечило 10 (не е стандардно вклучен)
 3. повторно проверете со квадрат
 4. ресетирајте го индикаторот за агол на закосеност V на 0°
- Проверка/прилагодување за 45° на сечивото 28
 - ! извлечете го приклучокот ако набелот
 - завртете ја масата за пила во положба од 0° спрема аголот за сечење и заклучете ја на место
 - разлабавете го регулаторот со три крака U
 - свртете ја главата на пилата на лево
 - проверете го аголот од 45° меѓу сечивото и масата со квадрат за засекување
 - проверете дали индикаторот за забодување V е на обележувањето за 45°
 - ако е неопходно, прилагодете го порамнувањето на сечивото на 45° како што следи:
 1. прилагодете ја завртката X со клуч за сечилото 10 (не е вклучен стандардно)
 2. повторно проверете со квадрат за агол на сечење
- Проверка/прилагодување за 90° на порамнувањето за заштитата 29
 - ! извлечете го приклучокот ако набелот
 - завртете ја масата за пила во положба од 0° спрема аголот за сечење и заклучете ја на место
 - спуштете ја главата на пилата и заклучете ја на место
 - проверете дали има агол од 90° помеѓу сечилото и оградата S со квадрат (осигурете се дека квадратот има контакт со телото на сечилото на пилата, а не со нејзините запци) 29a

- ако е неопходно, прилагодете го порамнувањето на заштитата од 90° како што следи:

1. разлабавете ги 2 шестоаголни шrafoви T 29b
2. прилагодете ја заштитата така што сечивото и заштитата целосно да се допираат со квадратот
3. затегнете ги 2 шестоаголни шrafoви T
4. ресетирајте го индикаторот за агол на сечење на 0° 29c

СОВЕТИ ЗА ПРИМЕНА

- Специјални парчиња за работа
 - секогаш потпирајте ги слободните краевни на долгото парче за работа 30
 - проверете дали закосените или тркалезните парчиња за работа се особено обезбедени од лизгање 31
 - не смее да има процеп кај линијата за сечење меѓу парчето за обработка и заштитата или масата со циркуларот
 - доколку е потребно, фабрикувајте помошна ограда; дупките во лизгачката ограда ќе се користат за обезбедување на помошната ограда 32
- ! помошната ограда може да се користи само на агол на закосеност од 0°**
- При работа со подни шаблони, сликата 33 може да се користи како референца
 - Добрата страна на обработката секогаш вртете ја надолу, за да обезбедите минимално кршење на материјалот
 - Користете само остри сечила, од соодветен вид
 - квалитетот на сечењето се подобрува со бројот на запците
 - сечилата со карбиден врв остануваат остри 30 пати подолго од обичните сечила

ОДРЖУВАЊЕ/СЕРВИСИРАЊЕ

- Секогаш чувајте ги алатот и кабелот чисти (особено отворите за вентилација одзади на крај од куќиштето на моторот)
 - Развијте редовна проверка за да бидете сигурни дека долниот штитник работи правилно. И исчистете го долниот штитник од наталожената пилевина со влажна крпа.
- ! пред чистење извадете го алатот од приклучокот**
- подигнете го долниот штитник во целосно отворена позиција и ослободете го; доколку не се затвори веднаш и целосно, треба да се провери во сервисен центар за електрични алати на SKIL
 - Сечилото на пилата исчистете го непосредно по користењето (особено од смола и лепак)
- ! сечивото многу се внестува во текот на работата. Не допирајте го пред да се излади**
- И исчистете го ласерското светло AC со мека четка по секоја употреба за да ја задржите добрата видливост на ласерската линија (осигурите се дека не ја менувате поставката на ласерот)
 - Доколку алатот и покрај внимателното работење и контрола некогаш откаже, поправаката мора да ја изврши некој овластен SKIL сервис за електрични алати
 - во случај на примедба, испратете го алатот **нерасклопен**, заедно со сметкопотврдата, да

вашиот продавач или најблискиот SKIL сервис (адресите се наведени на www.skil.com)

- Имајте предвид дека оштетувањето настанато заради преоптоварување или неправилно ракување со алатот ја отфрла гаранцијата (видете на www.skil.com или прашајте го продавачот за условите на гаранцијата на SKIL)

ЗАШТИТА НА ЖИВОТНАТА СРЕДИНА

- **Не се ослободувајте од електрични алати, батерии, уреди или амбалажа преку нивно фрлање во домашното губре** (само за земјите на ЕУ)
 - според Европската Директива 2012/19/ЕС за ослободување од електрична и електронска опрема и нејзина имплементација во согласност со националните закони, електричните алати кои го достигнале крајот на својот животен век мора да бидат собрани посебно и да бидат вратени во соодветен објект за рециклирање
 - симболот 6 ќе ве потсетува на ова кога ќе дојде време алатот да го фрлите

БУЧАВА

- Измерено според EN 62841, нивото на звучен притисок кај овој алат е 100,0 dB(A) и нивото на звучна моќност е 109,5 dB(A) (променливост K = 3 dB)
- Нивото на емитирање на бучава кое е наведено на задниот дел на ова упатство е измерено во согласност со стандардизираниот тест даден во EN 62841; може да се користи за да се спореди еден алат со друг, и како првична оценка за изложеноста на бучава кога се користи алатот за споменатите примени
 - користењето на алатот за разни примени, или со различни или неправилно чувани делови, може да доведе до значајно **зголемување** на нивото на изложеност
 - кога алатот е исклучен или кога алатот е вклучен но не врши некаква работа, може да дојде до значително **намалување** на нивото а изложеност

AL

Sharrë kornizash teleskopike 1310

HVRJE

- Kjo pajisje është projektuar si një vegël e palëvizshme për prerje gjatësore dhe tërthore në dru me prerje të drejta si dhe prerje këndore (mund të realizohen kënde horizontale me kllapë nga -47° deri në +47°, si dhe kënde të pjerrëta vertikale nga 0° deri në 45°)
- Lexoni dhe ruani këtë manual të përdorimit 2
- Kjo vegël nuk është e projektuar për përdorim profesional
- **Përdoreni veglën vetëm kur të jetë e montuar me saktësi dhe plotësisht** (kini parasysh se Skil nuk mund të jetë përgjegjës për dëmtime të veglës dhe/ose dëmtime personale që shkaktohen nga montimi i gabuar i veglës)

TË DHËNAT TEKNIKE 1

ELEMENTET E VEGËL ⑧

- A Mbrojtësja e poshtme
- B Doreza e çelësit
- C Kunja bllokuese për transportin
- D Mbrojtësja e sipërme
- E Doreza transportuese
- F Vrimat e montimit
- G Këmba mbështetëse
- H Qesja e pluhurave
- J Porta e pluhurave
- K Shufrat e zgjatimit
- L Dorezat për bllokimin e shufrave të zgjatimit
- M Kllapa për montimin e materialit të punës
- N Vrima mbështetëse
- P Doreza për shtërngimin e kllapës
- Q Doreza për rregullimin e kllapës
- R Levë kapëse
- S Guida
- T Vidhat heksagonale për rregullimin e guidës (2x)
- U Doreza e bllokimit (këndet e pjerrëta)
- V Treguesi i këndit të pjerrët
- W Vidha për rregullimin e këndit të pjerrët (djathtas)
- X Vidha për rregullimin e këndit të pjerrët (majtas)
- Y Vida e rregullimit të lazerit
- Z Drita e laserit
- AA Lazeri i çelësit të ndezjes/fikjes
- AB Doreza e bllokimit (këndet me kllapë)
- AC Leva e lirimit për bllokimin e pjerrësisë horizontale
- AD Treguesi i këndit me kllapë
- AE Doreza e bllokimit për pajisjen rrëshqitëse
- AF Çelësi i ndezjes/fikjes
- AG Leva e sigurisë
- AH Kufizuesi i thellësisë së prerjes
- AI Bllokuesi i thellësisë
- AJ Dadoja e bllokuesit të thellësisë
- AK Çelësi heksagonal
- AL Vendi i ruajtjes së çelësit heksagonal
- AM Butoni i bllokimit të boshtit
- AN Vidha e pllakës së kapakut
- AO Buloni i thikës
- AP Fllanxha
- AQ Vendosja e planit të tavolinës
- AR Deflektori i pluhurit

SIGURIA

PARALAJMËRIME TË PËRGJITHSHME TË SIGURISË PËR PAJISJET ELEKTRIKE

PARALAJMËRIM: Lexoni të gjitha paralajmërimet, udhëzimet, ilustrimet dhe specifikimet e dhëna me këtë mjet pune. Mosrespektimi i të gjitha udhëzimeve të renditura më poshtë mund të rezultojë në goditje elektrike, zjarr dhe/ose dëmtime të rënda.

Ruani të gjitha paralajmërimet dhe udhëzimet për referencë në të ardhmen.

Termi "pajisje elektrike" në paralajmërimet i referohet pajisjes elektrike që përdoret nga priza (me kablo) ose pajisjes elektrike me bateri (pa kablo).

1) SIGURIA E ZONËS SË PUNËS

- a) Mbajeni zonën e punës të pastër dhe të ndriçuar

mirë. Zonat e çrregullta ose të errëta janë një ftesë për aksidente.

- b) **Mos i përdorni pajisjet elektrike në situata me mundësi shpërthimi, si në prani të lëngjeve, gazeve ose pluhurave të djegshëm.** Pajisjet elektrike shkaktojnë shkëndija që mund të ndezin pluhurat ose avujt.
- c) **Mbajini fëmijët dhe personat e tjerë larg gjatë përdorimit të veglës së punës.** Tërheqja e vëmendjes mund të shkaktojë humbjen e kontrollit.
- #### 2) SIGURIA ELEKTRIKE
- a) **Spinat e veglës së punës duhet të përputhen me prizën. Mos modifikoni kurrë spinën në asnjë mënyrë. Mos përdorni asnjë spinë përshtatëse me veglat e punës me tokëzim.** Spinat e pamodifikuara dhe prizat përshtatëse do të zvogëlojnë rrezikun e goditjes elektrike.
- b) **Shmangni kontaktin trupor me sipërfaqe të tokëzuara si tuba, radiatorë, soba dhe frigoriferë.** Ka një rrezik më të madh të goditjeve elektrike nëse trupi është i tokëzuar.
- c) **Mos ekspozoni veglat e punës në shi ose në kushte me lagështi.** Uji që hyn në veglën e punës do të rritë rrezikun e goditjes elektrike.
- d) **Mos abuzoni me kordonin. Mos e përdorni kurrë kordonin për transportin, tërheqjen ose heqjen e spinës së veglës së punës. Mbajeni kordonin larg nga nxehtësia, vaji, anët e mprehta ose pjesët që lëvizin.** Kordonët e dëmtuar ose e bllokuar rrisin rrezikun e goditjes elektrike.
- e) **Kur përdorni një vegël pune në mjedise të jashtme, përdorni një kordon zgjatues të përshtatshëm për përdorim në mjedise të jashtme.** Përdorimi i një kordoni të përshtatshëm për përdorime në mjedise të jashtme zvogëlon rrezikun e goditjes elektrike.
- f) **Nëse përdorimi i veglës së punës në një vend me lagështi është i pashmangshëm, përdorni një automat qarku me shkarkesë me tokëzim.** Përdorimi i një automati me shkarkesë me tokëzim zvogëlon rrezikun e goditjes elektrike.
- #### 3) SIGURIA PERSONALE
- a) **Qëndroni në gatishmëri, shikoni se çfarë po bëni dhe përdorni gjykimin kur përdorni një vegël pune. Mos e përdorni një vegël pune kur jeni i lodhur ose në ndikimin e ilaçeve, alkoolit ose mjekimit.** Një moment humbje e vëmendjes gjatë përdorimit të veglave të punës mund të shkaktojë dëmtime të rënda personale.
- b) **Përdorni pajisje personale mbrojtëse. Mbani gjithmonë pajisje për mbrojtjen e syve.** Pajisjet mbrojtëse si maska kundër pluhurit, këpucët që nuk rrëshqasin, kaskat ose pajisjet për mbrojtjen e veshëve për kushtet përkatëse do të zvogëlojnë dëmtimet personale.
- c) **Parandaloni ndezjen e rastësishme. Sigurohuni që çelësi është në pozicionin fikur para se të lidhni burimin e energjisë dhe/ose baterinë, para se të merrni ose të transportoni pajisjen.** Transportimi i veglave të punës me gishtin në çelës ose aktivizimi i veglave të punës që kanë çelësin të ndezur është një ftesë për aksidente.
- d) **Hiqni çdo çelës ose çelës përshtatës para ndezjes së veglës së punës.** Një çelës i lënë i lidhur me një pjesë rrotulluese të veglës së punës mund të shkaktojë dëmtime personale.

- e) **Mos u zgjasni. Mbani një vendosje të mirë të këmbëve dhe një ekuilibër të mirë në çdo moment.** Kjo gjë bën të mundur një kontroll më të mirë të veglës së punës në situata të papritura.
- f) **Vishuni në mënyrën e duhur. Mos vishni veshje të gjera ose bizhuteri. Mbani flokët, veshjet dhe dorashkat larg nga pjesët lëvizëse.** Veshjet e gjera, bizhuteritë ose flokët e gjatë mund të kapen nga pjesët në lëvizje.
- g) **Nëse janë ofruar pajisje për lidhjen e pajisjeve të mbledhjes dhe nxjerrjes së pluhurave, sigurohuni që ato të jenë të lidhura dhe të përdoren si duhet.** Përdorimi i mbledhjes së pluhurave mund të zvogëlojë rreziqet në lidhje me pluhurat.
- h) **Mos lejoni që familjarizimi i fituar nga përdorimi i shpeshtë i veglave t'ju lejojë të tregoheni të vetëkënaqur dhe të shpërfillni parimet e sigurisë për pajisjet.** Një veprim i pakujdesshëm mund të shkaktojë dëmtime të rënda në më pak se një sekondë.
- 4) **PËRDORIMI DHE KUJDESI PËR VEGLËN E PUNËS**
- a) **Mos ushtroni forcë mbi veglën e punës. Përdorni veglën e punës të duhur për përdorimin tuaj.** Vegla e punës e duhur do të realizojë një punë më të mirë dhe më të sigurt dhe me shpejtësinë që ajo është e projektuar.
- b) **Mos përdorni veglën e punës nëse çelësi nuk e ndez apo e fik.** Çdo vegël pune që nuk mund të kontrollohet me anë të çelësit është e rrezikshme dhe duhet të riparohet.
- c) **Shkëputni spinën nga burimi i energjisë dhe/ose baterinë nga vegla e punës para se të bëni rregullime të tjera, të ndryshoni aksesorët ose të ruani veglat e punës.** Këto masa parandaluese të sigurisë ulin rrezikun e ndezjes aksidentale të veglës së punës.
- d) **Mbani veglat e punës larg fëmijëve dhe mos lejoni personat e pamësuar me veglën e punës ose këto udhëzime për përdorimin e pajisjes.** Veglat e punës janë të rrezikshme në duart e përdoruesve të patrajnuar.
- e) **Mirëmbani veglat e punës. Kontrolloni për mospërshtatje ose bllokim të pjesëve lëvizëse, thyerje të pjesëve dhe gjendje të tjera që mund të ndikojnë në funksionimin e veglës së punës.** Nëse dëmtohet, riparoheni veglën e punës para përdorimit. Shumë aksidente shkaktohen nga veglat e punës jo të mirëmbajtura si duhet.
- f) **Mbajini pajisjet prerëse të pastra dhe të mprehta.** Pajisjet e prerjes të mirëmbajtura dhe me anë të mprehta kanë më pak mundësi për t'u bllokuar dhe janë më të lehta për t'u kontrolluar.
- g) **Përdorni veglat e punës, aksesorët dhe puntot, etj. në përputhje me këto udhëzime, duke marrë parasysh kushtet e punës dhe punën që do të kryhet.** Përdorimi i veglave për përdorime të ndryshme nga ato të përcaktuara mund të shkaktojë rreziqe.
- h) **Mbajini dorezat dhe sipërfaqet ku mbaheni të thata, të pastra dhe pa vajra ose graso.** Dorezat dhe sipërfaqet ku mbaheni, kur janë të rrëshqitshme, nuk ju lejojnë ta menaxhoni dhe ta kontrolloni në mënyrë të sigurt pajisjen në situata të papritura.
- 5) **SHËRBIMI**
- a) **Shërbimi i veglës së punës duhet të kryhet nga një person i kualifikuar për riparimet duke përdorur**

vetëm pjesë ndërrimi identike. Kjo gjë do të sigurojë ruajtjen e sigurisë së veglave të punës.

UDHËZIMET E SIGURISË PËR SHARRAT BANGO

- **Sharrat bango janë të projektuara për prerjen e produkteve të drurit dhe të ngjashme me drurin; ato nuk mund të përdoren me disqe prerëse smeriluese për prerjen e materialeve si shina, shufra, gozhdë etj.** Pluhuri i smerilit shkakton bllokimin e pjesëve lëvizëse, si p.sh. të mbrojtëses së poshtme. Shkëndijat nga prerja me smerilim do të djegin mbrojtësen e poshtme, elementin e prerjes dhe pjesët e tjera plastike.
- **Përdorni kllapa për të mbështetur materialin e punës sa herë që është e mundur. Nëse e mbështetni materialin e punës me dorë, duhet ta mbani gjithmonë dorën të paktën 100 mm nga çdo anë e diskut të sharrës. Mos e përdorni këtë sharrë për të prerë materiale që janë shumë të vogla për t'u vendosur në mënyrë të sigurt në kllapa, apo për t'u mbajtur me dorë** Nëse dora është vendosur shumë afër diskut të sharrës, ekziston një rrezik më i madh i dëmtimit nga kontakti me diskut.
- **Materiali i punës duhet të jetë e palëvizshëm dhe i kapur me kllapa, ose i mbajtur mes bordurës dhe bangos. Mos e futni materialin e punës te disku ose mos prisni "me dorë të lirë" në asnjë mënyrë** Materialet e punës që nuk janë kapur ose që lëvizin mund të kërcejnë me shpejtësi të lartë, duke shkaktuar dëmtime.
- **Shtyjeni sharrën në materialin e punës. Mos e tërhiqni sharrën përgjatë materialit të punës. Për të bërë një prerje, ngrini kokën e sharrës dhe tërhiqeni atë mbi materialin e punës pa prerë, ndizni motorin, shtypni poshtë kokën e sharrës dhe shtyjeni sharrën përgjatë materialit të punës** Prerja me tërheqje mund të bëjë që disku i sharrës të ngjitet mbi materialin e punës dhe ta hedhë njësinë e diskut me forcë drejt operatorit.
- **Mos e kryqëzoni kurrë dorën me vijën e planifikuar të prerjes përpara ose prapa diskut të sharrës** Mbështetja e materialit të punës "me dorën të kryqëzuar" d.m.th. mbajtja e materialit të punës në të djathtë të diskut me dorën tuaj të majtë ose anasjelltas është shumë e rrezikshme.
- **Mos e zgjatni dorën prapa bordurës më afër se 100 mm nga të dyja anët e diskut të sharrës për të hequr copat e drurit, ose për ndonjë arsye tjetër, kur disku është duke u rrotulluar** Afërsia e diskut të sharrës me diskut që rrotullohet mund të mos jetë e dukshme dhe mund të lëndoheni rëndë.
- **Kontrolloni materialin e punës para prerjes** Nëse materiali i punës është i harkuar ose i deformuar, kapeni atë me pjesën e jashtme të harkimit drejt bordurës. Sigurohuni gjithmonë që të mos ketë hapësirë mes materialit të punës, bordurës dhe bangos përgjatë vijës së prerjes. Materialet e punës që janë të përkulura ose të deformuara mund të përdridhen ose të lëvizin dhe mund të shkaktojnë bllokimin në diskutin e sharrës gjatë prerjes. Në materialin e punës nuk duhet të ketë gozhdë apo objekte të tjera të huaja.
- **Mos e përdorni sharrën derisa bangoja të jetë e pastër nga të gjitha veglat, copëzat e drurit, etj., përveç materialit të punës** Copëzat e vogla, copat e

lira të drurit ose sende të tjera që bien në kontakt me diskut rrotullues mund të kërcejnë me shpejtësi të lartë.

- **Prisni vetëm një material në të njëjtën kohë** Shumë materiale pune në stivë nuk mund të kapen ose fiksohen si duhet dhe mund të përkulen ndaj diskut ose të lëvizin gjatë prerjes.
- **Sigurohuni që sharra bango të jetë e montuar ose e vendosur në një sipërfaqe pune të qëndrueshme dhe në nivel para përdorimit.** Një sipërfaqe pune e qëndrueshme dhe në nivel zvogëlon rrezikun për humbjen e stabilitetit të sharrës bango.
- **Planifikoni punën që do të kryeni! Sa herë që të ndryshoni përcaktimin e këndit 45-gradësh ose të pjerrët, sigurohuni që bordura e rregullueshme të jetë caktuar si duhet për mbështetjen e materialit të punës dhe që nuk do të shkaktojë ndërhyrje me diskut ose sistemin mbrojtës** Pa e ndezur veglën dhe pa materialin e punës në bango, lëvizni diskut e sharrës për një simulim të plotë të prerjes për të siguruar që nuk ka asnjë ndërhyrje ose rrezik për prerjen e bordurës.
- **Sigurori mbështetjen e duhur, p.sh. me zgjatues të bangos, këmbalecë etj. për një material pune që është më i gjërë ose më i gjatë se pjesa e sipërme e bangos.** Materialet e punës që janë më të gjata ose më të gjera se bangoja e sharrës mund të humbasin ekuilibrin nëse nuk kanë një mbështetje të sigurt. Nëse materiali i punës ose pjesa e prerë bien, ato mund të ngrënë lart mbrojtësen e poshtme ose të hidhen drejt diskut rrotullues.
- **Mos përdorni një person tjetër për të zëvendësuar një zgjatues bangoje ose për më shumë mbështetje** Mbështetja e paqëndrueshme për materialin e punës mund të shkaktojë përkuljen e diskut ose lëvizjen e materialit të punës, duke ju tërhequr ju dhe personin që ju ndihmon drejt diskut rrotullues.
- **Pjesa e prerë nuk duhet të bllokohet ose të shtypet me asnjë mënyrë drejt diskut rrotullues të sharrës** Nëse e kufizoni, d.m.th. përdorni bllokues të gjatësisë, pjesa e prerë mund të shtrengohet ndaj diskut dhe të hidhet në forcë.
- **Përdorni gjithmonë një kllapë ose një fiksuese të projektuar për të mbështetur si duhet materialet e rumbullakëta, si shufrat ose tubat** Shufrat kanë tendencën të rrotullohen gjatë prerjes, duke bërë që disku "të kafshojë" dhe ta tërheqë materialin me dorën tuaj drejt diskut.
- **Lëri diskut të arrijë shpejtësinë e tij të plotë para se të bjerë në kontakt me materialin e punës** Kjo do të zvogëlojë rrezikun e hedhjes së materialit të punës.
- **Nëse materiali i punës ose disku bllokohen, fikeni sharrën e bangos. Prisi që të ndalojnë të gjitha pjesët lëvizëse dhe hiqeni spinën nga burimi i energjisë elektrike dhe/ose hiqni njësinë e baterisë. Më pas punoni për të çliuar materialin e bllokuar** Nëse vazhdoni sharrimin me një material të bllokuar, kjo mund të shkaktojë humbjen e kontrollit ose dëmtimin e sharrës bango.
- **Pasi të përfundoni prerjen, lëshoni çelësin, mbajeni sharrën të ulur dhe prisni që disku të ndalojë para se të hiqni pjesën e prerë** Futja e dorës afër diskut para se të ndalojë është e rrezikshme.
- **Mbajeni dorezën fort kur kryeni një prerje jo të plotë ose kur lëshoni çelësin para se koka e sharrës të jetë plotësisht në pozicionin e ulur** Veprimi rrenues i sharrës mund të bëjë që koka e sharrës të tërhiqet papritur poshtë, duke sjellë një rrezik për lëndime.

UDHËZIMET E SHITESË PËR SIGURIMË

- Korenti gjatë kohës së pikut shkakton rënie të shkurtra të voltazhit; në kushtet të pafavorshme të furnizimit me energji, pajisjet e tjera mund të preken (nëse rezistenca e sistemit për furnizimin elektrik është më e ulët se 0,464 Ohm, dhe mund të ndodhin çrregullime); nëse keni nevojë për më shumë sqarime, mund të kontaktoni me autoritetin e furnizimit me energji

TË PËRËGJITHSHME

- Përdoreni këtë pajisje vetëm për prerjen e drurit
- Kontrolloni gjithmonë që voltazhi i energjisë është i njëjtë me voltazhin e treguar në etiketën e veglës
- **Mos qëndroni mbi veglën ose bazamentin e saj** Mund të ndodhin lëndime serioze nëse vegla përmbyset ose nëse binu aksidentalisht në kontakt me pajisjen prerëse. Mos ruani materialet mbi ose pranë veglës që të jetë e nevojshme të qëndroni mbi veglën ose bazamentin e saj për t'i marrë ato.
- **Shkëputni gjithmonë spinën nga burimi i energjisë para kryerjes së rregullimeve ose ndryshimeve të aksesorëve**
- **Hiqni gjithmonë spinën nga burimi i energjisë para se ta transportoni sharrën bango** Hiqeni nga priza, ulni njësinë e kokës dhe bllokojeni në pozicion, përdorni dorezën e transportit dhe një nga kllapat e dorës në bazën e sharrës.
- **Mos e lini pajisjen derisa të ndalojë plotësisht**
- **Kur prisni materialet pune me formë të çrregullt, planifikoni punën që të mos rrëshqasë dhe të kapet te disku dhe të tërhiqet me forcë nga dora juaj**
- Kjo pajisje nuk duhet të përdoret nga personat nën moshën 16 vjeç
- Kjo vegël nuk është e përshtatshme për prerje në lagështi

PËRDORIMI NË AMBIENTE TË JASHTME

- Kur e përdorni në ambiente të jashtme, lidhni pajisjen me një automat të korrentit të defektit (FI) me rrymë aktivizuese maksimumi 30 mA, dhe përdorni vetëm një kordon zgjatues të projektuar për përdorim në ambiente të jashtme me një prizë kundër ujit

PARA PËRDORIMIT

- Përdorni kordon të pahapur dhe të sigurt për zgjatime, me një kapacitet 16 amper
- Mbani syze mbrojtëse, mbrojtëse për veshët dhe doreza mbrojtëse
- Pluhurat nga materialet si boja me plumb, disa lloje drurësh, mineralesh dhe metalesh mund të jenë të dëmshme (kontakti ose thithja e pluhurave mund të shkaktojë reagime alergjike dhe/ose sëmundje respiratore për përdoruesin ose personat përreth); **mbani një maskë për pluhurat dhe punoni me një pajisje për heqjen e pluhurave kur mund të lidhet**
- Disa lloje pluhurash skanë klasifikuar si kancerogjene (si pluhuri i lisit dhe i ahut) veçanërisht në ndërthurje me lëndët shtesë për kondicionimin e drurit; **mbani një maskë për pluhurat dhe punoni me një pajisje për heqjen e pluhurave kur mund të lidhet**
- Respektoni kërkesat kombëtare në lidhje me pluhurat për materialet me të cilat dëshironi të punoni
- **Mos punoni me materialet që përmbajnë asbest** (asbesti konsiderohet kancerogjen)
- Mos e përdorni kurrë pajisjen pa sistemin origjinal mbrojtës
- Kontrolloni mbrojtësen që të mbyllet si duhet para çdo përdorimi

- Mos e përdorni sharrën nëse mbrojtësja nuk lëviz lirshëm dhe nuk mbyllet menjëherë
- Mos e shtrëngoni apo lidhni asnjëherë mbrojtësen në pozicionin e hapur
- Mos e përdorni kurrë pajisjen pa elementin e planit të tavolinës; zëvendësoni elementin e planit të tavolinës nëse ka defekt ose konsumohet
- Hiqni të gjitha pengesat mbi si dhe poshtë në rrugën e prerjes para se të filloni prerjen
- Shmangni dëmtimet që mund të shkaktohen nga vidat, gozhdët dhe elementet e tjera në materialin e punës; hiqni ato para se të filloni punën

AKSESORËT

- Mos përdorni kurrë disqe mpresës/prerës me këtë vegël
- SKIL mund të garantojë funksionimin pa probleme të veglës vetëm kur përdoren aksesorët e duhur që mund të merren nga shitësi i SKIL
- Për montimin/përdorimin e aksesorëve jo nga SKIL, ndiqni udhëzimet e prodhuesit përkatës
- Përdorni vetëm tehe të sharrës që përputhen me të dhënat e karakteristikave të dhëna në këto udhëzime përdorimi dhe që janë testuar dhe shënuar si në përputhje me EN 847-1
- Përdorni vetëm aksesorë me një shpejtësi të lejuar që përshtatet të paktën me shpejtësinë më të lartë pa ngarkesë të pajisjes
- Mos përdorni kurrë lama të sharrës të bëra me çelik të shpejtë (HSS)
- Mos përdorni një thika sharre që është e krisur, e deformuar ose jo e mprehtë
- Përdorni vetëm thika sharre me diametër vrime që përshtaten me boshtin kryesor të pajisjes pa e lëvizur; mos përdorni kurrë minimizues ose adaptorë për të përshtatur thika sharre me vrimë të madhe
- Mbrojini aksesorët nga goditja, tronditja dhe grasoja

GJATË PËRDORIMIT

- **Mos e sforconi pajisjen** (ushtroni trysni të lehtë dhe në vazhdim për të shmangur mbinxhjen e majave të thikave dhe, në rast të prerjes së plastikës, shkrirjen e materialit plastik)
- Mbajini gishtat, duart dhe krahët larg nga thika e sharrës që rrotullohet
- Nëse thika e sharrës bllokohet, fikeni menjëherë pajisjen dhe hiqeni nga priza; vetëm atëherë mund të hiqni materialin e çarë
- Në rast bllokimi ose defekti elektrik ose mekanik, fikeni menjëherë veglën dhe hiqni spinën
- Nëse kordoni dëmtohet ose pritet gjatë punës, mos e prekni kordonin por hiqni menjëherë spinën
- Asnjëherë mos e përdorni mjedin kur kordoni është dëmtuar; ai duhet të ndërrohet me një kordon të përgatitur në mënyrë të veçantë përmes organizatës së shërbimit.

RREZATIMI I LAZERIT

- **Mos e drejtoni rrezën e laserit drejt personave ose kafshëve dhe mos shikoni vetë në rrezën e drejtpërdrejtë ose të reflektuar të laserit, aq edhe në distancë** (mund ta verboni dikë, të shkaktoni aksidente ose dëmtime të syve tuaj)
- Nëse rrezatimi i laserit ju godet në sy, duhet t'i mbyllni me kujdes sytë dhe të ktheni menjëherë kokën larg nga rezja
- Mos bëni asnjë modifikim të pajisja e laserit
- Mos shikoni drejt në rrezën e lazerit (rrezatimi i lazerit)
- Mos përdorni mjete optike për zmadhim (si lupë, teleskop ose dylbi) për të parë rrezën e lazerit

- Mos e përdorni pajisjen në praninë e lëngjeve të djegshme, gazeve ose pluhurave të tillë
- Mos e përdorni pajisjen kur ka fëmijë përreth
- Mos e zëvendësoni lazerin e instaluar me një lloj tjetër lazeri

PAS PËRDORIMIT

- Pas fikjes së veglës, mos e ndaloni kurrë rrotullimin e aksesorit duke ushtruar një forcë anësore
- Hiqni copat e prera ose copat e tjera të materialit të punës nga zona e prerjes vetëm kur të gjitha pjesët lëvizëse të kenë ndaluar plotësisht
- thika e sharrës nxeht shumë gjatë përdorimit; mos e prekni para se të jetë ftohur
- Magazinojeni pajisjen **në ambiente të brendshme** në një vend të thatë dhe të mbyllur, larg nga fëmijët

SHËRUEJINI I SIMBOLEVE NË VEGËL

- Lexoni manualin e udhëzimeve para përdorimit
- Mbani syze mbrojtëse dhe pajisje mbrojtëse për dëgjimin
- Zona e rrezikut! Zona larg duart. Mbajini duart, gishtat ose krahët larg nga kjo zonë.**
- Izolimi i dyfishtë (nuk kërkohet tokëzim)
- Mos i hidhni veglat elektrike dhe bateritë së bashku me materialet e mbeturinave familjare
- Rrezatimi laser / Mos shikoni në rrezën / Klasë laser 2 produkt**

PËRDORIMI

- Montimi
 - montoni dorezën e transportit me bulona 2 duke përdorur çelësin heksagonal AK[ⓐ]
 - montoni çelësin e bllokimit të bangos AB në pjesën e përparme të bangos[ⓑ]
- Pozicioni i transportit/punës
 - Për lëshimin e pajisjes (pozicioni i **punës**)
 - shtypni poshtë dorezën B me njërën dorë ndërsa nxirrni kunjën e bllokimit C me dorën tjetër[ⓐ]
 - drejtoni ngadalë lart njësinë e kokës
 - për prerje me lëvizje rrethqisë, lironi dorezën e bllokimit AE[ⓑ]
 - Për sigurimin e pajisjes (pozicioni i **transportit**)
 - rrethqisni kokën e sharrës montimin e kokës në ndalesa në drejtim të bordurës S dhe shtrëngoni dorezën e bllokimit AE[ⓐ]
 - vendosni këndin vertikal në 0 ° (shikoni Vendosja e këndit vertikal)
 - vendosni këndin horizontal në 45 ° majtas ose djathtas (shikoni Vendosja e këndit horizontal)
 - shtypni poshtë dorezën B poshtë me njërën dorë ndërsa shtyni kunjën e bllokimit C me dorën tjetër
 - mblidhni kabllon elektrike
 - përdorni dorezën e transportit E për transportin e pajisjes[ⓐ]
 - si alternativë, përdorni dorezat anësore për transportin e pajisjes[ⓑ]
- **! mos e ngrini kurrë veglën duke mbajtur dorezën kryesore ose kordonin elektrik**
- Montimi i pajisjes në sipërfaqen e punës[ⓐ]
 - **! për manovrim të sigurt, montojeni pajisjen gjithmonë mbi një sipërfaqe pune të rrafshët dhe të qëndrueshme (p.sh. bango pune)**
 - përdorni 4 vrimat e montimit F për vendosjen e pajisjes me vidha të përshtatshme mbi sipërfaqen e punës
 - mund ta kapni po ashtu pajisjen në sipërfaqen e punës me kllapa vidhash që gjenden në treg

- për stabilizimin e veglës mund të rregullohet lartësia e këmbës mbështetëse G
- si alternativë, vegla mund të montohet në një bazament sharrë bango
- ! lexoni të gjitha paralajmërimet dhe udhëzimet e përfshira me bazamentin e sharrës**
- Nxjerrja e pluhurave/ashklave 13
 - montoni qese pluhuri H/fshesë me korrent si në ilustrim
 - boshatisni rregullisht qesen e pluhurave për një rendiment optimal në mbledhjen e pluhurave
- ! mos lejoni kurrë që tubi i fshesës me korrent të ndërhyjë në mbrojtësen e poshtme ose gjatë veprimt të prerjes**
- Zgjatja e bangos së sharrës 14
 - përdorni dorezat L për të fiksuar shinat zgjatuese K (në të dyja anët e veglës)
 - gjatësia e shinave zgjatuese K rregullohet në vazhdimësi nga minimumi në maksimum
- Shtërngimi i materialit të punës 15
 - ! për një siguri optimale gjatë punës kapeni gjithmonë mirë materialin e punës me anë të kllapës së rregullueshme të përfshirë**
 - mos punoni me materiale që janë shumë të vogla për t'i kapur
 - për përmasat maksimale të materialeve të punës përdorni tabelën 16 si referencë
 - mbërtheni kapësen e materialit në vrimën e mbështetjes N me anë të dorezës P (në njërën anë të pajisjes)
 - përdorni 1 nga 2 kanalet; për trashësinë e materialit deri në 4cm dhe trashësinë e materialit mbi 4cm
 - shtypeni materialin e punës fort mbi guidë S
 - leva e zhblokimit R
 - përshtateni kllapën me materialin
 - fiksoni fort materialin e punës duke bllokuar levën R
 - ! për disa kombinime të këndit horizontal dhe vertikal, ose në varësi të madhësisë së materialit të punës, mund të jetë e nevojshme të përdorni kapëse me vidhosje që gjenden në treg në vend të kllapës së materialit të punës**
- Përcaktimi i këndeve me kllapa 17
 - lironi dorezën e bllokimit AB
 - shtypni levën e lëshimit të këndit horizontal AC
 - rrotulloni bangon majtas ose djathtas dhe vendosni këndin horizontal të dëshiruar (nga 0° deri në 47°) duke përdorur treguesin AD
 - leva e lëshimit AC
 - shtërngoni dorezën e bllokimit AB (**mos e shtërngoni dorezën shumë fort**)
 - për vendosjen e shpejtë dhe precize të këndeve horizontale të përdorura shpesh (0°, 15°, 22,5°, 31,6°, 45°), leva e ndalimit të këndit horizontal vendoset në pozicionet përkatëse
- Vendosja e këndeve vertikale 18
 - lironi dorezën e bllokimit me tre këmbë U 18b
 - rrotulloni kokën e sharrës në të majtë deri sa treguesi i këndit të pjerrët V të tregojë këndin e pjerrët që dëshironi
 - mbajeni kokën e sharrës në këtë pozicion dhe shtërngoni dorezën U
- Prerjet e përbëra 19
 - prerjet e përbëra kërkojnë një përcaktim të këndit me kllapa si dhe një përcaktim të këndit të pjerrët

- ! mos e përdorni sharrën në kombinime të caktuara të këndeve horizontale dhe vertikale që mund të shkaktojnë ndërhyrje midis pjesëve rrëshqitëse dhe të palëvizshme të sharrës ose midis pjesëve rrëshqitëse dhe materialit të punës**
- ! gjithmonë provojeni në fillim në një material të padobishëm**
- Vija e lazerit 20
 - për drejtimin e veglës në vijën e dëshiruar të prerjes të shënuar në materialin e punës
 - fikeni/ndizeni vijën e lazerit duke shtypur çelësin AA
 - lazeri është i vendosur në anën e majtë të prerjes
 - përputhja horizontale e lazerit mund të rregullohet me lehtësi me vidën Y
- ! para se të filloni një punë, kontrolloni përputhjen e vijës së lazerit me vijë aktuale të prerjes duke bërë një prerje provë në një copë material që nuk ju duhet**
- Prerja pa lëvizje rrëshqitëse (materiale të vogla)
 - lironi dorezën e bllokimit AE në rast se shtërngohet
 - rrëshqisni kokën e sharrës te ndalesa në drejtim të bordurës S dhe shtërngoni dorezën e bllokimit AE
 - ! mosbllokimi i mekanizmit mund të shkaktojë ngjitjen e papritur të diskut mbi materialin e punës dhe të drejtohet drejt jush**
 - vendoseni pajisjen në pozicionin e punës
 - ! sigurohuni që materiali i punës është i kapur fort me tavolinën e sharrës dhe me guidën S**
 - ndizni pajisjen duke liruar bllokuesin AG dhe duke tërhequr çelësin kryesor AF 22
 - ! mos i kryqëzoni krahët kur përdorni kokën e sharrës 21a**
 - sharoni materialin e punës me një progres uniform
 - ! vegla duhet të arrijë shpejtësinë e plotë para të lama të hyjë në materialin e punës**
 - fikeni pajisjen duke lëshuar çelësin AF
 - prisni derisa disku të ketë ndaluar plotësisht përpara se ta drejtoni kokën e sharrës ngadalë lart
- Prerja pa lëvizjen me rrëshqitje (materiale të gjera)
 - ! kini parasysh se metoda e përkshkruar më poshtë është e vetmja metodë e sigurt**
 - mos e tërhiqni sharrën përgjatë materialit të punës
 - lironi dorezën e bllokimit AE në rast se shtërngohet
 - ! sigurohuni që materiali i punës është i kapur fort me tavolinën e sharrës dhe me guidën S**
 - tërhiqeni dhe largojeni mjaftueshëm kokën e sharrës nga bordura S që disku i sharrës të jetë përpara materialit të punës 23
 - ndizni pajisjen duke shtypur levën e sigurisë AG dhe duke tërhequr çelësin kryesor AF 22
 - ! mos i kryqëzoni krahët kur përdorni kokën e sharrës 21a**
 - shtypni kokën e sharrës në drejtim të bordurës S dhe pritni materialin me lëvizje uniforme 23
 - ! vegla duhet të arrijë shpejtësinë e plotë para të lama të hyjë në materialin e punës**
 - ! nëse mbrojtësja e poshtme nuk hapet automatikisht, gjë që mund të ndodhë në kushte të caktuara (p.sh. një material që është shumë afër kapacitetit maksimal), mund t'ju duhet ta hapni mbrojtësen me dorë 21b**
 - fikeni pajisjen duke lëshuar çelësin AF

- prisni derisa disku të ketë ndaluar plotësisht përpara se ta drejtoni kokën e sharrës ngadalë lart
- Prerja e kanaleve ⁽²⁴⁾
 - vendosni thellësinë e dëshiruar me ndalesën e thellësisë AH dhe bllokojeni atë në vendin përkatës me dadon e shtrëngimit AJ
 - një distancor druri duhet të vendoset midis materialit të punës dhe bordurës për një thellësi uniforme mbi të gjithë gjatësinë e kanalit
- ! **sigurohuni që disku i sharrës të mos bllokohet në materialin e punës**
- ! **gjithmonë provojeni në fillim në një material të padobishëm**
- Ndërrimi i thikës së sharrës ⁽²⁵⁾
 - ! **hiqeni spinën**
 - merrni çelësin heksagonal AK nga vendi i mbajtjes AL
 - mbajeni mbrojtësen A në pozicionin e hapur
 - lironi vidën e pllakës së kapakut AN (**mos e hiqi plotësisht vidën**) ^{(25)a}
 - rrotulloni mbrojtësen A plotësisht prapa ^{(25)b}
 - shtypni butonin e bllokimit të boshtit rrotullues AM dhe mbajeni ndërsa hiqni bulonin e thikës AO duke rrotulluar çelësin heksagonal AK në drejtim **ORAR** (= në të njëjtin drejtim me shigjetën e printuar në thikën e sharrës)
 - ! **shtypni butonin e bllokimit të boshtit rrotullues AM vetëm kur vegla të jetë e palëvizshme**
 - lëshoni butonin e bllokimit të boshtit rrotullues AM
 - hiqni filanxhën AP dhe thikën e sharrës
 - ! **ndërroni thikën e sharrës me dhëmbëzat e sharrës dhe shigjetën e printuar mbi të me të njëjtin drejtim si shigjeta në mbrojtëse A**
 - montoni filanxhën AP ^{(25)c}
 - shtypni butonin e bllokimit të boshtit rrotullues AM dhe mbajeni ndërsa shtrëngoni bulonin e lamës me çelësin heksagonal AK me 1/8 rrotullim ANTIORAR pas shtrëngimit me dorë (siguron rrëshqitjen e lamës së sharrës kur ndesh rezistencë të madhe duke zvogëluar mbingarkesën e motorit dhe goditjen e kthimit të sharrës)
 - shtrëngoni vidhën e pllakës së kapakut AN
- Zëvendësimi i elementit të planit të tavolinës AQ ⁽²⁶⁾
 - Zëvendësoni një element plani të tavolinës me defekt ose të konsumuar si më poshtë:
 - ! **hiqeni spinën**
 - merrni çelësin heksagonal AK nga vendi i mbajtjes AL
 - hiqni të 6 vidhat si në ilustrim
 - hiqni elementin e vjetër të planit të tavolinës duke e ngritur në fillim përpara dhe më pas duke e nxjerrë plotësisht
 - vendosni një element të ri të planit të tavolinës
 - ! **shtrëngoni fort të 6 vidhat**
- Kontrolli/rregullimi i përputhjes së thikës në 90° ⁽²⁷⁾
 - ! **hiqeni spinën**
 - rrotulloni bangon në pozicionin 0° horizontal dhe bllokojeni në vend
 - lëvizni kokën e sharrës në pozicionin e pjerrët vertikal 0°
 - ulni kokën e sharrës dhe bllokojeni në vend
 - kontrolloni për një kënd 90° mes thikës dhe tavolinës me anë të një plani

- nëse është e nevojshme, rregulloni drejtimin e thikës në 90° si më poshtë:
 1. lironi dorezën me tre këmbë U
 2. rregulloni vidën W me një çelës pllakë 10 (nuk përfshihet në paketimin standard)
 3. rikontrolloni me çelësin katror
 4. rivendosni treguesin e pjerrësisë vertikale V në 0°
- Kontrolli/rregullimi i përputhjes së thikës në 45° ⁽²⁸⁾
 - ! **hiqeni spinën**
 - rrotulloni bangon në pozicionin 0° horizontal dhe bllokojeni në vend
 - lironi dorezën me tre këmbë U
 - lëvizni kokën e sharrës në të majtë
 - siguroni për një kënd 45° mes thikës dhe tavolinës me një plan këndor
 - kontrolloni që treguesi i pjerrësisë V të jetë në shenjë e këndit 45°
 - nëse është e nevojshme, rregulloni drejtimin e thikës në 45° si më poshtë:
 1. rregulloni vidën X me një çelës pllakë 10 (nuk përfshihet në paketimin standard)
 2. rikontrolloni me çelësin katror të pjerrësisë horizontale
- Kontrolli/rregullimi i përputhjes së guidës në 90° ⁽²⁹⁾
 - ! **hiqeni spinën**
 - rrotulloni bangon në pozicionin 0° horizontal dhe bllokojeni në vend
 - ulni kokën e sharrës dhe bllokojeni në vend
 - kontrolloni për një kënd 90° midis diskut dhe bordurës S me një katror (sigurohuni që katrori të prekë trupin e diskut të sharrës dhe jo dhëmbët e tij) ^{(29)a}
 - nëse është e nevojshme, rregulloni drejtimin e guidës në 90° si më poshtë:
 1. lironi 2 vidhat heksagonale T ^{(29)b}
 2. rregulloni guidën deri sa thika dhe guida të prekin plotësisht planin
 3. shtrëngoni 2 vidhat heksagonale T
 4. rivendosni treguesin e pjerrësisë horizontale në 0° ^{(29)c}


KËSHILLË PËR PËRDORIMIN

- **Materialet e veçanta të punës**
 - mbështetni gjithmonë skajet e lirshme të materialit të punës kur është i gjatë ⁽³⁰⁾
 - sigurohuni që materialet e punës me harqe ose të rrumbullakëta të jenë të siguruara shumë mirë për të shmangur rrëshqitjen ⁽³¹⁾
 - në vijën e prerjes, nuk duhet të ketë hapësirë mes materialit të punës dhe guidës ose tavolinës së sharrës
 - nëse është e nevojshme, përdorni një bordurë ndihmëse; vrimat në bordurën rrëshqitëse do të përdoren për të siguruar bordurën ndihmëse ⁽³²⁾
- ! **bordura ndihmëse mund të përdoret vetëm në pjerrësi vertikale 0°**
- Për të punuar me dekorimet e dyshemeve, mund të përdorni për referencë ilustrimin ⁽³³⁾
- Vendoseni gjithmonë poshtë anën më të mirë të materialit për të siguruar krijimin minimal të ashklave
- Përdorni vetëm lama të mprehta si dhe të llojit të duhur
 - cilësia e prerjes rritet sipas numrit të dhëmbëzave
 - lamat me maja karbidi qëndrojnë të mprehta deri 30 herë më shumë se sa lamat e zakonshme

MIRËMBAJTJA / SHËRBIMI

- Mbajini gjithmonë të pastra pajisjen dhe kordonin (sidomos vrimat e ajrimit në anën e pasme të kasës së motorit)
- Kryeni kontrolle të rregullta për t'u siguruar që mbrojtësja e poshtme punon si duhet. Pastroni mbrojtësen e poshtme nga tallashi i mbledhur me një pecetë të njomë.
! shkëputni spinën para pastrimit
 - ngrijeni mbrojtësen e poshtme në pozicionin plotësisht të hapur dhe lirojeni atë; nëse nuk mbyllet menjëherë dhe plotësisht, duhet të kontrollohet nga një qendër e shërbimit pas shitjes për veglat elektrike të SKIL
- Pastroni lamën e sharrës menjëherë pas përdorimit (veçanërisht nga ngjitësi me përzjerje apo i thjeshtë)
! thika e sharrës nxehet shumë gjatë përdorimit; mos e prekni para se të jetë ftohur
- Pastroni dritën e lazerit AC me një fuqçë të butë pas çdo përdorimi për të siguruar një dukshmëri të mirë të vijës së lazerit (sigurohuni që të mos e ndryshoni vendosjen e lazerit)
- Nëse pajisja ka defekt pavarësisht kujdesit në prodhim dhe procedurat e provave, riparimi duhet të kryhet nga një qendër e shërbimit pas shitjes për veglat e punës të SKIL
 - dërgoni veglën të çmontuar së bashku me vërtetimin e blerjes të shitësi ose të qendra më e afërt e shërbimit e SKIL (adresat si dhe diagrami i shërbimit i veglës janë të paraqitura në www.skil.com)
- Kini parasysh se dëmtimet për shkak të mbingarkesës ose manovrimit të papërshtatshëm të veglës janë të përjashtuara nga garancia (për kushtet e garancisë së SKIL vizitoni www.skil.com ose pyetni shitësin tuaj)

MJEDISI

- **Mos i hidhni veglat elektrike, bateritë, aksesorët dhe paketimin së bashku me materialet e mbeturinave familjare** (vetëm për vendet e BE-së)
 - në respektim të Direktivës evropiane 2012/19/EC për pajisjet elektrike dhe elektronike si mbetje dhe zbatimin e saj në përputhje me ligjet kombëtare, pajisjet elektrike që kanë arritur në fund të jetëgjatësisë së tyre duhet të mbliidhen të ndara dhe të kthehen në një objekt riciklimi në përputhje me mjedisin.
 - simboli  do t'ju kujtojë për këtë gjë kur të jetë nevoja për t'i hedhur

ZHURMA

- Matur në përputhje me EN 62841, niveli i presionit të tingullit të kësaj vegle është 100,0 dB (A) dhe niveli i fuqisë së tingullit 109,5 dB (A) (pasiguria K = 3 dB)
- Niveli i emetimit të zhurmës është matur në përputhje me një provë të standardizuar të dhënë në EN 62841; ajo mund të përdoret për të krahasuar një vegël me një tjetër dhe si një vlerësim paraprak i ekspozimit ndaj zhurmës kur përdorni pajisjen për proceset e përmendura
 - përdorimi i pajisjes për procese të ndryshme, ose me aksesorë të ndryshëm dhe të mirëmbajtur keq, mund të **rritë** ndjeshëm nivelin e ekspozimit
 - kohët kur pajisja është e fikur dhe kur është e nderuz por jo në punë, mund të **zvogëlojnë** ndjeshëm nivelin e ekspozimit

- عوض کردن بلوک میز (11) AQ
- بلوک میز معیوب یا فرسوده را به ترتیب زیر عوض کنید:
- **سیم برق را از برق جدا کنید**
- آچار آلن AK را از محفظه نگهداری AL آن بردارید
- هر ۶ پیچ را مطابق شکل باز کنید
- بلوک میز قدیمی را بردارید. برای این کار ابتدا از جلو آنرا بلند کرده و سپس بطور کامل بیرون بکشید
- بلوک میز جدید را قرار دهید
- **هر ۶ پیچ را کاملاً سفت کنید**
- بازبینی/تنظیم انطباق ۹۰ درجه ای تیغه (17)
- **سیم برق را از برق جدا کنید**

نگهداری / سرویس - خدمات

- همیشه ابزار و سیم برق را تمیز نگهدارید (بخصوص منافذ تهویه واقع در پشت محفظه موتور)
- مرتباً کارکرد صحیح حفاظ ختانی را کنترل کنید. هرگونه خاک اره جمع شده در حفاظ ختانی را با یک دستمال تر پاک کنید.
- **پیش از تمیز کردن سیم برق را از برق بکشید**
- حفاظ ختانی را بالا و به وضعیت کاملاً باز آورده و رها کنید؛ اگر فوراً بطور کامل بسته نشده باید آنرا برای کنترل به یک مرکز خدمات پس از فروش ابزارآلات SKIL ببرید
- تیغه اره را فوراً بعد از استفاده تمیز کنید (بخصوص رزین و چسب ها را از آن پاک کنید)
- **تیغه اره ها در حین استفاده بسیار داغ می شوند؛ قبل از خنک شدن به آنها دست نزنید**
- خط لیزر AC را بعد از استفاده با یک برس نرم تمیز کنید تا کیفیت رویت خط لیزر در حد مطلوب حفظ شود (دقت کنید که تنظیم لیزر را عوض نکنید)
- اگر ابزار علیرغم تمام دقت و مراقبتی که در فرایندهای تولید و تست بکار برده شده از کار افتاد. تعمیرات باید فقط در مراکز خدمات پس از فروش ابزارهای برقی SKIL انجام شود.
- ابزار را بصورت بازنشده همراه با رسید خرید به فروشنده یا نزدیک ترین مرکز خدمات رسانی SKIL بفرستید (آدرسها به همراه نموده ارتقشه های سرویس ابزار در www.skil.com موجود است)
- توجه داشته باشید که خرابی و خسارت ناشی از اضافه بار یا کار کردن نادرست با ابزار منجمول ضمانت نخواهند بود (برای آگاهی از شرایط ضمانت SKIL به نشانی www.skil.com مراجعه کرده یا از فروشنده خود سوال کنید)

محیط زیست

- **ابزارهای برقی. باتری ها. لوازم و بسته بندی آنها را نباید همراه با زباله های عادی خانگی دور انداخت (فقط مخصوص کشورهای عضو اتحادیه اروپا)**
- با توجه به مصوبه اروپایی EC/19/2012 اروپا درباره لوازم برقی و الکترونیکی مستعمل و اجراء این مصوبه مطابق با قوانین کشوری ابزارهای برقی که به پایان عمر مفید خود رسیده اند باید جداگانه جمع آوری شده و به یک مرکز بازیافت مناسب و سازگار با محیط زیست انتقال یابند
- **مداخلات (1) یادآور این مسئله در هنگام دور انداختن است**

صدا

- اندازه گیری ها بر اساس استاندارد EN 62۸۴۱ و اندازه گیری های انجام شده انجام و مشخص شد که میزان فشار صوتی این ابزار ۱۰۰٫۰ (dB(A)) و میزان توان صوتی آن ۱۰۹٫۵ (dB(A)) (عدم قطعیت $K = 2$ dB)
- میزان انتشار ارتعاشات بر اساس تست استاندارد شده ای که در EN 62۸۴۱ معرفی شده است اندازه گیری گردید؛ این ارقام می توان برای مقایسه یک ابزار با دیگری و بعنوان ارزیابی اولیه در معرض قرارگیری ارتعاشات هنگام کار با ابزار در کاربری های فوق استفاده کرد
- استفاده کردن از ابزار برای کاربردهای متفاوت. یا با لوازم و متعلقات متفاوت فرقیه یا لوازم و متعلقاتی که بد نگهداری شده اند. می تواند میزان در معرض قرارگیری را بطور قابل ملاحظه ای افزایش دهد
- مواقعی که ابزار خاموش است یا روشن است ولی کاری با آن انجام نمی شود. میزان در معرض قرارگیری بطور قابل توجهی کاهش می یابد

- **سیم برق را از برق جدا کنید**
- آچار آلن AK را از محفظه نگهداری AL آن بردارید
- هر ۶ پیچ را مطابق شکل باز کنید
- بلوک میز قدیمی را بردارید. برای این کار ابتدا از جلو آنرا بلند کرده و سپس بطور کامل بیرون بکشید
- بلوک میز جدید را قرار دهید
- **هر ۶ پیچ را کاملاً سفت کنید**
- بازبینی/تنظیم انطباق ۹۰ درجه ای تیغه (17)
- **سیم برق را از برق جدا کنید**
- میز اره را بچرخانید تا در وضعیت ۰۰ فارسی قرار گرفته و سپس آنرا در جا قفل کنید
- سر اره را به موقعیت زاویه برش مورب ۰۰ ببرید
- سر اره را پایین آورده و آنرا در جا قفل کنید
- با یک گونیای زاویه ۹۰ درجه بین تیغه و میز را کنترل کنید
- در صورت لزوم. انطباق ۹۰ درجه ای تیغه را به ترتیب زیر تنظیم کنید:
- کلید گردان سه پر ل را مثل کنید
- پیچ W را با یک آچار تیغه نمرة ۱۰ تنظیم کنید (بطور استاندارد ارائه نشده است)
- مجدداً با گونیای کنترل کنید
- نشانگر زاویه فارسی برش مورب را V روی ۰۰ بازنشانی کنید
- بازبینی/تنظیم انطباق ۴۵ درجه ای تیغه (18)
- **سیم برق را از برق جدا کنید**
- میز اره را بچرخانید تا در وضعیت ۰۰ فارسی قرار گرفته و سپس آنرا در جا قفل کنید
- کلید گردان سه پر ل را مثل کنید
- سر اره را به سمت چپ ببرید
- با یک گونیای فارسی زاویه ۴۵ درجه بین تیغه و میز را کنترل کنید
- کنترل کنید که نشانگر پخ V روی علامت ۴۵ درجه باشد
- در صورت لزوم. انطباق ۴۵ درجه ای تیغه را به ترتیب زیر تنظیم کنید:
- پیچ X را با یک آچار تیغه نمرة ۱۰ تنظیم کنید (بطور استاندارد ارائه نشده است)
- مجدداً با گونیای فارسی کنترل کنید
- بازبینی/تنظیم انطباق ۹۰ درجه ای حصار (19)
- **سیم برق را از برق جدا کنید**
- میز اره را بچرخانید تا در وضعیت ۰۰ فارسی قرار گرفته و سپس آنرا در جا قفل کنید
- سر اره را پایین آورده و آنرا در جا قفل کنید
- زاویه ۹۰ میان تیغه و راهنمای برش S را با یک گونیای کنترل کنید (دقت کنید که گونیای با بدنه تیغه اره و نه دندانه های آن تماس داشته باشد) (19a)
- در صورت لزوم. انطباق ۹۰ درجه ای حصار را به ترتیب زیر تنظیم کنید:
- پیچ آلن را مثل کنید (19b) T
- حصار را طوری تنظیم کنید که تیغه و حصار کاملاً با گونیای تماس داشته باشند
- پیچ آلن را سفت کنید T
- نشانگر فارسی پر را روی ۰۰ بازنشانی کنید (19c)

توصیه های کاربردی

- قطعات کاری ویژه
- همیشه برای سر آزاد قطعات کاری بلند. تکیه گاه بگذارید (20)
- دقت کنید که قطعات کاری منحنی یا گرد بخوبی ثابت شده باشند تا تکان نخورند
- در خط برش نباید هیچ فاصله ای بین قطعه کاری و حصار یا میز اره وجود داشته باشد
- در صورت نیاز یک راهنمای کمکی درست کنید؛ سوراخ های راهنمای کشویی را می توان برای محکم کردن راهنمای کمکی استفاده کرد
- **راهنمای کمکی را فقط می توان در زاویه برش مورب ۰۰ استفاده کرد**
- برای کار با فرینزه های کفیوش می توانید از شکل بعنوان مرجع استفاده کنید
- همیشه سمت خوب قطعه کاری را پایین قرار دهید تا جدا شدن تراشه ها از آن به حداقل ممکن برسد

- ابزار را با آزاد کردن کلید قفلی AG و فشار دادن کلید روشن/خاموش AF روشن کنی (11)
- ! هنگام کار با سر اهر نباید دستهای خود را بطور ضریبدری حرکت دهید (11) a
- قطعه کاری را بطور یکنواخت جلو برده و اهر کنید
- ! اول اجازه دهید ابزار به دور کامل خود برسد و بعد تیغه را وارد قطعه کاری کنید
- یا رها کردن استارت AF ابزار را خاموش کنید
- قبل از اینکه سر اهر از آرام بالا بیاورد، منتظر شوید تا تیغه اهر به توقف کامل برسد
- ! اهر کاری با حرکت کشویی (قطعکاری عریض)
- ! لطفاً دقت داشته باشید که تنها روش کار ایمن روشی است که در ادامه توضیح داده می شود
- از کشیدن اهر در قطعه کار جلوگیری کنید
- اگر کلید گردان قفلی AE خیلی سفت شده است آنرا شل کنید
- ! مطمئن شوید که قطعه کاری نسبت به میز اهر و حصار، محکم گیره زده شده باشد S
- سر اهر را به اندازه کافی از راهنما S دور کنید تا تیغه اهر جلوی قطعه کاری قرار بگیرد (13)
- روشن ابزار را با فشار دادن اهرم ضامن AG و فشار دادن کلید روشن/خاموش AF روشن کنید (11)
- ! هنگام کار با سر اهر نباید دستهای خود را بطور ضریبدری حرکت دهید (11) a
- سر اهر را در جهت راهنما S فشار داده و با حرکت های پیشرونده یکنواخت قطعه کاری را ببرید (13)
- ! اول اجازه دهید ابزار به دور کامل خود برسد و بعد تیغه را وارد قطعه کاری کنید
- ! اگر حفاظ ختانی بطور خودکار باز نمی شود که این امر در برخی شرایط خاص امکان وقوع دارد (مانند قطعه کاری که به حداکثر ظرفیت بسیار نزدیک است) شاید لازم باشد حفاظ را با دست باز کنید (11) b
- یا رها کردن استارت AF ابزار را خاموش کنید
- قبل از اینکه سر اهر از آرام بالا بیاورد، منتظر شوید تا تیغه اهر به توقف کامل برسد
- ! شیار زدن (15)
- عمق دلخواه را با تنظیم عمق AH تنظیم کرده و با سفت کردن مهره AL آنرا در جای خود قفل کنید
- برای حفظ پیوستگی عمق در تمام طول شیار یک فاصله دهنده چوبی باید بین قطعه کار و راهنما قرار داده شود
- ! دقت کنید که تیغه اهر در قطعه کار گیر نکند
- ! همیشه اول روی یک تکه بردنخور آزمایش کنید
- ! عوض کردن تیغه اهر (16)
- ! سیم برق را از برق جدا کنید
- آچار آلن AK را از محفظه نگهداری AL آن بردارید
- حفاظ A را در موقعیت نگه دارید
- پیچ صفحه رویی را شل کنید AN (پیچ را کامل باز نکنید) (16) a
- حفاظ A را کامل به عقب بچرخانید (16) b
- ضامن قفل کننده شفت AM از فشار داده و آنرا در حین باز کردن پیچ تیغه-AO را با چرخاندن آچار آلن AK به اندازه A/1 دور در جهت خلاف حرکت عقربه های ساعت (= در همان جهتی که پیکان چاپ شده روی تیغه اهر نشان می دهد) نگه دارید
- ! ضامن قفل کننده شفت MA را فقط زمانی که ابزار به توقف کامل رسیده است فشار دهید
- ضامن قفل کننده شفت AM از آزاد کنید
- فلنج AP و تیغه اهر را بردارید
- ! تیغه اهر جدید را طوری قرار دهید که دندانه های تیغه و پیکان چاپ شده روی تیغه اهر با پیکان روی محافظ هم جهت باشد A
- فلنج AP را سوار کنید (16) c
- ضامن قفل کننده شفت AM از فشار داده و ضمن اینکه پیچ تیغه را با چرخاندن آچار آلن AK به اندازه A/1 دور در جهت خلاف حرکت عقربه های ساعت بیشتر از حدی که با دست سفت می شود سفت می کنید. آنرا نگهدارید (با انگشتان از لغزش تیغه اهر هنگام روبرو شدن با مقاومت زیاد جلوگیری شده و با وارد بر موتور و پین رزق اهر کاهش داده می شود)
- پیچ صفحه رویی AN از سفت کنید

- مکش گرد و غبار/خرده چوب (17)
- کیسه جمع آوری گرد و غبار H/جاروبرقی را مطابق شکل سوار کنید
- به منظور حفظ کیفیت بهینه جمع آوری، باید کیسه جمع آوری گرد و غبار را بطور مرتب خالی کنید
- ! هرگز ننگارید جاروبرقی یا حفاظ پایین یا عملکرد برش درگیر شود
- بخش اخافی میز اهر (18)
- از کلیه های گردان A بری سفت کردن میله های اخافی K استفاده کنید (در هر طرف ابزار)
- طول میله های اخافی K از حداقل تا حداکثر بصورت آزاد و غیر بله ای قابل تنظیم است
- گیره زدن قطعه کاری (19)
- ! برای حفظ ایمنی بهینه در طول کار، همیشه قطعه کاری را با گیره قابل تنظیم ارائه شده سفت کنید
- با قطعه های کاری که برای گیره زدن زیادی کوچک هستند کار نکنید
- برای حداکثر ایمنی قطعه کاری از جدول (11) به عنوان مرجع استفاده کنید
- گیره قطعه کار سوار شده را با کلید گردان P در سوراخ تکیه گاه N محکم کنید (در هر طرف ابزار)
- از 1 شکاف های 2 استفاده کنید: برای قطعات کار تا ضخامت ۳سانتیمتر و قطعات کار با ضخامت بیشتر از ۳سانتیمتر
- قطعه کاری را محکم به حصار S تکیه دهید
- قفل اهرم را باز کنید R
- اندازه گیره را برای قطعه کاری تنظیم کنید
- حالا با اهرمی قفلی R قطعه کاری را محکم گیره بزنید
- ! برای برخی از ترکیب های فارسی بر و برش مورب، یا بسته به اندازه قطعه کار شرایط لازم باشد بجای گیره قطعه کار از گیره های پیچی موجود در بازار استفاده کرد
- تنظیم زوایای فارسی بر (17)
- دستگیره قفلی را شل کنید AB
- اهرم رها سازی دندانه فارسی بر AC را فشار دهید
- میز اهر را به چپ یا راست بچرخانید و زاویه فارسی بر دلخواه (از ۰ تا ۴۷°) را با نشانگر تنظیم کنید AD
- اهرم را آزاد کنید AC
- دستگیره قفلی AB را سفت کنید (دسته را پیش از اندازه سفت نکنید)
- برای تنظیم دقیق و سریع زوایای فارسی بر بکاربرد (۰°، ۱۵°، ۲۰°، ۲۴°، ۳۱°، ۴۵°)
- اهرم دندانه دار فارسی بر در وضعیت های متناظر در جای خود کلیک کرده و مستقر می شود
- تنظیم زوایای برش مورب (18)
- کلید گردان سه پر را شل کنید U (18) b
- سر اهر را به چپ بپزید تا نشانگر زاویه برش مورب V به زاویه دلخواه اشاره کند
- سر اهر در این وضعیت نگه داشته و کلید گردان U را سفت کنید
- برش های مرکب (18)
- برای اجرای برشهای مرکب باید هم زاویه فارسی بر و هم زاویه بچ تنظیم شوند
- ! اهر را در برخی ترکیب های خاص فارسی بر و برش مورب که امکان دارد باعث اختلال بین بخش های لغزان و ثابت اهر یا بین بخش های لغزان و قطعه کار شوند، بکار نبرید
- ! همیشه اول روی یک تکه بردنخور آزمایش کنید
- خطکش لیزری (19)
- برای هدایت ابزار روی خط دلخواه علامت گذاری شده روی قطعه کاری
- با فشار دادن کلید AA خطکش لیزری را روشن/خاموش کنید
- لیزر در سمت چپ برش میزان شده است
- انطباق افقی لیزر را می توان براحتی با پیچ Y تنظیم کرد
- ! پیش از شروع کار، ابتدا روی یک تکه بردنخور برش آزمایشی بزنید تا امتداد خطکش لیزری را با خط واقعی برش مطابقت دهید
- اهر کاری بدون حرکت کشویی (قطعه های کاری کوچک)
- اگر کلید گردان قفلی AX خیلی سفت شده است آنرا شل کنید
- سر اهر را در جهت راهنما S جلو ببرید تا به نقطه توقف برسد و سپس کلید گردان قفلی AE را مجدداً سفت کنید
- ! قفل نکردن مکانیسم باعث بالا رفتن ناگهانی روی قطعه کار و حرکت آن به سمت شما خواهد شد
- ابزار را در وضعیت کار تنظیم کنید
- ! مطمئن شوید که قطعه کاری نسبت به میز اهر و حصار، محکم گیره زده شده باشد S

- از سیم رابط هایی استفاده کنید که مخصوص فضای آزاد بوده و دارای پرز-اتصال ضد ریزش آب می باشند
- پیش از استفاده**
- سیم های رابط برق باید کاملاً باز شده و ایمن باشند. از سیم هایی با رده بندی ۱۶ آمپر
- از عینک محافظ، گوشی ایمنی و دستکش محافظ استفاده کنید
- گرد و خاکی که از موادی مانند رنگ های حاوی سرب، برخی گونه های چوب، مواد معدنی و فلزات بلند می شود می تواند خطرناک باشد (اساس با این گرد و خاکیها و یا تنفس آنها می تواند در کاربران ابزار یا افراد نزدیک به محل کار واکنش های حساسیتی و/یا بیماری های تنفسی ایجاد کند؛ یک ماسک مخصوص گرد و خاک بزنید و در صورت امکان از یک وسیله مکش گرد و خاک استفاده کنید
- برخی از گرد و خاکیها (مانند گرد و خاکی که از چوب بلوط یا راش بلند می شود) علی الخصوص در مجاورت آفرودنی های مخصوص چوب، سرطان زا هستند؛ یک ماسک مخصوص گرد و خاک بزنید و در صورت امکان از یک وسیله مکش گرد و خاک استفاده کنید
- از مقررات ملی مربوط به گرد و خاک موادی که می خواهید با آنها کار کنید پیروی نمایید
- با موادی حاوی آزنست کار نکنید (آزنست سرطان زا است)
- هرگز بدون حافظ ایمنی اصلی از این ابزار استفاده نکنید
- پیش از هر بار استفاده، محافظ را کنترل کنید تا درست بسته شود
- اگر محافظ آزادانه حرکت می کند و بیدرنگ بسته نمی شود یا اره کار نکنید
- هرگز محافظ را در وضعیت باز گیره زده یا نیندید
- هرگز از اره بدون بلوک میز استفاده نکنید؛ بلوک های میز معیوب یا فرسوده را عوض کنید
- پیش از شروع برش تمام موانع موجود در بالا یا زیر مسیر برش را بردارید
- پیچ ها، میخ ها و سایر اجزا دیگر می توانند به قطعه کاری شما آسیب بزنند؛ بنابراین پیش از شروع کار آنها را بردارید

متعلقات

- هرگز با این ابزار از سنگ های فرز استفاده نکنید
- SKIL فقط در صورتی کارکرد بی عیب و نقص ابزار را تضمین می کند که از لوازم و متعلقات مناسب استفاده شده باشد و از نمایندگان رسمی SKIL تهیه شده باشد
- برای سوار کردن/استفاده از متعلقاتی که توسط SKIL ساخته نشده، همیشه باید دستورالعملهای سازنده مربوطه را دنبال کنید
- فقط از تیغه اره هائی استفاده کنید که با مشخصات فنی ارائه شده در این دستورالعمل های کاری مطابقت داشته و بر اساس EN ۸۴۷-۱ مورد آزمایش قرار گرفته و دارای علامت مربوطه باشند
- متعلقات باید فقط با سرعت های چرخش مجاز که معادل بالاترین سرعت بدون بار ابزار هستند به کار برده شوند
- هرگز از تیغه اره های ساخته شده از فولاد برای کار در سرعت بالا استفاده نکنید (HSS) استفاده نکنید
- اگر تیغه اره ترک دارد تغییر شکل یافته یا کند شده است از آن استفاده نکنید
- فقط از تیغه اره های استفاده کنید که قطر سوراخ آنها بدون هیچگونه لقی یا شفت دستگاه مطابقت داشته باشد؛ هرگز از کاهنده یا تبدیل برای جا زدن تیغه های با سوراخ بزرگتر استفاده نکنید
- متعلقات را در معرض ضربه، شوک یا گریس و چربی قرار ندهید

در حین استفاده

- به ابزار فشار نیاورید (فشار آرام و پیوسته وارد کنید تا از داغ شدن نوک تیغه و در صورت برش پلاستیک، ذوب شدن مواد پلاستیکی جلوگیری کرده)
- انگشتان، دست ها و بازوهای خود را دور از تیغه اره در حال چرخش نگه دارید
- اگر تیغه اره گیر کرد، ابزار را فوراً خاموش کرده و دوشاخه آنرا بکشید؛ فقط بعد از آن می توانید قطعه کاری گیر کرده را خارج کنید
- در صورت گیر کردن یا بروز اشکالات برقی یا مکانیکی، فوراً ابزار را خاموش کرده و سیم برق آنرا از پریز بکشید
- سیم برق آسیب دیده یا بریده شده باشد، هرگز به سیم دست نزنید. اما فوراً آنرا از پریز بکشید
- وقتی که سیم آسیب دیده است هرگز نباید از ابزار استفاده کنید؛ باید با یک سیم از پیش آماده شده مخصوص که از طریق سازمان های خدماتی در دسترس است تعویض گردد

پرتوی لیزر

- پرتو لیزر را به سمت افراد یا حیوانات نگرفته و خودتان به پرتوی مستقیم یا بازتابیده لیزر حتی از دور خیره نشوید (مکن است باعث نابینایی دیگران شوید. ایجاد حادثه کرده و یا به چشمان خود آسیب بزنید)
- اگر پرتوی لیزر با چشمان شما برخورد کرد، باید چشمان خود را بسته و فوراً سر خود را از طرف پرتو برگردانید
- ناباید هیچگونه تغییری در تجهیزات لیزر بدهید

- با اشعه لیزر (پرتوی لیزر) نگاه نکنید
- برای مشاهده اشعه لیزر از هیچگونه وسیله بزرگنمایی نوری (مانند ذره بین، تلسکوپ یا دوربین دوچشمی) استفاده نکنید
- اگر مایعات قابل اشتعال، گاز یا گرد و غبار در محیط وجود دارد از ابزار استفاده نکنید
- اگر کودکان در محیط کاری حضور دارند از ابزار استفاده نکنید
- نصب لیزر شده را با میخ نوع لیزر دیگری جایگزین نکنید

بعد از استفاده

- بعد از خاموش کردن ابزار، هرگز سعی نکنید با وارد آوردن فشار جانبی چرخش متعلقات را متوقف کنید
- فقط زمانی که تمام قسمت های متحرک به توقف کامل رسیده باشند می توانید بریده ها و سایر تکه های قطعه کاری را از قسمت برش خارج کنید
- تیغه اره ها در حین استفاده بسیار داغ می شوند؛ قبل از خنک شدن به آنها دست نزنید
- ابزار را در داخل ساختمان و مکانی خشک و محفوظ، دور از دسترس کودکان نگهدارید

شرح علائم و نمادهای روی ابزار

- پیش از کار حتماً دفترچه راهنما را مطالعه کنید
- از عینک محافظ و محافظ گوش استفاده کنید
- ناحیه خطر! ناحیه بدون دست، دست ها، انگشتان یا بازوهای خود را در این ناحیه دور نگه دارید.
- عایق دوگانه (نیازی به سیم اتصال به زمین - ارت نیست)
- ابزارهای برقی، باتری ها، آنها را نباید همراه با زباله های عادی خانگی دور انداخت
- اشعه لیزر / نگاه نکنید پرتوی لیزر/ کلاس لیزر ۲

#allien_engels

استفاده

- سوار کردن
- دسته حمل را با ۲ پیچ با استفاده از آچار آلن AK ④ سوار کنید
- کلید گردان اره فارسی بر AB در جلو میز ⑤ سوار کنید
- وضعیت جابجایی/کار ابزار
- برای آزاد کردن ابزار (وضعیت کار)
- دسته B را با یک دست در حالی به پایین فشار دهید که همزمان ضامن قفلی C را با دست دیگر بیرون می کشید B ⑥
- مجموعه سمر از آرام به بالا هدایت کنید
- برای اره کاری با حرکت کشویی کلید گردان قفلی را مثل دسته B ⑥ AE برای ثابت کردن ابزار (وضعیت جابجایی)
- مجموعه سمر در جهت راست جلو ببرد تا به نقطه توقف برسد و سپس کلید گردان قفلی AE از سمت کنید C ⑥
- زاویه برش مورب را روی ° تنظیم کنید (به بخش تنظیم زاویه برش مورب رجوع کنید)
- زاویه برش فارسی را روی ۴۰° چپ یا راست تنظیم کنید (به بخش تنظیم زاویه برش فارسی رجوع کنید)
- دسته B را با یک دست در حالی به پایین فشار دهید که همزمان ضامن قفلی C را با دست دیگر بیرون می کشید
- سیم برق را جمع کنید
- از دسته حمل E برای حمل ابزار استفاده کنید D ⑥
- یا اینکه می توانید از دسته های جانبی برای حمل ابزار استفاده نمایید E ⑥
- هرگز ابزار را با گرفتن دسته اصلی یا سیم برق بلند نکنید
- نصب ابزار روی میز کار ⑦
- برای رعایت ایمنی در کار باید همیشه ابزار را روی سطحی صاف و مستحکم (مانند یک میز کار) نصب کرد
- از ۴ سوراخ نصب F برای نصب و محکم کردن ابزار روی میز کار؛ از چهار سوراخ نصب و با پیچ های مناسب روی میز کار استفاده کنید
- مطمین می شود تعدادی گیره پیچی نیز از بازار تهیه کرده و ابزار را با گیره روی میز کار محکم کنید
- ارتفاع پناه تکیه گاه G را می توان برعکس متعادل سازی ابزار تنظیم کرد
- یا اینکه می توانید ابزار را روی پایه اره فارسی بر سوار کنید
- تمام هشدارها و دستورالعمل های همراه پایه ابزار را مطالعه کنید

دستگاه خوب کار کرده و گیر نکند. همچنین دقت کنید که قطعات ابزار الکتریکی شکسته و یا آسیب دیده نباشند. قطعات آسیب دیده را قبل از شروع به کار تعمیر کنید. علت بسیاری از سوانح کاری، عدم مراقبت کامل از ابزارهای الکتریکی می باشد.

ح) ابزار برش را تیز و تمیز نگاهدارید. ابزار برشی که خوب مراقبت شده و از لبه های تیز برخوردارند، کمتر در قطعه کار گیر کرده و بهتر قابل هدایت می باشند.

خ) ابزارهای الکتریکی، متعلقات، ابزار که روی دستگاه نصب می شوند و غیره را مطابق دستورات این جزوه راهنما طوری به کار گیرید که با مدل این دستگاه تناسب داشته باشند. همچنین به شرایط کاری و نوع کار توجه کنید. کاربرد ابزار برقی برای موارد کاری که برای آن در نظر گرفته نشده است، میتواند شرایط خطرناکی را منجر شود.

د) دسته ها و سطوح دستگیره ها را خشک، تمیز و عاری از روغن و گریس نگه دارید با دسته ها و سطوح دستگیره های لیز نمی توان در شرایط غیرمنتظره بطور ایمن با ابزار کار کرد و کنترل آنها را داشت

ه) سربیس برای تعمیر ابزار الکتریکی فقط به متخصصین حرفه ای رجوع کرده و از وسایل پدکی اصل استفاده کنید. این باعث خواهد شد که ایمنی دستگاه شما تضمین گردد.

دستورالعمل های ایمنی برای اری های فارسی بر

- اری های فارسی بر جهت بریدن چوب یا محصولات مشابه چوب طراحی شده اند. از آنها نمی توان برای بریدن اقلام فلزی مانند پایه ها، میله ها، پروفیل ها و غیره با صفتناک سنگ برش استفاده کرد. گرد و غبار حاصل از سنگ برش باعث خطر کردن بخش های متحرک مانند حفاظ ختانی خواهد شد. جرقه های ناشی از سنگ برش باعث سوختن حفاظ ختانی، بلوک شکاف برش و سایر قطعات پلاستیکی خواهند شد.

- در صورت امکان از گیره برای محکم کردن قطعه کاری استفاده کنید. اگر قطعه کار را با دست می گیرید، باید همیشه دست خود را ۱۰۰ میلیمتر از دو طرف تیغه اری فاصله بدهید. اری از برای بریدن قطعات بسیار کوچک که قابل گیره زدن یا نگه داشتن نیستند استفاده کنید. اگر دست خود را خیلی نزدیک به تیغه اری بگیرید، خطر جراحت دین بر اثر تماس با تیغه افزایش خواهد یافت.

- قطعه کار باید ثابت بوده و گیره زده شده یا در برابر راهنمای برش و میز محکم شده باشد. هرگز قطعه کار را به طرف اری نرانید و هیچوقت بدون دست کار نکنید. قطعه کارهای شل و متحرک می توانند با سرعت بالا پرتاب شوند و باعث جراحت گردند.

- اری را در قطعه کار فشار داده و جلو ببرید. از کشیدن اری در قطعه کار جلوگیری کنید. برای اتمام یک برش، سر اری را بالا آورده و آنرا بدون بریدن از روی قطعه کار بکشید. موتور را روشن کنید، سر اری را به پایین فشار داده و قطعه کار را اری کنید در صورت برش همراه با کشیدن. این خطر وجود دارد که تیغه اری روی کار بلند شده و مجموعه تیغه با فشار به طرف اپراتور پرتاب شود. هرگز دست خود را روی بخش مورد نظر، به جلو یا پشت تیغه اری نبرید محکم گرفتن قطعه کار بصورت "مقاطع" یعنی گرفتن قطعه کار در سمت راست تیغه اری با دست چپ یا برعکس بسیار خطرناک است.

- هیچ یک از دست های خود را برای برداشتن تراشه های چوب یا در هل دیگر، در حالی که تیغه می چرخد به طرف راهنمای برش نزدیک نکنید نزدیک بودن دستتان شما به تیغه اری در حال چرخش قابل تشخیص نیست و از این رو ممکن است خود را به شدت مجروح کنید.

- قبل از برش کاری، قطعه کار خود را محکم کنید در صورت کج بودن یا بد قرار گرفتن قطعه کار، آن را با گیره یا گیره دانه به طرف راهنما تثبیت کنید. همیشه اطمینان حاصل کنید که هیچ فاصله ای بین قطعه کار یا راهنمای برش و میز در طول خط برش وجود نداشته باشد قطعات کار خم شده یا تغییر شکل یافته ممکن است بهم پیچیده یا جابجا شوند و می توانند در طول برش باعث گیر کردن در تیغه اری در حال چرخش شوند. در قطعه کار نباید میخ یا اجسام خارجی وجود داشته باشد.

- تا زمانی که تمام ابزارها، تراشه های چوب و غیر، بجز قطعه کار را از روی میز برداشته اید نباید از اری استفاده کنید ضایعات کوچک یا تکه های محکم نشده چوب یا سایر اجسام که با تیغه چرخان تماس پیدا کنند ممکن است با سرعت زیاد پرتاب شوند.

- هر بار فقط یک قطعه کار را برش بزنید اگر چند قطعه کار را روی هم قرار دهید نمی توان آنها را بطور مناسب گیره زد یا محکم کرد و امکان دارد در طول برش روی تیغه گیر کرده و یا جابجا شوند.

- پیش از استفاده اطمینان حاصل کنید که اری فارسی بر روی سطحی تراز و محکم سوار شده یا قرار داده شده باشد. یک سطح کار تراز و محکم خطر خارج شدن اری فارسی بر از کنترل را کاهش می دهد.

- کار خود را برنامه ریزی کنید؛ هر بار که تنظیم زاویه برش مورب یا فارسی را تغییر می دهید، باید اطمینان حاصل کنید که راهنمای برش قابل تنظیم درست تنظیم شده باشد تا قطعه کار را گرفته و با کار تیغه یا سیستم حفاظ تداخل نمایم بدون اینکه ابزار را "روشن" کنید و بدون اینکه قطعه کار روی میز باشد. تیغه اری را در طول کامل برش شیبه سازی شده حرکت دهید تا مطمئن شوید هیچگونه تداخلی وجود ندارد و با خطر بریده شدن راهنما پیش نخواهد آمد.

- برای قطعات کاری که عرضی تر یا بلندتر از این میز کار هستند، با وسایلی مانند بخش الحاقی میز، پایه و غیره حائل و تکیه گاه مناسب فراهم کنید. قطعات کار بلندتر یا عرضی تر از میز اری فارسی بر در صورتی که درست حائل نشده باشند و تکیه گاه برای آنها فراهم نشده باشد، ممکن است بلغزند. اگر قطعه بریده شده یا قطعه کار بلغزد، می تواند حفاظ ختانی را بلند کرده یا توسط تیغه در حال چرخش پرتاب شود.

- هرگز از یک نفر دیگر بجای بخش الحاقی میز یا حائل مکمل برای قطعه کار استفاده نکنید حائل یا تکیه گاه ناپایدار برای قطعه کاری می تواند باعث گیر کردن تیغه یا جابجا شدن قطعه کار در طول عملیات برش شده و شما و نفر کمک کننده را به سمت تیغه در حال چرخ بکشند.

- قطعه بریده شده نباید گیر کند یا به هیچ ترتیبی در برابر تیغه اری در حال چرخش فشار داده شود قطعه بریده شده در صورتی که مفید شده باشد، مثلاً یا تنظیم می طول، ممکن است در برابر تیغه گیر کرده و با شدت پرتاب شود.

- همواره از گیره یا تجهیزات مهار مناسب جهت ثابت نگهداشتن درست میله ها، لوله ها و اجسام گرد استفاده کنید میله ها در حین برش میل به چرخیدن دارند و ممکن است باعث "گیر" کردن تیغه شده و قطعه کار را با دست شما به سمت تیغه بکشند.

- اجازه دهید تیغه قبل از تماس یافتن با قطعه کار به سرعت کامل برسد این کار خطر پرتاب شدن قطعه کار را کاهش می دهد.

- اگر قطعه کاری تیغه گیر کرد، اری فارسی بر را خاموش کنید. تا متوقف شدن همه قسمتهای متحرک صبر کنید، کابل را از برق بکشید وایا باتری را بیرون آورید. سپس جسم گیر کرده را درآورید ادامه اری برن یک قطعه کار گیر کرده می تواند باعث از دست رفتن کنترل و یا آسیب دیدن اری فارسی بر شود.

- بعد از پایان برش، کلید قطع و وصل را رها کنید، سر اری را پایین نگه داشته و قبل از برداشتن قطعه بریده شده منتظر شوید تا تیغه متوقف شود نزدیک بردن دست به تیغه در حال حرکت خطرناک است.

- هنگام اجرای کار برش تاخالی یا موقف رها کردن کلید قطع و وصل قبل از اینکه سر اری بطور کامل در وضعیت پایین قرار گرفته باشد نباید دست را محکم بگیرید عملکرد ترمز اری می تواند باعث کشیدن شدن ناگهانی سر اری به پایین شده و خطر جراحت ایجاد نماید.

هشدارهای ایمنی اضافی

- جریانهای ناگهانی باعث افت موقتی ولتاژ می گردند؛ در شرایطی که وضعیت تغذیه برق نامناسب است امکان دارد سایر تجهیزات تأثیر ببینند (اگر آمپدانس سیستم منبع تغذیه کمتر از ۰.۱۴، اهم باشد، احتمال روی دادن اختلالات وجود دارد)؛ اگر نیاز به توضیح بیشتر دارید، می توانید با شرکت برق منطقه ای خود تماس بگیرید.

عمومی

- از این ابزار فقط برای بریدن چوب استفاده کنید
- همیشه مطمئن شوید که ولتاژ ورودی دستگاه برابر ولتاژی باشد که روی پلاک دستگاه نوشته شده است

- روی ابزار یا پایه آن نایسید اگر ابزار کج شود و یا بطور اتفاقی با برش اریز تماس پیدا کنید، خطر بروز جراحت های شدید وجود خواهد داشت. مواد مختلف را طوری روی ابزار یا در مجاورت آن نگهداری نکنید که مجبور باشید برای دست یافتن به آنها روی ابزار یا پایه آن بایستید.

- قبل از هرگونه تنظیم یا تعوض کردن لوازم و ملحقات حتماً باید سیم برق دستگاه را از پریز بکشید

- همیشه باید قبل از حمل اری فارسی بر پریز آنرا از برق بکشید پریز را از برق بکشید. مجموعه سیم را پایین آورده و در محل آن قفل کنید. از دسته حمل و یکی از ندانه های جای دست روی پایه اری استفاده کنید.

- تا قبل از اینکه ابزار به توقف کامل نرسیده است آنرا ترک نکنید

- هنگام بریدن قطعات کار با شکل های نامنتظم، کار خود را از قبل برنامه ریزی کنید تا قطعه کار سر نخورده و در تیغه گیر نکند و از دست تان جدا شود

- افراد کمتر از ۱۶ سال نباید با این دستگاه کار کنند
- این ابزار برای برش خیس مناسب نیست

- استفاده در فضای آزاد
- گرمی می خواهید از ابزار در فضای آزاد استفاده کنید، باید ابزار را حتماً با یک مدارشکن جریان خطا (F) با سقف جریان حداکثر ۳۰ آمپر میلی وصل کرده و فقط

J	درجه تخلیه خاک آره
K	میله های الحاقی
L	کلیدهای گردان برای قفل کردن میله های الحاقی
M	گیره سوار کردن قطعه کاری
N	سوراخ تکپه گاه (گیره عمودی)
P	کلید گردان سفت کردن گیره
Q	کلید گردان تنظیم گیره
R	اهرم گیره
S	حصص
T	پیچ های آلن تنظیم حصار (X)
U	کلید گردان قفلی (زویای پخ)
V	نشانگر زاویه پخ
W	پیچ تنظیم زاویه پخ (راست)
X	پیچ تنظیم زاویه پخ (چپ)
Y	پیچ تنظیم لیزر
Z	چراغ لیزری
AA	کلید روشن/خاموش کردن لیزر
BA	دستگیره قفلی ازویای فارسی بر)
CA	اهرم آزادسازی دندانه فارسی بر
DA	نشانگر زاویه فارسی بر
EA	کلید گردان قفلی برای وسیله کشویی
FA	کلید روشن/خاموش
GA	اهرم ضامن
HA	محدودکننده عمق برش
IA	تنظیم عمق
JA	مهره تنظیم عمق
KA	آچار آلن
LA	محل نگهداری آچار آلن
MA	ضامن قفل کننده شفت
NA	پیچ صفحه رویی
OA	پیچ تیغه
PA	فلنج
QA	بلوک میز
RA	منحرف کننده گرد و غبار

ایمنی

راهنمایی های ایمنی عمومی برای ابزارهای الکتریکی

⚠ هشدار: تمامی هشدارهای ایمنی، دستورالعمل ها، تصاویر و مشخصات فنی ارائه شده همراه با این ابزار الکتریکی را مطالعه کنید در صورت عدم رعایت هشدارهای زیر خطر برق گرفتگی، آتش سوزی و/یا بروز جراحت های شدید وجود خواهد داشت.

همه هشدارها و راهنمایی ها را برای استفاده آتی نگهداری کنید.

--

در این هشدارها عبارت "ابزار الکتریکی" به معنی ابزارهای الکتریکی فاقد باتری (یا سیم برق) و یا ابزارهای الکتریکی باتری دار (شارژی) است

(۱) ایمنی محل کار

محل کار خود را تمیز، مرتب و مجهز به نور کافی نگهدارید. محیط کار نامرتب و کم نور می تواند باعث سوانح کاری شود.

(ب) با ابزار الکتریکی در محیط هایی که در آن خطر انفجار وجود داشته و حاوی مایعات، گازها و غبارهای محترقه باشد، کار نکنید. ابزارهای الکتریکی جرقه هایی ایجاد می کنند که می توانند باعث آتش گرفتن گرد و بخار های موجود در هوا شوند.

(ت) هنگام کار با ابزار الکتریکی، کودکان و سایر افراد را از دستگاه دور نگهدارید. در صورتیکه حواس شما پرت شود، ممکن است کنترل دستگاه از دست شما خارج شود.

(۲) ایمنی الکتریکی

(أ) دوشاخه ابزار الکتریکی باید با پریز برق تناسب داشته باشد. هیچگونه تغییری در دوشاخه ندهید. مبدل دوشاخه نباید همراه با ابزار الکتریکی دارای اتصال به زمین (ارت شده) استفاده شود. مبدل دوشاخه نباید همراه با ابزار الکتریکی دارای اتصال به زمین (ارت شده) استفاده شود.

(ب) از تماس بدنی با قطعات دارای سیم اتصال به زمین (ارت شده) مانند لوله، شومیزان، اجاق برقی و یخچال خود داری کنید. در صورتیکه بدن شما با سیم دارای اتصال به زمین (ارت شده) تماس پیدا کند، خطر برق گرفتگی بیشتر خواهد شد.

(ت) دستگاه را از باران و رطوبت دور نگهدارید. تفوذ آب به ابزار الکتریکی، خطر شوک الکتریکی را افزایش می دهد.

(ث) از سیم به درستی استفاده کنید. از سیم دستگاه برای کارهایی چون حمل ابزار الکتریکی، آویزان کردن آن یا خارج کردن دوشاخه از برق استفاده نکنید. دستگاه را در مقابل حرارت، روغن، لیه های تیز و بخش های متحرک دستگاه دور نگهدارید. کابل های آسیب دیده و یا گره خورده خطر شوک الکتریکی را افزایش می دهند.

(ج) در صورتیکه با ابزار الکتریکی در محیط باز کار می کنید، تنها از کابل را بطی استفاده کنید که برای محیط باز نیز مناسب باشد. کابل های رابط مناسب برای محیط باز، خطر برق گرفتگی را کم می کنند.

(ح) در صورت لزوم کار با ابزار الکتریکی در محیط و اماکن مرطوب، در اینصورت باید از یک کلید حفاظتی جریان خطا و نشستی زمین (کلید قطع کننده اتصال با زمین) استفاده کنید. استفاده از کلید حفاظتی جریان خطا و نشستی زمین خطر برق گرفتگی را کمتر می کند.

(۳) رعایت ایمنی اشخاص

(أ) حواس خود را خوب جمع کنید، به کار خود دقت کنید و با فکر و هوش کامل با ابزار الکتریکی کار کنید. در صورت خستگی و یا در صورتیکه مواد مخدر، الکل و دارو استفاده کرده اید، با ابزار الکتریکی کار نکنید. یک خطه بی توجهی هنگام کار با ابزار الکتریکی، می تواند جراحت های شدیدی به همراه داشته باشد.

(ب) همواره از تجهیزات ایمنی شخصی استفاده کنید. همواره از عینک ایمنی استفاده کنید. استفاده از تجهیزات ایمنی مانند ماسک ایمنی، کفش های ایمنی ضد لغزش، کلاه ایمنی و گوشی ایمنی متناسب با نوع کار با ابزار الکتریکی، خطر مروج شدن را تقلیل می دهد.

(ت) مواظب باشید که ابزار الکتریکی بطور ناخواسته بکار نیفتد. قبل از وارد کردن دوشاخه دستگاه در پریز برق، اتصال آن به باطری، برداشتن آن و یا حمل دستگاه، باید دقت کنید که ابزار الکتریکی خاموش باشد. در صورتیکه هنگام حمل دستگاه انگشت شما روی دکمه قطع و وصل باشد و یا دستگاه را در حالت روشن به برق بزنید، ممکن است سوانح کاری پیش آید.

(ث) قبل از روشن کردن ابزار الکتریکی، باید همه ابزار های تنظیم کننده و آچارها را از روی دستگاه بردارید. ابزارو آچارهایی که روی بخش های چرخنده دستگاه قرار دارند، می توانند باعث ایجاد جراحت شوند.

(ج) بیش از حد به آنها نزدیک نشوید. برای کار جای مطمئن برای خود انتخاب کرده و تعادل خود را همواره حفظ کنید. به این ترتیب می توانید ابزار الکتریکی را در وضعیت های غیر منتظره بهتر تحت کنترل داشته باشید.

(ح) لباس مناسب بپوشید. از پوشیدن لباس های فراخ و حمل زینت آلات خود داری کنید. لباس و دستکش ها را از بخش های درحال چرخش دستگاه دور نگهدارید. لباس های فراخ، موی بلند و زینت آلات ممکن است در قسمت های درحال چرخش دستگاه گیر کنند.

(خ) در صورتیکه می توانید وسایل مکش گرد و غبار و یا وسیله جذب زائده را به دستگاه نصب کنید، باید مطمئن شوید که این وسایل نصب و درست استفاده می شوند. استفاده از وسایل مکش گرد و غبار مصونیت شما را در برابر گرد و غبار زیاد تر می کند.

(د) اجازه ندهید آشنایی و تسلط حاصل از استفاده مکرر از ابزارها باعث شود احساس نیاز به رعایت قواعد نکرده و به قوانین ایمنی ابزار بی توجهی کنید یک عمل از روی بی دقتی می تواند در کسری از ثانیه موجب جراحت شدید شود

(۴) استفاده صحیح از ابزار الکتریکی و مراقبت از آن

(أ) از وارد کردن فشار زیاد روی دستگاه خود داری کنید. برای هر کاری، از ابزار الکتریکی مناسب با آن استفاده کنید. بکار گرفتن ابزار الکتریکی مناسب باعث می شود که بتوانید از توان دستگاه بهتر و با اطمینان بیشتر استفاده کنید.

(ب) در صورت ایراد در کلید قطع و وصل ابزار برقی، از دستگاه استفاده نکنید. ابزار الکتریکی که نمی توان آنها را قطع و وصل کرد، خطرناک بوده و باید تعمیر شوند.

(ت) قبل از تنظیم ابزار الکتریکی، تعویض متعلقات و یا کنار گذاشتن آن، دوشاخه را از برق کشیده و یا باطری آنرا خارج کنید. رعایت این اقدامات پیشگیری ایمنی از راه افتادن ناخواسته ابزار الکتریکی جلوگیری می کند.

(ث) ابزار الکتریکی را در صورت عدم استفاده، از دسترس کودکان دور نگهدارید. اجازه ندهید که افراد نا وارد و یا اشخاصی که این دفتر چه راهنما را خوانده اند، با این دستگاه کار کنند. قرار گرفتن ابزار الکتریکی در دست افراد ناوارد و بی تجربه خطرناک است.

(ج) از ابزار الکتریکی خوب مراقبت کنید. مواظب باشید که قسمت های متحرک

! أحكم ربط كل البراغي ١١ بثبات:

التحقق من اضبط محاذاة النصل بزوايا ٩٠ درجة (٧)

! افضل القياس:

- أدر منضدة النشر لموضع الزاوية المفصلي ٠ درجة وأقلها في موضعه
- أدر رأس المنشار إلى وضع زاوية الميل ٠ درجة
- اخفض رأس المنشار وأقله في موضعه
- حقق من توفّر زاوية قدرها ٩٠ درجة بين النصل والمنضدة باستخدام زاوية قائمة، وإذا لزم الأمر اضبط محاذاة النصل بزوايا ٩٠ درجة كما يلي:
- حرر المقيض ثلاثي القوائم ل:
- اضبط البرغي W باستخدام مفتاح ربط النصل ١٠ (غير مضمن بشكل قياسي)

- حقق مرة أخرى باستخدام زاوية قائمة

- أعد ضبط مؤشر الميل V على ٠ درجة

- التحقق من اضبط محاذاة النصل بزوايا ٤٥ درجة (٨)

! افضل القياس:

- أدر منضدة النشر لموضع الزاوية المفصلي ٠ درجة وأقلها في موضعه
- حرر المقيض ثلاثي القوائم ل:
- أدر رأس المنشار إلى اليسار
- حقق من توفّر زاوية قدرها ٤٥ درجة بين النصل والمنضدة باستخدام زاوية نصف قائمة:

- حقق من وجود المؤشر المائل V على علامة ٤٥ درجة:

- وإذا لزم الأمر اضبط محاذاة النصل بزوايا ٤٥ درجة كما يلي:

- اضبط البرغي X باستخدام مفتاح ربط النصل ١٠ (غير مضمن بشكل قياسي)

- حقق مرة أخرى باستخدام زاوية نصف قائمة

- التحقق من/اضبط محاذاة الحاجز بزوايا ٩٠ درجة (٩)

! افضل القياس:

- أدر منضدة النشر لموضع الزاوية المفصلي ٠ درجة وأقلها في موضعه
- اخفض رأس المنشار وأقله في موضعه
- حقق من توفّر زاوية قدرها ٩٠ درجة بين النصل والحاجز S باستخدام مربع (تأكد من أن المربع يلامس جسم نصل المنشار وليس سنونه) (٩a)
- وإذا لزم الأمر اضبط محاذاة الحاجز بزوايا ٩٠ درجة كما يلي:
- حرر البراغي السداسية الأربعة T: (٩b)
- اضبط الحاجز حتى يحدث تلاصق تام بين النصل والحاجز من جهة والزاوية القائمة من جهة أخرى:
- أحكم ربط البراغي السداسية الأربعة T:
- أعد ضبط المؤشر المفصلي على ٠ درجة (٩c)

توصيات الاستخدام

- قطع عمل خاصة
- قم دائمًا بدعم الأطراف حرة الحركة لقطعة عمل طويلة (٣٠)
- تأكد من أن قطع العمل المقوسة أو المستديرة مؤمنة ضد الانزلاق خصيصًا:
- على طول خط القطع يجب ألا يوجد أي فجوات بين قطعة العمل والحاجز أو منضدة النشر:
- إذا لزم الأمر، قم بتزييت الحاجز الإضافي: يجب استخدام الفحجات الموجودة في الحاجز المنزلق لتثبيت الحاجز الإضافي
- ! يمكن استخدام الحاجز الإضافي فقط عند زاوية الميل ٠ درجة
- للعمل باستخدام أفايز الأضوية، يمكن الاستعانة بالشكل كمرجع:
- وجه الجانب الجيد من قطعة العمل للأسفل دائمًا لضمان أقل كمية من الشظايا
- لا تستخدم سوى أنصال منشار حادة من النوع الصحيح:
- تتحسن جودة القطع تبعًا لعدد السنون
- تبقى الشفرات ذات السنون المصنوعة من مادة الكريبد حادة حتى ٣٠ مرة أكثر من الشفرات العادية

الصيانة / الخدمة

- حافظ دائمًا على نظافة الأداة والسلك (خاصة فتحات التهوية الموجودة في الجزء الخلفي من ميبت المحرك):
- قم بإجراء فحص منتظم للتأكد من أن الوافي السفلي يعمل بشكل صحيح.
- نظف الوافي السفلي من أي نشارة متراكمة باستخدام قطعة قماش رطبة.
- ! افضل القياس قبل التنظيف
- ارفع الوافي السفلي إلى وضع الفتح الكامل ثم حرره؛ وإذا لم يتم إغلاقه على الفور بالكامل، فيجب فحصه بواسطة مركز خدمة ما بعد البيع لأدوات الطاقة من SKIL

- نظف ريش المنشار بعد الاستخدام مباشرة (خاصة من الصمغ والغراء)
- ! يصبح نصل المنشار شديد الحرارة أثناء الاستخدام، فلا تلمسه حتى يبرد:
- قم بتنظيف مصباح ضوء الليزر AC باستخدام فرشاة ناعمة بعد كل استخدام
- للحفاظ على رؤية جيدة لخط الليزر (تأكد من عدم تغيير إعداد الليزر)
- إذا تعذر تشغيل الأداة على الرغم من الحذر الشديد في إجراءات التصنيع والاختبار، فيجب القيام بالإصلاحات بواسطة مركز خدمة ما بعد البيع لأدوات الطاقة التابع لشركة SKIL:
- قم بإرسال الأداة دون تفكيكها بالإضافة إلى إثبات الشراء إلى البائع أو أقرب محطة خدمة SKIL (العناوين بالإضافة إلى مخطط الخدمة متاح على www.skil.com)
- كن على علم بأن التلف الناتج عن زيادة التحميل أو التعامل مع الأداة بطريقة خاطئة سيتم استثنائه من الضمان (لعرفة شروط ضمان SKIL انظر www.skil.com أو قم بسؤال بائع المعدات)

البيئة المحيطة

- لا تتخلص من الأدوات الكهربائية والبطاريات والملحقات ومواد التغليف مع النفايات المنزلية (الدول الأخرى الأوروبية فقط):
- وفقًا للتوجيه الأوروبي 2002/96/EC حول نفايات المعدات الكهربائية والإلكترونية وتطبيقه بالتوافق مع القانون المحلي، يجب جمع الأدوات الكهربائية منتهية الصلاحية بشكل منفصل وإرسالها إلى أحد منشآت إعادة التصنيع المتوافقة مع البيئة
- سيذكر الرمز (1) بهذا عند الحاجة إلى التخلص من أية أداة:

الضوضاء

- عند القياس بالتوافق مع EN 12٨٤١ يكون مستوى ضغط صوت هذه الأداة هو ١٠٠،٠ ديسيبل (أ) ومستوى طاقة الصوت ١٠٩،٥ ديسيبل (أ) الاحتمالية $K = 3$ ديسيبل)
- تم قياس مستوى الضوضاء بالتوافق مع الاختبار المعياري المحدد في EN 12٨٤١ يمكن استخدامه لمقارنة أداة بأداة أخرى وكتقييم تمهيدي للتعرض للضوضاء عند استخدام الأداة في التطبيقات الموضحة
- قد يؤدي استخدام الأداة في تطبيقات مختلفة أو مع ملحقات مختلفة أو ذات صيانتها رديئة إلى زيادة مستوى التعرض بصورة كبيرة:
- إن الفترة الزمنية التي يتم خلالها إيقاف تشغيل الأداة أو عندما تكون قيد التشغيل لكنها لا تؤدي أية مهام، تؤدي إلى تقليل مستوى التعرض بصورة كبيرة:

FA

رى س راف ن ك رود هرا

1310

مقدمة

- اين ابزار يعنون يك دستگاه ثابت روميروى براى اجراء برش هاى طولى و عرضى روى چوب بصورت صاف و زاويه اى (زواياى فارسى برى ٤٧° تا ٤٧° درجه و نيز زواياى برش پخ ٠ تا ٤٥ درجه) فارشى شده است
- لطفاً اين فترجه رهايم را ملاحظه كرده و نگاهداريد (1)
- اين ابزار براى مصارف حرفه اى مناسب نيست
- ابزار را فقط زمانى به كار بريد كه بطور صحيح و كامل سوار شده باشد (لطفاً توجه داشته باشيد كه اسكيل هيچ مسئوليتى را بابت اسبب وارد شدن به ابزار و ايا جراحت هاى فردى ناشى از سوار كردن نادرست ابزار نمى پذيرد)

اطلاعات فنى (1)

اجزاي ابزار (A)

- A حفاظ باين
- B دستگيره استارت
- C بين ضامن براى جابجايى ابزار
- D حفاظ فوقانى
- E دستگيره جابجايى ابزار
- F سوراخ هاى محل استقرار
- G پايه تعبيه گاه
- H كيسه جمع آورى گرد و غبار

- ! يمكن ضبط ارتفاع قدم الدعم G لتثبيت الأداة
- بدلاً من ذلك، يمكن تركيب الأداة على حامل منشار التلسين
- ! اقرأ جميع التحذيرات والتعليمات المرفقة مع حامل المنشار
- شطف الغبار/رائحة الشنارة (17)
- ركب كيس الغبار H/المكنسة الكهربائية كما هو موضح
- قم بتفريغ صندوق الغبار بانتظام للحصول على أفضل أداء لالتقاط الغبار
- ! لا تسمح مطلقاً بتداخل خرطوم المكنسة الكهربائية مع الوافي السفلي أو عميلة القطع
- إطالة منضدة النشر (18)
- استخدم المقابض L لتثبيت قضبان الإطالة K (بجانبي الأداة)
- يمكن ضبط طول قضبان الإطالة K على نحو غير متدرج من الحد الأدنى إلى الحد الأقصى
- قمط قطعة العمل (19)
- ! للحصول على أعلى مستويات أمان العمل، قم دائماً بإحكام قمط قطعة العمل باستخدام القاطمة القابلة للضبط المرفقة:
- لا تتعامل مع قطع العمل الصغيرة التي لا يمكن تثبيتها
- لتعرف على الحد الأقصى لأبعاد قطع العمل استخدم الجدول (11) كمراجع
- ثبت قاطمة قطع العمل في فتحة الداعم N باستخدام المقبض P (على أي جانب من جانبي الأداة)
- استخدم 1 من جويئات A؛ لسد قطع العمل حتى 4 سم وسد قطع العمل أكبر من 4 سم
- اضغط قطعة العمل بإحكام مقابل الحاجز S:
- ألق فقل الذراع R
- قم بلامتة القاطمة مع قطع العمل
- أحكم قمط قطعة العمل عن طريق ذراع القفل R
- ! بالنسبة لبعض مجموعات القطع المائل أو بزوايا مفصلية، أو وفقاً لحجم قطعة العمل، قد يكون من الضروري استخدام القاطمات اللولبية المتاحة جأرياً بدلاً من قاطمة قطعة العمل
- إعداد الزوايا المفصلية (19)
- حرر مقبض القفل AB
- ادفع ذراع خريز حاسب منشار التلسين AC
- أدر منضدة النشر للييسار أو للييمين واضبط الزاوية المفصلية المطلوبة (من 0° إلى 47°) باستخدام المؤشر AD
- حرر الذراع AC
- أحكم ربط مقبض القفل AB (لا تفرط في إحكام ربط المقبض)
- للقيام بإعداد سريع ودقيق للزوايا المفصلية كثيرة الاستخدام (10 و 15 و 22,5 و 30 و 45 درجة)، يستقر ذراع حاسب منشار التلسين في مواضعه المتوافقة
- إعداد زوايا مائلة (18)
- قم بتحريك المقبض ثلاثي القوائم (18) U
- أدر رأس المنشار للييسار حتى يشير مؤشر الزاوية المائلة V إلى الزاوية المائلة المطلوبة
- ثبت رأس المنشار في هذا الوضع وأحكم ربط المقبض U
- قطع مركبة (18)
- تتطلب القطوع المركبة كلا من إعدادي الزاوية المفصلية والزاوية المائلة؛ لا تقم بتشغيل المنشار في مجموعات معينة من مجموعات القطع المائل وبزاوية مفصلية ما قد يؤدي إلى تداخل بين الأجزاء المنزلقة والثابتة من المنشار و بين الأجزاء المنزلقة وقطعة العمل
- ! قم دائماً في البداية بإجراء اختبار على قطعة من الخردة
- شعاع الليزر (17)
- لتوجيه الأداة على امتداد خط القطع المطلوب المبين على قطعة العمل
- قم بتشغيل/إيقاف تشغيل شعاع الليزر بالضغط على المفتاح AA
- محاذاة الليزر إلى الجانب الأيسر من القطع
- يمكن ضبط المحاذة الأفقية لليزر بسهولة باستخدام البرغي Y
- ! قبل بدء العمل بمهمة، تحقق من محاذاة خط شعاع الليزر مع الخط الفعلي للقطع من خلال إجراء تجربة قطع لإحدى القطع من الشفائيات
- النشر بدون حركة انزلاقية (قطع عمل صغيرة)
- حرر مقبض القفل AE في حالة ربطه
- حرّك ذراع رأس المنشار حتى الحُدود في اتجاه الحاجز S وأحكم ربط مقبض القفل مرة أخرى AE
- ! قد يؤدي الضمّال في قفل الآلية إلى صعود نصل المنشار فوق قطعة العمل فجأة وتندفع جُاهت
- اضبط الأداة في وضع العمل:
- تأكد من إحكام قمط قطعة العمل على منضدة النشر والحاجز S:
- قم بتشغيل الأداة عن طريق خريز مفتاح القفل AG وسحب المفتاح الرئيسي AF (11)
- ! لا تضع ذراعيك في وضع متقاطع عند تشغيل رأس المنشار (11) a
- قم بالنشر خلال قطعة العمل بترتيب منتظم؛
- ! يجب أن تعمل الأداة بسرعة كاملة قبل أن تدخل الشفرة في قطعة العمل
- أوقف تشغيل الأداة عن طريق خريز المفتاح AF:
- انتظر حتى يتوقف نصل المنشار تماماً قبل أن تقوم بتوجيه المنشار السلسلي لأعلى ببطء
- النشر مع حركة انزلاقية (قطع عمل عريضة)
- ! انتبه إلى أن الطريقة الموضحة فيما يلي هي الطريقة الوحيدة الآمنة
- لا تجذب المنشار عبر قطعة العمل
- حرر مقبض القفل AE في حالة ربطه
- ! تأكد من إحكام قمط قطعة العمل على منضدة النشر والحاجز S:
- اسحب رأس المنشار بعيداً عن الحاجز S مسافة كافية بحيث يكون نصل المنشار أمام قطعة العمل (17)
- قم بتشغيل الأداة عن طريق دفع ذراع الأمان AG وسحب المفتاح الرئيسي AF (12)
- ! لا تضع ذراعيك في وضع متقاطع عند تشغيل رأس المنشار (11) a
- اضغط رأس المنشار في اتجاه الحاجز S وقم بالنشر عبر قطعة العمل بترتيب منتظم (17)
- ! يجب أن تعمل الأداة بسرعة كاملة قبل أن تدخل الشفرة في قطعة العمل
- ! إذا لم يفتح الوافي السفلي تلقائياً والذي يمكن أن يحدث في ظروف معينة (على سبيل المثال قطعة عمل قريبة جداً من الحد الأقصى للسرعة) فقد تضطرب إلى فتح الوافي يدوياً (11) b
- أوقف تشغيل الأداة عن طريق خريز المفتاح AF:
- انتظر حتى يتوقف نصل المنشار تماماً قبل أن تقوم بتوجيه المنشار السلسلي لأعلى ببطء
- نشر الخجاويث (18)
- اضبط العمق المطلوب باستخدام محدد العمق AH واقفله في موضعه عن طريق إحكام ربط الصامولة AJ
- يجب وضع مبادئ خنثي بين قطعة العمل والحاجز لعمق ثابت على طول الخجاويث بالكامل
- ! تأكد من عدم تعرض نصل المنشار للانحسار في قطعة العمل
- ! قم دائماً في البداية بإجراء اختبار على قطعة من الخردة
- تغيير نصل المنشار (18)
- ! أفضل القياس:
- تناول المفتاح المسدس AK من موضع التخزين AL
- ثبت الحاجز الوافي A في وضع الفتح
- حرر برغي لوحه الغطاء AN (لا تقم بفتح البرغي تماماً) a (10)
- أدر الحاجز الوافي A للخلف تماماً (10) b
- اضغط على زر قفل عمود الدوران AM وثبته أثناء فتح برغي النصل AO عن طريق تدوير المفتاح المسدس AK في اتجاه عقارب الساعة (= في نفس اتجاه السهم المطبوع على نصل المنشار)
- ! لا تقم بدفع زر القفل الخريز AL إلا والأداة متوقفة تماماً عن الحركة
- اغلق زر القفل الخريز AM
- قم بإزالة حافة التثبيت AP ونصل المنشار:
- قم بتغيير نصل المنشار وسنن المنشار والسهم المطبوع على نصل المنشار بشيبر إلى نفس اتجاه السهم الموجود على الحاجز الوافي A:
- قم بتركيب الفلنجة (10) c AP
- ادفع زر قفل عمود الدوران AM وثبته أثناء إحكام ربط مسمار النصل من خلال إدارة المفتاح المسدس AK بضغط A/1 لفة باليد عكس عقارب الساعة (مع التأكد من انزلاق نصل المنشار عندما يتعرض لمقاومة هائلة. الأمر الذي يخفف التحميل الزائد على الحرك وارتداد المنشار)
- أحكم ربط برغي لوحه الغطاء AN:
- استبدال وليجة المنضدة (11) AQ
- قم باستبدال وليجة المنضدة التالفة أو البالية على النحو التالي:
- ! أفضل القياس:
- تناول المفتاح المسدس AK من موضع التخزين AL:
- فك كل البرا الأربعة كما هو موضح في الشكل:
- فك وليجة المنضدة القديمة عن طريق رفعها أولاً من المقدمة ثم سحبها بالكامل للخارج:
- ضع وليجة منضدة جديدة:

- يمكن ضبط ارتفاع قدم الدعم G لتثبيت الأداة
- بدلاً من ذلك، يمكن تركيب الأداة على حامل منشار التلسين
- ! اقرأ جميع التحذيرات والتعليمات المرفقة مع حامل المنشار
- شطف الغبار/رائحة الشنارة (17)
- ركب كيس الغبار H/المكنسة الكهربائية كما هو موضح
- قم بتفريغ صندوق الغبار بانتظام للحصول على أفضل أداء لالتقاط الغبار
- ! لا تسمح مطلقاً بتداخل خرطوم المكنسة الكهربائية مع الوافي السفلي أو عميلة القطع
- إطالة منضدة النشر (18)
- استخدم المقابض L لتثبيت قضبان الإطالة K (بجانبي الأداة)
- يمكن ضبط طول قضبان الإطالة K على نحو غير متدرج من الحد الأدنى إلى الحد الأقصى
- قمط قطعة العمل (19)
- ! للحصول على أعلى مستويات أمان العمل، قم دائماً بإحكام قمط قطعة العمل باستخدام القاطمة القابلة للضبط المرفقة:
- لا تتعامل مع قطع العمل الصغيرة التي لا يمكن تثبيتها
- لتعرف على الحد الأقصى لأبعاد قطع العمل استخدم الجدول (11) كمراجع
- ثبت قاطمة قطع العمل في فتحة الداعم N باستخدام المقبض P (على أي جانب من جانبي الأداة)
- استخدم 1 من جويئات A؛ لسد قطع العمل حتى 4 سم وسد قطع العمل أكبر من 4 سم
- اضغط قطعة العمل بإحكام مقابل الحاجز S:
- ألق فقل الذراع R
- قم بلامتة القاطمة مع قطع العمل
- أحكم قمط قطعة العمل عن طريق ذراع القفل R
- ! بالنسبة لبعض مجموعات القطع المائل أو بزوايا مفصلية، أو وفقاً لحجم قطعة العمل، قد يكون من الضروري استخدام القاطمات اللولبية المتاحة جأرياً بدلاً من قاطمة قطعة العمل
- إعداد الزوايا المفصلية (19)
- حرر مقبض القفل AB
- ادفع ذراع خريز حاسب منشار التلسين AC
- أدر منضدة النشر للييسار أو للييمين واضبط الزاوية المفصلية المطلوبة (من 0° إلى 47°) باستخدام المؤشر AD
- حرر الذراع AC
- أحكم ربط مقبض القفل AB (لا تفرط في إحكام ربط المقبض)
- للقيام بإعداد سريع ودقيق للزوايا المفصلية كثيرة الاستخدام (10 و 15 و 22,5 و 30 و 45 درجة)، يستقر ذراع حاسب منشار التلسين في مواضعه المتوافقة
- إعداد زوايا مائلة (18)
- قم بتحريك المقبض ثلاثي القوائم (18) U
- أدر رأس المنشار للييسار حتى يشير مؤشر الزاوية المائلة V إلى الزاوية المائلة المطلوبة
- ثبت رأس المنشار في هذا الوضع وأحكم ربط المقبض U
- قطع مركبة (18)
- تتطلب القطوع المركبة كلا من إعدادي الزاوية المفصلية والزاوية المائلة؛ لا تقم بتشغيل المنشار في مجموعات معينة من مجموعات القطع المائل وبزاوية مفصلية ما قد يؤدي إلى تداخل بين الأجزاء المنزلقة والثابتة من المنشار و بين الأجزاء المنزلقة وقطعة العمل
- ! قم دائماً في البداية بإجراء اختبار على قطعة من الخردة
- شعاع الليزر (17)
- لتوجيه الأداة على امتداد خط القطع المطلوب المبين على قطعة العمل
- قم بتشغيل/إيقاف تشغيل شعاع الليزر بالضغط على المفتاح AA
- محاذاة الليزر إلى الجانب الأيسر من القطع
- يمكن ضبط المحاذة الأفقية لليزر بسهولة باستخدام البرغي Y
- ! قبل بدء العمل بمهمة، تحقق من محاذاة خط شعاع الليزر مع الخط الفعلي للقطع من خلال إجراء تجربة قطع لإحدى القطع من الشفائيات
- النشر بدون حركة انزلاقية (قطع عمل صغيرة)
- حرر مقبض القفل AE في حالة ربطه
- حرّك ذراع رأس المنشار حتى الحُدود في اتجاه الحاجز S وأحكم ربط مقبض القفل مرة أخرى AE
- ! قد يؤدي الضمّال في قفل الآلية إلى صعود نصل المنشار فوق قطعة العمل فجأة وتندفع جُاهت
- اضبط الأداة في وضع العمل:

- لا تترك الأداة حتى تتوقف تمامًا
- عند قطع العمل ذات الشكل غير المنتظم، قم بتخطيط عملك بحيث لا تنزلق وينجح النصل وتتصرف من يدك
- لا يجب استخدام هذه الأداة من قبل الأشخاص الأقل من 16 عام؛
- هذه الأداة غير ملائمة للقطع المبلى
- الاستخدام في مناطق مفتوحة
- عند استخدام الأداة في مناطق مفتوحة، قم بتوصيل الأداة عبر قاطع تيار دائرة التيار (F) باستخدام تيار بدء الإشعال بمقداره 30 مللي أمبير بحد أقصى. ولا تستخدم إلا السلك التمديد المخصص للاستخدام في المناطق المفتوحة والمزود بمقبس وصل مقاوم للرش

- قبل الاستخدام
- استخدم أسلاك تمديد مفكوكة تمامًا وأمنة سعة 16 أمبير (13 أمبير في بريطانيا العظمى)
- ارتد نظارات الأمان وواقبات السمع وقفازات الواقية؛
- الغبار الناتج من المواد كالمطال الذي يحتوي على رصاص وبعض أنواع الأخشاب والمعادن والكربونات العنيدية قد يكون ضارًا (ملاصقة أو استنشاق الغبار قد تتسبب في إصابة المسفلط أو من يجاوره بأمراض الحساسية وأو أمراض الجهاز التنفسي)؛
- قم بإرتداء قناع للغبار مع العمل باستخدام جهاز شفط للغبار. طالما أمكن توصيله
- ثمة أنواع معينة من الغبار تصنف على أنها مواد مسببة للسرطان (مثل غبار خشب البلووط والزان) خاصة عند استخدامها مع مواد مضافة لمعالجة الخشب؛ قم بإرتداء قناع للغبار مع العمل باستخدام جهاز شفط للغبار. طالما أمكن توصيله
- التزم بالمتطلبات الوطنية الخاصة بالغبار عند العمل باستخدام المواد المطلوبة
- لا تعمل باستخدام مواد تشتمل على الأسبستوس (يعتبر الأسبستوس مادة مسرطنة)؛
- يحظر نهائيًا استخدام الأداة بدون نظام الحماية الأصلي للوقاية
- خُفِّق من الغلق التام للحاجز الواقي قبل كل استخدام؛
- لا تقم بتشغيل المشمار إذا لم يتحرك الحاجز الواقي بحرية ولم ينغلق فورًا؛
- يُحظر نهائيًا قِطُّ أو ربط الحاجز الواقي في وضع الفتح؛
- يُحظر نهائيًا استخدام الأداة بدون وليجة المنضدة، لذا قم باستبدال وليجة المنضدة التالفة أو البالية؛
- قبل بدء القطع قم بإزالة جميع العوائق التي توجد أعلى وأسفل مسار القطع
- خُتِبَ التلف الذي قد تتسبب فيه البراغي والمسامير والعناصر الأخرى الموجودة في القطعة التي تعمل بها. قم بفكهم قبل بدء العمل.

الملحقات

- يحظر نهائيًا استخدام أقراص خليج/قطع مع هذه الأداة
- تضمن SKIL التشغيل السليم للأداة فقط عند استخدام الملحقات الصحيحة. والتي يمكن الحصول عليها من بائع معدات SKIL
- لتزكيب/استخدام ملحقات من إنتاج شركات أخرى بخلاف SKIL يجب الانتباه جيدًا إلى تعليمات الشركة المنتجة،
- استخدم فقط الأضال المنشار التي تتوافق مع بيانات المواصفات المزدودة في تعليمات التشغيل هذه والتي تم اختبارها وتمييزها بالتوافق مع EN 84٧-1؛
- استخدم فقط الملحقات بالسرعة المسموح بها. والتي توافقت على الأقل أعلى سرعة للأداة بدون حمل؛
- يحظر نهائيًا استخدام شفرة منشار مصنوعة من الفولاذ عالي السرعة (HSS)
- لا تستخدم نصل منشار يحتوي على شقوق أو موعج أو غير حاد؛
- لا تستخدم سوسى اتصال مناشير بفتحته قطرها بعلامة عمود دوران الأداة بدون مسافة خلوص؛ ويُحظر نهائيًا استخدام مُصغرات أو قطع مهائية لتزكيب أوصال مناشير كبيرة الفتحة؛
- قم بحماية الملحقات من التصادم والاهتزاز والشحج؛
- أثناء الاستخدام
- لا تستخدم الأداة قسرًا (اضغط برفق وباستمرار لتجنب تعرض أطراف الأضال السددة للسحونة المفرطة. وفي حالة تقطيع البلاستيك، لتجنب ذوبان المواد البلاستيكية)؛
- حافظ على يديك وأصابعك وذراعيك بعيدًا عن نصل المنشار الدوار
- في حالة تعرض نصل المنشار للتدهون، أوقف تشغيل الأداة فورًا وافصل القابض. وعندما فقط قم بإخراج قطعة العمل المحشورة؛
- في حالة حدوث احتضار أو خلل كهربائي أو ميكانيكي، أوقف تشغيل الأداة فورًا وافصل القابض
- في حالة تعرض السلك للتلف أو لقطع أثناء العمل، لا تلمس السلك وافصل القابض فورًا
- خُتِبَ تمامًا استخدام الأداة عند تلف السلك؛ فيجب استبداله بسلك معد خصيصًا متاح من خلال منظمة الخدمة.

إشعاع الليزر

- لا تقم بتوجيه شعاع الليزر نحو الأشخاص أو الحيوانات ولا خُذَق في شعاع الليزر المباشِر أو العكس بنفسك. ولا حتى من على مسافة (قد تتسبب في إصابة أحد الأشخاص بالعمى أو وقوع حوادث أو تلف عينيك)
- إذا اصطدم إشعاع الليزر بعينيك، فيجب أن تقوم عمدًا بفتح عينيك وإدارة رأسك بعيدًا عن الشعاع
- لا تقوم بإجراء أي تعديلات على معدات الليزر
- لا تنظر إلى شعاع الليزر (إشعاع الليزر)
- لا تستخدم أي معدات بصرية مكبرة (مثل العدسات المكبرة أو التلسكوبات أو المكبرات ثنائية العينين) لتعرض شعاع الليزر
- لا تقم بتشغيل الأداة في وجود سائل أو غازات أو غبار أي منهم قابل للاشتعال
- لا تقم بتشغيل الأداة مع وجود أطفال في المنطقة المحيطة
- لا تستخدم الليزر المتوفر بنوع ليزر آخر

بعد الاستخدام

- بعد إيقاف تشغيل الأداة، امتنع نهائيًا عن إيقاف دوران الملحق باستخدام قوة جانبية
- تعرضت:
- قم بإزالة الأجزاء المقطوعة أو الأجزاء الأخرى من قطعة العمل من منطقة القطع عندما تتوقف كل الأجزاء المتحركة عن الحركة تمامًا.
- يصبح نصل المشمار شديد الحرارة أثناء الاستخدام، فلا تلمسه حتى يبرد؛
- خزن الأداة في مكان داخلي جاف ومحكم الغلق بعيدًا عن متناول الأطفال

شرح الرموز الموجودة على الأداة

1) قم بقراءة دليل الإرشادات قبل الاستخدام

2) ارتد نظارات الأمان وواقبات السمع؛

3) منطقة الخطر ليست منطقة للأيدي. احفظ يديك أو أصابعك أو ذراعيك بعيدًا عن هذه المنطقة.

4) العزل المزدوج (لا يلزم سلك أرضي)

5) لا تتصلخ من الأدوات الكهربائية والبطاريات مع النفايات المنزلية

6) إشعاع الليزر، لا تنظر إلى شعاع الليزر، فئة ليزر 2

#alleen_engels#

الاستخدام

- التجميع
- قم بتجميع مقبض النقل بواسطة مسامير 2 باستخدام المفتاح المسدس AK 4
- قم بتجميع مقبض فقل التلسين AB في مقدمة المنضدة 10
- وضع النقل/العمل
- لتحرير الأداة وضع العمل؛
- اضغط على المقبض B لأسفل بإحدى يديك أثناء سحب مسمار القفل C باليد الأخرى a 11
- وجه مجموعة الرأس لأعلى ببطء
- للنشر بحركة انزلاقية، حرر مقبض القفل b 11 AE
- لتأمين الأداة (وضع النقل):
- حرك مجموعة الرأس انزلاقيًا حتى المحدد الموجود في اتجاه الحاجز S واحكم ربط مقبض القفل c 11 AE
- اضبط الزاوية المائلة على 0 درجة (انظر ضبط الزاوية المائلة)
- اضبط الزاوية المفصلية على ٤5 درجة لليسار أو اليمين (انظر ضبط الزاوية المفصلية)
- اضغط على المقبض B لأسفل بإحدى اليدين أثناء دفع مسمار القفل C باليد الأخرى
- لف سلك الطاقة
- استخدم مقبض النقل E حمل الأداة d 11
- بدلًا من ذلك، استخدم المقابض الجانبية حمل الأداة e 11
- ! لا تقم مطلقًا برفع الأداة عن طريق الإسماك بالمقبض الرئيسي أو سلك الطاقة
- تركيب الأداة على سطح العمل 14
- ! لضمان التعامل الآمن، احرص دائمًا على تركيب الأداة على سطح عمل مسطح ومستقر (مثل، منصة العمل)
- استخدم 4 فتحات تركيب F تثبيت الأداة بسطح العمل باستخدام براغي مناسبة
- يمكنك أيضًا تثبيت الأداة على سطح العمل باستخدام أية براغي لولبية متوفرة في الأسواق

د) لا تدع اعتبارك على الاستمرار المتكرر للأدوات يسمح لك بتجاهل مبادئ سلامة الآداة؛ قد يتسبب الاستخدام بدون الإكتراف في حدوث إصابة بالغة في غضون ثواني.

هـ) حسن معاملة واستخدام العدد الكهربائي
أ) لا تفرط في تحميل الجهاز؛ إستخدم لتفنيده أشغالك العدد الكهربائي المخصصة لذلك. إنك تعمل بشكل أفضل وأكثر أمناً بواسطة العدد الكهربائي الملائمة في مجال الأداة المذكور.

ب) لا تستخدم العدد الكهربائي إن كان مفتاح تشغيلها تالف. العدد الكهربائي التي لم تعد تسمح بتشغيلها أو بإطافئها خطيرة ويجب أن يتم تصليحها.

ت) اسحب القابض من القميص و / أو انزع المرمك قبل ضبط الجهاز وقبل إستبدال التوابع أو قبل وضع الجهاز جانباً. تمنع إجراءات الاحتياط هذه تشغيل العدد الكهربائي بشكل غير مقصود.

ث) احتفظ بالعدد الكهربائي التي لا يتم إستخدامها بعيداً عن مثال الأطفال. لا تسمح باستخدام العدد الكهربائي لمن لاخبرة له بها أو لمن لم يقرأ تلك التعليمات.

ج) اعتن بالعدد الكهربائي بشكل جيد. تفحص عما إذا كانت أجزاء الجهاز المتحركة تعمل بشكل سليم وبأنها غير مستعصبة عن الحركة أو إن كانت هناك أجزاء مكسورة أو تالفة لدرجة تؤثر فيها على حسن أداء العدد الكهربائي.

د) ينبغي تصليح هذه الأجزاء التالفة قبل إعادة تشغيل الجهاز. الكثير من الحوادث مصدرها العدد الكهربائي التي تم صيانتها بشكل ردي.

ح) حافظ على إبقاء عدد القطع نظيفة وواحدة. إن عدد القطع ذات حواف القطع الحادة التي تم صيانتها بعناية تنكليس بشكل أقل ولكن توجيهها بشكل أيسر.

خ) استخدم العدد الكهربائي والتوابع وعدد الشغل والخب حسب هذه التعليمات. تراعى أثناء ذلك شروط التشغيل والعمل المراد تنفيذها. استخدام العدد الكهربائي لغير الأشغال المخصصة لأجلها قد يؤدي إلى حدوث الحالات الخطيرة.

د) احرص على خفاف المقابض وأسطح الإمساك ونظافتها وعلوها من الزيت والشحوم؛ لا تسمح للقابض وأسطح الإمساك الزلقة بالاستخدام والتحكم الأيمن في الآداة في الحالات غير المتوقعة؛

هـ) الخدمة

أ) اسمح بتصليح عدتك الكهربائي فقط من قبل المتخصصين فقط بإستعمال قطع الغيار الأصلية. يؤمن ذلك المحافظة على أمان الجهاز.

تعليمات الأمان لمناشير التلسين

• مناشير التلسين مخصصة لقطع الأخشاب أو المنتجات الشبيهة بالأخشاب، ولا يمكن استخدامها مع أفراس القطع السحجية لقطع المواد الحديدية مثل القضبان والسيقان والجوهرات المعدنية وخلافه. حيث إن القبار الخشن يتسبب في حدوث انحسار للأجزاء المتحركة مثل الواقية السفلية. كما أن الشرر الناتج عن القطع السحجية يؤدي لاحتراق الواقية السفلية. ومعدل نصل القطع والأجزاء البلاستيكية الأخرى.

• استخدم القامطات لدعم قطعة العمل كلما أمكن. وفي حالة تدعيم قطعة العمل بيدك، فيجب أن تبعد يدك دائماً عن جانبي نصل النشار لسمافة لا تقل عن 100 م. لا تستخدم هذا النشار لقطع قطع صغيرة للغاية بحيث لا يمكن تثبيتها بإحكام أو تثبيتها باليد إذا وضعت يدك على مسافة قريبة للغاية من نصل النشار. فسيكون هناك خطر متزايد للتعرض للإصابة من جراء ملامسة النصل.

• يجب أن تكون قطعة العمل ثابتة ومحكمة التثبيت بقامطة أو مثبتة باتجاه كل من الحاجز والمنضدة. لا تقم بتمزيق قطعة العمل على النصل ولا تقطع بأي حال من الأحوال "بوقود" فقاطع العمل غير النبتة أو للمتحركة قد تندفع عند العمل بالسرعات العالية. بما يتسبب في التعرض لإصابات.

• ادفع المنشار عبر قطعة العمل ولا تجذب المنشار عبر قطعة العمل. لعمل قطع. ارفع رأس المنشار واسحبها فوق قطعة العمل دون إجراء قطع. ثم أدر المحرك. واضغط على رأس المنشار لأسفل وادفع المنشار عبر قطعة العمل أما القطع من خلال شقوق سحب فسوف يتسبب في إزاحة رأس المنشار في صعود نصل المنشار فوق قطعة العمل واندفاع مجموعة النصل بعنف باتجاه المشغل.

• لا تضع يدك في وضع متقاطع فوق خط القطع المقرر سواء أمام أو خلف نصل المنشار حيث إن تدعيم قطعة العمل "بيد في وضع متقاطع" أي تثبيت قطعة العمل بيدك اليسرى على نصل المنشار أو العكس بعد أمراً خطيراً للغاية. لا تمد إحدى يديك خلف الحاجز لمسافة تقل عن 100 م عن جانبي نصل المنشار. لإزالة نشارة الخشب أو لأي سبب آخر أثناء دوران المنشار حيث إن اقتراب نصل المنشار الدوار من يدك قد لا يكون واضحاً وقد تتعرض لإصابة خطيرة.

• افحص قطعة العمل الخاصة بك قبل القطع. فإذا كانت قاطعة العمل مقوسة أو ملتوية، قم بتمطيطها باستخدام المقوس الجانب للخارج للجانج وتأكد دائماً من عدم وجود فجوة بين قطعة العمل والحاجز والمنضدة على طول خط

القطع قطع العمل المثنية أو الملتوية يمكن أن تنحرف أو تتحرك وقد تتسبب في إعاقة حركة نصل المنشار الدوار أثناء القطع. وينبغي ألا يكون هناك أية مسامير أو أجسام غريبة في قطعة العمل.

• لا تستخدم المنشار على يتم إرخاء المنضدة من جميع الأدوات ونشارة الخشب وخلافه. بحيث لا يبقى سوى قطعة العمل المفلخات الصغيرة أو القطع الخشبية السائبة أو الأجسام الأخرى التي تتلامس مع النصل الدوار يمكن أن تتطاير بسرعة عالية.

• اقطع قطعة عمل واحدة فقط في المرة فإن قطع العمل العديدة المتراكمة لا يمكن قطعها أو تدعيمها كما ينبغي وقد تتسبب في إعاقة حركة نصل المنشار أو قد تنحرف أثناء القطع.

• تأكد من منشأ التلسين مركب أو موضوع على سطح عمل مستوي وثابت قبل الاستخدام. فسطح العمل المستوي والثابت يقلل من خطر عدم التزان منشار التلسين.

• خطط لعملك! كل مرة تقوم فيها بتغيير وضع ضبط الزاوية المائلة أو المفصلية. تأكد أن الحاجز القابل لضبط وضبوط بشكل صحيح لتدعيم

قطعة العمل ولكي لا يتداخل مع النصل أو نظام الحمل "تشغيل" الجهاز ويؤمن وضع قطعة عمل على المنضدة. قم بتحريك نصل المنشار لتحاكاة عملية قطع كاملة وذلك لضمان عدم حدوث داخل أو خطر تعرض الحاجز للقطع

• قم بتوفير وسيلة تدعيم مناسبة مثل تطويلات المنضدة وحوامل المنشار وخلافه لتدعيم العمل التي يزيد عرضها أو طولها عن سطح المنضدة. قطع العمل التي يزيد طولها أو عرضها عن منضدة منشار التلسين يمكن أن تنقلب إذا

لم يتم تدعيمها بإحكام. في حالة انقلاب القطعة المقطوعة أو قطعة العمل. فإنها قد تتسبب في رفع الواقية السفلية أو تطايرها بفعل النصل الدوار.

• لا تستخدم شخصاً آخر كبدائل لتطويلة المنضدة أو كتدعيم إضافي فالتدعيم غير المنزن لقطعة العمل يمكن أن يتسبب في إعاقة حركة النصل أو انحراف قطعة العمل أثناء عملية القطع ومن ثم سحب أنت ومعاونك نحو النصل الدوار.

• يجب ألا يتم زلق أو ضغط القطعة المقطوعة بأية وسائل في مواجهة نصل المنشار الدوار فإذا كانت المسافة محدودة، أي في حالة استخدام حواجز طول، فقد تنحسر القطعة المقطوعة بمواجهة النصل وتندفع بقوة.

• استخدم دائماً قاططة أو وسيلة تثبيت مصممة لتدعيم المواد المستديرة بشكل صحيح مثل القضبان أو الأنابيب حيث عمل القضبان للندرج أثناء قطعها. بما يتسبب في قيام النصل "بعضبات" ومن ثم سحب قطعة العمل بيدك نحو النصل.

• اترك النصل يصل إلى السرعة الكاملة قبل ملامسة قطعة العمل فهذا يقلل من خطر تعرض قطعة العمل للاندفاع.

• وإذا تعرضت قطعة العمل أو النصل للانحسار، فأوقف منشار التلسين. وانتظر حتى تتوقف جميع الأجزاء المتحركة والفصل القابض عن مصدر الإمداد بالكهرباء وألأخرج البطارية. ثم اعمل على تحرير المادة المنحسرة فمواصلة النشر بينما قطعة العمل منحسرة قد يتسبب في فقدان السيطرة على منشار التلسين أو حدوث ضرر به.

• بعد انتهاء القطع، حرك المفاح وبقم بإزالة رأس المنشار لأسفل وانتظر حتى يتوقف النصل قبل إزالة القطعة المقطوعة فتقريب يدك من النصل المستمر في الدوار بعد أمراً خطيراً.

• أمسك المقبض جيداً عند عمل قطع غير كامل أو عند تحرير المفاح قبل أن تصبح رأس المنشار بالكامل في الوضع السفلي فقد تتسبب حركة كبح المنشار في جذب رأس المنشار بشكل مفاجئ لأسفل. بما يتسبب في خطر التعرض للإصابة.

تخيرات السلامة الإضافية

• يؤدي اندفاع التيار إلى حدوث انخفاض الفولتية لفترة قصيرة قد تتأثر معدات أخرى في طرف إمداد الطاقة غير المناسبة (إذا كانت مقاومة النظام لإمداد الطاقة أقل من 0.14 أوم). فمن غير المحتمل حدوث انقطاع في الطاقة، إذا أريد الحصول على المزيد من الإيضاح فيمكنك الاتصال بهيئة إمداد الطاقة المحلية لديك

• معلومات عامة
• لا تستخدم الآداة إلا لقطع الأخشاب فقط؛

• تأكد دائماً من أن الفولت المراد هو نفسه المنشار اليه على اللوحة الخاصة بالأداة لا تقف على الآداة أو الحامل الخاص بها فقد حدث إصابة خطيرة إذا انقلبت الآداة أو في حالة ملامسة أداة القطع عن غير قصد. لا تقم بتخزين المواد على الآداة أو بالقرب منها. بحيث يكون من الضروري الوقوف على الآداة أو على الحامل الخاص بها للوصول إليها.

• احرص دائماً على فصل القابض من مصدر الطاقة قبل القيام بأية عمليات ضبط أو تغيير أية ملحقات؛

• احرص دائماً على فصل القابض من مصدر الطاقة قبل نقل منشار التلسين أفضل مجموعة الرأس السفلية وقم بقلها في موضعها. واستخدم مقبض الحمل وأحد سننات اليد في قاعدة المنشار.

قل زنم يل صقم راشنم

١٣١٠

مقدمة

- تم تصميم هذه الأداة كجهاز ثابت للقطع الطولي والمستعرض للأخشاب بقطع مستقيمة وقطع بزوايا (يمكن القطع بزوايا مفضلية أفقية تتراوح بين ٤٧° إلى ٤٧° درجة بزوايا مائلة رأسية تتراوح بين ٠° إلى ٤٥° درجة).
- اقرأ دليل التعليمات هذا واحفظ به ①
- لم يتم تصميم هذه الأداة للاستخدام الاحترافي.
- لا تقم باستخدام الأداة إلا بعد استكمال التجميع بطريقة صحيحة (انتهى إلى أن Skill لا يمكنها حمل مسؤولية أي تلف في الأداة وأو إصابات شخصية ناتجة عن خطأ في جميع الأداة).

البيانات الفنية ①

مكونات الأداة ②

- A وافي سفلى
- B مقبض تبديل
- C مسمار الفحل للثقل
- D وافي علوي
- E مقبض النقل
- F فتحات التركيب
- G قدم الدعم
- H كيس غبار
- J فتحة الغبار
- K قضبان التمديد
- L مفايض لفحل قضبان الإطالة
- M قامة لتركيب قطعة العمل
- N فتحة الدعم /مقبض رأسي
- P مقبض لضبط القامة
- Q مقبض لضبط القامة
- R ذراع تثبيت
- S حاجز
- T براغي سداسية لضبط الحاجز (x٢)
- U مقبض الفحل (زوايا مائلة)
- V مؤشر زوايا مائلة
- W برغي لضبط زاوية مائلة (مبثلاً)
- X برغي لضبط زاوية مائلة (مبثلاً)
- Y برغي ضبط الليزر
- Z ضوء الليزر
- AA مفتاح لتشغيل/إيقاف تشغيل الليزر
- BA مقبض الفحل/زوايا مفضلية)
- CA ذراع تحرير التخفيف المفصلي
- DA مؤشر الزوايا المفضلية
- EA مقبض فحل للجهاز المنزلي
- FA مفتاح التشغيل/إيقاف
- GA ذراع الأمان
- HA موقف عمق القطع
- IA محدد العمق
- JA صامولة محدد العمق
- KA مفتاح مسدود
- LA موضع تخزين المفتاح المسدود
- MA قفل مغزلي
- NA برغي لوحه الغطاء
- OA برغي الشفرة
- PA فلنجة
- QA وليجة الخنضدة
- RA عاكس الأثرية

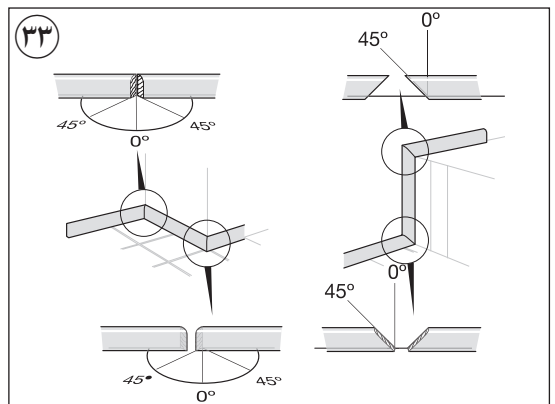
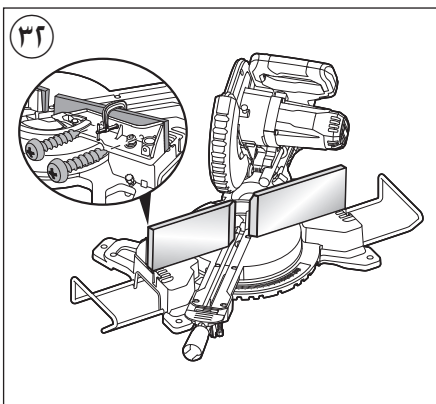
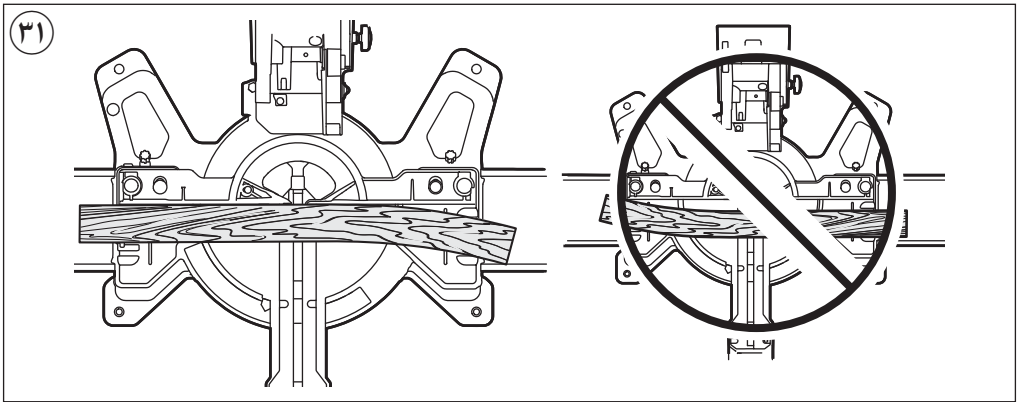
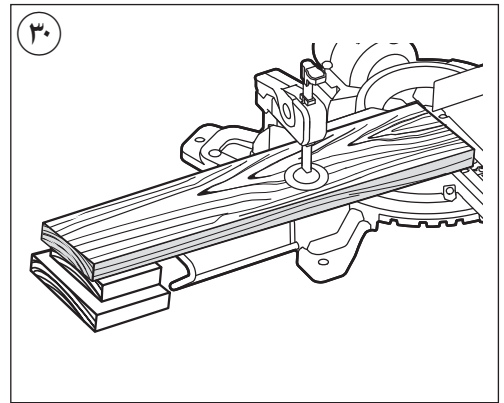
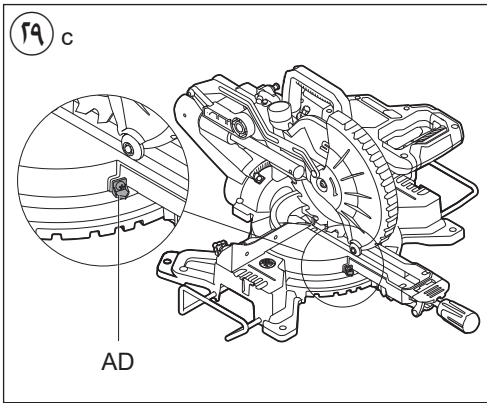
أمان

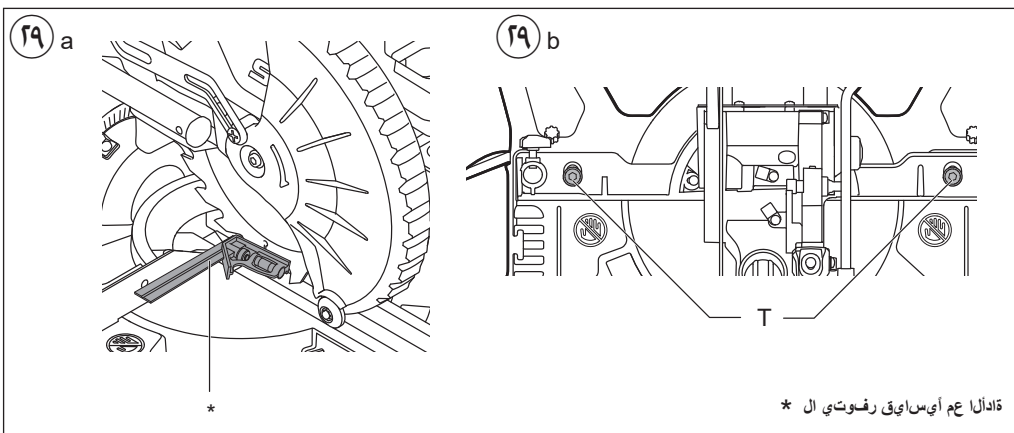
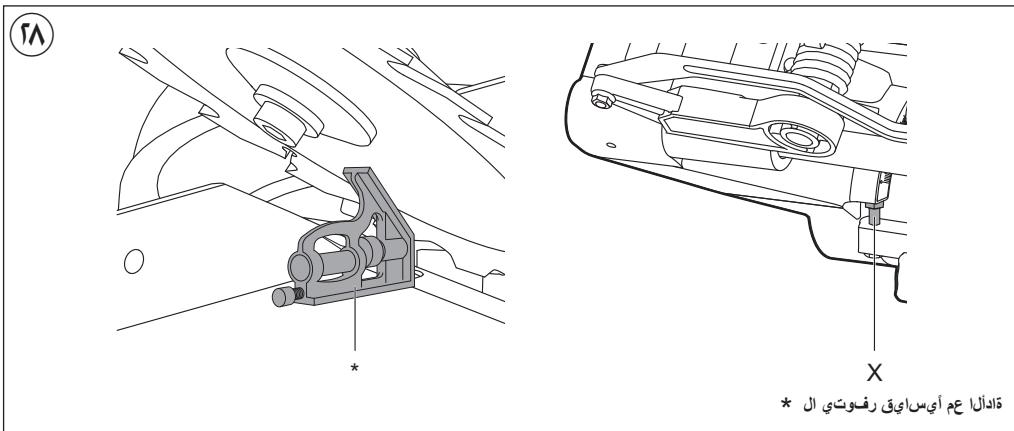
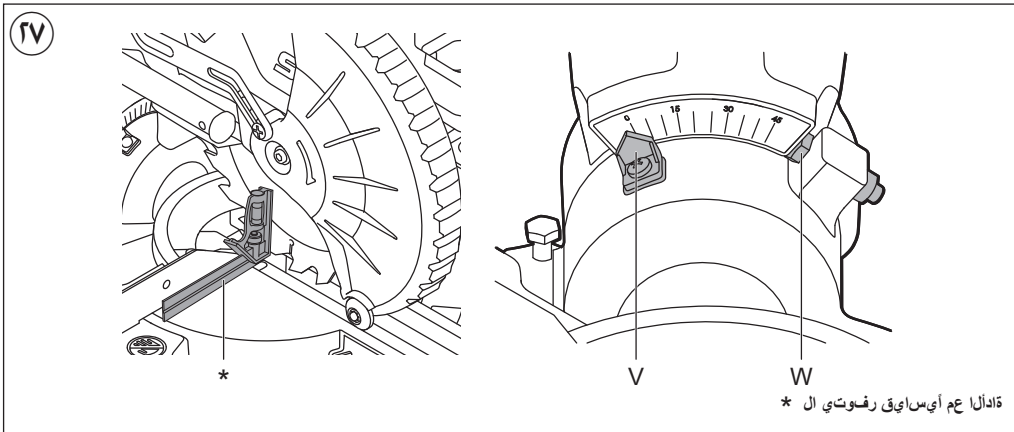
تحذيرات السلامة العامة للأداة الكهربائية

تحذير اقرأ كل تحذيرات السلامة والتعليمات والأشكال الإيضاحية والمواصفات المرفقة مع هذه الأداة الكهربائية فقد يؤدي الإخفاق في الالتزام بكل التعليمات البيئية فيما يلي إلى التعرض لصدمة كهربائية وأو حرق وأو إصابة خطيرة:

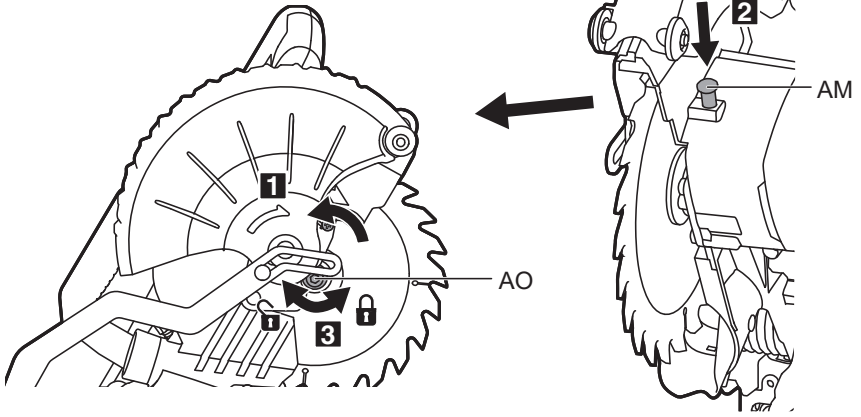
احتفظ بكل التحذيرات للرجوع إليها في المستقبل

- التحذيرات إلى الأداة الكهربائية الخاصة بك التي « الأداة الكهربائية » يشير المصطلح تعمل بطاقة المأخذ الرئيسي باستخدام سلك (أو بطاقة البطارية بدون سلك):
- (١) الأمان يمكن الشغل
- (أ) حافظ على نظافة وحسن إضاءة مكان شغلك. الفوضى في مكان الشغل ومجالات العمل الغير مضاءة قد تؤدي إلى حدوث الحوادث.
- (ب) لا تشتغل بالعدة الكهربائية في محيط معرض لخطر الإنفجار والذي تتوفر فيه السوائل أو الغازات أو الأغبرة القابلة للإشتعال. العدد الكهربائية تشكل الشرر الذي قد يتطاير فيشتعل الأغبرة والأبخرة.
- (ت) حافظ على مباء الأطفال وغيرهم من الأشخاص على بعد عندما تستعمل العدة الكهربائية. قد تفقد السيطرة على الجهاز عند التلهي.
- (٢) الأمان الكهربائي
- (أ) يجب أن يتلامس قابس وصل العدة الكهربائية مع المقبس. لا يجوز تغيير القابس بأي حال من الأحوال. لا تستعمل القوابس المهادية مع العدد الكهربائية المؤرضة تأريض وقائي. تخفض القوابس التي لم يتم تغييرها والمقابس الملائمة من خطر الصدمات الكهربائية.
- (ب) تجنب ملامسة السطوح المؤرضة كالألوايب وارايتورات التدفئة والمدافئ أو البرادات بواسطة جسمك. يزداد خطر الصدمات الكهربائية عندما يكون جسمك مؤرض.
- (ت) أبعد العدة الكهربائية عن الأمطار أو الرطوبة. يزداد خطر الصدمات الكهربائية إن تسرب الماء إلى داخل العدة الكهربائية.
- (ث) يجب عدم إسائة استخدام الكابل. لا تسنّ استعمال الكابل لحمل العدة الكهربائية أو لتعليقها أو لسحب القابيس من المقبس. حافظ على إبعاد الكابل عن الحرارة والزيوت والحواف الحادة أو عن أجزاء الجهاز المتحركة. تزيد الكابلات التالفة أو المشابكية من خطر الصدمات الكهربائية.
- (ج) استخدم فقط كابلات التمديد الصالحة للإستعمال الخارجي أيضا عندما تشتغل بالعدة الكهربائية في الخلاء. يخفض استعمال كابل تمديد مخصص للإستعمال الخارجي من خطر الصدمات الكهربائية.
- (ح) إن لم يكن بالإمكان عدم تشغيل العدة الكهربائية في الأجواء الرطبة. فاستخدم مفتاح للوقاية من التيار المتردد. إن استخدام مفتاح للوقاية من التيار المتردد يقلل خطر الصدمات الكهربائية.
- (٣) أمان الأشخاص
- (أ) كن يقظا وأنتبه إلى ما تفعله وقم بالعمل بواسطة العدة الكهربائية بتعقل. لا تستخدم عدة كهربائية عندما تكون متعب أو عندما تكون تحت تأثير المخدرات أو الكحول أو الأدوية. عدم الإنتباه للحظة واحدة عند إستخدام العدة الكهربائية قد يؤدي إلى إصابة خطيرة.
- (ب) ارتد عتاد الوقاية الخاص. وارتد دائما نظارات واقية. يجب ارتداء عتاد الوقاية الخاص كقفاز الوقاية من الغبار وأحذية الأمان الواقية من الإنزلاق والحذو واقية الأذنين. حسب نوع وإستعمال العدة الكهربائية. من خطر الإصابة بجروح.
- (ت) تجنب التمشيط بتشكيل غير مقصود. تأكد من كون العدة الكهربائية مطفاة قبل وصلها بإحدى التيار الكهربائي و/أو بالمركم، وقبل رفعها أو حملها. إن كنت تضع إصبعك على المفتاح أثناء حمل العدة الكهربائية أو إن وصلت الجهاز بالشبكة الكهربائية عندما يكون قيد التشغيل. فقد يؤدي ذلك إلى حدوث الحوادث.
- (ث) انزع عدد الضغط أو مفتاح الربط قبل تشغيل العدة الكهربائية. قد تؤدي العدة أو المفتاح المتواجد في جزء دوار من الجهاز إلى الإصابة بجروح.
- (ج) تجنب أوضاع الجسم غير الطبيعية. قف بأمان وحافظ على توازنك دائما. سيسمح لك ذلك من السيطرة على الجهاز بشكل أفضل في المواقف غير المتوقعة.
- (ح) ارتد ملابس مناسبة. لا ترتدي الثياب الفضفاضة أو الخلي. حافظ على إبقاء الشعر والثياب والقفازات على بعد عن أجزاء الجهاز المتحركة. قد تتشابك الثياب الفضفاضة والخلي والشعر الطويل بالأجزاء المتحركة.
- (خ) إن جاز تركيب جهاز شفط وجميع الغبار. فتأكد من أنها موصولة وبأنه يتم استخدامها بشكل سليم. قد يقلل إستخدام تجهيزات لشفط الأغبرة من الخطر الناتجة عن الأغبرة.

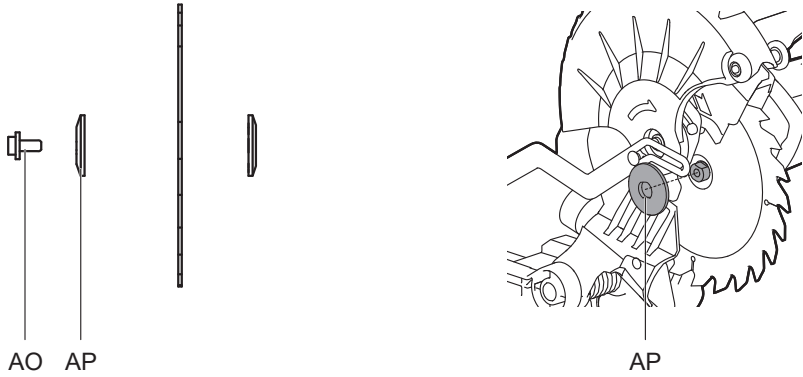




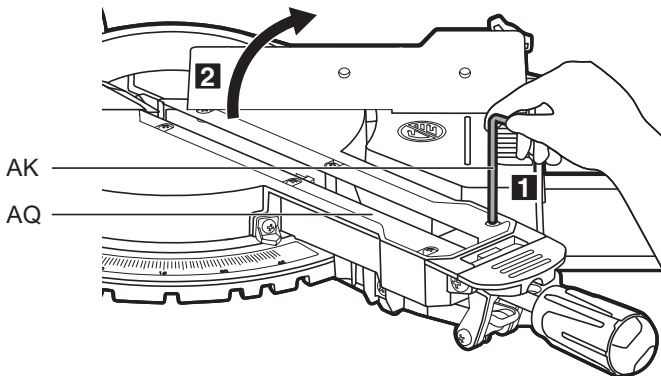
25 b

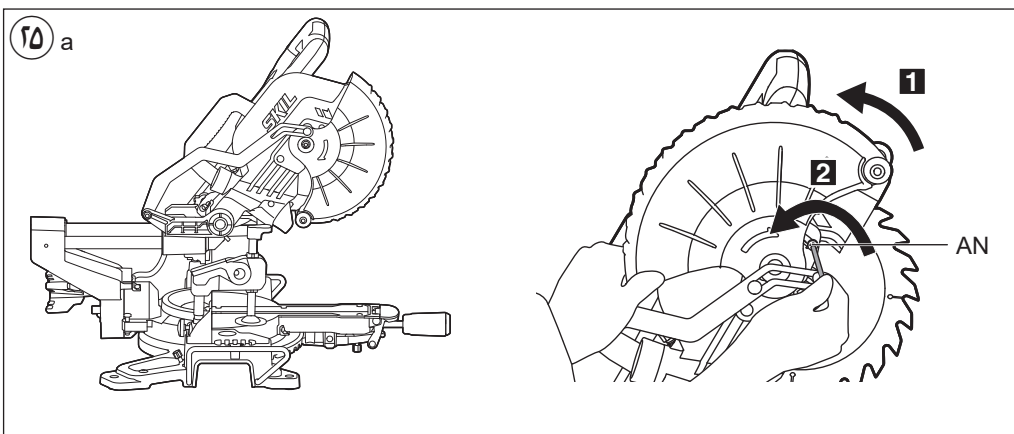
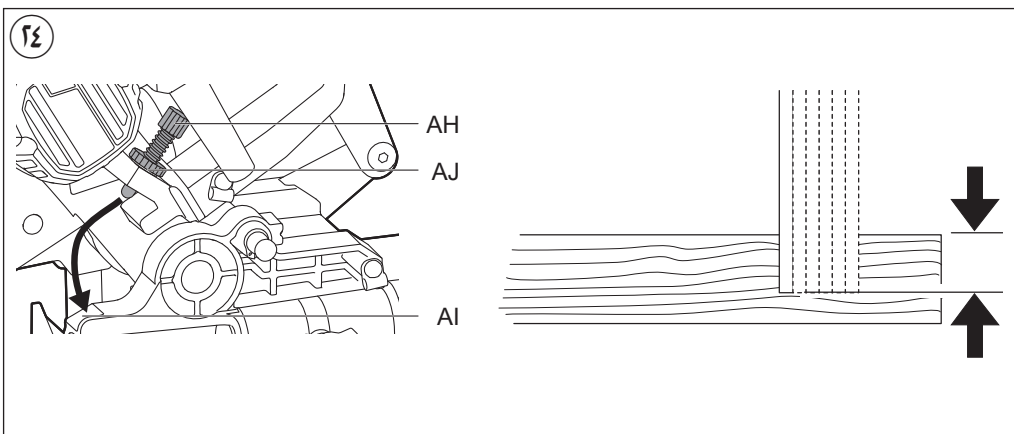
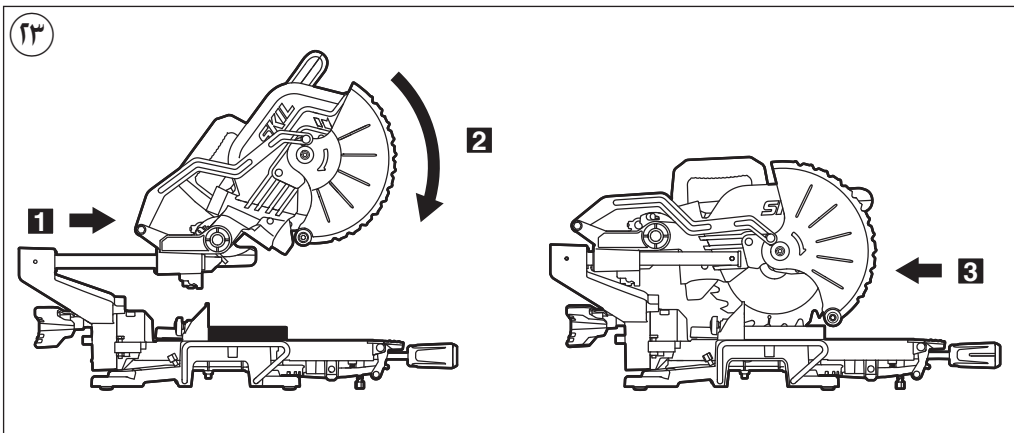


25 c

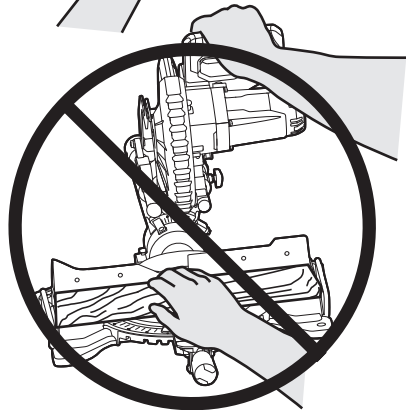
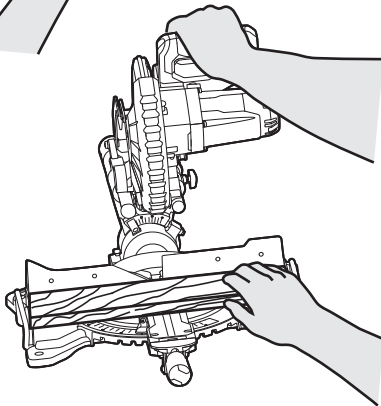
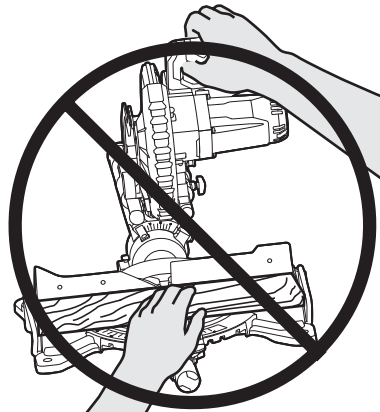
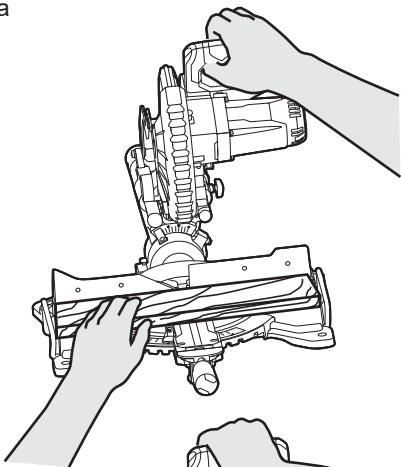


26

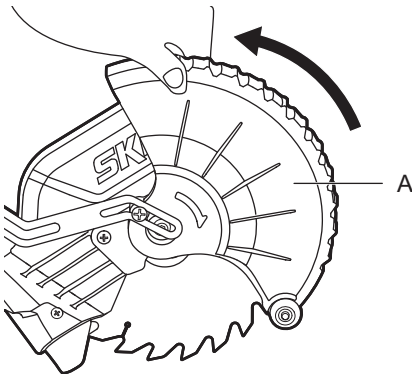




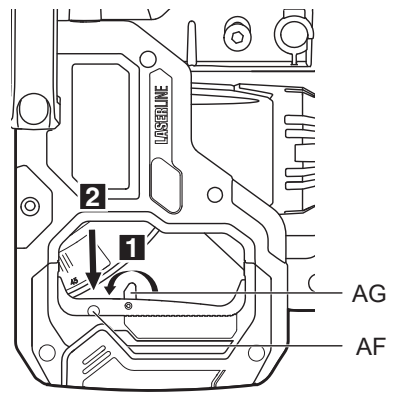
ff) a



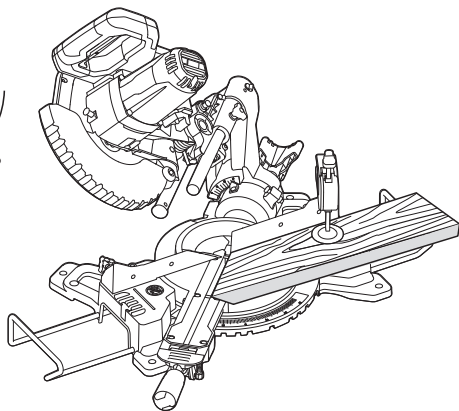
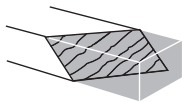
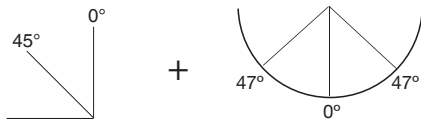
ff) b



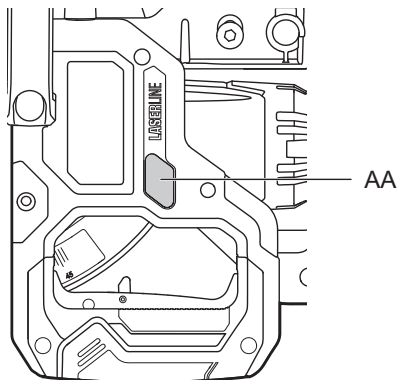
ff)



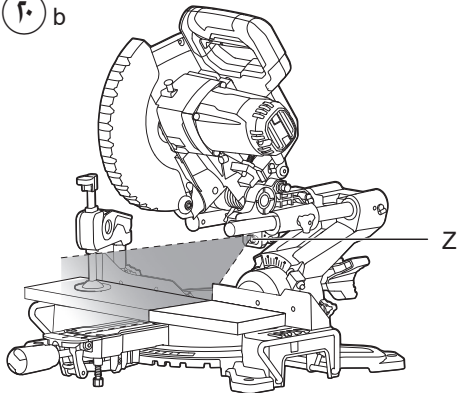
19



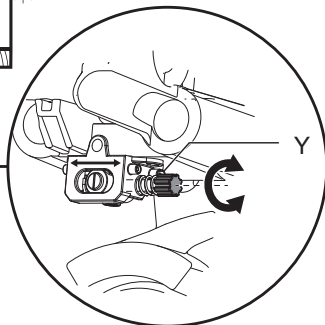
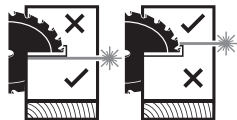
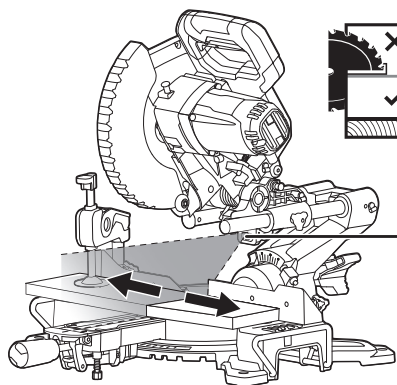
f. a




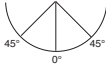
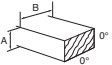
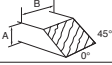
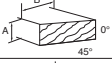
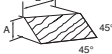
f. b



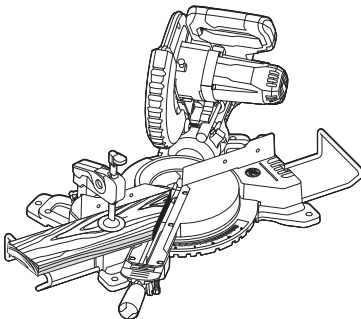
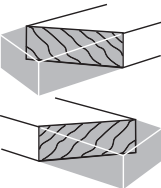
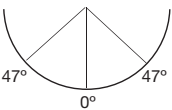
f. c



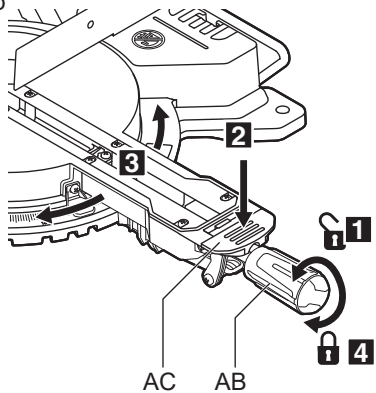
17

			Max A x Max B
0°	0°		70 x 220 mm
45°	0°		40 x 220 mm
0°	45°		70 x 155 mm
45°	45°		40 x 155 mm

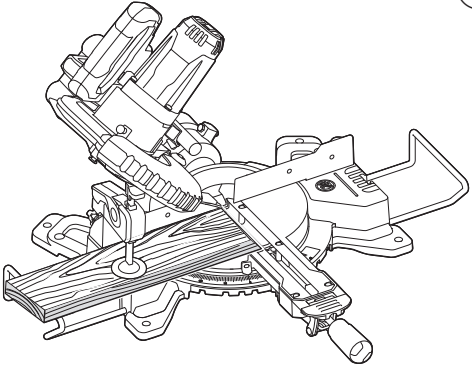
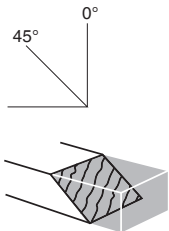
17 a



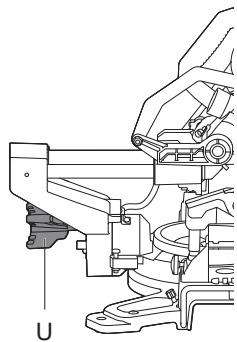
17 b

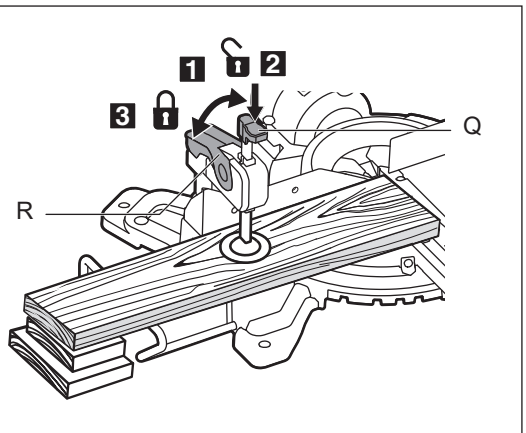
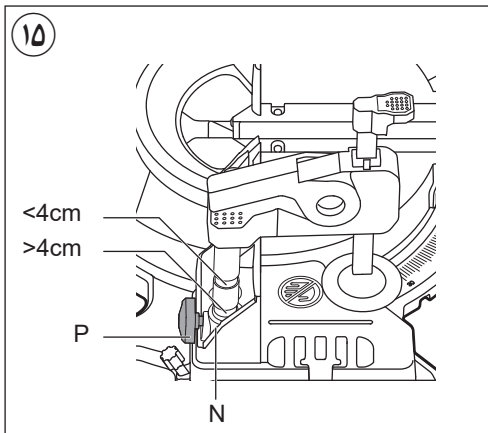
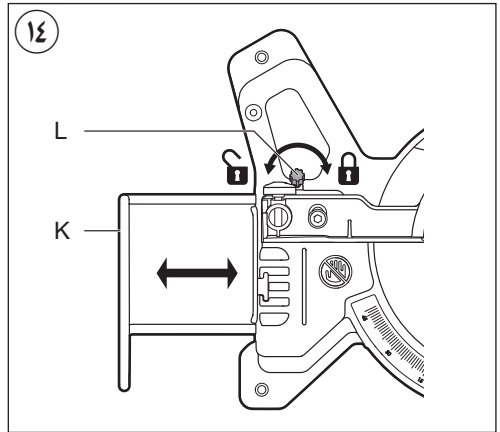
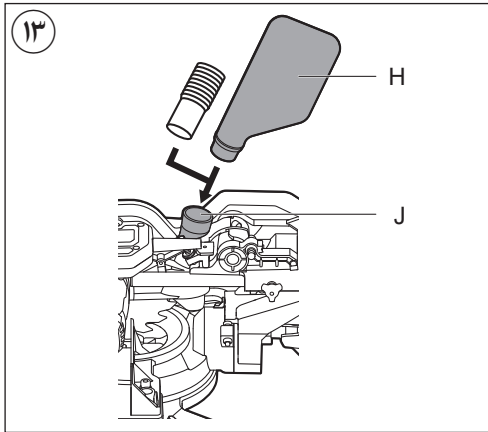
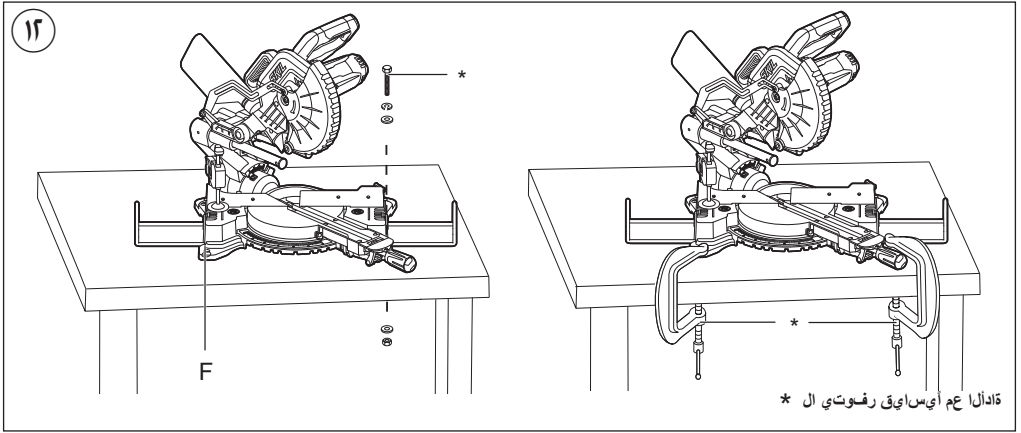


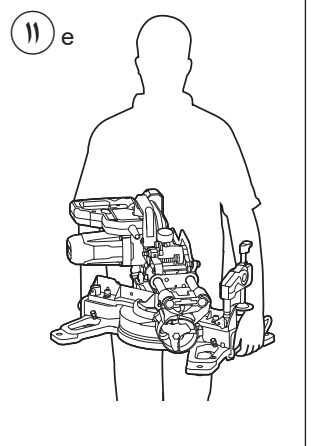
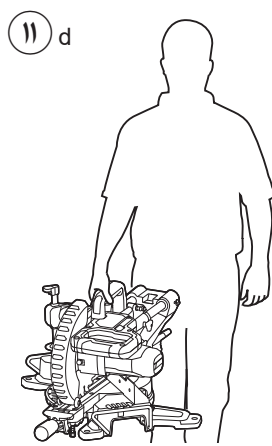
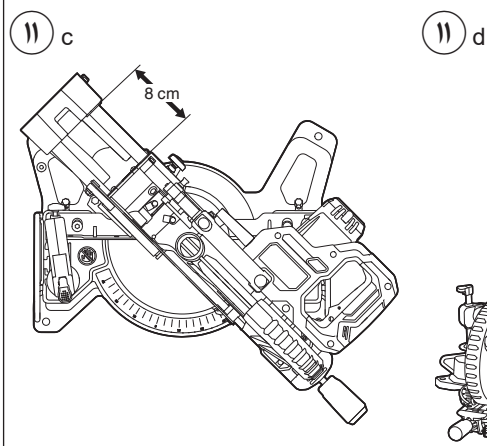
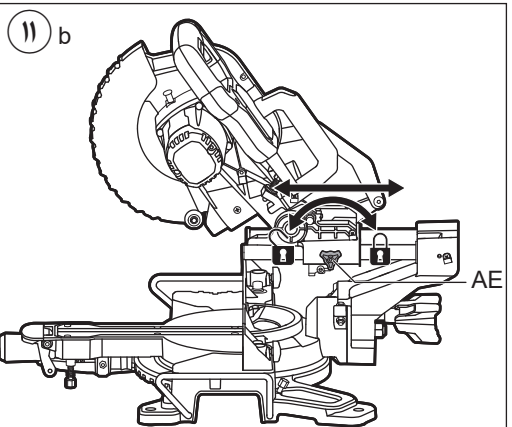
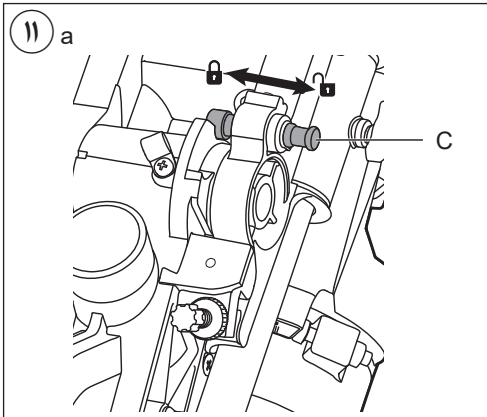
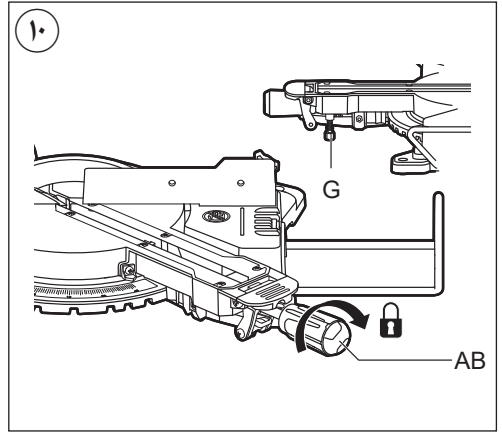
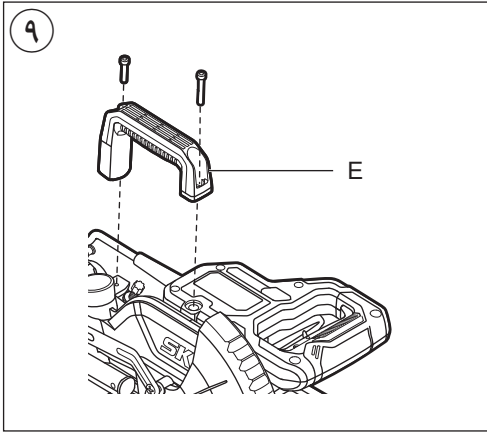
18 a



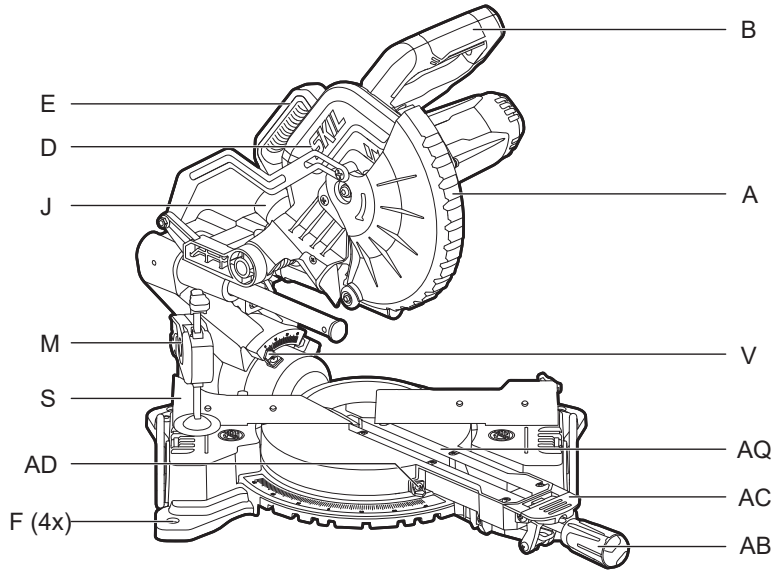
18 b



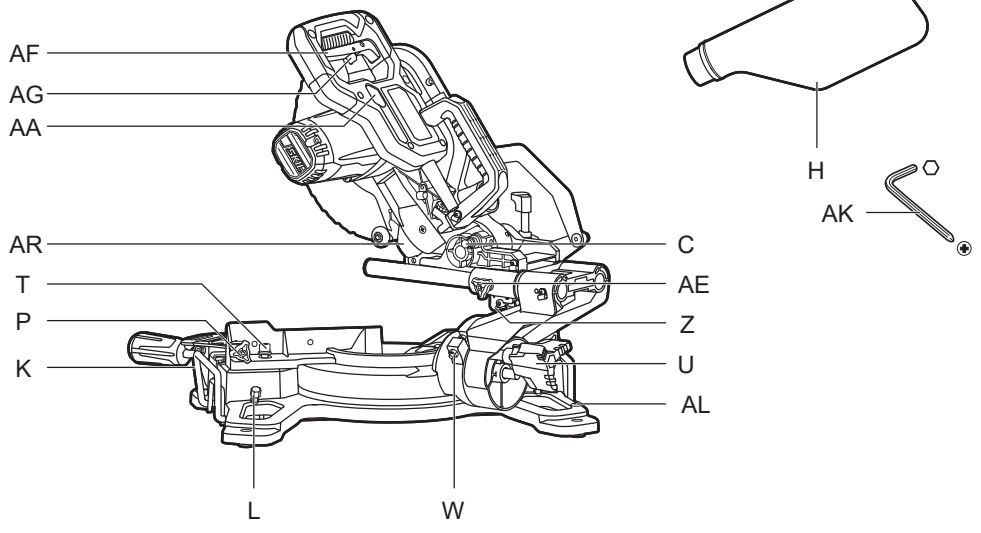




⤴ a



⤴ b



1310

1600
Watt
S6 (20% 5min)



1400
Watt
S1


11,4 kg

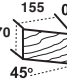

 n_0
4700 /min

220 - 240
V~
50-60 Hz

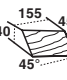

2,0 - 3,2 mm


216 mm

30 mm


220 0°
70 0°
MAX mm


155 0°
70 45°
MAX mm


220 45°
40 0°
MAX mm


155 45°
40 45°
MAX mm

2



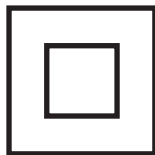
3



4



5



6



V



LASER
2

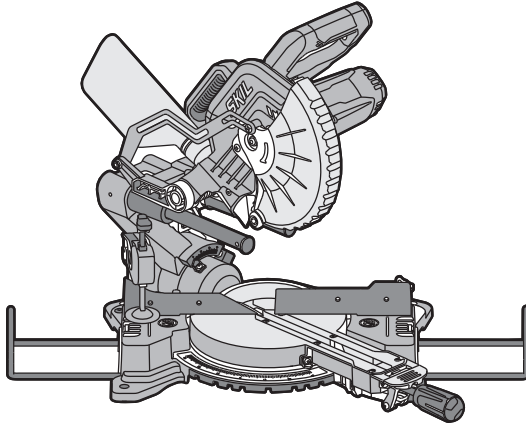


P max <1mW , λ=650nm
IEC/EN 60825-1:2014

منشار مفصلي منزلق

1310

SKIL®



دليل الاستعمال

AR

راهنمای اصلی

FA

