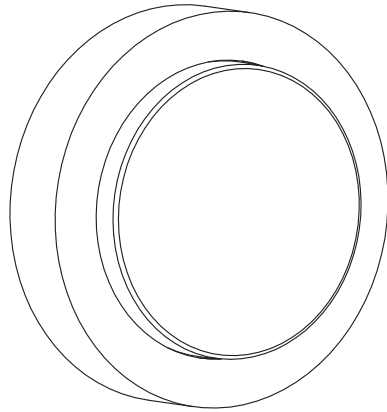
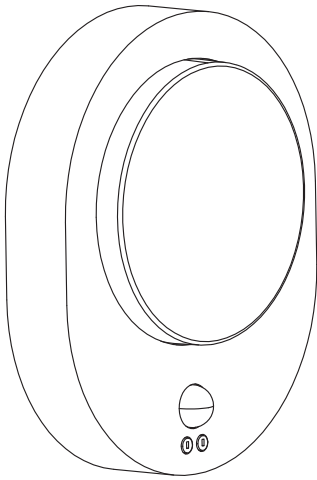



---


**ENDURA® STYLE**

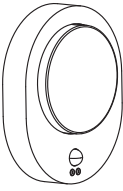

---





	EAN	W	lm	K	🌡️ (°C)	V~	mA	Hz	PF
<b>ENDURA STYLE DISC WALL ST</b>	4058075564121	8	370	3000	-20...+40	220-240	56	50/60	>0.5
<b>ENDURA STYLE DISC WALL SEN ST</b>	4058075564145	8	370	3000	-20...+40	220-240	56	50/60	>0.5

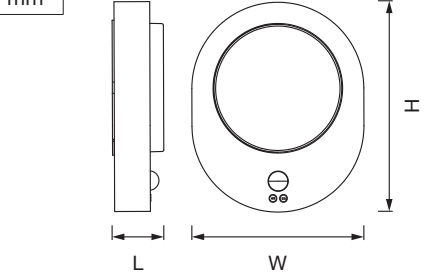
 **839 g**  
4058075564145

 **665 g**  
4058075564121

1x 


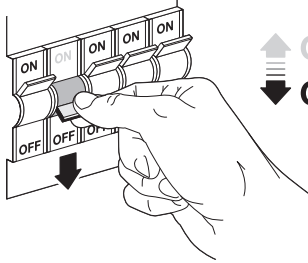
2x  2x 

mm



	L	W	H
DISC WALL ST	60	200	200
DISC WALL SEN ST	60	200	244

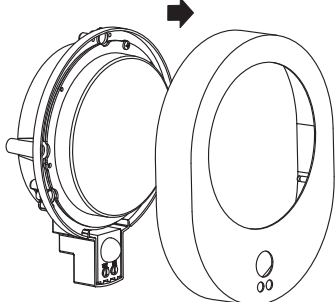
**1**

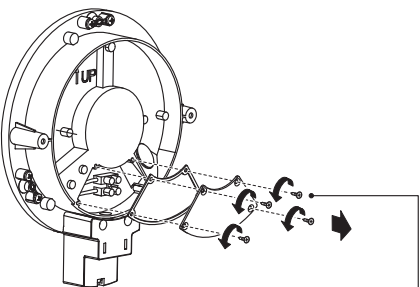
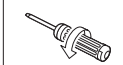
ON ON ON ON  
OFF OFF ON ON

↑ ON  
↓ OFF

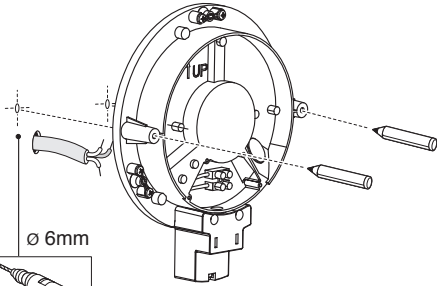
**2**



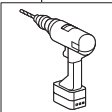
**3**

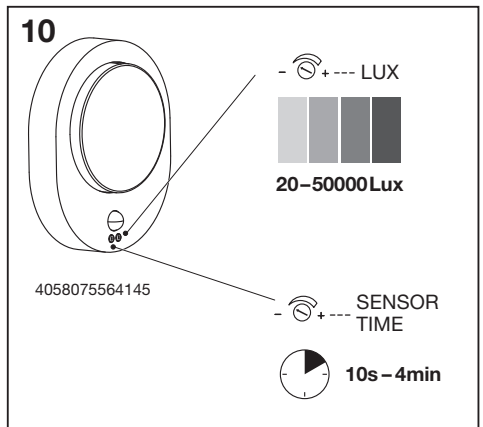
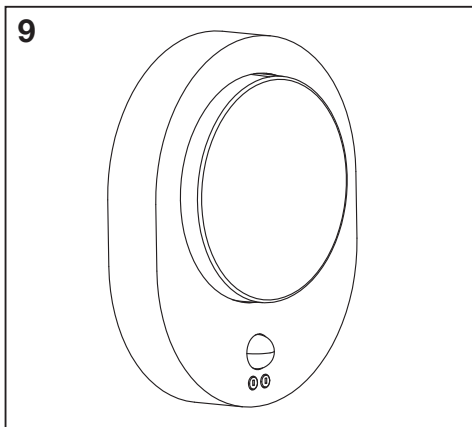
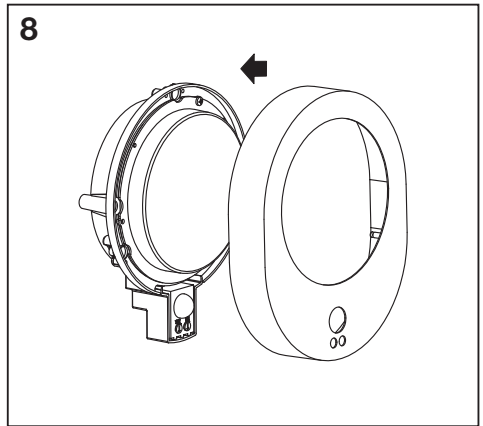
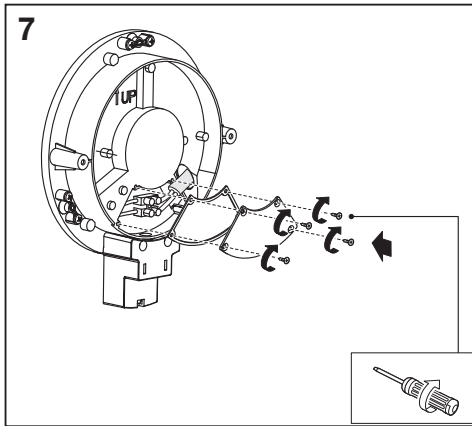
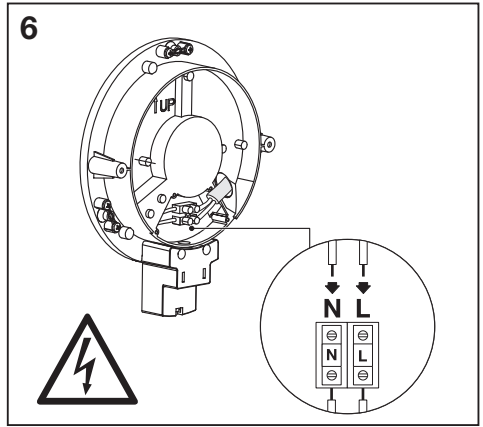
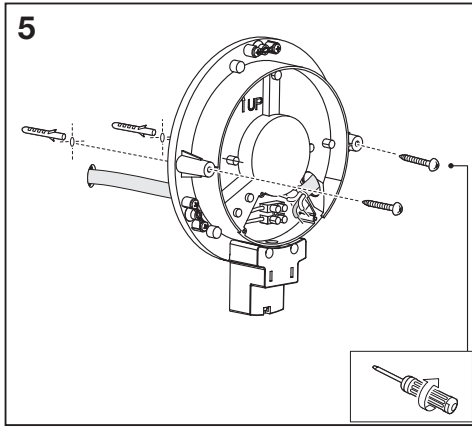



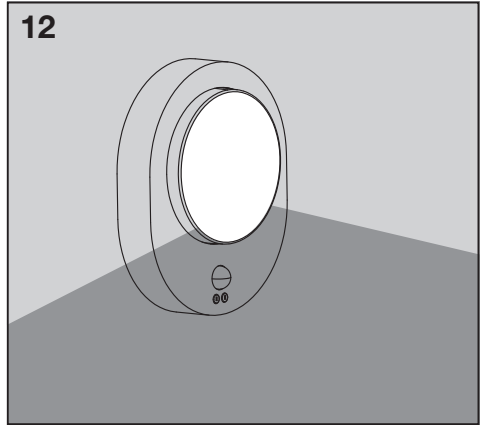
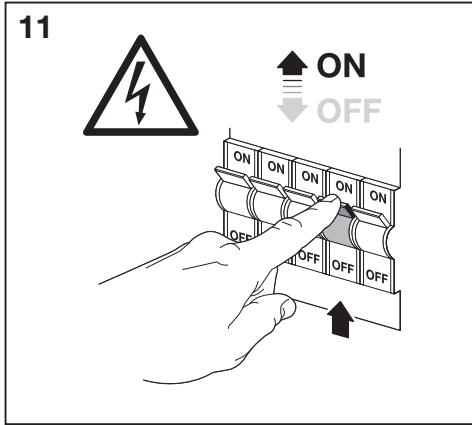
**4**



Ø 6mm







	EAN	This product contains a light source of energy efficiency class	Contained Light Source
ENDURA STYLE DISC WALL ST	4058075564121	F	
ENDURA STYLE DISC WALL SEN ST	4058075564145	F	



C10449057  
G11111466  
07.05.2021



LEDVANCE GmbH  
Steinerne Furt 62  
86167 Augsburg, Germany  
[www.ledvance.com](http://www.ledvance.com)