

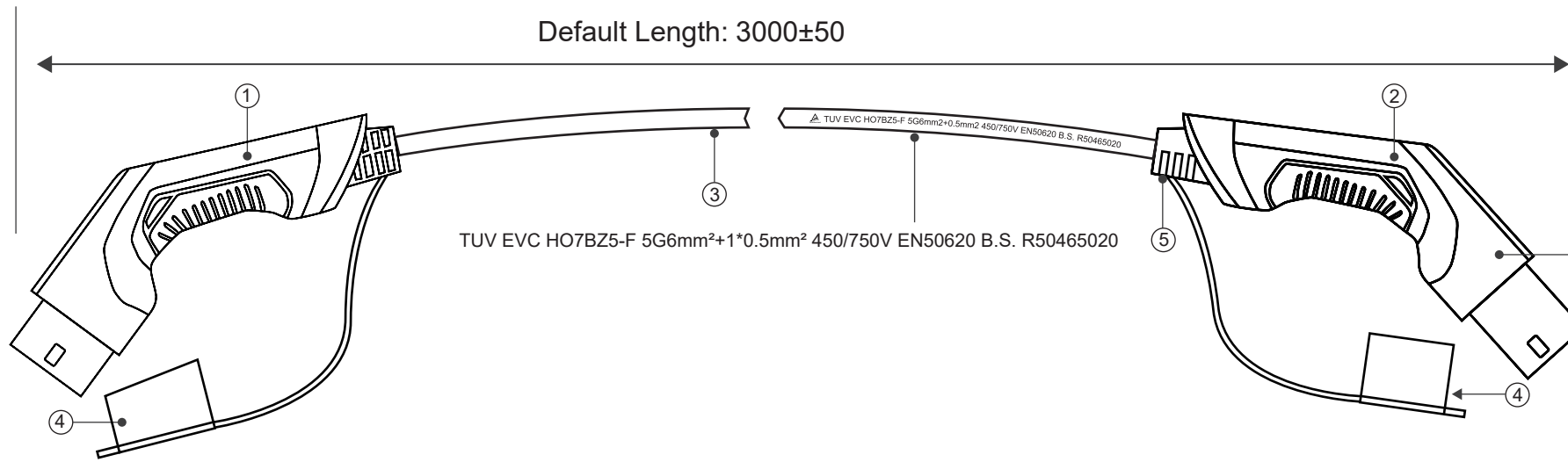
**MODE 3 EV CHARGING CABLE**

**ITEM NO.:** EV-3203  
( Max. Power 22 kW )

**STANDARDS/DIRECTIVES:** EN 62196-1:2014  
EN 62196-2:2017

**REVISIONS**

REV.	DESCRIPTION	DATE
A	Updating of cable specification	2020/06/08
B		



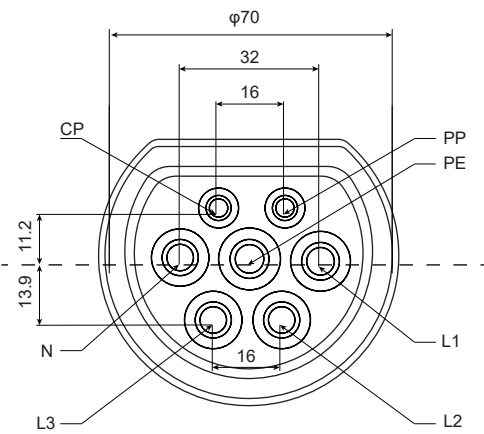
**HEAT SENSOR**

Both plugs have built-in temperature control. Once the set safe temperature is exceeded, the current will be cut off automatically.

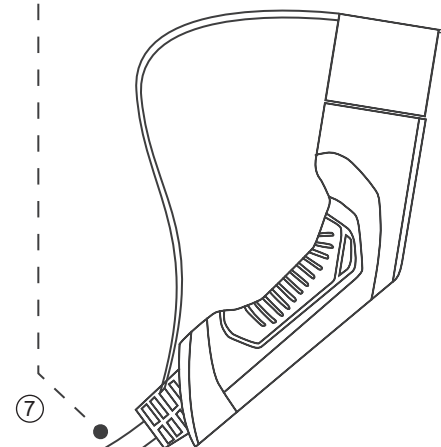
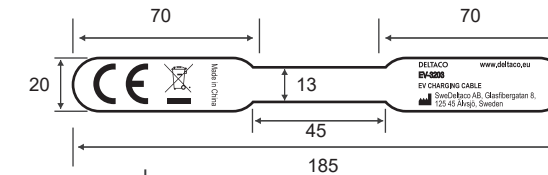
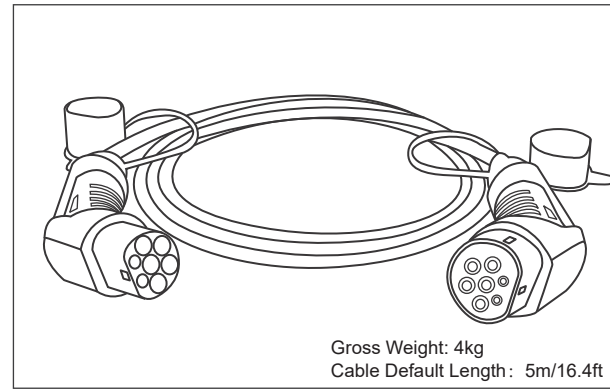
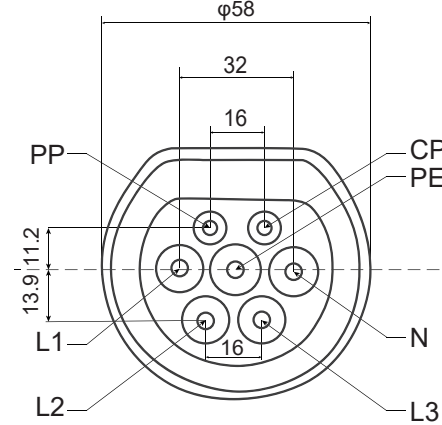
**SPECIFICATION**

Current: Maximum 32A  
Power Supply: 3-Phase  
Operational Voltage: 220±10% AC  
Protection Degree: IP54  
Insulation Resistance: > 10MΩ  
Insulator Flammability: UL94  
Withstand Voltage: 2000V  
Relative Humidity: 0-95% non-condensing  
Maximum Altitude: < 2000M  
Service Life: 10,000 times  
Operating Temperature: - 40 °C ~ + 100 °C

**IEC 62196-2 ( TYPE 2-FEMALE )**

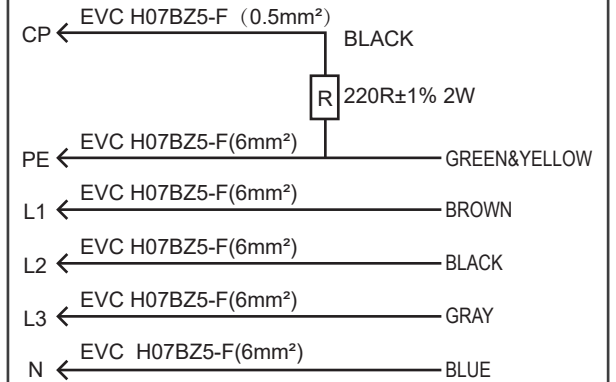


**IEC 62196-2 ( TYPE 2-MALE )**

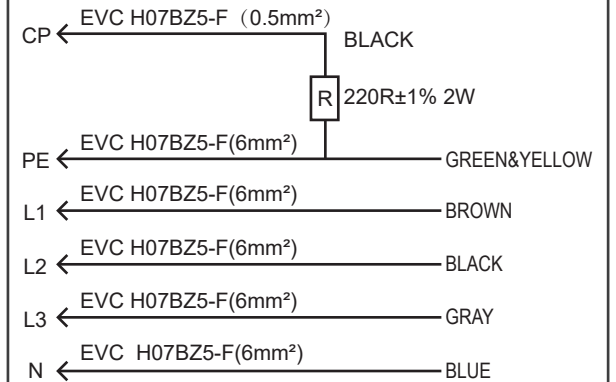


**DELTACO**

**TYPE 2 -FEMALE(IEC62196-2) CONNECTOR**

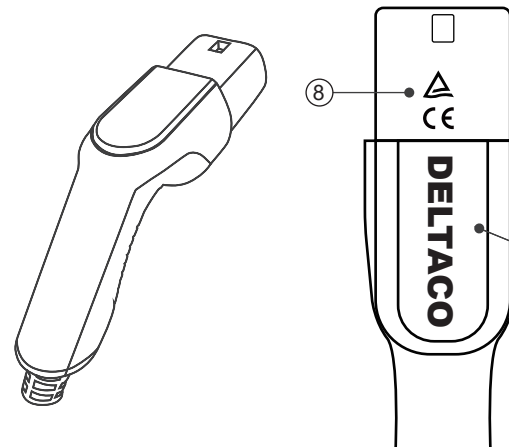
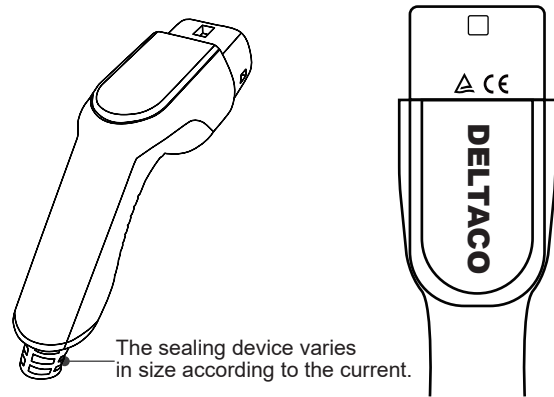


**TYPE 2 -MALE(IEC62196-2) CONNECTOR**



**PRODUCT ADVANTAGES:**

- Uniquely designed plug terminals with self-cleaning function to prevent electric sparks
- Silver-plated plug terminals with good conductivity to prevent over-heating
- Detection and control of inner temperature to ensure charging safety
- Integrated plug design with excellent waterproof performance to support outdoor use
- Solid plug structure can withstand the rolling of a vehicle



ITEM	DESCRIPTION	DEFAULT COLOR
①	Plug IEC 62196-2 (Type 2 - female)	BLACK
②	Plug IEC 62196-2 (Type 2 - male)	BLACK
③	TUV licensed EV charging cable	BLACK
④	Waterproof cover	BLACK
⑤	Sealing device	BLACK
⑥	Customized laser printed logo	GREY
⑦	Customized CE tag on cable	BLACK
⑧	Printed CE & TUV logo on plug	WHITE



SIGNATURE	
SAFETY ENGINEER	
MANAGER BY:	
CHECKED BY:	
DRAWN BY:	

<b>DELTACO</b>	
ITEM NO.: EV-3203	DATE: 2020/06/07
UNIT: mm	SHEET: 1 OF 1
<b>DWG NO: BSCNC04</b>	
REV. A	