

Winemex

English



WARNING

offers no guarantee for our wine cooler if it is being used for any purpose other than that for which it was specifically designed. We cannot be held responsible for any error in this manual. is not responsible or liable for any spoilage or damage to wines or any other contents incidental or consequential to possible defects of the wine cooler. Warranty applies to the wine cooler only and not to the content of the wine cooler.

This appliance can be used by children aged from 8 years and above and persons with reduced physical, sensory or mental capabilities or lack of experience and knowledge if they have been given supervision or instruction concerning use of the appliance in a safe way and understand the hazards involved. Children shall not play with the appliance. Cleaning and user maintenance shall not be made by children without supervision.

Children should be supervised to ensure that they do not play with the appliance.

Please don't put such as acidic items, flammable and explosive goods into wine cooler.

This appliance is intended to be used in household and similar applications such as

- staff kitchen areas in shops, offices and other working environments;
- farm houses and by clients in hotels, motels and other residential type environments;
- bed and breakfast type environments;
- catering and similar non-retail applications.

DANGER: Risk of child entrapment. Before you throw away your old wine cooler:

- Take off the doors;
- Leave the shelves in place so that children may not easily climb inside;
- When disposing of the appliance, do so only at an authorized waste disposal center.

R600a WARNINGS:

For your safety observe the following recommendations.

This appliance contains a small quantity of R600a refrigerant which is environmentally friendly, but flammable. It does not damage the ozone layer, nor does it increase the greenhouse effect.

During transportation and installation, ensure that the tubing of the refrigerant circuit is not damaged.

Avoid using or manipulating sharp objects near by the appliances.

Leaking refrigerant can ignite and may damage the eyes.

In the event any damage does occur, avoid exposure to open fires and any device which creates a spark. Disconnect the appliance from the mains power.

Thoroughly ventilate the room in which the appliance is located for several minutes.

Notify Customer Service for necessary action and advice.

The room for installing the appliance must be at least 1 cubic metre per 8 grams of refrigerant. The refrigerant quantity contained in this appliance is listed above in grams; it is also noted on the Rating Plate of the appliance.

It is hazardous for anyone other than an Authorised Service Person to carry out servicing or repairs to this appliance.

- WARNING: Keep ventilation openings in the appliance enclosure or in the built-in structure clear of obstruction.

- **WARNING:** Do not use mechanical devices or other means to accelerate the defrosting process, other than those recommended by the manufacturer.
- **WARNING:** Do not damage the refrigerant circuit.
- **WARNING:** Do not use electrical appliances inside the food storage compartments of the appliance, unless they are of the type recommended by the manufacturer.
- **WARNING:** If you do not use the machine for a long time, please unplug the power plug from the socket or switch off the power supply.
- **WARNING:** This appliance is not intended for use by persons (including children) with reduced Physical, sensory or mental capabilities, or lack of experience and knowledge, unless they have been given supervision or instruction concerning use of the appliance by a person responsible for their safety;
- **WARNING:** Children should be supervised to ensure that they do not play with the appliance;
- **WARNING:** Do not use extension cords or ungrounded (two prong) adapters;
- **WARNING:** If the supply cord is damaged, it must be replaced by the manufacturer, Its service agent or similar qualified person in order to avoid hazard.

Allow 24 hours before switching on the wine cooler. During this time we recommend that you leave the door open to clear any residual odors.

BEFORE LOADING & PLUGGING IN THE WINE COOLER

Important: All models without front venting (air opening) are strictly for free standing only. (See technical chart)

Recommendations:

The location you have selected for your wine cooler should:

- be unencumbered and well ventilated;
- be well away from any heat source and direct sunlight;
- not be too damp (laundry, pantry, bathroom etc.);
- have a flat floor;
- have a standard and reliable electricity supply (standard socket to country standards, linked to the ground), it is NOT recommended to use a multi-socket or extension lead;
- have a surge protector fitted to the electrical outlet;
- Away from the microwave oven. Certain microwave ovens do not have wave interference shield.

When placed within 1 meter vicinity of the wine cabinet, they may affect the operation of the wine cabinet.

Notes:

- Winemex7 / Winemex24 / Winemex26 models for built-in installation ONLY
- Winemex69 model is for free standing ONLY.
- Winemex20 / Winemex39 / Winemex40 / Winemex93 / Winemex145 models for both built-in and free - standing installation as per the drawings thereafter.

Wine cooler should be placed where the ambient temperature is proper (Please view the end of Manual). If the temperature is above or below this range, it will affect the performance of the cooler. Placing in cold or hot temperature conditions may cause cooler's temperatures fluctuating, and it will not reach the ideal one.

Grounding instructions:

The wine cooler must be grounded in case of wire leakage. Grounding reduces the risk of electrical shock. The wine cooler is equipped with a power cord having a grounding wire and plug. The wine cooler plug must be plugged into a properly affixed and grounded electrical outlet.

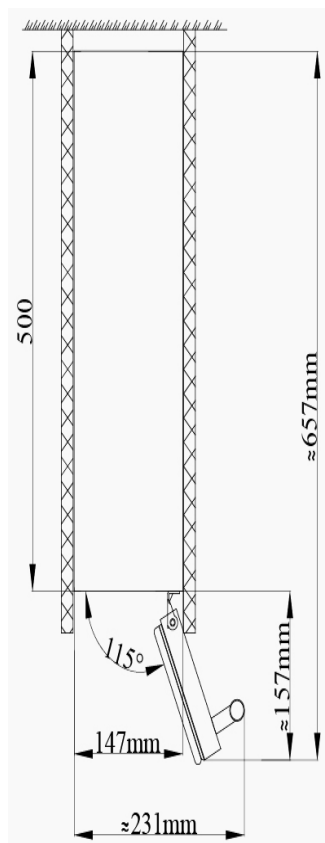
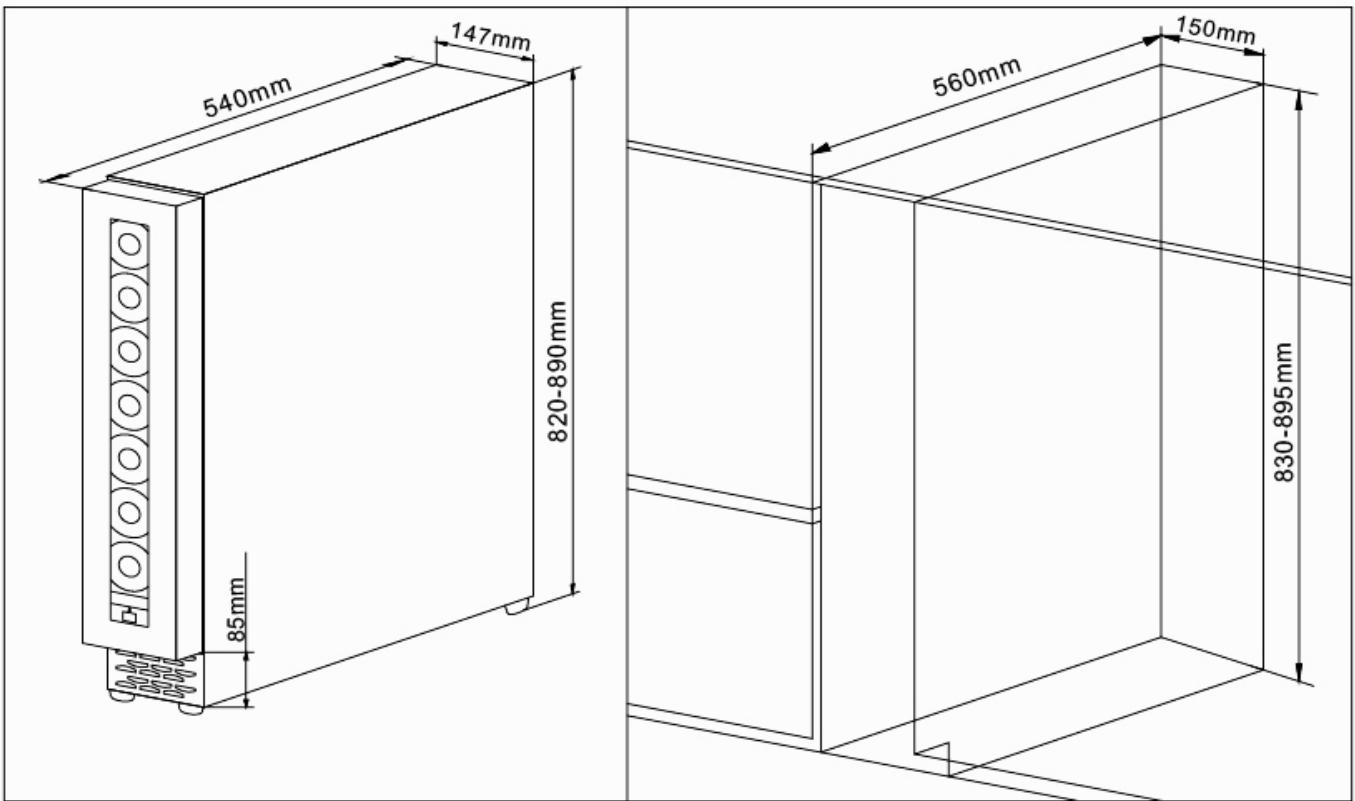
Note: In locations where there is frequent lightning, it is advisable to use surge protectors.

Improper use of the grounding plug can result in the risk of electric shock. Consult a qualified electrician or service person if the grounding instructions are not completely understood.

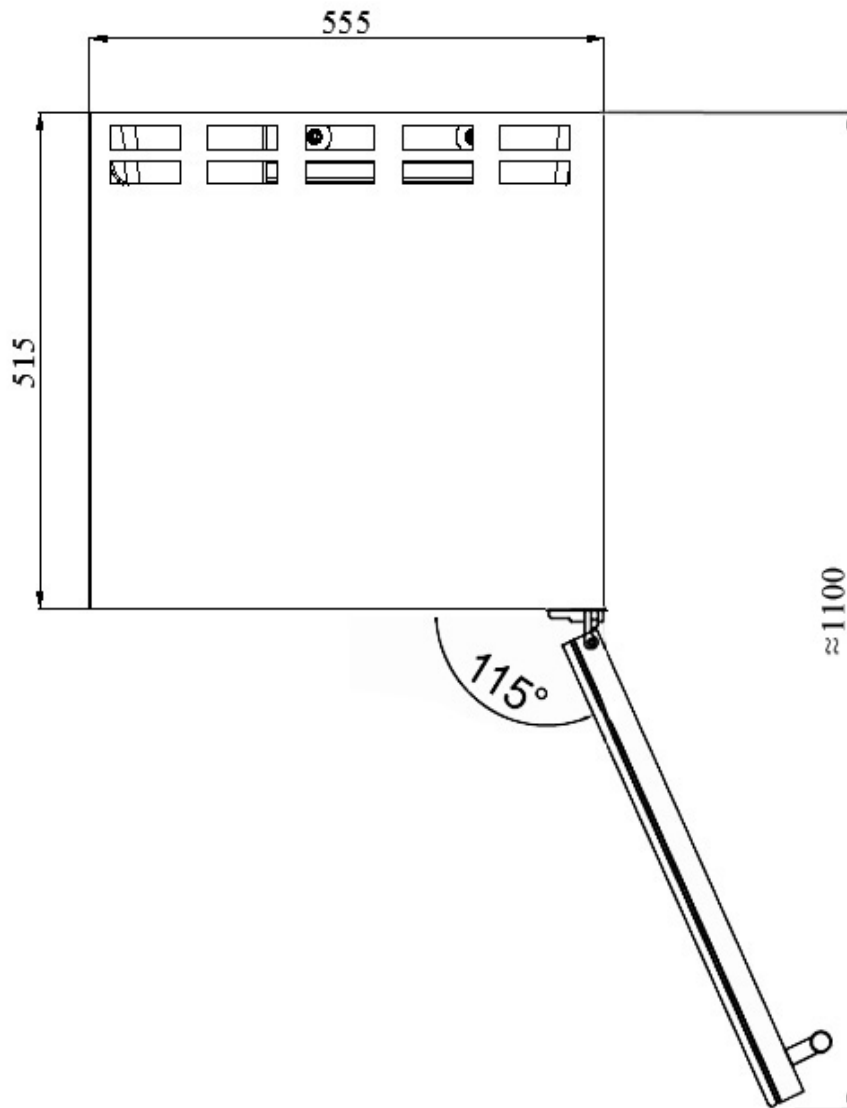
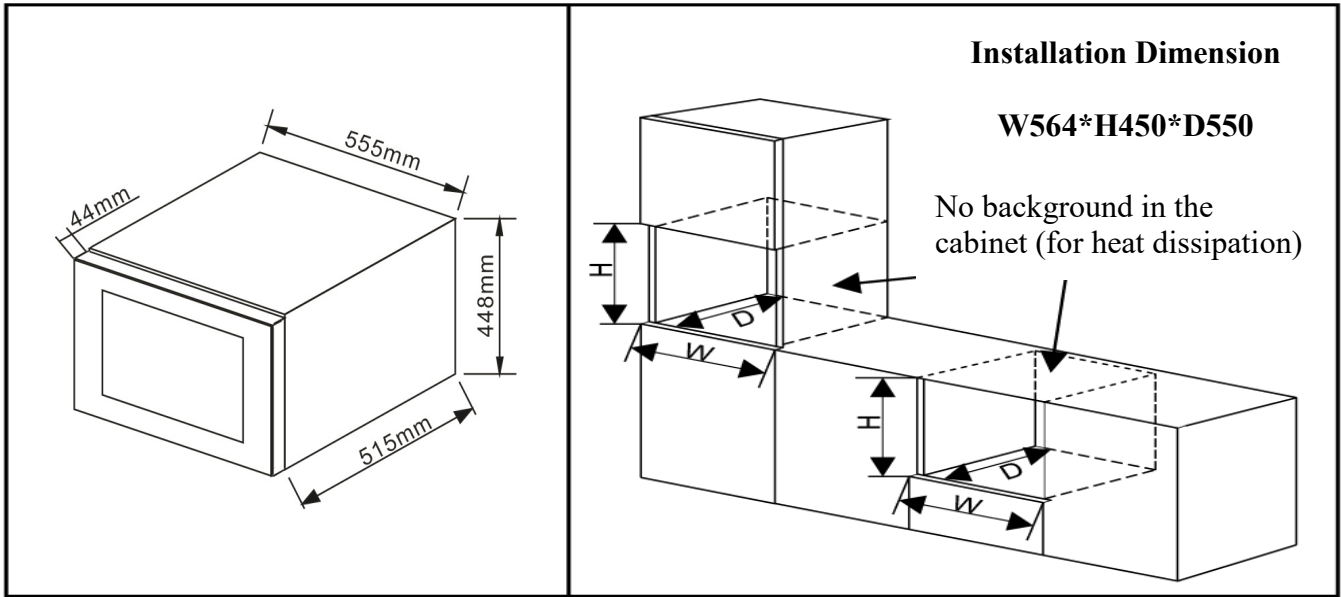
If the supply cord is damaged, it must be replaced by a qualified person in order to avoid electrical hazard.

DIMENSIONAL DRAWINGS:

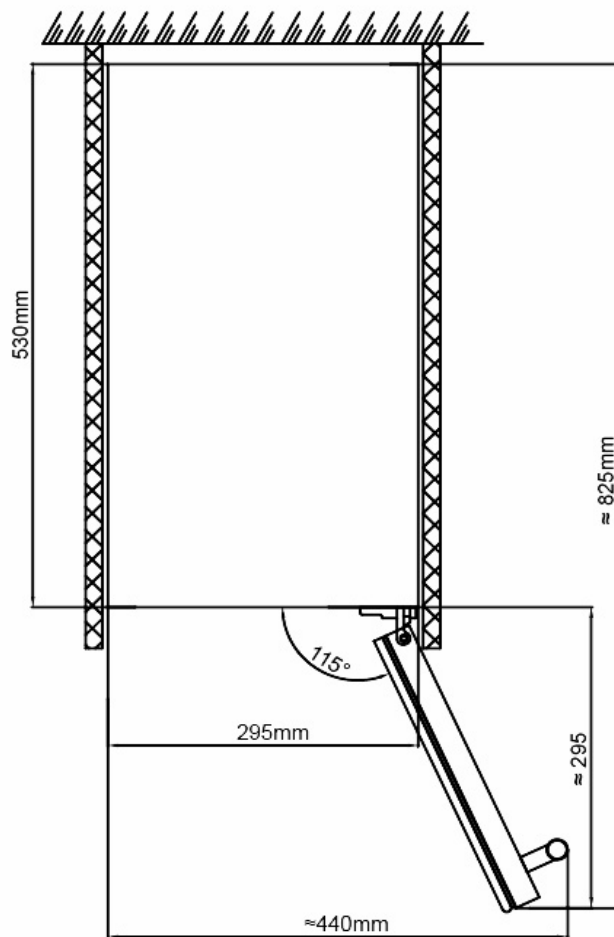
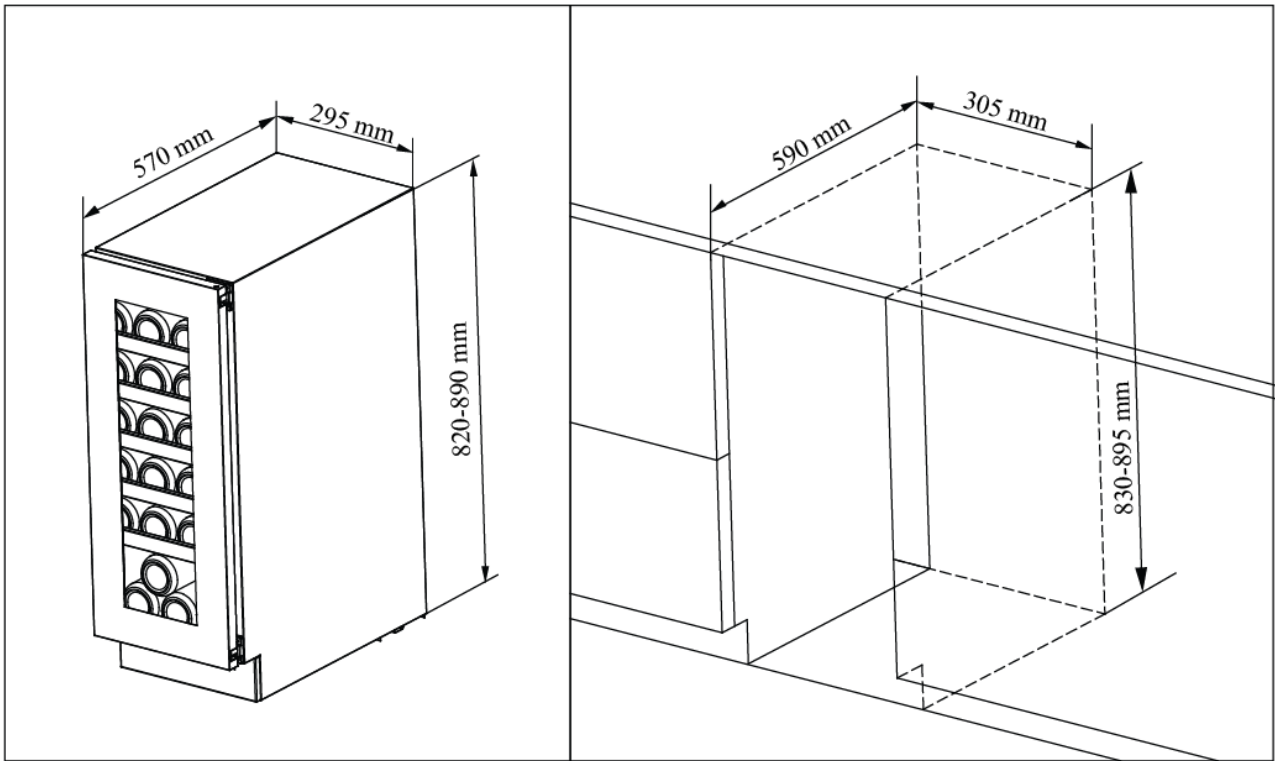
WINEMEX7



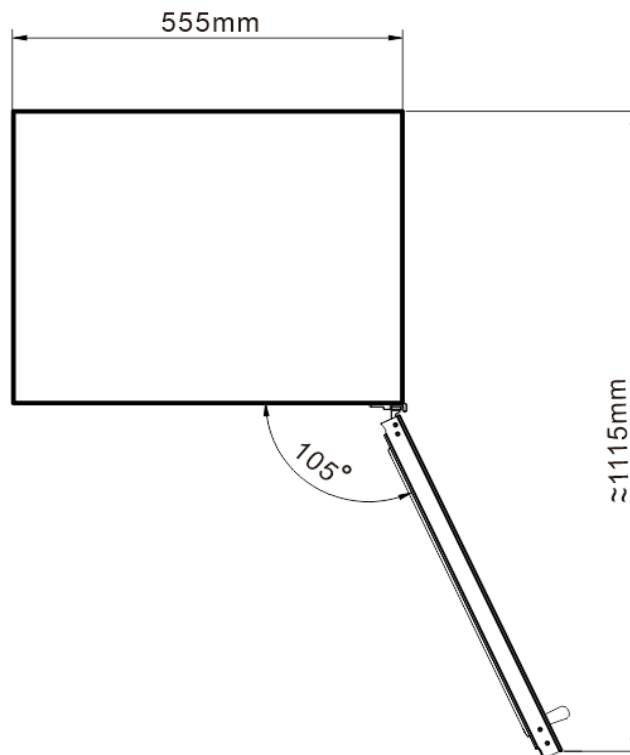
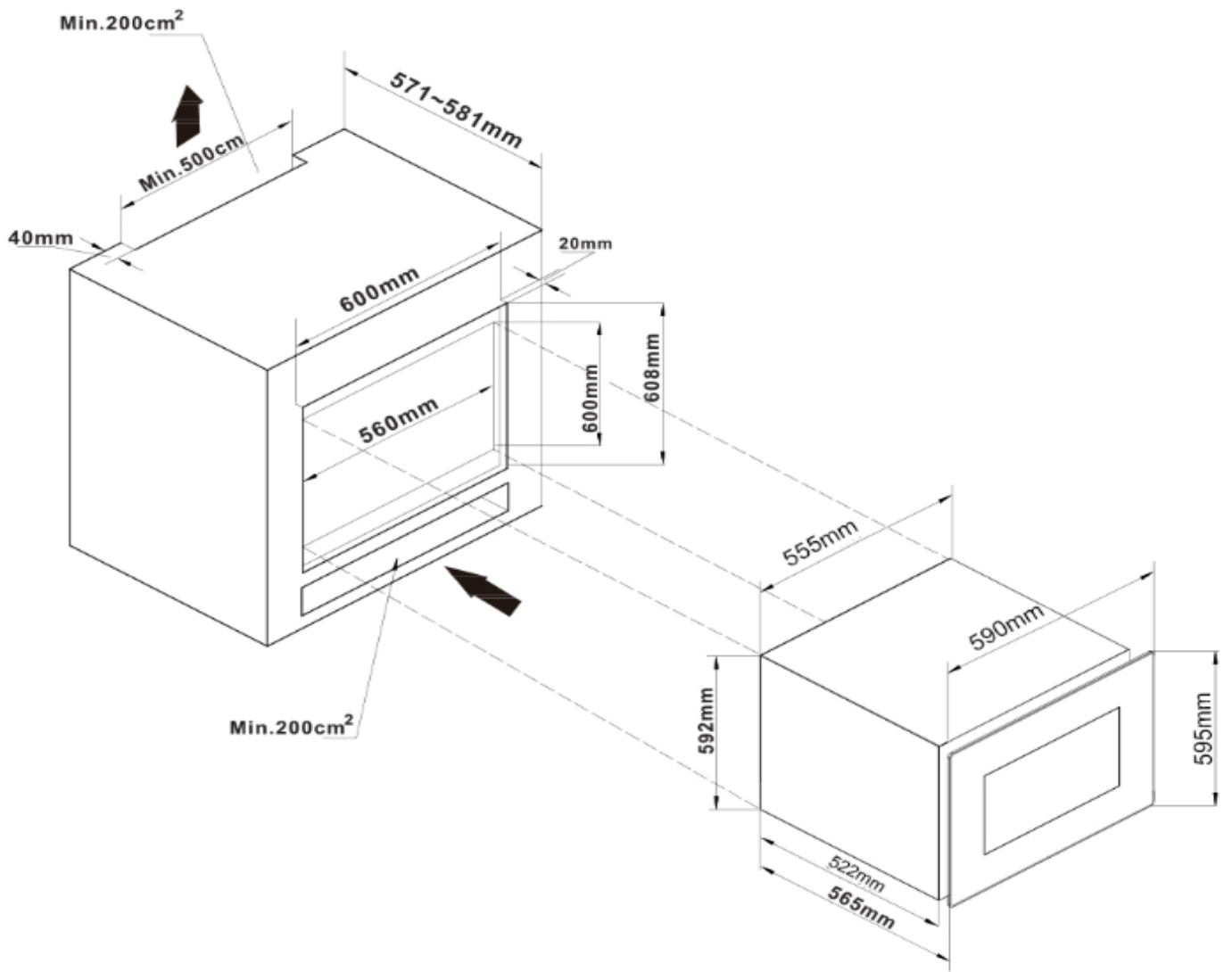
WINEMEX24



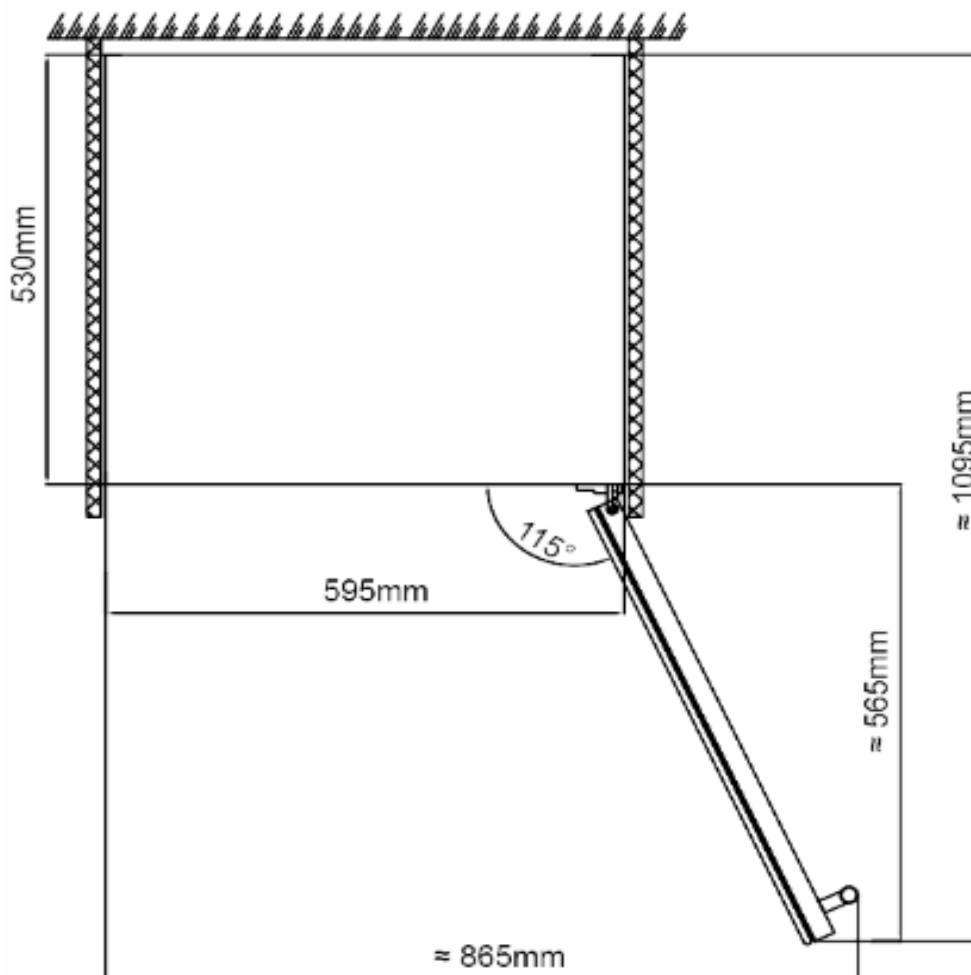
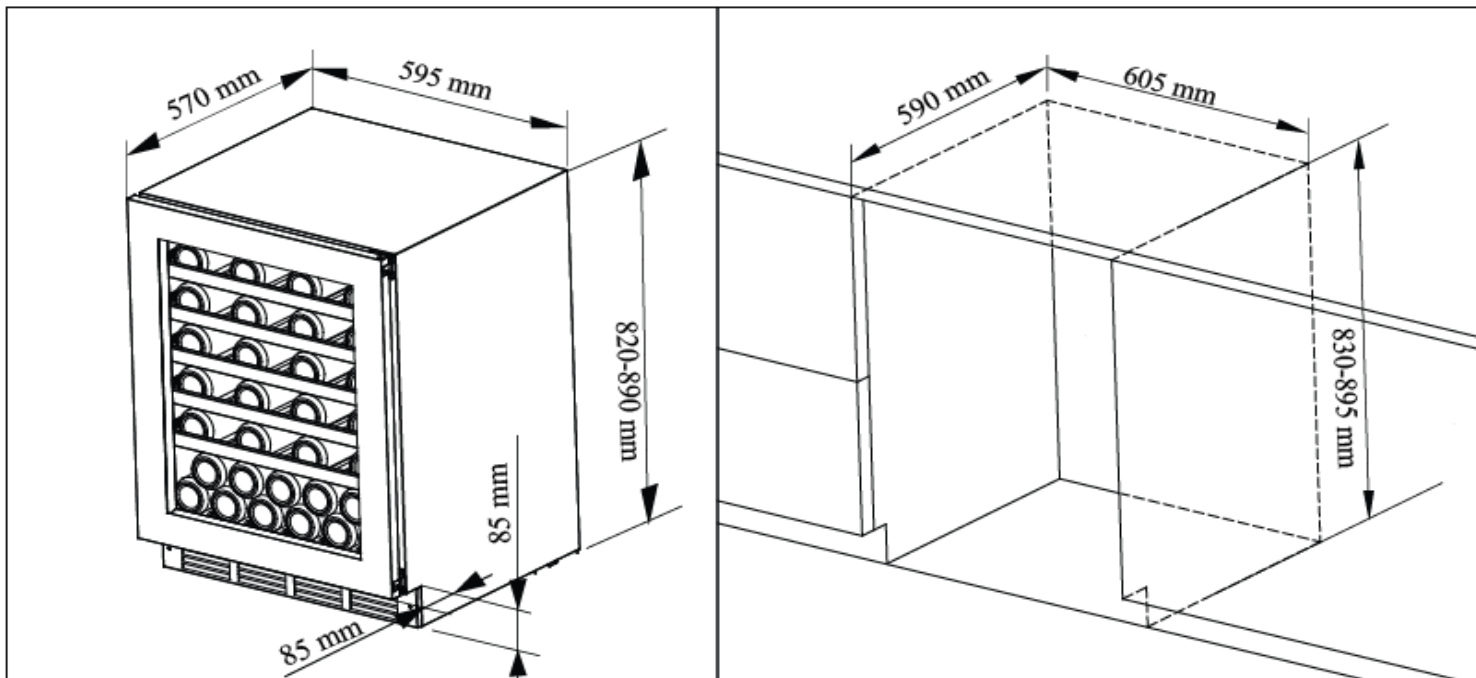
WINEMEX20



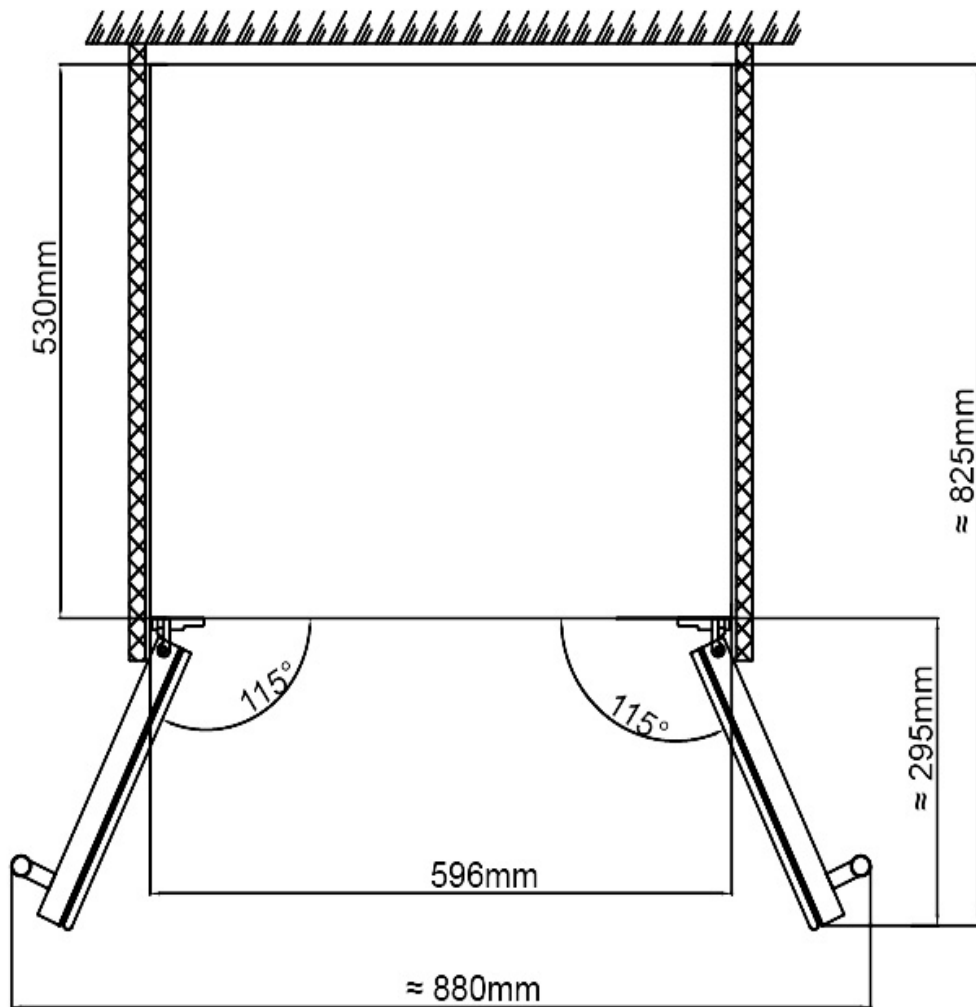
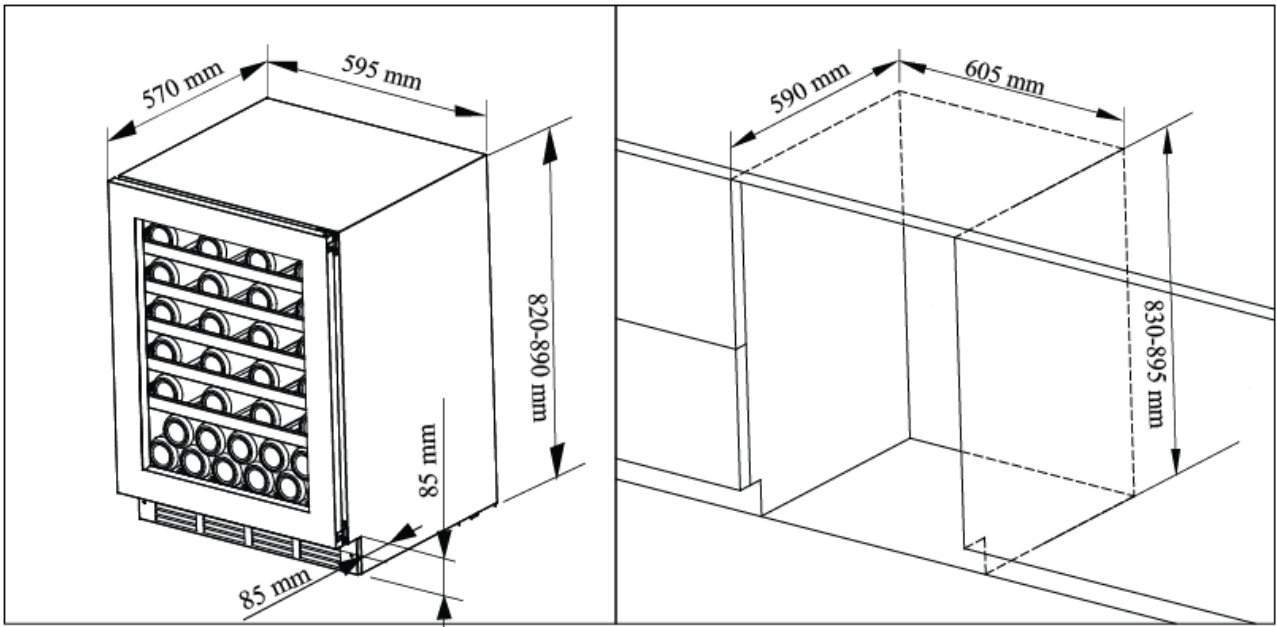
WINEMEX26



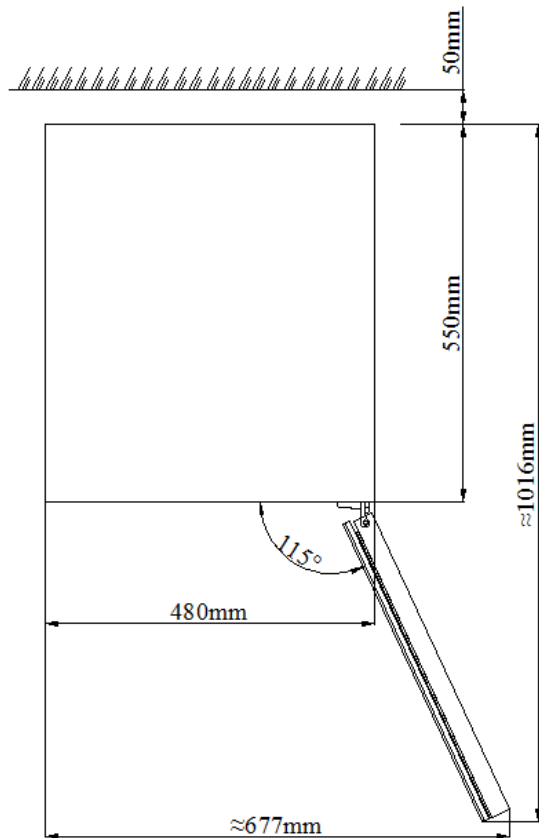
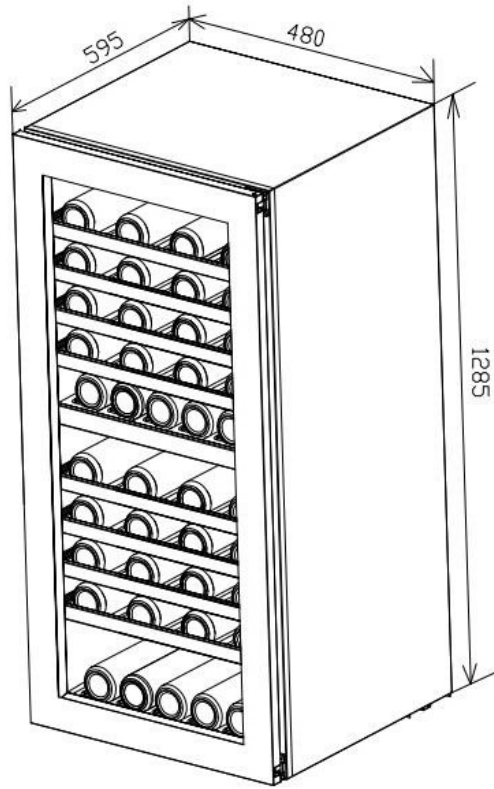
WINEMEX39



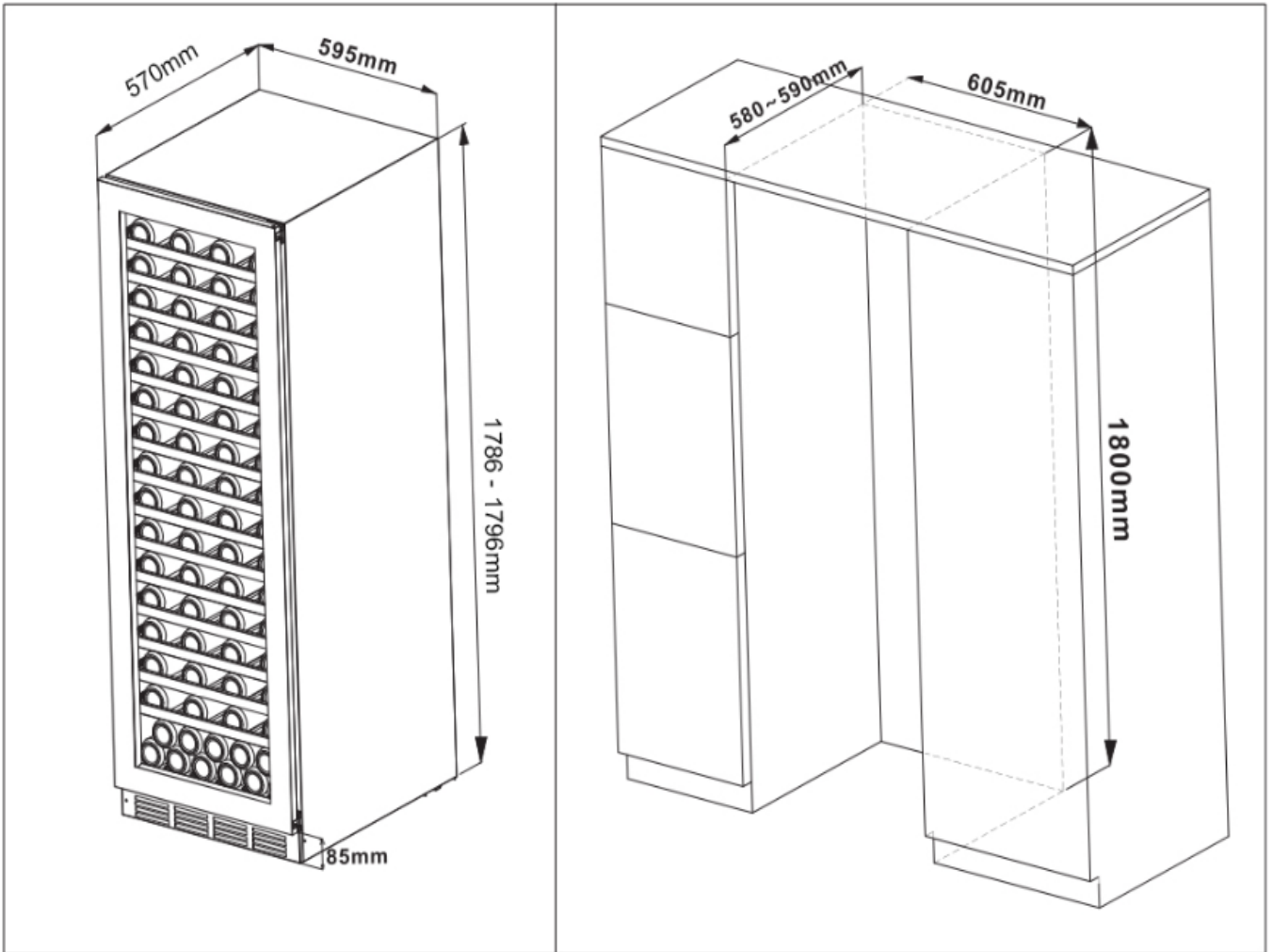
WINEMEX40



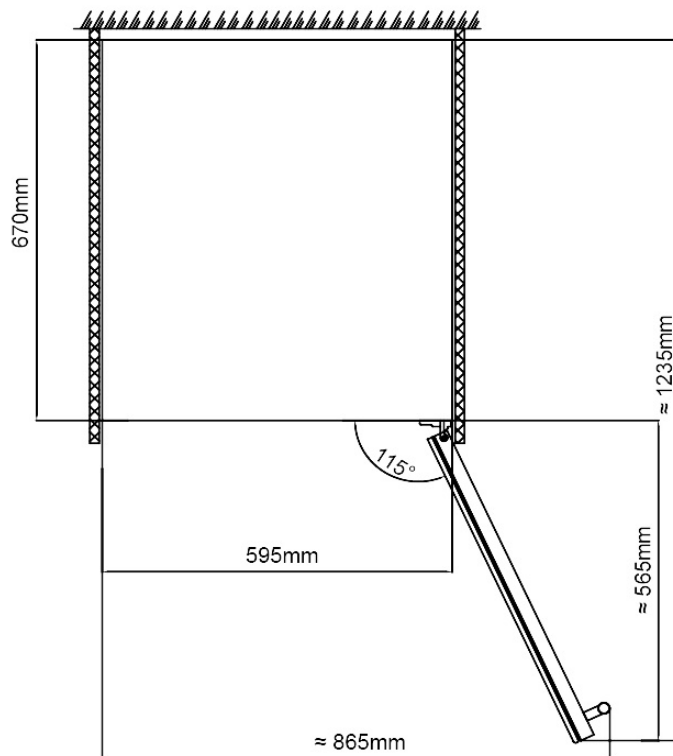
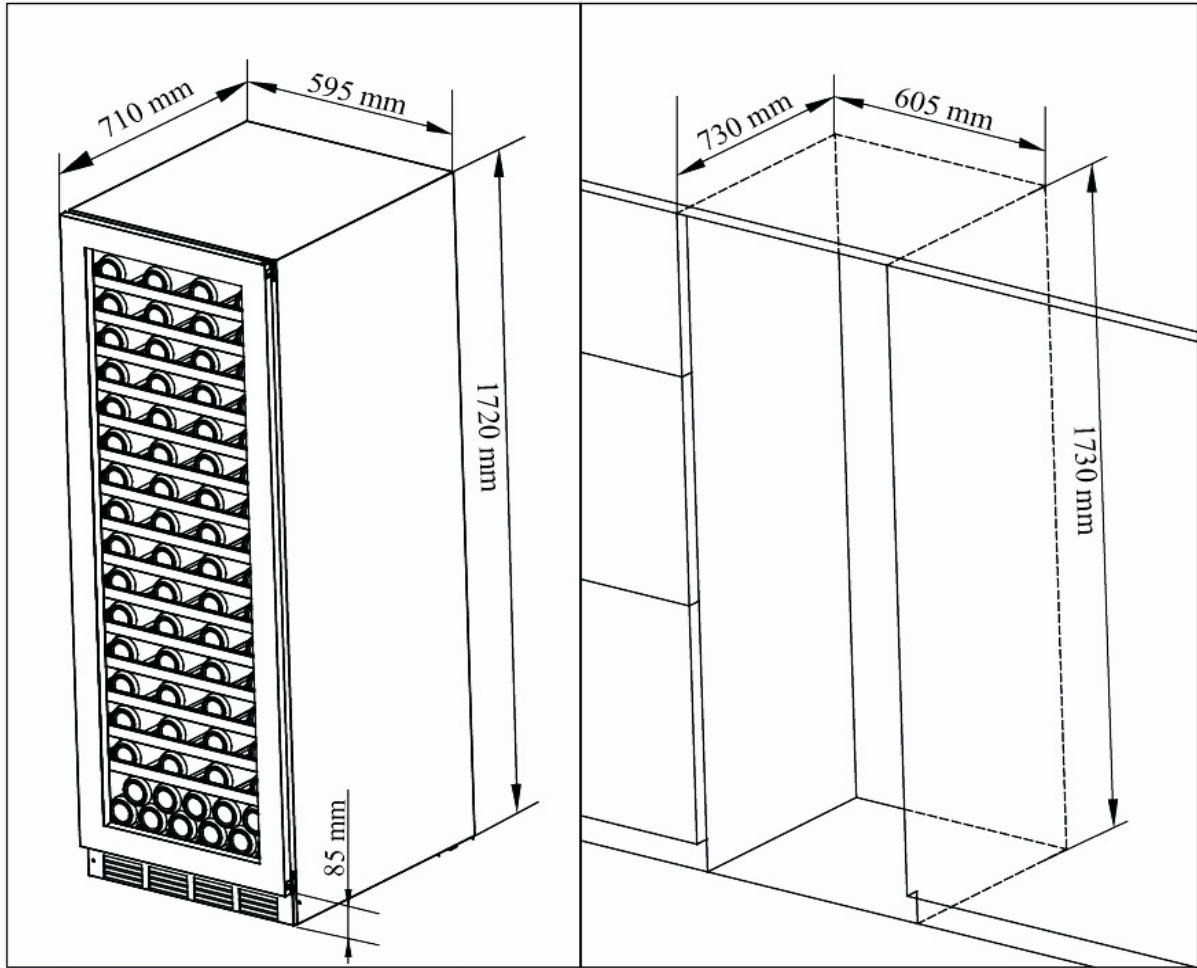
WINEMEX69



WINEMEX93



WINEMEX145



INSTALLING YOUR WINE COOLER

Unpack and remove all of the protection and adhesive strips from the packaging around and inside the wine cooler.

The wine cooler must be positioned such that the plug is accessible. Release the power cord. Move your wine cooler to its final location. The wine cooler should be installed in a suitable place where the compressor will not be subject to physical contact.

Leveling your wine cooler: Wine cooler must be leveled BEFORE loading your wines.

Your wine cooler is equipped with 4 adjustable feet to facilitate easy leveling. We recommend that you tighten the back feet to the maximum and adjust the front feet to level the wine cooler.

ADJUSTING AND REMOVING THE SHELVES

For easy access to the storage content, you must pull the shelves approximately 1/3 of its depth out of the rail compartment. These wine cabinets, however, are designed with a notch on each side of the shelf tracks to prevent bottles from falling.

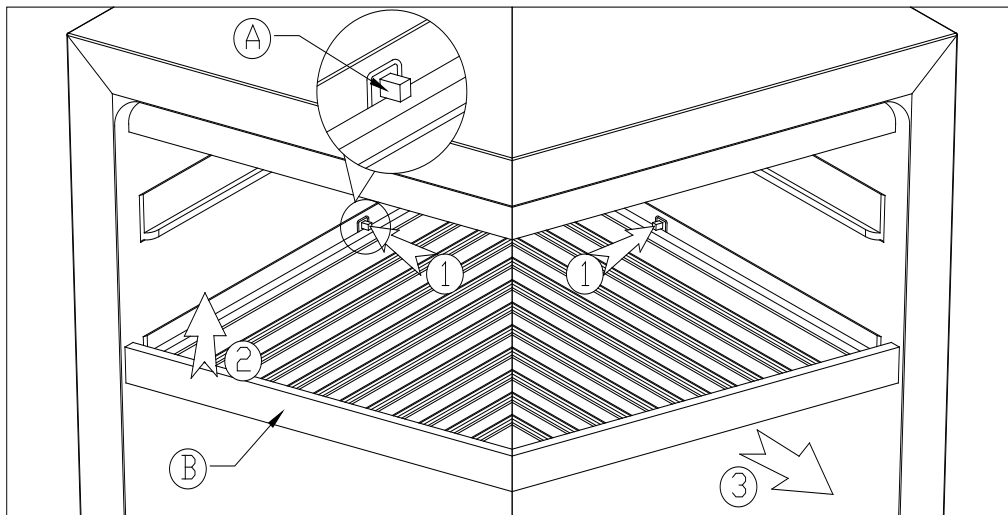
When removing any of these shelves out of the rail compartment, tilt the shelf as per the diagram and simply pull out, or push in the shelf until it sits on the support brackets securely.

Shelf installation and taking instruction:

Common wooden shelf:

Shelf taking: According to below instruction drawing to press one side of shelf limit pin ①, extract and remove the shelf from the other side of support bracket ②, then take off the shelf following the arrow mark ③.

Shelf installation will be opposite with shelf taking.



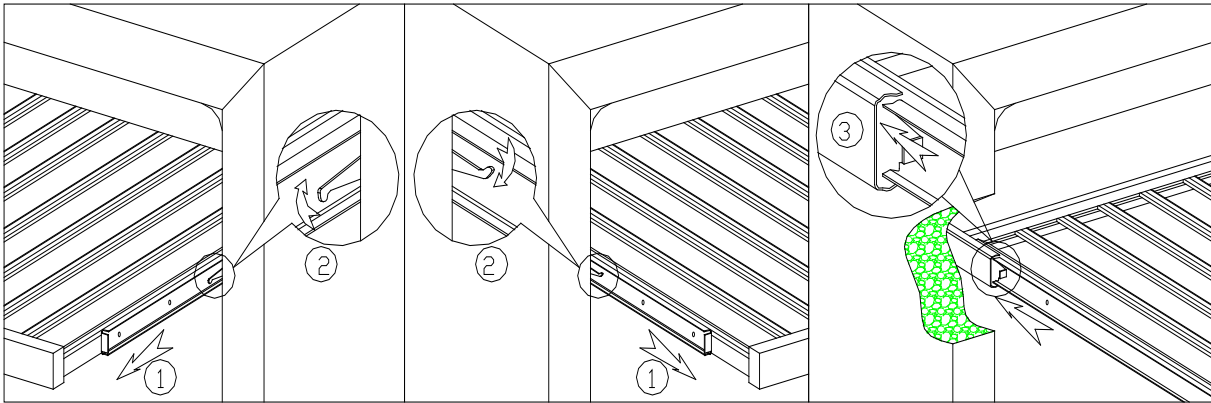
1、 "A" is shelf limit pin

2、 "B" is shelf

Sliding wooden shelf installation and taking instruction:

Shelf taking: According to below instruction drawing to pull out the shelf to support bracket ①, press two sides of sliding roller buckles and pull out the shelf following the arrow mark ②.

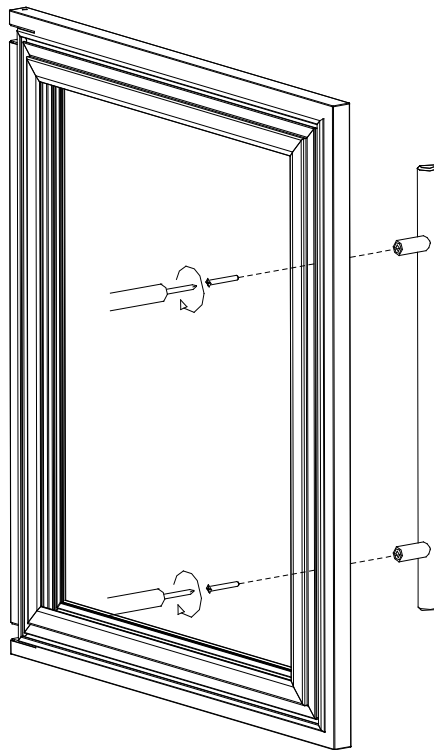
Shelf installation: According to below instruction drawing to push in the shelf alignment with two sides of sliding roller following the arrow mark ③.



HANDLE INSTALLATION METHOD

Take out handle from cabinet, then take out 4pcs 4 * 35 screws from accessory bag

Pull open door seal from the side of door, then insert screws into the 2 handle holes on side of door, then put the screws alignment the hole of handle, tighten the screws by Phillips screwdriver, then compress the door seal



If the screws holes of the handle don't match perfectly with the holes of the door, please use the electric drill to drill the holes of the door a bit big (in surface side), in order to install the handle perfectly .

REVERSIBILITY OF THE DOOR

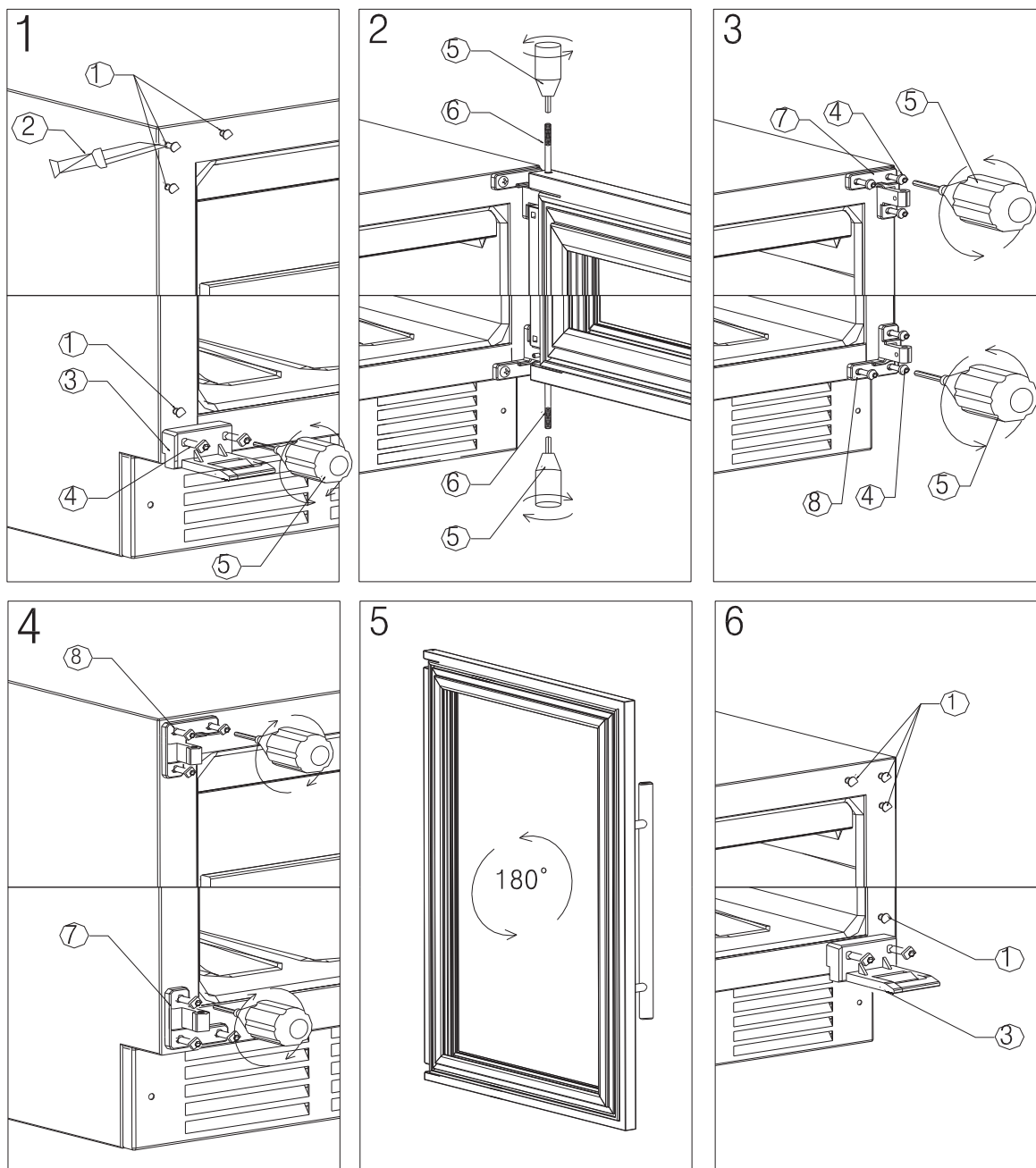
Warning: To avoid accidents during the process of changing the door, we recommend that you get assistance. The glass door is heavy and may cause injury if dropped.

- Depending on to the model and the type of handle your wine cabinet is equipped with, you may have to rotate the door through 180 degrees.

- Depending on the type of handle your wine cabinet is equipped with, the door may not be reversible or may require that a left or right opening door be ordered to change the opening side.

REMARK: WINEMEX69: The door could not reverse when the control panel install on the door.

1. Put the cabinet on open operation place, the door opened to the maximum angle
2. Use small knife(2) to take off the decorative nail (1) on opposite side (Drawing 1);
3. Use the inner six angle screwdriver (Tool 5) to disassemble the screws(4) of drop-proof device (3), of the top of the door. Take out the door and set aside. (Drawing 2)
4. Hold the door, use six angle screwdriver (Tool 5) to screw out the door shaft core(6) from the two ends of the top of the door. Take out the door and set aside. (Drawing 2)
5. Discharge the upper and lower door hinge(7)(8) by M5 inner six angle screwdriver (Tool 5) , then to assemble the door hinge on the opposite side. (Drawing 3 and 4)



INSTALLATION INSTRUCTIONS FOR BUILT IN WINE COOLERS:



WINEMEX69 model is free standing only. Any built in voids the warranty

1. “Built in” wine coolers are front venting but are not designed to be fully integrated behind a joinery door.
2. Please follow the installation diagram when installing built-in wine coolers. No less than the minimum installation dimension, or it will affect the venting of cooler.
3. Built-in wine coolers draw air from right of ventilation frame (WINEMEX24 from the rear) and expel through left of ventilation frame under the front door.
4. “Built in” wine coolers have a power switch located on the control panel so power point location is not critical.
5. The wine cooler requires a standard 240 volt/10 amp power point. (Or according to different countries specifications).
6. The power cord is 2.0m in length and is fixed on the right side at the back when looking from front of cabinet.
7. As with most appliances of today, the wine cooler has sensitive electronic components which are susceptible to damage through lightning and electricity supply faults. It is therefore advised to use a power surge protector to avoid problems of this nature.

Air vent on door must be provided for built-in wine coolers when a wood door installed.

In Hot climate zone, an air vent or grid, with a minimum ventilation size of 200mm x 40mm MUST be cut out at the rear top of the back partitioning or at the top of either side of the partitioning, allowing cool fresh air full access to flow into the 30mm gap located at the rear of the cabinet.

This air vent or grid must not be opened on the same side as other appliances such as ovens or an area that is sealed and without access to fresh cool air. Failing to comply with the above specifications could result in WARRANTY void.

Note: *The appliance must be positioned so that the plug is accessible after installed.*

WINEMEX24/26 Installation Instruction:

It is built-in model inside cabinet, the cabinet should come with good ventilation space and no backplane, otherwise it will affect the wine cooler working normally. (Installation drawing as below)

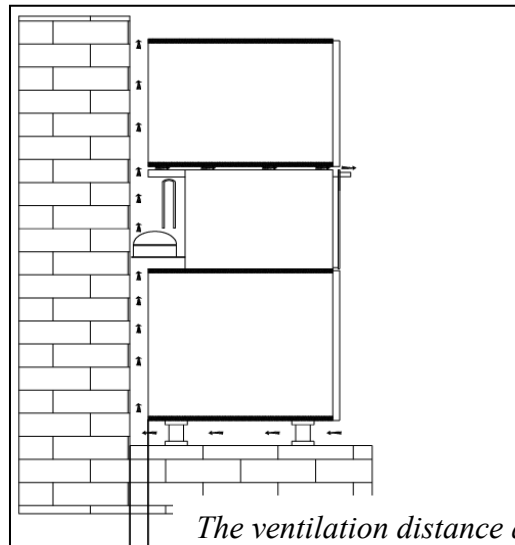
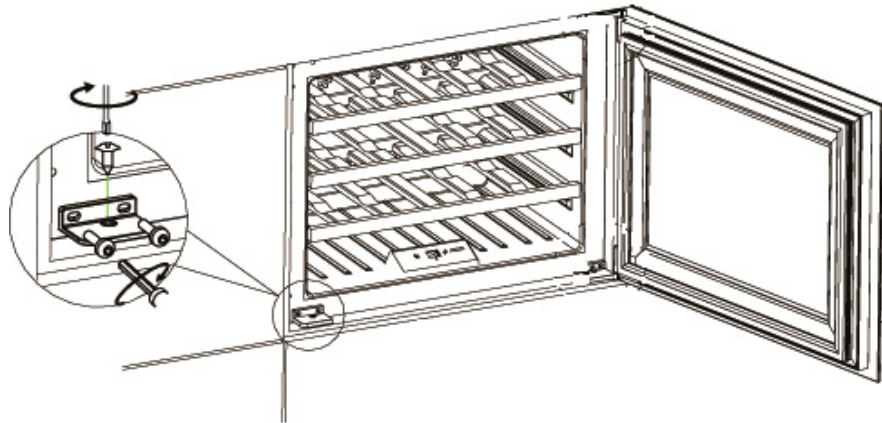


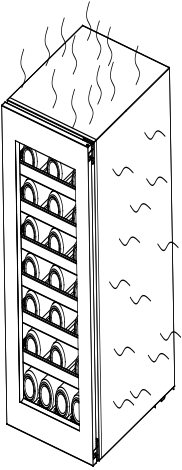
Fig. 1



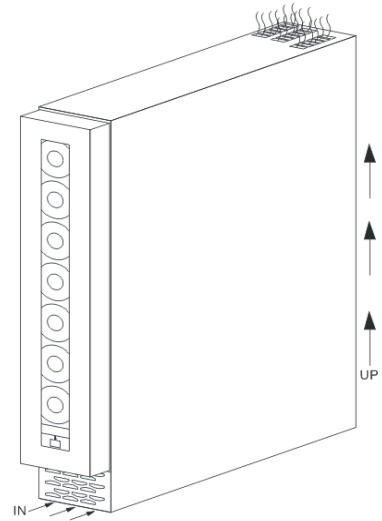
1. Put the wine cooler into the cabinet, then adjust the wine cooler to make it steady. Open the door, take out the **fixing plate (1 pcs)** , **inner Hexagon Screws ((2 pcs)** , **inner Hexagon Screwdriver (1 pcs)**, **self-tapping screws (1 pcs)** from the accessory bag.
2. Use the inner hexagon screwdriver to fix the fixing plate on the lower left side of wine cooler with 2 inner Hexagon Screws (Fig.1).
3. Fix the fixing plate into the cabinet with 1pcs self-tapping screw.

RADIATOR SYSTEM DESCRIPTION

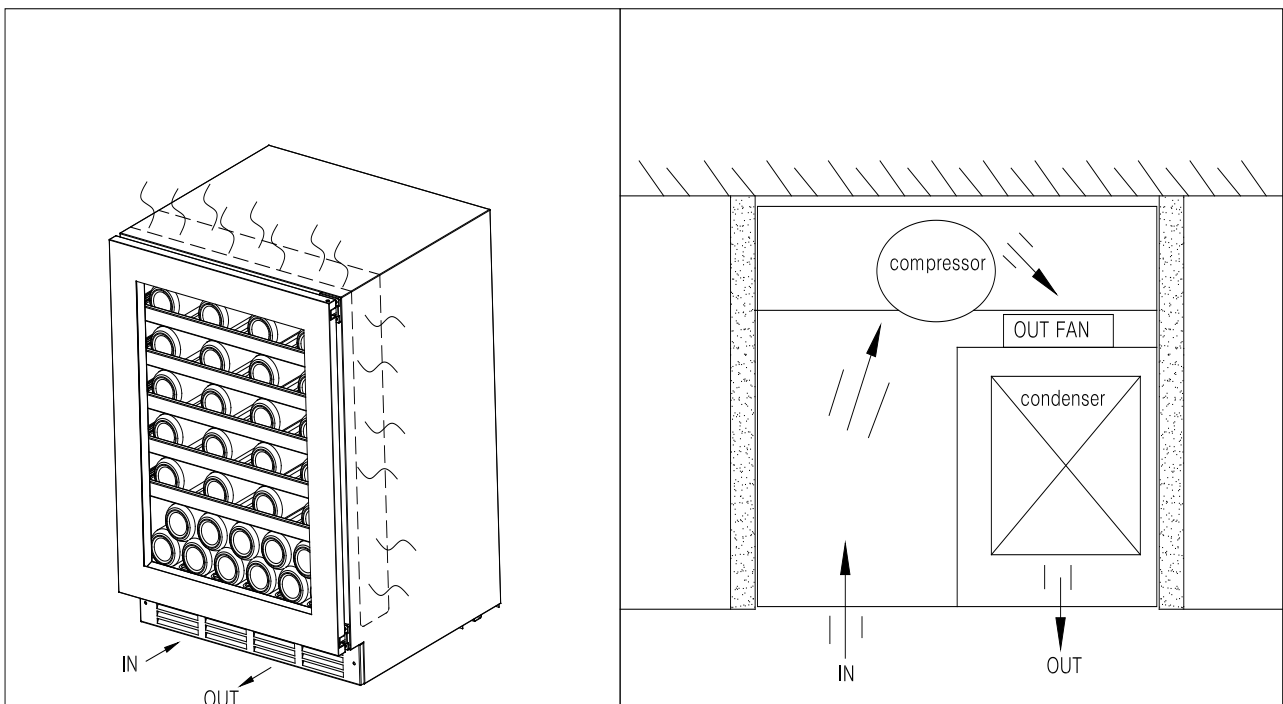
WINEMEX69 : lateral condensation cooling mode



WINEMEX7 : Air cooling system



WINEMEX20/WINEMEX40/WINEMEX145/WINEMEX39/WINEMEX93 Models use side anti-dew tube and Independent cooling system:



TURNING ON YOUR WINE COOLER

Plug in and switch on the cooler by pressing on the power button **for a few seconds**.

When you use the wine cooler for the first time (or restart the wine cooler after having it shut off for a long time), there will be a few degrees variance between the temperature you have selected and the one indicated on the LED readout. This is normal and it is due to the length of the activation time. Once the wine cooler is running for a few hours everything will stabilize.

Important: If the unit is unplugged, power is lost, or turned off, wait 3 to 5 minutes before restarting the unit. The wine cooler will not start if you attempt to restart before this time delay.

Operating Noises

To reach the desired temperature settings, Our wine coolers, like all wine coolers operating with compressors and fans, may produce the following types of noises. These noises are normal and may occur as follows:

- Gurgling sound - caused by the refrigerant flowing through the appliance's coils.
- Cracking/popping sounds - resulting from the contraction and expansion of the refrigerant gas to produce cold.
- Fan operating sound - to circulate the air within the wine cooler.

An individual's perception of noise is directly linked to the environment in which the wine cooler is located, as well the specific type of models. Our wine coolers are in line with international standards for such appliance. We will always do its utmost to satisfy its customers but will not retake possession of the goods due to complaints based on normal operating noise occurrences.

TYPES OF REGULATION

Please note that depending on the loading and settings chosen it takes about 24 hours for the wine cooler to see the temperature stabilizing.

During this time LED seems to move erratically in particular it is normal and this process occurs whenever the setting is modified and/or whenever a large amount of bottles are added to the cooler.

Single temperature Maturing/Storage wine coolers:

WINEMEX7: Built-in type, sensor touch controller and LED displayer

WINEMEX20: Both built-in and free-standing type, sensor touch controller and LED displayer

WINEMEX24/26: Built-in type, sensor touch controller and LED displayer

Dual temperature Maturing/Storage wine coolers

WINEMEX39/40/93: Both built-in and free-standing type, sensor touch controller and LED displayer

WINEMEX69: Free-standing type, sensor touch controller and LED displayer

Triple temperature:

WINEMEX145: Both built-in and free-standing type, sensor touch controller and LED displayer

Designed to store and mature all wines: red, white and sparkling. These wine coolers reproduce the ideal conditions for wine storage, at a constant recommended temperature of 12°C. They can also be set to provide ideal serving temperature for full enjoyment of the wine's qualities. Unless stated by the wine maker on the bottle, We recommends 7°C for your champagne, 12°C for whites and 18°C for reds. (Refer to "Wine Service Temperature" recommendation chart)

TEMPERATURE SETTINGS

Important: The LED displays by default the actual internal air temperature.

The temperature of the power, before all Settings will be resumed after the electricity to power the preset temperature

The electrical board of all models comes with memory function.

It is important to understand that there is a difference between the air temperature inside the wine cooler and the actual temperature of the wine: You will need to wait approximately 12 hours before noticing the effects of temperature adjustment due to the critical mass within a full wine cooler.

Once the temperature is set, it is strongly advised not to toy with it or adjust frequently. The thermostat will maintain the temperature inside the wine cooler within a +/- 2.5°C range. But the thermal inertia of the wine and the glass is such that within this temperature range, the actual temperature of the wine will only fluctuate 0.5°C to 1°C.

AUTO LIGHTNING FUNCTION

Default setting - Auto lighting on:

- Lighting on when door opened.
- Lighting off when door closed.

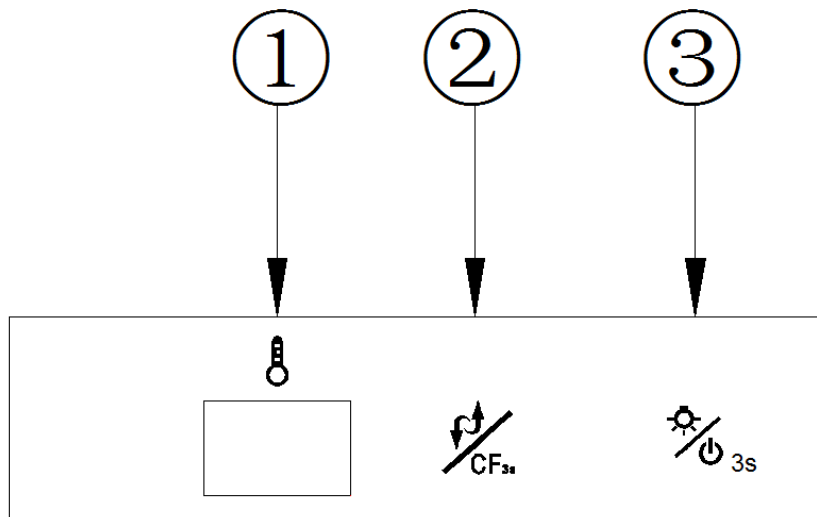
To keep lighting on even when door closed:

- A. Open door (lighting on)
- B. Manually switch off lighting
- C. Manually switch on lighting
- D. Lighting keeps on when door closed.

To resume Auto lighting setting:

- A. Open door (lighting on)
- B. Manually switch off lighting
- C. Manually switch on lighting
- D. Lighting auto off when door closed (Auto lighting resumed).

WINEMEX20 and WINEMEX40 Control panel Operation Guide



From left to right:

① **Display Window:**

Display the measured temperature inside the wine cooler;

② **Cycle Button:**

Each time, the temperature inside will drop 1 °C, until reduced to a minimum 5 degree Celsius , and then return to the highest temperature 20 degree Celsius.

Press for 3 seconds, the window to achieve Celsius / Fahrenheit display conversion

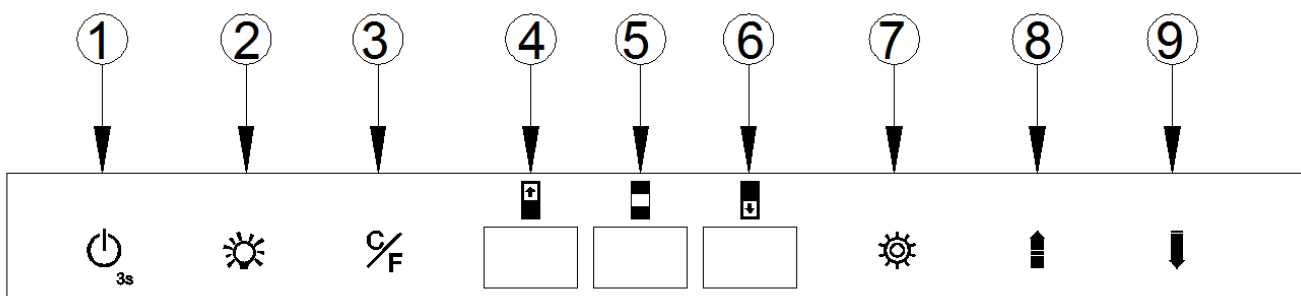
③ **Lamp & Power Button:**

When power cord connected: press and hold for 3 seconds, power is turned on, the machine starts.

In the machine power-on-state: press this button, LED lights on; Press once again, LED lights off.

In the machine power-on-state: press and hold for 3 seconds, power is turned off, the machine is off.

WINEMEX145 Control panel Operation Guide



① **“ON/OFF” Power Button :**

Press the button 3 seconds to power off (④ digital countdown displays 3, 2, 1, press the button for 0.9 seconds after the window just POP countdown numbers).

② **Lamp Button:**

Press the button and the lamp turns on, the lamp will turn off once press again.

③ C/F display conversion function button:

Set the conversion degrees Celsius / Fahrenheit display, each press this button, the display window will be into degrees Celsius or Fahrenheit.

④ Display window:

Display the upper zone temperature

⑤ Display window :

Display the middle zone temperature

⑥ Display Window:

Display the lower zone temperature

⑦ Function setting button:

For temperature setting, press this button to select a zone, selection window will flash the temperature set by buttons ⑧ and ⑨

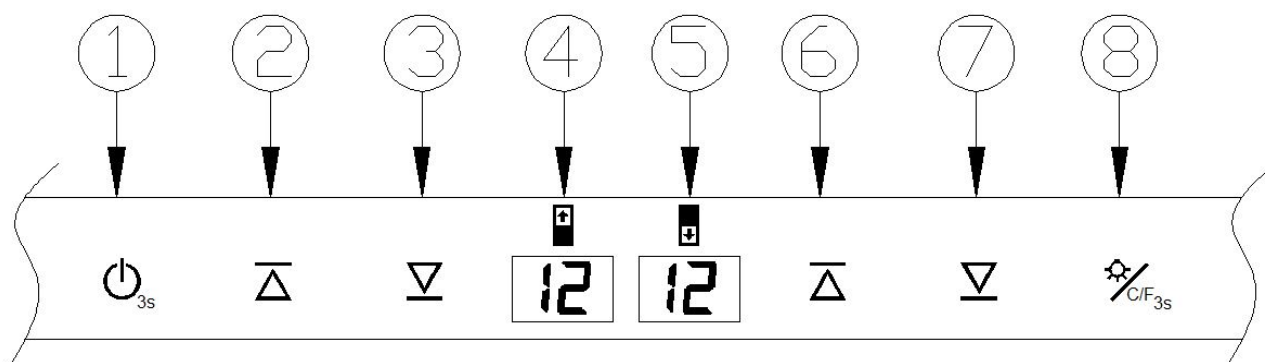
⑧ Temperature setting up button

By pressing the ⑦ function setting button to select a zone, press the temperature setting up button 1 time, the temperature will increase 1 degree Celsius.

⑨ Temperature setting down button

By pressing the ⑦ function setting button to select a zone, press the temperature setting down button 1 time, the temperature will decrease 1 degree Celsius.

WINEMEX39 / WINEMEX69 Control Panel Operation Guide



① “ON/OFF” the power button :

In the standby mode: press 3 seconds, the power is turned on, the whole machine starts

In the power-on state: press the power button, window ④ shows the countdown 3 2 1, the power is turned off, the machine is turned off (show 3 2 1 process, the hand cannot leave the button)

② Upper zone temperature setting up button:

Press one time, the setting temperature showing in window ④ will increase 1 degree Celsius.
The highest setting temperature is 20 degree Celsius.

③ Upper zone temperature setting down button:

Press one time, the setting temperature showing in window ④ will decrease 1 degree Celsius.
The lowest setting temperature is 12 degree Celsius.

④ Display window (upper zone):

Display the upper zone temperature

⑤ Display window (lower zone):

Display the lower zone temperature

⑥ Lower zone temperature setting up button:

Press one time, the setting temperature showing in window ⑤ will increase 1 degree Celsius.
The highest setting temperature is 12 degree Celsius.

⑦ Lower zone temperature setting down button:

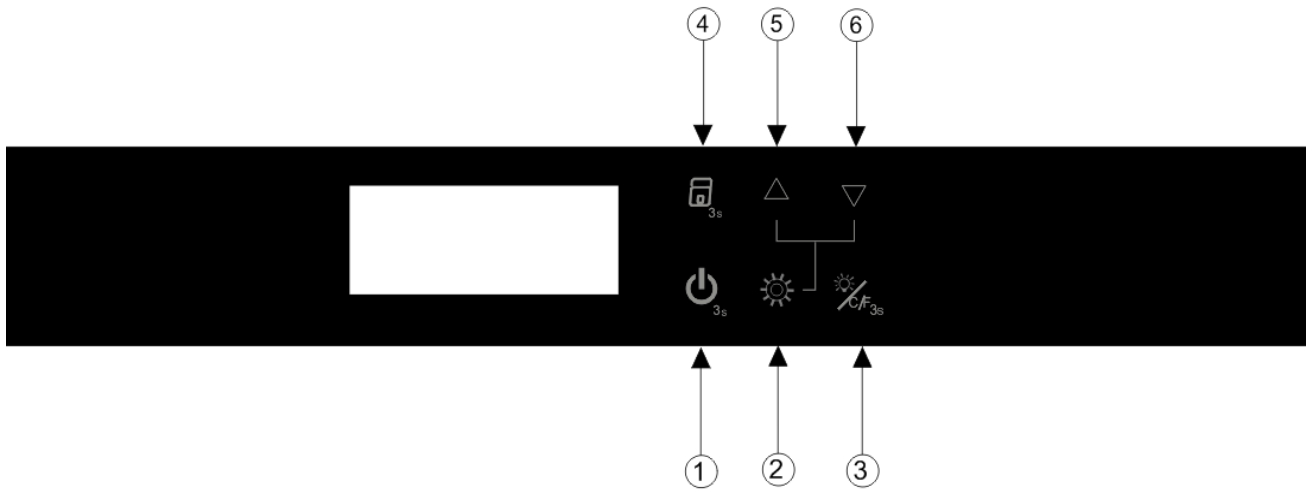
Press one time, the setting temperature showing in window ⑤ will decrease 1 degree Celsius.
The lowest setting temperature is 5 degree Celsius.

⑧ Lamp button & C/F display conversion function:

Press the button and the lamp turns on, the lamp will turn off once press again.

Set the conversion of degrees Celsius / Fahrenheit display. Press this button and hold for 3 seconds, the display window will be into degrees Celsius or Fahrenheit display.

WINEMEX93 Control Panel Operation Guide



① “ON/OFF” the power button :

When power cord connected: press and hold for 3 seconds, power is turned on, the machine starts.

In the machine power-on-state (and control-lock  deactivated): press and hold for 3 seconds, power off.

② Temperature zone switch:

Switch the selection of upper / lower zone, by each single touch.

③ Lamp button & C/F display conversion function:

Press the button and the lamp turns on, the lamp will turn off once press again.

Set the conversion of degrees Celsius / Fahrenheit display. Press this button and hold for 3 seconds, the display window will be into degrees Celsius or Fahrenheit display.

④ Control panel lock:

When power-on, press and hold for 3 seconds to unlock the control panel operation

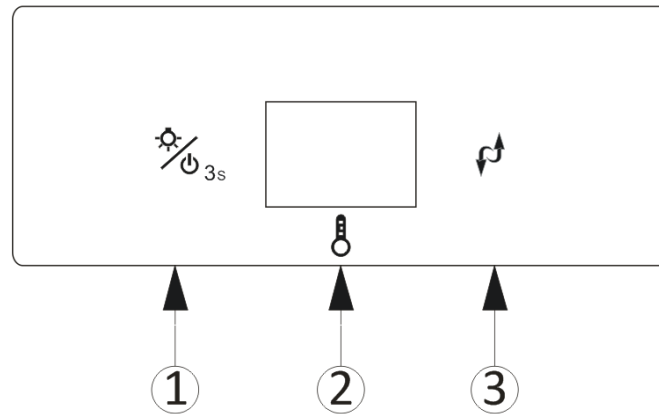
⑤ Temperature setting up button:

Setting up the temperature from 5 to 20 degree Celsius, by each single touch (increased by 1 degree C).

⑥ Temperature setting down button:

Setting down the temperature from 20 to 5 degree Celsius, by each single touch (decreased by 1 degree C).

WINEMEX24 / WINEMEX7 Display Board Control Instruction



① Lamp & Power Button

When power cord connected: press and hold for 3 seconds, power is turned on, the machine starts.
In the machine power-on-state: press this button, LED lights on; Press once again, LED lights off.
In the machine power-on-state: press and hold for 3 seconds, power is turned off, the machine is off.

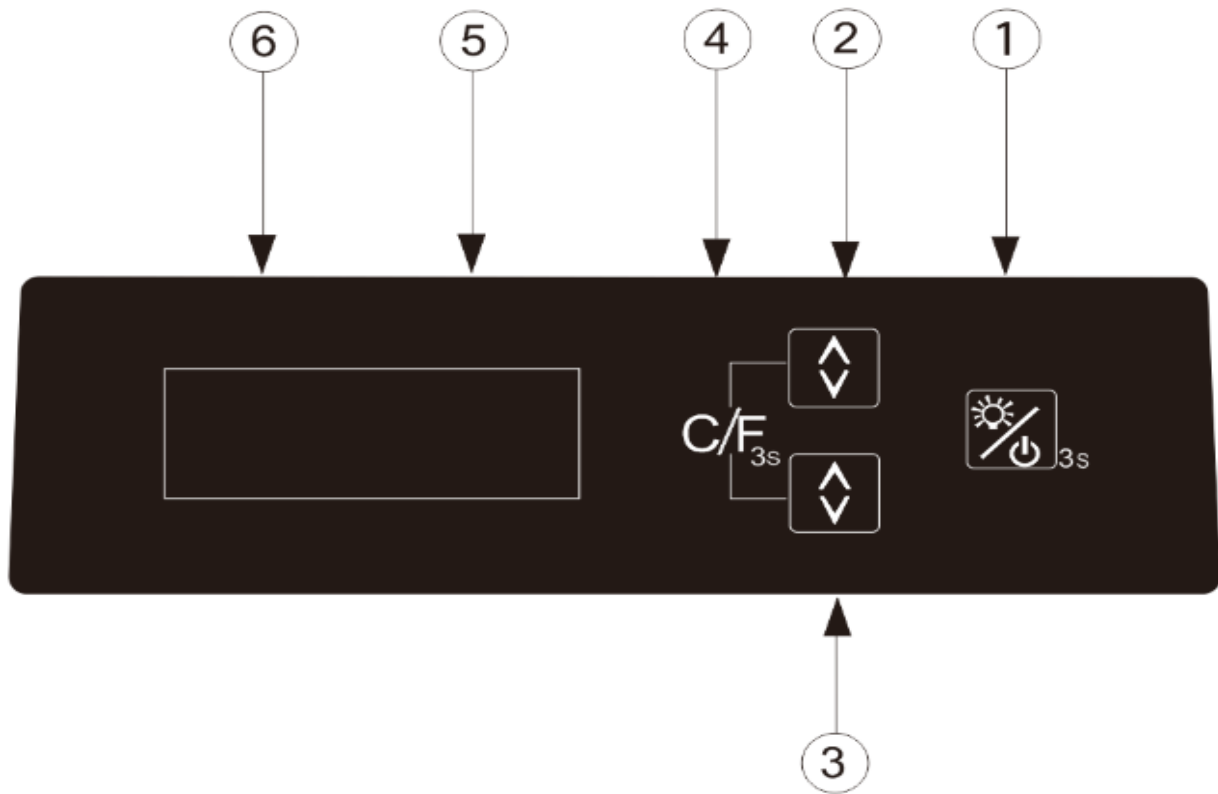
② Display Window:

Display the measured temperature inside the wine cooler;

③ Cycle Button :

Each time, the temperature inside will drop 1 °C, until reduced to a minimum 5 degree Celsius , and then return to the highest temperature 20 degree Celsius.

WINEMEX26 Display Board Control Instruction



① Lamp & Power Button

When power cord connected: press and hold for 3 seconds, power is turned on, the machine starts.

In the machine power-on-state: press this button, LED lights on; Press once again, LED lights off.

In the machine power-on-state: press and hold for 3 seconds, power is turned off, the machine is off.

② Upper zone temperature setting button:

Setting the upper zone temperature in window ⑥ from 10 to 20 degree Celsius, by each single touch.

③ Lower zone temperature setting button:

Setting the lower zone temperature in window ⑤ from 5 to 12 degree Celsius, by each single touch.

④ C/F display conversion button:

Converting the degrees Celsius / Fahrenheit display in windows ⑤ ⑥ , by simultaneously pressing ② ③ and hold for 3 seconds

LOADING YOUR WINE COOLER

You may load your wine bottles in single or double rows while taking note of the following: if you do not have enough bottles to fill your wine cooler, it is better to distribute the load throughout the wine cooler so as to avoid “all on top” or “all below” type loads.

- Do not remove or relocate adjustable wooden shelves to accommodate larger type of bottles or increase the capacity of the cooler by stacking the bottles up when necessary. (See removing shelves)
- Keep small gap between the walls and the bottles to allow air circulation. Like an underground cooler air circulation is important to prevent mould and for a better homogeneous temperature within the cooler.



- Do not over load your wine cooler to facilitate air circulation.
- Do not stack more than 1.5 rows of standard 0.75L bottles per shelves to facilitate air circulation
- Avoid obstructing the internal fans (located inside on the back panel of the wine cooler).
- Do not slide the shelves outwards beyond the fixed position to prevent the bottles from falling.
- Do not pull out more than one loaded shelf at a time as this may cause the wine cooler to tilt forward.
- Do not cover the wooden shelves with alloy foil or other materials, as it will obstruct air circulation.
- *Do not move your wine cooler while it is loaded with wines. This might distort the body of the wine cooler and cause back injury.*

WINE SERVING TEMPERATURE CHART

All wines mature at the same temperature, which is a constant temperature set between 12°C to 14°C. The below chart is an indicative temperature chart to indicate the best temperature for drinking purposes.

| | |
|---|-------------------------------------|
| Champagne NV, Sparkling, Spumante | 6°C |
| Dry White Semillon, Sauvignon Blanc | 8°C |
| Champagne Vintage, | 10°C |
| Dry White Chardonnay | 10°C |
| Dry White Gewürztraminer, Riesling, Pinot grigio | 10°C |
| Sweet White Sauternes, Barsac, Montbazillac, Ice Wine, Late Harvest | 10°C |
| Beaujolais | 13°C |
| Sweet White Vintage: Sauternes... | 14°C |
| White Vintage Chardonnay | 14°C |
| Red Pinot Noir, | 16°C |
| Red Grenache, Syrah | 16°C |
| Red Vintage Pinot Noir | 18°C |
| Cabernet & Merlot: French, Australian, New Zealand, Chilean, Italian, Spanish, Californian, Argentinean... | 20°C |
| Vintage Bordeaux ... | Room temperature not exceeding 20°C |

IMPORTANT INFORMATION ABOUT TEMPERATURE

Your wine cooler has been designed to guarantee optimum conditions for storing and/or serving your wines.

Fine wines require long and gentle developments and need specific conditions in which to reach their full potential.

All wines mature at the same temperature, which is a constant temperature set between 12°C to 14°C. Only the temperature of “dégustation” (wine appreciation) varies according to the type of wines (see “Wine Serving Temperature Chart” above). This being said and as it is for natural coolers used by wine producers for long period of storage, it is not the exact temperature that is important, but its consistency. In other words, as long as the temperature of your wine cooler is constant (between 12°C to 14°C) your wines will be stored in perfect conditions.

Not all wines will improve over the years. Some should be consumed at an early stage (2 to 3 years) while others have tremendous ageing capability (50 and over). All wines have a peak in maturity. Do check with your wine merchant to get the relevant information.

DEFROSTING/CONDENSATION/ HYGROMETRY/ VENTILATION

Your wine cooler is designed with “Auto-cycle” defrost system. During “Off-cycle” the refrigerated surfaces of the wine cooler defrost automatically. Defrost water from the wine cooler storage compartment drains automatically and part of it goes into a drainage container, which is located at the back of the wine cooler next to the compressor. The heat is transferred from the compressor and evaporates any condensation that has collected in the pan. Part of the remaining water is collected within the wine cooler for humidity purposes.

This system enables the creation of the correct humidity level inside your wine cooler required by the natural cork to maintain a long lasting seal.

Notes: *The water collected by condensation, is therefore recycled. Under extremely dry environmental conditions, you may have to add some water into the water container provided with your wine cooler.*

All units are equipped with a double glazed glass door that has a third internal acrylic layer to minimize condensation on the glass door.

The wine cooler is not totally sealed; fresh air admission is permitted through the drainpipe. Air is circulated through the cooler by means of a fan/fans and the hollow shelves.

Notes: *During the refrigerating cycle, heat is given off and disperses through the external surfaces of the wine cooler. Avoid touching the surfaces during those cycles.*

OPERATION ANOMALIES

Ensure that there is power to the electrical supply plug by connecting another electrical appliance to it. Check fuse, if any. Make sure that the door is closed properly.

If your wine cooler appears to be malfunctioning, unplug it and contact your after sales service. Any intervention on the cold circuit should be performed by a refrigeration technician who should carry out an inspection of the circuit sealing system. Similarly, any intervention on the electrical circuit should be performed by a qualified electrician.

Notes: *Any intervention performed by a non- authorized technician We will lead to the warranty being considered as null and void.*

POWER FAILURES

In the event of a power interruption, all previous temperature settings are automatically preservation and it will revert to a preset temperature setting. (See preset chart)

Most power failures are corrected within a short period of time. An hour or two’s loss of power will not affect wine cooler’s temperatures. To avoid sudden change of temperature while the power is off, you should avoid opening the door. For longer period of power failure, do take steps to protect your wine.

Irrespective of the cause, if you notice either abnormal temperature or humidity levels inside your wine cooler, be reassured that only long and frequent exposure to these abnormal conditions can cause a detrimental effect on your wines.

TROUBLESHOOTING GUIDE

Common problems may easily be solved, saving you the cost of a possible service call. Please read carefully the instruction manual and revert to troubleshooting guide chart.

| PROBLEM | POSSIBLE CAUSE |
|---|---|
| Wine cooler does not operate. | Not plugged in. The appliance is turned off. The circuit breaker tripped or the fuse is broken. |
| Wine cooler is not cold enough. | Check the temperature control setting. External environment may require a higher setting. The door is opened too often. The door is not closed completely. The door gasket does not seal properly. |
| Turns on and off frequently. | The room temperature is hotter than normal. A large amount of contents has been added to the Wine cooler. The door is opened too often. The door is not closed completely. The temperature control is not set correctly. The door gasket does not seal properly. |
| The light does not work. | Not plugged in. The circuit breaker tripped or a blown fuse. The bulb is out of order. The light button is "OFF". |
| Vibrations. | Check to assure that the Wine cooler is level. |
| The Wine cooler seems to make too much noise. | The rattling noise may come from the flow of the refrigerant, which is normal. As each cycle ends, you may hear gurgling sounds caused by the flow of refrigerant in your Wine cooler. Contraction and expansion of the inside walls may cause popping and crackling noises. The Wine cooler is not level. |
| The door will not close properly. | The Wine cooler is not level. The door was reversed and not properly installed. The gasket is faulty. (magnet or rubber is spoiled) The shelves are out of position. |

Standard features:

Compressor operated: R600a

- Available in rated voltage/frequency (as per country' requirements):
100V/50/60Hz, 220V/50/60Hz,115V/50Hz

- Automatic defrost

- Humidity : 65% RH +/-10% RH

- Black outer and inner finish

- Internal light

- Adjustable feet x 4

- Triple layers glass door

- Optional Common or Seamless stainless steel finish door frame or Full black glass door

THERMEX SCANDINAVIA A/S SERVICEAFD.:

Farøvej 30 • 9800 Hjørring • Danmark

Tlf.: 98 92 62 33

E-mail: service@thermex.dk

THERMEX SCANDINAVIA AS

Tel.: 22 21 90 20 • Fax: 22 21 90 21

E-mail: service@thermex.no • www.thermex.no

THERMEX SCANDINAVIA AB

Importgatan 12 A • S-422 46 Hisings Backa

Tel: 031 340 82 00

E-mail: info@thermex.se • www.thermex.se

THERMEX SCANDINAVIA S.L.U.

C/Noi del Sucre, 42 • 08840 Viladecans

Tel.: 93 637 30 03

E-mail: info@thermex.es • www.thermex.es

THERMEX SCANDINAVIA AS

+358 942454000

E-mail: info@thermex.fi • www.thermex.fi

