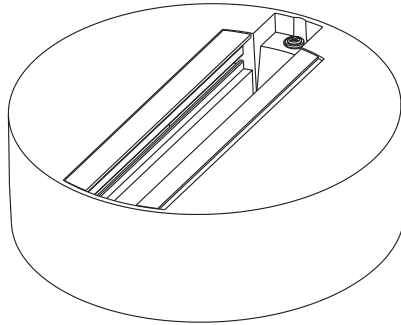
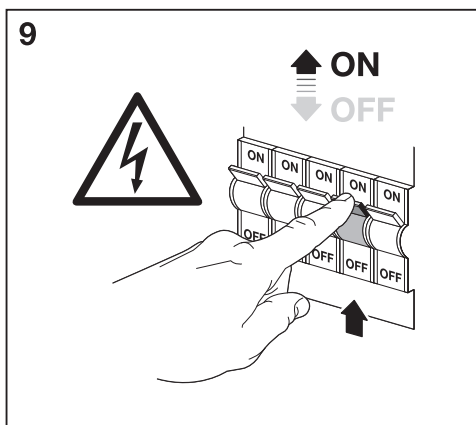
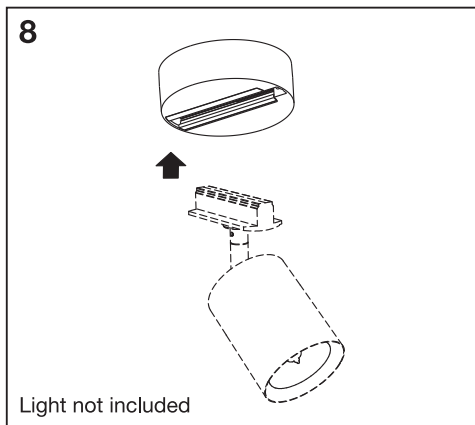
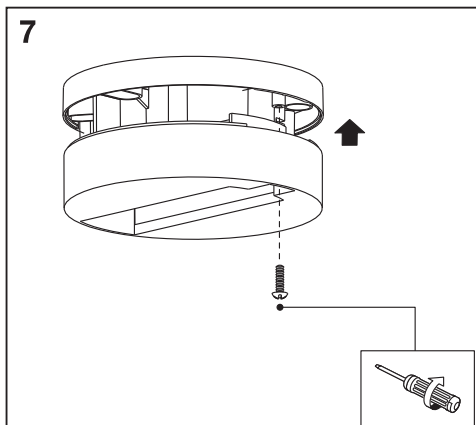
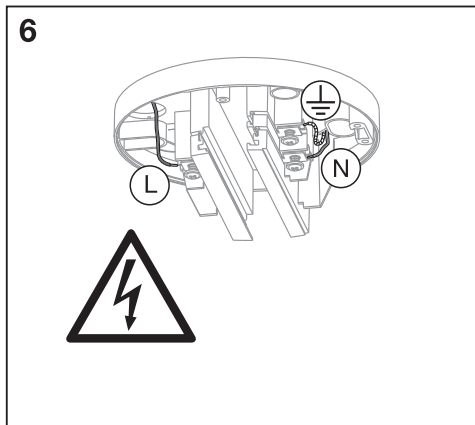
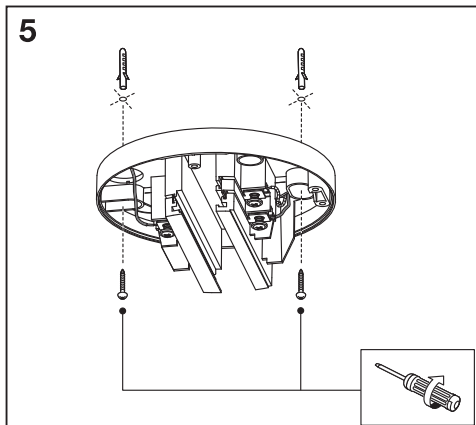

**TRACKLIGHT
ROUND BASE**



	EAN	IP	Δ (°C)	V~	Hz
TRACKLIGHT ROUND BASE BK	4058075764200	20	-20...+40	220-240	50/60
TRACKLIGHT ROUND BASE WT	4058075764224	20	-20...+40	220-240	50/60





TRACKLIGHT SYSTEM



220-240V → G

F

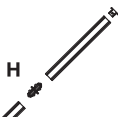
I

K

J

L

M



H

J

M

L

K

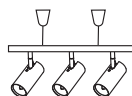
J

L

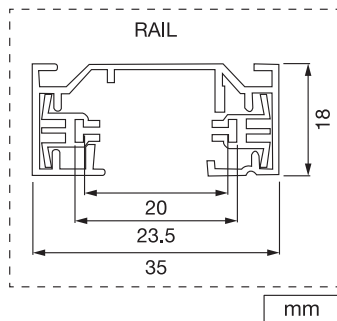
M

L

M



ACCESSORIES



Item	Model	Socket	Dimension L x W x H	Color	EAN
A	TRACKLIGHT SPOT CYLINDER	GU10	140 x 55 x 130 mm	White Black	4058075756588 4058075756625
B	TRACKLIGHT SPOT MINICYLINDER	GU10	135 x 65 x 93 mm	White Black	4058075756649 4058075756663
C	TRACKLIGHT SPOT CYLINDER	GU10	142 x 65 x 93 mm	White Black	4058075756687 4058075756700
D	SMART WIFI TRACKL SPOT CIRCLE TUNABLE	Integrated LED	φ120 x 95mm	White Black	4058075759749 4058075759763
E	SMART WIFI TRACKL SPOT OSAKA TUNABLE	Integrated LED	64.5 x 92 x 140mm	White Black	4058075759787 4058075759800
F	TRACKLIGHT RAIL	-	1000 x 35 x 18 mm	White Black	4058075763920 4058075763944
G	TRACKLIGHT SUPPLY CONNECTOR	-	104 x 35 x 18 mm	White Black	4058075763968 4058075763982
H	TRACKLIGHT LINEAR CONNECTOR	-	64 x 35 x 18mm	White Black	4058075764002 4058075764026
I	TRACKLIGHT CORNER CONNECTOR	-	104 x 104 x 18 mm	White Black	4058075764040 4058075764064
J	TRACKLIGHT FLEXIBLE CONNECTOR	-	290 x 35 x 18 mm	White Black	4058075764088 4058075764101
K	TRACKLIGHT CROSS CONNECTOR	-	172 x 172 x 18 mm	White Black	4058075764125 4058075764149
L	TRACKLIGHT SUSPENSION KIT	-	61 x 33 x 15 / φ40 x 47mm	White Black	4058075764163 4058075764187
M	TRACKLIGHT ROUND BASE	-	32 x ø100 mm	White Black	4058075764200 4058075764224



C10449057
G11138673
11.04.2022



© LEDVANCE Ltd, Aquila House,
Delta Crescent, Westbrook, Warrington,
WA5 7NR, United Kingdom

LEDVANCE GmbH
Steinerne Furt 62
86167 Augsburg, Germany
www.ledvance.com