

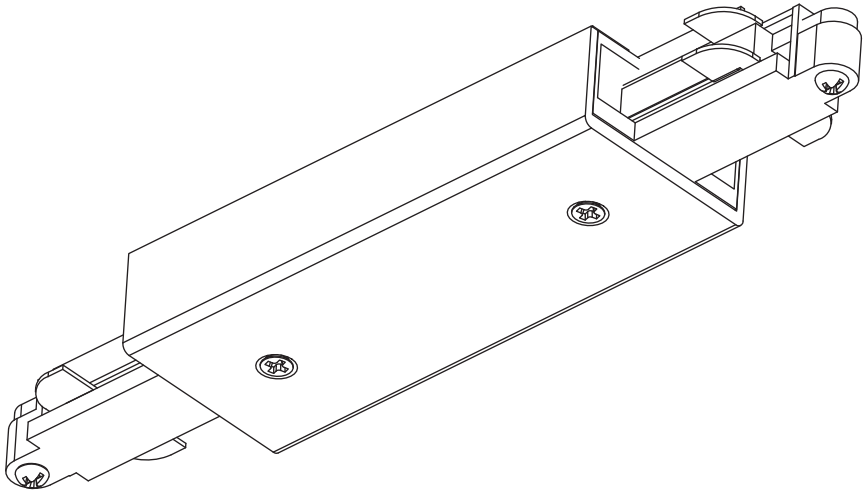
---

# TRACKLIGHT MIDDLE POWER SUPPLY

---

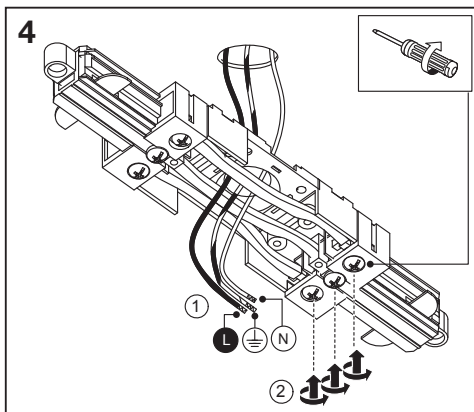
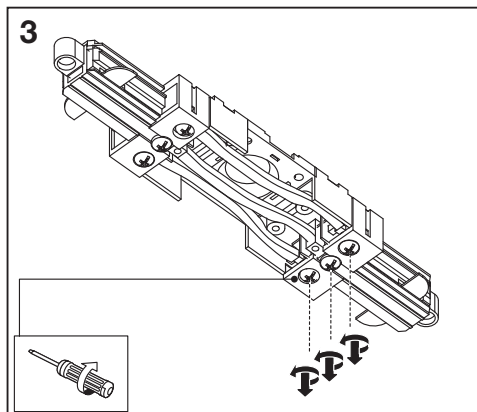
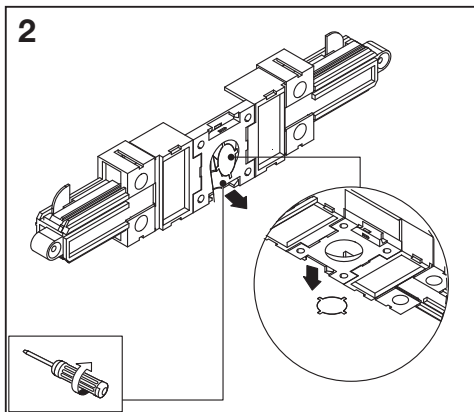
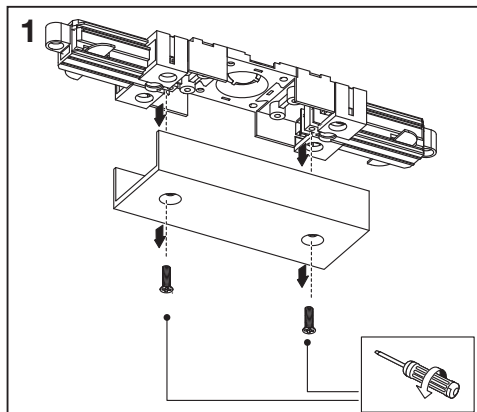
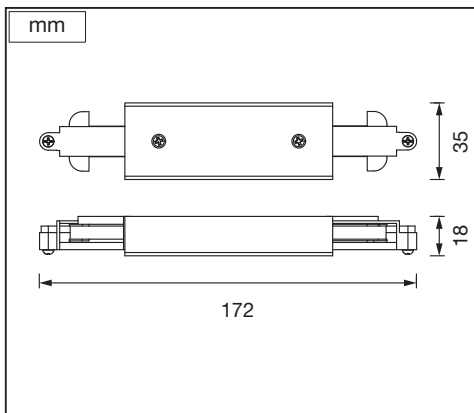
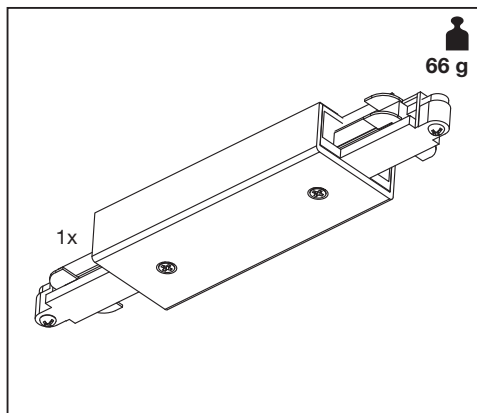


LEDVANCE



	EAN	IP	$t_{amb}$ (°C)	V~	Hz
TRACKLIGHT MIDDLE POWER SUPPLY WT	4099854386602	20	-20...+40	220-240	50/60
TRACKLIGHT MIDDLE POWER SUPPLY BK	4099854386633	20	-20...+40	220-240	50/60

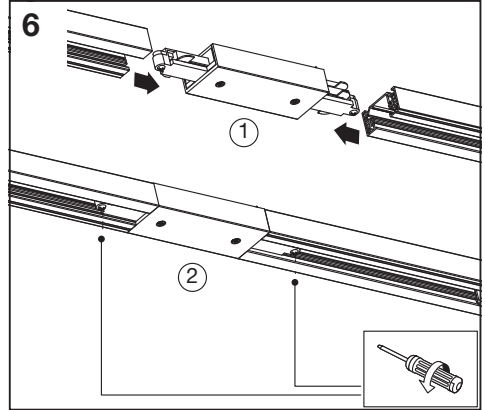
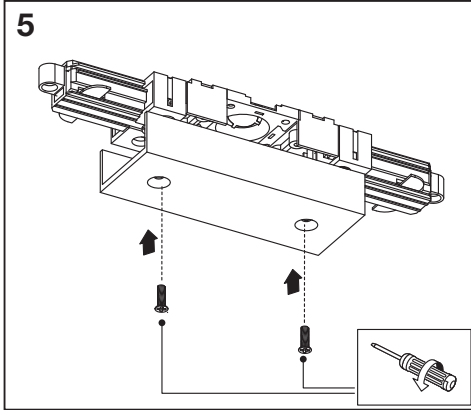
# TRACKLIGHT MIDDLE POWER SUPPLY



---

# TRACKLIGHT MIDDLE POWER SUPPLY

---

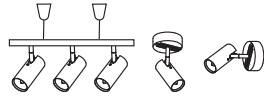




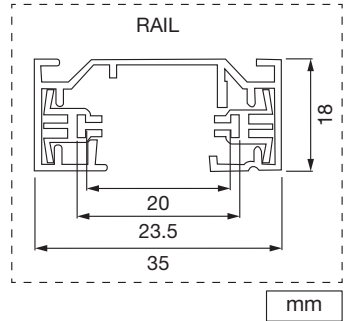
## TRACKLIGHT SYSTEM



220-240V →



## ACCESSORIES



Item	Model	Socket	Dimension L x W x H	Color	EAN
A	TRACKLIGHT SPOT CYLINDER	GU10	140 x 55 x 130 mm	White Black	4058075756588 4058075756625
B	TRACKLIGHT SPOT MINICYLINDER	GU10	135 x 65 x 93 mm	White Black	4058075756649 4058075756663
C	TRACKLIGHT SPOT CYLINDER	GU10	142 x 65 x 93 mm	White Black	4058075756687 4058075756700
D	SMART WIFI TRACKL SPOT CIRCLE TUNABLE	Integrated LED	ø120 x 95 mm	White Black	4058075759749 4058075759763
E	SMART WIFI TRACKL SPOT OSAKA TUNABLE	Integrated LED	64.5 x 92 x 140 mm	White Black	4058075759787 4058075759800
F	TRACKLIGHT RAIL	-	1000 x 35 x 18 mm	White Black	4058075763920 4058075763944
G	TRACKLIGHT SUPPLY CONNECTOR	-	104 x 35 x 18 mm	White Black	4058075763968 4058075763982
H	TRACKLIGHT LINEAR CONNECTOR	-	64 x 35 x 18 mm	White Black	4058075764002 4058075764026
I	TRACKLIGHT CORNER CONNECTOR	-	104 x 104 x 18 mm	White Black	4058075764040 4058075764064
J	TRACKLIGHT FLEXIBLE CONNECTOR	-	290 x 35 x 18 mm	White Black	4058075764088 4058075764101
K	TRACKLIGHT CROSS CONNECTOR	-	172 x 172 x 18 mm	White Black	4058075764125 4058075764149
L	TRACKLIGHT SUSPENSION KIT	-	61 x 33 x 15 / ø40 x 47 mm	White Black	4058075764163 4058075764187
M	TRACKLIGHT ROUND BASE	-	32 x ø100 mm	White Black	4058075764200 4058075764224
N	TRACKLIGHT PENDANT CONNECTOR	-	81 x 34 x 40 mm	White Black	4099854386541 4099854386572
O	TRACKLIGHT MIDDLE POWER SUPPLY	-	172 x 35 x 18 mm	White Black	4099854386602 4099854386633



FR

Cet appareil et ses accessoires se recyclent

À DÉPOSER EN MAGASIN

À DÉPOSER EN DÉCHÈTERIE

OU

Points de collecte sur [www.quefairedemesdechets.fr](http://www.quefairedemesdechets.fr)

C10449057  
G11201930  
11.07.2024



LEDVANCE GmbH  
Steinerne Furt 62  
86167 Augsburg, Germany  
[www.ledvance.com](http://www.ledvance.com)