

HARVIA TOP CLASS

HKSE800400

Harvia Topclass Combi is a unique combination of an electric heater and a steamer that provides sauna enjoyment for all senses. This heater is created for bathers who appreciate soft and humid steam and a fragrant atmosphere. The heater has luxurious soapstone cups to hold sauna fragrances and a stainless steel grate for bagged aromatic fragrances.



Features

Main material : Steel

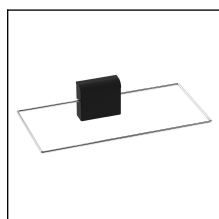
H x W x D : 640.0 x 400.0 x 360.0 mm

Net weight (kg) : 16.7

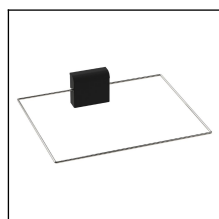
Installation location : Wall

ID	GTIN	Output (kW)	Sauna room size min - max m3
HKSE800400	6417659005555	8 kW	7.0-12.0

Related products



SFE-220400



SFE-350400

Spare parts

Product	ID	Pcs
Silicon hose HGX 19/23	ZSTM-400	
Heating element 2670W/230V	ZSK-710	1
Heating element 2000W/230V	ZH-104	1
Soapstone cup Ø 46/36	ZH-205	2
Seal Cu Ø 19/13*1.5	ZH-105	
Reducing nipple Ra0151418	ZH-106	
Gasket plate for heating element	ZSK-810	
Silicon hose pipe 12/16	ZH-175	1
Bracket for thermostat 2013	ZH-129	
Connection pipe 7/10, silicon	ZH-170	1
Connection cable holder Harvia	ZSK-555	
Slot-headed screw Din 7985 M5*10 S	ZSK-620	
Furnace grate for KIP	ZSK-80	
Gasket for heating element	ZSK-800	
Cable set Topclass Combi	ZSV-9	
Bottom of electric housing, E-model	ZSVE-50	
Packing box for Topclass Combi	ZSVH-150	
Harvia mark with sticker	ZH1-180	
Emptying pipe	ZH-112	
	ZSV-7	
KV/Combi wall bracket	ZSV-110	
Pipe 7/10 1M, silicone transparent	SPZH-170	1
Pipe 12/16 1 M, silicone transparent	SPZH-175	1
Heating element 2670W 230V	SPZSK-710	3
Heating element 2000W 230V	SPZH-104	1
Soapstone cup Ø 46/36, grey	SPZH-205	1
Rubic 2118	S2118RC	
Rubic 2121	S2121RC	
Rondium 1945*1945	S2020KL	

Technical details

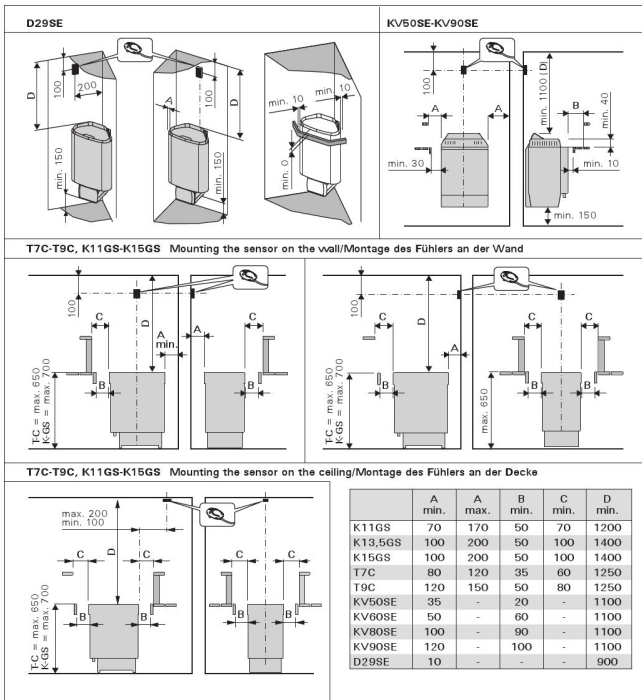
Technical data	Type / attribute	HKSE800400
	Color	Stainless Steel
	Power output	8 kW
	Stone amount (kg)	20
Dimensions	Product width	400
	Product height	640
	Product depth (mm)	360
	Net weight (kg)	16.7
	Gross weight	18
	Package width	375
	Package height	690
	Package depth	415
Safety and installation dimensions	Safety distance front (non-combustible materials)	90



Technical details

Technical data	Type / attribute	HKSE800400
	Safety distance side (non-combustible materials)	100
	Safety distance behind (non-combustible materials)	100
	Safety distance (Ceiling)	1100
	Room min. height(depends on connections and therefore from output, star/delta)	1900

Technical images



Safety distances (all dimensions in millimeters)