

Installation Instruction

LED DECK LIGHT

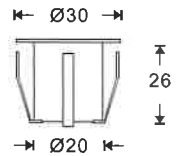
Art nr: 107245



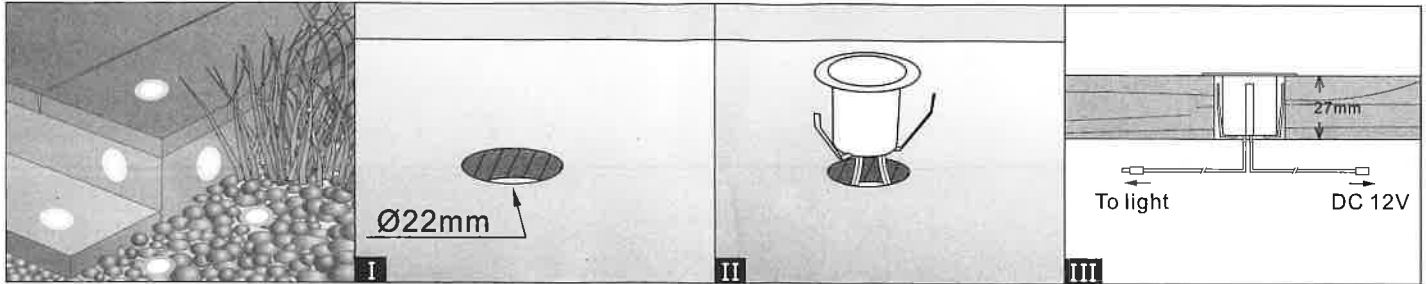
12V DC /Max 0.4W LED
Color options: 2700K

Light specification:

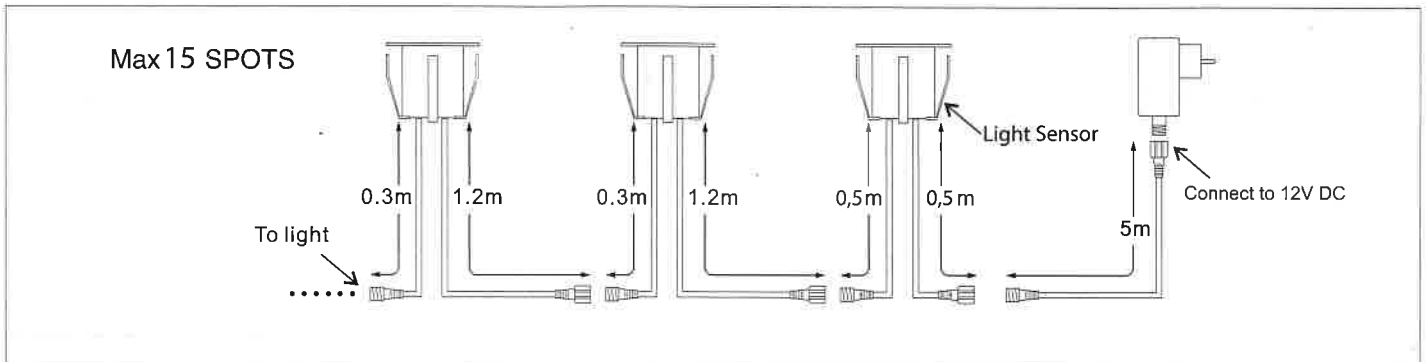
The luminaire is not provided for LED replacement because the LED lifespan is 40,000-50,000 hours.



INSTALLATION INSTRUCTIONS



LINKING OPERATION



ATTENTION

1. Warning: this lamp may only be used with the LED light source provided.
2. Please connect the LED lamp to the driver before connecting the driver to the outlet - or you may damage the LED light source.

CLEANING INSTRUCTIONS

Only clean surface with a mild cleaning agent using a soft cloth.

TOOLS YOU WILL NEED



Markslöjd Intertrade AB
Gränsvägen 5 S-51162 Skene Sweden
www.markslويد.com