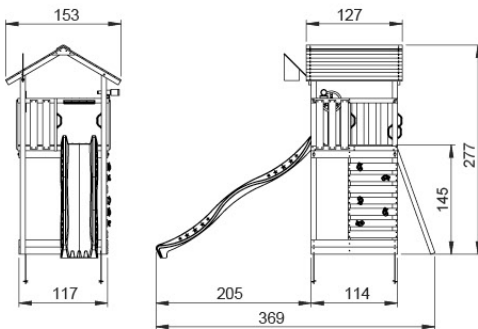
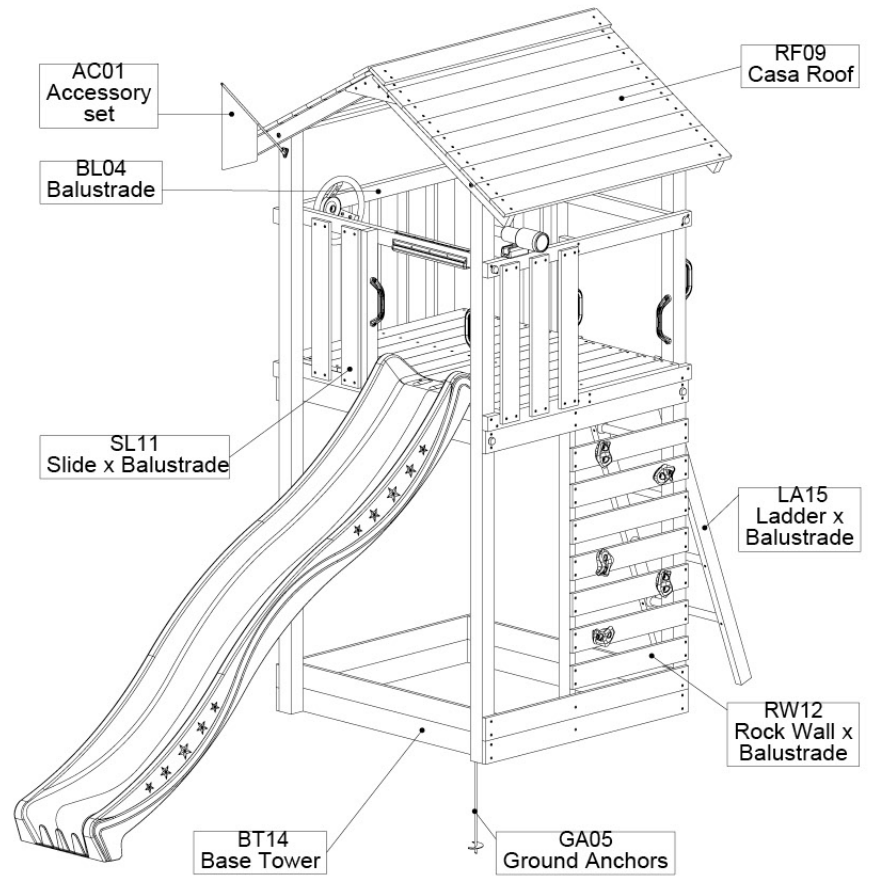
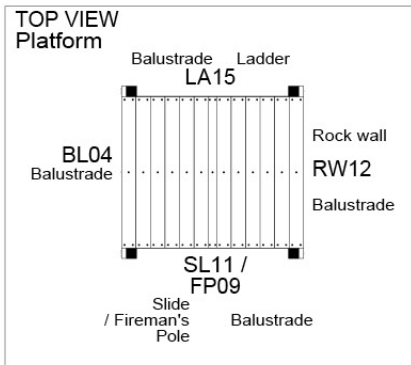
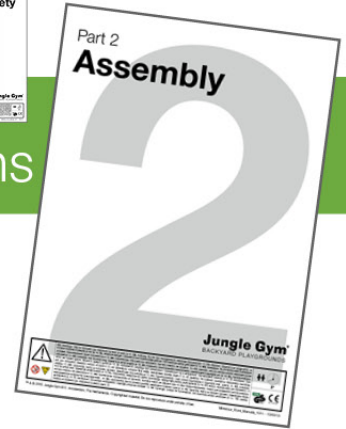


Assembly

Jungle Cottage 2.1

801_090



Jungle Gym

BACKYARD PLAYGROUNDS

since 1988

	<p>EN. Warnings. Only for domestic use. Maximum number of users is 6. DE. Achtung. Nur für den Hausgebrauch. Maximale Benutzerzahl: 6. FR. Attention. Réserve à un usage familial. Le nombre maximal d'utilisateurs est de 6. NL. Waarschuwingen. Uitsluitend voor huishoudelijk gebruik. Het maximale aantal gebruikers is 6. BG. Внимание. За употреба само в домашни условия. Максималният брой потребители е 6. CS. Varování. Jen pro domácí použití. Maximální počet uživatelů je 6. DA. Advarsel. Kun til privat brug. Maksimum antal brugere er 6. EL. Προειδοποίηση. Μόνο για οικιακή χρήση. Μέγιστος αριθμός χρηστών 6. ES. Advertencias. Solo para uso doméstico. Número máximo de usuarios: 6. ET. Holatused. Ainult koduseks kasutamiseks. Maksimaalne kasutajate arv on 6. FI. Varoitukset. Ainoastaan kotikäyttöön. Käyttäjää yhteensä enintään 6. HR. Upozorenja. Samo za kućansku uporabu. Maksimalan broj korisnika je 6. HU. Figyelmeztetések. Csak otthoni használatra! A használók max. száma: 6. IS. Varnaðarorð. Engöngun fyrir einkanoðkun í heimahúsum og á einkalóðum. Hámarksfjöldi notenda er 6. IT. Avvertenze. Solo per uso domestico. Massimo numero di utenti è 6. LT. Įspėjimai. Tik buitnam naudojimui. Maksimalus naudotojų skaičius 6. LV. Brīdinājumi. Izmanto tikai mājās. Maksimālais lietotāju skaits ir 6. NO. Advarsel. Kun for privat bruk. Maksimalt antall brukere er 6. PL. Ostrzeżenia. Wyłącznie do użytku domowego. Maksymalna liczba użytkowników to 6. PT. Avisos. Apenas para uso doméstico. O número máximo de utilizadores é 6. RO. Avertismente. Numar pentru uz domestic. Numarul maxim de utilizatori este 6. RU. Предостережения. Только для домашнего использования. Максимальное количество пользователей - 6. SK. Upozornenia. Iba na domáce použitie. Maximálne množstvo osôb je 6. SL. Opozorila. Samo za domačo uporabo. Maksimalno število uporabnikov je 6. SR. Upozorenja. Samo za kućnu upotrebu. Maksimalan broj korisnika je 6. SV. Varningar. Endast för hemmabruk. Det maximala antalet användare är 6. TR. Uyarılar. Sadece ev kullanımı için. Maksimum kullanıcı sayısı 6.</p>	<p>5h</p>
	<p>EN 71-1,-2,-3,-8&-9</p>	

01 What's in the Delivery?

401_080

<p>1x 040_805 1x 040_910</p>	<p>1x 022_300</p>	<p>1x 122_302 1x 022_800</p>	<p>1x 120_024 1x 103_901</p>	<p>3x 120_102 2x 022_920 4x 001_404</p>
<p>1x 123_200</p>	<p>4x 005_03x 8x 022_835</p>	<p>2x 005_522</p>	<p>1x 022_910</p>	<p>1x 100_030</p>
<p>1x 104_107</p>	<p>2x 007_001</p>	<p>5x 022_50x</p>	<p>1x 201_275 1x 334_x00</p> <p>FMP / Slide</p>	

02 Hardware

Total HWP 100_xxx Jungle Cottage 2.1

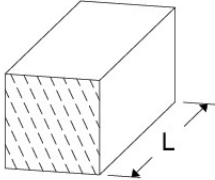
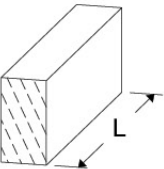
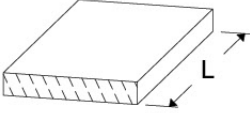
20211021

001_102	10x		M8 x 30mm	000_101	10x		ø2 x 20mm
001_417	8x		ø8 x 80mm	003_010	10x		M8x14.2mm
001_411	4x		ø8 x 60mm	004_050	10x		M8 x 22mm
001_406	7x		ø8 x 45mm	120_005	8x		M8
001_404	4x		ø8 x 30mm				
002_223	62x		ø5 x 80mm				
002_220	344x		ø5 x 45mm				
002_219	6x		ø5 x 30mm				
002_308	2x		ø5.0 x 20mm				
002_041	3x		ø4.5 x 20mm				
002_042	4x		ø3.5 x 13mm				

03 Timber

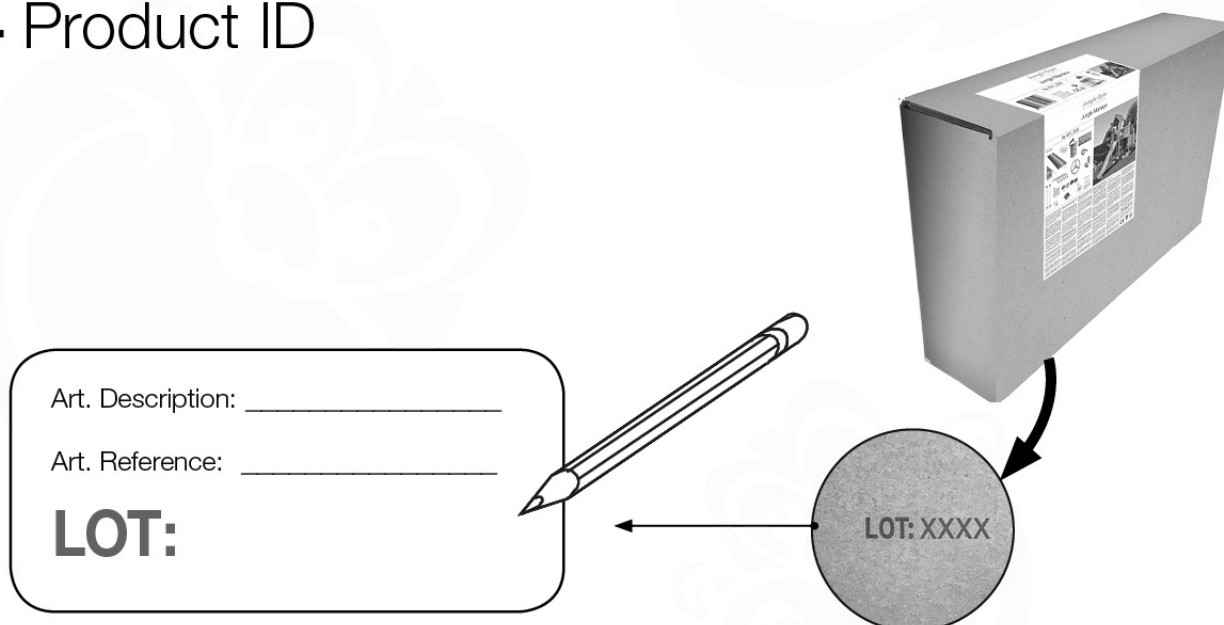
601_092 Timber pack Jungle Cottage 2.1

L

<p>A</p> 	<p>A240</p>	<p>239cm - 240cm</p>	<p>4x</p>
<p>C</p> 	<p>C206 C150 C114 C84 C70</p>	<p>205cm - 206cm 149cm - 150cm 113cm - 114cm 83cm - 84cm 69cm - 70cm</p>	<p>1x 2x 9x 4x 2x</p>
<p>D</p> 	<p>D127 D114 D100 D65</p>	<p>126cm - 127cm 113cm - 114cm 99cm - 100cm 64cm - 65cm</p>	<p>23x 12x 14x 20x</p>

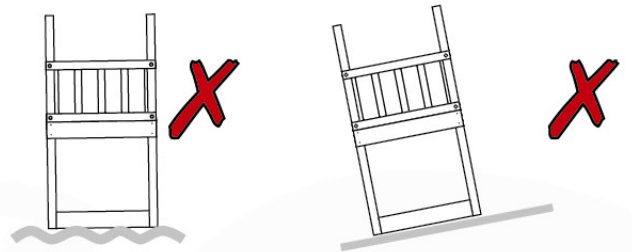
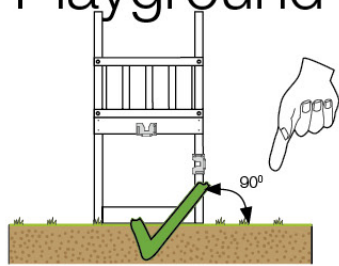
21-Oct-2021

04 Product ID

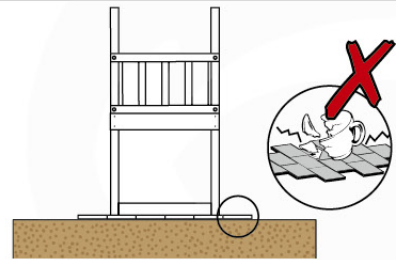
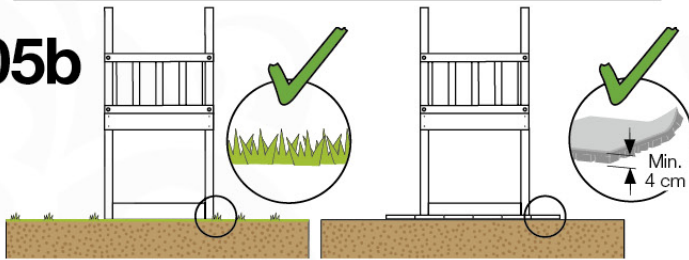


05 Safe Playground

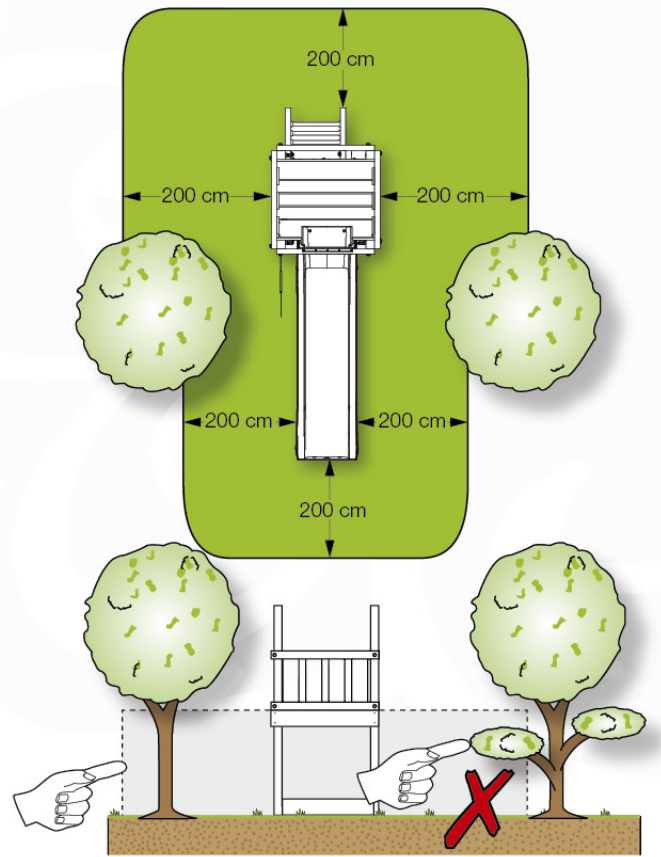
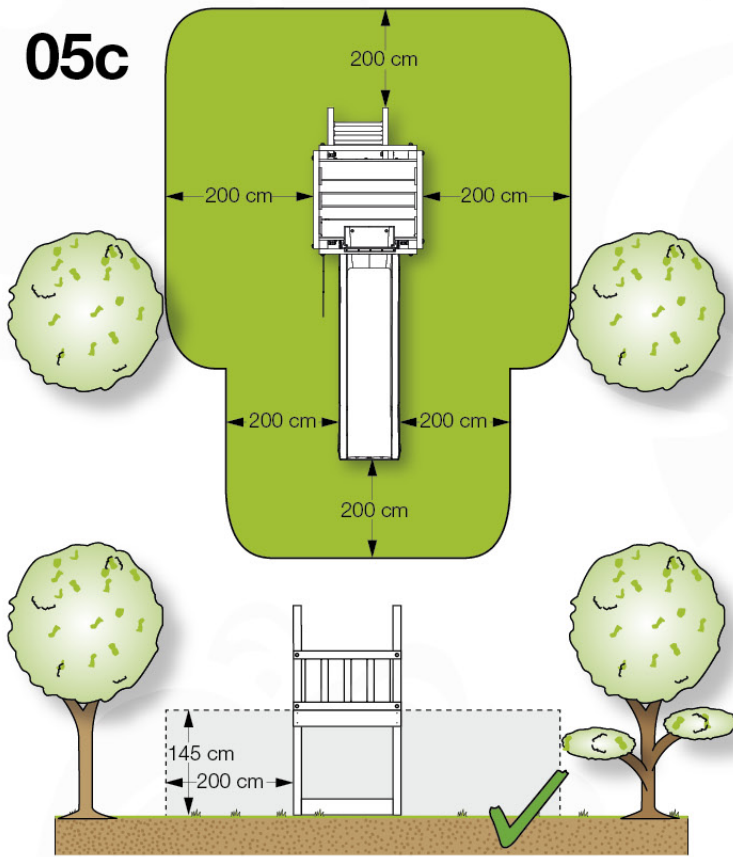
05a



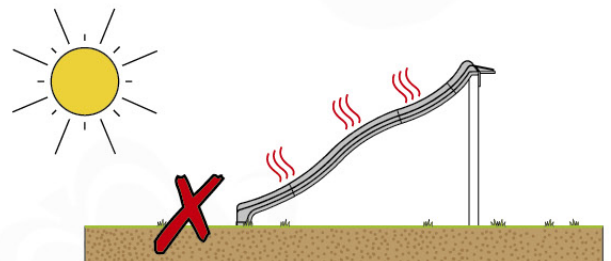
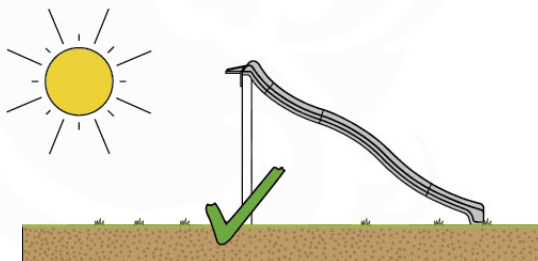
05b



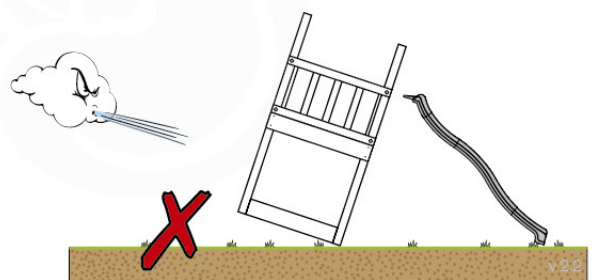
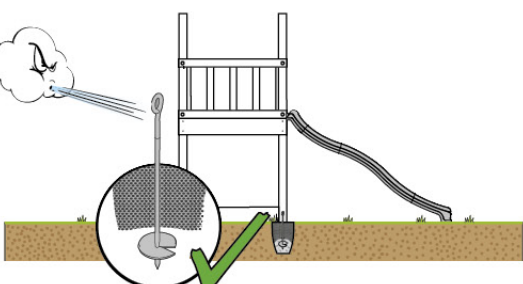
05c



05d

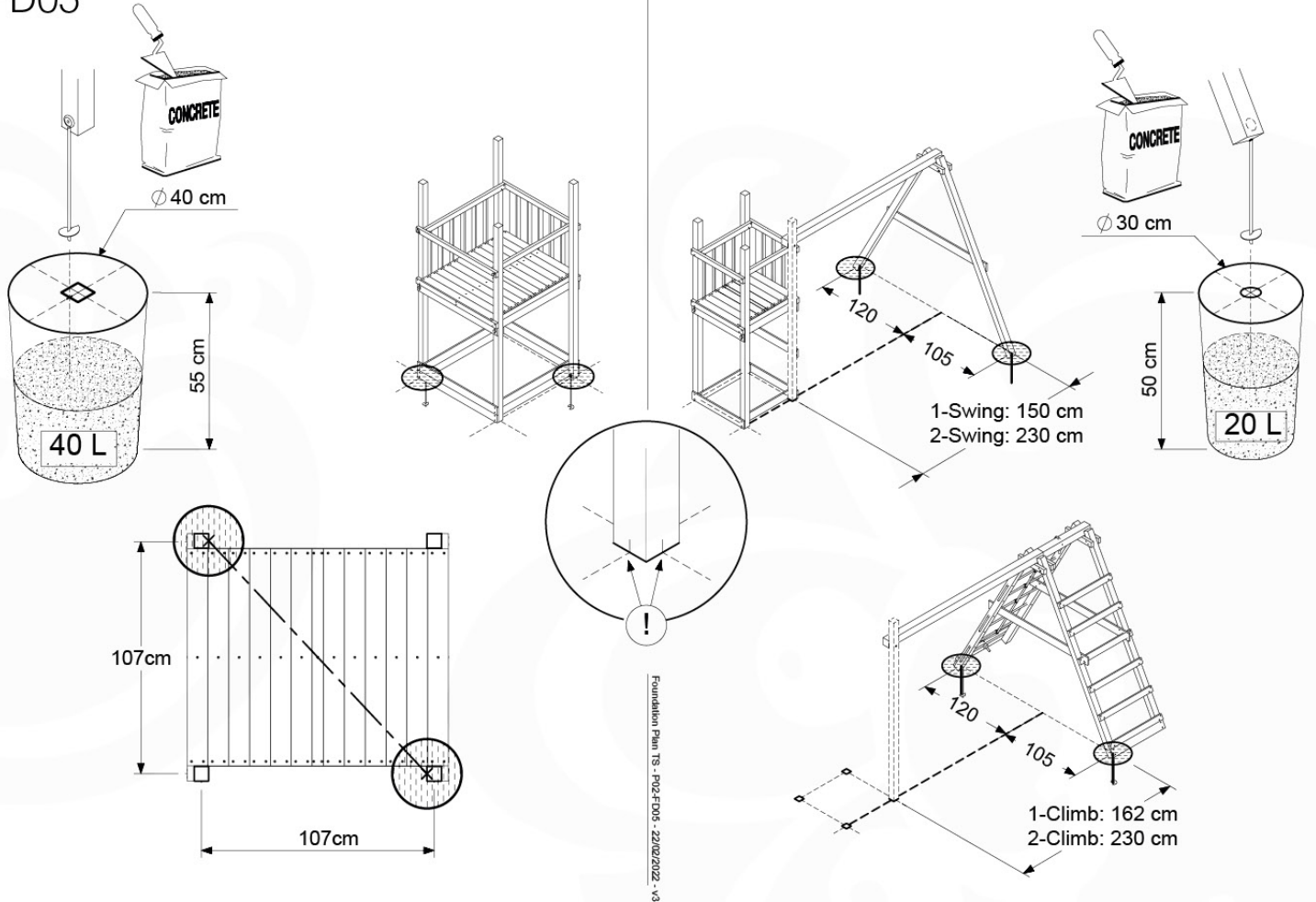


05e



06 Playground Foundation

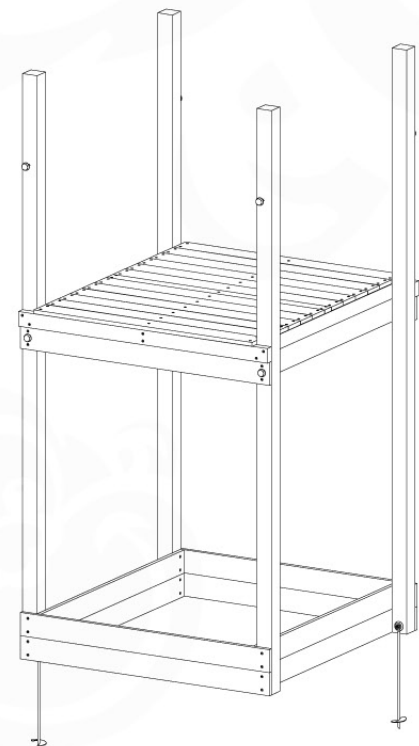
FD05



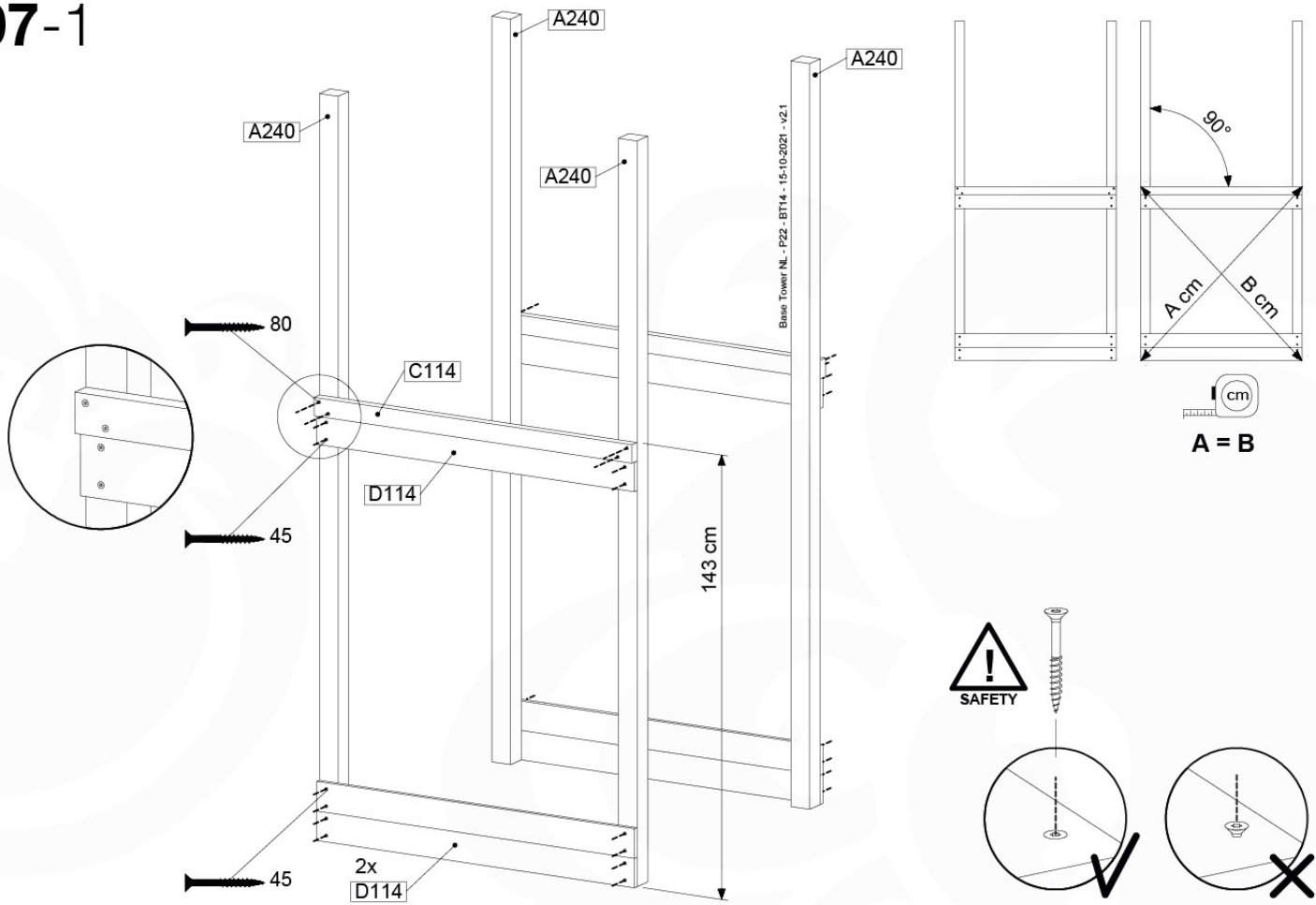
07 Base Tower

BT14

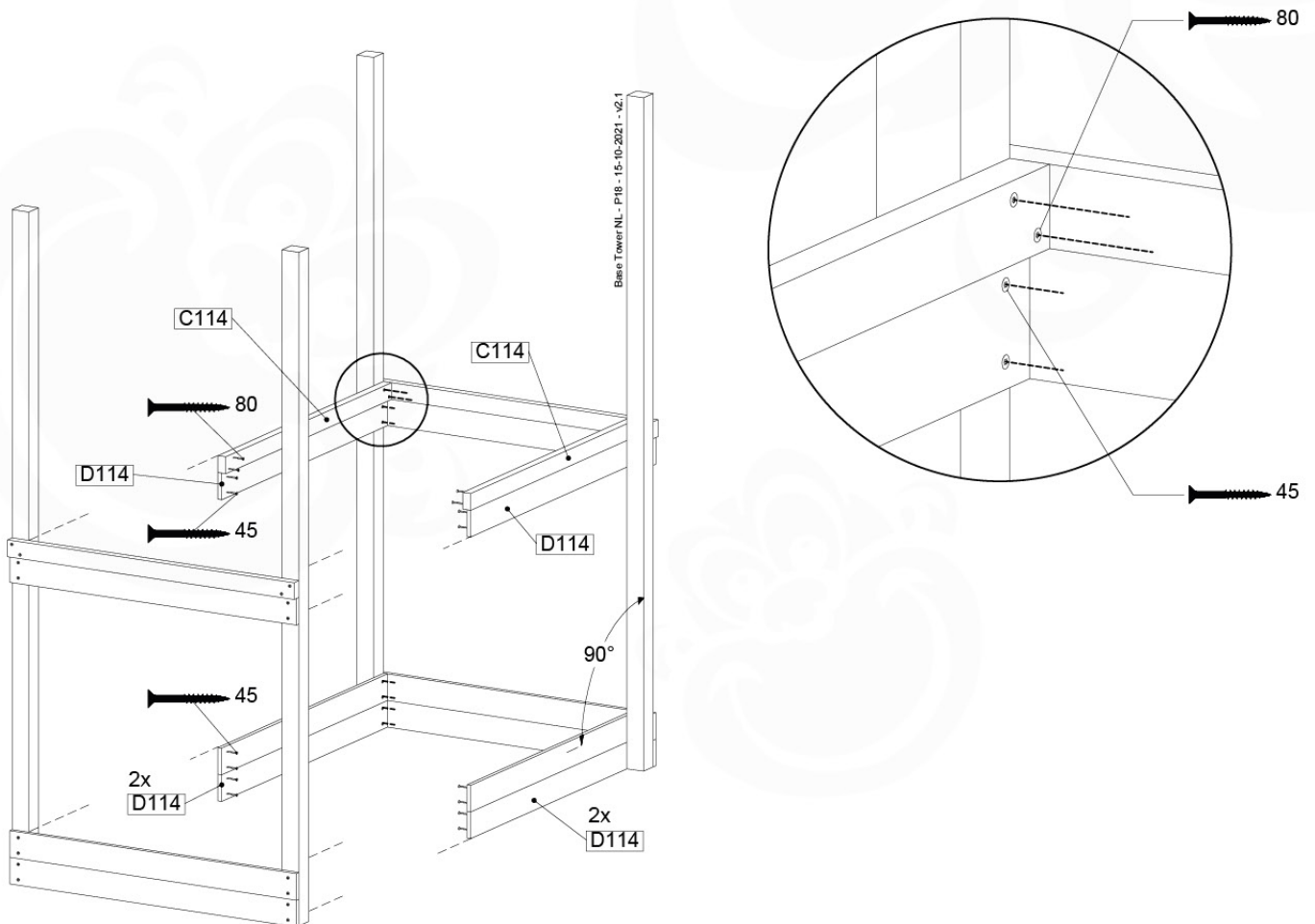
	PartNo	PartName	QTY.
Hardware pack	001_406	Stealth Screw 8x45	6
	001_417	Stealth Screw 8x80	4
	002_220	Gap Point Screw T25 - 5x45	118
	002_223	Gap Point Screw T25 - 5x80	20
	022_31x	bpc-base version 3	8
	022_84x	bpc cover	8
Other	007_001	Ground-anchor	2
Timber	A240	Post 70x70 L2400	4
	C114	Beam 1140 mm	5
	D100	Board 1000 mm	14
	D114	Board 1140 mm	12



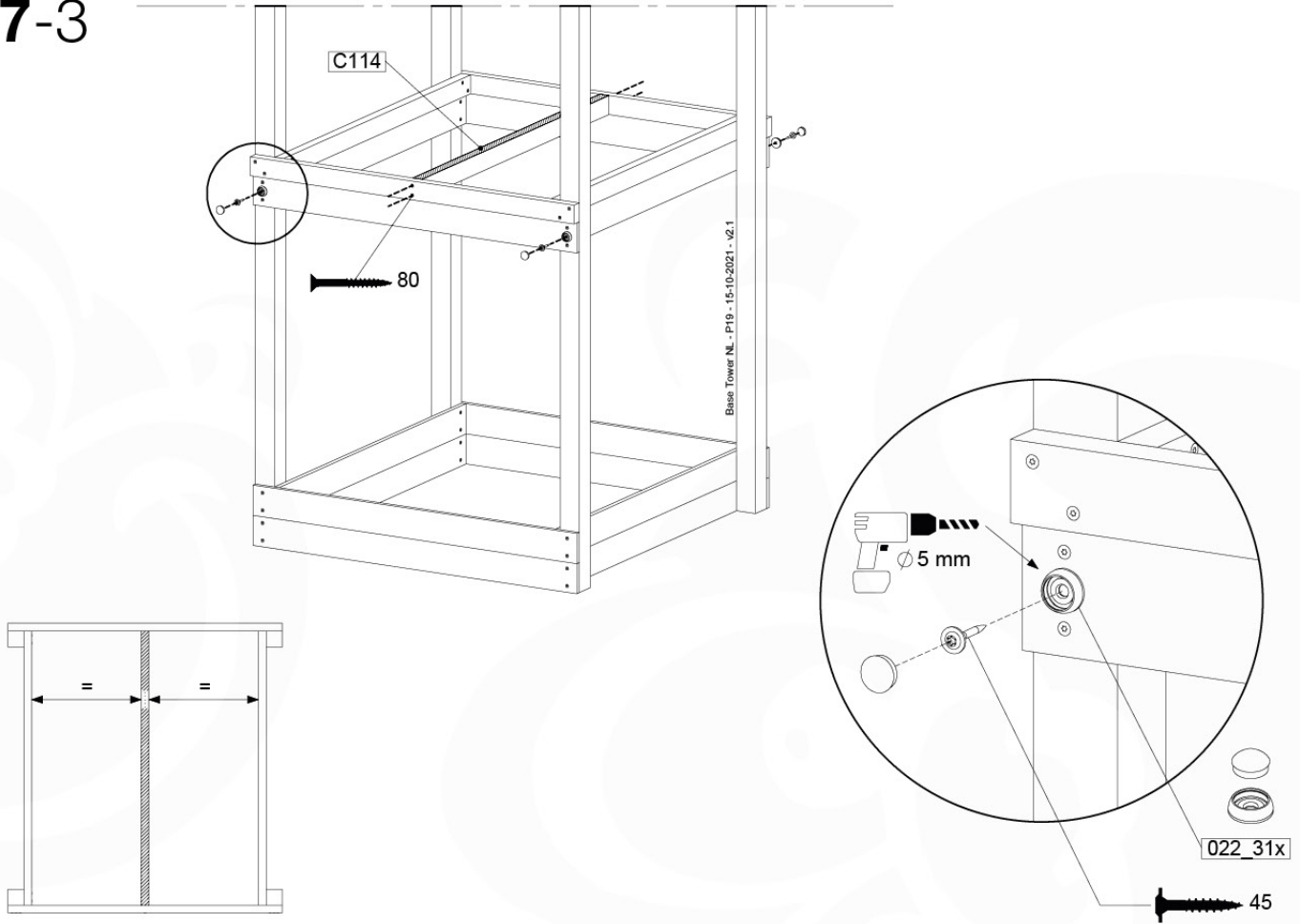
07-1



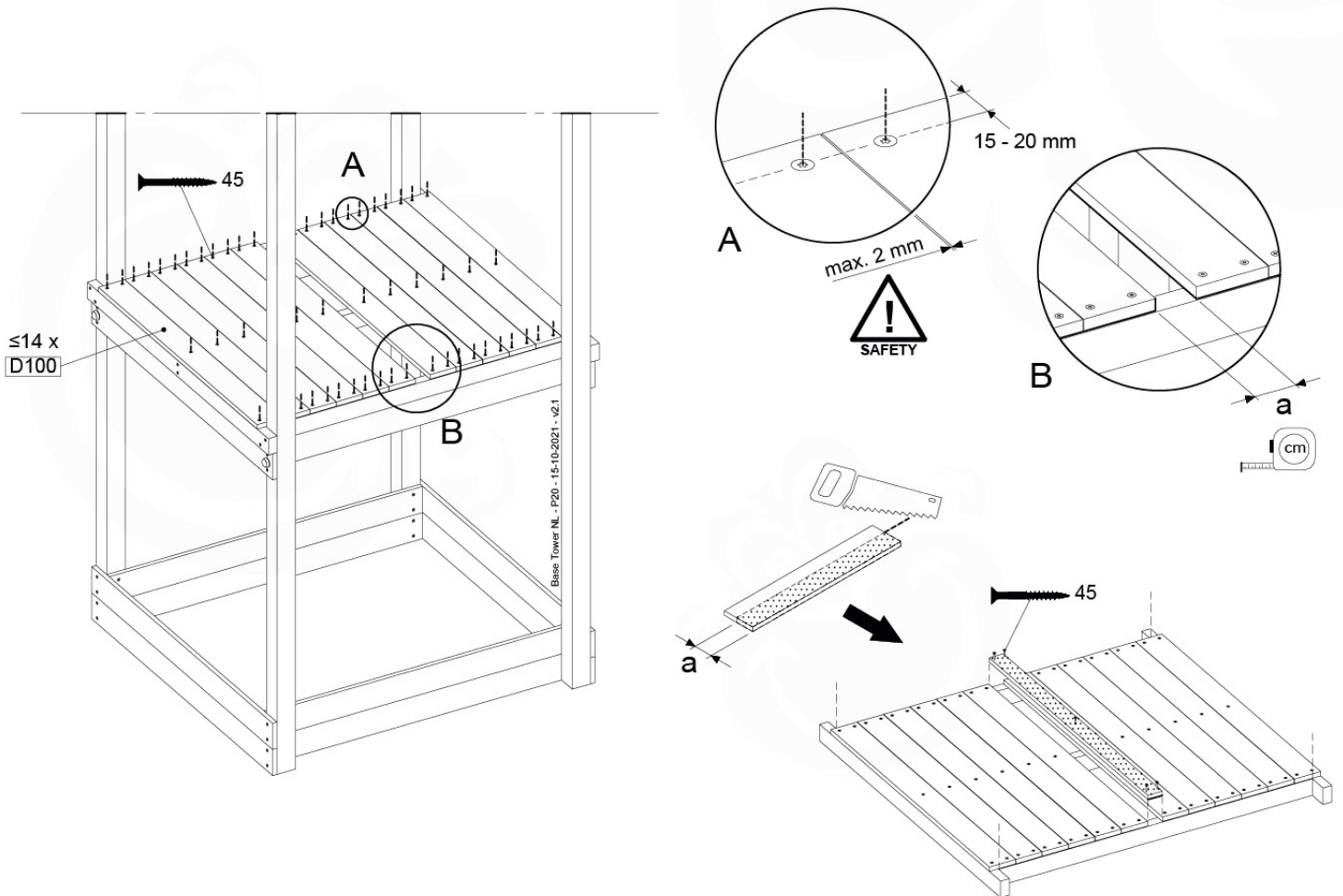
07-2



07-3

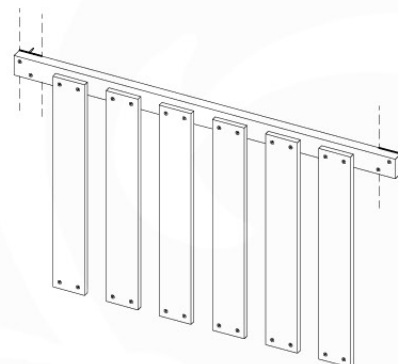


07-4



08 Balustrade

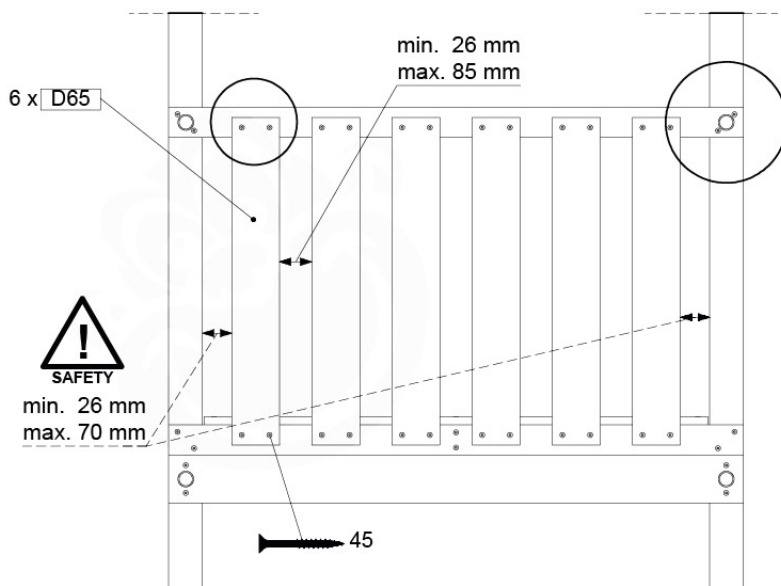
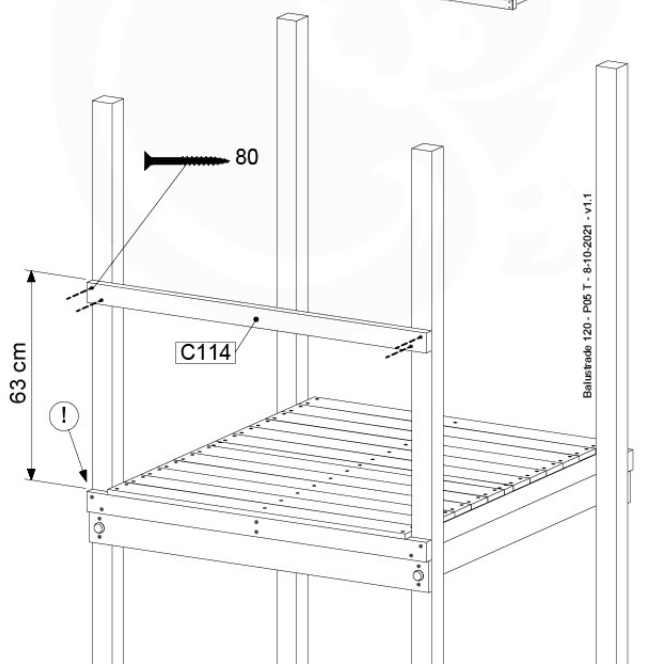
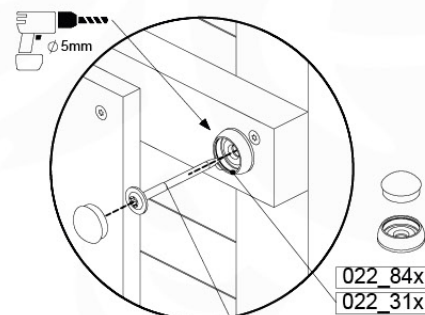
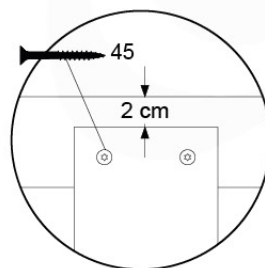
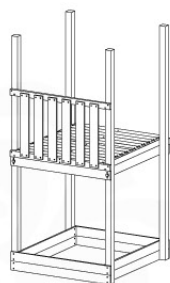
BL04



	PartNo	PartName	QTY.
Hardware Pack	002_220	Gap Point Screw T25 - 5x45	24
	002_223	Gap Point Screw T25 - 5x80	4
Timber	C114	Beam 1140 mm	1
	D65	Board 650 mm	6

Balustrade 120 - P03 T - 8-10-2021 - v1.1

08-1

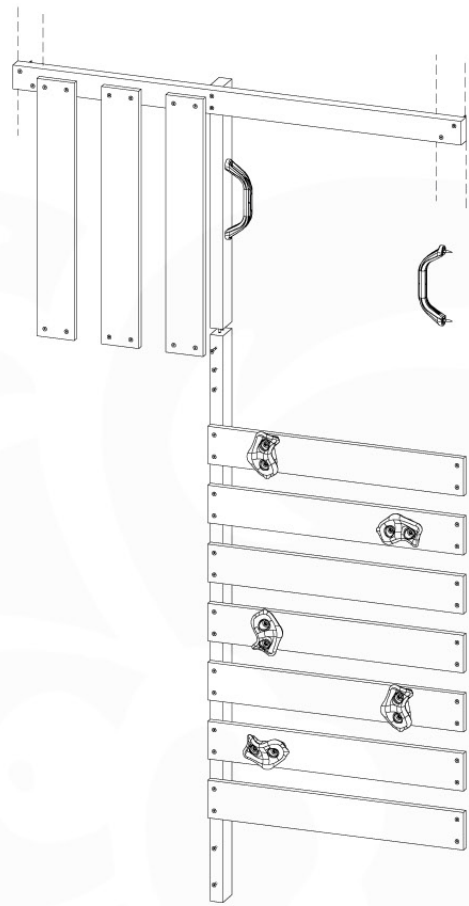


09 Rock Wall

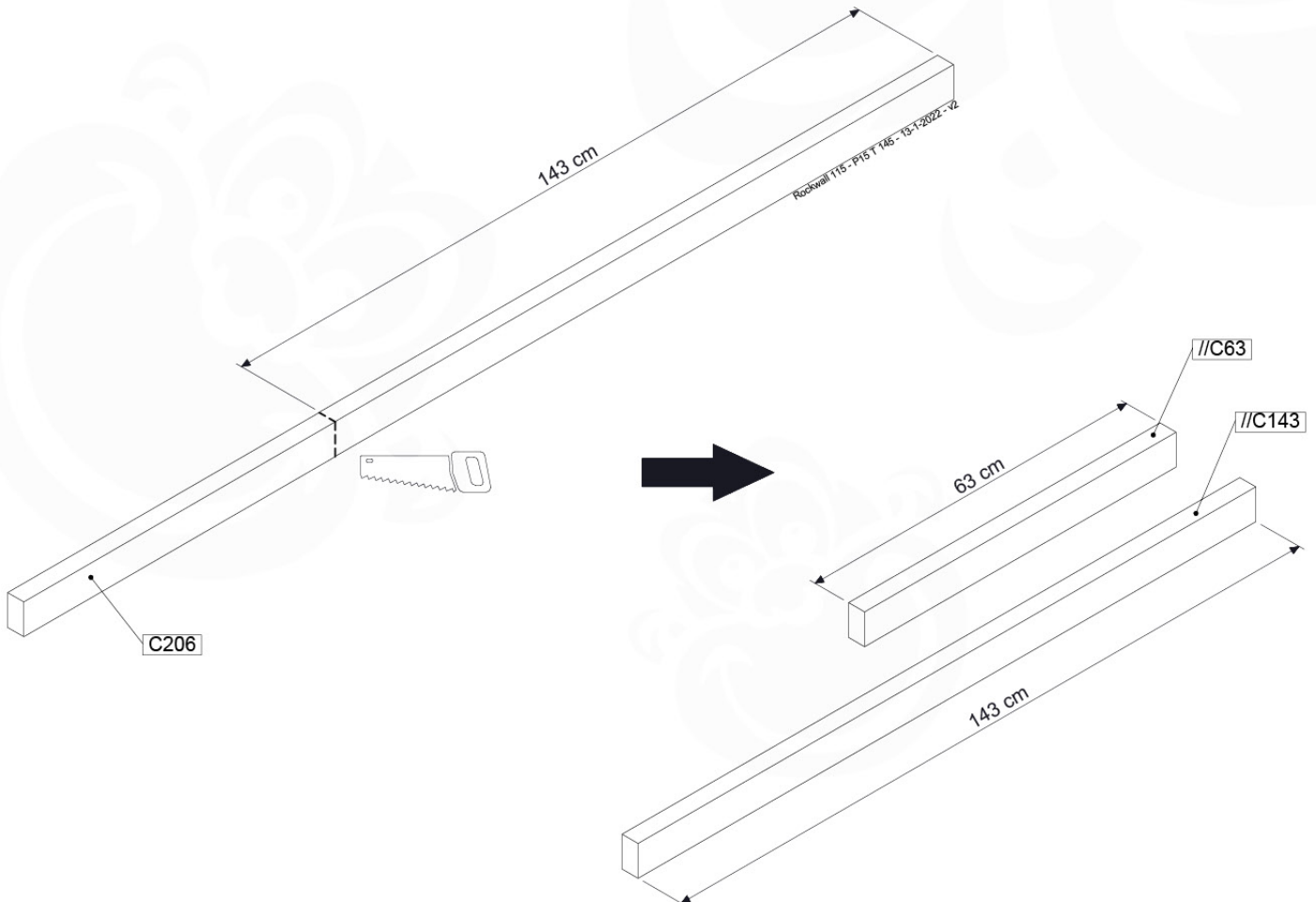
RW12

	PartNo	PartName	QTY.
Hardware Pack	001_102	Washer Head Screw T40 M8x30	10
	002_220	Gap Point Screw T25 - 5x45	44
	002_223	Gap Point Screw T25 - 5x80	9
	003_010	M8 spring lock washer	10
	004_050	M8 22mm Drive in Nut	10
Other	022_50x	Climbing Rock	5
	120_102	Handgrip set (complete 2x)	1
Timber	C114	Beam 1140 mm	1
	C206	Beam 2060 mm	1
	D65	Board 650 mm	10

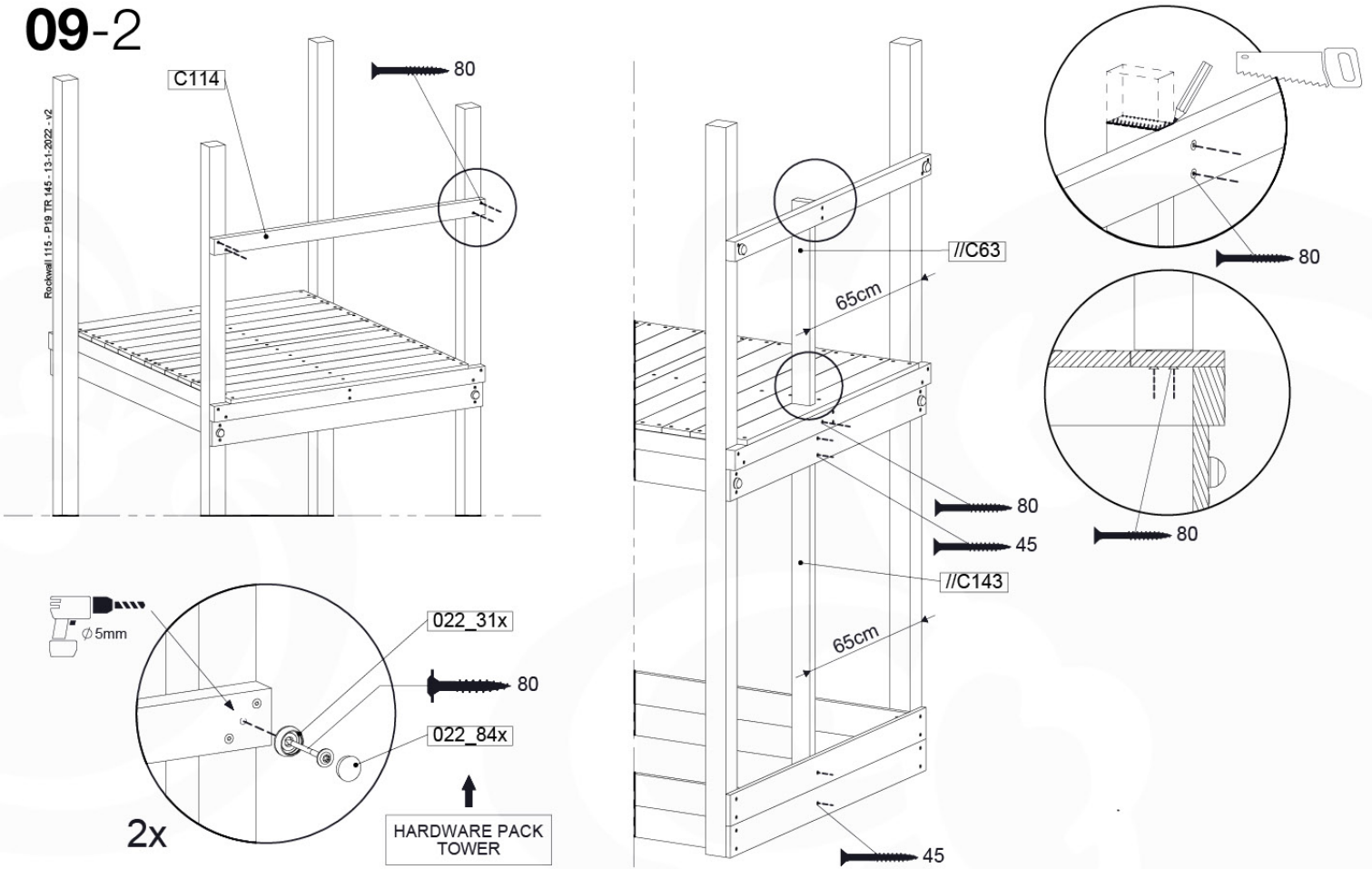
Rockwall 115 - P09 TR 145 - 13-1-2022 - v2



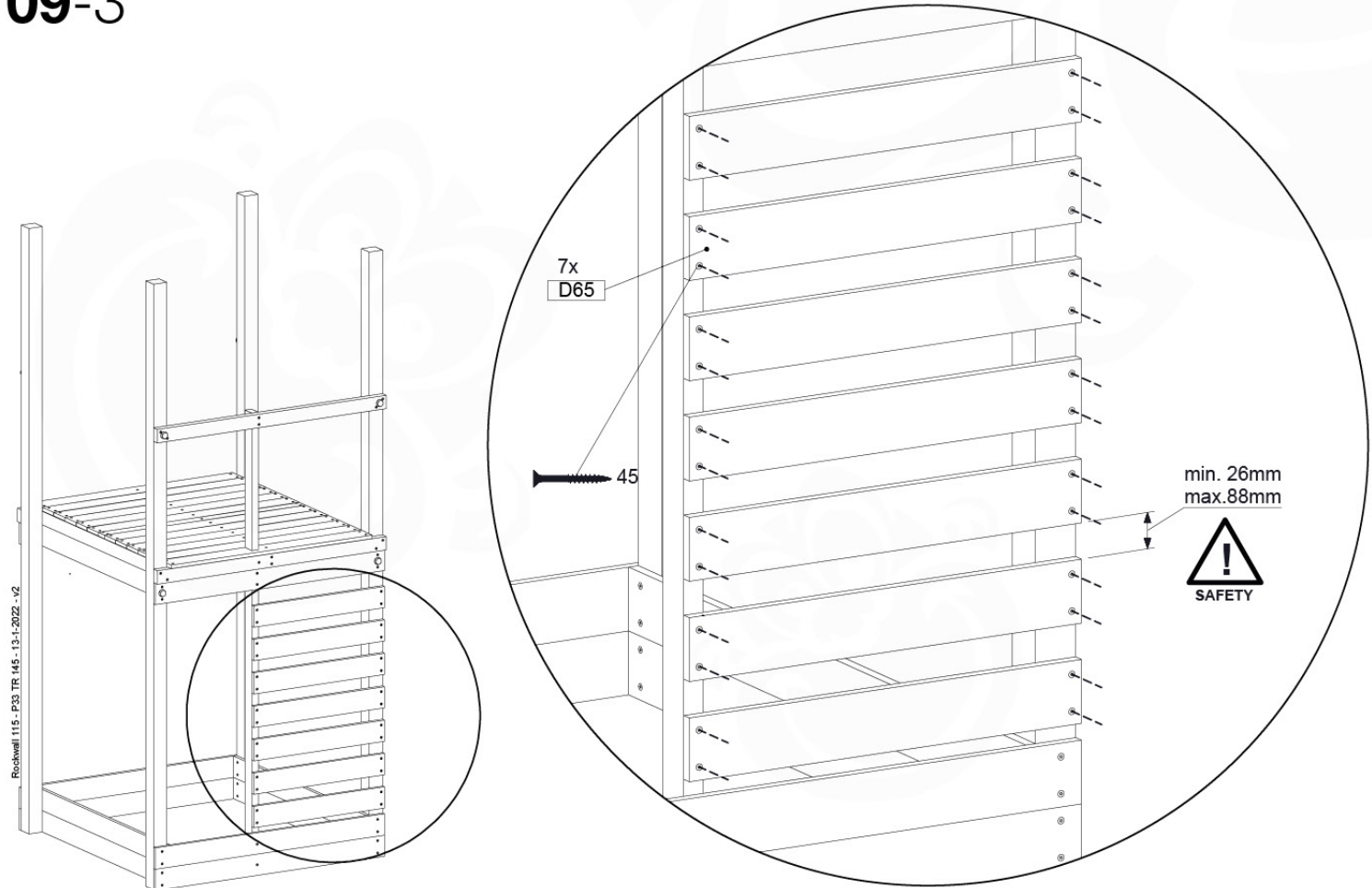
09-1



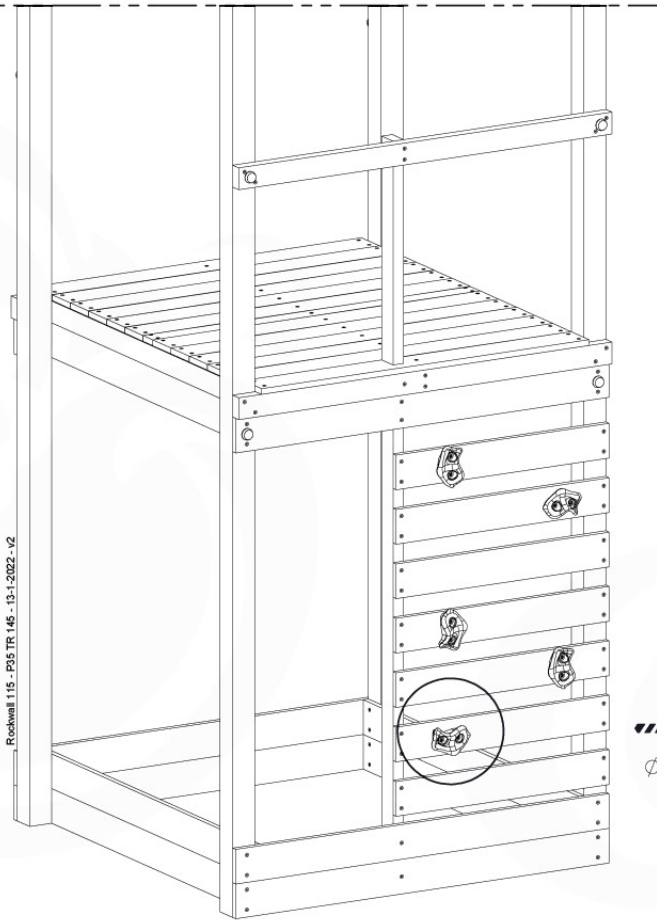
09-2



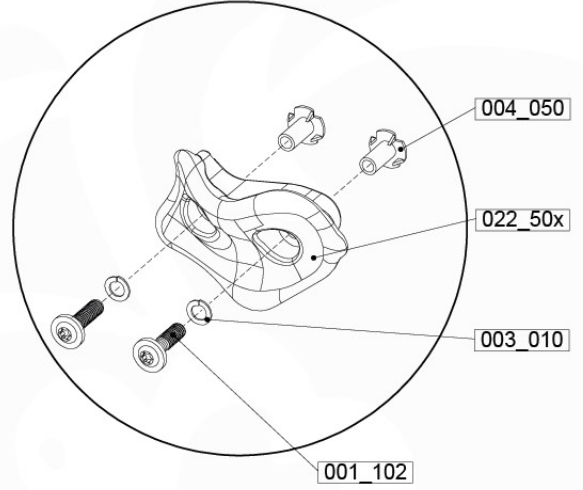
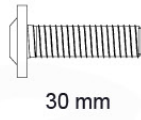
09-3



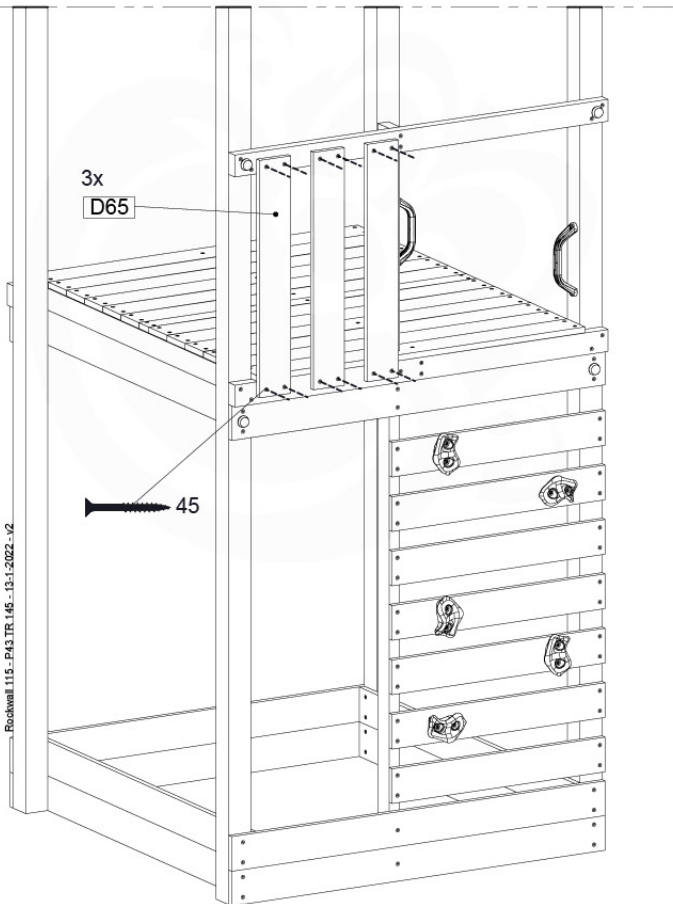
09-4



Rockwell 115 - P35 TR 145 - B-1-2022 - v2

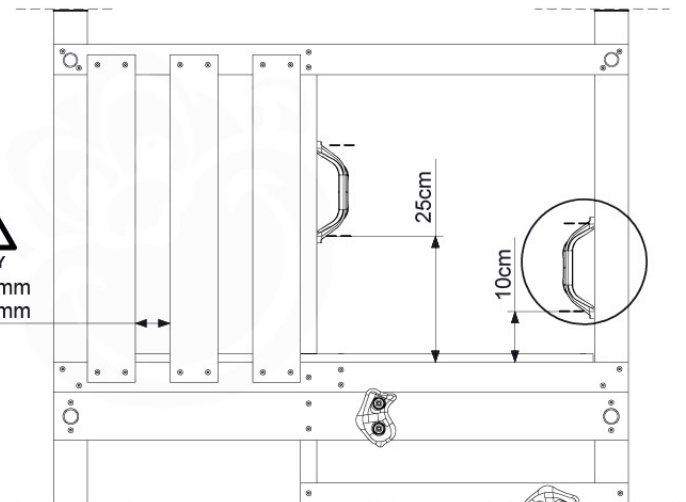
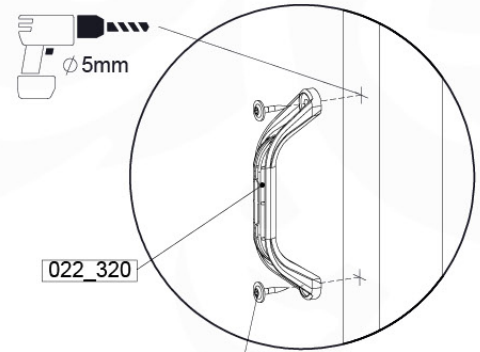


09-5



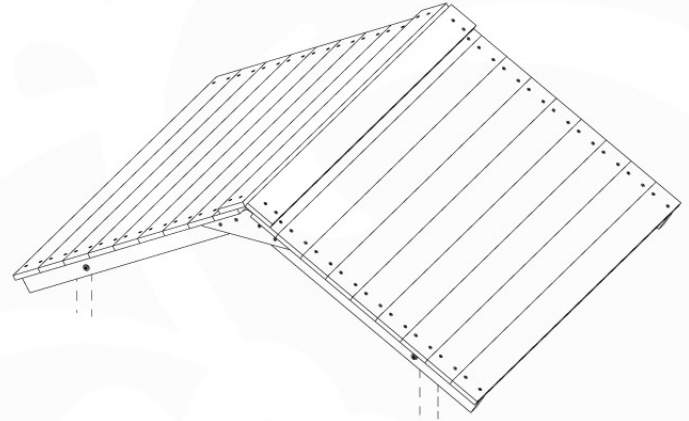
Rockwell 115 - P43 TR 145 - B-1-2022 - v2

3x
D65



10 Roof

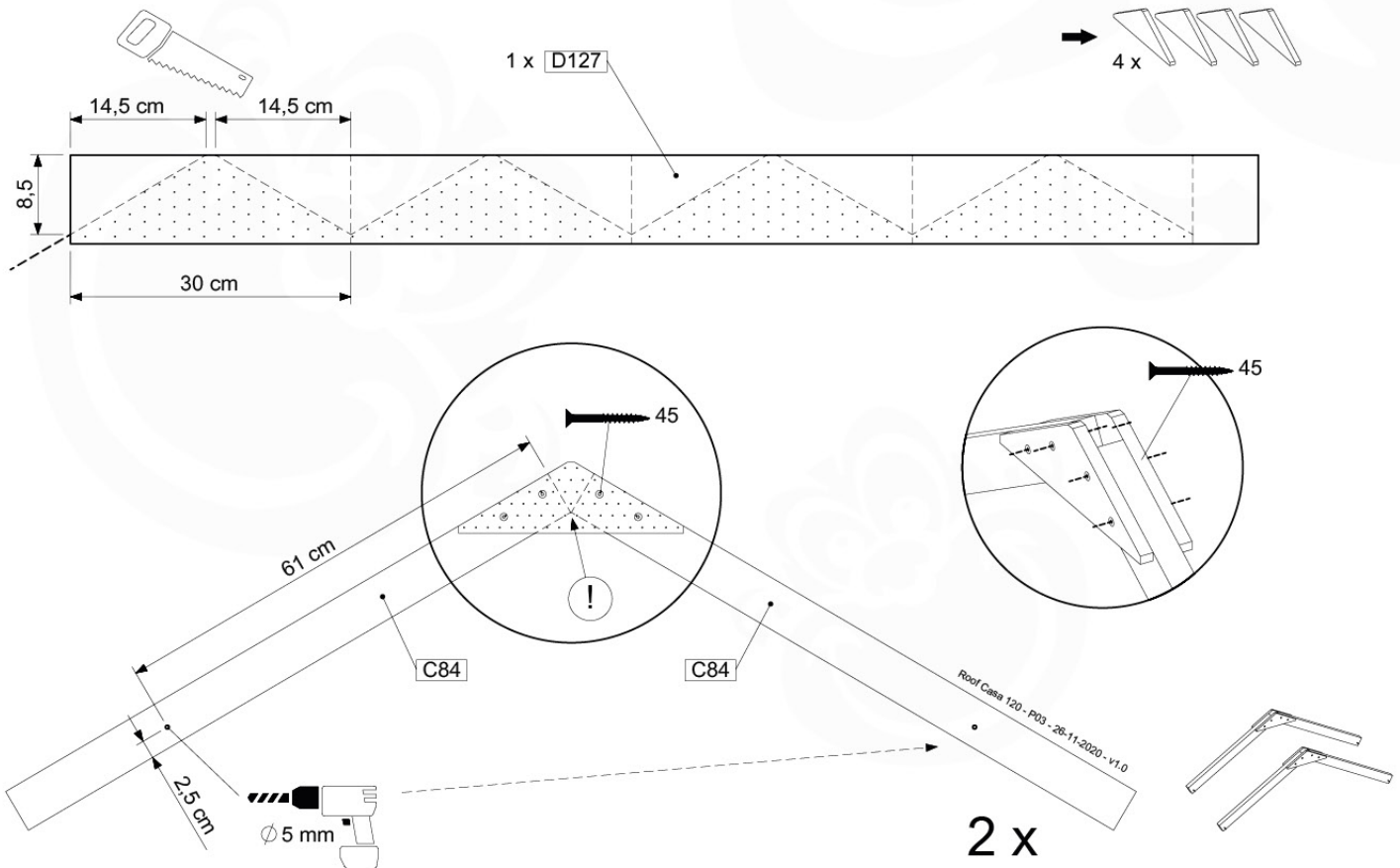
RF09



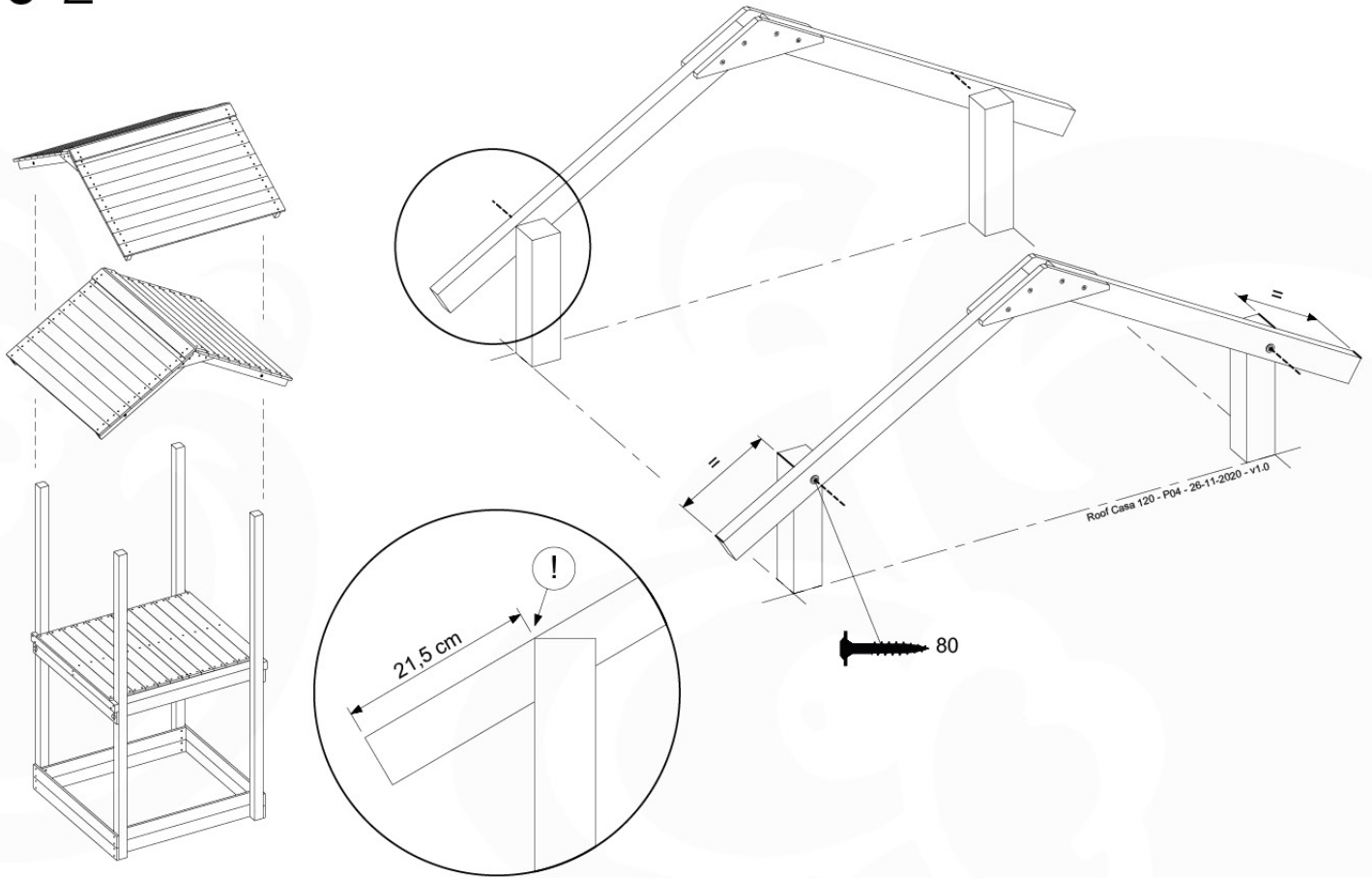
	PartNo	PartName	QTY.
Hardware Pack	001_417	Stealth Screw 8x80	4
	002_220	Gap Point Screw T25 - 5x45	96
	002_223	Gap Point Screw T25 - 5x80	8
Timber	C84	Beam 840 mm	4
	D127	Board 1270 mm	19-23

Roof Casa 120 - P02 - 26-11-2020 - v1.0

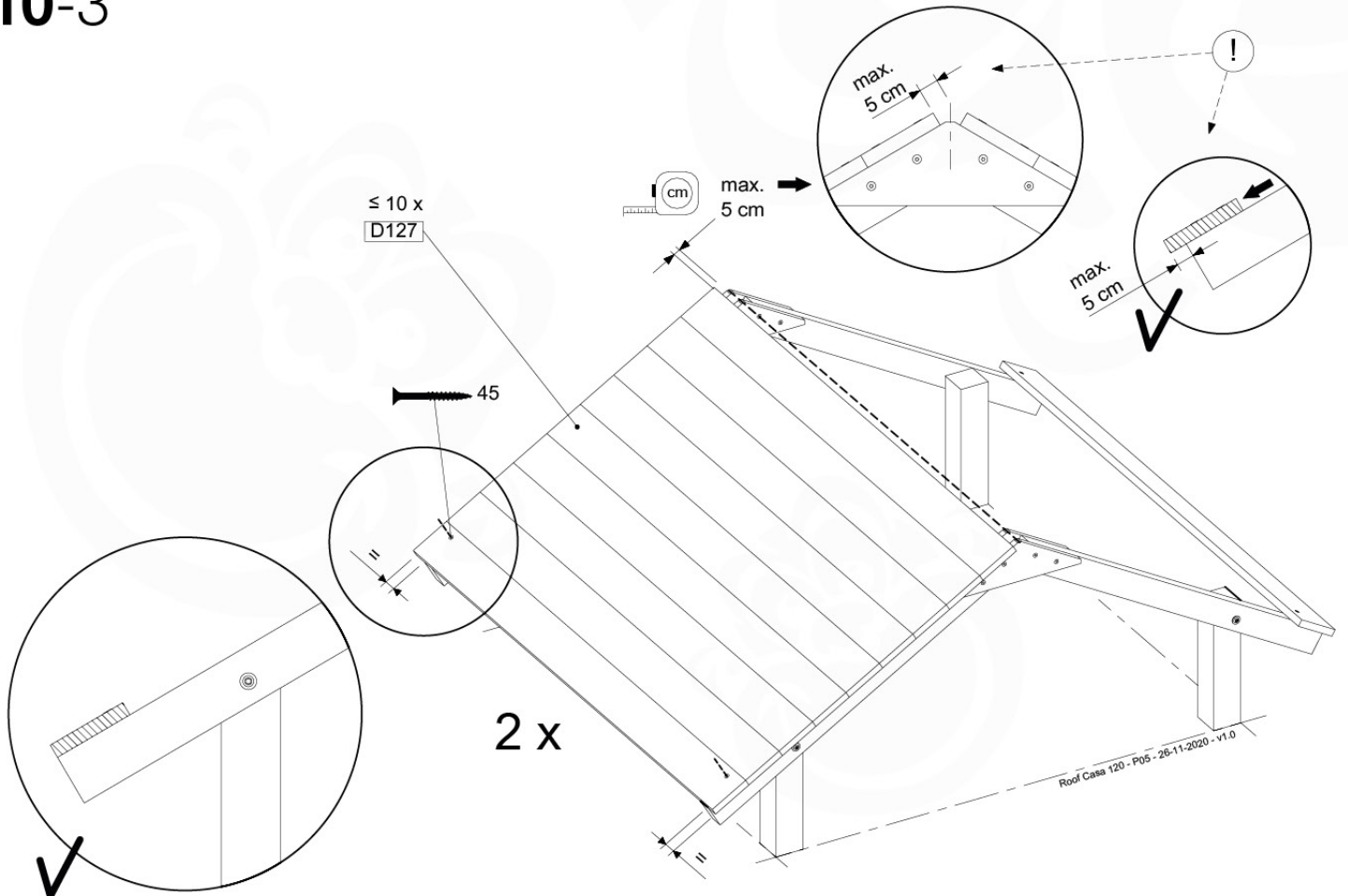
10-1



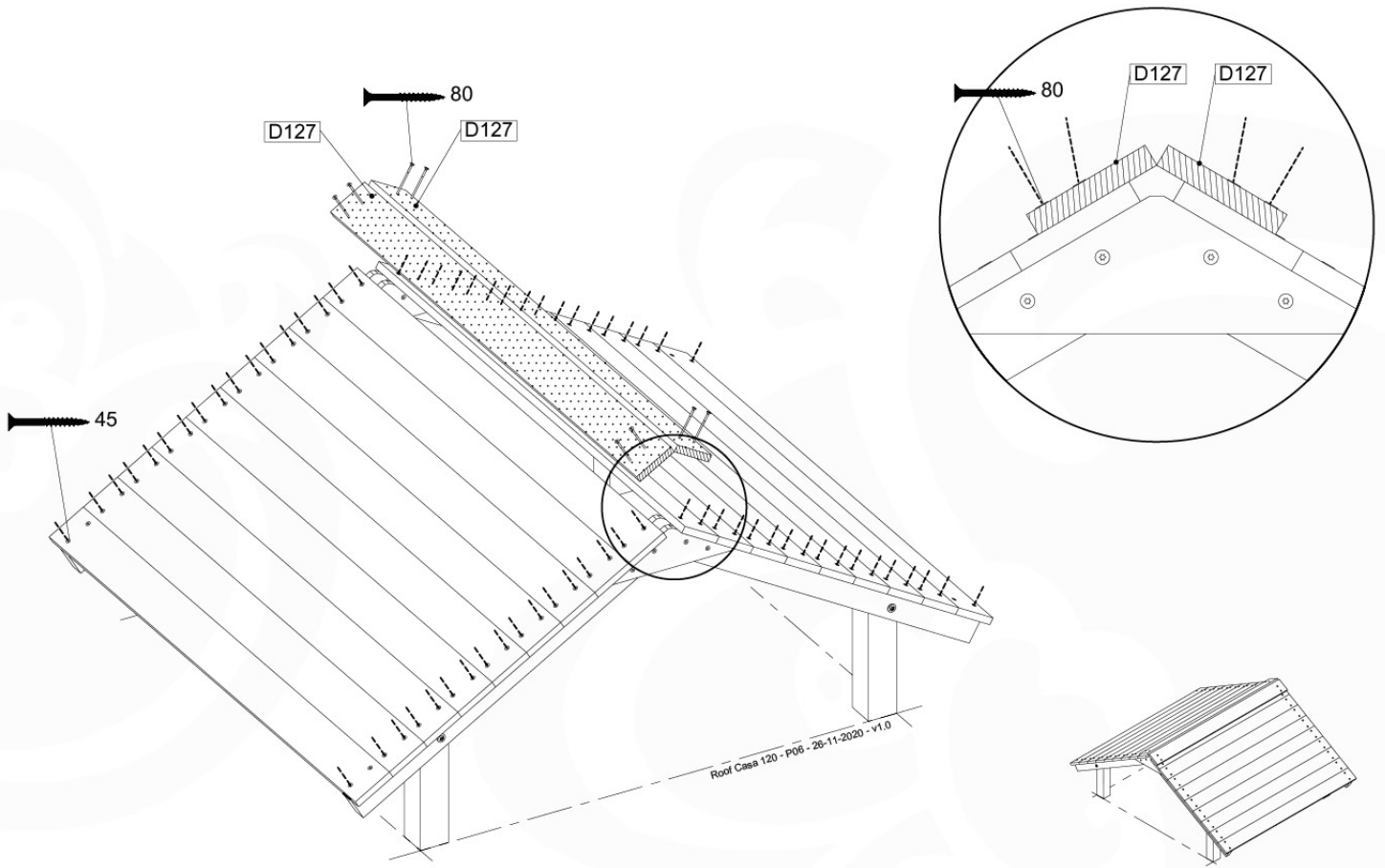
10-2



10-3



10-4

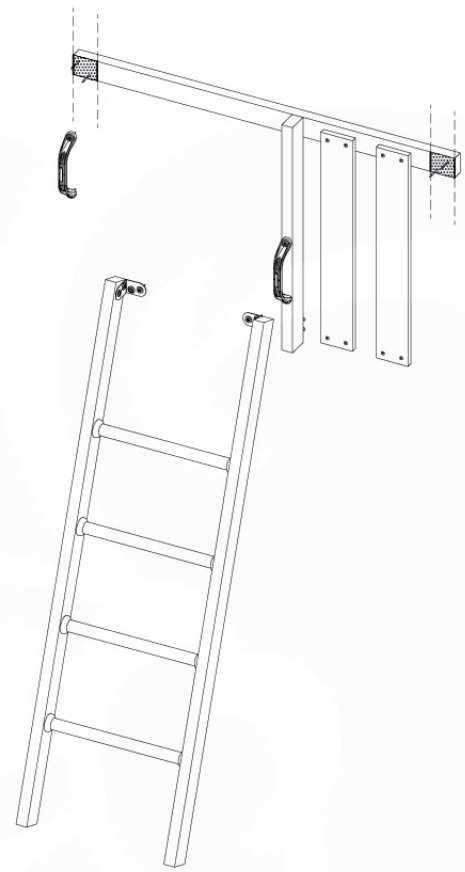


11 Ladder

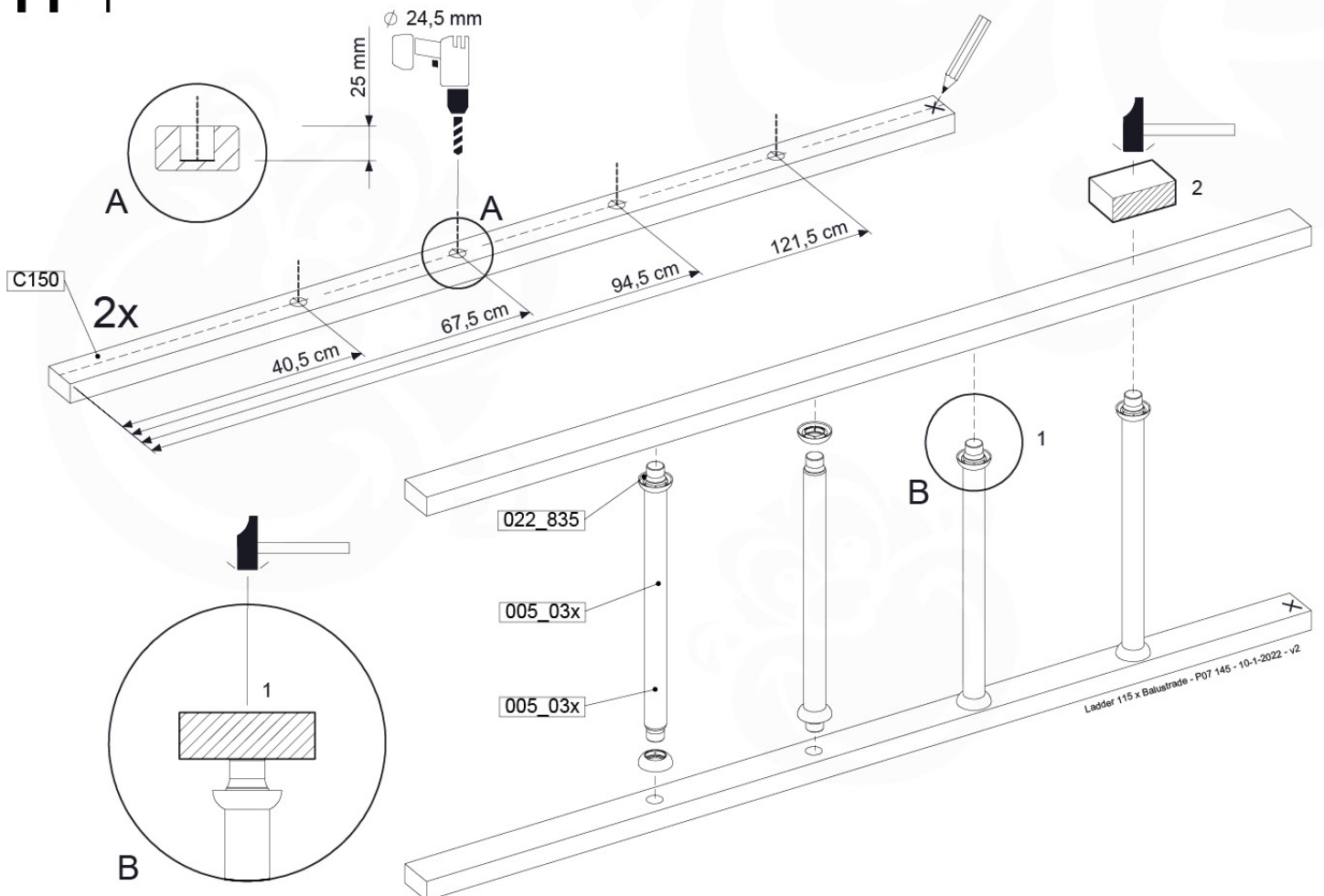
LA15

	PartNo	PartName	QTY.
Hardware Pack	001_404	Stealth Screw 8x30	4
	002_219	Gap Point Screw T25 - 5x30	4
	002_220	Gap Point Screw T25 - 5x45	16
	002_223	Gap Point Screw T25 - 5x80	8
Other	005_03x	Ladder Rung Y/B/G/R	4
	005_522	Connection Bracket Mini Market	2
	022_835	Rung Cap	8
	120_102	Handgrip set (complete 2x)	1
Timber	C114	Beam 1140 mm	1
	C150	Beam 1500 mm	2
	C70	Beam 700 mm	1
	D65	Board 650 mm	2

Ladder 115 x Balustrade - P22 UL 145 - 10-1-2022 - v2

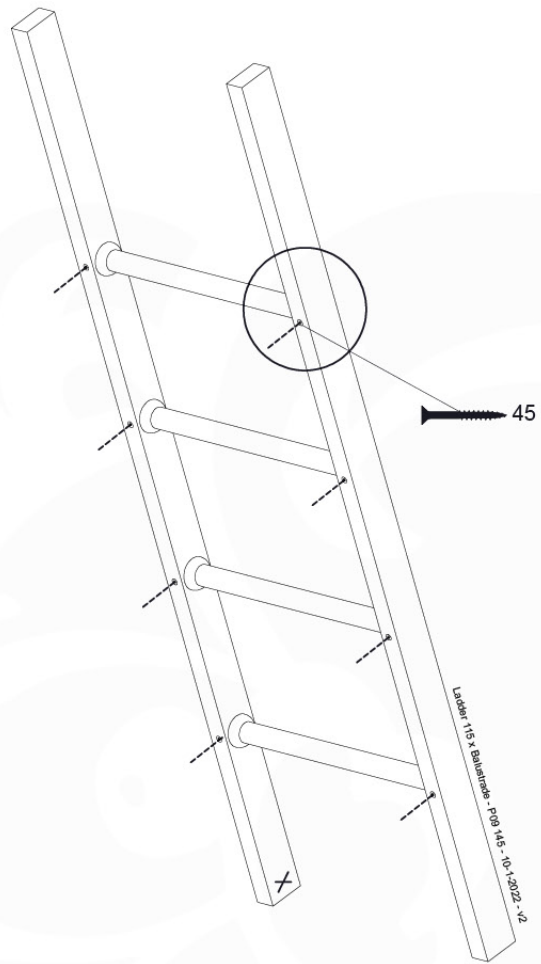
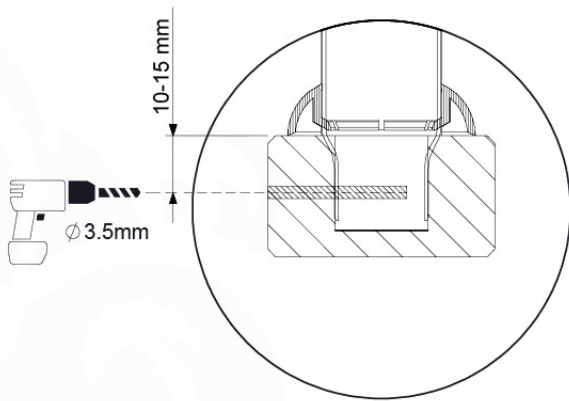


11-1

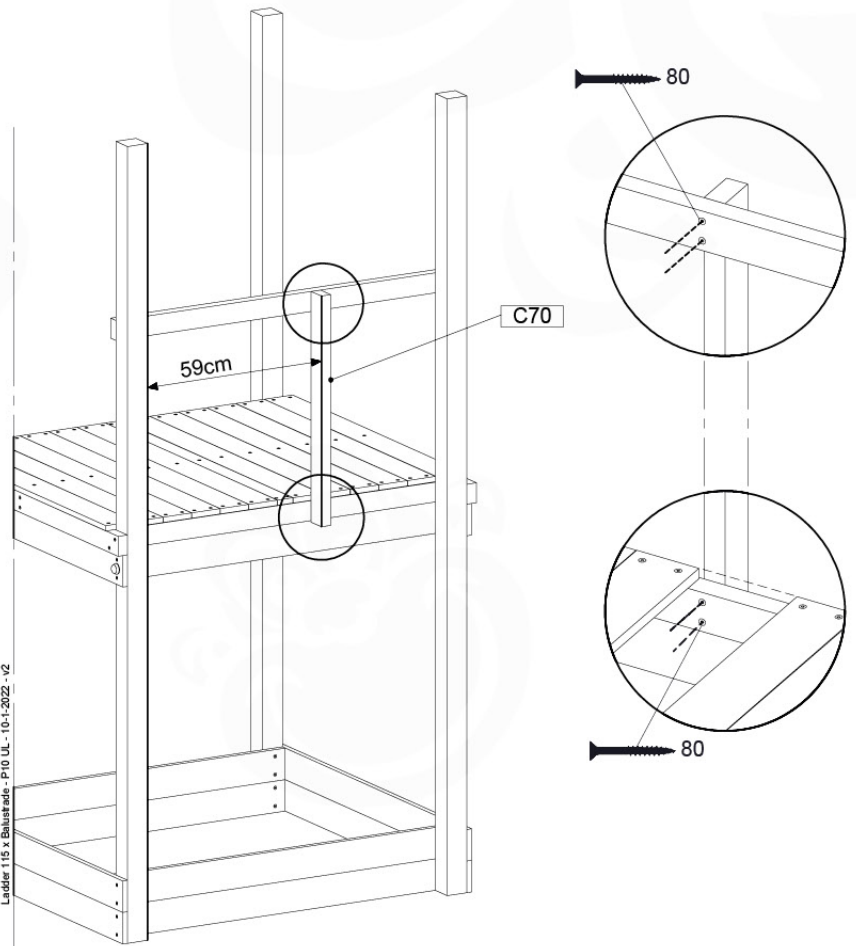
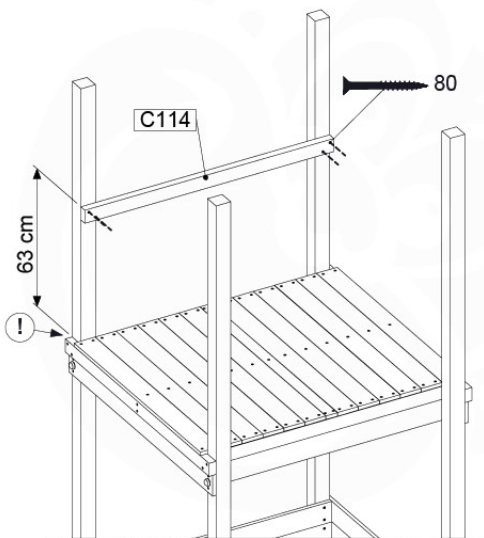


Ladder 115 x Balustrade - P07 145 - 10-1-2022 - v2

11-2

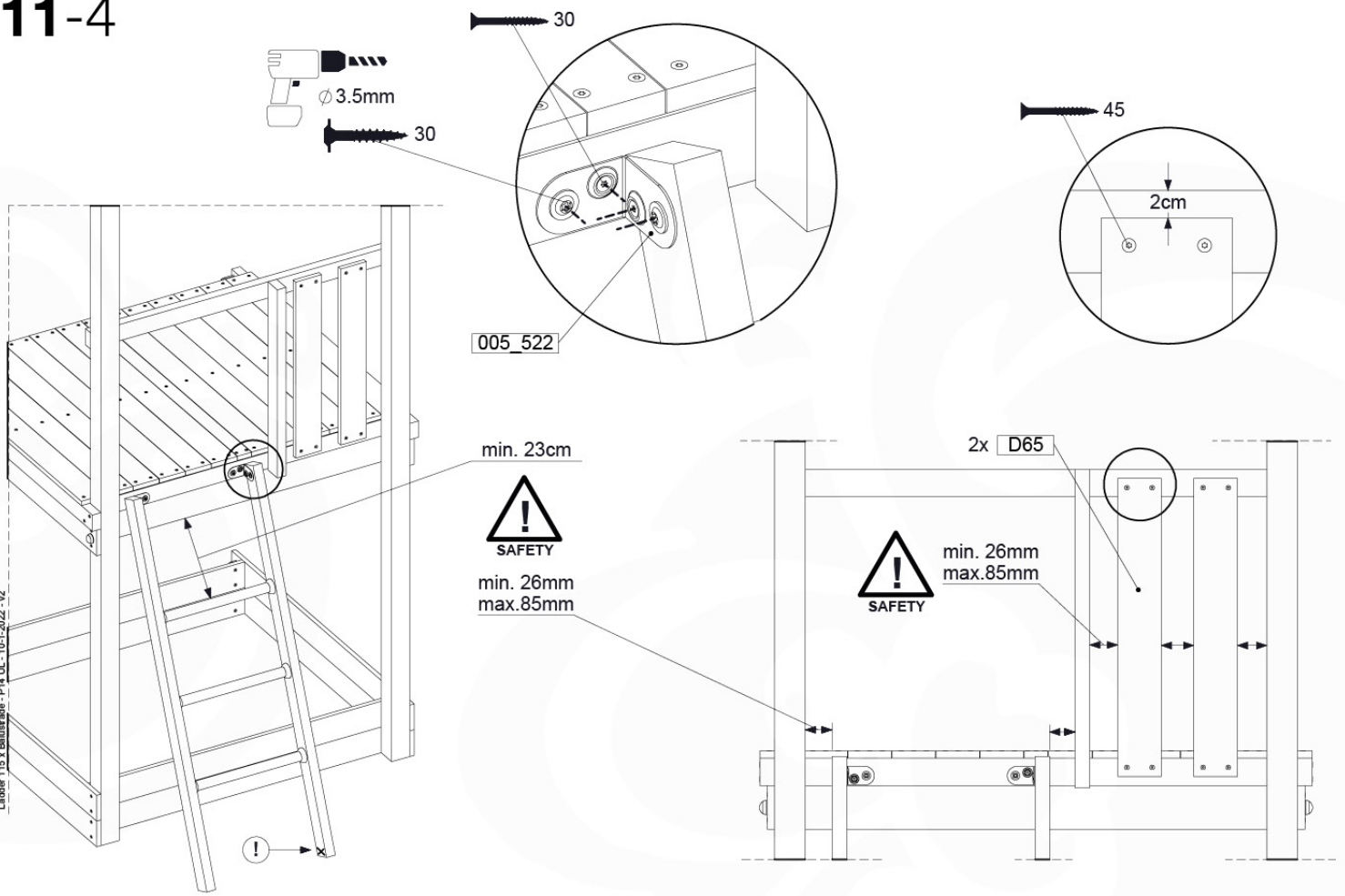


11-3

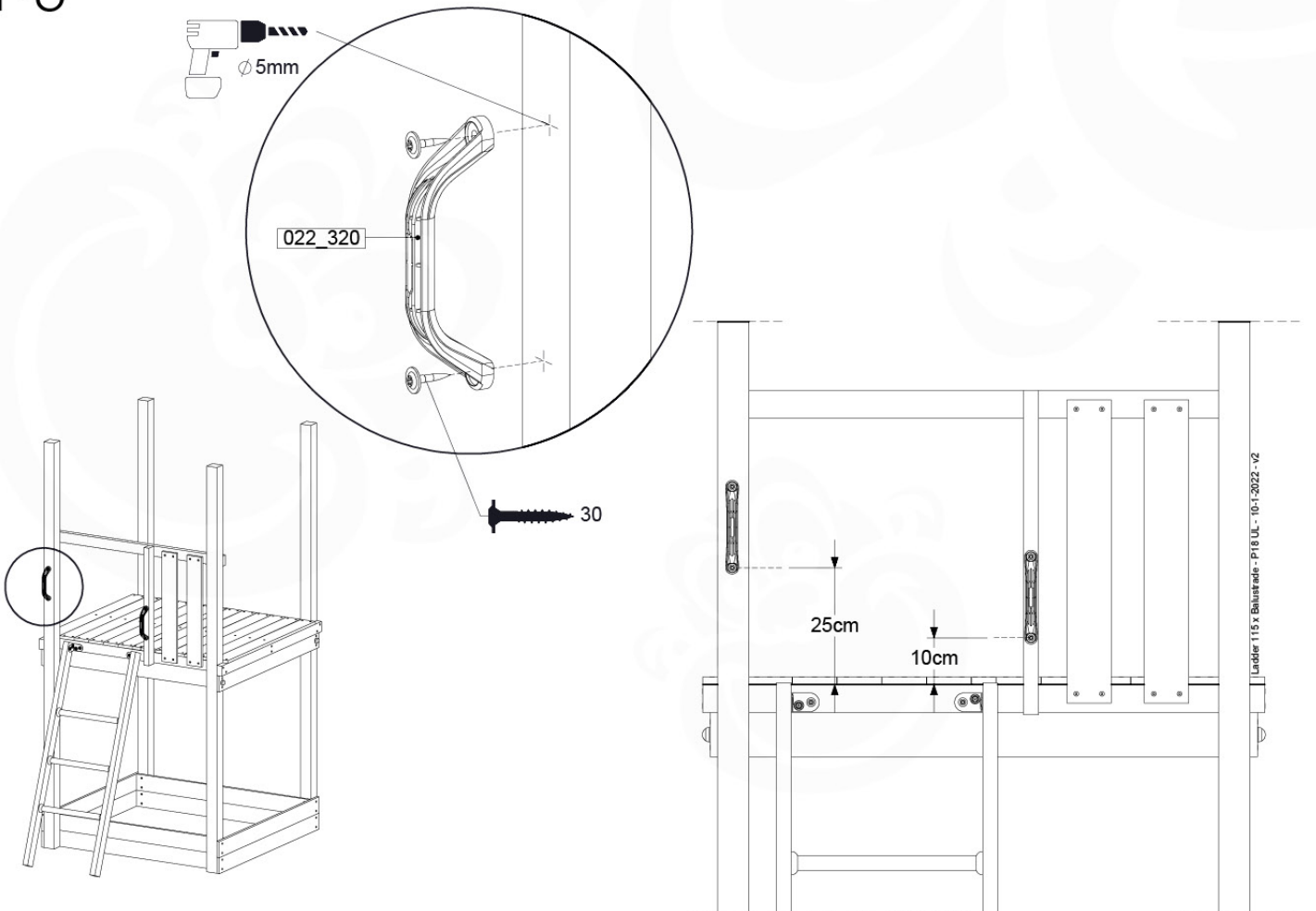


11-4

Ladder 115 x Balustrade - P14 UL - 10-1-2022 - v2



11-5



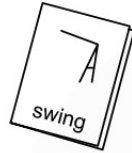
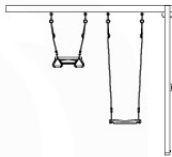
12 Swing Module / Climb Module



13

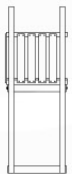


+

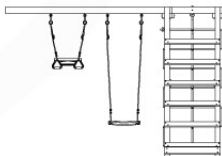


13

1-Swing Module / 2-Swing Module
457_101
457_102



+



13

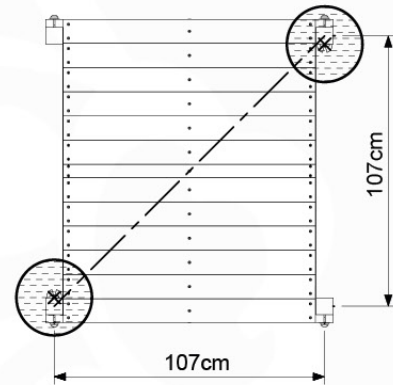
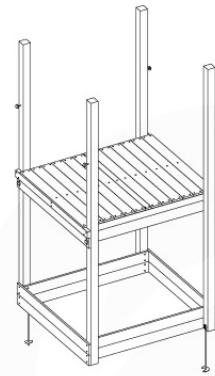
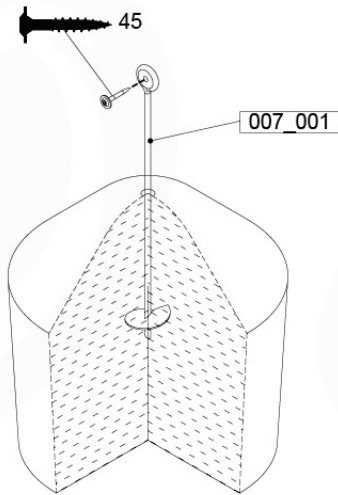
1-Climb Module / 2-Climb Module
457_105
457_106

13 Ground Anchors

GA05

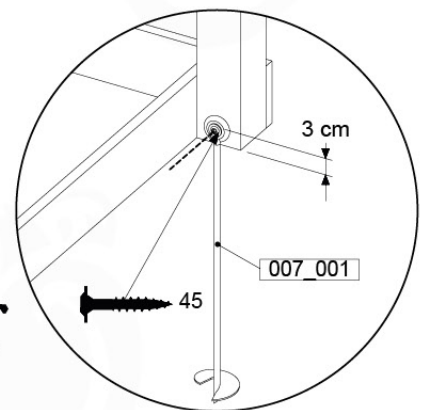
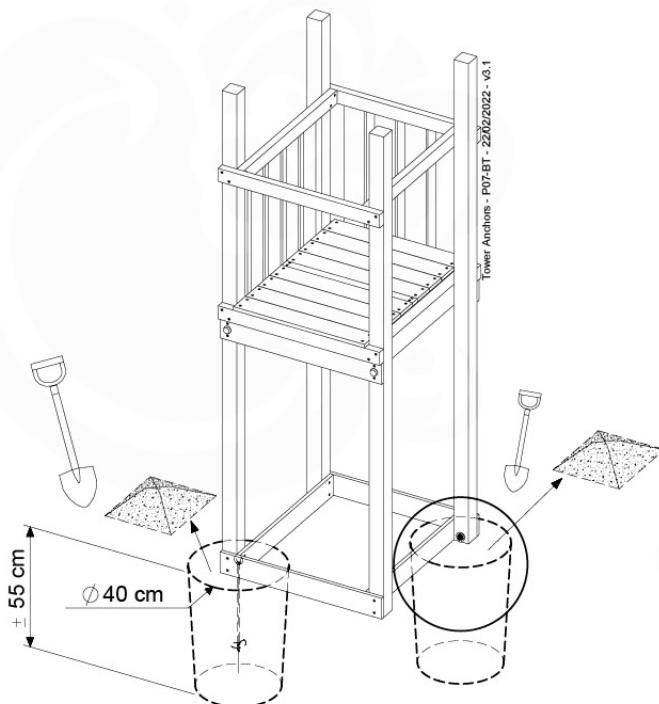
Parts:

Assembly Package Tower
194_300



Tower Anchors - P02-GA05 - 22022022 - v3.1

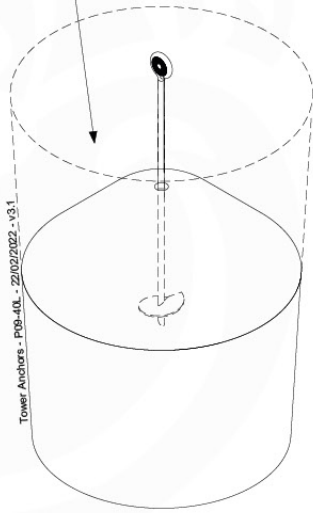
13-1



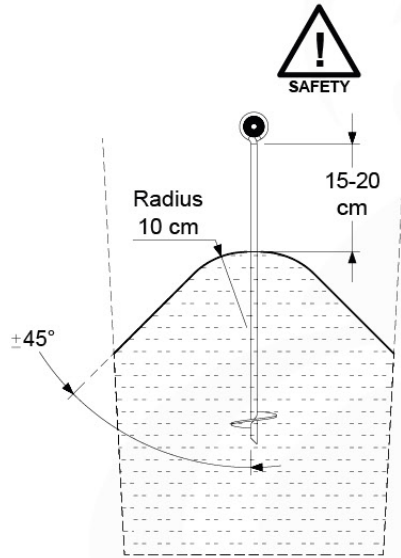
13-2



40 L
/ 80 kg



1.

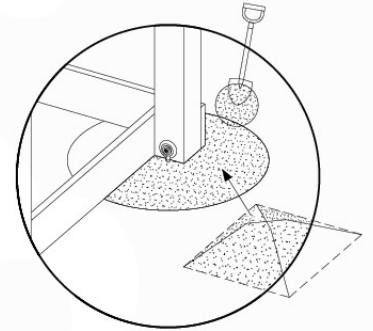


2.

24h



3.

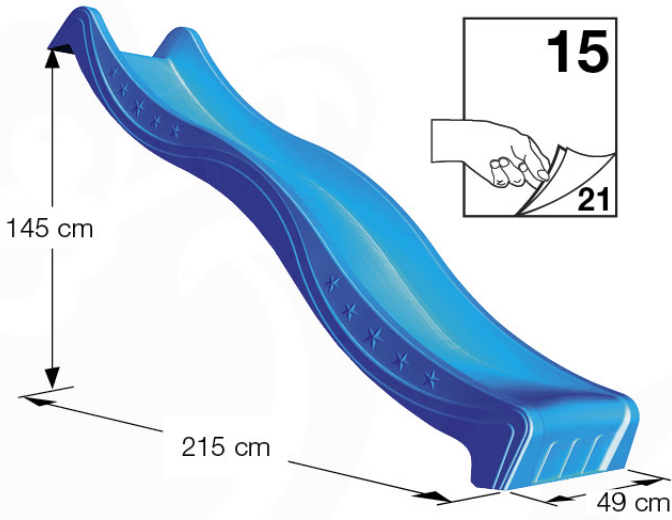


4.

14 Add-on

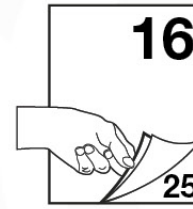
Wavy Star Slide XXL

- 334_100 Yellow
- 334_200 Blue
- 334_300 Green
- 334_400 Red
- 334_500 Fuchsia
- 334_600 Dark Green



Fireman's Pole

201_275

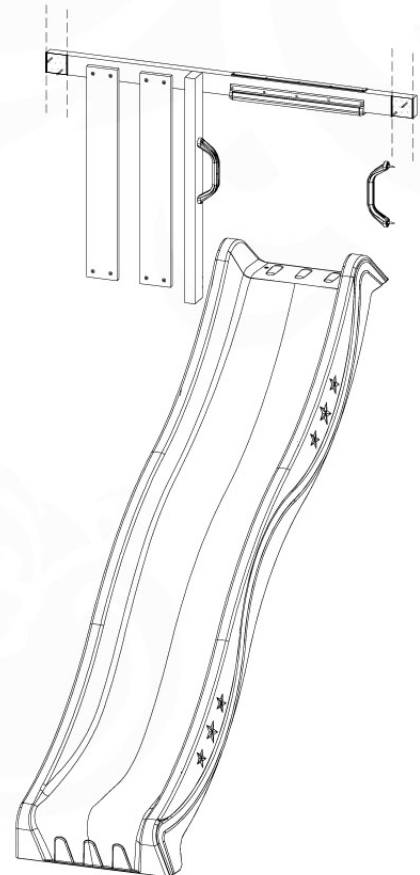


15 Slide Set

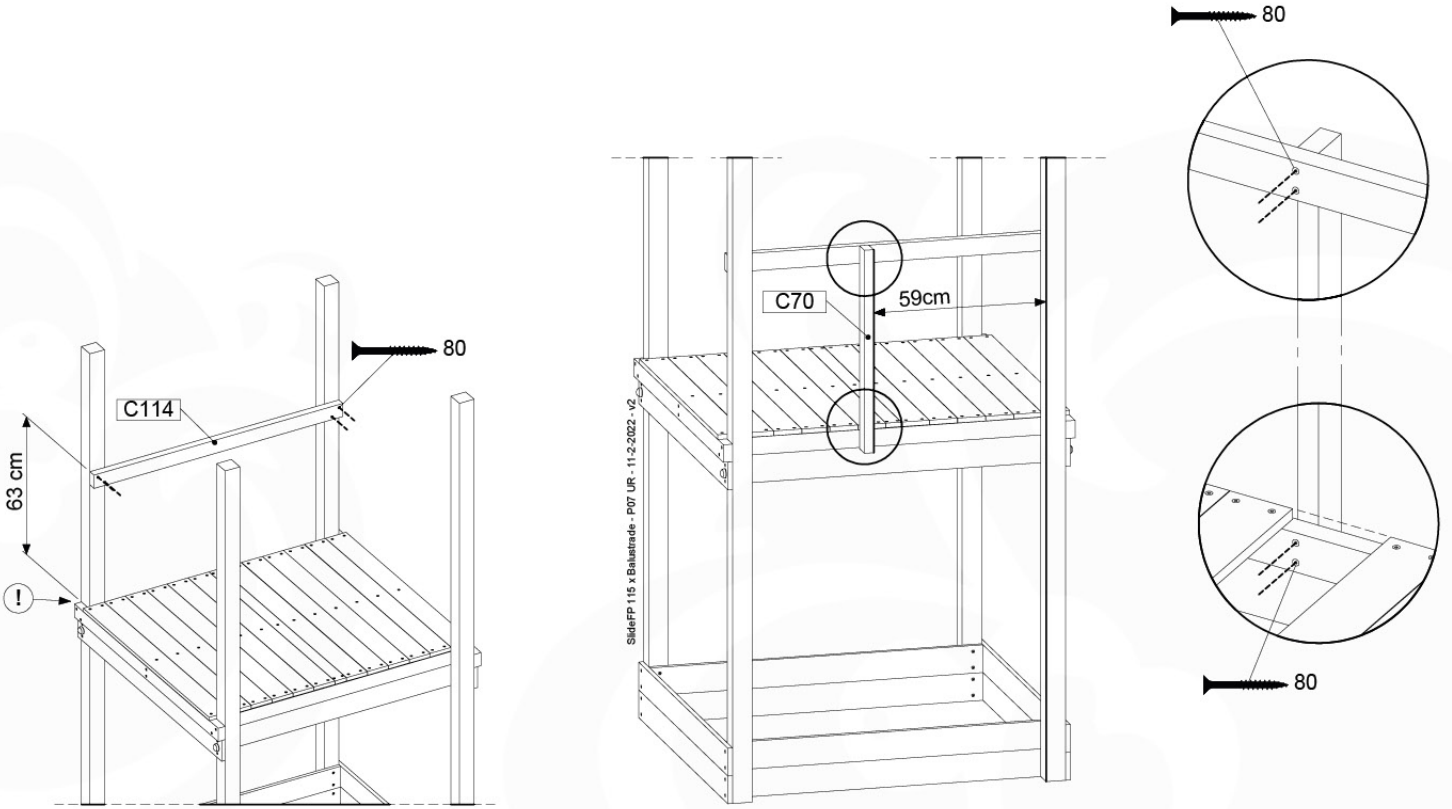
SL11

	PartNo	PartName	QTY.
Hardware Pack	000_101	Nail Pan Head	10
	002_220	Gap Point Screw T25 - 5x45	8
	002_223	Gap Point Screw T25 - 5x80	8
	002_308	Gap Point Screw T25 - 5x20	2
Other	120_102	Handgrip set (complete 2x)	1
	123_200	Bumperpad	1
	324_xxx 334_xxx	Wavy Star Slide XL 2200 mm / Wavy Star Slide XXL 2650 mm	1
Timber	C114	Beam 1140 mm	1
	C70	Beam 700 mm	1
	D65	Board 650 mm	2

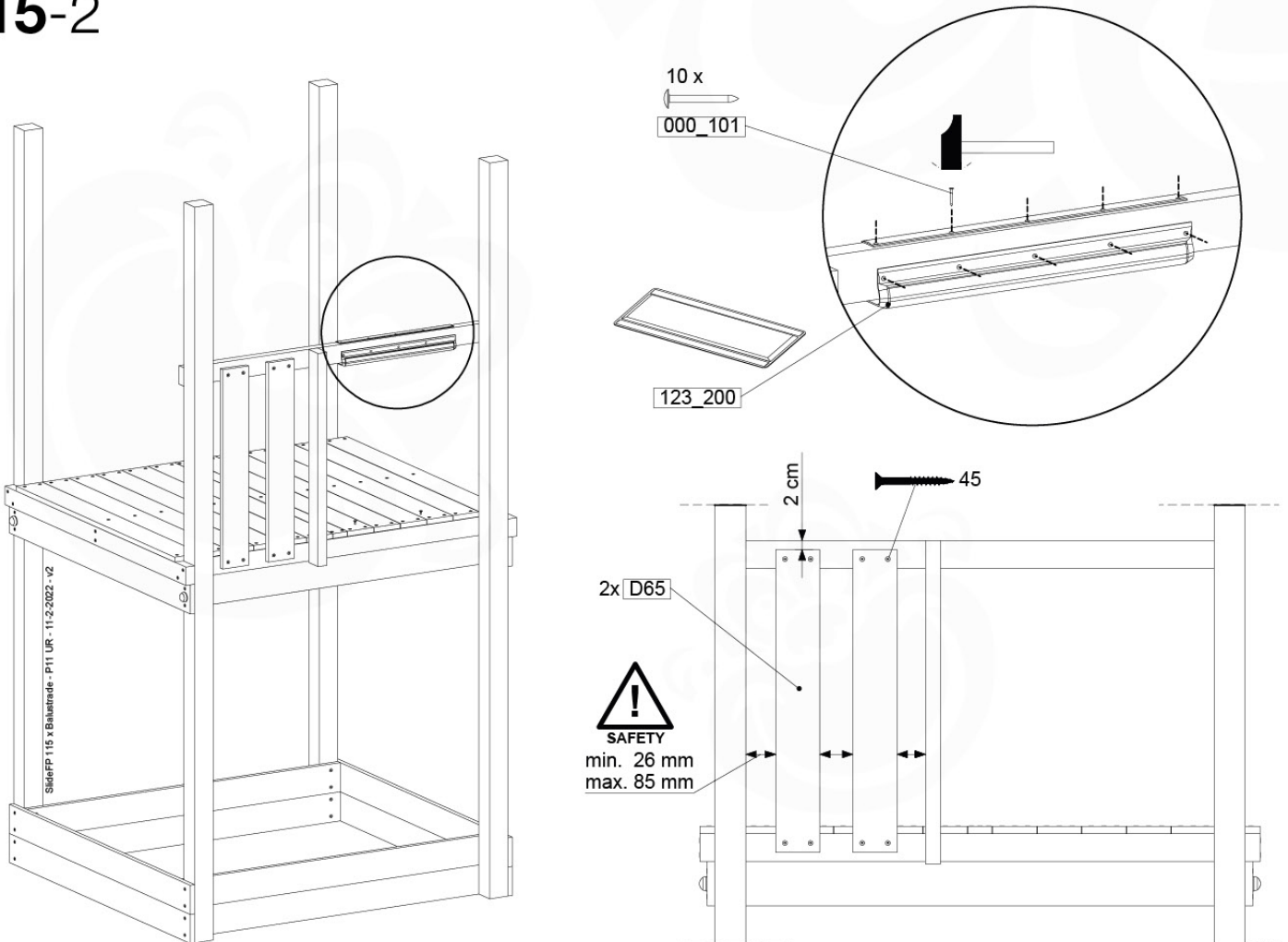
SlideFP 115 x Bauanleitung - P03 UR - 11.2.2022 - v2



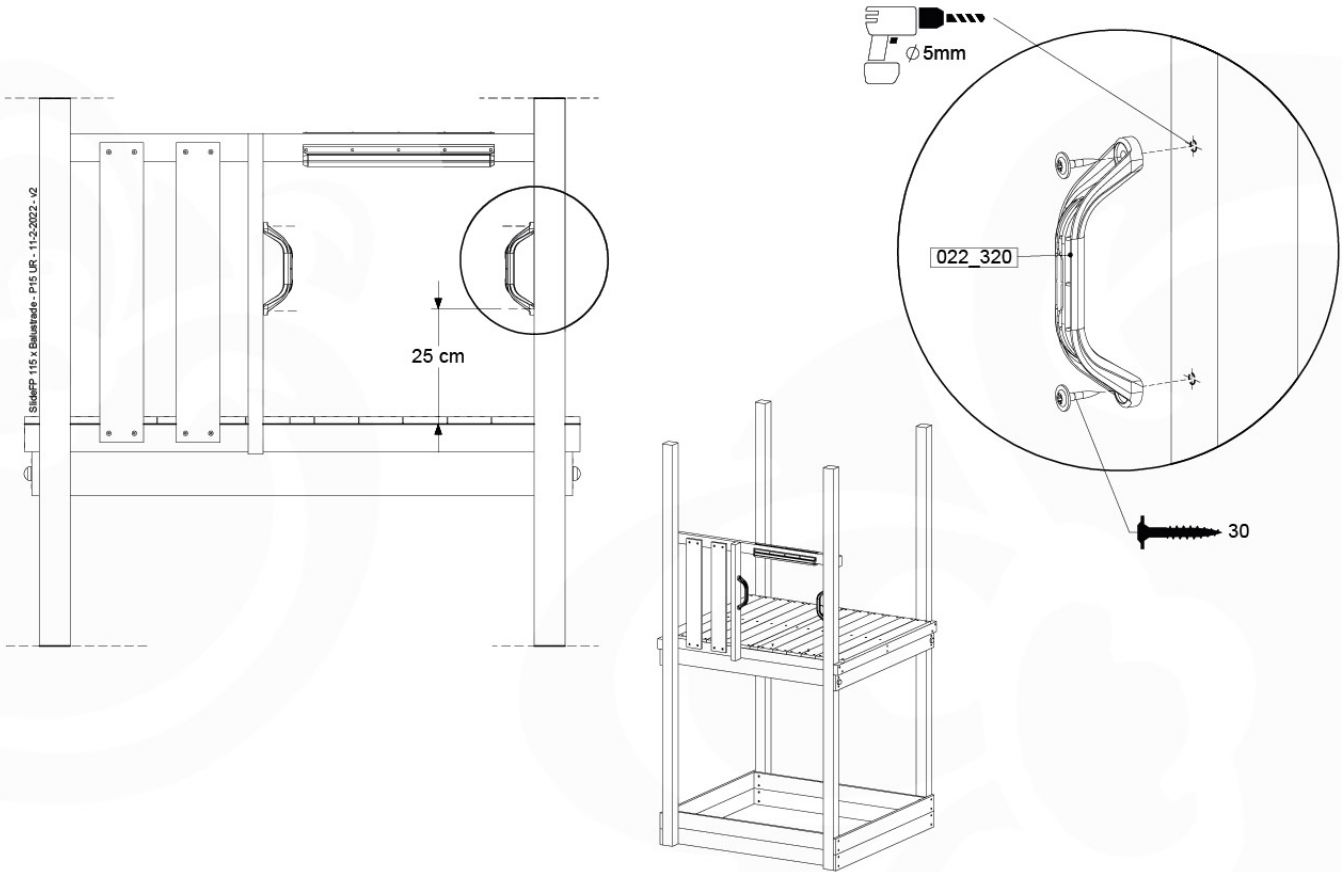
15-1



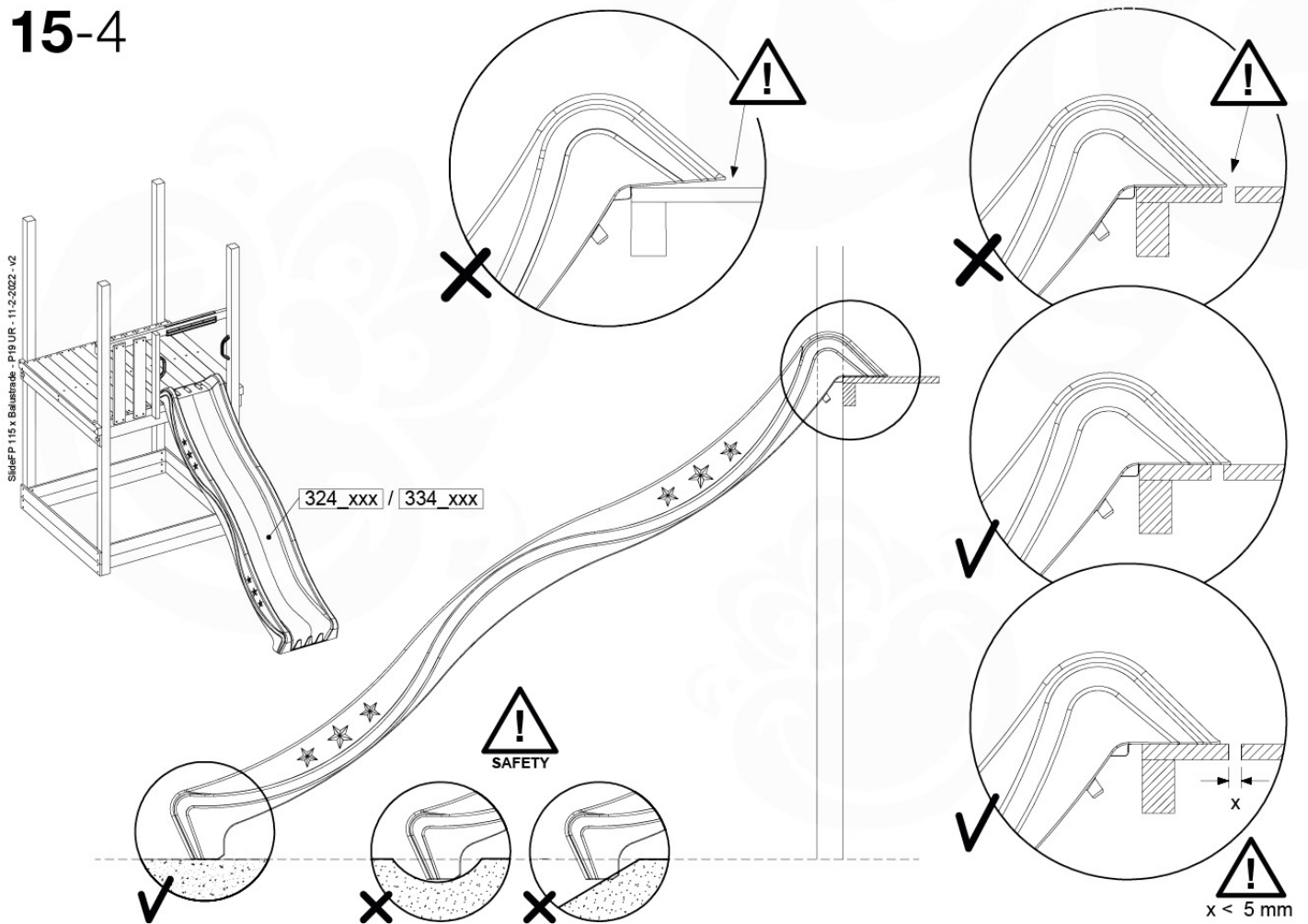
15-2



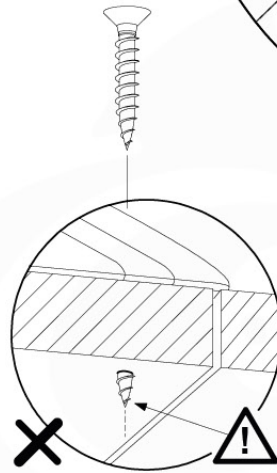
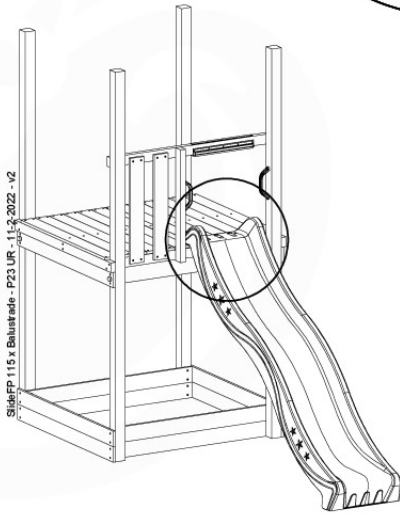
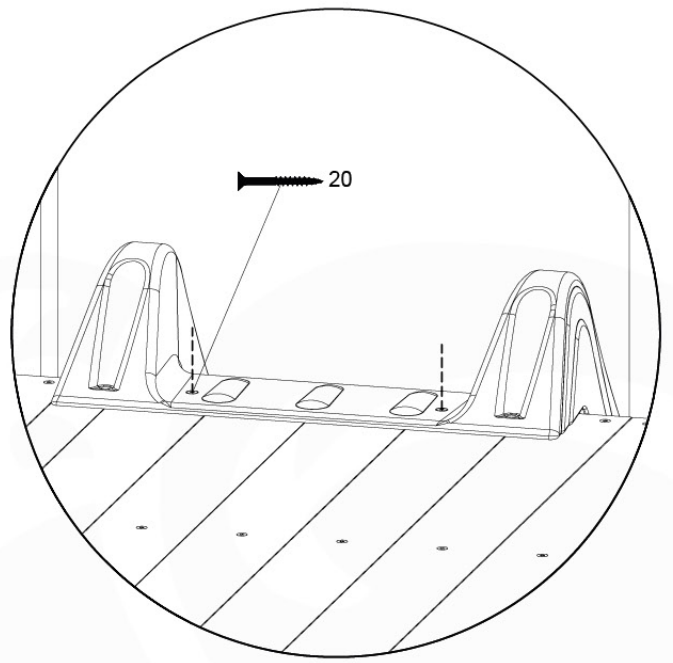
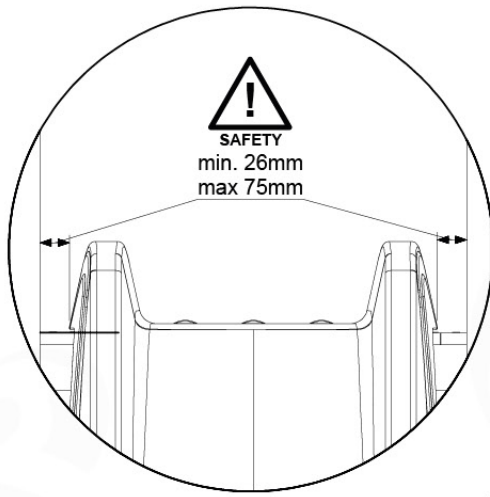
15-3



15-4

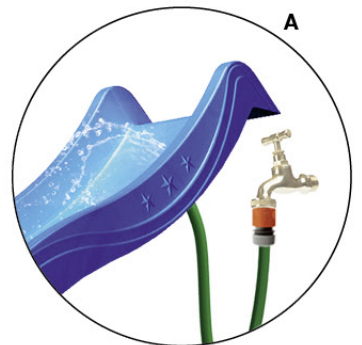
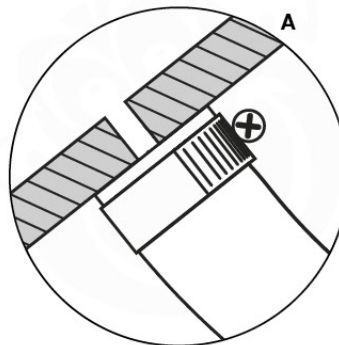
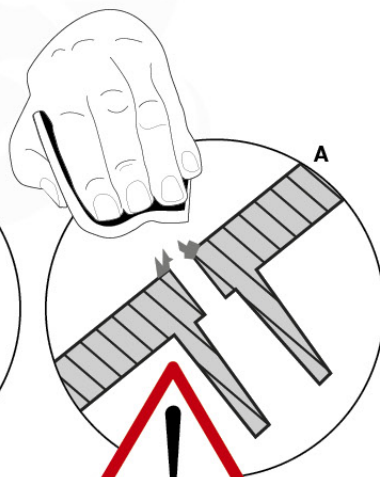
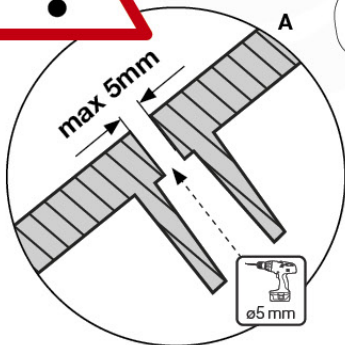
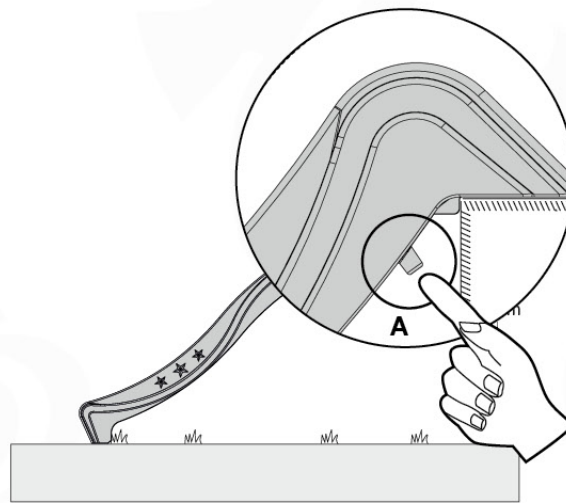


15-5



SlideFP 115 x Blauwrode - PZ3 UR - 11-2-2022 - v2

15-6

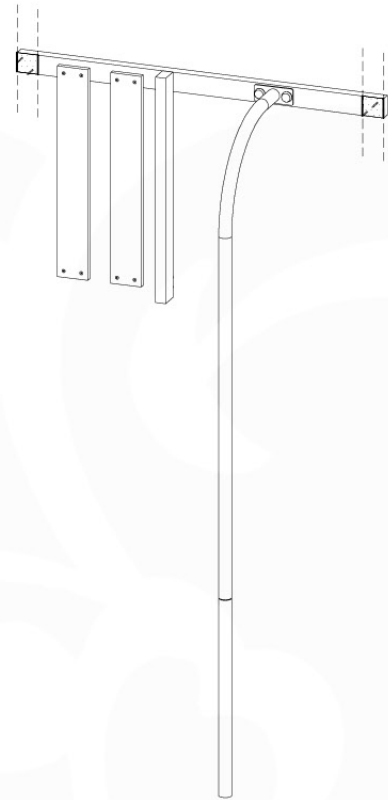


16 Firemans Pole

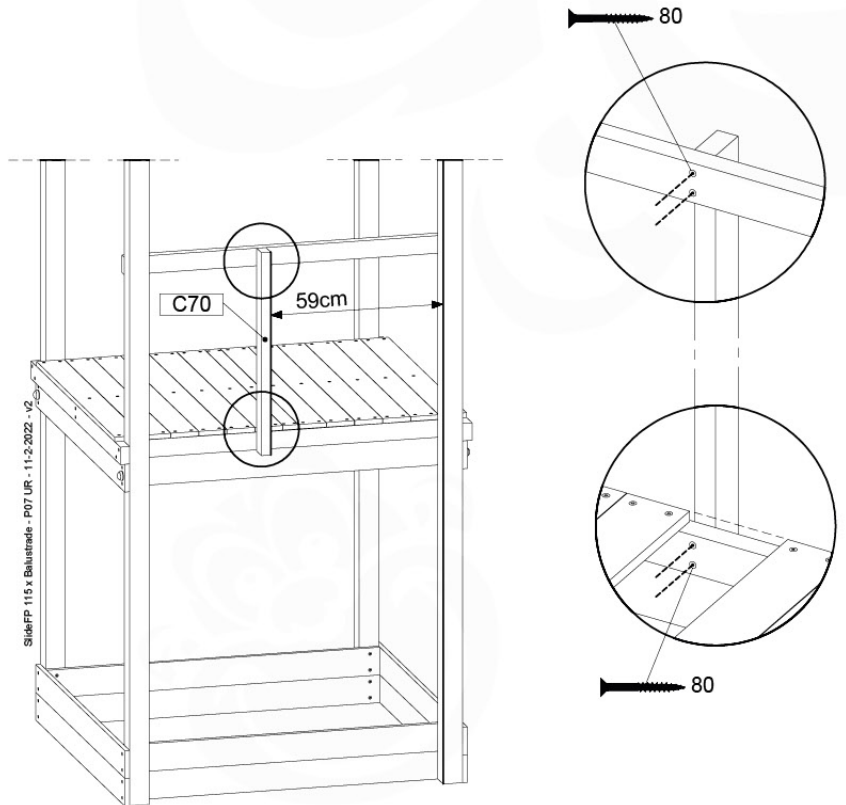
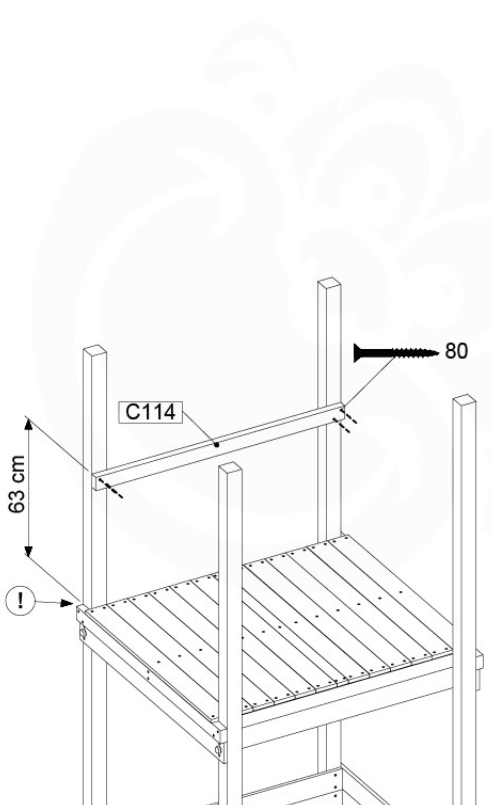
FP09

	PartNo	PartName	QTY.
Hardware Pack(s)	001_103	M8 Washer Head Screw 40mm	2
	002_220	Gap Point Screw T25 - 5x45	8
	002_223	Gap Point Screw T25 - 5x80	8
	003_010	M8 spring lock washer	2
	003_040	M8 Washer	2
	004_052	M8 Drive-in Nut 30mm	2
	004_054	M8 Drive-in Nut 45mm	2
	022_31x	bpc-base version 3	2
	022_84x	bpc cover	2
Other	102_915	Fireman's Pole	1
Timber	C70	Beam 700 mm	1
	C114	Beam 1140 mm	1
	D65	Board 650 mm	2

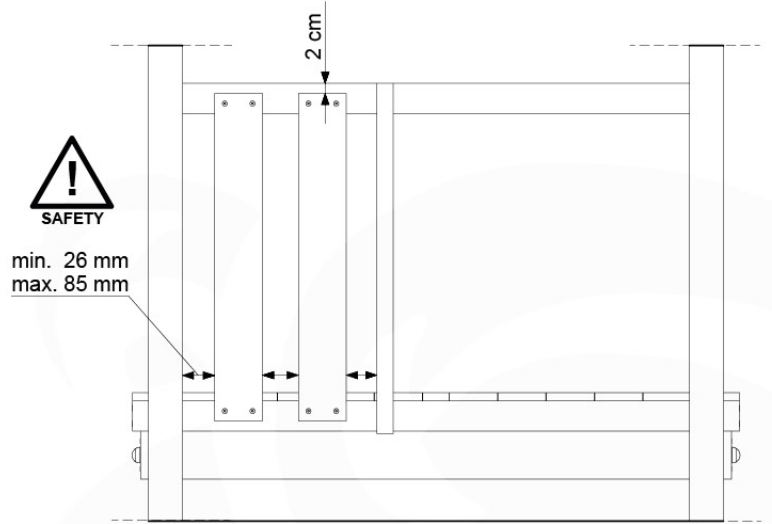
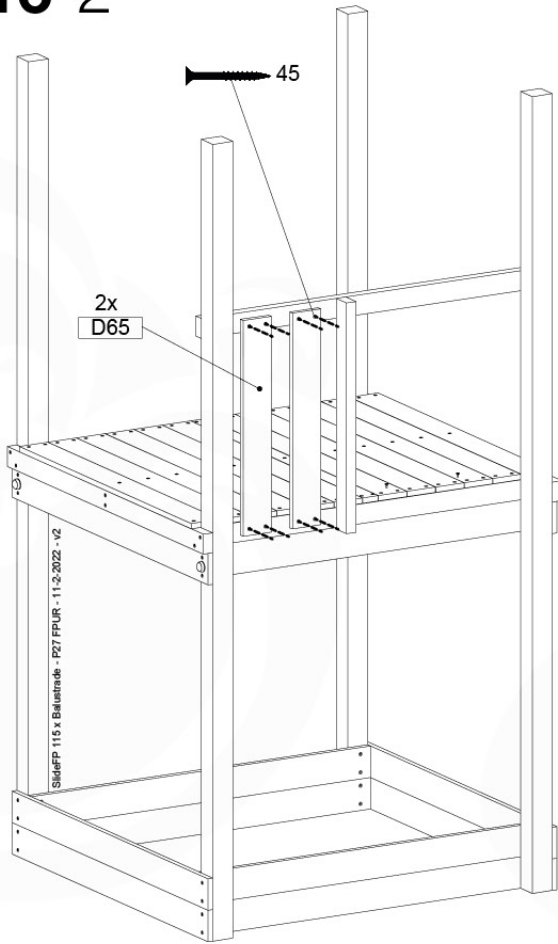
SlideFP 115 x Balustrade - P31 FPUR - 11.2.2022 - v2



16-1



16-2



Fireman's Pole (201_275)
040_335 Part 2

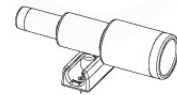
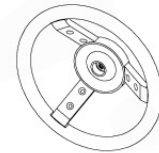
17 Accessories

AC01

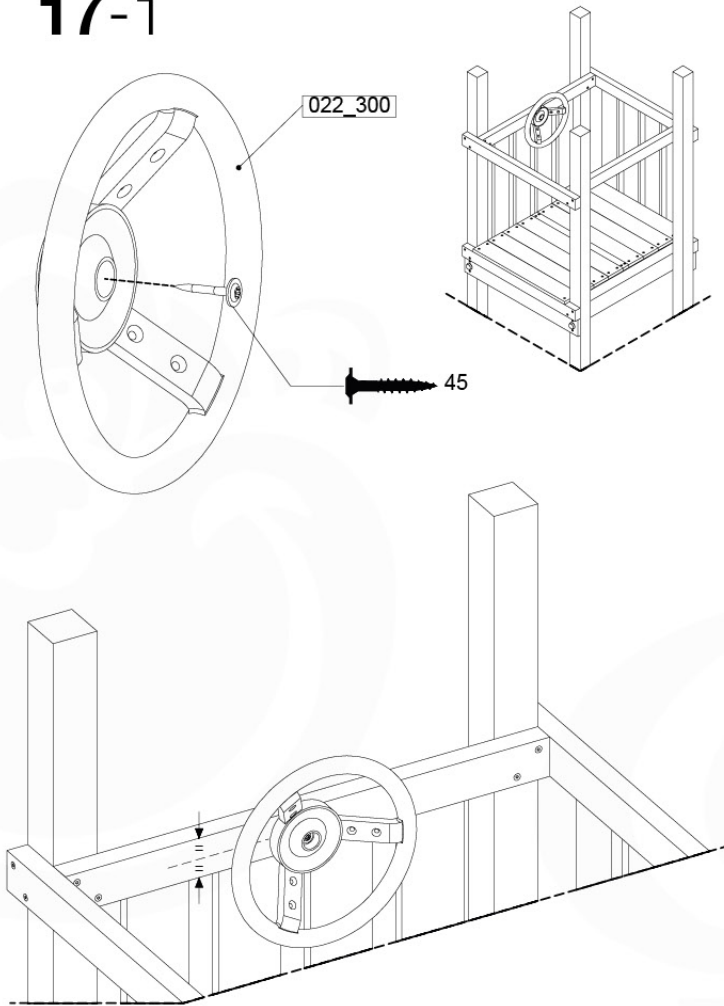
(194_119)

	PartNo	PartName	QTY.
Hardware Pack 100_617	001_406	Stealth Screw 8x45	1
	002_041	Dome head screw 4.5 x 20 mm	3
	002_042	Dome head screw 3.5 x 13mm	4
	002_219	Gap Point Screw T25 - 5x30	2
Other	022_300	Steering Wheel	1
	022_800	Rail P/T 105	1
	022_910	Sandpad	1
	103_901	Logo ID Plate	1
	104_107	Tool Set Climbing Units	1
	120_024	Tower Flag	1
	122_302	Telescope	1

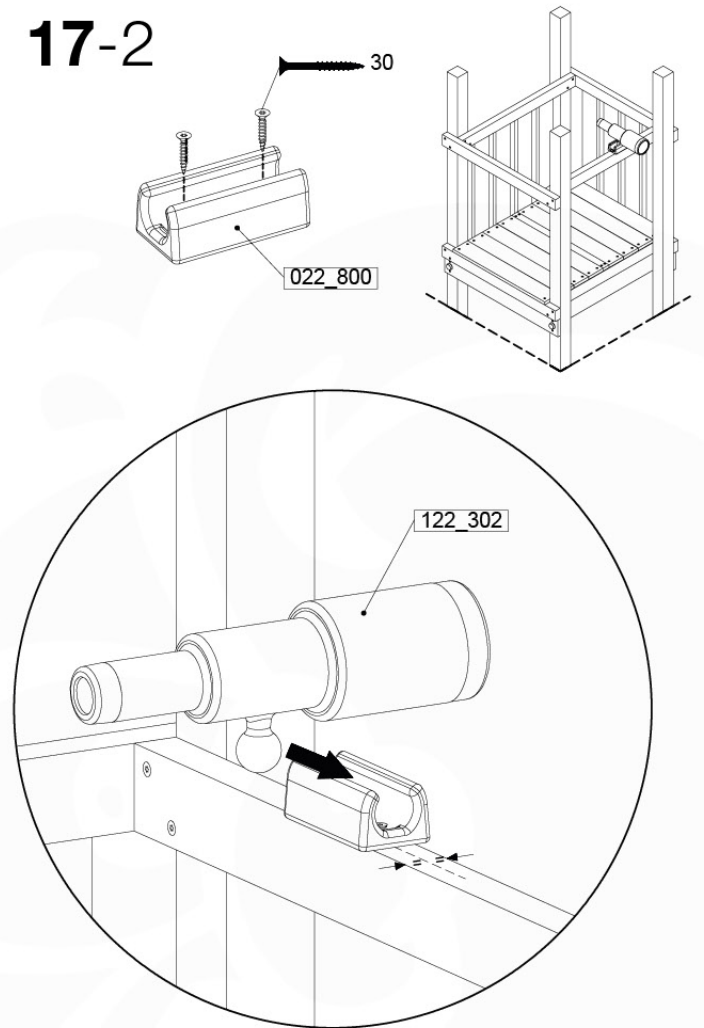
Accessory set - P02 - 29-9-2021 - v4



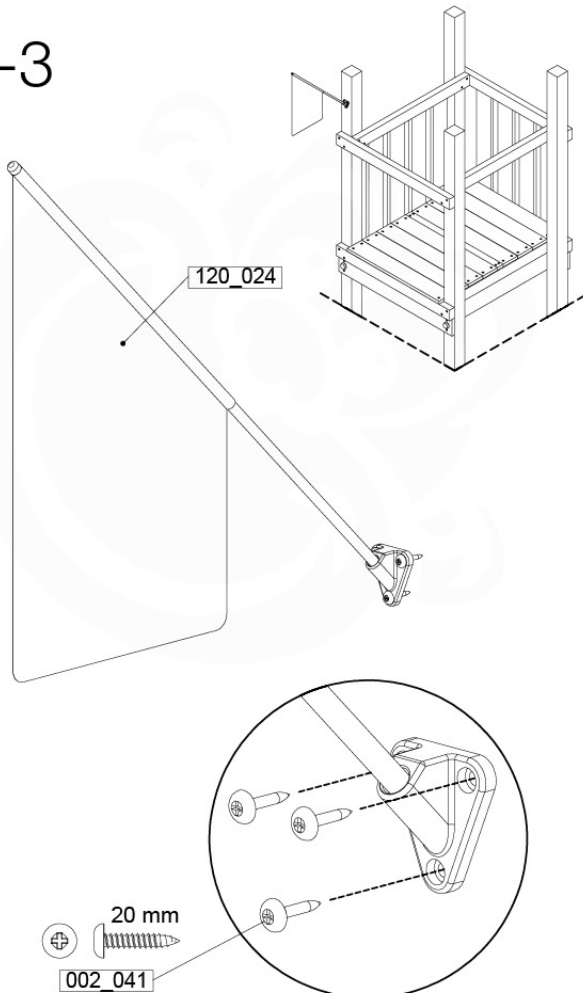
17-1



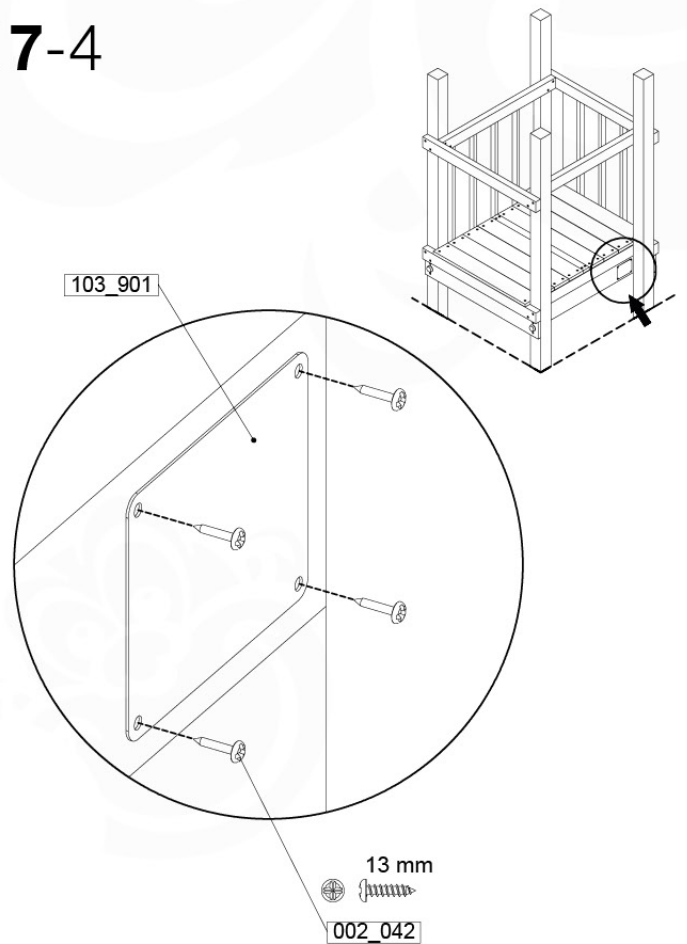
17-2



17-3



17-4

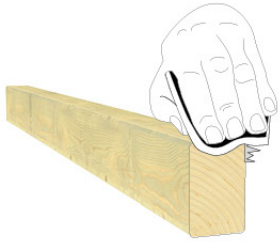
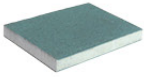


Accessory set - P03 - 29-9-2021 - v4

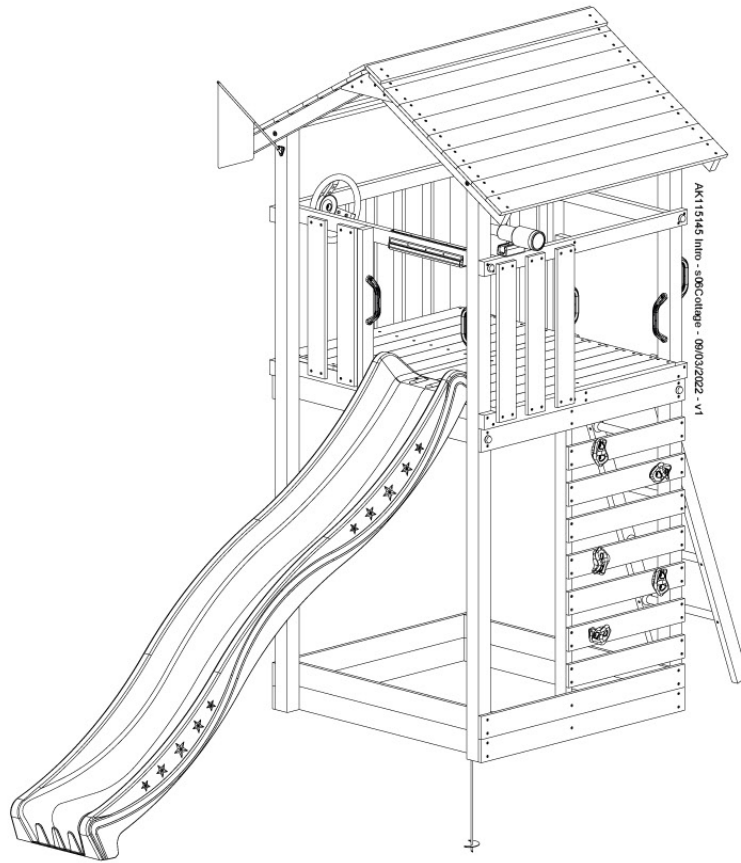
Accessory set - P04 - 29-9-2021 - v4

17-5

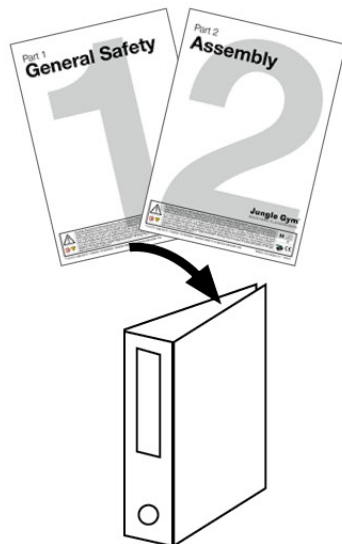
1x
022_910



Radius = 3 mm



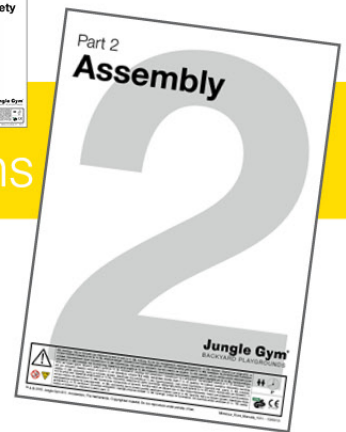
18



Part 2

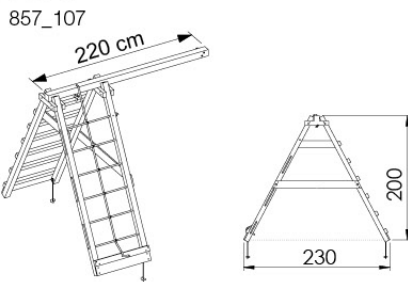
Assembly

Instructions

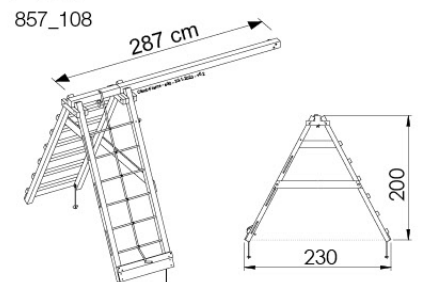


Climb Frames & Modules

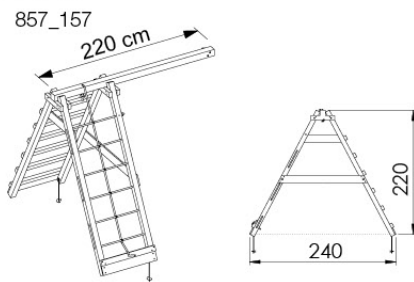
1-Climb Frame 200



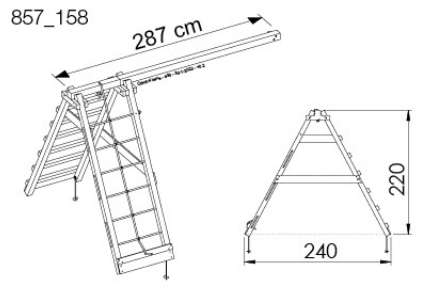
2-Climb Frame 200



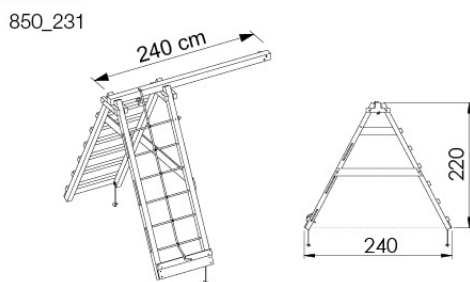
1-Climb Frame 220



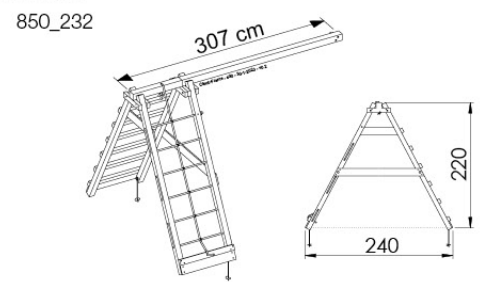
2-Climb Frame 220



1-Climb Module



2-Climb Module



Jungle Gym



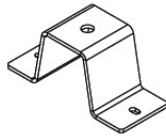
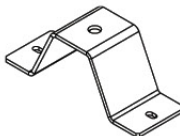
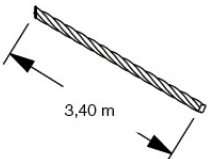





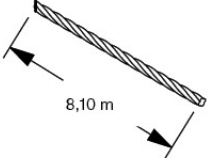
BACKYARD PLAYGROUNDS

since 1988

	1 position	2 positions		1 position	2 positions
EN. Warnings. Only for domestic use. Maximum number of users is:	3	4	LT. Įspėjimai. Tik butiniam naudojimui. Maksimalus naudotojų skaičius :	3	4
DE. Achtung. Nur für den Hausgebrauch. Maximale Benutzerzahl:	3	4	HR. Upozorenja. Samo za kućansku uporabu. Maksimalan broj korisnika je :	3	4
FR. Attention. Réservé à un usage familial. Le nombre maximal d'utilisateurs est de :	3	4	HU. Figyelmeztetések. Csak otthoni használatra! A használók max. száma: :	3	4
NL. Waarschuwingen. Uitsluitend voor huishoudelijk gebruik. Het maximale aantal gebruikers is:	3	4	NO. Advarsel. Kun for privat bruk. Maksimalt antall brukere er :	3	4
BG. Внимание. За употреба само в домашни условия. Максималният брой потребители е:	3	4	PL. Ostrzeżenia. Wyłącznie do użytku domowego. Maksymalna liczba użytkowników to :	3	4
ES. Advertencias. Sólo para uso doméstico. Número máximo de usuarios:	3	4	PT. Avisos. Apenas para uso doméstico. O número máximo de utilizadores é :	3	4
CS. Varování. Jen pro domácí použití. Maximální počet uživatelů je :	3	4	RO. Avertismente. Numai pentru uz domestic. Numărul maxim de utilizatori este :	3	4
DA. Advarsel. Kun til privat brug. Maksimalt antal brugere er :	3	4	RU. Предостережения. Только для домашнего использования.	3	4
ET. Hoiatused. Ainult koduseks kasutamiseks. Maksimalne kasutajate arv on :	3	4	Максимальное количество пользователей :	3	4
EL. Προειδοποιήσεις. Μόνο για οικιακή χρήση. Μέγιστος αριθμός χρηστών :	3	4	SK. Upozornenia. Iba na domáce použitie. Maximálne množstvo osôb je :	3	4
IS. Varnaðarorð. Eingöngu fyrir einkanoðkun í heimahúsum og á einkalóðum. Hámarksfjöldi notenda er :	3	4	SL. Opozorila. Samo za domačo uporabo. Maksimalno število uporabnikov je :	3	4
IT. Avvertenze. Solo per uso domestico. Massimo numero di utenti è :	3	4	FI. Varoitukset. Ainoastaan kotikäyttöön. Käyttäjää yhteensä enintään :	3	4
LV. Brīdinājumi. Izmantot tikai mājās. Maksimālais lietotāju skaits ir :	3	4	SR. Upozorenja. Samo za kućnu uporabu. Maksimalan broj korisnika je :	3	4
			SV. Varningar. Endast för hemmabruk. Det maximala antalet användare är :	3	4
			TR. Uyarılar. Sadece ev kullanımı için. Maksimal kullanıcı sayısı :		

01 What's in the Delivery?

457_106

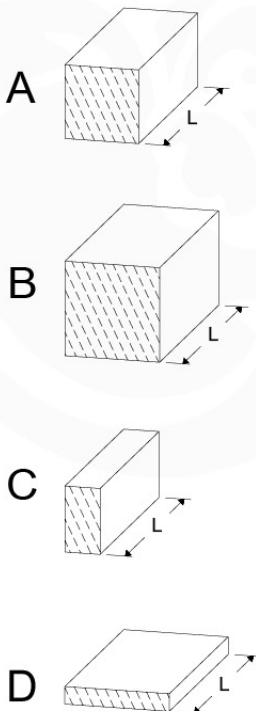
					
					

02 Timber

Frames

Modules


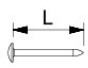

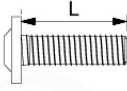
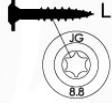
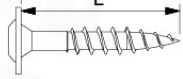

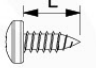

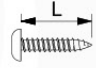

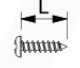

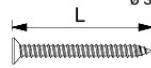
Jungle Climb Frame | Climb Module

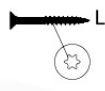
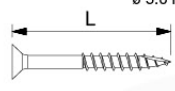


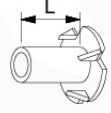






		L				657_105 1-Climb Frame 200	657_106 2-Climb Frame 200	657_155 1-Climb Frame 220	657_156 2-Climb Frame 220	650_231 1-Climb Module	650_232 2-Climb Module
A240 A220	239cm - 240cm 219cm - 220cm	4 x	4 x	4 x	4 x						
B240 B220 B67	239cm - 240cm 219cm - 220cm 66cm - 67cm	1 x	1 x 1 x	1 x	1 x	5 x	5 x				
C74 C37	73cm - 74cm 36cm - 37cm	7 x 4 x	7 x 5 x	8 x 4 x	8 x 5 x	8 x 4 x	8 x 5 x				
D180 D141 D74	179cm - 180cm 140cm - 141cm 73cm - 74cm	3 x 2 x	3 x 2 x	3 x 2 x	3 x 2 x	1 x 2 x 2 x	1 x 2 x 2 x				

output: 00/12/20

03 Standard Hardware ID

		L	
		ø 2.0 mm	000_101 20 mm
		M8	001_102 30 mm
		ø 8.0 mm	001_404 30 mm 001_406 45 mm 001_411 60 mm 001_417 80 mm 001_422 137 mm
		ø 6.3 mm	002_036 16 mm
		ø 4.5 mm	002_041 20 mm
		ø 3.5 mm	002_042 13 mm
		ø 3.9 mm	002_301 40 mm

		L	
		ø 5.0 mm	002_308 20 mm 002_219 30 mm 002_220 45 mm 002_223 80 mm
		M8	003_010
		M6	003_034
		M8	004_050 22mm
			022_845 Yellow 022_846 Blue 022_847 Green 022_848 Red
			023_031 White
			120_005 White
022_844	022_314		

output: 20/11/20

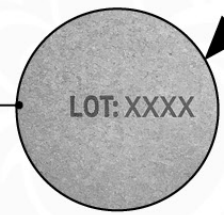
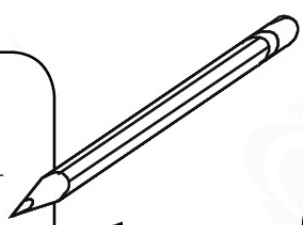
04 Product ID



Art. Description: _____

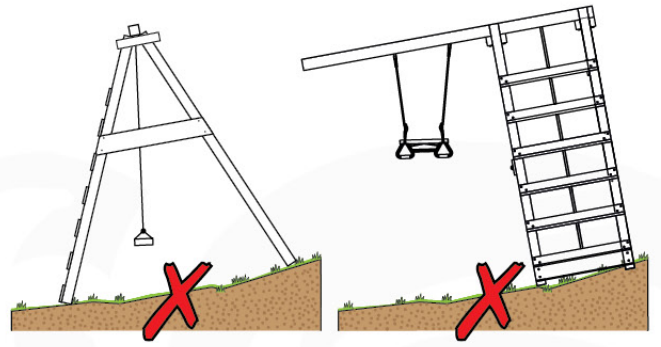
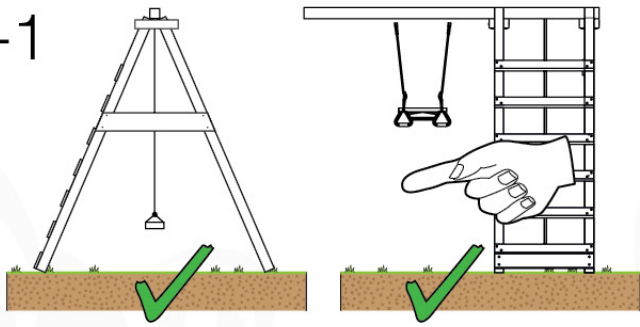
SKU: _____

LOT: _____

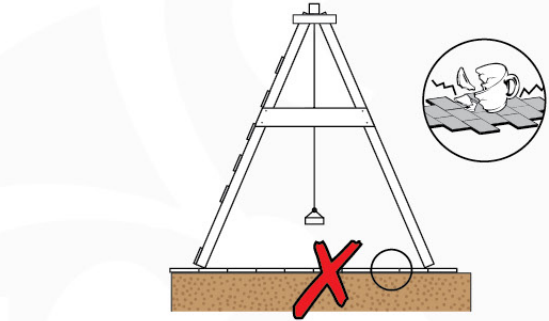
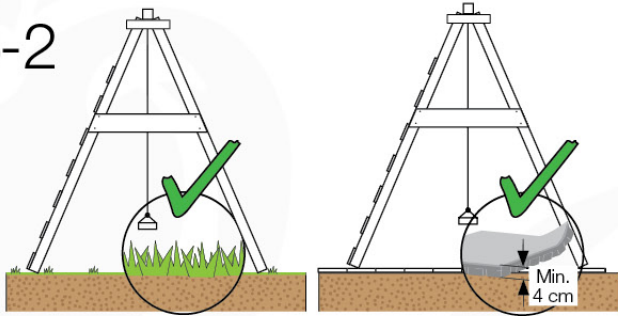


05 Safe Playground Planning

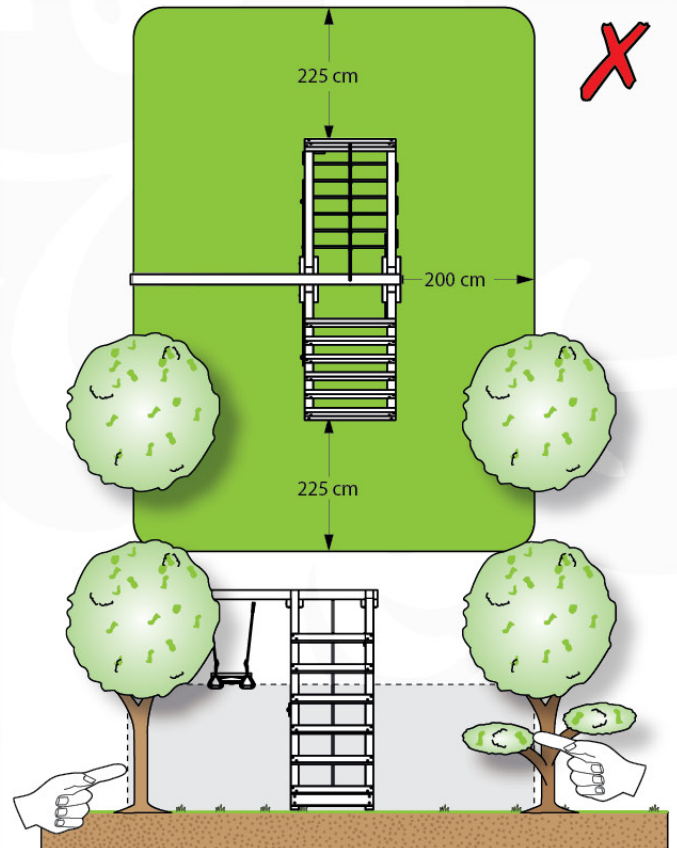
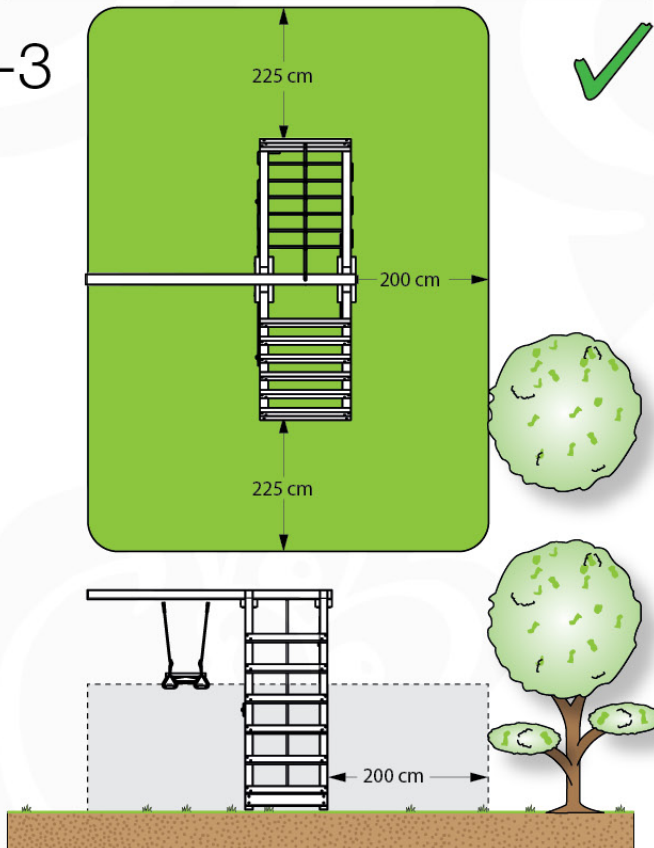
05-1



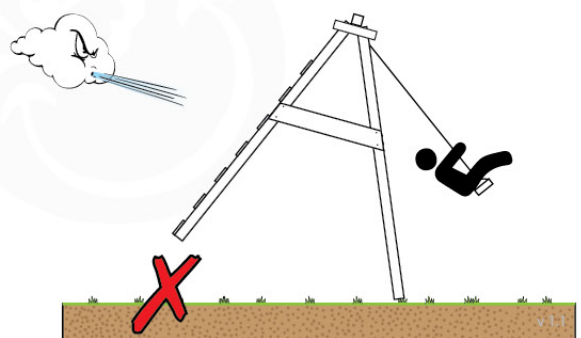
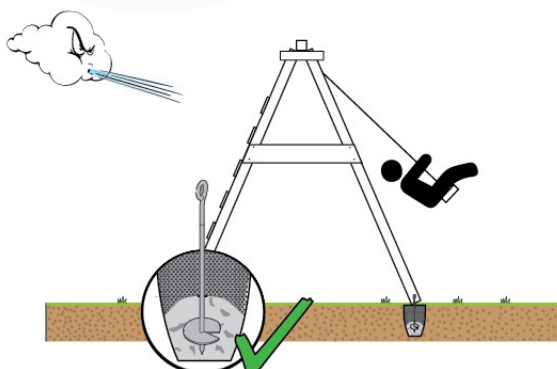
05-2



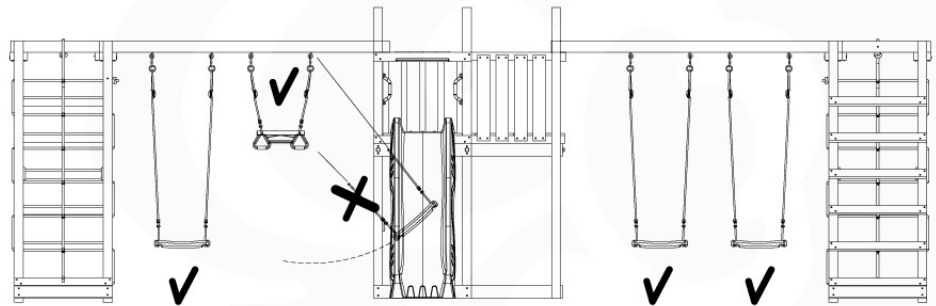
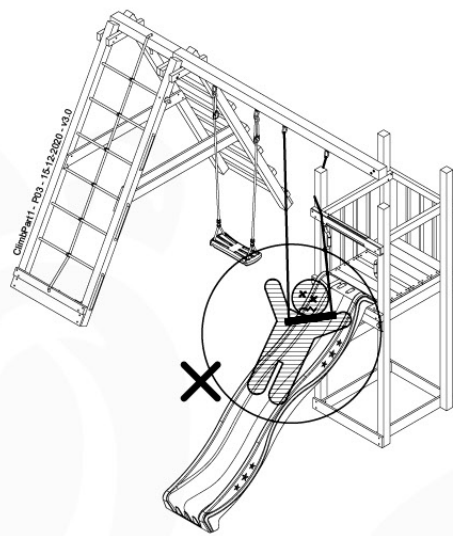
05-3



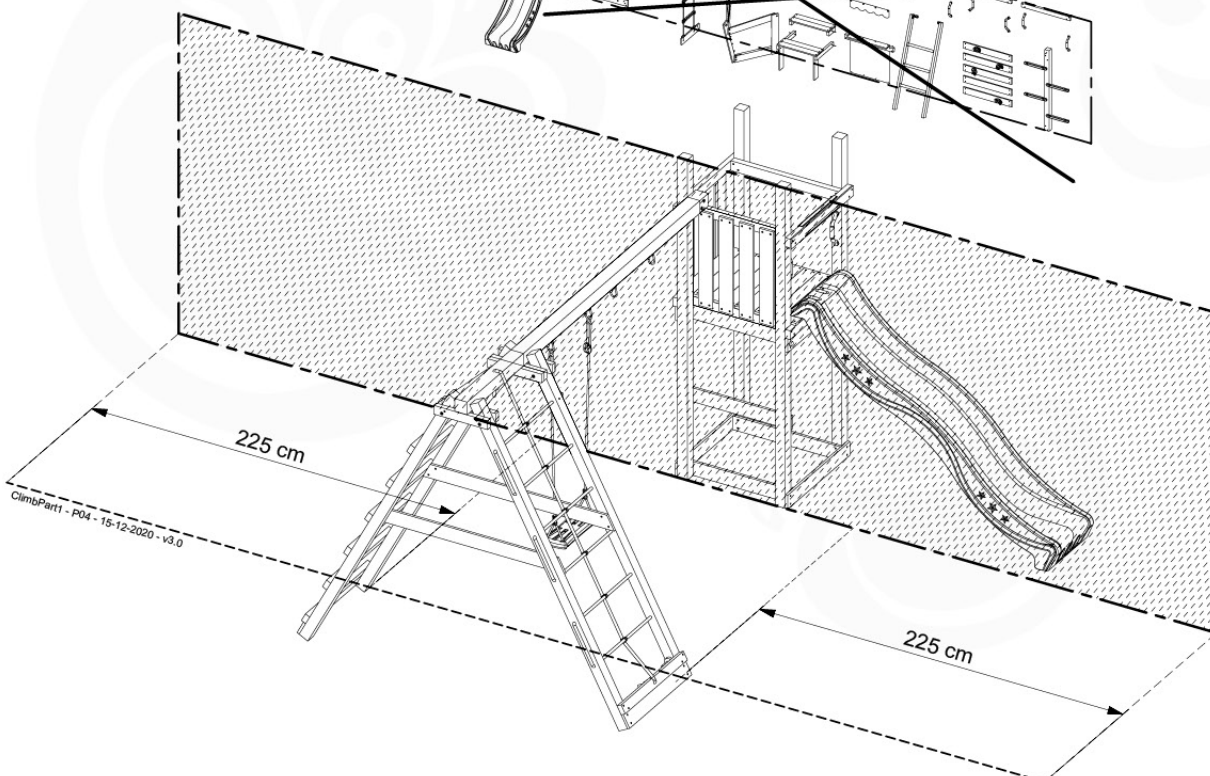
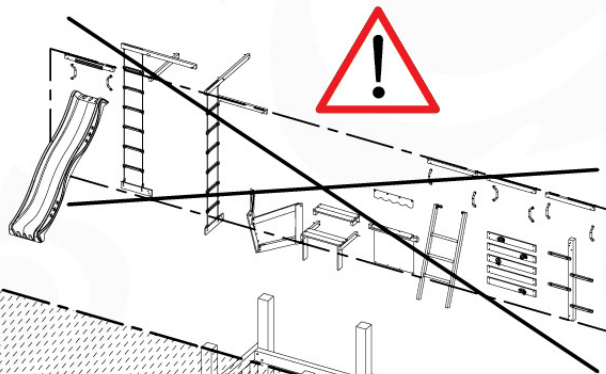
05-4



05-5



05-6

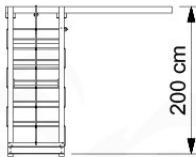


06

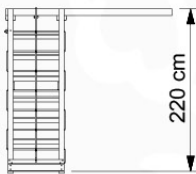
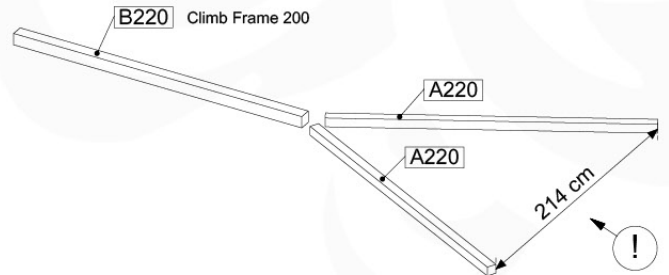
	PartNo	PartName	QTY.
Hardware Pack	001_406	Stealth Screw 8x45	2
	001_417	Stealth Screw 8x80	6
	001_422	Stealth Screw 8x137	6
	002_220	Gap Point Screw T25 - 5x45	43
	002_223	Gap Point Screw T25 - 5x80	45
	002_301	Dry Wall Screw PH2 3.9 x 40 mm	7
Other	005_528	Swing Beam Bracket 7x7	2
	005_529	Swing Beam Bracket 9x9	2
	007_001	Ground-anchor	2
	020_317	Rope Polyester 16mm Green 3.4m	1
	020_318	Rope Polyester 16mm Green 8.1m	1
	022_455	Rope Cross Connector Egg	7
Hardware Pack	023_031	Finishing Washer GPS 5.0	4
Other	101_003	Swing hook with Carabiner	4

ClimbPart1 - P02 - 15-12-2020 - v3.0

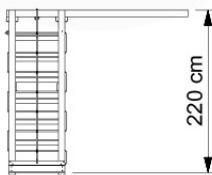
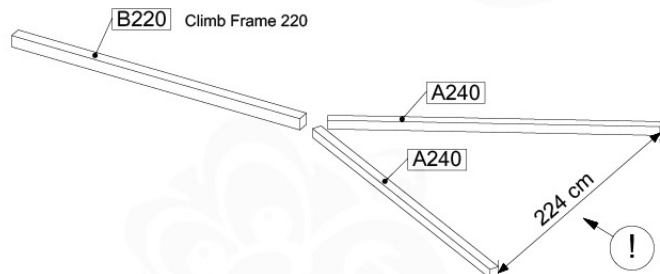
06-1



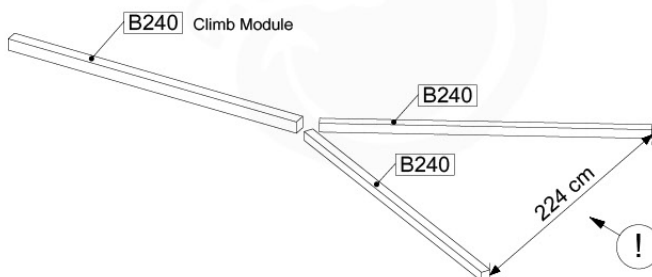
1- / 2- Climb Frame 200



1- / 2- Climb Frame 220

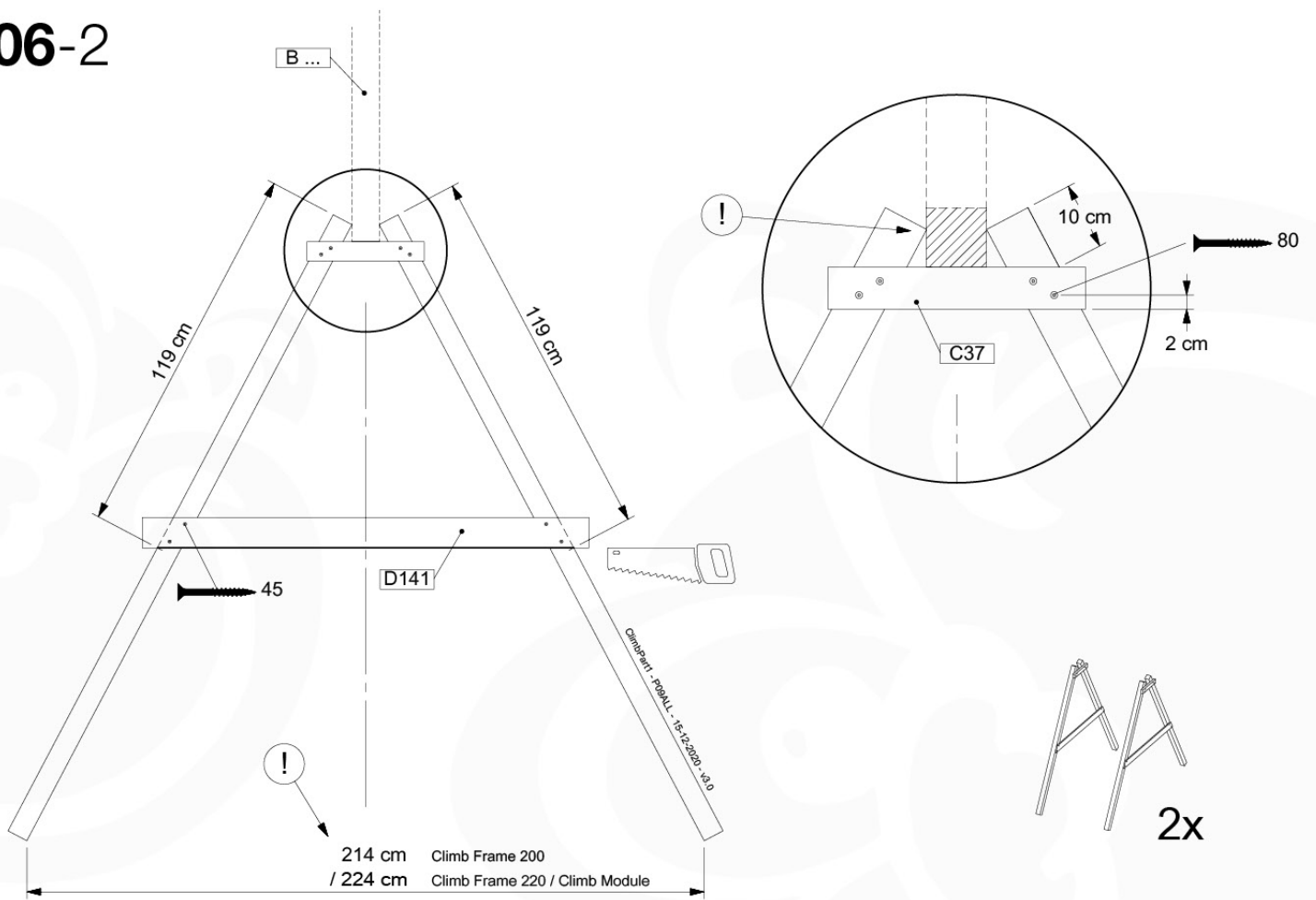


1- / 2- Climb Module

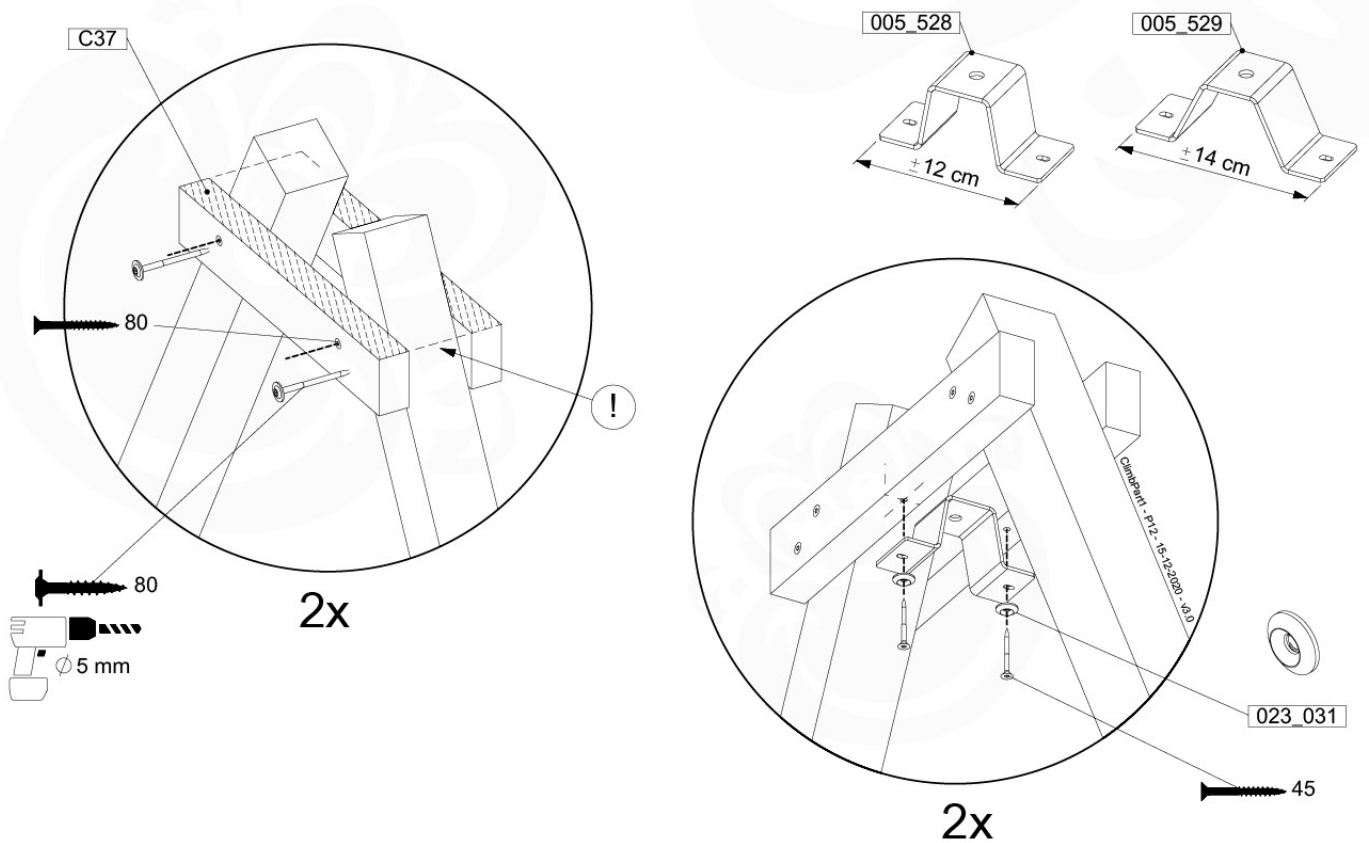


ClimbPart1 - P05ALL - 15-12-2020 - v3.0

06-2

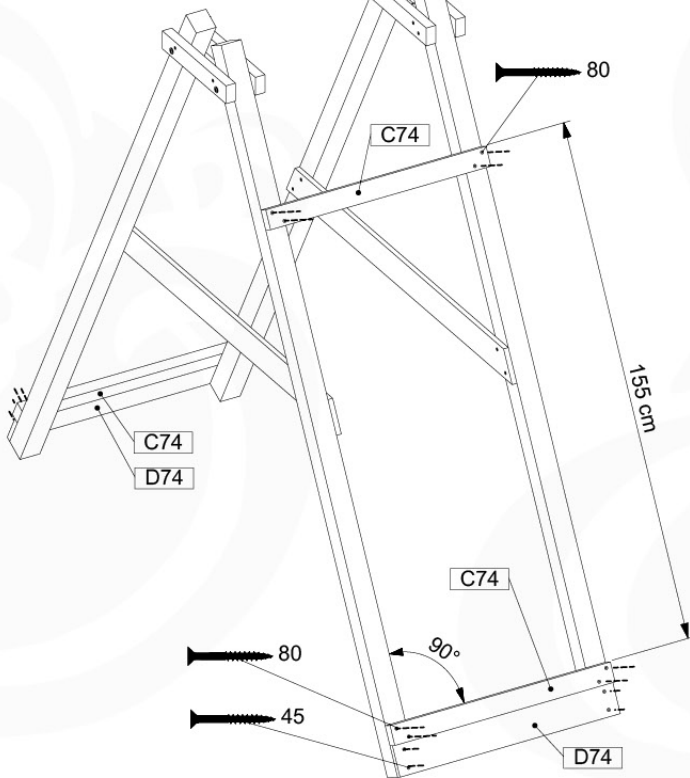


06-3

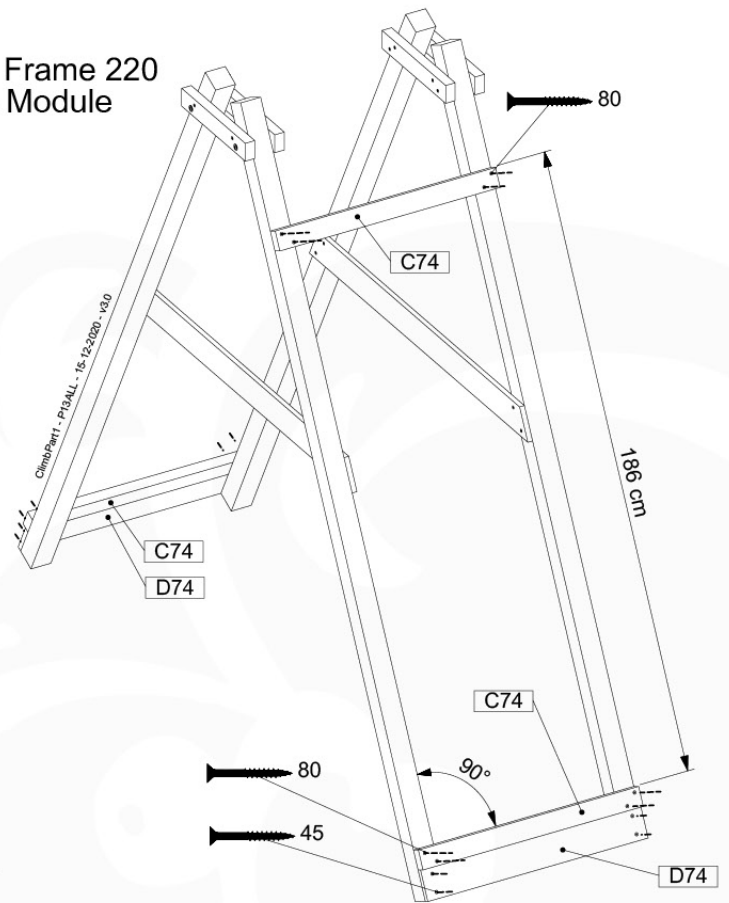


06-4

Climb Frame 200

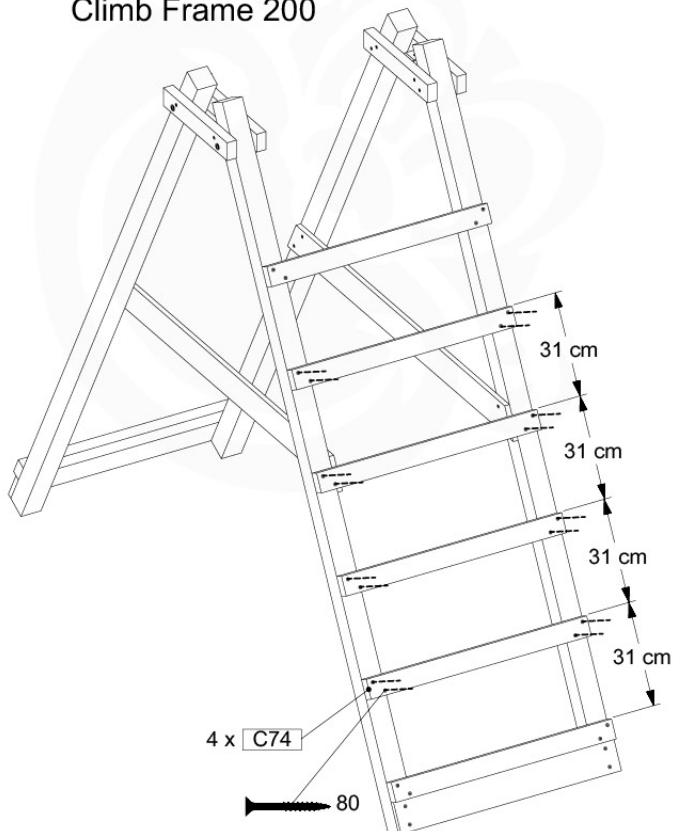


Climb Frame 220
Climb Module

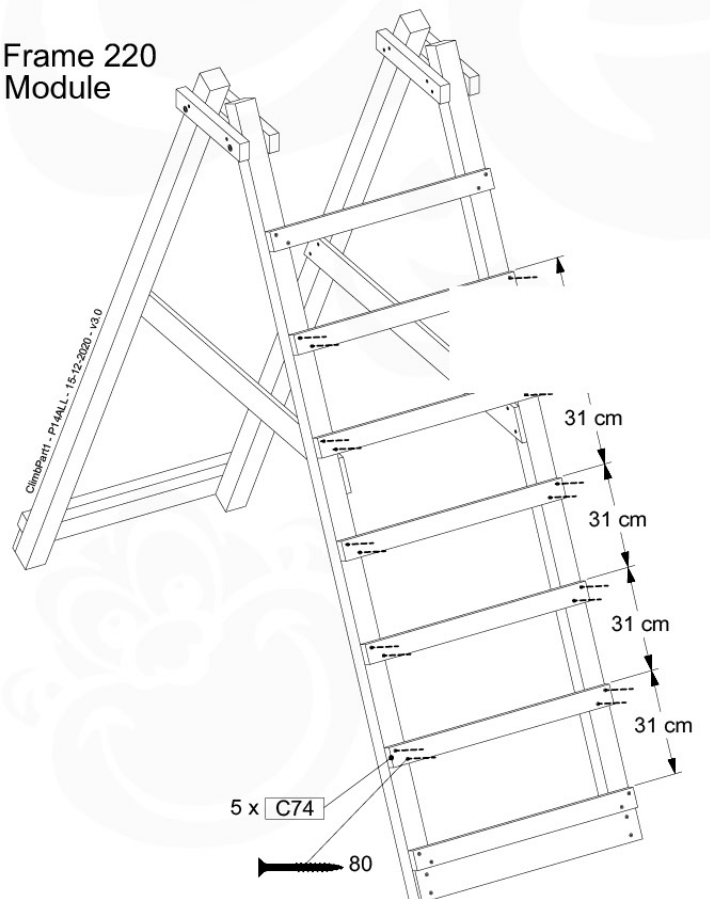


06-5

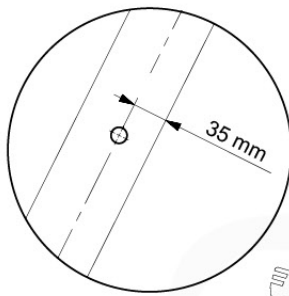
Climb Frame 200



Climb Frame 220
Climb Module

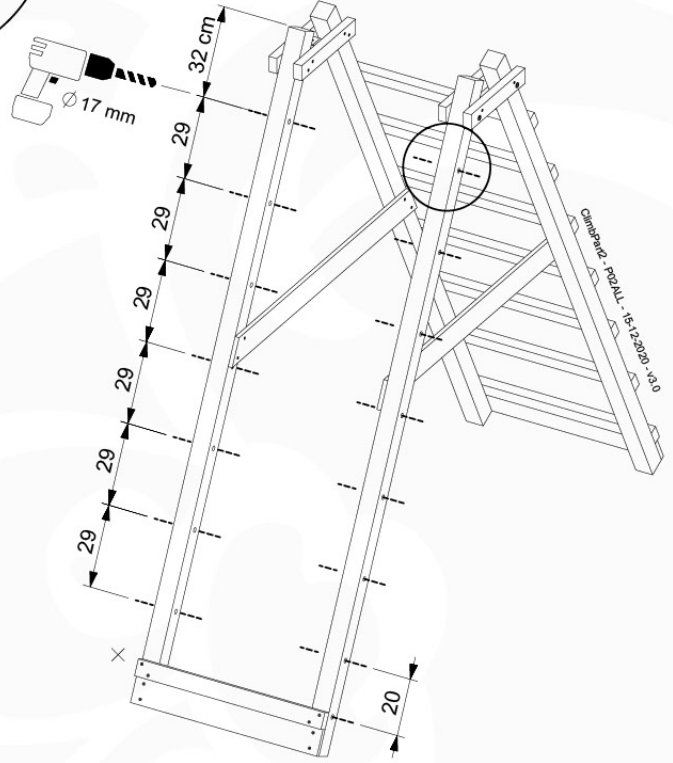
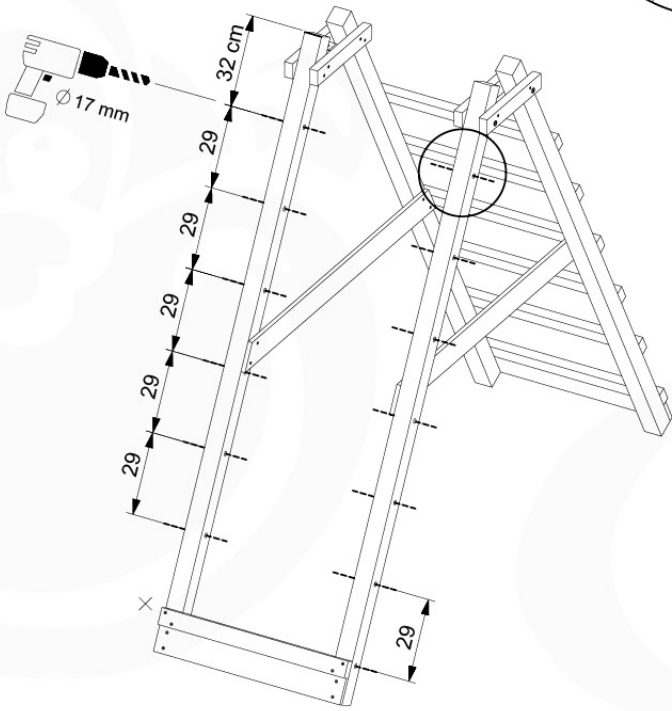


06-6

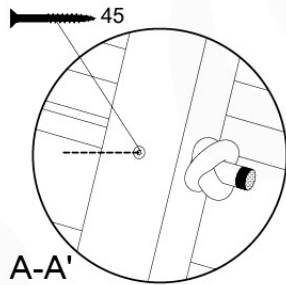


Climb Frame 220
Climb Module

Climb Frame 200

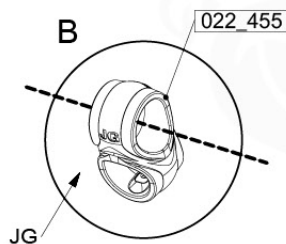
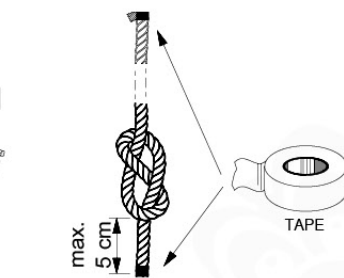
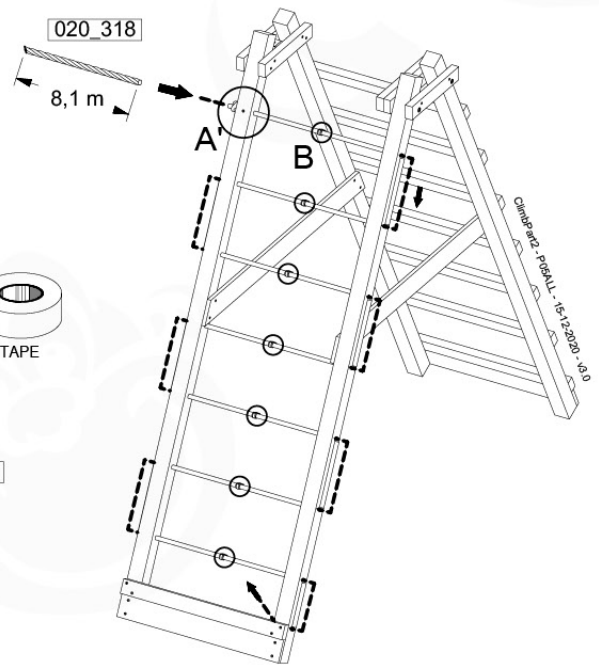
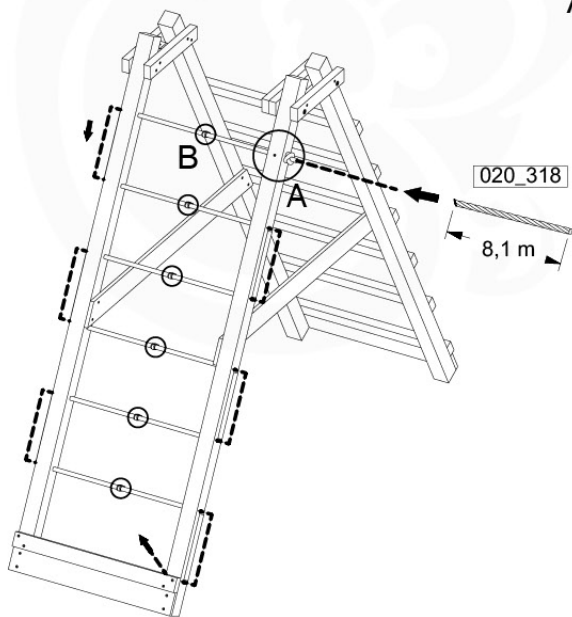


06-7



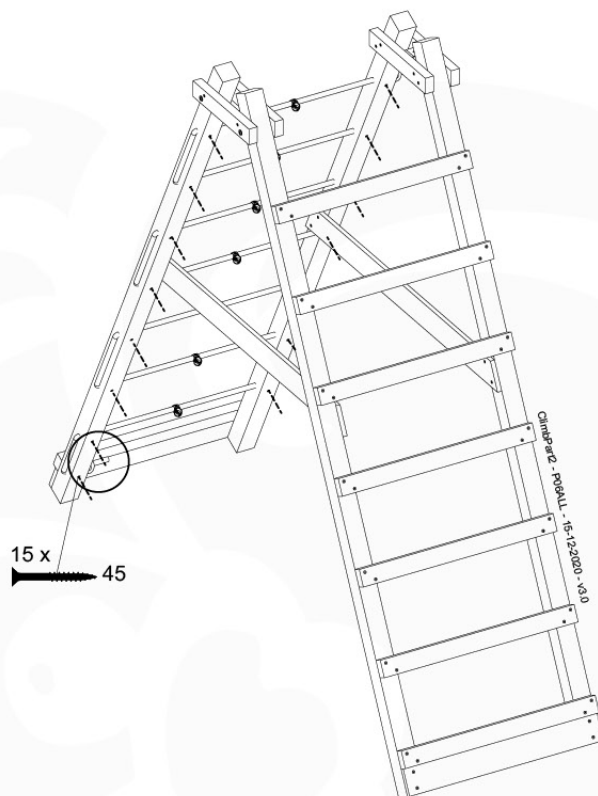
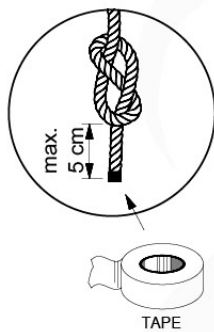
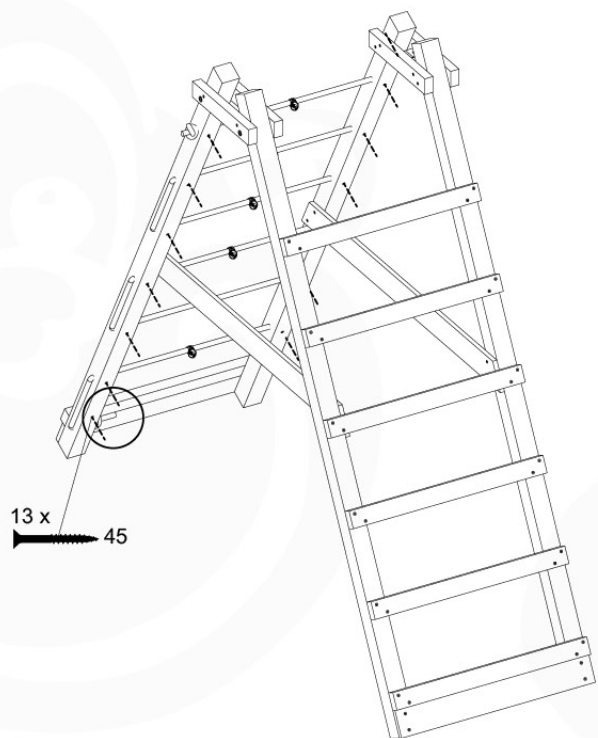
Climb Frame 220
Climb Module

Climb Frame 200



6-7x

Climb Frame 200

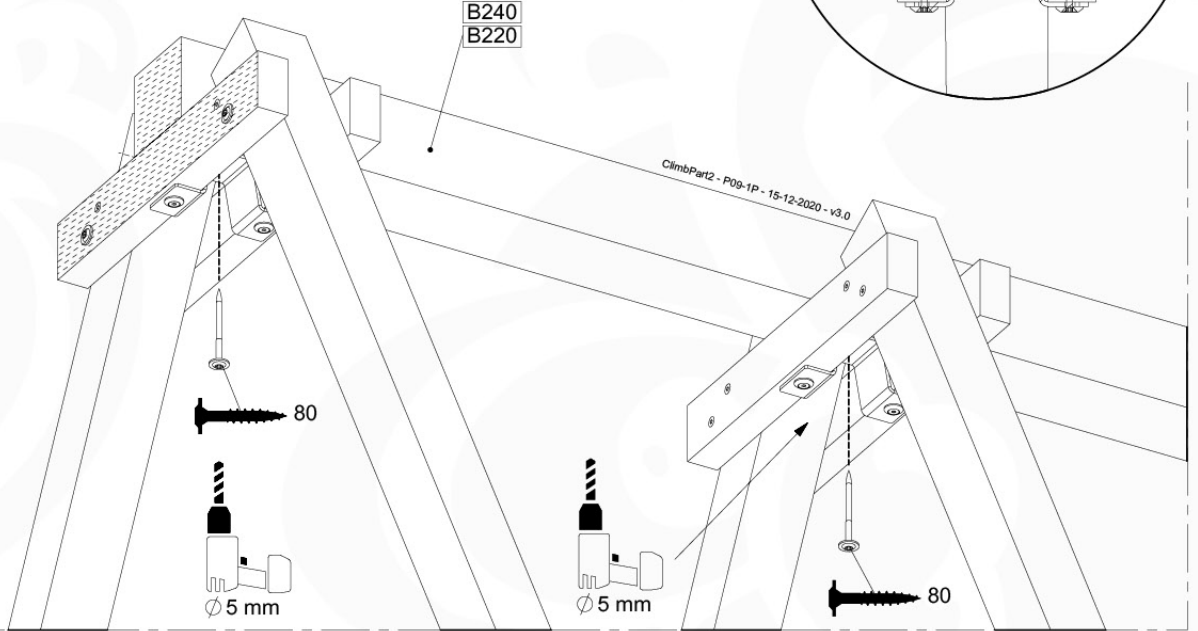


06-9

B240
B220

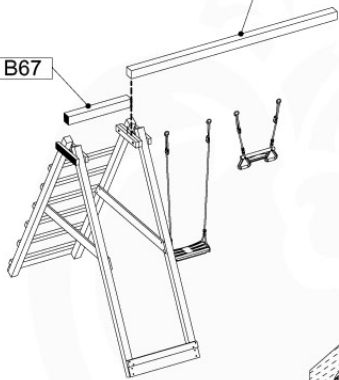


1 position

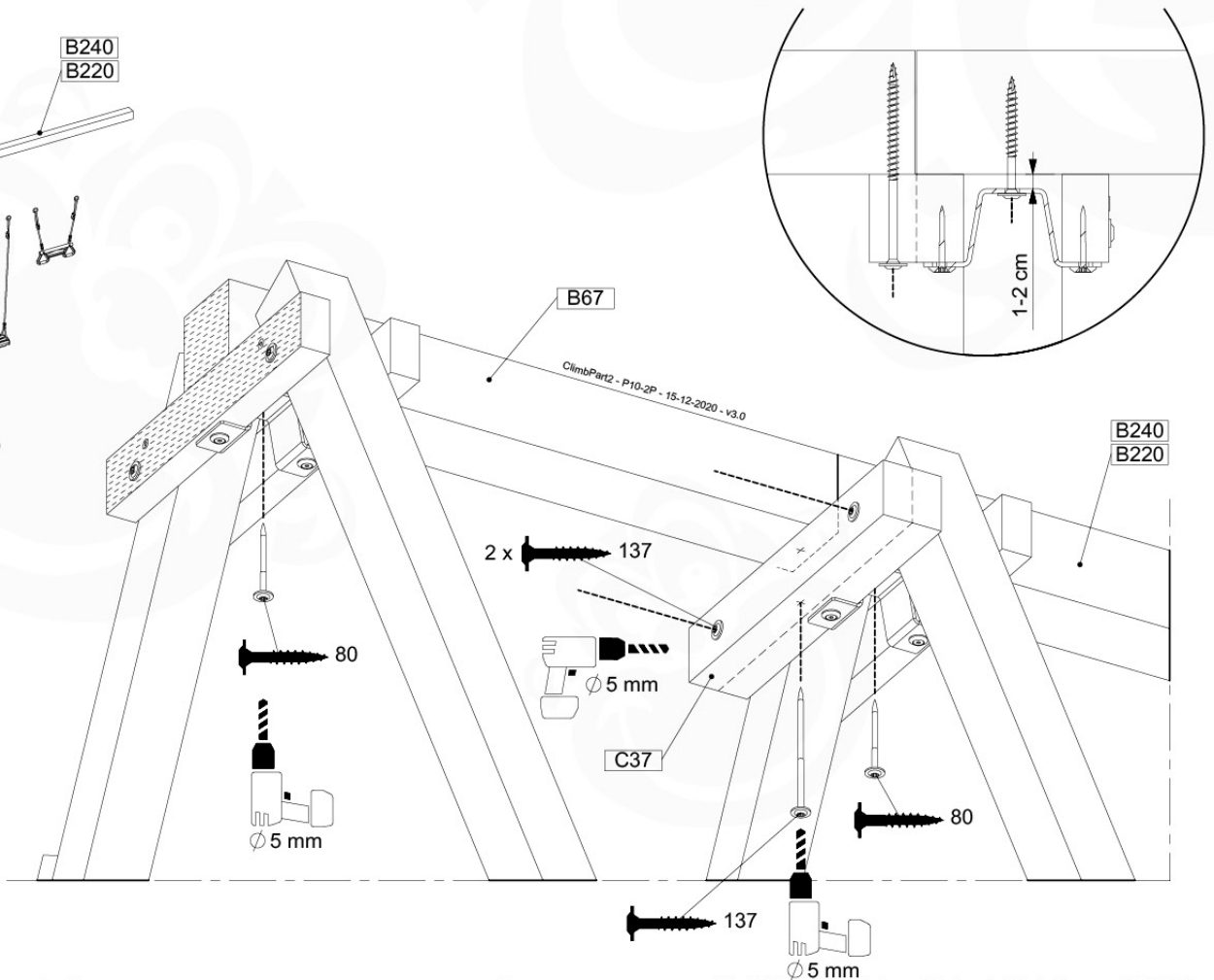


B240
B220

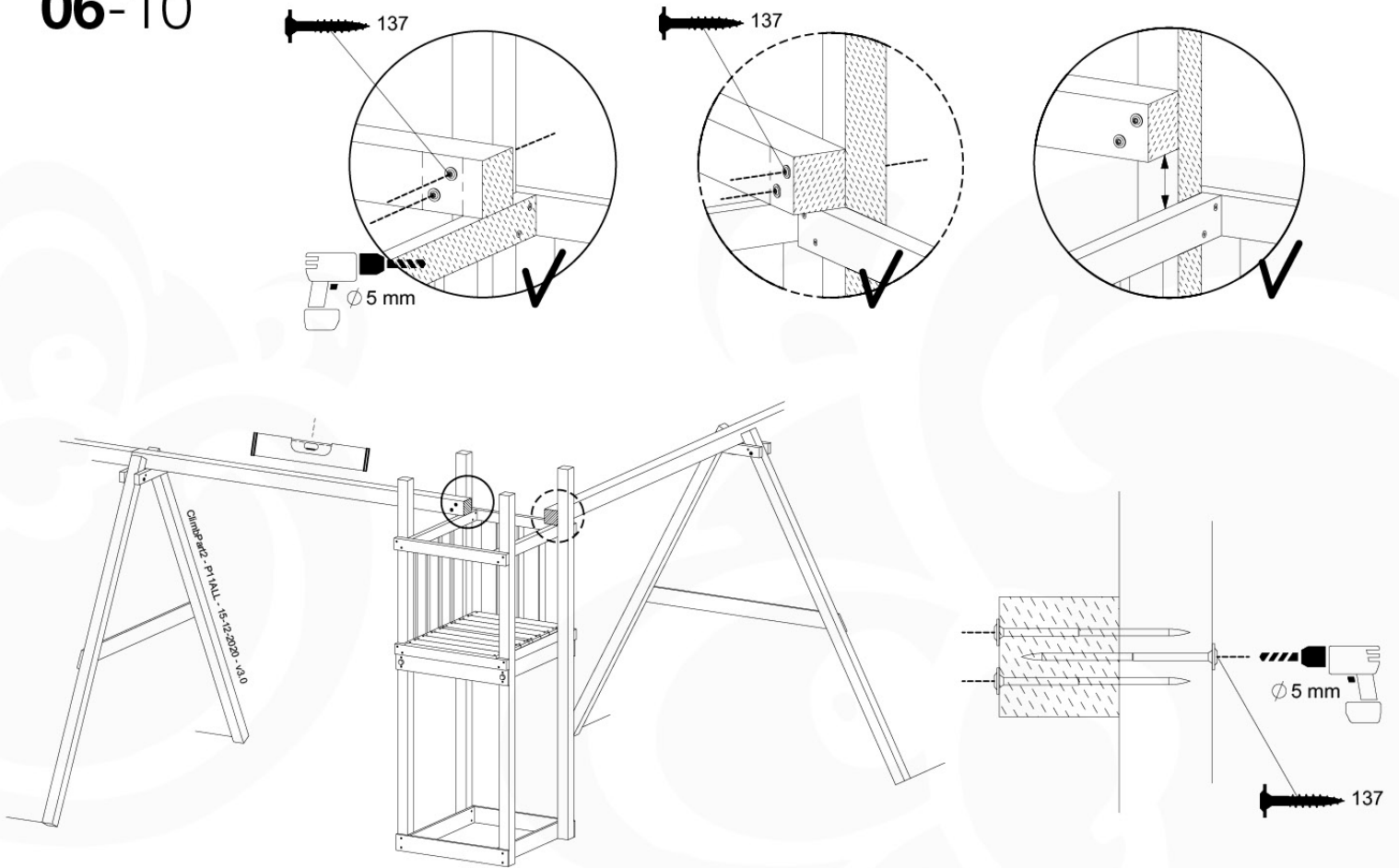
B67



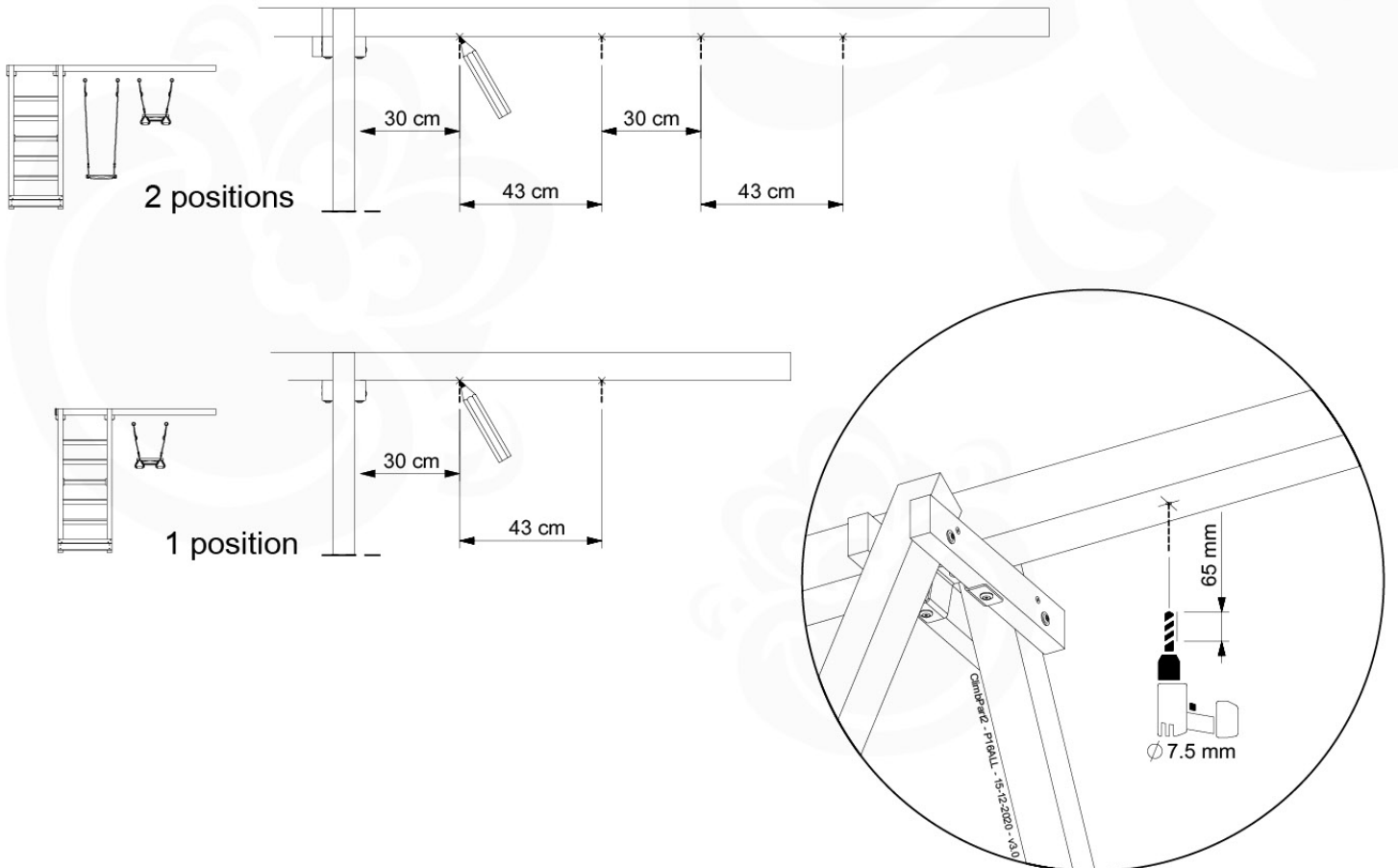
2 positions



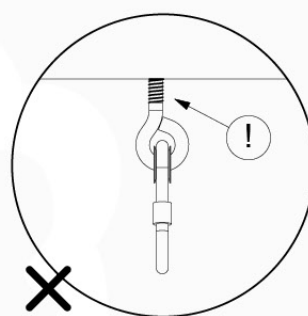
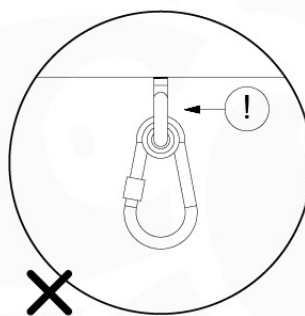
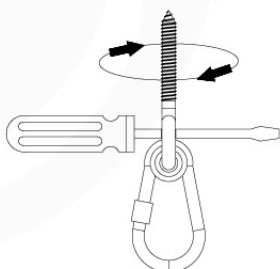
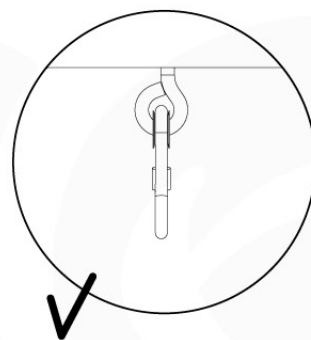
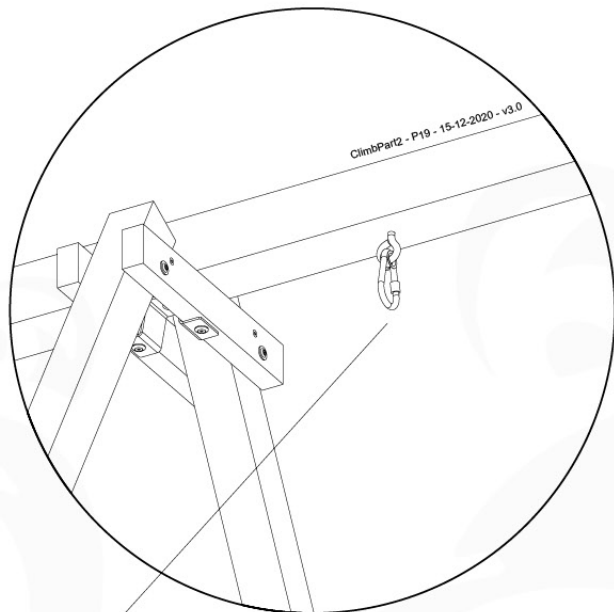
06-10



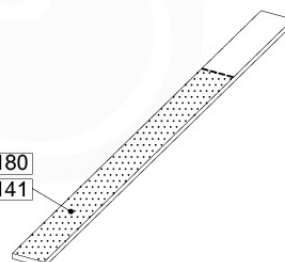
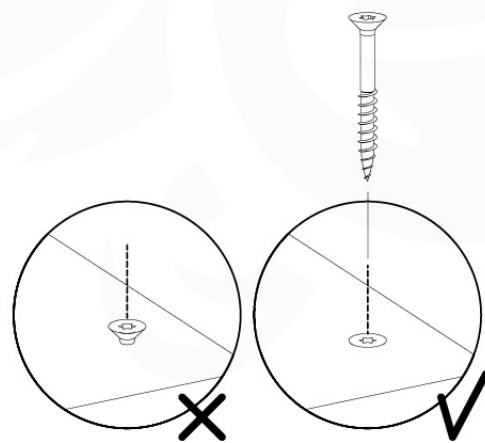
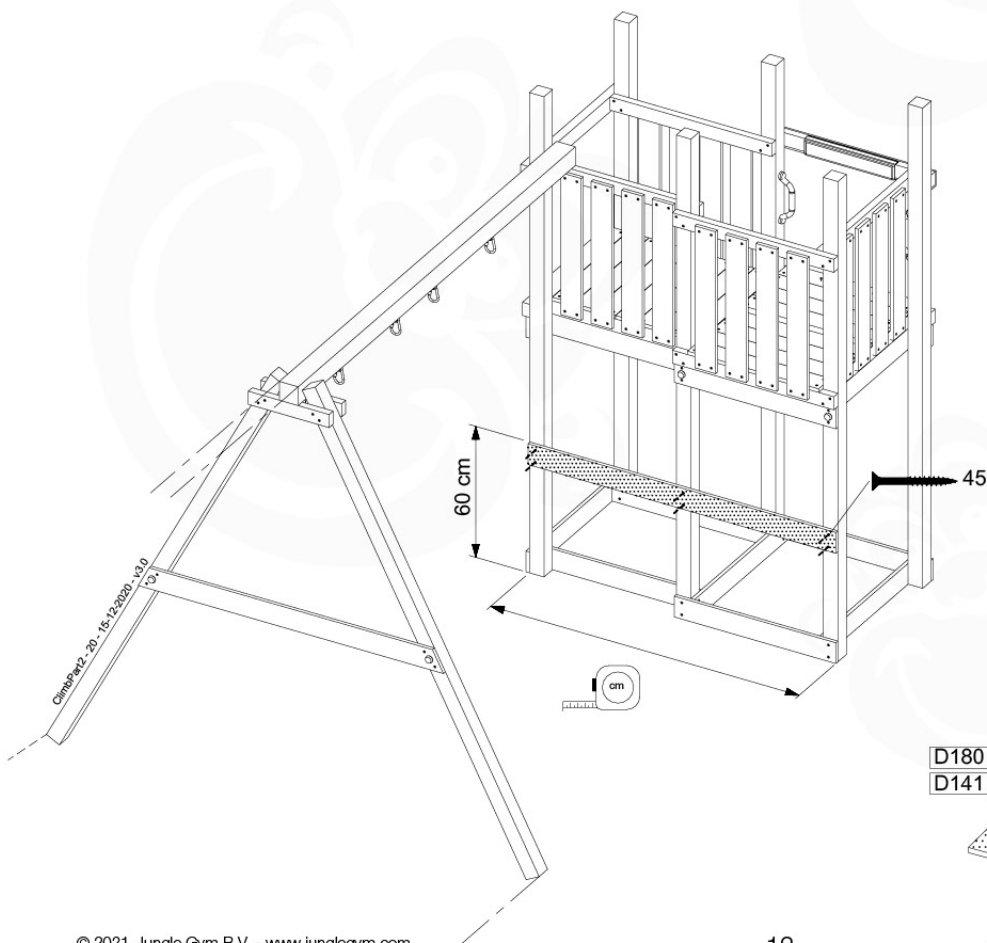
06-11



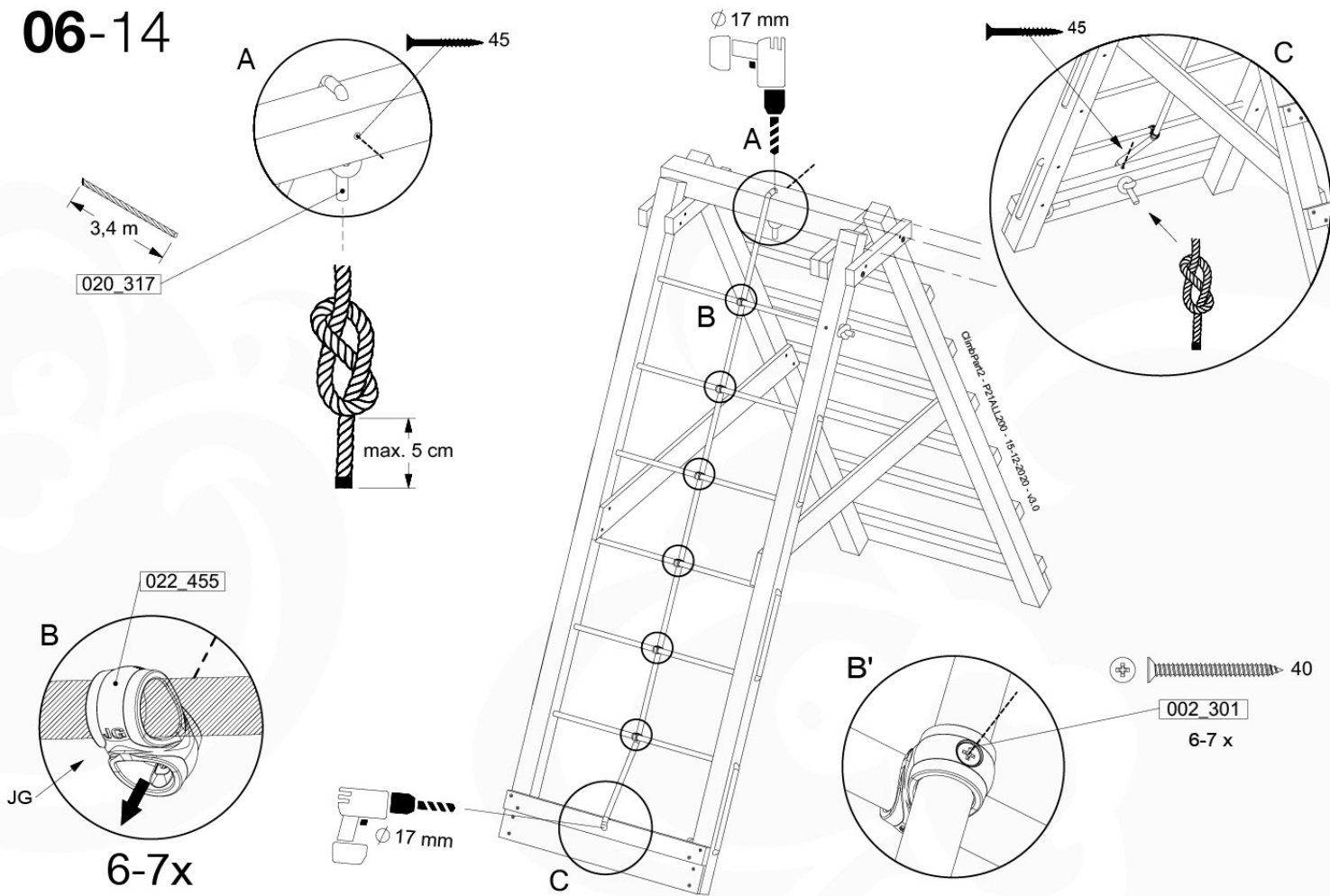
06-12



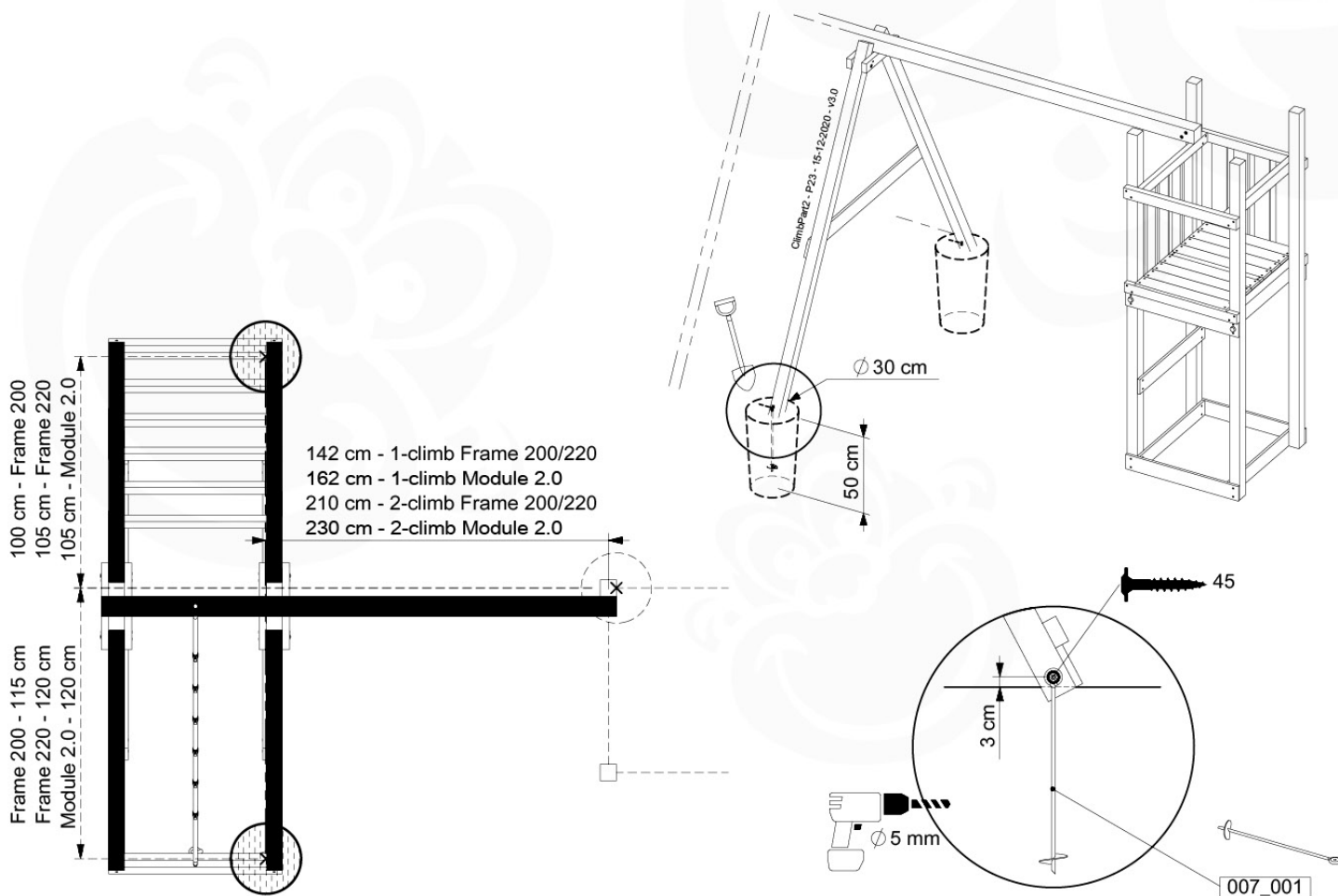
06-13



06-14



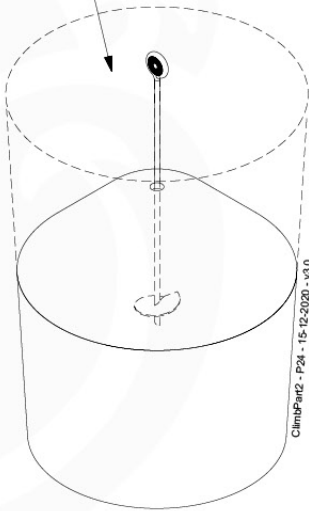
07-1



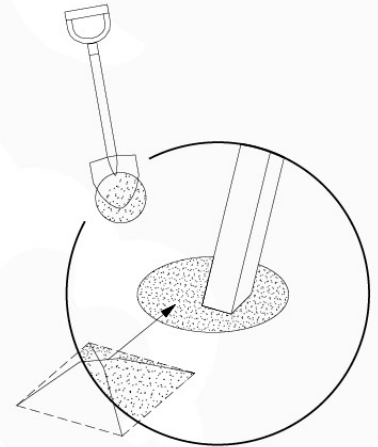
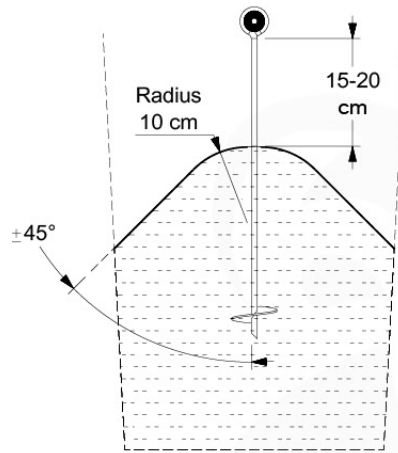
07-2



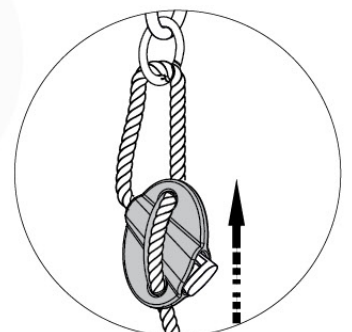
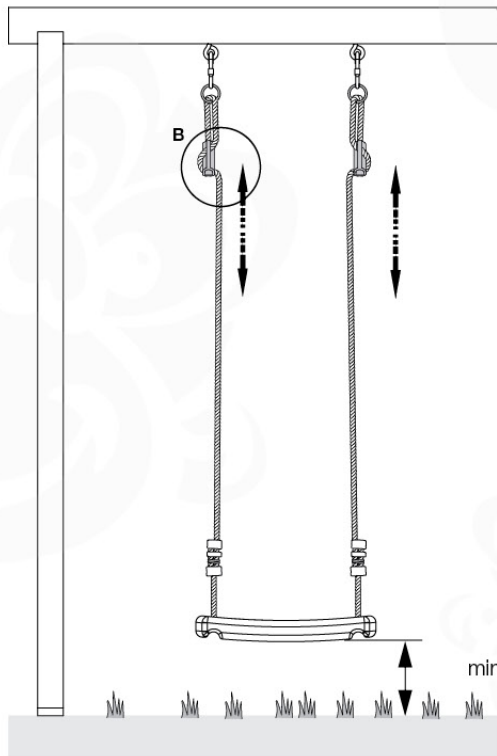
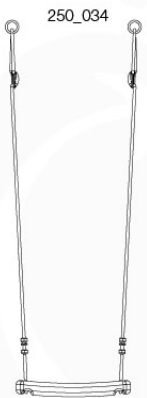
20 L / 40 kg



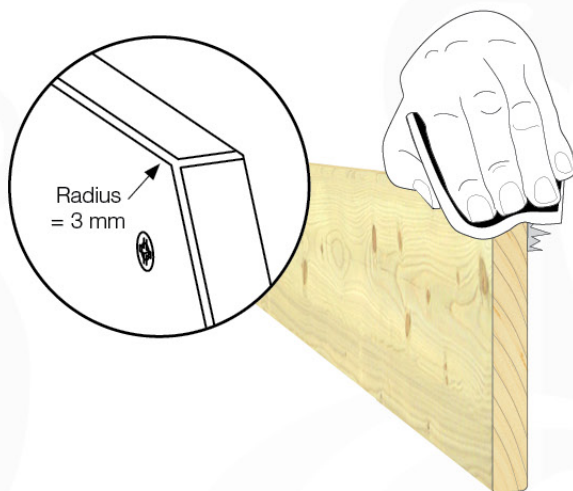
ClimbPar12 - P24 - 15-12-2020 - v3.0



08 Accessories



09



10

