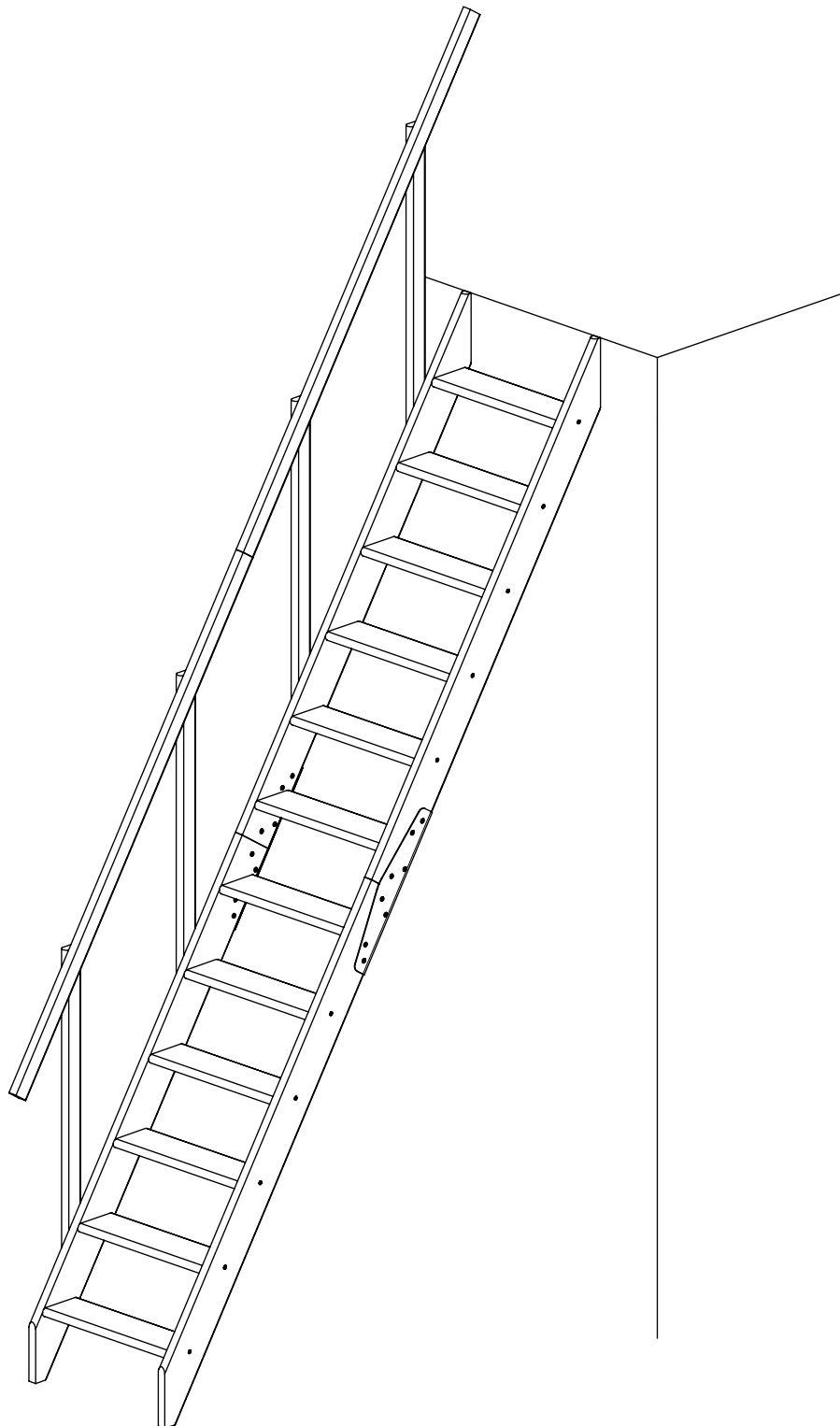
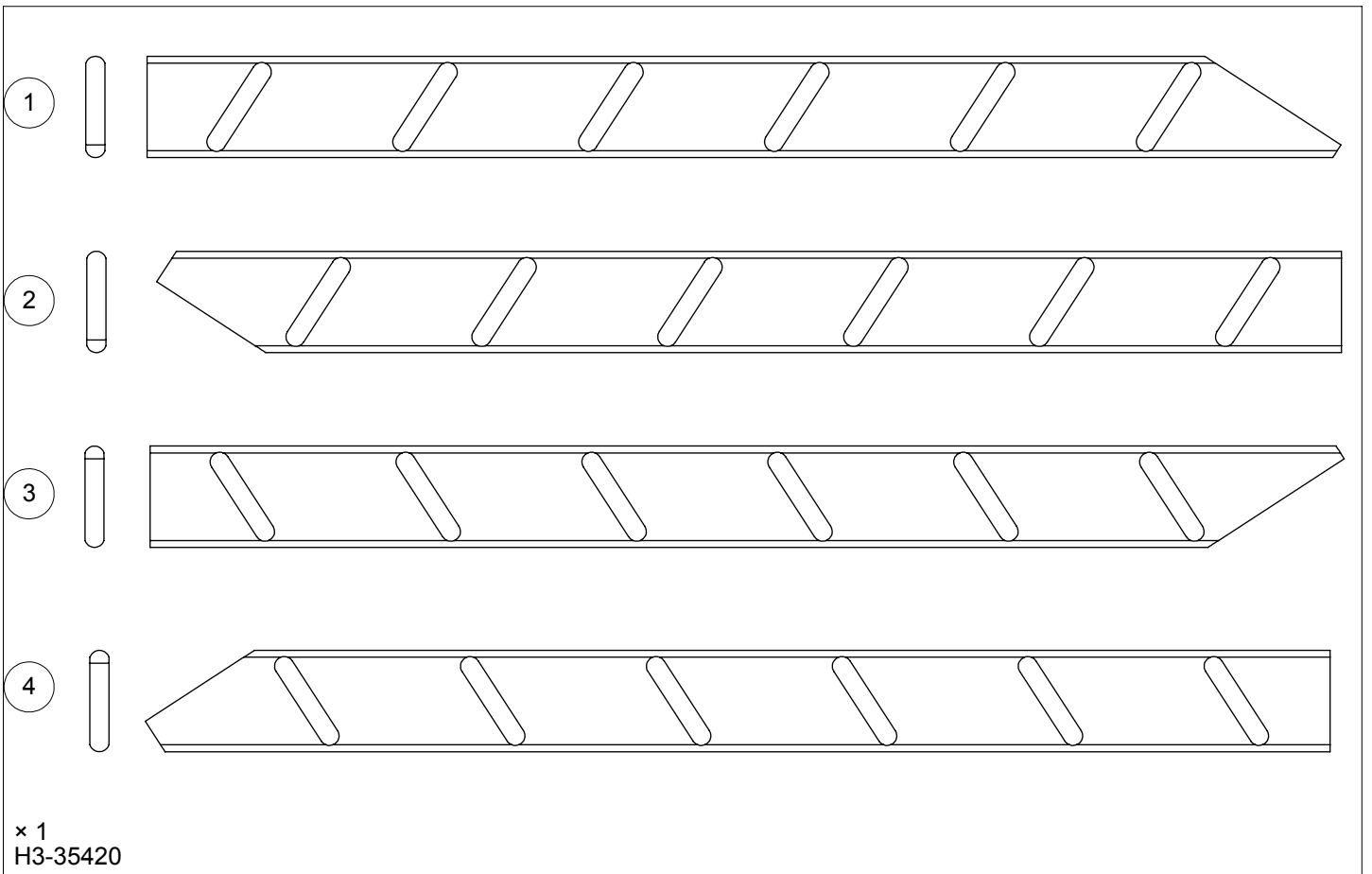


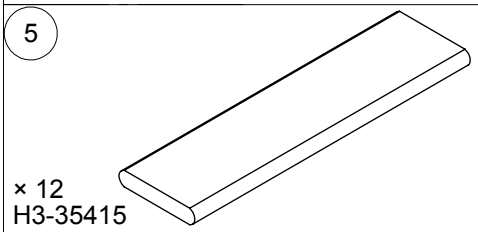
KIEL

Montageanleitung Assembly instruction

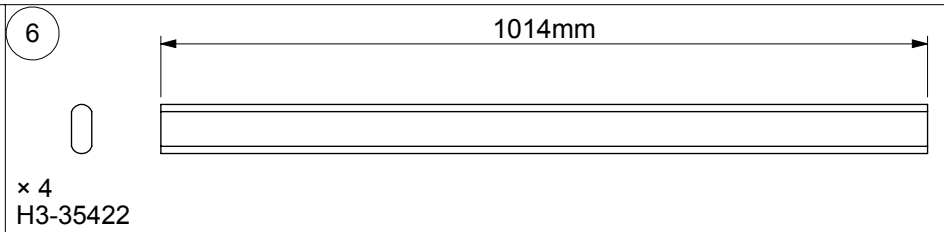




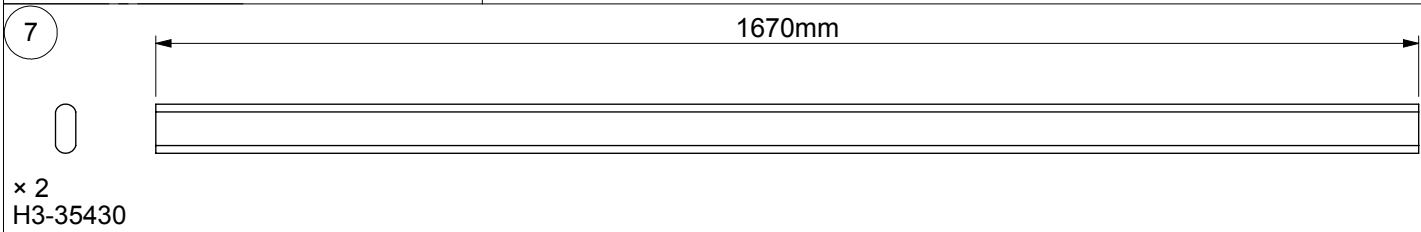
× 1
H3-35420



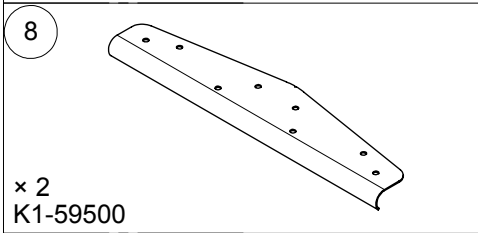
× 12
H3-35415



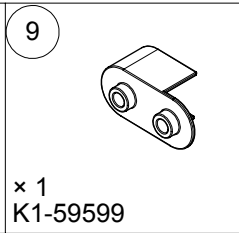
6
× 4
H3-35422



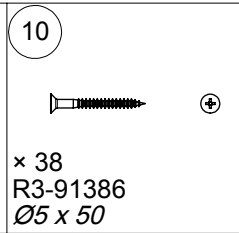
7
× 2
H3-35430



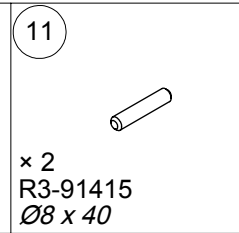
8
× 2
K1-59500



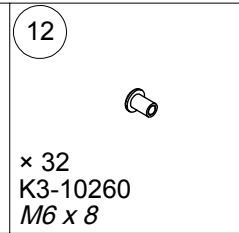
9
× 1
K1-59599



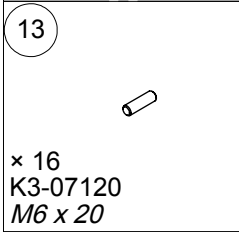
10
× 38
R3-91386
Ø5 x 50



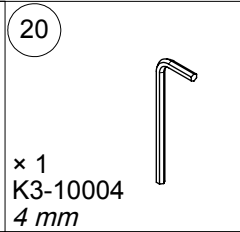
11
× 2
R3-91415
Ø8 x 40



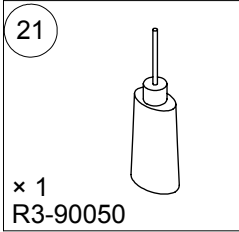
12
× 32
K3-10260
M6 x 8



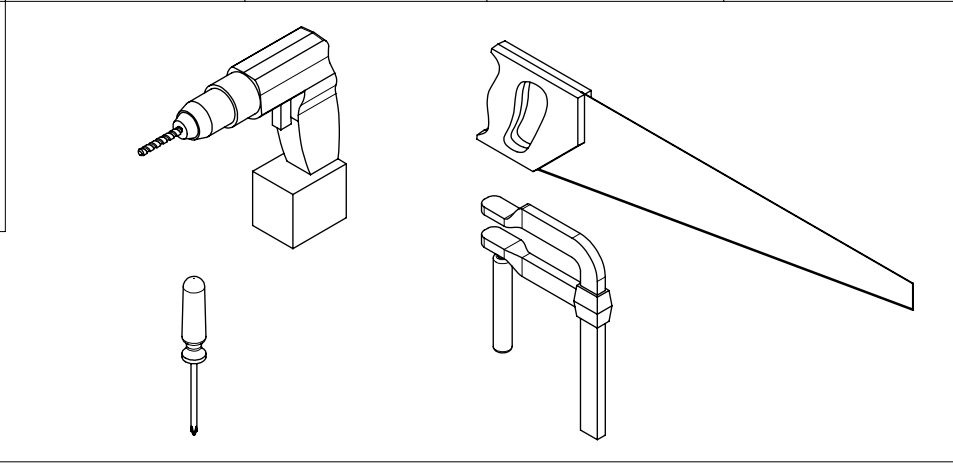
13
× 16
K3-07120
M6 x 20



20
× 1
K3-10004
4 mm

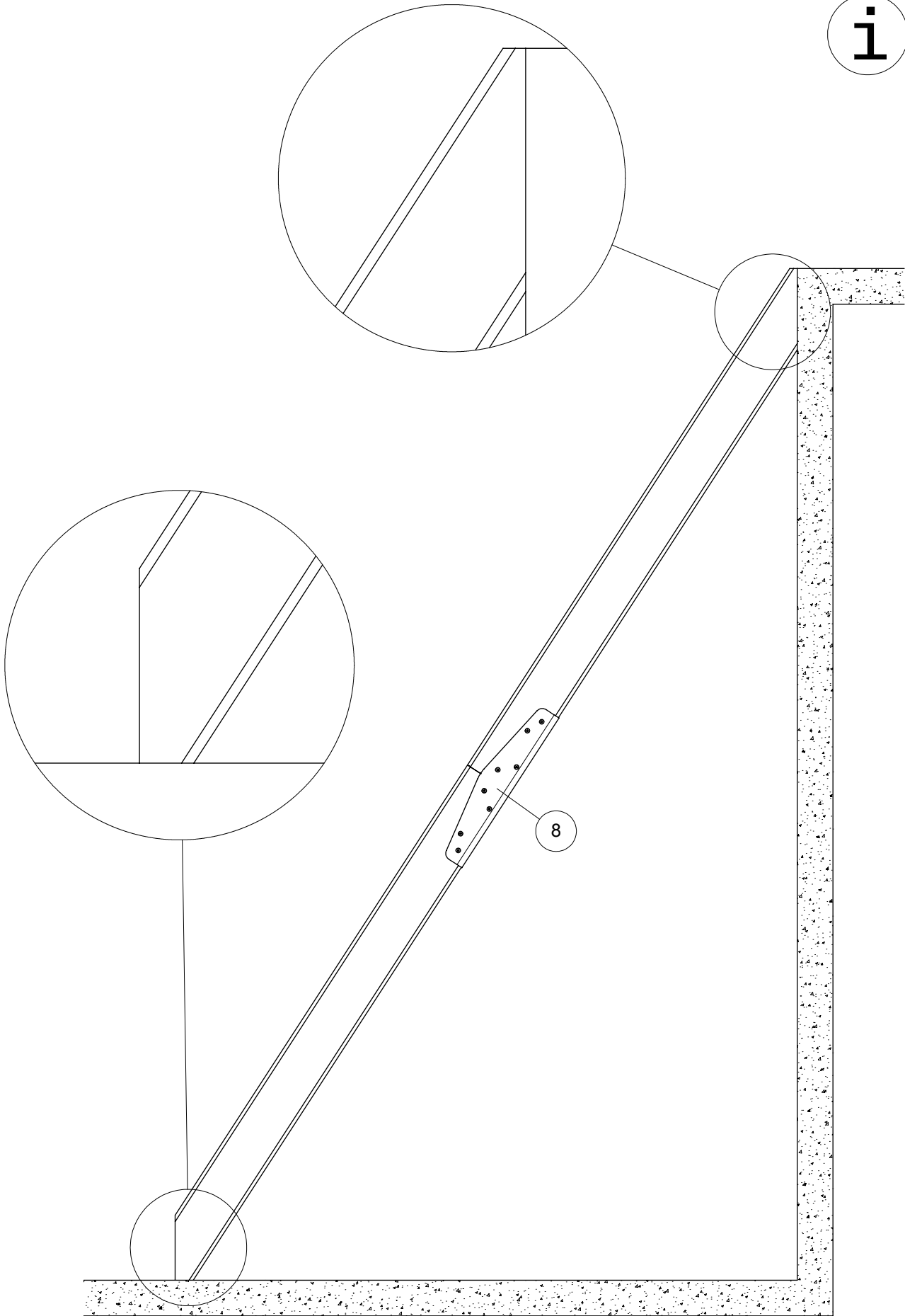


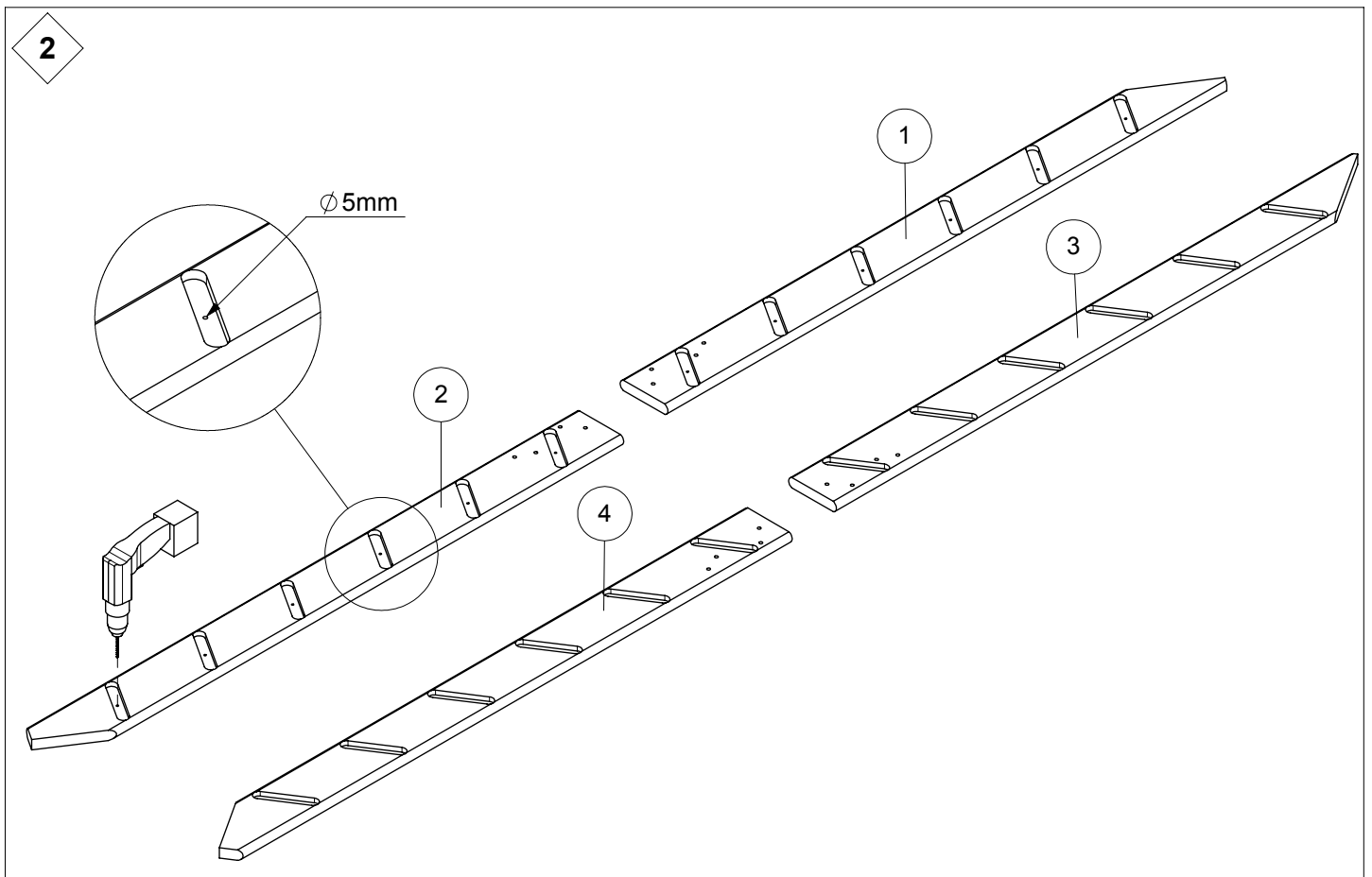
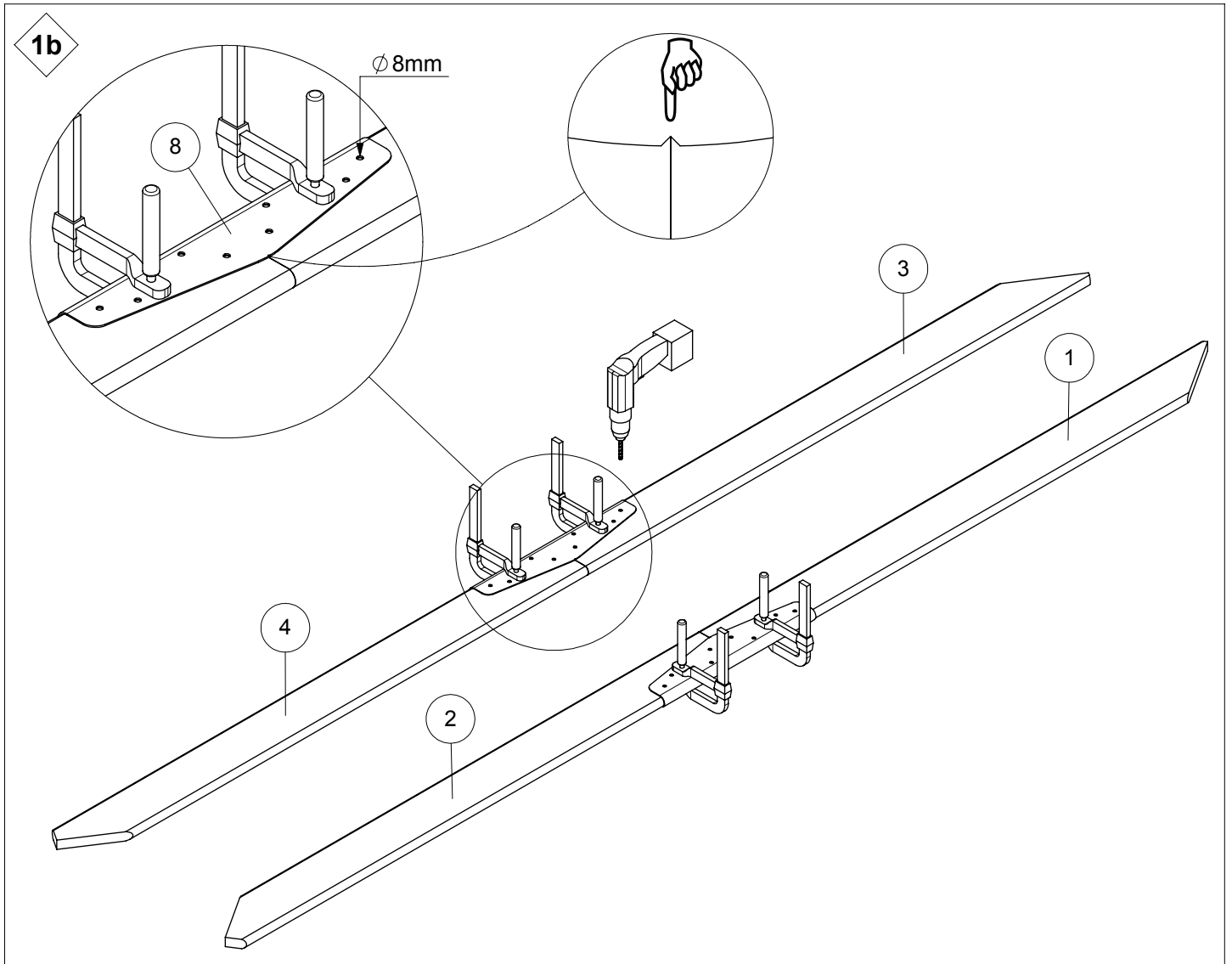
21
× 1
R3-90050



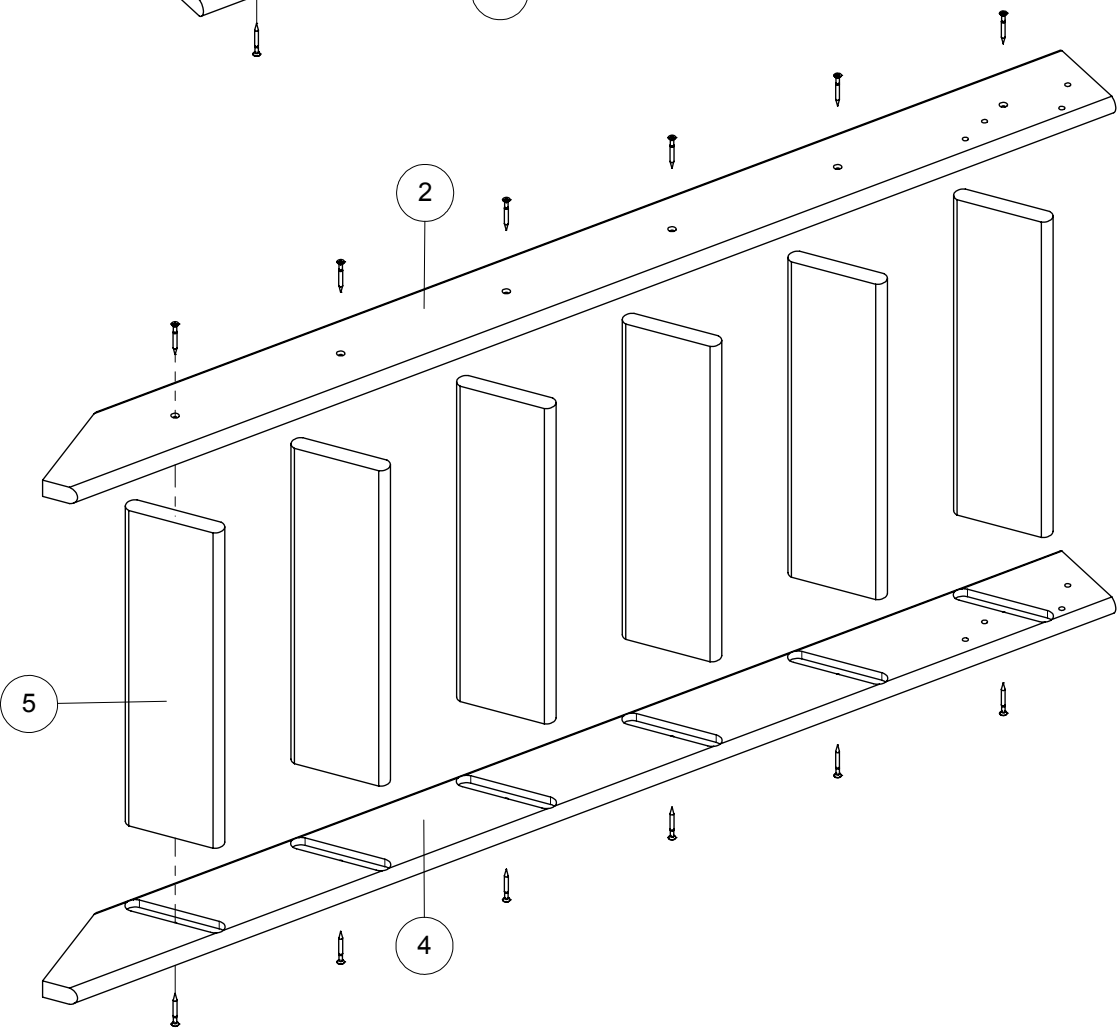
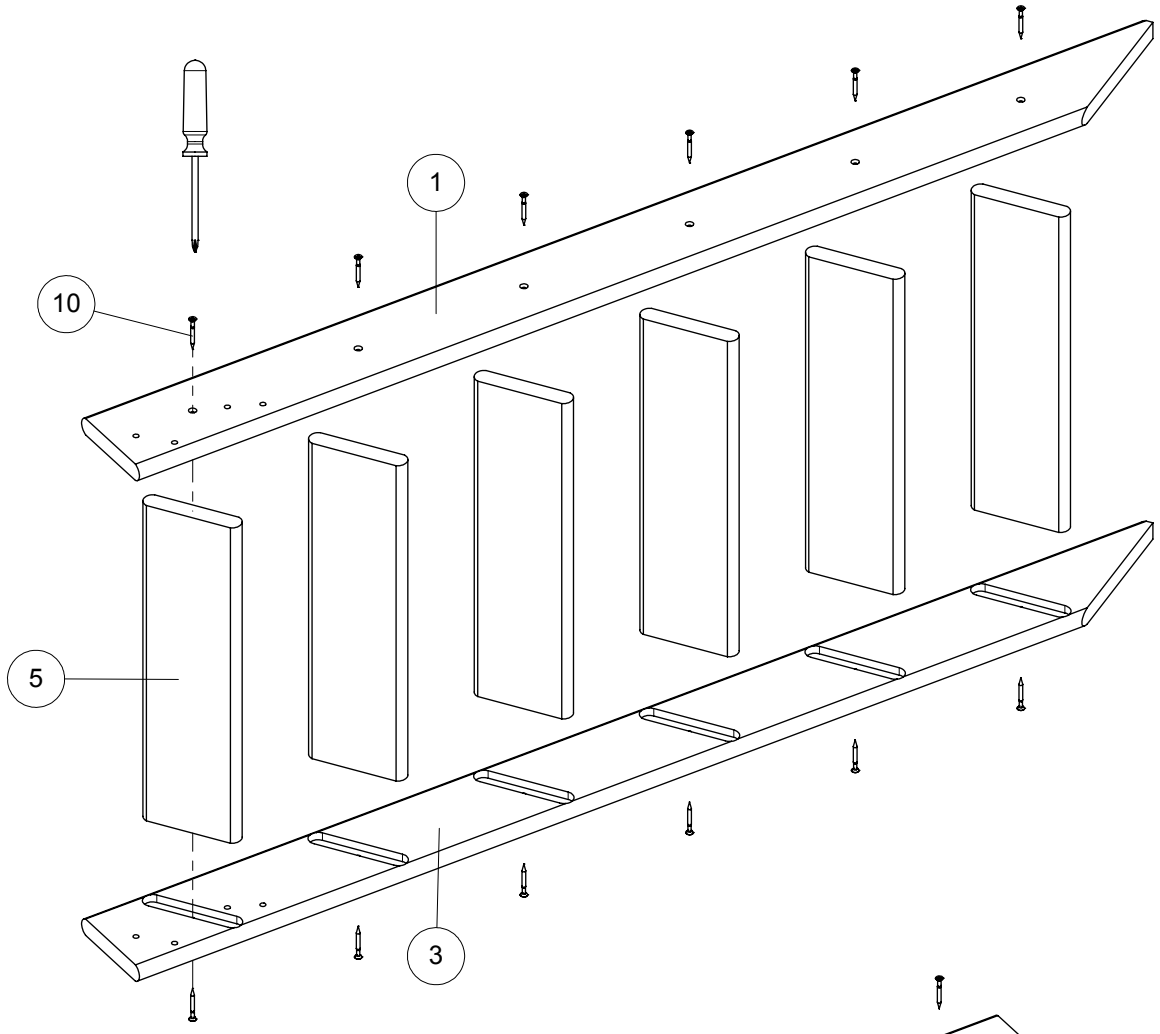
1a

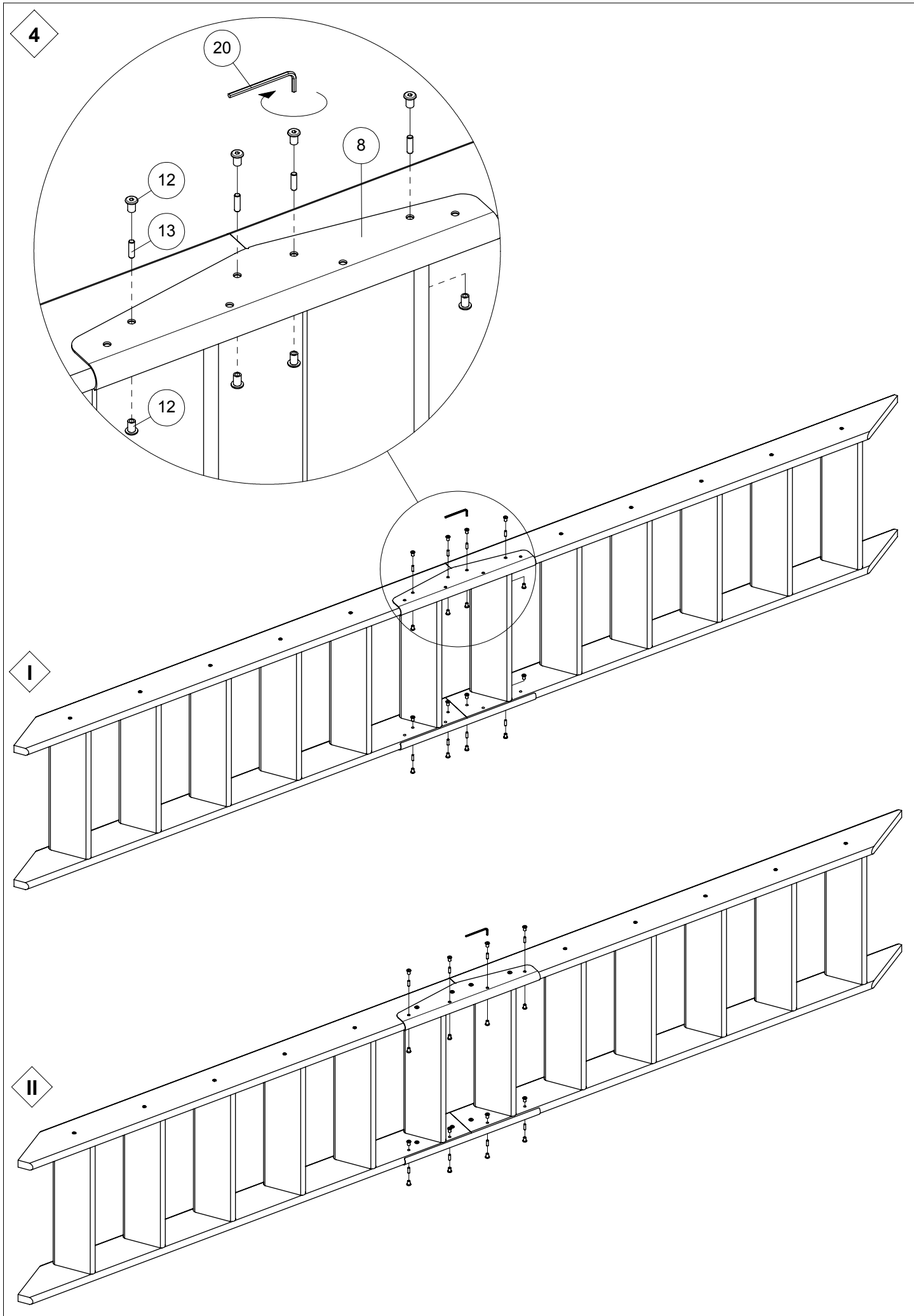
i



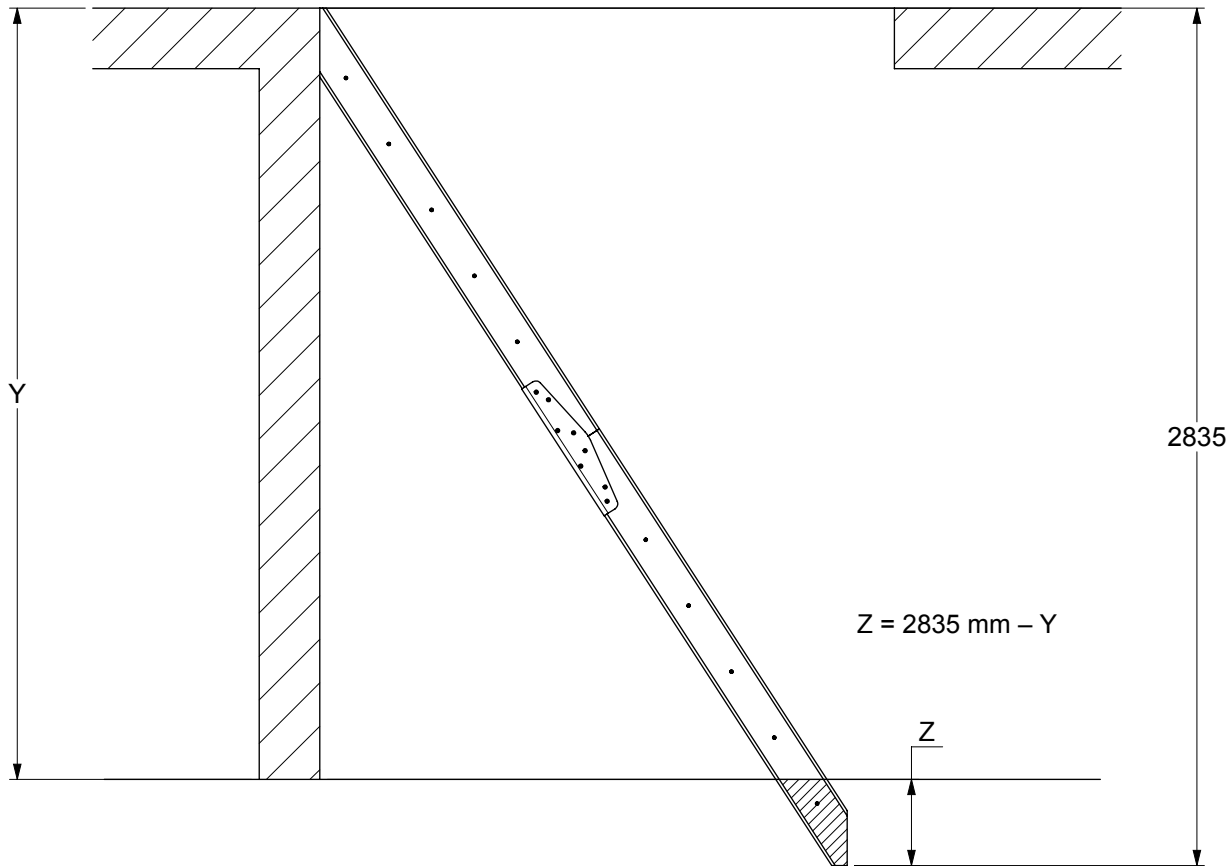


3

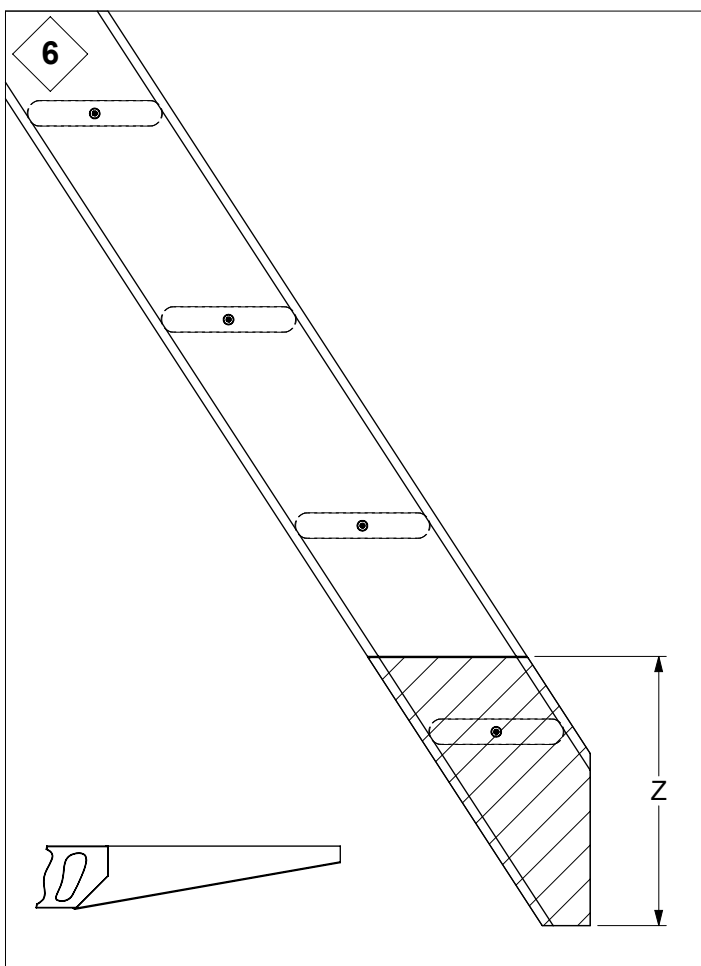




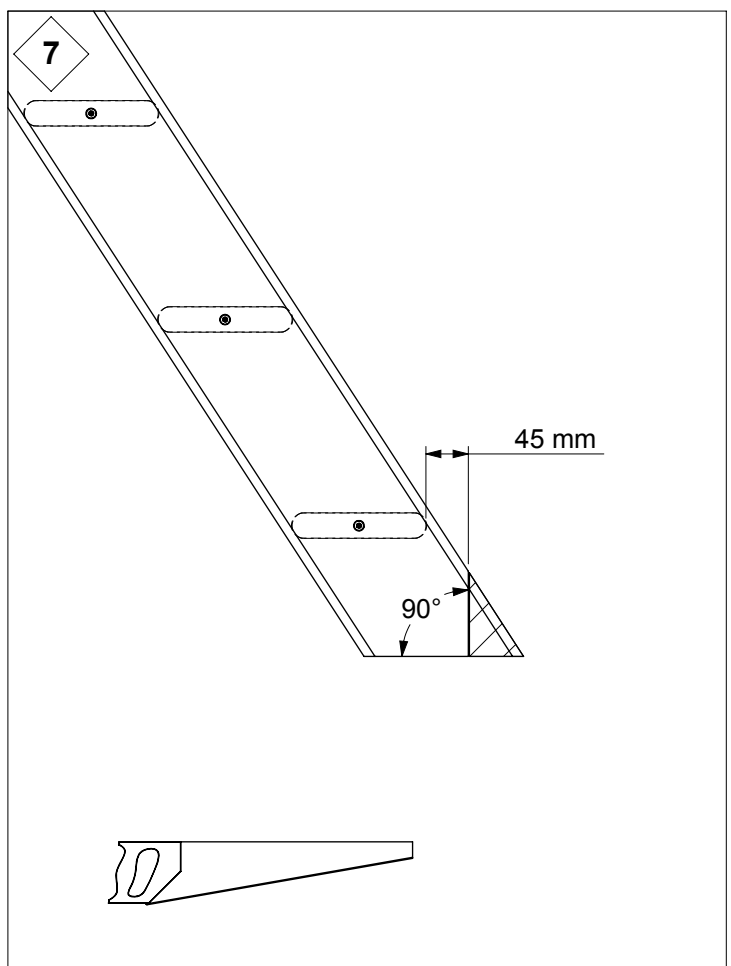
5

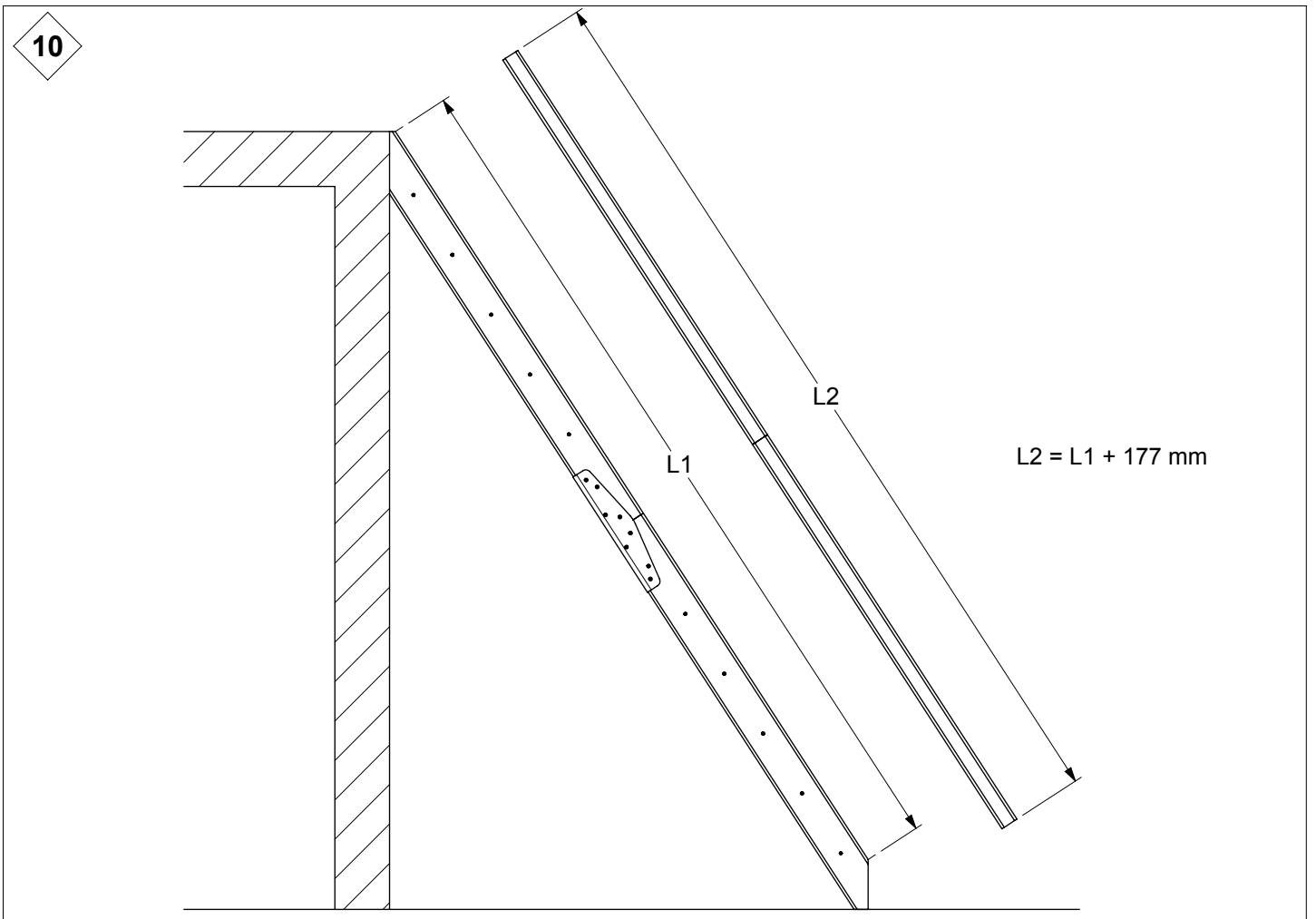
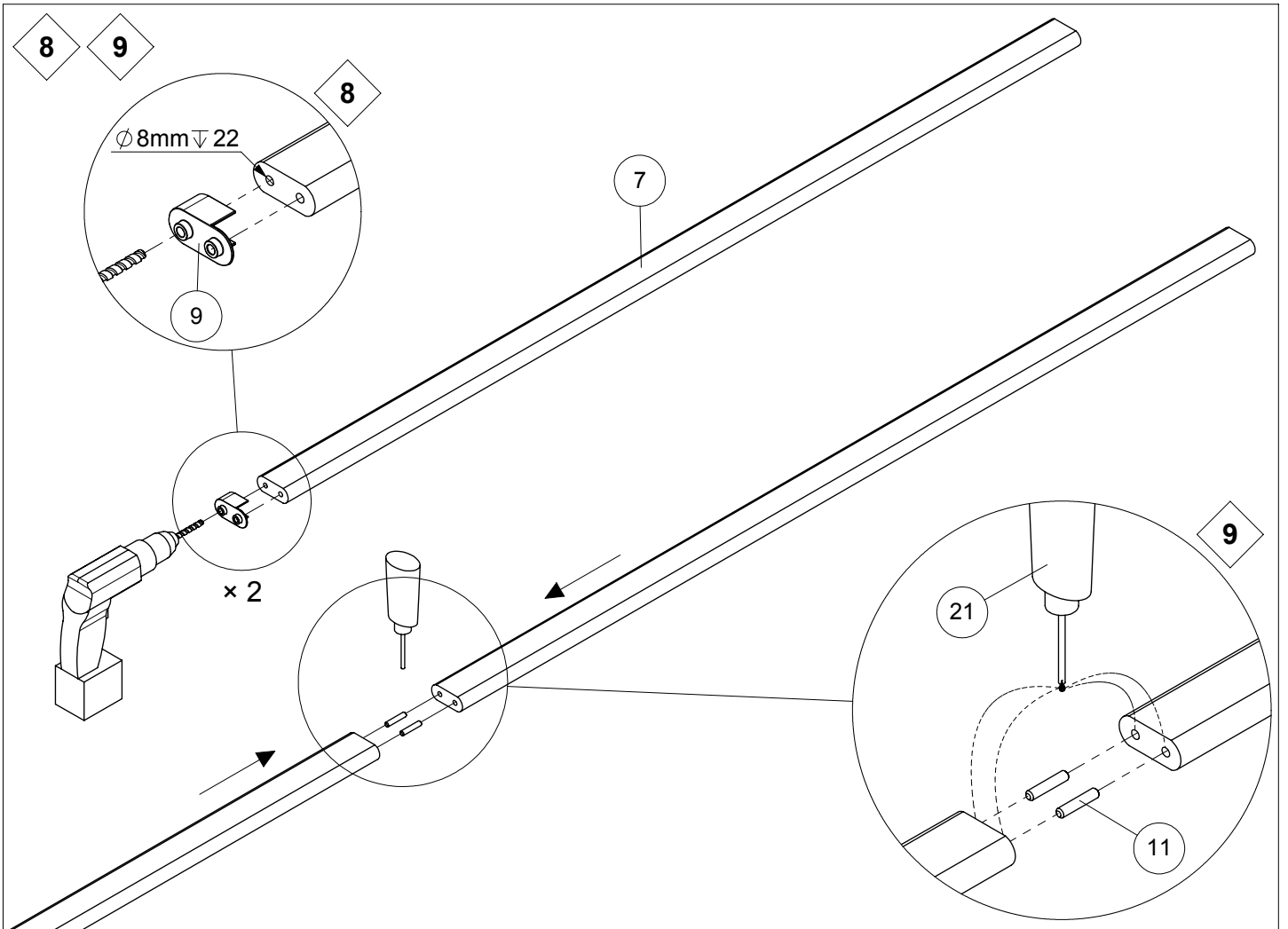


6

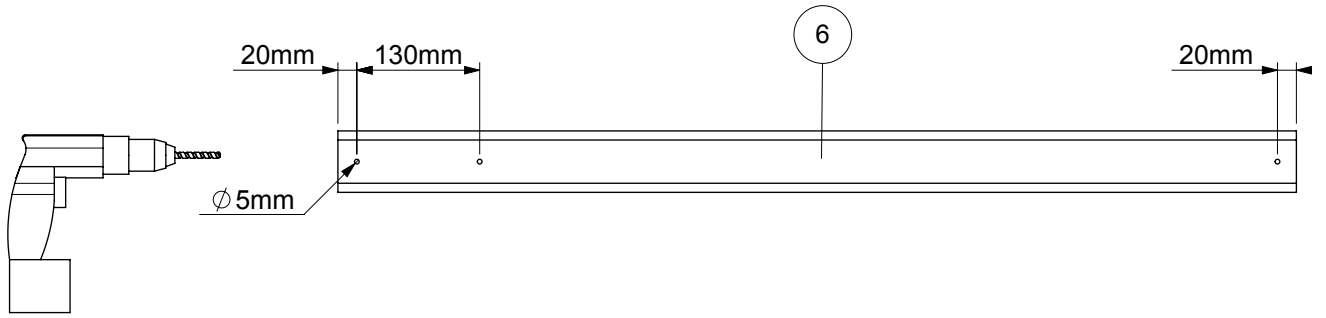


7

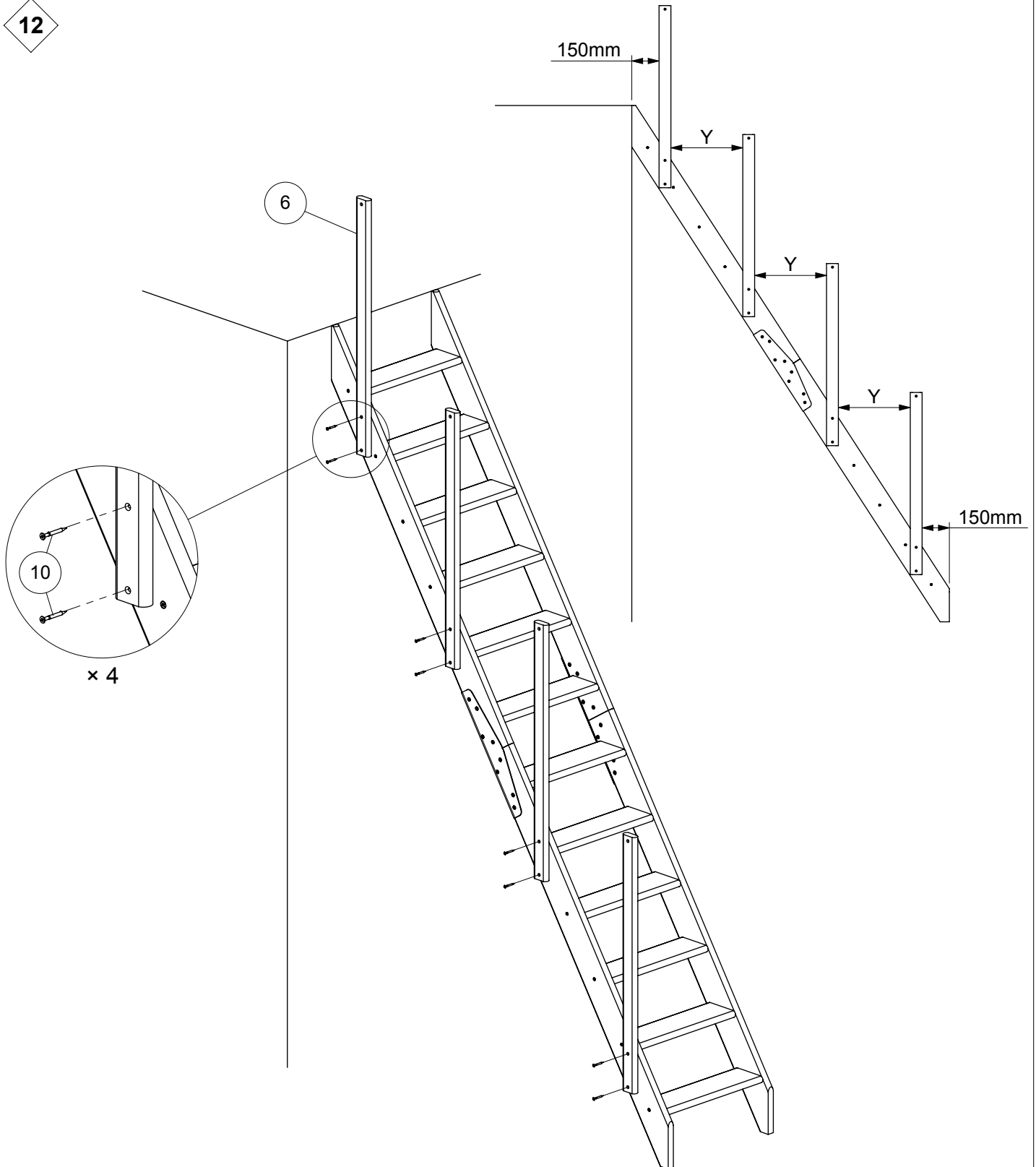




11



12



13

