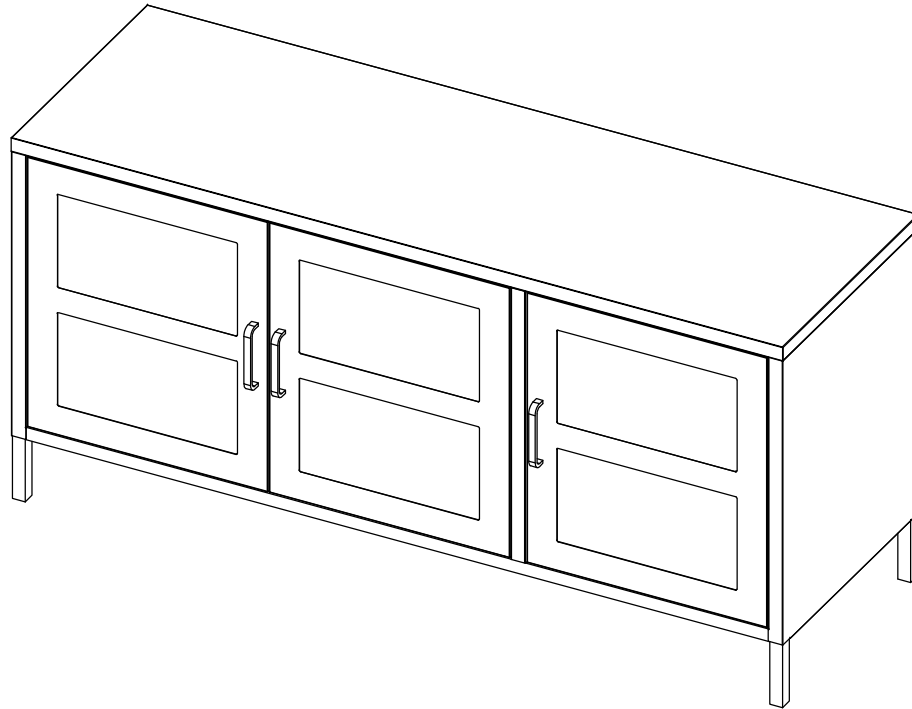
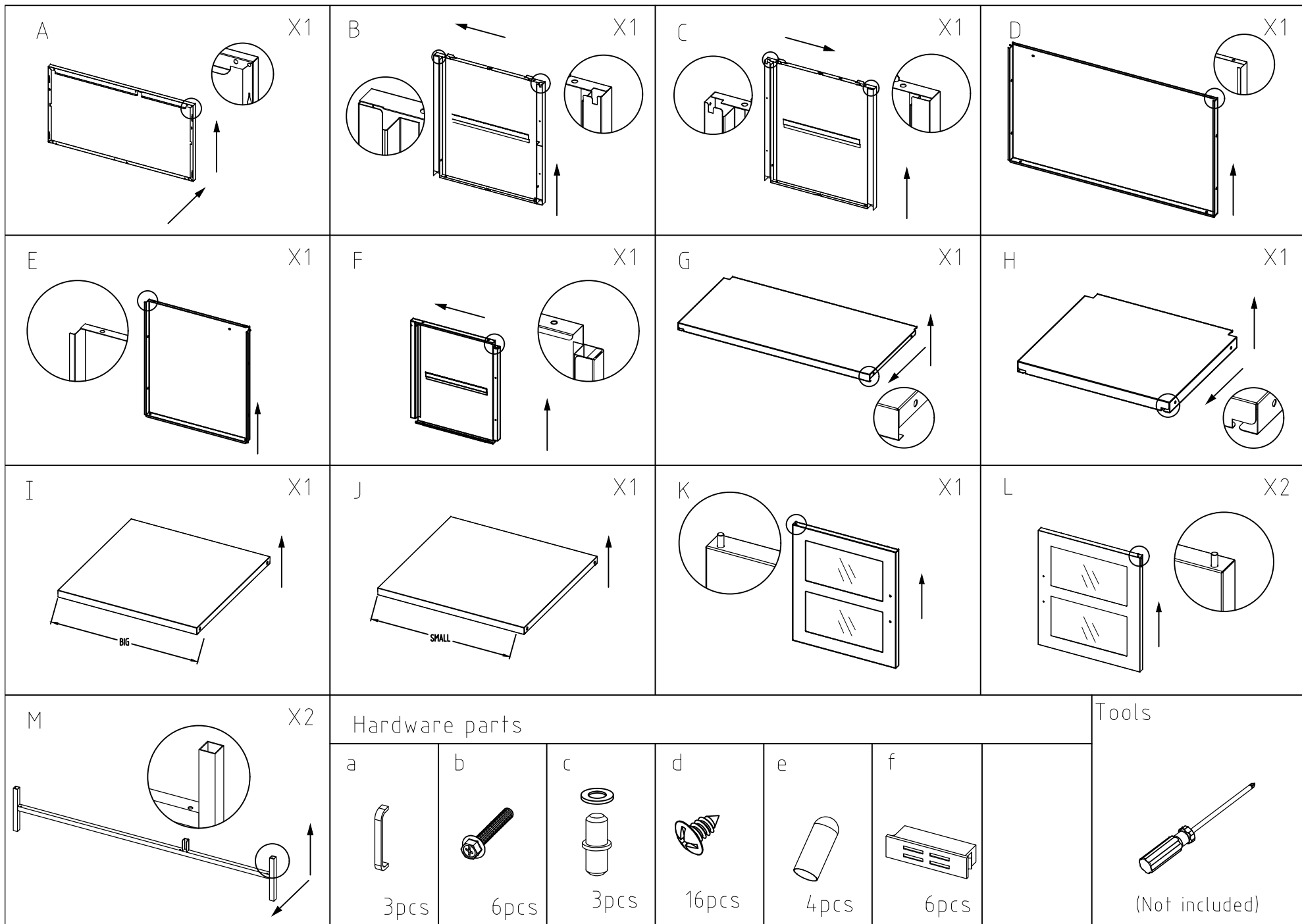
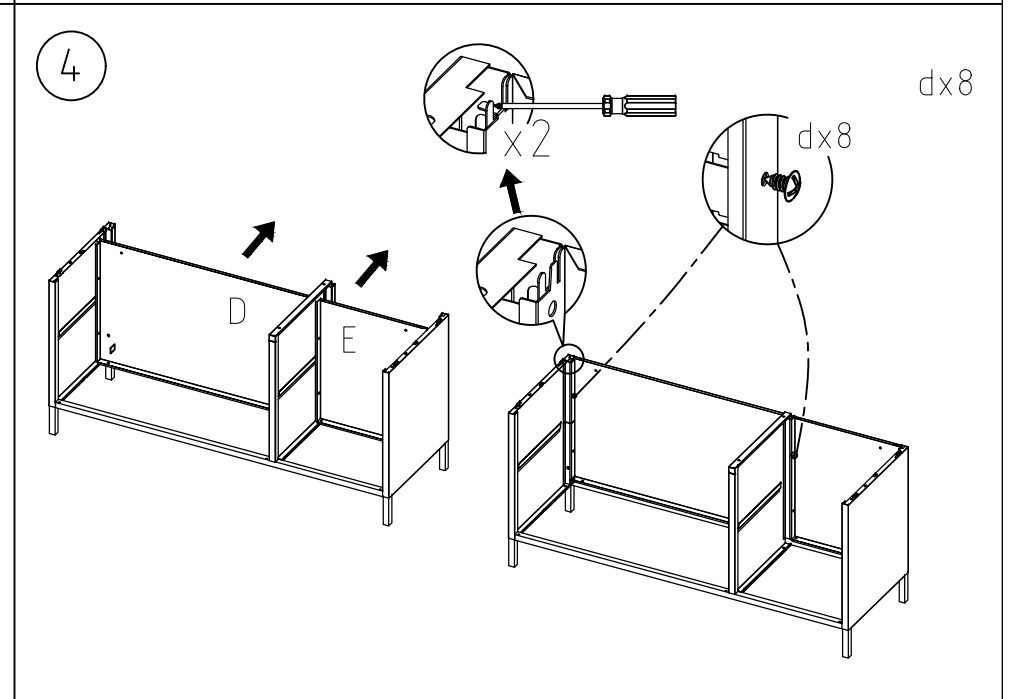
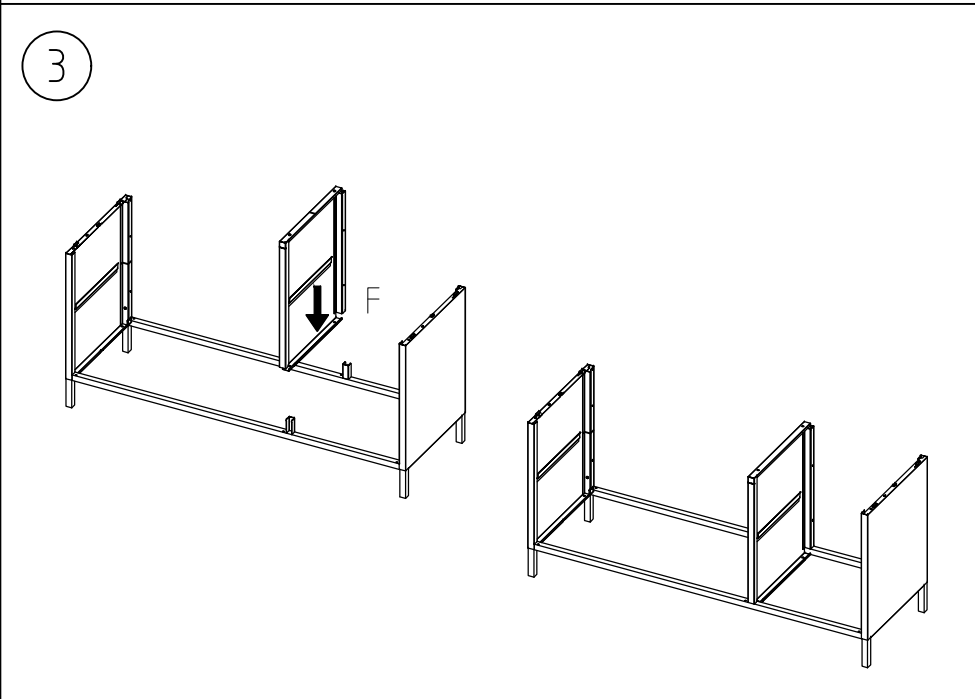
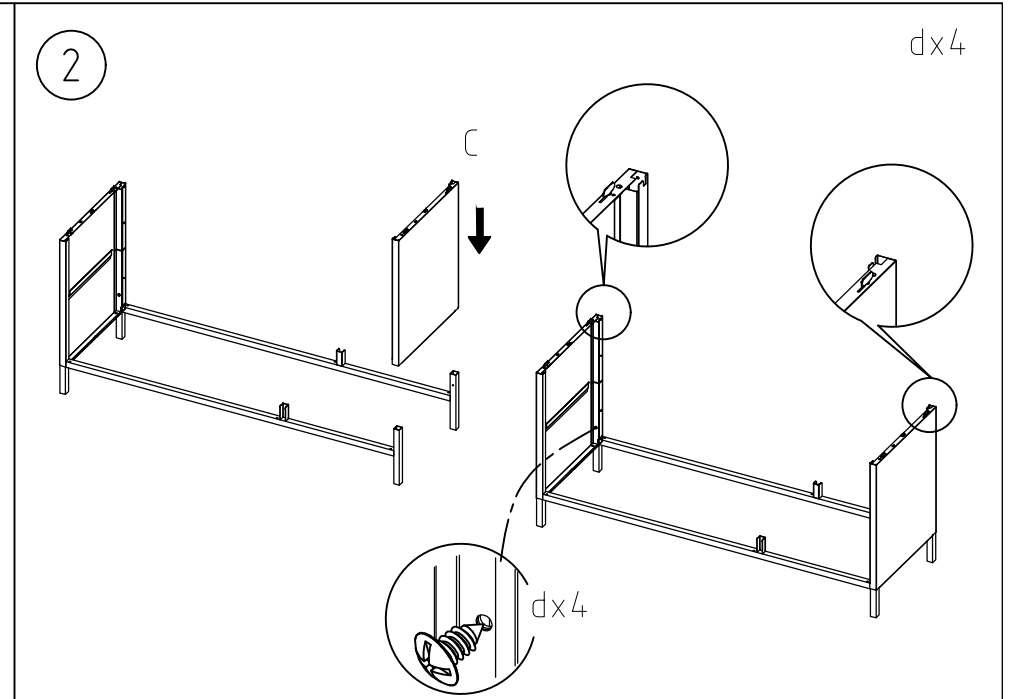
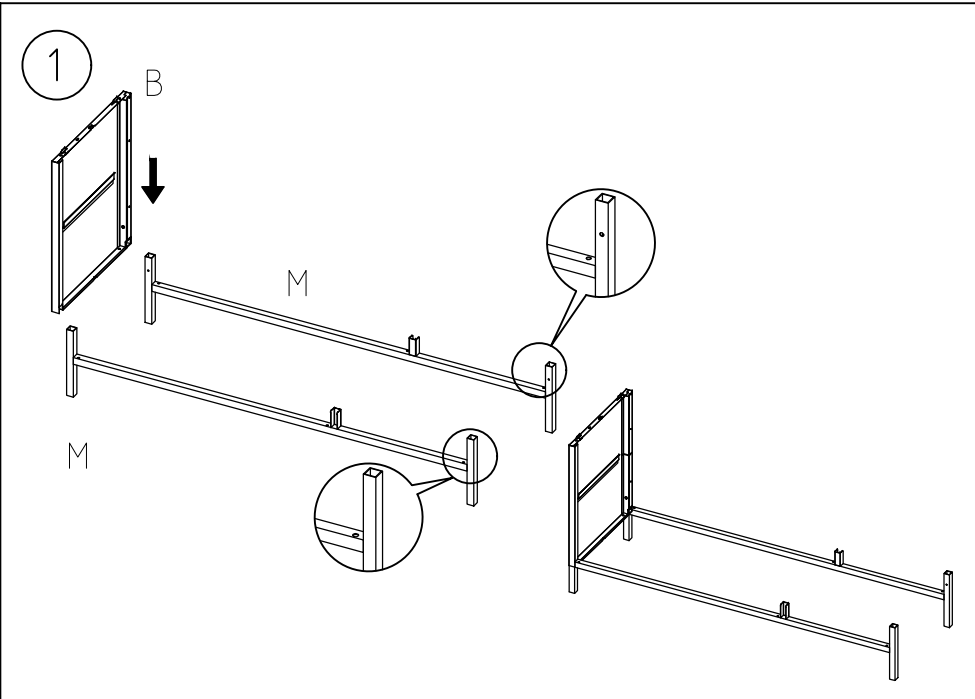


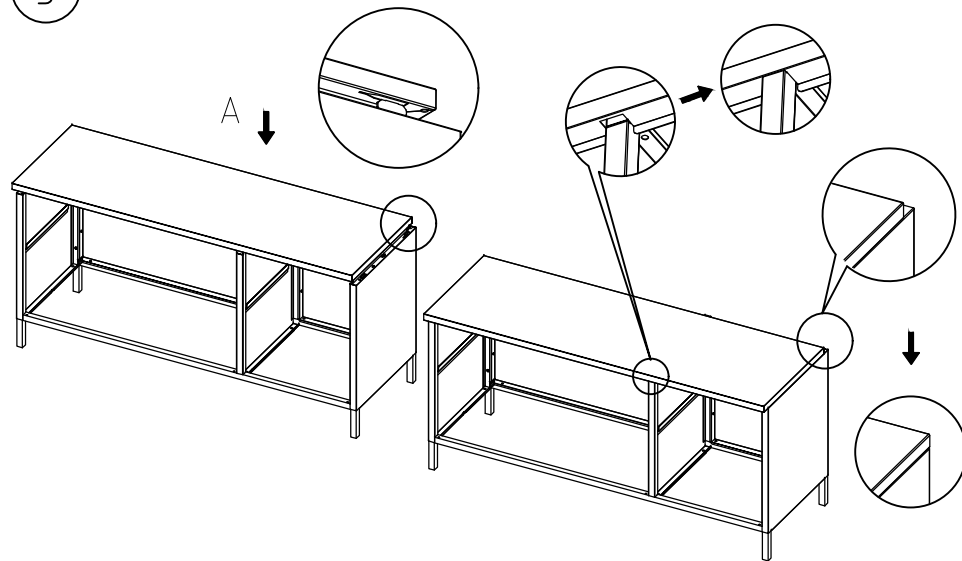
# Assembly Instruction(18065)



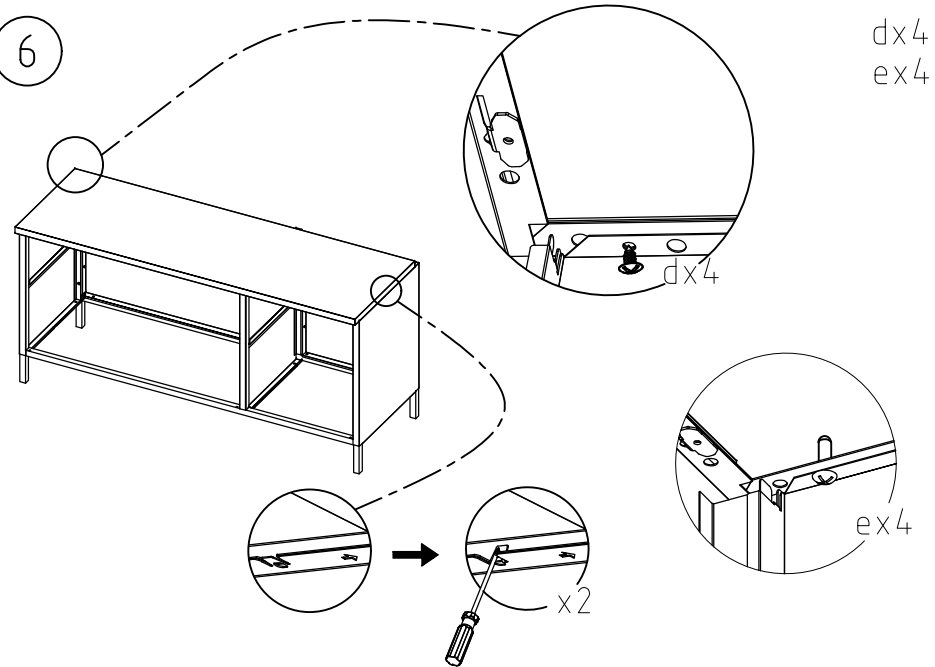




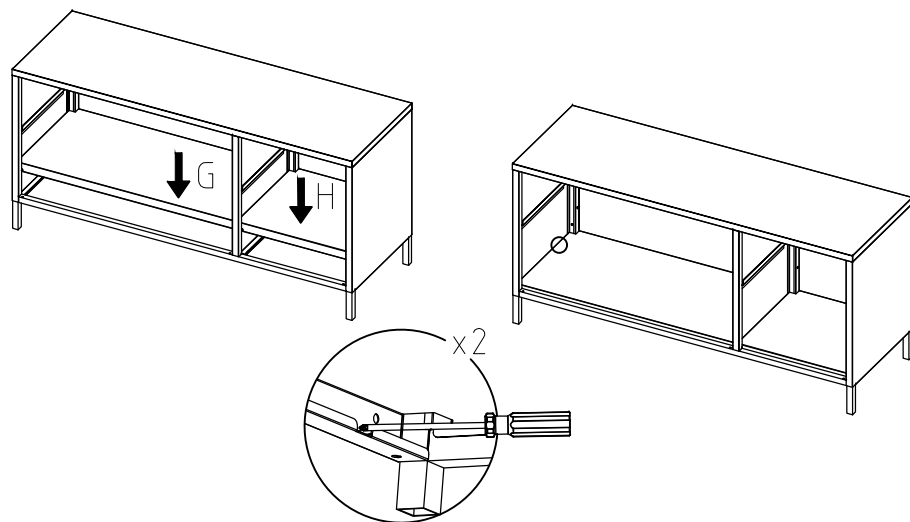
5



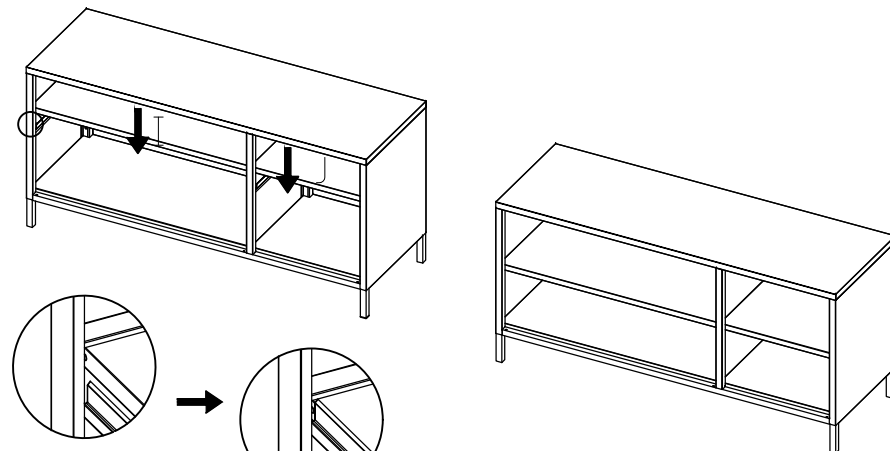
6



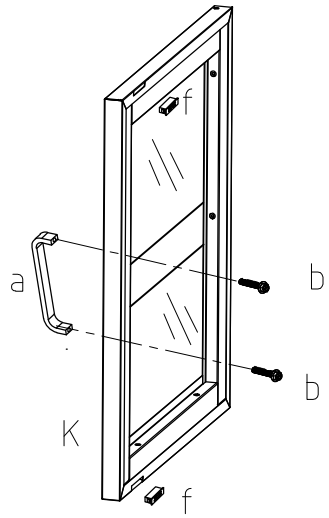
7



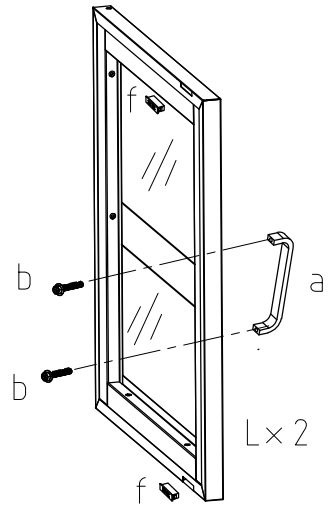
8



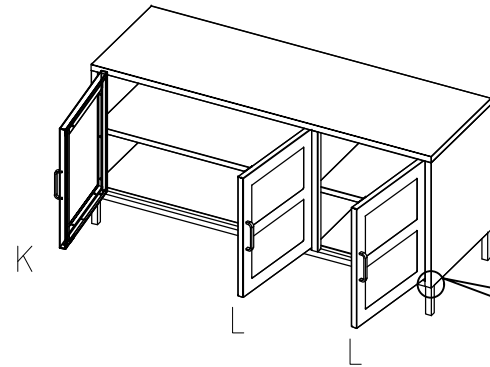
9



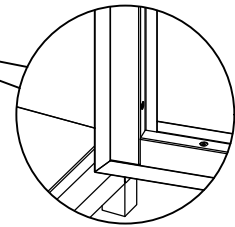
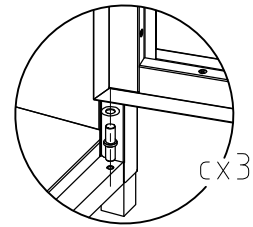
ax3  
bx6  
fx6



10



cx3



11

