

8" PLANER / THICKNESSER

- Combined planer thicknesser for small workshops
- Powerful 1250 W motor for versatile use
- Compact table model
- Two high-speed planer knives for smooth and precise planing
- Vibration-absorbing rubber feet for secure positioning
- Easy height adjustment using hand crank

OPTIONAL ACCESSORIES

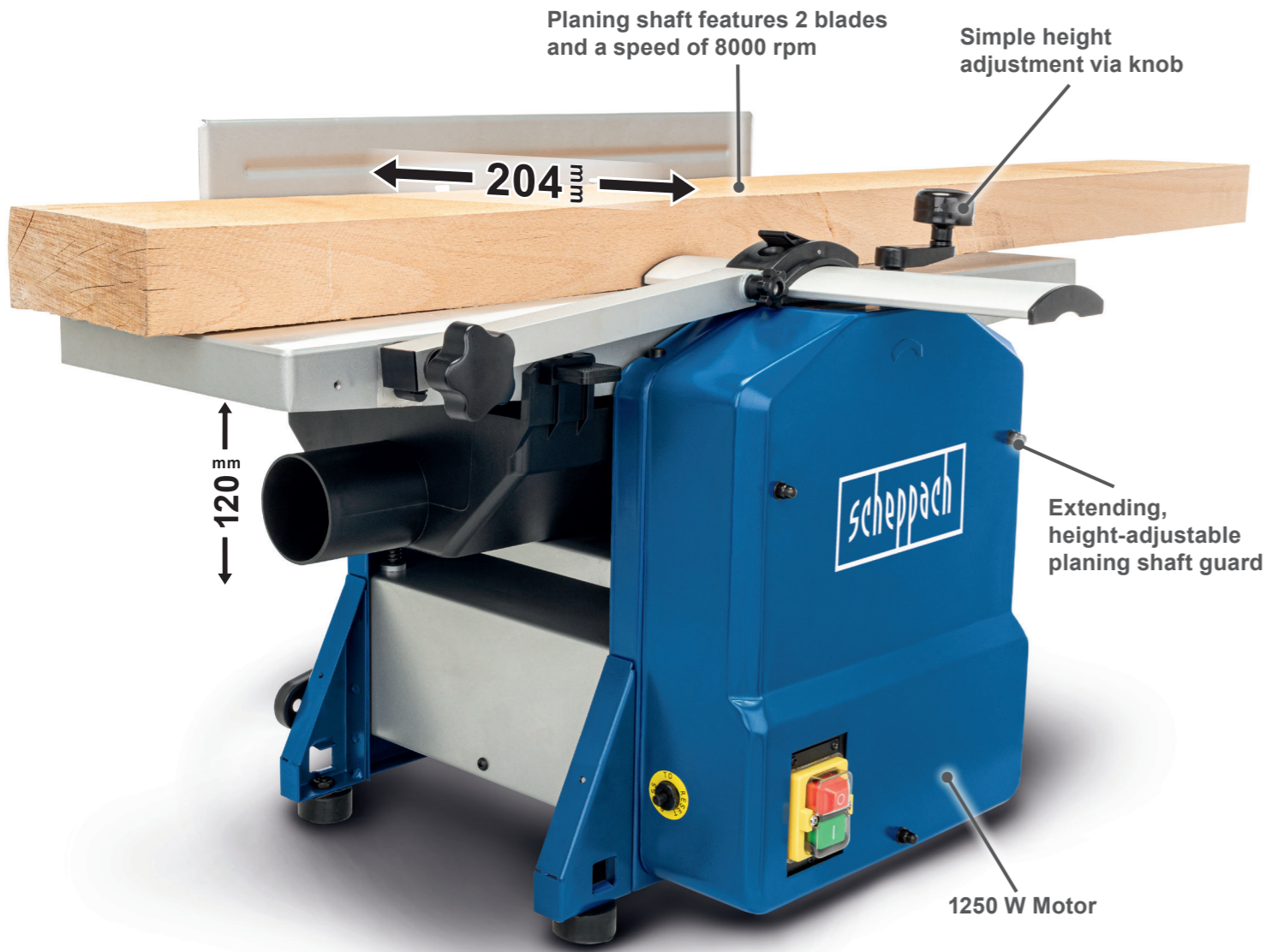
HSS PLANER KNIVES
Two-piece set



Article number: 3902202701
Barcode: 4046664000310



- ✓ Planing
- ✓ Thicknessing



EXAMPLES OF USE
SUITABLE FOR WORK
WITH SOLID WOOD AND SOFTWOOD

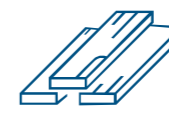
Planks



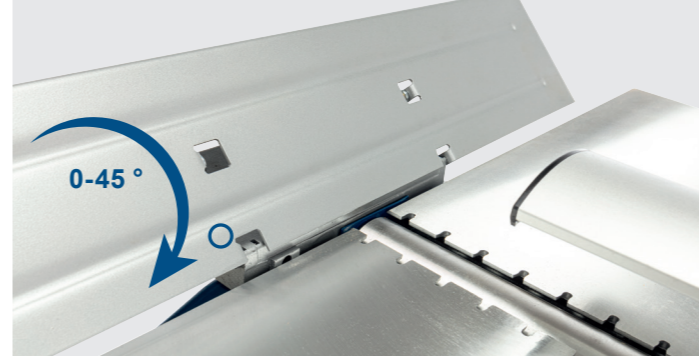
Beams



Boards



The planing table can be adjusted up to 45°. This means timber can be planed from 90 to 130°.



THICKNESSING



PRODUCT DETAILS

Powerful
1250 W motor



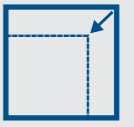
Planer fence
rotatable 0-45°



Robust



Space-saving



Planing table
350 x 204 mm



Planing table dimensions
737 x 210 mm



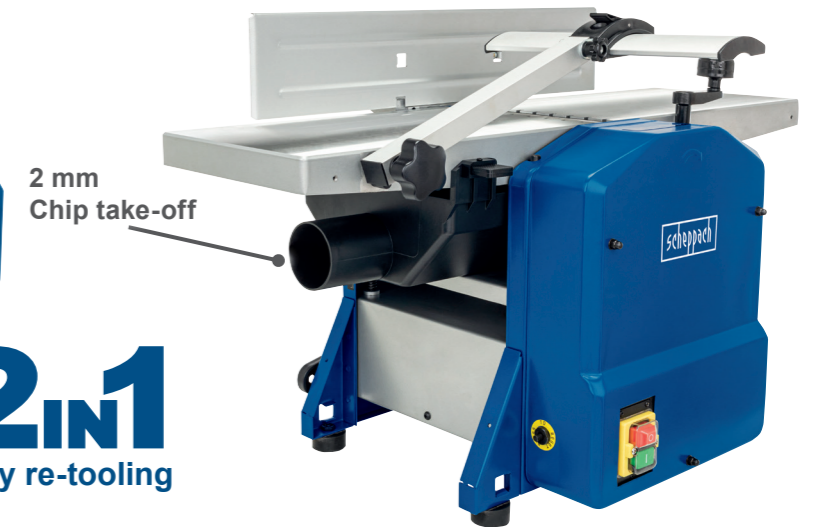
Planing width
204 mm



Admission height
120 mm



PLANING



2in1
Easy re-tooling

SPECIFICATIONS

Dimensions L x W x H	780 x 440 x 455 mm
Surfacing table size	737 x 210 mm
Thicknessing table size	350 x 204 mm
Number of blades	2
Planing shaft speed	8000 rpm

SURFACE PLANING

Plane width max.	204 mm
Stock removal max.	2 mm

THICKNESSING

Thickness capacity / width max.	120 / 204 mm
Stock removal max.	2 mm
Motor	230 V~ / 50 Hz
Input	1250 W

LOGISTICAL DATA

Weight net / gross	23 / 25 kg
Packaging dimensions	830 x 465 x 440 mm
Article number	5902205901
Barcode	4046664037477
20 Container	175 pcs
40 Container	350 pcs
40 HQ Container	420 pcs



The planing width is 204 mm and the thickness capacity 120 mm when using the planer thicknesser function.



Work pieces of a maximum width of 204 mm can be planed reliably and accurately.

