

SYDNEY EcoDesign

PANADERO

PRODUCT PLUS

ECODESIGN 2022



EXTERNAL AIR INTAKE



VERMICULITE LINING



DOUBLE STEEL BODY SHEET 4 + 2,5 MM



WOOD LOG STORAGE



NATURAL STONE



CLEAN GLASS SYSTEM



TRIPLE COMBUSTION



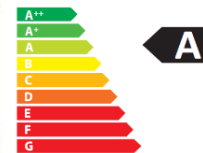
WOOD LOGS 50 CM



HEATING VOLUME



DOUBLE LOCK



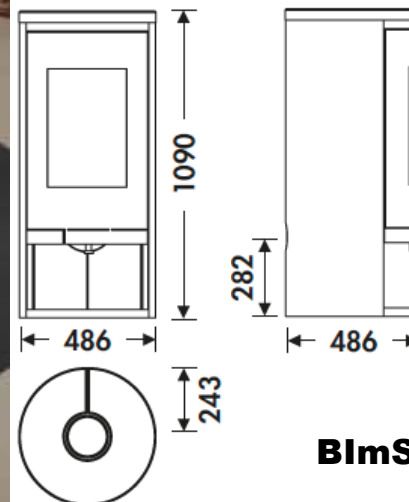
MEASURES

DIMENSIONS H x W x D	1090x486x486 mm
GROSS/NET WEIGHT	141/133 kg
FIREWOOD ENTRANCE	380x300 mm
SMOKE FLUE	Ø 150-153 mm Top
DIAGONAL GLASS LENGTH	560 mm

CHARACTERISTICS

CAST IRON GRILL	
NOMINAL HEAT OUTPUT	6,3 KW
EFFICIENCY	76,4 %
CO EMISSIONS	0,10 %
HEAT RESISTANT PAINT	800°C
CERAMIC GLASS HEAT RESISTANCE	750°C

EAN 8426964182507
REF. PANADERO 18250



BImSchV2