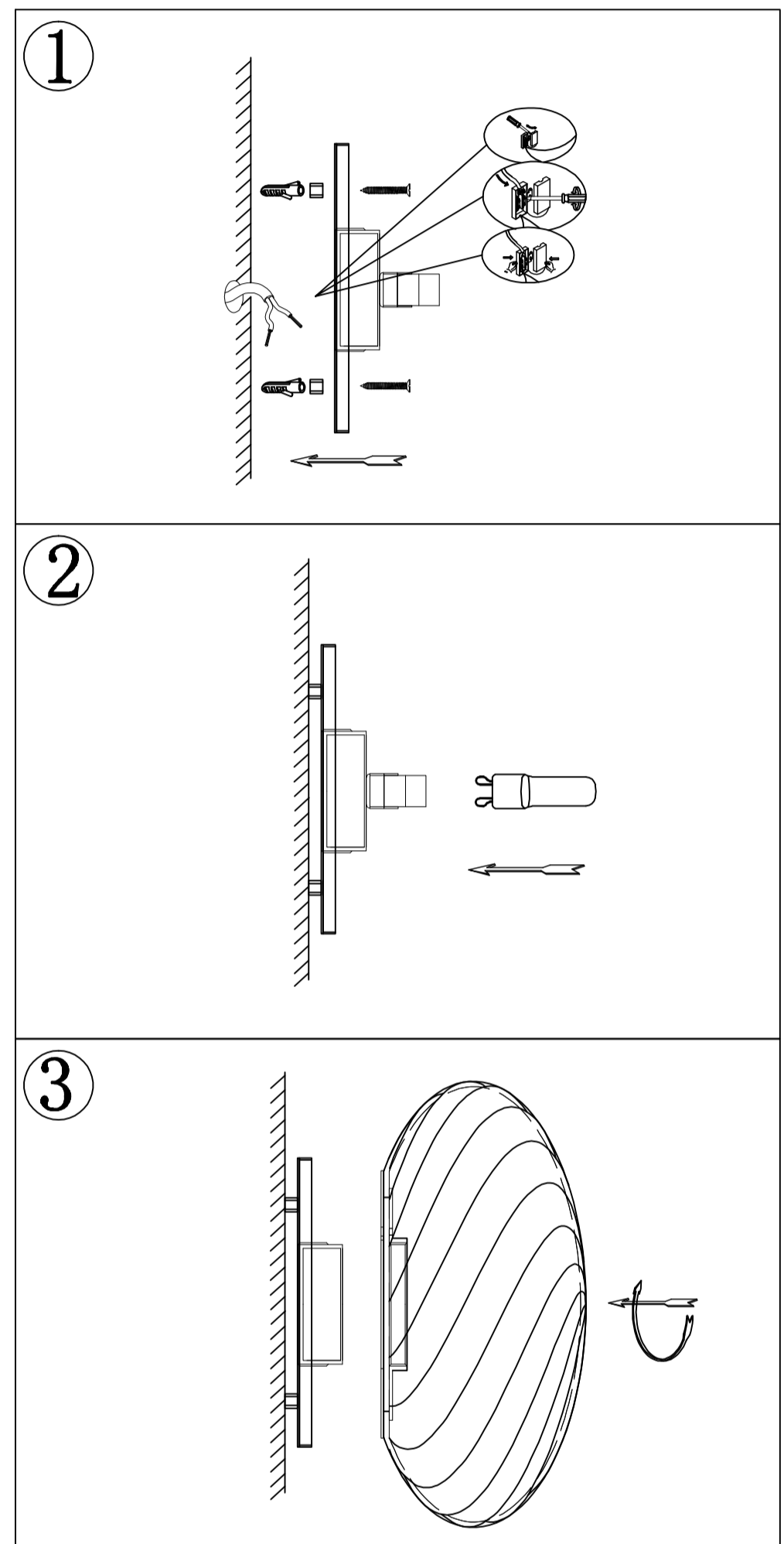
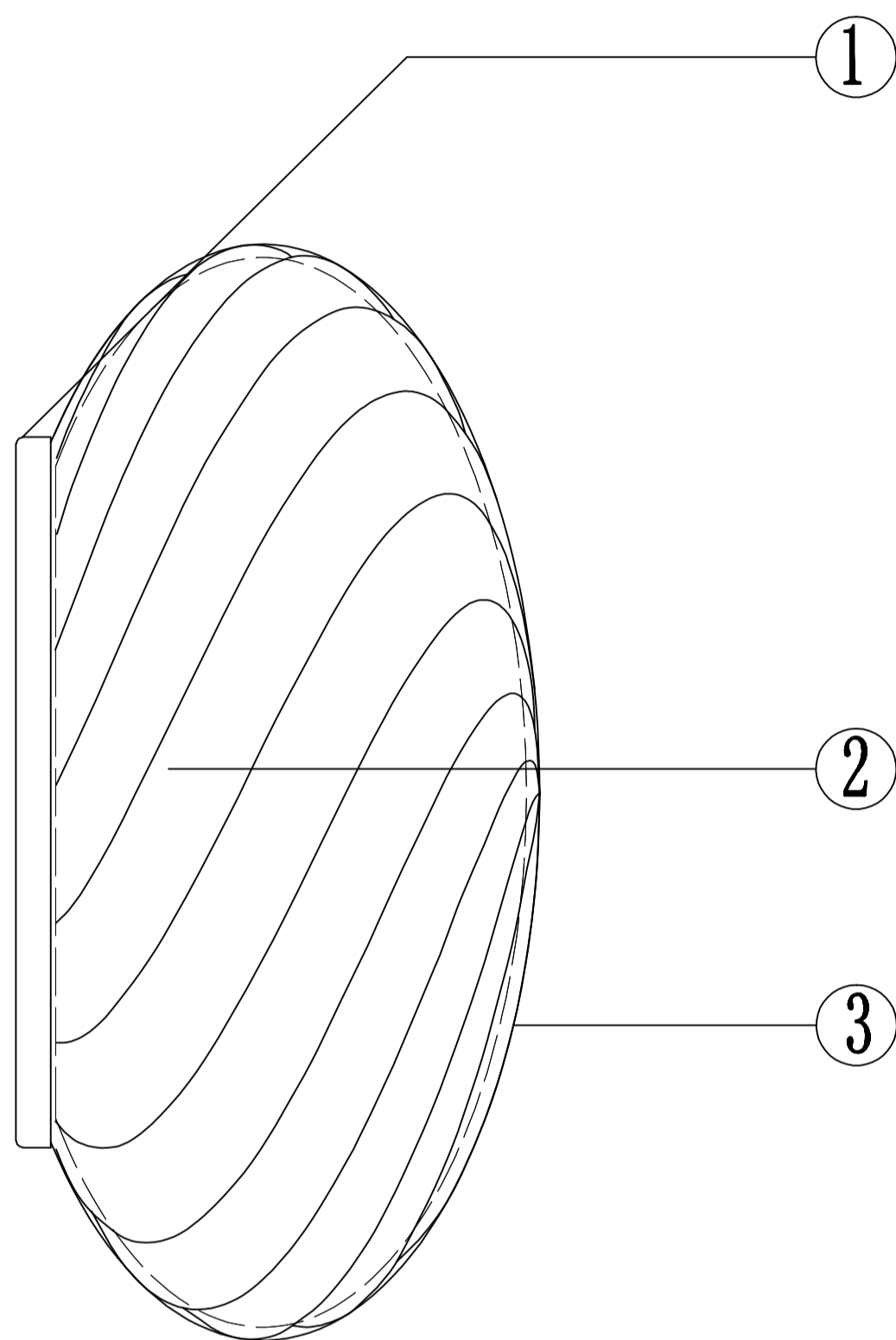


INSTRUCTION MANUAL

Model: Twist væg/ loftlampe \varnothing 25cm

halo
design

COPENHAGEN



INSTRUCTION MANUAL

- 1 Follow the instruction sketch.
- 2 Make sure power is OFF on the outlet. before beginning the installation.
- 3 Insert the light bulb.
- 4 Go through point 1 to 3 before connecting the lamp to the power.

230V .G9 .MAX LED 10W

