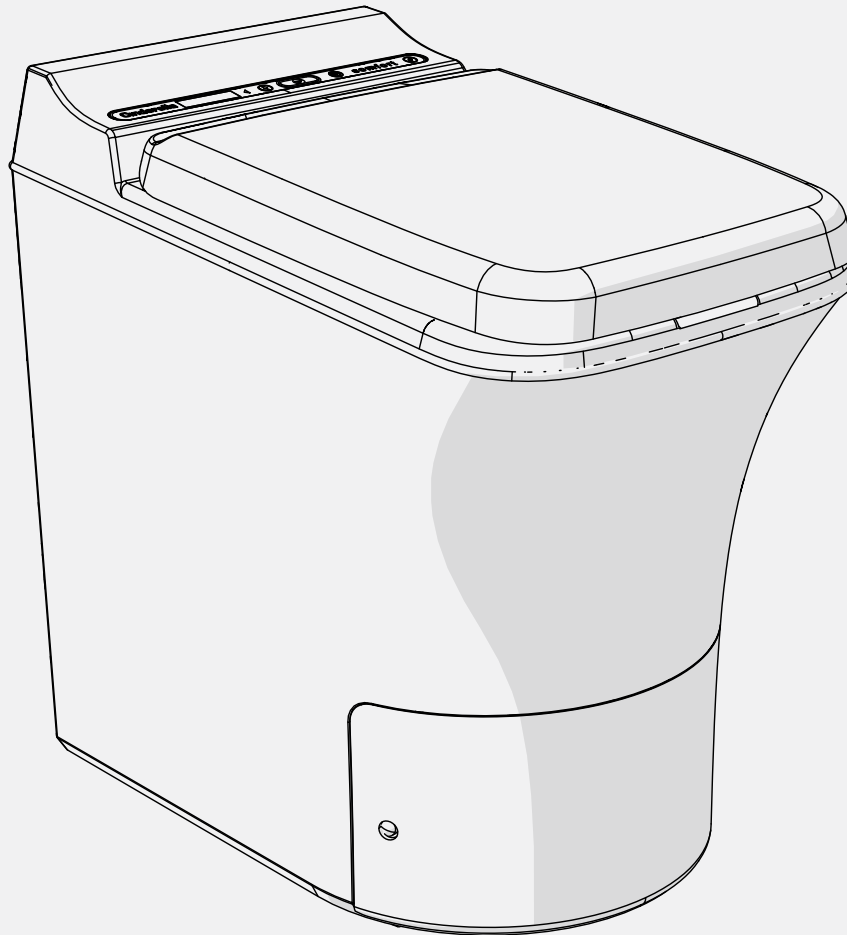




Cinderella[®]
Incineration Toilets

CINDERELLA COMFORT

Product manual



CONTENTS

1. GENERAL SECTION	3
1.1 INTRODUCTION	3
1.2 APPLICATION ACCORDING TO REGULATIONS	3
1.3 OPERATING INSTRUCTIONS GUIDE	3
1.4 LIMITATION OF LIABILITY	3
1.5 LISTINGS AND CERTIFICATIONS	3
1.6 ENVIRONMENTAL REQUIREMENTS	3
1.7 GENERAL SAFETY INSTRUCTIONS	4
1.8 APPLIANCE RATING PLATE	5
1.9 CINDERELLA ONLINE	5
2. INSTALLATION SECTION	6
2.1 UNPACKING THE TOILET AND ACCESSORIES	6
2.2 MEASUREMENT SPECIFICATIONS CINDERELLA COMFORT	6
2.3 ORIGINAL INSTALLATION PACKAGES FOR YOUR CINDERELLA TOILET	7
2.4 INSTALLATION SPECIFICATION	8
2.4.1 SPECIFICATIONS PARTS AND MATERIALS	8
2.51 INSTALLING THE CINDERELLA INCINERATING TOILET	8
2.5.1 INSTALLING THE OUTLET PIPES	9
2.5.2 INSTALLING THE HORIZONTAL INLET PIPE	10
2.5.3 INSTALLING THE ORIGINAL CINDERELLA FLUE TERMINAL CAP	11
2.6 ELECTRICAL SPECIFICATIONS AND REQUIREMENTS	11
2.7 CHECKLIST TO VERIFY THE COMPLETE INSTALLATION	12
2.8 PERFORMANCE TEST TO VERIFY THE SYSTEM FUNCTIONALITY	12
3. USER SECTION	13
3.1 INTENDED USE AND HANDLING	13
3.2 GENERAL SAFETY	13
3.3 SAFE OPERATIONS	13
3.4 CINDERELLA COMFORT SAFETY FEATURES	13
3.5 IMPORTANT USER INFORMATION	14
3.6 THE CONTROL PANEL	15
3.7 USING THE CINDERELLA COMFORT TOILET	16
3.8 OPERATING THE FRONT COVER AND ASH CONTAINER	17
4. GENERAL MAINTENANCE INSTRUCTIONS	18
4.1 END PRODUCT CHARACTERISTICS	18
4.2 CUSTOMER MAINTENANCE	19
4.2.1 EMPTYING AND CLEANING THE ASH CONTAINER	19
4.2.2 STEAM-CLEANING THE CATALYTIC CONVERTER	19
4.2.3 CLEANING THE BOWL	20
4.2.4 INSPECTING THE CATALYTIC CONVERTER	21
4.2.5 CLEANING THE APPLIANCE FLUE TERMINAL	21
4.2.6 RINSING THE CATALYTIC CONVERTER WITH HOT WATER	22
5.0 TROUBLESHOOTING AND FAQ	23
5.1 TROUBLESHOOTING TABLE	24
6. REPAIRS AND SPARE PARTS	25
6.1 SPARE PARTS LIST	25
6.2 WIRE DIAGRAM	26
7. WARRANTY	27

1. GENERAL SECTION

1.1 INTRODUCTION

It is essential to ensure proper ventilation in accordance with the guidelines in this manual to guarantee the functionality of your new Cinderella toilet. Improper installation may cause malfunction, wear or odours and will void the warranty. When installing the appliance, the technical and administrative regulations in which the country it is installed must be adhered to.

1.2 APPLICATION ACCORDING TO REGULATIONS

This appliance is designed to incinerate bodily waste products and small sanitary products such as tampons and non-alcoholic baby or face wipes.

1.3 OPERATING INSTRUCTIONS GUIDE

Please read this instruction manual carefully before installation and first use. Store these instructions in a safe place so you can refer to them when required. If you pass on the product to someone else, hand over this instruction manual along with it.

These instructions provide you with the necessary guidance for proper installation, handling and maintenance of the product. It is important that both the installer and the user familiarize themselves with the instructions given in this manual. The manual also contains information on professional maintenance and any necessary information for service and repairs.

1.4 LIMITATION OF LIABILITY

The manufacturer accepts no liability for damage in the following cases:

- Faulty installation
- Damage to the product resulting from incorrect connection voltage
- Alterations to the product without express permission from the manufacturer
- Use for purposes other than those described in the operating manual
- Non-observation of the operating and maintenance instructions
- Application not in accordance with the regulations or provisions
- Use of non-original bowl liners and spare parts

1.5 LISTINGS AND CERTIFICATIONS

The Cinderella Comfort has been extensively tested by NEMKO in accordance with the European standard for electrical safety and electromagnetic compatibility.

1.6 ENVIRONMENTAL REQUIREMENTS

- Ambient temperature range: -20–40°C
- Operating altitude: Tested to 2,500 m



CAUTION!

When the Cinderella toilet is installed, minimum clearance to combustible construction must be: 50mm from sides, 50mm from rear

1.7 GENERAL SAFETY INSTRUCTIONS



DANGER!

Safety instruction: Failure to observe this instruction could cause fatal or serious injury.



WARNING!

Safety instruction: Failure to observe this instruction could lead to injury.



CAUTION!

Failure to observe this instruction could cause material damage and impair the function of the product.



NOTE!

Supplementary information for operating the product.



DANGER!

- Do not spray aerosols in the vicinity of this appliance while it is in operation.
- Do not use or store flammable materials in or near this appliance.
- Do not place articles on or against this appliance.
- Do not modify this appliance.



DANGER!

- Do not operate the incinerating toilet if it is visibly damaged.
- If the power cable for this toilet is damaged, it must be replaced by the manufacturer, customer service or a similarly qualified person in order to prevent safety hazards.
- This toilet may only be repaired by qualified personnel. Inadequate repairs may cause serious hazards.
- Only operate the toilet with the voltage shown on the type plate on the back of the toilet.



WARNING!

- Danger of crushing! Do not place your hand on the hinge or underneath the toilet seat while open, as there is no soft-close function on the lid and seat.
- Do not empty the ash container when hot.
- Before activating, ensure that the power supply line and plug are dry.







CAUTION!

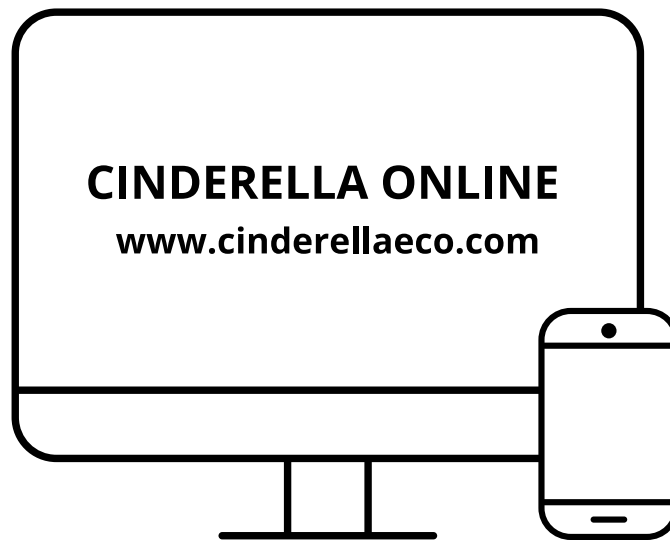
- During transport, only hold the toilet by the toilet shell. Never hold the toilet by the power cord, front cover, lid or seat or exhaust outlet.
- Danger of overheating! Always ensure sufficient ventilation so that the heat and emissions generated during incineration can dissipate from the flue pipe. Ensure proper air flow for the system. Always ensure sufficient ventilation into the toilet. Make sure that the toilet is sufficiently far away from walls or other objects so that air can circulate.

1.8 APPLIANCE RATING PLATE

The appliance rating plate can be found on the back plate of the incineration toilet. From this plate you can read the model identification, serial number, toilet ratings and support detail. You will need these details whenever you contact the customer service centre or when ordering spare parts.

<p>MANUFACTURER</p>  <p>Cinderella Incineration Toilets</p> <p>CINDERELLA ECO GROUP AS Sjøvikvegen 67, 6475 Midsund, NORWAY</p> <p>For sales and support call +47 77711500 or visit our web www.cinderellaeco.com</p> <p>CINDERELLA COMFORT MODEL:COMFORT EU SERIAL:</p>	<p>Appliance Specifications</p> <p>VOLTAGE..... 230-240 V AC 50-60Hz CURRENT 9 A HEATING ELEMENT:..... 2000W EL MOTOR: 12 V DC BATTERY: 12 V DC 2,6 Ah FAN BLOWER..... 12 V DC CAPACITY..... 4 Uses Pr. Hour DESIGNED FOR HOME / CABINS YEAR OF MANUFACTURING..... 2022</p>	  
---	--	---

1.9 CINDERELLA ONLINE



REGISTER WITH "MY CINDERELLA"

When you register your toilet in "My Cinderella", you will receive relevant information about our products and available support systems, as well as special offers specifically tailored to your toilet model. In the event of theft, registered toilets will be in our manufacturer database.

Online Troubleshooter

A complete guideline to your toilet, providing useful advice and user improvements, enabling you to solve the most common issues on your own, without having to call for assistance.

Easy access to information

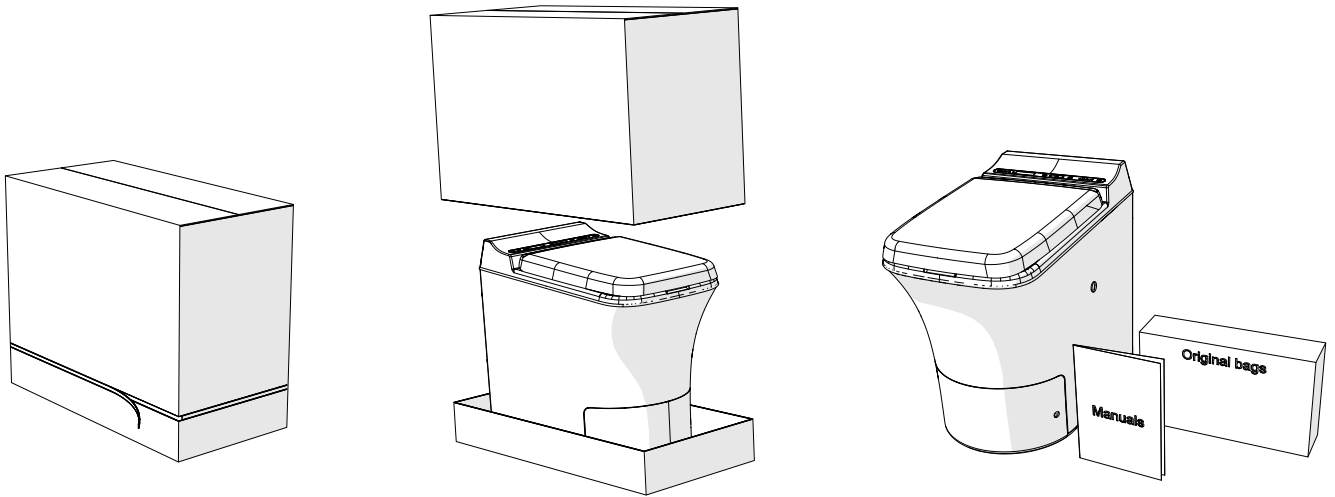
You can download product documentation from our online documentation centre, where you will find product manuals, service manuals and a Disassembly of Waste Electrical and Electronic Equipment (WEEE) manual.

Service and spare parts

Select country of origin and receive a list of local dealers where you can obtain service and spare parts.

2. INSTALLATION SECTION

2.1 UNPACKING YOUR CINDERELLA INCINERATING TOILET



NOTE!

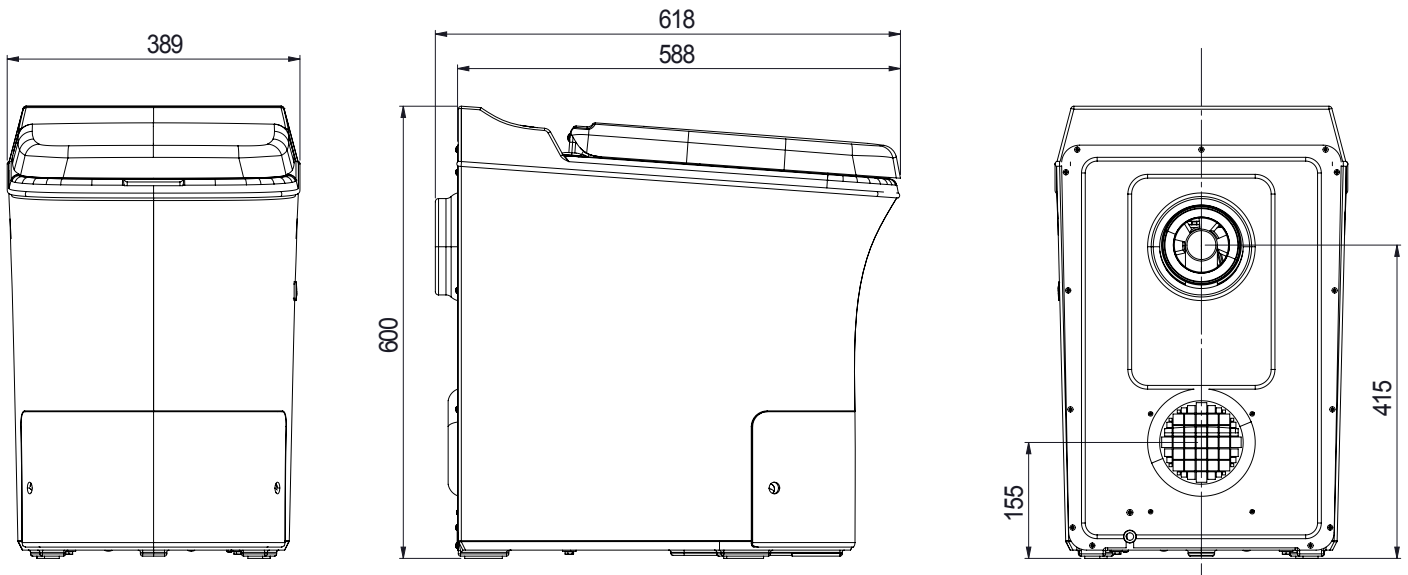
When unpacking the Cinderella toilet, use the pre-fixed strip on the bottom of the box. Release the strip all around the box and lift up the box.

INCLUDED ITEMS	QTY
Cinderella Comfort	1
Bowl liners	100
Product manual	1

2.2 MEASUREMENT SPECIFICATIONS

Height	600 mm
Seated height	540 mm
Width	390 mm

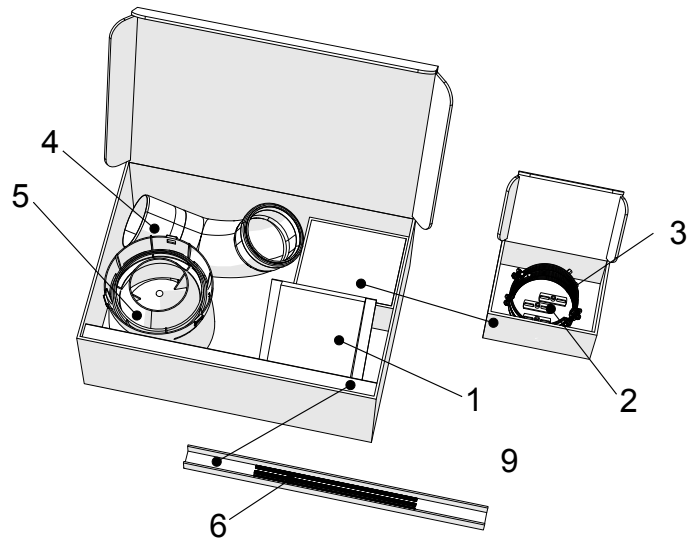
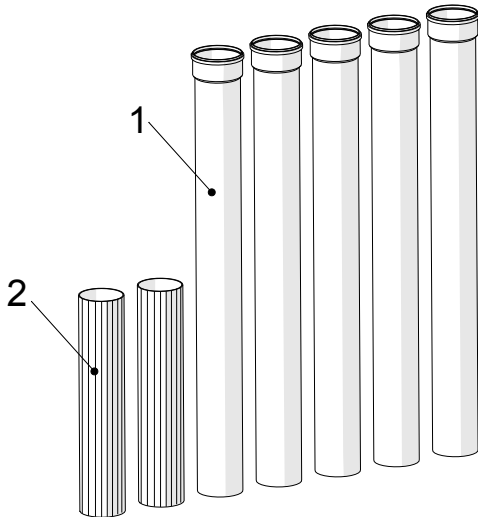
Depth	590 mm
Height center outlet	415 mm
Height center inlet	155 mm



2.3 ORIGINAL INSTALLATION PACKAGES FOR YOUR CINDERELLA TOILET

Cinderella Original Insulation Kit Arctic: Cinderella has invented a specially designed insulation kit that gives you an added advantage when installed in cold environments. This kit is specially designed for the Cinderella Incineration Toilet and adds a layer of insulation inside the toilet shell which restricts the accumulation of water and ice on your appliance. This eliminates wear on your product and its interior. Ask your dealer or visit our homepage www.cinderellaeco.com for further information.

Cinderella Original Installation Kit: We strongly recommend the use of the “Cinderella Original Installation Kit” when installing you appliance. This complete set includes necessary parts for an ideal installation, optimizing the incinerating process and functionality of your toilet. The installation kit includes two separate boxes. Box no. 1 includes 7 x 110mm UV stabilized PP quality pipes - for installing the inlet and outlet ventilation. Box no. 2 includes an optimized flue cowl and elbow, for increasing the system flow rate and incineration efficiency. It contains a storm collar for the inlet air, as well as pipes and clamps to support the installation of the pipes.



CINDERELLA ORIGINAL INSTALLATION KIT		QTY
1	Male-Female 1066 mm flue pipe	5
2	Male-Male 500 mm flue pipe	2

CINDERELLA ORIGINAL INSTALLATION KIT		QTY
1	Storm Collar	1
2	Wall mount rod	3
3	Support clamp	3
4	Elbow, 87° w/drain	1
5	Flue Terminal Cap	1
6	Threaded rod, 30 mm	3



NOTE!

- This manual will further explain and demonstrate how to optimally install your toilet, based on the parts included in the Original Cinderella Installation Kit. Should you desire to install your Cinderella appliance with other than our original pipes and parts, be sure that they comply with the specifications described under section 2.4.1 “parts and material specifications”.
- In order to guarantee your Cinderella Incineration Toilet functions properly, It is essential to ensure proper ventilation in accordance with the guidelines in this manual. Installations deviating from the manufacture specifications or the use of non-authorized parts in the installation of the appliance will cause malfunction, wear or odors and will void the warranty.

2.4 INSTALLATION SPECIFICATIONS

2.4.1 SPECIFICATIONS PARTS AND MATERIALS

ITEM	SPECIFICATIONS
Ventilation pipes	Cinderella Comfort is required to be installed with 110 mm pipes with a smooth inner surface and a minimum inner diameter of 102 mm. The pipe material must be specified for temperatures over 100° C and preferably of a PP- or CPVC- type. We strongly recommend using the Original Cinderella PP- quality pipes.
Elbow (Outlet air)	Cinderella Comfort is required to be installed with a smooth curved elbow that minimizes the restriction of the air flow. We strongly recommend using the Original Cinderella Elbow 87° w/ drain.
Flue Terminal Cap	Cinderella Comfort is required to be installed with a flue terminal cap that prevents intrusion of rainwater and that has a minimum restriction of the air flow. Wind fans or similar is not to be used when venting the Cinderella Incinerating Toilet. We strongly recommend using the Original Cinderella Flue Terminal Cap.



NOTE!

- The inside of the ventilation pipe must be smooth and not embossed or grooved.
- Never use a mesh net in the ventilation pipe as this might restrict the airflow in the system.
- The elbow must be accessible when installed, so that the drainage pipe can be rinsed, and the outlet pipe cleaned.
- Cinderella Comfort is proved for use in bathrooms/wet rooms (IP 34 classified), but water must not be splashed over the external parts of the toilet.
- The toilet must be placed on a firm and level base and your Cinderella appliance may be installed on a heated floor

2.5 INSTALLING THE CINDERELLA INCINERATING TOILET

It is essential to ensure proper ventilation in accordance with the guidelines in this manual to guarantee the functionality of your new Cinderella toilet. Improper installation may cause malfunction, wear or odors and will void the warranty. Read each section carefully before starting the installation of the toilet. Always make sure that the work is carried out by professionals in accordance with local regulations.



CAUTION!

- Upon installation of the appliance, the technical and administrative regulations of the country in which the toilet is installed must be adhered to. We recommend that you contact your local dealer for planning and installing your Cinderella toilet.
- Never use 90° bends in addition to the elbow.
- If the pipe perforates the roof surface, ensure that it is in compliance with building regulations.
- Do not use any flexible ducts or pipes when installing the Cinderella toilet.
- Never connect more than one appliance to the vent.
- The elbow must be accessible when installed, so as to be able to rinse the drainage pipe and clean the outlet pipe regularly,

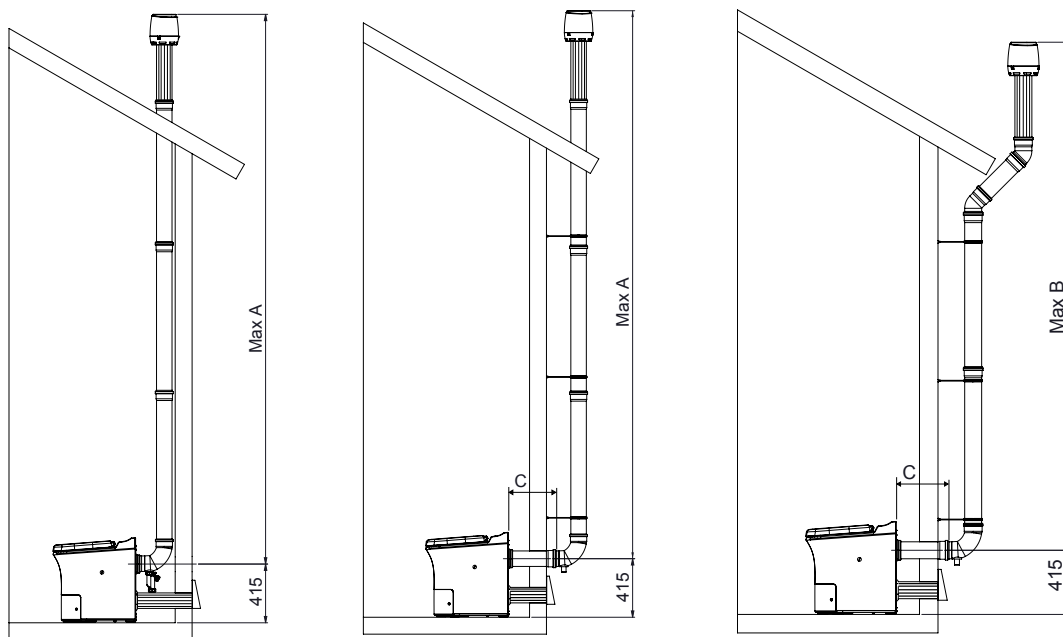


WARNING!

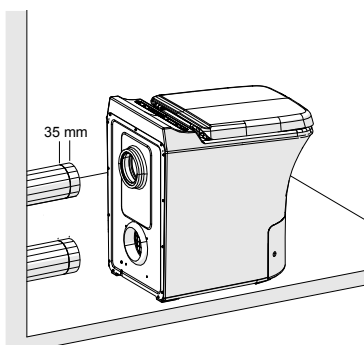
Before cutting any holes, always check that you will not cut any electrical wiring or water pipes.

2.5.1 INSTALLING THE OUTLET PIPES

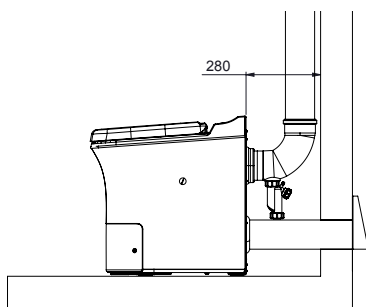
DIAMETER VENT PIPE	OUTLET DIRECTION	REFERENCE	BENDS	MAXIMUM PIPE LENGTH
110mm	Horizontal flue pipe	C	(Not allowed)	1.0m
110mm	Vertical flue pipe	A	None	6.0m
110mm	Vertical flue pipe	B	2 x 45° bends	5.0m



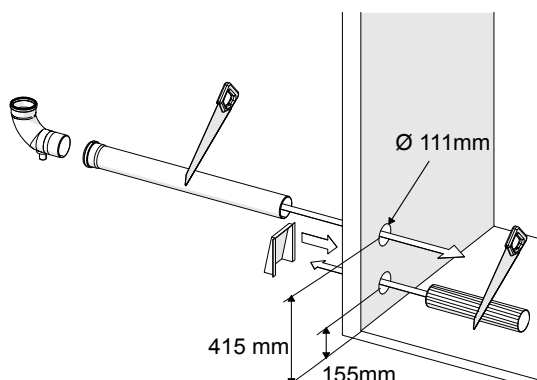
NOTE!
The center of the appliance flue terminal is 415 mm from the floor level.



NOTE!
When adjusting the pipe length, please notice that the pipe will enter 35 mm into the appliance flue terminal, and will have to be calculated into the planning of your installation.



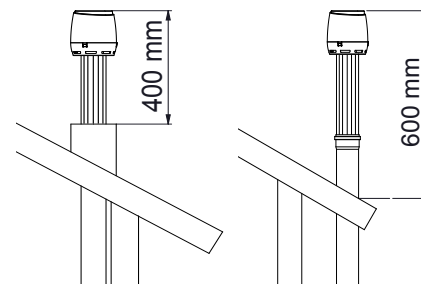
NOTE!
When installing the pipe vertically, straight up from the appliance, please notice that the minimum distance from the wall must be 280mm.



NOTE!
The Original Cinderella Installation Kit includes 5 x 1066 mm pipes to be used on the outlet installation, the pipes are delivered with socket and gasket for simple installation. When installing the pipe on the outer wall, you will have to enter the pipe from the external to the inside.

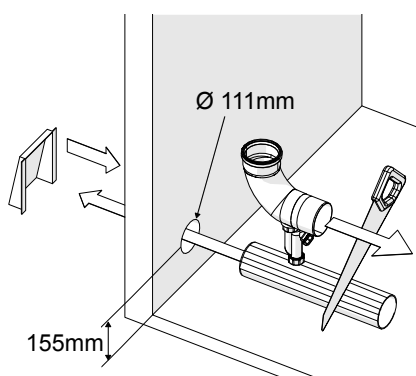
**NOTE!**

- The pipe must always be installed vertically above the roof and extend at least 600 mm above the roof surface. If the outlet air pipe is to be enclosed (e.g. using metal siding), make sure that the end of the pipe extends at least 400 mm above the enclosure.
- If installed where snow is likely to accumulate it might be necessary to extend the pipe further, and to secure accordingly.

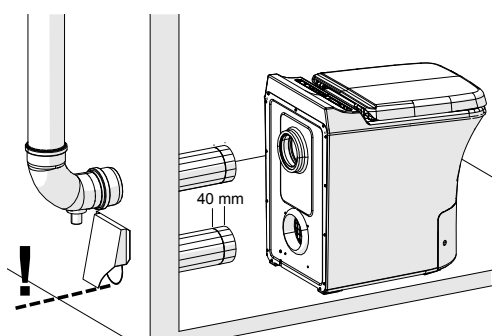
**2.5.2 INSTALLING THE HORIZONTAL INLET PIPE**

It is important to ensure that the toilet has enough access to fresh air, and we therefore always recommend installing the Cinderella Comfort with designated inlet air connection. Supplying fresh air from the outside and into the appliance is essential for cooling, circulation and the supply of oxygen to the incineration process. If the toilet has restricted access to air / oxygen, you will experience poor incineration, reduced efficiency and possibly overheating of the appliance. Poor incineration over time will wear on the product and void your warranty.

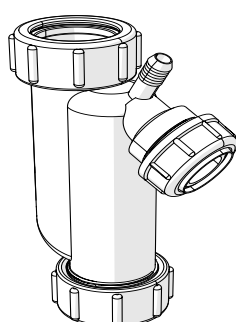
OUTER DIAMETER INLET PIPE	INNER DIAMETER INLET PIPE	INLET DIRECTION	BENDS	MAXIMUM PIPE LENGTH
110mm	102mm	Horizontal	None	500mm

**NOTE!**

- The center height for the inlet air terminal is 155 mm from the floor level.
- The Original Cinderella Installation kit includes 2 x 500 mm pipes to be utilized for the inlet air and ventilation and flue terminal cap. Adjust the length of inlet to fit the installation, please notice that the pipe will enter 40 mm into the inlet terminal on the appliance.

**NOTE!**

When mounting the storm collar on the external wall, make sure that the pipe is installed flush with the storm bottom of the storm collar. Misplacement can lead to restricted air circulation that cause poor incineration, reduced efficiency and possibly overheating of the appliance.

**NOTE!**

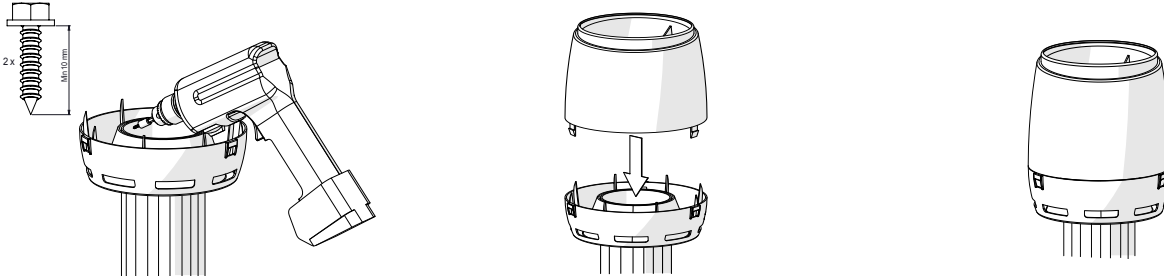
Cinderella supplies a specially designed "siphon" that fits onto the elbow provided in the installation kit, this item can be purchased as an accessory from any Cinderella dealer. If installation is done from the interior, you will need to connect the siphon to the elbow-piece to prevent condensation and rainwater to drain onto the floor. Failure to collect the condensation and emptying it regularly, may result in damage to the floor.

2.5.3 INSTALLING THE ORIGINAL CINDERELLA FLUE TERMINAL CAP



NOTE!

The Cinderella Original installation Kit includes a flue terminal cap that is designed for optimal flow and increased product efficiency. This cap consists of two parts, where the base section can be fixed to the pipes with stainless screws or glue, this for easy connection and removal for maintenance of the ventilation pipes. Use the 500 mm pipe included in the Cinderella installation kit as the last section of the ventilation pipe, this will utilize the connection of the flue terminal cap.



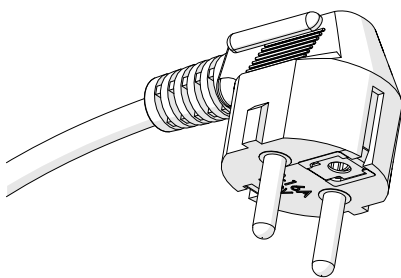
2.6 ELECTRICAL SPECIFICATIONS AND REQUIREMENTS



WARNING!

- This appliance must be installed in accordance with National Electrical Codes, as well as all state, municipal and local codes.
- The correct voltage, frequency and amperage must be supplied to the appliance from a dedicated, grounded circuit which is protected by a properly sized circuit breaker.
- The proper voltage, frequency and amperage are listed in this manual and on the product rating plate on the back of the toilet.

Power requirements	INPUT	CURRENT	FUSE
	220V-240V AC	9 A	10 A
Power consumption	STANDBY MODE		INCINERATING MODE
	0.5 W		2000 W
Connection polarity	CABLE CROSS SECTION	CABLE LENGTH	PLUG TYPE
	1,5 mm ²	2,3 m	Type F Schuko CEE 7



NOTE!

The toilet is delivered with a 16 Amp, 250Volt, 2 Pole 3Wire Grounding Type F schuko CEE 7/7 plug. To supply sufficient power to the unit as delivered, it will require a dedicated grounded circuit, with at least 10 amps of available power at 230 V AC.



DANGER!

- The connection cable must be laid in such a way that it does not come into contact with sharp edges.
- Changes to the internal electrical installation or the connection cable must be performed by a professional tradesman or a similarly qualified person in order to prevent safety hazards.
- Power converters are not recommended for use with your Cinderella product. Cinderella comfort has a maximum power consumption level of 2000W, which may be sustained over periods exceeding an hour at a time. Power converters with a “peak consumption” level of 2000W may be unable to maintain this power output and become overloaded, damaged or unsafe if used with your Cinderella Comfort.

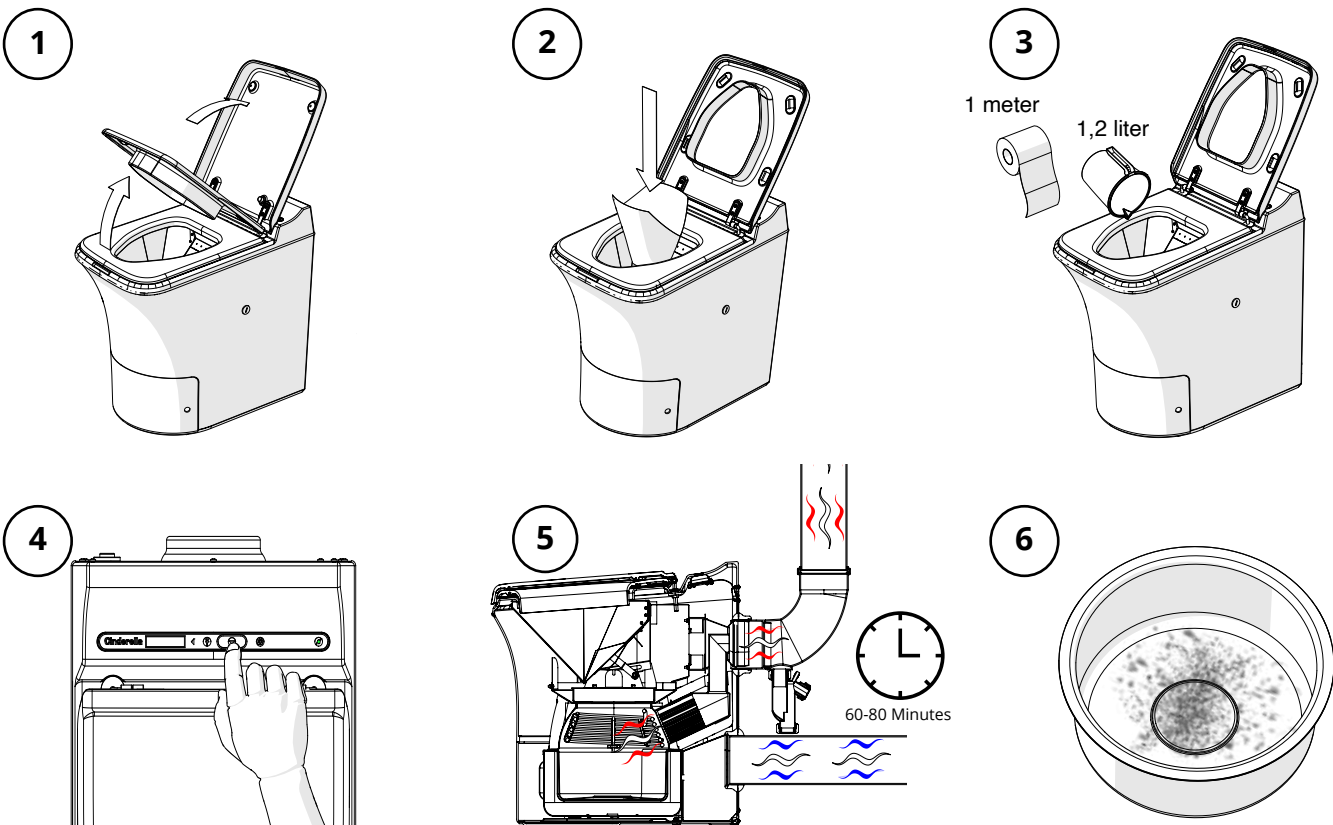
2.7 CHECKLIST TO VERIFY COMPLETE INSTALLATION

CONTROL ITEMS	CONFORMANCE
The connected voltage is in accordance with the appliance rating plate	
The appliance is installed in accordance with manufacturers specifications	
- The vertical flue pipe is installed according to manufacturer specifications	
- The flue termination is no less than 600 mm from the roof surface	
- Safe draining "siphon" is installed where condensation is likely to accumulate	
- Flue pipe material is installed according to manufacturer specifications	
- Flue cap is installed according to manufacturer specifications	
- 90 degree elbow is installed according to manufacturer specifications	

2.8 PERFORMANCE TEST TO VERIFY SYSTEM FUNCTIONALITY

When the "Start" button is pressed, the incineration cycle will be activated. The estimated incineration time for the verification test is approximately 60 – 80 minutes. The yellow light will be lit when the incineration is ongoing, and the complete test should be completed without any fault indications or system interruptions. The toilet will have to cool down to the point that the fan has stopped before the ash container can be removed. The cooling phase can take from 60 – 90 minutes, depending on the ambient cooling temperature.

The end result should only be fine white dust. Any end results deviating from this or an incineration time exceeding 90 minutes may indicate a restriction in the flue vent or a lack of oxygen. Check that the installation is in accordance with the manufacture specifications, presented in section 2 of this manual.



WARNING!

The ash container will get very hot while incinerating. Do not remove the ash container until the toilet has cooled completely and the fan has stopped.

3. USER SECTION

3.1 INTENDED USE AND HANDLING

The Cinderella Comfort toilet is intended for indoor installation and use in leisure homes such as cabins, second homes, outhouses, site welfare units, boathouses and pool houses. The toilet is solely designed to incinerate bodily waste products and small sanitary products such as tampons, sanitary pads and non-alcoholic baby, face and cleaning wipes. Using the Cinderella Comfort to incinerate other items constitutes misuse and will void your warranty.

Do not put the following items into the toilet:

- Excessive amounts of paper of any kind
- Chlorine based cleaning agents
- Alcoholic cleaning wipes
- Newspaper
- Paper towels
- Flammable liquids or materials
- Cigarette lighters
- Cigarettes or cigars
- Petrol
- Alcoholic drinks or liquors
- Alcohol or rubbing alcohol
- Nail polish remover
- Lighter fluid
- Lamp oil / kerosene
- Aerosol containers
- Glass or plastic bottles or containers etc.

3.2 GENERAL SAFETY



DANGER!

- Do not operate the incineration toilet if it is visibly damaged.
- If the connection cable for the toilet is damaged, it must be replaced by the manufacturer, customer service or a similarly qualified person in order to prevent safety hazards.
- This incineration toilet may only be repaired by qualified personnel. Unauthorized repairs can result in considerable danger or damage to the toilet.
- Cleaning and user maintenance may not be carried out by unsupervised children.
- Do not use any explosive substances or flammable cleaning agents when maintaining the toilet.

3.3 SAFE OPERATIONS



WARNING!

- The ash container in the toilet will become very hot when the toilet is in use. Make sure the safety cover is in place when the toilet is in use. Do not empty the ash container until the toilet has cooled completely.
- The seat does not have a soft-close function, take care not to crush your hands or fingers when closing the seat or lid.

3.4 CINDERELLA COMFORT SAFETY FEATURES

- The incineration process is inactive while the toilet lid is open. The incineration will not start until the seat and lid are closed.
- The hatch to the incineration chamber CANNOT remain open while the toilet is still hot (e.g. during cleaning). This is only possible when the toilet has cooled down and the fan has stopped.
- Should a ventilation problem arise and the internal temperature of the toilet increases to more than 105 °C, incineration will be interrupted and an error message and code is displayed. This situation requires a manual reset to ensure the ventilation issue is addressed before the toilet can be used again.
- If the ash container is improperly positioned after emptying, incineration will not start and a warning light and message will be displayed.
- If the combustion chamber hatch mechanism gets jammed or is prevented from closing properly, incineration will not start and an error message will be displayed.
- The Cinderella Incinerating toilet's smart software monitors the temperature while incineration is taking place. If any deviations from the normal temperature range are detected, this will immediately result in the incineration stopping and a error message will be displayed.

3.5 IMPORTANT USER INFORMATION



NOTE!

- Always remember to place a new liner in the toilet bowl before use, one liner per visit.
- The toilet lid must always be closed when the toilet is not in use. Incineration will not start or continue until the lid has been closed.
- The incineration cycle could take up to 180 minutes from the most recent visit.
- The fan will continue to run until incineration is completed and the internal temperature of the toilet has returned to the normal range. The cooling phase can exceed 120 minutes after incineration is completed, depending on the temperature of the air provided for cooling.
- Your Cinderella toilet may be used at any point during the incineration or cooling processes. Incineration is interrupted during use. Be sure to close the lid and press "Start" at the completion of each visit.



1 hour

Capacity 4 uses per hour

The Cinderella Comfort toilet is designed to handle up to four visits per hour. To avoid overload, more than four visits per hour is not recommended. Overloading the toilet with many visits in a short period of time, without completing an incineration cycle, can result in odours and leakage, and may damage the toilet.



Empty

Emptying Frequency

The total liquid capacity of the system's waste container is 5 L. The ash container should be emptied frequently (once a week) for best operation. This ensures more efficient incineration and helps keep the catalytic converter cleaner.

If your ash container has not been removed (by weekly emptying routines), your Cinderella Comfort will display a message to empty the container after 90 incineration cycles, and will lock out further visits if not emptied after 120 visits. We recommend that you empty the toilet as often as possible to ensure better incineration efficiency and less wear of the product.

Failing to empty the ash container when full may cause damage to the toilet and void your warranty.



Long period

Preparing your toilet for a lengthy period of non-use

In cases of longer periods of non-use, the waste must be incinerated, and the ash container emptied.



Max 4 visits

Short period of increased use

Should the situation require an unusually high number of guests to use the toilet for a short period of time, please follow these tips:

1. Empty the ash container completely before guests arrive.
2. Preheat the toilet before use by opening and closing the lid then pressing the Start button.
3. Ensure guests are instructed to use a bowl liner and press "Start" after every visit.
4. Check regularly to ensure the toilet lid is closed and the yellow incineration light is still lit.
5. You may need to run an extra incineration cycle or two before emptying the ash container to ensure that the waste has been fully incinerated.

3.6 THE CONTROL PANEL

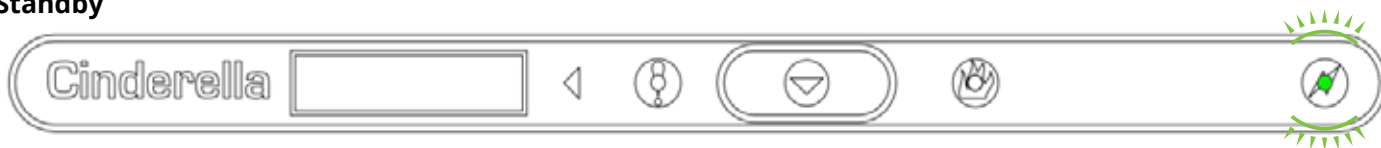
The control panel is equipped with a combination of light, sound and display messages that will give the best possible user experience. There are a number of light and sound combinations that will tell the user about the status of the system. It is important that all users familiarize themselves thoroughly with these signals before use. An overview of all the light and sound signals can be found in the troubleshooting table in section 5.1.



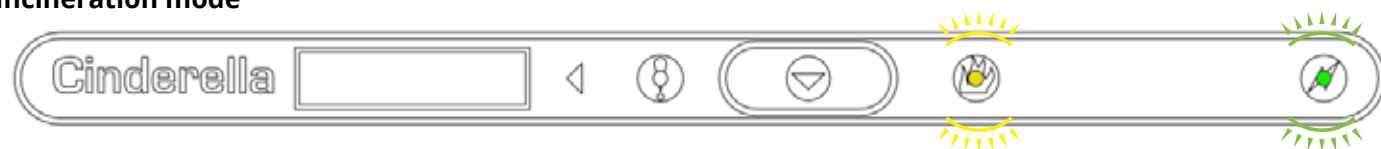
NOTE!

- A green light indicates that the toilet is connected to the power supply. When only the green light is lit, the toilet is on standby and ready for use.
- A yellow light indicates an ongoing incineration process and will light constantly while the toilet is in incineration mode
- A red light indicates interruption and will alert the user that the toilet is no longer incinerating or on standby.

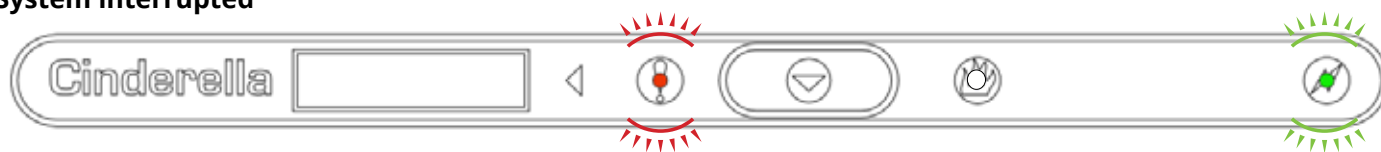
Standby



Incineration mode



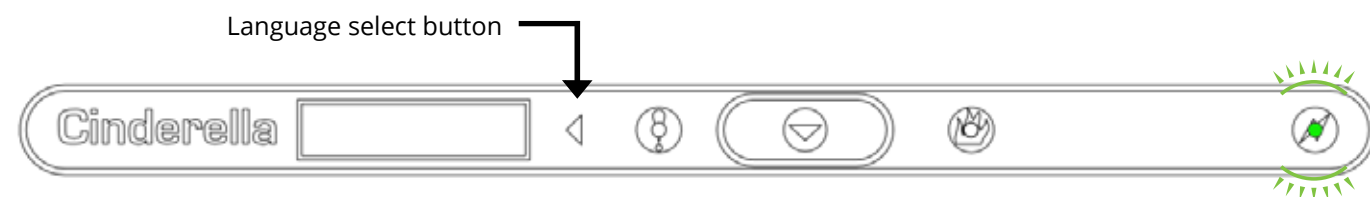
System interrupted



Selecting your language

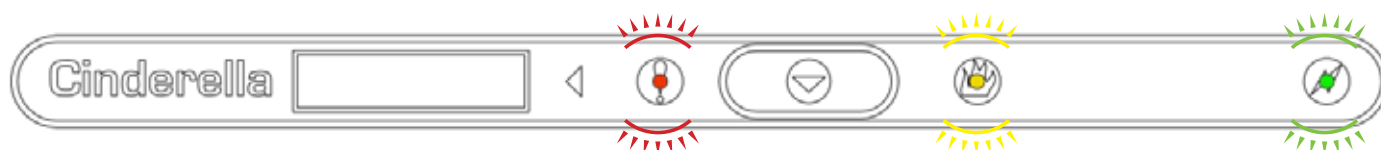
Hold down the "Select language" button for three seconds until "Language" is displayed on the first text line. The current language will be displayed on the second line. Push the "Select language" button repeatedly until the desired language is displayed. The new language will automatically be saved a few seconds after you have chosen your language, and the toilet will resume operation.

Language select button



Emptying indicator

Your Cinderella Comfort will indicate when it is time to empty the ash container. The display will read "EMPTY THE ASH CONTAINER" and you will hear three short beeps when the toilet lid is opened. If not emptied within a short period of time, the toilet will lock down. At this point the yellow and red lights are constantly lit and the display will read "TOILET LOCKED CONTAINER FULL". You will hear three short beeps every ten seconds until the ash container is emptied.



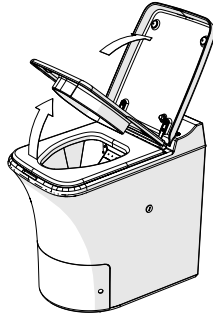
3.7 USING THE CINDERELLA COMFORT TOILET

1



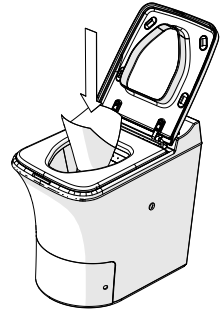
1. Check that the green light on the control panel is lit, indicating the unit is powered and ready for use.

2



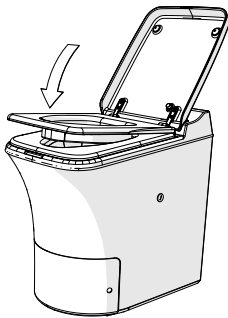
2. Lift the toilet lid and seat. A red light starts flashing. The ventilation fan starts.

3



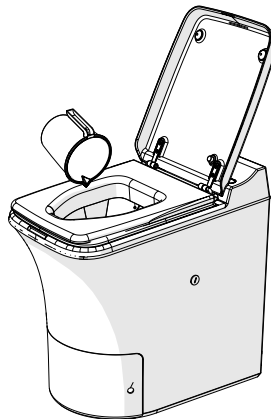
3. Place a bowl liner in the bowl. Use a new bowl liner for every visit.

4



4. Lower the seat. The toilet is ready for use.

5



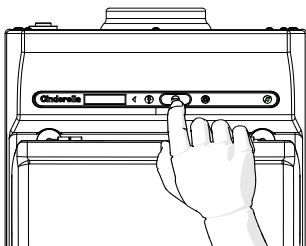
5. Use the toilet as usual. If little waste is produced, it may be helpful to pour some water into the bowl to add weight.

6



6. Close the toilet lid.

7



7. Push the "Start" button to drop the bowl liner and its contents into the incineration chamber. Incineration begins as soon as the hatch is closed. The toilet is now ready for the next user.

8



8. A constant yellow light will display during active incineration. The toilet may be used at any point. This will temporarily interrupt incineration. Incineration time may vary based on the number of visits and amount of waste.

3.8 OPERATING THE FRONT COVER AND ASH CONTAINER



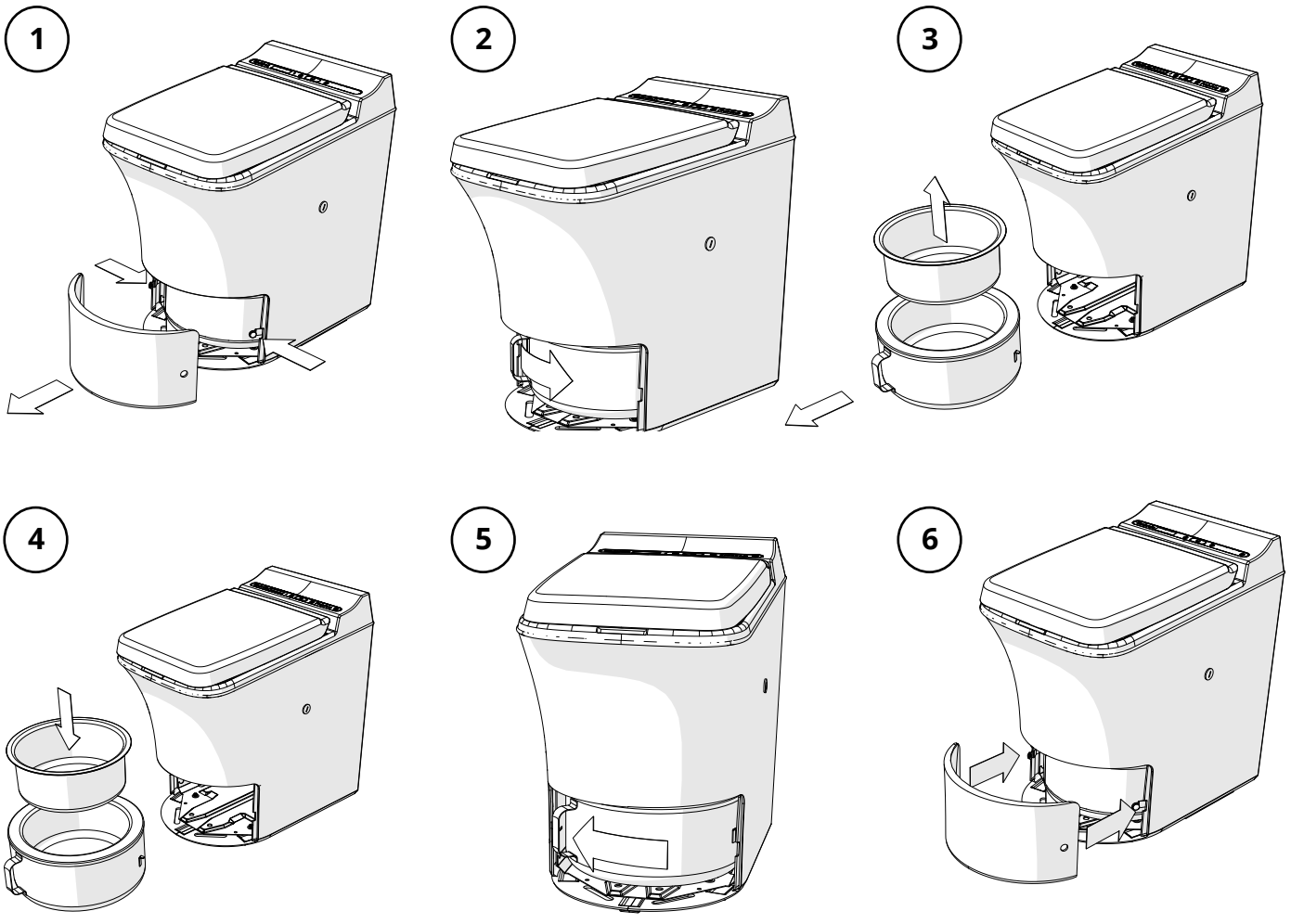
WARNING!

Only operate the ash container when the toilet is in standby mode and sufficiently cooled.



NOTE!

Please see the maintenance section for instructions regarding cleaning and emptying the ash container.



4. GENERAL MAINTENANCE INSTRUCTIONS

This manual includes both customer maintenance and the maintenance to be performed by professionals in accordance with the necessary expertise and authorizations.

A smooth-running air circulation system is critical to keep your toilet functioning properly. Particles generated during the incineration process can clog the catalyst and exhaust pipe over time, and it is important to regularly maintain these elements to ensure proper functionality.

In order to ensure optimal operation and extend the lifetime of your Cinderella Comfort appliance you will need to set aside a little time for preventive maintenance. Good maintenance routines will give you lower operating costs and cause less wear on the product. We strongly advise our customers to perform frequent maintenance as follows:

1. Empty the toilet frequently. Do not base your use on the maximum limit of the appliance.
2. Always clean the ash container and insert when emptied (see section 4.2.1).
3. Always perform the steam cleaning after each box of bowl liners (500 uses), preferably after each emptying and washing of the ash container. (see section 4.2.2).
4. Always observe the end result characteristics when emptying the toilet. Deviations in the end result may indicate the need for maintenance or service (see section 4.1).

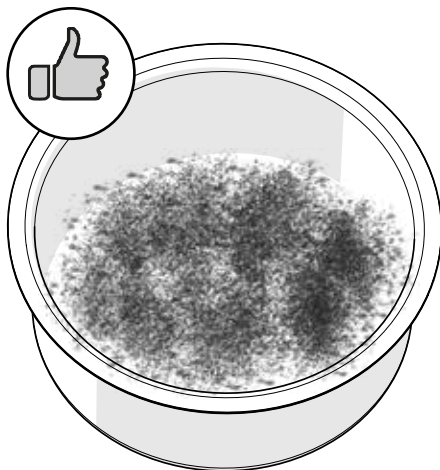


WARNING!

Before performing maintenance, always make sure that the toilet is not in incineration mode and that the toilet is sufficiently cooled.

4.1 END PRODUCT CHARACTERISTICS

The residual waste, or “ashes”, will consist of pathological residue, salts and minerals, and will therefore often be perceived as hard and crystallized. There should be no visible signs of paper or flaky layers of unburned waste, the ashes should be a combination of white and dark shade of grey. If there are larger deposits of black unburned waste, humidity or paper when emptying the toilet, please start an additional incineration without inserting paper or water. When the incineration is completed, empty the ash container and perform the maintenance procedures as instructed in this manual.

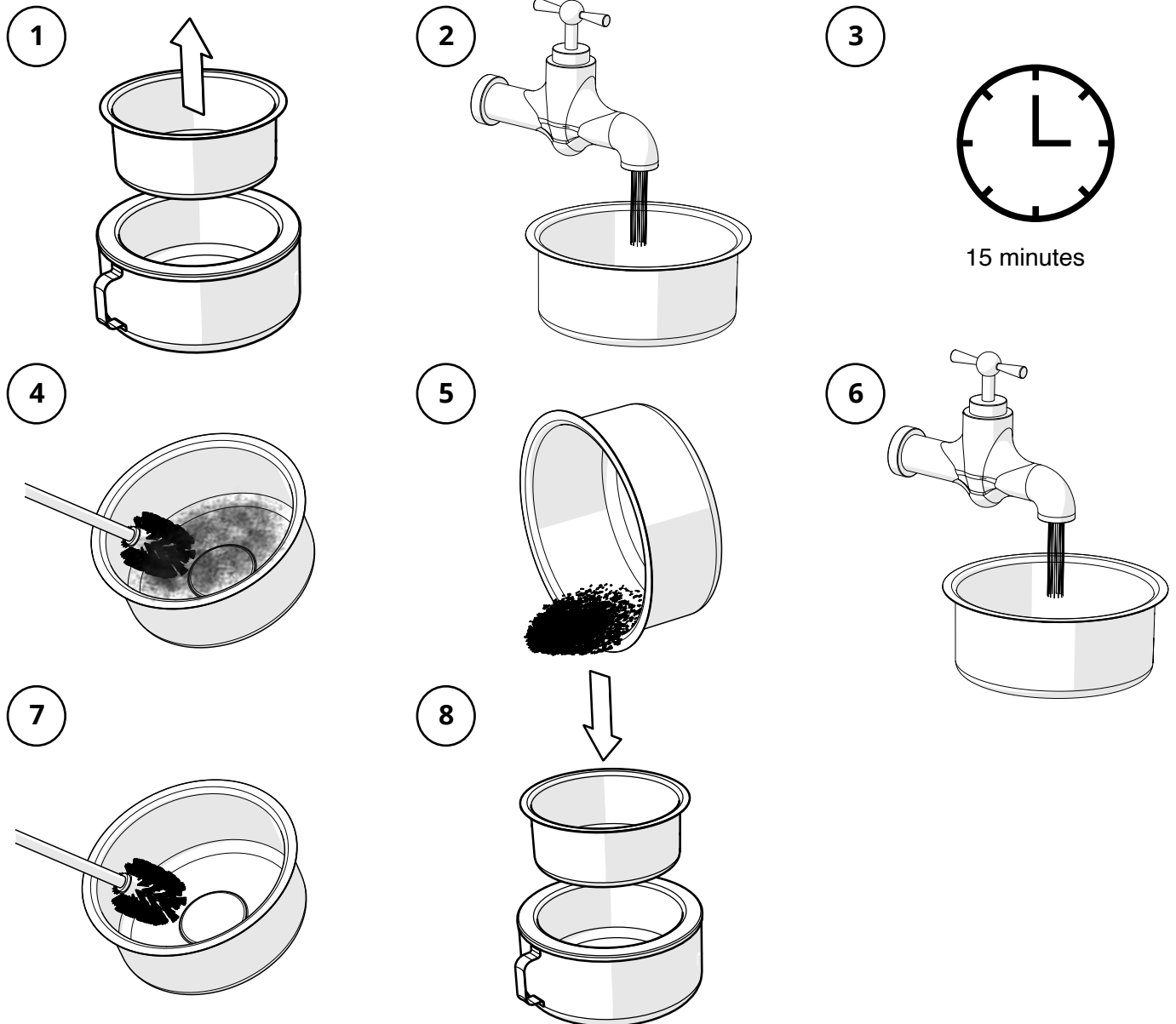


CAUTION!

- The ash is not suitable to use as fertilizer or compost. It should be disposed of in your household waste in accordance with relevant public regulations.
- The remaining ash is sterile and safe to handle when it has incinerated to a light colour. If the ash is black and flaky or the incineration cycle was incomplete, run an extra incineration cycle to ensure that the ash has been fully incinerated. If the problem persists, see the troubleshooting section for further advice.

4.2 CUSTOMER MAINTENANCE

4.2.1 EMPTYING AND CLEANING THE ASH CONTAINER



CAUTION!

Do not use any sharp tools or objects when cleaning the ash container insert, as this will damage the insert and reduce its service life.



NOTE!

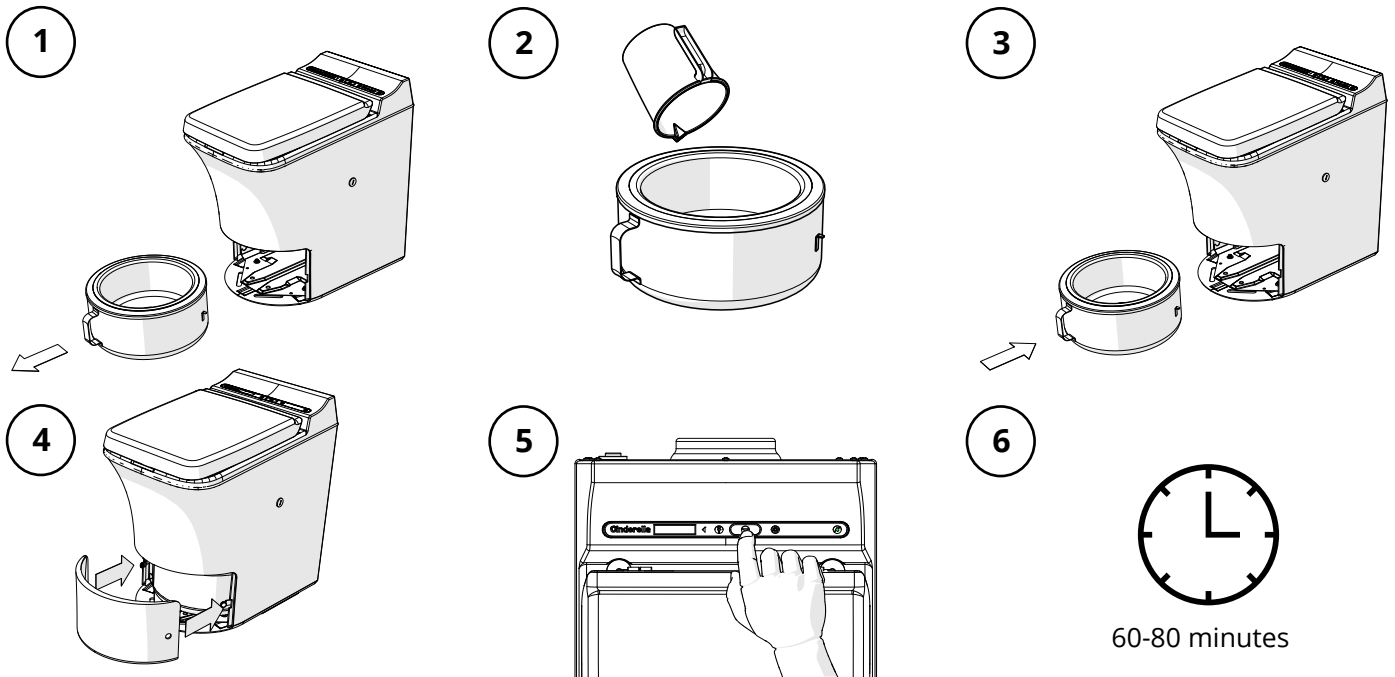
- In order to preserve the functionality of your toilet in the best possible way, we recommend that you carry out the "steam cleaning" procedure in accordance with section 4.2.2 every time you empty and wash the insert. This will prevent the possible accumulation of tar and unwanted deposits in the catalytic converter and toilet exhaust system.
- When emptying the toilet, make sure that the grid power is connected. Emptying the appliance without power will not enable the system to reset the use counter.

4.2.2 STEAM-CLEANING THE CATALYTIC CONVERTER

Recommended frequency: When emptying the ash container or at least every 500 uses. To perform steam cleaning:

1. Ensure that the toilet is cold and the ash container has been emptied and cleaned (see section 4.2.1).
2. Remove the front cover and release the ash container
3. Pour approximately 1 L of clean water into the toilet insert

4. Insert the ash container carefully without spilling any water, and attach the front cover.
5. Press "Start" to begin an incineration cycle.
6. The water will start to boil and the steam will clean out any debris in the catalytic converter. This system cleaning will normally take 60–80 minutes.



NOTE!

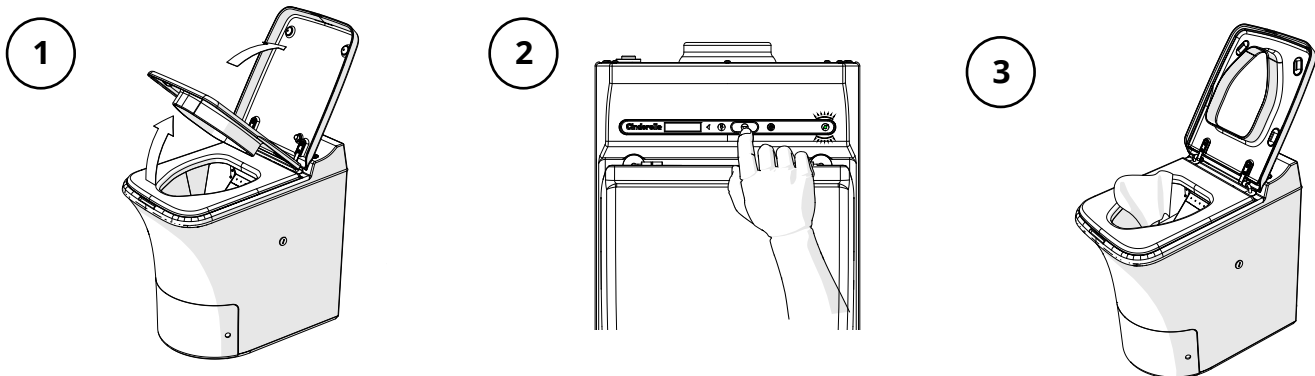
Do not use the toilet during the maintenance procedure, as this will impair the function of the cleaning. The toilet can be used when the toilet returns to standby mode.

4.2.3 CLEANING THE BOWL

Recommended frequency: as required for cleanliness and when emptying the ash container.

To clean the bowl:

1. Open the toilet lid.
2. Press and hold the Start button for three seconds to open the hatch to the washing position.
3. Use moist paper, water and a mild cleaning agent as required. Close the lid and start the incineration



DANGER!

Do not use flammable cleaning agents to clean the bowl. Some metal edges may be sharp.



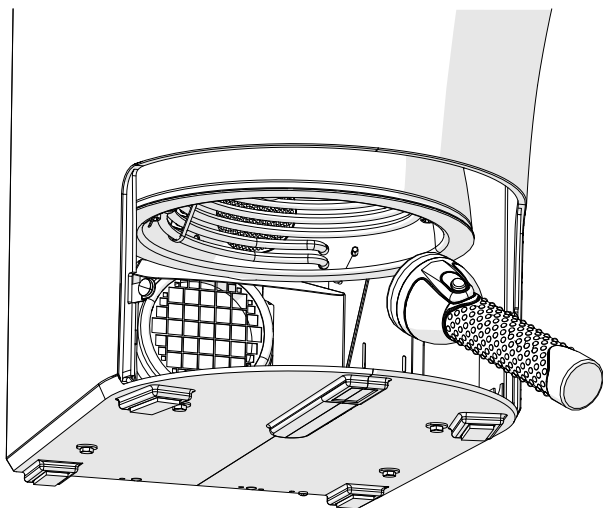
CAUTION!

Do not use chlorine-based cleaning agents to clean the bowl. Chlorine is extremely harmful for the catalytic converter and if put into the toilet it may cause the catalyst to malfunction.

4.2.4 INSPECTING THE CATALYTIC CONVERTER

Recommended frequency: Every 500 uses.

The catalytic converter is the primary air duct between the incineration chamber and the appliance flue terminal. Any accumulations of particles in the catalytic converter will reduce the flow rate and the toilet efficiency, and may be the cause of bad odour. It is therefore important to ensure that the catalytic converter is open at all times. Any changes in incineration time, incineration efficiency or odour, may be due to dense catalytic conversion. The best method to easily clean the catalyst is to perform "steam cleaning" as described in section 4.2.2. You can also inspect the front of the catalyst by removing the ash container and illuminating the combustion chamber from the inside. Any remaining particles or odours persisting after steam cleaning will have to be removed by rinsing the catalytic converter with hot water as described in section 5.3.2.



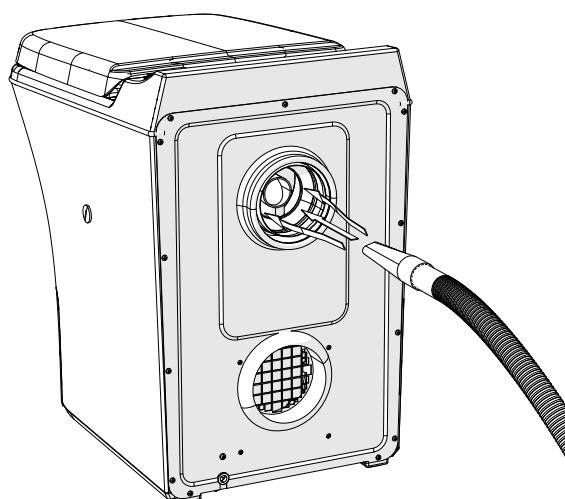
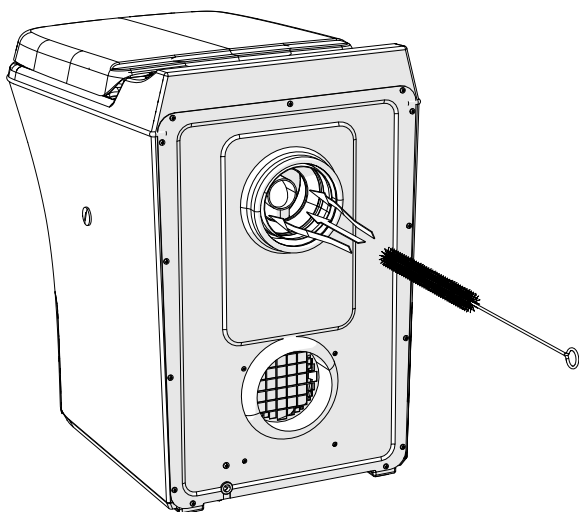
NOTE!

Clear signs of corrosion or deformity of the catalytic converter will indicate that the catalytic converter must be replaced. Contact your local service provider to arrange for service.

4.2.5 CLEANING THE APPLIANCE FLUE TERMINAL

Recommended frequency: at least every 500 uses.

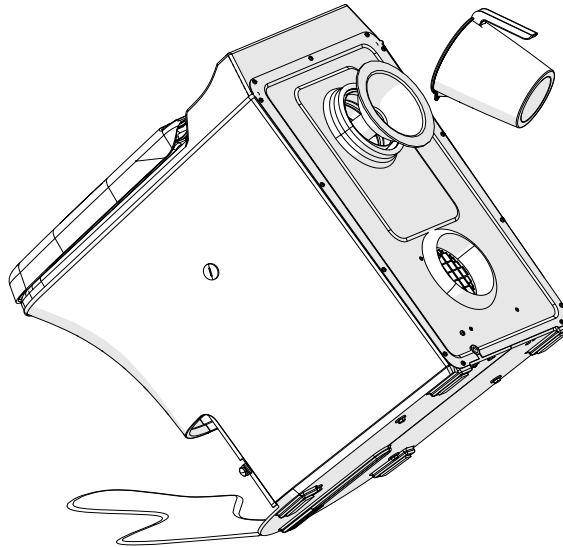
1. The appliance will have to be disconnected from the flue pipe and power source.
2. Clean the flue terminal with a flexible brush, it is important that you clean both the exhaust pipe and surrounding venturi all the way back to the fan blades, this to get sufficient air flow.
3. Remove the ash container and clean out any debris in the container.
4. Use a vacuum cleaner to extract the remaining debris in the exhaust pipe and catalytic converter.
5. Reconnect the appliance to the flue pipe and power supply.
6. Install the ash container and front cover.
7. It is recommended that you perform a steam cleaning as described in section 4.2.2 after performing the flue terminal maintenance.



4.2.6 RINSING THE CATALYTIC CONVERTER WITH HOT WATER

Rinsing the catalytic converter with water may be necessary in situations where steam cleaning do not remove the particles or bad odours. This procedure requires heavy lifting and a facility where spillage of water is acceptable. Make sure to perform steps 1.-4. in the "Cleaning the flue terminal" procedure and follow the steps as follows.

1. Place the toilet where it is OK to spill water, e.g. where there is a suitable drain, outside or in a bath. Use the specially designed Cinderella funnel, or a funnel that fits in the exhaust pipe. Slightly tilt the toilet forward, and pour 2–3 L of hot water through the exhaust pipe and catalyst. The excess water should be clean at the end of the rinsing process. If necessary, use more water to properly clean the system.
2. Reconnect the appliance to the flue pipe and power supply.
3. Install the ash container and front cover.
4. Perform the performance test as described in section 2.5



NOTE!

Before disconnecting the appliance and rinsing the system with hot water, inspect the catalytic converter and perform steam cleaning in accordance with section 4.2.2. If the catalytic converter is still clogged, or odour is still noticeable when incinerating, perform the system rinsing in accordance with section 4.2.6

The front of the outer shell is thin and should therefore not carry the entire weight of the toilet. Be careful not to break it while rinsing the catalytic converter.

5. TROUBLESHOOTING AND FAQ



WARNING!

Service must be performed in accordance with all state, municipal and local codes. If you are unsure of the regulations in your area, please contact your nearest dealer or service representative for further instructions. The power should be disconnected when performing all servicing and maintenance on the toilet.

Online Troubleshooter Module

The sound and light signals on the toilet control panel indicates the operating status of the toilet. Downtime and faults in the toilet will be notified with various sound and light signals as described in section 5.1 in this manual. We have gathered the most common errors / problems in a online troubleshooter, so that you can easily get answers to what is wrong with your toilet, and get suggestions on how you can solve the problem yourself.

Resetting the toilet system

During cleaning and troubleshooting, resetting the electronics may sometimes be helpful. You can do this by pressing the "Start" button. This will cause a short beep to sound. Hold down the button for about eight seconds until you hear a long beep, then release the button.

Error messages

When lights are flashing, you should look for the reason, and fix the problem before using the toilet. You must take immediate action in the event of any irregularities such as odours, poor incineration or system failures, in order to avoid damage and unnecessary repair costs.

Triggered bi metal thermostat

The bi metal thermostat is triggered if the internal temperature in the toilet is too high. This will normally occur if there is a lack of air flow, or restriction in the inlet- or outlet section of the installation. It is therefore important that you check that the intake air is in accordance with the specifications, and that the flue vent is open and free of obstacles. Visually check the catalytic converter and perform the steam cleaning procedure in accordance with section 4.2.2.

During a power outage

If an incineration process is ongoing during a power outage, you may experience temporary odours from inside the toilet and smoke and odours from the flue pipe outside. The fan will operate on battery power until it is cooled. Since the incineration will not automatically restart when the mains power returns, you must manually start a new incineration cycle. If the power outage is expected to last for longer than two hours, it is important that you empty any waste from the toilet, as this could damage the toilet if it remains there for a longer period of time. Never use the toilet during a power outage.

Odours in the room

Odours can have several causes:

1. Failure to use a bowl liner each time the toilet is used or improper use of the liner.
2. The airflow may be blocked. Inspect the flue pipe and flue termination cap.
3. Check that the installation has been performed in accordance with the installation manual. Too much restriction in the flue pipe could cause back pressure and cause odours inside.
4. The exhaust pipe may be clogged. See section 4.3.1.
5. The catalyst may be clogged. See section 4.3.1.
6. The outlet pipe is not properly fixed to the toilet. See section 2.5.1.

Odours outside

The causes may be the same as for inside the room, or:

1. The catalyst has not reached operational temperature. When the toilet is cold it can take a few minutes before the catalyst reaches the temperature where it starts to function properly.
2. The catalyst may be corroded or deformed. Contact your servicing provider.

5.1 TROUBLESHOOTING TABLE



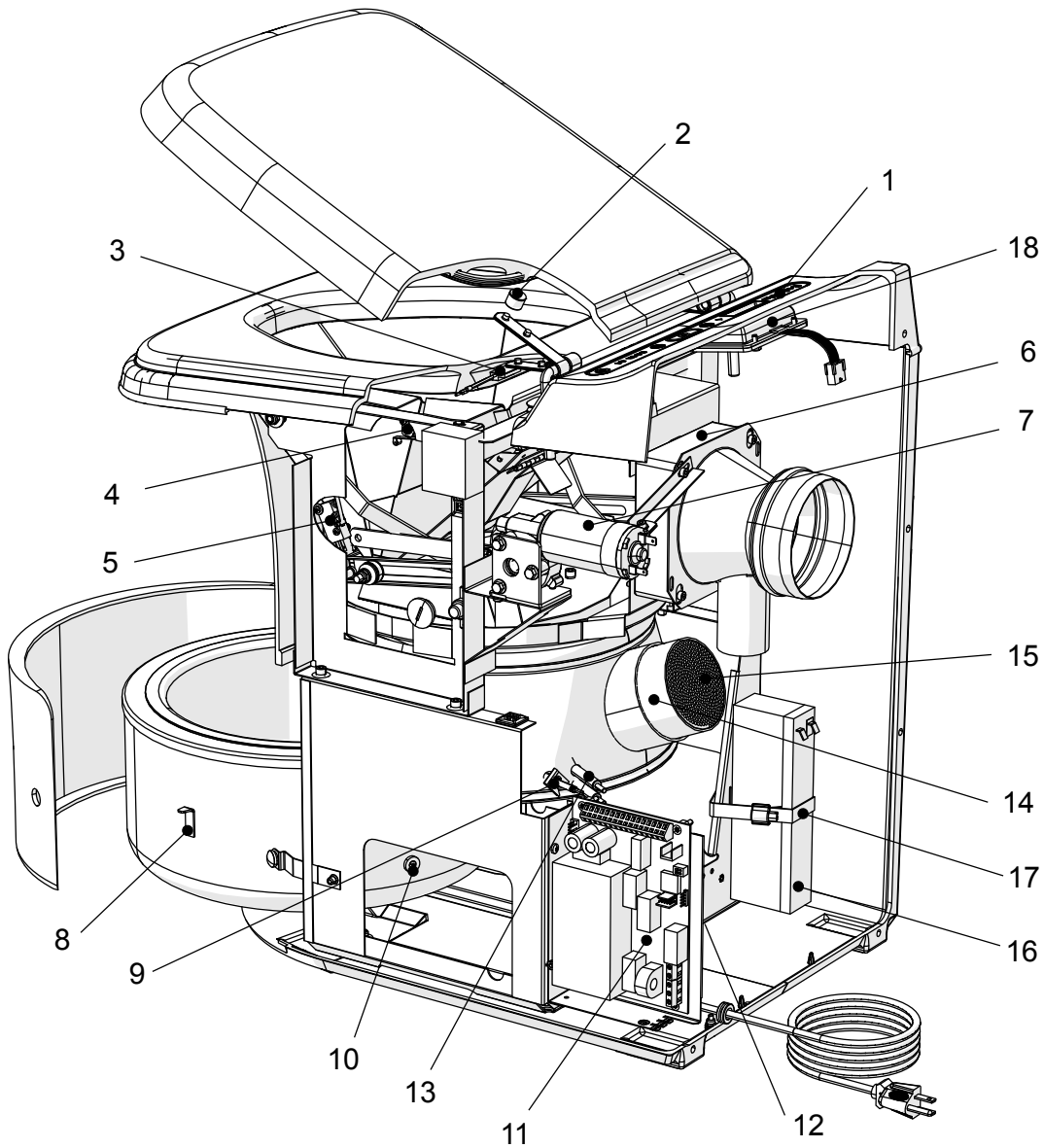
NOTE!

Cinderella has developed a digital troubleshooting module that can be found on our website. This module will work as a guide and supplement in addition to the troubleshooting table. Please visit www.cinderellaeco.com

ERROR	DISPLAY MESSAGE	RED LIGHT	YELLOW LIGHT	GREEN LIGHT	SOUND	ACTIONS
Ash container should be emptied	Empty the ash container	FLASHING Alternately	FLASHING Alternately	STEADY ON	3 BEEPS	1 Remove and empty the ash container * Toilet must be connected to 230V.
Ash container must be emptied. Toilet locked.	Toilet locked container full	STEADY ON	STEADY ON	STEADY ON	3 BEEPS 10 SECONDS APART	1 Remove and empty the ash container * Toilet must be connected to 230V.
No power		OFF	OFF	OFF		1 Make sure that the toilet is connected to power, 230V AC
Ventilation fan error	Error fan	FLASHING	OFF	FLASHING	10 BEEPS	1 Check fan for obstructions and ensure that fan is rotating properly. 2 Reset toilet (hold down "Start"). 3 Open lid until red light flashes, close lid and press "Start". If error persists, call support
Malfunctioning hatch mechanism	Error hatch mechanism	FLASHING	OFF	STEADY ON	10 BEEPS	1 If toilet is warm, reset toilet 2 Open lid until red light flashes, close lid and press "Start" 3 If unsuccessful, reset toilet, insert a bowl liner and pour 3 cups of water into the liner, close lid and press "Start" 4 If unsuccessful wait until the toilet has cooled (fan stopped) Restart toilet and open lid when the hatch is opening, remove stuck items manually. If problem persists, call support 5
Ash container out of position	Ash container out of position	FLASHING	FLASHING	STEADY ON	3 BEEPS	1 Adjust the position of the ash container, rotate to the left side 2 Check that the stop pin on the container is intact 3 Visually check the condition of the magnet on the container. If problem persists, call support
Heating circuit interrupted	Error heating circuit	OFF	FLASHING	STEADY ON	CONTINUOUS BEEPS	1 Reset the toilet. 2 Check bimetal thermostat on right-hand-side of toilet. Unscrew grey plug and push on fuse inside with finger: do not use any sharp objects If the fuse was triggered, you will hear a click. See section 5. 4 If the fuse was not the problem, restart toilet and try to start toilet. Repeat a couple of times. If problem persists, call support
Toilet lid sensor is triggered	Lid is open	FLASHING	OFF	STEADY ON	NONE	1 Check the magnet situated inside the toilet lid and close lid. If problem persists, call support.
Malfunctioning temperature sensor	Error temp sensor	OFF	FLASHING	FLASHING	CONTINUOUS BEEPS	1 Reset toilet 2 Open lid until red light flashes, close lid and press "Start" 3 If failure persists, call support
Unreadable / no display message	Unreadable / blank screen					1 Unplug toilet and wait 5 minutes 2 Plug in toilet and restart toilet 3 If problem persists, call support

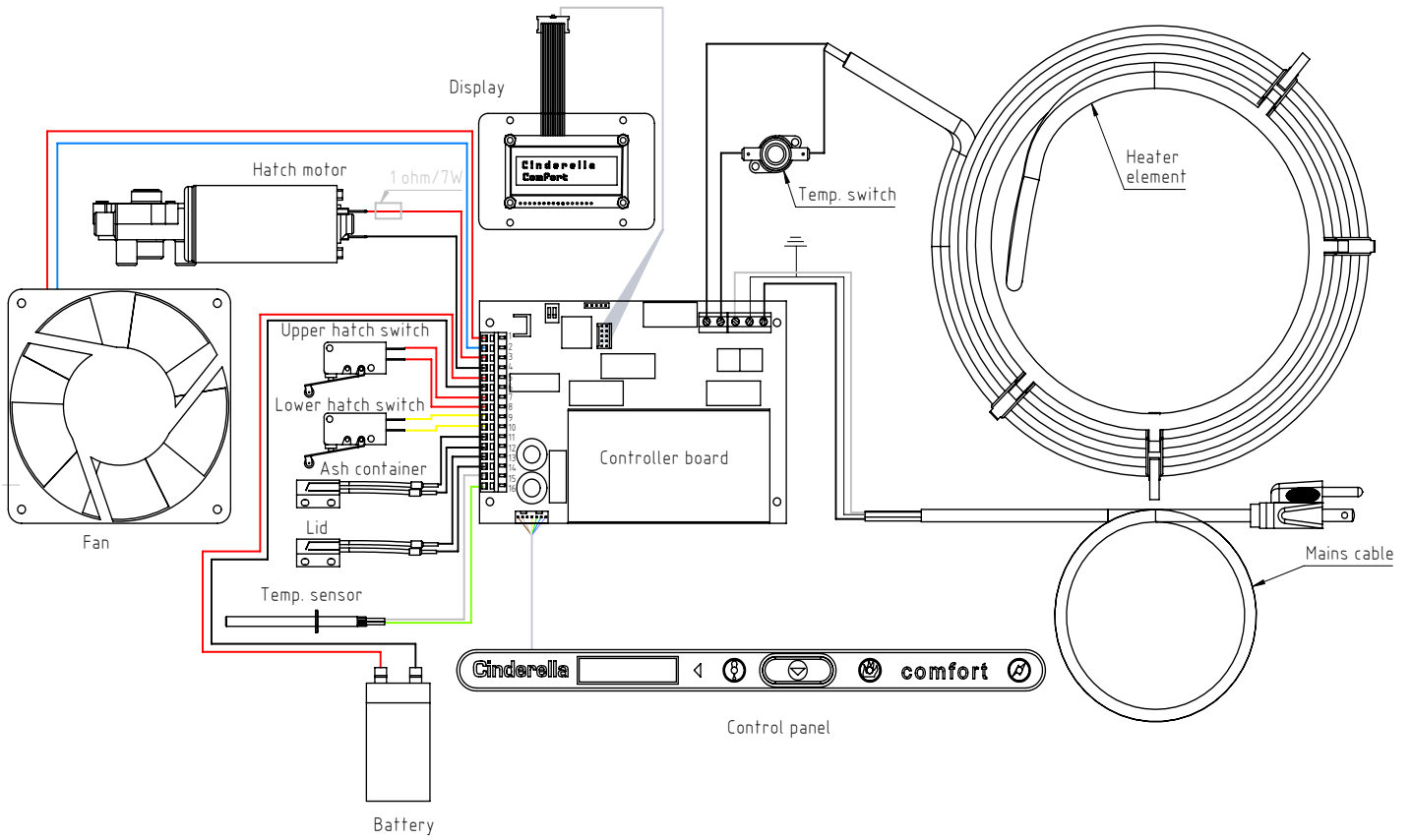
6. REPAIRS AND SPARE PARTS

6.1 SPARE PARTS LIST



ID	PART DESCRIPTION	ART. NO	ID	PART DESCRIPTION	ART. NO
1	Control panel Comfort w/display	100115	12	Hall sensor w/ wire reduced length	100965
2	Magnet 14x10mm	100433	13	Heater element assembly 230VAC	100862
3	Hall sensor w/ wire and tape L= 330mm	100964	14	Insulation fabric catalytic converter	100163
4, 5	Micro switch	101127	15	Catalytic converter 90x75mm	100528
6	Fan axial 12VDC 119x38mm	100154	16	Battery 12V	100083
7	Motor Nidec 12/24VDC	101177	17	Hose clamp 280mm A4	100932
8	Stop bracket 9x26x12mm	100017	18	Display LED 65x36x13 Standard Module	100401
9	Thermocouple assembly L=550mm	100831			
10	Magnet 14x7mm	100065			
11	Circuit board (E5)	100063			

6.2 WIRING DIAGRAM



7. Warranty

What does this Warranty cover?

This warranty covers defects in materials or workmanship in your Cinderella Incineration Unit on the terms, for the period and subject to the exceptions set out below.

What does this Warranty not cover?

This warranty does not cover normal wear and tear or damage caused by accidents (including fire, floods, hurricanes or acts of nature), abuse, misuse, failure to follow manufacturer directions or improper maintenance. Consequential and incidental damages are not recoverable under this warranty. Cinderella Eco Group does not apply an "on-site" warranty. This means that the toilet must be transported to an Authorized Service Provider who can do the service. If this is not possible, a transport or travel cost may be charged by the dealer.

How long does the Warranty apply?

This warranty lasts for a period of three (3) years from the original date of purchase for regular customers. Professional users are granted one (1) year warranty.

What will Cinderella Eco Group do?

If you submit a valid claim under this warranty, Cinderella Eco Group will either repair, replace or refund the purchase price of your Cinderella Incineration Unit, at its sole discretion.

How do I arrange a service?

To arrange a service, contact your Sales dealer or an Authorized Service Provider in your country. Available service options are dependent on the country in which service is requested.

You may be required to furnish proof of purchase details when making a claim under this warranty. For further warranty information please refer to our web page: www.cinderellaeco.com

Cinderella Eco Group AS

Sjøvikvegen 67, 6475 Midsund, Norway
www.cinderellaeco.com

INNHold

1. GENERELT	3
1.1 INNLEDNING	3
1.2 BRUK I HENHOLD TIL FORSKRIFTER	3
1.3 BRUKSANVISNING	3
1.4 ANSVARSBEGRÆNSNING	3
1.5 GODKJENNINGER OG SERTIFISERINGER	3
1.6 MILJØKRAV	3
1.7 GENERELLE SIKKERHETSINSTRUKSER	4
1.8 TYPESKILT	5
1.9 CINDERELLA PÅ NETT	5
2. INSTALLASJON	6
2.1 UTPAKKING AV TOALET OG TILBEHØR	6
2.2 SPESIFIKASJONER FOR MÅLING	6
2.3 ORIGINALE INSTALLASJONSPAKKER FOR CINDERELLA TOALET	7
2.4 SPESIFIKASJONER FOR INSTALLERING	8
2.4.1 SPESIFIKASJONER FOR DELER OG MATERIALER	8
2.5 INSTALLASJON AV CINDERELLA FORBRENNINGSTOALET	8
2.5.1 INSTALLASJON AV AVTREKKSØR	9
2.5.2 INSTALLASJON AV DET VANNRETTE INNTAKSRØRET	10
2.5.3 INSTALLASJON AV DEN ORIGINALE CINDERELLA-AVTREKKSØR	11
2.6 ELEKTRISKE SPESIFIKASJONER OG KRAV	11
2.7 SJEKKLISTE FOR Å VERIFISERE KOMPLETT INSTALLASJON	12
2.8 YTELSESTEST FOR Å VERIFISERE SYSTEMETS FUNKSJON	12
3. BRUK	13
3.1 BRUKSOMRÅDE OG HÅNTERING	13
3.2 GENERELL SIKKERHET	13
3.3 SIKKER DRIFT	13
3.4 SIKKERHETSFUNKSJONER PÅ CINDERELLA COMFORT	13
3.5 VIKTIG INFORMASJON OM BRUK	14
3.6 BETJENINGSPANELET	15
3.7 BRUK AV CINDERELLA COMFORT-TOALET	16
3.8 BETJENING AV FRONTDEKSELET OG ASKEBEHOLDEREN	17
4. GENERELLE VEDLIKEHOLDSINSTRUKSER	18
4.1 FORBRENNINGSRESTENES EGENSKAPER	18
4.2 BRUKERVEDLIKEHOLD	19
4.2.1 TØMMING OG RENGJØRING AV ASKEBEHOLDEREN	19
4.2.2 DAMPRENGJØRING AV KATALYSATOREN	19
4.2.3 RENGJØRING AV SKÅLEN	20
4.2.4 INSPEKSJON AV KATALYSATOREN	21
4.2.5 RENGJØRING AV TOALETETS AVTREKKSØR	21
4.2.6 SKYLLING AV KATALYSATOREN MED VARMT VANN	22
5. FEILSØKING OG SVAR PÅ VANLIGE SPØRSMÅL	23
5.1 FEILSØKINGSTABELL	24
6. REPARASJONER OG RESERVEDELER	25
6.1 RESERVEDELSLISTE	25
6.2 KOBLINGSSKJEMA	26
7. GARANTI	27

1. GENERELT

1.1 INNLEDNING

Det er viktig å sørge for riktig ventilasjon i samsvar med retningslinjene i denne håndboken, for å garantere funksjonaliteten til det nye Cinderella-toalettet ditt. Feil installasjon kan føre til funksjonsfeil, slitasje eller lukt og vil gjøre garantien ugyldig. De tekniske og administrative forskriftene som gjelder i landet der produktet installeres, må overholdes.

1.2 BRUK I HENHOLD TIL FORSKRIFTER

Dette produktet er laget for å forbrenne kroppslige avfallsprodukter og små sanitærartikler som tamponger og alkoholfrie våtservietter.

1.3 BRUKSANVISNING

Les denne håndboken grundig før installasjon og første gangs bruk. Oppbevar håndboken på et trygt sted, slik at du kan slå opp i den ved behov. Hvis du gir forbrenningstoalettet videre til andre, skal du overlevere denne håndboken sammen med toalettet.

Håndboken gir deg den veiledningen du trenger for å installere, håndtere og vedlikeholde produktet på riktig måte. Det er viktig at både installatøren og brukeren gjør seg kjent med instruksene i håndboken. Håndboken inneholder også informasjon om profesjonelt vedlikehold og nødvendige opplysninger for service og reparasjoner.

1.4 ANSVARSBEGRENSNING

Produsenten påtar seg ikke noe ansvar for skader i følgende tilfeller:

- feilaktig installasjon
- skade på produktet som følge av feil tilkoblingsspenning
- endringer av produktet uten uttrykkelig tillatelse fra produsenten
- bruk til andre formål enn det som er beskrevet i håndboken
- manglende overholdelse av instruksene for bruk og vedlikehold
- anvendelse i strid med forskrifter eller bestemmelser
- bruk av ikke-originale papirposer og reservedeler

1.5 GODKJENNINGER OG SERTIFISERINGER

Cinderella Comfort er grundig testet av NEMKO i henhold til den europeiske standarden for elsikkerhet og elektromagnetisk kompatibilitet.

1.6 MILJØKRAV

- Omgivelsestemperatur: -20–40 °C
- Høyde over havet: Testet opptil 2500 m



ADVARSEL!

Når Cinderella-toalettet er installert, må minimumsavstanden til brennbare overflater/ konstruksjoner være 50 mm fra sidene og 50 mm fra baksiden.

1.7 GENERELLE SIKKERHETSINSTRUKSER



FARE!

Sikkerhetsinstruks: Manglende overholdelse av denne instruksen kan føre til alvorlig personskade eller død.



ADVARSEL!

Sikkerhetsinstruks: Manglende overholdelse av denne instruksen kan føre til personskade.



ADVARSEL!

Manglende overholdelse av denne instruksen kan føre til materiell skade og forringe produktets funksjon.



OBS!

Tilleggsinformasjon angående bruk av produktet.



FARE!

- Ikke spray aerosoler i nærheten av dette produktet når det er i bruk.
- Ikke bruk eller lagre brennbare materialer i eller i nærheten av dette produktet.
- Ikke plasser ting på eller opp mot dette produktet.
- Ikke gjør endringer på produktet.



FARE!

- Ikke bruk forbrenningstoiletet hvis det er synlig skadet.
- Hvis strømkabelen til toiletet er skadet, må den skiftes ut av produsenten, kundeservice eller en tilsvarende kvalifisert person for å unngå sikkerhetsrisiko.
- Dette toiletet skal bare repareres av kvalifisert personell. Mangelfulle reparasjoner kan medføre alvorlig risiko.
- Bruk toiletet bare med spenningen som er angitt på typeskiltet på baksiden av apparatet.



ADVARSEL!

- Klemfare! Ikke plasser hånden på hengslet eller under toalettsetet mens det er åpent. Det er ingen myk lukkefunksjon på lokket eller setet.
- Ikke tøm askebeholderen mens den er varm.
- Forsikre deg om at strømkabelen og støpselet er tørre før du aktiverer toiletet.







ADVARSEL!

- Hold alltid rundt toalettskallet når du flytter eller transporter toiletet, og løft det aldri etter strømkabelen, frontdekselet, lokket, setet eller utløpsstussen.
- Fare for overoppheting! Sørg alltid for tilstrekkelig ventilasjon, slik at varmen og utslippene som oppstår ved forbrenning, kan spre seg fra avtrekksrøret. Sørg for tilstrekkelig luftstrøm til systemet. Sørg alltid for tilstrekkelig ventilasjon inn i toiletet. Forsikre deg om at toiletet står langt nok unna vegger og andre gjenstander til at luft kan sirkulere.

1.8 TYPESKILT

Typeskiltet finner du på bakplaten til forbrenningstoiletet. På typeskiltet finner du toalettets modellnavn, serienummer og tekniske spesifikasjoner samt kontaktinformasjon. Du trenger disse opplysningene for å kontakte kundeservicesenteret eller bestille reservedeler.

<p>MANUFACTURER</p>  <p>Cinderella Incineration Toilets</p> <p>CINDERELLA ECO GROUP AS Sjøvikvegen 67, 6475 Midsund, NORWAY</p> <p>For sales and support call +47 77711500 or visit our web www.cinderellaeco.com</p> <p>CINDERELLA COMFORT MODEL:COMFORT EU SERIAL:</p>	<p>Appliance Specifications</p> <p>VOLTAGE..... 230-240 V AC 50-60Hz CURRENT 9 A HEATING ELEMENT:..... 2000W EL MOTOR: 12 V DC BATTERY: 12 V DC 2,6 Ah FAN BLOWER..... 12 V DC CAPACITY..... 4 Uses Pr. Hour DESIGNED FOR HOME / CABINS YEAR OF MANUFACTURING..... 2022</p>	  
---	--	---

1.9 CINDERELLA PÅ NETT



REGISTRER DEG FOR «MY CINDERELLA»

Når du registrerer toalettet ditt i «My Cinderella», mottar du relevant informasjon om produktene våre og tilgjengelige støttesystemer samt spesialtilbud tilpasset toalettmodellen. Registrerte toaletter ligger i databasen vår i tilfelle tyveri.

Feilsøking på nettet

En komplett veiledning til toalettet ditt, med nyttige råd og brukerforbedringer, slik at du kan løse de vanligste problemene på egen hånd uten å måtte be om hjelp.

Enkel tilgang til informasjon

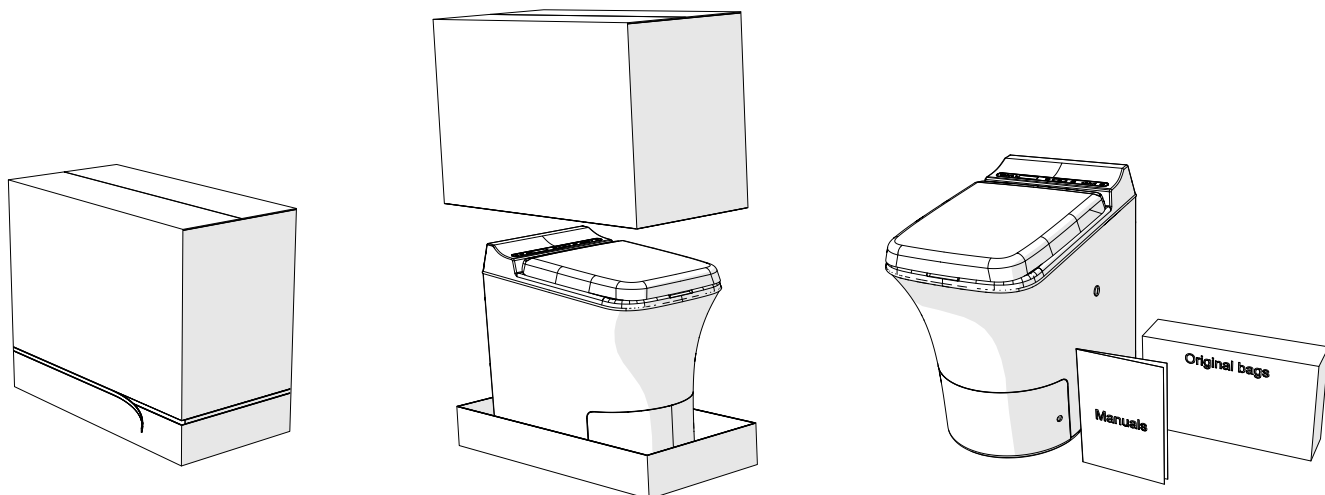
Du kan laste ned produktokumentasjon fra dokumentasjonssenteret vårt på nettet, der du finner produkthåndbøker, servicehåndbøker og en håndbok om demontering av kasserte elektriske og elektroniske produkter (EE-avfall).

Service og reservedeler

Velg land og motta en liste over lokale forhandlere hvor du kan få service og reservedeler.

2. INSTALLASJON

2.1 UTPAKKING AV TOALET OG TILBEHØR



OBS!

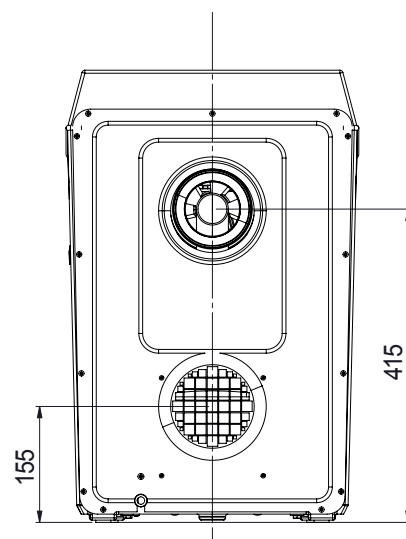
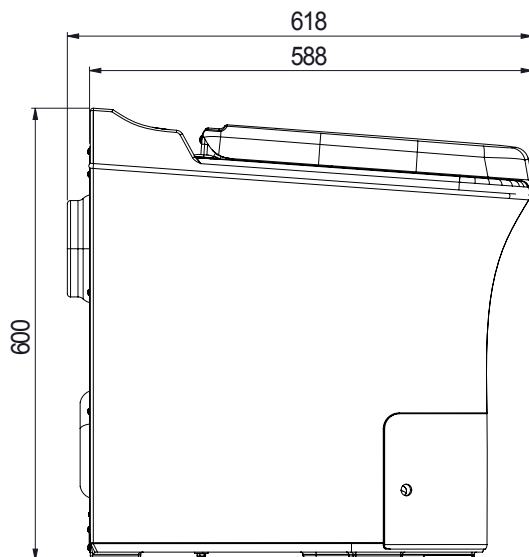
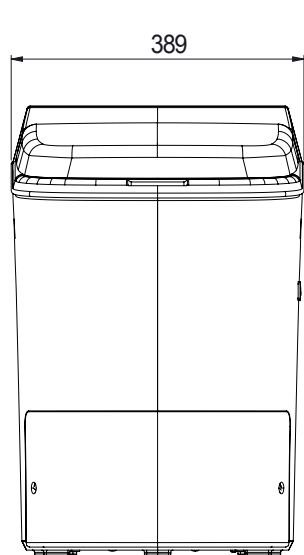
Når du pakker ut Cinderella-toalettet, bruk remsen som er festet langs bunnen av kassen. Trekk av remsen rundt hele kassen og løft kassen av.

INKLUDERTE ARTIKLER	ANTALL
Cinderella Comfort	1
Papirposer	100
Produkthåndbok	1

2.2 SPESIFIKASJONER FOR MÅLING

Høyde	600 mm
Sittehøyde	540 mm
Bredde	390 mm

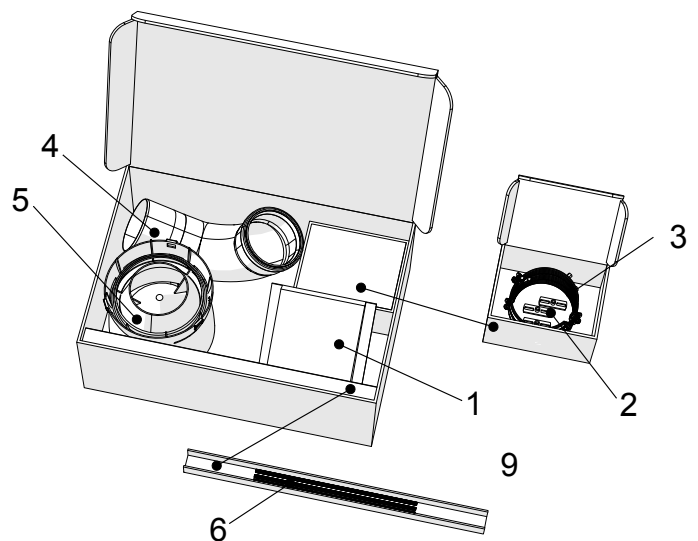
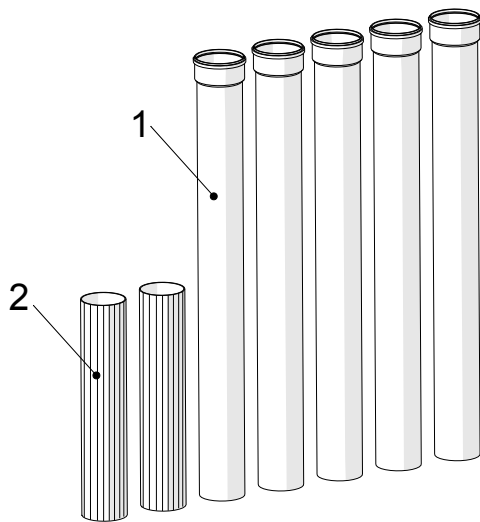
Dybde	590 mm
Høyde senter utløp	415 mm
Høyde senter inntak	155 mm



2.3 ORIGINALE INSTALLASJONSPAKKER FOR CINDERELLA TOALET

Cinderella originalt isolasjonssett Arctic: Cinderella har utviklet et spesialdesignet isolasjonssett som gir deg en ekstra fordel når toalettet installeres i kalde omgivelser. Settet er spesialdesignet for Cinderella forbrenningstoalettet og legger til et lag med isolasjon inne i toalettskallet, som begrenser dannelse av vann og is på toalettet. Dette eliminerer slitasje på produktet. Forhør deg med forhandleren eller besøk oss på www.cinderellaeco.com for mer informasjon.

Cinderella originalt installasjonssett: Vi anbefaler på det sterkeste at du bruker «Cinderella originalt installasjonssett» når du installerer toalettet ditt. Dette komplette settet inneholder deler som er nødvendige for en ideell installasjon, og optimaliserer forbrenningsprosessen og funksjonaliteten til toalettet. Installasjonssettet består av to kasser. Kasse nr. én inneholder sju 110 mm UV-stabiliserte PP-rør av høy kvalitet for installering av luftinntak og avtrekk. Kasse nr. to inneholder en optimalisert avtrekkskappe og et rørkne som øker systemets strømningshastighet og forbrenningseffektivitet. Esken inneholder en stormkrage til luftinntaket samt rør og klemmer for å støtte rørinstallasjonen.



CINDERELLA ORIGINALT INSTALLASJONSSETT		ANT.
1	Hann-hunn 1066 mm avtrekksrør	5
2	Hann-hann 500 mm avtrekksrør	2

CINDERELLA ORIGINALT INSTALLASJONSSETT		ANT.
1	Stormkappe	1
2	Veggbrakett	3
3	Rørklemme	3
4	Bend 87 grader m/kondenskobling	1
5	Pipehatt	1
6	Gjengestang 30 mm	3



OBS!

- Denne håndboken forklarer og illustrerer hvordan du installerer toalettet optimalt, ved bruk av de medfølgende delene i det originale Cinderella-installasjonssettet. Hvis du vil installere Cinderella-toalettet ditt med andre rør og deler enn de originale fra oss, må du forsikre deg om at de samsvarer med spesifikasjonene angitt under avsnitt 2.4.1 «Spesifikasjoner for deler og materialer».
- For å garantere at Cinderella forbrenningstoalett fungerer som det skal, er det viktig å sørge for riktig ventilasjon i samsvar med retningslinjene i denne håndboken. Installasjoner som avviker fra produsentens spesifikasjoner, eller bruk av ikke-godkjente deler i installasjonen av produktet, vil forårsake funksjonsfeil, slitasje eller lukt og gjøre garantien ugyldig.

2.4 SPESIFIKASJONER FOR INSTALLERING

2.4.1 SPESIFIKASJONER FOR DELER OG MATERIALER

ARTIKKEL	SPESIFIKASJONER
Ventilasjonsrør	Cinderella Comfort skal installeres med 110 mm rør med glatt innvendig overflate og minimum indre diameter på 102 mm. Rørmaterialet må være spesifisert for temperaturer over 100 °C og fortrinnsvis av PP- eller CPVC-type. Vi anbefaler på det sterkeste å bruke originale Cinderella PP-kvalitetsrør.
Rørkne (avtrekksluft)	Cinderella Comfort skal installeres med et jevnt buet rørkne som begrenser luftstrømmen minimalt. Vi anbefaler på det sterkeste å bruke det originale Cinderella-rørkneet 87° med avtapping.
Avtrekkshette	Cinderella Comfort skal installeres med en avtrekkshette som hindrer inntrenging av regnvann og begrenser luftstrømmen minimalt. Vindvifter eller lignende skal ikke brukes til ventilasjon av Cinderella forbrenningstoalett. Vi anbefaler på det sterkeste å bruke den originale Cinderella-avtrekkshetten.



OBS!

- Innsiden av ventilasjonsrøret skal være glatt og ikke preget eller rillet.
- Bruk aldri netting i ventilasjonsrøret, det kan begrense luftstrømmen i systemet.
- Rørkneet må være tilgjengelig når det er installert, slik at avtappingsrøret kan spyles og avtrekksrøret rengjøres.
- Cinderella Comfort er testet for bruk i bad/våtrom (IP 34-klassifisert), men det må ikke sprutes vann over toalettets utvendige deler.
- Toalettet skal monteres på et fast og jevnt underlag og kan installeres på gulv med varme.

2.5 INSTALLASJON AV CINDERELLA FORBRENNINGSTOALETT

Det er viktig å sørge for riktig ventilasjon i samsvar med retningslinjene i denne håndboken for å garantere at det nye Cinderella-toalettet fungerer som det skal. Feil installasjon kan medføre funksjonsfeil, slitasje eller lukt og vil gjøre garantien ugyldig. Les hvert enkelt kapittel grundig før du begynner å installere toalettet. Forsikre deg om at arbeidet utføres av fagfolk i samsvar med lokale forskrifter.



ADVARSEL!

- Overhold gjeldende tekniske og administrative forskrifter i landet der produktet installeres. Vi anbefaler at du kontakter den lokale forhandleren for å få hjelp til planlegging og installering av Cinderella-toalettet ditt.
- Bruk aldri 90° bend i tillegg til rørkneet.
- Hvis røret føres gjennom taket, må du sørge for at det gjøres i samsvar med byggeforskriftene.
- Ikke bruk fleksible kanaler eller rør når du installerer Cinderella-toalettet.
- Koble aldri mer enn ett toalett til avtrekksrøret.
- Rørkneet må være tilgjengelig når det er installert, slik at avtappingsrøret kan spyles og avtrekksrøret rengjøres regelmessig.

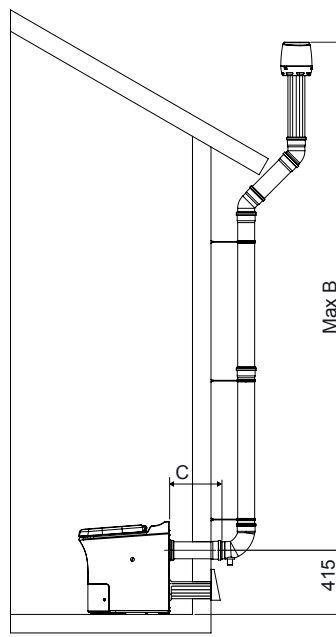
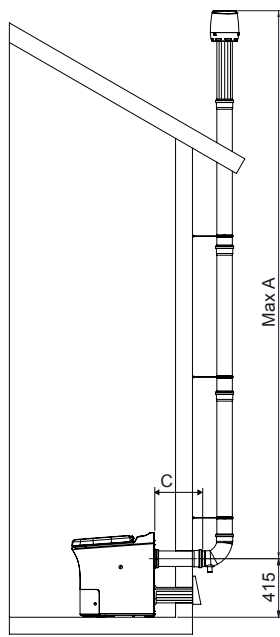
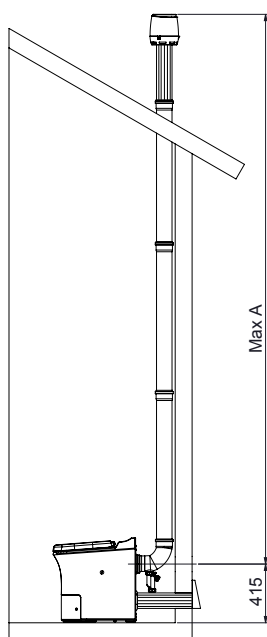


ADVARSEL!

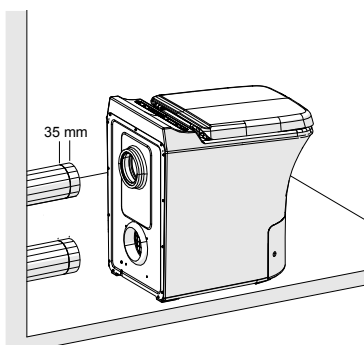
Før du skjærer hull, kontroller alltid at du ikke risikerer å skade elektriske ledninger eller vannrør.

2.5.1 INSTALLASJON AV AVTREKKSØR

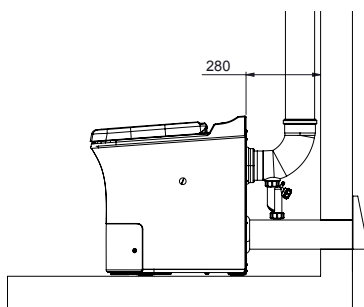
DIAMETER AVTREKKSØR	AVTREKKSRETNING	REFERANSE	BEND	MAKSIMAL RØRLENGDE
110 mm	Vannrett avtrekksrør	C	(Ikke tillatt)	1,0 m
110 mm	Loddrett avtrekksrør	A	Ingen	6,0 m
110 mm	Loddrett avtrekksrør	B	2 × 45° bend	5,0 m



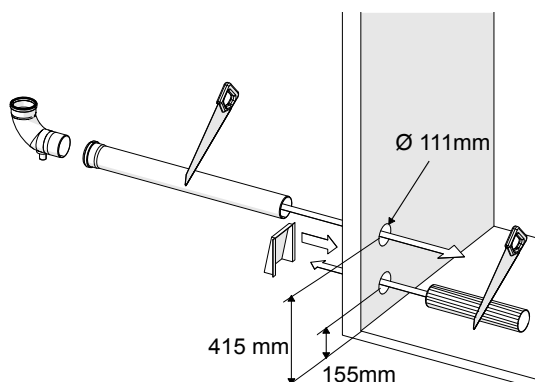
OBS!
Senteret av avtrekkskoblingen på toalettet er 415 mm fra gulvet.



OBS!
Når du justerer rørlengden, må du være oppmerksom på at røret skal gå 35 mm inn i avtrekkskoblingen på toalettet, og ta hensyn til dette i planleggingen av installasjonen.



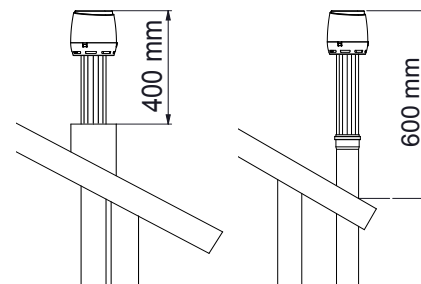
OBS!
Vær oppmerksom på at minimumsavstanden fra vegg må være 280 mm, hvis du installerer røret loddrett rett opp fra toalettet.



OBS!
Det originale Cinderella-installasjonssettet inneholder fem 1066 mm rør til bruk i avtrekksinstallasjonen. Rørene leveres med rørmuffe og pakning for enkel montering. Når du installerer røret på ytterveggen, må du føre inn røret fra utsiden av vegg.

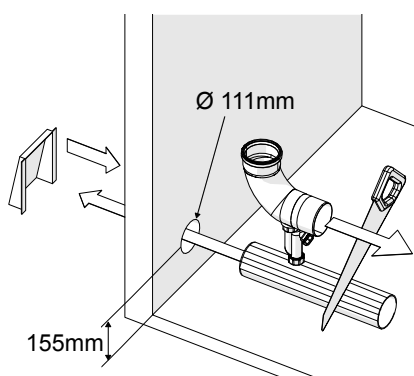
**OBS!**

- Røret skal alltid monteres loddrett over taket og strekke seg minst 600 mm over overflaten på taket. Hvis avtrekksrøret skal bygges inn (f.eks. i metallkledning), må du sørge for at enden av røret strekker seg minst 400 mm over kledningen.
- Hvis røret blir installert der det sannsynligvis vil samle seg snø, kan det være nødvendig å forlenge røret ytterligere og sikre det tilsvarende.

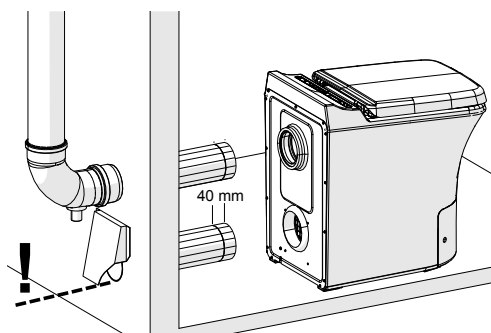
**2.5.2 INSTALLASJON AV DET VANNRETTE INNTAKSRØRET**

Det er viktig å sørge for at toalettet har tilstrekkelig tilførsel av frisk luft, og vi anbefaler derfor alltid å installere Cinderella Comfort med anvist inntakslufttilkobling. Tilførsel av frisk uteluft inn i toalettet er avgjørende for kjøling, sirkulasjon og oksygentilførsel til forbrenningsprosessen. Hvis toalettet har begrenset tilgang på luft/ oksygen, vil det oppstå dårlig forbrenning, redusert effektivitet og muligens overoppheting. Dårlig forbrenning over tid vil slite på produktet og gjøre garantien ugyldig.

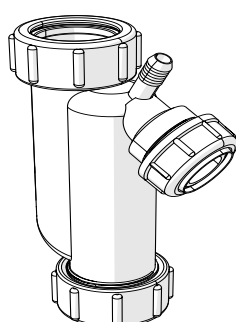
YTRE DIAMETER INNTAKSRØR	INDRE DIAMETER INNTAKSRØR	INNTAKS-RETNING	BEND	MAKSIMUM RØRLENGDE
110 mm	102 mm	Vannrett	Ingen	500 mm

**OBS!**

- Senteret av inntaksluftkoblingen er 155 mm fra gulvet.
- Det originale Cinderella-installasjonssettet inneholder to 500 mm rør som skal brukes til inntaksluft og ventilasjon samt avtrekksketten. Tilpass lengden på inntaket etter installasjonen og vær oppmerksom på at røret skal gå 40 mm inn i inntakskoblingen på toalettet.

**OBS!**

Ved montering av stormkragen på ytterveggen må du sørge for at røret monteres i flukt med bunnen på stormkragen. Feilplassering kan føre til begrenset luftsirkulasjon og dårlig forbrenning, redusert effektivitet og mulig overoppheting av toalettet.

**OBS!**

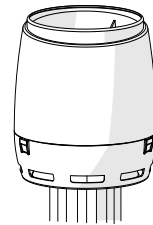
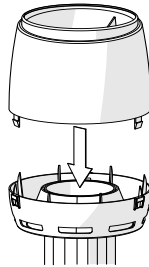
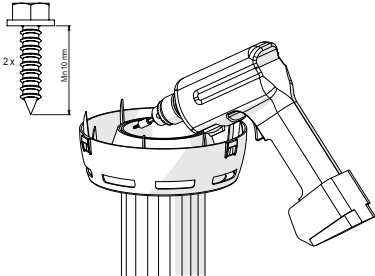
Cinderella leverer en spesialkonstruert «vannlås» som passer på rørkneet som følger med i installasjonssettet, og som kan kjøpes som tilbehør hos alle Cinderella-forhandlere. Hvis installasjonen gjøres fra innsiden, må du koble vannlåsen til rørkneet for å hindre at kondens og regnvann renner ned på gulvet. Manglende oppsamling og tømning av kondensvann kan føre til skade på gulvet.

2.5.3 INSTALLASJON AV DEN ORIGINALE CINDERELLA-AVTREKKSHETTEN



OBS!

Cinderella originalt installasjonssett inneholder en avtrekkshette som er konstruert for optimal flyt og økt produkteffektivitet. Hetten består av to deler, og den nedre delen kan festes til avtrekksrøret med rustfrie skruer eller lim for enkel tilkobling og demontering ved vedlikehold av røret. Bruk et rør på 500 mm (inkludert i Cinderella-installasjonssettet) som siste seksjon av avtrekksrøret, for å kunne montere avtrekkshetten.



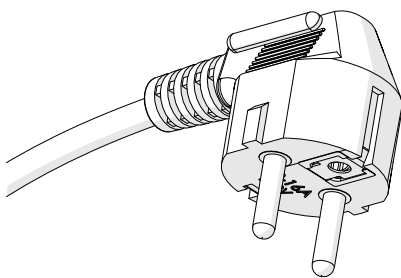
2.6 ELEKTRISKE SPESIFIKASJONER OG KRAV



ADVARSEL!

- Dette produktet må installeres i samsvar med nasjonale og lokale elforskrifter.
- Det må tilføres riktig spenning, frekvens og strømstyrke fra en egen, jordet krets som er beskyttet av en riktig dimensjonert automatsikring.
- Riktig spenning, frekvens og strømstyrke fremgår av denne håndboken og typeskiltet på baksiden av toalettet.

Strømkrav	TILFØRT EFFEKT	STRØMSTYRKE	SIKRING
	220–240 VAC	9 A	10 A
Strømforbruk	HVILEMODUS		FORBRENNINGSMODUS
	0,5 W		2000 W
Tilkoblingspolaritet	KABELTVERRSNITT	KABELLENGDE	TYPE STØPSEL
	1,5 mm ²	2,3 m	Type F Schuko CEE 7



OBS!

Toalettet leveres med et 16 A, 250 V topolet støp sel Type F Schuko CEE 7/7 med jording. For å kunne forsyne toalettet med tilstrekkelig strøm må den ha en egen jordet krets med minst 10 A tilgjengelig strøm ved 230 VAC.



FARE!

- Tilkoblingskabelen skal legges slik at den ikke kommer i kontakt med skarpe kanter.
- Endringer av den innvendige elektriske installasjonen eller tilkoblingskabelen må utføres av en faglært elektriker eller tilsvarende kvalifisert person for å unngå sikkerhetsrisiko.
- Det anbefales ikke å bruke vekselrettere med Cinderella-toaletter. Cinderella Comfort har et maksimalt strømforbruk på 2000 W, som kan strekke seg over perioder som overstiger en time om gangen. En vekselretter med et «toppforbruk» på 2000 W kan være ute av stand til å opprettholde denne effekten og bli overbelastet, skadet eller utrygg hvis den brukes med Cinderella Comfort.

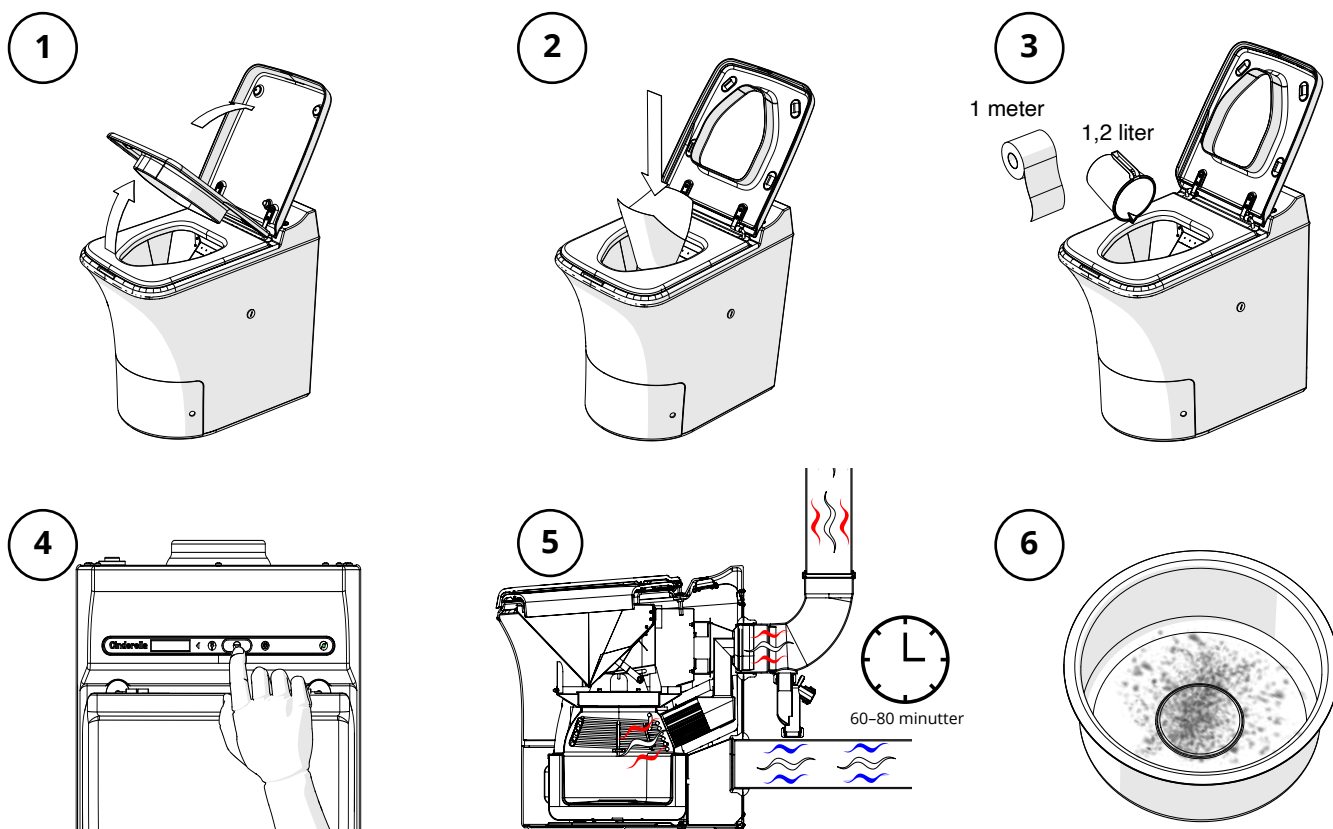
2.7 SJEKKLISTE FOR Å VERIFISERE KOMPLETT INSTALLASJON

SJEKKPUNKT	OK
Den tilkoblede spenningen er i samsvar med produktets typeskilt.	
Produktet er installert i henhold til produsentens spesifikasjoner.	
Det loddrette avtrekksrøret er installert i henhold til produsentens spesifikasjoner.	
Toppen av avtrekksrøret er ikke mindre enn 600 mm over overflaten på taket.	
En «vannlås» med trygg avtapping er installert der det er sannsynlig at det kan dannes kondens.	
Avtrekkørmeriet er installert i henhold til produsentens spesifikasjoner.	
Avtrekkshetten er installert i henhold til produsentens spesifikasjoner.	
Rørkneet (90°) er installert i henhold til produsentens spesifikasjoner.	

2.8 YTELSESTEST FOR Å VERIFISERE SYSTEMETS FUNKSJON

Når «startknappen» trykkes inn, blir forbrenningssyklusen aktivert. Estimert forbrenningstid for verifiseringstesten er 60 til 80 minutter. Den gule lampen lyser mens forbrenningen pågår, og hele testen skal gjennomføres uten feilindikasjoner eller systemavbrudd. Toalettet må kjøles ned til viften har stanset før askebeholderen kan tas ut. Avkjølingsfasen kan ta fra 60 til 90 minutter, avhengig av omgivelsestemperatur.

Sluttproduktet skal være bare fint, hvitt støv. Et sluttprodukt som avviker fra dette, eller en forbrenningstid på over 90 minutter, kan indikere en delvis blokkering av avtrekkskanalen eller mangel på oksygen. Kontroller at installasjonen er i samsvar med produsentens spesifikasjoner, som fremgår av kapittel 2 i denne håndboken.



ADVARSEL!

Askebeholderen blir veldig varm under forbrenning. Ikke ta ut askebeholderen før toalettet er helt avkjølt og viften har stanset.

3. BRUK

3.1 BRUKSOMRÅDE OG HÅNDTERING

Cinderella Comfort-toalettet er beregnet på innendørs montering og bruk i fritidshjem som hytter og fritidsboliger samt i uthus, naust, bassenghus og sanitærfasiliteter, for eksempel på byggeplasser. Toalettet er utelukkende konstruert for å forbrenne kroppslige avfallsprodukter og små sanitærartikler som tamponger, bind og alkoholfrie våtservietter. Bruk av Cinderella Comfort til å brenne andre gjenstander anses som feil bruk og vil gjøre garantien ugyldig.

Ikke kast følgende gjenstander i toalettet:

- for store mengder papir av noe slag
- klorbaserte rengjøringsmidler
- alkoholholdige våtservietter
- aviser
- papirhåndklær
- brannfarlige væsker eller materialer
- lightere
- sigaretter eller sigarer
- bensin
- alkoholholdige drikker eller brennevin
- alkohol eller håndsprit
- neglelakkfjerner
- lighterbensin
- lampeolje/parafin
- spraybokser
- flasker eller andre beholdere av plast eller glass

3.2 GENERELL SIKKERHET



FARE!

- Ikke bruk forbrenningstoalettet hvis det er synlig skadet.
- Hvis tilkoblingskabelen til toalettet er skadet, skal den skiftes ut av produsenten, kundeservice eller en tilsvarende kvalifisert person for å unngå sikkerhetsrisiko.
- Dette forbrenningstoalettet skal bare repareres av kvalifisert personell. Uautoriserte reparasjoner kan medføre betydelig fare eller skade på toalettet.
- Rengjøring og brukervedlikehold skal ikke utføres av barn uten tilsyn.
- Ikke bruk eksplosive stoffer eller brennbare rengjøringsmidler ved vedlikehold av toalettet.

3.3 SIKKER DRIFT



ADVARSEL!

- Askebeholderen i toalettet blir veldig varm når toalettet er i bruk. Forsikre deg om at sikkerhetsdekslet er på plass mens toalettet er i bruk. Ikke tøm askebeholderen før toalettet er helt avkjølt.
- Setet har ingen myk lukkefunksjon, så pass på at hender og fingre ikke kommer i klem når setet eller lokket lukkes.

3.4 SIKKERHETSFUNKSJONER PÅ CINDERELLA COMFORT

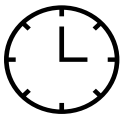
- Forbrenningsprosessen er deaktivert når toalettlokket er åpent. Forbrenningen starter ikke før setet og lokket lukkes.
- Luken til forbrenningskammeret KAN IKKE stå åpen mens toalettet fortsatt er varmt (f.eks. under rengjøring). Dette er bare mulig når toalettet er avkjølt og viften har stanset.
- Hvis det oppstår et ventilasjonsproblem og den innvendige temperaturen i toalettet øker til over 105 °C, blir forbrenningen avbrutt, og det vises en feilmelding og en feilkode. I slike tilfeller må systemet tilbakestilles manuelt for å sikre at ventilasjonsproblemet er løst før toalettet kan brukes igjen.
- Hvis askebeholderen blir plassert feil etter tømning, starter ikke forbrenningen, og det vises en feilmelding.
- Hvis forbrenningskammerets lukkemekanisme kiler seg fast eller forhindres i å lukke seg ordentlig, vises det en feilmelding, og forbrenningen starter ikke.
- Den smarte programvaren til Cinderella-forbrenningstoalettet overvåker temperaturen mens forbrenningen pågår. Dersom det registreres avvik fra det normale temperaturområdet, stanser forbrenningen umiddelbart, og det vises en feilmelding.

3.5 VIKTIG INFORMASJON OM BRUK



OBS!

- Husk alltid å plassere en ny papirpose i toalettskålen før bruk – én papirpose per besøk.
- Toalettlokket skal alltid være lukket når toalettet ikke er i bruk. Forbrenningen vil ikke starte eller fortsette før lokket er lukket.
- Forbrenningscyklusen kan ta opptil 180 minutter fra det siste besøket.
- Viften fortsetter å gå til forbrenningen er fullført, og den innvendige temperaturen i toalettet er tilbake i normalområdet. Avkjølingsfasen kan overstige 120 minutter etter at forbrenningen er fullført, avhengig av temperaturen på kjøleluften.
- Cinderella-toalettet kan brukes når som helst under forbrennings- og kjøleprosessene. Forbrenningen avbrytes under bruk. Husk å lukke lokket og trykke på «startknappen» etter hvert besøk.



1 time

Kapasitet: fire gangers bruk i timen

Cinderella Comfort-toalettet er designet for å håndtere opptil fire besøk i timen. Hyppigere besøk frarådes for å unngå overbelastning. Overbelastning av toalettet med mange besøk i løpet av kort tid, uten å fullføre en forbrenningscyklus, kan føre til lukt og lekkasje, og kan skade toalettet.



Tøm

Tømmehyppighet

Systemets avfallsbeholder har en væskekapasitet på fem liter. Askebeholderen bør tømmes ofte (én gang i uken) for best mulig funksjon. Dette sikrer en mer effektiv forbrenning og bidrar til å holde katalysatoren renere.

Hvis askebeholderen ikke har blitt tatt ut (ved ukentlige tømmerutiner), viser Cinderella Comfort en melding om å tømme beholderen etter 90 forbrenningscykluser. Hvis toalettet ikke tømmes etter 120 besøk, låser det seg for ytterligere besøk. Vi anbefaler å tømme toalettet så ofte som mulig, for å sikre en mer effektiv forbrenning og mindre slitasje på produktet.

Hvis du ikke tømmer askebeholderen når den er full, kan det føre til skade på toalettet og gjøre garantien ugyldig.



Lengre periode

Klargjøring av toalettet for en lengre periode uten bruk

Ved lengre perioder uten bruk skal avfallet forbrennes og askebeholderen tømmes.



Maks 4 besøk

Korte perioder med økt bruk

Følg disse rådene i situasjoner der et uvanlig høyt antall gjester kommer til å bruke toalettet i løpet av en kort periode:

1. Tøm askebeholderen fullstendig før gjestene ankommer.
2. Forvarm toalettet før bruk ved å åpne og lukke lokket og deretter trykke på «startknappen».
3. Forsikre deg om at gjestene blir instruert om å bruke en papirpose og trykke på «startknappen» etter hvert besøk.
4. Sjekk regelmessig for å forsikre deg om at toalettlokket er lukket, og at den gule forbrenningslampan fortsatt lyser.
5. Det kan hende du må kjøre en ekstra forbrenningscyklus eller to før du tømmer askebeholderen, for å sikre at avfallet er fullstendig forbrent.

3.6 BETJENINGSPANELET

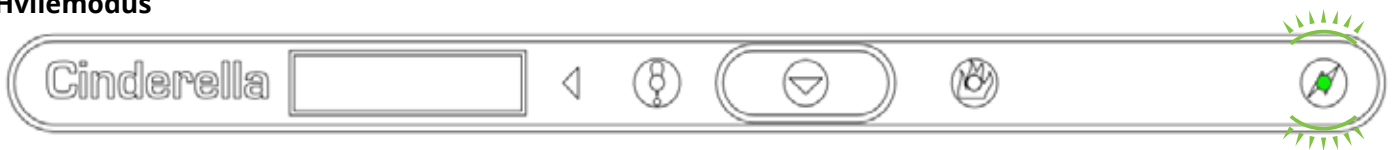
Betjeningspanelet er utstyrt med lys- og lydsignaler samt displaymeldinger som gir en best mulig brukeropplevelse. Det finnes en rekke kombinasjoner av lys- og lydsignaler som forteller brukeren om statusen til systemet. Det er viktig at alle brukere setter seg grundig inn i disse signalene før bruk. Du finner en oversikt over alle lys- og lydsignalene i feilsøkingstabellen i avsnitt 5.1.



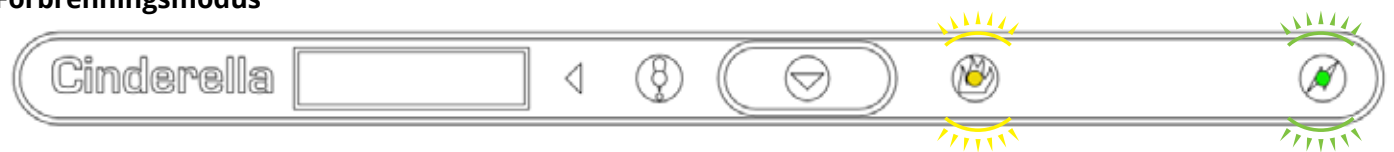
OBS!

- En grønn lampe indikerer at toalettet er koblet til strømforsyningen. Når bare den grønne lampen lyser, er toalettet i hvilemodus og klart til bruk.
- En gul lampe indikerer at det pågår en forbrenningsprosess, og lyser konstant så lenge toalettet er i forbrenningsmodus.
- En rød lampe indikerer avbrudd og varsler brukeren om at toalettet verken forbrenner avfall eller er i hvilemodus.

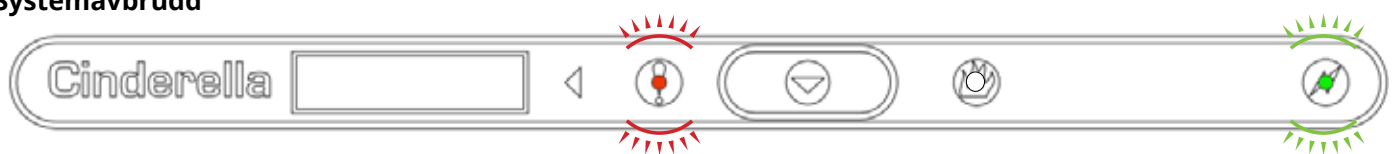
Hvilemodus



Forbrenningsmodus



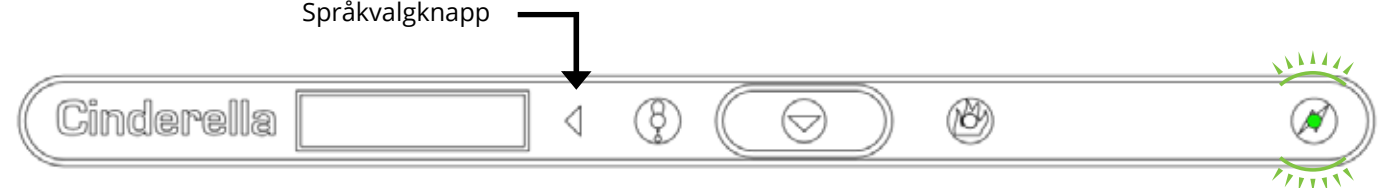
Systemavbrudd



Velge språk

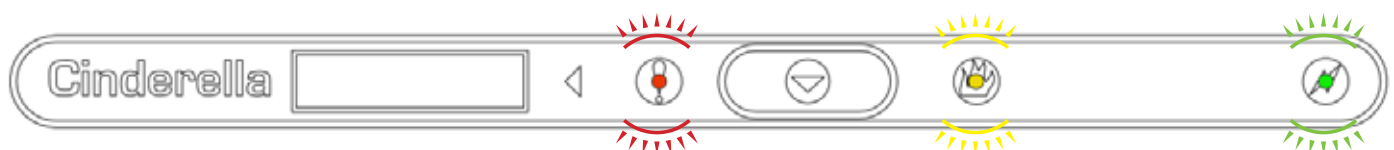
Hold «språkvalgknappen» inne i tre sekunder til ordet «Language» vises på den første tekstlinjen. Gjeldende språk vises på den andre linjen. Trykk på «språkvalgknappen» gjentatte ganger til det ønskede språket vises. Det nye språket lagres automatisk et par sekunder etter at du har valgt det, og toalettet gjenopptar driften.

Språkvalgknapp



Tømmeindikator

Cinderella Comfort sier fra når det er på tide å tømme askebeholderen. Displayet viser ordene «TØM ASKESKUFFEN», og du hører tre korte pip når toalettlokket åpnes. Hvis beholderen ikke tømmes innen kort tid, vil toalettet låse seg. Da lyser de gule og røde lampene konstant, og displayet viser teksten «TOALETT SPERRET ASKESKUFF FULL». Du hører tre korte pip hvert tiende sekund til askebeholderen er tømt.



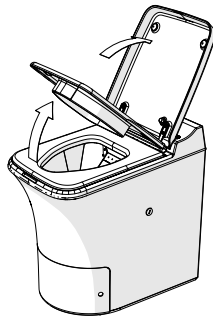
3.7 BRUK AV CINDERELLA COMFORT-TOALETET

1



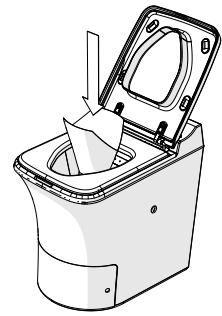
1. Kontroller at den grønne lampen på betjeningspanelet lyser for å indikere at toalettet har strømtilførsel og er klart til bruk.

2



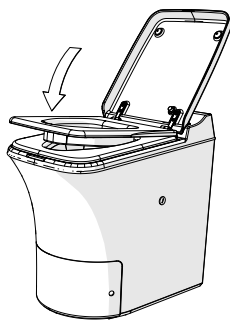
2. Løft toalettlokket og setet. En rød lampe begynner å blinke. Ventilasjonsviften starter.

3



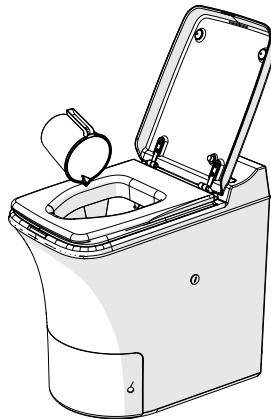
3. Plasser en papirpose i skålen. Bruk en ny papirpose for hvert besøk.

4



4. Senk setet. Toalettet er klart til bruk.

5



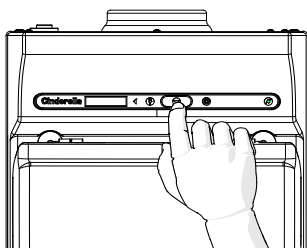
5. Bruk toalettet som vanlig. Hvis det produseres lite avfall, kan det være nyttig å helle litt vann i skålen for å øke vekten.

6



6. Lukk toalettlokket.

7



7. Trykk på «startknappen» for å slippe papirposen og innholdet ned i forbrenningskammeret. Forbrenningen starter så snart luken lukkes. Nå er toalettet klart til neste bruker.

8



8. Under forbrenning lyser en gul lampe konstant. Toalettet kan brukes når som helst, men ved bruk avbrytes forbrenningen midlertidig. Forbrenningstiden kan variere etter antall besøk og mengde avfall.

3.8 BETJENING AV FRONTDEKSELET OG ASKEBEHOLDEREN



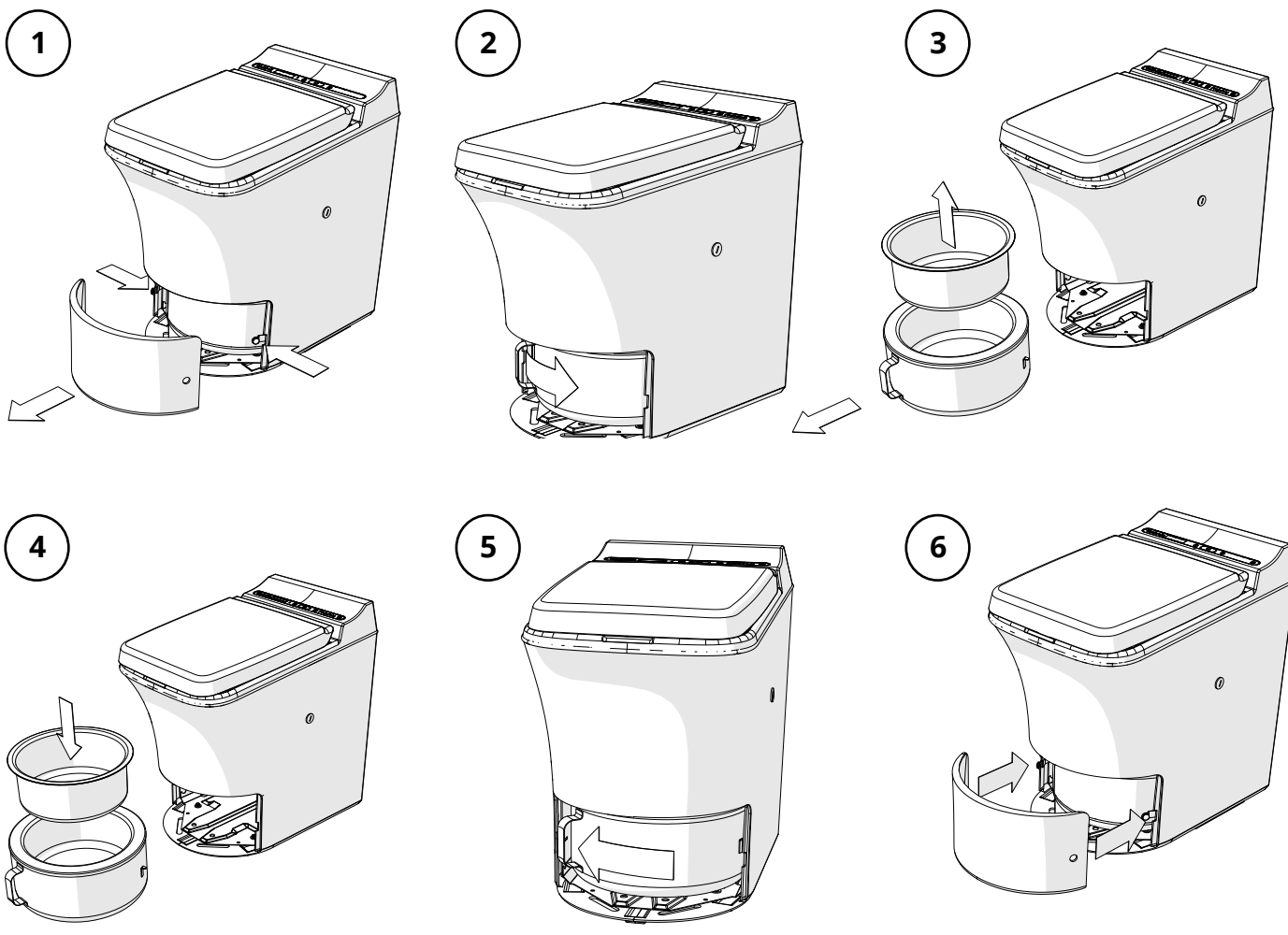
ADVARSEL!

Hånder askebeholderen bare når toalettet er i hvilemodus og tilstrekkelig avkjølt.



OBS!

Se kapittelet om vedlikehold for instruksjoner om rengjøring og tømning av askebeholderen.



4. GENERELLE VEDLIKEHOLDSINSTRUKSER

Denne håndboken dekker både brukervedlikehold og vedlikehold som skal utføres av fagfolk med nødvendig ekspertise og godkjenninger.

Et velfungerende luftsirkulasjonssystem er avgjørende for at toalettet skal fungere riktig. Partikler som oppstår under forbrenningsprosessen, kan tette katalysatoren og utløpsrøret over tid. Det er viktig å vedlikeholde disse elementene regelmessig for å sikre riktig funksjon.

For å sikre optimal drift og forlenge levetiden til Cinderella Comfort-toalettet må du sette av litt tid til forebyggende vedlikehold. Gode vedlikeholdsrutiner gir lavere driftskostnader og mindre slitasje på produktet. Vi anbefaler på det sterkeste å utføre regelmessig vedlikehold som følger:

1. Tøm toalettet ofte. Ikke baser bruken på maksimumsgrensen for produktet.
2. Rengjør alltid askebeholderen og innsatsen etter tømning (se avsnitt 4.2.1).
3. Rengjør alltid med damp mellom hver eske med papirposer (500 ganger), helst etter hver tømning og vask av askebeholderen (se avsnitt 4.2.2).
4. Vær alltid oppmerksom på forbrenningsrestenes egenskaper når du tømmer toalettet. Avvikende egenskaper kan tyde på behov for vedlikehold eller service (se avsnitt 4.1).

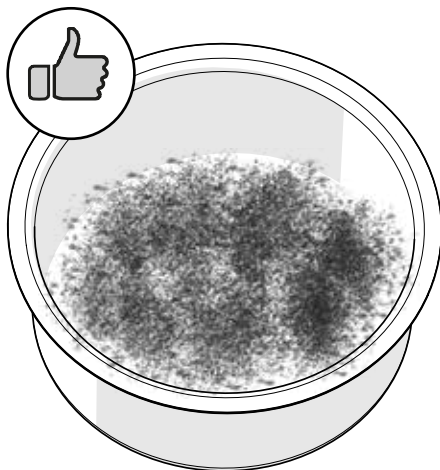


ADVARSEL!

Forsikre deg alltid om at toalettet er tilstrekkelig avkjølt og ikke i forbrenningsmodus, før du utfører vedlikehold.

4.1 FORBRENNINGSRESTENES EGENSKAPER

Restavfallet (asken) består av biologiske rester, salter og mineraler, og vil derfor ofte fremstå som hardt og krystallisert. Det skal ikke være synlige rester av papir eller flak med uforbrent avfall. Asken skal være en kombinasjon av hvit og mørkegrå. Hvis det er større forekomster av uforbrent svart avfall, fuktighet eller papir ved tømning av toalettet, skal du starte en ny forbrenning uten å ha i papir eller vann. Når forbrenningen er fullført, tømmer du askebeholderen og utfører vedlikeholdsprosedyrene som angitt i denne håndboken.

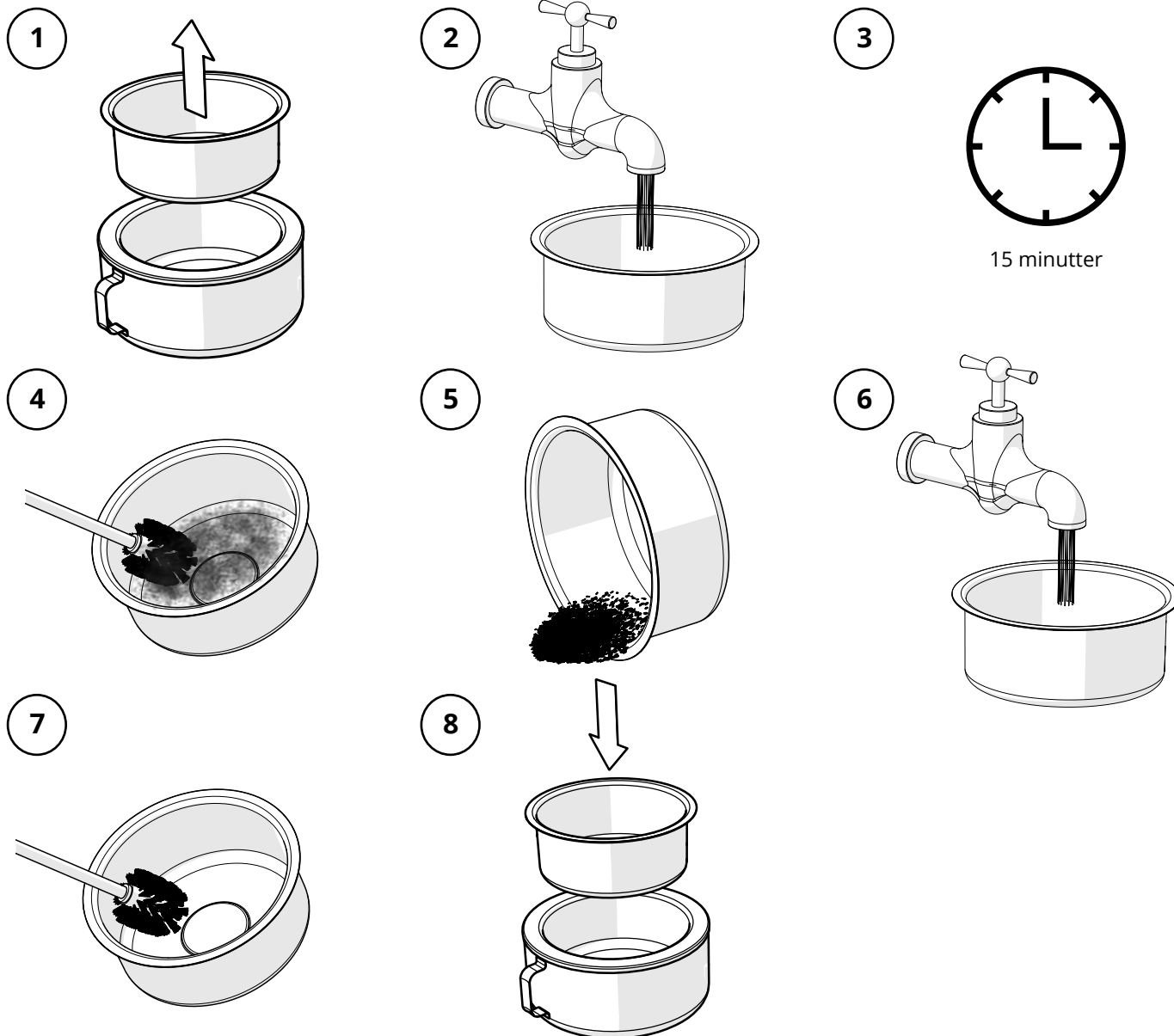


ADVARSEL!

- Asken er ikke egnet til bruk som gjødsel eller kompost. Den skal kastes i husholdningsavfallet i henhold til gjeldende offentlige forskrifter.
- Den gjenværende asken er steril og trygg å håndtere når den har forbrent til en lys farge. Hvis asken er svart og inneholder flak, eller hvis forbrenningssyklusen var ufullstendig, skal du kjøre en ekstra forbrenningssyklus for å sikre at asken blir fullstendig forbrent. Hvis problemet vedvarer, se kapittelet om feilsøking for flere råd.

4.2 BRUKERVEDLIKEHOLD

4.2.1 TØMMING OG RENGJØRING AV ASKEBEHOLDEREN



ADVARSEL!

Ikke bruk skarpe redskaper eller gjenstander når du rengjør askebeholderinnsatsen. Det vil skade innsatsen og redusere levetiden dens.



OBS!

- For at toalettet skal fortsette å fungere best mulig, anbefaler vi å rengjøre med damp som beskrevet i avsnitt 4.2.2, hver gang du tømmer og vasker innsatsen. Det forhindrer avsetning av tjære og andre uønskede avleiringer i katalysatoren og toalettets utløpssystem.
- Forsikre deg om at toalettet er tilkoblet nettstrøm ved tømning. Uten strømtilførsel kan ikke systemet tilbake stille brukstilleren etter tømning.

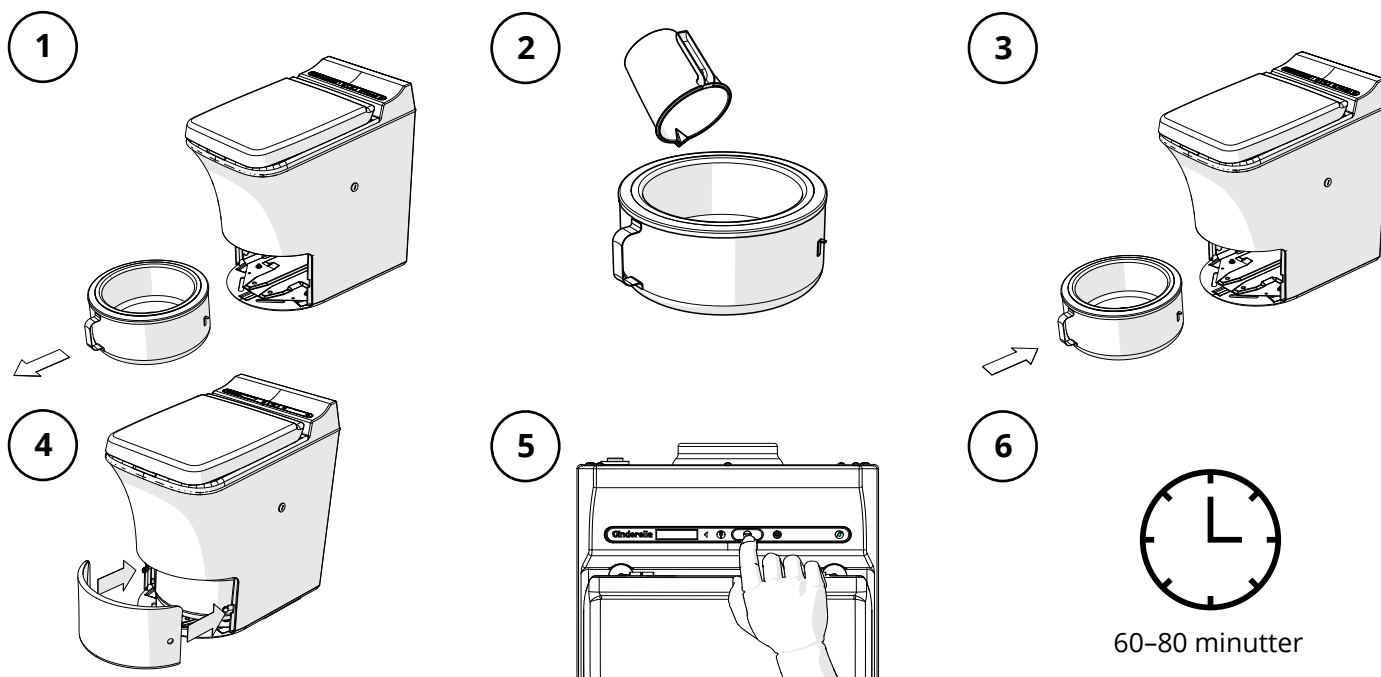
4.2.2 DAMPRENGJØRING AV KATALYSATOREN

Anbefalt hyppighet: ved tømning av askebeholderen eller senest etter 500 gangers bruk.

Slik utfører du damprengjøringen:

1. Forsikre deg om at toalettet er kaldt, og at askebeholderen er tømt og rengjort (se avsnitt 4.2.1).
2. Ta av frontdekselet og frigjør askebeholderen.
3. Hell cirka én liter rent vann i toalettinnsatsen.

4. Sett inn askebeholderen forsiktig uten å søle vann og sett frontdekselet på plass.
5. Trykk på «startknappen» for å starte en forbrenningssyklus.
6. Vannet begynner å koke, og dampen vasker bort eventuelt rusk i katalysatoren. Denne systemrengjøringen tar normalt 60 til 80 minutter.



OBS!

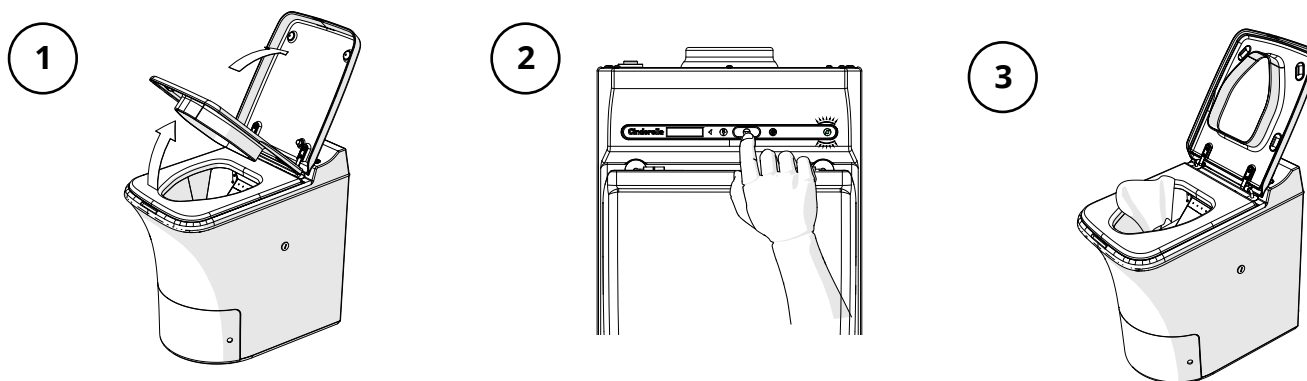
Ikke bruk toalettet under vedlikehold, det vil redusere rengjøringens funksjon. Toalettet kan brukes når toalettet går tilbake til hvilemodus igjen.

4.2.3 RENGJØRING AV SKÅLEN

Anbefalt hyppighet: ved behov av hensyn til renslighet og ved tømning av askebeholderen.

Slik rengjør du skålen:

1. Åpne toalettlokket.
2. Trykk på «startknappen» og hold den inne i tre sekunder for å åpne luken til vaskeposisjon.
3. Bruk fuktig papir, vann og et mildt rengjøringsmiddel etter behov. Lukk lokket og start forbrenningen.



FARE!

Ikke bruk brennbare rengjøringsmidler til å rengjøre skålen. Noen metallkanter kan være skarpe.



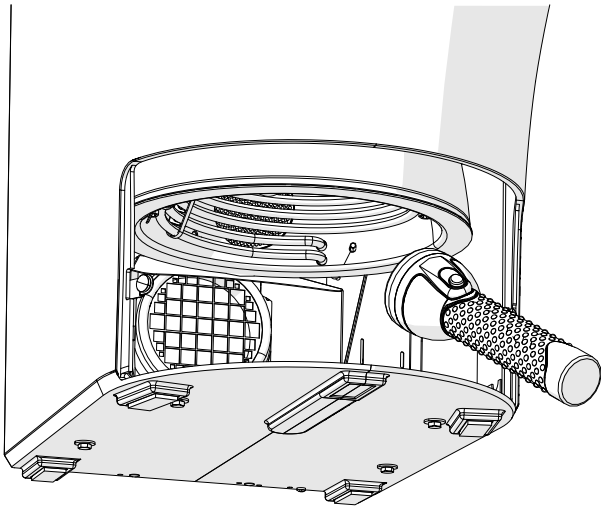
ADVARSEL!

Ikke bruk klorbaserte rengjøringsmidler til å rengjøre skålen. Klor er svært skadelig for katalysatoren, og hvis det has i toalettet, kan det føre til at katalysatoren slutter å fungere som den skal.

4.2.4 INSPEKSJON AV KATALYSATOREN

Anbefalt hyppighet: etter 500 gangers bruk.

Katalysatoren er den primære luftkanalen mellom forbrenningskammeret og avtrekkskoblingen på toalettet. Eventuelle ansamlinger av partikler i katalysatoren vil redusere strømningshastigheten og toalettets effektivitet, og kan føre til vond lukt. Derfor er det viktig å sørge for at katalysatoren alltid er åpen. Eventuelle endringer i forbrenningstid, forbrenningseffektivitet eller lukt kan skyldes at katalysatoren er tett. Damprengjøring, som beskrevet i avsnitt 4.2.2, er den beste og enkleste måten å rengjøre katalysatoren på. Du kan også inspisere fronten av katalysatoren ved å ta ut askebeholderen og lyse opp forbrenningskammeret fra innsiden. Eventuelle gjenværende partikler eller lukt etter damprengjøring må fjernes ved å skylle katalysatoren med varmt vann som beskrevet i avsnitt 5.3.2.



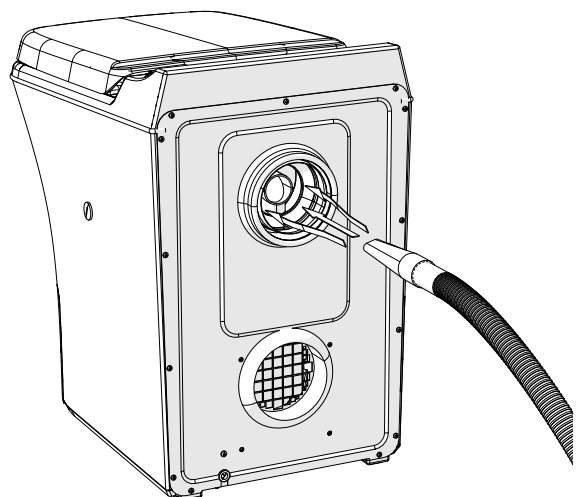
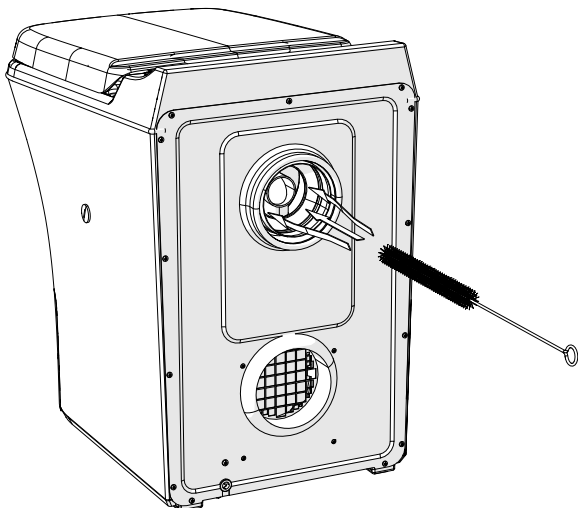
OBS!

Ved tydelige tegn på korrosjon eller deformasjon må katalysatoren byttes. Kontakt den lokale serviceleverandøren for å avtale service.

4.2.5 RENGJØRING AV TOALETETS AVTREKSKOBLING

Anbefalt hyppighet: senest etter 500 gangers bruk.

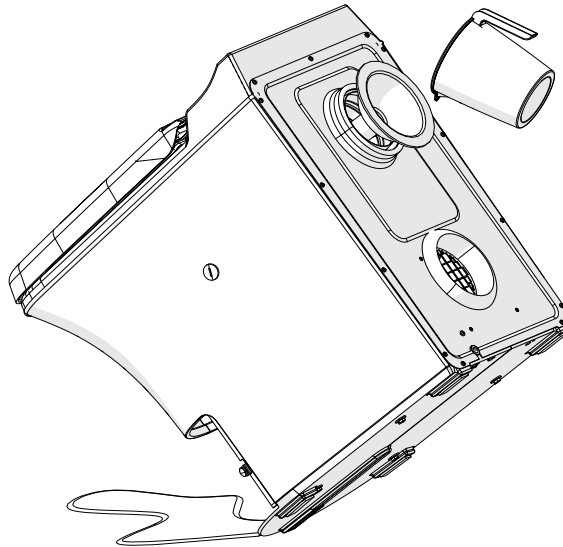
1. Toalettet må kobles fra avtrekksrøret og strømkilden.
2. Rengjør avtrekkskoblingen med en fleksibel børste. Det er viktig å rengjøre både utløpsrøret og venturirøret helt tilbake til viftebladene for å få tilstrekkelig luftstrøm.
3. Ta ut askebeholderen og fjern eventuelt rusk i beholderen.
4. Bruk en støvsuger til å suge ut gjenværende rusk fra utløpsrøret og katalysatoren.
5. Koble toalettet til avtrekksrøret og strømforsyningen igjen.
6. Installer askebeholderen og frontdekselet.
7. Vi anbefaler at du utfører en damprengjøring som beskrevet i avsnitt 4.2.2, etter at du har vedlikeholdt avtrekkskoblingen.



4.2.6 SKYLLING AV KATALYSATOREN MED VARMT VANN

I tilfeller der damprengjøring ikke fjerner partikler eller dårlig lukt, kan det være nødvendig å skylle katalysatoren med vann. Dette medfører tunge løft og må gjøres et sted der vannsøl er uproblematisk. Følg trinn 1 til 4 under avsnitt 4.2.5 «Rengjøring av toalettets avtrekkskobling», og deretter følgende trinn:

1. Plasser toalettet et sted der det er greit å søle vann, for eksempel i et rom med egnet avløp, ute eller i et badekar. Bruk den spesialkonstruerte Cinderella-trakten eller en trakt som passer i utløpsrøret. Vipp toalettet litt fremover og hell til tre liter varmt vann gjennom utløpsrøret og katalysatoren. Det overskytende vannet skal være rent ved slutten av skylleprosessen. Bruk om nødvendig mer vann for å rengjøre systemet ordentlig.
2. Koble toalettet til avtrekksrøret og strømforsyningen igjen.
3. Installer askebeholderen og frontdekselet.
4. Utfør ytelsestesten som beskrevet i avsnitt 2.8.



OBS!

Inspiser katalysatoren og utfør damprengjøring som beskrevet i avsnitt 4.2.2, før du kobler fra toalettet og skyller systemet med varmt vann. Hvis katalysatoren fortsatt er tett, eller hvis det fremdeles er merkbar lukt ved forbrenning, bør du skylle katalysatoren med varmt vann som beskrevet i avsnitt 4.2.6.

Forsiden av det ytre skallet er tynt og bør derfor ikke bære hele vekten av toalettet. Vær forsiktig så du ikke ødelegger det mens du skyller katalysatoren.

5. FEILSØKING OG SVAR PÅ VANLIGE SPØRSMÅL



ADVARSEL!

Service skal utføres i samsvar med alle gjeldende nasjonale og lokale forskrifter. Hvis du er usikker på hvilke regler som gjelder, kontakt nærmeste forhandler eller servicerepresentant for mer informasjon. Strømtilførselen skal kobles fra når du utfører service og vedlikehold på toalettet.

Feilsøkningsmodul på nettet

Lyd- og lyssignalene fra toalettets betjeningspanel indikerer toalettets driftsstatus. Nedetid og feil på toalettet blir varslet med ulike lyd- og lyssignaler som beskrevet i avsnitt 5.1 i denne håndboken. Vi har samlet de vanligste feilene/problemene i en feilsøkningsmodul på nettet, så det er lett å få svar på hva som feiler toalettet, og forslag til hvordan du selv kan løse problemet.

Tilbakestille toalettssystemet

Under rengjøring og feilsøking kan det noen ganger være nyttig å tilbakestille elektronikken. Det gjør du ved å trykke på «startknappen». Da hører du et kort pip. Hold knappen inne i cirka åtte sekunder til du hører et langt pip, og slipp deretter knappen.

Feilmeldinger

Når lampene blinker, må du sjekke årsaken og løse problemet før du bruker toalettet. I tilfelle uregelmessigheter som lukt, dårlig forbrenning eller systemfeil, må du handle umiddelbart for å unngå skade på toalettet og unødvendige reparasjonskostnader.

Utløst bimetaltermostat

Bimetaltermostaten utløses hvis den innvendige temperaturen i toalettet blir for høy. Dette skjer normalt på grunn av manglende luftgjennomstrømning eller delvis blokkering av luftinntaks- eller avtrekksdelen av installasjonen. Derfor er det viktig at du sjekker at luftinntaket er i henhold til spesifikasjonene, og at avtrekkskanalen er åpen og fri for fremmedlegemer. Kontroller katalysatoren visuelt og utfør prosedyren for damprengjøring som anvist i avsnitt 4.2.2.

Ved strømbrudd

Hvis strømmen går under en forbrenningsprosess, kan det midlertidig oppstå lukt fra innsiden av toalettet og røyk og lukt fra avtrekksrøret utenfor. Viften går på batteri til toalettet er avkjølt. Siden forbrenningen ikke gjenopptas automatisk når strømmen kommer tilbake, må du starte en ny forbrenningssyklus manuelt. Dersom strømbruddet forventes å vare i mer enn to timer, må du tømme eventuelt avfall fra toalettet, siden toalettet kan ta skade dersom avfallet blir liggende over lengre tid. Bruk aldri toalettet under strømbrudd.

Lukt i rommet

Lukt kan ha flere årsaker:

1. Det er ikke plassert en ny papirpose i skålen etter at toalettet har vært brukt, eller papirposen er plassert feil.
2. Luftstrømmen kan være blokkert. Kontroller avtrekksrøret og hetten.
3. Kontroller at installasjonen er utført i henhold til håndboken. Begrenset trekk i avtrekksrøret kan forårsake mottrykk og lukt i rommet.
4. Utløpsrøret kan være tilstoppet. Se avsnitt 4.3.1.
5. Katalysatoren kan være tilstoppet. Se avsnitt 4.3.1.
6. Avtrekksrøret er ikke skikkelig festet til toalettet. Se avsnitt 2.5.1.

Lukt utendørs

Årsakene kan være de samme som for lukt inne i rommet, eller:

1. Katalysatoren har ikke nådd driftstemperaturen. Når toalettet er kaldt, kan det ta noen minutter før katalysatoren når den temperaturen der den begynner å fungere ordentlig.
2. Katalysatoren kan være korrodert eller deformert. Kontakt serviceleverandøren.

5.1 FEILSØKINGSTABELL



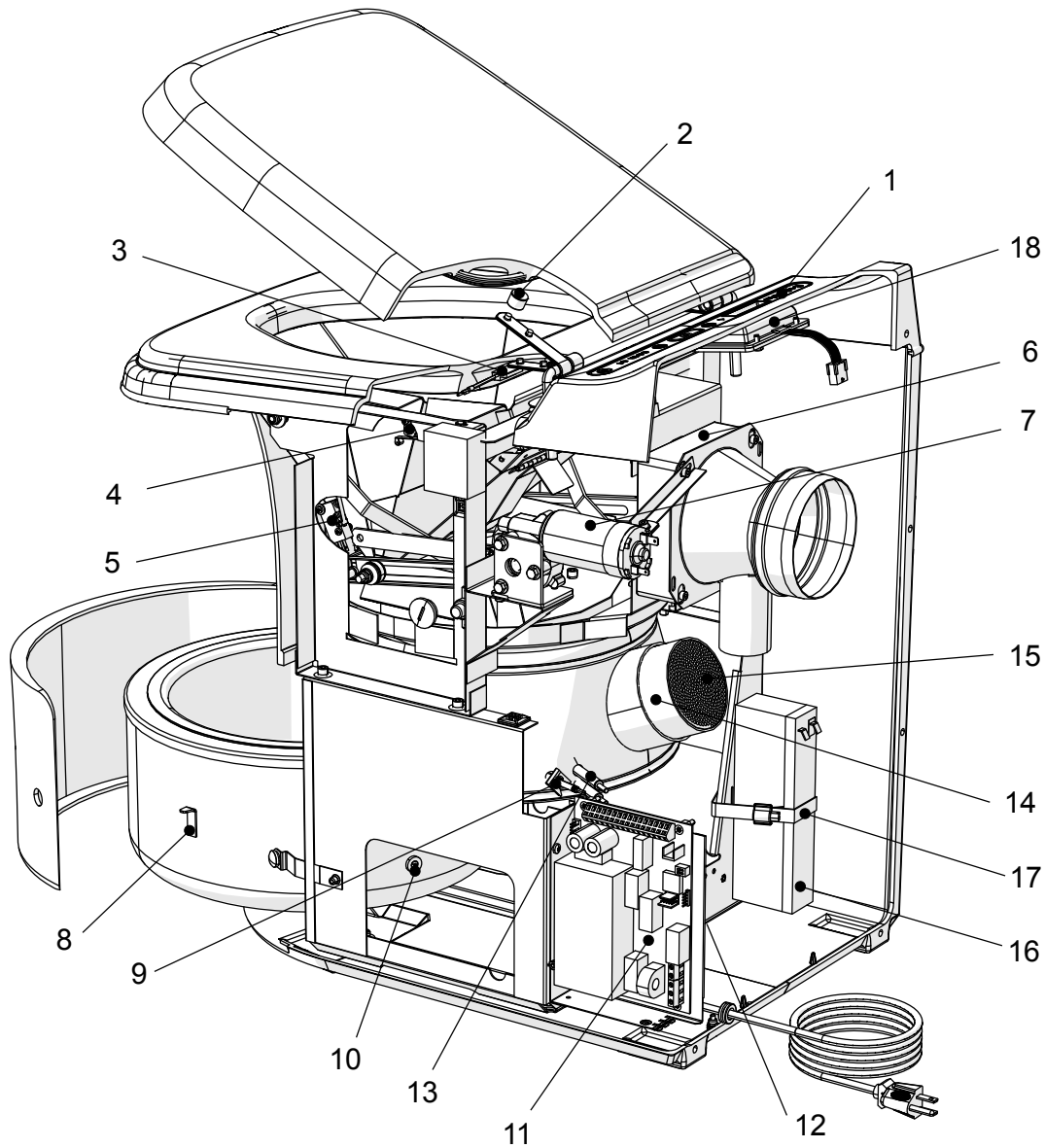
OBS!

Cinderella har utviklet en digital feilsøkingssmodul som ligger ute på nettstedet vårt. Modulen fungerer som en veiledning og et supplement til feilsøkingstabellen. Besøk oss på www.cinderellaeco.com

FEIL	DISPLAY-MELDING	RØD LAMPE	GUL LAMPE	GRØNN LAMPE	LYD-SIGNAL	TILTAK
Askebeholderen bør tømmes	Tøm askeskuffen	BLINKER VEKSELVIS	BLINKER VEKSELVIS	STABILT PÅ	3 PIP	1 Ta ut og tøm askebeholderen. * Toalettet skal kobles til 230 V.
Askebeholderen må tømmes. Toalettet er låst.	Toalett sperret askeskuff full	STABILT PÅ	STABILT PÅ	STABILT PÅ	3 PIP 10 SEKUNDERS MELLOMROM	1 Ta ut og tøm askebeholderen. * Toalettet skal kobles til 230 V.
Ingen strømtilførsel.	-	AV	AV	AV		1 Kontroller at toalettet er koblet til 230 VAC.
Feil ved ventilasjonsvifte	Feil med vifte	BLINKER	AV	BLINKER	10 PIP	1 Kontroller viften for hindringer og forsikre deg om at viften roterer som den skal. 2 Tilbakestill toalettet (hold «startknappen» inne). 3 Åpne lokket til den røde lampen blinker, lukk lokket og trykk på «startknappen». Hvis feilen vedvarer, ring kundeservice.
Funksjonsfeil ved lukemekanismen	Feil med lukemekanisme	BLINKER	AV	STABILT PÅ	10 PIP	1 Tilbakestill toalettet hvis det er varmt. 2 Åpne lokket til den røde lampen blinker, lukk lokket og trykk på «startknappen». 3 Hvis dette ikke fungerer, tilbakestill toalettet, plasser en papirpose i skålen, hell tre kopper vann i posen, lukk lokket og trykk på «startknappen». 4 Hvis dette ikke fungerer, vent til toalettet er avkjølt (viften stanser). 5 Start toalettet på nytt, åpne lokket når luken åpnes, og fjern fastsittende gjenstander for hånd. Hvis problemet vedvarer, ring kundeservice.
Askebeholderen er feil plassert.	Askeskuff ute av posisjon	BLINKER	BLINKER	STABILT PÅ	3 PIP	1 Juster plasseringen av askebeholderen, roter mot venstre. 2 Sjekk at stoppinnen på beholderen er intakt. 3 Kontroller visuelt tilstanden til magneten på beholderen. Hvis problemet vedvarer, ring kundeservice.
Varmekretsen er avbrutt	Feil med varmekrets	AV	BLINKER	STABILT PÅ	KONTINUERLIGE PIP	1 Tilbakestill toalettet. 2 Kontroller bimetalltermostaten på høyre side av toalettet. Skru ut den grå pluggen og trykk på sikringen inni med fingeren. Ikke bruk en skarp gjenstand. Hvis sikringen ble utløst, hører du et klikk. Se kapittel 5. 4 Hvis sikringen ikke var problemet, starter du toalettet på nytt og prøver å starte forbrenningsprosessen. Gjenta et par ganger. Hvis problemet vedvarer, ring kundeservice.
Toalettlokk-sensoren er utløst	Lokket er åpent	BLINKER	AV	STABILT PÅ	INGEN	1 Sjekk magneten på innsiden av toalettlokket og lukk lokket. Hvis problemet vedvarer, ring kundeservice.
Funksjonsfeil ved temperaturføler	Feil med temperaturføler	AV	BLINKER	BLINKER	KONTINUERLIGE PIP	1 Tilbakestill toalettet. 2 Åpne lokket til den røde lampen blinker, lukk lokket og trykk på «startknappen». 3 Hvis feilen vedvarer, ring kundeservice.
Uleselig / ingen displaymelding	Uleselig / blank skjerm					1 Koble fra toalettet og vent i fem minutter. 2 Koble til toalettet og start det på nytt. 3 Hvis problemet vedvarer, ring kundeservice.

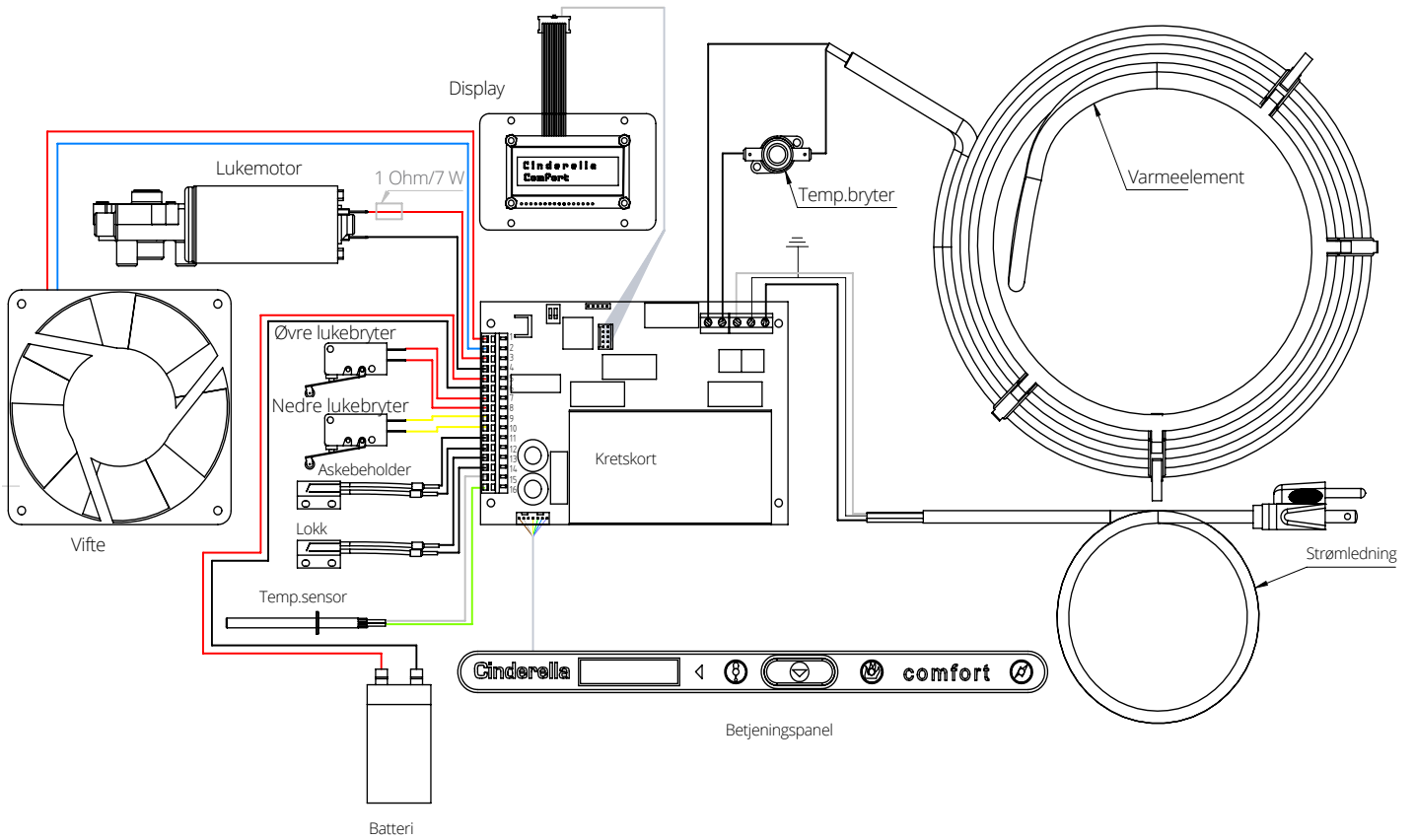
6. REPARASJONER OG RESERVEDELER

6.1 RESERVEDELSLISTE



ID	DELEBESKRIVELSE	ART. NR.	ID	DELEBESKRIVELSE	ART. NR.
1	Betjeningspanel Comfort med display	100115	12	Hall-sensor med ledning redusert lengde	100965
2	Magnet 14 × 10 mm	100433	13	Varmeelement 230 VAC	100862
3	Hall-sensor med ledning og tape L = 330mm	100964	14	Isolasjonsstoff, katalysator	100163
4, 5	Mikrobryter	101127	15	Katalysator 90 × 75 mm	100528
6	Aksialvifte 12 VDC 119 × 38 mm	100154	16	Batteri 12 V	100083
7	Motor Nidec 12/24 VDC	101177	17	Slangeklemme 280 mm A4	100932
8	Stoppbrakett 9 × 26 × 12 mm	100017	18	LED-display 65 × 36 × 13 Standardmodul	100401
9	Termoelement L = 550 mm	100831			
10	Magnet 14 × 7 mm	100065			
11	Kretskort (E5)	100063			

6.2 KOBLINGSSKJEMA



7. Garanti

Hva dekkes av denne garantien?

Denne garantien dekker defekter i materialer eller utførelse i ditt Cinderella forbrenningstoalett, på de betingelsene, i den perioden og med de unntakene som er beskrevet nedenfor.

Hva dekkes ikke av denne garantien?

Denne garantien dekker ikke normal slitasje eller skader som skyldes ulykker (herunder brann, oversvømmelse, orkan eller annen naturkatastrofe), misbruk, feil bruk, manglende overholdelse av produsentens anvisninger eller feil vedlikehold. Garantien dekker ikke følgeskader eller tilfeldige skader. Cinderella Eco Group har ingen «på stedet»-garanti. Det betyr at toalettet må transporteres til en autorisert serviceleverandør som kan utføre servicen. Hvis dette ikke er mulig, kan forhandleren fakturere en transport- eller reisekostnad.

Hvor lenge gjelder garantien?

For vanlige kunder gjelder denne garantien i en periode på tre (3) år fra den opprinnelige kjøpsdatoen. Bedriftskunder får ett (1) års garanti.

Hva vil Cinderella Eco Group gjøre?

Hvis du sender inn et gyldig krav under denne garantien, vil Cinderella Eco Group etter eget skjønn enten reparere, erstatte eller refundere kjøpesummen for ditt Cinderella forbrenningstoalett.

Hvordan får jeg service?

Kontakt forhandleren eller en autorisert serviceleverandør i ditt land. Tilgjengelige servicealternativer avhenger av landet servicen ønskes utført i.

Det kan bli bedt om å fremlegge kjøpsbevis når du fremsetter et krav under denne garantien. Du finner mer informasjon om garantien på nettstedet vårt: www.cinderellaeco.com

Cinderella Eco Group AS

Sjøvikvegen 67, 6475 Midsund
www.cinderellaeco.com

INNEHÅLL:

1. ALLMÄNT	3
1.1 INLEDNING	3
1.2 TILLÄMPNING I ENLIGHET MED BESTÄMMELSER	3
1.3 BRUKSANVISNING	3
1.4. ANSVARSBEGRÄNSNING	3
1.5 TESTER OCH CERTIFIERINGAR	3
1.6 MILJÖKRAV	3
1.7 ALLMÄNNA SÄKERHETSANVISNINGAR	4
1.8 TYPSKYLT	5
1.9 CINDERELLA ONLINE	5
2. MONTERING	6
2.1 PACKA UPP TOALETTEN OCH TILLBEHÖREN	6
2.2 MÅTTSPECIFIKATIONER CINDERELLA COMFORT	6
2.3 CINDERELLA MONTERINGSSATS ORIGINAL	7
2.4 INSTALLATION, SPECIFIKATION	8
2.4.1 SPECIFIKATIONER AV DELAR OCH MATERIAL	8
2.51 MONTERA CINDERELLA FÖRBRÄNNINGSTOALETT	8
2.5.1 MONTERA FRÅNLUFTSRÖR	9
2.5.2 MONTERA HORIZONTELLT TILLUFTSRÖR	10
2.5.3 MONTERA CINDERELLA ORIGINALHUV TILL SKORSTEN	11
2.6 SPECIFIKATIONER OCH KRAV GÄLLANDE ELANSLUTNING	11
2.7 CHECKLISTA FÖR VERIFIERING AV SLUTFÖRD INSTALLATION	12
2.8 PRESTANDATEST FÖR VERIFIERING AV SYSTEMETS FUNKTIONALITET	12
3. ANVÄNDNING	13
3.1 AVSEDD ANVÄNDNING OCH HANTERING	13
3.2 ALLMÄN SÄKERHET	13
3.3 SÄKER DRIFT	13
3.4 CINDERELLA COMFORT SÄKERHETSFUNCTIONER	13
3.5 VIKTIG INFORMATION TILL ANVÄNDARE	14
3.6 KONTROLLPANELEN	15
3.7 ATT ANVÄNDA CINDERELLA COMFORT	16
3.8 HANTERA FRONTPANELEN OCH ASKBEHÅLLAREN	17
4. ALLMÄNT UNDERHÅLL	18
4.1 SLUTPRODUKTENS EGENSKAPER	18
4.2 ALLMÄNT UNDERHÅLL	19
4.2.1 TÖMNING OCH RENGÖRING AV ASKBEHÅLLARE	19
4.2.2 ÅNGRENGÖRING AV KATALYSATORN	19
4.2.3 RENGÖRING AV TOALETTSKÅLEN	20
4.2.4 INSPEKTERA KATALYSATORN	21
4.2.5 RENGÖRA RÖRANSLUTNING	21
4.2.6 SKÖLJA KATALYSATORN I VARMVATTEN	22
5. FELSÖKNING OCH VANLIGA FRÅGOR	23
5.1 FELSÖKNINGSTABELL	24
6. REPARATIONER OCH RESERVDELAR	25
6.1 LISTA ÖVER RESERVDELAR	25
6.2 KOPPLINGSSHEMA	26
7. GARANTI	27

1. ALLMÄNT

1.1 INLEDNING

Det är viktigt att säkerställa att ventilationen är tillräcklig och uppfyller de riktlinjer som anges i denna bruksanvisning. Detta för att din nya Cinderellatoalett ska fungera korrekt. Felaktig montering kan orsaka funktionsfel, slitage eller luktproblem samtidigt som garantin blir ogiltig. När produkten ska monteras ska de tekniska och administrativa bestämmelser som gäller i aktuellt land följas.

1.2 TILLÄMPNING I ENLIGHET MED BESTÄMMELSER

Denna produkt är designad för förbränning av kroppsliga avfallsprodukter och små hygienprodukter som tamponger och våtservetter som inte innehåller alkohol.

1.3 BRUKSANVISNING

Läs denna bruksanvisning noga innan du monterar och börjar använda produkten. Förvara dessa instruktioner på en säker plats så att du vid behov kan ta fram dem. Om du överlåter produkten till någon annan ska även denna bruksanvisning överlämnas.

Detta är instruktioner om hur man monterar, hanterar och underhåller produkten på ett korrekt sätt. Det är viktigt att både montören och användaren läser igenom instruktionerna i denna bruksanvisning. Den innehåller även information om professionellt underhåll samt service och reparationer.

1.4 ANSVARSBEGRÄNSNING

Tillverkaren tar inget ansvar för skador i följande fall:

- Felaktig montering
- Skador som orsakats av anslutning till felaktig spänning
- Modifieringar som gjorts utan uttryckligt godkännande från tillverkaren
- Användning för andra ändamål än de som beskrivs i denna bruksanvisning
- Underlåtenhet att följa instruktionerna gällande drift och underhåll
- Tillämpningar som inte är i enlighet med lagar och regler
- Användning av andra toalettpåsar och reservdelar än originalversionerna

1.5 TESTER OCH CERTIFIERINGAR

Cinderella Comfort har genomgått omfattande tester hos NEMKO (Norges Elektriske Materiellekontroll) i enlighet med EU:s standard avseende säkerhet och elektromagnetisk kompatibilitet.

1.6 MILJÖKRAV

- Omgivningstemperatur: -20–40 °C
- Användning på hög höjd: Testad upp till 2 500 m



OBSERVERA!

När Cinderella-toaletten är monterad ska avståndet mellan förbränningsdelen och övrig inredning vara minst: 50 mm åt sidorna, 50 mm från bakre vägg.

1.7 ALLMÄNNA SÄKERHETSANVISNINGAR



VARNING!

Säkerhetsanvisningar: Följ dessa instruktioner för att undvika allvarlig skada eller dödsfall.



VARNING!

Säkerhetsanvisningar: Dessa instruktioner måste följas för att skador ska kunna undvikas.



OBSERVERA!

Om dessa instruktioner inte följs kan det leda till materiella skador och försämrad funktionalitet.



OBS!

Tilläggsinformation gällande hantering av produkten.



VARNING!

- Spraya inte aerosoler i närheten av denna produkt när den är i drift.
- Använd eller förvara inte brandfarliga material i eller i närheten av denna produkt.
- Placera inte föremål mot eller ovanpå denna produkt.
- Modifiera inte produkten.



VARNING!

- Använd inte förbränningstoaletten om den har synliga skador.
- Om strömkabeln till toaletten är skadad ska den av säkerhetsskäl bytas ut av tillverkaren, kundservice eller en motsvarande behörig person.
- Denna toalett får endast repareras av behörig personal. Bristfälliga reparationer kan medföra allvarliga risker.
- Anslut endast toaletten till den spänning som anges på typskylten på toalettens baksida.



VARNING!

- Varning för klämskador! Lägg inte handen mot gångjärnet eller under toalettringen när den är uppfälld eftersom det inte finns någon mjukstängningsfunktion.
- Töm inte askbehållaren när den är varm.
- Se till att strömkabel och uttag är torra innan produkten startas.







OBSERVERA!

- Ta enbart tag i toalettkalet när toaletten ska flyttas. Dra aldrig i strömkabeln, främre panelen, locket, toalettringen eller frånluftsuttaget.
- Varning för överhettning! Se till att ventilationen är tillräcklig så att den värme och de partiklar som bildas under förbränning kan ledas ut genom skorstenröret. Säkerställ att luftflödet är tillräckligt. Se till att ventilationen in till toaletten är tillräcklig. Säkerställ att toaletten står tillräckligt långt från väggar eller andra föremål så att luften kan cirkulera.

1.8 TYP SKYL T

Typskylten sitter på baksidan av förbränningsstoaletten. Där anges modellbeteckning, serienummer, klassificering och information om support. Du behöver ange dessa uppgifter när du kontaktar kundtjänst eller beställer reservdelar.

<p>MANUFACTURER</p>  <p>Cinderella Incineration Toilets</p> <p>CINDERELLA ECO GROUP AS Sjøvikvegen 67, 6475 Midsund, NORWAY</p> <p>For sales and support call +47 77711500 or visit our web www.cinderellaeco.com</p> <p>CINDERELLA COMFORT MODEL:COMFORT EU SERIAL:</p>	<p>Appliance Specifications</p> <p>VOLTAGE..... 230-240 V AC 50-60Hz CURRENT 9 A HEATING ELEMENT:..... 2000W EL MOTOR: 12 V DC BATTERY: 12 V DC 2,6 Ah FAN BLOWER..... 12 V DC CAPACITY..... 4 Uses Pr. Hour DESIGNED FOR HOME / CABINS YEAR OF MANUFACTURING..... 2022</p>	  
---	--	---

1.9 CINDERELLA ONLINE



REGISTRERA DIG FÖR "MY CINDERELLA"

När du registrerar din toalett i "My Cinderella" får du relevant information om våra produkter och tillgängliga supporttjänster samt specialerbjudanden för just din toalettmodell. I händelse av stöld finns registrerade toaletter kvar i vår databas.

Felsökning online

En komplett guide till din toalett med användbara råd och förbättringsåtgärder som gör att du kan lösa de flesta problem på egen hand utan att behöva tillkalla hjälp.

Lättillgänglig information

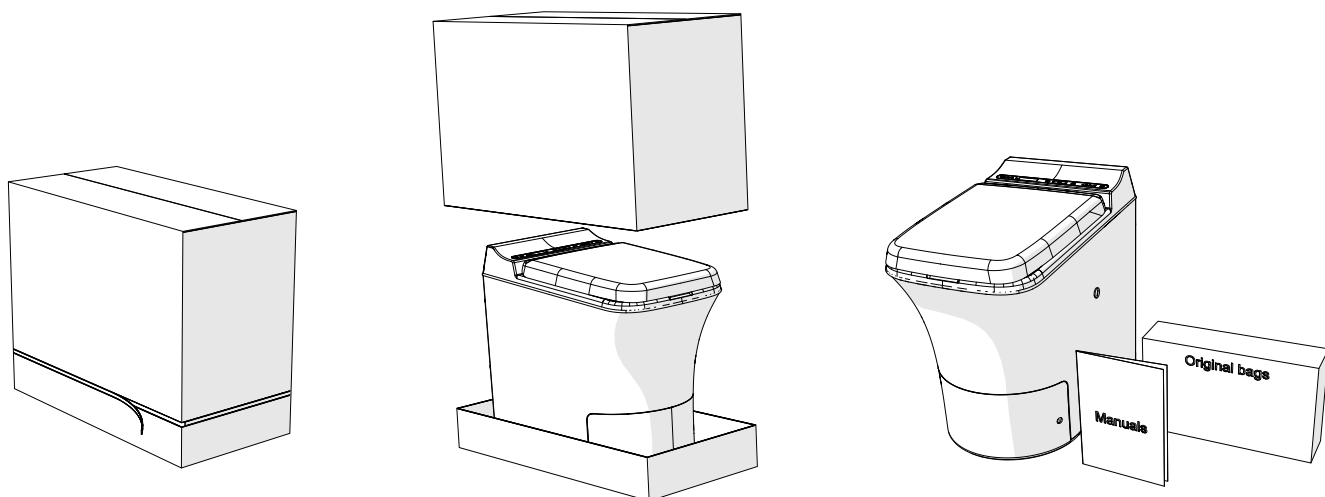
Du kan ladda ner produktdokumentation från vår dokumentationstjänst där du kan hitta produktmanualer, servicemanualer och en WEEE-manual gällande kassering (Waste Electrical and Electronic Equipment).

Service och reservdelar

Välj bostadsland och få en lista över lokala återförsäljare där du kan få service och reservdelar.

2. MONTERING

2.1 PACKA UPP CINDERELLA FÖRBRÄNNINGSTOAILETT



OBS!

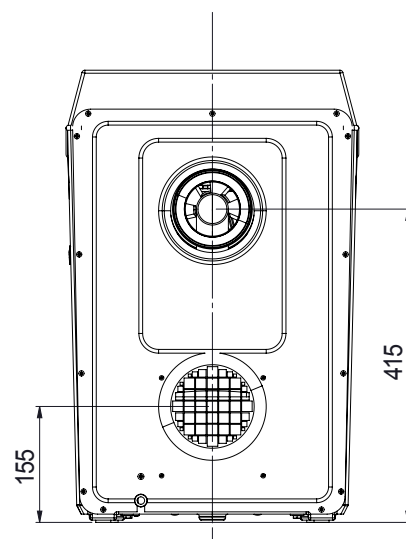
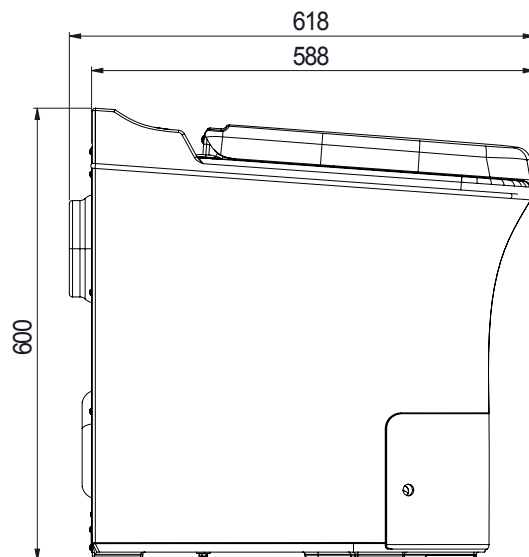
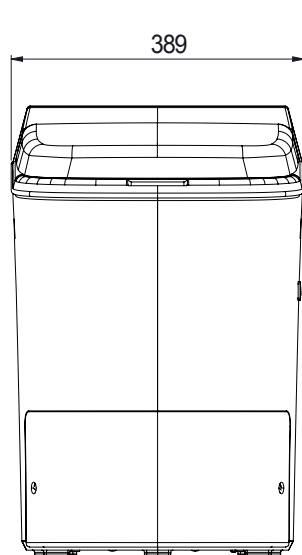
Öppna förpackningen genom att dra i remsan längst ner på lådan. Dra loss remsan hela vägen runt och lyft av lådan.

FÖRPACKNINGENS INNEHÅLL	ANTAL
Cinderella Comfort	1
Toalettpåsar	100
Bruksanvisning	1

2.2 MÅTTSPECIFIKATIONER

Höjd	600 mm
Sitthöjd	540 mm
Bredd	390 mm

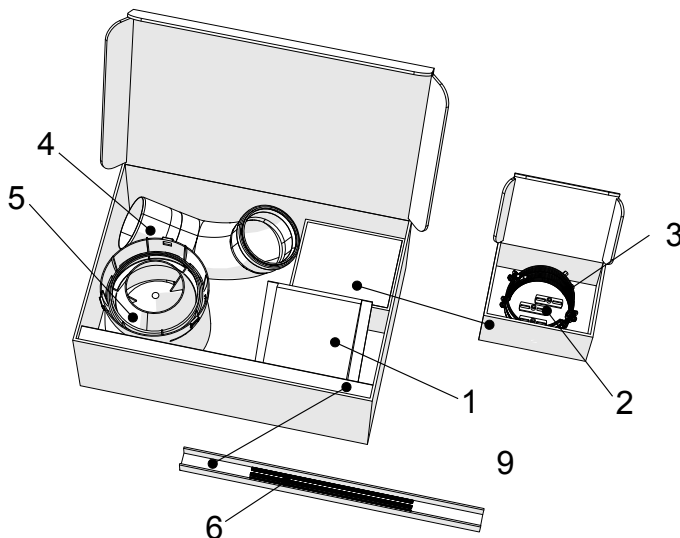
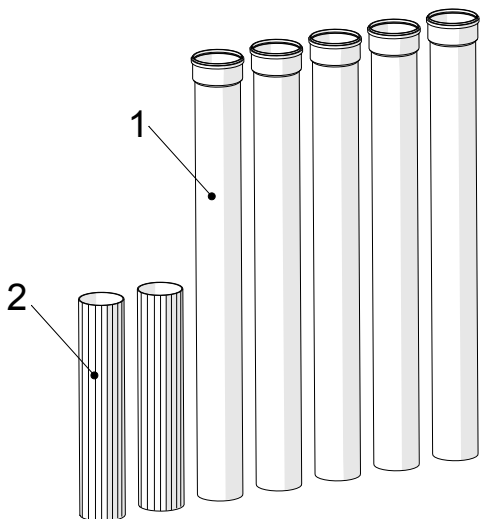
Djup	590 mm
Höjd från mitten av frånluftsuttag	415 mm
Höjd från mitten av tilluftsuttag	155 mm



2.3 CINDERELLA MONTERINGSSATS ORIGINAL

Cinderella isoleringsatts Arctic: Cinderella har tagit fram en specialdesignad isoleringsatts som med fördel kan användas vid montering i kalla miljöer. Denna produkt är specialdesignad för Cinderella förbränningstoletter. Den ger ett extra lager isolering inuti toalettskalet, vilket förhindrar kondens- och isbildning. Detta minskar slitaget på både ut- och insidan. Vänd dig till din återförsäljare eller besök vår hemsida www.cinderellaeco.com om du vill ha mer information.

Cinderella original monteringsatts: Vi rekommenderar starkt att Cinderella Original monteringsatts används vid monteringen. Detta kompletta paket innehåller alla delar som behövs för installationen och för att förbränningsprocessen och funktionaliteten ska fungera optimalt. I monteringsattsens finns två olika paket. Paket nr 1 innehåller 7 x 110 mm kvalitetsrör av UV-stabiliserad PP för montering av till- och frånluftsventilation. Paket nr 2 innehåller en optimerad rökgaskåpa och vinkelrör för ökat systemflöde och förbättrad förbränningseffektivitet. Det innehåller även en stormkrage för tilluftskanalen samt rör och monteringsklämmor.



CINDERELLA MONTERINGSSATS ORIGINAL		ANTAL
1	Skorstensrör 1066 mm hona-hane	5
2	Skorstensrör 500 mm hona-hane	2

CINDERELLA MONTERINGSSATS ORIGINAL		ANTAL
1	Stormkåpa	1
2	Väggmonteringsstav	3
3	Rörklämma	3
4	Vinkelrör 87° med dränering	1
5	Regnhatt Flow	1
6	Gängad stång 30 mm	3



OBS!

- I denna handbok beskrivs hur toaletten monteras på bästa sätt med de delar som ingår i Cinderella Original monteringsatts. Om du vill montera din Cinderella med andra delar än våra originalrör och -delar ska du se till att de uppfyller de specifikationer som anges i avsnitt 2.4.1 "specifikationer av delar och material".
- För att kunna garantera att din Cinderella förbränningstolett ska fungera som avsett är det viktigt att ventilationen är tillräcklig och uppfyller specifikationerna i denna handbok. Om monteringslösningen avviker från tillverkarens specifikationer, eller om icke godkända delar används, kommer produkten att fungera felaktigt, slitas och orsaka dålig lukt samtidigt som garantin blir ogiltig.

2.4 INSTALLATION, SPECIFIKATIONER

2.4.1 SPECIFIKATIONER AV DELAR OCH MATERIAL

ARTIKEL	SPECIFIKATIONER
Ventilationsrör	Cinderella Comfort ska alltid monteras med 110 mm-rör med slät insida och en inre diameter på minst 102 mm. Rörmaterialet måste tåla temperaturer över 100 °C och helst vara av PP- eller CPVC- typ. Vi rekommenderar starkt att Cinderella PP originalrör används.
Rörvinkel (frånluft)	Cinderella Comfort ska alltid monteras med en rörvinkel med slät yta som inte begränsar luftflödet. Vi rekommenderar starkt att Cinderella originalrörvinkel 87° med dränering används.
Skorstenslock	Cinderella Comfort ska alltid monteras med en skorstenshuv som förhindrar att regnvatten kommer in och som begränsar luftflödet så lite som möjligt. Fläktar eller liknande ska inte användas för att ventileras Cinderella förbränningstolett. Vi rekommenderar starkt att Cinderella originalhuv för skorstenar används.



OBS!

- Ventilationsrörets insida ska vara slät och inte tillbucklad eller räfflad.
- Montera aldrig nät i ventilationsröret eftersom luftflödet då kan begränsas.
- Rörvinkeln ska vara åtkomlig efter att den monterats så att dräneringsröret kan spolas ur och frånluftsroret rengöras.
- Cinderella Comfort är godkänd för användning i badrum/våtrum (IP 34-klassificerad). De yttre delarna ska dock skyddas från vattenstänk.
- Toaletten ska placeras på ett stabilt och plant underlag. Den kan även placeras på ett uppvärmt golv.

2.5 MONTERA CINDERELLA FÖRBRÄNNINGSTOALETT

Det är viktigt att säkerställa att ventilationen är tillräcklig och uppfyller specifikationerna i denna bruksanvisning. Detta för att din nya Cinderellatoalett ska fungera korrekt. Felaktig montering kan orsaka funktionsfel, slitage eller luktproblem samtidigt som garantin blir ogiltig. Läs igenom alla avsnitt noga innan du börjar montera toaletten. Arbetet ska utföras av en behörig person i enlighet med lokala bestämmelser.



OBSERVERA!

- Följ alla de tekniska och administrativa lagar och regler som gäller i det aktuella landet där toaletten ska monteras. Vi rekommenderar att du kontaktar din lokala återförsäljare för att planera monteringen av din Cinderella-toalett.
- Montera aldrig ytterligare 90-gradersvinklar utöver rörvinkeln.
- Om röret ska gå genom taket ska detta göras i enlighet med gällande byggbestämmelser.
- Använd inte flexibla kanaler eller rör när Cinderella-toaletten ska monteras.
- Anslut aldrig mer än en toalett till ventilationen.
- Rörvinkeln ska vara åtkomlig efter att den monterats så att dräneringsröret regelbundet kan spolas ur och frånluftsroret rengöras.

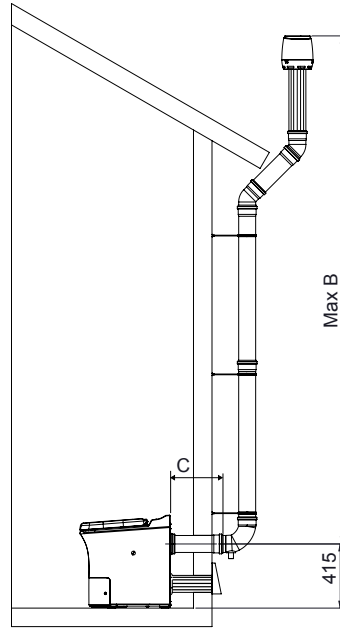
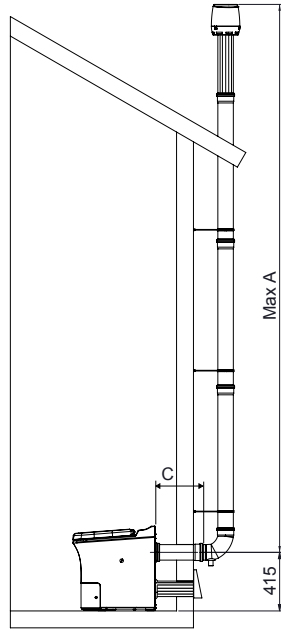
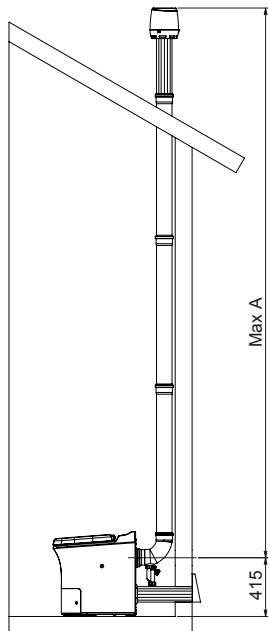


VARNING!

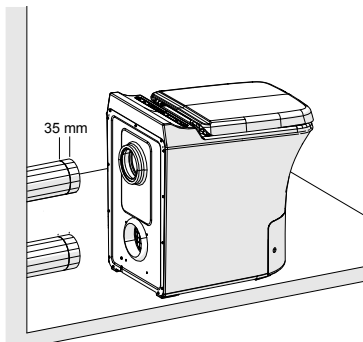
Försäkra dig alltid om att det inte går elledningar eller vattenrör i väggen där du ska göra hål.

2.5.1 MONTERA SKORSTENSRÖR

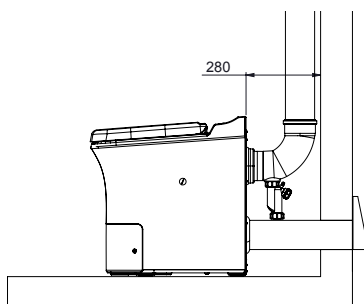
DIAMETER VENTILATIONSRÖR	MONTERINGSRIKTNING	REFERENS	RÖRVINKLAR	MAXIMAL RÖRLÄNGD
110 mm	Horisontellt skorstensrör	C	(Ej tillåtet)	1,0 m
110 mm	Vertikalt skorstensrör	A	Inga	6,0 m
110 mm	Vertikalt skorstensrör	B	2 x 45° rörvinklar	5,0 m



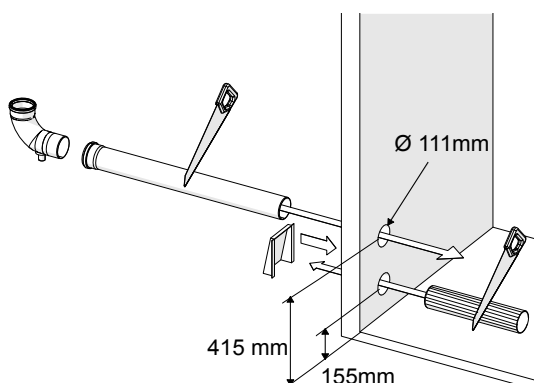
OBS!
Mittpunkten för ventilationsanslutningen sitter 415 mm över golvnivå.



OBS!
Om du ska justera rörlängden bör du ta med i beräkningen att röret ska föras in 35 mm i ventilationsanslutningen på toaletten.



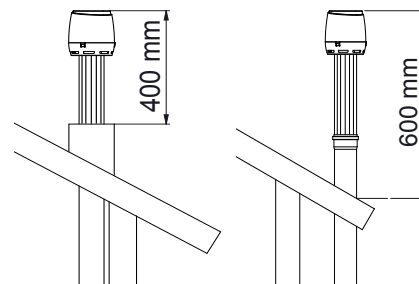
OBS!
Om röret ska monteras vertikalt, rakt upp från toaletten, ska avståndet mellan toaletten och väggen vara minst 280 mm.



OBS!
Cinderellas originalmonteringssett innehåller 5 x 1066 mm rör som används för frånlufts-lösningen. Rören levereras med anslutning och packning för förenklad montering. Om röret ska monteras på väggens utsida behöver det ledas genom väggen till insidan.

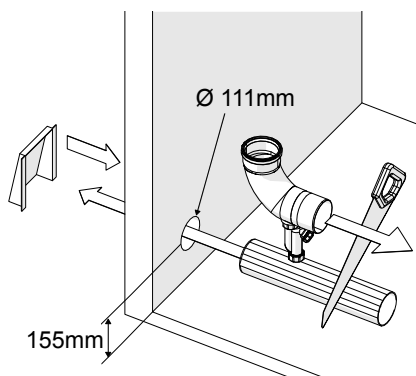
**OBS!**

- Röret ska alltid vara vertikalt monterat ovanpå taket och nå minst 600 mm ovanför takytan. Om frånlufts-röret ska beklädas (t.ex. med metallbeläggning) ska röret sticka ut minst 400 mm ovanför beklädnaden.
- Om det är sannolikt att snö kommer att lägga sig på taket kan röret behöva förlängas och säkras ordentligt.

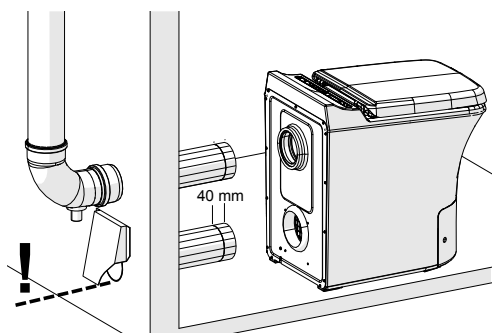
**2.5.2 MONTERA HORISONTELLT TILLUFTSRÖR**

Det är viktigt att det tillförs tillräckligt med friskluft till toaletten. Vi rekommenderar därför alltid att Cinderella Comfort monterats med den specialutformade röranslutningen. Att frisk luft tillförs utifrån in till produkten är avgörande för nedkylningen, cirkulationen och syretillförseln till förbränningsprocessen. Om toaletten inte tillförs tillräckligt med luft/syre försämras förbränningen och effektiviteten och produkten riskerar att överhettas. Dålig förbränning gör att produkten slits och garantin kan bli ogiltig.

YTTRE DIAMETER TILLUFTSRÖR	INRE DIAMETER TILLUFTSRÖR	RÖR-RIKTNING	RÖRVINKLAR	MAXIMAL RÖRLÄNGD
110 mm	102 mm	Horisontell	Inga	500 mm

**OBS!**

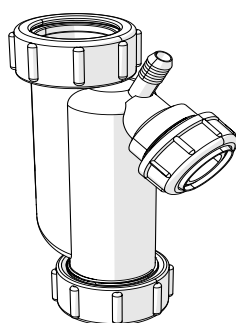
- Mittpunkten för tilluftsanslutningen sitter 155 mm ovanför golvet.
- Cinderellas originalmonterings-sats innehåller 2 x 500 mm rör som används för tillufts-lösningen, ventilationen och skorstens-huven. Justera längden så att den passar aktuellt utrymme. Observera att röret ska gå in 40 mm i toalettanslutningen.

**OBS!**

Om stormkragen monteras på ytterväggen ska röret monteras så att det sitter tätt mot stormkragens undersida. Om den monteras felaktigt kan luftcirkulationen begränsas, vilket kan leda till dålig förbränning, minskad effektivitet och risk för överhettning.

**OBS!**

Cinderella erbjuder en specialdesignad "sifon" som passar till den rövinkel som ingår i monterings-satsen. Sifonen kan köpas som tillbehör hos alla Cinderella-återförljare. Om installationen görs inomhus ska sifonen anslutas till rövinkeln för att förhindra att kondens- och regnvatten droppar ner på golvet. Om kondensvattnet inte töms ut regelbundet kan golvet skadas.

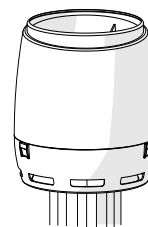
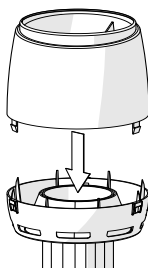
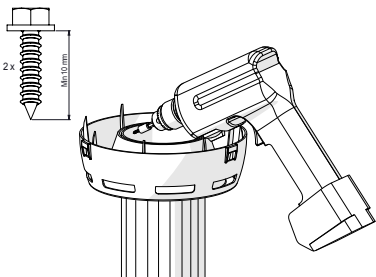


2.5.3 MONTERA CINDERELLA ORIGINALHUV FÖR SKORSTEN



OBS!

Cinderella monteringssett original innehåller en skorstenshuv som är designad för optimalt luftflöde och ökad effektivitet. Huvens består av två delar där den nedre delen fästs mot röret med skruv av rostfritt stål eller lim. Det gör att det går enkelt att montera och demontera huvens när ventilationsrören ska underhållas. Det 500 mm långa rör som följer med monteringssetten ska användas som avslutande del för anslutning till skorstenshuvens.



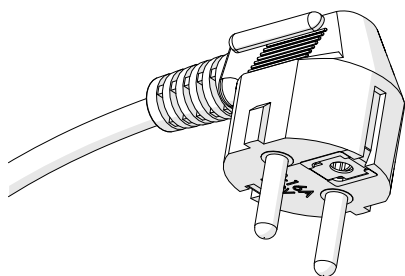
2.6 SPECIFIKATIONER OCH KRAV GÄLLANDE ELANSLUTNING



VARNING!

- Denna produkt ska installeras i enlighet med nationella och lokala lagar, bestämmelser samt elsäkerhetsstandarder.
- Produkten ska anslutas till korrekt spänning, frekvens och strömstyrka via en särskild jordad krets som skyddas av en kretsbrytare med lämplig dimension.
- Vilken spänning, frekvens och strömstyrka som är korrekt anges i denna manual samt på typskylten på toalettens baksida.

Elanslutning	INEFFEKT	STRÖM	SÄKRING
	220V–240V AC	9 A	10 A
Elförbrukning	VILOLÄGE		FÖRBRÄNNINGSLÄGE
	0,5 W		2000 W
Polaritet, anslutning	KABELGENOMSNIITT	KABELLÄNGD	KONTAKT
	1,5 mm ²	2,3 m	Typ F Schuko CEE 7



OBS!

Toaletten levereras med en stickpropp för 16 ampere, 250 volt, 2-polig 3-trådig jordkabel av typen schuko F CEE 7/7. För att strömtillförseln ska bli tillräcklig krävs en jordkrets för minst 10 ampere och 230 V AC.



VARNING!

- Anslutningskabeln ska dras så att den inte kommer i kontakt med vassa kanter.
- Om elektroniken eller anslutningskabeln måste modifieras ska arbetet utföras av en behörig elektriker eller motsvarande så att säkerhetsrisker kan undvikas.
- Spänningsomvandlare bör inte användas tillsammans med Cinderella-produkter. Cinderella Comfort har en elförbrukning på max 2 000 W och en förbränning kan pågå i mer än en timme. En spänningsomvandlare med en "högsta förbrukning" på 2 000 W kan eventuellt inte bibehålla denna uteffekt och då bli överbelastad, skadad eller osäker när den används tillsammans med en Cinderella Comfort.

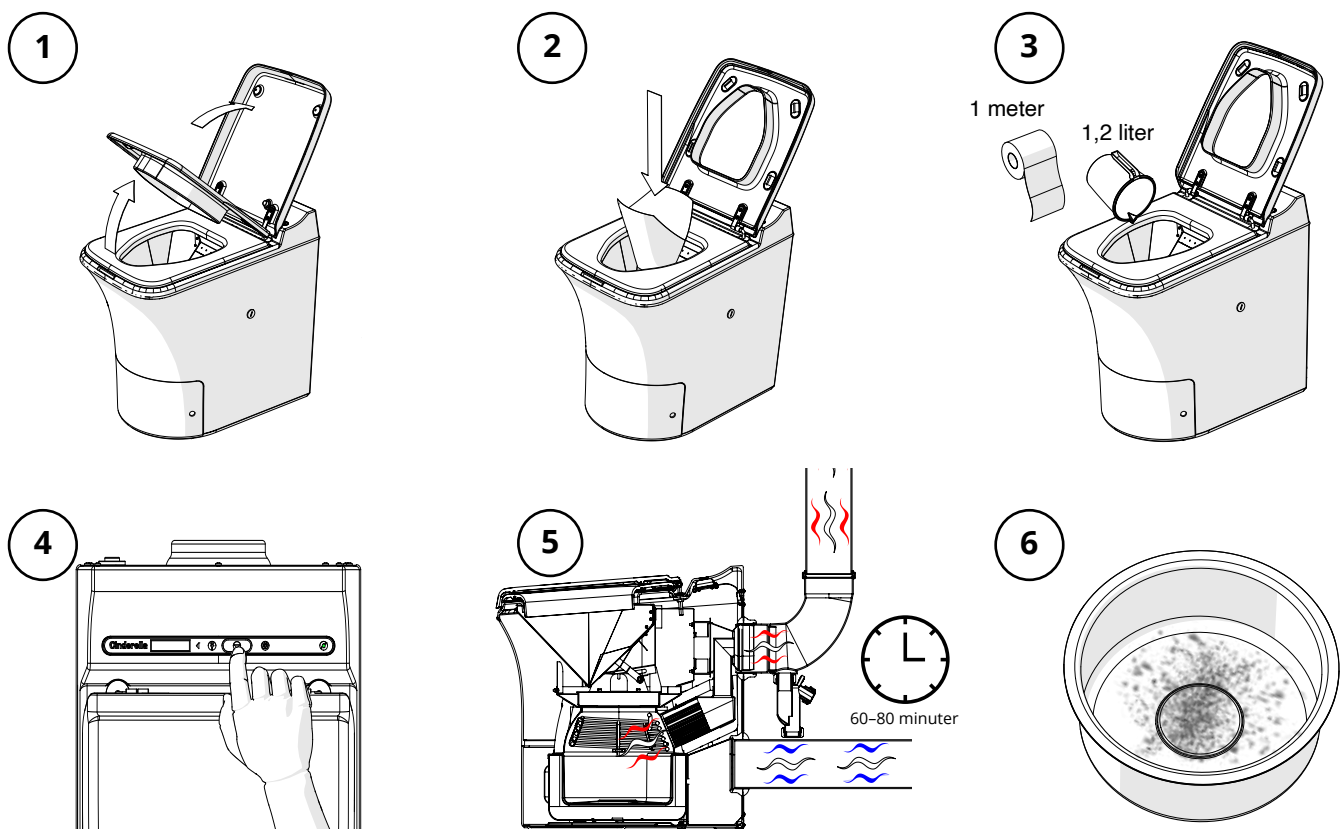
2.7 CHECKLISTA FÖR VERIFIERING AV SLUTFÖRD INSTALLATION

KONTROLLERA FÖLJANDE	KRAVET UPPFYLLT
Produkten är ansluten till den spänning som anges på typskylten	
Produkten är monterad i enlighet med tillverkarens specifikationer	
- Det vertikala skorstensröret är monterat i enlighet med tillverkarens specifikationer	
- Skorstenen mynnar ut högst 600 mm från takytan	
- En självdränerande "sifon" har monterats där kondens sannolikt kan uppstå	
- Material till skorstensröret har monterats i enlighet med tillverkarens specifikationer	
- Skorstenshuven har monterats i enlighet med tillverkarens specifikationer	
- Ett 90 graders vinkelrör har installerats i enlighet med tillverkarens specifikationer	

2.8 PRESTANDATEST FÖR VERIFIERING AV SYSTEMETS FUNKTIONALITET

När startknappen trycks in aktiveras förbränningscykeln. Den beräknade förbränningstiden för verifieringstestet är 60–80 minuter. Den gula lampan lyser när förbränning pågår och testet ska kunna slutföras utan att det förekommer felmeddelanden eller systemavbrott. Toaletten måste svalna ända tills att fläkten stannat innan askbehållaren kan tas ut. Kylningsfasen kan ta 60–90 minuter beroende på omgivningstemperatur.

Slutprodukten ska vara fin vit aska. Eventuellt avvikande utseende eller en förbränningstid som överstiger 90 minuter kan tyda på att skorstenskanalen är igensatt eller att det är brist på syre. Kontrollera att installationen överensstämmer med tillverkarens specifikationer, vilka anges i avsnitt 2 i denna bruksanvisning.



VARNING!

Askbehållaren blir mycket het under förbränning. Ta inte ut askbehållaren förrän toaletten svalnat helt och fläkten stannat.

3. ANVÄNDNING

3.1 AVSEDD ANVÄNDNING OCH HANTERING

Cinderella Comfort-toaletten är avsedd att monteras inomhus för användning i fritidshus, småhus, uthus, baracker, båthus och liknande. Toaletten är endast utformad för förbränning av kroppsliga avfallsprodukter och mindre hygienprodukter som tamponger, bindor och våtservetter som inte innehåller alkohol. Om Cinderella Comfort används för förbränning av andra föremål anses detta som felaktig användning och garantin blir då ogiltig.

Lägg inte något av följande i toaletten:

- Stora mängder papper av något slag
- Klorinbaserade rengöringsmedel
- Rengöringsservetter innehållande alkohol
- Tidningspapper
- Pappershanddukar
- Brandfarliga vätskor eller material
- Cigaretändare
- Cigaretter eller cigarrer
- Bensin
- Alkoholhaltiga drycker eller vätskor
- Alkohol eller rengöringsprit
- Nagellacksborttagning
- Tändvätska
- Lampolja/fotogen
- Aerosolbehållare
- Glas- eller plastflaskor, burkar etc.

3.2 ALLMÄN SÄKERHET



VARNING!

- Använd inte förbränningstoaletten om den har synliga skador.
- Om strömkabeln till toaletten är skadad ska den av säkerhetsskäl bytas ut av tillverkaren, kundservice eller en motsvarande behörig person.
- Denna förbränningstolett får endast repareras av behörig personal. Reparationer utförda av obehöriga personer kan medföra fara eller skada toaletten.
- Rengöring och underhåll får inte utföras av barn utan överinseende.
- Använd inte explosiva ämnen eller brandfarliga rengöringsmedel när toaletten ska rengöras.

3.3 SÄKER DRIFT



VARNING!

- Askbehållaren i toaletten blir mycket varm under förbränning. Se till att säkerhetsluckan sitter på plats när toaletten används. Töm inte askbehållaren förrän toaletten har svalnat helt.
- Sittringen har ingen mjukstängningsfunktion. Akta därför händer och fingrar så att de inte kläms när locket eller sittringen fälls ner.

3.4 CINDERELLA COMFORT SÄKERHETSFUNCTIONER

- Förbränningsprocessen är inaktiv när toalettlocket är uppfällt. Förbränningen startar inte förrän locket och sittringen är nerfällna.
- Luckan till förbränningskammaren kan INTE öppnas så länge toaletten är varm (t.ex. för rengöring). Den kan endast öppnas när toaletten har svalnat och fläkten stannat.
- Om det uppstår problem med ventilationen och temperaturen inuti toaletten stiger till över 105 °C avbryts förbränningen och det visas ett felmeddelande. Innan toaletten kan användas igen måste ventilationsproblemet åtgärdas och systemet omstartas manuellt.
- Om askbehållaren sitter i fel läge efter tömning kommer förbränningen inte att starta och ett felmeddelande visas.
- Om det uppstår problem med förbränningskammarens luckmekanism så att luckan inte kan stängas kommer förbränningen inte att starta och det visas ett felmeddelande.
- Den smarta Cinderella-programvaran övervakar temperaturen under tiden förbränning pågår. Om avvikelser från det normala temperaturintervallet registreras stoppas förbränningen omedelbart och det visas ett felmeddelande.

3.5 VIKTIG INFORMATION TILL ANVÄNDARE



OBS!

- Kom ihåg att sätta en ny påse i toaletten innan den används – en påse per besök.
- Toalettlocket ska alltid vara stängt när toaletten inte används. Förbränningen startar eller återupptas inte förrän locket har stängts.
- Förbränningscykeln kan ta upp till 180 minuter från det senaste besöket.
- Fläkten fortsätter att köra tills förbränningen är avslutad och temperaturen inuti toaletten åter är inom normalintervallet. Nedkylningsfasen kan pågå i mer än 120 minuter efter att förbränningen är klar, beroende på temperaturen på den luft som tillförs.
- Cinderella-toaletten kan användas när som helst under tiden förbränning eller nedkylning pågår. Förbränningen avbryts när toaletten används. Se till att fälla ner locket och trycka på start efter varje besök.



1 timme

Kapacitet: 4 toalettbesök per timme

Cinderella Comfort-toaletten är designad för att kunna hantera upp till fyra besök per timme. För att undvika överbelastning rekommenderas högst fyra besök per timme. Om toaletten överbelastas och det görs flera besök under en kort tidsperiod utan att en förbränningscykel slutförts kan det uppstå dålig lukt och läckage plus att toaletten kan ta skada.



Töm

Tömningsfrekvens

Systemets avfallsbehållare rymmer högst 5 liter. Askbehållaren ska tömmas ofta (en gång i veckan) för att toaletten ska fungera optimalt. Förbränningen blir då mer effektiv och katalysatorn blir renare.

Om askbehållaren inte har tagits ut (för veckovis tömning) visas efter 90 förbränningscykler ett meddelande om att tömning behövs. Om den inte tömts efter 120 besök spärras toaletten för fler besök. Vi rekommenderar att du tömmer toaletten så ofta det är möjligt för att säkerställa en bättre förbränningseffektivitet och mindre slitage på produkten.

Om askbehållaren inte töms när den är full kan toaletten skadas och garantin bli ogiltig.



Längre period

Göra i ordning toaletten för en längre tids uppehåll

Om toaletten inte ska användas under en längre period ska avfallet förbrännas och askbehållaren tömmas.



Max 4 besök

Kort period av ökad användning

Om många väntas använda toaletten under en kort tidsperiod bör du följa dessa råd:

1. Töm askbehållaren helt innan gästerna anländer.
2. Förvärm toaletten innan användning genom att öppna och stänga locket och sedan trycka på startknappen.
3. Informera gästerna om att de ska använda en toalettpåse och sedan trycka på start efter varje besök.
4. Kontrollera regelbundet att toalettlocket är stängt och att den gula förbränningslampan fortfarande lyser.
5. Du kan behöva köra en eller två extra förbränningscykler innan askbehållaren töms för att avfallet ska bli helt förbränt.

3.6 KONTROLLPANELEN

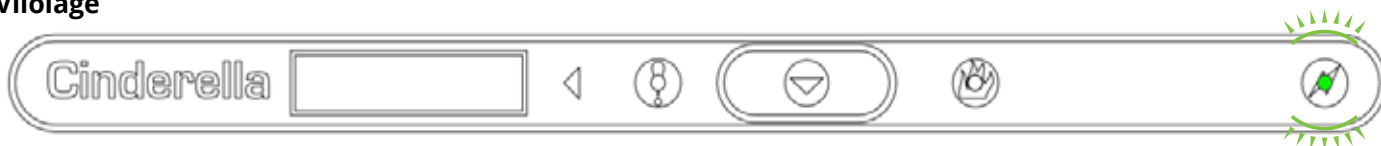
Kontrollpanelen avger både ljus och ljud samt visar meddelanden för att ge bästa möjliga användarupplevelse. Det finns ett antal ljus- och ljudkombinationer som informerar användaren om status för systemet. Det är viktigt att alla användare bekantar sig med dessa signaler innan de använder toaletten. En översikt över ljus- och ljudsignalerna finns i felsökningstabellen i avsnitt 5.1.



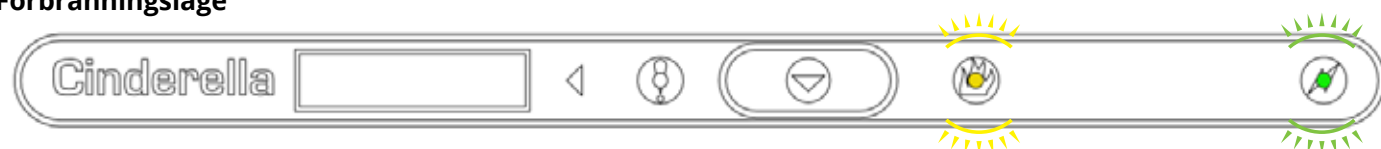
OBS!

- En grön lampa visar att toaletten förses med ström. När endast den gröna lampan lyser är toaletten i viloläge och den är redo att användas.
- En gul lampa visar att förbränningsprocessen pågår. Den lyser konstant så länge toaletten är i förbränningsläge.
- När en röd lampa lyser har ett fel uppstått och toaletten är inte längre i förbrännings- eller viloläge.

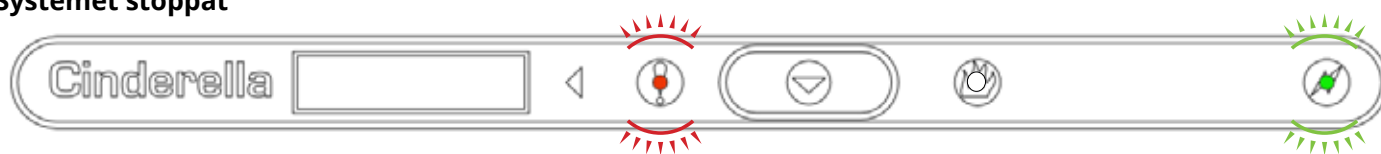
Viloläge



Förbränningsläge



Systemet stoppat

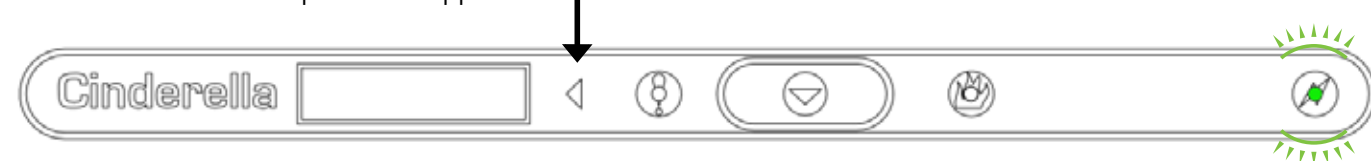


Välja språk

Håll in knappen "välj språk" i tre sekunder tills det står "språk" på första raden.

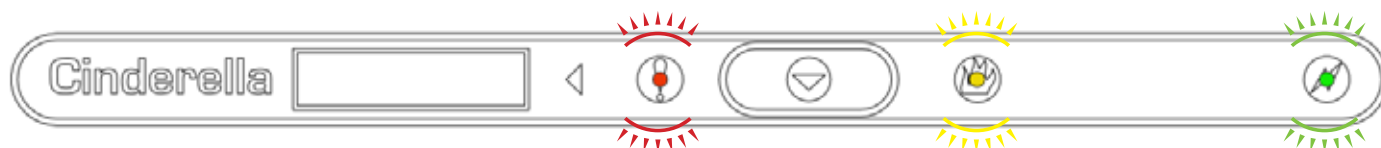
Nuvarande språk visas på andra raden. Tryck in språkvalsknappen upprepade gånger tills önskat språk visas. Det nya språket sparas automatiskt några sekunder efter att du valt språk. Därefter återgår toaletten till driftläge.

Språkvalsknapp



Tömningsindikator

Cinderella Comfort signalerar när det är dags att tömma askbehållaren. På displayen visas "TÖM ASKSKÅLEN" och det hörs tre korta pip när toalettlocket fälls upp. Om den inte töms inom kort kommer toaletten att spärras. Då lyser de gula och röda lamporna konstant och på displayen visas "TOALETT SPÄRRAD ASKSKÅL FULL". Det hörs tre korta pip var tionde sekund tills askbehållaren har tömts.



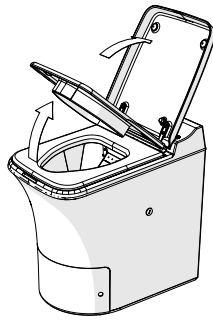
3.7 ATT ANVÄNDA CINDERELLA COMFORT

1



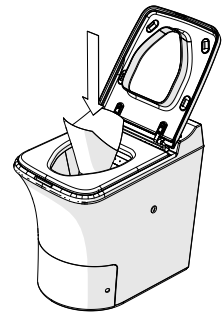
1. Kontrollera att den gröna lampan på kontrollpanelen lyser, dvs. att toaletten är elansluten och redo för användning.

2



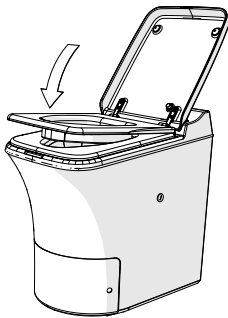
2. Fäll upp toalettlocket och sittringen. Den röda lampan börjar då blinka. Ventilationsfläkten startar.

3



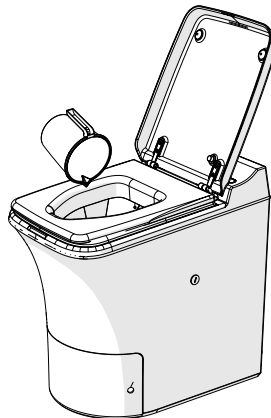
3. Sätt en toalettpåse i skålen. Sätt i en ny påse vid varje besök.

4



4. Fäll ner sittringen. Toaletten är nu redo att användas.

5



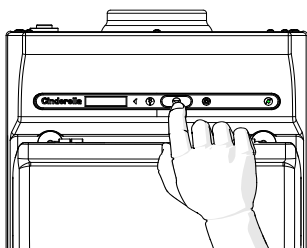
5. Använd toaletten som vanligt. Om det bara finns en liten mängd avfall i påsen kan man hälla lite vatten i påsen så att den blir tyngre.

6



6. Stäng toalettlocket.

7



7. När startknappen trycks in släpps påsen med innehåll ner i förbränningskammaren. Förbränningen startar så snart luckan stängs. Toaletten är nu redo för nästa besök.

8



8. Under förbränningen lyser en gul lampa konstant. Toaletten kan användas under tiden. Då avbryts förbränningen tillfälligt. Förbränningstiden kan variera beroende på antalet besök och mängden avfall.

3.8 HANTERA FRONTPANELEN OCH ASKBEHÅLLAREN



VARNING!

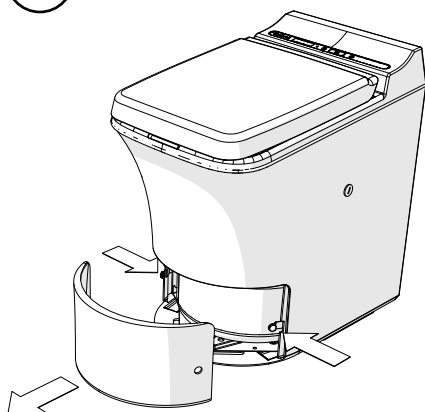
Hantera endast askbehållaren när toaletten är i viloläge och tillräckligt nedkyld.



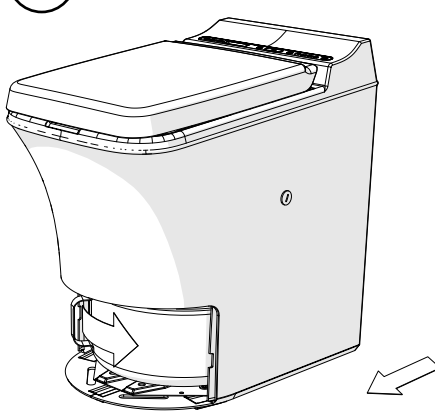
OBS!

I avsnittet om underhåll finns instruktioner om rengöring och tömning av askbehållaren.

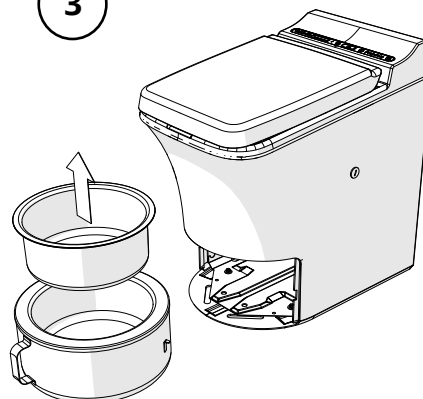
1



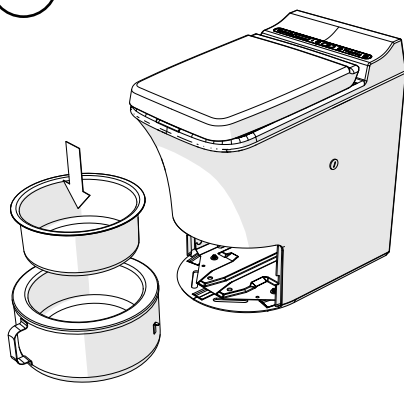
2



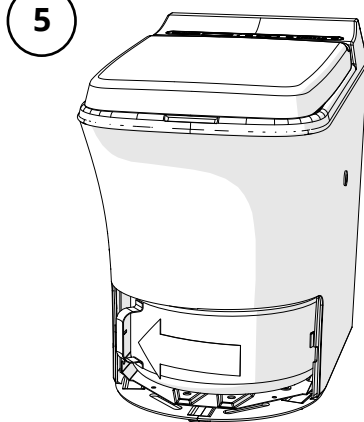
3



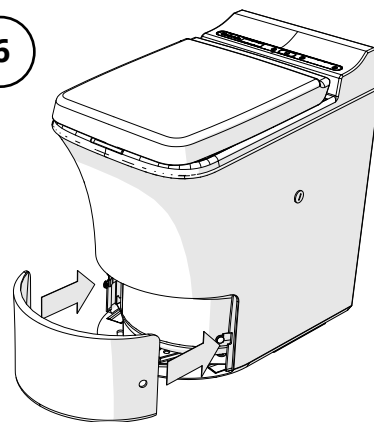
4



5



6



4. ALLMÄNT UNDERHÅLL

Denna bruksanvisning innehåller både information om allmänt underhåll och underhåll som ska utföras av personer som har erforderlig kompetens och behörighet.

En välfungerande ventilationssystem är avgörande för att toaletten ska fungera som avsett. Partiklar som genereras under förbränningsprocessen kan med tiden täppa till katalysatorn och frånluftsröret. Det är därför viktigt att regelbundet underhålla dessa delar för att de ska fungera korrekt.

För att säkerställa en optimal funktionalitet och förlänga livslängden för din Cinderella Comfort behöver du avsätta lite tid för förebyggande underhåll. Med bra rutiner för underhåll blir driftskostnaderna lägre och produkten utsätts för mindre slitage. Vi rekommenderar starkt våra kunder att regelbundet utföra följande underhåll:

1. Töm toaletten ofta. Basera inte underhållsrutinerna på maxgränsen.
2. Rengör alltid askbehållaren och insatsen när de tömts (se avsnitt 4.2.1).
3. Ångtvätta alltid toalettskålen när en förpackning (500) påsar använts, gärna efter att askbehållaren tömts och rengjorts. (Se avsnitt 4.2.2).
4. Kontrollera alltid hur askan ser ut när toaletten töms. Om slutprodukten har ett avvikande utseende kan det behövas underhåll eller service (se avsnitt 4.1).

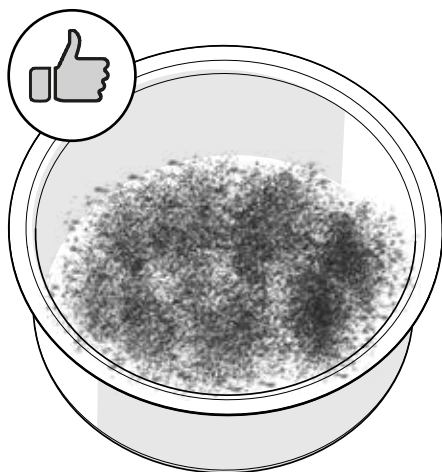


VARNING!

Se till att toaletten inte är i förbränningsläge och att den har svalnat tillräckligt innan underhåll påbörjas.

4.1 SLUTPRODUKTENS EGENSKAPER

Restavfallet, eller askan, innehåller patologiska rester, salter och mineraler och kan därför ofta uppfattas som hårt och kristalliserat. Det ska inte finnas några synliga rester av papper eller flagor av oförbränt avfall. Askan ska bestå av en blandning av vita och mörkgrå partiklar. Om det finns större mängder svart oförbränt avfall, fukt eller papper i behållaren ska en ny förbränning startas utan att ytterligare papper eller vatten tillsätts. När förbränningen avslutats ska behållaren tömmas och underhåll utföras i enlighet med instruktionerna i denna bruksanvisning.

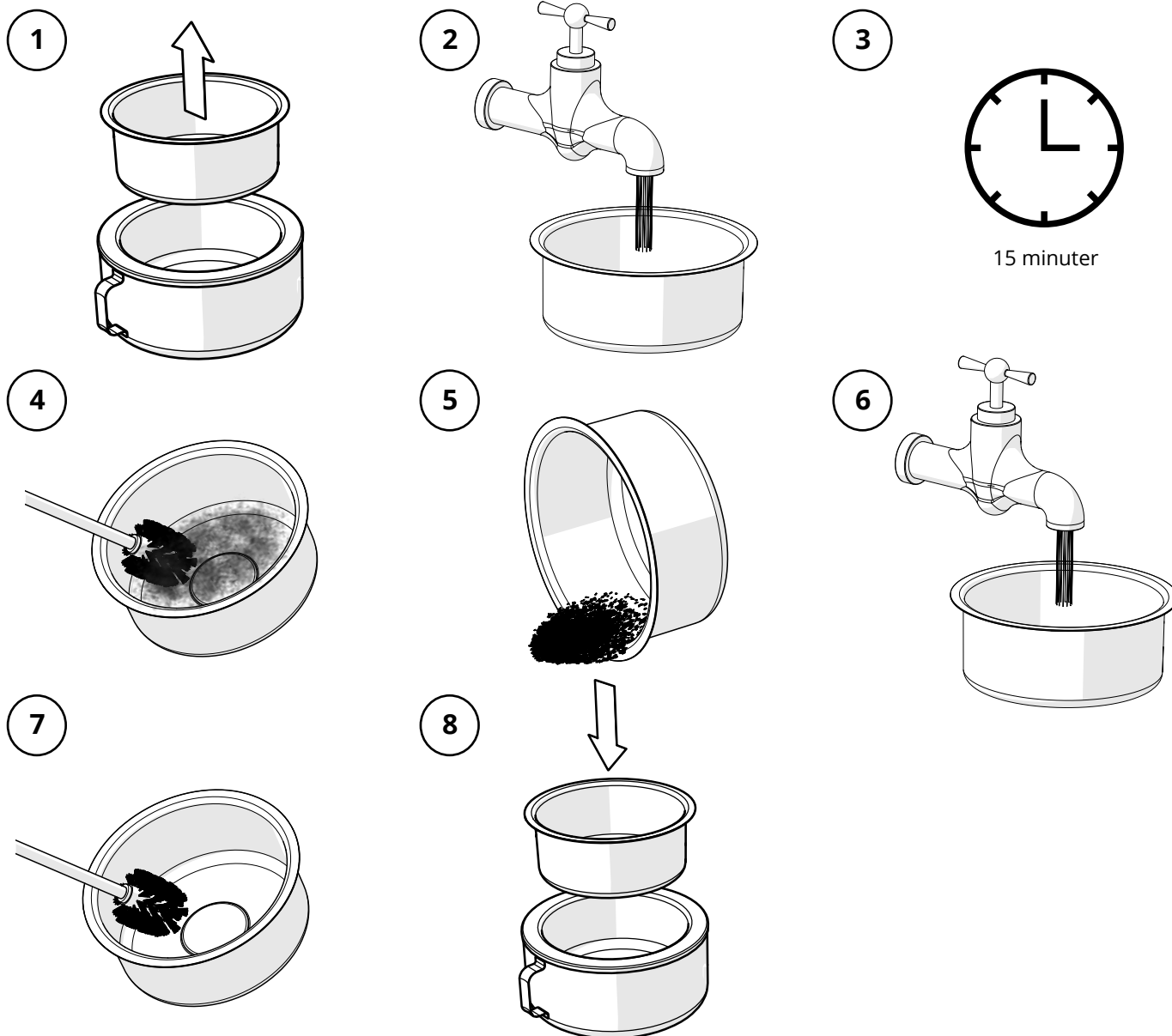


OBSERVERA!

- Askan är inte lämplig att använda som gödning eller kompostmaterial. Den ska sorteras som hushållsavfall i enlighet med gällande bestämmelser.
- Restaskan är steril och säker att hantera när den förbränts ordentligt och har en ljus färg. Om askan är svart och flagig eller förbränningscykeln varit ofullständigt ska en ny förbränning startas så att askan kan förbrännas helt. Om problemen kvarstår finns mer information i felsökningsavsnittet.

4.2 ALLMÄNT UNDERHÅLL

4.2.1 TÖMNING OCH RENGÖRING AV ASKBEHÅLLARE



OBSERVERA!

Använd inte vassa verktyg eller föremål när askbehållarens insats rengörs eftersom den då kan skadas och dess livslängd förkortas.



OBS!

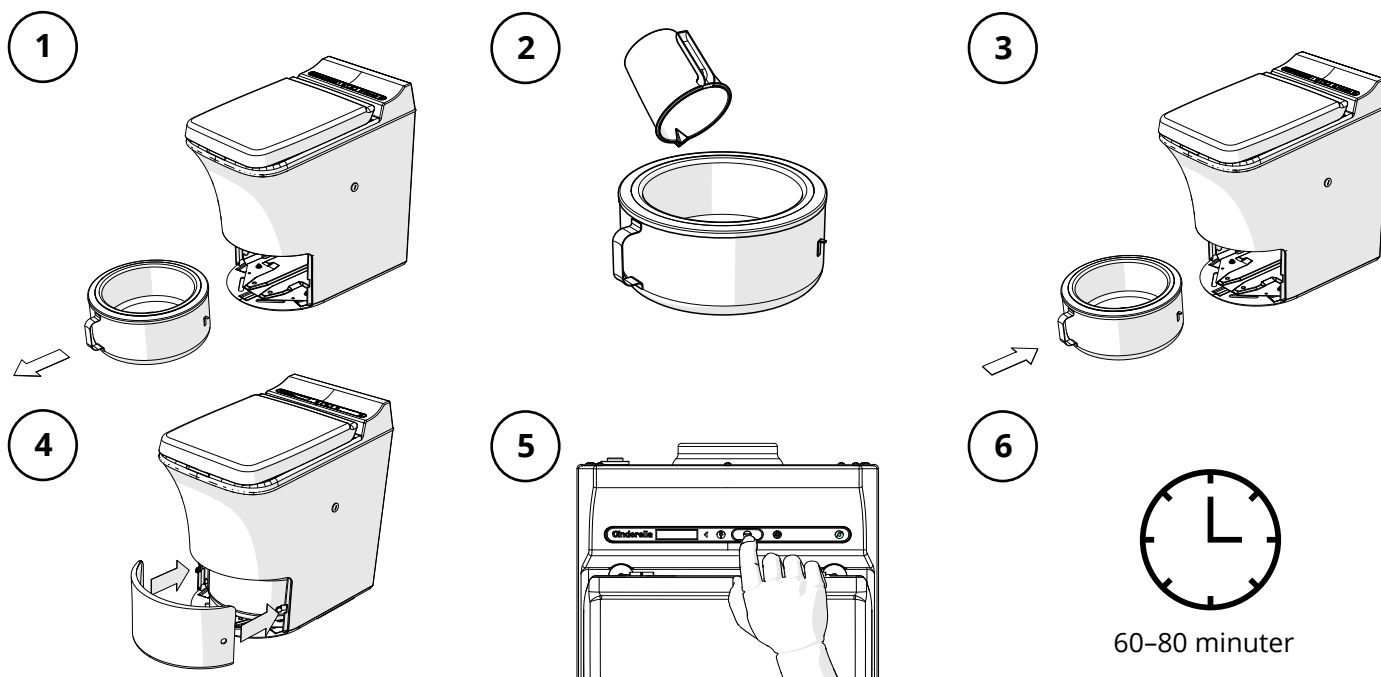
- För att toalettens funktionalitet ska bibehållas rekommenderar vi att du utför ångrengöring i enlighet med avsnitt 4.2.2 varje gång du tömmer och rengör insatsen. Då förhindrar man att det bildas tjära och oönskade avlagringar i katalysatorn och frånluftssystemet.
- Se till att toalettens elkabel är ansluten när askan ska tömmas. Om den töms utan att elen är ansluten kan systemet inte återställa räknaren.

4.2.2 ÅNGRENGÖRING AV KATALYSATORN

Rekommenderad frekvens: När askbehållaren töms eller minst efter var 500:e användning. Att utföra ångrengöring:

1. Kontrollera att toaletten är sval och att askbehållaren tömts och rengjorts (se avsnitt 4.2.1).
2. Ta bort frontpanelen och ta ur askbehållaren.
3. Häll cirka 1 liter rent vatten i insatsen.

4. Sätt försiktigt in askbehållaren så att inget vatten spills ut och sätt tillbaka frontpanelen.
5. Tryck på start för att påbörja en förbränningscykel.
6. Vattnet börjar då koka och ångan kommer att avlägsna eventuell smuts från katalysatorn. Denna rengöring tar normalt 60–80 minuter.



OBS!

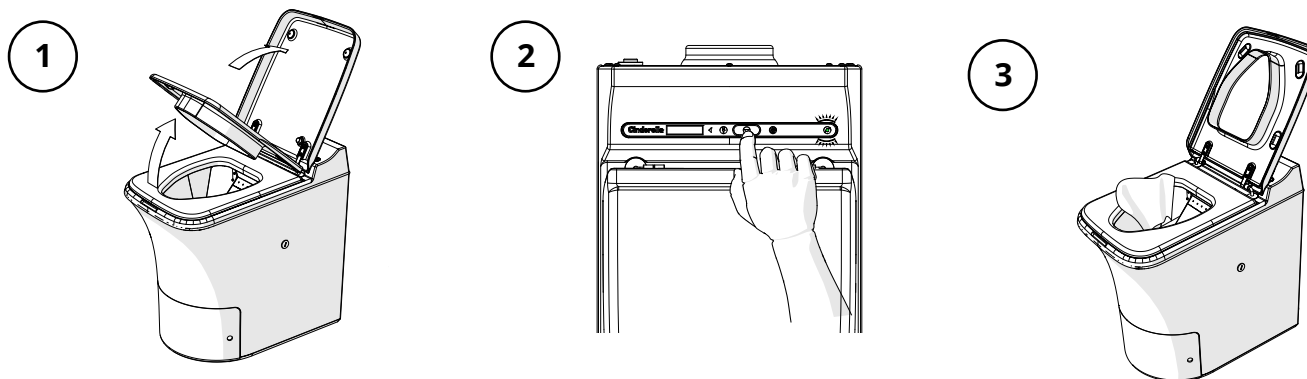
Använd inte toaletten under underhållsprocessen eftersom rengöringsfunktionen då blir mindre effektiv. Toaletten kan användas när den åter försatts i viloläge.

4.2.3 RENGÖRING AV TOALETTSKÅLEN

Rekommenderad frekvens: vid behov samt när askbehållaren töms.

Rengöring av toalettskålen:

1. Fäll upp toalettlocket.
2. Tryck in startknappen i tre sekunder så att luckan ställs i rengöringsläge.
3. Torka med fuktat papper och vid behov ett mildt rengöringsmedel. Stäng locket och starta en förbränning.



VARNING!

Rengör inte toalettskålen med brandfarliga rengöringsmedel. Vissa metalldelar har vassa kanter.



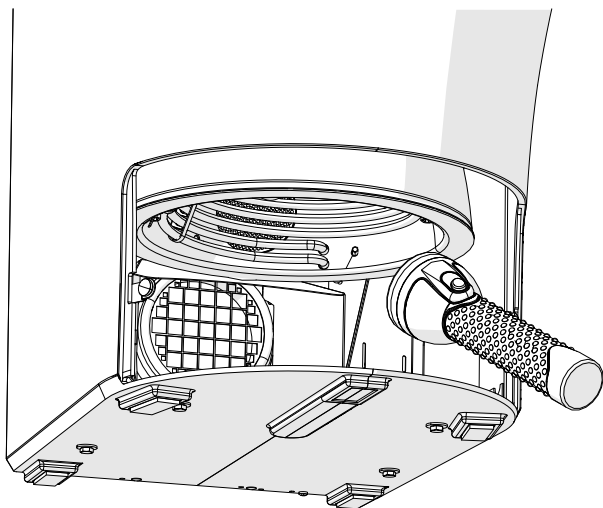
OBSERVERA!

Använd inte klorinbaserade produkter för att rengöra skålen. Klorin är extremt skadligt för katalysatorn och kan orsaka funktionsfel.

4.2.4 INSPEKTERA KATALYSATORN

Rekommenderad frekvens: Efter 500 toalettbesök.

Katalysatorn är den primära luftkanalen mellan förbränningskammaren och skorstensröret. Eventuella partikelansamlingar i katalysatorn kan minska flödes hastigheten och försämra toalettens effektivitet samt orsaka dålig lukt. Det är därför viktigt att se till att katalysatorn alltid är fri från beläggningar. Om förbränningstiden blir längre, förbränningseffektiviteten sämre och det uppstår dålig lukt kan det bero på att katalysatorn är igensatt. Det bästa och enklaste sättet att rengöra katalysatorn på är att utföra ångrengöring. Se beskrivning i avsnitt 4.2.2. Du kan också inspektera fronten på katalysatorn genom att ta bort askbehållaren och lysa upp i förbränningskammaren inifrån. Eventuella partiklar eller lukter som finns kvar efter ångrengöring avlägsnas genom att katalysatorn sköljs i varmt vatten enligt beskrivningen i avsnitt 5.3.2.



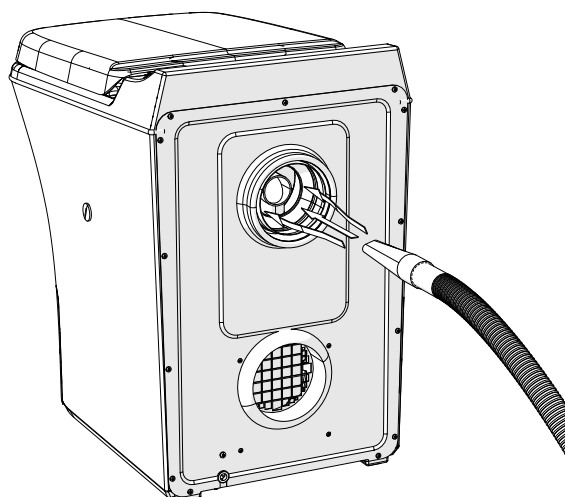
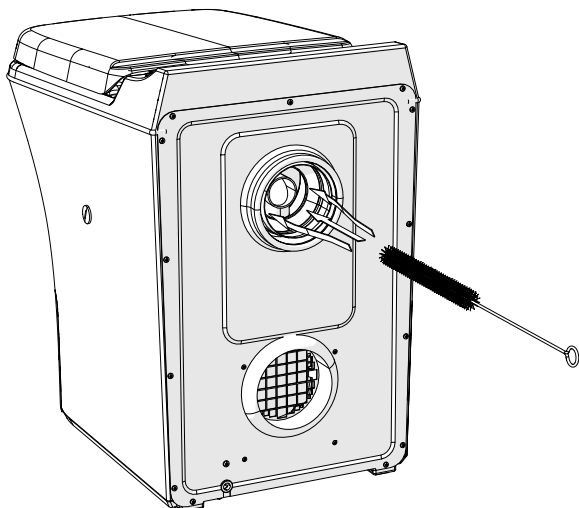
OBS!

Tydliga tecken på korrosion i eller deformation tyder på att katalysatorn behöver bytas. Kontakta din lokala serviceleverantör för att beställa service.

4.2.5 RENGÖRING AV RÖRANSLUTNING

Rekommenderad frekvens: minst efter vart 500:e toalettbesök.

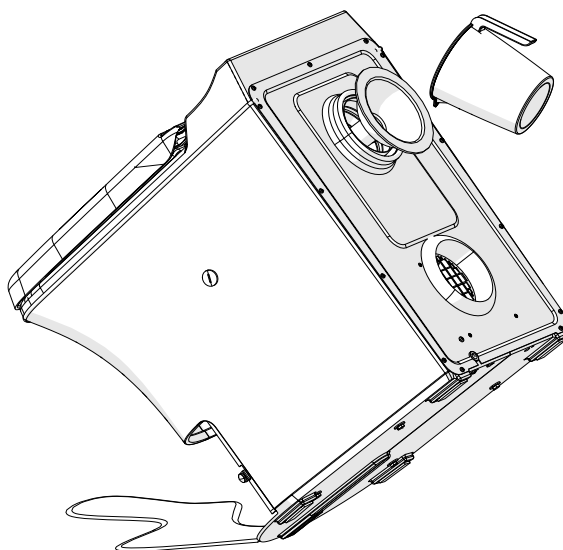
1. Toaletten ska demonteras från skorstensröret och elkabeln ska dras ur.
2. Rengör röranslutningen med en diskborste eller liknande. Det är viktigt att både röret och alla delar ända in till fläktbladen rengörs för att luftflödet ska bli optimalt.
3. Ta ut askbehållaren och avlägsna eventuell smuts från behållaren.
4. Använd en dammsugare för att få bort återstående smuts från frånlufts-röret och katalysatorn.
5. Anslut därefter toaletten till skorstensröret och elkabeln.
6. Montera askbehållaren och frontpanelen.
7. Vi rekommenderar att man utför en ångrengöring enligt beskrivningen i avsnitt 4.2.2 efter att röranslutningen rengjorts.



4.2.6 SKÖLJA KATALYSATORN I VARMVATTEN

Katalysatorn kan behöva spolvas av om alla partiklar eller lukter inte har avlägsnats av ångrengöringen. För detta krävs tunga lyft och ett utrymme som tål vattenspill. Utför steg 1–4 i "Rengöring av röranslutning" och följ sedan beskrivningen nedan.

1. Ställ toaletten på en plats som tål vatten, t.ex. där det finns en golvbrunn, utomhus eller i ett badkar. Använd den specialdesignade Cinderella-tratten eller en tratt som passar i frånluftsroret. Luta toaletten lätt och häll 2–3 liter hett vatten genom röret och katalysatorn. Det vatten som kommer ut ska vara rent när rengöringen är klar. Häll vid behov i mer vatten för att rengöra systemet.
2. Anslut därefter toaletten till skorstenensröret och elkabeln.
3. Montera askbehållaren och frontpanelen.
4. Utför det prestandatest som beskrivs i avsnitt 2.5.



OBS!

Innan toaletten demonteras och systemet sköljs med varmvatten ska katalysatorn kontrolleras och ångrengöring utföras enligt beskrivningen i avsnitt 4.2.2. Om katalysatorn fortfarande är igensatt eller om det luktar illa vid förbränning ska systemet rengöras enligt beskrivningen i avsnitt 4.2.6.

Fronten på det yttre skalet är tunn och kan inte bära upp toalettens hela tyngd. Var försiktig så att fronten inte går sönder när katalysatorn ska sköljas ur.

5. FELSÖKNING OCH VANLIGA FRÅGOR



VARNING!

Service ska alltid utföras i enlighet med alla gällande nationella och lokala bestämmelser. Om du är osäker på vad som gäller där du bor bör du kontakta närmaste återförsäljare eller servicerepresentant. Strömmen ska kopplas bort när service och underhåll utförs på toaletten.

Felsökning online

Driftstatus för toaletten visas på kontrollpanelen via ljud- och ljussignaler. Information om driftavbrott och funktionsfel fås via olika ljud- och ljussignaler. Se beskrivningen i avsnitt 5.1 i denna bruksanvisning. Vi har samlat de vanligaste felen/problemen i en felsökningsguide på webben så att du enkelt kan få svar på vad det är för fel på din toalett samt förslag på hur du själv kan lösa problemet.

Återställa toalettssystemet

Under rengöring och felsökning kan det vara en bra idé att återställa elektroniken. Det gör du genom att trycka in startknappen. Då ska det höras ett kort pip. Håll in knappen i cirka åtta sekunder tills det hörs ett långt pip och släpp sedan knappen.

Felmeddelanden

När lamporna blinkar bör du ta reda på vad det betyder och åtgärda felet innan toaletten används igen. För att undvika skador och onödiga reparationskostnader bör du omedelbart åtgärda eventuella problem som exempelvis dålig lukt, dålig förbränning eller systemfel.

Bimetall-termostaten löser ut

Bimetall-termostaten löser ut om temperaturen inuti toaletten är för hög. Detta inträffar normalt om luftflödet inte är tillräckligt eller om det finns igensättningar i till- eller frånluftskanalerna. Det är därför viktigt att kontrollera att tilluftslösningen uppfyller specifikationerna och att rökventilen är öppen och inte igensatt. Kontrollera katalysatorn visuellt och utför ångrengöring enligt beskrivningen i avsnitt 4.2.2.

Under strömavbrott

Om en förbränningsprocess pågår när det blir strömavbrott kan det börja lukta från toaletten och ryka från skorstenen. Fläkten körs på batteri tills toaletten svalnat. Eftersom förbränningen inte återstartar automatiskt när strömmen är tillbaka måste du starta en ny förbränningscykel manuellt. Om strömavbrottet väntas pågå i längre än två timmar är det viktigt att tömma toaletten på eventuellt avfall eftersom den annars kan ta skada. Använd aldrig toaletten under ett strömavbrott.

Dålig lukt i rummet

Lukter kan uppstå av olika anledningar:

1. Om en toalettpåse inte används vid varje toalettbesök eller om påsen används felaktigt.
2. Luftflödet kan vara blockerat. Kontrollera skorstensröret och skorstenschuven.
3. Kontrollera att produkten har installerats i enlighet med monteringsanvisningarna. Om det inte flödar tillräckligt med luft genom skorstensröret kan det uppstå undertryck och dålig lukt.
4. Frånlufts-röret kan vara igensatt. Se avsnitt 4.3.1.
5. Katalysatorn kan vara igensatt. Se avsnitt 4.3.1.
6. Frånlufts-röret är inte ordentligt fastsatt i toaletten. Se avsnitt 2.5.1.

Dålig lukt utomhus

Orsaken kan vara densamma som inomhus, eller:

1. Katalysatorn har inte uppnått drifttemperatur. När toaletten är kall kan det ta några minuter innan katalysatorn uppnår en temperatur då den börjar fungera som avsett.
2. Katalysatorn kan ha korroderat eller deformerats. Kontakta din serviceleverantör.

5.1 FELSÖKNINGSTABELL



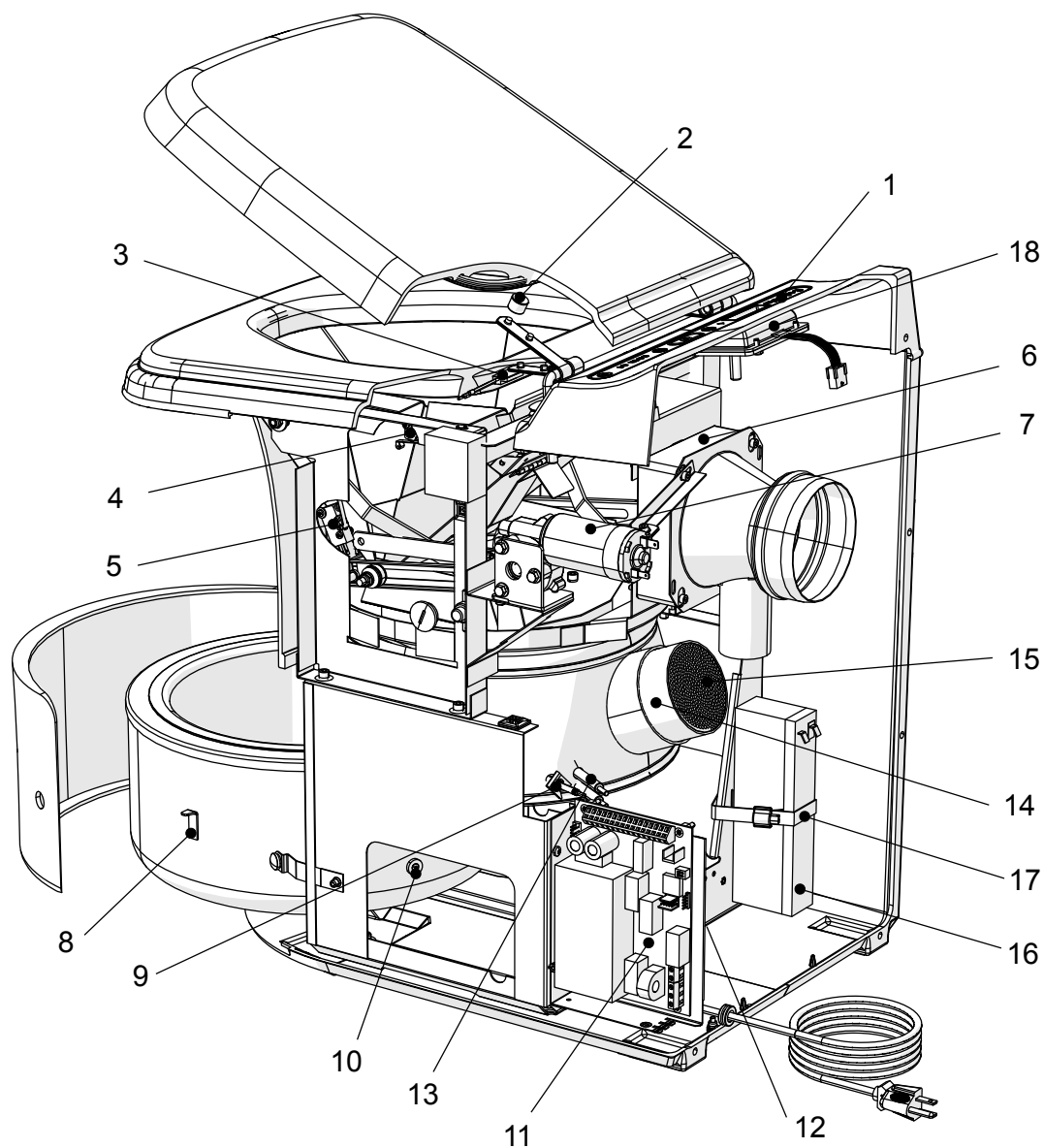
OBS!

Cinderella har utvecklat en digital felsökningsmodul som finns på vår webbplats. Modulen fungerar som en guide och ett komplement till felsökningstabellen. Du hittar den på www.cinderellaeco.com

FEL	MEDDELANDE PÅ DISPLAY	RÖD LAMPA	GUL LAMPA	GRÖN LAMPA	LJUD	ÅTGÄRD
Askbehållaren behöver tömmas	Töm askskålen	BLINKAR	BLINKAR	LYSER STADIGT	3 PIP	1 Ta ut och töm askbehållaren. * Toaletten ska vara ansluten till 230V.
Askbehållaren behöver tömmas. Toaletten låst.	Toalett spärrad askskål full	LYSER STADIGT	LYSER STADIGT	LYSER STADIGT	3 PIP 10 SEKUNDERS MELLANRUM	1 Ta ut och töm askbehållaren. * Toaletten ska vara ansluten till 230V.
Ingen strömförsörjning		AV	AV	AV		1 Kontrollera att toaletten är ansluten till 230V AC.
Fel på ventilationsfläkt	Fel på fläkt	BLINKAR	AV	BLINKAR	10 PIP	1 Kontrollera att fläktbladen kan rotera fritt. 2 Nollställ toaletten (håll ner start). 3 Öppna locket så att den röda lampan blinkar, stäng locket och tryck på start. Ring support om felet kvarstår.
Felfungerande luckmekanism	Fel på luckmekanism	BLINKAR	AV	LYSER STADIGT	10 PIP	1 Nollställ toaletten om den är varm. 2 Öppna locket så att den röda lampan blinkar, stäng locket och tryck på start. 3 Om det inte lyckas – nollställ toaletten, sätt i en toalettpåse och håll tre koppar vatten i den, stäng locket och tryck på start. 4 Om det inte lyckas – vänta tills toaletten svalnat (fläkten stannar). Återstarta sedan toaletten och öppna locket med luckan öppen. 5 Avlägsna manuellt föremål som fastnat. Ring support om problemet kvarstår.
Askbehållaren i fel läge	Askskål i fäl position	BLINKAR	BLINKAR	LYSER STADIGT	3 PIP	1 Justera askbehållarens läge, rotera åt vänster. 2 Kontrollera att spärren på behållaren är intakt. 3 Kontrollera visuellt magneten på behållaren. Ring support om problemet kvarstår.
Värmekretsbrott	Fel på värmekrets	AV	BLINKAR	LYSER STADIGT	KONSTANTA PIP	1 Nollställ toaletten. 2 Kontrollera bimetall-termostaten på toalettens högra sida. Skruva loss den grå pluggen och tryck in säkringen med fingret. Använd inte något vasst föremål. 3 Om säkringen löser ut hörs ett klick. Se avsnitt 5. 4 Om säkringen inte var problemet ska toaletten nollställas och därefter startas. Upprepa några gånger. Ring support om problemet kvarstår.
Toalettlock-sensorn reagerar	Locket är öppet	BLINKAR	AV	LYSER STADIGT	INGET	1 Kontrollera magneten på insidan av toalettlocket och stäng locket. Ring support om problemet kvarstår.
Felfungerande temperatur-sensor	Fel på temperatur-sensor	AV	BLINKAR	BLINKAR	KONSTANTA PIP	1 Nollställ toaletten. 2 Öppna locket så att den röda lampan blinkar, stäng locket och tryck på start. 3 Ring support om problemet kvarstår.
Oläsbart/inget meddelande på displayen	Oläslig/tom display					1 Dra ur elkabeln och vänta i 5 minuter. 2 Sätt i kontakten och starta om toaletten. 3 Ring support om problemet kvarstår.

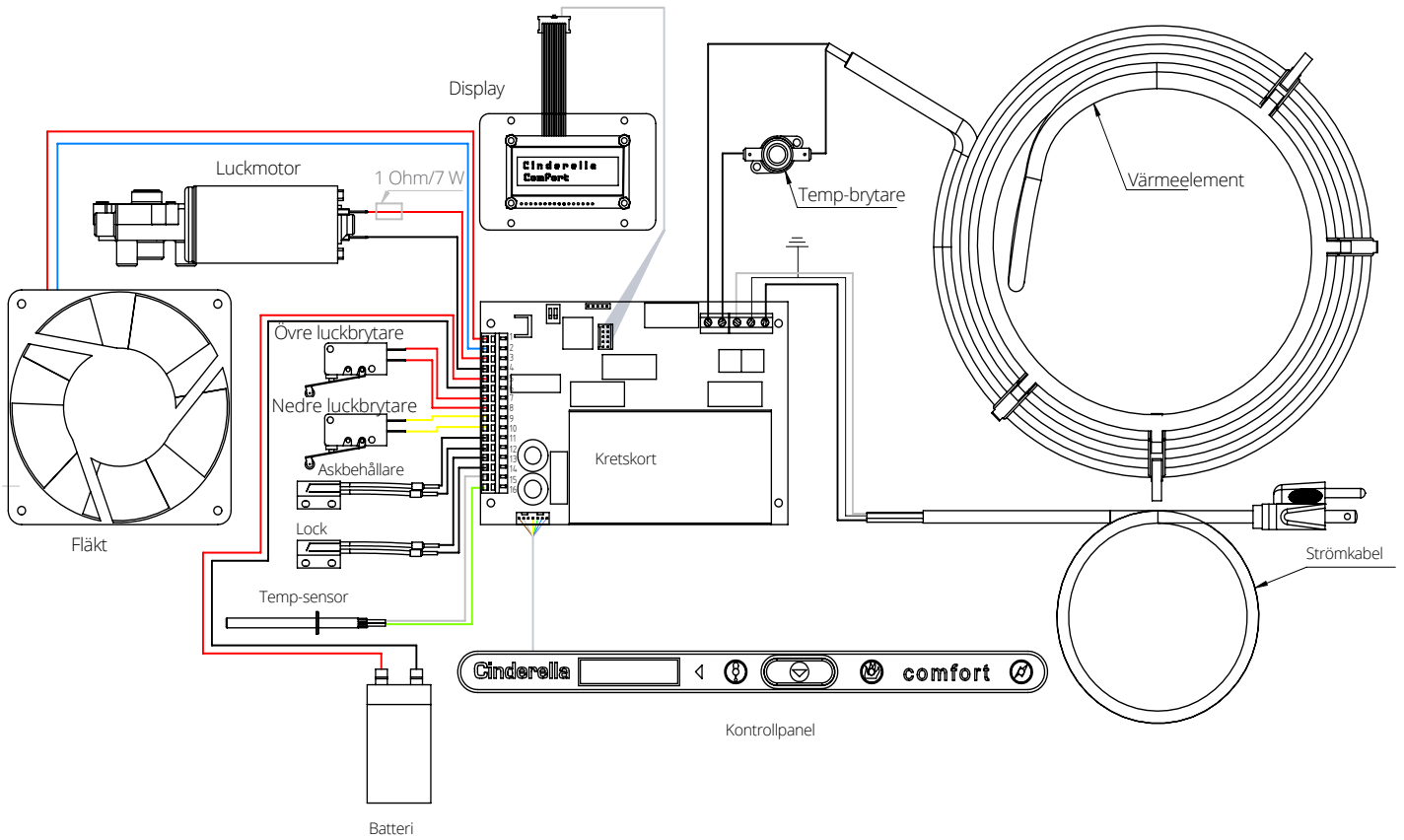
6. REPARATIONER OCH RESERVDELAR

6.1 LISTA ÖVER RESERVDELAR



ID	ARTIKELNAMN	ART. NR	ID	ARTIKELNAMN	ART. NR
1	Kontrollpanel Comfort med display	100115	12	Hall-sensor med kabel, kortare längd	100965
2	Magnet 14x10 mm	100433	13	Värmeelement 230V AC	100862
3	Hallsensor med kabel och tejp L= 330 mm	100964	14	Isoleringsväv, katalysator	100163
4, 5	Mikrobrytare	101127	15	Katalysator 90x75 mm	100528
6	Axiell fläkt 12V DC 119x38 mm	100154	16	Batteri 12V	100083
7	Motor Nidec 12/24V DC	101177	17	Slangklämma 280 mm A4	100932
8	Spärrfäste 9x26x12 mm	100017	18	LED-display 65x36x13 Standardmodul	100401
9	Termoelement L=550 mm	100831			
10	Magnet 14x7 mm	100065			
11	Kretskort (E5)	100063			

6.2 KOPPLINGSSCHEMA



7. Garanti

Vad omfattas av garantin?

Denna garanti omfattar material- och tillverkningsfel på Cinderellas förbränningstolett i enlighet med villkoren samt under den period och med de undantag som anges nedan.

Vad omfattas inte av garantin?

Garantin täcker inte normalt slitage eller skador som orsakats av olyckor (inklusive brand, översvämning, hårt väder eller andra naturhändelser), felaktig användning, underlåtenhet att följa tillverkarens instruktioner eller otillräckligt underhåll. Följdsador täcks inte av denna garanti. Cinderella Eco Group erbjuder ingen "på plats"-garanti. Det innebär att toaletten måste transporteras till en auktoriserad serviceverkstad för service. Om detta inte är möjligt kan serviceföretaget ta ut en transportavgift.

Hur länge gäller garantin?

För konsumenter gäller garantin i tre (3) år från inköpsdatum. Vid professionellt bruk gäller ett (1) års garanti.

Hur hanterar Cinderella Eco Group garantiärenden?

Om du lämnar in ett garantianspråk som är giltigt enligt dessa villkor kommer Cinderella Eco Group efter eget gottfinnande att antingen reparera, ersätta eller återbetala inköpspriset på din Cinderella förbränningstolett.

Hur beställer jag service?

Kontakta din återförsäljare eller en auktoriserad serviceverkstad i det land där du bor. Vilka servicealternativ som finns tillgängliga skiljer sig mellan olika länder.

Du kan behöva lämna in relevanta inköpsbevis när du åberopar garantin. Mer information om garantin finns på vår webbplats: www.cinderellaeco.com

Cinderella Eco Group AS

Sjøvikvegen 67, 6475 Midsund, Norge
www.cinderellaeco.com

SISÄLTÖ

1. YLEISTÄ	3
1.1 JOHDANTO	3
1.2 MÄÄRÄYSTEN MUKAINEN ASENNUS	3
1.3 OHJEKIRJA	3
1.4 VASTUUVARAUMA	3
1.5 HYVÄKSYNNÄT JA SERTIFIKAATIT	3
1.6 KÄYTTÖYMPÄRISTÖ	3
1.7 YLEISET TURVALLISUUSOHJEET	4
1.8 ARVOKILPI	5
1.9 CINDERELLA ONLINE	5
2. ASENNUS	6
2.1 KÄYMÄLÄN JA OSIEN PURKAMINEN PAKKAUKSESTA	6
2.2 CINDERELLA COMFORT -MITAT	6
2.3 CINDERELLA-KÄYMÄLÖIDEN ASENNUSSARJAT	7
2.4 ASENNUSOHJEET	8
2.4.1 OSIEN JA MATERIAALIEN TIEDOT	8
2.5 CINDERELLA-POLTTOKÄYMÄLÄN ASENNUS	8
2.5.1 SAVUHORMIN ASENNUS	9
2.5.2 VAAKASUUNTAISEN KORVAUSILMAPUTKEN ASENNUS	10
2.5.3 CINDERELLAN SAVUHORMIN HATUN ASENNUS	11
2.6 SÄHKÖTEKNISET TIEDOT JA VAATIMUKSET	11
2.7 ASENNUKSEN TARKISTUSLISTA	12
2.8 TOIMIVUUSTESTAUS	12
3. KÄYTTÖOHJEET	13
3.1 LAITTEEN KÄYTTÖTARKOITUS JA KÄSITTELY	13
3.2 YLEISTÄ TURVALLISUUSTIETOA	13
3.3 TURVATOIMET	13
3.4 CINDERELLA COMFORT -POLTTOKÄYMÄLÄN TURVALLISUUSOMINAISUUDET	13
3.5 TIETOA KÄYTTÄJÄLLE	14
3.6 OHJAUSPANEELI	15
3.7 CINDERELLA COMFORT -KÄYMÄLÄN KÄYTTÖ	16
3.8 ETULUUKUN JA TUHKASÄILIÖN KÄYTTÖ	17
4. YLEISET HUOLTO-OHJEET	18
4.1 TUHKAN KOOSTUMUS	18
4.2 HUOLTO-OHJEET KÄYTTÄJÄLLE	19
4.2.1 TUHKASÄILIÖN TYHJENNYS JA PUHDISTUS	19
4.2.2 KATALYSAATTORIN HÖYRYPUHDISTUS	19
4.2.3 KÄYMÄLÄN ALTAAN PUHDISTUS	20
4.2.4 KATALYSAATTORIN TARKISTUS	21
4.2.5 SAVUHORMIN LIITÄNNÄN PUHDISTUS	21
4.2.6 KATALYSAATTORIN HUUHTELU KUUMALLA VEDELLÄ	22
5. VIANETSINTÄ JA USEIN KYSYTTYÄ	23
5.1 VIANETSINTÄTAULUKKO	24
6. KORJAUS JA VARAOSAT	25
6.1 VARAOSALUETTELO	25
6.2 KYTKENTÄKAAVIO	26
7. TAKUU	27

1. YLEISTÄ

1.1 JOHDANTO

Cinderella-polttokäymälän toimivuuden varmistamiseksi on huolehdittava riittävästä ilmanvaihdosta tämän ohjeen mukaisesti. Vääränlainen asennus saattaa johtaa toimintahäiriöön, kulumiseen tai hajunmuodostukseen, ja se mitätöi takuun. Polttokäymälän asennuksessa on noudatettava asennusmaan määräyksiä.

1.2 MÄÄRÄYSTEN MUKAINEN ASENNUS

Tämä laite on tarkoitettu virtsan ja ulosteen sekä pienten hygienia tuotteiden, kuten tamponien ja alkoholittomien vauvan tai kasvojen puhdistuspyyhkeiden polttamiseen.

1.3 OHJEKIRJA

Lue tämä ohjekirja huolellisesti ennen asennusta ja ensimmäistä käyttökertaa. Säilytä ohjeet myöhempää tarvetta varten. Jos luovutat polttokäymälän jollekulle muulle, toimita tämä ohjekirja sen mukana.

Tässä ohjekirjassa opastetaan tuotteen oikeanlainen asennus, käyttö ja huolto. Sekä asentajan että käyttäjän on tärkeää lukea tämä ohjekirja. Ohjekirja sisältää myös tietoa ammattilaisella teetettävistä ylläpito-, huolto- ja korjaustoimista.

1.4 VASTUUVARAUMA

Valmistaja ei vastaa vahingoista seuraavissa tilanteissa:

- Väärin tehty asennus
- Väärään jännitteeseen kytkemisestä aiheutuva tuotteen vahingoittuminen
- Tuotteeseen ilman valmistajan nimenomaista lupaa tehdyt muutokset
- Muu kuin tämän ohjekirjan mukainen käyttö
- Käyttö- ja huolto-ohjeiden laiminlyönti
- Määräysten vastainen käyttö
- Muiden kuin alkuperäisten suojaussien ja varaosien käyttö

1.5 HYVÄKSYNNÄT JA SERTIFIKAATIT

Cinderella Comfort -polttokäymälänä on NEMKOn perusteellisesti testaama eurooppalaisen sähköturvallisuusstandardin ja sähkömagneettisen yhteensopivuusstandardin mukaisesti.

1.6 KÄYTTÖYMPÄRISTÖ

- Käyttölämpötila: -20...+40 °C
- Käyttökorkeus: Testattu 2 500 metrin korkeudessa



HUOMIO!

Cinderella-polttokäymälä tulee asentaa siten, että vähimmäisetäisyys palaviin rakenteisiin on: sivuilla 50 mm, takana 50 mm.

1.7 YLEISET TURVALLISUUSOHJEET



VAARA!

Turvallisuusohjeet: Ohjeiden huomiotta jättäminen voi aiheuttaa vakavan vamman tai hengenvaaran.



VAROITUS!

Turvallisuusohjeet: Ohjeiden huomiotta jättäminen voi aiheuttaa vakavan vamman.



HUOMIO!

Ohjeiden huomiotta jättäminen voi aiheuttaa aineellisia vahinkoja tai heikentää tuotteen toimivuutta.



HUOMAUTUS!

Lisätietoa tuotteen käyttämisestä.



VAARA!

- Älä suihkuta aerosoleja käynnissä olevan laitteen läheisyydessä.
- Älä säilytä herkästi syttyviä materiaaleja laitteessa tai sen lähellä.
- Älä sijoita esineitä laitteen päälle tai nojaamaan laitteeseen.
- Älä tee laitteeseen muutoksia.



VAARA!

- Jos polttokäymälässä on näkyviä vaurioita, älä käytä sitä.
- Jos polttokäymälän virtajohto on vioittunut, valmistajan, asiakaspalvelun tai muun koulutetun ammattilaisen on vaihdettava se uuteen vaaratilanteiden ehkäisemiseksi.
- Polttokäymälän korjaustyöt saa tehdä vain koulutettu ammattilainen. Väärin tehdyistä korjauksista voi aiheutua vakavia vaaratilanteita.
- Polttokäymälää saa käyttää vain sen takapuolella olevaan arvokilpeen merkityllä jännitteellä.



VAROITUS!

- Puristumisvaara! Älä laita kättä saranalle tai istuinkansien alle kansien ollessa auki, sillä istuinkannet eivät sulkeudu pehmeästi.
- Älä tyhjennä tuhkasäiliötä sisällön ollessa kuumaa.
- Varmista ennen käynnistämistä, että virtajohto ja pistoke ovat kuivat.







HUOMIO!

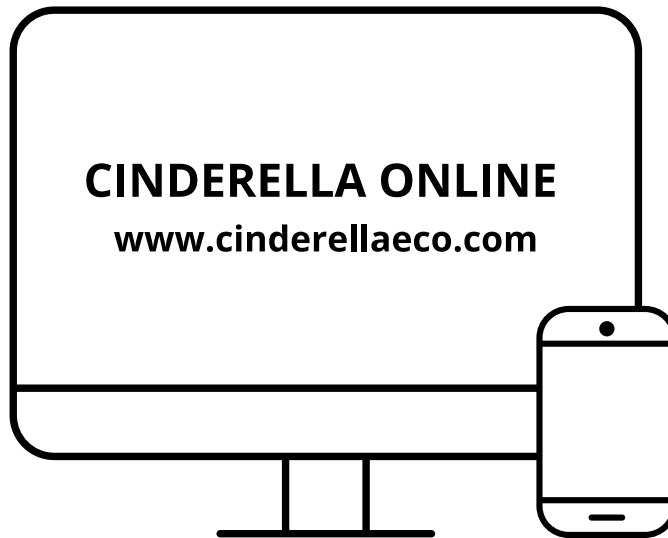
- Käymälää kannettaessa sitä tulee pitää kiinni rungosta. Älä kanna virtajohdosta, etuluukusta, istuinkansista tai poistoaukosta.
- Ylikuumenemisvaara! Huolehdi aina riittävästä ilmanvaihdosta, jotta polton aikana syntyvät lämpö ja palokaasut pääsevät haihtumaan savuhormin kautta. Huolehdi järjestelmän hyvästä ilmankierrosta. Huolehdi aina käymälän riittävästä ilmanvaihdosta. Varmista, että käymälä on riittävän etäisyyden päässä seinistä ja muista kohteista, jotta ilma pääsee kiertämään.

1.8 ARVOKILPI

Arvokilpi sijaitsee polttokäymälän takalevyssä. Se sisältää laitteen mallin ja tyyppin, tekniset tiedot ja tukitiedot. Näitä tietoja tarvitaan, kun otat yhteyttä asiakaspalveluun tai tilaat varaosia.

<p>MANUFACTURER</p>  <p>Cinderella Incineration Toilets</p> <p>CINDERELLA ECO GROUP AS Sjøvikvegen 67, 6475 Midsund, NORWAY</p> <p>For sales and support call +47 77711500 or visit our web www.cinderellaeco.com</p> <p>CINDERELLA COMFORT MODEL:COMFORT EU SERIAL:</p>	<p>Appliance Specifications</p> <p>VOLTAGE..... 230-240 V AC 50-60Hz CURRENT 9 A HEATING ELEMENT:..... 2000W EL MOTOR: 12 V DC BATTERY: 12 V DC 2,6 Ah FAN BLOWER..... 12 V DC CAPACITY..... 4 Uses Pr. Hour DESIGNED FOR HOME / CABINS YEAR OF MANUFACTURING..... 2022</p>	  
---	--	---

1.9 CINDERELLA ONLINE



TUOTTEEN REKISTERÖINTI

Kun rekisteröit polttokäymälän My Cinderella -palvelussa, saat tietoa tuotteista ja tuotetuesta sekä käymälämalliisi liittyviä tarjouksia. Jos tuote varastetaan, rekisteröityjen tuotteiden tiedot ovat tietokannassamme.

Vianetsintä verkossa

Kattava polttokäymälän ohjeisto, josta saat hyödyllisiä neuvoja ja käyttäjän tehtävissä olevia korjausohjeita ja jonka avulla pystyt ratkaisemaan tavallisimman vikatilanteet ilman tukipalveluun soittamista.

Tietojen saatavuus

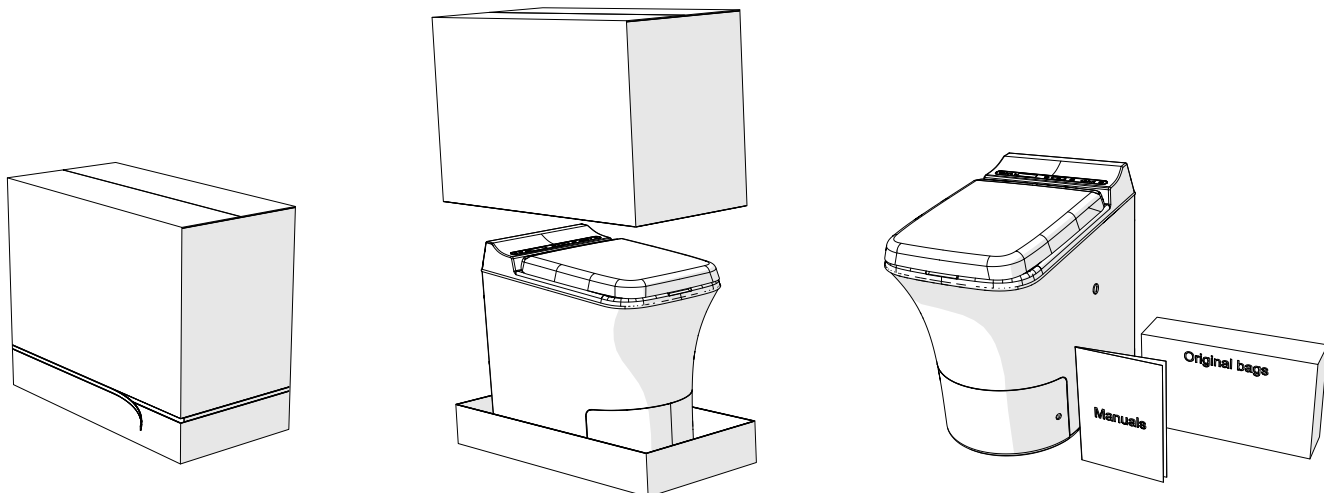
Tuotteesi dokumentaatio on ladattavissa verkosta dokumentaatiokeskuksesta, josta löydät tuotteen ohjekirjan, huolto-ohjeet ja elektroniikkaromun purkuohjeet.

Huolto ja varaosat

Kun valitset maan, saat huoltoa ja varaosia tarjoavien paikallisten jälleenmyyjien tiedot.

2. ASENNUS

2.1 CINDERELLA-POLTTOKÄYMÄLÄN PURKAMINEN PAKKAUKSESTA



HUOMAUTUS!

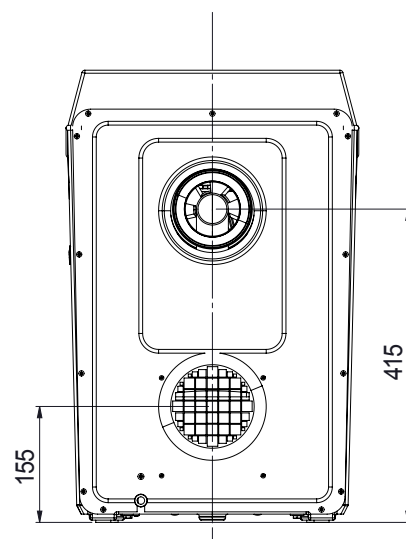
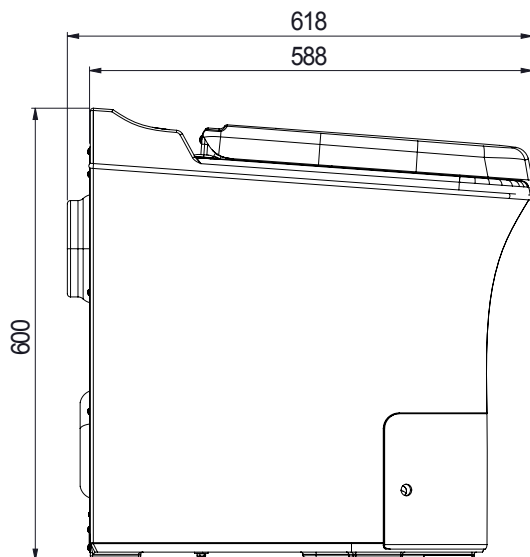
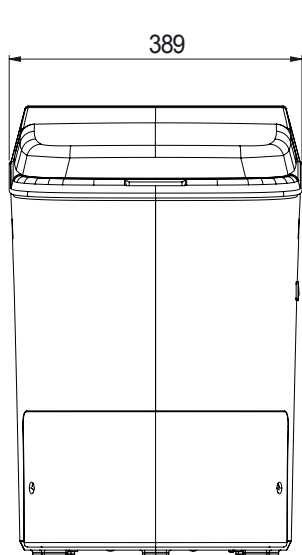
Avaa Cinderella-polttokäymälän pakkaus sen alaosassa olevasta avausnauhasta. Avaa nauha koko matkalta ja poista laatikon yläosa.

TOIMITUSSISÄLTÖ	MÄÄRÄ
Cinderella Comfort	1
Suojapussit	100
Ohjekirja	1

2.2 MITAT

Korkeus	600 mm
Istuinkorkeus	540 mm
Leveys	390 mm

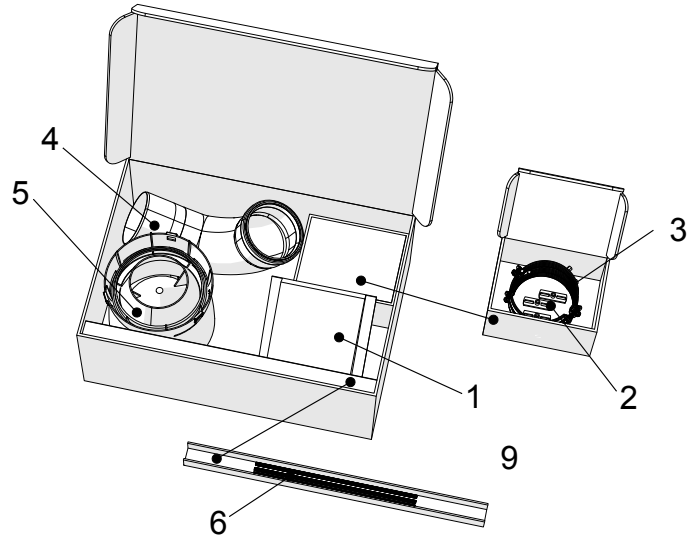
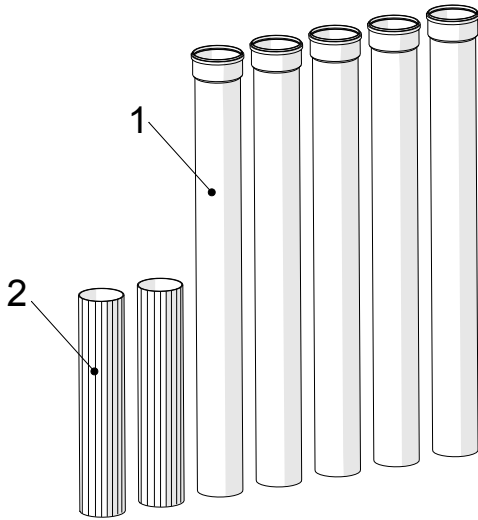
Syvyys	590 mm
Savuhormin keskikohdan korkeus	415 mm
Korvausilmaputken keskikohdan korkeus	155 mm



2.3 CINDERELLA-KÄYMÄLÖIDEN ASENNUSSARJAT

Cinderella Arctic -asennussarja: Cinderella on kehittänyt asennussarjan, joka soveltuu erityisesti kylmissä olosuhteissa tehtäviin asennuksiin. Tämä sarja on kehitetty Cinderella-polttokäymälän asennukseen, ja siinä käymälän kuoren sisään lisätään eriste, joka estää veden tiivistymistä ja jäätymistä laitteeseen. Se ehkäisee tuotteen ja sen sisäpuolen kulumista. Lisätietoja saat jälleenmyyjältä tai osoitteesta www.cinderellaeco.com.

Cinderella-asennussarja: Suosittelemme käyttämään polttokäymälän asennuksessa Cinderella-asennussarjaa. Tämä asennussarja sisältää kaikki tarvittavat osat käymälän asentamiseen, polton optimointiin ja käymälän ihanteellisen toiminnan takaamiseen. Asennussarja koostuu kahdesta pakkauksesta. Pakkaus 1 sisältää laadukkaat 7 x 110 mm:n UV-stabiloidut muoviputket korvaus- ja poistoilmanvaihdon asentamiseen. Pakkaus 2 sisältää optimoidun savuhormin hatun ja mutkaputken, jotka parantavat virtausta ja polton tehokkuutta. Lisäksi se sisältää korvausilmaputken tuulensuojan sekä putkien asennuksessa käytettävät putket ja kiristimet.



CINDERELLA-ASENNUSSARJA		MÄÄRÄ
1	Savuhormiputki 1066 mm uros-naaras	5
2	Savuhormiputki 500 mm uros-uros	2

CINDERELLA-ASENNUSSARJA		MÄÄRÄ
1	Tuulensuoja	1
2	Seinäkiinnike	3
3	Tukikiristin	3
4	Mutkaputki 87	1
5	Savuhormin hattu	1
6	Kierretanko 30 mm	3



HUOMAUTUS!

- Tässä ohjekirjassa kuvataan polttokäymälän asennus Cinderella-asennussarjan avulla. Jos haluat käyttää Cinderella-polttokäymälän asennuksessa muita kuin alkuperäisiä putkia ja osia, niiden tulee täyttää kohdassa 2.4.1 Osien ja materiaalien tiedot olevat vaatimukset.
- Cinderella-polttokäymälän asianmukaisen toiminnan varmistamiseksi on huolehdittava riittävästä ilmanvaihdosta tämän ohjekirjan ohjeiden mukaisesti. Valmistajan ohjeista poikkeava asennus ja muiden kuin vaatimukset täyttävien osien käyttäminen laitteen asentamisessa aiheuttaa laitteen toimintahäiriöitä, kulumista ja hajunmuodostusta sekä mitätöi takuun.

2.4 ASENNUSOHJEET

2.4.1 OSIEN JA MATERIAALIEN TIEDOT

OSA	TEKNISET TIEDOT
Ilmanvaihtoputket	Cinderella Comfort -polttokäymälän asennuksessa tulee käyttää 110 mm:n putkia, joissa on sileä sisäpinta ja joiden sisähalkaisija on vähintään 102 mm. Putken materiaalin tulee kestää yli 100 °C:n lämpötilaa ja olla mieluiten PP- tai CPVC-materiaalia. Suosittelemme käyttämään Cinderellan alkuperäisiä PP-putkia.
Mutkaputki (poistoilma)	Cinderella Comfort -polttokäymälän asennuksessa tulee käyttää sileää mutkaputkea, joka rajoittaa ilmavirtaa mahdollisimman vähän. Suosittelemme käyttämään Cinderellan alkuperäistä mutkaputkea 87°.
Savuhormin hattu	Cinderella Comfort -polttokäymälän asennuksessa on käytettävä savuhormin hattua, joka estää sadeveden pääsyn käymälään ja joka rajoittaa ilmavirtaa mahdollisimman vähän. Cinderella-polttokäymälän ilmanvaihdossa ei saa käyttää tuulituulettimia tai vastaavia. Suosittelemme käyttämään Cinderellan alkuperäistä savuhormin hattua.



HUOMAUTUS!

- Savuhormin sisäpinnan tulee olla sileä. Se ei saa olla kohokuvioitu tai uritettu.
- Savuhormissa ei saa käyttää verkkoa, sillä se voi rajoittaa ilmanvaihtoa.
- Mutkaputki tulee asentaa siten, että siihen pääsee käsiksi ja tyhjennysputki voidaan huuhdella ja poistoputki puhdistaa.
- Cinderella Comfort soveltuu kylpyhuoneissa ja märkätiloissa käytettäväksi (IP-luokka 34), mutta käymälän ulkopintoja ei saa altistaa vesiroiskeille.
- Käymälä tulee sijoittaa tukevalle ja tasaiselle alustalle. Cinderella-polttokäymälän saa asentaa lämmitetylle lattialle.

2.5 CINDERELLA-POLTTOKÄYMÄLÄN ASENNUS

Cinderella-polttokäymälän toimivuuden varmistamiseksi on huolehdittava riittävästä ilmanvaihdosta tämän ohjeen mukaisesti. Vääränlainen asennus saattaa johtaa toimintahäiriöön, kulumiseen tai hajunmuodostukseen, ja se mitätöi takuun. Lue koko asennusohje huolellisesti kohta kohdalta ennen asentamisen aloittamista. Asennuksen saa tehdä vain koulutettu ammattilainen, ja asennus tulee tehdä paikallisten määräysten mukaisesti.



HUOMIO!

- Laite tulee asentaa käyttömaan määräysten mukaisesti. Suosittelemme kääntymään jälleenmyyjän puoleen asennuksen suunnittelussa ja asentamisessa.
- Mutkaputken lisäksi asennuksessa ei saa käyttää muita 90 asteen mutkaputkia.
- Mahdolliset katon läpiviennit on tehtävä rakentamismääräysten mukaisesti.
- Cinderella-polttokäymälän asennuksessa ei saa käyttää taipuisia putkia.
- Älä liitä poistoilmakanavaan muita laitteita.
- Mutkaputki tulee asentaa siten, että siihen pääsee käsiksi ja tyhjennysputki voidaan huuhdella ja poistoputki puhdistaa säännöllisesti.

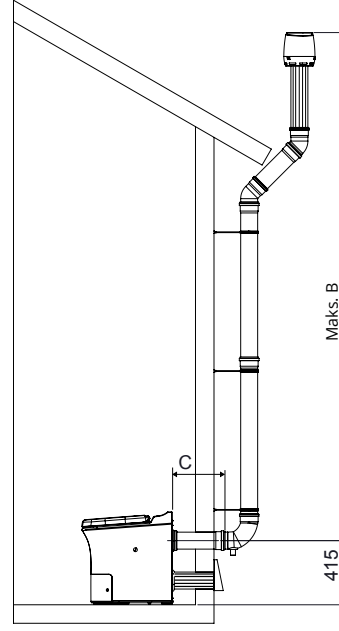
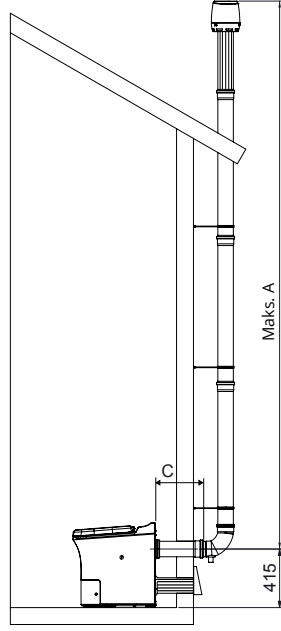
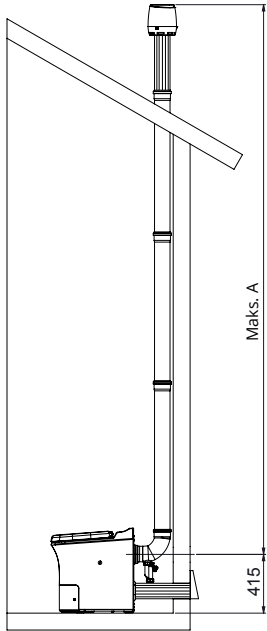


VAROITUS!

Tarkista aina ennen läpivientien tekemistä, että kohdassa ei ole sähköjohtoja tai vesiputkia.

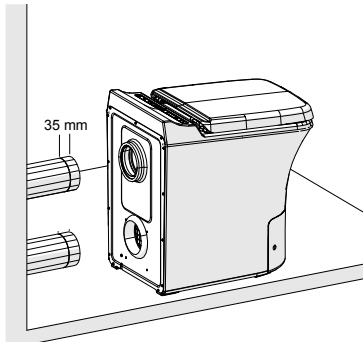
2.5.1 SAVUHORMIN ASENNUS

SAVUHORMIN Ø	PUTKEN SUUNTA	KUVASSA	MUTKAT	PUTKEN ENIMMÄISPITUUS
110 mm	Savuhormi (vaaka)	C	(ei sallittu)	1,0 m
110 mm	Savuhormi (pysty)	A	-	6,0 m
110 mm	Savuhormi (pysty)	B	2 x 45° mutka	5,0 m



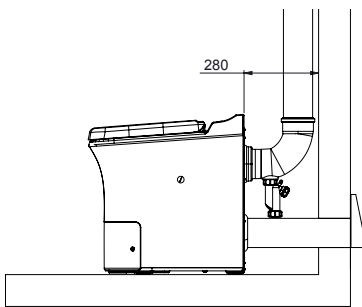
HUOMAUTUS!

Savuhormin liitännän keskikohdan tulee olla 415 mm lattian pinnan yläpuolella.



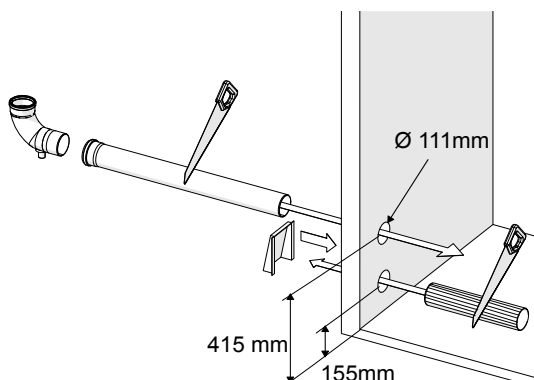
HUOMAUTUS!

Putken pituutta määritettäessä on otettava huomioon, että putki menee 35 mm laitteen liitoskohdan sisään.



HUOMAUTUS!

Pystyputken asennuksen yhteydessä on otettava huomioon, että laitteen vähimmäisetäisyyden seinästä on oltava 280 mm.



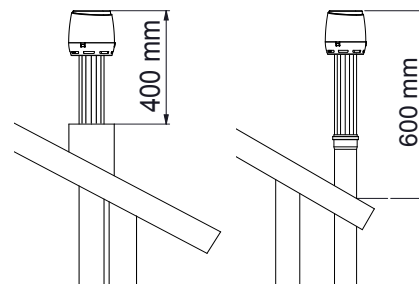
HUOMAUTUS!

Cinderella-asennussarja sisältää viisi 1066 mm:n putkea poistoilmavaihdon asentamiseen. Putkien mukana toimitetaan asennusta helpottavat istukat ja tiivisteet. Jos putki asennetaan ulkoseinään, se on asennettava ulkoa sisälle päin.



HUOMAUTUS!

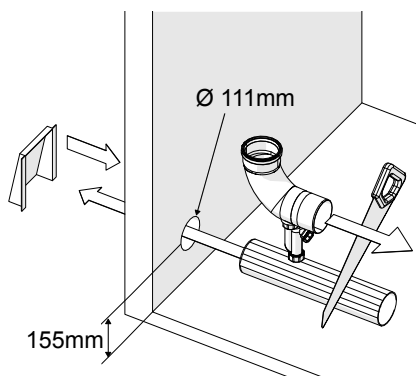
- Katon päällä putken on aina oltava pystysuorassa ja putken pään on oltava vähintään 600 mm katon pinnan yläpuolella. Jos putki on koteloitava (esimerkiksi metallikotelolla), putken pään on oltava vähintään 400 mm kotelon yläpuolella.
- Jos asennus tehdään alueella, jolla lumikertymä on todennäköisesti suuri, putken pää voi tulla korkeammallekin, ja putki on kiinnitettävä tukevasti.



2.5.2 VAAKASUUNTAISEN KORVAUSILMAPUTKEN ASENNUS

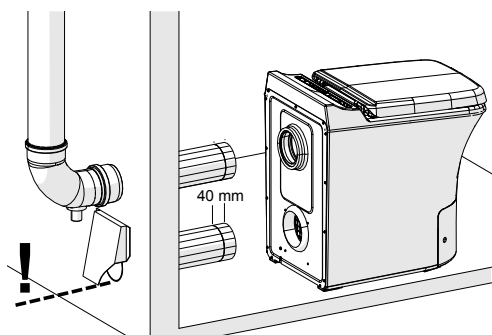
Polttokäymälän korvausilman riittävydestä on huolehdittava. Siksi suosittelemme asentamaan Cinderella Comfortiin korvausilmaputken. Korvausilman syöttäminen ulkoa laitteeseen on välttämätöntä jäähdytyksen, ilmankierron ja polttoprosessissa tarvittavan hapen saamiseksi. Jos korvausilman tai hapen saanti on heikkoa, polttotulokset ovat huonot, tehokkuus heikkenee ja laite voi ylikuumentua. Heikot polttotulokset aiheuttavat ajan mittaan laitteen kulumista ja mitätöivät takuun.

KORVAUSILMAPUTKEN ULKOHALKAISUJA	KORVAUSILMAPUTKEN SISÄHALKAISUJA	KORVAUSILMAPUTKEN SUUNTA	MUTKAT	PUTKEN ENIMMÄISPITUUS
110 mm	102 mm	Vaaka	-	500 mm



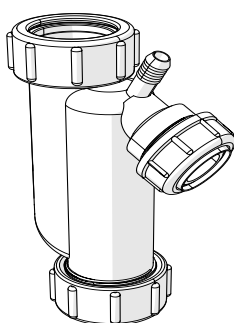
HUOMAUTUS!

- Korvausilmaputken liitännän keskikohtaan tulee olla 155 mm lattian pinnan yläpuolella.
- Cinderella-asennussarja sisältää kaksi 500 mm:n putkea korvaus- ja poistoilmaputkien sekä savuhormin hatun asentamiseen. Korvausilmaputken pituutta määritettäessä on otettava huomioon, että putki menee 40 mm laitteen liitoskohdan sisään.



HUOMAUTUS!

Tuulensuojaa ulkoseinään asennettaessa on varmistettava, että putki on asennettu tuulensuojan pohjan tasoon. Virheellinen asennus saattaa johtaa ilmankierron rajoittumiseen, minkä seurauksena polttotulokset voivat olla huonot, tehokkuus heikentä ja laite ylikuumentua.



HUOMAUTUS!

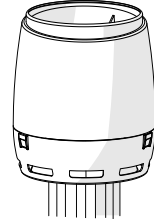
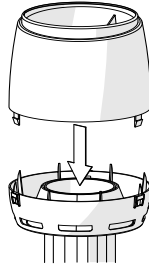
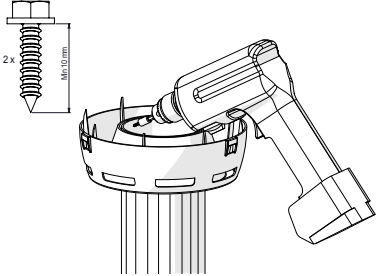
Cinderellan valikoimassa on asennussarjan mukana toimitettavaan mutkaputkeen sopiva kondenssiveden keräin, jonka voi ostaa Cinderellan jälleenmyyjältä. Jos asennus tehdään sisältä päin, kondenssiveden keräin on liitettävä mutkaputkeen, jotta kondenssi- ja sadevettä ei kerry lattialle. Jos kondenssivettä ei kerätä ja säiliötä tyhjennetä säännöllisesti, lattia voi vaurioitua.

2.5.3 CINDERELLAN SAVUHORMIN HATUN ASENNUS



HUOMAUTUS!

Cinderella-asennussarja sisältää savuhormin hatun, joka takaa ihanteellisen ilmanvaihdon ja tehostaa laitteen toimintaa. Hattu koostuu pohjaosasta ja hatusta. Pohjaosa voidaan kiinnittää putkiin ruostumattomilla teräsruuveilla tai liimalla, mikä helpottaa asentamista ja tekee ilmanvaihtoputkista huoltovapaista. Käytä Cinderella-asennussarjan 500 mm:n putkea savuhormin viimeisenä osana, sillä se sisältää hatun liitännän.



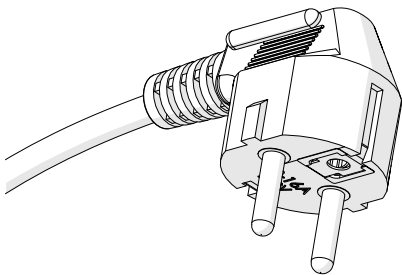
2.6 SÄHKÖTEKNISET TIEDOT JA VAATIMUKSET



VAROITUS!

- Tämän laitteen asennuksessa on noudatettava kansallisia ja paikallisia sähköasennuksia koskevia määräyksiä.
- Laite on liitettävä erilliseen maadoitettuun piiriin, jossa on oikea jännite, taajuus ja virta ja joka on suojattu asianmukaisella sulakkeella.
- Vaadittu jännite, taajuus ja virta löytyvät tästä ohjekirjasta ja tuotteen takana olevasta arvokilvestä.

Tehovaatimukset	SYÖTTÖTEHO	VIRTA	SULAKE
	220–240 V AC	9 A	10 A
Tehonkulutus	VALMIUSTILA		POLTTOTILA
	0,5 W		2000 W
Napaisuus	JOHDON POIKKIPINTA	JOHDON PITUUS	PISTOKETYYPPI
	1,5 mm ²	2,3 m	Tyyppi F Schuko CEE 7



HUOMAUTUS!

Käymälä on varustettu 16 ampeerin ja 250 voltin kaksinapaisella ja kolmijohtimisella maadoitetulla tyyppin F Schuko CEE 7/7 -pistokkeella. Jotta se tuottaa laitteelle riittävän virransyötön, se on liitettävä omaan, maadoitettuun piiriinsä, jonka syöttövirta on vähintään 10 A ja 230 V AC.



VAARA!

- Liitäntäjohto on vedettävä siten, että se ei joudu kosketuksiin terävien reunojen kanssa.
- Turvallisuusriskien ehkäisemiseksi laitteen sisäisen sähköasennuksen ja liitäntäjohtojen muutokset saa tehdä vain koulutettu ammattilainen.
- Cinderella-tuotteen kanssa ei suositella käytettäväksi muuntajaa. Cinderella Comfort -polttokäymälän enimmäistehonkulutus on 2000 W, jota laite pystyy ylläpitämään yli tunnin mittaisia aikoja kerrallaan. Muuntajat, joiden tehohuippu on 2000 W, eivät välttämättä pysty ylläpitämään tätä tehoa. Cinderella Comfort -polttokäymälän kanssa käytettynä ne voivat ylikuormittua tai vahingoittua, mistä voi aiheutua vaaratilanteita.

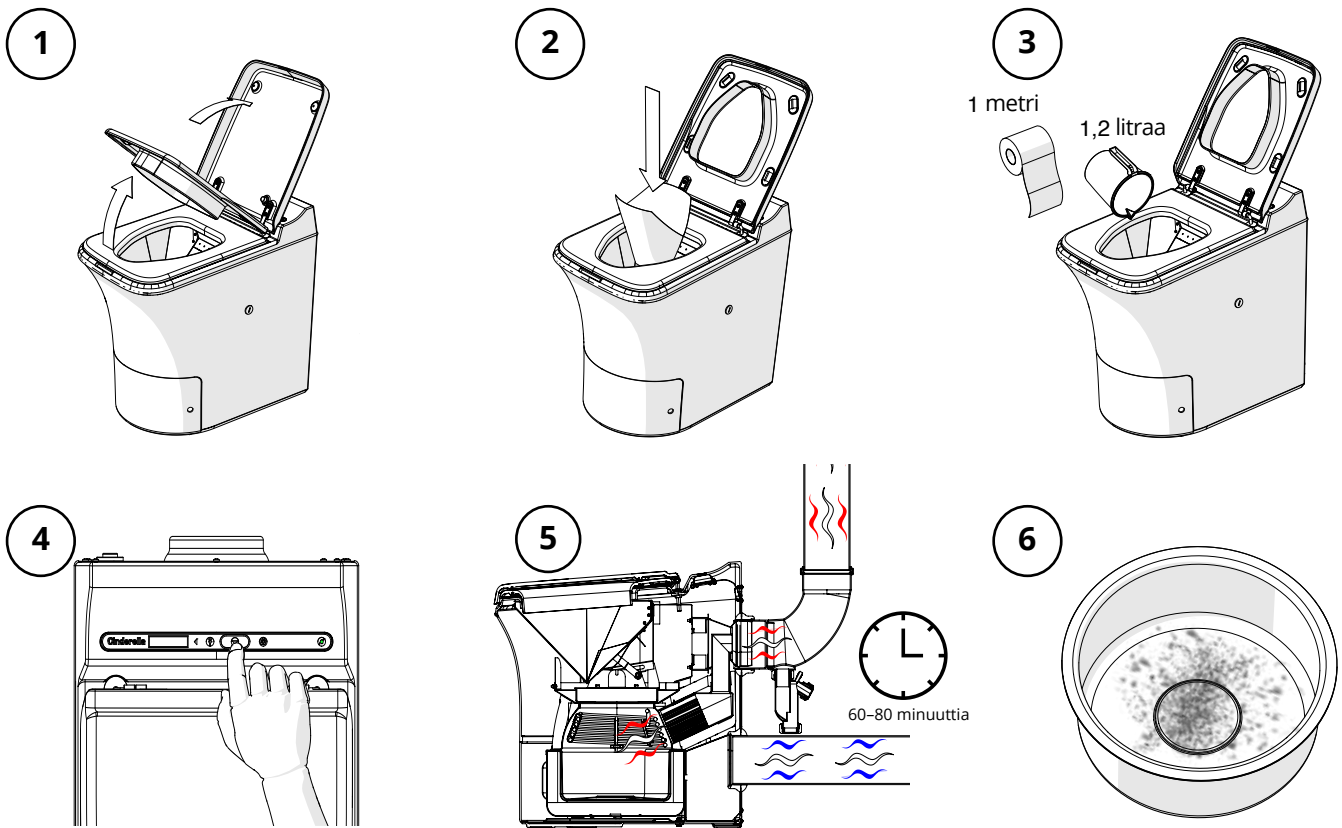
2.7 ASENNUKSEN TARKISTUSLISTA

TARKISTETTAVAT KOHDAT	TARKISTUSMERKKI
Liitäntäjännite on laitteen arvokilven mukainen.	
Laitte on asennettu valmistajan ohjeiden mukaisesti.	
- Pystysuora savuhormi on asennettu valmistajan ohjeiden mukaisesti.	
- Savuhormin pää on vähintään 600 mm:n etäisyydellä katon pinnasta.	
- Kondenssiveden keräin on asennettu tarvittaessa.	
- Savuhormin materiaalit on asennettu valmistajan ohjeiden mukaisesti.	
- Savuhormin hattu on asennettu valmistajan ohjeiden mukaisesti.	
- 90 asteen mutkaputki on asennettu valmistajan ohjeiden mukaisesti.	

2.8 TOIMIVUUSTESTAUS

Kun käynnistuspainiketta painetaan, polton pitäisi käynnistyä. Toimivuustestissä poltto-ohjelman arvioitu kesto on 60–80 minuuttia. Kun poltto on käynnissä, keltainen valo palaa. Laitteen pitäisi viedä testipolttu loppuun ilman virheilmoituksia tai katkoksia. Tuhkat voi poistaa vasta, kun käymälä on jäähtynyt sen verran, että tuuletin on pysähtynyt. Jäähdytys vie 60–90 minuuttia käyttölämpötilasta riippuen.

Polton tuloksena pitäisi olla vain hienojakoista valkoista tuhkaa. Jos polton tuloksena on jotakin muuta tai polttoaika ylittää 90 minuuttia, savuhormin toiminnassa tai hapen saannissa saattaa olla ongelmia. Tarkista, että asennus on tehty tämän ohjekirjan kohdassa 2 olevien valmistajan ohjeiden mukaisesti.



VAROITUS!

Tuhkasäiliö kuumenee polton aikana erittäin kuumaksi. Irrota tuhkasäiliö vasta, kun käymälä on jäähtynyt kokonaan ja tuuletin on pysähtynyt.

3. KÄYTTÖOHJEET

3.1 LAITTEEN KÄYTTÖTARKOITUS JA KÄSITTELY

Cinderella Comfort -polttokäymälä on tarkoitettu sisäkäyttöön vapaa-ajanasunnoissa, ulkokäymälöissä, rakennustyömaiden sosiaali-tiloissa, asuntoveneissä ja uima-allastaloissa. Käymälä on tarkoitettu ainoastaan virtsan ja ulosteen sekä pienten hygieniatuotteiden, kuten tamponien ja alkoholittomien vauvan tai kasvojen puhdistuspyyhkeiden polttamiseen. Muiden materiaalien ja esineiden polttaminen Cinderella Comfort -polttokäymälällä katsotaan väärinkäytökseksi, joka mitätöi takuun.

Älä laita käymälään seuraavia:

- suuria määriä mitään paperia
- klooria sisältäviä puhdistusaineita
- alkoholia sisältäviä puhdistuspyyhkeitä
- sanomalehtipaperia
- paperipyhkeitä
- tulenarkoja nesteitä tai aineita
- tupakansyöttimiä
- savukkeita tai sikareita
- bensiiniä
- alkoholijuomia
- alkoholia tai spriitä
- kynsilakanpoistoainetta
- sytytysnestettä
- lamppuöljyä tai kerosiinia
- aerosolipakkauksia
- lasi- tai muovipulloja tai -pakkauksia

3.2 YLEISTÄ TURVALLISUUSTIETOA



VAARA!

- Jos polttokäymälässä on näkyviä vaurioita, älä käytä sitä.
- Jos polttokäymälän virtajohto on vioittunut, valmistajan, asiakaspalvelun tai muun koulutetun ammattilaisen on vaihdettava se uuteen vaaratilanteiden ehkäisemiseksi.
- Polttokäymälän korjaustyöt saa tehdä vain koulutettu ammattilainen. Muun tahon kuin koulutetun ammattilaisen tekemä korjaus voi johtaa vaaratilanteeseen tai käymälän vahingoittumiseen.
- Lapset eivät saa puhdistaa tai huoltaa käymälää ilman valvontaa.
- Käymälän huollossa ei saa käyttää räjähdysalttiita tai tulenarkoja puhdistusaineita.

3.3 TURVATOIMET



VAROITUS!

- Käymälän tuhkasäiliö kuumenee polton aikana erittäin kuumaksi. Varmista, että suojuks on paikallaan polton ollessa käynnissä. Tyhjennä tuhkasäiliö vasta, kun käymälä on jäähtynyt kokonaan.
- Varo jättämästä sormia tai käsiä istuinkansien alle, sillä ne eivät sulkeudu pehmeästi ja voivat aiheuttaa puristumisvamman.

3.4 CINDERELLA COMFORT -POLTTOKÄYMÄLÄN TURVALLISUUSOMINAISUUDET

- Poltto keskeytyy kun käymälän kansi avataan. Poltto käynnistyy uudelleen vasta, kun istuinkannet suljetaan.
- Polttokammion luukku EI VOI avata, kun käymälä on kuuma (esimerkiksi puhdistuksen aikana). Luukku voidaan avata vasta, kun käymälä on jäähtynyt ja tuuletin pysähtynyt.
- Jos polton aikana ilmenee ilmanvaihto-ongelma ja käymälän sisälämpötila nousee yli 105 °C:seen, poltto keskeytyy ja laitteen näytöllä näkyvät virheilmoitus ja vikakoodi. Käymälä on tällöin nollattava ja ilmanvaihto-ongelma korjattava, ennen kuin käymälää voi käyttää.
- Jos tuhkasäiliö laitetaan paikalleen huonosti tyhjentämisen jälkeen, poltto ei käynnisty ja näytöllä näkyy virheilmoitus.
- Jos polttokammion luukun mekanismi menee jumiin tai luukku ei pysty sulkeutumaan kunnolla, poltto ei käynnisty ja näytöllä näkyy virheilmoitus.
- Cinderella-polttokäymälän ohjelmisto valvoo lämpötilaa polton aikana. Jos lämpötila poikkeaa normaalista, poltto keskeytyy välittömästi ja näytöllä näkyy virheilmoitus.



HUOMAUTUS!

- Muista laittaa käymälän altaaseen aina uusi suojaussi ennen käyttöä. Jokaisella käyttökerralla tulee käyttää uutta pussia.
- Kun käymälää ei käytetä, sen kannen on aina oltava kiinni. Poltto ei käynnisty, ellei kansi ole kiinni.
- Poltto kestää enintään 180 minuuttia viimeisimmästä käyttökerrasta.
- Tuuletin on käynnissä siihen asti, kunnes poltto on päättynyt ja käymälän sisälämpötila on palautunut normaaliksi. Jäähdytys voi kestää enemmän kuin 120 minuuttia polton päättymisen jälkeen. Jäähdytyksen kesto riippuu jäähdytysilman lämpötilasta.
- Cinderella-käymälää voi käyttää milloin tahansa polton ja jäähdytyksen aikana. Poltto keskeytyy käytön ajaksi. Sulje kansi aina käytön jälkeen ja paina käynnistyspainiketta.



1 tunti

4 käyttökertaa tunnissa

Cinderella Comfort -käymälä on tarkoitettu käytettäväksi enintään neljä kertaa tunnissa. Ylikuormituksen välttämiseksi tätä tiheämpää käyttöä ei suositella. Käymälän ylikuormittaminen käyttämällä sitä useita kertoja polttoa suorittamatta saattaa johtaa hajunmuodostukseen ja vuotoon sekä vahingoittaa käymälää.



Tyhjennys

Tyhjennystiheys

Käymälän säiliön nestetilavuus on 5 litraa. Käymälän toimivuuden takaamiseksi tuhkasäiliö tulee tyhjentää usein (kerran viikossa). Tyhjentäminen myös varmistaa tehokkaan polton ja auttaa pitämään katalysaattorin puhtaampana.

Jos tuhkasäiliötä ei ole tyhjennetty 90 polttokerran jälkeen, Cinderella Comfort -käymälän näytölle tulee ilmoitus. Jos tuhkasäiliötä ei ole tyhjennetty 120 polttokerran jälkeen, käymälä estää käytön. Suosittelemme tyhjentämään tuhkasäiliön tiheästi, sillä se tehostaa polttoa ja ehkäisee tuotteen kulumista.

Tuhkasäiliön tyhjennyksen laiminlyöminen saattaa vahingoittaa käymälää ja mitätöidä takuun.



Pitkä käyttökato

Käymälän valmistelu pitkää käyttökatoa varten

Kun käymälä jää käyttämättömäksi pitkäksi ajaksi, siinä on tehtävä poltto ja tuhkasäiliö on tyhjennettävä.



Enint. 4 käyttökertaa

Lyhytkestoinen tiheä käyttö

Jos käymälää pitää käyttää tiheästi lyhytkestoisesti esimerkiksi juhlien aikana, toimi seuraavasti:

1. Tyhjennä tuhkasäiliö kokonaan ennen vieraiden saapumista.
2. Esilämmitä käymälä ennen käyttöä avaamalla ja sulkemalla kansi ja painamalla käynnistyspainiketta.
3. Opasta vieraita käyttämään suojaussia ja painamaan käynnistyspainiketta jokaisen käyttökerran jälkeen.
4. Tarkista säännöllisesti, että käymälän kansi on kiinni ja keltainen polttovalo palaa.
5. Käymälä saattaa vaatia yhden tai kaksi ylimääräistä polttoa ennen tuhkasäiliön tyhjentämistä kunnollisen polton varmistamiseksi.

3.6 OHJAUSPANEELI

Ohjauspaneeli antaa ilmoituksia valo- ja äänimerkkien sekä tekstien avulla parhaan käyttäjäkokemuksen takaamiseksi. Järjestelmän tilaa ilmaisevat erilaiset valo- ja äänimerkit. Käyttäjän on tärkeää tutustua näiden ilmoitusten merkityksiin ennen käyttöä. Yhteenvedo valo- ja äänimerkeistä on kohdan 5.1 vianetsintätaulukossa.



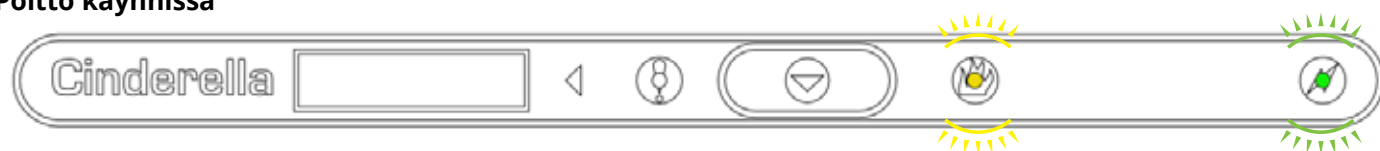
HUOMAUTUS!

- Vihreä valo ilmaisee, että käymälä on liitetty virtalähteeseen. Kun pelkästään vihreä valo palaa, käymälä on valmiustilassa ja käyttövalmis.
- Jatkuvasti palava keltainen valo ilmaisee, että poltto on käynnissä.
- Punainen valo ilmaisee polton tai valmiustilan keskeytymisestä.

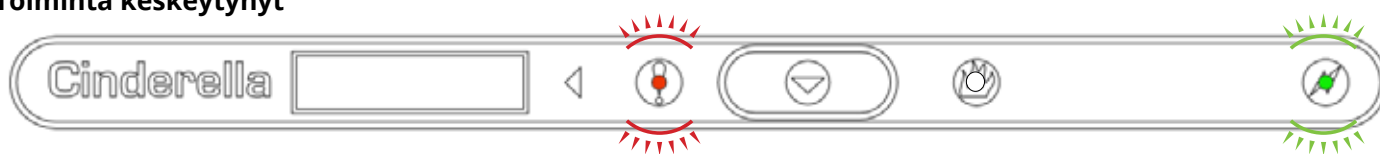
Valmiustila



Poltto käynnissä



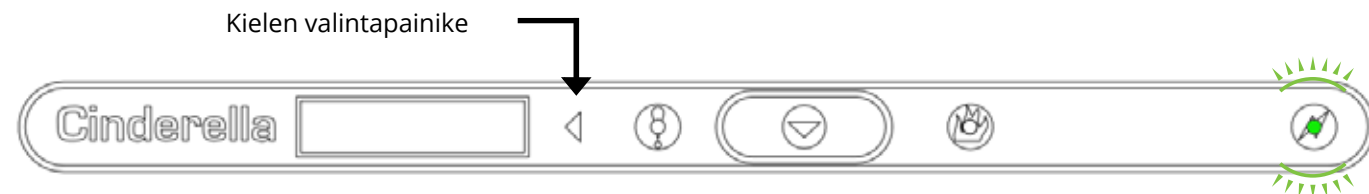
Toiminta keskeytynyt



Kielen valinta

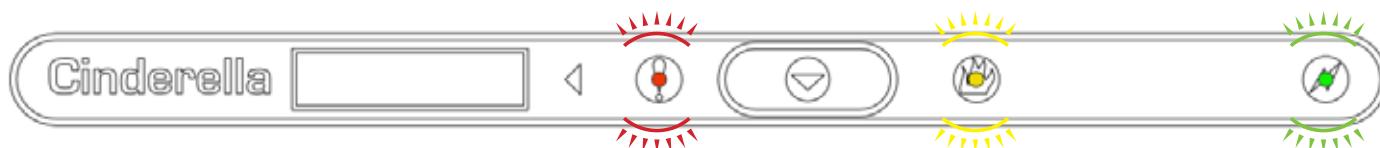
Pidä kielen valintapainiketta painettuna 3 sekuntia, kunnes näytön ensimmäisellä tekstirivillä näkyy Language. Valittu kieli näkyy toisella tekstirivillä. Paina kielen valintapainiketta toistuvasti, kunnes haluamasi kieli näkyy näytöllä. Kielivalinta tallennetaan automaattisesti muutaman sekunnin kuluttua, ja käymälä toimii normaalisti.

Kielen valintapainike



Tuhkasäiliön tyhjennysilmoitus

Cinderella Comfort -polttokäymälä antaa ilmoituksen, kun tuhkasäiliö pitää tyhjentää. Kun kansi avataan, näytöllä näkyy teksti "TYHJENNÄ TUHKASÄILIÖ" ja kuuluu kolme äänimerkkiä. Jos tuhkasäiliötä ei tyhjennetä pian ilmoituksen ilmestymisen jälkeen, käymälä menee lukitustilaan. Tässä tilassa keltainen ja punainen valo palavat ja näytöllä näkyy teksti "WC LUKITTU TUHKASÄIL. TÄYSI". Käymälä antaa kolme äänimerkkiä kymmenen sekunnin välein siihen asti, kunnes tuhkasäiliö tyhjenetään.



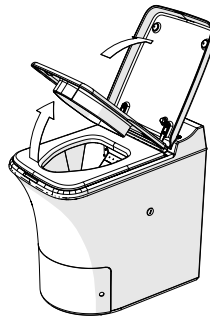
3.7 CINDERELLA COMFORT -KÄYMÄLÄN KÄYTTÖ

1



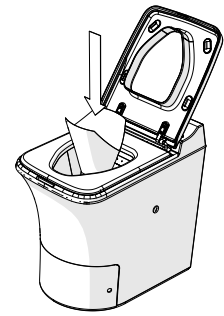
1. Tarkista, että ohjauspaneelin vihreä valo palaa. Se kertoo, että käymälä on valmiustilassa ja käyttövalmis.

2



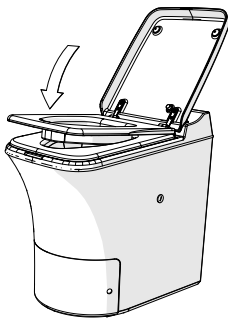
2. Avaa istuinkannet. Punainen valo alkaa vilkkua. Tuuletin käynnistyy.

3



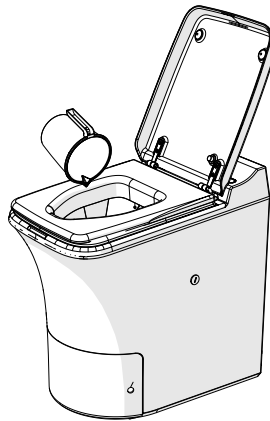
3. Aseta suojapussi käymälän altaaseen. Vaihda suojapussi jokaisella käyttökerralla.

4



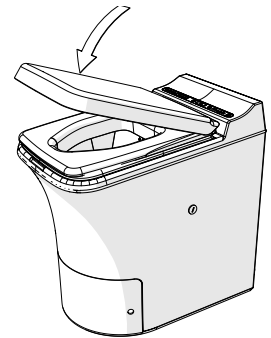
4. Laske istuinrengas. Käymälä on valmis käytettäväksi.

5



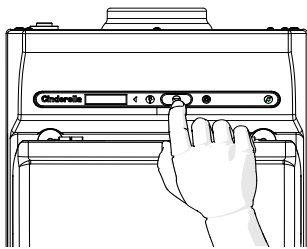
5. Käytä käymälää tavalliseen tapaan. Jos jätöksen määrä on pieni, käymälän altaaseen voi lisätä hieman vettä tuomaan painoa.

6



6. Sulje käymälän kansi.

7



7. Paina käynnistyspainiketta. Luukku aukeaa ja pussi sisältöineen putoaa polttokammioon. Poltto käynnistyy, kun luukku on sulkeutunut. Käymälä on nyt valmis seuraavaa käyttökertaa varten.

8



8. Polton ollessa käynnissä ohjauspaneelissa palaa keltainen valo. Käymälää voi käyttää milloin tahansa polton aikana. Poltto keskeytyy käytön ajaksi. Polttoaika riippuu käyttökertojen ja poltettavan jätöksen määrästä.

3.8 ETULUUKUN JA TUHKASÄILIÖN KÄYTTÖ



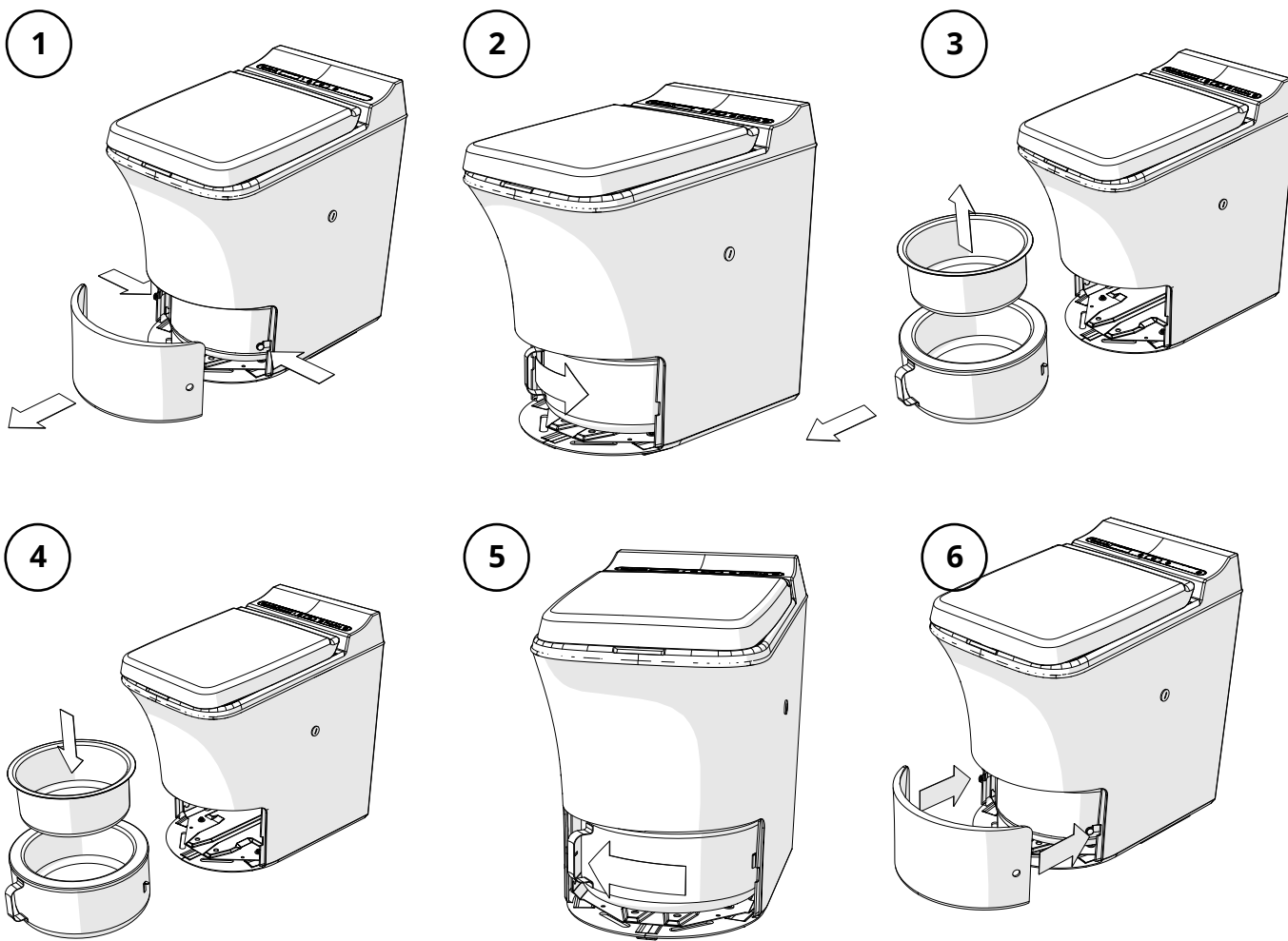
VAROITUS!

Tuhkasäiliötä saa käsitellä vain, kun käymälä on valmiustilassa ja jäähtynyt riittävästi.



HUOMAUTUS!

Katso käymälän puhdistusohjeet ja tuhkasäiliön tyhjennysohjeet käyttöohjeen huolto-osiossa.



4. YLEISET HUOLTO-OHJEET

Tämä ohjekirja sisältää sekä käyttäjälle että koulutetuille ammattilaisille tarkoitetut huolto-ohjeet.

Toimiva ilmanvaihto on välttämätön käymälän ihanteellisen toiminnan kannalta. Poltossa syntyvät hiukkaset voivat ajan mittaan tukkia katalysaattorin ja savuhormin. Siksi näitä osia on huollettava säännöllisesti.

Jotta Cinderella Comfort -käymälä toimisi ihanteellisesti ja kestäisi käytössä pitkään, sille on tehtävä tietyt ennaltaehkäisevät huoltotoimet. Hyvä huoltorutiini pienentää käyttökustannuksia ja ehkäisee käymälän kulumista. Suosittelemme, että käyttäjä tekee käymälälle seuraavat huoltotoimet säännöllisesti:

1. Tyhjennä käymälä tiheästi. Älä laske käymälän käyttöä sen enimmäiskapasiteetin mukaan.
2. Puhdista tuhkasäiliö aina tyhjennyksen yhteydessä (ks. kohta 4.2.1).
3. Höyrypuhdistusta käymälän allas vähintään jokaisen suojaussipakkauksen (500 käyttökertaa) jälkeen, mieluiten jokaisen tuhkasäiliön tyhjennyksen ja puhdistuksen yhteydessä (ks. kohta 4.2.2).
4. Tarkista polttotulos aina tuhkasäiliön tyhjennyksen yhteydessä. Poikkeava tuhkan koostumus voi olla merkki huollon tai korjauksen tarpeesta (ks. kohta 4.1).

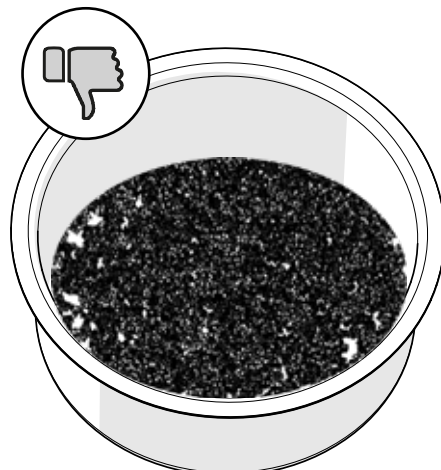
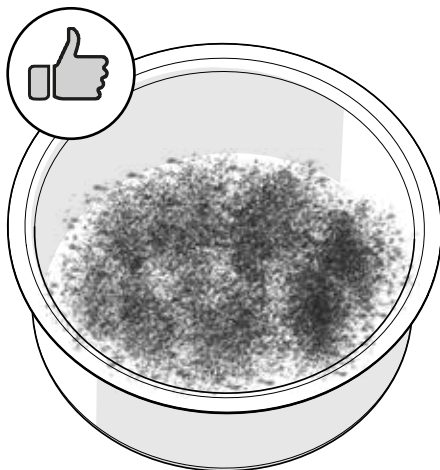


VAROITUS!

Tarkista aina ennen huoltotoimien aloittamista, että käymälä ei ole polttilassa ja että se on jäähtynyt riittävästi.

4.1 TUHKAN KOOSTUMUS

Koska tuhka koostuu ihmisjätöksistä, suoiloista ja mineraaleista, se saattaa vaikuttaa kovalta ja kiteiseltä. Tuhkan seasta ei saa erottua paperia tai palamattomia jätöksiä, ja tuhkan värin tulisi olla väriltään valkoista ja tummanharmaata. Jos tuhkan seassa on palamattomia mustia kokkareita, kosteutta tai paperia, käynnistä uusi poltto lisäämättä käymälään paperia tai nestettä. Kun poltto on valmis, tyhjennä tuhkasäiliö ja tee tämän ohjekirjan mukaiset huoltotoimet.

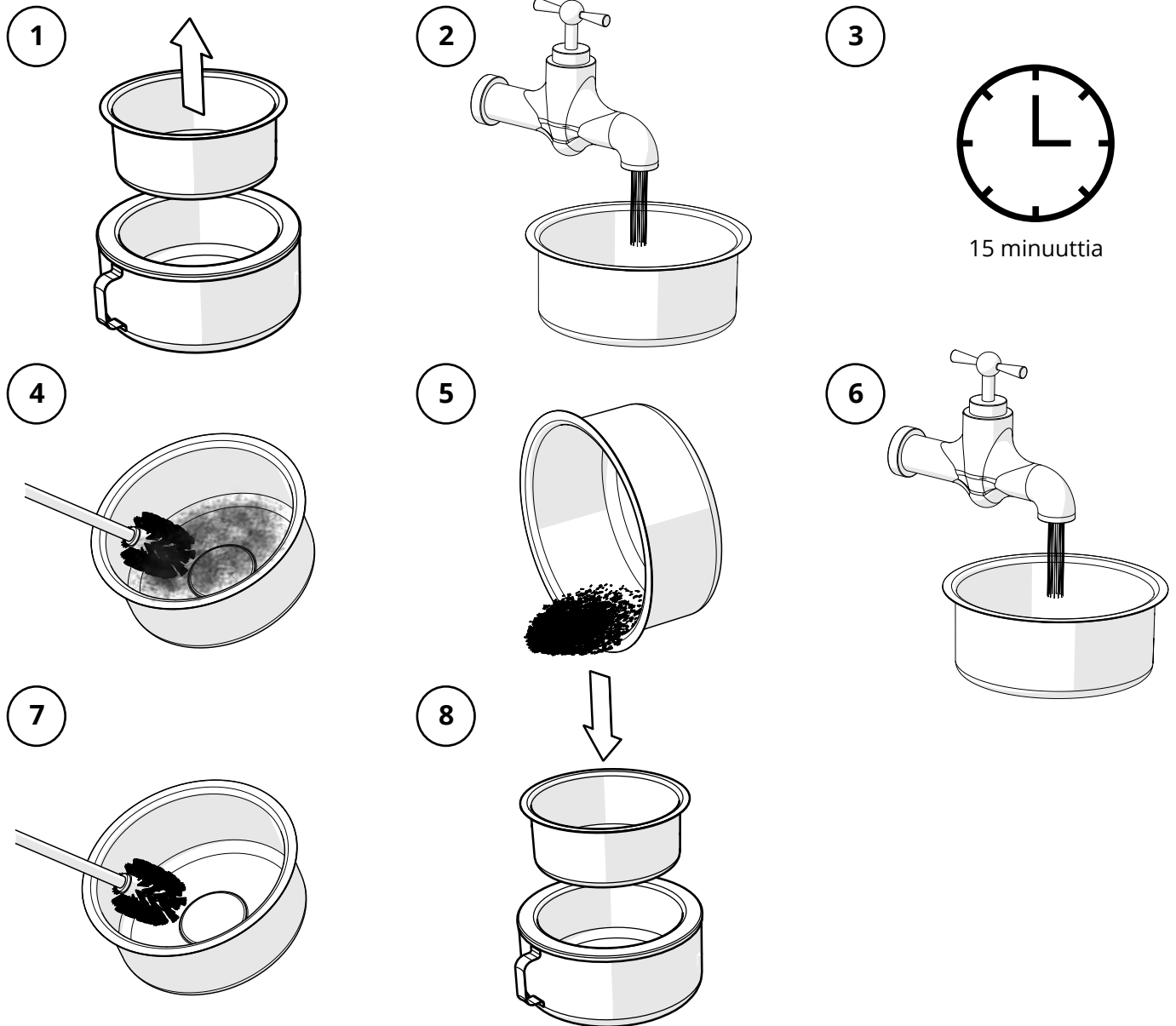


HUOMIO!

- Tuhka ei sovellu lannoitus- tai kompostikäyttöön. Se tulee hävittää kotitalousjätteen mukana paikallisten määräysten mukaisesti.
- Kun tuhka on palanut väriltään vaaleaksi, se on puhdasta ja turvallista käsitellä. Jos tuhka on mustaa ja liuskemaista tai poltto on jäänyt epätäydelliseksi, tee uusi poltto. Jos ongelma ei poistu, katso ohjeet vianetsintäosiosta.

4.2 HUOLTO-OHJEET KÄYTTÄJÄLLE

4.2.1 TUHKASÄILIÖN TYHJENNYS JA PUHDISTUS



HUOMIO!

Älä käytä tuhkasäiliön puhdistamisessa teräviä esineitä, sillä se vahingoittaa tuhkasäiliötä ja lyhentää sen käyttöikää.



HUOMAUTUS!

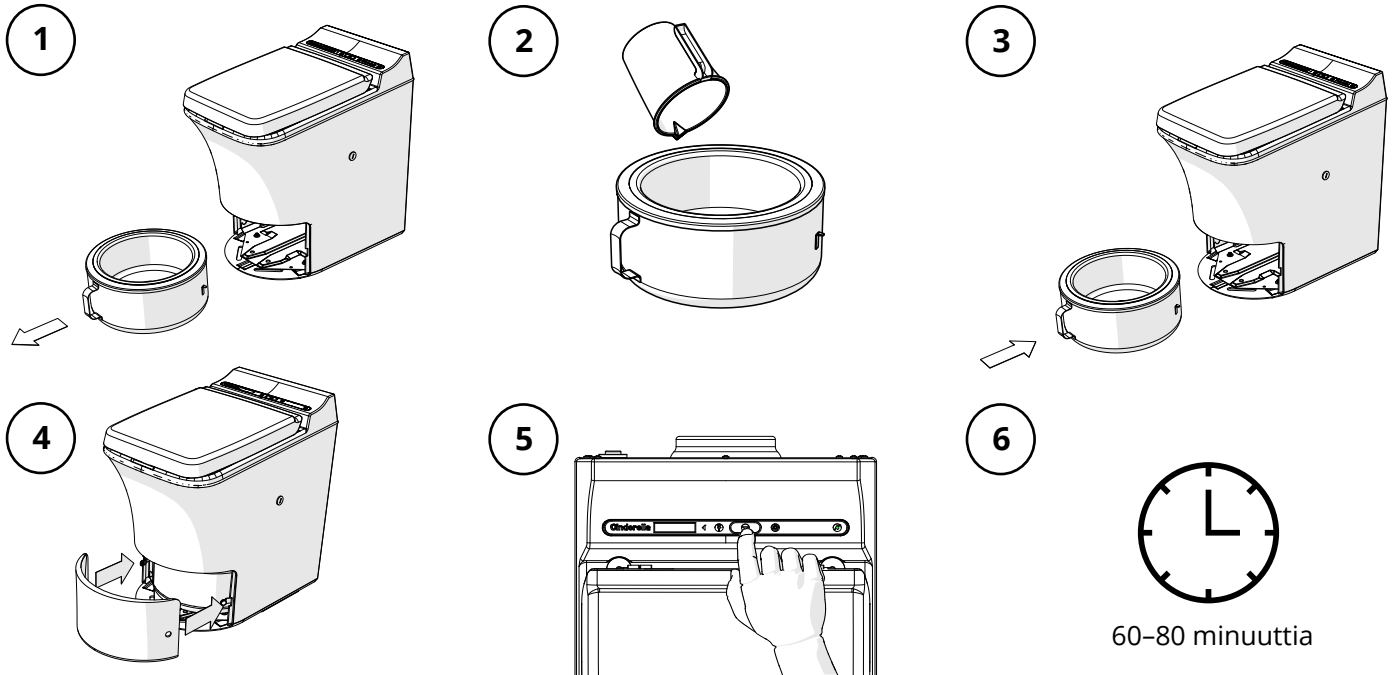
- Käymälän toimivuuden ylläpitämiseksi suosittelemme tekemään hörypuhdistuksen kohdan 4.2.2 ohjeilla jokaisen tuhkasäiliön tyhjennyksen ja puhdistuksen yhteydessä. Se ehkäisee noen ja sakan muodostumista katalysaattoriin ja savuhormiin.
- Käymälän tulee puhdistuksen aikana olla kytkettynä virtalähteeseen. Jos käymälä tyhjenetään virran ollessa katkaistuna, järjestelmä ei pysty nollaamaan laskuria.

4.2.2 KATALYSAATTORIN HÖRYPUHDISTUS

Suosittelu tiheys: Jokaisen tuhkasäiliön tyhjennyksen yhteydessä tai vähintään 500 käyttökerran jälkeen.
Hörypuhdistus:

1. Varmista, että käymälä on jäähtynyt ja tuhkasäiliö on tyhjennetty ja puhdistettu (ks. kohta 4.2.1). Poista etuluukku ja vapauta tuhkaluukku.
2. Kaada tuhkasäiliöön noin 1 litra puhdasta vettä.

3. Aseta tuhkasäiliö paikalleen varovasti vettä läikyttämättä.
4. Aseta etuluukku paikalleen.
5. Käynnistä poltto painamalla käynnistuspainiketta.
6. Vesi alkaa kiehua ja höyry puhdistaa sakan katalyysattorista. Höyrypuhdistus kestää tavallisesti 60–80 minuuttia.



HUOMAUTUS!

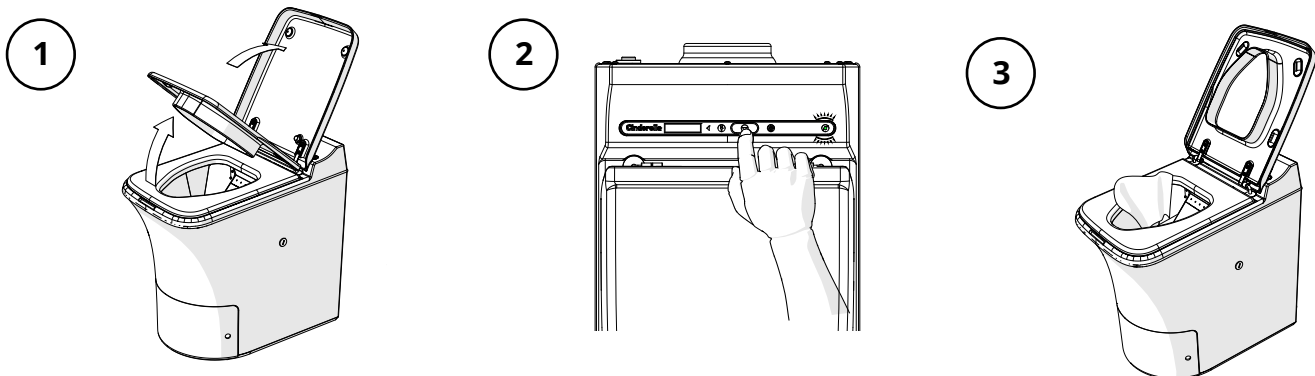
Käymälää ei saa käyttää höyrypuhdistuksen aikana, sillä se heikentää puhdistustehoa. Käymälää voi käyttää, kun se on palannut valmiustilaan.

4.2.3 KÄYMÄLÄN ALTAAN PUHDISTUS

Suosittelut tiheys: tuhkasäiliön puhdistuksen yhteydessä ja aina tarvittaessa.

Puhdista käymälän allas näin:

1. Avaa käymälän kansi.
2. Pidä käynnistuspainike painettuna 3 sekunnin ajan. Luukku avautuu puhdistusasentoon.
3. Pyyhi pinnat pehmeällä paperilla, vedellä ja miedolla pesuaineella tarpeen mukaan. Sulje kansi ja käynnistä poltto.



VAARA!

Älä käytä tulenarkoja puhdistusaineita käymälän altaan puhdistukseen. Käymälän metallireunat voivat olla teräviä.



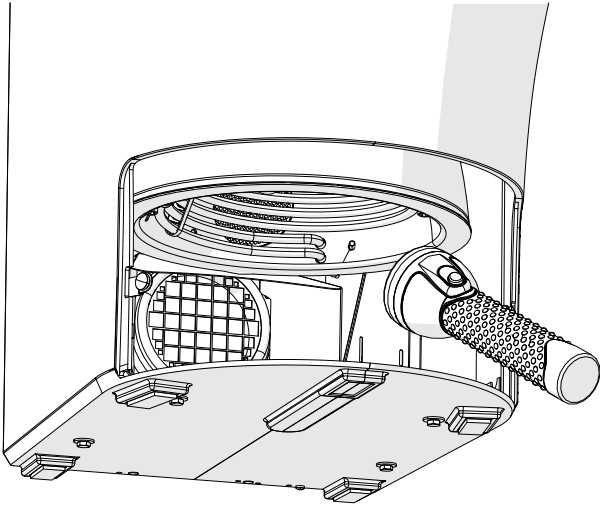
HUOMIO!

Älä käytä klooripitoisia puhdistusaineita käymälän altaan puhdistukseen. Kloori vahingoittaa katalyysattoria ja voi aiheuttaa katalyytin toimintahäiriön.

4.2.4 KATALYSAATTORIN TARKISTUS

Suosittelut tiheys: 500 käyttökerran jälkeen.

Katalysaattori muodostaa polttokammion ja savuhormin liitännän välisen ensisijaisen ilmanvaihtokanavan. Hiukkasten kertyminen katalysaattoriin heikentää ilman virtausta ja käymälän tehokkuutta sekä saattaa johtaa hajunmuodostukseen. Siksi katalysaattorin tulee olla aina avoinna. Polttoajan tai polton tehokkuuden muuttuminen sekä hajunmuodostus voivat johtua katalysaattoriin kertyneestä sakasta. Paras ja helpoin tapa puhdistaa katalysaattori on tehdä kohdan 4.2.2 mukainen höyrypuhdistus. Katalysaattorin etuosan voi myös tarkistaa poistamalla tuhkasäiliön ja valaisemalla polttokammion sisäpuolelta. Jos höyrypuhdistuksen jälkeen katalysaattorissa näkyy hiukkasia tai käymälässä tuntuu hajua, huuhtelee katalysaattori kuumalla vedellä kohdan 5.3.2 mukaisesti.



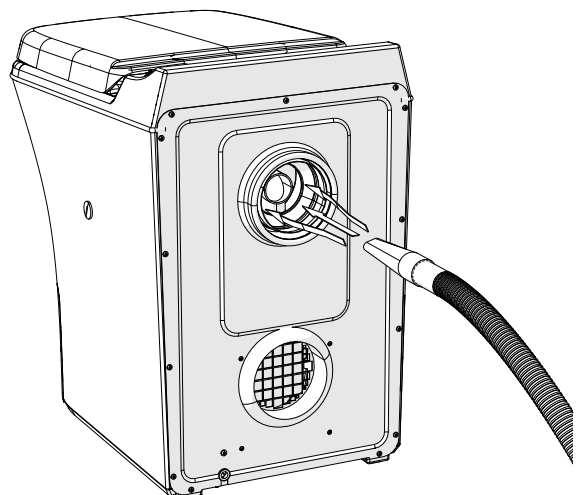
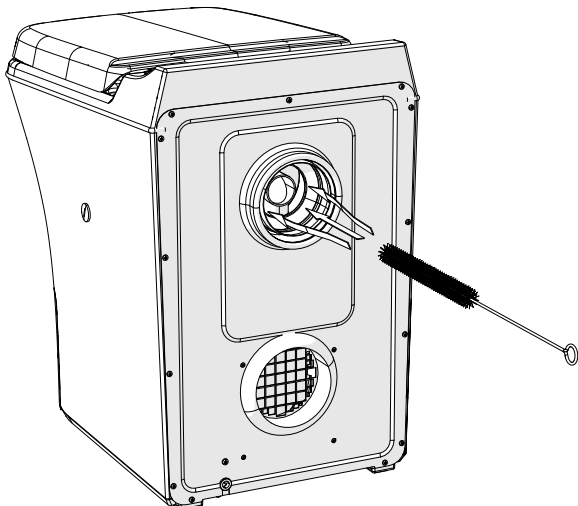
HUOMAUTUS!

Jos katalysaattorissa näkyy selkeästi syöpymiä tai epämuodostumia, katalysaattori on vaihdettava uuteen. Tilaa huolto paikalliselta palveluntarjoajalta.

4.2.5 SAVUHORMIN LIITÄNNÄN PUHDISTUS

Suosittelut tiheys: vähintään 500 käyttökerran jälkeen.

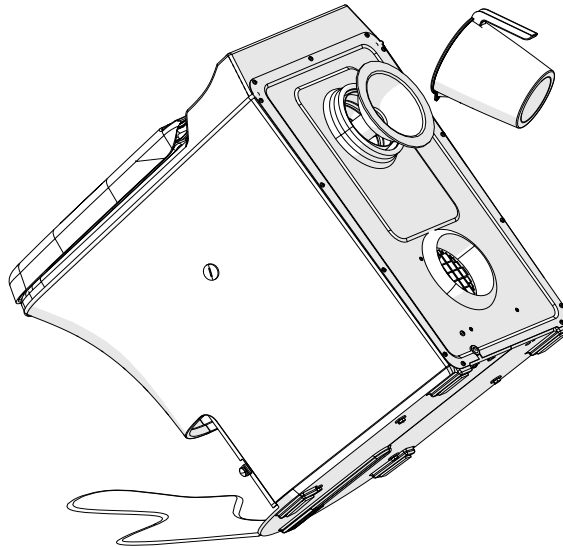
1. Puhdistusta varten käymälä on irrotettava savuhormista ja virtalähteestä.
2. Puhdista savuhormin liitäntä joustavalla harjalla. Puhdista sekä poistoputki että sitä ympäröivä liitin tuulettimen lapoihin asti hyvän ilmanvaihdon takaamiseksi.
3. Irrota ja puhdista tuhkasäiliö.
4. Puhdista savuhormi ja katalysaattori imurilla.
5. Liitä käymälä savuhormiin ja virtalähteeseen.
6. Aseta tuhkasäiliö ja etuluukku paikalleen.
7. Savuhormin liitännän puhdistuksen jälkeen on suositeltavaa tehdä kohdan 4.2.2 mukainen höyrypuhdistus.



4.2.6 KATALYSAATTORIN HUUHTELU KUUMALLA VEDELLÄ

Jos höyrypuhdistus ei riitä poistamaan hiukkasia ja pahaa hajua, katalyysaattori on huuhdeltava kuumalla vedellä. Huuhtelu edellyttää painavien esineiden nostamista, ja sen voi tehdä vain paikassa, jossa vettä saa roiskua. Tee ensin savuhormin liitännän puhdistuksen vaiheet 1–4 ja jatka niiden jälkeen seuraavasti:

1. Aseta käymälä sellaiseen paikkaan, johon saa roiskua vettä, esimerkiksi lattiakaivolliseen tilaan, ulkotiloihin tai kylpyammeeseen. Käytä Cinderellan omaa suppiloa, joka mahtuu poistoputkeen. Kallista käymälää hieman eteenpäin ja kaada 2–3 litraa kuumaa vettä poistoputken kautta katalyysaattorin läpi. Huuhtelun loppuvaiheessa läpi valuvan veden tulisi olla puhdasta. Toista huuhtelu tarvittaessa.
2. Liitä käymälä savuhormiin ja virtalähteeseen.
3. Aseta tuhkasäiliö ja etuluukku paikalleen.
4. Tee toimivuustestaus kohdan 2.5 mukaisesti.



HUOMAUTUS!

Ennen käymälän irrottamista ja huuhtelemista kuumalla vedellä tarkista katalyysaattori ja tee kohdan 4.2.2 mukainen höyrypuhdistus. Jos katalyysaattori on edelleen tukossa tai polton aikana muodostuu hajua, huuhtele katalyysaattori kohdan 4.2.6 mukaisesti.

Käymälän etukuori on ohut, eikä käymälän koko painoa saa laskea sen varaan. Varo, ettei etukuori rikkoudu katalyysaattorin huuhtelemisen yhteydessä.

5. VIANETSINTÄ JA USEIN KYSYTTYÄ



VAROITUS!

Huollot ja korjaukset tulee tehdä kansallisten ja paikallisten määräysten mukaisesti. Jos et tiedä alueellasi noudatettavia määräyksiä, käänny jälleenmyyjän tai valtuutetun huollon puoleen. Käymälä on irrotettava virtalähteestä ennen kaikkien huolto- ja korjaustoimien suorittamista.

Vianetsintä verkossa

Ohjauspaneelin ääni- ja valomerkit ilmaisevat käymälän tilan. Käymälän toimintahäiriöt ilmaistaan erilaisilla ääni- ja valomerkeillä, jotka on kuvattu kohdassa 5.1. Tavallisimmat vika- ja ongelmatilanteet on koottu verkossa olevaan vianetsintäoppaaseen. Sen avulla voit selvittää, millaisesta viasta on kyse, ja saat ratkaisuehdotuksia.

Käymälän järjestelmän nollaus

Käymälä on toisinaan hyvä nollata puhdistuksen ja vianetsinnän yhteydessä. Nollaa järjestelmä seuraavasti: Paina käynnistyspainiketta. Kuuluu lyhyt äänimerkki. Pidä painiketta painettuna noin 8 sekuntia, kunnes kuuluu pitkä äänimerkki. Vapauta painike.

Virheilmoitukset

Kun yksi tai useampi ohjauspaneelin valoista vilkkuu, selvitä syy ja korjaa ongelma ennen käymälän käyttämistä. Jos käymälä muodostaa hajua, polttaa huonosti tai järjestelmässä ilmenee toimintahäiriö, tilanne on selvitettävä välittömästi käymälän vaurioitumisen ja turhien korjauskustannusten välttämiseksi.

Kaksimetalisen termostaatin virhe

Kaksimetalinen termostaatti antaa virheilmoituksen, kun käymälän sisälämpötila nousee liian suureksi. Näin tapahtuu tavallisesti, kun ilmankierto on riittämätöntä tai korvaus- tai poistoilmapiipussa on tukos. Tarkista korvausilman saanti ja että savuhormi on avoin ja esteetön. Tarkista katalysaattori silmämääräisesti ja tee höyrypuhdistus kohdan 4.2.2 mukaisesti.

Sähkökatkon sattuessa

Jos poltto on käynnissä sähkökatkon sattuessa, käymälästä saattaa tulla hajua tilapäisesti ja ulkona olevasta savuhormista saattaa tulla savua ja hajua. Tuuletin toimii akkuvirralla, kunnes käymälä on jäähtynyt. Sähkökatkon jälkeen poltto ei käynnisty automaattisesti, vaan käyttäjän on käynnistettävä uusi poltto. Jos sähkökatkon odotettu kesto on yli kaksi tuntia, käymälä on tärkeää tyhjentää, sillä muuten käymälä saattaa vaurioitua. Käymälää ei saa käyttää sähkökatkon aikana.

Hajunmuodostus sisätiloissa

Hajunmuodostus voi johtua useista syistä:

1. Suojapussin käyttämättä jättäminen tai suojapussin vääränlainen käyttö.
2. Ilmanvaihto ei toimi. Tarkista savuhormi ja savuhormin hattu.
3. Tarkista, että käymälä on asennettu asennusohjeen mukaisesti. Savuhormin esteet voivat aiheuttaa alipainetta ja hajunmuodostusta sisälle.
4. Poistoputki saattaa olla tukossa. Ks. kohta 4.3.1.
5. Katalysaattori saattaa olla tukossa. Ks. kohta 4.3.1.
6. Poistoputki ei ole kunnolla kiinni käymälässä. Ks. kohta 2.5.1.

Hajunmuodostus ulkotiloissa

Syyt voivat olla samoja kuin sisätiloissa tai johtua seuraavista:

1. Katalysaattori ei ole saavuttanut käyttölämpötilaa. Kun käymälä on kylmä, katalysaattorin lämpeneminen oikeaan lämpötilaan saattaa viedä muutaman minuutin.
2. Katalysaattori saattaa olla syöpynyt tai tukossa. Ota yhteyttä valtuutettuun huoltoon.

5.1 VIANETSINTÄTAULUKKO



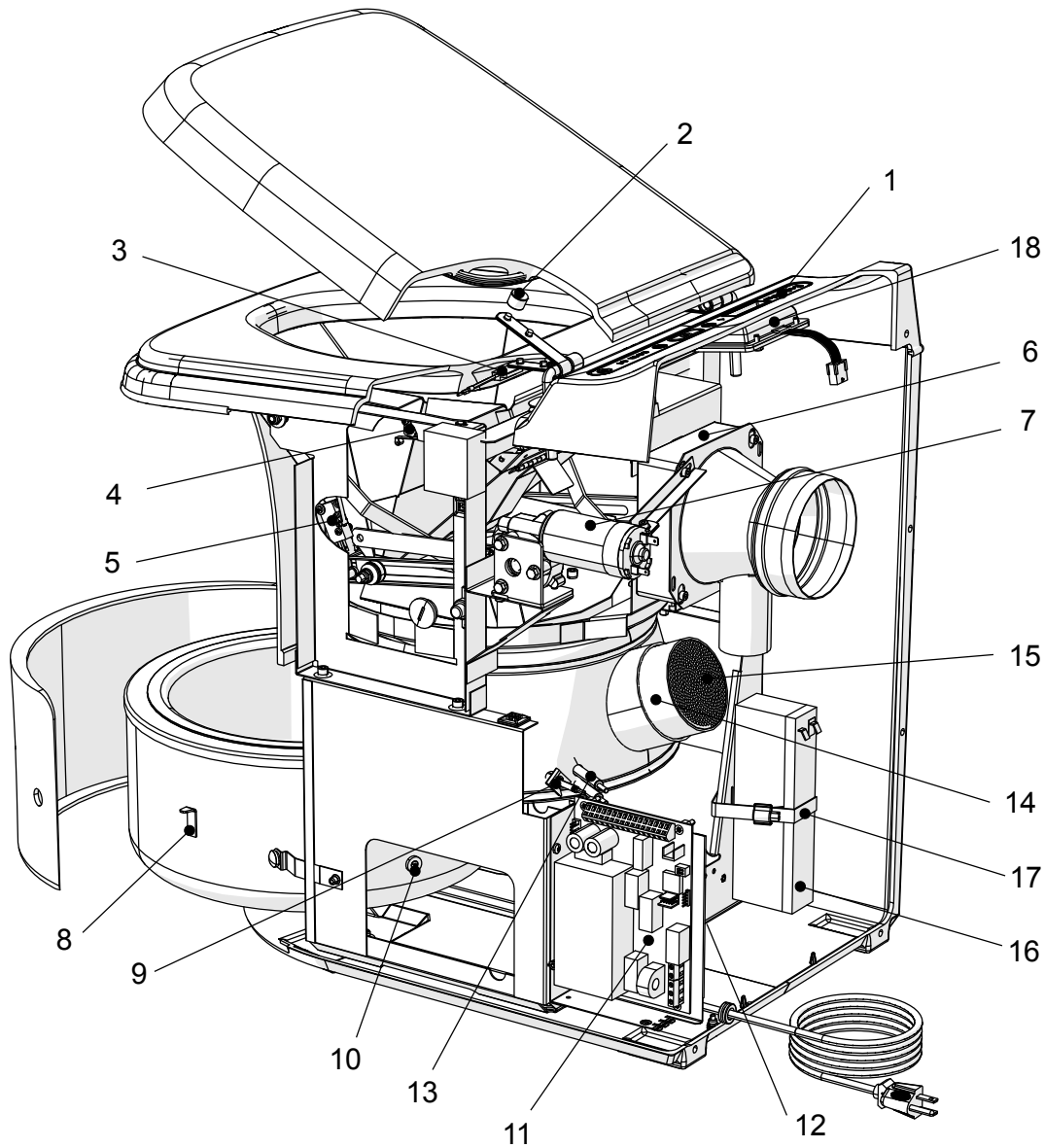
HUOMAUTUS!

Cinderalla on kehittänyt digitaalisen vianetsintämoduulin, joka on verkkosivustossamme. Se toimii vianetsintätaulukon lisänä. Löydät sen osoitteesta www.cinderellaeco.com.

VIKA	ILMOITUS	PUNAINEN VALO	KELTAINEN VALO	VIHREÄ VALO	ÄÄNI	OHJEET
Tuhkasäiliö pitäisi tyhjentää.	Tyhjennä tuhkasäiliö	VILKKUU	VILKKUU	PALAA	3 ÄÄNIMERKKIÄ	1 Irrota ja tyhjennä tuhkasäiliö. * Käymälän tulee olla liitettynä 230 V:n virtalähteeseen.
Tuhkasäiliö on tyhjennettävä. Käymälä lukittu.	WC lukittu tuhkasäil. täysi	PALAA	PALAA	PALAA	3 ÄÄNIMERKKIÄ 10 SEKUNNIN VÄLEIN	1 Irrota ja tyhjennä tuhkasäiliö. * Käymälän tulee olla liitettynä 230 V:n virtalähteeseen.
Ei virtaa		EI	EI	EI		1 Varmista, että käymälä on liitettynä virtalähteeseen (230 V AC).
Tuuletinvirhe	Virhe tuuletin	VILKKUU	EI	VILKKUU	10 ÄÄNIMERKKIÄ	1 Tarkista tuuletin esteiden varalta ja varmista, että se pääsee pyörimään vapaasti. 2 Nollaa käymälä (pidä käynnistyspainike painettuna). 3 Avaa kansi, kunnes punainen valo alkaa vilkkua. Sulje kansi ja paina käynnistyspainiketta. Jos vika ei poistu, kutsu huolto.
Luukun toimintahäiriö	Virhe salpamekanismi	VILKKUU	EI	PALAA	10 ÄÄNIMERKKIÄ	1 Jos käymälä on lämmin, nollaa se. 2 Avaa kansi, kunnes punainen valo alkaa vilkkua. Sulje kansi ja paina käynnistyspainiketta. 3 Jos vika ei poistu, nollaa käymälä, aseta suojapussi altaaseen ja kaada pussiin 7 dl vettä. Sulje kansi ja paina käynnistyspainiketta. 4 Jos vika ei poistu, odota kunnes käymälä on jäähtynyt (tuuletin lakkaa toimimasta). 5 Nollaa käymälä uudelleen ja avaa kansi, kun luukku on avautumassa, ja poista sen toimintaa estävä esine. Jos vika ei poistu, kutsu huolto.
Tuhkasäiliö ei ole oikein paikoillaan.	Tuhkasäiliö pois paikaltaan	VILKKUU	VILKKUU	PALAA	3 ÄÄNIMERKKIÄ	1 Aseta tuhkasäiliö oikein paikoilleen kiertämällä sitä vasemmalle. 2 Tarkista, että säiliön pysäytin on ehjä. 3 Tarkista säiliön magneetin kunto silmämääräisesti. Jos vika ei poistu, kutsu huolto.
Lämmityspiirin toiminta on keskeytynyt	Virhe lämmityspiiri	EI	VILKKUU	PALAA	JATKUVAT ÄÄNIMERKIT	1 Nollaa käymälä. 2 Tarkista käymälän oikealla puolella oleva kaksimetallinen termostaatti. Kierrä harmaa tulppa auki ja paina sisällä olevaa sulaketta sormella. Älä käytä teräviä esineitä. Jos sulake on lauennut, kuulet naksahduksen. Ks. kohta 5. 4 Jos vika ei poistu, nollaa käymälä uudelleen ja yritä käynnistää se. Toista muutaman kerran. Jos vika ei poistu, kutsu huolto.
Kannen anturi on lauennut	Kansi on auki	VILKKUU	EI	PALAA	EI	1 Tarkista kannen alla oleva magneetti ja sulje kansi. Jos vika ei poistu, kutsu huolto.
Lämpötila-anturin toimintavirhe	Virhe lämpötila-anturin	EI	VILKKUU	VILKKUU	JATKUVAT ÄÄNIMERKIT	1 Nollaa käymälä. 2 Avaa kansi, kunnes punainen valo alkaa vilkkua. Sulje kansi ja paina käynnistyspainiketta. 3 Jos vika ei poistu, kutsu huolto.
Ei lukukelpoinen / ei ilmoitusta	Ei lukukelpoinen / tyhjä näyttö					1 Irrota käymälä virtalähteestä ja odota 5 minuuttia. 2 Liitä käymälä virtalähteeseen ja käynnistä. 3 Jos vika ei poistu, kutsu huolto.

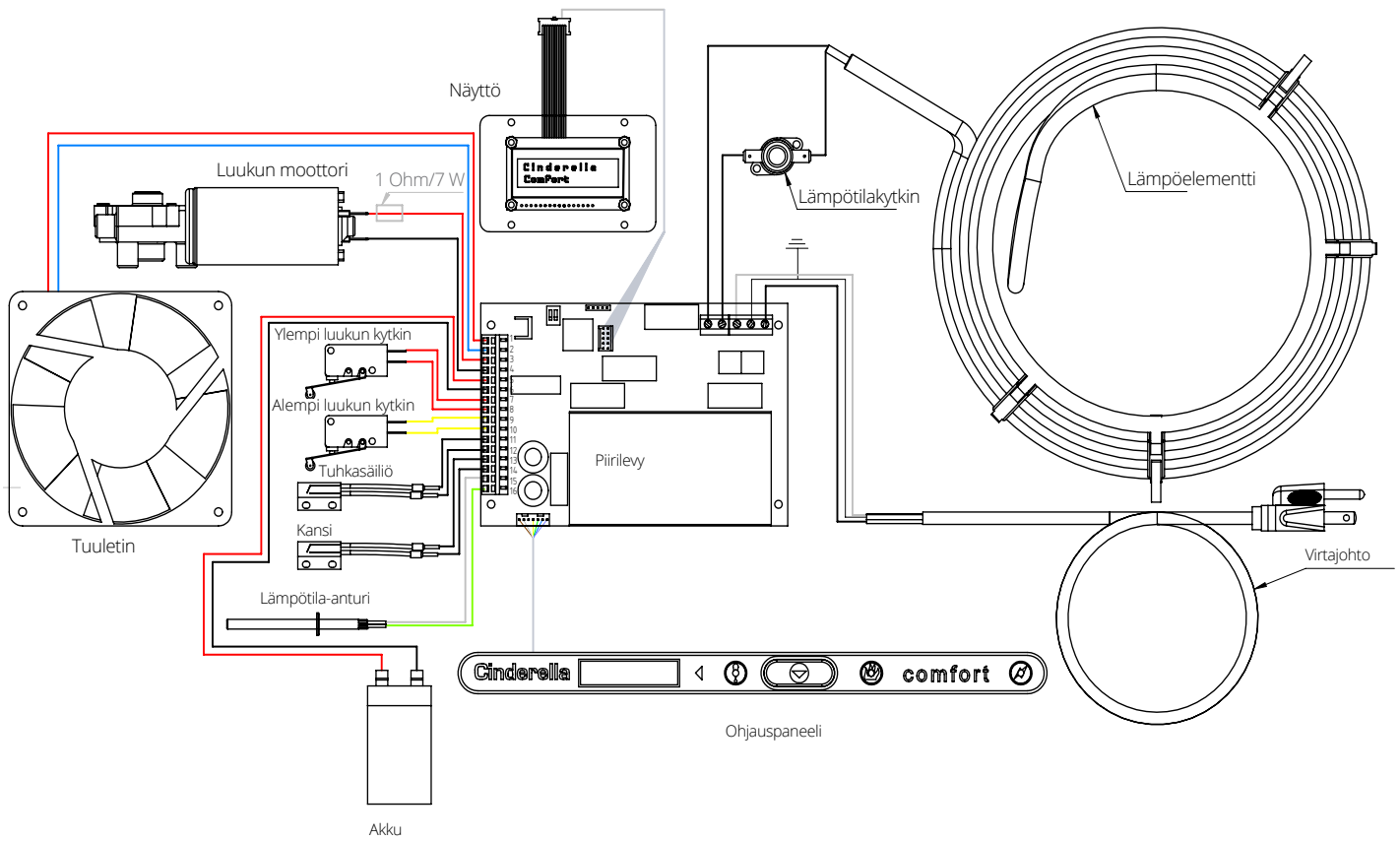
6. KORJAUS JA VARAOSAT

6.1 VARAOSALUETTELO



NRO	OSAN KUVAUS	TUOTENRO	NRO	OSAN KUVAUS	TUOTENRO
1	Comfort-mallin ohjauspaneeli, jossa näyttö	100115	12	Hall-anturi, jossa lyhyt johto	100965
2	Magneetti 14x10 mm	100433	13	Lämpöelementti 230 VAC	100862
3	Hall-anturi, johto ja teippi P = 330 mm	100964	14	Katalysaattorin eriste	100163
4, 5	Mikrokytkin	101127	15	Katalysaattori 90x75 mm	100528
6	Aksiaalipuhallin 12 V DC 119x38 mm	100154	16	Akku 12 V	100083
7	Nidec-moottori 12/24 V DC	101177	17	Letkukiristin 280 mm A4	100932
8	Pysäytyskannatin 9x26x12 mm	100017	18	LED-näyttö 65x36x13 vakiomoduli	100401
9	Lämpöpari P = 550 mm	100831			
10	Magneetti 14x7 mm	100065			
11	Piirilevy (E5)	100063			

6.2 KYTKENTÄKAAVIO



7. Takuu

Mitä takuu kattaa?

Tämä takuu kattaa Cinderella-polttokäymälän materiaali- ja valmistusvirheet. Takuun voimassaoloaika on ilmoitettu jäljempänä, samoin poikkeukset takuun voimassaoloon.

Mitä takuu ei kata?

Tämä takuu ei kata normaalista käytöstä aiheutuvaa kulumista eikä onnettomuuksista (mukaan lukien tulipalo, tulva, hirmumyrsky ja muut luonnonmullistukset), väärinkäytöstä, virheellisestä käytöstä, valmistajan ohjeiden laiminlyönnistä tai riittämättömästä huollosta aiheutuvia vahinkoja. Tämä takuu ei kata välillisiä tai muita epäsuoria vahinkoja. Cinderella Eco Group ei tarjoa paikan päällä -takuuta. Tämä tarkoittaa sitä, että käymälä on toimitettava huollettavaksi valtuutettuun huoltoliikkeeseen. Jos se ei ole mahdollista, jälleenmyyjällä on oikeus veloittaa kuljetus- tai matkakustannukset.

Kuinka kauan takuu on voimassa?

Kuluttajalle tämä takuu on voimassa kolme (3) vuotta tuotteen alkuperäisestä ostopäivästä. Ammattiostajille takuu on voimassa yhden (1) vuoden ostopäivästä.

Miten Cinderella Eco Group toimii takuuasioissa?

Jos esität oikeutetun takuuvaatimuksen, Cinderella Eco Group valintansa mukaan joko korjaa Cinderella-polttokäymälän, vaihtaa sen uuteen tai hyvittää sen ostohinnan.

Miten saan tuotteelle takuuhuollon?

Varaa huolto ottamalla yhteyttä tuotteen myyjään tai valtuutettuun huoltoliikkeeseen. Huoltovaihtoehdot vaihtelevat maittain.

Takuuhuollon saadaksesi sinua voidaan pyytää esittämään ostokuitti. Tarkempaa tietoa takuusta on osoitteessa www.cinderellaeco.com

Cinderella Eco Group AS
Sjøvikvegen 67, 6475 Midsund, Norja
www.cinderellaeco.com

INHALTSVERZEICHNIS

1. ALLGEMEINES	3
1.1 EINFÜHRUNG	3
1.2 BESTIMMUNGSGEMÄSSER GEBRAUCH	3
1.3 BETRIEBSANLEITUNG	3
1.4 HAFTUNGSBESCHRÄNKUNG	3
1.5 GENEHMIGUNGEN UND ZERTIFIZIERUNGEN	3
1.6 UMGEBUNGSBEDINGUNGEN	3
1.7 ALLGEMEINE SICHERHEITSHINWEISE	4
1.8 TYPENSCHILD	5
1.9 CINDERELLA ONLINE	5
2. INSTALLATION	6
2.1 AUSPACKEN DER TOILETTE UND ZUBEHÖR	6
2.2 ABMESSUNGEN CINDERELLA COMFORT	6
2.3 ORIGINAL-INSTALLATIONSSSETS FÜR IHRE CINDERELLA-TOILETTE	7
2.4 INSTALLATIONSSPEZIFIKATIONEN	8
2.4.1 SPEZIFIKATIONEN FÜR TEILE UND MATERIALIEN	8
2.5 INSTALLATION DER CINDERELLA-VERBRENNUNGSTOILETTE	8
2.5.1 INSTALLATION DER ENTLÜFTUNGSROHRE	9
2.5.2 INSTALLATION DES HORIZONTALEN BELÜFTUNGSROHRS	10
2.5.3 INSTALLATION DES ORIGINAL-CINDERELLA-DACHAUFSATZES	11
2.6 ELEKTRISCHE SPEZIFIKATIONEN UND ANFORDERUNGEN	11
2.7 CHECKLISTE ZUR ÜBERPRÜFUNG DER FERTIGEN INSTALLATION	12
2.8 LEISTUNGSTEST ZUR ÜBERPRÜFUNG DER FUNKTION DES SYSTEMS	12
3. BEDIENUNG	13
3.1 VERWENDUNGSZWECK UND HANDHABUNG	13
3.2 ALLGEMEINE SICHERHEIT	13
3.3 SICHERER BETRIEB	13
3.4 SICHERHEITSMERKMALE VON CINDERELLA COMFORT	13
3.5 WICHTIGE INFORMATIONEN FÜR DEN BENUTZER	14
3.6 DAS BEDIENPANEL	15
3.7 VERWENDUNG DER CINDERELLA-COMFORT-TOILETTE	16
3.8 UMGANG MIT DER FRONTABDECKUNG UND DEM ASCHEBEHÄLTER	17
4. ALLGEMEINE WARTUNGSANWEISUNGEN	18
4.1 MERKMALE DES ENDPRODUKTS	18
4.2 KUNDENSEITIGE WARTUNG	19
4.2.1 ENTLEERUNG UND REINIGUNG DES ASCHEBEHÄLTERS	19
4.2.2 DAMPFREINIGUNG DES KATALYSATORS	19
4.2.3 REINIGUNG DER TOILETTENSCHÜSSEL	20
4.2.4 INSPEKTION DES KATALYSATORS	21
4.2.5 REINIGUNG DER ENTLÜFTUNGSÖFFNUNG DER TOILETTE	21
4.2.6 SPÜLEN DES KATALYSATORS MIT HEISSEM WASSER	22
5. FEHLERBEHEBUNG UND HÄUFIG GESTELLTE FRAGEN	23
5.1 TABELLE ZUR FEHLERBEHEBUNG	24
6. REPARATUREN UND ERSATZTEILE	25
6.1 ERSATZTEILLISTE	25
6.2 SCHALTPLAN	26
7. GARANTIE	27

1. ALLGEMEINES

1.1 EINFÜHRUNG

Um die einwandfreie Funktion Ihrer neuen Cinderella-Toilette zu gewährleisten, muss unbedingt für eine ordnungsgemäße Be- und Entlüftung entsprechend den Anweisungen in diesem Handbuch gesorgt werden. Eine unsachgemäße Installation kann zu Fehlfunktionen, Verschleiß oder Gerüchen führen und hat den Verlust der Garantie zur Folge. Bei der Installation der Toilette sind die technischen und administrativen Regelungen des Landes zu beachten, in dem sie installiert wird.

1.2 BESTIMMUNGSGEMÄSSER GEBRAUCH

Die Toilette ist zur Verbrennung von Ausscheidungsprodukten und kleinen Hygieneartikeln wie Tampons und Feuchttüchern ohne Alkohol bestimmt.

1.3 BETRIEBSANLEITUNG

Bitte lesen Sie sich dieses Produkthandbuch vor der Installation und dem ersten Gebrauch sorgfältig durch. Bewahren Sie das Handbuch an einem sicheren Ort auf, damit Sie es bei Bedarf nochmals zurate ziehen können. Wenn Sie das Produkt an eine andere Person weitergeben, händigen Sie gleichzeitig auch dieses Produkthandbuch aus.

Das Handbuch bietet die notwendige Hilfestellung für eine sachgemäße Installation, Bedienung und Wartung des Produkts. Es ist wichtig, dass sich sowohl der Installateur als auch der Benutzer mit den Anweisungen in diesem Handbuch vertraut machen. Das Handbuch enthält auch Informationen zur professionellen Wartung sowie eventuell notwendige Informationen für Servicearbeiten und Reparaturen.

1.4 HAFTUNGSBESCHRÄNKUNG

In folgenden Fällen übernimmt der Hersteller keine Haftung für Schäden:

- Fehlerhafte Installation
- Schäden am Produkt infolge einer falschen Anschlussspannung
- Veränderungen am Produkt ohne ausdrückliche Genehmigung des Herstellers
- Verwendung für andere als die im Produkthandbuch beschriebenen Zwecke
- Nichtbeachtung der Bedienungs- und Wartungsanweisungen
- Verwendung entgegen den geltenden Regelungen oder Vorschriften
- Verwendung anderer als der Original-Toilettenbeutel und -Ersatzteile

1.5 GENEHMIGUNGEN UND ZERTIFIZIERUNGEN

Cinderella Comfort wurde von NEMKO umfassend gemäß der europäischen Norm für elektrische Sicherheit und elektromagnetische Verträglichkeit geprüft.

1.6 UMGEBUNGSBEDINGUNGEN

- Umgebungstemperatur: -20–40 °C
- Höhe über dem Meeresspiegel: bis 2.500 m getestet



VORSICHT!

Die installierte Cinderella-Toilette muss folgenden Mindestabstand zu brennbaren Baustoffen einhalten: 50 mm an den Seiten und 50 mm an der Rückseite.

1.7 ALLGEMEINE SICHERHEITSHINWEISE



GEFAHR!

Sicherheitsrelevante Anweisung: Eine Nichtbeachtung dieser Anweisung kann zu schweren Verletzungen oder zum Tod führen.



WARNUNG!

Sicherheitsrelevante Anweisung: Eine Nichtbeachtung dieser Anweisung kann zu Verletzungen führen.



VORSICHT!

Eine Nichtbeachtung dieser Anweisung kann zu Sachschäden führen und die Funktion des Produkts beeinträchtigen.



HINWEIS!

Ergänzende Informationen zum Betrieb des Produkts.



GEFAHR!

- Versprühen Sie keine Aerosole in der Nähe der Toilette, während diese in Betrieb ist.
- Verwenden oder lagern Sie keine brennbaren Materialien in oder in der Nähe der Toilette.
- Legen Sie keine Gegenstände auf die Toilette und lehnen Sie keine Gegenstände dagegen.
- Nehmen Sie keine Veränderungen an der Toilette vor.



GEFAHR!

- Verwenden Sie die Verbrennungstoilette nicht, wenn sie sichtbar beschädigt ist.
- Falls das Stromkabel der Toilette beschädigt ist, muss es vom Hersteller, dem Kundendienst oder einer ähnlich qualifizierten Person ausgetauscht werden, um Sicherheitsrisiken zu beseitigen.
- Die Toilette darf nur von qualifiziertem Personal repariert werden. Unsachgemäße Reparaturen können schwerwiegende Gefahren mit sich bringen.
- Betreiben Sie die Toilette nur mit der Spannung, die auf dem Typenschild auf der Rückseite der Toilette angegeben ist.



WARNUNG!

- Quetschgefahr! Fassen Sie nicht an das Scharnier oder unter den Toilettensitz, während dieser geöffnet ist, da Deckel und Sitz nicht mit einer Absenkautomatik ausgestattet sind.
- Entleeren Sie den Aschebehälter nicht, wenn dieser heiß ist.
- Stellen Sie vor dem Betätigen sicher, dass Stromkabel und Stecker trocken sind.







VORSICHT!

- Heben Sie die Toilette beim Transport nur am Toilettengehäuse an. Heben Sie die Toilette niemals am Stromkabel, der Frontabdeckung, dem Deckel oder Sitz oder der Entlüftungsöffnung an.
- Überhitzungsgefahr! Sorgen Sie stets für eine ausreichende Entlüftung, damit bei der Verbrennung entstehende Hitze und Emissionen über das Entlüftungsrohr entweichen können. Stellen Sie einen ordnungsgemäßen Luftfluss im System sicher. Sorgen Sie stets für eine ausreichende Luftzufuhr in die Toilette. Stellen Sie sicher, dass die Toilette weit genug von Wänden und anderen Objekten entfernt steht, damit die Luft zirkulieren kann.

1.8 TYPENSCHILD

Das Typenschild ist auf der Rückseite der Verbrennungstoilette zu finden. Auf dem Schild sind das Modell, die Seriennummer, technische Daten zu Ihrer Toilette und Support-Informationen angegeben. Diese Angaben benötigen Sie, wenn Sie sich an den Kundendienst wenden oder Ersatzteile bestellen möchten.

<p>MANUFACTURER</p>  <p>Cinderella Incineration Toilets</p> <p>CINDERELLA ECO GROUP AS Sjøvikvegen 67, 6475 Midsund, NORWAY</p> <p>For sales and support call +47 77711500 or visit our web www.cinderellaeco.com</p> <p>CINDERELLA COMFORT MODEL:COMFORT EU SERIAL:</p>	<p>Appliance Specifications</p> <p>VOLTAGE..... 230-240 V AC 50-60Hz CURRENT 9 A HEATING ELEMENT:..... 2000W EL MOTOR: 12 V DC BATTERY: 12 V DC 2,6 Ah FAN BLOWER..... 12 V DC CAPACITY..... 4 Uses Pr. Hour DESIGNED FOR HOME / CABINS YEAR OF MANUFACTURING..... 2022</p>	  
---	--	---

1.9 CINDERELLA ONLINE



REGISTRIEREN SIE SICH BEI „MY CINDERELLA“

Wenn Sie Ihre Toilette in „My Cinderella“ registrieren, erhalten Sie relevante Informationen zu unseren Produkten und verfügbaren Zubehörsystemen sowie passende Sonderangebote speziell für Ihr Toilettenmodell. Im Falle eines Diebstahls sind registrierte Toiletten in unserer Herstellerdatenbank gespeichert.

Online-Fehlersuche

Ein vollständiger Leitfaden für Ihre Toilette, in dem Sie nützliche Hinweise und Verbesserungsmöglichkeiten für Benutzer finden und mit dem Sie die häufigsten Probleme selbst lösen können, ohne Unterstützung anfordern zu müssen.

Einfacher Zugang zu Informationen

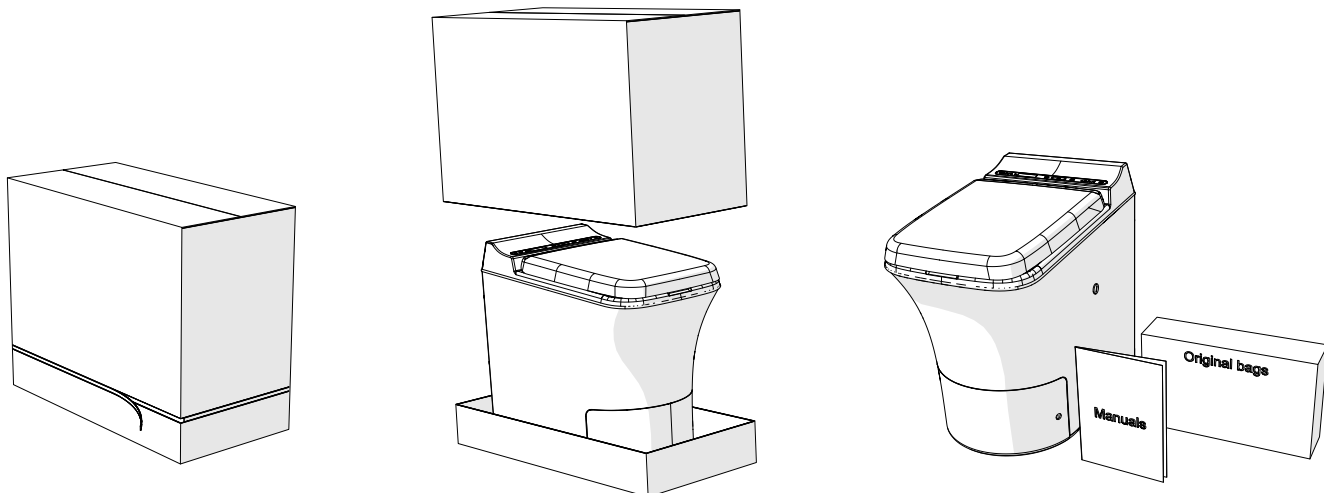
Produktbezogene Dokumente können Sie in unserem Online-Dokumentationszentrum herunterladen. Dort finden Sie Produkthandbücher, Servicehandbücher und ein Handbuch für die Demontage von Elektro- und Elektronik-Altgeräten (WEEE).

Service und Ersatzteile

Wählen Sie Ihr Land aus, um sich eine Liste lokaler Fachhändler anzeigen zu lassen, bei denen Sie Serviceleistungen und Ersatzteile erhalten können.

2. INSTALLATION

2.1 AUSPACKEN IHRER CINDERELLA-VERBRENNUNGSTOILETTE



HINWEIS!

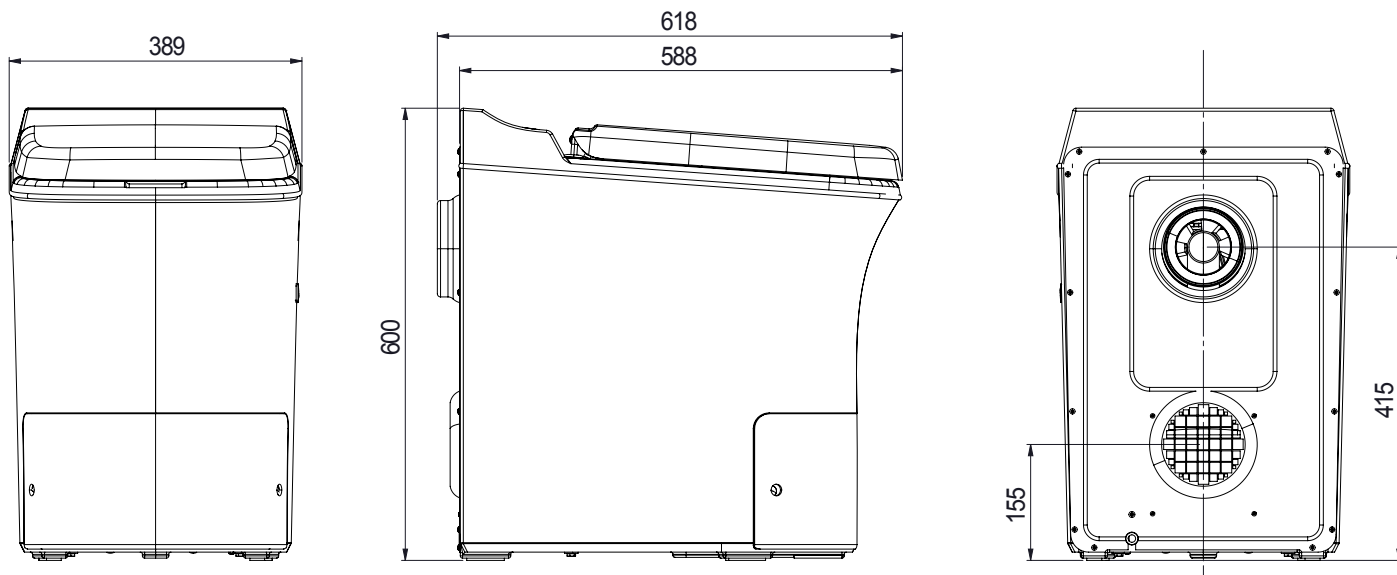
Verwenden Sie zum Auspacken der Cinderella-Toilette den Öffnungsstreifen im unteren Bereich des Kartons. Lösen Sie den Streifen um den gesamten Karton herum und heben Sie den Karton ab.

LIEFERUMFANG	MENGE
Cinderella Comfort	1
Toilettenbeutel	100
Produktthandbuch	1

2.2 ABMESSUNGEN

Höhe	600 mm
Sitzhöhe	540 mm
Breite	390 mm

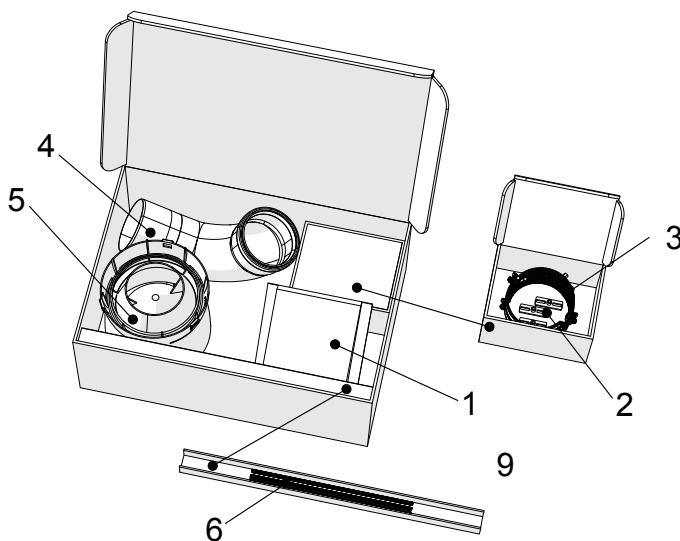
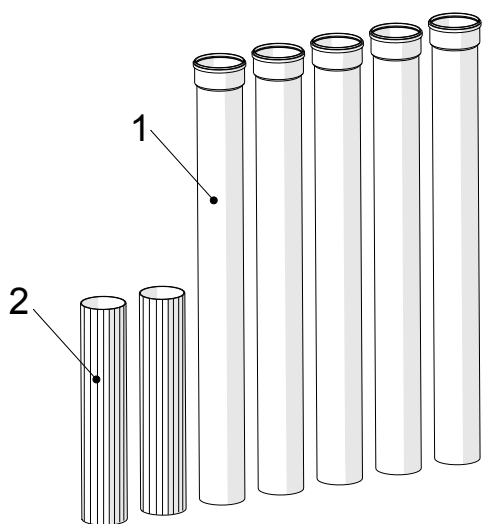
Tiefe	590 mm
Höhe Mittelpunkt Entlüftungsöffnung	415 mm
Höhe Mittelpunkt Belüftungsöffnung	155 mm



2.3 ORIGINAL-INSTALLATIONSSETS FÜR IHRE CINDERELLA-TOILETTE

Original-Cinderella-Dämmset Arctic: Cinderella hat ein spezielles Dämmset entwickelt, das von Vorteil ist, wenn die Toilette in kalten Umgebungen installiert wird. Das Set ist speziell auf die Cinderella-Verbrennungstoilette abgestimmt und bietet eine zusätzliche Dämmschicht im Inneren des Toilettengehäuses, die der Ansammlung von Wasser und Eis auf Ihrem Gerät entgegenwirkt. Dies verringert den Verschleiß Ihres Produkts, auch in seinem Inneren. Weitere Informationen erhalten Sie von Ihrem Fachhändler oder auf unserer Website www.cinderellaeco.com.

Original-Cinderella-Installationsset: Wir empfehlen dringend, für die Installation Ihrer Toilette das „Original-Cinderella-Installationsset“ zu verwenden. Dieses Set enthält alle notwendigen Teile für eine bestmögliche Installation und optimiert den Verbrennungsvorgang und die Funktion Ihrer Toilette. Das Installationsset besteht aus zwei Kartons. Karton Nr. 1 enthält 7 UV-beständige 110-mm-Rohre in PP-Qualität für die Installation der Be- und Entlüftung. Karton Nr. 2 enthält einen optimierten Dachaufsatz und Bogen, um die Durchflussrate des Systems und die Effizienz der Verbrennung zu erhöhen. Außerdem enthält er eine Windhaube für das Belüftungsrohr sowie Halterungen und Schellen zur Befestigung der Rohre.



ORIGINAL-CINDERELLA-INSTALLATIONSSSET	MENGE
1	Entlüftungsrohr mit Steckmuffe 1066 mm
2	Entlüftungsrohr ohne Steckmuffe 500 mm

ORIGINAL-CINDERELLA-INSTALLATIONSSSET	MENGE
1	Windhaube
2	Wandhalterungsstange
3	Halterungsschelle
4	Bogen 87° mit Ablauf
5	Dachaufsatz
6	Gewindestange 30 mm



HINWEIS!

- In diesem Handbuch wird näher erläutert und gezeigt, wie Sie Ihre Toilette mithilfe der im Original-Cinderella-Installationsset enthaltenen Teile optimal installieren. Sollten Sie Ihre Cinderella-Toilette mit anderen als den Original-Rohren und -Teilen installieren wollen, achten Sie bitte darauf, dass diese die in Abschnitt 2.4.1 „Spezifikationen für Teile und Materialien“ beschriebenen Spezifikationen erfüllen.
- Um die einwandfreie Funktion Ihrer Cinderella-Verbrennungstoilette zu gewährleisten, muss unbedingt für eine ordnungsgemäße Be- und Entlüftung entsprechend den Anweisungen in diesem Handbuch gesorgt werden. Weicht die Installation von den Spezifikationen des Herstellers ab oder werden bei der Installation der Toilette nicht autorisierte Teile verwendet, sind Fehlfunktionen, Verschleiß und Gerüche die Folge und die Garantie erlischt.

2.4 INSTALLATIONSSPEZIFIKATIONEN

2.4.1 SPEZIFIKATIONEN FÜR TEILE UND MATERIALIEN

TEIL	SPEZIFIKATIONEN
Lüftungsrohre	Cinderella Comfort muss mit 110-mm-Rohren mit glatter Innenoberfläche und einem Mindestinnendurchmesser von 102 mm installiert werden. Das Rohrmaterial muss für Temperaturen über 100 °C ausgelegt sein und vorzugsweise aus PP oder CPVC bestehen. Wir empfehlen dringend, die Original-Cinderella-Rohre in PP-Qualität zu verwenden.
Bogen (Abluft)	Cinderella Comfort muss mit einem glatten Bogen installiert werden, der den Luftstrom so wenig wie möglich behindert. Wir empfehlen dringend, den Original-Cinderella-Bogen 87° mit Ablauf zu verwenden.
Dachaufsatz	Cinderella Comfort muss mit einem Dachaufsatz installiert werden, der das Eindringen von Regenwasser verhindert und den Luftstrom so wenig wie möglich behindert. Windräder oder ähnliche Komponenten dürfen an der Entlüftung der Cinderella-Verbrennungstoilette nicht verwendet werden. Wir empfehlen dringend, den Original-Cinderella-Dachaufsatz zu verwenden.



HINWEIS!

- Das Innere des Entlüftungsrohrs muss glatt und frei von Prägungen oder Kerben sein.
- Bringen Sie niemals Netze im Entlüftungsrohr an, da diese den Luftstrom im System behindern können.
- Der Bogen muss im installierten Zustand zugänglich sein, damit das Abflussrohr gespült und das Entlüftungsrohr gereinigt werden kann.
- Cinderella Comfort ist für die Anwendung in Badezimmern/Nasszellen zugelassen (Schutzart IP 34), es darf jedoch kein Wasser auf die äußeren Teile der Toilette gespritzt werden.
- Die Toilette muss auf einem festen, ebenen Untergrund aufgestellt werden. Die Installation der Cinderella-Toilette auf einem beheizten Fußboden ist möglich.

2.5 INSTALLATION DER CINDERELLA-VERBRENNUNGSTOILETTE

Um die einwandfreie Funktion Ihrer neuen Cinderella-Toilette zu gewährleisten, muss unbedingt für eine ordnungsgemäße Be- und Entlüftung entsprechend den Anweisungen in diesem Handbuch gesorgt werden. Unsachgemäße Installation kann zu Fehlfunktionen, Verschleiß oder Gerüchen führen und hat den Verlust der Garantie zur Folge. Lesen Sie sich alle Abschnitte sorgfältig durch, bevor Sie mit der Installation der Toilette beginnen. Stellen Sie stets sicher, dass die Arbeiten von Fachpersonal entsprechend den lokalen Vorschriften durchgeführt werden.



VORSICHT!

- Bei der Installation der Toilette sind die technischen und administrativen Regelungen des Landes zu beachten, in dem sie installiert wird. Wir empfehlen Ihnen, sich an Ihren Händler vor Ort zu wenden, um Unterstützung bei der Planung und Installation Ihrer Cinderella-Toilette zu erhalten.
- Verwenden Sie zusätzlich zum Bogen niemals Rohrstücke mit einem Winkel von 90°.
- Wenn das Rohr durch die Dachfläche geführt wird, stellen Sie sicher, dass die Bauvorschriften eingehalten werden.
- Verwenden Sie zur Installation der Cinderella-Toilette keine flexiblen Leitungen oder Rohre.
- Schließen Sie nie mehr als eine Toilette an das Entlüftungsrohr an.
- Der Bogen muss im installierten Zustand zugänglich sein, damit das Abflussrohr gespült und das Entlüftungsrohr regelmäßig gereinigt werden kann.

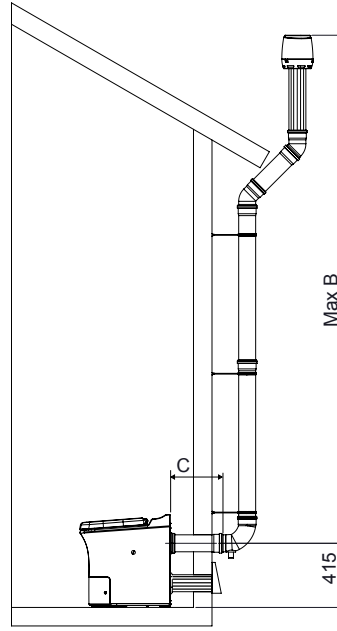
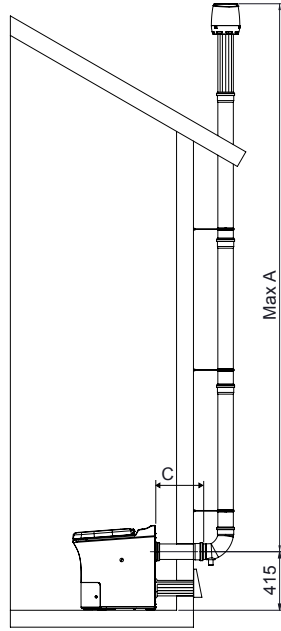
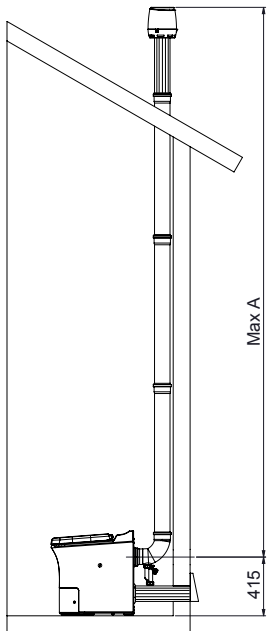


WARNUNG!

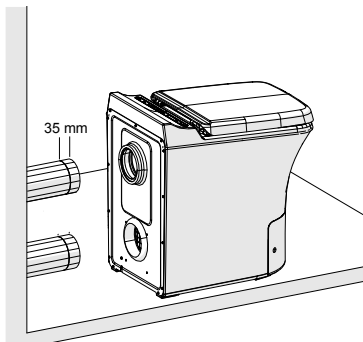
Vergewissern Sie sich vor dem Bohren von Löchern stets, dass Sie dabei keine Stromkabel oder Wasserrohre beschädigen.

2.5.1 INSTALLATION DER ENTLÜFTUNGSROHRE

DURCHMESSER ENTLÜFTUNGSROHR	RICHTUNG ENTLÜFTUNGSROHR	REFERENZ	BOGEN	MAXIMALE ROHRLÄNGE
110 mm	Horizontales Entlüftungsrohr	C	(Nicht zulässig)	1,0 m
110 mm	Vertikales Entlüftungsrohr	A	Keine	6,0 m
110 mm	Vertikales Entlüftungsrohr	B	2 x 45°-Bogen	5,0 m

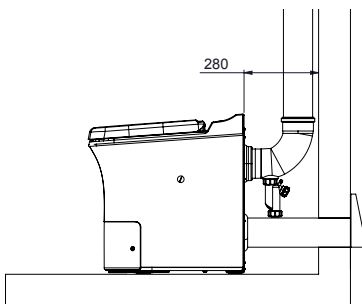


HINWEIS!
Der Mittelpunkt der Entlüftungsöffnung der Toilette befindet sich 415 mm über dem Niveau des Bodens.



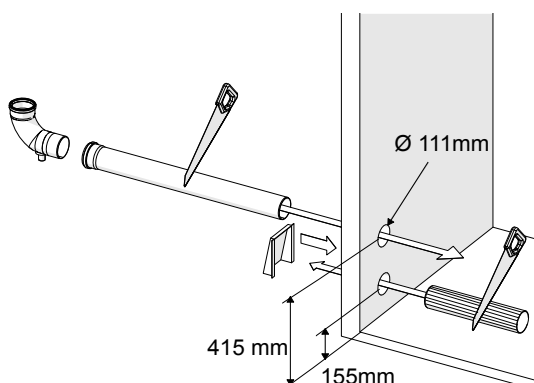
HINWEIS!

Bitte beachten Sie beim Kürzen des Rohres, dass das Rohr 35 mm in die Entlüftungsöffnung der Toilette eingeführt wird. Dies muss bei der Planung der Installation eingerechnet werden.



HINWEIS!

Wenn Sie das vertikale Rohr direkt von der Toilette nach oben führen wollen, beachten Sie bitte, dass ein Mindestabstand von 280 mm zur Wand eingehalten werden muss.



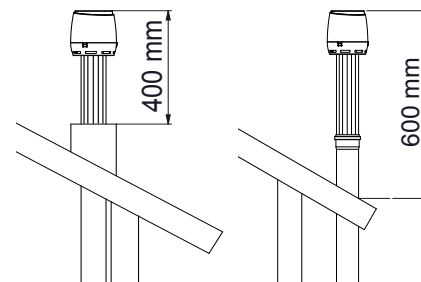
HINWEIS!

Das Original-Cinderella-Installationsset enthält 5 Rohre mit einer Länge von 1066 mm für die Installation der Entlüftung. Die Rohre verfügen über eine Steckmuffe, um eine einfache Installation zu gewährleisten. Wenn Sie das Rohr auf der Außenwand anbringen möchten, müssen Sie das Rohr von außen nach innen einführen.



HINWEIS!

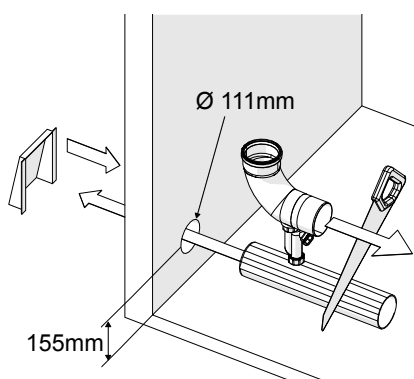
- Über dem Dach muss das Rohr stets vertikal installiert werden und mindestens 600 mm über die Dachfläche hinausragen. Wenn das Entlüftungsrohr verkleidet werden soll (z. B. mit Metallplatten), achten Sie bitte darauf, dass das Ende des Rohres mindestens 400 mm über die Verkleidung hinausragt.
- Bei Installation an Orten, an denen mit größeren Schneemengen zu rechnen ist, muss das Rohr eventuell weiter hinausragen und entsprechend gesichert werden.



2.5.2 INSTALLATION DES HORIZONTALEN BELÜFTUNGSROHRS

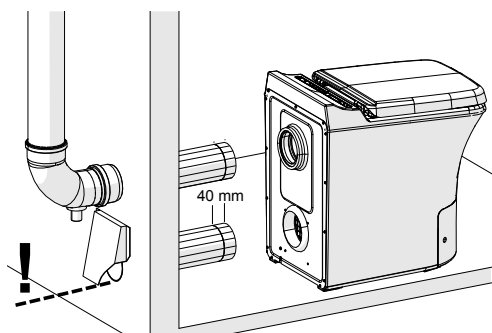
Es ist wichtig, für eine ausreichende Frischluftzufuhr zur Toilette zu sorgen. Wir empfehlen deshalb immer, Cinderella Comfort mit eigenem Zuluftanschluss zu installieren. Die Zufuhr frischer Luft von außen in das Innere der Toilette ist für die Kühlung, Luftzirkulation und Versorgung des Verbrennungsprozesses mit Sauerstoff unerlässlich. Wenn die Toilette nur eingeschränkter Zugang zu Luft/Sauerstoff hat, sind eine schlechte Verbrennungsleistung, geringere Effizienz und eventuell eine Überhitzung der Toilette die Folge. Eine schlechte Verbrennungsleistung führt auf Dauer zum Verschleiß des Produkts und zum Verlust der Garantie.

AUSSENDURCHMESSER BELÜFTUNGSROHR	INNENDURCHMESSER BELÜFTUNGSROHR	RICHTUNG BELÜFTUNGSROHR	BOGEN	MAXIMALE ROHRLÄNGE
110 mm	102 mm	Horizontal	Keine	500 mm



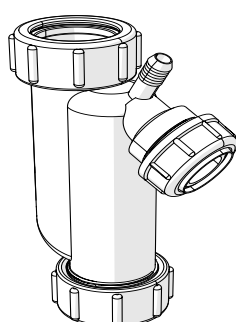
HINWEIS!

- Der Mittelpunkt der Belüftungsöffnung der Toilette befindet sich 155 mm über dem Niveau des Bodens.
- Das Original-Cinderella-Installationsset enthält 2 Rohre mit einer Länge von 500 mm für die Installation der Belüftung und des Dachaufsatzes. Kürzen Sie die Länge des Belüftungsrohres je nach Bedarf. Beachten Sie bitte, dass das Rohr 40 mm in die Belüftungsöffnung der Toilette eingeführt wird.



HINWEIS!

Achten Sie beim Anbringen der Windhaube an der Außenwand darauf, dass sich das Rohr auf der gleichen Höhe wie die Unterkante der Windhaube befindet. Eine falsche Anbringung kann zu einer eingeschränkten Luftzirkulation führen, was eine schlechte Verbrennungsleistung, geringere Effizienz und eventuell eine Überhitzung der Toilette zur Folge hat.



HINWEIS!

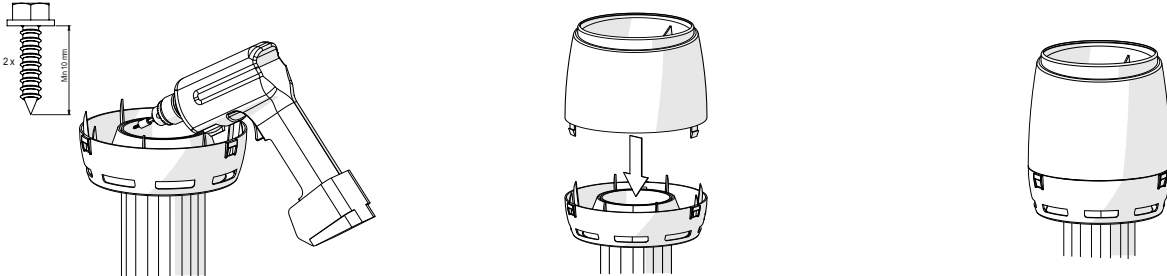
Cinderella stellt einen speziell angefertigten „Siphon“ zur Verfügung, der auf den im Installationsset enthaltenen Bogen passt. Dieser Artikel ist bei jedem Cinderella-Händler als Zubehörteil erhältlich. Wenn die Installation im Innenbereich erfolgt, müssen Sie den Siphon mit dem Bogen verbinden, um zu verhindern, dass Kondens- und Regenwasser auf den Boden läuft. Wird das Kondenswasser nicht aufgefangen und der Siphon nicht regelmäßig entleert, kann es zu Beschädigungen des Bodens kommen.

2.5.3 INSTALLATION DES ORIGINAL-CINDERELLA-DACHAUFSATZES



HINWEIS!

Das Original-Cinderella-Installationsset enthält einen Dachaufsatz, der durch sein Design für einen optimalen Luftstrom und eine erhöhte Produkteffizienz sorgt. Der Aufsatz besteht aus zwei Teilen. Die Basis kann mit rostfreien Schrauben oder Klebstoff an das Rohr angebracht werden, um ein einfaches Verbinden und Entfernen zur Wartung des Entlüftungsrohrs zu ermöglichen. Verwenden Sie das im Original-Cinderella-Installationsset enthaltene 500-mm-Rohr für den letzten Abschnitt des Entlüftungsrohrs. Dieses passt zum Verbindungsstück des Dachaufsatzes.



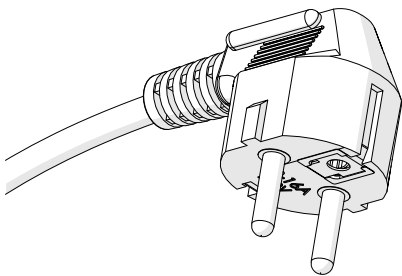
2.6 ELEKTRISCHE SPEZIFIKATIONEN UND ANFORDERUNGEN



WARNUNG!

- Die Toilette muss gemäß den nationalen Vorschriften für Elektroinstallationen sowie sämtlichen regionalen oder lokalen Vorschriften installiert werden.
- Die Toilette muss über einen eigenen geerdeten Stromkreis, der durch einen adäquat bemessenen Schutzschalter gesichert ist, mit der korrekten Spannung, Frequenz und Stromstärke versorgt werden.
- Die richtige Spannung, Frequenz und Stromstärke sind in diesem Handbuch und auf dem Typenschild auf der Rückseite der Toilette angegeben.

Anschlusswerte	INGANG	STROM	SICHERUNG
	220 V-240 V AC	9 A	10 A
Energieverbrauch	STANDBY-MODUS		VERBRENNUNGSMODUS
	0,5 W		2000 W
Anschlusspolarität	KABELDURCHMESSER	KABELLÄNGE	STECKERTYP
	1,5 mm ²	2,3 m	Schuko Typ F, CEE 7



HINWEIS!

Die Toilette wird mit einem zweipoligen, dreiadrigen, geerdeten Schuko-Stecker Typ F, CEE 7/7, 16 A, 250 V geliefert. Um das Gerät im Lieferzustand mit genügend Strom zu versorgen, benötigt es einen eigenen geerdeten Stromkreis mit einer verfügbaren Stromstärke von mindestens 10 Ampere bei 230 V AC.



GEFAHR!

- Das Anschlusskabel muss so gelegt werden, dass es nicht mit scharfen Kanten in Kontakt kommt.
- Änderungen an der internen Elektroinstallation oder dem Anschlusskabel müssen von professionellem Fachpersonal oder ähnlich qualifizierten Personen vorgenommen werden, um Sicherheitsrisiken zu vermeiden.
- Es wird nicht empfohlen, die Cinderella-Toilette mit einem Stromrichter zu verwenden. Cinderella Comfort hat einen maximalen Energieverbrauch von 2000 W, der über Zeiträume von jeweils mehr als einer Stunde aufrechterhalten bleiben kann. Stromrichter mit einem „Spitzenverbrauch“ von 2000 W sind unter Umständen nicht in der Lage, diese Leistung über längere Zeit aufrechtzuerhalten, sodass es zu Überlastungen, Schäden oder Sicherheitsrisiken kommen kann, falls sie mit Cinderella Comfort verwendet werden.

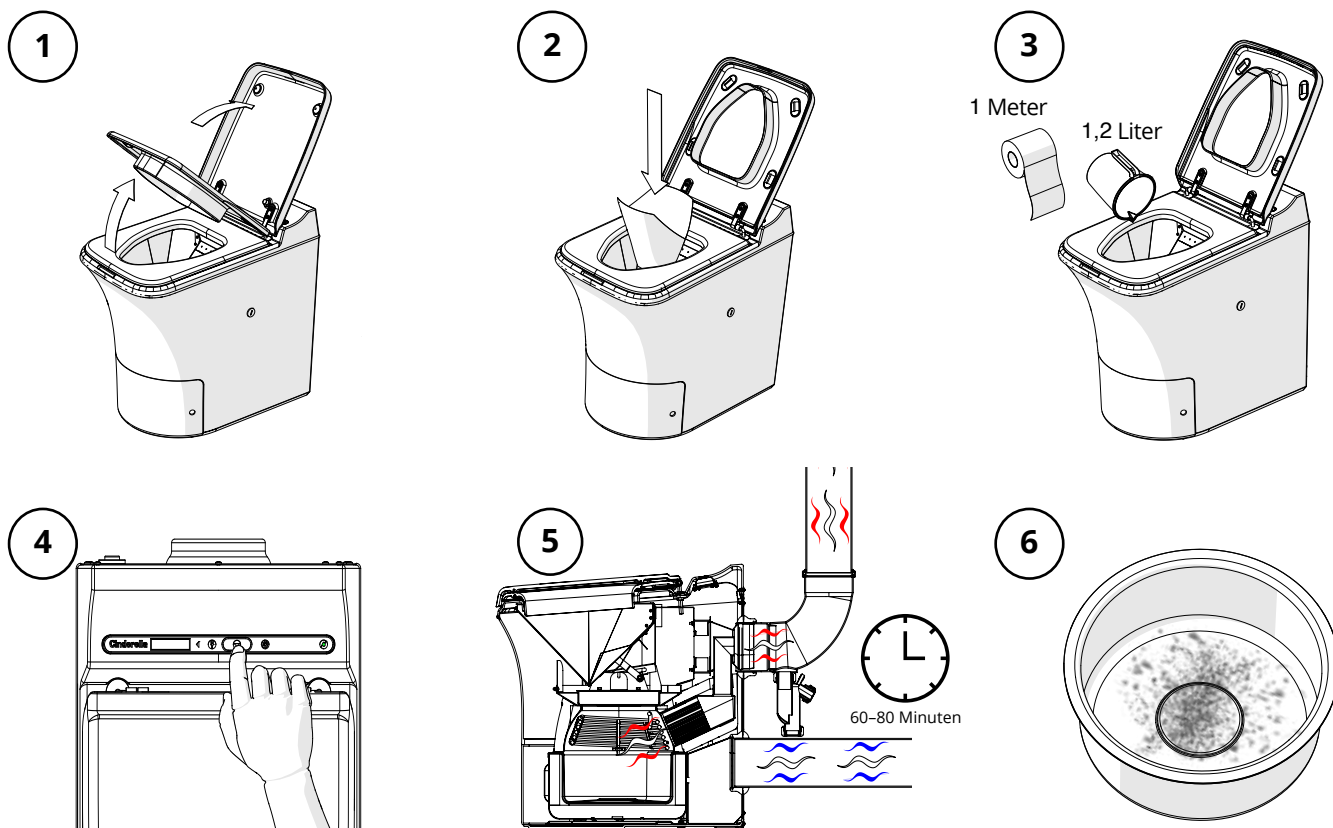
2.7 CHECKLISTE ZUR ÜBERPRÜFUNG DER FERTIGEN INSTALLATION

ZU KONTROLLIERENDE PUNKTE	ERFÜLLT
Die angeschlossene Spannung entspricht dem Typenschild.	
Die Toilette ist entsprechend den Spezifikationen des Herstellers installiert.	
- Das vertikale Entlüftungsrohr ist entsprechend den Spezifikationen des Herstellers installiert.	
- Das Ende des Entlüftungsrohrs ragt mindestens 600 mm über die Dachfläche hinaus.	
- Ein sicherer Ablauf-„Siphon“ wurde installiert, falls eine Ansammlung von Kondenswasser wahrscheinlich ist.	
- Das Entlüftungsrohrmaterial ist entsprechend den Spezifikationen des Herstellers installiert.	
- Der Dachaufsatz ist entsprechend den Spezifikationen des Herstellers installiert.	
- Der 90°-Bogen ist entsprechend den Spezifikationen des Herstellers installiert.	

2.8 LEISTUNGSTEST ZUR ÜBERPRÜFUNG DER FUNKTION DES SYSTEMS

Durch Drücken der „Start“-Taste wird der Verbrennungsvorgang gestartet. Bei diesem Leistungstest dauert der Verbrennungsvorgang ca. 60–80 Minuten. Während der Verbrennung leuchtet die gelbe Lampe. Der gesamte Test sollte ohne Fehleranzeigen oder Unterbrechungen des Systems abgeschlossen werden. Bevor der Aschebehälter herausgenommen werden kann, muss die Toilette so weit abgekühlt sein, dass sich der Lüfter ausgeschaltet hat. Die Kühlungsphase kann je nach Umgebungstemperatur 60–90 Minuten dauern.

Als Endprodukt sollte lediglich feiner weißer Staub zurückbleiben. Sollte das Endprodukt anders aussehen oder der Verbrennungsvorgang länger als 90 Minuten dauern, kann dies auf eine eingeschränkte Entlüftung oder einen Mangel an Sauerstoff hindeuten. Überprüfen Sie, ob die Installation den in Abschnitt 2 dieses Handbuchs beschriebenen Spezifikationen des Herstellers entspricht.



WARNUNG!

Der Aschebehälter wird während der Verbrennung sehr heiß. Nehmen Sie den Aschebehälter erst heraus, wenn die Toilette völlig abgekühlt ist und sich der Lüfter ausgeschaltet hat.

3. BEDIENUNG

3.1 VERWENDUNGSZWECK UND HANDHABUNG

Die Cinderella-Comfort-Toilette ist für die Installation in Innenräumen und die Verwendung im Freizeitbereich bestimmt, z. B. in Ferienhütten, Gartenhäusern, Außentoiletten, Containergebäuden, Bootshäusern und Poolhäusern. Die Toilette ist ausschließlich für die Verbrennung von Ausscheidungsprodukten und kleinen Hygieneartikeln wie Tampons, Binden und Feuchttüchern ohne Alkohol bestimmt. Die Nutzung von Cinderella Comfort zur Verbrennung anderer Gegenstände stellt eine missbräuchliche Verwendung dar und führt zum Erlöschen Ihrer Garantie.

Die folgenden Gegenstände dürfen nicht in die Toilette gegeben werden:

- Übermäßige Mengen an Papier jeglicher Art
- Reinigungsmittel auf Chlorbasis
- Feuchttücher mit Alkohol
- Zeitungspapier
- Papierhandtücher
- Entzündliche Flüssigkeiten oder Materialien
- Feuerzeuge
- Zigaretten oder Zigarren
- Benzin
- Alkoholische Getränke oder Spirituosen
- Alkohol oder Desinfektionsmittel auf Alkoholbasis
- Nagellackentferner
- Feuerzeugbenzin
- Lampenöl/Kerosin
- Aerosolbehälter
- Glas- oder Plastikflaschen oder -behälter usw.

3.2 ALLGEMEINE SICHERHEIT



GEFAHR!

- Benutzen Sie die Verbrennungstoilette nicht, wenn sie sichtbar beschädigt ist.
- Falls das Stromkabel der Toilette beschädigt ist, muss es vom Hersteller, dem Kundendienst oder einer ähnlich qualifizierten Person ausgetauscht werden, um Sicherheitsrisiken zu beseitigen.
- Die Verbrennungstoilette darf nur von qualifiziertem Personal repariert werden. Unbefugte Reparaturen können zu erheblichen Gefahren oder Beschädigungen der Toilette führen.
- Die Reinigung und benutzerseitige Wartung dürfen nicht von Kindern ohne Aufsicht durchgeführt werden.
- Verwenden Sie zur Pflege der Toilette keine explosiven Stoffe oder entzündlichen Reinigungsmittel.

3.3 SICHERER BETRIEB



WARNUNG!

- Der Aschebehälter der Toilette wird während des Gebrauchs der Toilette sehr heiß. Sorgen Sie dafür, dass während des Gebrauchs der Toilette die Sicherheitsabdeckung angebracht ist. Entleeren Sie den Aschebehälter erst, wenn die Toilette völlig abgekühlt ist.
- Der Toilettensitz verfügt nicht über eine Absenkautomatik. Achten Sie darauf, Ihre Hände oder Finger beim Schließen von Sitz oder Deckel nicht zu quetschen.

3.4 SICHERHEITSMERKMALE VON CINDERELLA COMFORT

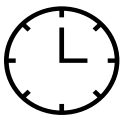
- Der Verbrennungsvorgang ist unterbrochen, wenn der Toilettendeckel offen steht. Die Verbrennung beginnt erst, wenn Sitz und Deckel geschlossen sind.
- Die Klappe zur Brennkammer kann NICHT geöffnet bleiben, wenn die Toilette noch heiß ist (z. B. zur Reinigung). Dies ist nur möglich, wenn die Toilette abgekühlt ist und sich der Lüfter ausgeschaltet hat.
- Sollte ein Entlüftungsproblem auftreten und die Temperatur im Inneren der Toilette auf mehr als 105 °C ansteigen, wird die Verbrennung unterbrochen und eine Fehlermeldung samt Code angezeigt. In diesem Fall ist ein manuelles Zurücksetzen erforderlich, um sicherzustellen, dass das Entlüftungsproblem vor dem nächsten Gebrauch gelöst wurde.
- Wenn der Aschebehälter nach dem Entleeren nicht korrekt eingesetzt wird, startet die Verbrennung nicht und eine Fehlermeldung wird angezeigt.
- Wenn der Klappenmechanismus der Brennkammer verklemmt oder nicht richtig schließt, startet die Verbrennung nicht und eine Fehlermeldung wird angezeigt.
- Die intelligente Software der Cinderella-Verbrennungstoilette überwacht während des Verbrennungsvorgangs die Temperatur. Sollten Abweichungen vom normalen Temperaturbereich festgestellt werden, wird die Verbrennung umgehend gestoppt und eine Fehlermeldung wird angezeigt.

3.5 WICHTIGE INFORMATIONEN FÜR DEN BENUTZER



HINWEIS!

- Denken Sie vor jeder Benutzung daran, einen neuen Beutel in die Toilette zu legen (einen Beutel pro Besuch).
- Der Toilettendeckel muss immer geschlossen sein, wenn die Toilette nicht benutzt wird. Die Verbrennung wird erst gestartet oder fortgesetzt, wenn der Deckel geschlossen ist.
- Der Verbrennungszyklus kann ab dem letzten Besuch bis zu 180 Minuten dauern.
- Der Lüfter läuft weiter, bis die Verbrennung abgeschlossen ist und die Temperatur im Inneren der Toilette wieder den Normalbereich erreicht hat. Je nach Temperatur der zur Kühlung verwendeten Luft kann die Kühlphase nach Abschluss der Verbrennung mehr als 120 Minuten dauern.
- Sie können Ihre Cinderella-Toilette während des Verbrennungs- und Kühlvorgangs jederzeit benutzen. Während der Benutzung wird die Verbrennung unterbrochen. Denken Sie daran, direkt nach jeder Benutzung den Deckel zu schließen und „Start“ zu drücken.



1 Stunde

Kapazität: 4 Benutzungen pro Stunde

Die Cinderella-Comfort-Toilette ist für bis zu vier Besuche pro Stunde ausgelegt. Um eine Überlastung zu vermeiden, werden mehr als vier Besuche pro Stunde nicht empfohlen. Eine Überlastung der Toilette durch viele Besuche innerhalb kurzer Zeit, ohne dass ein Verbrennungszyklus abgeschlossen werden kann, kann zu Gerüchen, zum Austritt von Flüssigkeit und zu einer Beschädigung der Toilette führen.



Entleerung

Entleerungshäufigkeit

Der Abfallbehälter des Systems hat ein Gesamtfassungsvermögen von 5 Litern Flüssigkeit. Für einen optimalen Betrieb sollte der Aschebehälter häufig (einmal pro Woche) entleert werden. Dies gewährleistet eine effizientere Verbrennung und hilft, den Katalysator sauber zu halten.

Wenn der Aschebehälter nicht entnommen wird (für die wöchentliche Entleerung), zeigt Cinderella Comfort nach 90 Verbrennungszyklen eine Meldung an, dass der Behälter entleert werden muss. Wurde er nach 120 Besuchen nicht entleert, sperrt sich die Toilette selbst, um weitere Besuche zu verhindern. Wir empfehlen, die Toilette so häufig wie möglich zu entleeren, um eine effizientere Verbrennung zu gewährleisten und den Produktverschleiß zu verringern.

Wenn der Aschebehälter nicht entleert wird, obwohl er voll ist, kann dies zu Beschädigungen der Toilette und zum Erlöschen der Garantie führen.



Längere
Nichtbenutzung

Vorbereitung Ihrer Toilette für eine längere Nichtbenutzung

Vor einer längeren Nichtbenutzung muss der Abfall verbrannt und der Aschebehälter entleert werden.



Max. 4 Besuche

Kurzzeitig erhöhte Nutzung

Sollte es die Situation erfordern, dass ungewöhnlich viele Gäste die Toilette innerhalb kurzer Zeit benutzen, befolgen Sie bitte die folgenden Tipps:

1. Entleeren Sie den Aschebehälter vollständig, bevor die Gäste eintreffen.
2. Heizen Sie die Toilette vor dem Gebrauch vor, indem Sie den Deckel öffnen und schließen und dann die „Start“-Taste drücken.
3. Sorgen Sie dafür, dass die Gäste angewiesen werden, einen Toilettenbeutel zu verwenden und nach jedem Besuch die Start-Taste zu drücken.
4. Überprüfen Sie regelmäßig, ob der Toilettendeckel geschlossen ist und die gelbe Verbrennungslampe leuchtet.
5. Eventuell müssen Sie ein oder zwei zusätzliche Verbrennungszyklen durchführen, bevor Sie den Aschebehälter entleeren, um sicherzustellen, dass der gesamte Abfall verbrannt wurde.

3.6 DAS BEDIENPANEL

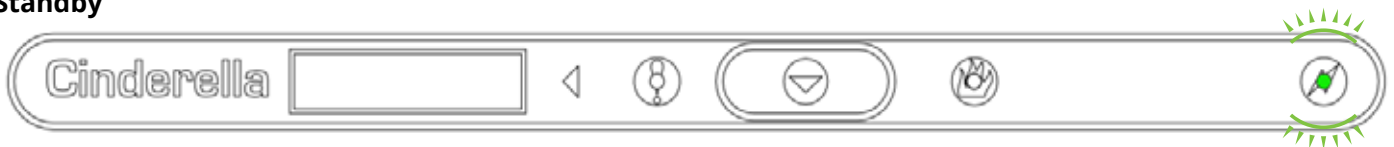
Um maximale Benutzerfreundlichkeit zu gewährleisten, verfügt das Bedienpanel über verschiedene Lampen, Tonsignale und Display-Meldungen. Eine Reihe von Licht- und Tonsignal-Kombinationen gibt dem Benutzer Auskunft über den Zustand des Systems. Es ist wichtig, dass sich alle Benutzer vor dem Gebrauch gründlich mit diesen Signalen vertraut machen. Eine Übersicht über alle Licht- und Tonsignale ist in der Tabelle zur Fehlerbehebung in Abschnitt 5.1 zu finden.



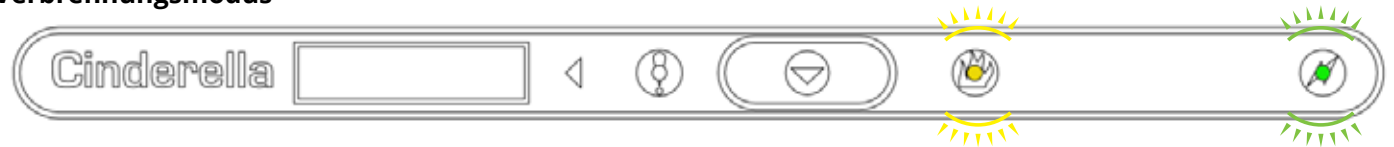
HINWEIS!

- Eine grüne Lampe zeigt an, dass die Toilette an die Stromversorgung angeschlossen ist. Wenn nur die grüne Lampe leuchtet, befindet sich die Toilette im Standby-Modus und ist einsatzbereit.
- Eine gelbe Lampe zeigt an, dass der Verbrennungsvorgang läuft. Sie leuchtet dauerhaft, wenn sich die Toilette im Verbrennungsmodus befindet.
- Eine rote Lampe zeigt eine Unterbrechung an und warnt den Benutzer, dass sich die Toilette nicht mehr im Verbrennungs- oder Standby-Modus befindet.

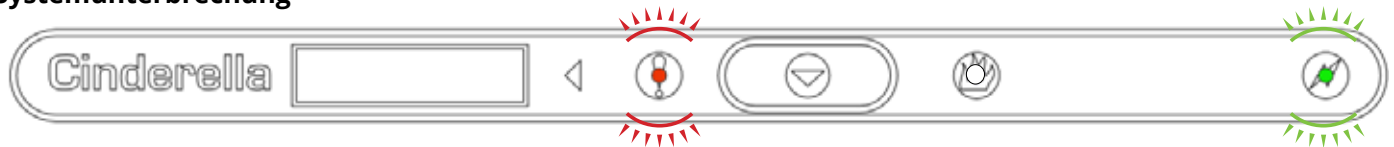
Standby



Verbrennungsmodus



Systemunterbrechung

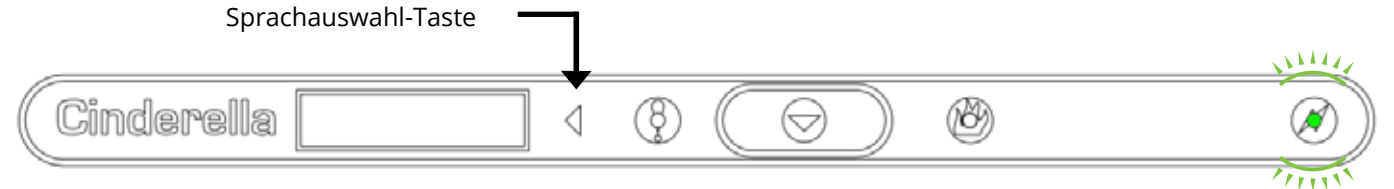


Sprachauswahl

Halten Sie die „Sprachauswahl“-Taste drei Sekunden lang gedrückt, bis in der ersten Textzeile „Sprache“ („Language“) angezeigt wird.

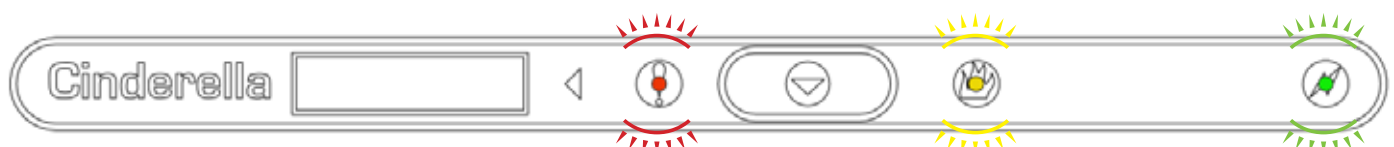
Die aktuelle Sprache wird in der zweiten Zeile angezeigt. Drücken Sie die „Sprachauswahl“-Taste mehrmals, bis die gewünschte Sprache auf dem Display angezeigt wird. Die neue Sprache wird einige Sekunden, nachdem Sie die Sprache angewählt haben, automatisch gespeichert und die Toilette kehrt in den Betriebsmodus zurück.

Sprachauswahl-Taste



Entleerungsanzeige

Cinderella Comfort zeigt an, wann es an der Zeit ist, den Aschebehälter zu entleeren. Auf dem Display erscheint die Meldung „ASCHEBEHÄLTER ENTLEEREN“ und Sie hören drei kurze Signaltöne, wenn der Toilettendeckel geöffnet wird. Wird der Behälter nicht innerhalb kurzer Zeit geleert, sperrt sich die Toilette selbst. Dann leuchten die gelbe und die rote Lampe dauerhaft und auf dem Display wird „GESPERRT ASCHEBEH ENTLEEREN“ angezeigt. Bis der Aschebehälter entleert wurde, ertönen alle zehn Sekunden drei kurze Signaltöne.



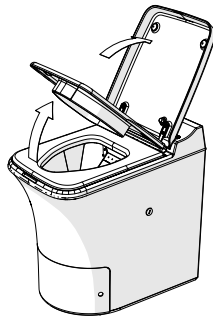
3.7 VERWENDUNG DER CINDERELLA-COMFORT-TOILETTE

1



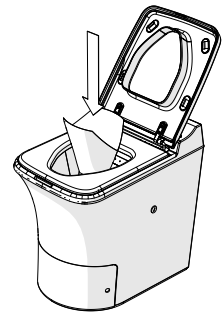
1. Überprüfen Sie, ob die grüne Lampe am Bedienpanel leuchtet. Sie zeigt an, dass die Toilette mit Strom versorgt wird und einsatzbereit ist.

2



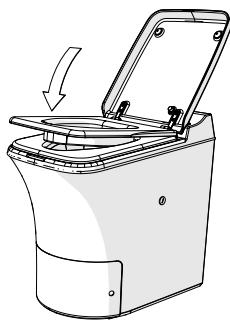
2. Klappen Sie Toilettendeckel und -sitz hoch. Eine rote Lampe beginnt zu blinken. Der Lüfter schaltet sich ein.

3



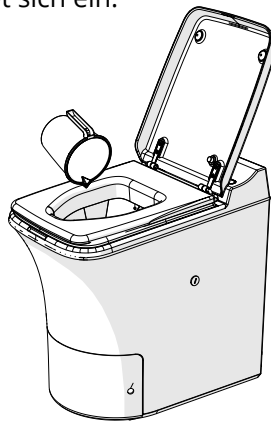
3. Legen Sie einen Toilettenbeutel in die Toilette. Verwenden Sie für jeden Toilettenbesuch einen neuen Toilettenbeutel.

4



4. Klappen Sie den Toilettensitz herunter. Die Toilette kann nun benutzt werden.

5



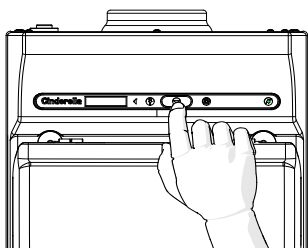
5. Benutzen Sie die Toilette wie gewohnt. Wenn nur wenig Inhalt in den Toilettenbeutel gelangt, kann es hilfreich sein, etwas Wasser nachzugießen, um den Beutel zu beschweren.

6



6. Schließen Sie den Toilettendeckel.

7



7. Drücken Sie die „Start“-Taste, um den Toilettenbeutel samt Inhalt in die Brennkammer fallen zu lassen. Der Verbrennungsvorgang beginnt, sobald die Klappe geschlossen ist. Die Toilette ist nun bereit für die nächste Benutzung.

8



8. Während des Verbrennungsvorgangs leuchtet eine gelbe Lampe. Die Toilette kann jederzeit benutzt werden. Der Verbrennungsvorgang wird dafür vorübergehend unterbrochen. Die Dauer des Verbrennungsvorgangs hängt von der Zahl der Toilettenbesuche und der Menge an Abfall ab.

3.8 UMGANG MIT DER FRONTABDECKUNG UND DEM ASCHEBEHÄLTER



WARNUNG!

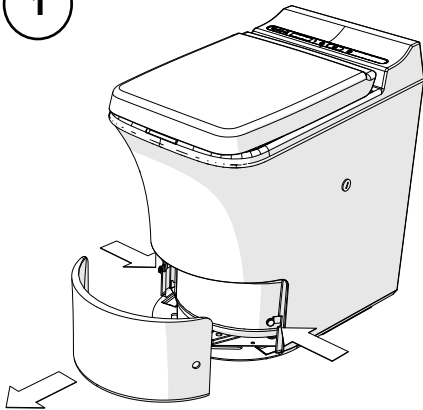
Entnehmen Sie den Aschebehälter nur, wenn sich die Toilette im Standby-Modus befindet und ausreichend abgekühlt ist.



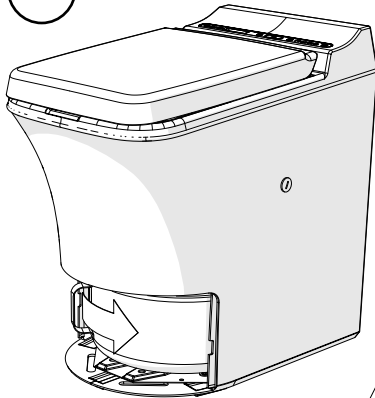
HINWEIS!

Beachten Sie zur Reinigung und Entleerung des Aschebehälters bitte die Anweisungen im Abschnitt Wartung.

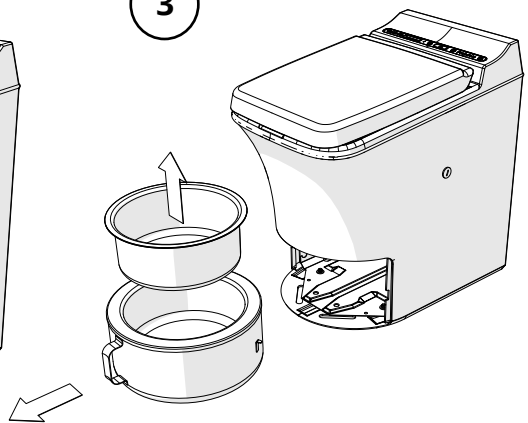
1



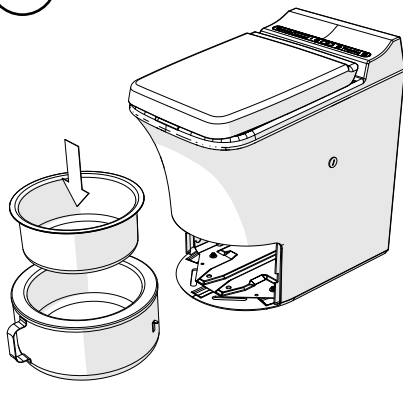
2



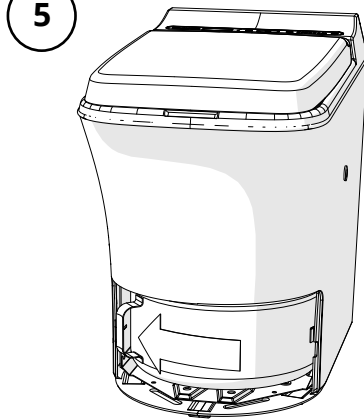
3



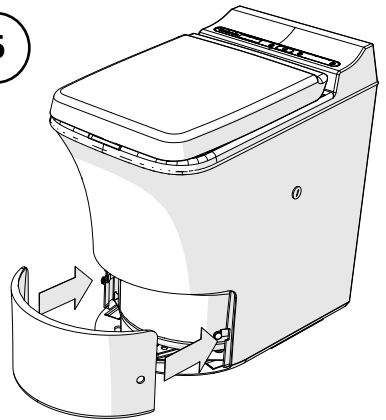
4



5



6



4. ALLGEMEINE WARTUNGSANWEISUNGEN

Dieses Handbuch umfasst sowohl die kundenseitige Wartung als auch die Wartung, die von Fachpersonal mit der notwendigen Sachkenntnis und Befugnis durchzuführen ist.

Ein reibungslos arbeitendes Lüftungssystem ist unerlässlich, damit Ihre Toilette auf Dauer ordnungsgemäß funktioniert. Beim Verbrennungsvorgang erzeugte Partikel können den Katalysator und das Entlüftungsrohr nach und nach zusetzen. Deshalb ist es wichtig, diese Teile regelmäßig zu warten, um ihre ordnungsgemäße Funktion sicherzustellen.

Um einen optimalen Betrieb zu gewährleisten und die Nutzungsdauer Ihrer Cinderella-Comfort-Toilette zu verlängern, müssen Sie etwas Zeit für präventive Wartung einplanen. Gute routinemäßige Wartung führt zu niedrigeren Betriebskosten und weniger Produktverschleiß. Wir empfehlen unseren Kunden dringend, die Toilette regelmäßig wie folgt zu warten:

1. Entleeren Sie die Toilette häufig. Orientieren Sie sich bei Ihrer Nutzung nicht an der maximalen Kapazität der Toilette.
2. Reinigen Sie stets den Aschebehälter und setzen Sie ihn leer ein (siehe Abschnitt 4.2.1).
3. Führen Sie nach jeder Packung Toilettenbeutel (500 Benutzungen) eine Dampfreinigung durch, besser noch nach jeder Entleerung und Reinigung des Aschebehälters (siehe Abschnitt 4.2.2).
4. Achten Sie stets auf die Merkmale des Endprodukts, wenn Sie die Toilette entleeren. Sieht das Endprodukt nicht wie gewünscht aus, kann dies darauf hindeuten, dass Wartungs- oder Servicemaßnahmen nötig sind (siehe Abschnitt 4.1).

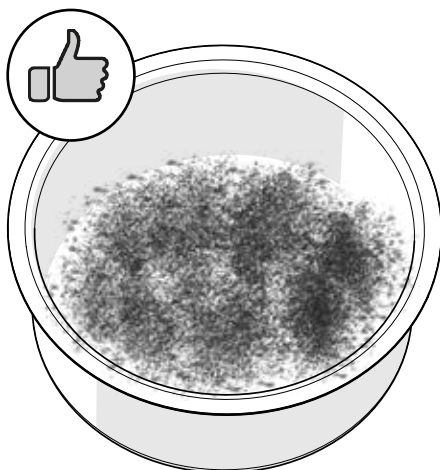


WARNUNG!

Vergewissern Sie sich vor der Wartung stets, dass sich die Toilette nicht im Verbrennungsmodus befindet und sie ausreichend abgekühlt ist.

4.1 MERKMALE DES ENDPRODUKTS

Der Restabfall bzw. die „Asche“ besteht aus pathologischen Rückständen, Salzen und Mineralien und erscheint deshalb oft hart und kristallisiert. Es sollten keine Reste von Papier oder flockigen Schichten unverbrannter Abfälle sichtbar sein. Zurückbleiben sollte eine Mischung aus weißer und dunkelgrauer Asche. Falls beim Entleeren der Toilette größere Mengen schwarzen, unverbrannten Abfalls, Feuchtigkeit oder Papier vorhanden sind, starten Sie bitte einen erneuten Verbrennungsvorgang, ohne Papier oder Wasser in die Toilette zu geben. Entleeren Sie nach Abschluss der Verbrennung den Aschebehälter und führen Sie die in diesem Handbuch beschriebenen Wartungsmaßnahmen durch.

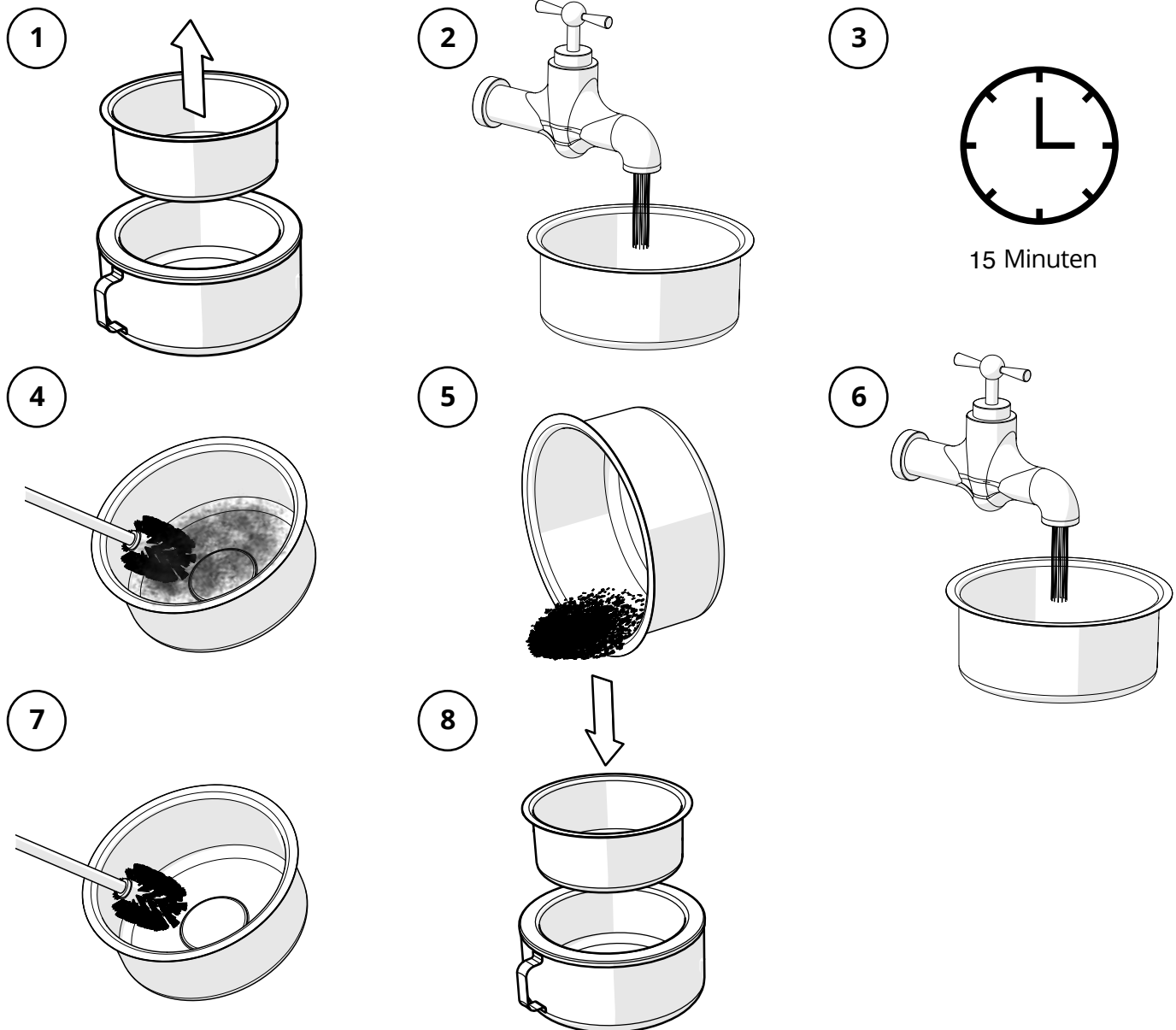


VORSICHT!

- Die Asche eignet sich nicht als Dünger oder Kompost. Sie sollte entsprechend den geltenden Vorschriften über den Haushaltsmüll entsorgt werden.
- Wenn die nach der Verbrennung zurückbleibende Asche eine helle Farbe hat, ist sie steril und ungefährlich in der Handhabung. Wenn die Asche schwarz und flockig ist oder der Verbrennungsvorgang nicht abgeschlossen wurde, führen Sie eine erneute Verbrennung durch, um sicherzustellen, dass die Asche vollständig verbrennt. Sollte das Problem weiter bestehen, finden Sie im Abschnitt Fehlerbehebung weitere Informationen.

4.2 KUNDENSEITIGE WARTUNG

4.2.1 ENTLERUNG UND REINIGUNG DES ASCHEBEHÄLTERS



VORSICHT!

Verwenden Sie zur Reinigung des Aschebehältereinsatzes keine scharfen Werkzeuge oder Gegenstände, da dies dem Einsatz schadet und sich seine Nutzungsdauer dadurch verkürzt.



HINWEIS!

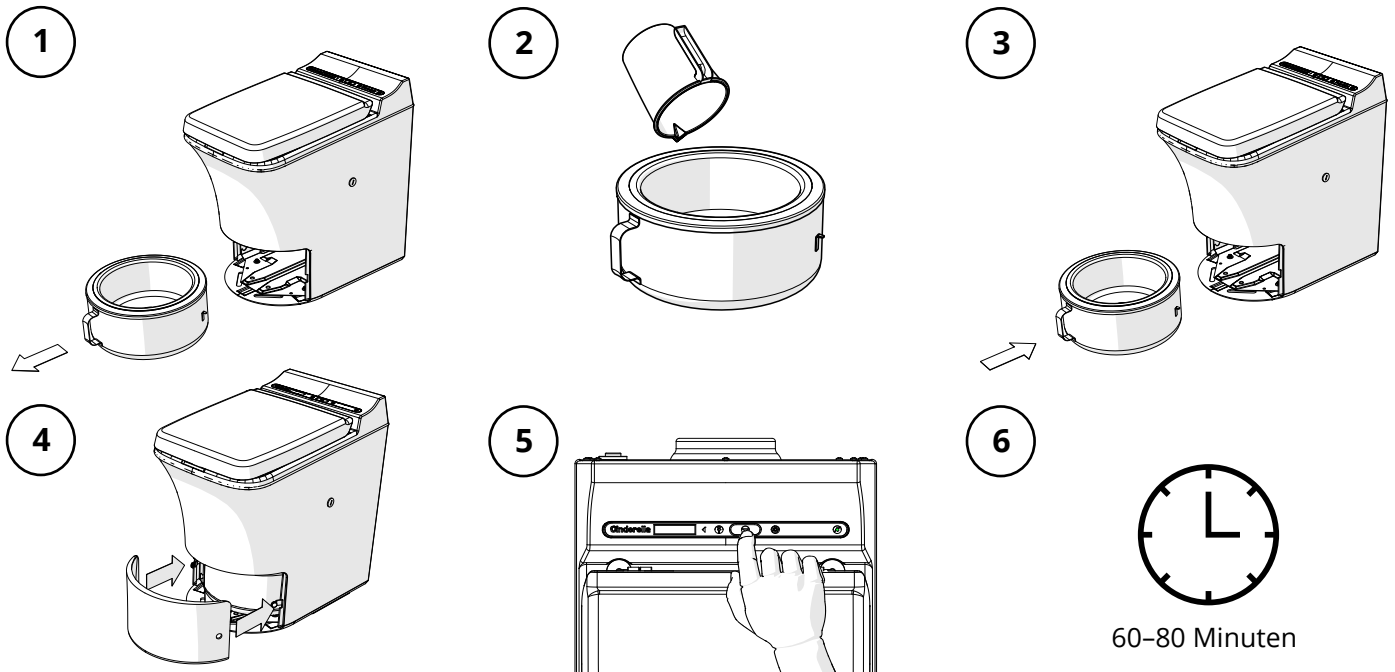
- Um die optimale Funktion Ihrer Toilette aufrechtzuerhalten, empfehlen wir, die „Dampfreinigung“ entsprechend Abschnitt 4.2.2 jedes Mal durchzuführen, wenn Sie den Aschebehältereinsatz entleeren und reinigen. Dies verhindert, dass sich im Katalysator und Entlüftungssystem der Toilette Teer und unerwünschte Ablagerungen ansammeln.
- Achten Sie darauf, dass die Toilette an den Strom angeschlossen ist, wenn Sie sie entleeren. Wenn Sie die Toilette ohne Stromanschluss entleeren, kann das System den Nutzungszähler nicht zurücksetzen.

4.2.2 DAMPFREINIGUNG DES KATALYSATORS

Empfohlene Häufigkeit: bei Entleerung des Aschebehälters oder mindestens alle 500 Benutzungen. Führen Sie die Dampfreinigung wie folgt durch:

1. Vergewissern Sie sich, dass die Toilette kalt ist und der Aschebehälter entleert und gereinigt wurde (siehe Abschnitt 4.2.1).
2. Entfernen Sie die Frontabdeckung und nehmen Sie den Aschebehälter heraus.

3. Gießen Sie ca. 1 Liter sauberes Wasser in den Aschebehälterereinsatz.
4. Setzen Sie den Aschebehälter vorsichtig wieder ein, ohne Wasser zu verschütten, und bringen Sie die Frontabdeckung wieder an.
5. Drücken Sie „Start“, um einen Verbrennungszyklus zu starten.
6. Das Wasser fängt daraufhin an zu kochen und der Dampf entfernt etwaige Ablagerungen aus dem Katalysator. Diese Systemreinigung dauert in der Regel 60–80 Minuten.



HINWEIS!

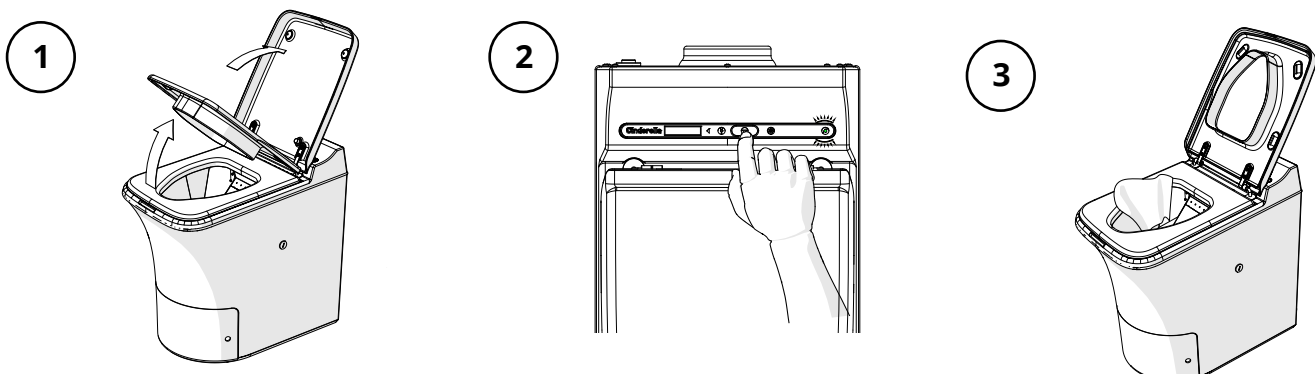
Benutzen Sie die Toilette während dieser Wartungsmaßnahme nicht, da dies die Reinigung beeinträchtigt. Die Toilette kann benutzt werden, wenn sie sich wieder im Standby-Modus befindet.

4.2.3 REINIGUNG DER TOILETTENSCHÜSSEL

Empfohlene Häufigkeit: je nach hygienischem Bedarf und bei Entleerung des Aschebehälters.

Reinigen Sie die Toilettenschüssel wie folgt:

1. Klappen Sie den Toilettendeckel hoch.
2. Halten Sie die „Start“-Taste drei Sekunden lang gedrückt, um die Klappe in die Reinigungsposition zu bringen.
3. Reinigen Sie die Toilettenschüssel nach Bedarf mit feuchtem Papier, Wasser und einem milden Reinigungsmittel. Schließen Sie den Deckel und starten Sie die Verbrennung.



GEFAHR!

Verwenden Sie zur Reinigung der Toilette keine entzündlichen Reinigungsmittel. Manche Metallkanten können scharf sein.



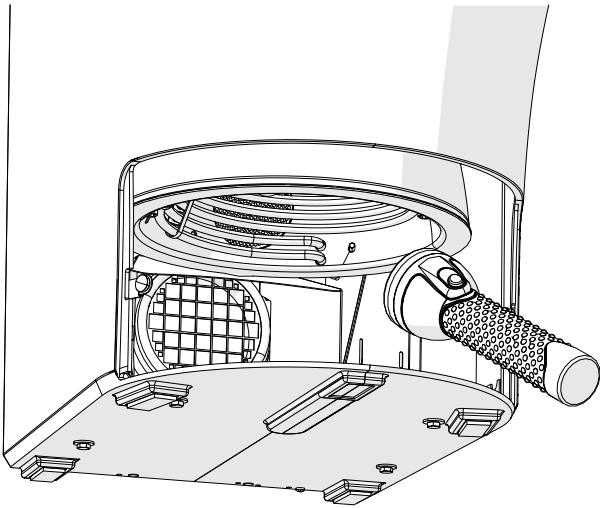
VORSICHT!

Verwenden Sie zur Reinigung der Toilette keine Reinigungsmittel auf Chlorbasis. Chlor ist äußerst schädlich für den Katalysator. Wenn Chlor in die Toilette gegeben wird, kann dies eine Fehlfunktion des Katalysators zur Folge haben.

4.2.4 INSPEKTION DES KATALYSATORS

Empfohlene Häufigkeit: alle 500 Benutzungen.

Der Katalysator fungiert als der Hauptluftkanal zwischen der Brennkammer und der Entlüftungsöffnung der Toilette. Wenn sich im Katalysator Partikel ablagern, verringert dies die Durchflussrate und die Effizienz der Toilette und kann schlechte Gerüche hervorrufen. Deshalb ist es wichtig, dafür zu sorgen, dass der Katalysator jederzeit offen ist. Sollten sich die Verbrennungsdauer oder -effizienz verändern oder Gerüche auftreten, kann dies auf einen zugesetzten Katalysator zurückzuführen sein. Die beste Methode zur einfachen Reinigung des Katalysators ist die in Abschnitt 4.2.2 beschriebene „Dampfreinigung“. Zudem können Sie die Vorderseite des Katalysators inspizieren, indem Sie den Aschebehälter entfernen und die Brennkammer von innen ausleuchten. Wenn nach der Dampfreinigung noch Partikel vorhanden sind oder Gerüche auftreten, müssen die Ablagerungen durch Spülen des Katalysators mit heißem Wasser, wie in Abschnitt 4.2.6 beschrieben, entfernt werden.



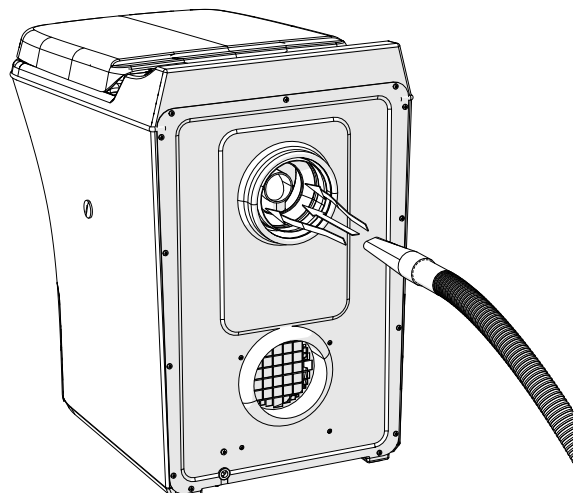
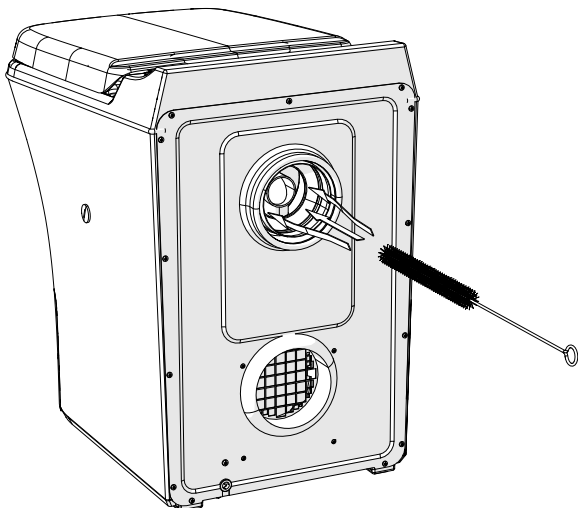
HINWEIS!

Eindeutige Anzeichen von Korrosion oder Verformung des Katalysators deuten darauf hin, dass der Katalysator ausgetauscht werden muss. Wenden Sie sich an Ihren lokalen Servicepartner, um einen Service zu vereinbaren.

4.2.5 REINIGUNG DER ENTLÜFTUNGSÖFFNUNG DER TOILETTE

Empfohlene Häufigkeit: mindestens alle 500 Benutzungen.

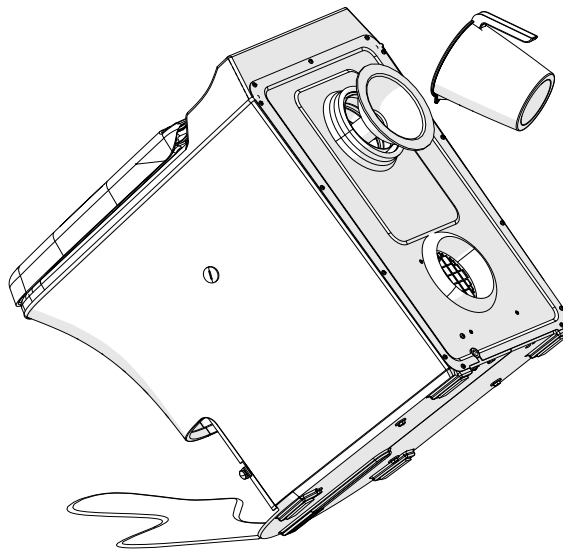
1. Die Toilette muss vom Entlüftungsrohr und der Stromversorgung getrennt werden.
2. Reinigen Sie die Entlüftungsöffnung mit einer biegsamen Bürste. Es ist wichtig, dass Sie sowohl das Rohr als auch die umliegende Venturi-Düse bis ganz nach hinten zu den Lüfterflügeln reinigen, um einen ausreichenden Luftstrom zu gewährleisten.
3. Nehmen Sie den Aschebehälter heraus und befreien Sie ihn von etwaigem Schmutz.
4. Verwenden Sie einen Staubsauger, um den übrigen Schmutz im Rohr und Katalysator zu entfernen.
5. Schließen Sie die Toilette wieder an das Entlüftungsrohr und die Stromversorgung an.
6. Setzen Sie den Aschebehälter wieder ein und bringen Sie die Frontabdeckung an.
7. Es wird empfohlen, nach der Wartung der Entlüftungsöffnung eine Dampfreinigung gemäß Abschnitt 4.2.2 durchzuführen.



4.2.6 SPÜLEN DES KATALYSATORS MIT HEISSEM WASSER

Falls sich Partikel oder schlechte Gerüche durch eine Dampfreinigung nicht beseitigen lassen, kann es erforderlich sein, den Katalysator mit Wasser zu spülen. Diese Maßnahme erfordert schweres Heben und eine Umgebung, in der ein Auslaufen von Wasser kein Problem darstellt. Führen Sie die Schritte 1 bis 4 der Maßnahme „Reinigung der Entlüftungsöffnung der Toilette“ und anschließend die folgenden Schritte durch.

1. Stellen Sie die Toilette an einen Ort, an dem ein Auslaufen von Wasser unproblematisch ist, z. B. vor einen geeigneten Abfluss, ins Freie oder in ein Bad. Verwenden Sie den speziell hierfür bestimmten Cinderella-Trichter oder einen anderen Trichter, der in die Entlüftungsöffnung passt. Kippen Sie die Toilette etwas nach vorn und gießen Sie 2–3 Liter heißes Wasser in die Entlüftungsöffnung und den Katalysator. Am Ende des Spülvorgangs sollte das herauslaufende Wasser klar sein. Verwenden Sie bei Bedarf mehr Wasser, um das System vollständig zu reinigen.
2. Schließen Sie die Toilette wieder an das Entlüftungsrohr und die Stromversorgung an.
3. Setzen Sie den Aschebehälter wieder ein und bringen Sie die Frontabdeckung an.
4. Führen Sie den in Abschnitt 2.8 beschriebenen Leistungstest durch.



HINWEIS!

Bevor Sie die Toilette vom Entlüftungsrohr und der Stromversorgung trennen und das System mit heißem Wasser spülen, sollten Sie den Katalysator inspizieren und die Dampfreinigung gemäß Abschnitt 4.2.2 durchführen. Sollte der Katalysator nach wie vor mit Partikeln zugesetzt oder bei der Verbrennung Geruch zu vernehmen sein, spülen Sie das System gemäß Abschnitt 4.2.6.

Die Vorderseite des Gehäuses ist dünn und sollte deshalb nicht mit dem gesamten Gewicht der Toilette belastet werden. Achten Sie darauf, das Gehäuse beim Spülen des Katalysators nicht zu beschädigen.

5. FEHLERBEHEBUNG UND HÄUFIG GESTELLTE FRAGEN



WARNUNG!

Servicearbeiten müssen gemäß den geltenden nationalen, regionalen und lokalen Gesetzen durchgeführt werden. Sollten Sie sich nicht sicher sein, welche Regelungen bei Ihnen vor Ort gelten, wenden Sie sich für weitere Informationen bitte an Ihren nächsten Fachhändler oder Servicepartner. Bei allen Service- und Wartungsarbeiten an der Toilette sollte diese vom Strom getrennt werden.

Online-Fehlersuche

Die Ton- und Lichtsignale auf dem Bedienpanel der Toilette geben Auskunft über den Betriebszustand der Toilette. Störungen und Fehlfunktionen der Toilette werden durch verschiedene Ton- und Lichtsignale angezeigt, die in Abschnitt 5.1 dieses Handbuchs beschrieben sind. Wir haben die häufigsten Fehler/Probleme in einer Online-Fehlersuche zusammengefasst, damit Sie bei Störungen Ihrer Toilette einfach Antworten auf Ihre Fragen finden und Vorschläge erhalten, wie Sie das Problem selbst lösen können.

Zurücksetzen des Toilettensystems

Im Zuge der Reinigung und Fehlerbehebung kann es mitunter hilfreich sein, die Elektronik zurückzusetzen. Dies können Sie durch Drücken der „Start“-Taste tun. Daraufhin ertönt ein kurzer Signalton. Halten Sie die Taste etwa acht Sekunden lang gedrückt, bis Sie einen langen Signalton hören, und lassen Sie die Taste dann los.

Fehlermeldungen

Falls Lampen blinken, sollten Sie nach der Ursache suchen und das Problem beheben, bevor Sie die Toilette benutzen. Falls Unregelmäßigkeiten wie etwa Gerüche, eine schlechte Verbrennungsleistung oder Systemstörungen auftreten, ist unverzügliches Handeln gefordert, um Schäden und unnötige Reparaturkosten zu vermeiden.

Auslösung des Bimetall-Thermostats

Das Bimetall-Thermostat löst aus, wenn die Temperatur im Inneren der Toilette zu hoch ist. Dies passiert in der Regel, wenn nicht genügend Luft zirkuliert oder ein Hindernis in den Be- oder Entlüftungskomponenten des Systems vorhanden ist. Deshalb ist es wichtig zu überprüfen, ob die Zuluft den Spezifikationen entspricht und das Entlüftungsrohr offen und frei von Hindernissen ist. Nehmen Sie eine Sichtprüfung des Katalysators und eine Dampfreinigung entsprechend Abschnitt 4.2.2 vor.

Bei einem Stromausfall

Falls ein Verbrennungsvorgang läuft, wenn es zu einem Stromausfall kommt, können vorübergehend Gerüche aus dem Inneren der Toilette sowie Rauch und Gerüche aus dem Entlüftungsrohr draußen wahrzunehmen sein. Der Lüfter läuft im Batteriebetrieb weiter, bis die Toilette abgekühlt ist. Da die Verbrennung nicht automatisch mit der Rückkehr der Stromversorgung fortgesetzt wird, muss von Hand ein neuer Verbrennungszyklus gestartet werden. Wenn der Stromausfall voraussichtlich länger als zwei Stunden andauert, ist es wichtig, Abfälle aus der Toilette zu entfernen, da diese die Toilette beschädigen können, wenn sie für längere Zeit darin verbleiben. Benutzen Sie die Toilette niemals während eines Stromausfalls.

Gerüche im Innenraum

Gerüche können verschiedene Ursachen haben:

1. Keine Verwendung eines Toilettenbeutels bei jeder Benutzung der Toilette oder unsachgemäße Verwendung des Beutels
2. Eventuell ist die Luftzirkulation behindert. Inspizieren Sie das Entlüftungsrohr und den Dachaufsatz.
3. Überprüfen Sie, ob die Toilette entsprechend der Installationsanleitung installiert wurde. Eine zu starke Behinderung des Luftstroms im Entlüftungsrohr kann zu Gegendruck und Gerüchen im Innenraum führen.
4. Eventuell ist die Entlüftungsöffnung mit Partikeln zugesetzt. Siehe Abschnitt 4.2.5.
5. Eventuell ist der Katalysator mit Partikeln zugesetzt. Siehe Abschnitt 4.2.2.
6. Das Entlüftungsrohr ist nicht korrekt an der Toilette angebracht. Siehe Abschnitt 2.5.1.

Gerüche im Außenbereich

Die Gründe können die gleichen wie im Innenraum sein oder:

1. Der Katalysator hat die Betriebstemperatur noch nicht erreicht. Wenn die Toilette kalt ist, kann es einige Minuten dauern, bis der Katalysator die Temperatur erreicht hat, ab der er ordnungsgemäß funktioniert.
2. Eventuell ist der Katalysator korrodiert oder verformt. Wenden Sie sich an Ihren Servicepartner.

5.1 TABELLE ZUR FEHLERBEHEBUNG



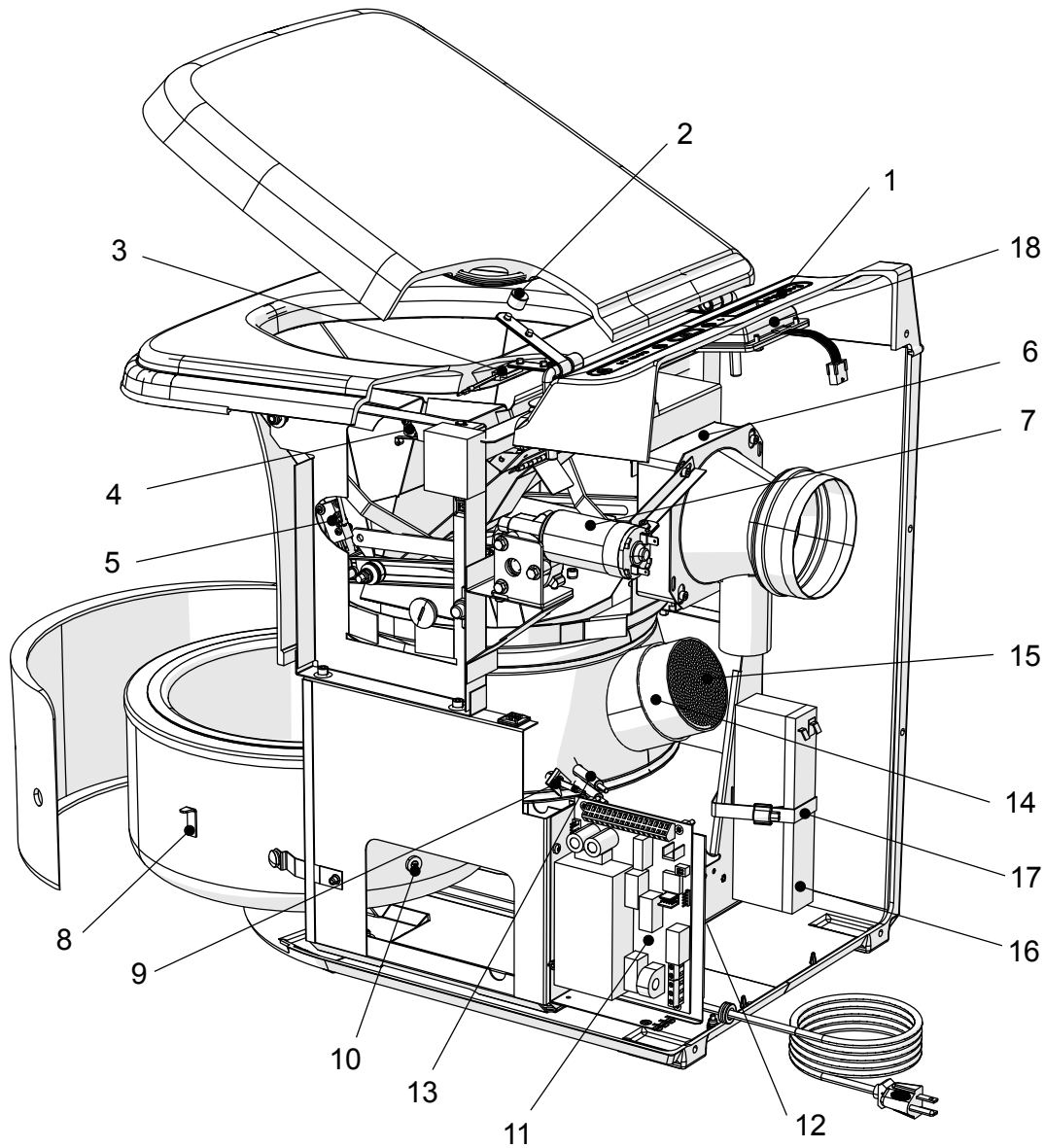
HINWEIS!

Cinderella hat ein digitales Modul zur Fehlerbehebung entwickelt, das auf unserer Website zu finden ist. Dieses Modul dient neben der folgenden Tabelle als ergänzende Informationsquelle und Leitfaden. Besuchen Sie unsere Website www.cinderellaeco.com.

FEHLER	DISPLAY-MELDUNG	ROTE LAMPE	GELBE LAMPE	GRÜNE LAMPE	TONSIGNAL	MASSNAHMEN
Aschebehälter sollte entleert werden	Aschebehälter entleeren	BLINKT ABWECHSELND	BLINKT ABWECHSELND	DAUERHAFT AN	3 SIGNALTÖNE	1 Nehmen Sie den Aschebehälter heraus und entleeren Sie ihn. * Die Toilette muss an eine Spannung von 230 V angeschlossen sein.
Aschebehälter muss entleert werden, Toilette gesperrt	Gesperrt Aschebeh. entleeren	DAUERHAFT AN	DAUERHAFT AN	DAUERHAFT AN	3 SIGNALTÖNE IM ABSTAND VON 10 SEKUNDEN	1 Nehmen Sie den Aschebehälter heraus und entleeren Sie ihn. * Die Toilette muss an eine Spannung von 230 V angeschlossen sein.
Kein Strom		AUS	AUS	AUS		1 Stellen Sie sicher, dass die Toilette an den Strom (230 V AC) angeschlossen ist.
Störung des Lüfters	Störung Lüfter	BLINKT	AUS	BLINKT	10 SIGNALTÖNE	1 Kontrollieren Sie den Lüfter auf Blockaden und stellen Sie sicher, dass er sich ordnungsgemäß dreht. 2 Setzen Sie die Toilette zurück („Start“ gedrückt halten). 3 Öffnen Sie den Deckel, bis die rote Lampe blinkt, schließen Sie den Deckel und drücken Sie „Start“. Sollte die Störung weiter bestehen, wenden Sie sich an den Support.
Fehlfunktion des Klappenmechanismus	Störung Verschlussmech	BLINKT	AUS	DAUERHAFT AN	10 SIGNALTÖNE	1 Falls die Toilette warm ist, setzen Sie sie zurück. 2 Öffnen Sie den Deckel, bis die rote Lampe blinkt, schließen Sie den Deckel und drücken Sie „Start“. 3 Falls dies nicht zum Erfolg führt, setzen Sie die Toilette zurück, legen Sie einen Toilettenbeutel ein und gießen Sie 3 Becher Wasser in den Beutel, schließen Sie den Deckel und drücken Sie „Start“. 4 Falls dies nicht zum Erfolg führt, warten Sie, bis die Toilette abgekühlt ist (Lüfter aus). Starten Sie die Toilette neu und öffnen Sie den Deckel, wenn sich die Klappe öffnet. Entfernen Sie eingeklemmte Objekte von Hand. Sollte die Störung weiter bestehen, wenden Sie sich an den Support.
Aschebehälter falsch positioniert	Aschebeh falsch positioniert	BLINKT	BLINKT	DAUERHAFT AN	3 SIGNALTÖNE	1 Korrigieren Sie die Position des Aschebehälters. Drehen Sie ihn nach links. 2 Überprüfen Sie, ob der Anschlagstift am Behälter intakt ist. 3 Inspizieren Sie den Zustand des Magneten am Behälter. Sollte die Störung weiter bestehen, wenden Sie sich an den Support.
Heizstromkreis unterbrochen	Störung Ver- brennungs- stromkreis	AUS	BLINKT	DAUERHAFT AN	DAUERHAFT SIGNALTÖNE	1 Setzen Sie die Toilette zurück. 2 Kontrollieren Sie das Bimetall-Thermostat rechts an der Toilette. Schrauben Sie die graue Kappe ab und drücken Sie mit dem Finger auf die Sicherung im Inneren: Verwenden Sie keine spitzen Gegenstände. Wenn die Sicherung ausgelöst hatte, hören Sie ein Klickgeräusch. Siehe Abschnitt 5. 4 Wenn die Sicherung nicht das Problem war, setzen Sie die Toilette zurück und versuchen Sie, die Toilette zu starten. Wiederholen Sie dies mehrere Male. Sollte die Störung weiter bestehen, wenden Sie sich an den Support.
Toiletten- deckelsensor ausgelöst	Deckel ist offen	BLINKT	AUS	DAUERHAFT AN	KEINES	1 Kontrollieren Sie den Magneten innen am Toilettendeckel und schließen Sie den Deckel. Sollte die Störung weiter bestehen, wenden Sie sich an den Support.
Fehlfunktion des Temperatursensors	Störung Tempe- ratursensor	AUS	BLINKT	BLINKT	DAUERHAFT SIGNALTÖNE	1 Setzen Sie die Toilette zurück. 2 Öffnen Sie den Deckel, bis die rote Lampe blinkt, schließen Sie den Deckel und drücken Sie „Start“. 3 Sollte die Störung weiter bestehen, wenden Sie sich an den Support.
Nicht lesbar/ keine Displaymeldung	Nicht lesbar/ keine Anzeige					1 Trennen Sie die Toilette vom Strom und warten Sie 5 Minuten. 2 Stecken Sie den Stecker wieder ein und starten Sie die Toilette neu. 3 Sollte die Störung weiter bestehen, wenden Sie sich an den Support.

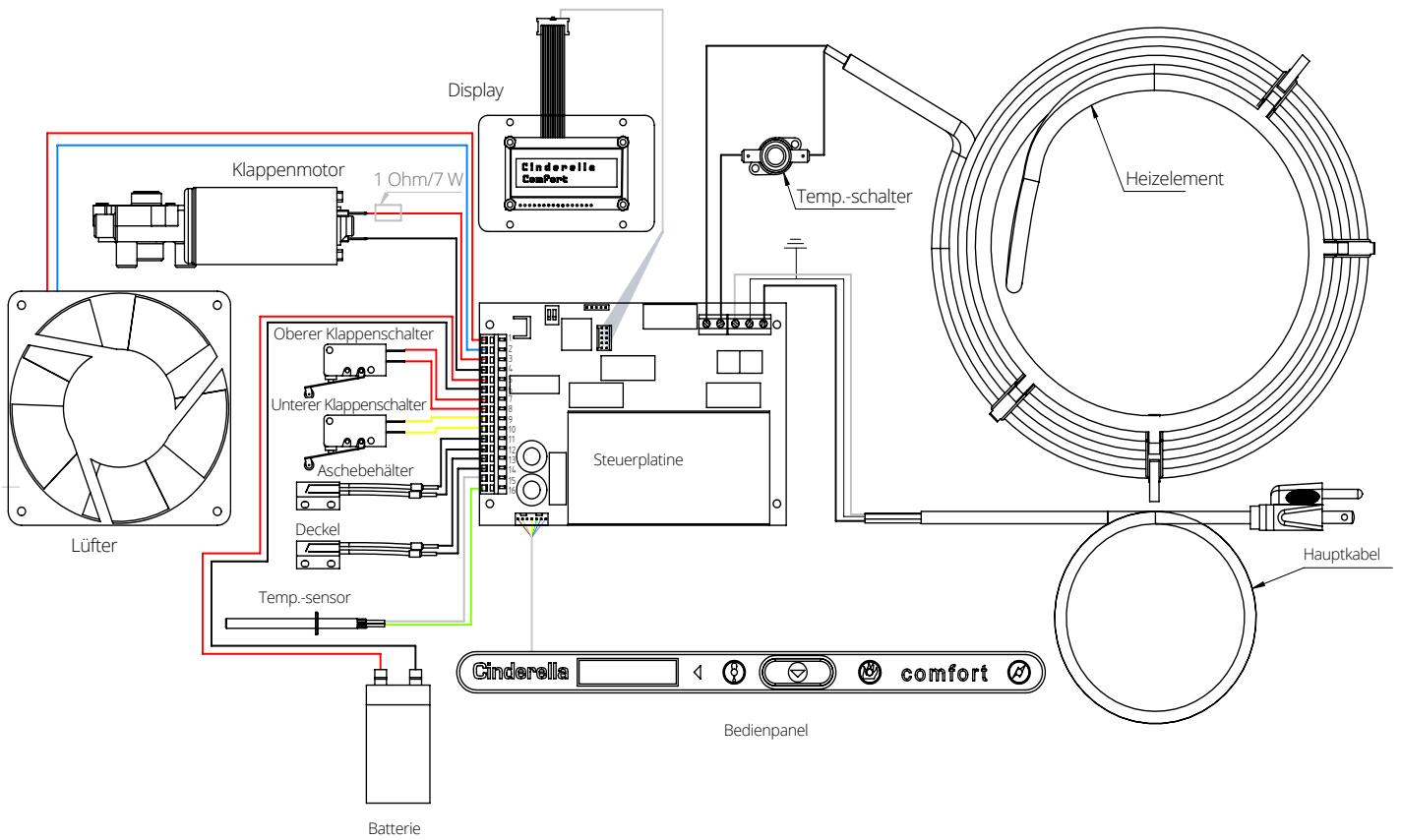
6. REPARATUREN UND ERSATZTEILE

6.1 ERSATZTEILLISTE



ID	TEILEBESCHREIBUNG	ART.- NR.	ID	TEILEBESCHREIBUNG	ART.- NR.
1	Bedienpanel Comfort mit Display	100115	12	Hall-Sensor mit Kabel, verkürzte Länge	100965
2	Magnet 14x10 mm	100433	13	Heizelement 230 V AC	100862
3	Hall-Sensor mit Kabel und Fixierband L = 330 mm	100964	14	Dämmvlies, Katalysator	100163
4, 5	Mikroschalter	101127	15	Katalysator 90x75 mm	100528
6	Axiallüfter 12 V DC 119x38 mm	100154	16	Batterie 12 V	100083
7	Nidec-Motor 12/24 V DC	101177	17	Schlauchschelle 280 mm A4	100932
8	Anschlagwinkel 9x26x12 mm	100017	18	LED-Display 65x36x13 Standardmodul	100401
9	Thermoelement L = 550 mm	100831			
10	Magnet 14x7 mm	100065			
11	Leiterplatte (E5)	100063			

6.2 SCHALTPLAN



7. Garantie

Was deckt diese Garantie ab?

Diese Garantie deckt Material- oder Verarbeitungsfehler Ihrer Cinderella-Verbrennungstoilette zu den Bedingungen, für den Zeitraum und vorbehaltlich der unten aufgeführten Ausnahmen ab.

Was deckt die Garantie nicht ab?

Nicht von dieser Garantie gedeckt sind gewöhnlicher Verschleiß sowie Schäden durch Unfälle (einschließlich Brand, Überflutungen, Tornados oder höhere Gewalt), Missbrauch, unsachgemäßen Gebrauch, Missachtung der Herstelleranweisungen oder unsachgemäße Wartung. Folge- und Nebenschäden sind im Rahmen dieser Garantie nicht erstattungsfähig. Die Cinderella Eco Group gewährt keine Vor-Ort-Garantie. Das bedeutet, dass die Toilette zu einem autorisierten Servicepartner gebracht werden muss, der die Servicearbeiten durchführen kann. Wenn dies nicht möglich ist, kann der Händler die Transport- oder Fahrtkosten in Rechnung stellen.

Wie lange gilt die Garantie?

Bei Privatkunden gilt diese Garantie für einen Zeitraum von drei (3) Jahren ab dem ursprünglichen Kaufdatum. Gewerbliche Nutzer erhalten ein (1) Jahr Garantie.

Was unternimmt die Cinderella Eco Group im Garantiefall?

Wenn Sie einen berechtigten Garantieanspruch geltend machen, wird die Cinderella Eco Group die Cinderella-Verbrennungstoilette nach eigenem Ermessen entweder reparieren, ersetzen oder den Kaufpreis zurückerstatten.

Wie kann ich einen Service vereinbaren?

Um einen Service zu vereinbaren, wenden Sie sich an Ihren Vertriebshändler oder einen autorisierten Servicepartner in Ihrem Land. Die verfügbaren Serviceoptionen hängen von dem Land ab, in dem der Service angefordert wird.

Möglicherweise müssen Sie bei der Geltendmachung eines Garantieanspruchs einen Kaufbeleg vorweisen. Weitere Garantieinformationen finden Sie auf unserer Website: www.cinderellaeco.com

Cinderella Eco Group AS

Sjøvikvegen 67, 6475 Midsund, Norwegen
www.cinderellaeco.com

SOMMAIRE

1. SECTION GÉNÉRALE	3
1.1 INTRODUCTION	3
1.2. APPLICATION CONFORME AUX RÉGLEMENTATIONS	3
1.3 GUIDE D'UTILISATION	3
1.4 LIMITATION DE LA RESPONSABILITÉ	3
1.5 LISTES ET CERTIFICATIONS	3
1.6 EXIGENCES ENVIRONNEMENTALES	3
1.7 CONSIGNES GÉNÉRALES DE SÉCURITÉ	4
1.8 PLAQUE SIGNALÉTIQUE DES TOILETTES	5
1.9 CINDERELLA EN LIGNE	5
2. INSTALLATION	6
2.1 DÉBALLAGE DES TOILETTES ET ACCESSOIRES	6
2.2 FICHE TECHNIQUE DES MESURES DE CINDERELLA COMFORT	6
2.3 EMBALLAGES D'INSTALLATION POUR VOS TOILETTES CINDERELLA	7
2.4 INSTALLATION	8
2.4.1 FICHE TECHNIQUE DES PIÈCES ET MATÉRIAUX	8
2.5 INSTALLATION DES TOILETTES À INCINÉRATION CINDERELLA	8
2.5.1 INSTALLATION DES TUYAUX D'ÉVACUATION	9
2.5.2 INSTALLATION DU TUYAU D'ADMISSION HORIZONTAL	10
2.5.3 INSTALLATION DU CHAPEAU DE CHEMINÉE ORIGINAL CINDERELLA	11
2.6 CARACTÉRISTIQUES ET EXIGENCES ÉLECTRIQUES	11
2.7 LISTE DE CONTRÔLE POUR VÉRIFIER L'INSTALLATION COMPLÈTE	12
2.8 TEST DE PERFORMANCE POUR VÉRIFIER LE FONCTIONNEMENT DU SYSTÈME	12
3. SECTION DE L'UTILISATEUR	13
3.1 UTILISATION PRÉVUE ET MANIPULATION	13
3.2 SÉCURITÉ GÉNÉRALE	13
3.3 FONCTIONNEMENT EN TOUTE SÉCURITÉ	13
3.4 DISPOSITIFS DE SÉCURITÉ DES TOILETTES CINDERELLA COMFORT	13
3.5. INFORMATIONS IMPORTANTES POUR L'UTILISATEUR	14
3.6 PANNEAU DE COMMANDE	15
3.7 UTILISATION DES TOILETTES CINDERELLA COMFORT	16
3.8 MANIPULATION DU PANNEAU AVANT ET DE LA BOÎTE À CENDRES	17
4. ENTRETIEN GÉNÉRAL	18
4.1 CARACTÉRISTIQUES DES RÉSIDUS	18
4.2 ENTRETIEN EFFECTUÉ PAR LE CLIENT	19
4.2.1 VIDAGE ET NETTOYAGE DE LA BOÎTE À CENDRES	19
4.2.2 NETTOYAGE À LA VAPEUR DU CATALYSEUR	19
4.2.3 NETTOYAGE DE LA CUVETTE	20
4.2.4 INSPECTION DU CATALYSEUR	21
4.2.5 NETTOYAGE DU RACCORD DU TUYAU DE CHEMINÉE	21
4.2.6 RINÇAGE DU CATALYSEUR À L'EAU CHAUDE	22
5. DÉPANNAGE ET FAQ	23
5.1 TABLEAU DE DÉPANNAGE	24
6. RÉPARATIONS ET PIÈCES DE RECHANGE	25
6.1 LISTE DES PIÈCES DE RECHANGE	25
6.2 SCHÉMA DU CÂBLAGE	26
7. GARANTIE	27

1. SECTION GÉNÉRALE

1.1 INTRODUCTION

Il est essentiel d'assurer une bonne ventilation conformément aux consignes de ce manuel afin de garantir le bon fonctionnement de vos nouvelles toilettes Cinderella. Une installation incorrecte peut entraîner un dysfonctionnement, une usure ou des odeurs et annulera la garantie. Lors de l'installation, veuillez respecter les réglementations techniques et administratives du pays où les toilettes sont installées.

1.2 APPLICATION CONFORME AUX RÉGLEMENTATIONS

Ces toilettes sont conçues de manière à incinérer les déchets biologiques et produits sanitaires de petite taille tels que les tampons et les lingettes démaquillantes ou pour bébé ne contenant pas d'alcool.

1.3 GUIDE D'UTILISATION

Veuillez lire soigneusement ce manuel d'instructions avant l'installation et la première utilisation. Conservez ces instructions dans un endroit sûr pour toute référence ultérieure. Si vous transférez ce produit à un tiers, veuillez lui remettre également le manuel d'instructions.

Ces instructions vous fournissent les indications nécessaires pour une installation, une manipulation et un entretien corrects des toilettes. Il est important que l'installateur et l'utilisateur se familiarisent avec les instructions contenues dans ce manuel. Le manuel comprend également des informations sur l'entretien professionnel et toute autre information nécessaire à la maintenance et aux réparations.

1.4 LIMITATION DE LA RESPONSABILITÉ

Le fabricant ne sera pas tenu responsable de tout dommage dans les cas suivants :

- Installation défectueuse
- Dommage des toilettes en raison d'une tension de raccordement incorrecte
- Modifications des toilettes sans l'autorisation expresse du fabricant
- Utilisation à des fins différentes de celles décrites dans le manuel d'utilisation
- Non-respect des instructions d'utilisation et d'entretien
- Application non conforme aux réglementations ou dispositions
- Utilisation de sacs et de pièces de rechange d'une autre marque

1.5 LISTES ET CERTIFICATIONS

Les toilettes Cinderella Comfort ont été testées rigoureusement par NEMKO, conformément à la norme européenne relative à la sécurité électrique et à la compatibilité électromagnétique.

1.6 EXIGENCES ENVIRONNEMENTALES

- Plage de température ambiante : -20-40 °C
- Altitude de fonctionnement : Testées à 2 500 m



AVERTISSEMENT !

Lors de l'installation des toilettes Cinderella, la distance minimale par rapport à des matériaux combustibles doit être de : 50 mm sur les côtés, 50 mm de la paroi arrière.

1.7 CONSIGNES GÉNÉRALES DE SÉCURITÉ



DANGER !

Consigne de sécurité : Le non-respect de cette consigne peut entraîner des blessures graves, voire mortelles.



ATTENTION !

Consigne de sécurité : Le non-respect de cette consigne peut entraîner des blessures.



AVERTISSEMENT !

Le non-respect de cette consigne peut entraîner des dommages importants et nuire au bon fonctionnement des toilettes.



REMARQUE !

Informations complémentaires concernant l'utilisation du produit.



DANGER !

- N'utilisez pas d'aérosols près de ces toilettes lors de leur utilisation.
- N'utilisez et ne stockez pas de produits inflammables dans ou près de ces toilettes.
- Ne placez pas d'articles sur ou contre ces toilettes.
- Ne modifiez pas ces toilettes.



DANGER !

- N'utilisez pas les toilettes à incinération en cas de dommages visibles.
- Si le câble d'alimentation est endommagé, il doit être remplacé par le fabricant, le service après-vente ou toute autre personne qualifiée afin de prévenir tout risque pour la sécurité.
- Les toilettes doivent toujours être réparées par un professionnel qualifié. Toute réparation incorrecte peut entraîner de graves dangers.
- Utilisez uniquement les toilettes avec la tension indiquée sur la plaque signalétique située à l'arrière des toilettes.



ATTENTION !

- Risque d'accident par écrasement ! Ne placez pas votre main sur la charnière ou sous le siège et l'abattant des toilettes pendant que celui-ci est relevé, car il n'existe aucune fonction de fermeture amortie de l'abattant ou du siège.
- Ne videz pas la boîte à cendres lorsqu'elle est chaude.
- Avant la mise sous tension, vérifiez que le câble d'alimentation et la prise sont secs.







AVERTISSEMENT !

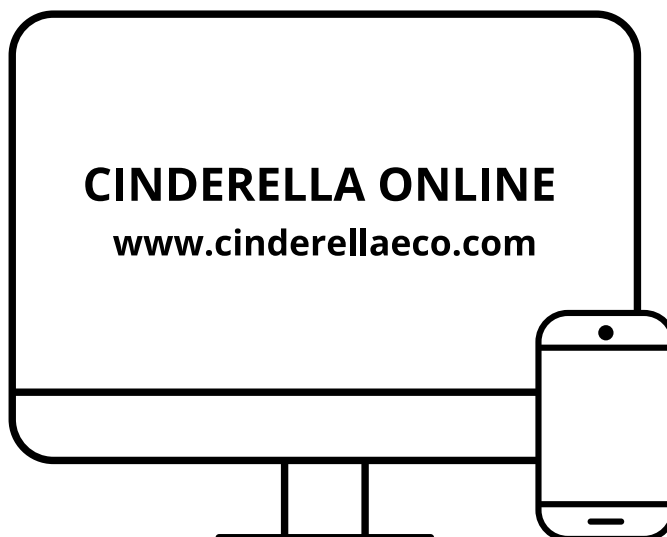
- Tenez toujours les toilettes par la cuvette lors du transport. Ne tenez jamais les toilettes par le cordon d'alimentation, l'abattant, la lunette ou le tuyau d'échappement.
- Risque de surchauffe ! Veillez toujours à ce que la ventilation soit suffisante pour que la chaleur et les émissions générées pendant la combustion puissent s'évaporer du tuyau de cheminée. Assurez un débit d'air suffisant pour le système. Vérifiez que la ventilation est suffisante dans la pièce des toilettes.
Veillez à ce qu'il y ait suffisamment d'espace entre les toilettes et les murs ou autres objets pour que l'air puisse circuler.

1.8 PLAQUE SIGNALÉTIQUE DES TOILETTES

La plaque signalétique est située à l'arrière des toilettes à incinération. Vous y trouverez l'identification du modèle, le numéro de série, les caractéristiques des toilettes et les renseignements relatifs à l'assistance. Vous aurez besoin de ces informations pour contacter le service après-vente ou commander des pièces de rechange.

<p>MANUFACTURER</p>  <p>Cinderella Incineration Toilets</p> <p>CINDERELLA ECO GROUP AS Sjøvikvegen 67, 6475 Midsund, NORWAY</p> <p>For sales and support call +47 77711500 or visit our web www.cinderellaeco.com</p> <p>CINDERELLA COMFORT MODEL:COMFORT EU SERIAL:</p>	<p>Appliance Specifications</p> <p>VOLTAGE..... 230-240 V AC 50-60Hz CURRENT 9 A HEATING ELEMENT:..... 2000W EL MOTOR: 12 V DC BATTERY: 12 V DC 2,6 Ah FAN BLOWER..... 12 V DC CAPACITY..... 4 Uses Pr. Hour DESIGNED FOR HOME / CABINS YEAR OF MANUFACTURING..... 2022</p>	  
---	--	---

1.9 CINDERELLA EN LIGNE



INSCRIPTION À « My Cinderella »

Lorsque vous enregistrez vos toilettes dans l'espace « My Cinderella », vous recevrez toutes les informations sur nos produits et systèmes de soutien disponibles ainsi que des offres spéciales spécifiquement adaptées au modèle de vos toilettes. En cas de vol, les toilettes enregistrées seront dans notre base de données du fabricant.

Tableau de dépannage en ligne

Guide complet pour vos toilettes offrant des conseils utiles et des améliorations pour l'utilisateur, afin de vous permettre de résoudre les problèmes les plus courants par vous-même, sans avoir à faire appel à une assistance quelconque.

Accès facile aux informations

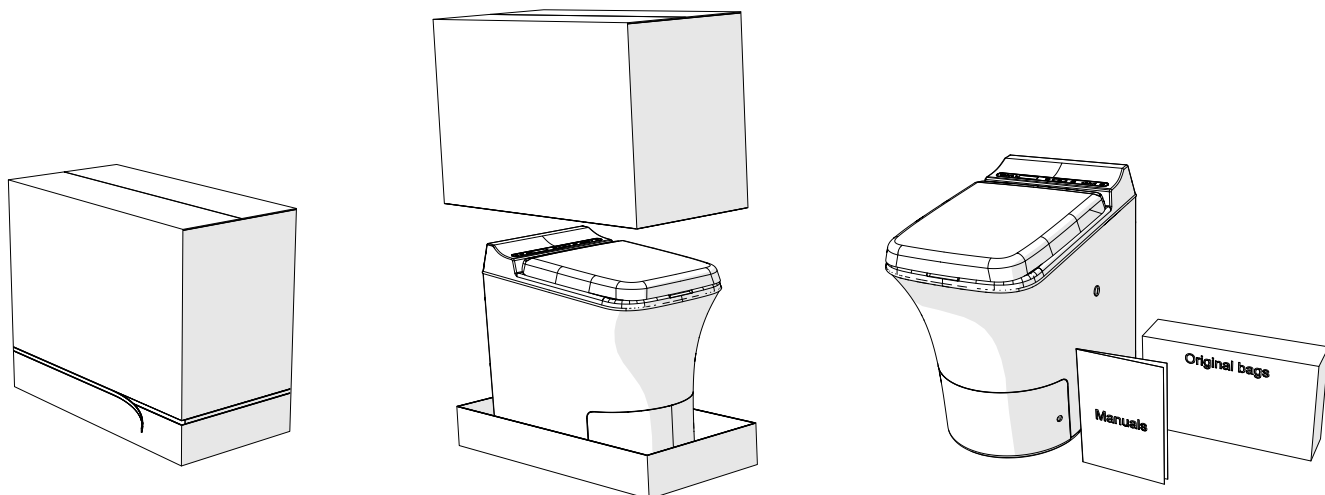
Vous pouvez télécharger les documents sur nos produits depuis notre centre de documentation en ligne où vous trouverez les manuels d'entretien ainsi qu'un manuel sur le démontage des déchets électriques et électroniques (WEEE).

Après-vente et pièces de rechange

Sélectionnez le pays d'origine pour recevoir une liste des concessionnaires locaux à contacter pour l'entretien et les pièces de rechange.

2. INSTALLATION

2.1 DÉBALLAGE DE VOS TOILETTES À INCINÉRATION CINDERELLA



REMARQUE !

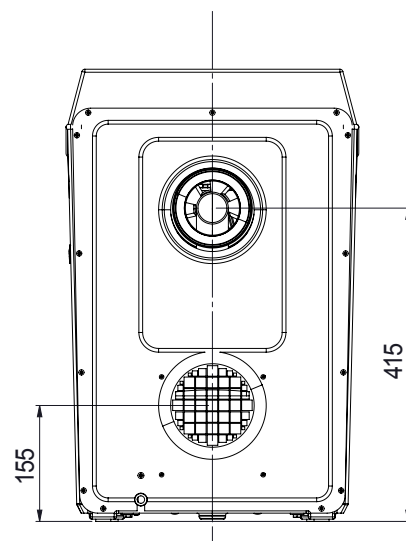
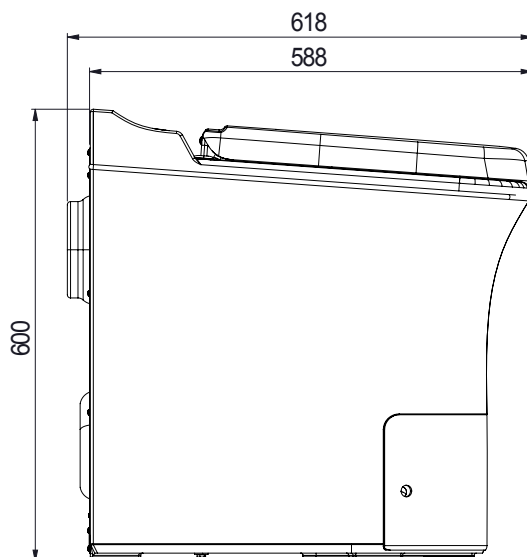
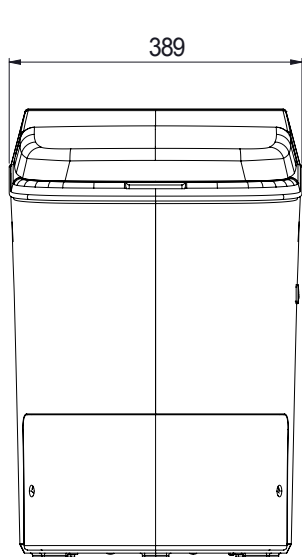
Lors du déballage des toilettes Cinderella, utilisez la bande intégrée en bas de la caisse. Détachez la bande et soulevez la caisse.

ARTICLES INCLUS	QTÉ
Cinderella Comfort	1
Sacs	100
Le manuel du produit	1

2.2 MESURES

Hauteur	600 mm
Hauteur du siège	540 mm
Largeur	390 mm
Profondeur	590 mm

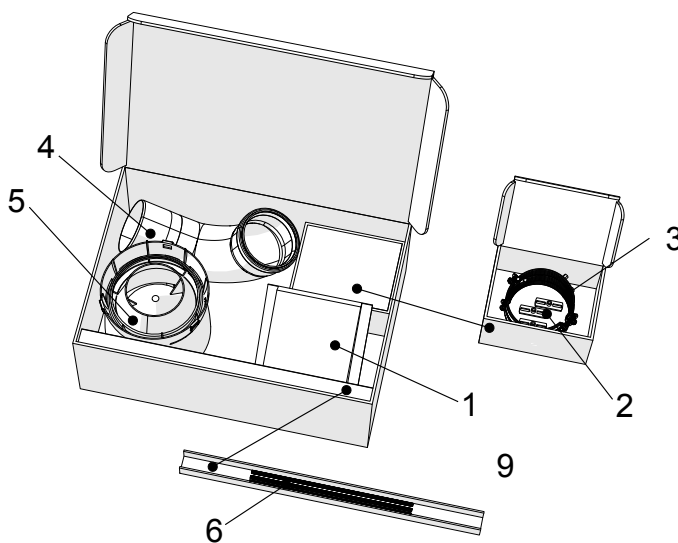
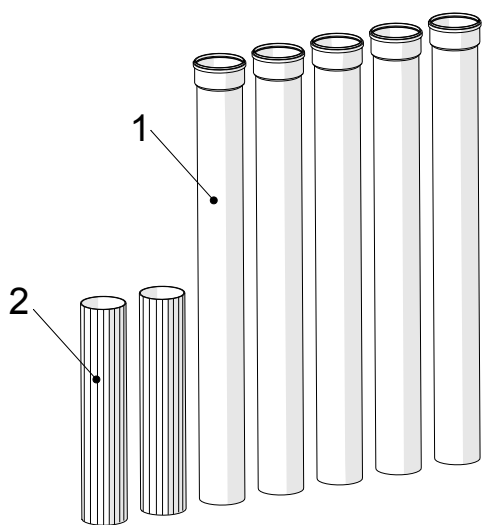
Hauteur jusqu'au centre de la bouche d'évacuation	415 mm
Hauteur jusqu'au centre de l'admission d'air	155 mm



2.3 EMBALLAGES D'ORIGINE DE VOS TOILETTES CINDERELLA

Kit Arctic d'isolation Cinderella : Cinderella a créé un kit d'isolation spécialement conçu qui vous donne un avantage supplémentaire lors de l'installation dans des environnements froids. Ce kit, spécialement conçu pour les toilettes à incinération Cinderella, consiste en une couche isolante à l'intérieur de la cuvette qui limite l'accumulation d'eau et de glace sur vos toilettes. Cela réduit l'usure de votre produit et de son intérieur. Contactez votre concessionnaire ou visitez notre page d'accueil www.cinderellaeco.com pour toutes informations complémentaires.

Kit d'installation original Cinderella : nous recommandons vivement l'utilisation du « Kit d'installation original Cinderella » lors de l'installation de vos toilettes. Ce kit complet comprend les pièces nécessaires à une parfaite installation et optimise le processus d'incinération ainsi que le bon fonctionnement de vos toilettes. Le kit d'installation est fourni dans deux caisses distinctes. La caisse N° 1 comprend des tuyaux de qualité en PP résistant aux UV de 7 x 110mm - pour l'installation des bouches d'évacuation et d'admission d'air. La caisse N° 2 comprend une gaine de cheminée et un coude optimisés pour augmenter le débit du système et l'efficacité de l'incinération. Elle contient un collet de solin pour l'admission d'air ainsi que des tuyaux et colliers pour faciliter l'installation.



KIT D'INSTALLATION ORIGINAL CINDERELLA		QTÉ
1	Tuyau de cheminée mâle-femelle 1066 mm	5
2	Tuyau de cheminée mâle-mâle 500 mm	2

KIT D'INSTALLATION ORIGINAL CINDERELLA		QTÉ
1	Collet de solin	1
2	Tige de montage mural	3
3	Collier	3
4	Coude 87 avec purge	1
5	Chapeau de cheminée	1
6	Tige filetée 30 mm	3



REMARQUE !

- Ce manuel explique et montre comment installer au mieux vos toilettes, en utilisant les pièces incluses dans le kit d'installation original Cinderella. Si vous souhaitez utiliser des tuyaux et pièces différents des originaux pour installer vos toilettes Cinderella, vérifiez qu'ils sont conformes aux spécifications décrites dans la section 2.4.1 « fiche technique des pièces et des matériaux ».
- Afin de garantir le fonctionnement correct de vos toilettes à incinération Cinderella, il est essentiel d'assurer une bonne ventilation conformément aux instructions de ce manuel. Le non-respect des spécifications de fabrication ou l'utilisation de pièces non autorisées pour l'installation des toilettes provoquent des mauvais fonctionnements, de l'usure ou des odeurs et annulent la garantie.

2.4 FICHE TECHNIQUE DE L'INSTALLATION

2.4.1 FICHE TECHNIQUE DES PIÈCES ET MATÉRIAUX

ARTICLE	FICHE TECHNIQUE
Tuyaux de ventilation	L'installation des toilettes Cinderella Comfort doit être réalisée avec des tuyaux de 110 mm lisses à l'intérieur et d'un diamètre intérieur minimum de 102 mm. Le matériau du tuyau doit autoriser des températures supérieures à 100 °C et être de préférence de type PP ou CPVC. Nous recommandons vivement l'utilisation de tuyaux Cinderella de qualité PP.
Coude (évacuation d'air)	Les toilettes Cinderella Comfort doivent être installées avec un coude à grande ouverture pour minimiser la restriction de la circulation de l'air. Nous recommandons vivement l'utilisation d'un coude Cinderella de 87° avec purge.
Chapeau de cheminée	L'installation des toilettes Cinderella Comfort doit comprendre un chapeau de cheminée qui empêche la pénétration de l'eau de pluie et restreint au minimum la circulation de l'air. N'utilisez pas de turbine à vent ou ventilateur similaire pour aérer les toilettes à incinération Cinderella. Nous recommandons vivement l'utilisation d'un chapeau de cheminée original Cinderella.



REMARQUE !

- La paroi intérieure du tuyau de ventilation doit être lisse et sans reliefs ou rainures.
- N'utilisez jamais de grillage dans le tuyau de ventilation car celui-ci pourrait restreindre la circulation de l'air dans le système.
- Le coude doit être accessible après installation, pour que vous puissiez rincer le tuyau de purge et nettoyer le tuyau d'évacuation.
- Les toilettes Cinderella Comfort sont approuvées pour une utilisation dans les salles de bains/d'eau (de classe IP 34), mais il ne doit y avoir aucune éclaboussure d'eau sur les parties externes des toilettes.
- Les toilettes doivent être placées sur une surface plane et ferme. Vos toilettes Cinderella peuvent être installées sur un plancher chauffant.

2.5 INSTALLATION DE TOILETTES À INCINÉRATION CINDERELLA

Il est essentiel d'assurer une bonne ventilation conformément aux directives de ce manuel afin de garantir le fonctionnement de vos nouvelles toilettes Cinderella. Une installation incorrecte peut entraîner un dysfonctionnement, une usure ou des odeurs et annulera la garantie. Lisez soigneusement chaque section avant de procéder à l'installation des toilettes. Veillez toujours à ce que les travaux soient effectués par des professionnels, conformément aux réglementations locales.



AVERTISSEMENT !

- Lors de l'installation, les réglementations techniques et administratives du pays dans lequel les toilettes sont installées doivent être respectées. Nous vous recommandons de contacter votre concessionnaire local pour la préparation et l'installation de vos toilettes Cinderella.
- N'utilisez jamais de section courbée à 90° en plus du coude.
- Si le tuyau traverse la surface du toit, assurez-vous que cela est conforme aux réglementations en matière de construction.
- N'utilisez pas de conduits ni de tuyaux flexibles pour l'installation des toilettes Cinderella.
- Ne raccordez jamais plusieurs appareils à la bouche d'aération.
- Le coude doit être accessible après installation, pour que vous puissiez rincer le tuyau de purge et nettoyer le tuyau d'évacuation.

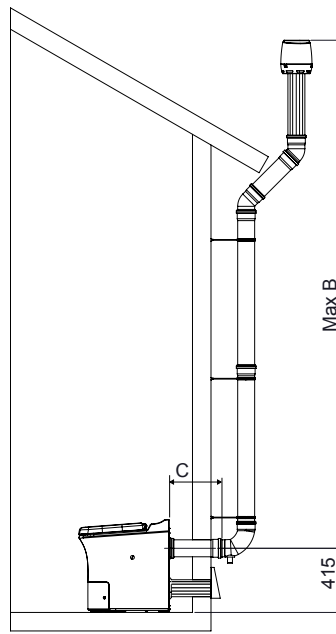
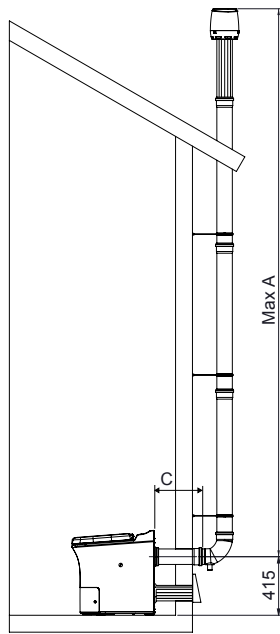
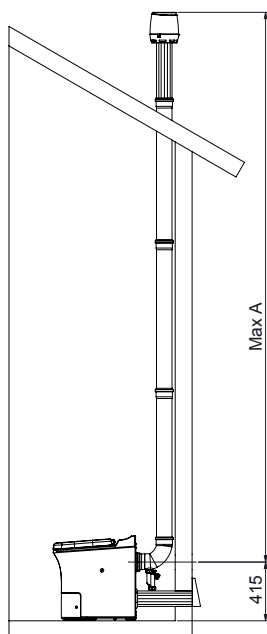


ATTENTION !

Avant de percer les trous, assurez-vous de ne pas rencontrer de fils électriques ou conduites d'eau.

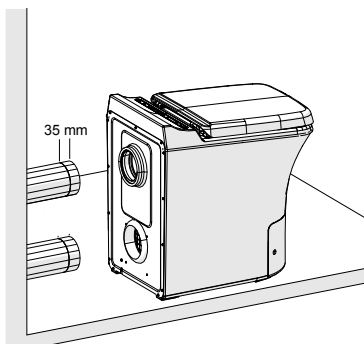
2.5.1 INSTALLATION DES TUYAUX D'ÉVACUATION

DIAMÈTRE DU TUYAU DE VENTILATION	DIRECTION DE L'ÉVACUATION	RÉFÉRENCE	COUDES	LONGUEUR MAXIMALE DE TUYAU
110 mm	Tuyau horizontal de cheminée	C	(Interdit)	1,0 m
110 mm	Tuyau de cheminée vertical	A	Aucun	6,0 m
110 mm	Tuyau de cheminée vertical	B	2 x 45°	5,0 m



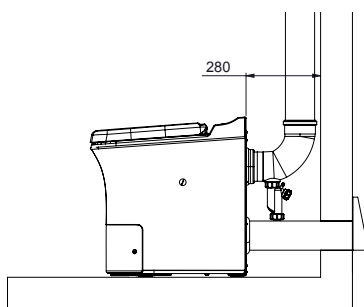
REMARQUE !

Le centre du raccord du tuyau de la cheminée est situé à 415 mm du niveau du sol.



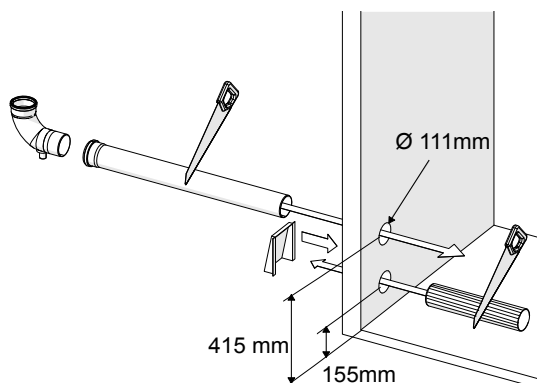
REMARQUE !

Lors de l'ajustement de la longueur du tuyau, veuillez noter que le tuyau pénétrera de 35 mm dans le raccord des toilettes ; veuillez en tenir compte lors de la préparation de votre installation.



REMARQUE !

Si vous installez le tuyau verticalement depuis l'appareil, veuillez noter que la distance minimale par rapport au mur doit être de 280 mm.



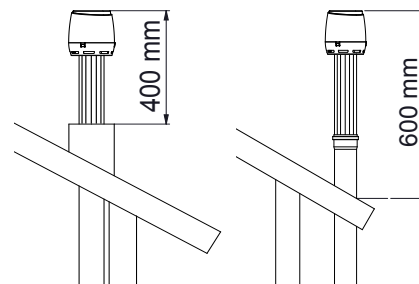
REMARQUE !

Le kit d'installation original Cinderella comprend 5 tuyaux de 1066 mm à utiliser sur la bouche de sortie ; les tuyaux sont livrés avec un connecteur et un joint pour une installation simple. Lors de l'installation du tuyau sur le mur extérieur, vous devez introduire le tuyau de l'extérieur vers l'intérieur.



REMARQUE !

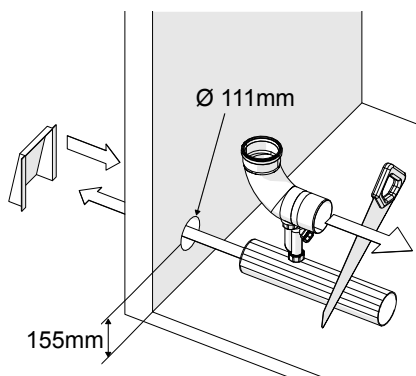
- Le tuyau doit être installé à la verticale et dépasser de 600 mm la surface du toit. Si le tuyau d'évacuation d'air doit être entouré, par exemple d'un revêtement métallique, veuillez vérifier que l'extrémité du tuyau atteint une hauteur minimum de 400 mm au-dessus de l'enveloppe.
- En cas d'installation dans un endroit où la neige risque de s'accumuler, il peut s'avérer nécessaire de prolonger le tuyau et de le fixer en conséquence.



2.5.2 INSTALLATION DU TUYAU D'ADMISSION HORIZONTAL

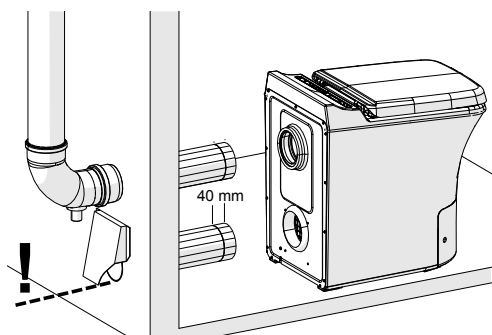
Il est important de s'assurer que les toilettes disposent d'un accès suffisant à l'air frais, c'est pourquoi nous recommandons toujours d'installer les toilettes Cinderella Comfort avec une admission d'air distincte. L'apport d'air frais de l'extérieur vers l'intérieur des toilettes est essentiel pour assurer le refroidissement, la circulation et l'apport d'oxygène au processus d'incinération. Si les toilettes ne bénéficient pas de suffisamment d'air ou d'oxygène, l'incinération ne se fera pas correctement, l'efficacité sera réduite et les toilettes risquent de surchauffer. Une mauvaise incinération entraînera l'usure des toilettes au fil du temps et annulera votre garantie.

DIAMÈTRE EXTERNE TUYAU D'ADMISSION	DIAMÈTRE INTERNE TUYAU D'ADMISSION	DIRECTION D'ADMISSION	COUDES	LONGUEUR DE TUYAU MAXIMALE
110 mm	102 mm	Horizontal	Aucun	500 mm



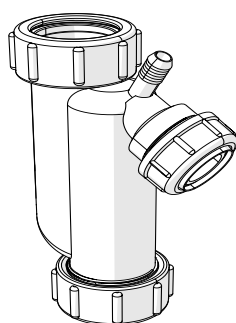
REMARQUE !

- Le centre de la prise d'admission d'air se situe à 155 mm au-dessus du sol.
- Le kit d'installation original Cinderella comprend 2 tuyaux de 500 mm à utiliser pour l'admission d'air et le chapeau de cheminée. Ajustez la longueur du tuyau d'admission pour l'adapter à votre installation ; veuillez noter que le tuyau pénétrera de 40 mm dans la prise d'admission des toilettes.



REMARQUE !

Lors du montage du collier de solin sur le mur extérieur, veillez à ce que le tuyau soit installé au ras du bas du collier de solin. Un mauvais placement peut restreindre la circulation d'air avec pour conséquence une mauvaise incinération, une efficacité réduite et une surchauffe éventuelle des toilettes.



REMARQUE !

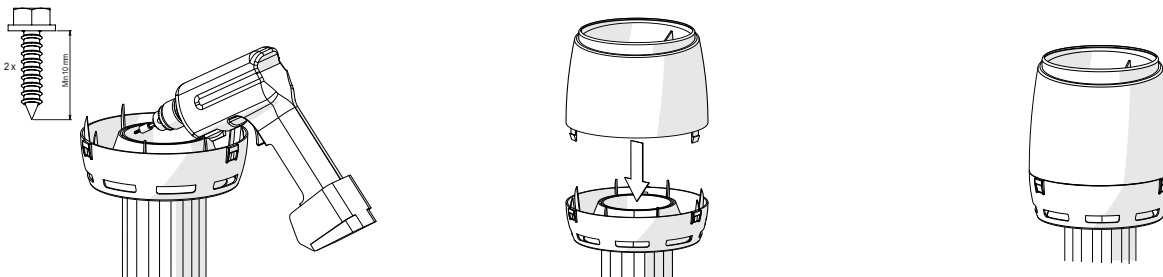
Cinderella fournit un « siphon » spécialement adapté au coude fourni dans le kit d'installation ; cet accessoire peut être acheté auprès de n'importe quel concessionnaire Cinderella. Si l'installation se fait de l'intérieur, vous devrez raccorder le siphon à la pièce coudée pour éviter que la condensation et l'eau de pluie ne s'écoulent sur le sol. Si la condensation n'est pas collectée et vidée régulièrement, le sol risque d'être endommagé.

2.5.3 INSTALLATION DU CHAPEAU DE CHEMINÉE ORIGINAL CINDERELLA



REMARQUE !

Le kit d'installation original Cinderella comprend un chapeau de cheminée conçu pour une circulation optimale et une plus grande efficacité des toilettes. Ce chapeau se compose de deux parties : la section de base peut être fixée aux tuyaux avec des vis inoxydables ou de la colle, afin de faciliter le raccordement et le retrait pour l'entretien des tuyaux de ventilation. Utilisez le tuyau de 500 mm inclus dans le kit d'installation Cinderella comme dernière section du tuyau de ventilation, ce qui permettra de raccorder le chapeau de cheminée.



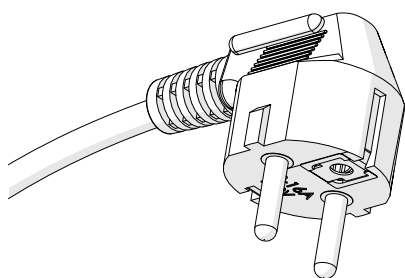
2.6 CARACTÉRISTIQUES ET SPÉCIFICATIONS ÉLECTRIQUES



ATTENTION !

- Ces toilettes doivent être installées conformément aux normes électriques nationales, provinciales, municipales et locales.
- La tension, la fréquence et l'intensité correctes doivent être fournies aux toilettes à l'aide d'un circuit séparé, mis à la terre et protégé par un disjoncteur de la puissance appropriée.
- La tension, la fréquence et l'intensité appropriées sont indiquées dans ce manuel et sur la plaque signalétique, située à l'arrière des toilettes.

Alimentation	COURANT	D'ENTRÉE	FUSIBLE
	220V-240 V CA	9 A	10 A
Consommation électrique	VEILLE		INCINÉRATION
	0,5 W		2000 W
Polarité de branchement	SECTION DU CÂBLE	LONGUEUR DE CÂBLE	TYPE DE PRISE
	1,5 mm ²	2,3 m	Type F Schuko CEE 7



REMARQUE !

Les toilettes sont livrées avec une prise 16 Ampères, 250 Volts, 2 pôles 3 fils, avec mise à la terre, de type F schuko CEE 7/7. Afin de fournir une puissance électrique suffisante, il est nécessaire d'installer un circuit séparé mis à la terre, d'une capacité de 10 A sur un secteur 230 V CA.



DANGER !

- Le câble de branchement doit être posé de manière à ne pas entrer en contact avec des bords coupants.
- Toute modification de l'installation électrique interne ou du câble de branchement doit être effectuée par un professionnel ou une personne agréée pour éviter tout danger pour la sécurité.
- L'utilisation de transformateurs de tension avec vos toilettes Cinderella est déconseillée. La Cinderella Comfort a une consommation électrique maximum de 2000 W, pouvant être continue pendant plus d'une heure d'affilée. Un transformateur acceptant des pics de puissance de 2000 W risque de ne pas tolérer une telle puissance en continu et d'être surchargé, endommagé ou peu sûr si vous l'utilisez avec votre Cinderella Comfort.

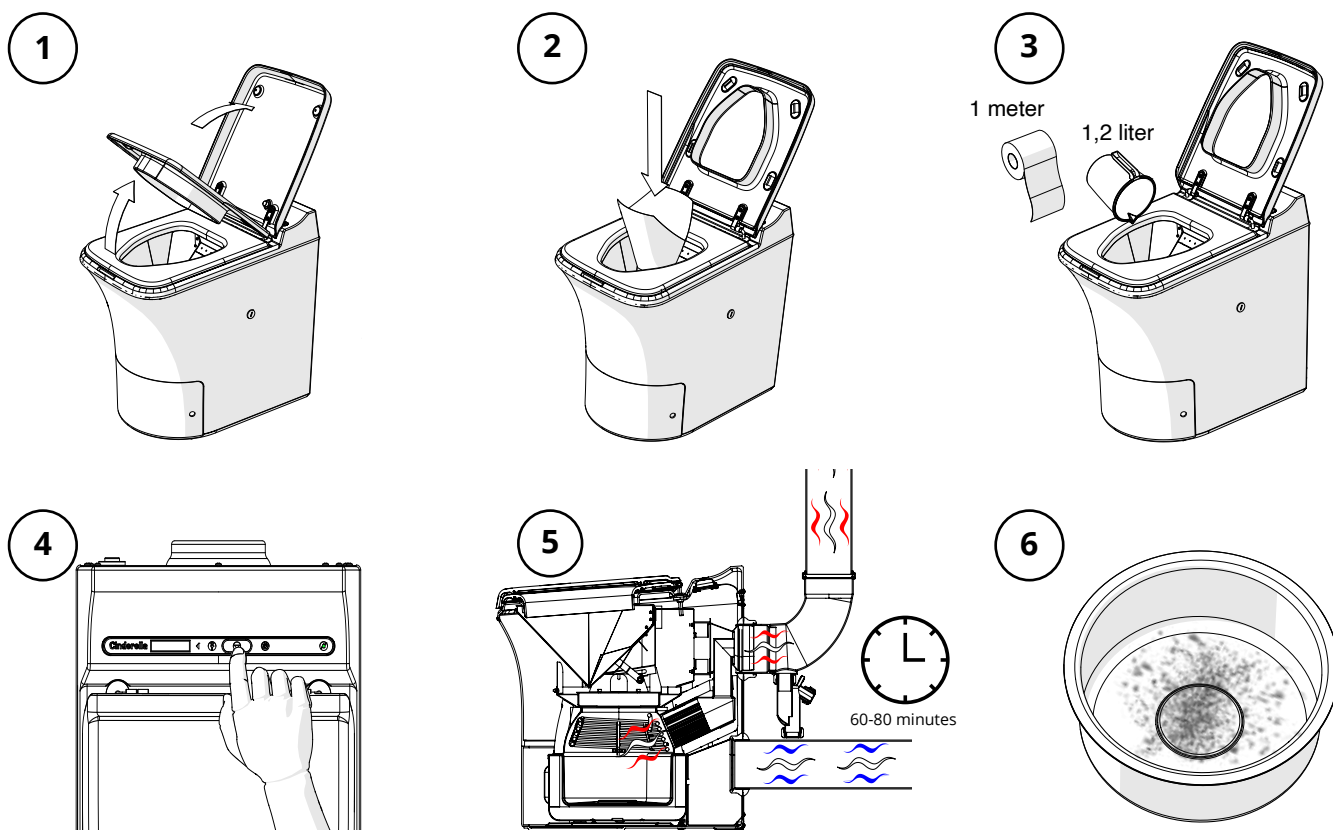
2.7 LISTE DE CONTRÔLE DE L'INSTALLATION COMPLÈTE

POINTS DE CONTRÔLE	CONFORMITÉ
La tension est conforme à la plaque signalétique des toilettes	
Les toilettes sont installées conformément à la fiche technique du fabricant	
- Le tuyau de cheminée vertical est installé conformément à la fiche technique du fabricant	
- La sortie de cheminée est au minimum à 600 mm au-dessus de la surface du toit	
- Un « siphon » de purge sûr est installé là où la condensation est susceptible de s'accumuler	
- Le tuyau de cheminée est installé conformément à la fiche technique du fabricant	
- Le chapeau du tuyau de cheminée est installé conformément à la fiche technique du fabricant	
- Le coude à 90 degrés est installé conformément à la fiche technique du fabricant	

2.8 TEST DE PERFORMANCE POUR VÉRIFIER LE FONCTIONNEMENT DU SYSTÈME

En appuyant sur la touche « Start », l'incinération commence. Le temps d'incinération estimé pour le test est de 60 à 80 minutes environ. Le voyant jaune s'allume lorsque l'incinération est en cours, et le test complet doit se terminer sans aucune indication de défaut ni d'interruption du système. Les toilettes doivent refroidir jusqu'à ce que le ventilateur s'arrête, avant de pouvoir retirer la boîte à cendres. La phase de refroidissement dure entre 60 et 90 minutes en fonction de la température ambiante.

Il ne devrait rester que de la fine poussière blanche. Si les résidus sont différents ou que l'incinération dure plus de 90 minutes, cela peut être un signe de colmatage dans le tuyau de cheminée ou un manque d'oxygène. Vérifier que l'installation est conforme à la fiche technique du fabricant, telle que présentée à la section 2 de ce manuel.



ATTENTION !

La boîte à cendres sera très chaude durant l'incinération. Ne retirez pas la boîte à cendres avant que les toilettes n'aient entièrement refroidi et que le ventilateur se soit arrêté.

3. SECTION DE L'UTILISATEUR

3.1 UTILISATION PRÉVUE ET MANIPULATION

Les toilettes Cinderella Comfort sont destinées à une installation intérieure et dans les habitations de loisirs telles que les chalets, les résidences secondaires, les toilettes extérieures, les centres de bien-être, les hangars à bateaux et les piscines. Les toilettes servent exclusivement à incinérer les déchets biologiques et petits produits sanitaires, tels que les tampons, serviettes hygiéniques et lingettes démaquillantes ou pour bébé sans alcool. L'utilisation des toilettes Cinderella Comfort pour incinérer autre chose constituerait une mauvaise utilisation et invaliderait votre garantie.

Ne mettez pas les articles suivants dans les toilettes :

- Quantités excessives de papier de tous genres
- Produits de nettoyage à base de chlore
- Lingettes à base d'alcool
- Journaux
- Serviettes en papier
- Liquides ou matériaux inflammables
- Briquets
- Cigarettes ou cigares
- Essence
- Boissons alcoolisées
- Alcool ou alcool à brûler
- Dissolvant pour vernis à ongles
- Essence à briquet
- Huile de lampe/kérosène
- Bombes aérosol
- Bouteilles ou boîtes en verre ou plastique, etc.

3.2 SÉCURITÉ GÉNÉRALE



DANGER !

- N'utilisez pas les toilettes à incinération en cas de dommages visibles.
- Si le câble d'alimentation est endommagé, il doit être remplacé par le fabricant, le service après-vente ou toute autre personne qualifiée pour éviter tout risque pour la sécurité.
- Les toilettes à incinération doivent toujours être réparées par un professionnel agréé. Toute réparation non autorisée peut entraîner un danger ou des dommages importants aux toilettes.
- Le nettoyage et l'entretien courant ne doivent pas être effectués par des enfants sans supervision.
- N'utilisez pas de substances explosives ni de produits de nettoyage inflammables lors de l'entretien des toilettes.

3.3 FONCTIONNEMENT EN TOUTE SÉCURITÉ



ATTENTION !

- La boîte à cendres des toilettes deviendra très chaude pendant l'utilisation. Vérifiez que le couvercle de sécurité est en place lors de l'utilisation des toilettes. Attendez que les toilettes soient complètement refroidies avant de vider la boîte à cendres.
- Le siège n'est pas équipé d'une fonction de fermeture amortie, prenez donc soin de ne pas laisser tomber le siège ou l'abattant sur vos mains ou vos doigts.

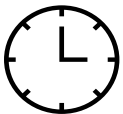
3.4 DISPOSITIFS DE SÉCURITÉ DES TOILETTES CINDERELLA COMFORT

- L'incinération ne s'effectuera pas si l'abattant est relevé. L'incinération ne démarrera pas avant que le siège et l'abattant soient baissés.
- Le panneau de la chambre d'incinération NE DOIT PAS rester ouvert lorsque les toilettes sont encore chaudes (par ex. durant le nettoyage). Ce panneau ne peut être ouvert que si les toilettes ont refroidi et si le ventilateur s'est arrêté.
- En cas de problème de ventilation et si la température interne des toilettes dépasse 105 °C, l'incinération s'arrêtera et un message et un code d'erreur s'afficheront. Cette situation requiert une réinitialisation manuelle afin de résoudre les problèmes de ventilation avant l'utilisation des toilettes.
- Si la boîte à cendres n'est pas remise en place correctement après avoir été vidée, l'incinération ne démarre pas, et un message d'erreur s'affiche.
- Si le mécanisme du panneau de la chambre d'incinération se coince ou ne peut se fermer correctement, l'incinération ne débute pas et un message d'erreur s'affiche.
- Le logiciel intelligent des toilettes à incinération Cinderella surveille la température au cours de l'incinération. Si un écart de la fourchette de température normale est détecté, l'incinération s'arrêtera immédiatement et un message d'erreur s'affichera.



REMARQUE !

- Veuillez à toujours placer un nouveau sac papier dans la cuvette avant chaque utilisation.
- L'abattant des toilettes doit toujours être baissé lorsque les toilettes ne sont pas utilisées. L'incinération ne démarrera pas ou s'arrêtera si l'abattant n'est pas baissé.
- L'incinération peut durer jusqu'à trois heures après la toute dernière visite.
- Le ventilateur continue de fonctionner jusqu'à la fin de l'incinération et jusqu'à ce que la température interne des toilettes atteigne de nouveau la plage normale. La phase de refroidissement peut durer plus de 120 minutes après l'incinération, en fonction de la température de l'air fourni pour le refroidissement.
- Vos toilettes Cinderella peuvent être utilisées à tout moment durant l'incinération ou le refroidissement. L'incinération est interrompue durant l'utilisation. Veuillez à baisser l'abattant et appuyez sur « Start » à la fin de chaque utilisation.



1 heure

Capacité 4 par heure

Les toilettes Cinderella Comfort sont conçues pour trois à quatre utilisations par heure. Pour éviter toute surcharge, il est déconseillé de les utiliser plus de quatre fois par heure. La surcharge des toilettes, c'est-à-dire de nombreuses utilisations sur une courte période sans effectuer d'incinération, est susceptible d'entraîner des odeurs et des fuites et, par conséquent, de les endommager.



Vidage

Fréquence de vidage

La capacité liquide totale du conteneur de déchets du système est de 5 L. La boîte à cendres doit être vidée fréquemment (une fois par semaine) pour un fonctionnement optimal. Cela garantit une incinération plus efficace et une plus grande propreté du catalyseur.

Si votre boîte à cendres n'a pas été retirée (pour des vidanges hebdomadaires), vos toilettes Cinderella Comfort afficheront un message demandant de vider la boîte après 90 incinérations, et empêcheront toute utilisation ultérieure si la boîte n'est pas vidée après 120 utilisations. Nous recommandons de la vider aussi souvent que possible pour assurer une incinération plus efficace et empêcher l'usure des toilettes.

Il est impératif de vider la boîte à cendres lorsqu'elle est pleine, sinon les toilettes pourraient être endommagées et la garantie ne serait plus valide.



Période prolongée

Préparation des toilettes pour une période prolongée de non-utilisation

En cas de périodes prolongée de non-utilisation, les déchets doivent être incinérés et la boîte à cendres vidée.



Max 4 visites

Courte période d'utilisation intensive

Si les toilettes doivent être utilisées par un nombre anormalement élevé d'invités pendant une courte période, veuillez suivre ces conseils :

1. Videz complètement la boîte à cendres avant l'arrivée des invités.
2. Préchauffez les toilettes avant l'utilisation en levant et en baissant l'abattant, et appuyez sur la touche Start.
3. Veuillez à ce que les invités sachent comment utiliser correctement les sacs en papier et comprennent qu'ils doivent appuyer sur « Start » après chaque utilisation.
4. Vérifiez régulièrement que l'abattant est abaissé et que le voyant jaune d'incinération reste allumé.
5. Il vous faudra peut-être effectuer une incinération ou deux supplémentaires avant de vider la boîte à cendres pour vous assurer que l'incinération est terminée.

3.6 PANNEAU DE COMMANDE

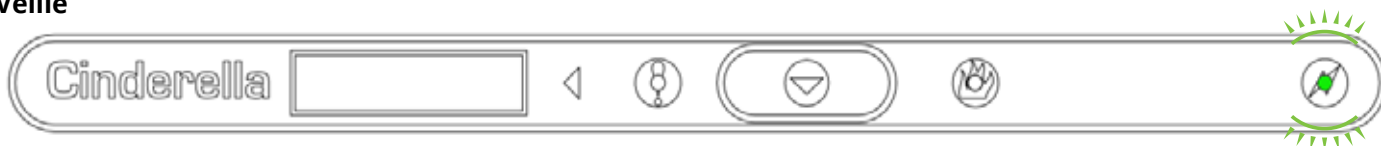
Le panneau de commande affiche des messages lumineux, sonores et écrits pour la meilleure expérience d'utilisateur possible. Différentes combinaisons de signaux lumineux et sonores indiquent à l'utilisateur l'état du système. Il est important que tous les utilisateurs se familiarisent avec ces signaux avant toute utilisation. Vous trouverez un résumé de tous les signaux lumineux et sonores dans le tableau de dépannage de la section 5.1.



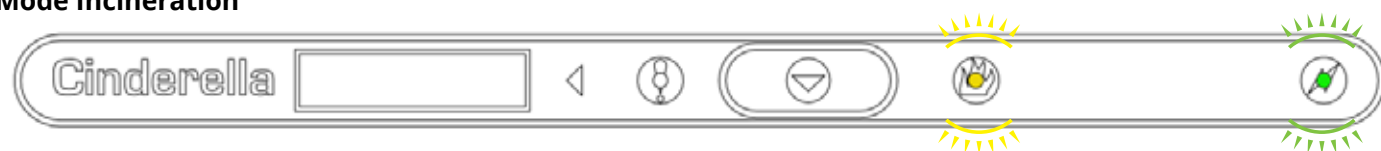
REMARQUE !

- Un voyant vert indique que les toilettes sont branchées au secteur. Lorsque seul le voyant vert est allumé, les toilettes sont en mode veille et prêtes à l'emploi.
- Un voyant jaune indique que l'incinération est en cours ; il restera allumé pendant que les toilettes sont en mode Incinération
- Un voyant rouge indique une interruption et avertit l'utilisateur que l'incinération s'est arrêtée et que les toilettes sont en mode Veille.

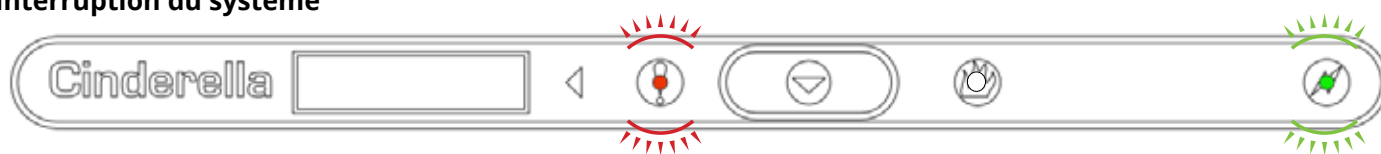
Veille



Mode Incinération



Interruption du système

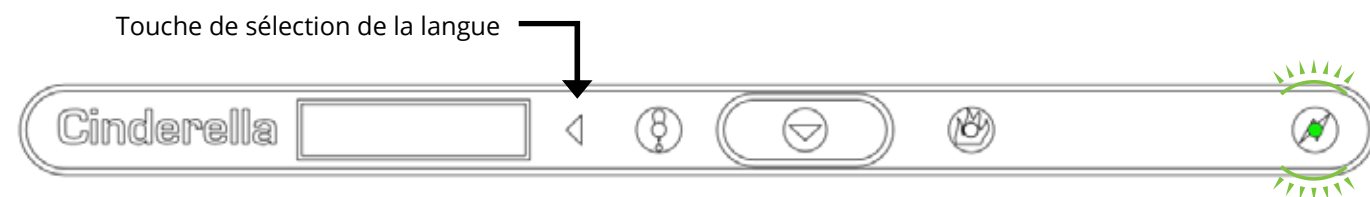


Sélection de la langue

Maintenez enfoncée la touche « Language Select » (Sélectionner Langue) pendant 3 secondes jusqu'à ce que « Language » (Langue) s'affiche sur la première ligne de texte.

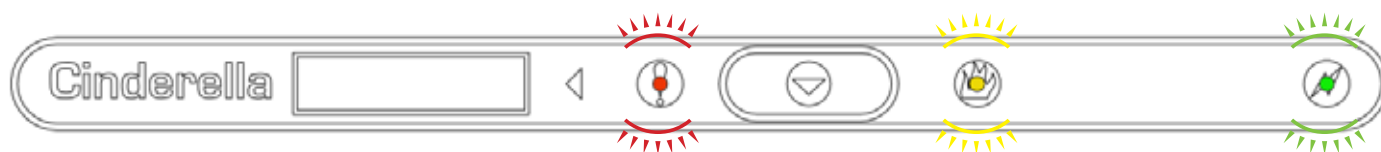
La langue actuelle s'affiche sur la seconde ligne. Appuyez plusieurs fois sur la touche « Language Select » jusqu'à l'affichage de la langue souhaitée. La nouvelle langue est automatiquement sauvegardée quelques secondes après la sélection de la langue, et les toilettes se remettent en service.

Touche de sélection de la langue



Voyant Emptying/Vidage

Vos toilettes Cinderella Comfort indiqueront lorsqu'il est temps de vider la boîte à cendres. L'affichage indiquera « VIDEZ TIR. CENDRE » et vous entendrez trois courts bips lorsque l'abattant sera relevé. Si les toilettes ne sont pas vidées peu de temps après, elles se verrouillent. Les voyants jaune et rouge seront allumés en permanence et l'écran affichera le message « TOIL. FERMÉES TIR. CENDRE PLEIN ». Trois courts bips sont alors émis toutes les 10 secondes jusqu'à ce que la boîte à cendres soit vidée.



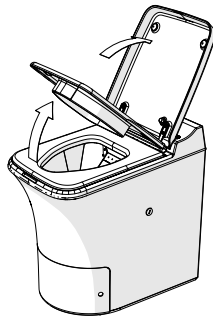
3.7 UTILISATION DES TOILETTES CINDERELLA COMFORT

1



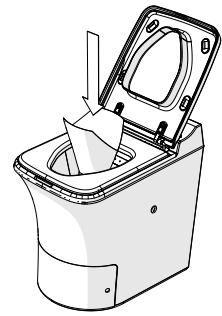
1. Vérifiez que le voyant vert du panneau de commande est allumé, ce qui indique que les toilettes sont sous tension et prêtes à l'emploi.

2



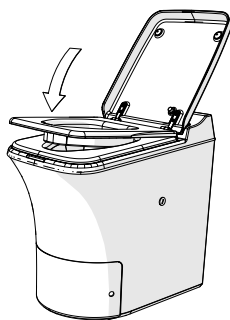
2. Levez l'abattant et le siège. Un voyant rouge commence à clignoter. Le ventilateur se met en marche.

3



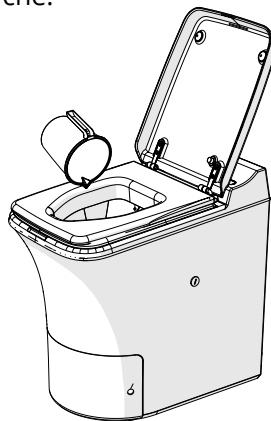
3. Placez un sac papier dans la cuvette. Utilisez un nouveau sac papier à chaque utilisation.

4



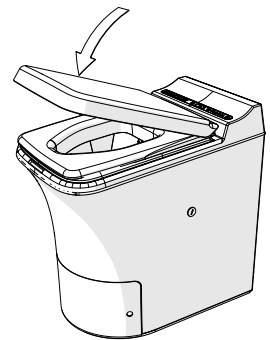
4. Baissez le siège. Les toilettes sont prêtes à l'emploi.

5



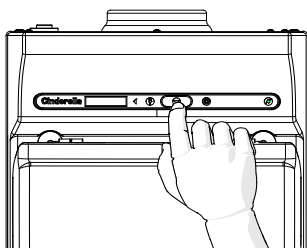
5. Utilisez les toilettes comme d'habitude. S'il y a peu de déchets, il peut s'avérer utile de verser un peu d'eau dans la cuvette pour ajouter du poids.

6



6. Baissez l'abattant.

7



7. Appuyez sur la touche « Start » pour faire tomber le sac et son contenu dans la chambre d'incinération. L'incinération commence dès que la trappe est fermée. Les toilettes sont maintenant prêtes pour la prochaine utilisation.

8



8. Un voyant jaune continu s'affiche pendant l'incinération. Les toilettes peuvent être utilisées à tout moment. L'incinération est alors provisoirement interrompue. Le temps d'incinération varie en fonction du nombre d'utilisations et de la quantité de déchets.

3.8 UTILISATION DU PANNEAU AVANT ET DE LA BOÎTE À CENDRES



ATTENTION !

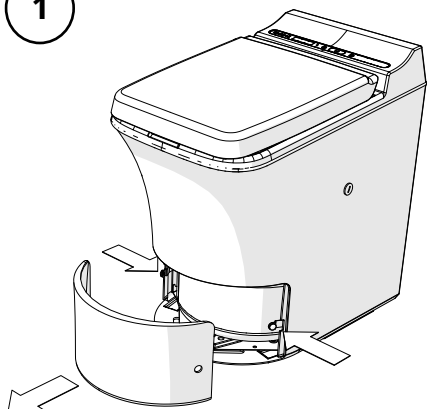
Manipulez la boîte à cendres uniquement lorsque les toilettes sont en mode veille ou ont suffisamment refroidi.



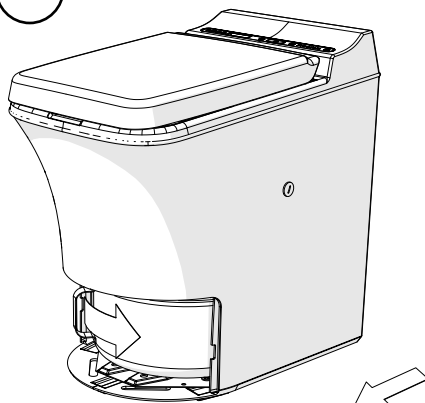
REMARQUE !

Veillez vous reporter à la section sur l'entretien pour consulter les instructions concernant le nettoyage et le vidage de la boîte à cendres.

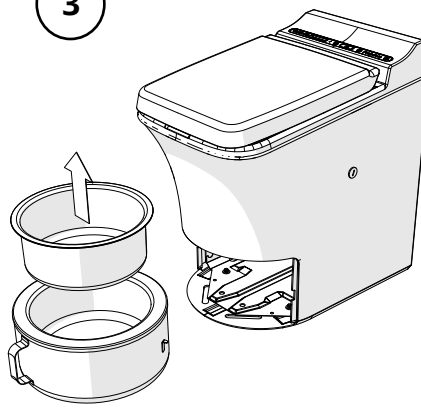
1



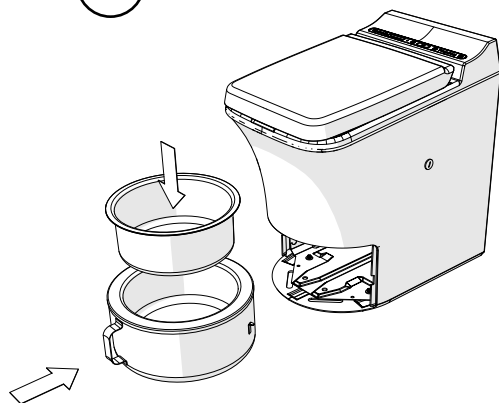
2



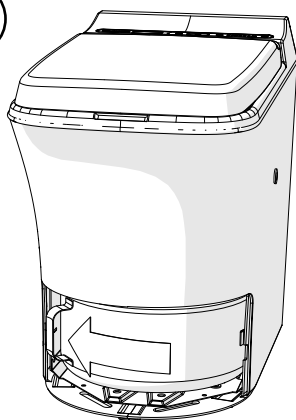
3



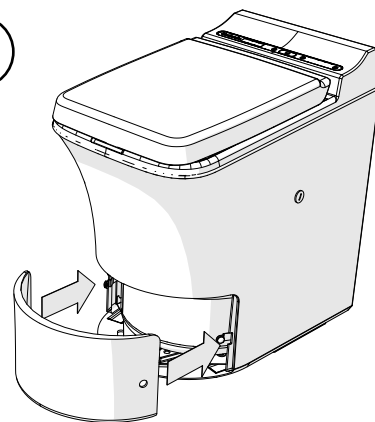
4



5



6



4. INSTRUCTIONS GÉNÉRALES CONCERNANT L'ENTRETIEN

Ce manuel comprend à la fois l'entretien à effectuer par le client et l'entretien à effectuer par des professionnels en fonction de l'expertise requise et des autorisations.

Un système de circulation d'air fiable est essentiel pour assurer le bon fonctionnement des toilettes. Les particules générées par l'incinération peuvent boucher le catalyseur et le tuyau d'échappement avec le temps. Il est donc important d'entretenir régulièrement ces éléments pour garantir le bon fonctionnement des toilettes.

Pour garantir le fonctionnement parfait et prolonger la durée de vie de votre Cinderella Comfort, veuillez prendre le temps d'effectuer l'entretien préventif. De bonnes habitudes d'entretien diminueront les frais de fonctionnement et l'usure. Nous recommandons vivement à nos clients d'effectuer un entretien fréquent comme suit :

1. Videz fréquemment les toilettes. Ne basez pas votre utilisation sur la limite maximale de vos toilettes.
2. Nettoyez toujours la boîte à cendres et remettez-la en place après vidage (cf. la section 4.2.1).
3. Effectuez toujours le nettoyage à la vapeur après utilisation de chaque boîte de sacs papier (500 utilisations), de préférence après chaque vidage et lavage de la boîte à cendres. (cf la section 4.2.2).
4. Prenez toujours soin de noter les caractéristiques des résidus lorsque vous videz les toilettes. Tout écart par rapport aux résidus normaux peut indiquer une nécessité d'entretien ou de maintenance (cf. la section 4.1).

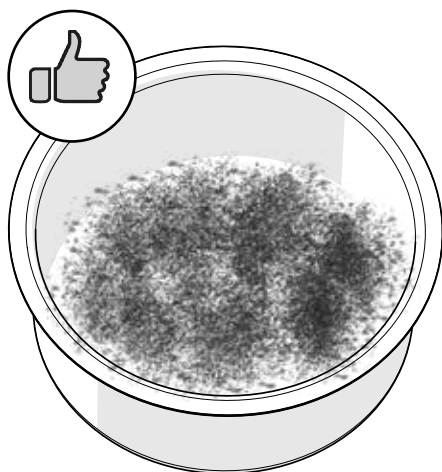


ATTENTION !

Avant l'entretien, veuillez toujours vérifier que les toilettes ne sont pas en mode Incinération et qu'elles ont suffisamment refroidi.

4.1 CARACTÉRISTIQUES DES RÉSIDUS

Les déchets, ou « cendres », sont constitués de résidus insalubres, de sels et de minéraux, et se présentent souvent sous forme de particules dures et cristallisées. Ils ne doivent comprendre aucune trace visible de papier ou de déchets non brûlés de grande taille. Ils doivent être composés d'un mélange de particules blanches et gris foncé. En cas de dépôts plus importants de déchets noirs non brûlés, d'humidité ou de papier lors de la vidange des toilettes, veuillez procéder à une incinération supplémentaire sans insérer de papier ni d'eau. Lorsque l'incinération est terminée, videz la boîte à cendres et effectuez l'entretien comme indiqué dans ce manuel.

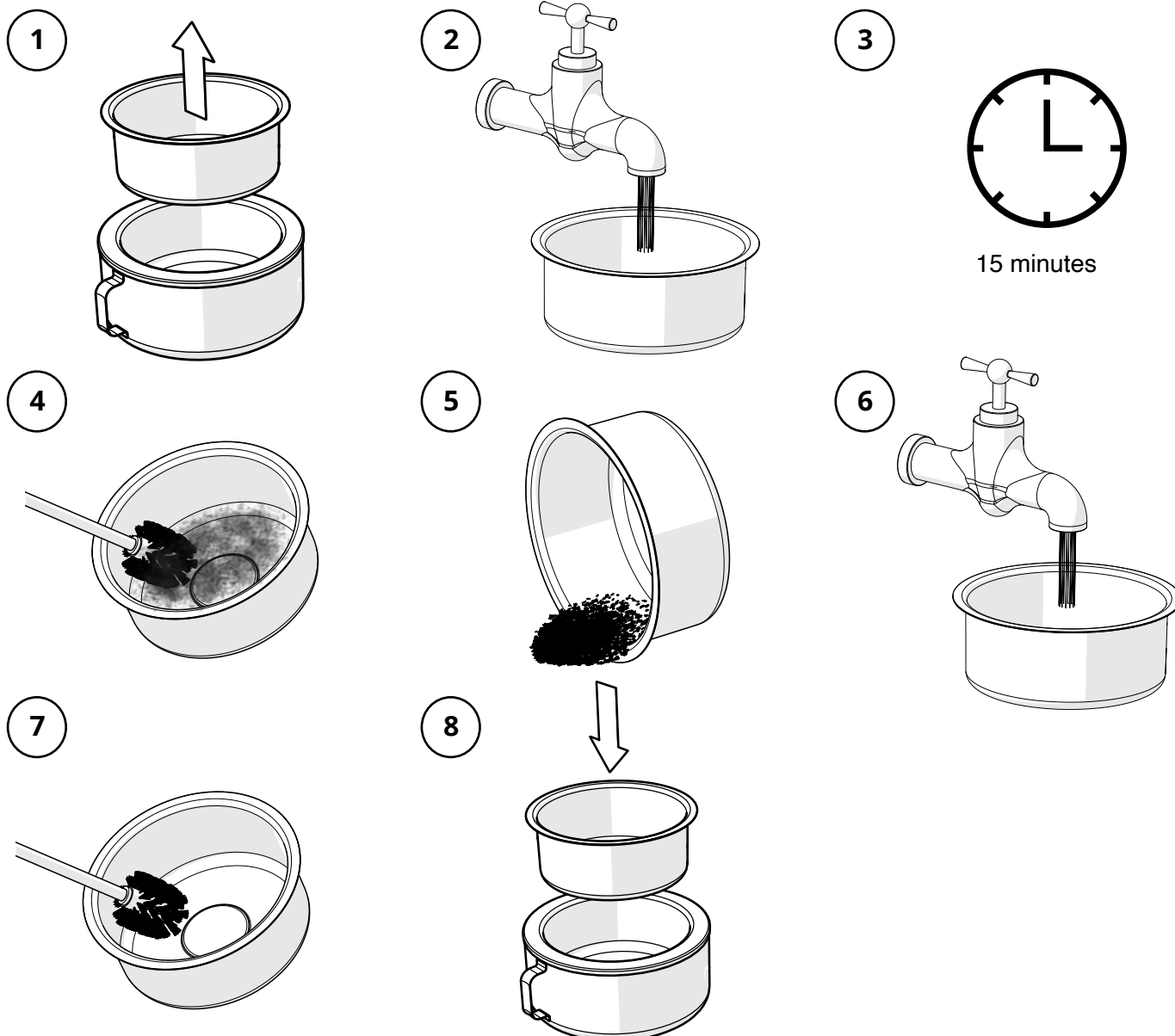


AVERTISSEMENT !

- Les cendres ne doivent pas être utilisées comme engrais ou compost. Veuillez les jeter avec vos ordures ménagères conformément aux directives publiques pertinentes.
- Le reste des cendres est exempt de germes et peut être manipulé en toute sécurité lorsqu'elles sont de couleur claire. Si les cendres sont noires et de grosse taille, ou si la combustion est incomplète, effectuez une nouvelle incinération pour que les cendres soient entièrement incinérées. Si le problème persiste, reportez-vous à la section de dépannage pour de plus amples conseils.

4.2 ENTRETIEN EFFECTUÉ PAR LE CLIENT

4.2.1 VIDAGE ET NETTOYAGE DE LA BOÎTE À CENDRES



AVERTISSEMENT !

N'utilisez pas d'outils ni d'objets pointus pour nettoyer le boîtier interne ; cela pourrait l'endommager et diminuer sa durée de vie utile.



REMARQUE !

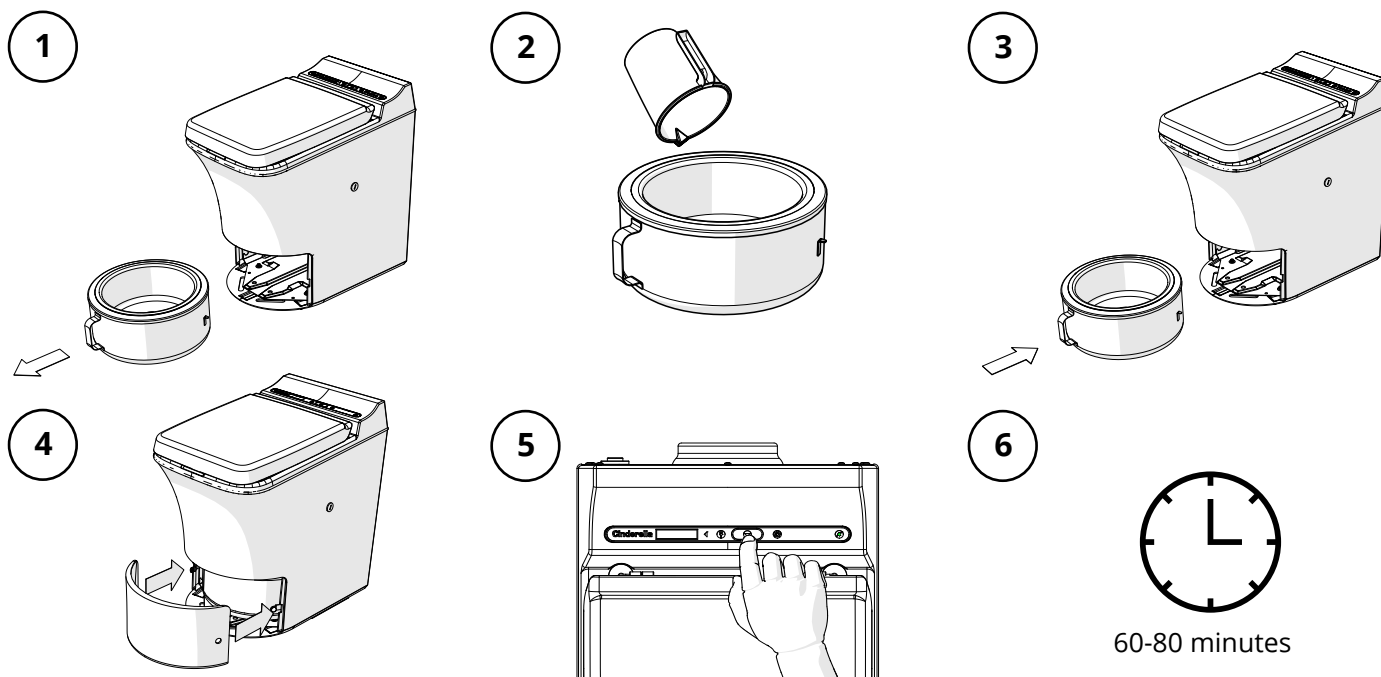
- Afin de garantir le fonctionnement optimal de vos toilettes, nous vous recommandons d'effectuer la procédure de « nettoyage à la vapeur » conformément au paragraphe 4.2.2 chaque fois que vous videz et lavez le boîtier interne. Cela permet d'éviter l'accumulation éventuelle de dépôts noirs et indésirables dans le catalyseur et le système d'échappement des toilettes.
- Lorsque vous videz les toilettes, veillez à ce qu'elles soient branchées au secteur. Si vous videz les toilettes lorsqu'elles sont débranchées, le système ne pourra pas réinitialiser le compteur d'utilisations.

4.2.2 NETTOYAGE À LA VAPEUR DU CATALYSEUR

Fréquence recommandée : Lors du vidage de la boîte à cendres ou au moins toutes les 500 utilisations. Pour effectuer le nettoyage à la vapeur :

1. Vérifiez que les toilettes sont froides et que la boîte à cendres est vide et propre (cf. la section 4.2.1).
2. Retirez panneau avant puis sortez la boîte à cendres.
3. Versez environ 1 L d'eau propre dans le boîtier interne des toilettes.

4. Replacez la boîte à cendres en prenant soin de ne pas renverser d'eau, puis remettez en place le panneau avant.
5. Appuyez sur la touche « Start » pour démarrer l'incinération.
6. L'eau commencera à bouillir et la vapeur éliminera tout débris se trouvant dans le catalyseur. Ce nettoyage du système prend généralement entre 60 et 80 minutes.



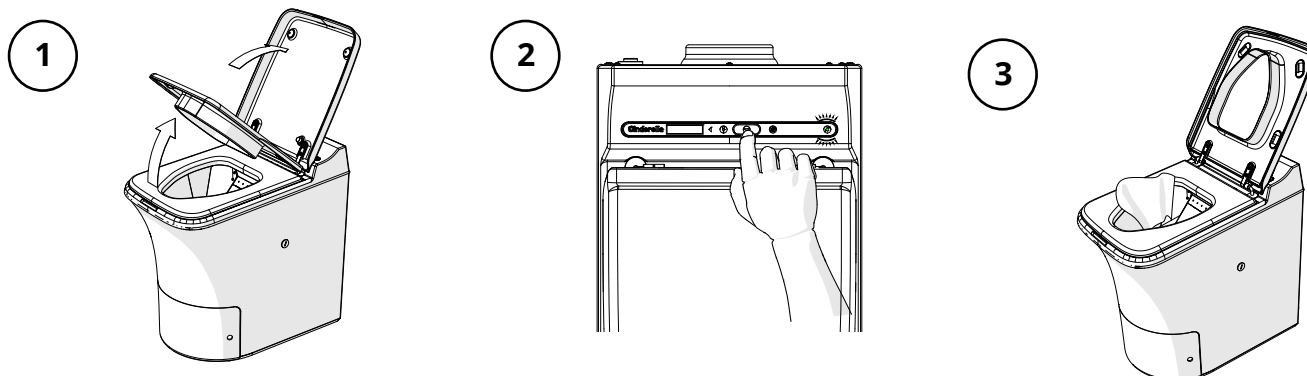
REMARQUE !

N'utilisez pas les toilettes pendant l'entretien car cela nuit au nettoyage. Vous pouvez utiliser les toilettes lorsqu'elles sont de nouveau en mode veille.

4.2.3 NETTOYAGE DE LA CUVETTE

Fréquence recommandée : lorsque cela est nécessaire pour assurer la propreté et lors du vidage de la boîte à cendres. Nettoyage de la cuvette :

1. Relevez l'abattant.
2. Appuyez sur la touche Start et maintenez-la enfoncée 3 secondes pour ouvrir le panneau en position de lavage.
3. Utilisez du papier humide, de l'eau et un produit nettoyant doux selon les besoins. Baissez l'abattant et procédez à l'incinération.



DANGER !

N'utilisez pas de produits nettoyants inflammables pour nettoyer la cuvette. Certains bords métalliques peuvent être coupants.



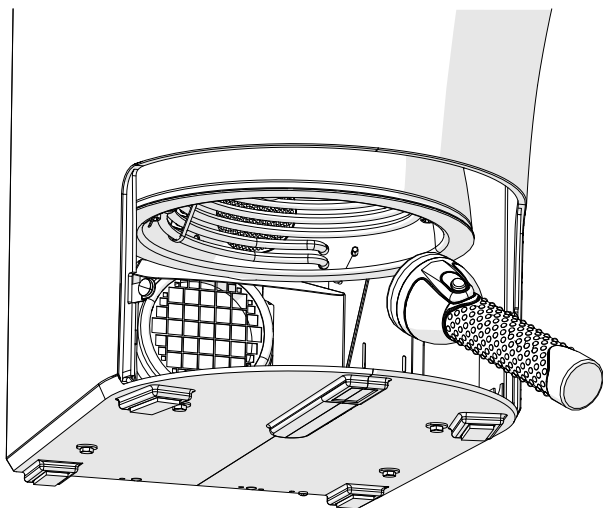
AVERTISSEMENT !

N'utilisez pas de produits nettoyants à base de chlore pour nettoyer la cuvette. Le chlore peut endommager le catalyseur et empêcher son bon fonctionnement s'il est utilisé pour nettoyer les toilettes.

4.2.4 INSPECTION DU CATALYSEUR

Fréquence recommandée : Toutes les 500 utilisations.

Le catalyseur est le conduit d'air primaire entre la chambre d'incinération et le point d'entrée du tuyau de cheminée sur les toilettes. Toute accumulation de particules dans le catalyseur réduira le débit et l'efficacité des toilettes, et peut entraîner de mauvaises odeurs. Il est donc important de vérifier que le catalyseur est toujours ouvert. Toute modification du temps d'incinération, de l'efficacité de l'incinération ou de l'odeur, peut être due à une conversion catalytique dense. La meilleure façon de nettoyer le catalyseur facilement est d'effectuer un « nettoyage à la vapeur » comme indiqué à la section 4.2.2. Vous pouvez également inspecter la partie avant du catalyseur en retirant la boîte à cendres puis en éclairant l'intérieur de la chambre à incinération. Toutes particules ou odeurs persistantes après le nettoyage à la vapeur doivent être éliminées en rinçant le convertisseur avec de l'eau chaude comme indiqué à la section 5.3.2.



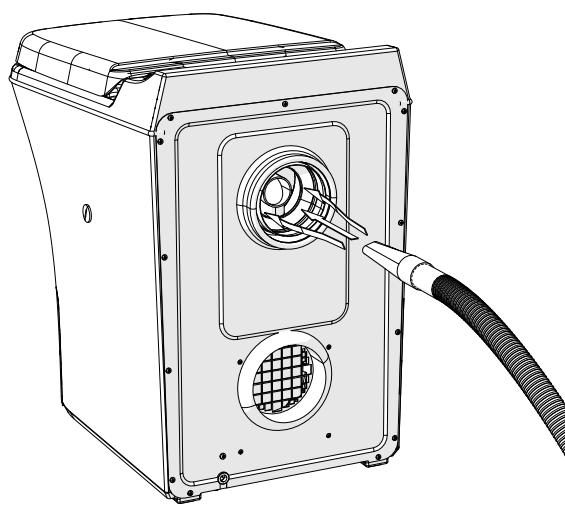
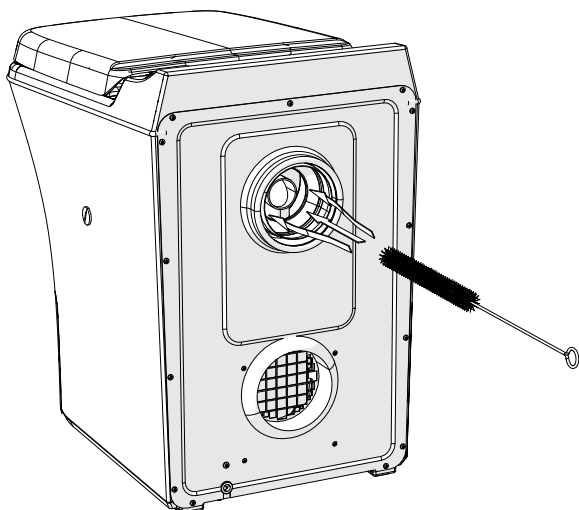
REMARQUE !

Tout signe évident de corrosion ou de déformation du convertisseur catalytique indique que ce dernier doit être remplacé. Veuillez contacter votre prestataire de services local pour un entretien.

4.2.5 NETTOYAGE DE LA PRISE DU TUYAU DE CHEMINÉE DES TOILETTES

Fréquence recommandée : au moins toutes les 500 utilisations.

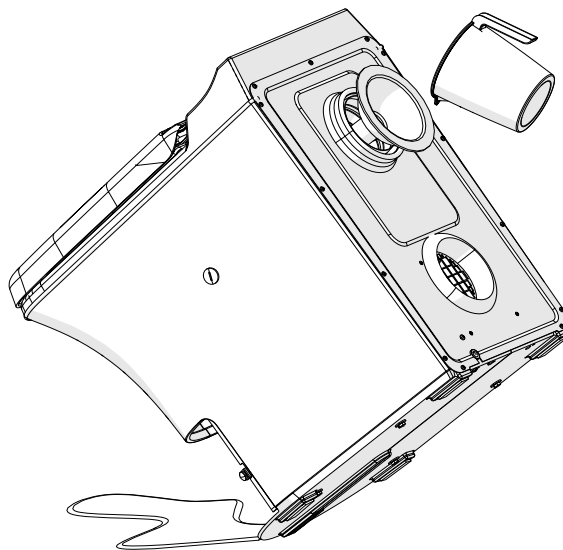
1. Les toilettes devront être débranchées du tuyau de cheminée et de la source d'alimentation.
2. Nettoyez le raccord du tuyau de cheminée avec une brosse souple ; il est important de nettoyer à la fois le tuyau d'échappement et le venturi qui l'entoure jusqu'aux pales du ventilateur, afin d'obtenir un débit d'air suffisant.
3. Retirez la boîte à cendres et nettoyez les débris présents.
4. Utilisez un aspirateur pour éliminer les débris restants du tuyau d'échappement et du catalyseur.
5. Raccordez les toilettes au tuyau de cheminée et à l'alimentation électrique.
6. Installez la boîte à cendres et le panneau avant.
7. Nous recommandons d'effectuer un nettoyage à la vapeur comme décrit à la section 4.2.2 après avoir réalisé l'entretien du raccord du tuyau de cheminée.



4.2.6 RINÇAGE DU CATALYSEUR À L'EAU CHAUDE

Un rinçage à l'eau du catalyseur peut s'avérer nécessaire si le nettoyage à la vapeur ne parvient pas à éliminer les particules ou les mauvaises odeurs. Cette procédure demande de soulever des objets lourds et de disposer d'un endroit où il est possible de déverser l'eau. Veillez à effectuer les étapes 1-4 de la procédure « Nettoyage du raccord du tuyau de cheminée » et suivez les étapes suivantes :

1. Placez les toilettes à un endroit où l'eau ne risque pas de s'écouler, par exemple à un endroit disposant d'une canalisation appropriée, à l'extérieur ou dans une baignoire. Utilisez l'entonnoir Cinderella spécialement conçu à cet effet, ou un entonnoir adapté au tuyau d'échappement. Inclinez légèrement les toilettes vers l'avant puis versez 2 à 3 litres d'eau chaude dans le tuyau d'échappement et le catalyseur. L'eau excédentaire doit être propre à la fin du rinçage. Si nécessaire, utilisez davantage d'eau pour nettoyer correctement le système.
2. Rebranchez l'appareil au tuyau de cheminée et à l'alimentation électrique.
3. Installez la boîte à cendres et le panneau avant.
4. Effectuez le test de performance comme décrit dans la section 2.5.



REMARQUE !

Avant de débrancher les toilettes et de rincer le système à l'eau chaude, inspectez le catalyseur et effectuez un nettoyage à la vapeur conformément à la section 4.2.2. Si le catalyseur est toujours bouché ou si vous sentez toujours une odeur lors de l'incinération, effectuez le rinçage du système conformément à la section 4.2.6.

L'avant de la coque extérieure est mince et ne doit donc pas supporter tout le poids des toilettes. Faites attention à ne pas la briser lors du rinçage du catalyseur.

5. DÉPANNAGE ET FAQ



ATTENTION !

L'entretien doit être effectué dans le respect de tous les normes nationales, municipales et régionales. En cas d'incertitude concernant les réglementations applicables dans votre région, veuillez contacter votre agent d'entretien ou concessionnaire le plus proche pour de plus amples informations. Les toilettes doivent être débranchées du secteur lors de l'entretien et de la maintenance.

Guide de dépannage en ligne

Les signaux sonores et lumineux du panneau de commande des toilettes indiquent l'état de fonctionnement de celles-ci. Les temps d'arrêt et les défaillances des toilettes seront signalés par divers signaux sonores et lumineux, comme le décrit la section 5.1 de ce manuel. Nous avons répertorié les erreurs et les problèmes les plus courants dans un guide de dépannage en ligne, afin que vous puissiez facilement obtenir des réponses à vos questions et des suggestions sur la manière de résoudre vous-même le problème.

Remise à zéro du système des toilettes

Pendant le nettoyage et le dépannage, il peut s'avérer utile de réinitialiser le circuit électronique. Vous pouvez le faire en appuyant sur la touche « Start ». Vous devez entendre un court bip. Maintenez la touche enfoncée pendant environ 8 secondes jusqu'à émission d'un long bip, puis relâchez la touche.

Messages d'erreur

Si les voyants clignotent, cherchez-en la raison et résolvez le problème avant d'utiliser les toilettes. En cas de dysfonctionnement, par exemple en cas d'odeurs, d'incinération incomplète ou de pannes du système, agissez immédiatement afin d'éviter tous dommages et frais de réparation superflus.

Thermostat bimétallique déclenché

Le thermostat bimétallique se déclenche si la température interne des toilettes est trop élevée. Cela se produit normalement s'il y a un manque de circulation d'air, ou en cas de colmatage dans la partie admission ou évacuation de l'installation. Par conséquent, il convient de vérifier que l'admission d'air est conforme aux spécifications, et que le tuyau de cheminée est ouvert et qu'il n'est pas obstrué. Procédez à un examen visuel du catalyseur et effectuez la procédure de nettoyage à la vapeur conformément à la section 4.2.2.

En cas de coupure de courant

Si l'incinération est en cours pendant une coupure de courant, il se peut que vous sentiez temporairement des odeurs à l'intérieur des toilettes et que de la fumée et des odeurs s'échappent du tuyau de cheminée à l'extérieur. Le ventilateur fonctionnera sur batterie jusqu'à son refroidissement. Comme l'incinération ne redémarre pas automatiquement lorsque le courant est rétabli, vous devez lancer manuellement une nouvelle incinération. Si la coupure risque de durer plus de deux heures, il est important de vider tous les déchets des toilettes pour éviter tout dommage s'ils y restent pendant une période prolongée. N'utilisez jamais les toilettes pendant une coupure de courant.

Odeurs dans la pièce

Elles peuvent être attribuées à plusieurs causes :

1. Le fait de ne pas avoir placé un sac à chaque utilisation des toilettes ou à une utilisation incorrecte du sac.
2. La circulation de l'air est peut-être bloquée. Inspectez le tuyau et le chapeau de cheminée.
3. Vérifiez que l'installation a été réalisée conformément au manuel d'installation. Une obstruction trop importante dans le tuyau de cheminée peut provoquer une contre-pression et des odeurs à l'intérieur.
4. Le tuyau d'échappement est peut-être encrassé. Cf. la section 4.3.1.
5. Il se peut que le catalyseur soit encrassé. Cf. la section 4.3.1.
6. Le tuyau d'évacuation n'est pas correctement fixé aux toilettes. Cf. la section 2.5.1.

Odeurs à l'extérieur

Les raisons peuvent être les mêmes que pour les odeurs dans la pièce, ainsi que :

1. Le catalyseur n'a pas atteint la température de service. Lorsque les toilettes sont froides, il peut s'écouler quelques minutes avant que le catalyseur n'atteigne la température à laquelle il commence à fonctionner correctement.
2. Il se peut que le catalyseur soit corrodé ou déformé. Contactez votre service après-vente.

5.1 TABLEAU DE DÉPANNAGE



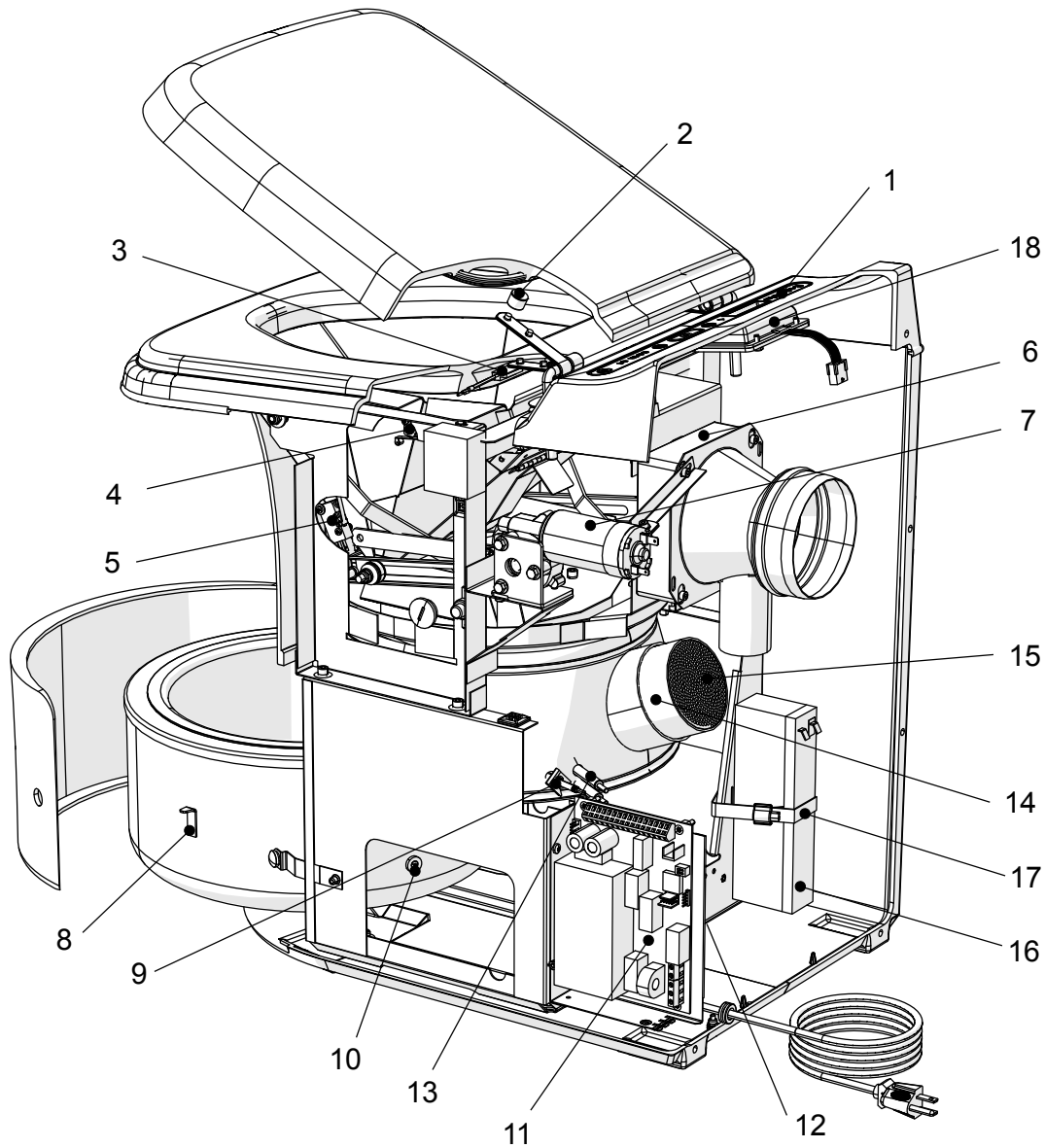
REMARQUE !

Cinderella a préparé un module de dépannage numérique disponible sur notre site web. Ce module sert de guide et de complément au tableau de dépannage. Veuillez visiter le site www.cinderellaeco.com

ERREUR	MESSAGE AFFICHÉ	VOYANT ROUGE	VOYANT JAUNE	VOYANT VERT	SON	ACTIONS
La boîte à cendres a besoin d'être vidée	Videz tir. cendre	CLIGNOTANT EN ALTERNANCE	CLIGNOTANT EN ALTERNANCE	CONTINU	3 BIPS	1 Retirez et videz la boîte à cendres. *Les toilettes doivent être branchées au 230 V.
La boîte à cendres a besoin d'être vidée. Toilettes verrouillées.	Toil. fermées tir. cendre plein	CONTINU	CONTINU	CONTINU	3 BIPS TOUTES LES 10 SECONDES	1 Retirez et videz la boîte à cendres. * Les toilettes doivent être branchées au 230 V.
Pas d'alimentation électrique		ÉTEINT	ÉTEINT	ÉTEINT		1 Vérifiez que les toilettes sont branchées au secteur, 230 V CA.
Erreur ventilateur	Erreur ventilateur	CLIGNOTANT	ÉTEINT	CLIGNOTANT	10 BIPS	1 Vérifiez que le ventilateur n'est pas obstrué et qu'il tourne correctement. 2 Réinitialisez les toilettes (maintenez la touche « Start » enfoncée). 3 Relevez l'abattant jusqu'à ce que le voyant rouge clignote, baissez l'abattant et appuyez sur « Start ». Si l'erreur persiste, appelez l'assistance technique.
Mauvais fonctionnement du mécanisme du panneau	Erreur mécanisme trappe	CLIGNOTANT	ÉTEINT	CONTINU	10 BIPS	1 Si les toilettes sont chaudes, réinitialisez-les. 2 Relevez l'abattant jusqu'à ce que le voyant rouge clignote, baissez l'abattant et appuyez sur « Start ». 3 Si le problème persiste, réinitialisez les toilettes, insérez un sac papier, versez 3 tasses d'eau dans le sac, baissez l'abattant et appuyez sur « Start ». 4 Si le problème persiste, attendez que les toilettes aient refroidi (le ventilateur s'arrête), redémarrez les toilettes, relevez l'abattant lorsque la trappe s'ouvre, puis retirez manuellement les objets coincés. 5 Si le problème persiste, appelez l'assistance technique.
Boîte à cendres mal positionnée	Tiroir à cendres hors de position	CLIGNOTANT	CLIGNOTANT	CONTINU	3 BIPS	1 Ajustez la position de la boîte à cendres, faites-la tourner vers la gauche. 2 Vérifiez que la goupille de butée du récipient est intacte. 3 Vérifiez visuellement l'état de l'aimant situé sur la boîte à cendres. Si le problème persiste, appelez l'assistance technique.
Circuit de chauffage interrompu	Erreur circuit chauff	ÉTEINT	CLIGNOTANT	CONTINU	BIPS CONTINUS	1 Réinitialisez les toilettes. 2 Vérifiez le thermostat bimétallique sur la droite des toilettes. Dévissez la prise grise et poussez le fusible avec le doigt : n'utilisez pas d'objet pointu. Si le fusible a été déclenché, vous entendrez un clic. Cf. la section 5. 4 Si le fusible n'était pas le problème, redémarrez les toilettes et essayez de les faire démarrer. Répétez l'opération deux ou trois fois. Si le problème persiste, appelez l'assistance technique.
Le capteur de l'abattant des toilettes s'est déclenché	Abattant ouvert	CLIGNOTANT	ÉTEINT	CONTINU	AUCUN	1 Vérifiez l'aimant situé à l'intérieur de l'abattant puis baissez l'abattant. Si le problème persiste, appelez l'assistance technique.
Mauvais fonctionnement du capteur de température	Erreur capteur tempér	ÉTEINT	CLIGNOTANT	CLIGNOTANT	BIPS CONTINUS	1 Réinitialisez les toilettes. 2 Relevez l'abattant jusqu'à ce que le voyant rouge clignote, baissez l'abattant et appuyez sur « Start ». 3 Si le problème persiste, appelez l'assistance technique.
Message illisible/pas de message affiché	Écran illisible/ vide					1 Débranchez les toilettes et attendez 5 minutes. 2 Rebranchez les toilettes et redémarrez-les. 3 Si le problème persiste, appelez l'assistance technique.

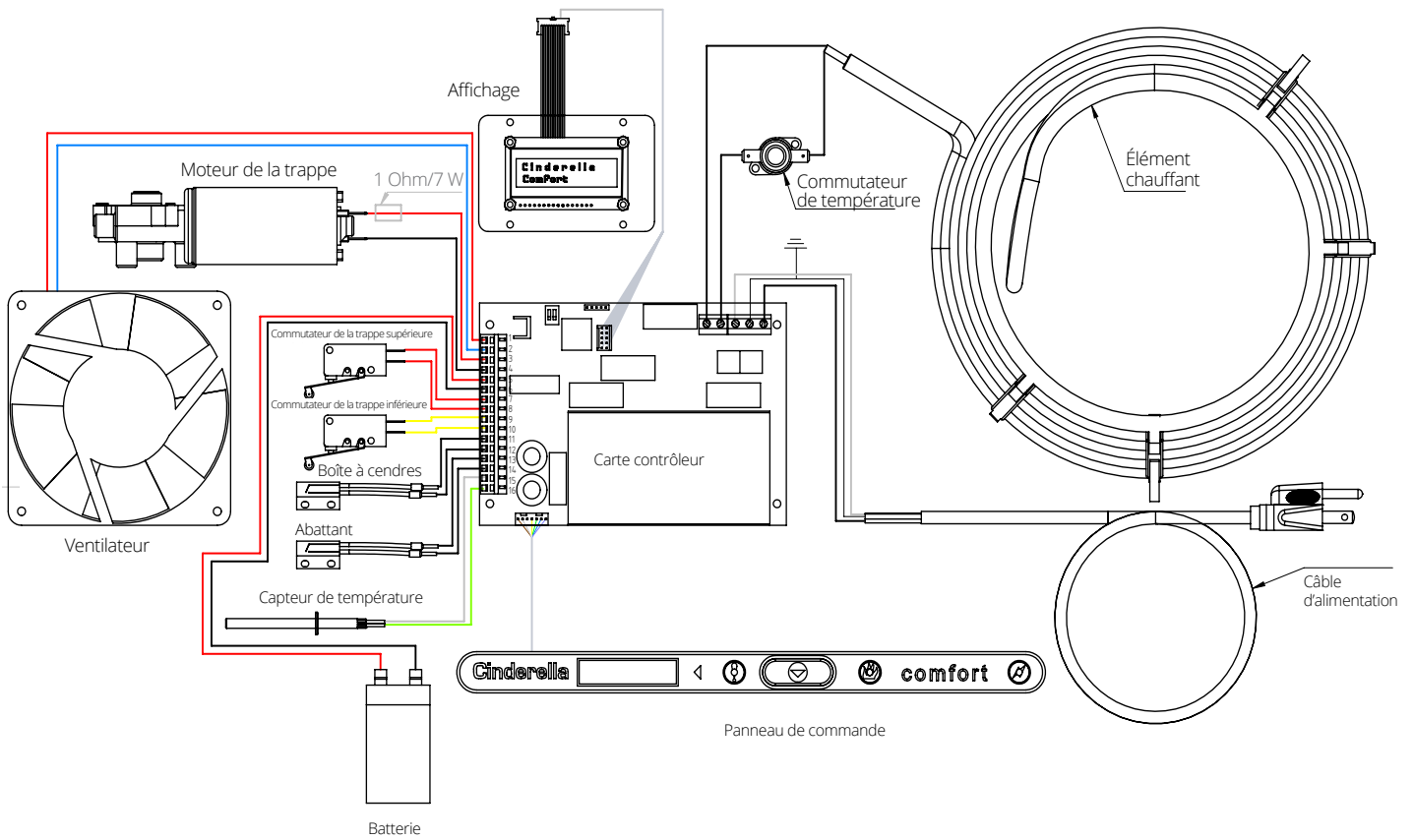
6. RÉPARATIONS ET PIÈCES DE RECHANGE

6.1 LISTE DES PIÈCES DE RECHANGE



ID	DESCRIPTION	ART. N°	ID	DESCRIPTION DES PIÈCES	ART. N°
1	Panneau de commande Comfort avec affichage	100115	12	Capteur Hall avec longueur réduite de fil	100965
2	Aimant 14 x 10 mm	100433	13	Élément chauffant 230 V CA	100862
3	Capteur Hall avec câble et adhésif L= 330mm	100964	14	Isolant en tissu du catalyseur	100163
4, 5	Minirupteur	101127	15	Catalyseur 90 x 75 mm	100528
6	Ventilateur axial 12 V CC 119 x 38 mm	100154	16	Batterie 12 V	100083
7	Moteur Nidec 12/24V CC	101177	17	Collier 280 mm A4	100932
8	Butée 9 x 26 x 12 mm	100017	18	Affichage LED 65 x 36 x 13 Module standard	100401
9	Thermocouple L=550mm	100831			
10	Aimant 14 x 7 mm	100065			
11	Circuit imprimé (E5)	100063			

6.2 SCHÉMA DE CÂBLAGE



7. Garantie

Portée de la garantie

Cette garantie couvre toute défektivité de piéces ou de main-d'œuvre de vos toilettes à incinération Cinderella, sous réserve des exclusions suivantes et pour la période indiquée ci-après.

Exclusions

Cette garantie ne couvre pas l'usure normale ou tout dommage dû à un accident (y compris les incendies, inondations, tempêtes ou catastrophes naturelles), à une utilisation incorrecte ou non conforme, à un non-respect des instructions du fabricant ou à un mauvais entretien. Les dommages indirects et accessoires ne sont pas couverts par la présente garantie. Cinderella Eco Group n'offre pas de garantie de type « intervention sur place ». Cela signifie que les toilettes doivent être transportées chez un prestataire de services agréé qui pourra procéder à l'entretien. Si cela n'est pas possible, le concessionnaire peut facturer les frais de transport ou de déplacement.

Durée de la garantie

Cette garantie est valable pour une période de trois (3) ans à compter de la date d'achat pour les clients ordinaires. Les utilisateurs professionnels bénéficient d'une garantie d'un (1) an.

Comment procédera Cinderella Eco Group ?

En cas de réclamation valable dans le cadre de cette garantie, Cinderella Eco Group réparera, remplacera ou remboursera vos toilettes à incinération Cinderella, à son entière discrétion.

Comment organiser un entretien

Pour organiser un entretien, veuillez contacter votre concessionnaire ou un prestataire de services agréé dans votre pays. Les options disponibles dépendent du pays dans lequel l'entretien doit se dérouler. Vous devez fournir une preuve d'achat pour toute réclamation dans le cadre de cette garantie. Pour de plus amples renseignements concernant la garantie, veuillez vous reporter à notre page Web : www.cinderellaeco.com

Cinderella Eco Group AS

Sjøvikvegen 67, -6475 Midsund, Norvège
www.cinderellaeco.com

ÍNDICE

1. APARTADO GENERAL	3
1.1 INTRODUCCIÓN	3
1.2 APLICACIÓN SEGÚN LA NORMATIVA	3
1.3 GUÍA DE INSTRUCCIONES DE USO	3
1.4 LIMITACIÓN DE RESPONSABILIDAD	3
1.5 LISTADOS Y CERTIFICACIONES	3
1.6 REQUISITOS MEDIOAMBIENTALES	3
1.7 INSTRUCCIONES GENERALES DE SEGURIDAD	4
1.8 PLACA DE CARACTERÍSTICAS DEL APARATO	5
1.9 CINDERELLA ONLINE	5
2. APARTADO DE INSTALACIÓN	6
2.1 DESEMBALAJE DEL INODORO Y DE LOS ACCESORIOS	6
2.2 ESPECIFICACIONES DE MEDICIÓN DE CINDERELLA COMFORT	6
2.3 PAQUETES DE INSTALACIÓN ORIGINALES PARA EL INODORO CINDERELLA	7
2.4 ESPECIFICACIONES DE INSTALACIÓN	8
2.4.1 ESPECIFICACIONES DE PIEZAS Y MATERIALES	8
2.5 INSTALACIÓN DEL INODORO INCINERADOR CINDERELLA	8
2.5.1 INSTALACIÓN DE LOS TUBOS DE SALIDA	9
2.5.2 INSTALACIÓN DEL TUBO DE ENTRADA HORIZONTAL	10
2.5.3 INSTALACIÓN DEL SOMBRERETE TERMINAL DE LA CHIMENEA ORIGINAL DE CINDERELLA	11
2.6 ESPECIFICACIONES Y REQUISITOS ELÉCTRICOS	11
2.7 LISTA DE COMPROBACIÓN PARA VERIFICAR LA INSTALACIÓN COMPLETA	12
2.8 PRUEBA DE RENDIMIENTO PARA VERIFICAR EL FUNCIONAMIENTO DEL SISTEMA	12
3. APARTADO DEL USUARIO	13
3.1 USO Y MANIPULACIÓN PREVISTOS	13
3.2 SEGURIDAD GENERAL	13
3.3 FUNCIONAMIENTO SEGURO	13
3.4 CARACTERÍSTICAS DE SEGURIDAD DE CINDERELLA COMFORT	13
3.5 INFORMACIÓN IMPORTANTE PARA EL USUARIO	14
3.6 EL PANEL DE CONTROL	15
3.7 USO DEL INODORO CINDERELLA COMFORT	16
3.8 FUNCIONAMIENTO DE LA TAPA DELANTERA Y DEL RECIPIENTE DE CENIZAS	17
4. INSTRUCCIONES GENERALES DE MANTENIMIENTO	18
4.1 CARACTERÍSTICAS DEL PRODUCTO FINAL	18
4.2 MANTENIMIENTO DEL CLIENTE	19
4.2.1 VACIADO Y LIMPIEZA DEL RECIPIENTE DE CENIZAS	19
4.2.2 LIMPIEZA CON VAPOR DEL CATALIZADOR	19
4.2.3 LIMPIEZA DE LA TAZA	20
4.2.4 INSPECCIÓN DEL CATALIZADOR	21
4.2.5 LIMPIEZA DE LA TOMA DEL TUBO DE SALIDA DE GASES DEL APARATO	21
4.2.6 ENJUAGUE DEL CATALIZADOR CON AGUA CALIENTE	22
5. SOLUCIÓN DE PROBLEMAS Y PREGUNTAS FRECUENTES	23
5.1 TABLA DE RESOLUCIÓN DE PROBLEMAS	24
6. REPARACIONES Y REPUESTOS	25
6.1 LISTA DE PIEZAS DE REPUESTO	25
6. DIAGRAMA DE CABLEADO	26
7. GARANTÍA	27

1. APARTADO GENERAL

1.1 INTRODUCCIÓN

Es esencial asegurar una ventilación adecuada de acuerdo con las directrices de este manual para garantizar la funcionalidad de su nuevo inodoro Cinderella. Una instalación incorrecta puede causar un mal funcionamiento, desgaste u olores y anulará la garantía. Al instalar el aparato, deben respetarse las normas técnicas y administrativas del país en el que se instala.

1.2 APLICACIÓN SEGÚN LA NORMATIVA

Este aparato está diseñado para incinerar productos de desecho corporal y pequeños productos sanitarios, como tampones y toallitas sin alcohol para bebés o para la cara.

1.3 GUÍA DE INSTRUCCIONES DE USO

Lea atentamente este manual de instrucciones antes de instalarlo y usarlo por primera vez. Guarde estas instrucciones en un lugar seguro para poder consultarlas cuando las necesite. Si entrega el producto a otra persona, entregue este manual de instrucciones junto con él.

Estas instrucciones le proporcionan la orientación necesaria para la correcta instalación, manejo y mantenimiento del producto. Es importante que tanto el instalador como el usuario se familiaricen con las instrucciones de este manual. El manual también contiene información sobre el mantenimiento profesional y toda la información necesaria para el servicio y las reparaciones.

1.4 LIMITACIÓN DE RESPONSABILIDAD

El fabricante no acepta ninguna responsabilidad por daños en los siguientes casos:

- Instalación defectuosa.
- Daños en el producto derivados de una tensión eléctrica de conexión incorrecta.
- Alteraciones del producto sin autorización expresa del fabricante.
- Utilización para fines distintos a los descritos en el manual de instrucciones.
- Incumplimiento de las instrucciones de uso y mantenimiento.
- Aplicación no conforme con los reglamentos o disposiciones.
- Utilización de revestimientos forros de taza y piezas de repuesto no originales.

1.5 LISTADOS Y CERTIFICACIONES

El Cinderella Comfort ha sido ampliamente probado por NEMKO de acuerdo con la norma europea de seguridad eléctrica y compatibilidad electromagnética.

1.6 REQUISITOS MEDIOAMBIENTALES

- Rango de temperatura ambiente: -20 °C – 40 °C
- Altitud de funcionamiento: Probado hasta 2.500 m



¡ATENCIÓN!

Cuando se instala el inodoro Cinderella, la distancia mínima a la construcción combustible debe ser: 50 mm desde los lados, 50 mm desde la parte trasera.

1.7 INSTRUCCIONES GENERALES DE SEGURIDAD



¡PELIGRO!

Instrucciones de seguridad: El incumplimiento de estas instrucciones puede causar lesiones graves o incluso mortales.



¡ADVERTENCIA!

Instrucciones de seguridad: El incumplimiento de estas instrucciones puede causar lesiones.



¡ATENCIÓN!

El incumplimiento de estas instrucciones puede causar daños materiales y perjudicar el funcionamiento del producto.



NOTA:

Información complementaria para el funcionamiento del producto.



¡PELIGRO!

- No rocíe aerosoles en las proximidades de este aparato mientras esté en funcionamiento.
- No utilice ni almacene materiales inflamables dentro o cerca de este aparato.
- No apoye artículos sobre o contra este aparato.
- No modifique este aparato.



¡PELIGRO!

- No haga funcionar el inodoro incinerador si está visiblemente dañado.
- Si el cable de alimentación del inodoro está dañado, debe ser sustituido por el fabricante, el servicio de atención al cliente o una persona con cualificación similar para evitar riesgos de seguridad.
- Este inodoro solo puede ser reparado por personal cualificado. Las reparaciones inadecuadas pueden ocasionar graves peligros.
- Utilice el inodoro únicamente con la tensión eléctrica indicada en la placa de características situada en la parte posterior del inodoro.



¡ADVERTENCIA!

- Peligro de aplastamiento. No coloque la mano en la bisagra o debajo del asiento del inodoro mientras esté abierto, ya que la tapa y el asiento no tienen función de cierre suave.
- No vacíe el recipiente de cenizas cuando esté caliente.
- Antes de la activación, asegúrese de que el cable de alimentación y el enchufe estén secos.







¡ATENCIÓN!

- Durante el transporte, sujete el inodoro únicamente por la carcasa del mismo. No sujete nunca el inodoro por el cable de alimentación, la tapa delantera, la tapa del inodoro, el asiento o la salida de gases.
- Peligro de sobrecalentamiento. Asegure siempre una ventilación suficiente para que el calor y las emisiones generadas durante la incineración puedan disiparse por el conducto de gases. Garantice un flujo de aire adecuado para el sistema. Asegúrese siempre de que haya suficiente ventilación en el inodoro. Asegúrese de que el inodoro está lo suficientemente alejado de las paredes u otros objetos para que pueda circular el aire.

1.8 PLACA DE CARACTERÍSTICAS DEL APARATO

La placa de características del aparato se encuentra en la parte posterior del inodoro de incineración. En esta placa se puede ver la identificación del modelo, el número de serie, las clasificaciones de los inodoros y los detalles de asistencia. Necesitará estos datos siempre que se ponga en contacto con el centro de atención al cliente o cuando pida piezas de repuesto.

<p>MANUFACTURER</p>  <p>Cinderella Incineration Toilets</p> <p>CINDERELLA ECO GROUP AS Sjøvikvegen 67, 6475 Midsund, NORWAY</p> <p>For sales and support call +47 77711500 or visit our web www.cinderellaeco.com</p> <p>CINDERELLA COMFORT MODEL:COMFORT EU SERIAL:</p>	<p>Appliance Specifications</p> <p>VOLTAGE..... 230-240 V AC 50-60Hz CURRENT 9 A HEATING ELEMENT:..... 2000W EL MOTOR: 12 V DC BATTERY: 12 V DC 2,6 Ah FAN BLOWER..... 12 V DC CAPACITY..... 4 Uses Pr. Hour DESIGNED FOR HOME / CABINS YEAR OF MANUFACTURING..... 2022</p>	  
---	--	---

1.9 CINDERELLA ONLINE



REGÍSTRESE EN «MI CINDERELLA»

Al registrar su inodoro en «Mi Cinderella», recibirá información relevante sobre nuestros productos y sistemas de asistencia disponibles, así como ofertas especiales adaptadas específicamente a su modelo de inodoro. En caso de robo, los inodoros registrados estarán en nuestra base de datos de fabricante.

Solucionador de problemas online

Una guía completa para su inodoro, que proporciona consejos útiles y mejoras para el usuario, permitiéndole resolver solucionar los problemas más comunes por sí mismo, sin tener que solicitar asistencia al servicio técnico.

Fácil acceso a la información

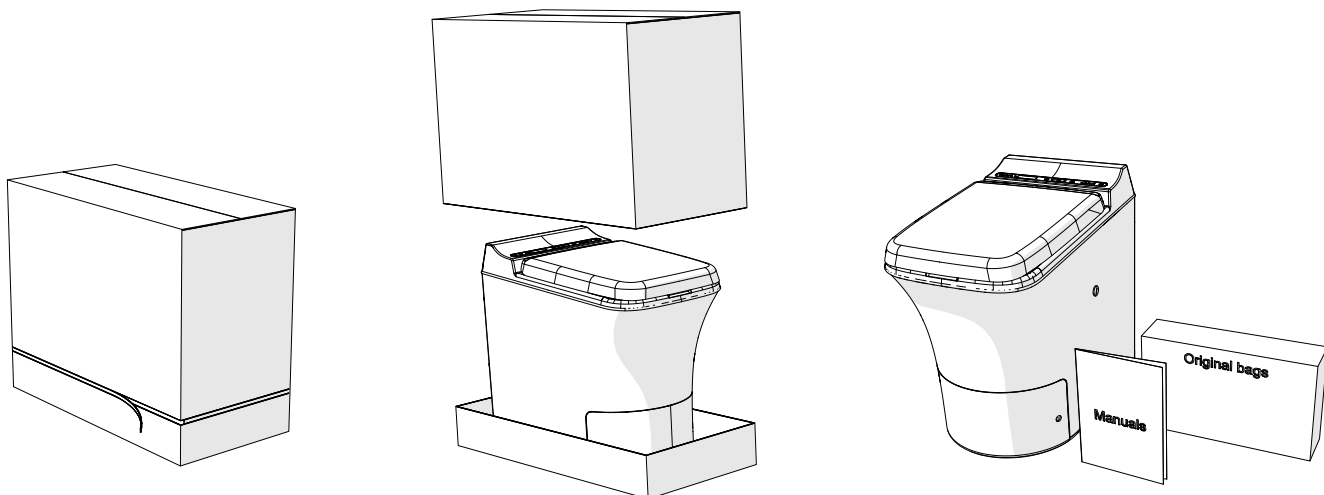
Puede descargar la documentación del producto desde nuestro centro de documentación online, donde encontrará los manuales del producto, los manuales de servicio y un manual de Desmontaje de Residuos de Aparatos Eléctricos y Electrónicos (RAEE).

Servicio y piezas de repuesto

Seleccione el país de origen y reciba una lista de distribuidores locales donde puede obtener servicio y piezas de repuesto.

2. APARTADO DE INSTALACIÓN

2.1 DESEMBALAJE DEL INODORO INCINERADOR CINDERELLA



NOTA:

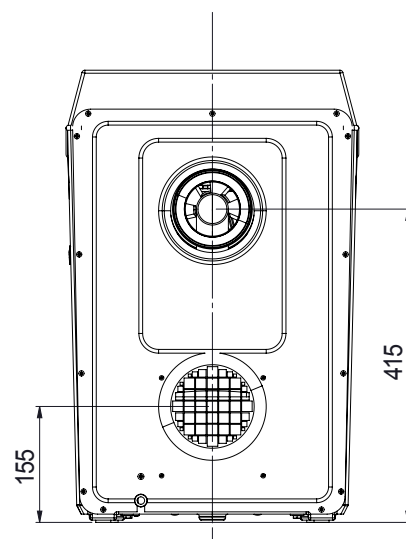
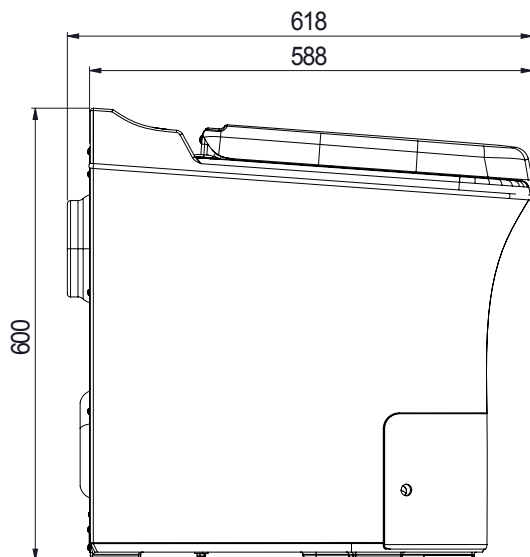
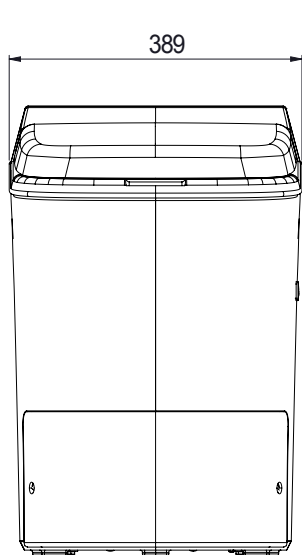
Al desembalar el inodoro Cinderella, utilice la tira prefijada del fondo en la parte inferior externa de la caja. Retire la tira alrededor de la cajacompletamente y levante la caja.

ARTÍCULOS INCLUIDOS	CANTIDAD
Cinderella Comfort	1
Forros de taza	100
Manual del producto	1

2.2 ESPECIFICACIONES DE MEDIDAS

Altura	600 mm
Altura del asiento	540 mm
Anchura	390 mm

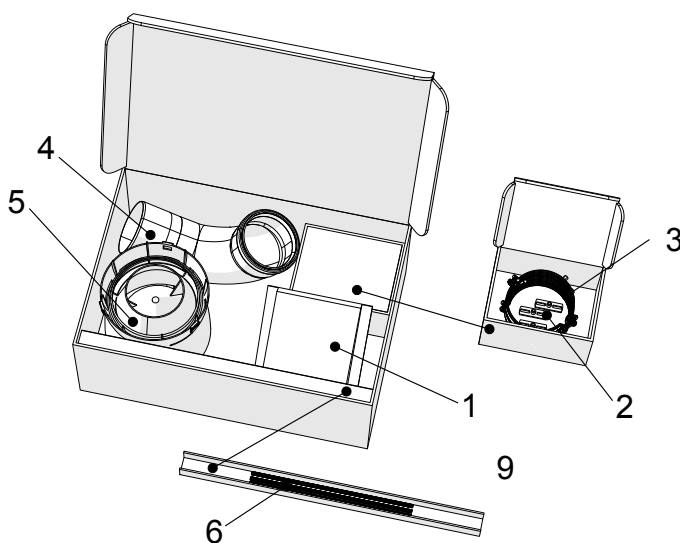
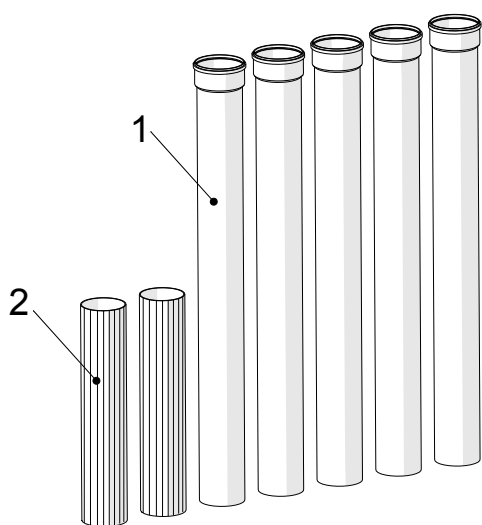
Profundidad	590 mm
Altura del centro de la salida	415 mm
Altura del centro de la entrada	155 mm



2.3 PAQUETES DE INSTALACIÓN ORIGINALES PARA EL INODORO CINDERELLA

Kit de aislamiento original Cinderella Arctic: Cinderella ha creado un kit de aislamiento especialmente diseñado que le proporciona una ventaja adicional cuando se instala en entornos fríos. Este kit está especialmente diseñado para el inodoro de incineración Cinderella y añade una capa de aislamiento dentro de la carcasa del inodoro que restringe la acumulación de agua y hielo en el aparato. Esto elimina el desgaste del producto y su interior. Consulte a su distribuidor o visite nuestra página web www.cinderellaeco.com para obtener más información.

Kit de instalación original de Cinderella: Recomendamos encarecidamente el uso del «Kit de instalación original de Cinderella» al instalar su aparato. Este conjunto completo incluye las piezas necesarias para una instalación ideal, optimizando el proceso de incineración y la funcionalidad de su inodoro. El kit de instalación incluye dos cajas independientes. Caja nº 1 incluye 7 tubos de calidad de PP estabilizado frente a la radiación UV de 110 mm - para instalar la ventilación de entrada y salida. Caja nº 2 incluye una un sombrerete de chimenea y un codo optimizados para aumentar el caudal del sistema y la eficacia de la incineración. Contiene un collarín antitormenta para la entrada de aire, así como tubos y abrazaderas para instalar los tubos.



KIT DE INSTALACIÓN ORIGINAL DE CINDERELLA		CANTIDAD
1	Tubo de salida de humos macho-hembra de 1066 mm	5
2	Tubo de salida de humos macho-macho de 500 mm	2

KIT DE INSTALACIÓN ORIGINAL DE CINDERELLA		CANTIDAD
1	Collarín antitormenta	1
2	Varilla de montaje en pared	3
3	Abrazadera de soporte	3
4	Codo 87 con desagüe	1
5	Sombrerete terminal de chimenea	1
6	Varilla roscada de 30 mm	3



NOTA:

- Este manual le explicará y demostrará cómo instalar su inodoro de forma óptima, basándose en las piezas incluidas en el kit de instalación original de Cinderella. Si desea instalar su aparato Cinderella con otros tubos y otras piezas que no sean las originales, asegúrese de que cumplen con las especificaciones descritas en el apartado 2.4.1 «especificaciones de piezas y materiales».
- Para garantizar que su inodoro de incineración Cinderella funcione correctamente, es esencial asegurar una ventilación adecuada de acuerdo con las directrices de este manual. Las instalaciones que se desvíen de las especificaciones de fabricación o el uso de piezas no autorizadas en la instalación del aparato causarán mal funcionamiento, desgaste u olores desagradables y anularán la garantía.

2.4 ESPECIFICACIONES DE INSTALACIÓN

2.4.1 ESPECIFICACIONES DE PIEZAS Y MATERIALES

COMPONENTE	ESPECIFICACIONES
Tubos de ventilación	Cinderella Comfort debe instalarse con tubos de 110 mm con una superficie interior lisa y un diámetro interior mínimo de 102 mm. El material de los tubos debe especificarse para temperaturas superiores a 100° C y preferiblemente de tipo PP- o CPVC-. Recomendamos encarecidamente utilizar tubos de calidad PP- originales de Cinderella.
Codo (salida de aire)	Cinderella Comfort debe instalarse con un codo con curva suave que minimice la restricción del flujo de aire. Recomendamos encarecidamente el uso del codo original Cinderella de 87° con desagüe.
Sombbrero terminal de chimenea	Cinderella Comfort debe instalarse con un sombrero terminal de chimenea que impida la entrada de agua de lluvia y que tenga una restricción mínima del flujo de aire. No se deben utilizar sombreros extractoresdeflectores eólicos o similares para la ventilación del inodoro incinerador Cinderella. Recomendamos encarecidamente el uso del sombrero terminal de chimenea original de Cinderella.



NOTA:

- El interior del tubo de ventilación debe ser liso y no tener relieves ni ranuras.
- Nunca utilice una red de malla en el tubo de ventilación, ya que podría restringir el flujo de aire en el sistema.
- El codo debe ser accesible cuando se instala, de modo que el tubo de drenaje se pueda enjuagar, y el tubo de salida se pueda limpiar.
- Cinderella Comfort está probado para su uso en cuartos de baño/cuartos húmedos (clasificación IP 34), pero el agua no debe salpicar las partes externas del inodoro.
- El inodoro Cinderella debe colocarse sobre una base firme y nivelada y se puede instalar sobre un suelo radiante.

2.5 INSTALACIÓN DEL INODORO INCINERADOR CINDERELLA

Es esencial asegurar una ventilación adecuada de acuerdo con las directrices de este manual para garantizar la funcionalidad de su nuevo inodoro Cinderella. Una instalación incorrecta puede causar un mal funcionamiento, desgaste u olores desagradables y anulará la garantía. Lea detenidamente cada apartado antes de comenzar la instalación del inodoro. Asegúrese siempre de que los trabajos sean realizados por profesionales de acuerdo con la normativa local.



¡ATENCIÓN!

- Al instalar el inodoro, se deben respetar las normas técnicas y administrativas del país en el que se instala. Le recomendamos que se ponga en contacto con su distribuidor local para planificar e instalar su inodoro Cinderella.
- No utilice nunca curvas de 90° además del codo.
- Si el tubo atraviesa la superficie del tejado, asegúrese de que cumple la normativa de construcción.
- No utilice conductos o tuberías flexibles para instalar el inodoro Cinderella.
- Nunca conecte más de un aparato a la ventilación.
- El codo debe ser accesible cuando se instala, para poder enjuagar el tubo de drenaje y limpiar el tubo de salida regularmente,

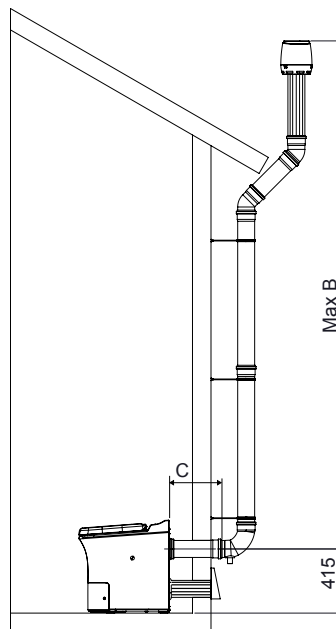
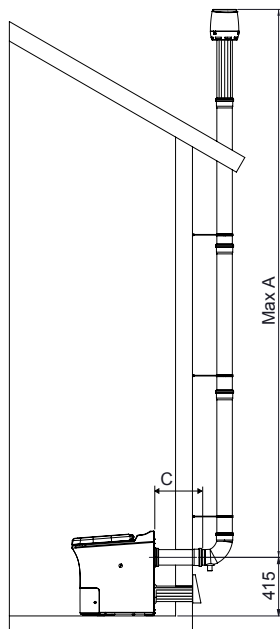
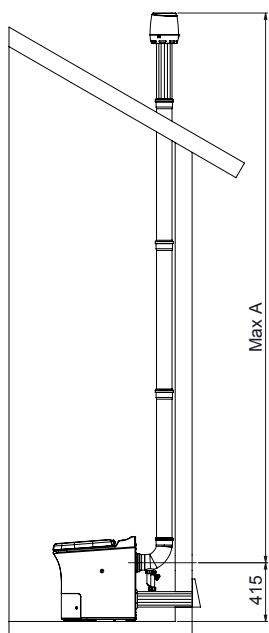


¡ADVERTENCIA!

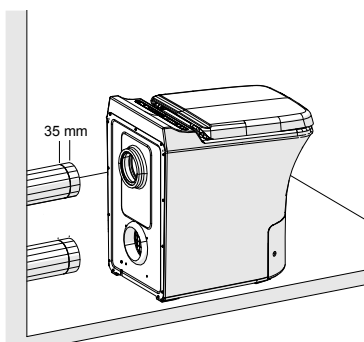
Antes de hacer cualquier agujero, compruebe siempre que no va a cortar un cable eléctrico o una tubería de agua.

2.5.1 INSTALACIÓN DE LOS TUBOS DE SALIDA

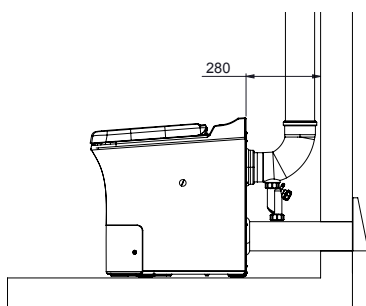
DIÁMETRO DEL TUBO DE VENTILACIÓN	DIRECCIÓN DE SALIDA	REFERENCIA	CURVAS	LONGITUD MÁXIMA DEL TUBO
110 mm	Conducto de gases horizontal	C	(No permitido)	1,0 m
110 mm	Conducto de gases vertical	A	Ninguno	6,0 m
110 mm	Conducto de gases vertical	B	2 curvas de 45°	5,0 m



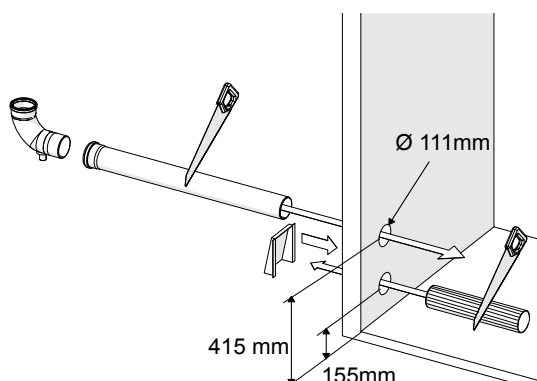
NOTA:
El centro de la toma del tubo de salida de gases del aparato está a 415 mm del nivel del suelo.



NOTA:
Al ajustar la longitud del tubo, tenga en cuenta que el tubo entrará 35 mm en la toma del tubo de salida de gases del aparato, y tendrá que calcularse al planificar la instalación.



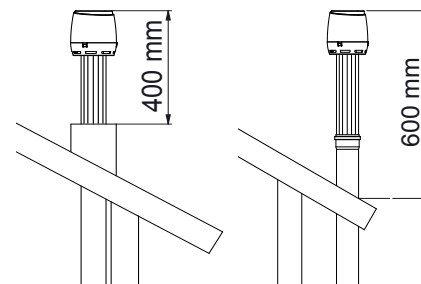
NOTA:
Si se instala el tubo en vertical, en línea recta desde el aparato, tenga en cuenta que la distancia mínima a la pared debe ser de 280 mm.



NOTA:
El Kit de Instalación original Cinderella incluye 5 tubos de 1066 mm para ser utilizados en la instalación de la salida; los tubos se entregan con conector y junta para facilitar la instalación. Al instalar el tubo en la pared exterior, tendrá que introducirlo desde el exterior hacia el interior.

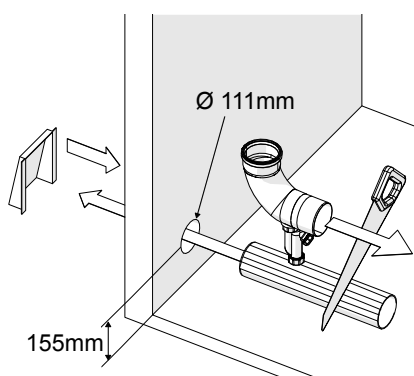
**NOTA:**

- El tubo debe instalarse siempre verticalmente por encima del tejado y elevarse al menos 600 mm por encima de la superficie del tejado. Si el tubo de salida de aire va a estar cerrado (por ejemplo, con un revestimiento metálico), asegúrese de que el extremo del tubo sobresale al menos 400 mm por encima del recinto.
- Si se instala en un lugar en el que es probable que se acumule nieve, puede ser necesario prolongar más la longitud del tubo y asegurarlo en consecuencia.

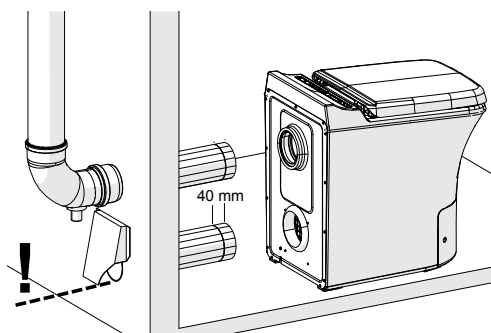
**2.5.2 INSTALACIÓN DEL TUBO DE ENTRADA HORIZONTAL**

Es importante garantizar que el inodoro tenga suficiente acceso al aire limpio, por lo que siempre recomendamos instalar el Cinderella Comfort con una conexión de entrada de aire dedicada. El suministro de aire limpio desde el exterior hacia el interior del aparato es esencial para la refrigeración, la circulación y el suministro de oxígeno para el proceso de incineración. Si el inodoro tiene un acceso restringido de aire / oxígeno, experimentará una incineración deficiente, una eficiencia reducida y posiblemente un sobrecalentamiento. Una mala incineración a lo largo del tiempo desgastará el producto y anulará su garantía.

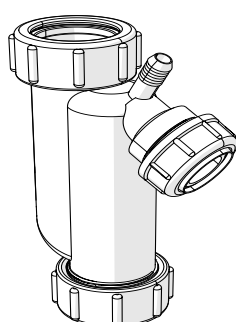
DIÁMETRO EXTERIOR TUBO DE ENTRADA	DIÁMETRO INTERIOR TUBO DE ENTRADA	DIRECCIÓN ENTRADA	CURVAS	LONGITUD MÁXIMA DEL TUBO
110 mm	102 mm	Horizontal	Ninguno	500 mm

**NOTA:**

- La altura del centro de la toma de entrada de aire es de 155 mm desde el nivel del suelo.
- El kit de instalación original de Cinderella incluye 2 tubos de 500 mm que se utilizarán para la entrada de aire y la ventilación, y el sombrerete terminal de la chimenea. Ajuste la longitud de la entrada para que se adapte a su instalación; tenga en cuenta que el tubo entrará 40 mm en la toma de entrada del aparato.

**NOTA:**

Al montar el collarín antitormenta en la pared exterior, asegúrese de que el tubo se instala a ras de la parte inferior del collarín antitormenta. Una mala colocación puede llevar a una circulación de aire restringida que cause una mala incineración, una eficiencia reducida y posiblemente un sobrecalentamiento del aparato.

**NOTA:**

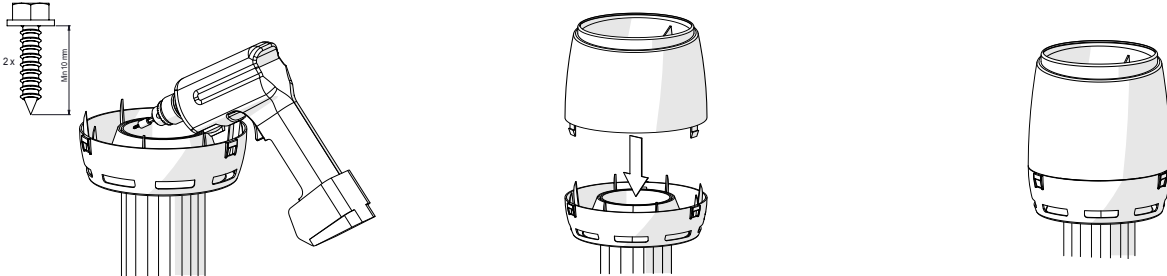
Cinderella suministra un «sifón» especialmente diseñado que encaja en el codo provisto en el kit de instalación; este artículo se puede adquirir como accesorio en cualquier distribuidor de Cinderella. Si la instalación se realiza desde el interior, tendrá que conectar el sifón al codo para evitar que el agua de condensación y de lluvia caiga al suelo. Si no se recoge la condensación y se vacía regularmente, se pueden producir daños en el suelo.

2.5.3 INSTALACIÓN DEL SOMBRERETE TERMINAL DE LA CHIMENEA ORIGINAL DE CINDERELLA



NOTA:

El kit de instalación de Cinderella Original incluye un sombrerete terminal de chimenea que está diseñado para un flujo óptimo y una mayor eficiencia del producto. Este sombrerete consta de dos partes, donde la sección de la base se puede fijar al tubo con tornillos inoxidables o pegamento, lo cual facilita la conexión y el desmontaje para el mantenimiento de los tubos de ventilación. Utilice el tubo de 500 mm incluido en el kit de instalación de Cinderella como último tramo del tubo de ventilación, que utilizará la conexión del sombrerete terminal de la chimenea.



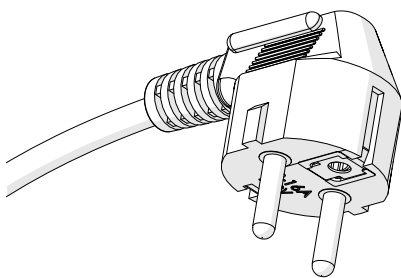
2.6 ESPECIFICACIONES Y REQUISITOS ELÉCTRICOS



¡ADVERTENCIA!

- Este aparato debe ser instalado de acuerdo con la Normativa Eléctrica Nacional, así como con todos los códigos estatales, municipales y locales.
- La tensión, la frecuencia y la intensidad adecuadas deben ser suministrados al aparato desde un circuito dedicado y conectado a tierra que esté protegido por un disyuntor adecuadamente dimensionado.
- La tensión, la frecuencia y la intensidad adecuadas se indican en este manual y en la placa de características del producto situada en la parte posterior del inodoro.

Necesidades eléctricas	ENTRADA	CORRIENTE	FUSIBLE
	220 V-240 V CA	9 A	10 A
Consumo de energía	MODO DE ESPERA		MODO DE INCINERACIÓN
	0,5 W		2000 W
Polaridad de la conexión	SECCIÓN DEL CABLE	LONGITUD DEL CABLE	TIPO DE ENCHUFE
	1,5 mm ²	2,3 m	Tipo F Schuko CEE 7



NOTA:

El inodoro se entrega con un enchufe de 16 amperios, 250 voltios, 2 polos y 3 hilos con conexión a tierra tipo F schuko CEE 7/7. Para suministrar suficiente alimentación eléctrica a la unidad tal y como se entrega, necesitará un circuito dedicado con conexión a tierra, con al menos 10 amperios de intensidad disponible a 230 V CA.



¡PELIGRO!

- El cable de conexión debe colocarse de forma que no entre en contacto con bordes afilados.
- Las modificaciones en la instalación eléctrica interna o en el cable de conexión deben ser realizadas por un profesional o una persona con cualificación similar para evitar riesgos de seguridad.
- No se recomienda el uso de convertidores eléctricos con su producto Cinderella. El Cinderella Comfort tiene un nivel máximo de consumo de energía de 2000 W, que puede mantenerse durante periodos superiores a una hora. Los convertidores eléctricos con un nivel de «consumo máximo» de 2000 W pueden ser incapaces de mantener esta potencia y sobrecargarse, dañarse o ser inseguros al utilizarlos con el Cinderella Comfort.

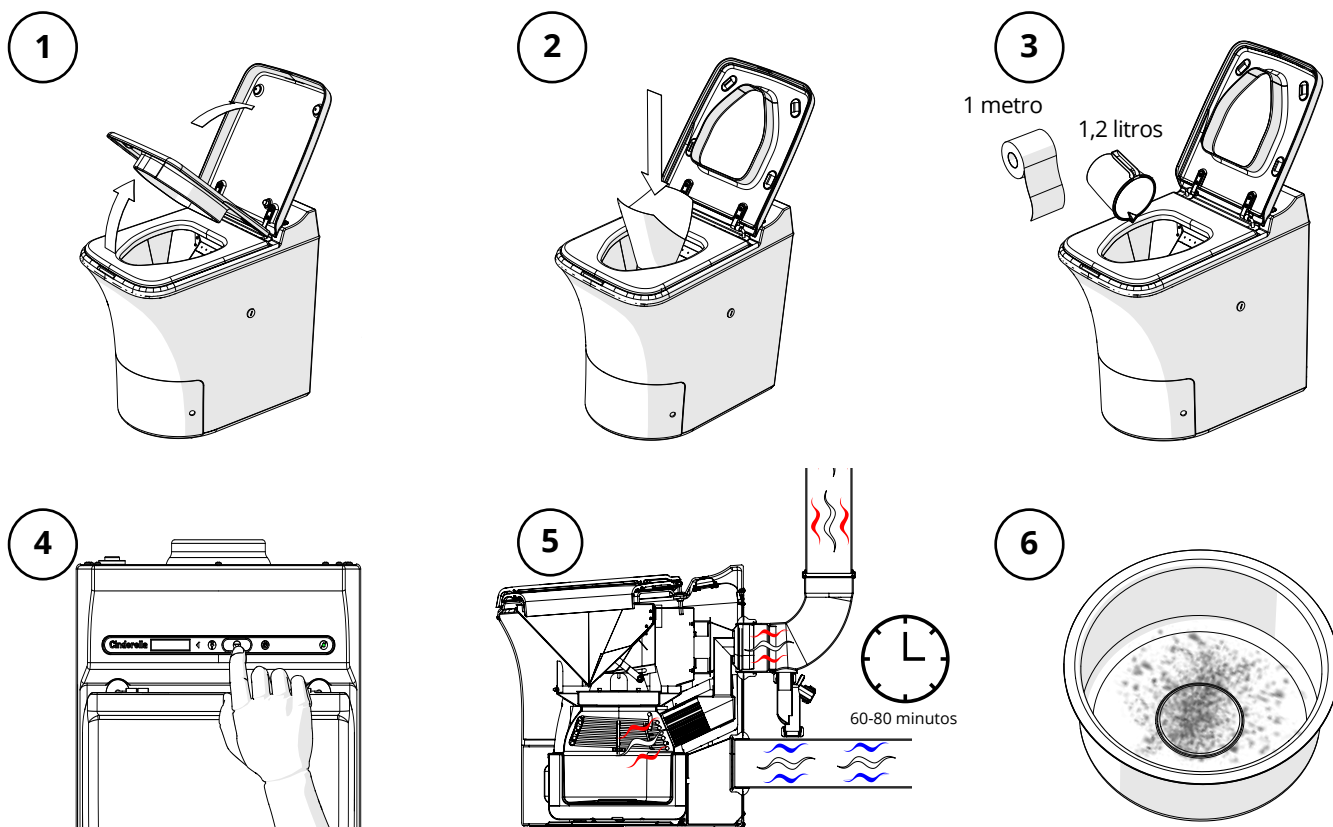
2.7 LISTA DE COMPROBACIÓN PARA VERIFICAR LA INSTALACIÓN COMPLETA

ELEMENTOS DE CONTROL	CONFORMIDAD
La tensión conectada es conforme a la placa de características del aparato.	
El aparato está instalado de acuerdo con las especificaciones del fabricante.	
- El conducto de gases vertical se instala de acuerdo con las especificaciones del fabricante.	
- La terminación de la chimenea no está a menos de 600 mm de la superficie del techo.	
- Se instala un «sifón» de drenaje seguro en los lugares donde se puede acumular la condensación.	
- El material del conducto de gases se instala de acuerdo con las especificaciones del fabricante.	
- El sombrerete del conducto de gases está instalado según las especificaciones del fabricante.	
- El codo de 90 grados se instala según las especificaciones del fabricante.	

2.8 PRUEBA DE RENDIMIENTO PARA VERIFICAR EL FUNCIONAMIENTO DEL SISTEMA

Al pulsar el botón «Start» [Inicio], se activa el ciclo de incineración. El tiempo de incineración estimado para la prueba de verificación es de aproximadamente de 60 a 80 minutos. Cuando la incineración está en curso se enciende la luz amarilla; la prueba debe completarse sin ninguna indicación de fallo o interrupción del sistema. El inodoro tendrá que enfriarse hasta que el ventilador se haya detenido antes de poder retirar el recipiente de cenizas. La fase de enfriamiento puede durar entre 60 y 90 minutos, dependiendo de la temperatura ambiente de enfriamiento.

El resultado final debería ser solo un fino polvo blanco. Cualquier resultado final que se desvíe de esto o un tiempo de incineración superior a 90 minutos puede ser indicio de una restricción en el conducto de gases o una falta de oxígeno. Compruebe que la instalación se ajusta a las especificaciones de fabricación, presentadas en el Apartado 2 de este manual.



¡ADVERTENCIA!

El recipiente de cenizas se calienta mucho durante la incineración. No retire el recipiente de cenizas hasta que el inodoro se haya enfriado completamente y el ventilador se haya detenido.

3. APARTADO DE USUARIOS

3.1 USO Y MANIPULACIÓN PREVISTOS

El inodoro Cinderella Comfort está destinado a su instalación en interiores y a su uso en casas de recreo como cabañas, segundas residencias, letrinas externas, casetas de obra, casas flotantes y casetas de piscina. El inodoro está diseñado únicamente para incinerar productos de desecho corporal y pequeños productos sanitarios como tampones, compresas y toallitas sin alcohol para bebés, para la cara y para la limpieza. El uso del Cinderella Comfort para incinerar otros artículos constituye un uso indebido y anula la garantía.

No introduzca los siguientes artículos en el inodoro:

- Cantidades excesivas de papel de cualquier tipo
- Productos de limpieza a base de cloro
- Toallitas de limpieza con alcohol
- Periódico
- Toallas de papel
- Líquidos o materiales inflamables
- Encendedores de cigarrillos
- Cigarrillos o puros
- Gasolina
- Bebidas alcohólicas o licores
- Alcohol o alcohol de quemar
- Quitaesmalte de uñas
- Combustible de encendedor
- Combustible para lámparas / queroseno
- Envases de aerosol
- Botellas o contenedores de vidrio o plástico, etc.

3.2 SEGURIDAD GENERAL



¡PELIGRO!

- No haga funcionar el inodoro incinerador si está visiblemente dañado.
- Si el cable de conexión del inodoro está dañado, debe ser sustituido por el fabricante, el servicio de atención al cliente o una persona con cualificación similar para evitar riesgos de seguridad.
- Este inodoro de incineración solo puede ser reparado por personal cualificado. Las reparaciones no autorizadas pueden suponer un peligro considerable o dañar el inodoro.
- La limpieza y el mantenimiento por parte del usuario no deben ser realizados por niños sin supervisión.
- No utilice sustancias explosivas ni productos de limpieza inflamables para el mantenimiento del inodoro.

3.3 FUNCIONAMIENTO SEGURO



¡ADVERTENCIA!

- El recipiente de cenizas del inodoro se calienta mucho cuando el inodoro está en uso. Asegúrese de que la tapa de seguridad esté colocada cuando el inodoro esté en uso. No vacíe el recipiente de cenizas hasta que el inodoro se haya enfriado completamente.
- El asiento no tiene función de cierre suave, tenga cuidado de no pillarse las manos o los dedos al cerrar el asiento o la tapa.

3.4 CARACTERÍSTICAS DE SEGURIDAD DE CINDERELLA COMFORT

- El proceso de incineración se desactiva cuando la tapa del inodoro está abierta. La incineración no se inicia hasta que la tapa y el asiento están cerrados.
- La trampilla de la cámara de incineración NO PUEDE permanecer abierta mientras el inodoro esté caliente (por ejemplo, durante la limpieza). Esto solo es posible cuando el inodoro se haya enfriado y el ventilador se haya detenido.
- Si se produce un problema de ventilación y la temperatura interna del inodoro aumenta a más de 105 °C, la incineración se interrumpe y se muestra un mensaje y un código de error. Esta situación requiere un reajuste manual para garantizar que el problema de ventilación se solucione antes de que el inodoro pueda volver a utilizarse.
- Si el recipiente de cenizas está mal colocado después del vaciado, la incineración no se iniciará y aparecerá un mensaje de error.
- Si el mecanismo de la trampilla de la cámara de combustión se atasca o se impide su cierre correcto, la incineración no se iniciará y se mostrará un mensaje de error.
- El software inteligente del inodoro incinerador Cinderella controla la temperatura mientras se produce la incineración. Si se detectan desviaciones del rango de temperatura normal, se detendrá inmediatamente la incineración y se mostrará un mensaje de error.

3.5 INFORMACIÓN IMPORTANTE PARA EL USUARIO



NOTA:

- Recuerde siempre colocar un nuevo forro en la taza del inodoro antes de usarlo, un forro por visita.
- La tapa del inodoro debe estar siempre cerrada cuando el inodoro no esté en uso. La incineración no se iniciará o continuará hasta que se cierre la tapa.
- El ciclo de incineración puede durar hasta 180 minutos desde la última visita.
- El ventilador continuará funcionando hasta que la incineración haya terminado y la temperatura interna del inodoro haya vuelto al rango normal. La fase de enfriamiento puede superar los 120 minutos una vez finalizada la incineración, en función de la temperatura del aire suministrado para el enfriamiento.
- El inodoro Cinderella puede utilizarse en cualquier momento del proceso de incineración o enfriamiento. La incineración se interrumpe durante el uso. Asegúrese de cerrar la tapa y pulsar el botón «Start» [Inicio] al finalizar cada visita.



1 hora

Capacidad de 4 usos por hora

El inodoro Cinderella Comfort está diseñado para soportar recibir hasta cuatro visitas por hora. Para evitar la sobrecarga, no se recomiendan más de cuatro visitas por hora. Sobrecargar el inodoro con muchas visitas en un corto período de tiempo, sin completar un ciclo de incineración, puede provocar olores desagradables y fugas, y puede dañar el inodoro.



Vacío

Frecuencia de vaciado

La capacidad total de líquido del contenedor de residuos del sistema es de 5 l. El recipiente de cenizas debe vaciarse con frecuencia (una vez a la semana) para un mejor funcionamiento. Esto asegura una incineración más eficiente y ayuda a mantener el catalizador más limpio.

Si el recipiente de cenizas no se ha retirado (mediante rutinas de vaciado semanales), el Cinderella Comfort mostrará un mensaje para vaciar el contenedor después de 90 ciclos de incineración, y bloqueará más visitas si no se vacía después de 120 visitas. Le recomendamos que vacíe el inodoro con la mayor frecuencia posible para garantizar una mayor eficacia de la incineración y un menor desgaste del producto.

No vaciar el recipiente de cenizas cuando está lleno puede causar daños en el inodoro y anular la garantía.



Periodo largo

Preparación del inodoro para un largo período de inactividad

En los casos de periodos más largos de no utilización, los residuos deben ser incinerados, y el recipiente de cenizas vaciado.



Máx. 4 usos

Corto período de aumento del uso

Si se da el caso de que durante un corto período de tiempo un número inusualmente alto de invitados tiene que usar el inodoro, siga estos consejos:

1. Vacíe completamente el recipiente de cenizas antes de que lleguen los invitados.
2. Precaliente el inodoro antes de utilizarlo abriendo y cerrando la tapa y pulsando el botón «Start» [Inicio].
3. Asegúrese de que los invitados reciban instrucciones para utilizar un forro de taza y pulsar el botón «Start» [Inicio] después de cada visita.
4. Compruebe regularmente que la tapa del inodoro está cerrada y que la luz amarilla de incineración sigue encendida.
5. Es posible que tenga que realizar uno o dos ciclos de incineración adicionales antes de vaciar el recipiente de cenizas para asegurarse de que los residuos se han incinerado por completo.

3.6 EL PANEL DE CONTROL

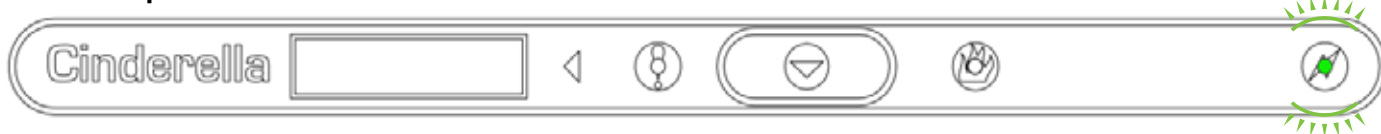
El panel de control está equipado con una combinación de mensajes luminosos, sonoros y de visualización que le proporcionarán la mejor experiencia posible al usuario. Hay una serie de combinaciones de luz y sonido que indican al usuario el estado del sistema. Es importante que todos los usuarios conozcan bien estas señales antes de utilizar el inodoro. En la tabla de resolución de problemas del Apartado 5.1 encontrará un resumen de todas las señales luminosas y sonoras.



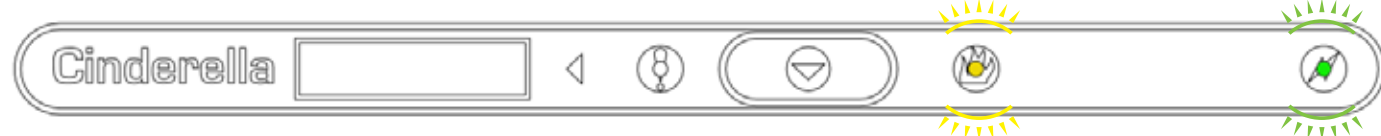
NOTA:

- Una luz verde indica que el inodoro está conectado a la red eléctrica. Cuando solo se enciende la luz verde, el inodoro está en espera y listo para su uso.
- Una luz amarilla indica un proceso de incineración en curso y se queda encendida constantemente mientras el inodoro está en modo de incineración.
- Una luz roja indica la interrupción y alerta al usuario de que el inodoro ya no está incinerando o está en espera.

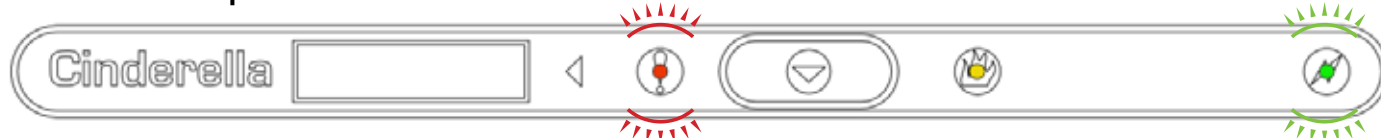
Modo de espera



Modo de incineración



Sistema interrumpido

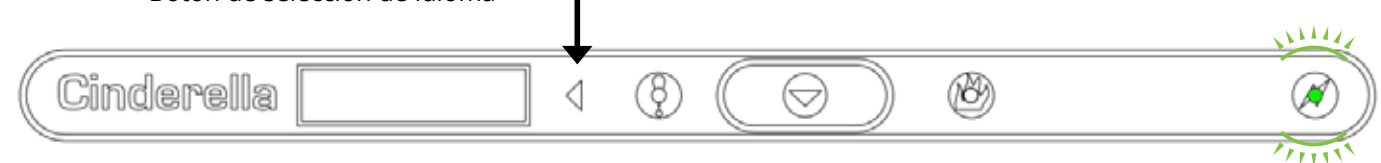


Selección del idioma

Mantenga pulsada el botón «Select language» [Seleccionar el idioma] durante tres segundos hasta que aparezca «Language» [Idioma] en la primera línea de texto.

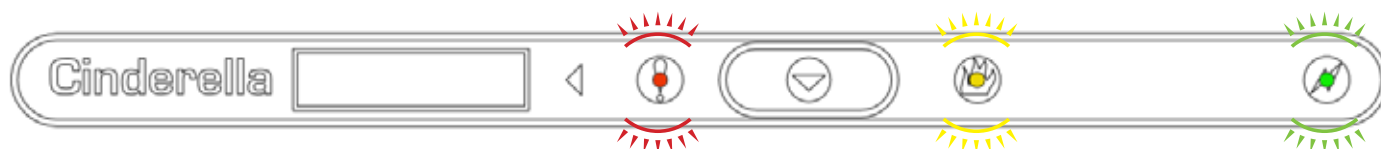
El idioma actual se mostrará en la segunda línea. Pulse el botón «Select language» [Seleccionar el idioma] repetidamente hasta que el idioma deseado aparezca en la pantalla. El nuevo idioma se guardará automáticamente unos segundos después de haberlo seleccionado, y el inodoro volverá a funcionar.

Botón de selección de idioma



Indicador de vaciado

El inodoro Cinderella Comfort indica cuándo es el momento de vaciar el recipiente de cenizas. En la pantalla se leerá «VACIAR EL CENICERO» y se oirán tres pitidos cortos cuando se abra la tapa del inodoro. Si no se vacía en un corto período de tiempo, el inodoro se bloquea. En este momento, las luces amarilla y roja están constantemente encendidas y en la pantalla se leerá «INODORO CERRADO CENICERO LLENO». Oirá tres pitidos cortos cada diez segundos hasta que el recipiente de cenizas se vacíe.



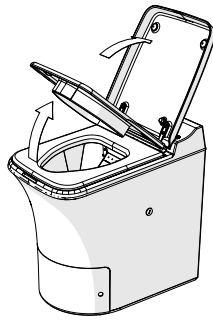
3.7 USO DEL INODORO CINDERELLA COMFORT

1



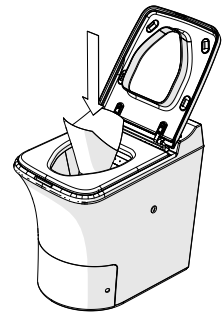
1. Compruebe que la luz verde del panel de control está encendida, lo que indica que la unidad está encendida y lista para su uso.

2



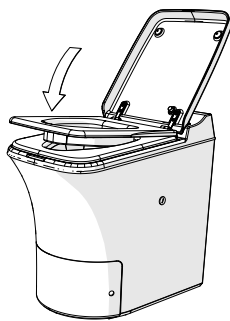
2. Levante la tapa y el asiento del inodoro. Una luz roja empieza a parpadear. El ventilador se pone en marcha.

3



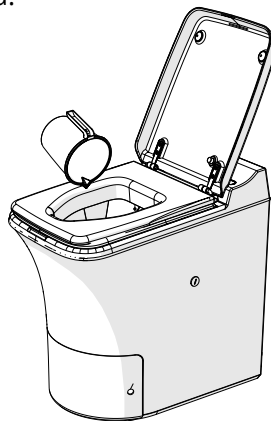
3. Coloque un forro de taza en la taza. Use un forro de taza nuevo para cada visita.

4



4. Baje el asiento. El inodoro está listo para usar.

5



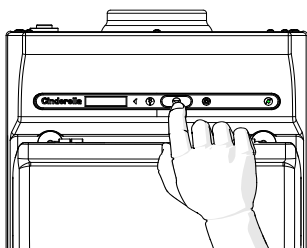
5. Use el inodoro de la manera habitual. Si se producen pocos residuos, puede ser útil verter un poco de agua en el cuencola taza para añadir peso.

6



6. Cierre la tapa del inodoro.

7



7. Presione el botón «Start» [Inicio] para que caigan el forro de la taza y su contenido caigan a la cámara de incineración. La incineración comienza en cuanto se cierra la trampilla. El inodoro ya está listo para el siguiente usuario.

8



8. Mientras esté activa la incineración se mostrará una luz amarilla constante. El inodoro se puede usar en cualquier momento. El uso interrumpirá temporalmente la incineración. El tiempo de incineración puede variar en función del número de visitas y de la cantidad de residuos.

3.8 FUNCIONAMIENTO DE LA TAPA DELANTERA Y DEL RECIPIENTE DE CENIZAS



¡ADVERTENCIA!

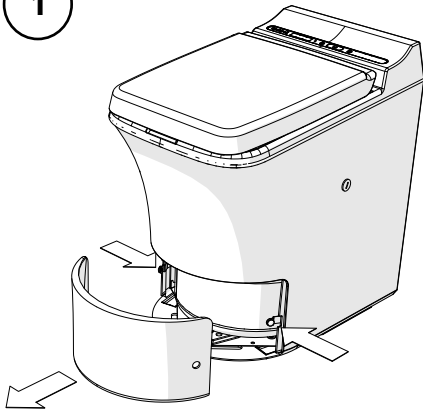
Solo se puede utilizar el recipiente de cenizas cuando el inodoro está en modo de espera y se ha enfriado lo suficiente.



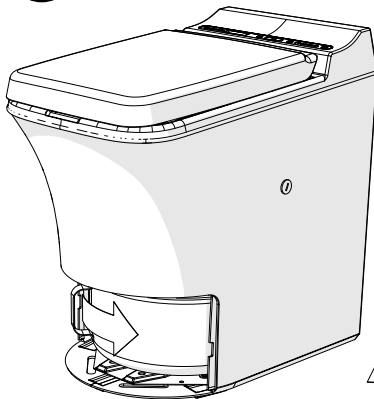
NOTA:

Consulte el apartado de mantenimiento para obtener instrucciones sobre la limpieza y el vaciado del recipiente de cenizas.

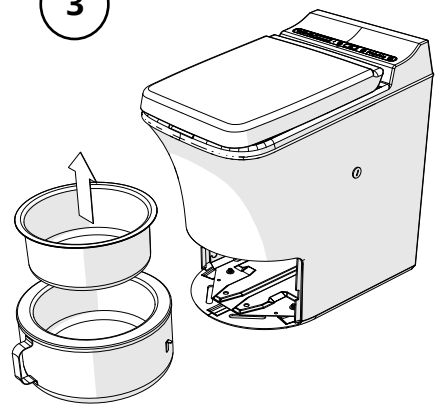
1



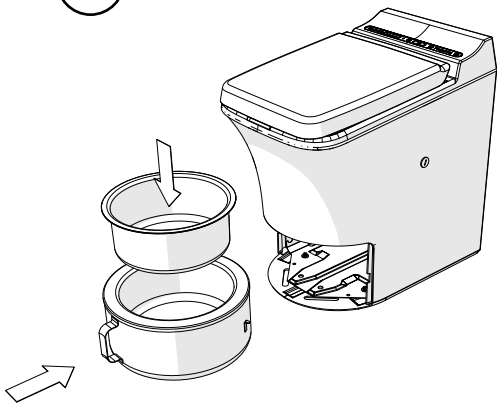
2



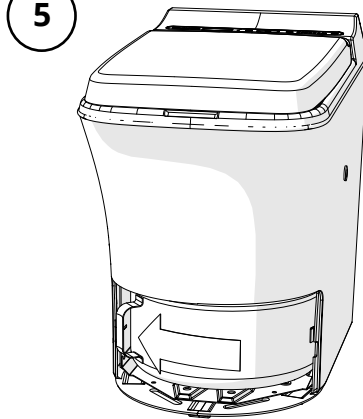
3



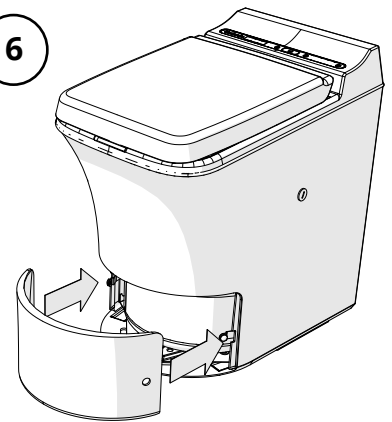
4



5



6



4. INSTRUCCIONES GENERALES DE MANTENIMIENTO

Este manual incluye tanto el mantenimiento del cliente como el que deben realizar los profesionales de acuerdo con los conocimientos y autorizaciones necesarios.

Un sistema de circulación de aire que funcione bien es fundamental para que el inodoro siga funcionando correctamente. Las partículas generadas durante el proceso de incineración pueden obstruir el catalizador y el tubo de salida de gases con el paso del tiempo, por lo que es importante realizar un mantenimiento periódico de estos elementos para garantizar su correcto funcionamiento.

Para garantizar un funcionamiento óptimo y prolongar la vida útil de su aparato Cinderella Comfort, deberá dedicar un poco de tiempo al mantenimiento preventivo. Unas buenas rutinas de mantenimiento le permitirán reducir los costes de funcionamiento y provocar un menor desgaste del producto. Aconsejamos encarecidamente a nuestros clientes que realicen un mantenimiento frecuente como el que se indica a continuación:

1. Vacíe el inodoro con frecuencia. No base el uso en el límite máximo del aparato.
2. Limpie siempre el recipiente de cenizas y el contenedor extraíble cuando se vacíe (consulte el apartado 4.2.1).
3. Realice siempre la limpieza a con vapor después de terminar de usar cada caja de forros de taza (500 usos), preferiblemente después de cada vaciado y lavado del recipiente de cenizas. (Consulte el apartado 4.2.2).
4. Observe siempre el resultado final al vaciar el inodoro. Las desviaciones en el resultado final pueden indicar la necesidad de mantenimiento o de servicio (consulte el apartado 4.1).

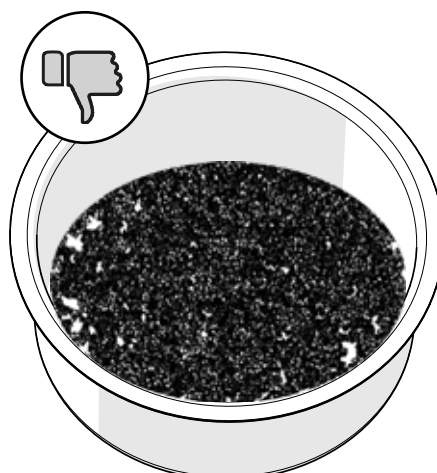
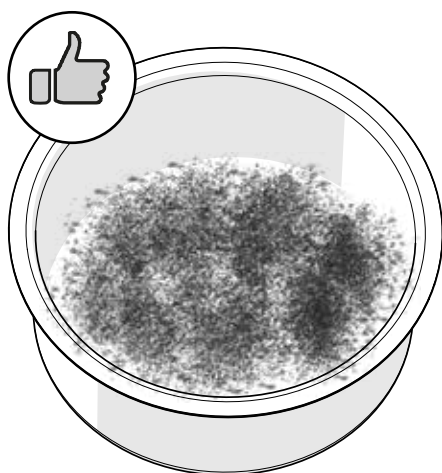


¡ADVERTENCIA!

Antes de realizar el mantenimiento, asegúrese siempre de que el inodoro no está en modo de incineración y de que está lo suficientemente enfriado.

4.1 CARACTERÍSTICAS DEL PRODUCTO FINAL

Los residuos, o «cenizas», estarán formados por residuos patológicos, sales y minerales, por lo que a menudo se perciben como duros y cristalizados. No debe haber signos visibles de papel o capas escamosas de residuos sin quemar, las cenizas deben ser una combinación de blanco y tono oscuro de gris. Si al vaciar el inodoro hay mayores depósitos de residuos negros sin quemar, humedad o papel, inicie una incineración adicional sin introducir papel o agua. Una vez finalizada la incineración, vacíe el recipiente de cenizas y realice los procedimientos de mantenimiento indicados en este manual.

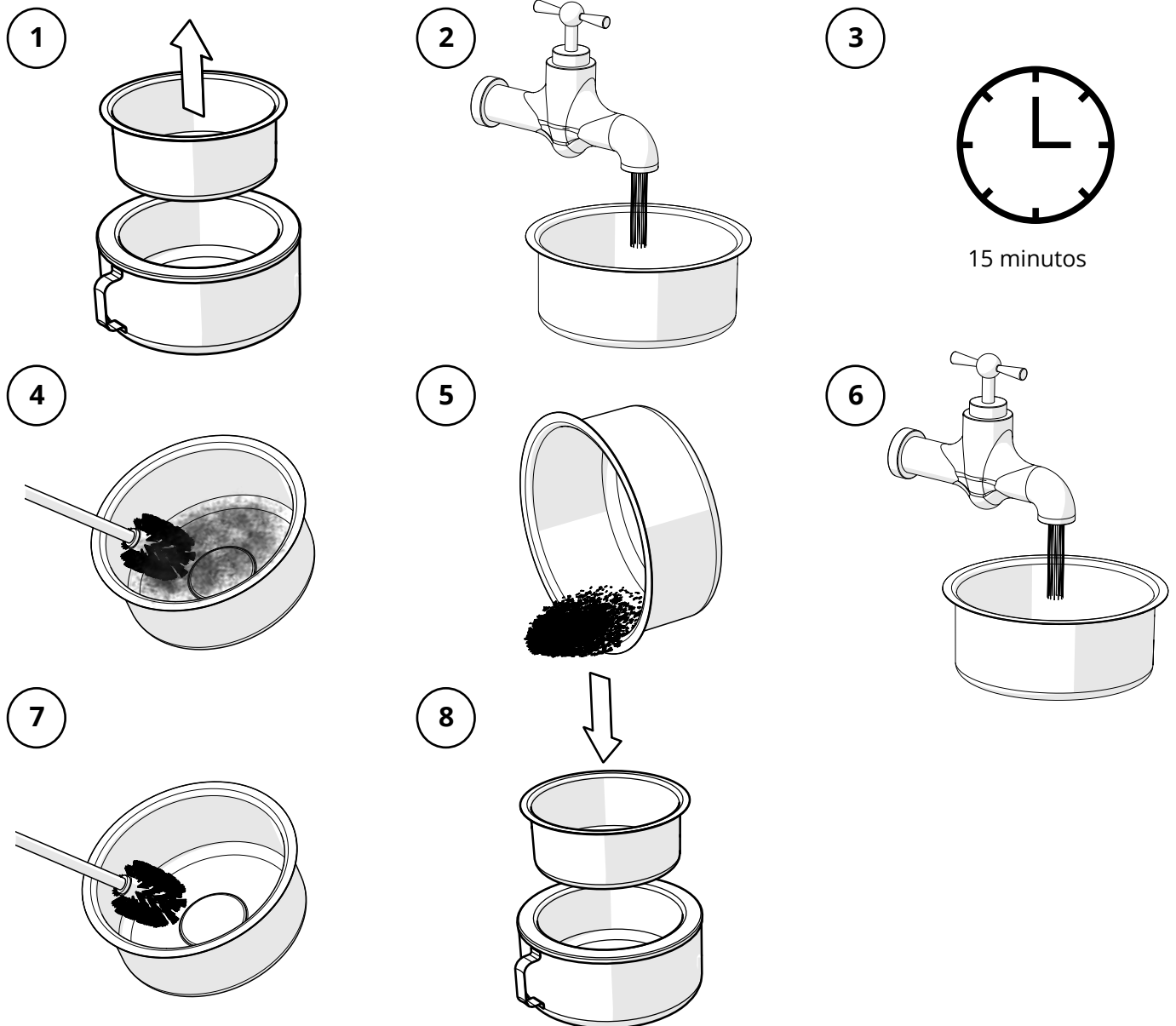


¡ATENCIÓN!

- Las cenizas no son aptas para ser utilizadas como abono o compost. Deben eliminarse con la basura doméstica de acuerdo con la normativa pública pertinente.
- La ceniza que queda es estéril y segura de manipular cuando se ha incinerado hasta alcanzar un color claro. Si la ceniza es negra y escamosa o el ciclo de incineración fue incompleto, ejecute un ciclo de incineración adicional para asegurarse de que la ceniza se ha incinerado completamente. Si el problema persiste, consulte el apartado de solución de problemas para obtener más consejos.

4.2 MANTENIMIENTO DEL CLIENTE

4.2.1 VACIADO Y LIMPIEZA DEL RECIPIENTE DE CENIZAS



¡ATENCIÓN!

No utilice ninguna herramienta u objeto afilado para limpiar el recipiente de cenizas, ya que esto dañará el contenedor extraíble y reducirá su vida útil.



NOTA:

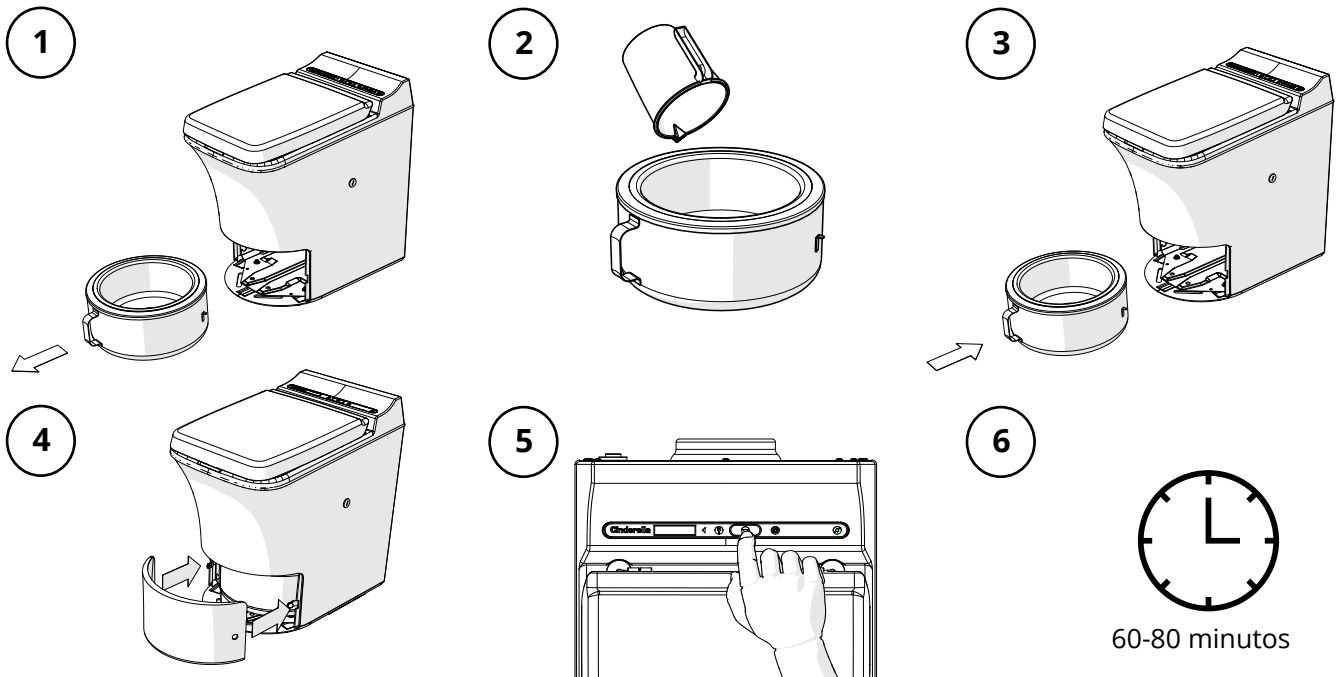
- Para mantener la funcionalidad de su inodoro de la mejor manera posible, le recomendamos que realice el procedimiento de «limpieza con vapor» tal como se indica en el apartado 4.2.2 cada vez que vacíe y lave el contenedor extraíble de cenizas. Esto evitará la posible acumulación de alquitrán y depósitos no deseados en el catalizador y el sistema de salida de gases del inodoro.
- Al vaciar el inodoro, asegúrese de que la red eléctrica está conectada. El vaciado del aparato sin alimentación eléctrica no permitirá que el sistema ponga a cero el contador de uso.

4.2.2 LIMPIEZA CON VAPOR DEL CATALIZADOR

Frecuencia recomendada: Al vaciar el recipiente de cenizas o al menos cada 500 usos. Para realizar la limpieza con vapor:

1. Asegúrese de que el inodoro está frío y de que el recipiente de cenizas se ha vaciado y limpiado (consulte el apartado 4.2.1).
2. Retire la tapa delantera y extraiga el recipiente de cenizas.

- Vierta aproximadamente 1 l de agua limpia en el contenedor extraíble del inodoro.
- Introduzca el recipiente de cenizas con cuidado, sin derramar agua, y coloque la tapa delantera.
- Pulse «Start» [Inicio] para comenzar un ciclo de incineración.
- El agua empezará a hervir y el vapor limpiará cualquier residuo que haya en el catalizador. Esta limpieza del sistema suele durar entre 60 y 80 minutos.



NOTA:

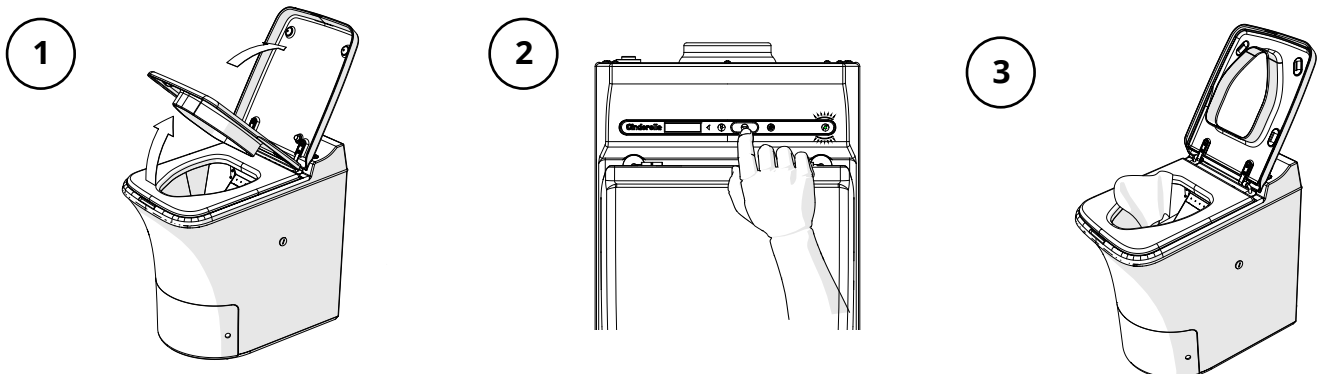
No utilice el inodoro durante el procedimiento de mantenimiento, ya que esto perjudicará el resultado de la limpieza. El inodoro se puede utilizar cuando el inodoro vuelve a estar en modo de espera.

4.2.3 LIMPIEZA DE LA TAZA

Frecuencia recomendada: según sea necesario para la limpieza y al vaciar el recipiente de cenizas.

Para limpiar la taza:

- Abra la tapa del inodoro.
- Mantenga pulsado el botón «Start» [Inicio] durante tres segundos para abrir la trampilla hasta la posición de limpieza.
- Utilice papel húmedo, agua y un producto de limpieza suave según sea necesario. Cierre la tapa e inicie la incineración.



¡PELIGRO!

No utilice productos de limpieza inflamables para limpiar la taza. Algunos bordes metálicos pueden estar afilados.



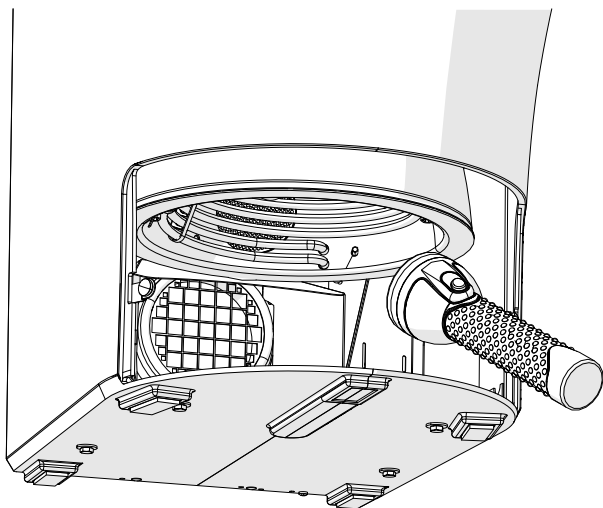
¡ATENCIÓN!

No utilice productos de limpieza a base de cloro para limpiar la taza. El cloro es muy perjudicial para el catalizador y si se introduce en el inodoro puede provocar el mal funcionamiento del catalizador.

4.2.4 INSPECCIÓN DEL CATALIZADOR

Frecuencia recomendada: cada 500 usos.

El catalizador es el conducto de aire primario entre la cámara de incineración y el final de la salida de gases del aparato. Cualquier acumulación de partículas en el catalizador reducirá el caudal y la eficacia del inodoro, y puede ocasionar malos olores. Por lo tanto, es importante asegurarse de que el catalizador esté abierto en todo momento. Cualquier cambio en el tiempo de incineración, la eficiencia de la incineración o el olor, puede deberse a una catálisis densa. El mejor método para limpiar fácilmente el catalizador es realizar una «limpieza con vapor» como se describe en el apartado 4.2.2. También puede inspeccionar la parte delantera del catalizador retirando el recipiente de cenizas e iluminando la cámara de combustión desde el interior. Los restos de partículas u olores que persistan tras la limpieza con vapor deben eliminarse enjuagando el catalizador con agua caliente, tal como se describe en el apartado 5.3.2.



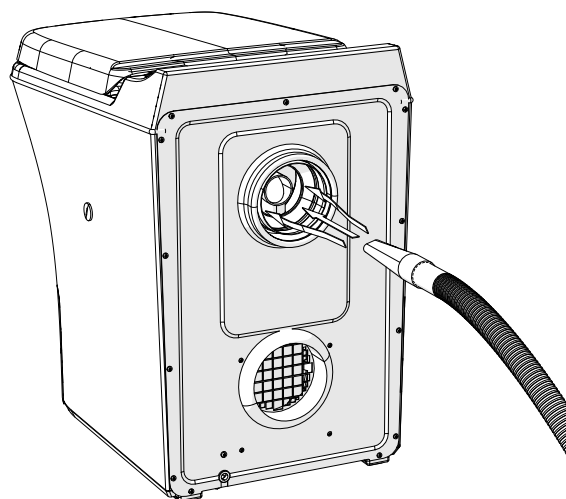
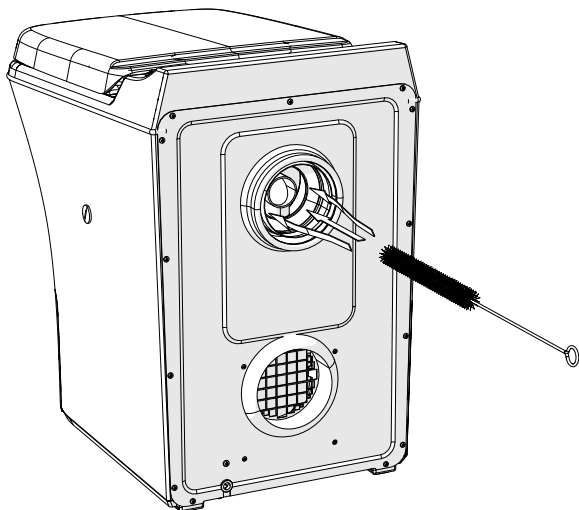
NOTA:

Cuando se adviertan signos evidentes de corrosión o deformación del catalizador, éste deberá ser sustituido. Póngase en contacto con su proveedor de servicio técnico local para organizar el servicio.

4.2.5 LIMPIEZA DE LA TOMA DEL TUBO DE SALIDA DE GASES DEL APARATO

Frecuencia recomendada: al menos cada 500 usos.

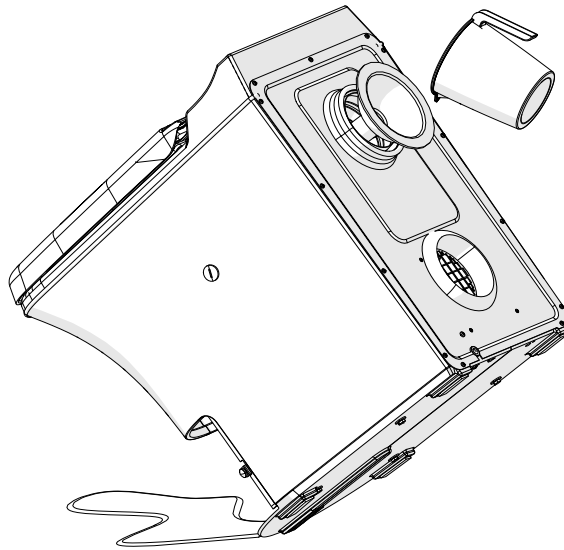
1. Habrá que desconectar el aparato del tubo de salida de gases y de la fuente de alimentación eléctrica.
2. Limpie el terminal del tubo de salida de gases con un cepillo flexible, es importante que limpie tanto el tubo de salida de gases como el venturi circundante hasta las aspas del ventilador, con el fin de garantizar un flujo de aire suficiente.
3. Retire el recipiente de cenizas y limpie los restos que haya en él.
4. Utilice una aspiradora para extraer los restos que quedan en el tubo de salida de gases y el catalizador.
5. Vuelva a conectar el aparato al conducto de gases y a la red eléctrica.
6. Instale el recipiente de cenizas y la tapa delantera.
7. Se recomienda realizar una limpieza con vapor como se describe en el apartado 4.2.2 después de realizar el mantenimiento del terminal del conducto de gases.



4.2.6 ENJUAGUE DEL CATALIZADOR CON AGUA CALIENTE

Puede ser necesario enjuagar el catalizador con agua en situaciones en las que la limpieza con vapor no elimine las partículas o los malos olores. Este procedimiento requiere levantar objetos pesados y un lugar en el que se pueda derramar agua. Asegúrese de realizar los pasos 1 - 4 del procedimiento «Limpieza del terminal de humos» y siga estos pasos.

1. Coloque el inodoro en un lugar en el que se pueda derramar agua, por ejemplo, donde haya un desagüe adecuado, en el exterior o en una bañera. Utilice el embudo de Cinderella especialmente diseñado, o un embudo que se ajuste al tubo de salida de gases. Incline ligeramente el inodoro hacia delante, y vierta 2-3 l de agua caliente a través del tubo de salida de gases y el catalizador. El agua sobrante debe estar limpia al final del proceso de enjuague. Si es necesario, utilice más agua para limpiar correctamente el sistema.
2. Vuelva a conectar el aparato al conducto de gases y a la red eléctrica.
3. Instale el recipiente de cenizas y la tapa delantera.
4. Realice la prueba de rendimiento como se describe en el apartado 2.5



NOTA:

Antes de desconectar el aparato y enjuagar el sistema con agua caliente, inspeccione el catalizador y realice una limpieza con vapor como se explica en el apartado 4.2.2. Si el catalizador sigue obstruido, o el olor sigue siendo perceptible al incinerar, realice el enjuague del sistema como se explica en el apartado 4.2.6

La parte delantera de la carcasa exterior es delgada y, por lo tanto, no debe soportar todo el peso del inodoro. Tenga cuidado de no romperla al enjuagar el catalizador.

5. SOLUCIÓN DE PROBLEMAS Y PREGUNTAS FRECUENTES



¡ADVERTENCIA!

El servicio debe realizarse de conformidad con toda la normativa estatal, municipal y local. Si no está seguro de la normativa de su zona, póngase en contacto con su distribuidor o representante de servicio más cercano para obtener más instrucciones. Se debe desconectar la corriente eléctrica cuando se realice cualquier tarea de revisión y mantenimiento del inodoro.

Módulo Solucionador de problemas online

Las señales sonoras y luminosas del panel de control del inodoro indican el estado de funcionamiento del mismo. Los tiempos de inactividad y las averías en el inodoro se notificarán con diversas señales sonoras y luminosas, tal y como se describe en el apartado 5.1 de este manual. Hemos reunido los errores/problemas más comunes en un solucionador de problemas online, para que pueda obtener fácilmente respuestas a lo que está mal con su inodoro, y obtener sugerencias sobre cómo puede resolver el problema usted mismo.

Restablecimiento del sistema del inodoro

Durante la limpieza y la resolución de problemas, a veces puede ser útil reiniciar la electrónica. Puede hacerlo pulsando el botón «Start» [Inicio]. Esto hará que suene un breve pitido. Mantenga pulsado el botón durante unos ocho segundos hasta que oiga un pitido largo, y luego suelte el botón.

Mensajes de error

Cuando las luces parpadean, debe buscar el motivo y solucionar el problema antes de utilizar el inodoro. Debe tomar medidas inmediatas en caso de cualquier irregularidad, como olores, incineración deficiente o fallos del sistema, para evitar daños y costes de reparación innecesarios.

Termostato bimetálico activado

El termostato bimetálico se activa si la temperatura interna del inodoro es demasiado alta. Esto normalmente ocurre si hay una falta de caudal de aire, o una restricción en los conductos de entrada o salida de la instalación. Por lo tanto, es importante que compruebe que la entrada de aire cumple las especificaciones, y que la salida de gases está abierta y libre de obstáculos. Compruebe visualmente el catalizador y realice el procedimiento de limpieza con vapor de acuerdo con el apartado 4.2.2.

Durante un corte del suministro eléctrico

Si el proceso de incineración está en curso durante un corte del suministro eléctrico, puede experimentar olores temporales procedentes del interior del inodoro, y humo y olores procedentes del conducto de gases en el exterior. El ventilador funcionará con la batería hasta que el inodoro se enfríe. Dado que la incineración no se reiniciará automáticamente cuando vuelva la corriente eléctrica, deberá iniciar manualmente un nuevo ciclo de incineración. Si se prevé que el apagón dure más de dos horas, es importante que vacíe los residuos del inodoro, ya que podrían dañarlo si permanecen allí durante más tiempo. No utilice nunca el inodoro durante un apagón.

Olores en la sala

Los olores pueden tener varias causas:

1. No utilizar un forro de taza cada vez que se utiliza el inodoro o utilizarlo de forma inadecuada.
2. El flujo de aire puede estar bloqueado. Inspeccione el tubo de salida de gases y el sombrerete del extremo superior de la chimenea.
3. Compruebe que la instalación se ha realizado de acuerdo con el manual de instalación. Una restricción excesiva en el conducto de gases podría provocar una contrapresión y causar olores en el interior.
4. El tubo de salida de gases puede estar obstruido. Consulte el apartado 4.3.1.
5. El catalizador puede estar obstruido. Consulte el apartado 4.3.1.
6. El tubo de salida no está bien fijado al inodoro. Consulte el apartado 2.5.1.

Olores en el exterior

Las causas pueden ser las mismas que para el interior de la sala, o bien:

1. El catalizador no ha alcanzado la temperatura de funcionamiento. Cuando el inodoro está frío, pueden pasar unos minutos antes de que el catalizador alcance la temperatura en la que empieza a funcionar correctamente.
2. El catalizador puede estar corroído o deformado. Póngase en contacto con su proveedor de servicio técnico.

5.1 TABLA DE SRESOLUCIÓN DE PROBLEMAS



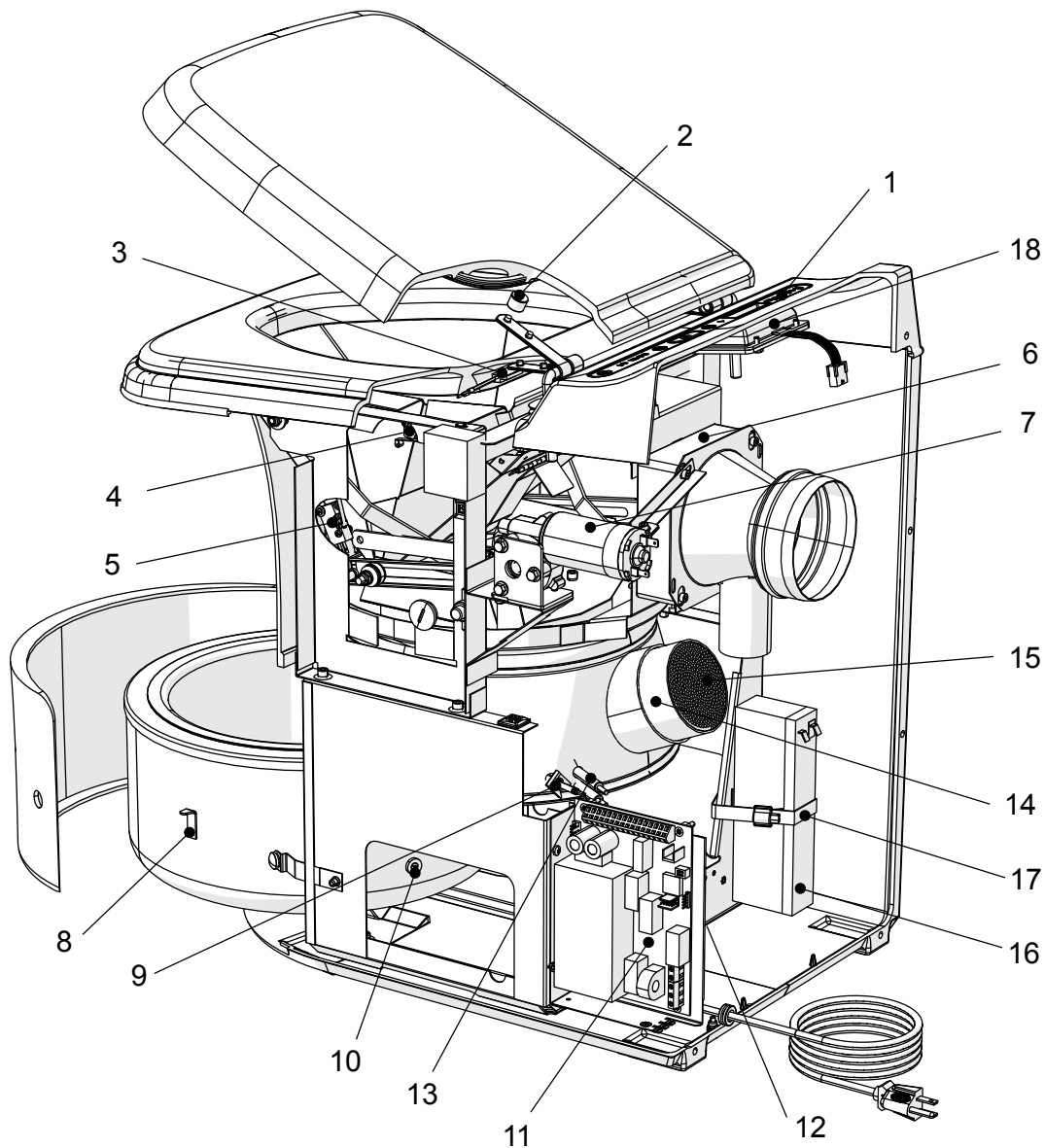
NOTA:

Cinderella ha desarrollado un módulo digital de resolución de problemas que puede encontrar en nuestro sitio web. Este módulo funcionará como guía y complemento además de la Tabla de resolución de problemas. Visite www.cinderellaeco.com

ERROR	MENSAJE EN PANTALLA	LUZ ROJA	LUZ AMARILLA	LUZ VERDE	SONIDO	ACCIONES
Hay que vaciar el recipiente de cenizas	Vaciar el cenicero	INTERMITENTE Alternando	INTERMITENTE Alternando	ENCENDIDO CONSTANTE	3 PITIDOS	1 Retire y vacíe el recipiente de cenizas * El inodoro debe estar conectado a 230 V.
Hay que vaciar el recipiente de cenizas. Inodoro bloqueado. Inodoro cerrado cenicero lleno	Inodoro cerrado cenicero lleno	ENCENDIDO CONSTANTE	ENCENDIDO CONSTANTE	ENCENDIDO CONSTANTE	3 PITIDOS 10 SEGUNDOS DE DIFERENCIA	1 Retire y vacíe el recipiente de cenizas * El inodoro debe estar conectado a 230 V.
No hay alimentación eléctrica		APAGADO	APAGADO	APAGADO		1 Asegúrese de que el inodoro está conectado a la red eléctrica, 230 V CA
Error del ventilador	Error en ventilador	INTERMITENTE	APAGADO	INTERMITENTE	10 PITIDOS	1 Compruebe si el ventilador está obstruido y asegúrese de que gira correctamente. 2 Reinicie el inodoro (mantenga pulsado el botón «Start» [Inicio]). 3 Abra la tapa hasta que la luz roja parpadee, cierre la tapa y pulse el botón «Start» [Inicio]. Si el error persiste, llame al servicio técnico.
Mal funcionamiento del mecanismo de la trampilla	Error mecanismo de escotilla	INTERMITENTE	APAGADO	ENCENDIDO CONSTANTE	10 PITIDOS	1 Si el inodoro está caliente, restablezca el inodoro 2 Abra la tapa hasta que la luz roja parpadee, cierre la tapa y pulse el botón «Start» [Inicio] 3 Si no lo consigue, restablezca el inodoro, inserte un forro de taza y vierta 3 vasos de agua en el forro, cierre la tapa y pulse el botón «Start» [Inicio] 4 Si no lo consigue, espere hasta que el inodoro se haya enfriado (cuando el ventilador se haya parado). Reinicie el inodoro y abra la tapa cuando la trampilla se esté abriendo, retire manualmente los objetos atascados. 5 Si el problema persiste, llame al servicio técnico.
Recipiente de cenizas fuera de posición	Cenicero fuera de posición	INTERMITENTE	INTERMITENTE	ENCENDIDO CONSTANTE	3 PITIDOS	1 Ajuste la posición del recipiente de cenizas, gire hacia el lado izquierdo. 2 Compruebe que el pasador de tope del contenedor está intacto. 3 Compruebe visualmente el estado del imán del contenedor. Si el problema persiste, llame al servicio técnico
Circuito de calefacción interrumpido	Error circuito de calentamiento	APAGADO	INTERMITENTE	ENCENDIDO CONSTANTE	PITIDOS CONTINUOS	1 Restablezca el inodoro. 2 Revise el termostato bimetálico en el lado derecho del inodoro. Desenrosque el enchufe gris y empuje el fusible interior con el dedo: no utilice objetos punzantes. Si el fusible se ha activado, oirá un clic. Consulte el apartado 5. 4 Si el fusible no era el problema, reinicie el inodoro e intente ponerlo en funcionamiento. Repita un par de veces. Si el problema persiste, llame al servicio técnico.
Se activa el sensor de la tapa del inodoro	La tapa está abierta	INTERMITENTE	APAGADO	ENCENDIDO CONSTANTE	NINGUNO	1 Compruebe el imán situado en el interior de la tapa del inodoro y cierre la tapa. Si el problema persiste, llame al servicio técnico.
Mal funcionamiento del sensor de temperatura	Error sensor de temperatura	APAGADO	INTERMITENTE	INTERMITENTE	PITIDOS CONTINUOS	1 Restablezca el inodoro. 2 Abra la tapa hasta que la luz roja parpadee, cierre la tapa y pulse el botón «Start» [Inicio] 3 Si el fallo persiste, llame al servicio técnico.
Ilegible / no hay mensaje en la pantalla	Ilegible / pantalla en blanco					1 Desenchufe el inodoro y espere 5 minutos. 2 Enchufe el inodoro y vuelva a ponerlo en funcionamiento. 3 Si el problema persiste, llame al servicio técnico.

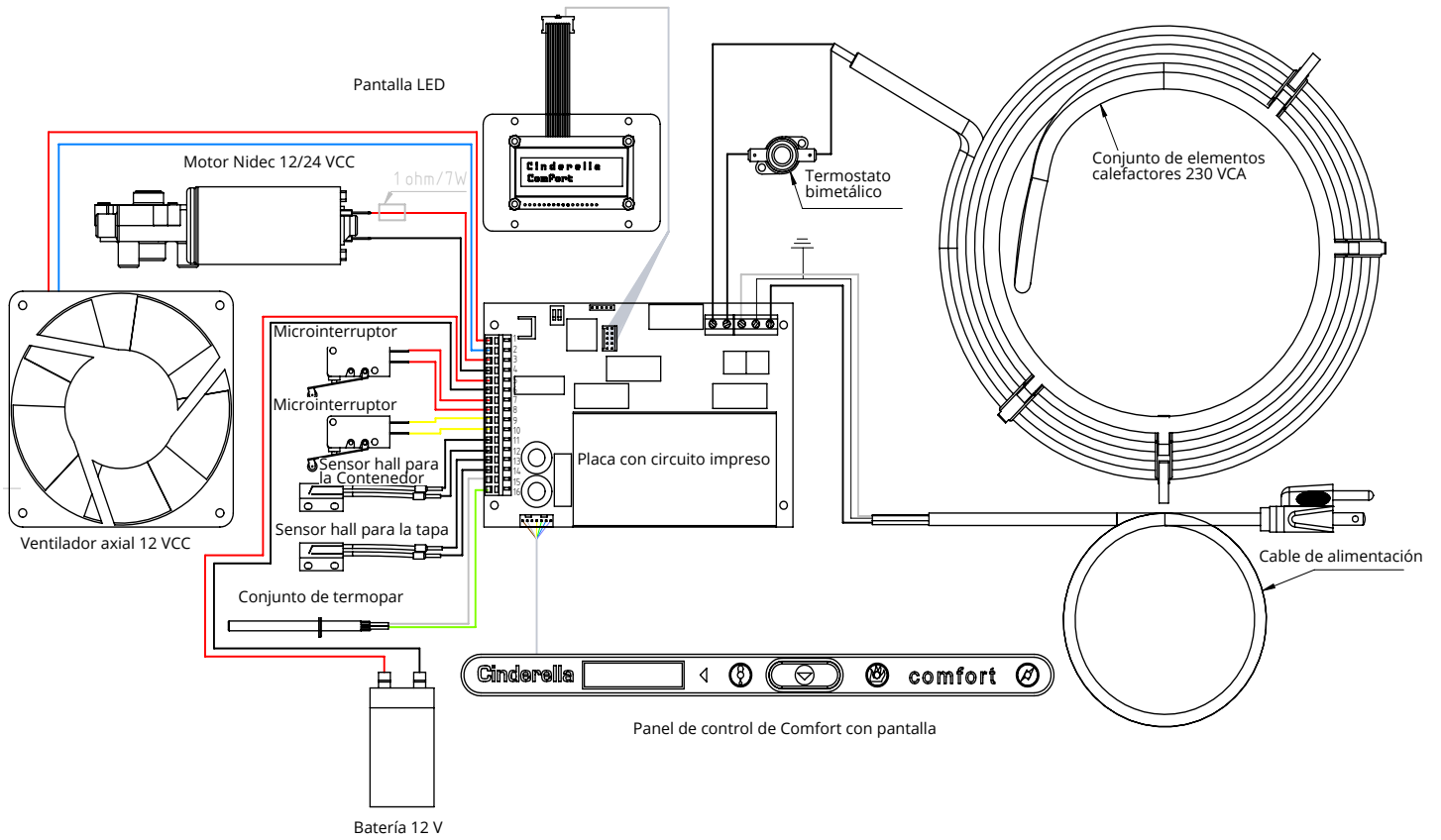
6. REPARACIONES Y REPUESTOS

6.1 LISTA DE PIEZAS DE REPUESTO



ID	DESCRIPCIÓN DE LA PIEZA	ART. N°	ID	DESCRIPCIÓN DE LA PIEZA	ART. N°
1	Panel de control de Comfort con pantalla	100115	12	Sensor Hall con cable de longitud reducida	100965
2	Imán 14x10 mm	100433	13	Conjunto de elementos calefactores 230 VCA	100862
3	Sensor Hall con cable y cinta L= 330 mm	100964	14	Catalizador de tejido aislante	100163
4, 5	Micro interruptor	101127	15	Catalizador 90x75 mm	100528
6	Ventilador axial 12 VCC 119x38 mm	100154	16	Batería 12 V	100083
7	Motor Nidec 12/24 VCC	101177	17	Abrazadera de manguera 280 mm A4	100932
8	Soporte de tope 9x26x12 mm	100017	18	Pantalla LED 65x36x13 Módulo estándar	100401
9	Conjunto de termopar L=550 mm	100831			
10	Imán 14x7 mm	100065			
11	Placa con circuito impreso (E5)	100063			

6.2 DIAGRAMA DE CABLEADO



7. Garantía

¿Qué es lo que cubre esta garantía?

Esta garantía cubre los defectos de materiales o mano de obra de su unidad de incineración Cinderella en las condiciones señaladas, durante el período establecido y con las excepciones que se establecen a continuación.

¿Qué es lo que no cubre esta garantía?

Esta garantía no cubre el desgaste normal, ni los daños causados por accidentes (incluidas inundaciones, huracanes o desastres naturales), uso excesivo, mal uso, incumplimiento de las instrucciones del fabricante o mantenimiento inadecuado. Los daños consecuentes e incidentales no son recuperables en virtud de esta garantía. Cinderella Eco Group no ofrece garantía «in situ». Esto significa que el inodoro se debe llevar a un proveedor de servicio autorizado que pueda hacerse cargo del servicio. Si no es posible llevarlo, el concesionario puede cobrar por el transporte o el desplazamiento.

¿Cuánto tiempo dura la garantía?

Esta garantía tiene una duración de tres (3) años a partir de la fecha original de compra para los clientes normales. Los usuarios profesionales tienen un (1) año de garantía.

¿Qué hará el Cinderella Eco Group?

Si usted presenta una reclamación válida bajo esta garantía, Cinderella Eco Group reparará, reemplazará o reembolsará el precio de compra de su unidad de incineración Cinderella, a su entera discreción.

¿Cómo se solicita un servicio?

Para organizar un servicio, póngase en contacto con su distribuidor o con un proveedor de servicio autorizado en su país. Las opciones de servicio disponibles dependen del país en el que se solicita el servicio. Es posible que se le pida que proporcione una prueba de los datos de la compra cuando haga una reclamación en virtud de esta garantía. Para más información sobre la garantía, por favor, consulte nuestra página web:

www.cinderellaeco.com

Cinderella Eco Group AS

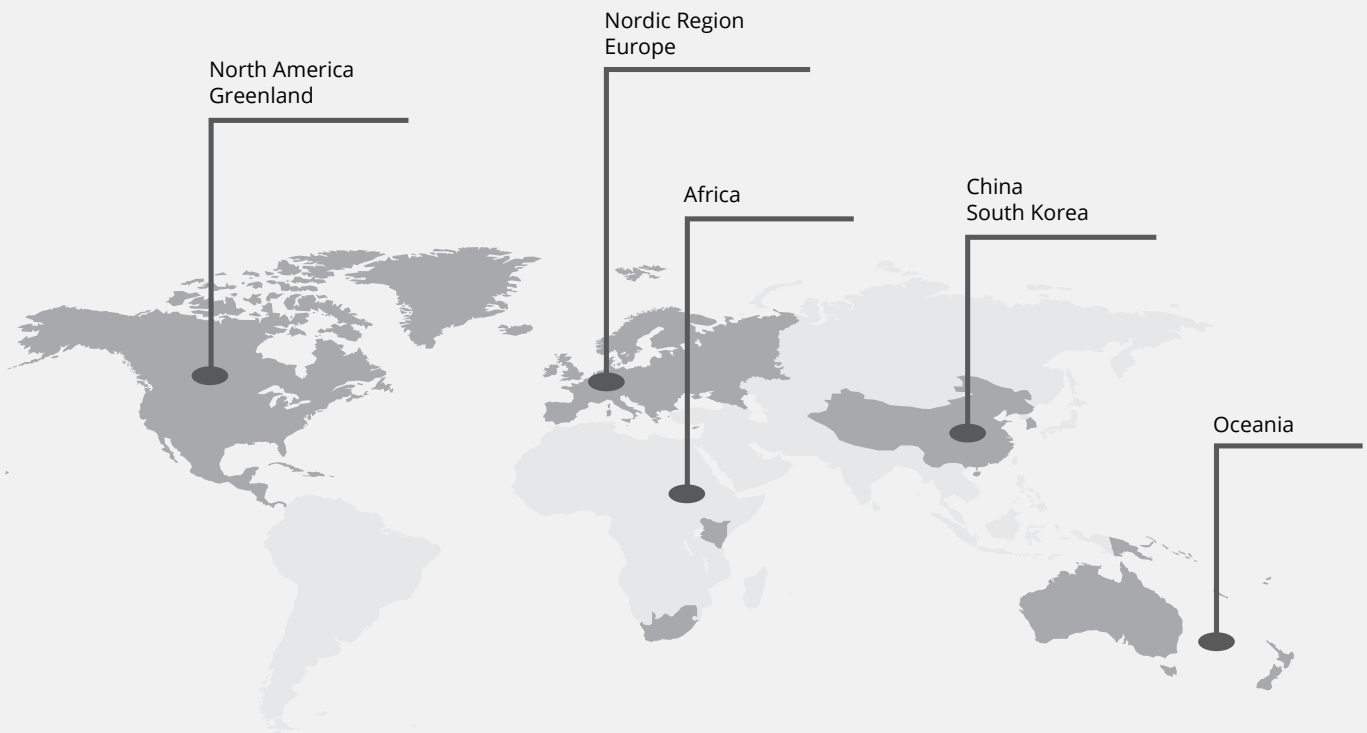
Sjøvikvegen 67, 6475 Midsund, Noruega

www.cinderellaeco.com



Cinderella[®]
Incineration Toilets

CINDERELLA'S GLOBAL PRESENCE



Cinderella Eco Group AS
Sjøvikvegen 67, NO-6475 Midsund, Norway
www.cinderellaeco.com