



MATT DESIGN: OPAQUE



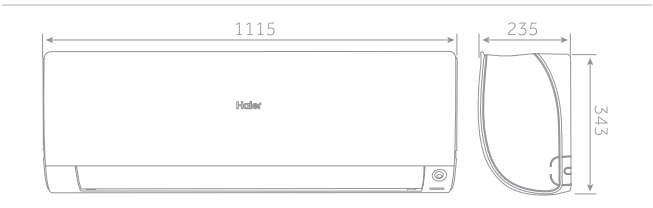
AS25 - AS35 - AS42



AS50

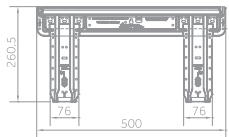


AS71

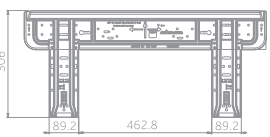


MOUNTING DIMENSIONS

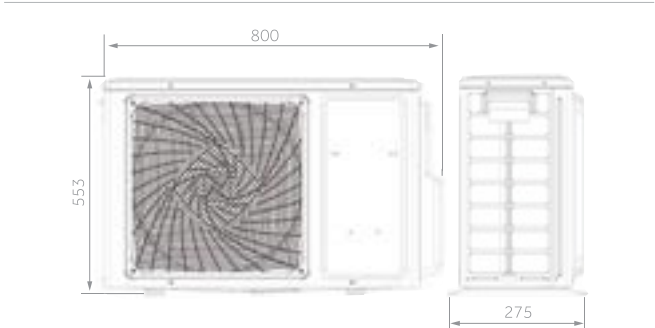
AS25-AS35-AS42-AS50



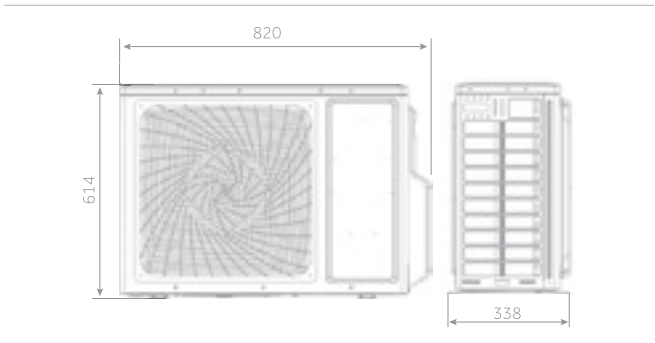
AS71



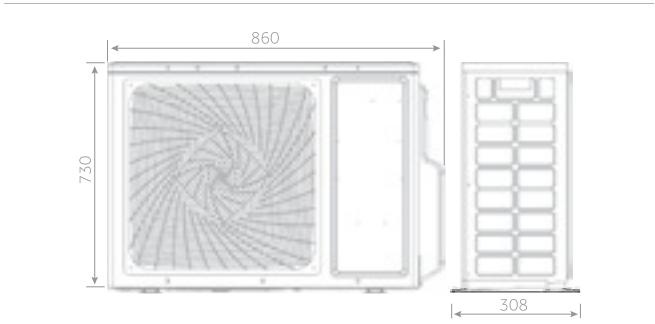
1U25 - 1U35 - 1U42



1U50



1U71 (PENDING CONFIRMATION)



Residential MonoSplit Inverter FLEXIS

Haier

MONOSPLIT RESIDENTIAL



2.5 kW

3.5 kW

4.2 kW

5.0 kW

7.1 kW



Silence



Eco Sensor



Wi-Fi



3D



Easy installation



Standard YR-HQ

- Low noise level
- Dual motion sensor
- Wi-Fi control to remotely control the air conditioner
- 3D airflow: continuous movement of horizontal and vertical deflectors
- Easy installation

INDOOR UNIT Black		Model Black	AS25S2SF1FA-MB	AS35S2SF1FA-MB	AS42S2SF1FA-MB	AS50S2SF1FA-MB	AS71S2SF1FA-MB*	
		Product code	2501301W2	2501302W2	2501304W2	2501305W2	2501306W2	
INDOOR UNIT White		Model White	AS25S2SF1FA-MW	AS35S2SF1FA-MW	AS42S2SF1FA-MW	AS50S2SF1FA-MW	AS71S2SF1FA-MW*	
		Product code	2501301X2	2501302X2	2501304X2	2501305X2	2501306X2	
OUTDOOR UNIT		Model	1U25S2SM1FA	1U35S2SM1FA	1U42S2SM1FA	1U50S2SJ2FA	1U71S2SG1FA	
		Product code	2502301T2	2502302T2	2502304T2	2502305T2	2502306G2	
Performance data								
Output power - COOLING	nom (min-max)	kW	2.6 (0.8 - 3.2)	3.5 (1.0 - 4.0)	4.2 (1.2 - 4.8)	5.2 (1.4 - 6.0)	7.0 (2.2 - 7.5)	
Output power - HEATING	nom (min-max)	kW	3.2 (0.8 - 4.2)	4.2 (1.0 - 5.2)	4.4 (1.3 - 5.8)	6.0 (1.4 - 6.9)	8.0 (2.4 - 8.5)	
Power output - HEATING -7°C	nom (min-max)	kW	2.12	2.47	3.18	4.07	4.95	
Absorbed power - COOLING	nom (min-max)	kW	0.65 (0.2 - 1.5)	0.88 (0.3 - 1.5)	1.23 (0.4 - 1.7)	1.4 (0.5 - 2.0)	2.17 (0.7 - 2.5)	
Absorbed power - HEATING	nom (min-max)	kW	0.8 (0.3 - 1.6)	1.1 (0.5 - 1.6)	1.18 (0.52 - 2.2)	1.5 (0.52 - 2.35)	2.16 (0.7 - 2.9)	
Energy class	EER	w/w	4.0	4.0	3.41	3.68	3.23	
	COP	w/w	4.0	3.81	3.74	4.0	3.71	
COOLING Pdesign	35 °C	kW	2.6	3.5	4.2	5.2	7.0	
HEATING Pdesign	(-10 °C)	kW	2.4	2.8	3.6	4.6	5.6	
Energy class	SEER		8.5 (A+++)	8.5 (A+++)	7.0 (A++)	7.2 (A++)	7.1 (A++)	
	SCOP		4.6 (A++)	4.6 (A++)	4.0 (A+)	4.6 (A++)	4.0 (A+)	
Annual Energy Consumption - COOLING		kWh/a	107	144	210	253	345	
Annual Energy Consumption - HEATING		kWh/a	731	854	1260	1401	1959	
Indoor Unit								
Power supply		Ph/V/Hz	1/220-240/50	1/220-240/50	1/220-240/50	1/220-240/50	1/220-240/50	
Treated air volume	H	m³/h	600	650	750	900	1100	
Dehumidification		L/h	1.2	1.6	1.8	2.0	2.8	
High sound power - COOLING		dB	53	55	58	57	60	
High sound power - HEATING		dB	53	55	58	57	60	
Sound pressure - COOLING		dB(A)	38/32/25/16	39/33/26/17	42/36/30/23	45/41/37/28	47/43/37/33	
Sound pressure - HEATING		dB(A)	38/32/25/19	39/33/26/20	42/36/30/23	45/41/37/28	47/43/37/33	
Net dimensions	WxDxH	Mm	856x197x300	856x197x300	856x197x300	999x225x323	1115x235x343	
Net weight		Kg	9.5	9.5	9.5	12	15.2	
Outdoor Unit								
Power supply		Ph/V/Hz	1/220-240/50	1/220-240/50	1/220-240/50	1/220-240/50	1/220-240/50	
Sound power	H	dB	59	61	63	63	70	
Sound pressure	H	dB(A)	47	48	50	51	57	
Absorbed current	Max	A	7.2	7.2	9.8	10.9	13	
Net dimensions	WxDxH	Mm	800x275x553	800x275x553	800x275x553	820x338x614	860x308x730	
Net weight		Kg	29	31.5	31.5	37.8	49	
Installation data								
Refrigerant			R32	R32	R32	R32	R32	
Liquid pipe	∅	Mm	6.35	6.35	6.35	6.35	9.52	
Gas pipe	∅	Mm	9.52	9.52	9.52	12.7	15.88	
Standard pipe length without refrigerant charge		M	7	7	7	7	7	
Maximum pipe length		M	15	15	15	25	25	
Maximum IU - OU elevation		M	10	10	10	15	15	
Refrigerant charge in the factory		Kg	0.65	0.94	0.94	0.95	1.30	
Operating limits - COOLING	min-max	°C	21-35°C (in) / -10-43°C (out)					
Operating limits - HEATING	min-max	°C	10-27°C (in) / -15-24°C (out)					