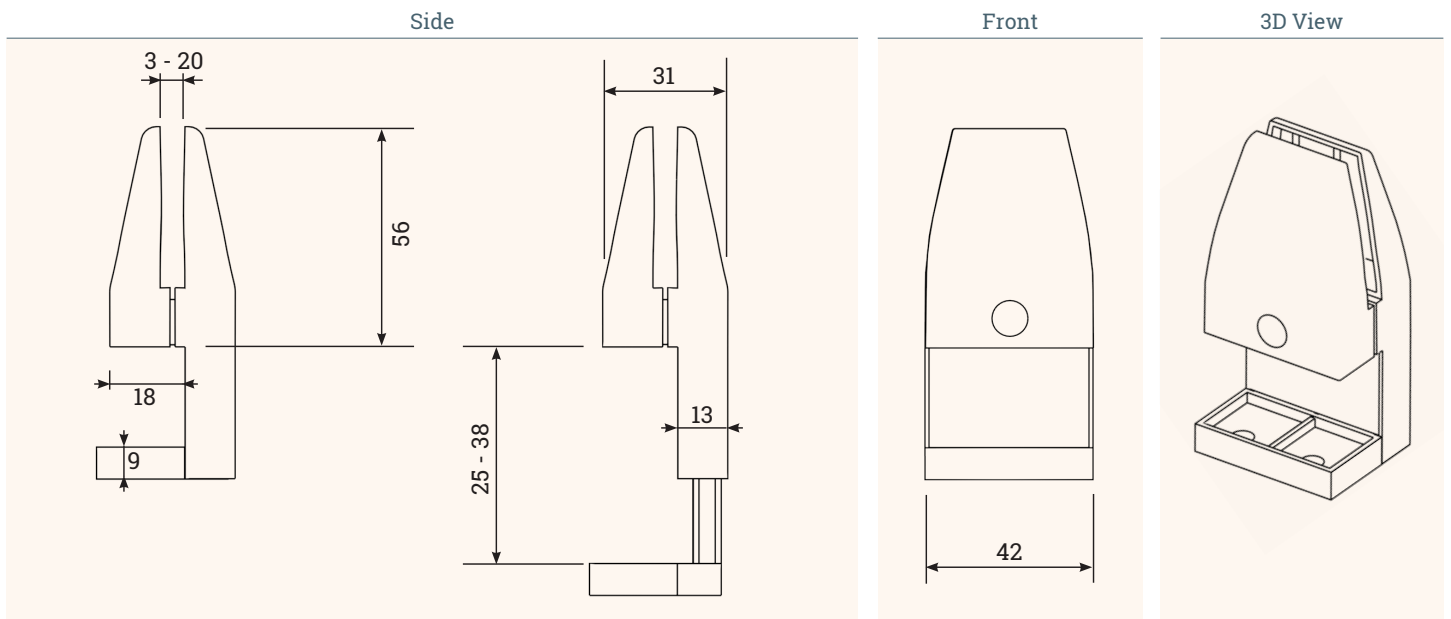


Aluminium die-cast table clamp for our AKUSTIX Vario products

- ✔ Plastic inlay for careful clamping
- ✔ Clamp area (clamp): 3 -20 mm
- ✔ Clamp area (table fixation): 25 -38 mm



Technical Drawings



Article	Description	Material	Colour	Item No
SOLIDO L	table clamp for AKUSTIX Vario (eco) incl. accessories, aluminium die-cast, one sided, clamp area AKUSTIX module: 3-20 mm, 1x DIN 912 M6x16mm, clamp area tabletop: 25-38 mm, 1x DIN 912 M6x25mm	aluminium die-cast	schwarz	308 123030
		aluminium die-cast	silber	308 123037
		aluminium die-cast	weiß	308 123044