

# CS

# EcoDesign

# PANADERO



## MEASURES

DIMENSIONS H x W x D	594x617x496 mm
GROSS/NET WEIGHT	124/108 kg
FIREWOOD ENTRANCE	485x361 mm
SMOKE FLUE	Ø 150-153 mm Top

## CHARACTERISTICS

CAST IRON GRILL AND DOOR	
NOMINAL HEAT OUTPUT	7,1 KW
EFFICIENCY	80,7 %
CO EMISSIONS	0,10 %
HEAT RESISTANT PAINT	800°C
CERAMIC GLASS HEAT RESISTANCE	750°C

EAN 8426964190359

REF. PANADERO 19035

## PRODUCT PLUS

### ECODESIGN



WOOD LOGS UP TO 50 CM



VERMICULITE LINING



HEATING VOLUME



CLEAN GLASS SYSTEM



TRIPLE COMBUSTION



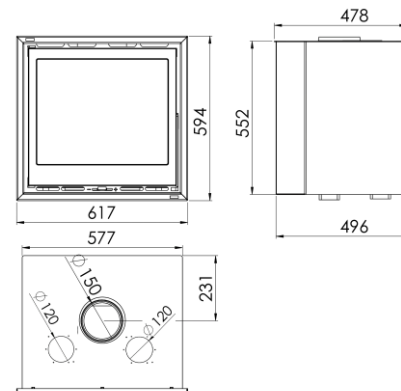
TANGENTIAL FAN



AIR DUCTING



TRIPLE STEEL BODY SHEET  
4 + 3 + 1,5 MM



CS EN



**BImSchV2** Art. 15a B-VG

flamme  
VERTE

Le label  
du chauffage  
au bois

7 ★