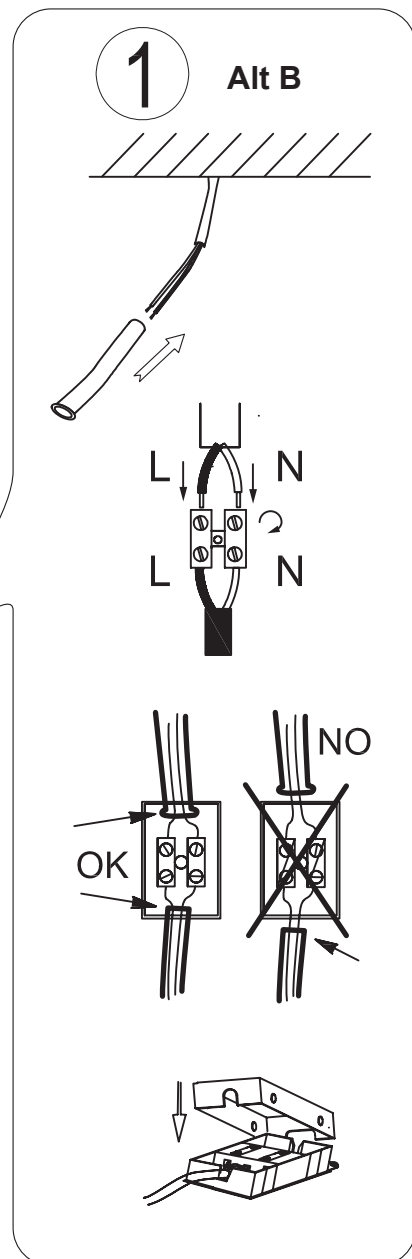
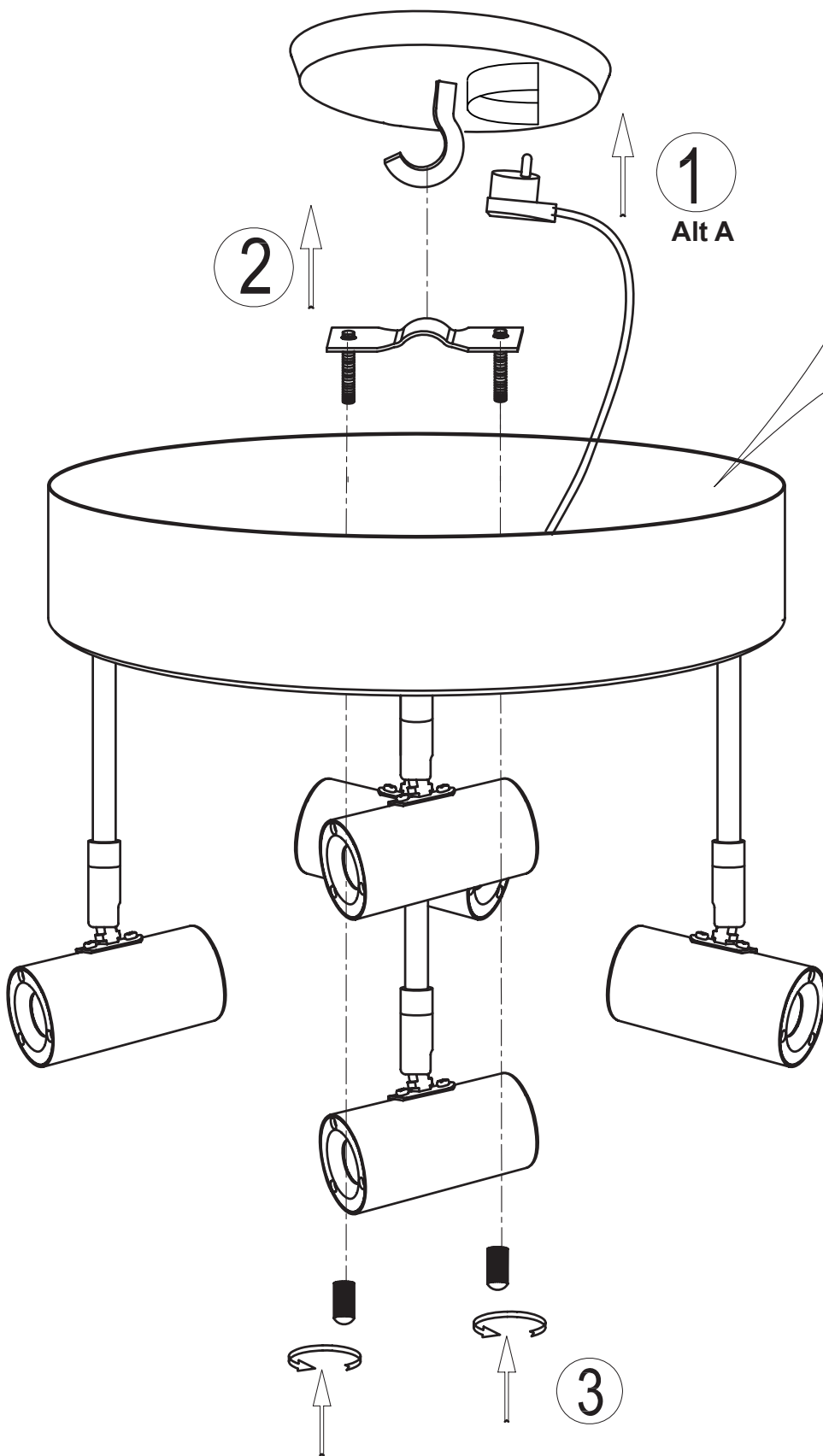


SCAN
LAMPS

GUSTO 76701



ENERGY LABEL
енергия · ενεργεια

A⁺⁺
A⁺ **A⁺**
A
B
C
D
E

27,5 kWh/1000h

5 x 400 lm

5 x 5W LED

T = 3000K warm white

Lifetime 50 000 h

△ 90° Ra ≥ 80

ON 20 000 OFF 0 s