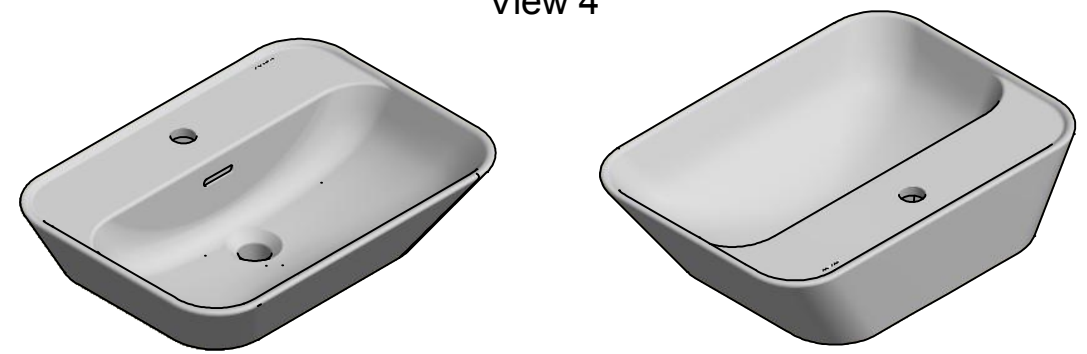
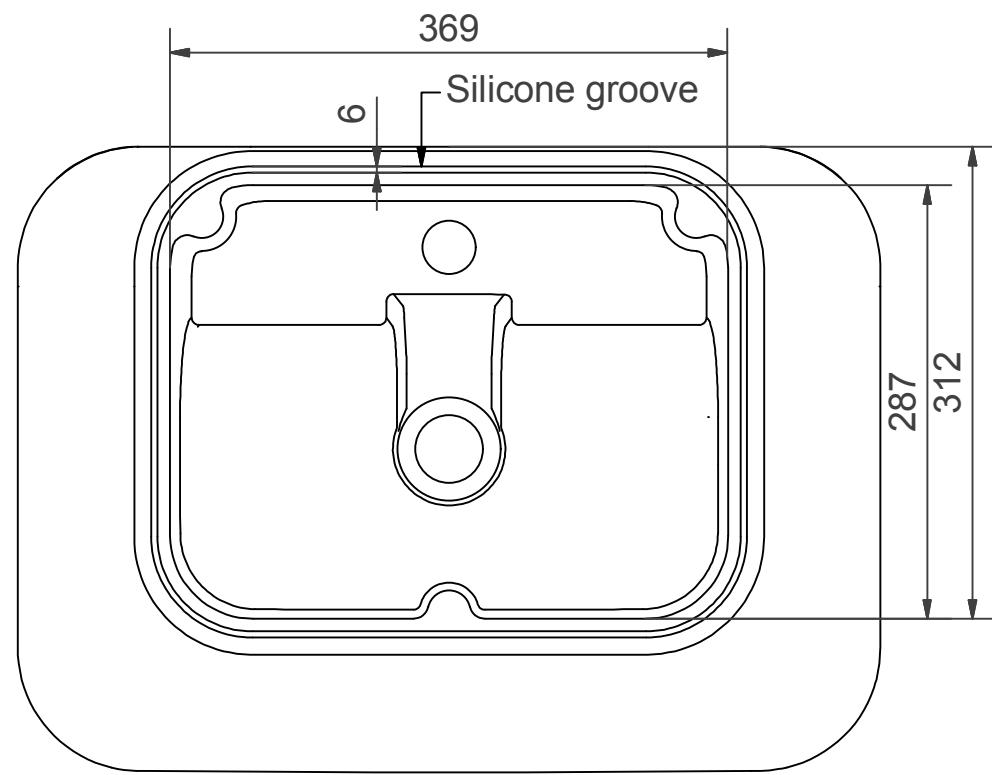
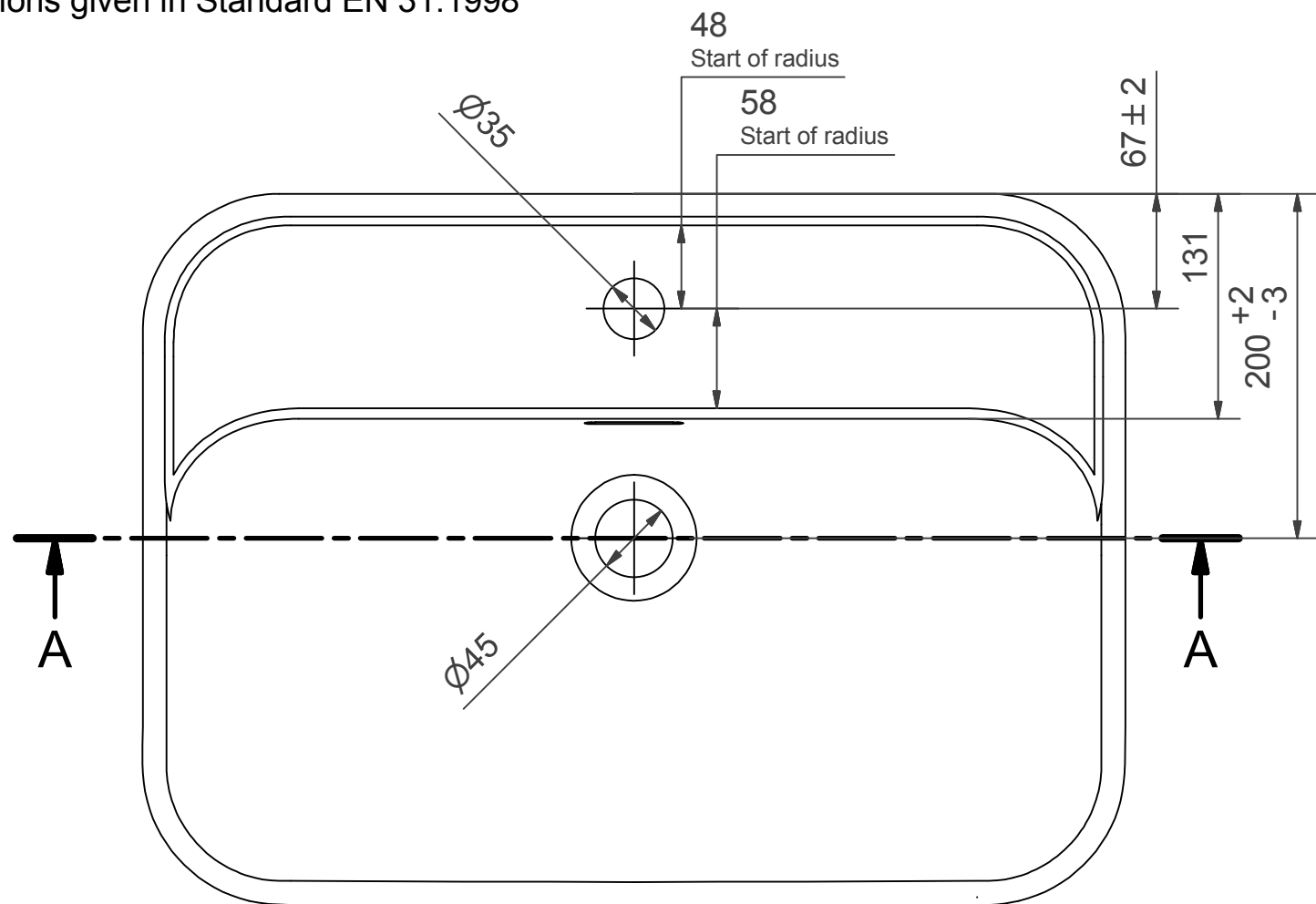


Waste outlet hole should comply with dimensions given in Standard EN 31:1998

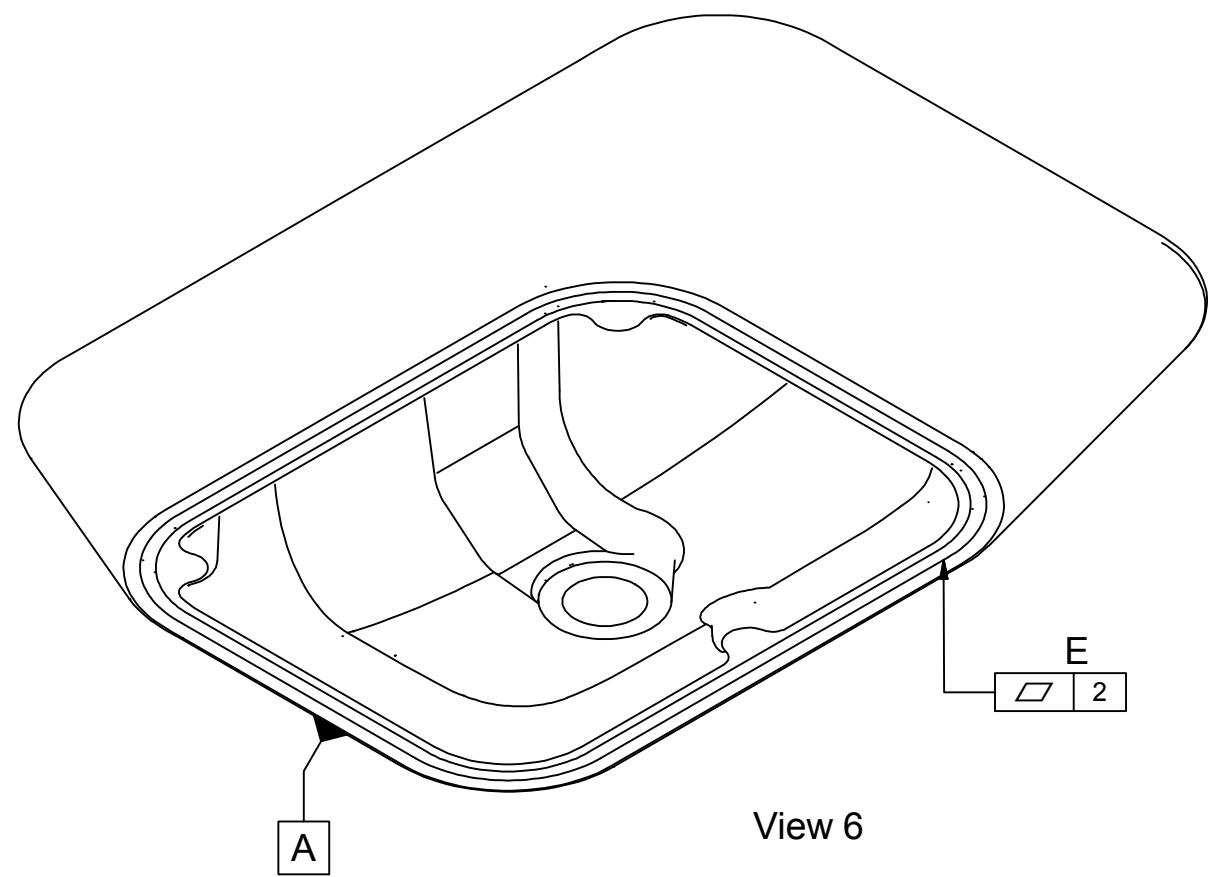


Copyright Svedbergs | Dalsjörp AB

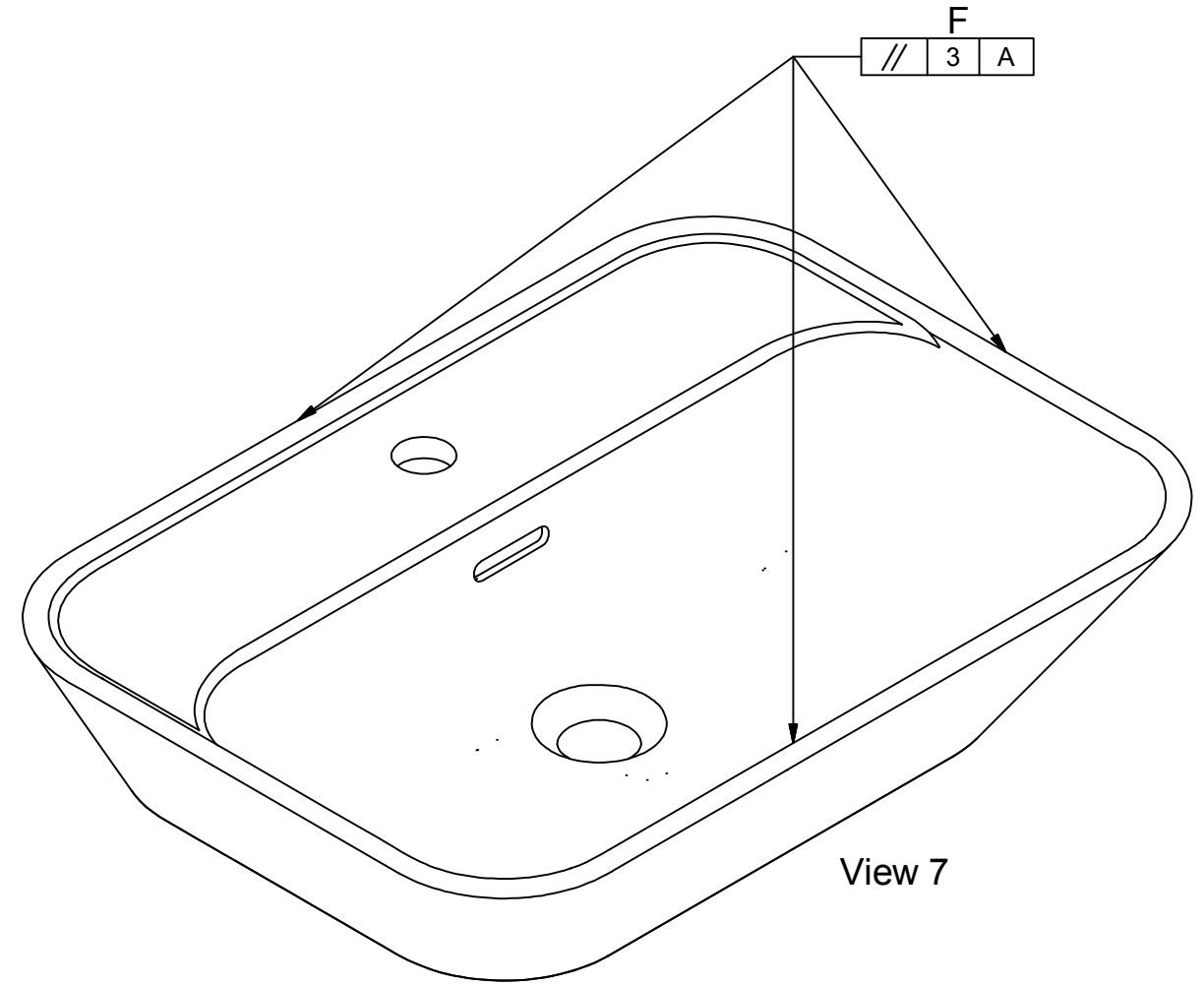
| | | | | | |
|------------|----------|------------------------------------|----------------------|-----------|-----------------------|
| No. | Quantity | Description | Material | Dimension | Article No./Reference |
| 01 | 1 | Changed Logotype Position (page 3) | | | |
| Change No. | 01 | Changemessage | seddjoh - 2017-10-23 | | |
| | | | Changed by - date | | |

| | | | | | | |
|----------|------------|--------------------|------------------------|-------------------|-------|-------|
| Designer | Checked by | Approved by - date | General tolerance Ø | General tolerance | Views | Scale |
| sedcjo | | seddjoh2017-10-23 | ± mm | ± mm | | |
| Owner | | | Description | | | |
| | | | Wash basin Flod, white | | | |
| | | | Part number | Rev.No | Sheet | |
| | | | 8067 | 01 | 1 / 3 | |

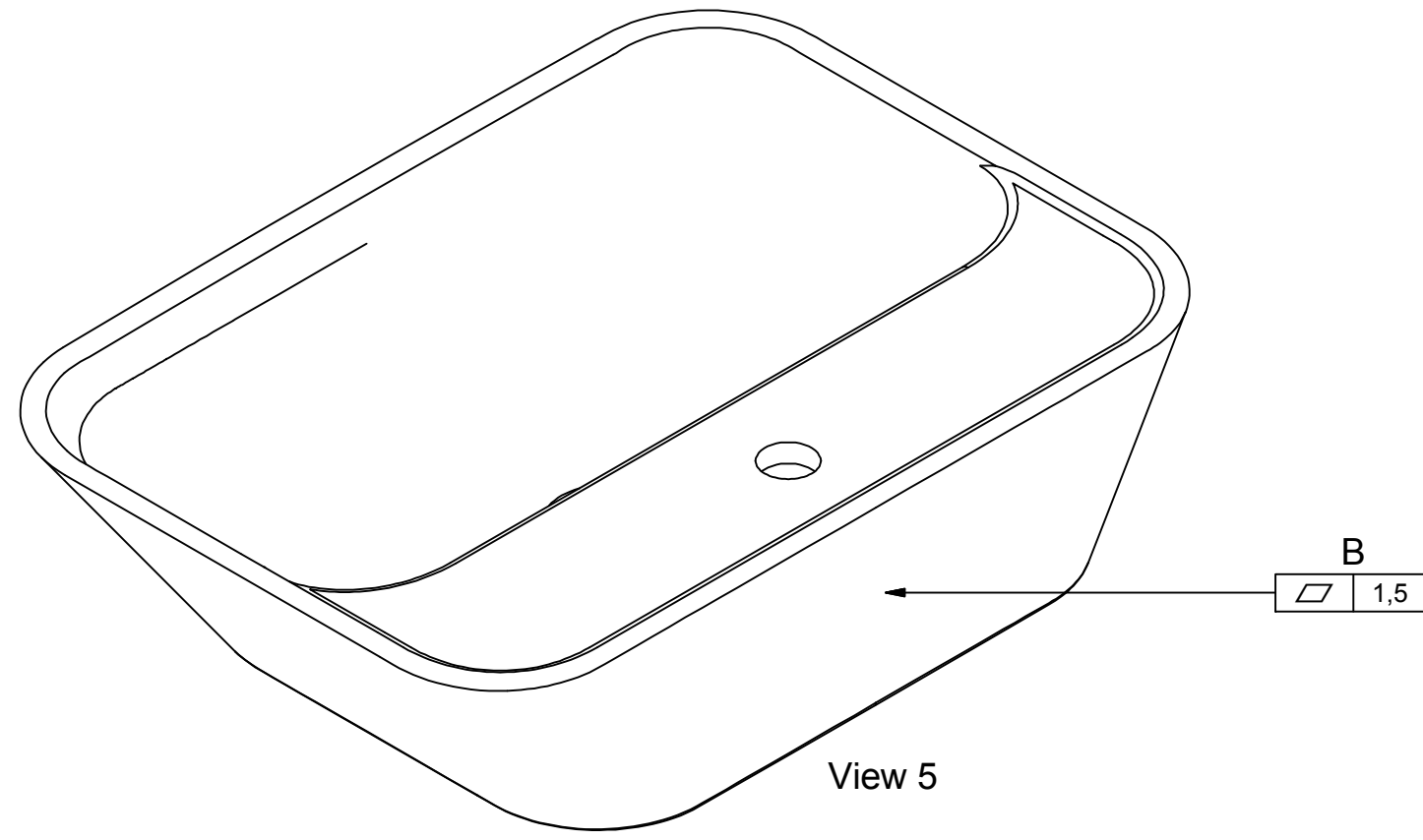




View 6



View 7

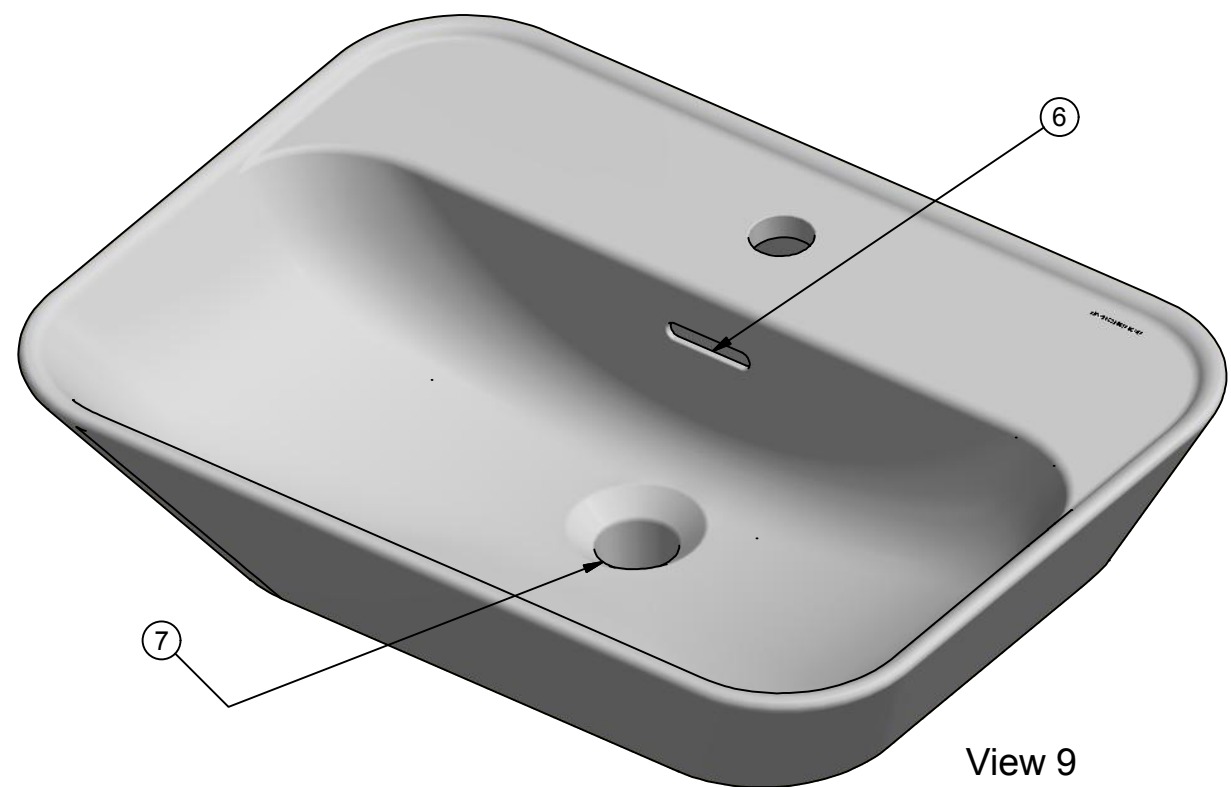


View 5

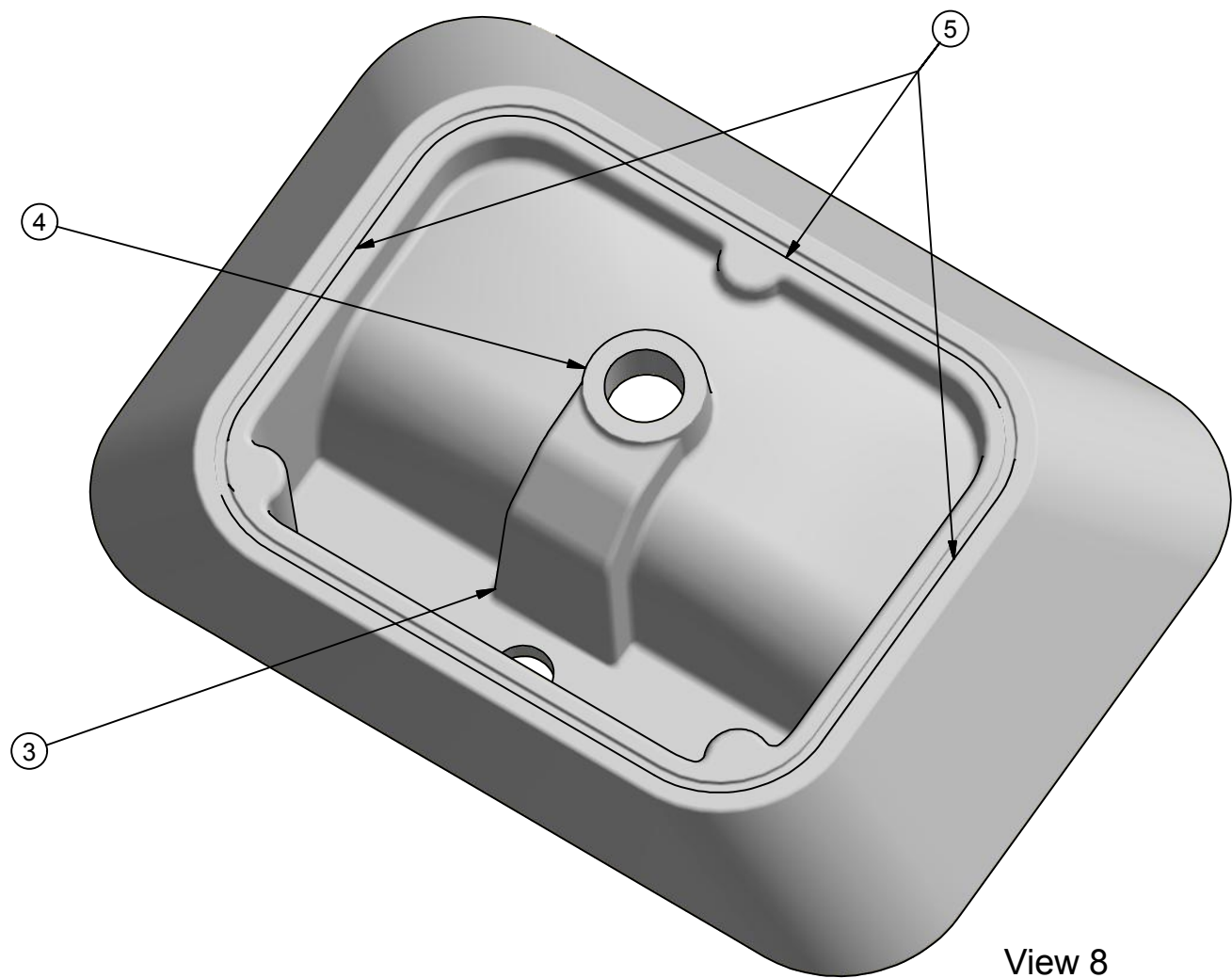
All references according to ISO 1101-1983.
 A. Reference surface = bottom surface.
 B. Flatness of back surface.
 C. Flatness of side surfaces.
 D. Flatness of front surface.
 E. Flatness of bottom surface.
 F. Top surface parallel to bottom surface (ref A).
 - valid all around wash basins Top surface.

Copyright Svedbergs | Dalsjörp AB

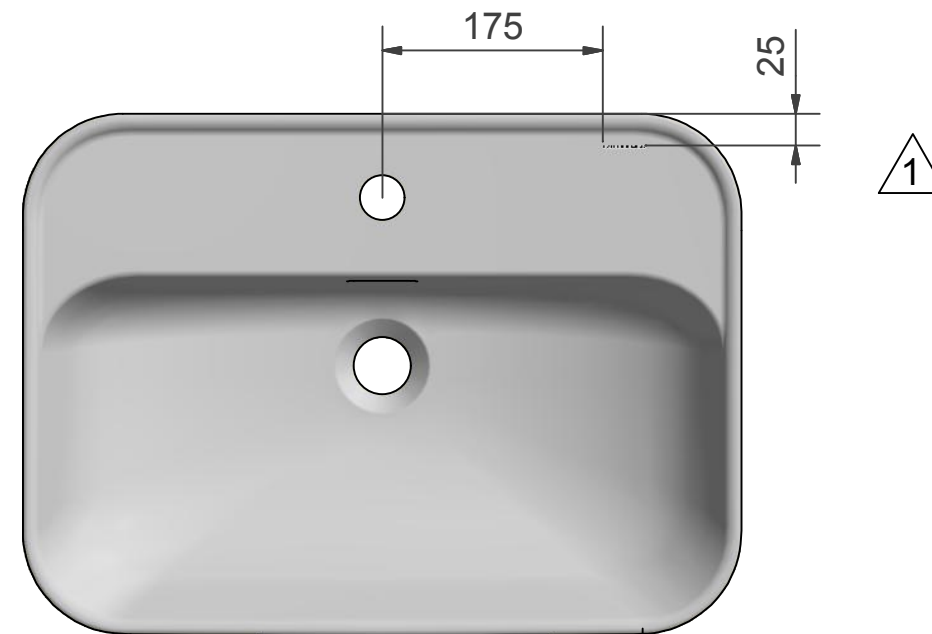
| No. | Quantity | Description | Material | Dimension | Article No./Reference |
|---|------------|--|-----------------------------|---------------------------|-----------------------|
| Designer sedcjo 2014-04-16 | Checked by | Approved by - date seddjoh2017-10-23 | General tolerance Ø ± mm | General tolerance ± mm | Views |
| Owner SVEDBERGS® | | Description Wash basin Flod, white | | | |
| Change No. | | Changemessage | | Changed by - date | |
| Part number 8067 | | Rev.No 01 | Sheet 2 / 3 | | |



View 9



View 8



Placement logotype:
 * 175 mm from centre of mixer hole.
 * 25 mm from back side.
 * Maximum 0,5 mm incline of logotype.

General requirements:

- 1 All dimensions and tolerances are measured in mm.
- 2 Wash basin must fulfill EN14688.
- 3 Slip channel must be blocked from overflow hole.
 - Note: No water is allowed to pass into hollow sections inside the wash basin.
- 4 Waste outlet: All surfaces must be glazed.
- 5 Grinding on bottom surface allowed.
 - Note: if grinding there must be same radius for whole visible front.
- 6 Design of overflow hole: according to standard (same area as Ø22 mm hole).
- 7 Design of waste outlet hole: according to standard EN31.
- 8 Placement of logotype according to agreement.
- 9 Glaze colour: MAX. = 92.20 A+0.40 B+1.30
 REF. = 90.85 A+0.20 B+0.75
 MIN. = 89.00 A-0.25 B-0.10

Copyright Svedbergs | Dalsjörp AB

| | | |
|------------|---------------|-------------------|
| Change No. | Changemessage | Changed by - date |
|------------|---------------|-------------------|

| No. | Quantity | Description | Material | Dimension | Article No./Reference |
|--------------------|---------------------------------------|---|---------------------|-------------------|-----------------------|
| Designer sedcjo | Checked by | Approved by - date seddjoh2017-10-23 | General tolerance Ø | General tolerance | Views |
| 2014-04-16 | | | ± mm | ± mm | |
| Owner | Description Wash basin Flod, white | | | | |
| | | | Part number | Rev.No | Sheet |
| | | | 8067 | 01 | 3 / 3 |