

Dear Customer,

Thank you for choosing a gas barbecue from LANDMANN. Please follow these assembly and operating instructions step by step to get the LANDMANN barbecue you have just purchased ready for use. In addition, we provide you with important notices about how to use and handle the barbecue safely and how to look after it.

Take time to familiarise yourself with the detailed features of your new equipment.

For we not only want you to start off smoothly, but also enjoy using your LANDMANN barbecue for a long time.

If you have any questions about your barbecue model or require further support, our Service team will be happy to help. You will find the relevant contact details on the cover of these assembly and operating instructions.

Your LANDMANN team hopes you enjoy many delicious barbecues with it.

CONTENTS

Technical Data	2
Items Supplied	2
Device Overview	2
Intended Use	3
Safety Notices	3
Requirements Placed on the Gas-Carrying Components	4
Notices for Assembly	4
Inserting the Battery into the Electric Ignition	5
Connecting the Gas Cylinder	5
Leak Test	6
Barbecue Tips	6
Use	6
Cleaning and Maintenance	7
Storage	8
Troubleshooting	8
Disposal	9
EC Declaration of Conformity	9

WARNING:

- Use outdoors only.
- Read the assembly and operating instructions before using the appliance.
- **WARNING:** accessible parts may be very hot. Keep young children away.
- This appliance must be kept away from flammable materials during use.
- Do not move the appliance during use.
- Turn off the gas supply at the gas cylinder after use.
- Do not modify the appliance.

READ THESE ASSEMBLY AND OPERATING INSTRUCTIONS BEFORE YOU START USING THE DEVICE!

A failure to follow the listed safety notices, precautionary measures and steps may lead to serious or even fatal injuries or to material damage caused by a fire or explosion.

Keep these assembly and operating instructions for future reference and other users. They belong to the device. The manufacturer and importer do not accept any liability if the information in these assembly and operating instructions is not complied with.

Symbols



Danger symbol: This symbol indicates possible dangers. Read the associated safety notices carefully and follow them.



Supplementary information



Read the assembly and operating instructions before use!



Suitable for use with food.




Direct current

Further Explanations

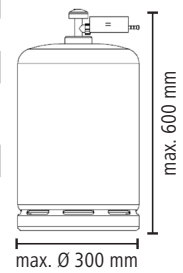
Key numbers are shown as follows: (1)

Picture references are shown as follows: (Picture A)

TECHNICAL DATA

Device name:	Gas barbecue "TRITON 4.0"				 2531-23 PIN: 2531CU-0061
Model number:	12268				
Country:	BG, CY, CZ, DK, EE, FI, HU, HR, IS, IT, LT, LV, MT, NL, NO, RO, SE, SI, SK	PL	AT, CH, CZ, DE	BE, CH, CZ, ES, FR, GR, IE, IT, LT, LU, LV, PT, SK, SI, TR	
Gas category:	I _{3B/P} (30)	I _{3B/P} (37)	I _{3B/P} (50)	I ₃₊ (28-30/37)	
Gas type:	G30 (Butane), G31 (Propane) or a mixture of them	G30 (Butane), G31 (Propane) or a mixture of them	G30 (Butane), G31 (Propane) or a mixture of them	G30 (Butane)	G31 (Propane)
Gas pressure in mbar:	28–30	37	50	28–30	37
Consumption:	G30: 872 g/h G31: 857 g/h	G30: 872 g/h G31: 857 g/h	G30: 872 g/h G31: 857 g/h	872 g/h	857 g/h
Ø of nozzle of main burner:	0.85 mm	0.79 mm	0.73 mm	0.85 mm	0.85 mm
Heat output:	12 kW (4 x 3.0 kW main burner)				
Ignition:	1.5 V battery (AA)				
Pressure regulator:	According to EN 16129; The national provisions must be complied with.				
Gas hose:	According to EN 16436-1; max. 1.5 m; The national regulations regarding the maximum period of use must be followed.				
Dimensions (L x H x W):	Barbecue: approx. 140 x 120 x 57 cm				
Weight:	approx. 46 kg				
Gas cylinder:	Standard gas cylinder, see adjacent illustration for dimensions.				
ID of assembly and operating instructions:	Z TRI 4.0+mod M LM SCA V1 1122 md				
Manufacturer:	LANDMANN Germany GmbH, Am Heisterbusch 1, 19258 Gallin, Germany				

Made in China.



ITEMS SUPPLIED

(Picture A, see fold-out page)

Item	Description	No.
1	Barbecue unit (preassembled)	1
2	Bracket A	2
3	Bracket B	2
4	Lid handle	1
5	Side table, left	1
6	Side table, right	1
7	Gas hose with pressure regulator (not supplied in some countries)	1
8	Grease tray	1
9	Side panel, left	1
10	Angle fitting, left	1
11	Angle fitting, right	1
12	Side panel, right	1
13	Lockable castor	4
14	Base plate	1
15	Base cabinet panel	1
16	Base cabinet door, right	1
17	Base cabinet door, left	1
18	Back panel	1
19	Door handle	2
20	Crossbar	1
21	Flame tamer	4
22	Grease tray	1
23	Control knob	4
24	Side grill rack	2
25	Middle grill rack	1
26	Warming rack	1
27	Grill rack lifter	1

Item	Description	No.
Assembly materials:		
A	Screw, M4 x 10 mm	16
B	Screw, M6 x 12 mm	30
C	Screw, M6 x 18 mm	8
D	Washer	2
	1.5 V battery (AA) for the electric ignition	1
	Assembly and operating instructions	1
	Instructions for pressure regulator	1

You also require:

- LP gas cylinder (see the "Technical Data" chapter), 1 x
- Assembly tool

These are not supplied with the device.

PLEASE NOTE!

- Check the items supplied for completeness and the components for transport damage. If any parts are missing or damaged, contact the customer service department (see the cover of these assembly and operating instructions). We reserve the right to make minor technical changes, e.g. in relation to the assembly materials.
- Remove any films, stickers or transport protection from the device, but **never the rating plate and possible warnings!**

DEVICE OVERVIEW

(Picture B)

- 28 Thermometer in lid
- 29 Lid
- 30 Ignition button
- 31 Gas connection
- 32 Base cabinet

INTENDED USE

- This gas barbecue is intended to be used to prepare food that can be grilled. It is operated with liquefied petroleum gas and is intended to be used outdoors.
- Other uses are not permitted. This applies in particular to the following possible misuses:
 - Do not operate the barbecue with wood, charcoal or any other type of fuel that is not liquefied petroleum gas (propane / butane).
 - Never connect the barbecue to the gas network (municipal gas network)! The valves and nozzles are only designed for liquid gas cylinders.
 - Do not use the barbecue for heating.
 - Do not use the barbecue to heat up substances and materials other than food.
 - Never use the barbecue as a built-in device.
- The barbecue and the gas cylinder must be used and stored in accordance with the applicable regulations.
- The barbecue is designed exclusively for personal and not for commercial use.
- Use the barbecue only for the specified purpose and as described in these assembly and operating instructions. Any other use is deemed to be improper. Incorrect operation and incorrect handling may impair the function or cause material damage or personal injury.
- The warranty does not cover faults caused by incorrect handling, damage or attempted repairs. The same applies to normal wear and tear and to grease deposits and stains on the barbecue and accessories.

SAFETY NOTICES



Risks of Injury

- The barbecue is not intended to be used by children and people with reduced physical, sensory or mental abilities or a lack of experience and/or knowledge.
- Children must not play with the barbecue. Ensure that children do not have unsupervised access to the barbecue, even when it is switched off. Incorrect use can be dangerous.
- **WARNING: Accessible parts may be very hot. Keep young children away!** Never leave the barbecue unsupervised when it is in operation or still hot. In particular, make sure that no children or persons who are not capable of correctly recognising or reacting to possible dangers come near the hot barbecue.
- Wear barbecue gloves which have been inspected in accordance with Regulation (EU) 2016/425 for personal protective equipment in line with DIN EN 407 (heat protection category II).
- Do not touch any heated parts while or after using the barbecue! Only ever touch the handles and control knobs while the barbecue is in operation or immediately after it has been switched off. Wait until the barbecue has cooled down before it is transported, cleaned or stored away.
- **Do not move the barbecue during operation!**
- Consuming alcohol or drugs may have a negative effect on your ability to assemble, move, store or operate the barbecue safely and properly.



Risks of Suffocation, Fire and Explosion

Gas is extremely flammable and burns explosively. Serious personal injury or damage to property may occur if escaping gas ignites in an uncontrolled fashion.

Liquefied petroleum gas is heavier than oxygen. It therefore settles at the bottom and displaces the oxygen there. If a corresponding concentration of gas forms (e.g. if a gas cylinder is damaged), this may result in suffocation owing to a lack of oxygen.

- Only ever use the gas types, gas cylinders, pressure regulators and gas hoses which are specified in these assembly and operating instructions (see the "Requirements Placed on the Gas-Carrying Components" chapter).
- Only use the barbecue above ground level (i.e. do not use it in depressions below ground level).
- **Use outdoors only.** Do not use the barbecue in buildings, garages, covered passageways, tents, other enclosed areas, under awnings or flammable structures.
- Do not use the barbecue in or on a vehicle. This also applies to mobile homes, caravans and boats.
- Do not use the barbecue if there are highly flammable or explosive substances in the air or surrounding space. Do not store fuel or other flammable vapours or liquids near the barbecue and do not use such substances with the barbecue. Do not spray any sprays close to the barbecue.
- Never use the barbecue without a pressure regulator (see the "Requirements Placed on the Gas-Carrying Components" chapter – "Pressure Regulator")!
- Make sure that the pressure regulator is connected properly and in good working order and does not have any damage.
- Each time the gas cylinder is connected or when the barbecue has not been used for a prolonged period, perform a leak test on all gas-carrying components (see the "Leak Test" chapter). **The barbecue must not be used if there is a gas leak.**
- **This device must be kept away from flammable materials during use.** There is a risk of fire and a smouldering fire. The following minimum distances from flammable materials must be maintained: 2 m above and 1 m to the side of the barbecue. The distance from low-flammability materials, e.g. building walls, must be at least 0.6 m. While the barbecue is in use, neither the weatherproof cover nor any other flammable materials may be stored in the base cabinet either.
- When the gas cylinder is connected, there must be no ignition sources within 5 m of the barbecue, in particular no naked flames or burning cigarettes, candles, lamps, etc. Electrical devices may also pose a danger if gas escapes when the cylinder is connected.
- Never block up the ventilation openings of the barbecue unit and the gas cylinder installation space and make sure that they are always clear.
- Do not cover any openings of the barbecue and make sure that they are not blocked before the barbecue is put into operation. Like most devices that are used outdoors, the barbecue is a possible hiding place for spiders and insects. Any blockages in the gas-carrying components may impede the flow of gas, which may reduce performance or even result in a dangerous flashback. Remove blockages in the manner described in the "Cleaning and Maintenance" chapter.
- Never leave the barbecue unsupervised when it is in operation. If a flame goes out, reignite it immediately or shut off the gas cylinder.
- If you smell gas, turn off the gas supply on the gas cylinder and extinguish all flames. Do not switch on any electrical devices. Find out the cause and fix the gas leak before you use the barbecue again.
- Make sure that foodstuffs containing oil and fats are not overheated. Do not place any oil-filled vessels onto the barbecue.
- Do not extinguish a grease fire with water! Turn off the gas supply at the gas cylinder immediately. Switch all burners off immediately and leave the lid closed until the fire has extinguished.
- **Turn off the gas supply at the gas cylinder immediately after use.**
- Do not cover the barbecue while it is still hot.
- **Do not make any modifications to the device!** Any modification to the device may be dangerous.

- **Components which have been sealed by the manufacturer or its agent must not be manipulated.**
- **Repairs may only be carried out by the manufacturer or customer service department** in order to avoid any hazards. If you notice any damage or there is a fault, contact the customer service department (see the cover of these assembly and operating instructions). The barbecue must not be used until it has been repaired as a malfunctioning barbecue may increase the risk of injury.
- Use only original accessories from the manufacturer in order to guarantee that there is no interference that may prevent the barbecue from working and to avoid possible damage or hazards.
- Never remove a control knob, the gas cylinder or one of the gas-carrying components while the device is operating.
- Never transport the barbecue with a gas cylinder connected to it. The barbecue and gas cylinder must always be transported separately from one another.
- Clean the barbecue regularly in the manner described in the "Cleaning and Maintenance" chapter.



Hazards from Gas Cylinders

- **Note the specifications of the manufacturer or lender of the gas cylinder!**
- A gas cylinder must be kept out of the reach of children!
- Never use a gas cylinder that is dented or rusty.
- Never use a gas cylinder with a damaged valve.
- Never lay a gas cylinder on its side. Always install, transport and store gas cylinders (even empty ones) in an upright, secure position.
- Never drop a gas cylinder. Do not subject it to impacts or damage it.
- Gas cylinders may explode if they are heated. Never burn a gas cylinder. Do not expose it to extreme heat (over 50°C) or direct sunlight either. Do not leave a gas cylinder in a car on a hot day. Make sure that neither the gas cylinder nor the gas hose touch the barbecue while in use.
- Gas cylinders may only be connected, used and stored in an outdoor space with good ventilation (i.e. not in stairwells, corridors or passageways, for example) and above ground level (i.e. not in depressions below ground level).
- Move a leaking gas cylinder immediately to a well-ventilated space outdoors, allow the gas to escape and wait until it has dissipated. Then return the empty gas cylinder to the manufacturer and tell it that it has a leak.
If you feel dizzy or nauseous, breathe fresh air and seek medical assistance if necessary.
- Always close the valve on the gas cylinder first before you disconnect the pressure regulator from the gas cylinder.
- Gas cylinders (including empty ones) which are not connected up for immediate use must not be stored directly next to an operating device that is being powered by gas or electricity.
- Even gas cylinders which appear to be empty may still contain liquefied petroleum gas and must therefore be handled with the same care as a full gas cylinder.



Hazards from Batteries

- Batteries can be deadly if swallowed. Batteries should therefore be kept out of the reach of young children and animals. If a battery is swallowed, seek medical attention immediately. There is a danger of burns from battery acid.
- If the battery leaks, do not allow your skin, eyes and mucous membranes to come into contact with the battery acid. Wear protective gloves if necessary. If you do touch battery acid, rinse the affected areas with plenty of clear water straight away and seek medical assistance. There is a danger of burns from battery acid.

- Use only the battery type specified in the technical data.
- Remove batteries if they are used up or the barbecue is not being used for a long time. This will prevent any damage caused by leaks.
- Remove a battery that has leaked immediately and clean the contacts in the battery compartment.

REQUIREMENTS PLACED ON THE GAS-CARRYING COMPONENTS

The barbecue is operated using liquefied petroleum gas (LPG or LP gas). The LPGs propane, butane and their mixtures remain liquid at room temperature and low compression (< 10 bar) in a gas cylinder. When the gas cylinder is opened, the pressure escapes, the liquid expands and changes into a gas.

Gas Cylinder

- Only ever use gas cylinders containing propane or butane gas or a mixture of the two gases. The gas cylinders must meet the national regulations and must not be bigger than is specified in the "Technical Data" chapter.

Gas Cartridge

- If the barbecue is approved for use with a gas cartridge, only ever use screw-on cartridges with a 7/16" thread and a maximum capacity of 450 g/800 ml.

Pressure Regulator

The pressure regulator ensures that the barbecue is always supplied with a consistent gas pressure.

- Use the pressure regulator that is supplied with the barbecue. It has been tested and is CE-certified. It complies with the European Standard EN 16129.
- If the barbecue has been supplied without a pressure regulator, purchase a pressure regulator that matches the gas cylinder. Make sure that it complies with the national regulations.

Gas Hose

- Use the gas hose that is supplied with the barbecue. If the items supplied did not include a gas hose, purchase a gas hose that complies with the national regulations.
- The gas hose (or hose line) must be no longer than 1.5 m and must satisfy the specifications of the standard EN 16436-1.
- Note the national regulations and replace the gas hose if they require it or if the gas hose has exceeded the maximum use-by date.
- Before each use, make sure that the gas hose does not have any kinks or tears and is not worn. If the gas hose has a leak or is defective, the barbecue must not be put into operation.

NOTICES FOR ASSEMBLY

PLEASE NOTE!

- Keep the packaging material away from young children and animals! There is a danger of suffocation.
- The assembly steps are shown at the end of these assembly and operating instructions. Follow them in the correct order. **Incorrect assembly can be dangerous.**
- Only use tools in perfect condition that fit properly. If you use a tool that is worn or does not fit, you will not be able to tighten the screws firmly enough, but you may also damage them so that they can no longer be turned.
- Ensure there is sufficient space to assemble the barbecue and if necessary use a mat to protect the barbecue or delicate floors from being scratched.
- Assemble the barbecue on a horizontal, flat surface to make sure it is straight.

- Do not apply any force when assembling the barbecue.
- First tighten the screw connections so they are hand-tight and then tighten them again once you have completed the assembly step. Otherwise this may cause unwanted tension.
- Tighten the nuts until they fit firmly, and then turn them a quarter turn more. Do not tighten them too hard!

INSERTING THE BATTERY INTO THE ELECTRIC IGNITION

Before you first use it, a 1.5V battery (AA) needs to be inserted in the electric ignition (Picture H):

1. Twist the ignition button anticlockwise until it detaches.
2. Insert the battery in the battery compartment with its minus pole first or replace it if necessary.
3. Screw the ignition button back on.
 - Replace the battery if the ignition performance starts to wane.

CONNECTING THE GAS CYLINDER

PLEASE NOTE!

- Before you connect the gas cylinder, note the "Requirements Placed on the Gas-Carrying Components" chapter.
- Only change the gas cylinder outdoors or in a well-ventilated space, away from ignition sources (e.g. candles, cigarettes, other devices that produce flames).
- All connecting pieces must be free of any dirt and not be damaged.
- The gas cylinder must not touch hot parts of the barbecue or be within range of the heat radiation.
- The gas hose must not be under strain, twisted or bent and must not touch the barbecue.
- When you have connected the gas cylinder, make sure that all connections are tight (see the "Leak Test" chapter). Only screw on the pressure regulator hand-tight! Do not use a tool so that the seal of the valve is not damaged, which would compromise the leaktightness.

If your barbecue has been supplied without a pressure regulator and a gas hose, if applicable, purchase them. When you do this, consider the national regulations and the specifications in the "Requirements Placed on the Gas-Carrying Components" chapter – "Pressure Regulator" and "Gas Hose".

1. Place the fully assembled barbecue in an outdoor space on a stable, horizontal and flat surface. Ensure there is sufficient clear space on all sides. When you are choosing where to set up, note the "Safety Notices" chapter.
2. If necessary, lock the lockable castors by twisting the wing nuts.
3. Fold up the side table and let it engage in the hinges at an angle of 90°. Lift it up slightly to fold it down.
4. All control knobs must be in the Off position (arrow on the control knob pointing upwards). If this is not the case, press the control knob and turn it to the Off position.
5. Place the gas cylinder upright securely on the ground next to the barbecue. The valve of the gas cylinder must be closed.
6. Make sure that the area around the barbecue and the gas cylinder are freely accessible and clear of any objects.
7. If the gas hose is not already attached to the barbecue, fix one end of the gas hose on the gas connection of the barbecue and, if required, fix the other end on the pressure regulator. The type of fixing depends on the country-specific design of the gas hose.
8. Connect the pressure regulator as described in the associated instructions. In the event that you do not have any instruc-

tions for the pressure regulator, a few of the different connection variants are described below. COMMENT: The illustrations may differ slightly.

9. Perform a leak test after you have connected the gas cylinder (see the "Leak Test" chapter).



We recommend placing the gas cylinder next to the barbecue while it is in use.

However, the gas cylinder may be stored in the base cabinet during and after use provided that it does not exceed the specified maximum dimensions (see the "Technical Data" chapter). Place the gas cylinder in the recess that is provided for it in the base plate.

Attaching the Pressure Regulator

Pressure Regulator with Left-Hand Thread

(Picture C)

1. Screw the pressure regulator hand-tight onto the valve thread of the gas cylinder. Note that it is a left-hand thread and needs to be screwed anticlockwise.
2. To allow the gas to flow out and you to start operating the barbecue, turn the valve (a) on the gas cylinder anticlockwise. To close the valve, turn it clockwise.

Pressure Regulator with Lever

(Picture D)

1. Move the lever of the pressure regulator (b) to the Off position.
2. Press the pressure regulator onto the gas cylinder valve until it clearly engages.
3. To allow the gas to flow out and you to start operating the barbecue, move the lever to the On position. To stop the gas supply, move the lever to the Off position.

Pressure Regulator with Sleeve

(Picture E)

1. Move the lever of the pressure regulator (b) to the Off position.
2. Slide the sleeve of the pressure regulator upwards and hold it there.
3. Press the pressure regulator onto the gas cylinder valve and slide the sleeve downwards to close it.
4. If the pressure regulator does not engage, repeat the process.
5. To allow the gas to flow out and you to start operating the barbecue, move the lever to the On position. To stop the gas supply, move the lever to the Off position.

Pressure Regulator for Gas Cartridges

(Picture F)

Only ever use gas cartridges with a screw thread.

1. Before you connect the gas cartridge, check whether the rubber seal on the pressure regulator is in place and in perfect condition.
2. Close the valve (c) on the pressure regulator.
3. Screw the gas cartridge onto the pressure regulator anticlockwise from below.
4. To allow the gas to flow out and you to start operating the barbecue, open the valve (c). To stop the supply of gas, close it.

Removing the Pressure Regulator

1. Make sure that the valve of the gas cylinder or the pressure regulator is closed.
2. Open up the control knob of the barbecue so that the rest of the gas can escape from the system.
3. To remove the pressure regulator, perform the assembly steps in reverse order.

LEAK TEST

PLEASE NOTE!



Never look for gas leaks using a naked flame! Before you check for leaks, make sure that there are no naked flames nearby and no sparks can form. Sparks or flames may trigger an explosion that can cause serious or even fatal injuries or material damage.

After you first connect it, each time you change the gas cylinder or if the barbecue has not been used for a prolonged period, the leak test must be performed on all gas-carrying components in order to ensure that gas is not escaping from any of them. If your pressure regulator has a manometer, follow the instructions in the guide for the pressure regulator to carry out a leak test. To do this, use a standard leak detector agent and follow the manufacturer's instructions. **Performing a leak test by listening is not safe!**

BARBECUE TIPS

1. Before you start barbecuing, **get everything together** that you will require. When you barbecue, you should always have an eye on the barbecue and the food being cooked and not need to keep going in the kitchen.
2. Before you cook **meat**, it should be at **room temperature** to ensure good, even cooking.
3. Use **clean grill racks**. The new food you are cooking will stick to any residues on the grill rack.
4. **Food that has had a small amount of oil brushed on it** will brown more evenly and stick to the grill rack less.
5. **Rub oil onto grill racks** before you barbecue so that the food being cooked does not stick.
6. **Always preheat the barbecue** with the lid closed so that the food being cooked does not stick to the grill rack and searing is possible. This will also burn off any residues from your last barbecue. Even if you want to cook on a medium or low heat, you should still preheat the barbecue.
7. Do **not place too much food to barbecue** on the grill rack. Leave a sufficient amount of space between the pieces so they can easily be picked up and moved.
8. If you are using a **marinade, sauces or glaze with a high sugar content** or other ingredients which burn easily, only spread them on **in the last 10 to 15 minutes** of barbecuing.
9. We recommend that when you barbecue **you keep the lid closed**. This reduces the risk of flash flames and ensures that your food is barbecued faster and more evenly. Do not open it too often to check on the food being cooked to prevent too much air getting in and heat and smoke escaping unnecessarily.
10. To make sure your steak has a great barbecue pattern and a delicious crust, you must **not turn it too often**. In most cases, the food being cooked should only be turned once, and only when it is the colour you want it to be. This will also prevent the lid being opened too much.
11. You can place food that has already been barbecued on the **warming rack** to keep it warm while you carry on barbecuing. Please note that it will continue to be cooked a little. In addition, you can use the warming rack to toast burger buns or gently cook vegetables, seafood, etc. while you grill meat, for example, on a high heat on the grill rack.

Direct vs. Indirect Grilling

Direct Grilling

This is the classic option in which the food being grilled is placed directly over the burner. The level of heat is therefore high. This means that this method is good for food with shorter cooking times of no more than 30 minutes and for quickly searing burgers or steaks, for example. It produces a delicious crust while the inside stays nice and juicy.

Indirect Grilling

This is where the heat comes from burners next to the food being cooked; the burner directly beneath remains switched off. At the same time, the lid is closed so that the heat cannot escape. We recommend this method of barbecuing for food with long cooking times such as spare ribs, pulled pork or whole poultry. But fish and vegetables can also be gently cooked in this way.

You can also combine both grilling methods: first sear the food hot and then finish cooking it gently.

USE

Putting the Barbecue into Operation

PLEASE NOTE!

- Burn off the barbecue with the grill racks and all accessories that come into direct contact with food before you first use them to remove any possible production residues. To do this, heat the barbecue on the highest level with the lid closed for at least 20 minutes. Clean the accessories once they have cooled down. Also note the "Cleaning and Maintenance" chapter.
- Only use the barbecue if all parts are in their designated place and the barbecue has been assembled properly in accordance with the assembly steps in these assembly and operating instructions.
- Each time before you use the barbecue, make sure that it is undamaged and has been set up correctly. When you are choosing where to set up, note the "Safety Notices" chapter.
- Before each use, make sure that the gas cylinder and the pressure regulator have been connected correctly and all gas-carrying parts are leaktight (see the "Connecting the Gas Cylinder" and "Leak Test" chapters).
- Check the barbecue for any grease deposits before each use. Remove excess grease and empty and clean all parts in the grease collecting system to prevent any grease fires (see the "Cleaning and Maintenance" chapter).
- Do **not** line the grease collecting system or barbecue chamber with aluminium foil or another type of foil.
- The lid must be open during the ignition process. Ignite each burner individually.
- If the flame goes out or a burner has not ignited, turn the corresponding control knob to the Off position. Wait approx. 2 to 5 minutes before trying again to allow the gas to dissipate. Otherwise there may be a deflagration.
- When you are igniting the gas flame, do not bend over the grill surface as there may be a deflagration if gas builds up in the barbecue chamber.
- Never pour water onto the hot barbecue to avoid burns and scalding.

1. Open the lid.
2. Make sure that all control knobs are in the Off position (arrow on the control knob pointing upwards). If they are not, press the control knob and turn it to the Off position.
3. Open the gas supply on the gas cylinder.
4. Each burner is equipped with its own ignition system and so can be ignited individually: Press the control knob for the

burner you want and turn it to the **Max** (maximum power) position (Picture **G**). The gas supply is activated. With a piezo ignition, a spark is also produced and this generates a popping noise.

With an electric ignition, also press the ignition button (Picture **I**). You will hear a clicking noise.

5. Check whether the burner has been ignited: Look carefully to see whether flames are emerging from the burner.
6. If the burner has not ignited, turn the control knob to the Off position and try again after approx. 2 to 5 minutes.



With a piezo ignition, only let go of the control knob a few seconds after ignition has taken place so that the flame does not go out.

7. Ignite the rest of the burners in the same way too.

Barbecuing

PLEASE NOTE!

- Hot steam may escape when the lid is opened. You should therefore keep your head and hands out of the danger zone. There is a danger of scalding.
- Use barbecue utensils with long, heat-resistant handles.

1. Preheat the barbecue once the burners have been ignited: Close the lid and wait until the temperature you want is displayed on the thermometer in the lid. Once it has preheated, you can switch off the burners that you do not need. To do this, turn the control knobs to the Off position.
2. Open the lid and place the food to be barbecued on the grill rack or another accessory that you are using.
3. If you want to produce a high temperature in the barbecue chamber and the food should be cooked more evenly from all sides, close the lid.
4. Reduce the burner power if necessary by turning the control knob towards the **Min** (lowest power) position.
5. As soon as the food being cooked is as brown as you want it to be, turn it using barbecue tongs.

Taking the Barbecue Out of Operation

1. Shut off the gas supply on the gas cylinder.
2. Turn all control knobs to the Off position.
3. Allow the barbecue to cool down before you move it.
4. Clean the barbecue once it has cooled down (see the "Cleaning and Maintenance" chapter). Excessive accumulations of food residues and cooking fat may cause what is known as a grease fire.

CLEANING AND MAINTENANCE

PLEASE NOTE!

- Allow all parts to cool down before you clean them until they are no longer hot and can be touched.
- Do not perform any cleaning on the valve of the pressure regulator! It contains very sensitive components which could be damaged even on slight contact with other objects. Do not immerse the pressure regulator in water.
- The gas system may only be cleaned by a qualified expert. Under no circumstances should you dismantle the controller unit.
- The inside of a burner must not get wet!
- Do not immerse the barbecue in water and do not hose it down. No liquid must get inside the gas-carrying or electrical components.
- Disconnect the gas cylinder before cleaning the barbecue housing.
- Never pour cold water onto hot parts. This may lead to burns and material damage.
- Never use spirits or other flammable or abrasive cleaning agents.
- The accessories supplied are not dishwasher-safe.
- All parts must be dry before they are used or stored away.

To allow you to enjoy using your barbecue for a long time, you should keep it clean. If it is not cleaned and maintained, it may not perform as well over time. Low temperatures and uneven heat distribution are indications that gas-carrying components should be cleaned. Food residues on the grill rack will cause the food being cooked to stick on. Grease deposits may cause a grease fire.

Cleaning the Grease Collecting System (After Each Use)

- **Do not use any abrasive cleaning agents.**
 - Empty and clean all parts of the grease collecting system (grease tray or grease pan) after or before each use. Rinse the parts with warm water, detergent and a sponge. The easiest option is to clean them after use in a lukewarm (not hot!) condition.

Cleaning the Cast-Iron Grill Racks and Grill Plate (After Each Use)

You clean the grill plate in the same way as the grill rack:

1. Leave the grill rack in the barbecue and remove any coarse residues with a grill rack cleaning brush or a spatula.
2. You burn off the remaining residues as follows: Switch on the barbecue for approx. 30 minutes at the highest level (at least 300°C) and close the lid.
3. Allow the grill rack to cool down until you can touch it and brush off the residues. Then wipe it clean with a damp paper towel if necessary.
4. We recommend rubbing vegetable oil into the clean grill rack to maintain it and prepare it for your next barbecue.

Cleaning Enamelled Grill Racks, Warming Racks, Flame Tamers and Other Enamelled Parts

- **Do not use abrasive cleaning agents or brushes with steel bristles.**
 - Clean the grill and warming racks after every use, and clean the other components when necessary.
 - Use a plastic spatula to scrape off coarse residues or soak them in warm water.
 - Then use warm water with a little detergent and a sponge or soft cloth for cleaning.

Cleaning Stainless Steel Racks (After Each Use)

- Clean stainless steel racks with warm water, washing-up liquid and a sponge or stainless steel cleaning pad.

Cleaning the Barbecue Chamber (If Necessary)

During use, evaporated grease and smoke produces carbon which is deposited in the barbecue chamber.

- **Do not use any abrasive cleaning agents.**
1. Remove all food residues and deposits of grease throughout the barbecue chamber. You can do this using a plastic spatula, for example.
 2. Then wipe the surfaces clean with a soft cloth. If there is heavier soiling, you can wash it off with warm water, detergent and a sponge and then wipe dry with a non-abrasive cloth.

Cleaning the Outsides (If Necessary)

The outsides of the barbecue consist of different materials and surfaces. We therefore recommend different cleaning methods depending on the type of surface.

Stainless Steel Surfaces

- Use a non-abrasive stainless steel cleaner and follow the manufacturer's instructions. **Do not use any abrasive pastes!**
- Otherwise you can use warm water, a household cleaner and a sponge for cleaning. Then rinse the surfaces with clear water and dry them with a soft cloth.



If the barbecue is exposed to a particularly harsh environment, the outside of the barbecue must be cleaned more frequently. In an environment containing chloride and sulphide, in particular in coastal regions, stainless steel may also oxidise or display spots. Salt water, acid rain, close proximity to pools and hot tubs and other extreme conditions characterised by great heat and humidity may cause spots to be formed. These spots are sometimes confused with rust.

They can easily be removed and avoided: Wash off the spots with warm water and a household cleaner, rinse the surface with clear water and dry it. Rub down all stainless steel surfaces every 3 to 4 weeks with tap water and a cleaning agent for stainless steel to prevent the formation of spots.

Painted, Enamelled Surfaces and Plastic Parts

- **Do not use any abrasive cleaning agents.**
- Only use warm water with a little household cleaner and paper towels or a soft cloth for cleaning. Clean the surface, rinse it down and wipe it dry.

Cleaning Gas-Carrying Components (If Necessary)

Gas-carrying components may become blocked and need to be cleaned if

- you smell gas and the burner flame is very yellow and weak.
- the temperature you want is not reached.
- the burner heats up unevenly or the flame flickers.

Clean them as follows:

- Clean the whole of the outer surface of the burners with a clean wire brush to remove any food residues and dirt. **When you are cleaning, make sure that the ignition electrode is not bent or damaged.** Brush carefully around the ignition electrode.
- In particular, make sure that at each burner tube the gas outlet and air inlet openings or the venturi tube are clear. If necessary, clean them for example with a pipe cleaner or with compressed air.
- If you need to, you can clean the gas connection and the connections on the gas hose with a soft brush.

Maintenance Tasks

PLEASE NOTE!

- The nozzles may only be replaced by an expert.

The barbecue does not require maintenance if it is cleaned regularly. Despite this, it must be checked from time to time. Base the intervals on how often it is used and the environmental conditions under which the barbecue operates.

- Check whether all parts of the barbecue have been provided and are fitted (visual check).
- Check whether all connections have been provided and are securely tightened. Tighten them if necessary.
- The gas system must be checked each time that a gas cylinder is connected (see the "Leak Test" chapter).
- The gas hose must be replaced if it has leaky or damaged sections or the maximum use-by date (see the "Technical Data" chapter) has been exceeded.

STORAGE

PLEASE NOTE!

- Protect the barbecue from strong wind, persistent moisture, rain, snow, hail or other weather conditions.
- If you are not going to use the barbecue for a prolonged period, disconnect the gas cylinder from the barbecue and store it properly (see the "Safety Notices" chapter – "Hazards from Gas Cylinders").

- Store the barbecue in a dry location outdoors. Cover the barbecue (with a weatherproof cover) to protect the components from moisture, dust, insects or spiders which might get inside the barbecue and become established there.
- Clean the barbecue before you store it away (see the "Cleaning and Maintenance" chapter).
- If the barbecue is stored **indoors**, it must be **disconnected from the gas cylinder**. Seal it shut properly with a locking nut and protective cap (depending on the design) and store it in a well-ventilated place outdoors above ground level (i.e. not in depressions below ground level).
- Take the battery out of the electric ignition when you will not be using the barbecue for a prolonged period to prevent damage caused by a possible battery leak.

TROUBLESHOOTING

If despite sufficient care and maintenance a fault does occur, this chapter may help you to fix it.

If the problem cannot be solved with the steps below, contact the customer service department (see the cover of these assembly and operating instructions).



Do not attempt to repair the gas system yourself!

Smell of gas (possibly with very yellow and weak flame).

Leak in the gas system.

1. Shut off the gas cylinder immediately.
2. Do not create any flames or sparks (do not switch on any electrical devices).
3. Tighten all the screw connections of the gas system.
4. Check all gas-carrying parts for external damage; replace defective parts with genuine replacement parts.
5. Check for leaks (see the "Leak Test" chapter).

The burners are blocked.

- ▶ Clean them in the manner described in the “Cleaning and Maintenance” chapter – “Cleaning Gas-Carrying Components (If Necessary)”.

The nozzle of the adjustment element (behind the front panel) or other gas system is blocked.

- ▶ Have the gas system cleaned by an expert.

Burner does not ignite.

The battery of the electric ignition is empty or inserted incorrectly.

- ▶ Insert a new battery. Check the polarity +/-.

The gas cylinder is empty.

- ▶ Replace the gas cylinder.

The burner is blocked.

- ▶ Clean it in the manner described in the “Cleaning and Maintenance” chapter – “Cleaning Gas-Carrying Components (If Necessary)”.

For the side burner: The ignition cable is not plugged on the ignition.

- ▶ Visual check. Plug on the ignition cable if necessary.

The nozzle of the adjustment element (behind the front panel) or other gas system is blocked.

- ▶ Have the gas system cleaned by an expert.

The ignition is defective.

- ▶ Have the ignition checked and repaired or replaced by an expert.

The desired temperature is not reached. / The flame is small or flickers a lot or the flame pattern is irregular. / Individual burners do not ignite.

The gas cylinder is (almost) empty.

- ▶ Replace the gas cylinder.

The burners are blocked.

- ▶ Clean them in the manner described in the “Cleaning and Maintenance” chapter – “Cleaning Gas-Carrying Components (If Necessary)”.

The gas hose is bent.

- ▶ Straighten the gas hose.

The nozzle of the adjustment element (behind the front panel) or other gas system is blocked.

- ▶ Have the gas system cleaned by an expert.

Deflagration or bubbling/popping noises

Flashback caused by blockages on the burner.

- ▶ Close the gas cylinder valve immediately. Wait 5 minutes and then start operating the barbecue again. If the fault persists, clean the burners in the manner described in the “Cleaning and Maintenance” chapter – “Cleaning Gas-Carrying Components (If Necessary)”. Otherwise have the gas system cleaned by an expert.

Strong Flare Up

The food being cooked is fatty.

- ▶ Remove large amounts of fat, place the meat on a grill tray or reduce the barbecue temperature.

The barbecue is dirty.

- ▶ Clean the barbecue (see the “Cleaning and Maintenance” chapter).

DISPOSAL

To dispose of the barbecue, dismantle it into its individual parts and recycle any metals and plastic.



Dispose of the packaging material in an environmentally friendly manner so that it can be recycled.



The adjacent symbol (crossed-out bin underlined) means that used devices should not be disposed of in the domestic waste, but should instead be taken to special collection and return systems.

Owners of used devices must remove from the used device any used batteries or rechargeable batteries which are not encapsulated by the used device and can be removed in a non-destructive way and dispose of them separately (see also the section on battery disposal).

Owners of used devices from private households can take them free of charge to the collection points of the public waste disposal authorities or the disposal points which are set up by manufacturers and distributors under the Electrical Equipment Act. Businesses which market electrical and electronic devices are also obliged to take back used devices.



(Rechargeable) batteries must not be disposed of along with the household waste. Consumers are legally obliged to dispose of (rechargeable) batteries separately.

(Rechargeable) batteries can be handed in free of charge at a collection point of the local authority/district or in retailers so that they can be disposed of in an environmentally friendly way and valuable raw materials can be recovered. If they are not disposed of properly, toxic ingredients may escape into the environment and cause harm to the health of humans, animals and plants.

Only dispose of (rechargeable) batteries when they are discharged. If possible, use rechargeable batteries rather than single-use batteries.

In the case of (rechargeable) batteries containing lithium, tape over the poles before you dispose of them to prevent a short circuit. A short circuit may cause a fire or explosion.

EC DECLARATION OF CONFORMITY

We, the company LANDMANN Germany GmbH, hereby declare that the gas device described here conforms to the Regulation **(EU) 2016/426**.

The conformity was confirmed by a type test in accordance with the standard **EN 498:2012**.

The type test was carried out by the notified body **DBI Certification A/S (2531)**.

Device identification number: **2531CU-0061**

If you require more information, please contact our customer service department.



Bästa kund,

Många tack för att du har valt en gasgrill från LANDMANN. Den här monterings- och bruksanvisningen innehåller detaljerade instruktioner som hjälper dig att göra din grill från LANDMANN startklar. Vi ger dessutom några viktiga riktlinjer om hur du använder den på ett säkert sätt och hur du sköter om den.

Ta tid på dig att bekanta dig med din nya utrustning i detalj. Detta är för att vi inte bara vill att du ska få en smidig start utan även långvarig glädje av din grill från LANDMANN.

Vår kundtjänst hjälper dig gärna om du har frågor om din e-grill eller behöver mer hjälp. Du hittar kontaktpuppgifterna på omslaget till den här monterings- och bruksanvisningen.

**Mycket nöje och trevlig grillning önskar
LANDMANN-teamet.**

INNEHÅLL

Tekniska data	11
Leveransomfattning	11
Översikt av apparat	11
Avsedd användning	12
Säkerhetsanvisningar	12
Krav på gasslangar och gaskomponenter	13
Monteringsanvisningar	13
Montering av batterier i den elektriska tändningen	14
Anslutning av gascylinder	14
Läckagekontroll	14
Grilltips	15
Användning	15
Rengöring och underhåll	16
Förvaring	17
Felsökning	17
Kassering	18
EG-försäkran om överensstämmelse	18

VARNING:

- Använd endast utomhus.
- Läs denna monterings- och bruksanvisning innan apparaten tas i bruk.
- **VARNING:** Åtkomliga delar kan vara mycket varma! Håll undan barn.
- Brännbara material måste hållas på avstånd från apparaten vid användning.
- Flytta inte apparaten under användning.
- Stäng gastillförseln på gascylindern efter användning.
- Gör inga modifieringar av apparaten.

LÄS DENNA MONTERINGS- OCH BRUKSANVISNING INNAN APPARATEN TAS I BRUK!

Underlåtenhet att följa säkerhetsanvisningar, försiktighetsåtgärder och arbetssteg kan leda till allvarliga personskador eller till och med dödsfall genom brand eller explosion.

Behåll den här monterings- och bruksanvisningen för att få hjälp med framtida frågor och för andra användare. De tillhör apparaten. Tillverkaren och importören tar inget ansvar om anvisningarna i denna monterings- och bruksanvisning inte följs.

Symboler



Varningssymbol: Den här symbolen påvisar möjliga risker. Läs och följ tillhörande säkerhetsanvisningar noggrant.



Kompletterande information



Läs monterings- och bruksanvisningen innan användning!



Lämplig för livsmedel.



Likström

Fler förklaringar

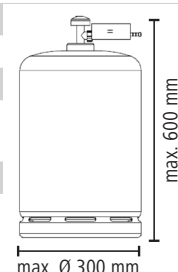
Förklaringsnummer visas enligt följande: (1)

Bildreferenser visas enligt följande: (Bild A)

TEKNISKA DATA

Enhetsbeteckning:	Gasgrill "TRITON 4.0"				
Modellnummer:	12268				
Land:	BG, CY, CZ, DK, EE, FI, HU, HR, IS, IT, LT, LV, MT, NL, NO, RO, SE, SI, SK	PL	AT, CH, CZ, DE	BE, CH, CZ, ES, FR, GR, IE, IT, LT, LU, LV, PT, SK, SI, TR	
Gaskategori:	3B/P (30)	3B/P (37)	3B/P (50)	3+ (28-30/37)	
Gastyp:	G30 (butan), G31 (propan) eller en blandning av dessa	G30 (butan), G31 (propan) eller en blandning av dessa	G30 (butan), G31 (propan) eller en blandning av dessa	G30 (butan)	G31 (propan)
Gasträck i mbar:	28–30	37	50	28–30	37
Förbrukning:	G30: 872 g/t G31: 857 g/t	G30: 872 g/t G31: 857 g/t	G30: 872 g/t G31: 857 g/t	872 g/t	857 g/t
Ø munstycke till huvudbrännare:	0,85 mm	0,79 mm	0,73 mm	0,85 mm	0,85 mm
Värmeeffekt:	12 kW (4 x 3,0 kW huvudbrännare)				
Tändare:	1,5 V-batteri (AA)				
Reducerventil:	i enlighet med EN 16129; nationella riktlinjer måste följas.				
Gaslang:	i enlighet med EN 16436-1; max. 1,5 m. Följ nationella riktlinjer för längsta möjliga användning innan byte.				
Mått (L x H x B):	Grill: ca. 140 x 120 x 57 cm				
Vikt:	ca. 46 kg				
Gascylinder:	Gascylinder av standardtyp, se avbildningen bredvid för dimensioner.				
Id monterings- och bruksanvisning:	Z TRI 4.0+mod M LM SCA V1 1122 md				
Tillverkare:	LANDMANN Germany GmbH, Am Heisterbusch 1, 19258 Gallin, Tyskland				

CE 2531-23
PIN: 2531CU-0061



Tillverkad i Kina.

LEVERANSOMFATTNING

(Bild A, se bild på den utvikbara sidan)

Pos.	Beteckning	Ant.
1	Barbecue-eenheid (gemonteerd)	1
2	Hoekstuk A	2
3	Hoekstuk B	2
4	Dekselgreep	1
5	Zijtafel links	1
6	Zijtafel rechts	1
7	Gaslang met drukregelaar (medföljer inte i vissa länder)	1
8	Vetopvangbak	1
9	Zijwand links	1
10	Hoekbeslag links	1
11	Hoekbeslag rechts	1
12	Zijwand rechts	1
13	Vastzetbaar wiel	4
14	Bodemplaat	1
15	Onderkastprofiel	1
16	Onderkastdeur rechts	1
17	Onderkastdeur links	1
18	Achterwand	1
19	Deurgreep	2
20	Dwarsstang	1
21	Branderafdekking	4
22	Vetopvangplaat	1
23	Regelknop	4
24	Sidogrillgaller	2
25	Mittre grillgaller	1
26	Varmhållningsgaller	1
27	Lyftverktuyg för grillgaller	1

Pos.	Beteckning	Ant.
Monteringsmaterial:		
A	Skruv, M4 x 10 mm	16
B	Skruv, M6 x 12 mm	30
C	Skruv, M6 x 18 mm	8
D	Bricka	2
	1,5 V-batteri (AA) till den elektriska tändningen	1
	Monterings- och bruksanvisning	1
	Bruksanvisning till reduccerventil	1

Du behöver dessutom:

- Gascylinder med flytande gas (se kapitlet "Tekniska data"), 1 x
 - Verktyg för montering
- Dessa medföljer inte.

VIKTIGT!

- Kontrollera att leveransen är komplett och att komponenterna inte har några transportskador. Kontakta kundtjänst om några delar saknas eller är skadade (se omslaget till denna monterings- och bruksanvisning). Vi kan komma att göra mindre tekniska förändringar, t.ex. i fråga om monteringsmaterial.
- Ta bort eventuell plastfilm, klistermärken eller transportskydd från apparaten men **aldrig typskylten och eventuella varningar!**

ÖVERSIKT AV APPARAT

(Bild B)

- 28** Locktermometer
- 29** Lock
- 30** Tändknapp
- 31** Gasanslutning
- 32** Underskåp

AVSEDD ANVÄNDNING

- Den här gasgrillen har designats för tillagning av grillbar mat. Den drivs med flytande gas och är avsedd att användas utomhus.
- Ingen annan användning är tillåten. Detta gäller särskilt följande förutsebara felaktiga användningsområden:
 - Använd inte grillen med trä, träkol eller annat förbränningsmaterial som inte är flytande gas (propan/butan).
 - Anslut aldrig grillen till naturgasnätet (din stads gasnät)! Ventilerna och munstyckena är endast konstruerade för flaskor med flytande gas.
 - Använd inte grillen för uppvärmning.
 - Använd inte grillen för att värma andra ämnen och material än livsmedel.
 - Använd aldrig grillen som en inbyggd apparat.
- Grillen och gascylindern måste användas och förvaras i enlighet med gällande föreskrifter.
- Grillen är avsedd för privat bruk, inte för kommersiellt bruk.
- Använd endast grillen för det angivna ändamålet och endast enligt beskrivningen i denna monterings- och bruksanvisning. All annan användning anses strida mot det avsedda ändamålet. Felaktig användning och behandling kan försämra funktionen, skada andra föremål och orsaka personskador.
- Alla defekter som orsakas av felaktig hantering, skador eller reparationsförsök omfattas inte av garantin. Detta gäller även normalt slitage samt fettavlagringar och missfärgning av grillen och tillbehören.

SÄKERHETSANVISNINGAR



Risker med användning

- Grillen är inte avsedd att användas av barn och personer med nedsatta fysiska, sensoriska eller mentala förmågor eller bristande erfarenhet och/eller kunskap.
- Barn får inte leka med grillen. Se till att barn inte får tillgång till grillen utan uppsikt, även när den är avstängd. Felaktig användning kan vara farlig.
- **VARNING: Åtkomliga delar kan vara mycket varma! Håll undan barn!** Lämna aldrig grillen utan uppsikt när den används eller fortfarande är varm. Var särskilt noga med att inte låta barn eller personer som inte kan identifiera eller reagera korrekt på potentiella risker komma nära en grill.
- Använd skyddshandskar som är testade enligt EU-förordning 2016/425 för personlig skyddsutrustning DIN EN 407 (värmskyddskategori II).
- Vidrör inte några delar av grillen som blir varma vid användning! Vidrör endast handtagen och reglagen om grillen används eller omedelbart efter avstängning. Vänta tills grillen har svalnat innan du transporterar, rengör eller förvarar den.
- **Flytta inte grillen under användning!**
- Förtäring av alkohol eller droger kan ha en negativ påverkan på möjligheten att använda grillen på ett ordentligt sätt, montera den säkert samt förflytta, förvara eller använda den.



Risk för kvävning, brand och explosion

Gas är mycket lättantändlig och har en explosionsartad förbränning. En okontrollerad brand av utströmmande gas kan leda till allvarliga personskador och skada på egendom. Flytande gas är tyngre än syre. Den lägger sig därför längs golvet och tränger undan syret. När gaskoncentrationen blir tillräckligt hög (t.ex. vid en skadad gascylinder) kan kvävning inträffa till följd av syrebrist.

- Använd uteslutande de gastyper, gascylindrar, reducentventiler och gasslangar som nämns i denna monterings- och bruksanvisning (se kapitlet "Krav på gasslangar och gaskomponenter").

- Använd endast grillen över marknivå (dvs. inte i fördjupningar eller under marknivå).
- **Använd endast utomhus.** Använd inte grillen i byggnader, garage, täckta passager, tält, andra slutna utrymmen, under markiser eller brännbara konstruktioner.
- Använd inte grillen i eller på ett fordon. Detta gäller även husbilar, husvagnar och båtar.
- Använd inte grillen om det förekommer lättantändliga eller explosiva substanser i luften eller omgivningarna. Förvara inte något drivmedel eller andra lättantändliga ångor eller vätskor i närheten av grillen och använd inte några liknande material till grillen. Använd inte sprejer i närheten av grillen.
- Använd aldrig grillen utan reducentventil (se kapitlet "Krav på gasslangar och gaskomponenter" – "reducentventil")!
- Kontrollera att reducentventilen är korrekt ansluten och fungerar samt att den inte är skadad.
- Utför en läckagekontroll av alla gaskomponenter (se kapitlet "Läckagekontroll") varje gång gascylindern ansluts eller när grillen inte har använts under en längre tid. **Grillen får inte användas om en gasläcka upptäcks.**
- **Brännbara material måste hållas på avstånd från den här apparaten vid användning.** Det finns risk för brand och krypbrand. Följande minimiavstånd till brännbara material måste bibehållas: 2 m i höjled och 1 m i sidled mot grillen. Avståndet till svårantändliga material, t.ex. husväggar, måste vara minst 0,6 m. Varken överdraget eller andra brännbara material får förvaras i underskåpet vid användning.
- Det får inte finnas några antändningskällor inom en radie på 5 m från grillen när gascylindern ansluts, särskilt inga öppna lågor eller brinnande cigaretter, ljus, lampor osv. Elektriska apparater kan också utgöra en risk om gas läcker ut under anslutningen.
- Stäng aldrig ventilationshålen på grillenheten och förvaringsutrymmet för gasflaskan och se till att de alltid är fria.
- Täck inte för några av grillens öppningar och kontrollera att de inte är igensatta innan grillen börjar användas. Som de flesta apparater som används utomhus är grillen en möjlig tillflyktsort för spindlar och insekter. Om gaskomponenter blir igensatta kan effekten minska och en farlig eldslåga kan skapas när gasflödet återigen blir obehindrat. Avlägsna hinder enligt beskrivningen i kapitlet "Rengöring och underhåll".
- Lämna aldrig grillen utan uppsikt när den används. Tänd slocknade eldslågor direkt eller stäng gascylindern.
- Stäng gastillförseln vid gascylindern och släck alla eldslågor vid gaslukt. Slå inte på några elektriska apparater. Fastställ och åtgärda orsaken till gasläckan innan du tänder grillen igen.
- Var noga med att inte överhetta livsmedel som är rika på olja och fett. Placera inte oljefyllda behållare på grillen.
- Släck inte fettbränder med vatten! Stäng omedelbart gastillförseln på gascylindern. Stäng omedelbart av alla brännare och håll locket stängt tills branden har slocknat.
- **Stäng gastillförseln på gascylindern direkt efter användning.**
- Täck inte över grillen när den är varm.
- **Gör inga modifieringar av apparaten!** Alla modifieringar av apparaten kan vara farliga.
- **Komponenter som har plomberats av tillverkaren eller dess ombud får inte manipuleras.**
- **Reparationer får endast utföras av tillverkaren eller kundtjänst** för att undvika fara. Kontakta kundtjänst om du upptäcker skador eller vid störningar (se omslaget till denna monterings- och bruksanvisning). Grillen får inte användas innan problemet avhjälps eftersom detta kan leda till defekter och öka risken för personskador.
- Använd endast originalreservdelar från tillverkaren för att inte påverka grillens funktion och för att undvika eventuella skador eller fara.

- Demontera aldrig regulatorknappen, gascylindern eller någon av gasledningarna eller gaskomponenterna under användning.
- Transportera aldrig grillen med en ansluten gascylinder. Grillen och gascylindern måste alltid vara fränkopplade från varandra vid transport.
- Rengör grillen regelbundet enligt beskrivningen i kapitlet "Rengöring och underhåll".



Risker med gascylindrar

- **Följ instruktionerna från gascylinderns tillverkare eller uthyrningsföretaget.**
- En gascylinder får inte hamna i händerna på barn!
- Använd aldrig buckliga eller rostiga gascylindrar.
- Använd aldrig gascylindrar med skadad ventil.
- Lägg aldrig en gascylinder ned. Montera, transportera och förvara alltid gascylindrarna (även tomma) i ett upprätt, säkert läge.
- Låt aldrig en gascylinder falla. Utsätt dem inte för stötar och skada dem inte.
- Gascylindrar kan explodera vid uppvärmning. Bränn aldrig en gascylinder. Utsätt dem inte för extrem värme (över 50 °C) eller direkt solljus. Lämna aldrig en gascylinder i en bil under en varm dag. Se till att varken gascylindern eller gasslangen kommer i kontakt med grillen vid användning.
- Anslut, använd och förvara endast gascylindrar på en välventilerad plats utomhus (dvs. inte i t.ex. trapphus, korridorer, passager och genomfarter) och över marknivå (dvs. inte i fördjupningar och under marknivå).
- Placera omedelbart en läckande gascylinder på en välventilerad yta utomhus, låt gasen flöda ut och vänta tills den har avdunstat. Returnera sedan den tomma gascylindern till tillverkaren med en anmärkning om läckage.
Vid yrsel eller illamående, andas in frisk luft och sök medicinsk hjälp vid behov.
- Stäng alltid gascylinderns ventil innan du kopplar bort reducerventilen från gascylindern.
- Gascylindrar (även tomma) som inte är anslutna och ska användas direkt får inte förvaras i direkt anslutning till gas- eller eldrivna apparater.
- Även till synes tomma gascylindrar kan innehålla flytande gas och måste därför hanteras med samma omsorg som en full gascylinder.



Risker från batterier

- Batterier kan innebära livsfara vid förtäring. Förvara därför batterier utom räckhåll för små barn och djur. Uppsök medicinsk hjälp omedelbart vid förtäring av batterier. Det förekommer frättningsrisk från batterisyra.
- Förhindra att hud, ögon och slemhinnor får kontakt med batterisyrans om batterier läcker. Använd skyddshandskar vid behov. Vid kontakt med batterisyra, spola av de utsatta stälлена med rikligt med vatten och uppsök medicinsk hjälp. Det förekommer frättningsrisk från batterisyra.
- Använd endast den typ av batterier som anges i kapitlet Tekniska data.
- Ta ur batterierna när de används eller när grillen inte används under en längre tid. Detta förhindrar skador från läckage.
- Avlägsna ett läckande batteri direkt och rengör kontaktarna i batterifacket.

KRAV PÅ GASSLANGAR OCH GASKOMPONENTER

Grillen drivs med flytande gas (Liquefied Petroleum Gas, LPG eller LNG). Den flytande gasen propan, butan samt blandningar av dessa förblir flytande i rumstemperatur och låg kompression (< 10 bar). Om gascylindern öppnas uppstår ett tryck, den flytande gasen expanderar och övergår i gasform.

Gascylinder

- Använd endast gascylindrar med propan- eller butangas eller en blandning av dessa gaser. Gascylindrarna måste uppfylla kraven i de nationella bestämmelserna och får inte vara större än vad som anges i kapitlet "Tekniska data".

Gaspatron

- Om användning av gaspatroner är godkänd för grillen ska du endast använda patroner av skruvtyp med en 7/16-tums gänga och en maximal kapacitet på 450 g/800 ml.

Reducerventil

Reducerventilen ser till att grillen alltid förses med ett jämnt gstryck.

- Använd den reducereventil som medföljer grillen. Den har kontrollerats och är CE-certifierad. Den motsvarar EU-standard EN 16129.
- Skaffa en reducereventil som är lämplig för gascylindern om grillen har levererats utan en reducereventil. Försäkra dig om att den uppfyller de nationella bestämmelserna.

Gasslang

- Använd den gasslang som medföljer grillen. Om ingen gasslang medföljer behöver du skaffa en gasslang som uppfyller de nationella föreskrifterna.
- Gasslangen (eller slangledningen) får inte vara längre än 1,5 m och måste uppfylla kraven i standard EN 16436-1.
- Följ de nationella föreskrifterna och byt ut gasslangen vid behov eller om gasslangens sista användningsdatum har överskridits.
- Försäkra dig om att gasslangen inte har några veckmärken eller revor och att den inte är utsliten innan varje användning. Grillen får inte användas om gasslangen är porös eller defekt.

MONTERINGSANVISNINGAR

VIKTIGT!

- Håll förpackningsmaterial utom räckhåll för små barn och djur! Det finns risk för kvävning.
- Stegen för montering har avbildats i slutet av denna monterings- och bruksanvisning. Följ dem i rätt ordning. **Felaktig installation kan vara farlig.**
- Använd endast felfria och passande verktyg. Det går inte att dra åt skruvar ordentligt med slitna verktyg eller verktyg som inte passar och det kan även skada skruvarna så att de blir obrukbara.
- Se till att det finns tillräckligt med utrymme för monteringen och använd ett underlägg om det behövs för att skydda grillen eller känsliga golv från repor.
- Montera grillen på en plan yta så att den inte blir skev.
- Använd inte våld under monteringen.
- Dra först åt skruvanslutningarna för hand och sedan en gång till ordentligt efter att ha slutfört monteringssteget. Annars kan oönskade spänningar uppstå.
- Dra åt muttrarna tills de sitter stadigt och vrid sedan ett kvarts varv till. Dra inte åt dem för hårt!

MONTERING AV BATTERIER I DEN ELEKTRISKA TÄNDNINGEN

Innan apparaten används för första gången måste ett 1,5 V-batteri (AA) sättas in i den elektriska tändningen (bild H):

1. Vrid tändningsknappen medurs tills den lossnar.
 2. Sätt i respektive byt ut batteriet i batterifacket med minuspolen först.
 3. Skruva fast tändningsknappen igen.
- Byt ut batteriet om tändningseffekten avtar.

ANSLUTNING AV GASCYLINDER

VIKTIGT!

- Läs kapitlet "Krav på gasslangar och gaskomponenter" innan du ansluter gascylindern.
- Byt endast cylindern utomhus eller i ett välventilerat utrymme på avstånd från antändningskällor (t.ex. stearinljus, cigaretter och andra apparater som bildar en eldslåga).
- Alla förbindningskomponenter måste vara rena och oskadade.
- Gascylindern får varken vidröra varma delar på grillen eller nås av värmestrålningen.
- Gasslangen får inte vara sträckt, vriden eller vikt och får inte vidröra grillen.
- Se till att alla anslutningar är täta när gascylindern har anslutits (se kapitlet "Läckagekontroll"). Skruva fast reducerventilen för hand! Använd inte verktyg för att inte skada ventilpackningen så att dess täthet inte längre kan säkerställas.

Anskaffa en reducerventil respektive gasslang om en sådan inte medföljer grillen. Följ de nationella föreskrifterna och anvisningarna i kapitlet "Krav på gasslangar och gaskomponenter – Reducerventil" respektive "Gasslang".

1. Placera den färdigmonterade grillen på en stabil, horisontell och jämn yta på en öppen plats utomhus. Se till att det finns tillräckligt med fritt utrymme åt alla håll. Se kapitlet "Säkerhetsanvisningar" när du väljer uppställningsplats.
2. Lås vid behov de låsbara hjulen genom att vrida vingmuttrarna.
3. Lyft sidobordet och snäpp fast dem i gångjärnen i 90° vinkel. Lyft upp dem lätt för att fälla ned dem.
4. Alla regulatorknappar måste vara i av-läge (pilen på regulatorknappen pekar uppåt). Om så inte är fallet trycker du in regulatorknappen och vriden den till av-läget.
5. Placera gascylindern upprätt i ett säkert läge på golvet bredvid grillen. Gascylinderns ventil måste vara stängd.
6. Se till att området runt grillen och gascylindern är tillgängligt och fritt från föremål.
7. Om gasslangen inte redan är monterad på grillen, anslut den ena änden till grillens gasanslutning och, om nödvändigt, den andra änden till reducerventilen. Hur anslutningen går till beror på den landsspecifika utformningen av gasslangen.
8. Anslut reducerventilen enligt anvisningarna. Om det inte medföljer några anvisningar med reducerventilen beskrivs här olika anslutningsvarianter. OBS! Avbildningarna kan avvika något från verkligheten.
9. Genomför en läckagekontroll av gascylindern efter anslutningen (se kapitlet "Läckagekontroll").



Vi rekommenderar att placera gascylindern bredvid grillen vid användning.

Gascylindern kan däremot förvaras i underskåpet under och efter användning så länge den inte överskrider de angivna högsta måtten (se kapitlet "Tekniska data"). Placera gascylindern i den avsedda fördjupningen i bottenplattan.

Montera reducerventilen

Vänstergängad reducerventil

(Bild C)

1. Skruva fast reducerventilen på gascylinderns ventilgंगा för hand. Observera att vänstergångor måste skruvas medurs.
2. Vrid ventilen (a) på gascylindern medurs så att gasen flödar ut och grillen kan tas i bruk. Stäng ventilen genom att vrida den medurs.

Reducerventil med spak

(Bild D)

1. Vrid reducerventilens spak (b) till av-läget.
2. Tryck in reducerventilen på gascylinderns ventil tills den tydligt kopplas i.
3. Flytta spaken till på-läget så att gasen kan strömma ut och grillen kan tas i bruk. För spaken till av-läget för att stoppa gastillförseln.

Reducerventil med manschett

(Bild E)

1. Vrid reducerventilens spak (b) till av-läget.
2. Skjut reducerventilens manschett uppåt och håll fast den där.
3. Tryck fast reducerventilen på gascylinderns ventil och skjut ned manschetten för att stänga den.
4. Upprepa åtgärden om reducerventilen inte kopplas i.
5. Flytta spaken till på-läget så att gasen kan strömma ut och grillen kan tas i bruk. För spaken till av-läget för att stoppa gastillförseln.

Reducerventil för gaspatroner

(Bild F)

Använd endast gaspatroner med skruvgänga.

1. Kontrollera att gummitätningen på reducerventilen sitter på plats och är i gott skick innan du ansluter gaspatronen.
2. Stäng ventilen (c) på reducerventilen.
3. Skruva gaspatronen medurs underifrån mot reducerventilen.
4. Öppna ventilen (c) till på-läget så att gasen kan strömma ut och grillen kan börja användas. Stäng den för att stoppa gastillförseln.

Avlägsnande av reducerventil

1. Säkerställ att gascylinderns ventil och reducerventilen är stängda.
2. Vrid grillens regulatorknapp så att restgas i systemet kan strömma ut.
3. Utför monteringsstegen i omvänd ordning för att demontera reducerventilen.

LÄCKAGEKONTROLL

VIKTIGT!



Leta aldrig efter en gasläcka med en öppen eldslåga! Säkerställ att det inte kan bildas några gnistor eller att det finns några öppna eldslågor innan läckagekontrollen utförs. Gnistor eller eldslågor kan utlösa explosioner som kan leda till allvarliga personskador eller dödsfall samt skada på egendom.

En läckagekontroll måste göras på alla komponenter efter den första anslutningen, efter varje byte av gascylinder eller om grillen inte har använts under längre tid för att säkerställa att ingen gas läcker från någon av komponenterna.

Om reducerventilen har en tryckmätare följer du instruktionerna i dess handbok för att utföra läckagekontrollen. Använd annars en läckagedetektor från en specialiståterförsäljare och följ tillverkarens instruktioner. **Det är inte säkert att genomföra en läckagekontroll med hörseln!**

GRILLTIPS

1. **Lägg fram allt** som du behöver innan du börjar grilla. Håll ett öga på grillen och maten och se till att du inte ständigt behöver gå in till köket.
2. Innan tillagningen bör **köttet ha rumstemperatur** för att tillagas ordentligt och jämnt.
3. Använd **rena grillgaller**. Rester på grillgallret kommer att få din mat att fastna.
4. Lätt **olja mat** bryns jämnare och fastnar inte lika lätt i grillgallret.
5. **Gnid in gjutjärnsgaller med olja** innan du börjar grilla för att förhindra att maten fastnar.
6. **Förvärm alltid grillen** med locket stängt så att maten inte fastnar på grillgallret och så att det är möjligt med snabb grillning. Dessutom bränns rester från den sista grillningen. Även om du vill grilla i medelhög eller låg värme bör du förvärma grillen.
7. Lägga **inte för mycket mat** på grillgallret. Lämna tillräckligt med utrymme mellan bitarna för att kunna greppa och flytta dem bekvämt.
8. När du använder en **marinad, sås eller glasyr med hög sockerhalt** eller andra lätt brandfarliga ingredienser, ska du inte applicera dem **förrän de sista 10 till 15 minuterna** av grillningsprocessen.
9. Vi rekommenderar att du **håller locket stängt**. Detta minskar risken för eldslågor och hjälper till att tillaga maten snabbare och jämnare. Öppna den inte för ofta för att kolla till maten som ska grillas så att för mycket luft inte tränger in i onödan och värme och rök försvinner.
10. **Vänd inte på steken för ofta** för att se till att din stek får ett bra grillmönster och en läcker skorpa. I de flesta fall bör maten endast vändas en gång när de har nått önskad färg. Detta gör också att locket inte öppnas för ofta.
11. Du kan placera maten på **varmhållningsgallret** för att hålla den varm när du fortsätter att grilla. Observera att den inte fortsätter att tillagas. Dessutom kan du rosta hamburgerbröd eller försiktigt tillaga grönsaker, skaldjur, osv. på varmhållningsgallret medan du till exempel tillagar köttet på grillgallret med hög värme.

Direkt och indirekt grillning

Direkt grillning

Detta är den klassiska versionen, där maten befinner sig direkt ovanför brännaren. Värmen är hög och därför är den här metoden lämplig för grillning av mat med kortare tillagningstid på upp till maximalt 30 minuter och för till exempel kort och kraftig grillning av hamburgare eller biffar. Detta skapar en läcker skorpa, medan insidan förblir saftig.

Indirekt grillning

Här hamnar värmen från brännarna bredvid maten och brännaren direkt under förblir avstängd. Samtidigt är locket stängt så att värmen inte kan komma ut. Vi rekommenderar denna grillmetod för mat med lång tillagningstid, såsom revbensspäll, pulled pork eller hela kycklingar. Men även fisk och grönsaker kan tillagas på det här sättet.

Du kan också kombinera båda grillmetoderna: först steka varmt och sedan avsluta försiktigt.

ANVÄNDNING

Börja använda grillen

VIKTIGT!

- Bränn in grillen med grillgaller och alla tillbehör som kommer i direkt kontakt med mat innan du börjar använda den för att ta bort eventuella produktionsrester. För att göra detta värmer du grillen på högsta värmen i minst 20 minuter med locket stängt. Rengör tillbehören när de har svalnat. Se även kapitlet "Rengöring och underhåll".
- Använd endast grillen om alla delar sitter på plats och den har installerats på rätt sätt och i enlighet med installationsstegen i den här monterings- och bruksanvisningen.
- Kontrollera att grillen är hel och korrekt placerad före varje användning. Se kapitlet "Säkerhetsanvisningar" när du väljer uppställningsplats.
- Se till att gascylindern och reducerventilen är korrekt anslutna och att alla gasslangar och gaskomponenter är täta innan varje användning (se kapitlet "Anslutning av gascylinder" och "Läckagekontroll").
- Kontrollera att det inte finns fettavlagringar i grillen före varje användning. Avlägsna överflödigt fett och töm och rengör alla fettuppsamlarens delar för att förhindra fettband (se kapitlet "Rengöring och underhåll").
- Placera **inte** aluminiumfolie eller annan folie i fettuppsamlaren eller grillkammaren.
- Vid tändning måste locket vara öppet. Tänd varje brännare var för sig.
- Om lågan slocknar eller om en brännare inte har antänts vrider du motsvarande regulatorknapp till av-läget. Vänta cirka 2 till 5 minuter innan du försöker igen för att låta gasen avdunsta. Annars kan en plötslig större eldslåga uppstå.
- Böj dig inte över grillytan när du tänder gaslågan eftersom uppsamlad gas i grillkammaren kan leda till en plötslig större eldslåga.
- Håll aldrig vatten på grillen för att undvika brännskador och skållning.

1. Öppna locket.
2. Försäkra dig om att alla regulatorknappar är i av-läge (pilen på regulatorknappen pekar uppåt). Om så inte är fallet trycker du in regulatorknappen och vrider den till av-läget.
3. Öppna gastillförseln på gascylindern.
4. Varje brännare är utrustad med ett eget tändsystem och kan därför tändas var för sig: Tryck in regulatorknappen på den önskade brännaren och vrid den till maxläget (maximal effekt) (Bild G). Gastillförseln är aktiverad. En piezotändning skapar samtidigt en gnista och ger ifrån sig ett knatrande ljud. Vid elektrisk tändning, tryck på tändknappen (Bild I). Ett klickande ljud hörs.
5. Kontrollera om brännaren har tänts: Titta noga om lågor kommer ut ur brännaren.
6. Om brännaren inte har startat vrider du regulatorknappen till av-läget och försöker igen efter cirka 2 till 5 minuter.



Släpp inte regulatorknappen förrän några sekunder efter tändning om du använder en piezotändning för att förhindra att lågan slocknar.

7. Tänd de andra brännarna på samma sätt.

Grilla

VIKTIGT!

- Het ånga kan komma ut när locket öppnas. Håll undan huvudet och händerna från riskområdet. Det finns risk för brännskador.
- Använd grillbestick med långa, värmebeständiga handtag.

1. Värm upp grillen när brännaren har tänts: Stäng locket och vänta tills locktermometern visar önskad temperatur. Efter förvärmning kan du stänga av de brännare du inte behöver. För att göra detta, vrid motsvarande regulatorknapp till av-läget.
2. Öppna locket och lägg maten på grillgallret eller på andra tillbehör som du använder.
3. Om en hög temperatur ska uppnås i grillkammaren och maten tillagas jämnare från alla håll stänger du locket.
4. Om det behövs minskar du brännarens effekten genom att vrida tillbaka regulatorknappen till **Min** (lägsta effekt).
5. När maten har önskad bryning vänder du den med en grilltång.

Sluta använda grillen

1. Stäng gastillförseln på gascylindern.
2. Vrid alla regulatorknappar till av-läget för att göra detta.
3. Låt grillen svalna innan du förflyttar den.
4. Rengör grillen när den har svalnat (se kapitlet "Rengöring och underhåll"). Stor ansamling av livsmedelsrester och matfett kan leda till en så kallad fettbrand.

RENGÖRING OCH UNDERHÅLL

VIKTIGT!

- Låt alla delar svalna till en punkt där de inte längre är varma och kan vidröras före rengöring.
- Rengör inte reducerventilen! Den innehåller mycket ömtåliga komponenter som kan ta skada av minsta kontant med andra föremål. Sänk inte ned reducerventilen i vatten.
- Gassystemet får endast rengöras av en kvalificerad person. Plocka under inga omständigheter isär regleringsenheten.
- Låt inte insidan av en brännare bli blöt!
- Sänk inte ned grillen i vatten eller spruta på den med en vattenslang. Låt inte vätska tränga in i gas- eller elkomponenter.
- Koppla bort gascylindern innan du rengör grillhöljet.
- Håll aldrig kallt vatten på varma delar. Detta kan orsaka brännskador och skador på material.
- Använd aldrig sprit eller andra antändliga eller frätande rengöringsmedel.
- De medföljande tillbehören är inte lämpliga för diskmaskin.
- Alla delar måste vara torra före användning eller förvaring.

För att kunna ha glädje av grillen så länge som möjligt bör du hålla den ren. Om den inte rengörs och underhålls kan dess prestanda minska med tiden. Låga temperaturer och ojämn värme fördelning är tecken på att gaskomponenter behöver rengöras. Matrester på grillgallren får maten att fastna. Fettavlagringar kan leda till en fettbrand.

Rengöring av fettuppsamlare (efter varje användning)

- **Använd inte slipande rengöringsmedel.**
 - Töm och rengör alla fettuppsamlarens delar av (fettuppsamlingsplåt eller fettuppsamlare) efter eller före varje användning. Diska delarna med varmt vatten, diskmedel och en disksvamp. Det enklaste sättet att rengöra delarna efter användning är i ljummet (inte varmt!) tillstånd.

Rengör grillgaller och grillplatta av gjutjärn (efter varje användning)

Rengör grillplattan på samma sätt som grillgallret:

1. Lämnar grillgallret i grillen och ta bort eventuella grova rester med en rengöringsborste för grillgaller eller spatel.
2. Så här förbränner du återstående rester: Slå på grillen på den högsta temperaturen (minst 300 °C) i cirka 30 minuter och stäng locket.
3. Låt grillgallret svalna tillräckligt för att kunna hantera det och borsta bort resterna. Torka vid behov rent med fuktigt hushållspapper.
4. Vi rekommenderar att du gnuggar det rena grillgallret med vegetabilisk olja för att underhålla och förbereda den för nästa grillning.

Rengör emaljerade grillgaller, varmhållningsgaller, brännarskydd och andra emaljerade delar

- **Använd inte slipande rengöringsmedel eller stålborste.**
 - Rengör grill- och varmhållningsgaller efter varje användning och övriga komponenter vid behov.
 - Skrapa bort grova rester med en plastspatel eller blötlägg dem i varmt vatten.
 - Använd sedan varmt vatten med lite diskmedel och en svamp eller mjuk trasa för att rengöra.

Rengöring av galler av rostfritt stål (efter varje användning)

- Rengör gallret av rostfritt stål med varmt vatten, diskmedel, en disksvamp och en rostfri rengöringsdyna.

Rengör grillkammaren (vid behov)

Under användning produceras kol som byggs upp i grillkammaren av avdunstat fett och rök.

- **Använd inte slipande rengöringsmedel.**

1. Avlägsna alla matrester och fettavlagringar i hela grillkammaren. Du kan till exempel använda en plastspatel.
2. Torka samtidigt ytorna rena med en mjuk trasa. Kraftigt nedsmutsning kan tvättas bort med varmt vatten, diskmedel och en disksvamp och sedan torkas helt med en trasa som inte är slipande.

Rengör utsidorna (vid behov)

Grillens utsida är tillverkad av olika material och ytor. Vi rekommenderar därför olika rengöringsmetoder beroende på typ av yta.

Ytor av rostfritt stål

- Använd ett rengöringsmedel för rostfritt stål utan slipmedel och följ tillverkarens instruktioner. **Använd inte slipande polerpasta!**
- Annars kan du använda varmt vatten, ett rengöringsmedel för hushållsbruk och en disksvamp till rengöring. Skölj sedan ytorna med rent vatten och torka dem med en mjuk trasa.



Om grillen utsätts för en särskilt påfrestande miljö måste dess utsida rengöras oftare. Rostfritt stål kan också oxidera eller missfärgas i miljöer som innehåller klorid och sulfid, särskilt i kustområden. Saltvatten, surt regn, närheten till pooler och badtunnor, och andra extrema förhållanden, som kännetecknas av hög värme och luftfuktighet, kan orsaka fläckar. Ibland kan de förväxlas med rost. De kan enkelt tas bort och undvikas: Tvätta bort fläckarna med varmt vatten och ett rengöringsmedel för hushållsbruk, skölj ytan med rent vatten och torka. Gnugga alla ytor i rostfritt stål var tredje till var fjärde vecka med kranvatten och en rengöringsmedel för rostfritt stål för att undvika fläckar.

Målade, emaljerade ytor och plastdelar

■ **Använd inte slipande rengöringsmedel.**

- Använd endast varmvatten med rengöringsmedel för hushållsbruk och en kökstrasa eller en mjuk trasa för rengöring. Rengör ytan, skölj den och torka den tills den är helt torr.

Rengör gaskomponenter (vid behov)

Gaskomponenter kan vara igensatta och måste rengöras vid behov om

- gaslukt uppstår med mycket gul och svag eldslåga
- önskad temperatur inte uppnås
- brännaren värms upp ojämnt eller om lågan fladdrar.

Följ dessa steg vid rengöring:

- Rengör hela brännarnas utsida med en ren stålborste för att avlägsna matrester och smuts. **Var försiktig så att du inte böjer eller skadar tändelektroden när du rengör den.** Borsta försiktigt runt tändelektroden.
- Se särskilt till att gasutlopps- och luftinloppsöppningarna eller gasflödesmätaren är fria på alla brännarrör. Rengör dem vid behov, t.ex. med en piprensare eller med tryckluft.
- Gasanslutningen och anslutningarna till gaslangan kan rengöras med en pensel vid behov.

Underhållsåtgärder

VIKTIGT!

- Endast specialister får byta munstyckena.

Grillen är underhållsfri om den rengörs regelbundet. En kontroll måste däremot utföras med jämna mellanrum. Välj intervallen efter användningsfrekvensen och de miljöförhållanden som grillen utsätts för.

- Kontrollera att grillens alla delar finns och är monterade (visuell kontroll).
- Kontrollera att alla anslutningar sitter på plats och är åtdragna. Dra åt dem vid behov.
- Gassystemet måste kontrolleras varje gång en gascylinder ansluts (se kapitlet "Läckagekontroll").
- Gaslangan måste bytas ut om den är porös, skadad eller om det sista användningsdatumet har överskridits (se kapitlet "Tekniska data").

FÖRVARING

VIKTIGT!

- Skydda grillen från hård vind, minustemperaturer, långvarig fukt, regn, snö, hagel eller annan väderpåverkan.
- Om apparaten inte ska användas under längre perioder ska gascylindern kopplas bort från grillen och förvaras på rätt sätt (se kapitlet "Säkerhetsanvisningar" – "Risker med gascylindrar").

- Förvara grillen utomhus på en torr plats. Täck över grillen (med ett överdrag) för att skydda komponenterna från fukt, damm, insekter eller spindlar som kan hamna i och ansamlas i grillen.
- Rengör grillen innan den ställs undan för förvaring (se kapitlet "Rengöring och underhåll").
- Om grillen förvaras **inomhus** måste **gascylindern avlägsnas**. Denna måste förslutas ordentligt med förslutningsmutter och skyddslock (beroende på utförande) och förvaras utomhus över marknivå (dvs. inte i en nedsänkning under marknivå) på en välventilerad plats.
- Plocka ut batteriet från den elektriska tändningen om du inte använder grillen under en längre tid för att undvika skador från eventuellt batteriläckage.

FELSÖKNING

Om ett fel uppstår trots tillräcklig försiktighet kan det här kapitlet hjälpa dig att korrigera det.

Om följande steg inte löser problemet kontaktar du kundtjänst (se omslaget till denna monterings- och bruksanvisning).



Försök inte att reparera gassystemet själv!

Gaslukt (möjligen med en mycket gul och svag låga).

Läckage i gassystemet.

1. Stäng gascylindern omedelbart.
2. Släck alla lågor och gnistor (slå inte på några elektriska apparater).
3. Dra åt alla gassystemkopplingarna igen.
4. Kontrollera alla gasslangar och gaskomponenter med avseende på yttre skador. Byt ut defekta delar mot originalreservdelar.
5. Kontrollera tätningen (se kapitlet "Läckagekontroll").

Brännarna är igensatta.

- ▶ Rengör enligt beskrivningen i kapitlet "Rengöring och underhåll" – "Rengöring av gaskomponenter (vid behov)".

Justeringsmunstycket (bakom frontpanelen) eller annan del av gassystemet är blockerat.

- ▶ Låt en kvalificerad person rengöra gassystemet.

Brännaren tänds inte.

Det elektriska tändbatteriet är tomt eller felaktigt isatt.

- ▶ Sätt i ett nytt batteri. Kontrollera polariteten +/-.

Gascylindern är tom.

- ▶ Byt gascylindern.

Brännaren är igensatt.

- ▶ Rengör enligt beskrivningen i kapitlet "Rengöring och underhåll" – "Rengöring av gaskomponenter (vid behov)".

På sidobrännaren: Tändkabeln är inte ansluten till tändningen.

- ▶ Visuell inspektion. Anslut tändkabeln vid behov.

Justeringsmunstycket (bakom frontpanelen) eller annan del av gassystemet är blockerat.

- ▶ Låt en kvalificerad person rengöra gassystemet.

Tändningen är defekt.

- ▶ Låt en specialist kontrollera och reparera eller byta ut tändningen.

Önskad temperatur uppnås inte. Lågan är liten eller flimrar kraftigt eller lågans mönster är oregelbundet. Enskilda brännare tänds inte.

Gascylindern är (nästan) tom.

- ▶ Byt gascylindern.

Brännarna är igensatta.

- ▶ Rengör enligt beskrivningen i kapitlet "Rengöring och underhåll" – "Rengöring av gaskomponenter (vid behov)".

Gasslangan är vikt.

- ▶ Råta ut gasslangan.

Justeringsmunstycket (bakom frontpanelen) eller annan del av gassystemet är blockerat.

- ▶ Låt en kvalificerad person rengöra gassystemet.

Större eldslåga eller bubblande/smällande ljud

Farlig plötslig eldslåga på grund av blockeringar vid brännaren.

- ▶ Stäng ventilen på gascylindern omedelbart. Vänta i 5 minuter och starta om grillen. Rengör brännaren enligt beskrivningen i kapitlet "Rengöring och underhåll" – "Rengöring av gaskomponenter (vid behov)" om problemet kvarstår. I annat fall, låt en kvalificerad person rengöra gassystemet.

Kraftigt uppflammande eld

Maten är fet.

- Ta bort stora fettmängder, lägg köttet på en grillbricka eller sänk grilltemperaturen.

Grillen är smutsig.

- Rengör grillen (se kapitlet "Rengöring och underhåll").

KASSERING

Demontera grillen i dess enskilda delar och återvinn metall och plast när apparaten kasseras.



Kassera förpackningsmaterialet på ett miljövänligt sätt och ta det till en återvinningscentral.



Den intilliggande symbolen (överkryssad soptunna med ett streck under) innebär att gamla apparater inte hör hemma i hushållssoporna, utan i särskilda samlings- och retursystem.

Ägare av gamla apparater måste plocka ur gamla batterier och gamla ackumulatorer som inte är inbyggda i de gamla apparaterna och som kan tas bort utan att förstöras och kassera dem separat (se även avsnittet om kassering av batterier).

Ägare av gamla apparater från privata hushåll kan lämna in dem kostnadsfritt till offentliga samlingsstationer eller till de samlingsplatser som tillverkarna och distributörerna tillhandahåller i enlighet med ElektroGesetz (endast Tyskland). Företag som levererar elektrisk och elektronisk utrustning till marknaden är också skyldiga att ta hand om dem på begäran.



Batterier och laddningsbara batterier får inte slängas tillsammans med hushållsavfall. Konsumenter är juridiskt skyldiga att kassera batterier och laddningsbara batterier i en separat återvinningsinsamling.

Batterier och laddningsbara batterier kan lämnas in kostnadsfritt vid en av kommunens återvinningsstationer eller i detaljhandeln, så att de kan kasseras på ett miljövänligt sätt och så att värdefulla råvaror kan återvinnas. Om de kasseras på felaktigt sätt kan giftigt innehåll komma ut i miljön, vilket har skadliga effekter på människor, djur och växter.

Kassera endast batterier och laddningsbara batterier urladdade. Om möjligt, använd laddningsbara batterier istället för engångsbatterier.

Tejpa för kontakterna på litiumbatterier och laddningsbara batterier före kassering för att undvika kortslutning. En kortslutning kan leda till brand eller explosion.

EG-FÖRSÄKRAN OM ÖVERENSSTÄMMELSE

Vi, företaget LANDMANN Germany GmbH, förklarar härmed att gasapparaten som beskrivs här överensstämmer med förordningen (EU) 2016/426.

Överensstämmelse har verifierats genom en typkontroll i enlighet med normen EN 498:2012.

Typprovnings utfördes av det anmäla organet **DBI Certification A/S (2531)**.

Enhetens id-nummer: **2531CU-0061**

Kontakta vår kundtjänst för mer information.



Kjære kunde!

Takk for at du valgte en gassgrill fra LANDMANN. Denne monterings- og bruksanvisning hjelper deg trinn for trinn med å gjøre grillen du nettopp har kjøpt fra LANDMANN, klar til bruk. Vi gir deg også viktig informasjon om riktig bruk, sikker håndtering og vedlikehold.

Bruk tid til å gjøre deg kjent med detaljene i det nye utstyret ditt. For vi ønsker deg en problemfri start og at du får glede av grillen din fra LANDMANN i lang tid.

Hvis du har spørsmål om grillmodellen din eller trenger mer hjelp, vil serviceteamet vårt gjerne hjelpe deg videre. Du finner tilsvarende kontaktopplysninger på omslaget av denne monterings- og bruksanvisningen.

LANDMANN-teamet ønsker deg mye glede og en lekker grillopplevelse.

INNHOLD

Tekniske data	20
Leveringsomfang	20
Enhetsoversikt	20
Beregnet bruk	21
Sikkerhetsinstruksjoner	21
Krav til gassførende komponenter	22
Monteringsanvisninger	22
Sette i batteriet i den elektriske tenningen	23
Koble til gassflasken	23
Tetthetskontroll	23
Grilltips	24
Bruk	24
Rengjøring og vedlikehold	25
Oppbevaring	26
Feilsøking	26
Avfallsbehandling	27
EU-samsvarserklæring	27

ADVARSEL:

- Må kun brukes utendørs.
- Les monterings- og bruksanvisningen for enheten før igangsetting.
- **ADVARSEL!** Tilgjengelige deler kan være svært varme. Hold barn unna.
- Enheten må holdes på avstand fra brennbare materialer under drift.
- Enheten må ikke flyttes under drift.
- Steng gasstilførselen på gassflasken etter bruk.
- Ikke foreta endringer på enheten.

LES MONTERINGS- OG BRUKSANVISNINGEN FØR IGANGSETTING!

Manglende overholdelse av de angitte sikkerhetsinstruksjonene, forholdsreglene og arbeidstrinnene kan føre til alvorlige eller dødelige personskader eller materielle skader som følge av brann eller eksplosjon.

Oppbevar denne monterings- og bruksanvisningen til fremtidig bruk og til andre brukere. Den tilhører enheten. Produsenten og importøren påtar seg ikke noe ansvar hvis anvisningene i denne monterings- og bruksanvisningen ikke følges.

Symbol



Faretegn: Dette symbolet indikerer mulige farer. Les de tilhørende sikkerhetsinstruksjonene nøye og følg dem.



Supplerende informasjon



Les monterings- og bruksanvisningen før bruk!



Egnet til næringsmidler.




Likestrøm

Andre forklaringer

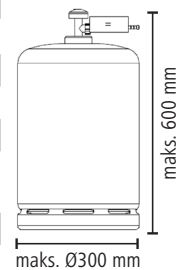
Bildetekstnumre vises som følger: (1)

Bildereferanser vises som følger: (Bilde A)

TEKNISKE DATA

Enhetsbetegnelse:	Gassgrill „TRITON 4.0“				 2531-23 PIN: 2531CU-0061	
Modellnummer:	12268					
Land:	BG, CY, CZ, DK, EE, FI, HU, HR, IS, IT, LT, LV, MT, NL, NO, RO, SE, SI, SK	PL	AT, CH, CZ, DE	BE, CH, CZ, ES, FR, GR, IE, IT, LT, LU, LV, PT, SK, SI, TR		
Gasskategori:	I3B/P (30)	I3B/P (37)	I3B/P (50)	I3+ (28-30/37)		
Gasstype:	G30 (butan), G31 (propan) eller blanding	G30 (butan), G31 (propan) eller blanding	G30 (butan), G31 (propan) eller blanding	G30 (butan)	G31 (propan)	
Gasstrykk i mbar:	28–30	37	50	28–30	37	
Forbruk:	G30: 872 g/t G31: 857 g/t	G30: 872 g/t G31: 857 g/t	G30: 872 g/t G31: 857 g/t	872 g/t	857 g/t	
Ø dyse hovedbrenner:	0,85 mm	0,79 mm	0,73 mm	0,85 mm	0,85 mm	
Varmeeffekt:	12 kW (4 x 3,0 kW hovedbrenner)					
Tenning:	1,5V-batteri (AA)					
Trykkreduksjonsventil:	iht. EN 16129. Nasjonale bestemmelser skal følges.					
Gaslange:	iht. EN 16436-1; maks. 1,5 m. Følg de nasjonale forskriftene for maksimal holdbarhetsdato.					
Mål (L x H x B):	Grill: ca. 140 x 120 x 57 cm					
Vekt:	ca. 46 kg					
Gassflaske:	Vanlig gassflaske, dimensjoner finner du på figuren nedenfor.					
ID monterings- og bruksanvisning:	Z TRI 4.0+mod M LM SCA V1 1122 md					
Produsent:	LANDMANN Germany GmbH, Am Heisterbusch 1, 19258 Gallin, Tyskland					

Produsert i Kina.



LEVERINGSOMFANG

(Bilde A, se utbrettside)

Pos.	Betegnelse	Ant.
1	Grillenhet (ferdigmontert)	1
2	Vinkel A	2
3	Vinkel B	2
4	Lokkhåndtak	1
5	Sidebord, venstre	1
6	Sidebord, høyre	1
7	Gaslange med trykkreduksjonsventil (medfølger ikke i enkelte land)	1
8	Fettoppsamlingskål	1
9	Venstre sidevegg	1
10	Venstre vinkelbeslag	1
11	Høyre vinkelbeslag	1
12	Høyre sidevegg	1
13	Låsbare hjul	4
14	Bunnplate	1
15	Underskappanel	1
16	Høyre underskapsdør	1
17	Venstre underskapsdør	1
18	Bakvegg	1
19	Dørhåndtak	2
20	Tverrstreber	1
21	Varmefordeler	4
22	Fettoppsamlingsplate	1
23	Regulatorknott	4
24	Lateral grillrist	2
25	Midtre grillrist	1
26	Varmerist	1
27	Grillristløfter	1

Pos.	Betegnelse	Ant.
Monteringsmaterieil:		
A	Skrue, M4 x 10 mm	16
B	Skrue, M6 x 12 mm	30
C	Skrue, M6 x 18 mm	8
D	Underlagsskive	2
	1,5V-batteri (AA) for den elektriske tenningen	1
	Monterings- og bruksanvisning	1
	Veiledning til trykkreduksjonsventilen	1

Du trenger i tillegg:

- LP-gassflaske (se kapittel «Tekniske data»), 1 stk.
 - Verktøy til montering
- Dette medfølger ikke i leveringsomfanget.

OBS!

- Kontroller leveringsomfanget for fullstendighet og komponentene for transportskader. Kontakt kundeservice (se omslaget til denne monterings- og bruksanvisningen) hvis deler mangler eller er skadet. Vi forbeholder oss retten til mindre tekniske endringer, f.eks. mht. monteringsmaterialet.
- Fjern eventuelle folier, klistremerker eller transportbeskyttelse fra enheten, men **aldri typeskiltet og eventuelle advarsler!**

ENHETSOVERSIKT

(Bilde B)

- 28 Termometer i lokket
- 29 Lokk
- 30 Tenningsknott
- 31 Gasstilkobling
- 32 Underskap

BEREGNET BRUK

- Denne gassgrillen er konstruert til å tilberede grillbare næringsmidler. Den drives med flytende gass, og er beregnet til bruk utendørs.
- Annen bruk er ikke tillatt. Dette gjelder spesielt for følgende påregnelig feil bruk:
 - Driv ikke grillen med tre, trekull eller andre brennstoffer som ikke er flytende gass (propan / butan).
 - Koble aldri grillen til naturgassnett (bygass). Ventilene og dysene er utelukkende ment for gassflasker med flytende gass.
 - Bruk ikke grillen som varmeapparat.
 - Bruk ikke grillen til å varme opp andre stoffer eller materialer enn mat
 - Bruk aldri grillen som en innebygd enhet.
- Grillen og gassflasken må brukes og lagres i henhold til de gjeldende forskrifter.
- Grillen er beregnet til privat bruk, ikke til næringsbruk.
- Bruk grillen bare til det angitte formålet og bare som beskrevet i denne monterings- og bruksanvisningen. All annen bruk gjelder som feil bruk. Feil betjening og feil behandling kan føre til nedsatt funksjon eller andre materielle skader samt personskader.
- Unntatt fra garantien er alle mangler forårsaket av feil behandling, skader eller reparasjonsforsøk. Dette gjelder også normal slitasje samt fettavleiringer og misfarging på grillen og tilbehøret.

SIKKERHETSINSTRUKSJONER



Fare for personskader

- Grillen er ikke beregnet til å brukes av barn og personer med begrensede fysiske, sensoriske eller mentale evner eller mangel på erfaring og/eller kunnskaper.
- Barn må ikke leke med grillen. Sørg for at barn ikke har tilgang til grillen uten tilsyn, også når den er slått av. Feil bruk kan være farlig.
- **ADVARSEL! Tilgjengelige deler kan være svært varme. Hold barn unna!** La aldri grillen være uten tilsyn når den er i drift eller fortsatt varm. Sørg spesielt for at ingen barn eller personer som ikke er i stand til å oppfatte eller reagere på mulige farer, kommer nær den varme grillen.
- Bruk grillhansker som er testet i henhold til forordning (EU) 2016/425 for personlig verneutstyr iht. DIN EN 407 (varmebeskyttelseskategori II).
- Ta ikke på grillens varme deler verken under bruk eller etterpå. Berør kun håndtakene og regulatorene mens grillen er i bruk eller umiddelbart etter at den er slått av. Vent til grillen er avkjølt før du transporterer, rengjør eller oppbevarer den.
- **Flytt ikke grillen under drift.**
- Bruk av alkohol eller narkotika kan påvirke evnen negativt til å montere, flytte, oppbevare eller betjene grillen forskriftsmessig.



Risiko for kvelning, brann og eksplosjon

Gass er svært lett antennelig, og brenner eksplosjonsaktig. Det kan føre til alvorlige personskader eller materielle skader når utstrømmende gass antennes ukontrollert.

Flytende gass er tyngre enn oksygen. Den ligger derfor på gulvet og fortrenger oksygenet der. Når det dannes en tilsvarende gasskonsentrasjon (f.eks. pga. en skadet gassflaske), kan det føre til kvelning pga. oksygenmangel.

- Bruk utelukkende gasstypene, gassflaskene, trykkreduksjonsventilene og gasslangene angitt i denne monterings- og bruksanvisningen (se kapittel «Krav til gassførende komponenter»).
- Bruk grillen bare over bakkenivå (dvs. ikke i fordypninger under bakkenivå).

- **Må kun brukes utendørs.** Bruk ikke grillen i bygninger, garasjer, korridorer med tak over, telter, i andre lukkede områder under markiser eller brennbare konstruksjoner.
- Bruk ikke grillen i eller på et kjøretøy. Dette gjelder også bobil, campingvogn og båter.
- Bruk ikke grillen når det finnes lett antennelige eller eksplosive substanser i luften eller omgivelsene. Oppbevar ikke drivstoff eller andre antennelige damper eller væsker i nærheten av grillen, og bruk ikke slike stoffer med grillen. Spray ikke sprayer på i nærheten av grillen.
- Bruk grillen aldri uten trykkreduksjonsventil (se kapittel «Krav til gassførende komponenter» – «Trykkreduksjonsventil»!)
- Sørg for at trykkreduksjonsventilen er koblet riktig til og at den er funksjonsdyktig samt ikke har skader.
- Utfør en tetthetskontroll av alle gassførende komponenter (se kapittelet "Tetthetskontroll") etter hver tilkobling av gassflasken, eller når grillen ikke skal brukes over lengre tid. **Ved gasslekkasje må grillen ikke brukes.**
- **Denne enheten må holdes på avstand fra brennbare materialer under drift.** Det er fare for brann og ulming. Følgende minsteavstander til brennbare materialer må overholdes: 2 m over og 1 m til siden av grillen. Avstanden til vanskelig antennelige materialer, f.eks. husvegger, må minst være 0,6 m. Heller ikke i underskapet under driften må verken værbeskyttelseshetten eller andre brennbare materialer oppbevares.
- I nærheten av grillen skal ingen tennkilder finnes i en omkrets på 5 m ved tilkobling av gassflasken, fremfor alt åpen ild eller brennende sigaretter, stearinlys, lamper osv. Også elektriske enheter kan utgjøre en fare hvis det strømmer ut gass ved tilkobling.
- Lukk aldri ventilasjonsåpningene til grillenheten samt gassflaskeoppstillingsrommet, og forsikre deg om at det alltid er fritt.
- Dekk ikke til åpninger på grillen, og kontroller at disse ikke er tilstoppet før du tar grillen i bruk. Slik de fleste enheter som brukes utendørs, er grillen et mulig tilholdssted for edderkopper og insekter. Tilstopninger av gassførende komponenter kan hindre gasstrømmen, noe som reduserer effekten eller som kan ha et farlig flammebakslag som følge. Fjern tilstopninger slik det er beskrevet i kapittelet «Rengjøring og vedlikehold».
- La aldri grillen være uten tilsyn når den er i drift. Hvis en flamme skulle slukke, tenn den straks på nytt, eller steng gassflasken.
- Ved gasslukt lukk gasstilførselen på gassflasken og slukk alle de åpne flammene. Koble ikke til elektriske enheter. Finn og reparer årsaken til gasslekkasjen før ny bruk av grillen.
- Sørg for at matretter rike på olje og fett ikke blir overopphetet. Sett ikke beholdere fylt med olje på grillen.
- Slokk ikke fettbrann med vann! Steng straks gasstilførselen på gassflasken. Koble ut alle brennere straks, og lukk lokket til brannen er sløkket.
- **Steng straks gasstilførselen på gassflasken etter bruk.**
- Dekk ikke til grillen mens den er varm.
- **Ikke foreta endringer på enheten!** Enhver endring av enheten kan være farlig.
- **På komponenter som er forseglet av produsenten eller forhandleren, må det ikke foretas noen som helst form for manipulasjon.**
- **Reparasjoner må utelukkende utføres av produsenten eller kundeservice** for å unngå farer. Hvis det oppdages skader eller i tilfelle en feil, kontakt kundeservice (se omslaget til denne monterings- og bruksanvisningen). Grillen må ikke brukes før reparasjon ettersom dette kan føre til feilfunksjon av grillen og øke faren for personskader.
- Bruk kun originalt tilbehør fra produsenten for ikke å svekke funksjonaliteten til grillen og for å unngå mulige skader eller farer.
- Demonter aldri regulatorknotten, gassflasken eller et av de gassførende elementene under drift.

- Transporter grillen aldri med en tilkoblet gassflaske. Grill og gassflaske må alltid transporteres atskilt fra hverandre.
- Rengjør grillen slik det er beskrevet i kapittelet «Rengjøring og vedlikehold».



Farer pga. gassflasker

- **Følg produsentens eller utleierens anvisninger for gassflasken!**
- En gassflaske skal ikke komme i hendene til barna!
- Bruk aldri en gassflaske med bule eller rust.
- Bruk aldri en gassflaske med skadet ventil.
- Legg aldri en gassflaske ned. Installer, transporter og oppbevar gassflasker (også tomme) i oppreist, sikker posisjon.
- Unngå at en gassflaske faller ned. Utsett den ikke for støt eller få den skadet på andre måter.
- Gassflasker kan eksplodere ved oppvarming. Tenn aldri på en gassflaske. Utsett den heller aldri for ekstrem varme (over 50 °C) eller direkte sollys. En gassflaske må aldri ligge i bilen på en varm dag. Pass på at verken gassflasken eller gasslangan berører grillen under bruk.
- Gassflaskene skal bare kobles til, brukes og oppbevares uten-dørs ved god ventilasjon (dvs. ikke i trappeskap, ganger, korridorer og passasjer) og over bakkenivå (dvs. ikke i fordypninger under bakkenivået).
- Sett en lekk gassflaske umiddelbart på en godt ventilert flate utendørs, la gassen strømme ut og vent til den har sluppet ut. Returner den tomme gassflasken til produsenten med en merknad om lekkasjen.
Hvis du føler deg svimmel eller uvel, pust inn frisk luft og oppsøk ev. lege.
- Koble alltid først til ventilen til gassflasken før du kobler trykkreduksjonsventilen fra gassflasken.
- Gassflasker (også tomme) som ikke er koblet til for umiddelbar bruk, skal ikke stå direkte i nærheten av en enhet i drift, en enhet som drives med gass eller strøm.
- Også tilsynelatende gassflasker kan fortsatt inneholde flytende gass, og må derfor behandles med samme forsiktighet som en full gassflaske.



Fare pga. batterier

- Batterier kan være livsfarlige ved svelging. Derfor må batteriene alltid oppbevares utenfor rekkevidden til barna og dyr. Hvis et batteri svelges, må du straks oppsøke lege for videre behandling. Det er fare for etsning pga. batterisyreren.
- Hvis batteriet lekker, må du unngå kontakt med hud, øyne og slimhinner med batterisyreren. Bruk eventuelt vernehansker. Hvis du kommer i kontakt med batterisyre, må du umiddelbart skylle de berørte områdene med rikelig med rent vann, og oppsøk medisinsk hjelp. Det er fare for etsning pga. batterisyreren.
- Bruk kun batteritypen angitt i Tekniske data.
- Ta ut batteriene når disse er oppbrukte eller når grillen ikke lenger brukes. På denne måten unngås skader pga. utslipp.
- Fjern straks et lekk batteri, og rengjør batterirommet.

KRAV TIL GASSFØRENDE KOMPONENTER

Grillen drives med flytende gass (LPG - flytgass eller kondensert petroleumsgass). De flytende gassene, propan og butan samt blandinger, er flytende ved romtemperatur og lav kompresjon (< 10 bar) i en gassflaske. Hvis gassflasken åpnes, slipper trykket ut, væsken ekspanderer seg og går over i en gassformig tilstand.

Gassflaske

- Bruk utelukkende gassflasker med propan- eller butangass eller en blanding av de to gassene. Gassflaskene må være i samsvar med nasjonale bestemmelser, og skal ikke være større enn det som fremgår av kapittelet «Tekniske data».

Gasspatron

- Hvis grillen er beregnet på bruk med gasspatron, bruk utelukkende skruapatroner med 7/16"-gjenger og maksimalt volumet på 450 g/800 ml.

Trykkreduksjonsventil

Trykkreduksjonsventilen sørger for at grillen alltid forsynes med et jevnt gasstrykk.

- Bruk den med trykkreduksjonsventilen som leveres med grillen. Denne er testet og CE-merket. Den samsvarer med den europeiske standarden EN 16129.
- Hvis grillen er levert uten trykkreduksjonsventil, anskaff en trykkreduksjonsventil som passer til gassflasken. Pass på at den oppfyller kravene til nasjonale bestemmelser.

Gasslange

- Bruk gasslangan som leveres med grillen. Hvis det ikke ble inkludert en gasslange, anskaff deg en gasslange som samsvarer med nasjonale bestemmelser.
- Gasslangan (eller slangeledningen) må ikke være lengre enn 1,5 m, og må oppfylle kravene i standarden EN 16436-1.
- Følg nasjonale bestemmelser, og skift ut gasslangan når det kreves eller når gasslangan har overskredet maksimal bruksdato.
- Kontroller før bruk at gasslangan ikke har knekksteder eller sprekker og at den ikke er slitt. Med en porøs eller defekt gasslange, må grillen ikke tas i bruk.

MONTERINGSANVISNINGER

OBS!

- Hold emballasjematerialet borte fra småbarn og dyr! Det er fare for kvelning.
- Monteringstrinnene vises på slutten av denne monterings- og bruksanvisningen. Følg de i riktig rekkefølge. **Feil montering kan være farlig.**
- Bruk kun plettfritt og egnet verktøy. Slitt eller uegnet verktøy gjør det umulig å trekke riktig til skruene i tillegg til at det er fare for å ødelegge dem slik at de ikke lenger lar seg skru.
- Sørg for tilstrekkelig plass til monteringen, og bruk eventuelt en matte for å beskytte grillen eller følsomme gulv mot riper.
- Plasser grillen på en horisontal, jevn overflate slik at den ikke blir skjev.
- Ikke bruk makt ved monteringen.
- Stram først skruerforbindelsene for hånd og deretter fast etter vellykket monteringsstrinn. Ellers kan det føre til uønskede spenninger.
- Stram mutrene til de sitter godt fast, og stram deretter en kvart omgang mer. Stram ikke for mye!

SETTE I BATTERIET I DEN ELEKTRISKE TENNINGEN

Før første bruk må et 1,5V-batteri (AA) settes i den elektriske tenningen (figur H):

1. Drei tenningsknotten mot urviseren til den løsner.
2. Sett batteriet med minuspolen foran og inn i batterirommet, eller skift det ev. ut.
3. Skru tenningsknotten på igjen.
 - Skift batteriet ut etter avtakende tenning.

KOBLE TIL GASSFLASKEN

OBS!

- Følg kapittelet «Krav til gassførende komponenter» før tilkobling av gassflasken.
- Skift bare gassflasken utendørs eller i et godt ventilert område på avstand fra tennkilder (f.eks. stearinlys, sigaretter eller andre flammegenererende enheter).
- Alle forbindelsesstykkene må være fri for smuss og uten skader.
- Gassflasken må verken berøre varme deler på grillen eller kunne nås av varmestrålingen.
- Gaslangen må ikke stå under spenning, være vridd eller knekket, og skal ikke berøre grillen.
- Etter tilkoblingen av gassflasken må du kontrollere at alle forbindelsene er tette (se kapittel «Tetthetskontroll»). Skru til trykkreduksjonsventilen håndfast. Bruk ikke verktøy fordi du kan da skade tetningen til ventilen og er ikke tettheten lenger garantert.

Hvis grillen din leveres uten trykkreduksjonsventil og gasslange, må du kjøpe disse. Følg da nasjonale bestemmelser og spesifikasjonene i kapittelet «Krav til gassførende komponenter» – «Trykkreduksjonsventil» og «Gasslange».

1. Plasser den ferdig monterte grillen utendørs på en stabil, horisontal og jevn overflate. Sørg for tilstrekkelig fri plass på alle sider. Følg kapittelet «Sikkerhetsinstruksjoner» ved valg av oppstillingssted.
2. Lås om nødvendig de låsbare hjulene ved å dreie på vingemutrene.
3. Fold inn sidebordet og la det låses på plass i hengslene i en vinkel på 90°. Løft det litt opp for å folde det ned.
4. Alle regulatorknottet må befinne seg i av-posisjonen (pilen på regulatorknotten peker oppover). Hvis dette ikke er tilfellet, trykk på regulatorknotten og drei den i av-posisjonen.
5. Sett gassflasken oppreist og sikkert på gulvet ved siden av grillen. Ventilen til gassflasken må være stengt.
6. Sørg for at området rundt grillen og gassflasken er fritt tilgjengelig og fritt for gjenstander.
7. Hvis gaslangen ikke allerede er montert på grillen, fest en ende av gaslangen på gasstilkoblingen til grillen og den andre enden på trykkreduksjonsventilen. Festemåten avhenger av den landsspesifikke utførelsen av gaslangen.
8. Koble trykkreduksjonsventilen til slik det er beskrevet i den respektive veiledningen. I tilfellet det ikke finnes en veiledning for trykkreduksjonsventilen, beskrives nedenfor noen av de forskjellige tilkoblingsvariantene. MERKNAD: Figurene kan avvike litt.
9. Utfør en tetthetskontroll etter tilkobling av gassflasken (se kapittel «Tetthetskontroll»).



Vi anbefaler at gassflasken plasseres ved siden av grillen under bruk.

Gassflasken kan imidlertid oppbevares i underskapet under og etter bruk, forutsatt at den ikke overskrider de angitte maksimalmålene (se kapittel «Tekniske data»). Still gassflasken i den respektive fordypningen i bunnplaten.

Sette på trykkreduksjonsventilen

Venstregjenget trykkreduksjonsventil

(Bilde C)

1. Skru trykkreduksjonsventilen håndfast på ventilgjengene til gassflasken. Vær oppmerksom på at den er venstregjenget og at du må skru på mot urviseren.
2. Drei ventilen (a) på gassflasken mot urviseren for å åpne for gassen og for å kunne ta grillen i drift. For å lukke ventilen drei den med urviseren.

Trykkreduksjonsventil med arm

(Bilde D)

1. Sett armen til trykkreduksjonsventilen (b) i av-posisjon.
2. Trykk trykkreduksjonsventilen på gassflaskeventilen til den går merkbart i lås.
3. Sett armen i på-posisjon for å åpne for gassen og for å kunne ta grillen i drift. For å stenge gasstilførselen flytt spaken til av-posisjonen.

Trykkreduksjonsventil med mansjett

(Bilde E)

1. Sett armen til trykkreduksjonsventilen (b) i av-posisjon.
2. Skyv mansjetten til trykkreduksjonsventilen opp og hold den der.
3. Trykk trykkreduksjonsventilen på gassflaskeventilen, og skyv mansjetten ned for å lukke.
4. Hvis trykkreduksjonsventilen ikke går i lås, gjenta prosedyren.
5. Sett armen i på-posisjon for å åpne for gassen og for å kunne ta grillen i drift. For å stenge gasstilførselen flytt spaken til av-posisjonen.

Trykkreduksjonsventil for gasspatroner

(Bilde F)

Bruke utelukkende gasspatroner med skruvegjenger.

1. Kontroller om gummipakningen på trykkreduksjonsventilen er på plass og i plettfri stand før tilkobling av gasspatronen.
2. Steng ventilen (c) på trykkreduksjonsventilen.
3. Skruen på gasspatronen går med urviseren nedenfra på trykkreduksjonsventilen.
4. Åpne ventilen (c) for å åpne for gassen og for å kunne ta grillen i drift. For å stoppe gasstilførselen steng den.

Ta av trykkreduksjonsventilen

1. Kontroller at ventilen på gassflasken eller trykkreduksjonsventilen er lukket.
2. Drei regulatorknotten til grillen opp slik at resterende gass kan slippe ut av systemet.
3. For å ta av trykkreduksjonsventilen utfør monteringsstrinnene i motsatt rekkefølge.

TETTHETSKONTROLL

OBS!



Let aldri etter gasslekkasjer med åpen ild! Kontroller at det at det ikke finnes åpen ild i nærheten og at det ikke kan oppstå gnister før du kontrollerer for lekkasjer. Gnister eller flammer kan utløse en eksplosjon som kan føre til alvorlige eller dødelige personskader eller materielle skader.

Etter første tilkobling, etter skifte av gassflasken eller etter lengre tid uten bruk av grillen, må tetthetskontrollen av alle gassførende komponenter foretas for å sikre at det ikke lekker ut gass fra en forbindelse.

Når trykkreduksjonsventilen har et manometer, følg anvisningene i veiledningen til trykkreduksjonsventilen for å utføre en tetthetskontroll. Bruk ellers en vanlig lekkasjesøker, og følg produsentens anvisninger. **En tetthetskontroll etter hørsel er ikke sikker!**

GRILLTIPS

1. Før du begynner med grillingen, **legg alt det klart** som du trenger til grillingen. Ved grilling skal du alltid ha et øye med grillmaten og ikke måtte gå inn på kjøkkenet hele tiden.
2. Før tilberedning bør **kjøttet ha romtemperatur** slik at du oppnår god og jevn steking.
3. Bruk en **ren grillrist**. På restene på grillristen fester den nye grillmaten seg.
4. Mat som er lett **innsatt med olje**, brunes jevnere og har mindre tendens til å feste seg til grillristen.
5. **Gni støpejernristen inn med olje** før grillingen slik at grillmaten ikke fester seg.
6. **Varm alltid grillen** med lukket lokk **først**, slik at grillmaten ikke blir hengende fast på grillristen og sterk steking er mulig. I tillegg brennes da rester fra siste grilling av. Også når du ønsker å grille på middels eller lavt varmetrinn, skal du forvarme grillen.
7. Legg **ikke for mye grillmat** på grillristen. La det være tilstrekkelig plass mellom stykkene for å kunne gripe og flytte dem bekvemt.
8. Hvis du bruker **marinade, saus eller glasur med høyt** sukkerinnhold eller andre lettantennelige ingredienser, bør du kun bruke dem **de siste 10–15 minuttene** av grillingen.
9. Vi anbefaler å **holde lokket lukket** ved grilling. Dette reduserer risikoen for stikkflammer, og grillmaten tilberedes raskere og jevnere. Åpne det ikke for ofte for å kontrollere grillmaten slik at ikke unødvendig mye luft kommer inn og varme og røyk slipper ut.
10. For å gi steiken et flott grillmønster og lekker skorpe må du **ikke vende den for ofte**. I de fleste tilfellene skal grillmaten bare vendes én gang, og først når den har fått den ønskede fargen. Dermed unngås også en for hyppig åpning av lokket.
11. Du kan legge stekt grillmat på **varmeristen** for å holde den varm mens du fortsetter grillingen. Vær oppmerksom på at den da fortsetter å stekes. Utover dette kan du riste burgerbrød eller grønnsaker, koke sjømat skånsomt osv. på varmeristen mens du tilbereder f.eks. kjøtt med sterk varme på grillristen.

Direkte vs. indirekte grilling

Direkte grilling

Dette er den klassiske varianten hvor grillmaten legges direkte over brenneren. Varmen er da tilsvarende sterk. Derfor egner denne metoden seg godt til grillmat med kortere koketider inntil maksimalt 30 minutter i tillegg til å grille for eksempel burgere eller steiker kort og under sterk varme. På denne måten oppstår en sprø skorpe mens det innvendig forblir saftig.

Indirekte grilling

Her kommer varmen fra brennerne ved siden av grillmaten, brenneren direkte under blir slått av. Samtidig er lokket lukket slik at varmen ikke kan slippe ut. Denne grillmetoden anbefaler vi for grillmat med lange steketider slik som spareribs, pulled pork eller hele fugler. Men også fisk og grønnsaker lar seg tilberede skånsomt på denne måten.

Du kan kombinere begge grillmetodene med hverandre. Brun først kraftig, og kok deretter ferdig på svakere varme.

BRUK

Ta grillen i bruk

OBS!

- Brenn grillen med grillristene eller alle tilbehørsdelene som kommer i direkte kontakt med maten før første bruk for å fjerne eventuelle produksjonsrester. For å gjøre dette varm opp grillen med lukket lokk i minst 20 minutter på høyeste trinn. Etter avkjøling vask tilbehørsdelene. Følg også kapittelet «Rengjøring og vedlikehold» for å gjøre dette.
- Bruk grillen kun når alle delene er på plass og grillen er riktig montert og i samsvar med monteringsstrinnene i denne monterings- og bruksanvisningen.
- Før hver bruk må du kontrollere at grillen er uskadet og riktig stilt opp og tilkoblet. Følg kapittelet «Sikkerhetsinstruksjoner» ved valg av oppstillingssted.
- Sikre at gassflasken samt trykkreduksjonsventilen er riktig tilkoblet og at alle gassførende deler er tette før bruk (se kapittel «Koble til gassflasken» og «Tetthetskontroll»).
- Kontroller grillen før hver bruk for fettavleiringer. Fjern overskytende fett og tøm og rengjør alle deler i fettopsamlings-systemet for å unngå fettbranner (se kapittel «Rengjøring og vedlikehold»).
- Dekk **ikke** fettopsamlingsystemet eller grillkammeret med aluminiumsfolie eller annen folie.
- Ved tenning skal lokket være åpnet. Tenn hver brenner enkeltvis.
- Hvis flammen slukker eller en brenner ikke tennes, dreier du den respektive regulatorknotten i av-posisjonen. Vent ca. 2–5 minutter før du forsøker på nytt slik at gassen kan fordunste. Ellers kan det føre til en eksplosjon.
- Bøy deg ikke over grillflaten når gassflammen brenner fordi det kan oppstå en eksplosjon hvis det lagres seg gass i grillkammeret.
- Hell aldri vann på den varme grillen for å unngå forbrenning og skålding.

1. Åpne lokket.
2. Du må kontrollere at alle regulatorknottene befinner seg i av-posisjonen (pilen på regulatorknotten peker oppover). Hvis dette ikke er tilfellet, trykk på regulatorknotten og dreier den i av-posisjonen.
3. Åpne gasstilførselen på gassflasken.
4. Alle brennerne er utstyrt med eget tenningsystem, og lar seg dermed tenne enkeltvis: Trykk regulatorknotten til den ønskede brenneren, og dreier den i posisjonen **Max** (maksimal effekt) (bilde **G**). Gasstilførselen aktiveres. Med en Piezo-tenning genereres samtidig en gnist, som lager knallende lyder. På en elektronisk tenning trykk samtidig tenningsknotten (bilde **I**). En klikkende lyd høres.
5. Kontroller om brenneren tennes: Sjekk forsiktig om flammene brenner på brenneren.
6. Hvis brenneren ikke er tent, dreier du regulatorknotten på av-posisjonen og forsøk det én gang til etter ca. 2–5 minutter.



På en Piezo-tenning slipp regulatorknotten først etter noen sekunder etter vellykket tenning slik at flammen ikke slukker.

7. Tenn de øvrige brennerne på samme måte.

Grilling

OBS!

- Varm damp kan slippe ut når lokket åpnes. Hold derfor hode og hender unna faresonen. Det er fare for skålding.
- Bruk grillbestikk med lange, varmebestandige håndtak.

1. Forvarm grillen etter tenning av brennerne: Lukk lokket og vent til termometeret i lokket viser ønsket temperatur. Etter forvarmingen kan du slå av brennerne som du ikke trenger. Drei da de respektive regulatorknottene i av-posisjon.
2. Åpne lokket og legg grillmaten på grillristen eller andre tilbehørsdeler som du bruker.
3. Når det er oppnådd en høy temperatur i grillkammeret og du vil at grillmaten skal tilberedes jevnere fra alle sider, lukker du lokket.
4. Reduser brennereffekten etter behov ved å dreie regulatorknotten i posisjon **Min** (laveste effekten).
5. Når grillmaten har ønsket bruning, snu den med en grilltang.

Ta grillen ut av bruk

1. Lukk gasstilførselen på gassflasken.
2. Drei alle regulatorknottene i av-posisjon.
3. La grillen avkjøles før du flytter den.
4. Rengjør grillen etter avkjøling (se kapittel «Rengjøring og vedlikehold»). For store ansamlinger av matrester og matfett kan føre til det som kalles fettbrann.

RENGJØRING OG VEDLIKEHOLD

OBS!

- La alle deler avkjøles før rengjøringen til de ikke lenger er varme og kan berøres.
- Foreta ikke rengjøringsarbeid på ventilen til trykkreduksjonsventilen! Den inneholder svært følsomme komponenter som allerede ved lett kontakt med andre gjenstander kan påføres skader. Senk ikke trykkreduksjonsventilen ned i vann.
- Gassystemet må bare rengjøres av kvalifiserte fagfolk. Regulatorenheten skal uansett ikke demonteres.
- Brenneren må aldri være våt innvendig.
- Ha aldri grillen under vann, og vask den ikke med en vannslange. Væske må ikke komme inn i gassførende eller elektriske komponenter.
- Koble gassflasken fra grillhuset før rengjøringen.
- Ha aldri kaldt vann på varme deler. Dette kan føre til forbrenninger og skader av materialet.
- Bruk aldri alkohol eller etsende eller slipende andre antennelige eller etsende rengjøringsmidler.
- Det medfølgende tilbehøret er ikke egnet til oppvaskmaskin.
- Alle deler må være tørre før bruk eller oppbevaring.

For at du skal ha glede av grillen lang tid, må du holde den ren. Hvis grillen ikke rengjøres og vedlikeholdes, kan ytelsen forringes over tid. Lave temperaturer og en ujevn varmefordeling er tegn på at gassførende komponenter må rengjøres. Grillmaten fester seg på grillristen på grunn av matrester på denne. Fettavlagringer kan føre til fettbrann.

Rengjøring av fettoppsamlingssystem (etter hver bruk)

- **Bruk ikke skurende rengjøringsmidler.**
 - Tøm og rengjør alle deler i fettoppsamlingssystemet (fettoppsamlingsplaten, fettoppsamlingskaret eller fettoppsamlings-skålen) etter eller før hver bruk. Rengjør delene med varmt vann, oppvaskmiddel og en svamp. Rengjøringen er enklest etter bruk i lunkent vann (ikke varm !) tilstand.

Rengjøre grillristen og grillplate av støpejern (etter hver bruk)

Grillplaten rengjør du på samme måte som grillristen:

1. La grillristen være i grillen, og fjern grove rester med en rengjøringsbørste til grillrist eller en sparkel.
2. Gjenværende rester brenner du av som følger: Sett grillen på i ca. 30 minutter på høyeste trinn (minst 300 °C), og lukk lokket.
3. La grillristen avkjøles til du kan ta i den, og børst deretter restene av. Tørk den ev. av deretter med fuktig kjøkkenpapir.
4. Vi anbefaler å smøre den rene grillristen inn med planteolje til pleie og klargjøring til neste grilling.

Rengjøre emaljerte grillristen, varmerister, varmeformdelere og andre emaljerte deler

- **Bruk ikke slipende rengjøringsmidler eller børster med stålbust.**
 - Rengjør grill- og varmerister etter hver bruk, andre komponenter etter behov.
 - Skrap av grove rester med en plastsparkel, eller bløt i varmt vann.
 - Bruk deretter varmt vann til rengjøring med litt oppvaskmiddel og en svamp eller myk fille.

Rengjøre rister av rustfritt stål (etter hver bruk)

- Rengjør ristene av rustfritt stål med vann, oppvaskmiddel og en svamp eller rustfri rengjøringspute.

Rengjøre grillkammeret (ved behov)

Under bruk oppstår det kullstoff av fordampet fett og røyk som legger seg i grillkammeret.

- **Bruk ikke skurende rengjøringsmidler.**

1. Fjern alle matrester og fettansamlinger i grillkammeret. Bruk f.eks. en plastsparkel til dette.
2. Tørk deretter av overflatene med en myk klut. Hvis det er mye smuss, kan du vaske det av med varmt vann, oppvaskmiddel og en svamp og tørke det av med en klut som ikke sliper.

Rengjøre utvendig (ved behov)

Grillens sider utvendig består av forskjellige materialer og overflater. Derfor anbefaler vi forskjellige rengjøringsmetoder avhengig av type overflate.

Overflater i rustfritt stål

- Bruk et ikke-slipende rengjøringsmiddel for rustfritt stål iht. produsentens anvisninger. **Bruk ikke skurende pasta!**
- Ellers kan du bruke varmt vann, husholdningsrengjøringsmiddel og en svamp til rengjøringen. Skyll deretter overflatene med klart vann, og tørk dem med en myk klut.



Hvis grillen utsettes for spesielt tøffe omgivelser, må utsiden av grillen rengjøres hyppigere. I klor- og sulfidholdige omgivelser, spesielt langs kysten, kan også rustfritt stål ruste og få flekker. Saltvann, sur nedbør som kjennetegnes av høy varme og luftfuktighet i de nære omgivelsene til svømmebasseng og boblebad og andre ekstreme forhold, kan føre til flekkdannelse. Disse flekkene forveksles mange ganger med rust.

De kan fjernes og unngås enkelt: Vask flekkene av med varmt vann og et husholdningsrengjøringsmiddel, skyll overflaten med klart vann og tørk den. Gni alle rustfrie stålflater med springvann og rengjøringsmiddel for rustfritt stål hver 3. til 4. uke for å unngå dannelse av flekker.

Lakkerte, emaljerte overflater og plastdeler

■ **Bruk ikke skurende rengjøringsmidler.**

- Bruk kun varmt vann med litt husholdningsrengjøringsmiddel samt kjøkkenpapir eller en myk klut for å rengjøre. Rengjør, skyll og tørk overflaten tørr.

Rengjøre gassførende komponenter (ved behov)

Gassførende komponenter er ev. tilstoppet og må rengjøres når

- det merkes gasslukt og svært gul flamme og svak brennerflamme
- ønsket temperatur ikke nås
- brenneren varmer ujevnt eller flammen flakker

Gå frem som følger ved rengjøringen:

- Rengjør hele den utvendige overflaten av brenneren med en ren stålborste for å fjerne matrester og smuss. **Pass på at tennelektroden ikke bøyes eller skades under rengjøringen.** Børst forsiktig rundt tennelektroden.
- Kontroller spesielt at gassutløps- og luftinnløpsåpningene eller venturirøret er fritt for smuss på hvert brennerør. Rengjør med f.eks. en piperenser eller med trykkluft ved behov.
- Gasstilkoblingen samt tilkoblingene av gasslangen kan du rengjøre med en myk kost etter behov.

Vedlikeholdsarbeider

OBS!

- Dysene skal bare skiftes ut av fagfolk.

Grillen er vedlikeholdsfri når den rengjøres regelmessig. Til tross for dette må kontroll gjennomføres ved jevne mellomrom. Tilpass intervallene etter brukshyppighet og omgivelsesbetingelsene som grillen utsettes for.

- Kontroller om alle delene til grillen finnes og er på plass (visuell kontroll).
- Kontroller om alle forbindelsene er på plass og godt tilstrammet. Trekk ev. til igjen.
- Gassystemet må kontrolleres hver gang når en gassflaske kobles til (se kapittel «Tetthetskontroll»).
- Gasslangen må skiftes ut når den har porøse eller skadde deler, eller etter at maksimal bruksdatoen (se kapittel «Tekniske data») er utløpt.

OPPBEVARING

OBS!

- Beskytt grillen mot sterk vind, langvarig fuktighet, regn, snø, hagl eller andre værpåvirkninger.
- Hvis du ikke bruker grillen på lengre tid, av grillen koble gassflasken fra grillen og lagre den forskriftsmessig (se kapittel «Sikkerhetsinstruksjoner» – «Farer pga. gassflasker»).

- Oppbevar grillen utendørs på et tørt sted. Dekk til grillen (med en værbeskyttelseshette) for å beskytte komponentene mot fuktighet, støv, insekter eller edderkopper som kommer inn i huset til grillen og kan slå seg ned der.
- Rengjør grillen før lagring (se kapittel «Rengjøring og vedlikehold»).
- Hvis grillen oppbevares **innendørs**, må den **være koblet fra gassflasken**. Koble denne til forskriftsmessig med låsemutter og beskyttelseshette (avhengig av utførelse), og oppbevar den utendørs på en jevn jordflate (dvs. ikke fordypninger under bakkenivå) på godt ventilert sted.
- Ta elektriske batteriet ut av den elektriske tenningen når du ikke skal bruke grillen over lengre tid for å unngå eventuelle lekkasjer fra batteriet.

FEILSØKING

Hvis det skulle oppstå en feil til tross for god pleie, kan dette kapitlet hjelpe deg med å rette feilen.

Hvis følgende trinn ikke løser problemet, må du kontakte kundeservice (se omslaget til denne monterings- og bruksanvisningen).



Forsøk ikke å reparere gassystemet selv!

Lukt av gass (ev. svært gul og svak flamme).

Lekkasje i gassystemet.

1. Steng av gassflasken umiddelbart.
2. Hindre enhver dannelse av flammer eller gnister (slå ikke på elektriske enheter).
3. Trekk til alle skrueforbindelsene på gassystemet.
4. Kontroller alle gassførende deler for ytre skader; skift defekte deler ut med originale reservedeler.
5. Kontroller tetthet (se kapitlet «Tetthetskontroll»).

Brennerne er tilstoppet.

- ▶ Rengjør dem slik det er beskrevet i kapittel «Rengjøring og vedlikehold» – «Rengjøre gassførende komponenter (ved behov)».

Dysen til innstillingsleddet (bak frontpanelet) eller andre gassystem er tilstoppet.

- ▶ Få gassystemet rengjort av fagfolk.

Brenneren tenner ikke.

Batteriet i den elektriske tenningen er tomt eller lagt i feil.

- ▶ Legg i et nytt batteri. Kontroller polariteten +/-.

Gassflasken er tom.

- ▶ Skift ut gassflasken.

Brenneren er tilstoppet.

- ▶ Rengjør den slik det er beskrevet i kapittel «Rengjøring og vedlikehold» – «Rengjøre gassførende komponenter (ved behov)».

På sidebrenner: Tenningskabelen er ikke koblet til tenningen.

- ▶ Visuell kontroll. Koble ev. til tenningskabelen.

Dysen til innstillingsleddet (bak frontpanelet) eller andre gassystem er tilstoppet.

- ▶ Få gassystemet rengjort av fagfolk.

Teningen er defekt.

- ▶ Få tenningen kontrollert og reparert ev. skiftet ut av fagfolk.

Den ønskede temperaturen nås ikke. / Flammen er liten eller flakker sterkt, eller flammemønsteret er uregelmessig. / Enkelte brennere tenner ikke.

Gassflasken er (nesten) tom.

- ▶ Skift ut gassflasken.

Brennerne er tilstoppet.

- ▶ Rengjør dem slik det er beskrevet i kapittel «Rengjøring og vedlikehold» – «Rengjøre gassførende komponenter (ved behov)».

Gasslangen har knekk på seg.

- ▶ Rett ut gasslangen.

Dysen til innstillingsleddet (bak frontpanelet) eller andre gassystem er tilstoppet.

- ▶ Få gassystemet rengjort av fagfolk.

Eksplasjon eller boblende / knallende lyder

Flammetilbakeslag pga. tilstopping av brenneren.

- ▶ Steng gassflaskeventilen umiddelbart. Vent i 5 minutter og ta grillen i bruk igjen. Hvis feilen oppstår igjen, rengjør brennerne slik det er beskrevet i kapittel «Rengjøring og vedlikehold» – «Rengjøre gassførende komponenter (ved behov)». Ellers får du gassystemet rengjort av fagfolk.

Sterk oppflamming

Grillristen er fett.

- Fjern store fettmengder, legg kjøttet på en grillskål eller reduser grilltemperaturen. DBI Certification A/S (2531)

Grillen er tilsmusset.

- Rengjør grillen (se kapittel «Rengjøring og vedlikehold»).

AVFALLSBEHANDLING

For å avfallsbehandle grillen demonterer du den i sine enkelte deler og leverer metaller og plast til resirkulering.



Kast emballasjematerialet på en miljøvennlig måte og lever det til gjenvinningscenteret.



Symbolet ved siden av (en overstrøket søppelkasse med understrek) betyr at gamle apparater ikke hører hjemme i husholdningsavfallet, men i spesielle innsamlings- og retursystemer.

Eiere av gammelt utstyr må fjerne gamle batterier og oppladbare batterier som ikke er integrert i det gamle utstyret og kan fjernes uten å ødelegge dem, og kaste dem separat (se også avsnittet om avfallsbehandling av batterier).

Eiere av gammelt utstyr fra private husholdninger kan levere dem gratis til innsamlingsstedene til de offentlige renovasjonsmyndighetene eller til returpunktene som er opprettet av produsenter og distributører i henhold til ElektroG. Butikker som selger elektrisk og elektronisk utstyr på markedet, plikter også å ta dem tilbake.



Batterier og oppladbare batterier må ikke kastes sammen med husholdningsavfallet. Forbrukere er juridisk forpliktet til å innlevere batterier og oppladbare batterier separat til et innsamlingssted.

Batterier og oppladbare batterier kan leveres inn gratis til et kommunalt innsamlingssted/bydel eller en butikk slik at de kan kastes på en miljøvennlig måte og gjenvinne verdifulle råvarer. Feil avfallsbehandling kan føre til at giftige stoffer slippes ut i miljøet, som kan ha skadelige effekter på mennesker, dyr og planter.

Kast batterier og oppladbare batterier kun når de er utladet. Når det er mulig, bruk oppladbare batterier i stedet for engangsbatterier.

Før du kaster batterier og oppladbare batterier som inneholder litium, må du maskere polene med teip for å forhindre kortslutning. En kortslutning kan føre til brann eller eksplosjon.

EU-SAMSVARSERKLÆRING

Herved erklærer vi, LANDMANN Germany GmbH, at gassapparatet beskrevet her oppfyller kravene i forordning (EU) 2016/426.

Samsvaret er dokumentert med en typeprøving iht. standarden EN 498:2012.

Det er det tekniske kontrollorganet **DBI Certification A/S (2531)** som har utført typeprøvingen.

Enhetsidentifikasjonsnummer: **2531CU-0061**

For ytterligere informasjon henvend deg til vår kundeservice.



Hyvä asiakas,

kiitos, että valitsit LANDMANN-kaasugrillin. Tämä asennus- ja käyttöohje auttaa sinua vaihe vaiheelta hankkimasi LANDMANN-grillin käyttöönotossa. Lisäksi saat ohjeita oikeasta käytöstä, turvallisesta käsittelystä ja hoidosta.

Käytä aikaa tutustuaksesi uusien laitteidesi yksityiskohtiin. Paitsi, että opit nopeasti käyttämään laitettasi, toivomme myös, että sinulla on hauskaa LANDMANN-grillisi parissa.

Jos sinulla on kysyttävää grillimallistasi tai tarvitset lisätukea, huoltotiimimme auttaa mielellään. Yhteystiedot löytyvät tämän asennus- ja käyttöohjeen kansilehdestä.

LANDMANN-tiimisi toivottaa sinulle hauskoja ja herkullisia grillaushetkiä.

SISÄLTÖ

Tekniset tiedot	29
Toimituksen sisältö	29
Laitteen yleiskatsaus	29
Käyttötarkoitus	30
Turvallisuusohjeet	30
Kaasua johtavien komponenttien vaatimukset	31
Asennusohjeita	31
Pariston asettaminen elektroniseen sytyttimeen	32
Kaasupullon liittäminen	32
Tiivistarkastus	33
Grillausvinkejä	33
Käyttö	33
Puhdistus ja huolto	34
Säilytys	35
Ongelmien korjaus	35
Hävittäminen	36
EY-vaatimustenmukaisuusvakuutus	36

VAROITUS:

- Sopii vain ulkokäyttöön.
- Lue asennus- ja käyttöohje ennen laitteen käyttöönottoa.
- **VAROITUS:** Näkyvissä olevat osat voivat olla erittäin kuumia. Pidä lapset loitolla.
- Pidä laite käytön aikana loitolla palavista materiaaleista.
- Älä liikuta laitetta käytön aikana.
- Sulje käytön jälkeen kaasun syöttö kaasupullosta.
- Älä tee mitään muutoksia laitteeseen.

LUE TÄMÄ ASENNUS- JA KÄYTTÖOHJE ENNEN KÄYTTÖÖNOTTOA!

Sen sisältämien turvallisuusohjeiden, varotoimenpiteiden ja työvaiheiden huomiotta jättäminen voi johtaa vakaviin tai jopa hengenvaarallisiin loukkaantumisiin tai esinevahinkoihin tulipalon tai räjähdyksen seurauksena.

Säilytä tämä asennus- ja käyttöohje myöhempiä kysymyksiä ja muita käyttäjiä varten. Se on osa laitetta. Valmistaja ja maahantuoja eivät ole vastuussa, jos tämän asennus- ja käyttöohjeen tietoja ei noudateta.

Symbolit



Vaaramerkki: Tämä symboli viittaa mahdolliseen vaaraan. Lue tähän liittyvät turvallisuusohjeet huolellisesti ja noudata niitä.



Täydentäviä tietoja



Lue asennus- ja käyttöohje ennen käyttöä!



Sopii elintarvikkeille.




Tasavirta

Muut selitykset

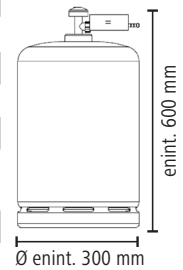
Selitenumerot esitetään seuraavasti: (1)

Kuvaviitteet esitetään seuraavasti: (Kuva A)

TEKNISET TIEDOT

Laitekuvaus:	Kaasugrilli "TRITON 4.0"				 2531-23 PIN: 2531CU-0061
Mallinumero:	12268				
Maa:	BG, CY, CZ, DK, EE, FI, HU, HR, IS, IT, LT, LV, MT, NL, NO, RO, SE, SI, SK	PL	AT, CH, CZ, DE	BE, CH, CZ, ES, FR, GR, IE, IT, LT, LU, LV, PT, SK, SI, TR	
Kaasukategoria:	I3B/P (30)	I3B/P (37)	I3B/P (50)	I3+ (28-30/37)	
Kaasutyppi:	G30 (butaani), G31 (propaani) tai näiden seos	G30 (butaani), G31 (propaani) tai näiden seos	G30 (butaani), G31 (propaani) tai näiden seos	G30 (butaani)	G31 (propaani)
Kaasupaine mbar:	28–30	37	50	28–30	37
Kulutus:	G30: 872 g/h G31: 857 g/h	G30: 872 g/h G31: 857 g/h	G30: 872 g/h G31: 857 g/h	872 g/h	857 g/h
Pääpolttimen suuttimen Ø:	0,85 mm	0,79 mm	0,73 mm	0,85 mm	0,85 mm
Lämpöteho:	12 kW (4 x 3,0 kW pääpoltin)				
Sytytin:	paristo 1,5V (AA)				
Paineenlennin:	standardin EN 16129 mukainen; noudata kansallisia määräyksiä.				
Kaasuletku:	standardin EN 16436-1 mukainen; enint. 1,5 m; käyttöänsä osalta noudata kansallisia määräyksiä.				
Mitat (P x K x L):	Grilli: n. 140 x 120 x 57 cm				
Paino:	n. 46 kg				
Kaasupullo:	tavanomainen kaasupullo, katso mitat vierisestä kuvasta.				
Asennus- ja käyttöohjeen tunnistenumero:	Z TRI 4.0+mod M LM SCA V1 1122 md				
Valmistaja:	LANDMANN Germany GmbH, Am Heisterbusch 1, 19258 Gallin, Saksa				

Valmistettu Kiinassa.



TOIMITUKSEN SISÄLTÖ

(kuva A, katso kääntösivu)

Pos.	Kuvaus	Lkm
1	Grillausyksikkö (esiasennettu)	1
2	Kulma A	2
3	Kulma B	2
4	Kannen kahva	1
5	Sivupöytä, vasen	1
6	Sivupöytä, oikea	1
7	Kaasuletku ja paineenlennin (eivät sisälly joissain maissa)	1
8	Rasvankeräysastia	1
9	Sivuseinä, vasen	1
10	Kulmaliitos, vasen	1
11	Kulmaliitos, oikea	1
12	Sivuseinä, oikea	1
13	Lukittavat pyörät	4
14	Pohjalevy	1
15	Alakaapin peitelevy	1
16	Alakaapin ovi, oikea	1
17	Alakaapin ovi, vasen	1
18	Takaseinä	1
19	Ovenkahva	2
20	Poikittaistuki	1
21	Lämmönjakopelti	4
22	Rasvapelti	1
23	Säätönuppi	4
24	Sivugrilliritilä	2
25	Keskimmäinen grilliritilä	1
26	Lämpöritilä	1
27	Grilliritilän nostin	1

Pos.	Kuvaus	Lkm
Asennusmateriaali:		
A	Ruuvi, M4 x 10 mm	16
B	Ruuvi, M6 x 12 mm	30
C	Ruuvi, M6 x 18 mm	8
D	Aluslevy	2
	pariston 1,5V (AA) elektronista sytytintä varten	1
	Asennus- ja käyttöohje	1
	Paineenlennin ohje	1

Lisäksi tarvitset:

- nestekaasupullon (katso luku "Tekniset tiedot"), 1 kpl
- asennustyökalut

Nämä eivät sisälly toimitukseen.

HUOMAA!

- Tarkasta, onko pakkauksen sisältö täydellinen ja onko osissa kuljetusvahinkoja. Mikäli osia puuttuu tai niissä on vikoja, käänny asiakaspalvelun puoleen (katso tämän asennus- ja käyttöohjeen kansilehti). Pidätämme oikeuden pieniin teknisiin muutoksiin esim. asennusmateriaaliin liittyen.
- Poista tuotteesta mahdolliset kalvot, tarrat tai kuljetussuojat, mutta **ei koskaan tyypikilpeä ja mahdollisia varoituksia!**

LAITTEEN YLEISKATSAUS

(Kuva B)

- 28 Kansilämpömittari
- 29 Kansi
- 30 Sytytysnuppi
- 31 Kaasuliitäntä
- 32 Alakaappi

KÄYTTÖTARKOITUS

- Tämä kaasugrilli on tarkoitettu grillattujen ruokien valmistukseen. Sitä käytetään nestekaasulla ja sen käyttö on sallittu vain ulkotiloissa.
- Muunlainen käyttö ei ole sallittua. Tämä koskee erityisesti seuraavia ennakoitavissa olevia väärinkäyttöjä:
 - Älä käytä laitteessa puuta, puuhiiltä tai muita palavia materiaaleja, ainoastaan nestekaasua (propani/butaani).
 - Älä koskaan liitä laitetta maakaasuverkkoon (kaupungin kaasuverkkoon)! Venttiilit ja suuttimet on tarkoitettu ainoastaan nestekaasupulloille.
 - Älä käytä grilliä lämmittimenä.
 - Älä käytä grilliä muiden aineiden ja materiaalien kuin elintarvikkeiden lämmittämiseen.
 - Älä koskaan käytä grilliä sisäänrakennettuna laitteena.
- Grilliä ja kaasupulloa on käytettävä ja säilytettävä voimassa olevien määräysten mukaisesti.
- Grilli on tarkoitettu yksityiseen käyttöön, ei kaupalliseen käyttöön.
- Käytä grilliä ainoastaan mainittuun tarkoitukseen ja vain siten kuin tässä asennus- ja käyttöohjeessa on kuvattu. Kaikki muu käyttö on määräysten vastaista. Vääränlainen käyttö tai epäasiallinen käsittely voivat aiheuttaa laitteen toiminnan heikentymistä tai niistä voi seurata muita esine- tai henkilövahinkoja.
- Takuun ulkopuolelle on suljettu kaikki puutteet, jotka johtuvat virheellisestä käsittelystä, vahingoittamisesta tai korjausyrityksistä. Tämä koskee myös normaalia kulumista sekä grillin ja lisävarusteiden rasvakertymiä ja värimuutoksia.

TURVALLISUUSOHJEET



Loukkaantumiseriski

- Grilliä ei ole tarkoitettu lasten tai sellaisten henkilöiden käytettäväksi, joilla on rajalliset fyysiset, sensoriset tai henkiset kyvyt tai joiden kokemus ja/tai tieto on puutteellista.
- Lapset eivät saa leikkiä grillillä. Varmista, että lapset eivät pääse koskemaan laitteeseen ilman valvontaa edes laitteen ollessa kytkettynä pois päältä. Väärä käyttö voi olla vaarallista.
- **VAROITUS: Näkyvissä olevat osat voivat olla erittäin kuumia. Pidä lapset loitolla!** Älä koskaan jätä grilliä ilman valvontaa sen ollessa käytössä tai vielä kuuma. Varmista erityisesti, etteivät lapset tai henkilöt, jotka eivät pysty tunnistamaan mahdollisia vaaroja tai reagoimaan niihin, pääse kuumen grillin lähelle.
- Käytä grillikäsineitä, jotka on testattu henkilösuojaimia koskevan asetuksen (EU) 2016/425 ja standardin DIN EN 407 (lämmönsuojaluokka II) mukaisesti.
- Älä koske kuumiin osiin grillin käytön aikana tai sen jälkeen! Kosketa ainoastaan kahvoja ja säätimiä grillin ollessa käytössä tai välittömästi sen jälkeen, kun se on sammutettu. Odota, että grilli on täysin jäähtynyt, ennen kuin siirät tai puhdistat sitä tai asetat sen säilytykseen.
- **Älä liikutta grilliä käytön aikana!**
- Alkoholin tai huumeiden käyttö voi vaikuttaa negatiivisesti kykyyn asentaa, liikuttaa, varastoida tai käyttää grilliä asianmukaisesti.



Tukehtumis-, tulipalo- tai räjähdysvaara

Kaasu on erittäin herkästi syttyvää ja palaa räjähtämällä! Jos ulosvirtaava kaasu syttyy hallitsemattomasti, seurauksena voi olla vakavia henkilö- tai esinevahinkoja. Nestekaasu on raskaampaa kuin happi. Sen vuoksi se varastoituu maahan ja syrjäyttää sieltä hapen. Jos tällainen kaasupitoisuus pääsee syntymään (esim. kaasupullon ollessa vaurioitunut), saattaa seurauksena olla tukehtuminen hapenpuutteen vuoksi.

- Käytä ainoastaan tässä asennus- ja käyttöohjeessa määritettyjä kaasutyyppisiä, kaasupulloja, paineenalentimia ja kaasuletukuja (katso luku "Kaasua johtavien komponenttien vaatimukset").
- Käytä grilliä vain maantason yläpuolella (toisin sanoen ei syvennyksissä maantason alapuolella).
- **Sopii vain ulkokäyttöön.** Älä käytä grilliä rakennuksissa, autotallissa, katetuissa käytävissä, teltassa, muilla suljetuilla alueilla, markiisin alla tai palavissa rakenteissa.
- Älä käytä grilliä ajoneuvon sisällä tai päällä. Tämä koskee myös matkailuautoja, asuntovaunuja ja veneitä.
- Älä käytä grilliä, jos ilmassa tai ympäristössä on helposti syttyviä tai räjähtäviä aineita. Älä varastoi mitään polttoaineita tai muita syttyviä höyryjä tai nesteitä grillin läheisyydessä, äläkä käytä tällaisia aineita grillissä. Älä ruiskuta spraysuihkeita grillin läheisyydessä.
- Älä koskaan käytä grilliä ilman paineenalenninta (katso luku "Kaasua johtavien komponenttien vaatimukset" – "Paineenalennin")!
- Varmista, että paineenalennin on liitetty asianmukaisesti ja että se on toimintakunnossa eikä siinä näy vaurioita.
- Suorita aina tiivistarkastus kaikille kaasua johtaville komponenteille kaasupullon liittämisen jälkeen sekä jos grilliä ei ole käytetty pidempään aikaan (katso luku "Tiivistarkastus"). **Jos kaasuvuoto havaitaan, grilliä ei saa käyttää.**
- **Pidä laite käytön aikana loitolla palavista materiaaleista.** Muutoin on olemassa tulipalon tai kytevä palon vaara. Seuraavia vähimmäisetäisyyksiä palaviin materiaaleihin on noudatettava: 2 m grillin yläpuolella ja 1 m grillin sivuilla. Etäisyyden vaikeasti syttyviin materiaaleihin kuten talon seiniin on oltava vähintään 0,6 m. Myöskään alakaapissa ei saa käytön aikana säilyttää suojapeitettä eikä mitään muita palavia materiaaleja.
- Grillin läheisyydessä ei saa kaasupulloa liitettäessä olla 5 metrin säteellä mitään syttymislähteitä, etenkin avotulta tai palavaa tupakkaa, kynttilöitä, lampuja tms. Myös sähkölaitteet voivat aiheuttaa vaaran, mikäli laitetta liitettäessä kaasua pääsee purkautumaan ulos.
- Älä koskaan tuki grillausyksikön tai kaasupullon sijoitustilan tuuletusaukkoja, ja varmista, että tuuletusaukot ovat aina vapaita.
- Älä peitä mitään grillin aukkoja ja varmista, ettei niitä ole tukittu, ennen kuin otat grillin käyttöön. Kuten useimmat ulkona käytettävät laitteet, grilli on mahdollinen suojapaikka hämähäkeille ja hyönteisille. Kaasua johtavien komponenttien tukokset voivat estää kaasun virtauksen, mikä heikentää tehoa tai voi aiheuttaa jopa vaarallisen liekin takaiskun. Poista tukokset luvussa "Puhdistus ja huolto" kuvatulla tavalla.
- Älä koskaan jätä grilliä ilman valvontaa sen ollessa käytössä. Jos liekki sammuu, sytytä se heti uudelleen tai sulje kaasupullo.
- Jos havaitset kaasun hajua, sulje kaasun syöttö kaasupullostaa ja sammuta kaikki liekit. Älä kytke mitään sähkölaitteita päälle. Selvitä ja korjaa kaasun purkautumisen syy ennen kuin otat grillin uudelleen käyttöön.
- Varmista, että öljy- ja rasvapitoiset ruoat eivät kuumene liikaa. Älä aseta grilliin mitään öljyllä täytettyjä astioita.
- Älä sammuta rasvapaloa vedellä! Sulje heti kaasun syöttö kaasupullostaa. Sammuta heti kaikki polttimet ja sulje kansi, kunnes tuli on sammunut.
- **Sulje heti käytön jälkeen kaasun syöttö kaasupullostaa.**
- Älä peitä grilliä sen ollessa vielä kuuma.
- **Älä tee mitään muutoksia laitteeseen!** Jokainen laitteen muutos voi olla vaarallinen.
- **Valmistajan tai sen edustajan sinetöimiin rakenneseisiin ei saa tehdä muutoksia.**
- Vaarojen välttämiseksi **korjaukset saa suorittaa ainoastaan valmistaja tai asiakaspalvelu.** Jos huomaat vaurion tai häiriön, ota yhteyttä asiakaspalveluun (katso tämän asennus- ja käyttöohjeen kansilehti). Grilliä ei saa käyttää, ennen kuin se

on kunnostettu, sillä grillin virheellinen toiminta saattaa lisätä loukkaantumisvaaraa.

- Käytä vain alkuperäisiä valmistajan lisävarusteita, jotta et heikennä grillin toimintaa ja vältät mahdolliset vauriot tai vaarat.
- Älä koskaan irrota säätönuppia, kaasupulloa tai mitään kaasua johtavista elementeistä käytön aikana.
- Älä koskaan kuljeta grilliä kaasupullon ollessa liitettynä siihen. Grilli ja kaasupullo on aina kuljetettava irrallaan toisistaan.
- Puhdista grilli säännöllisesti luvussa "Puhdistus ja huolto" kuvatulla tavalla.



Kaasupullojen aiheuttamat vaarat

- **Noudata kaasupullon valmistajan tai vuokraajan määräyksiä!**
- Pidä kaasupullo poissa lasten ulottuvilta!
- Älä koskaan käytä kolhiintunutta tai ruostunutta kaasupulloa.
- Älä koskaan käytä kaasupulloa, jonka venttiili on vahingoittunut.
- Älä koskaan aseta kaasupulloa kyljelleen. Asenna, kuljeta ja säilytä kaasupullot (myös tyhjät) aina tukevasti pystyasennossa.
- Älä koskaan päästä kaasupulloa putoamaan. Älä altista sitä iskuille tai vaurioita sitä.
- Kaasupullot voivat räjähtää lämmitessään. Älä koskaan polta kaasupulloa. Älä altista sitä äärimmäiselle kuumuudelle (yli 50°C) tai suoralle auringonpaisteelle. Älä jätä kaasupulloa autoon kuumana päivänä. Varmista, ettei kaasupullo tai kaasuletku kosketa grilliä käytön aikana.
- Kaasupulloja saa liittää, käyttää ja varastoida vain ulkona hyvin tuuletetussa tilassa (toisin sanoen ei esim. rapussa, käytävässä, läpikulkuväylässä tai tunnelissa), joka sijaitsee maantason alapuolella).
- Vie epätiivis kaasupullo välittömästi hyvin tuuletettuun paikkaan ulkona, päästä kaasu virtaamaan ulos ja odota, kunnes kaasu on haihtunut. Palauta tyhjä kaasupullo valmistajalle ja ilmoita pullon epätiiviydestä.
Jos tunnet huimausta tai pahoinvointia, hengitä raikasta ilmaa ja ota tarvittaessa yhteyttä lääkäriin.
- Sulje aina ensin kaasupullon venttiili, ennen kuin irrotat paineenalennimen kaasupullostasi.
- Kaasupulloja, joita ei heti oteta käyttöön ja liitetä paikoilleen, ei saa säilyttää kaasulla tai sähkövirralla käytettävän ja käytössä olevan laitteen vieressä (edes tyhjinä).
- Myös näennäisesti tyhjät kaasupullot voivat sisältää yhä nestekaasua, ja niitä on tästä syystä käsiteltävä yhtä varovasti kuin täysiä kaasupulloja.



Paristojen aiheuttamat vaarat

- Paristot voivat olla hengenvaarallisia nieltynä. Säilytä tämän vuoksi paristot pienten lasten ja eläinten ulottumattomissa. Jos paristo on nielty, hakeudu välittömästi lääkäriin. Paristohappo aiheuttaa kemiallisen palovamman vaaran.
- Jos paristo on päässyt vuotamaan, vältä paristohapon kosketusta ihoon, silmiin tai limakalvoihin. Käytä tarvittaessa suojakäsineitä. Huuhtelee paristohapon kanssa kosketuksiin joutuneet kohdat heti runsaalla puhtaalla vedellä ja hakeudu lääkäriin. Paristohappo aiheuttaa kemiallisen palovamman vaaran.
- Käytä ainoastaan teknisissä tiedoissa mainittua paristotyyppiä.
- Poista paristot, kun ne on käytetty loppuun tai jos grilliä ei käytetä pidempään aikaan. Näin voidaan välttää paristojen vuotamisen aiheuttamat vahingot.
- Poista vuotanut paristo välittömästi laitteesta ja puhdista paristokotelon koskettimet.

KAASUA JOHTAVIEN KOMPONENTTIEN VAATIMUKSET

Grilliä käytetään on nestekaasulla (Liquefied Petroleum Gas, LPG tai LP-kaasu). Nestekaasut propaani, butaani ja niiden seokset säilyvät huoneenlämpötilassa ja alhaisella puristuksella (< 10 bar) nestemäisinä kaasupullossa. Jos kaasupullo avataan, paine haihtuu, neste laajenee ja muuttaa olomuotoaan kaasuksi.

Kaasupullo

- Käytä ainoastaan propaani- tai butaanikaasua tai niiden seosta sisältäviä kaasupulloja. Kaasupullojen on vastattava kansallisia määräyksiä, eivätkä ne saa olla suurempia kuin luvussa "Tekniset tiedot" on ilmoitettu.

Kaasupatruunat

- Jos kaasupatruunan käyttö grillissä on hyväksytty, käytä ainoastaan kierventtiilillisiä kaasupatruunoita, joissa on 7/16"-kierre ja joiden tilavuus on enintään 450 g/800 ml.

Paineenalennin

Paineenalennin huolehtii siitä, että grilliin syötettävän kaasun paine pysyy aina tasaisena.

- Käytä grillin mukana toimitettua paineenalenninta. Se on tarkastettu ja CE-sertifioitu. Se vastaa eurooppalaista standardia EN 16129.
- Jos grilli toimitetaan ilman paineenalenninta, hanki kaasupulloon sopiva paineenalennin. Varmista, että se vastaa kansallisia määräyksiä.

Kaasuletku

- Käytä grillin mukana toimitettua kaasulettoa. Jos toimituksen sisällössä ei ole kaasulettoa, hanki kansallisia määräyksiä vastaava kaasuletku.
- Kaasuletku (tai letkujohto) ei saa olla yli 1,5 m pitkä ja sen täytyy vastata standardin EN 16436-1 vaatimuksia
- Noudata kansallisia määräyksiä ja vaihda kaasuletku määräysten mukaisesti tai kun kaasuletkun viimeinen käyttöpäiväys on umpeutunut.
- Varmista ennen jokaista käyttökertaa, ettei kaasuletkussa ole taitteita tai repeämiä tai ettei se ole kulunut. Grilliä ei saa ottaa käyttöön, jos sen kaasuletku on haurastunut tai viallinen.

ASENNUSOHJEITA

HUOMAA!

- Pidä pakkausmateriaalit poissa pienten lasten ja eläinten ulottuvilta! Mahdollinen tukehtumisvaara.
- Asennusvaiheet löytyvät kuvina tämän asennus- ja käyttöohjeen lopusta. Noudata niitä oikeassa järjestyksessä. **Virheellinen asennus voi olla vaarallista.**
- Käytä ainoastaan moitteettomassa kunnossa olevia ja oikean kokoisia työkaluja. Kuluneiden tai väärän kokoisten työkalujen avulla et saa kiristettyä ruuveja tarpeeksi tiukalle, sen sijaan vaurioitat ruuveja siten, ettei niiden kääntäminen enää onnistu.
- Varmista, että asennusta varten on riittävästi tilaa ja käytä tarvittaessa alustaa suojaamaan grilliä tai herkkiä lattioita naarmuilta.
- Aseta grilli vaakasuoralle, tasaiselle alustalle, jottei siitä tule vinoa.
- Älä käytä kokoamiseen voimaa.
- Kiristä ruuviliitokset aluksi sormitiukkaan ja asennusvaiheen onnistuttua vielä kerran kunnolla. Muuten voi muodostua epätoivottua jännitystä.
- Kiristä muttereita, kunnes ne ovat kiinteästi paikoillaan ja kierrä vielä neljänneskierros. Älä kiristä liikaa!

PARISTON ASETTAMINEN ELEKTRONISEEN SYTYTTIMEEN

Ennen ensimmäistä käyttöä täytyy elektroniseen sytyttimeen asettaa 1,5 V:n paristo (AA) (kuva H):

1. Kierrä sytytysnappia vastapäivään, kunnes se irtoaa.
2. Aseta paristo miinusnapa edellä paristolokeroon tai vaihda se tarvittaessa uuteen.
3. Ruuvaa sytytysnappi jälleen paikoilleen.
 - Jos sytytysteho heikkenee, vaihda paristo.

KAASUPULLON LIITTÄMINEN

HUOMAA!

- Lue ennen kaasupullon liittämistä luku "Kaasua johtavien komponenttien vaatimukset".
- Vaihda kaasupullo ainoastaan ulkona tai hyvin tuuletetussa tilassa, kaukana syttymislähteistä (kuten kynttilöistä, tupakoista tai muista liekkejä tuottavista laitteista).
- Missään liitännäkappaleissa ei saa olla likaa tai vaurioita.
- Kaasupullo ei saa koskettaa grillin kuumia osia eikä siihen saa kohdistua lämpösäteilyä.
- Kaasuletku ei saa olla jännitteellä, kierteellä tai taitoksissa eikä koskettaa grilliä.
- Varmista kaasupullon liittämisen jälkeen, että kaikki liitännät ovat tiiviitä (katso luku "Tiivistarkastus"). Kierrä paineenalennin vain käsitiukkaan! Älä käytä työkaluja, jottei venttiiliin tiiviste vaurioitu eikä tiiviyttä voida enää taata.

Jos grilli on toimitettu ilman paineenalenninta tai kaasuletkua, hanki ne. Noudata kansallisia määräyksiä ja huomioi määräykset luvusta "Kaasua johtavien komponenttien vaatimukset" – "Paineenalennin" tai "Kaasuletku".

1. Pystytä valmiiksi asennettu grilli ulos tukevalle, vaakasuoralle ja tasaiselle alustalle. Huolehdi, että kaikilla sivuilla on riittävästi vapaata tilaa. Asennuspaikkaa valitessasi huomioi luku "Turvallisuusohjeet".
2. Lukitse tarvittaessa lukittavat pyörät kääntämällä siipimuttereista.
3. Käännä sivupöytä ylös ja anna sen lukittua 90°:een kulmaan saranoille. Kun haluat laskea sen alas, nosta sitä hieman avataksesi lukituksen.
4. Kaikkien säätönappien tulee olla kiinni-asennossa (säätönupin nuoli osoittaa ylös). Jollei näin ole, paina säätönappia ja käännä se pois-asentoon.
5. Aseta kaasupullo tukevasti pystyasentoon maahan grillin viereen. Kaasupullon venttiiliin on oltava suljettu.
6. Varmista, että grilliä ja kaasupulloa ympäröivälle alueella pääsee helposti ja ettei siellä ole irrallisia esineitä.
7. Jos kaasuletkua ei ole jo valmiiksi asennettu grilliin, kiinnitä kaasuletkun toinen pää grillin kaasuliitäntään ja tarvittaessa toinen pää paineenalentimeen. Kiinnitystapa riippuu kaasuletkun maakohtaisesta mallista.
8. Liitä paineenalennin sen ohjeessa kuvatulla tavalla. Jos paineenalentimelle ei ole toimitettu ohjetta, seuraavassa on kuvattuna joitain mahdollisista liitännätavoista. HUOMAUTUS: kuvat saattavat poiketa hieman sinun laitteestasi.
9. Tarkasta kaasupullon liittämisen jälkeen sen tiiviys (katso luku "Tiivistarkastus").



Suosittellemme asettamaan kaasupullon käytön ajaksi grillin viereen.

Kaasupulloa voi kuitenkin säilyttää käytön aikana ja sen jälkeen alakaapissa, jollei kaasupullo ylitä annettuja enimmäismittoja (katso luku "Tekniset tiedot"). Aseta kaasupullo sitä varten tehtyyn syvennykseen pohjalevyssä.

Paineenalentimen kiinnittäminen

Paineenalennin vasemmalla kierteellä

(kuva C)

1. Kierrä paineenalennin käsitiukkaan kiinni kaasupullon venttiilikierteeseen. Varmista, että kyseessä on vasen kierre, jota kierretään vastapäivään.
2. Jotta saat kaasun virtaamaan ja voit ottaa grillin käyttöön, kierrä kaasupullon venttiiliä (a) vastapäivään. Sulje venttiili kiertämällä myötäpäivään.

Paineenalennin vivulla

(kuva D)

1. Liikuta paineenalentimen vipu (b) kiinni-asentoon.
2. Paina paineenalennin kaasupullon venttiiliin, kunnes kuulet sen lukittuvan paikoilleen.
3. Jotta saat kaasun virtaamaan ja voit ottaa grillin käyttöön, liikuta vipu auki-asentoon. Lopeta kaasun syöttö liikuttamalla vipu kiinni-asentoon.

Paineenalennin mansetilla

(kuva E)

1. Liikuta paineenalentimen vipu (b) kiinni-asentoon.
2. Työnnä paineenalentimen mansetti ylös ja pitele siellä.
3. Paina paineenalennin kaasupullon venttiiliin ja kiinnitä työntämällä mansetti alas.
4. Jos paineenalennin ei lukitu kuuluvasti paikoilleen, toista menettely.
5. Jotta saat kaasun virtaamaan ja voit ottaa grillin käyttöön, liikuta vipu auki-asentoon. Lopeta kaasun syöttö liikuttamalla vipu kiinni-asentoon.

Paineenalennin kaasupatruunoihin

(kuva F)

Käytä ainoastaan kierreventtiilillä varustettuja kaasupatruunoita.

1. Tarkasta ennen kaasupatruunan liittämistä, että paineenalentimen kumitiiviste on paikoillaan ja että se on moitteettomassa kunnossa.
2. Sulje paineenalentimen venttiili (c).
3. Kiinnitä kaasupatruuna paineenalentimeen alhaalta päin vastapäivään kiertämällä.
4. Jotta saat kaasun virtaamaan ja voit ottaa grillin käyttöön, avaa venttiili (c). Lopeta kaasun syöttö sulkemalla venttiili.

Paineenalentimen poistaminen

1. Varmista, että kaasupullon tai paineenalentimen venttiili on suljettu.
2. Käännä grillin säätönappi auki, jotta järjestelmään jäänyt kaasu pääsee poistumaan.
3. Poista paineenalennin suorittamalla asennusvaiheet vastakkaisessa järjestyksessä.

TIIVIYSTARKASTUS

HUOMAA!



Älä koskaan etsi kaasuvuotoja avoliekin avulla! Varmista ennen vuotojen tarkastamista, ettei lähitöllä ole avoliekejä tai mitään, mistä voisi muodostua kipinöitä. Kipinät tai liekit voivat aiheuttaa räjähdysten, joka voi johtaa vakaviin tai jopa hengenvaarallisiin loukkaantumisiin tai esinevahinkoihin.

Grillin ensiliitännän jälkeen aina, kun kaasupullo vaihdetaan tai kun laitetta ei ole käytetty pidempään aikaan, kaikille kaasua johtaville komponenteille on suoritettava tiivistystarkastus sen varmistamiseksi, ettei mistään liitännästä pääse vuotamaan kaasua. Jos paineenalentiessa on painemittari, noudata paineenalenti-
men ohjeita tiivistystarkastuksen suorittamisessa. Muussa tapauksessa käytä ammattiliikkeestä saatavaa vuotoilmalaitetta ja noudata valmistajan ohjeita. **Pelkkä kuuloon perustuva tiivistystarkastus ei ole luotettava!**

GRILLAUSVINKKEJÄ

- Ennen kuin aloitat grillaamisen, **etsi kaikki tarvitsemasi tavarat valmiiksi**. Grillatessa et voi päästää grilliä ja grillattavia tuotteita silmistäsi ja käydä keittiössä hakemassa puuttuvia tuotteita.
- Ennen valmistuksen aloittamista **ota liha huoneenlämpöön**. Tämä takaa hyvän ja tasaisen kypsymisen.
- Käytä **puhtaita grilliritilöitä**. Jos grilliritilässä on jäänteitä, grillattava tuote tarttuu niihin kiinni.
- Kevyesti **öljytty grillattava tuote** ruskistuu tasaisemmin ja tarttuu vähemmän kiinni grilliritilään.
- Hiero grilliritilöihin öljyä** ennen grillausta, jotta grillattava tuote ei tarttuisi kiinni.
- Esikumenna grilli** aina kansi kiinni, jottei grillattava tuote tarttuisi kiinni grilliritilään ja samalla ruoka saa kauniisti ruskistetun pinnan. Tämä myös polttaa edellisen grillauskerran jäänteet pois grillistä. Vaikka haluaisit grillata keskikuumalla tai alhaisella lämpötilalla, kannattaa grilli esikuumentaa.
- Älä aseta liikaa grillattavia tuotteita** grilliritilälle. Jätä tuotteiden väliin riittävästi tilaa, jotta voit tarttua niihin helposti ja liikuttaa niitä.
- Jos käytät **marinadia, grillauskastiketta tai kuorrutetta, jossa on runsaasti sokeria** tai muita helposti palavia ainesosia, levitä ne **vasta viimeisten 10–15 minuutin aikana**.
- Suosittellemme, että **pidät grillatessa kannen kiinni**. Tämä vähentää pistoliekkien riskiä ja grillattu ruoka kypsyy nopeammin ja tasaisemmin. Älä avaa kantta liian usein tarkastaaksesi grillattavien tuotteiden kypsyyssastetta, jottet päästä tarpeettomasti ilmaa grilliin eikä lämpö ja savu pääse karkaamaan ulos.
- Jotta saisit pihviisi upean grillauskuvion ja herkullisen kuoren, **älä käännä grillattavaa tuotetta liian usein**. Useimmissa tapauksissa riittää, että käännät tuotteen vain yhden kerran, ja vasta sitten, kun se on saanut haluamasi värin. Näin vältät myös avaamasta kantta liian usein.
- Kypsät grilliruuat voit asettaa **lämpötilalle** pitääksesi ne lämpiminä samalla kun vielä jatkat grillaamista. Huomaa, että lämpötilalle laskettu tuote jatkaa kypsentyä. Lisäksi voit paahtaa hampurilaisämpylöitä tai kypsentää kasviksia, äyriäisiä yms. lämpötilalla samalla, kun valmistat esim. lihaa korkealla lämmöllä grilliritilän päällä.

Suora vai epäsuora grillaus

Suora grillaus

Kyseessä on perinteinen grillaustapa, jossa grillattava tuote asetetaan suoraan polttimen päälle. Tällöin kuumuus on suuri. Tämä tapa sopii hyvin sellaisille grillattaville tuotteille, joiden kypsensaika on lyhyt, enintään 30 minuuttia, esimerkiksi hampurilais-

ten tai pihvien nopeaan ja tehokkaaseen grillaukseen. Näin saat aikaan herkullisen kuoren samalla kun sisus jää mehukkaaksi.

Epäsuora grillaus

Tässä tavassa kuumuus tulee grillattavan tuotteen viereisiltä polttimilta, suoraan alapuolinen poltin pidetään suljettuna. Samalla kansi pidetään kiinni, jottei kuumuus pääse haihtumaan. Tätä grillaustapaa suositellaan pitkään kypsennettävillä tuotteilla kuten ribseille, nyhtöpossulle tai kokonaisille linnuille. Myös kalan tai kasvikset voi valmistaa tällä tavoin hellävaraisesti.

Voit myös yhdistää molemmat grillaustavat: ruskista ensin kuumalla ja kypsennä sen jälkeen hellävaraisesti.

KÄYTTÖ

Grillin käyttöönotto

HUOMAA!

- Ennen ensimmäistä käyttöä puhdista grilli ja grilliritilät sekä kaikki lisävarusteosat, jotka ovat suoraan kosketuksissa elintarvikkeiden kanssa polttamalla niistä pois mahdolliset tuotantojäänteet. Kuumenna tätä varten grilliä kansi suljettuna vähintään 20 minuutin ajan suurimmalla teholla. Puhdista lisätarvikkeet niiden jäähtyttyä. Huomioi myös luku "Puhdistus ja huolto".
- Käytä grilliä vain, kun kaikki osat ovat paikoillaan ja grilli on asennettu asianmukaisesti ja näiden asennus- ja käyttöohjeiden asennusvaiheiden mukaisesti.
- Varmista ennen jokaista käyttöä, että grilli on vahingoittumaton ja oikein pystytetty. Asennuspaikkaa valitessasi huomioi luku "Turvallisuusohjeet".
- Varmista aina ennen käyttöä, että kaasupullo ja paineenalennin on liitetty oikein ja kaikki kaasua johtavat osat ovat tiiviit (katso luku "Kaasupullon liittäminen" ja "Tiivistystarkastus").
- Tarkasta grilli aina ennen käyttöä rasvakertymien varalta. Poista ylimääräinen rasva ja tyhjennä ja puhdista kaikki rasvankeruujärjestelmän osat välttyäksesi rasvapalolta (katso luku "Puhdistus ja huolto").
- Älä** vuoraa rasvankeruujärjestelmää tai grillauskammiota alumiinifoliolla tai millään muulla foliolla.
- Sytytyksen aikana kannen tulee olla auki. Sytytä jokainen poltin yksitellen.
- Jos liekki sammuu tai poltin ei syty, kierrä kyseinen säätönappi kiinni-asentoon. Odota n. 2–5 minuuttia ennen uutta sytytysyritystä, jotta kaasua pääsee haihtumaan. Muuten saattaa syntyä humahdus kaasun syttyessä.
- Älä kumarru kaasuliekkiä sytyttäessäsi grillaustilan ylle, sillä jos grillauskammioon on kerääntynyt kaasua, se saattaa syttyä humahdus.
- Älä koskaan heitä kuumaan grilliin vettä palovammojen välttämiseksi.

- Avaa kansi.
- Varmista, että kaikki säätönupit ovat kiinni-asennossa (säätönupissa oleva nuoli osoittaa ylös). Jollei näin ole, paina säätönuppia ja käännä se kiinni-asentoon.
- Avaa kaasun syöttö kaasupullosta.
- Jokaisessa polttimessa on oma sytytysjärjestelmänsä, joten ne voi sytyttää yksitellen: Paina haluamasi polttimen säätönuppia ja käännä se asentoon **Max** (enimmäisteho) (kuva **G**). Kaasun syöttö on aktivoitu. Pietso-sytyttimessä syttyy samalla kipinä, joka kuuluu paukuttavana äänenä. Jos käytössä on elektroninen sytytin, paina lisäksi sytytysnuppia (kuva **I**). Kuulet naksahdavan äänen.
- Tarkasta, onko poltin syttynyt: katso varovasti näkykö polttimesta tulevan ulos liekkiä.

6. Jos poltin ei ole syttynyt, käännä säätönuppi kiinni-asentoon ja yritä uudelleen n. 2–5 minuutin kuluttua.



Pietso-syöttimessä vapauta säätönuppi vasta muutaman sekunnin kuluttua onnistuneen sytytyksen jälkeen, jottei liekki sammuu.

7. Sytytä samalla tavoin myös muut polttimet.

Grillaaminen

HUOMAA!

- Kuumaa höyryä voi tulla ulos, kun kansi avataan. Pidä pää ja kädet poissa vaara-alueelta. Muutoin voit saada palovammoja.
- Käytä grillausvälineitä, joissa on pitkät, kuumuutta kestävät kahvat.

1. Esikuumenna grilli polttimien sytytyksen jälkeen: sulje kansi ja odota, kunnes kansilämpömittari näyttää haluttua lämpötilaa. Esikuumennuksen jälkeen voit sammuttaa ne polttimet, joita et tarvitse. Käännä tätä varten kyseiset säätönupit kiinni-asentoon.
2. Avaa kansi ja aseta grillattava tuote grilliritalle tai muulle lisävarusteelle, jota käytät.
3. Kun korkea lämpötila grillikammiossa on saavutettu ja ruoan on tarkoitus kypsyä tasaisemmin joka puolelta, sulje kansi.
4. Vähennä tarvittaessa polttimen tehoa kääntämällä säätönupia kohti asentoa **Min** (pienin teho).
5. Kun grillattava tuote on ruskistunut halutulla tavalla, käännä se grillipihdeillä ympäri.

Grillin poistaminen käytöstä

1. Sulje kaasun syöttö kaasupullosta.
2. Käännä kaikki säätönupit kiinni-asentoon.
3. Anna grillin jäähtyä ennen sen liikuttamista.
4. Puhdista grilli sen jäähtyttyä (katso luku "Puhdistus ja huolto"). Suuret kasautuneet elintarvikkejäännemäärät ja rasvakeräytymät voivat aiheuttaa niin kutsutun rasvapalon.

PUHDISTUS JA HUOLTO

HUOMAA!

- Anna kaikkien osien jäähtyä ennen puhdistusta, kunnes ne eivät enää ole kuumia ja niihin voi koskea.
- Älä puhdista paineenalennimen venttiiliä millään tavoin! Siinä on erittäin herkkiä rakennneosia, jotka voivat vaurioitua jo kevyestä kosketuksesta toisiin esineisiin. Älä upota paineenalenninta veteen.
- Kaasujärjestelmän puhdistuksen saa suorittaa ainoastaan pätevä ammattihenkilöstö. Älä missään tapauksessa pura säätöyksikköä osiin.
- Polttimen sisäosa ei saa kastua!
- Älä upota grilliä veteen äläkä suihkuta sitä vesiletkulla. Kaasua johtaviin tai sähköisiin komponentteihin ei saa päästä nestettä.
- Irrota kaasupullo ennen grillin kotelon puhdistusta.
- Älä koskaan kaada kylmää vettä kuumaan grilliin. Tämä saattaa aiheuttaa palovammoja ja materiaaliavaurioita.
- Älä koskaan käytä spriiä tai muita syttyviä tai syövyttäviä puhdistusaineita.
- Mukana toimitetut lisävarusteet eivät sovellu astianpesukoneeseen.
- Kaikkien osien on oltava kuivia ennen niiden käyttöä tai varastointia.

Pidä grilli puhtaana, jotta siitä on sinulle iloa mahdollisimman pitkään. Jos sitä ei puhdisteta ja huolleta, sen suorituskyky voi heikentyä ajan myötä. Alentuneet lämpötilat ja epätasainen lämmön jakautuminen ovat merkkejä siitä, että kaasua johtavat osat kai-

paavat puhdistusta. Jos grilliritalässä on ruuanjäänteitä, grillattava tuote tarttuu kiinni. Rasvakeräytymät voivat aiheuttaa rasvapalon.

Rasvankeruujärjestelmän puhdistus (aina käytön jälkeen)

■ Älä käytä hankaavia puhdistusaineita.

- Tyhjennä ja puhdista kaikki rasvankeruujärjestelmän osat (rasvapelti, tippa-astia tai rasvankeräysastia) aina käytön jälkeen tai ennen käyttöä. Pese osat lämpimällä vedellä, astianpesuaineella ja sienellä. Helpon puhdistus onnistuu käytön jälkeen järjestelmän ollessa vielä lämmin (ei kuuma!).

Valurautaisen grilliritalän ja grillauslevyn puhdistus (aina käytön jälkeen)

Grillauslevy puhdistetaan samalla tavoin kuin grilliritalä:

1. Jätä grilliritalä grilliin ja poista suurimmat jäänteet grilliritalän puhdistusharjalla tai lastalla.
2. Polta jäljelle jääneet jäänteet seuraavasti: kytke grilli n. 30 minuutin ajaksi korkeimmalle teholle (vähintään 300 °C) ja sulje kansi.
3. Anna grilliritalän jäähtyä sen verran, että voit koskea siihen ja harjaa jäänteet pois. Pyyhi se sen jälkeen tarvittaessa puhtaaksi kostutetulla talouspaperilla.
4. Suosittelemme käsittelemään puhtaan grilliritalän kasviöljyllä. Tämä auttaa pitämään huolta grilliritalästä ja samalla se valmistaa sen uutta käyttöä varten.

Emaloitujen grilliritalöiden, lämpöritilöiden, polttimen suojusten ja muiden emaloitujen osien puhdistus

■ Älä käytä hankaavia puhdistusaineita tai harjoja, joissa on metalliharjakset.

- Puhdista grilli- ja lämpöritilät aina käytön jälkeen, muut osat tarvittaessa.
- Kaavi suurimmat jäänteet pois muovilastalla tai liota ne lämpimässä vedessä.
- Käytä tämän jälkeen puhdistukseen lämmintä vettä ja hieman astianpesuainetta sekä sientä tai pehmeää liinaa.

Ruostumattomasta teräksestä valmistettujen ritilöiden puhdistus (aina käytön jälkeen)

- Puhdista ruostumattomasta teräksestä valmistetut ritilät vedellä, astianpesuaineella ja sienellä tai ruostumattomalla teräsvillatynnyllä.

Grillauskammion puhdistus (tarvittaessa)

Käytön aikana syntyy höyrystyvistä rasvasta ja savusta hiiltä, joka keräytyy grillauskammioon.

■ Älä käytä hankaavia puhdistusaineita.

1. Poista kaikki ruokajäämät ja rasvakertymät koko grillikammion. Tässä voit käyttää apuna muovilastaa.
2. Pyyhi tämän jälkeen pinnat puhtaaksi pehmeällä liinalla. Jos likaa on runsaasti, voit pestä sen pois lämpimällä vedellä, astianpesuaineella ja sienellä sekä kuivata hankaamattomalla liinalla.

Ulkosivujen puhdistus (tarvittaessa)

Grillin ulkosivuilla on erilaisia materiaaleja ja pintoja. Sen vuoksi suosittelemme käyttämään erilaisia puhdistusmenetelmiä pintatyypistä riippuen.

Pinnat ruostumattomasta teräksestä

- Käytä hankaamatonta ruostumattoman teräksen puhdistusainetta ja noudata valmistajan ohjeita. **Älä käytä hankaavia puhdistusainetta!**
- Muutoin voit käyttää puhdistukseen lämmintä vettä, yleispuhdistusainetta ja sientä. Huuhtelee pinnat lopuksi puhtaalla vedellä ja kuivaa pehmeällä liinalla.



Jos grilliä käytetään erityisen vaativassa ympäristössä, täytyy grillin ulkopuoli puhdistaa useammin. Kloridi- ja sulfidipitoisissa ympäristöissä, erityisesti rannikkoseudulla, saattaa myös ruostumaton teräs hapettua tai saada tahroja. Suolavesi, hapan sade, uima-altaiden ja porealtaiden ympäristöt ja muut äärimmäiset olosuhteet, joille on ominaista korkea lämpötila ja ilmankosteus, voivat aiheuttaa pilkuttumista. Nämä pilkut sekoitetaan toisinaan ruosteeseen.

Ne voi vain poistaa ja niiden uudelleen ilmestymisen voi välttää seuraavasti: Pese pilkut pois lämpimällä vedellä ja yleispuhdistusaineella, huuhtelee pinnat puhtaalla vedellä ja kuivaa hyvin. Puhdista kaikki ruostumattomat teräspinnat 3–4 viikon välein vesijohtovedellä ja ruostumattoman teräksen puhdistusaineella välttääksesi pilkkujen muodostumisen.

Lakutat, emaloidut pinnat ja muoviosat

■ Älä käytä hankaavia puhdistusaineita.

- Käytä puhdistukseen vain lämmintä vettä ja yleispuhdistusainetta sekä keittiöpyyhettä tai pehmeää liinaa. Puhdista, huuhtelee ja pyyhi pinta kuivaksi.

Kaasua johtavien komponenttien puhdistus (tarvittaessa)

Kaasua johtavat komponentit saattavat olla tukossa ja tarvitsevat puhdistusta, jos

- kaasun hajua tuntuu polttimen liekin ollessa erittäin keltainen tai heikko
- haluttua lämpötilaa ei saavuteta
- poltin kuumenee epätasaisesti tai liekki lepattaa.

Suorita puhdistus seuraavasti:

- Puhdista polttimen koko ulkopinta puhtaalla teräsharjalla poistaaksesi ruokajäänteet ja lian. **Varmista puhdistuksen aikana, ettet taita tai vaurioita sytytys Elektrodeja.** Harjaa varovasti sytytys Elektrodienv ympäri.
- Varmista erityisesti, että kaasun ulostulo- ja ilman sisäänpuusaukot tai Venturi-putki ovat auki. Puhdista ne tarvittaessa esim. piipunpuhdistimella tai paineilmalla.
- Kaasuliitännän ja kaasuletkun liitännät voi puhdistaa tarvittaessa pehmeällä sivelimellä.

Huoltotoimenpiteet

HUOMAA!

- Suutinten vaihdon saa suorittaa ainoastaan alan ammattilainen.

Grilli ei tarvitse huoltoa, kunhan se puhdistetaan säännöllisesti. Siitä huolimatta se on tarkastettava säännöllisin väliajoin. Tarkastusväli tulee määrittää grillin käyttöiheyden ja ympäristöolosuhteiden mukaisesti.

- Tarkasta, että grillissä on kaikki osat tallessa ja asennettuina (silmämääräinen tarkastus).
- Tarkasta, että kaikki liitännät on paikoillaan ja kiristetty kunnolla. Kiristä ne tarvittaessa.
- Kaasujärjestelmä on tarkastettava aina, kun laitteeseen liitetään kaasupullo (katso luku "Tiivistarkastus").
- Kaasuletku on vaihdettava, jos se on haurastunut tai jos siinä on vaurioituneita kohtia tai jos sen viimeinen käyttöpäiväys (katso luku "Tekniset tiedot") on umpeutunut.

SÄILYTYS

HUOMAA!

- Suojaa grilli kovalta tuulelta, pitkäaikaiselta kosteudelta, saateelta, lumelta, raekuuroilta ja muilta sääolosuhteilta.
- Jos grilli on pidemmän aikaa käyttämättä, irrota kaasupullo grillistä ja varastoi se asianmukaisesti (katso luku "Turvallisuusohjeet" – "Kaasupullojen aiheuttamat vaarat").

- Säilytä grilliä ulkona kuivassa paikassa. Peitä grilli (suojapeitteellä) suojataksesi rakenneosia kosteudelta, pölyltä, hyönteisiltä ja hämähäkeiltä, jotka voivat muutoin päästä grillin kotelon sisälle ja pesiä sinne.
- Puhdista grilli ennen varastointia (katso luku "Puhdistus ja huolto").
- Jos grilliä säilytetään **sisätiloissa**, se on **irrotettava kaasupullosta**. Sulje kaasupullo asianmukaisesti sulkuventtiilillä ja suojakorkilla (mallista riippuen) ja säilytä sitä ulkona maanpinnan yläpuolella (ts. ei maanpinnan alapuolisissa syvennyksissä) hyvin tuuletetussa paikassa.
- Irrota paristo elektronisesta sytyttimestä, jos et käytä grilliä pitkään aikaan. Näin vältetään paristojen mahdollisen vuotamisen aiheuttamat vahingot.

ONGELMIEN KORJAUS

Jos huolellisuudesta ja hoidosta huolimatta laitteessa havaitaan häiriö, tämä luku voi auttaa sinua vian poistossa.

Jos seuraavat vaiheet eivät ratkaise ongelmaa, ota yhteyttä asiakaspalveluun (katso asennus- ja käyttöohjeen kansilehti).



Älä yritä itse korjata kaasujärjestelmää!

Kaasun haju (liekin ollessa mahdollisesti erittäin keltainen tai heikko).

Vuoto kaasujärjestelmässä.

1. Sulje välittömästi kaasupullo.
2. Estä kaikenlainen liekkien tai kipinöiden syntyminen (älä kytke mitään sähkölaitteita päälle).
3. Kiristä kaikki kaasujärjestelmät kierrelitännät.
4. Tarkasta kaikki kaasua johtavat osat ulkoisten vaurioiden varalta; vaihda vialliset osat alkuperäisiin varaosiin.
5. Tarkasta tiiviys (katso luku "Tiivistarkastus").

Poltin on tukossa.

- ▶ Puhdista se luvussa "Puhdistus ja huolto" – "Kaasua johtavien komponenttien puhdistus (tarvittaessa)" kuvatulla tavalla.

Säätöosan suutin (etulevyn takana) tai muu kaasujärjestelmä on tukossa.

- ▶ Anna kaasujärjestelmä ammattilaisen puhdistettavaksi.

Poltin ei syty.

Elektronisen sytyttimen paristo on tyhjä tai väärin asennettu.

- ▶ Aseta uusi paristo. Tarkista napaisuus +/-.

Kaasupullo on tyhjä.

- ▶ Vaihda kaasupullo.

Poltin on tukossa.

- ▶ Puhdista se luvussa "Puhdistus ja huolto" – "Kaasua johtavien komponenttien puhdistus (tarvittaessa)" kuvatulla tavalla.

Sivupolttimessa: sytytyskaapeli ei ole sytyttimessä.

- Silmäääräinen tarkastus. Aseta sytytyskaapeli tarvittaessa paikoilleen.

Säätöosan suutin (etulevyn takana) tai muu kaasujärjestelmä on tukossa.

- Anna kaasujärjestelmä ammattilaisen puhdistettavaksi.

Sytytin on viallinen.

- Anna sytytin ammattilaisen tarkastettavaksi ja korjattavaksi tai vaihdettavaksi.

Haluttua lämpötilaa ei saavuteta. / Liekki on pieni tai lepattaa voimakkaasti tai liekki on epätasainen. / Yksittäiset polttimet eivät syty.

Kaasupullo on (lähes) tyhjä.

- Vaihda kaasupullo.

Poltin on tukossa.

- Puhdista se luvussa "Puhdistus ja huolto" – "Kaasua johtavien komponenttien puhdistus (tarvittaessa)" kuvatulla tavalla.

Kaasuletku on taittunut.

- Suorita kaasuletku.

Säätöosan suutin (etulevyn takana) tai muu kaasujärjestelmä on tukossa.

- Anna kaasujärjestelmä ammattilaisen puhdistettavaksi.

Humahdus tai kupliva/paukkuva ääni.

Polttimen tukoksen aiheuttama liekin takaisinisku.

- Sulje välittömästi kaasupullon venttiili. Odota 5 minuuttia ja ota grilli uudelleen käyttöön. Jos häiriö esiintyy yhä, puhdista poltin luvussa "Puhdistus ja huolto" – "Kaasua johtavien komponenttien puhdistus (tarvittaessa)" kuvatulla tavalla. Muussa tapauksessa anna kaasujärjestelmä ammattilaisen puhdistettavaksi.

Voimakas liekin leimahdus.

Grillattava tuote on rasvainen.

- Poista suuret rasvamäärät, aseta liha grillausastiaan tai vähennä grillin lämpötilaa.

Grilli on likainen.

- Puhdista grilli (katso luku "Puhdistus ja huolto").

HÄVITTÄMINEN

Pura grilli hävittämistä varten yksittäisiin osiin ja vie metallit ja muovit kierrätykseen.



Hävitä pakkausmateriaali ympäristöystävällisesti ja vie se kierrätyskeskukseen.



Viereinen symboli (roska-astian päällä ruksi ja alleviivaus) tarkoittaa, ettei käytettyä laitetta saa laittaa kotitalousjätteeneseen, vaan se kuuluu erityiseen keräys- ja palautusjärjestelmään.

Käytettyjen laitteiden omistajien tulee irrottaa laitteesta paristot ja akut, mikäli tämä on mahdollista laitetta rikkomatta, ja viedä ne erilliseen keräykseen (katso paristojen hävittämistä koskeva kappale).

Kotitalouskäytössä käytettyjen laitteiden omistajat voivat toimittaa laitteet julkisen jätehuollon keräyspisteisiin tai elektroniikkalain mukaisiin valmistajan tai myyjän vastaanottopisteisiin. Myös sähkö- ja elektroniikkalaitteita markkinoille tuovat liikkeet ovat vastuullisia ottamaan käytettyjä laitteita vastaan.



Paristoja ja akkuja ei saa hävittää kotitalousjätteen seassa. Kuluttajat ovat lain mukaan velvollisia toimittamaan paristot ja akut erilliseen keräyspisteeseen.

Paristot ja akut voi luovuttaa veloitusetta kunnan/kaupungin keräyspisteeseen tai kauppoihin, jotta ne voidaan hävittää ympäristöystävällisesti ja arvokkaat raaka-aineet saadaan talteen. Epäasianmukainen hävittäminen voi johtaa myrkyllisten aineiden vapautumiseen ympäristöön, jolla voi olla haitallisia vaikutuksia ihmisiin, eläimiin ja kasveihin.

Vie paristot ja akut hävitykseen vasta kun niiden jännitys on purettu. Aina kun mahdollista, käytä ladattavia akkuja kertakäyttöisten paristojen sijaan.

Peitä litiumparistoissa ja -akuissa olevat navat ennen niiden toimittamista kierrätykseen oikosulun välttämiseksi. Oikosulku voi aiheuttaa tulipalon tai räjähdyksen.

EY-VAATIMUSTENMUKAISUUSVAKUUTUS

Täten me, LANDMANN Germany GmbH, vakuutamme, että tässä kuvattu kaasulaite vastaa asetusta **(EU) 2016/426**.

Vaatimustenmukaisuus on todistettu standardi **EN 498:2012** mukaisella tyyppitarkastuksella.

Tyyppitarkastuksen suorittanut tarkastuslaitos oli

DBI Certification A/S (2531).

Laitteen tunnistenumero: **2531CU-0061**

Lisätietoja saat asiakaspalvelustamme.



Kæri viðskiptavinur.

Til hamingju með nýja gasgrillið þitt frá LANDMANN. Þessar uppsetningar- og notkunarleiðbeiningar leiðbeina þér í gegnum skrefin til að gera nýja grillið þitt frá LANDMANN tilbúið til notkunar. Þær hafa einnig að geyma mikilvægar upplýsingar um rétta notkun, örugga meðhöndlun og umhirðu.

Taktu þér tíma til að kynna þér allt sem snýr að nýja grillinu þínu. Við vonum að allt gangi að óskum og að þú munir hafa ánægju af LANDMANN-grillinu þínu í langan tíma.

Ef þú ert með spurningar varðandi grillið eða þarft á frekari aðstoð að halda aðstoðar þjónustuteymi okkar þig gjarnan. Samskiptaupplýsingar er að finna á kápu þessara uppsetningar- og notkunarleiðbeininga.

Starfsfólk LANDMANN óskar þér góðrar skemmtunar og ljúffengra stunda.

EFNISYFIRLIT

Tæknilegar upplýsingar	38
Innifalið	38
Yfirlit yfir tækið	38
Fyrirhuguð notkun	39
Öryggisleiðbeiningar	39
Kröfur til íhluta sem leiða gas	40
Upplýsingar um uppsetningu	40
Rafhlaða sett í rafkveikjuna	41
Gaskútur tengdur	41
Lekaprófun	42
Grillráð	42
Notkun	42
Þrif og viðhald	43
Geymsla	44
Leyst úr vandamálum	44
Förgun	45
EB-samræmisýfirlýsing	45

VIÐVÖRUN:

- Notist eingöngu utandyra.
- Lesa skal uppsetningar- og notkunarleiðbeiningarnar áður en byrjað er að nota grillið.
- **VIÐVÖRUN:** Aðgengilegir hlutir geta verið mjög heitir. Halda skal börnum fjarri.
- Grillið má ekki vera nálægt brennanlegum efnum þegar það er í notkun.
- Ekki má færa grillið til meðan á notkun stendur.
- Eftir notkun skal skrófa fyrir gasið á gaskútnum.
- Ekki má breyta grillinu með neinum hætti.

LESA SKAL ÞESSAR UPPSETNINGAR- OG NOTKUNARLEIÐBEININGAR FYRIR FYRSTU NOTKUN!

Ef ekki er farið eftir þeim öryggisleiðbeiningum, viðvörnum og leiðbeiningum um verklag sem hér koma fram getur það leitt til alvarlegra eða banvænna meiðsla eða tjóns af völdum bruna eða sprengingar.

Geyma skal uppsetningar- og notkunarleiðbeiningarnar á vísam stað til síðari nota og fyrir aðra notendur. Þær fylgja með grillinu. Framleiðandi og innflutningsaðili undanskilja sig allri ábyrgð ef ekki er farið eftir því sem fram kemur í þessum uppsetningar- og notkunarleiðbeiningum.

Tákn



Hættutákn: Þetta tákn gefur til kynna mögulega hættu. Lesa skal tilheyrandi öryggisleiðbeiningar vandlega og fara eftir þeim.



Viðbótarupplýsingar



Lesu skal uppsetningar- og notkunarleiðbeiningarnar áður en byrjað er að nota vöruna!



Ætlað fyrir matvæli.



Jafnstraumur

Frekari skýringar

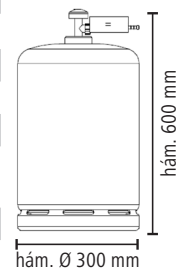
Númer myndtexta eru sett fram með eftirfarandi hætti: (1)

Tilvísanir í myndir eru settar fram með eftirfarandi hætti: (Mynd A)

TÆKNILEGAR UPPLÝSINGAR

Heiti tækis:	Gasgrill „TRITON 4.0“				CE 2531-23 PIN: 2531CU-0061
Gerðarnúmer:	12268				
Land:	BG, CY, CZ, DK, EE, FI, HU, HR, IS, IT, LT, LV, MT, NL, NO, RO, SE, SI, SK	PL	AT, CH, CZ, DE	BE, CH, CZ, ES, FR, GR, IE, IT, LT, LU, LV, PT, SK, SI, TR	
Gasflokkur:	I3B/P (30)	I3B/P (37)	I3B/P (50)	I3+ (28-30/37)	
Gastegund:	G30 (bútan), G31 (própan) eða blanda þeirra	G30 (bútan), G31 (própan) eða blanda þeirra	G30 (bútan), G31 (própan) eða blanda þeirra	G30 (bútan)	G31 (própan)
Gasþrýstingur í mbar:	28–30	37	50	28–30	37
Notkun:	G30: 872 g/klst. G31: 857 g/klst.	G30: 872 g/klst. G31: 857 g/klst.	G30: 872 g/klst. G31: 857 g/klst.	872 g/klst.	857 g/klst.
Ø stúts aðalbrennara:	0,85 mm	0,79 mm	0,73 mm	0,85 mm	0,85 mm
Varmaafköst:	12 kW (4 x 3,0 kW aðalbrennari)				
Kveiking:	1,5V rafhlaða (AA)				
Þrýstijafnari:	samkvæmt EN 16129; fylgja skal gildandi reglum á hverjum stað.				
Gasslanga:	samkvæmt EN 16436-1; há. 1,5 m; fylgja skal gildandi reglum um hámarksnotkunartíma.				
Mál (L x H x B):	Grill: u.þ.b. 140 x 120 x 57 cm				
Þyngd:	u.þ.b. 46 kg				
Gaskútur:	Venjulegur gaskútur, sjá mál á mynd hér til hliðar.				
Auðkenni uppsetningar- og notkunarleiðbeininga:	Z TRI 4.0+mod M LM SCA V1 1122 md				
Framleiðandi:	LANDMANN Germany GmbH, Am Heisterbusch 1, 19258 Gallin, Þýskalandi				

Framleitt í Kína.



INNIFALIÐ

(Mynd A, sjá síðuna sem brjóta má út)

Atr.	Heiti	Fj.
1	Grilleining (samsett)	1
2	Vinkill A	2
3	Vinkill B	2
4	Halda á loki	1
5	Hliðarborð vinstra megin	1
6	Hliðarborð hægra megin	1
7	Gasslanga með þrýstijafnara (ekki með í sumum löndum)	1
8	Fitubakki	1
9	Hlið vinstra megin	1
10	Hornfesting vinstra megin	1
11	Hornfesting hægra megin	1
12	Hlið hægra megin	1
13	Hjól með bremsu	4
14	Botnplata	1
15	Frambiti á skáp	1
16	Skáphurð hægra megin	1
17	Skáphurð vinstra megin	1
18	Bakhlið	1
19	Halda	2
20	Þverbiti	1
21	Hitadreifari	4
22	Fituplata	1
23	Stillihnappur	4
24	Hliðargrillgrind	2
25	Miðgrillgrind	1
26	Efri grind	1
27	Töng fyrir grillgrind	1

Atr.	Heiti	Fj.
Festingarhlutir:		
A	Skrúfa, M4 x 10 mm	16
B	Skrúfa, M6 x 12 mm	30
C	Skrúfa, M6 x 18 mm	8
D	Skinna	2
	1,5V rafhlöðu (AA) fyrir rafkveikjuna	1
	Uppsetningar- og notkunarleiðbeiningar	1
	Leiðbeiningar fyrir þrýstijafnara	1

Einnig er þörf á eftirfarandi:

- LP-gaskút (sjá kaflann „Tæknilegar upplýsingar“), 1 x
- Verkfærum fyrir uppsetningu þessi atriði fylgja ekki með.

AÐGÁT!

- Gakktu úr skugga um að allt fylgi með og að ekkert hafi orðið fyrir hnjaski við flutning. Ef eitthvað vantar eða hefur orðið fyrir hnjaski skal snúa sér til notendabjónustu (sjá kápu þessara uppsetningar- og notkunarleiðbeininga). Við áskiljum okkur rétt til minniháttar tæknilegra breytinga, t.d. varðandi verkfæri fyrir samsetningu.
- Fjarlægja skal filmur, límmiða og flutningshlífar af tækinu, en **alls ekki má fjarlægja upplýsingaplötuna og þær viðvaranir sem kunna að vera fyrir hendi!**

YFIRLIT YFIR TÆKIÐ

(Mynd B)

- 28 Hitamælir í loki
- 29 Lok
- 30 Kveikjuhnappur
- 31 Gastengi
- 32 Skápur

FYRIRHUGUÐ NOTKUN

- Þetta gasgrill er ætlað til að matreiða matvæli sem má grilla. Það gengur fyrir fljótandi gasi og er ætlað til notkunar utandyra.
- Önnur notkun er óheimil. Það á einkum við um eftirfarandi rangnotkun sem sjá má fyrir:
 - Ekki má brenna viði, viðarkolum eða hvers kyns eldsneyti öðru en fljótandi gasi (própani/bútani) í grillinu.
 - Alls ekki má tengja grillið við jarðgasveitu (gasveitu sveitarfélags)! Lokarnir og stútarnir eru eingöngu ætlaðir fyrir kúta með fljótandi gasi.
 - Ekki má nota grillið sem kyndingu.
 - Ekki má nota grillið til að hita upp aðra hluti en matvæli.
 - Grillið má alls ekki vera innbyggt.
- Notkun og geymsla á grillinu og gaskútum verður að vera í samræmi við gildandi reglur.
- Grillið er ekki ætlað til notkunar í atvinnuskyni, heldur eingöngu til einkanota.
- Aðeins má nota grillið í fyrirhuguðum tilgangi og eingöngu með þeim hætti sem lýst er í þessum uppsetningar- og notkunarleiðbeiningum. Öll önnur notkun telst vera röng. Röng notkun og óviðeigandi meðhöndlun geta haft neikvæð áhrif á virkni eða valdið tjóni eða slysum.
- Ábyrgðin nær ekki yfir ágalla sem rekja má til rangrar meðhöndlunar, skemmda eða viðgerðatilauna. Það gildir einnig um eðlilegt slit, fituuppsöfnun og upplitun á grillinu og fylgihlutum þess.

ÖRYGGISLEIÐBEININGAR



Slyshætta

- Börn og einstaklingar með skerta líkamsgetu, skyngetu eða andlega getu eða sem skortir reynslu og/eða þekkingu skulu ekki nota grillið.
- Börn mega ekki leika sér með grillið. Gæta skal þess að börn séu ekki eftirlitslaus við grillið, jafnvel þótt slökkt sé á því. Röng notkun getur verið hættuleg.
- **VIÐVÖRUN: Aðgengilegir hlutir geta verið mjög heitir. Halda skal börnum fjarri!** Aldrei má skilja grillið eftir án eftirlits þegar það er í notkun eða enn heitt. Einkum verður að gæta þess að börn eða einstaklingar sem eru ekki færir um að meta eða bregðast við hættu á réttan hátt komist of nálægt heitu grillinu.
- Nota skal grillhanska sem uppfylla kröfur reglugerðar (ESB) 2016/425 um persónuhlífar samkvæmt DIN EN 407 (hitavarnarflokkur II).
- Ekki má koma við heita hluta grillsins meðan á notkun þess stendur og eftir að henni lýkur! Aðeins má koma við handföng og stillihnappa á meðan grillið er í notkun og strax eftir að slökkt hefur verið á því. Leyfa skal grillinu að kólna áður en það er flutt, þrifið eða sett í geymslu.
- **Ekki má færa grillið úr stað á meðan það er í gangi!**
- Neysla áfengis eða lyfja getur haft neikvæð áhrif á getu til að setja grillið saman, færa það, geyma það eða nota það á réttan og öruggan hátt.



Köfnunar-, eld- og sprengihætta

Gas er mjög eldfimt og brennur líkt og við sprengingu. Ef það kviknar í gasi sem streymir út með stjórnlásum hætti getur það valdið alvarlegum slysum eða tjóni.

Fljótandi gas er þyngra en súrefni. Það safnast því upp við jörðu og ryður súrefni þar í burtu. Ef tiltekið magn af gasi safnast upp (t.d. ef gaskúturinn er skemmdur) getur það valdið köfnun vegna súrefnisskorts.

- Aðeins skal nota gastegundir, gaskúta, þrýstijafnara og gasslóngur sem fjallað er um í þessum uppsetningar- og

notkunarleiðbeiningum (sjá kaflann „Kröfur til íhluta sem leiða gas“).

- Aðeins má nota grillið yfir yfirborði jarðar (þ.e. ekki í lægðum undir yfirborði jarðar).
- **Notist eingöngu utandyra.** Ekki má nota grillið inni í byggingum, bílskúrum, bílageymslum, undirgöngum, tjöldum, öðrum lokuðum rýmum, undir markisum eða eldfimum mannvirkjum.
- Ekki má nota grillið í eða á ökutæki. Þetta á einnig við um húsbíla, hjólhýsi og báta.
- Ekki má nota grillið ef eldfim eða sprengifim efni eru í andrúmslofti eða umhverfinu. Ekki má geyma eldsneyti eða aðrar eldfimar gufur eða vökva nálægt grillinu og ekki má nota slík efni með grillinu. Ekki má úða úr úðabrusum nálægt grillinu.
- Aldrei má nota grillið án þrýstijafnara (sjá kaflann „Kröfur til íhluta sem leiða gas“ – „Þrýstijafnari“!).
- Ganga skal úr skugga um að þrýstijafnarinn sé rétt tengdur, virki rétt og sé óskemmdur.
- Í hvert skipti sem gaskútur er tengdur eða þegar grillið hefur staðið ónotað í lengri tíma skal framkvæma lekaprófun á öllum íhlutum sem gas fer um (sjá kaflann „Lekaprófun“). **Ef gasleki kemur upp má ekki nota grillið.**
- **Grillið má ekki vera nálægt brennanlegum efnum þegar það er í notkun.** Hætta er á eldi og glóðarbruna. Halda verður eftirfarandi lágmarksfjarlægð frá eldfimu efni: 2 m fyrir ofan og 1 m til hliðar við grillið. Fjarlægð frá mjög eldfimu efni, t.d. húsveggjum, skal vera að minnsta kosti 0,6 m. Á meðan kveikt er á grillinu má hvorki geyma yfirbreiðsluna né annað eldfimt efni í skápnum.
- Þegar gaskútur er tengdur mega engir íkveikjuvaldar vera í innan við 5 m fjarlægð frá grillinu, einkum enginn opinn eldur eða logandi sigarettur, kerti, ljósaperur o.s.frv. Einnig getur stafað hættu af raftækjum ef gas streymir út þegar kúturinn er tengdur.
- Aldrei má loka fyrir loftopin á grilleiningunni og í rýminu fyrir gaskútinn og sjá verður til þess að aldrei sé neitt fyrir þeim.
- Ekki má setja neitt fyrir op á grillinu og ganga verður úr skugga um að þau séu ekki stífluð áður en kveikt er upp í grillinu. Líkt og gildir um flest tæki sem notuð eru utandyra getur grillið boðið upp á skjól fyrir kóngulær og skordýr. Stíflur í íhlutum sem gas fer um geta hindrað gasflæðið og dregið þannig úr afköstum eða jafnvel valdið hættulegum eldblossa. Fjarlægja skal stíflur samkvæmt leiðbeiningunum í kaflanum „Þrif og viðhald“.
- Aldrei má skilja grillið eftir án eftirlits þegar það er í notkun. Ef logi slokknar skal kveikja strax aftur á honum eða skrúfa fyrir gaskútinn.
- Ef vart verður við gaslykt skal skrúfa fyrir gaskútinn og slökkva alla loga. Ekki kveikja á raftækjum. Finna verður orsök gaslekans og lagfæra hann áður en kveikt er aftur upp í grillinu.
- Gæta verður þess að olía og feit matvæli ofhitni ekki. Ekki má setja ílát með olíu á grillið.
- Ef eldur kemur upp í fitu má ekki reyna að slökkva hann með vatni! Skal strax skrúfa fyrir gasið á gaskútum. Slökkva skal strax á öllum brennurunum og hafa lokið á þar til eldurinn er slokkaður.
- **Eftir notkun skal strax skrúfa fyrir gasið á gaskútum.**
- Leyfa verður grillinu að kólna áður en yfirbreiðslan er sett á það.
- **Ekki má breyta grillinu með neinum hætti!** Allar breytingar á grillinu geta verið hættulegar.
- **Ekki má eiga við hluta sem hafa verið innsiglaðir af framleiðanda eða aðila á hans vegum.**
- **Af öryggisástæðum mega eingöngu framleiðandi eða þjónustuaðili á hans vegum annast viðgerðir.** Ef vart verður við skemmdir eða ef bilun kemur upp skal hafa samband við þjónustuaðila (sjá kápu þessara uppsetningar- og

notkunarleiðbeininga). Ekki má nota grillið fyrir en það hefur verið lagfært, því annars er aukin hættu á slysum.

- Aðeins skal nota upprunalegan aukabúnað frá framleiðanda til að skerða ekki virkni grillsins og forðast mögulegar skemmdir eða hættu.
- Aldrei má fjarlægja stillihnappa, gaskútinn eða gasleiðandi íhluti á meðan grillið er í notkun.
- Aldrei skal flytja grillið með gaskútinn tengdan. Flytja verður grillið og gaskútinn hvort í sínu lagi.
- Þrifa skal grillið reglulega samkvæmt leiðbeiningunum í kaflanum „Þrif og viðhald“.



Hætta vegna gaskúta

- **Fylgja skal fyrirmælum framleiðanda gaskútsins eða þess sem lætur hann í té!**
- Sjá verður til þess að gaskútar komist ekki í hendur barna!
- Aldrei skal nota beyglaða eða ryðgaða gaskúta.
- Aldrei skal nota gaskúta með skemmdum loka.
- Aldrei skal leggja gaskút á hliðina. Við uppsetningu, flutning og geymslu á gaskútum (einnig tómunum) verður ávallt að gæta þess að þeir séu í uppréttri og traustri stöðu.
- Aldrei skal láta gaskút falla. Gaskútar mega ekki verða fyrir höggi eða hnjaski.
- Gaskútar geta sprungið ef þeir hitna. Aldrei má brenna gaskút. Gaskútar mega ekki heldur vera í miklum hita (yfir 50 °C) eða í beinu sólarljósi. Aldrei skal skilja gaskút eftir í bíl á heitum degi. Gæta verður þess að hvorki gaskúturinn né gasslangan komi við grillið á meðan það er í notkun.
- Aðeins má tengja, nota og geyma gaskúta utandyra þar sem loftræsting er góð (þ.e. ekki í stigagöngum, á göngum eða í undirgöngum) og fyrir ofan yfirborð jarðar (þ.e. ekki í lægðum undir yfirborði jarðar).
- Ef gaskútur lekur skal tafarlaust fara með hann út á vel loftræst svæði utandyra, leyfa gasinu að streyma út og bíða þar til það hefur þynnst út í andrúmsloftinu. Að því loknu skal skila tómunum gaskútum til framleiðanda og láta vita af því að hann leki.
Ef vart verður við svima eða ógleði skal anda að sér fersku lofti og leita læknis ef þess þarf.
- Skrúfa verður fyrir lokann á gaskútum áður en þrýstijafnarinn er tekinn af.
- Ekki má geyma gaskúta (líka tóma) sem ekki á að nota strax við hliðina á tæki sem er í notkun og gengur fyrir gasi eða rafmagni.
- Gaskútar sem virðast tómir geta enn innihaldið fljótandi gas og verður því að meðhöndla þá af sömu varúð og fulla gaskúta.



Hætta vegna rafhlaða

- Rafhlöður geta verið lífshættulegar ef þær eru gleypar. Verður því að geyma rafhlöður þar sem ungbörn og dýr ná ekki til. Ef rafhlaða hefur verið gleypst verður að leita tafarlaust til læknis. Hætta er á efnabruna vegna rafhlöðusýru.
- Ef lekið hefur úr rafhlöðu skal gæta þess að rafhlöðusýran komist ekki í snertingu við húð, augu og slímhúð. Klæðast skal hlífðarhönsum ef þess þarf. Við snertingu við rafhlöðusýru skal tafarlaust skola viðkomandi staði með miklu hreinu vatni og leita til læknis. Hætta er á efnabruna vegna rafhlöðusýru.
- Notið eingöngu rafhlöður af þeirri gerð sem tilgreind er í tæknilýsingu.
- Taka skal rafhlöður úr þegar þær eru tómar eða ekki á að nota grillið í lengri tíma. Þannig má forðast skemmdir vegna leka.
- Ef lekið hefur úr rafhlöðu skal tafarlaust taka hana úr og hreinsa tengin í rafhlöðuhólfinu.

KRÖFUR TIL ÍHLUTA SEM LEIÐA GAS

Grillið gengur fyrir fljótandi gasi (Liquefied Petroleum Gas, LPG eða LP-gasi). Fljótandi gastegundirnar própan, bútan og blöndur þeirra haldast í fljótandi formi við stofuhita og lítinn þrýsting (< 10 bör) í gaskútum. Þegar opnað er fyrir gaskútinn minnkar þrýstingurinn, vökvinn þenst út og fer yfir í loftkennt form.

Gaskútur

- Aðeins má nota gaskúta með própan- eða bútangasi eða blöndu þessara tveggja gastegunda. Gaskútarinn verða að vera í samræmi við gildandi lög og reglur og mega ekki vera stærri en tilgreint er í kaflanum „Tæknilegar upplýsingar“.

Gashylki

- Ef grillið er leyft til notkunar með gashylki skal eingöngu nota skrúfuð hylki með 7/16" skrúfgangi og rúmtaki að hámarki 450 g/800 ml.

Þrýstijafnari

Þrýstijafnarinn tryggir að grillinu sé alltaf séð fyrir jöfnum gasþrýstingi.

- Nota skal þrýstijafnarann sem fylgir með grillinu. Hann hefur gengist undir viðeigandi prófanir og er með CE-merkingu. Hann samræmist Evrópustaðlinum EN 16129.
- Ef þrýstijafnari fylgdi ekki með grillinu skal útvega þrýstijafnara sem passar fyrir gaskútinn. Gæta verður þess að hann sé í samræmi við gildandi reglur.

Gasslanga

- Nota skal gasslönguna sem fylgir með grillinu. Ef gasslanga fylgdi ekki með grillinu skal útvega gasslöngu sem er í samræmi við gildandi reglur.
- Gasslangan má ekki vera lengri en 1,5 m og verður að uppfylla kröfur staðalsins EN 16436-1.
- Fylgja skal gildandi reglum og skipta um gasslönguna þegar reglur kveða á um það eða þegar leyfilegur notkunartími gasslöngunnar er liðinn.
- Fyrir hverja notkun skal ganga úr skugga um að ekki sé brotið upp á gasslönguna og að ekki séu sprungur eða slit í henni. Ekki má nota grillið ef gasslangan er götött eða í ólagi.

UPPLÝSINGAR UM UPPSETNINGU

AÐGÁT!

- Halda skal umbúðum frá ungum börnum og dýrum! Hætta er á köfnun.
- Myndir af skrefum við uppsetningu er að finna aftast í þessum uppsetningar- og notkunarleiðbeiningum. Fylgja skal þeim í rétttri röð. **Röng uppsetning getur haft hættulegar afleiðingar.**
- Aðeins skal nota verkfæri sem henta vel og eru í góðu lagi. Ef notuð eru slitin eða óviðeigandi verkfæri er ekki hægt að herða skrúfurnar nægilega vel og einnig er hætt við að þær skemmist þannig að ekki sé hægt að skrúfa þær meira.
- Gæta skal þess að nægilegt pláss sé á uppsetningarstað og nota undirlegg ef þess þarf til að verja grillið eða viðkvæmt gólfefni fyrir rispum.
- Setja skal grillið saman á láréttum og sléttum fleti svo það verði ekki skakkt.
- Gæta skal þess að beita ekki of miklu afli þegar grillið er sett saman.
- Herða skal skrúfur fyrst þéttingsfast og síðan betur að uppsetningarskrefinu loknu. Annars getur myndast óæskileg spennan.
- Herða skal rær þar til þær liggja þétt að og snúa þeim síðan áfram fjórðung úr snúningi. Ekki má herða of mikið!

RAFHLAÐA SETT Í RAFKVEIKJUNA

Áður en grillið er notað í fyrsta sinn þarf að setja 1,5V rafhlöðu (AA) í rafkveikjuna (mynd **H**):

1. Snúðu kveikjuhnappinum rangsælis þar til hann losnar.
2. Settu rafhlöðuna í rafhlöðuhólf með mínusskaufið á undan eða skiptu um hana ef þess þarf.
3. Skrúfaðu kveikjuhnappinn aftur á.
 - Skipta skal um rafhlöðuna ef treglega gengur að kveikja upp.

GASKÚTUR TENGDUR

AÐGÁT!

- Áður en gaskúturinn er tengdur skal lesa kaflann „Kröfur til íhluta sem leiða gas“.
- Aðeins má skipta um gaskútinn utandyra eða á svæði með góðri loftræstingu, fjarri íkveikjuvöldum (t.d. kertum, sígarettum eða tækjum sem gefa frá sér loga).
- Öll tengistykki verða að vera laus við óhreinindi og óskemmd.
- Gaskúturinn má hvorki snerta heita hluta grillsins né verða fyrir hitageislun.
- Hvorki má vera spennan á gasslöngunni, snúðið eða brotið upp á hana auk þess sem hún má ekki koma við grillið.
- Þegar búið er að tengja gaskútinn skal ganga úr skugga um að allar tengingar séu þéttar (sjá kaflann „Lekaprófun“). Aðeins skal skrúfa þrýstijafnarann þéttingsfast á! Ekki skal nota verkfæri við þetta, því annars getur þétting lokans orðið fyrir skemmdum og leki komið upp.

Ef grillið var afhent án þrýstijafnara og e.t.v. gasslöngu verður að útvega slíkt. Fylgja skal gildandi reglum og því sem kemur fram í kaflanum „Kröfur til íhluta sem leiða gas“ – „Þrýstijafnari“ eða „Gasslanga“.

1. Setja skal fullsamsettgrillið upp utandyra á traustum, láréttum og sléttum fleti. Gæta skal þess að nægilegt pláss sé umhverfis grillið. Við val á uppsetningarstað skal fara eftir því sem kemur fram í kaflanum „Öryggisleiðbeiningar“.
2. Ef þörf krefur skal festa hjólin með bremsu með því að snúa vængjarónum.
3. Fella skal hliðarborðið upp og láta það skordast í hjörunum með 90° horni. Til að leggja borðið niður skal lyfta því dálítið upp.
4. Allir stillihnapparnir verða að vera í stöðunni „slökkt“ (örin á stillihnappinum vísar upp). Ef svo er ekki skal ýta á stillihnappinn og snúa honum í stöðuna „slökkt“.
5. Setja skal gaskútinn niður í traustri, uppréttri stöðu við hliðina á grillinu. Skrúfað verður að vera fyrir loka gaskútsins.
6. Sjá skal til þess að svæðið umhverfis grillið og gaskútinn sé aðgengilegt og laust við hindranir.
7. Ef ekki er þegar búið að tengja gasslönguna við grillið skal festa annan enda slöngunnar við gastengið á grillinu og hinn endann við þrýstijafnarann, ef þess þarf. Festingarmátinn fer eftir því hvernig gasslangan er útfærð fyrir viðkomandi land.
8. Tengja skal þrýstijafnarann samkvæmt viðeigandi leiðbeiningum. Ef engar leiðbeiningar fylgja með þrýstijafnarinum er hér á eftir fjallað um nokkra mismunandi tengingarmáta. ATHUGIÐ: Myndirnar geta verið frábrugðnar.
9. Þegar búið er að tengja gaskútinn skal framkvæma lekaprófun (sjá kaflann „Lekaprófun“).



Við mælum með því að hafa gaskútinn við hliðina á grillinu á meðan það er í notkun. Hins vegar er hægt að geyma gaskútinn í skápnum bæði meðan á notkun stendur og eftir að henni lýkur, svo fremi sem hann er ekki yfir leyfilegri hámarksstærð (sjá kaflann „Tæknilegar upplýsingar“). Skal þá setja gaskútinn í þar til ætlaða gróp í botnplötunni.

Þrýstijafnari settur á

Þrýstijafnari með vinstri skrúfgangi (mynd **C**)

1. Skrúfaðu þrýstijafnarann þéttingsfast á skrúfgang loka gaskútsins. Athugaðu að um vinstri skrúfgang er að ræða og verður því að skrúfa rangsælis.
2. Til þess að gas streymi út og hægt sé að kveikja upp í grillinu þarf að snúa lokanum (**a**) á gaskútinum rangsælis. Skrúfað er fyrir lokann með því að snúa honum réttisælis.

Þrýstijafnari með armi

(mynd **D**)

1. Færðu arminn á þrýstijafnarann (**b**) í stöðuna „slökkt“.
2. Ýttu þrýstijafnarann á loka gaskútsins þar til hann smellur fastur.
3. Til þess að gas streymi út og hægt sé að kveikja upp í grillinu skal færa arminn í stöðuna „kveikt“. Til að loka fyrir gasið skal færa arminn í stöðuna „slökkt“.

Þrýstijafnari með mansettu

(mynd **E**)

1. Færðu arminn á þrýstijafnarann (**b**) í stöðuna „slökkt“.
2. Renndu mansettu þrýstijafnarans upp og haltu henni þar.
3. Ýttu þrýstijafnarann á loka gaskútsins og ýttu mansettunni niður til að loka.
4. Ef þrýstijafnarinn smellur ekki fastur þarf að endurtaka þetta.
5. Til þess að gas streymi út og hægt sé að kveikja upp í grillinu skal færa arminn í stöðuna „kveikt“. Til að loka fyrir gasið skal færa arminn í stöðuna „slökkt“.

Þrýstijafnari fyrir gashylki

(mynd **F**)

Nota verður gashylki með skrúfgangi.

1. Áður en gashylkið er tengt skal ganga úr skugga um að gúmmiþéttingin á þrýstijafnarinum sé fyrir hendi og í góðu lagi.
2. Lokaðu fyrir lokann (**c**) á þrýstijafnarinum.
3. Skrúfaðu gashylkið rangsælis í þrýstijafnarann neðan frá.
4. Til þess að gas streymi út og hægt sé að kveikja upp í grillinu skal skrúfa frá lokanum (**c**). Skrúfað er fyrir lokann til að loka fyrir gasið.

Þrýstijafnarinn tekinn af

1. Gakktu úr skugga um að skrúfað sé fyrir lokann á gaskútinum eða þrýstijafnarinum.
2. Skrúfaðu frá stillihnappi grillsins til að tæma afgangsgas úr kerfinu.
3. Til að fjarlægja þrýstijafnarann skal framkvæma uppsetningarskrefin í öfugri röð.

LEKAPRÓFUN

AÐGÁT!



Aldrei skal leita að gasleka með opnum eldi! Áður en leitað er að leka skal ganga úr skugga um að enginn opinn eldur sé nálægt og að ekki geti myndast neistar. Neistar eða logar geta valdið sprengingum sem geta haft í för með sér alvarlegt eða banvænt líkamstjón eða munatjón.

Eftir fyrstu tengingu, eftir hver skipti á gaskút eða ef grillið hefur ekki verið notað lengi verður að framkvæma lekaprófun á öllum gasleiðandi ihlutum til að tryggja að gas leki ekki úr neinum tengingum.

Ef þrýstímælir er á þrýstijafnarannum skal fylgja leiðbeiningunum í leiðarvísinum fyrir þrýstijafnarann til að framkvæma lekaprófun. Annars skal nota lekaleitarefni úr viðeigandi sérverslun og fylgja leiðbeiningum framleiðanda. **Ekki er öruggt að hlusta eftir leka!**

GRILLRÁÐ

1. Áður en þú byrjar að grilla skaltu **taka til allt** sem þú þarft að nota. Á meðan þú ert að grilla ættir þú alltaf að geta fylgst með grillinu og matnum án þess að þurfa stöðugt að vera að fara inn í eldhús.
2. **Kjötið á að vera við stofuhita** áður en það er grillað, því þannig eldast það jafnt og vel.
3. Gættu þess að **grillgrindurnar séu hreinar**. Ef leifar eru á grillgrindinni festist maturinn við þær.
4. **Grillmatur með þunnri olíuhúð** brúnast jafnar og loðir síður við grillgrindina.
5. Áður en byrjað er að grilla skal **bera olíu á steypujárnsgrindurnar** svo maturinn festist ekki við þær.
6. **Forhita skal grillið** með lokið á til að tryggja að maturinn festist ekki við grillgrindina og að hægt sé að snöggsteikja hann. Með þessum hætti eru einnig brenndar burt matarleifar frá því grillið var síðast notað. Einnig skal forhita grillið þegar grilla á við miðlungs eða lágt hitastig.
7. **Ekki setja of mikinn mat** á grillgrindina. Hafðu nægilega mikið bil á milli stykkja svo hægt sé að grípa utan um þau og færa þau til með þægilegum hætti.
8. Ef notast er við **kryddlög, sósu, gljáa með miklum sykra** eða annað hráefni sem brennur auðveldlega við skal ekki pensla því á **fyrir en síðustu 10 til 15 mínúturnar**.
9. Við mælum með því að **lokið sé haft á** á meðan verið er að grilla. Þannig verður minni hættu á að eldur blossi upp og maturinn grillast hraðar og með jafnari hætti. Gæta skal þess að opna lokið ekki of oft til að kíkja á matinn, því þá berst óþarflega mikið loft inn og varmi og reykur leita út.
10. Til þess að steikin fái fallegt mynstur og góða skorpu verður að gæta þess að **snúa henni ekki of oft**. Í flestum tilvikum skal aðeins snúa matnum einu sinni og ekki fyrir en hann er kominn með réttan lit. Þannig er einnig komist hjá því að opna lokið of oft.
11. Setja má tilbúinn grillmat á **efri grindina** til að halda honum heitum á meðan annar matur er grillaður. Athugaðu þó að maturinn eldast áfram. Á efri grindinni er einnig hægt að rista hamborgarabrauð eða elda grænmeti, sjávarfang o.s.frv. við vægan hita á meðan til dæmis kjöt er grillað við hátt hitastig á grillgrindinni.

Bein og óbein grillun

Bein grillun

Þetta er sígilda aðferðin þar sem maturinn er grillaður beint fyrir ofan brennarann. Grillað er við hátt hitastig. Aðferðin hentar því vel fyrir mat sem tekur að hámarki 30 mínútur að elda, til dæmis til að snögggrilla hamborgara eða steikur. Maturinn fær góða skorpu að utanverðu en helst safaríkur að innanverðu.

Óbein grillun

Í þessu tilviki kemur hitinn frá brennurum til hliðar við matinn og slökkt er á brennarannum beint fyrir neðan hann. Um leið er lokið haft á til þess að hleypa hitanum ekki út. Við mælum með þessari grillaðferð fyrir mat sem tekur langan tíma að elda, t.d. rif, „pulled pork“ eða heilan kjúkling. Einnig er hægt að elda fisk og grænmeti á vægum hita með þessari aðferð.

Þú getur líka notað báðar aðferðir: byrjað á því að snöggsteikja á miklum hita og füllelda síðan matinn við lægra hitastig.

NOTKUN

Grillið tekið í notkun

AÐGÁT!

- Áður en grillið er notað í fyrsta sinn skal kveikja upp í því með grillgrindum og öllum aukabúnaði sem kemst í beina snertingu við matvæli til þess að brenna burt hugsanlegar efnisleifar úr framleiðsluferlinu. Þegar það er gert skal hafa lokið á og hita grillið í að minnsta kosti 20 mínútur á hæsta styrk. Þegar grillið hefur kólnað skal hreinsa aukabúnaðinn. Sjá einnig kaflann „Þrif og viðhald“ varðandi þetta.
- Aðeins skal nota grillið ef allir hlutir eru á sínum stað og grillið hefur verið sett rétt saman í samræmi við fyrirmælin í þessum uppsetningar- og notkunarleiðbeiningum.
- Fyrir hverja notkun skal ganga úr skugga um að grillið sé óskemmt og rétt uppsett. Við val á uppsetningarstað skal fara eftir því sem kemur fram í kaflanum „Öryggisleiðbeiningar“.
- Fyrir hverja notkun skal ganga úr skugga um að gaskúturinn og þrýstijafnarinn séu rétt tengdir og að allir hlutar sem gas fer um séu þéttir (sjá kaflann „Gaskútur tengdur“ og „Lekaprófun“).
- Fyrir hverja notkun skal athuga hvort fita hefur safnast upp í grillinu. Fjarlægja skal umframfitu og tæma og hreinsa alla hluta fitusöfnunarbúnaðarins til að koma í veg fyrir að það geti kviknað í fitunni (sjá kaflann „Þrif og viðhald“).
- **Ekki** skal setja álpappír eða filmu á fitusöfnunarbúnaðinn eða grillhólfið.
- Lokið verður að vera opið þegar kveikt er upp í grillinu. Kveikja skal á einum brennara í einu.
- Ef loginn slökknar eða ekki kviknar á brennara skal snúa viðkomandi stillihnappi í stöðuna „slökkt“. Bíða skal í 2 til 5 mínútur áður en reynt er aftur, þannig að gasið nái að streyma út. Annars getur myndast blossi.
- Ekki skal beygja sig yfir grillflötinn þegar kveikt er upp, því myndast getur blossi ef gas safnast upp í grillhólfinu.
- Aldrei skal hella vatni yfir heitt grill, því annars er hættu á brunameiðslum.

1. Opnaðu lokið.
2. Gakktu úr skugga um að allir stillihnapparnir séu í stöðunni „slökkt“ (örin á stillihnappinum vísar upp). Ef svo er ekki skal ýta á stillihnappinn og snúa honum í stöðuna „slökkt“.
3. Skrúfaðu frá gasinu á gaskútnum.
4. Hver brennari er með sérstakt kveikjakerfi og er því hægt að kveikja á hverjum þeirra fyrir sig: Ýttu á stillihnappinn fyrir viðkomandi brennara og snúðu honum í stöðuna **Max** (hæstu stöðu) (mynd **G**). Opnað er fyrir gasstreymið. Ef neistakveikja er á grillinu myndast um leið neisti og það heyrirst hvellur. Ef rafkveikja er á grillinu skal einnig ýta á kveikjuhnappinn (mynd **I**). Þá heyrirst smellur.
5. Gakktu úr skugga um að kveikt hafi verið upp í brennarannum: Athugaðu varlega hvort það logar á brennarannum.
6. Ef ekki hefur kviknað á brennarannum skal snúa stillihnappinum í stöðuna „slökkt“ og reyna aftur að 2 til 5 mínútum liðnum.



Ef neistakveikja er á grillinu skal ekki sleppa stillihnappinum fyrr en nokkrum sekúndum eftir kveikingu svo það slokkni ekki á loganum.

7. Kveiktu á hinum brennurunum með sama hætti.

Grillað

AÐGÁT!

- Þegar lokið er opnað getur heit gufa streymt út. Haltu því höfði og höndum frá hættusvæðinu. Hætta er á að brenna sig.
 - Notaðu grilláhöld með löngum, hitapolnum handföngum.
1. Þegar búið er að kveikja upp í brennurunum skal forhita grillið: Settu lokið á og biðu þar til hitamælirinn í lokinu sýnir rétt hitastig. Þegar búið er að forhita grillið er hægt að slökva á þeim brennurum sem ekki þarf að nota. Það er gert með því að snúa viðkomandi stillihnöppum í stöðuna „slökkt“.
 2. Opnaðu lokið og settu matinn á grillgrindina eða þann aukabúnað sem á að nota.
 3. Ef ná á upp miklum hita í grillhólfinu og elda matinn jafnt á öllum hliðum skal setja lokið á.
 4. Ef þörf krefur skal stilla brennarann á minni afköst með því að snúa stillihnappinum lengra í átt að **Min** (lægstu stillingu).
 5. Þegar maturinn hefur brúnast nægilega mikið skal snúa honum við með grilltöng.

Hætt að nota grillið

1. Skrúfaðu fyrir gasið á gaskútnum.
2. Snúðu öllum stillihnöppunum í stöðuna „slökkt“.
3. Leyfðu grillinu að kólna áður en það er fært til.
4. Þegar grillið er búið að kólna skal þrifa það (sjá kaflann „Þrif og viðhald“). Ef of mikið safnast upp af matarleifum og fitu er hætt á að það kvikni í fitunni.

ÞRIF OG VIÐHALD

AÐGÁT!

- Áður en hlutar grillsins eru þrifnir skal leyfa þeim að kólna þar til þeir eru ekki lengur heitir og hægt er að koma við þá.
- Ekki má þrifa lokann á þrýstijafnarann! Hann inniheldur mjög viðkvæma íhluti sem geta skemmt ef þeir komast í örlitla snertingu við aðra hluti. Ekki má dýfa þrýstijafnarann í vatn.
- Eingöngu viðurkenndir fagaðilar mega sjá um þrif á gaskerfinu. Alls ekki má taka stillibúnaðinn í sundur.
- Innvolsið í brennurunum má ekki blotna!
- Ekki má dýfa grillinu í vatn og ekki má sprauta á það með vatnsslöngu. Enginn vökví má berast í rafbúnað eða íhluti sem gas fer um.
- Aftengja skal gaskútinn áður en ytra byrði grillsins er þrifið.
- Aldrei má hella köldu vatni á heita hluta. Hætta er á að brenna sig og skemmdir geta orðið á efni.
- Alls ekki má nota spritt eða önnur eldfim eða ætandi hreinsiefni.
- Ekki má setja meðfylgjandi fylgihluti í uppþvottavél.
- Leyfa verður öllum hlutum að þorna áður en þeir eru notaðir eða settir í geymslu.

Þrifa skal grillið eftir hverja notkun til að hafa ánægju af því sem lengst. Ef þrifum og viðhaldi á grillinu er ekki sinnt getur það orðið lakara með tímanum. Lág hitastig og ójöfn hitadreifing eru merki um að þrifa þurfi íhluti sem gas fer um. Matarleifar á grillgrindinni leiða til þess að maturinn festist við grindina. Kviknað getur í uppsafnaðri fitu.

Fitusöfnunarbúnaður þrifinn (eftir hverja notkun)

■ Ekki nota gróf hreinsiefni.

- Tæma skal alla hluta fitusöfnunarkerfisins og þrifa þá (fitubakkann, fitupottinn eða fituskálina) eftir eða fyrir hverja notkun. Þrifa skal hlutina með volgu vatni, uppþvottalegi og svampi. Einfaldast er að þrifa hlutina eftir notkun þegar þeir eru ennþá volgir (ekki heitir!).

Þrif á grillgrind og grillplötu úr pottjárnri (eftir hverja notkun)

Þrifa skal grillplötuna með sama hætti og grillgrindina:

1. Hafðu grillgrindina í grillinu og fjarlægðu grófar leifar með hreinsibursta fyrir grillgrind eða spaða.
2. Brenna skal leifarnar sem eftir eru með eftirfarandi hætti: Láttu grillið ganga á hæstu stillingu (að minnsta kosti 300 °C) í u.þ.b. 30 mínútur með lokið á.
3. Leyfðu grillgrindinni að kólna það mikið að hægt sé að koma við hana og burstaðu leifarnar af. Þurrkaðu síðan af grindinni með rökum eldhúspappír, ef þess þarf.
4. Við mælum með því að nudda jurtaolíu á hreina grillgrindina til að vernda hana og undirbúa hana fyrir næstu notkun.

Þrif á emal eruðum grillgrindum, efri grindum, hitadreifurum og öðrum emal eruðum hlutum

■ Ekki má nota gróf hreinsiefni eða stálbursta.

- Þrifa skal grillgrindur og efri grindur eftir hverja notkun en aðra hluti eftir þörfum.
- Skafðu grófar leifar af með plastskaða eða bleyttu þær upp í volgu vatni.
- Að því loknu skal nota volgt vatn með dálitlum uppþvottalegi og svamp eða mjúka tusku við þrifin.

Þrif á grindum úr ryðfríu stáli (eftir hverja notkun)

- Þrifa skal grindur úr ryðfríu stáli með volgu vatni, uppþvottalegi og svampi eða stálull sem er laus við ryð.

Grillhólfið þrifið (eftir þörfum)

Við notkun grillsins leiðir uppgufun fitu og reykur til myndunar kolefnis sem safnast fyrir í grillhólfinu.

■ Ekki nota gróf hreinsiefni.

1. Fjarlægja skal allar matarleifar og uppsafnaða fitu úr grillhólfinu. Til dæmis er hægt að nota plastskaða til þess.
2. Að því loknu skal þurrka af flötunum með mjúkri tusku. Ef um mikil óhreinindi er að ræða er hægt að fjarlægja þau með volgu vatni, uppþvottalegi og svampi og þurrka síðan af með mjúkri tusku.

Þrif að utanverðu (eftir þörfum)

Að utanverðu er grillið úr mismunandi efni og með mismunandi yfirborð. Við mælum því með mismunandi hreinsunaraðferðum allt eftir fletinum hverju sinni.

Fletir úr ryðfríu stáli

- Nota skal hreinsiefni fyrir ryðfrítt stál sem er ekki slípandi og fylgja leiðbeiningum framleiðanda. **Ekki nota grófan massa!**
- Annars er hægt að nota volgt vatn, hreinsiefni til heimilisnota og svamp við þrifin. Að því loknu skal skola af flötunum með hreinu vatni og þurrka af þeim með mjúkri tusku.



Ef grillið er í umhverfi þar sem mikið mæðir á því þarf að þrifa það oftast að utanverðu. Ef mikið er um klórið og súlfíð í umhverfinu, einkum nálægst sjó, getur einnig ryðfrítt stál oxast eða blettir komið á það. Saltvatn, súrt regn, nálægð við sundlaugar og heita potta og önnur krefjandi skilyrði sem einkennast af miklum hita og raka í lofti geta leitt til blettamyndunar. Stundum er ruglast á þessum blettum og ryði.

Einfalt er að fjarlægja þá og koma í veg fyrir að þeir myndist: Hreinsa skal blettina af með volgu vatni og hreinsiefni til heimilisnota, skola síðan af fletinum með hreinu vatni og þurrka af honum. Á 3 til 4 vikna fresti skal nudda yfir alla fleti úr ryðfríu stáli með kranavatni og hreinsiefni fyrir ryðfrítt stál til að koma í veg fyrir blettamyndun.

Lakkaðir fletir, emaleraðir fletir og plasthlutir

■ Ekki nota gróf hreinsiefni.

- Við þrífing skal eingöngu nota volgt vatn með dálitlu hreinsiefni til heimilisnota og eldhúspappir eða mjúka tusku. Þrífa skal flötinn, skola af honum og þurrka síðan af honum.

Þrif á hlutum sem gas fer um (eftir þörfum)

Hlutir sem gas fer um geta verið stíflaðir og þrífa þarf þá í eftirfarandi tilvikum:

- Vart verður við gaslykt þegar loginn frá brennarinum er mjög gulur og daufur.
- Réttu hitastigi er ekki náð.
- Brennarinn hitar ekki jafnt eða loginn flöktir.

Fara skal að með eftirfarandi hætti við þrífing:

- Þrífa skal alla ytri fleti brennaranna með hreinum vírbursta til að fjarlægja matarleifar og óhreinindi. **Við þrífing verður að gæta þess að kveikjuskautið beyglist ekki eða verði fyrir skemmdum.** Bursta skal varlega umhverfis kveikjuskautið.
- Einkum þarf að gæta þess að hjá hverju brennararöri sé ekkert fyrir gasúttaks- og loftinntaksopunum eða þrengslarörinu. Þrífa skal þau eftir þörfum, t.d. með pípuhreinsi eða þrýstilofti.
- Þrífa má gastengið og tengi gasslöngunnar eftir þörfum með mjúkum pensli.

Viðhald

AÐGÁT!

- Eingöngu fagaðilar mega skipta um stútana.

Grillið er viðhaldsfrítt ef það er þrifið reglulega. Engu að síður verður að skoða það með reglulegu millibili. Það hversu oft þarf að skoða grillið fer eftir því hversu oft það er notað og umhverfisskilyrðunum hverju sinni.

- Athuga skal hvort allar hlutar grillsins eru til staðar og uppsettir (sjónskoðun).
- Athuga skal hvort allar tengingar eru til staðar og vel hertar. Herða skal þær ef þörf krefur.
- Prófa verður gaskerfið í hvert skipti sem gaskútur er tengdur (sjá kaflann „Lekaprófun“).
- Skipta verður um gasslönguna ef hún er götött eða skemmd eða endingartími hennar er liðinn (sjá kaflann „Tæknilegar upplýsingar“).

GEYMSLA

AÐGÁT!

- Verja skal grillið fyrir sterkum vindi, langvarandi raka, regni, snjó, hagléli eða öðrum veðuráhrifum.
- Ef ekki á að nota grillið í lengri tíma skal aftengja gaskútinn og geyma hann með viðeigandi hætti (sjá kaflann „Öryggisleiðbeiningar“ – „Hætta vegna gaskúta“).

- Geyma skal grillið á þurrum stað utandyra. Breiðið yfir grillið (með yfirbreiðslu) til að verja íhluti þess gegn raka, ryki, skordýrum eða köngulóm sem geta komist inn í grillið og komið sér þar fyrir.
- Þrífa skal grillið áður en það er sett í geymslu (sjá kaflann „Þrif og viðhald“).
- Ef grillið er geymt **innandyra** verður að **aftengja gaskútinn**. Loka skal gaskútinum með viðeigandi hætti með blindró og hlífðarhettu (allt eftir útfærslu) og geyma hann utandyra á vel loftræstum stað á yfirborði jarðar (þ.e. ekki í dældum undir yfirborði jarðar).
- Ef ekki á að nota grillið í lengri tíma skal taka rafhlöðuna úr rafkveikjunni til að koma í veg fyrir hugsanlegar skemmdir vegna leka úr rafhlöðunni.

LEYST ÚR VANDAMÁLUM

Ef vandamál koma upp þrátt fyrir góða umhirðu og viðhald getur þessi kafli aðstoðað við að greiða úr þeim.

Ef ekki er hægt að leysa úr vandamálinu með eftirfarandi aðgerðum skal hafa samband við þjónustuaðila (sjá kápu þessara uppsetningar- og notkunarleiddbeininga).



Ekki reyna að gera við gaskerfið á eigin spýtur!

Gaslykt (loginn er mögulega mjög gulur og daufur).

Leki í gaskerfi.

1. Skrúfa skal strax fyrir gaskútinn.
2. Koma skal í veg fyrir alla loga- eða neistamyndun (ekki kveikja á raftækjum).
3. Herða skal allar skrúfaðar festingar gaskerfisins.
4. Athuga skal með ytri skemmdir á öllum hlutum sem gas fer um og skipta hlutum sem eru í ólagi út fyrir upprunalega varahluti.
5. Athuga skal með leka (sjá kaflann „Lekaprófun“).

Brennararnir eru stíflaðir.

- ▶ Hreinsa skal þá samkvæmt leiðbeiningunum í kaflanum „Þrif og viðhald“ – „Þrif á hlutum sem gas fer um (eftir þörfum)“.

Stífla er í stút stilliliðs (aftan við framhliðina) eða öðrum hluta gaskerfisins.

- ▶ Láta skal fagaðila þrífa gaskerfið.

Það kviknar ekki á brennarinum.

Rafhlaða rafkveikjunnar er tóm eða var ekki sett rétt í.

- ▶ Settu nýja rafhlöðu í. Gættu þess að rafhlaðan snúi rétt (+/-).

Gaskúturinn er tómur.

- ▶ Skiptu um gaskút.

Brennarinn er stíflaður.

- ▶ Hreinsaðu brennarann samkvæmt leiðbeiningunum í kaflanum „Þrif og viðhald“ – „Þrif á hlutum sem gas fer um (eftir þörfum)“.

Á hliðarbrennarinum: Kveikjuvírinn er ekki í sambandi við kveikjuna.

- ▶ Sjónskoðun. Stingdu kveikjuvírnum í samband ef þess þarf.

Stífla er í stút stilliliðs (aftan við framhliðina) eða öðrum hluta gaskerfisins.

- ▶ Láta skal fagaðila þrífa gaskerfið.

Kveikjan er í ólagi.

- ▶ Láta skal fagaðila skoða kveikjuna og gera við eða skipta um hana.

Rétta hitastigi er ekki náð. / Loginn er lítill eða flóktir mikið eða logamynstrið er ójafnt. / Það kviknar ekki á tilteknum brennurum.

Gaskúturinn er (næstum) tómur.

- ▶ Skiptu um gaskút.

Brennararnir eru stíflaðir.

- ▶ Hreinsa skal þá samkvæmt leiðbeiningunum í kaflanum „Þrif og viðhald“ – „Þrif á hlutum sem gas fer um (eftir þörfum)“.

Brotið er upp á gasslönguna.

- ▶ Réttu úr gasslöngunni.

Stífla er í stút stilliliðs (aftan við framhliðina) eða öðrum hluta gaskerfisins.

- ▶ Láta skal fagaðila þrifa gaskerfið.

Blossar eða kraumandi hljóð / hvellir

Eldblossar vegna stíflna í brennarunum.

- ▶ Skrúfaðu strax fyrir loka gaskútsins. Biddu í 5 mínútur og kveiktu síðan aftur upp í grillinu. Ef vandamálið kemur aftur upp skal hreinsa brennarann samkvæmt leiðbeiningunum í kaflanum „Þrif og viðhald“ – „Þrif á hlutum sem gas fer um (eftir þörfum)“. Annars skal láta fagaðila þrifa gaskerfið.

Miklir logar

Það er mikil fita í matnum.

- ▶ Fjarlægja skal mikla fitu, leggja kjötið á grillbakka eða minnka hitann í grillinu.

Grillið er óhreint.

- ▶ Þrifa skal grillið (sjá kaflann „Þrif og viðhald“).

FÖRGUN

Þegar grillinu er fargað skal taka það í sundur og skila málm og plasti til endurvinnslu.



Flokka skal umbúðir og skila þeim til endurvinnslu.



Táknið hér við hliðina (yfirstrikuð ruslatunna með undirlínu) þýðir að ekki má farga gömlum tækjum með venjulegu heimilissorpi, heldur verður að fara með þau á sérstaka söfnunar- og endurvinnslustaði.

Eigendur gamalla tækja verða að fjarlægja gamlar rafhlöður og hleðslurafhlöður, sem ekki eru fastar í tækinu og hægt er að fjarlægja án vandkvæða, úr gamla tækinu og farga með aðskildum hætti (sjá hlutann um förgun á rafhlöðum).

Eigendur gamalla tækja á einkaheimilum geta skilað þeim sér að kostnaðarlausu á söfnunarstöðvar sveitarfélaga eða á móttökustöðvar framleiðanda þeirra og dreifingaraðila samkvæmt lögum og reglum um rafmagnstæki.

Verslunum, sem selja raf- og rafeindatæki á markaði, ber einnig skylda til að taka við þeim.



Ekki má farga rafhlöðum og hleðslurafhlöðum með heimilissorpi. Neytendum ber lagaskylda til að fara með rafhlöður og hleðslurafhlöður sérstaklega á söfnunarstaði.

Hægt er að fara með rafhlöður og hleðslurafhlöður sér að kostnaðarlausu á söfnunarstaði sveitarfélaga / bæjarhluta eða í verslanir til að hægt sé að farga þeim með umhverfisvænum hætti og endurvinnna verðmæt hráefni úr þeim. Við óviðeigandi förgun geta eitruð innihaldsefni borist út í umhverfið og haft heilsuspillandi áhrif á menn, dýr og plöntur.

Þegar rafhlöðum er skilað mega þær ekki vera hlaðnar.

Nota skal hleðslurafhlöður í stað einnota rafhlaðna ef hægt er.

Líma skal yfir skaut á litiumrafhlöðum og

-hleðslurafhlöðum áður en þeim er fargað til að koma í veg fyrir skammhlaup. Skammhlaup getur valdið eldsvoða eða sprengingum.

EB-SAMRÆMISYFIRLÝSING

Við, fyrirtækið LANDMANN Germany GmbH, lýsum því hér með yfir að gastækið, sem hér er fjallað um, er í samræmi við reglugerð **(ESB) 2016/426**.

Sýnt hefur verið fram á samræmi með gerðarprófun samkvæmt staðlinum **EN 498:2012**.

Gerðarprófunin var framkvæmd af tilkynnta aðilanum **DBI Certification A/S (2531)**.

Auðkennisnúmer tækis: **2531CU-0061**

Nálgast má nánari upplýsingar hjá notendabjónustu okkar.



Kære kunde

Tak, fordi du har valgt en gasgrill fra LANDMANN. Denne monterings- og brugsvejledning hjælper dig trin for trin med at gøre din netop købte LANDMANN-grill klar til brug. Vi giver dig også vigtige tips om korrekt brug, sikker håndtering og pleje.

Tag dig tid til at sætte dig ind i detaljerne om dit nye udstyr. Vi håber, at du ikke kun får en god start, men også får glæde af din LANDMANN-grill i lang tid.

Hvis du har spørgsmål om din grillmodel eller har brug for yderligere hjælp, vil vores serviceteam gerne hjælpe dig. Du kan finde de relevante kontaktoplysninger på forsiden af denne monterings- og brugsvejledning.

Dit LANDMANN-team ønsker dig god fornøjelse og en lækker grillfest.

INDHOLD

Tekniske data	47
Leveringsomfang	47
Oversigt over apparatet	47
Påtænkt anvendelse	48
Sikkerhedsinstruktioner	48
Krav til gasbærende komponenter	49
Bemærkninger om montering	49
Sæt batteriet i den elektriske tænding	50
Tilslut gasflasken	50
Tæthedskontrol	51
Gode råd om grillning	51
Brug	51
Rengøring og vedligeholdelse	52
Opbevaring	53
Fejlfinding	53
Bortskaffelse	54
EU-overensstemmelseserklæring	54

ADVARSEL:

- Må kun anvendes udendørs.
- Læs monterings- og brugsvejledning før apparatet tages i brug.
- **ADVARSEL:** Tilgængelige dele kan være meget varme. Hold børn væk.
- Grillen skal holdes væk fra brandfarlige materialer under drift.
- Flyt ikke apparatet under drift.
- Luk gastilførslen på gasflasken efter brug.
- Der må ikke foretages ændringer på apparatet.

LÆS DENNE MONTERINGS- OG BRUGSVEJLEDNING FØR BRUG!

Manglende overholdelse af de anførte sikkerhedsinstruktioner, forholdsregler og arbejdsstrin kan føre til alvorlige eller endog dødelige skader eller til materielle skader på grund af brand eller eksplosion.

Opbevar denne monterings- og brugsvejledning til senere spørgsmål og andre brugere. Den hører til apparatet. Producenten og importøren påtager sig intet ansvar, hvis oplysningerne i denne monterings- og brugsvejledning ikke overholdes.

Symboler



Faresignaler: Dette symbol angiver mulige farer. Læs og følg omhyggeligt de relevante sikkerhedsinstruktioner.



Supplerende informationer



Læs monterings- og brugsvejledningen før brug!



Egnet til fødevarer.




Jævnstrøm

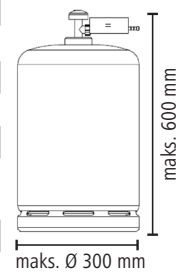
Yderligere forklaringer

Forklaringsnumre er vist som følger: (1)

Billedreferencer er vist som følger: (Billede A)

TEKNISKE DATA

Apparatbetegnelse:	Gasgrill "TRITON 4.0"				 2531-23 PIN: 2531CU-0061	
Modelnummer:	12268					
Land:	BG, CY, CZ, DK, EE, FI, HU, HR, IS, IT, LT, LV, MT, NL, NO, RO, SE, SI, SK	PL	AT, CH, CZ, DE	BE, CH, CZ, ES, FR, GR, IE, IT, LT, LU, LV, PT, SK, SI, TR		
Gaskategori:	I3B/P (30)	I3B/P (37)	I3B/P (50)	I3+ (28-30/37)		
Gastype:	G30 (butan), G31 (propan) eller en blanding heraf	G30 (butan), G31 (propan) eller en blanding heraf	G30 (butan), G31 (propan) eller en blanding heraf	G30 (butan)	G31 (propan)	
Gastryk i mbar:	28–30	37	50	28–30	37	
Forbrug:	G30: 872 g/h G31: 857 g/h	G30: 872 g/h G31: 857 g/h	G30: 872 g/h G31: 857 g/h	872 g/h	857 g/h	
Ø dyse hovedbrænder:	0,85 mm	0,79 mm	0,73 mm	0,85 mm	0,85 mm	
Varmeeffekt:	12 kW (4 x 3,0 kW hovedbrænder)					
Tænding:	1,5V batteri (AA)					
Trykreducerende enhed:	Ifølge EN 16129; de nationale bestemmelser skal overholdes.					
Gasslange:	Ifølge EN 16436-1; maks. 1,5 m; overhold de nationale bestemmelser om den maksimale brugstid.					
Mål (L x H x B):	Grill: ca. 140 x 120 x 57 cm					
Vægt:	ca. 46 kg					
Gasflaske:	Gængse gasflasker, se målene på nedenstående illustration.					
ID Monterings- og brugsvejledning:	Z TRI 4.0+mod M LM SCA V1 1122 md					
Producent:	LANDMANN Germany GmbH, Am Heisterbusch 1, 19258 Gallin, Tyskland					



TRITON 4.0

Fremstillet i Kina.

LEVERINGSOMFANG

(Se billede A på udfoldningssiden)

Pos.	Betegnelse	Antal
1	Grillenhed (færdigmonteret)	1
2	Vinkel A	2
3	Vinkel B	2
4	Håndtag til låg	1
5	Sidebord venstre	1
6	Sidebord højre	1
7	Gasslange med trykreducerende enhed (ikke inkluderet i nogle lande)	1
8	Fedtopsamlingsbakke	1
9	Sidevæg t.v.	1
10	Vinkelbeslag t.v.	1
11	Vinkelbeslag t.h.	1
12	Sidevæg t.h.	1
13	Låsbart hjul	4
14	Grundplade	1
15	Dæksel til underskab	1
16	Underskabsdør højre	1
17	Underskabsdør venstre	1
18	Bagvæg	1
19	Dørhåndtag	2
20	Tværstiver	1
21	Brænderafdækning	4
22	Fedtopsamlingsplade	1
23	Kontrolknap	4
24	Grillrist i siden	2
25	Grillrist i midten	1
26	Varmholdningsrist	1
27	Løfteredskab til grillrist	1

Pos.	Betegnelse	Antal
Monteringsmateriale:		
A	Skrue, M4x10 mm	16
B	Skrue, M6x12 mm	30
C	Skrue, M6x18 mm	8
D	Skive	2
	1,5V-batteri (AA) til den elektroniske tænding	1
	Monterings- og brugsvejledning	1
	Vejledning om den trykreducerende enhed	1

Du har desuden brug for:

- LP-gasflaske (se kapitlet "Tekniske data"), 1 x
- Værktøj til montering

Dette er ikke inkluderet i leveringsomfanget.

OBS!

- Kontrollér, at leveringsomfanget er komplet, og at komponenterne ikke er beskadiget under transporten. Hvis der mangler dele, eller delene er beskadiget, skal du kontakte kundeservice (se forsiden på denne monterings- og brugsvejledning). Vi forbeholder os retten til at foretage mindre tekniske ændringer, f.eks. med hensyn til monteringsmaterialet.
- Fjern eventuelle folier, klistermærker eller transportbeskyttelse fra apparatet, men **aldrig typeskiltet og eventuelle advarsler!**

OVERSIGT OVER APPARATET

(billede B)

- 28 Termometer i låget
- 29 Låg
- 30 Tændknap
- 31 Gastilslutning
- 32 Underskab

PÅTÆNKT ANVENDELSE

- Denne gasgrill er beregnet til tilberedning af grillbar mad. Den drives med flydende gas og er beregnet til udendørs brug.
- Enhver anden brug er ikke tilladt. Dette gælder især for følgende forudsigelige misbrug:
 - Brug ikke grillen med træ, trækul eller andet brændstof, der ikke er flydende gas (propan/butan).
 - Apparatet må aldrig tilsluttes til naturgasnettet (bygasnettet)! Ventilene og dyserne er udelukkende beregnet til flasker med flydende gas.
 - Brug ikke grillen som varmeapparat.
 - Brug ikke grillen til at opvarme andre stoffer og materialer med end mad.
 - Brug aldrig grillen som et indbygningsapparat.
- Grillen og gasflasken skal anvendes og opbevares i overensstemmelse med de gældende regler.
- Grillen er beregnet til privat brug, ikke til erhvervsmæssig brug.
- Brug kun grillen til det angivne formål og kun som beskrevet i denne monterings- og brugsvejledning. Enhver anden anvendelse anses for at være i strid med den påtænkte anvendelse. Forkert betjening og forkert håndtering kan medføre forringelse af funktionen eller ejendoms- og personskaade.
- Alle defekter, der skyldes forkert håndtering, beskadigelse eller reparationsforsøg, er udelukket fra garantien. Dette gælder også for normal slitage samt fedtaflejringer og misfarvning på grill og tilbehør.

SIKKERHEDSINSTRUKTIONER



Risiko for personskader

- Grillen er ikke beregnet til at blive brugt af børn og personer med nedsatte fysiske, sensoriske eller mentale evner eller med manglende erfaring og/eller viden.
- Børn må ikke lege med grillen. Sørg for, at børn ikke har uovervåget adgang til grillen, også når den er slukket. Forkert brug kan være farligt.
- **ADVARSEL: Tilgængelige dele kan være meget varme. Hold børn væk!** Efterlad aldrig grillen uden opsyn, når den er i drift eller stadig varm. Sørg især for, at børn eller personer, der ikke er i stand til at genkende eller reagere korrekt på mulige farer, ikke kommer i nærheden af det varme grill.
- Brug grillhandsker, der er testet i henhold til forordning (EU) 2016/425 om personlige værnemidler i henhold til DIN EN 407 (varmebeskyttelseskategori II).
- Rør ikke ved varme dele under eller efter brug af grillen! Rør kun ved håndtagene og betjeningslementerne, mens grillen er i drift, eller umiddelbart efter at den er slukket. Vent, indtil grillen er afkølet, før du transporterer, rengør eller opbevarer den.
- **Flyt ikke grillen under drift!**
- Indtagelse af alkohol eller stoffer kan have en negativ indflydelse på evnen til at samle, flytte, opbevare eller betjene grillen korrekt og sikkert.



Risiko for kvælning, brand og eksplosion

Gas er meget letantændelig og brænder eksplosivt. Der kan opstå alvorlig personskaade eller materielle skader, hvis der opstår ukontrolleret antændelse af gas, der undslipper.

Flydende gas er tungere end ilt. Den aflejres derfor på jorden og fortrænger ilt. Hvis der opbygges en tilsvarende gaskoncentration (f.eks. i tilfælde af en beskadiget gasflaske), kan der opstå kvælning som følge af iltmangel.

- Brug kun de gastyper, gasflasker, trykreducerende enheder og gaslanger, der er angivet i denne monterings- og brugsvejledning (se kapitlet "Krav til gasbærende komponenter").

- Brug kun grillen over jordoverfladen (dvs. ikke i lavninger under jordoverfladen).
- **Må kun anvendes udendørs.** Brug ikke grillen i bygninger, garager, overdækkede gange, telte, i andre lukkede områder, under markiser eller brændbare konstruktioner.
- Brug ikke grillen i eller på et køretøj. Det gælder også for mobilhomes, campingvogne og både.
- Brug ikke grillen, hvis der er letantændelige eller eksplosive stoffer i luften eller i omgivelserne. Opbevar ikke brændstof eller andre brændbare dampe eller væsker i nærheden af dette apparat, og brug ikke sådanne stoffer sammen med apparatet. Sprøjt ikke spray i nærheden af grillen.
- Brug aldrig grillen uden en trykreducerende enhed (se kapitlet "Krav til gasbærende komponenter" - "Trykreducerende enhed")!
- Sørg for, at den trykreducerende enhed er korrekt tilsluttet, i god stand og ubeskadiget.
- Gennemfør en tæthedskontrol af alle gasbærende komponenter (se kapitlet "Tæthedskontrol") efter hver tilslutning af gasflasken, eller hvis grillen ikke har været brugt i længere tid. **Grillen må ikke bruges, hvis der er en gaslækage.**
- **Dette apparat skal holdes væk fra brandfarlige materialer under drift.** Der er risiko for brand og gløder. Følgende minimumsafstande til brændbare materialer skal overholdes: 2 m over og 1 m til siden på grillen. Afstanden til flammebestandige materialer, f.eks. husmure, skal være mindst 0,6 m. Hverken overtrækket eller andre brændbare materialer må opbevares i underskabet under drift.
- Når gasflasken tilsluttes, må der ikke være nogen antændelseskilder inden for en afstand af 5 m fra grillen, især ingen åben ild eller brændende cigaretter, stearinlys, lamper osv. Elektriske apparater kan også udgøre en fare, hvis der undslipper gas ved tilslutningen.
- Luk aldrig ventilationsåbningerne i grillenheden og i gasflaskens opstillingsrum, og sørg for, at de altid er åbne.
- Dæk ikke nogen af grillens åbninger til, og sørg for, at de ikke er tilstoppet, før grillen tages i brug. Som de fleste apparater, der bruges udendørs, er grillen et muligt skjulested for edderkopper og insekter. Tilstoppede gasbærende komponenter kan f.eks. blokere gasstrømmen, hvilket kan reducere ydeevnen eller endda resultere i et farligt flammetilbageslag. Fjern tilstopningerne som beskrevet i kapitlet "Rengøring og vedligeholdelse".
- Efterlad aldrig grillen uden opsyn, når den er i drift. Hvis en flamme skulle gå ud, så tænd den straks igen, eller luk for gasflasken.
- Hvis du kan lugte gas, så luk for gastilførslen til gasflasken, og sluk alle flammerne. Tænd ikke elektriske apparater. Før du bruger grillen igen, skal du finde årsagen til gaslækagen og afhjælpe den.
- Sørg for ikke at overopvarme fødevarer, der er rige på olie og fedt. Stil ikke beholdere fyldt med olie på grillen.
- Sluk ikke en fedtbrand med vand! Luk gastilførslen på gasflasken straks. Sluk straks for alle brændere, og lad låget være lukket, indtil branden er slukket.
- **Luk gastilførslen på gasflasken straks efter brug.**
- Dæk ikke grillen til, så længe den er varm.
- **Der må ikke foretages ændringer på apparatet!** Enhver ændring på apparatet kan være farlig.
- **Der må ikke pilles ved komponenter, der er forseglet af fabrikanten eller dennes repræsentant.**
- For at undgå farer må **reparationer kun udføres af producenten eller af kundeservice.** Hvis du konstaterer skader eller i tilfælde af funktionsfejl, skal du kontakte kundeservice (se forsiden på denne monterings- og brugsvejledning). Brug ikke grillen før den er blevet repareret, da dette kan medføre, at grillen ikke fungerer korrekt, hvilket kan øge risikoen for personskaade.

- Brug kun originalt tilbehør fra producenten for ikke at forringe grillfunktionen og for at undgå eventuelle skader eller farer.
- Du må aldrig afmontere kontrolknappen, gasflasken eller et af de gasbærende elementer under drift.
- Transportér aldrig grillen med en tilsluttet gasflaske. Grillen og gasflasken skal altid transporteres separat.
- Rengør grillen regelmæssigt som beskrevet i kapitlet "Rengøring og vedligeholdelse".



Farer pga. gasflasker

- **Overhold anvisningerne fra producenten eller udlejningsfirmaet af gasflasken!**
- Engasflaske må ikke komme i hænderne på børn!
- Brug aldrig en bulet eller rusten gasflaske.
- Brug aldrig en gasflaske med defekt ventil.
- Læg aldrig en gasflaske ned. Gasflasker (også tomme) skal altid installeres, transporteres og opbevares i en stående og sikker position.
- Tab aldrig en gasflaske. Udsæt den ikke for stød og beskadigelser.
- Ved opvarmning kan gasflasken eksplodere. Brænd aldrig en gasflaske. Udsæt den ikke for ekstrem varme (over 50 °C) eller direkte sollys. Efterlad ikke en gasflaske i bilen på en varm dag. Sørg for, at hverken gasflasken eller gasslangen rører ved grillen under brug.
- Gasflasker må kun tilsluttes, anvendes og opbevares uden dørs med god ventilation (dvs. ikke i f.eks. trappeopgange, korridorer, gange og gader) og over jordoverfladen (dvs. ikke i lavninger under jordoverfladen).
- Placer straks en utæt gasflaske på et godt ventileret sted udendørs, lad gassen slippe ud, og vent på, at den forsvinder. Returner derefter den tomme gasflaske til producenten med information om lækage.
Hvis du føler dig svimmel eller dårlig, skal du indånde frisk luft og om nødvendigt søge lægehjælp.
- Luk altid først gasflaskens ventil, før du fjerner den trykreducerende enhed fra gasflasken.
- Gasflasker (også tomme flasker), der ikke er tilsluttet til umiddelbar brug, må ikke opbevares direkte ved siden af et apparat, der er i drift, og som drives af gas eller elektricitet.
- Selv tilsyneladende tomme gasflasker kan stadig indeholde flydende gas og skal derfor håndteres med samme forsigtighed som en fuld gasflaske.



Farer på grund af batterier

- Det kan være livsfarligt at sluge batterier. Derfor skal batterierne opbevares utilgængeligt for børn og dyr. Hvis nogen har slugt et batteri, skal der straks søges lægehjælp. Der er fare for ætsning pga. batterisyren.
- Hvis batteriet er blevet utæt, skal du undgå, at hud, øjne og slimhinder kommer i kontakt med batterisyren. Brug om nødvendigt beskyttelseshandsker. I tilfælde af kontakt med batterisyre skal du straks skylle de berørte områder med rigeligt rent vand og søge lægehjælp. Der er fare for ætsning pga. batterisyren.
- Brug kun den batteritype, der er angivet i de Tekniske data.
- Fjern batterierne, når de er opbrugt, eller når grillen ikke bruges i længere tid. Således undgås skader, hvis de bliver utætte.
- Fjern straks et utæt batteri, og rengør kontakterne i batterirummet.

KRAV TIL GASBÆRENDE KOMPONENTER

Grillen drives med flydende gas (Liquefied Petroleum Gas, LPG eller LP-Gas). De flydende gasser propan, butan og deres blandinger forbliver flydende i en gasflaske ved stuetemperatur og lav kompression (< 10 bar). Når gasflasken åbnes, slipper trykket ud; væsken udvider sig og går over til gasformig tilstand.

Gasflaske

- Brug kun gasflasker med propan- eller butangas eller en blanding af de to gasser. Gasflaskerne skal være i overensstemmelse med de nationale bestemmelser og må ikke være større end angivet i kapitel "Tekniske data".

Gaspatron

- Hvis grillen er godkendt til brug med en gaspatron, må du kun bruge skruapatroner med et 7/16"-gevind og en maksimal kapacitet på 450 g / 800 ml.

Trykreducerende enhed

Den trykreducerende enhed sørger for, at grillen altid forsynes med et jævnt gstryk.

- Brug den trykreducerende enhed, der følger med grillen. Den er testet og CE-certificeret. Den er i overensstemmelse med EU-standarden EN 16129.
- Hvis grillen er leveret uden en trykreducerende enhed, så få fat i en trykreducerende enhed, der passer til gasflasken. Sørg for, at den er i overensstemmelse med de nationale bestemmelser.

Gasslange

- Brug den gasslange, der følger med grillen. Hvis der ikke medfulgte en gasslange, så få fat i en gasslange, der er i overensstemmelse med de nationale bestemmelser.
- Gasslangen (eller slangeledningen) må ikke være længere end 1,5 m og skal opfylde specifikationerne i standarden EN 16436-1.
- Overhold de nationale bestemmelser, og udskift gasslangen, hvis det er påkrævet, eller hvis gasslangen har overskredet den maksimale anvendelsesdato.
- Før hver anvendelse skal du kontrollere, at gasslangen ikke har knæk eller revner og ikke er slidt. Hvis gasslangen er porøs eller defekt, må grillen ikke tages i brug.

BEMÆRKNINGER OM MONTERING

OBS!

- Hold emballagematerialet væk fra små børn og dyr! Der er risiko for kvælning.
- Monteringstrinnene er vist i slutningen af denne monterings- og brugsvejledning. De skal gennemføres i den rigtige rækkefølge. **Forkert installation kan være farlig.**
- Brug kun værktøj, der er i perfekt stand og passer godt. Med slidt eller forkert tilpasset værktøj kan det være, at du ikke strammer skrueerne tilstrækkeligt, eller beskadiger dem, så de ikke længere kan drejes.
- Sørg for, at der er plads nok til montering, og brug om nødvendigt et underlag for at beskytte grillen eller følsomme gulve mod ridser.
- Saml grillen på en vandret, plan overflade, så den ikke bliver skæv.
- Der må ikke bruges vold, når du samler den.
- Skrueforbindelserne skal først strammes håndfast og derefter skrues rigtigt fast, når monteringstrinnet er gennemført. Ellers kan der opstå uønskede spændinger.

- Spænd møtrikkerne, indtil de er stramme, og drej derefter en kvart omgang mere. Du må ikke stramme dem for meget!

SÆT BATTERIET I DEN ELEKTRISKE TÆNDING

Før du bruger apparatet første gang, skal der sættes et 1,5V-batteri (AA) i den elektriske tænding (billede H):

1. Drej tændknappen mod uret, til den går løs.
 2. Sæt batteriet i batterirummet med minuspolen forrest, eller udskift det batteri, der sidder i.
 3. Skru tændknappen på igen.
- Udskift batteriet, når det mister effekt.

TILSLUT GASFLASKEN

OBS!

- Læs kapitlet "Krav til gasbærende komponenter" før gasflasken tilsluttes.
- Skift kun gasflasken udendørs eller i et godt ventileret område, væk fra antændelseskilder (f.eks. stearinlys, cigaretter, andre flammeproducerende apparater).
- Alle forbindelsesled skal være fri for snavs og ubeskadiget.
- Gasflasken må ikke komme i berøring med grillens varme dele og må ikke være berørt af varmestråling.
- Gasslangen må ikke være under spænding, snoet eller knækket, og den må ikke berøre grillen.
- Når du har tilsluttet gasflasken, skal du sikre dig, at alle forbindelser er tætte (se kapitlet "Tæthedskontrol"). Skru kun den trykreducerende enhed håndfast på! Brug ikke værktøj, så ventilens tætning ikke beskadiges, og tætheden ikke længere er garanteret.

Hvis grillen blev leveret uden en trykreducerende enhed og eventuelt en gasslange, skal du anskaffe disse. Der skal tages hensyn til de nationale bestemmelser og specifikationer i kapitlet "Krav til gasbærende komponenter" - "Trykreducerende enhed" eller "Gasslange".

1. Placer den færdigt monterede grillen udendørs på en stabil, plan og flad overflade. Sørg for tilstrækkelig plads til alle sider. Overhold kapitlet "Sikkerhedsinstruktioner", når du vælger opstillingsstedet.
2. Om nødvendigt låses hjulene ved at dreje på vingemøtrikkerne.
3. Fold sidebordet op, og lad den låses fast i hængslerne i en vinkel på 90°. Du kan folde det ned ved at løfte det lidt op.
4. Alle kontrolknapper skal være i slukket position (pilen på kontrolknappen peger opad). Hvis dette ikke er tilfældet, skal du trykke på kontrolknappen og dreje den til slukket position.
5. Placer gasflasken oprejst på et sikkert sted på gulvet ved siden af grillen. Ventilen på gasflasken skal være lukket.
6. Sørg for, at området omkring grillen og gasflasken er frit tilgængeligt og fri for genstande.
7. Hvis gasslangen ikke allerede er monteret på grillen, skal du fastgøre den ene ende af gasslangen til grillens gastilslutning og om nødvendigt den anden ende til den trykreducerende enhed. Fastgørelsestypen afhænger af gasslangens landespecifikke version.
8. Tilslut den trykreducerende enhed som beskrevet i den tilhørende vejledning. Hvis der ikke findes nogen vejledning til den trykreducerende enhed, er nogle af de forskellige tilslutningsvarianter beskrevet nedenfor. BEMÆRK: Illustrationerne kan afvige en smule.
9. Når du har tilsluttet gasflasken, skal du udføre en tæthedskontrol (se kapitlet "Tæthedskontrol").



Vi anbefaler, at gasflasken under brug anbringes ved siden af grillen. Under og efter brug kan gasflasken dog opbevares i underskabet, forudsat at skabet ikke overskrider de anførte maksimale mål (se kapitlet "Tekniske data"). Placer gasflasken i udsparringen i grundpladen.

Anbring den trykreducerende enhed

Trykreducerende enhed med venstre gevind

(Billede C)

1. Skru den trykreducerende enhed håndfast på gasflaskens ventilgevind. Bemærk, at det er et venstre gevind, og at den skal drejes mod uret.
2. Drej ventilen (a) på gasflasken mod uret, så gassen strømmer ud, og du kan tage grillen i brug. Drej ventilen med uret, for at lukke den.

Trykreducerende enhed med håndtag

(Billede D)

1. Flyt den trykreducerende enheds håndtag (b) til slukket position.
2. Tryk den trykreducerende enhed på gasflaskeventilen, indtil den tydeligt klikker på plads.
3. Flyt håndtaget til positionen "on", så gassen strømmer ud, og du kan tage grillen i brug. For at stoppe gastilførslen skal du sætte håndtaget i slukket position.

Trykreducerende enhed med manchete

(Billede E)

1. Flyt den trykreducerende enheds håndtag (b) til slukket position.
2. Skub manchetten på den trykreducerende enhed op, og hold den der.
3. Tryk den trykreducerende enhed på gasflaskeventilen, og skub manchetten nedad for at lukke den.
4. Hvis den trykreducerende enhed ikke går i hak, skal du gentage processen.
5. Flyt håndtaget til positionen "on", så gassen strømmer ud, og du kan tage grillen i brug. For at stoppe gastilførslen skal du sætte håndtaget i slukket position.

Trykreducerende enhed til gaspatroner

(Billede F)

Brug kun gaspatroner med skruegevind.

1. Før du tilslutter gaspatronen, skal du kontrollere, at gummi-pakningen på den trykreducerende enhed er til stede og i perfekt stand.
2. Luk ventilen (c) på den trykreducerende enhed.
3. Skru gaspatronen på den trykreducerende enhed nedefra mod uret.
4. Åbn ventilen (c), så gassen strømmer ud, og du kan tage grillen i brug. Luk den for at standse gastilførslen.

Fjern den trykreducerende enhed

1. Sørg for, at ventilen på gasflasken eller den trykreducerende enhed er lukket.
2. Drej kontrolknappen på grillen op, således at den resterende gas kan slippe ud af systemet.
3. For at fjerne den trykreducerende enhed skal du udføre monteringsstrinnene i omvendt rækkefølge.

TÆTHEDSKONTROL

OBS!



Søg ALDRIG efter gaslækage med åben ild! Før du kontrollerer for lækager, skal du sikre dig, at der ikke er nogen åben ild i nærheden, og at der ikke kan dannes gnister. Gnister eller flammer kan forårsage en eksplosion, hvilket kan føre til alvorlige eller endog dødelige skader eller materielle skader.

Efter den første tilslutning, efter hver udskiftning af gasflasken eller hvis grillen ikke har været brugt i længere tid, skal der foretages en tæthedskontrol af alle gasbærende komponenter for at sikre, at der ikke undslipper gas fra nogen af forbindelserne.

Hvis din trykreducerende enhed er udstyret med en trykmåler, skal du følge vejledningen om den trykreducerende enhed for at udføre en tæthedskontrol. Ellers skal du bruge en lækagedetektor fra en specialforhandler og følge producentens anvisninger. **En tæthedskontrol ved brug af hørelsen er ikke sikker!**

GODE RÅD OM GRILLNING

1. Før du begynder at grille, **læg alt det frem**, du har brug for. Når du griller, skal du altid have grillen og maden i sigte, så du ikke hele tiden behøver at gå tilbage til køkkenet.
2. Før tilberedning skal **kødet have stuetemperatur** for at sikre en god og ensartet mørhed.
3. Brug **rene grillriste**. Din nye grillmad vil blive hængende i resterne på grillristen.
4. Let **olieret mad** brunes mere jævnt og klæber ikke så nemt fast til grillristen.
5. **Gnid støbejernsriste med olie**, inden du griller, så maden ikke hænger fast.
6. **Forvarm altid grillen** med låget lukket, så maden ikke hænger fast på grillristen, og så den kan få en god grillskorpe. Det brænder også rester fra den sidste grillmad væk. Selv hvis du ønsker at grille ved medium eller lav varme, skal du forvarme grillen.
7. Læg **ikke for meget grillmad** på grillristen. Der skal være tilstrækkelig plads mellem stykkerne til, at du kan gribe og flytte dem uden besvær.
8. Hvis du bruger en **marinade, sauce eller glasur med et højt sukkerindhold** eller andre letantændelige ingredienser, skal du kun smøre den på **i de sidste 10 til 15 minutter** af grillprocessen.
9. Vi anbefaler, at **holde låget lukket** mens der grilles. Det mindsker risikoen for gnister, og maden tilberedes hurtigere og mere jævnt. Åbn det ikke for ofte for at kontrollere grillmaden, så der ikke kommer for meget luft ind unødigt, og så varme og røg ikke slipper ud.
10. Hvis du vil give din bœf et flot grillmønster og en lækker skorpe, må du **ikke vende den for ofte**. I de fleste tilfælde skal maden kun vendes én gang, og først når den har fået den ønskede farve. Således undgår man også at åbne låget for ofte.
11. Du kan lægge tilberedt mad på **varmholdningsristen** for at holde det varmt, mens du fortsætter med at grille. Bemærk, at den vil fortsætte med at koge. Du kan også riste burgerboller på varmholdningsristen eller forsigtigt tilberede grøntsager, fisk og skaldyr osv., mens du f.eks. ved høj varme tilbereder kød på grillristen

Direkte vs. indirekte grillning

Direkte grillning

Dette er den klassiske metode, hvor maden grilles direkte over brænderen. Varmen er tilsvarende høj. Denne metode er derfor velegnet til grillning af mad med kortere tilberedningstider på op til højst 30 minutter og f.eks. til at grille burgere eller bøffer kortvarigt og varmt. Det giver en lækker skorpe, mens det indre forbliver saftigt.

Indirekte grillning

Her kommer varmen fra brænderne ved siden af grillmaden, mens brænderen lige under forbliver slukket. Samtidig er låget lukket, så varmen ikke kan slippe ud. Vi anbefaler denne grillmetode til mad med lang tilberedningstid, f.eks. spareribs, pulled pork eller hele fjerkræ. Men fisk og grøntsager kan også tilberedes skånsomt på denne måde.

Du kan også kombinere begge grillmetoder: først steges der med høj varme, og derefter fortsættes tilberedningen skånsomt.

BRUG

Tag grillen i brug

OBS!

- Brænd grillen med grillristene og alt tilbehør, der kommer i direkte kontakt med maden, af før første brug for at fjerne eventuelle produktionsrester. Varm grillen op på den højeste trin i mindst 20 minutter med låget lukket. Rengør tilbehøret, når det er kølet af. Læs hertil også kapitlet "Rengøring og vedligeholdelse".
- Brug kun grillen, hvis alle dele er på plads, og grillen er blevet samlet korrekt og i overensstemmelse med monteringsstrinene i denne monterings- og brugsanvisning.
- Før hver brug skal du sikre dig, at grillen er ubeskadiget og korrekt opsat. Overhold kapitlet "Sikkerhedsinstruktioner", når du vælger opstillingsstedet.
- Før hver brug skal du sikre dig, at gasflasken og den trykreducerende enhed er korrekt tilsluttet, og at alle gasbærende komponenter er tætte (se kapitlet "Tilslut gasflasken" og "Tæthedskontrol").
- Kontrollér grillen for fedtaflejringer før hver brug. Fjern overskydende fedt, og tøm og rengør alle dele af fedtopsamlingsystemet for at undgå fedtbrande (se kapitlet "Rengøring og vedligeholdelse").
- Du må **ikke** beklæde fedtopsamlingsystemet eller grillkammeret med stanniol eller anden folie.
- Låget skal være åbent under tændingen. Tænd brænderne enkeltvist.
- Hvis flammen går ud, eller hvis en brænder ikke er blevet tændt, skal du dreje den tilsvarende kontrolknop til slukket position. Vent ca. 2 til 5 minutter, før du prøver igen, for at lade gassen forsvinde. Ellers kan der opstå deflagration.
- Læn dig ikke ind over grillfladen, når du tænder gasflammen, da der kan opstå en deflagration, hvis der ophober sig gas i grillkammeret.
- Hæld aldrig vand på den varme grill for at undgå forbrændinger og skoldninger.

1. Åbn låget.
2. Sørg for, at alle kontrolknapper er i slukket position (pilen på kontrolknappen peger opad). Hvis dette ikke er tilfældet, skal du trykke på kontrolknappen og dreje den til slukket position.
3. Åbn gastilførslen på gasflasken.
4. Hver brænder er udstyret med sit eget tændingssystem og kan derfor tændes individuelt: Tryk på kontrolknappen til den ønskede brænder, og drej den til **Max**-positionen (maksimal effekt) (billede G). Gastilførslen aktiveres.

Med en piezo-tænding opstår der samtidig en gnist, som giver en knaldlyd.

Hvis der er tale om elektrisk tænding, skal du også trykke på tændingsknappen (billede I). Der høres en kliklyd.

- Kontrollér, om brænderen er blevet tændt: Se forsigtigt efter, om der kommer flammer ud af brænderen.
- Hvis brænderen ikke blev tændt, skal du dreje kontrolknappen til slukket position og prøve igen efter ca. 2 til 5 minutter.



Hvis der er tale om piezo-tænding, må du først slippe kontrolknappen et par sekunder efter, at tændingen er afsluttet, så flammen ikke slukkes.

- Tænd de andre brændere på samme måde.

Grillning

OBS!

- Når du åbner låget, kan der slippe varm damp ud. Hold hovedet og hænderne væk fra farezonen. Der er risiko for forbrændinger.
- Brug grillredskaber med lange, varmebestandige håndtag.

- Forvarm grillen, når du har tændt for brænderne: Luk låget, og vent, indtil termometeret i låget viser den ønskede temperatur. Efter forvarmningen kan du slukke for de brændere, som du ikke har brug for. Drej de pågældende kontrolknapper til slukket position.
- Åbn låget, og læg grillmaden på grillristen eller andet tilbehør, som du bruger.
- Når der er opnået en høj temperatur i grillkammeret, og maden skal tilberedes mere jævnt på alle sider, lukkes låget.
- Om nødvendigt reduceres fyringseffekten ved at dreje kontrolknappen yderligere til **Min**-positionen (laveste effekt).
- Så snart grillmaden har den ønskede bruning, vendes den med en grilltang.

Tag grillen ud af drift

- Luk gastilførslen på gasflasken.
- Drej alle kontrolknapper til slukket position.
- Lad grillen køle af, inden du bevæger den.
- Rengør grillen, når den er kølet af (se kapitlet "Rengøring og vedligeholdelse"). For stor ophobning af madrester og madlavningsfedt kan føre til en såkaldt fedtbrand.

RENGØRING OG VEDLIGEHOLDELSE

OBS!

- Før rengøring skal du lade alle dele køle af, så de ikke længere er varme og kan berøres.
- Der må ikke udføres rengøring på ventilen på den trykreducerende enhed. Den indeholder meget følsomme komponenter, som kan blive beskadiget selv ved den mindste kontakt med andre genstande. Den trykreducerende enhed må ikke nedsænkes i vand.
- Rengøring af gassystemet må kun foretages af kvalificeret fagpersonale. Du må under ingen omstændigheder skille styreenheden ad.
- Brænderens inderside må ikke blive våd!
- Du må ikke nedsænke grillen i vand eller sprøjte den med en vandslange. Der må ikke komme væske ind i gasbærende eller elektriske komponenter.
- Afbryd gasflasken, før du rengør grillhuset.
- Hæld aldrig koldt vand på varme dele. Dette kan føre til forbrændinger og beskadigelse af materialet.
- Brug aldrig sprit eller andre brandfarlige eller ætsende rengøringsmidler.

- Det medfølgende tilbehør er ikke egnet til opvaskemaskinen.
- Alle dele skal være tørre før brug eller opbevaring.

For at du kan have glæde din grill i lang tid, skal du holde den ren. Hvis den ikke rengøres og vedligeholdes regelmæssigt, kan dens ydeevne falde med tiden. Lave temperaturer og ujævn varmfordeling er tegn på, at gasbærende komponenter bør rengøres. Grillmaden vil blive hængende i resterne på grillristen. Fedtaflejringer kan føre til en fedtbrand.

Rengør fedtopsamlingsystemet (efter hver brug)

- Brug ikke slibende rengøringsmidler.**
 - Tøm og rengør alle dele af fedtopsamlingsystemet (fedtopsamlingsbakke, fedtopsamlingsgryde eller fedtopsamlingsbakke) efter eller før hver brug. Rengør delene med varmt vand, opvaskemiddel og en svamp. Den nemmeste måde at rengøre efter brug er i lunken (ikke varm!) tilstand.

Rengøring af grillriste og grillplader af støbejern (efter hver brug)

Grillpladen rengøres på samme måde som grillristen:

- Lad grillristen være i grillen, og fjern de værste rester med en rengøringsbørste til grillriste eller en spatel.
- Brænd de sidste rester af på følgende måde: Tænd grillen i ca. 30 minutter på højeste trin (mindst 300 °C), og luk låget.
- Lad grillristen køle så meget af, at du kan røre ved den og børste resterne af. Tør den derefter af med fugtigt køkkenpapir, hvis det er nødvendigt.
- Vi anbefaler, at du gnider den rene grillrist med vegetabilsk olie for at pleje den og forberede den til den næste grillning.

Rengør emaljerede grillriste, varmholdningsriste, brænderafdækninger og andre emaljerede dele

- Brug ikke slibende rengøringsmidler eller stålborster.**
 - Rengør grill- og varmholdningsriste efter hver brug og de øvrige komponenter efter behov.
 - Skrab grove rester af med en plastspatel, eller læg dem i blød i varmt vand.
 - Rengør derefter med varmt vand med lidt opvaskemiddel og en svamp eller en blød klud.

Rengør riste af rustfrit stål (efter hver brug)

- Rengør riste af rustfrit stål med varmt vand, opvaskemiddel og en rustfri rengøringsvamp.

Rengør grillkammer (efter behov)

Under brug dannes der kulstof fra fordampet fedt og røg, som aflejres i grillkammeret.

- Brug ikke slibende rengøringsmidler.**
 - Fjern alle madrester og fedtansamlinger i hele grillkammeret. Hertil kan du f.eks. bruge en plastspatel.
 - Tør derefter overfladerne af med en blød klud. Hvis der er mere snavs, kan du vaske det af med varmt vand, opvaskemiddel og en svamp og tørre det af med en ikke-slibende klud.

Rengør ydersiderne (efter behov)

Grillens yderside er fremstillet af forskellige materialer og overflader. Derfor anbefaler vi forskellige rengøringsmetoder afhængigt af overfladetyper.

Overflader i rustfrit stål

- Brug et ikke-slibende rengøringsmiddel til rustfrit stål, og følg producentens anvisninger. **Brug ikke slibende pastaer!**
- Ellers kan du bruge varmt vand, et husholdningsrengøringsmiddel og en svamp til at rengøre den. Skyl derefter overfladerne med rent vand, og tør dem med en blød klud.



Hvis grillen er udsat for et særligt hårdt miljø, skal grillens yderside rengøres oftere. I miljøer, der indeholder klorid og sulfid, især i kystnære områder, kan selv rustfrit stål oxidere eller vise pletter. Saltvand, syreregn, umiddelbar nærhed af pools og whirlpools og andre ekstreme forhold, der er kendetegnet ved høj varme og luftfugtighed, kan føre til pletter. Disse pletter kan undertiden forveksles med rust.

De kan nemt fjernes og undgås: Vask pletterne med varmt vand og et husholdningsrengøringsmiddel, skyl overfladen med rent vand og tør den. Gnid alle overflader i rustfrit stål med postevand og et rengøringsmiddel til rustfrit stål hver 3. til 4. uge for at forhindre, at der dannes pletter.

Malede, emaljerede overflader og plastdele

■ Brug ikke slibende rengøringsmidler.

- Brug kun varmt vand med lidt husholdningsrengøringsmiddel og køkkenrulle eller en blød klud til rengøring. Rengør overfladen, skyl den og tør den af.

Rengør gasbærende komponenter (efter behov)

Gasbærende komponenter kan være tilstoppede og skal rengøres, hvis

- der konstateres en gaslugt med en meget gul og svag brænderflamme
- den ønskede temperatur ikke opnås
- brænderen opvarmes ujævnt, eller flammen flimrer.

Fremgangsmåden ved rengøring er som følger:

- Rengør hele den ydre overflade af brænderne med en ren stålborste for at fjerne madrester og snavs. **Når du rengør, skal du være forsigtig med ikke at bøje eller beskadige tændelektroden.** Børst omhyggeligt omkring tændelektroden.
- Kontrollér især, at åbningerne for gasudgang og luftindtag eller venturirøret på hvert brænderrør er frie. Rengør dem efter behov f.eks. med en piberenser eller med trykluft.
- Om nødvendigt kan du rengøre gastilslutningen og gaslangens tilslutninger med en blød børste.

Vedligeholdelse

OBS!

- Dyserne må kun udskiftes af en kvalificeret person.

Grillen er vedligeholdelsesfri, hvis den rengøres regelmæssigt. Alligevel skal der med jævne mellemrum gennemføres en kontrol. Juster intervallerne i forhold til hyppigheden af brugen og de miljøforhold, som grillen udsættes for.

- Kontrollér, om alle grillens dele er til stede og monteret (visuel kontrol).
- Kontrollér, om alle forbindelser er til stede og fastspændt. Efterspænd dem om nødvendigt.
- Gassystemet skal kontrolleres, hver gang der tilsluttes en gasflaske (se kapitlet "Tæthedskontrol").
- Gaslangen skal udskiftes, hvis den er porøs eller defekt, eller hvis anvendelsesdatoen er overskredet (se kapitlet "Tekniske data").

OPBEVARING

OBS!

- Beskyt grillen mod hård vind, langvarig fugtighed, regn, sne, hagl og andre vejrforhold.
- Hvis grillen ikke skal bruges i længere tid, skal gasflasken kobles fra grillen og opbevares korrekt (se kapitlet "Sikkerhedsinstruktioner" - "Farer pga. gasflasker").

- Opbevar grillen udendørs på et tørt sted. Dæk grillen til med et overtræk for at beskytte komponenterne mod fugt, støv, insekter eller edderkopper, der kan trænge ind i grillens hus og sætte sig fast der.
- Rengør grillen, inden den skal opbevares (se kapitlet "Rengøring og vedligeholdelse").
- Hvis grillen opbevares **indendørs**, skal **gasflasken frakobles**. Luk den korrekt med låsemøtrik og beskyttelseshætte (afhængigt af versionen), og opbevar den udendørs over jordoverfladen (dvs. ikke i lavninger under jordoverfladen) på et godt ventileret sted.
- Tag batteriet ud af den elektriske tænding, hvis du ikke skal bruge grillen i længere tid, for at undgå eventuelle skader som følge af et utæt batteri.

FEJLFINDING

Hvis der skulle opstå en fejlfunktion på trods af tilstrækkelig omhu og pleje, kan dette kapitel hjælpe dig med at afhjælpe den.

Hvis de følgende trin ikke løser problemet, skal du kontakte kundeservice (se forsiden på denne monterings- og brugsvejledning).



Forsøg ikke selv at reparere gassystemet!

Gaslugt (eventuelt ved en meget gul og svag flamme). Lækage i gassystemet.

1. Luk straks gasflasken.
2. Undgå, at der dannes flammer eller gnister (ikke tænde for elektriske apparater).
3. Efterspænd alle gassystemets skrueforbindelser.
4. Kontrollér alle gasbærende komponenter for ydre skader; udskift defekte dele med originale reservedele.
5. Kontrollér tætheden (se kapitlet "Tæthedskontrol").

Brænderne er tilstoppede.

- ▶ Rengør dem som beskrevet i kapitlet "Rengøring og vedligeholdelse" – "Rengør gasbærende komponenter (efter behov)".

Dysen på justeringselementet (bag frontblænden) eller et andet gassystem er tilstoppet.

- ▶ Få gassystemet rensat af kvalificeret fagpersonale.

Brænderen tænder ikke.

Batteriet i den elektriske tænding er tomt eller lagt forkert i.

- ▶ Læg et nyt batteri i. Kontrollér polaritet (+/-).

Gasflasken er tom.

- ▶ Udskift gasflasken.

Brænderen er tilstoppet.

- ▶ Rengør den som beskrevet i kapitlet "Rengøring og vedligeholdelse" – "Rengør gasbærende komponenter (efter behov)".

Ved sidebrænderen: Tændingskablet er ikke sat i tændingen.

- ▶ Visuel kontrol. Sæt tændingskablet på om nødvendigt.

Dysen på justeringselementet (bag frontblænden) eller et andet gassystem er tilstoppet.

- ▶ Få gassystemet rensat af kvalificeret fagpersonale.

Tændingen er defekt.

- Få tændingen kontrolleret og repareret eller udskiftet af en kvalificeret person.

Den ønskede temperatur opnås ikke. / Flammen er lille eller flimrer kraftigt, eller flammemønsteret er uregelmæssigt. / Enkelte brændere tænder ikke. Gasflasken er (næsten) tom.

- Udskift gasflasken.

Brænderne er tilstoppede.

- Rengør dem som beskrevet i kapitlet "Rengøring og vedligeholdelse" – "Rengør gasbærende komponenter (efter behov)".

Gasslangen er bøjet.

- Ret gasslangen ud.

Dysen på justeringselementet (bag frontblænden) eller et andet gassystem er tilstoppet.

- Få gassystemet rensat af kvalificeret fagpersonale.

Deflagration eller boblende/poppende lyde

Flammetilbageslag på grund af tilstopninger på brænderen.

- Luk straks gasflaskeventilen. Vent 5 minutter, inden du atter tager apparatet i brug. Hvis fejlen stadig forekommer, rengør brænderen som beskrevet i kapitlet "Rengøring og vedligeholdelse" – "Rengør gasbærende komponenter (efter behov)". Ellers få gassystemet rensat af kvalificeret fagpersonale.

Stærk opblussen

Grillmaden er fedtet.

- Fjern store mængder fedt, læg kødet på i grillskål eller skru ned for grilltemperaturen.

Grillen er snavset.

- Rengør grillen (se kapitlet "Rengøring og vedligeholdelse").

BORTSKAFFELSE

For at bortskaffe grillen skal du skille den ad i dens enkelte dele og genbruge metaller og plast.



Bortskaf emballagematerialet på en miljøvenlig måde, og aflever det til genvinding.



Det modsatte symbol (overstregeskræddesymbol med understregning) betyder, at gamle apparater ikke hører hjemme i husholdningsaffaldet, men i særlige indsamlings- og returneringssystemer.

Ejere af gamle apparater skal fjerne gamle batterier og akkumulatører, som ikke er indbygget i det gamle apparat og kan fjernes uden at forårsage skade på det gamle apparat, og bortskaffe dem separat (se også afsnittet om bortskaffelse af batterier).

Ejere af gamle apparater fra private husholdninger kan aflevere disse gratis på de offentlige affaldsmyndigheders indsamlingssteder eller på de returneringssteder, som producenter og distributører har oprettet i overensstemmelse med ElektroG. Butikker, der stiller elektrisk og elektronisk udstyr til rådighed på markedet, er også forpligtet til at tage det tilbage.



Batterier og genopladelige batterier må ikke bortskaffes sammen med husholdningsaffald. Forbrugere er lov-mæssigt forpligtet til separat at bortskaffe batterier og akkumulatører.

Batterier og genopladelige batterier kan afleveres gratis på et indsamlingssted i kommunen/distriktet eller i butikkerne, så de kan bortskaffes på en miljøvenlig måde, og værdifulde råmaterialer kan genvindes. Ved forkert bortskaffelse kan der frigives giftige stoffer i miljøet, hvilket kan have skadelige virkninger på mennesker, dyr og planter.

Bortskaf kun batterier og genopladelige batterier, når disse er afladet. Hvor det er muligt, skal du bruge genopladelige batterier i stedet for engangsbatterier.

I tilfælde af litiumholdige batterier og genopladelige batterier skal du tape polerne af før bortskaffelse for at forhindre kortslutning. En kortslutning kan føre til brand eller eksplosion.

EU-OVERENSSTEMMELSESERKLÆRING

Vi, LANDMANN Germany GmbH, erklærer hermed, at det her beskrevne gasapparat er i overensstemmelse med forordning (EU) 2016/426 .

Overensstemmelse er blevet påvist ved en typeafprøvning iht. standarden EN 498:2012.

Typeafprøvningen blev foretaget af det bemyndigede organ DBI Certification A/S (2531).

Apparatets ID-nummer: 2531CU-0061

For yderligere oplysninger bedes du kontakte vores kundeservice.

Kallid kliendid!

Suur tänu, et olete ostnud LANDMANNi gaasigrilli. Käesolev paigaldus- ja kasutusjuhend aitab teil samm-sammult uut LANDMANN-i grilli kasutusvalmis seada. Lisaks anname olulisi juhiseid õige kasutamise, ohutu käsitsemise ja hoolduse kohta. Võtke endale aega, et tutvuda oma uue seadme üksikasjadega. Sest me soovime teile mitte üksnes sujuvat LANDMANN-grilli kasutamise alustamist, vaid ka pikka kasutusiga.

Kui teil on küsimusi grillimudeli kohta või vajate muud abi, aitab teid meeeldi meie hooldusmeeskond. Vastavad kontaktandmed leiате käesoleva paigaldus- ja kasutusjuhendi kaanelt.

Head kasutamist ja nauditavat grillimist soovib teie LANDMANN-meeskond.

SISUKORD

- Tehnilised andmed 56
- Tarnekomplekt 56
- Seadme ülevaade 56
- Otstarbekohane kasutamine 57
- Ohutusjuhised 57
- Nõudmised gaasi juhtivatele komponentidele 58
- Paigaldamise juhised 58
- Patarei sisestamine elektrilisse süütesse 59
- Gaasiballooni ühendamine 59
- Tiheduse kontroll 59
- Grillimise nõuanded 60
- Kasutamine 60
- Puhastamine ja hooldus 61
- Hoiustamine 62
- Probleemide kõrvaldamine 62
- Utiliseerimine 63
- EÜ vastavusavaldus 63

HOIATUS:

- Kasutage ainult välitingimustes.
- Enne kasutuselevõtmist lugege seadme paigaldus- ja kasutusjuhendit.
- **HOIATUS!** Ligipääsetavad osad võivad olla väga kuumad. Hoidke lapsed eemal.
- Seade tuleb kasutamise ajal süttivatest materjalidest eemal hoida.
- Ärge liigutage töötavat seadet.
- Pärast kasutamist sulgege gaasi pealevool gaasiballoonil.
- Ärge tehke seadmel muudatusi.

ENNE KASUTUSELEVÕTMIST LUGEGE KÄESOLEVAT PAIGALDUS- JA KASUTUSJUHENDIT!

Toodud ohutusjuhiste, ettevaatusabinõude ja toimingute eiramine võib põhjustada tõsiseid või koguni surmavaid vigastusi või materiaalselt kahju tulekahju või plahvatuse tõttu.

Hoidke käesolev paigaldus- ja kasutusjuhend hilisemaks kasutamiseks ja edasiste kasutajate jaoks alles. See kuulub seadme juurde. Tootja ja importija ei võta endale mingit vastutust, kui käesoleva paigaldus- ja kasutusjuhendi juhiseid ei järgita.

Sümbolid



Ohu sümbol: see sümbol viitab võimalikele ohtudele. Lugege tähelepanelikult selle juurde kuuluvaid ohutusjuhiseid ja järgige neid.



Täiendav teave



Enne kasutamist lugege paigaldus- ja kasutusjuhendit!



Sobib toiduainete jaoks.



Alalisvool

Täiendavad selgitused

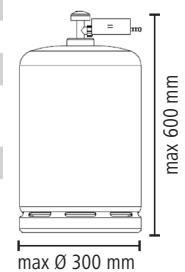
Legendi numbrid on esitatud järgmiselt: (1)

Pildiviited on esitatud järgmiselt: (Pilt A)

TEHNILISED ANDMED

Seadme nimetus:	Gaasigrill „TRITON 4.0“				
Mudeli number:	12268				
Riik:	BG, CY, CZ, DK, EE, FI, HU, HR, IS, IT, LT, LV, MT, NL, NO, RO, SE, SI, SK	PL	AT, CH, CZ, DE	BE, CH, CZ, ES, FR, GR, IE, IT, LT, LU, LV, PT, SK, SI, TR	
Gaasi kategooria:	l3B/P (30)	l3B/P (37)	l3B/P (50)	l3+ (28-30/37)	
Gaasi liik:	G30 (butaan), G31 (propaan) või nende segu	G30 (butaan), G31 (propaan) või nende segu	G30 (butaan), G31 (propaan) või nende segu	G30 (butaan)	G31 (propaan)
Gaasirõhk, mbar:	28–30	37	50	28–30	37
Tarbimine:	G30: 872 g/h G31: 857 g/h	G30: 872 g/h G31: 857 g/h	G30: 872 g/h G31: 857 g/h	872 g/h	857 g/h
Peapõleti düüs Ø:	0,85 mm	0,79 mm	0,73 mm	0,85 mm	0,85 mm
Soojusvõimsus:	12 kW (44 x 3,0 kW peapõleti)				
Süüde:	1,5V patarei (AA)				
Rõhuvabastusseade:	vastavalt standardile EN 16129; järgige riiklikke määrusi.				
Gaasivoolik:	vastavalt standardile EN 16436-1; max 1,5 m; järgige riiklikke eeskirju maksimaalse kasutuskestuse kohta.				
Mõõtmed (P x K x L):	Grill: ca 140 x 120 x 57 cm				
Kaal:	ca 46 kg				
Gaasiballoon:	kaubanduses saadaval gaasiballoon, mõõtmeid vt kõrvalolevalt jooniselt.				
ID Paigaldus- ja kasutusjuhend:	Z TRI 4.0+mod M LM SCA V1 1122 md				
Tootja:	LANDMANN Germany GmbH, Am Heisterbusch 1, 19258 Gallin, Saksamaa				

CE 2531-23
PIN: 2531CU-0061



Toodetud Hiinas.

TARNEKOMPLEKT

(Joonis A, vt lahtiklapitavalt lehest)

Pos	Nimetus	Arv
1	Grilli üksus (eelmonteeritud)	1
2	Nurk A	2
3	Nurk B	2
4	Kaane käepide	1
5	Külglaud vasakul	1
6	Külglaud paremal	1
7	Gaasivoolik koos rõhuvabastusseadmega (ei sisaldu mõnes riigis)	1
8	Rasvakogumisnõu	1
9	Külgsein vasakul	1
10	Nurgik vasakul	1
11	Nurgik paremal	1
12	Külgsein paremal	1
13	Reguleeritav ratas	4
14	Põhjaplaat	1
15	Alumise kapi äärik	1
16	Alumise kapi uks paremal	1
17	Alumise kapi uks vasakul	1
18	Tagasein	1
19	Uksekäepide	2
20	Põiklapp	1
21	Põletikate	4
22	Rasvakogumisalus	1
23	Regulaatori nupp	4
24	Külgmine grillrest	2
25	Keskmine grillrest	1
26	Soojendusrest	1
27	Grillresti tõsteseadis	1

Pos	Nimetus	Arv
Paigaldusmaterjal:		
A	Kruvi, M4 x 10 mm	16
B	Kruvi, M6 x 12 mm	30
C	Kruvi, M6 x 18 mm	8
D	Alusseib	2
	1,5V patarei (AA) elektrilise süüte jaoks, 1 x	1
	Paigaldus- ja kasutusjuhend	1
	Rõhuvabastusseadme juhend	1

Lisaks läheb tarvis:

- LP-gaasiballooni (vt ptk „Tehnilised andmed“), 1 x
 - Paigaldamise tööriist
- Need ei sisaldu tarnekomplektis.

TÄHELEPANU!

- Kontrollige tarnekomplekti terviklikkuse suhtes ja komponente transpordikahjustuste suhtes. Kui osad puuduvad või on kahjustatud, pöörduge klienditeeninduse poole (vt käesoleva paigaldus- ja kasutusjuhendi kaanelt). Jätame endale õiguse teha väiksemaid tehnilisi muudatusi, nt monteerimistarvikute osas.
- Eemaldage seadmelt võimalikud kiled, kleebised või transpordikaitse, kuid **mitte kunagi tüübisilti ja hoiatusjuhiseid!**

SEADME ÜLEVAADE

(Pilt B)

- 28 Kaanetermomeeter
- 29 Kaas
- 30 Süütenupp
- 31 Gaasiliitmik
- 32 Alumine kapp

OTSTARBEKOHANE KASUTAMINE

- See gaasigrill on mõeldud grillitavate toiduainete valmistamiseks. See töötab vedelgaasiga ja on mõeldud kasutamiseks välitingimustes.
- Muul moel kasutamine on keelatud. See kehtib eriti järgmiste tõenäoliste väärkasutuste kohta:
 - Ärge kasutage grilli puidu, puusöe ega muu põletusmaterjaliga, mis pole vedelgaas (propaan/butaan).
 - Ärge kunagi ühendage grilli maagaasivõrku (linna gaasivõrku)! Ventiliid ja düüsid on mõeldud üksnes vedelgaasi balloonide jaoks.
 - Ärge kunagi kasutage grilli kütteseadmena.
 - Ärge kasutage grilli muude ainete ja materjalide kuumutamiseks peale toiduainete.
 - Ärge kunagi kasutage grilli sisseehitatud seadmena.
- Grilli ja gaasiballooni tuleb kasutada ja hoiustada vastavalt kehtivatele eeskirjadele.
- Grill on mõeldud erakasutuseks, mitte äriliseks kasutamiseks.
- Kasutage grilli üksnes nimetatud otstarbel ning ainult käesolevas paigaldus- ja kasutusjuhendis kirjeldatud viisil. Mis tahes muul moel kasutamine on mitteotstarbekohane. Vale kasutamine ja mittenõuetekohane käsitsemine võib põhjustada talitlushäireid, samuti materiaalselt kahju või vigastusi.
- Garantii ei kata puudusi, mis on tekkinud mitteotstarbekohase kasutamise, kahjustuste või remondikatsete tõttu. See kehtib ka tavapärase kulumise kohta ning rasva kogunemise ja värvi muutuste kohta grillil ja lisatarvikutel.

OHUTUSJUHISED



Vigastusohud

- Grill ei ole mõeldud kasutamiseks laste ja piiratud füüsiliste, sensorsete või vaimsete võimetega isikute või ebapiisavate kogemuste ja/või teadmistega inimeste poolt.
- Lapsed ei tohi grilliga mängida. Veenduge, et järelevalveta lastel ei oleks juurdepääsu grillile, isegi kui see on välja lülitatud. Vale kasutamine võib olla ohtlik.
- **HOIATUS! Ligipääsetavad osad võivad olla väga kuumad. Hoidke lapsed eemal!** Ärge jätke grilli kunagi järelevalveta, kui see töötab või on kuum. Eriti jälgige, et kuum grilli lähedusse ei satuks lapsed või isikud, kes pole võimelised võimalikke ohtusid ära tundma või nendele reageerima.
- Kandke grillikindaid, mis on kontrollitud vastavalt isikukaitsevahendite määrusele (EL) 2016/425 standardi DIN EN 407 (kuumuskaitses kategooria II) kohaselt.
- Ärge puudutage grilli kasutamise ajal ja järel kuumenenud osasid! Sellal kui grill töötab või vahetult pärast väljalülitamist puudutage ainult käepidemeid ja regulaatorit. Enne grilli transportimist, puhastamist või hoiulepanemist oodake, kuni see on jahtunud.
- **Ärge liigutage töötavat grilli!**
- Alkoholi või uimastite tarvitamine võib negatiivselt mõjutada grilli nõuetekohase ja ohutu monteerimise, liigutamise, hoiustamise või kasutamise võimet.



Lämbumise, tulekahju ja plahvatuse oht

Gaas on kergesti süttiv ja põleb plahvatuse laadselt. See võib põhjustada tõsiseid vigastusi või materiaalselt kahju, kui väljavoolav gaas kontrollimatult süttib.

Vedelgaas on hapnikust raskem. Seetõttu vajub see maapinnale ja tõrjub sealt hapniku välja. Kui tekib vastav gaasikontsentratsioon (nt kahjustatud gaasiballooni korral), võib tagajärjeks olla lämbumine hapnikupuuduse tõttu.

- Kasutage ainult käesolevas paigaldus- ja kasutusjuhendis nimetatud gaasi liike, gaasiballoone, rõhuvabastusseadmeid ja gaasivoolikuid (vt ptk „Nõudmised gaasi juhtivatele komponentidele“).

- Kasutage grilli ainult maapinna tasemest kõrgemal (s.t mitte süvendites, maapinna tasemest allpool).
- **Kasutage ainult välitingimustes.** Ärge kasutage grilli hoonetes, garaazides, varikatuste all, telkides, muudes suletud kohtades, markiiside või süttivate konstruktsioonide all.
- Ärge kasutage grilli sõiduki sees ega peal. See puudutab haagiselamuid, autosuvilaid ja paate.
- Ärge kasutage grilli, kui õhus või ümbruses on kergesti süttivaid või plahvatusohtlikke aineid. Ärge hoiustage grilli läheduses kütust ega muid süttivaid aurasid või vedelikke ning sarnaseid aineid selle grilliga. Ärge pihustage mingeid spreisid grilli läheduses.
- Ärge kunagi kasutage grilli ilma rõhuvabastusseadmeta (vt ptk „Nõudmised gaasi juhtivatele komponentidele“ – „Rõhuvabastusseade“)!)
- Veenduge, et rõhuvabastusseade on nõuetekohaselt ühendatud ja töökorras ning et sellel ei oleks kahjustusi.
- Iga kord pärast gaasiballooni ühendamist või kui grilli pole pikemat aega kasutatud, viige läbi kõikide gaasi juhtivate komponentide tiheduse kontroll (vt ptk „Tiheduse kontroll“).
- **Gaasilekke korral ei tohi grilli kasutada.**
- **See seade tuleb kasutamise ajal süttivatest materjalidest eemal hoida.** Valitseb tulekahju ja hõõguvate põlengute oht. Järgige järgmiseid minimaalseid vahekaugusi süttivatest materjalidest: 2 m grilli kohal ja 1 m grilli kõrval. Kaugus raskestisüttivatest materjalidest, nt majaseintest, peab olema vähemalt 0,6 m. Ka alumises kapis ei tohi kasutamise ajal hoiustada ilmastiku kaitsekatet ega muid süttivaid materjale.
- Grilli lähedal ei tohi gaasiballooni ühendamisel 5 m raadiuses olla süttimisallikaid, eelkõige lahtist leeki või põlevaid sigarette, küünlaid, lampe jne. Ka elektrilised seadmed võivad ohtu tekitada, kui ühendamisel voolab välja gaasi.
- Ärge kunagi sulgege grilli üksuse ega gaasiballooni paigaldusruumi õhutusavasid ja veenduge, et need oleks alati vabad.
- Ärge katke kinni grilli avasid ja veenduge enne grilli kasutuselevõtmist, et need poleks ummistunud. Nagu enamik välitingimustes kasutatavaid seadmeid, on grill võimalik peavari ämblikele ja putukatele. Gaasi juhtivate komponentide ummistused võivad gaasivoolu tõkestada, mis vähendab võimsust või võib põhjustada koguni ohtlikku leegi tagasilööki. Eemaldage ummistused, nagu kirjeldatud peatükis „Puhastamine ja hooldus“.
- Ärge kunagi jätke grilli kunagi järelevalveta, kui see töötab. Kui leek kustub, süüdate see kohe uuesti või sulgege gaasiballoon.
- Sulgege gaasilõhna korral gaasiballoonil gaasi pealevool ja kustutage kõik lahtised leegid. Ärge lülitage sisse elektriseadmeid. Enne grilli taas kasutuselevõtmist selgitage välja ja kõrvaldage gaasi väljatungimise põhjus.
- Jälgige, et õli- ja rasvarikkad toidud ei kuuneneks üle. Ärge asetage grilli peale õliga täidetud anumaid.
- Ärge kustutage rasvapõlengut veega! Sulgege kohe gaasi pealevool gaasiballoonil. Lülitage kohe kõik põletid välja ja jätke kaas suletuks, kuni tuli on kustunud.
- **Sulgege pärast kasutamist kohe gaasi pealevool gaasiballoonil.**
- Ärge katke grilli kinni, kuni see on kuum.
- **Ärge tehke seadmel muudatusi!** Seadme mis tahes muutmise võib olla ohtlik.
- **Komponentidel, mis on tootja või tema esindaja poolt plommitud, ei tohi teha mingeid modifikatsioone.**
- **Ohu vältimiseks tohib remonditöid teha üksnes tootja või klienditeenindus.** Kui märkate kahjustusi või tõrke esinemise korral võtke tingimata ühendust klienditeenindusega (vt paigaldus- ja kasutusjuhendi kaanelt). Grilli ei tohi kunagi remontimiseks kasutada, kuna grilli talitlushäired võivad suurendada vigastuste ohtu.
- Kasutage ainult tootja originaalvaruosi, säilitamiseks grilli laitmatut talitlust ja vältimaks võimalikke vigastusi ja kahjustusi.

- Ärge kunagi demonteerige regulaatori nuppu, gaasiballooni või gaasi juhtivaid elemente seadme töötamise ajal.
- Ärge kunagi transportige grilli ühendatud gaasiballooniga. Grilli ja gaasiballooni tuleb alati transportida eraldi.
- Puhastage grilli regulaarselt, nagu kirjeldatud peatükis „Puhastamine ja hooldus“.



Gaasiballoonist tingitud ohud

- **Järgige tootja või gaasiballooni laenaja andmeid!**
- Gaasiballoon ei tohi sattuda laste kätte!
- Ärge kunagi kasutage mõlkis või roostetanud gaasiballooni.
- Ärge kunagi kasutage kahjustatud ventiiliga gaasiballooni.
- Ärge kunagi pange gaasiballooni pikali. Paigaldage, transportige ja hoiustage gaasiballoone (ka tühje) alati püstises, ohutus asendis.
- Ärge kunagi laske gaasiballoonil kukkuda. Vältige selle gaasiballooni löömist ja ärge kahjustage seda.
- Gaasiballoonid võivad soojenemisel plahvatada. Ärge kunagi põletage gaasiballooni. Vältige ka selle kokkupuutumist suure kuumusega (üle 50 °C) või otsese päikese kiirgusega. Ärge jätke gaasiballooni kuumal päeval autosse. Jälgige, et te gaasiballooni ega gaasivoolikut töötamise ajal ei puudutaks.
- Gaasiballoone tohib ühendada, kasutada ja hoiustada ainult vabas õhus hea ventilatsiooniga (s.t mitte trepikodades, esikutes, vahekaikudes ega katusealustes) ja maapinnast kõrgemal (s.t mitte süvendites maapinna tasemest allpool).
- Asetage lekkiv gaasiballoon kohe hästi õhutatud kohta vabas õhus, laske gaasil välja voolata ja oodake, kuni see on lendunud. Seejärel andke tühi gaasiballoon tootjale tagasi, teatades lekkimisest.
Peapöörivuse või iivelduse korral hingake sisse värsket õhku ja vajadusel pöörduge arsti poole.
- Sulgege alati gaasiballooni ventiil enne rõhuvabastusseadme eemaldamist gaasiballoonilt.
- Gaasiballoone (ka tühjasid), mis pole ühendatud kasutamiseks, ei tohi hoida otse töötava seadme läheduses, mis töötab gaasi- või elektritoitel.
- Ka näiliselt tühjad gaasiballoonid võivad veel sisaldada vedelgaasi ja seetõttu tuleb neid käsitseda sama ettevaatlikult kui täis gaasiballooni.



Patareidest tingitud ohud

- Patareid võivad allaneelamisel olla eluohtlikud. Seepärast hoidke patareid väikestele lastele ja loomadele ligipääsmatus kohas. Kui patarei on alla neelatud, tuleb kohe pöörduda arsti poole. Akuhape tekitab söövitushohtu.
- Patarei lekkimise korral vältige akuhappe sattumist nahale, silma või limaskestadele. Vajadusel kandke kaitsekindaid. Akuhappega kokkupuutumise korral peske vastavat kohta kohe puhta veega ja pöörduge arsti poole. Akuhape tekitab söövitushohtu.
- Kasutage ainult tehnilistes andmetes nimetatud patareitüüpi.
- Võtke patareid välja, kui need on tühjad või kui grilli enam ei kasutata. Nii väldite lekkimisest tingitud kahjustusi.
- Lekkiv patarei tuleb kohe eemaldada ja patareipesa kontaktid puhastada.

NÕUDMISED GAASI JUHTIVATELE KOMPONENTIDELE

Kasutage grilli vedelgaasiga (veeldatud naftagaas, LPG või LP-gaas). Vedelgaasid propaan, butaan ja nende segud püsivad toatemperatuuril ja madala kompressiooni juures (< 10 bar) gaasiballoonis vedelad. Kui gaasiballoon avatakse, vabaneb rõhk, vedelik paisub ja võtab gaasilise oleku.

Gaasiballoon

- Kasutage üksnes propaan- või butaangaasiga või nende kahe seguga gaasiballoone. Gaasiballoonid peavad vastama riiklikele määrustele ega tohi olla suuremad kui on toodud peatükis „Tehnilised andmed“.

Gaasipadrun

- Kui grilli on lubatud kasutada gaasipadruniga, kasutage ainult külgekeeratavat gaasipadrunit 7/16"-keermega ja maksimaalse mahutavusega 450g/800ml.

Rõhuvabastusseade

Rõhuvabastusseade hoolitseb selle eest, et grilli varustatakse alati ühtlase gaasirõhuga.

- Kasutage grilliga kaasapandud rõhuvabastusseadet. See on kontrollitud ja CE-sertifitseeritud. See vastab Euroopa normile EN 16129.
- Kui grill on tarnitud ilma rõhuvabastusseadmeta, hankige gaasiballooni jaoks sobiv rõhuvabastusseade. Jälgige, et see vastaks riiklikele määrustele.

Gaasivoolik

- Kasutage grilliga kaasapandud gaasivoolikut. Kui tarnekomplekt ei sisalda gaasivoolikut, hankige gaasivoolik, mis vastab riiklikele määrustele.
- Gaasivoolik (või lödvik) ei tohi olla pikem kui 1,5 m ja peab vastama EN-normi EN 16436-1 nõuetele.
- Järgige riiklike määrusi ja vahetage gaasivoolik välja, kui määruused seda nõuavad või kui gaasivooliku maksimaalne kasutusaeg on möödas.
- Enne kasutamist kontrollige alati, et gaasivoolikul poleks murdekohti ega mõrasid ja et see poleks kulunud. Poorse või defektse gaasivooliku korral ei tohi grilli kasutusele võtta.

PAIGALDAMISE JUHISED

TÄHELEPANU!

- Hoidke pakkematerjal väikestest lastest ja loomadest eemal! Valitseb lämbumisoht.
- Monteerimisetaapid on kujutatud käesoleva paigaldus- ja kasutusjuhendi lõpus. Järgige neid õiges järjekorras. **Mittenouetekohane monteerimine võib olla ohtlik.**
- kasutage ainult laitmatus seisukorras ja hästi sobivaid tööriistu. Kulunud või sobimatu tööriistaga ei saa krube piisavalt kõvasti kinni keerata, kuid kruvid võivad kahjustada saada, nii et neid ei saa enam kinni keerata.
- Jälgige, et paigaldamiseks oleks piisavalt ruumi ja kasutage vajadusel alust, et kaitsta grilli või õrna põrandapinda kriimustuste eest.
- Pange grill kokku horisontaalsel, tasasel pinnal, et see viltu ei kalduks.
- Ärge kasutage kokkumonteerimisel jõudu.
- Keerake kruviühendused esmalt käega kinni ja pärast paigaldustõimingu lõpuleviimist keerake veel kord kõvasti kinni. Vastasel juhul võivad tekkida soovimatud pinged.
- Keerake mutrid kinni, kuni need on tihedalt vastas, ja seejärel keerake veel veerandpöörde võrra. Ärge pingutage liiga tugevalt!

PATAREI SISESTAMINE ELEKTRILISSE SÜÜTESSE

Enne esmakordset kasutamist tuleb sisestada 1,5V patarei (AA) elektrilise süüte sisse (joonis H):

1. keerake süütenuppu vastupäeva, kuni see lahti tuleb.
2. Pange patarei miinuspool ees patareipesa sisse või vahetage see vajadusel välja.
3. Keerake süütenupp taas peale.
 - Vahetage patarei välja, kui süütevõimsus väheneb.

GAASIBALLOONI ÜHENDAMINE

TÄHELEPANU!

- Gaasiballooni ühendamisel järgige peatükki „Nõudmised gaasi juhtivatele komponentidele“.
- Vahetage gaasiballooni ainult vabas õhus või hästi õhutatud kohas, eemal süttimisallikatest (nt küünlad, sigaretid, muud leeki tekitavad seadmed).
- Kõik ühendusdetailid peavad olema puhtad ja kahjustamata.
- Gaasiballoon ei tohi kokku puutuda grilli kuumade osadega ega soojuskiirgusega.
- Gaasivoolik ei tohi olla pinge all, väändunud või muljutud ega puutuda grilli vastu.
- Kontrollige pärast gaasiballooni ühendamist, et kõik ühendused oleks tihedad (vt ptk „Tiheduse kontroll“). Keerake rõhuvabastusseade ainult käega kinni! Ärge kasutage tööriista, et ventiili tihendit mitte kahjustada ja seeläbi lekkekindlust vähendada.

Kui grill on tarnitud ilma rõhuvabastusseadmeta ja gaasivoolikuta, hankige need. Jälgige seejuures riiklikke määrusi ja nõuded ning peatükkides „Nõudmised gaasi juhtivatele komponentidele“ – „Rõhuvabastusseade“ või „Gaasivoolik“ toodud andmeid.

1. Asetage kokkumonteeritud grill välitingimustes stabiilsele, horisontaalsele ja tasasele alusele. Tagage piisav õhuvahe igalt küljelt. Järgige paigalduskoha valimisel peatükki „Ohutusjuhised“.
2. Vajadusel fikseerige reguleeritavad rattad, keerates tiibmutreid.
3. Klappige külglaud üles ja laske sel 90° nurga all hingedes fikseeruda. Allaklappimiseks tõstke seda veidi üles.
4. Kõik regulaatori nupud peavad olema väljalülitatud asendis (nool regulaatori nupul suunatud üles). Vastasel juhul vajutage regulaatori nuppu ja keerake see väljalülitatud asendisse.
5. Seadke gaasiballoon stabiilselt püstisesse asendisse põrandale grilli kõrval. Gaasiballooni ventiil peab olema suletud.
6. Tagage, et grilli ja gaasiballooni ümbritsev ala oleks vabalt ligipääsetav ja seal ei oleks mingeid esemeid.
7. Kui gaasivoolik pole veel grilli külge monteeritud, kinnitage gaasivooliku üks ots grilli gaasiühenduse külge ja vajadusel teine ots rõhuvabastusseadme külge. Kinnitusviis oleneb gaasivooliku riigispetsiifilisest mudelist.
8. Ühendage rõhuvabastusseade, nagu kirjeldatud vastavas juhendis. Juhuks, kui rõhuvabastusseadme juhend puudub, on järgnevalt kirjeldatud mõned erinevad ühendusvariandid. MÄRKUS: Joonised võivad veidi erineda.
9. Pärast gaasiballooni ühendamist viige läbi tiheduse kontroll (vt ptk „Tiheduse kontroll“).



Soovitame gaasiballooni kasutamise ajal grilli kõrvale asetada.

Kuid gaasiballooni võib kasutamise ajal ja pärast seda ka alumises kapis hoida, kui see ei ületa märgitud maksimumaalseid mõõtusid (vt ptk „Tehnilised andmed“). Asetage gaasiballoon selleks ettenähtud süvendisse põhjaplaadi sees.

Rõhuvabastusseadme paigaldamine

Vasakkeermega rõhuvabastusseade

(Joonis C)

1. Keerake rõhuvabastusseade käega gaasiballooni ventiilikeerme külge. Pidage silmas, et tegu on vasakkeermega ja seda tuleb keerata vastupäeva.
2. Et gaas välja voolaks ja te saaksite grilli kasutusele võtta, keerake ventiili (a) gaasiballoonil vastupäeva. Ventiili sulgemiseks keerake seda päripäeva.

Hoovaba rõhuvabastusseade

(Joonis D)

1. Liigutage rõhuvabastusseadme hoob (b) asendisse väljas.
2. Vajutage rõhuvabastusseade gaasiballooni ventiilile, kuni see selgelt fikseerub.
3. Et gaas välja voolaks ja te saaksite grilli kasutusele võtta, liigutage hoob asendisse sees. Gaasi pealevoolu peatamiseks liigutage hoob väljalülitatud asendisse.

Rõhuvabastusseade koos mansetiga

(Joonis E)

1. Liigutage rõhuvabastusseadme hoob (b) asendisse väljas.
2. Lükake rõhuvabastusseadme hoob üles ja hoidke seda seal.
3. Vajutage rõhuvabastusseade gaasiballooni ventiilile ja lükake mansett sulgemiseks alla.
4. Kui rõhuvabastusseade ei fikseeru, korrake toimingut.
5. Et gaas välja voolaks ja te saaksite grilli kasutusele võtta, liigutage hoob asendisse sees. Gaasi pealevoolu peatamiseks liigutage hoob väljalülitatud asendisse.

Rõhuvabastusseade gaasipadruni jaoks

(Joonis F)

Kasutage ainult kruvikeermega gaasipadruneid.

1. Enne gaasipadruni ühendamist kontrollige, kas rõhuvabastusseadme kummitihend on olemas ja laitmatus seisukorras.
2. Sulgege ventiil (c) rõhuvabastusseadmel.
3. Keerake gaasipadrune vastupäeva altpoolt rõhuvabastusseadme külge.
4. Et gaas välja voolaks ja te saaksite grilli kasutusele võtta, avage ventiil (c). Gaasi pealevoolu peatamiseks sulgege see.

Rõhuvabastusseadme eemaldamine

1. Veenduge, et gaasiballooni või rõhuvabastusseadme ventiil oleks suletud.
2. Keerake grilli regulaatori nupp lahti, et ülejäänud gaas saaks süsteemist väljuda.
3. Rõhuvabastusseadme eemaldamiseks tehke paigaldustoimingud vastupidises järjekorras.

TIHEDUSE KONTROLL

TÄHELEPANU!



Ärge kunagi otsige gaasilekkeid lahtise leegi abil! Enne lekete suhtes kontrollimist veenduge, et läheduses ei oleks lahtiseid leeki ega saaks tekkida sädemeid. Sädemed või leegid võivad tekitada plahvatuse, mis põhjustab raskeid või koguni surmavaid vigastusi või materiaalselt kahju.

Esmakordse ühendamise järel, iga kord pärast gaasiballooni vahetamist või kui grilli pole pikemat aega kasutatud, tuleb läbi viia kõikide gaasi juhtivate komponentide tiheduse kontroll, veendumaks et ühestki ühendusest ei leki gaasi.

Kui rõhuvabastusseadmel on manomeeter, järgige rõhuvabastusseadme juhendi juhiseid tiheduse kontrolli läbiviimiseks. Muus osas kasutage kaubanduses saadaolevat lekkeotsimisvahendit ja järgige tootja juhiseid. **Tiheduskontroll kuulmise järgi pole kindel!**

GRILLIMISE NÕUANDED

1. Enne grillimise alustamist **pange valmis kõik**, mida selleks tarvis läheb. Grillimise ajal peate grilli ja grillitavat toitu pidevalt jälgima ning mitte edasi-tagasi köögi vahet käima.
2. Enne küpsetamist peab **liha olema toatemperatuuril**, et tagada hea ja ühtlane küpsemine.
3. Kasutage **puhtaid grillreste**. Grillrestil olevate jääkide külge jääb uus grillitav toit kinni.
4. Vähesed **õliga kaetud grillitav toit** pruunistub ühtlasemalt ja kleepub vähem grillresti külge kinni.
5. **Hõõruge grillrestid** enne grillimist **õliga sisse**, et grillitav toit külge ei kõrbeks.
6. **Eelkuumutage grilli** alati suletud kaanega, et grillitav toit ei jääks grillresti külge kinni ja et oleks võimalik kiire pruunistamine. Lisaks põletatakse sel moel ära eelmise grillimise jäägid. Ka siis, kui soovite grillida keskmisel või madalal kuumusel, tuleb grilli eelkuumutada.
7. Ärge pange **liiga palju grillitavat toitu** grillrestile. Jätke tükide vahele piisavalt ruumi, et saaksite neid mugavalt haarata ja liigutada.
8. Kui kasutate **suure suhkrusisaldusega marinaadi, kastet või glasuuri** või muid kergesti süttivaid koostisosi, määrige need peale **alles grillimise viimase 10 kuni 15 minuti** jooksul.
9. Soovitame grillimise ajal **kaant suletuna hoida**. Nii vähendate väljapaiskuva leegi ohtu ning toit küpseb kiiremini ja ühtlasemalt. Ärge avage kaant liiga sageli grillitava toidu vaatamiseks, et asjatult ei tungiks sisse liiga palju õhku ning et soojus ja suits välja ei tungiks.
10. Et steigil oleks kena grillimuster ja maitsev krõbe koorik, ei tohi seda **liiga sageli ümber pöörata**. Enamikel juhtudel tuleb grillitavat toitu ainult üks kord ümber keerata, ja alles siis, kui see on saavutanud soovitud värvi. Nii väldite ka kaane liiga sagedast avamist.
11. Valmisgrillitud toidu saate panna **soojendusrestile**, et seda edasi grillimise ajal soojas hoida. Seejuures pange tähele, et toit järelküpseb. Lisaks saate soojendusrestil õrnalt küpsetada burgerisaiu või köögivilju, mereande jms, sellal kui küpsetate nt liha suuremal kuumusel grillrestil.

Otsene vs kaudne grillimine

Otsene grillimine

See on klassikaline variant, mille puhul grillitav toit asub otse põleti kohal. Vastavalt on ka kuumus suur. Seepärast sobib see meetod hästi lühema, maksimaalselt kuni 30-minutilise küpsemisajaga toidu jaoks ja näiteks burgerite või steikide kiireks grillimiseks suurel kuumusel. Sel moel tekib maitsev koorik, samal ajal kui sisemus jääb mahlakas.

Kaudne grillimine

Siin tuleb kuumus grillitava toidu kõrval asuvatest põletitest, toidu all asuv põleti on välja lülitatud. Samal ajal on kaas suletud, et kuumus ei saaks välja tungida. Seda grillimise meetodit soovitame kasutada pika küpsetusajaga toidu grillimiseks, nagu näiteks ribitükk, rebitud liha või terve lind. Ent ka kala ja köögivilju on võimalik sel viisil õrnalt küpsetada.

Mõlemat grillimise meetodit saab ka omavahel kombineerida: esmalt suurel kuumusel pruunistamine ja seejärel õrn valmisküpsetamine.

KASUTAMINE

Grilli kasutuselevõtmine

TÄHELEPANU!

- Enne esmakordset kasutamist põletage grill läbi koos grillrestidega või kõikide lisatarvikutega, mis otseselt toiduainetega kokku puutuvad, et eemaldada võimalikud tootmisjääd. Selleks kuumutage grilli suletud kaanega vähemalt 20 minuti jooksul maksimaalsel võimsusel. Pärast jahtumist puhastage lisatarvikud. Seejuures järgige ka peatükki „Puhastamine ja hooldus“.
- Kasutage grilli ainult siis, kui kõik osad on omal kohal ning kui grill on monteeritud nõuetekohaselt ja käesoleva paigaldus- ja kasutusjuhendi juhiseid järgides.
- Kontrollige iga kasutuskorra eel, et grill poleks kahjustatud ning et see oleks õigesti üles seatud. Järgige paigalduskoha valimisel peatükki „Ohutusjuhised“.
- Veenduge iga kasutuskorra eel, et gaasiballoon ja rõhuvaastusseade oleks õigesti ühendatud ja et kõik gaasi juhtivad osad oleks tihedad (vt ptk „Gaasiballooni ühendamine“ ja „Tiheduse kontroll“).
- Kontrollige grilli iga kasutuskorra ajal rasvaladestuste suhtes. Eemaldage üleliigne rasv ning tühjendage ja puhastage kõik rasvakogumissüsteemi osad, vältimaks rasvapõlenguid (vt ptk „Puhastamine ja hooldus“).
- **Ärge** voorderdage rasvakogumissüsteemi ega grillikambrit alumiiniumfooliumiga ega muu fooliumiga.
- Süütamise ajal peab kaas olema avatud. Süüdake iga põleti eraldi.
- Kui leek kustub või mõni põleti ei sütti, keerake vastav regulaatori nupp väljalülitatud asendisse. Oodake ca 2 kuni 5 minutit, enne kui püüate uuesti süüdata, et gaas saaks lenduda. Vastasel juhul võib tekkida leegilahvatus.
- Ärge kummarduge gaasileegi süütamisel grillipinna kohale, kuna kui gaas grillikambri koguneb, võib tekkida leegilahvatus.
- Ärge kunagi valage vett kuumale grillile, vältimaks põletusi.

1. Avage kaas.
2. Veenduge, et kõik regulaatori nupud oleks väljalülitatud asendis (nool regulaatori nupul suunatud üles). Kui mitte, vajutage regulaatori nuppu ja keerake see väljalülitatud asendisse.
3. Avage gaasi pealevool gaasiballoonil.
4. Iga põleti on varustatud oma süütesüsteemiga ja seetõttu on seda võimalik eraldi süüdata: Vajutage soovitud põleti regulaatori nuppu ja keerake see asendisse **Max** (maksimaalne võimsus) (joonis G). Gaasi pealevool aktiveeritakse. Piesosüüte korral tekib samal ajal säde, mis tekitab paukuvat heli. Elektrilise süüte korral vajutage lisaks süütenuppu (joonis I). Kostab klõpsuv heli.
5. Kontrollige, kas põleti on süüdatud: Vaadake ettevaatlikult järele, kas leegid väljuvad põletist.
6. Kui põleti pole süüdatud, keerake regulaatori nupp väljalülitatud asendisse ja proovige ca 2 kuni 5 minuti pärast uuesti süüdata.



Piesosüüte korral laske regulaatori nupp lahti alles mõned sekundid pärast õnnestunud süütamist, et leek ei kustuks.

7. Süüdake samal moel ka ülejäänud põletid.

Grillimine

TÄHELEPANU!

- Kaane avamisel võib välja tungida kuuma auru. Hoidke pea ja käed ohupiirkonnast eemal. Valitseb põletuste oht.
- Kasutage pikkade, kuumakindlate käepidemetega grillimistarvikuid.

1. Eelkuumutage grilli pärast põletite süütamist: Sulgege kaas ja oodake, kuni kaanetermomeeter näitab soovitud temperatuuri. Pärast eelkuumutamist võite mittevajalikud põletid välja lülitada. Selleks keerake vastava regulaatori nupud väljalülitatud asendisse.
2. Avage kaas ja asetage grillitav toit grillrestile või muu lisatarviku peale, mida kasutate.
3. Kui soovite grillikambri saavutada kõrget temperatuuri ja toitu kõikidelt külgedelt ühtlaselt küpsetada, sulgege kaas.
4. Vajadusel vähendage põleti võimsust, keerates regulaatori nupu taas asendisse **Min** (minimaalne võimsus).
5. Niipea kui grillitav toit on soovitud määral pruunistatud, keerake see grillitangide abil ümber.

Seadme kasutuselt kõrvaldamine

1. Sulgege gaasi peaveool gaasiballoonil.
2. Keerake kõik regulaatori nupud väljalülitatud asendisse.
3. Enne grilli liigutamist laske sel jahtuda.
4. Puhastage grill pärast jahtumist (vt ptk „Puhastamine ja hooldus“). Liigne toidujääkide ja toidurasva kogunemine võib põhjustada nn rasvapõlengut.

PUHASTAMINE JA HOOLDUS

TÄHELEPANU!

- Enne puhastamist laske kõikidel osadel nii palju jahtuda, et need poleks enam kuumad ja neid saaks puudutada.
- Ärge tehke rõhuvabastusseadmel mingeid puhastustoiminguid! See sisaldab väga tundlikke komponente, mida võib kahjustada isegi kerge kokkupuude teiste esemetega. Ärge kastke rõhuvabastusseadet vette.
- Gaasisüsteemi tohib puhastada ainult kvalifitseeritud spetsialist. Ärge mingil juhul võtke lahti regulaatorseadet.
- Põleti sisemus ei tohi märjaks saada!
- Ärge kastke grilli vette ega pritsige seda veevoolikust. Gaasi juhtivatesse või elektrilistesse komponentidesse ei tohi sattuda vedelikku.
- Enne grilli korpuse puhastamist ühendage gaasiballoon lahti.
- Ärge kunagi valage külma vett kuumade osade peale. See võib põhjustada põletusi või materjali kahjustusi.
- Ärge kunagi kasutage piiritust ega muid süttivaid või söövitavaid puhastusvahendeid.
- Kaasapandud lisatarvikud ei sobi nõudepesumasinas pesemiseks.
- Kõik osad peavad enne kasutamist või hoiulepanemist kuivad olema.

Et tunneksite grillist rõõmu pika aja jooksul, tuleb seda puhtana hoida. Kui grilli ei puhastata ega hooldata, võib selle võimsus aja jooksul langeda. Madalad temperatuurid ja ebaühtlane kuumuse jaotumine on märgid sellest, et gaasi juhtivaid komponente tuleb puhastada. Toidujääkide tõttu grillrestil jääb grillitav toit resti külge kinni. Rasvaladestused võivad põhjustada rasvapõlengut.

Rasvakogumissüsteemi puhastamine (iga kasutuskorra järel)

■ Ärge kasutage abrasiivseid puhastusvahendeid.

- Tühjendage ja puhastage kõik rasvakogumissüsteemi osad (rasvakogumisalus, rasvakogumisnõu või rasvakogumistops) iga kord enne pärast või enne kasutamist. Loputage osi sooja vee, puhastusvahendi ja svammi abil. Kõige lihtsam on puhastada pärast kasutamist leiges (mitte kuumas!) olekus.

Malmist grillresti ja grillplaadi puhastamine (iga kasutuskorra järel)

Grillplaati tuleb puhastada samamoodi nagu grillrest.

1. Jätke grillrest grilli sisse ja eemaldage suuremad jäägid grillrestilt puhastusharja või spaatli abil.
2. Järelejäänud toidujäägid saate ära põletada järgmiselt. Lülitage grill ca 30 minutiks maksimaalsel astmel (vähemalt 300 °C) sisse ja sulgege kaas.
3. Laske grillrestil nii palju jahtuda, et seda saaks puudutada, ja harjake jäägid maha. Seejärel pühkige seda vajadusel niiske kõõgipaberiga puhtaks.
4. Soovitame puhas grillrest hooldamiseks ja järgmiseks grillimiseks ettevalmistamiseks taimeõliga sisse määrada.

Emailitud grillrestide, soojendusrestide, põletikate ja muude emailitud osade puhastamine

■ Ärge kasutage abrasiivseid puhastusvahendeid ega metallharjastage terasharjasid.

- Puhastage grill- ja soojendusrest iga kasutuskorra järel, teisi komponente vastavalt vajadusele.
- Lükake suuremad jäägid plastikust spaatli abil maha või pange rest sooja vette likku.
- Seejärel kasutage puhastamiseks sooja vett koos vähese pesuvahendiga ning svammi või pehmet lappi.

Roostevabast terasest resti puhastamine (iga kasutuskorra järel)

- Puhastage roostevabast terasest resti sooja vee, puhastusvahendi ning svammi või roostevaba puhastusnuustiku abil.

Grillikambri puhastamine (vajadusel)

Kasutamise ajal tekib aurustunud rasvast ja suitsust süsinik, mis koguneb grillikambriksse.

■ Ärge kasutage abrasiivseid puhastusvahendeid.

1. Eemaldage kogu grillikambri kõik toidujäägid ja kogunenud rasv. Selleks võite kasutada nt plastikust spaatlit.
2. Seejärel pühkige pinnad pehme lapiga puhtaks. Tugeva mustuse korral võite selle sooja veega, pesuvahendiga ja svammi-ga maha pesta ning mitteabrasiivse lapiga kuivatada.

Välispindade puhastamine (vajaduse korral)

Grilli välispinnad koosnevad erinevatest materjalidest ja pealispindadest. Seetõttu soovime olenevalt pealispinna liigist erinevaid puhastusmeetodeid.

Roostevabast terasest pinnad

- Kasutage mitteabrasiivseid roostevaba terase puhastusvahendeid ja järgige tootja juhiseid. **Ärge kasutage abrasiivseid pastasid!**
- Muus osas võite puhastamiseks kasutada sooja vett, majapidamises kasutatavat puhastusvahendit ja svammi. Loputage pealispinnad seejärel puhta veega üle ja kuivatage need pehme lapiga.



Kui grilli kasutatakse eriti äärmuslikus keskkonnas, tuleb grilli pealispinda sagedamini puhastada. Kloriidi ja sulfiidi sisaldavas keskkonnas, eriti ranniku piirkondades, võib ka roostevaba teras oksüdeeruda või sellele võivad tekkida plekid. Soolvesi, happeline vihm, basseini- ja mullivanni-

de lähiümbrus ning muud äärmuslikud tingimused, mida iseloomustab suur soojus ja õhuniiskus, võivad põhjustada plekkide tekkimist. Need plekid aetakse vahel segi roostega.

Neid saab hõlpsalt eemaldada ja vältida: Peske plekke sooja vee ja majapidamises kasutatava pesuvahendiga, loputage pealispind üle puhta veega ja kuivatage see. Hõõruge kõiki roostevabast terasest pindasid iga 3 kuni 4 nädala järel kraaniveega ja roostevaba terase puhastusvahendiga üle, vältimaks plekkide tekkimist.

Värvitud, emailitud pealispinnad ja plastikdetailid

■ Ärge kasutage abrasiivseid puhastusvahendeid.

- Kasutage puhastamiseks ainult sooja vett koos vähesel majapidamises kasutatava puhastusvahendiga ning köögirätikuid või pehmet lappi. Puhastage pealispind, loputage seda ja pühkige kuivaks.

Gaasi juhtivate komponentide puhastamine (vajadusel)

Gaasi juhtivad komponendid võivad olla ummistunud ja neid tuleb puhastada, kui

- gaasilõhn esineb väga kollase ja nõrga põletileegi korral.
- soovitud temperatuuri ei saavutata.
- põleti soojendab ebaühtlaselt või leek väreleb.

Puhastamiseks tehke järgmist:

- puhastage kogu põleti pealispind puhta traatharjaga, et eemaldada toidujäägid ja mustus. **Jälgige puhastamise ajal, et te ei painutaks ega kahjustaks süüteelektroodi.** Harjake ettevaatlikult süüteelektroodi ümbert.
- Tagage, et gaasi väljunddüüsid ja õhu sisselaskeavad igal põletitorul või Venturi-toru oleks vaba. Puhastage need vajadusel nt piibuorgi või suruõhuga.
- Gaasiühendust ja ühendusi gaasivoolikul võite vajadusel puhastada pehme pintslil abil.

Hooldustoimingud

TÄHELEPANU!

- Düüse tohib vahetada ainult spetsialist.

Grill on hooldusvaba, kui seda regulaarselt puhastatakse. Sellegipoolest tuleb seda regulaarsete intervallide järel kontrollida. Kohandage intervallid vastavalt kasutamise sagedusele ja ümbritsevatele tingimustele, milles grilli kasutatakse.

- Kontrollige, kas kõik grilli osad on olemas ja paigaldatud (visuaalne kontroll).
- Kontrollige, kas kõik ühendused on olemas ja kindlalt kinni keeratud. Vajadusel pingutage neid korralikult.
- Gaasisüsteemi tuleb kontrollida iga kord gaasiballooni ühendamisel (vt ptk „Tiheduse kontroll“).
- Gaasivoolik tuleb välja vahetada, kui see on poorne, kui sellel on kahjustatud kohti või kui maksimaalne kasutusaeg (vt ptk „Tehnilised andmed“) on ületatud.

HOIUSTAMINE

TÄHELEPANU!

- Kaitske grilli tugeva tuule eest, pikaajalise niiskuse, vihma, lume, rahe või muude ilmastikumõjude eest.
- Grilli pikaajalise mittekasutamise korral ühendage gaasiballoon grilli küljest lahti ja hoiustage see nõuetekohaselt (vt ptk „Ohutusjuhised“ – „Gaasiballoonist tingitud ohud“).

- Hoidke grilli välitingimustes kuivas kohas. Katke grill (ilmastiku kaitsekattega) kinni, et kaitsta komponente niiskuse, tolmu, putukate või ämblike eest, kes võivad sattuda grilli korpusesse.
- Puhastage grill enne hoiule panemist (vt ptk „Puhastamine ja hooldus“).
- Kui grilli hoitakse **siseruumis**, tuleb see **gaasiballooni küljest lahti ühendada**. Sulgege see nõuetekohaselt lukustusmutri ja kaitsekorgiga (olenevalt mudelist) ja hoiustage vabas õhus, maapinna tasemest kõrgemal (s.t mitte süvendites, maapinna tasemest allpool), hästi õhutatud kohas.
- Võtke patarei elektrilisest süütest välja, kui grilli pikemat aega ei kasutata, vältimaks kahjustusi patarei võimaliku lekkimise tõttu.

PROBLEEMIDE KÕRVALDAMINE

Kui vaatamata piisavale hoolikusele ja hooldusele tekib rikkeid, võib see peatükk aidata teil neid kõrvaldada.

Kui järgmiste toimingute abil probleemi kõrvaldamine ei õnnestu, võtke ühendust klienditeenindusega (vt käesoleva paigaldus- ja kasutusjuhendi kaant).



Ärge püüdke gaasisüsteemi ise remontida!

Gaasilõhn (võimalik väga kollase ja nõrga leegi korral). Leke gaasisüsteemis.

1. Sulgege kohe gaasiballoon.
2. Vältige mis tahes leegi või sädemete tekkimist (ärge lülitage elektriseadmeid).
3. Pingutage kõiki gaasisüsteemi keermeühendusi.
4. Kontrollige gaasi juhtivaid osi väliste kahjustuste suhtes; vahetage defektsed osad originaalvaruosade vastu välja.
5. Kontrollige tihedust (vt ptk „Tiheduse kontroll“).

Põletid on ummistunud.

- ▶ Puhastage, nagu kirjeldatud peatükis „Puhastamine ja hooldus“ – „Gaasi juhtivate komponentide puhastamine (vajadusel)“.

Seadistuselemendi düüs (esipaneeli taga) või muu gaasisüsteem on ummistunud.

- ▶ Laske gaasisüsteemi spetsialistil puhastada.

Põleti ei sütti.

Elektrilise süüte patarei on tühi või valesti sisestatud.

- ▶ Pange sisse uus patarei. Kontrollige polaarsust +/-.

Gaasiballoon on tühi.

- ▶ Vahetage gaasiballoon välja.

Põleti on ummistunud.

- ▶ Puhastage seda, nagu kirjeldatud peatükis „Puhastamine ja hooldus“ – „Gaasi juhtivate komponentide puhastamine (vajadusel)“.

Külgpõleti korral: süütekaabel ei ole süüte sees.

- ▶ Visuaalne kontroll. Vajadusel pistke süütekaabel korralikult sisse.

Seadistuselemendi düüs (esipaneeli taga) või muu gaasisüsteem on ummistunud.

- ▶ Laske gaasisüsteemi spetsialistil puhastada.

Süüde on defektne.

- ▶ Laske süüdet spetsialistil kontrollida ja remontida või vahetada.

Soovitud temperatuuri ei saavutata. / Leek on väike või väreleb tugevalt või on leegimuster ebaregulaarne. / Üksikud põletid ei sütti.

Gaasiballoon on (peaaegu) tühi.

- ▶ Vahetage gaasiballoon välja.

Põletid on ummistunud.

- ▶ Puhastage, nagu kirjeldatud peatükis „Puhastamine ja hooldus” – „Gaasi juhtivate komponentide puhastamine (vajadusel)”.

Gaasivoolik on muljutud.

- ▶ Tõmmake gaasivoolik sirgeks.

Seadistuselemendi düüs (esipaneeli taga) või muu gaasisüsteem on ummistunud.

- ▶ Laske gaasisüsteemi spetsialistil puhastada.

Leegilahvatus või susisev/paukuv heli

Leegi tagasilöök ummistuste tõttu põletis.

- ▶ Sulgege kohe gaasiballooni ventiil. Oodake 5 minutit ja võtke grill uuesti kasutusele. Kui tõrge esineb korduvalt, puhastage põletid, nagu kirjeldatud peatükis „Puhastamine ja hooldus” – „Gaasi juhtivate komponentide puhastamine (vajadusel)”. Muus osas laske gaasisüsteemi spetsialistil puhastada.

Tugev leegilahvatus

Grillitav toit on valmis.

- ▶ Eemaldage suurem rasv, asetage liha grillalusele või vähendage grillitemperatuuri.

Grill on määrdunud.

- ▶ Puhastage grill (vt ptk „Puhastamine ja hooldus”).

UTILISEERIMINE

Grilli utiliseerimiseks võtke see üksikosadeks lahti ning suunake metall ja plastik ringlussevõttu.



Utiliseerige pakendimaterjal keskkonnasõbralikult ja viige see ringlussevõetavate jäätmete kogumispunkti.



Kõrvalolev sümbol (mahatõmmatud prügikast koos alljõonega) tähendab, et vanu seadmeid ei tohi visata olemprügi hulka, vaid tuleb viia spetsiaasesse kogumis- ja ringlussevõtupunktidesse.

Vanade seadmete omanikud peavad kasutatud patareid ja akud, mis pole vanasse seadmesse püsipaigaldatud ja mida saab välja võtta, vanast seadmest eemaldama ja eraldi utiliseerima (vt ka patareide utiliseerimise jaotist).

Eramajapidamise vanade seadmete omanikud võivad viia need kohalikesse avalikesse kogumispunktidesse või tootja ja edasimüüjate hallatavatesse tagasivõtupunktidesse, vastavalt Saksamaa seaduse ElektroG nõuetele. Tagasivõtmise kohustus lasub ka poodidel, kes elektri- ja elektroonika-seadmeid turul müüvad.



Patareisid ja akusid ei tohi visata olmeprügi hulka. Tarbijad on seadusega kohustatud viima patareid ja akud eraldi kogumispunkti.

Patareisid ja akusid saab tasuta ära anda valla/linnosa kogumispunktides või poodides, et need saaks suunata keskkonnasõbralikku utiliseerimisse ja materjalide ringlussevõttu. Mittenõuetekohase utiliseerimise korral võivad mürgised ained keskkonda sattuda ning kahjustada inimese, loomade ja taimede tervist.

Andke patareid ja akud ära ainult tühjenenud olekus. Võimalusel kasutage laetavaid patareisid ühekorsete patareide asemel.

Liitiumi sisaldavate patareide ja akude korral kleepige enne klemmid kinni, vältimaks lühist. Lühis võib põhjustada tulekahju või plahvatust.

EÜ VASTAVUSAVALDUS

Käesolevaga kinnitame meie, firma LANDMANN Germany GmbH, et siin kirjeldatud gaasiseade vastab määrusele **(EL) 2016/426**.

Vastavus on tõendatud ka tüübihindamise teel vastavalt normile **EN 498:2012**.

Tüübihindamise viis läbi teavitatud asutus

DBI Certification A/S (2531).

Seadme identifitseerimisnumber: **2531CU-0061**

Lisainfo saamiseks võtke ühendust meie klienditeenindusega.



Gerb. kliente,

dėkojame, kad pasirinkote LANDMANN® dujinį grilį. Ši montavimo ir naudojimo instrukcija padės žingsnis po žingsnio susipažinti su įsigytu LANDMANN griliu. Taip pat pateikiame svarbių patarimų, kaip teisingai naudoti, saugiai tvarkyti ir prižiūrėti prietaisą.

Skirkite laiko susipažinti su nauju gaminiu. Nes norime, kad LANDMANN grilis džiugintų jus ne tik pradžioje, bet ir ilgą laiką.

Jei kiltų klausimų dėl jūsų grilio ar prireiktų kitos pagalbos, jums mielai padės mūsų klientų aptarnavimo komanda. Reikiamus kontaktinius duomenis rasite šios montavimo ir naudojimo instrukcijos atverčiamame puslapyje.

**Malonaus laiko ir gardžių grilio potyrių jums linki jūsų
LANDMANN komanda.**

TURINYS

Techniniai duomenys	65
Tiekiamas komplektas	65
Prietaiso apžvalga	65
Tinkamas naudojimas	66
Saugos nurodymai	66
Reikalavimai komponentams, kuriais teka dujos	67
Nurodymai dėl montavimo	67
Elektrinio uždegimo baterijos įdėjimas	68
Dujų baliono prijungimas	68
Sandarumo patikra	68
Maisto ruošimo grilyje patarimai	69
Naudojimas	69
Valymas ir techninė priežiūra	70
Laikymas	71
Problemų sprendimas	71
Atliekų tvarkymas	72
EB atitikties deklaracija	72

ĮSPĖJIMAS

- Naudokite tik lauke.
- Prieš naudodami prietaisą pirmą kartą, perskaitykite šią montavimo ir naudojimo instrukciją.
- **ĮSPĖJIMAS.** Prieinamos dalys gali labai stipriai įkaisti. Neprireiskite vaikų.
- Degias medžiagas laikykite atokiai nuo veikiančio prietaiso.
- Nejudinkite naudojamo prietaiso.
- Baigę naudoti prietaisą, užsukite dujų balioną.
- Neatlikite jokių prietaiso pakeitimų.

PRIEŠ NAUDODAMI PRIETAISĄ PIRMĄ KARTĄ, PERSKAITYKITE ŠIĄ MONTAVIMO IR NAUDOJIMO INSTRUKCIJĄ!

Nesilaikant pateiktų saugos nurodymų bei reikalavimų dėl atsargumo priemonių ir darbo veiksmų, gali kilti gaisras ar sprogitas bei galima patirti mirtinų sužalojimų ar materialinių nuostolių.

Saugokite šią montavimo ir naudojimo instrukciją, jei kiltų klausimų vėliau ar perduotumėte prietaisą kitam naudotojui. Ji yra prietaiso dalis. Gamintojas ir importuotojas neprisiima atsakomybės už žalą, jei nebus vadovaujama šioje montavimo ir naudojimo instrukcijoje pateiktais duomenimis.

Simboliai



Pavojaus ženklai: šis simbolis žymi galimus pavojus. Atidžiai perskaitykite susijusius saugos nurodymus ir vadovaukitės jais.



Papildoma informacija



Prieš naudodami prietaisą, perskaitykite montavimo ir naudojimo instrukciją!



Tinka maisto produktams.



Nuolatinė elektros srovė

Kiti paaiškinimai

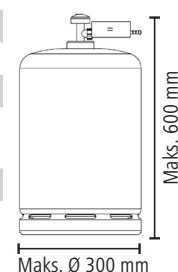
Numerių legendose vaizdavimo būdas: (1)

Nuorodų į paveikslėlius vaizdavimo būdas: (A pav.)

TECHNINIAI DUOMENYS

Prietaiso pavadinimas:	dujinis grilis „TRITON 4.0“				
Modelio numeris:	12268				
Šalis:	BG, CY, CZ, DK, EE, FI, HU, HR, IS, IT, LT, LV, MT, NL, NO, RO, SE, SI, SK	PL	AT, CH, CZ, DE	BE, CH, CZ, ES, FR, GR, IE, IT, LT, LU, LV, PT, SK, SI, TR	
Dujų kategorija:	I3B/P (30)	I3B/P (37)	I3B/P (50)	I3+ (28-30/37)	
Dujų rūšis:	G30 (butanas), G31 (propanas) arba jų mišinys	G30 (butanas), G31 (propanas) arba jų mišinys	G30 (butanas), G31 (propanas) arba jų mišinys	G30 (butanas)	G31 (propanas)
Dujų slėgis (mbar):	28–30	37	50	28–30	37
Sąnaudos:	G30: 872 g/h G31: 857 g/h	G30: 872 g/h G31: 857 g/h	G30: 872 g/h G31: 857 g/h	872 g/h	857 g/h
Pagrindinio degiklio purkštuko Ø:	0,85 mm	0,79 mm	0,73 mm	0,85 mm	0,85 mm
Šiluminė galia:	12 kW (4 x 3,0 kW pagrindinio degiklio)				
Uždegimas:	1,5 V baterija (AA)				
Slėgio reduktorius:	pagal EN 16129; laikykitės nacionalinių taisyklių.				
Dujų žarna:	pagal EN 16436-1; maks. 1,5 m; laikykitės nacionalinių reikalavimų dėl maksimalios naudojimo trukmės.				
Matmenys (I x A x P):	grilio: maždaug 140 x 120 x 57 cm				
Svoris:	maždaug 46 kg				
Dujų balionas:	įprastinis dujų balionas; matmenys pateikti šalia esančiame paveikslėlyje.				
Montavimo ir naudojimo instrukcijos ID:	Z TRI 4.0+mod M LM SCA V1 1122 md				
Gamintojas:	LANDMANN Germany GmbH, Am Heisterbusch 1, 19258 Gallin, Vokietija				

Pagaminta Kinijoje.



TIEKIAMAS KOMPLEKTAS

(A pav., žr. išlankstomą puslapį)

Poz.	Pavadinimas	Sk.
1	Grilio blokas (iš anksto sumontuotas)	1
2	Kampuotis A	2
3	Kampuotis B	2
4	Dangčio rankena	1
5	Kairysis šoninis staliukas	1
6	Dešinysis šoninis staliukas	1
7	Dujų žarna su slėgio reduktoriumi (kai kuriose šalyse nėra tiekiamame komplekte)	1
8	Riebalų surinkimo dėklas	1
9	Kairioji šoninė sienelė	1
10	Kairysis kampuotis	1
11	Dešinysis kampuotis	1
12	Dešinioji šoninė sienelė	1
13	Fiksuojamas ratukas	4
14	Dugno plokštė	1
15	Apatinės spintelės uždanga	1
16	Apatinės spintelės dešinėsios durelės	1
17	Apatinės spintelės kairiosios durelės	1
18	Galinė sienelė	1
19	Durelių rankena	2
20	Skersė	1
21	Degiklio dangtelis	4
22	Riebalų rinkimo padėklas	1
23	Reguliavimo mygtukas	4
24	Šoninės kepimo grotelės	2
25	Vidurinės kepimo grotelės	1
26	Karštį išlaikančios grotelės	1
27	Kepimo grotelių kėlimo rankena	1

Poz.	Pavadinimas	Sk.
Montavimo medžiagos:		
A	Varžtas, M4x10 mm	16
B	Varžtas, M6x12 mm	30
C	Varžtas, M6x18 mm	8
D	Poveržlė	2
	1,5 V baterijos (AA) elektriniam uždegikliui	1
	Montavimo ir naudojimo instrukcija	1
	Slėgio reduktoriaus instrukcija	1

Papildomai reikės:

- LPG dujų baliono (žr. skyrių „Techniniai duomenys“), 1 vnt.
 - Montavimo įrankių
- Šių priemonių nėra tiekiamame komplekte.

DĖMESIO!

- Patikrinkite, ar tiekiamame komplekte netrūksta dalių ir gabenant nebuvo apgadintos sudedamosios dalys. Jei trūksta ar yra pažeistų dalių, kreipkitės į klientų aptarnavimo tarnybą (žr. šios montavimo ir naudojimo instrukcijos atverčiamą puslapį). Pasiliegame teisę atlikti nedidelius pakeitimus, pavyzdžiui, dėl montavimo medžiagų.
- Nuo prietaiso pašalinkite galimai ant jo esančias plėveles, nuplėškite lipdukus ir nuimkite transportavimo apsaugą, tačiau **niekada nepašalinkite identifikacinės plokštelės ir gali- mai pritvirtintų išpėjimų nuorodų!**

PRIETAISO APŽVALGA

(B pav.)

- 28 Dangčio termometras
- 29 Dangtis
- 30 Uždegimo mygtukas
- 31 Dujų jungtis
- 32 Apatinė spintelė

TINKAMAS NAUDOJIMAS

- Šis dujinis grilis skirtas griliui tinkamiems maisto produktams ruošti. Jis naudoja suskystintąsias dujas ir yra skirtas naudoti lauke.
- Kitoks naudojimas yra draudžiamas. Tai visų pirma taikoma tokiam netinkamam naudojimui, kurį galima numatyti:
 - Prietaiso nenaudokite su mediena, medžio anglimis ar kitu kuru, o tik su suskystintosiomis dujomis (propanu /butanu).
 - Jokiu būdu nejunkite grilio prie gamtinių dujų tinklo (miesto dujotiekio)! Vožtuvai ir purkštukai pritaikyti tik suskystintosioms dujoms.
 - Grilio nenaudokite kaip šildymo įrenginio.
 - Grilio nenaudokite kitokioms medžiagos šildyti nei maisto produktai.
 - Jokiu būdu nenaudokite grilio kaip įmontuojamo prietaiso.
- Grilį bei dujų balioną naudokite ir laikykite laikydamiesi galiojančių taisyklių.
- Grilis yra skirtas asmeninėms reikmėms ir nepritaikytas naudoti komerciniais tikslais.
- Grilį naudokite tik pagal paskirtį ir taip, kaip aprašyta šioje montavimo ir naudojimo instrukcijoje. Bet koks kitoks naudojimas laikomas netinkamu. Dėl netinkamo valdymo ir naudojimo gali sutrikti prietaiso veikimas bei gali būti padaryta materialinė žalos ar sužaloti žmonės.
- Įstatyminė garantija netaikoma visiems defektams, atsiradusiems dėl netinkamo naudojimo, pažeidimų ir bandymų remontuoti. Tai taip pat taikoma įprastam nusidėvėjimui, riebalų apnašoms ir grilio ar priedų spalvos pakitimams.

SAUGOS NURODYMAI



Sužalojimo pavojus

- Grilis neskirtas naudoti vaikams ir ribotų fizinių, sensorinių ir protinių gebėjimų žmonėms bei žmonėms, kuriems trūksta patirties ir (arba) žinių.
- Vaikams draudžiama žaisti su griliu. Užtikrinkite, kad prie prietaiso neprieitų neprižiūrimi vaikai, net jei jis išjungtas. Netinkamas naudojimas gali sukelti pavojų.
- **ISPĖJIMAS. Prieinamos dalys gali labai stipriai įkaisti. Neprileiskite vaikų!** Kol grilis naudojamas arba yra karštas, joku būdu nepalikite jo be priežiūros. Ypač atidžiai stebėkite, kad prie karšto prietaiso nepatektų vaikai ar asmenys, negalintys tinkamai įvertinti pavojų ar į juos reaguoti bei prie karšto prietaiso nepatektų gyvūnai.
- Mūvėkite grilio pirštines, kurios pagal ES reglamentą 2016/425 gali būti naudojamos kaip apsaugos priemonė pagal DIN EN 407 (II apsaugos nuo karščio klasė).
- Naudodami ir baigę naudoti grilį neprisilieskite prie įkaitusių dalių! Jei prietaisas veikia ar buvo išjungtas ką tik, lieskite tik rankenas ir reguliatorius. Prieš transportuodami, valydam ar padėdami laikyti grilį, palaukite, kol jis atvės.
- **Nejudinkite naudojamo grilio!**
- Dėl alkoholio ar narkotinių medžiagų vartojimo gali nepavykti tinkamai montuoti, gabenti, laikyti ar valdyti grilio.



Uždusimo, gaisro ir sprogdimo pavojus

Dujos labai lengvai užsidega ir sudega ypač greitai lyg sprogdamos. Išsiveržiančioms dujoms nekontroliuojamai užsidegus, galimi sunkūs žmonių sužalojimai ir dideli materialiniai nuostoliai.

Suskystintosios dujos sunkesnės už deguonį. Todėl jos nusėda ant žemės ir išstumia iš ten deguonį. Susidarius tam tikrai dujų koncentracijai (pvz., jei pažeistas dujų balionas), dėl deguonies trūkumo galima uždusti.

- Naudokite tik šioje montavimo ir naudojimo instrukcijoje nurodytų rūšių dujas, dujų balionus, slėgio reduktorius ir dujų

žarnas (žr. skyrių „Reikalavimai komponentams, kuriais teka dujos“).

- Grilį naudokite tik virš žemės lygio (t. y. nenaudokite įdubose žemiau žemės lygio).
- **Naudokite tik lauke.** Nenaudokite grilio pastatuose, garažuose, dengtuose praėjimuose, palapinėse ir kitose uždaroose vietose, po markizėmis ar degiomis konstrukcijomis.
- Nenaudokite grilio transporto priemonėje ar ant jos. Tai taip pat taikoma kemperiams, prikabinamiems nameliams ir laivams.
- Nenaudokite grilio, jei ore ar aplinkoje yra lengvai užsidegančių ar sprogių medžiagų. Nelaikykite prie grilio degalų ar kitų užsiliepsnojančių garų arba skysčių ir nenaudokite tokių medžiagų su griliu. Prie grilio nepurškite purškiklių.
- Jokiu būdu nenaudokite grilio be slėgio reduktoriaus (žr. skyrių „Reikalavimai komponentams, kuriais teka dujos“. „Slėgio reduktorius“)!
 - Įsitikinkite, kad slėgio reduktorius tinkamai prijungtas ir veikia bei nėra pažeistas.
 - Kiekvieną kartą prijungę dujų balioną arba, jei ilgesnį laiką nenaudojote grilio, būtinai patikrinkite visų komponentų, kuriais teka dujos, sandarumą (žr. skyrių „Sandarumo patikra“).
- **Įvykus dujų nuotėkiui, draudžiama naudoti grilį.**
- **Degias medžiagas laikykite atokiai nuo veikiančio prietaiso.** Kyla užsidegimo ir rusenimo pavojus. Laikykites šių minimalių atstumų nuo degių medžiagų: 2 m į viršų ir 1 m į šonus nuo grilio. Atstumas nuo sunkiai užsiliepsnojančių medžiagų, pavyzdžiui, namo sienų, turi būti bent 0,6 m. Naudojamo prietaiso apatinėje spintelėje taip pat negalima laikyti apsaugos nuo oro sąlygų uždangalo ar kitų degių medžiagų.
- Prijungiant dujų balioną, 5 m spinduliu apie grilį neturi būti jokių uždegimo šaltinių, o ypač atviros ugnies, degančių cigarečių, žvakių, žibintų ir pan. Jei prijungiant įvyksta dujų nuotėkis, pavojų gali kelti ir elektros prietaisai.
- Jokiu būdu neuždenkite grilio bloko ir patalpos, kurioje yra dujų balionas, vėdinimo angų bei užtikrinkite, kad jos visada būtų atviros.
- Neuždenkite grilio angų ir prieš pradėdami naudoti grilį įsitinkite, kad angos neužkištos. Kaip ir dauguma lauke naudojamų prietaisų, grilis gali tapti vorų ir vabzdžių slėptuve. Užsikisę komponentai, kuriais teka dujos, gali sutrikyti dujų tekėjimą, o tai gali sumažinti galią ar net sukelti pavojingą liepsnos atitraką. Pašalinkite užsikisimo priežastį, kaip aprašyta skyriuje „Valymas ir techninė priežiūra“.
- Kol grilis naudojamas, joku būdu nepalikite jo be priežiūros. Užgesus liepsnai, nedelsdami ją vėl įžiebkite arba užsukite dujų balioną.
- Užuodę dujų kvapą, užsukite dujų balioną ir užgesinkite visas liepsnas. Nejunkite jokių elektros prietaisų. Prieš vėl pradėdami naudoti grilį, išsiaiškinkite ir pašalinkite dujų nuotėkio priežastį.
- Neperkaitinkite riebių patiekalų. Ant grilio nedėkite aliejaus pripildytų indų.
- Užsidegusių riebalų negesinkite vandeniu! Užsukite dujų balioną. Išjunkite visus degiklius, uždarykite dangtį ir palaukite, kol ugnis užges.
- **Baigę naudoti prietaisą, užsukite dujų balioną.**
- Neuždenkite grilio, kol jis karštas.
- **Neatlikite jokių prietaiso pakeitimų!** Bet koks prietaiso pakeitimas gali kelti pavojų.
- **Draudžiama atlikti bet kokius gamintojo užplombuotų komponentų pakeitimus.**
- **Kad nekiltų pavojus, remonto darbus gali atlikti tik gamintojas ar klientų aptarnavimo tarnyba.** Pastebėję pažeidimą ar atsiradus trikdžiai, kreipkitės į klientų aptarnavimo tarnybą (žr. šios montavimo ir naudojimo instrukcijos atverčiamą puslapį). Iki kol nebus suremontuotas, grilio negalima naudoti, nes jis gali imti veikti netinkamai ir gali padidėti sužalojimų pavojus.

- Kad apsisaugotumėte nuo grilio triukščių ir galimos žalos bei pavojų, naudokite tik originalius gamintojo priedus.
- Naudodami prietaisą joku būdu neišmontuokite reguliavimo mygtuko, dujų baliono ar komponentų, kuriais teka dujos.
- Joku būdu netransportuokite grilio su prijungtu dujų balionu. Grilį ir dujų balioną būtina transportuoti atskirai.
- Reguliariai valykite grilį, kaip aprašyta skyriuje „Valymas ir techninė priežiūra“.

Dujų balionų keliami pavojai

- **Laikykites dujų baliono gamintojo ar nuomotojo nurodymų!**
- Dujų balionas negali patekti į vaikų rankas!
- Joku būdu nenaudokite įlenkto ar aprūdijusio dujų baliono.
- Joku būdu nenaudokite dujų baliono su pažeistu vožtuvu.
- Dujų baliono joku būdu neguldykite. Dujų balioną (net ir tuščią) visada montuokite, transportuokite ir laikykite stačiomis.
- Joku būdu neleiskite dujų balionui nukristi. Saugokite dujų balioną nuo smūgių ir nepažeiskite jo.
- Įkaitęs dujų balionas gali sprogti. Dujų baliono joku būdu nedeginkite. Taip pat saugokite jį nuo ypač didelio karščio (virš 50 °C) bei tiesioginių saulės spindulių. Nepalikite dujų baliono automobilyje karštą dieną. Užtikrinkite, kad dujų balionas ir dujų žarna nesiliestų prie naudojamo grilio.
- Dujų balionus prijunkite, naudokite ir laikykite tik lauke gerai vėdinamose vietose (t. y. ne laiptinėse, koridoriuose, praėjimuose ar pravažiavimuose) ir virš žemės lygio (t. y. ne įdubose žemiau žemės paviršiaus lygio).
- Nesandarų dujų balioną perkelti į atvirą vietą lauke, leiskite dujoms tekėti ir palaukite, kol balionas ištuštės. Dujų balioną grąžinkite gamintojui ir įspėkite apie nesandarumą. Atsiradus silpnumui ar pykinimui, kvėpuokite grynu oru ir, jei reikia, kreipkitės į gydytoją.
- Visada prieš atjungdami slėgio reduktorių, užsukite dujų baliono vožtuvą.
- Neprijungtų dujų balionų (net ir tuščių) negalima laikyti šalia su dujomis ar elektros srove naudojamų prietaisų.
- Net, jei atrodo, kad dujų balionas yra tuščias, jame gali būti suskystintųjų dujų, todėl su juo būtina elgtis, kaip su pilnu dujų balionu.

Baterijų keliami pavojai

- Prarijus baterijas, gali kilti pavojus gyvybei. Todėl baterijas laikykite mažiems vaikams ir gyvūnams nepasiekiamoje vietoje. Prarijus bateriją, nedelsdami kreipkitės medicininės pagalbos. Baterijų rūgštis kelia sužalojimų pavojų.
- Baterijai ištekėjus, saugokitės, kad baterijos rūgštis nepatektų ant odos, gleivinės ar į akis. Jei reikia, mūvėkite apsaugines pirštines. Po sąlyčio su baterijų rūgštimi sąlyčio vietą nedelsdami nuplaukite dideliu kiekiu švaraus vandens ir kreipkitės medicininės pagalbos. Baterijų rūgštis kelia sužalojimų pavojų.
- Naudokite tik skyriuje „Techniniai duomenys“ nurodyto tipo baterijas.
- Išimkite iš prietaiso baterijas, jei jos išsieikvojo ar ilgesnį laiką nenaudosite grilio. Šitai apsisaugosite nuo galimos žalos joms ištekėjus.
- Ištekėjusią bateriją nedelsdami išimkite iš prietaiso ir nuvalykite baterijų dėklo kontaktus.

REIKALAVIMAI KOMPONENTAMS, KURIAIS TEKA DUJOS

Prietaisas naudojamas su suskystintosiomis dujomis (Liquefied Petroleum Gas, LPG arba LP-Gas). Suskystintosios dujos propanas, butanas ir jų mišiniai kambario temperatūroje ir esant nedideliame slėgiui (<10 bar) dujų balione išlieka skystos. Atidarius dujų balioną, slėgis sumažėja, skystis plečiasi ir pereina į dujinę būseną.

Dujų balionas

- Naudokite tik dujų balionus su propano ar butano dujomis ar jų mišiniu. Dujų balionai turi atitikti šalies taisykles ir negali būti didesni nei nurodyta skyriuje „Techniniai duomenys“.

Dujų kasetė

- Jei grilį galima naudoti su dujų kasetėmis, naudokite tik ne didesnes nei 450 g / 800 ml sriegines dujų kasetes su 7/16" sriegiu.

Slėgio reduktorius

Slėgio reduktorius užtikrina, kad griliui visada būtų tiekiamos vienodo slėgio dujos.

- Naudokite kartu su griliu patiektą slėgio reduktorių. Jis yra patikrintas ir sertifikuotas pagal CE. Jis atitinka Europos standartą EN 16129.
- Jei prietaisas tiekiamas be slėgio reduktoriaus, įsigykite dujų balionui tinkantį slėgio reduktorių. Atkreipkite dėmesį, kad jis atitiktų šalies taisykles.

Dujų žarna

- Naudokite kartu su griliu patiektą dujų žarną. Jei prietaisas tiekiamas be dujų žarnos, įsigykite šalies taisykles atitinkančią dujų žarną.
- Dujų žarna turi būti ne ilgesnė nei 1,5 m ir atitikti EN standartą EN 16436-1 reikalavimus.
- Pakeiskite dujų žarną, jei baigėsi maksimalus jos naudojimo terminas arba to reikalauja šalies taisyklės.
- Prieš kiekvieną dujų žarnos naudojimą įsitinkinkite, kad joje nėra įlinkimų ar įtrūkimų ir ji nenusidėvėjusi. Jei dujų žarna porėta ar pažeista, grilį naudoti draudžiama.

NURODYMAI DĖL MONTAVIMO

DĖMESIO!

- Nepriekiaukite mažų vaikų ir gyvūnų prie pakuotės medžiagų! Kyla pavojus uždusti.
- Montavimo žingsniai pavaizduoti šios montavimo ir naudojimo instrukcijos pabaigoje. Atlikite juos tinkamu eiliškumu. **Netinkamas montavimas gali kelti pavojų.**
- Naudokite tik nepriekiaušingos būklės ir atliekamiems darbams tinkamus įrankius. Nusidėvėjusiais ar netinkamais įrankiais galite nepakankamai tvirtai priveržti varžtus arba netgi juos pažeisti taip, kad nebebus įmanoma jų pasukti.
- Įsitinkinkite, kad yra pakankamai vietos montavimo darbams atlikti ir prireikus padėkite pagrindą, kuris apsaugos grilį arba jautrias grindis nuo subraižymo.
- Grilį statykite ant horizontalaus ir lygaus pagrindo, kad jis nepakryptų.
- Surinkdami nenaudokite jėgos.
- Sriegines jungtis iš pradžių priveržkite ranka, o sėkmingai baigę montavimo etapą – dar kartą priveržkite tvirtai. Antraip gali atsirasti nepageidaujama įtempių.
- Prisukite varžtes, kol jos tvirtai priglus ir pasukite dar ketvirtį apskos. Nepriveržkite per stipriai!

ELEKTRINIO UŽDEGIMO BATERIJOS ĮDĖJIMAS

Prieš pirmąjį naudojimą į elektrinį uždegiklį įdėkite 1,5 V bateriją (AA) (H pav.).

1. Pasukite uždegimo mygtuką prieš laikrodžio rodyklę, kol jis atsileis.
2. Bateriją įdėkite į baterijos dėklą neigiamu poliu į priekį arba pakeiskite ją.
3. Vėl prisukite uždegimo mygtuką.
 - Mažėjant uždegimo galiai, pakeiskite bateriją.

DUJŲ BALIONO PRIJUNGIMAS

DĖMESIO!

- Prieš prijungdami dujų balioną, perskaitykite skyrių „Reikalavimai komponentams, kuriais teka dujos“.
- Dujų balioną keiskite lauke arba gerai vėdinamoje vietoje, esančioje atokiai nuo uždegimo šaltinių (pvz., žvakių, cigarečių, kitų liepsną sukeliančių prietaisų).
- Visi jungiamieji elementai turi būti švarūs ir nepažeisti.
- Dujų balionas negali liestis prie karštų grilio dalių bei būti pasiekiamas karščio.
- Dujų žarna negali būti įsitempusi, susisukusi, sulenkta ir liestis prie grilio.
- Prijungę dujų balioną, būtinai patikrinkite visų jungčių sandarumą (žr. skyrių „Sandarumo patikra“). Slėgio reduktorių prisukite tik ranka! Nenaudokite įrankių, kad nepažeistumėte vožtuvo sandariklio. Tokiu atveju nebebus užtikrinamas sandarumas.

Jei grilis patiektas be slėgio reduktoriaus ar dujų žarnos, įsigykite šiuos priedus. Laikykites skyrių „Reikalavimai komponentams, kuriais teka dujos“, „Slėgio reduktorius“ ir „Dujų žarna“ reikalavimų.

1. Surinktą grilį pastatykite lauke ant stabilaus, horizontalaus ir lygaus pagrindo. Užtikrinkite, kad į visas puses būtų pakankamai laisvos vietos. Rinkdamiesi statymo vietą, vadovaukitės skyriumi „Saugos nurodymai“.
2. Jei reikia, sparnuotosiomis veržlėmis užfiksuokite fiksuojamus ratukus.
3. Atlenkite šoninį staliuką į viršų ir užfiksuokite jį lankstuose 90° kampu. Norėdami staliuką nulenkti, jį šiek tiek kilstelėkite.
4. Visi reguliavimo mygtukai turi būti nustatyti į padėtį „Išj.“ (rodyklė ant reguliavimo mygtuko nukreipta aukštyn). Jei taip nėra, paspauskite reguliavimo mygtuką ir pasukite jį į padėtį „Išj.“.
5. Dujų balioną pastatykite horizontaliai ir stabiliai ant žemės šalia grilio. Dujų baliono vožtuvas turi būti uždarytas.
6. Užtikrinkite, kad grilis bei dujų balionas būtų laisvai prieinami ir apie juos nebūtų pašalinių daiktų.
7. Jei dujų žarna dar neprijungta prie grilio, vieną dujų žarnos galą pritvirtinkite prie dujų jungties ir, jei reikia, kitą galą – prie slėgio reduktoriaus. Tvirtinimo tipas priklauso šalies dujų žarnos standarto.
8. Kaip aprašyta pridėtoje instrukcijoje, prijunkite slėgio reduktorių. Jei prie slėgio reduktoriaus nepridėta instrukcija, toliau aprašyti keli skirtingi prijungimo variantai. PASTABA. Paveikslėliai gali šiek tiek skirtis nuo faktinio vaizdo.
9. Prijungę dujų balioną, patikrinkite sandarumą (žr. skyrių „Sandarumo patikra“).



Naudojamą dujų balioną rekomenduojame padėti šalia grilio.

Tačiau naudojant ir baigus naudoti, dujų balioną galima laikyti apatinėje spintelėje, jei jis neviršija nurodytų didžiausių matmenų (žr. skyrių „Techniniai duomenys“). Įdėkite dujų balioną į tam skirtą dugno plokštės įdubą.

Slėgio reduktoriaus montavimas

Slėgio reduktorius su kairiniu sriegiu

(C pav.)

1. Ranka prisukite slėgio reduktorių prie dujų baliono vožtuvo sriegio. Atkreipkite dėmesį, kad sriegis yra kairinis ir reikia sukti prieš laikrodžio rodyklę.
2. Norėdami pradėti naudoti grilį ir, kad imtų tekėti dujos, pasukite dujų baliono vožtuvą (a) prieš laikrodžio rodyklę. Norėdami užsukti vožtuvą, sukite jį pagal laikrodžio rodyklę.

Slėgio reduktorius su svirtelė

(D pav.)

1. Pastumkite slėgio reduktoriaus svirtelę (b) į padėtį „Išj.“.
2. Užspauskite slėgio reduktorių ant dujų baliono vožtuvo, kol pasigirs, kaip jis užsifiksuoja.
3. Kad galėtumėte pradėti naudoti grilį ir imtų tekėti dujos, pastumkite svirtelę į padėtį „Ij.“. Norėdami sustabdyti dujų tiekimą, nustatykite svirtelę į padėtį „Išj.“.

Slėgio reduktorius su mažetu

(E pav.)

1. Pastumkite slėgio reduktoriaus svirtelę (b) į padėtį „Išj.“.
2. Pastumkite slėgio reduktoriaus manžetą aukštyn ir laikykite jį ten.
3. Užspauskite slėgio reduktorių ant dujų baliono vožtuvo ir pastumkite manžetą žemyn, kol užsifiksuos.
4. Jei slėgio reduktorius neužsifiksuoja, procedūrą pakartokite.
5. Kad galėtumėte pradėti naudoti grilį ir imtų tekėti dujos, pastumkite svirtelę į padėtį „Ij.“. Norėdami sustabdyti dujų tiekimą, nustatykite svirtelę į padėtį „Išj.“.

Slėgio reduktorius dujų kasetėms

(F pav.)

Naudokite tik sriegines dujų kasetes.

1. Prieš prijungdami dujų kasetę, patikrinkite, slėgio reduktorius yra su guminiu sandarikliu ir jis nepažeistas.
2. Užsukite slėgio reduktoriaus vožtuvą (c).
3. Prieš laikrodžio rodyklę iš apačios prisukite dujų kasetę prie slėgio reduktoriaus.
4. Kad galėtumėte pradėti naudoti grilį ir imtų tekėti dujos, atsukite vožtuvą (c). Kad sustabdytumėte dujų tiekimą, užsukite jį.

Slėgio reduktoriaus išmontavimas

1. Įsitinkite, kad dujų baliono ar slėgio reduktoriaus vožtuvas yra uždarytas.
2. Atsukite grilio reguliavimo mygtuką, kad iš sistemos išeitų likusios dujos.
3. Kad išmontuotumėte slėgio reduktorių, atvirkštine tvarka atlikite montavimo veiksmus.

SANDARUMO PATIKRA

DĖMESIO!



Jokiu būdu neieškokite dujų nuotėkio atvira liepsna! Prieš ieškodami nuotėkio, įsitinkite, kad artimoje aplinkoje negali atsirasti kibirkščių ir nėra atviros liepsnos. Kibirkštys ir liepsnos gali sukelti sprogimą, galintį sukelti sunkių ar net mirtinų sužalojimų bei materialinių nuostolių.

Po pirmojo prijungimo, kiekvieno dujų baliono keitimo ir ilgesnio grilio nenaudojimo, būtina patikrinti visų komponentų, kuriais teka dujos, sandarumą ir įsitikinti, kad jokia jungtis nepraleidžia dujų. Jei slėgio reduktorius yra su manometru, sandarumą tikrinkite vadovaudamiesi slėgio reduktoriaus instrukcijos nurodymais. Kitu atveju naudokite specializuotose parduotuvėse parduodamą nuotėkio paieškos priemonę ir laikykites jos gamintojo nurodymų. **Tikrinti sandarumą tiesiog klausantis nėra patikima!**

MAISTO RUOŠIMO GRILYJE PATARIMAI

1. Prieš pradėdami kepti grilyje, **pasiruoškite viską**, ko jums reikės. Kepdami grilyje turite nuolat matyti grilį ir jame ruošiamus produktus, o ne nuolat vaikščioti į virtuvę.
2. Kad iškeptų tolygiai, prieš kepanant **mėsa turėtų būti kambario temperatūros**.
3. Naudokite **švarias kepimo grotelles**. Jei ant kepimo grotelių bus maisto likučių, kepami maisto produktai prikibs.
4. Šiek tiek **aliejami patepti maisto produktai** tolygiau apskrunda ir neprikimba prie kepimo grotelių.
5. Kad kepami maisto produktai neprikibtų, prieš kepdami **patepkite kepimo grotelles aliejumi**.
6. Kad kepami maisto produktai neprikibtų prie kepimo grotelių ir galėtumėte juos stipriai apskrudinti, visada **įkaitinkite grilį** su uždarytu dangčiu. Be to, šitaip nudeginsite po paskutinio kepimo grilyje prikibusius maisto likučius. Grilį reikėtų įkaitinti, net jei ruošiate gaminti mažoje ar vidutinėje kaitroje.
7. Ant kepimo grotelių **nedėkite per daug produktų**. Tarp produktų palikite pakankamai vietos, kad galėtumėte juos patogiai paimti ir judinti.
8. Daug **cukraus turinčius marinatus, padažus ar glaistus** bei kitus greitai degančius ingredientus tepkite **tik likus 10–15 minučių iki kepimo pabaigos**.
9. Kepant rekomenduojame **laikyti grilio dangtį uždarytą**. Šitaip sumažinamas liepsnos liežuvių atsiradimo pavojus, o maisto produktai kepa greičiau ir tolygiau. Nedarinkite dangčio per dažnai, kad į grilį nepatektų per daug oro ir iš jo neišeitų per daug kaitros bei dūmų.
10. Kad kepsnys įgautų dailų grilio paveikslėlį bei skaniai apskrustų, **nevartykite jo per dažnai**. Įprastai grilyje kepama produktą reikėtų apversti tik vieną kartą – tada, kai jis įgaus norimą atspalvį. Taip pat nereikės per dažnai atidaryti dangčio.
11. **Iškeptus maisto produktus galite padėti ant karštį išlaikančių grotelių** ir laikyti šiltai, kol kepsite kitus produktus. Atkreipkite dėmesį, kad šie maisto produktai toliau kepa. Be to, ant karštį išlaikančių grotelių neaukštoje temperatūroje galite kepti daržoves, jūros gėrybes ir pan., o tuo pat metu ant kepimo grotelių didelėje kaitroje kepti kitus produktus, pavyzdžiui, mėsą.

Tiesioginis ir netiesioginis kepimas grilyje

Tiesioginis kepimas grilyje

Tai klasikinė versija, kai maisto produktai dedami tiesiai virš degiklio. Dėl to kaitra yra pakankamai didelė. Todėl šis būdas tinka produktams, kurie kepa iki 30 minučių ir turi greitai bei stipriai apskrusti (pvz., mėsiniams ar steikams). Šiuo būdu maistas įgauna gardžią luobelę, o viduje išlieka sultingas.

Netiesioginis kepimas grilyje

Ruošiant šiuo metodu, kaitra eina iš šalia produkto esančio degiklio, o po juo esantis degiklis lieka išjungtas. Grilio dangtis laikomas uždarytas, kad neišeitų karštis. Šį būdą rekomenduojame ilgai ruošiamiems produktams, pavyzdžiui, šonkauliams, plėšytai kiaulienai ar nesmulkintai paukštienai. Tačiau šiuo metodu galite paruošti ir žuvį bei daržoves.

Be to, galite derinti abu šiuos metodus: iš pradžių produktą stipriai apskrudinti, o po to baigti ruošti mažoje kaitroje, kad liktų sultingas.

NAUDOJIMAS

Grilio naudojimo pradžia

DĖMESIO!

- Kad pašalintumėte galimus gamybos likučius, prieš pirmąjį naudojimą išdeginkite grilį su kepimo grotelėmis ir visais prietaisais, kurie tiesiogiai liečiasi su maisto produktais. Tuo tikslu įkaitinkite grilį su uždarytu dangčiu iki maksimalios karščio pakopos ir palaikykite bent 20 minučių. Griliui atvėsus, nuvalykite priedus. Taip pat žr. skyrių „Valymas ir techninė priežiūra“.
- Grilį naudokite, tik jei visos dalys yra vietoje, o grilis sumontuotas tinkamai bei vadovaujantis šia montavimo ir naudojimo instrukcija.
- Prieš kiekvieną naudojimą įsitinkinkite, kad grilis nepažeistas ir tinkamai pastatytas. Rinkdamiesi statymo vietą, vadovaukitės skyriumi „Saugos nurodymai“.
- Prieš kiekvieną naudojimą įsitinkinkite, kad dujų balionas ir slėgio reduktorius tinkamai prijungti ir visos dalys, kuriomis teka dujos, yra sandarios (žr. skyrius „Dujų baliono prijungimas“ ir „Sandarumo patikra“).
- Prieš kiekvieną naudojimą patikrinkite, ar grilyje nėra riebalų apnašų. Pašalinkite riebalų perteklių ir ištuštinkite bei nuvalykite riebalų surinkimo sistemos dalis, kad riebalai neužsidegtų (žr. skyrių „Valymas ir techninė priežiūra“).
- Riebalų surinkimo sistemos ar grilio kameros **neiškllokite** aliuminio folija ar kitokia plėvele.
- Uždegant grilį dangtis turi būti atidarytas. Kiekvieną degiklį uždekite atskirai.
- Liepsnai užgesus ar degikliui neužsidegus, atitinkamą reguliavimo mygtuką nustatykite į padėtį „Išj.“. Prieš mėgindami uždegti vėl, palaukite maždaug 2–5 minutes, kad dujos išgaruotų. Antraip gali įvykti deflagracija.
- Uždegdami dujinį degiklį nesilenkite virš grilio, nes grilio kameroje susikaupus dujoms gali įvykti deflagracija.
- Niekada nepilkite vandens ant grilio, nes galite nusiplikyti ir nusideginti.

1. Atidarykite dangtį.
2. Įsitinkinkite, kad visi reguliavimo mygtukai yra nustatyti į padėtį „Išj.“ (rodyklė ant reguliavimo mygtuko nukreipta aukštyn). Jei taip nėra, paspauskite reguliavimo mygtuką ir pasukite jį į padėtį „Išj.“.
3. Atsukite dujų baliono vožtuvą.
4. Kiekvienas degiklis yra su uždegikliu ir gali būti uždegtas atskirai. Paspauskite norimo degiklio reguliavimo mygtuką ir pasukite jį į padėtį „Max“ (maksimali galia) (G pav.). Pradedamas dujų tiekimas. Jei prietaisas yra su pjezo uždegikliu, papildomai generuojama kibirkštis, skleidžianti spragsėjimo garsą. Jei prietaisas yra su elektriniu uždegikliu, papildomai paspauskite uždegimo mygtuką (I pav.). Girdisi klaksėjimas.
5. Patikrinkite, ar degiklis uždegtas. Atsargiai apžiūrėkite, ar iš degiklio eina liepsna.
6. Jei degiklis neužsidegė, pasukite reguliavimo mygtuką į padėtį „Išj.“ ir maždaug po 2–5 minučių pamėginkite iš naujo.



Jei prietaisas yra su pjezo uždegikliu, kad ugnis neužgesėtų, reguliavimo mygtuką atleiskite tik praėjus kelioms sekundėms po uždegimo.

7. Tokiu pat būdu uždekite ir kitus degiklius.

Kepimas grilyje

DĖMESIO!

- Atidarant dangtį gali išsiveržti karšti garai. Todėl neikiškite galvos ir rankų į pavojaus zoną. Pavojus nusiplikyti.
- Naudokite grilio įrankius su ilgomis ir karščiui atspariomis rankenomis.

1. Uždegę degiklį, įkaitinkite grilį. Uždarykite dangtį ir palaukite, kol dangčio termometre bus rodoma norima temperatūra. Įkaitinę grilį, galite išjungti nereikalingus degiklius. Tuo tikslu pasukite reikiamus reguliavimo mygtukus į padėtį „Išj.“.
2. Atidarykite dangtį ir padėkite kepamą produktą ant kepimo grotelių ar kito priedo, kurį naudojate.
3. Jei norite, kad grilio kameroje būtų aukšta temperatūra ir ruošiamas maisto produktas tolygiai iškeptų iš visų pusių, uždarykite dangtį.
4. Jei reikia, sumažinkite degiklio galią pasukdami reguliavimo mygtuką į padėtį „Min“ (mažiausia galia).
5. Kepamam produktui įgavus reikiamą rudumą, apverskite jį grilio žnyplėmis.

Grilio naudojimo pabaiga

1. Užsukite dujų baliono vožtuvą.
2. Visus reguliavimo mygtukus nustatykite į padėtį „Išj.“.
3. Prieš judindami grilį, palaukite, kol jis atvės.
4. Griliui atvėsus nuvalykite jį (žr. skyrių „Valymas ir techninė priežiūra“). Per didelės maisto produktų likučių ir maistinių riebalų sankaupos gali sukelti vadinamąjį riebalų gaisrą.

VALYMAS IR TECHNINĖ PRIEŽIŪRA

DĖMESIO!

- Prieš valydami palaukite, kol visos dalys atvės ir jas bus galima liesti.
- Nevalykite slėgio reduktoriaus vožtuvo! Jame yra labai jautrių dalių, kurios gali būti pažeistos net dėl nedidelio sąlyčio su kitais daiktai. Nenardinkite slėgio reduktoriaus į vandenį.
- Dujų sistemą valyti gali tik kvalifikuotas specialistas. Jokiu būdu neardykite reguliavimo mazgo.
- Degiklio vidus negali sušlapti!
- Grilio nenardinkite į vandenį ir neplaukite jo vandens žarna. Į dujų sistemos ir elektros komponentus negali patekti skysčiai.
- Prieš valydami grilio korpusą, atjunkite dujų balioną.
- Ant karštų dalių jokiu būdu nepilkite šalto vandens. Dėl to galima nudegti ir gali būti pažeistos medžiagos.
- Jokiu būdu nenaudokite spirito ar kitų degių arba esdinančių valiklių.
- Tiekiamame komplekte esantys priedai nepritaikyti plauti indaplovėje.
- Prieš naudojant arba padedant laikyti visi priedai turi būti sausi.

Jei norite ilgai džiaugtis griliu, užtikrinkite kad jis būtų švarus. Jei jis nėra reguliariai valomas ir prižiūrimas, laikui bėgant mažėja jo našumas. Žema temperatūra ir netolygus karščio pasiskirstymas – tai požymiai, kad reikia išvalyti komponentus, kuriais teka dujos. Dėl maisto produktų likučių kepami produktai prikimba prie kepimo grotelių. Riebalų apnašos gali sukelti riebalų gaisrą.

Riebalų surinkimo sistemos valymas (po kiekvieno naudojimo)

- **Nenaudokite šiurkščių valymo priemonių.**
 - Po kiekvieno naudojimo arba prieš kiekvieną naudojimą ištuštinkite ir išvalykite visas riebalų surinkimo sistemos dalis (riebalų rinkimo padėklą, riebalų rinktuvą arba riebalų surinkimo

dėklą). Dalis nuplaukite šiltu vandeniu, plovikliu ir kempine. Prietaisą valyti paprasčiausia, kai jis po naudojimo dar truputį šiltas (ne karštas!).

Ketaus kepimo grotelių ir grilio plokštės valymas (po kiekvieno naudojimo)

Grilio plokštę valykite taip pat kaip kepimo grotelės.

1. Kepimo grotelės palikite grilyje ir nuvalykite stambius likučius kepimo grotelių valymo šepečiu ar mentele.
2. Likusius maisto produktų likučius nudeginkite. Įkaitinkite grilį iki maksimalaus karščio (bent 300 °C) uždarykite dangtį ir palaikykite maždaug 30 minučių.
3. Palaukite, kol kepimo grotelės atvės tiek, kad galėtumėte jas liesti ir nuvalykite jas šepečiu. Po to, jei reikia, nuvalykite jas drėgnu popieriniu rankšluosčiu.
4. Kad kepimo grotelės būtų prižiūretos ir paruoštos kitam kepimui grilyje, rekomenduojame patepti jas augaliniu aliejumi.

Emaliuotų kepimo grotelių, karštį išlaikančių grotelių, degiklių dangčių ir kitų emaliuotų dalių valymas

- **Nenaudokite šiurkščių valymo priemonių ir šepečių su plieniniais šeriais.**
 - Kepimo grotelės ir karštį išlaikančias grotelės valykite po kiekvieno naudojimo, o kitas dalis – kai reikia.
 - Stambius maisto produktų likučius pašalinkite plastikine mentele arba užmerkite šiltame vandenyje.
 - Po to nuvalykite šiltu vandeniu, trupučiu plovikliu ir kempine arba minkšta šluoste.

Nerūdijančiojo plieno grotelių valymas (po kiekvieno naudojimo)

- Nerūdijančiojo plieno grotelės valykite šiltu vandeniu, plovikliu ir kempine ar nerūdijančia valymo pagalvėle.

Grilio kameros valymas (prireikus)

Naudojant prietaisą, iš garuojančių riebalų ir dūmų gali susidaryti anglies, kuri gali nusėsti grilio kameroje.

- **Nenaudokite šiurkščių valymo priemonių.**
 1. Pašalinkite iš visos grilio kameros visus maisto produktų likučius ir riebalų sankaupas. Tam galite naudoti plastikinę mentele.
 2. Po to švariai nuvalykite paviršius minkšta šluoste. Jei yra didesnių nešvarumų, galite nuvalyti juos šiltu vandeniu, plovikliu ir kempine, o po to nusausti nešiurkščia šluoste.

Išorės valymas (prireikus)

Grilio išorė sudaryta iš įvairių medžiagų ir paviršių. Todėl rekomenduojame valymo būdą pasirinkti priklausomai nuo valomo paviršiaus.

Nerūdijančiojo plieno paviršiai

- Naudokite nešiurkštų nerūdijančiojo plieno valiklį ir laikykitės gamintojo nurodymų. **Nenaudokite šiurkščių pastų!**
- Valymui galite naudoti šiltą vandenį, buitinį valiklį ir kempinę. Po to paviršius nuplaukite švariu vandeniu ir nusauskite minkšta šluoste.



Jei grilis naudojamas ypač nepalankiomis aplinkos sąlygomis, grilio išorę valykite dažniau. Aplinkoje, kurioje yra chloridų ir sulfidų, ypač pajūrio regionuose, net ir nerūdijantysis plienas gali oksiduotis ir įgauti dėmių. Dėl sūraus vandens, rūgščiųjų lietu, baseinų ar sūkurinių vonių artumo bei kitų ekstremalių sąlygų, pasižyminčių dideliu karščiu ir didele oro drėgme, ant paviršiaus gali atsirasti dėmių. Šios dėmės dažnai painiojamos su rūdimis. Nuo jų galima apsisaugoti ir jas paprasčia nuvalyti. Nuplaukite dėmę drungnu vandeniu ir buitiniu valikliu, o po to

paviršių nuskalaukite švariu vandeniu ir nusauskite. Kad neatsirastų dėmių, kas 3–4 savaites nerūdijančio plieno paviršius nušveikite vandentiekio vandeniu ir nerūdijančiam plienui skirta valymo priemone.

Lakuoti ir emaliuoti paviršiai bei plastikinės dalys

■ **Nenaudokite šiurkščių valymo priemonių.**

- Valymui naudokite tik šiltą vandenį su trupučiu buitinio valiklio bei popierinius rankšluosčius ar minkštą šluostę. Paviršių nuplaukite ir nusauskite.

Komponentų, kuriais teka dujos, valymas (prireikus)

Komponentai, kuriais teka dujos, gali būti užsikišę ir juos reikia išvalyti, jei:

- degiklio liepsna yra silpna ir geltonos spalvos bei juntamas dujų kvapas;
- nepasiekiamas norima temperatūra;
- degiklis kaitina netolygiai ir liepsna blykčioja.

Tinkami valymo veiksmai:

- Visus išorinius degiklių paviršius nuvalykite švariu vieliniu šepetėliu, kad pašalintumėte maisto likučius ir nešvarumus. **Valykite atidžiai, kad nesulenktumėte ir nepažeistumėte uždegimo elektrodo.** Šepetėliu atsargiai nuvalykite paviršius apie uždegimo elektrodą.
- Visų pirma užtikrinkite, kad visų degiklių vamzdelių dujų išėjimo ir oro įėjimo angos bei Venturi vamzdelis būtų švarūs. Jei reikia, išvalykite juos pyptelių valikliu arba suslėgtu oru.
- Jei reikia, dujų jungtį ir dujų žarnos jungtis galite išvalyti minkštu teptuku.

Techninės priežiūros darbai

DĖMESIO!

- Purkštukus keisti gali tik specialistai.

Jei grilis reguliariai valomas, jam nereikia techninės priežiūros. Vis dėlto periodiškai jį reikia patikrinti. Tikrinimo intervalus priderinkite atsižvelgdami į grilio naudojimo dažnumą ir aplinkos sąlygas.

- Patikrinkite (apžiūrėkite), ar yra visos grilio dalys ir jos sumontuotos.
- Patikrinkite, ar yra visos jungtys ir jos tvirtai priveržtos. Jei reikia, priveržkite stipriau.
- Kiekvieną kartą prijungus dujų balioną, būtina patikrinti dujų sistemą (žr. skyrių „Sandarumo patikra“).
- Dujų žarną būtina pakeisti, jei joje yra porėtų ar pažeistų vietų arba pasibaigė jos maksimalaus naudojimo terminas (žr. skyrių „Techniniai duomenys“).

LAIKYMAS

DĖMESIO!

- Saugokite grilį nuo stipraus vėjo, ilgalaikės drėgmės, lietaus, sniego, krušos ar kitų gamtos reiškinių.
- Ilgesnį laiką nenaudodami grilio, atjunkite dujų balioną ir tinkamai laikykite jį (žr. skyrius „Saugos nurodymai“, „Dujų balionų keliami pavojai“).

- Grilį laikykite lauke, sausoje vietoje. Grilį uždenkite (apsaugos nuo oro sąlygų uždangalu), kad apsaugotumėte dalis nuo drėgmės, dulkių, vabzdžių ar vorų, kurie gali patekti į grilio korpusą ir ten apsigyventi.
- Prieš padėdami grilį laikyti, nuvalykite jį (žr. skyrių „Valymas ir techninė priežiūra“).
- Jei grilis laikomas **vidaus patalpose**, jį būtina **atjungti nuo dujų baliono**. Tinkamai uždarykite jį akle ir apsauginiu gaubteliu (priklausomai nuo modelio) bei laikykite lauke gerai vėdinamoje vietoje virš žemės lygio (t. y. ne įdubose žemiau žemės paviršiaus lygio).
- Jei grilio nenaudojate ilgą laiką, išimkite iš elektrinio uždegiklio bateriją, kad apsisaugotumėte nuo galimos žalos baterijai ištekėjus.

PROBLEMŲ SPRENDIMAS

Jei nepaisant pakankamos priežiūros ir kruopštumo įvyko triktis, šis skyrius padės ją pašalinti.

Jei atlikus toliau nurodytus veiksmus problemos išspręsti nepavyko, kreipkitės į klientų aptarnavimo tarnybą (žr. šios montavimo ir naudojimo instrukcijos atverčiamą puslapį).



Nemėginkite dujų sistemos remontuoti patys!

Dujų kvapas (galimai, kai liepsna labai geltonos spalvos ir silpna).

Nuotėkis dujų sistemoje.

1. Nedelsdami užsukite dujų baliono vožtuvą.
2. Užtikrinkite, kad neatsirastų liepsnos ir kibirkščių (nejunkite elektros prietaisų).
3. Tvirtiau priveržkite visas dujų sistemos sriegines jungtis.
4. Patikrinkite, ar išoriškai nepažeistos visos dalys, kuriomis teka dujos, ir pakeiskite visas pažeistas dalis originaliomis atsarginėmis dalimis.
5. Patikrinkite sandarumą (žr. skyrių „Sandarumo patikra“).

Užsikišę degikliai.

- ▶ Išvalykite, kaip aprašyta skyriuje „Valymas ir techninė priežiūra“. „Komponentų, kuriais teka dujos, valymas (prireikus)“.

Užsikišęs reguliavimo elemento purkštukas (už priekinės uždangos) arba kita dujų sistemos dalis.

- ▶ Paveskite specialistui išvalyti dujų sistemą.

Neužsidega degiklis.

Išsiekvojusi arba netinkamai įdėta elektrinio uždegiklio baterija.

- ▶ Įdėkite naują bateriją. Patikrinkite poliškumą +/-.

Tuščias dujų balionas.

- ▶ Pakeiskite dujų balioną.

Užsikišęs degiklis.

- ▶ Išvalykite jį, kaip aprašyta skyriuje „Valymas ir techninė priežiūra“. „Komponentų, kuriais teka dujos, valymas (prireikus)“.

Šoninio degiklio uždegimo kabelis neprijungtas prie uždegiklio.

- ▶ Apžiūrėkite. Jei reikia, prijunkite uždegimo kabelį.

Užsikišęs reguliavimo elemento purkštukas (už priekinės uždangos) arba kita dujų sistemos dalis.

- ▶ Paveskite specialistui išvalyti dujų sistemą.

Sugedęs uždegiklis.

- ▶ Paveskite specialistui patikrinti, sutaisyti ar pakeisti uždegiklį.

Nepasiekiamo norima temperatūra. / Liepsna yra silpna, stipriai blykčiojanti arba netolygi. / Neužsidega atskiri degikliai.

(Beveik) tuščias dujų balionas.

- ▶ Pakeiskite dujų balioną.

Užsikišę degikliai.

- ▶ Išvalykite, kaip aprašyta skyriuje „Valymas ir techninė priežiūra“. „Komponentų, kuriais teka dujos, valymas (prireikus)“.

Sulenкта dujų žarna.

- ▶ Ištiesinkite dujų žarną.

Užsikišo reguliavimo elemento purkštukas (už priekinės uždangos) arba kita dujų sistemos dalis.

- ▶ Paveskite specialistui išvalyti dujų sistemą.

Deflagracija arba spragsėjimas / taukšėjimas

Liepsnos atatranka dėl užsikišusio degiklio.

- ▶ Nedelsdami uždarykite dujų baliono vožtuvą. Palaukite 5 minutes ir vėl įjunkite grilį. Jei triktis išlieka, išvalykite degiklį, kaip aprašyta skyriuje „Valymas ir techninė priežiūra“. „Komponentų, kuriais teka dujos, valymas (prireikus)“. Arba paveskite specialistui išvalyti dujų sistemą.

Stiprus liepsnojimas

Grilyje kepamas maisto produktas yra labai riebus.

- ▶ Pašalinkite riebalų perteklių, padėkite mėsą ant grilio lėkštelės arba sumažinkite grilio temperatūrą.

Grilis užsiteršęs.

- ▶ Išvalykite grilį (žr. skyrių „Valymas ir techninė priežiūra“).

ATLIEKŲ TVARKYMAS

Prieš tvarkydami grilio atliekas, išardykite jį į atskiras dalis ir perduokite perdirbti metalą bei plastiką.



Pakuotės medžiagų atliekas tvarkykite tausodami aplinką ir nugabenkite jas į antrinių žaliavų surinkimo punktą.



Šalia esantis simbolis (perbrauktas ir pabrauktas atliekų konteineris) reiškia, kad naudotų prietaisų negalima išmesti su buitinėmis atliekomis, o reikia priduoti specialiose surinkimo ir grąžinimo vietose.

Jei naudotame įrenginyje yra baterijų ar akumuliatorių, kuriuos galima išimti iš įrenginio jo nesugadinant, įrenginio savininkas turi juos išimti ir sutvarkyti jų atliekas atskirai (taip pat žr. skirsnį dėl baterijų atliekų tvarkymo).

Naudotų įrenginių savininkai gali nemokamai priduoti juos viešuose surinkimo punktuose arba gamintojų ir pardavėjų pagal Elektros įrangos atliekų įstatymą įrengtuose grąžinimo punktuose. Priimti naudotus įrenginius taip pat turi parduotuvės, prekiaujančios elektros ir elektronine įranga.



Baterijų ir akumuliatorių negalima išmesti su buitinėmis atliekomis. Teisės aktai vartotojus įpareigoja baterijų ir akumuliatorių atliekas išrūšiuoti ir perduoti į atliekų surinkimo punktą.

Baterijas ir akumulatorius galima nemokamai priduoti savivaldybės / seniūnijos surinkimo punkte ar pardavimo vietoje, kad jų atliekos būtų sutvarkytos tausojant aplinką, o vertingos žaliavos būtų perdirbtos. Atliekas tvarkant netinkamai, į aplinką gali patekti nuodingų medžiagų, galinčių pakenkti žmonių, gyvūnų ir augalų sveikatai.

Priduokite tik išsikrovusius akumulatorius ir baterijas. Jei įmanoma, stenkitės naudoti įkraunamas, o ne vienkartinės baterijas.

Prieš tvarkydami ličio baterijų ir akumuliatorių atliekas, atjunkite jų gnybtus, kad neįvyktų trumpasis jungimas. Trumpasis jungimas gali sukelti gaisrą ar sprogamą.

EB ATITIKTIES DEKLARACIJA

Mes, įmonė LANDMANN Germany GmbH, deklaruojame, kad čia aprašomas dujinis prietaisas atitinka Reglamentą (EU) 2016/426.

Atitiktis patvirtinta tipo tyrimu pagal standartą EN 498:2012.

Tipo tyrimą atliko notifikuotoji įstaiga

DBI Certification A/S (2531).

Prietaiso identifikacinis numeris: **2531CU-0061**

Dėl papildomos informacijos kreipkitės į mūsų klientų aptarnavimo tarnybą.

Dārgā kliente, dārgais klienti!

Pateicamies, ka izvēlējies LANDMANN gāzes grilu. Šī montāžas un lietošanas instrukcija Tev palīdzēs soli pa solim sagatavot tikko iegādāto LANDMANN grilu lietošanai. Turpinājumā Tu atradīsi svarīgus norādījumus par ierīces pareizu un drošu lietošanu un kopšanu.

Atvēli laiku, lai iepazītos ar detalizētu informāciju par savu jauno ierīci. Jo mēs Tev novēlam ne vien raitu lietošanas sākšanu, bet arī ilgstošu prieku visu LANDMANN grila lietošanas laiku.

Ja Tev rodas jautājumi par Tavu grila modeli vai ir nepieciešams papildu atbalsts, Tev labprāt palīdzēs mūsu servisa komanda. Attiecīgo kontaktinformāciju atradīsi uz šīs montāžas un lietošanas instrukcijas vāka.

**Priecīgus mirkļus un gardu grilsezonu
Tei novēl LANDMANN komanda.**

SATURS

Tehniskie dati	74
Piegādes komplekts	74
Ierīces pārskats	74
Noteikumiem atbilstoša lietošana	75
Drošības norādījumi	75
Prasības gāzi vadošajiem komponentiem	76
Montāžas norādījumi	76
Baterijas ievietošana elektriskajā aizdedzē	77
Gāzes balona pievienošana	77
Hermētiskuma pārbaude	77
Grilēšanas ieteikumi	78
Lietošana	78
Tīrīšana un apkope	79
Uzglabāšana	80
Problēmu novēršana	80
Utilizācija	81
EK atbilstības deklarācija	81

BRĪDINĀJUMS:

- Izmanto tikai ārpus telpām.
- Pirms ierīces lietošanas izlasi montāžas un lietošanas instrukciju.
- **BRĪDINĀJUMS:** Daļas, kurām var piekļūt, var būt ļoti karstas. Sargi bērņus.
- Ierīcei darbības laikā jāatrodas atstātas no degošiem materiāliem.
- Nepārvieta ierīci darbības laikā.
- Pēc lietošanas noslēdz gāzes padevi no gāzes balona.
- Neveic ierīcē izmaiņas.

PIRMS LIETOŠANAS IZLASI ŠO MONTĀŽAS UN LIETOŠANAS INSTRUKCIJU!

Neievērojot tajā dotos drošības norādījumus, neveicot norādītos piesardzības pasākumus un darbības, var gūt smagas vai pat nāvējošas traumas vai ugunsgrēka vai eksplozijas dēļ radīt materiālos zaudējumus.

Saglabā šo montāžas un lietošanas instrukciju gadījumā, ja Tev vēlāk radīsies jautājumi un tajā vēlēties ieskatīties citi lietotāji. Tā ir ierīces sastāvdaļa. Ja netiek ievērotas šajā montāžas un lietošanas instrukcijā dotās norādes, ražotājs un importētājs nenes nekādu atbildību.

Simboli



Bīstamības zīme: šis simbols norāda uz iespējamām briesmām. Uzmanīgi jāizlasa un jāievēro attiecīgie drošības norādījumi.



Papildinformācija



Pirms lietošanas izlasīt montāžas un lietošanas instrukciju!



Piemērots pārtikas produktiem.



Līdzstrāva

Papildu skaidrojumi

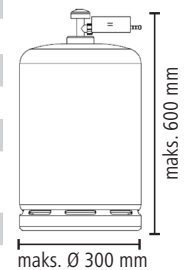
Numuri attēlu paskaidrojumos tiek attēloti šādi: (1)

Norādes uz attēliem tiek attēlotas šādi: (A attēls)

TEHNISKIE DATI

Ierīces nosaukums:	Gāzes grils „TRITON 4.0”				
Modeļa numurs:	12268				
Valsts:	BG, CY, CZ, DK, EE, FI, HU, HR, IS, IT, LT, LV, MT, NL, NO, RO, SE, SI, SK	PL	AT, CH, CZ, DE	BE, CH, CZ, ES, FR, GR, IE, IT, LT, LU, LV, PT, SK, SI, TR	
Gāzes kategorija:	I _{3B/P} (30)	I _{3B/P} (37)	I _{3B/P} (50)	I ₃₊ (28-30/37)	
Gāzes veids:	G30 (butāns), G31 (propāns) vai to maisījums	G30 (butāns), G31 (propāns) vai to maisījums	G30 (butāns), G31 (propāns) vai to maisījums	G30 (butāns)	G31 (propāns)
Gāzes spiediens, mbar:	28–30	37	50	28–30	37
Patēriņš:	G30: 872 g/h G31: 857 g/h	G30: 872 g/h G31: 857 g/h	G30: 872 g/h G31: 857 g/h	872 g/h	857 g/h
Galvenā degļa sprauslas Ø:	0,85 mm	0,79 mm	0,73 mm	0,85 mm	0,85 mm
Siltumjauda:	12 kW (4 x 3,0 kW galvenais deglis)				
Aizdedze:	1,5 V baterija (AA)				
Reduktors:	atb. EN 16129; ievērot nacionālos noteikumus.				
Gāzes šļūtene:	atb. EN 16436-1; maks. 1,5 m; jāievēro nacionālie noteikumi par maksimālo izmantošanas laiku.				
Izmērs (G x A x P):	Grils: apm. 140 x 120 x 57 cm				
Svars:	apm. 46 kg				
Gāzes balons:	Standarta gāzes balons, izmēru skatīt attēlā blakus.				
Montāžas un lietošanas instrukcijas ID:	Z TRI 4.0+mod M LM SCA V1 1122 md				
Ražotājs:	LANDMANN Germany GmbH, Am Heisterbusch 1, 19258 Gallin, Deutschland				

CE 2531-23
PIN: 2531CU-0061



Ražots Ķīnā.

PIEGĀDES KOMPLEKTS

(A attēls, skatīt atlokāmo lapu)

Poz.	Apzīmējums	Gab.
1	Grila korpuss (samontēts)	1
2	A leņķis	2
3	B leņķis	2
4	Vāka rokturis	1
5	Sānu galdiņš, kreisais	1
6	Sānu galdiņš, labais	1
7	Gāzes šļūtene ar reduktoru (neietilpst piegādes komplektā dažās valstīs)	1
8	Tauku savākšanas trauks	1
9	Kreisā sānu siena	1
10	Kreisais leņķis	1
11	Labais leņķis	1
12	Labā sānu siena	1
13	Fiksējams ritenītis	4
14	Pamatne	1
15	Skapīša nosegpanelis	1
16	Labās skapīša durvis	1
17	Kreisās skapīša durvis	1
18	Aizmugures siena	1
19	Durvju rokturis	2
20	Spraislis	1
21	Degļa pārsegs	4
22	Tauku savākšanas paplāte	1
23	Regulēšanas poga	4
24	Sānu grila reste	2
25	Vidējā grila reste	1
26	Sildīšanas reste	1
27	Instrumenti grila restes pacelšanai	1

Poz.	Apzīmējums	Gab.
Montāžas materiāli:		
A	Skrūve, M4 x 10 mm	16
B	Skrūve, M6 x 12 mm	30
C	Skrūve, M6 x 18 mm	8
D	Paplāksne	2
	1,5 V baterija (AA) elektriskajai aizdedzei	1
	Montāžas un lietošanas instrukcija	1
	Gāzes reduktora instrukcija	1

Tev vēl būs nepieciešams:

- LP gāzes balons (skatīt nodaļu „Tehniskie dati”), 1 x
 - Montāžas instrumenti
- Šie piederumi neietilpst piegādes komplektā.

IEVĒRO!

- Pārbaudi, vai piegāde ir veikta pilnā komplektācijā un vai transportējot nav bojātas detaļas. Ja kāda detaļa trūkst vai ir bojāta, vērsies klientu servisā (skatīt šīs montāžas un lietošanas instrukcijas vāku). Paturam tiesības veikt nelielas izmaiņas, piemēram, montāžas materiālos.
- Noņem no ierīces iespējamās plēves, uzlīmes vai transportēšanas aizsargus, taču **nekad nenoplēs datu plāksnīti un iespējamās brīdinājuma norādes!**

IERĪCES PĀRSKATS

(B attēls)

- 28 Vāka termometrs
- 29 Vāks
- 30 Aizdedzes poga
- 31 Gāzes pieslēgums
- 32 Skapītis

NOTEIKUMIEM ATBILSTOŠA LIETOŠANA

- Šis gāzes grils ir paredzēts grilējamu pārtikas produktu gatavošanai. Tas darbojas ar sašķidrināto gāzi un ir paredzēts lietošanai ārpus telpām.
- Citāds pielietojums nav pieļaujams. Īpaši tas attiecas uz šādiem paredzamiem nepareizas lietošanas gadījumiem:
 - Nekurini grilu ar malku, kokoglēm vai citu kurināmo, kas nav sašķidrinātā gāze (propāns/butāns).
 - Nepievieno grilu dabasgāzes apgādes sistēmai (pilsētas gāzes apgādes sistēmai)! Vārsti un sprauslas ir paredzēti tikai sašķidrinātās gāzes baloniem.
 - Neizmanto grilu apkurei.
 - Neizmanto grilu citu vielu un materiālu, kas nav pārtikas produkti, karsēšanai.
 - Nekad neizmanto grilu kā iebūvējamu ierīci.
- Grils un gāzes balons jāizmanto un jāuzglabā saskaņā ar spēkā esošajiem noteikumiem.
- Grils ir paredzēts privātai, nevis komerciālai lietošanai.
- Izmanto grilu tikai norādītajam mērķim un tikai tā, kā aprakstīts montāžas un lietošanas instrukcijā. Jebkurš cits pielietojums uzskatāms par noteikumiem neatbilstošu. Nepareiza lietošana un neatbilstoša izmantošana var izraisīt darbības traucējumus vai materiālos zaudējumus un personu traumas.
- Garantija neattiecas uz trūkumiem, kuri rodas nepareizas lietošanas, bojājumu vai remonta mēģinājumu rezultātā. Tas attiecas arī uz normālu nodilumu, kā arī uz tauku nosēdumiem un grila un piederumu krāsas izmaiņām.

DROŠĪBAS NORĀDĪJUMI

Savainošanās riski

- Grils nav paredzēts tam, ka to lieto bērni un personas ar ierobežotām fiziskām, sensorām vai garīgām spējām vai ar nepietiekamu pieredzi un/vai nepietiekamām zināšanām.
- Bērni nedrīkst spēlēties ar grilu. Nodrošini, lai grilam nevarētu piekļūt nepieskatīti bērni, arī tad, kad tas ir izslēgts. Nepareiza lietošana var būt bīstama.
- **BRĪDINĀJUMS: Daļas, kurām var piekļūt, var būt ļoti karstas. Sargi bērnus!** Nekad neatstāj grilu bez uzraudzības, kamēr tas darbojas vai vēl ir karsts. Īpaši uzmanies, lai karsta grila tuvumā nenokļūtu bērni vai personas, kas nespēj pareizi novērtēt iespējamās briesmas vai uz tām atbilstoši reaģēt.
- Lieto grila cimdus, kas saskaņā ar Regulu (ES) 2016/425 par individuālajiem aizsardzības līdzekļiem ir pārbaudīti atbilstoši standartam EN 407 (karstumaizsardzības kategorija II).
- Grila lietošanas laikā un pēc tam nepieskaries uzkaršušām daļām! Kamēr grils darbojas, vai uzreiz pēc tā izslēgšanas pieskaries tikai rokturiem un regulēšanas elementiem. Pirms grila transportēšanas, tīrīšanas vai novietošanas glabāšanā pagaidi, līdz tas ir atdzisis.
- **Nepārviesto grilu darbības laikā!**
- Alkohola vai narkotisko vielu lietošana var negatīvi ietekmēt spējas veikt pareizu un drošu grila montāžu, pārvietošanu, uzglabāšanu vai lietošanu.

Nosmakšanas risks, ugunsbīstamība un sprādzienbīstamība

Gāze ir viegli uzliesmojoša, un tā sadeg ar sprādzienu. Nekontrolēti uzliesmojot izplūstošai gāzei, var gūt smagas traumas vai nodarīt materiālos zaudējumus. Sašķidrinātā gāze ir smagāka par skābekli. Tādēļ tā uzkrājas virs grīdas, izspiežot skābekli. Rodoties atbilstoši gāzes koncentrācijai (piem., ja ir bojāts gāzes balons), skābekļa trūkuma dēļ var nosmakt.

- Izmanto tikai šajā montāžas un lietošanas instrukcijā norādītos gāzes veidus, gāzes balonus, reduktorus un gāzes šļūtenes (skatīt nodaļu „Prasības gāzi vadošajiem komponentiem”).
- Izmanto grilu tikai virs zemes (t.i., nevis padziļinājumā zemāk par zemes līmeni).
- **Izmanto tikai ārpus telpām.** Nelieto grilu ēkās, garāžās, segtās vārtmūšēs, teltīs, citās slēgtās vietās, zem markizēm vai degošām konstrukcijām.
- Nelieto grilu transportlīdzeklī vai uz tā. Tas attiecas arī uz dzīvojamajiem treileriem, dzīvojamajiem vagoniņiem un laivām.
- Nelieto grilu, ja gaisā vai apkārtējā vidē ir viegli uzliesmojošas vai sprāgstošas vielas. Neuzglabā grila tuvumā degvielu vai citus uzliesmojošus tvaikus un šķidrums un neizmanto šāda veida vielas grilā. Neizsmidzini grila tuvumā aerosolus.
- Nekad nelieto grilu bez reduktora (skatīt nodaļu „Prasības gāzi vadošajiem komponentiem” – „Reduktors”)!
- Pārlicinies, ka reduktors ir pareizi pievienots un darbojas, un tam nav bojājumu.
- Ikreiz pēc gāzes balona pievienošanas vai tad, ja grils nav lietots ilgāku laiku, veic visu gāzi vadošo komponentu hermētiskuma pārbaudi (skatīt nodaļu „Hermētiskuma pārbaude”). **Ja ir gāzes noplūde, grilu nedrīkst lietot.**
- **Šai ierīcei darbības laikā jāatrodas atstāts no degošiem materiāliem.** Pastāv degšanas un gruzdēšanas risks. No degošiem materiāliem jāievēro šāds minimālais attālums: 2 m uz augšu un 1 m uz sāniem no grila. Līdz grūti uzliesmojošiem materiāliem, piem., ēkas sienām, jāievēro vismaz 0,6 m attālums. Arī skapītī darbības laikā nedrīkst uzglabāt ne pārklāju aizsardzībai pret laikapstākļiem, ne citus degošus materiālus.
- Pievienojot gāzes balonu, grila tuvumā 5 m rādiusā nedrīkst atrasties aizdegšanās avoti, it īpaši atklāta liesma vai degošas cigaretes, sveces, lampas utt. Ja, pievienojot balonu, izplūst gāze, apdraudējumu var radīt arī elektroierīces.
- Nekad neaizver grila korpusa un gāzes balona nodalījuma ventilācijas atveres un nodrošini, ka tās vienmēr ir brīvas.
- Nenosedz grila atveres un, pirms sākt grila lietošanu, nodrošini, ka tās nav aizsprostotas. Kā vairums ierīču, kuras tiek lietotas ārpus telpām, arī grils ir patvērums zirnekļiem un citiem kukaiņiem. Aizsprostoti gāzi vadošie komponenti var traucēt gāzes plūsmu, kas var samazināt jau du vai pat izraisīt bīstamu dzirksteļošanu. Likvidē aizsprostojumus, kā aprakstīts nodaļā „Tīrīšana un apkope”.
- Nekad neatstāj grilu bez uzraudzības, kamēr tas darbojas. Ja liesma nodziest, nekavējoties aizdedzini to no jauna vai noslēdz gāzes balonu.
- Sajūtot gāzes smaku, noslēdz gāzes padevi no gāzes balona un apdzēs visas liesmas. Neieslēdz elektroierīces. Pirms atsākt grila lietošanu, noskaidro un novērs gāzes izplūdes iemeslu.
- Seko, lai eļļaini un taukvielām bagāti ēdieni netiktu pārkarsēti. Nenovieto uz grila ar eļļu piepildītus traukus.
- Nedzēs degošus taukus ar ūdeni! Noslēdz gāzes padevi no gāzes balona. Nekavējoties izslēdz visus degļus un atstāj vāku aizvērtu, līdz liesmas ir nodzisušas.
- **Pēc lietošanas nekavējoties noslēdz gāzes padevi no gāzes balona.**
- Neapsedz grilu, kamēr tas ir karsts.
- **Neveic ierīcē izmaiņas!** Jebkuras ierīces izmaiņas var būt bīstamas.
- **Ar daļām, kuras ir noplombējies ražotājs vai tā pārstāvis, nedrīkst veikt nekādas manipulācijas.**
- Lai novērstu apdraudējumu, **remontus drīkst veikt tikai ražotājs vai klientu serviss.** Konstatējot kādu bojājumu vai saskaroties ar traucējumu, sazinies ar klientu servisu (skatīt šīs montāžas un lietošanas instrukcijas vāku). Līdz salabošanai grilu nedrīkst lietot, jo tā var rasties grila darbības traucējumi un var palielināties savainošanās risks.

- Lai neietekmētu grila darbību un novērstu iespējamus bojājumus vai apdraudējumus, izmanto tikai ražotāja oriģinālos piederumus.
- Nedemontē regulēšanas pogu, gāzes balonu vai kādu no gāzi vadošajiem elementiem, kamēr grils darbojas.
- Nekad netransportē grilu ar pievienotu gāzes balonu. Grils un gāzes balons vienmēr jātransportē atsevišķi.
- Regulāri tīri grilu, kā aprakstīts nodaļā „Tīrīšana un apkope”.



Gāzes balonu radīts apdraudējums

- **Ievēro gāzes balona ražotāja vai iznomātāja norādes!**
- Gāzes balons nedrīkst nonākt bērnu rokās!
- Nekad neizmanto uzblīdušu vai aprūsējušu gāzes balonu.
- Nekad neizmanto gāzes balonu, kuram ir bojāts vārsts.
- Nekad nenovieto gāzes balonu guļus. Vienmēr uzstādi, transportē un uzglabā gāzes balonus (arī tukšus) stāvus drošā pozīcijā.
- Nekad neļauj gāzes balonam nokrist. Nepakļauj to triecieniem un nebojā to.
- Uzsilstot gāzes baloni var eksplodēt. Gāzes balonu nekad nededzini. Nepakļauj to arī ekstremālam karstumam (virs 50 °C) vai tiešiem saules stariem. Neatstāj gāzes balonu karstā dienā automašīnā. Seko, lai ne gāzes balons, ne gāzes šļūtene darbības laikā nepieskartos grilam.
- Gāzes balonus drīkst pievienot, lietot un uzglabāt tikai ārpus telpām vietās, kur ir pietiekama vēdināšana (t.i., nevis kāpņu-telpās, gaitēnos, vārrūmēs un caurbrauktuvēs), un virs zemes (t.i., nevis padziļinājumos zemāk par zemes līmeni).
- Ja gāzes balons nav hermētisks, nekavējoties novieto to labi vēdinātā vietā ārpus telpām, ļauj izplūst gāzei un pagaidi, līdz tā ir izgaisusi. Pēc tam nodod tukšo gāzes balonu ražotājam, norādot, ka tas nav hermētisks.
Sajūtot reiboni vai nelabumu, ieelpo svaigu gaisu un, ja nepieciešams, vērsies pēc medicīniskās palīdzības.
- Pirms reduktoru noņemšanas no gāzes balona, vispirms aizver gāzes balona vārstu.
- Gāzes balonus (arī tukšus), kuri nav pievienoti un līdz ar to nav sagatavoti tūlītējai lietošanai, nedrīkst uzglabāt tieši blakus darbībā esošai ierīcei, kas darbojas ar gāzi vai elektrību.
- Arī šķietami tukšā gāzes balonā vēl var būt palikusi sašķidrinātā gāze, tādēļ ar to jārikojas tikpat uzmanīgi kā ar pilnu gāzes balonu.



Bateriju radīts apdraudējums

- Norītas baterijas var būt bīstamas dzīvībai. Tādēļ baterijas jāuzglabā maziem bērniem un dzīvniekiem nepieejamā vietā. Ja ir norīta baterija, nekavējoties jāmeklē medicīniskā palīdzība. Bateriju skābe rada ķīmisko apdegumu risku.
- Ja baterija ir iztecējusi, nepieļauj baterijas skābes saskari ar ādu, acīm un gļotādu. Ja nepieciešams, valkā aizsargcimdus. Pēc kontakta ar baterijas skābi skartās vietas uzreiz nomazgā ar lielu daudzumu tīra ūdens un meklē medicīnisko palīdzību. Bateriju skābe rada ķīmisko apdegumu risku.
- Izmanto tikai tehniskajos datos norādītā tipa baterijas.
- Ja baterijas ir tukšas vai grils ilgāku laiku netiks lietots, izņem baterijas. Tā tiks novērsti bojājumi bateriju iztecēšanas dēļ.
- Iztecējušu bateriju nekavējoties izņem un notīri kontaktus baterijas nodalījumā.

PRASĪBAS GĀZI VADOŠAJIEM KOMPONENTIEM

Grils darbojas ar sašķidrināto gāzi (Liquified Petroleum Gas, LPG vai LP gāze). Sašķidrinātā gāze propāns, butāns un to maisījumi istabas temperatūrā un pie minimālas kompresijas (< 10 bar) gāzes balonā saglabā šķidrū agregātstāvokli. Atverot gāzes balonu, spiediena ietekmē šķidrums izplešas un pārvēršas gāzveida agregātstāvoklī.

Gāzes balons

- Izmanto tikai gāzes balonus ar propānu vai butānu vai abu gāzu maisījumu. Gāzes baloniem jāatbilst nacionālajiem noteikumiem, un tie nedrīkst būt lielāki par nodaļā „Tehniskie dati” norādīto izmēru.

Gāzes baloniņš

- Ja grilā atļauts izmantot gāzes baloniņu, izmantojiet tikai skrūvējamus baloniņus ar 7/16" vītņi un maksimāli 450 g/800 ml tilpumu.

Reduktors

Reduktors nodrošina, ka grils vienmēr tiek apgādāts ar vienmērīgu gāzes spiedienu.

- Izmanto kopā ar grilu piegādāto reduktoru. Tas ir pārbaudīts un sertificēts atbilstoši CE prasībām. Tas atbilst Eiropas standartam EN 16129.
- Ja grils ir piegādāts bez reduktora, iegādājies gāzes balonam atbilstošu reduktoru. Seko, lai tas atbilstu attiecīgajiem valsts noteikumiem.

Gāzes šļūtene

- Izmanto kopā ar grilu piegādāto gāzes šļūteni. Ja piegādes komplektā gāzes šļūtene neietilpa, iegādājies gāzes šļūteni, kas atbilst attiecīgajiem valsts noteikumiem.
- Gāzes šļūtene (resp., lokanā caurule) nedrīkst būt garāka par 1,5 m, un tai jāatbilst standarta EN 16436-1 prasībām
- Ievēro attiecīgos valsts noteikumus un, ja to paredz noteikumi vai ja ir pārsniegts gāzes šļūtenes maksimālais lietošanas laiks, nomaini gāzes šļūteni.
- Ikreiz pirms lietošanas pārlicinies, ka gāzes šļūtene nav salocīta, saplaisājusī vai nodilusi. Ja gāzes šļūtene ir poraina vai bojāta, grilu nedrīkst lietot.

MONTĀŽAS NORĀDĪJUMI

IEVĒRO!

- Iepakojuma materiālus uzglabā bērniem un dzīvniekiem nepieejamā vietā! Pastāv nosmakšanas risks.
- Montāžas soli ir attēloti šīs montāžas un lietošanas instrukcijas beigās. Ievēro pareizo secību. **Nepareiza montāža var būt bīstama.**
- Izmanto tikai nevainojamā kārtībā esošus un piemērotus instrumentus. Ar nolietotiem vai nepiemērotiem instrumentiem nav iespējams pietiekami cieši pievilkt skrūves, kā arī tās var sabojāt tā, ka tās vairs nevar atskrūvēt.
- Nodrošini pietiekami daudz vietas montāžai un, ja nepieciešams, izmanto paliktņi, lai grilu vai jutīgas virsmas pasargātu no saskrāpēšanas.
- Uzstādi grilu uz horizontālas, līdzenas pamatnes, lai tas nebūtu šķībs.
- Saliecot grilu, nepielieto spēku.
- Sākumā skrūvsavienojumus pievelc tikai ar roku un, kad montāžas solis ir pabeigts, pievelc tos vēlreiz. Pretējā gadījumā var rasties nevēlams spriegums.
- Pievelc uzgriežņus, līdz tie cieši pieguļ, un tad pievelc par vēl ceturtdaļapgriezīenu. Nepievelc pārāk cieši!

BATERIJAS IEVIETOŠANA ELEKTRISKAJĀ AIZDEDŽĒ

Pirms pirmās lietošanas reizes elektriskajā aizdedzē jāievieto viena 1,5 V baterija (AA) (H att.):

1. Griez aizdedzes pogu pretēji pulksteņrādītāju virzienam, līdz to var noņemt.
2. Ievieto vai nomaini bateriju, ieliekot to baterijas nodalījumā ar mīnus polu pa priekšu.
3. Pieskrūvē aizdedzes pogu.
 - Ja samazinās aizdedzes jauda, nomaini bateriju.

GĀZES BALONA PIEVIENOŠANA

IEVĒRO!

- Pirms gāzes balona pievienošanas ievēro nodaļu „Prasības gāzi vadošajiem komponentiem”.
- Nomaini gāzes balonu tikai ārpus telpām vai labi vēdinātā vietā atstātus no aizdegšanās avotiem (piem., svecēm, cigaretēm, citām liesmas ģenerējošām ierīcēm).
- Visiem savienojuma elementiem jābūt tīriem, un tie nedrīkst būt bojāti.
- Gāzes balons nedrīkst saskarties ar grila karstajām daļām, un to nedrīkst sasniegt siltuma starojums.
- Gāzes šļūtene nedrīkst būt nostiepta, savēpusies vai salocījies, un tā nedrīkst saskarties ar grilu.
- Pēc gāzes balona pievienošanas pārlicinies, ka visi savienojumi ir hermētiski (skatīt nodaļu „Hermētiskuma pārbaude”). Reduktoru pieskrūvē tikai ar roku! Lai nesabojātu vārsta blīvi, kā dēļ vairs nav iespējams nodrošināt hermētiskumu, neizmantot instrumentus.

Ja Tavs grils ir piegādāts bez reduktora un/vai gāzes šļūtenes, tos nepieciešams iegādāties. To darot, ņem vērā attiecīgos valsts noteikumus un norādes nodaļā „Prasības gāzi vadošajiem komponentiem” – „Reduktors” vai „Gāzes šļūtene”.

1. Novieto samontēto grilu ārpus telpām uz stabilas, horizontālas un līdzenas pamatnes. Nodrošini pietiekami daudz vietas uz visām pusēm. Izvēloties uzstādīšanas vietu, ievēro nodaļu „Drošības norādījumi”.
2. Nepieciešamības gadījumā, pagriezot spārnuzgriežņus, nofiksē fiksējamās ritenīšus.
3. Pacel sānu galdiņu un ļauj tam 90° leņķī nofiksēties eņģēs. Lai galdiņu nolaistu, to nedaudz pacel.
4. Visām regulēšanas pogām jāatrodas izslēgtā pozīcijā (bultiņa uz regulēšanas pogas ir pavērsta uz augšu). Ja tā nav, nospied regulēšanas pogu un pagriez to izslēgtā pozīcijā.
5. Novieto gāzes balonu stabili stāvus pozīcijā uz zemes blakus grilam grila. Gāzes balona vārsta jābūt aizvērtam.
6. Nodrošini, lai zona ap grilu un gāzes balonu būtu brīvi pieejama un tajā neatrastos objekti.
7. Ja gāzes šļūtene jau nav piemontēta pie grila, nostiprini vienu gāzes šļūtenes galu pie grila gāzes pieslēguma un otru galu – pie reduktora. Stiprinājuma veids ir atkarīgs no gāzes šļūtenes izpildījuma attiecīgajā valstī.
8. Pieslēdz reduktoru, kā aprakstīts tam pievienotajā instrukcijā. Gadījumā, ja reduktoram nav instrukcijas, tālāk ir aprakstīti daži no iespējamiem pieslēgšanas variantiem. PIEZĪME: attēli var nedaudz atšķirties.
9. Pēc gāzes balona pieslēgšanas veic hermētiskuma pārbaudi (skatīt nodaļu „Hermētiskuma pārbaude”).



Lietošanas laikā gāzes balonu iesakām novietot blakus grilam. Tomēr pēc lietošanas gāzes balonu var uzglabāt skapīti, ja vien netiek pārsniegti norādītais maksimālais izmērs (skatīt nodaļu “Tehniskie dati”). Ievieto gāzes balonu tam paredzētajā pamatnes padziļinājumā.

Reduktora pievienošana

Reduktors ar kreiso vītņi

(C attēls)

1. Uzskrūvē reduktoru ar roku uz gāzes balona vārsta vītņes. Ņem vērā, ka tā ir kreisā vītne, un tādēļ jāgriež pretēji pulksteņrādītāju virzienam.
2. Lai izplūstu gāze un lai varētu sākt grila lietošanu, pagriez gāzes balona vārstu (a) pretēji pulksteņrādītāju virzienam. Lai vārstu aizvērtu, griež to pulksteņrādītāju virzienā.

Reduktors ar sviru

(D attēls)

1. Pagriez reduktora sviru (b) izslēgtā pozīcijā.
2. Uzspied reduktoru uz gāzes balona vārsta, līdz tas jūtami nofiksējas.
3. Lai izplūstu gāze un lai varētu sākt grila lietošanu, pagriez sviru ieslēgtā pozīcijā. Lai apturētu gāzes padevi, pagriez sviru izslēgtā pozīcijā.

Reduktors ar manšeti

(E attēls)

1. Pagriez reduktora sviru (b) izslēgtā pozīcijā.
2. Pavelc reduktora manšeti uz augšu un pieturi to šajā pozīcijā.
3. Uzspied reduktoru uz gāzes balona vārsta un, lai noslēgtu, nobīdi manšeti uz leju.
4. Ja reduktors nenofiksējas, atkārti aprakstītās darbības.
5. Lai izplūstu gāze un lai varētu sākt grila lietošanu, pagriez sviru ieslēgtā pozīcijā. Lai apturētu gāzes padevi, pagriez sviru izslēgtā pozīcijā.

Reduktors gāzes baloniņiem

(F attēls)

Izmanto tikai gāzes baloniņus ar skrūvējamu vītņi.

1. Pirms gāzes baloniņa pievienošanas pārbaudi, vai ir reduktora gumijas blīve un vai tā ir atbilstošā stāvoklī.
2. Aizver reduktora vārstu (c).
3. Pieskrūvē gāzes baloniņu pretēji pulksteņrādītāju virzienam no apakšpusēs pie reduktora.
4. Lai izplūstu gāze un lai varētu sākt grila lietošanu, atver vārstu (c). Aizver to, lai apturētu gāzes padevi.

Reduktora noņemšana

1. Pārlicinies, ka ir aizvērts gāzes balona vai reduktora vārsts.
2. Atgriez grila regulēšanas pogu, lai no sistēmas izplūstu visa tajā atlikusī gāze.
3. Lai noņemtu reduktoru, veic montāžas soļus apgrieztā secībā.

HERMĒTISKUMA PĀRBAUDE

IEVĒRO!



Gāzes noplūdes nekad nemeklē ar atklātu liesmu! Pirms hermētiskuma pārbaudes pārlicinies, ka tuvumā neatrodas atklāta liesma un nevar veidoties dzirksteles. Dzirksteles un liesmas var izraisīt eksploziju, kas savukārt var radīt smagas vai pat nāvējošas traumas vai materiālos zaudējumus.

Pēc pirmreizējās pieslēgšanas, pēc gāzes balona nomaiņas vai tad ja grils ilgāku laiku nav lietots, jāveic visu gāzi vadošo komponentu hermētiskuma pārbaude, lai nodrošinātu, ka nevienā savienojuma vietā neizplūst gāze.

Ja reduktors ir aprīkots ar manometru, lai veiktu hermētiskuma pārbaudi, seko norādēm gāzes reduktora instrukcijā. Pārējos gadījumos izmanto tirdzniecībā pieejamu līdzekli noplūžu meklēšanai un ievēro ražotāja norādes. **Hermētiskuma pārbaude, vadoties pēc dzirdes, nav uzticama!**

GRILĒŠANAS IETEIKUMI

1. Pirms sākt grilēt, **sagatavo visu**, kas Tev būs nepieciešams. Grilēšanas laikā grils un grilējamie produkti vienmēr jāuzrauga, un nevajadzētu visu laiku staigāt uz virtuvi.
2. Lai iegūtu labu un vienmērīgu gatavošanas rezultātu, pirms gatavošanas **gaļai jābūt istabas temperatūrā**.
3. Izmanto **tīras grila restes**. Ja uz grila restes ir ēdiena paliekas, grilējamie produkti pielips.
4. Nedaudz **ieeļļoti produkti** apbrūnē vienmērīgāk un mazāk lip pie grila restes.
5. Pirms grilēšanas **ierīvē grila restes ar eļļu**, lai grilējamie produkti nepieliptu.
6. Vienmēr **uzkarsē grilu** ar aizvērtu vāku, lai grilējamie produkti nepieliptu pie grila restes un tos būtu iespējams apcept straujāk. Turklāt šādi tiek nodedzinātas ēdienu paliekas no iepriekšējās grilēšanas reizes. Grils jāuzkarsē arī tad, ja Tu vēlies grilēt vidējā vai zemā karsēšanas pakāpē.
7. Neliec uz grila restes **pārāk daudz produktu**. Starp gabaliņiem atstāj pietiekami daudz vietas, lai tos varētu ērti satvert un pārvietot.
8. Izmantojot **marinādi, mērci vai glazūru ar lielu cukura daudzumu** vai citām viegli uzliesmojošām piedevām, uzklāj to uz produkta **tikai 10 līdz 15 minūtes pirms** grilēšanas beigām.
9. Grilējot iesakām turēt **vāku aizvērtu**. Jo šādi samazinās uzliesmošanas risks un grilējamie produkti pagatavojas ātrāk un vienmērīgāk. Nevirini vāku pārāk bieži, lai aplūkotu produktus, jo šādi grilā iekļūst nevajadzīgi daudz gaisa, bet izplūst siltums un dūmi.
10. Lai steikam būtu glīta virsma un garda garoziņa, to nedrīkst **pārāk bieži grozīt**. Parasti grilējamie produkti jāapgriež tikai vienreiz, proti, tikai tad, kad tiem ir vajadzīgā krāsa. Šādi tiek novērsta arī pārāk bieža vāka virināšana.
11. Gatavos produktus vari salikt uz **sildīšanas restes**, lai tos uzturētu siltus, kamēr Tu turpini grilēt. Ievēro, ka šādā veidā produkti turpina lēni gatavoties. Turklāt uz sildīšanas restes var apgraudzēt burgeru maizītes vai saudzīgi gatavot dārzeņus, jūras veltes u. tml., kamēr uz grila restes lielākā karstumā gatavojas, piemēram, gaļa.

Tiešā un netiešā grilēšana

Tiešā grilēšana

Šis ir klasiskais variants, kad grilējamie produkti atrodas tieši virs degļa. Atbilstoši intensīvs ir arī karstums. Tādēļ šī metode ir lieliski piemērota produktiem ar īsu gatavošanas laiku (līdz 30 minūtēm) un, lai, piemēram, īsu brīdi un ātri grilētu burgerus vai steikus. Šādā veidā rodas garda garoziņa, kamēr iekšpuse saglabājas sulīga.

Netiešā grilēšana

Šajā gadījumā karstums nāk no degļiem blakus grilējamiem produktiem, deglis tieši zem tiem paliek izslēgts. Vienlaikus vāks jātur aizvērts, lai nevarētu izplūst karstums. Šī grilēšanas metode ieteicama produktiem ar ilgu gatavošanas laiku, piemēram, ribiņām, plucinātai cūkgaļai vai veselu putnu cepešiem. Taču šādi saudzīgā veidā iespējams pagatavot arī zivis un dārzeņus.

Abas grilēšanas metodes var arī kombinēt: vispirms strauji apcept un tad saudzīgi gatavot līdz vajadzīgajai gatavības pakāpei.

LIETOŠANA

Grila lietošanas sākšana

IEVĒRO!

- Pirms pirmās lietošanas reizes izdedzini grilu kopā ar grila restēm un visiem piederumiem, kas nonāk tiešā kontaktā ar pārtikas produktiem, lai atbrīvotos no iespējamiem netīrumiem, kas var būt palikuši no ražošanas procesa. Šim nolūkam karsē grilu ar aizvērtu vāku vismaz 20 minūtes augstākajā karstuma pakāpē. Pēc tam, kad tas ir atdzisis, notīri piederumus. Šajā saistībā ievēro nodaļu „Tīrīšana un apkope”.
- Izmanto grilu tikai tad, ja visas daļas atrodas savās vietās un grils ir pareizi samontēts saskaņā ar montāžas soļiem šajā montāžas un lietošanas instrukcijā.
- Ikreiz pirms lietošanas pārlicinies, ka grilam nav bojājumu un tas ir uzstādīts pareizi. Izvēloties uzstādīšanas vietu, ievēro nodaļu „Drošības norādījumi”.
- Ikreiz pirms lietošanas pārlicinies, ka ir pareizi pievienots gāzes balons un reduktors un ir hermētiskas visas gāzi vadošās daļas (skatīt nodaļu „Gāzes balona pievienošana” un „Hermētiskuma pārbaude”).
- Ikreiz pirms lietošanas pārbaudi, vai grilā nav tauku nosēdumu. Liekos taukus iztīri un iztukšo un notīri visas tauku savākšanas sistēmas daļas, lai novērstu tauku aizdegšanos (skatīt nodaļu „Tīrīšana un apkope”).
- **Neizklāj** tauku savākšanas sistēmu vai grila kameru ar alumīnija foliju vai citu foliju.
- Aizdedzināšanas laikā vākam jābūt atvērtam. Katru degli aizdedzini atsevišķi.
- Ja liesma nodziest vai kāds deglis nav aizdedzies, pagriez attiecīgo regulēšanas pogu izslēgtā pozīcijā. Pirms mēģināt no jauna, pagaidi apm. 2 līdz 5 minūtes, lai varētu izkļūst gāze. Pretējā gadījumā iespējama detonācija.
- Aizdedzinot gāzes liesmu, neliecies pāri grila virsmai, jo, sakrājoties grila kamerā gāzei, var notikt detonācija.
- Lai izvairītos no apdegumiem un applaucēšanās, nekad nelej uz karsta grila ūdeni.

1. Atver vāku.
2. Pārlicinies, ka visas regulēšanas pogas atrodas izslēgtā pozīcijā (bultiņa uz regulēšanas pogas ir pavērsta uz augšu). Ja tā nav, nospied regulēšanas pogu un pagriez to izslēgtā pozīcijā.
3. Atver gāzes padevi no gāzes balona.
4. Katram deglim ir sava aizdedzes sistēma, tādējādi tos var aizdedzināt atsevišķi: nospied vajadzīgā degļa regulēšanas pogu un pagriez pozīcijā **Max** (maksimālā jauda) (**G** attēls). Tiek aktivizēta gāzes padeve. Ja ir pjezo aizdedze, vienlaikus rodas dzirkstele, kas rada paukšķošu troksni. Elektriskās aizdedzes gadījumā papildus nospied aizdedzes pogu (**I** attēls). Dzirdams klikšķošs troksnis.
5. Pārbaudi, vai deglis ir aizdedzies: uzmanīgi apskati, vai no degļa nāk liesmas.
6. Ja deglis nav aizdedzies, pagriez regulēšanas pogu izslēgtā pozīcijā un pēc apm. 2 līdz 5 minūtēm mēģini vēlreiz.



Ja ir pjezo aizdedze, regulēšanas pogu atlaid vien dažas sekundes pēc veiksmīgas aizdedzināšanas, lai nenodzistu liesma.

7. Šādā veidā aizdedzini arī pārējos degļus.

Grilēšana

IEVĒRO!

- Atverot vāku, var izplūst karsts tvaiks. Tādēļ sargi galvu un rokas no bīstamās zonas. Pastāv applaucēšanās risks.
- Izmanto grila piederumus ar garu, karstumizturīgu rokturi.

1. Pēc degļu aizdedzināšanas uzkaršē grilu: aizver vāku un pagaidi, līdz vāka termometrs uzrāda vajadzīgo temperatūru. Pēc uzkaršēšanas nevajadzīgos degļus var izslēgt. Šim nolūkam pagriez attiecīgās regulēšanas pogas izslēgtā pozīcijā.
2. Atver vāku un uzliec uz grila restes vai citiem izmantotajiem piederumiem grilējamus produktus.
3. Ja vēlies, lai grila kamerā tiktu sasniegta augsta temperatūra un grilējamie produkti tiktu vienmērīgi pagatavoti no visām pusēm, aizver vāku.
4. Ja nepieciešams, samazini degļa jaudu, pagriežot regulēšanas pogu tālāk pozīcijā **Min** (minimālā jauda).
5. Kad produkti ir sasnieguši vēlamo brūnuma pakāpi, apgriez tos ar grila knaiblēm.

Grila izslēgšana

1. Noslēdz gāzes padevi no gāzes balona.
2. Pagriez visas regulēšanas pogas izslēgtā pozīcijā.
3. Pirms grilu pārvietot, ļauj tam atdzist.
4. Pēc atdzišanas grilu iztīri (skatīt nodaļu „Tīrīšana un apkope”). Pārmērīgi liels pārtikas produktu atlikumu un pārtikas tauku daudzums var izraisīt t.s. tauku degšanu.

TĪRĪŠANA UN APKOPE

IEVĒRO!

- Pirms tīrīšanas ļauj visām daļām atdzist tiktāl, lai tās vairs nebūtu karstas un tām varētu pieskarties.
- Neveic reduktora vārsta tīrīšanu! Tajā ir ļoti trauslas detaļas, kuras var sabojāt pat pie visnecīgākās saskares ar citiem priekšmetiem. Negremdē reduktoru ūdenī.
- Gāzes sistēmu drīkst tīrīt tikai kvalificēts speciālists. Nekādā gadījumā neizjauc regulēšanas bloku.
- Degļa iekšpuse nedrīkst kļūt slapja!
- Negremdē grilu ūdenī un neapsmidzini to ar ūdens šļūteni. Gāzi vadošajos vai elektriskajos komponentos nedrīkst iekļūt šķidrums.
- Pirms grila korpusa tīrīšanas atvieno gāzes balonu.
- Nekad nelej aukstu ūdeni uz karstām daļām. Tas var izraisīt apdegumus un radīt materiālu bojājumus.
- Nekad neizmanto spirtu vai citus uzliesmojošus vai kodīgus tīrīšanas līdzekļus.
- Komplektā iekļautos piederumus nevar mazgāt trauku mazgājamā mašīnā.
- Visām daļām pirms lietošanas vai novietošanas glabāšanā jābūt sausām.

Lai grils Tev sagādātu prieku iespējami ilgi, tas jāuztur tīrs. Ja to netīra un nekopj, ar laiku var pasliktināties tā sniegums. Zema temperatūra un nevienmērīgs karstuma sadalījums liecina par to, ka ir jātīra gāzi vadošie komponenti. Ja uz grila restes ir ēdienu paliekas, grilējamie produkti pielīp. Tauku nosēdumi var izraisīt tauku degšanu.

Tauku savākšanas sistēmas tīrīšana (ikreiz pēc lietošanas)

- **Neizmanto abrazīvus tīrīšanas līdzekļus.**
- Ikreiz pēc vai pirms lietošanas iztukšo visas tauku savākšanas sistēmas daļas (tauku savākšanas paplāti, tauku savākšanas trauku). Noskalo daļas ar siltu ūdeni, trauku mazgāšanas

līdzekli un sūkli. Tīrīšanu visvienkāršāk veikt pēc lietošanas vēl remdenā (bet ne karstā) stāvoklī.

Čuguna grila restu un grila plātnes tīrīšana (ikreiz pēc lietošanas)

Grila plātni tīra tāpat kā grila restes:

1. Atstāj grila restes grilā un ar suku grila restu tīrīšanai vai ar lāpstiņu notīri no tām lielākās ēdienu paliekas.
2. Pārējās paliekas var nodedzināt šādi: uz apm. 30 minūtēm ieslēdz grila augstāko pakāpi (vismaz 300 °C) un aizver vāku.
3. Ļauj grila restei atdzist tiktāl, lai Tu tai varētu pieskarties, un ar suku noberz ēdienu paliekas. Pēc tam noslauki to ar mitru papīra dvieli.
4. Kopšanas nolūkos un, lai tīro grila resti sagatavotu nākamajai grilēšanai, mēs to iesakām ierīvēt ar augu eļļu.

Emaljētu grila restu, sildīšanas restu, degļu pārsegu un citu emaljēto daļu tīrīšana

- **Neizmanto abrazīvus tīrīšanas līdzekļus un sukas ar metāla sariem.**
- Grila un sildīšanas restes notīri ikreiz pēc lietošanas, pārējos piederumus tīri pēc vajadzības.
- Lielākās ēdienu paliekas noskrāpē ar plastmasas lāpstiņu vai iemērc restes siltā ūdenī.
- Pēc tam tīrīšanai izmanto siltu ūdeni, kam pievienots neliels daudzums trauku mazgāšanas līdzekļa, un sūkli vai mikstu lupatiņu.

Nerūsējošā tērauda restu tīrīšana (ikreiz pēc lietošanas)

- Nerūsējošā tērauda restes tīri ar siltu ūdeni, trauku mazgāšanas līdzekli un sūkli vai nerūsējošu trauku mazgāšanas sūkli.

Grila kameras tīrīšana (pēc vajadzības)

Lietošanas laikā no tauku izgarojumiem un dūmiem veidojas ogleklis, kas nosēžas grila kamerā.

■ Neizmanto abrazīvus tīrīšanas līdzekļus.

1. Attīri visu grila kameru no ēdienu paliekām un tauku nosēdumiem. Tam Tu vari izmantot, piem., plastmasas lāpstiņu.
2. Pēc tam noslauki virsmas ar mikstu drānu. Noturīgus netīrumus var nomazgāt ar siltu ūdeni, trauku mazgāšanas līdzekli un sūkli un noslaucīt ar neabrazīvu drānu.

Ārpuses tīrīšana (pēc vajadzības)

Grila ārpusē ir veidota no dažādiem materiāliem un virsmām. Tādēļ atkarībā no virsmas veida ir ieteicamas atšķirīgas tīrīšanas metodes.

Nerūsējošā tērauda virsmas

- Izmanto neabrazīvu nerūsējošā tērauda tīrīšanas līdzekli un seko ražotāja norādēm. **Neizmanto abrazīvas pastas!**
- Pārējos gadījumos tīrīšanai var izmantot siltu ūdeni, mājāsaimniecības tīrīšanas līdzekli un sūkli. Pēc tam noskalo virsmas ar tīru ūdeni un nosusini ar mikstu drānu.



Ja grilu izmanto īpaši skarbos apstākļos, grila ārpusē jātīra biežāk. Vidē ar augstu hlorīdu un sulfīdu saturu, it īpaši piekrastes reģionos, var oksidēties arī nerūsējošais tērauds vai uz tā var veidoties traipi. Sālsūdens, skābais lietus, tiešs baseinu un burbuļvannu tuvums un citi ekstremāli apstākļi, kuriem raksturīgs liels siltums un gaisa mitrums, var izraisīt traipu veidošanos. Šie traipi dažkārt tiek sajaukti ar rūsu.

Tos var vienkārši notīrīt un novērst: nomazgā traipus ar siltu ūdeni, kam pievienots mājāsaimniecības tīrīšanas līdzeklis, noskalo virsmu ar tīru ūdeni un nožāvē. Lai novērstu traipu rašanos, noberz visas nerūsējošā tērauda virsmas ik pēc 3 līdz 4 nedēļām ar krāna ūdeni un tīrīšanas līdzekli nerūsējošā tērauda virsmām.

Lakotas, emaljētas virsmas un plastmasas daļas

■ **Neizmanto abrazīvus tīrīšanas līdzekļus.**

- Tīrīšanai izmanto tikai siltu ūdeni, kam pievienots neliels daudzums mājdomniecības tīrīšanas līdzekļa, un papīra dvieļus vai mikstu lupatiņu. Notīri virsmu, noskalo to un noslauki sausu.

Gāzi vadošo komponentu tīrīšana (pēc vajadzības)

Gāzi vadošie komponenti var būt aizsprostoti, un tie ir jātīra, ja,

- deglim degot ar ļoti dzeltenu un vāju liesmu, ir jūtama gāzes smaka.
- netiek sasniegta vajadzīgā temperatūra.
- deglis nekarsē vienmērīgi, resp., liesma raustās.

Tīrīšana jāveic šādi:

- Ar tīru stiepli suku attīri visu degļu ārējo virsmu no ēdiena paliekām un netīrumiem. **Tīrot seko, lai netiktu saliekts vai bojāts aizdedzes elektrods.** Ar suku uzmanīgi notīri zonu ap aizdedzes elektrodu.
- Īpaši seko, lai visām degļa caurulēm būtu brīvas gāzes izplūdes un gaisa ieplūdes atveres, resp., Venturi caurules. Ja nepieciešams, iztīri tās, piem., ar cauruļu tīrītāju vai saspiegtu gaisu.
- Gāzes pieslēgumu un gāzes šļūtenes savienojumus vajadzības gadījumā var iztīrīt ar mikstu otiņu.

Apkopes darbi

IEVĒRO!

- Sprauslas drīkst nomainīt tikai speciālists.

Ja grilu regulāri tīra, apkope tam nav nepieciešama. Tomēr noteiktos laika intervālos jāveic pārbaudes. Intervāli ir atkarīgi no lietošanas biežuma un apkārtējās vides apstākļiem, kādiem grils tiek pakļauts.

- Pārbaudi, vai ir uzmontētas visas grila daļas (vizuālā pārbaude).
- Pārbaudi, vai ir visi savienojumi un vai tie ir cieši pievilkti. Ja nepieciešams, pievelc.
- Gāzes sistēma jāpārbauda ikreiz, kad tiek pievienots gāzes balons (skatīt nodaļu „Hermētiskuma pārbaude”).
- Ja gāzes šļūtene vietām ir poraina vai bojāta vai ir pagājis tās maksimālais lietošanas laiks (skatīt nodaļu „Tehniskie dati”), gāzes šļūtene jānomaina.

UZGLABĀŠANA

IEVĒRO!

- Sargi grilu no stipra vēja, ilgstoša mitruma, lietus, sniega, krusas un citas laikapstākļu ietekmes.
- Ja grils ilgāku laiku netiks lietots, atvieno gāzes balonu no grila un uzglabā to atbilstoši noteikumiem (skatīt nodaļu „Drošības norādījumi” – „Gāzes balonu radīts apdraudējums”).

- Glabā grilu sausā vietā ārpus telpām. Lai daļas pasargātu no mitruma, putekļiem, kukaiņiem vai zirnekļiem, kas var iekļūt un iemitināties grila korpusā, apsedz grilu (ar pārklāju aizsardzībai pret laikapstākļiem).
- Pirms novietošanas glabāšanā grilu iztīri (skatīt nodaļu „Tīrīšana un apkope”).
- Ja grilu uzglabā **iekštelpās**, no tā jāatvieno gāzes balons. Noslēdz to ar noslēguzgriezni un aizsargvāciņu (atkarībā no varianta) un uzglabā to ārpus telpām labi vēdinātā vietā līmenī virs zemes (t.i., nevis padziļinājumos zemāk par zemes līmeni).
- Ja grils ilgāku laiku netiks lietots, izņem no elektriskās aizdedzes bateriju, lai novērstu bojājumus, kas varētu rasties baterijas iztecēšanas dēļ.

PROBLĒMU NOVĒRŠANA

Ja, neskatoties uz pietiekamu rūpību un kopšanu, tomēr rodas traucējums, šī nodaļa var palīdzēt to novērst.

Ja problēmu nevar novērst, izpildot turpmākos soļus, sazinies ar klientu servisu (skatīt šīs montāžas un lietošanas instrukcijas vāku).



Nemēģini gāzes sistēmu salabot patstāvīgi!

Gāzes smaka (iespējama izteikti dzeltēta un vāja liesma).

Noplūde gāzes sistēmā.

1. Nekavējoties aizver gāzes balonu.
2. Novērs jebkādu liesmu vai dzirksteļu rašanos (neieslēdz elektroierīces).
3. Pievelc visus gāzes sistēmas skrūvsavienojumus.
4. Pārbaudi, vai gāzes vadošajām daļām nav ārēji pamanāmu bojājumu, bojātās daļas nomaini pret oriģinālajām rezerves daļām.
5. Pārbaudi hermētiskumu (skatīt nodaļu „Hermētiskuma pārbaude”).

Aizsprostoti degļi.

- ▶ Iztīri tos, kā aprakstīts nodaļā „Tīrīšana un apkope” – „Gāzi vadošo komponentu tīrīšana (pēc vajadzības)”.

Aizsprostota regulējamā elementa (zem priekšējā paneļa) sprausla vai cita gāzes sistēma.

- ▶ Uztici gāzes sistēmas tīrīšanu speciālistam.

Degļi nevar aizdedzināt.

Tukša vai nepareizi ievietota elektriskās aizdedzes baterija.

- ▶ Ievieto jaunu bateriju. Pārbaudi polaritāti (+/-).

Tukšs gāzes balons.

- ▶ Nomaini gāzes balonu.

Aizsprostots deglis.

- ▶ Iztīri to, kā aprakstīts nodaļā „Tīrīšana un apkope” – „Gāzi vadošo komponentu tīrīšana (pēc vajadzības)”.

Sānu deglim: aizdedzei nav pievienots aizdedzes kabelis.

- ▶ Vizuālā pārbaude. Pievieno aizdedzes kabeli.

Aizsprostota regulējamā elementa (zem priekšējā paneļa) sprausla vai cita gāzes sistēma.

- ▶ Uztici gāzes sistēmas tīrīšanu speciālistam.

Bojāta aizdedze.

- ▶ Uztici aizdedzes pārbaudi un remontu vai nomaini speciālistam.

Netiek sasniegta vajadzīgā temperatūra. / Liesma ir maza, tā stipri raustās vai ir nevienmērīga. / Nevar aizdedzināt atsevišķus degļus.

(Gandrīz) tukšs gāzes balons.

- ▶ Nomaini gāzes balonu.

Aizsprostoti degļi.

- ▶ Iztīri tos, kā aprakstīts nodaļā „Tīrīšana un apkope” – „Gāzi vadošo komponentu tīrīšana (pēc vajadzības)”.

Salocīta gāzes šļūtene.

- ▶ Iztaisno gāzes šļūteni.

Aizsprostota regulējamā elementa (zem priekšējā paneļa) sprausla vai cita gāzes sistēma.

- ▶ Uztici gāzes sistēmas tīrīšanu speciālistam.

Detonācija vai burkšķošs/paukšķošs troksnis

Liesmas atsitiens aizsprostota degļa dēļ.

- ▶ Nekavējoties aizver gāzes balona vārstu. Pagaidi 5 minūtes un tad atsāc grila lietošanu. Ja traucējums rodas atkārtoti, iztīri degļi, kā aprakstīts nodaļā „Tīrīšana un apkope” – „Gāzi vadošo komponentu tīrīšana (pēc vajadzības)”. Citos gadījumos uztici gāzes sistēmas tīrīšanu speciālistam.

Intensīva uzliesmošana

Grilējamie produkti ir taukaini.

- ▶ Samazini tauku daudzumu, ieliec gaļu grilēšanas traukā vai samazini grilēšanas temperatūru.

Grils ir netīrs.

- ▶ Iztīri grilu (skatīt nodaļu „Tīrīšana un apkope”).

UTILIZĀCIJA

Lai utilizētu grilu, izjauc to pa daļām un metālu un plastmasu nodod otrreizējai pārstrādei.



Iepakojuma materiālus utilizē videi draudzīgā veidā un nodod tos atkritumu šķirošanas punktā.



Blakus attēlotais simbols (pārsvītrotā atkritumu urna ar līniju zem tās) nozīmē, ka nolietotās ierīces nedrīkst izmest sadzīves atkritumos, un tās jānodod speciālos atkritumu savākšanas un pieņemšanas punktus.

Vecās baterijas un vecie akumulatori, ko neapņēm nolietotā ierīce un ko var izņemt, tās/tos nesabojājot, nolietoto ierīču īpašniekiem ir jāizņem no nolietotās ierīces un jāutilizē atsevišķi (skatīt arī sadaļu par bateriju utilizāciju).

Nolietoto ierīču īpašnieki no privātām māsaimniecībām tās bez maksas var nodot vietējo atkritumu apsaimniekošanas uzņēmumu savākšanas punktos vai saskaņā ar Likumu par elektriskajām un elektroniskajām ierīcēm nodot ražotājiem un izplatītājiem. Pienākums pieņemt nolietotās ierīces ir arī tirgotājiem, kas tirgū piedāvā elektriskās un elektroniskās ierīces.



Baterijas un akumulatorus nedrīkst izmest sadzīves atkritumos. Atbilstoši likumdošanai patērētāju pienākums ir baterijas un akumulatorus nodot šķīroto atkritumu savākšanas punktos.

Baterijas un akumulatorus bez maksas var nodot atbilstošos pašvaldības / pilsētas savākšanas punktos vai tirdzniecības vietās, lai varētu veikt to videi draudzīgu utilizāciju un otrreizējo pārstrādi, iegūstot vērtīgas izejvielas. Nepareizas utilizācijas gadījumā apkārtējā vidē var izdalīties indīgas vielas, kas nodara kaitējumu cilvēku, dzīvnieku un augu veselībai.

Baterijas un akumulatori jānodod tikai izlādētā stāvoklī. Ja iespējams, vienreiz lietojamo bateriju vietā labāk izmantot uzlādējamās baterijas.

Litiju saturošām baterijām un akumulatoriem pirms to utilizācijas jāaplīmē poli, lai novērstu issavienojumu. Issavienojums var izraisīt ugunsgrēku vai sprādzienu.

EK ATBILSTĪBAS DEKLARĀCIJA

Ar šo mēs, uzņēmums „LANDMANN Germany GmbH”, apliecinām, ka šeit aprakstītā gāzes ierīce atbilst Regulas (ES) 2016/426 prasībām.

Atbilstība ir pierādīta ar tipa pārbaudi atbilstoši standartam **EN 498:2012**.

Tipa pārbaudi veikusi pilnvarotā iestāde

DBI Certification A/S (2531).

Ierīces identifikācijas numurs: **2531CU-0061**

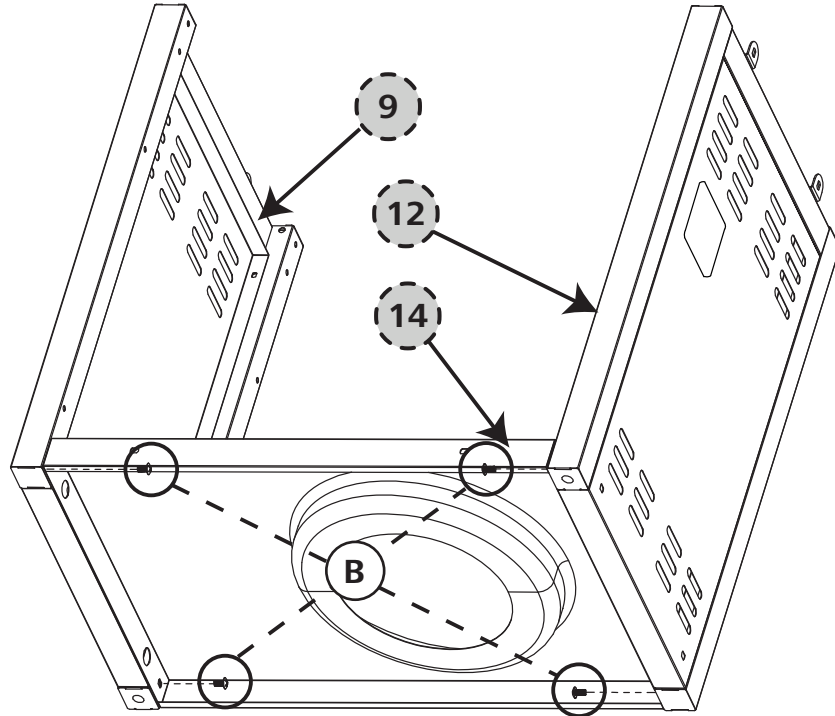
Lai saņemtu papildu informāciju, lūdzu, vērsies mūsu klientu servisā.



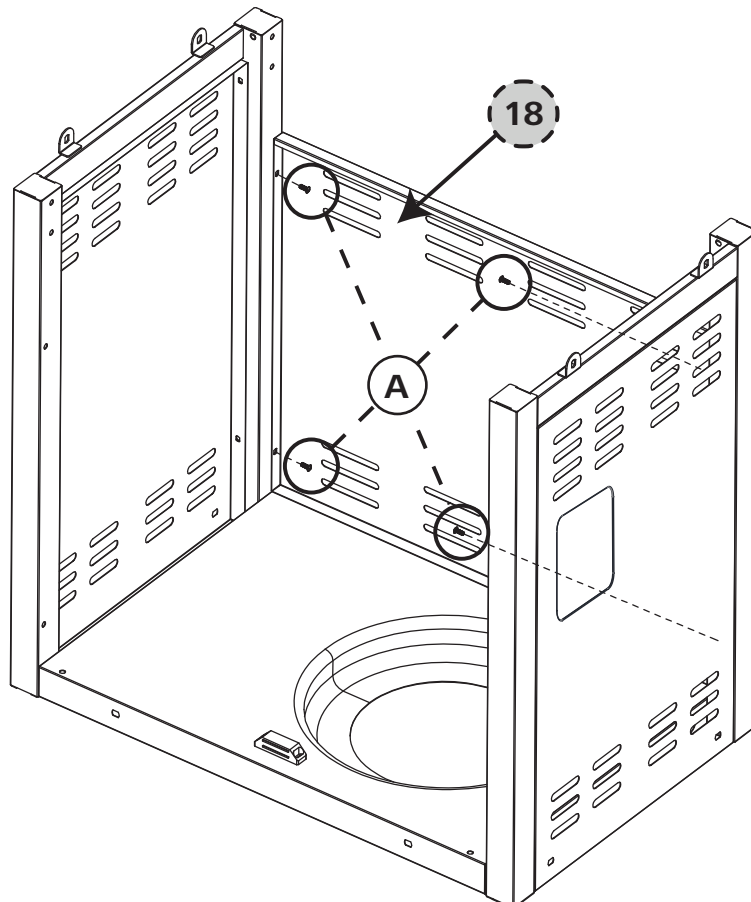
Benötigt werden • you require • sont requis • je hebt nodig • sono necessari • behövs • du trenger • tarvitaan • þetta þarf • du har brug for • tarvis läheb • reikia • kas nepieciešams • potrzebujesz • potřebujete • Вам потребуются • szükséges • sunt necesare • Χρειάζεστε • Необходими са • potrebujete • potrebni su:



1.



2.



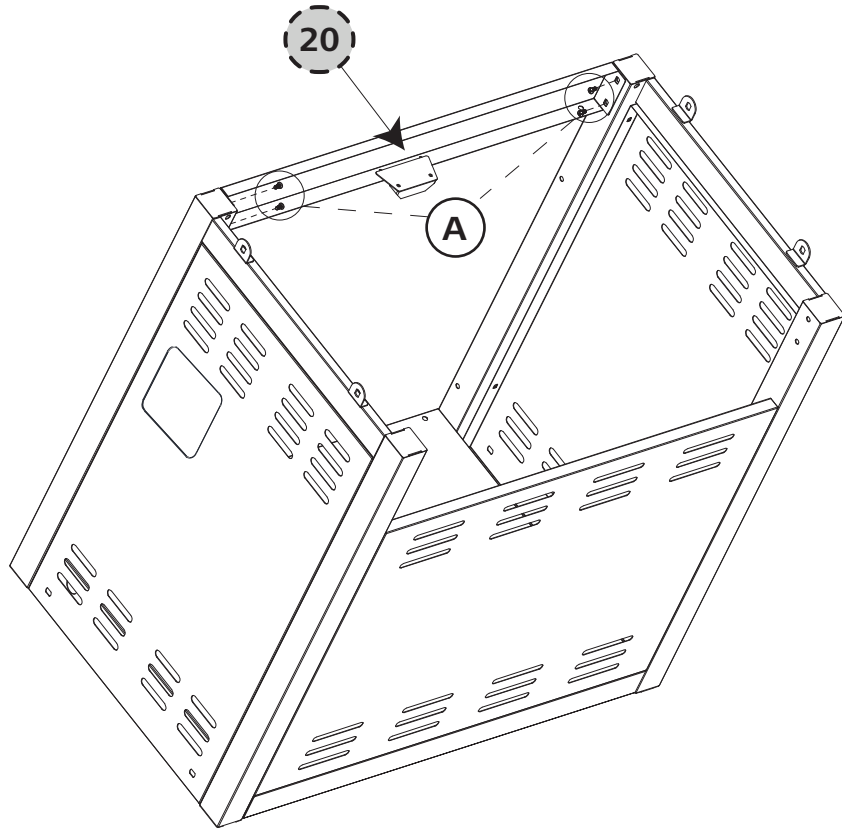


3.

A



4x

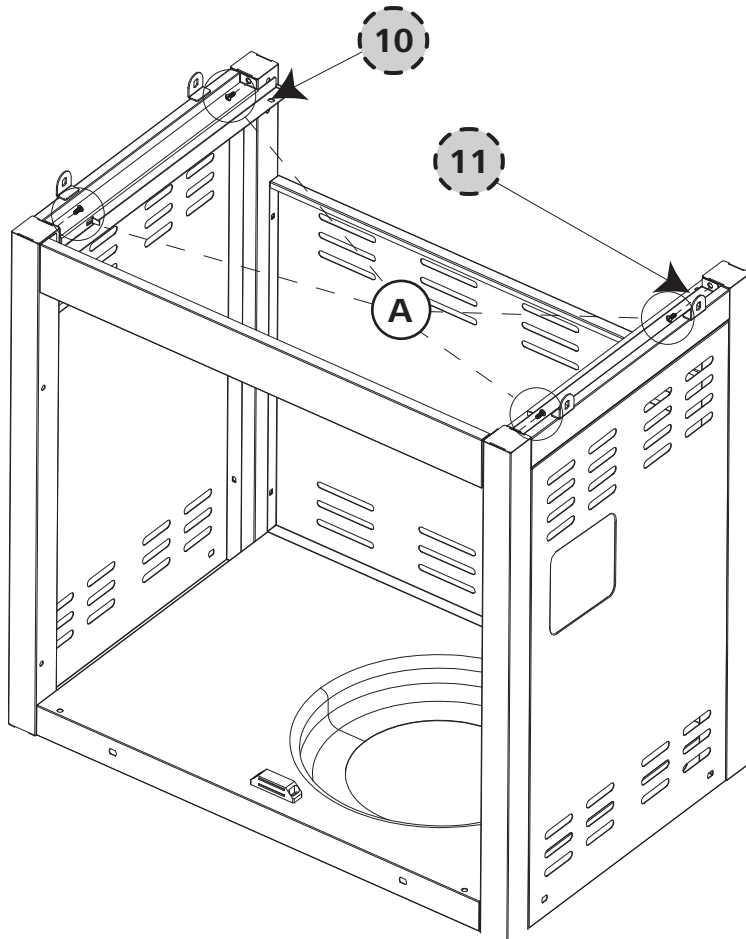


4.

A

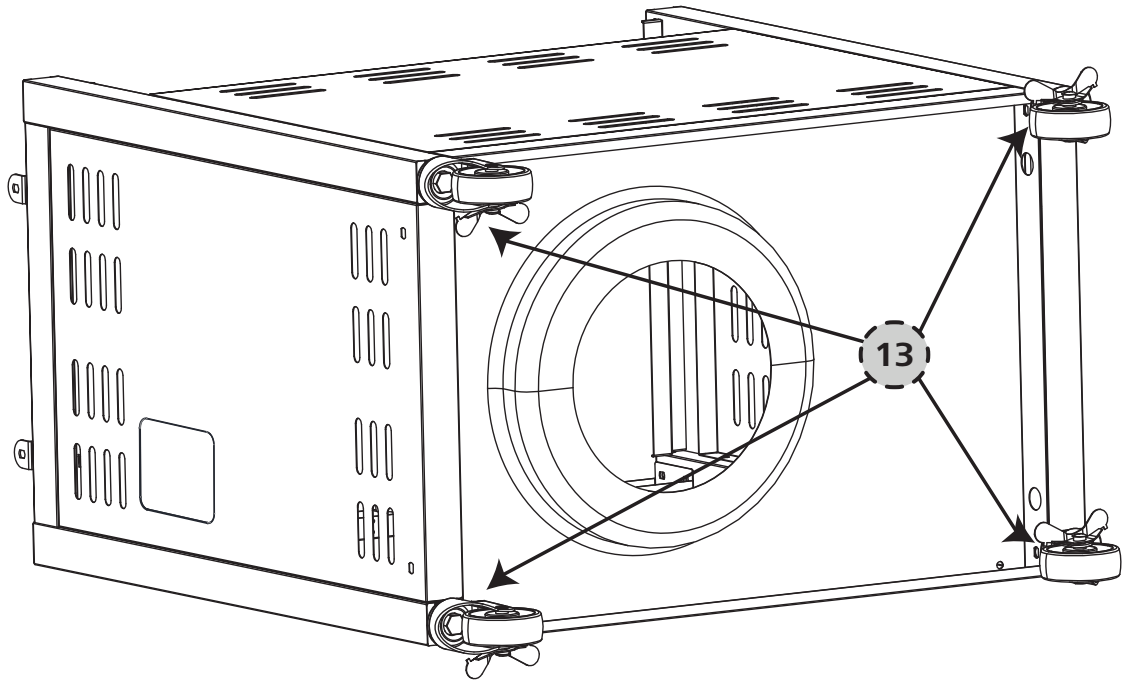


4x

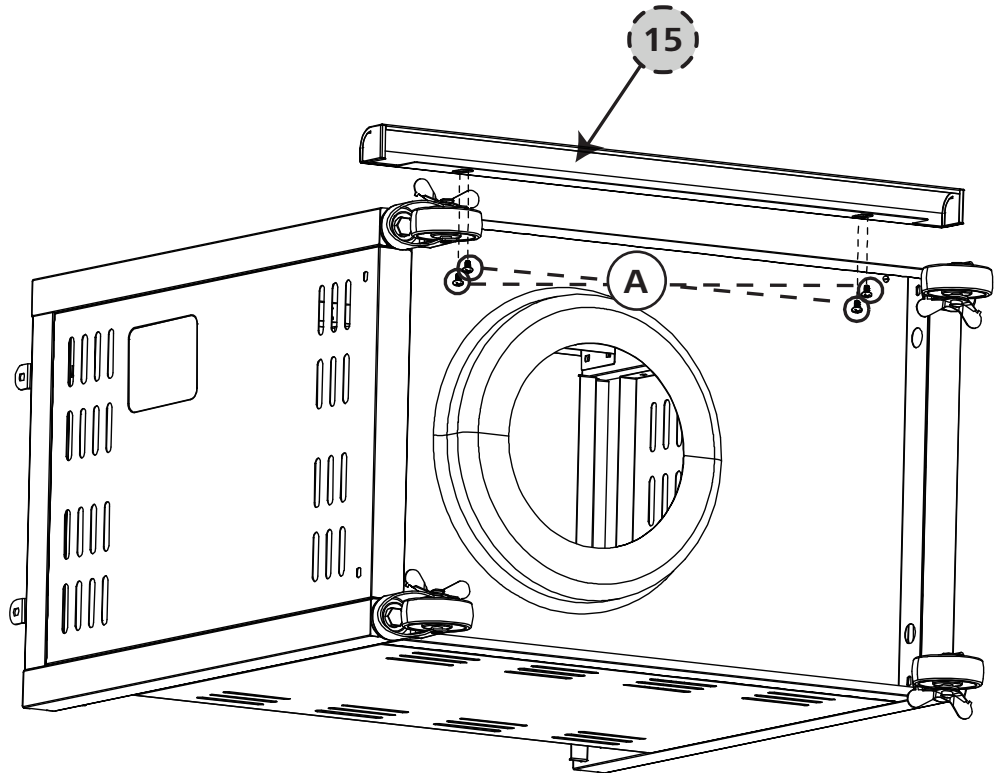




5.

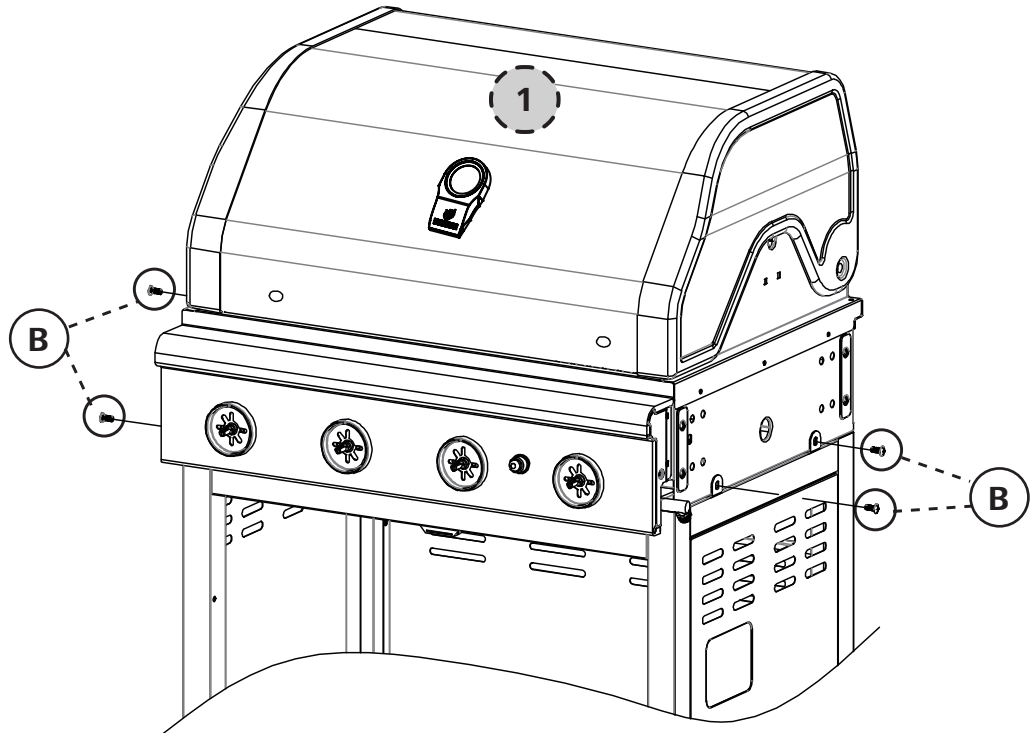


6.

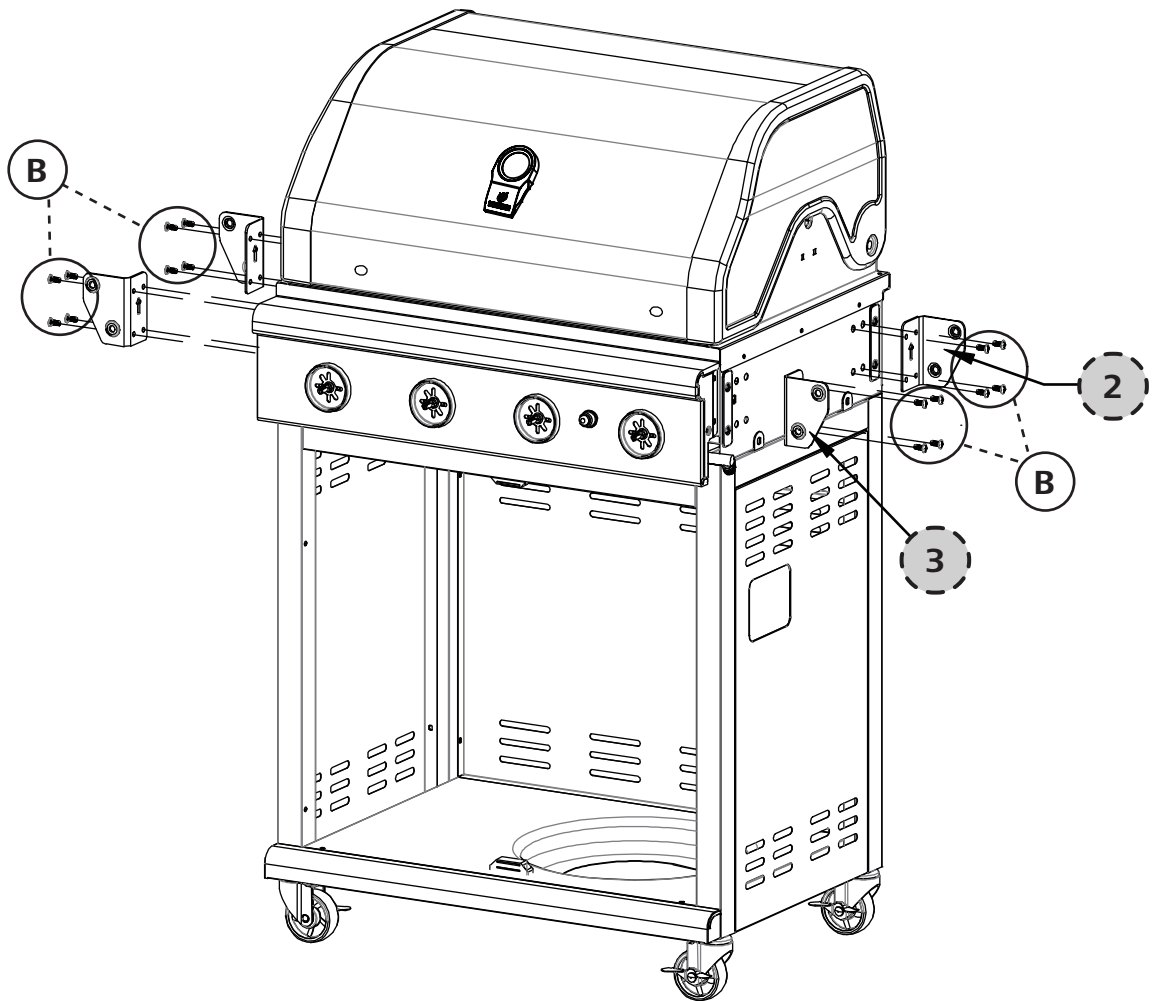




7.

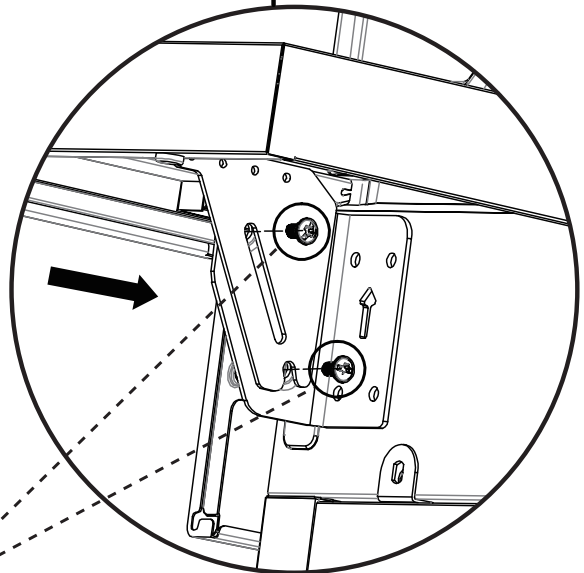
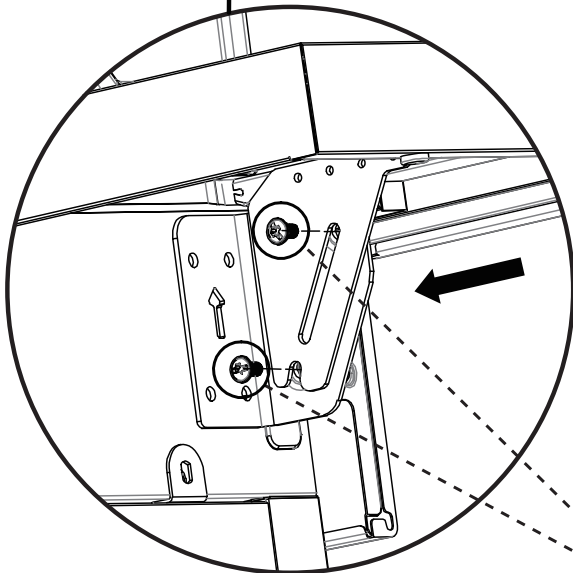
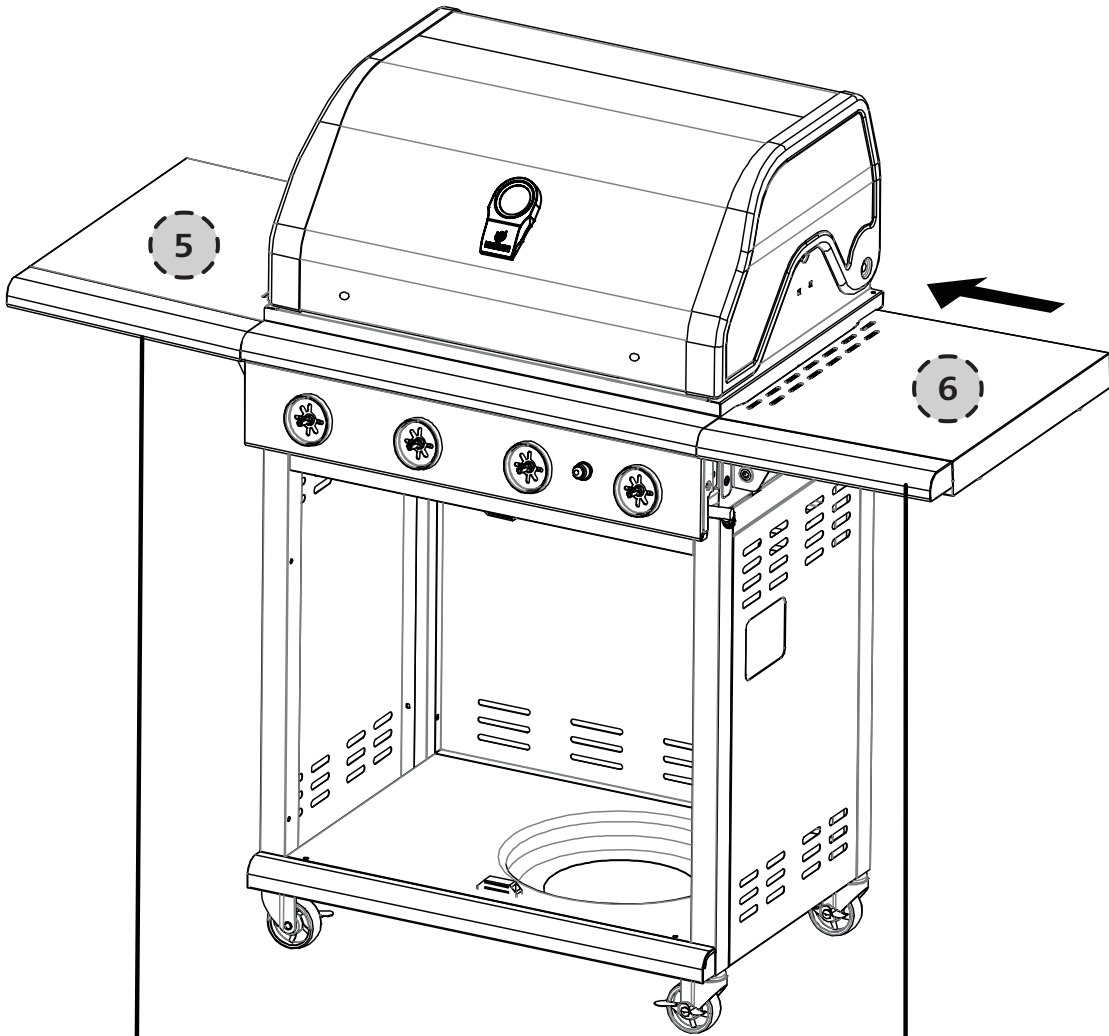


8.





9.

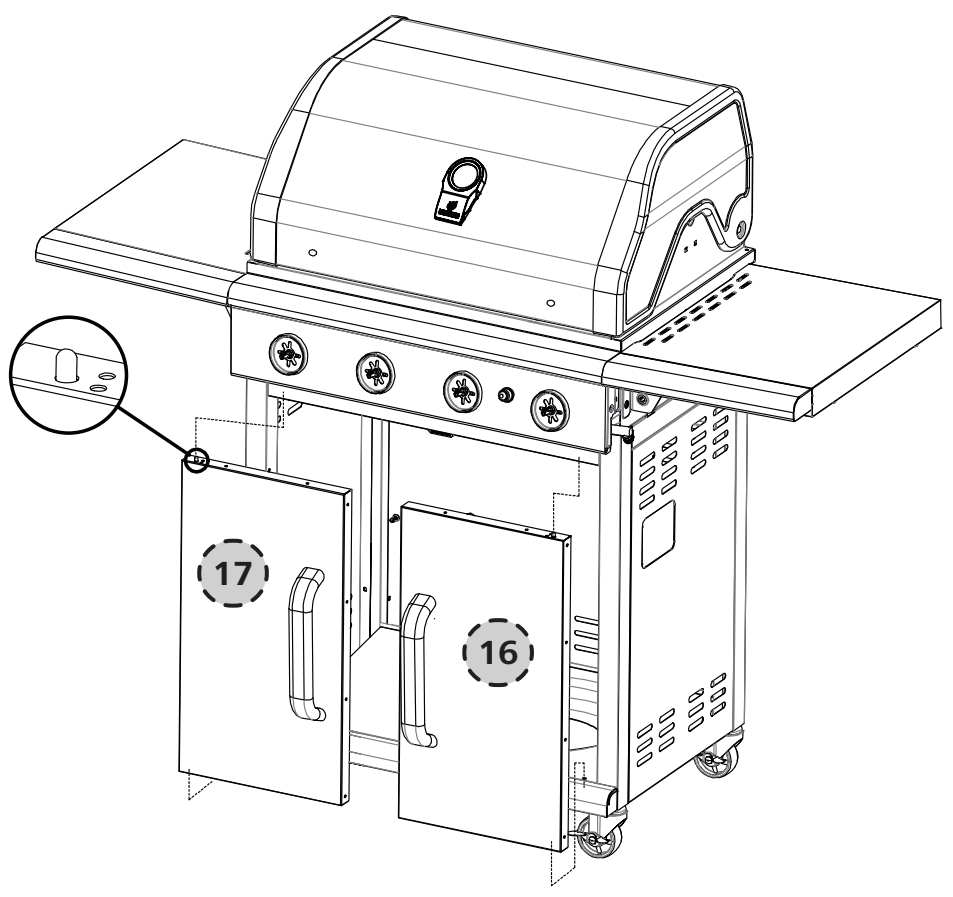
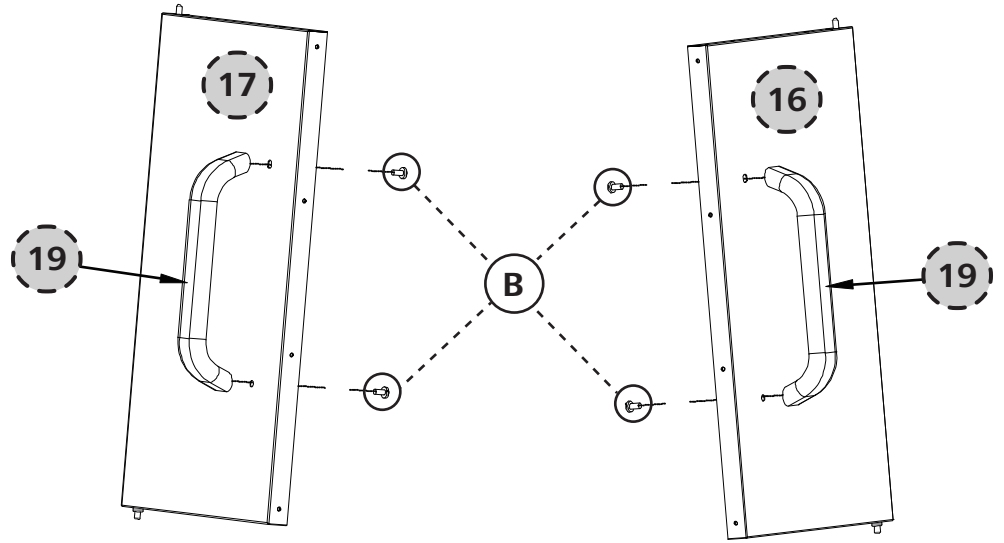
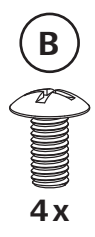


C



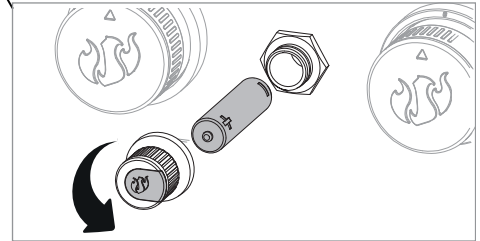
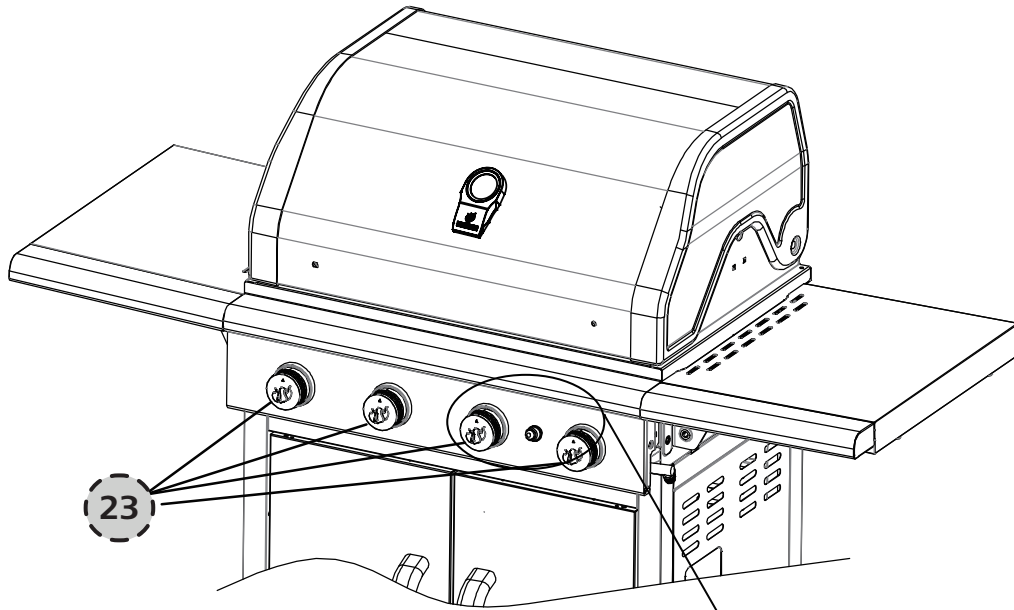
TRITON 4.0

10.

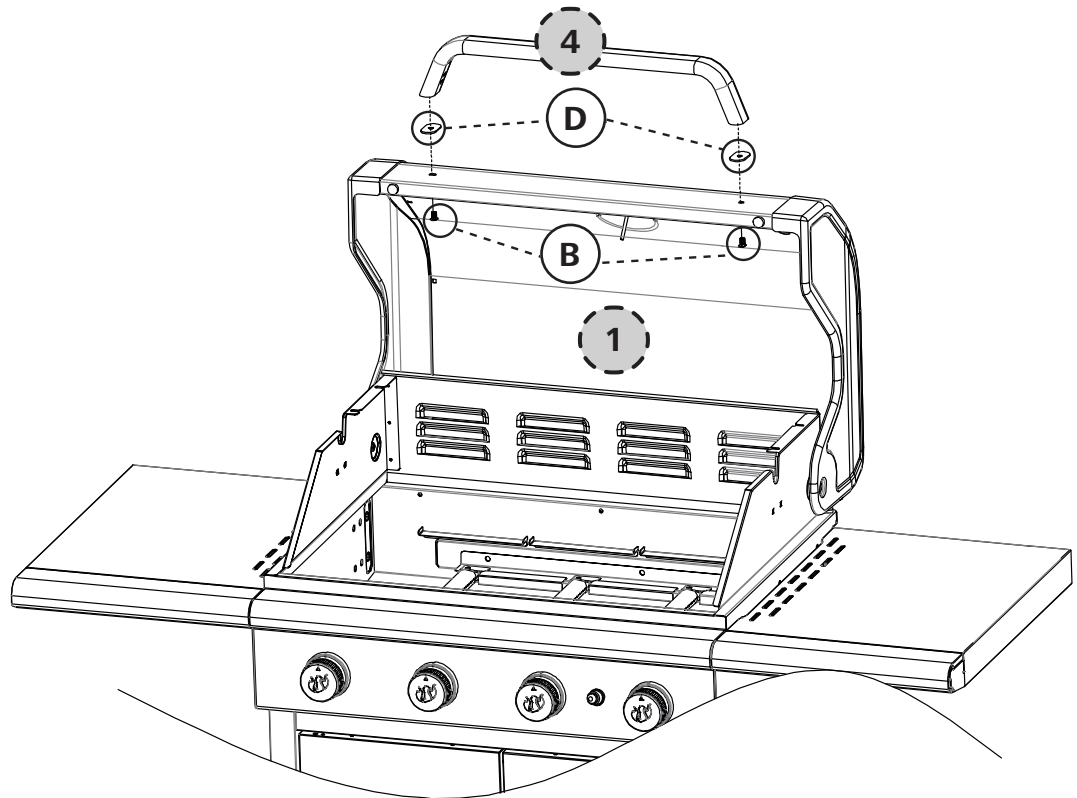
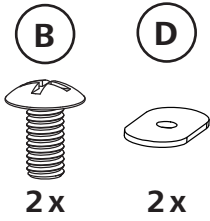




11.



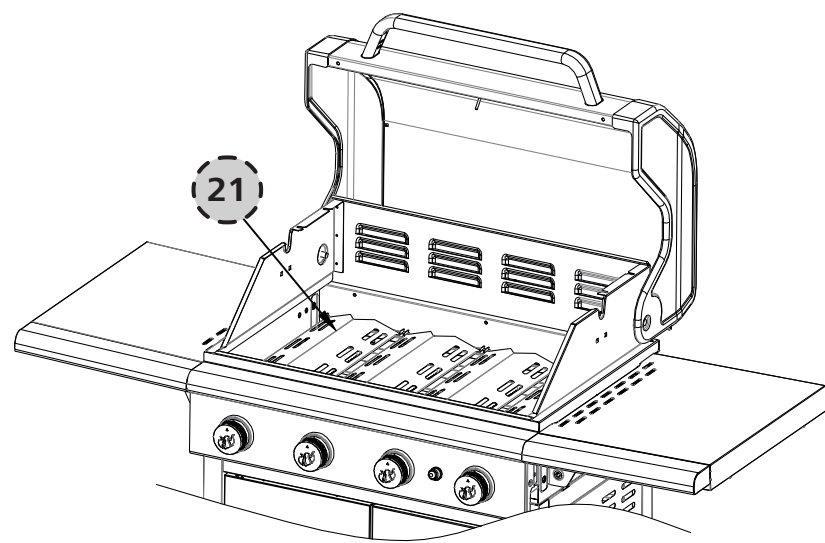
12.



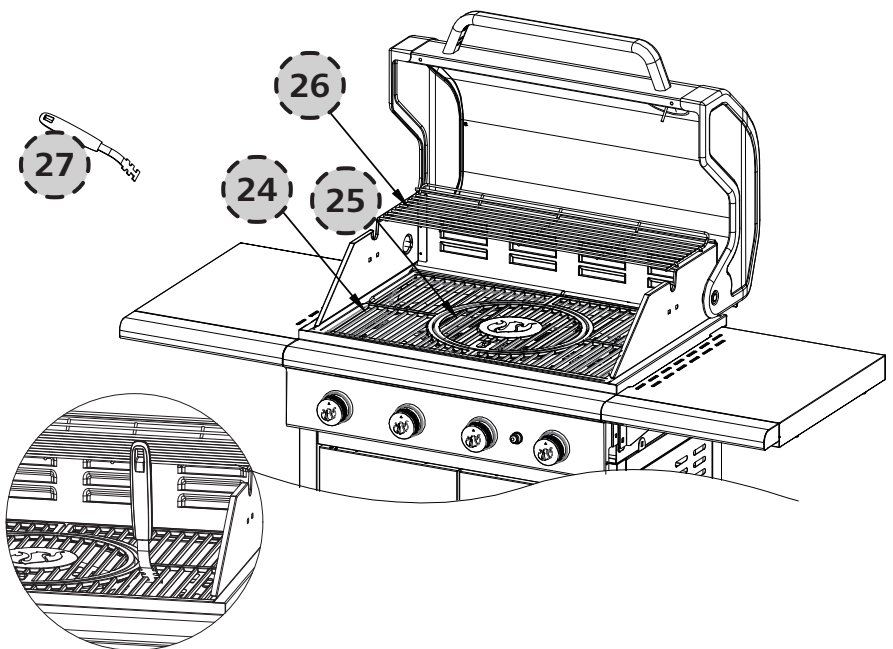


TRITON 4.0

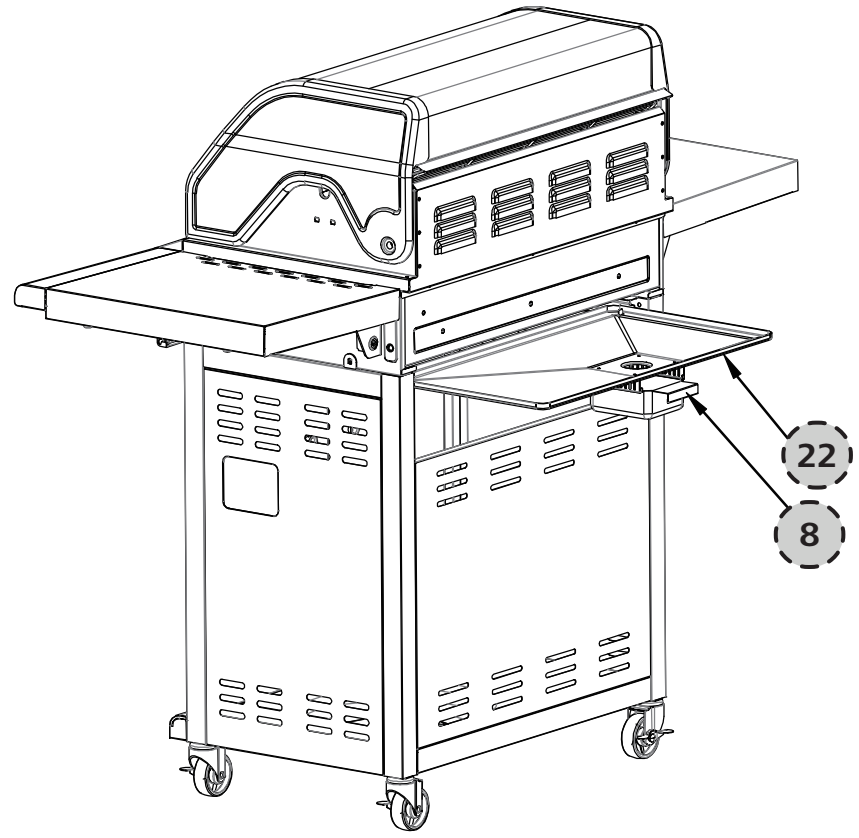
13.



14.



15.





16.

