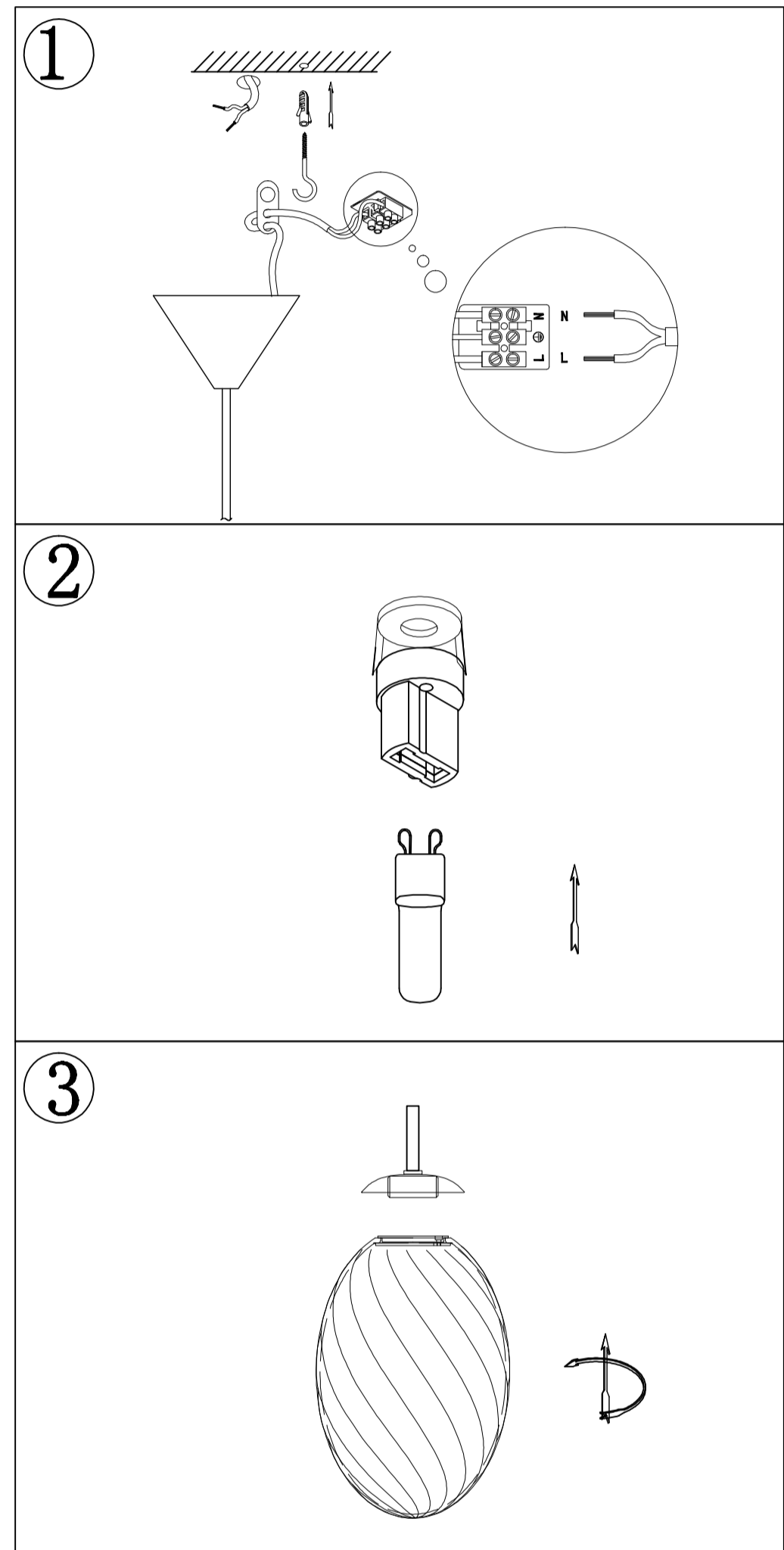
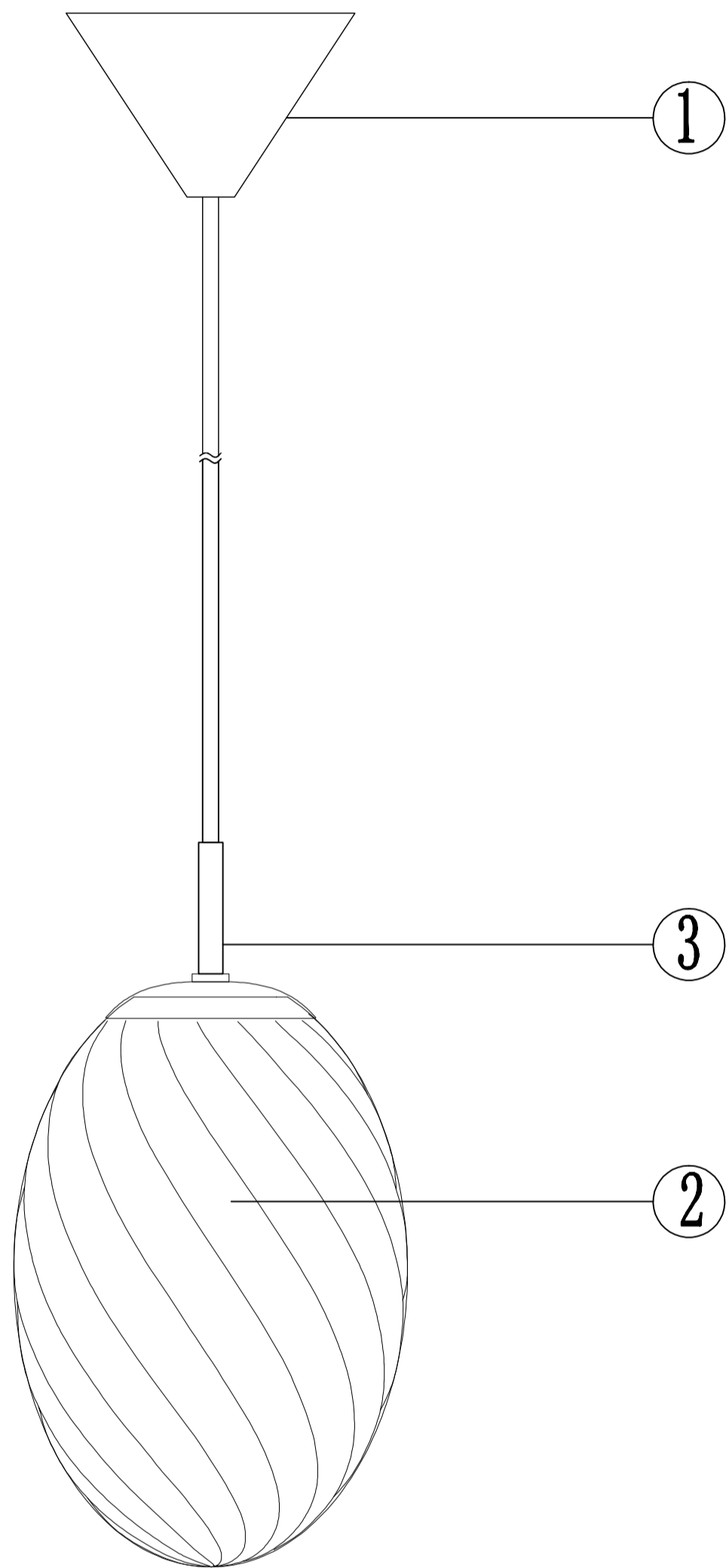


INSTRUCTION MANUAL

Model: Twist pendel \varnothing 15cm

halo
design

COPENHAGEN



INSTRUCTION MANUAL

1 Follow the instruction sketch.

2 Make sure power is OFF on the outlet, before beginning the installation.

3 Insert the light bulb.

4 Go through point 1 to 3 before connecting the lamp to the power.

230V .G9 .MAX LED 10W

