

GB	ORIGINAL INSTRUCTIONS	15	UA	ОРИГІНАЛЬНА ІНСТРУКЦІЯ З ЕКСПЛУАТАЦІЇ	126
F	NOTICE ORIGINALE	21	GR	ΠΡΟΤΟΤΥΠΟ ΟΔΗΓΙΩΝ ΧΡΗΣΗΣ	134
D	ORIGINALBETRIEBSANLEITUNG	28	RO	INSTRUCȚIUNI DE FOLOSIRE ORIGINALE	142
NL	ORIGINELE GEBRUIKSAANWIJZING	35	BG	ОРИГИНАЛНО РЪКОВОДСТВО ЗА ЕКСПЛОАТАЦИЯ	149
S	BRUKSANVISNING I ORIGINAL	43	SK	PŮVODNÝ NÁVOD NA POUŽITIE	157
DK	ORIGINAL BRUGSANVISNING	49	HR	ORIGINALNE UPUTE ZA RAD	164
N	ORIGINAL BRUKSANVISNING	56	SRB	ORIGINALNO UPUTSTVO ZA RAD	171
FIN	ALKUPERÄISET OHJEET	62	SLO	IZVIRNA NAVODILA	177
E	MANUAL ORIGINAL	68	EST	ALGUPÄRANE KASUTUSJUHEND	183
P	MANUAL ORIGINAL	76	LV	ORIĢINĀLĀ LIETOŠANAS PAMĀCĪBA	190
I	ISTRUZIONI ORIGINALI	83	LT	ORIGINALI INSTRUKCIJA	197
H	EREDETI HASZNÁLATI UTASÍTÁS	90	MK	ИЗБОРНО УПАТСТВО ЗА РАБОТА	204
CZ	PŮVODNÍM NÁVODEM K POUŽÍVÁNÍ	97	AL	UDHËZIMET ORIGINALE	211
TR	ORIJİNAL İŞLETME TALİMATI	103	AR	دليل الاستعمال	232
PL	INSTRUKCJA ORYGINALNA	110	FA	راهنمای اصلی	227
RU	ПОДЛИННИК РУКОВОДСТВА ПО ЭКСПЛУАТАЦИИ	118			



EAC

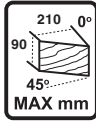
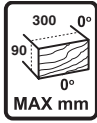
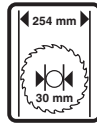
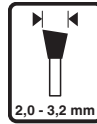
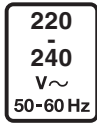
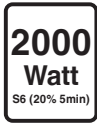


GB	EU Declaration of conformity		We declare under our sole responsibility that the stated products comply with all applicable provisions of the directives and regulations listed below and are in conformity with the following standards.
	Sliding mitre saw	Article number	Technical file at:*
F	Déclaration de conformité UE		Nous déclarons sous notre propre responsabilité que les produits décrits sont en conformité avec les directives, règlements normatifs et normes énumérés ci-dessous. Dossier technique auprès de:*
	Scie à onglets radiale	Numéro d'article	
D	EU-Konformitätserklärung		Wir erklären in alleiniger Verantwortung, dass die genannten Produkte allen einschlägigen Bestimmungen der nachfolgend aufgeführten Richtlinien und Verordnungen entsprechen und mit folgenden Normen übereinstimmen. Technische Unterlagen bei:*
	Paneelsäge	Sachnummer	
NL	EU-conformiteitsverklaring		Wij verklaren op eigen verantwoordelijkheid dat de genoemde producten voldoen aan alle desbetreffende bepalingen van de hierna genoemde richtlijnen en verordeningen en overeenstemmen met de volgende normen. Technisch dossier bij:*
	Telescopische verstekzaag	Productnummer	
S	EU-konformitetsförklaring		Vi förklarar under eget ansvar att de nämnda produkterna uppfyller kraven i alla gällande bestämmelser i de nedan angivna direktiven och förordningarna och att de stämmer överens med följande normer. Teknisk dokumentation:*
	Utdragbar kap- och gersåg	Produktnummer	
DK	EU-overensstemmelseserklæring		Vi erklærer som eneansvarlige, at det beskrevne produkt er i overensstemmelse med alle gældende bestemmelser i følgende direktiver og forordninger og opfylder følgende standarder. Tekniske bilag ved:*
	Kap- og geringsav	Typenummer	
N	EU-samsvarserklæring		Vi erklærer under eneansvar at de nevnte produktene er i overensstemmelse med alle relevante bestemmelser i direktivene og forordningene nedenfor og med følgende standarder. Teknisk dokumentasjon hos:*
	Kapp- og gjæringssag med glidekinnene	Produktnummer	
FIN	EU-vaatimustenmukaisuusvakuutus		Vakuutamme täten, että mainitut tuotteet vastaavat kaikkia seuraavien direktiivien ja asetusten asiaankuuluvia vaatimuksia ja ovat seuraavien standardien vaatimusten mukaisia. Tekniset asiakirjat saatavana:*
	Katkaisu- ja jirisaaha	Tuotenumero	
E	Declaración de conformidad UE		Declaramos bajo nuestra exclusiva responsabilidad, que los productos nombrados cumplen con todas las disposiciones correspondientes de las directivas y los reglamentos mencionados a continuación y están en conformidad con las siguientes normas. Documentos técnicos de:*
	Ingletadora telescópica	Número de artículo	
P	Declaração de conformidade CE		Declaramos sob nossa exclusiva responsabilidade que os produtos mencionados cumprem todas as disposições e os regulamentos indicados e estão em conformidade com as seguintes normas. Documentação técnica pertencente a:*
	Serra de esquadria deslizante	Número do produto	
I	Dichiarazione di conformità UE		Dichiariamo sotto la nostra piena responsabilità che i prodotti indicati sono conformi a tutte le disposizioni pertinenti delle direttive e dei regolamenti elencati di seguito, nonché alle seguenti normative. Documentazione tecnica presso:*
	Troncatrice radiale	Codice prodotto	
H	EU konformitási nyilatkozat		Egyedüli felelősséggel kijelentjük, hogy a megnevezett termékek megfelelnek az alábbiakban felsorolásra kerülő irányelvek és rendeletek valamennyi idevágó előírásainak és megfelelnek a következő szabványoknak. Műszaki dokumentumok megőrzési pontja:*
	Csúszó gérvágó fűrész	Cikkszám	
CZ	EU prohlášení o shodě		Prohlašujeme na výhradní zodpovědnost, že uvedený výrobek splňuje všechna příslušná ustanovení níže uvedených směrnic a nařízení a je v souladu s následujícími normami. Technické podklady u:*
	Pokosová pila se zákluzem	Objednací číslo	
TR	AB Uygunluk beyanı		Tek sorumlu olarak, tanınlan ürünün aşağıdaki yönetmelik ve direktiflerin geçerli bütün hükümlerine ve aşağıdaki standartlara uygun olduğunu beyan ederiz. Teknik belgelerin bulunduğu yer:*
	Raylık gönyeli testere	Ürün kodu	
PL	Deklaracja zgodności UE		Oświadczamy z pełną odpowiedzialnością, że niniejsze produkty odpowiadają wszystkim wymaganiom poniżej wyszczególnionych dyrektyw i rozporządzeń, oraz że są zgodne z następującymi normami. Dokumentacja techniczna:*
	Pilarka ukośnica	Numer katalogowy	
RU	Заявление о соответствии ЕС		Мы заявляем под нашу единоличную ответственность, что названные продукты соответствуют всем действующим предписаниям нижеуказанных директив и распоряжений, а также нижеуказанных норм. Техническая документация хранится у:*
	Торцово-усовочная пила (стусло)	Товарный номер	
UA	Заява про відповідність ЄС		Мизявляємо під нашу одноособову відповідальність, що названі вироби відповідають усім чинним положенням нижчеозначених директив і розпоряджень, а також нижчеозначеним нормам. Технічна документація зберігається у:*
	Торцювальна пила для вирізання під нутом	Товарний номер	

GR	Δήλωση πιστότητας ΕΕ		<p>Δηλώνουμε με αποκλειστική μας ευθύνη, ότι τα αναφερόμενα προϊόντα αντιστοιχούν σε όλες τις σχετικές διατάξεις των πιο κάτω αναφερόμενων οδηγιών και κανονισμών και ταυτίζονται με τα ακόλουθα πρότυπα. Τεχνικά έγγραφα στη:*</p>
RO	Declarație de conformitate UE	Αριθμός ευρετηρίου	<p>Declarăm pe proprie răspundere că produsele menționate corespund tuturor dispozițiilor relevante ale directivei și reglementărilor enumerate în cele ce urmează și sunt în conformitate cu următoarele standarde. Documentație tehnică la:*</p>
BG	ЕС декларация за съответствие	Număr de identificare	<p>С пълна отговорност ние декларираме, че посочените продукти отговарят на всички валидни изисквания на директивите и разпоредбите по-долу и съответства на следните стандарти. Техническа документация при:*</p>
SK	Pôvodnej EU vyhlásenie o zhode	Каталожен номер	<p>Vyhlasujeme na výhradnú zodpovednosť, že uvedený výrobok spĺňa všetky príslušné ustanovenia nižšie uvedených smerníc a nariadení a je v súlade s nasledujúcimi normami. Technické podklady má spoločnosť:*</p>
HR	EU izjava o skladnosti	Kataloški broj	<p>Pod punom odgovornošću izjavljujemo da navedeni proizvodi odgovaraju svim relevantnim odredbama direktiva i propisima navedenima u nastavku i da su skladni sa sledećim normama. Tehnička dokumentacija se može dobiti kod:*</p>
SRB	EU-izjava o usaglašenosti	Broj predmeta	<p>Na sopstvenu odgovornost izjavljujemo, da navedeni proizvodi odgovaraju svim dotičnim odredbama naknadno navedenih smernica u uredaba i da su u skladu sa sledećim standardima. Tehnička dokumentacija kod:*</p>
SLO	Izjava o skladnosti ES	Številka artikla	<p>Izjavljamo pod izključno odgovornostjo, da je omenjen izdelek v skladu z vsemi relevantnimi določili direktiv in uredb ter ustreza naslednjim standardom. Tehnična dokumentacija pri:*</p>
EST	EL-vastavusdeklaratsioon	Tootenumber	<p>Kinnitame ainuvastutajatena, et nimetatud tooted vastavad järgnevalt loetletud direktiivide ja määruste kõikidele asjaomastele nõuetele ja on kooskõlas järgmiste normidega. Tehnilised dokumendid saadaval:*</p>
LV	Deklarācija par atbilstību EK standartiem	Izstrādājuma numurs	<p>Mēs ar pilnu atbildību paziņojam, ka šeit aplūkoti izstrādājumi atbilst visiem tālāk minētajās direktīvās un rīkojumos ietvertajām saistošajām nostādņēm, kā arī sekojošiem standartiem. Tehniskā dokumentācija no:*</p>
LT	ES atitikties deklaracija	Gaminio numeris	<p>Atsakingai pareiškiame, kad išvardyti gaminiai atitinka visus privalomus žemiau nurodytų direktyvų ir reglamentų reikalavimus ir šiuos standartus. Techninė dokumentacija saugoma:*</p>
MK	EU-Изјава за сообразност	Број на артикл	<p>Со целосна одговорност изјавуваме, дека опишаните производи се во согласност со сите релевантни одредби на следните регулативи и прописи и се во согласност со следните норми. Техничка документација кај:*</p>
AL	EU Deklarata e konformitetit	Numri i nenit	<p>Ne deklarojmë me përgjegjësinë tonë të vetme se produktet e paraqitura janë në përputhje me të gjitha dispozitat e zbatueshme të direktivave dhe rregulloreve të listuara më poshtë dhe janë në përputhje me standardet si më poshtë. Dosja teknike në:*</p>
1320	BT1*1320**	2006/42/EC	EN 62841-1:2015
		2014/30/EU	EN 62841-3-9:2015 + A11:2017
		2011/65/EU	EN 60825-1:2014
			EN 55014-1:2017
			EN 55014-2:2015
			EN 61000-3-2:2014
			EN 61000-3-3:2013 + A1:2019
			EN 50581:2012
			<p>SKIL * Skil BV Konijnenberg 62 4825 BD Breda The Netherlands</p>
			<p>Olaf Dijkgraaf Approval Manager</p>
			
			<p>Skil BV, Konijnenberg 62, 4825 BD Breda, NL 10.02.2021</p>

1

1320



2



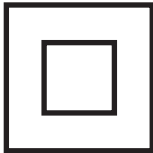
3



4



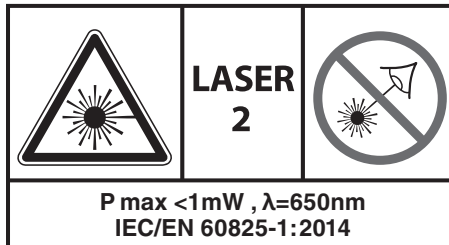
5



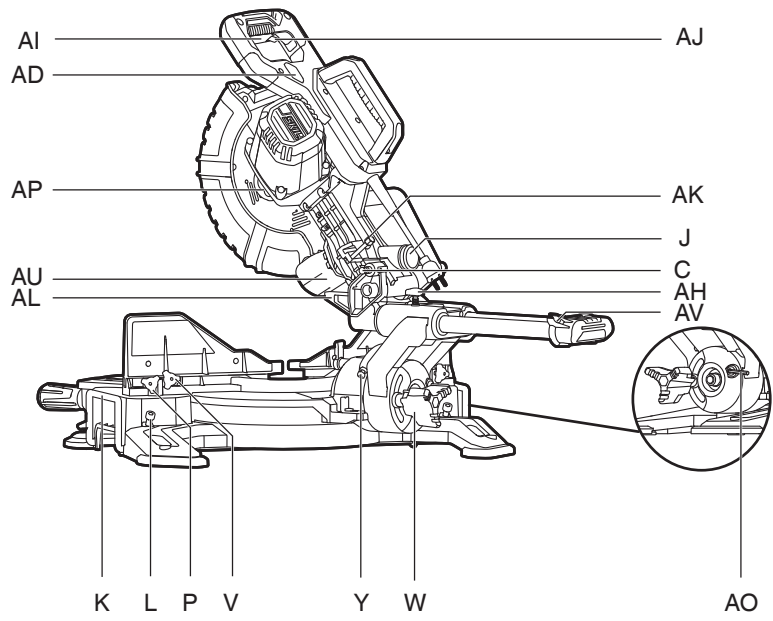
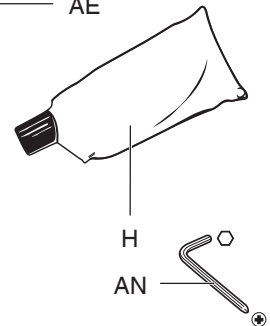
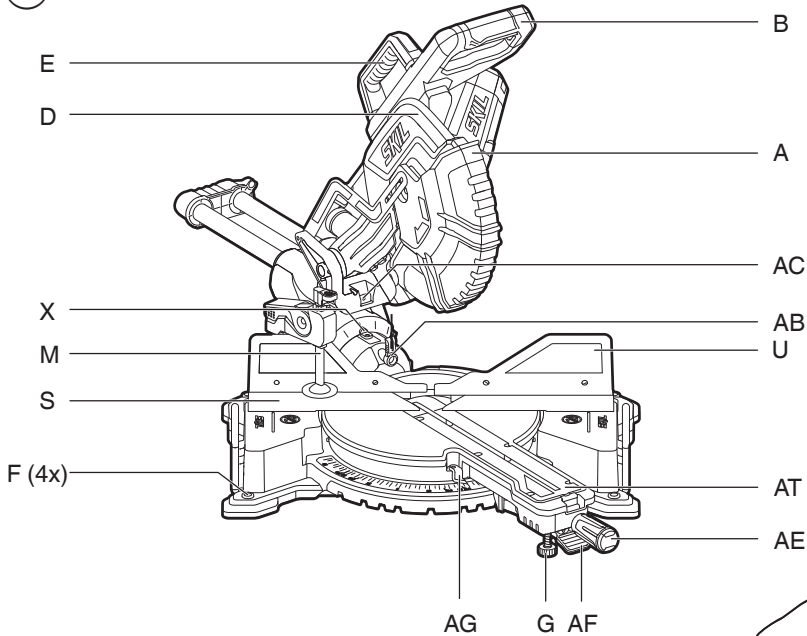
6

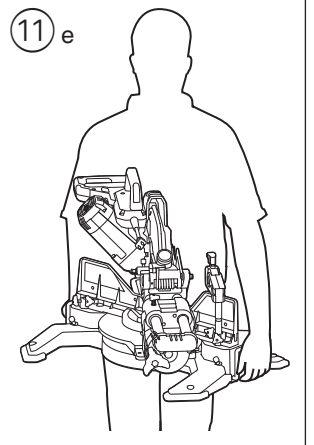
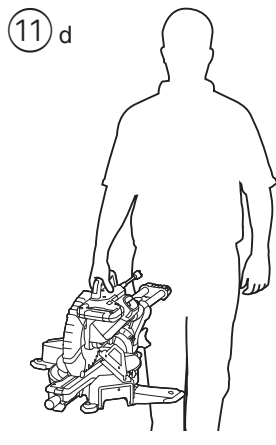
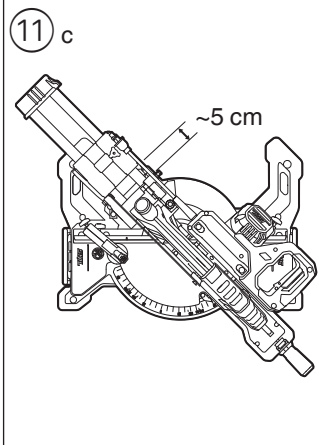
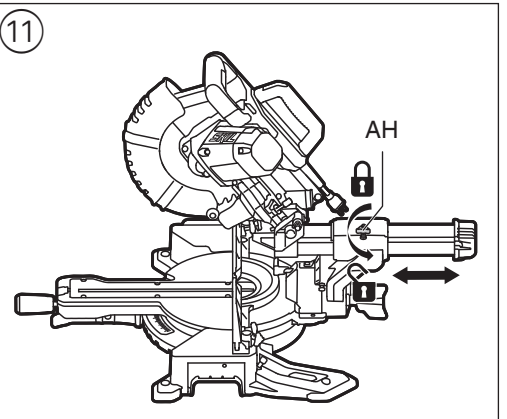
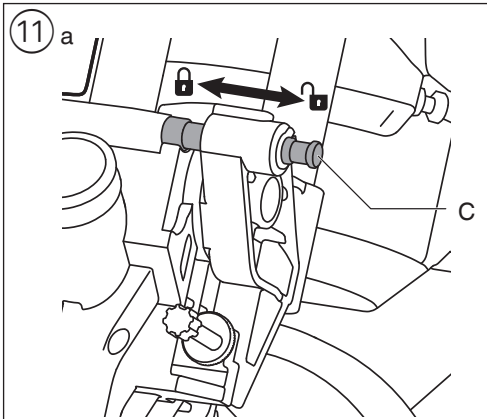
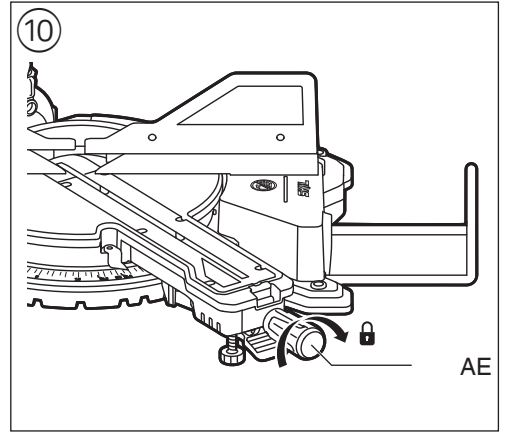
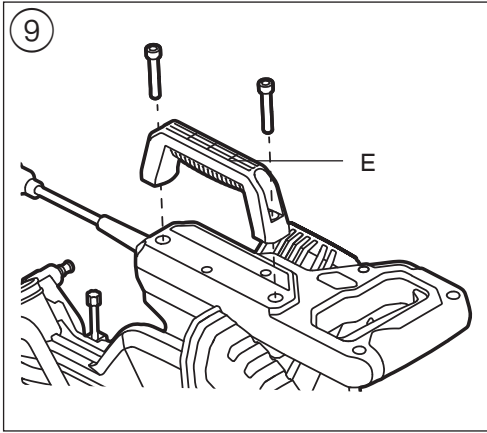


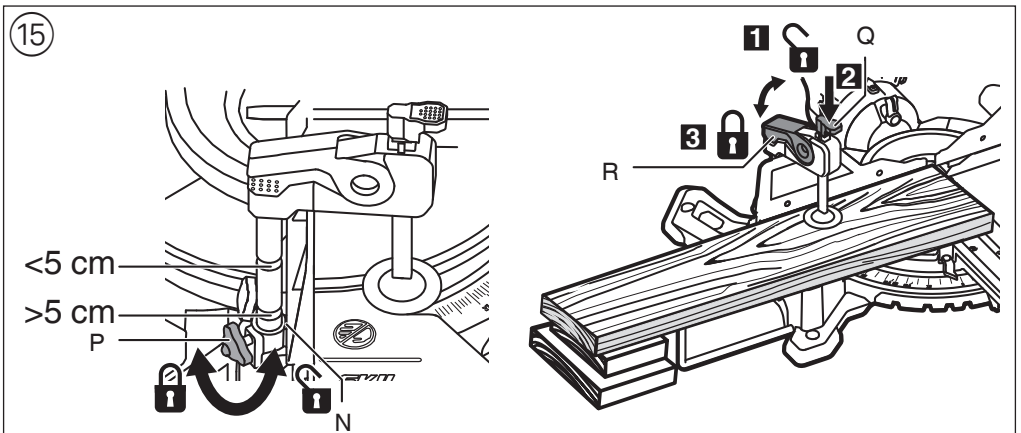
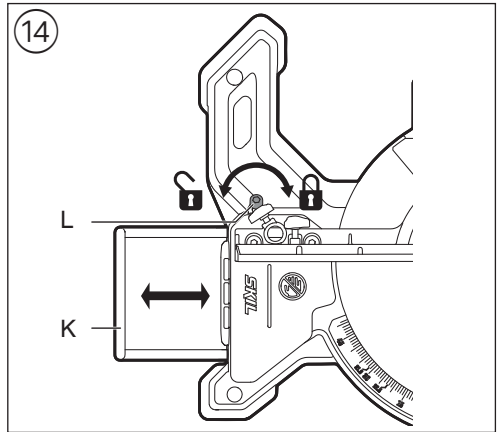
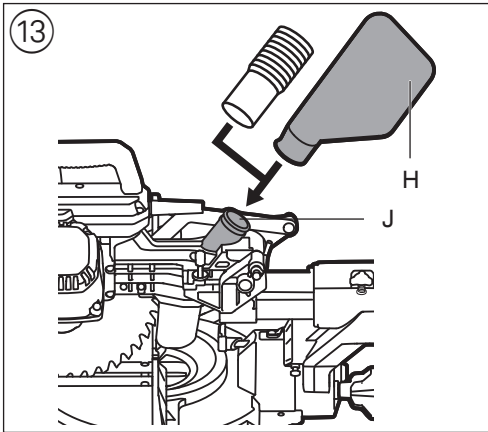
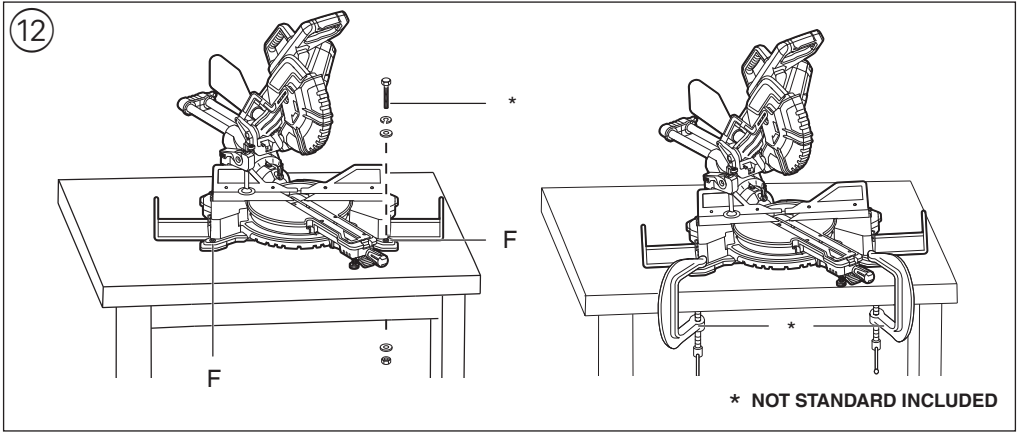
7



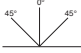
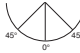
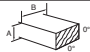
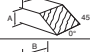
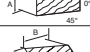

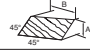

8



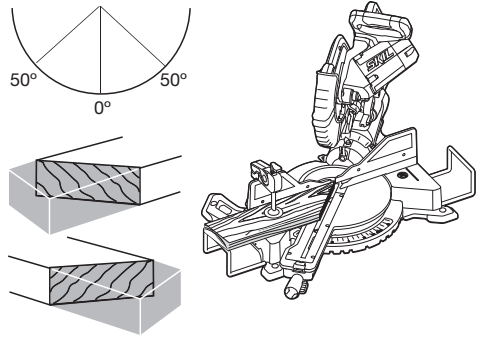




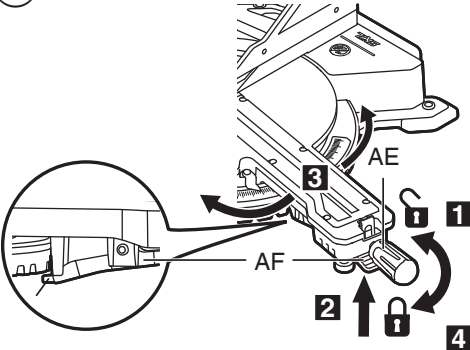
16

				Max A x Max B
0°	0°		0°	90 x 300 mm
45°	0°		45°	40 x 300 mm
0°	45°		0°	90 x 210 mm
45°	45°		45°	40 x 210 mm
45°	0°		45°	25 x 300 mm
45°	45°		45°	25 x 210 mm

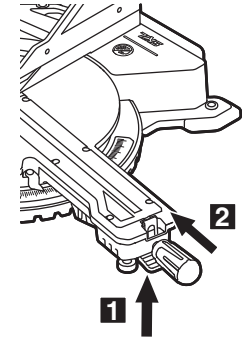
17 a



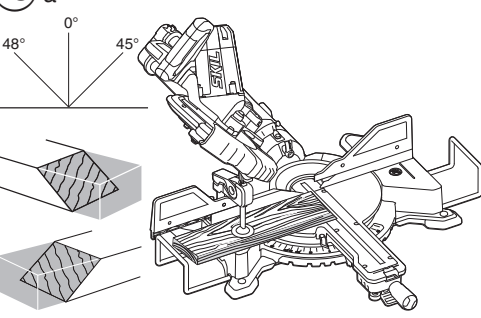
17 b



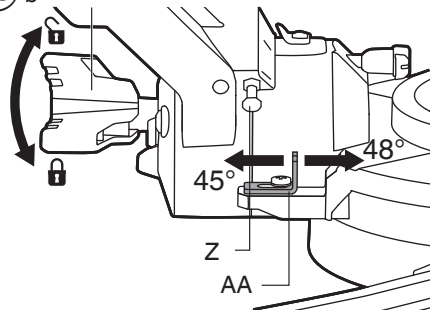
17 c

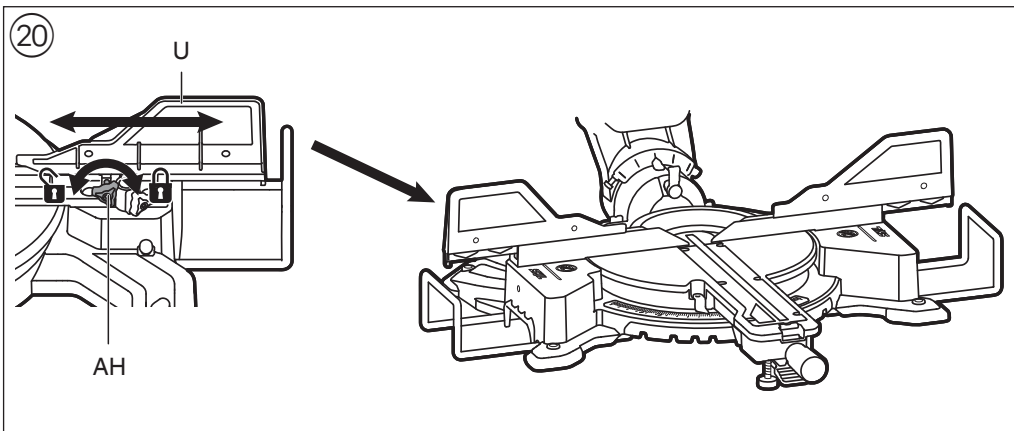
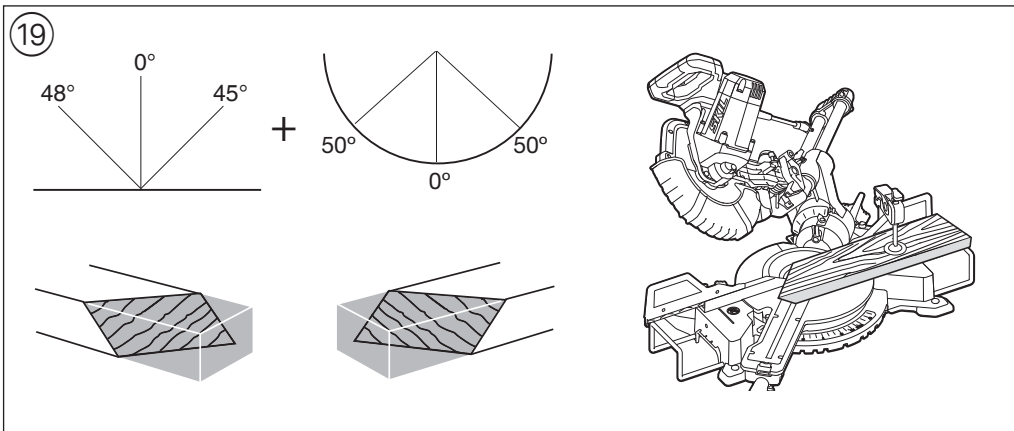
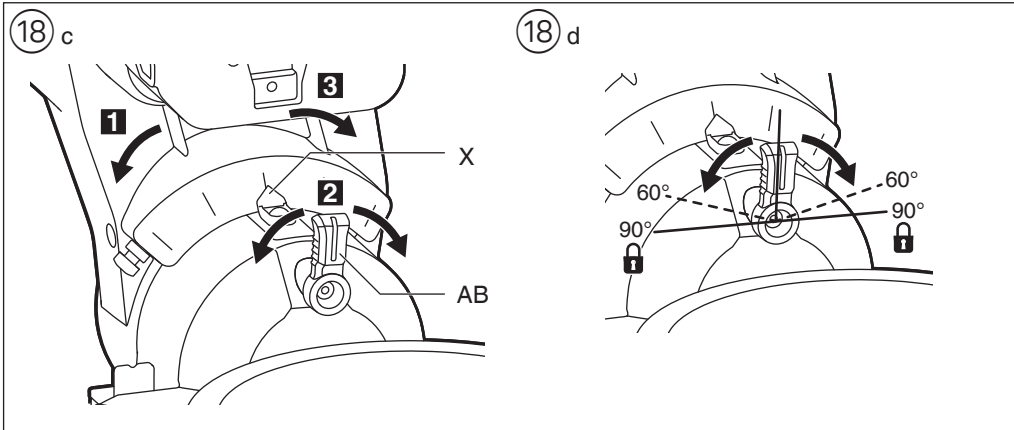


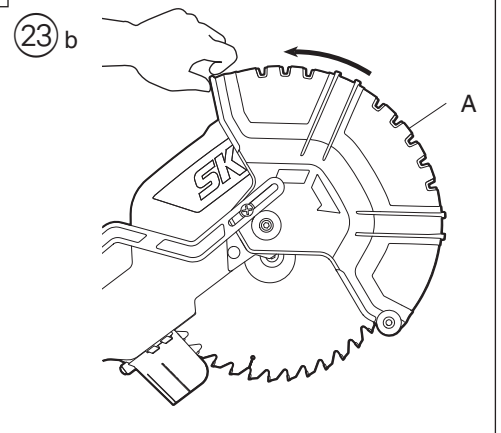
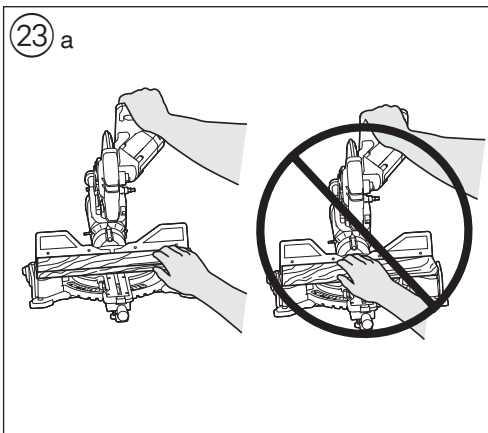
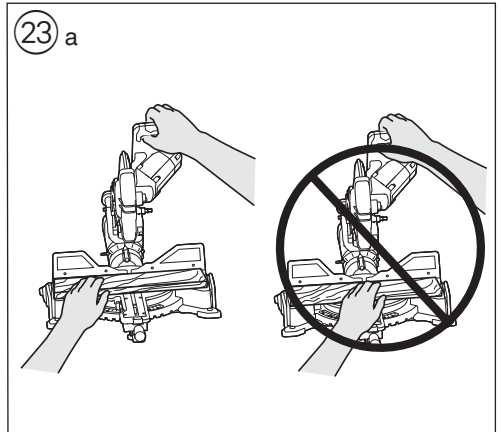
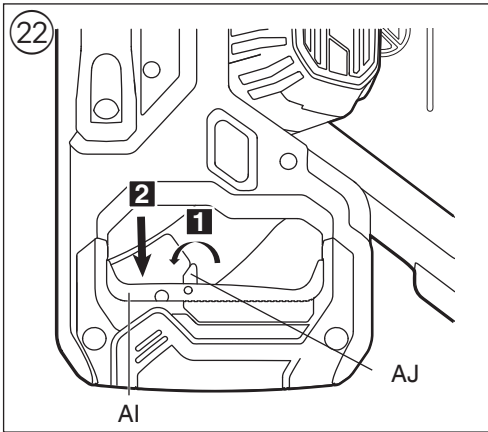
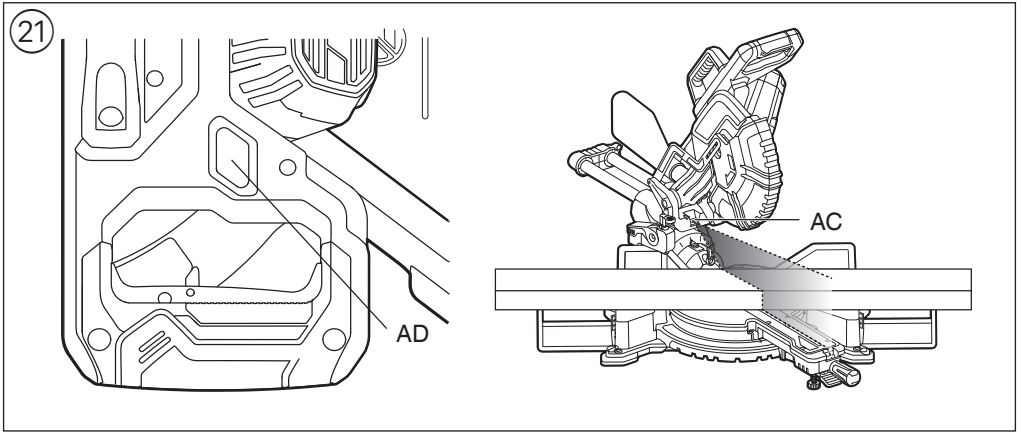
18 a

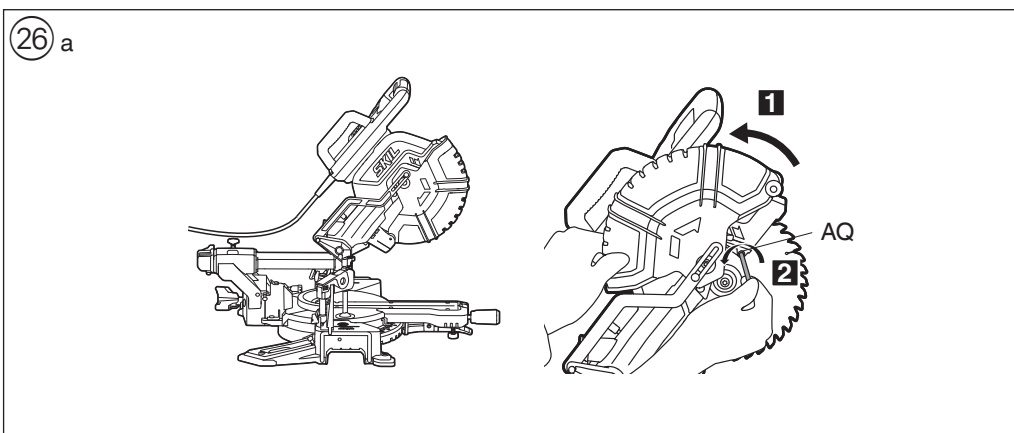
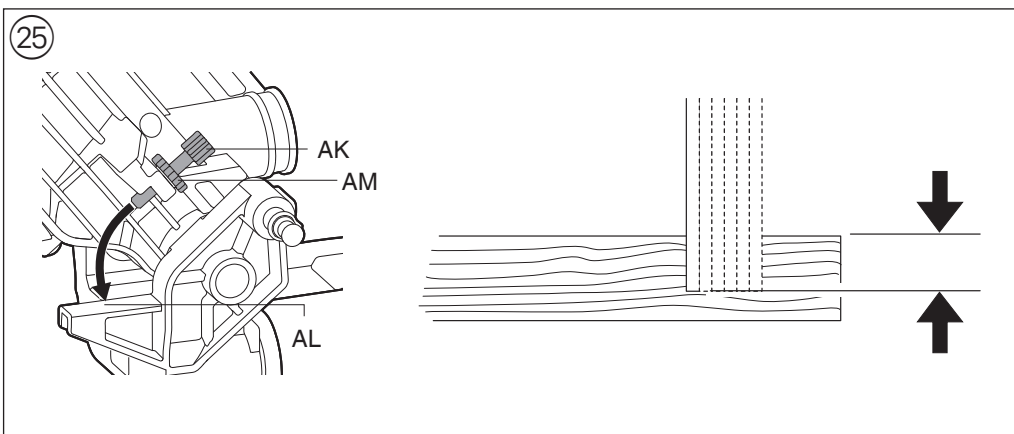
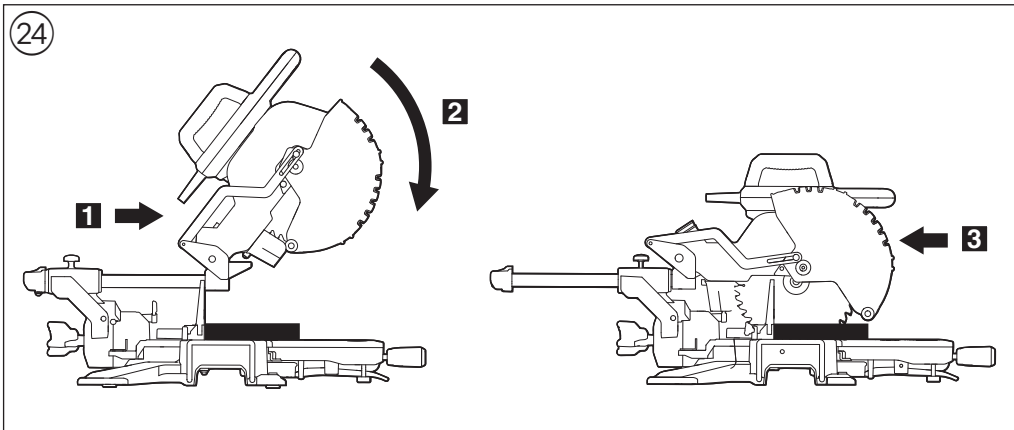


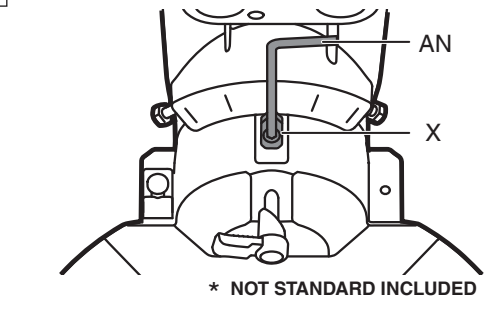
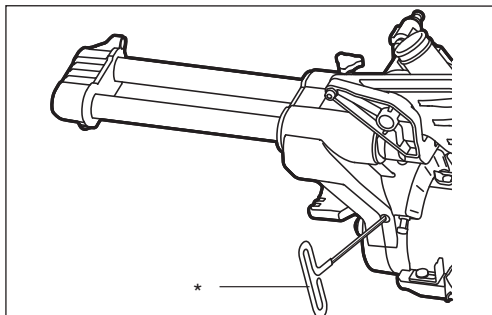
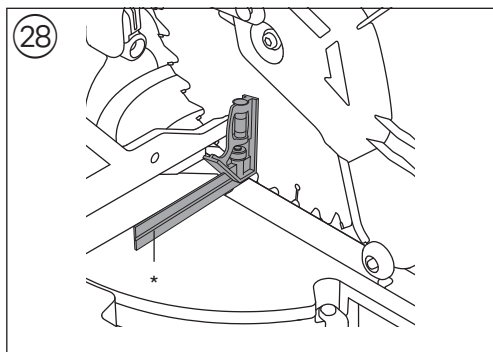
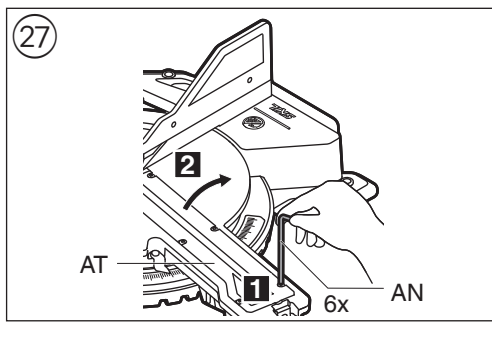
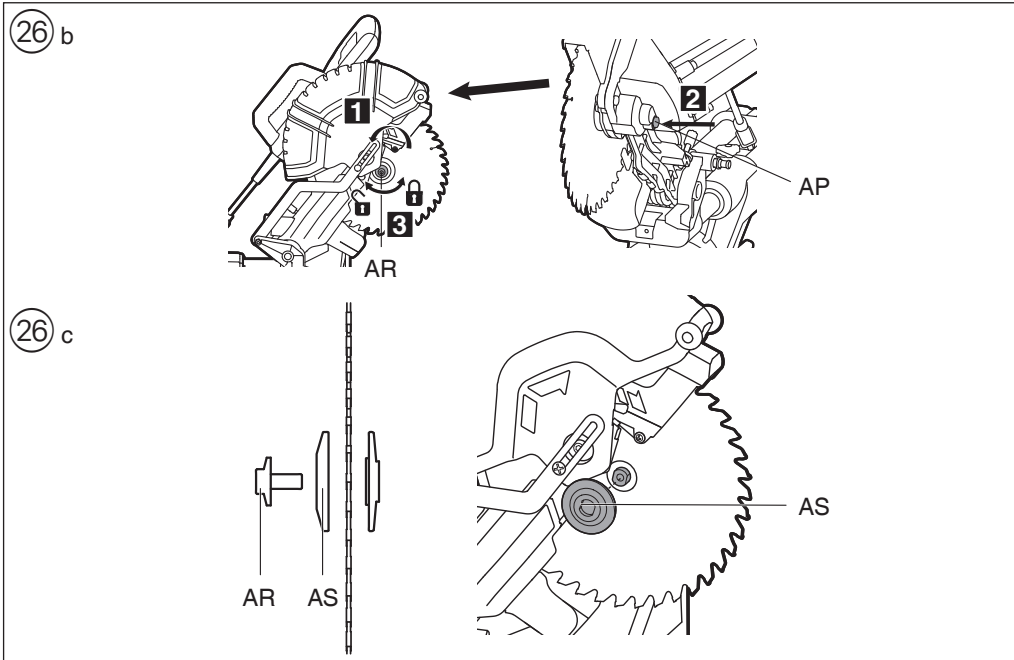
18 b

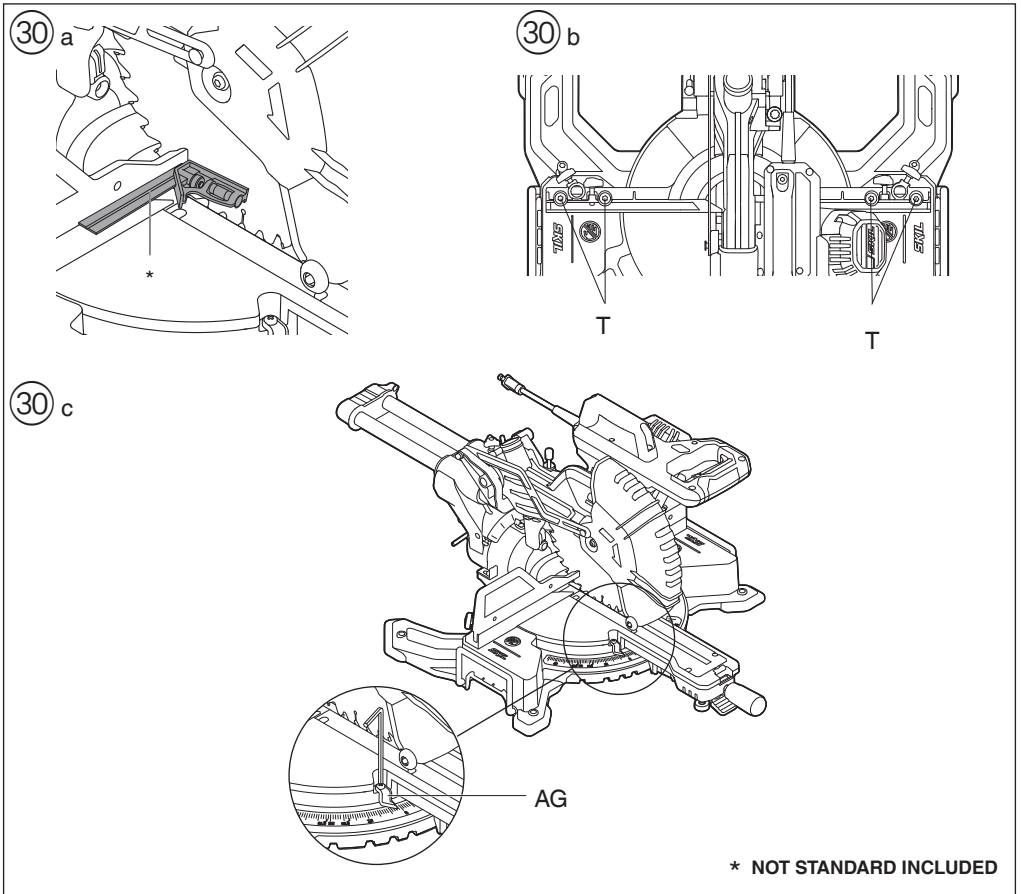
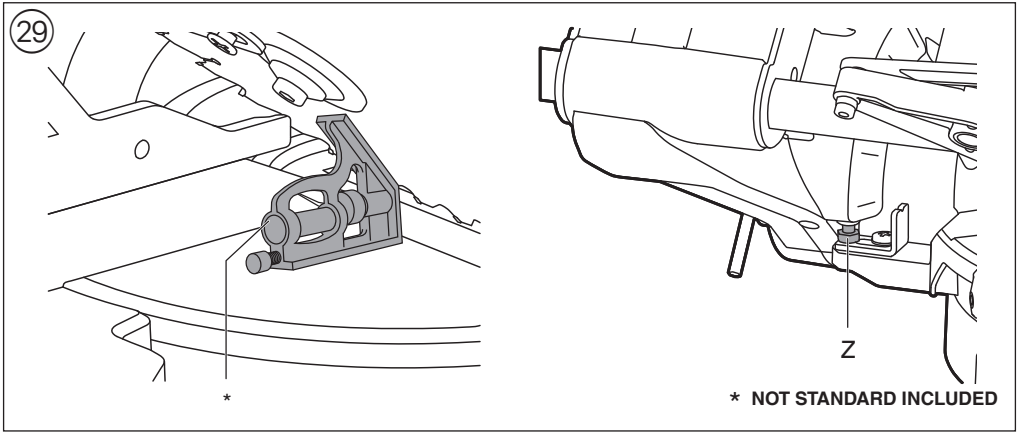


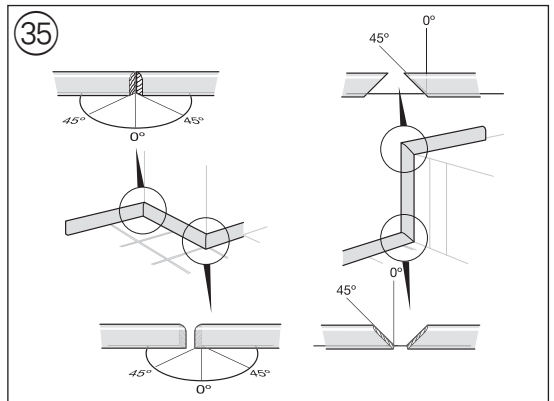
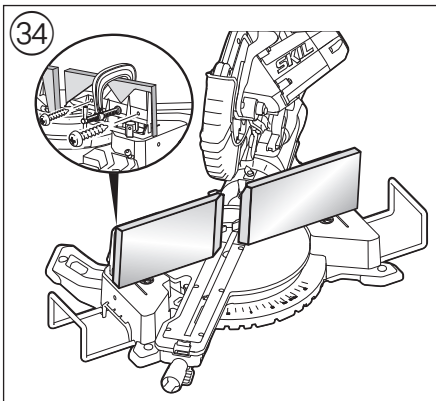
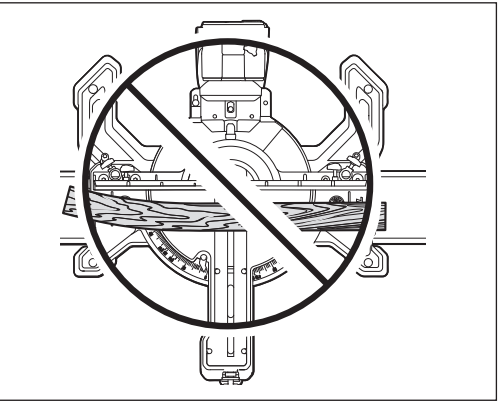
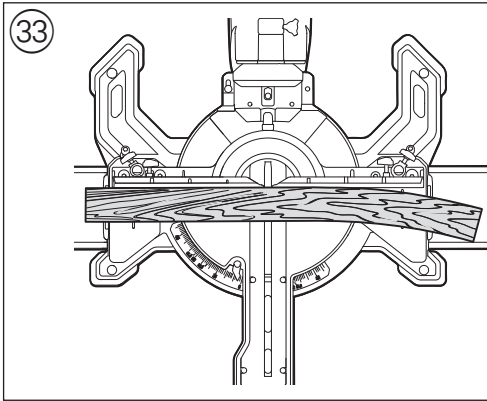
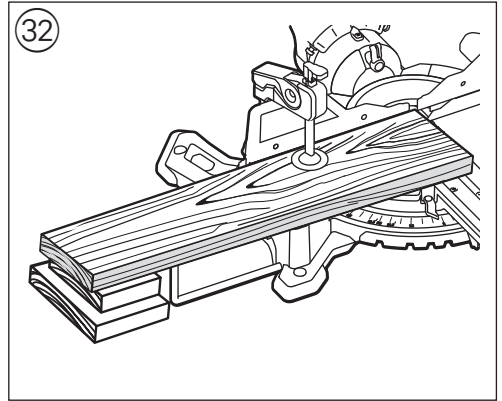
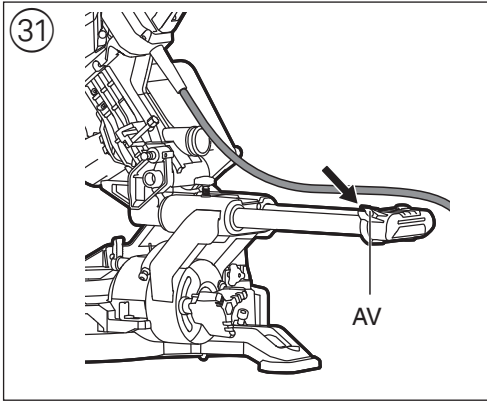












Sliding mitre saw

1320

INTRODUCTION

- This tool is intended as a stationary machine for lengthways and crossways cutting of wood with straight cuts as well as angle cuts (horizontal mitre angles of -50° to $+50^{\circ}$ as well as vertical bevel angles of -48° to $+45^{\circ}$ are possible)
- Read and save this instruction manual ②
- This tool is not intended for professional use
- **Only use the tool when correctly and completely assembled** (be aware that Skil cannot be held responsible for tool damage and/or personal injuries resulting from the incorrect assembly of the tool)

TECHNICAL DATA ①

TOOL ELEMENTS ⑧

A	Lower guard
B	Switch handle
C	Locking pin for transport
D	Upper guard
E	Transport handle
F	Mounting holes
G	Support foot
H	Dust bag
J	Dust port
K	Extension bars
L	Knobs for locking extension bars
M	Clamp for mounting workpiece
N	Support hole
P	Knob for fastening clamp
Q	Knob for adjusting clamp
R	Clamping lever
S	Fence
T	Hex screws for adjusting fence (4x)
U	Sliding fence
V	Knob for fastening sliding fence
W	Locking knob (bevel angles)
X	Bevel angle indicator
Y	Screw for adjusting bevel angle (right)
Z	Screw for adjusting bevel angle (left)
AA	Adjustable end stop
AB	Right bevel release lever
AC	Laser light
AD	On/off switch laser
AE	Locking handle (mitre angles)
AF	Mitre detent release lever
AG	Mitre angle indicator
AH	Locking knob for slide device
AI	On/off switch
AJ	Safety lever
AK	Cutting depth limiter
AL	Depth stop
AM	Depth stop nut
AN	Hex key
AO	Storage for hex key
AP	Spindle-lock button
AQ	Cover plate screw
AR	Blade bolt

AS	Flange
AT	Table insert
AU	Dust deflector
AV	Cable clip

SAFETY

GENERAL POWER TOOL SAFETY WARNINGS

⚠ WARNING Read all safety warnings, instructions, illustrations and specifications provided with this power tool. Failure to follow all instructions listed below may result in electric shock, fire and/or serious injury.

Save all warnings and instructions for future reference.

The term "power tool" in the warnings refers to your mains-operated (corded) power tool or battery-operated (cordless) power tool.

1) WORK AREA SAFETY

- Keep work area clean and well lit.** Cluttered or dark areas invite accidents.
- Do not operate power tools in explosive atmospheres, such as in the presence of flammable liquids, gases or dust.** Power tools create sparks which may ignite the dust or fumes.
- Keep children and bystanders away while operating a power tool.** Distractions can cause you to lose control.

2) ELECTRICAL SAFETY

- Power tool plugs must match the outlet. Never modify the plug in any way. Do not use any adapter plugs with earthed (grounded) power tools.** Unmodified plugs and matching outlets will reduce risk of electric shock.
- Avoid body contact with earthed or grounded surfaces such as pipes, radiators, ranges and refrigerators.** There is an increased risk of electric shock if your body is earthed or grounded.
- Do not expose power tools to rain or wet conditions.** Water entering a power tool will increase the risk of electric shock.
- Do not abuse the cord. Never use the cord for carrying, pulling or unplugging the power tool. Keep cord away from heat, oil, sharp edges or moving parts.** Damaged or entangled cords increase the risk of electric shock.
- When operating a power tool outdoors, use an extension cord suitable for outdoor use.** Use of a cord suitable for outdoor use reduces the risk of electric shock.
- If operating a power tool in a damp location is unavoidable, use a residual current device (RCD) protected supply.** Use of an RCD reduces the risk of electric shock.

3) PERSONAL SAFETY

- Stay alert, watch what you are doing and use common sense when operating a power tool. Do not use a power tool while you are tired or under the influence of drugs, alcohol or medication.** A moment of inattention while operating power tools may result in serious personal injury.
- Use personal protective equipment. Always wear eye protection.** Protective equipment such as a dust mask, non-skid safety shoes, hard hat, or hearing

protection used for appropriate conditions will reduce personal injuries.

- c) **Prevent unintentional starting. Ensure the switch is in the off-position before connecting to power source and/or battery pack, picking up or carrying the tool.** Carrying power tools with your finger on the switch or energising power tools that have the switch on invites accidents.
 - d) **Remove any adjusting key or wrench before turning the power tool on.** A wrench or a key left attached to a rotating part of the power tool may result in personal injury.
 - e) **Do not overreach. Keep proper footing and balance at all times.** This enables better control of the power tool in unexpected situations.
 - f) **Dress properly. Do not wear loose clothing or jewellery. Keep your hair and clothing away from moving parts.** Loose clothes, jewellery or long hair can be caught in moving parts.
 - g) **If devices are provided for the connection of dust extraction and collection facilities, ensure these are connected and properly used.** Use of dust collection can reduce dust-related hazards.
 - h) **Do not let familiarity gained from frequent use of tools allow you to become complacent and ignore tool safety principles.** A careless action can cause severe injury within a fraction of a second.
- 4) **POWER TOOL USE AND CARE**
 - a) **Do not force the power tool. Use the correct power tool for your application.** The correct power tool will do the job better and safer at the rate for which it was designed.
 - b) **Do not use the power tool if the switch does not turn it on and off.** Any power tool that cannot be controlled with the switch is dangerous and must be repaired.
 - c) **Disconnect the plug from the power source and/or remove the battery pack, if detachable, from the power tool before making any adjustments, changing accessories, or storing power tools.** Such preventive safety measures reduce the risk of starting the power tool accidentally.
 - d) **Store idle power tools out of the reach of children and do not allow persons unfamiliar with the power tool or these instructions to operate the power tool.** Power tools are dangerous in the hands of untrained users.
 - e) **Maintain power tools and accessories. Check for misalignment or binding of moving parts, breakage of parts and any other condition that may affect the power tool's operation. If damaged, have the power tool repaired before use.** Many accidents are caused by poorly maintained power tools.
 - f) **Keep cutting tools sharp and clean.** Properly maintained cutting tools with sharp cutting edges are less likely to bind and are easier to control.
 - g) **Use the power tool, accessories and tool bits etc., in accordance with these instructions, taking into account the working conditions and the work to be performed.** Use of the power tool for operations different from those intended could result in a hazardous situation.
 - h) **Keep handles and grasping surfaces dry, clean and free from oil and grease.** Slippery handles and grasping surfaces do not allow for safe handling and control of the tool in unexpected situations.

5) SERVICE

- a) **Have your power tool serviced by a qualified repair person using only identical replacement parts.** This will ensure that the safety of the power tool is maintained.

SAFETY INSTRUCTIONS FOR MITRE SAWS

- **Mitre saws are intended to cut wood or wood-like products, they cannot be used with abrasive cut-off wheels for cutting ferrous materials such as bars, rods, studs, etc** Abrasive dust causes moving parts such as lower guard to jam. Sparks from abrasive cutting will burn the lower guard, the kerf insert and other plastic parts.
- **Use clamps to support workpiece whenever possible. If supporting the workpiece by hand, you must always keep hand at least 100 mm from either side of the saw blade. Do not use this saw to cut pieces that are too small to be securely clamped or held by hand** If your hand is placed too close to the saw blade, there is an increased risk of injury from blade contact.
- **The workpiece must be stationary and clamped or held against both the fence and the table. Do not feed the workpiece into the blade or cut "freehand" in any way** Unrestrained or moving workpieces could be thrown at high speeds, causing injury.
- **Push the saw through the workpiece. Do not pull the saw through the workpiece. To make a cut, raise the saw head and pull it out over the workpiece without cutting, start the motor, press the saw head down and push the saw through the workpiece** Cutting on the pull stroke is likely to cause the saw blade to climb on top of the workpiece and violently throw the blade assembly towards the operator.
- **Never cross your hand over the intended line of cutting either in front or behind the saw blade** Supporting the workpiece "cross handed" i.e. holding the workpiece to the right of the saw blade with your left hand or vice versa is very dangerous.
- **Do not reach behind the fence with either hand closer than 100 mm from either side of the saw blade, to remove wood scraps, or for any other reason while the blade is spinning** The proximity of the spinning saw blade to your hand may not be obvious and you may be seriously injured.
- **Inspect your workpiece before cutting** If the workpiece is bowed or warped, clamp it with the outside bowed face toward the fence. Always make certain that there is no gap between the workpiece, fence and table along the line of the cut Bent or warped workpieces can twist or shift and may cause binding on the spinning saw blade while cutting. There should be no nails or foreign objects in the workpiece.
- **Do not use the saw until the table is clear of all tools, wood scraps, etc , except for the workpiece** Small debris or loose pieces of wood or other objects that contact the revolving blade can be thrown with high speed.
- **Cut only one workpiece at a time** Stacked multiple workpieces cannot be adequately clamped or braced and may bind on the blade or shift during cutting.
- **Ensure the mitre saw is mounted or placed on a level, firm work surface before use.** A level and firm work surface reduces the risk of the mitre saw becoming unstable.

- **Plan your work! Every time you change the bevel or mitre angle setting, make sure the adjustable fence is set correctly to support the workpiece and will not interfere with blade or the guarding system** Without turning the tool "ON" and with no workpiece on the table, move the saw blade through a complete simulated cut to assure there will be no interference or danger of cutting the fence.
- **Provide adequate support such as table extensions, saw horses, etc. for a workpiece that is wider or longer than the table top.** Workpieces longer or wider than the mitre saw table can tip if not securely supported. If the cut-off piece or workpiece tips, it can lift the lower guard or be thrown by the spinning blade.
- **Do not use another person as a substitute for a table extension or as additional support** Unstable support for the workpiece can cause the blade to bind or the workpiece to shift during the cutting operation pulling you and the helper into the spinning blade.
- **The cut-off piece must not be jammed or pressed by any means against the spinning saw blade** If confined, i.e. using length stops, the cut-off piece could get wedged against the blade and thrown violently.
- **Always use a clamp or a fixture designed to properly support round material such as rods or tubing** Rods have a tendency to roll while being cut, causing the blade to "bite" and pull the work with your hand into the blade.
- **Let the blade reach full speed before contacting the workpiece** This will reduce the risk of the workpiece being thrown.
- **If the workpiece or blade becomes jammed, turn the mitre saw off. Wait for all moving parts to stop and disconnect the plug from the power source and/or remove the battery pack. Then work to free the jammed material** Continued sawing with a jammed workpiece could cause loss of control or damage to the mitre saw.
- **After finishing the cut, release the switch, hold the saw head down and wait for the blade to stop before removing the cut-off piece** Reaching with your hand near the coasting blade is dangerous.
- **Hold the handle firmly when making an incomplete cut or when releasing the switch before the saw head is completely in the down position** The braking action of the saw may cause the saw head to be suddenly pulled downward, causing a risk of injury.

ADDITIONAL SAFETY INSTRUCTIONS

- Inrush currents cause short-time voltage drops; under unfavourable power supply conditions, other equipment may be affected (if the system impedance of the power supply is lower than 0.219 Ohm, disturbances are unlikely to occur); if you need further clarification, you may contact your local power supply authority

GENERAL

- Only use the tool for cutting wood
- Always check that the supply voltage is the same as the voltage indicated on the nameplate of the tool
- **Do not stand on tool or its stand** Serious injury may occur if the tool is tipped or if the cutting tool is accidentally contacted. Do not store materials on or near the tool such that it is necessary to stand on the tool or its stand to reach them.

- **Always disconnect plug from power source before making any adjustment or changing any accessory**
- **Always disconnect plug from power source before transporting the mitre saw** Unplug, lower head assembly and lock into position, use the carry handle and one of the hand indentations in the saw base.
- **Do not leave tool until it comes to a complete stop**
- **When cutting irregularly shaped workpieces, plan your work so it will not slip and pinch the blade and be torn from your hand**
- This tool should not be used by people under the age of 16 years
- This tool is not suitable for wet cutting

OUTDOOR USE

- When used outdoors, connect the tool via a fault current (FI) circuit breaker with a triggering current of 30 mA maximum, and only use an extension cord which is intended for outdoor use and equipped with a splashproof coupling-socket

BEFORE USE

- Use completely unrolled and safe extension cords with a capacity of 16 Amps (U.K. 13 Amps)
- Wear protective glasses, hearing protection, and protective gloves
- Dust from material such as paint containing lead, some wood species, minerals and metal may be harmful (contact with or inhalation of the dust may cause allergic reactions and/or respiratory diseases to the operator or bystanders); **wear a dust mask and work with a dust extraction device when connectable**
- Certain kinds of dust are classified as carcinogenic (such as oak and beech dust) especially in conjunction with additives for wood conditioning; **wear a dust mask and work with a dust extraction device when connectable**
- Follow the dust-related national requirements for the materials you want to work with
- **Do not work materials containing asbestos** (asbestos is considered carcinogenic)
- Never use the tool without the original protection guard system
- Check the protective guard for proper closing before each use
- Do not operate the saw if the protective guard does not move freely and close instantly
- Never clamp or tie the protective guard into the open position
- Never use the tool without the table insert; replace a defective or worn table insert
- Remove all obstacles on top of as well as underneath the cutting path before you start cutting
- Avoid damage that can be caused by screws, nails and other elements in your workpiece; remove them before you start working

ACCESSORIES

- Never use grinding/cutting discs with this tool
- SKIL can assure flawless functioning of the tool only when the correct accessories are used which can be obtained from your SKIL dealer
- For mounting/using non-SKIL accessories observe the instructions of the manufacturer concerned
- Use only saw blades that correspond with the characteristic data given in these operation instructions and that are tested and marked in accordance with EN 847-1

- Use only accessories with an allowable speed matching at least the highest no-load speed of the tool
- Never use saw blades made of high speed steel (HSS)
- Do not use a saw blade which is cracked, deformed or dull
- Only use saw blades with a hole diameter which fits the tool spindle without play; never use reducers or adaptors to fit large-hole saw blades
- Protect accessories from impact, shock and grease

DURING USE

- **Do not force the tool** (apply light and continuous pressure in order to avoid overheating the blade tips and, in case of cutting plastics, melting the plastic material)
- Keep fingers, hands and arms away from the rotating saw blade
- If the saw blade becomes blocked, switch off the tool immediately and disconnect the plug; only then remove the wedged workpiece
- In case of jamming or electrical or mechanical malfunction, immediately switch off the tool and disconnect the plug
- If the cord is damaged or cut through while working, do not touch the cord, but immediately disconnect the plug
- Never use the tool when the cord is damaged; it must be replaced by a specially prepared cord available through the service organization.

LASER RADIATION

- **Do not direct the laser beam at persons or animals and do not stare into the direct or reflected laser beam yourself, not even from a distance** (you could blind somebody, cause accidents or damage your eyes)
- If laser radiation strikes your eye, you must deliberately close your eyes and immediately turn your head away from the beam
- Do not make any modifications to the laser equipment
- Do not look into the laser beam (laser radiation)
- Do not use any magnifying optical tools (such as magnifying glasses, telescopes, or binoculars) to view the laser beam
- Do not operate the tool in the presence of flammable liquids, gases or dust
- Do not operate the tool with children around
- Do not replace the installed laser with another laser type

AFTER USE

- After switching off the tool, never stop the rotation of the accessory by a lateral force applied against it
- Only remove cut-offs or other parts of the workpiece from the cutting area when all moving parts have come to a complete standstill
- The saw blade becomes very hot during use; do not touch it before it has cooled down
- Store the tool **indoors** in a dry and locked-up place, out of reach of children

EXPLANATION OF SYMBOLS ON TOOL

- ② Read the instruction manual before use
- ③ Wear protective glasses and hearing protection
- ④ **Danger area! No hands zone. Keep hands, fingers or arms away from this area.**
- ⑤ Double insulation (no earth wire required)
- ⑥ Do not dispose of electric tools and batteries together with household waste material
- ⑦ **Laser radiation / Do not stare into beam / Class 2 laser product**

WHEN CONNECTING NEW 3-PIN PLUG (U.K. ONLY):

- Do not connect the blue (= neutral) or brown (= live) wire in the cord of this tool to the earth terminal of the plug

- If for any reason the old plug is cut off the cord of this tool, it must be disposed of safely and not left unattended

USE

- **Assembly**
 - assemble the transport handle E with 2 bolts using hex key AN ⑨
 - assemble the mitre lock knob AE into the front of the table ⑩
 - assemble the sliding fence U (see Adjusting sliding fence(s))
- **Transport/working position**
 - For releasing the tool (**working** position)
 - press handle B ③ downward with one hand while pulling out locking pin C with the other hand ①a
 - guide the head assembly slowly upward
 - For securing the tool (**transport** position)
 - slide the head assembly to the stop in the direction of fence S (keep approx. 5 cm distance) and tighten locking knob AH ①b
 - set the bevel angle to 0° (see Setting bevel angle)
 - set the mitre angle to 45° left or right (see Setting mitre angle)
 - press handle B downward with one hand while pushing locking pin C with the other hand
 - wind up the power cord
 - use transport handle E ⑧ for carrying the tool ①d
 - alternatively, use the side handles for carrying the tool ①e

! never lift the tool by holding the main handle, or the power cord

- **Mounting tool on working surface ⑫**
 - ! for safe handling always mount tool on a flat and stable working surface (e.g. workbench)**
 - use 4 mounting holes F for attaching the tool with suitable screws to the working surface
 - you may also clamp the tool to the working surface with commercially available screw clamps
 - for stabilizing the tool the height of support foot G can be adjusted
 - alternatively, the tool can be mounted onto a mitre saw stand

! read all the warnings and instructions included with the saw stand

- **Dust/chip extraction ⑬**
 - mount dustbag H/vacuum cleaner as illustrated
 - empty dust bag regularly for optimal dust pick-up performance
- **! never let the vacuum cleaner hose interfere with the lower guard or the cutting operation**
- **Saw table extension ⑭**
 - use knobs L to fasten extension bars K (on either side of the tool)
 - the length of extension bars K is steplessly adjustable from minimum to maximum
- **Clamping the workpiece ⑮**
 - ! for optimum working safety always firmly clamp the workpiece with the adjustable clamp supplied**
 - do not work with workpieces that are too small to clamp
 - for **maximal** workpiece dimensions use table ⑯ as reference
 - fasten workpiece clamp into support hole N with knob P (on either side of the tool)

- the workpiece clamp has 2 grooves for easy locking; 1 for thin workpieces (up to 5cm) and 1 for larger workpieces (over 5cm)
- press the workpiece firmly against fence S
- unlock lever R
- adapt clamp to the workpiece
- firmly clamp the workpiece by locking lever R
- ! for some mitre and bevel combinations, or depending on the size of the workpiece, it may be necessary to use commercially available screw clamps instead of the workpiece clamp**
- Setting mitre angles ⑰
 - loosen locking handle AE
 - pull mitre detent release lever AF
 - rotate the saw table to the left or right and set the desired mitre angle (from 0° to 50°) by using indicator AG
 - release lever AF
 - tighten locking handle AE (**do not tighten the handle too firmly**)
 - for quick and precise setting of often used mitre angles (0°, 15°, 22.5°, 31.6°, 45°) the mitre detent lever AF clicks into place at the corresponding positions; to prevent this, lever AF can be locked in released position ⑰b
- Setting bevel angles ⑱
 - loosen three-legged knob W
 - swing the saw head to the left until bevel angle indicator X points to the desired bevel angle
 - adjustable bevel end stop AA (45°) can be used to stop at 45° or continue until 48° ⑱b
 - hold the saw head in this position and tighten knob W
 - for beveling to the right first tilt the saw head slightly to the left, rotate right bevel release knob AB (approx. 60°), then swing the saw head to the desired right bevel angle ⑱c
 - when you swing back the saw head to the left the right bevel release knob AB will automatically reset to 0° end stop; this can be prevented by rotating the knob to approx. 90° instead of 60° ⑱d
- Compound cuts ⑲
 - compound cuts require both a mitre angle setting and a bevel angle setting
 - ! do not operate the saw in certain of the mitre and bevel combinations which may result in interference between the sliding and stationary parts of the saw or between the sliding parts and the workpiece – to make the cut remove sliding fence, sliding fence lock knob and work clamp knob as required.**
 - ! always test out first on a piece of scrap material**
- Adjusting the sliding fences ⑳
 - loosen knob V to allow sliding of the fence(s) U
 - loosen knob V further to allow removal / assembly of the fence(s)
 - tighten knob V to secure the desired position
 - ! make sure that the sliding fences are secured firmly before operating the tool**
 - ! for some mitre and bevel combinations it may also be necessary to remove the knob**
- Laser line ㉑
 - for guiding tool along desired line of cut marked on the workpiece
- switch on/off laser line by pressing switch AD
- ! before starting a job, check the alignment of the laser line with the actual line of cut by making a trial cut on a piece of waste material**
- Sawing **without** slide movement (**small** workpieces)
 - loosen locking knob AH in case it is tightened
 - slide the saw head to the stop in the direction of fence S and retighten locking knob AH
 - ! failure to lock the mechanism can cause the blade to suddenly climb up on the top of the workpiece and force itself toward you**
 - set tool into working position
 - ! ensure that the workpiece is firmly clamped against the saw table and fence S**
 - switch on the tool by releasing the lock-off AJ and pulling the main switch AI
 - ! do not cross your arms when operating the saw head ㉓a**
 - saw through the workpiece with uniform advancing
 - ! the tool should run at full speed before the blade enters into the workpiece**
 - switch off the tool by releasing switch AI
 - wait until the sawblade has come to a complete standstill before guiding the saw head slowly upward
- Sawing **with** slide movement (**wide** workpieces)
 - ! be aware that the method described below is the only safe one**
 - do not pull the saw through the workpiece
 - loosen locking knob AH in case it is tightened
 - ! ensure that the workpiece is firmly clamped against the saw table and fence S**
 - pull the saw head away from fence S far enough so that the saw blade is in front of the workpiece ㉓
 - switch on the tool by releasing the lock-off ㉓ and pulling the main switch
 - ! do not cross your arms when operating the saw head ㉓a**
 - push the saw head in the direction of fence S and saw through the workpiece with uniform advancing ㉓
 - ! the tool should run at full speed before the blade enters into the workpiece**
 - ! if the lower guard does not automatically open which can happen under certain conditions (e.g. a workpiece which is very close to the maximum capacity) you may have to open the guard by hand ㉓b**
 - switch off the tool by releasing switch AI
 - wait until the sawblade has come to a complete standstill before guiding the saw head slowly upward
- Sawing grooves ㉔
 - set the desired depth with depth stop AK and lock it in place by tightening nut AM
 - a wooden spacer shall be placed between the workpiece and the fence for a consistent depth over the full length of the groove
 - ! ensure that the saw blade does not get jammed in the workpiece**
 - ! always test out first on a piece of scrap material**
- Changing saw blade ㉕
 - ! disconnect the plug**
 - take hex key AN from storage AO
 - hold protective guard A in open position
 - loosen cover plate screw AQ (**do not unscrew the screw completely**) ㉕a

- rotate protective guard A completely backwards ⑳b
- push spindle-lock button AP and hold it while you remove blade bolt AR by turning hex key AN **CLOCKWISE** (= in same direction as arrow printed on saw blade)

! push spindle-lock button AP only when tool is at a standstill

- release spindle-lock button AP
- remove flange AS and saw blade

! change saw blade with saw teeth and arrow printed on saw blade pointing in same direction as arrow on protective guard A

- mount flange AS ㉑c
- push spindle-lock button AP and hold it while you tighten blade bolt by turning hex key AN **COUNTER CLOCKWISE** 1/8 turn past finger tight (ensures slippage of saw blade when it encounters excessive resistance thus reducing motor overload and saw kickback)
- tighten cover plate screw AQ

- Replacing table insert AT ㉒

Replace a defective or worn table insert as follows:

! disconnect the plug

- take hex key AN from storage AO
- remove all 6 screws as illustrated
- remove old table insert by first lifting it at the front and then pulling it out completely
- place new table insert

! firmly tighten all 6 screws

- Checking/adjusting of 90° blade alignment ㉓

! disconnect the plug

- rotate the saw table to the 0° mitre position and lock in place
- swing the saw head to 0° bevel position
- lower the saw head and lock in place
- check for a 90° angle between blade and table with a square
- if necessary, adjust the 90° blade alignment as follows:
 1. loosen three-legged knob W
 2. adjust screw Y with a 4 mm hex key (not standard included) ㉓b
 3. re-check with square
 4. reset the bevel indicator to 0° ㉓c

- Checking/adjusting of 45° blade alignment ㉔

! disconnect the plug

- rotate the saw table to the 0° mitre position and lock in place
- loosen three-legged knob W
- set adjustable bevel end stop AA to 45° ㉔b
- swing the saw head to the left
- check for a 45° angle between blade and table with a mitre square ㉔a
- check that bevel indicator X is on the 45° mark
- if necessary, adjust the 45° blade alignment as follows:
 1. adjust screw Z with a blade wrench 10 (not standard included)
 2. re-check with mitre square

- if necessary, repeat for the 45° setting to the right
- lower the saw head and lock in place

- Checking/adjusting of 90° fence alignment ㉕

! disconnect the plug

- rotate the saw table to the 0° mitre position and lock in place

- lower the saw head and lock in place
- check for a 90° angle between blade and fence S with a square (ensure the square contacts the saw blade body and not its teeth)
- if necessary, adjust the 90° fence alignment as follows:
 1. loosen 4 hex screws T
 2. adjust fence until blade and fence have full contact with the square
 3. tighten 4 hex screws T
 4. reset the mitre indicator to 0° ㉕c
- Cable clip ㉖
 - use the cable clip AV to prevent the power cord to get clamped between the moving and stationary parts of the tool

APPLICATION ADVICE


- Special workpieces
 - always support the free ends of a long workpiece
 - ensure that curved or round workpieces are especially secured against slipping ㉗
 - at the cutting line no gap may exist between the workpiece and the fence or saw table
 - if necessary, fabricate an auxiliary fence; the holes in the sliding fence shall be used to secure the auxiliary fence ㉘
- ! the auxiliary fence can only be used at 0° bevel**
- For working with floor mouldings illustration ㉙ can be used as reference
- Always face the good side of the workpiece down to ensure minimum splintering
- Only use sharp saw blades of the correct type
 - quality of cut improves by the number of teeth
 - carbide tipped blades stay sharp up to 30 times longer than ordinary blades

MAINTENANCE / SERVICE

- Always keep tool and cord clean (especially the ventilation slots at the back-end of the motor housing)
- Develop a regular check to make sure the lower guard is working properly. Clean the lower guard of any sawdust build up with a damp cloth.
 - disconnect the plug before cleaning
 - lift the lower guard to the fully open position and release it; if it does not immediately and fully close it should be checked by an after-sales service centre for SKIL power tools
- Clean saw blade immediately after use (especially from resin and glue)
 - the saw blade becomes very hot during use; do not touch it before it has cooled down
- Clean the laser light AC with a soft brush after each use to keep a good visibility of the laser line (make sure that you do not change the setting of the laser)
- If the tool should fail despite the care taken in manufacturing and testing procedures, repair should be carried out by an after-sales service centre for SKIL power tools
 - send the tool **undismantled** together with proof of purchase to your dealer or the nearest SKIL service station (addresses as well as the service diagram of the tool are listed on www.skil.com)
- Be aware that damage due to overload or improper handling of the tool will be excluded from the warranty

(for the SKIL warranty conditions see www.skil.com or ask your dealer)

ENVIRONMENT

- **Do not dispose of electric tools, batteries, accessories and packaging together with household waste material** (only for EU countries)
 - in observance of European Directive 2012/19/EC on waste of electric and electronic equipment and its implementation in accordance with national law, electric tools that have reached the end of their life must be collected separately and returned to an environmentally compatible recycling facility
 - symbol  will remind you of this when the need for disposing occurs

NOISE


- Measured in accordance with EN 62841 the sound pressure level of this tool is 100.0 dB(A) and the sound power level 109.5 dB(A) (uncertainty K = 3 dB)
- The noise emission level has been measured in accordance with a standardised test given in EN 62841; it may be used to compare one tool with another and as a preliminary assessment of exposure to noise when using the tool for the applications mentioned
 - using the tool for different applications, or with different or poorly maintained accessories, may significantly **increase** the exposure level
 - the times when the tool is switched off or when it is running but not actually doing the job, may significantly **reduce** the exposure level

F

Scie à onglets radiale

1320

INTRODUCTION

- Cet outil est une machine fixe, conçue pour effectuer dans le bois des coupes droites longitudinales et transversales ainsi que des angles d'onglet (il est possible de réaliser des angles d'onglet horizontaux de -50° à +50° et des angles de biseau verticaux de -48° to +45°)
- Lisez et conservez ce manuel d'instruction 
- Cet outil n'est pas conçu pour un usage professionnel
- **Utilisez uniquement l'outil lorsqu'il est tout à fait assemblé correctement** (veuillez noter que Skil ne peut être tenue responsable de dégâts à l'outil et/ou de blessures personnelles résultant du montage incorrect de l'outil)

CARACTERISTIQUES TECHNIQUES

ELEMENTS DE L'OUTIL

- A Carter intérieur
- B Levier de manoeuvre
- C Goupille de verrouillage pour le transport
- D Protection supérieure
- E Poignée de transport
- F Trous de fixation
- G Pied
- H Sac à poussière

- J Sortie de poussière
- K Barres d'extension
- L Boutons pour verrouillage des rallonges
- M Collier de serrage pour montage de la pièce
- N Trou du support
- P Bouton pour fixer le collier de serrage
- Q Bouton pour régler le collier de serrage
- R Levier de serrage
- S Protection
- T Vis hexagonales pour régler la protection (4x)
- U Guide coulissant
- V Bouton de serrage du guide coulissant
- W Bouton de blocage (angles de biseau)
- X Indicateur de l'angle de biseau
- Y Vis pour régler l'indicateur de l'angle de biseau (à droite)
- Z Vis pour régler l'indicateur de l'angle de biseau (à gauche)
- AA Embout réglable
- AB Levier de réglage de profondeur droit
- AC Rayon laser
- AD Interrupteur marche/arrêt laser
- AE Poignée de blocage (angles d'onglet)
- AF Levier de libération de cran d'onglet
- AG Indicateur de l'angle d'onglet
- AH Bouton de verrouillage pour dispositif coulissant
- AI Interrupteur marche/arrêt
- AJ Levier de sécurité
- AK Limiteur de profondeur de coupe
- AL Butée de profondeur
- AM Écrou de butée de profondeur
- AN Clé hexagonale
- AO Rangement pour la clé hexagonale
- AP Bouton de blocage de l'arbre
- AQ Vis de la plaque de protection
- AR Boulon de la lame
- AS Bride
- AT Plaque amovible
- AU Déflecteur de poussière
- AV Attache-câble

SECURITE

AVERTISSEMENTS DE SECURITE GENERAUX POUR L'OUTIL ELECTRIQUE

 **AVERTISSEMENT Lisez tous les avertissements de sécurité, toutes les instructions, illustrations et caractéristiques fournies avec cet outil électrique.**
Le non-respect du suivi de toutes les instructions reprises ci-dessous peut provoquer un électrochoc, un incendie et/ou des blessures graves.

Conservez tous les avertissements et toutes les instructions pour pouvoir s'y reporter ultérieurement.

Le terme "outil électrique" dans les avertissements se rapporte à des outils électriques raccordés au secteur (avec câble de raccordement) et à des outils électriques à batterie (sans câble de raccordement).

1) SECURITE DE LA ZONE DE TRAVAIL

- a) **Maintenez l'endroit de travail propre et bien éclairé.**
Un lieu de travail en désordre ou mal éclairé augmente le risque d'accidents.

- b) **N'utilisez pas l'outil électrique dans un environnement présentant des risques d'explosion et où se trouvent des liquides, des gaz ou poussières inflammables.** Les outils électriques génèrent des étincelles risquant d'enflammer les poussières ou les vapeurs.
- c) **Tenez les enfants et autres personnes éloignés durant l'utilisation de l'outil électrique.** En cas d'inattention vous risquez de perdre le contrôle sur l'outil électrique.
- 2) SECURITE RELATIVE AU SYSTEME ELECTRIQUE**
- a) **La fiche de secteur de l'outil électrique doit être appropriée à la prise de courant. Ne modifiez en aucun cas la fiche. N'utilisez pas de fiches d'adaptateur avec des outils électriques avec mise à la terre.** Les fiches non modifiées et les prises de courant appropriées réduisent le risque de choc électrique.
- b) **Evitez le contact physique avec des surfaces mises à la terre telles que tuyaux, radiateurs, fours et réfrigérateurs.** Il y a un risque élevé de choc électrique au cas où votre corps serait relié à la terre.
- c) **N'exposez pas l'outil électrique à la pluie ou à l'humidité.** La pénétration d'eau dans un outil électrique augmente le risque d'un choc électrique.
- d) **N'utilisez pas le câble à d'autres fins que celles prévues, n'utilisez pas le câble pour porter l'outil électrique ou pour l'accrocher ou encore pour le débrancher de la prise de courant. Maintenez le câble éloigné des sources de chaleur, des parties grasses, des bords tranchants ou des parties de l'outil électrique en rotation.** Un câble endommagé ou torsadé augmente le risque d'un choc électrique.
- e) **Au cas où vous utiliseriez l'outil électrique à l'extérieur, utilisez une rallonge autorisée homologuée pour les applications extérieures.** L'utilisation d'une rallonge électrique homologuée pour les applications extérieures réduit le risque d'un choc électrique.
- f) **Si l'usage d'un outil dans un emplacement humide est inévitable, utilisez un disjoncteur de fuite à la terre.** L'utilisation d'un disjoncteur de fuite à la terre réduit le risque de choc électrique.
- 3) SECURITE DES PERSONNES**
- a) **Restez vigilant, surveillez ce que vous faites. Faites preuve de bon sens en utilisant l'outil électrique. N'utilisez pas l'outil électrique lorsque vous êtes fatigué ou après avoir consommé de l'alcool, des drogues ou avoir pris des médicaments.** Un moment d'inattention lors de l'utilisation de l'outil électrique peut entraîner de graves blessures sur les personnes.
- b) **Portez des équipements de protection. Portez toujours des lunettes de protection.** Le fait de porter des équipements de protection personnels tels que masque anti-poussières, chaussures de sécurité antidérapantes, casque de protection ou protection acoustique suivant le travail à effectuer, réduit le risque de blessures.
- c) **Evitez tout démarrage intempestif. S'assurez que l'interrupteur est en position arrêté avant de brancher l'outil au secteur et/ou au bloc de batteries, de le ramasser ou de le porter.** Porter les outils en ayant le doigt sur l'interrupteur ou brancher des outils dont l'interrupteur est en position marche est source d'accidents.
- d) **Enlevez tout outil de réglage ou toute clé avant de mettre l'outil électrique en fonctionnement.** Une clé ou un outil se trouvant sur une partie en rotation peut causer des blessures.
- e) **Ne surestimez pas vos capacités. Veillez à garder toujours une position stable et équilibrée.** Ceci vous permet de mieux contrôler l'outil électrique dans des situations inattendues.
- f) **Portez des vêtements appropriés. Ne portez pas de vêtements amples ni de bijoux. Gardez les cheveux et les vêtements à distance des parties en mouvement.** Des vêtements amples, des bijoux ou des cheveux longs peuvent être happés par des pièces en mouvement.
- g) **Si des dispositifs servant à aspirer ou à recueillir les poussières doivent être utilisés, vérifiez que ceux-ci soient effectivement raccordés et qu'ils sont correctement utilisés.** L'utilisation des collecteurs de poussière réduit les dangers dus aux poussières.
- h) **Restez vigilant et ne pas négligez les principes de sécurité de l'outil sous prétexte que vous avez l'habitude de l'utiliser.** Une fraction de seconde d'inattention peut provoquer une blessure grave.
- 4) UTILISATION ET EMPLOI SOIGNEUX DE L'OUTIL ELECTRIQUE**
- a) **Ne surchargez pas l'outil électrique. Utilisez l'outil électrique approprié au travail à effectuer.** Avec l'outil électrique approprié, vous travaillerez mieux et avec plus de sécurité à la vitesse pour laquelle il est prévu.
- b) **N'utilisez pas un outil électrique dont l'interrupteur est défectueux.** Un outil électrique qui ne peut plus être mis en ou hors fonctionnement est dangereux et doit être réparé.
- c) **Débranchez la fiche de la source d'alimentation et/ou enlevez le bloc de batteries, s'il est amovible, avant tout réglage, changement d'accessoires ou avant de ranger l'outil électrique.** De telles mesures de sécurité préventives réduisent le risque de démarrage accidentel de l'outil électrique.
- d) **Gardez les outils électriques non utilisés hors de portée des enfants. Ne permettez pas l'utilisation de l'outil électrique à des personnes qui ne se sont pas familiarisées avec celui-ci ou qui n'ont pas lu ces instructions.** Les outils électriques sont dangereux lorsqu'ils sont utilisés par des personnes non initiées.
- e) **Observez la maintenance des outils électriques et des accessoires. Vérifiez que les parties en mouvement fonctionnent correctement et qu'elles ne soient pas coincées, et contrôlez si des parties sont cassées ou endommagées de telle sorte que le bon fonctionnement de l'outil électrique s'en trouve entravé. Faites réparer les parties endommagées avant d'utiliser l'outil électrique.** De nombreux accidents sont dus à des outils électriques mal entretenus.
- f) **Maintenez les outils de coupe aiguisés et propres.** Des outils soigneusement entretenus avec des bords tranchants bien aiguisés se coincent moins souvent et peuvent être guidés plus facilement.
- g) **Utilisez l'outil électrique, les accessoires, les outils à monter etc. conformément à ces instructions.**

Tenez compte également des conditions de travail et du travail à effectuer. L'utilisation de l'outil électrique à d'autres fins que celles prévues peut entraîner des situations dangereuses.

- h) **Il faut que les poignées et les surfaces de préhension restent sèches, propres et dépourvues d'huiles et de graisses.** Des poignées et des surfaces de préhension glissantes rendent impossibles la manipulation et le contrôle en toute sécurité de l'outil dans les situations inattendues.
- 5) **SERVICE**
- a) **Ne faites réparer votre outil électrique que par un personnel qualifié et seulement avec des pièces de rechange d'origine.** Ceci permet d'assurer la sécurité de l'outil électrique.

CONSIGNES DE SÉCURITÉ RELATIVES AUX SCIES À ONGLETS

- **Les scies à onglets sont conçues pour scier du bois ou des produits similaires. Elles ne peuvent pas être utilisées pour couper des métaux ferreux (barres, tiges, profils etc.)** La poussière abrasive peut entraîner le blocage de pièces mobiles comme le carénage inférieur. Les étincelles provoquées par une coupe abrasive vont faire brûler le carénage inférieur, l'insertion du trait de scie et d'autres pièces en plastique.
- **Utilisez des colliers de serrage pour fixer la pièce chaque fois que c'est possible. Si vous maintenez la pièce à la main, vous devez toujours garder la main au moins à 100 mm de chaque côté de la lame. N'utilisez pas cette scie pour couper des pièces qui sont trop petites pour pouvoir être tenues à la main en toute sécurité.** Si votre main est placée trop près de la lame, le risque de blessure due au contact avec la lame est accru.
- **La pièce doit être immobile et fixée ou maintenue à la fois contre le guide et contre la table. Ne poussez pas la pièce vers la lame et ne coupez jamais "à main levée"** Une pièce non fixée ou mobile pourrait être projetée à grande vitesse et provoquer des blessures.
- **Poussez la scie sur la pièce. Ne tirez la pièce sur la scie. Pour faire une coupe, levez la tête de la scie et tirez-la sur la pièce sans couper, démarrez le moteur, poussez la tête de scie vers le bas et sciez la pièce** Si vous sciez en tirant, la lame de la scie pourrait escalader la pièce et repousserait violemment l'ensemble de la lame vers l'opérateur.
- **Ne placez jamais la main en travers de la ligne de coupe prévue, que ce soit devant ou derrière la lame** Soutenez la pièce en croisant la main (c'est-à-dire en maintenant la pièce à droite de la lame avec votre main gauche et inversement) est extrêmement dangereux.
- **Ne passez jamais une main derrière le guide à moins de 100 mm de chaque côté de la lame ou pour toute autre raison si la lame tourne encore** Vous pourriez ne pas vous rendre compte de la proximité entre la lame tournant et votre main et risqueriez d'être sérieusement blessé.
- **Contrôlez votre pièce avant de couper** Si la pièce est cintrée ou déformée, serrez-la avec la face cintrée extérieure vers le guide. Assurez-vous toujours qu'il n'y a pas d'espace entre la pièce, le guide et la table le long de la ligne de coupe Les

pièces cintrées ou déformées pourraient bouger et entraîner le blocage de la lame pendant la coupe. Il ne peut pas y avoir de clous ou d'objets étrangers dans la pièce.

- **N'utilisez pas la scie tant qu'il y a des outils, des débris de bois etc. sur la table (à l'exception de la pièce)** De petits débris ou des morceaux de bois ou autres entrant en contact avec la lame en mouvement pourraient être projetés à haute vitesse.
- **Coupez une seule pièce à la fois** Plusieurs pièces à usiner empilées ne peuvent pas être correctement fixées ou immobilisées et peuvent bloquer la lame ou glisser pendant la coupe.
- **Assurez-vous que la scie à onglets est placée sur une surface de travail horizontale et solide avant de l'utiliser.** Une surface de travail horizontale et solide réduit le risque de déstabilisation de la scie.
- **Planifiez votre travail! Chaque fois que vous changez l'angle d'onglet ou l'angle de biseau, assurez-vous que le guide réglable est bien réglé pour soutenir la pièce et ne peut pas gêner la lame ou le carénage.** Sans mettre l'outil sous tension et sans qu'aucune pièce soit sur la table, déplacez la lame le long d'une coupe simulée complète pour vous assurer qu'il n'y aura pas d'interférence ou de risque de couper le guide.
- **Prévoyez un support adéquat, comme des extensions de table etc. pour une pièce plus large ou plus longue que le plateau de la table.** Les pièces à usiner plus longues ou plus larges que la table de la scie à onglet pourraient basculer si elles ne sont pas correctement soutenues. En basculant, une pièce (découpée) pourrait soulever le carénage inférieur ou être projetée par la lame en mouvement.
- **N'utilisez jamais une autre personne pour remplacer une extension de table ou comme support supplémentaire** Un support instable de la pièce peut entraîner l'adhérence de la lame ou un mouvement de la pièce pendant la coupe, projetant l'opérateur et son aide vers la lame en mouvement.
- **La pièce découpée ne peut jamais être poussée contre la lame en mouvement.** En étant serrée (p. ex. par des butées), la pièce découpée pourrait se retrouver calée contre la lame et être éjectée violemment.
- **Utilisez toujours une pince ou une fixation conçue pour soutenir correctement des matériaux ronds (tige, tube)** Les tiges ont tendance à rouler lorsqu'on les scie, provoquant une "morsure" de la lame qui peut projeter la pièce et votre main vers la lame.
- **Laissez la lame atteindre sa vitesse maximum avant de la mettre en contact avec la pièce** Cela réduira le risque d'éjection de la pièce.
- **En cas de bourrage de la pièce ou de la lame, éteignez la scie à onglets. Attendez que toutes les pièces mobiles se soient immobilisées et déconnectez la fiche de la prise ou déposez la batterie. Débloquez ensuite le matériau qui a provoqué le bourrage** Si vous continuez à scier avec une pièce bloquée, vous pourriez endommager la scie ou en perdre le contrôle.
- **Après avoir terminé la coupe, relâchez l'interrupteur, maintenez la tête de la scie vers le bas et attendez que la lame s'arrête avant de retirer la pièce découpée** Il est dangereux d'approcher la main de la lame qui tourne encore.
- **Tenez la poignée fermement lorsque vous**

réalisez une coupe incomplète ou lorsque vous relâchez l'interrupteur alors que la tête de scie est complètement abaissée. Le freinage de la scie pourrait relever soudainement la tête de la scie, ce qui constitue un risque de blessure.

INSTRUCTIONS DE SECURITE SUPPLEMENTAIRES

- Les processus de mise en fonctionnement provoquent des baisses momentanées de tension; en cas de conditions défavorables de secteur, il peut y avoir des répercussions sur d'autres appareils (pour des impédances du secteur inférieures à 0,219 ohms, il est assez improbables que des perturbations se produisent); pour tout renseignement complémentaire, vous pouvez contacter directement votre fournisseur local d'énergie

GENERALITES

- Utilisez uniquement l'outil pour couper du bois
- Contrôlez toujours si la tension secteur correspond à la tension indiquée sur la plaquette signalétique de l'outil
- **Ne vous placez pas sur l'outil ou son support** Le basculement de l'outil ou un contact accidentel avec l'outil de coupe peut provoquer de graves blessures. Ne stockez pas des matériaux sur ou près de l'outil de sorte qu'il soit nécessaire de marcher sur l'outil ou sur son support pour y accéder.
- **Débranchez toujours l'outil avant tout réglage ou changement d'accessoire**
- **Retirez toujours la fiche de la prise avant de transporter la scie à onglets.** Débranchez, abaissez la tête et verrouillez-la à sa position, utilisez la poignée de transport et une des indentations présentes dans la base de la scie.
- **N'abandonnez pas l'outil tant qu'il n'est pas totalement immobilisé**
- **Si vous devez découper des pièces de forme irrégulière, planifiez votre travail de façon à ce qu'elles ne glissent pas ou ne viennent pas bloquer la lame et vous échappent de la main**
- Cet outil ne doit pas être utilisé par des personnes de moins de 16 ans
- Cet outil ne convient pas pour couper à mouillage

UTILISATION A L'EXTERIEUR

- En cas d'usage à l'extérieur, branchez l'outil par l'intermédiaire d'un coupe-circuit (FI) avec courant de réaction de 30 mA au maximum, et utilisez uniquement un câble de prolongement spécial pour l'extérieur équipé d'une prise résistant aux éclaboussures

AVANT L'USAGE

- Utilisez un câble de prolongement complètement déroulé et de bonne qualité d'une capacité de 16 A
- Utilisez des lunettes de protection, des casques anti-bruit, et des gants de protection
- La poussière de matériaux, tels que la peinture contenant du plomb, certaines espèces de bois, certains minéraux et différents métaux, peut être nocive (le contact avec la poussière ou son inhalation peut provoquer des réactions allergiques et/ou des maladies respiratoires chez l'opérateur ou des personnes se trouvant à proximité); **portez un masque antipoussières et travaillez avec un appareil de dépoussiérage lorsqu'il est possible d'en connecter un**
- Certains types de poussières sont classifiés comme étant cancérigènes (tels que la poussière de chêne ou de hêtre), en particulier en combinaison avec des additifs de traitement du bois; **portez un masque antipoussières**

et travaillez avec un appareil de dépoussiérage lorsqu'il est possible d'en connecter un

- Suivez les directives nationales relatives au dépoussiérage pour les matériaux à travailler
- **Ne travaillez pas de matériaux contenant de l'amiante** (l'amiante est considéré comme étant cancérigène)
- Ne jamais utilisez votre outil sans le guide de sécurité d'origine
- Veillez à ce que le protège-main soit bien fermé avant toute utilisation
- Ne faites pas fonctionner la scie si le protège-main ne se déplace pas librement et ne ferme pas instantanément
- Ne bloquez jamais ou n'attachez jamais le protège-main en position ouverte
- N'utilisez jamais l'outil sans la plaque amovible ; remplacez la plaque amovible si elle est défectueuse ou usée
- Enlevez tout corps étranger du tracé avant d'effectuer toute coupe
- Faites attention aux vis, clous ou autres éléments qui pourraient se trouver dans la pièce à travailler et qui risqueraient d'endommager très fortement votre outil; enlevez-les avant de commencer le travail

ACCESSOIRES

- Ne jamais utilisez de disques de meulage/tronçonnage avec cet outil
- SKIL ne peut se porter garant du bon fonctionnement de cet outil que s'il a été utilisé avec les accessoires appropriés en vente chez votre distributeur SKIL
- Pour le montage et l'utilisation d'accessoires n'étant pas de la marque SKIL, observez les instructions du fabricant concerné
- N'utilisez que des lames de scie qui correspondent aux caractéristiques techniques indiquées dans les présentes instructions d'utilisation et qui sont contrôlées conformément à la norme EN 847-1 et marquées en conséquence
- La vitesse admissible des accessoires utilisés doit être au moins aussi élevée que la vitesse à vide maximale de l'outil
- Ne jamais utilisez de lame de scie faite en acier rapide (HSS)
- Ne pas utiliser une lame fendue, déformée ou émoussée
- Utilisez uniquement les lames de scie dont l'orifice s'adapte parfaitement à la broche porte-outil sans qu'il y ait de jeu ; n'utilisez jamais de réducteurs ni d'adaptateurs pour ajuster des lames de scie ayant un orifice plus grand
- Protégez les accessoires contre les impacts, les chocs et la graisse

PENDANT L'USAGE

- **Ne forcez pas l'outil** (effectuez une pression légère et constante afin d'éviter la surchauffe des bouts de lame et, si vous coupez du plastique, la fonte du matériel plastique)
- Tenez les doigts, les mains et les bras à l'écart d'une lame de scie en mouvement
- Si la lame de scie se bloque, mettez immédiatement l'outil à l'arrêt et débranchez la fiche ; ce n'est qu'alors que vous pouvez enlever la pièce coincée
- En cas de blocage ou d'anomalie électrique ou mécanique, coupez immédiatement l'outil et débranchez la prise
- Si le câble est endommagé ou rompu pendant le travail, n'y touchez pas, mais débranchez immédiatement la prise

- N'utilisez jamais l'outil si le cordon d'alimentation est endommagé, il doit être remplacé par un cordon spécialement préparé disponible par le biais du service d'assistance.

RAYONNEMENT LASER

- **Ne pas diriger le faisceau laser vers des personnes ou des animaux et ne jamais regarder soi-même dans le faisceau laser** (vous risquez sinon d'éblouir des personnes, de causer des accidents ou de blesser les yeux)
- Au cas où le faisceau laser frappe un oeil, fermez immédiatement les yeux et déplacez la tête pour l'éloigner du faisceau
- Ne jamais apporter de modifications au dispositif laser
- Ne projetez pas le rayon laser dans vos yeux (rayonnement laser)
- N'utilisez pas d'outils optiques grossissants (loupes, télescopes ou jumelles) pour voir le rayon laser
- N'utilisez pas cet outil en la présence de liquides inflammables, de gaz ou de poussière
- N'utilisez pas cet outil en la présence d'enfants
- Ne remplacez pas le laser installé par un autre type de laser

APRES L'USAGE

- Après la mise hors service de l'outil, ne jamais arrêtez la rotation de l'accessoire en y appliquant une force latérale
- Enlevez uniquement les découpes ou autres parties de la pièce de la zone de coupe quand toutes les pièces mobiles sont complètement arrêtées
- La lame de scie s'échauffe fortement à l'usage ; ne pas y touchez avant qu'elle ne se soit refroidie
- Rangez l'outil à l'intérieur dans un endroit sec et fermer à clé, hors de la portée des enfants

EXPLICATION DES SYMBOLES SUR L'OUTIL

- ② Veuillez lire le mode d'emploi avant d'utiliser l'outil
- ③ Utilisez des lunettes de protection et des casques anti-bruit
- ④ **Zone dangereuse ! Zone où il est interdit de mettre les mains. Gardez les mains, les doigts ou les bras éloignés de cette zone.**
- ⑤ Double-isolation (ne nécessite pas de mise à la terre)
- ⑥ Ne jetez pas les outils électriques et les piles dans les ordures ménagères
- ⑦ **Rayonnement laser / Ne projetez pas le rayon dans vos yeux / Produit laser de catégorie 2**

UTILISATION

- Montage
 - montez la poignée de transport E avec 2 boulons en utilisant une clé hexagonale AN③
 - montez le bouton de verrouillage d'onglet AE sur le devant de la table ⑩
 - montez le guide coulissant U (voir Réglage du ou des guides coulissants)
- Position de transport/de travail
 - Pour relâcher l'outil (**position** de travail)
 - poussez la poignée B⑧ d'une main en tirant la goupille de verrouillage C de l'autre ⑩a
 - guidez lentement l'ensemble de la tête vers le haut
 - Pour bien fixer l'outil (**position** de transport)
 - faites glisser l'ensemble de la tête vers l'arrière en direction du guide S (maintenez env. 5 cm de distance) et serrez le boulon de verrouillage AH ⑩b
 - réglez l'angle de biseau sur 0° (voir Réglage de l'angle de biseau)

- réglez l'angle d'onglet sur 45° à gauche ou à droite (voir Réglage de l'angle d'onglet)
- poussez la poignée B d'une main en tirant la goupille de verrouillage C de l'autre
- enroulez le cordon d'alimentation
- utilisez la poignée de transport E ⑧ pour porter l'outil ⑩d
- vous pouvez également utiliser les poignées latérales pour porter l'outil ⑩e
- ! **ne levez jamais l'outil par la poignée principale ou par le cordon d'alimentation**
- Montage de l'outil sur la surface de travail ⑩
- ! **pour une manipulation prudente, montez toujours l'outil sur une surface de travail plane et stable (par ex. un établi)**
- utilisez 4 trous de fixation F pour attacher l'outil avec les vis adéquates à la surface de travail
- vous pouvez aussi bloquer l'outil sur la surface de travail avec les griffes à vis de serrage disponibles dans le commerce
- vous pouvez régler la hauteur du pied G pour stabiliser l'outil
- vous pouvez également monter l'outil sur un support de scie à onglets
- ! **lisez tous les avertissements et toutes les instructions fournies avec le support de scie à onglets**
- Aspiration de poussières/de copeaux ⑩
- montez le sac à poussière H/aspirateur comme illustré
- videz le sac à poussières régulièrement pour une récupération optimale des poussières
- ! **ne laissez jamais le tuyau de l'aspirateur gêner le carter inférieur ou l'opération de coupe**
- Extension de la table de sciage ⑩
- utilisez les boutons L pour fixer les barres d'extension K (de chaque côté de l'outil)
- la longueur des barres d'extension K s'ajuste en continu du minimum au maximum
- Blocage de la pièce ⑩
- ! **pour assurer une sécurité optimale du travail, bloquez toujours fermement la pièce à l'aide du collier de serrage réglable fourni**
- ne travaillez pas avec des pièces trop petites pour être bloquées
- pour connaître les dimensions **maximales** des pièces, utilisez le tableau ⑩ comme référence
- serrez le collier de serrage monté dans le trou du support N avec le bouton P (de chaque côté de l'outil)
- le collier de serrage présente deux gorges qui facilitent le blocage ; 1 pour les pièces minces (jusqu'à 5 cm) et 1 pour les pièces de plus grande taille (plus de 5 cm)
- appuyez fermement la pièce contre la protection S
- déverrouillez le levier R
- adaptez le collier de serrage à la pièce
- bloquez fermement la pièce en verrouillant le levier R
- ! **pour certaines combinaisons d'onglet et de biseau, ou en fonction de la taille de la pièce, il peut s'avérer nécessaire d'utiliser des colliers de serrage disponibles dans le commerce au lieu du collier de serrage fourni avec l'outil**
- Réglage des angles d'onglet ⑩
- desserrez la poignée de verrouillage AE
- poussez le levier de libération du cran d'onglet AF
- faites pivoter la table de sciage vers la gauche ou la

- droite et réglez l'angle d'onglet souhaité (de 0° à 50°) en utilisant l'indicateur AG
- libérez le levier AF
 - serrez la poignée de verrouillage AE (**ne la serrez pas trop fort**)
 - pour un réglage rapide et précis d'angles d'onglet souvent employés (0°, 15°, 22.5°, 31.6°, 45°), le levier de libération de l'onglet AF se clipse sur les positions correspondantes ; pour éviter cela, le levier AF peut être verrouillé en position de libération ⑰b
 - Réglage des angles de biseau ⑱
 - desserrez le bouton triple W
 - faites basculer le bras de l'outil vers la gauche jusqu'à ce que l'indicateur de l'angle de biseau X pointe vers l'angle de biseau souhaité
 - la butée de biseau réglable AA (45°) peut être utilisée pour arrêter le mouvement à 45° ou continuer jusqu'à 48° ⑱b
 - maintenez la tête de la scie dans cette position et serrez le bouton W
 - pour biseauter vers la droite, soulevez d'abord la tête de scie légèrement vers la gauche, faites pivoter le bouton de libération de biseau droit AB (d'env. 60°), puis basculez la tête de scie sur l'angle de biseau droit souhaité ⑱c
 - lorsque vous ramenez la tête de scie vers la gauche, le bouton de libération de biseau droit AB va automatiquement revenir sur la butée 0° ; vous pouvez l'éviter en faisant pivoter le bouton d'environ 90° au lieu de 60° ⑱d
 - Coupes combinées ⑲
 - les coupes combinées nécessitent tant un réglage de l'angle d'onglet qu'un réglage de l'angle de biseau
 - ! n'utilisez pas la scie dans certaines combinaisons d'onglet et de biseau, car cela pourrait provoquer des interférences entre les parties coulissantes et fixes de la scie ou entre les parties coulissantes et la pièce – pour réaliser la coupe, déposez le guide coulissant, le bouton de verrouillage de ce dernier et le collier de serrage comme demandé.**
 - ! faites toujours un essai sur une pièce de rebut**
 - Réglage des guides coulissants ⑳
 - desserrez le bouton V pour permettre au ou aux guides de coulisser U
 - desserrez le bouton V plus loin pour pouvoir déposer/ monter le ou les guides
 - desserrez le bouton V pour les fixer à la position souhaitée
 - ! assurez-vous que les guides coulissants sont bien fixés avant de faire fonctionner l'outil**
 - ! il peut également être nécessaire de déposer le bouton pour certaines combinaisons d'onglet et de biseau**
 - Ligne laser ㉑
 - pour guider l'outil le long du tracé souhaité
 - mettez en marche/arrêtez la ligne laser en poussant l'interrupteur AD
 - ! avant de commencer à travailler, vérifiez l'alignement de la ligne laser par rapport à la ligne de coupe réelle en effectuant un essai de coupe**
 - Sciage sans mouvement coulissant (petites pièces)
 - desserrez le bouton de verrouillage AH s'il est serré
 - faites glisser le bras de l'outil vers la butée dans le sens du guide S et resserrez le bouton de verrouillage AH
 - ! si vous oubliez de verrouiller le mécanisme, la lame pourrait soudainement monter sur la pièce et projeter cette dernière vers vous**
 - réglez l'outil en position de travail
 - ! veillez à ce que la pièce soit fermement bloquée contre la table de sciage et la protection S**
 - mettez l'outil en marche en relâchant la sécurité AJ et en tirant l'interrupteur principal AI
 - ! ne croisez pas les bras lorsque vous utilisez la tête de scie ㉒a**
 - sciez la pièce en avançant de manière régulière
 - ! l'outil devra tourner à la vitesse maximum avant que la lame n'entre dans la pièce à travailler**
 - arrêtez votre outil en relâchant l'interrupteur AI
 - attendez que la lame de scie soit entièrement arrêtée avant de guider la tête de scie lentement vers le haut
 - Sciage avec mouvement coulissant (pièces larges)
 - ! n'oubliez jamais que la méthode décrite ci-dessous est la seule méthode sûre**
 - ne placez pas la scie en travers de la pièce
 - desserrez le bouton de verrouillage AH s'il est serré
 - ! veillez à ce que la pièce soit fermement bloquée contre la table de sciage et la protection S**
 - tirez la tête de scie suffisamment loin du guide S pour que la lame de scie se trouve face à la pièce ㉒d
 - mettez l'outil en marche en relâchant la sécurité ㉒ et en tirant l'interrupteur principal
 - ! ne croisez pas les bras lorsque vous utilisez la tête de scie ㉒a**
 - poussez le bras de l'outil en direction du guide S et sciez la pièce en avançant de manière régulière ㉒d
 - ! l'outil devra tourner à la vitesse maximum avant que la lame n'entre dans la pièce à travailler**
 - ! Si le carénage inférieur ne s'ouvre pas automatiquement, ce qui peut se produire dans certaines conditions (p. ex. une pièce qui est très proche de la capacité maximum), vous pourriez devoir ouvrir le carénage à la main ㉒b**
 - arrêtez votre outil en relâchant l'interrupteur AI
 - attendez que la lame de scie soit entièrement arrêtée avant de guider la tête de scie lentement vers le haut
 - Découpage de rainures ㉓
 - réglez la profondeur désirée avec la butée de profondeur AK et bloquez-la en place en serrant l'écrou AM
 - une entretoise en bois sera placée entre la pièce et le guide pour garantir une profondeur identique sur toute la longueur de la rainure
 - ! assurez-vous que la lame ne se retrouve pas bloquée dans la pièce**
 - ! faites toujours un essai sur une pièce de rebut**
 - Changement des lames de scie ㉔
 - ! débranchez la fiche**
 - prenez la clé hexagonale AN de son magasin AO
 - maintenez le carénage de protection A en position ouverte
 - desserrez les vis du capot AQ (**ne les desserrez pas complètement**) ㉔a
 - faites pivoter le carénage de protection A entièrement vers l'arrière ㉔b
 - appuyez sur le bouton de blocage de l'arbre AP et maintenez-le tandis que vous enlevez le boulon de la lame AR en faisant tourner la clé hexagonale AN **DANS LE SENS DES AIGUILLES D'UNE MONTRE** (= dans

le même sens que la flèche imprimée sur la lame de scie)

! appuyez sur le bouton AP de blocage de l'arbre uniquement lorsque l'outil est complètement arrêté

- relâchez le bouton AP de blocage de l'arbre
- enlevez la bride AS et la lame de scie

! changez la lame, les dents de scie et la flèche imprimée à la lame pointée dans le même direction que la flèche située sur le protège-main A

- montez la bride AS ²⁶c
- appuyez sur le bouton AP de verrouillage de l'arbre et le maintenez tandis que vous serrez le boulon de la lame avec la clé hexagonale AN d'un 1/8ème de tour **DANS LE SENS ANTIHORAIRE** (permet le débrayage de la lame en cas de trop forte résistance du matériau permettant ainsi de réduire la surcharge du moteur et l'effet de rebond)

- serrez la vis de la plaque de protection AQ

- Remplacement de la plaque amovible AT ²⁶
Remplacez une plaque amovible défectueuse ou usée comme suit :

! débranchez la fiche

- prenez la clé hexagonale AN de son magasin AO
- enlevez toutes les 6 vis comme indiqué
- enlevez l'ancienne plaque amovible en la soulevant d'abord à l'avant puis en la tirant tout à fait
- placez la nouvelle plaque amovible

! serrez fortement toutes les 6 vis

- Vérification/réglage de l'alignement de la lame à 90° ²⁸

! débranchez la fiche

- faites pivoter la table de sciage en position d'onglet 0° et verrouillez-la
- positionnez la tête de scie en position de biseau 0°
- abaissez la tête de la scie et verrouillez-la
- veillez à l'aide d'une équerre à ce qu'il y ait un angle de 90° entre la lame et la table
- si nécessaire, réglez l'alignement de la lame à 90° comme suit :

1. desserrez le bouton triple W
2. réglez la vis Y avec une clé hexagonale de 4 mm (non fournie) ²⁸b
3. revérifiez avec une équerre
4. remettez l'indicateur de biseau sur 0° ²⁸c

- Vérification/réglage de l'alignement de la lame à 45° ²⁹

! débranchez la fiche

- faites pivoter la table de sciage en position d'onglet 0° et verrouillez-la
- desserrez le bouton triple W
- réglez la butée de biseau réglable AA sur 45° ²⁹b
- faites basculer la tête de scie vers la gauche
- veillez à l'aide d'une équerre d'angle à ce qu'il y ait un angle de 45° entre la lame et la table ²⁹a
- veillez à ce que l'indicateur de biseau X se trouve sur la marque 45°

- si nécessaire, réglez l'alignement de la lame à 45° comme suit :

 1. réglez la vis Z avec une clé à lame 10 (non fournie)
 2. revérifiez avec une équerre d'angle

- si nécessaire, répétez l'opération pour le réglage 45° à droite
- abaissez la tête de la scie et verrouillez-la

- Vérification/réglage de l'alignement de la protection à 90° ³⁰

! débranchez la fiche

- faites pivoter la table de sciage en position d'onglet 0° et verrouillez-la
- abaissez la tête de la scie et verrouillez-la
- veillez à ce qu'il y ait un angle de 90° entre la lame et la protection S à l'aide d'une équerre (s'assurer que l'équerre est en contact avec le corps de la lame de scie et non ses dents)

- si nécessaire, réglez l'alignement de la protection à 90° comme suit :

1. desserrez 4 vis hexagonales T
2. réglez la protection jusqu'à ce que la lame et la protection soit en contact parfait avec l'équerre
3. serrez 4 vis hexagonales T
4. remettez l'indicateur d'onglet sur 0° ³⁰c

- Attache-câble ³¹

- utilisez le serre-câble AV pour empêcher le cordon d'alimentation de se retrouver coincé entre les parties mobiles et fixes de l'outil

CONSEILS D'UTILISATION

- Pièces spéciales

- soutenez toujours les extrémités libres d'une longue pièce
- veillez à ce que les pièces courbes ou rondes soient particulièrement bien fixées afin de ne pas glisser ³³
- sur la ligne de découpe il ne peut pas y avoir de trou entre la pièce et la protection ou la table de sciage
- Si nécessaire, fabriquez un guide auxiliaire ; les trous dans le guide seront utilisés pour fixer le guide auxiliaire ³⁴

! le guide auxiliaire ne peut être utilisé qu'avec le biseau 0°

- Pour réaliser des moulures d'embase, l'illustration ³⁵ peut être utilisée comme référence
- Toujours inversez la partie visible pour avoir un minimum d'éclat
- Utilisez seulement des lames de scie coupantes et appropriées
 - la qualité de coupe s'améliore avec le nombre de dents
 - lames avec denture à mise de carbure coupent 30 fois plus longtemps que des lames ordinaires


ENTRETIEN / SERVICE APRES-VENTE

- Gardez toujours votre outil et le câble propres (spécialement les aérations à l'arrière du carter moteur)
- Prévoyez un contrôle régulier pour vous assurer que le carénage inférieur fonctionne correctement. Éliminez toute la sciure qui s'est accumulée sur le carénage inférieur avec un chiffon humide.
 - débranchez la fiche avant le nettoyage
 - relevez le carénage inférieur en position totalement ouverte et libérez-le ; s'il ne se referme pas complètement immédiatement, faites-le vérifier par un centre d'entretien pour outils électroportatifs SKIL
- Toujours nettoyez la lame de scie après toute utilisation (tout particulièrement dans le cas d'utilisation de résine)
 - la lame de scie s'échauffe fortement à l'usage ; ne pas y toucher avant qu'elle ne se soit refroidie
- Nettoyez le laser AC avec une brosse souple après chaque utilisation pour maintenir une bonne visibilité

de la ligne laser (veillez à ne pas modifier le réglage du laser)

- Si, malgré tous les soins apportés à la fabrication et au contrôle de l'outil, celui-ci devait avoir un défaut, la réparation ne doit être confiée qu'à une station de service après-vente agréée pour outillage SKIL
- retournez l'outil **non démonté** avec votre preuve d'achat au revendeur ou au centre de service après-vente SKIL le plus proche (les adresses ainsi que la vue éclatée de l'outil figurent sur www.skil.com)
- Veuillez noter que tout dégât causé par une surcharge ou une mauvaise utilisation de l'outil ne sera pas couvert par la garantie (pour connaître les conditions de la garantie SKIL, surfez sur www.skil.com ou adressez-vous à votre revendeur)

ENVIRONNEMENT

- **Ne jetez pas les outils électriques, les piles, les accessoires et l'emballage dans les ordures ménagères** (pour les pays européens uniquement)
- conformément à la directive européenne 2012/19/EG relative aux déchets d'équipements électriques ou électroniques, et à sa transposition dans la législation nationale, les outils électriques usés doivent être collectés séparément et faire l'objet d'un recyclage respectueux de l'environnement
- le symbole  vous le rappellera au moment de la mise au rebut de l'outil



BRUIT

- Mesuré selon EN 62841, le niveau de pression sonore de cet outil est de 100,0 dB(A), le niveau de puissance acoustique est de 109,5 dB(A) (incertitude K = 3 dB)
- Le niveau de bruit émis a été mesuré conformément à l'essai normalisé de la norme EN 62841 ; il peut être utilisé pour comparer plusieurs outils et pour réaliser une évaluation préliminaire de l'exposition au bruit lors de l'utilisation de l'outil pour les applications mentionnées
- l'utilisation de l'outil dans d'autres applications, ou avec des accessoires différents ou mal entretenus, peut considérablement **augmenter** le niveau d'exposition
- la mise hors tension de l'outil et sa non-utilisation pendant qu'il est allumé peuvent considérablement **réduire** le niveau d'exposition

D

Paneelsäge

1320

EINLEITUNG

- Dieses Werkzeug ist als fest aufgestellte Maschine für den Längs- und Querschnitt von Holz mit gerader und schräger Schnittkante (horizontaler Gehrungswinkel von -50° bis +50° und vertikaler Schrägschnittwinkel von -48° bis +45° möglich) konstruiert

- Bitte diese Bedienungsanleitung sorgfältig lesen und aufbewahren ②
- Dieses Werkzeug eignet sich nicht für den professionellen Einsatz
- **Verwenden Sie das Werkzeug erst, wenn es richtig und vollständig zusammengebaut ist** (Skil ist nicht haftbar für Schäden am Werkzeug oder für Verletzungen, die auf eine fehlerhafte Montage des Werkzeugs zurückzuführen sind)

TECHNISCHE DATEN ①

WERKZEUGKOMPONENTEN ③

- A Unterer Blattschutz
- B Griff mit Schalter
- C Feststellstift für den Transport
- D Oberer Blattschutz
- E Transportgriff
- F Montagelöcher
- G Stützfuß
- H Staubbeutel
- J Stauböffnung
- K Verlängerungsstangen
- L Knäufe für die Befestigung der Verlängerungsstützen
- M Klemmen für Fixierung des Sägeguts
- N Klemmen-Führungsloch
- P Knopf zum Feststellen der Klemmen
- Q Knopf zum Einstellen der Klemmen
- R Spannhebel
- S Anschlag
- T Sechskant-Schrauben zur Einstellung des Anschlags (4x)
- U Schiebeanschlag
- V Knopf zum Feststellen des Schiebeanschlags
- W Feststellknopf (Schrägschnittwinkel)
- X Schrägschnittwinkelanzeige
- Y Schraube zur Einstellung des Schrägschnittwinkels (rechts)
- Z Schraube zur Einstellung des Schrägschnittwinkels (links)
- AA Einstellbarer Endanschlag
- AB Auslösehebel für rechte Schräge
- AC Laserlicht
- AD Ein/Aus-Schalter Laser
- AE Feststellgriff (Gehrungswinkel)
- AF Auslösehebel für Gehrungs-Arretierung
- AG Gehrungswinkelanzeige
- AH Feststellknopf für Schlitten
- AI Ein/Aus-Schalter
- AJ Sicherungshebel
- AK Schnitttiefe-Begrenzer
- AL Tiefenanschlag
- AM Mutter für Tiefenanschlag
- AN Sechskantschlüssel
- AO Halterung für Sechskantschlüssel
- AP Spindelarrretierungsknopf
- AQ Abdeckplattenschraube
- AR Sägeblattbolzen
- AS Flansch
- AT Tischsinsatz
- AU Staubabweiser
- AV Kabelklemme

SICHERHEIT

ALLGEMEINE SICHERHEITSHINWEISE FÜR ELEKTROWERKZEUGE

⚠️ WARNUNG Lesen Sie alle Sicherheitshinweise, Anweisungen, Abbildungen und technischen Daten dieses Elektrogeräts. Die Nichtbeachtung der nachfolgenden Anweisungen kann zu Stromschlägen, Bränden bzw. ernsthaften Verletzungen führen.

Bewahren Sie alle Sicherheitshinweise und Anweisungen für die Zukunft auf.

Der in den Sicherheitshinweisen verwendete Begriff "Elektrowerkzeug" bezieht sich auf netzbetriebene Elektrowerkzeuge (mit Netzkabel) und auf akkubetriebene Elektrowerkzeuge (ohne Netzkabel).

1) ARBEITSPLATZSICHERHEIT

- a) **Halten Sie Ihren Arbeitsbereich sauber und gut beleuchtet.** Unordnung oder unbeleuchtete Arbeitsbereiche können zu Unfällen führen.
- b) **Arbeiten Sie mit dem Elektrowerkzeug nicht in explosionsgefährdeter Umgebung, in der sich brennbare Flüssigkeiten, Gase oder Stäube befinden.** Elektrowerkzeuge erzeugen Funken, die den Staub oder die Dämpfe entzünden können.
- c) **Halten Sie Kinder und andere Personen während der Benutzung des Elektrowerkzeuges fern.** Bei Ablenkung können Sie die Kontrolle über das Elektrowerkzeug verlieren.

2) ELEKTRISCHE SICHERHEIT

- a) **Der Anschlussstecker des Elektrowerkzeuges muss in die Steckdose passen. Der Stecker darf in keiner Weise verändert werden. Verwenden Sie keine Adapterstecker gemeinsam mit schutzgeerdeten Elektrowerkzeugen.** Unveränderte Stecker und passende Steckdosen verringern das Risiko eines elektrischen Schlages.
- b) **Vermeiden Sie Körperkontakt mit geerdeten Oberflächen, wie von Rohren, Heizungen, Herden und Kühlschränken.** Es besteht ein erhöhtes Risiko durch elektrischen Schlag, wenn Ihr Körper geerdet ist.
- c) **Halten Sie das Elektrowerkzeug von Regen oder Nässe fern.** Das Eindringen von Wasser in ein Elektrogerät erhöht das Risiko eines elektrischen Schlages.
- d) **Zweckfremden Sie das Kabel nicht, um das Elektrowerkzeug zu tragen, aufzuhängen oder um den Stecker aus der Steckdose zu ziehen. Halten Sie das Kabel fern von Hitze, Öl, scharfen Kanten oder sich bewegenden Elektrowerkzeugteilen.** Beschädigte oder verwickelte Kabel erhöhen das Risiko eines elektrischen Schlages.
- e) **Wenn Sie mit einem Elektrowerkzeug im Freien arbeiten, verwenden Sie nur Verlängerungskabel, die auch für den Außenbereich zugelassen sind.** Die Anwendung eines für den Außenbereich geeigneten Verlängerungskabels verringert das Risiko eines elektrischen Schlages.
- f) **Wenn der Betrieb des Elektrowerkzeuges in feuchter Umgebung nicht vermeidbar ist, verwenden Sie einen Fehlerstromschutzschalter.** Der Einsatz eines Fehlerstromschutzschalters vermindert das Risiko eines elektrischen Schlages.

3) SICHERHEIT VON PERSONEN

- a) **Seien Sie aufmerksam, achten Sie darauf, was Sie tun, und gehen Sie mit Vernunft an die Arbeit mit einem Elektrowerkzeug. Benutzen Sie das Elektrowerkzeug nicht, wenn Sie müde sind oder unter dem Einfluss von Drogen, Alkohol oder Medikamenten stehen.** Ein Moment der Unachtsamkeit beim Gebrauch des Elektrowerkzeuges kann zu ernsthaften Verletzungen führen.
 - b) **Tragen Sie persönliche Schutzausrüstung und immer eine Schutzbrille.** Das Tragen persönlicher Schutzausrüstung, wie Staubmaske, rutschfeste Sicherheitsschuhe, Schutzhelm oder Gehörschutz, je nach Art und Einsatz des Elektrowerkzeuges, verringert das Risiko von Verletzungen.
 - c) **Vermeiden Sie eine unbeabsichtigte Inbetriebnahme. Vergewissern Sie sich, dass das Elektrowerkzeug ausgeschaltet ist, bevor Sie es an die Stromversorgung und/oder den Akku anschließen, es aufnehmen oder tragen.** Wenn Sie beim Tragen des Elektrowerkzeuges den Finger am Schalter haben oder das Elektrowerkzeug eingeschaltet an die Stromversorgung anschließen, kann dies zu Unfällen führen.
 - d) **Entfernen Sie Einstellwerkzeuge oder Schraubenschlüssel, bevor Sie das Elektrowerkzeug einschalten.** Ein Werkzeug oder Schlüssel, der sich in einem drehenden Elektrowerkzeugeteil befindet, kann zu Verletzungen führen.
 - e) **Überschätzen Sie sich nicht. Sorgen Sie für einen sicheren Stand und halten Sie jederzeit das Gleichgewicht.** Dadurch können Sie das Elektrowerkzeug in unerwarteten Situationen besser kontrollieren.
 - f) **Tragen Sie geeignete Kleidung. Tragen Sie keine weite Kleidung oder Schmuck. Halten Sie Haare und Kleidung fern von sich bewegenden Teilen.** Lockere Kleidung, Schmuck oder lange Haare können von sich bewegenden Teilen erfasst werden.
 - g) **Wenn Staubabsaug- und -auffangeinrichtungen montiert werden können, vergewissern Sie sich, dass diese angeschlossen sind und richtig verwendet werden.** Verwendung einer Staubabsaugung verringert Gefährdungen durch Staub.
 - h) **Wiegen Sie sich nicht in falscher Sicherheit und setzen Sie sich nicht über die Sicherheitsregeln für Elektrowerkzeuge hinweg, auch wenn Sie nach vielfachem Gebrauch mit dem Elektrowerkzeug vertraut sind.** Achtloses Handeln kann binnen Sekundenbruchteilen zu schweren Verletzungen führen.
- ### 4) SORGFÄLTIGER UMGANG UND GEBRAUCH VON ELEKTROWERKZEUGEN
- a) **Überlasten Sie das Elektrowerkzeug nicht. Verwenden Sie für Ihre Arbeit das dafür bestimmte Elektrowerkzeug.** Mit dem passenden Elektrowerkzeug arbeiten Sie besser und sicherer im angegebenen Leistungsbereich.
 - b) **Benutzen Sie kein Elektrowerkzeug, dessen Schalter defekt ist.** Ein Elektrowerkzeug, das sich nicht mehr ein- oder ausschalten lässt, ist gefährlich und muss repariert werden.
 - c) **Ziehen Sie den Stecker aus der Steckdose und/oder entfernen Sie einen abnehmbaren Akku, bevor Sie Geräteeinstellungen vornehmen,**

Zubehörteile wechseln oder das Elektrowerkzeug weglegen. Diese Vorsichtsmaßnahme verhindert den unbeabsichtigten Start des Elektrowerkzeuges.

- d) **Bewahren Sie unbenutzte Elektrowerkzeuge außerhalb der Reichweite von Kindern auf. Lassen Sie Personen das Elektrowerkzeug nicht benutzen, die mit diesem nicht vertraut sind oder diese Anweisungen nicht gelesen haben.** Elektrowerkzeuge sind gefährlich, wenn Sie von unerfahrenen Personen benutzt werden.
- e) **Pflegen Sie Elektrowerkzeuge und Zubehör mit Sorgfalt. Kontrollieren Sie, ob bewegliche Elektrowerkzeugteile einwandfrei funktionieren und nicht klemmen, ob Teile gebrochen oder so beschädigt sind, dass die Funktion des Elektrowerkzeuges beeinträchtigt ist. Lassen Sie beschädigte Teile vor dem Einsatz des Elektrowerkzeuges reparieren.** Viele Unfälle haben ihre Ursache in schlecht gewarteten Elektrowerkzeugen.
- f) **Halten Sie Schneidwerkzeuge scharf und sauber.** Sorgfältig gepflegte Schneidwerkzeuge mit scharfen Schneidkanten verkleben sich weniger und sind leichter zu führen.
- g) **Verwenden Sie Elektrowerkzeug, Zubehör, Einsatzwerkzeuge usw. entsprechend diesen Anweisungen. Berücksichtigen Sie dabei die Arbeitsbedingungen und die auszuführende Tätigkeit.** Der Gebrauch von Elektrowerkzeugen für andere als die vorgesehenen Anwendungen kann zu gefährlichen Situationen führen.
- h) **Halten Sie Griffe und Griffflächen trocken, sauber und frei von Öl und Fett.** Rutschige Griffe und Griffflächen erlauben keine sichere Bedienung und Kontrolle des Elektrowerkzeuges in unvorhergesehenen Situationen.
- 5) **SERVICE**
- a) **Lassen Sie Ihr Elektrowerkzeug nur von qualifiziertem Fachpersonal und nur mit Original-Ersatzteilen reparieren.** Damit wird sichergestellt, dass die Sicherheit des Elektrowerkzeuges erhalten bleibt.

SICHERHEITSHINWEISE FÜR GEHRUNGSSÄGEN

- **Gehrungssägen eignen sich zum Trennen von Holz oder holzähnlichen Produkten. Sie können nicht mit Trennschleifscheiben zum Schneiden von eisenhaltigen Materialien wie Stangen, Stäben, Bolzen usw. verwendet werden** Abriebstaub führt zum Verkleben beweglicher Teile wie z. B. der unteren Schutzvorrichtung. Funken vom Abrasivschneiden können die untere Führung, den Spalteinsatz und andere Kunststoffteile verbrennen.
- **Verwenden Sie, wann immer möglich, Klammern, um das Werkstück zu befestigen. Wenn Sie das Werkstück von Hand abstützen, müssen Sie Ihre Hand immer mindestens 100 mm von jeder Seite des Sägeblatts entfernt halten. Verwenden Sie diese Säge nicht zum Sägen von Stücken, die zu klein sind, um eingespannt oder von Hand gehalten zu werden** Wenn Ihre Hand zu nahe am Sägeblatt gehalten wird, besteht ein erhöhtes Verletzungsrisiko durch den Kontakt mit dem Blatt.
- **Das Werkstück muss festgeklemmt sein und sowohl gegen den Anschlag als auch gegen den Tisch gespannt oder gehalten werden. Führen**

Sie das Werkstück nicht auf die Klinge und sägen Sie auf keinen Fall „freihändig“ Nicht festgehaltene oder bewegte Werkstücke könnten bei hohen Geschwindigkeiten umhergeschleudert werden und so Verletzungen verursachen.

- **Führen Sie die Säge durch das Werkstück. Ziehen Sie die Säge nicht durch das Werkstück. Um einen Schnitt zu machen, heben Sie den Sägekopf an und halten Sie ihn über das Werkstück, ohne zu sägen, starten Sie dann den Motor, drücken Sie die Sägekopf nach unten und führen Sie die Säge durch das Werkstück** Das Sägen beim Ziehen würde wahrscheinlich dazu führen, dass das Sägeblatt Richtung Werkstück „klettern“ und das Sägeblatt gewaltsam in Richtung der Bedienerin oder des Bedieners weiterführt.
- **Kreuzen Sie niemals Ihre Hände über der vorgesehenen Sägeinie vor oder hinter dem Sägeblatt** Das Werkstück mit überkreuzten Händen abzustützen, das Werkstück also mit der linken Hand rechts vom Sägeblatt zu halten oder umgekehrt, ist sehr gefährlich.
- **Greifen Sie mit Ihrer Hand nicht näher als 100 mm von beiden Seiten des Sägeblatts hinter den Anschlag, um Holzreste zu entfernen oder aus einem anderen Grunde, während sich das Sägeblatt dreht** Die Nähe des sich drehenden Sägeblatts zu Ihrer Hand ist möglicherweise nicht offensichtlich und Sie könnten ernsthafte Verletzungen davon tragen.
- **Prüfen Sie das Werkstück, bevor Sie es zersägen** Wenn das Werkstück gewölbt oder verzogen ist, klemmen Sie es mit der äußeren gewölbten Seite zum Anschlag hin. Achten Sie immer darauf, dass zwischen dem Werkstück, dem Anschlag und dem Tisch entlang der Sägeinie keine Lücke ist
- **Verbogene oder verzogene Werkstücke können sich verdrehen oder verschieben und sich beim Sägen am sich drehenden Sägeblatt verkleben. Im Werkstück sollten sich keine Nägel oder Fremdkörper befinden.**
- **Verwenden Sie die Säge erst dann, wenn der Tisch von allen Werkzeugen, Holzresten usw., bis auf das Werkstück selbst, frei ist** Kleine Rückstände, lose Holzstücke oder andere Objekte, die mit dem sich drehenden Sägeblatt in Berührung kommen können, könnten mit hoher Geschwindigkeit umhergeschleudert werden.
- **Schneiden Sie immer nur ein Werkstück zugleich** Mehrere gestapelte Werkstücke können nicht ausreichend festgeklemmt oder verspannt werden und können sich auf der Klinge festsetzen oder während des Sägens verschoben werden.
- **Achten Sie darauf, dass die Gehrungssäge vor dem Gebrauch auf einer ebenen, stabilen Arbeitsfläche montiert oder aufgestellt ist.** Eine ebene und stabile Arbeitsfläche verringert das Risiko, dass die Gehrungssäge instabil wird.
- **Planen Sie Ihre Arbeit! Jedes Mal, wenn Sie die Hebel- oder die Gehrungswinkeleinstellung ändern, müssen Sie darauf achten, dass der einstellbare Anschlag so eingestellt ist, dass das Werkstück abgestützt ist und das Sägeblatt oder das Führungssystem nicht behindert.** Führen Sie das Sägeblatt in einem kompletten simulierten Schnitt, ohne das Gerät einzuschalten (EIN) und ohne ein Werkstück auf dem Tisch, um sicher zu gehen, dass keine Hindernisse oder Gefahren beim Schneiden auftreten.
- **Arbeiten Sie mit einer geeigneten Unterstüzung für Werkstücke, die breiter oder länger als**

die Tischplatte sind, beispielsweise eine Tischverlängerung, oder Sägeböcke. Werkstücke, die länger oder breiter als der Gehrungssägetisch sind, können kippen, wenn sie nicht sicher gestützt werden. Wenn das abgesägte Teil oder Werkstück vom Tisch kippt, kann es die untere Schutzvorrichtung anheben oder von der rotierenden Klinge umhergeschleudert werden.

- **Setzen Sie keine andere Person als Ersatz für eine Tischverlängerung oder als zusätzliche Stütze ein** Eine instabile Auflage des Werkstücks kann dazu führen, dass sich die Klinge verklemt oder sich das Werkstück während des Sägens verschiebt, und Sie und die helfende Person in die rotierende Klinge zieht.
- **Das abgesägte Teil darf auf keinen Fall eingeklemmt oder auf irgendeine Weise gegen das rotierende Sägeblatt gedrückt werden** Wenn es bsp. durch Längenanschläge eingeklemmt wird, könnte das abgeschnittene Stück gegen das Blatt gedrückt und gewaltsam weggeschleudert werden.
- **Arbeiten Sie immer mit einer Klemme oder einer Halterung, die so konstruiert ist, dass sie runde Materialien wie Stangen oder Rohre richtig halten kann** Stangen neigen das, sich beim Sägen zu rollen, wodurch die Klinge sich „festbeißt“ und das Werkstück in die Klinge gezogen wird.
- **Die Klinge muss erst ihre volle Geschwindigkeit erreicht haben, bevor sie das Werkstück berührt** So wird die Gefahr verringert, dass das Werkstück umhergeschleudert wird.
- **Wenn das Werkstück oder das Blatt verklemt, schalten Sie die Gehrungssäge aus. Warten Sie einen Moment, bis alle Teile zum Stillstand gekommen sind und trennen Sie das Gerät von der Stromversorgung und/oder entfernen Sie die den Akku. Beseitigen Sie dann das aufgestaute Material** Die Fortführung der Arbeit mit einem verklemtten Werkstück kann dazu führen, dass Sie die Kontrolle verlieren oder die Gehrungssäge beschädigen.
- **Nach Beendigung des Sägevorgangs halten Sie den Sägekopf nach unten und warten Sie, bis das Sägeblatt still steht, bevor Sie das abgesägte Stück entfernen** Es ist gefährlich, Ihre Hand in die Nähe des noch nachrotierenden Sägeblatts zu halten.
- **Halten Sie den Griff fest, wenn Sie einen unvollständigen Schnitt durchführen oder wenn Sie den Schalter lösen, bevor der Sägekopf vollständig in der unteren Position angelangt ist** Die Bremswirkung der Säge kann dazu führen, dass der Sägekopf plötzlich nach unten gezogen wird und so eine Verletzungsgefahr darstellt.

ZUSÄTZLICHE SICHERHEITSHINWEISE

- Einschaltvorgänge erzeugen kurzfristige Spannungsabsenkungen; bei ungunstigen Netzbedingungen können Beeinträchtigungen anderer Geräte auftreten (bei Netzimpedanzen kleiner als 0,219 Ohm sind keine Störungen zu erwarten); für weitere Auskünfte setzen Sie sich bitte mit Ihrem örtlichen Energieversorger in Verbindung

ALLGEMEINES

- Nur zur Verwendung mit Holz geeignet
- Stets nachprüfen, daß die Netzspannung mit der auf dem Typenschild des Werkzeuges angegebenen Spannung übereinstimmt
- **Stehen Sie nicht auf dem Werkzeug oder dem**

Ständer Es kann schwere Verletzungen zur Folge haben, wenn das Werkzeug umkippt oder wenn das Schneidwerkzeug versehentlich berührt wird. Lagern Sie keine Materialien auf oder in der Nähe des Werkzeugs, wenn Sie sie auf das Werkzeug steigen müssen, um sie zu erreichen.

- **Ziehen Sie grundsätzlich den Netzstecker, bevor Sie beliebige Änderungen an den Einstellungen oder einen Zubehöerwechsel vornehmen**
- **Trennen Sie den Stecker immer von der Steckdose, bevor Sie die Gehrungssäge transportieren** Zum Transport Stecker abziehen, Kopfbaugruppe senken und verriegeln, den Tragegriff und eine der Handeinbuchungen am Sägetisch verwenden.
- **Verlassen Sie das Werkzeug nicht, bevor es nicht vollständig zum Stillstand gekommen ist**
- **Wenn Sie unregelmäßig geformte Werkstücke schneiden, planen Sie Ihre Arbeit so, dass sie nicht abrutschen, die Klinge verkleben oder aus Ihrer Hand gerissen werden können**
- Der Benutzer dieses Werkzeuges sollte älter als 16 Jahre sein
- Dieses Werkzeug ist für Naßschnitte nicht geeignet

ANWENDUNG IM FREIEN

- Bei Anwendung im Freien das Werkzeug über einen Fehlerstrom- (FI) Schutzschalter mit einem Auslösestrom von 30 mA max. anschließen, und nur ein Verlängerungskabel benutzen, das für die Anwendung im Freien vorgesehen und mit einer spritzwassergeschützten Anschlußstelle versehen ist

VOR DER ANWENDUNG

- Bei Benutzung von Verlängerungskabeln ist darauf zu achten, daß das Kabel vollständig abgerollt ist und eine Kapazität von 16 A hat
- Schutzbrille, Gehörschutz, und Schutzhandschuhe tragen
- Staub von Materialien wie Farbe, die Blei enthält, einigen Holzarten, Mineralien und Metall kann schädlich sein (Kontakt mit oder Einatmen des Staubs kann zu allergischen Reaktionen und/oder Atemwegserkrankheiten beim Bediener oder Umstehenden führen); **tragen Sie eine Staubmaske und arbeiten Sie mit einem Staubabsaugungssystem, wenn ein solches angeschlossen werden kann**
- Bestimmte Arten von Staub sind als karzinogen klassifiziert (beispielsweise Eichen- und Buchenholzstaub), insbesondere in Verbindung mit Zusätzen für die Holzvorbehandlung; **tragen Sie eine Staubmaske und arbeiten Sie mit einem Staubabsaugungssystem, wenn ein solches angeschlossen werden kann**
- Beachten Sie die für Ihr verwendetes Verbrauchsmaterial gültigen nationalen Staubschutzvorgaben
- **Bearbeiten Sie kein asbesthaltiges Material** (Asbest gilt als krebserregend)
- Das Werkzeug niemals ohne das Original-Schutz benutzen
- Prüfen Sie, ob die Schutzabdeckung richtig schließt, bevor Sie das Werkzeug verwenden
- Bedienen Sie die Säge nicht, wenn die Schutzabdeckung nicht frei bewegt werden kann und sofort schließt
- Stellen Sie die Schutzabdeckung niemals in offener Position fest
- Verwenden Sie das Werkzeug niemals ohne Tischeinsatz; tauschen Sie einen beschädigten oder verschlissenen Tischeinsatz aus
- Bevor Sie mit dem Schnitt beginnen, alle Hindernisse

von der Ober- wie auch von der Unterfläche entfernen, die auf der Schnittstrecke liegen

- Beschädigungen durch Schrauben, Nägel und ähnliches an Ihrem Werkstück vermeiden; diese vor Arbeitsbeginn entfernen

ZUBEHÖR

- Niemals Schleif-/Trennscheiben mit diesem Werkzeug verwenden
- SKIL kann nur dann die einwandfreie Funktion des Werkzeuges zusichern, wenn das entsprechende Zubehör verwendet wird, welches bei ihren Fachhändlern erhältlich ist
- Bei Verwendung von Fremdfabrikaten beim Zubehör bitte die Hinweise des Herstellers beachten
- Verwenden Sie nur Sägeblätter, die den in dieser Betriebsanleitung angegebenen Kenndaten entsprechen und nach EN 847-1 geprüft und entsprechend gekennzeichnet sind
- Nur Zubehör verwenden, dessen zulässige Drehzahl mindestens so hoch ist wie die höchste Leerlaufdrehzahl des Werkzeuges
- Die Benutzung von Sägeblättern aus hochlegiertem Schnell- arbeitsstahl (HSS) ist nicht zulässig
- Rissige oder stumpfe Sägeblätter, oder solche, die ihre Form verändert haben, dürfen nicht verwendet werden
- Verwenden Sie ausschließlich Sägeblätter mit einem Lochdurchmesser, der ohne Spiel in die Werkzeugachse passt; verwenden Sie niemals Verkleinerungen oder Adapter, um Sägeblätter mit größerem Lochdurchmesser zu befestigen
- Zubehör schützen vor Stoß-, Schlag- und Fetteinwirkung

WÄHREND DER ANWENDUNG

- **Drücken Sie nicht übermäßig auf das Werkzeug** (wenden Sie einen leichten und gleichmäßigen Druck an, um die Blattspitzen nicht zu überhitzen und beim Sägen von Kunststoff ein Schmelzen des Kunststoffmaterials zu vermeiden)
- Halten Sie Finger, Hände und Arme vom rotierenden Sägeblatt fern
- Wenn das Sägeblatt blockiert wird, schalten Sie das Werkzeug sofort aus und ziehen Sie den Netzstecker ab; erst dann dürfen Sie das verkantete Sägegut herausnehmen
- Im Falle von Blockieren, atypischem Verhalten oder Fremdgeräuschen, das Werkzeug sofort abschalten und den Netzstecker ziehen
- Wird bei der Arbeit das Kabel beschädigt oder durchtrennt, Kabel nicht berühren, sondern sofort den Netzstecker ziehen
- Verwenden Sie das Werkzeug niemals, wenn das Kabel beschädigt ist; es muss durch ein speziell vorbereitetes Kabel ersetzt werden, das über die Serviceorganisation erhältlich ist.

LASERSTRAHLUNG

- **Richten Sie den Laserstrahl nicht auf Personen oder Tiere und blicken Sie nicht selbst in den direkten oder reflektierten Laserstrahl** (dadurch können Sie Personen blenden, Unfälle verursachen oder das Auge schädigen)
- Falls Laserstrahlung ins Auge trifft, sind die Augen bewusst zu schließen und der Kopf sofort aus dem Strahl zu bewegen
- Nehmen Sie keine Änderungen an der Lasereinrichtung vor
- Nicht in den Laserstrahl blicken (Laserstrahlung)
- Keine vergrößernden optischen Geräte (z.B. Vergrößerungsgläser, Teleskope oder Ferngläser) zum Betrachten des Laserstrahls benutzen

- Das Gerät nicht in der Gegenwart von entzündlichen Flüssigkeiten, Gasen oder Stäuben benutzen
- Das Gerät nicht benutzen, wenn sich Kinder in seiner Nähe befinden
- Ersetzen Sie den montierten Laser nicht durch einen anderen Lasertyp

NACH DER ANWENDUNG

- Zubehör darf nach dem Ausschalten des Antriebes nicht durch seitliches Gegendrücken gebremst werden
- Entfernen Sie Holzreste oder andere Teile des Sägeguts aus dem Schnittbereich erst dann, wenn alle beweglichen Teile vollständig still stehen
- Das Sägeblatt wird bei Gebrauch heiß; berühren Sie es nicht, bevor es abgekühlt ist
- Das Werkzeug **drinnen** an trockener und abgesperrter Stelle, für Kinder unzugänglich, lagern

ERKLÄRUNG DER SYMBOLE AUF DEM WERKZEUG

- ② Die Bedienungsanleitung vor dem Gebrauch lesen
- ③ Schutzbrille und Gehörschutz tragen
- ④ **Gefahrenbereich! Keine Handzone. Halten Sie Hände, Finger und Arme aus diesem Bereich fern.**
- ⑤ Doppelte Isolierung (kein Erdleiter erforderlich)
- ⑥ Elektrowerkzeuge und Batterien nicht in den Hausmüll werfen
- ⑦ **Laserstrahlung / Nicht in den Strahl blicken / Laserprodukt Klasse 2**

BEDIENUNG

- Montage
 - Bringen Sie den Transportgriff E mit 2 Schrauben und einem Inbusschlüssel an AN ⑨ an
 - Bringen Sie den Gehrungsspannknopf AE an der Vorderseite des Tisches ⑩ an
 - Bringen Sie den Schiebeanschlag U an (siehe Schiebeanschlag einstellen)
- Transport/Arbeitsposition
 - Lösen des Werkzeugs (**Arbeits-Position**)
 - Drücken Sie den Griff B ⑧ mit einer Hand nach unten und ziehen Sie mit der anderen Hand den Verriegelungsstift C heraus ⑪a
 - Führen Sie den Werkzeugkopf langsam nach oben
 - Zur Sicherung des Werkzeugs (**Transport-Position**)
 - Schieben Sie den Kopf bis zum Anschlag in Richtung Anschlag S (halten Sie etwa 5 cm Abstand) und ziehen Sie den Verriegelungsknopf AH ⑪b fest
 - Stellen Sie den Fasenwinkel auf 0° ein (siehe Fasenwinkel einstellen)
 - Stellen Sie den Gehrungswinkel auf 45° links oder rechts ein (siehe Gehrungswinkel einstellen)
 - Drücken Sie den Griff B mit einer Hand nach unten und drücken Sie mit der anderen Hand den Verriegelungsstift C heraus
 - Wickeln Sie das Netzkabel auf
 - Nutzen Sie den Transportgriff E ⑥ zum Tragen des Werkzeugs ⑪d
 - Alternativ können Sie die seitlichen Griffe zum Tragen des Werkzeugs ⑪e nutzen
- **! Heben Sie das Werkzeug niemals am Hauptgriff oder am Netzkabel an**
- Befestigung des Werkzeugs auf der Arbeitsfläche ⑫
 - **! für sicheres Arbeiten montieren Sie das Werkzeug immer auf eine flache und stabile Arbeitsfläche (z. B. Werkbank)**
 - verwenden Sie 4 Montagelöcher F für die Befestigung

- des Werkzeugs mit geeigneten Schrauben auf der Arbeitsfläche
- Sie können das Werkzeug an der Arbeitsfläche auch mit herkömmlichen Schraubzwingen festklemmen
 - Zur Stabilisierung des Werkzeugs kann die Höhe des Stützfußes G eingestellt werden
 - Alternativ kann das Werkzeug auf einem Gehrungssägebock angebracht werden
- ! Lesen Sie alle Warnhinweise und Anweisungen, die dem Sägeständer beiliegen**
- Staub-/Späneabsaugung ⁽¹³⁾
 - Bringen Sie einen Staubbeutel H/Staubsauger wie abgebildet an
 - regelmäßige Entleerung des Staubbeutels sorgt für optimale Staubaufnahme
- ! achten Sie darauf, dass der Staubsaugerschlauch die Öffnung des unteren Blattschutzes oder die Schnittarbeit niemals hemmt**
- Sägetischverlängerung ⁽¹⁴⁾
 - Verwenden Sie Knäufe L, um Verlängerungsstangen K zu befestigen (auf beiden Seiten des Werkzeugs)
 - Die Länge der Verlängerungsstützen K ist stufenlos von minimal bis maximal einstellbar
 - Sägegut festklemmen ⁽¹⁵⁾

! für optimale Arbeitssicherung fixieren Sie das Sägegut immer gut mit der mitgelieferten einstellbaren Klemme

 - arbeiten Sie nicht mit Werkstücken, die zu klein für die Klemme sind
 - für **maximale** Werkstückmaße sehen Sie in der Tabelle ⁽¹⁶⁾ nach
 - Klemmen Sie das Werkstück mit dem Knauf P in die Führungslöcher N (auf beiden Seiten des Werkzeugs)
 - Die Werkstückklemme verfügt über 2 Nuten für einfache Fixierung: 1 für dünne Werkstücke (bis zu 5 cm) und 1 für größere Werkstücke (über 5 cm)
 - drücken Sie das Sägegut gut gegen den Anschlag S
 - Hebel R lösen
 - Klemme am Werkstück anbringen
 - Klemmen Sie das Werkstück durch Feststellen des Hebels R gut fest

! Bei einigen Gehrungs- und Fasen-Kombinationen oder je nach Größe des Werkstücks kann es erforderlich sein, anstelle der Werkstückklemme handelsübliche Schraubzwingen zu verwenden
 - Einstellen der Gehrungswinkel ⁽¹⁷⁾
 - Verriegelungshebel AE lösen
 - Ziehen Sie den Entriegelungshebel für die Gehrungsarretierung AF heraus
 - Drehen Sie den Sägetisch nach links oder rechts und stellen Sie den gewünschten Gehrungswinkel mithilfe der Anzeige AG ein (0° bis 50°)
 - Hebel AF lösen
 - Ziehen Sie den Verriegelungshebel AE fest (**ziehen Sie ihn aber nicht zu fest**)
 - Für die schnelle und präzise Einstellung häufig verwendeter Gehrungswinkel (0°, 15°, 22,5°, 31,6°, 45°) rastet der Gehrungsrasthebel AF in den entsprechenden Positionen ein; um dies zu verhindern, kann der Hebel AF in der freigegebenen Position ⁽¹⁷⁾b arretiert werden
 - Einstellen der Schrägschnittwinkel ⁽¹⁸⁾
 - lösen Sie den dreiarmligen Knopf W
 - Schwingen Sie den Sägekopf nach rechts, bis die Schrägschnittwinkelanzeige X den gewünschten Schrägschnittwinkel anzeigt
- Einstellbarer Fasenendanschlag AA (45°) kann bei 45° angehalten oder bis 48° ⁽¹⁸⁾b weitergeführt werden
 - Halten Sie den Sägekopf in dieser Position und ziehen Sie den Knauf fest W
 - Zum Abschrägen nach rechts zuerst den Sägekopf leicht nach links kippen, den rechten Abschrägungsfreigabeknopf AB drehen (etwa 60°), dann den Sägekopf auf den gewünschten rechten Abschrägwinkel ⁽¹⁹⁾c schwenken
 - Wenn Sie den Sägekopf nach links zurückschwenken, wird der rechte Fasenfreigabeknopf AB automatisch auf den 0°-Endanschlag zurückgestellt; dies kann verhindert werden, indem der Knauf auf etwa 90° statt 60° gedreht wird ⁽¹⁸⁾d
- Compound-Schnitte ⁽¹⁹⁾
 - Compound-Schnitte erfordern sowohl die Einstellung eines Gehrungswinkels als auch eines Schrägschnittwinkels
- ! Arbeiten Sie mit der Säge nicht in bestimmten Gehrungs- und Fasen-Kombinationen, die zu Interferenzen zwischen den gleitenden und den feststehenden Teilen der Säge oder zwischen den gleitenden Teilen und dem Werkstück führen können – zum Sägen den Schiebeanschlag, den Schiebeanschlag-Verriegelungsknauf und den Arbeitsklemmenknauf nach Bedarf entfernen.**
- ! immer zuerst an einem Probestück ausprobieren**
- Einstellung des Schiebeanschlags ⁽²⁰⁾
 - Knauf V lösen, damit das Verschieben des Anschlags U möglich wird
 - Knauf V weiter lösen, damit der Anschlag entfernt/montiert werden kann
 - Knauf V festdrehen, um die gewünschte Position festzustellen
- ! Achten Sie darauf, dass die Schiebeanschläge vor dem Betrieb des Werkzeugs fest gesichert sind**
- ! Für einige Gehrungs- und Fasen-Kombinationen kann es auch erforderlich sein, den Knauf zu entfernen**
- Laserlinie ⁽²¹⁾
 - für die präzise Führung des Werkzeuges die auf dem Werkstück gezogene Schnittlinie entlang
 - schalten Sie Laserlinie ein/aus durch Druck auf Schalter AD
- ! vor dem Beginn der Arbeiten, die Ausrichtung der Laserlinie kontrollieren mit der tatsächlichen Schnittlinie durch die Durchführung eines Probesschnitts an einem Abfallstück**
- Sägen ohne Schlittenbewegung (kleine Werkstücke)
 - Lösen Sie den Feststellknauf AH, wenn er angezogen ist
 - Schieben Sie den Sägekopf in Richtung des Anschlags S und ziehen Sie den Feststellknauf AH wieder fest
- ! Wenn sich der Mechanismus nicht verriegeln lässt, kann es dazu kommen, dass die Klinge plötzlich auf die Oberseite des Werkstücks klettert und sich auf Sie zubewegt**
- Werkzeug in Arbeitsposition einstellen
- ! stellen Sie sicher, dass das Sägegut am Sägetisch und dem Anschlag anliegt und gut festgeklemmt ist S**
- Schalten Sie das Werkzeug durch Lösen der

Verriegelung AJ ein und ziehen Sie den Hauptschalter heraus AI

! Kreuzen Sie bei der Bedienung des Sägekopfes

23a Ihre Arme nicht

- sägen Sie das Sägegut mit gleichbleibender Aufmerksamkeit

! die Säge muß erst die Höchstgeschwindigkeit erreichen bevor das Sägeblatt in das Werkstück eingeführt wird

- Schalten Sie das Werkzeug durch Loslassen des Schalters AI aus
- Warten Sie, bis der Sägekopf vollkommen zum Stillstand gekommen ist, bevor Sie den Sägekopf langsam aufwärts bewegen

- Sägen mit Schlittenbewegung (breite Werkstücke)

! Die nachfolgend beschriebene Methode ist die einzig sichere

- Ziehen Sie die Säge nicht durch das Werkstück
- Lösen Sie den Feststellknopf AH, wenn er angezogen ist

! stellen Sie sicher, dass das Sägegut am Sägertisch und dem Anschlag anliegt und gut festgeklemmt ist S

- Ziehen Sie den Sägekopf weit genug vom Anschlag S weg, so dass sich der Sägekopf vor dem Werkstück befindet 24
- Schalten Sie das Werkzeug durch Lösen der Verriegelung 22 ein und ziehen Sie den Hauptschalter heraus

! Kreuzen Sie bei der Bedienung des Sägekopfes

23a Ihre Arme nicht

- Schieben Sie den Sägekopf in Richtung des Anschlags S und sägen Sie das Werkstück mit gleichmäßiger Bewegung 24

! die Säge muß erst die Höchstgeschwindigkeit erreichen bevor das Sägeblatt in das Werkstück eingeführt wird

! Wenn sich die untere Führung nicht automatisch öffnet, was unter bestimmten Bedingungen passieren kann (z. B. wenn das Werkstück nahe an der maximalen Kapazität liegt), müssen Sie die Schutzvorrichtung möglicherweise per Hand öffnen 23b

- Schalten Sie das Werkzeug durch Loslassen des Schalters AI aus
- Warten Sie, bis der Sägekopf vollkommen zum Stillstand gekommen ist, bevor Sie den Sägekopf langsam aufwärts bewegen

- Sägen von Nutzen 25

- Stellen Sie die gewünschte Tiefe mit dem Schnitttiefen-Begrenzer AK ein und arretieren Sie ihn mit der Befestigungsmutter AM
- Ein hölzerner Abstandhalter wird zwischen dem Werkstück und dem Anschlag angebracht, um eine gleichmäßige Tiefe über die gesamte Länge der Nut zu gewährleisten

! Achten Sie darauf, dass das Sägeblatt nicht im Werkstück stecken bleibt

! immer zuerst an einem Probestück ausprobieren

- Sägeblattwechsel 26

! Netzstecker ziehen

- Sechskantschlüssel AN aus Halterung AO nehmen
- Schutzvorrichtung A in offener Position halten
- Lösen Sie die Abdeckplattenschraube AQ (Nehmen

Sie die Schraube nicht ganz heraus) 28a

- Die Schutzvorrichtung A vollständig nach hinten drehen 26b

- drücken Sie den Spindelarretierungs-Schalter AP und halten Sie ihn gedrückt, solange Sie den Sägeblattbolzen entfernen AR, indem Sie den Sechskantschlüssel AN IM UHRZEIGERSINN (= Richtung des Pfeils auf dem Sägeblatt) drehen

! Spindelarretierungsknopf AP nur bei stillstehendem Werkzeug drücken

- Spindelarretierungsknopf AP loslassen
- entfernen Sie Flansch AS und Sägeblatt

! wechseln Sie das Sägeblatt, wobei Sägezähne und auf das Sägeblatt aufgedruckter Pfeil in dieselbe Richtung wie der Pfeil auf der Schutzhaube A zeigen

- Flansch AS montieren 28c

- Drücken Sie auf den Spindelarretierungsknopf AP und halten Sie ihn, während der Sägeblattbolzen durch Drehen des Sechskantschlüssels AN angezogen wird, und zwar fingerfest 1/8 Drehung GEGEN DEN UHRZEIGERSINN (gewährleistet Rutschen des Sägeblatts, wenn es auf einen zu großen Widerstand trifft, wodurch Motorüberlastung und Rückschlag der Säge reduziert werden)

- ziehen Sie die Abdeckplattenschraube AQ fest

- Austauschen des Tischeinsatzes AT 26

Tauschen Sie einen beschädigten oder verschlissenen Tischeinsatz folgendermaßen aus:

! Netzstecker ziehen

- Sechskantschlüssel AN aus Halterung AO nehmen

- entfernen Sie alle 6 Schrauben wie abgebildet

- entfernen Sie den alten Tischeinsatz, indem Sie ihn erst vorne anheben und dann vollständig ausschieben

- bringen den neuen Tischeinsatz an

! ziehen Sie alle 6 Schrauben fest

- Prüfung/Einstellung der 90°-Ausrichtung des Blatts 28

! Netzstecker ziehen

- Drehen Sie den Sägertisch in die 0°-Gehrungsposition und befestigen Sie ihn

- Schwenken Sie den Sägekopf in die 0°-Fasenposition

- Senken Sie den Sägekopf ab und stellen Sie ihn fest
- prüfen Sie den 90°-Winkel zwischen Blatt und Tisch mit einem Winkelmaß

- falls notwendig, stellen Sie die 90°-Ausrichtung des Blatts folgendermaßen ein:

1. lösen Sie den dreiarmigen Knopf W

2. Stellen Sie die Schraube Y mit einem 4-mm-Sechskantschlüssel (nicht standardmäßig enthalten) ein 28b

3. Prüfen Sie den Winkel erneut nach

4. Setzen Sie den Fasenindikator auf 0° zurück 28c

- Prüfung/Einstellung der 45°-Ausrichtung des Blatts 28

! Netzstecker ziehen

- Drehen Sie den Sägertisch in die 0°-Gehrungsposition und befestigen Sie ihn

- lösen Sie den dreiarmigen Knopf W

- Stellen Sie den einstellbaren Fasenendanschlag AA auf 45° ein 28b

- Schwenken Sie den Sägekopf nach links

- prüfen Sie den 45°-Winkel zwischen Blatt und Tisch mit einem Gehrungsmaß 28a

- prüfen Sie, ob die Schrägschnittanzeige X 45° anzeigt

- falls notwendig, stellen Sie die 45°-Ausrichtung des

Blatts folgendermaßen ein:

1. Bringen Sie die Mutter Z mit einem Schraubenschlüssel der Größe 10 (nicht im Lieferumfang enthalten) an
 2. Prüfen Sie den Winkel erneut mit dem Gehrungsmaß
- Wiederholen Sie dies bei Bedarf für die 45°-Einstellung rechts
 - Senken Sie den Sägekopf ab und stellen Sie ihn fest
- Prüfung/Einstellung der 90°-Ausrichtung des Anschlags

30

! Netzstecker ziehen

- Drehen Sie den Säge Tisch in die 0°-Gehrungsposition und befestigen Sie ihn
 - Senken Sie den Sägekopf ab und stellen Sie ihn fest
 - prüfen Sie den 90°-Winkel zwischen Blatt und Anschlag S mit einem Winkelmaß (das Winkelmaß muss dabei am Blatt anliegen und nicht an den Zähnen)
 - falls notwendig, stellen Sie die 90°-Ausrichtung des Anschlags folgendermaßen ein:
 1. lösen Sie die 4 Sechskant-Schrauben T
 2. stellen Sie den Anschlag so ein, dass Blatt und Anschlag ganz am Winkelmaß anliegen
 3. ziehen Sie die 4 Sechskant-Schrauben fest T
 4. Setzen Sie den Gehrungsanzeiger auf 0° zurück 30c
- Kabelklemme 31
 - Verwenden Sie die Kabelklemme AV, um zu verhindern, dass das Stromkabel zwischen den beweglichen und feststehenden Teilen des Werkzeuges eingeklemmt wird

ANWENDUNGSHINWEISE

- Spezielles Sägegut
 - stützen Sie das freie Ende eines langen Sägeguts immer ab
 - gebogenes oder rundes Sägegut muss besonders gegen Wegrutschen gesichert werden 33
 - an der Schnittkante darf zwischen Sägegut und Anschlag oder Säge Tisch keine Lücke sein
 - Fertigen Sie bei Bedarf einen Hilfsanschlag an; die Löcher im Schiebeanschlag sollten zur Sicherung des Hilfsanschlags verwendet werden 34

! Der Hilfsanschlag kann nur bei einer Fase von 0° verwendet werden

- Für die Arbeit mit Fußbodenleisten beachten Sie die Abbildung 35
- Die Oberfläche des Werkstücks grundsätzlich nach unten zeigend auflegen, um somit Absplinterungen auf ein Mindestmaß zu begrenzen
- Nur scharfe Sägeblätter vom richtigen Typ benutzen
 - die Qualität des Schnittes erhöht sich mit der Anzahl der Zähne
 - Hartmetallbestückte Sägeblätter haben eine bis zu 30 Mal längere Lebensdauer als konventionelle Sägeblätter

WARTUNG / SERVICE

- Werkzeug und Kabel immer sauber halten (vor allem die Gebläseöffnungen an der Rückseite der Motorabdeckung)
- Entwickeln Sie eine regelmäßige Überprüfung, um sicherzustellen, dass die untere Führung gut funktioniert. Reinigen Sie die untere Führung mit einem feuchten Tuch von Sägespänen, die sich angesammelt haben können.
 - Netzstecker vor dem Säubern ziehen

- Heben Sie die untere Führung in die vollständig geöffnete Position und lassen Sie sie los. Wenn sie nicht sofort und vollständig schließt, sollte sie von einem Kundendienstzentrum für SKIL-Elektrowerkzeuge überprüft werden
- Das Sägeblatt unmittelbar nach der Benutzung reinigen (insbesondere von Harz- und Leimrückständen)
 - das Sägeblatt wird bei Gebrauch heiß; berühren Sie es nicht, bevor es abgekühlt ist
- Reinigen Sie das Laserlicht AC nach jedem Gebrauch
 - das Sägeblatt wird bei Gebrauch heiß; berühren Sie es nicht, bevor es abgekühlt ist
 - das Sägeblatt wird bei Gebrauch heiß; berühren Sie es nicht, bevor es abgekühlt ist
- Sollte das Elektrowerkzeug trotz sorgfältiger Herstellungs- und Prüfverfahren einmal ausfallen, ist die Reparatur von einer autorisierten Kundendienststelle für SKIL-Elektrowerkzeuge ausführen zu lassen
 - das Werkzeug **unzerlegt**, zusammen mit dem Kaufbeleg, an den Lieferer oder die nächste SKIL-Vertragswerkstätte senden (die Adressen sowie die Ersatzteilzeichnung des Werkzeuges finden Sie unter www.skil.com)
- Beachten Sie, dass ein falscher oder unsachgemäßer Gebrauch des Werkzeuges zum Erlöschen der Garantie führt (die SKIL-Garantiebedingungen finden Sie unter www.skil.com oder fragen Sie Ihren Händler)

UMWELT

- **Elektrowerkzeuge, Batterien, Zubehör und Verpackungen nicht in den Hausmüll werfen** (nur für EU-Länder)
 - gemäss Europäischer Richtlinie 2012/19/EG über Elektro- und Elektronik- Altgeräte und Umsetzung in nationales Recht müssen nicht mehr gebrauchsfähige Elektrowerkzeuge getrennt gesammelt und einer umweltgerechten Wiederverwertung zugeführt werden
 - hieran soll Sie Symbol 6 erinnern

GERÄUSCH

- Gemessen in Übereinstimmung mit EN 62841 beträgt der Schalldruck dieses Werkzeuges 100,0 dB(A) und die Schalleistung 109,5 dB(A) (Unsicherheit K = 3 dB)
- Der Schalldruckpegel wurde mit einem standardisierten Test gemäß EN 62841 gemessen. Er kann verwendet werden, um ein Werkzeug mit einem anderen zu vergleichen und als vorläufige Beurteilung der Schallexposition bei Verwendung des Werkzeuges für die angegebenen Anwendungszwecke
 - die Verwendung des Werkzeuges für andere Anwendungen oder mit anderem oder schlecht gewartetem Zubehör kann die Expositionsstufe erheblich **erhöhen**
 - Zeiten, zu denen das Werkzeug ausgeschaltet ist, oder wenn es läuft aber eigentlich nicht eingesetzt wird, können die Expositionsstufe erheblich **verringern**

NL

Telescopische verstekzaag 1320

INTRODUCTIE

- Deze machine is bestemd voor stationair gebruik voor het schulpen en afkorten van hout met een rechte

zaaglijntot tot onder een hoek (horizontale verstekhoeken van -50° tot +50° en verticale afschuinhoeken van -48° tot +45°)

- Lees en bewaar deze gebruiksaanwijzing ②
- Deze machine is niet bedoeld voor professioneel gebruik
- **Gebruik de machine uitsluitend wanneer deze correct en volledig is gemonteerd** (Skil kan niet verantwoordelijk worden gehouden voor schade aan de machine en/of letsel als gevolg van onjuiste montage van de machine)

TECHNISCHE GEGEVENS ①

MACHINE-ELEMENTEN ⑧

- A** Onderste beschermkap
- B** Schakelaarhendel
- C** Vergrendelpin voor transport
- D** Bovenste beschermkap
- E** Transportgreep
- F** Montagegaten
- G** Steunvoet
- H** Stofzak
- J** Stofuitlaat
- K** Verlengbalken
- L** Knoppen voor het vergrendelen van de verlengbalken
- M** Klem voor montage van werkstuk
- N** Gat voor klemondersteuning
- P** Knop voor vastzetten van klem
- Q** Knop voor verstellen van klem
- R** Spanhendel
- S** Langsgeleider
- T** Zeskantschroeven voor afstellen van geleider (4x)
- U** Schuifgeleider
- V** Knop voor vastzetten schuifgeleider
- W** Vergrendelingsknop (afschuinhoeken)
- X** Indicator afschuinhoek
- Y** Schroef voor afstellen afschuinhoek (rechts)
- Z** Schroef voor afstellen afschuinhoek (links)
- AA** Instelbare eindaanslag
- AB** Hendel voor vrijgave afschuinhoek rechts
- AC** Laserlicht
- AD** Aan/uit schakelaar van laser
- AE** Vergrendelingshendel (verstekhoeken)
- AF** Hendel voor vrijgave pal verstekhoek
- AG** Indicator verstekhoek
- AH** Vergrendelingsknop voor schuifinrichting
- AI** Aan/uit schakelaar
- AJ** Veiligheidshendel
- AK** Begrenzer zaagdiepte
- AL** Diepte-aanslag
- AM** Moer diepte-aanslag
- AN** Zeskantsleutel
- AO** Opbergplaats voor zeskantsleutel
- AP** Asvergrendelknop
- AQ** Schroef van afdekking
- AR** Zaagbladbout
- AS** Flens
- AT** Tafelinzet
- AU** Stofdeflector
- AV** Kabelclip

VEILIGHEID

ALGEMENE VEILIGHEIDSWAARSCHUWINGEN VOOR ELEKTRISCHE GEREEDSCHAPPEN

⚠ WAARSCHUWING Lees alle veiligheidswaarschuwingen, instructies, afbeeldingen en specificaties die met dit elektrische gereedschap zijn meegeleverd. Het niet volgen van alle hieronder genoemde instructies kan elektrische schokken, brand en/of ernstig letsel tot gevolg hebben.

Bewaar alle waarschuwingen en voorschriften voor toekomstig gebruik.

Het in de waarschuwingen gebruikte begrip “elektrisch gereedschap” heeft betrekking op elektrische gereedschappen voor gebruik op het stroomnet (met netsnoer) en op elektrische gereedschappen voor gebruik met een accu (zonder netsnoer).

1) VEILIGHEID VAN DE WERKOMGEVING

- a) Houd uw werkomgeving schoon en opgeruimd.**
Een rommelige of onverlichte werkomgeving kan tot ongevallen leiden.
- b) Werk met het gereedschap niet in een omgeving met explosiegevaar waarin zich brandbare vloeistoffen, gassen of stof bevinden.** Elektrische gereedschappen veroorzaken vonken die het stof of de dampen tot ontsteking kunnen brengen.
- c) Houd kinderen en andere personen tijdens het gebruik van het elektrische gereedschap uit de buurt.** Wanneer u wordt afgeleid, kunt u de controle over het gereedschap verliezen.

2) ELEKTRISCHE VEILIGHEID

- a) De aansluitstekker van het gereedschap moet in het stopcontact passen. De stekker mag in geen geval worden veranderd. Gebruik geen adapterstekkers in combinatie met geaarde gereedschappen.**
Onveranderde stekkers en passende stopcontacten beperken het risico van een elektrische schok.
- b) Voorkom aanraking van het lichaam met geaarde oppervlakken, bijvoorbeeld van buizen, verwarmingen, fornuizen en koelkasten.** Er bestaat een verhoogd risico door een elektrische schok wanneer uw lichaam geaard is.
- c) Houd het gereedschap uit de buurt van regen en vocht.** Het binnendringen van water in het elektrische gereedschap vergroot het risico van een elektrische schok.
- d) Gebruik de kabel niet voor een verkeerd doel, om het gereedschap te dragen of op te hangen of om de stekker uit het stopcontact te trekken. Houd de kabel uit de buurt van hitte, olie, scherpe randen en bewegende gereedschapsdelen.** Beschadigde of in de war geraakte kabels vergroten het risico van een elektrische schok.
- e) Wanneer u buitenshuis met elektrisch gereedschap werkt, dient u alleen verlengkabels te gebruiken die voor gebruik buitenshuis zijn goedgekeurd.**
Het gebruik van een voor gebruik buitenshuis geschikte verlengkabel beperkt het risico van een elektrische schok.

- f) **Als het gebruik van het elektrische gereedschap in een vochtige omgeving onvermijdelijk is, dient u een aardlekschakelaar te gebruiken.** Het gebruik van een aardlekschakelaar vermindert het risico van een elektrische schok.
- 3) PERSOONLIJKE VEILIGHEID**
- a) **Wees alert, let goed op wat u doet en ga met verstand te werk bij het gebruik van het elektrische gereedschap. Gebruik het gereedschap niet wanneer u moe bent of onder invloed staat van drugs, alcohol of medicijnen.** Een moment van onoplettendheid bij het gebruik van het gereedschap kan tot ernstige verwondingen leiden.
- b) **Draag persoonlijke beschermende uitrusting en altijd een veiligheidsbril.** Het dragen van persoonlijke beschermende uitrusting zoals een stofmasker, slipvast werkschoenen, een veiligheidshelm of gehoorbescherming, afhankelijk van de aard en het gebruik van het elektrische gereedschap, vermindert het risico van verwondingen.
- c) **Voorkom per ongeluk inschakelen. Controleer dat het elektrische gereedschap uitgeschakeld is voordat u de stekker in het stopcontact steekt of de accu aansluit en voordat u het gereedschap oppakt of draagt.** Wanneer u bij het dragen van het elektrische gereedschap uw vinger aan de schakelaar hebt of wanneer u het gereedschap ingeschakeld op de stroomvoorziening aansluit, kan dit tot ongevallen leiden.
- d) **Verwijder instelgereedschappen of schroefsleutels voordat u het gereedschap inschakelt.** Een instelgereedschap of sleutel in een draaiend deel van het gereedschap kan tot verwondingen leiden.
- e) **Probeer niet ver te reiken. Zorg ervoor dat u stevig staat en steeds in evenwicht blijft.** Daardoor kunt u het gereedschap in onverwachte situaties beter onder controle houden.
- f) **Draag geschikte kleding. Draag geen loshangende kleding of sieraden. Houd haren en kleding uit de buurt van bewegende delen.** Loshangende kleding, sieraden en lange haren kunnen door bewegende delen worden meegenomen.
- g) **Wanneer stofafzuigings- of stofopvangvoorzieningen kunnen worden gemonteerd, dient u zich ervan te verzekeren dat deze zijn aangesloten en juist worden gebruikt.** Het gebruik van een stofafzuiging beperkt het gevaar door stof.
- h) **Ondanks het feit dat u eventueel heel goed vertrouwd bent met het gebruik van gereedschappen, moet u ervoor zorgen dat u niet nonchalant wordt en veiligheidsvoorschriften voor het gereedschap gaat negeren.** Een onoplettende handeling kan binnen een fractie van een seconde ernstig letsel veroorzaken.
- 4) GEBRUIK EN ONDERHOUD VAN ELEKTRISCHE GEREEDSCHAPPEN**
- a) **Overbelast het gereedschap niet. Gebruik voor uw werkzaamheden het daarvoor bestemde elektrische gereedschap.** Met het passende elektrische gereedschap werkt u beter en veiliger binnen het aangegeven capaciteitsbereik.
- b) **Gebruik geen elektrisch gereedschap waarvan de schakelaar defect is.** Elektrisch gereedschap dat niet meer kan worden in- of uitgeschakeld, is gevaarlijk en moet worden gerepareerd.
- c) **Trek de stekker uit het stopcontact en/of neem de accu (indien uitneembaar) uit het elektrische gereedschap voordat u het elektrische gereedschap instelt, accessoires wisselt of het elektrische gereedschap opbergt.** Deze voorzorgsmaatregel voorkomt onbedoeld starten van het elektrische gereedschap.
- d) **Bewaar niet-gebruikte elektrische gereedschappen buiten bereik van kinderen. Laat het gereedschap niet gebruiken door personen die er niet mee vertrouwd zijn en deze aanwijzingen niet hebben gelezen.** Elektrische gereedschappen zijn gevaarlijk wanneer deze door onervaren personen worden gebruikt.
- e) **Verzorg het gereedschap zorgvuldig. Controleer of bewegende delen van het gereedschap correct functioneren en niet vastklemmen en of onderdelen zodanig gebroken of beschadigd zijn dat de werking van het gereedschap nadelig wordt beïnvloed. Laat beschadigde delen repareren voordat u het gereedschap gebruikt.** Veel ongevallen hebben hun oorzaak in slecht onderhouden elektrische gereedschappen.
- f) **Houd snijdende inzetgereedschappen scherp en schoon.** Zorgvuldig onderhouden snijdende inzetgereedschappen met scherpe snijkanten klemmen minder snel vast en zijn gemakkelijker te geleiden.
- g) **Gebruik elektrische gereedschappen, toebehoren, inzetgereedschappen en dergelijke volgens deze aanwijzingen. Let daarbij op de arbeidsomstandigheden en de uit te voeren werkzaamheden.** Het gebruik van elektrische gereedschappen voor andere dan de voorziene toepassingen kan tot gevaarlijke situaties leiden.
- h) **Houd handgrepen en greepvlakken droog, schoon en vrij van olie en vet.** Gladde handgrepen en greepvlakken verhinderen dat het gereedschap in onverwachte situaties veilig kan worden gehanteerd en bediend.
- 5) SERVICE**
- a) **Laat het gereedschap alleen repareren door gekwalificeerd en vakkundig personeel en alleen met originele vervangingsonderdelen.** Daarmee wordt gewaarborgd dat de veiligheid van het gereedschap in stand blijft.

VEILIGHEIDSVOORSCHRIFTEN VOOR VERSTEKZAGEN

- **Verstekzagen zijn bedoeld voor het zagen van hout of houtachtige producten. Zij kunnen niet worden gebruikt met doorslijpschijven voor het zagen van ijzerhoudende materialen zoals balken, staven, tapbouten, etc.** Schurend stof kan ertoe leiden dat bewegende onderdelen, zoals een onderste beschermkap, vast komen te zitten. Vonken veroorzaakt door doorslijpen verbranden de onderste beschermkap, de zaagsnede-inzet en overige plastic onderdelen.
- **Gebruik indien mogelijk klemmen om het werkstuk te ondersteunen. Als u het werkstuk met de hand ondersteunt, moet u uw hand ten minste 100 mm vanaf de zijkant van het zaagblad houden. Gebruik deze zaag niet om stukken te zagen die te klein zijn om veilig vastgezet te worden of met de hand te worden vastgehouden. Als uw hand te dicht bij**

het zaagblad komt bestaat er een groter risico op letsel als gevolg van contact met het zaagblad.

- **Het werkstuk moet stilstaan en vastgeklemd zijn of tegen zowel de geleider als de tafel worden gehouden. Voer het werkstuk niet naar het zaagblad en zaag nooit "met de losse hand"** Niet vastgeklemd of bewegende werkstukken kunnen met hoge snelheid worden weggegooid en letsel veroorzaken.
- **Duw de zaag door het werkstuk. U moet niet de zaag door het werkstuk trekken. Om een snede te maken, brengt u de zaagkop omhoog en trekt u hem over het werkstuk zonder te zagen. Vervolgens start u de motor, drukt u de zaagkop omlaag en duwt u de zaag door het werkstuk** Zagen met een trekbeweging kan ertoe leiden dat het zaagblad op het werkstuk klimt en de zaagassemblage met geweld naar de gebruiker wordt geworpen.
- **Ga nooit met uw hand over de beoogde zaaglijn vóór of achter het zaagblad** Ondersteunen van het werkstuk met "gekruste handen" (d.w.z. dat u met uw linkerhand het werkstuk vasthoudt aan de rechterkant van het zaagblad, of andersom) is bijzonder gevaarlijk.
- **Kom, terwijl het zaagblad draait, niet met één van de handen achter de geleider, minder dan 100 mm van het zaagblad om houtafval te verwijderen, of om andere redenen** U kunt misschien niet zien hoe dicht het draaiende zaagblad bij uw hand is, waardoor u ernstig verwond kunt raken.
- **Inspecteer uw werkstuk vóór u hem gaat zagen. Indien het werkstuk verbogen of vervormd is, moet u hem vastzetten met het naar buiten verbogen vlak naar de geleider. Zorg er altijd voor dat er langs de zaaglijn geen ruimte is tussen het werkstuk, de geleider en de tafel** Gebogen of vervormde werkstukken kunnen draaien of verschuiven en zouden verklemt kunnen veroorzaken op het ronddraaiende zaagblad tijdens het zagen. Er mogen geen spijkers of vreemde objecten in het werkstuk zitten.
- **Gebruik de zaag niet tot alle gereedschappen, houtresten, etc. van de tafel zijn verwijderd, m.u.v. het werkstuk** Klein afval of losse stukken houten of andere objecten die contact maken met het draaiende zaagblad kunnen met hoge snelheid worden weggegooid.
- **Zaag slechts één werkstuk tegelijkertijd** Meerdere gestapelde werkstukken kunnen niet goed worden vastgeklemd of vastgezet en kunnen verklemt worden op het zaagblad of gaan schuiven tijdens het zagen.
- **Zorg ervoor dat de verstekzaag vóór gebruik op een horizontaal en stevig werkoppervlak is gemonteerd of geplaatst.** Een horizontaal en stevig werkoppervlak verlaagt het risico dat de verstekzaag onstabiel wordt.
- **Plan uw werkzaamheden! Elke keer wanneer u de afschuifhoek of verstekhoek wijzigt, moet u ervoor zorgen dat de verstelbare geleider correct is ingesteld om het werkstuk te ondersteunen en dat het zaagblad of het beschermingssysteem niet wordt belemmerd** Laat, zonder de machine "AAN" te zetten en zonder werkstuk op tafel, het zaagblad een volledig gesimuleerd zaagproces doorlopen om er zeker van te zijn dat er geen belemmering is of risico dat de geleider wordt doorgezaagd.
- **Voor werkstukken die breder of langer zijn dan het tafelblad moet u zorgen voor voldoende ondersteuning, zoals zaagtafeluitbreidingen, zaagborden, etc..** Werkstukken die langer of breder zijn

dan de verstekzaagtafel kunnen kantelen als ze niet veilig worden ondersteund. Als het afgezaagde stuk of het werkstuk kantelt, kan de onderste beschermkap omhoog komen of worden weggegooid door het ronddraaiende zaagblad.

- **Maak geen gebruik van een ander persoon als vervanging van een tafelaanbreiding of als extra ondersteuning** Onstabiele ondersteuning van het werkstuk kan ertoe leiden dat het zaagblad verklemt of dat het werkstuk verschuift tijdens de zaagwerkzaamheden, waardoor u en uw hulp naar het ronddraaiende zaagblad worden getrokken.
- **Het afgezaagde stuk mag niet op enige wijze tegen het ronddraaiende zaagblad worden geklemd of gedrukt** Indien ingesloten (d.w.z. als er gebruik wordt gemaakt van lengte-aanslagen), kan het afgezaagde stuk vastgeklemd worden tegen het zaagblad en met kracht worden weggevoerd.
- **Maak altijd gebruik van een klem of inrichting om ronde materialen zoals staven of buizen goed te ondersteunen** Staven hebben de neiging om te gaan rollen tijdens het zagen, waardoor het zaagblad gaat "bijten" en het werkstuk samen met uw hand naar het zaagblad wordt getrokken.
- **Laat het zaagblad op volledige snelheid komen voordat er contact wordt gemaakt met het werkstuk** Dit verlaagt het risico dat het werkstuk wordt weggevoerd.
- **Als het werkstuk of zaagblad vast komt te zitten moet u de verstekzaag uit zetten. Wacht tot alle bewegende onderdelen tot stilstand zijn gekomen en trek de stekker uit het stopcontact en/of verwijder de accu. Verwijder vervolgens het vastzittende materiaal** Verder blijven zagen met een vastgelopen werkstuk kan leiden tot minder controle of schade aan de verstekzaag.
- **Laat, na afloop van het zagen, de schakelaar los, houd de zaagkop omlaag en wacht tot het zaagblad tot stilstand is gekomen voordat u het afgezaagde stuk verwijderd** Het is gevaarlijk om met uw hand in de buurt van het uitlopende zaagblad te komen.
- **Houd de handgreep stevig vast wanneer u een onvolledige zaaghandeling uitvoert of wanneer u de schakelaar loslaat voordat de zaagkop zich volledig in de lage stand bevindt** De reactie van de zaag kan ertoe leiden dat de zaagkop plotseling naar beneden wordt getrokken, waardoor er een risico op letsel ontstaat.

EXTRA VEILIGHEIDVOORSCHRIFTEN

- **Inschakeling veroorzaakt een kortdurende spanningsdaling;** bij een ongunstige conditie van het stroomnet kunnen nadelige gevolgen voor andere apparaten optreden (bij netimpedanties van minder dan 0,219 Ohm is het onwaarschijnlijk, dat er storingen optreden); voor meer informatie kunt u contact opnemen met uw plaatselijke energie-leverancier

ALGEMEEN

- **Gebruik deze machine uitsluitend voor het zagen van hout**
- **Controleer altijd het voltage, dat vermeld staat op het typeplaatje van de machine, overeenkomt met de netspanning**
- **Ga niet op de machine of standaard staan** Er kan ernstig letsel worden veroorzaakt wanneer de machine

kantelf of als er per ongeluk contact wordt gemaakt met het zaaggereedschap. Bewaar geen materialen op zodanige wijze op of bij de machine dat het nodig is om op de machine of standaard te staan om er bij te kunnen.

- **Trek altijd de stekker uit het stopcontact voordat u een instelling verandert of een accessoire verwisselt**
- **Haal de stekker altijd uit het stopcontact voordat u de verstekzaag verplaatst** Haal de stekker eruit, breng de kopassemblage omlaag en zet hem vast. Gebruik de draaghandgreep en één van de handinkepingen in de basis van de zaag.
- **Laat de machine niet onbeheerd achter tot deze volledig tot stilstand is gekomen**
- **Bij het zagen van onregelmatig gevormde werkstukken moet u uw werk zodanig plannen dat het werkstuk niet gaat slippen en het zaagblad gaat blokkeren waardoor het uit uw hand wordt getrokken**
- Deze machine mag niet worden gebruikt door personen onder de 16 jaar
- Deze machine is niet geschikt voor nat-zagen

GEBRUIK BUITENSHUIS

- Sluit uw machine, bij gebruik buitenshuis, aan via een aardlekschakelaar (FI) met maximaal 30 mA uitschakelstroom, en gebruik alleen voor buitenshuis gebruik goedgekeurde verlengsnoeren, voorzien van een spatwaterdichte contactstop

VOÓR GEBRUIK

- Gebruik volledig uitgerolde en veilige verlengsnoeren met een capaciteit van 16 Ampère
- Draag een veiligheidsbril, gehoorbescherming, en veiligheidshandschoenen
- Stof van materiaal zoals loodhoudende verf, sommige houtsoorten, mineralen en metaal kunnen schadelijk zijn (contact met of inademing van de stof kan allergische reacties en/of ademhalingsziekten bij gebruiker of omstanders veroorzaken); **draag een stofmasker en werk met een stofopvang-voorziening als die kan worden aangesloten**
- Bepaalde soorten stof zijn geclassificeerd als kankerverwekkend (zoals stof van eiken en beuken), met name in combinatie met toevoegingsmiddelen voor houtverzorging; **draag een stofmasker en werk met een stofopvang-voorziening als die kan worden aangesloten**
- Neem voor de door u te bewerken materialen de nationale voorschriften aangaande stofopvang in acht
- **Bewerk geen asbesthoudend materiaal** (asbest geldt als kankerverwekkend)
- Gebruik uw machine nooit zonder het originele beschermkapsysteem
- Controleer voorafgaand aan gebruik altijd of de beschermkap goed is gesloten
- Gebruik de zaag niet wanneer de beschermkap niet vrij kan bewegen en niet direct sluit
- Zet de beschermkap nooit met een klem of een touw vast in de geopende stand
- Gebruik de machine nooit zonder de tafelinzet; vervang een defecte of versleten inzet
- Verwijder, voordat u begint te zagen, alle obstakels zowel boven als onder het zaagvlak
- Voorkom schade, die kan ontstaan door schroeven, spijkers en andere voorwerpen in uw werkstuk; verwijder deze, voordat u aan een karwei begint

ACCESSOIRES

- Gebruik nooit afbraam-/ (door)slijpschijven bij deze machine
- SKIL kan alleen een correcte werking van de machine garanderen, indien de juiste accessoires worden gebruikt, die verkrijgbaar zijn bij de vakhandel
- Neem voor het monteren/gebruiken van niet-SKIL accessoires de instructies van de betreffende fabrikant in acht
- Gebruik alleen zaagbladen die voldoen aan de in deze gebruiksaanwijzing vermelde specificaties, volgens EN 847-1 zijn gecontroleerd en overeenkomstig zijn gemarkeerd
- Gebruik alleen accessoires met een toegestaan toerental, dat minstens even hoog is als het hoogste onbelaste toerental van de machine
- Gebruik nooit HSS-zaagbladen
- Gebruik geen beschadigd, vervormd of bot zaagblad
- Gebruik uitsluitend zaagbladen met een asgat-diameter dat past op de as zonder dat er sprake is van enige speling; gebruik nooit verklein- of aansluitstukken om zaagbladen met een groot gat passend te maken
- Bescherm accessoires tegen slagen, stoten, en vet

TIJDENS GEBRUIK

- **Forceer de machine niet** (oefen lichte en constante druk uit om oververhitting van de zaagbladpunten en het smelten van kunststof materiaal te voorkomen)
- Houd uw vingers, handen en armen uit de buurt van het draaiende zaagblad
- Wanneer het zaagblad blokkeert, moet u de machine direct uitschakelen en de stekker uit het stopcontact halen; verwijder vervolgens het werkstuk
- Schakel, in geval van blokkeren of elektrische of mechanische storing, de machine onmiddellijk uit en trek de stekker uit het stopcontact
- Raak het snoer niet aan, als dit tijdens de werkzaamheden wordt beschadigd of doorgesneden, maar trek onmiddellijk de stekker uit het stopcontact
- Gebruik de machine nooit als het snoer is beschadigd; het moet worden vervangen door een speciaal gemaakt snoer dat verkrijgbaar is via de serviceorganisatie.

STRALINGSGEVAAR

- **Richt de laserstraal niet op personen of dieren en kijk niet zelf in de directe of reflecterende laserstraal** (daardoor kunt u personen verblinden, ongevallen veroorzaken of het oog beschadigen)
- Als laserstraling het oog raakt, dan moeten de ogen bewust gesloten worden en moet het hoofd onmiddellijk uit de straal bewogen worden
- Breng geen wijzigingen aan de laserinrichting aan
- Kijk niet in de laserstraal (stralingsgevaar)
- Gebruik geen enkel optisch vergrootmiddel (zoals vergrootglas, telescoop, of verrekijker) om in de laserstraal te kijken
- Het apparaat niet gebruiken in de buurt van ontvlambare vloeistoffen, gassen of stof
- Het apparaat niet gebruiken wanneer er kinderen in de buurt zijn
- Vervang de geïnstalleerde laser niet door een ander lasertype

NA GEBRUIK

- Na uitschakeling van uw machine, nooit een draaiend accessoire stoppen door er aan de zijkant iets tegenaan te drukken
- Verwijder afsnijdingen of andere delen van het werkstuk alleen uit het zaaggebied wanneer alle bewegende delen

tot stilstand zijn gekomen

- Het zaagblad wordt heet tijdens gebruik; raak het niet aan voordat het is afgekoeld
- Berg de machine **binnenshuis** op in droge, afgesloten ruimten, buiten het bereik van kinderen

UITLEG VAN SYMBOLEN OP MACHINE

- ② Lees de gebruiksaanwijzing vóór gebruik
- ③ Draag een veiligheidsbril en gehoorbescherming
- ④ **Gevaarlijk gebied! Verboden zone voor handen. Houd handen, vingers en armen uit de buurt van dit gebied.**
- ⑤ Dubbele isolatie (geen aarddraad nodig)
- ⑥ Geef elektrisch gereedschap en batterijen niet met het huisvuil mee
- ⑦ **Laser-straling / Kijk niet in de straal / Klasse 2 laser product**

GEBRUIK

- Montage
 - monteer de transportgreep E met 2 bouten met behulp van zeskantsleutel AN^⑨
 - monteer de verstekvergrendelingsknop AE in de voorzijde van de tafel^⑩
 - monteer de schuifgeleider U (zie Schuifgeleider(s) instellen)
- Transport/werkpositie
Voor het vrijgeven van de machine (**werkpositie**)
 - druk handgreep B^⑧ met één hand omlaag en trek tegelijkertijd aan de vergrendelingspen C met uw andere hand^{⑪a}
 - geleid de kopassemblage langzaam naar bovenVoor het borgen van de machine (**transportpositie**)
 - schuif de kopassemblage naar de aanslag in de richting van geleider S (houd ca. 5 cm afstand) en draai de vergrendelingsknop AH aan^{⑪b}
 - stel de afschuinhoek in op 0° (zie Afschuinhoek instellen)
 - stel de verstekhoek in op 45° links of rechts (zie Verstekhoek instellen)
 - druk handgreep B omlaag met één hand en duw tegelijkertijd op de vergrendelingspen C met uw andere hand
 - wikkel het stroomsnoer op
 - gebruik de transportgreep E^⑧ om de machine te dragen^{⑪d}
 - gebruik als alternatief de handgrepen aan de zijkant om de machine te dragen^{⑪e}**! til de machine nooit op aan de hoofdhandgreep of het stroomsnoer**
- Monteren van machine op werkoppervlak^⑫
! monteer de machine voor veilig gebruik altijd op een vlak en stabiel werkoppervlak (zoals een werkbank)
 - gebruik de vier montagegaten F om de machine met geschikte schroeven aan het werkoppervlak vast te zetten
 - u kunt de machine ook aan het werkoppervlak vastklemmen met commercieel beschikbare schroefklemmen
 - om de machine te stabiliseren kan de hoogte van de steunvoet G worden aangepast
 - eventueel kan de machine ook worden gemonteerd op een verstekzaagstandaard

! lees alle waarschuwingen en instructies die bij de zaagstandaard zijn geleverd

- Opvangvoorziening voor stof en spanen^⑬
 - monteer de stofzak H/stofzuiger zoals afgebeeld
 - ledig de stofzak regelmatig voor optimale stofafzuiging
- ! laat de stofzuigerslang nooit het openen van de beschermkap of het zagen belemmeren**
- Zaagtafeluitbreiding^⑭
 - gebruik de knoppen L om de uitbreidingsbeugels vast te zetten K (aan één van beide kanten van de machine)
 - de lengte van de uitbreidingsbeugels K kan staploos worden ingesteld van minimum tot en met maximum
- Vastklemmen van werkstuk^⑮
! voor optimale veiligheid tijdens het werk moet u het werkstuk altijd vastklemmen met de meegeleverde instelbare klem
 - werk niet met werkstukken, die te klein zijn om te worden vastgeklemd
 - gebruik tabel^⑯ voor het bepalen van de **maximale** werkstukmaten
 - bevestig de werkstukkleem in ondersteuningsgat N met knop P (aan een van beide kanten van de machine)
 - de werkstukkleem heeft 2 groeven om het vergrendelen te vergemakkelijken; 1 voor dunne werkstukken (tot en met 5 cm) en 1 voor grotere werkstukken (meer dan 5 cm)
 - duw het werkstuk stevig tegen geleider S
 - ontgrendel hendel R
 - stel de klem af op het werkstuk
 - klem het werkstuk stevig vast door hendel R te vergrendelen
- ! voor sommige verstek- en afschuincombinaties, of afhankelijk van de grootte van het werkstuk, kan het noodzakelijk zijn in de handel verkrijgbare schroefklemmen te gebruiken in plaats van de werkstukkleem**
- Verstekhoeken instellen^⑰
 - maak vergrendelingshendel AE los
 - trek aan hendel voor vrijgave pal verstekhoek AF
 - draai de zaagtafel naar links of rechts en stel de gewenste verstekhoek in (van 0° tot 50°) door gebruik te maken van indicator AG
 - ontgrendel hendel AF
 - draai vergrendelingshendel AE aan (**draai de hendel niet te vast aan**)
 - voor het snel en nauwkeurig instellen van veelgebruikte verstekhoeken (0°, 15°, 22.5°, 31.6°, 45°) klikt de palhendel voor de verstekhoek AF vast bij de desbetreffende posities; om dit te voorkomen, kan de hendel AF worden vergrendeld in vrijgegeven stand^{⑰b}
- Afschuinhoeken instellen^⑱
 - draai driepotige knop W los
 - zwenk de zaagkop naar links totdat de hoekindicator X de gewenste afschuinhoek aangeeft
 - instelbare eindaanslag afschuinhoek AA (45°) kan worden gebruikt om te stoppen bij 45° of door te gaan tot 48°^{⑱b}
 - houd de zaagkop in deze stand en draai knop W aan
 - voor afschuinen naar rechts, kanteel eerst de zaagkop iets naar links, draai vrijgaveknop voor rechts afschuinen AB (ca. 60°), zwenk vervolgens de zaagkop naar de gewenste afschuinhoek rechts^{⑱c}

- wanneer u de zaagkop weer naar links zwenkt, zal de vrijgaveknop voor rechts afschuiven AB automatisch resetten op 0° eindaanslag; dit kan worden voorkomen door de knop naar ca. 90° te draaien in plaats van 60°¹⁸d
 - Verstekzaagsneden¹⁹
 - bij verstekzaagsneden moet zowel een verstekhoek als een afschuifhoek worden ingesteld
 - ! **gebruik de zaag niet in bepaalde verstek- en afschuifcombinaties die kunnen leiden tot interferentie tussen de schuivende en stationaire onderdelen van de zaag of tussen de schuivende onderdelen en het werkstuk – verwijder zo nodig schuifgeleider, vergrendelingsknop schuifgeleider en werkstukkleem om de zaagsnede te maken.**
 - ! **altijd eerst uitproberen op een stuk afvalmateriaal**
 - De schuifgeleiders aanpassen²⁰
 - draai knop V los om de geleider(s) U te kunnen schuiven
 - draai knop V verder los om de geleider(s) te kunnen verwijderen/monteren
 - draai knop V aan om de gewenste stand vast te zetten
 - ! **zorg ervoor dat de schuifgeleiders stevig vastzitten voordat u met de machine gaat werken**
 - ! **voor sommige verstek- en afschuifcombinaties kan het ook noodzakelijk zijn om de knop te verwijderen**
 - Laserlijn²¹
 - voor het langs de gewenste, op werkstuk aangegeven, zaaglijn geleiden van machine
 - schakel laserlijn aan/uit door op schakelaar AD te drukken
 - ! **controleer, vóór u begint, of de laserlijn op één lijn ligt met de gewenste zaaglijn door eerst op een stuk afvalmateriaal te oefenen**
 - Zagen zonder schuifbeweging (kleine werkstukken)
 - draai vergrendelingsknop AH los als deze is aangedraaid
 - schuif de zaagkop naar de aanslag in de richting van de geleider S en draai vergrendelingsknop AH weer aan
 - ! **het niet vergrendelen van het mechanisme kan ertoe leiden dat het zaagblad onverwachts boven op het werkstuk klimt en naar u toe beweegt**
 - zet de machine in de werkpositie
 - ! **controleer of het werkstuk stevig tegen de zaagtafel en geleider is geklemd S**
 - zet de machine aan door de veiligheidshendel AJ vrij te geven en aan hoofdschakelaar AI te trekken
 - ! **kruis uw armen niet wanneer u de zaagkop bedient**²³a
 - zaag gelijkmatig door het werkstuk
 - ! **het zaagblad moet eerst op volle snelheid zijn voordat u het in het werkstuk leidt**
 - zet de machine uit door schakelaar AI los te laten
 - wacht tot het zaagblad volledig tot stilstand is gekomen voordat u de zaagkop langzaam omhoog brengt
 - Zagen met schuifbeweging (brede werkstukken)
 - ! **denk erom dat de hierna beschreven methode de enige veilige methode is**
 - trek de zaag niet door het werkstuk
 - draai vergrendelingsknop AH los als deze is aangedraaid
 - ! **controleer of het werkstuk stevig tegen de**
- zaagtafel en geleider is geklemd S**
 - trek de zaagkop ver genoeg weg van geleider S dat het zaagblad zich vóór het werkstuk²⁴ bevindt
 - zet de machine aan door de veiligheidshendel²² vrij te geven en aan hoofdschakelaar te trekken
 - ! **kruis uw armen niet wanneer u de zaagkop bedient**²³a
 - duw de zaagkop in de richting van geleider S en zaag gelijkmatig door het werkstuk²⁴
 - ! **het zaagblad moet eerst op volle snelheid zijn voordat u het in het werkstuk leidt**
 - ! **als de onderste beschermkap niet automatisch opengaat, wat kan gebeuren onder bepaalde omstandigheden (bijv. een werkstuk dat heel dicht bij de maximale capaciteit zit), moet u misschien de beschermkap met de hand openen**²³b
 - zet de machine uit door schakelaar AI los te laten
 - wacht tot het zaagblad volledig tot stilstand is gekomen voordat u de zaagkop langzaam omhoog brengt
 - Groeven zagen²⁵
 - stel de gewenste diepte in met diepteaanslag AK en zet deze vast door moer AM aan te draaien
 - er wordt een houten afstandsstuk geplaatst tussen het werkstuk en de geleider om een consistente diepte te verkrijgen over de hele lengte van de groef
 - ! **zorg ervoor dat het zaagblad niet komt vast te zitten in het werkstuk**
 - ! **altijd eerst uitproberen op een stuk afvalmateriaal**
 - Vervisselen van het zaagblad²⁶
 - ! **trek de stekker uit het stopcontact**
 - haal zeskantsleutel AN uit opbergplaats AO
 - houd de beschermkap A in open stand
 - draai schroef van afdekking AQ los (**draai de schroef niet helemaal los**)²⁶a
 - draai de beschermkap A volledig naar achteren²⁶b
 - druk op asvergrendelknop AP en houd deze ingedrukt terwijl u zaagbladout AR verwijderd door zeskantsleutel AN **RECHTSOM** te draaien (in de richting van de pijl op het zaagblad)
 - ! **druk asvergrendelknop AP alleen in als machine helemaal stilstaat**
 - laat asvergrendelknop AP los
 - verwijder flens AS en het zaagblad
 - ! **verwissel het zaagblad met de zaagtanden en de pijl op het zaagblad in dezelfde richting wijzend als de pijl op onderste beschermkap A**
 - monteer flens AS²⁶c
 - druk asvergrendelingsknop AP in en houd deze vast terwijl u de bout vastdraait door de zeskantsleutel AN 1/8 slag linksom verder vast te draaien (zorgt voor slippen van het zaagblad wanneer dit grote weerstand ondervindt, waardoor kans op overbelasting van de motor en machine-terugslag kleiner wordt)
 - draai afdekkingsschroef AQ vast
 - Tafelinzet vervangen AT²⁸
 - Vervang een defecte of versleten tafelinzet als volgt:
 - ! **trek de stekker uit het stopcontact**
 - haal zeskantsleutel AN uit opbergplaats AO
 - verwijder alle 6 de schroeven zoals aangegeven
 - verwijder de oude tafelinzet door deze eerst aan de voorkant op te tillen en vervolgens geheel uit te trekken
 - plaats de nieuwe tafelinzet
 - ! **draai alle 6 de schroeven stevig aan**
 - Bladpositionering (90°) controleren/afstellen²⁸

! trek de stekker uit het stopcontact

- draai de zaagtafel naar een verstekstand van 0° en zet deze vast

- zwenk de zaagkop naar de afschuinstand van 0°

- laat de zaagkop zakken en zet hem vast

- controleer op een hoek van 90° tussen zaagblad en tafel met een winkelhaak

- pas de bladpositionering (90°) zo nodig als volgt aan:

1. draai driepotige knop W los
2. stel schroef Y af met een zeskantsleutel van 4 mm (niet standaard meegeleverd) 28b
3. controleer opnieuw met winkelhaak
4. reset de indicator afschuinhoek op 0° 28c

- Bladpositionering (45°) controleren/afstellen 29

! trek de stekker uit het stopcontact

- draai de zaagtafel naar een verstekstand van 0° en zet deze vast

- draai driepotige knop W los

- stel de instelbare eindaanslag afschuinhoek AA in op 45° 29b

- zwenk de zaagkop naar links

- controleer op een hoek van 45° tussen zaagblad en tafel met een verstekhaak 29a

- controleer of indicator afschuinhoek X 45° aangeeft

- pas de bladpositionering (45°) zo nodig als volgt aan:

1. verstel schroef Z met een zaagbladsleutel 10 (wordt niet standaard meegeleverd)
2. controleer opnieuw met verstekhaak

- indien noodzakelijk, herhalen voor de 45°-instelling rechts

- laat de zaagkop zakken en zet hem vast

- Geleiderpositionering (90°) controleren/afstellen 30

! trek de stekker uit het stopcontact

- draai de zaagtafel naar een verstekstand van 0° en zet deze vast

- laat de zaagkop zakken en zet hem vast

- controleer op een hoek van 90° tussen zaagblad en geleider S met een winkelhaak (zorg dat de winkelhaak het zaagblad zelf raakt, niet de tanden)

- pas de geleiderpositionering (90°) zo nodig als volgt aan:

1. draai de 4 zeskantschroeven T los
2. stel de geleider af totdat het zaagblad en de geleider volledig in contact komen met de winkelhaak
3. draai de 4 zeskantschroeven T aan
4. reset de indicator verstekhoek op 0° 30c

- Kabelclip 31

- gebruik de kabelclip AV om te voorkomen dat het stroom snoer bekneld komt te zitten tussen de bewegende en stationaire onderdelen van de machine

TOEPASSINGSADVIES

- Speciale werkstukken
 - ondersteun altijd de losse uiteinden van een lang werkstuk
 - zorg dat met name ronde werkstukken of werkstukken met bochten goed zijn vastgeklemd om schuiven te voorkomen 33
 - bij de zaaglijn mag geen ruimte bestaan tussen het werkstuk en de geleider of de zaagtafel
 - indien noodzakelijk, maak een hulpgeleider; de gaten in de schuifgeleider worden dan gebruikt om de

hulpgeleider vast te zetten 34

! de hulpgeleider kan alleen worden gebruikt bij een afschuinhoek van 0°

- Wanneer u vloerlijsten maakt, kunt u afbeelding 35 gebruiken ter referentie
- Leg de goede kant van het werkstuk altijd naar beneden om splinteren tot een minimum te beperken
- Gebruik uitsluitend scherpe zaagbladen van het juiste type
 - hoe meer tanden, des te beter de zaagsnede
 - zaagbladen met hardmetalen tanden blijven tot 30 maal langer scherp dan gewone zaagbladen

ONDERHOUD / SERVICE

- Houd machine en snoer altijd schoon (met name de ventilatieopeningen aan de achterzijde van de motorbehuizing)
- Ontwikkel een regelmatige controle om er zeker van te zijn dat de onderste beschermkap goed werkt. Ontdoe de onderste beschermkap van eventueel verzameld zaagsel met behulp van een vochtige doek.
 - trek de stekker uit het stopcontact vóór het reinigen
 - breng de onderste beschermkap omhoog tot de volledig open stand en laat hem los; als hij niet direct en volledig sluit moet hij worden gecontroleerd door een erkende klantenservice voor SKIL elektrische gereedschappen
- Maak zaagblad onmiddellijk na gebruik schoon (met name als er hars of lijm op zit)
 - het zaagblad wordt heet tijdens gebruik; raak het niet aan voordat het is afgekoeld
- Reinig de laserlamp AC met een zachte borstel na elk gebruik om een goede zichtbaarheid van de laserlijn te behouden (let erop dat u de instelling van de laser niet verandert)
- Mocht het elektrische gereedschap ondanks zorgvuldige fabricage- en testmethoden toch defect raken, dient de reparatie te worden uitgevoerd door een erkende klantenservice voor SKIL elektrische gereedschappen
 - stuur de machine **ongedemonteerd**, samen met het aankoopbewijs, naar het verkoopadres of het dichtstbijzijnde SKIL service-station (de adressen evenals de onderdeelentekening van de machine vindt u op www.skil.com)
- Denk erom, dat beschadigingen als gevolg van overbelasting of onjuist gebruik van de machine niet onder de garantie vallen (voor de garantievoorwaarden van SKIL zie www.skil.com of raadpleeg uw dealer)

MILIEU

- **Geef elektrisch gereedschap, batterijen, accessoires en verpakkingen niet met het huisvuil mee** (alleen voor EU-landen)
 - volgens de Europese richtlijn 2012/19/EG inzake oude elektrische en elektronische apparaten en de toepassing daarvan binnen de nationale wetgeving, dient afgedankt elektrisch gereedschap gescheiden te worden ingezameld en te worden afgevoerd naar een recycle-bedrijf, dat voldoet aan de geldende milieueisen
 - symbool 6 zal u in het afdankstadium hieraan herinneren

GELUID

- Gemeten in navolging van EN 62841 is het geluidsdrukniveau van deze machine 100,0 dB(A) en het geluidsvermogensniveau 109,5 dB(A) (onzekerheid K = 3 dB)
- Het geluidsemissieniveau is gemeten in overeenstemming met een gestandaardiseerde test volgens EN 62841; deze mag worden gebruikt om twee machines met elkaar te vergelijken en als voorlopige beoordeling van de blootstelling aan geluid bij gebruik van de machine voor de vermelde toepassingen
 - gebruik van de machine voor andere toepassingen, of met andere of slecht onderhouden accessoires, kan het blootstellingsniveau aanzienlijk **verhogen**
 - wanneer de machine is uitgeschakeld of wanneer deze loopt maar geen werk verricht, kan dit het blootstellingsniveau aanzienlijk **reduceren**

S

Utdragbar kap- och gersåg 1320

INTRODUKTION

- Detta verktyg är avsett som stationär maskin för klyvning och kapning av trä, både råta snitt och geringssnitt (horisontella geringsvinklar från -50° till +50° är möjliga, liksom vertikala fasvinklar från -48° till +45°)
- Läs och spara denna instruktionsbok ②
- Det här verktyget är inte avsedd för yrkesmässig användning
- **Använd bara verktyget om det är korrekt och fullständigt monterat** (var medveten om att Skil inte kan hållas ansvarigt för verktygsskador och/eller personsador till följd av felaktig montering av verktyget)

TEKNISKA DATA ①

VERKTYGSELEMENT ⑧

- A Undre skydd
- B Manöverhandtag
- C Låssprint för transport
- D Övre skydd
- E Transporthandtag
- F Monteringshål
- G Stödfot
- H Damppåse
- J Dammutlopp
- K Förlängningsbyglar
- L Vred för låsning av förlängningsbyglar
- M Klämman för montering av arbetsstycket
- N Stödhål
- P Knapp för åtdragning av klämman
- Q Knapp för inställning av klämman
- R Klämspak
- S Anslag
- T Insexskruvar för justering av anslaget (4x)
- U Glidanhåll
- V Vred för att fästa glidanhållet
- W Spärrknapp (fasvinklar)
- X Visare fasvinkel
- Y Skruv för justering av fasvinkeln (höger)
- Z Skruv för justering av fasvinkeln (vänster)

- AA Justerbart ändstopp
- AB Frigöringsspak för höger fasvinkel
- AC Laserljus
- AD Till/från strömbrytare laser
- AE Spärrhandtag (geringsvinklar)
- AF Frigöringsspak för geringsvinkeluttag
- AG Visare geringsvinkel
- AH Låsknapp för skjutehet
- AI Till/från strömbrytare
- AJ Säkerhetsgrepp
- AK Sägdjupsbegränsare
- AL Djupstopp
- AM Djupstoppsmutter
- AN Sexkantsnyckel
- AO Förvaring av sexkantsnyckel
- AP Spindelåsknapp
- AQ Skruv för täckplåt
- AR Fästskruv för sågblad
- AS Fläns
- AT Bordsinsats
- AU Dammvavvisare
- AV Sladdklämman

SÄKERHET

ALLMÄNNA SÄKERHETSANVISNINGAR FÖR ELVERKTYG

⚠ VARNING Studera alla varningar, anvisningar, bilder och specifikationer gällande säkerhet som medföljer verktyget. Om anvisningarna inte följs kan det resultera i elektriska stötar, brand och/eller allvarliga personsador.

Förvara alla varningar och anvisningar för framtida bruk.

Nedan använt begrepp "elverktyg" hänför sig till nätdrivna elverktyg (med nätsladd) och till batteridrivna elverktyg (sladdlösa).

1) ARBETSPLATSSÄKERHET

- Håll arbetsplatsen ren och välbelyst.** Oordning på arbetsplatsen eller dåligt belyst arbetsområde kan leda till olyckor.
- Använd inte elverktyget i explosionsfarlig omgivning med brännbara vätskor, gaser eller damm.** Elverktygen alstrar gnistor som kan antända dammet eller gaserna.
- Håll under arbetet med elverktyget barn och obehöriga personer på betryggande avstånd.** Om du störs av obehöriga personer kan du förlora kontrollen över elverktyget.

2) ELEKTRISK SÄKERHET

- Elverktygets stickpropp måste passa till vägguttaget. Stickproppen får absolut inte förändras. Använd inte adapterkontakter tillsammans med skyddsjordade elverktyg.** Oförändrade stickproppar och passande vägguttag reducerar risken för elektriskt slag.
- Undvik kroppskontakt med jordade ytor som t. ex. rör, värmelement, spisar och kylskåp.** Det finns en större risk för elektriskt slag om din kropp är jordad.
- Skydda elverktyget mot regn och väta.** Tränger vatten in i ett elverktyg ökar risken för elektriskt slag.

- d) **Missbruka inte nätsladden och använd den inte för att bära eller hänga upp elverktyget och inte heller för att dra stickproppen ur vägguttaget. Håll nätsladden på avstånd från värme, olja, skarpa kanter och rörliga maskindelar.** Skadade eller tilltrasslade ledningar ökar risken för elektriskt slag.
- e) **När du arbetar med ett elverktyg utomhus använd endast förlängningssladdar som är godkända för utomhusbruk.** Om en lämplig förlängningssladd för utomhusbruk används minskar risken för elektriskt slag.
- f) **Använd en jordfelsbrytare om det inte är möjligt att undvika elverktygets användning i fuktig miljö.** Genom att använda en jordfelsbrytare minskas risken för elstöt.
- 3) PERSONSÄKERHET**
- a) **Var uppmärksam, kontrollera vad du gör och använd elverktyget med förnuft. Använd inte elverktyget när du är trött eller om du är påverkad av droger, alkohol eller mediciner.** Under användning av elverktyg kan även en kort ouppmärksamhet leda till allvarliga kroppsskador.
- b) **Bär alltid personlig skyddsutrustning och skyddsglasögon.** Användning av personlig skyddsutrustning som t. ex. dammfiltermask, halkfria säkerhetsskor, skyddshjälm och hörselskydd reducerar alltefter elverktygets typ och användning risken för kroppsskada.
- c) **Undvik oavsiktlig igångsättning. Kontrollera att elverktyget är fränkopplat innan du ansluter stickproppen till vägguttaget och/eller ansluter/tar bort batteriet, tar upp eller bär elverktyget.** Om du bär elverktyget med fingret på strömställaren eller ansluter påkopplat elverktyg till nätströmmen kan olycka uppstå.
- d) **Ta bort alla inställningsverktyg och skruvnycklar innan du kopplar på elverktyget.** Ett verktyg eller en nyckel i en roterande komponent kan medföra kroppsskada.
- e) **Överskatta inte din förmåga. Se till att du står stadigt och håller balansen.** I detta fall kan du lättare kontrollera elverktyget i oväntade situationer.
- f) **Bär lämpliga kläder. Bär inte löst hängande kläder eller smycken. Håll håret och kläderna på avstånd från de rörliga delarna.** Löst hängande kläder, smycken och långt hår kan dras in i av roterande delar.
- g) **Vid elverktyg med dammutsugnings- och uppsamlingsutrustning kontrollera att anordningarna är rätt monterade och används på korrekt sätt.** Användning av dammutsugning minskar de risker damm orsakar.
- h) **Låt inte vanan att ofta använda verktygen göra att du blir slarvig och ignorerar verktygets säkerhetsprinciper.** En vårdslös åtgärd kan leda till allvarlig personskada inom bråkdelen av en sekund.
- 4) OMSORGSFULL HANTERING OCH ANVÄNDNING AV ELVERKTYG**
- a) **Överbelasta inte elverktyget. Använd för aktuellt arbete avsett elverktyg.** Med ett lämpligt elverktyg kan du arbeta bättre och säkrare inom angivet effektområde.
- b) **Ett elverktyg med defekt strömställare får inte längre användas.** Ett elverktyg som inte kan kopplas in eller ur är farligt och måste repareras.
- c) **Dra stickproppen ur vägguttaget och/eller ta bort**

- batteriet, om det kan tas ut ur elverktyget, innan inställningar utförs, tillbehörsdelar byts ut eller elverktyget lagras. Denna skyddsåtgärd förhindrar oavsiktlig inkoppling av elverktyget.
- d) **Förvara elverktygen oåtkomliga för barn. Låt elverktyget inte användas av personer som inte är förtrogna med dess användning eller inte läst denna anvisning.** Elverktygen är farliga om de används av oerfarna personer.
- e) **Underhåll elverktyg och tillbehör omsorgsfullt. Kontrollera att rörliga komponenter fungerar felfritt och inte kärvar, att komponenter inte brustit eller skadats; orsaker som kan leda till att elverktygets funktioner påverkas menligt. Låt skadade delar repareras innan elverktyget återanvänds.** Många olyckor orsakas av dåligt skötta elverktyg.
- f) **Håll skärverktygen skarpa och rena.** Omsorgsfullt skötta skärverktyg med skarpa eggar kommer inte så lätt i kläm och går lättare att styra.
- g) **Använd elverktyget, tillbehör, insatsverktyg osv. enligt dessa anvisningar. Ta hänsyn till arbetsvillkoren och arbetsmomenten.** Används elverktyget på icke ändamålsenligt sätt kan farliga situationer uppstå.
- h) **Håll handtag och greppytor torra, rena och fria från olja och fett.** Hala handtag och greppytor ger ingen säker hantering och kontroll över verktyget i oväntade situationer.
- 5) SERVICE**
- a) **Låt elverktyget repareras endast av kvalificerad fackpersonal och med originalreservdelar.** Detta garanterar att elverktygets säkerhet upprätthålls.

SÄKERHETSANVISNINGAR FÖR GERINGSSÅGAR

- **Geringssågar är avsedda att såga trä eller träliknande produkter och de kan inte användas med kapsliskivor i syfte att såga järnhaltiga material som skenor, stänger, tappar osv.** Slipande damm orsakar att rörliga delar, till exempel det nedre skyddet, fastnar. Gnistor vid slipning bränner det nedre skyddet, sågspåret och andra plastdelar.
- **Använd klämmor för att stödja arbetsstycket när så är möjligt. Om du stödjer arbetsstycket för hand måste du alltid hålla handen på ett avstånd av minst 100 mm från sågklingans sidor. Använd inte den här sägen till att såga delar som är för små för att kunna klämmas fast eller hållas i handen.** Om du placerar händerna för nära sågklingan förekommer ökad risk för personskador till följd av kontakt med klingan.
- **Arbetsstycket måste vara orörligt och klämmas fast vid eller hållas mot både anhållet och bordet. Mata inte arbetsstycket mot klingan och såga inte "på fri hand" på något sätt.** Arbetsstycken som inte hålls fast eller som är rörliga kan slungas iväg med höga hastigheter, vilket kan orsaka personskador.
- **Skjut sägen genom arbetsstycket. Dra inte sägen genom arbetsstycket. Såga genom att höja såghuvudet och dra ut det över arbetsstycket utan att såga, starta motorn, tryck såghuvudet nedåt och skjut sägen genom arbetsstycket.** Sågning när såghuvudet dras ut medför stor risk för att sågklingan dras upp på arbetsstycket och att klingan slungas mot användaren med våldsamt kraft.

- **Håll aldrig en hand över den avsedda såglinjen, antingen framför eller bakom sågklingan** Det är mycket farligt att stödja arbetsstycket med "omvänt grepp", dvs. hålla arbetsstycket till höger om sågklingan med vänster hand eller vice versa.
- **Sträck dig inte bakom anhållet med någon hand närmare än på 100 mm avstånd från någon av klingans sidor i syfte att ta bort träfragment eller av något annat skäl medan klingan snurrar** Närheten till den snurrande sågklingan klinge inte är påtaglig, och du kan få allvarliga personskador.
- **Kontrollera arbetsstycket innan du sågar Om arbetsstycket är böjt eller skevt klämmer du fast det med utsidan av den böjda ytan mot anhållet. Se alltid till att det inte finns ett avstånd mellan arbetsstycket, anhållet och bordet längs såglinjen** Böjda eller skeva arbetsstycken kan vrida sig eller förskjutas och kan orsaka att den snurrande sågklingan kan komma i kläm vid sågning. Det får inte finnas spikar eller främmande föremål i arbetsstycket.
- **Använd inte sågen förrän bordet är fritt från alla verktyg, träfragment osv., förutom arbetsstycket** Små skräpfragment, lösa träbitar eller andra föremål som kommer i kontakt med den snurrande klingan kan slungas iväg med hög hastighet.
- **Såga bara ett arbetsstycke åt gången** Flera arbetsstycken som staplas på varandra kan inte klämmas eller spännas fast på ett fullgott sätt och kan orsaka att klingan kommer i kläm eller förskjuts vid sågning.
- **Se till att geringssågen är monterad eller placerad på en jämn, stabil arbetsyta före användning.** En jämn och stabil arbetsyta minskar risken för att geringssågen blir instabil.
- **Planera arbetet! Varje gång du ändrar inställningen av fas- eller geringsvinkeln ska du se till att det justerbara anhållet ställs in korrekt för att stödja arbetsstycket och att det inte stör klingan eller skyddssystemet** Utan att slå "PÅ" verktyget och utan ett arbetsstycke på bordet ska du förflytta sågklingan genom en fullständig, simulerad sågningscykel i syfte att säkerställa att det inte förekommer störningar eller risk för att såga i anhållet.
- **Ordna tillräckligt med stöd, t.ex. bordsförlängningar, sågbockar osv. för arbetsstycken som är bredare eller längre än bordsskivan.** Arbetsstycken som är längre eller bredare är geringssågens bord kan falla om de inte stöds ordentligt. Om en avsågad del eller arbetsstycket faller kan det medföra att det nedre skyddet lyfts upp eller att delen eller arbetsstycket slungas iväg av den snurrande klingan.
- **Använd inte en annan person istället för en bordsförlängning eller som extra stöd** Instabilt stöd för arbetsstycket kan orsaka att klingan kan komma i kläm eller att arbetsstycket förskjuts under sågning, vilket kan dra in dig och medhjälparen i den snurrande klingan.
- **Den avsågade delen får inte klämmas eller tryckas mot den snurrande sågklingan på något som helst sätt** Om utrymmet är begränsat, dvs. om långdstopp används, kan den avsågade delen kila in i mot klingan och slungas iväg på ett våldsamt sätt.
- **Använd alltid en klämma eller en fixtur som är utformad för att stödja runt material som stänger eller rörledningar## på ett fullgott sätt** Stänger har en tendens att rulla när de sågas, vilket orsakar att klingan "biter sig fast" och drar in arbetsstycket och din hand i klingan.

- **Låt klingan uppnå full hastighet innan den kommer i kontakt med arbetsstycket** Det minskar risken för att arbetsstycket slungas iväg.
- **Om arbetsstycket eller klingan kommer i kläm ska geringssågen stängas av. Vänta tills alla rörliga delar har stoppat och koppla bort kontakten från strömkällan och/eller ta bort batteriet. Sedan kan du frigöra det material som har kommit i kläm** Om sågningen fortsätter när ett arbetsstycke har kommit i kläm kan det orsaka förlorad kontroll över eller skador på geringssågen.
- **När sågningen är klar släpper du brytaren, håller ned såghuvudet och väntar på att klingan stannar innan du tar bort den avsågade delen** Det är farligt att placera en hand i närheten av sågklingan.
- **Håll stadigt i handtaget när en sågning inte är fullständig eller när brytaren släpps innan såghuvudet är helt och hållet i det nedre läget** Bromsningen av sågen kan orsaka att såghuvudet plötsligt dras nedåt, vilket skapar risk för personskador.

EXTRA SÄKERHETSANVISNINGAR

- Inkopplingsförlöppen orsakar korta spänningssänkningar; vid ogynnsamma nätförutsättningar kan dessa menligt påverka andra maskiner (vid nättimpensdoser under 0,219 ohm behöver inte störningar befaras); i fall ni önskar ytterligare klargörande, var vänlig kontakta er lokala elleverantör myndighet

ALLMÄNT

- Använd verktyget endast till att såga trä
- Kontrollera alltid att den tillförda strömtyper stämmer med spänningen som anges på maskinens märkplåt
- **Stå inte på verktyget eller stativet** Allvarliga personskador kan bli följden om verktyget välter eller vid oavsiktlig kontakt med sågverktyget. Förvara inte material på eller i närheten av verktyget så att det är nödvändigt att stå på verktyget eller stativet för att kunna nå materialet.
- **Dra alltid ur stickkontakten från väggurtaget innan du gör någon justering eller byter tillbehör**
- **Koppla alltid bort kontakten från strömkällan före transport av geringssågen** Koppla bort, sänk huvudenheten och lås den på plats med hjälp av bärhandtaget och en av handfördjupningarna i sågbasen.
- **Lämma inte verktyget förrän det har stannat helt**
- **Vid sågning av oregelbundet formade arbetsstycken ska du planera arbetet så att arbetsstycket inte glider och gör att klingan kommer i kläm, vilket kan leda till att arbetsstycket slits bort från din hand**
- Den här maskinen ska inte användas av personer under 16 år
- Denna maskin är inte lämplig till vätsågning

ANVÄNDNING UTOMHUS

- Om maskinen används utomhus skall den vara ansluten till en jordfelsbrytare (FI) på högst 30 mA; använd bara en förlängningssladd avsedd för utomhusbruk och utrustad med en stänkskyddad kontakt

FÖRE ANVÄNDNINGEN

- Använd helt uttrullade och säkra förlängningssladdar med kapacitet på 16 A
- Använd skyddsglasögon, hörselskydd, och skyddshandskar
- Viss typ av damm, exempelvis färg som innehåller bly, vissa träsorter, mineraler och metaller kan

vara hälsovådliga om de inhaleras (hudkontakt eller inhalering kan ge allergisk reaktion och/eller luftvägsproblem/sjukdom hos personer i närheten);
använd andningsskydd och arbeta med en dammuppsamlare om sådan anslutning finns

- Vissa typer av damm är klassificerade så som carcinogena (t.ex. ek- och björkdamm) särskilt i kombination med tillsatser för träbehandling; **använd andningsskydd och arbeta med en dammuppsamlare om sådan anslutning finns**
- Följ de nationella krav, som finns angående damm, för de material du skall arbeta med
- **Asbesthaltigt material får inte bearbetas** (asbest anses vara cancerframkallande)
- Använd aldrig din maskin utan maskinens original säkerhetsdetaljer
- Kontrollera före varje bruk att skyddskåpan stängs ordentligt
- Använd inte sägen om skyddskåpan inte löper fritt och stängs omedelbart
- Skyddskåpan får aldrig klämmas eller bindas fast i öppet läge
- ANvänd aldrig verktyget utan bordsinsatsen; en trasig eller sliten insats måste bytas ut
- Se till att arbetsområdet är fritt från föremål innan du startar arbetet
- Undvik skador genom att ta bort skruvar, spikar eller andra föremål ur arbetsstycket; ta dem bort innan du startar ett arbete

TILLBEHÖR

- Använd aldrig slip/kapskivor till denna maskin
- SKIL kan endast garantera att maskinen fungerar felfritt om rätt tillbehör används som du kan köpa hos närmaste SKIL-återförsäljare
- Vid montering av tillbehör från andra tillverkare än SKIL skall anvisningarna från vederbörande tillverkare följas
- Använd endast sågklingor som motsvarar de i instruktionsboken angivna specifikationerna, som testats enligt EN 847-1 och försetts med godkännandemärke
- Använd endast tillbehör vilkas tillåtna varvtal åtminstone motsvarar maskinens högsta tomgångsvarvtal
- Använd aldrig en blad, som är gjord av snabbstål
- Använd inte en trasig, deformerad eller slö blad
- Använd endast sågblad vars håldiameter passar på verktygets spindel utan spelrum; använd aldrig en passring eller adapter för att montera blad med större hål
- Skydda tillbehören från slag, stötar och fett

UNDER ANVÄNDNINGEN

- **Överbelasta inte maskinen** (använd lätt och jämnt tryck för att undvika överhettning av bladspetsarna och att plasten smälter om plastmaterial bearbetas)
- Håll fingrar, händer och armar undan från det roterande sågbladet
- Om sågbladet fastnar ska du genast stänga av verktyget och dra ur nätkontakten; sedan kan det fastnade arbetsstycket avlägsnas
- I händelse av fastkörning, onormala elektriska eller mekaniska störningar, stäng genast av maskinen och dra ur stickkontakten
- Skadas eller kapas nätsladden under arbetet, rör inte vid sladden utan dra genast ut stickkontakten
- Använd aldrig verktyget om sladden är skadad; den måste bytas mot en särskilt utformad sladd som finns via serviceorganisationen.

LASERSTRÄLNING

- **Rikta inte laserstrålen mot människor eller djur och**

rikta inte heller själv blicken mot den direkta eller reflekterade laserstrålen (därigenom kan du blända personer, orsaka olyckor eller skada ögat)

- Om laserstrålen träffar ögat, blunda och vrid bort huvudet från strålen
- Gör inga ändringar på laseranordningen
- Titta inte in i laserstrålen (laserstrålning)
- Använd inga förstöringsverktyg (såsom förstöringsglas, teleskop eller kikare) för att se laserstrålen
- Använd inte verktyget i närvaro av antändliga vätskor, gaser eller damm
- Använd inte verktyget i närheten av barn
- Byt inte den installerade lasern mot en annan lasertyp

EFTER ANVÄNDNINGEN

- Få aldrig tillbehöret att sluta rotera genom att utöva kraft på det från sidan efter det att maskinen har stängts av
- Avlägsna inte avsågade ändar eller andra delar av arbetsstycket från sågområdet förrän alla rörliga delar har stannat helt
- Sågbladet blir mycket varmt under bruk; vidrör det inte förrän det har svalnat
- Förvara maskinen **inomhus** på torrt ställe utom räckhåll för barn

FÖRKLARING AV SYMBOLERNA PÅ VERKTYGET

- ② Läs bruksanvisningen före användning
- ③ Använd skyddsglasögon och hörselskydd
- ④ **Farligt område! Inga händer får finnas i området. Håll händer, fingrar eller armar borta från det här området.**
- ⑤ Dubbel isolering (ingen jordning krävs)
- ⑥ Elektriska verktyg och batterier får inte kastas i hushållssoptorna
- ⑦ **Laserstrålning / Titta inte in i strålen / Laserprodukt av klass 2**

ANVÄNDNING

- Montering
 - montera transporthandtaget E med 2 bultar med hjälp av sexkantsnyckeln AN^⑨
 - montera geringsstågens låsvred AE på bordets framsida ^⑩
 - montera glidanhåll U (se Justera glidanhåll)
 - Transport/arbetsposition
 - För att frigöra verktyget (**arbetsposition**)
 - tryck handtaget B^⑧ nedåt med en hand och dra samtidigt ut låssprinten C med den andra handen ^{⑪a}
 - styr huvudenheten långsamt uppåt
 - För att spärra verktyget (**transportposition**)
 - skjut huvudenheten till stoppet i riktning mot anhållet S (håll ett avstånd på cirka 5 cm) och dra åt låsvredet AH ^{⑪b}
 - ställ in fasvinkeln på 0° (se Ställa in fasvinkel)
 - ställ in geringsvinkeln på 45° åt vänster eller höger (se Ställa in geringsvinkel)
 - tryck handtaget B nedåt med en hand och skjut samtidigt låssprinten C med den andra handen
 - linda upp nätsladden
 - använd transporthandtaget E ^⑧ när du bär verktyget ^{⑪d}
 - du kan även använda sidohandtagen när du bär verktyget ^{⑪e}
- ! lyft aldrig verktyget genom att hålla i huvudhandtaget eller i nätsladden**

- Montering av verktyget på arbetsytan ⁽¹²⁾
 - ! **för säker hantering ska verktyget alltid monteras på en plan och stabil arbetsyta (t.ex. en arbetsbänk)**
 - använd de 4 monteringshålerna F till att fästa verktyget med lämpade skruvar på arbetsytan
 - du kan även klämma fast verktyget på arbetsytan med skruvklämmor av handelstyp
 - höjden på stödfoten G kan justeras för stabilisering av verktyget
 - verktyget kan även monteras på ett stativ för geringssågar
 - ! **läs alla varningar och anvisningar som medföljer sågstativet**
- Damm-/spånutsugning ⁽¹³⁾
 - montera dammpåsen H/dammsugaren enligt bilden
 - töm damppåsen regelbundet för att få bäst dammuppsugning
 - ! **låt ej dammsugarsslängen hindra undre klingskyddet eller sågning**
- Sågbordsförlängning ⁽¹⁴⁾
 - använd vred L för att fästa förlängningsbyglarna K (på valfri sida av verktyget)
 - förlängningsbyglarnas K längd är steglöst justerbar från kortast till längst
- Klämning av arbetsstycket ⁽¹⁵⁾
 - ! **för optimal säkerhet under arbetet ska arbetsstycket alltid klämmas stadigt med den bifogade, ställbara klämman**
 - bearbeta inga arbetsstycken som är för små för att klämmas
 - för arbetsstyckets **maximala** mått ska bordet ⁽¹⁶⁾ användas som referens
 - fäst arbetsstyckets klämma i stödhålet N med vredet P (på valfri sida av verktyget)
 - arbetsstyckets klämma har 2 spår för enkel låsning; 1 för smala arbetsstycken (upp till 5 cm och 1 för större arbetsstycken (över 5 cm))
 - tryck arbetsstycket stadigt mot anslaget S
 - läs upp spaken R
 - anpassa klämman till arbetsstycket
 - kläm fast arbetsstycket stadigt med låsspaken R
 - ! **för vissa kombinationer av gerings- och fasvinklar eller beroende på arbetsstyckets storlek kan det vara nödvändigt att använda kommersiellt tillgängliga skruvklämmor istället för klämman för arbetsstycken**
- Inställning geringsvinklar ⁽¹⁷⁾
 - lossa spärrhandtaget AE
 - dra i geringsvinkeluttagets frigöringsspak AF
 - vrid sågbordet åt vänster eller höger och ställ in önskad geringsvinkel (från 0° till 50°) genom att använda indikatorn AG
 - släpp spaken AF
 - dra åt spärrhandtaget AE (**dra inte åt handtaget för mycket**)
 - för snabb och exakt inställning av ofta använda geringsvinklar (0°, 15°, 22,5°, 31,6°, 45°) klickar geringsvinkeluttagets spak AF på plats i motsvarande lägen; för att förhindra detta kan spaken AF låsas i frigjort läge ^(17b)
- Ställa in fasvinklar ⁽¹⁸⁾
 - lossa trebensknappen W
 - sväng såghuvudet åt vänster tills fasvinkelindikatorn X pekar på önskad fasvinkel
 - det justerbara ändstoppet AA för fasvinkel (45°) kan användas för att stoppa vid 45° eller fortsätta till 48° ^(18b)
 - håll såghuvudet i det här läget och dra åt vredet W
 - för fassågning åt höger ska såghuvudet först vinklas något åt vänster, den högra fasvinkelns frigöringsvred AB ska vridas (cirka 60°) och sedan ska såghuvudet svängas till önskad höger fasvinkel ^(18c)
 - när du svänger tillbaka såghuvudet åt vänster återställs den högra fasvinkelns frigöringsvred AB automatiskt till ett ändstopp vid 0°; det här kan förhindras genom att vrida vredet till cirka 90° istället för 60° ^(18d)
- Kombinationsnitt ⁽¹⁹⁾
 - för kombinationsnitt ska både en geringsvinkel och en fasvinkel ställas in
 - ! **ändra inte sågen med vissa av kombinationerna för geringsvinkel och fasvinkel, eftersom det kan leda till störningar mellan sågens glidande och orörliga delar eller mellan de glidande delarna och arbetsstycket – såga genom att ta bort glidanhållet, glidanhållets läsvred och arbetsstycksklämmans vred enligt behov.**
 - ! **testa alltid först på ett överblivet material**
- Justera glidanhållen ⁽²⁰⁾
 - lossa vredet V så att anhållet/anhållen U kan glida
 - lossa vredet V ytterligare för att möjliggöra borttagning/montering av anhållet/anhållen
 - dra åt vredet V för att låsa det önskade läget
 - ! **se till att glidanhållen sitter ordentligt fast innan verktyget används**
 - ! **för vissa kombinationer av gerings- och fasvinklar kan det även vara nödvändigt att ta bort vredet**
- Laserstråle ⁽²¹⁾
 - för att föra maskinen längs önskad såglinje markerat på arbetsstycket
 - sätt på/stäng av laserstrålen genom att trycka brytaren AD
 - ! **innan du börjar med en uppgift, kontrollera att den laserstrålen är ställd parallellt med den linje som du ska såga efter genom att göra en provsågning på en bit överskottsmaterial**
- Såga utan glidrörelse (små arbetsstycken)
 - lossa läsvredet AH om det är ådraget
 - skjut såghuvudet till stoppet i riktning mot anhållet S och dra åt läsvredet AH igen
 - ! **om du inte läser mekanismen kan klingan dras upp på arbetsstycket och tvingas mot dig**
 - sätt verktyget i arbetsläge
 - ! **se till att arbetsstycket är stadigt klämt mot sågbordet och anslaget S**
 - starta verktyget genom att frigöra låsningen AJ och dra i huvudströmbrytaren AI
 - ! **korsa inte armarna när såghuvudet ^(23a) används**
 - såga genom arbetsstycket med en jämn rörelse
 - ! **maskinen skall ha nått max. varvtal innan bladet kommer i kontakt med arbetsstycket**
 - stäng av verktyget genom att släppa strömbrytaren AI
 - vänta tills sågklingan är helt stillastående innan du styr såghuvudet långsamt uppåt
- Såga med glidrörelse (breda arbetsstycken)
 - ! **var medveten om att metoden som beskrivs nedan är den enda säkra**

- dra inte sågen genom arbetsstycket
- lossa låsvredet AH om det är åtdraget
- ! se till att arbetsstycket är stadigt klämt mot sågbordet och anslaget S**
- dra bort såghuvudet från anhållet S tillräckligt långt så att sågklingan är framför arbetsstycket ⁽²⁴⁾
- starta verktyget genom att frigöra låsningen ⁽²²⁾ och dra i huvudströmbrytaren
- ! korsa inte armarna när såghuvudet ^(23a) används**
- skjut såghuvudet i riktning mot anhållet S och såga genom arbetsstycket med en jämn rörelse ⁽²⁴⁾
- ! maskinen skall ha nått max. varvtal innan bladet kommer i kontakt med arbetsstycket**
- ! om det nedre skyddet inte öppnas automatiskt, vilket kan hända under vissa förhållanden (t.ex. ett arbetsstycke som är mycket nära maximal kapacitet) kanske du måste öppna skyddet för hand ^(23b)**
- stäng av verktyget genom att släppa strömbrytaren AI
- vänta tills sågklingan är helt stillastående innan du styr såghuvudet långsamt uppåt
- Säga spår ⁽²⁵⁾
 - ställ in önskat djup med djupstoppet AK och lås det på plats genom att dra åt muttern AM
 - en trädistanbricka ska placeras mellan arbetsstycket och anhållet för enhetligt djup över spårets hela längd
 - ! se till att sågklingan inte kläms fast i arbetsstycket**
 - ! testa alltid först på ett överblivet material**
- Sågbladsbyte ⁽²⁶⁾
 - ! drag ur stickkontakten**
 - ta fram hexnyckeln AN från förvaringsutrymmet AO
 - håll skyddskåpan A i öppet läge
 - lossa täckplåtens skruv AQ (**skruva inte ur skruven helt och hållet**) ^(20a)
 - vrid skyddskåpan A helt bakåt ^(20b)
 - tryck in spindelns spärrknapp AP och håll den intryckt medan du avlägsnar bladbulnen AR genom att vrida hexnyckeln AN **MEDURS** (= i samma riktning som pilen på sågbladet)
 - ! tryck bara på spindellåsknappen AP medan verktyget står stilla**
 - släpp upp spindellåsknappen AP
 - avlägsna flänsen AS och sågbladet
 - ! placera det nya bladet så att sågtänderna och pilen på sågbladet pekar i samma riktning som pilen på skyddskåpan A**
 - sätt tillbaka flänsen AS ^(20c)
 - håll ned spindellåsknappen AP medan du drar åt klingbulnen genom att vrida sexkantsnyckeln AN MOTURS 1/8 varv mer än med handkraft (möjliggör slirning av sågklinga vid sågning med hårt sågmotstånd och minskar på så sätt överbelastning på motorn samt motverkar kast)
 - dra åt täckplåtens skruven AQ
- Byte av bordsinsatsen AT ⁽²⁶⁾
 - Byt ut en trasig eller sliten bordsinsats så här:
 - ! drag ur stickkontakten**
 - ta fram hexnyckeln AN från förvaringsutrymmet AO
 - avlägsna alla de 6 skruvarna enligt bilden
 - avlägsna den gamla bordsinsatsen genom att först lyfta framsidan och sedan dra ut den helt
 - placera den nya bordsinsatsen
 - ! dra åt alla 6 skruvarna stadigt**
- Kontroll/justering av 90° bladriktning ⁽²⁸⁾
 - ! drag ur stickkontakten**
 - vrid sågbordet till 0° geringsvinkelställning och lås det på plats
 - sväng såghuvudet till 0° fäsvinkelställning
 - sänk såghuvudet och lås det på plats
 - kontrollera med en vinkelhake att vinkeln mellan sågblad och bord är 90°
 - justera vid behov bladets 90° riktning så här:
 1. lossa trebensknappen W
 2. justera skruven Y med en 4 mm sexkantsnyckel (medföljer inte som standard) ^(28b)
 3. kontrollera igen med en vinkelhake
 4. återställ fäsvinkelindikatorn till 0° ^(28c)
- Kontroll/justering av 45° bladriktning ⁽²⁹⁾
 - ! drag ur stickkontakten**
 - vrid sågbordet till 0° geringsvinkelställning och lås det på plats
 - lossa trebensknappen W
 - ställ in det justerbara fäsvinkeländstoppet AA på 45° ^(29b)
 - sväng såghuvudet åt vänster
 - kontrollera med en geringshake att vinkeln mellan sågblad och bord är 45° ^(29a)
 - kontrollera att fäsvisaren X anger 45°
 - justera vid behov bladets 45° riktning så här:
 1. justera skruven Z med en bladnyckel, format 10 (medföljer inte som standard)
 2. kontrollera igen med en geringshake
 - upprepa vid behov för 45°-inställningen åt höger
 - sänk såghuvudet och lås det på plats
- Kontroll/justering av 90° anslagsriktning ⁽³⁰⁾
 - ! drag ur stickkontakten**
 - vrid sågbordet till 0° geringsvinkelställning och lås det på plats
 - sänk såghuvudet och lås det på plats
 - kontrollera med en vinkelhake att vinkeln mellan blad och anslag S är 90° (se till att haken ligger längs sågbladets kropp och inte vidrör tänderna)
 - justera vid behov anslaget 90° riktning så här:
 1. lossa de 4 insexskruvarna T
 2. justera anslaget tills både sågblad och anslag ligger helt mot vinkelhaken
 3. dra åt de 4 insexskruvarna T
 4. Återställ geringsvinkelindikatorn till 0° ^(30c)
- Sladdklämma ⁽³¹⁾
 - använd kabelklämman AV för att förhindra att nätsladden kommer i kläm mellan verktygets rörliga och orörliga delar

ANVÄNDNINGSTIPS


- Avvikande arbetsstycken
 - stöd alltid ändarna av ett långt arbetsstycke
 - se till att böjda eller runda arbetsstycken är ordentligt säkrade mot att glida ⁽³³⁾
 - vid såglinjen får inget utrymme finnas mellan arbetsstycket och anslaget eller sågbordet
 - montera vid behov ett extra anhåll; hålen i glidanhållet ska användas för att säkra det extra anhållet ⁽³⁴⁾
 - ! det extra anhållet kan bara användas vid 0° fäsvinkel**
- För arbete med golvlister kan figur ⁽³⁵⁾ användas som referens

- Lågg alltid den finaste sidan av arbetsstycket nedåt för att förhindra minimum av flis
- Använd endast skarpa sågblad av rätt sort
 - kvaliteten på sågsnittet förbättras genom antalet tänder
 - hårdmetallblad förblir vassa upp till 30 gånger längre än vanliga blad

UNDERHÅLL / SERVICE

- Håll alltid verktyget och sladden rena (särskilt ventilationsspringorna på motorhusets baksida)
- Utveckla en regelbunden kontroll för att se till att det nedre skyddet fungerar korrekt. Rengör det nedre skyddet från eventuella sågspånsansamlingar med en fuktad trasa.
 - drag ur stickkontakten innan rengöring
 - lyft det nedre skyddet till helt öppet läge och släpp det; om det inte stängs omedelbart och fullständigt ska det kontrolleras i en auktoriserad serviceverkstad för SKIL-elverktyg
- Rengör sågbladet direkt efter användning (speciellt efter kåda och lim)
 - sågbladet blir mycket varmt under bruk; vidrör det inte förrän det har svalnat
- Rengör laserlampan AC med en mjuk borste efter varje användning för att laserlinjen ska synas tydligt (se till att du inte ändrar laserinställningen)
- Om i elverktyget trots exakt tillverkning och sträng kontroll störning skulle uppstå, bör reparation utföras av auktoriserad serviceverkstad för SKIL elverktyg
 - sänd in verktyget i **odemonterat skick** tillsammans med inköpsbevis till försäljaren eller till närmaste SKIL serviceverkstad (adresser till servicestationer och sprängskisser av maskiner finns på www.skil.com)
- Observera att skada till följd av ovarsamhet eller överbelastning inte täcks av garantin (för SKIL garantivillkor gå till www.skil.com eller fråga återförsäljaren)

MILJÖ

- **Elektriska verktyg, batterier, tillbehör och förpackning får inte kastas i hushållssoporna** (gäller endast EU-länder)
 - enligt direktivet 2012/19/EG som avser äldre elektrisk och elektronisk utrustning och dess tillämpning enligt nationell lagstiftning ska uttjänta elektriska verktyg sorteras separat och lämnas till miljövänlig återvinning
 - symbolen  kommer att påminna om detta när det är tid att kassera

LJUD

- Det här verktygets ljudtrycksnivå som har uppmätts enligt EN 62841 är 100,0 dB(A), ljudeffektnivån är 109,5 dB(A) (osäkerhet K = 3 dB)
- Ljudnivån har uppmätts enligt ett standardiserat test i enlighet med EN 62841; det kan användas för att jämföra ett verktyg med ett annat och som en ungefärlig uppskattning av exponering för buller när verktyget används enligt det avsedda syftet
 - om verktyget används på ett annat än det avsedda syftet eller med fel eller dåligt underhållna tillbehör kan detta drastiskt **öka** vibrationsnivån
 - när verktyget stängs av eller är på men inte används, kan detta avsevärt **minska** vibrationsnivån

DK

Kap- och geringsav

1320

INLEDNING

- Dette værktøj er beregnet som en stationær maskine til at udføre længde- og tværsnit med lige snitforløb og geringsvinkler i træ (både horisontal geringsvinkel på -50° til +50° og vertikal smigvinkel på -48° to +45° er muligt)
- Læs og gem denne betjeningsvejledning ②
- Dette værktøj er ikke beregnet til professionelt brug
- **Brug kun værktøjet, hvis det er korrekt og fuldstændigt samlet** (vær opmærksom på, at Skil ikke kan holdes ansvarlig for værktøjsbeskadigelse og/eller personskafe forårsaget af forkert samling af værktøjet)

TEKNISKE DATA ①

VÆRKTØJETS DELE ⑧

- A Nederste afskærmning
- B Aktiveringshåndtag
- C Låsestift til transport
- D Øverste afskærmning
- E Transporthåndtag
- F Monteringshuller
- G Støttefod
- H Støtpose
- J Støvport
- K Forlængerskiner
- L Knapper til at låse forlængerskiner
- M Klemme til monteringssemmet
- N Støttehul
- P Knap til fastgøring af klemme
- Q Knap til indstilling af klemme
- R Spændearm
- S Styr
- T Sekskantsskruer til indstilling af styr (4x)
- U Skydestyr
- V Knap til fastgørelse af skydestyr
- W Låseknap (smigvinkel)
- X Indikator for smigvinkel
- Y Indstillingsskrue for smigvinkel (højre)
- Z Indstillingsskrue for smigvinkel (venstre)
- AA Justerbart endestop
- AB Højre smigskæringsudløserhåndtag
- AC Laserlys
- AD Tænd/sluk laserafbryder
- AE Låsehåndtag (geringsvinkel)
- AF Udløserhåndtag til geringslås
- AG Indikator for geringsvinkel
- AH Låseknap til skydeenhed
- AI Tænd/sluk afbryder
- AJ Sikringshåndtag
- AK Skæredybdebegrænser
- AL Dybdestop
- AM Dybdestopmøtrik
- AN Sekskantnøgle
- AO Opbevaring for stiftnøgle
- AP Spindellåseknap
- AQ Skruer for dækselplade

- AR Klingebolt
- AS Flange
- AT Bordindsats
- AU Stovskærm
- AV Kabelklemme

SIKKERHED

GENERELLE SIKKERHEDSINSTRUKSER FOR EL-VÆRKTØJ

⚠ ADVARSEL Læs alle sikkerhedsadvarsler, instruktioner, illustrationer og specifikationer, der leveres med dette elektriske værktøj. Hvis alle instruktioner opført herunder ikke følges, kan det medføre elektrisk stød, brand og/eller alvorlige kvæstelser.

Gem alle advarsler og instruktioner til senere brug.

Begrebet "elværktøj" i advarslerne refererer til elværktøj, der kører på lysnettet (med netkabel) samt batteridrevet værktøj (uden netkabel).

1) SIKKERHED PÅ ARBEJDSPLADSEN

- a) **Sørg for, at arbejdsområdet er rent og ryddeligt.** Uorden eller uoplyste arbejdsområder øger faren for ulykke.
- b) **Brug ikke elværktøjet i eksplosionsfarlige omgivelser, hvor der er brændbare væsker, gasser eller støv.** Elværktøj kan slå gnister, der kan antænde støv eller dampe.
- c) **Sørg for, at andre personer og ikke mindst børn holdes væk fra arbejdsområdet, når el-værktøjet er i brug.** Hvis man distraheres, kan man miste kontrollen over elværktøjet.

2) ELEKTRISK SIKKERHED

- a) **Elværktøjets stik skal passe til kontakten. Stikket må under ingen omstændigheder ændres. Brug ikke adapterstik sammen med jordforbundet elværktøj.** Uændrede stik, der passer til kontakterne, nedsætter risikoen for elektrisk stød.
- b) **Undgå kropskontakt med jordforbundne overflader som f.eks. rør, radiatorer, komfurer og køleskabe.** Hvis din krop er jordforbundet, øges risikoen for elektrisk stød.
- c) **Elværktøjet må ikke udsættes for regn eller fugt.** Indtrængning af vand i et elværktøj øger risikoen for elektrisk stød.
- d) **Brug ikke ledningen til formål, den ikke er beregnet til. Du må aldrig bære elværktøjet i ledningen, hænge elværktøjet op i ledningen eller rykke i ledningen for at trække stikket ud af kontakten. Beskyt ledningen mod varme, olie, skarpe kanter eller maskindele, der er i bevægelse.** Beskadede eller indviklede ledninger øger risikoen for elektrisk stød.
- e) **Hvis elværktøjet benyttes i det fri, må der kun benyttes en forlængerledning, der er egnet til udendørs brug.** Brug af forlængerledning til udendørs brug nedsætter risikoen for elektrisk stød.
- f) **Hvis det ikke kan undgås at bruge elværktøjet i fugtige omgivelser, skal der bruges et HFI-relæ.** Brug af et HFI-relæ reducerer risikoen for at få elektrisk stød.

3) PERSONLIG SIKKERHED

- a) **Det er vigtigt at være opmærksom, se, hvad man laver, og bruge el-værktøjet fornuftigt. Brug ikke**

noget el-værktøj, hvis du er træt, har nydt alkohol eller er påvirket af medikamenter eller euforiserende stoffer. Få sekundær uopmærksomhed ved brug af el-værktøjet kan føre til alvorlige personskader.

- b) **Brug beskyttelsesudstyr og hav altid beskyttelsesbriller på.** Brug af sikkerhedsudstyr som f.eks. støvmaske, skridsikkert fodtøj, beskyttelseshjelm eller høreværn afhængig af maskintype og anvendelse nedsætter risikoen for personskader.
 - c) **Undgå utilsigtet igangsætning. Kontrollér, at el-værktøjet er slukket, før du tilslutter det til strømtilførslen og/eller akkuen, løfter eller bærer det.** Undgå at bære el-værktøjet med fingeren på afbryderen og sørg for, at el-værktøjet ikke er tændt, når det slutes til nettet, da dette øger risikoen for personskader.
 - d) **Gør det til en vane altid at fjerne indstillingsværktøj eller skruenøgle, før el-værktøjet tændes.** Hvis et stykke værktøj eller en nøgle sidder i en roterende maskindel, er der risiko for personskader.
 - e) **Undgå en unormal legemssposition. Sørg for at stå sikkert, mens der arbejdes, og kom ikke ud af balance.** Dermed har du bedre muligheder for at kontrollere el-værktøjet, hvis der skulle opstå uventede situationer.
 - f) **Brug egnet arbejdstøj. Undgå løse bekædningsgenstande eller smykker.** Hold hår og tøj væk fra dele, der bevæger sig. Dele, der er i bevægelse, kan gribe fat i løstsiddende tøj, smykker eller langt hår.
 - g) **Hvis støvudsugnings- og opsamlingsudstyr kan monteres, er det vigtigt, at dette tilsluttes og benyttes korrekt.** Brug af en støvsugning kan reducere støvmængden og dermed den fare, der er forbundet støv.
 - h) **Selvom du kender værktøjet godt og er vant til at bruge det, skal du alligevel være opmærksom og overholde sikkerhedsanvisningerne.** Et øjeblik uopmærksomhed kan medføre alvorlige personskader.
- #### 4) OMHYGGELIG OMGANG MED OG BRUG AF EL-VÆRKTØJ
- a) **Undgå overbelastning af el-værktøjet. Brug altid et el-værktøj, der er beregnet til det stykke arbejde, der skal udføres.** Med det passende el-værktøj arbejder man bedst og mest sikkert inden for det angivne effektområde.
 - b) **Brug ikke et el-værktøj, hvis afbryder er defekt.** Et el-værktøj, der ikke kan startes og stoppes, er farligt og skal repareres.
 - c) **Træk stikket ud af stikkontakten og/eller fjern akkuen, hvis den er aftagelig, før maskinen indstilles, før skift af tilbehørsdele eller før el-værktøjet lægges til opbevaring.** Disse sikkerhedsforanstaltninger forhindrer utilsigtet start af el-værktøjet.
 - d) **Opbevar ubenyttet el-værktøj uden for børns rækkevidde. Lad aldrig personer, der ikke har gennemlæst disse instruktioner, benytte el-værktøjet.** El-værktøj er farligt, hvis det benyttes af ukyndige personer.
 - e) **Vedligehold el-værktøj og tilbehørsdele. Kontroller, om bevægelige maskindele fungerer korrekt og**

ikke sidder fast, og om delene er brækket eller beskadiget, således at el-værktøjets funktion påvirkes. Få beskadigede dele repareret, inden el-værktøjet tages i brug. Mange uheld skyldes dårligt vedligeholdte el-værktøjer.

- f) **Sørg for, at skæreværktøjer er skarpe og rene.** Omhyggeligt vedligeholdte skæreværktøjer med skarpe skærekanter sætter sig ikke så hurtigt fast og er nemmere at føre.
 - g) **Brug el-værktøj, tilbehør, indsatsværktøj osv. iht. disse instrukser. Tag hensyn til arbejdsforholdene og det arbejde, der skal udføres.** Anvendelse af el-værktøjet til formål, som ligger uden for det fastsatte anvendelsesområde, kan føre til farlige situationer.
 - h) **Hold håndtag og gribeblader tørre, rene og fri for olie og smørefedt.** Hvis håndtag og gribeblader er glatte, kan værktøjet ikke håndteres og styres sikkert, hvis der sker noget uventet.
- 5) **SERVICE**
- a) **Sørg for, at el-værktøj kun repareres af kvalificerede fagfolk og at der kun benyttes originale reservedele.** Dermed sikres størst mulig maskinsikkerhed.

SIKKERHEDSINSTRUKTIONER FOR GERINGSSAV

- **Geringsssave er beregnet til at skære i træ eller trælige produkter og kan ikke bruges med slibende afskæringshjul til skærearbejde i jernholdige materialer som bjælker, stænger, stifter osv.** Slibestøv kan få bevægelige dele som f.eks. underskærmen til at sidde fast. Gnister fra slibende skærearbejde kan brænde underskærmen, saveindsatsen og andre plastikdele.
- **Brug klemmer til at støtte arbejdsemnet, når det er muligt.** Hvis du støtter emnet med hånden, skal du altid holde hånden mindst 100 mm fra begge sider af savklingen. Brug ikke denne sav til at skære stykker, der er for små til at kunne spændes fast eller holdes i hånden. Hvis din hånd placeres for tæt på savklingen, er der øget risiko for tilskadekomst ved kontakt med klingen.
- **Arbejdsemnet skal være stationært og spændes fast eller holdes mod både styret og bordet.** Før ikke arbejdsemnet hen til klingen og skær ikke "i fri hånd" på nogen måde. Ikke-støttede eller bevægelige arbejdsemner kan blive kastet rundt med høj hastighed og forårsage personskade.
- **Saven skal skubbes gennem arbejdsemnet. Saven må ikke trækkes gennem arbejdsemnet.** For at save skal du løfte savhovedet og trække det ud over arbejdsemnet uden at skære, start så motoren, tryk savhovedet ned og skub saven gennem arbejdsemnet. Hvis du skærer, mens du trækker, kan det sandsynligvis få savklingen til at vandre op over arbejdsemnet og få den til at blive kastet kraftigt ind mod operatøren.
- **Kryds aldrig din hånd ind over den tilsigtede skærelinje hverken foran eller bag ved savklingen.** Det er meget farligt at støtte arbejdsemnet på tværs af skærelinjen, dvs. at holde arbejdsemnet til højre for savklingen med din venstre hånd eller modsat.
- **Ræk ikke ind over styret med hænderne tættere end 100 mm fra savklingen for at fjerne trærester eller af anden grund, mens klingen kører.** Afstanden fra den roterende savklinge til din hånd kan være svær at vurdere, og du kan komme alvorligt til skade.
- **Undersøg dit arbejdsemne, inden du skærer, og hvis emnet buer eller er deformt, skal du fastspænde det med det uændelige af bøjningen ind mod styret.** Sørg altid for, at der ikke er mellemrum mellem arbejdsemnet, styret og bordet langs skærelinjen. Buede eller deforme arbejdsemner kan vride sig eller forskyde sig og kan forårsage, at emnet binder om den roterende savklinge under savearbejdet. Der må ikke være søm eller andre fremmedlegemer i arbejdsemnet.
- **Brug ikke saven, hvis bordet ikke er frit for værktøj, trærester osv. bortset fra selve arbejdsemnet.** Små stykker affald eller løse stykker træ eller andre genstande, der kommer i kontakt med den roterende klinge, kan blive kastet rundt med høj hastighed.
- **Skær kun ét arbejdsemne ad gangen.** Flere stablede emner kan ikke fastspændes eller spændes tilstrækkeligt sammen og kan binde om klingen eller forskyde sig under savearbejdet.
- **Sørg inden brug for, at geringsssaven er monteret eller placeret på en plan og fast arbejdsoverflade.** En plan og fast arbejdsoverflade reducerer risikoen for, at geringsssaven bliver ustabil.
- **Planlæg dit arbejde!** Hver gang du ændrer indstillingen af smigskæringsvinkler eller geringsvinkler, skal du sørge for, at det justerbare styr indstilles korrekt til at kunne støtte emnet og ikke vil interferere med klingen eller beskyttelsessystemet. Flyt savklingen gennem et komplet simuleret snit uden at tænde for værktøjet og uden arbejdsemne på bordet for at sikre, at styret ikke interfererer, eller at der er fare for at skære i styret.
- **Sørg for tilstrækkelig støtte såsom bordforlængere, savbukke osv., hvis arbejdsemnet er bredere eller længere end bordpladen.** Arbejdsstykker, der er længere eller bredere end geringsssavens bord, kan vælte, hvis de ikke understøttes sikkert. Hvis det afskårne emne eller arbejdsemnet vælter, kan det løfte underskærmen eller blive kastet afsted af den roterende klinge.
- **Brug ikke en anden person til at holde i stedet for en bordudvidelse eller som ekstra støtte.** Ustabil understøtning af arbejdsemnet kan få klingen til at binde sig fast eller få arbejdsemnet til at forskyde sig under savehandlingen, så du og din hjælper bliver trukket ind mod den roterende klinge.
- **Det afskårne emne må ikke klemmes eller på nogen måde presses mod den roterende savklinge.** Hvis det begrænses, f.eks. ved hjælp af længdestop, kan det afskårne stykke blive klemt ind mod klingen og blive kastet voldsomt afsted.
- **Brug altid en klemme eller en emneholder, der er beregnet til korrekt at kunne støtte rundt materiale som stænger eller slanger.** Stænger har en tendens til at rulle, når man skærer i dem, hvilket får klingen til at "bide" og trække arbejdsemnet og din hånd ind mod klingen.
- **Lad klingen nå fuld hastighed, før du skaber kontakt med arbejdsemnet.** Dette reducerer risikoen for, at emnet kastes afsted.
- **Hvis arbejdsemnet eller klingen sætter sig fast, skal du slukke for geringsssaven. Vent, til alle bevægelige dele stopper, og tag stikket ud af strømkilden og/eller tag batteriet ud. Prøv så at frigøre det materiale, der sidder fast.** Hvis man fortsætter med at save, mens et arbejdsemne sidder fast, kan det medføre tab af kontrol eller beskadigelse af geringsssaven.

- **Når du er færdig med at save, skal du slippe kontakten, holde savhovedet nede og vente på, at klingen stopper, inden du fjerner det afskårne stykke** Det er farligt at række hånden ud mod klingens, mens den kører.
- **Hold godt fast i håndtaget, når du udfører et ufuldstændigt snit, eller hvis du slipper kontakten, inden savhovedet er helt i nedadgående position** Savens bremsevirkning kan medføre, at savhovedet pludselig trækkes nedad, og det skaber risiko for personskade.

EKSTRA SIKKERHEDSANVISNINGER

- Indkoblingsstrømstødet kan forårsage kortfristede spændingsfald; under ugunstige netbetingelser kan andre apparater blive påvirket heraf (hvis strømtilførsels systemimpedans er mindre end 0,219 Ohm, er det usandsynligt, at der opstår ulemper); ønsker de yderligere afklaring, kontakt venligst din lokale el leverandør

GENERELT

- Værktøjet må kun bruges til at skære i træ
- Kontrollér altid at forsyningsspændingen er den samme som den spænding, der er anført på værktøjets navneskilt
- **Stå ikke oven på værktøjet eller dets stativ** Der kan opstå alvorlig personskade, hvis værktøjet vælter, eller hvis man ved et uheld kommer i kontakt med det kørende værktøj. Opbevar ikke materialer på eller i nærheden af værktøjet, hvor det er nødvendigt at stå på værktøjet eller dets stativ for at nå dem.
- **Fjern altid først stikket fra kontakten, før du De foretager nogle ændringer eller skifter tilbehør**
- **Tag altid stikket ud af strømkilden, før geringsraven flyttes** Træk stikket ud, sænk savhovedet og lås det på plads ved hjælp af bærehåndtaget og et af håndindhuggene i savens bundplade.
- **Forlad ikke saven, før den er fuldstændigt stoppet**
- **Når du skærer uregelmæssigt formede arbejdssemner, skal du planlægge dit arbejde, så arbejdssemnet ikke kan glide og klemme sig fast om klingens og dermed blive revet ud af din hånd**
- Dette værktøj må ikke bruges af personer under 16 år
- Dette værktøj er ikke egnet til vandsavning

UDENDØRS BRUG

- Når værktøjet anvendes udendørs, skal det forbindes via en fejlstrømsafbryder (FI) med en triggestrøm på 30 mA maksimum, og man må kun anvende en forlængerledning, som er beregnet til udendørs brug og er udstyret med en stænkbeskyttet koblings-stikkontakt

INDEN BRUG

- Anvend helt udrullede og sikre forlængerledninger med en kapacitet på 16 A
- Brug beskyttelsesbriller, høreværn, og beskyttelseshandsker
- Støv fra materialer som f.eks. maling, der indeholder bly, nogle træsorter, mineraler og metal kan være skadeligt (kontakt med eller indånding af støvet kan forårsage allergiske reaktioner og/eller sygdomme i luftvejene hos den, der anvender værktøjet, eller hos omkringstående); **bær en støvmaske og arbejd med en støvudsugningsanordning, hvor en sådan kan sluttes til**
- Visse slags støv er klassificeret som kræftfremkaldende (som f.eks. støv fra eg og bøg) især i forbindelse med

tilsætningsstoffer til træbehandling; **bær en støvmaske og arbejd med en støvudsugningsanordning, hvor en sådan kan sluttes til**

- Følg de nationale krav, hvad angår støv, for de materialer, du ønsker at arbejde med
- **Bearbejd ikke asbestholdigt materiale** (asbest er kræftfremkaldende)
- Brug aldrig værktøjet uden den originale beskyttelsesskærm
- Kontroller beskyttelsesskærmen for korrekt lukning før hver brug
- Anvend ikke saven, hvis beskyttelsesskærmen ikke bevæger sig frit og lukker øjeblikkeligt
- Tving eller bind aldrig beskyttelsesskærmen i åben position
- Brug aldrig værktøjet uden bordindsatsen. Udskift en defekt eller slidt bordindsats
- Fjern alle genstande såvel ovenpå som nedenunder savlinien, før De begynder at save
- Undgå skader forårsaget af skruer, søm eller andre materialer i arbejdsstykket; fjern disse før De begynder at arbejde

TILBEHØR

- Anvend aldrig slibe/skæreskiver til dette værktøj
- SKIL kan kun sikre en korrekt funktion af værktøjet, hvis der benyttes den rigtige tilbehør, som kan fås hos SKIL-forhandleren
- Ved montering/anvendelse af tilbehør, der ikke er fremstillet af SKIL, skal den pågældende producents instruktioner overholdes nøje
- Brug kun savklinger, der svarer til de tekniske data, der er angivet i denne vejledning, og som er kontrolleret og mærket tilsvarende iht. EN 847-1
- Der må kun benyttes tilbehør, hvis godkendte omdrejningstal er mindst så højt som værktøjets max. omdrejningstal i ubelastet tilstand
- Brug aldrig savklinger der er lavet af HSS stål
- Brug aldrig savklinger der er sløve, skæve eller på anden måde beskadigede
- Brug kun savklinger med en hul diameter, som passer til værktøjsspindelen uden spulorum; brug aldrig reduktionsmuffer eller adaptere for at få savklinger med større huller til at passe
- Beskyt tilbehør mod slag, stød og fedt

UNDER BRUG

- **Overbelast ikke værktøjet** (anvend et let og vedvarende tryk for at undgå overophedning af savklinger og, i tilfælde af skæring af plastik, at smelte plastikmaterialet)
- Hold fingre, hænder og arme væk fra den roterende savklinge
- Hvis savklingen blokeres, skal du straks slukke for værktøjet og tage stikket ud.; først derefter må du fjerne det fastklemte arbejdssemne
- I tilfælde af blokering eller ved elektrisk eller mekanisk fejlfunktion, afbryd straks værktøjet og tag stikket ud af kontakten
- Hvis kablet beskadiges eller skæres over under arbejdet, ikke berør kablet, og straks træk ud stikket
- Anvend aldrig værktøjet, hvis ledningen er beskadiget. Den skal udskiftes med en specielt forberedt ledning, der kan fås gennem kundeservice.

LASERSTRÅLING

- **Ret ikke laserstrålen mod personer eller dyr, og kig aldrig ind i den direkte eller reflekterede laserstråle** (det kan blænde personer, forårsage ulykker eller beskadige øjnene)

- Hvis du får laserstrålen i øjnene, skal du lukke dem med det samme og straks bevæge hovedet ud af stråleområdet
- Foretag aldrig ændringer af laseranordningen
- Se ikke ind i laserstrålen (laserstråling)
- Brug ikke optiske forstørrelsesanordninger (som f.eks. forstørrelsesglas, teleskoper eller kikkertør) til at se ind i laserstrålen
- Anvend ikke værktøjet i nærheden af brandfarlige væsker, gasser eller støv
- Anvend ikke værktøjet, når der er børn i nærheden
- Den installerede laser må ikke udskiftes med en anden lasertype

EFTER BRUG

- Efter at man har slukket for værktøjet, må man aldrig standse tilbehørets rotation ved at påføre en sidelæns kraft mod det
- Fjern kun afskæringer eller andre dele fra arbejdsområdet fra skæreeområdet, når alle bevægelige dele er standset helt
- Savklingen bliver meget varm under brug, rør ikke ved den, for den er kølet af
- Opbevar værktøjet **indendørs** på et tørt, aflåst sted, utilgængeligt for børn

FORKLARING TIL SYMBOLERNE PÅ VÆRKTØJET

- ② Læs instruktionen inden brugen
- ③ Brug beskyttelsesbriller og hørøværn
- ④ **Fareområde! Hænder forbudt. Hold hænder, fingre og arme på afstand af dette område.**
- ⑤ Dobbelt isolering (jordforbindelse unødvendig)
- ⑥ Elværktøj og batterier må ikke bortskaffes som almindeligt affald
- ⑦ **Laserstråling / Se ikke ind i strålen / Klasse 2 laserprodukt**

BETJENING

- Montering
 - monter transporthåndtaget E med 2 bolte ved hjælp af stiftnøglen AN③
 - monter geringslåseknapen AE på forsiden af bordet ⑩
 - monter skydestyret U (se Justering af skydestyr)
- Transport-/arbejdsposition

For at løse værktøjet (**arbejdsposition**)

 - tryk håndtaget B⑧ ned med én hånd, men du trækker låsestiften C ud med den anden hånd ⑪a
 - før hovedet langsomt opad

For fastgøring af værktøjet (**transportposition**)

 - skub hovedet hen til stoppet i retning af styret S (cirka 5 cm), og stram låseknappen AH ⑪b
 - indstil smigskæringsvinklen til 0° (se Indstilling af smigskæringsvinkel)
 - indstil geringsvinklen til 45° (se Indstilling af geringsvinkel)
 - tryk håndtaget B ned med én hånd, men du skubber til låsestiften C med den anden hånd
 - saml strømledningen sammen
 - brug transporthåndtaget E ⑧ til at bære værktøjet ⑪d
 - alternativt skal du bruge sidehåndtagene til at bære værktøjet ⑪e

! løft aldrig værktøjet ved at holde i hovedhåndtaget eller strømledningen

- Montering af værktøj på arbejdsoverfladen ⑫
 - ! monter altid værktøjet på en jævn og stabil arbejdsoverflade (f.eks. en arbejdsbænk) for sikker håndtering**
 - brug 4 monteringshuller F til at fastgøre værktøjet med passende skruer til arbejdsoverfladen
 - du kan også spænde værktøjet fast til arbejdsoverfladen med de skruevinger, der er tilgængelige på markedet
 - for at stabilisere værktøjet kan du justere højden af støttefoden G
 - alternativt kan værktøjet monteres på et geringsstavstativ
 - ! læs alle advarsler og instruktioner, der følger med stavstativet**
- Støv-/spåneopsugning ⑬
 - monter støvposen H/støvsugeren som vist
 - tøm støvposen med regelmæssige mellemrum for optimal støvopsugning
 - ! lad aldrig støvsugerslangen komme i kontakt med underskærmen eller savningen**
- Savbordsforlænger ⑭
 - brug knapperne L til at fastgøre forlængerskinnerne K (på hver side af værktøjet)
 - længden af forlængerskinnerne K kan justeres trinvist fra minimum til maksimum
- Fastspænding af arbejdsområdet ⑮
 - ! for optimal arbejdsikkerhed skal du altid fastspænde arbejdsområdet sikkert med den medfølgende justerbare klemme**
 - arbejd ikke med arbejdsområder, der er for små til at blive spændt fast
 - for **maksimal** mål for arbejdsområdet skal du bruge tabellen ⑯ som reference
 - fastgør den samlede klemme i støttehullet N med knappen P (på hver side af værktøjet)
 - arbejdsområdets klemme har 2 riller for nemt at låse det fast; 1 til tynde arbejdsområder (op til 5 cm) og 1 til større arbejdsområder (over 5 cm)
 - pres arbejdsområdet fast mod styret S
 - lås op for håndtaget R
 - tilpas klemmen til arbejdsområdet
 - spænd arbejdsområdet sikkert fast ved at låse håndtaget R
 - ! ved nogle gerings- og smigskæringskombinationer eller afhængigt af arbejdsområdets størrelse kan det være nødvendigt at bruge kommercielt tilgængelige skrueklemmer i stedet for at bruge emneholderen**
- Indstilling af geringsvinkel ⑰
 - løsne låsehåndtaget AE
 - træk i geringslåsens udløserhåndtag AF
 - drej savbordet til venstre eller højre og indstil den ønskede geringsvinkel (fra 0° til 50°) ved hjælp af indikator AG
 - slip håndtaget AF
 - stram låsehåndtaget AE (**stram ikke håndtaget for hårdt**)
 - for hurtigt og præcist at indstille ofte anvendte geringsvinkler (0°, 15°, 22,5°, 31,6° eller 45°) kan geringslåsens håndtag AF klikkes på plads i de pågældende positioner, og for at forhindre dette kan håndtaget AF låses fast i den udløste position ⑰b

- Indstilling af smigvinkel ⑩
 - løsn den trebenede knap W
 - sving savhovedet til venstre, indtil indikatoren for smigvinklen X peger i den ønskede smigvinkel
 - det justerbare smigendestop AA (45°) kan bruges til at stoppe ved 45° eller kan fortsætte indtil 48° ⑩b
 - hold savhovedet i denne position og stram knappen W
 - for at smigskære til højre skal du først vippe savhovedet let mod venstre, drej højre smigskæringsudløserhåndtag AB (cirka 60°), og drej derefter savhovedet til den ønskede smigskæringsvinkel ⑩c
 - hvis du drejer savhovedet tilbage til venstre, vil højre smigskæringsudløserhåndtag AB blive nulstillet automatisk til et 0° endestop; dette kan forhindres ved at dreje knappen til ca. 90° i stedet for 60° ⑩d
- Sammensatte snit ⑪
 - sammensatte snit kræver både indstilling af geringsvinkel og indstilling af smigvinkel
 - ! betjen ikke saven i visse gerings- og smigskæringskombinationer, der kan resultere i interferens mellem savens glidende og stationære dele eller mellem de glidende dele og arbejdsemnet – for at save skal du fjerne skydestyret, skydestyrets låseknop og arbejdsemnets tilspændingsknap efter behov.**
 - ! test altid først på et stykke kasseret materiale**
- Justering af skydestyr ⑫
 - løsgør knappen V, så styrene kan skydes frem og tilbage U
 - løsgør knappen V, så styrene kan fjernes eller monteres
 - stram knappen V for at sikre den ønskede position
 - ! sørg for at skydestyrene sikres grundigt, før værktøjet betjenes**
 - ! ved nogle gerings- og smigskæringskombinationer kan det også være nødvendigt at fjerne knappen**
- Laserlinje ⑬
 - for præcis savning langs den ønskede savelinjen markeret på arbejdsemnet
 - tænd/sluk laserlinje ved at trykke afbryderen AD
 - ! før du starter på et arbejde, skal du kontrollere, at den laserlinje står på linje med den aktuelle skærelinje, ved at lave et prøvesnit på et stykke affaldsmateriale**
- Savning uden skubbende bevægelse (små arbejdsemner)
 - løsgør låseknappen AH, hvis den er stram
 - skub savhovedet hen til stoppet i retning mod styret S og stram låseknappen AH igen
 - ! hvis mekanismen ikke låses, kan det få klingens til pludselig at vandre op over arbejdsemnet og arbejde sig hen mod dig**
 - indstil værktøj til arbejdsposition
 - ! sørg for, at arbejdsemnet sidder, så der udøves tryk mod savbordet og styret S**
 - tænd for værktøjet ved at frigøre låsen AJ og trække i hovedkontakten AI
 - ! dine arme må ikke være krydset, når savhovedet betjenes ⑭a**
 - sav gennem arbejdsemnet med jævne fremryk
 - ! værktøjet skal køre med max. hastighed inden savklingen berørerarbejdsemnet**
- sluk værktøj ved at slippe afbryder AI
- vent, indtil savklingen står fuldstændigt stille, før du langsomt fører savhovedet opad
- Savning med skubbende bevægelse (brede arbejdsemner)
 - ! vær opmærksom på, at den nedenfor beskrevne metode er den eneste sikre**
 - saven må ikke trækkes gennem arbejdsemnet
 - løsgør låseknappen AH, hvis den er stram
 - ! sørg for, at arbejdsemnet sidder, så der udøves tryk mod savbordet og styret S**
 - træk savhovedet så langt væk fra styret S, at savklingen befinder sig foran arbejdsemnet ⑭b
 - tænd for værktøjet ved at frigøre låsen ⑭c og trække i hovedkontakten
 - ! dine arme må ikke være krydset, når savhovedet betjenes ⑭a**
 - tryk savhovedet i retning mod styret S og sav gennem arbejdsemnet med ensartede, fremadrettede bevægelser ⑭d
 - ! værktøjet skal køre med max. hastighed inden savklingen berørerarbejdsemnet**
 - ! hvis underskærmen ikke automatisk åbnes, hvilket kan ske under visse forhold (f.eks. med et arbejdsemne meget tæt på den maksimale kapacitet), kan det være nødvendigt at åbne afskærmningen manuelt ⑭e**
 - sluk værktøj ved at slippe afbryder AI
 - vent, indtil savklingen står fuldstændigt stille, før du langsomt fører savhovedet opad
- Saveriller ⑮
 - indstil den ønskede dybde med dybdestopet AK og lås det på plads ved at stramme møtrikken AM
 - der skal placeres et afstandsstykke af træ mellem arbejdsemnet og afskærmningen, for at man kan få en ensartet dybde i rillens fulde længde
 - ! sørg for, at savklingen ikke sætter sig fast i arbejdsemnet**
 - ! test altid først på et stykke kasseret materiale**
- Udskiftning af savklinge ⑯
 - ! træk stikket ud af kontakten**
 - tag sekskantnøglen AN ud af opbevaringspladsen AO
 - hold den beskyttende afskærmning A i åben position
 - løsgør dækpladens skrue AQ (skru ikke skruen helt ud) ⑯a
 - drej den beskyttende afskærmning A helt tilbage ⑯b
 - tryk på spindellåseknappen AP og hold den nede, mens klingebolten fjernes AR ved at dreje stiftnøglen AN **MED URET** (= i samme retning som pilen, der er trykt på savklingen)
 - ! tryk kun på spindellåseknappen AP, når værktøjet ikke bevæger sig**
 - udløs spindellåseknappen AP
 - fjern flange AS og savklinge
 - ! udskift savklingen med savtænderne og pilen trykt på savklingen pegende i samme retning som pilen på beskyttelsesskærmen A**
 - monter flangen AS ⑯c
 - tryk på spindellåseknappen AP og hold den nede, mens du spænder klingebolten med stiftnøglen AN **MOD URET** 1/8 omgang forbi fingerstramt (det sikrer, at savklingen kan glide, når den udsættes for ekstrem modstand for at reducere motoroverbelastning og tilbageslag)

- stram skruen for dækselplade AQ
- Udskiftning af bordindsats AT ²⁶
Udskift en defekt eller slidt bordindsats som følger:
! træk stikket ud af kontakten
- tag stiftnøglen AN ud af opbevaringspladsen AO
- fjern alle 6 skruer som illustreret
- fjern den gamle bordindsats ved først at løfte den foran og derefter ved at trække den helt ud
- anbring en ny bordindsats
! stram alle 6 skruer
- Kontrol/justering af 90° bladindstilling ²⁸
! træk stikket ud af kontakten
- drej savbordet til geringsposition 0° og lås på plads
- sving savhovedet til 0° smigskæringsposition
- sænk savhovedet og lås på plads
- kontroller, at der er en vinkel på 90° mellem savklinge og bord med en vinkel
- hvis det er nødvendigt justeres 90° bladindstilling som følger:
1. løs den trebenede knap W
2. juster skruen Y med en 4 mm stiftnøgle (ikke inkluderet som standard) ^{28b}
3. kontroller igen med vinkelmåleren
4. nulstil smigskæringsindikator til 0° ^{28c}
- Kontrol/justering af 45° bladindstilling ²⁹
! træk stikket ud af kontakten
- drej savbordet til geringsposition 0° og lås på plads
- løs den trebenede knap W
- indstil det justerbare smigendestop AA til 45° ^{29b}
- sving savhovedet til venstre
- kontroller, at der er en vinkel på 45° mellem savklinge og bord med en geringsvinkel ^{29a}
- kontroller, at smigindikator X er på afmærkningen 45°
- hvis det er nødvendigt justeres 45° bladindstilling som følger:
1. juster skruen Z med en bladnøgle 10 (ikke inkluderet som standard)
2. kontroller igen med geringsvinkelmåleren
- gentag om nødvendigt for indstillingen 45° til højre
- sænk savhovedet og lås på plads
- Kontrol/justering af 90° styreindstilling ³⁰
! træk stikket ud af kontakten
- drej savbordet til geringsposition 0° og lås på plads
- sænk savhovedet og lås på plads
- kontroller, at der er en vinkel på 90° mellem blad og styr S med en vinkel (sørg for, at vinklen rører ved selve savklingen og ikke dens tænder)
- hvis det er nødvendigt justeres 90° styreindstilling som følger:
1. løs 4 sekskantsskruer T
2. juster styr, indtil blad og styr har fuld kontakt med vinklen
3. stram 4 sekskantsskruer T
4. nulstil geringsindikator til 0° ^{30c}
- Kabelklemme ³¹
- brug kabelklemmen AV for at forhindre, at strømledningen kommer i klemme mellem værktøjets bevægelige og stationære dele

- sørg for, at kurvede og runde arbejdsemner er særligt sikrede mod at smutte ³³
- i skærelinjen må der ikke være mellemrum mellem arbejdsemnet og styret eller savbordet
- om nødvendigt skal der laves et ekstrastyret, og hullerne i skydestyret skal bruges til at fastgøre ekstrastyret ³⁴
! ekstrastyret kan kun bruges ved smigskæringsposition 0°
- Illustrationen ³⁵ kan bruges som reference ved arbejde med gulvlister
- Læg altid den pæneste side af arbejdsemnet nedad for at minimere splintning
- Brug kun skarpe savklinger af den korrekte type
- kvaliteten af snittet forøges med antallet af tænder
- hårdmetalsavklinger holder skæret op til 30 gange længere end alm. klinger

VEDLIGEHODELSE/SERVICE

- Hold altid værktøj og ledning ren (særligt udluftningsrillerne på motorhusets bagende)
- Kontroller regelmæssigt for at sikre, at underskærmen fungerer korrekt. Rengør underskærmen for ophobet savsmuld med en fugtig klud.
- træk stikket ud før rensning
- løft underskærmen til helt åben position, og slip den; hvis den ikke lukkes straks og helt, skal den kontrolleres på et SKIL-center, hvor udføres eftersalgsservice af elværktøj
- Rengør savklingen straks efter brug (specielt for harpiks og lim)
- savklingen bliver meget varm under brug, rør ikke ved den, for den er kølet af
- Rengør laserlyset AC med en blød børste efter hver brug for at bevare en god synlighed af laserlinjen (pas på, at du ikke kommer til at ændre laserens indstilling)
- Skulle elværktøjet trods omhyggelig fabrikation og kontrol skulle holde op med at fungere, skal reparationen udføres af et autoriseret serviceværksted for SKIL-elektroværktøj
- send det **ikke adskilte** værktøj sammen med et købsbevis til forhandleren eller nærmeste SKIL-serviceværksted (adresser og reservedelstegning af værktøjet findes på www.skil.com)
- Husk, at beskadigelse som følge af overbelastning eller forkert håndtering af værktøjet ikke er omfattet af garantien (se www.skil.com vedrørende SKIL-garantibetingelserne, eller spørg din forhandler)

MILJØ

- **Elværktøj, batterier, tilbehør og emballage må ikke bortskaffes som almindeligt affald** (kun for EU-lande)
- i henhold til det europæiske direktiv 2012/19/EF om bortskaffelse af elektriske og elektroniske produkter og gældende national lovgivning, skal brugt elværktøj indsamles separat og bortskaffes på en måde, der skåner miljøet mest muligt
- symbolet ⁶ erindr dig om dette, når udskiftning er nødvendig

STØJ

- Målt i overensstemmelse med EN 62841 er lydtryksniveauet for dette værktøj på 100,0 dB (A) og lyd effektniveauet på 109,5 dB (A) (med en usikkerhed K = 3 dB)

GODE RÅD

- Specielle arbejdsemner
- støt altid et langt arbejdsemnes frie ender

- Støjemissionsniveaue er målt i henhold til den standardiserte test som anført i EN 62841, og det kan benyttes til å sammenligne to værktøyer med hinanden og til en foreløbig vurdering af støjeksponeringen, når verktøyet anvendes til de nævnte anvendelser
 - anvendes verktøyet til andre formål eller med andet eller dårligt vedlikeholdt tilbehør, kan dette **øge** udsættelsesniveaue betydeligt
 - de tidsrum, hvor verktøyet er slukket, eller hvor det kører uten reelt å utføre noget arbeid, kan **redusere** udsættelsesniveaue betydeligt

N

Kapp- og gjærings sag med glideskinne 1320

INTRODUKSJON

- Dette verktøyet skal brukes som en stasjonær maskin for å sage langsgående og tverrgående snitt i tre, samt til gjæring (horisontal gjæringsvinkel på -50° til +50° og vertikal skråvinkel på -48° til +45° er mulig)
- Les og ta vare på denne brukerveiledningen ②
- Dette verktøyet er ikke beregnet på profesjonell bruk
- **Verktøyet må kun brukes når det er riktig og fullstendig montert** (vår klar over at Skil ikke kan holdes ansvarlig for verktøyskader og/eller personskader som oppstår som en følge av uriktig montering av verktøyet)

TEKNISKE DATA ①

VERKTØYELEMENTER ⑧

- A Underskjerm
- B Bryterhåndtak
- C Låsepinne for transport
- D Øvre vern
- E Transporthåndtak
- F Monteringshull
- G Støttefot
- H Støvpose
- J Støvpport
- K Forlengelsesstenger
- L Knott for låsing av forlengelsesstenger
- M Klemme for festing av arbeidsstykke
- N Støttehull
- P Knott til festing av klemme
- Q Knott til justering av klemme
- R Klemspak
- S Anlegg
- T Sekskantskrue for justering av anlegg (4x)
- U Skyvefest
- V Knott for justering av skyveanlegget
- W Låseknot (skråvinkel)
- X Skråvinkel-indikator
- Y Skrue for justering av skråvinkel (høyre)
- Z Skrue for justering av skråvinkel (venstre)
- AA Justerbar lengdestopp
- AB Høyre skråkant utløsespake
- AC Laserlys
- AD På/av-bryter laser

- AE Låsehendel (gjæringsvinkel)
- AF Gjæringsstopp utløsespake
- AG Gjæringsvinkel-indikator
- AH Låseknot for skyveenhet
- AI Av/på bryter
- AJ Sikkerhetshendel
- AK Begrenser for skjæredybde
- AL Dybdestopp
- AM Dybdestoppmutter
- AN Sekskantnøkkel
- AO Oppbevaring for sekskantnøkkel
- AP Spindellåseknapp
- AQ Dekkplateskrue
- AR Bladbolt
- AS Flens
- AT Bordinnsats
- AU Støvdeflektor
- AV Ledningsklips

SIKKERHET

GENERELLE ADVARSLER FOR ELEKTROVERKTØY

⚠ ADVARSEL Les alle sikkerhetsadvarsler, instruksjoner, illustrasjoner og spesifikasjoner som følger med dette elektroverktøyet. Hvis du unnlater å følge noen av instruksjonene som er listet opp ovenfor, kan det føre til elektrisk støt, brann og/eller alvorlige personskader.

Ta godt vare på alle advarslene og informasjonene.

Det nedenstående anvendte uttrykket "elektroverktøy" gjelder for strøm-drevne (med ledning) og batteridrevne elektroverktøy (uten ledning).

- 1) **SIKKERHET PÅ ARBEIDSPLASSEN**
 - a) **Hold arbeidsområdet rent og ryddig.** Rotete arbeidsområder eller arbeidsområder uten lys kan føre til ulykker.
 - b) **Ikke arbeid med elektroverktøyet i eksplosjonsfarlige atmosfærer – der det befinner seg brennbare væsker, gass eller støv.** Elektroverktøy lager gnister som kan antenne støv eller damper.
 - c) **Hold barn og andre personer unna når elektroverktøyet brukes.** Hvis du blir forstyrret under arbeidet, kan du miste kontrollen over elektroverktøyet.
- 2) **ELEKTRISK SIKKERHET**
 - a) **Støpselet til elektroverktøyet må passe inn i stikkkontakten. Støpselet må ikke forandres på noen som helst måte. Ikke bruk adapterstøpsler sammen med jordede maskiner.** Bruk av støpsler som ikke er forandret på og passende stikkontakter reduserer risikoen for elektriske støt.
 - b) **Unngå kroppskontakt med jordede overflater slik som rør, ovner, komfyrer og kjøleskap.** Det er større fare ved elektriske støt hvis kroppen din er jordet.
 - c) **Hold elektroverktøyet unna regn eller fuktighet.** Dersom det kommer vann i et elektroverktøy, øker risikoen for elektriske støt.
 - d) **Ikke bruk ledningen til andre formål, f.eks. til å bære elektroverktøyet, henge den opp eller trekke den ut av stikkkontakten. Hold ledningen unna varme, olje, skarpe kanter eller maskindeler som beveger seg.**

Med skadede eller opphopede ledninger øker risikoen for elektriske støt.

- e) **Når du arbeider utendørs med et elektroverktøy, må du kun bruke en skjøteledning som er godkjent til utendørs bruk.** Når du bruker en skjøteledning som er egnet for utendørs bruk, reduseres risikoen for elektriske støt.
- f) **Hvis det ikke kan unngås å bruke elektroverktøyet i fuktige omgivelser, må du bruke en jordfeilbryter.** Bruk av en jordfeilbryter reduserer risikoen for elektriske støt.
- 3) PERSONSIKKERHET**
- a) **Vær oppmerksom, pass på hva du gjør, gå fornuftig frem når du arbeider med et elektroverktøy. Ikke bruk elektroverktøyet når du er trett eller er påvirket av narkotika, alkohol eller medikamenter.** Et øyeblikks uoppmerksomhet ved bruk av elektroverktøyet kan føre til alvorlige skader.
- b) **Bruk personlig verneutstyr og husk alltid å bruke vernebriller.** Bruk av personlig sikkerhetsutstyr som støvmaske, skilfaste arbeidssko, hjelm eller hørselvern – avhengig av type og bruk av elektroverktøyet – reduserer risikoen for skader.
- c) **Unngå å starte verktøyet ved en feiltagelse. Forviss deg om at elektroverktøyet er slått av før du kobler det til strømmen og/eller batteriet, løfter det opp eller bærer det.** Hvis du holder fingeren på bryteren når du bærer elektroverktøyet eller kobler elektroverktøyet til strømmen i innkoblet tilstand, kan dette føre til uhell.
- d) **Fjern innstillingsverktøy eller skrunøkler før du slår på elektroverktøyet.** Et verktøy eller en nøkkel som befinner seg i en roterende maskindell, kan føre til skader.
- e) **Ikke overvurder deg selv. Sørg for å stå stødig og i balanse.** Dermed kan du kontrollere elektroverktøyet bedre i uventede situasjoner.
- f) **Bruk alltid egnede klær. Ikke bruk vide klær eller smykker. Hold hår og klær unna deler som beveger seg.** Løstsittende tøy, smykker eller langt hår kan komme inn i deler som beveger seg.
- g) **Hvis det kan monteres støvavsug- og oppsamlingsinnretninger, må du forvise deg om at disse er tilkoblet og brukes på korrekt måte.** Bruk av et støvavsug reduserer faren på grunn av støv.
- h) **Selv når du er blitt vant til verktøyet, må du ikke bli sløv og ignorere sikkerhetsreglene for verktøyet.** En uforsiktig handling kan forårsake alvorlig personskade i løpet av et brøkdels sekund.
- 4) AKTSOM HÅNTERING OG BRUK AV ELEKTROVERKTØY**
- a) **Ikke overbelast elektroverktøyet. Bruk et elektroverktøy som er beregnet til den type arbeid du vil utføre.** Med et passende elektroverktøy arbeider du bedre og sikrere i det angitte effektområdet.
- b) **Ikke bruk elektroverktøy med defekt på-/avbryter.** Et elektroverktøy som ikke lenger kan slås av eller på, er farlig og må repareres.
- c) **Trekk støpselet ut av stikkontakten og/eller fjern batteriet (hvis demonterbart) før du utfører innstillinger på elektroverktøyet, skifter tilbehørsdeler eller legger elektroverktøyet bort.** Disse tiltakene forhindrer en utilsiktet startung av elektroverktøyet.

- d) **Elektroverktøy som ikke er i bruk må oppbevares utilgjengelig for barn. Ikke la elektroverktøyet brukes av personer som ikke er fortlroelig med dette eller ikke har lest disse anvisningene.** Elektroverktøy er farlige når de brukes av uerfarne personer.
- e) **Vær nøye med vedlikeholdet av elektroverktøyet og tilbehøret. Kontroller om bevegelige maskindeler fungerer feilfritt og ikke klemmes fast, og om deler er brukket eller skadet, slik at dette innvirker på elektroverktøyets funksjon. La skadede deler repareres før elektroverktøyet brukes.** Dårlig vedlikeholdte elektroverktøy er årsaken til mange uhell.
- f) **Hold skjæreverktøyene skarpe og rene.** Godt stelte skjæreverktøy med skarpe skjær setter seg ikke så ofte fast og er lettere å føre.
- g) **Bruk elektroverktøy, tilbehør, verktøy osv. i henhold til disse anvisningene. Ta hensyn til arbeidsforholdene og arbeidet som skal utføres.** Bruk av elektroverktøy til andre formål enn det som er angitt kan føre til farlige situasjoner.
- h) **Hold håndtak og gripeflater tørre, rene og uten olje eller fett.** Glatte håndtak og gripeflater hindrer sikker håndtering og styring av verktøyet i uventede situasjoner.
- 5) SERVICE**
- a) **Maskinen din skal alltid kun repareres av kvalifisert fagpersonale og kun med originale reservedeler.** Slik opprettholdes elektroverktøyets sikkerhet.

SIKKERHETSANVISNINGER FOR GJÆRINGSSAG

- **Gjæringssager er tiltenkt å kutte ved eller produkter som er lik ved, de kan ikke brukes med slipende kuttehjull for kutting laget for å kutte jernholdige materialer slik som jernstanger eller pigger m.m.** Slipestøv kan føre til at bevægende deler, slik som det nedre vernet, blokkeres. Gnister fra slipende kutting forbrenner det nedre vernet, innsatsen og andre plastdeler.
- **Bruk klemmer til å støtte arbeidsstykket der det er mulig. Hvis arbeidsstykket støttes med hånden, må du alltid holde hånden minst 100 mm unna hver side av sagbladet. Ikke bruk denne saken til å kutte deler som er for små til kunne holdes med klemmer eller hånden** Hvis hånden er for nært sagbladet, er det økt fare for personskader fra kontakt med sagbladet.
- **Arbeidsstykket må være stasjonært og være klemt eller hold både mot anlegget og bordet. Ikke mat arbeidsstykket inn mot bladet eller kutt «frihånd» på noen måte** Løse eller bevægende arbeidsstykker kan kastes med høy hastighet og føre til personskader.
- **Trykk saken gjennom arbeidsstykket. Ikke dra saken gjennom arbeidsstykket. For å lage et kutt, løft saghodet og dra det ut over arbeidsstykket uten å kutte, start motoren, trykk saghodet ned og trykk saken gjennom arbeidsstykket** Ved kutting på trekslaget er det større fare for at saken trekkes opp på arbeidsstykket, dette kan kaste sagbladaggregatet mot brukeren med stor kraft.
- **Kryss aldri hånden over den tiltenkte kuttelinjen, enten foran eller bak sagbladet** Støtte av arbeidsstykket «overkryss» dvs. holde arbeidsstykket til høyre av sagbladet med venstre hånden eller omvendt er meget farlig.

- **Mens bladet roterer skal du ikke rekke hendene bak anlegget nærmere enn 100 mm fra begge sider av sagbladet for å fjerne trebiter eller av en hvilken som helst annen grunn** Avstanden fra det roterende bladet og hånden din er gjerne ikke åpenbar og du kan få alvorlige skader.
- **Inspiser arbeidsstykket før du kutter** Hvis arbeidsstykket er buet eller vridd, skal du sette det i klemme med utsiden av buen mot anlegget. **Sorg alltid for at det ikke er mellomrom mellom arbeidsstykket, anlegget og bordet langs kuttelinjen** Bøyde eller vridd arbeidsstykker kan vri eller bevege seg og kan føre til binding på det roterende sagbladet under kutting. Arbeidsstykket skal være uten spikker eller fremmedlegemer.
- **Ikke bruk sagen til bordet er ryddet for verktøy, trebiter m.m. bare arbeidsstykket skal være på bordet** Små biter med rusk, løse trebiter eller andre gjenstander som kommer i kontakt med det roterende bladet, kan kastes ut med stor hastighet.
- **Kutt bare ett arbeidsstykket om gangen** Flere arbeidsstykker stablet opp på hverandre kan ikke klemmes eller holdes godt nok og kan binde på bladet eller bevege seg mens du kutter.
- **Sorg for at gjæringsagen er montert eller plassert på en jevn, fast arbeidsoverflate før bruk.** En jevn og fast arbeidsoverflate reduserer risikoen for at gjæringsagen blir ustabil.
- **Planlegg arbeidet! Hver gang du endrer vinkelen eller innstillingen for gjæringsvinkelen, skal du se etter at det justerbare anlegget er innstilt slik at arbeidsstykket støttes skikkelig og at det ikke kommer i kontakt med bladet eller anlegget** Uten å slå verktøyet «PÅ» og uten et arbeidsstykket på bordet, beveg sagen gjennom et komplett simulert kutt for å sjekke at det er ingen hindringer eller fare for å kutte anlegget.
- **For et arbeidsstykke som er bredere eller lengre enn bordoverflaten skal du gi tilstrekkelig støtte, slik som bordforlengelser, sagbuk osv.** Arbeidsstykker som er bredere eller lengre enn bordet til gjæringsagen kan velte hvis de ikke er tilstrekkelig støttet. Hvis delen som kuttet av eller arbeidsstykket velter, kan det løfte det øvre vernet eller det kan kastes av det roterende bladet.
- **Ikke bruk en annen person som erstatning for en bordforlengelse eller som ekstra støtte** Ustabil støtte for arbeidsstykket kan føre til at bladet bindes eller at arbeidsstykket beveger seg under kutting, og dra deg og din medhjelper inn i det roterende bladet.
- **Delen som kuttet av skal ikke på noen måte skyves eller trykkes inn mot det roterende sagbladet** hvis det klemmes inn, dvs. ved bruk av lengdestopp, kan delen som kuttet av kile seg mot bladet og kastes ut med stor kraft.
- **Bruk alltid en klemme eller annen feste utformet til å gi skikkelig støtte til runde materialer, slik som stenger eller rør** Stenger har en tendens til å rulle mens de kutte, det kan føre til at bladet biter og drar arbeidsstykket og hånden inn mot bladet.
- **La bladet må full hastighet før det har kontakt med arbeidsstykket** Dette reduserer risikoen for at arbeidsstykket kastes.
- **Hvis arbeidsstykket eller bladet kiles fast, skal du slå gjæringsagen av. Vent til alle bevægende deler er stoppet helt og frakoble støpselet av stikkkontakten og/eller ta ut batteripakken.** Fjern

- deretter det fastkilte arbeidsstykket Forsetter du å sage med et fastkilt arbeidsstykket kan føre til at man mister kontroll eller skader gjæringsagen.
- **Etter kuttet er ferdig, slipp bryteren, hold saghodet nede og vent til bladet stopper før du tar fjerner den avkuttete delen** Det er farlig å føre hånden i nærheten til et blad som fremdeles roterer.
- **Hold godt fast i håndtaket når du kutter et ufullstendig kutt eller når du slipper bryteren for saghodet er helt nede** Nedbremsingen av sagen kan føre til at sagbladet plutselig trekkes nedover, dette fører til risiko for personskaade.

EKSTRA SIKKERHETSANVISNINGER

- Innkoblinger fører til korte spenningsreduksjoner; ved ugunstige nettvilkår kan det oppstå forstyrrelser på andre apparater (ved nettimpedanser på mindre enn 0,219 Ohm forventes det ingen forstyrrelser); hvis De ønsker ytterligere klargjørelse, kontakt vennligst din lokale el leverandør myndighet

GENERELL

- Verktøyet skal bare brukes til saging av tre
- Sjekk alltid at tilført spenningen er den samme som oppgitt på verktøyet merkeplate
- **Ikke stå på verktøyet eller dets stativ** Det kan oppstå alvorlige personskader hvis verktøyet velter eller hvis man kommer ved uhell i kontakt med kutteverktøyet. Ikke lagre materialer på eller i nærheten av verktøyet, slik at det ikke er nødvendig å stå på verktøyet eller dets stativ for å nå disse.
- **Ta alltid ut kontakten før du forandrer innstillinger på sagen eller skifter tilbehør**
- **Støpselet skal alltid plugges ut av stikkkontakten før gjæringsagen transporteres** Plugg ut, senk saghodet og lås det på plass. Bruk bærehåndtaket og utsparingen til hånden i bunnen av sagen.
- **Ikke forlat verktøyet før det er stoppet helt opp**
- **Når du kutter arbeidsstykker med uregelmessig fasong, skal du planlegge arbeidet slik at det ikke skliir, klemmer bladet og slites ut av hånden**
- Verktøyet må ikke brukes av personer under 16 år
- Dette verktøyet er ikke beregnet for vannsaging

BRUK

- Når verktøyet skal brukes utendørs, må det koples til en feilstrømbryter (FI) feilstrømbryter som vil kople ut på 30 mA maksimum; det skal også bare brukes skjøteledninger som er beregnet for bruk utendørs og som er utstyrt med sprutsikker stikkontakt

FØR BRUK

- Bruk helt utrullet og sikker skjøteledning med en kapasitet på 16 A
- Bruk beskyttelsesbriller, hørselsvern, og beskyttelseshansker
- Støv fra materialer som blyholdig maling, visse tresorter, mineraler og metall kan være skadelig (kontakt med eller inhalering av støv kan gi allergiske reaksjoner og/eller sykdommer i åndedretsorganene for brukeren eller personer i nærheten); **bruk støvmaske og arbeid med støvfjerningsutstyr når det er mulig**
- Visse typer støv er klassifisert som kreftfremkallende (som f.eks. støv fra eik og bøk), spesielt sammen med tilsetningsstoffer for trebehandling; **bruk støvmaske og arbeid med støvfjerningsutstyr når det er mulig**
- Følg de nasjonale krav, når det gjelder støv for de materialer du ønsker å arbeide med

- **Ikke bearbeid asbestholdig material** (asbest kan fremkalle kreft)
- Bruk aldri verktøyet uten det originale beskyttelsessystemet
- Kontroller alltid sikkerhetsdekslet før bruk
- Ikke bruk sagen hvis ikke sikkerhetsdekslet beveger seg fritt og lukker umiddelbart
- Sikkerhetsdekslet må aldri klemmes eller bindes fast i åpen posisjon
- Bruk aldri verktøyet uten bordinnsats; skift bordinnsatsen hvis den er ødelagt eller slitt
- Rydd unna alle hindringer i arbeidsområdet før du begynner å sage
- Unngå skade pga. skruer, spiker eller andre elementer i arbeidsstykket; fjernes før man starter jobben

TILBEHØR

- Bruk aldri slipe-/kappeskiver til dette verktøyet
- SKIL kan kun garantere et feilfritt verktøy dersom riktig tilbehør brukes, som leveres fra SKIL-forhandleren på stedet
- For montering og bruk av ikke-originalt SKIL tilbehør, henvises det til brukerveiledning fra aktuell produsent
- Bruk kun sagblad som tilsvare de tekniske dataene som er angitt i denne bruksanvisningen og som er kontrollert jf. EN 847-1 og tilsvarende markert
- Bruk kun tilbehør med et godkjent turtall som er minst like høyt som verktøyets høyeste tomgangsturtall
- Bruk aldri sagblader av HSS (stål)
- Bruk aldri skjevt, deformert eller sløvt sagblad
- Bruk bare sagblader med hull diameter som passer til spindelen uten dødgang; bruk aldri reduksjoner eller adaptere for å montere et sagblad med stort hull
- Beskytt tilbehøret mot slag, støt og fett

UNDER BRUK

- **Ikke bruk makt på verktøyet** (før verktøyet lett og kontinuerlig for å unngå overoppheting av bladspissene, og ved kutting av plast, smelting av plastmaterialet)
- Hold fingre, hender og armer unna det roterende sagbladet
- Hvis sagbladet blir sittende fast, må du straks slå av verktøyet og trekke ut støpselet; først deretter fjerner du arbeidsstykket
- Ved fastkjøring eller ved elektriske/mekaniske problemer, slå øyeblikkelig av bryteren og dra ut støpset
- Hvis kabelen skades eller kappes under arbeid må kabelen ikke berøres, men støpselet straks trekkes ut
- Verktøyet skal aldri brukes hvis ledningen er skadet. Det må byttes ut med en spesialledning tilgjengelig via serviceavdelingen.

LASERSTRÅLING

- **Rettt aldri laserstrålen mot personer eller dyr, og se ikke selv rett inn i den direkte eller reflekterte laserstrålen** (det kan føre til blinding, uhell og øyeskader)
- Ved øyekontakt med laserstrålen må øyet lukkes bevisst og hodet straks bevegtes bort fra strålen
- Det må ikke gjøres endringer på laserutstyret
- Ikke se inn i laserstrålen (laserstråling)
- Ikke bruk noen som helst forstørrende optisk anordning (som f.eks. forstørrelsesglass, teleskop eller kikkert) til å se laserstrålen
- Ikke bruk verktøyet i nærheten av brannfarlig væske, gass eller støv
- Ikke bruk verktøyet hvis det er barn i nærheten
- Skift ikke ut den installerte laseren med en annen lasertype

ETTER BRUK

- Etter at verktøyet er slått av, prøv aldri å stoppe tilbehørets rotasjonen med bruk av sideveis kraft
- Avsagde biter og andre deler av arbeidsstykket må ikke fjernes fra skjæreområdet før alle bevegende deler står helt stille
- Sagbladet blir svært varmt under bruk; ikke ta på det før det er avkjølt
- Verktøyet skal oppbevares **innendørs** på et tørt sted hvor det er låst inne og er utilgjengelig for barn

FORKLARING AV SYMBOLER PÅ VERKTØY

- ② Les instruksjonsboken for bruk
- ③ Bruk beskyttelsesbriller og hørselsvern
- ④ **Fareområde! Ingen-hender-sone. Hold hendene, fingrene eller armene unna dette området.**
- ⑤ Dobbelisolert (ikke nødvendig med jordingsleder)
- ⑥ Kast aldri elektroverktøy og batterier i husholdningsavfallet
- ⑦ **Laserstråling / Ikke se inn i strålen / Laserprodukt klasse 2**

BRUK

- Montering
 - monter transporthåndtaket E med 2 bolter ved bruk av en sekskantnøkkel AN ⑨
 - monter låseknotten for gjæring AE inni forsiden av bordet ⑩
 - monter skvyeanlegget U (se Justering av anlegg)
- Transport/arbeids-posisjon
 - For å frigjøre verktøyet (**arbeids**-posisjon)
 - trykk håndtaket B ⑧ nedover med én hånd med du drar ut låsepinnen C med den andre hånden ⑪a
 - før verktøyhodet sakte oppover
 - For å sikre verktøyet (**transport**-posisjon)
 - skyv hodemonteringen til stoppet i retning av anlegget S (stil inn med cirka 5 cm avstand) og stram til låseknotten AH ⑪b
 - sett skråvinkelen til 0° (se Sette skråvinkel)
 - sett gjæringsvinkel to 45° venstre eller høyre (se Stille inn gjæringsvinkel)
 - trykk håndtaket B nedover med én hånd mens låsepinnen trykkes inn C med den andre hånden
 - kveil sammen strømledningen
 - bruk transporthåndtaket E ⑧ til å bære verktøyet ⑪d
 - alternativt kan du bruke sidehåndtakene til å bære verktøyet ⑪e
 - ! løft verktøyet aldri ved hovedhåndtaket eller strømledningen**
 - Montering av verktøyet på arbeidsflaten ⑫
 - ! for å oppnå sikker bruk skal verktøyet alltid monteres på en flat og stabil arbeidsflate (f.eks. arbeidsbenk)**
 - bruk 4 monteringshull F og fest verktøyet til arbeidsflaten med egnede skruer
 - det er også mulig å klemme verktøyet til arbeidsflaten med skrutvinger
 - du kan justere høyden på støttefoten for å G stabilisere verktøyet
 - alternativt kan verktøyet monteres på stativet til en gjæringsssag
 - ! les alle advarslene og instruksene som medfølger gjæringsssagstativet**

- Støv-/sponavsug ¹³
 - monter støvposen H/støvsuger som vist
 - tøm støvposen regelmessig for optimalt støvavsug
 - ! **ikke la støvsugerslangen komme i kontakt med underskjermen eller selve kuttingen**
 - Sagbordutvidelse ¹⁴
 - bruk knottene L for å stramme til forlengelsestengene K (på en av sidene til verktøyet)
 - lengden til forlengelsestengene K kan justeres trinnløst fra minimum to maksimum
 - Oppspenning av arbeidsstykket ¹⁵
 - ! **for optimal arbeidssikkerhet skal arbeidsstykket alltid settes godt fast med den medleverte justerbare klemmen**
 - ikke bruk arbeidsstykker som er for små til klemmen
 - for **maksimale** dimensjoner på arbeidsstykket, bruk tabellen ¹⁶ som referanse
 - fest den monterte klemmen til hullet N med knotten P (på en av sidene til verktøyet)
 - klemmen til arbeidsstykker har 2 spor for enkel låsing, 1 til tynne arbeidsstykker (opptil 5 cm) og 1 til større arbeidsstykker (over 5 cm)
 - press arbeidsstykket kraftig mot anlegget S
 - spake til å låse opp R
 - tilpass klemmen til arbeidsstykket
 - klem arbeidsstykket godt fast ved å bruke låsespaken R
 - ! **til noen skråkant- og gjæringskombinasjoner, eller avhengig av størrelsen til arbeidsstykket, kan det være nødvendig å bruke kommersielt tilgjengelige skruklemmer i stedet for klemmer til arbeidsstykket**
 - Innstilling av gjæringsvinkler ¹⁷
 - løsne låsehåndtaket AE
 - dra gjæringsperrrens utløsespake AF
 - vri sagbordet mot høyre eller venstre og innstill ønsket gjæringsvinkel (fra 0° til 50°) ved hjelp av indikatoren AG
 - utløsespaken AF
 - stram til låsehåndtaket AE (**ikke stram til håndtaket for mye**)
 - for hurtig og presis innstilling av gjæringsvinkler som ofte brukes (0°, 15°, 22,5°, 31,6°, 45°) sperrespaken for gjæring AF klikker på plass i de tilsvarende posisjonene. For å forhindre dette kan AF spaken låses i åpen posisjon ¹⁷b
 - Innstilling av skråvinkler ¹⁸
 - løsne knotten som har tre knaster W
 - sving saghodet til venstre inntil skråvinkel-indikatoren X peker mot ønsket skråvinkel
 - juster skråvinkelens lengdestopp AA (45°) kan brukes til å stoppe ved 45° eller fortsette til 48° ¹⁸b
 - hold saghodet i denne posisjonen og stram knotten W
 - for skråsaging mot høyre, vipp først saghodet litt til venstre, vri løseknotten for høyre skråkant AB (cirka 60°), sving saghodet til ønsket høyre skråvinkel ¹⁸c
 - når du svinger saghodet tilbake til venstre, tilbakestilles knotten for den høyre skråvinkelen AB automatisk til 0° lengdestopp. Dette kan forhindres ved å vri knappen til cirka 90° istedenfor 60° ¹⁸d
 - Sammensatte kutt ¹⁹
 - sammensatte kutt krever innstilling av både gjæringsvinkel og skråvinkel
- ! **ikke bruk sagen i noen kombinasjoner for gjæring og skråkant som kan føre til forstyrrelser mellom bevogende og stillestående deler av sagen eller mellom bevogende deler og arbeidsstykket – for å gjøre kuttet, fjern anlegget, skyv låseknotten for anlegget og knotten for klemmen til arbeidsstykket som nødvendig.**
- ! **prøv alltid først på et stykke restmateriale**
- Justering av skyveanleggene ²⁰
 - løsne knott V for å skyve anlegget/anleggene U
 - løsne knott V mer for å ta av / sette på anlegg
 - stram knott V for å feste i ønsket posisjon
 - ! **sørg for at skyveanleggene er forsvarlig festet før verktøyet brukes**
 - ! **for noen kombinasjoner for gjæring og skråkant kan det også være nødvendig å ta knotten av**
 - Laserlinje ²¹
 - for å føre verktøyet langs ønskede saglinjen, markert på arbeidsstykket
 - slå på/av laserlinjen ved å trykke bryteren AD
 - ! **for sagingen begynner kontrolleres justeringen av den laserlinjen i forhold det virkelige saglinjen ved å ta et prøveuttak på et stykke avfall**
 - Saging uten skyvebevegelse (små arbeidsstykker)
 - løsne låseknotten AH hvis den er strammet
 - skyv saghodet til stoppen i retning mot anlegget, S og stram til låseknotten på nytt AH
 - ! **Unnlattelse av å låse mekanismen kan føre til at bladet plutselig klatre opp på arbeidsstykket og tvinge seg mot deg**
 - sett verktøyet i arbeidsposisjon
 - ! **sørg for at arbeidsstykket er godt fastklemt mot sagbladet og anslaget S**
 - slå på verktøyet ved å slippe låsen AJ og dra i hovedbryteren AI
 - ! **ikke kryss armene når du bruker saghodet ²³a**
 - sag gjennom arbeidsstykket med en jevn bevegelse
 - ! **verktøyet må ha nådd maks. hastighet før sagbladet kommer i kontakt med arbeidsstykket**
 - slå av verktøyet ved å slippe bryteren AI
 - vent til sagbladet har stoppet helt opp før du fører saghodet sakte oppover
 - Sage med skyvebevegelse (brede arbeidsstykker)
 - ! **metoden som er beskrevet nedenfor, er den eneste sikre**
 - Ikke trekk sagen gjennom arbeidsstykket
 - løsne låseknotten AH hvis den er strammet
 - ! **sørg for at arbeidsstykket er godt fastklemt mot sagbladet og anslaget S**
 - dra verktøyarmen så langt vekk fra anlegget S fat sagbladet kommer foran arbeidsstykket ²⁴
 - slå på verktøyet ved å slippe låsen ²² og dra i hovedbryteren
 - ! **ikke kryss armene når du bruker saghodet ²³a**
 - skyv verktøyarmen i retning mot anlegget S og sag gjennom arbeidsstykket med en jevn bevegelse ²⁴
 - ! **verktøyet må ha nådd maks. hastighet før sagbladet kommer i kontakt med arbeidsstykket**
 - ! **hvis det nedre vernet ikke åpnes automatisk, som kan skje under visse forhold (f.eks. et arbeidsstykke er nesten ved maksimum kapasitet), må du kanskje åpne vernet manuelt ²³b**
 - slå av verktøyet ved å slippe bryteren AI

- vent til sagbladet har stoppet helt opp før du fører saghodet sakte oppover
- Sagespor ²⁵
 - still inn ønsket dybde med dybdestoppen, AK og lås den fast ved å trekke til mutteren AM
 - et avstandstykke i tre skal legges mellom arbeidsstykket og anlegget for konsekvent dybde over hele sporets lengde
 - ! **viktig å unngå at sagbladet kan bli sittende fast i arbeidsstykket**
 - ! **prøv alltid først på et stykke restmateriale**
- Bytte av sagblad ²⁶
 - ! **trekk ut støpselet av stikkontakt**
 - ta frem sekskantnøkkelen AN fra oppbevaring AO
 - hold vernet A i åpen posisjon
 - løsne skruen til dekselplaten AQ (ikke skru skruen helt ut) ^{26a}
 - drei vernet A helt bakover ^{26b}
 - trykk på spindellåseknappen AP og hold den inne mens du fjerner bladbolten AR ved å dreie sekskantnøkkelen AN **MED URVISEREN** (= samme vei som pilen på sagbladet)
 - ! **vent med å trykke på spindellåsknappen AP til verktøyet har stanset og er i ro**
 - slipp spindellåsknappen AP
 - fjern flensen AS og sagbladet
 - ! **skift sagbladet slik at bladets tenner og pilen på bladet peker samme vei som pilen på sikkerhetsdekelet A**
 - monter flensen AS ^{23c}
 - trykk på spindellåsknappen AP og hold den inne mens du strammer bladbolten ved å vri sekskantnøkkelen 1/8 omdreining AN **MOT URVISEREN** mer enn trukket til for hånd (sikrer at sagbladet slipper hvis det møter for stor motstand og reduserer derfor overbelastning av motoren og tilbakeslag)
 - stram dekkplateskruen AQ
- Skifting av bordinnsats ²⁸
 - Skift en ødelagt eller slitt bordinnsats slik:
 - ! **trekk ut støpselet av stikkontakt**
 - ta frem sekskantnøkkelen AN fra oppbevaring AO
 - fjern alle 6 skruer som vist
 - fjern den gamle bordinnsatsen ved å løfte den foran og trekke den helt ut
 - monter ny bordinnsats
 - ! **stram de 6 skruene grundig**
- Kontrolljustering av 90° innretting av bladet ²⁹
 - ! **trekk ut støpselet av stikkontakt**
 - drei sagbordet til gjæringsposisjonen 0° og lås det
 - sett saghodet til skråposisjon 0°
 - senk saghodet og lås den
 - bruk en vinkelhake og kontroller at vinkelen mellom bladet og bordet er 90°
 - om nødvendig justeres bladets 90° innretting slik:
 1. løsne knotten som har tre knaster W
 2. juster skruen Y med en 4 mm sekskantnøkkel (ikke levert som standard) ^{23b}
 3. kontroller på nytt med en gjæringsvinkel
 4. tilbakestill skråkant-indikator til 0° ^{23c}
- Kontrolljustering av 45° innretting av bladet ²⁹
 - ! **trekk ut støpselet av stikkontakt**
 - drei sagbordet til gjæringsposisjonen 0° og lås det
 - løsne knotten som har tre knaster W

- sett det justerbare lengdestoppet for skråkant AA til 45° ^{29b}
- sving saghodet mot venstre
- bruk en vinkelhake og kontroller at vinkelen mellom bladet og bordet er 45° ^{29a}
- kontroller at skråvinkel-indikatoren X er på 45° merket
- om nødvendig justeres bladets 45° innretting slik:
 1. juster skruen Z med bladnøkkel 10 (ikke levert som standard)
 2. kontroller med en gjæringsvinkel
- om nødvendig, gjenta for 45° innstillingen mot høyre
- senk saghodet og lås den
- Kontrolljustering av 90° innretting av anlegget ³⁰
 - ! **trekk ut støpselet av stikkontakt**
 - drei sagbordet til gjæringsposisjonen 0° og lås det
 - senk saghodet og lås den
 - kontroller ved hjelp av en vinkelhake at vinkelen mellom bladet og anlegget er 90° S (pass på at vinkelhaken berører selve sagbladet og ikke tennene)
 - om nødvendig justeres anleggets 90° innretting slik:
 1. løsne 4 sekskantskruer T
 2. juster anlegget slik at bladet og anlegget har full kontakt med vinkelhaken
 3. stram 4 sekskantskruer T
 4. tilbakestill gjærings-indikator til 0° ^{30c}
- Ledningsklips ³¹
 - bruk kabelstripset AV for å forhindre at strømledningen kommer i klemme mellom verktøyet sine bevegende og stillestående deler

BRUKER TIPS


- Spesielle arbeidsstykker
 - de fri endene på lange arbeidsstykker på alltid støttes
 - sørg for at buede eller runde arbeidsstykker sikres ekstra godt mot å løsne ³³
 - ved skjærelinjen må det ikke være åpning mellom arbeidsstykket og anlegget eller sagbordet
 - om nødvendig, lag et ekstra anlegg. Hullene i skyveanlegget skal brukes til å feste det ekstra anlegget ³⁴
- ! **det ekstra anlegget kan bare brukes ved 0° skråkant**
- Ved arbeid med gulvlister kan illustrasjon ³⁵ brukes som referanse
- Legg alltid den pene siden av arbeidsstykket ned for å forsikre deg om minimum splintring av materialet
- Bruk alltid skarpe sagblader av riktig type
 - kvaliteten på sagingen økes med antall tenner på sagbladet
 - hårdmetall-blader har 30 ganger lengre levetid enn vanlige blader

VEDLIKEHOLD / SERVICE

- Hold alltid verktøyet og ledningen ren (spesielt ventilasjonshullene på baksiden av motorhuset)
- Utfør regelmessige kontroller for å være sikker på at det nedre vernet virker som det skal. Rengjør det nedre vernet for sagglied med bruk av en fuktig klut.
 - dra ut støpselet før rengjøring
 - løft det nedre vernet til helt åpen posisjon og slip det. Hvis det ikke lukker helt med en gang, skal det sjekkes av et service senter for SKIL-elektroverktøy

- Rengjør sagblad straks etter bruk (spesielt for kvae og lim)
 - sagbladet blir svært varmt under bruk; ikke ta på det før det er avkjølt
- Rengjør laserlyset AC med en myk kost etter hver bruk slik at god synlighet av laserlinjen opprettholdes (sørg for at du ikke endrer innstillingen til laseren)
- Hvis elektroverktøyet til tross for omhyggelige produksjons- og kontrollmetoder en gang skulle svikte, må reparasjonen utføres av et autorisert serviceverksted for SKIL-elektroverktøy
 - send verktøyet i **montert** tilstand sammen med kjøpebevis til forhandleren eller nærmeste SKIL servicesenter (adresser liksom service diagram av verktøyet finner du på www.skil.com)
- Vær klar over at skade som skyldes overbelastning eller feilbehandling av verktøyet ikke dekkes av garanti (for SKIL garantibetingelser se www.skil.com eller spør din forhandler)

MILJØ

- **Kast aldri elektroverktøy, batterier, tilbehør og emballasje i husholdningsavfallet** (kun for EU-land)
 - i henhold til EU-direktiv 2012/19/EF om kasserte elektriske og elektroniske produkter og direktivets iverksetting i nasjonal rett, må elektroverktøy som ikke lenger skal brukes, samles separat og returneres til et miljøvennlig gjenvinningsanlegg
 - symbolet  er påtrykt som en påminnelse når utskiftning er nødvendig

STØY


- Målt i samsvar med EN 62841 lydtrykknivået av dette verktøyet er 100,0 dB(A) og lydstyrkenivået 109,5 dB(A) (usikkerhet K = 3 dB)
- Støyetslippen har blitt målt i samsvar med en standardisert test gitt i EN 62841. Det kan brukes til å sammenligne ett verktøy med ett annet og til foreløbig vurdering av utsettelse til støy når verktøyet brukes til de nevnte bruksformål
 - bruk av verktøyet til andre oppgaver, eller med annet eller mangelfullt vedlikeholdt utstyr, kan gi en vesentlig **økning** av eksponeringsnivået
 - tidsrommene når verktøyet er avslått eller når det går men ikke arbeider, kan gi en vesentlig **reduksjon** av eksponeringsnivået

FIN

Katkaisu- ja jiirisaha

1320

ESITTELY

- Tämä työkalu on tarkoitettu kiinteäksi koneeksi suorien ja kulmasahausten (vaakasuurat -50°...+50° viistekulmat ja pystysuurat -48°...+45° kaltevuuskulmat ovat mahdollisia) tekemiseen puuhun pitkätais- ja poikkitaissuunnassa
- Lue ja säilytä tämä ohjekirja 
- Tätä työkalua ei ole tarkoitettu ammattikäyttöön
- **Käyttö työkalua ainoastaan silloin, kun se on asennettu oikein ja kokonaan** (huomaa, että Skil ei voi ottaa vastuuta työkalun vaurioitumisesta ja/ tai henkilövahingoista, joita voi aiheutua työkalun virheellisestä asennuksesta)


TEKNISET TIEDOT

LAITTEEN OSAT

- A Alasuojus
- B Kytinkahva
- C Lukitustappi kuljetusta varten
- D Ylempi suojus
- E Kuljetuskahva
- F Kiinnitysreiät
- G Tukijalka
- H Pölypussi
- J Pölyportti
- K Jatkokiskot
- L Nupit jatkokiskojen lukitsemista varten
- M Pidike työköppaleen kiinnittämiseen
- N Tukiakukko
- P Nuppi pidikkeen kiinnitykseen
- Q Nuppi pidikkeen säätämiseen
- R Kiristysvipu
- S Ohjain
- T Kuusioruuvit ohjaimen säätämiseen (4x)
- U Liukuva ohjain
- V Liukuvan ohjaimen nuppi
- W Lukitusnuppi (viistekulmat)
- X Kaltevuuskulmamittari
- Y Ruuvi kaltevuuskulman säätämiseen (oikealla)
- Z Ruuvi kaltevuuskulman säätämiseen (vasemmalla)
- AA Säädettävä rajoitin
- AB Oikealle suuntautuvan viisteen vapautusvipu
- AC Laservalo
- AD Laserin virtakytkin
- AE Lukituskahva (viistekulmat)
- AF Viisteen lukitsimen vapautusvipu
- AG Viistekulmamittari
- AH Lukitusnuppi liukulaitteelle
- AI Virtakytkin
- AJ Varmistin
- AK Sahaussyvyyden rajoitin
- AL Syvyydenrajoitin
- AM Syvyydenrajoitinmutteri
- AN Kuusiokoloavain
- AO Säilytyspaikka kuusiokoloavainta varten
- AP Karanlukituspainike
- AQ Suojalevyn ruuvi
- AR Teräpultti
- AS Laippa
- AT Pöydän irtopala
- AU Pölydeflektori
- AV Johtokiinnike

TURVALLISUUS

YLEISET SÄHKÖTYÖKALUJEN TURVALLISUUTEEN LIITTYVÄT VAROITUKSET

 **VAROITUS: Perehdy kaikkiin tämän sähkötyökalun mukana toimitettuihin varoituksiin, ohjeisiin, kuviin ja teknisiin tietoihin.** Jos kaikkia alla olevia ohjeita ei noudateta, seurauksena voi olla sähköisku, tulipalo ja/tai vakava loukkaantuminen.

Säilytä kaikki turvallisuus- ja muut ohjeet tulevaisuutta varten.

Turvallisuusohjeissa käytetty käsite "sähkötyökalu" käsittää verkkokäyttöisiä sähkötyökaluja (verkkojohdolla) ja akkukäyttöisiä sähkötyökaluja (ilman verkkojohtoa).

1) TYÖPAIKAN TURVALLISUUS

- a) **Pidä työskentelyalue puhtaana ja hyvin valaistuna.** Työpaikan epäjärjestys tai valaisemattomat työalueet voivat johtaa tapaturmiin.
- b) **Älä työskentele sähkötyökalulla räjähdyksalttiissa ympäristössä, jossa on palavaa nestettä, kaasua tai pölyä.** Sähkötyökalu muodostaa kipinöitä, jotka saattavat sytyttää pölyn tai höyryt.
- c) **Pidä lapset ja sivulliset loitolla sähkötyökalua käyttäessäsi.** Voit menettää laitteesi hallinnan, huomiosi suuntautuessa muualle.

2) SÄHKÖTURVALLISUUS

- a) **Sähkötyökalun pistotulpan tulee sopia pistorasiaan.** Pistotulppaa ei saa muuttaa millään tavalla. Älä käytä mitään pistorasia-adaptoreita maadoitettujen sähkötyökalujen kanssa. Alkuperäisessä kunnossa olevat pistotulpat ja sopivat pistorasiat vähentävät sähköiskun vaaraa.
- b) **Vältä koskettamasta maadoitettuja pintoja, kuten putkia, pattereita, liesiä tai jääkaappeja.** Sähköiskun vaara kasvaa, jos kehoosi on maadoitettu.
- c) **Älä aseta sähkötyökalua alttiiksi sateelle tai kosteudelle.** Veden tunkeutuminen sähkötyökalun sisään kasvattaa sähköiskun riskiä.
- d) **Älä käytä verkkojohtoa väärin. Älä käytä sitä sähkötyökalun kantamiseen, vetämiseen tai pistotulpan irrottamiseen pistorasiasta. Pidä johto loitolla kuumuudesta, öljystä, terävistä reunoista ja liikkuvista osista.** Vahingoittuneet tai sotkeutuneet johdot kasvattavat sähköiskun vaaraa.
- e) **Käyttäessäsi sähkötyökalua ulkona, käytä ainoastaan ulkokäyttöön soveltuvaa jatkojohtoa.** Ulkokäyttöön soveltuvan jatkojohdon käyttö pienentää sähköiskun vaaraa.
- f) **Jos sähkötyökalun käyttö kosteassa ympäristössä ei ole välttävissä, tulee käyttää maavuotokatkaisijaa.** Maavuotokatkaisijan käyttö vähentää sähköiskun vaaraa.

3) HENKILÖTURVALLISUUS

- a) **Ole valpas, kiinnitä huomiota työskentelyysi ja noudata tervettä järkeä sähkötyökalua käyttäessäsi. Älä käytä sähkötyökalua, jos olet väsynyt tai huumeiden, alkoholin tahi lääkkeiden vaikutuksen alaisena.** Hetken tarkkaamattomuus sähkötyökalua käytettäessä, saattaa johtaa vakavaan loukkaantumiseen.
- b) **Käytä suojarusteita. Käytä aina suojalaseja.** Henkilökohtaisen suojarustuksen käyttö, kuten pölynaamarin, luistamattomien turvakengien, suojakypärän tai kuulonsuojaimien, riippuen sähkötyökalun lajista ja käyttötavasta, vähentää loukkaantumisriskiä.
- c) **Vältä tahatonta käynnistämistä. Varmista, että sähkötyökalu on poiskytkettynä, ennen kuin liität sen sähköverkkoon ja/tai liität akun, otat sen käteen tai kannat sitä.** Jos kannat sähkötyökalua sormi käynnistyskytkimellä tai kytket sähkötyökalun pistotulpan pistorasiaan, käynnistyskytkimen ollessa käyntiasennossa, altistat itsesi onnettomuuksille.

- d) **Poista kaikki säätötyökalu ja ruuvitaltat, ennen kuin käynnistät sähkötyökalun.** Työkalu tai avain, joka sijaitsee laitteen pyörivässä osassa, saattaa johtaa loukkaantumiseen.
 - e) **Älä yllärvioi itseäsi. Huolehdi aina tukevasta seisoma-asennosta ja tasapainosta.** Täten voit paremmin hallita sähkötyökalua odottamattomissa tilanteissa.
 - f) **Käytä tarkoitukseen soveltuvia vaatteita. Älä käytä löysiä työvaatteita tai koruja. Pidä hiukset ja vaatteet poissa liikkuvien osien ulottuvilta.** Väljät vaatteet, korut ja pitkät hiukset voivat takertua liikkuviin osiin.
 - g) **Jos pölynimu- ja keräilylaitteita voidaan asentaa, tulee sinun tarkistaa, että ne on liitetty ja että ne käytetään oikealla tavalla.** Pölynimulaitteiston käyttö vähentää pölyn aiheuttamia vaaroja.
 - h) **Työskentele keskittyneesti ja noudata aina turvallisuusmääräyksiä.** Hetkellinenkin huolimattomuus voi aiheuttaa vakavia vammoja.
- #### 4) SÄHKÖTYÖKALUJEN KÄYTTÖ JA HOITO
- a) **Älä ylikuormita laitteita. Käytä kyseiseen työhön tarkoitettua sähkötyökalua.** Sopivaa sähkötyökalua käyttäen työskentelet paremmin ja varmemmin tehoalueella, jolle sähkötyökalu on tarkoitettu.
 - b) **Älä käytä sähkötyökalua, jota ei voida käynnistää ja pysäyttää käynnistyskytkimestä.** Sähkötyökalu, jota ei enää voida käynnistää ja pysäyttää käynnistyskytkimellä, on vaarallinen ja se täytyy korjata.
 - c) **Irrota pistotulppa pistorasiasta ja/tai irrota akku (jos irrotettava) sähkötyökalusta, ennen kuin suoritat säätöjä, vaihdat tarvikkeita tai viet sähkötyökalun varastoon.** Nämä turvatoimenpiteet pienentävät sähkötyökalun tahattoman käynnistysriskin.
 - d) **Säilytä sähkötyökalut poissa lasten ulottuvilta, kun niitä ei käytetä. Älä anna sellaisten henkilöiden käyttää sähkötyökalua, jotka eivät tunne sitä tai jotka eivät ole lukeneet tätä käyttöohjetta.** Sähkötyökalut ovat vaarallisia, jos niitä käyttävät kokemattomat henkilöt.
 - e) **Pidä sähkötyökalut ja tarvikkeet hyvässä kunnossa. Tarkista, että liikkuvat osat toimivat moitteettomasti, eivätkä ole puristuksessa sekä, että siinä ei ole murtuneita tai vahingoittuneita osia, jotka saattaisivat vaikuttaa haitallisesti sähkötyökalun toimintaan.** Anna korjauttaa mahdolliset viat ennen käyttöönottoa. Momen tapaturman syyt löytyvät huonosti huolletuista laitteista.
 - f) **Pidä leikkausterävinä ja puhtaina.** Huolellisesti hoidetut leikkaustyökalut, joiden leikkausreunat ovat teräviä, eivät tartu helposti kiinni ja niitä on helpompi hallita.
 - g) **Käytä sähkötyökaluja, tarvikkeita, vaihtotyökaluja jne. näiden ohjeiden mukaisesti. Ota tällöin huomioon työolosuhteet ja suoritettava toimenpide.** Sähkötyökalun käyttö muuhun kuin sille määrättyyn käyttöön, saattaa johtaa vaarallisiin tilanteisiin.
 - h) **Pidä kahvat ja kädensijat kuivina ja puhtaina (öljytöminä ja rasvattomina).** Jos kahvat ja kädensijat ovat liukkaita, et pysty ylläpitävissä tilanteissa ohjaamaan ja hallitsemaan työkalua turvallisesti.

5) HUOLTO

- a) **Anna koulutettujen ammattihenkilöiden korjata sähkötyökalusi ja hyväksy korjauksiin vain**

alkuperäisiä varaosia. Täten varmistat, että sähkötyökalu säilyy turvallisena.

JIIRISAHAN TURVALLISUUSOHJEET

- Jiirisahat on tarkoitettu puun tai puunkaltaisten tuotteiden leikkaamiseen. Niitä ei saa käyttää hiomalaitteilla rautaisten materiaalien, kuten esimerkiksi tankojen, palkkien tai putkien, leikkaamiseen. Hiomapöly aiheuttaa liikkuvien osien, kuten alasuojan, kiinnitarttumiseen. Hiovan katkaisun aikana syntyvät kipinät polttavat alasuojan, halkaisukappaleen ja muut muoviosat.
- Käytä puristimia työkappaleen tukemiseen aina kuin mahdollista. Jos pidät työkappaletta paikoillaan käsin, käsien on oltava vähintään 10 cm:n etäisyydellä sahanterän molemmista reunista. Älä käytä tätä sahaa liian pienten kappaleiden leikkaamiseen, joita ei voida turvallisesti kiinnittää tai pitää paikoillaan käsin. Jos käyttäjän kädet ovat liian lähellä sahanterää, loukkaantumisriski kasvaa.
- Työkappaleen on oltava paikoillaan ja kiinnitettynä molempiin ohjaimiin ja pöytään. Älä syötä työkappaletta terään äläkä leikkaa mitään ”vapaalla kädellä”. Kiinnittämättömät tai liikkuvat työkappaleet voivat lentää suurella nopeudella ja aiheuttaa loukkaantumisen.
- Työnnä saha työkappaleen läpi. Älä vedä sahaa työkappaleen läpi. Aloita sahaus nostamalla sahanpää se työkappaleen päälle leikkaamatta sitä. Käynnistä moottori, paina sahanpää alas päin ja työnnä se työkappaleen läpi Työkappaleen leikkaaminen vetämällä sahaa itseä kohti aiheuttaa todennäköisesti sahanterän hyyppäämisen työkappaleen yläosaan ja sieltä iskeytymisen käyttäjään.
- Älä koskaan risti käsiäsi leikkuulinjan yli sahanterän edestä tai takaa. Työkappaleen tukeminen ristimällä kädet, eli pitämällä työkappaleesta kiinni oikealla kädellä ja leikkaamalla vasemmalla kädellä, on erittäin vaarallista.
- Älä kurottele ohjaimen taakse puupalojen poistamiseksi tai muusta syystä niin, että kädet ovat alle 10 cm:n päässä sahanterän reunasta, silloin kun terä on käynnissä. Pyörivä sahanterä voi aiheuttaa vakavan loukkaantumisen.
- Tarkasta työkappale ennen leikkuuta. Jos se on kaartunut tai vääntynyt, kiinnitä se niin, että kaartuneen osan ulkoreuna on ohjaimen suuntaan. Varmista aina, ettei työkappaleen, ohjaimen ja pöydän välissä ole rakoa missään kohtaa leikkuulinjaa. Taittuneet tai vääntyneet työkappaleet voivat kääntyä tai siirtyä ja aiheuttaa näin sahanterän kiinnitarttumisen sahausken aikana. Työkappaleessa ei saa olla nauloja tai muita vieraita esineitä.
- Älä koskaan käytä sahaa, ennen kuin pöydältä on siivottu kaikki työkalut, puukappaleet ja muut esineet. Pöydällä saa olla vain työkappale. Pienet roskat, irtonaiset puukappaleet tai muut esineet voivat lentää suurella nopeudella joutuessaan kosketuksiin pyörivän terän kanssa.
- Leikkaa vain yhtä työkappaletta samaan aikaan. Työkappalepino ei voida kiinnittää asianmukaisesti, ja kappaleet saattavat liikkua tai terä voi tarttua kiinni sahausken aikana.
- Varmista ennen käyttöä, että jiirisaha on asennettu tai sijoitettu tasaiselle ja vakaalle työalustalle.

Tasainen ja vakaa työalusta pienentää jiirisahan epävakaan toiminnan riskiä.

- **Suunnittele työ! Varmista aina ennen kallistus- ja viistekulma-asetusten muuttamista, että säädettävä ohjain on asetettu oikein niin, että se tukee työkappaletta eikä estä terää tai suojaimia toimimasta.** Älä käynnistä (ON) työkalua vielä äläkä aseta työkappaletta vielä pöydälle. Liikuta sahaa mukailien leikkuuliikettä ja varmista, ettei terä osu tai leikkaa ohjainta.
- **Varmista asianmukaiset tuet, kuten pöydän irtopalat ja sahapukit, mikäli työkappale on leveämpi tai pidempi kuin pöytä.** Jiirisahan pöytä leikkaa vielä äläkä pidemmät työkappaleet voivat pudota, jos niitä ei tueta kunnolla. Jos jäämäkappale tai työkappale putoaa, se saattaa nostaa alasuojan tai kappale saattaa lentää osuessaan pyörivään terään.
- **Älä pyydä ketään toista henkilöä tukemaan kappaletta tai tarjoamaan lisätukea, vaan käytä pöydän irtopalaa.** Epävakaa työkappale voi aiheuttaa terän kiinnitarttumisen tai työkappaleen liikkumisen sahausken aikana, mikä voi johtaa käyttäjän pauskautumiseen pyörivää terää kohti.
- **Jäämäkappale ei saa tarttua kiinni pyörivään sahanterään eikä joutua sen painamaksi.** Jos jäämäkappale jää jumiin esimerkiksi pituussuuntaisiin rajoittimiin, se saattaa osua terään ja lentää suurella nopeudella.
- Käytä aina erityisesti pyöreiden esineiden, kuten tankojen ja putkien, tukemiseen tarkoitettuja kiinnikkeitä tai kiinnittimiä. Tangoilla on taipumus pyöriä leikkuun aikana, jolloin terä ”leikkaa kiinni” ja vetää työkappaleen ja käyttäjän käden terää kohti.
- **Odota, että terä on täydessä nopeudessaan, ennen kuin aloitat työkappaleen leikkaamisen.** Tämä pienentää työkappaleen lentämisen riskiä.
- **Jos työkappale tai terä tarttuu kiinni, sammuta jiirisaha. Odota, että kaikki liikkuvat osat ovat pysähtyneet, ja irrota pistoke virtalähteestä ja poista akku. Irrota sitten kiinnitartunut kappale.** Sahaamisen jatkaminen työkappaleen ollessa tarttuneena voi aiheuttaa jiirisahan hallinnan menetyksen tai vaurioitumisen.
- **Sahauskensäätöteeksi vapauta kytkin, pidä sahanpäää alaspäin ja odota, että terä pysähtyy kokonaan, ennen kuin poistat jäämäkappaleen.** Käden kurottaminen jälkikäyvää terää kohti on vaarallista.
- **Pidä kahvaa vakaasti, jos teet osittaisen leikkuun tai jos vapautat kytkimen, ennen kuin sahanpää on kokonaan ala-asennossa.** Sahan jarruttaminen voi saada sahanpään vetäytymään yhtäkkiä alaspäin, mikä aiheuttaa loukkaantumisriskin.

LISÄ-TURVALLISUUSOHJEET

- KytKentätapahtumat aikaansaavat lyhytaikaisia jännitteen alenemisiä; huonoissa verkko-olosuhteissa saattaa tämä vaikuttaa haitallisesti muihin laitteisiin (verkkoidempedanssin ollessa alle 0,219 Ohm ei häiriöitä ole odotettavissa); jos tarvitset lisätietoa, ole hyvä ja ota yhteyttä omaan sähkönjakelijaaasi

YLEISTÄ

- Käytä työkalua ainoastaan puun sahaamiseen
- Tarkista aina, että syyttöjännite on sama kuin työkalun nimiltaan osoittama jännite
- **Älä seiso työkalun tai sen jalustan päällä.** Työkalun

tippuminen tai kosketus terän kanssa voi aiheuttaa loukkaantumisen. Älä säilytä materiaaleja työkalun päällä tai sen läheisyydessä niin, että materiaalien saavuttaminen edellyttää työkalun tai sen jalustan päällä seisomista.

- **Irrota aina pistotulppa pistorasiasta, ennen kuin suoritat laitteelle mitään säätöjä tai vaihdat tarviketta**
- **Irrota aina pistoke virtalähteestä ennen jiirisanhan kuljettamista.** Irrota pistoke virtalähteestä ja laske sahanpää alas lukitusasentoon. Käytä kantokahvaa ja sahan rungossa olevaa kantolovea.
- **Älä irrota otetta työkalusta, ennen kuin se on kokonaan pysähtynyt**
- **Kun leikkaat epäsäännöllisen mallisia työkappaleita, suunnittele työ niin, ettei työkappale pääse lipsahtamaan kädestä ja osumaan terään**
- Tätä työkalua saavat käyttää vain 16 vuotta täyttäneet henkilöt
- Tämä saha ei sovellu märkäsahaukseen

KÄYTTÖ ULKOTILASSA

- Ulkotilassa käytettäessä liitä työkalu vikavirran (FI) piirikatkaisimen kautta laukaisuvirtaan, jonka maksimi on 30 mA ka; käytä vain sellaista katkojohtoa, joka on tarkoitettu ulkotilassa käytettäväksi ja varustettu roiskevedenpitävällä kytkentäliittimellä

ENNEN KÄYTTÖÄ

- Käytä täysin rullaamattomia ja turvallisia jatkejohtoja, joiden kapasiteetti on 16 ampeeria
- Käytä suojalaseja, kuulonsuojaimia, ja suojakäsineitä
- Materiaaleista, kuten lyijypitoinen maali, jotkut puulajit, mineraalit ja metalli, tuleva pöly voi olla vahingollista (kosketuksiin joutuminen pölyn kanssa tai sen sisään hengittäminen voi aiheuttaa käyttäjälle tai sivustakatsojille allergiareaktioita ja/tai hengitysvaijoja); **käytä pölynaamaria ja työskentele pölynpoistolaitteen kanssa, kun sellainen on liitettävissä**
- Tietänyttyypiset pölyt on luokiteltu karsinogeenisiksi (kuten tammi- ja pyökkipöly) erityisesti puun käsittelyyn käytettävien lisäaineiden yhteydessä; **käytä pölynaamaria ja työskentele pölynpoistolaitteen kanssa, kun sellainen on liitettävissä**
- Noudata maakohtaisia pölyyn liittyviä sääntöjä
- **Älä koskaan työstä asbestipitoista ainetta** (asbestia pidetään karsinogeenisena)
- Älä koskaan käytä konetta ilman alkuperäisiä suojavarusteita
- Varmista aina ennen käyttöä, että suojus sulkeutuu kunnolla
- Älä käytä sahaa, jos suojus ei liiku vapaasti tai sulkeudu heti
- Älä koskaan purista tai sido suojusta auki-asentoon
- Älä koskaan käytä työkalua ilman pöydän irtopalaa, vaihda viallinen tai kulunut pöydän irtopala
- Poista kaikki esteet sahauslinjan ylä- ja alapuolelta ennen sahausta
- Vältä vaaralliset vahingot, jotka voivat aiheutua nauloista, ruuveista tai muista aineista työstettävässä materiaalissa; poista ne ennen työskentelyn aloittamista

VARUSTEET

- Älä käytä hionta- tai jirsintälevyjä tämän koneen kanssa
- SKIL pystyy takaamaan työkalun moitteettoman toiminnan vain, kun käytetään oikeita tarvikkeita, jotka ovat saatavana SKIL-myyntiliikkeestä
- Muita kuin SKIL-varusteita kiinnitettäessä/käytettäessä noudata kyseisen valmistajan antamia ohjeita

- Käytä ainoastaan sahanteriä, jotka vastaavat tässä käyttöohjeessa määriteltyjä ominaistietoja, ovat koestettuja EN 847-1 mukaan ja vastaavasti merkittyjä
- Käytä vain tarvikkeita, joiden sallittu kierrosnopeus on vähintään yhtä suuri kuin laitteen suurin tyhjäkäyntikierronnopeus
- Älä koskaan käytä pikateräksestä tehtyjä sahanteriä
- Älä käytä rikkiäistä, tylsää tai vääntynyttä sahanteriä
- Käytä ainoastaan sahanteriä, joiden reian halkaisija sopii työkalukaraan vällyksettä; älä koskaan käytä pienennys- tai sovitussosia isoreikäisten sahanterien asentamiseen
- Suojele varusteita iskuja, törmäyksiä ja rasvaantumista vastaan

KÄYTÖN AIKANA

- **Älä liikutta työkalua väkisin** (paina sitä kevyesti ja jatkuvasti välttääksesi terän kärkien ylikuumentumisen, ja jos sahaat muovia, muovin sulamisen)
- Pidä sormet, kädet ja käsivarret poissa pyörivän sahanterän läheltä
- Jos sahanterä jumittuu, sammuta työkalu välittömästi ja irrota pistoke pistorasiasta; irrota työkalusta vasta sitten
- Jos saha juuttuu kiinni tai jos huomaat siinä sähköisen tai mekaanisen vian, sulje se heti ja irrota pistotulppa pistorasiasta
- Jos sähköjohto vahingoittuu tai katkeaa työn aikana ei johtoa saa koskettaa, vaan pistotulppa on välittömästi irrotettava pistorasiasta
- Älä käytä työkalua, jonka johto on vioittunut; johto on vaihdettava erikoisvalmistaiseen johtoon, jonka voi hankkia mistä tahansa huolto-organisaatioon kuuluvasta liikkeestä.

LASERSÄTEILY

- **Älä suuntaa lasersädettä ihmisiin tai eläimiin äläkä myöskään itse katso suoraan kohti tulevaan tai heijastuneeseen lasersäteeseen** (lasersäde voi aiheuttaa häikäistymistä, onnettomuuksia tai vaurioittaa silmiä)
- Jos lasersäde osuu silmään, sulje silmät tarkoituksella ja käännä pää välittömästi pois säteen linjalta
- Älä tee mitään muutoksia laserlaitteistoon
- Älä katso suoraan lasersäteeseen (lasersäteily)
- Älä käytä optisia suurennuslaitteita (kuten suurennuslasit, teleskoopit tai kiiarit) lasersäteen katsomiseksi
- Älä käytä työkalua ympäristössä, jossa on syttyviä nesteitä, kaasuja tai pölyä
- Älä käytä työkalua lasten ollessa lähetyillä
- Älä vaihda asennetun laserin tilalle toista lasertyyppiä

KÄYTÖN JÄLKEEN

- Kun olet kytkenyt työkalun irti, älä koskaan pysäytä varusteen pyörintää siihen kohdistetulla poikittaisella voimalla
- Poista jäämät tai muut työkalulle osat sahausalueelta vasta, kun kaikki liikkuvat osat ovat pysähtyneet kokonaan
- Sahanterä kuumenee erittäin paljon käytön aikana; älä koske kehukseen ennen kuin se on jäähtynyt
- Säilytä työkalu **sisätiloissa** kuivassa ja lukitussa paikassa lasten ulottumattomissa

TYÖKALUN SYMBOLIEN SELITYKSET

- ② Lue käyttöohjeet ennen käyttöä
- ③ Käytä suojalaseja ja kuulonsuojaimia
- ④ **Vaara-alue! Ei käsiä -alue. Pidä kädet, sormet ja käsivarret kaukana tältä alueelta.**
- ⑤ Kaksoiseristys (ei tarvita maajohtoa)
- ⑥ Älä hävitä sähkötyökalua ja paristoja tavallisen kotitalousjätteen mukana

⑦ Lasersäteily / Älä katso suoraan säteeseen / Luokan 2 lasertuote

KÄYTTÖ

- Asennus
 - kiinnitä kuljetuskahva E pulteilla ja kiristä 2 pultit kuusiokoloavaimella AN^⑨
 - asenna viisteen lukitusnuppi AE pöydän etuosaan ^⑩
 - asenna liukuva ohjain U (ks. Liukuvan ohjaimen säätäminen)
- Kuljetus-/työskentelyasento Työkulun irrottaminen (**työskentely**-asento)
 - paina kahvaa B^③ alaspäin yhdellä kädellä samalla, kun vedät lukitustapin ulos C toisella kädellä ^{⑪a}
 - ohjaa sahanpäättä hitaasti ylöspäin Työkulun kiinnittäminen (**kuljetus**-asento)
 - liu'uta sahanpää rajoittimeen ohjaimen suuntaan S (pidä noin 5 cm:n etäisyys) ja kiristä lukitusnuppi AH ^{⑪b}
 - aseta kallistuskulmaksi 0° (ks. Kallistuskulmien asettaminen)
 - aseta viistekulmaksi 45° vasemmalle tai oikealle (ks. Viistekulmien asettaminen)
 - paina kahvaa B alaspäin yhdellä kädellä samalla, kun painat toisella kädellä lukitustappia C
 - kierrä virtajohto rullalle
 - käytä kuljetuskahvaa E ^⑧ työkalun kuljettamiseen ^{⑪d}
 - voit kantaa työkalua myös sivukahvoista ^{⑪e}
- ! **älä koskaan nosta työkalua pitämällä kiinni pääkahvasta tai virtajohdosta**
- Työkulun kiinnittäminen työpinnalle ^⑫
 - ! **jotta käsittely olisi turvallista, kiinnitä työkalu aina tasaiselle ja tukevalle työpinnalle (esim. työpenkkiin)**
 - käytä 4 kiinnitysreikä F työkalun kiinnittämiseen työpintaan sopivilla ruuveilla
 - voit myös kiinnittää työkalun työpintaan kaupasta saatavilla ruuvipuristimilla
 - työkalun vakauttamiseksi tukijalan korkeutta G voi säätää
 - työkalu voidaan asentaa myös jiirisahan jalustaan
- ! **lue kaikki sahan jalustan varoitukset ja ohjeet**
- Pölyn-/lastunimu ^⑬
 - asenna pölypussi H/pölynimuri, kuten kuvassa on esitetty
 - tyhjennä pölypussi säännöllisesti optimaalisen pölynimurin saavuttamiseksi
 - ! **varmista, että pölyimurin letku ei pääse häiritsemään alasuojaa eikä sahausta**
- Sahauspöydän irtopala ^⑭
 - kiinnitä jatkokiskot L nupuilla K (kummalle puolelle työkalua tahansa)
 - jatkokiskojen K pituutta voidaan säätää portaattomasti minimistä maksimiin
- Työkappaleen kiinnittäminen ^⑮
 - ! **kiinnitä työturvallisuuden varmistamiseksi työkappale tukevasti mukana tulleella säädettävällä puristimella**
 - älä käsittele työkappaleita, jotka ovat liian pieniä puristimella kiinnitettäviksi
 - katso työkappaleen **maksimimitat** taulukosta ^⑯
 - kiinnitä puristin tukiaukkoon N nupilla P (kummalle puolelle työkalua tahansa)

- työkappaleen puristimessa on kaksi lukitsemista helpottavaa uraa; yksi ohuille työkappaleille (enintään 5 cm) ja yksi suuremmille työkappaleille (eli 5 cm)
- paina työkappale tukevasti ohjainta vasten S
- vapauta vipu R
- kiinnitä puristin työkappaleeseen
- kiinnitä työkappale tukevasti lukitsemalla vipu R
- ! **joissakin viiste- ja kallistusyhdistelmässä tai riippuen työkappaleen koosta voi olla tarpeen käyttää kaupasta saatavia ruuvipuristimia työkappaleen puristimen sijaan**
- Viistekulmien asettaminen ^⑰
 - löysää lukituskahva AE
 - vedä viisteen lukituksen vapautusvipua AF
 - kierrä sahauspöytää vasta- tai myötöpäivään ja aseta haluamasi viistekulma (0° - 50°) astemitan avulla AG
 - vapauta vipu AF
 - kiristä lukituskahvaa AE (**älä kiristä kahvaa liian tiukalle**)
 - usein käytettyjen viistekulmien (0°, 15°, 22,5°, 31,6°, 45°) lukitusvipu AF napsahtaa paikoilleen vastaaviin asentoihin; tämän estämiseksi vipu AF voidaan lukita vapautusasentoon ^{⑰b}
- Kallistuskulmien asettaminen ^⑱
 - löysää kolmijalkainen nuppi W
 - käännä sahanpäättä vastapäivään, kunnes kallistuskulmamittari X osoittaa haluamaasi kallistuskulmaa
 - säädettävän kallistuksenrajoittimen AA (45°) avulla kallistuskulma voidaan pysäyttää 45 asteeseen tai sitä voidaan jatkaa 48 asteeseen ^{⑱b}
 - pidä sahanpäättä tässä asennossa ja kiristä nuppi W
 - jos sahan halutaan kallistuvan ensin oikealle, kallista sahanpäättä hieman vasemmalle, kierrä oikealle kallistuksen vapautusnuppia AB (noin 60°) ja kierrä sitten sahanpäää oikealle haluttuun kallistuskulmaan ^{⑱c}
 - kun kierrät sahanpään takaisin vasemmalle, oikealle kallistuksen vapautusnuppi AB asettuu automaattisesti 0 asteen kulmaan; tämä voidaan estää kääntämällä nuppia noin 90 astetta 60 asteen sijaan ^{⑱d}
- Yhdistelmäsaahaukset ^⑲
 - yhdistelmäsaahaukset edellyttävät sekä viistekulman että kallistuskulman asettamista
 - ! **älä käytä sahaa tietyissä viiste- ja kallistusyhdistelmässä, jotka voivat aiheuttaa kosketusta sahan liukuviin ja kiinteisiin osiin tai liukuvien osien ja työkappaleen välillä – poista ennen leikkausta liukuva ohjain, sen lukitusnuppi ja työkappaleen puristinnuppi.**
 - ! **testaa ensin kappaleella**
- Liukuvien ohjainten ^⑳ säätö
 - löysää nuppia V, jotta ohjaimet pääsevät liukumaan U
 - Löysää nuppia V edelleen, jotta ohjaimet voidaan poistaa/asentaa
 - kiristä nuppi V haluamaasi asentoon
- ! **varmista ennen työkalun käyttöä, että liukuvat ohjaimet on kiinnitetty kunnolla**
- ! **joissakin viiste- ja kallistusyhdistelmässä saattaa olla tarpeen poistaa nuppi**
- Laserlinjaa ^㉑
 - ohjaa sahaa haluttua sahauslinjaa pitkin, joka on merkitty työkappaleeseen
 - käynnistä/sammuta laserlinjojen painamalla kytkintä AD

- ! **ennen kuin aloitat, tarkasta laserlinjojen suunta todelliseen sahauslinjaan nähden tekemällä koesahausta jätemateriaaliin**
- Sahaaminen ilman liukuvaa liikettä (pienet työkappaleet)
 - löysää lukitusnuppi AH, jos se on kiristetty
 - liu'uta sahanpää rajoittimeen asti suojuksen suuntaan S ja kiristä lukitusnuppi uudelleen AH
- ! **jos mekanismia ei lukita, terä saattaa yhtäkkiä hypätä työkappaleen yläpuolelle ja kohti käyttäjää**
- aseta työkalu työasentoon
- ! **varmistu, että työkappale on puristettuna tukevasti sahauspöytää ja ohjainta vasten S**
- kytke työkalu päälle vapauttamalla lukitus AJ ja vetämällä pääkytkimestä AI
- ! **älä risti käsivarsiasi, kun käytät sahanpäättä** 23a
- kuljeta saha työkappaleen poikki tasaista vauhtia
- ! **koneen pitää käydä täysillä kierroksilla ennen sahanterän kosketusta työstettävään kappaleeseen**
- sammuta työkalu vapauttamalla kytkin AI
- odota, kunnes sahanterä on pysähtynyt kokonaan, ennen kuin ohjaat sahanpäättä hitaasti ylöspäin
- Sahaaminen liukuvalla liikkeellä (leveät työkappaleet)
- ! **huomaa, että alla kuvattu menetelmä on ainoa turvallinen menetelmä**
- älä vedä sahaa työkappaleen läpi
- löysää lukitusnuppi AH, jos se on kiristetty
- ! **varmistu, että työkappale on puristettuna tukevasti sahauspöytää ja ohjainta vasten S**
- vedä sahanpäättä pois päin ohjaimesta S niin pitkälle, että sahanterä on työkappaleen edessä 24
- kytke työkalu päälle vapauttamalla lukitus 22 ja vetämällä pääkytkimestä
- ! **älä risti käsivarsiasi, kun käytät sahanpäättä** 23a
- työnnä sahanpää ohjaimen suuntaan S ja kuljeta saha työkappaleen poikki tasaista vauhtia 24
- ! **koneen pitää käydä täysillä kierroksilla ennen sahanterän kosketusta työstettävään kappaleeseen**
- ! **jos alasuoja ei avaudu automaattisesti, mikä voi olla mahdollista tietyissä tilanteissa (esim. jos työkappale on erittäin lähellä maksimikapasiteettia), käyttäjän on avattava alasuoja käsin** 23b
- sammuta työkalu vapauttamalla kytkin AI
- odota, kunnes sahanterä on pysähtynyt kokonaan, ennen kuin ohjaat sahanpäättä hitaasti ylöspäin
- Sahausrat 25
- säädä haluamasi syvyys syvyydenrajoittimella AK ja lukitse se paikoilleen kiristämällä mutteri AM
- työkappaleen ja ohjaimen väliin pitää asettaa saman paksuinen puinen välilievyy koko uran pituudelle
- ! **varmistu, ettei sahanterä jumitu työkappaleeseen**
- ! **testaa ensin kappaleella**
- Sahanterän vaihto 26
- ! **vedä pistoke pistorasiasta**
- ota kuusiokoloavain AN pidikkeestä AO
- pidä suojuksen A avoimessa asennossa
- löysää kansilevyn ruuvia AQ (älä avaa ruuvia kokonaan) 26a
- käännä suojuksen A kokonaan taaksepäin 26b
- paina karan lukitusnuppia AP ja pidä se pohjassa irrottaessasi terän pultin AR kääntämällä kuusiokoloavainta AN **MYÖTÄPÄIVÄÄN** (= sahanterään painetun nuolen suuntaan)
- ! **paina karanlukituspainiketta AP vain sahan ollessa pysähdyksissä**
- vapauta karanlukituspainike AP
- irrota laippa AS ja sahanterä
- ! **vaihda sahanterä ja varmista, että hampaat ja terään merkityt nuoli ovat samansuuntaisia suojuksessa A olevan nuolen kanssa**
- kiinnitä laippa AS 26c
- paina karanlukituspainiketta AP ja pidä sitä painettuna samalla kun kiristät terän pulttia kääntämällä kuusiokoloavainta AN VASTAPÄIVÄÄN 1/8 kierroksen verran olemaan sormikireyttä tiukemmalla (varmistaa, että saha ei vahingoitu silloin, kun terään kohdistuu voimakas rasitus tai takaisu)
- kiristä suojalevyn ruuvi AQ
- Pöydän irtotalan vaihtaminen AT 26
- Vaihda viallinen tai kulunut pöydän irtopala seuraavasti:
 - ! **vedä pistoke pistorasiasta**
 - ota kuusiokoloavain AN pidikkeestä AO
 - irrota kaikki 6 ruuvia kuten kuvassa
 - irrota vanha pöydän irtopala nostamalla sitä ensin edestä ja vetämällä se sitten kokonaan irti
 - aseta uusi pöydän irtopala paikalleen
 - ! **kiristä tukevasti kaikki 6 ruuvia**
 - 90° Terän kohdistuksen tarkistaminen/säätäminen 28
 - ! **vedä pistoke pistorasiasta**
 - käännä sahauspöytä 0 asteen viistekulmaan ja lukitse se paikalleen
 - käännä sahanpää 0 asteen kallistuskulmaan
 - laske sahanpää ja lukitse se paikalleen
 - tarkista suorakulman avulla, että terän ja pöydän välinen kulma on 90°
 - säädä terän 90° kohdistus tarvittaessa seuraavasti:
 1. löysää kolmijalkainen nuppi W
 2. säädä ruuvia Y 4 mm:n kiertovaimella (ei sisällä vakiona) 28b
 3. tarkista vielä kulmamittarilla
 4. aseta kallistuskulma 0 asteeseen 28c
 - 45° Terän kohdistuksen tarkistaminen/säätäminen 29
 - ! **vedä pistoke pistorasiasta**
 - käännä sahauspöytä 0 asteen viistekulmaan ja lukitse se paikalleen
 - löysää kolmijalkainen nuppi W
 - aseta säädettävä kallistuksen rajoitin AA to 45° 29b
 - käännä sahanpäättä vasemmalle
 - tarkista viistekulmamittarin avulla, että terän ja pöydän välinen kulma on 45° 29a
 - varmista, että kallistuskulmamittari X on 45° merkin kohdalla
 - säädä terän 45° kohdistus tarvittaessa seuraavasti:
 1. kiristä ruuvi Z koon 10 ruuviaavaimella (ei sisällä vakiovarustukseen)
 2. tarkista vielä viistemittarilla
 - säädä tarvittaessa 45 astetta oikealle
 - laske sahanpää ja lukitse se paikalleen
 - 90° Ohjaimen kohdistuksen tarkistaminen/säätäminen 30
 - ! **vedä pistoke pistorasiasta**
 - käännä sahauspöytä 0 asteen viistekulmaan ja lukitse se paikalleen
 - laske sahanpää ja lukitse se paikalleen
 - tarkista suorakulman avulla, että terän ja ohjaimen

välillä on 90° kulma S (varmista, että suorakulma koskettaa sahanterän runkoa, ei sen hampaita)

- säädä ohjaimen 90° kohdistus tarvittaessa seuraavasti:

1. löysää 4 kuusioruuvia T
2. säädä ohjainta, kunnes terä ja ohjain koskettavat kokonaan suorakulmaan
3. kiristä 4 kuusioruuvia T
4. aseta viistekulma 0 asteeseen 30c

• Johtokiinnike 31

- käytä johtokiinnikettä AV, ettei virtajohto jää puristuksiin työkalun liikkuvien ja kiinteiden osien välisiin

VINKKEJÄ

• Erikoistyökappaleet

- tue aina pitkän työkappaleen vapaat päät
- varmista, että kaarevat tai pyöreät työkappaleet on kiinnitetty erityisen hyvin niiden luiskahtelun estämiseksi 33
- sahauslinjalla ei saa olla väliä työkappaleen ja ohjaimen tai sahauspöydän välissä
- rakenna tarvittaessa apuohjain; apuohjain kiinnitetään liukuvaan ohjaimen reikiin 34

! apuohjain voi olla vain 0 asteen kallistuskulmassa

- Käytä lattialistoja käsitellessäsi apuna kuvaa 35
- Käännä aina työkappaleen parempi puoli alaspäin, jotta reunan repeäminen olisi mahdollisimman vähäistä
- Käytä vain oikeantyyppisiä teräviä sahanterä
- sahausken laatu riippuu hammastuksen tiheydestä
- kovametallikärkiset terät pysyvät terävinä jopa 30 kertaa kauemmin kuin tavalliset sahanterät

HOITO / HUOLTO

- Pidä työkalu ja johto aina puhtaina (etenkin ilmanvaihdtoreiät moottorin kotelon takana)
- Tarkista säännöllisesti, että alasuoja toimii asianmukaisesti. Puhdista alasuojasta mahdollinen sahauspöly kostealla liinalla.
 - irrota liitosjohto aina puhdistuksen ajaksi pistorasiasta
 - nosta alasuoja kokonaan aivoimeen asentoon ja vapauta se; jos se ei välittömästi sulkeudu kokonaan, se on tarkastettava SKIL-sopimushuollossa
- Puhdista sahanterä välittömästi käytön jälkeen (erityisesti pihkasta ja liimasta)
 - sahanterä kuumenee erittäin paljon käytön aikana; älä koske kehukseen ennen kuin se on jäähtynyt
- Puhdista laservalo AC pehmeällä harjalla jokaisen käyttökerran jälkeen, jotta näkyvyys pysyy hyvänä laserviivalla (varmista, ettei laserin asetuksia muuteta)
- Jos sähkötyökalussa, huolellisesta valmistuksesta ja koestusmenettelystä huolimatta esiintyy vikaa, tulee korjaus antaa SKIL sopimushuollon tehtäväksi
 - toimita työkalu sitä osiin **purkamatta** lähimpään SKIL-huoltoon (osoitteet ja työkalun huoltokaava ovat tarjolla web-osoitteessa www.skil.com) ostotodiste mukaan liitettynä
- Ota huomioon, että takuu ei kata työkalun ylikuormituksesta tai väärästä käsittelystä johtuvia vahinkoja (katso SKILin takuehdot osoitteesta www.skil.com tai kysy jälleenmyyjältä)

YMPÄRISTÖNSUOJELU

- **Älä hävitä sähkötyökalua, paristoja, tarvikkeita tai pakkausta tavallisen kotitalousjätteen mukana**

(koskee vain EU-maita)

- vanhoja sähkö- ja elektroniikkalaitteita koskevan EU-direktiivin 2012/19/ETY ja sen maakohtaisten sovellusten mukaisesti käytetyt sähkötyökalut on toimitettava ongelmajätteen keräyspisteeseen ja ohjattava ympäristöstävälliseen kierrätykseen
- symboli 6 muistuttaa tästä, kun käytöstä poisto tulee ajankohtaiseksi

MELU

- Tämän työkalun äänenpainetaso standardin 62841 mukaisesti mitattuna on 100,0 dB(A) ja äänenvoimakkuus 109,5 dB(A) (epävarmuus K = 3 dB)
- Melutaso on mitattu standardin EN 62841 mukaisen standarditestin mukaisesti; sitä voidaan käyttää verrattaessa yhtä laitetta toiseen sekä alustavana melulle altistumisen arviona käytettäessä laitetta manituissa käyttötarkoituksissa
 - laitteen käyttö eri käyttötarkoituksiin tai erilaisten tai huonosti ylläpidettyjen lisälaitteiden kanssa voi **lisätä** merkittävästi altistumistasoa
 - laitteen ollessa sammuksissa tai kun se on käynnissä, mutta sillä ei tehdä työtä, altistumistaso voi olla huomattavasti **pienempi**

E

Ingletadora telescópica

1320

INTRODUCCIÓN

- Esta herramienta está concebida como máquina estacionaria para el corte longitudinal y transversal, y recto y en ángulo, de la madera (son posibles ángulos horizontales de inglete de -50° a +50°, y ángulos verticales de bisel de -48° a +45°)
- Lea y conserve este manual de instrucciones 2
- Esta herramienta no está concebida para uso profesional
- **Utilice esta herramienta solo cuando esté correcta y totalmente montada** (tenga presente que Skil no asumirá ninguna responsabilidad por daños en la herramienta ni por lesiones personales que se deriven del montaje incorrecto de la herramienta)

DATOS TÉCNICOS 1


ELEMENTOS DE LA HERRAMIENTA 8

- A** Guarda inferior
- B** Empuñadura con interruptor
- C** Pasador de bloqueo para el transporte
- D** Protección superior
- E** Empuñadura para transporte
- F** Orificios de montaje
- G** Pie de apoyo
- H** Bolsa de polvo
- J** Puerto de polvo
- K** Barras de extensión
- L** Botones de bloqueo de las barras de prolongación
- M** Mordaza para montaje de pieza de trabajo
- N** Orificio de soporte
- P** Botón de apriete de mordaza
- Q** Botón de ajuste de mordaza

R	Palanca de sujeción
S	Guía
T	Tornillos de cabeza hexagonal de ajuste de la guía (4x)
U	Guía deslizante
V	Botón de apriete de la guía deslizante
W	Botón de bloqueo (ángulos de bisel)
X	Indicador de ángulo de bisel
Y	Tornillo de ajuste de ángulo de bisel (derecho)
Z	Tornillo de ajuste de ángulo de bisel (izquierdo)
AA	Tope regulable
AB	Palanca de liberación del ángulo de bisel a derecha
AC	Luz láser
AD	Interruptor para activar/desactivar láser
AE	Mango de bloqueo (ángulos de inglete)
AF	Palanca de liberación del trinquete del inglete
AG	Indicador de ángulo de inglete
AH	Botón de bloqueo del dispositivo deslizante
AI	Interruptor de activación/desactivación
AJ	Palanca de seguridad
AK	Limitador de profundidad de corte
AL	Tope de profundidad
AM	Tuerca del tope de profundidad
AN	Llave hexagonal
AO	Alojamiento para la llave hexagonal
AP	Botón de bloqueo del eje
AQ	Tornillo de placa de cubierta
AR	Tornillo de la hoja
AS	Brida
AT	Inserción de base
AU	Deflector de polvo
AV	Sujetacable

SEGURIDAD

ADVERTENCIAS DE PELIGRO GENERALES PARA HERRAMIENTAS ELÉCTRICAS

 **ADVERTENCIA** Lea todas las advertencias de seguridad, instrucciones, ilustraciones y especificaciones entregadas con esta herramienta eléctrica. El incumplimiento de alguna de las instrucciones que figuran a continuación puede ser causa de descargas eléctricas, incendios o lesiones graves.

Guardar todas las advertencias de peligro e instrucciones para futuras consultas.

El término “herramienta eléctrica” empleado en las siguientes advertencias de peligro se refiere a herramientas eléctricas de conexión a la red (con cable de red) y a herramientas eléctricas accionadas por acumulador (o sea, sin cable de red).

1) SEGURIDAD DEL PUESTO DE TRABAJO

- Mantenga limpia y bien iluminada su área de trabajo.** El desorden o una iluminación deficiente en las áreas de trabajo pueden provocar accidentes.
- No utilice la herramienta eléctrica en un entorno con peligro de explosión, en el que se encuentren combustibles líquidos, gases o material en polvo.** Las herramientas eléctricas producen chispas que pueden llegar a inflamar los materiales en polvo o vapores.

- Mantenga alejados a los niños y otras personas de su área de trabajo al emplear la herramienta eléctrica.** Una distracción le puede hacer perder el control sobre la herramienta.

2) SEGURIDAD ELÉCTRICA

- El enchufe de la herramienta eléctrica debe corresponder a la toma de corriente utilizada. No es admisible modificar el enchufe en forma alguna. No emplear adaptadores en herramientas eléctricas dotadas con una toma de tierra.** Los enchufes sin modificar adecuados a las respectivas tomas de corriente reducen el riesgo de una descarga eléctrica.
- Evite que su cuerpo toque partes conectadas a tierra como tuberías, radiadores, cocinas y refrigeradores.** El riesgo a quedar expuesto a una descarga eléctrica es mayor si su cuerpo tiene contacto con tomas de tierra.
- No exponga las herramientas eléctricas a la lluvia o a condiciones de humedad.** Existe el peligro de recibir una descarga eléctrica si penetran líquidos en la herramienta eléctrica.
- No utilice el cable de red para transportar o colgar la herramienta eléctrica, ni tire de él para sacar el enchufe de la toma de corriente. Mantenga el cable de red alejado del calor, aceite, esquinas cortantes o piezas móviles.** Los cables de red dañados o enredados pueden provocar una descarga eléctrica.
- Al trabajar con la herramienta eléctrica en la intemperie utilice solamente cables de prolongación homologados para su uso en exteriores.** La utilización de un cable de prolongación adecuado para su uso en exteriores reduce el riesgo de una descarga eléctrica.
- Si el funcionamiento de una herramienta eléctrica en un lugar húmedo fuese inevitable, utilice un cortacircuito de fuga a tierra.** El uso de un cortacircuito de fuga a tierra reduce el riesgo de descarga eléctrica.

3) SEGURIDAD DE PERSONAS

- Esté atento y emplee la herramienta eléctrica con prudencia. No utilice la herramienta eléctrica si estuviese cansado, ni bajo los efectos de alcohol, drogas o medicamentos.** El no estar atento durante el uso de una herramienta eléctrica puede provocarle serias lesiones.
- Utilice un equipo de protección personal y en todo caso unas gafas de protección.** El riesgo a lesionarse se reduce considerablemente si, dependiendo del tipo y la aplicación de la herramienta eléctrica empleada, se utiliza un equipo de protección adecuado como una mascarilla antipolvo, zapatos de seguridad con suela antideslizante, casco, o protectores auditivos.
- Evite una puesta en marcha fortuita. Asegurarse de que la herramienta eléctrica esté desconectada antes de conectarla a la toma de corriente y/o al montar el acumulador, al recogerla, y al transportarla.** Si transporta la herramienta eléctrica sujetándola por el interruptor de conexión/desconexión, o si introduce el enchufe en la toma de corriente con la herramienta eléctrica conectada, ello puede dar lugar a un accidente.
- Retire las herramientas de ajuste o llaves fijas antes de conectar la herramienta eléctrica.** Una herramienta

o llave colocada en una pieza rotativa puede producir lesiones graves al accionar la herramienta eléctrica.

- e) **Sea precavido. Trabaje sobre una base firme y mantenga el equilibrio en todo momento.** Ello le permitirá controlar mejor la herramienta eléctrica en caso de presentarse una situación inesperada.
- f) **Lleve puesta una vestimenta de trabajo adecuada. No utilice vestimenta amplia ni joyas. Mantenga su pelo y vestimenta alejados de las piezas móviles.** La vestimenta suelta, las joyas y el pelo largo se pueden enganchar con las piezas en movimiento.
- g) **Siempre que sea posible utilizar equipos de aspiración o captación de polvo, asegúrese que éstos estén montados y que sean utilizados correctamente.** El empleo de estos equipos reduce los riesgos derivados del polvo.
- h) **No permita que la familiaridad ganada por el uso frecuente de la herramienta eléctrica lo deje creerse seguro e ignorar las normas de seguridad.** Una acción negligente puede causar lesiones graves en una fracción de segundo.

4) CUIDADO Y UTILIZACIÓN DE HERRAMIENTAS ELÉCTRICAS

- a) **No sobrecargue la herramienta eléctrica. Use la herramienta eléctrica prevista para el trabajo a realizar.** Con la herramienta eléctrica adecuada podrá trabajar mejor y con mayor seguridad dentro del margen de potencia indicado.
- b) **No utilice herramientas eléctricas con un interruptor defectuoso.** Las herramientas eléctricas que no se puedan conectar o desconectar son peligrosas y deben repararse.
- c) **Saque el enchufe de la red y/o retire el acumulador desmontable de la herramienta eléctrica, antes de realizar un ajuste, cambiar de accesorio o al guardar la herramienta eléctrica.** Esta medida preventiva reduce el riesgo de conectar accidentalmente la herramienta eléctrica.
- d) **Guarde las herramientas eléctricas fuera del alcance de los niños y de las personas que no estén familiarizadas con su uso.** Las herramientas eléctricas utilizadas por personas inexpertas son peligrosas.
- e) **Cuide la herramienta eléctrica y los accesorios con esmero. Controle si funcionan correctamente, sin atascarse, las partes móviles de la herramienta eléctrica, y si existen partes rotas o deterioradas que pudieran afectar al funcionamiento de la herramienta eléctrica. Si la herramienta eléctrica estuviese defectuosa haga repararla antes de volver a utilizarla.** Muchos de los accidentes se deben a herramientas eléctricas con un mantenimiento deficiente.
- f) **Mantenga los útiles limpios y afilados.** Los útiles mantenidos correctamente se dejan guiar y controlar mejor.
- g) **Utilice herramientas eléctricas, accesorios, útiles, etc. de acuerdo con estas instrucciones, teniendo en cuenta las condiciones de trabajo y la tarea a realizar.** El uso de herramientas eléctricas para trabajos diferentes de aquellos para los que han sido concebidas puede resultar peligroso.
- h) **Mantenga las empuñaduras y las superficies de las empuñaduras secas, limpias y libres de aceite y grasa.** Las empuñaduras y las superficies de las

empuñaduras resbaladizas no permiten un manejo y control seguro de la herramienta eléctrica en situaciones imprevistas.

5) SERVICIO

- a) **Únicamente haga reparar su herramienta eléctrica por un profesional, empleando exclusivamente piezas de repuesto originales.** Solamente así se mantiene la seguridad de la herramienta eléctrica.

INSTRUCCIONES DE SEGURIDAD PARA SIERRAS DE INGLETE

- **Las sierras de inglete están diseñadas para cortar madera o productos similares a la madera, no pueden utilizarse con discos de corte abrasivos para cortar materiales ferrosos como barras, varillas, tacos, etc.** El polvo abrasivo provoca que las partes móviles, como la protección inferior, se atasquen. Las chispas provocadas por el corte abrasivo quemarán la guarda inferior, la inserción de corte y otras piezas de plástico.
- **Cuando sea posible, use mordazas para sujetar la pieza de trabajo. Si sujeta la pieza de trabajo a mano, debe mantener siempre la mano a una distancia mínima de 100 mm de cada lado de la hoja de sierra. No use esta sierra para cortar piezas que sean demasiado pequeñas para sujetarlas con seguridad o con la mano.** Si coloca su mano demasiado cerca de la hoja de la sierra, hay un mayor riesgo de lesiones por el contacto con ésta.
- **La pieza debe permanecer fija y sujetarse o mantenerse contra la guía y la base. No introduzca la pieza de trabajo en la hoja o corte "a mano alzada" de ninguna manera.** Las piezas de trabajo que no están sujetas o que se mueven pueden salir disparadas a altas velocidades, causando lesiones.
- **Empuje la sierra a lo largo de la pieza de trabajo. No tire de la sierra a lo largo de la pieza de trabajo. Para hacer un corte, levante el cabezal de la sierra y colóquelo sobre la pieza de trabajo sin cortar, encienda el motor, presione el cabezal de la sierra hacia abajo y empuje la sierra a lo largo de la pieza de trabajo.** Es probable que el corte tirando hacia el cuerpo cause que la hoja de sierra se monte sobre la pieza de trabajo y lance violentamente el conjunto de la hoja hacia el operario.
- **Nunca pase la mano por encima de la línea de corte, ni delante ni detrás de la hoja de la sierra.** Sostener la pieza de trabajo "con las manos en cruz", es decir, sujetar la pieza de trabajo a la derecha de la hoja de sierra con la mano izquierda o viceversa, es muy peligroso.
- **No introduzca la mano detrás de la guía a menos de 100 mm de cada lado de la hoja de la sierra, para retirar los restos de madera o por cualquier otra razón mientras la hoja está girando.** La cercanía a su mano de la hoja de sierra giratoria puede no ser obvia y podría resultar gravemente herido.
- **Inspeccione su pieza de trabajo antes de cortar.** Si la pieza de trabajo está arqueada o deformada, sujétela con la cara exterior arqueada hacia la guía. Asegúrese siempre de que no haya ningún hueco entre la pieza, la guía y la base a lo largo de la línea de corte. Las piezas de trabajo dobladas o deformadas pueden torcerse o desplazarse y causar atascos en la

hoja de sierra giratoria durante el corte. No debe haber clavos ni objetos extraños en la pieza de trabajo.

- **No utilice la sierra hasta que no despeje la mesa de herramientas, restos de madera, etc., todo, excepto la pieza de trabajo** Los residuos pequeños, los trozos de madera sueltos y otros objetos que entren en contacto con la hoja en movimiento pueden salir lanzados a alta velocidad.
- **Corte una pieza de trabajo de cada vez** Si apila varias piezas de trabajo, no podrá sujetarlas como corresponde y podrían atascarse en la hoja o moverse al cortarlas.
- **Compruebe que la sierra de ingletes esté situada sobre una superficie de trabajo firme y nivelada antes de usarla.** Una superficie de trabajo firme y nivelada reduce el riesgo de inestabilidad de la sierra.
- **¡Planifique su trabajo! Cada vez que cambie el ajuste del ángulo de bisel o del ángulo de inglete, compruebe que la guía ajustable esté bien configurada para sujetar la pieza de trabajo y que no interferirá ni con la hoja ni con el sistema de protección** Sin colocar la herramienta en posición «ON» y sin pieza de trabajo, mueva la hoja de la sierra simulando un corte completo para asegurarse de que no hay interferencias ni peligro de cortar la guía.
- **Proporcione un soporte adecuado, como prolongaciones de la base, caballetes, etc., para las piezas de trabajo que sean más anchas o más largas que la propia base de trabajo.** Las piezas de trabajo más largas o más anchas que la base de la sierra de ingletes pueden volcar si no se sujetan con seguridad. Si la pieza cortada o la pieza de trabajo vuelca, puede elevar la protección trasera o ser lanzada por la hoja en movimiento.
- **No utilice a una persona para sujetar la parte de la pieza que sobresalga de la base** Una sujeción inestable de la pieza de trabajo puede atascar la hoja o hacer que la pieza se mueva durante la operación de corte, atrayéndole a usted y a su ayudante hacia la hoja en movimiento.
- **La pieza cortada no debe presionarse contra la hoja de la sierra en movimiento** Si está limitada de algún modo, es decir, con tope de longitud, la pieza cortada podría quedar atrapada contra la hoja y ser lanzada violentamente.
- **Utilice una mordaza o una herramienta diseñada para sujetar correctamente material circular, como varillas o tubos** Las varillas tienden a enrollarse al cortarlas, haciendo que la sierra las «muerda» y tire de la pieza de trabajo hacia la hoja.
- **Deje que la hoja alcance la máxima velocidad antes de entrar en contacto con la pieza de trabajo** De esta forma se reducirá el riesgo de que la pieza de trabajo salga despedida.
- **Si la pieza de trabajo o la hoja se atascan, apague la sierra de ingletes. Espere a que se detengan todas las piezas móviles y desconecte el enchufe o quite la batería. Seguidamente, desatasque el material** Si sigue serrando con una pieza de trabajo atascada podría perder el control de la sierra de inglete o dañarla.
- **Cuando termine de cortar, libere el interruptor, sujete la sierra con el cabezal hacia abajo y espere a que la hoja se detenga antes de retirar la pieza cortada** Es peligroso acercar la mano a la hoja de corte.
- **Sujete firmemente la empuñadura cuando realice un corte incompleto o cuando libere el interruptor antes de colocar el cabezal en posición totalmente**

bajada La acción de frenado de la sierra puede hacer que su cabezal se vea atraído repentinamente hacia abajo, ocasionando un riesgo de lesiones.

INSTRUCCIONES DE SEGURIDAD ADICIONALES

- Los picos de intensidad durante la conmutación causan un descenso transitorio de la tensión; si las condiciones en la red fuesen desfavorables, ello puede llegar a afectar a otros aparatos (con impedancias de red inferiores a 0,219 ohmios es muy improbable que se produzcan perturbaciones); si usted necesita alguna aclaración, contacte con su proveedor de energía eléctrica

GENERAL

- Utilice la herramienta sólo para cortar madera
- Compruebe siempre que la tensión de alimentación es la misma que la indicada en la placa de características de la herramienta
- **No se ponga de pie sobre la herramienta ni sobre su soporte** Podría sufrir lesiones graves si la herramienta vuelca o entra accidentalmente en contacto con la herramienta de corte. No almacene materiales cerca de la herramienta de forma que para alcanzarlos sea necesario ponerse de pie sobre la herramienta o su soporte.
- **Desenchufar siempre la herramienta antes de realizar cualquier ajuste o cambiar algún accesorio**
- **Desconecte el enchufe siempre antes de transportar la sierra de ingletes** Desenchufe, baje el conjunto del cabezal y bloquee; utilice el asa de transporte y una de las hendiduras para la mano situadas en la base de la sierra.
- **No abandone la herramienta hasta que no se pare por completo**
- **Al cortar piezas con forma irregular, planifique su trabajo para que esta no se resbale, «pellizque» la hoja y le sea arrancada de la mano**
- Esta herramienta no debe utilizarse por personas menores de 16 años
- Esta herramienta no es adecuada para hacer cortes con agua

USO EXTERIOR

- Cuando utilice la herramienta en el exterior, enchúfela a través del interruptor de la corriente (FI) con un interruptor diferencial de 30 mA como máximo; sólo utilice un cable de extensión apropiado para su uso en el exterior y equipado con un enchufe a prueba de salpicaduras

ANTES DEL USO

- Utilice cables de extensión seguros y completamente desenrollados con una capacidad de 16 amperios
- Utilice gafas de protección, protección para los oídos, y guantes de protección
- El polvo del material, como la pintura que contiene plomo, algunas especies de madera, minerales y metal podrían ser dañinos (el contacto o inhalación del polvo podría producir reacciones alérgicas y trastornos respiratorios al operador o a otras personas que se encontrasen en la zona); **utilice una máscara contra el polvo y trabaje con un dispositivo de extracción de polvo cuando lo conecte**
- Ciertos tipos de polvo están catalogados como cancerígenos (por ejemplo el polvo de roble y de haya) especialmente junto con aditivos para el

acondicionamiento de la madera; **utilice una máscara contra el polvo y trabaje con un dispositivo de extracción de polvo cuando lo conecte**

- Siga la normativa nacional en cuanto a extracción de polvo, en función de los materiales que vayan a ser utilizados
- **No trabaje materiales que contengan amianto** (el amianto es cancerígeno)
- Nunca utilice su herramienta sin la capa de protección original sistemática
- Verifique el adecuado cierre de la cubierta de protección antes de cada uso
- No trabaje con la sierra si la cubierta de protección no se mueve libremente ni se cierra al instante
- Nunca trabaje ni fije la cubierta de protección en posición abierta
- No utilice nunca la herramienta sin la inserción de base, sustituya una inserción de base defectuosa o desgastada
- Antes de empezar a cortar, aparte todos los obstáculos que haya encima y debajo de la línea de corte
- Evite los daños que puedan causar los tornillos, clavos y otros objetos sobre la pieza de trabajo; retírelos antes de empezar a trabajar

ACCESORIOS

- Nunca utilice discos de amolar/tronzar con esta herramienta
- SKIL únicamente puede garantizar un funcionamiento correcto de la herramienta, cuando se utilicen los accesorios adecuados que podrá obtener de su proveedor de SKIL
- Cuando monte/utilice accesorios distintos de la marca SKIL, respete las instrucciones del fabricante
- Únicamente use hojas de sierra con las características indicadas en estas instrucciones de manejo que hayan sido ensayadas y vayan marcadas conforme a EN 847-1
- Utilice únicamente accesorios cuyo límite de revoluciones permitido sea como mínimo igual a las revoluciones en vacío máximas de la herramienta
- No utilice nunca hojas de sierras de HSS
- No utilice nunca hojas rotas, desformadas o desgastadas
- Utilice sólo hojas de sierra con un diámetro de orificio que se ajuste sin holgura al eje de la herramienta; no use nunca reductores o adaptadores para ajustar hojas de sierra de orificio grande
- Proteja los accesorios de golpes, choques y grasa

DURANTE EL USO

- **No fuerce la herramienta** (aplique una presión ligera y continua para evitar que se recalienten las puntas de las hojas y, en caso de estar cortando plásticos, que se funda el material plástico)
- Mantenga los dedos, las manos y los brazos alejados de la hoja giratoria de la sierra
- Si la hoja de la sierra se bloquea, apague la herramienta inmediatamente y desconecte el enchufe; sólo después retire la pieza que hace cuña.
- En caso de bloqueo o de un mal funcionamiento eléctrico o mecánico, desconectar la herramienta inmediatamente y sacar el enchufe del contacto
- Si llega a dañarse o cortarse el cable eléctrico durante el trabajo, no tocar el cable, sino extraer inmediatamente el enchufe de la red
- Nunca utilice la herramienta si el cable está dañado; debe ser sustituido por un cable especialmente preparado disponible a través de la organización de asistencia.

RADIACIÓN LÁSER

- **No oriente el rayo láser sobre personas o animales y no mire hacia el rayo láser directo o reflejado** (debido a ello, puede deslumbrar personas, causar accidentes o dañar el ojo)
- Si la radiación láser incide en el ojo, debe cerrar conscientemente los ojos y mover inmediatamente la cabeza fuera del rayo
- No efectúe modificaciones en el equipamiento del láser
- No mire al rayo láser o (radiación láser)
- No utilice herramientas ópticas de aumento (como lupas, telescopios o binoculares) para ver el rayo láser
- No haga funcionar la herramienta en la presencia de líquidos inflamables, gases o polvo
- No haga funcionar la herramienta si hay niños cerca
- No sustituya el láser instalado por otro tipo de láser

DESPUÉS DEL USO

- Después de apagar la herramienta, nunca detenga la rotación del accesorio ejerciendo una fuerza lateral contra él
- Retire los cortes u otros fragmentos de la pieza del área de corte cuando todas las piezas móviles se hayan detenido por completo
- La hoja de la sierra se calienta mucho durante su uso; no la toque hasta que se haya enfriado
- Guarde la herramienta **dentro de la casa** en un lugar seco y cerrado con llave, lejos del alcance de los niños

EXPLICACIÓN DE LOS SÍMBOLOS DE LA HERRAMIENTA

- ② Lea el manual de instrucciones antes de utilizarla
- ③ Utilice gafas de protección y protección para los oídos
- ④ **¡Zona de peligro! No acercar las manos. Mantenga las manos, los dedos y los brazos alejados de esta zona.**
- ⑤ Doble aislamiento (no requiere cable de tierra)
- ⑥ No deseche las herramientas eléctricas y las pilas junto con los residuos domésticos
- ⑦ **Radiación láser / No mire al rayo / Producto láser clase 2**

USO

- Montaje
 - monte el asa de transporte E con 2 los pernos utilizando la llave hexagonal AN^⑨
 - monte el mando de bloqueo del inglete AE en la parte delantera de la base ^⑩
 - monte la guía deslizante U (véase Ajuste de la(s) guía(s) deslizante(s))
- Posición de transporte/funcionamiento
 - Para liberar la herramienta (posición de **funcionamiento**)
 - presione la empuñadura B^⑧ hacia abajo con una mano mientras tira hacia fuera del pasador de bloqueo C con la otra ^{⑪a}
 - conduzca el conjunto del cabezal lentamente hacia arriba
 - Para bloquear la herramienta (posición de **transporte**)
 - deslice el conjunto del cabezal hasta que haga tope en la dirección de la guía S (guarde aprox. 5 cm de distancia) y apriete el mando de bloqueo AH ^{⑪b}
 - ajuste el ángulo de bisel en 0° (véase Ajuste del ángulo de bisel)
 - ajuste el ángulo de inglete en 45° a izquierda o derecha (véase Ajuste del ángulo de inglete)

- presione la empuñadura B hacia abajo con una mano mientras empuja el pasador de bloqueo C con la otra
- enrolle el cable de alimentación
- utilice el asa de transporte E ⑧ para transportar la herramienta ⑪d
- si lo prefiere, utilice las asas laterales para transportar la herramienta ⑪e
- ! **no levante la herramienta por la empuñadura principal ni el cable de alimentación**
- Montaje de la herramienta en la superficie de trabajo ⑫
 - ! **para que la manipulación sea segura, instale la herramienta siempre sobre una superficie de trabajo plana y estable (por ejemplo, un banco de trabajo)**
 - utilice los 4 orificios de montaje F para fijar la herramienta a la superficie de trabajo con tornillos adecuados
 - también puede fijar la herramienta a la superficie de trabajo con abrazaderas ajustables disponibles en el mercado
 - para estabilizar la herramienta se puede ajustar la altura del pie de soporte G
 - si lo prefiere, puede montar la herramienta sobre un soporte para sierra de inglete
 - ! **lea todas las advertencias y las instrucciones incluidas con el soporte de la sierra**
- Extracción de virutas y polvo ⑬
 - monte la bolsa de polvo H/el aspirador según se indica
 - vacíe con regularidad la bolsa de polvo para una aspiración óptima del polvo
 - ! **nunca permita que la media del aspirador interfiera con la chapa protectora o con la operación de corte**
- Prolongación de la base de la sierra ⑭
 - utilice perillas L para sujetar las barras de prolongación K (a cada lado de la herramienta)
 - la longitud de las barras de prolongación K es regulable de forma continua desde el mínimo hasta el máximo
- Fijación de la pieza ⑮
 - ! **para lograr una seguridad óptima en el trabajo, fije siempre la pieza firmemente con la mordaza ajustable suministrada**
 - no trabaje con piezas demasiado pequeñas para su fijación
 - para conocer las dimensiones **máximas** de la pieza de trabajo, utilice la tabla ⑯ como referencia
 - apriete la mordaza en el orificio de soporte N con la perilla P (a cada lado de la herramienta)
 - la mordaza de la pieza de trabajo tiene 2 ranuras para facilitar el bloqueo, una para piezas de trabajo cortas (hasta 5 cm) y una para piezas de trabajo más largas (más de 5 cm)
 - presione la pieza firmemente contra la guía S
 - desbloquee la palanca R
 - adapte la mordaza a la pieza de trabajo
 - sujete firmemente la pieza bloqueando la palanca R
 - ! **para algunas combinaciones de inglete y bisel, o en función del tamaño de la pieza de trabajo, puede que resulte necesario usar mordazas de tornillo en lugar de la mordaza de la pieza de trabajo**
- Ajuste de ángulos de inglete ⑰
 - afloje la empuñadura de bloqueo AE
 - tire de la palanca de liberación del trinquete del inglete AF
 - gire la base de la sierra hacia la izquierda o hacia la derecha y ajuste el ángulo de inglete deseado (desde 0° hasta 50°) utilizando el indicador AG
 - sueste la palanca AF
 - apriete la empuñadura de bloqueo AE (**no apriete en exceso la empuñadura**)
 - para ajustar de forma rápida y precisa los ángulos de inglete más utilizados (0°, 15°, 22,5°, 31,6°, 45°) la palanca del trinquete del inglete AF encaja en su lugar en las posiciones correspondientes; para impedirlo, puede bloquear la palanca AF en la posición liberada ⑰b
- Ajuste de los ángulos de bisel ⑱
 - afloje el botón de tres puntas W
 - gire el cabezal de la herramienta hacia la izquierda hasta que el indicador de ángulo de bisel X señale el ángulo de bisel deseado
 - el tope de bisel ajustable AA (45°) se puede usar para detener a 45° o continuar hasta 48° ⑱b
 - sostenga el cabezal de la sierra en esta posición y apriete el botón W
 - para biselar hacia la derecha, primero incline el cabezal de la sierra ligeramente hacia la izquierda, gire el botón de liberación del bisel derecho AB (aprox. 60°) y gire el cabezal de la sierra hacia el ángulo de bisel derecho deseado ⑱c
 - al replugar el cabezal de la sierra hacia la izquierda, el botón de liberación del bisel derecho AB se colocará automáticamente en el tope final a 0°; puede evitarlo girando el botón hasta aprox. 90°, en lugar de 60° ⑱d
- Cortes compuestos ⑲
 - los cortes compuestos requieren el ajuste tanto del ángulo de inglete como del de bisel
 - ! **no accione la sierra en algunas de las combinaciones de inglete y bisel que puedan provocar interferencias entre las piezas deslizantes y las piezas fijas de la sierra, o entre las piezas deslizantes y la pieza de trabajo; para cortar, retire la guía deslizante, el mando de bloqueo de la guía deslizante y el botón de mordaza de la pieza de trabajo.**
 - ! **pruebe siempre con un trozo de material de descarte**
- Ajuste de las guías deslizantes ⑳
 - afloje el botón V para deslizar la(s) guía(s) U
 - afloje el botón V un poco más para desmontar / montar la(s) guía(s)
 - apriete el botón V para asegurar la posición deseada
 - ! **compruebe que las guías deslizantes estén bien sujetas antes de accionar la herramienta**
 - ! **para algunas combinaciones de inglete y bisel, puede que también sea necesario extraer el botón**
- Línea láser ㉑
 - para guiar la herramienta a lo largo de la línea de corte deseada, márquela en la pieza de trabajo
 - ponga en marcha/pare la línea láser apretando el interruptor AD
 - ! **antes de empezar un trabajo, compruebe la alineación de la línea láser con la línea actual de**

- corte para realizar un corte de prueba en la pieza de desecho**
- Para serrar **sin** movimiento deslizante (piezas de trabajo pequeñas)
 - afloje el botón de bloqueo AH en caso de que esté apretado
 - deslice el cabezal de la herramienta hasta el tope en la dirección de la guía S y vuelva a apretar el botón de bloqueo AH
 - ! **si no bloquea el mecanismo, la sierra podría montarse repentinamente sobre la pieza de trabajo y empujarla hacia usted**
 - ajuste la herramienta en la posición de trabajo
 - ! **asegúrese de que la pieza está firmemente fijada a la base de la sierra y a la guía S**
 - accione la herramienta liberando el bloqueo AJ y tirando del interruptor de alimentación AI
 - ! **no cruce los brazos cuando accione el cabezal de la sierra 23a**
 - sierre la pieza con un avance uniforme
 - ! **la herramienta debe funcionar a la velocidad máxima antes de que la hoja penetre en la pieza de trabajo**
 - pare la herramienta soltando el interruptor AI
 - espere hasta que la hoja se pare totalmente para empezar a conducir el cabezal de la herramienta lentamente hacia arriba
 - Para serrar **con** movimiento deslizante (piezas de trabajo grandes)
 - ! **tenga presente que el único método seguro es el que se describe a continuación**
 - no tire de la sierra a lo largo de la pieza de trabajo
 - afloje el botón de bloqueo AH en caso de que esté apretado
 - ! **asegúrese de que la pieza está firmemente fijada a la base de la sierra y a la guía S**
 - tire del cabezal de la sierra separándolo de la guía S lo suficiente como para que la hoja de la sierra se sitúe frente a la pieza de trabajo 24
 - accione la herramienta liberando el bloqueo 22 y tirando del interruptor de alimentación
 - ! **no cruce los brazos cuando accione el cabezal de la sierra 23a**
 - empuje el cabezal de la sierra en la dirección de la guía S y sierre la pieza con un avance uniforme 24
 - ! **la herramienta debe funcionar a la velocidad máxima antes de que la hoja penetre en la pieza de trabajo**
 - ! **Si la protección inferior no se abre automáticamente, lo que podría ocurrir en determinadas condiciones (p. ej., una pieza de trabajo muy cercana a la capacidad máxima), puede que tenga que abrirla manualmente 23b**
 - pare la herramienta soltando el interruptor AI
 - espere hasta que la hoja se pare totalmente para empezar a conducir el cabezal de la herramienta lentamente hacia arriba
 - Para serrar ranuras 25
 - ajuste la profundidad deseada mediante el tope de profundidad AK y bloquéelo en su posición apretando la tuerca AM
 - para conseguir una profundidad uniforme a lo largo
- de toda la ranura, se debe colocar un espaciador de madera entre la pieza de trabajo y la guía
- ! **compruebe que la hoja de la sierra no se atasca en la pieza de trabajo**
 - ! **pruebe siempre con un trozo de material de descarte**
 - Cambio de la hoja de sierra 26
 - ! **desenchufar la herramienta**
 - coger la llave hexagonal AN del depósito AO
 - sujete el protector de seguridad A en posición abierta
 - afloje el tornillo de placa de cubierta AQ (no desatornille el tornillo por completo) 26a
 - gire la protección de seguridad A totalmente hacia atrás 26b
 - presione el botón de bloqueo del eje AP y sujételo mientras extrae el tornillo de la hoja AR girando la llave hexagonal AN **EN SENTIDO HORARIO** (= en la misma dirección que la de la flecha impresa en la hoja de la sierra)
 - ! **apriete el botón de cierre de husillo AP solamente cuando la herramienta se haya detenido**
 - suelte el botón de cierre de husillo AP
 - retire la brida AS y la hoja de la sierra
 - ! **cambie la hoja de la sierra, con los dientes y la flecha impresa en la hoja apuntando hacia la misma dirección que la flecha indicada en la cubierta de protección A**
 - monte la brida AS 26c
 - pulse el botón de cierre de husillo AP y manténgalo pulsado mientras aprieta el tornillo de la hoja girando la llave hexagonal AN **EN SENTIDO ANTIHORARIO** 1/8 de giro después de que esté apretado al máximo con los dedos (asegura que la hoja de sierra resbale si encuentra excesiva resistencia, y evita que el motor se sobrecargue y la sierra retroceda)
 - apriete el tornillo de la placa de cubierta AQ
 - Sustitución de la inserción de base AT 26
 - Sustituya una inserción de base defectuosa o desgastada del siguiente modo:
 - ! **desenchufar la herramienta**
 - coger la llave hexagonal AN del depósito AO
 - extraiga los 6 tornillos como se indica en la ilustración
 - retire la inserción de base antigua en primer lugar levantándola por la parte delantera y, a continuación, tirando de ella hacia afuera completamente
 - coloque una nueva inserción de base
 - ! **apriete con fuerza los 6 tornillos**
 - Verificación/ajuste de la alineación a 90° de la hoja 26
 - ! **desenchufar la herramienta**
 - gire la base de la sierra a la posición de inglete de 0° y fíjela ahí
 - gire el cabezal de la sierra a la posición de bisel de 0°
 - baje el cabezal de la sierra y bloquéelo
 - verifique con una escuadra la existencia de un ángulo de 90° entre la hoja y la base
 - si es necesario, ajuste la alineación a 90° de la hoja del siguiente modo:
 1. afloje el botón de tres puntas W
 2. ajuste el tornillo Y con una llave hexagonal de 4 mm (no incluida de serie) 26b
 3. vuelva a comprobar con una escuadra
 4. restablezca el indicador de bisel en 0° 26c

- Verificación/ajuste de la alineación a 45° de la hoja ⁽²⁹⁾

! desenchufar la herramienta

 - gire la base de la sierra a la posición de inglete de 0° y fjela ahí
 - afloje el botón de tres puntas W
 - ajuste el tope de bisel ajustable AA a 45° ^(29b)
 - gire el cabezal de la sierra hacia la izquierda
 - verifique con una escuadra a 45° la existencia de un ángulo de 45° entre la hoja y la base ^(29a)
 - verifique que el indicador de bisel X se encuentra en la marca de 45°
 - si es necesario, ajuste la alineación a 45° de la hoja del siguiente modo:
 1. ajuste el tornillo Z con una llave fija del 10 (no incluida de serie)
 2. vuelva a comprobar con una escuadra
 - si es necesario, repita el ajuste de 45° a la derecha
 - afloje el cabezal de la sierra y bloquéelo
- Verificación/ajuste de la alineación a 90° de la guía ⁽³⁰⁾

! desenchufar la herramienta

 - gire la base de la sierra a la posición de inglete de 0° y fjela ahí
 - baje el cabezal de la sierra y bloquéelo
 - verifique con una escuadra la existencia de un ángulo de 90° entre la hoja y la guía S (asegúrese de que la escuadra está en contacto con el cuerpo de la hoja y no con sus dientes)
 - si es necesario, ajuste la alineación a 90° de la guía del siguiente modo:
 1. afloje los 4 tornillos de cabeza hexagonal T
 2. ajuste la guía hasta que la hoja y la guía contacten por completo con la escuadra
 3. apriete los 4 tornillos de cabeza hexagonal T
 4. restablezca el indicador de inglete en 0° ^(30c)
- Sujetacable ⁽³¹⁾
 - utilice el sujetacable AV para que el cable de alimentación no quede atrapado entre las piezas móviles y fijas de la herramienta

CONSEJOS DE APLICACIÓN

- Piezas de trabajo especiales
 - apoye siempre los extremos libres de una pieza larga
 - asegúrese de que se fijan de forma especial las piezas curvadas o redondeadas para impedir su deslizamiento ⁽³³⁾
 - en la línea de corte no puede existir ningún hueco entre la pieza de trabajo y la guía o la base de la sierra
 - si es necesario, fabrique una guía auxiliar; los orificios de la guía deslizante se utilizarán para sujetar la guía auxiliar ⁽³⁴⁾

! la guía auxiliar solo se puede utilizar con ángulo de bisel de 0°
- Para trabajar con molduras de suelo se puede utilizar la ilustración ⁽³⁵⁾ como referencia
- Poner siempre el lado bueno de la pieza de trabajo hacia abajo, para asegurar un mínimo astillado
- Utilice únicamente hojas de sierra afiladas del modelo adecuado
 - cuantos más dientes, más alisado el corte
 - hojas de sierra con dientes de metal duro (Widia) se mantienen 30 veces más afiladas que las hojas normales

MANTENIMIENTO / SERVICIO

- Mantenga siempre la herramienta y el cable limpios (especialmente las ranuras de ventilación situadas en el lado posterior del alojamiento del motor)
- Compruebe regularmente que la protección inferior funcione correctamente. Limpie el serrín acumulado en la protección inferior con un paño húmedo.
 - desenchufar la herramienta antes de limpiar
 - levante la protección inferior hasta la posición totalmente abierta y suéltela; si no se cierra de inmediato y del todo, debe ser revisada por un servicio técnico autorizado para herramientas eléctricas SKIL
- Limpie la hoja de sierra después de cada uso (especialmente de resina y cola)
 - la hoja de la sierra se calienta mucho durante su uso; no la toque hasta que se haya enfriado
- Limpie la luz láser AC con un cepillo blando después de cada uso para mantener la correcta visibilidad de la línea láser (no cambie el ajuste del láser)
- Si a pesar de los esmerados procesos de fabricación y control, la herramienta llegase a averiarse, la reparación deberá encargarse a un servicio técnico autorizado para herramientas eléctricas SKIL
 - envíe la herramienta **sin desmontar** junto con una prueba de su compra a su distribuidor o a la estación de servicio más cercana de SKIL (los nombres así como el despiece de piezas de la herramienta figuran en www.skil.com)
- Tenga presente que los daños debido a sobrecargas o al manejo inadecuado de la herramienta serán excluidos de la garantía (consulte las condiciones de garantía de SKIL en www.skil.com o consulte a su distribuidor)

AMBIENTE

- **No deseche las herramientas eléctricas, las pilas, los accesorios y embalajes junto con los residuos domésticos** (sólo para países de la Unión Europea)
 - de conformidad con la Directiva Europea 2012/19/CE sobre residuos de aparatos eléctricos y electrónicos y su aplicación de acuerdo con la legislación nacional, las herramientas eléctricas cuya vida útil haya llegado a su fin se deberán recoger por separado y trasladar a una planta de reciclaje que cumpla con las exigencias ecológicas
 - símbolo ⁽⁶⁾ llamará su atención en caso de necesidad de tirarlas

RUIDOS

- Realizando mediciones según EN 62841, el nivel de presión acústica de esta herramienta es 100,0 dB(A) y el nivel de potencia acústica es de 109,5 dB(A) (incertidumbre K = 3 dB)
- El nivel de emisión de vibraciones ha sido medido según una prueba estándar proporcionada en EN62841 puede utilizarse para comparar una herramienta con otra y como valoración preliminar de la exposición a las vibraciones al utilizar la herramienta con las aplicaciones mencionadas
 - al utilizarla para distintas aplicaciones o con accesorios diferentes o con un mantenimiento deficiente, podría **augmentar** de forma notable el nivel de exposición
 - en las ocasiones en que se apaga la herramienta o cuando está funcionando pero no está realizando

ningún traballo, se podría **reducir** o nivel de exposición de forma importante

P

Serra de esquadria deslizante 1320

INTRODUÇÃO

- Esta ferramenta trabalha como uma máquina imóvel para corte longitudinal e transversal de madeira com cortes direitos e angulares (são possíveis ângulos de esquadria horizontais de -50° a $+50^\circ$ e ângulos de chanfradura verticais de -48° a $+45^\circ$)
- Leia e guarde este manual de instruções ②
- Esta ferramenta não se destina a utilização profissional
- **Utilize apenas a ferramenta quando montada correcta e completamente** (não se esqueça de que a Skil não se responsabiliza por danos e/ou lesões pessoais resultantes da montagem incorrecta da ferramenta)

DADOS TÉCNICOS ①

ELEMENTOS DA FERRAMENTA ⑧

- A Guarda inferior
- B Punho do interruptor
- C Pino de fixação para transporte
- D Guarda superior
- E Pega de transporte
- F Orifícios de montagem
- G Pé de suporte
- H Saco do pó
- J Orifício de saída do pó
- K Barras de extensão
- L Botões de fixação das barras de extensão
- M Grampo de montagem da peça de trabalho
- N Orifício de suporte
- P Botão de fixação do grampo
- Q Botão de ajuste do grampo
- R Alavanca de fixação
- S Divisória
- T Parafusos sextavados de ajuste da divisória (4x)
- U Guia móvel
- V Botão para a guia móvel de fixação
- W Botão de fixação (ângulos de chanfradura)
- X Indicador do ângulo de chanfradura
- Y Parafuso de ajuste do ângulo de chanfradura (direita)
- Z Parafuso de ajuste do ângulo de chanfradura (esquadria)
- AA Limitador ajustável
- AB Alavanca de desbloqueio da chanfradura direita
- AC Luz laser
- AD Interruptor para ligar/desligar laser
- AE Pega de fixação (ângulos de esquadria)
- AF Alavanca de desbloqueio de detenção de esquadria
- AG Indicador do ângulo de esquadria
- AH Botão de fixação para dispositivo deslizante
- AI Interruptor para ligar/desligar
- AJ Alavanca de segurança
- AK Limitador de profundidade de corte
- AL Paragem de profundidade

- AM Porca de paragem de profundidade
- AN Chave sextavada
- AO Alojamento da chave hexagonal
- AP Botão de bloqueio do veio
- AQ Parafuso da placa da tampa
- AR Parafuso da lâmina
- AS Flange
- AT Inserção da mesa
- AU Defletor de pó
- AV Clipe de cabos

SEGURANÇA

INDICAÇÕES GERAIS DE SEGURANÇA PARA FERRAMENTAS ELÉTRICAS

AVISO Leia todos os avisos de segurança, instruções, ilustrações e especificações fornecidas com esta ferramenta eléctrica. O incumprimento de todas as instruções enumeradas abaixo poderá resultar em choque eléctrico, incêndio e/ou lesão grave.

Guarde bem todas as advertências e instruções para futura referência.

O termo “ferramenta eléctrica” utilizado a seguir nas indicações de advertência, refere-se a ferramentas eléctricas operadas com corrente de rede (com cabo de rede) e a ferramentas eléctricas operadas com acumulador (sem cabo de rede).

1) SEGURANÇA DA ÁREA DE TRABALHO

- a) **Mantenha a sua área de trabalho limpa e arrumada.** Desordem ou áreas de trabalho com fraca iluminação podem causar acidentes.
- b) **Não trabalhar com a ferramenta eléctrica em áreas com risco de explosão, nas quais se encontrem líquidos, gases ou pós inflamáveis.** Ferramentas eléctricas produzem faíscas que podem provocar a ignição de pó e vapores.
- c) **Mantenha crianças e outras pessoas afastadas da ferramenta eléctrica durante o trabalho com a ferramenta.** Distrações podem causar a falta de controlo sobre o aparelho.

2) SEGURANÇA ELÉTRICA

- a) **As fichas das ferramentas eléctricas devem caber na tomada. A ficha não deve ser modificada de modo algum. Não utilize quaisquer fichas de adaptação junto com ferramentas eléctricas ligadas à terra.** Fichas sem modificações e tomadas adequadas reduzem o risco de choques eléctricos.
- b) **Evite que o corpo entre em contacto com superfícies ligadas à terra, como por exemplo tubos, radiadores, fogões e geladeiras.** Há um risco elevado de choques eléctricos, caso o corpo for ligado à terra.
- c) **A ferramenta eléctrica não deve ser exposta à chuva nem humidade.** A penetração de água na ferramenta eléctrica aumenta o risco de choques eléctricos.
- d) **O cabo do aparelho não deve ser utilizado para o transporte, para pendurar o aparelho, nem para puxar a ficha da tomada. Mantenha o cabo afastado de calor, óleo, cantos afiados ou partes em movimento do aparelho.** Cabos danificados ou torcidos aumentam o risco de choques eléctricos.

- e) **Ao trabalhar com a ferramenta eléctrica ao ar livre, use um cabo de extensão apropriado para áreas externas.** O uso de um cabo apropriado para áreas externas reduz o risco de choques eléctricos.
- f) **Se não for possível evitar o funcionamento da ferramenta eléctrica em áreas húmidas, deverá ser utilizado uma disjuntor de corrente de avaria.** A utilização de um disjuntor de corrente de avaria reduz o risco de um choque eléctrico.
- 3) SEGURANÇA DE PESSOAS**
- a) **Esteja alerta, observe o que está a fazer, e tenha prudência ao trabalhar com a a ferramenta eléctrica. Não use a ferramenta eléctrica se estiver fatigado ou sob a influência de drogas, álcool ou medicamentos.** Um momento de falta de atenção durante a operação da ferramenta eléctrica pode causar graves lesões.
- b) **Utilizar equipamento de protecção pessoal e sempre óculos de protecção.** A utilização de equipamento de protecção pessoal, como máscara de protecção contra pó, sapatos de segurança antiderrapantes, capacete de segurança ou protecção auricular, de acordo com o tipo e aplicação da ferramenta eléctrica, reduz o risco de lesões.
- c) **Evitar uma colocação em funcionamento involuntária. Assegure-se de que a ferramenta eléctrica esteja desligada, antes de conectá-la à alimentação de rede e/ou ao acumulador, antes de levantá-la ou de transportá-la.** Se tiver o dedo no interruptor ao transportar a ferramenta eléctrica ou se o aparelho for conectado à alimentação de rede enquanto estiver ligado, poderão ocorrer acidentes.
- d) **Remover chaves de ajustes ou chaves de fenda, antes de ligar a ferramenta eléctrica.** Uma chave de fenda ou chave de ajuste que se encontre numa parte móvel do aparelho, pode levar a lesões.
- e) **Não se sobrestime. Mantenha uma posição firme e mantenha sempre o equilíbrio.** Desta forma poderá ser mais fácil controlar o aparelho em situações inesperadas.
- f) **Use roupa apropriada. Não use roupa larga ou jóias. Mantenha os cabelos e roupas afastados de partes em movimento.** Roupas largas, jóias ou cabelos longos podem ser agarradas por partes em movimento.
- g) **Se for prevista a montagem de dispositivos de aspiração de pó e de dispositivos de recolha, assegure-se de que estão conectados e que sejam utilizados de forma correcta.** A utilização de uma aspiração de pó pode reduzir o perigo devido ao pó.
- h) **Não deixe que a familiaridade resultante de uma utilização frequente de ferramentas permita que você se torne complacente e ignore os princípios de segurança da ferramenta.** Uma acção descuidada pode causar ferimentos graves numa fração de segundo.
- 4) USO E TRATAMENTO DE FERRAMENTAS ELÉTRICAS**
- a) **Não sobrecarregue a ferramenta eléctrica. Use para o seu trabalho a ferramenta eléctrica correcta.** A ferramenta correcta realizará o trabalho de forma melhor e mais segura dentro da faixa de potência indicada.
- b) **Não utilize a ferramenta eléctrica se o interruptor não puder ser ligado nem desligado.** Qualquer ferramenta eléctrica que não possa ser controlada

- através do interruptor de ligar-desligar, é perigosa e deve ser reparada.
- c) **Puxar a ficha da tomada e/ou remover o acumulador, se amovível, antes de executar ajustes na ferramenta, de substituir acessórios ou de guardar a ferramenta.** Esta medida de segurança evita que a ferramenta eléctrica seja ligada acidentalmente.
- d) **Guarde ferramentas eléctricas que não estiverem sendo utilizadas, for a do alcance de crianças. Não permita que o aparelho seja utilizado por pessoas não familiarizadas com o mesmo ou que não tenham lido estas instruções.** Ferramentas eléctricas são perigosas nas mãos de pessoas sem treinamento.
- e) **Trate a ferramenta eléctrica e os acessórios com cuidado. Verifique se as partes móveis do aparelho funcionam perfeitamente e não empernam, se há peças quebradas ou danificadas, que possam influenciar o funcionamento do aparelho. Peças danificadas devem ser reparadas antes da utilização do aparelho.** Muitos acidentes tem como causa uma manutenção insuficiente das ferramentas eléctricas.
- f) **Mantenha as ferramentas de corte sempre afiadas e limpas.** Ferramentas de cortes devidamente tratadas, com cantos afiados travam com menos frequência e podem ser controladas com maior facilidade.
- g) **Use a ferramenta eléctrica, os acessórios os bits da ferramenta etc., de acordo com estas instruções. Considere também as condições de trabalho e o trabalho a ser efectuado.** A utilização da ferramenta eléctrica para outros fins que os previstos, pode resultar em situações perigosas.
- h) **Mantenha os punhos e as superfícies de agarrar secas, limpas e livres de óleo e massa consistente.** Punhos e superfícies de agarrar escorregadias não permitem o manuseio e controlo seguros da ferramenta em situações inesperadas.
- 5) SERVIÇO**
- a) **A sua ferramenta eléctrica só deve ser reparada por pessoal qualificado e só devem ser colocadas peças sobressalentes originais.** Desta forma é assegurada a segurança da ferramenta eléctrica.

INSTRUÇÕES DE SEGURANÇA PARA SERRAS DE ESQUADRIA

- **As serras de esquadria destinam-se a cortar madeira ou produtos que não sejam de madeira. Não podem ser utilizadas com discos de corte abrasivos para cortar materiais ferrosos, tais como barras, hastes, vigas, etc.** O pó abrasivo provoca a obstrução das peças móveis, tais como a protecção inferior. As faíscas provenientes do corte abrasivo queimarão a protecção inferior, a inserção de corte e as outras peças de plástico.
- **Utilize grampos para suportar a peça de trabalho, sempre que for possível. Se apoiar manualmente a peça de trabalho, deve manter sempre a mão a, pelo menos, 100 mm de cada lado da lâmina da serra. Não utilize esta serra para cortar peças demasiado pequenas para serem fixadas ou sustentadas manualmente.** Se a sua mão estiver demasiado perto da lâmina da serra, existe um risco elevado de lesões pelo contacto com a lâmina.

- **A peça de trabalho deve estar imóvel e fixada ou sustentada contra a guia e a mesa. Não introduza a peça de trabalho na lâmina ou corte “à mão livre” de forma nenhuma** As peças de trabalho livres ou em movimento podem ser projetadas a altas velocidades, provocando lesões.
- **Empurre a serra através da peça de trabalho. Não puxe a serra através da peça de trabalho. Para fazer um corte, levante a cabeça da serra e puxe-a sobre a peça de trabalho sem cortar, ligue o motor, pressione a cabeça da serra para baixo e empurre a serra através da peça de trabalho** O corte no curso de tração pode fazer com que a lâmina da serra suba para o topo da peça de trabalho e projete o conjunto da lâmina contra o utilizador.
- **Nunca cruze a mão sobre a linha de corte prevista, à frente ou atrás da lâmina de corte** Apoiar a peça de trabalho “com as mãos cruzadas”, ou seja, segurar a peça de trabalho à direita da lâmina da serra com a sua mão esquerda ou vice-versa é muito perigoso.
- **Enquanto a lâmina estiver em rotação, não coloque nenhuma das mãos atrás da guia a menos de 100 mm de cada lado da lâmina da serra, para retirar pedaços de madeira ou por qualquer outro motivo** A proximidade da lâmina da serra em rotação em relação à sua mão pode não ser perceptível e provocar lesões graves.
- **Verifique a sua peça de trabalho antes de cortar. Se a peça de trabalho estiver curvada ou empenada, fixe-a com o lado exterior curvado virado para a guia. Assegure-se sempre de que não existe nenhuma folga entre a peça de trabalho, a guia e a mesa em toda a linha de corte** As peças de trabalho tortas ou empenadas podem torcer ou deslocar-se e emperrar na lâmina da serra em rotação durante o corte. Não podem existir pregos ou objetos estranhos na peça de trabalho.
- **Não utilize a motosserra até a mesa estar limpa de todas as ferramentas, pedaços de madeira, etc., ficando apenas com a peça de trabalho** Os detritos pequenos ou os pedaços de madeira soltos ou outros objetos em contacto com a lâmina em rotação podem ser projetados a alta velocidade.
- **Corte apenas uma peça de trabalho de cada vez** Várias peças de trabalho sobrepostas não podem ser fixadas ou juntas devidamente e podem emperrar na lâmina ou deslocar-se durante o corte.
- **Antes da utilização, assegure-se de que a serra de esquadria está montada ou colocada numa superfície de trabalho firme e plana.** Uma superfície de trabalho firme e plana diminui o risco da serra de esquadria se tornar instável.
- **Planeie o seu trabalho! Sempre que alterar o ajuste da chanfradura ou do ângulo de esquadria, assegure-se de que a guia ajustável está colocada corretamente para apoiar a peça de trabalho e não interferirá com a lâmina ou o sistema de proteção** Sem ligar a ferramenta e sem nenhuma peça de trabalho na mesa, desloque a lâmina da serra através de um corte simulado completo, para garantir que não existirá interferência ou perigo de cortar a guia.
- **Forneça apoios adequados, como extensões de mesa, cavaletes, etc. para uma peça de trabalho mais larga ou mais comprida do que o tempo da mesa.** As peças de trabalho mais compridas ou mais largas do que a mesa da serra de esquadria podem inclinar, se não estiverem devidamente apoiadas. Se

a peça cortada ou a peça de trabalho inclinar, pode levantar a proteção inferior ou ser projetada pela lâmina em rotação.

- **Não utilize outra pessoa para substituir uma extensão de mesa ou como apoio adicional** O apoio instável para a peça de trabalho pode fazer com que a lâmina emperre ou a peça de trabalho se desloque durante a operação de corte, arrastando-o a si e ao seu ajudante para a lâmina em rotação.
- **A peça cortada não deve ser apertada ou pressionada de qualquer forma contra a lâmina da serra em rotação** Se estiver limitada, ou seja, utilizando limitadores de comprimento, a peça cortada pode ficar cuneiforme contra a lâmina e ser projetada com violência.
- **Utilize sempre um grampo ou uma peça fixa concebida para apoiar devidamente material redondo, como hastes ou tubos** As hastes têm tendência para rolar enquanto são cortadas, fazendo com que a lâmina “morda” e puxe o trabalho com a sua mão para dentro da lâmina.
- **Deixe que a lâmina atinja a velocidade máxima antes de entrar em contacto com a peça de trabalho** Isso reduzirá o risco da peça de trabalho ser projetada.
- **Se a peça de trabalho ou a lâmina ficar presa, desligue a serra de esquadria. Espere que todas as peças móveis parem e desligue a ficha da fonte de alimentação e/ou retire a bateria. Depois, trabalhe para libertar o material preso** Se continuar a serrar uma peça de trabalho presa, pode perder o controlo ou danificar a serra de esquadria.
- **Depois de terminar o corte, solte o interruptor, mantenha a cabeça da serra para baixo e espere que a lâmina pare antes de retirar a peça cortada** É perigoso aproximar a sua mão da lâmina a funcionar por inércia.
- **Segure firmemente a peça enquanto faz um corte incompleto ou ao soltar o interruptor antes da cabeça da serra estar completamente na posição para baixo** A ação de travagem da serra pode fazer com que a cabeça da serra seja puxada repentinamente para baixo, causando o perigo de lesões.

INSTRUÇÕES DE SEGURANÇA ADICIONAIS

- Os processos de ligação causam durante pouco tempo reduções de tensão; no caso de condições de rede desfavoráveis, podem ocorrer impedimentos devido a outros aparelhos (no caso de impendências de rede inferiores a 0,219 ohms não é de se esperar quaisquer interferências); se necessita de algum esclarecimento adicional, contacte o seu fornecedor de energia eléctrica

GENERAL

- Utilize apenas a ferramenta para cortar madeira
- Certifique-se sempre de que a tensão de alimentação está de acordo com a tensão indicada na placa de identificação da ferramenta
- **Não se apoie na ferramenta ou no seu suporte** Podem ocorrer lesões graves se a ferramenta cair ou se a ferramenta de corte for tocada acidentalmente. Não guarde materiais sobre a ferramenta ou junto à mesma, de modo a ser necessário apoiar-se na ferramenta ou no seu suporte para os alcançar.
- **Desligue sempre a ficha da tomada antes de proceder a qualquer ajustamento ou troca de acessório**

- **Desligue sempre a ficha da fonte de alimentação, antes de transportar a serra de esquadria** Desligue, baixe o conjunto da cabeça e bloqueie na posição, utilize a pega de transporte e uma das reentrâncias para as mãos na base da motosserra.
- **Não deixe a ferramenta até ela parar completamente**
- **Ao cortar peças de trabalho com formas irregulares, planeie o seu trabalho de modo que as peças de trabalho não deslizem, prendam a lâmina e sejam arrancadas da sua mão**
- Esta ferramenta não deve ser utilizada por pessoas menores de 16 anos
- Esta ferramenta não é aconselhada para cortar com água

UTILIZAÇÃO NO EXTERIOR

- Quando utilizar a ferramenta no exterior, ligue-a utilizando um disjuntor de corrente de falha (FI) com uma corrente de disparo de 30 mA no máximo e utilize apenas uma extensão destinada a utilização no exterior e que esteja equipada com uma tomada de união à prova de salpicos

ANTES DA UTILIZAÇÃO

- Utilize extensões completamente desenroladas e seguras, com uma capacidade de 16 Amp
- Use óculos de protecção, protectores para os ouvidos, e luvas de protecção
- O pó do material, como tinta com chumbo, algumas espécies de madeira, minerais e metais, pode ser prejudicial (contacto ou inalação do pó pode provocar reacções alérgicas e/ou doenças respiratórias ao operador ou às pessoas presentes); **use máscara respiratória e trabalhe com um dispositivo de extracção de pó quando ligado a**
- Determinados tipos de pó são classificados como substâncias cancerígenas (como pó de carvalho e faia), em especial, juntamente com aditivos para acondicionamento da madeira; **use máscara respiratória e trabalhe com um dispositivo de extracção de pó quando ligado a**
- Siga o regulamento nacional quanto a extracção de pó, em função dos materiais que vão ser utilizados
- **Não processar material que contenha asbesto** (asbesto é considerado como sendo cancerígeno)
- Nunca utilize a ferramenta sem o sistema de protecção original
- Verifique se a guarda de protecção fecha correctamente antes de cada utilização
- Não utilize a serra se a guarda de protecção não se mover livremente e fechar imediatamente
- Nunca fixe ou aperte a guarda de protecção na posição de abertura
- Nunca utilize a ferramenta sem a inserção da mesa; substitua uma inserção da mesa avariada ou gasta
- Retire todos os obstáculos que se encontram no topo superior e na parte inferior da peça a cortar antes de iniciar o trabalho
- Evite danificar a ferramenta em superfícies com pregos ou parafusos; remova-os antes de começar a trabalhar

ACESSÓRIOS

- Nunca utilize discos de rebarbe/corte com esta ferramenta
- A SKIL só pode garantir um funcionamento perfeito da ferramenta, quando utilizada com os acessórios adequados que poderá adquirir nos revendedores autorizados SKIL
- Para montar/usar acessórios de outras marcas que não sejam SKIL, respeite as instruções do respectivo

fabricante

- Só utilizar lâminas de serra que correspondam aos dados característicos indicados nesta instrução de serviço e que sejam controlados conforme EN 847-1 e respetivamente marcados
- Utilize apenas acessórios com um número de rotação admissível no mínimo tão alto como o mais alto número de rotação em vazio da ferramenta
- Nunca utilize lâminas para serras em HSS
- Não utilize lâminas que se encontrem rachadas, deformadas ou cagas
- Utilize apenas lâminas da serra com um diâmetro do orifício que encaixe no veio da ferramenta sem folga; nunca utilize redutores ou adaptadores para encaixar lâminas de orifícios grandes na serra
- Proteja os acessórios contra impacto, choques e gordura

DURANTE A UTILIZAÇÃO

- **Não force a ferramenta** (aplique uma pressão contínua e leve para evitar o sobreaquecimento das pontas das lâminas e, em plásticos de corte, o derretimento do material de plástico)
- Mantenha os dedos, as mãos e os braços afastados da lâmina da serra rotativa
- Se a lâmina da serra ficar bloqueada, desligue a ferramenta imediatamente e retire a ficha; após estas operações, retire a peça de trabalho cuneiforme
- Em caso de bloqueio ou de anomalias eléctricas ou mecânicas, desligue imediatamente a ferramenta e a ficha da tomada
- Caso o fio for danificado ou cortado durante o trabalho, não toque no fio, mas tire imediatamente a ficha da tomada
- Nunca use a ferramenta se o cabo estiver danificado; este tem de ser substituído por um cabo especialmente preparado disponível através da organização de assistência.

RADIAÇÕES LASER

- **Não direcione o feixe de orientação a laser para pessoas ou animais e não olhe diretamente ou para o reflexo do mesmo** (isso pode provocar encandeamento, causar acidentes ou danos oculares)
- Caso a radiação laser atinja o olho, feche propositadamente os olhos e desvie imediatamente a cabeça do feixe
- Não faça alterações ao dispositivo a laser
- Não olhe diretamente para o feixe laser (radiações laser)
- Não use quaisquer instrumentos ópticos de ampliação (como lupas, telescópios ou binóculos) para ver o feixe laser
- Não utilize a ferramenta na presença de líquidos, gases, ou pó inflamáveis
- Não utilize a ferramenta com crianças à volta
- Não substitua o laser instalado por outro tipo de laser

APÓS A UTILIZAÇÃO

- Depois de desligar a ferramenta, nunca pare a rotação do acessório exercendo força lateral sobre o mesmo
- Retire apenas os cortes ou outras partes da peça de trabalho da área de corte quando todas as peças em movimento pararem completamente
- A lâmina da serra aquece durante a utilização; não lhe toque antes de arrefecer
- Guarde a ferramenta **no interior** num local seco e seguro, fora do alcance das crianças

EXPLICAÇÃO DOS SÍMBOLOS DA FERRAMENTA

- ② Leia o manual de instruções antes de utilizar o equipamento

- ③ Use óculos de protecção e protectores para os ouvidos
- ④ **Área de perigo! Zona sem mãos. Mantenha as mãos, os dedos ou os braços afastados desta área.**
- ⑤ Isolamento duplo (nenhum fio de terra necessário)
- ⑥ Não deite ferramentas eléctricas e pilhas no lixo doméstico
- ⑦ **Radiações laser / Não olhar directamente para o feixe / Produto laser da classe 2**

MANUSEAMENTO

- Montagem
 - monte a pega de transporte E com 2 parafusos, servindo-se da chave hexagonal AN ⑨
 - monte o botão de bloqueio de esquadria AE na parte da frente da mesa ⑩
 - monte a guia móvel U (ver Guia(s) móvel(is) de ajuste)
- Posição de transporte/trabalho

Para libertar a ferramenta (**posição de trabalho**)

 - pressione a pega B ⑧ para baixo com uma mão, enquanto retira o pino de fixação C com a outra mão ⑪a
 - guie o conjunto da cabeça lentamente para cima

Para segurar a ferramenta (**posição de transporte**)

 - deslize o conjunto da cabeça até à paragem na direcção da guia S (mantenha aprox. 5 cm de distância) e aperte o botão de bloqueio AH ⑪b
 - defina o ângulo de chanfradura para 0° (ver Definir ângulo de chanfradura)
 - defina o ângulo de esquadria para 45° à esquerda ou à direita (ver Definir ângulo de esquadria)
 - pressione a pega B para baixo com uma mão, enquanto pressiona o pino de fixação C com a outra mão
 - enrole o cabo de alimentação
 - utilize a pega de transporte E ⑧ para transportar a ferramenta ⑪d
 - em alternativa, utilize as pegas laterais para transportar a ferramenta ⑪e

! nunca levante a ferramenta segurando pela pega principal ou pelo cabo de alimentação
- Montagem da ferramenta na superfície de trabalho ⑫

! para manuseamento seguro, monte sempre a ferramenta numa superfície de trabalho plana e estável (por exemplo, bancada)

 - utilize os 4 orifícios de montagem F para prender a ferramenta com os parafusos adequados à superfície de trabalho
 - pode também fixar a ferramenta à superfície de trabalho com os grampos de parafusos disponíveis comercialmente
 - para estabilizar a ferramenta, pode ajustar a altura do pé de suporte G
 - em alternativa, a ferramenta pode montar-se num suporte para serra de esquadria

! leia todos os avisos e instruções incluídos no suporte da serra
- Extracção de pó/aparas ⑬
 - monte o saco do pó H/aspirador conforme ilustrado
 - esvazie regularmente o saco do pó para uma melhor recolha do pó

! nunca deixe que o tubo do aspirador interfere com a protecção inferior ou com a operação de corte

- Extensão da mesa da serra ⑭
 - utilize botões L para fixar as barras de extensão K (de cada lado da ferramenta)
 - o comprimento das barras de extensão K é ajustável continuamente do mínimo até ao máximo
- Fixar a peça de trabalho ⑮

! para segurança do trabalho óptimo, fixe sempre a peça de trabalho com o grampo ajustável fornecido

 - não trabalhe com peças de trabalho demasiado pequenas para fixar
 - para dimensões **máximas** da peça de trabalho, utilize a mesa ⑯ como referência
 - aperte o grampo da peça de trabalho no orifício de suporte N com o botão P (de cada lado da ferramenta)
 - o grampo da peça de trabalho tem 2 ranhuras para bloquear facilmente; 1 para peças de trabalho finas (até 5 cm) e 1 para peças de trabalho maiores (com mais de 5 cm)
 - prima a peça de trabalho firmemente contra a divisória S
 - desbloqueie a alavanca R
 - adapte o grampo à peça de trabalho
 - fixe firmemente a peça de trabalho, bloqueando a alavanca R

! para algumas combinações de esquadria e chanfradura, ou conforme o tamanho da peça de trabalho, pode ser necessário utilizar grampos de parafusos disponíveis comercialmente
- Definir ângulos de esquadria ⑰
 - desaperte a pega de fixação AE
 - puxe a alavanca de desbloqueio de detenção de esquadria AF
 - rode a mesa da serra para a esquerda ou para a direita e defina o ângulo de esquadria pretendido (de 0° to 50°) com o indicador AG
 - solte a alavanca AF
 - aperte a pega de fixação AE (**não aperte a pega muito firmemente**)
 - para um ajuste rápido e preciso de ângulos de esquadria utilizados frequentemente (0°, 15°, 22,5°, 31,6°, 45°), a alavanca de detenção de esquadria AF clica quando encaixa nas posições correspondentes; para evitar isso, pode bloquear-se a alavanca AF na posição desbloqueada ⑰b
- Definir ângulos de chanfradura ⑱
 - desaperte o botão de três lados W
 - rode a cabeça da serra para a esquerda até o indicador do ângulo de chanfradura X apontar para o ângulo de chanfradura pretendido
 - o limitador de chanfradura ajustável AA (45°) pode utilizar-se para parar a 45° ou continuar até aos 48° ⑱b
 - mantenha a cabeça da serra nesta posição e aperte o botão W
 - para chanfrar para a direita, incline a cabeça da serra ligeiramente para a esquerda, rode o botão de desbloqueio da chanfradura direita AB (aprox. 60°) e gire a cabeça da serra para o ângulo da chanfradura direita pretendido ⑱c
 - quando volta a girar a cabeça da serra para a esquerda, o botão de desbloqueio da chanfradura direita AB será automaticamente redefinido para o

- limitador a 0°; é possível evitar impedir isso, rodando o botão para aprox. 90° em vez dos 60° 18d
- Cortes compostos 19
 - os cortes compostos requerem uma definição do ângulo de esquadria e uma definição do ângulo de chanfradura
 - ! **não utilize a serra em algumas combinações de chanfradura e esquadria que podem resultar em interferência entre as peças móveis e as peças fixas da serra ou entre as peças móveis e a peça de trabalho – para cortar, retire a guia móvel, o botão de bloqueio da guia móvel e o botão de fixação de trabalho, conforme necessário.**
 - ! **experimente sempre primeiro num pedaço de material**
 - Ajustar as guias móveis 20
 - desaperte o botão V para permitir que a(s) guia(s) se mova(m) U
 - desaperte mais o botão V para permitir a remoção/ montagem da(s) guia(s)
 - aperte o botão V para fixar a posição pretendida
 - ! **antes de utilizar a ferramenta, assegure-se de que as guias móveis estão firmemente fixadas**
 - ! **em algumas combinações de esquadria e chanfradura, também pode ser necessário retirar o botão**
 - Linha laser 21
 - para guiar a ferramenta ao longo da linha de corte marcada na peça a trabalhar
 - ligue/desligue a linha laser puxando o interruptor AD
 - ! **antes de iniciar um trabalho, verifique o alinhamento da linha laser com a linha de corte actual, fazendo um corte experimental num material inútil**
 - Serrar sem movimento deslizante (peças de trabalho pequenas)
 - desaperte o botão de bloqueio AH, caso esteja apertado
 - deslize a cabeça da serra para o limitador na direcção da guia S e volte a apertar o botão de bloqueio AH
 - ! **Se o mecanismo não for bloqueado, a lâmina pode subir para o topo da peça de trabalho e mover-se violentamente na sua direcção**
 - coloque a ferramenta na posição de trabalho
 - ! **certifique-se de que a peça de trabalho está firmemente fixa contra a divisória e a mesa da serra S**
 - ligue a ferramenta, desbloqueando o bloqueio AJ e puxando o interruptor principal AI
 - ! **não cruze os braços enquanto utiliza a cabeça da serra 23a**
 - serre através da peça de trabalho com o avanço uniforme
 - ! **a ferramenta deverá trabalhar na velocidade máxima, antes da lâmina da serra penetrar na peça a trabalhar**
 - solte o interruptor para desligar a ferramenta AI
 - aguarde até a lâmina da serra ficar completamente parada antes de orientar a cabeça da serra lentamente para cima
 - Serrar com movimento deslizante (peças de trabalho grandes)
 - ! **não se esqueça de que o método descrito abaixo é o único método seguro**
 - não puxe a serra através da peça de trabalho
 - desaperte o botão de bloqueio AH, caso esteja apertado
 - ! **certifique-se de que a peça de trabalho está firmemente fixa contra a divisória e a mesa da serra S**
 - afaste a cabeça da serra da guia S o suficiente para que a lâmina da serra fique em frente à peça de trabalho 24
 - ligue a ferramenta, desbloqueando o bloqueio 22 e puxando o interruptor principal
 - ! **não cruze os braços enquanto utiliza a cabeça da serra 23a**
 - empurre a cabeça da serra na direcção da guia S e serre a peça de trabalho com o avanço uniforme 24
 - ! **a ferramenta deverá trabalhar na velocidade máxima, antes da lâmina da serra penetrar na peça a trabalhar**
 - ! **se a protecção inferior não abrir automaticamente, o que pode acontecer em determinadas circunstâncias (por ex., uma peça de trabalho que está muito perto da capacidade máxima), pode ter de abrir a protecção manualmente 23b**
 - solte o interruptor para desligar a ferramenta AI
 - aguarde até a lâmina da serra ficar completamente parada antes de orientar a cabeça da serra lentamente para cima
 - Serrar ranhuras 25
 - defina a profundidade pretendida com o limitador de profundidade AK e bloqueie-a com a porca AM
 - deve colocar-se um espaço de madeira entre a peça de trabalho e a guia, para uma profundidade consistente em todo o comprimento da ranhura
 - ! **certifique-se de que a lâmina da serra não fica encravada na peça de trabalho**
 - ! **experimente sempre primeiro num pedaço de material**
 - Troca de lâminas da serra 26
 - ! **desligar da fonte de corrente**
 - tire a chave hexagonal AN do alojamento AO
 - mantenha a protecção de segurança A na posição aberta
 - desaperte o parafuso da placa da tampa AQ (não desaperte completamente o parafuso) 26a
 - rode a protecção de segurança A completamente para trás 26b
 - prima o botão de fecho do veio AP e mantenha-o premido enquanto retira o parafuso da lâmina AR através da rotação da chave hexagonal AN **PARA A DIREITA** (= na mesma direcção como a seta impressa na lâmina da serra)
 - ! **pressione o botão AP de fecho do veio somente quando a ferramenta estiver parada**
 - solte o botão AP de fecho do veio
 - retire a flange AS e a lâmina da serra
 - ! **troque a lâmina da serra com os dentes da serra e a seta imprimida na lâmina na mesma direcção da seta da guarda de protecção A**
 - aplique o anel AS 26c
 - pressione o botão de fecho do veio AP e mantenha-o nessa posição, enquanto aperta o parafuso da lâmina com a chave hexagonal AN PARA A ESQUERDA 1/8 de volta após ter apertado à mão (a lâmina patina

- quando encontra demasiada resistência reduzindo sobrecargas do motor e ressaltos da lâmina)
- aperte o parafuso da placa da tampa AQ
 - Substitua a inserção da mesa AT ⁽²⁶⁾
Substitua uma inserção da mesa aviada ou gasta da seguinte forma:
 - ! **desligar da fonte de corrente**
 - tire a chave hexagonal AN do alojamento AO
 - retire os 6 parafusos conforme ilustrado
 - retire a inserção da mesa antiga, levantando primeiro a parte frontal e, em seguida, retirando-a completamente
 - coloque a inserção da mesa nova
 - ! **aperte todos os 6 parafusos**
 - Verificar/ajustar o alinhamento da lâmina de 90° ⁽²⁸⁾
 - ! **desligar da fonte de corrente**
 - rode a mesa da serra para a posição de esquadria de 0° e bloqueie-a
 - gire a cabeça da serra para a posição de chanfradura de 0°
 - baixe a cabeça da serra e bloqueie-a
 - procure um ângulo de 90° entre a lâmina e a mesa com um esquadro
 - se for necessário, ajuste o alinhamento da lâmina de 90° da seguinte forma:
 1. desaperte o botão de três lados W
 2. ajuste o parafuso Y com uma chave hexagonal de 4 mm (não incluída de série) ^(28b)
 3. volte a verificar com o esquadro
 4. redefina o indicador de chanfradura para os 0° ^(28c)
 - Verificar/ajustar o alinhamento da lâmina de 45° ⁽²⁹⁾
 - ! **desligar da fonte de corrente**
 - rode a mesa da serra para a posição de esquadria de 0° e bloqueie-a
 - desaperte o botão de três lados W
 - defina o limitador de chanfradura ajustável AA para os 45° ^(29b)
 - gire a cabeça da serra para a esquerda
 - procure um ângulo de 45° entre a lâmina e a mesa com um esquadro a 45° ^(29a)
 - verifique se o indicador de chanfradura X está na marca de 45°
 - se for necessário, ajuste o alinhamento da lâmina de 45° da seguinte forma:
 1. ajuste o parafuso Z com uma chave da lâmina n.º 10 (não incluída de série)
 2. volte a verificar a esquadria
 - se necessário, repita para a definição a 45° para a direita
 - baixe a cabeça da serra e bloqueie-a
 - Verificar/ajustar o alinhamento da divisória de 90° ⁽³⁰⁾
 - ! **desligar da fonte de corrente**
 - rode a mesa da serra para a posição de esquadria de 0° e bloqueie-a
 - baixe a cabeça da serra e bloqueie-a
 - procure um ângulo de 90° entre a lâmina e a divisória S com um esquadro (certifique-se de que o esquadro contacta o corpo da lâmina da serra e não com os dentes)
 - se for necessário, ajuste o alinhamento da divisória de 90° da seguinte forma:
 1. desaperte os 4 parafusos sextavados T
 2. ajuste a divisória até a lâmina e a divisória estarem em contacto total com o esquadro

3. aperte os 4 parafusos sextavados T
 4. redefina o indicador de esquadria para os 0° ^(30c)
- Clipe de cabos ⁽³¹⁾
 - utilize o clipe de cabos AV para impedir que o cabo de alimentação fique preso entre as peças móveis e as peças fixas da ferramenta

CONSELHOS DE APLICAÇÃO

- Peças de trabalho especiais
 - apoie sempre as extremidades livres de uma peça de trabalho longa
 - certifique-se de que as peças de trabalho curvas ou redondas estão especialmente fixas contra deslizamento ⁽³³⁾
 - não pode existir nenhuma folga na linha de corte entre a peça de trabalho e a divisória ou a mesa da serra
 - se necessário, fabrique uma guia auxiliar; os orifícios na guia móvel devem utilizar-se para fixar a guia auxiliar ⁽³⁴⁾
- ! **a guia auxiliar só pode utilizar-se na chanfradura a 0°**
- Para trabalhar com as moldagens do chão, pode utilizar a ilustração ⁽³⁵⁾ como referência
- Coloque sempre a peça a trabalhar com a face virada para baixo assegurando assim o mínimo de estilhamento
- Use sempre lâminas da serra devidamente afiadas e do tipo correcto
 - a qualidade de corte melhora consoante o número de dentes
 - lâminas c/ pastilhas Widia mantêm-se afiadas 30 vezes mais do que as lâminas normais

MANUTENÇÃO / SERVIÇO

- Mantenha a ferramenta e o cabo sempre limpos (em especial, as ranhuras de ventilação na parte posterior do alojamento do motor)
- Verifique regularmente se a proteção inferior está a funcionar adequadamente. Servindo-se de um pano húmido, limpe toda a serradura da proteção inferior.
 - desligar a ferramenta da fonte de corrente antes de limpar
 - levante a proteção inferior para a posição totalmente aberta e solte-a; se não fechar completamente de imediato, deve ser verificada por um centro de assistência pós-venda para ferramentas eléctricas SKIL
- Limpe a lâmina logo após a sua utilização (especialmente de resina ou cola)
 - a lâmina da serra aquece durante a utilização; não lhe toque antes de arrefecer
- Após cada utilização, limpe a luz laser AC com uma escova macia para manter uma boa visibilidade da linha do laser (assegure-se de que não altera a definição do laser)
- Se a ferramenta falhar apesar de cuidadosos processos de fabricação e de teste, a reparação deverá ser executada por uma oficina de serviço autorizada para ferramentas eléctricas SKIL
 - envie a ferramenta **sem desmontar**, juntamente com a prova de compra, para o seu revendedor ou para o centro de assistência SKIL mais próximo (os endereços assim como a mapa de peças da ferramenta estão mencionados no www.skil.com)

- Não se esqueça de que os danos provocados por sobrecarga ou manuseamento incorrecto da ferramenta estão excluídos da garantia (para mais informações sobre as condições da garantia da SKIL, consulte www.skil.com ou pergunte ao seu revendedor)

AMBIENTE

- **Não deite ferramentas eléctricas, pilhas, acessórios e embalagem no lixo doméstico** (apenas para países da UE)
 - de acordo com a directiva europeia 2012/19/CE sobre ferramentas eléctricas e electrónicas usadas e a transposição para as leis nacionais, as ferramentas eléctricas usadas devem ser recolhidas em separado e encaminhadas a uma instalação de reciclagem dos materiais ecológica
 - símbolo lhe avisará em caso de necessidade de arranjar-las

RÚIDO

- O nível de pressão sonora desta ferramenta, medido de acordo com a EN 62841, é de 100,0 dB(A) e o nível de potência acústica é de 109,5 dB(A) (incerteza K = 3 dB)
- O nível de emissão de ruído foi medido de acordo com um teste normalizado fornecido na EN 62841; pode ser utilizado para comparar uma ferramenta com outra e como uma avaliação preliminar da exposição ao ruído ao utilizar a ferramenta para as aplicações mencionadas
 - utilizar a ferramenta para diferentes aplicações ou com acessórios diferentes ou mantidos deficientemente, pode **augmentar** significativamente o nível de exposição
 - o número de vezes que a ferramenta é desligada ou quando estiver a trabalhar sem fazer nada, pode **reduzir** significativamente o nível de exposição

1

Troncatrice radiale

1320

INTRODUZIONE

- L'utensile è idoneo come macchina fissa per l'esecuzione di tagli longitudinali e trasversali nel legno realizzando tagli dritti e tagli con angolazioni (è possibile eseguire angoli inclinati orizzontali da -50° a +50° oltre ad angoli sbiechi verticali da -48° a +45°)
- Leggete e conservate questo manuale di istruzione
- Questo utensile non è inteso per un uso professionale
- **Utilizzare l'utensile solo se è completamente assemblato** (Skil non è responsabile per il danneggiamento dell'utensile e/o per lesioni causate dal montaggio errato dell'utensile)

DATI TECNICI

ELEMENTI UTENSILE

- A Protezione inferiore
- B Maniglia con interruttore
- C Perno di bloccaggio per il trasporto
- D Protezione superiore
- E Maniglia per il trasporto

- F Fori di fissaggio
- G Piede del supporto
- H Sacchetto della polvere
- J Porta per la polvere
- K Prolunghe laterali
- L Manopole per il bloccaggio delle prolunghe laterali
- M Morsa per bloccare il pezzo
- N Foro del supporto
- P Manopola per fissare la morsa
- Q Manopola per regolare la morsa
- R Leva morsa
- S Guida per il pezzo
- T Viti esagonali per regolare la guida (4x)
- U Dispositivo di scorrimento
- V Manopola per bloccare il dispositivo di scorrimento
- W Manopola di bloccaggio (angoli obliqui)
- X Indicatore angolo obliquo
- Y Vite per regolare l'angolo obliquo (destra)
- Z Vite per regolare l'angolo obliquo (sinistra)
- AA Fermo regolabile
- AB Leva di sblocco smussatura destra
- AC Raggio laser
- AD Interruttore acceso/spento laser
- AE Manopola di bloccaggio (angoli inclinati)
- AF Leva di sblocco impugnatura
- AG Indicatore angolo inclinato
- AH Manopola di bloccaggio per far scorrere l'utensile
- AI Interruttore di acceso/spento
- AJ Leva di sicurezza
- AK Limitatore della profondità di taglio
- AL Fermo di profondità
- AM Dado del fermo di profondità
- AN Chiave esagonale
- AO Alloggiamento per la chiave esagonale
- AP Tasto di bloccaggio dell'albero
- AQ Vite piastra di protezione
- AR Bullone della lama
- AS Flangia
- AT Inserto del piano tavolo
- AU Deflettore antipolvere
- AV Farmacavo

SICUREZZA

AVVERTENZE GENERALI DI PERICOLO PER ELETTROUTENSILI

AVVERTENZA Leggere tutte le avvertenze di sicurezza, istruzioni, illustrazioni e specifiche fornite con l'utensile. La mancata osservanza di tutte le istruzioni sottoelencate potrebbe causare delle scariche elettriche, principi d'incendio e/o gravi lesioni.

Conservare tutte le avvertenze di pericolo e le istruzioni operative per ogni esigenza futura.

Il termine "elettroutensile" utilizzato nelle avvertenze di pericolo si riferisce ad elettroutensili alimentati dalla rete (con linea di allacciamento) ed ad elettroutensili alimentati a batteria (senza linea di allacciamento).

1) SICUREZZA DELLA POSTAZIONE DI LAVORO

- a) **Mantenere pulito ed ordinato il posto di lavoro.** Il disordine o le zone di lavoro non illuminate possono essere fonte di incidenti.

- b) **Evitare d'impiegare l'elettrotensile in ambienti soggetti al rischio di esplosioni nei quali si trovino liquidi, gas o polveri infiammabili.** Gli elettrotensili producono scintille che possono far infiammare la polvere o i gas.
- c) **Mantenere lontani i bambini ed altre persone durante l'impiego dell'elettrotensile.** Eventuali distrazioni potranno comportare la perdita del controllo sull'elettrotensile.
- 2) SICUREZZA ELETTRICA**
- a) **La spina per la presa di corrente dovrà essere adatta alla presa. Evitare assolutamente di apportare modifiche alla spina. Non impiegare spine adattatrici assieme ad elettrotensili con collegamento a terra.** Le spine non modificate e le prese adatte allo scopo riducono il rischio di scosse elettriche.
- b) **Evitare il contatto fisico con superfici collegate a terra, come tubi, riscaldamenti, cucine elettriche e frigoriferi.** Sussiste un maggior rischio di scosse elettriche nel momento in cui il corpo è messo a massa.
- c) **Custodire l'elettrotensile al riparo dalla pioggia o dall'umidità.** L'eventuale infiltrazione di acqua in un elettrotensile va ad aumentare il rischio d'insorgenza di scosse elettriche.
- d) **Non usare il cavo per scopi diversi da quelli previsti al fine di trasportare o appendere l'elettrotensile, oppure di togliere la spina dalla presa di corrente. Mantenere l'elettrotensile al riparo da fonti di calore, dall'olio, dagli spigoli o da pezzi in movimento.** I cavi danneggiati o aggrovigliati aumentano il rischio d'insorgenza di scosse elettriche.
- e) **Qualora si voglia usare l'elettrotensile all'aperto, impiegare solo ed esclusivamente cavi di prolunga omologati per l'impiego all'esterno.** L'uso di un cavo di prolunga omologato per l'impiego all'esterno riduce il rischio d'insorgenza di scosse elettriche.
- f) **Qualora non fosse possibile evitare di utilizzare l'elettrotensile in ambiente umido, utilizzare un interruttore di messa a terra.** L'uso di un interruttore di messa a terra riduce il rischio di una scossa elettrica.
- 3) SICUREZZA DELLE PERSONE**
- a) **È importante concentrarsi su ciò che si sta facendo e a maneggiare con giudizio l'elettrotensile durante le operazioni di lavoro. Non utilizzare l'elettrotensile in caso di stanchezza o sotto l'effetto di droghe, bevande alcoliche e medicinali.** Un attimo di distrazione durante l'uso dell'elettrotensile potrà causare lesioni gravi.
- b) **Indossare sempre equipaggiamento protettivo individuale. Usare sempre protezioni per gli occhi.** Se si avrà cura d'indossare equipaggiamento protettivo individuale come la maschera antipolvere, la calzatura antisdrucchiolevole di sicurezza, il casco protettivo o la protezione dell'udito, a seconda dell'impiego previsto per l'elettrotensile, si potrà ridurre il rischio di ferite.
- c) **Evitare l'accensione involontaria dell'elettrotensile. Prima di collegarlo alla rete di alimentazione elettrica e/o alla batteria ricaricabile, prima di prenderlo oppure prima di iniziare a trasportarlo, assicurarsi che l'elettrotensile sia spento.** Tenendo il dito sopra l'interruttore mentre si trasporta l'elettrotensile oppure collegandolo all'alimentazione di

corrente con l'interruttore inserito, si vengono a creare situazioni pericolose in cui possono verificarsi seri incidenti.

- d) **Togliere gli attrezzi di regolazione o la chiave inglese prima di accendere l'elettrotensile.** Un elettrotensile o una chiave inglese che si trovino in una parte dell'elettrotensile in rotazione potranno causare lesioni.
- e) **È importante non sopravvalutarsi. Avere cura di mettersi in posizione sicura e di mantenere l'equilibrio.** In tale maniera sarà possibile controllare meglio l'elettrotensile in situazioni inaspettate.
- f) **Indossare vestiti adeguati. Evitare di indossare vestiti lenti o gioielli. Tenere capelli e vestiti lontani da parti in movimento.** Vestiti lenti, gioielli o capelli lunghi potranno impigliarsi in pezzi in movimento.
- g) **Se sussiste la possibilità di montare dispositivi di aspirazione o di captazione della polvere, assicurarsi che gli stessi siano stati installati correttamente e vengano utilizzati senza errori.** L'utilizzo di un'aspirazione polvere può ridurre lo svilupparsi di situazioni pericolose dovute alla polvere.
- h) **Una volta presa confidenza con gli utensili, evitare di trascurare le norme di sicurezza.** Una mancanza di attenzione può causare gravi lesioni in una frazione di secondo.
- 4) MANEGGIO ED IMPIEGO ACCURATO DI ELETTROTENSILI**
- a) **Non sovraccaricare l'elettrotensile. Impiegare l'elettrotensile adatto per sbrigare il lavoro.** Utilizzando l'elettrotensile adatto si potrà lavorare meglio e con maggior sicurezza nell'ambito della gamma di potenza indicata.
- b) **Non utilizzare elettrotensili con interruttori difettosi.** Un elettrotensile che non si può più accendere o spegnere è pericoloso e dovrà essere riparato.
- c) **Prima di procedere ad operazioni di regolazione sull'elettrotensile, prima di sostituire parti accessorie oppure prima di posare l'elettrotensile al termine di un lavoro, estrarre sempre la spina dalla presa della corrente e/o estrarre la batteria ricaricabile, se rimovibile.** Tale precauzione eviterà che l'elettrotensile possa essere messo in funzione inavvertitamente.
- d) **Custodire gli elettrotensili non utilizzati al di fuori della portata dei bambini. Non fare usare l'elettrotensile a persone che non sono abituate ad usarlo o che non abbiano letto le presenti istruzioni.** Gli elettrotensili sono pericolosi se utilizzati da persone inesperte.
- e) **Eseguire la manutenzione degli elettrotensili e degli accessori. Verificare che le parti mobili dell'elettrotensile funzionino perfettamente e non s'inceppino, che non ci siano pezzi rotti o danneggiati al punto tale da limitare la funzione dell'elettrotensile stesso. Far riparare le parti danneggiate prima d'impiegare l'elettrotensile.** Numerosi incidenti vengono causati da elettrotensili la cui manutenzione è stata effettuata poco accuratamente.
- f) **Mantenere affilati e puliti gli elettrotensili da taglio.** Gli elettrotensili da taglio curati con particolare attenzione e con taglienti affilati s'inceppano meno frequentemente e sono più facili da condurre.

- g) **Utilizzare elettroutensili, accessori, attrezzi, ecc. in conformità con le presenti istruzioni. Osservare le condizioni di lavoro ed il lavoro da eseguirsi durante l'impiego.** L'impiego di elettroutensili per usi diversi da quelli consentiti potrà dar luogo a situazioni di pericolo.
- h) **Mantenere impugnature e superfici di presa asciutte, pulite e prive di olio e grasso.** Impugnature e superfici di presa scivolose non consentono di manipolare e controllare l'utensile in caso di situazioni inaspettate.
- 5) **ASSISTENZA**
- a) **Fare riparare l'elettrodomestico solo ed esclusivamente da personale specializzato e solo impiegando pezzi di ricambio originali.** In tale maniera potrà essere salvaguardata la sicurezza dell'elettrodomestico.

ISTRUZIONI DI SICUREZZA PER TRONCATRICI

- **Le troncatrici sono concepite per tagliare legno o prodotti legnosi, e non possono essere usate con ruote di taglio abrasive per tagliare metalli ferrosi quali barre, tondini, bulloni, ecc.** La polvere abrasiva fa inceppare le parti mobili come la protezione inferiore. Le scintille provenienti dall'operazione di taglio abrasiva bruceranno la protezione inferiore, la tacca inserto e altre parti in plastica.
 - **Usare delle pinze per sostenere il pezzo in lavorazione, ove possibile. Se il pezzo viene tenuto in mano, bisogna sempre tenere la mano distante almeno 100 mm da entrambi i lati della lama. Non usare questa sega per tagliare dei pezzi troppo piccoli che non si riescono a bloccare in sicurezza o a tenere in mano.** Se la mano si avvicina troppo alla lama, aumenta il rischio di ferirsi toccando la lama.
 - **Il pezzo da tagliare deve essere stabile e bloccato o tenuto fermo contro la guida e il tavolo. Non inserire il pezzo nella lama o tagliare "a mano libera" in nessun modo.** Dei pezzi fuori controllo o in movimento potrebbero schizzare ad alte velocità, causando delle lesioni.
 - **Spingere la sega attraverso il pezzo. Non tirare la sega attraverso il pezzo. Per fare un taglio, alzare la testa della lama e appoggiarla sul pezzo senza tagliare, avviare il motore, premere la testa della lama e spingere la lama sul pezzo.** Tagliare mentre si sta tirando potrebbe far sì che la lama finisca sopra il pezzo e scagli violentemente il gruppo lama verso l'operatore.
 - **Non incrociare mai la mano sulla linea di taglio, né davanti né dietro la lama.** Tenere il pezzo "con la mano incrociata", cioè tenendo il pezzo sulla destra della lama con la mano sinistra o viceversa, è un'operazione molto pericolosa.
 - **Non avvicinarsi a più di 100 mm dalla guida con entrambe le mani e da entrambi i lati della lama, magari per rimuovere dei pezzettini di legno, o per qualsiasi altro motivo mentre la lama sta girando.** Potreste non rendervi conto che la mano si sta avvicinando alla lama che gira e potreste rimanere gravemente feriti.
 - **Controllate bene il vostro pezzo prima di tagliare. Se il pezzo è piegato o deformato, bloccatelo con la parte esterna piegata verso la guida. Accertarsi sempre che non vi sia spazio fra il pezzo, la guida**
- e il tavolo lungo la linea del taglio. Eventuali pezzi piegati o deformati possono girarsi o spostarsi e potrebbero incepparsi sulla lama che sta girando durante l'operazione di taglio. Nel pezzo non devono essere presenti chiodi o corpi estranei.
 - **Non usare la sega fino a quando il tavolo non sarà libero da altri utensili, pezzettini di legno, ecc.: deve esserci solo il pezzo da lavorare.** Piccoli detriti o pezzettini di legno vaganti o altri oggetti che toccano la lama in movimento potrebbero schizzare ad alta velocità.
 - **Tagliare un solo pezzo alla volta.** Più pezzi impilati non possono essere fissati o sostenuti adeguatamente e potrebbero legarsi sulla lama o spostarsi durante l'operazione di taglio.
 - **Accertarsi, prima dell'uso, che la troncatrice sia montata o posizionata su una superficie di lavoro livellata e stabile.** Una superficie di lavoro livellata e stabile riduce il rischio che la troncatrice diventi instabile.
 - **Significa il tuo lavoro! Ogni volta che si cambia l'impostazione dello smusso o dell'angolo di troncatrice, bisogna sempre accertarsi che la guida regolabile sia impostata correttamente per supportare il pezzo e che non interferisca con la lama o con il sistema di protezione.** Senza "ACCENDERE" l'utensile e senza il pezzo sul tavolo, spostare la lama simulando un taglio completo per accertarsi che non vi sarà interferenza o pericolo di tagliare la guida.
 - **Fornire un supporto adeguato quale allungamenti per il tavolo, cavalletti, ecc. se il pezzo da lavorare è più largo o più lungo della superficie del tavolo.** I pezzi più lunghi o più larghi del tavolo di taglio per la troncatrice potrebbero rovesciarsi se non vengono adeguatamente sostenuti. Se il pezzo tagliato o il pezzo da lavorare si rovescia, potrebbe sollevare la protezione inferiore o venire schizzato via dalla lama che gira.
 - **Non usare un'altra persona in sostituzione di un allungamento del tavolo o come sostegno aggiuntivo.** Un sostegno instabile per il pezzo può far sì che la lama si leghi o che il pezzo si sposti durante l'operazione di taglio, tirando voi e la persona che sta aiutando nella lama che gira.
 - **Il pezzo tagliato non deve essere inceppato o premuto in nessun modo contro la lama che gira.** Se confinato, ad es. usando dei fermi di lunghezza, il pezzo tagliato potrebbe incunearsi contro il tavolo e schizzare via violentemente.
 - **Usare sempre una morsa o un dispositivo di fissaggio adeguato per bloccare correttamente materiali tondi quali tondini o tubi.** I tondini tendono a rotolare durante il taglio, quindi la lama "morde" e tira il pezzo con la vostra mano nella lama.
 - **Far raggiungere la massima velocità alla lama prima di far toccare il pezzo.** Questo ridurrà il rischio che il pezzo schizzi via.
 - **Se il pezzo o la lama si inceppano, spegnere la troncatrice. Attendere che tutte le parti in movimento si siano fermate e staccare la spina dalla presa di corrente e/o rimuovere la batteria. Quindi lavorare per liberare il materiale inceppato.** Continuare a usare l'utensile con un pezzo inceppato potrebbe causare una perdita di controllo o danneggiare la troncatrice.
 - **Una volta terminato il taglio, rilasciare l'interruttore, tenere la testa della sega verso il basso e attendere che la lama si fermi prima di rimuovere il pezzo**

tagliato Avvicinarsi con la mano alla lama che sta rallentando, è pericoloso.

- **Tenere l'impugnatura ben salda quando si fa un taglio incompleto o quando si rilascia l'interruttore prima che la testa della sega si trovi completamente in posizione abbassata** L'azione di frenatura della sega potrebbe far sì che la testa della sega venga tirata giù improvvisamente, causando il rischio di lesioni.

ISTRUZIONI DI SICUREZZA ULTERIORI

- Le operazioni di accensione producono temporanei abbassamenti di tensione; in caso di reti di alimentazioni che non siano in condizioni ottimali può capitare che altre macchine possano subire dei disturbi (in caso di impedenze di rete minori di 0,219 Ohm non ci si aspetta nessun disturbo); per ulteriori chiarimenti, contattare la vostra società fornitrice di energia elettrica

NOTE GENERALI

- Utilizzare l'utensile solo per tagliare il legno
- Controllare che la tensione dell'alimentazione sia la stessa di quella indicata sulla targhetta dell'utensile
- **Non salire sull'utensile o sul suo supporto** Potrebbero verificarsi delle lesioni gravi se l'utensile si rovescia o se si tocca accidentalmente l'utensile di taglio. Non riporre materiali sopra o in prossimità dell'utensile, per evitare di dover salire sopra l'utensile stesso o sul supporto per recuperarli.
- **Staccate sempre la spina dell'utensile prima di effettuare regolazioni o cambiare gli accessori**
- **Staccare sempre la spina dalla presa di corrente prima di trasportare la troncatrice** Staccare la spina, abbassare il gruppo testa inferiore e bloccarlo in posizione, usare l'apposita maniglia per il trasporto e una delle apposite rientranze per inserire la mano nella base dell'utensile.
- **Non abbandonare l'utensile fino a quando non si sarà completamente fermato**
- **Se si taglia un pezzo dalla forma irregolare, pianificare il lavoro di modo che non scivoli, pizzichi la lama e vi venga strappato di mano**
- Questo utensile non dev'essere utilizzato da persone di età inferiore ai 16 anni
- Quest'utensile non può lavorare con acqua

USO ALL'ESTERNO

- Quando usato all'esterno, collegare l'utensile ad un interruttore automatico di rete (FI) con una corrente di scatto di 30 mA massimo, ed usare solamente il cavo di prolunga inteso per uso esterno e munito di una presa antispruzzo

PRIMA DELL'USO

- Usare cavi di prolunga completamente srotolati e sicure con una capacità di 16 Amp
- Portare occhiali di protezione, protezione dell'udito, e guanti di protezione
- Le polveri di materiali come vernici contenenti piombo, alcune specie di legno, minerali e metallo possono essere nocive (il contatto con queste polveri o la loro inalazione possono causare reazioni allergiche e/o disturbi respiratori all'operatore o ad altre persone presenti sul posto); **indossare una maschera protettiva per la polvere e utilizzare un dispositivo per l'estrazione della polvere se è presente una presa di collegamento**
- Alcuni tipi di polvere sono classificati come cancerogeni

(quali le polveri di quercia e faggio) specialmente se associate ad additivi per il trattamento del legno; **indossare una maschera protettiva per la polvere e utilizzare un dispositivo per l'estrazione della polvere se è presente una presa di collegamento**

- Rispettare le istruzioni nazionali riguardanti l'estrazione della polvere per i materiali in lavorazione
- **Non lavorare mai materiali contenenti amianto** (l'amianto è ritenuto materiale cancerogeno)
- Non usate mai l'utensile senza il suo sistema protettivo originale
- Verificare che la protezione sia chiusa bene prima di utilizzare l'utensile
- Non utilizzare la sega se la protezione non si muove liberamente e si chiude istantaneamente
- Non serrare mai la protezione nella posizione aperta
- Non usare mai l'utensile senza l'insero del piano tavolo; sostituire un inserto del piano tavolo difettoso o consumato
- Rimuovete tutti gli ostacoli sopra e sotto la linea di taglio prima di iniziare il lavoro
- Evitate possibili danneggiamenti da viti e chiodi sporgenti; rimuoverli prima di iniziare la lavorazione

ACCESSORI

- Non usare mai dischi da smeriglio/taglio con quest'utensile
- La SKIL garantisce un perfetto funzionamento dell'utensile soltanto se vengono utilizzati accessori corretti che si possono ottenere presso il vostro negoziante
- Per il montaggio/uso di accessori non di produzione SKIL, osservare le istruzioni del fabbricante interessato
- Utilizzare esclusivamente lame per sega che corrispondono ai dati caratteristici indicati nelle presenti istruzioni d'uso, omologate secondo la norma EN 847-1 e munite della rispettivo contrassegno
- Utilizzate solo accessori il cui numero massimo di giri corrisponda almeno al massimo dei numeri di giri dell'utensile
- Mai utilizzate lame per sega in acciaio ad alta velocità (HSS)
- Non usate la lama in caso sia crepata, deformata o non tagliente
- Usare solo lame con il diametro del foro adatto all'albero dell'utensile senza che vi sia del gioco; non usare mai riduttori o adattatori per adattarli su lame con un foro più grande
- Proteggere gli accessori da impatto, da urti e dal grasso

DURANTE L'USO

- **Non forzare l'utensile** (applicare una pressione leggera e continua per evitare un surriscaldamento delle punte della lama e di fondere la plastica, se si sta tagliando plastica)
- Tenere le dita, le mani e le braccia lontane dalle lame rotative
- Se la lama dovesse bloccarsi, spegnere immediatamente l'utensile e staccare l'alimentazione; solo dopo aver fatto ciò rimuovere il pezzo incastrato
- Nel caso l'utensile si blocchi o di cattivo funzionamento elettrico o meccanico, spegnete subito l'utensile e staccate la spina
- Se durante un'operazione di lavoro viene danneggiato oppure troncato il cavo, non toccare il cavo ma estrarre immediatamente la spina dalla presa
- Non usare mai l'utensile se il cavo è danneggiato; sostituire con un cavo apposito disponibile presso i centri di assistenza.

RADIAZIONI LASER

- **Non dirigere mai il raggio laser verso persone oppure animali ed evitare di guardare direttamente il raggio laser o di guardarne il riflesso** (il raggio laser potrebbe abbagliare le persone, provocare incidenti o danneggiare gli occhi)
- Se un raggio laser dovesse colpire un occhio, chiudere subito gli occhi e distogliere immediatamente la testa dal raggio
- Non effettuare modifiche al dispositivo laser
- Non guardare direttamente nel raggio del laser (radiazioni laser)
- Non utilizzare nessun attrezzo d'ingrandimento (come una lente d'ingrandimento, telescopio, o binocoli) per veder il raggio laser
- Non usare l'utensile se sono presenti dei liquidi infiammabili, dei gas o della polvere
- Non adoperare l'utensile in presenza di bambini
- Non sostituire il laser installato con un altro tipo di laser

DOPO L'USO

- Dopo aver spento l'utensile, non arrestare mai la rotazione dell'accessorio applicandovi una forza laterale
- Rimuovere parti tagliate o altre parti del pezzo dalla zona di taglio solo quando tutte le parti in movimento si sono fermate completamente
- La lama si scalda molto durante l'uso; non toccatela prima che si sia raffreddata
- Conservare l'utensile **all'interno** in un posto asciutto e chiuso a chiave, distante dalla portata dei bambini

SPIEGAZIONE DEI SIMBOLI PRESENTI SULL'UTENSILE

- ② Leggere il manuale di istruzioni prima dell'uso
- ③ Portare occhiali di protezione e protezione dell'udito
- ④ **Area pericolosa! Zona niente mani. Tenere mani, dita o braccia lontano da quest'area.**
- ⑤ Doppio isolamento (non è necessario alcun cavo di terra)
- ⑥ Non gettare l'elettrodotensile e le batterie con i rifiuti domestici
- ⑦ **Radiazioni al laser / Non guardare direttamente nel raggio / Prodotto laser classe 2**

USO

- Montaggio
 - montare la maniglia per il trasporto E con 2 i bulloni usando la chiave esagonale AN^⑨
 - montare la manopola di blocco AE nella parte anteriore del tavolo^⑩
 - montare la guida scorrevole U (vedi Regolazione guida(e) scorrevole(i))
- Posizione di trasporto/lavoro
 - Per il rilascio dell'utensile (posizione di **lavoro**)
 - spingere la maniglia B^⑥ verso il basso mentre si estrae il perno di bloccaggio C con l'altra mano^{⑪a}
 - accompagnare lentamente la testa verso l'alto
 - Per il bloccaggio dell'utensile (posizione di **trasporto**)
 - far scivolare la testa fino al fermo nella direzione della guida S (tenere circa 5 cm di distanza) e serrare la manopola di blocco AH^{⑪b}
 - impostare l'angolo di smussatura a 0° (vedi Impostazione angolo di smussatura)
 - impostare l'angolo inclinato a 45° a sinistra o a destra (vedere Impostazione angolo inclinato)
 - premere la maniglia B verso il basso con una mano mentre si spinge il perno di blocco C con l'altra mano
 - avvolgere il cavo di alimentazione

- usare la maniglia per il trasporto E^⑧ per spostare l'utensile^{⑪d}
- in alternativa, trasportare l'utensile usando le maniglie laterali^{⑪e}
- ! **non sollevare mai l'utensile prendendolo per la maniglia principale, o per il cavo di alimentazione**
- Montaggio dell'utensile sulla superficie di lavoro^⑫
 - ! **per un utilizzo sicuro, fissare sempre l'utensile su una superficie di lavoro piana e stabile (p.es. un banco da lavoro)**
 - usare 4 fori di fissaggio F per fissare l'utensile con viti adatte alla superficie di lavoro
 - l'utensile può anche essere fissato sulla superficie di lavoro usando delle morse a vite normalmente in commercio
 - per stabilizzare l'utensile è possibile regolare l'altezza del piede del supporto G
 - in alternativa, si può montare l'utensile su un supporto per troncatrice
 - ! **leggere tutte le avvertenze e le istruzioni fornite con il supporto**
- Aspirazione polvere/trucioli^⑬
 - Montare il sacchetto della polvere H/aspirapolvere come illustrato
 - svuotare regolarmente il sacchetto della polvere per ottimale raccolta della polvere
 - ! **tenete lontano il tubo dell'aspirapolvere dalla protezione inferiore o dalla zona di taglio**
- allungamento del tavolo di taglio^⑭
 - usare le manopole L per serrare le prolunghie laterali K (su entrambi i lati dell'utensile)
 - la lunghezza delle prolunghie K è facilmente regolabile dal minimo al massimo
- Bloccaggio del pezzo^⑮
 - ! **per una sicurezza di funzionamento ottimale, bloccare sempre bene il pezzo con la morsa regolabile fornita**
 - non usare pezzi che siano troppo piccoli da bloccare
 - per conoscere le dimensioni **massime** del pezzo, usare la tabella^⑯ come riferimento
 - bloccare la morsa per il pezzo nel foro del supporto N usando la manopola P (su entrambi i lati dell'utensile)
 - la morsa per il pezzo ha 2 scanalature per facilitarne il bloccaggio: una per i pezzi sottili (fino a 5 cm) e una per i pezzi più grandi (oltre 5 cm)
 - spingere bene il pezzo contro la guida S
 - sbloccare la leva R
 - adattare la morsa sul pezzo
 - bloccare bene il pezzo utilizzando la leva di blocco R
 - ! **per alcune combinazioni di smussatura e inclinazione, o in funzione della dimensione del pezzo, potrebbe essere necessario l'uso di morsetti a vite disponibili in commercio anziché la morsa per il pezzo**
- Impostazione degli angoli inclinati^⑰
 - allentare la maniglia di bloccaggio AE
 - tirare la leva con dente d'arresto AF
 - ruotare il tavolo di taglio verso destra o verso sinistra e impostare l'angolo di inclinazione desiderato (da 0° a 50°) utilizzando l'indicatore AG
 - rilasciare la leva AF
 - serrare la manopola di bloccaggio AE (**senza stringerla troppo**)

- per un'impostazione veloce e precisa di angoli d'inclinazione usati di frequente (0°, 15°, 22.5°, 31.6°, 45°) la leva con dente d'arresto AF si inserisce con un clic nelle posizioni corrispondenti; per evitare ciò, è possibile AF bloccare la leva in posizione sbloccata ⑰b
- impostazione degli angoli di smusso ⑱
 - allentare la manopola a tre razze W
 - spostare la testa di taglio a sinistra fino a quando l'indicatore dell'angolo di smusso X non punterà all'angolo di smusso desiderato
 - il fermo per lo smusso regolabile AA (45°) può essere usato per fermarsi a 45° o per continuare fino al 48° ⑱b
 - tenere la testa di taglio in questa posizione e serrare la manopola W
 - per smussare a destra inclinare prima la testa di taglio leggermente verso sinistra, ruotare la manopola di sblocco dello smusso destro AB (circa 60°), quindi spostare la testa di taglio all'angolo di smusso destro desiderato ⑱c
 - quando si sposta indietro la testa di taglio verso sinistra, la manopola di sblocco dello smusso destro AB si resetterà automaticamente al fermo 0°; questo si può prevenire ruotando la manopola di 90° anziché 60° ⑱d
- Tagli composti ⑲
 - i tagli composti richiedono sia l'impostazione di un angolo inclinato che di un angolo sbieco
 - ! non utilizzare l'utensile con alcune delle combinazioni smusso e angolo di troncatura, perché potrebbe causare un'interferenza fra le parti scorrevoli e fisse dell'utensile o fra le parti scorrevoli e il pezzo - per effettuare il taglio, rimuovere la guida scorrevole, la manopola di blocco della guida scorrevole e la manopola per bloccare il pezzo come richiesto.**
 - ! effettuate sempre una prova su un pezzo di materiale di scarto**
- Regolazione delle guide scorrevoli ⑳
 - allentare la manopola V per consentire lo scorrimento della(e) guida(e) U
 - allentare ulteriormente V la manopola per consentire la rimozione / montaggio della(e) guida(e)
 - serrare la manopola V per bloccare alla posizione desiderata
 - ! Accertarsi che le guide scorrevoli siano fissate bene prima di utilizzare l'utensile**
 - ! per alcune combinazioni di smusso e angolo di troncatura potrebbe anche essere necessario rimuovere la manopola**
- Linea laser ㉑
 - per guidare l'utensile sulla linea di taglio marcata sul pezzo in lavorazione
 - attivare/disattivare la linea laser premendo l'interruttore AD
 - ! prima di iniziare un lavoro, verificare l'allineamento della linea laser con la linea di taglio corrente eseguendo un taglio di prova su un pezzo di materiale di scarto**
- Tagliare **senza** movimento scorrevole (piccoli pezzi)
 - allentare la manopola di blocco AH se dovesse essere serrata
 - far scivolare la testa di taglio fino al fermo nella
- direzione della guida S e serrare nuovamente la manopola di blocco AH
- ! il mancato blocco del meccanismo può far sì che la lama salga improvvisamente sul pezzo e si spinga verso di voi**
- impostare l'utensile in posizione di lavoro
- ! accertarsi che il pezzo sia bloccato bene contro il tavolo di taglio e la guida S**
- accendere l'utensile rilasciando il dispositivo di blocco AJ e tirando l'interruttore generale AI
- ! non incrociare le braccia quando si utilizza la testa di taglio ㉒a**
- segare il pezzo con avanzamenti uniformi
- ! l'utensile deve avere la massima velocità prima che la lama entri nel pezzo in lavorazione**
- spegnere l'utensile rilasciando l'interruttore AI
- prima di guidare la testa di taglio leggermente verso l'alto assicurarsi che la lama sia completamente ferma
- Tagliare **con** movimento scorrevole (pezzi larghi)
- ! N.B. il metodo descritto qui di seguito è l'unico metodo sicuro**
- non appoggiare la lama sul pezzo
- allentare la manopola di blocco AH se dovesse essere serrata
- ! accertarsi che il pezzo sia bloccato bene contro il tavolo di taglio e la guida S**
- allontanare la testa di taglio dalla guida S abbastanza per far sì che la lama di taglio si trovi davanti al pezzo ㉒a
- accendere l'utensile rilasciando il dispositivo di blocco ㉒b e tirando l'interruttore generale
- ! non incrociare le braccia quando si utilizza la testa di taglio ㉒a**
- spingere la testa di taglio nella direzione della guida S e tagliare attraverso il pezzo con un avanzamento uniforme ㉒a
- ! l'utensile deve avere la massima velocità prima che la lama entri nel pezzo in lavorazione**
- ! Se la protezione inferiore non si apre automaticamente, il che potrebbe verificarsi in determinate condizioni (ad es. con un pezzo molto vicino alla sua massima capacità), potrebbe essere necessario aprire la protezione manualmente ㉒b**
- spegnere l'utensile rilasciando l'interruttore AI
- prima di guidare la testa di taglio leggermente verso l'alto assicurarsi che la lama sia completamente ferma
- Scanalature di taglio ㉒b
 - impostare la profondità desiderata con il fermo di profondità AK e bloccare con il dado di serraggio AM
 - si dovrà inserire uno spessore in legno fra il pezzo e la guida per avere una profondità costante su tutta la lunghezza della scanalatura
 - ! accertarsi che la lama di taglio non si inceppi nel pezzo**
 - ! effettuate sempre una prova su un pezzo di materiale di scarto**
- Cambio della lama da sega ㉒c
 - ! estrarre la spina dalla presa**
 - prendete la chiave esagonale AN dall'alloggiamento AO
 - tenere la protezione A in posizione aperta
 - allentare le vite della piastra di protezione AQ (**non svitare le vite completamente**) ㉒a

- ruotare la protezione A completamente all'indietro ⑳b
- premere il pulsante di blocco del perno AP e tenerlo premuto fino a quando non verrà rimosso il bullone della lama AR ruotando la chiave esagonale AN IN SENSO ORARIO (= nella stessa direzione della freccia stampata sulla lama)

! premete il pulsante AP del blocco alberino soltanto quando l'utensile è a riposo

- rilasciate il pulsante AP del blocco alberino
- rimuovere la flangia AS e la lama

! cambiare la lama con i denti e la freccia stampata sulla lama rivolti nella stessa direzione della freccia sulla protezione A

- montate la flangia AS ⑳c
- Premere il pulsante di blocco del mandrino AP e tenerlo premuto mentre si stringe il bullone della lama girando la chiave esagonale AN IN SENSO ANTIORARIO di 1/8 per un serraggio a mano (garantisce lo slittamento della lama quando incontra un'eccessiva resistenza, quindi riducendo il sovraccarico del motore e il contraccolpo della sega)

- serrare la vite della piastra di protezione AQ

• Sostituzione dell'inserto del piano tavolo AT ⑳

Per sostituire un inserto del piano tavolo difettoso o consumato, procedere nel seguente modo:

! estrarre la spina dalla presa

- prendete la chiave esagonale AN dall'alloggiamento AO
- rimuovere tutte e 6 le viti come illustrato
- rimuovere l'inserto del piano tavolo da sostituire sollevandolo prima nella parte anteriore e quindi estraendolo completamente
- posizionare il nuovo inserto del piano tavolo

! serrare bene tutte e 6 le viti

• Verifica/regolazione dell'allineamento della lama a 90° ⑳b

! estrarre la spina dalla presa

- ruotare il tavolo di taglio nella posizione di troncatura a 0° e bloccarlo
- spostare la testa di taglio in posizione di smusso a 0°
- abbassare la testa di taglio e bloccarla
- verificare che vi sia un angolo di 90° fra la lama e il tavolo utilizzando una squadra
- se necessario, regolare l'allineamento della lama a 90° nel seguente modo:
 1. allentare la manopola a tre razze W
 2. regolare la vite Y con una chiave esagonale da 4 mm (non inclusa di serie) ⑳b
 3. ricontrollare con una squadra
 4. resettare l'indicatore di smusso a 0° ⑳c

• Verifica/regolazione dell'allineamento della lama a 45° ⑳a

! estrarre la spina dalla presa

- ruotare il tavolo di taglio nella posizione di troncatura a 0° e bloccarlo
- allentare la manopola a tre razze W
- impostare il fermo di smusso regolabile AA a 45° ⑳b
- spostare la testa di taglio a sinistra
- verificare che vi sia un angolo di 45° fra la lama e il tavolo utilizzando una squadra a 45° ⑳a
- verificare che l'indicatore obliquo X si trovi sulla tacca di 45°
- se necessario, regolare l'allineamento della lama a 45° nel seguente modo:
 1. regolare la vite Z con una chiave per lama da 10 (non inclusa di serie)

2. ricontrollare con la squadra
- se necessario, ripetere l'impostazione a 45° a destra
 - abbassare la testa di taglio e bloccarla
- Verifica/regolazione dell'allineamento della guida a 90° ⑳

! estrarre la spina dalla presa

- ruotare il tavolo di taglio nella posizione di troncatura a 0° e bloccarlo
- abbassare la testa di taglio e bloccarla
- verificare che vi sia un angolo di 90° fra la lama e la guida S con una squadra (accertarsi che la squadra tocchi il corpo della lama e non i suoi denti)
- se necessario, regolare l'allineamento della guida a 90° nel seguente modo:
 1. allentare le 4 viti esagonali T
 2. regolare la guida fino a quando la lama e la guida non toccheranno completamente la squadra
 3. serrare le 4 viti esagonali T
 4. resettare l'indicatore di smusso a 0° ⑳c
- Fermacavo ⑳
 - usare il fermacavo AV per evitare che il cavo di alimentazione rimanga impigliato fra le parti in movimento e le parti fisse dell'utensile

CONSIGLIO PRATICO

- Pezzi speciali
 - supportare sempre le estremità libere di un pezzo lungo
 - accertarsi che i pezzi curvi o rotondi vengano posizionati di modo che non possano scivolare via ⑳
 - sulla linea di taglio non deve esserci dello spazio fra il pezzo e la guida o il tavolo di taglio
 - se necessario, realizzare una guida ausiliaria; i fori nella guida scorrevole verranno usati per fissare la guida ausiliaria ⑳a
- **! la guida ausiliaria può essere usata solo con uno smusso a 0°**
- Se si lavora con modanature per il pavimento, si può utilizzare come riferimento l'illustrazione ⑳
- Posizionate la parte più rifinita del pezzo in lavorazione verso il basso
- Usate solo lame affilate e del tipo suggerito
 - la qualità di taglio è proporzionale al numero dei denti
 - lame con denti riportati al carburo conservano l'affilatura 30 volte più a lungo

MANUTENZIONE / ASSISTENZA

- Tenere sempre puliti utensili e cavo (soprattutto le feritoie di ventilazione sulla parte posteriore del vano motore)
- Programmare una verifica regolare per accertarsi che la protezione inferiore stia funzionando correttamente. Pulire la protezione inferiore da eventuale polvere di taglio accumulata utilizzando un panno umido.
 - prima di pulire estrarre la spina dalla presa
 - Sollevare la protezione inferiore in posizione interamente aperta e rilasciarla; se non si chiude subito completamente andrebbe controllata da un centro di assistenza post-vendita per utensili SKIL
- Pulite la lama immediatamente dopo l'uso (specie da resina o colla)
 - la lama si scalda molto durante l'uso; non toccatela prima che si sia raffreddata

- Pulire il raggio laser AC con un pennello morbido dopo ogni utilizzo per mantenere una buona visibilità della linea laser (controllando di non cambiare l'impostazione del laser)
- Se nonostante gli accurati procedimenti di produzione e di controllo l'utensile dovesse guastarsi, la riparazione va fatta effettuare da un punto di assistenza autorizzato per gli elettrodomestici SKIL
 - inviare l'utensile **non smontato** assieme alle prove di acquisto al rivenditore oppure al più vicino centro assistenza SKIL (l'indirizzo ed il disegno delle parti di ricambio dell'utensile sono riportati su www.skil.com)
- Tenere presente che danni causati da sovraccarico o utilizzo improprio sono esclusi dalla garanzia (per la condizioni di garanzia SKIL, visitare il sito www.skil.com o contattare il proprio rivenditore)

TUTELA DELL'AMBIENTE

- **Non gettare l'elettrodomestico, le batterie, gli accessori e l'imballaggio con i rifiuti domestici** (solo per Paesi UE)
 - secondo la Direttiva Europea 2012/19/CE sui rifiuti di utensili elettrici ed elettronici e la sua attuazione in conformità alle norme nazionali, gli elettrodomestici esausti devono essere raccolti separatamente, al fine di essere reimpiagati in modo eco-compatibile
 - il simbolo  vi ricorderà questo fatto in fase di smaltimento


RUMOROSITÀ

- Misurato secondo EN 62841 il livello di pressione sonora di questo utensile è di 100,0 dB(A) e il livello di rumorosità è di 109,5 dB(A) (incertezza K = 3 dB)
- Il livello di emissione di rumorosità è stato misurato secondo un test standardizzato stabilito dalla norma EN 62841; questo valore potrebbe essere utilizzato per mettere a confronto due utensili e come valutazione preliminare di esposizione al rumore quando si utilizza l'utensile per le applicazioni menzionate
 - se si utilizza l'utensile per applicazioni diverse, oppure con accessori differenti o in scarse condizioni, il livello di esposizione potrebbe **aumentare** notevolmente
 - i momenti in cui l'utensile è spento oppure è in funzione ma non viene effettivamente utilizzato per il lavoro, possono contribuire a **ridurre** il livello di esposizione

H

Csúszó gérvágó fűrész 1320

BEVEZETÉS

- Ez a szerszám rögzített gépként fa hosszanti és keresztirányú vágására szolgál, egyenes és szög alatti vágásokkal (-50° és +50° közötti vízszintes gérvágási szögek, valamint -48° és +45° közötti függőleges ferdevágási szögek lehetségesek)
- Olvassa el figyelmesen és őrizze meg a használati utasítást 
- A szerszám nem professzionális használatra készült
- **Csak akkor használja a szerszámot, ha már megfelelően és teljesen összeszerelte** (ne feledje, hogy a Skil nem vállalhat felelősséget a szerszám nem megfelelő összeszereléséből adódó károsodásáért és/vagy a személyi sérülésekért)

MŰSZAKI ADATOK

SZERSZÁMGÉP ELEMEI

- A Alsó fűrészlapvédő pajzs
- B Kapcsolófogantyú
- C Rögzítőcsap a szállításhoz
- D Felső védőburkolat
- E Szállítófogantyú
- F Rögzítőfuratok
- G Támasztólab
- H Porzsák
- J Forgácskivető nyílás
- K Hosszabbító rudak
- L A hosszabbító rudak rögzítésére szolgáló gombok
- M A munkadarab rögzítésére szolgáló szorító
- N Tartófurat
- P A szorító rögzítésére szolgáló gomb
- Q A szorító beállítására szolgáló gomb
- R Szorítókar
- S Vezetőléc
- T A vezetőléc beállítására szolgáló imbuszcsoncsavarok (4x)
- U Csúszó vezetőléc
- V A csúszó vezetőléc rögzítőgombja
- W Rögzítőgomb (ferdevágási szögek)
- X Ferdevágási szög mutató
- Y A ferdevágási szög (jobb) beállítására szolgáló csavar
- Z A ferdevágási szög (bal) beállítására szolgáló csavar
- AA Állítható végűtköző
- AB Jobb oldali ferdevágás kioldókarja
- AC Lézersugár
- AD Lézer be/ki kapcsológomb
- AE Rögzítőfogantyú (gérvágási szögek)
- AF Gérvágóretesz kioldókarja
- AG Gérvágási szög mutató
- AH Elcsúsztatást rögzítő gomb
- AI Be/ki kapcsológomb
- AJ Biztonsági kar
- AK Vágómélység határoló
- AL Mélységi ütköző
- AM Mélységi ütköző anya
- AN Hatszögkulcs
- AO Imbusz kulcs tartója
- AP Elfordulás elleni gomb
- AQ Fedőlemez csavar
- AR Fűrészlap szorítócsavar
- AS Peremes gyűrű
- AT Asztalbetét
- AU Porterelő
- AV Kábelrögzítő

BIZTONSÁG

ÁLTALÁNOS BIZTONSÁGI ELŐÍRÁSOK AZ ELEKTROMOS KÉZISZERSZÁMOKHOZ

 **FIGYELMEZTETÉS** Olvassa el a szerszámgéphez tartozó biztonsági figyelmeztetéseket, utasításokat, ábrákat és specifikációkat. Az alábbi utasítások figyelmen kívül hagyása elektromos áramütéshez, tűzhöz és/vagy súlyos balesethez vezethet.

Őrizze meg a jövőbeli használatra is valamennyi biztonsági előírást és utasítást.

Az alább alkalmazott "elektromos kéziszerszám" fogalom a hálózati elektromos kéziszerszámokat (hálózati csatlakozó kábel) és az akkumulátoros elektromos kéziszerszámokat (hálózati csatlakozó kábel nélkül) foglalja magában.

1) MUNKAHELYI BIZTONSÁG

- a) **Tartsa tisztán és tartsa rendben a munkahelyét.** Rendetlen munkahelyek vagy megvilágítatlan munkaterületek balesetekhez vezethetnek.
- b) **Ne dolgozzon az elektromos kéziszerszámmal olyan robbanásveszélyes környezetben, ahol éghető folyadékok, gázok vagy porok vannak.** Az elektromos kéziszerszámok szikrákat bocsáthatnak ki, amelyek meggyújthatják a port vagy a gőzöket.
- c) **Tartsa távol a gyerekeket és az idegen személyeket a munkahelytől, ha az elektromos kéziszerszámot használja.** Ha elvonják a figyelmét a munkától, könnyen elvesztheti az uralmát a berendezés felett.

2) ELEKTROMOS BIZTONSÁGI ELŐÍRÁSOK

- a) **A készülék csatlakozó dugójának bele kell illeszkednie a dugaszolóaljzatba. A csatlakozó dugót semmilyen módon sem szabad megváltoztatni. Védőföldeléssel ellátott készülékekkel kapcsolatban ne használjon csatlakozó adaptert.** A változtatás nélküli csatlakozó dugók és a megfelelő dugaszoló aljzatok csökkentik az áramütés kockázatát.
- b) **Ne érjen hozzá földelt felületekhez, mint csövekhez, fűtőtestekhez, kályhákhoz és hűtőszekrényekhez.** Az áramütési veszély megnövekszik, ha a teste le van földelve.
- c) **Tartsa távol az elektromos kéziszerszámot az esőtől és a nedvesség hatásaitól.** Ha víz hatol be egy elektromos kéziszerszámba, ez megnöveli az áramütés veszélyét.
- d) **Ne használja a kábelt a rendeltetésétől eltérő célokra, vagyis a szerszámot soha ne hordozza vagy akassza fel a kábelnél fogva, és soha ne húzza ki a hálózati csatlakozó dugót a kábelnél fogva. Tartsa távol a kábelt hőforrásoktól, olajtól, éles élektől, sarkaktól és mozgó gépalkatrészekről.** Egy megrongálódott vagy csomókkal teli kábel megnöveli az áramütés veszélyét.
- e) **Ha egy elektromos kéziszerszámmal a szabad ég alatt dolgozik, csak a szabadban való használatra engedélyezett hosszabbítót használjon.** A szabadban való használatra engedélyezett hosszabbító használata csökkenti az áramütés veszélyét.
- f) **Ha nem lehet elkerülni az elektromos kéziszerszám nedves környezetben való használatát, alkalmazzon egy földzárlat megszakítót.** Egy földzárlat megszakító alkalmazása csökkenti az áramütés kockázatát.

3) SZEMÉLYI BIZTONSÁGI ELŐÍRÁSOK

- a) **Munka közben mindig figyeljen, ügyeljen arra, amit csinál, és meggondoltan dolgozzon az elektromos kéziszerszámmal.** Ha fáradt, ha kábítószerek vagy alkohol hatása alatt áll, vagy orvosságokat vett be, ne használja a berendezést. A berendezéssel végzett munka közben már egy pillanatnyi figyelmetlenség is komoly sérülésekhez vezethet.
- b) **Viseljen személyi védőfelszerelést és mindig viseljen védőszemüveget.** A személyi védőfelszerelések, mint porvédő álarc, csúszásbiztos védőcipő, védősapka és fülvédő használata az elektromos kéziszerszám használata jellegének

megfelelően csökkenti a személyes sérülések kockázatát.

- c) **Kerülje el a készülék akaratlan üzembe helyezését.** Győződjön meg arról, hogy az elektromos kéziszerszám ki van kapcsolva, mielőtt bedugná a csatlakozó dugót a dugaszolóaljzatba, csatlakoztatná az akkumulátor-csomagot, és mielőtt felvenné és vinni kezdené az elektromos kéziszerszámot. Ha az elektromos kéziszerszám felemelése közben az ujját a kapcsolón tartja, vagy ha a készüléket bekapcsolt állapotban csatlakoztatja az áramforráshoz, ez balesetekhez vezethet.
 - d) **Az elektromos kéziszerszám bekapcsolása előtt okvetlenül távolítsa el a beállító szerszámokat vagy csavarkulcsokat.** Az elektromos kéziszerszám forgó részeiben felejtett beállító szerszám vagy csavarkulcs sérüléseket okozhat.
 - e) **Ne becsülje túl önmagát. Kerülje el a normálistól eltérő testtartást, ügyeljen arra, hogy mindig biztosan álljon és az egyensúlyát megtartsa.** Így az elektromos kéziszerszám felett váratlan helyzetekben is jobban tud uralkodni.
 - f) **Viseljen megfelelő ruhát. Ne viseljen bő ruhát vagy ékszerket. Tartsa távol a haját és a ruháját a mozgó részekről.** A bő ruhát, az ékszerket és a hosszú haját a mozgó alkatrészek magukkal rántathatják.
 - g) **Ha az elektromos kéziszerszámra fel lehet szerelni a por elszívásához és összegyűjtéséhez szükséges berendezéseket, ellenőrizze, hogy azok megfelelő módon hozzá vannak kapcsolva a készülékhez és rendeltetésüknek megfelelően működnek.** A porgyűjtő berendezések használata csökkenti a munka során keletkező por veszélyes hatását.
 - h) **Ne hagyja, hogy az elektromos kéziszerszám gyakori használata során szerzett tapasztalatok olyan önelégültté tegyék, hogy figyelmen kívül hagyja az idevonatkozó biztonsági alapelveket.** Egy gondatlan művelet egy másodperc törtrésze alatt súlyos sérüléseket okozhat.
- #### 4) AZ ELEKTROMOS KÉZISZERSZÁMOK GONDOS KEZELÉSE ÉS HASZNÁLATA
- a) **Ne terhelje túl az elektromos kéziszerszámot. A munkájához csak az arra szolgáló elektromos kéziszerszámot használja.** Egy alkalmas elektromos kéziszerszámmal a megadott teljesítménytartományon belül jobban és biztonságosabban lehet dolgozni.
 - b) **Ne használjon olyan elektromos kéziszerszámot, amelynek a kapcsolója elromlott.** Egy olyan elektromos kéziszerszám, amelyet nem lehet sem be-, sem kikapcsolni, veszélyes és meg kell javíttatni.
 - c) **Húzza ki a csatlakozó dugót a dugaszolóaljzatból és/vagy távolítsa el az akkumulátor-csomagot (ha az leválasztható) az elektromos kéziszerszámtól, mielőtt az elektromos kéziszerszámot beállítási munkákat végez, tartozékokat cserél vagy a szerszámot tárolásra elteszi.** Ez az elővigyázatossági intézkedés megátalja a szerszám akaratlan üzembe helyezését.
 - d) **A használaton kívüli elektromos kéziszerszámokat olyan helyen tárolja, ahol azokhoz gyerekek ne férhess nek hozzá. Ne hagyja, hogy olyan személyek használják az elektromos kéziszerszámot, akik nem ismerik a szerszámot, vagy nem olvasták el ezt az**

útmutatót. Az elektromos kéziszerszámok veszélyesek, ha azokat gyakorlatlan személyek használják.

- e) **Az elektromos kéziszerszámot és tartozékait gondosan tartsa karban. Ellenőrizze, hogy a mozgó alkatrészek kifogástalanul működnek-e, nincsenek-e beszorulva, és nincsenek-e eltörve vagy megrongálódva olyan alkatrészek, amelyek hatással lehetnek az elektromos kéziszerszám működésére. A megrongálódott részeket a készülék használata előtt javíttassa meg.** Sok olyan baleset történik, amelyet az elektromos kéziszerszám nem kielégítő karbantartására lehet visszavezetni.
- f) **Tartsa tisztán és éles állapotban a vágószerszámokat.** Az éles vágóélekkel rendelkező és gondosan ápolott vágószerszámok ritkábban ékelődnek be és azokat könnyebben lehet vezetni és irányítani.
- g) **Az elektromos kéziszerszámokat, tartozékokat, betétszerszámokat stb. csak ezen előírásoknak használja. Vegye figyelembe a munkafeltételeket és a kivitelezendő munka sajátosságait.** Az elektromos kéziszerszám eredeti rendeltetésétől eltérő célokra való alkalmazása veszélyes helyzetekhez vezethet.
- h) **Tartsa szárazon, tisztán és olaj- és zsírmentes állapotban a fogantyúkat és markoló felületeket.** A csúszós fogantyúk és markoló felületek váratlan helyzetekben lehetetlenné teszik az elektromos kéziszerszám biztonságos kezelését és irányítását.
- 5) **SZERVIZ**
- a) **Az elektromos kéziszerszámot csak szakképzett személyzet és csak eredeti pótalkatrészek felhasználásával javíthatja.** Ez biztosítja, hogy az elektromos kéziszerszám biztonságos szerszám maradjon.

GÉRVÁGÓ FŰRÉSZEKRE VONATKOZÓ BIZTONSÁGI ELŐÍRÁSOK

- **A gérvágó fűrészek fa vagy faszzerű termékek vágására szolgálnak, nem használhatók csiszoló hasítókorongokkal vasfémekből készült anyagok, pl. rudak, csapok stb. vágására.** A csiszolásból eredő por elakadást okoz a mozgó alkatrészeknél, pl. az alsó védőlemlénnél. A csiszolóvágásból származó szikrák megégethetik az alsó védőlemleret, a rovatkolt betétet és az egyéb műanyag részeket.
- **Használjon szorítóelemeket a munkadarab tartására, amikor csak lehetséges. Ha a munkadarabot kézzel támasztja meg, akkor mindig legyen legalább 100 mm távolság a keze és fűrészlapon mindkét oldala között. Ne használja ezt a fűrészt olyan munkadarabok vágására, amelyek mérete túl kicsi ahhoz, hogy biztonságosan be lehessen fogni vagy kézzel meg lehessen fogni őket.** Ha túl közel helyezi a kezét a fűrészlaphoz, azzal növeli a fűrészlapon okozta sérülések kockázatát.
- **A munkadarabnak egy helyben kell maradnia, azt be kell szorítani vagy a vezetőléchez és az asztalhoz is hozzá kell illeszteni. A munkadarab pengéjéhez való adagolásért vagy a vágást semmilyen módon ne végezze „szabad kézzel”. A nem rögzített vagy mozgó munkadarabokat nagy sebességgel kivetheti a fűrész, ami sérüléseket okoz.**
- **Tolja át a fűrészt a munkadarabon. Ne húzza át a fűrészt a munkadarabon. Vágáshoz emelje fel a fűrészfejet és húzza ki a munkadarab felett vágás nélkül, indítsa be a motort, nyomja le a fűrészfejet, és tolja át a fűrészt a munkadarabon.** Ha a húzó mozdulat alatt vág, akkor a fűrészlapon valószínűleg a munkadarab tetejére kerül, és erőteljesen kiveti a fűrészlapon szerelvényt a kezelő felé.
- **Soha ne érjen át a keze a tervezett vágás vonalán a fűrész előtt és után sem.** Ha „keresztezett kézzel” támasztja meg a munkadarabot, vagyis ha a fűrészlapon jobb oldalon tartja a munkadarabot bal kézzel vagy fordítva, az nagyon veszélyes.
- **Soha ne nyúljon egyik kezével sem a vezetőlécz mögé úgy, hogy keze 100 mm-nél kisebb távolságban legyen a fűrészlapon bármelyik oldalától a fahulladék eltávolítására vagy bármilyen egyéb okból, amikor a fűrészlapon mozgásban van.** Nem minden esetben egyértelmű, hogy mennyire van közel a keze a forgásban lévő fűrészlaphoz, és súlyos sérüléseket szenvedhet.
- **Vágás előtt vizsgálja meg a munkadarabot. Ha a munkadarab görbe vagy megvetemedett, akkor szorítsa be úgy, hogy a külső görbe fele a vezetőlécz felé nézzen. Mindig győződjön meg arról, hogy nincs hézag a munkadarab, a vezetőlécz és az asztal között a vágás vonala mentén.** A görbe vagy megvetemedett munkadarabok elcsavarodhatnak vagy elmozdulhatnak, és a vágás során a forgó fűrészlaphoz tapadhatnak. A munkadarabban nem lehetnek szegek vagy idegen tárgyakkal.
- **A fűrész használata előtt távolítsa el minden szerszámot, fahulladékot stb. az asztalról, csak a munkadarab lehet rajta.** Az apró törmelék, a nem beszorított fadarabok vagy az egyéb tárgyak, amelyek a forgó fűrészlaphoz érnek, nagy sebességgel kivethődhetnek.
- **Egyszerre csak egy munkadarabot vágjon** Több, egymásra rakott munkadarabot nem lehet megfelelően rögzíteni vagy leszorítani, így vágás közben a fűrészlaphoz tapadhatnak vagy elmozdulhatnak.
- **Használat előtt győződjön meg arról, hogy a gérvágó fűrész vízszintes, szilárd munkafelületre van felszerelve vagy elhelyezve.** Vízszintes, szilárd munkafelület esetén kisebb a kockázata annak, hogy a gérvágó fűrész instabillá váljék.
- **Tervezze meg a munkát! A ferdevágás és a gérvágás szögének beállításakor, minden alkalommal győződjön meg arról, hogy az állítható vezetőlécz helyesen van beállítva a munkadarab alátámasztásához, és hogy nem zavarja a fűrészlapot vagy a védőrendszert** Anélkül, hogy bekapcsolná a szerszámot, vezesse végig a fűrészlapot egy teljesen szimulált vágáson munkadarab nélkül, és győződjön meg arról, hogy nincsenek akadályok, illetve hogy nem áll fenn a vezetőlécz átvágásának a veszélye.
- **Az asztallapnál szélesebb vagy hosszabb munkadarab vágásakor biztosítson megfelelő alátámasztást, pl. asztalhosszabbítót, fűrészbakot stb.** A gérvágó fűrészszatnál hosszabb vagy szélesebb munkadarabok megfelelő alátámasztás nélkül eldőlnének. Ha a levágott darab vagy a munkadarab eldőli, akkor megemelheti az alsó védőlemleret, vagy a forgó fűrészlapon hatására kivethődhet.
- **Ne használjon másik személyt az asztalhosszabbító vagy további támasz helyettesítésére.** Ha nem támasztják alá megfelelően a munkadarabot, akkor a fűrészlapon beszorulhat, a munkadarab pedig elmozdulhat

a vágás során, és a forgó fűrészlaphoz ránthatja a kezelőt vagy a segitőt.

- **A levágott darab nem akadhat meg a forgó fűrészlapnál, és semmilyen módon nem szabad ahhoz hozzányomni.** Zárt helyen, azaz hosszirányú ütközők használatakor a levágott darab a fűrészlaphoz ékelődhet és nagy erővel kivethető.
- **Mindig használjon beszorítót vagy hengeres anyagok, pl. rudak vagy csövek megfelelő alátámasztására tervezett rögzítést.** A rudak gyakran elfordulnak vágás közben, melynek hatására a fűrészlap „ráharap” és a fűrészlapozó rántja a munkadarabot a kezelő kezével együtt.
- **Várja meg, amíg a fűrészlap eléri a maximális sebességet, mielőtt a munkadarabhoz érintené.** Ezzel csökkentheti a munkadarab kivetődésének kockázatát.
- **Ha a munkadarab vagy a fűrészlap beszorul, akkor kapcsolja ki a gérvágó fűrészt.** Várja meg, amíg az összes mozgó alkatrész leáll, majd válassza le az áramforrásról és/vagy vegye ki az akkumulátort. **Majd szabadítsa ki a beszorult anyagot.** Ha beszorult munkadarabbal folytatja a fűrészélést, akkor elveszítheti fölötté az irányítást, illetve károsodhat a gérvágó fűrész.
- **A vágás befejezése után oldja ki a kapcsolót, tartsa lent a fűrészféjet, és a levágott darab eltávolítása előtt várja meg, amíg a teljesen megáll a fűrészlap.** A lelassuló fűrészlap közelébe nyúlni veszélyes.
- **Erősen fogja a fogantyút részleges vágásokor, vagy ha azelőtt engedi fel a kapcsolót, hogy a fűrészféj teljesen elérné az alsó pozíciót.** A fűrész fékezése hirtelen lefelé húzhatja a fűrészféjet, ami sérülés kockázatát eredményezi.

KIEGÉSZÍTŐ BIZTONSÁGI ELŐÍRÁSOK

- A bekapcsolási folyamatok rövid időtartamú feszültségcsökkenéshez vezetnek; bizonyos hálózati feltételek mellett ez befolyásolhatja más berendezések működését (ha a hálózati impedancia nem haladja meg a 0,219 Ohm értéket, nem lépnek fel zavarok); amennyiben egyéb információra van szüksége, kérjük lépjen kapcsolatba a helyi áramszolgáltatójával

ÁLTALANOS TUDNIVALÓK

- A szerszámot kizárólag fa vágására használja
- Mindig ellenőrizze, hogy a hálózati feszültség megegyezik-e a szerszám adattábláján feltüntetett értékkel
- **Ne álljon a szerszáma vagy annak állványára.** Súlyos sérülést eredményezhet, ha a szerszám felborul, vagy ha véletlenül hozzáér a vágószerszámhoz. Ne tároljon anyagokat a szerszámon vagy annak közelében úgy, hogy fel kelljen állnia a szerszáma vagy annak állványára ahhoz, hogy elérje őket.
- **Mindig húzza ki a dugaszolójelzőt mielőtt tartozékokat cserélné vagy bármit változtatna a gép beállításán**
- **A gérvágó fűrész áthelyezése előtt mindig húzza ki a tápkábel dugaszát a tápcsatlakozó aljzatból** Húzza ki a szerszámot, eressze le és rögzítse a fejszerelvényt, és használja a szállítófogantyút, valamint az alapoton található mélyedést.
- **Ne hagyja ott a szerszámot, mielőtt az teljesen leállna**
- **Szabálytalan alakú munkadarabok vágásakor tervezzék meg a munkát úgy, hogy a munkadarab**

ne csúszhasson el és szorulhasson a fűrészlapba, amely kirántja a kezéből

- A készüléket csak 16 éven felüli személyek használják
- Ez a készülék nedves vágási munkálatokhoz nem használható

KÜLTÉRI HASZNÁLAT

- Amennyiben szabadban használja a szerszámot (FI), 30 mA indítóáramú hibaáram megszakítón keresztül csatlakozzon a hálózathoz, és csak olyan hosszabbító vezetéket használjon, mely szabadtéri használatra készült, és freccsenő víz ellen védett csatlakozójelzővel van

HASZNÁLAT ELŐTT

- Használjon teljesen letekert és biztonságos hosszabbítókábelt, 16 A-es teljesítménnyel
- Viseljen védőszemüveget, zaj elleni fülvédőt, és védőkesztyűt
- például az ölmot, néhány fafajtát, ásványi anyagokat és fémeket tartalmazó festék) káros lehet (a por érintése vagy belégzése allergiás reakciókat és/vagy légzőszervi betegségeket okozhat a kezelő, illetve a közelben állók esetében); **viseljen pormaszkot és amennyiben csatlakoztatható, dolgozzon porelszívó berendezéssel**
- Bizonyos porfajták rákkeltő besorolással rendelkeznek (ilyen például a tölgly- és a bükkfa pora), különösen a fa kondicionálására szolgáló adalékokkal együtt; **viseljen pormaszkot és amennyiben csatlakoztatható, dolgozzon porelszívó berendezéssel**
- Kövesse a por kezelésével kapcsolatos helyi előírásokat azon termékekkel kapcsolatban, amellyel dolgozni kíván
- **Ne munkáljon meg a berendezéssel azbesztt tartalmazó anyagokat** (az azbeszttel rákkeltő hatása van)
- Sohase használja a készüléket az eredeti védőburkolat nélkül
- Minden használat előtt ellenőrizze a védőlemez megfelelő záródását
- Ne használja a fűrészt, ha a védőlemez nem mozog szabadon vagy nem záródik vissza azonnal
- Ne rögzítse, vagy kösse ki a védőlemezt nyitott pozícióban
- Ne használja a szerszámot az asztalbetét nélkül, cserélje ki a hibás vagy elkopott asztalbetét
- Mielőtt elkezdené a vágást, távolítson el minden akadályt a vágási vonal elől
- Ügyeljen arra, hogy a munkadarabban lévő csavar, szög vagy hasonló sérüléseket ne okozhasson; a munka megkezdése előtt eltávolítandó

TARTOZÉKOK

- Ezt a készülékhez ne használjon csiszoló- vagy vágókorongot
- A SKIL cég kizárólag eredeti alkatrészek és kiegészítők alkalmazása esetén tudja garantálni a gép problémamentes működését, melyek a SKIL-márkakereskedőknél kaphatók
- Ha nem SKIL-tartozékokat szerel fel/használn, az adott gyártó előírásait tartsa be
- Csak olyan fűrészlapokat használjon, amelyek megfelelnek az ezen kezelési utasításban megadott adatoknak és amelyeket az EN 847-1 szabványnak megfelelően ellenőriztek és megfelelően találtak
- Csak olyan tartozékokat használjon, amelyek legmagasabb megengedett fordulatszáma legalább akkora, mint a berendezés legmagasabb üresjárati fordulatszáma
- Sohase használja készülékét HSS acélból készült fűrészlappal

- Ne használjon repedt, deformált vagy tompa fűrészlapot
- Csak olyan furatátmérőjű fűrészlapot használjon, amely kotyogás nélkül illeszkedik a szerszám tengelyéhez; nagy furatméretű fűrészlap alkalmazása érdekében tilos átmérőcsökkentő áttételt vagy rátétet használni
- A tartozékokat véden az ütődésektől és a kenőanyagoktól

HASZNÁLAT KÖZBEN

- **Ne erősítse a szerszámot** (alkalmazzon enyhe és folyamatos nyomást a vágópengre hogy túlhevülésének, műanyagok vágásakor pedig a munkadarab megolvadásának megelőzésére)
- Ujjait, kezét és karját tartsa távol a forgó fűrészlaptól
- Ha a fűrészlap elakadt, azonnal kapcsolja ki a szerszámot és húzza ki a csatlakozódugót; csak ezután távolítsa el a beszorult munkadarabot
- Amennyiben készüléke hirtelen megáll vagy a normálístól eltérő működést ill. szokatlan, idegen furcsa zajokat észlel, úgy a készüléket azonnal kapcsolja ki és a kábelt húzza ki a fali dugaszoló aljzathól
- Ha a kábel munka közben megsérül vagy el van vágva, ne érjen a kábelhez, hanem azonnal húzza ki a konektorból
- Soha ne használja a szerszámot, ha a kábel sérült; ilyen esetben azt egy speciális kábelre kell lecserélni, amely a szervizelést végző ügyfélszolgálatnál érhető el.

LÉZERSUGÁRZÁS

- **Ne irányítsa a lézersugarat más személyekre vagy állatokra és saját maga se nézzen bele sem a közvetlen, sem a visszavert lézersugarba** (ellenkező esetben a személyeket elvakíthatja, baleseteket okozhat és megsértheti az érintett személy szemét)
- Ha a szemét lézersugárzás éri, csukja be a szemét és lépjen azonnal ki a lézersugár vonalából
- Ne hajtson végre a lézerberendezésen semmiféle változtatást
- Ne nézzen a lézersugarba (lézersugárzás)
- Ne használjon semminemű nagyító jellegű optikai eszközt (pl. nagyító, teleszkóp vagy távcső) a lézersugár megtekintéséhez
- Ne használja a készüléket gyúlékony folyadékok/ gázok/ por jelenlétében
- Ne használja a készüléket gyermekek jelenlétében
- Ne cserélje ki az eredeti lézert más típusúra

A HASZNÁLATOT KÖVETŐEN

- Miután kikapcsolta a gépet, a tartozék forgását sose annak síkjára merőleges erővel állítsa meg
- A levágott darabokat és a munkadarab más részeit csak akkor távolítsa el a vágási területről, ha a szerszám minden mozgó alkatrésze teljesen megállt
- Használat közben a fűrészlap felmelegszik; ne érintse meg, amíg le nem hűlt
- A szerszám **beltéri** száraz és zárt helyen tárolja, ahol gyermekek nem férhetnek hozzá

A SZERSZÁMON TALÁLHATÓ SZIMBÓLUMOK MAGYARÁZATA

- ② Használat előtt olvassa el a használati utasítást
- ③ Viseljen védőszemüveget és zaji elleni fülvédőt
- ④ **Veszélyes terület! Tilos kézzel benyúlni. Kezét, ujjait és karját tartsa távol ettől a területtől.**
- ⑤ Kettős szigetelés (földelővezeték nem szükséges)
- ⑥ Ne dobja az elektromos kéziszerszámokat és elemek a háztartási szemétkébe
- ⑦ **Lézersugárzás / Ne nézzen a lézersugarba / 2. Osztályú lézer termék**

KEZELÉS

- **Összeszerelés**
 - szerelje fel a szállítófogantyút E 2 csavarokkal egy hatszögkulcs AN^② segítségével
 - szerelje fel a gérvágó rögzítógombját AE az asztal elejébe ^⑩
 - szerelje fel a csúszó vezetőléccet U (lásd: A vezetőlécc(ek) beállítása)
- **Szállítási/megmunkálási pozíció**
A szerszám kiengedése (**megmunkálási pozíció**)
 - egyik kezével nyomja le a kart B^⑧, és közben a másik kezével húzza ki a rögzítőcsapot C ^⑪a
 - vezesse lassan felfelé a fejszerelvényt
 A szerszám rögzítése (**szállítási pozíció**)
 - csúsztassa a fejszerelvényt az ütközőhöz a vezetőlécc S irányába (tartson kb. 5 cm távolságot), és szorítsa meg a rögzítógombot AH ^⑪b
 - állítsa 0°-ra e ferdevágás szögét (Lásd: A ferdevágási szögek beállítása)
 - állítsa jobb vagy bal oldalon 45°-ra a gérvágás szögét (Lásd: A gérvágási szögek beállítása)
 - egyik kezével nyomja le a kart B, és közben a másik kezével húzza ki a rögzítőcsapot C
 - tekerje fel a tápkábelt
 - használja a szállítófogantyút E ^⑧ a szerszám szállításához ^⑪d
 - alternatívaként használhatja az oldalsó fogantyúkat a szerszám szállítására ^⑪e
- **! soha ne emelje fel a szerszámot a fő fogantyúnál vagy a tápkábelnél fogva**
- A szerszám felszerelése a munkafelületre ^⑫
 - **! a biztonságos kezelés érdekében a szerszámot mindig sík és stabil munkafelülethez (pl. munkapadhoz) rögzítse**
 - a 4 szerelőfurat F és megfelelő csavarok segítségével rögzítse a szerszámot a munkafelülethez
 - a szerszámot kereskedelemben kapható csavaros szorítókkal is rögzítheti a munkafelülethez
 - a támasztóláb G magassága a szerszám stabilizálása érdekében állítható
 - alternatívaként a szerszámot felszerelheti gérvágó fűrészállványra
- **! olvassa el a fűrészállványhoz mellékelt összes figyelmeztetést és utasítást**
- Por-/forgácselzívó ^⑬
 - szerelje fel a porzsákat H/porszívót az ábrán látható módon
 - a porzsákat időben történő ürítése segíti a tökéletes porgyűjtést
- **! figyeljen arra, hogy a porszívócső soha ne akadályozza az alsó fűrészlapvédő nyílást vagy a vágási munkálatokat**
- Asztalhosszabbító ^⑭
 - a gombok L segítségével rögzítse a hosszabbító rudakat K (a szerszám mindkét oldalán)
 - a hosszabbító rudak K hossza a teljesen betölt és a teljesen kihúzott helyzet között fokozatmentesen állítható
- A munkadarab rögzítése ^⑮
 - **! a biztonságos munkavégzés érdekében a mellékelt állítható szorító segítségével mindig szilárdan rögzítse a munkadarabot**

- ne dolgozzon olyan munkadarabokkal, amelyek túl kicsik a leszorításhoz
- a munkadarab **maximális** méreteinek meghatározásához használja a 16 tájékoztató táblázatot
- rögzítse a munkadarab-szorítót a tartófuratba N a gombbal P (a szerszám mindkét oldalán)
- a munkadarab-szorítón 2 mélyedés található a rögzítés megkönnyítéséhez: 1 a keskeny (max. 5 cm-es) munkadarabokhoz és 1 a nagyobb (5 cm-t meghaladó) munkadarabokhoz
- nyomja a munkadarabot erősen a vezetőlécnek S
- oldja ki a kar rögzítését R
- állítsa be a szorítót a munkadarabnak megfelelően
- szorítsa be erősen a munkadarabot a kar rögzítésével R
- ! a munkadarab méretétől függően a gérvágás és ferdevágás egyes kombinációinak esetén munkadarab-szorító helyett a kereskedelemben kapható csavaros szorító használatára lehet szükség
- A gérvágási szögek beállítása 17
 - lazítsa meg a rögzítőkart AE
 - húzza meg a gérvágóretesz kioldókarját AF
 - forgassa el jobbra vagy balra a fűrészasztalt, és állítsa be a kívánt gérvágási szöget (0° és 50° között) a mutató AG segítségével
 - oldja ki a kart AF
 - szorítsa meg a rögzítőkart AE (ne szorítsa meg túl erősen)
 - a gyakran használt gérvágási szögek (0°, 15°, 22,5°, 31,6°, 45°) gyors és pontos beállításához a gérvágóretesz AF a megfelelő helyzetbe kattanj; ennek megelőzésére a(z) AF kar rögzíthető kioldott pozícióban 17b
- A ferdevágási szögek beállítása 18
 - engedje ki a háromfülvű gombot W
 - mozgassa balra a fűrészfeket addig, amíg a ferdevágási szög mutatója X a kívánt ferdevágási szög nem mutat
 - az állítható ferdevágási végűtköző AA (45°) segítségével a vágás leállítható 45°-nál, vagy folytatható 48°-ig 18b
 - tartsa meg a fűrészfeket ebben a pozícióban, és szorítsa meg a gombot W
 - jobbra történő ferdevágáshoz először döntse kissé balra a fűrészfeket, forgassa el a jobb oldali ferdevágás kioldógombját AB (kb. 60°-ra), majd állítsa a fűrészfeket a kívánt jobb oldali ferdevágási szögre 18c
 - amikor visszaállítja a fűrészfeket a bal oldalra, a jobb oldali ferdevágás kioldógombja AB automatikusan visszaáll a 0°-on lévő végűtközőre; ez megelőzhető, ha 60° helyett kb. 90°-ban fordítja el a gombot 18d
- Kombinált vágások 19
 - kombinált vágásoknál a gérvágási és a ferdevágási szöget is be kell állítani
 - ! ne működtesse a fűrészt a gérvágás és a ferdevágás azon kombinációiban, amelyek során a fűrészcsőző és a rögzített alkatrészei vagy a csőző alkatrészek és a munkadarab zavarhatják egymást; a vágáshoz szükség szerint távolítsa el a csőző vezetőlécet, a csőző vezetőléc rögzítógombját és a munkadarab szorítógombját.
 - ! hulladék anyagon próbálja ki a munka megkezdése előtt
- A csőző vezetőlécek beállítása 20
 - lazítsa ki a gombot V, hogy mozogni tudjon/tudjanak a vezetőléc(ek) U
 - a vezetőléc(ek) eltávolításához/felszereléséhez lazítsa ki még jobban a gombot V
 - a kívánt pozíció rögzítéséhez szorítsa meg a gombot V
 - ! a szerszám működtetése előtt győződjön meg a csőző vezetőlécek biztosan rögzítéséről
 - ! a gérvágás és a ferdevágás egyes kombinációiban a gomb eltávolítására lehet szükség
- Lézeres vonal 21
 - a gép pontos használata érdekében vágjon a munkadarabon a rajzolt vonal mentén
 - az lézeres vonal, az AD kapcsolóval kapcsolható ki/be
 - ! a munka megkezdése előtt végezzen próbavágást egy darab hulladékmegőlyen és ellenőrizze a lézeres vonal egyenesbe hozását a tényleges vágási vonallal
- Fűrészelés elcsúsztatás nélkül (kis méretű munkadarabok)
 - lazítsa ki a rögzítőgombot AH, ha meg van húzva
 - csúsztassa a fűrészfeket az ütközőig a vezetőléc S irányába, és szorítsa meg újra a rögzítőgombot AH
 - ! ha nem rögzíti a mechanizmust, akkor a fűrészlapp hirtelen a munkadarab tetejére ugorhat, és a kezelő felé vetődhet
 - állítsa a szerszámot megmunkálási pozícióba
 - ! ellenőrizze, hogy a munkadarab szilárdan rögzítve van a fűrészasztal és a vezetőléc mentén S
 - kapcsolja be a szerszámot a zár AJ kioldásával és a főkapcsoló AI meghúzásával
 - ! ne keresztezze a karját a fűrészfek működtetése során 23a
 - egyenletesen előre haladva vágja át a munkadarabot
 - ! a körfűrésznek teljes fordulatszámra kell működni mielőtt a munkadarabra vezetjük
 - a kapcsolót AI felengedve kapcsolja ki a szerszámot
 - várja meg, amíg a fűrészlapp teljesen leáll, csak ezután emelje fel lassan a fűrészfeket
- Fűrészelés csúsztatással (széles munkadarabok)
 - ! felhívjuk figyelmét, hogy az alább ismertetett az egyedüli biztonságos módszer
 - ne húzza át a fűrészt a munkadarabon
 - lazítsa ki a rögzítőgombot AH, ha meg van húzva
 - ! ellenőrizze, hogy a munkadarab szilárdan rögzítve van a fűrészasztal és a vezetőléc mentén S
 - húzza el a fűrészfeket S annyira, hogy a fűrészlapp a munkadarab 24 elé kerüljön
 - kapcsolja be a szerszámot a zár 22 kioldásával és a főkapcsoló meghúzásával
 - ! ne keresztezze a karját a fűrészfek működtetése során 23a
 - tolja a fűrészfeket a vezetőléc S felé, és vágja át a munkadarabot egyenletes előtolással 24
 - ! a körfűrésznek teljes fordulatszámra kell működni mielőtt a munkadarabra vezetjük
 - ! ha az alsó védőelem nem nyílik ki automatikusan, amely bizonyos körülmények között (pl. a maximális teherbíráshoz túl közeli munkadarab esetén) megtörténhet, akkor kézzel kell kinyitni a védőelemet 23b
 - a kapcsolót AI felengedve kapcsolja ki a szerszámot

- várja meg, amíg a fűrészlap teljesen leáll, csak ezután emelje fel lassan a fűrészfejet
- Horony fűrészélése ⁽²⁵⁾
 - állítsa be a kívánt mélységet a mélységűtközővel (AK), és rögzítse a helyére az anya AM meghúzásával
 - annak érdekében, hogy a vágás mélysége egyenletes legyen a horony teljes hosszában, a munkadarab és a vezetőlélc közé fából készült távtartót kell elhelyezni
 - ! **ügyeljen arra, hogy a fűrészlap ne akadjon el a munkadarabban**
 - ! **hulladék anyagon próbálja ki a munka megkezdése előtt**
- Fűrészlap csere ⁽²⁶⁾
 - ! **húzzuk ki a kábel dugóját a csatlakozó aljzattól**
 - vegye ki a hatszögkulcsot AN a tartóból AO
 - tartsa a védőburkolatot A nyitott pozícióban
 - lazítsa meg a fedőlemez csavarját AQ (ne csavarozza ki teljesen) ^(26a)
 - fordítsa teljesen hátra a védőburkolatot A ^(26b)
 - nyomja be a tengelyt reteszelő AP gombot, és tartsa benyomva, amíg a hatszögkulcsot AN **AZ ÓRAMUTATÓ JÁRÁSÁNAK IRÁNYÁBA** (= ugyanabba az irányba, amelybe a fűrészlapra nyomtatott nyíl is mutat) elfordítva eltávolítja a fűrészlap AR szorítócsavarját
 - ! **csak akkor nyomja be a tengelyt reteszelő AP gombot, amikor a készülék üzemen kívüli állapotban van**
 - engedje el a tengelyt reteszelő AP gombot
 - vegye le a peremes gyűrűt AS és a fűrészlapot
 - ! **a fűrészlapcserénél figyeljen arra, hogy a fűrészlapon található nyíl ugyanabba az irányba mutasson mint a védőburkolaton A**
 - helyezze vissza az AS peremes gyűrűt ^(26c)
 - nyomja be a tengelyt reteszelő gombot AP, és tartsa benyomva, amíg meghúzza a fűrészlap szorítócsavarját kézzel, majd hatszögkulccsal AN 1/8 fordulatra az ÓRAMUTATÓ JÁRÁSÁVAL MEGEGYEZŐ irányban (meggátolja a fűrészlap megcsúszását, amennyiben az nagy ellenállásba ütközne, ill. csökken a motor túlterhelése és visszarúgás)
 - húzza meg a fedőlemez csavarját AQ
- Az asztalbetét cseréje AT ⁽²⁸⁾

A hibás vagy elkopott asztalbetét a következő módon cserélhető ki:

 - ! **húzzuk ki a kábel dugóját a csatlakozó aljzattól**
 - vegye ki a hatszögkulcsot AN a tartóból AO
 - csavarja ki a 6 csavart az ábrán látható módon
 - vegye le a régi asztalbetétet úgy, hogy előbb felemeli az előlso részét, majd teljesen kihúzza
 - helyezze be az új asztalbetétet
 - ! **erősen húzza meg mind a 6 csavart**
- A fűrészlap 90°-os beállításának ellenőrzése/beállítása ⁽²⁸⁾
 - ! **húzzuk ki a kábel dugóját a csatlakozó aljzattól**
 - fordítsa a fűrészasztalt a 0°-os gérvágási pozícióba és rögzítse a helyére
 - állítsa a fűrészfejet 0°-os ferdevágási pozícióba
 - engedje le a fűrészfejet és rögzítse a helyére
 - ellenőrizze a 90°-os szöget a fűrészlap és az asztal között egy szögmérővel
 - szükség esetén állítsa be a 90°-os fűrészlapbeállítást a következő módon:

1. engedje ki a háromfűlű gombot W
 2. állítsa be a csavart Y egy 4 mm-es hatszögkulccsal (nem standard tartozék) ^(28b)
 3. ellenőrizze egy derékszögmérővel
 4. állítsa vissza a ferdevágás mutatóját 0°-ra ^(28c)
- A fűrészlap 45°-os beállításának ellenőrzése/beállítása ⁽²⁹⁾
 - ! **húzzuk ki a kábel dugóját a csatlakozó aljzattól**
 - fordítsa a fűrészasztalt a 0°-os gérvágási pozícióba és rögzítse a helyére
 - engedje ki a háromfűlű gombot W
 - állítsa a ferdevágás állítható végűtközőjét AA 45°-ra ^(29b)
 - állítsa a fűrészfejet balra
 - ellenőrizze a 45°-os szöget a fűrészlap és az asztal között egy félderékszögmérővel ^(29a)
 - ellenőrizze, hogy a ferdevágás mutató X a 45° jelzést mutatja
 - szükség esetén állítsa be a 45°-os fűrészlapbeállítást a következő módon:
 1. állítsa be a csavart Z 10-es fűrészlapkulccsal (nem standard tartozék)
 2. ellenőrizze egy félderékszögmérővel
 - szükség esetén állítsa jobb oldalán is 45°-ra
 - engedje le a fűrészfejet és rögzítse a helyére
 - A vezetőlélc 90°-os beállításának ellenőrzése/beállítása ⁽³⁰⁾
 - ! **húzzuk ki a kábel dugóját a csatlakozó aljzattól**
 - fordítsa a fűrészasztalt a 0°-os gérvágási pozícióba és rögzítse a helyére
 - engedje le a fűrészfejet és rögzítse a helyére
 - szögmérővel ellenőrizze a 90°-os szöget a fűrészlap és a vezetőlélc S között (ügyeljen rá, hogy a szögmérő a fűrészlap oldalával érintkezzen, ne a fogakkal)
 - szükség esetén állítsa be a vezetőlélc 90°-os beállítást a következő módon:
 1. lazítsa meg a 4 imbuszcsavart T
 2. állítsa be a vezetőlélcet úgy, hogy a fűrészlap és a vezetőlélc teljesen érintkezzenek a szögmérővel
 3. húzza meg a 4 imbuszcsavart T
 4. állítsa vissza a gérvágás mutatóját 0°-ra ^(30c)
 - Kábelrögzítő ⁽³¹⁾
 - a kábelrögzítő AV segítségével akadályozza meg, hogy a tápkábel a szerszám mozgó és rögzített alkatrészei közé szoruljon

HASZNÁLAT


- Speciális munkadarabok
 - a hosszú munkadarabok szabad végét mindig támassza meg
 - különösen figyeljen oda arra, hogy az ívelt vagy kerek munkadarabok csúszásbiztosan rögzítve legyenek ⁽³³⁾
 - a vágási vonalnál nem lehet hézag a munkadarab és a vezetőlélc vagy a fűrészasztal között
 - szükség esetén készítsen kiegészítő vezetőlélcet; a kiegészítő vezetőlélc a csúszo vezetőlélccen található résekkel rögzíthető ⁽³⁴⁾
- ! **a kiegészítő vezetőlélc kizárólag 0°-os ferdevágásnál használható**
- Padlók szegélylécének megmunkálásakor tájékozódhat az ábráról ⁽³⁵⁾
- Vágás közben a munkadarab használandó oldala mindig lefelé mutasson annak érdekében, hogy sérülések a munkadarab használandó oldalán minimálisak legyenek

- Mindig csak éles és az elvégzendő munkálatokhoz megfelelő típusú fűrészlapokat használjon
 - a vágás minősége egyaránt növekszik a fűrészfogak számával
 - keményfémplakás fűrészlapnak 30-szor hosszabb az élettartama mint egy hagyományosé

KARBANTARTÁS / SZERVIZ

- Mindig tartsa tisztán a gépet és a vezetékét (különös tekintettel a szellőzőnyílásokra a motor burkolatának hátsó részén)
- Rendszeresen ellenőrizze az alsó védőelem megfelelő működését. Egy benedvesített ruhával tisztítsa le a védőelemre rakódott fűrészport.
 - tisztítás előtt húzza ki a csatlakozódugót
 - emelje az alsó védőelemet teljesen nyitott pozícióba és oldja ki; ha nem oldódik ki azonnal, és teljesen bezárul, akkor ellenőriztesse a SKIL elektromos számszámok egyik értékesítés utáni szolgáltatóközpontjában
- Közvetlen a használat után tisztítsa meg a körfűrészlapot (főleg a gyantától és a ragasztótól)
 - használat közben a fűrészlap felmelegszik; ne érintse meg, amíg le nem hűlt
- A lézerlámpát AC minden használat után tisztítsa meg egy puha kefével (ügyeljen arra, hogy ne változtassa meg a lézer beállítását)
- Ha a gép a gondos gyártási és ellenőrzési eljárás ellenére egyszer mégis meghibásodna, akkor a javítással csak SKIL elektromos kéziszerszám-műhely ügyfélszolgálatát szabad megbízni
 - küldje az **összeszerelt** gépet a vásárlást bizonyító számlával együtt a kereskedő vagy a legközelebbi SKIL szervizállomás címére (a címlista és a gép szervizdiagramja a www.skil.com címen található)
- Vegye figyelembe, hogy a garancia nem fedi le a túlterhelés és a gép helytelen használatából okozott károkat (a SKIL garanciális feltételeit olvashatja a www.skil.com oldalon, vagy kérdezze meg kereskedőjét)

KÖRNYEZET

- **Az elektromos kéziszerszámokat, elemek, tartozékokat és csomagoltat ne dobja a háztartási szemétkébe** (csak EU-országok számára)
 - a használt villamos és elektronikai készülékekről szóló 2012/19/EK irányelv és annak a nemzeti jogba való átültetése szerint az elhasznált elektromos kéziszerszámokat külön kell gyűjteni, és környezetbarát módon újra kell hasznosítani
 - erre emlékeztet a  jelzés, amennyiben felmerül az intézkedésre való igény

ZAJ


- Az EN 62841 szabványnak megfelelően végzett mérés szerint a szerszám hangnyomása 100,0 dB(A), hangerőszintje pedig 109,5 dB(A) (bizonytalanság K = 3 dB)
- A zajkibocsátási szint mérése az EN 62841 szerinti szabványosított teszttel összhangban történt; ez egy eszköznek egy másik eszközzel történő összehasonlítására, illetve a zajnak való kitétség előzetes felmérésére használható fel az eszköznek az említett alkalmazásokra történő felhasználása során
 - az eszköznek eltérő alkalmazásokra, vagy eltérő,

illetve rosszul karbantartott tartozékokkal történő felhasználása jelentősen **emelheti** a kitétség szintjét

- az idő, amikor az eszköz ki van kapcsolva, vagy amikor ugyan működik, de ténylegesen nem végez munkát, jelentősen **csökkentheti** a kitétség szintjét

CZ

Pokosová pila se zákluzem 1320 ÚVOD

- Tento nástroj je určen pro stacionární rovné a také pokosové řezání dřeva v podélném a příčném směru (k dispozici jsou vodorovné úhly pokosu -50 ° až +50 ° a svislé úhly úkosu -48 ° až +45 °)
- Tento návod s pokyny si pečlivě přečtete a uschovejte 
- Tento nástroj není určen k profesionálnímu použití
- **Používejte nástroj pouze tehdy, pokud je kompletně sestaven** (společnost Skil nenese zodpovědnost za poškození nástroje a/nebo poranění osob způsobená následkem nesprávného sestavení nástroje)

TECHNICKÁ DATA

SOUČÁSTI NÁSTROJE

- A** Spodní ochranný kryt
- B** Rukojeť s vypínačem
- C** Blokovací kolík pro převážení
- D** Horní vodítko
- E** Rukojeť pro převážení
- F** Montážní otvory
- G** Opěrná noha
- H** Prachový sáček
- J** Lapač prachu
- K** Prodlužovací tyče
- L** Tlačítka pro zajištění prodlužovacích tyčí
- M** Svorka pro upnutí obrobku
- N** Opěrný otvor
- P** Knoflík pro aretaci svorky
- Q** Knoflík pro nastavení svorky
- R** Upínací páčka
- S** Stavítka
- T** Šrouby se šestihrannou hlavou pro nastavení stavítka (4x)
- U** Posuvná záračka
- V** Knoflík pro upevnění posuvné záračky
- W** Aretační šroub (úhly úkosu)
- X** Indikátor úhlu úkosu
- Y** Šroub pro nastavení úhlu úkosu (pravý)
- Z** Šroub pro nastavení úhlu úkosu (levý)
- AA** Nastavitelný koncový doraz
- AB** Uvolňovací páka pravého úkosu
- AC** Laser
- AD** Vypínač laseru
- AE** Aretační rukojeť (úhly pokosu)
- AF** Uvolňovací páka záračky pokosu
- AG** Indikátor úhlu pokosu
- AH** Blokovací tlačítko pro posuvné zařízení
- AI** Spínač "zapnuto/vypnuto"
- AJ** Bezpečnostní páčka
- AK** Omezovač hloubky řezu

- AL Hloubková zarážka
- AM Matka hloubkového dorazu
- AN Šestihranný klíč
- AO Uložení imbusového klíče
- AP Tlačítko k zajištění vřetena
- AQ Šroub krycí desky
- AR Šroub upevnění listu
- AS Upevňovací podložka
- AT Vložka stolu
- AU Usměrňovač prachu
- AV Sponka na kabel

BEZPEČNOST

OBEČNÉ BEZPEČNOSTNÍ POKYNY PRO ELEKTRONÁRAĐÍ

VAROVÁNÍ Přečtete si veškerá bezpečnostní upozornění, pokyny, obrázky a technické údaje, které jsou s tímto elektrickým nástrojem dodávány. Nedodržení všech níže uvedených pokynů může vést k úrazu elektrickým proudem, požáru a/nebo vážnému zranění.

Všechny pokyny a výstrahy uchovejte pro budoucí potřebu.

Ve varovných upozorněních použitý pojem "elektronářadí" se vztahuje na elektronářadí provozované na el. síti (se síťovým kabelem) a na elektronářadí provozované na akumulátoru (bez síťového kabelu).

1) BEZPEČNOST PRACOVNÍHO MÍSTA

- a) **Udržujte Vaše pracovní místo čisté a uklizené.** Nepořádek nebo neosvětlené pracovní oblasti mohou vést k úrazům.
- b) **Se strojem nepracujte v prostředích ohrožených explozí, kde se nacházejí hořlavé kapaliny, plyny nebo prach.** Elektronářadí vytváří jiskry, které mohou prach nebo páry zapálit.
- c) **Děti a jiné osoby udržujte při použití elektronářadí daleko od Vašeho pracovního místa.** Při rozptýlení můžete ztratit kontrolu nad strojem.

2) **ELEKTRICKÁ BEZPEČNOST**

- a) **Připojovací zástrčka stroje musí lícovat se zásuvkou. Zástrčka nesmí být žádným způsobem upravena. Společně se stroji s ochranným uzemněním nepoužívejte žádné adaptérové zástrčky.** Neupravené zástrčky a vhodné zásuvky snižují riziko elektrického úderu.
- b) **Zabraňte kontaktu těla s uzemněnými povrchy, jako např. potrubí, topení, sporáky a chladničky.** Je-li Vaše tělo uzemněno, existuje zvýšené riziko elektrického úderu.
- c) **Chraňte stroj před deštěm a vlhkem.** Vniknutí vody do elektrického stroje zvyšuje nebezpečí elektrického úderu.
- d) **Dbejte na účel kabelu, nepoužívejte jej k nošení či zavěšení stroje nebo vytažení zástrčky ze zásuvky. Udržujte kabel daleko od tepla, oleje, ostrých hran nebo pohyblivých dílů stroje.** Poškozené nebo spletené kabely zvyšují riziko elektrického úderu.
- e) **Pokud pracujete s elektronářadím venku, použijte pouze takové prodlužovací kabely, které jsou schváleny i pro venkovní použití.** Použítí

prodlužovacího kabelu, jež je vhodný pro použití venku, snižuje riziko elektrického úderu.

- f) **Pokud se nelze vyhnout provozu elektronářadí ve vlhkém prostředí, použijte ochranný jistič.** Nasazení ochranného jističe snižuje riziko úderu elektrickým proudem.

3) BEZPEČNOST OSOB

- a) **Bud'te pozorní, dáváte pozor na to, co děláte a přistupujte k práci s elektronářadím rozumně. Stroj nepoužívejte pokud jste unavení nebo pod vlivem drog, alkoholu nebo léků.** Moment nepozornosti při použití elektronářadí může vést k vážným poraněním.
 - b) **Noste osobní ochranné pomůcky a vždy ochranné brýle.** Nošení osobních ochranných pomůcek jako maska proti prachu, bezpečnostní obuv s protiskluzovou podrážkou, ochranná přilba nebo sluchátka, podle druhu nasazení elektronářadí, snižují riziko poranění.
 - c) **Zabraňte neúmyslnému uvedení do provozu. Přesvědčte se, že je elektronářadí vypnuté dříve než jej uchopíte, ponesete či připojíte na zdroj proudu a/ nebo akumulátor.** Máte-li při nošení elektronářadí prst na spínači nebo pokud stroj připojíte ke zdroji proudu zapnutý, pak to může vést k úrazům.
 - d) **Než stroj zapnete, odstraňte seřizovací nástroje nebo šroubovák.** Nástroj nebo klíč, který se nachází v otáčivém dílu stroje, může vést k poranění.
 - e) **Nepřeceňujte se. Zajistěte si bezpečný postoj a vždy udržujte rovnováhu.** Tím můžete stroj v neočekávaných situacích lépe kontrolovat.
 - f) **Noste vhodný oděv. Nenoste žádný volný oděv nebo šperky. Vlasy a oděv udržujte daleko od pohyblivých se dílů.** Volný oděv, šperky nebo dlouhé vlasy mohou být zachyceny pohyblivými se díly.
 - g) **Lze-li namontovat odsávací či zachycující přípravky, přesvědčte se, že jsou připojeny a správně použity.** Použití odsávání prachu může snížit ohrožení prachem.
 - h) **Dbejte na to, abyste při častém používání nářadí nebyli méně ostražití a nezapomínali na bezpečnostní zásady.** Nedbalé ovládání může způsobit těžké poranění za zlomek sekundy.
- #### 4) SVĚDOMITÉ ZACHÁZENÍ A POUŽÍVÁNÍ ELEKTRONÁRAĐÍ
- a) **Stroj nepřetěžujte. Pro svou práci použijte k tomu určený stroj.** S vhodným elektronářadím budete pracovat v udané oblasti výkonu lépe a bezpečněji.
 - b) **Nepoužívejte žádné elektronářadí, jehož spínač je vadný.** Elektronářadí, které nelze zapnout či vypnout je nebezpečné a musí se opravit.
 - c) **Než provedete seřízení stroje, výměnu dílů příslušenství nebo stroj odložíte, vytáhněte zástrčku ze zásuvky a/nebo odstraňte odpojitelny akumulátor.** Toto preventivní opatření zabrání neúmyslnému zapnutí stroje.
 - d) **Uchovávejte nepoužívané elektronářadí mimo dosah dětí. Nenechte stroj používat osobám, které se strojem nejsou seznámeny nebo nečetly tyto pokyny.** Elektronářadí je nebezpečné, je-li používáno nezkušenými osobami.
 - e) **Pečujte o elektronářadí a příslušenství svědomitě. Zkontrolujte, zda pohyblivé díly stroje bezvadně fungují a nevzpřichují se, zda díly nejsou zlomené nebo poškozené tak, že je omezena funkce stroje. Poškozené díly nechte před nasazením stroje**

opravit. Mnoho úrazů má příčinu ve špatně udržovaném elektronářadí.

- f) **Řezné nástroje udržujte ostré a čisté.** Pečlivě ošetřované řezné nástroje s ostrými řeznými hranami se méně vzpíčí a dají se lehčeji vést.
 - g) **Používejte elektronářadí, příslušenství, nasazovací nástroje apod. podle těchto pokynů. Respektujte přitom pracovní podmínky a povolenou činnost.** Použití elektronářadí pro jiné než určující použití může vést k nebezpečným situacím.
 - h) **Udržujte rukojeti a úchytné plochy suché, čisté a bez oleje a maziva.** Kluzké rukojeti a úchytné plochy neumožňují bezpečnou manipulaci a ovládání nářadí v neočekávaných situacích.
- 5) **SERVIS**
- a) **Nechte Váš stroj opravit pouze kvalifikovaným odborným personálem a pouze s originálními náhradními díly.** Tím bude zajištěno, že bezpečnost stroje zůstane zachována.

BEZPEČNOSTNÍ POKYNY PRO POKOSOVÉ PILY

- **Pokosové pily jsou určeny k řezání dřeva nebo imitace dřeva, nelze je použít s brusnými ostří pro řezání železných materiálů, jako jsou tyče, pruty, čepy atd.** Abrazivní prach způsobuje zaseknutí pohyblivých částí, jako je spodní kryt. Jiskry z abrazivního řezání spálí spodní kryt, vložíte ruku a další plastové části.
- **Kdykoli je to možné, použijte k upnutí obrobku svorky. Při ručním podepření obrobku musíte vždy držet ruku nejméně 100 mm od obou stran pilového ostří. Nepoužívejte tuto pilu k řezání kusů, které jsou příliš malé na bezpečné upnutí nebo ruční držení.** Je-li vaše ruka příliš blízko pilového ostří, hrozí větší riziko poranění dotykem pilového ostří.
- **Obrobek musí být pevně na místě, upnutý nebo přidržovaný jak záražkou, tak i stolem. Nedávejte obrobek do ostří a nikdy neřezejte jen s ručním držením.** Neuchycené nebo pohyblivé se obrobky se mohou vymrštit vysokou rychlostí a způsobit zranění.
- **Protlačte pilu obrobkem. Netahejte pilu obrobkem. Chcete-li provést řez, zvedněte hlavu pily a vytáhněte ji přes obrobek bez řezání, nastartujte motor, stlačte hlavu pily dolů a protlačte pilu obrobkem.** Řez směrem k tělu může velmi pravděpodobně způsobit, že se pilové ostří vynese na obrobek a prudce odhodí sestavu ostří směrem k pracovníkovi.
- **Nikdy nedávejte ruku přes zamýšlenou linii řezu, ať už před pilovým ostřím nebo za ním.** Podepření obrobku „rukama křížem“, tj. držení obrobku napravo od pilového ostří levou rukou nebo naopak, je velmi nebezpečné.
- **Nesahejte za záražku ani jednou rukou blíže než 100 mm od obou stran pilového ostří, chcete-li odstranit zbytky dřeva nebo z jiného důvodu, pokud se ostří otáčí.** Nemusíte si uvědomit, že máte ruku tak blízko u pilového ostří a můžete se vážně zranit.
- **Před řezáním zkontrolujte obrobek. Pokud je obrobek zakřivený nebo hrbolatý, upněte jej vnější zakřivenou stranou směrem k záražce. Vždy se ujistěte, že mezi obrobkem, záražkou a stolem není podél linie řezu žádná mezera.** Zakřivené nebo hrbolaté obrobky se mohou zkroutit nebo posunout a při

řezání mohou uvíznout na pilovém ostří. V obrobku nesmí být žádné hřebíky ani cizí předměty.

- **Nepoužívejte pilu, dokud ze stolu neuklidíte všechno nářadí, zbytky dřeva atd., kromě obrobku.** Malé úlomky, uvolněné kousky dřeva nebo jiné předměty, které se dotknou rotujícího ostří, mohou být odhozeny vysokou rychlostí.
- **Řežte pouze jeden obrobek najednou.** Několik naskládaných obrobků nelze vhodně upnout svorkou ani podepřít, a mohou se během řezání zachytit o ostří nebo se posunout.
- **Před použitím se ujistěte, že je pokosová pila namontovaná nebo postavená na rovné a pevné pracovní ploše.** Rovný a pevný pracovní povrch snižuje riziko nestability pokosové pily.
- **Naplánujte si práci! Pokaždé, když změníte nastavení úhlu úkosu nebo pokosu, ujistěte se, že je nastavitelná záražka správně nastavena tak, aby podpírala obrobek a nezasažovala do ostří nebo ochranného systému.** Bez zapnutí nástroje a bez obrobku na stole pohybujte pilovým ostřím úplným simulovaným řezem, abyste zkontrolovali, že nedojde k žádnému zkřížení nebo nebezpečí řezu do záražky.
- **Pro obrobek, který je širší nebo delší než deska stolu, zajištěte odpovídající oporu, jako jsou prodloužení stolu, kozy atd.** Pokud nejsou obrobky delší nebo širší než stůl pokosové pily bezpečně podepřené, mohou se převrhnout. Pokud se odříznutý kus nebo obrobek převrátí, může zvednout spodní kryt nebo být vymršten rotujícím ostřím.
- **Nevyužívejte další osoby jako náhrady za prodloužení stolu nebo jako další podporu.** Nestabilní podepření obrobku může způsobit, že se ostří během řezání sevře, nebo že se obrobek posune, a vás i pomocníka vtáhne do rotujícího ostří.
- **Odříznutý kus se nesmí v žádném případě zaseknout nebo přitlačit k rotujícímu pilovému ostří.** Pokud je omezen, např. pomocí délkových zážek, může se odříznutý kus zaklánit o ostří a prudce vystřílet.
- **Vždy používejte svorku nebo úchyt určené k řádnému jistění kulatého materiálu, jako jsou tyče nebo hadice.** Tyče se mohou při řezání kutálet a způsobit, že se ostří „kousne“ a vtáhne vám ruku.
- **Než se ostřím dotknete obrobku, nechte ho dosáhnout plné rychlosti.** Tím se sníží riziko vymrštnutí obrobku.
- **Pokud se obrobek nebo ostří zaseknou, pokosovou pilu vypněte. Počkejte, až se všechny pohyblivé části zastaví, a odpojte zážrčku ze zdroje napájení, nebo vyjměte baterii. Potom uvolněte zaseknutý materiál.** Pokračující řezání se zaseknutým obrobkem může způsobit ztrátu kontroly nebo poškození pokosové pily.
- **Po dokončení řezu uvolněte spínač, podržte hlavu pily dolů a počkejte, až se ostří zastaví, a teprve potom odstraňte odříznutý kus.** Nesahejte rukou do blízkosti dojíždějícího ostří, je to nebezpečné.
- **Při neúplném řezu nebo při uvolnění spínače držte pevně rukojeť obrobek není hlava pily zcela ve spodní poloze.** Brzdný účinek pily může způsobit, že se hlava pily náhle stáhne dolů, což může způsobit zranění.

DOPLŇKOVÉ BEZPEČNOSTNÍ PŘEDPISY

- Proces sepnutí způsobí krátkodobý pokles napětí; při nepříznivých podmínkách v síti se může projevit

omezování jiných strojů (při síťové impedanci menší než 0,219 ohmů se nedají očekávat žádné poruchy); pro bližší vysvětlení se můžete obrátit na svého lokálního distributora elektrické energie

OBECNĚ

- Tento nástroj používejte pouze pro řezání dřeva
- Vždy zkontrolujte, zda je napájecí napětí stejné jako napětí uvedené na typovém štítku nástroje
- **Nestůjte na nástroji ani na jeho stojanu.** Při přeřazení nástroje nebo při náhodném kontaktu řezného nástroje může dojít k vážnému zranění. Neskladujte materiál na nástroji nebo v jeho blízkosti tak, abyste na něj dosáhli jenom po stoupnutí na nástroj nebo jeho stojan.
- **Před seřizováním, měněním pilových listů a příslušenství, vždy vytáhněte zástrčku nářadí z el. sítě**
- **Před dopravou pokosové pily vždy odpojte zástrčku od zdroje napájení.** Odpojte zástrčku, skloňte sestavu hlavy, zajistěte ji v dané poloze; pro přenášení použijte rukojed a jednu z prohlubní na ruce v základně pily.
- **Neodcházejte od nástroje, dokud se úplně nezastaví**
- **Při řezání nepravděelně tvarovaných obrobků naplánujte práci tak, aby neklouzaly a neštípaly ostří a nevytrhly se vám z ruky**
- Tento nástroj nesmí používat osoby mladší 16 let
- Nářadí není vhodný k řezání za vlhka

VENKOVNÍ POUŽITÍ

- Při venkovním použití zapojte nástroj přes jistič poruchového proudu (FI) se spouštěcím proudem max. 30 mA, a používejte pouze takovou prodlužovací šňůru, která je určena pro venkovní použití a je vybavena spojovací zásuvkou chráněnou proti střikající vodě

PŘED POUŽITÍM

- Používejte zcela rozvinutá a bezpečně prodlužovací šňůry o kapacitě 16 ampér
- Noste ochranné brýle, ochranu sluchu, a ochranné rukavice
- Prach z látek, jako jsou barvy obsahující olovo, některé druhy dřeva, minerály a kovy, může být škodlivý (kontakt s prachem nebo jeho vdechnutí může způsobit alergickou reakci a/nebo vyvolat respirační choroby u obsluhy nebo přihlížejících); **noste protiprachovou masku a pracujte se zařízením na odsávání prachu, pokud je možné jej připojit**
- Některé druhy prachu jsou klasifikovány jako karcinogenní (například dubový a bukový prach) zejména ve spojení s přísadami pro úpravu dřeva; **noste protiprachovou masku a pracujte se zařízením na odsávání prachu, pokud je možné jej připojit**
- Dodržujte stanovená nařízení pro práci v prašném prostředí
- **Nepracovávajte žádný materiál obsahující azbest** (azbest je karcinogenní)
- Nikdy nepoužívejte nářadí bez originálního chrániče
- Před každým používáním zkontrolujte, zda se ochranný kryt správně zavírá
- Pokud se ochranný kryt nepohybuje volně a nezavírá se ihned, pilu nepoužívejte
- Ochranný kryt nikdy neupínejte ani nezajišťujte v otevřené poloze
- Nikdy nepoužívejte tento nástroj bez vložky stolu; poškozenou nebo opotřebovanou vložku stolu vyměňte
- Před začátkem řezání odstraňte z řezané dráhy všechny překážky jak nahoře tak vespod obrobku
- Vrtačku nepoužívejte je-li navlhla a nepracujte v blízkosti

snadno zápalných nebo výbušných materiálů; před zahájením práce je odstraňte

PŘÍSLUŠENSTVÍ

- Nikdy nepoužívejte brusné/řezné kotouče s tímto nářadím
- SKIL zajistí bezpečnou funkci nářadí pouze tehdy, používáte-li odpovídající příslušenství, které obdržíte u svého prodejce SKIL
- Při montáži nebo používání jiného příslušenství než značky SKIL se řište pokyny daného výrobce
- Používejte pouze pilové kotouče, jež odpovídají charakteristickým údajům uvedeným v tomto návodu k obsluze a jsou zkoušeny podle EN 847-1 a příslušně označeny
- Používejte pouze příslušenství, jejichž dovolené otáčky jsou alespoň tak vysoké jako nejvyšší otáčky stroje naprázdno
- Není přípustné používání listů z vysoce legovaných, rychle pracujících ocelí (HSS)
- Nepoužívejte pilu, je-li list prasklý, zdeformovaný nebo matný
- Používejte pouze pilové kotouče s průměrem otvoru, který bez vůle odpovídá průměru vřetene nástroje; k nasazení pilových kotoučů s velkým otvorem nikdy nepoužívejte redukce ani adaptéry
- Chraňte příslušenství před nárazy, ořesy a mastnotou

BĚHEM POUŽITÍ

- **Na nástroj netlačte příliš** (tlačte na něj zlehka a plynule, abyste zamezili přehřívání hrotů čepele, a pokud řezete plast, také tavení plastu)
- Udržujte prsty, ruce a paže v bezpečné vzdálenosti od otáčejícího se pilového kotouče
- Dojde-li k zablokování pilového kotouče, ihned vypněte nástroj a odpojte zástrčku z elektrické zásuvky; teprve poté vyjměte zaklíněný obrobek
- V případě zaseknutí nářadí či jiné závady okamžitě nářadí vypněte a vytáhněte zástrčku z el. sítě
- Jestliže přívodní šňůru při práci podkodíte nebo proříznete, nedotýkejte se jí a okamžitě ji vytáhněte ze síťové zásuvky
- Nikdy nástroj nepoužívejte, je-li jeho přívodní šňůra poškozená, šňůra musí být vyměněna za speciálně navrženou šňůru, která je k dispozici přes servisní středisko.

LASEROVÉ ZÁŘENÍ

- **Laserový paprsek nemířte proti osobám nebo zvířatům a nedívejte se do přímého ani do odraženého laserového paprsku** (může to způsobit oslepení osob, nehody nebo poškození zraku)
- Pokud laserový paprsek dopadne do oka, je třeba vědomě zavřít oči a okamžitě hlavou uhnout od paprsku
- Na laserovém zařízení neprovádějte žádné změny
- Nedívejte se do laserového paprsku (laserové záření)
- Nedívejte se na laserový paprsek žádným optickým zvětšovacím přístrojem (jako je zvětšovací sklo, teleskop či dalekohled)
- Neprovodujte přístroj v přítomnosti vznětlivých tekutin, plynů a prachu
- Neprovodujte přístroj v přítomnosti dětí
- Nenahrazujte nainstalovaný laser laserem jiného typu

PO POUŽITÍ

- Po vypnutí nástroje nikdy nezastavujte otáčení příslušenství tlakem ze strany
- Tlisky a další součásti obrobku odstraňte z řezacího prostoru teprve poté, až se veškeré pohyblivé součásti zcela zastaví

- Pilový kotouč se během používání velmi zahřívá; nedotýkejte se ho, dokud nevychladne
- Nástroj skladujte **uvnitř budov** na suchém a uzamčeném místě mimo dosah dětí

VYSVĚTLENÍ SYMBOLŮ NA NÁRAĐÍ

- ② Před použitím si přečtete návod k použití
- ③ Noste ochranné brýle a ochranu sluchu
- ④ **Nebezpečná oblast! Zóna bez rukou. Ruce, prsty nebo paže udržujte v dostatečné vzdálenosti od této oblasti.**
- ⑤ Dvojitá izolace (není nutný zemnicí drát)
- ⑥ Nevyhazujte elektrické nářadí a baterie do komunálního odpadu
- ⑦ **Laserové záření / Nedívejte se do paprsku / Laserový výrobek třídy 2**

OBSLUHA

- Montáž
 - Smontujte přepravní rukojeť E pomocí 2 šroubů s šestihr. klíčem AN^⑨
 - Namontujte blokovací knoflík pokosu AE do přední části stolu^⑩
 - Smontujte posuvnou zarážku U (viz Seřízení posuvné zarážky/zarážek)
- Přepravní/pracovní poloha

Pokyny pro uvolnění nástroje (**pracovní poloha**)

 - Stačte rukojeť B^⑧ jednou rukou dolů a současně vytáhněte blokovací kolík C druhou rukou^{⑪a}
 - Ved'te sestavu hlavy pomalu nahoru

Pokyny pro zajištění nástroje (**přepravní poloha**)

 - Posuňte sestavu hlavy na doraz ve směru zarážky S (udržujte cca. 5 cm vzdálenost) a utáhněte blokovací knoflík AH^{⑪b}
 - Nastavte úhel úkosu na 0° (viz Nastavení úhlu úkosu)
 - Nastavte úhel pokosu na 45° nalevo nebo napravo (viz Nastavení úhlu pokosu)
 - Stačte rukojeť B jednou rukou dolů a současně vytáhněte blokovací kolík C druhou rukou
 - Namotejte napájecí kabel
 - Použijte přepravní rukojeť E^⑥ pro přenášení nástroje^{⑪d}
 - K přenášení nástroje můžete také použít boční rukojeť^{⑪e}

! Nikdy nezvedejte nástroj za hlavní rukojeť nebo za napájecí kabel

- Připevnění nástroje na pracovní plochu^⑫

! pro zajištění bezpečné manipulace vždy tento nástroj připevněte na rovnou a stabilní pracovní plochu (například na pracovní stůl)

 - pro připevnění nástroje na pracovní plochu pomocí vhodných šroubů použijte 4 montážní otvory F
 - nástroj můžete rovněž připevnit k pracovní ploše běžně dostupnými šroubovacími svorkami
 - Za účelem stabilizace nástroje lze upravit výšku opěrné nohy G
 - Můžete také nástroj namontovat na stojan pokosové pily

! Přečtete si všechna varování a pokyny dodávané se stojanem pily

- Odsávání prachu/třísek^⑬
 - Instalujte sáček na prach H/vysavač, jak je znázorněno
 - k zajištění optimálního odsávání prachu pravidelně vyprázdněte prachový sáček

! dbejte, aby hadice odsávače při řezání nepřekážela spodnímu chrániči a obsluze nářadí

- Prodloužení pilového stolu^⑭
 - Použijte knoflíky L k upevnění prodlužovacích tyčí K (na obou stranách nástroje)
 - Délka prodlužovacích tyčí K je plynule nastavitelná od minima po maximum
- Upevnění obrobku^⑮

! pro zajištění optimální bezpečnosti práce vždy pevně upevněte obrobek do dodané nastavitelné svorky

- nepracujte s obrobky, které jsou příliš malé na upnutí
- **maximální** rozměry obrobku viz tabulka^⑯
- Upevněte svorku obrobku do otvoru držákuN pomocí knoflíku P (na obou stranách nástroje)
- Svorka obrobku má 2 drážky pro snadné zajištění; 1 pro tenké obrobky (do 5 cm) a 1 pro větší obrobky (nad 5 cm)
- přitlačte obrobek proti stavítku S
- Odblokujte páku R
- Přizpůsobte svorku obrobku
- Pevně upněte obrobek blokovací pákou R

! U některých kombinací pokosu a úkosu nebo v závislosti na velikosti obrobku může být nutné místo svorky obrobku použít komerčně dostupné šroubové svorky

- Nastavování úhlu pokosu^⑰
 - Uvolněte blokovací rukojeť AE
 - Zatáhněte za uvolňovací páku pokosu AF
 - Otočte stůl pily doleva nebo doprava a nastavte požadovaný úhel pokosu (od 0° až 50°) pomocí ukazatele AG
 - Uvolněte páku AF
 - Utáhněte blokovací rukojeť AE (**neutahujte rukojeť příliš pevně**)
 - Pro rychlé a přesné nastavení často používaných úhlů pokosu (0°, 15°, 22,5°, 31,6°, 45°) blokovací páka pokosu AF zacvakne na místo v odpovídajících polohách; abyste tomu zabránili, páku AF lze uzamknout v uvolněné poloze^{⑰b}
- Nastavení úhlu úkosu^⑱
 - uvolněte tříhohý knoflík W
 - Otočte hlavu pily doleva, až ukazatel úhlu úkosu X ukáže na požadovaný úhel úkosu
 - Nastavitelný koncový doraz úkosu AA (45°) lze použít k zastavení na 45° nebo k pokračování až do 48°^{⑱b}
 - Držte hlavu pily v této poloze a utáhněte knoflík W
 - Pro úkos napravo nejprve nakloňte hlavu pily mírně doleva, otočte pravým uvolňovacím knoflíkem úkosu AB (cca. 60°), poté otočte hlavu pily do požadovaného pravého úhlu úkosu^{⑱c}
 - Když otočíte hlavu pily dozadu doleva, uvolňovací knoflík pravého úkosu AB se automaticky nastaví na 0° koncového dorazu; tomu lze zabránit otočením knoflíku na cca. 90° místo 60°^{⑱d}
- Kombinované řezání^⑲
 - kombinované řezání vyžaduje nastavení úhlu pokosu a úkosu

! Nepoužívejte pilu v určitých kombinacích pokosu a úkosu, které by mohly mít za následek křížení mezi posuvnými a pevnými částmi pily nebo mezi posuvnými částmi a obrobkem - k provedení řezu je nutné odstranit posuvnou zarážku, blokovací

- knoflík posuvné zarážky a knoflík pracovní svorky podle potřeby.**
- ! vždy nejprve proveďte zkoušku na očištěném kousku materiálu**
- Nastavení posuvných zarážek²⁰
 - Uvolněte knoflík V_k posunutí zarážky U
 - Uvolněte knoflík V ještě víc pro demontáž/montáž zarážky/ek
 - Utáhněte knoflík V pro zajištění požadované polohy
 - ! Před použitím nástroje se ujistěte, že jsou posuvné zarážky pevně zajištěny**
 - ! U některých kombinací pokosu a úkosu může být také nutné odstranit knoflík**
 - Laserová rýska²¹
 - pro přesné vedení nářadí po obrobku v požadovaném směru
 - zapněte/vypněte laserové rýsky pomocí spínače AD
 - ! před započetím práce zkontrolujte zarovnání laserové rýsky s aktuální linií řezu tak, že provedete zkušební řez na kusu odpadového materiálu**
 - Řezání bez posuvného pohybu (malé obrobky)
 - Uvolněte blokovací knoflík AH v případě, že je utažený
 - Posuňte hlavu pily na doraz ve směru zarážky S a dotáhněte blokovací knoflík AH
 - ! Nezajištění mechanismu může způsobit, že se ostří náhle vyšplhá na obrobek a bude směřovat k vám**
 - nastavte nástroj do pracovní polohy
 - ! zkontrolujte, zda je obrobek pevně zajištěn k pilovému stolu a stavítku S**
 - Zapněte nástroj uvolněním spínače AJ a zatažením za hlavní vypínač AI
 - ! Při použití pilové hlavy nepřekřížujte ruce^{23a}**
 - konstantní rychlostí proveďte řez
 - ! nářadí by neměl běžet na plný výkon před vniknutím do obrobku**
 - uvolněním spínače vypněte nástroj AI
 - Počkejte, až se pilové ostří úplně zastaví, a potom ved'te hlavu pily pomalu nahoru
 - Řezání s posuvným pohybem (široké obrobky)
 - ! Uvědomte si, že níže popsany způsob je jediný bezpečný pracovní postup**
 - Netahejte pilu obrobkem
 - Uvolněte blokovací knoflík AH v případě, že je utažený
 - ! zkontrolujte, zda je obrobek pevně zajištěn k pilovému stolu a stavítku S**
 - Hlavu pily táhněte dostatečně daleko od zarážky S, aby bylo pilové ostří před obrobkem²⁴
 - Zapněte nástroj uvolněním spínače²² a zatažením za hlavní vypínač
 - ! Při použití pilové hlavy nepřekřížujte ruce^{23a}**
 - Zatlačte hlavu pily ve směru zarážky S a řežete plynulým posunem obrobkem vpřed²⁴
 - ! nářadí by neměl běžet na plný výkon před vniknutím do obrobku**
 - ! Pokud se spodní kryt automaticky neotevře, což se může stát za určitých podmínek (např. obrobek, který je velmi blízko maximálním rozměrům), možná budete muset kryt otevřít ručně^{23b}**
 - uvolněním spínače vypněte nástroj AI
 - Počkejte, až se pilové ostří úplně zastaví, a potom ved'te hlavu pily pomalu nahoru
- Řezání drážek²⁵
 - Nastavte požadovanou hloubku pomocí hloubkového dorazu AK a zajistěte jej na místě utažením matice AM
 - Mezi obrobek a zarážku se umístí dřevěná rozpěrka, která zajistí stejnou hloubku po celé délce drážky
 - ! Dávejte pozor, aby se pilové ostří nezaseklo v obrobku**
 - ! vždy nejprve proveďte zkoušku na očištěném kousku materiálu**
 - Výměna pilového listu²⁶
 - ! rozpojte přívodní šňůru**
 - vyjměte klíče šestihranným AN z držáku AO
 - Držte ochranný kryt A v otevřené poloze
 - Povolte šroub krycí desky AQ (**neodšroubujte úplně šroub**)^{26a}
 - Otočte ochranný kryt A úplně dozadu^{26b}
 - stiskněte blokovací tlačítko vřetene AP a přidržte jej během demontování šroubu kotouče AR otáčením klíče šestihranným AN **PO SMĚRU HODINOVÝCH RUČÍČEK** (= stejným směrem, kterým ukazuje šípka na motoru kotouči)
 - ! blokovací tlačítko vřetene AP stlačte pouze tehdy, když je nářadí v klidu**
 - uvolněte blokovací tlačítko vřetene AP
 - sejměte přírubu AS a pilový kotouč
 - ! vyměňte pilový kotouč tak, aby zuby a šípka označující směr otáčení na pilovém listu souhlasily se šípkou na ochranném krytu A**
 - nasad'te podložku AS^{26c}
 - Stiskněte tlačítko aretace vřetene AP a držte jej, zatímco utahujete šroub ostří otáčením šestihr. klíče AN **PROTI SMĚRU HODINOVÝCH RUČÍČEK** o 1/8 otáčky po ručním utažení (zajišťuje prokluz pilového ostří, když narazí na nadměrný odpor, čímž se snižá přetížení motoru a zpětný ráz pily)
 - utáhněte šroub krycí desky AQ
 - Výměna vložky stolu AT²⁸
 - Při výměně poškozené nebo opotřebované vložky stolu postupujte podle následujících pokynů:
 - ! rozpojte přívodní šňůru**
 - vyjměte klíče šestihranným AN z držáku AO
 - odmontujte všechny 6 šrouby podle obrázku
 - při vyjímání nejdříve zvedněte přední část staré vložky stolu a potom vložku zcela vysuňte
 - vložte novou vložku stolu
 - ! pevně utáhněte všechny 6 šrouby**
 - Kontrola/seřízení 90° polohy kotouče²⁸
 - ! rozpojte přívodní šňůru**
 - Otočte stůl pily do polohy 0° pokosu a zajistěte v této pozici
 - Otočte hlavu pily do polohy 0° úkosu
 - Sklopte hlavu pily a zajistěte v této pozici
 - pomocí úhelníku zkontrolujte úhel 90° mezi pilovým kotoučem a stolem
 - je-li třeba, seříd'te 90° polohu kotouče podle následujících pokynů:
 1. uvolněte tříhňový knoflík W
 2. Seříd'te šroub Y 4mm šestihr. klíčem (není součástí standardní výbavy)^{28b}
 3. Znovu zkontrolujte úhelníkem
 4. Znovu nastavte ukazatel úkosu na 0°^{28c}
 - Kontrola/seřízení 45° polohy kotouče²⁹
 - ! rozpojte přívodní šňůru**

- Otočte stůl pily do polohy 0° pokosu a zajistěte v této pozici
- uvolněte tříhohý knoflík W
- Nastavte nastavitelný koncový doraz úkosu AA na 45° ㉔b
- Otočte hlavu pily doleva
- pomocí úhelníku zkontrolujte úhel 45° mezi pilovým kotoučem a stolem ㉔a
- zkontrolujte, zda se indikátor úkosu X nachází na značce 45°
- je-li třeba, seřídte 45° polohu kotouče podle následujících pokynů:
 1. Seřídte šroub Z klíčem 10 (není součástí standardní výbavy)
 2. Znovu zkontrolujte úhelníkem
- V případě potřeby opakujte nastavení 45° napravo
- Sklopte hlavu pily a zajistěte v této pozici
- Kontrola/seřízení 90° polohy stavítka ㉔0
 - ! **rozpojte přírodní šňůru**
 - Otočte stůl pily do polohy 0° pokosu a zajistěte v této pozici
 - Sklopte hlavu pily a zajistěte v této pozici
 - zkontrolujte 90° úhel mezi kotoučem a stavítkem S pomocí úhelníku (úhelník se musí dotýkat těla pilového kotouče, nikoli jeho zubů)
 - je-li třeba seřídte 90° polohu stavítka podle následujících pokynů:
 1. uvolněte 4 šrouby se šestihrannou hlavou T
 2. seřídte stavítko tak, aby se kotouč a stavítko zcela dotýkaly úhelníku
 3. utáhněte 4 šrouby se šestihrannou hlavou T
 4. Nastavte ukazatel pokosu na 0° ㉔c
- Sponka na kabel ㉔1
 - Použijte kabelovou sponu AV, aby nedošlo k zachycení napájecího kabelu mezi pohybující se a pevné části nástroje

NÁVOD K POUŽITÍ

- Speciální obrobky
 - volné konce dlouhého obrobku vždy podepřete
 - zakřivené nebo oblé obrobky musí být zvláště zajištěné proti vysmeknutí ㉔3
 - mezi obrobkem a stavítkem nebo pilovým stolem nesmí být v linii řezu žádná mezera
 - V případě potřeby připravte pomocnou záražku; otvory v posuvné záražce jsou určeny k zajištění pomocné záražky ㉔4
- ! **Pomocnou záražku lze použít pouze při úkosu 0°**
- Pro práci s podlahovými lištami lze použít jako referenci obrázek ㉔5
- Při řezání položte obrobek tak, aby strana s lepším povrchem byla vespod k zajištění min. štěpení
- Používejte pouze ostré pilového listy správného typu
 - kvalitní řezu se zvýší počtem ozubení na pilového listu
 - pilového listy z tvrdých kovů mají až 30 krát delší životnost než běžné pilového listy

ÚDRŽBA / SERVIS

- Vždy udržujte nástroj a kabel v čistotě (zejména větrací otvory na zadní straně skříně motoru)
- Pravidelně kontrolujte, zda spodní kryt správně funguje. Spodní kryt čistěte od případných usazenin pilin vlhkým

hadříkem.

- před čištěním odpojte zástrčku
- Zvedněte spodní kryt do plně otevřené polohy a uvolněte jej; pokud se nezavěří okamžitě a úplně, měl by být zkontrolován poprodejním servisním střediskem pro elektrické nástroje SKIL
- Pilové listy čistěte okamžitě po jejich použití (především od pryskyřice a lepidla)
 - pilový kotouč se během používání velmi zahřívá; nedotýkejte se ho, dokud nevychladne
- Vyčistěte laserové světlo AC měkkým kartáčem po každém použití, abyste udrželi dobrou viditelnost laserové linky (dbejte na to, abyste nezměnili nastavení laseru)
- Pokud dojde i přes pečlivou výrobu a náročnou kontroly k poruše nástroje, svěřte provedení opravy autorizovanému servisnímu středisku pro elektronářadí firmy SKIL
 - zašlete nástroj **nerozebraný** spolu s potvrzením o nákupu své prodejně nebo nejbližšímu servisu značky SKIL (adresy a servisní schéma nástroje najdete na www.skil.com)
- Uvědomte si, že na poškození způsobené přetížením nebo nesprávným zacházením se nevztahuje záruka (záruční podmínky společnosti SKIL najdete na adrese www.skil.com nebo se obraťte na prodejce)

ŽIVOTNÍ PROSTŘEDÍ

- **Elektrické nářadí, baterie, doplňky a balení nevyhazujte do komunálního odpadu** (jen pro státy EU)
 - podle evropské směrnice 2012/19/EG o nakládání s použitými elektrickými a elektronickými zařízeními a odpovídajících ustanovení právních předpisů jednotlivých zemí se použítá elektrická nářadí, musí sbírat odděleně od ostatního odpadu a podrobit ekologicky šetrnému recyklování
 - symbol ㉔6 na to upozorňuje

HLUČNOSTI

- Měřeno podle EN 62841 je hladina akustického tlaku tohoto nástroje 100,0 dB (A) a úroveň akustického výkonu 109,5 dB (A) (nejistota K = 3 dB)
- Úroveň emisí hluku byla měřena podle standardizovaného testu uvedeného v EN 62841; lze jej použít k porovnání jednoho nástroje s druhým a jako předběžné posouzení expozice hluku při použití nástroje pro uvedené činnosti
 - používání přístroje k jiným aplikacím nebo s jiným či špatně udržovaným příslušenstvím může zásadně **zvýšit** úroveň vystavení se vibracím
 - doba, kdy je přístroj vypnutý nebo kdy běží, ale ve skutečnosti není využíván, může zásadně **snížit** úroveň vystavení se vibracím

TR

Raylık gönyeli testere

1320

GİRİŞ

- Bu alet; ahşap malzemede uzunlamasına ve enine düz hatlar halinde ve açılı olarak kesme yapan sabit bir makine olarak geliştirilmiştir (yatay olarak -50° ila +50° ve dikey olarak -48° ila +45° açılı kesme işleri yapılabilir)

- Bu kullanma kılavuzunu okuyun ve saklayın ②
- Bu alet profesyonel kullanıma yönelik değildir
- **Aleti, sadece montajı doğru ve tam olarak doğru yapıldığında kullanın** (aletin hatalı olarak montajından kaynaklanan alet hasarlarından ve/veya kişisel yaralanmalardan dolayı sorumlu tutulamayacağını unutmayın)

TEKNİK VERİLER ①

ALET BİLEŞENLERİ ⑧

- A Alt muhafaza
- B Anahtar tutamağı
- C Taşıma için kilit pimi
- D Üst koruyucu başlık
- E Nakliye kolu
- F Montaj delikleri
- G Destek ayağı
- H Toz torbası
- J Toz çıkışı
- K Uzatma çubukları
- L Uzatma çubukları için kilit düğmeleri
- M İş parçası montaj kelepçesi
- N Destek deliğı
- P Kelepçe sıkma düğmesi
- Q Kelepçe ayar düğmesi
- R Sıkma kolu
- S Destek
- T Destek ayarı için altıgen vidalar (4x)
- U Kayar dayama rayı
- V Kayar dayama rayı tespit topuzu
- W Kilit düğmesi (kesme açıları)
- X Gönye açısı skalası
- Y Gönye açısı ayar vidası (sağ)
- Z Gönye açısı ayar vidası (sol)
- AA Ayarlanabilir mesnet
- AB Sağ gönye açma kolu
- AC Lazer ışığı
- AD Lazer açma/kapama anahtarı
- AE Kilit kolu (kesme açıları)
- AF Gönye kanalı açma kolu
- AG Gönyeli kesme skalası
- AH Kaydırma aparatı kilit düğmesi
- AI Açma/kapama şalteri
- AJ Güvenlik kolu
- AK Kesme derinliğı sınırlayıcısı
- AL Derinlik mesnedi
- AM Derinlik mesnedi somunu
- AN Altıgen anahtar
- AO Alyen anahtarı bölmesi
- AP Mil kilitleme düğmesi (6398)
- AQ Kapak plakası vidası
- AR Bıçak civatası
- AS Flanş
- AT Talaş emniyeti
- AU Toz itici
- AV Kablo mandalı

GÜVENLİK

GENEL ELEKTRİKLİ EL ALETİ GÜVENLİK UYARILARI

⚠ UYARI Bu elektrikli alet ile birlikte verilen tüm uyarıları, talimatları, resimleri ve özellikleri okuyun.

Aşağıda listelenen talimatların tamamına uyulmaması durumunda elektrik çarpması, yangın ve/veya ciddi yaralanmalar meydana gelebilir.

Tüm uyarı ve talimatları ilerde kullanmak üzere saklayın.

Uyarı ve talimat hükümlerinde kullanılan “elektrikli el aleti” kavramı, akım şebekesine bağlı (şebeke bağlantı kablosu ile) aletlerle akü ile çalışan aletleri (akım şebekesine bağlantısı olmayan aletler) kapsamaktadır.

1) ÇALIŞMA YERİ GÜVENLİĞİ

- Çalıştığınız yeri temiz ve düzenli tutun.** Düzensizlik veya yetersiz aydınlatma kazalara neden olabilir.
- Yanıcı sıvıların, gazların veya tozların bulunduğunu patlama tehlikesi olan yer ve mekânlarda aletle çalışmayın.** Elektrikli el aletleri, toz veya buharların tutuşmasına veya yanmasına neden olan kıvılcımlar çıkarırlar.
- Elektrikli el aletiyle çalışırken çocukları ve başkalarını çalışma alanınızın uzağında tutun.** Yakınızdaki bulunan kişiler dikkatinizi dağıtabilir ve bu da alet üzerindeki kontrolünüzü kaybetmenize neden olabilir.

2) ELEKTRİKSEL GÜVENLİK

- Aletin bağlantı fişi prize uymalıdır. Fişi hiçbir şekilde değiştirmeyin. Koruyucu topraklamalı aletlerle adaptörlü fiş kullanmayın.** Değiştirilmemiş, orijinal fiş ve uygun prizler elektrik çarpması tehlikesini azaltır.
- Borular, kalorifer tesisatı, ısıtıcılar ve buzdolapları gibi topraklanmış yüzeylerle bedensel temasa geçmekten kaçının.** Eğer bedeniniz topraklanacak olursa yüksek bir elektrik çarpması tehlikesi ortaya çıkar.
- Aleti yağmur ve nemden koruyun.** Elektrikli el aletinin içine suyun sızması elektrik çarpması tehlikesini yükseltir.
- Kabloyu kendi amacı dışında kullanmayın; örneğin aleti kablodan tutarak taşımayın, aleti kablo ile asmayın veya kablodan çekerek fişi prizden çıkarmayın.** Kabloyu aşırı sıctan, yağlardan, keskin kenarlı cisimlerden veya aletin hareketli parçalarından uzak tutun. Hasarlı veya dolaşmış kablo elektrik çarpması tehlikesini yükseltir.
- Elektrikli el aletiyle açık havada çalışırken mutlaka açık havada kullanılmaya uygun uzatma kablosu kullanın.** Açık havada kullanılmaya uygun uzatma kablosunun kullanılması elektrik çarpması tehlikesini azaltır.
- Elektrikli el aletinin nemli ortamlarda çalıştırılması şartsa, mutlaka kaçak akım cihazı (RCD) kullanın.** RCD kullanımı elektrik çarpması tehlikesini azaltır.

3) KİŞİLERİN GÜVENLİĞİ

- Dikkatli olun, ne yaptığınıza dikkat edin ve elektrikli el aletiyle çalışırken makul hareket edin.** Yorgunsanız, ilaç kullanıyorsanız veya uyuşturucu madde ya da alkol etkisi altındaysanız aleti kullanmayın. Aleti kullanırken bir anlık dikkatsizliğiniz ciddi yaralanmalara yol açabilir.
- Daima kişisel korunma donanımları ve bir koruyucu gözlük kullanın.** Elektrikli el aletinin türü ve kullanımına uygun olarak kullanacağınız toz maskesi, kaymayan sağlam iş ayakkabıları, koruyucu kask veya koruyucu kulaklık gibi kişisel korunma donanımlarını kullanmanız yaralanma tehlikesini büyük ölçüde azaltır.
- Aleti yanlışlıkla çalıştırmaktan kaçının.** Akım ikmal şebekesine ve/veya aküye bağlamadan, elinize alıp taşımadan önce elektrikli el aletinin kapalı durumda

olduğundan emin olun. Elektrikli el aletini parmağınızın şalter üzerinde dururken taşırsanız ve alet açıkken fişi prize sokarsanız kazalara neden olabilirsiniz.

- d) **Aleti çalıştırmadan önce ayar aletlerini veya tornavidaları aletten uzaklaştırın.** Dönen alet parçasına temas halinde bulunan bir uç veya anahtar yaralanmalara neden olabilir.
- e) **Kendinize çok fazla güvenmeyin. Duruşunuzun güvenli olmasına dikkat edin ve daima dengenizi koruyun.** Bu sayede aleti beklenmedik durumlarda daha iyi kontrol edersiniz.
- f) **Uygun iş elbiseleri giyin. Geniş giysiler giymeyin ve takı takmayın. Saçlarınızı ve giysilerinizi aletin hareketli parçalarından uzak tutun.** Bol giysiler, takılar veya uzun saçlar aletin hareketli parçaları tarafından tutulabilir.
- g) **Aletinize toz emme donanımı ve toz tutma donanımı takılabiliyorsa, bunların bağlı olup olmadığını ve doğru işlev görüp görmediklerini kontrol edin.** Toz emme donanımının kullanımı tozdan kaynaklanabilecek tehlikeleri azaltır.
- h) **Aletleri sık kullanmanız sebebiyle kazandığınız alışkanlıklar, güvenlik prensiplerine uymanızı önlememelidir.** Dikkatsiz bir hareket, bir anda ciddi yaralanmalara yol açabilir.
- 4) **ELEKTRİKLİ EL ALETLERİYLE DİKKATLİ ÇALIŞMAK VE ALETİ DOĞRU KULLANMAK**
- a) **Aleti aşırı ölçüde zorlamayın. İşinize uygun elektrikli el aletini kullanın.** Uygun elektrikli el aleti ile belirtilen performans alanında daha iyi ve daha güvenli çalışırsınız.
- b) **Açma/kapama şalteri arızalı olan elektrikli el aletini kullanmayın.** Açılıp kapanamayan bir elektrikli el aleti tehlikelidir ve onarılması gerekir.
- c) **Alette bir ayarlama işlemine başlamadan, herhangi bir aksesuarı değiştirirken veya aleti elinizden bırakırken fişi prizden çekin veya aküyü çıkarın.** Bu önlem, elektrikli el aletinin yanlışlıkla çalışmasını önler.
- d) **Kullanım dışında iken elektrikli el aletinizin çocukların ulaşamayacağı bir yerde saklayın. Aleti kullanmayı bilmeyen veya bu güvenlik talimatını okumayan kişilerin aleti kullanmasına izin vermeyin.** Deneyimsiz kişiler tarafından kullanıldıkları takdirde elektrikli el aletleri tehlikeli olabilirler.
- e) **Elektrikli el aletinin ve aksesuarlarının bakımını düzenli yapın. Aletin hareketli parçalarının kusursuz işlev görüp görmediklerini ve sıkışmadıklarını, parçaların kırık veya hasarlı olup olmadıklarını kontrol edin, aksi takdirde alet işlevini tam olarak yerine getiremez. Aleti kullanmadan önce hasarlı parçaları onartın.** Birçok iş kazası aletlerin kötü ve yetersiz bakımından kaynaklanır.
- f) **Kesci uçları keskin ve temiz tutun.** İyi bakım görmüş kesici uçlar daha ender sıkışır ve daha iyi yönlendirilirler.
- g) **Elektrikli el aletlerini, aksesuarı, uçları ve benzerlerini bu güvenlik talimatına uygun olarak kullanın. Aleti kullanırken çalışma koşullarını ve yaptığınız iş için daima dikkate alın.** Elektrikli el aletlerini kendileri için öngörülen işlerin dışında kullanmak tehlikeli durumların ortaya çıkmasına neden olabilir.
- h) **Tutamak ve kavrama yüzeylerini kuru, yağsız ve temiz tutun.** Kaygan tutamak ve kavrama yüzeyleri, aletin beklenmeyen durumlarda güvenli şekilde tutulmasını ve kontrol edilmesini engeller.

5) SERVİS

- a) **Aleti sadece uzman bir elemana ve orijinal yedek parçalar kullanılarak onartın.** Böylelikle aletin güvenliğini korumuş olursunuz.

GÖNYE TESTERELER İÇİN GÜVENLİK TALİMATLARI

- **Gönye testereleler ahşap veya ahşap benzeri ürünleri kesmek için tasarlandığından bara, çubuk, saplama vb. gibi demirli malzemeleri kesmek için aşındırıcı kesme diskleri ile birlikte kullanılamaz.** Aşındırıcı toz, alt koruma gibi hareketli parçaların sıkışmasına neden olur. Aşındırıcı kesimle ortaya çıkan kıvılcıklar alt korumayı, kanal ucunu ve diğer plastik parçaları yakabilir.
- **Mümkün olduğunda iş parçasını desteklemek için mengene kullanın. İş parçasını elinizle destekliyorsanız elinizi her zaman testere bıçağının her iki tarafından da en az 100 mm uzakta tutun. Bu testereyi mengeneyle sabitlemek veya elle tutmak için çok küçük parçaları kesmek için kullanmayın.** Ellerinizi testere bıçağına çok yakın koyarsanız bıçakla temas nedeniyle yaralanma riski artar.
- **İş parçası sabit olmalı ve hem dayama rayına hem de tablaya mengeneyle sabitlenmeli ya da sıkıca tutulmalıdır. İş parçasını hiçbir şekilde “desteksiz” olarak bıçağa doğru beslemeyin veya kesmeyin.** Sabitlenmemiş veya hareketli iş parçaları yüksek hızda fırlayarak yaralanmalara neden olabilir.
- **İş parçasını iş parçasının içinden geçirin. Testereyi iş parçasından geriye doğru çekmeyin. Kesim yapmak için testere başını kaldırıp iş parçasının üzerinden geriye çekin, motoru çalıştırın, testere başını aşağı doğru bastırın ve testereyi iş parçasının içinden geçirin.** Geriye çekme hareketiyle kesim yapmak testere bıçağının iş parçasının üzerine çıkmasına ve bıçak grubunun operatöre doğru şiddetli biçimde fırlamasına neden olabilir.
- **Elinizi hiçbir zaman testere bıçağının önündeki veya arkasındaki kesme hattının içinden geçirmeyin.** İş parçasını “çapraz” tutmak, yani iş parçasını sol elinizle testere bıçağının sağından tutmak ya da tam tersini yapmak çok tehlikelidir.
- **Bıçak dönerken ufak ahşap parçalarını temizlemek için veya başka bir sebeple elinizi testere bıçağına 100 mm’den daha yakın olacak şekilde dayama rayının arkasına uzatmayın.** Dönen testere bıçağının elinize ne kadar yakın olduğunu göremeyebilir ve ağır şekilde yaralanabilirsiniz.
- **Kesim yapmadan önce iş parçasını inceleyin iş parçası eğri ya da bükülmüşse, eğri yüzü dışarıda dayama rayına bakacak şekilde mengeneyle sabitleyin. Her zaman kesim hattı boyunca iş parçası, dayama rayı ve tabla arasında boşluk bırakmadığınızdan emin olun.** Eğri veya bükülmüş iş parçaları dönerken veya kayarak kesim sırasında dönmeye devam eden testere bıçağına sıkışabilir. İş parçasında çivi veya yabancı hiçbir nesne bulunmamalıdır.
- **Tabla iş parçası dışında tüm aletlerden, küçük ahşap parçalardan vb. temizlenene kadar testereyi kullanmayın.** Dönmeye devam eden bıçağa temas eden küçük artıklar veya gevşek ahşap parçaları yüksek hızda fırlatabilir.
- **Bir seferde sadece tek bir iş parçası kesiniştirilen çok sayıda iş parçası mengeneyle doğru şekilde sabitlenmeyeceği ya da birbirine tutturulamayacağı için kesim sırasında bıçağa sıkışabilir veya kayabilir.**

- **Kullanmadan önce gönye testerenin düzgün ve sağlam bir çalışma yüzeyi üzerinde monte edildiğinden veya yerleştirildiğinden emin olun.** Düzgün ve sağlam bir çalışma yüzeyi, gönye testerenin dengesini kaybetme riskini azaltır.
- **Yapacağınız işleri planlayın! Eğitim veya gönye açısı ayarını her değiştirdiğinizde ayarlanabilir dayama rayını iş parçasını desteklemek için doğru şekilde ayarladığınızdan ve bıçağa ya da koruma sistemine engel olmayacağından emin olun** Aleti "ON" (AÇIK) konuma getirmeden ve tablanın üzerine iş parçası koymadan önce engel oluşturan hiçbir durum veya dayama rayını kesme tehlikesi bulunmadığından emin olmak için tam bir kesme testi yapın.
- **Tezgahın üst kısmından daha geniş veya daha uzun iş parçaları için tabla uzatmaları gibi uygun destekler kullanın.** Gönye testere tablasından daha uzun veya daha geniş iş parçaları sağlam bir şekilde desteklenmezse eğilebilir. Kesilen parça veya iş parçası eğilirse alt korumayı kaldırabilir veya dönmeye devam eden bıçaktan fırlayabilir.
- **Başka bir kişiyi tabla uzatması veya ek destek olarak kullanmayın** İş parçasının yeterince desteklenmemesi kesim çalışması sırasında bıçağın sıkışmasına veya iş parçasının kayarak sizin ve yardımcınızın dönmeye devam eden bıçağa doğru çekilmesine neden olabilir.
- **Kesilen parça hiçbir şekilde sıkıştırılmamalı veya dönmeye devam eden testere bıçağına doğru bastırılmamalıdır** Örneğin uzunluk mesnedi kullanılarak çalışma alanı kısıtlanmıyorsa, kesilen parça bıçağa sıkışarak şiddetli biçimde fırlayabilir.
- **Her zaman çubuk veya boru gibi yuvarlak malzemeleri düzgün şekilde desteklemek üzere tasarlanmış bir mengine ya da tespit elemanı kullanın** Çubuklar kesim sırasında dönerek bıçağın elinizi kapmasına neden olabilir ve elinizi iş parçasıyla birlikte bıçağa doğru çekebilir.
- **İş parçasını bıçağa temas ettirmeden önce bıçağın tam hıza ulaşmasını bekleyin** Bu, iş parçasının fırlama riskini azaltacaktır.
- **İş parçası veya bıçak sıkışırsa, gönye testereyi kapatın.** Tüm hareketli parçaların durmasını bekleyin ve güç kaynağının fişini çekin ve/veya akü takımını çıkartın. Daha sonra sıkışan malzemeyi çıkarmayı deneyin İş parçası sıkışmış hâlde testereyle kesime devam etmek, kontrolü kaybetmenize veya gönye testerenin zarar görmesine neden olabilir.
- **Kesimi tamamladıktan sonra döğmeyi açın, testere başını aşağıda tutun ve kesilen parçayı çıkarmadan önce bıçağın durmasını bekleyin** Elinizi yavaşlamak olan bıçağın yakınına uzatmak tehlikelidir.
- **Yarım kesim yaparken veya döğmeyi testere başını tamamen aşağıya indirmeden önce bıraktığınızda tutamağı sıkıca tutun** Testerenin frenleme hareketi testere başının aniden aşağı doğru çekilmesine neden olabilir ve yaralanma riski oluşturabilir.

EK GÜVENLİK TALİMATI

- Açma ve anahtarlama işlemleri kısa süreli gerilim düşmelerine neden olur; elektrik şebekelerinin koşulları uygun olmadığı takdirde bu durum diğer aletlerin çalışmasına olumsuz yönde etkide bulunabilir (0,219 Ohm'dan daha küçük şebeke empedanslarında arızalar ortaya çıkmaz); daha aydınlatıcı bilgi için, bölgenizde bulunan yetkili servise başvurun

GENEL

- Aleti, sadece ahşap malzeme kesmek için kullanın
- Güç geriliminin, aletin özellik plakasında belirtilen voltaj değeriyle aynı olduğunu sık sık kontrol edin
- **Aletin veya sehpanın üzerine çıkmayın** Alet devrilirse veya kesim aletine kazara temas ederseniz ağır yaralanma meydana gelebilir. Erişmek için aletin veya sehpanın üzerinde olması gerekmeyen malzemeleri aletin üzerinde veya yakınında saklamayın.
- **İsteddiğiniz ayar değişikliklerini ve aksesuar değişikliklerini yapmadan önce mutlaka şebeke fişini prizden çekin**
- **Gönye testereyi başka bir yere taşımadan önce her zaman aletin fişini elektrik kaynağından çekin** Aletin fişini çekin, testere başı grubunu indirip yerine kilitleyin ve taşıma tutamağı ile testere tabanındaki el girintilerinden birini kullanın.
- **Tamamen durana kadar aletin başından ayrılmayın**
- **Şekli düzgün olmayan iş parçalarını keserken iş parçasının kayıp bıçağı sıkıştırmaması ve elinizden kaçmaması için yapacağınız işleri planlayın**
- Bu alet 16 yaşın altındaki kişiler tarafından kullanılmamalıdır
- Bu alet sulu kesme işlerine uygun değildir

DISARIDA KULLANIM

- Açık havada kullanırken, cihazı maksimum 30 mA tetikleyici akımı olan bir hatalı akım (FI) devre kesicisine bağlayın ve yalnızca açık havada kullanıma uygun ve su geçirmez ara prizli olan bir uzatma kablosu kullanın

KULLANMADAN ÖNCE

- Tamamen kusursuz ve güvenli 16 Amp uzatma kabloları kullanın
- Koruyucu gözlük, koruyucu kulaklık, ve koruyucu eldiven giyin
- Kurşun içeren boya, bazı ahşap türleri, mineral ve metal gibi malzemelerden çıkan toz zararlı olabilir (tozla temasta bulunulması veya solunması operatörde veya yakında bulunan kişilerde alerjik reaksiyonlara ve/veya solunum yolu hastalıklarına neden olabilir); **toz maskesi takın ve toz ekstraksiyon cihazıyla çalışın (bağlanabiliyorsa)**
- Bazı toz tipleri (örneğin meşe ve kayın ağacı tozu), bilhassa ahşap yenileme katkı maddeleriyle birlikte, karsinojenik olarak sınıflandırılır; **toz maskesi takın ve toz ekstraksiyon cihazı ile çalışın (bağlanabiliyorsa)**
- Çalışmak istediğiniz malzemelerin, toz ile ilgili ulusal taleplerini takip edin
- **Bu aletle asbest içeren malzemeleri işlemeyin** (asbest kanserojen bir madde kabul edilir)
- Orjinal koruma tertibatı olmadan aleti asla kullanmayın
- Her kullanımdan önce koruyucu muhafazasının doğru kapanıp kapanmadığını kontrol edin
- Koruyucu muhafaza serbest hareket etmiyor ve anında kapanıyorsa testereyi kullanmayın
- Koruyucu muhafazayı asla açık konuma sıkıştırmayın veya bağlamayın
- Aleti asla talaş emniyeti olmadan kullanmayın; arızalı veya aşınmış talaş emniyetini değiştirin
- Kesme işlemine başlamadan önce, kesme hattı altındaki ve üstündeki bütün engelleri uzaklaştırın
- İş parçasının vida, çivi ve benzeri malzeme tarafından hasar görmemesi için dikkatli olun; çalışmaya başlamadan önce bunları çıkartın

AKSESUARLAR

- Bu aletle taşlama/kesme diskleri kullanmayın
- SKIL sadece SKIL satıcınızdan temin edeceğinize uygun

aksesuarlar kullanıldığında aletin düzgün çalışmasını garanti eder

- SKIL olmayan aksesuarların montajı/kullanımı için üreticisi tarafından verilen açıklamaları inceleyin
- Sadece bu kullanım kılavuzunda belirtilen tanıtım değerlerine uygun, EN 847-1'e göre test edilmiş ve buna uygun olarak işaretlenmiş testere bıçaklarını kullanın
- Bu aletle kullanacağınız aksesuar edilen devir sayısı en azından aletin boştaki en yüksek devir sayısı kadar olmalıdır
- HSS testere bıçaklarının bu aletle kullanılmasına müsaade yoktur
- Çatlamış, eskimiş ve kör bıçakları kullanmayın
- Sadece alet miline oynama olmadan oturacak delik çapına sahip testere bıçakları kullanın; asla geniş delikli testere bıçaklarını uydurmak için daraltıcı parçalar veya adaptörler kullanmayın
- Aksesuarları çarpmalardan darbelerden ve yağı ortamlardan koruyun

KULLANIM SIRASINDA

- **Aleti gereğinden fazla zorlamayın** (bıçak uçlarının aşırı ısınmasını ve plastik keserken plastiği eritmesini önlemek için hafif ve sürekli basınç uygulayın)
- Döner testere bıçağından parmaklarınızı, ellerinizi ve kollarınızı uzak tutun
- Testere bıçağı bloke olursa, aleti hemen kapatın ve fişi çekin; bunun ardından takılan iş parçasını çıkarın
- Aletiniz bloke olursa, veya alet normal çalışmıyorsa veya değişik gürültüler geliyorsa, aleti hemen kapatın ve fişi prizden çekin
- Eğer cihazı kullanırken kordon hasar görür ya da kesilirse, kordona kesinlikle dokunmayın ve derhal fişi çekin
- Aleti asla kablo hasarlıyken kullanmayın; kablounun yetkili servis tarafından özel olarak hazırlanmış bir kablo ile değiştirilmesi gerekir.

LAZER RADYASYONU

- **Lazer ışını başkalarına veya hayvanlara doğrultmayın ve kendiniz de doğrudan veya yansıyarak gelen lazer ışınına bakmayın** (aksi takdirde başkalarının gözünü kamaştırabilir, kazalara neden olabilir veya gözlerde hasara neden olabilirsiniz)
- Lazer ışını gözünüze gelecek olursa gözlerinizi bilinçli olarak kapatın ve hemen başınızı başka tarafa çevirin
- Lazer donanımında hiçbir değişiklik yapmayın
- Lazer ışınına bakmayın (lazer radyasyonu)
- Lazer ışınına bakmak için (büyüteç, teleskop veya dürbün gibi) büyüteçli hiç bir optik araç kullanmayın
- Aleti yanıcı sıvı, gaz veya toz bulunan yerlerde çalıştırmayın
- Aleti çocukların bulunduğu yerde çalıştırmayın
- Monte edilmiş olan lazeri başka bir lazer türüyle değiştirmeyin

KULLANIMDAN SONRA

- Aleti kapattıktan sonra hiçbir zaman yandan güç vererek aksesuarın dönüşünü durdurmayın
- Sadece tüm hareketli parçalar tam olarak durduktan sonra kesikleri ve diğer iş parçası kısımlarını kesme alanından alın
- Kullanım sırasında testere bıçağı aşırı ısınabilir; soğuyana kadar elle temas etmeyin
- Aleti, çocukların erişemeyeceği, **iç mekanlarda** kilitli ve kuru bir yerde saklayın

ALET ÜZERİNDEKİ SİMGELERİN AÇIKLAMASI

- ② Kullanmadan önce kılavuzu okuyun
- ③ Koruyucu gözlük ve koruyucu kulaklık giyin

④ **Tehlikeli alan! Ellerinizi koymayın. Ellerinizi, parmaklarınızı veya kollarınızı bu alandan uzak tutun.**

⑤ Çift yalıtım (topraklama kablosu gerekli değildir)

⑥ Elektrikli aletlerini ve pilleri evdeki çöp kutusuna atmayın

⑦ **Lazer radyasyonu / Lazer ışınına bakmayın / 2. Sınıf laser ürünü**

KULLANIM

- Montaj
 - alyan anahtarları AN^⑨ kullanarak taşıma tutamağını E 2 civata ile monte edin
 - gönye kilitleme topuzunu AE tablanın ön tarafına ^⑩ monte edin
 - kayar dayama rayını U monte edin (Kayar dayama raylarını ayarlama bölümüne bakın)
- Nakliye/çalışma konumu Aleti serbest bırakmak için (**çalışma** konumu)
 - bir elinizle tutamağı B^⑧ aşağı doğru bastırırken diğer elinizle ^⑪a kilitleme pimini C dışarıya doğru çekin
 - testere başı grubunu yavaşça yukarı kaldırın Aleti sabitlemek için (**nakliye** konumu)
 - testere başı grubunu dayama rayı S yönündeki mesnede doğru kaydırın (yaklaşık 5 cm mesafe bırakın) ve kilitleme topuzunu AH ^⑪b sıkın
 - eğim açısını 0°'ye ayarlayın (Eğim açısını ayarlama bölümüne bakın)
 - gönye açısını 45°'ye ayarlayın (Gönye açısını ayarlama bölümüne bakın)
 - bir elinizle tutamağı B aşağı doğru bastırırken diğer elinizle kilitleme pimini C itin
 - güç kablosunu sararak toplayın
 - aleti ^⑪d taşımak için taşıma tutamağını E^⑧ kullanın
 - alternatif olarak aleti ^⑪e taşımak için yan tutamakları kullanın
- **! aleti hiçbir zaman ana tutamaktan veya güç kablosundan tutarak kaldırmayın**
- Çalışma yüzeyine aleti monte etme ^⑫
- **! güvenli taşıma için, aleti daima düz ve stabil bir çalışma yüzeyine (örneğin çalışma tezgahına) monte edin**
- uygun vidalarla aleti çalışma yüzeyine tutturmak için 4 montaj deliği F kullanın
- ayrıca aleti çalışma yüzeyine piyasada mevcut vidalı kelepçelerle sabitleyebilirsiniz
- aleti dengelemek için destek ayağının G yüksekliği ayarlanabilir
- alternatif olarak alet, bir gönye testere sehпасına monte edilebilir
- **! testere sehпасıyla birlikte verilen tüm uyarıları ve talimatları okuyun**
- Toz/talaş çıkarma ^⑬
 - toz torbasını H/vakumlu temizleyiciyi resimde gösterildiği gibi monte edin
 - toz torbasının düzenli olarak temizlenmesi toz tutma kapasitesini optimal düzeyde tutar
- **! elektrik süpürgesi hortumu hiçbir zaman alt bıçak koruma parçası deliğini kapatmamalı veya kesme işlemine engel olmalıdır**
- Testere tablası uzatması ^⑭
 - uzatma çubuklarını K (aletin herhangi bir tarafına) sabitlemek için topuzları L kullanın

- uzatma çubuklarının K uzunluğu minimum seviyeden maksimum seviyeye kadar kademesiz olarak ayarlanabilir
- İş parçasını sıkıştırma 15
 - ! **optimum çalışma güvenliği için daima sağlanan ayarlanabilir kelepçe ile iş parçasını iyice sıkıştırın**
 - sıkıştırılmayacak kadar küçük iş parçalarında çalışmayın
 - **maksimum** iş parçası kalınlığı için tabloyu 16 referans olarak kullanın
 - iş parçası mengenesini topuzu P kullanarak destek deliğine N (aletin herhangi bir tarafına) sabitleyin
 - iş parçası mengenesinde kolayca kilitlemeniz için 2 oluk vardır; (5 cm'ye kadar olan) ince iş parçaları için 1 adet ve (5 cm üzerinde) daha kalın iş parçaları için 1 adet
 - iş parçasını desteğe S karşı sıkıca bastırın
 - kolun R kilidini açın
 - mengeneyi iş parçasına göre ayarlayın
 - kilitleme kolu R ile iş parçasını sıkıca sabitleyin
 - ! **bazı gönye ve eğimli kesim kombinasyonlarında veya iş parçasının büyüklüğüne bağlı olarak iş parçası mengenesinin yerine piyasada satılan vidalı mengenerlerin kullanılması gerekebilir**
- Kesme açılarını ayarlama 17
 - kilitleme kolunu AE gevşetin
 - gönye kanalı açma kolunu AF çekin
 - testere tablasını sola veya sağa doğru döndürün ve istediğiniz gönye açısını (0° ile 50° arasında) ayarlamak için göstergelyi AG kullanın
 - kolu AF açın
 - kilitleme kolunu AE sıkın (**kolu çok fazla sıkmayın**)
 - sık kullandığınız gönye açılarını (0°, 15°, 22,5°, 31,6°, 45°) hızlı ve hassas şekilde ayarlamak için gönye kanalı kolu AF ilgili konumlarda yerine oturun; bunu önlemek için kol AF, açık konumda 17b kilitlenebilir
- Eğim açılarını ayarlama 18
 - üç ayaklı düğmeyi W gevşetin
 - Eğim açısı göstergesi X istenilen eğim açısını gösterene kadar testere başını sola doğru çevirin
 - ayarlanabilir eğim açısı mesnedi kullanılarak AA (45°), 45°'de durulabilir veya 48°'ye kadar 18b devam edilebilir
 - testere başını bu konumda tutun ve topuzu W sıkın
 - sağa doğru yana eğmek için testere başını hafifçe sola yatırın, sağ eğim açısı açma topuzunu AB döndürün (yaklaşık 60°), daha sonra testere başını istenilen sağ eğim açısına 18c çevirin
 - testere başını yeniden sola çevirmek için sağ eğim açısı açma kolu AB otomatik olarak 0° mesnedine sıfırlanır; topuz 60° yerine 90° 18d döndürülerek bu durum önlenebilir
- Bileşik kesme 19
 - bileşik kesme hem kesme açısı aynı hem gönye açısı aynı gerektirir
 - ! **testereyi, testerenin kayan ve sabit parçaları arasındaki hareketi veya kayan parçalar ve iş parçası hareketi engelleyebilecek belirli gönye ve eğim açısı kombinasyonlarında kullanmayın**
 - kesim yapmak için kayar dayama rayını, kayar dayama rayı kilitleme topuzunu ve iş parçası sabitleme topuzunu gerektiği gibi çıkarın.
 - ! **başlangıçta daima bir deneme parçası üzerinde deneme yapın**
- Kayar dayama raylarını ayarlama 20
 - dayama raylarını U kaydırmak için topuzu V gevşetin
 - dayama raylarını çıkarmak / monte etmek için topuzu V biraz daha gevşetin
 - istenilen konumda sabitlemek için topuzu V sıkın
 - ! **aleti çalıştırmadan önce kayar dayama raylarının sıkıca sabitlendiğinden emin olun**
 - ! **bazı gönye ve eğim açısı kombinasyonlarında topuzun da çıkarılması gerekebilir**
- Lazer çizgisi 21
 - aletin, iş parçası üzerine çizilen kesme hattı üzerinde hassas biçimde yönlendirilmesini sağlar
 - lazer çizgisinin konumdaki açık/kapalı anahtarını AD konumuna getirerek çalıştırabilirsiniz
 - ! **bir işe başlamadan önce, bir atık malzeme parçası üzerinde deneme kesimi yaparak lazer çizgisinin gerçek kesim çizgisine göre hizasını kontrol edin**
- Kaydırma hareketi yapmadan kesim (küçük iş parçaları)
 - sıkılmış olması durumunda kilitleme topuzunu AH gevşetin
 - testere başını dayama rayı S yönündeki mesnede kadar kaydırın ve kilitleme topuzunu AH yeniden sıkın
 - ! **mekanizmanın kilitlememesi, bıçağın aniden iş parçasının üzerine çıkarak size doğru şiddetli bir şekilde geri tepmesine neden olabilir**
 - aleti çalışma konumuna ayarlayın
 - ! **iş parçasının testere tezgahı ve desteğe S karşı iyice sıkıştırıldığından emin olun**
 - kilidi AJ açarak ve ana anahtara AI basarak aleti çalıştırın
 - ! **testere başı 23a çalışırken kollarınızı önünden geçirmeyin**
 - iş parçasını düzenli ilerleterek kesin
 - ! **testere, testere bıçağı iş parçası içine girmeden önce maksimum hızı erişmelidir**
 - anahtar AI bırakarak aleti kapatın
 - testere başını yavaşça yukarı doğru yönlendirmeden önce testere bıçağının tamamen durmasını bekleyin
- Kayma hareketiyle kesme (geniş iş parçaları)
 - ! **aşağıda belirtilen yolun tek güvenli yol olduğunu unutmayın**
 - testereyi iş parçasından geriye doğru çekmeyin
 - sıkılmış olması durumunda kilitleme topuzunu AH gevşetin
 - ! **iş parçasının testere tezgahı ve desteğe S karşı iyice sıkıştırıldığından emin olun**
 - testere başını kaydırma rayından S testere bıçağı, iş parçasının 24 önünde olacak kadar uzağa çekin
 - kilidi 22 açarak ve ana anahtara basarak aleti çalıştırın
 - ! **testere başı 23a çalışırken kollarınızı önünden geçirmeyin**
 - testere başını kaydırma rayı S yönünde itin ve iş parçasını aynı hızda 24 ilerleterek kesin
 - ! **testere, testere bıçağı iş parçası içine girmeden önce maksimum hızı erişmelidir**
 - ! **belirli koşullarda olduğu gibi (örn. iş parçası maksimum kapasiteye çok yakın olduğunda) alt koruma otomatik olarak açılmıyorsa korumayı elinizle 23b açmanız gerekebilir**
 - anahtar AI bırakarak aleti kapatın
 - testere başını yavaşça yukarı doğru yönlendirmeden önce testere bıçağının tamamen durmasını bekleyin

- Kanal kesme 26
 - derinlik mesnediyle AK istenilen derinliği ayarlayın ve somunu AM sıkarak yerine kilitleyin
 - kanal uzunluğu boyunca derinliği korumak için iş parçası ve kaydırma rayı arasına bir tahta ara parça yerleştirilmelidir
 - ! **testere başığının iş parçasına sıkışmadığından emin olun**
 - ! **başlangıçta daima bir deneme parçası üzerinde deneme yapın**
- Testere bıçağı değiştirme 26
 - ! **şebeke fişini çekin**
 - alttgen anahtarını AN levhasındaki AO tutucusundan alın
 - koruyucu kapağı A açık konumda tutun
 - kapak vidasını AQ gevşetin (**vidayı tamamen sökmeyin**) 26a
 - kapağı A tamamen geriye doğru 26b döndürün
 - mil kilitleme düğmesine AP basılı tutarak bıçak civatasını AR alttgen anahtarını AN **YELKOVAN YÖNÜNDE** çevirerek açın (= testere bıçağına basılı okla aynı yönde)
 - ! **eksen kilidi düğmesine AP yalnızca alet çalışmıyorken basın**
 - eksen kilidi düğmesini AP bırakın
 - flanşı AS ve testere bıçağını çıkarın
 - ! **testere bıçağını, testere dişleri ve testere bıçağı üzerindeki oklar ile koruyucu başlık A üzerindeki oklar aynı yönü gösterecek şekilde değiştirin**
 - halkayı AS takın 26c
 - mil kilitleme düğmesine AP basılı tutarken alyan anahtarı AN SAAT YÖNÜNÜN TERSİNE çevirerek elle sıkıştırabileceğiniz kuvvetten 1/8 tur daha fazla sıkın (aşırı dirençle karşılaştığında testere bıçağının kaymasını önleyerek motorun aşırı yüklenme ve testerenin geri tepme riskini azaltır)
 - kapak plakası vidayı AQ sıkın
- Talaş emniyetini AT değiştirme 26
 - Arızalı veya aşınmış talaş emniyetini aşağıdaki şekilde değiştirin:
 - ! **şebeke fişini çekin**
 - alttgen anahtarını AN levhasındaki AO tutucusundan alın
 - resimdeki gibi 6 vidanın hepsini çıkarın
 - öncelikle önden kaldırarak ve ardından tamamen çekerek eski talaş emniyetini çıkarın
 - yeni talaş emniyetini takın
 - ! **6 vidanın hepsini iyice sıkın**
- 90° Bıçak hizalaması kontrolü/ayarı 1
 - ! **şebeke fişini çekin**
 - testere tablasını 0° gönye konumuna döndürün ve yerinde kilitleyin
 - testere başını 0° eğim konumuna çevirin
 - testere başını indirin ve yerinde kilitleyin
 - bıçak ve tezgah arasında gönyeyle 90° açı kontrolü yapın
 - gerekirse 90° bıçak hizalamasını aşağıdaki şekilde kontrol edin:
 1. üç ayaklı düğmeyi W gevşetin
 2. vidayı Y 4 mm alyan anahtarı lb (standart olarak dahil değildir) kullanarak ayarlayın
 3. ayarlı gönyeyle tekrar kontrol edin
 4. eğim açısı göstergesini 0°'ye lc sıfırlayın

- 45° Bıçak hizalaması kontrolü/ayarı 29
 - ! **şebeke fişini çekin**
 - testere tablasını 0° gönye konumuna döndürün ve yerinde kilitleyin
 - üç ayaklı düğmeyi W gevşetin
 - ayarlanabilir eğim açısı mesnedini AA 45°'ye 29b ayarlayın
 - testere başını sola doğru çevirin
 - bıçak ve tezgah arasında şev gönyeyle 45° açı kontrolü yapın 29a
 - gönye skalasının X 45° işaretini kontrol edin
 - gerekirse 45° bıçak hizalamasını aşağıdaki şekilde kontrol edin:
 1. testere bıçağı anahtarıyla 10 vidayı Z ayarlayın (standart olarak dahil değildir)
 2. ayarlı gönyeyle tekrar kontrol edin
 - gerekirse, sağ taraf için 45° ayarını tekrarlayın
 - testere başını indirin ve yerinde kilitleyin
- 90° Destek hizalaması 30 kontrolü/ayarı
 - ! **şebeke fişini çekin**
 - testere tablasını 0° gönye konumuna döndürün ve yerinde kilitleyin
 - testere başını indirin ve yerinde kilitleyin
 - bıçak ve destek S arasında gönyeyle 90°'lik açı kontrolü yapın (gönyenin testere bıçağı gövdesine temas ettiğinden ve dişlere değmediğinden emin olun)
 - gerekirse 90° destek hizalamasını aşağıdaki şekilde kontrol edin:
 1. 4 alttgen vidayı gevşetin T
 2. bıçak ve destek gönyeyle tam temas edene kadar desteği ayarlayın
 3. 4 alttgen vidayı sıkın T
 4. gönye açısı göstergesini 0°'ye 30c sıfırlayın
- Kablo mandalı 31
 - güç kablusunun aletin hareketli ve sabit parçaları arasında sıkışmasını önlemek için kablo klipsini AV kullanın


UYGULAMA ÖNERİLERİ

- Özel iş parçaları
 - uzun bir iş parçasının serbest uçlarını daima destekleyin
 - bombeli veya yuvarlak iş parçalarının kaymayacak şekilde özel olarak sıkıldığından emin olun 33
 - kesme hattında iş parçası ve destek ile testere tezgahı arasında boşluk olmamalıdır
 - gerekirse yardımcı bir dayama rayı hazırlayın; kayar dayama rayındaki delikler yardımcı dayama rayını 34 sabitlemek için kullanılır
- ! **yardımcı dayama rayı sadece 0° eğim açısında kullanılabilir**
- Zemin döşemeleriyle çalışma için 35 resmi referans olarak kullanılabilir
- Parçalanma ve yarılmaları minimum düzeyde tutabilmek için iş parçasının iyi olan tarafını daima aşağı bakacak biçimde yerleştirin
- Daima doğru tip ve keskin testere bıçakları kullanın
 - kesme kalitesi dişlerin sayısı ile düz orantılı olarak artar
 - sert metalli testere bıçaklarının kullanım ömrü, geleneksel testere bıçaklarına oranla 30 kat daha uzundur

BAKIM / SERVİS

- Aleti ve kablosunu daima temiz tutun (özellikle motor yuvasının arka ucundaki havalandırma yuvalarını)
- Alt korumanın düzgün şekilde çalıştığından emin olmak için düzenli bir kontrol planı hazırlayın. Alt korumada biriken bıçkı tozunu nemli bir bezle temizleyin.
 - temizlemeden önce, cihazın fişini prizden çekin
 - alt korumayı tamamen açık konuma kaldırıp bırakın; hemen ve tamamen kapanmıyorsa SKIL marka elektrikli aletlerden sorumlu bir satış sonrası hizmet merkezine kontrol ettirilmelidir
- Testere bıçağını işiniz biter bitmez temizleyin (özellikle üzerinde reçine ve tutkal kalıntıları varsa)
 - kullanım sırasında testere bıçağı aşırı ısınabilir; soğuyana kadar elle temas etmeyin
- Lazer ışığı AC lazer ışınının net bir şekilde görünmesini sağlamak için her kullanımdan sonra yumuşak bir bezle temizleyin (lazer ayarını değiştirmediginizden emin olun)
- Dikkatli biçimde yürütülen üretim ve test yöntemlerine rağmen alet arıza yapacak olursa, onarım SKIL elektrikli aletleri için yetkili bir serviste yapılmalıdır
 - aleti **ambalajıyla** birlikte satın alma belgenizi de ekleyerek satıcınıza veya en yakın SKIL servisine ulaştırın (adresler ve aletin servis şemaları www.skil.com adresinde listelenmiştir)
- Aşırı yüklenme ve yanlış kullanımın aleti garanti kapsamından çıkaracağını unutmayın (SKIL garanti koşulları için www.skil.com adresine bakın veya satıcınıza başvurun)

ÇEVRE

- **Elektrikli aletlerini, piller, aksesuarları ve ambalajları evdeki çöp kutusuna atmayın** (sadece AB ülkeleri için)
 - kullanılmış elektrikli aletleri, elektrik ve elektronik eski cihazlar hakkındaki 2012/19/EC Avrupa yönergelerine göre ve bu yönergeler ulusal hukuk kurallarına göre uyarlanarak, ayrı olarak toplanmalı ve çevre şartlarına uygun bir şekilde tekrar değerlendirmeye gönderilmelidir
 - sembol  size bunu anımsatmalıdır

GÜRÜLTÜ

- Bu aletin EN 62841 uyarınca ölçülen ses basıncı seviyesi 100,0 dB(A) ve ses gücü seviyesi 109,5 dB(A)'dir (tolerans K = 3 dB'dir)
- Gürültü emisyon seviyesi EN 62841 içerisinde belirtilen standart teste göre ölçülmüştür; bu seviye, bir aleti bir başkasıyla karşılaştırmak amacıyla ve aletin söz konusu uygulamalarda kullanımı sırasında gürültüye maruz kalma derecesinin ön değerlendirmesi olarak kullanılabilir
 - aletin farklı uygulamalar için veya farklı ya da bakımı yetersiz yapılmış aksesuarlarla kullanılması, maruz kalma seviyesini belirgin biçimde **artırabilir**
 - aletin kapalı olduğu veya çalıştığı ancak gerçek anlamda iş yapmadığı zamanlarda, maruz kalma seviyesi belirgin biçimde **azalabilir**

PL

Pilarka ukośnica

1320

WSTĘP

- Narzędzie jest stacjonarym narzędziem do wzdłużnego i poprzecznego cięcia drewna z cięciem prostym i ukośnym (można ustawić poziome ukosy o kącie od -50° do +50°, jak również pionowe ukosy o kącie od -48° to +45°)
- Przeczytać i zachować niniejszą instrukcję obsługi ②
- Narzędzie nie jest przeznaczone do zastosowań profesjonalnych
- **Narzędzia wolno używać wyłącznie po jego poprawnym i całkowitym zmontowaniu** (Skil nie ponosi odpowiedzialności za uszkodzenia narzędzia i/lub obrażenia ciała wynikające z nieprawidłowego montażu narzędzia)

DANE TECHNICZNE ①

ELEMENTY NARZĘDZIA ⑧

- A** Dolna osłona
- B** Rękojeść z włącznikiem
- C** Trzpień blokujący na czas transportu
- D** Górna osłona
- E** Rękojeść do transportu
- F** Otwory mocujące
- G** Płyta podstawy
- H** Worek na pył
- J** Wylot wiórow
- K** Drażki przedłużające
- L** Pokrętło do blokady drażków przedłużających
- M** Zacisk do zamocowania obrabianego elementu
- N** Otwór pomocniczy
- P** Pokrętło do zamocowania zacisku
- Q** Pokrętło do regulacji zacisku
- R** Dźwignia mocująca
- S** Prowadnica
- T** Śruby z łbami sześciokątnymi do regulacji prowadnicy (4x)
- U** Suwana prowadnica
- V** Pokrętło mocujące suwaną prowadnicę
- W** Pokrętło blokujące (kąty ukosów poziomych)
- X** Wskaźnik kąta ukosów poziomych
- Y** Śruba do regulacji kąta ukosów poziomych (prawa strona)
- Z** Śruba do regulacji kąta ukosów poziomych (lewa strona)
- AA** Regulowany ogranicznik
- AB** Dźwignia zwalnająca prawy ukos poziomy
- AC** Lampka lasera
- AD** Włącznik/wyłącznik laserowy
- AE** Rękojeść blokująca (kąty ukosów pionowych)
- AF** Dźwignia zwalnająca zatrask ukośnicy
- AG** Wskaźnik kąta ukosów pionowych
- AH** Pokrętło blokujące urządzenia przesuwanego
- AI** Włącznik/wyłącznik
- AJ** Dźwignia bezpieczeństwa
- AK** Ogranicznik głębokości cięcia
- AL** Ogranicznik głębokości
- AM** Nakrętka ogranicznika głębokości

- AN Klucz sześciokątny
- AO Schowek na klucz sześciokątny
- AP Przycisk blokady wrzeczona
- AQ Śruba pokryw
- AR Śruba mocująca tarczę
- AS Kryza
- AT Podpórka
- AU Deflektor przeciwpyłowy
- AV Uchwyt kabla

BEZPIECZEŃSTWO

OGÓLNE OSTRZEŻENIA DOTYCZĄCE BEZPIECZEŃSTWA UŻYTKOWANIA ELEKTRONARZĘDZIA

⚠ OSTRZEŻENIE Należy przeczytać wszystkie ostrzeżenia dotyczące bezpieczeństwa, instrukcje, ilustracje i dane techniczne dostarczone z tym elektronarzędziem. Nieprzestrzeganie wszystkich poniższych instrukcji może skutkować porażeniem prądem, pożarem i/lub poważnym obrażeniem ciała.

Wszystkie ostrzeżenia i wskazówki należy zachować do dalszego zastosowania.

Użyte w poniższym tekście pojęcie "elektronarzędzie" odnosi się do elektronarzędzi zasilanych energią elektryczną z sieci (z przewodem zasilającym) i do elektronarzędzi zasilanych akumulatorami (bez przewodu zasilającego).

1) BEZPIECZEŃSTWO MIEJSCA PRACY

- a) **Miejsce pracy należy utrzymywać w czystości i dobrze oświetlone.** Nieporządek lub nie oświetlone miejsce pracy mogą doprowadzić do wypadków.
- b) **Nie należy pracować tym narzędziem w otoczeniu zagrożonym wybuchem, w którym znajdują się np. łatwopalne ciecze, gazy lub pyły.** Elektronarzędzia wytwarzają iskry, które mogą podpalić ten pył lub parę.
- c) **Elektronarzędzie trzymać podczas pracy z daleka od dzieci i innych osób.** Przy nieuwadze można stracić kontrolę nad narzędziem.

2) BEZPIECZEŃSTWO ELEKTRYCZNE

- a) **Wtyczka urządzenia musi pasować do gniazda. Nie wolno modyfikować wtyczki w jakikolwiek sposób. Nie należy używać wtyczek adapterowych razem z uziemnionymi narzędziami.** Niezmienione wtyczki i pasujące gniazda zmniejszają ryzyko porażenia prądem.
- b) **Należy unikać kontaktu z uziemnionymi powierzchniami jak rury, grzejniki, piece i lodówki.** Istnieje zwiększone ryzyko porażenia prądem, gdy Państwa ciało jest uziemnione.
- c) **Urządzenie należy przechowywać zabezpieczone przed deszczem i wilgocią.** Wniknięcie wody do elektronarzędzia podwyższa ryzyko porażenia prądem.
- d) **Nigdy nie należy używać kabla do innych czynności. Nigdy nie używać kabla do noszenia urządzenia za kabel, zawieszania lub do wyciągania wtyczki z gniazda. Kabel należy trzymać z daleka od wysokich temperatur, oleju, ostrych krawędzi lub ruchomych części urządzenia.** Uszkodzone lub poplątane kable zwiększają ryzyko porażenia prądem.
- e) **W przypadku, kiedy elektronarzędziem pracuje się na świeżym powietrzu należy używać kabla**

przedłużającego, który dopuszczony jest do używania na zewnątrz. Użycie dopuszczonego do używania na zewnątrz kabla przedłużającego zmniejsza ryzyko porażenia prądem.

- f) **Jeżeli nie da się uniknąć zastosowania elektronarzędzia w wilgotnym otoczeniu, należy użyć wyłącznika ochronnego różnicowo-prądowego.** Zastosowanie wyłącznika ochronnego różnicowo-prądowego zmniejsza ryzyko porażenia prądem.
- ### 3) BEZPIECZEŃSTWO OSÓB
- a) **Należy być uważnym, uważać na to co się robi i pracę elektronarzędziem rozpoczynać z rozsądkiem. Nie należy używać urządzenia gdy jest się zmęczonym lub pod wpływem narkotyków, alkoholu lub lekarstw.** Moment nieuwagi przy użyciu urządzenia może doprowadzić do poważnych urażeń ciała.
 - b) **Należy nosić osobiste wyposażenie ochronne i zawsze okulary ochronne.** Noszenie osobistego wyposażenia ochronnego jak maska przeciwpyłowa, nie ślizgające się buty robocze, hełm ochronny lub ochrona słuchu, w zależności od rodzaju i zastosowania elektronarzędzia zmniejsza ryzyko obrażeń ciała.
 - c) **Należy unikać niezamierzonego uruchomienia narzędzia. Przed włożeniem wtyczki do gniazda i/ lub podłączeniem do akumulatora, a także przed podniesieniem lub przeniesieniem elektronarzędzia, należy upewnić się, że elektronarzędzie jest wyłączone.** Trzymanie palca na wyłączniku podczas przenoszenia elektronarzędzia lub podłączenie do prądu włączanego narzędzia, może stać się przyczyną wypadków.
 - d) **Zanim urządzenie zostanie włączone należy usunąć narzędzia nastawcze lub klucze.** Narzędzie lub klucz, które znajdują się w ruchomych częściach urządzenia mogą doprowadzić do obrażeń ciała.
 - e) **Nie należy przeceniać swoich możliwości. Należy dbać o bezpieczną pozycję pracy i zawsze utrzymywać równowagę.** Przez to możliwa jest lepsza kontrola urządzenia w nieprzewidzianych sytuacjach.
 - f) **Należy nosić odpowiednie ubranie. Nie należy nosić luźnego ubrania lub biżuterii. Włosy i ubranie należy trzymać z daleka od ruchomych elementów.** Luźne ubranie, biżuteria lub długie włosy mogą zostać pociągnięte przez poruszającą się część.
 - g) **W przypadku, kiedy możliwe jest zamontowanie urządzeń odsysających lub podchwytyjących należy upewnić się, czy są one właściwie podłączone i prawidłowo użyte.** Użycie urządzenia odsysającego pył może zmniejszyć zagrożenie pyłami.
 - h) **Nie wolno pozwolić, aby rutyna nabyta w wyniku wielokrotnego użycia elektronarzędzia, zastąpiła ściśle przestrzeganie zasad bezpieczeństwa.** Niedbale obsługiwane elektronarzędzie może w ułamku sekundy wyrządzić istotne szkody lub spowodować ciężkie obrażenia.
- ### 4) UWAŻNE OBCOWANIE ORAZ UŻYCIE ELEKTRONARZĘDZIA
- a) **Nie należy przeciążać urządzenia. Do pracy używać należy elektronarzędzia, które jest do tego przewidziane.** Odpowiednim narzędziem pracuje się lepiej i bezpieczniej w podanym zakresie sprawności.
 - b) **Nie należy używać elektronarzędzia, którego wyłącznik/wyłącznik jest uszkodzony.**

Elektronarzędzie, którego nie można włączyć lub wyłączyć jest niebezpieczne i musi zostać naprawione.

- c) **Przed rozpoczęciem jakichkolwiek prac nastawczych, przed wymianą osprzętu lub przed odłożeniem elektronarzędzia należy wyjąć wtyczkę z gniazda sieciowego i/lub usunąć akumulator.** Ten środek ostrożności zapobiega niezamierzonemu włączeniu się urządzenia.
 - d) **Nie używane elektronarzędzia należy przechowywać poza zasięgiem dzieci. Nie należy udostępniać narzędzia osobom, które jego nie umieją lub nie przeczytały tych przepisów.** Używane przez niedoświadczonych osoby elektronarzędzia są niebezpieczne.
 - e) **Elektronarzędzia i osprzęt należy utrzymywać w nienagannym stanie technicznym. Należy kontrolować, czy ruchome części urządzenia funkcjonują bez zarzutu i nie są zablokowane, czy części nie są pęknięte lub uszkodzone, co mogłoby mieć wpływ na prawidłowe funkcjonowanie urządzenia. Uszkodzone narzędzie należy przed użyciem urządzenia oddać do naprawy.** Wiele wypadków spowodowanych jest przez niewłaściwą konserwację elektronarzędzi.
 - f) **Osprzęt tnący należy utrzymywać ostry i czysty.** Starannie pielęgnowany osprzęt tnący z ostrymi krawędziami tnącymi blokuje się rzadziej i łatwiej się używa.
 - g) **Elektronarzędzia, osprzęt, narzędzia itd. należy używać odpowiednio do tych przepisów. Uwzględnić należy przy tym warunki pracy i czynności do wykonania.** Użycie elektronarzędzi do innych niż przewidziane prace może doprowadzić do niebezpiecznych sytuacji.
 - h) **Uchwyty i powierzchnie chwytowe powinny być zawsze suche, czyste, niezabrudzone olejem ani smarem.** Śliskie uchwyty i powierzchnie chwytowe nie pozwalają na bezpieczne trzymanie narzędzia i kontrolę nad nim w nieoczekiwanych sytuacjach.
- 5) SERWIS**
- a) **Naprawę urządzenia należy zlecić jedynie kwalifikowanemu fachowcowi i przy użyciu oryginalnych części zamiennych.** To gwarantuje, że bezpieczeństwo użytkowania zostanie zachowane.

INSTRUKCJA BEZPIECZEŃSTWA UKOŚNIC

- **Ukośnice są przeznaczone do cięcia drewna lub produktów drewnopodobnych, nie należy ich używać wraz ze ściernicami do cięcia materiałów zawierających żelazo, takich jak drążki, pręty, kołki itd.** Pyły ściernic powodują zablokowanie osłony dolnej. Iskry powstałe podczas cięcia tarczą spowodują stopień osłony dolnej, szczeliny w płycie podawczej i innych części z tworzywa sztucznego.
- **Jeśli można zapewnić obrabianemu elementowi dodatkowe podparcie, należy użyć zacisku.** W przypadku podpierania obrabianego elementu dłońmi, zachować co najmniej 100 mm odstęp od tarczy tnącej z każdej strony. Nie używać piły do cięcia elementów zbyt małych, aby bezpiecznie chwycić je kleszczami lub ręką. W przypadku umieszczenia dłoni zbyt blisko tarczy tnącej istnieje zwiększone ryzyko obrażeń w wyniku kontaktu z tarczą.

- **Obrabiany element musi być nieruchomo przyciśnięty do prowadnicy i stołu. Nie podawać obrabianego elementu w kierunku tarczy tnącej ani nie ciąć odrębnie w żaden sposób.** Niezabezpieczone lub poruszające się obrabiane elementy mogą zostać wyrzucone z dużą prędkością, powodując obrażenia.
- **Docisnąć piłę do obrabianego elementu. Nie przeciągać piły przez obrabiany element. Aby przeciąć, unieść głowicę piły i przeciągnąć ją nad obrabianym elementem bez cięcia, uruchomić silnik, docisnąć głowicę w dół i przesunąć piłę przez obrabiany element.** Technika cięcia ciągniętego zwiększa ryzyko wspięcia się tarczy tnącej na obrabiany element i gwałtownego wyrzucenia zespołu tarczy tnącej w kierunku operatora.
- **Nigdy nie krzyżować rąk nad planowaną linią cięcia z przodu, jak i z tyłu tarczy tnącej.** Podpieranie obrabianego elementu „skrzyżowanymi rękami”, tj. przytrzymując obrabiany element z prawej strony tarczy tnącej lewą ręką i na odwrót jest bardzo niebezpieczne.
- **Nie sięgać dłońmi poza prowadnicę na odległość mniejszą niż 100 mm z każdej strony tarczy tnącej, aby usunąć ścinki drewna lub z innego powodu podczas obracania się tarczy tnącej.** Odległość obracającej się tarczy tnącej od ręki może nie być oczywista, powodując poważne obrażenia.
- **Sprawdzić obrabiany element przed przystąpieniem do cięcia. Jeśli obrabiany element jest pochylony lub wygięty, docisnąć go zewnętrzną pochyloną powierzchnią w kierunku prowadnicy. Zawsze upewnić się, czy pomiędzy obrabianym elementem, prowadnicą a stołem nie ma szczeliny wzdłuż linii cięcia.** Pochylone lub wygięte obrabiane elementy mogą skrócić się lub przesunąć, co może spowodować zablokowanie obracającej się tarczy tnącej podczas cięcia. Na obrabianym elemencie nie powinny znajdować się gwoździe ani obce przedmioty.
- **Nie używać piły, jeśli na stole oprócz obrabianego elementu znajdują się narzędzia, ścinki drewna itd.** Niewielkie odpady, luźne kawałki drewna lub inne objekty stykające się z obracającą się tarczą tnącą mogą zostać wyrzucone z dużą prędkością.
- **Ciąć jeden obrabiany element na raz.** Odpowiednie docisnięcie lub zamocowanie kilku ułożonych na sobie obrabianych elementów może być niemożliwe, co może doprowadzić do zablokowania tarczy tnącej lub przesunięcia podczas cięcia.
- **Upewnić się, że ukośnica została zamontowana lub umieszczona na równej, stabilnej powierzchni roboczej przed użyciem.** Równa i stabilna powierzchnia robocza zmniejsza ryzyko utraty stabilności ukośnicy.
- **Zaplanuj pracę! Podczas każdej zmiany ustawienia kąta ukosu poziomego lub pionowego upewnić się, że regulowana prowadnica jest ustawiona prawidłowo, aby podeprzeć obrabiany element, nie zakłócając pracy tarczy tnącej ani systemu zabezpieczeń.** Bez ustawienia „ON” (WŁ.) narzędzia oraz po zdjęciu obrabianego elementu ze stołu przesunąć tarczę tnącą w ramach kompletnego, symulowanego cięcia, aby uniknąć zakłóceń oraz ryzyka przecięcia prowadnicy.
- **Zapewnić odpowiednie podparcie, takie jak przedłużenia stołu roboczego, kołki do pitowania drewna itd. do obrabianego elementu szerszego lub dłuższego niż powierzchnia stołu.** Obrabiane

elementy dłuższe lub szersze niż stół ukośnicy mogą się przechylić, jeśli nie będą bezpiecznie podparte. Jeśli odcięty fragment lub obrabiany element przechyli się, może unieść dolną osłonę lub zostać wyrzucony przez obracającą się tarczę.

- **Nie korzystać z pomocy drugiej osoby zamiast przedłużenia stołu roboczego lub jako dodatkowej podpory.** Niestabilne podparcie obrabianego elementu może powodować zablokowanie tarczy tnącej lub przesunięcie obrabianego elementu podczas cięcia, pociągając operatora i osobę pomagającą w kierunku obracającej się tarczy.
- **Odcięty element nie może zablokować się ani docisnąć do obracającej się tarczy tnącej.** W przypadku ograniczenia, np. przy użyciu ograniczników długości, może dojść do zablokowania i gwałtownego wyrzucenia obrabianego elementu przez tarczę tnącą.
- **Zawsze korzystaj z zacisku lub urządzenia do prawidłowego podparcia materiału okrągłego, takiego jak pręty lub rury.** Pręty mają tendencję do obracania się podczas cięcia, powodując „kąsanie” przez tarczę tnącą oraz pociągnięcie obrabianego elementu wraz z dłońmi w kierunku tarczy.
- **Odczekać do osiągnięcia pełnej prędkości przez tarczę tnącą przed zetknięciem z obrabianym elementem.** Zmniejszy to ryzyko wyrzucenia obrabianego elementu.
- **W przypadku zakleszczenia obrabianego elementu lub tarczy tnącej wyłączyć ukośnicę. Odczekać na zatrzymanie wszystkich poruszających się części, odłączyć wtyczkę od źródła zasilania i/lub wyjąć akumulator. Następnie wyjąć zablokowany materiał.** Dalsze cięcie z zablokowanym obrabianym elementem może spowodować utratę kontroli lub uszkodzenie ukośnicy.
- **Po ukończeniu cięcia zwolnić przelącznik, pozostawić głowicę piły skierowaną w dół i odczekać na zatrzymanie tarczy tnącej przed wyjęciem odciętego elementu.** Sięganie dłoń w pobliżu poruszającej się tarczy jest niebezpieczne.
- **Mocno trzymać uchwyt podczas wykonywania niepełnego nacięcia lub w przypadku zwolnienia przelącznika zanim głowica piły znajdzie się w położeniu dolnym.** Hamowanie piły może spowodować gwałtowne pociągnięcie głowicy piły w dół, skutkując obrażeniami.

DODATKOWE INSTRUKCJE BEZPIECZEŃSTWA

- Włączenia urządzenia powodują krótkotrwałe obniżenia napięcia w sieci; przy niekorzystnych warunkach sieciowych mogą wystąpić zakłócenia pracy innych urządzeń (przy impedancjach sieciowych mniejszych niż 0,219 Ohm zakłócenia nie występują); w razie potrzeby dodatkowych wyjaśnień, prosimy o kontakt z lokalnym dostawcą energii elektrycznej

OGÓLNE

- Narzędzie służy wyłącznie do cięcia drewna
- Każdorazowo należy sprawdzać, czy napięcie zasilania jest zgodne z napięciem podanym na tabliczce znamionowej urządzenia
- **Nie stawać na narzędziu ani jego stole.** Może dojść do poważnych obrażeń, jeśli narzędzie się przewróci lub w razie przypadkowego kontaktu z narzędziem. Nie przechowywać materiałów na narzędziu ani w jego

pobliżu, co wymagałoby wejścia na narzędzie lub jego stół w celu sięgnięcia materiałów.

- **Przed przystąpieniem do wykonywania jakichkolwiek czynności przy narzędziu, w czasie przerw w pracy jak również po jej zakończeniu wyjąć wtyczkę z gniazda sieciowego**
- **Zawsze odłączać wtyczkę od źródła zasilania przed transportem ukośnicy.** Odłączyć, obniżyć i zablokować zespół głowicy, korzystając z uchwytu do przenoszenia oraz jednego z włgłębier w podstawie piły.
- **Nie zostawiać narzędzia zanim całkowicie się nie zatrzyma**
- **Podczas cięcia obrabianych elementów o nieregularnym kształcie zaplanować pracę, aby uniknąć jego zeslizgnięcia i uderzenia w tarczę oraz wyrwania z rąk**
- Narzędzie nie powinny używać dzieci poniżej 16 roku życia
- Urządzenie przeznaczone jest tylko do cięcia na sucho

STOSOWANIE NA DWORZE

- Pracując na otwartym powietrzu podłączyć urządzenie za pośrednictwem wyłącznika prądu zakłóceńowego (FI), wyzwalanego prądem o natężeniu nie przekraczającym 30 mA; używać wyłącznie specjalnego przedłużacza do pracy na otwartym powietrzu wyposażonego w bryzgoszczelne gniazdo sprężające

PRZED UŻYCIEM

- W przypadku korzystania z kabla przedłużającego należy zwrócić uwagę, aby był maksymalnie nawinięty na bęben oraz był przystosowany do przewodzenia prądu o natężeniu przynajmniej 16 A
- Należy stosować okulary ochronne, ochraniacze suchu, i rękawice ochronne
- Pył pochodzący z takich materiałów, jak farby zawierające ołów, niektóre gatunki drzewa, minerały i metal może być szkodliwy (kontakt z nim lub wdychanie takiego pyłu może powodować reakcje alergiczne i/lub niewydolność oddechową u operatora lub osób towarzyszących); **należy zakładać maskę przeciwpyłową i pracować z urządzeniem odsysającym, jeżeli można je podłączyć**
- Niektóre rodzaje pyłu są zaklasyfikowane jako rakotwórcze (takie, jak pył dęby i buka) szczególnie w połączeniu z dodatkami do kondycjonowania drewna; **należy zakładać maskę przeciwpyłową i pracować z urządzeniem odsysającym pył, jeżeli można je podłączyć**
- Należy stosować się do lokalnych wymogów dotyczących pracy w otoczeniu pyłu powstającego podczas obróbki materiału
- **Nie należy obrabiać materiału zawierającego azbest (azbest jest rakotwórczy)**
- Elektronarzędzie można stosować wyłącznie wraz z zamontowanymi wszystkimi urządzeniami służącymi bezpieczeństwu użytkownika
- Przed każdym użyciem narzędzia należy sprawdzić, czy pokrywa ochronna jest prawidłowo zamknięta
- Nie należy uruchamiać pilarki, jeśli pokrywa ochronna nie porusza się swobodnie i natychmiast się zamyka
- Nie wolno unieruchamiać pokrywy ochronnej w otwartym położeniu
- Nigdy nie należy uruchamiać urządzenia bez wkładanej podpórki; w razie stwierdzenia uszkodzenia lub zużycia podpórki, należy ją wymienić
- Przed przystąpieniem do obróbki należy usunąć wszelkie przeszkody znajdujące się po obu stronach obrabianego przedmiotu wzdłuż linii cięcia

- Uwaga na gwoździe, śruby i inne twarde przedmioty; przed przystąpieniem do obróbki powinny być usunięte z obrabianego przedmiotu; usunąć je przed rozpoczęciem pracy

AKCESORIA

- Nigdy nie należy stosować tarczy szlifierskich/tnących z tym elektronarzędziem
- SKIL może zagwarantować bezawaryjne działanie narzędzia tylko przy korzystaniu z odpowiedniego wyposażenia dodatkowego, dostępnego u dystrybutorów produktów SKIL
- Montując/używając akcesoriów innych producentów, należy przestrzegać instrukcji określonych przez danego producenta
- Stosować należy wyłącznie tarcze tnące, których parametry są zgodne z podanymi w niniejszej instrukcji obsługi ulotce i zostały przetestowane zgodnie z wymaganiami normy EN 847-1 i odpowiednio oznakowane
- Używać tylko akcesoriów, których dopuszczalna prędkość obrotowa jest co najmniej tak wysoka jak najwyższa prędkość obrotowa urządzenia na biegu bez obciążenia
- Nie należy stosować pił z wysokostopowej stali szybko tnącej (HSS)
- Nie używać pękniętego, odkształconego lub tępego brzeszczotu
- Należy używać wyłącznie pił tarczowych o średnicy otworu pasującej bez żadnego luzu do średnicy wrzeciona; nie wolno stosować podkładek ani pierścieni adaptacyjnych do mocowania piły tarczowej o zbyt dużej średnicy otworu
- Akcesoria należy chronić przed uderzeniami, wstrząsami i smarem

PODCZAS UŻYWANIA

- **Nie wolno przeciążać narzędzia** (należy stosować lekki miarowy docisk, co pozwoli uniknąć przegrzania końcówek brzeszczotu, a w przypadku cięcia plastiku - stopienia go)
- Nie wolno zbliżać palców, dłoni ani rąk do obracającej się piły tarczowej
- Jeśli piła tarczowa utknie w obrabianym elemencie, należy natychmiast wyłączyć urządzenie i odłączyć je od zasilania; dopiero po wykonaniu tych czynności można usunąć zablokowany obrabiany element
- W przypadku zablokowania siły piły w obrabianym materiale, stwierdzenia nietypowego zachowania się elektronarzędzia lub obcych dźwięków natychmiast wyłączyć zasilanie i wyjąć wtyczkę z gniazda sieciowego
- W przypadku uszkodzenia lub przecięcia przewodu podczas pracy, nie wolno go dotykać, tylko należy natychmiast wyciągnąć z gniazdka wtyczkę
- Nigdy nie używać narzędzia, gdy przewód jest uszkodzony; musi on zostać wymieniony na przewód specjalny dostępny w sieci serwisowej.

PROMIEN LASERA

- **Nie wolno kierować wiązki laserowej w stronę osób i zwierząt, nie wolno również spoglądać w wiązkę ani w jej odbicie** (można w ten sposób spowodować wypadek, czyjeś oślepienie lub uszkodzenie wzroku)
- W razie, gdy promień lasera natrafi na oko, należy natychmiast zamknąć oczy i usunąć głowę z zasięgu padania wiązki
- Nie wolno dokonywać żadnych zmian ani modyfikacji urządzenia laserowego
- Nie patrzeć w wiązkę światła lasera (promień lasera)

- Nie używaj żadnych optycznych przyrządów powiększających (jak soczewki powiększające, teleskopy lub lornetki) do spoglądania w wiązkę lasera
- Nie używaj narzędzia w obecności palnych cieczy, gazów lub pyłów
- Nie używaj narzędzia przy dzieciach
- Nie wymieniać zamontowanego lasera na inny

PO UŻYCIU

- Po wyłączeniu narzędzia nigdy nie należy zatrzymywać wirujących elementów działając na nie z bocznie przyłożoną siłą
- Odcięte fragmenty lub inne części obrabianego elementu można usunąć z obszaru pitowania dopiero po całkowitym zatrzymaniu się wszystkich ruchomych części urządzenia
- Piła tarczowa nagrzewa się podczas pracy narzędzia; nie należy jej dotykać przed ostygnięciem
- Przechowywać urządzenia **we wnętrzach** w suchym, zamkniętym pomieszczeniu z dala od dzieci

OBJAŚNIENIE SYMBOLI NA NARZĘDZIU

- ② Przed użyciem przeczytaj instrukcję obsługi
- ③ Należy stosować okulary ochronne i ochraniacze suchu
- ④ **Obszar niebezpieczny! Nie umieszczać rąk. Trzymać dłonie, palce lub ręce z dala od tego obszaru.**
- ⑤ Podwójna izolacja (brak uzziemienia)
- ⑥ Nie wyrzucaj elektronarzędzi i baterie wraz z odpadami z gospodarstwa domowego
- ⑦ **Promieniowanie laserowe / Nie spoglądaj w wiązkę / Wyrób laserowy klasy 2**

UŻYTKOWANIE

- **Montaż**
 - zamontować uchwyt transportowy E przy użyciu śrub 2 oraz klucza sześciokątnego AN^⑨
 - zamontować pokrętko mocowania ukośnicy AE w przedniej części stołu ^⑩
 - zamontować suwaną prowadnicę U (zob. Regulacja suwanej prowadnicy)
- **Położenie transportowe/robocze**
 - Aby zwołnić urządzenie (położenie **robocze**)
 - nacisnąć uchwyt B^③ w dół jedną ręką, wyciągając trzpień blokujący C drugą ręką ^{⑪a}
 - powoli podnieść zespół głowicy
 - Aby zabezpieczyć narzędzie (położenie **transportowe**)
 - przesunąć zespół głowicy do zatrzymania w kierunku prowadnicy S (zachować około 5 cm odległości) i dokręcić pokrętko mocowania AH ^{⑪b}
 - ustawić kąt ukosu poziomego na 0° (zob. Ustawianie kąta ukosu poziomego)
 - ustawić kąt ukosu pionowego na 45° (zob. Ustawianie kąta ukosu pionowego)
 - nacisnąć uchwyt B w dół jedną ręką, wsuwając trzpień blokujący C drugą ręką
 - zwinąć przewód zasilania
 - użyć uchwytu transportowego E ^⑧ do przeniesienia narzędzia ^{⑪d}
 - alternatywnie użyć uchwytów bocznych do przeniesienia narzędzia ^{⑪e}
- **! nigdy nie podnosić narzędzia, trzymając za uchwyt główny lub przewód zasilania**
- **Mocowanie narzędzia na powierzchni roboczej ^⑫**
 - **! aby zapewnić bezpieczeństwo eksploatacji, narzędzie należy zawsze mocować na płaskiej**

i stabilnej powierzchni roboczej (np. stole warsztatowym)

- do przymocowania narzędzia do powierzchni roboczej przy użyciu odpowiednich śrub należy użyć 4 otworów mocujących F
- można również zamocować narzędzie do powierzchni roboczej przy użyciu dostępnych w sklepach zacisków śrubowych
- istnieje możliwość ustawienia wysokości płyty podstawy G w celu stabilizacji narzędzia
- alternatywnie można zamontować narzędzie na stole do ukośnicy

! przeczytać wszystkie ostrzeżenia i instrukcje dostarczone wraz ze stołem do piły

- Usuwanie pyłu/wiórów 13
 - zamontować worek na pył H / odkurzacz zgodnie z rysunkiem
 - w celu zapewnienia optymalnego odpylania należy regularnie opróżniać worka na pył
- ! **należy zwrócić uwagę, aby wąż odkurzacza nigdy nie blokował swobody ruchu osłony oraz nie utrudniał prowadzenia pilarki**
- Przedłużenie stołu roboczego 14
 - użyć pokręteł L do zamocowania drążków przedłużających K (po obu stronach narzędzia)
 - długość drążków przedłużających K jest płynnie regulowana od minimum do maksimum
- Mocowanie obrabianego elementu za pomocą zacisków 15

! aby zapewnić optymalne bezpieczeństwo pracy, należy zawsze starannie zamocować obrabiany element przy użyciu regulowanego zacisku dostarczonego wraz z narzędziem

- nie wolno obrabiać elementów, których niewielkie rozmiary uniemożliwiają ich zamocowanie
- informacje dotyczące **maksymalnych** rozmiarów obrabianego elementu można znaleźć w tabeli 16
- zamocować zacisk obrabianego elementu w otworze pomocniczym N przy użyciu pokręteł P (po obu stronach narzędzia)
- zacisk obrabianego elementu ma 2 rowki ułatwiające mocowanie; 1 do cienkich elementów (do 5 cm) i 1 do większych elementów (ponad 5 cm)
- obrabiany element należy mocno docisnąć do prowadnicy S
- odblokować dźwignię R
- dostosować wysokość zacisku do obrabianego elementu
- za pomocą dźwigni blokującej mocno dokręcić zacisk na obrabianym elemencie R

! W przypadku niektórych kombinacji ukosów pionowych i poziomych lub w zależności od wielkości obrabianego elementu konieczne może być użycie dostępnych w sklepach zacisków śrubowych zamiast zacisków obrabianego elementu

- Ustawianie kątów ukosów pionowych 17
 - poluzować rękojeść blokującą AE
 - pociągnąć dźwignię zwalnającą zatrask ukośnicy AF
 - przekręcić stół roboczy w lewo lub w prawo, a następnie ustawić żądany kąt ukosu pionowego (od 0° do 50°) przy użyciu wskaźnika AG
 - zwolnić dźwignię AF

- dokręcić rękojeść blokującą AE (**nie dokręcać rękojeści zbyt mocno**)
- szybkie i precyzyjne ustawienie często stosowanych kątów ukosów pionowych (0°, 15°, 22,5°, 31,6°, 45°) jest możliwe dzięki zatraskowaniu się zatrasku dźwigni ukośnicy AF w odpowiednich pozycjach; aby temu zapobiec, dźwignię AF można zablokować w położeniu zwolnionym 17b
- Ustawianie kątów ukosów poziomych 18
 - należy poluzować pokrętko z trzema uchwytnymi W
 - należy przesunąć głowicę piły w lewo do momentu, w którym wskaźnik kąta ukosu poziomego X wskazuje żądany kąt ukosu poziomego
 - można skorzystać z regulowanego ogranicznika ukosu poziomego AA (45°), aby zatrzymać się przy 45° lub kontynuować do 48° 18b
 - przytrzymać głowicę piły w tym położeniu i dokręcić pokrętko W
 - w celu ustawienia ukosu poziomego do prawej strony należy pochylić delikatnie głowicę piły do lewej strony, obrócić pokrętko zwalnające prawego ukosu poziomego AB (ok. 60°), a następnie przesunąć głowicę piły do wymaganego kąta prawego ukosu poziomego 18c
 - po przesunięciu z powrotem w lewo głowicy piły pokrętko zwalnające prawego ukosu poziomego AB automatycznie powróci do ogranicznika 0°; można temu zapobiec, obracając pokrętko do ustawienia mniej więcej 90° zamiast 60° 18d
- Cięcia złożone 19
 - cięcia złożone wymagają ustawienia zarówno kąta ukosu pionowego, jak i kąta ukosu poziomego
 - ! **nie obsługiwać piły w pewnych kombinacjach ukosów pionowych i poziomych, ponieważ może to skutkować zakłóceniami między suwanymi i nieruchomymi częściami piły lub pomiędzy częściami suwanymi a obrabianym elementem – aby wykonać cięcie, zdjąć suwaną prowadnicę, pokrętko mocujące suwaną prowadnicę, pokrętko mocujące zacisk roboczy, zgodnie z wymaganiami.**
 - ! **zawsze wypróbować na kawałku zbędnego materiału**
- Regulacja suwaných prowadnic 20
 - poluzować pokrętko V, aby umożliwić przesuwanie prowadnic(y) U
 - poluzować pokrętko V, aby umożliwić demontaż/montaż prowadnic(y)
 - dokręcić pokrętko V, aby zamocować w wybranym położeniu
 - ! **upewnić się, że suwane prowadnice są mocno dokręcone przed przystąpieniem do obsługi narzędzia**
 - ! **w przypadku niektórych kombinacji ukosu pionowego i poziomego konieczne może być usunięcie pokręteł**
- Linie laserowe 21
 - pokazuje pozycję piły tarczowej przy cięciu wzdłuż uprzednio naniesionej linii
 - włączanie/wyłączanie linii laserowej przez naciśnięcie włącznika AD
 - ! **przed rozpoczęciem pracy należy sprawdzić, czy linie laserowe pokrywają się z rzeczywistością**

- linią cięcia, wykonując cięcie próbne na kawałku materiału odpadowego**
- Piłowanie **bez** ruchu przesuwnego (**małe** obrabiane elementy)
 - jeśli pokrętko blokujące AH jest zaciśnięte, poluzować je
 - przesunąć głowicę piły do ogranicznika w kierunku przewodnicy S i zacisnąć ponownie pokrętko blokujące AH
 - ! **niezablokowanie mechanizmu może spowodować nagłe wspięcie się tarczy tnącej na obrabiany element i przepchnięcie go w kierunku operatora**
 - należy ustawić narzędzie w położeniu roboczym
 - ! **należy się upewnić, czy element roboczy jest stabilnie zamocowany za pomocą zacisków do stołu roboczego i przewodnicy S**
 - włączyć narzędzie, zwalniając blokadę AJ i używając przełącznika głównego AI
 - ! **nie krzyżować rąk podczas obsługi głowicy piły** 23a
 - należy przepiłować obrabiany element równomiernym cięciem
 - ! **piłę przystawiać do obrabianego przedmiotu dopiero po osiągnięciu piły przez elektronarzędzie pełnej prędkości obrotowej**
 - narzędzie jest wyłączane przez zwolnienie przełącznika AI
 - przed powolnym podniesieniem głowicy piły do góry upewnić się, że tarcza tnąca zatrzymała się całkowicie
 - Cięcie piłą z ruchem przesuwym (**duże** obrabiane elementy)
 - ! **uwaga: metoda opisana powyżej jest jedyną bezpieczną metodą**
 - nie przeciągać piły przez obrabiany element
 - jeśli pokrętko blokujące AH jest zaciśnięte, poluzować je
 - ! **należy się upewnić, czy element roboczy jest stabilnie zamocowany za pomocą zacisków do stołu roboczego i przewodnicy S**
 - odciągnąć głowicę piły od przewodnicy S na tyle daleko, aby tarcza tnąca znajdowała się z przodu obrabianego elementu 24
 - włączyć narzędzie, zwalniając blokadę 22 i używając przełącznika głównego
 - ! **nie krzyżować rąk podczas obsługi głowicy piły** 23a
 - popchnąć głowicę piły w kierunku przewodnicy S i przepiłować obrabiany element równomiernym cięciem 24
 - ! **piłę przystawiać do obrabianego przedmiotu dopiero po osiągnięciu piły przez elektronarzędzie pełnej prędkości obrotowej**
 - ! **jeśli dolna osłona nie otwiera się automatycznie, co może zdarzyć się w pewnych okolicznościach (np. obrabiany element jest zbliżony do maksymalnej objętości), konieczne może być otwarcie osłony ręcznie** 23b
 - narzędzie jest wyłączane przez zwolnienie przełącznika AI
 - przed powolnym podniesieniem głowicy piły do góry upewnić się, że tarcza tnąca zatrzymała się całkowicie
 - Rowki piłowania 25
 - ustawić głębokość przy użyciu ogranicznika głębokości AK i zablokować ją, dokręcając nakrętkę AM
 - pomiędzy obrabianym elementem a prowadnicą należy umieścić drewnianą przekładkę, aby zapewnić stałą głębokość na całej długości rowka
 - ! **zwrócić uwagę, czy tarcza tnąca nie zacina się w obrabianym elemencie**
 - ! **zawsze wypróbować na kawałku zbędnego materiału**
 - Wymiana piły tarczowej 26
 - ! **wyjąć wtyk z gniazda sieciowego**
 - wyjąć klucz sześciokątny AN z gniazda AO
 - przytrzymać osłonę ochronną A w położeniu otwartym
 - poluzować śruby płyty osłony AQ (**nie odkręcać całkowicie śrub**) 29a
 - obrócić osłonę ochronną A całkowicie do tyłu 29b
 - należy nacisnąć przycisk blokady wrzeczona AP i przytrzymać go w tym położeniu podczas wykręcania śruby mocowania piły tarczowej AR, zgręcając klucz sześciokątny AN **W KIERUNKU PRZODNYM Z RUCHEM WSKAZÓWEK ZEGARA** (= kierunek wskazany przez strzałkę znajdującą się na pile tarczowej)
 - ! **przycisk AP blokady wrzeczona naciskać tylko wtedy, gdy tarcza piły jest nieruchoma**
 - zwolnić przycisk AP blokady wrzeczona
 - należy zdjąć kołnierzyk AS i piłę tarczową
 - ! **wymienić piłę tarczową, zwracając przy montażu uwagę na to, aby zęby piły wbiegały spod klina rozszczepiającego, a kierunek strzałki na osłonie A był zgodny z kierunkiem strzałki na pile tarczowej**
 - założyć kryzę AS 26c
 - nacisnąć przycisk AP blokady wrzeczona i przytrzymać go podczas dokręcania śruby mocującej tarczę kluczem sześciokątnym AN W LEWO o 1/8 obrotu ponad siłę dokręcenia palcami (zapewnia to poślizg tarczy tnącej po napotkaniu zbyt dużego oporu cięcia, a tym samym pozwala uniknąć przeciążenia silnika i odrzutu piły)
 - dokręcić śrubę pokrywy ochronnej AQ
 - Wymiana wkładanej podpórki AT 26
 - Uszkodzoną lub zużytą podpórkę wymień w następujący sposób:
 - ! **wyjąć wtyk z gniazda sieciowego**
 - wyjąć klucz sześciokątny AN z gniazda AO
 - wykręć wszystkie 6 śruby, zgodnie z rysunkiem
 - wyjmij starą podpórkę, unosząc ją z przodu, a następnie wysuwając z narzędzia
 - zamocuj nową podpórkę
 - ! **mocno dokręć wszystkie 6 śruby**
 - Sprawdzanie/regulacja ustawienia kąta prostego piły tarczowej 28
 - ! **wyjąć wtyk z gniazda sieciowego**
 - ustawić i zablokować stół roboczy w położeniu 0° ukosu pionowego
 - przesunąć głowicę piły do położenia 0° ukosu poziomego
 - opuścić głowicę piły i zablokować w tym położeniu - za pomocą kątownika należy sprawdzić kąt prosty między piłą tarczową a stołem roboczym
 - w razie potrzeby wyreguluj 90° ustawienie piły tarczowej w następujący sposób:
 1. należy poluzować pokrętko z trzema uchwytnymi W
 2. dokręcić śrubę Y kluczem sześciokątnym 4 mm (nie należy do standardowego wyposażenia) 28b

- 3. sprawdzić ponownie przy użyciu przymiaru kąтового
- 4. wyzerować wskaźnik ukosu poziomego do 0° ②③c
- Sprawdzanie/regulacja ustawienia kąta prostego piły tarczowej ②④
 - ! **wyjąć wtyk z gniazda sieciowego**
 - ustawić i zablokować stół roboczy w położeniu 0° ukosu pionowego
 - należy poluzować pokrętkę z trzema uchwytyami W
 - ustawić regulowany ogranicznik ukosu poziomego AA na 45° ②④b
 - przesunąć głowicę piły w lewo
 - za pomocą kątownika stałego 45° należy sprawdzić kąt 45° między piłą tarczową a stołem roboczym ②④a
 - należy sprawdzić, czy wskaźnik kąta ukosu poziomego X wskazuje 45°
 - w razie potrzeby wyreguluj 45° ustawienie piły tarczowej w następujący sposób:
 1. dokręcić śrubę Z za pomocą klucza trzpieniowego 10 (nie należy do standardowego wyposażenia)
 2. sprawdzić ponownie przy użyciu kątownika stałego
 - w razie konieczności powtórzyć dla ustawienia 45° z prawej strony
 - opuścić głowicę piły i zablokować w tym położeniu
- Sprawdzanie/regulacja ustawienia kąta prostego prowadnicy ③④
 - ! **wyjąć wtyk z gniazda sieciowego**
 - ustawić i zablokować stół roboczy w położeniu 0° ukosu pionowego
 - opuścić głowicę piły i zablokować w tym położeniu
 - należy sprawdzić kąt prosty między piłą tarczową a ogranicznikiem S za pomocą kątownika (należy sprawdzić, czy kątownik przylega do korpusu piły tarczowej, nie do jej zębów)
 - w razie potrzeby wyreguluj 90° ustawienie prowadnicy w następujący sposób:
 1. należy poluzować 4 śruby z łbami sześciokątymi T
 2. wyreguluj prowadnicę tak, aby piła tarczowa i prowadnica całkowicie stykały się z kątownikiem
 3. należy dokręcić 4 śruby z łbami sześciokątymi T
 4. wyzerować wskaźnik ukosu pionowego do 0° ③④c
- Uchwyt kabla ③①
 - użyć uchwytu przewodu AV, aby zapobiec zaciśnięciu przewodu zasilania między poruszającymi się i nieruchomymi częściami narzędzia

WSKAZÓWKI UŻYTKOWANIA

- Specjalne obrabiane elementy
 - zawsze należy podeprzeć swobodne końce długiego obrabianego elementu
 - należy się upewnić, czy wygięte lub okrągłe obrabiane elementy są odpowiednio zabezpieczone przed przesuwaniem ③③
 - na linii cięcia nie może być luzu między obrabianym elementem a prowadnicą lub stołem roboczym
 - w razie konieczności nasmarować dodatkową prowadnicę; otwory w prowadnicy suwanej powinny być stosowane do zamocowania prowadnicy dodatkowej ③④
- ! **prowadnica dodatkowa może być stosowana wyłącznie przy ukosie poziomym 0°**
- Informacje dotyczące pracy nad kształtowanymi elementami podłogi można skorzystać z rysunku ③⑥ w charakterze referencji

- W celu ograniczenia zjawiska wykuszania krawędzi powierzchnia przedmiotu o wymaganym ładnym wyglądem powinna być skierowana do dołu
- Stosować tylko ostre piły tarczowe nie wykazujące uszkodzeń o odpowiednich wymiarach
 - jakość cięcia poprawia się wraz ze wzrostem ilości zębów wykorzystywanej piły tarczowej
 - piły tarczowe z zębami z węglików spiekanych posiadają o ok. 30-to krotnie większą żywotność w stosunku do pił konwencjonalnych

KONSERWACJA / SERWIS

- Urządzenie i przewód należy utrzymywać w czystości (dotyczy to zwłaszcza otworów wentylacyjnych w tylnej części obudowy silnika)
- Przeprowadzać regularne kontrole, aby upewnić się, czy dolna osłona działa prawidłowo. Czyszczyć dolną osłonę z nawarstwionych trocin wilgotną szmatką.
 - przed przystąpieniem do czyszczenia należy wyjąć wtyk z gniazda sieciowego
 - unieść dolną osłonę do położenia całkowicie otwartego i zwolnić ją; jeśli nie zamknie się niezwłocznie i całkowicie, należy przekazać ją do sprawdzenia w autoryzowanym serwisie elektronarzędzi firmy SKIL
- Piłę tarczową czyścić każdorazowo po zakończonej pracy (szczególnie z żywicy i pozostałości klejów)
 - piła tarczowa nagrzewa się podczas pracy narzędzia; nie należy jej dotykać przed ostygnięciem
- Oczyszczyć lampkę lasera AC miękką szcztotką po każdym użyciu, aby zapewnić dobrą widoczność wiązki lasera (upewnić się, że ustawienia lasera nie zostały zmienione)
- Jeśli narzędzie, mimo dokładnej i wszechstronnej kontroli produkcyjnej ulegnie kiedykolwiek awarii, naprawę powinien przeprowadzić autoryzowany serwis elektronarzędzi firmy SKIL
 - odesłać **nierozebrany** narzędzie, wraz z dowodem zakupu, do dealera lub do najbliższego punktu usługowego SKIL (adresy oraz diagram serwisowy narzędzenia znajdują się na stronach www.skil.com)
- Prosimy pamiętać, że uszkodzenia spowodowane przeciążeniem lub niewłaściwym użytkowaniem narzędzia nie podlegają gwarancji (warunki gwarancji SKIL znajdują się na www.skil.com lub pytać swojego dealera)

ŚRODOWISKO

- **Nie wyrzucaj elektronarzędzi, baterie, akcesoriów i opakowania wraz z odpadami z gospodarstwa domowego** (dotyczy tylko państw UE)
 - zgodnie z Europejską Dyrektywą 2012/19/WE w sprawie zużytego sprzętu elektrotechnicznego i elektronicznego oraz dostosowaniem jej do prawa krajowego, zużyte elektronarzędzia należy posegregować i zutylizować w sposób przyjazny dla środowiska
 - w przypadku potrzeby pozbycia się narzędzia, akcesoriów i opakowania - symbol ⑥ przypomni Ci o tym

HAŁASU

- Poziom ciśnienia akustycznego mierzonego zgodnie z normą EN 62841 wynosi 100,0 dB(A), a poziom mocy akustycznej wynosi 109,5 dB(A) (niepewność pomiaru K = 3 dB)

- Поziом emisji hałasа został zmierzony zgodnie z testem standaryzowanym podanym w EN 62841; może służyć do porównania jednego narzędzia z innym i jako ocena wstępna narażenia na hałas w trakcie używania narzędzia do wymienionych zadań
- używanie narzędzia do innych zadań, lub z innymi albo źle utrzymanymi akcesoriami, może znacząco **zwiększyć** poziom narażenia
- przypadki, kiedy narzędzie jest wyłączone lub jest czynne, ale aktualnie nie wykonuje zadania, mogą znacząco **zmniejszyć** poziom narażenia

RU

Торцово-усовочная пила 1320 (стусло)

В состав эксплуатационных документов, предусмотренных изготовителем для продукции, могут входить настоящее руководство по эксплуатации, а также приложения. Информация о подтверждении соответствия содержится в приложении.

Срок службы изделия

Срок службы изделия составляет 7 лет. Не рекомендуется к эксплуатации по истечении 5 лет хранения с даты изготовления без предварительной проверки (дату изготовления см. на этикетке).

Перечень критических отказов и ошибочные действия персонала или пользователя

- не использовать с поврежденной рукояткой или поврежденным защитным кожухом
- не использовать при появлении дыма непосредственно из корпуса изделия
- не использовать с перебитым или оголенным электрическим кабелем
- не использовать на открытом пространстве во время дождя (в распыляемой воде)
- не включать при попадании воды в корпус
- не использовать при сильном искрении
- не использовать при появлении сильной вибрации

Критерии предельных состояний

- перетёрт или повреждён электрический кабель
- повреждён корпус изделия

Тип и периодичность технического обслуживания

Рекомендуется очистить инструмент от пыли после каждого использования.

Хранение

- необходимо хранить в сухом месте
- необходимо хранить вдали от источников повышенных температур и воздействия солнечных лучей
- при хранении необходимо избегать резкого перепада температур
- хранение без упаковки не допускается
- подробные требования к условиям хранения смотрите в ГОСТ 15150 (Условие 1)

Транспортировка

- категорически не допускается падение и любые механические воздействия на упаковку при транспортировке
- при разгрузке/погрузке не допускается

- использование любого вида техники, работающей по принципу зажима упаковки
- подробные требования к условиям транспортировки смотрите в ГОСТ 15150 (Условие 5)

ВНИМАНИЕ!

В случае возникновения перебоя в работе электроинструмента вследствие полного или частичного прекращения энергоснабжения или повреждения цепи управления энергоснабжением установите выключатель в положение Выкл., убедившись, что он не заблокирован (при его наличии) и отключите сетевую вилку от розетки или отсоедините съёмный аккумулятор (этим предотвращается неконтролируемый повторный запуск)

ВВЕДЕНИЕ

- Данный инструмент предназначен для использования в качестве неподвижной машины, выполняющей продольную и поперечную порезку деревянных брусков под прямым углом и под различными косыми углами распила (возможно задавать горизонтальные углы скоса от -50° до +50°, вертикальные углы скоса от -48° до +45°)
- Прочитайте и сохраните с данной инструкцией ②
- Данный инструмент не подходит для промышленного использования
- **Используйте инструмент только в полностью и правильно собранном виде** (компания Skil не несет ответственность за повреждение инструмента и/или травмы, возникающие вследствие неверной сборки инструмента)

ТЕХНИЧЕСКИЕ ДАННЫЕ ①

СТРАНА ИЗГОТОВЛЕНИЯ

Сделано в Китае

ДЕТАЛИ ИНСТРУМЕНТА ⑧

- A** Нижнее ограждение
- B** Рукоятка с выключателем
- C** Фиксатор для транспортировки
- D** Верхний кожух
- E** Рукоятка для транспортировки
- F** Монтажные отверстия
- G** Опора
- H** Пылесборный мешок
- J** Отверстие для отвода пыли
- K** Удлинитель
- L** Ручки крепления удлинителей стола
- M** Зажим для крепления заготовки
- N** Опорное отверстие
- P** Ручка крепления зажима
- Q** Ручка регулировки зажима
- R** Зажимной рычаг
- S** Упор
- T** Шестигранные винты для регулировки положения упора (4x)
- U** Смещаемый упор
- V** Ручка фиксации смещаемого упора
- W** Ручка фиксации (вертикальные углы скоса)
- X** Индикатор вертикального угла скоса

- Y** Винт для регулировки вертикального угла скоса (правый)
- Z** Винт для регулировки вертикального угла скоса (левый)
- AA** Регулируемый концевой упор
- AB** Рычаг фиксации правого вертикального угла скоса
- AC** Лазерный луч
- AD** Лазер выключателя вкл/выкл
- AE** Рукоятка блокировки (горизонтальные углы скоса)
- AF** Рычаг фиксации горизонтального угла скоса
- AG** Индикатор горизонтального угла скоса
- AH** Ручка фиксации для ползунка
- AI** Выключатель вкл/выкл
- AJ** Предохранитель
- AK** Ограничитель глубины пропила
- AL** Ограничитель глубины
- AM** Гайка ограничителя глубины
- AN** Ключ-шестигранник
- AO** Отделение для шестигранного ключа
- AP** Кнопка блокировки шпинделя
- AQ** Крепежный винт защитной крышки
- AR** Болт крепления режущего диска
- AS** Фланец
- AT** Вставка стола
- AU** Дефлектор пыли
- AV** Зажим для кабеля

БЕЗОПАСНОСТЬ

ОБЩИЕ УКАЗАНИЯ ПО ТЕХНИКЕ БЕЗОПАСНОСТИ ОБ- РАЩЕНИЯ С ЭЛЕКТРОИНСТРУМЕНТАМИ

⚠ ВНИМАНИЕ! Следует ознакомиться со всеми правилами техники безопасности, инструкциями, иллюстрациями и техническими данными, содержащимися в прилагаемых к этому электроинструменту материалах. Несоблюдение нижеперечисленных инструкций в полном объеме может повлечь поражение электрическим током, пожар и/или серьезную травму.

Сохраняйте эти инструкции и указания для будущего использования.

Использованное в настоящих инструкциях и указаниях понятие “электроинструмент” распространяется на электроинструмент с питанием от сети (с кабелем питания от электросети) и на аккумуляторный электроинструмент (без кабеля питания от электросети).

1) БЕЗОПАСНОСТЬ РАБОЧЕГО МЕСТА

- a) **Соблюдайте чистоту и поддерживайте надлежащую освещенность на рабочем месте.** Беспорядок на рабочем месте или его плохое освещение могут привести к несчастным случаям.
- b) **Не используйте с электроинструментом во взрывоопасной среде, т.е. в непосредственной близости от легковоспламеняющихся жидкостей, газов или пыли.** В процессе работы электроинструмент искрит и искры могут воспламенить газы или пыль.
- c) **При работе с электроинструментом не допускайте детей или посторонних на Ваше рабочее место.** Отвлечение Вашего внимания

может привести к потере контроля над работой электроинструмента.

2) ЭЛЕКТРИЧЕСКАЯ БЕЗОПАСНОСТЬ

- a) **Штепсельная вилка кабеля питания электроинструмента должна соответствовать розетке электросети. Не вносите никаких изменений в конструкцию вилки. Не используйте адаптеры для электроинструмента с защитным заземлением.** Заводские штепсельные вилки и соответствующие им сетевые розетки существенно снижают вероятность электрошока.
- b) **Избегайте механических контактов с такими заземленными поверхностями, как трубопроводы, системы отопления, плиты и холодильники.** При соприкосновении человека с заземленными предметами во время работы инструментом вероятность электрошока существенно возрастает.
- c) **Оберегайте электроинструмент от воздействия дождя и влаги.** Попадание воды в электроинструмент повышает вероятность электрического удара.
- d) **Используйте кабель строго по назначению. Не допускается тянуть и передвигать электроинструмент за кабель или использовать кабель для вытягивания вилки из розетки. Оберегайте кабель инструмента от воздействия высоких температур, масла, острых кромок или движущихся частей электроинструмента.** Поврежденный или спутанный кабель повышает возможность электрического удара.
- e) **При работе на улице используйте удлинитель, предназначенный для работы вне помещения.** Использование такого удлинителя снижает вероятность электрического удара.
- f) **Если невозможно избежать применения электроинструмента в сыром помещении, то устанавливайте устройство защиты от утечки в землю.** Использование устройства защиты от утечки в землю снижает риск электрического поражения.

3) ЛИЧНАЯ БЕЗОПАСНОСТЬ

- a) **Будьте внимательны, следите за тем, что Вы делаете и выполняйте работу обдуманно. Не пользуйтесь электроинструментом, если Вы устали или находитесь под воздействием транквилизаторов, алкоголя или медицинских препаратов.** Секундная потеря концентрации в работе с электроинструментом может привести к серьезным травмам.
- b) **Используйте средства индивидуальной защиты. Защитные очки обязательны.** Средства индивидуальной защиты, такие как противовспылевой респиратор, нескользящая защитная обувь, шлем-каска, средства защиты органов слуха применяются в соответствующих условиях работы обстоятельствах и минимизируют возможность получения травм.
- c) **Предотвращайте непреднамеренное включение электроинструмента. Перед подключением электроинструмента к электропитанию и/или к аккумулятору убедитесь в выключенном состоянии электроинструмента.** Если Вы при транспортировке электроинструмента

- держите палец на выключателе или включенный электроинструмент подключаете к сети питания, то это может привести к несчастному случаю.
- d) **Во избежание травм перед включением электроинструмента удалите регулировочный или гаечный ключ из вращающейся части электроинструмента.**
 - e) **Не переоценивайте свои возможности. Твердо стойте на ногах и удерживайте равновесие.** В таком положении вы сможете лучше контролировать электроинструмент в неожиданных ситуациях.
 - f) **Используйте подходящую рабочую одежду. Не надевайте свободную одежду и украшения. Держите волосы и одежду вдали от движущихся частей.** Свободная одежда, украшения или длинные волосы легко могут попасть в движущиеся части электроинструмента.
 - g) **При наличии пылеотсасывающих и пылесборных приспособлений убедитесь в том, что они подсоединены и используются надлежащим образом.** Применение пылеотсоса может снизить опасности, создаваемые пылью.
 - h) **Хорошее знание электроинструментов, полученное в результате частого их использования, не должно приводить к самоуверенности и игнорированию техники безопасности обращения с электроинструментами.** Одно небрежное действие за долю секунды может привести к серьезным травмам.
- 4) **ЭКСПЛУАТАЦИЯ И УХОД ЗА ЭЛЕКТРОИНСТРУМЕНТОМ**
- a) **Не перегружайте электроинструмент. Используйте тот электроинструмент, который предназначен для данной работы.** С подходящим электроинструментом Вы выполните работу лучше и надежней, используя весь диапазон его возможностей.
 - b) **Не используйте электроинструмент с неисправным выключателем.** Инструмент с неисправным выключателем опасен и подлежит ремонту.
 - c) **До начала наладки электроинструмента, замены принадлежностей или прекращения работы отключайте штепсельную вилку от розетки сети и/или выньте, если это возможно, аккумулятор.** Данная мера предосторожности предотвращает случайное включение электроинструмента.
 - d) **Храните неиспользуемый электроинструмент в недоступном для детей месте и не позволяйте использовать его лицам, не умеющим с ним обращаться или не ознакомленным с инструкцией по эксплуатации.** Электроинструменты представляют собой опасность в руках неопытных пользователей.
 - e) **Тщательно ухаживайте за электроинструментом и принадлежностями. Проверяйте безупречность функции подвижных частей, легкость их хода, целостность всех частей и отсутствие повреждений, которые могут негативно сказаться на работе инструмента. При обнаружении повреждений сдайте инструмент в ремонт.** Большое число несчастных случаев

связано с неудовлетворительным уходом за электроинструментом.

- f) **Режущие части инструмента необходимо поддерживать в заточенном и чистом состоянии.** При надлежащем уходе за режущими принадлежностями с острыми кромками они режут заклиниваются и инструмент лучше поддается контролю.
 - g) **Используйте электроинструмент, принадлежности, биты и т.д. в соответствии с данными инструкциями, исходя из особенностей условий и характера выполняемой работы.** Использование электроинструмента не по назначению может привести к опасным последствиям.
 - h) **Держите ручки и поверхности захвата сухими и чистыми, следите чтобы на них чтобы на них не было жидкой или неконсистентной смазки.** Скользкие ручки и поверхности захвата препятствуют безопасному обращению с инструментом и не дают надежно контролировать его в непредвиденных ситуациях.
- 5) **СЕРВИСНОЕ ОБСЛУЖИВАНИЕ**
- a) **Передавайте электроинструмент на сервисное обслуживание только квалифицированному персоналу, использующему только подлинные запасные части.** Это обеспечит сохранение безопасности электроинструмента.

ПРАВИЛА ТЕХНИКИ БЕЗОПАСНОСТИ ПРИ РАБОТЕ С ТОРЦОВО-УСОВОЧНЫМИ ПИЛАМИ

- Торцово-усовочные пилы предназначены для пиления изделий из дерева и подобных материалов. Их нельзя использовать с абразивным отрезным кругом для резки изделий из черных металлов (прутьев, стержней, шпилек и т. п.) Абразивная пыль приводит к заклиниванию движущихся частей, таких как нижний кожух. Искры от абразивной резки могут прожечь нижний кожух, вставку со шкалой и другие пластмассовые детали.
- По возможности используйте зажимы для фиксации заготовки. Удерживая заготовку руками, располагайте руки на расстоянии не менее 100 мм от каждой стороны пильного диска. Запрещается использовать пилу для резки заготовок, которые слишком малы, чтобы их можно было надежно зафиксировать зажимами или рукой. Если вы расположите руки слишком близко к пильному диску, возрастает риск травмирования из-за контакта с полотном.
- Заготовка должна быть неподвижной и зафиксированной или удерживаться прижатой к упору и к столу. Никогда не подталкивайте заготовку к полотну и не пытайтесь выполнять резку, удерживая заготовку только руками. Незакрепленные или движущиеся заготовки могут быть отброшены с высокой скоростью, что может привести к травмам.
- При резке ведите пилу по заготовке толкающим движением. Тянуть пилу по заготовке на себя нельзя. Для выполнения резки поднимите пильную головку и сдвиньте ее так, чтобы она

оказалась над заготовкой, затем запустите двигатель, нажмите на головку вниз и толкающим движением направьте пилу в заготовку. Резка тянущим движением с большой вероятностью приведет к тому, что пыльное полотно поднимется на верхнюю часть заготовки и лезвие будет резко выброшено в сторону оператора.

- **Никогда не помещайте руки на предполагаемой линии резки впереди или позади пыльного диска.** Удерживание заготовки руками «крест-накрест», когда левая рука держит заготовку справа или наоборот, представляет серьезную опасность.
- **Не тянитесь из-за упора рукой, протягивая ее к вращающемуся пыльному диску с любой стороны ближе чем на 100 мм, чтобы убрать обрезки или по какой-либо причине.** Вы можете не заметить, как вращающийся диск приблизится к вашей руке, и получить серьезную травму.
- **Осмотрите заготовку, прежде чем резать ее. Если она изогнута или покорежена, надо зажимать ее выступающей стороной к упору.** Всегда следите за тем, чтобы по линии реза не было зазоров между заготовкой, упором и столом. Изогнутые или покореженные заготовки могут скручиваться или сдвигаться и в результате цепляться за вращающийся диск во время резки. В заготовке не должно быть гвоздей или других посторонних предметов.
- **Не начинайте работу с пилой, пока не будут убраны все инструменты, обрезки древесины и т. п. и на столе не останется ничего, кроме заготовки.** Обрезки, куски дерева или другие предметы при соприкосновении с вращающимся диском могут быть отброшены с высокой скоростью.
- **За один раз можно резать только одну заготовку.** При штабелировании нескольких заготовок их невозможно зафиксировать надлежащим образом — во время резки они могут цепляться за пыльный диск или сдвигаться.
- **Перед использованием торцово-усовочной пилы убедитесь, что она установлена на ровной прочной поверхности.** Ровная и прочная поверхность снижает риск потери устойчивости пилы.
- **Заранее планируйте свои действия! Каждый раз при изменении настройки вертикального или горизонтального угла скоса проверяйте, будет ли регулируемый упор правильно поддерживать заготовку и не окажется ли она на пути режущего диска или защитного кожуха.** Без включения инструмента и без заготовки на столе выполните имитацию предстоящей резки, перемещая пыльное полотно на всю длину, чтобы убедиться в отсутствии помех и опасности разрезания упора.
- **Если заготовка длиннее или шире стола торцово-усовочной пилы, предусмотрите подходящую опору, например удлинитель стола, пыльные козлы и т. п.** Такие крупные заготовки могут опрокинуться, если не обеспечить им надежную опору. В случае опрокидывания отрезанная часть или сама заготовка может поднять нижний конух или отскочить от вращающегося диска.
- **Не привлекайте других людей для поддержки**

заготовки вместо использования удлинителя стола или опоры. Неустойчивая поддержка заготовки может вызвать застревание диска или смещение заготовки во время резки, в результате чего вас и вашего помощника потянет к вращающемуся диску.

- **Отрезанная часть не должна защемляться или каким-либо образом прижиматься к вращающемуся пыльному диску.** В случае подпора, например при использовании ограничителей длины, отрезанная часть может быть зацеплена диском и с силой выброшена.
- **Всегда используйте зажим или фиксатор, предназначенный для закрепления заготовок круглого сечения, таких как стержни или трубы.** Стержни часто проворачиваются во время резки, что вызывает биение диска и притягивает заготовку вместе с вашей рукой к режущему полотну.
- **Дайте пыльному диску набрать полную скорость перед контактом с заготовкой.** Это снизит риск выбрасывания заготовки.
- **Если заготовка или диск окажутся зажатыми, выключите торцово-усовочную пилу. Дождитесь остановки всех движущихся частей и достаньте вилку из розетки и/или извлеките анкулятор.** После этого освободите защемленный материал. Продолжение резки защемленной заготовки может привести к потере контроля или повреждению торцово-усовочной пилы.
- **По окончании резки отпустите выключатель и, удерживая пыльную головку в нижнем положении, дождитесь полной остановки диска перед тем, как убрать отрезанную часть.** Приблизить руки к движущемуся по инерции диску опасно.
- **Держите рукоятку крепко, когда делаете неполный пропил и после отпущения выключателя, пока пыльная головка не опустится полностью в нижнее положение.** Торможение пилы может привести к внезапному опусканию пыльной головки и опасности получения травмы.

ДОПОЛНИТЕЛЬНЫЕ ИНСТРУКЦИИ ПО ТЕХНИКЕ БЕЗОПАСНОСТИ

- Процессы включения вызывают кратковременное снижение напряжения; при неблагоприятных условиях в сети может возникнуть отрицательное влияние на другие приборы (при импедансе сети меньше, чем 0,219 Ом, какие-либо нарушения не ожидаются); за разъяснениями просим обратиться к организациям - поставщикам электроэнергии в Вашем регионе

ОБЩЕЕ

- Используйте пилу исключительно для резки дерева
- Обязательно убедитесь, что напряжение питания соответствует напряжению, указанному на фирменном штампе инструмента
- **Не становитесь на инструмент или его стэнд.** Опрокидывание инструмента или случайный контакт с режущим инструментом могут привести к серьезным травмам. Не храните материалы на инструменте или рядом с ним — в месте, для доступа к которому нужно встать на инструмент или на его стэнд.

- **Перед регулировкой или сменой принадлежности обязательно выньте вилку из сетевой розетки**
- **Перед перемещением торцово-усовочной пилы всегда вынимайте вилку из розетки** Отключите инструмент от сети, зафиксируйте режущую головку в нижнем положении, используйте рукоятку для переноски и одно из углублений для руки в основании пилы.
- **Не отходите от инструмента, пока он не остановится полностью**
- **При резке заготовок нестандартной формы планируйте свои действия так, чтобы заготовка не соскользнула, не защемила диск и не вырвалась из ваших рук**
- Инструмент нельзя использовать лицам в возрасте до 16 лет
- Этот инструмент непригоден для резки со смачиванием

ИСПОЛЬЗОВАНИЕ ВНЕ ПОМЕЩЕНИЯ

- При работе вне помещения, подключайте инструмент через предохранитель короткого замыкания (FI) с максимальным пусковым током 30 мА и используйте только удлинительный шнур, предназначенный для внешних работ и оборудованный защитной от брызг розеткой

ПЕРЕД ИСПОЛЬЗОВАНИЕМ

- Используйте полностью размотанные и безопасные удлинители, рассчитанные на ток не менее 16 А
- Одевайте защитные очки, средства защиты волос, и защитные перчатки
- Пыль от таких материалов, как свинцовосодержащая краска, некоторые породы дерева, минералы и металл, может быть вредна (контакт с такой пылью или ее вдыхание может стать причиной возникновения у оператора или находящихся рядом лиц аллергических реакций и/или респираторных заболеваний); **надевайте респиратор и работайте с пылеудаляющим устройством при включении инструмента**
- Некоторые виды пыли классифицируются как канцерогенные (например, дубовая или буковая пыль), особенно в сочетании с добавками для кондиционирования древесины; **надевайте респиратор и работайте с пылеудаляющим устройством при включении инструмента**
- Следуйте принятым в вашей стране требованиям/нормативам относительно пыли для тех материалов, с которыми вы собираетесь работать
- **Не обрабатывайте материалы с содержанием асбеста** (асбест считается канцерогеном)
- Запрещается использовать инструмент без штатной системы защитных щитков
- Перед каждым использованием инструмента проверяйте правильность закрывания защитного кожуха
- Не включайте пилу, если защитный кожух не двигается свободно и не закрывает режущий диск
- **Никогда не закрепляйте и не привязывайте защитный кожух в открытом положении**
- **Никогда не работайте с инструментом без вставки стола; заменяйте поврежденные или изношенные вставки**
- Прежде чем приступить к резке, удалите все препятствия над траекторией резания и под ней
- Избегайте повреждений, которые могут быть

вызваны винтами, гвоздями и прочими элементами, находящимися в обрабатываемом предмете; перед началом работы их нужно удалить

ПРИНАДЛЕЖНОСТИ

- В данном инструменте не допускается применение шлифовальных/отрезных кругов
- SKIL обеспечивает надёжную работу инструмента только при использовании соответствующей оснастки, которую можно приобрести у Вашего дилера фирмы SKIL
- При установке/использовании насадок не от фирмы SKIL, соблюдайте инструкции соответствующего завода-изготовителя
- Применяйте только пильные диски с параметрами, указанными в этом руководстве по эксплуатации, которые испытаны по EN 847-1 и имеют соответствующее обозначение
- Используйте только принадлежности, предельно допустимая скорость вращения которых не меньше, чем максимальная скорость вращения прибора на холостом ходу
- Не допускается использовать режущие диски, изготовленные из быстрорежущей стали
- Не используйте деформированные, тупые пилки/диски и т.п. и пилки/диски с трещинами
- Используйте только режущие диски с диаметром крепежного отверстия, обеспечивающим плотное надевание шпинделя инструмента без люфта; никогда не используйте муфты или переходники для крепления режущих дисков с большим диаметром крепежного отверстия
- Предохраняйте насадки от воздействия ударных нагрузок и попадания на них смазки

ВО ВРЕМЯ ИСПОЛЬЗОВАНИЯ

- **Не прикладывайте к инструменту чрезмерных усилий** (нажим должен быть легким и равномерным, чтобы острия лезвия не перегрелись и, в случае разрезания пластиковых деталей, не начал плавиться пластик)
- Держите руки, кисти и пальцы за пределами зоны вращения режущего диска
- Если режущий диск заблокирован, немедленно выключите инструмент и выдерните шнур питания из розетки; только после этого извлекайте заклинившую диск заготовку
- В случае заедания или какой-либо электрической или механической неисправности немедленно отключите инструмент и выньте вилку из розетки
- При повреждении или разрезании сетевого шнура во время работы не прикасайтесь к нему, и немедленно выньте вилку из розетки
- Никогда не пользуйтесь инструментом с поврежденным кабелем питания; его необходимо заменить специальным кабелем питания, обратившись в сервисную организацию.

СИМТТИУ ГИППИЪЛУ

- **Не направляйте луч лазера на людей или животных и сами не смотрите на прямой или отражаемый луч лазера** (этот луч может слепить людей, стать причиной несчастного случая или повредить глаза)
- В случае попадания лазерного луча в глаз глаза нужно намеренно закрыть и немедленно отвернуться от луча
- Не меняйте ничего в лазерном устройстве
- Не смотрите на лазерный луч (лазерное излучение)

- Не следует использовать увеличительных оптических инструментов (напр., увеличительные стекла, телескопы или бинокли) для рассматривания лазерного луча
- Не следует использовать инструмент в присутствии легковоспламеняющихся жидкостей, газов и пыли
- Не следует использовать инструмент в присутствии детей
- Не заменяйте установленный лазер лазерами других типов

ПОСЛЕ ИСПОЛЬЗОВАНИЯ

- После выключения инструмента никогда не пытайтесь остановить вращение насадок приложением поперечной силы
- Убирайте стружки, опилки или части заготовок из зоны резки только после того, как все движущиеся детали полностью остановились
- Режущий диск очень сильно нагревается во время работы; не дотрагивайтесь до него, пока диск не остынет
- Храните инструмент **в помещении** в сухом, запираемом, не доступном для детей месте

ПОЯСНЕНИЕ К УСЛОВНЫМ ОБОЗНАЧЕНИЯМ НА ИНСТРУМЕНТЕ

- ② Перед использованием ознакомьтесь с руководством по эксплуатации
- ③ Одевайте защитные очки и средства защиты волос
- ④ **Опасная зона! Зона опасности для рук. Держите руки в стороне от этой зоны.**
- ⑤ Двойная изоляция (заземляющий провод не требуется)
- ⑥ Не выкидывайте электроинструмент и батареи вместе с бытовым мусором
- ⑦ **Лазерная радиация / Не смотрите на луч / Лазерное изделие класса 2**

ИСПОЛЬЗОВАНИЕ

- Сборка
 - установите рукоятку для транспортировки E с помощью 2 болтов и ключа-шестигранника AN ⑨
 - установите ручку фиксатора угла скоса AE в переднюю часть стола ⑩
 - установите смещаемый упор U (см. пункт «Регулировка смещаемых упоров»)
- Положение транспортировки/работы
 - Раскладывание инструмента (положение **работы**)
 - надавите на рукоятку B ⑧ одной рукой и вытяните фиксатор C другой ⑪а
 - медленно поднимите головку вверх
 - Складывание инструмента (положение **транспортировки**)
 - сдвиньте головку до конца в направлении упора S (соблюдайте расстояние прилб. 5 см) и затяните ручку фиксации AN ⑪b
 - установите вертикальный угол скоса на 0° (см. пункт «Установка вертикальных углов скоса»)
 - установите горизонтальный угол скоса на 45° влево или вправо (см. пункт «Установка горизонтальных углов скоса»)
 - надавите на рукоятку B одной рукой, одновременно нажимая на фиксатор C другой
 - смотрите шнур питания
 - используйте рукоятку для транспортировки E ⑧ для переноски инструмента ⑪d

- или используйте боковые ручки для переноски инструмента ⑪e

! никогда не поднимайте инструмент за основную рукоятку или шнур питания

- Крепление инструмента на рабочей поверхности ⑫
 - ! для обеспечения безопасной работы всегда устанавливайте инструмент на плоской и устойчивой рабочей поверхности (например, на верстаке)**
 - используйте 4 крепежных отверстия F для крепления инструмента к рабочей поверхности подходящими винтами
 - инструмент также можно закрепить на рабочей поверхности с помощью доступных в продаже струбцин
 - чтобы придать инструменту устойчивое положение, можно отрегулировать высоту опоры G
 - в качестве альтернативы инструмент можно установить на стенд для торцово-усовочной пилы
 - ! прочтите все предупреждения и инструкции, прилагаемые к стенду для пилы**
- Уборка обрезков/опилок ⑬
 - установите пылесборный мешок H/пылесос, как показано на рисунке
 - опустошайте пылесборный мешок регулярно для обеспечения оптимального отсоса пыли
 - ! не допускайте, чтобы шланг пылесоса мешал нижнему щитку или процессу пиления**
- Удлинение пильного стола ⑭
 - используйте ручки L для фиксации удлинителей стола K (с обеих сторон инструмента)
 - длину удлинителей стола K можно регулировать пошагово, от минимального до максимального значения
- Крепление заготовки ⑮
 - ! для обеспечения максимальной безопасности работы всегда надежно закрепляйте заготовку скосной из комплекта**
 - не работайте с заготовками, которые слишком малы, чтобы их надежно закрепить
 - **максимальные** габаритные размеры заготовки, см таблицу ⑯
 - закрепите зажим для заготовки в опорном отверстии N с помощью ручки P (по обеим сторонам инструмента)
 - зажим заготовки имеет 2 паза для удобной фиксации: 1 для тонких заготовок (до 5 см) и 1 для более крупных (более 5 см)
 - плотно прижмите заготовку к упору S
 - разблокируйте рычаг R
 - подгоните зажим к заготовке
 - надежно зажмите заготовку фиксирующим рычагом R
 - ! для некоторых комбинаций горизонтальных и вертикальных углов скоса или в зависимости от размера заготовки вместо зажимов могут потребоваться струбцины (приобретаются отдельно)**
- Установка горизонтальных углов скоса ⑰
 - ослабьте рукоятку блокировки AE
 - потяните рычаг фиксации горизонтального угла скоса AF
 - поверните пильный стол влево или вправо и

- установите необходимый горизонтальный угол скоса (от 0° до 50°) с помощью индикатора AG
- отпустите рычаг AF
 - Затяните рукоятку блокировки AE (**не затягивайте ее слишком сильно**)
 - для быстрой и точной настройки часто используемых углов скоса (0°, 15°, 22,5°, 31,6°, 45°) рычаг фиксации горизонтального угла скоса AF со щелчком фиксируется в соответствующих положениях; чтобы предотвратить это, можно заблокировать рычаг AF в отпущенном положении ⑰b
 - Установка вертикальных углов скоса ⑱
 - отпустите ручку треноги W
 - поверните пильную головку влево, пока индикатор вертикальных углов X не укажет на нужный вертикальный угол
 - можно использовать регулируемый концевой упор AA (45°) для остановки под углом 45° или продолжить, пока не будет достигнут угол 48° ⑱b
 - удерживая пильную головку в этом положении, затяните ручку W
 - для получения скоса вправо сначала слегка наклоните пильную головку влево, поверните фиксатор правого вертикального угла скоса AB (прибл. 60°), затем поверните пильную головку до нужного угла скоса вправо ⑱c
 - когда вы повернете пильную головку влево, фиксатор правого вертикального угла скоса AB автоматически вернется в положение концевого упора 0°; этого можно избежать, повернув рукоятку на отметку 90° вместо 60° ⑱d
 - Сложные пропилы ⑲
 - сложные пропилы требуют задания горизонтальных и вертикальных углов скоса
 - ! не работайте с пилой, используя такие комбинации вертикальных и горизонтальных углов скоса, которые могут привести к столкновению между движущимися и неподвижными частями пилы или между движущимися частями и заготовкой. Чтобы выполнить резку, снимите смещаемый упор, ручку крепления смещаемых упоров и поверните ручку зажима по мере необходимости.**
 - ! всегда сначала тестируйте на образце металлолома**
 - Регулировка смещаемых упоров ⑳
 - ослабьте ручку V, чтобы можно было сместить упор(ы) U
 - ослабьте ручку V еще немного, чтобы можно было снять/установить упор(ы)
 - затяните ручку V, чтобы зафиксировать упор(ы) в нужном положении
 - ! перед использованием инструмента убедитесь, что смещаемые упоры надежно закреплены**
 - ! для некоторых комбинаций вертикальных и горизонтальных углов скоса может также потребоваться снять ручку**
 - Линия лазера ㉑
 - используется для направления инструмента вдоль требуемой линии пропила, размеченной на заготовке
- включите/отключите линии лазера нажав переключатель AD
 - ! перед началом работы, проверьте совпадение линии лазера с намеченной линией пропила, сделав пробный надрез на ненужном кусочке материала**
 - Распил без скопления (небольшие заготовки)
 - ослабьте ручку фиксации AH, если она затянута
 - сдвиньте пильную головку до конца в направлении упора S и затяните ручку фиксации AH
 - ! если не заблокировать механизм, это может привести к тому, что пильное полотно поднимется вверх заготовки и будет отброшено в сторону оператора**
 - установите инструмент в рабочее положение
 - ! убедитесь, что заготовка надежно прижата к пильному столу и к упору S**
 - включите инструмент, отпустив фиксатор AJ и переключив выключатель AI
 - ! не перекрещивайте руки при работе с пильной головкой ㉒a**
 - распиливайте заготовку равномерно прижимая рукоятку
 - ! инструмент не должен работать на полной скорости, пока режущий диск не войдет в заготовку**
 - выключите инструмент отпустив выключатель AI
 - дождитесь, пока режущий диск полностью остановится, прежде чем медленно направить пильную головку вверх
 - Распил со скоплением (широкие заготовки)
 - ! помните, что описанный ниже способ является единственным безопасным**
 - тянуть пилу по заготовке на себя нельзя
 - ослабьте ручку фиксации AH, если она затянута
 - ! убедитесь, что заготовка надежно прижата к пильному столу и к упору S**
 - отведите пильную головку от упора S достаточно далеко, чтобы пильный диск находился перед заготовкой ㉒a
 - включите инструмент, отпустив фиксатор ㉒ и переключив выключатель
 - ! не перекрещивайте руки при работе с пильной головкой ㉒a**
 - нажмите на пильную головку в направлении упора S и пропилите заготовку, прикладывая равномерное усилие ㉒b
 - ! инструмент не должен работать на полной скорости, пока режущий диск не войдет в заготовку**
 - ! если нижний нож не открывается автоматически, что может происходить при определенных условиях (например, при работе с крупной заготовкой), возможно, потребуется открыть его вручную ㉒b**
 - выключите инструмент отпустив выключатель AI
 - дождитесь, пока режущий диск полностью остановится, прежде чем медленно направить пильную головку вверх
 - Пильные пазы ㉓
 - установите требуемую глубину с помощью ограничителя глубины AK и закрепите гайкой AM
 - между заготовкой и упором должна быть

- установлена деревянная распорка, чтобы обеспечить одинаковую глубину по всей длине паза
- ! следите, чтобы пильный диск не застрял в заготовке**
- ! всегда сначала тестируйте на образце металлолома**
- Смена режущего диска 26
 - ! разъединить штепсельный разъем**
 - достаньте ключ-шестигранник AN из ящичка АО
 - удерживайте защитный кожух A в открытом положении
 - ослабьте крепежный винт защитной крышки AQ (не выкручивайте винт полностью) 26a
 - поверните защитный кожух A назад до упора 26b
 - нажмите кнопку блокировки шпинделя AP и удерживайте ее нажатой все время, пока вынимаете крепежный болт режущего диска
 - AP монтажным ключом-шестигранником AN **ПО ЧАСОВОЙ СТРЕЛКЕ** (= в направлении, указанном стрелкой на режущем диске)
 - ! нажимайте кнопку шпинделя AP только при полной остановке инструмента**
 - освободите блокировочную кнопку шпинделя AP
 - снимите фланец AS и режущий диск
 - ! замените режущий диск; зубья пилы и стрелка, нанесенная на диск, должны быть направлены одинаково со стрелкой на защитном кожухе A**
 - установите фланец AS 26c
 - нажмите блокировочную кнопку шпинделя AP и держите ее, пока не затяните болт полотна, повернув ключ-шестигранник AN на 1/8 оборота **ПРОТИВ ЧАСОВОЙ СТРЕЛКИ** после затяжки пальцами (гарантирует проскальзывание полотна пилы при избыточном сопротивлении материала, что снижает перегрузку мотора и отдачу пилы)
 - затяните крепежный винт защитной крышки AQ
 - Замена вставки стола AT 26
 - Процедура замены поврежденной или изношенной вставки стола:
 - ! разъединить штепсельный разъем**
 - достаньте ключ-шестигранник AN из ящичка АО
 - снимите все 6 винта как показано на рисунке
 - снимите старую вставку стола, сначала приподнимите ее за переднюю часть, затем извлеките полностью
 - установите новую вставку стола
 - ! надежно затяните все 6 винта**
 - Проверка/регулировка положения диска под углом 90° 26
 - ! разъединить штепсельный разъем**
 - поверните пильный стол в положение для горизонтального скоса под углом 0° и зафиксируйте его
 - поверните пильную головку в положение для вертикального скоса под углом 0°
 - опустите пильную головку и зафиксируйте ее
 - проверьте угол 90° между диском и столом с помощью угольника
 - при необходимости отрегулируйте угол диска 90° следующим образом:
 1. отпустите ручку треноги W
 2. отрегулируйте винт Y с помощью ключа-шестигранника на 4 мм (не входит в стандартный комплект поставки) 26b

3. повторно проверьте с помощью угольника
 4. сбросьте индикатор вертикальных углов на 0° 28c
- Проверка/регулировка положения диска под углом 45° 29
 - ! разъединить штепсельный разъем**
 - поверните пильный стол в положение для горизонтального скоса под углом 0° и зафиксируйте его
 - отпустите ручку треноги W
 - установите регулируемый концевой упор AA на отметку 45° 29b
 - поверните пильную головку влево
 - проверьте угол 45° между диском и столом с помощью малки 29a
 - проверьте, что индикатор вертикальных углов X показывает значение 45°
 - при необходимости отрегулируйте угол диска 45° следующим образом:
 1. отрегулируйте винт Z с помощью специального ключа 10 (не входит в стандартный комплект поставки)
 2. повторно проверьте с помощью малки
 - при необходимости повторите действия для установки угла 45° вправо
 - опустите пильную головку и зафиксируйте ее
 - Проверка/регулировка положения упора под углом 90° 30
 - ! разъединить штепсельный разъем**
 - поверните пильный стол в положение для горизонтального скоса под углом 0° и зафиксируйте его
 - опустите пильную головку и зафиксируйте ее
 - проверьте угол 90° между диском и упором S с помощью угольника (убедитесь, что угольник касается поверхности режущего диска, а не только его зубцов)
 - при необходимости отрегулируйте угол упора 90° следующим образом:
 1. ослабьте 4 винта с шестигранными головками T
 2. отрегулируйте положение упора, пока упор и диск не будут касаться угольника всей плоскостью
 3. затяните 4 винта с шестигранными головками T
 4. сбросьте индикатор горизонтальных углов скоса на 0° 30c
 - Зажим для кабеля 31
 - используйте зажим для кабеля AV, чтобы не допустить зажатия шнура питания между подвижными и неподвижными частями инструмента

СОВЕТЫ ПО ИСПОЛЬЗОВАНИЮ

- Специальные заготовки
 - всегда кладите на опору свободные концы длинных заготовок
 - убедитесь, что фигурные или круглые заготовки надежно закреплены от проскальзывания 33
 - на линии резки отсутствуют зазоры между заготовкой и упором или пильным столом
 - при необходимости смонтируйте дополнительный упор; закрепите его, используя отверстия в смещаемом упоре 34

! дополнительный упор можно использовать только при настройке вертикального угла скоса на 0°

- Работа с плинтусами, см .рисунок 35
- Для обеспечения минимального расщепления заготовку располагайте обработанной стороной вниз
- Пользуйтесь только острыми режущими дисками надлежащего типа
 - качество пропила улучшается с увеличением числа зубьев
 - режущие диски с твердосплавными пластинками служат в 30 раз дольше, чем обычные режущие диски

ТЕХОБСЛУЖИВАНИЕ / СЕРВИС

- Содержите инструмент и шнур питания в чистоте (особенно вентиляционные отверстия в задней части кожуха двигателя)
- Регулярно проверяйте правильность работы нижнего кожуха. Очищайте нижний кожух от скопившихся опилок влажной тканью.
 - перед чистой инструмента выньте вилку из розетки
 - поднимите нижний кожух в полностью открытое положение и отпустите его; если он не закроется сразу полностью, его следует проверить в авторизованной сервисной мастерской для электроинструментов SKIL
- Производите чистку режущего диска сразу же после использования (особенно от смолы и клея)
 - режущий диск очень сильно нагревается во время работы; не дотрагивайтесь до него, пока диск не остынет
- Очищайте лазер АС мягкой щеткой после каждого использования, чтобы линия лазера была хорошо видна (убедитесь, что вы не изменили настройки лазера)
- Если инструмент, несмотря на тщательные методы изготовления и испытания, выйдет из строя, то ремонт следует производить силами авторизованной сервисной мастерской для электроинструментов фирмы SKIL
 - отправьте **неразобранный** инструмент со свидетельством покупки Вашему дилеру или в ближайшую станцию обслуживания фирмы SKIL (адреса и схема обслуживания инструмента приведены в вебсайте www.skil.com)
- Примите к сведению, что повреждения вследствие перегрузки или ненадлежащего обращения с инструментом не будут включены в гарантию (условия гарантии SKIL см. на сайте www.skil.com или узнайте у дилера в Вашем регионе)

ОХРАНА ОКРУЖАЮЩЕЙ СРЕДЫ

- **Не выкидывайте электроинструмент, батареи, принадлежности и упаковку вместе с бытовым мусором** (только для стран ЕС)
 - во исполнение европейской директивы 2012/19/ЕС об утилизации отслужившего свой срок электрического и электронного оборудования и в соответствии с действующим законодательством, утилизация электроинструментов производится отдельно от других отходов на предприятиях,

соответствующих условиям экологической безопасности

- значок 6 напомнит Вам об этом, когда появится необходимость сдать электроинструмент на утилизацию

ШУМ

- Уровень звукового давления этого инструмента, измеренный в соответствии со стандартом EN 62841, составляет 100,0 дБ(А), а уровень звуковой мощности — 109,5 дБ(А) (погрешность K = 3 дБ)
- Уровень шума был измерен в соответствии со стандартизированным испытанием, приведенном в стандарте EN 62841; данная характеристика может использоваться для сравнения одного инструмента с другим, а также для предварительной оценки воздействия шума при использовании данного инструмента для указанных целей
 - при использовании инструмента в других целях или с другими/неисправными вспомогательными приспособлениями уровень воздействия вибрации может значительно **повышаться**
 - в периоды, когда инструмент отключен или функционирует без фактического выполнения работы, уровень воздействия вибрации может значительно **снижаться**

UA

Торцювальна пила для вирізання під кутом

1320

ВСТУП

- Цей інструмент є стаціонарною машиною, він призначений для поздовжнього та поперечного розпилювання деревини прямими розрізами, а також розрізами під кутом (горизонтальні кути скосу від -50° до +50°, вертикальні кути скосу від -48° до +45°)
- Прочитайте і збережіть цю Інструкцію з експлуатації 2
- Цей інструмент не придатний для промислового використання
- **Використовуйте цей інструмент тільки повністю та правильно зібраним** (пам'ятайте, що компанія Skil не несе відповідальності за пошкодження інструменту та/або травмування осіб, спричинені неправильним збиранням інструменту)

ТЕХНІЧНІ ДАНІ 1

ЕЛЕМЕНТИ ІНСТРУМЕНТА 8

- A Нижній обмежувач
- B Ручка з вижимачем
- C Фіксатор для транспортування
- D Верхній щиток
- E Ручка для транспортування
- F Монтажні отвори
- G Опора
- H Мішок
- J Канал для пилу
- K Подовжувачі
- L Ручки для блокування подовжувачів стола

- M Затискач для закріплення заготовки
- N Отвір опори
- P Ручка для кріплення затискача
- Q Ручка для регулювання затискача
- R Затискний важіль
- S Обмежувач
- T Шестигранний гвинт для регулювання обмежувача (4x)
- U Рухомий обмежувач
- V Ручка для кріплення рухомого обмежувача
- W Стопорна ручка (вертикальні кути скосу)
- X Індикатор вертикального кута скосу
- Y Гвинт для регулювання вертикального кута скосу (правий)
- Z Гвинт для регулювання вертикального кута скосу (лівий)
- AA Регульований кінцевий упор
- AB Правий важіль випуску фаски
- AC Лазерний промінь
- AD Лазер вимикача
- AE Стопорна ручка (горизонтальні кути скосу)
- AF Важіль розблокування фіксатора кута нахилу
- AG Індикатор горизонтального кута скосу
- AH Стопорна ручка для ковзних пристроїв
- AI Вимикач живлення
- AJ Запобіжник
- AK Обмежувач висоти розпилу
- AL Обмежувач глибини
- AM Гайка обмежувача глибини
- AN Шестигранний ключ
- AO Контейнер для збереження шестигранного ключа
- AP Кнопка блокування шпинделя
- AQ Гвинт захисної кришки
- AR Болт кріплення ріжучого диску
- AS Фланець
- AT Вставка стола
- AU Пиловідбивач
- AV Затискач для кабел

БЕЗПЕКА

ЗАГАЛЬНІ ВКАЗІВКИ З ТЕХНІКИ БЕЗПЕКИ ПОВОДЖЕННЯ З ЕЛЕКТРОІНСТРУМЕНТАМИ

⚠ ПОПЕРЕДЖЕННЯ Уважно вивчіть запобіжні заходи та ілюстрації, а також прочитайте вказівки та технічні умови, що входять в комплект поставки цього електроінструменту. Недотримання нижчеперелічених вказівок у повному обсязі може спричинити ураження електричним струмом, пожежу та / або серйозну травму.

Добре зберігайте на майбутнє ці попередження і вказівки.

Під поняттям “електроприлад” в цих попередженнях мається на увазі електроприлад, що працює від мережі (з електрокабелем) або від акумуляторної батареї (без електрокабелю).

1) БЕЗПЕКА НА РОБОЧОМУ МІСЦІ

- a) **Примайте своє робоче місце в чистоті та прибирайте його.** Безлад або погане освітлення на робочому місці можуть призводити до нещасних випадків.

- b) **Не працюйте з приладом у середовищі, де існує небезпека вибуху внаслідок присутності горючих рідин, газів або пилу.** Електроприлади можуть породжувати іскри, від яких може займатися пил або пари.
 - c) **Під час працювання з приладом не підпускайте до робочого місця дітей та інших людей.** Ви можете втратити контроль над приладом, якщо Ваша увага буде відвернута.
- #### 2) ЕЛЕКТРИЧНА БЕЗПЕКА
- a) **Штепсель приладу повинен пасувати до розетки. Не дозволяється що-небудь міняти в штепселі. Для роботи з приладами, що мають захисне заземлення, не використовуйте адаптери.** Використання оригінального штепселя та наляканої розетки зменшує ризик удару електричним струмом.
 - b) **Уникайте контакту частей тіла із заземленими поверхнями, як напр., трубами, батареями опалення, печами та холодильниками.** Коли Ваше тіло заземлене, існує збільшена небезпека удару електричним струмом.
 - c) **Захищайте прилад від дощу та вологи.** Попадання води в електроінструмент збільшує ризик удару електричним струмом.
 - d) **Не використовуйте кабель для перенесення приладу, підвішування або витягування штепселя з розетки. Захищайте кабель від жару, олії, гострих країв та деталей приладу, що рухаються.** Пошкоджений або закручений кабель збільшує ризик удару електричним струмом.
 - e) **Для зовнішніх робіт обов'язково використовуйте лише такий подовжувач, що допущений для зовнішніх робіт.** Використання подовжувача, що розрахований на зовнішні роботи, зменшує ризик удару електричним струмом.
 - f) **Якщо не можна запобігти використанню електроприладу у вологому середовищі, використовуйте пристрій захисту від витоків в землю.** Використання зрестрою захисту від витоків в землю зменшує ризик удару електричним струмом.
- #### 3) БЕЗПЕКА ЛЮДЕЙ
- a) **Будьте уважними, слідуйте за тим, що Ви робите, та розсудливо поведіться під час роботи з електроприладом. Не користуйтеся приладом, якщо Ви стомлені або знаходитесь під дією наркотиків, спиртних напоїв або лік.** Мить неуважності при користуванні приладом може призводити до серйозних травм.
 - b) **Вдягайте особисте захисне спорядження та обов'язково вдягайте захисні окуляри.** Вдягання особистого захисного спорядження, як напр., - в залежності від виду робіт - захисної маски, спецвзуття, що не ковзається, каски або навушників, зменшує ризик травм.
 - c) **Уникайте ненавмисного вмикання. Перш ніж вмикати електроприлад в електромережу або встромляти акумуляторну батарею, брати його в руки або переносити, впевніться в тому, що електроприлад вимкнутий.** Тримання пальця на вимикачі під час перенесення електроприладу або встромляння в розетку увімкненого приладу може призводити до травм.

- d) **Перед тим, як вмикати прилад, приберіть налагоджувальні інструменти та гайковий ключ.** Знаходження налагоджувального інструмента або ключа в деталі, що обертається, може призводити до травм.
- e) **Не переоцінюйте себе. Зберігайте стійке положення та завжди зберігайте рівновагу.** Це дозволить Вам краще зберігати контроль над приладом у несподіваних ситуаціях.
- f) **Вдягайте придатний одяг. Не вдягайте просторий одяг та прикраси. Не підставляйте волосся й одяг до деталей, що рухаються.** Просторий одяга, прикраси та довге волосся можуть попадати в деталі, що рухаються.
- g) **Якщо існує можливість монтувати пиловідсмоктувальні або пилоуловлювальні пристрої, переконайтеся, щоб вони були добре під'єднані та правильно використовувалися.** Використання пиловідсмоктувального пристрою може зменшити небезпеки, зумовлені пилом.
- h) **Добре знання електроінструментів, отримане в результаті частого їх використання, не повинно призводити до самовпевненості й ігнорування принципів техніки безпеки.** Необроблена дія може в одну мить призвести до важкої травми.
- 4) **ПРАВИЛЬНЕ ПОВОДЖЕННЯ ТА КОРИСТУВАННЯ ЕЛЕКТРОПРИЛАДАМИ**
- a) **Не перевантажуйте прилад. Використовуйте такий прилад, що спеціально призначений для певної роботи.** З придатним приладом Ви з меншим ризиком отримаєте кращі результати роботи, якщо будете працювати в зазначеному діапазоні потужності.
- b) **Не користуйтеся приладом з пошкодженням вимикачем.** Прилад, який не можна увімкнути або вимкнути, є небезпечним і його треба відремонтувати.
- c) **Перед тим, як регулювати що-небудь на приладі, міняти приладдя або ховати прилад, витягніть штепсель із розетки та/або витягніть акумуляторну батарею, якщо вона знімається.** Ці попереджувальні заходи з техніки безпеки зменшують ризик ненавмисного запуску приладу.
- d) **Зберігайте електроприлади, якими Ви саме не користуетесь, далеко від дітей. Не дозволяйте користуватися електроприладом особам, що не знайомі з його роботою або не читали ці вказівки.** У разі застосування недосвідченими особами прилади несуть в собі небезпеку.
- e) **Старанно доглядайте за електроінструментами і приладдям.** Перевірте, щоб рухомі деталі приладу бездоганно працювали та не заїдали, не були поламаними або настільки пошкодженими, щоб це могло вплинути на функціонування приладу. Пошкоджені деталі треба відремонтувати в авторизованій майстерні, перш ніж ними можна знову користуватися. Велика кількість нещасних випадків спричиняється поганим доглядом за електроприладами.
- f) **Тримайте різальні інструменти добре нагостреними та в чистоті.** Старанно доглянуті різальні інструменти з гострим різальним краєм менше застряють та їх легше вести.

- g) **Використовуйте електроприлади, приладдя до них, робочі інструменти т.і. відповідно до цих вказівок. Беріть до уваги при цьому умови роботи та специфіку виконуваної роботи.** Використання електроприладів для робіт, для яких вони не передбачені, може призводити до небезпечних ситуацій.
- h) **Тримайте рукоятки і поверхні захвату сухими і чистими, слідкуйте, щоб на них не було оливи або густо мастила.** Слизькі рукоятки і поверхні захвату унеможливають безпечне поводження з електроінструментом та його контролювання в неочікуваних ситуаціях.
- 5) **СЕРВІС**
- a) **Віддавайте свій прилад на ремонт лише кваліфікованим фахівцям та лише з використанням оригінальних запчастин.** Це забезпечить безпеку приладу на довгий час.

ІНСТРУКЦІ З ТЕХНІКИ БЕЗПЕКИ ДЛЯ ТОРЦЮВАЛЬНОЇ ПИЛИ

- Торцювальні пили призначені для різання деревини або деревоподібних виробів, вони не можуть використовуватися з абразивними відрізними кругами для різання металевих матеріалів, таких як прутки, стрижні, шпильки і т.д., абразивний пил викликає заклинювання рухомих частин, таких як нижній кожух. Іскри від абразивного різання спалють нижній кожух, вірзний отвір та інші пластикові деталі.
- **Де це можливо, застосовуйте затискачі, щоб зафіксувати виріб, що обробляється.** Якщо ви тримаєте заготовку руками, то завжди тримайте руку на відстані не менше 100 мм з обох сторін лева пили. Не використовуйте цю пилку для різання шматків, які занадто малі, щоб їх можна було надійно затиснути або втримати рукою. Якщо ваша рука знаходиться занадто близько до лева пили, існує підвищений ризик отримання травми від контакту з лезом.
- **Заготовка має бути міцно затиснутою або прикріпленою як до обмежувача, так і до столу.** Ні в якому разі не подавайте заготовку до лева та не рійте "від руки" Незакріплені чи рухомі заготовки можуть бути викинуті з великою швидкістю та завдати травм.
- **Штовхайте пилу крізь заготовку. Не тягніть пилу крізь заготовку.** Щоб зробити розріз, підніміть головку пили і витягніть її над заготовкою без різання, запустіть двигун, натисніть головку пили вниз і штовхайте пилу крізь заготовку Різання на витягуванні, ймовірно, призведе до того, що лево пили підніметься на заготовку і з силою відкине вузол диска до оператора.
- **Ніколи не перетинайте рукою намічену лінію розрізу ні спереду, ні ззаду лева пили** Тримати заготовку "схрещеними руками", тобто тримати заготовку праворуч від пильного диска лівою рукою та навапани, дуже небезпечно.
- **Не простягайте руку за обмежувач ближче ніж на 100 мм з обох сторін лева пили, щоб видалити деревні обрізки, або з будь-якої іншої причини, коли лево обертається** Наближення лева пили, що обертається, до Вашої руки може бути неочевидним, і Ви можете отримати серйозну травму.

- **Огляньте заготовку перед різанням якщо заготовка вигнута або деформована, затисніть її зовнішньою вигнутою стороною до обмежувача.** Завжди стенте за тим, щоб між заготовкою, обмежувачем і столом не було зазору по лінії розрізу. Вигнуті або деформовані заготовки можуть скручуватися або зміщуватися і можуть затиснути полотно леза пили під час різання. Заготовка не має містити в собі цвяхів або сторонніх предметів.
- **Не використовуйте пилку, поки стіл не очищено від усіх інструментів, обрізків деревини тощо, за винятком заготовки.** Дрібне сміття або незакріплені шматки дерева або інших предметів, що контактують з лезом, можуть бути кинуті з високою швидкістю.
- **Ріжте тільки одну заготовку за раз.** Складені кілька заготовок не можуть бути належним чином затиснуті або закріплені і можуть затиснути лезо або зсунутися під час різання.
- **Перед використанням переконайтеся, що торцювальна пила закріплена або встановлена на рівній твердій робочій поверхні.** Рівна і тверда робоча поверхня знижує ризик того, що торцювальна пила буде нестабільною.
- **Плануйте свою роботу! Кожен раз, коли ви змінюєте налаштування кута нахилу або фаски, переконайтеся, що регульований обмежувач встановлено правильно для підтримки заготовки і він не заважає лезу або системі захисту.** Не вмикаючи інструмент та без заготовки на столі, перемістіть лезо пили, імітуючи повний розріз, щоб переконалися, що не буде ніяких перешкод або небезпек розрізання обмежувача.
- **Забезпечте адекватну підтримку, таку як подовжувачі столів, козли для пиляння, та інше для заготовки, яка ширше або довше стільниці.** Заготовки більшої довжини чи ширини, ніж стіл для торцювальної пили, можуть переконалися, якщо вони не будуть надійно закріплені. В кінці відрізу деталь або заготовка може підняти нижній запобіжник або бути кинута обертовим лезом.
- **Не використовуйте іншу людину в якості заміни подовжувача столу або в якості додаткової опори.** Нестабільна опора для заготовки може привести до затиснення леза або зміщення заготовки під час різання, втягуючи Вас і помічника в обертове лезо.
- **Відрізувана деталь не має бути затиснута або притиснута будь-яким чином до обертового леза пили.** Якщо вона обмежена, наприклад, за допомогою обмежувачів довжини, відрізнена деталь може заклінути лезо та відлетіти з великою швидкістю.
- **Завжди використовуйте затиснач або пристосування, призначене для правильної підтримки круглого матеріалу, такого як стрижні або труби.** Стрижні які мають тенденцію котитися під час різання, змушуючи лезо "закушувати" і затягувати матеріал разом з рукою під лезо.
- **Дайте лезу набрати повної швидкості обертання до контакту із заготовкою.** Це зменшить ризик того, що заготовку буде кинута.
- **Якщо заготовку або лезо заклінило, вимкніть торцювальну пилу.** Дочекайтеся зупинки всіх рухомих частин, від'єднайте вилку від джерела живлення та/або вийміть акумулятор. Потім вивільніть матеріал, що заклінило. Продовження

пиляння закліненої заготовки може призвести до втрати контролю або пошкодження торцювальної пили.

- **Після завершення розрізу вимкніть перемикач, утримуйте головку пилки опущеною і почекайте, поки лезо зупиниться, перш ніж виймати відрізану частину.** Тягнутися рукою до леза, що обертається, небезпечно.
- **Міцно тримайте ручку при виконанні неповного розрізу або при виконанні перемикача до того, як головка пили повністю опуститься.** Гальмівна дія пили може привести до того, що головка раптово опуститься, що може призвести до травми.

ДОДАТКОВІ ВКАЗІВКИ З ТЕХНІКИ БЕЗПЕКИ

- Кидки струму викликають короточасні перепади напруги; при несприятливих умовах енергозабезпечення можливий вплив на інше встаткування (якщо імпеданс системи нижче 0,219 Ом, малоімовірно виникнення несправностей); якщо вам потрібні додаткові роз'яснення, ви можете звернутися в місцеву організацію енергопостачання

ЗАГАЛЬНЕ

- Використовуйте цей інструмент лише для розпилювання деревини
- Перед роботою перевірте відповідність струму в мережі із струмом, позначені на інструменті
- **Не стійте на інструменті або його підставці.** Перекидання інструменту або випадковий контакт з інструментом можуть призвести до серйозних травм. Не зберігайте матеріали на інструменті або поруч з ним таким чином, щоб до них можна було дотягнутися, лише стоячи на інструменті або його підставці.
- **Перед регулюванням або заміною приладдя обов'язково вийміть вилку із сіткової розетки**
- **Завжди від'єднайте вилку від джерела живлення перед транспортуванням торцювальної пили.** Від'єднайте вилку, опустіть вузол головки і зафіксуйте її в потрібному положенні, використовуйте ручку для перенесення і одне з заглиблень для руки в основі пилки.
- **Не залишайте інструмент без нагляду до тих пір, поки він повністю не зупиниться**
- **При різанні заготовку неправильної форми плануйте свою роботу так, щоб вони не зісковзували, не защемляли лезо і не виривалися з Вашої руки**
- Цей інструмент не можна використовувати особам віком до 16 років
- Цей інструмент не підходить для мокрого розпилювання

ВИКОРИСТАННЯ ПОЗА ПРИМІЩЕННЯМ

- При роботі на дворі підключайте інструмент через запобіжник короткого замикання (FI) із максимальним пусковим струмом 30 mA та використовуйте подовжувач, призначений для зовнішніх робіт, що обладнаний захистом від бризів

ПЕРЕД ВИКОРИСТАННЯМ

- Використовуйте повністю розгорнений шнур подовжувача, який може витримувати навантаження в 16 Ампер
- Одягайте захисні окуляри, засоби захисту волосся, та захисні рукавички

- Пил від таких матеріалів, як свинцовоутримуюча фарба, деякі породи дерева, мінерали й метал, може бути шкідливим (контакт із таким пилом або його вдихання може стати причиною виникнення в оператора або осіб, що перебувають поруч, алергічних реакцій і/або респіраторних захворювань); **надягайте респіратор і працюйте з пиловидальючим пристроєм під час увімкнення інструмента**
- Деякі види пилу класифікуються як канцерогенні (наприклад, дубовий або буковий пил), особливо в сполученні з добавками для кондиціонування деревини; **надягайте респіратор і працюйте з пиловидальючим пристроєм під час увімкнення інструмента**
- Слідуйте інструкціям по роботі з матеріалами, продукуючими пил
- **Не обробляйте матеріали, що містять асбест** (асбест вважається канцерогенним)
- Ніколи не використовуйте цей інструмент без оригінальної системи захисних обмежувачів
- Перед кожним використанням перевіряйте правильність закриття захисного кожуха
- Забороняється використовувати пилку, якщо захисний кожух не рухається вільно та одразу не закривається
- Забороняється фіксувати чи прив'язувати захисний кожух у відкритому положенні
- Забороняється використовувати інструмент без вставки стола; замініть дефектну чи зношену вставку стола
- Перш ніж почати розпилювання, видаліть всі перешкоди на поверхні та під лінією розпилу
- Не допускайте пошкодження, які можуть нанести шурупи, цвяхи і інші елементи вашому виробу; видаліть їх перед початком роботи

АНЕСЕСУАРИ

- Ніколи не використовуйте в цьому інструменті шліфувальні / ріжучі диски
- SKIL гарантує надійну роботу інструмента тільки при використанні відповідного приладдя, які можна отримати у Вашого дилера фірми SKIL
- При установці/використанні насадок не від фірми SKIL, дотримуйтеся інструкцій відповідного заводу-виробника
- Використовуйте лише пиляльні диски, що відповідають характеристикам, зазначеним в цій інструкції, перевірені за EN 847-1 та мають відповідне маркування
- Використовуйте лише приладдя, припустима швидкість обертання якого як мінімум відповідає найвищій швидкості інструмента без навантаження
- Ніколи не використовуйте леза, виготовлені з швидкорізальної сталі (HSS)
- Не використовуйте тупі, деформовані та поламані пилки
- Використовуйте леза з отвором, який точно відповідає шпинделю інструмента без люфту; забороняється використовувати муфти чи перехідники для прилаштування лез з отвором більшого діаметру
- Бережіть насадки від ударів, струсів і мастила

ПІД ЧАС ВИКОРИСТАННЯ

- Використовуючи інструмент, не докладайте надмірного зусилля (зусилля має бути помірним та постійним, щоб запобігти перегріванню вістря леза

та, якщо розрізаються пластикові деталі, плавленню пластика)

- Тримайте пальці та руки подалі від леза, що обертається
- Якщо лезо застрягло, негайно вимкніть інструмент і вийміть вилку з розетки; лише після цього витягніть заблоковану заготовку
- У випадку електричної чи механічної несправності негайно вимкніть інструмент та вийміть вилку з розетки
- Якщо шнур пошкоджений або прорізаний при роботі, не доторкайтеся до нього і негайно витягніть його з розетки
- Категорично забороняється користуватися інструментом при пошкодженні електричного шнура; заміна на аналогічний підготовлений шнур повинна проводитися організацією з обслуговування.

ЛАЗЕРНЕ ВИПРОМІНЮВАННЯ

- **Не направляйте лазерний промінь на людей або тварин, і самі не дивіться на прямий або відображений лазерний промінь** (він може засліпити інших людей, спричинити нещасні випадки або пошкодити очі)
- У разі потрапляння лазерного променя в око, навмисне заплющте очі і відразу відверніться від променя
- Нічого не мніайте в лазерному пристрої
- Не дивіться в промінь лазера (лазерне випромінювання)
- Не дивіться на промінь лазера через будь-які оптичні прилади (такі як збільшувальне скло, телескоп чи бінокль)
- Не користуйтеся приладом у місцях, де є займисті рідини, гази чи пил
- Не користуйтеся приладом, коли поруч є діти
- Не замінюйте встановлений лазер лазером іншого типу

ПІСЛЯ ВИКОРИСТАННЯ

- Після вимкнення інструмента ніколи не намагайтесь зупинити обертання насадок за допомогою прикладання поперечної сили
- Прибирайте обрізки чи інші частини заготовки із зони різання лише післятого, коли всі рухомі частини повністю зупиняться
- Лезо пилки сильно нагрівається під час роботи; не торкайтеся леза, поки воно не охолоне
- Зберігайте інструмент у приміщенні в сухому, не доступному для дітей місці

ПОЯСНЕННЯ ДО УМОВНИХ ПОЗНАЧОК НА ІНСТРУМЕНТІ

- ② Перед використанням прочитайте інструкцію із застосування
- ③ Одягайте захисні окуляри та засоби захисту волосся
- ④ **Небезпечна зона! Зона без рук. Не наближайте руки, пальці або передпліччя до цієї зони.**
- ⑤ Подвійна ізоляція (заземлюючий провід не потрібен)
- ⑥ Не викидайте електроінструмент та батареї разом зі звичайним сміттям
- ⑦ **Лазерне випромінювання / Не дивіться в промінь / Лазерний продукт 2 класу**

ВИКОРИСТАННЯ

- Монтаж
 - скріпіть транспортну ручку Е болтами Е2а допомогою шестигранного ключа AN⑨

- вставте ручку фіксатора торцювальної пили АЕ в передню частину столу ⑩
 - встановіть рухомий обмежувач U (див. розділ Регулювання рухомого обмежувача)
 - Положення для транспортування/роботи Відпускання інструмента (**положення для роботи**):
 - натисніть ручку В ⑥ вниз однією рукою, одночасно витягуючи стопорний штифт С іншою рукою ⑪а
 - повільно піднімайте вузол головки Фіксування інструмента (**положення для транспортування**):
 - посуňte вузол головки до упору в напрямку обмежувача S (тримайте відстань прибіл. 5 см) і затягніть стопорну ручку АН ⑪b
 - встановіть кут фаски на 0° (див. розділ Налаштування кута фаски)
 - встановіть кут торцювання на 45° вліво або вправо (див. розділ Установа кута торцювання)
 - натисніть ручку В вниз однією рукою, одночасно натискаючи стопорний штифт С іншою рукою
 - намотайте шнур живлення
 - використовуйте транспортну ручку Е ⑥ для перенесення інструменту ⑪d
 - крім того, використовуйте бічні ручки для перенесення інструменту ⑪е
 - ! **ніколи не піднімайте інструмент, тримаючись за основну ручку або шнур живлення**
 - Встановлення інструмента на робочу поверхню ⑫
 - ! **для безпеки використання завжди встановлюйте інструмент на рівну та стійку робочу поверхню (наприклад, верстан)**
 - використовуйте 4 монтажні отвори F для кріплення інструмента до робочої поверхні відповідними гвинтами
 - можна також кріпити інструмент до робочої поверхні за допомогою наявних у продажу струбцин
 - для стабілізації інструменту можна регулювати висоту опорної ніжки G
 - в якості альтернативи інструмент можна встановити на підставку для торцювальної пили
 - ! **прочитайте всі попередження та інструкції, що додаються до підстави для пили**
 - Прибирання обрізків/стружки ⑬
 - прикріпіть мішок для пилу Н/пилосос, як показано на малюнку
 - регулярно спорозняйте мішок для оптимального засмокування пилу
 - ! **не дозволяйте шлангу пилососа заважати функціонуванню нижнього обмежувача або розпилюванню**
 - Розширення столу пили ⑭
 - використовуйте ручки L для кріплення подовжувачів К (з обох сторін інструменту)
 - довжина подовжувачів К плавню регулюється від мінімальної до максимальної
 - Фіксація заготовки ⑮
 - ! **для забезпечення оптимального рівня безпеки під час роботи завжди міцно фіксуйте заготовку за допомогою регульованого затискача з комплекту**
 - забороняється працювати із заготовками, які є надто малими для кріплення
- дані про **максимальні** розміри заготовок див. таблицю ⑯
- закріпіть затискач заготовки в опорному отворі N за допомогою ручки Р (з обох сторін інструменту)
- затискач заготовки має 2 наванки для легкої фіксації: 1 для тонких заготовок (до 5 см) і 1 для великих заготовок (більше 5 см)
- міцно притисніть заготовку до обмежувача S
- важіль розблокування R
- пристосуйте затискач до заготовки
- міцно затисніть заготовку фіксуючим важелем R
- ! **для деяких комбінацій нахилів та фасок або залежно від розміру заготовки може знадобитися використовувати гвинтові затискачі інших виробників замість комплектного затискача заготовки**
- Встановлення горизонтальних кутів скосу ⑰
 - послабте ручку фіксатора АЕ
 - потягніть важіль фіксації нахилу АF
 - поверніть стіл пили вліво або вправо і встановіть бажаний кут нахилу (від 0° до 50°) за допомогою індикатора АG
 - відпустіть важіль АF
 - затягніть ручку фіксатора АЕ (**не затягуйте ручку занадто сильно**)
 - для швидкої і точної установки часто використовуваних кутів нахилу (0°, 15°, 22.5°, 31.6°, 45°) важіль фіксатора нахилу АF встановлюється в заглиблення у відповідних положеннях; щоб запобігти цьому, важіль АF може бути заблокований у довольному положенні ⑱b
- Встановлення кутів фаски ⑱
 - відпустіть ручку триноги W
 - повертайте головку пили вліво до тих пір, поки індикатор кута фаски Х не вкаже на потрібний кут фаски
 - регульований кінцевий упор фаски АА (45°) може використовуватися для зупинки на 45° або продовження до 48° ⑱b
 - тримайте головку пили в цьому положенні і затягніть ручку W
 - для зняття фаски вправо спочатку злегка нахиліть головку пилки вліво, поверніть праву ручку зняття фаски АВ (прибіл. 60°), потім поверніть головку пили на потрібний правий кут фаски ⑱с
 - коли ви відкидаєте головку пили вліво, права ручка зняття фаски АВ автоматично скидається на кінцевий упор 0°; цьому можна запобігти, повернувши ручку на прибіл. 90° замість 60° ⑱d
- Комбіновані розрізи ⑲
 - комбіновані розрізи вимагають установа як горизонтального, так і вертикального кутів скосу
 - ! **не використовуйте пилу в деяких комбінаціях нахилу і фаски, які можуть привести до виникнення перешкод між ковзною і нерухою частинами пили або між ковзними частинами і заготовкою – щоб зробити розріз, зніміть рухомий обмежувач, ручку блокування рухомого обмежувача і ручку робочого затискача, якщо потрібно.**
 - ! **завжди спочатку тестуйте на взірці металобрухту**

- Регулювання рухомих обмежувачів 20
 - послабте ручку V, щоб вивільнити обмежувач (-) U
 - послабте ручку V ще більше, щоб можна було зняти/встановити обмежувач (-)
 - затягніть ручку V, щоб зафіксувати потрібне положення
 - ! **перед початком роботи з інструментом переконайтеся, що рухомі обмежувачі надійно закріплено**
 - ! **для деяких комбінацій нахилу і фаски також може знадобитися зняти ручку**
- Лінія лазера 21
 - для спрямування інструменту поздовж необхідній лінії розрізу, яка накреслена на виробі
 - вклучати та виключати лінія лазера за допомогою натискання кнопки AD
 - ! **до початку роботи, перевірте чи співпадає лінія лазера із наміченою лінією пропилу та зробіть пробний надріз на непотрібному шматочку матеріалу**
- Розпилювання без ковзних рухів (малі вироби)
 - послабте ручку фіксатора AH у випадку, якщо вона затягнута
 - посуňte головку пили до упору в напрямку обмежувача S і знову затягніть ручку фіксатора AH
 - ! **якщо не заблокувати механізм, то лезо може раптово заскочити на верхню частину заготовки та рухатиметься у бік оператора**
 - установіть інструмент у робоче положення
 - ! **переконайтеся, що заготовка міцно прикріплена до розпилювального стола та обмежувача S**
 - увімкніть інструмент, відпустивши блокування AJ і потягнувши за головний вимикач AI
 - ! **не перехресуйте руки при роботі з головою пили 23a**
 - розпиляйте заготовку із рівномірним просуванням
 - ! **перш, ніж лезо пили торкнеться виробу, інструмент має працювати на повну швидкість**
 - вимкніть інструмент, відпустивши вимикач AI
 - зачекайте, поки лезо пили повністю зупиниться, перш ніж повільно підняти головку пили
- Розпилювання з ковзним рухом (широкі заготовки)
 - ! **пам'ятайте, що описаний далі метод є єдиним безпечним методом**
 - не тягніть пилу крізь заготовку
 - послабте ручку фіксатора AH у випадку, якщо вона затягнута
 - ! **переконайтеся, що заготовка міцно прикріплена до розпилювального стола та обмежувача S**
 - відсуньте головку пили від обмежувача S на таку відстань, щоб лезо пили знаходилося перед заготовкою 24
 - увімкніть інструмент, відпустивши блокування 22 і потягнувши за головний вимикач
 - ! **не перехресуйте руки при роботі з головою пили 23a**
 - штовхайте головку пили у напрямку до обмежувача S та розпилюйте заготовку із рівномірним просуванням 24
 - ! **перш, ніж лезо пили торкнеться виробу, інструмент має працювати на повну швидкість**

- ! **якщо нижній ножух не відкривається автоматично, що може статися за певних умов (наприклад, заготовки, розмір якої дуже близький до максимального), Вам, можливо, доведеться відкрити ножух вручну 23b**
- вимкніть інструмент, відпустивши вимикач AI
- зачекайте, поки лезо пили повністю зупиниться, перш ніж повільно підняти головку пили
- Випилювання прорізів 25
 - встановіть потрібну глибину за допомогою обмежувача глибини AK і зафіксуйте на місце, затягнувши гайку AM
 - дерев'яна прокладка має бути поміщена між заготовкою і обмежувачем на постійну глибину по всій довжині канавки
 - ! **переконайтеся, що лезо не застрягає в заготовці**
 - ! **завжди спочатку тестуйте на взірці металобрухту**
- Заміна леза пили 26
 - ! **вийняти вилку з розетки**
 - візьміть шестигранний ключ AN з контейнера AO
 - тримайте захисний ножух A у відкритому положенні
 - послабте гвинт кришки AQ (не викручуйте гвинт повністю) 26a
 - поверніть захисний ножух A повністю назад 26b
 - натисніть кнопку блокування шпинделя AP та утримуйте її, доки не знімете болт леза AR, повертаючи монтажний шестигранний ключ AN **ЗА ГОДИННИКОВОЮ СТРІЛКОЮ** (= у напрямку стрілки, зображеної на лезі пилки)
 - ! **натискайте кнопку блокування шпинделя AP, тільки коли жодний елемент інструмента не рухається**
 - відпустіть кнопку блокування шпинделя AP
 - зніміть фланець AS і лезо пилки
 - ! **замінійте лезо пилки, встановлюючи його таким чином, щоб зубці та стрілка на лезі вказували в тому ж напрямку, що й стрілка на захисному ножуху A**
 - встановіть фланець AS 26c
 - натисніть кнопку блокування шпинделя AP і утримуйте її, поки ви затягуєте болт леза, повертаючи шестигранний ключ AN **ПРОТИ ГОДИННИКОВОЇ СТРІЛКИ** на 1/8 обороту щільніше ніж можна пальцями (забезпечує прослизання полотна леза, коли воно стикається з надмірним опором, таким чином зменшуючи перевантаження двигуна і віддачу пили)
 - затягніть гвинт захисної панелі AQ
- Заміна вставки стола AT 26
 - Процедура заміни дефектної чи спрацьованої вставки стола:
 - ! **вийняти вилку з розетки**
 - візьміть шестигранний ключ AN з контейнера AO
 - викрутіть усі 6 гвинти, як показано на малюнку
 - зніміть стару вставку стола, посунувши її спочатку вперед, а потім витягнувши її повністю
 - вставте нову вставку стола
 - ! **міцно затисніть усі 6 гвинта**
- Перевірка/регулювання вирівнювання леза на 90° 28
 - ! **вийняти вилку з розетки**
 - поверніть стіл пили в положення нахилу 0° і зафіксуйте його на місці

- поверніть головку пили в положення фаски 0°
- опустіть головку пили і зафіксуйте її на місці
- перевірте наявність кута 90° між лезом і столом за допомогою косинця
- за потреби, встановіть лезо на 90° таким чином:
 1. відпустіть ручку триноги W
 2. відрегулюйте гвинт Y шестигранним ключем 4 мм (не входить в стандартну комплектацію) 28b
 3. перевірте ще раз з квадратом
 4. скиньте індикатор фаски на 0° 28c
- Перевірка/регулювання вирівнювання леза на 45° 29

! вийняти вилку з розетки

- поверніть стіл пили в положення нахилу 0° і зафіксуйте його на місці
- відпустіть ручку триноги W
- встановіть регульований кінцевий упор фаски AA на 45° 29b
- поверніть головку пилки вліво
- перевірте наявність кута 45° між лезом і столом за допомогою малки 29a
- перевірте, щоб індикатор вертикальних кутів скоосу X був на позначці 45°
- за потреби, встановіть лезо на 45° таким чином:
 1. відрегулюйте гвинт Z лезовим ключем на 10 (не входить в стандартну комплектацію)
 2. повторно перевірте кут косинцем
- за потреби повторіть процедуру для установки 45° вправо
- опустіть головку пили і зафіксуйте її на місці

- Перевірка/регулювання вирівнювання обмежувача на 90° 30

! вийняти вилку з розетки

- поверніть стіл пили в положення нахилу 0° і зафіксуйте його на місці
- опустіть головку пили і зафіксуйте її на місці
- перевірте наявність кута 90° між лезом і обмежувачем S косинцем (переконайтеся, що косинець торкається диска леза пилки, а не його зубів)
- за потреби, встановіть обмежувач на 90° таким чином:
 1. відпустіть 4 шестигранних гвинта T
 2. відрегулюйте обмежувач, доки лезо та обмежувач не торкатимуться косинця всією площиною
 3. затягніть 4 шестигранних гвинта T
 4. скиньте індикатор нахилу на 0° 30c
- Затискач для кабелів 31ю
- використовуйте затискач для кабелю AV, щоб запобігти затисканню шнура живлення між рухомою і нерухомою частинами інструменту

ПОРАДИ ПО ВИКОРИСТАННЮ

- Спеціальні заготовки
 - завжди тримайте на опорах вільні кінці довгої заготовки
 - переконайтеся, що фігурні чи круглі заготовки зафіксовані особливо міцно, щоб запобігти їх ковзанню 33
 - на лінії різання не має бути щілин між заготовкою та обмежувачем або розпилювальним столом
 - за потреби виготовте допоміжний обмежувач; отвори в рухомому обмежувачі мають бути

використані для кріплення допоміжного обмежувача 34

! допоміжний обмежувач можна використовувати тільки при фасці 0°

- Робота з плінтусами, див. малюнок 35
- Завжди розташуйте виріб лицьовою стороною донизу, щоб забезпечити мінімальний ризик розколювання
- Використовуйте лише гострі леза пили відповідного типу
 - якість розпилювання покращується зі збільшенням кількості зубів леза
 - твердосплавні леза залишаються гострими у 30 разів довше, ніж звичайні леза

ДОГЛЯД/ОБСЛУГОВУВАННЯ

- Завжди тримайте інструмент і дрт живлення чистими (особливо вентиляційні отвори на задній частині корпусу двигуна)
- Регулярно перевіряйте, що нижній кожух працює належним чином. Очистіть нижній кожух від тирси, що накопичується, вологою тканиною.
 - перед чисткою інструменту необхідно роз'єднати штепсельний роз'єм
 - підніміть нижній кожух у повністю відкрите положення та відпустіть його; якщо він не відразу і повністю закривається, його слід перевірити в сервісному центрі післяпродажного обслуговування електроінструментів SKIL
- Прочистіть лезо пили негайно після використання (особливо від залишків резины та клею)
 - лезо пилки сильно нагрівається під час роботи; не торкайтеся леза, поки воно не охолоне
- Очищайте лазерний промінь АС м'якою щіткою після кожного використання, щоб забезпечити хорошу видимість лазерної лінії (переконайтеся, що ви не змінюєте налаштування лазера)
- Якщо незважаючи на ретельну технологію виготовлення і перевірки інструмент все-таки вийде з ладу, його ремонт дозволяється виконувати лише в авторизованій сервісній майстерні для електроприладів SKIL
 - надішліть **нерозібраний** інструмент разом з доказом купівлі до Вашого дилера або до найближчого центру обслуговування SKIL (адреси, а також діаграма обслуговування пристрою, подаються на сайті www.skil.com)
- Візьміть до відома, що ушкодження внаслідок перевантаження або неналежного поводження з інструментом не будуть включені в гарантію (умови гарантії SKIL див. на сайті www.skil.com або довідайтеся в дилера у Вашому регіоні)

ОХОРОНА НАВКОЛИШНЬОЇ СЕРЕДИ

- **Не викидайте електроінструмент, батареї, належності та упаковку разом зі звичайним сміттям** (тільки для країн ЄС)
 - відповідно до європейської директиви 2012/19/ЄС щодо утилізації старих електричних та електронних приладів, в залежності з місцевим законодавством, електроінструмент, який перебував в експлуатації повинен бути утилізований окремо, безпечним для навколишнього середовища шляхом
 - малюнок 6 нагадує вам про це

ШУМ

- Вимірний відповідно до EN 62841 рівень звукового тиску для цього інструменту становить 100,0 дБ(А), а рівень звукової потужності 109,5 дБ(А) (коефіцієнт неточності K = 3 дБ)
- Рівень шуму був вимірний відповідно до стандартизованого випробування, наведеного в EN 62841; він може бути використаний для порівняння одного інструменту з іншим і в якості попередньої оцінки впливу шуму при використанні інструменту для зазначених застосувань
 - при використанні інструмента в інших цілях або з іншими/несправними допоміжними пристосуваннями рівень впливу вібрації може значно **підвищуватися**
 - у періоди, коли інструмент вимикнений або функціонує без фактичного виконання роботи, рівень впливу вібрації може значно **знижуватися**

GR

Кινούμενο φαλτσοπίριο 1320

ΕΙΣΑΓΩΓΗ

- Αυτό το εργαλείο προορίζεται για χρήση ως σταθερός μηχανισμός για κοπή ξύλου κατά μήκος και χιαστί με ευθεία ή υπό γωνία κοψίματα (είναι δυνατές οι οριζόντιες φάλτσογωνίες από -50° έως +50° καθώς και οι κατακόρυφες γωνίες λοξοτομής από -48° έως +45°)
- Διαβάστε και φυλάξτε αυτές τις οδηγίες χρήσεως ②
- Αυτό το εργαλείο δεν προορίζεται για επαγγελματική χρήση
- **Να χρησιμοποιείτε το εργαλείο μόνο εφόσον είναι συναρμολογημένο άρτια και σωστά** (να έχετε υπόψη σας ότι η Skil δε μπορεί να θεωρηθεί υπεύθυνη για τυχόν βλάβη στο εργαλείο και/ή ατομικό τραυματισμό λόγω εσφαλμένης συναρμολόγησης του εργαλείου)

ΤΕΧΝΙΚΑ ΧΑΡΑΚΤΗΡΙΣΤΙΚΑ ①

ΜΕΡΗ ΤΟΥ ΕΡΓΑΛΕΙΟΥ ③

- A** Κάτω προφυλακτήρας
- B** Λαβή διακόπτη
- C** Ακίδα ασφάλισης για μεταφορά
- D** Άνω προφυλακτήρας
- E** Λαβή μεταφοράς
- F** Οπές ανάρτησης
- G** Πόδι υποστήριξης
- H** Σάκκο συλλογής σκόνης
- J** Στόμιο εξαγωγής σκόνης
- K** Ράβδοι επέκτασης
- L** Περιστρεφόμενος διακόπτης για το κλειδίωμα των ράβδων επέκτασης
- M** Σφιγκτήρας για ανάρτηση κομματιού εργασίας
- N** Οπή υποστήριξης
- P** Περιστρεφόμενος διακόπτης για συγκράτηση σφιγκτήρα
- Q** Περιστρεφόμενος διακόπτης για προσαρμογή σφιγκτήρα
- R** Μοχλός μανδάλωσης
- S** Οδηγός

- T** Εξάγωνες βίδες για προσαρμογή του οδηγού (4x)
- U** Σურταρωτός οδηγός
- V** Κουμπί για σφίξιμο σурταρωτού οδηγού
- W** Περιστρεφόμενος διακόπτης ασφάλισης (γωνίες λοξοτομής)
- X** Δείκτης γωνίας λοξοτομής
- Y** Βίδα για προσαρμογή γωνίας λοξοτομής (δεξιά)
- Z** Βίδα για προσαρμογή γωνίας λοξοτομής (αριστερά)
- AA** Ρυθμιζόμενο τελικό στοπ
- AB** Μοχλός δεξιάς λοξοτομής
- AC** Φωτεινή δέσμη λείζερ
- AD** Λείζερ διακόπτη ενεργοποίησης/απενεργοποίησης
- AE** Λαβή ασφάλισης (φάλτσογωνίες)
- AF** Μοχλός απελευθέρωσης συγκράτησης φάλτσκοπής
- AG** Δείκτης φάλτσογωνίας
- AH** Διακόπτης στερέωσης της συσκευής ολίσθησης
- AI** Διακόπτης εκκίνησης/στάσης
- AJ** Μοχλός ασφαλείας
- AK** Περιοριστής βάθους κοπής
- AL** Στοπ (τέρμα) βάθους
- AM** Παξιμάδι στοπ βάθους
- AN** Εξάγωνο κλειδί
- AO** Θέση αποθήκευσης του εξάγωνου κλειδιού
- AP** Κουμπί ασφάλισης της άτρακτου
- AQ** Βίδα καλύμματος
- AR** Κοχλίας δίσκου
- AS** Φλάντζα
- AT** Παρέμβλημα τραπεζιού
- AU** Εκτροπέας σκόνης
- AV** Κλιπ καλωδίου

ΑΣΦΑΛΕΙΑ

ΓΕΝΙΚΕΣ ΥΠΟΔΕΙΞΕΙΣ ΑΣΦΑΛΕΙΑΣ ΓΙΑ ΗΛΕΚΤΡΙΚΑ ΕΡΓΑΛΕΙΑ

⚠ ΠΡΟΕΙΔΟΠΟΙΗΣΗ Διαβάστε όλες τις προειδοποιήσεις ασφαλείας καθώς και τις οδηγίες, εικόνες και προδιαγραφές που παρέχονται με αυτό το ηλεκτρικό εργαλείο. Αμέλεια τήρησης όλων των οδηγιών που παρατίθενται παρακάτω μπορεί να προκαλέσει ηλεκτροπληξία, πυρκαγιά ή/και σοβαρό τραυματισμό.

Φυλάξτε όλες τις υποδείξεις ασφαλείας και τις οδηγίες για το μέλλον.

Ο ορισμός “ηλεκτρικό εργαλείο” που χρησιμοποιείται στις προειδοποιητικές υποδείξεις αναφέρεται σε ηλεκτρικά εργαλεία που τροφοδοτούνται από το ηλεκτρικό δίκτυο (με ηλεκτρικό καλώδιο) καθώς και σε ηλεκτρικά εργαλεία που τροφοδοτούνται από μπαταρία (χωρίς ηλεκτρικό καλώδιο).

1) ΑΣΦΑΛΕΙΑ ΣΤΟ ΧΩΡΟ ΕΡΓΑΣΙΑΣ

- Διατηρείτε το χώρο που εργάζεσθε καθαρό και καλά φωτισμένο.** Αταξία στο χώρο που εργάζεσθε ή μη φωτισμένες περιοχές εργασίας μπορεί να οδηγήσουν σε ατυχήματα.
- Μην εργάζεσθε με το ηλεκτρικό εργαλείο σε περιβάλλον που υπάρχει κίνδυνος έκρηξης, στο οποίο υπάρχουν εύφλεκτα υγρά, αέρια ή σκόνη.** Τα ηλεκτρικά εργαλεία μπορεί να δημιουργήσουν σπινθηρισμό ο οποίος μπορεί να αναφλέξει τη σκόνη ή τις αναθυμιάσεις.

c) Όταν χρησιμοποιείτε το ηλεκτρικό εργαλείο κρατάτε τα παιδιά κι άλλα τυχόν πρόσωπα μακριά από το χώρο που εργάζεσθε. Σε περίπτωση που άλλα άτομα αποσπάσουν την προσοχή σας μπορείτε να χάσετε τον έλεγχο του μηχανήματος.

2) ΗΛΕΚΤΡΙΚΗ ΑΣΦΑΛΕΙΑ

a) Το φως του καλωδίου του ηλεκτρικού εργαλείου πρέπει να ταιριάζει στην αντίστοιχη πρίζα. Δεν επιτρέπεται με κανένα τρόπο η μετασκευή του φως. Μη χρησιμοποιείτε προσαρμοστικά φως σε συνδυασμό με ηλεκτρικά εργαλεία συνδεδεμένα με τη γη (γειωμένα). Αθικτα φως και κατάλληλες πρίζες μειώνουν τον κίνδυνο ηλεκτροπληξίας.

b) Αποφεύγετε την επαφή του σώματος σας με γειωμένες επιφάνειες όπως σωλήνες, θερμομαντικά σώματα (καλοριφέρ), κουζίνες και ψυγεία. Όταν το σώμα σας είναι γειωμένο αυξάνεται ο κίνδυνος ηλεκτροπληξίας.

c) Μην εκθέτετε το ηλεκτρικό εργαλείο στη βροχή ή την υγρασία. Η διείσδυση νερού στο ηλεκτρικό εργαλείο αυξάνει τον κίνδυνο ηλεκτροπληξίας.

d) Μη χρησιμοποιείτε το καλώδιο για να μεταφέρετε ή ν'αναρτήσετε το ηλεκτρικό εργαλείο ή για να βγάλετε το φως από την πρίζα. Κρατάτε το καλώδιο μακριά από υψηλές θερμοκρασίες, λάδια, κοφτερές ακμές ή κινούμενα εξαρτήματα. Τυχόν χαλασμένα ή μπερδεμένα καλώδια αυξάνουν τον κίνδυνο ηλεκτροπληξίας.

e) Όταν εργάζεσθε με το ηλεκτρικό εργαλείο στο ύπαιθρο χρησιμοποιείτε πάντοτε καλώδια επιμήκυνσης (μπαλαντάζες) που έχουν εγκριθεί για χρήση σε εξωτερικούς χώρους. Η χρήση καλωδίων επιμήκυνσης εγκριμένων για εργασία σε εξωτερικούς χώρους μειώνει τον κίνδυνο ηλεκτροπληξίας.

f) Όταν η χρήση του ηλεκτρικού εργαλείου σε υγρό περιβάλλον είναι αναπόφευκτη, τότε χρησιμοποιήστε έναν προστατευτικό διακόπτη διαρροής. Η χρήση ενός προστατευτικού διακόπτη διαρροής ελαττώνει τον κίνδυνο ηλεκτροπληξίας.

3) ΑΣΦΑΛΕΙΑ ΠΡΟΣΩΠΩΝ

a) Να είσθε πάντοτε προσεκτικός/προσεκτική, να δίνετε προσοχή στην εργασία που κάνετε και να χειρίζεστε το ηλεκτρικό εργαλείο με περίσκεψη. Μην κάνετε χρήση του ηλεκτρικού εργαλείου όταν είσθε κουρασμένος/κουρασμένη ή όταν βρίσκεσθε υπό την επιρροή ναρκωτικών, οινοπνεύματος ή φαρμάκων. Μια στιγμήαια απροσεξία κατά το χειρισμό του ηλεκτρικού εργαλείου μπορεί να οδηγήσει σε σοβαρούς τραυματισμούς.

b) Φοράτε προστατευτικά ενδύματα και πάντοτε προστατευτικά γυαλιά. Όταν φοράτε ενδύματα ασφαλείας, ανάλογα με το υπό χρήση ηλεκτρικό εργαλείο, όπως προσωπίδα προστασίας από σκόνη, αντιολισθηκά παπούτσια ασφαλείας, κράνη ή ωταπίδες, μειώνεται ο κίνδυνος τραυματισμών.

c) Αποφεύγετε την αβέλητη εκκίνηση. Βεβαιωθείτε ότι το ηλεκτρικό εργαλείο έχει αποζευχτεί πριν το συνδέσετε με το ηλεκτρικό δίκτυο ή/και με την μπαταρία καθώς και πριν το παραλάβετε ή το μεταφέρετε. Όταν μεταφέρετε το ηλεκτρικό εργαλείο έχοντας το δάχτυλό σας στο διακόπτη ή όταν συνδέσετε το μηχάνημα με την πηγή ρεύματος

όταν αυτό είναι ακόμη συζευγμένο, τότε δημιουργείται κίνδυνος τραυματισμών.

d) Αφαιρείτε από τα ηλεκτρικά εργαλεία πριν τα θέσετε σε λειτουργία τυχόν συναρμολογημένα χρησιμοποιημένα εργαλεία ή κλειδιά. Ένα εργαλείο ή κλειδί συναρμολογημένο στο περιστρεφόμενο εξάρτημα ενός ηλεκτρικού εργαλείου μπορεί να οδηγήσει σε τραυματισμούς.

e) Μην υπερκτιμάτε τον εαυτό σας. Φροντίζετε για την ασφαλή στήριξη του σώματος σας και διατηρείτε πάντοτε την ισορροπία σας. Αυτό σας επιτρέπει τον καλύτερο έλεγχο το ηλεκτρικού εργαλείου σε περιπτώσεις απροσδόκητων καταστάσεων.

f) Φοράτε κατάλληλη ενδυμασία εργασίας. Μη φοράτε φαρδιά ρούχα ή κοσμήματα. Κρατάτε τα μαλλιά και τα ρούχα σας μακριά από κινούμενα εξαρτήματα. Χαλαρή ενδυμασία, κοσμήματα και μακριά μαλλιά μπορεί να εμπλακούν στα κινούμενα εξαρτήματα.

g) Αν υπάρχει η δυνατότητα συναρμολόγησης διατάξεων αναρρόφησης ή συλλογής σκόνης, βεβαιωθείτε αν οι διατάξεις αυτές είναι συνδεδεμένες καθώς κι αν χρησιμοποιούνται σωστά. Η χρήση μιας αναρρόφησης σκόνης μπορεί να ελαττώνει τον κίνδυνο που προκαλείται από τη σκόνη.

h) Μην εφησυχάζετε σε μια λάθος ασφάλεια και μην αφήφάτε τους κανόνες ασφαλείας για τα ηλεκτρικά εργαλεία, ακόμα και όταν μετά από συχνή χρήση είστε εξοικειωμένοι με το εργαλείο. Ένας απρόσεκτος χειρισμός μπορεί μέσα σε κλάσματα του δευτερολέπτου να οδηγήσει σε σοβαρούς τραυματισμούς.

4) ΧΡΗΣΗ ΚΙ ΕΠΙΜΕΛΗΣ ΧΕΙΡΙΣΜΟΣ ΤΩΝ ΗΛΕΚΤΡΙΚΩΝ ΕΡΓΑΛΕΙΩΝ

a) Μην υπερφορτώνετε το ηλεκτρικό εργαλείο. Χρησιμοποιείτε για την εκάστοτε εργασία σας το ηλεκτρικό εργαλείο που προορίζεται γι'αυτήν. Με το κατάλληλο ηλεκτρικό εργαλείο εργάζεσθε καλύτερα και ασφαλέστερα στην αναφερόμενη περιοχή ισχύος.

b) Μη χρησιμοποιήσετε ποτέ ένα ηλεκτρικό εργαλείο του οποίου ο διακόπτης ON/OFF είναι χαλασμένος. Ένα ηλεκτρικό εργαλείο το οποίο δεν μπορεί να τεθεί πλέον σε ή εκτός λειτουργίας είναι επικίνδυνο και πρέπει να επισκευαστεί.

c) Τραβήξτε το φως από την πρίζα και/ή απομακρύνετε μια αποσπώμενη μπαταρία, προτού εκτελέσετε ρυθμίσεις στο ηλεκτρικό εργαλείο, προτού αλλάξετε εξαρτήματα ή φυλάξετε το ηλεκτρικό εργαλείο. Αυτά τα προληπτικά μέτρα ασφαλείας μειώνουν τον κίνδυνο από τυχόν αβέλητη εκκίνηση του ηλεκτρικού εργαλείου.

d) Διαφυλάγετε τα ηλεκτρικά εργαλεία που δε χρησιμοποιείτε μακριά από παιδιά. Μην αφήνετε άτομα που δεν είναι εξοικειωμένα με το ηλεκτρικό εργαλείο ή δεν έχουν διαβάσει αυτές τις οδηγίες χρήσης να το χρησιμοποιήσουν. Τα ηλεκτρικά εργαλεία είναι επικίνδυνα όταν χρησιμοποιούνται από άπειρα πρόσωπα.

e) Φροντίζετε τα ηλεκτρικά εργαλεία και τα εξάρτημα με επιμέλεια. Ελέγχετε, αν τα κινούμενα εξαρτήματα λειτουργούν άψογα, χωρίς να μπλοκάρουν, ή μήπως έχουν σπάσει ή φθαρεί

τυχόν εξαρτήματα τα οποία επηρεάζουν τον τρόπο λειτουργίας του ηλεκτρικού εργαλείου. Δώστε αυτά τα χαλασμένα εξαρτήματα για επισκευή πριν τα ξαναχρησιμοποιήσετε. Η κακή συντήρηση των ηλεκτρικών εργαλείων αποτελεί αιτία πολλών ατυχημάτων.

- f) **Διατηρείτε τα κοπτικά εργαλεία κοφτερά και καθαρά.** Τα κοπτικά εργαλεία που συντηρούνται με προσοχή μπορούν να οδηγηθούν εύκολα και να ελεγχθούν καλύτερα.
 - g) **Χρησιμοποιείτε τα ηλεκτρικά εργαλεία, τα εξαρτήματα, τα χρησιμοποιήσιμα εργαλεία κτλ. σύμφωνα με τις παρούσες οδηγίες καθώς. Λαμβάνετε ταυτόχρονα υπόψη σας τις συνθήκες εργασίας και την υπό εκτέλεση εργασία.** Η χρήση του ηλεκτρικού εργαλείου για άλλες εκτός από τις προβλεπόμενες εργασίες μπορεί να δημιουργήσει επικίνδυνες καταστάσεις.
 - h) **Διατηρείτε τις λαβές και επιφάνειες λαβής στεγνές, καθαρές και ελεύθερες από λάδι και γράσο.** Οι ολισθηρές λαβές και επιφάνειες λαβής δεν επιτρέπουν κανέναν ασφαλή χειρισμό και έλεγχο του ηλεκτρικού εργαλείου σε τυχόν απρόβλεπτες καταστάσεις.
- 5) ΣΕΡΒΙΣ
- a) **Δίνετε το ηλεκτρικό σας εργαλείο για επισκευή από άριστα ειδικευμένο προσωπικό, μόνο με γνήσια ανταλλακτικά.** Ετσι εξασφαλίζεται η διατήρηση της ασφάλειας του ηλεκτρικού εργαλείου.

ΟΔΗΓΙΕΣ ΑΣΦΑΛΕΙΑΣ ΓΙΑ ΦΑΛΤΣΟΠΡΙΟΝΑ

- Τα φάλτσοπρίονα προορίζονται για κοπή ξύλων και προϊόντων από παρεμφερή υλικά, δεν μπορούν να χρησιμοποιούνται με δίσκους λείανσης για την κοπή σιδηρούχων υλικών όπως ράβδους, στύλους, καρφιά κλπ. Η σκόνη από τη λείανση προκαλεί εμπλοκή στα κινούμενα μέρη όπως τον κάτω προφυλακτήρα. Οι σπινθήρες από τη λείανση θα κάψουν τον κάτω προφυλακτήρα, τον ένθετο αρμό κοπής και τα υπόλοιπα πλαστικά μέρη.
- **Να χρησιμοποιείτε σφινγκτήρες για τη στερέωση του κομματιού εργασίας, όταν είναι εφικτό. Αν στηρίζετε το κομμάτι εργασίας με το χέρι, πρέπει πάντα να κρατάτε το χέρι σε απόσταση τουλάχιστον 100 mm εκατέρωθεν του δίσκου κοπής. Μην χρησιμοποιείτε αυτό το πρίονι για να κόψετε κομμάτια εργασίας που είναι πολύ μικρά και δεν μπορούν να στερεωθούν καλά ή να κρατηθούν με το χέρι.** Αν το χέρι σας βρίσκεται πολύ κοντά στον δίσκο κοπής, υπάρχει αυξημένος κίνδυνος τραυματισμού από επαφή με τον δίσκο.
- **Το κομμάτι εργασίας πρέπει να είναι σταθερό και να το έχετε στερεώσει ή να το κρατάτε κόντρα στον οδηγό και στο τραπέζι. Μην τροφοδοτείτε το κομμάτι εργασίας στον δίσκο ούτε να κόβετε οτιδήποτε “με τα χέρια”** Τα κομμάτια εργασίας που δεν είναι στερεωμένα ή που κινούνται μπορούν να εκσφενδονιστούν με υψηλή ταχύτητα προκαλώντας τραυματισμό.
- **Σπρώξτε το πρίονι μέσα από το κομμάτι εργασίας. Μην τραβάτε το πρίονι μέσα από το κομμάτι εργασίας. Για να κάνετε μια τομή, ανασηκώστε την κεφαλή κοπής και τραβήξτε την έξω και πάνω από**

το κομμάτι εργασίας χωρίς να κόψετε, ανοίξτε το μοτέρ, πιέστε την κεφαλή κοπής προς τα κάτω και σπρώξτε το πρίονι μέσα από το κομμάτι εργασίας. Αν κόβετε κατά τη διαδρομή έλξης είναι πιθανό ο δίσκος κοπής να καβαλήσει το κομμάτι εργασίας και να εκσφενδονιστεί τη διάταξη του δίσκου προς το μέρος του χειριστή.

- **Ποτέ μην περνάτε το χέρι πάνω από την επιθυμητή γραμμή κοπής είτε εμπρός είτε πίσω από τον δίσκο κοπής.** Αν στηρίζετε το κομμάτι εργασίας με «σταυρωμένα χέρια» δηλ. αν κρατάτε το κομμάτι εργασίας στα δεξιά του δίσκου κοπής με το αριστερό χέρι ή το αντίστροφο, είναι πολύ επικίνδυνο.
- **Ποτέ μη βάζετε τα χέρια σας πίσω από τον οδηγό σε απόσταση μικρότερη από 100 mm από οποιαδήποτε πλευρά του δίσκου κοπής π.χ. για να απομακρύνετε ροκανίδια ή για κάποιον άλλο λόγο όσο ο δίσκος περιστρέφεται.** Η εγγύτητα του περιστρεφόμενου δίσκου κοπής στο χέρι σας μπορεί να μην είναι προφανής και ενδέχεται να τραυματιστείτε σοβαρά.
- **Επιθεωρείτε το κομμάτι εργασίας πριν την κοπή. Αν το κομμάτι εργασίας έχει κυρτωθεί ή έχει στρεβλωθεί, σφίξτε το με την εξωτερική κυρμένη όψη προς το μέρος του οδηγού. Φροντίζετε πάντα να μην υπάρχει κενό ανάμεσα στο κομμάτι εργασίας, τον οδηγό και το τραπέζι κατά μήκος της γραμμής της κοπής.** Τα κυρτωμένα ή στρεβλωμένα κομμάτια εργασίας μπορούν να περιστραφούν ή να μετατοπιστούν και να σφηνώσουν στον περιστρεφόμενο δίσκο κατά την κοπή. Στο κομμάτι εργασίας δεν πρέπει να υπάρχουν καρφιά ή ξένα αντικείμενα.
- **Μην χρησιμοποιείτε το φάλτσοπρίονο προτού καθαρίσετε το τραπέζι από όλα τα εργαλεία, τα ροκανίδια κλπ. εκτός από το κομμάτι εργασίας.** Τα μικρά υλικά κοπής ή κομμάτια ξύλου ή άλλα αντικείμενα που έρχονται σε επαφή με τον περιστρεφόμενο δίσκο μπορούν να εκσφενδονιστούν με υψηλή ταχύτητα.
- **Να κόβετε ένα κομμάτι εργασίας κάθε φορά** Τα στοιβαγμένα κομμάτια εργασίας δεν μπορούν να σφichτούν ή να στερεωθούν κατάλληλα και ενδέχεται να σφηνώσουν στον δίσκο ή να μετατοπιστούν κατά την κοπή.
- **Φροντίστε να στερεώσετε ή να τοποθετήσετε το φάλτσοπρίονο σε επίπεδη, σταθερή επιφάνεια εργασίας, πριν το χρησιμοποιήσετε.** Η επίπεδη και σταθερή επιφάνεια εργασίας μειώνει τον κίνδυνο αστάθειας του φάλτσοπρίονου.
- **Σχεδιάστε τη δουλειά σας!** Κάθε φορά που αλλάζετε τη ρύθμιση για τη λοξοτομή ή τη φάλτσογωνία, να βεβαιώνετε ότι ο ρυθμιζόμενος οδηγός είναι στη σωστή θέση για να στηρίξει το κομμάτι εργασίας και δε θα παρεμποδίσει τον δίσκο ή το προστατευτικό σύστημα προφύλαξης χωρίς να ενεργοποιηθεί το εργαλείο και χωρίς κομμάτι εργασίας στο τραπέζι, μετακινήστε τον δίσκο κάνοντας μια πλήρη προσομοίωση της κοπής για να βεβαιωθείτε ότι δε θα προκύψει παρεμβολή ή κίνδυνος κοπής του οδηγού.
- **Μερμηνήστε για επαρκή υποστήριξη όπως επεκτάσεις τραπεζιών, τριπόδια, κλπ. για τα κομμάτια εργασίας που έχουν μεγαλύτερο φάρδος ή μήκος από τον πάγκο εργασίας.** Τα κομμάτια εργασίας που έχουν μεγαλύτερο μήκος ή φάρδος από το τραπέζι του φάλτσοπρίονου μπορούν να ανατραπούν

αν δεν έχουν καλή υποστήριξη. Αν το τεμάχιο αποκοπής ή το κομμάτι εργασίας ανατραπεί, μπορεί να ανασκηώσει τον κάτω προφυλακτήρα ή να πεταχτεί από τον περιστρεφόμενο δίσκο.

- **Μην χρησιμοποιείτε άλλο άτομο ως υποκατάστατο για επέκταση τραπεζιού ή ως πρόσθετο στρίγμα** Η ασταθής στήριξη για το κομμάτι εργασίας μπορεί να προκαλέσει το σφήνωμα του δίσκου ή τη μετατόπιση του κομματιού εργασίας κατά τη διάρκεια της κοπής τραβώντας εσάς και τον βοηθό στον περιστρεφόμενο δίσκο.
- **Το τεμάχιο αποκοπής δεν πρέπει να μπλοκάρει ή να πιέζεται με οποιονδήποτε τρόπο πάνω στον περιστρεφόμενο δίσκο κοπής** Αν είναι περιορισμένο, π.χ. επειδή χρησιμοποιούνται οδηγιοί μήκους, το τεμάχιο αποκοπής μπορεί να σφηνωθεί πάνω στον δίσκο και να πεταχτεί βίαια.
- **Χρησιμοποιείτε πάντα σφιγκτήρα ή εξάρτημα που έχει σχεδιαστεί για να υποστηρίζει σωστά το στρογγυλό υλικό, όπως ράβδους ή σωλήνωση** Οι ράβδοι έχουν την τάση να κυλούν ενώ κόβονται, με αποτέλεσμα ο δίσκος να "μαγκώνει" και να τραβεί το κομμάτι εργασίας μαζί με το χέρι σας προς τον δίσκο.
- **Αφήστε τον δίσκο να φθάσει στην πλήρη ταχύτητα πριν τον φέρετε σε επαφή με το κομμάτι εργασίας** Αυτό θα μειώσει τον κίνδυνο να πεταχτεί το κομμάτι εργασίας.
- **Εάν το κομμάτι εργασίας ή ο δίσκος μπλοκαριστεί, απενεργοποιήστε το φάλτοσπρίονο. Περιμένετε να σταματήσουν όλα τα κινούμενα μέρη και αποσυνδέστε το φως από την πηγή τροφοδοσίας ή/και αφαιρέστε την μπαταρία. Μετά δουλέψτε για να ξεκολλήσετε το μπλοκαρισμένο υλικό** Το συνεχές πρόνισμα με μπλοκαρισμένο κομμάτι εργασίας θα μπορούσε να προκαλέσει απώλεια ελέγχου ή βλάβη στο φάλτοσπρίονο.
- **Αφού ολοκληρώσετε την κοπή, αφήστε τον διακόπτη, κρατήστε την κεφαλή κοπής προς τα κάτω και περιμένετε να σταματήσει ο δίσκος και πριν αφαιρέσετε το τεμάχιο αποκοπής** Είναι επικίνδυνο να βάσετε το χέρι σας κοντά στον πριονόδισκο.
- **Κρατήστε τη λαβή σταθερά όταν κάνετε ατελή κοπή ή όταν αφήνετε τον διακόπτη προτού η κεφαλή κοπής φτάσει στην εντελώς κάτω θέση** Με το φρενάρισμα του φάλτοσπρίονου η κεφαλή κοπής μπορεί να τραβηχτεί απότομα προς τα κάτω, με επακόλουθο κίνδυνο τραυματισμού.

ΣΥΜΠΛΗΡΩΜΑΤΙΚΕΣ ΥΠΟΔΕΙΞΕΙΣ ΑΣΦΑΛΕΙΑΣ

- Οι διαδικασίες ζεύξης προκαλούν σύντομες πτώσεις τάσης - υπό δυσμενείς συνθήκες δικτύου μπορεί να επηρεαστούν αρνητικά άλλες συσκευές (άν η σύνθετη αντίσταση δικτύου είναι μικρότερη από 0,219 Ohm δεν αναμένονται παρενοχλήσεις) - για οποιοσδήποτε επεξηγήσεις μπορείτε να απευθυνθείτε στον τοπικό φορέα παροχής ηλεκτρικού ρεύματος

ΓΕΝΙΚΑ

- Χρησιμοποιείτε το εργαλείο μόνο για την κοπή ξύλου
- Βεβαιωθείτε ότι η τάση του παρεχόμενου ρεύματος είναι ίδια με την τάση που υποδεικνύεται στην πινακίδα δεδομένων του εργαλείου
- **Μη στέκεστε πάνω στο εργαλείο ή στη βάση του** Μπορεί να προκληθεί σοβαρός τραυματισμός αν το εργαλείο ανατραπεί ή αν γίνει τυχαία επαφή με το εργαλείο κοπής. Μην αποθηκεύετε υλικά πάνω ή κοντά

στο εργαλείο έτσι που να αναγκάζεστε να σταθείτε πάνω στο εργαλείο ή στη βάση του για να τα φτάσετε.

- **Πάντα να αποσυνδέεται την πρίζα από το ηλεκτρικό δίκτυο πριν κάνετε κάποια ρύθμιση ή αλλάξετε εξάρτημα**
- **Πάντα να αποσυνδέετε το φως από την πηγή τροφοδοσίας πριν μεταφέρετε το φάλτοσπρίονο** Αποσυνδέετε, κατεβάσετε τη διάταξη κεφαλής και την ασφαλίστε στη θέση της, χρησιμοποιείτε τη λαβή μεταφοράς και μία από τις υποδοχές για τα χέρια στη βάση του πριονιού.
- **Μην αφήνετε το εργαλείο προτού έρθει σε πλήρη στάση**
- **Όταν κόβετε ακανόνιστα διαμορφωμένα κομμάτια, σχεδιάστε την εργασία σας έτσι ώστε να μη γλιστρήσει το κομμάτι και μαγκώσει στον δίσκο και τραβηχτεί από το χέρι σας**
- Αυτό το εργαλείο δεν πρέπει να χρησιμοποιείται από άτομα κάτω των 16 ετών
- Αυτό το εργαλείο δεν είναι κατάλληλο για κοπή με νερό

ΥΠΑΙΘΡΙΑ ΧΡΗΣΗ

- Όταν χρησιμοποιείτε το εργαλείο στο ύπαιθρο, συνδέστε το χρησιμοποιώντας έναν διακόπτη ασφαλείας με μέγιστο όριο ενεργοποίησης 30 mA, και χρησιμοποιείτε μόνο καλώδιο προέκτασης ειδικό για υπαίθρια χρήση και εξοπλισμένο με αδιάβροχη πρίζα σύνδεσης

ΠΡΙΝ ΑΠΟ ΤΗ ΧΡΗΣΗ

- Χρησιμοποιείτε ασφαλείς, τελείως ξετυλιγμένες προεκτάσεις καλωδίου με χωρητικότητα 16 Amps
- Να φοράτε προστατευτικά γυαλιά, προστατευτικά μέσα ακοής, και προστατευτικά γάντια
- Η σκόνη από υλικά όπως μογογιές που περιέχουν μόλυβδο, ορισμένα είδη ξύλου, ανόργανα στοιχεία και μέταλλα μπορεί να είναι επιβλαβής (η επαφή ή η εισπνοή της σκόνης μπορεί να προκαλέσει αλλεργικές αντιδράσεις ή/και αναπνευστικές ασθένειες στον χειριστή ή σε άτομα που παριστάνται) - **να φοράτε προσωπίδα προστασίας από τη σκόνη και να εργάζεστε με συσκευή αφαίρεσης σκόνης όταν είναι δυνατό**
- Ορισμένα είδη σκόνης ταξινομούνται ως καρκινογόνα (όπως η σκόνη από τη δρυ ή την οξιά) ιδιαίτερα σε συνδυασμό με πρόσθετα συντήρησης ξύλου - **να φοράτε προσωπίδα προστασίας από τη σκόνη και να εργάζεστε με συσκευή αφαίρεσης σκόνης όταν είναι δυνατό**
- Ακολουθήστε τις σχετικές με σκόνη εθνικές διατάξεις για τα υλικά που θέλετε να εργασείτε
- **Μην κατεργάζεστε υλικά που περιέχουν αμιάντο** (το αμιάντο θεωρείται σαν καρκινογόνο υλικό)
- Μην χρησιμοποιείτε ποτέ το εργαλείο σας χωρίς το προστατευτικό σύστημα που δίνει ο κατασκευαστής
- Ελέγχετε ότι ο προστατευτικός οδηγός κλείνει σωστά πριν από κάθε χρήση
- Μην θέτετε σε λειτουργία το πριόνι εάν ο προστατευτικός οδηγός δεν μετακινείται ελεύθερα και κλείνει ακαριαία
- Μην αφήνετε τη δένετε τον προστατευτικό οδηγό στην ανοιχτή θέση
- Μην χρησιμοποιείτε ποτέ το εργαλείο χωρίς το παρεμβλήμα τραπεζιού; αντικαθιστάτε ελαττωματικά ή φθαρμένα παρεμβλήματα τραπεζιού
- Αφαιρέστε όλα τα εμπόδια από την γραμμή κοπής, πάνω και κάτω, πριν ξεκινήσετε την κοπή
- Προφυλάξτε το εργαλείο από τυχόν φθορές από ξένα

σώματα (βίδες, καρφιά ή άλλα) που ίσως είναι μέσα στο κομμάτι που θα δουλέψετε - αφαιρέστε τα πριν αρχίσετε την εργασία

ΕΞΑΡΤΗΜΑΤΑ

- Με το εργαλείο ποτέ μην χρησιμοποιείτε δίσκους τροχίσματος/κοπής
- Η SKIL εγγυάται την τέλεια λειτουργία του εργαλείου μόνο όταν χρησιμοποιούνται σωστά εξαρτήματα, τα οποία μπορείτε να προμηθευτείτε από το τοπικό κατάστημα διανομής εργαλείων SKIL
- Για τη συναρμολόγηση/χρήση εξαρτημάτων άλλου εργοστασίου, ακολουθήστε τις οδηγίες του σχετικού κατασκευαστή
- Να χρησιμοποιείτε μόνο πριονόδισκους με τα τεχνικά χαρακτηριστικά που αναφέρονται σ' αυτές τις οδηγίες χειρισμού και οι οποίοι έχουν ελεγχθεί σύμφωνα με το πρότυπο EN 847-1 και φέρουν τα αντίστοιχα χαρακτηριστικά
- Χρησιμοποιείτε μόνο εξαρτήματα των οποίων ο ύψιστος επιτρεπτός αριθμός στροφών είναι τουλάχιστον τόσο υψηλός, όσο ο ύψιστος αριθμός στροφών χωρίς φορτίο του εργαλείου
- Μην χρησιμοποιείτε ποτέ δίσκους κοπής από ταχυχύλυβα (HSS)
- Μην χρησιμοποιείτε ραγισμένες, παραμορφωμένες ή στομαχμένες πριονοπίδες
- Χρησιμοποιείτε μόνο πριονόλαμες με διάμετρο οπής που εφαρμόζει στην άτρακτο του εργαλείου χωρίς περιθώρια μετακίνησης - μην χρησιμοποιείτε ποτέ μειωτήρες ή προσαρμογείς για να εφαρμόσετε πριονόλαμες με μεγάλες οπές
- Προστατέψτε τα εξαρτήματα από κραδασμούς, δονήσεις και γράσα

ΚΑΤΑ ΤΗ ΧΡΗΣΗ

- **Μη ζορίζετε το εργαλείο** (να ασκείτε ελαφρά αλλά συνεχή πίεση προκειμένου να αποφευχθεί υπερθέρμανση των άκρων των λεπίδων και - σε περίπτωση που κόβετε πλαστικά - λιώσιμο του πλαστικού)
- Κρατάτε τα δάχτυλα και τα χέρια σας μακριά από την περιστρεφόμενη πριονόλαμα
- Σε περίπτωση εμπλοκής της πριονόλαμας, απενεργοποιήστε το εργαλείο αμέσως και αποσυνδέστε την πρίζα. Μόνο τότε αφαιρέστε το παιγιδευμένο κομμάτι εργασίας
- Σε περίπτωση που το εργαλείο σας θα "κολλήσει", ή σε περίπτωση κακής ηλεκτρικής ή μηχανικής λειτουργίας, σταματήστε αμέσως το εργαλείο και βγάλτε το από την πρίζα
- Σε περίπτωση που υποστεί βλάβη ή κοπεί το καλώδιο κατά την εργασία, μην αγγίζετε το καλώδιο, αλλά αποσυνδέστε αμέσως το φις από την πρίζα
- Ποτέ μην χρησιμοποιείτε το εργαλείο όταν το καλώδιο είναι φθαρμένο. Θα πρέπει να αντικατασταθεί από ειδικά προετοιμασμένο καλώδιο το οποίο υπάρχει διαθέσιμο στο δίκτυο εξυπηρέτησης.

ΑΚΤΙΝΟΒΟΛΙΑ ΛΕΙΖΕΡ

- **Μην κατευθύνετε την ακτίνα λέιζερ επάνω σε πρόσωπα ή ζώα και μην κοιτάξετε οι ίδιοι κατευθείαν στην άμεση ή ανακλώμενη ακτίνα λέιζερ** (έτσι μπορεί να τυφλώσετε άτομα, να προκαλέσετε ατυχήματα ή να βλάψετε τα μάτια σας)
- Σε περίπτωση που η ακτίνα λέιζερ πέσει στα μάτια σας, πρέπει να κλείσετε τα μάτια συνειδητά και να απομακρυνέτε το κεφάλι σας αμέσως από την ακτίνα
- Μην προβείτε σε καμία αλλαγή στη διάταξη λέιζερ

- Μην κοιτάτε απευθείας μέσα στη δέσμη του λέιζερ (ακτινοβολία λέιζερ)
- Μην χρησιμοποιείτε μεγεθυντικά οπτικά όργανα (π.χ. μεγεθυντικούς φακούς, τηλεσκόπια ή κιάλια) για να δείτε τη δέσμη του λέιζερ
- Μην χρησιμοποιείτε το εργαλείο σε χώρους στους οποίους υπάρχουν εύφλεκτα υγρά, αέρια ή σκόνες
- Μην χρησιμοποιείτε το εργαλείο εάν υπάρχουν παιδιά στον ίδιο χώρο
- Μην αντικαθιστάτε το λέιζερ που διαθέτει η συσκευή με λέιζερ άλλου τύπου

ΜΕΤΑ ΤΗ ΧΡΗΣΗ

- Μετά το σβήσιμο του εργαλείου, μην σταματάτε την περιστροφή του εξαρτήματος εφαρμόζοντας πλάγια δύναμη σ' αυτό
- Αφαιρείτε τα υπολείμματα κοπής ή άλλα τμήματα του κομματιού εργασίας από την περιοχή κοπής όταν όλα τα κινούμενα στοιχεία είναι πλήρως ακινητοποιημένα
- Η πριονόλαμα θερμαίνεται εξαιρετικά κατά τη χρήση, γ' αυτό μην την αγγίζετε μέχρι να κρυώσει
- Αποθηκεύστε το εργαλείο σε **εσωτερικούς χώρους** σε μέρος δροσερό και κλειδωμένο, μακριά από παιδιά

ΕΠΕΞΗΓΗΣΗ ΤΩΝ ΣΥΜΒΟΛΩΝ ΣΤΟ ΕΡΓΑΛΕΙΟ

- ② Διαβάστε το εγχειρίδιο οδηγιών πριν από τη χρήση
- ③ Να φοράτε προστατευτικά γυαλιά και προστατευτικά μέσα ακοής
- ④ **Επικίνδυνη ζώνη! Ζώνη απαγόρευσης εισόδου χεριών. Κρατήστε τις παλάμες, τα δάχτυλα ή τα χέρια μακριά από αυτήν την περιοχή.**
- ⑤ Διπλή μόνωση (δεν απαιτείται καλώδιο γείωσης)
- ⑥ Μην πετάτε τα ηλεκτρικά εργαλεία και μπαταρίες στον κάδο οικιακών απορριμμάτων
- ⑦ **Ακτινοβολία λέιζερ / Μην κοιτάτε απευθείας μέσα στην ακτίνα / Προϊόν λέιζερ κλάσης 2**

ΧΡΗΣΗ

- Συναρμολόγηση
 - συναρμολογήστε τη λαβή μεταφοράς E με τα μπουλόνια 2 χρησιμοποιώντας τα εξάγωνα κλειδί AN⑨
 - συναρμολογήστε το κουμπί ασφάλισης φάλτσοκοπής ΑΕ στο μπροστινό μέρος του τραπέζιου ⑩
 - συναρμολογήστε τον συρταρωτό οδηγό U (βλ. Ρύθμιση συρταρωτών οδηγιών)
- Θέση μεταφοράς/λειτουργίας
 - Για να απελευθερώσετε το εργαλείο (**θέση** εργασίας)
 - πιέστε τη λαβή B⑧ προς τα κάτω με το ένα χέρι ενώ τραβάτε τον πεύρο ασφάλισης C με το άλλο χέρι ⑪a
 - μετακινήστε τη διάταξη της κεφαλής αργά προς τα πάνω
 - Για να ασφαλίσετε το εργαλείο (**θέση** μεταφοράς)
 - σύρετε τη διάταξη της κεφαλής προς το στοπ στην κατεύθυνση του οδηγού S (κρατήστε απόσταση περίπου 5 cm) και σφίξτε τον διακόπτη ασφάλισης AH ⑪b
 - ρυθμίστε τη γωνία λοξοτομής σε 0° (βλ. Ρύθμιση γωνιών λοξοτομής)
 - ρυθμίστε τη φάλτσογωνία σε 45° αριστερά ή δεξιά (βλ. Ρύθμιση φάλτσογωνιών)
 - πιέστε τη λαβή B προς τα κάτω με το ένα χέρι ενώ σπρωχνετε τον πεύρο ασφάλισης C με το άλλο χέρι
 - τυλίξτε το καλώδιο τροφοδοσίας
 - χρησιμοποιήστε τη λαβή μεταφοράς E ⑧ για τη μεταφορά του εργαλείου ⑪d

- εναλλακτικά, χρησιμοποιήστε τις πλευρικές λαβές για τη μεταφορά του εργαλείου ¹¹e
- ! **ποτέ μην ανασηκώνετε το εργαλείο κρατώντας την κύρια λαβή ή το καλώδιο τροφοδοσίας**
- Τοποθέτηση εργαλείου σε επιφάνεια εργασίας ¹²
- ! **για ασφαλή χειρισμό, αναρτάτε πάντα το εργαλείο σε επίπεδη και σταθερή επιφάνεια εργασίας (π.χ. σε πάγκο εργασίας)**
- χρησιμοποιήστε 4 σπές ανάρτησης F για να προσαρτήσετε το εργαλείο με κατάλληλες βίδες στην επιφάνεια εργασίας
- μπορείτε επίσης να σφίξετε το εργαλείο στην επιφάνεια εργασίας χρησιμοποιώντας κοχλιωτούς σφικτήρες που διατίθενται στο εμπόριο
- για τη σταθεροποίηση του εργαλείου, το ύψος του ποδιού στερέωσης G μπορεί να ρυθμιστεί
- εναλλακτικά, το εργαλείο μπορεί να τοποθετηθεί επάνω σε βάση φάλτσοπρίνου
- ! **διαβάστε όλες τις προειδοποιήσεις και τις οδηγίες που περιλαμβάνονται στη βάση του πριονιού**
- Αφαίρεση σκόνης/θραυσμάτων ¹³
- τοποθετήστε τον σάκο σκόνης H/ την ηλεκτρική σκούπα όπως απεικονίζεται
- να αδειάζετε κανονικά το σάκκο για καλύτερη συλλογή της σκόνης
- ! **ποτέ μην αφήσετε τον σωλήνα της ηλεκτρικής σκούπας να εμπλακεί με τον κάτω προφυλακτήρα με τη διαδικασία κοπής**
- Επέκταση τραπεζιού εργασίας ¹⁴
- χρησιμοποιήστε τα κομμάτια L για να στερεώσετε τις ράβδους επέκτασης K (σε κάθε πλευρά του εργαλείου)
- το μήκος των ράβδων επέκτασης K ρυθμίζεται με αδιαβήσιμο τρόπο, από το ελάχιστο στο μέγιστο
- Σύσφιξη του κομματιού εργασίας ¹⁵
- ! **για βέλτιστη ασφάλεια κατά την εργασία, σφίγγετε πάντα το κομμάτι εργασίας καλά χρησιμοποιώντας το ρυθμιζόμενο σφικτήρα που παρέχεται**
- μην χρησιμοποιείτε κομμάτια εργασίας που έχουν πολύ μικρό μέγεθος για σύσφιξη
- για τις **μέγιστες** δυνατές διαστάσεις του κομματιού εργασίας, χρησιμοποιήστε τον πίνακα ¹⁶ για αναφορά
- στερεώστε τον σφικτήρα των κομματιών εργασίας στην οπή υποστήριξης N με τον περιστρεφόμενο διακόπτη P (σε κάθε πλευρά του εργαλείου)
- ο σφικτήρας κομματιών εργασίας έχει 2 αυλακώσεις για εύκολη ασφάλιση, 1 για λεπτά κομμάτια εργασίας (μέχρι 5cm) και 1 για μεγαλύτερα κομμάτια εργασίας (πάνω από 5cm)
- πιέστε το κομμάτι εργασίας σταθερά προς τον οδηγό S
- απασφαλίστε τον μοχλό R
- προσαρμόστε τον σφικτήρα στο κομμάτι εργασίας
- σφίξτε το κομμάτι εργασίας καλά με τον μοχλό ασφάλισης R
- ! **για ορισμένους συνδυασμούς φάλτσοκοπής και λοξοτομής ή ανάλογα με το μέγεθος του κομματιού εργασίας, μπορεί να χρειαστεί να χρησιμοποιήσετε βιδωτούς σφικτήρες του εμπορίου στη θέση του σφικτήρα των κομματιών εργασίας**
- Ρύθμιση φάλτσογωνιών ¹⁷
- ξεσφίξτε τη λαβή ασφάλισης AE
- τραβήξτε τον μοχλό απελευθέρωσης της συγκράτησης φάλτσοκοπής AF
- περιστρέψτε το τραπέζι εργασίας προς τα αριστερά ή τα δεξιά και ρυθμίστε την επιθυμητή φάλτσογωνία (από 0° έως 50°) χρησιμοποιώντας τον δείκτη AG
- απελευθερώστε τον μοχλό AF
- σφίξτε τη λαβή ασφάλισης AE (**μη σφίξετε υπερβολικά τη λαβή**)
- για γρήγορη και ακριβή ρύθμιση φάλτσογωνιών που χρησιμοποιούνται συχνά (0°, 15°, 22.5°, 31.6°, 45°) ο μοχλός συγκράτησης φάλτσοκοπής AF κουμπώνει στις αντίστοιχες θέσεις· για να το αποφύγετε αυτό, ο μοχλός AF μπορεί να ασφαλίσει σε ελεύθερη θέση ¹⁷b
- Ρύθμιση γωνιών λοξοτομής ¹⁸
- ξεσφίξτε τον περιστρεφόμενο διακόπτη με τα τρία σκέλη W
- μετακινήστε την κεφαλή κοπής προς τα αριστερά έως ότου ο δείκτης της γωνίας λοξοτομής X υποδεικνύει την επιθυμητή γωνία
- ρυθμιζόμενο τελικό στοπ λοξοτομής AA (45°) μπορεί να χρησιμοποιηθεί για σταμάτημα στις 45° ή για συνέχεια έως τις 48° ¹⁸b
- κρατήστε την κεφαλή του εργαλείου σε αυτή τη θέση και σφίξτε τον περιστρεφόμενο διακόπτη W
- για λοξοτομές προς τα δεξιά πρώτα κλίνετε την κεφαλή κοπής ελαφρώς προς τα αριστερά, περιστρέψτε τον δεξιό περιστρεφόμενο διακόπτη απελευθέρωσης λοξοτομής AB (περ. 60°), έπειτα μετακινείτε την κεφαλή κοπής στην επιθυμητή γωνία δεξιάς λοξοτομής ¹⁸c
- όταν επαναφέρετε την κεφαλή κοπής στα αριστερά ο δεξιός περιστρεφόμενος διακόπτης λοξοτομής AB επανέρχεται αυτόματα στο τελικό στοπ 0°· αυτό μπορεί να αποτραπεί εφόσον ο περιστρεφόμενος διακόπτης περιστραφεί στις 90° περίπου αντί για τις 60° ¹⁸d
- Σύνθετα κοψίματα ¹⁹
- τα σύνθετα κοψίματα απαιτούν ρύθμιση και φάλτσογωνίας και γωνίας λοξοτομής
- ! **μην χρησιμοποιείτε το μηχάνημα για όσους συνδυασμούς φάλτσοκοπής και λοξοτομής μπορεί να προκαλέσουν παρεμβολή ανάμεσα στα συρταρωτά και τα σταθερά μέρη του μηχανήματος ή ανάμεσα στα συρταρωτά μέρη και το κομμάτι εργασίας – για να κάνετε την κοπή αφαιρέστε τον συρταρωτό οδηγό, τον διακόπτη ασφάλισης του συρταρωτού οδηγού και τον διακόπτη του σφικτήρα κομματιών, όπως χρειάζεται.**
- ! **πάντα δοκιμάστε πρώτα πάνω σ'ένα κομμάτι άχρηστο υλικό**
- Ρύθμιση των συρταρωτών οδηγών ²⁰
- ξεσφίξτε τον περιστρεφόμενο διακόπτη V για να επιτρέψετε την κίνηση των οδηγών U
- ξεσφίξτε τον περιστρεφόμενο διακόπτη V περισσότερο για να επιτρέψετε την αφαίρεση / συναρμολόγηση των οδηγών
- σφίξτε τον περιστρεφόμενο διακόπτη V για να ασφαλίσετε την επιθυμητή θέση
- ! **βεβαιωθείτε ότι οι συρταρωτοί οδηγοί έχουν**

- ασφαλιστεί καλά πριν χρησιμοποιήσετε το εργαλείο
- ! για κάποιους συνδυασμούς φάλτσκοπής και λοξοτόμης μπορεί να χρειαστεί η αφαίρεση του περιστρεφόμενου διακόπτη
 - Γραμμή λέιζερ 21
 - ώστε να κατευθύνεται το εργαλείο κατά μήκος της χαραγμένης γραμμής κοπής πάνω στο κομμάτι
 - ενεργοποιείτε/απενεργοποιείτε τη γραμμή λέιζερ σπρώχνοντας το διακόπτη AD
 - ! πριν ξεκινήσετε μια εργασία, ελέγξτε την ευθυγράμμιση της γραμμής λέιζερ με την πραγματική γραμμή κοπής, κάνοντας μια δοκιμαστική κοπή σε ένα κομμάτι άχρηστου υλικού
 - Πριόνισμα χωρίς συρταρωτή κίνηση (μικρά κομμάτια εργασίας)
 - λασκάρτε τον διακόπτη ασφάλισης AH σε περίπτωση που είναι σφιγμένος
 - σύρετε την κεφαλή κοπής προς το στοπ στην κατεύθυνση του οδηγού S και ξανασφίξτε τον διακόπτη ασφάλισης AH
 - ! αν δεν ασφαλίσετε τον μηχανισμό, ο δίσκος μπορεί να καβαλήσει απότομα το κομμάτι εργασίας και να κινηθεί προς το μέρος σας
 - τοποθετήστε το εργαλείο στη θέση εργασίας
 - ! βεβαιωθείτε ότι το κομμάτι εργασίας είναι στερεωμένο καλά στο τραπέζι εργασίας και τον οδηγό S
 - ενεργοποιήστε το εργαλείο απελευθερώνοντας το κλείδωμα AJ και τραβώντας τον γενικό διακόπτη AI
 - ! μη σταυρώνετε τα χέρια όταν χειρίζεστε την κεφαλή κοπής 23a
 - πριονίστε το κομμάτι εργασίας με σταθερό ρυθμό
 - ! το εργαλείο πρέπει να λειτουργεί με πλήρη ταχύτητα προτού ο δίσκος κοπής εισχωρήσει το υλικό που κόβετε
 - απενεργοποιήστε το εργαλείο απελευθερώνοντας το διακόπτη AI
 - περιμένετε μέχρι ο δίσκος κοπής να σταματήσει τελείως, προτού οδηγήσετε την κεφαλή κοπής σιγά-σιγά προς τα επάνω
 - Πριόνισμα με συρταρωτή κίνηση (φαρδιά κομμάτια εργασίας)
 - ! να έχετε υπ' όψη σας ότι η μέθοδος που περιγράφεται παρακάτω είναι η μόνη ασφαλής
 - μην τραβάτε το πριόνι μέσα από το κομμάτι εργασίας
 - λασκάρτε τον διακόπτη ασφάλισης AH σε περίπτωση που είναι σφιγμένος
 - ! βεβαιωθείτε ότι το κομμάτι εργασίας είναι στερεωμένο καλά στο τραπέζι εργασίας και τον οδηγό S
 - τραβήξτε και απομακρύνετε την κεφαλή κοπής από τον οδηγό S σε αρκετή απόσταση έτσι ώστε ο δίσκος κοπής να είναι εμπρός από το κομμάτι εργασίας 24
 - ενεργοποιήστε το εργαλείο απελευθερώνοντας το κλείδωμα 22 και τραβώντας τον γενικό διακόπτη
 - ! μη σταυρώνετε τα χέρια όταν χειρίζεστε την κεφαλή κοπής 23a
 - ωθήστε την κεφαλή κοπής στην κατεύθυνση του οδηγού S και διαπεράστε με πριόνισμα το κομμάτι εργασίας, με μοιόμορφη πρόωθηση 24
 - ! το εργαλείο πρέπει να λειτουργεί με πλήρη

- ταχύτητα προτού ο δίσκος κοπής εισχωρήσει το υλικό που κόβετε
- ! Αν ο κάτω προφυλακτήρας δεν ανοίγει αυτόματα, κάτι που μπορεί να συμβεί υπό ορισμένες συνθήκες (π.χ. το κομμάτι εργασίας βρίσκεται πολύ κοντά στη μέγιστη χωρητικότητα), ίσως χρειαστεί να ανοίξετε τον προφυλακτήρα με το χέρι 23b
 - απενεργοποιήστε το εργαλείο απελευθερώνοντας το διακόπτη AI
 - περιμένετε μέχρι ο δίσκος κοπής να σταματήσει τελείως, προτού οδηγήσετε την κεφαλή κοπής σιγά-σιγά προς τα επάνω
 - Αυλακώσεις προνίσματος 25
 - ρυθμίστε το επιθυμητό βάθος με το στοπ βάθους AK και κουμπώστε το στη θέση του σφίγγοντας το παξιμάδι AM
 - ένα ζύλινο διαχωριστικό θα τοποθετηθεί ανάμεσα στο κομμάτι εργασίας και τον οδηγό για σταθερό βάθος σε όλο το μήκος της αυλάκωσης
 - ! βεβαιωθείτε ότι ο δίσκος κοπής δεν παγιδεύεται στο κομμάτι εργασίας
 - ! πάντα δοκιμάστε πρώτα πάνω σ' ένα κομμάτι άχρηστο υλικό
 - Αλλαγή του δίσκου κοπής 26
 - ! βγάλτε το φιν από την πρίζα
 - πάρτε το εξάγωνο κλειδί AN από τη θήκη του αποθήκευσης AO
 - κρατήστε τον προφυλακτήρα A στην ανοιχτή θέση
 - ξεσφίξτε τη βίδα του καλύμματος AQ (μην ξεβιδώσετε εντελώς τη βίδα) 26a
 - περιστρέψτε τον προφυλακτήρα A εντελώς προς τα πίσω 26b
 - πιέστε το κουμπί ασφάλισης της ατράκτου AP και κρατήστε το καθώς αφαιρείτε τον κοχλία της λάμας AR μετακινώντας το εξάγωνο κλειδί AN ΔΕΞΙΟΣΤΡΟΦΑ (δηλαδή, στην ίδια κατεύθυνση με το βέλος που αναγράφεται στην πριονόλαμα)
 - ! πιέζετε το κουμπί ασφάλισης της ατράκτου AP μόνο όταν είναι σταματημένο το εργαλείο
 - αφήστε το κουμπί ασφάλισης της ατράκτου AP
 - αφαιρέστε τη φλάντζα AS και την πριονόλαμα
 - ! αλλάξτε πριονόλαμα όταν τα δόντια του πριονιού και το βέλος της πριονόλαμας έχουν την ίδια φορά με το βέλος που αναγράφεται στον προστατευτικό οδηγό A
 - τοποθετήστε τη φλάντζα AS 26c
 - πιέστε το κουμπί ασφάλισης της ατράκτου AP και κρατήστε το πατημένο ενώ σφίγγετε τον κοχλία του δίσκου γυρίζοντάς τον με το εξάγωνο κλειδί AN ΑΡΙΣΤΕΡΟΣΤΡΟΦΑ 1/8 του κύκλου πέρα από το σημείο μέχρι το οποίο σφίγγει με το χέρι (έτσι διασφαλίζεται το γλίστρημα του δίσκου κοπής όταν αντιμετωπίζει υπέρμετρη αντίσταση, αποφεύγοντας με τον τρόπο αυτό την υπερφόρτωση του μοτέρ και το κλότσημα του εργαλείου)
 - σφίξτε τη βίδα του καλύμματος AQ
 - Αντικατάσταση παρεμβλήματος τραπεζιού AT 26
 - Αντικαταστήστε ένα ελαττωματικό ή φθαρμένο παρέμβλημα τραπεζιού ως εξής:
 - ! βγάλτε το φιν από την πρίζα
 - πάρτε το εξάγωνο κλειδί AN από τη θήκη του αποθήκευσης AO

- αφαιρέστε και τις 6 βίδες όπως απεικονίζεται
- αφαιρέστε το παλιό παρέμβλημα τραπεζιού ανασηκώνοντάς το από μπροστά και, στη συνέχεια, τραβώντας το εντελώς προς τα έξω
- τοποθετήστε το νέο παρέμβλημα τραπεζιού
- ! **σφίξτε καλά και τις 6 βίδες**
- Έλεγχος/προσαρμογή ευθυγράμμισης λάμας στις 90° ⁽²⁸⁾
- ! **βγάλετε το φιν από την πρίζα**
- περιστρέψτε το τραπέζι εργασίας στη θέση φάλσσοκοπής 0° και ασφαλίστε το στη θέση του
- μετακινήστε την κεφαλή κοπής σε θέση λοξοτομής 0°
- χαμηλώστε την κεφαλή κοπής και ασφαλίστε την στη θέση της
- ελέγξτε εάν η γωνία μεταξύ της λάμας και του τραπεζιού είναι 90° χρησιμοποιώντας γνώμονα
- εάν είναι απαραίτητο, προσαρμόστε την ευθυγράμμιση της λάμας κατά 90° ως εξής:
 1. ξεσφίξτε τον περιστρεφόμενο διακόπτη με τα τρία σκέλη W
 2. ρυθμίστε τη βίδα Y με ένα εξάγωνο κλειδί 4 mm (δεν περιλαμβάνεται στον βασικό εξοπλισμό) ^(28b)
 3. ελέγξτε ξανά με το γνώμονα
 4. επαναφέρετε τον δείκτη λοξοτομής στις 0° ^(28c)
- Έλεγχος/προσαρμογή ευθυγράμμισης λάμας στις 45° ⁽²⁹⁾

- ! **βγάλετε το φιν από την πρίζα**
- περιστρέψτε το τραπέζι εργασίας στη θέση φάλσσοκοπής 0° και ασφαλίστε το στη θέση του
- ξεσφίξτε τον περιστρεφόμενο διακόπτη με τα τρία σκέλη W
- θέστε το ρυθμιζόμενο τελικό στοπ λοξοτομής AA στις 45° ^(29b)
- μετακινήστε την κεφαλή κοπής προς τα αριστερά
- ελέγξτε εάν η γωνία μεταξύ της λάμας και του τραπεζιού είναι 45° χρησιμοποιώντας γνώμονα φάλσσογωνίας ^(29a)
- ελέγξτε εάν ο δείκτης λοξοτομής X βρίσκεται στις 45°
- εάν είναι απαραίτητο, προσαρμόστε την ευθυγράμμιση της λάμας κατά 45° ως εξής:
 1. ρυθμίστε τη βίδα Z με κλειδί δίσκου νούμερο 10 (δεν περιλαμβάνεται στον βασικό εξοπλισμό)
 2. ελέγξτε ξανά με το γνώμονα φάλσσογωνίας
- αν χρειαστεί, επαναλάβετε για τη ρύθμιση των 45° προς τα δεξιά
- χαμηλώστε την κεφαλή κοπής και ασφαλίστε την στη θέση της
- Έλεγχος/προσαρμογή ευθυγράμμισης οδηγού στις 90° ⁽³⁰⁾

- ! **βγάλετε το φιν από την πρίζα**
- περιστρέψτε το τραπέζι εργασίας στη θέση φάλσσοκοπής 0° και ασφαλίστε το στη θέση του
- χαμηλώστε την κεφαλή κοπής και ασφαλίστε την στη θέση της
- ελέγξτε εάν η γωνία μεταξύ της λάμας και του οδηγού είναι στις 90° S χρησιμοποιώντας γνώμονα (βεβαιωθείτε ότι ο γνώμονας εφάπτεται στο σώμα της πριονόλαμας και όχι στα δόντια της)
- εάν είναι απαραίτητο, προσαρμόστε την ευθυγράμμιση του οδηγού κατά 90° ως εξής:
 1. ξεσφίξτε τις 4 εξάγωνες βίδες D
 2. προσαρμόστε τον οδηγό έως ότου η λάμα και ο οδηγός εφάπτονται πλήρως με τον γνώμονα

3. ξεσφίξτε τις 4 εξάγωνες βίδες T
 4. επαναφέρετε τον δείκτη φάλσσοκοπής στις 0° ^(30c)
- Κλιπ καλωδίου ⁽³¹⁾
 - χρησιμοποιήστε το κλιπ καλωδίου AV για να αποτρέψετε το σφήνωμα του καλωδίου τροφοδοσίας ανάμεσα στα κινούμενα και τα σταθερά μέρη του εργαλείου

ΟΔΗΓΙΕΣ ΕΦΑΡΜΟΓΗΣ

- Ειδικά κομμάτια εργασίας
 - χρησιμοποιείτε πάντα υποστήριξη για τα ελεύθερα άκρα μακρών κομματιών εργασίας
 - βεβαιωθείτε ότι τα κυρτά ή στρογγυλά κομμάτια εργασίας είναι ειδικά ασφαλισμένα ώστε να μην ολισθαίνουν ⁽³³⁾
 - στη γραμμή κοπής δεν πρέπει να υπάρχει κενό μεταξύ του κομματιού εργασίας και του οδηγού ή του τραπεζιού εργασίας
 - αν χρειαστεί, κατασκευάστε βοηθητικό οδηγό· οι οπές στον συρταρωτό οδηγό θα χρησιμοποιηθούν για να στερεωθεί ο βοηθητικός οδηγός ⁽³⁴⁾
- ! **ο βοηθητικός οδηγός μπορεί να χρησιμοποιηθεί μόνο σε λοξοτομή 0°**

- Για εργασία σε καλούπια διαπέδων, μπορείτε να ανατρέξετε στην εικόνα ⁽³⁵⁾ για αναφορά
- Φροντίστε ώστε πάντα η "καλή" πλευρά του κομματιού εργασίας να αντικρύζει προς τα κάτω ώστε να αποφεύγεται το "ξέφτισμα"
- Χρησιμοποιείτε μόνο δίσκους κοπής που κόβουν καλά και είναι ο σωστός τύπος για τη δουλειά που κάνετε
 - ο αριθμός δοντιών που διαθέτουν όσο μεγαλύτερος ο αριθμός δοντιών βελτιωμένη ποιότητα κοπής
 - οι δίσκους κοπής με άκρα καρβιδίου παραμένουν κοφτεροί έως και 30 φορές περισσότερο από τους συνήθεις δίσκους κοπής

ΣΥΝΤΗΡΗΣΗ / ΣΕΡΒΙΣ

- Διατηρείτε πάντα το εργαλείο και το καλώδιο καθαρά (ειδικά τις σχισμές εξερισμού που βρίσκονται στο πίσω μέρος του περιβλήματος του μοτέρ)
- Αναπτύξτε τακτικό έλεγχο για να βεβαιώνετε ότι ο κάτω προφυλακτήρας λειτουργεί κανονικά. Καθαρίζετε τον κάτω προφυλακτήρα από το πριονίδι που μπορεί να συσσωρεύεται εκεί με ένα υψοτό πανί.
 - αφαιρέστε την πρίζα πριν το καθάρισμα
 - ανασρώστε τον κάτω προφυλακτήρα στην τελειώς ανοιχτή θέση για να τον αποδεσμεύσετε· αν δεν κλείσει αμέσως και τελειώς, θα πρέπει να ελεγχθεί από κέντρο σέρβις για ηλεκτρικά εργαλεία SKIL
- Καθαρίστε τον δίσκο κοπής αμέσως μετά τη χρήση (κυρίως από κόλλα ή βερνίκια)
 - η πριονόλαμα θερμαίνεται εξαιρετικά κατά τη χρήση, γι' αυτό μην την αγγίξετε μέχρι να κρυώσει
- Καθαρίζετε τη διάταξη λείζερ AC με ένα μαλακό πανό ύστερα από κάθε χρήση για να διατηρήσετε καλή την ορατότητα της γραμμής λείζερ (προσέξτε να μην αλλάζετε τη ρύθμιση του λείζερ)
- Αν παρ' όλες τις επιμελημένες μεθόδους κατασκευής κι ελέγχου το εργαλείο σταματήσει κάποτε να λειτουργεί, τότε η επισκευή του πρέπει να ανατεθεί σ' ένα εξουσιοδοτημένο συνεργείο για ηλεκτρικά εργαλεία της SKIL
 - στείλτε το εργαλείο **χωρίς να το**

αποσυναρμολογήστε μαζί με την απόδειξη αγοράς στο κατάστημα από το οποίο το αγοράσατε ή στον πλησιέστερο σταθμό τεχνικής εξυπηρέτησης της SKIL (θα βρείτε τις διευθύνσεις και το διάγραμμα συντήρησης του εργαλείου στην ιστοσελίδα www.skil.com)

- Να γνωρίζετε ότι βλάβες που προκαλούνται λόγω υπερφόρτωσης ή ακατάλληλου χειρισμού του εργαλείου, δεν καλύπτονται από την εγγύηση (για τους όρους της εγγύησης της SKIL επισκεφτείτε τη διεύθυνση www.skil.com ή απευθυνθείτε στον πλησιέστερο αντιπρόσωπο)

ΠΕΡΙΒΑΛΛΟΝ

- **Μην πετάτε τα ηλεκτρικά εργαλεία, μπαταρίες, εξαρτήματα και συσκευασία στον κάδο οικιακών απορριμμάτων** (μόνο για τις χώρες της ΕΕ)
 - σύμφωνα με την ευρωπαϊκή οδηγία 2012/19/ΕΚ περί ηλεκτρικών και ηλεκτρονικών συσκευών και την ενσωμάτωσή της στο εθνικό δίκαιο, τα ηλεκτρικά εργαλεία πρέπει να συλλέγονται ξεχωριστά και να επιστρέφονται για ανακύκλωση με τρόπο φιλικό προς το περιβάλλον
 - το σύμβολο ⑥ θα σας το θυμίσει αυτό όταν έλθει η ώρα να πετάξετε τις

ΘΟΡΥΒΟΣ

- Βάσει της μέτρησης σύμφωνα με το EN 62841 η στάθμη ηχητικής πίεσης αυτού του εργαλείου είναι 100,0 dB(A) και η στάθμη ηχητικής ισχύος 109,5 dB(A) (αβεβαιότητα K = 3 dB)
- Το επίπεδο εκπομπής θορύβου έχει μετρηθεί σύμφωνα με μια τυποποιημένη δοκιμή που αναφέρεται στο πρότυπο EN 62841 - μπορεί να χρησιμοποιηθεί για τη σύγκριση ενός εργαλείου με ένα άλλο, καθώς και ως προκαταρκτική αξιολόγηση της έκθεσης στον θόρυβο όταν το εργαλείο χρησιμοποιείται για τις εφαρμογές που αναφέρονται
 - η χρήση του εργαλείου για διαφορετικές εφαρμογές ή με διαφορετικά ή κακοσυντηρημένα εξαρτήματα μπορεί να **αυξήσει** σημαντικά το επίπεδο έκθεσης
 - όταν το εργαλείο είναι απενεργοποιημένο ή δουλεύει αλλά δεν εκτελεί την εργασία, το επίπεδο έκθεσης μπορεί να **μειωθεί** σημαντικά

RO

Ferăstrău unghiular glisant 1320

INTRODUCERE

- Această sculă este destinată, ca mașină fixă, tăierilor longitudinale și transversale în lemn atât cu secțiuni drepte, cât și cu secțiuni unghiulare (sunt posibile unghiuri de înclinare pe orizontală de -50° până la +50°, precum și unghiuri de înclinare pe verticală de -48° până la +45°)
- Citiți și păstrați acest manual de instrucțiuni ②
- Această sculă nu este destinată utilizării profesionale
- **Utilizați scula numai când este asamblată corect și complet** (rețineți că Skil nu își poate asuma răspunderea pentru deteriorarea sculei și/sau leziunile corporale produse ca rezultat al asamblării incorecte a sculei)

DATE TEHNICE ①

ELEMENTELE SCULEI ⑧

- A Apărătoare inferioară
- B Mâner comutator
- C Știft de blocare pentru transport
- D Dispozitiv superior de protecție
- E Mâner pentru transport
- F Orificii de montare
- G Picior de susținere
- H Sacul pentru praf
- J Racord pentru aspirația prafului
- K Bare de extensie
- L Butoane pentru blocarea barelor de extensie
- M Clemă pentru montarea piesei de lucru
- N Orificiu de suport
- P Buton pentru fixarea clemei
- Q Buton pentru reglarea clemei
- R Manetă de prindere
- S Ghidaj
- T Șuruburi hexagonale pentru reglare ghidaj (4x)
- U Ghidaj glisant
- V Buton pentru fixarea ghidajului glisant
- W Buton de blocare (unghiuri de înclinare pe verticală)
- X Indicator unghi de înclinare pe verticală
- Y Șurub pentru reglarea unghiului de înclinare pe verticală (dreapta)
- Z Șurub pentru reglarea unghiului de înclinare pe verticală (stânga)
- AA Opritor final reglabil
- AB Maneta de eliberare pentru înclinarea pe verticală din dreapta
- AC Fascicul laser
- AD Întrerupător pornit/oprit laser
- AE Mâner pentru blocare (unghiuri de înclinare pe orizontală)
- AF Maneta de eliberare pentru detenta la înclinarea pe orizontală
- AG Indicator unghi de înclinare pe orizontală
- AH Buton de blocare pentru dispozitivul de glisare
- AI Întrerupător pornit/oprit
- AJ Manetă de siguranță
- AK Limitator al adâncimii de tăiere
- AL Opritor de adâncime
- AM Piușta opritorului de adâncime
- AN Cheia hexagonală
- AO Locaș de depozitare pentru cheia hexagonală
- AP Buton de blocare a axului
- AQ Șurub placă de acoperire
- AR Șurub de disc
- AS Flanșă
- AT Inserție masă
- AU Deflector de praf
- AV Clemă pentru cablu

SIGURANȚA

INSTRUCȚIUNI GENERALE DE SIGURANȚĂ PENTRU SCULE ELECTRICE

⚠ AVERTISMENT Citiți toate avertismentele, instrucțiunile, ilustrațiile și specificațiile furnizate

împreună cu această sculă electrică. Neconformarea la instrucțiunile de mai jos poate produce șoc electric, incendiu și/sau răniri grave.

Păstrați toate avertizările și instrucțiunile în vederea consultării ulterioare.

Termenul de “sculă electrică” folosit în indicațiile de avertizare se referă la sculele electrice alimentate de la rețea (cu cablu de alimentare) și la sculele electrice cu acumulator (fără cablu de alimentare).

1) SIGURANȚA LA LOCUL DE MUNCĂ

- a) **Păstrați-vă locul de muncă curat și bine iluminat.** Dezordinea la locul de muncă sau existența unor sectoare de lucru neiluminate poate duce la accidente.
- b) **Nu folosiți mașina în medii cu pericol de explozie, acolo unde există lichide, gaze sau pulberi inflamabile.** Sculele electrice pot produce scânteii care să aprindă pulberile sau vaporii.
- c) **Nu permiteți accesul copiilor și al altor persoane în timpul lucrului cu mașina.** Dacă vi se distrage atenția puteți pierde controlul asupra mașinii.

2) SECURITATE ELECTRICĂ

- a) **Ștecherul de racordare a mașinii trebuie să se potrivească cu priza de alimentare. Nu este permisă în nici-un caz modificarea ștecherului. Nu folosiți adaptoare pentru ștechere la mașinile legate la pământ.** Ștecherele nemodificate și prizele de curent adecvate acestora reduc riscul de electrocutare.
- b) **Evitați contactul corporal cu suprafețe legate la pământ ca țevi, radiatoare, plite electrice și frigider.** Există un risc crescut de electrocutare atunci când corpul dv. este și el legat la pământ.
- c) **Nu lăsați mașina afară în ploaie sau în mediu umed.** Riscul de electrocutare crește atunci când într-o sculă electrică pătrunde apă.
- d) **Nu trageți niciodată mașina de cordonul de alimentare pentru a o transporta, a o atârna sau a scoate ștecherul din priza de curent. Feriți cordonul de alimentare de căldură, ulei, muchii ascuțite sau de subsanșle aflate în mișcare.** Un cordon de alimentare deteriorat sau înfășurat mărește riscul de electrocutare.
- e) **Atunci când lucrați cu scula electrică în aer liber, folosiți numai cordoane prelungitoare autorizate pentru exterior.** Întrebuințarea unui cordon prelungitor adecvat utilizării în aer liber reduce riscul de electrocutare.
- f) **Atunci când nu poate fi evitată utilizarea sculei electrice în mediu umed, folosiți un întrerupător de circuit cu împământare.** Folosirea unei întrerupător de circuit cu împământare reduce riscul de electrocutare.

3) SECURITATEA PERSOANELOR

- a) **Fiți vigilenți, fiți atenți la ceea ce faceți și procedați rațional atunci când lucrați cu scula electrică. Nu folosiți mașina dacă sunteți obosiți sau vă aflați sub influența drogurilor, alcoolului sau a medicamentelor.** Un moment de neatenție în timpul lucrului cu mașina poate duce la răniri grave.
- b) **Purtați echipament de protecție personală și întotdeauna ochelari de protecție.** Folosirea echipamentelor de protecție a persoanei ca mască de protecție împotriva prafului, încălțăminte antiderapantă,

casacă de protecție sau aparat de protecție auditivă, în funcție de tipul și domeniul de folosire al sculei electrice, reduce riscul rănirilor.

- c) **Evitați o punere în funcțiune involuntară. Înainte de a introduce ștecherul în priză și/sau de a introduce acumulatorul în scula electrică, de a o ridica sau de a o transporta, asigurați-vă că aceasta este oprită.** Dacă atunci când transportați scula electrică țineți degetul pe întrerupător sau dacă porniți scula electrică înainte de a o racorda la rețeaua de curent, puteți provoca accidente.
 - d) **Înainte de a pune mașina în funcțiune scoateți afară cheile reglabile și fixe.** O cheie reglabilă sau fixă, aflată într-o componentă de mașină care se rotește, poate provoca răniri.
 - e) **Nu vă supraapreciați. Asigurați-vă o poziție stabilă și păstrați-vă întotdeauna echilibrul.** Astfel veți putea controla mai bine mașina în situații neașteptate.
 - f) **Purtați îmbrăcăminte de lucru adecvată. Nu purtați haine largi sau podoabe. Feriți părul și îmbrăcăminte de piesele aflate în mișcare.** Îmbrăcăminte largă, podoabele și părul lung pot fi prinse de piesele aflate în mișcare.
 - g) **Dacă există posibilitatea montării de echipamente și instalații de aspirare și colectare a prafului, asigurați-vă că acestea sunt conectate și folosite corect.** Folosirea unei instalații de aspirare a prafului poate duce la reducerea poluării cu praf.
 - h) **Nu vă lăsați amăgiți de ușurința în operare dobândită în urma folosirii frecvente a sculelor electrice și nu ignorați principiile de siguranță ale acestora.** Neglijența poate provoca, într-o fracțiune de secundă, vătămări corporale grave
- ### 4) MANEVRAȚI ȘI FOLOSIȚI CU GRIJĂ SCULELE ELECTRICE
- a) **Nu suprasolicitați mașina. Folosiți scula electrică destinată executării lucrării dumneavoastră.** Cu scula electrică potrivit lucrăți mai bine și mai sigur în domeniul de putere specificat.
 - b) **Nu folosiți scula electrică dacă are întrerupătorul defect.** O sculă electrică, care nu mai poate fi pornită sau oprită este periculoasă și trebuie reparată.
 - c) **Scoateți ștecherul afară din priză și/sau îndepărtați acumulatorul dacă este detașabil, înainte de a executa reglaje, a schimba accesoriilor sau a depozita scula electrică.** Această măsură preventivă reduce riscul unei porniri involuntare a mașinii.
 - d) **În caz de nefolosire păstrați mașinile la loc inaccesibil copiilor. Nu permiteți persoanelor care nu sunt familiarizate cu mașina sau care n-au citit prezentele instrucțiuni, să folosească mașina.** Sculele electrice sunt periculoase atunci când sunt folosite de persoane fără experiență.
 - e) **Întrețineți sculele electrice și accesoriile acestora. Controlați dacă componentele mobile funcționează corect și dacă nu se blochează, dacă nu există piese defecte sau deteriorate, care să afecteze funcționarea mașinii. Înainte de a repune în funcțiune mașina, duceți-o la un atelier de asistență service pentru repararea sau înlocuirea pieselor defectuoase a sculelor electrice.**
 - f) **Păstrați accesoriile bine ascuțite și curate.**

Accesoriile atent întreținute, cu muchiul tăietoare bine ascuțite se blochează mai greu și pot fi conduse mai ușor.

- g) **Folosiți sculele electrice, accesoriile, dispozitivele de lucru etc. conform prezentelor instrucțiuni. Țineți seama de condițiile de lucru și de lucrarea care trebuie executată.** Întrebuințarea unor scule electrice destinate altor utilizări decât cele preconizate, poate duce la situații periculoase.
- h) **Mențineți mânerul și zonele de prindere uscate, curate și ferii-le de ulei și unsoare.** Mănerul și zonele de prindere alunecoase nu permit manevrarea și controlul sigur al sculei electrice în situații neașteptate.
- 5) **SERVICIU**
- a) **Permiteți repararea mașinii dumneavoastră numai de către un specialist calificat și numai cu piese de schimb originale.** În acest mod este garantată menținerea siguranței de exploatare a mașinii.

INSTRUCȚIUNI DE SIGURANȚĂ PENTRU FERĂSTRAIE DE TĂIERE ÎN UNGHI

- **Ferăstraiele de tăiere în unghi sunt concepute pentru tăierea lemnului sau a produselor lemnoase; nu pot fi utilizate cu discuri de tăiere abrazive pentru tăierea materialelor feroase, precum bare, tije, bolțuri etc.** Praful abraziv cauzează blocarea pieselor mobile, precum apărătoarea inferioară. Scănteile cauzate de tăierea abrazivă va arde apărătoarea inferioară, inserția pentru tăietură și alte piese din plastic.
- **Utilizați cleme pentru a susține piesa de prelucrat oricând este posibil. Dacă sprijinii cu mâna piesa de prelucrat, trebuie să țineți mâna întotdeauna la cel puțin 100 mm de ambele laturi ale pânzei ferăstrăului. Nu utilizați acest ferăstrău pentru a tăia piese care sunt prea mici pentru a fi fixate sau ținute cu mâna în siguranță** Dacă mâna dvs. este prea aproape de pânza ferăstrăului, există un risc sporit de vătămare în urma contactului cu pânza.
- **Piesa de prelucrat trebuie să fie staționară și fixată sau sprijinită manual pe masă și ghidaj. Nu avansați piesa de prelucrat spre pânză și nu tăiați „la liber” în niciun mod** Piesele nefixate sau mobile pot fi proiectate la viteze mari și pot cauza vătămări.
- **Împingeți ferăstrăul prin piesa de prelucrat. Nu trageți ferăstrăul prin piesa de prelucrat. Pentru a efectua o tăiere, ridicați capul ferăstrăului și trageți-l peste piesa de prelucrat fără a tăia, porniți motorul, apăsați capul ferăstrăului în jos și împingeți ferăstrăul prin piesa de prelucrat** Tăierea în timpul mișcării de tragere poate determina pânza ferăstrăului să urce peste piesa de prelucrat și poate proiecta violent ansamblul pânzei spre operator.
- **Nu poziționați niciodată mâna peste marcajul pentru tăiere, nici în fața, nici în spatele pânzei ferăstrăului** Sprijinirea „încrucșată” a piesei de prelucrat, adică ținerea piesei de prelucrat cu mâna stângă în partea dreaptă a pânzei ferăstrăului sau invers, este foarte periculoasă.
- **Nu vă întindeți dincolo de ghidaj cu niciuna dintre mâini la mai puțin de 100 mm de oricare latură a pânzei ferăstrăului, pentru a elimina resturi de lemn sau pentru orice alt motiv, cât timp pânza se rotește** Proximitatea pânzei ferăstrăului aflate în rotație față de mâna dvs. poate să nu fie evidentă și puteți suferi vătămări grave.
- **Inspectați piesa de prelucrat înainte de tăiere** Dacă piesa de prelucrat este curbată sau deformată, fixați-o cu partea exterioară curbată spre ghidaj. **Asigurați-vă întotdeauna că nu există niciun spațiu liber între piesa de prelucrat, ghidaj și masă, de-a lungul liniei de tăiere** Piesele de prelucrat îndoită sau deformată se pot răsuși sau deplasa și pot cauza griparea pânzei de ferăstrău aflate în rotație în timpul tăierii. Nu trebuie să existe cuie sau obiecte străine în piesa de prelucrat.
- **Nu utilizați ferăstrăul dacă masa nu este eliberată de toate uneltele, resturile lemnoase, etc. cu excepția piesei de prelucrat** Resturile mici sau bucățile de lemn libere sau alte obiecte care pot intra în contact cu pânza aflată în rotație pot fi proiectate la viteză ridicată.
- **Tăiați o singură piesă de prelucrat pe rând** Mai multe piese de prelucrat suprapuse nu pot fi fixate sau sprijinite în mod adecvat și se pot bloca pe pânză sau se pot deplasa în timpul tăierii.
- **Asigurați-vă că ferăstrăul de tăiere în unghi este montat sau amplasat pe o suprafață de lucru nivelată și robustă înainte de utilizare.** O suprafață de lucru nivelată și robustă reduce riscul de instabilitate a ferăstrăului de tăiere în unghi.
- **Planificați-vă lucrarea! De fiecare dată când modificați setarea pentru unghiul de înclinare pe verticală sau pe orizontală, asigurați-vă că ghidajul reglabil este setat corect pentru sprijinirea piesei de prelucrat și că nu va obstrucționa pânza sau sistemul de protecție** Fără a porni unealta și fără piese de prelucrat pe masă, mișcați pânza ferăstrăului într-o mișcare de tăiere simulată completă, pentru a vă asigura că nu există obstrucții sau pericolul de tăiere a ghidajului.
- **Asigurați mijloace de sprijin adecvate, precum extensii de masă, capre etc. pentru o piesă de prelucrat care este mai lată sau mai lungă decât blatul mesei.** Piesele de prelucrat mai lungi sau mai late decât masa ferăstrăului de tăiere în unghi se pot răsturna dacă nu sunt sprijinite în siguranță. Dacă piesa tăiată sau piesa de prelucrat se răstoarnă, aceasta poate ridica apărătoarea inferioară sau poate fi proiectată de pânza aflată în rotație.
- **Nu utilizați o altă persoană ca înlocuitor pentru o extensie de masă sau ca sprijin suplimentar** Sprijinul instabil al piesei de prelucrat poate cauza griparea pânzei sau deplasarea piesei de prelucrat în timpul operației de tăiere, trăgându-vă pe dvs. și pe ajutorul dvs. spre pânza aflată în rotație.
- **Piesa tăiată nu trebuie să fie blocată sau presată în niciun mod spre pânza de ferăstrău aflată în rotație** Dacă este delimitată, de exemplu utilizând opritoare de lungime, piesa tăiată se poate bloca în pânză și poate fi proiectată violent.
- **Utilizați întotdeauna o clemă sau un dispozitiv de fixare conceput pentru susținerea adecvată a materialelor rotunjite, precum tije sau conducte** Tijele au tendința să ruleze în timpul tăierii, făcând pânza să „muște” și să tragă piesa de prelucrat împreună cu mâna dvs. spre pânză.
- **Lăsați pânza să atingă viteza maximă înainte de a intra în contact cu piesa de prelucrat** Astfel, se va reduce riscul de proiectare a piesei de prelucrat.
- **Dacă piesa de prelucrat sau pânza se blochează, opriți ferăstrăul de tăiere în unghi. Așteptați ca toate piesele mobile să se oprească și deconectați ștecărul de la sursa de alimentare și/sau scoateți**

acumulatorul. Apoi eliberați materialul blocat

Continuarea tăierii cu o piesă de prelucrat blocată poate cauza pierderea controlului sau avarierea ferăstrăului de tăiere în unghi.

- După finalizarea tăierii, eliberați comutatorul, țineți ferăstrăul cu capul în jos și așteptați ca pânza să se oprească înainte de a îndepărta piesa tăiată. Întinderea mâinii în apropierea pânzei care încă se mișcă din inerție este periculoasă.
- Țineți mânerul cu fermitate atunci când efectuați o tăietură incompletă sau când eliberați comutatorul înainte de coborârea completă a capului ferăstrăului. Acțiunea de frânare a ferăstrăului poate determina capul ferăstrăului să fie tras brusc în jos, prezentând un risc de vătămare.

INSTRUCȚIUNI DE SIGURANȚĂ SUPPLEMENTARE

- Șocurile de curent la anclanșare produc căderi de tensiune de scurtă durată; în caz de condiții nefavorabile în rețea pot fi afectate și alte aparate (pentru impedanța de linie sub 0,219 Ohmi probabilitatea producerii deranjamentelor este nulă); pentru informații suplimentare vă rugăm contactați furnizorul dumneavoastră de energie electrică

GENERALITĂȚI

- Utilizați scula doar pentru tăierea lemnului
- Verificați întotdeauna dacă tensiunea de alimentare este aceeași cu tensiunea indicată pe plăcuța de identificare a sculei
- **Nu stați pe unealtă sau pe suportul acesteia** Dacă unealta este răsturnată sau dacă intrați în contact accidental cu unealta de tăiere, pot avea loc vătămări grave. Nu depozitați materiale pe unealtă sau în apropierea uneltei, astfel încât să fie necesar să vă urcați pe unealtă sau pe suportul acesteia pentru a ajunge la ele.
- **Decuplați întotdeauna ștecherul de la sursa de alimentare înainte de a face o reglare sau o schimbare de accesoriu**
- **Deconectați întotdeauna ștecărul de la sursa de alimentare înainte de a transporta ferăstrăul de tăiere în unghi** Deconectați, coborâți ansamblul capului și blocați-l în poziție, utilizați mânerul de transport și una dintre cavitățile pentru mână din baza ferăstrăului.
- **Nu părăsiți unealta până nu se oprește în totalitate** Atunci când tăiați piese de prelucrat cu formă neregulată, planificați-vă lucrarea, astfel încât să nu alunecați și să prindă pânza și să fie proiectată din mâna dvs.
- Această sculă nu trebuie să fie folosit de persoane sub 16 ani
- Această sculă nu este potrivită pentru tăiere ușoară

UTILIZARE ÎN AER LIBER

- Atunci când o folosiți în aer liber, conectați scula prin intermediul unui întrerupător de curent de defecă (FI) cu un curent de declanșare de maximum 30mA și folosiți doar un cordon de racord destinat utilizării în aer liber echipat cu o priză protejată împotriva stropirii

ÎNAINTEA UTILIZĂRII

- Folosiți cabluri de prelungire derulate complet, protejate/izolate, cu o capacitate de 16 amperi
- Purtați ochelari de protecție, căști antifonice, și mănuși de protecție
- Praful rezultat din materiale precum vopseaua care conține plumb, unele specii de lemn, minerale și metale

poate fi periculos (contactul cu praful sau inhalarea acestuia poate provoca reacții alergice și/sau afecțiuni respiratorii operatorului sau persoanelor care stau în apropiere); **purtați o mască de praf și lucrați cu un dispozitiv de extragere a prafului când poate fi conectat**

- Anumite tipuri de praf sunt clasificate ca fiind cancerigene (cum ar fi praful de stejar și fag) în special în combinație cu aditivi pentru tratarea lemnului; **purtați o mască de praf și lucrați cu un dispozitiv de extragere a prafului când poate fi conectat**
- Respectați reglementările naționale referitoare la aspirația prafului în funcție de materialele de lucru folosite
- **Nu prelucrați materiale care conțin azbest** (azbestul este considerat a fi cancerigen)
- Nu folosiți niciodată scula fără sistemul original de protecție
- Înainte de fiecare utilizare verificați închiderea corectă a apărătorii de protecție
- Nu operați ferăstrăul dacă apărătoarea de protecție nu se mișcă liber și nu închide imediat
- Este interzis să prindeți sau să legați apărătoarea de protecție în poziția deschisă
- Este interzis să utilizați scula fără inserția mesei; înlocuiți o inserție de masă defectă sau uzată
- Îndepărtați toate obstacolele aflate deasupra precum și sub traseul de tăiere înainte de a începe tăierea
- Evitați daunele provocate de șuruburi, ținte și alte elemente din timpul lucrului; înlăturați aceste elemente înainte de a trece la acțiune

ACCESORII

- Nu folosiți niciodată discuri de șlefuire/tăiere cu această sculă
- SKIL garantează funcționarea perfectă a sculei electrice numai dacă sunt folosite accesoriile corecte, care pot fi obținute de la dealerul dumneavoastră de produse SKIL
- Pentru montarea/utilizarea accesoriilor care nu provin de la firma SKIL respectați instrucțiunile respectivului producător
- Folosiți numai pânze de ferăstrău care corespund specificațiilor din prezentele instrucțiuni și care au fost verificate și marcate corespunzător, conform EN 847-1
- Folosiți numai accesoriile a căror turație admisă este cel puțin egală cu turația maximă la mers în gol a aparatului
- Nu utilizați niciodată pânze de ferăstrău confecționate din otel rapid de scule (HSS)
- Nu folosiți o pânză de ferăstrău care este crăpată, deformată sau tocită
- Utilizați doar pânze de ferăstrău cu un diametru al găurii care se potrivește cu fusul sculei fără joc; este interzis să utilizați reductoare sau adaptoare pentru a monta pânze de ferăstrău cu un diametru mai mare al găurii
- Feriți accesoriile de impacturi, șocuri și unsoare

ÎN TIMPUL FUNCȚIONĂRII

- **Nu forțați instrumentul** (aplicați presiune ușoară și continuați pentru a evita supraîncălzirea vârfului pânzei și, în cazul în care se taie materiale plastice, topirea materialului)
- Țineți degetele, mâinile și brațele la distanță de pânză în rotație a ferăstrăului
- Dacă pânza ferăstrăului se blochează, opriți imediat scula și deconectați ștecărul; abia apoi scoateți piesa de prelucrat împănată
- În caz de blocare sau de defecțiune electrică sau mecanică, deconectați imediat scula și decuplați cablul

- trageți maneta de eliberare pentru detenta la înclinarea pe orizontală AF
- rotiți masa ferăstrăului spre stânga sau spre dreapta și setați unghiul de înclinare pe orizontală dorit (între 0° și 50°) utilizând indicatorul AG
- eliberați maneta AF
- strângeți mânerul de blocare AE (**nu strângeți mânerul prea ferm**)
- pentru setarea rapidă și precisă a unghiurilor de înclinare pe orizontală utilizate frecvent (0°, 15°, 22,5°, 31,6°, 45°), maneta pentru detenta la înclinarea pe orizontală AF se fixează cu un clic în pozițiile corespunzătoare; pentru a preveni acest lucru, maneta AF poate fi blocată în poziția de eliberare 17b
- Setarea unghiurilor de înclinare pe verticală 18
 - slăbiți butonul cu trei picioare W
 - basculati capul uneltei la stânga până când indicatorul unghiului de înclinare pe verticală X este îndreptat spre unghiul de înclinare pe verticală dorit
 - opritorul final reglabil pentru înclinarea pe verticală AA (45°) poate fi utilizat pentru oprirea la 45° sau continuarea până la 48° 18b
 - țineți capul ferăstrăului în această poziție și strângeți butonul W
 - pentru înclinarea pe verticală spre dreapta înclinați capul ferăstrăului ușor spre stânga, rotiți butonul drept de eliberare pentru înclinarea pe verticală AB (aprox. 60°), apoi basculați capul ferăstrăului în unghiul drept de înclinare pe verticală dorit 18c
 - atunci când basculați capul ferăstrăului înapoi spre stânga, butonul drept de eliberare pentru înclinarea pe verticală AB se va reseta automat la opritorul final de 0°; această acțiune poate fi prevenită rotind butonul la aprox. 90° în loc de 60° 18d
- Tăieri combinate 19
 - tăierile combinate necesită atât reglarea unghiului de înclinare pe orizontală cât și cea a unghiului de înclinare pe verticală
 - ! nu acționați ferăstrăul în anumite combinații de înclinare pe orizontală și pe verticală care pot cauza interferențe între piesele glisante și cele staționare ale ferăstrăului sau între piesele glisante și piesa de prelucrat; pentru a realiza tăietura, îndepărtați ghidajul glisant, butonul de blocare a ghidajului glisant și butonul clemei de prindere a piesei de prelucrat, după cum este necesar.**
 - ! întotdeauna încercați mai întâi pe un rest de material**
- Reglarea ghidajelor glisante 20
 - slăbiți butonul V pentru a permite glisarea ghidajului (ghidajelor) U
 - slăbiți butonul V și mai mult pentru a permite îndepărtarea/asamblarea ghidajului (ghidajelor)
 - strângeți butonul V pentru a fixa în poziția dorită
 - ! asigurați-vă că ghidajele glisante sunt fixate ferm înainte de acționarea uneltei**
 - ! în anumite combinații de înclinare pe orizontală și pe verticală, poate fi necesar să îndepărtați butonul**
- Linia de laser 21
 - pentru ghidarea sculei de-a lungul liniei dorite de tăiere marcate pe piesa de prelucrat
- conectați/deconectați linia de laser prin apăsarea întrerupătorului AD
- ! înainte ca să începeți o operație, verificați alinierea liniei de laser față de linia reală de tăiere, practicând o tăiere de probă pe o bucată de material de deșeurii**
- Tăierea fără glisare (piese de prelucrat mici)
 - slăbiți butonul de blocare AH dacă este strâns
 - glisați capul ferăstrăului până la opritor în direcția ghidajului S și strângeți la loc butonul de blocare AH
 - ! incapacitatea de blocare a mecanismului poate determina pâna să se urce brusc peste piesa de prelucrat și să avanseze forțat spre dvs.**
 - fixați scula în poziția de lucru
 - ! asigurați-vă că piesa de prelucrat este prinsă ferm între masa ferăstrăului și ghidaj S**
 - porniți unealta eliberând blocarea AJ și trăgând comutatorul principal AI
 - ! nu încrucișați brațele când utilizați capul ferăstrăului 23a**
 - sectionați piesa de prelucrat cu avans uniform
 - ! scula trebuie să funcționeze la turația completă înainte ca pâna să intre în piesa de prelucrat**
 - opriți scula prin eliberarea întrerupătorului AI
 - așteptați până când pâna ferăstrăului s-a oprit complet din mișcare înainte de a ghida capul ferăstrăului încet în sus
- Tăierea cu glisare (piese de prelucrat late)
 - ! rețineți că metoda descrisă mai jos este singura sigură**
 - nu trageți ferăstrăul prin piesa de prelucrat
 - slăbiți butonul de blocare AH dacă este strâns
 - ! asigurați-vă că piesa de prelucrat este prinsă ferm între masa ferăstrăului și ghidaj S**
 - trageți capul ferăstrăului depărtându-l de ghidaj S suficient de mult astfel încât pâna ferăstrăului să se afle în fața piesei de prelucrat 24
 - porniți unealta eliberând blocarea 22 și trăgând comutatorul principal
 - ! nu încrucișați brațele când utilizați capul ferăstrăului 23a**
 - împingeți capul ferăstrăului în direcția ghidajului S și tăiați piesa de prelucrat avansând uniform 24
 - ! scula trebuie să funcționeze la turația completă înainte ca pâna să intre în piesa de prelucrat**
 - ! dacă apărătoarea inferioară nu se deschide automat, fapt care poate avea loc în anumite condiții (de ex. o piesă de prelucrat foarte apropiată de capacitatea maximă), poate fi necesar să deschideți apărătoarea manual 23b**
 - opriți scula prin eliberarea întrerupătorului AI
 - așteptați până când pâna ferăstrăului s-a oprit complet din mișcare înainte de a ghida capul ferăstrăului încet în sus
- Tăierea canelurilor 25
 - setați adâncimea dorită cu opritorul de adâncime AK și blocați-l strângând piulița AM
 - un distanțier din lemn trebuie așezat între piesa de prelucrat și ghidaj, pentru o adâncime constantă pe toată lungimea canelurilor
 - ! asigurați-vă că pâna ferăstrăului nu se blochează în piesa de prelucrat**
 - ! întotdeauna încercați mai întâi pe un rest de material**

- Schimbarea pânzei de ferăstrău 28
 - ! **deconectați priza**
 - luați cheia hexagonală AN din magazia AO
 - țineți apărătoarea A în poziția deschisă
 - slăbiți șurubul plăcii de acoperire AQ (**nu deșurubați șurubul în totalitate**) 28a
 - rotiți apărătoarea A complet înapoi 28b
 - apăsați butonul de blocare a axului AP și țineți-l până când scoateți șurubul pânzei AR prin rotirea cheii hexagonale AN **ÎN SENS ORAR** (= în aceeași direcție cu săgeata imprimată pe pânza ferăstrăului)
 - ! **apăsați butonul AP de blocare a axului numai atunci când scula este în poziția de oprire**
 - lăsați liber butonul AP de blocare a axului
 - scoateți flanșa AS și pânza de ferăstrău
 - ! **schimbați pânza de ferăstrău astfel încât dantura ferăstrăului și săgeata imprimată pe pânza de ferăstrău să fie orientate în aceeași direcție ca și săgeata de pe apărătoarea de protecție A**
 - montați flanșa AS 28c
 - apăsați butonul de blocare a axului AP și mențineți-l apăsat în timp ce strângeți șurubul pânzei rotind cheia hexagonală AN SPRE STÂNGA cu 1/8 de rotație mai strâns decât o strângere cu degetele (asigură alunecarea pânzei de ferăstrău atunci când aceasta întâlnește o rezistență excesivă, reducând astfel suprasarcina motorului și reculul ferăstrăului)
 - strângeți șurubul plăcii de acoperire AQ
- Înlocuirea inserției mesei AT 28
 - Înlocuiți o inserție de masă defectă sau uzată după cum urmează:
 - ! **deconectați priza**
 - luați cheia hexagonală AN din magazia AO
 - scoateți toate cele 6 șuruburi conform ilustrației
 - scoateți inserția veche a mesei ridicând-o mai întâi din față și apoi trăgând-o afară complet
 - plasați noua inserție de masă
 - ! **strângeți ferm toate cele 6 șuruburi**
- Verificarea/reglarea alinierii pânzei la 90° 28
 - ! **deconectați priza**
 - rotiți masa ferăstrăului în poziția de înclinare pe orizontală de 0° și blocați-o în loc
 - basculați capul ferăstrăului în poziția de înclinare pe verticală de 0°
 - coborâți capul ferăstrăului și blocați-l în loc
 - verificați unghiul de 90° dintre pânză și masă cu un echer
 - dacă este necesar, reglați alinierea pânzei la 90° după cum urmează:
 1. slăbiți butonul cu trei picioare W
 2. reglați șurubul Y cu o cheie hexagonală de 4 mm (nu este inclusă în versiunea standard) 28b
 3. verificați din nou cu un echer
 4. resetați indicatorul pentru înclinarea pe verticală la 0° 28c
- Verificarea/reglarea alinierii pânzei la 45° 29
 - ! **deconectați priza**
 - rotiți masa ferăstrăului în poziția de înclinare pe orizontală de 0° și blocați-o în loc
 - slăbiți butonul cu trei picioare W
 - setați opritorul final reglabil pentru înclinarea pe verticală AA la 45° 29b

- basculați capul ferăstrăului spre stânga
- verificați unghiul de 45° dintre pânză și masă cu un raportor 29a
- verificați dacă indicatorul înclinării pe verticală X este pe marcajul 45°
- dacă este necesar, reglați alinierea pânzei la 45° după cum urmează:
 1. reglați șurubul Z cu o cheie fixă pentru pânză 10 (nu este inclusă în versiunea standard)
 2. verificați din nou cu un echer pentru înclinarea pe orizontală
- dacă este necesar, repetați pentru setarea de 45° spre dreapta
- coborâți capul ferăstrăului și blocați-l în loc
- Verificarea/reglarea alinierii ghidajului la 90° 30
 - ! **deconectați priza**
 - rotiți masa ferăstrăului în poziția de înclinare pe orizontală de 0° și blocați-o în loc
 - coborâți capul ferăstrăului și blocați-l în loc
 - verificați unghiul de 90° dintre pânză și ghidaj S cu un echer (asigurați-vă că echerul intră în contact cu corpul pânzei și nu cu dinții acesteia)
 - dacă este necesar, reglați alinierea ghidajului la 90° după cum urmează:
 1. slăbiți 4 șuruburi hexagonale T
 2. reglați ghidajul până când pânza și ghidajul intră complet în contact cu echerul
 3. strângeți 4 șuruburi hexagonale T
 4. resetați indicatorul pentru înclinarea pe orizontală la 0° 30c
- Clemă pentru cablu 31
 - utilizați cleva pentru cablu AV pentru a preveni prinderea cablului de alimentare între piesele mobile și staționare ale uneltei

SFATURI PENTRU UTILIZARE


- Piese de lucru speciale
 - sprijiniți întotdeauna capetele libere ale unei piese de lucru lungi
 - asigurați-vă că piesele de lucru curbate sau rotunde sunt fixate special împotriva alunecării 33
 - la linia de secționare nu trebuie să existe nicio distanță între piesa de prelucrat și ghidaj sau masa ferăstrăului
 - dacă este necesar, fabricați un ghidaj auxiliar; orificiile din ghidajul glisant vor fi utilizate pentru fixarea ghidajului auxiliar 34
- ! **ghidajul auxiliar poate fi utilizat numai la înclinare pe verticală de 0°**
- Pentru lucrul cu plinte, poate fi utilizată ca referință ilustrația 35
- Așezați întotdeauna partea bună a piesei de prelucrat în jos pentru a asigura o împrăștiere minimă a așchilor
- Folosiți doar pânze ascuțite de tipul corect
 - calitatea tăierii se îmbunătățește cu numărul de dinți
 - pânzele placcate cu carburi ramân ascuțite pe perioade de până la de 30 de ori lungi decât pânzele obișnuite

ÎNTREȚINERE / SERVICE

- Păstrați întotdeauna curățenia sculei și cordonului (în special orificiile de aerisire din partea posterioară a carcasei motorului)

- Ефектуати о verificare periodică pentru а вă asigura că апăрăтоarea inferioară funcționează corect. Curățați апăрăтоarea inferioară de acumulările de rumeguș cu о lavetă umedă.
 - deconectați de la priză înainte de а curăța
 - ridicați апăрăтоarea inferioară în poziția complet deschisă și eliberați-o; dacă nu се închиде имediat și în totalitate, aceasta trebuie verificată de un centru de service post-vânzare pentru unelte electrice SKIL
- Curățați пânза de ferăstrăу имediat după utilizare (în special de rășини și clei)
 - пânза de ferăstrăу devine foarte fierbinte în timpul utilizării; nu о atingeți пânза nu s-а răcit
- Curățați fasciculul laser AC cu о перие моале după fiecare utilizare, pentru а menține о bună vizibilitate а линiei laserului (асигураți-вă că nu modificați setarea laserului)
- Dacă în ciуда procedeele de fabricație și control riguroase scula are totuși о pană, repararea acesteia се вă face numai la un atelier de asistență service autorizat pentru scule electrice SKIL
 - trimiteți scula **în totalitatea lui** cu bonul de cumpărare la distribuitorul sau la centrul de service SKIL cel mai apropiat (адресе și diagrame de service се гăсеасc la www.skil.com)
- Trebuie să fiți conștienți de faptul că deteriorarea datorată suprasarcinii sau utilizării incorrecte а sculei vor fi excluse din гаранții (пентру condițiile de гаранții SKIL consultați www.skil.com sau întreбаți distribuitorul)

MEDIUL

- **Nu aruncați sculele electrice, bateriile, accesoriile sau ambalajele direct la пубелеle de gunoi** (numai pentru țările din Comunitatea Europeană)
 - Directiva Europeană 2012/19/EC face referire la modul de aruncare а echipamentelor electrice și electronice și modul de aplicare а normelor în conformitate cu legislația națională; sculele electrice în momentul în care au atins un grad avansat de uzură și trebuie sc aruncate, ele trebuie sc colectate separat și reciclate într-un mod ce respectă normele de protecție а mediului inconjurător
 - simbolul  вă ва reaminti acest lucru


ZGOMOT

- Мăсурат în conformitate cu EN 62841, nivelul de presiune sonoră ал acestei unelte este de 100,0 dB(A), iar nivelul de zgomot este de 109,5 dB(A) (incertitudinea K = 3 dB)
- Nivelul emisiilor de zgomot а fost мăсурат în conformitate cu un test standardizat precizat în EN 62841; poate fi folosit pentru а compara о uneałтă cu alta și а evaluare preliminară а expunerii la zgomot atunci când folosiți uneałтa pentru aplicațiile menționate
 - utilizarea sculei pentru aplicații diferite sau cu accesorii diferite și prost întreținute poate **crește** semnificativ nivelul de expunere
 - momentele în care scula este oprită sau când funcționează dar nu execută nicio lucrare, pot **reduce** semnificativ nivelul de expunere

Циркуляр за ламперия

1320

УВОД

- Този инструмент е предназначен като стационарна машина за надлъжно и напречно рязане на дърво с рязане под прав ъгъл, както и рязане под ъгъл (възможни са хоризонтални ъгли на скосяване от -50° до +50°, както и вертикални ъгли на рязане от -48° до +45°)
- Прочетете и пазете това ръководство за работа 
- Този инструмент не е предназначен за професионална употреба
- **Използвайте електронинструмента само когато е правилно и напълно сглобен** (имайте предвид, че Skil не носи отговорност за повреда на инструмента и/или телесни повреди, причинени от неправилно сглобяване на инструмента)

ТЕХНИЧЕСКИ ДАННИ

ЕЛЕМЕНТИ НА ИНСТРУМЕНТА

- A** Долен предпазител
- B** Ръчка на превключвателя
- C** Блокираща шийка за транспорт
- D** Горен предпазен кожух
- E** Транспортна ръкохватка
- F** Монтажни отвори
- G** Опорно краче
- H** Торбичката за прах
- J** Порт за прахоулавяне
- K** Удължителни греди
- L** Ръкохватки за фиксиране на удължителните греди
- M** Скоба за монтаж детайл
- N** Отвор за опора
- P** Копче за затягане на скобата
- Q** Копче за регулиране на скобата
- R** Затягащ лост
- S** Ограничител
- T** Шестостенни винтове за регулиране на предпазителя (4x)
- U** Плъзгаша преграда
- V** Ръкохватка за затягане на плъзгашата преграда
- W** Блокиращо копче (ъгли на рязане)
- X** Индикатор на ъгъла на рязане
- Y** Винт за регулиране на ъгъла на рязане (дясно)
- Z** Винт за регулиране на ъгъла на рязане (ляво)
- AA** Регулираем краен стопер
- AB** Лост за освобождаване на рязането отдясно
- AC** Лазерен лъч
- AD** Вкл/изкл ключ на лазера
- AE** Фиксираща ръкохватка (ъгли на скосяване)
- AF** Лост за освобождаване на ограничителя на скосяване
- AG** Индикатор на ъгъла на скосяване
- AH** Заклучваща ръкохватка за плъзгашото се устройство
- AI** Прекъсвач за включване/изключване
- AJ** Лост за изключване
- AK** Ограничител на дълбочината на рязане
- AL** Стопер за дълбочина

- AM Гайка на стопера за дълбочина
- AN Шестостенен ключ
- AO Място за съхранение на шестостенния ключ
- AP Бутон за заключване на шиндела
- AQ Винт на покривната плоча
- AR Болт за острието
- AS Фланец
- AT Вложка-табла
- AU Дефлектор за прах
- AV Кабелна щипка

БЕЗОПАСНОСТ

ОБЩИ УКАЗАНИЯ ЗА БЕЗОПАСНА РАБОТА С ЕЛЕКТРОИНСТРУМЕНТИ

⚠ ПРЕДУПРЕЖДЕНИЕ Прочете всички предупреждения за безопасност, инструкции, илюстрации и спецификации, доставени с този електроинструмент. Неспазването на всички описани по-долу инструкции може да доведе до токов удар, пожар и/или тежко нараняване.

Запазете всички предупреждения и указания за ползване в бъдеще.

Използваният по-долу термин “електроинструмент” се отнася до захранвани от електрическата мрежа електроинструменти (със захранващ кабел) и до захранвани от акумулаторна батерия електроинструменти (без захранващ кабел).

- 1) **БЕЗОПАСНОСТ НА РАБОТНОТО МЯСТО**
 - a) **Поддържайте работното си място чисто и подредено.** Безпорядъкът или недостатъчното осветление могат да спомогнат за възникването на трудова злополука.
 - b) **Не работете с електроинструмента в среда с повишена опасност от възникване на експлозия, в близост до леснозапалими течности, газове или прахообразни материали.** По време на работа в електроинструментите се отделят искри, които могат да възпламят прахообразни материали или пари.
 - c) **Дръжте деца и странични лица на безопасно разстояние, докато работите с електроинструмента.** Ако вниманието Ви бъде отклонено, може да загубите контрола над електроинструмента.
- 2) **БЕЗОПАСНОСТ ПРИ РАБОТА С ЕЛЕКТРИЧЕСКИ ТОН**
 - a) **Щепселът на електроинструмента трябва да е подходящ за ползвания контакт. В никакъв случай не се допуска изменение на конструкцията на щепсела.** Когато работите със занулени електроуреди, не използвайте адаптери за щепсела. Ползването на оригинални щепсели и контакти намалява риска от възникване на токов удар.
 - b) **Избягвайте допира на тялото Ви до заземени тела, напр. тръби, отоплителни уреди, пещи и хладилници.** Когато тялото Ви е заземено, рискът от възникване на токов удар е по-голям.
 - c) **Предпазвайте електроинструмента си от дъжд и**

влага. Проникването на вода в електроинструмента повишава опасността от токов удар.

- d) **Не използвайте захранващия кабел за цели, за които той не е предвиден, напр. за да носите електроинструмента за кабела или да извадите щепсела от контакта.** Предпазвайте кабела от нагриване, омасляване, допир до остри ръбове или до подвижни звена на машини. Повредени или усукани кабели увеличават риска от възникване на токов удар.
- e) **Когато работите с електроинструмент навън, използвайте само удължителни кабели, предназначени за работа на открито.** Използването на удължител, предназначен за работа на открито, намалява риска от възникване на токов удар.
- f) **Ано се налага използването на електроинструмента във влажна среда, използвайте предпазен прекъсвач за утечни токове.** Използването на предпазен прекъсвач за утечни токове намалява опасността от възникване на токов удар.
- 3) **БЕЗОПАСЕН НАЧИН НА РАБОТА**
 - a) **Бъдете концентрирани, следете внимателно действията си и постъпвайте предпазливо и разумно. Не използвайте електроинструмента, когато сте уморени или под влиянието на наркотични вещества, алкохол или упойващи лекарства.** Един миг разсеяност при работа с електроинструмент може да има за последствие изключително тежки наранявания.
 - b) **Работете с предпазващо работно облекло и винаги с предпазни очила.** Носенето на подходящи за ползвания електроинструмент и извършваната дейност лични предпазни средства, като дихателна маска, здрави плътнотзатоворени обувки със стабилен грайфер, защитна каска или шумозаглушители (антифони), намалява риска от възникване на трудова злополука.
 - c) **Избягвайте опасността от включване на електроинструмента по невнимание. Преди да включите щепсела в захранващата мрежа или да поставите акумулаторната батерия, се уверявайте, че пусковият прекъсвач е в положение изключено.** Ако, когато носите електроинструмента, държите пръста си върху пусковия прекъсвач, или ако подавате захранващо напрежение на електроинструмента, когато е включен, съществува опасност от възникване на трудова злополука.
 - d) **Преди да включите електроинструмента, се уверявайте, че сте отстранили от него всички помощни инструменти и гаечни ключове.** Помощен инструмент, забравен на въртящо се звено, може да причини травми.
 - e) **Не надценявайте възможностите си. Работете в стабилно положение на тялото и във всеки момент поддържайте равновесие.** Така ще можете да контролирате електроинструмента по-добре и по-безопасно, ако възникне неочаквана ситуация.
 - f) **Работете с подходящо облекло. Не работете с широки дрехи или украшения. Дръжте косата и дрехите си на безопасно разстояние от движещи**

- се звена. Широките дрехи, украшенията, дългите коси могат да бъдат захванати и увлечени от въртящи се звена.
- g) **Ано е възможно използването на външна аспирационна система, се уверявайте, че тя е включена и функционира изправно.** Използването на аспирационна система намалява рисковете, дължащи се на отделящата се при работа прах.
- h) **Доброто познание на електроинструмента вследствие на честа работа с него не е повод за намаляване на вниманието и пренебрегване на мерките за безопасност.** Едно невнимателно действие може да предизвика тежки наранявания само за части от секундата.
- 4) **ВНИМАТЕЛНО ОТНОШЕНИЕ КЪМ ЕЛЕКТРОИНСТРУМЕНТИ**
- a) **Не претоварвайте електроинструмента. Използвайте електроинструментите само съобразно тяхното предназначение.** Ще работите по-добре и по-безопасно, когато използвате подходящия електроинструмент в зададения от производителя диапазон на натоварване.
- b) **Не използвайте електроинструмент, чиито пусков прекъсвач е повреден.** Електроинструмент, който не може да бъде изключван и включван по предвидения от производителя начин, е опасен и трябва да бъде ремонтиран.
- c) **Преди да извършвате каквито и да е дейности по електроинструмента, напр. настройване, смяна на работен инструмент, както и когато го прибирате, изключвайте щепсела от контакта, респ. изваждайте батерията, ако е възможно.** Тази мярка премахва опасността от задействане на електроинструмента по невнимание.
- d) **Съхранявайте електроинструментите на места, където не могат да бъдат достигнати от деца. Не допускайте те да бъдат използвани от лица, които не са запознати с начина на работа с тях и не са прочели тези инструкции.** Когато са в ръцете на неопитни потребители, електроинструментите могат да бъдат изключително опасни.
- e) **Поддържайте добре електроинструментите си и аксесоарите им. Проверявайте дали подвижните звена функционират безупорно, дали не заклинват, дали има счупени или повредени детайли, които нарушават или изменят функциите на електроинструмента. Преди да използвате електроинструмента, се погрижете повредените детайли да бъдат ремонтирани.** Много от трудовете злополуки се дължат на недобре поддържани електроинструменти и уреди.
- f) **Поддържайте режещите инструменти винаги добре заточени и чисти.** Добре поддържаните режещи инструменти с остри ръбове оказват по-малко съпротивление и се водят по-леко.
- g) **Използвайте електроинструментите, допълнителните приспособления, работните инструменти и т.н., съобразно инструкциите на производителя. С дейности и процедури, евентуално предписани от различни нормативни документи.** Използването на електроинструменти за различни от предвидените от производителя

приложения повишава опасността от възникване на трудови злополуки.

- h) **Поддържайте дръжките и ръкохватните сухи, чисти и неомаслени.** Хлъзгавите дръжки и ръкохватки не позволяват безопасната работа и доброто контролиране на електроинструмента при възникване на неочаквана ситуация.
- 5) **ПОДДЪРЖАНЕ**
- a) **Допускайте ремонтът на електроинструментите Ви да се извършва само от квалифицирани специалисти и само с използването на оригинални резервни части.** По този начин се гарантира съхраняване на безопасността на електроинструмента.

ИНСТРУКЦИИ ЗА БЕЗОПАСНОСТ ПРИ РАБОТА С НАСТОЛНИ ПОТАПАЩИ ЦИРКУЛЯРИ

- **Настолните потапящи циркуляри са замислени за рязане на дърво или подобни изделия, те не могат да се използват с абразивни режещи дискове за рязане на съдържащи желязо материали, нато греди, прътове, гвоздеи и др.** Абразивният прах води до блокиране на движещите се части (като например долния протектор). Искрите от абразивното рязане ще прогорят долния протектор, вложката с прорез и другите пластмасови части.
- **Когато е възможно, използвайте стеги за захващане на обработвания детайл. Ако подпирате работния детайл на ръна, трябва винаги да държите ръката на минимум 100 mm от всяка страна на циркулярния диск. Не използвайте този трион за рязане на елементи, които са твърде малки, за да се закрепят безопасно или да се държат с ръна. Ако ръката ви е поставена твърде близо до циркулярния диск, има увеличен риск от нараняване от контакт с диска.**
- **Обработвания детайл трябва да е неподвижен и да е захванат или задържан както към преградата, така и към масата. Не подавайте обработвания детайл към диска и не ренете по никакъв начин "само с ръце".** Неограничените или движещи се обработвани детайли могат да се изхвърлят с висока скорост и да причинят нараняване.
- **Натиснете циркуляра през обработвания детайл. Не изтегляйте циркуляра през обработвания детайл. За извършване на прорез повдигнете главата на циркуляра и я изтеглете през обработвания детайл без рязане, стартирайте мотора, натиснете главата на циркуляра надолу и натиснете циркуляра през обработвания детайл. Срязването при хода по изтегляне може да причини изкачване на циркулярния диск догоре върху обработвания детайл и силно да изхвърли модула на диска към оператора.**
- **Никога не прекарвайте ръна през проектираната линия на рязане отпред или отзад на циркулярния диск. Поддържането на детайла "с кръстосани ръце", т.е. задържането на детайла вдясно от циркулярния диск с лявата ръка, или обратно, е много опасно.**
- **Не бъркайте зад преградата с ръна на по-близо от 100 mm от която и да е страна на циркулярния**

диск за отстраняване на остатъци от дърво или по каквато и да е причина, докато дискът се върти. Близостта на въртящия се циркулярен диск до ръката ви може да не е видима и може да се нараните сериозно.

- **Инспектирайте обработвания детайл преди рязане.** Ако обработвания детайл е извит или прегънат, захванете го с външната извита страна към преградата. Винаги се уверявайте, че няма пролука между обработвания детайл, преградата и масата по дължината на рязането. Извитите или прегънати детайли могат да се усучат или изместят и могат да причинят зацепване на въртящия се циркулярен диск при рязане. Не трябва да има гвоздеи или чужди предмети в обработвания детайл.
- **Не използвайте циркуляра, ако масата не е почистена от всички инструменти, дървени остатъци и др. и върху нея не е останал само обработвания детайл.** Малките замърсявания или свободните парченца дърво или други предмети могат да влезнат в контакт с въртящия се диск и да бъдат изхвърлени с висока скорост.
- **Режете само по един обработван детайл наведнъж.** Натрупаните на купчина обработвани детайли не могат адекватно да се захващат или затягат и могат да се захванат върху диска или да се изместят при рязане.
- **Уверявайте се, че настолния потапящ циркуляр е монтиран или поставен на равна, здрава работна основа преди употреба.** Равната и здрава работна основа намалява риска от това настолният потапящ циркуляр да стане нестабилен.
- **Планирайте работата си! Всеки път, когато промените настройката на ъгъла на рязане или на скосяване, се уверявайте, че регулируемата преграда е правилно поставена, така че да подпират обработвания детайл и не да пречи на диска или предпазната система.** Без да включвате инструмента и без да има детайл върху масата, преместете циркулярния диск през цял симулиран срез, за да гарантирате, че няма да има сблъскване или опасност от срязване на преградата.
- **Осигурявайте адекватна опора, като например удължение на масата, стойки за рязане и др. за обработван детайл, който е по-широк или по-дълъг от плота.** Детайлите, които са по-дълги или по-широки от масата на настолния потапящ циркуляр, могат да се преобърнат, ако не са сигурно закрепени. Ако отрязаната част или детайлът се наклонят, това може да повдигне долния протектор или да се стигне до изхвърляне от въртящия се диск.
- **Не използвайте друг човек като заместител на удължението на масата или като допълнителна опора.** Нестабилната опора за детайла може да накара дискът да се захване или обработвания детайл да се измести по време на работата по рязане, което ще изтегли вас и помощника ви към въртящия се диск.
- **Отрязаната част не трябва да се блокира или притисна по друг начин към въртящия се циркулярен диск.** Ако е ограничен, т.е. ако се използват стопери на дължината, отрязаната част може да се заклинни към диска и да се изхвърли с голяма сила.
- **Винаги използвайте скоба или фиксатор,**

- **проентиран за правилно подпиране на кръгъл материал, като например пръти или тръби.** Прътите имат тенденция да се изтъркуват, докато се режат, което ще накара дискът да "захване" и изтегли детайла заедно с ръката ви направо в диска.
- **Оставете дискът да достигне пълни обороти, преди да влезе в контакт с детайла.** Това ще намали риска от изхвърляне на детайла.
- **Ако детайлът и дискът се блокират, изключете настолния потапящ циркуляр.** Изчайните всички движещи се части да спрат и разкачете щепсела от контакта и/или извадете акумулаторната батерия. След това осигурете освобождаване на блокирания материал. Продължаването на рязането с блокиран детайл може да доведе до загуба на контрол или повреда на настолния потапящ циркуляр.
- **След завършване на среза отпуснете превключателя, задържете надолу главата на циркуляра и изчайните дискът да спре, преди да изваждате отрязаната част.** Протегането на ръка близо до движещия се по инерция диск е опасно.
- **Задържете дръжката здраво, когато правите непълен срез или когато отпускате превключателя, преди главата на циркуляра да застане напълно в долна позиция.** Спиращото действие на циркуляра може да накара главата на циркуляра внезапно да се изтегли надолу, водейки до риск от нараняване.

ДОПЪЛНИТЕЛНИ УКАЗАНИЯ ЗА БЕЗОПАСНА РАБОТА

- При включване на мощни електроуреди е възможно възникването на кратковременни колебания на напрежението в захранващата мрежа; при съвпадение на неблагоприятни обстоятелства е възможно увреждане на други включени в мрежата уреди (при импеданс на захранващата мрежа, по-малък от 0,219 Ω смущенията са пренебрежими); ако се нуждаете от допълнителни разяснения, моля обърнете се към Вашия локален специалист от Електроснабдяване

ОБЩИ

- Използвайте инструмента само за рязане на дърво
- Преди включването на инструмента в контакта се уверете, че мрежовото напрежение отговаря на напрежението, обозначено на фирмената табелка на инструмента
- **Не стойте върху инструмента или върху стойката му.** Сериозно нараняване може да се получи, ако инструментът се наклони или ако режещият материал върху или в близост до инструмента, ако е необходимо да застанете върху инструмента или стойката му, за да ги достигнете.
- **Преди извършването на каквато и да било настройка или смяна на принадлежност винаги изваждайте щепсела от контакта на електрозахранването**
- **Винаги разкачайте щепсела от източника на електричество, преди да транспортирате настолния потапящ циркуляр.** Откачете, снижете модула на главата и заключете на място, използвайте дръжката за носене и една от вдлъбнатините за ръка в основата на циркуляра.

- **Не оставяйте инструмента, докато не спрете напълно**
- **Когато режете детайли с неправилна форма, планирайте работата си така, че да не се плъзнат и притиснат диска и да не излязат от ръката ви**
- Машината не трябва да се използва от лица под 16 години
- Този инструмент не е подходящ за мокро рязане

УПОТРЕБА НА ОТКРИТО

- При употреба на открито, свържете инструмента посредством електрически прекъсвач (FI) с максимален начален ток 30 mA, и използвайте единствено кабела, предназначен за употреба на открито и снабден със защитени съединителни контакти

ПРЕДИ УПОТРЕБА

- Използвайте напълно развити и безопасни разклонители с капацитет 16 A
- Носете защитни очила, тапи за уши, и защитни ръкавици
- Прахът от някои материали, като например съдържаща олово боя, някои видове дървесина, минерали и метали може да бъде вреден (контакт или вдишване на такъв прах могат да причинят алергични реакции и/или респираторни заболявания на оператора или стоящите наблизо лица); **използвайте противопопрахова масна и работете с аспиращо прахта устройство, когато такова може да бъде свързано**
- Определени видове прах са класифицирани като карциногенни (като прах от дъб и бук) особено когато са комбинирани с добавки за подобряване на състоянието на дървесината; **използвайте противопопрахова масна и работете с аспиращо прахта устройство, когато такова може да бъде свързано**
- Следвайте дефинираните по БДС изисквания относно запрашеността за материалите, които желаете да обработвате
- **Не обработвайте азбестосъдържащ материал** (азбестът е канцерогенен)
- Не използвайте никога инструмента без оригиналната му предпазна система
- Проверете защитния капак за правилно затваряне преди всяка употреба
- Не работете с триона, ако защитният му капак не се движи свободно и не се затваря незабавно
- Никога не фиксирайте и не връзвайте защитния капак в отворена позиция
- Никога не използвайте инструмента без вложката за масата; заменете дефектна или износена вложка-табла
- Премахнете всички препятствия върху повърхността, а също и под пътя на рязане, преди да започнете рязането
- Избягвайте повреди, които могат да бъдат причинени от винтове, гвоздеи и други метални елементи в обработвания детайл; отстранете ги преди да започнете работа

АКСЕСОАРИ

- С този инструмент никога не използвайте шлифовачни/режещи дискове
- SKIL може да осигури безаварийна работа на електроинструмента само ако се използват подходящите консумативи, които можете да намерите при оторизираните дистрибутори на SKIL

- При монтиране и употреба на консумативи, не произведени от SKIL, следвайте инструкциите на съответния производител
- Използвайте само циркулярни дискове, които съответстват на посочените в това ръководство за експлоатация данни и са изпитани по EN 847-1 и обозначени по съответния начин.
- Използвайте само принадлежности, чиято допустима скорост на въртене е по-голяма или равна на максималната скорост на въртене на празен ход на електроинструмента
- Никога не използвайте режещи дискове, изработени от бързорежеща стомана (HSS)
- Не използвайте режеща лента, която е напукана, деформирана или затъпена
- Използвайте режещи дискове само с диаметър на отвора, който съвпада с шпиндела на инструмента без хлабина; никога не използвайте редуктори или адаптери за да напаснете режещи дискове с голям отвор
- Пазете консумативите от удари и сътресения

ПРИ УПОТРЕБА

- **Не насилвайте инструмента** (приложете лек и непрекъснат натиск, за да не прегреят върховете на режещия острия и в случай, че се реже пластмаса – да не се топи материалът)
- Пазете пръстите, дланите и ръцете си на страни от въртящия се режещ диск
- Ако режещият диск бъде блокиран, незабавно изключете инструмента и извадете щепсела; едва след това отстранете заклинения детайл
- В случай на заяждане или електрическа или механична неизправност незабавно изключете инструмента и извадете щепсела от контакта
- Ако кабелът се повреди или среже по време на работа, не го докосвайте, веднага изключете щепсела, никога не използвайте инструмента с повреден кабел
- Никога не използвайте инструмента, ако кабелът е повреден; той трябва да бъде заменен със специално подготвен кабел, наличен през сервисната организация.

ЛАЗЕРНО ЛЪЧЕНИЕ

- **Не насочвайте лазерния лъч към хора и животни и внимавайте да не погледнете непосредствено срещу лазерния лъч или срещу негово отразение** (така можете да заслепите хора, да причините трудови злополуки или да предизвикате увреждане на очите)
- Ако лазерният лъч попадне в очите, ги затворете възможно най-бързо и отдръпнете главата си от лазерния лъч
- Не извършвайте изменения по лазерното оборудване
- Не гледайте в лазерния лъч (лазерно лъчение)
- Не използвайте каквито и да било увеличителни оптически инструменти (като напр. очила, телескопи или бинокли), за да гледате лазерния лъч
- Не работете с инструмента в присъствие на възпламеними течности, газове или прах
- Не работете с инструмента, ако наоколо има деца
- Не подменяйте инсталирания лазер с друг тип лазер

СЛЕД РАБОТА

- След като изключите инструмента, никога не прилагайте допълнителна сила за да спрете въртенето на аксесоарите

- Отстранявайте обрезки или други части от детайла от зоната на рязане едва след като всички движещи се части са се установили изцяло в покой
- По време на употреба, режещият диск става много горещ; не го докосвайте докато не изстине напълно
- Съхранявайте инструмента на **закрито** в сухи и сигурни помещения, недостъпни за деца

ОБЯСНЕНИЕ НА СИМВОЛИТЕ ПО ИНСТРУМЕНТА

- ② Преди употреба прочетете ръководството с указания
- ③ Носете защитни очила и тапи за уши
- ④ **Опасна зона! Зона без ръце. Пазете ръцете и пръстите си далеч от тази зона.**
- ⑤ Двойна изолация (не се изисква кабел за заземяване)
- ⑥ Не изхвърляйте електроуредите и батерии заедно с битови отпадъци
- ⑦ **Лазерно лъчение / Не гледайте в лъча / Лазерен продукт клас 2**

УПОТРЕБА

- Монтиране
 - слобете транспортната дръжка E с 2 болта, като използвате шестограмния ключ AN ⑨
 - слобете фиксиращата ръкохватка на скосяването AE в предната част на масата ⑩
 - слобете плъзгащата преграда U (вж. Регулиране на плъзгащата преграда(и))
- Транспортна/работна позиция

За да приведете в движение инструмента (**работна позиция**)

 - натиснете дръжката B ⑧ надолу с една ръка, докато изтеглите заключващия щифт C с другата ⑪a
 - насочете модула на главата бавно нагоре

За обезопасяване на инструмента (**транспортна позиция**)

 - плъзнете модула към главата до стопера по посока на преградата S (поддържайте прикл. 5 cm разстояние) и затегнете фиксиращата ръкохватка AN ⑪b
 - настройте ъгъла на рязане на 0° (вж. Настройка на ъгъла на рязане)
 - настройте ъгъла на скосяване на 45° отляво или отдясно (вж. Настройка на ъгъла на скосяване)
 - натиснете дръжката B надолу с една ръка, докато избутвате заключващия щифт C с другата
 - намотайте електрическия кабел
 - използвайте транспортната дръжка E ⑧ за пренасяне на инструмента ⑪d
 - алтернативно използвайте страничните дръжки за пренасяне на инструмента ⑪e

! никога не повдигайте инструмента, като го държите за основната дръжка или за електрическия кабел
- Монтиране на инструмента върху работна повърхност ⑫

! за безопасно манипулиране винаги монтирайте инструмента върху плоска и стабилна работна повърхност (например работен плот)

 - използвайте 4 монтажни отвора F за да прикрепите инструмента с подходящи винтове към работната повърхност
 - можете също да затегнете инструмента към работната повърхност с обикновени винтови скоби

- за стабилизиране на инструмента може да се регулира височината на опорното краче G
 - алтернативно инструментът може да се монтира върху стойка за настолен потапящ циркуляр
- ! прочетете всички предупреждения и инструкции, включени към стойката за циркуляра**

- Изтегляне на прах/стружки ⑬
 - монтирайте торбата за прах H/прахосмукачката, както е показано
 - изпразвайте торбичката за прах редовно за оптимален резултат при прахоизсмукването

! внимавайте тръбата на прахосмукачката да не пречи на долния предпазител или на операцията на рязане
- Удължение на масата на циркуляра ⑭
 - използвайте ръкохватките L за затягане на удължителните греди K (от всяка страна на инструмента)
 - дължината на удължителните греди K се регулира плавно от минимум до максимум
- Фиксиране на детайла ⑮

! за оптимална безопасност на труда, винаги фиксирайте неподвижно детайла с предоставената регулируема скоба

 - не работете с детайли, които са твърде малки за да бъдат фиксирани
 - за **максимални** размери на детайла използвайте масата ⑯ като еталон
 - прикрепете стягата за детайла в отвора на опората N с ръкохватка P (от всяка страна на инструмента)
 - стягата за детайла има 2 жлеба за лесно заключване; 1 за тънки детайли (до 5 cm) и 1 за по-големи детайли (над 5 cm)
 - притиснете здраво детайла срещу предпазителя S
 - отключете лоста R
 - нагласете стягата към детайла
 - закрепете неподвижно детайла чрез заключващия лост R

! за някои комбинации от скосяване и рязане или в зависимост от размера на детайла може да е нужно да се използват налични в търговската мрежа винтови стеги вместо стягата за детайла
- Задаване на ъгли на скосяване ⑰
 - освободете заключващата ръкохватка AE
 - изтеглете лоста за освобождаване на ограничителя на скосяване AF
 - завъртете масата на циркуляра наляво или надясно и настройте желания ъгъл на скосяване (от 0° до 50°), като използвате индикатор AG
 - освободете лоста AF
 - затегнете заключващата ръкохватка AE (**не затягайте ръкохватката твърде здраво**)
 - за бърза и прецизна настройка на често използвани ъгли на скосяване (0°, 15°, 22,5°, 31,6°, 45°) лостът на ограничителя на скосяване AF се застопорява на съответните позиции; за предотвратяване на това лостът AF може да се заключи в освободена позиция ⑰b
- Задаване на ъгли на рязане ⑱
 - освободете тристранното копче W
 - отклонете главата на циркуляра наляво, докато

- индикаторът за ъгъл на рязане X посочи желанието ъгъл на рязане
- регулируемият краен стопер за рязане AA (45°) може да се използва за спиране на 45° или продължаване до 48° ^{18b}
 - задържете главата на циркуляра в тази позиция и затегнете ръкохватката W
 - за рязане надясно първо наклонете главата на циркуляра леко наляво, завъртете ръкохватката за освобождаване на рязането отлясно АВ (прибл. 60°), след това завъртете главата на циркуляра към желанието ъгъл на рязане отлясно ^{18c}
 - когато наклоните обратно главата на циркуляра наляво, ръкохватката за освобождаване на рязането отлясно АВ автоматично ще се нулира до крайния стопер на 0°; това може да се предотврати чрез завъртане на ръкохватката до прибл. 90° вместо 60° ^{18d}
 - Отрязвания под различен ъгъл ¹⁹
 - рязанията под различен ъгъл изискват както задаване на ъгъл на сносване, така и задаване на ъгъл на рязане
 - ! не използвайте циркуляра в определени комбинации за сносване и рязане, които могат да доведат до облъскване между плъзгащите се и стационарни части на циркуляра или между плъзгащите се части и детайла – за изготвяне на среза свалете плъзгащата преграда, фиксиращата ръкохватка за плъзгащата преграда и ръкохватката на работната стяга според нужното.**
 - ! винаги изпробвайте първо върху ненужно парче материал**
 - Регулиране на плъзгащите прегради ²⁰
 - разхлабете ръкохватката V, за да позволите плъзгане на преградата(ите) U
 - разхлабете ръкохватката V още, за да позволите свалене/сглобяване на преградата(ите)
 - затегнете ръкохватката V, за да фиксирате желаната позиция
 - ! уверете се, че плъзгащите прегради са фиксирани плътно преди използване на инструмента**
 - ! за някои комбинации от сносване и рязане също така може да е необходимо да се свали ръкохватката**
 - Линия лазер ²¹
 - за водене на инструмента по желаната линия на рязане, отбелязана върху детайла
 - включвайте/изключвайте линията лазер като придвижвате ключ AD
 - ! преди да започнете работа, проверете подравняването на линията лазер спрямо действителната линия на рязане, като направите пробно разрязване върху парче ненужен материал**
 - Рязане без плъзгане (малки детайли)
 - развийте фиксиращата ръкохватка AH, в случай че е затегната
 - плъзнете главата на циркуляра към стопера в посока на преградата S и затегнете повторно фиксиращата ръкохватка AH
 - ! ако механизмът не се заключи, дисът**
- внезапно може да се вдигне върху детайла и да се засили към вас**
- установете инструмента в работно положение
 - ! уверете се, че детайлът е неподвижно фиксиран спрямо масата на триона и предпазителя S**
 - включете инструмента чрез освобождаване на блокировката AJ и изтеглете главния превключвател AI
 - ! не кръстосвайте ръцете си, когато работите с главата на циркуляра ^{23a}**
 - режете детайла с постоянно придвижване
 - ! преди режещият диск да влезе в детайла, инструментът трябва да работи на пълна скорост**
 - изключете инструмента като отпуснете включвателя AI
 - изчакайте, докато режещият диск спре напълно, преди да вдигнете главата на циркуляра бавно нагоре
 - Рязане с плъзгане (широки обработвани детайли)
 - ! имайте предвид, че описаният по-долу метод е единственият, който е безопасен**
 - не изтегляйте циркуляра през детайла
 - развийте фиксиращата ръкохватка AH, в случай че е затегната
 - ! уверете се, че детайлът е неподвижно фиксиран спрямо масата на триона и предпазителя S**
 - издърпайте главата на циркуляра достатъчно настрана от преградата S, така че циркулярният диск да е пред обработвания детайл ²⁴
 - включете инструмента чрез освобождаване на блокировката ²² и изтеглете главния превключвател
 - ! не кръстосвайте ръцете си, когато работите с главата на циркуляра ^{23a}**
 - бутнете главата на циркуляра в посоката на преградата S и разрежете обработвания детайл с равномерно напредване ²⁴
 - ! преди режещият диск да влезе в детайла, инструментът трябва да работи на пълна скорост**
 - ! ако долният протектор не се отвори автоматично, което може да се случи при определени условия (напр. детайл, който е много близо до максималния капацитет), може да трябва да отворите протектора с ръка ^{23b}**
 - изключете инструмента като отпуснете включвателя AI
 - изчакайте, докато режещият диск спре напълно, преди да вдигнете главата на циркуляра бавно нагоре
 - Рязане на жлеbove ²⁵
 - задайте желаната дълбочина със стопера за дълбочина AK и го застоперете чрез затягане на гайката AM
 - дървен раздалечител трябва да се постави между детайла и преградата за постоянна дълбочина по цялата дължина на жлеба
 - ! уверете се, че циркулярният диск не се закликва в детайла**
 - ! винаги изпробвайте първо върху ненужно парче материал**

- Смяна на режещия диск ⁽²⁶⁾
 - ! **изключете щепсела**
 - вземете шестостенния ключ AN от комплекта AO
 - задръжте предпазния протектор A в отворена позиция
 - разхлабете винта за покривачата плоскост AQ (не отвивайте винта докрай) ^(26a)
 - завъртете предпазния протектор A докрай назад ^(26b)
 - натиснете бутона за блокиране на шпиндела AP и го задръжте докато отстраните болта на диска, AP като въртите шестостенния ключ AN **ПО ЧАСОВНИКОВАТА СТРЕЛКА** (= в същата посока, както е показано със стрелка върху режещия диск)
 - ! **натиснете блокиращия въртенето бутон AP само когато инструментът е напълно спрял**
 - освободете блокиращия въртенето бутон AP
 - отстранете фланеца AS и режещия диск
 - ! **сменете режещия диск, като зъбите на триона и стрелката, означена върху режещия диск, сочат в същата посока, както и стрелката върху предпазителя A**
 - поставете фланеца AS ^(26c)
 - натиснете блокиращия шпиндела бутон AP и го задръжте, докато затегнете болта на диска с шестостенен ключ AN **ОБРАТНО НА ЧАСОВНИКА** на 1/8 оборот след позицията на ръчно затягане (позволява приплъзване на циркулярния диск при голямо съпротивление, което намалява претоварването на мотора и отката на циркуляра)
 - затегнете винта на покривната плоча AQ
- Смяна на вложката-табла AT ⁽²⁶⁾
 - Заменете дефектна или износена вложка-табла както следва:
 - ! **изключете щепсела**
 - вземете шестостенния ключ AN от комплекта AO
 - отстранете всичките 6 винта, както е илюстрирано
 - отстранете старата вложка-табла, като първо я повдигнете отпред и след това я изтеглите изцяло
 - поставете нова вложка-табла
 - ! **затегнете здраво и 6-те винта**
- Проверка/регулиране на 90° ориентирането на диска ⁽²⁶⁾
 - ! **изключете щепсела**
 - завъртете масата на циркуляра до позицията на скосяване 0° и заключете на място
 - отклонете главата на циркуляра до позицията на рязане 0°
 - смъкнете главата на циркуляра и заключете на място
 - проверете ъгъла 90° между диска и вложката с перпендикуляр
 - ако е необходимо, регулирайте 90° ориентирането на диска както следва:
 1. освободете тристранното копче W
 2. регулирайте винта Y с 4 mm шестограмен ключ (не е включен стандартно в окомплектовката) ^(26b)
 3. затегнете отново с ъгълник
 4. нулирайте индикатора за рязане на 0° ^(26c)
- Проверка/регулиране на 45° ориентирането на диска ⁽²⁹⁾
 - ! **изключете щепсела**
 - завъртете масата на циркуляра до позицията на скосяване 0° и заключете на място

- освободете тристранното копче W
- задайте регулируемия краен стопер за рязане AA на 45° ^(29b)
- отклонете главата на циркуляра наляво
- проверете ъгъла 45° между диска и вложката с ъгъл 45° ^(29a)
- проверете дали индикаторът за ъгъл на рязане X се намира върху обозначението 45°
- ако е необходимо, регулирайте 45° ориентирането на диска както следва:
 1. регулирайте винта Z с гаечен ключ 10 (не е включен стандартно в окомплектовката)
 2. проверете отново с ъгълник за скосени ъгли
- ако е нужно, повторете за настройката от 45° надясно
- смъкнете главата на циркуляра и заключете на място
- Проверка/регулиране на 90° ориентирането на предпазителя ⁽³⁰⁾
 - ! **изключете щепсела**
 - завъртете масата на циркуляра до позицията на скосяване 0° и заключете на място
 - смъкнете главата на циркуляра и заключете на място
 - проверете за ъгъл 90° между диска и предпазителя S с перпендикуляр (уверете се, че перпендикулярът докосва тялото на диска, а не зъбите му)
 - ако е необходимо, регулирайте 90° ориентирането на предпазителя както следва:
 1. освободете 4-те шестостенни винта T
 2. регулирайте предпазителя, докато се получи пълен контакт на диска и предпазителя с перпендикуляра
 3. затегнете 4-те шестостенни винта T
 4. нулирайте индикатора за скосяване на 0° ^(30c)
- Кабелна щипка ⁽³¹⁾
 - използвайте кабелната щипка AV за предотвратяване на захващане на електрическия кабел между движещите се и стационарни части на инструмента

УКАЗАНИЯ ЗА РАБОТА

- Специални детайли
 - винаги поддържайте свободните краища на дълги детайли
 - уверете се, че заоблени или кръгли детайли са обезопасени специално срещу изплъзване ⁽³³⁾
 - не може да има хлабина по линията на рязане между детайла и предпазителя или таблата на триона
 - ако е нужно, изгответе спомагателна планка; отворите в плъзгащата преграда трябва да се използват за закрепване на спомагателната планка ⁽³⁴⁾
- ! **спомагателната планка може да се използва само при рязане от 0°**
- За работа с подови формования може да се използва илюстрация ⁽³⁵⁾ като еталон
- Винаги обръщайте добрата страна на обработвания детайл надолу, за да осигурите минимално отцепване на трески
- Използвайте само остри режещи дискове от

подходящ тип

- качеството на рязане се подобрява при по-голям брой на зъбите
- режещи дискове с карбиден връх остават остри до 30 пъти по-дълго време от обикновените режещи дискове

ПОДДРЪЖКА / СЕРВИЗ

- Винаги поддържайте инструмента и шнура чисти (специално вентилиращите прорези на задния край на корпуса на двигателя)
- Разработете редовна проверка за гарантиране на това, че долният протектор работи правилно. Почистете долния протектор от натрупани стърготини с мокър парцал.
 - преди почистване изключете щепсела
 - повдигнете долния протектор до напълно отворена позиция и го освободете; ако той не се затвори незабавно и напълно, трябва да се провери от център за следпродажбено обслужване за електроинструменти на SKIL
- Почиствайте режещия диск непосредствено след употреба (особено от смола и лепило)
 - по време на употреба, режещият диск става много горещ; не го докосвайте докато не изстине напълно
- Почиствайте лазерната светлина АС с мека четка след всяка употреба, за да поддържате добра видимост на лазерната линия (уверете се, че не променят настройката на лазера)
- Ако въпреки прецизното производство и внимателно изпитване възникне повреда, инструмента да се занесе за ремонт в оторизиран сервиз за електроинструменти на SKIL
 - занесете инструмента в **неразглобен вид** заедно с доказателство за покупката му в търговския обект, откъдето сте го закупили, или в най-близкия сервиз на SKIL (адресите, както и схемата за сервизно обслужване на електроинструмента, можете да намерите на адрес www.skil.com)
- Имайте предвид, че повреда поради претоварване или неправилно манипулиране с инструмента ще бъдат изключени от гаранцията (за условията на гаранцията от SKIL виж на интернет адрес: www.skil.com или попитайте вашия дилър)

ОПАЗВАНЕ НА ОКОЛНАТА СРЕДА

- **Не изхвърляйте електроуредите, батерии, приспособленията и опаковките заедно с битови отпадъци** (само за страни от ЕС)
 - съобразно Директивата на ЕС 2012/19/EG относно износени електрически и електронни уреди и отразяването ѝ в националното законодателство износените електроуреди следва да се събират отделно и да се предават за рециклиране според изискванията за опазване на околната среда
 - за това указва символът  тогава когато трябва да бъдат унищожени

ШУМ


- Измерено в съответствие с EN 62841, нивото на звуковото налягане на този инструмент е 100,0 dB(A), а нивото на звуковата мощност е 109,5 dB(A) (неопределеност K = 3 dB)

- Нивото на емисия на шум е измерено в съответствие със стандартизирания тест, определен в EN 62841; то може да се използва за сравнение на един инструмент с друг и като предварителна оценка на подлагането на шум при използването на инструмента за посочените приложения
 - използването на инструмента за различни от тези приложения или с други, или лошо поддържани аксесоари може значително **да повиши** нивото на което сте подложени
 - периодите от време, когато инструмента е изключен или съответно включен, но с него не се работи в момента могат значително **да намалят** нивото на което сте подложени

SK

Pokosová pila se zákluzem 1320

ÚVOD

- Tento nástroj je určený ako stacionárny prístroj na pozdĺžne a priečne rezanie dreva priamymi rezními a tiež rezními pod uhlami (sú možné vodorovné uhly -50° až +50°, ako aj zvislé uhly -48° až +45°)
- Prečítajte a uschovajte tento návod na použitie 
- Tento nástroj nie je vhodný pre profesionálne použitie
- **Nástroj používajte len správne a kompletne zostavený** (majte na pamäti, že spoločnosť Skil nenesie zodpovednosť za poškodenie nástroja a zranenia spôsobené nesprávnou montážou nástroja)

TECHNICKÉ ÚDAJE

ČASTI NÁSTROJA

- A** Spodný ochranný kryt
- B** Rúčka s vypínačom
- C** Prepravny záistovaci kolík
- D** Horný kryt
- E** Prepravná rúčka
- F** Upevňovacie otvory
- G** Podporná nôžka
- H** Prachové vrecko
- J** Nádobka na prach
- K** Predlžovacie tyčky
- L** Kolieska na zaistenie predlžovacích tyčiek
- M** Svorka na uchytienie obrábaného predmetu
- N** Podporný otvor
- P** Koliesko na upevnenie svorky
- Q** Koliesko na nastavenie svorky
- R** Upínacia páka
- S** Opierka
- T** Skrutky so šesťhrannou hlavou na nastavenie opierky (4x)
- U** Posuvná vodiaca lišta
- V** Gombík na upevnenie posuvnej vodiacej lišty
- W** Zaistovacie koliesko (zvislý uhol)
- X** Indikátor zvislého uhla
- Y** Skrutka na nastavenie zvislého uhla (vpravo)
- Z** Skrutka na nastavenie zvislého uhla (vľavo)
- AA** Nastaviteľný doraz
- AB** Prává uvoľňovacia páčka skosenia
- AC** Laserové svetlo

- AD Vypínač lasera
- AE Zaisťovacia rúčka (vodorovný uhol)
- AF Uvoľňovacia páčka aretácie pokosu
- AG Indikátor vodorovného uhla
- AH Zaisťovacie koliesko pre posúvacie zariadenie
- AI Vypínač zapnutie/vypnutie
- AJ Bezpečnostná páčka
- AK Obmedzovač hĺbky rezu
- AL Hĺbková zarážka
- AM Matica hĺbkovej zarážky
- AN Imbusový kľúč
- AO Úložné miesto pre šesthranný kľúč
- AP Gombík na uzamknutie vretena
- AQ Skrutka krycej dosky
- AR Skrutka
- AS Prstenec
- AT Vložka stola
- AU Vychýľovač prachu
- AV Spona na kábel

BEZPEČNOSŤ

VŠEOBECNÉ BEZPEČNOSTNÉ UPOZORNENIA TÝKAJÚCE SA ELEKTRICKÉHO NÁRADIA

⚠ VÝSTRAHA Prečítajte si všetky bezpečnostné výstrahy, pokyny, ilustrácie a technické údaje, ktoré sú dodané s týmto elektrickým nástrojom. Nedodržanie všetkých nižšie uvedených pokynov môže viesť k poraneniu elektrickým prúdom, požiaru a/alebo vážnemu poraneniu.

Všetky upozornenia a pokyny si odložte na ďalšie použitie.

Pojem „elektrické náradie“ používaný v nasledujúcom texte sa vzťahuje na ručné elektrické náradie napájané zo siete (s prírodnou šnúrou) a na ručné elektrické náradie napájané akumulátorovou batériou (bez prírodnej šnúry).

1) BEZPEČNOSŤ NA PRACOVISKU

- a) **Udržiavajte svoje pracovisko čisté a upratané.** Neporiadok na pracovisku alebo neosvetlené časti pracoviska môžu viesť k úrazom.
- b) **Nepracujte elektrickým náradím v prostredí ohrozenom výbuchom, v ktorom sa nachádzajú horľavé kvapaliny, plyny alebo prach.** Elektrické náradie produkuje iskry, ktoré môžu prach alebo pary zapáliť.
- c) **Deti a iné osoby udržiavajte počas práce od ručného elektrického náradia v dostatočnej vzdialenosti.** V prípade odpútania Vašej pozornosti by ste mohli stratiť kontrolu nad náradím.

2) ELEKTRICKÁ BEZPEČNOSŤ

- a) **Zástrčka prírodnej šnúry sa musí hodiť do napájacej zásuvky. Zástrčka sa v žiadnom prípade nesmie meniť. Pri uzemnených spotrebičoch nepoužívajte spolu s nimi žiadne adaptéry.** Nezmenená zástrčka a vhodná zásuvka znižujú riziko zásahu elektrickým prúdom.
- b) **Vyhýbajte sa telesnému kontaktu s povrchovými plochami uzemnených spotrebičov, ako sú elektrické rúry, vyhrievacie telesá, sporáky a chladničky.** Keď je Vaše telo uzemnené, riziko zásahu elektrickým prúdom je vyššie.

- c) **Chráňte ručné elektrické náradie pred dažďom a vlhkom.** Vniknutie vody do ručného elektrického náradia zvyšuje riziko zásahu elektrickým prúdom.
- d) **Nepoužívajte prírodnú šnúru na prenášanie náradia, na jeho vešanie, ani za ňu nevyťahujte zástrčku zo zásuvky. Prírodnú šnúru chráňte pred horúčavou, olejom, ostrými hranami alebo pohybujúcimi sa časťami náradia.** Poškodené alebo zauzlené šnúry zvyšujú riziko zásahu elektrickým prúdom.
- e) **Ak pracujete s ručným elektrickým náradím vonku, používajte len také predĺžovacie šnúry, ktoré sú schválené pre používanie vo vonkajších priestoroch.** Používanie predĺžovacej šnúry určenej do vonkajšieho prostredia znižuje riziko zásahu elektrickým prúdom.
- f) **Ak sa nedá vyhnúť použitiu ručného elektrického náradia vo vlhkom prostredí, použite prerušovač uzemňovacieho obvodu.** Používanie prerušovača uzemňovacieho obvodu znižuje riziko zásahu elektrickým prúdom.

3) BEZPEČNOSŤ OSÔB

- a) **Buďte pozorní, dávajte pozor na to, čo robíte a k práci s elektrickým náradím pristupujte rozumne.** Nepoužívajte elektrické náradie, keď ste unavení alebo keď ste pod vplyvom drog, alkoholu alebo liekov. Chvilka nepozornosti pri používaní náradia môže viesť k vážnym poraneniam.
- b) **Noste osobné ochranné pomôcky, ochranný odev a vždy majte nasadené ochranné okuliare.** Nosenie pracovného odevu a používanie ochranných pomôcok ako ochrannej dýchacej masky, bezpečnostných protišmykových topánok, prilby alebo chrániča sluchu, podľa druhu elektrického náradia, znižuje riziko poranenia.
- c) **Vyhýbajte sa neúmyselnému uvedeniu ručného elektrického náradia do činnosti. Pred zasunutím zástrčky do zásuvky a/alebo pred pripojením akumulátora, pred chytením alebo prenášaním ručného elektrického náradia sa vždy presvedčte sa, či je ručné elektrické náradie vypnuté.** Ak budete mať pri prenášaní ručného elektrického náradia prst na vypínači, alebo ak ručné elektrické náradie pripojíte na elektrickú sieť zapnutú, môže to mať za následok nehodu.
- d) **Skôr ako ručné elektrické náradie zapnete, odstráňte nastavovacie a montážne nástroje.** Nástroj alebo kľúč, ktorý sa nachádza v pohyblivej časti náradia, môže spôsobiť poranenie.
- e) **Neprecaňujte sa. Zabezpečte si pevný postoj a neprestajne udržiavajte rovnováhu.** Takto budete môcť ručné elektrické náradie v neočakávaných situáciách lepšie kontrolovať.
- f) **Pri práci noste vhodný pracovný odev. Nenoste široké odevy a nemajte na sebe šperky.** Vyvarujte sa toho, aby sa vaše vlasy a odev dostali do blízkosti pohyblivých častí. Voľný odev, dlhé vlasy alebo šperky môžu byť zachytené rotujúcimi časťami ručného elektrického náradia.
- g) **Ak možno namontovať zariadenie na odsávanie alebo zachytávanie prachu, presvedčte sa, či je pripojené a správne používané.** Používanie odsávacieho zariadenia a zachytávanie prachu znižuje riziko ohrozenia zdravia prachom.

- h) **Nepodliehajte falošnému pocitu istoty získanej z častého používania náradia a nekonajte v rozpore s princípmi bezpečného používania náradia.** Nepozorná práca môže v priebehu zlomkov sekundy viesť k ťažkému poraneniu.
- 4) **STAROSTLIVÉ ZAOBCHÁDZANIE S ELEKTRICKÝM NÁRADÍM A JEHO POUŽÍVANIE**
- a) **Náradie nepreťažujte.** Pre svoju prácu používajte určené elektrické náradie. Pomocou vhodného ručného elektrického náradia budete môcť v uvedenom rozsahu výkonu pracovať lepšie a bezpečnejšie.
- b) **Nepoužívajte žiadne ručné elektrické náradie, ktoré má pokazený vypínač.** Ručné elektrické náradie, ktoré sa už nedá napraviť alebo vypínať, je nebezpečné a treba ho dať opraviť.
- c) **Skôr ako začnete náradie nastavovať alebo prestavovať, vymieňať príslušenstvo alebo ako odložíte náradie, vždy vytiahnite koncovcu sieťovej šnúry zo zásuvky a/alebo vyberte akumulátor, ak sa dá vybrať.** Toto preventívne opatrenie zabraňuje neúmyselnému spusteniu ručného elektrického náradia.
- d) **Nepoužívané ručné elektrické náradie uschovávajúe mimo dosahu detí. Nedopusťte, aby ručné elektrické náradie používali osoby, ktoré s ním nie sú dôkladne oboznámené, alebo ktoré si neprečítali tento Návod na používanie.** Ak ručné elektrické náradie používajú neskúsené osoby, stáva sa nebezpečným nástrojom.
- e) **Ručné elektrické náradie a príslušenstvo starostlivo ošetrujte.** Skontrolujte, či pohyblivé súčiastky náradia bezchybne fungujú a neblokujú a či nie sú zlomené alebo poškodené niektoré súčiastky, ktoré by mohli negatívne ovplyvniť fungovanie ručného elektrického náradia. Pred použitím ručného elektrického náradia dajte poškodené súčiastky opraviť. Nejeden úraz bol spôsobený zle udržiavaným náradím.
- f) **Používané nástroje udržiavajte ostré a čisté.** Starostlivo ošetrované nástroje s ostrými reznými hranami sa menej často zablokujú a ich vedenie je podstatne ľahšie.
- g) **Používajte ručné elektrické náradie, príslušenstvo, pracovné nástroje a pod. podľa týchto pokynov. Zohľadnite pritom konkrétne pracovné podmienky a činnosť, ktorú máte vykonať.** Používanie ručného elektrického náradia na iné ako určené účely môže viesť k nebezpečným situáciám.
- h) **Rukováti a úchopové povrchy udržiavajte suché, čisté a bez oleja alebo mazacieho tuku.** Šmyklavé rukováti a úchopové povrchy neumožňujú bezpečnú manipuláciu a ovládanie náradia v neočakávaných situáciách.
- 5) **SERVIS**
- a) **Ručné elektrické náradie zverte do opravy len kvalifikovanému personálu a používajte len originálne náhradné súčiastky.** Tým sa zabezpečí zachovanie bezpečnosti ručného elektrického náradia.

BEZPEČNOSTNÉ POKYNY PRE POKOSOVÉ PÍLY

- **Pokosové píly sú určené na pílenie dreva alebo drevených výrobkov, nesmú sa používať s reznými kotúčmi na pílenie kovových materiálov, ako sú lišty, tyče, koly atď.** Brúsný prach spôsobuje zaseknutie pohyblivých častí, ako je napríklad spodný ochranný

kryt. Iskry vznikajúce pri pílení reznými kotúčmi spôsobia spálenie spodného ochranného krytu, vložky drážky a iných plastových dielov.

- **Ak je to možné, vždy použite svorky na upevnenie obrobku. Ak obrobok pridržavate rukou, musíte udržiavať bezpečnú vzdialenosť minimálne 100 mm od každej strany pilového kotúča. Nepoužívajte túto pílu na pílenie obrobkov, ktoré sú príliš malé na bezpečné uchytienie svorkou alebo pridržanie rukou. Ak máte ruku príliš blízko pilového kotúča, hrozí zvýšené riziko poranenia pri kontakte s kotúčom.**
- **Obrobok musí byť nehybný a upevnený svorkami alebo pridržávaný oproti vodiacej lište aj stolu. Neposúvajte obrobok do kotúča ani žiadnym spôsobom nepíľte „voľnou rukou“** Voľný alebo pohyblivý sa obrobok môže byť vymrštený vysokou rýchlosťou a spôsobiť zranenie.
- **Tlačte pílu cez obrobok. Pílu cez obrobok neťahajte. Na pílenie nadvihnite hlavu píly a potiahnite ju ponad obrobok bez pílenia, spustíte motor, zatlačte hlavu píly nadol tlačte pílu cez obrobok** Pílenie ťahaním s veľkou pravdepodobnosťou spôsobí, že pilový kotúč vyjde na vrch obrobku a prudko vymrští zostavu kotúča smerom k obsluhu.
- **Nikdy nedávajte ruku krížom cez zamýšľanú líniu pílenia, šu už pred alebo za pilovým kotúčom** Pridržavanie obrobku rukou „do kríža“, t. j. pridržavanie obrobku napravo od pilového kotúča ľavou rukou alebo naopak je veľmi nebezpečné.
- **Nesiahajte žiadnou rukou za vodiacu lištu do vzdialenosti menej ako 100 mm od ktorejkoľvek strany pilového kotúča, kým sa točí, na odstránenie pilín alebo z akéhokoľvek iného dôvodu** Blízkosť rotujúceho pilového kotúča k vašej ruke nemusí byť zrejme a môžete sa vážne poraniť.
- **Pred pílením obrobok skontrolujte. Ak je obrobok ohnutý alebo skrútený, upevnite ho svorkou vonkajšou stranou ohnutia k vodiacej lište. Vždy sa uistite, že medzi obrobkom, vodiacou lištou a stolom nie je žiadna medzera pozdĺž celej línie pílenia** Ohnutý alebo skrútený obrobok sa môže pretočiť alebo posunúť a môže sa zaseknúť v rotujúcom pilovom kotúči počas pílenia. Obrobok nesmie obsahovať žiadne klince ani iné cudzie materiály.
- **Pílu nepoužívajte, kým nie sú zo stola odstránené všetky nástroje, piliny atď. okrem samotného obrobku** Malé úlomky, uvoľnené kusy dreva alebo iné predmety môžu byť pri kontakte s rotujúcim pilovým kotúčom vymrštené veľkou rýchlosťou.
- **Naraz píľte len jeden obrobok** Viaceré obrobky uložené na sebe alebo za sebou sa nedajú riadne upevniť a môžu spôsobiť ich zaseknutie v kotúči alebo sa počas pílenia môžu posunúť.
- **Pred použitím sa uistite sa, že pokosová píla je namontovaná alebo umiestnená na rovnej a pevnej pracovnej ploche.** Rovná a pevná pracovná plocha znižuje riziko nestability pokosovej píly.
- **Prácu si naplánujte! Pri každej zmene nastavenia zvislého alebo vodorovného uhla sa uistite, že nastaviteľná vodiaca lišta je správne nastavená tak, aby podopierala obrobok a nekrížila sa s kotúčom alebo vodiacim systémom** S vypnutým náradím a bez obrobku na stole posuňte pilový kotúč pozdĺž celého simulovaného rezu s cieľom uistiť sa, že nedôjde k žiadnemu kríženiu alebo nebezpečenstvu kontaktu vodiacej lišty pri pílení.

- **Zabezpečte primeranú oporu, napríklad nadstavce na stôl, stojany na pílenie atď., pre obrobky, ktoré sú širšie alebo dlhšie ako doska pracovného stola.** Obrobky, ktoré sú dlhšie alebo širšie ako stôl pokosovej píly, sa môžu prevrátiť, ak nie sú pevne podopreté. Ak sa odrezaný diel alebo obrobok prevráti, môžu nadvihnúť spodný ochranný kryt alebo ich rotujúci kotúč môže vymrštiť.
- **Nepoužívajte pomoc druhej osoby ako náhradu za nadstavce stola, alebo ako dodatočnú oporu** Nestabilná opora obrobku môže spôsobiť zaseknutie kotúča alebo posunutie obrobku počas pílenia a vťahnutie vás alebo pomocníka do rotujúceho kotúča.
- **Odrezaný kus sa nesmie zaseknúť ani žiadnym spôsobom pritlačiť o rotujúci pilový kotúč** V prípade zamedzenia posunu, ak sa napríklad používa dĺžkový doraz, sa odrezaný kus môže zaseknúť v kotúči a prudko vymrštiť.
- **Vždy používajte svorku alebo upínacie prvky navrhnuté na správnu oporu okrúhlych materiálov, ako sú napríklad tyče alebo rúrky** Tyče majú tendenciu sa prevalovať počas pílenia, čo môže spôsobiť „zahryznutie“ kotúča a vťahnutie obrobku spolu s rukou do kotúča.
- **Pred kontaktom s obrobkom nechajte kotúč rozbehnúť sa na plné otáčky** Takto sa zníži riziko vymrštenia obrobku.
- **Ak sa obrobok alebo kotúč zasekne, vypnite pokosovú pílu.** Počkajte, kým sa všetky pohyblivé diely nezastavia a odpojte zástrčku od zdroja napájania, a/alebo vyberte akumulátorovú batériu. **Potom uvoľnite zaseknutý materiál** Pokračovanie v pílení so zaseknutým obrobkom môže viesť k strate kontroly alebo poškodeniu pokosovej píly.
- **Po dokončení rezu uvoľnite spínač, podržte hlavu píly dolu a pred vybratím obrobku počkajte, kým sa kotúč nezastaví** Priblíženie sa rukou k rotujúcemu kotúču je nebezpečné.
- **Držte pevne rukoväť pri vykonávaní neúplného rezu, alebo keď uvoľňujete spínač pred tým, ako je hlava píly v úplne spodnej polohe** Brzdny účinok píly môže spôsobiť náhle vťahnutie hlavy píly nadol, čo predstavuje riziko poranenia.

ĎALŠIE BEZPEČNOSTNÉ POKYNY

- Pri zapínaní vzniká krátkodobý pokles napätia; za nepriaznivých podmienok v elektrickej sieti to môže mať negatívny vplyv na ostatné spotrebiče (v prípade impedance menšej ako 0,219 Ohmov sa poruchy neobjavujú); ak potrebujete ďalšie informácie môžete sa obrátiť na svojho lokálneho distribútora elektrickej energie

VŠEOBECNE

- Tento nástroj používajte len na rezanie dreva
- Vždy skontrolujte či je napájacie napätie rovnaké ako napätie uvedené na štítku nástroja
- **Nestúpajte na náradie ani na stojan** Môže dôjsť k vážnemu poraneniu, keď sa náradie prevráti, alebo keď sa náhodne dotknete rezacieho nástroja. Neukladajte materiály na náradie alebo do jeho blízkosti tak, že na ich dosiahnutie je nutné stúpiť na náradie alebo stojan.
- **Pri nastavovaní alebo výmene príslušenstva vždy vytiahnite privodný kábel zo zásuvky**
- **Pred prenášaním pokosovej píly vždy odpojte zástrčku od zdroja napájania** Odpojte zástrčku, spusťte zostavu hlavu nadol a zaistíte ju v tejto polohe,

použite prepravnú rukoväť a jeden z otvorov na ruku v základni píly.

- **Náradie nepúšťajte, kým sa úplne nezastaví**
- **Pri pílení obrobkov nepravidelného tvaru si naplánujte prácu tak, aby sa obrobok neposunul a nezasekol v kotúči a nevytrhol z ruky**
- Tento nástroj by nemali používať osoby mladšie ako 16 rokov
- Tento stroj nie je vhodný pre rezanie za mokra

POUŽITIE VONKU

- Keď sa používa vonku, pripojte nástroj cez stykačový ističporuchového prúdu (FI) s maximálnym spúšťacím prúdom 30 mA a používajte predĺžovaciu šnúru, ktorá je určená na vonkajšie použitie a ktorá má vodotesnú pripojnú zástrčku

PRED POUŽITÍM

- Používajte úplne odmotanú a bezpečnú predĺžovaciu šnúru s kapacitou 16 A
- Používajte ochranné okuliare, tlmiče hluku na uši, a ochranné rukavice
- , minerály a kovy môže byť škodlivý (styk alebo nadýchanie prachu môže spôsobiť alergické reakcie a/alebo respiračné ochorenia obsluhy a okolostojacich osôb); **používajte ochrannú masku tváre a pracujte so zariadením na odsávanie prachu, ak je takéto zariadenie možné pripojiť**
- Určité druhy prachu sú klasifikované ako karcinogénne (akým dubový a bukový prach), a to hlavne v spojení s prísadami pre úpravu dreva; **používajte ochrannú masku tváre a pracujte so zariadením na odsávanie prachu, ak je takéto zariadenie možné pripojiť**
- Dodržujte stanovené nariadenia pre prácu v prašnom prostredí
- **Neobrábajte materiál, ktorý obsahuje azbest** (azbest sa považuje za rakovinotvorný materiál)
- Nikdy nepoužívajte stroj bez originálnych ochranných krytov
- Pred každým použitím skontrolujte, či je ochranný kryt správne zatvorený
- Nepoužívajte pílu, ak sa ochranný kryt voľne nepohybuje a ihneď sa nezavrie
- Nikdy neuchytávajte ani neupevňujte ochranný kryt v otvorenej polohe
- Nástroj nikdy nepoužívajte bez vložky stola; poškodenú alebo opotrebovanú vložku stola vymeňte
- Predtým než začnete rezať, odstráňte všetky prekážky na vrchnej a spodnej strane reznej dráhy
- Zabráňte poškodeniu náradia skrutkami, klincami a inými kovovými predmetmi v obrobku; zoberte ich dole prv než začnete pracovať

PRÍSLUŠENSTVO

- Nikdy nepoužívajte brúsne/rezacie kotúče s týmto nástrojom
- SKIL zabezpečí bezchybný chod nástroja len ak sa používa správne príslušenstvo, ktoré môžete získať od vášho diera SKIL
- Pri montáži/používaní iného príslušenstva ako SKIL si preštudujte pokyny daného výrobcu
- Používajte len také pilové kotúče, ktorých charakteristika zodpovedá údajom uvedeným v tomto Návoде na používanie a ktoré sú testované podľa normy EN 847-1 a sú aj primerane označené
- Používajte iba príslušenstvo, u ktorého hodnota prípustných obrátok zodpovedá minimálne najvyšším obrátkam náradia

- Nikdy nepoužívajte pílové kotúče vyrobené z rýchloreznej ocele (HSS)
- Nepoužívajte prasknutý, deformovaný alebo otupený pílový list
- Používajte len pílové kotúče s takým priemerom otvoru, ktorý pasuje na hriadeľ nástroja bez vôle; nikdy nepoužívajte reduktory ani adaptéry, aby ste mohli založiť pílové kotúče s väčším otvorom
- Chráňte kotúče pred nárazom, otrasom a masntotou

POČAS PRÁCE

- **Netlačte príliš na nástroj** (vyvíjajte mierny a plynulý tlak tak, aby sa predišlo prehrievaniu špičiek čepelí a v prípade rezania plastov roztaženiu plastového materiálu)
- Dbajte na to, aby prsty, ruky a ramená boli v dostatočnej vzdialenosti od rotujúceho pílového kotúča
- V prípade zablokovania pílového kotúča okamžite vypnite nástroj a odpojte ho od elektrickej siete; až potom vyberte zaseknutý obrábaný predmet
- V prípade zaseknutia, mechanickéj alebo elektrickej poruchy, okamžite vypnite stroj a odpojte prívodný kábel
- Ak je sieťová šnúra poškodená alebo ak sa prereže počas prevádzky, nedotýkajte sa jej ale ju ihneď odpojte z hlavnej elektrickej siete
- Nikdy nepoužívajte náradie s poškodeným káblom; kábel sa musí vymeniť za špeciálne pripravený kábel dostupný prostredníctvom servisného strediska.

VYŽAROVANIE LASERA

- **Nesmerujte laserový lúč na osoby ani na zvieratá, ani sami sa nepozerajte priameho či do odrazeného laserového lúča** (môže to spôsobiť oslepenie osôb, nehody alebo poškodenie zraku)
- Pokiaľ laserový lúč dopadne do oka, treba vedome zatvoriť oči a okamžite hlavu otočiť od lúča
- Na laserovom zariadení nevykonávajte žiadne zmeny
- Nepozerajte sa do laserového lúča (vyžarovanie lasera)
- Nepozerajte sa cez zväčšovacie optické nástroje (ako zväčšovacie sklo, teleskop, alebo ďalekohľad) na laserový lúč
- Nástroj nepoužívajte v prítomnosti horľavých kvapalín, plynov alebo prachu
- Nástroj nepoužívajte v prítomnosti detí
- Nenahrádzajte nainštalovaný laser iným typom lasera

PO PRÁCI

- Po vypnutí nástroja nikdy nezastavujte rotáciu príslušenstva tak, že ho budete zastavovať priečnou silou proti nemu
- Odrezky a iné drobné časti obrábaného predmetu odstráňte z oblasti rezania až po úplnom zastavení všetkých pohyblivých častí
- Pílový kotúč je počas práce veľmi horúci; nedotýkajte sa ho, až kým nevychladne
- Nástroj skladujte v **miestnosti** na suchom a uzamknutom mieste, mimo dosahu detí

VYSVETLENIE SYMBOLOV NA NÁSTROJI

- ② Pred použitím si prečítajte návod na obsluhu
- ③ Používajte ochranné okuliare a tlmíče hluku na uši
- ④ **Nebezpečná oblasť! Zóna so zakázaným prístupom rúk. Ruky, prsty a paže udržiavajte v bezpečnej vzdialenosti od tejto oblasti.**
- ⑤ Dvojité izolácia (nevyžaduje sa uzemňovací kábel)
- ⑥ Nevyhadzujte elektrické náradie a batérie do komunálneho odpadu
- ⑦ **Laserové žiarenie / Nepozerajte sa do lúča / Trieda 2 laserový výrobok**

POUŽITIE

- **Montáž**
 - namontujte prepravnú rukoväť E pomocou 2 skrutiek použitím imbusového kľúča AN ⑨
 - namontujte uzamykací krúžok AE do prednej časti stola ⑩
 - namontujte posuvnú vodiacu lištu U (pozrite si časť Nastavenie posuvnej vodiacej lišty)
- **Prepravná/pracovná poloha**
Uvoľnenie nástroja (**pracovná poloha**)
 - jednou rukou zatlačte rukoväť B ⑧ nadol a zároveň druhou rukou ťahajte zaist'ovací kolík C ⑪a
 - pomaly posúvajte zostavu hlavy nahor**Zaistenie nástroja (prepravná poloha)**
 - posuňte zostavu hlavy k zarážke v smere vodiacej lišty S (udržiavajte vzdialenosť približne 5 cm) a dotiahnite uzamykací krúžok AH ⑪b
 - nastavte zvislý uhol na 0° (pozrite si časť Nastavenie zvislého uhla)
 - nastavte vodorovný uhol na 45° vpravo alebo vľavo (pozrite si časť Nastavenie vodorovného uhla)
 - jednou rukou zatlačte rukoväť B nadol a zároveň druhou rukou ťahajte zaist'ovací kolík C
 - zmotajte sieťový kábel
 - používajte prepravnú rukoväť E ⑧ na prenášanie náradia ⑪d
 - alternatívne môžete na prenášanie náradia použiť bočné rukoväti ⑪e
- **Náradie nikdy nezdvíhajte pomocou hlavnej rukoväti alebo držaním za sieťový kábel**
- Upevnenie nástroja k pracovnej ploche ⑫
 - ! **pre bezpečnú prácu nástroj vždy upevnite na rovnú a stabilnú pracovnú plochu (napr. pracovný stôl)**
 - pomocou 4 upevňovacích otvorov F a vhodných skrutiek upevnite nástroj k pracovnej ploche
 - nástroj môžete k pracovnej ploche taktiež prisvorkovať pomocou bežne dostupných závitových svoriek
 - na zaistenie stability náradia je možné nastaviť výšku podpornej nôžky G
 - alternatívne sa dá náradie namontovať na stojan na pokosovú pílu
 - ! **prečítajte si všetky výstrahy a pokyny k stojanu na pílu**
- **Odsávanie pilín a malých kúskov ⑬**
 - namontujte prachové vrecko H/vysávač podľa obrázka
 - vyprázdňte vrecko na prach pravidelne aby sa čo najviac zvýšil výkon sania prachu
 - ! **nikdy nedovoľte, aby hadica vysávača zasahovala do spodného krytu alebo do priebehu rezania**
- **Nadstavec stola píly ⑭**
 - použite gombíky L na upevnenie predlžovacích tyčiek K (na každej strane náradia)
 - dĺžku predlžovacích tyčiek K je možné plynule nastaviť od miníma po maximum
- **Prisvorkovanie obrábaného predmetu ⑮**
 - ! **pre optimálnu bezpečnosť práce obrábaný predmet vždy pevne prisvorkujte pomocou dodávanej nastaviteľnej svorky**
 - nepracujte s predmetmi, ktoré sú príliš malé na prisvorkovanie
 - **maximálne** rozmery obrábaných predmetov nájdete v tabuľke ⑯

- upevnite svorku na obrobok do otvoru na svorku N pomocou gombíka P (na každej strane náradia)
- svorka na obrobok má 2 drážky na jednoduché zaistenie; 1 pre tenké obrobky (do 5 cm) a 1 pre väčšie obrobky (viac ako 5 cm)
- obrábaný predmet pevne pritlačte k opierke S
- odistite páčku R
- prispôbte svorku obrobku
- bezpečne upevnite obrobok pomocou zaistovacej páčky R
- ! **Pri niektorých kombináciách nastavenia vodorovného a zvislého uhla alebo v závislosti od veľkosti obrobku môže byť potrebné namiesto svorky na obrobok použiť komerčne dostupné skrutkové svorky**
- Nastavenie vodorovného uhla ①
 - povoľte zaistovaciu rukoväť AE
 - potiahnite uvoľňovaciu páčku aretácie pokosu AF
 - Otočte stôl píly doľava alebo doprava a nastavte požadovaný vodorovný uhol (od 0° po 50°) použitím indikátora AG
 - uvoľnite páčku AF
 - dotiahnite zaistovaciu rukoväť AE (**neuhahajte rukoväť príliš silno**)
 - na rýchle a presné nastavenie často používaných vodorovných uhlov (0°, 15°, 22,5°, 31,6°, 45°) páčka aretácie pokosu AF zavakne na svoje miesto v príslušných polohách; na zabránenie tomuto úkonu sa dá páčka AF zaistiť v uvoľnenej polohe ①b
- Nastavenie zvislých uhlov ②
 - uvoľnite trojramenné koliesko W
 - otočte hlavu píly doľava, kým indikátor zvislého uhla X nebude ukazovať na požadovaný zvislý uhol
 - Nastaviteľná zarážka zvislého uhla AA (45°) sa môže použiť ako doraz v uhle 45° alebo sa môže pokračovať až do uhla 48° ②b
 - držte hlavu píly v tejto pozícii a dotiahnite gombík W
 - na naklonenie doprava najprv nakloňte hlavu píly mierne doľava, otočte pravý uvoľňovací gombík skosenia AB (približne 60°), potom otočte hlavu píly do požadovaného zvislého uhla ②c
 - keď otočíte hlavu píly späť doľava, uvoľňovací gombík zvislého uhla AB sa automaticky resetuje na hodnotu zarážky 0°; tomuto sa dá predísť otočením gombíka na hodnotu uhla približne 90° namiesto 60° ②d
- Kombinované rezy ③
 - kombinované rezy vyžadujú nastavenie vodorovného aj zvislého uhla
 - ! **nepracujte s pilou pri určitých kombináciách vodorovného a zvislého uhla, ktoré môžu viesť k interferencii medzi posuvnými a stacionárnymi časťami píly alebo medzi posuvnými časťami a obrobkom – na vykonanie rezu podľa potreby odstráňte posuvnú vodiacu lištu, uzamykací krúžok posuvnej vodiacej lišty a upevňovacie koliesko pracovnej svorky.**
 - ! **vždy to najskôr vyskúšajte na kúsku odpadového materiálu**
- Nastavenie posuvných vodiacich lišt ④
 - povoľte gombík V na umožnenie posunu vodiacej lišty (lišt) U
 - ďalej povoľte gombík V na umožnenie odstránenia/montáže vodiacej lišty (lišt)
- dotiahnite gombík V na zaistenie v požadovanej polohe
- ! **pred použitím náradia sa uistite, že vodiace lišty bezpečne upevnené**
- ! **pri niektorých kombináciách vodorovných a zvislých uhlov môže byť tiež potrebné odstrániť gombík**
- Čiara laseru ⑤
 - pre vedenie nástroja pozdĺž požadovanej čiary rezu vyznačenej na opracovávanom kuse
 - čiary laseru zapnite/vypnite stlačením vypínača AD
 - ! **pred začiatkom práce skontrolujte vyrovnanie čiar laseru so súčasou čiarou rezu tak, že urobíte trojitý rez na kuse odpadového materiálu**
- Pílenie bez posuvného pohybu (malé obrobky)
 - povoľte zaistovacie koliesko AH, ak je utiahnuté
 - posuňte hlavu píly k zarážke v smere vodiacej lišty S a znova utiahnite zaistovacie koliesko AH
 - ! **ak nezaistíte tento mechanizmus, môže to spôsobiť, že kotúč sa náhle dostane na vrch obrobku a vymrští sa proti vám**
 - nastavte nástroj do pracovnej polohy
 - ! **dbajte na to, aby bol obrábaný predmet pevne prísrvorkovaný k stolu píly a opretý o opierku S**
 - zapnite náradie uvoľnením blokovacieho tlačidla AJ a potiahnutím sieťového vypínača AI
 - ! **pri práci s hlavou píli nedávajte ruky do križa ③a**
 - reže obrábaný predmet rovnomerným posunom
 - ! **predtým, ako kotúč vnikne do opracovávaného predmetu musí stroj bežať na plné otáčky**
 - nástroj vypnite uvoľnením vypínača AI
 - pred pomalým vysunutím hlavy píly smerom nahor počkajte, kým sa pilový kotúč úplne nezastaví
- Pílenie s posuvným pohybom (široké obrobky)
 - ! **majte na pamäti, že metóda opísaná nižšie predstavuje jedinú bezpečnú metódu**
 - pílu cez obrobok neťahajte
 - povoľte zaistovacie koliesko AH, ak je utiahnuté
 - ! **dbajte na to, aby bol obrábaný predmet pevne prísrvorkovaný k stolu píly a opretý o opierku S**
 - odtiahnite hlavu píly dostatočne ďaleko od vodiacej lišty S tak, aby sa pilový kotúč nachádzal pred obrobkom ④
 - zapnite náradie uvoľnením blokovacieho tlačidla ②a a potiahnutím sieťového vypínača
 - ! **pri práci s hlavou píli nedávajte ruky do križa ③a**
 - potlačte hlavu píly v smere vodiacej lišty S a pľte obrobok rovnomerným posunom ④
 - ! **predtým, ako kotúč vnikne do opracovávaného predmetu musí stroj bežať na plné otáčky**
 - ! **ak sa spodný ochranný kryt automaticky neotvorí, čo môže nastať v určitých situáciách (ak je napríklad obrobok veľmi blízko maximálneho rozsahu), bude možno potrebné otvoriť kryt rukou ③b**
 - nástroj vypnite uvoľnením vypínača AI
 - pred pomalým vysunutím hlavy píly smerom nahor počkajte, kým sa pilový kotúč úplne nezastaví
- Pílenie drážok ⑥
 - nastavte požadovanú hĺbku pomocou hĺbkovej zarážky AK a zaistíte ju na miesto utiahnutím matice AM
 - na dosiahnutie konzistentnej hĺbky po celej dĺžke drážky by sa mal medzi obrobok a vodiacu lištu umiestniť drevený medzerník

! zaistíte, aby sa pílový kotúč nezasekol v obrobku
! vždy to najskôr vyskúšajte na kúsku odpadového materiálu

- Výmena pílového kotúča 26

! odpojte zástrčku

- vyberte šesťhranný kľúč AN z puzdra AO
- držte ochranný kryt A v otvorenej polohe
- povoľte skrutku krycej dosky AQ (skrutku **neuvoľňujte úplne**) 26a
- otočte ochranný kryt A úplne dozadu 26b
- stlačte tlačidlo zaistenia hriadeľa AP a držte ho stlačené, pričom točením šesťhranným kľúčom AN **V SMERE HODINOVÝCH RUČÍČIEK** (= v smere šípky na pílovom kotúči) odskrutkujte skrutku AR upevňujúcu kotúč

! nástroj musí byť vypnutý keď stisnete tlačítko AP

- uvoľnite tyčinkové zamykajúce tlačítko AP
- vyberte prsteneц AS a pílový kotúč

! vymeňte pílový kotúč tak, aby sa smer zubov a smer šípky vytlačenej na pílovom kotúči zhodoval so smerom šípky na ochrannom kryte A

- namontujte späť prsteneц AS 26c
- stlačte blokovacie tlačidlo vretena AP a držte ho stlačené, kým pritiahnete upevňovaciu skrutku kotúča otočením imbusového kľúča AN PROTI SMERU HODINOVÝCH RUČÍČIEK o 1/8 otáčky po dotiahnutí rukou (zabezpečí prekĺzavanie pílového kotúča pri nadmernom odpore, čím sa znižuje riziko preťaženia motora a spätného nárazu píly)
- utiahnite skrutku krycej dosky AQ

- Výmena vložky stola AT 26

Poškodenú alebo opotrebovanú vložku stola vymeňte nasledovne:

! odpojte zástrčku

- vyberte šesťhranný kľúč AN z puzdra AO
- odskrutkujte všetky 6 skrutky podľa obrázka
- vyberte starú vložku stola tak, že najskôr ju zdvihnete a potom ju úplne vytiahnete
- vložte novú vložku stola

! pevne utiahnite všetky 6 skrutky

- Kontrola/nastavenie 90° zarovnania kotúča 28

! odpojte zástrčku

- otočte stôl píly do polohy vodorovného uhla 0° a zaistíte ho na mieste
- natočte hlavu píly do polohy zvislého uhla 0°
- spusťte hlavu píly nadol a zaistíte ju na mieste
- pomocou uholníka skontrolujte uhol 90° medzi kotúčom a stolom
- ak je to potrebné, nastavte zarovnanie 90° uhla kotúča nasledovne:

1. uvoľnite trojramenné koliesko W
2. nastavte skrutku Y pomocou 4 mm imbusového kľúča (nedodáva sa štandardne) 28b
3. znova skontrolujte pomocou uhlového meradla
4. nastavte indikátor zvislého uhla na 0° 28c

- Kontrola/nastavenie 45° zarovnania kotúča 29

! odpojte zástrčku

- otočte stôl píly do polohy vodorovného uhla 0° a zaistíte ho na mieste
- uvoľnite trojramenné koliesko W
- upravte nastaviteľný koncový doraz zvislého uhla AA na 45° 29b
- natočte hlavu píly doľava

- pomocou uholníka skontrolujte uhol 45° medzi kotúčom a stolom 29a
- skontrolujte, či je indikátor zvislého uhla X na značke 45°
- ak je to potrebné, nastavte zarovnanie 45° uhla kotúča nasledovne:
 1. nastavte skrutku Z pomocou kľúča na kotúč 10 (nedodáva sa štandardne)
 2. znova skontrolujte zarovnanie pomocou uhlového meradla
- v prípade potreby zopakujte pre nastavenie 45° vpravo
- spusťte hlavu píly nadol a zaistíte ju na mieste
- Kontrola/nastavenie 90° zarovnania opierky 30

! odpojte zástrčku

- otočte stôl píly do polohy vodorovného uhla 0° a zaistíte ho na mieste
- spusťte hlavu píly nadol a zaistíte ju na mieste
- pomocou uholníka skontrolujte 90° uhol medzi kotúčom a opierkou S (dbajte na to, aby sa uholník dotýkal telesa pílového kotúča a nie jeho zubov)
- ak je to potrebné, nastavte zarovnanie 90° uhla opierky nasledovne:
 1. povoľte 4 skrutky so šesťhrannou hlavou T
 2. nastavte opierku tak, aby sa kotúč a opierka úplne dotýkali uholníka
 3. utiahnite 4 skrutky so šesťhrannou hlavou T
 4. nastavte indikátor vodorovného uhla na 0° 30c
- Spona na kábel 31
- použite sponu na kábel AV na zabránenie zachytenia sieťového kábla medzi pohyblivé a stacionárne časti náradia

RADA NA POUŽITIE


- Špeciálne obrábané predmety
 - voľné konce dlhého obrábaného predmetu vždy podoprite
 - dbajte na to, aby zaoblené alebo okružle obrábané predmety boli obzvlášť pevne zaistené pred zošmyknutím 33
- v čiare rezu nemusí existovať žiadna medzera medzi obrábaným predmetom a opierkou alebo stolom píly
- v prípade potreby si zhotovte pomocnú vodiacu lištu, na zaistenie pomocnej vodiacej lišty použite otvory v posuvnej vodiacej lište 34
- ! pomocná vodiaca lišta sa smie používať len pri zvislom uhle 0°**
- Na prácu s podlahovými lištami možno orientačne použiť obrázok 35
- Vždy otočte čelnú stranu opracovávaného predmetu smerom dole, aby dochádzalo k minimálnemu štiepeniu
- Používajte len ostré kotúče správneho typu
 - kvalita rezu sa zlepšuje počtom zubov
 - kotúče zo spekaných karbidov zostávajú ostré až 30 krát dlhšie než bežné kotúče

ÚDRŽBA / SERVIS

- Nástroj a sieťový kábel udržiavajte stále čisté (zvlášť vetracie štrbiny na zadnej strane puzdra motora)
- Vykonávajte pravidelné kontroly s cieľom uistiť sa, že spodný ochranný kryt funguje správne. Mokrou handričkou očistite spodný ochranný kryt od usadených pilín.
 - pred čistením odpojte z elektrickej siete

- nadvihnite spodný ochranný kryt do úplne otvorenej polohy a uvoľnite ho, ak sa okamžite úplne nezatvorí, mali by ste ho dať skontrolovať do popredajného servisného strediska pre elektrické náradia SKIL
- Hneď po použití očistite pilový kotúč (obzvlášť od živice a lepidla)
 - pilový kotúč je počas práce veľmi horúci; nedotýkajte sa ho, až kým nevychladne
- Po každom použití očistite laserové svetlo AC mäkkou kefkou na zachovanie dobrej viditeľnosti laserovej línie (dbajte na to, aby ste nezmenili nastavenie lasera)
- Ak by nástroj napriek starostlivej výrobe a kontrole predsa len prestal niekedy fungovať, treba dať opravu vykonať autorizovanej servisnej opravovni elektrického náradia SKIL
 - pošlite nástroj **bez rozmontovania** spolu s dôkazom o kúpe; vášmu dilerovi alebo do najbližšieho servisného strediska SKIL (zoznam adries servisných stredísk a servisný diagram nástroja sú uvedené na www.skil.com)
- Uvedomte si, že poškodenie spôsobené preťažením alebo nesprávnym zaobchádzaním bude zo záruky vylúčené (záručné podmienky spoločnosti SKIL nájdete na stránke www.skil.com alebo si ich vyžiadajte u svojho predajcu)

ŽIVOTNÉ PROSTREDIE

- **Elektrické náradie, batérie, príslušenstvo a balenia nevyhadzujte do komunálneho odpadu** (len pre štáty EÚ)
 - podľa európskej smernice 2012/19/EG o nakladaní s použitými elektrickými a elektronickými zariadeniami a zodpovedajúcich ustanovení právnych predpisov jednotlivých krajín sa použité elektrické náradie musí zbierať oddelene od ostatného odpadu a podrobiť ekologicky šetrnej recyklácii
 - pripomenie vám to symbol , keď ju bude treba likvidovať

HLUKU

- Hladina akustického tlaku tohto náradia nameraná v súlade s normou EN 62841 je 100,0 dB(A) a hladina akustického výkonu je 109,5 dB(A) (neistota K = 3 dB)
- Hladina emisií hluku bola nameraná v súlade s normalizovaným testom uvedeným v norme EN 62841, môže sa používať na vzájomné porovnávanie náradí a na predbežné posúdenie vystavenia účinkom hluku pri používaní náradia pre uvedené aplikácie
 - používanie náradia na rôzne aplikácie, alebo v spojení s rôznymi alebo nedostatočne udržiavanými doplnkami môže značne **zvýšiť** úroveň vystavenia
 - časové doby počas ktorých je je náradie vypnuté alebo počas ktorých náradie beží ale v skutočnosti nevykonáva prácu môžu značne **znižit'** úroveň vystavenia

HR


Potezna kutna píla

1320

UVOD

- Ovaj alat namijenjen je stacionarnoj upotrebi za ravno ili kutno uzdužno i poprečno rezanje drveta (moguće

je vodoravno rezanje pod kutom od -50° do +50°, kao i rezanje pod nagibom od -48° do +45°)

- Pažljivo pročitajte i sačuvajte ove upute za rukovanje 
- Ovaj uređaj nije namijenjen profesionalnoj upotrebi
- **Koristite samo alat kad je ispravno i potpuno sastavljen** (imajte na umu da se tvrtka Skil ne može smatrati odgovornom za oštećenje alata i/ili osobne ozljede koje su posljedica neispravnog sastavljanja alata)

TEHNIČKI PODACI

DIJELOVI ALATA

- A** Donji štitnik
- B** Rukohvat s prekidačem
- C** Sigurnosni klin za blokiranje tijekom transporta
- D** Gornji štitnik
- E** Rukohvat za nošenje
- F** Ugradbeni otvori
- G** Potporno podnožje
- H** Vrećica za prašinu
- J** Otvor za prašinu
- K** Produžne šipke
- L** Gumb za blokiranje produžnih šipki
- M** Stezaljka za ugradnju
- N** Otvor za nosač
- P** Gumb za pričvršćivanje stezaljke
- Q** Gumb za regulaciju stezaljke
- R** Stezna poluga
- S** Graničnik
- T** Šesterokutni vijci za podešavanje graničnika (4x)
- U** Klizni graničnik
- V** Ručica za pričvršćivanje kliznog graničnika
- W** Gumb za blokiranje (nagibno rezanje)
- X** Pokazivač kuta nagibnog rezanja
- Y** Vijak za podešavanje kuta pri nagibnom rezanju (udesno)
- Z** Vijak za podešavanje kuta pri nagibnom rezanju (ulijevo)
- AA** Prilagodljivi krajnji graničnik
- AB** Poluga za otpuštanje desnog nagiba
- AC** Laserska zraka
- AD** Prekidač za uključivanje/isključivanje lasera
- AE** Ručica za blokiranje (zakretni kutovi)
- AF** Poluga za otpuštanje blokiranja zakretnog kuta
- AG** Pokazivač kuta zakretanja
- AH** Ručica za blokiranje, za klizni uređaj
- AI** Prekidač za uključivanje/isključivanje
- AJ** Sigurnosna ručica
- AK** Ograničenje dubine rezanja
- AL** Graničnik dubine
- AM** Matica graničnika dubine
- AN** Šesterokutni ključ
- AO** Skladište za šesterokutni ključ
- AP** Gumb za aretiranje vretena
- AQ** Vijak pokrovne ploče
- AR** Vijak lista pile
- AS** Matica
- AT** Umetak stola
- AU** Deflektor prašine
- AV** Kopča kabela

SIGURNOST

OPĆA SIGURNOSNA UPOZORENJA ZA ELEKTRIČNE ALATE

⚠ UPOZORENJE Pročitajte sva sigurnosna upozorenja, upute, ilustracije i specifikacije isporučene s ovim električnim alatom. Zbog nepridržavanja svih uputa koje su navedene u nastavku može doći do nastanka strujnog udara, požara i/ili teške ozljede.

Sva upozorenja i upute sačuvajte kao referencu za buduće upotrebe.

U daljnjem tekstu korišten pojam "električni alat" odnosi se na električne alate s priključkom na električnu mrežu (s mrežnim kablom) i na električne alate s napajanjem iz aku baterije (bez mrežnog kabela).

1) SIGURNOST NA RADNOM MJESTU

- a) **Vaše radno područje održavajte čisto i uredno.** Nered ili neosvijetljeno radno područje mogu doći do nezgoda.
- b) **S uređajem ne radite u okolini ugroženoj eksplozijom, u kojoj se nalaze zapaljive tekućine, plinovi ili prašina.** Električni alati proizvode iskre koje mogu zapaliti prašinu ili pare.
- c) **Djecu i ostale osobe držite dalje tijekom korištenja električnog alata.** Ako bi skrenuli pozornost sa posla mogli bi izgubiti kontrolu nad uređajem.

2) ELEKTRIČNA SIGURNOST

- a) **Priključni utikač uređaja treba odgovarati utičnici.** Na utikaču se ni u kojem slučaju ne smiju izvoditi izmjene. Ne koristite adapterske utikače zajedno sa uređajima koji su zaštićeni uzemljenjem. Originalni utikač i odgovarajuće utičnice smanjuju opasnost od električnog udara.
- b) **Izbjegavajte dodir tijela s uzemljenim površinama kao što su cijevi, centralno grijanje, štednjaci i hladnjaci.** Postoji povećana opasnost od električnog udara ako je vaše tijelo uzemljeno.
- c) **Držite uređaj dalje od kiše ili vlage.** Prodiranje vode u električni uređaj povećava opasnost od električnog udara.
- d) **Priključni kabel ne koristite za nošenje, vješanje ili za izvlačenje utikača iz utičnice.** Držite kabel dalje od izvora topline, ulja, oštrih rubova ili pomičnih dijelova uređaja. Oštećen ili usukan kabel povećava opasnost od električnog udara.
- e) **Ako s električnim uređajem radite na otvorenom, koristite samo produžni kabel odobren za uporabu na otvorenom.** Primjena produžnog kabela prikladnog za uporabu na otvorenom smanjuje opasnost od električnog udara.
- f) **Ako se ne može izbjeći uporaba električnog alata u vlažnoj okolini, upotrijebite sigurnosna sklopka za propuštanje u zemlju.** Upotrebom sigurnosne sklopke za propuštanje u zemlju smanjuje se opasnost od električnog udara.

3) SIGURNOST LJUDI

- a) **Budite oprezni, pazite što činite i postupajte razumno kod rada s električnim alatom.** Ne koristite uređaj ako ste umorni ili pod utjecajem opojnih sredstava, alkohola ili lijekova. Trenutak nepažnje kod uporabe uređaja može doći do ozbiljnih ozljeda.

- b) **Nosite sredstva osobne zaštite i uvijek zaštitne naočale.** Nošenje sredstava osobne zaštite, kao što je zaštitna maska, sigurnosne cipele koje ne klize, zaštitne kacige ili štitnika za sluh, ovisno od vrste i primjene električnog alata, smanjuje opasnost od nezgoda.
 - c) **Izbjegavajte nehotično puštanje u rad. Prije nego što ćete utaknuti utikač u utičnicu i/ili staviti aku-bateriju, provjerite je li električni alat isključen.** Ako kod nošenja električnog alata imate prst na prekidaču ili se uključen uređaj priključi na električno napajanje, to može dovesti do nezgoda.
 - d) **Prije nego što uređaj uključite, uklonite alate za podešavanje ili vijčane ključeve.** Alat ili ključ koji se nalazi u rotirajućem dijelu uređaja može doći do nezgoda.
 - e) **Ne precjenjujte svoje sposobnosti. Zauzmite siguran i stabilan položaj tijela i držite u svakom trenutku ravnotežu.** Na taj način možete uređaj bolje kontrolirati u neočekivanim situacijama.
 - f) **Nosite prikladnu odjeću. Ne nosite široku odjeću ili nakit. Kosu i odjeću držite dalje od pomičnih dijelova.** Široku odjeću, dugu kosu ili nakit mogu zahvatiti pomični dijelovi.
 - g) **Ako se mogu montirati naprave za usisavanje i hvatanje prašine, provjerite da li su iste priključene i da li se pravilno koriste.** Primjena naprave za usisavanje može smanjiti ugroženost od prašine.
 - h) **Nemojte postati previše bezbrižni i zanemariti sigurnosne upute zato što alat često upotrebljavate i smatrate da ste ga dobro upoznali.** Samo jedan trenutak nepažnje dovoljan je za nastanak ozbiljnih ozljeda.
- ### 4) BRIŽLJIVA UPORABA ELEKTRIČNIH ALATA
- a) **Ne preopterećujte uređaj. Koristite za vaše radove za to predviđen električni alat.** S odgovarajućim električnim alatom radit ćete bolje i sigurnije, u navedenom području učinka.
 - b) **Ne koristite električni alat čiji je prekidač neispravan.** Električni alat koji se više ne može uključiti ili isključiti, opasan je i treba se popraviti.
 - c) **Alat prije podešavanja, izmjene pribora i odlaganja isključite iz izvora napajanja i/ili izvadite komplet baterije, ako se vadi iz uređaja.** Ovim mjerama opreza izbjeći će se nehotično uključivanje električnog alata.
 - d) **Nekoristene električne alate spremite izvan dosega djece.** Ne dopustite da uređaj koriste osobe koje s njim nisu upoznate ili koje nisu pročitale upute za uporabu. Električni alati su opasni ako ih koriste neiskusne osobe.
 - e) **Redovno održavajte električne alate i pribor.** Kontrolirajte da li pomični dijelovi uređaja besprijekorno rade i da nisu zaglavljani, te da li su dijelovi polomljeni ili tako oštećeni da negativno djeluju na funkciju uređaja. Popravite oštećene dijelove prije uporabe uređaja. Mnoge nezgode imaju svoj uzrok u loše održanim uređajima.
 - f) **Rezne alate održavajte oštrim i čistim.** Pažljivo održavani rezni alati s oštrim oštricama neće se zaglaviti i lakši su za vođenje.
 - g) **Koristite električne alate, pribor, radne alate, itd., prema navedenim uputama. Pri tome uzmite u obzir radne uvjete i radove koje se izvode.** Uporaba električnih alata za neke druge primjene različite od predviđenih, može doći do opasnih situacija.

- h) **Drške i zahvatne površine održavajte suhima, čistima i pazite da na njih ne dospiju ulje ili mast.** Skilske drške i zahvatne površine onemogućuju sigurno rukovanje i alat se teško kontrolira u neočekivanim situacijama.
- 5) **SERVISIRANJE**
- a) **Popravak uređaja prepustite samo kvalificiranom stručnom osoblju i samo s originalnim rezervnim dijelovima.** Na taj će se način postići održanje stalne sigurnosti uređaja.

SIGURNOSNE UPUTE ZA PREKLOPNE PILE

- **Preklopne pile namijenjene su rezanju drva ili proizvoda sličnih drvu, ne mogu se upotrebljavati uz abrazivne kotače za rezanje kako bi se rezali željezni materijali poput šipki, poluga, vijaka itd.** Abrazivna prašina prouzrokuje zastoj rada pokretnih dijelova, poput donjeg štitnika. Iskrenjem abrazivnog rezanja progorjet će se donji štitnik, umetak za zasjek i druge plastične dijelove.
- **Stezaljka poduprite predmet obrade kad god je to moguće. Ako predmet obrade pridržavate rukom, ruku uvijek morate držati barem 100 mm udaljenom od bilo koje strane oštrice pile. Ovu pilu ne upotrebljavajte za rezanje predmeta koji su suviše mali da bi se sigurno mogli pričvrstiti stezaljkom ili držati rukom.** Ako vam je ruka previše blizu oštrici pile, postoji povećana opasnost od ozljede uslijed kontakta s oštricom.
- **Predmet obrade mora biti nepomičan i držati se ili pričvrstiti stezaljkom, i za graničnik i za stol. Predmet obrade koji nije pričvršćen nemojte dovoditi u kontakt s oštricom ili ga rezati „prostoručno“ ni na koji način.** Predmeti obrade koji se pomiču ili koji nisu pričvršćeni mogu odletjeti pri velikim brzinama i time prouzrokovati ozljedu.
- **Gurnite pilu kako bi prošla kroz predmet obrade. Nemojte povlačiti pilu kako bi prošla kroz predmet obrade. Kako biste načinili rez, podignite glavu pile i povucite je preko predmeta obrade bez rezanja, pokrenite motor, pritisnite glavu pile put dolje i gurnite pilu kroz predmet obrade.** Pri rezanju povlačenjem velika je vjerojatnost da će oštrica pile dospjeti iznad predmeta obrade i da će se sklop oštrice velikom silinom odbaciti prema rukovatelju.
- **Nikada nemojte prekriziti ruke preko crte kojom mislite rezati, ni ispred, ni iza oštrice.** Pridržavanje predmeta obrade prekrizanih ruku, tj. pridržavanje predmeta obrade lijevom rukom na desnoj strani oštrice i obrnuto, iznimno je opasno.
- **Dok se oštrica vrti, ne posežite iza graničnika ni jednom rukom kako biste uklonili drveni otpad ili iz kakvog drugog razloga, a da se ruka bilo kojoj strani oštrice pile primakne na bliže od 100 mm.** Blizina oštrice vašoj ruci možda neće biti uočljiva te se možete teško ozlijediti.
- **Prije rezanja, pregledajte predmet obrade; ako je predmet obrade savinut ili izobličen, pričvrstite ga stezaljkom tako da je vanjska savinuta strana okrenuta prema graničniku.** Uvijek potvrdite da nema razmaka između predmeta obrade, graničnika i stola duž linije reza. Savinuti ili izobličeni predmeti obrade mogu se izokrenuti ili pomaknuti čime se, tijekom

- rezanja, mogu iskriviti na oštrici pile koja se vrti. U predmetu obrade ne smiju se naći čavli ili strani predmeti.
- **Ne upotrebljavajte pilu dok sa stola nije raščišćen sav alat, drveni otpad itd., osim predmeta obrade.** Sitni otpad ili okrhnuti dijelovi drva ili drugih predmeta koje zahvati oštrica u vrtnji mogu se odbaciti velikom brzinom.
 - **Režite jedan po jedan predmet obrade.** Predmeti obrade naslagani jedan na drugom ne mogu se ispravno stegnuti ili zahvatiti, čime se oštrica može iskriviti ili pomaknuti tijekom rezanja.
 - **Prije upotrebe, pobrinite se da je preklopna pila pričvršćena ili postavljena na ravnu, čvrstu radnu površinu.** Ravnom i čvrstom radnom površinom umanjuje se rizik od nestabilnosti preklopne pile.
 - **Planirajte posao koji ćete provoditi! Svaki put kada promijenite postavku nagibnog ili zakretnog kuta, pobrinite se da je prilagodljivi graničnik ispravno postavljen kako bi podupirao predmet obrade te da neće smetati sustavu oštrice ili zaštite.** Bez uključivanja alata („ON“) i predmeta obrade na stolu, pomaknite oštricu pile simulirajući cjelovit rez kako biste se uvjerili da neće doći do smetnji ili opasnosti od rezanja graničnika.
 - **Omogućite odgovarajuću potporu za predmet obrade koji je širi ili duži od površine stola, poput produžetaka za stol, stalaka za piljenje itd.** Predmeti obrade koji su duži ili širi od stola preklopne pile mogu se prevrnuti ako nemaju sigurnu potporu. Ako se odsječeni dio ili predmet obrade prevrne, može se podignuti donji štitnik ili ih oštrica u vrtnji može odbaciti.
 - **Nemojte da vam druga osoba služi umjesto produžetka za stol ili kao dodatna potpora.** Nestabilna potpora predmetu obrade može prouzrokovati iskrivljenje oštrice ili pomicanje predmeta obrade tijekom rezanja, čime će se vas i pomoćnika povući prema oštrici u vrtnji.
 - **Dio koji se reže ni na koji način ne smije se utisnuti ni pritisnuti na oštricu pile u vrtnji.** Ako se on stisne, tj. upotrebom graničnika dužine, dio koji se reže može se zaglaviti na oštrici i odbaciti velikom silinom.
 - **Uvijek se služite stezaljkom ili pričvršnim priborom za odgovarajuće podupiranje obliha materijala, poput šipki ili cijevi.** Šipke se mogu otkritljati tijekom rezanja, čime oštrica može „zagristi“ i povući vam ruku s materijalom prema sebi.
 - **Pustite da oštrica dostigne punu brzinu prije uvođenja predmeta obrade.** Ovim će se umanjiti rizik od odbacivanja predmeta obrade.
 - **Ako se predmet obrade ili oštrica zaglavi, isključite preklopnu pilu.** Pričekajte da se svi pomični dijelovi zaustave i izvucite mrežni utikač iz izvora napajanja i/ili uklonite baterije. Zatim oslobodite zaglavljivi materijal. Nastavljanje piljenja uz zaglavljivi predmet obrade može dovesti do gubitka nadzora nad preklopnom pilom ili do njezina oštećenja.
 - **Nakon završetka rezanja, otpustite prekidač, držite glavu pile prema dolje i pričekajte da se oštrica zaustavi prije nego što izvadite predmet koji se reže.** Dohvaćanje rukom dok je oštrica u praznom hodju jest opasno.
 - **Čvrsto držite ručku kada ne radite cjeloviti rez ili kada otpuštate prekidač prije nego što je glava pile u potpunosti spuštena.** Kočenjem pile može se prouzrokovati naglo povlačenje glave pile prema dolje, čime se može prouzrokovati ozljeda.

DODATNE UPUTE ZA SIGURAN RAD

- Nagli prtok struje uzrokuje kratkotrajni pad napona, pod nepovoljnim uvjetima napajanja električnom energijom, može se oštetiti i druga oprema (ako je ovisnost sustava o električnom napajanju niža od 0,219 ohma, nije vjerojatno da će se pojaviti smetnje); ako su vam potrebna daljnja objašnjenja molim obratite se lokalnoj ustanovi za opskrbu električnom energijom

OPĆENITO

- Alat koristite isključivo za rezanje drva
- Uvijek provjerite je li napon napajanja isti kao onaj naveden na tipskoj pločici uređaja
- **Nemojte stajati na alatu ni na njegovu postolju** Može doći do teške ozljede ako se alat prevrne ili ako se alat za rezanje slučajno dodirne. Ne držite materijal na alatu ni u njegovoj blizini na način da morate stati na alat ili njegovu postolje kako biste dohvatili materijal.
- **Prije svih radova održavanja, podešavanja ili izmjene alata i pribora treba izvući utikač iz mrežne utičnice**
- **Uvijek isključite utikač iz izvora napajanja prije prenošenja preklopne pile** Isključite je, spustite sklop glave i onemogućite joj pomicanje, služite se ručkom za nošenje i jednim od utora za ruku u podnožju pile.
- **Ne napuštajte alat dok se u potpunosti nije zaustavio**
- **Kada režete predmete obrade nepravilnih oblika, planirajte tijek rada kako vam ne bi iskliznuli i priklještili oštricu te da vam se time ne izbiju iz ruke**
- Uređaj ne bi smjelo koristiti osobe mlađe od 16 godina
- Ovaj uređaj nije pogodan za mokro rezanje

UPORABA NA OTVORENOM

- Kod primjene na otvorenom, uređaj priključiti preko zaštitne sklopke struje kvara (FI), s okidačkom strujom od max. 30 mA i koristiti samo za to predviđen produžni kabel, koji je na priključnom mjestu zaštićen od prskanja

PRIJE UPORABE

- Upotrebljavajte samo neodmotane i zaštićene produžne kabele kapaciteta 16 ampera
- Nositi zaštitne naočale, štitnike za sluh, i zaštitne rukavice
- Prašina od materijala kao što su boje koje sadrže olovo, neke vrste drveća, minerali i metal mogu biti opasne (dodir s prašinom ili njeno udisanje mogu prouzročiti alergične reakcije i/ili respiratorna oboljenja rukovatelja ili posmatrača); **nosite masku za zaštitu od prašine i radite s uređajem za ekstrakciju prašine ukoliko ga možete priključiti**
- Određene vrste prašine klasificiraju se kao karcinogenske (kao što su prašina hrastovine i bukovine), osobito u sudejstvu s aditivima za kondicioniranje drveta; **nosite masku za zaštitu od prašine i radite s uređajem za ekstrakciju prašine ukoliko ga možete priključiti**
- Nacionalni uvjeti za materijale s kojima želite raditi
- **Ne obrađujte materijal koji sadrži azbest** (azbest se smatra kancerogenim)
- Uređaj nikada ne koristite bez originalne zaštite
- Prije svake upotrebe provjerite je li štitnik pravilno zatvoren
- Ne koristite pilu ako se štitnik ne pomiče neometano i ne zatvara trenutačno
- Štitnik nikada ne blokirajte ili pritezite u otvorenom položaju
- Nikada ne koristite alat bez stolnog umetka; zamijenite ga ako je oštećen ili istrošen

- Prije nego što počnete s rezanjem uklonite sve zapreke sa gornje kao i donje površine, koje se nalaze na liniji rezanja
- Izbjegavajte oštećenja od vijaka, čavala i sličnih predmeta na vašem izratku; prije početka rada ih izvadite

PRIBOR

- Na ovaj uređaj ne stezati brusne ploče za brušenje i rezanje namijenjene za kutnu brusilicu
- SKIL može osigurati besprijekoran rad uređaja samo ako se koristi odgovarajući pribor, koji se može dobiti u specijaliziranoj trgovačkoj mreži ili kod ovlaštenog distributera SKIL proizvoda
- Kod primjene proizvoda drugih proizvođača, molimo pridržavati se njihovih uputa za uporabu
- Koristite samo listove pile koji odgovaraju karakterističnim podacima navedenim u ovim uputama za uporabu i koji su ispitani prema EN 847-1 i odgovarajuće označeni
- Upotrebljavajte pribor čija dopuštena brzina odgovara najvećoj brzini alata u praznom hod
- Ne dopušta se korištenje listova pile od visokolegirano g brzozeznog čelika (HSS)
- Ne smiju se koristiti napukli ili tupi listovi pile ili takvi koji su promijenili svoj oblik
- Koristite isključivo listove pile koji povrtom odgovaraju vretenu alata i ne omogućuju slobodan hod; za postavljanje listova većeg provrta nikada ne koristite reduktore ili adaptere
- Dodatnu opremu zaštitite od udaraca, potresanja i zamašćivanja

TIJEKOM UPORABE

- **Nemojte preforsirati alat** (pritišćite lagano i stalno kako bi se izbjeglo pregrijavanje vrha noža te, u slučaju rezanja plastike, topljenje plastičnog materijala)
- Pazite da vam rotirajući list pile ne zahvati prste, šake ili ruke
- Ako se list zaglavi, smjesta isključite alat i izvucite utikač iz električnog napajanje; tek nakon toga uklonite zaglavljene radni materijal
- U slučaju blokiranja, neubičajenog ponašanja alata neobičnih šumova, uređaj treba odmah isključiti i izvući utikač iz mrežne utičnice
- Ako se tijekom rada priključni kabel ošteti ili odreže, ne dirati priključni kabel, nego odmah izvući mrežni utikač
- Nikada ne upotrebljavajte alat ako je kabel oštećen; trebate ga zamijeniti posebno pripremljenim kabelom, pripremljenim u servisnoj službi.

LASERSKA RADIJACIJA

- **Ne usmjeravajte lasersku zraku na ljude ili životinje i ne gledajte u izravnu ili reflektiranu lasersku zraku** (time možete zaslijepiti ljude, izazvati nesreće ili oštetiti oko)
- Ako laserska zraka pogodi oko, svjesno zatvorite oči i glavu smjesta odmaknite od zrake
- Na laserskom uređaju ništa ne mijenjate
- Ne gledajte u lasersku zraku (laserska radijacija)
- Ne gledajte u lasersku zraku pomoću optičkih pomagala za povećavanje (kao što su povećala, teleskopi ili dalekozori)
- Ne upotrebljavajte alat u blizini zapaljivih tekućina, plinova ili prašine
- Ne upotrebljavajte alat dok su u blizini djeca
- Ugrađeni laser nemojte zamjenjivati laserom druge vrste

NAKON UPORABE

- Nakon što isključite uređaja, vrtnju rotirajućih dijelova nikad ne zaustavljajte primjenom bočne sile
- Odrezane komade i ostale dijelove radnog materijala

uklonite iz područja rada tek nakon što se svi pokretni dijelovi u potpunosti zaustave

- List pile jako se zagrije tijekom upotrebe; ne dodirujte ga prije nego što se ohladi
- Uređaj spremite **unutra** na suho mjesto nedostupno za djecu

POJAŠNJENJE SIMBOLA NA UREĐAJU

- ② Prije upotrebe pročitajte korisnički priručnik
- ③ Nositi zaštitne naočale i štitičke za sluh
- ④ **Opasno područje! Područje bez služenja rukama. Ruke, šake i prste držite podalje od ovog područja.**
- ⑤ Dvostruka izolacija (dozemna žica nije potrebna)
- ⑥ Ne bacajte električne alate i baterij u kućni otpad
- ⑦ **Laserska radijacija / Ne gledajte u zraku / Laserski proizvod klase 2**

POSLUŽIVANJE

- Montaža
 - sastavite rukohvat za nošenje E s vijcima 2 služeći se imbus-ključem AN^⑨
 - sastavite ručku za blokiranje zakretnog kuta AE na prednji dio stola^⑩
 - sastavite klizni graničnik U (pogledajte „Namještanje kliznog/ih graničnika”)
- Transportni / Radni položaj
 - Za oslobađanje alata (**radni položaj**)
 - pritisnite ručku B^⑧ prema dolje jednom rukom dok izvlačite zaporni zatik C drugom rukom^{⑪a}
 - polako vodite glavu sklopa prema gore
 - Za osiguravanje alata (**transportni položaj**)
 - odvedite glavu sklopa kliznim pokretom do točke zaustavljanja u smjeru graničnika S (držite otprilike 5 cm razmaka) i pričvrstite ručicu za blokiranje AH^{⑪b}
 - postavite kut nagiba na 0 ° (pogledajte „Postavljanje kuta nagiba”)
 - postavite zakretni kut na 45 ° ulijevo ili udesno (pogledajte „Postavljanje zakretnog kuta”)
 - pritisnite ručku B prema dolje jednom rukom dok uvlačite zaporni zatik C drugom rukom
 - smotajte kabel za napajanje
 - služite se rukohvatom za prenošenje E^⑧ kako biste prenosili alat^{⑪d}
 - kao alternativno rješenje, služite se bočnim ručkama za prenošenje alata^{⑪e}
- ! **alat nikada ne podižite služeći se glavnom ručkom ili kabelom za napajanje**
- Ugradnja alata na radnu površinu^⑫
 - ! **radi sigurnosti uvijek ugradite alat na ravnu i stabilnu radnu površinu (npr. na radni stol)**
 - koristite 4 ugradbena otvora F kako biste alat odgovarajućim vijcima pričvrstili na radnu površinu
 - alat možete stegnuti na radnu površinu i vijčanim stezaljkama koje se nabavljaju u maloprodaji
 - za stabiliziranje alata može se namjestiti visina potpornog podnožja G
 - kao alternativno rješenje, alat se može postaviti na postolje preklopne pile
- ! **pročitajte sva upozorenja i upute za stalak pile**
- Uklanjanje prašine/strugotine^⑬
 - postavite vrećicu za prašinu H/usisivač kako je prikazano
 - redovito prazniti vrećicu za prašinu jamči se optimalno usisavanje prašine

! paziti da crijevo usisavača prašine ne zatvori otvor donjeg štitička lista ili da ne naruši rad rezanja

- Produžetak stola za piljenje^⑭
 - služite se ručicama L za pričvršćivanje produžnih šipki K (na objema stranama alata)
 - duljina produžnih šipki K regulira se kontinuirano od minimuma do maksimuma
- Stezanje radnog materijala^⑮
 - ! **radi optimalne sigurnosti, radni materijal uvijek čvrsto stegnite isporučenom podesivom stezaljkom**
 - ne radite s materijalima koji su premaleni za stezanje
 - za **maksimalne** dimenzije radnog materijala pogledajte tablicu^⑯
 - pričvrstite predmet obrade u otvor za nosač N ručicom P (na objema stranama alata)
 - stezaljka za predmet obrade ima 2 žlijeba za jednostavno blokiranje; 1 za tanke predmete obrade (do 5 cm) i 1 za veće predmete obrade (preko 5 cm)
 - radni materijal čvrsto pritisnite uz graničnik S
 - otključajte polugu R
 - stezaljku prilagodite radnom materijalu
 - čvrsto pritegnite predmet obrade polugom za blokiranje R
- ! **za neke kombinacije nagiba i zakretnog kuta, ili ovisno o veličini predmeta obrade, možda će biti nužno upotrijebiti vijčane stezaljke dostupne u trgovinama umjesto stezaljki predmeta obrade**
- Podešavanje zakretnih kutova^⑰
 - otpustite ručicu za blokiranje AE
 - povucite polugu za otpuštanje blokiranja zakretnog kuta AF
 - stol zakrenite ulijevo ili udesno i namjestite željeni zakretni kut (od 0 ° do 50 °) pomoću pokazivača AG
 - otpustite polugu AF
 - pritegnite ručicu za blokiranje AE (**ručicu nemojte prejako pritezati**)
 - za brzo i precizno postavljanje često upotrebljivanih zakretnih kutova (0 °, 15 °, 22,5 °, 31,6 °, 45 °), zaporna poluga zakretnog kuta AF sjeda na mjesto na odgovarajućim položajima; kako bi se ovo spriječilo, poluga AF može se blokirati u otpuštenom položaju^{⑰b}
- Namještanje kutova nagiba^⑱
 - otpustite trokaki gumb W
 - glavom pile zamahnite ulijevo dok se pokazivačem kuta nagiba X ne prikaže željeni kut nagiba
 - prilagodljivi krajnji graničnik nagiba AA (45 °) može se upotrijebiti za zaustavljanje na 45 ° ili za nastavljjanje do 48 °^{⑱b}
 - glavu pile zadržite u tom položaju i pritegnite ručicu W
 - za nagib udesno prvo nagnite glavu pile nježno ulijevo, zakrenite desnu ručicu za otpuštanje nagiba AB (otprilike 60 °), zatim zamahnite glavom pile do željenog desnog kuta nagiba^{⑱c}
 - kada glavom pile zamahnete ulijevo, desna ručica za otpuštanje nagiba AB automatski će se vratiti na vrijednost 0 ° krajnjeg graničnika; ovo se može spriječiti zakretanjem ručice na otprilike 90 ° umjesto na 60 °^{⑱d}
- Kombinirano rezanje^⑲
 - tijekom kombiniranog rezanja potrebno je podesiti i kut zakretanja i kut nagiba
- ! **nemojte rukovati pilom u nekim kombinacijama nagiba i zakretnog kuta koje mogu dovesti do**

interferencije između kliznih i nepomičnih dijelova pile ili između kliznih dijelova i predmeta obrade – za rezanje, prema potrebi uklonite klizni graničnik, ručku za blokiranje kliznog graničnika i ručku radne stezaljke.

! uvijek najprije isprobati na potrošnom komadu materijala

- Namještanje kliznih graničnika 20
 - otpustite ručicu V kako bi se graničnik/ci mogao/li otklizati U
 - dodatno otpustite ručicu V kako biste omogućili uklanjanje/sastavljanje jednog graničnika ili više njih
 - pritegnite ručicu V kako biste blokirali željeni položaj
 - ! pobrinite se da su klizni graničnici čvrsto postavljeni prije rukovanja alatom
 - ! za neke kombinacije nagiba i zakretnog kuta možda će biti potrebno i ukloniti ručicu
 - Laserska linija 21
 - za precizno vođenje uređaja uzduž linije rezanja povučene na izratku
 - laserske linije uključiti/isključiti pritiskom prekidača AD
 - ! prije nego što započnete s radom, provjerite poravnanje laserske linije sa stvarnom linijom reza probnim rezom na komadu otpadnog materijala
 - Piljenje bez kliznog pokreta (mali predmeti obrade)
 - olabavite ručicu za blokiranje AH ako je pritegnuta
 - glavu pile pogurajte do graničnika u smjeru vodilice S i ponovno stegnite ručicu za blokiranje AH
 - ! ako se mehanizam ne blokira, može doći do iznenadnog penjanja oštrice na predmet obrade i ona može velikom snagom krenuti na vas
 - alat postavite u radni položaj
 - ! provjerite je li radni materijal čvrsto stegnut uz stol i graničnik S
 - uključite alat otpuštanjem blokiranja AJ i povlačenjem glavnog prekidača AI
 - ! nemojte prekriti ruke prilikom upotrebe glave pile 23a
 - ravnomjerno režite kroz radni materijal
 - ! pila treba postići maksimalni broj okretaja prije nego što list pile zareže izradak
 - alat isključite otpuštanjem prekidača AI
 - pričekajte dok se list pile sasvim ne zaustavi prije nego što glavu pile polako povučete prema gore
- Piljenje uz klizni pokret (široki predmeti obrade)
 - ! imajte na umu da je niže opisana metoda jedina sigurna
 - nemojte povlačiti pilu kako bi prošla kroz predmet obrade
 - olabavite ručicu za blokiranje AH ako je pritegnuta
- ! provjerite je li radni materijal čvrsto stegnut uz stol i graničnik S
- povucite glavu pile od vodilice S dovoljno daleko tako da se oštrica pile nalazi ispred predmeta obrade 24
- uključite alat otpuštanjem blokiranja 21 i povlačenjem glavnog prekidača
- ! nemojte prekriti ruke prilikom upotrebe glave pile 23a
- pogurajte glavu pile u smjeru graničnika S i postupno pilite kroz predmet obrade 24
- ! pila treba postići maksimalni broj okretaja prije nego što list pile zareže izradak
- ! ako se donji štitnik automatski ne otvori, što se u

određenim uvjetima može dogoditi (npr. predmet obrade vrlo je blizu maksimalnom kapacitetu), možda ćete morati ručno otvoriti štitnik 23b

- alat isključite otpuštanjem prekidača AI
 - pričekajte dok se list pile sasvim ne zaustavi prije nego što glavu pile polako povučete prema gore
- Piljenje žljebova 25
 - graničnikom dubine postavite željenu dubinu AK i blokirajte ga stezanjem matice AM
 - drveni odstojnik postaviti će se između predmeta obrade i graničnika za ujednačenu dubinu cijelom dužinom utora
- ! pazite da se list pile na zaglavi u radnom materijalu
- ! uvijek najprije isprobati na potrošnom komadu materijala
- Zamjena lista pile j
 - ! izvući mrežni utikač
 - inbus ključ AN uzeti iz spremišta AO
 - sigurnosni štitnik A držite u otvorenom položaju
 - otpustite vijak pokrovne ploče AQ (nemojte u potpunosti odvitvi vijak) ja
 - sigurnosni štitnik A u potpunosti zakrenite unatrag j b
 - potisnite gumb za blokiranje vretena AP i zadržite ga dok uklanjate zavrtanja lista AR okretanjem inbus ključa AN U SMJERU KAZALJKI NA SATU (= u istom smjeru koji je označen na listu)
- ! gumb AP za blokadu vretena pritisnuti samo ako je uređaj u stanju mirovanja
- otpustiti gumb AP za blokadu vretena
- skinite pribornicu AS i list pile
- ! zamijenite list pile tako da zubi lista pile i strelica otisnuta na listu pile budu okrenuti u istom smjeru kao i strelica na štitniku A
- montirati pribornicu AS j c
- pritisnuti gumb AP za blokadu vretena i držite ga pritisnutim dok se steže vijak oštrice pile inbus-ključem AN OBRNUTO OD SMJERA KAZALJKE NA SATU za 1/8 okreta (oštrica pile mora klizati kada naide na prekomjerni otpor, smanjujući na taj način preopterećenje motora i mogućnost povratnog udara pile)
- pritegnite vijak pokrovne ploče AQ
- Zamjena stolnog umetka AT j
 - Oštećen ili istrošen stolni umetak zamijenite na sljedeći način:
 - ! izvući mrežni utikač
 - inbus ključ AN uzeti iz spremišta AO
 - uklonite sva 6 vijka, kako je prikazano na ilustraciji
 - uklonite stari stolni umetak tako da ga najprije podignete s prednje strane, a zatim ga izvučete do kraja
 - namjestite novi stolni umetak
 - ! čvrsto pritegnite sva 6 vijka
- Provjera/podešavanje poravnanja lista pod kutom od 90° 28
 - ! izvući mrežni utikač
 - stol za piljenje zakrenite u položaj zakretnog kuta od 0° i blokirajte ga
 - zamahnite glavom pile od položaja nagiba od 0°
 - spustite glavu pile i blokirajte je
 - pomoću četverokuta provjerite je li kut između lista i stola 90°

- poravnanje od 90° po potrebi podesite na sljedeći način:
 1. otpustite trokraki gumb W
 2. namjestite vijak Y imbus-ključem promjera 4 mm (nije uključeno u standardnu opremu) ②b
 3. ponovno provjerite kutnikom
 4. ponovno postavite pokazivač nagiba na 0° ②c
- Provjera/podešavanje poravnanja lista pod kutom od 45° ②a

! izvući mrežni utikač

- stol za piljenje zakrenite u položaj zakretnog kuta od 0° i blokirajte ga
- otpustite trokraki gumb W
- postavite prilagodljivi krajnji graničnik nagiba AA na 45° ②b
- zamahnite glavom pile ulijevo
- pomoću kutomjera provjerite je li kut između lista i stola 45° ②a
- provjerite je li pokazivač nagibnog rezanja X na oznaci 45°
- poravnanje lista pile od 45° po potrebi podesite na sljedeći način:
 1. namjestite vijak Z ključem 10 za oštricu pile (nije uključeno u standardnu opremu)
 2. ponovo provjerite kružnim kutnikom
- ako je to potrebno, ponovite postavljanje kuta od 45° udesno
- spustite glavu pile i blokirajte je
- Provjera/podešavanje poravnanja graničnika pod kutom od 90° ③

! izvući mrežni utikač

- stol za piljenje zakrenite u položaj zakretnog kuta od 0° i blokirajte ga
- spustite glavu pile i blokirajte je
- četverokutom provjerite je li kut između lista i graničnika S 90° (četverokut mora biti u kontaktu s tijelom lista, a ne sa zubima)
- poravnanje graničnika od 90° po potrebi podesite na sljedeći način:
 1. otpustite 4 šesterokutna vijka T
 2. podešavajte graničnik dok list i graničnik ne budu u kontaktu s četverokutom
 3. pritegnite 4 šesterokutna vijka T
 4. ponovno postavite pokazivač zakretnog kuta na 0° ③c
- Kopča kabela ③1
 - služite se kopčom kabela AV kako biste spriječili da se kabel za napajanje stegne između pomičnih i nepomičnih dijelova alata

SAVJETI ZA PRIMJENU

- Posebni radni materijali
 - uvijek poduprite slobodne krajeve ako radite s dugim komadima
 - pazite da su zaobljeni ili okrugli radni materijali posebno osigurani protiv proklizavanja ③3
 - u liniji reza ne smije biti slobodnog prostora između radnog materijala i graničnika ili stola za piljenje
 - ako je to nužno, možete načiniti pomoćni graničnik; rupe u kliznom graničniku upotrijebit će se za osiguravanje pomoćnog graničnika ③4
- ! pomoćni graničnik može se upotrebljavati samo pri nagibu od 0°

- Pri radu s podnim letvicama kao referencu možete upotrijebiti ilustraciju ③5
- Dobru stranu izratka položiti okrenutu prema dolje, kako bi se na najveću mjeru ograničilo stvaranje iveraka
- Koristite samo oštre listove pile odgovarajućeg tipa
 - kvaliteta reza povećava se sa brojem zubaca
 - listovi pile s reznim pločicama od tvrdog metala imaju do 30 puta dulji vijek trajanja od klasičnih listova pile

ODRŽAVANJE / SERVISIRANJE

- Alat i kabel uvijek održavajte čistima (posebno otvori za prozračivanje sa stražnje strane kućišta motora)
- Redovito provjeravajte radi li donji štitičnik ispravno. Vlažnom krpom očistite svu nakupljenu piljevinu koja se nakupila u donjem štitičniku.
 - prije čišćenja treba izvući mrežni utikač
 - podignite donji štitičnik do potpuno otvorenog položaja i otpustite ga; ako se odmah i u potpunosti ne zatvori, potrebno ga je dati na pregled servisnom centru poduzeća SKIL za električne alate
- List pile očistiti neposredno nakon korištenja (npr. od ostataka smole)
 - list pile jako se zagrije tijekom upotrebe; ne dodirujte ga prije nego što se ohladi
- Očistite lasersko svjetlo AC mekanom četkom nakon svake upotrebe kako biste održali dobru vidljivost crte lasera (pobrinite se da ne mijenjate postavke lasera)
- Ako bi uređaj unatoč brižljivih postupaka izrade i ispitivanja ipak prestao raditi, popravak treba prepustiti ovlaštenom servisu za SKIL električne alate
 - uređaj treba **nerastavljeno** predati, zajedno s računom o kupnji u najbližu SKIL ugovornu servisnu radionicu (popise servisa, kao i oznake rezervnih dijelova uređaja možete naći na adresi www.skil.com)
- Imajte na umu kako jamstvo ne obuhvaća štete nastale zbog preopterećenja ili nepravilnog rukovanja alatom (za uvjete iz SKIL jamstva, posjetite www.skil.com ili upitajte svog prodavača)

ZAŠTITA OKOLIŠA

- **Električne alate, baterij, pribor i ambalažu ne bacajte u kućni otpad** (samo za EU-države)
 - prema Europskoj direktivi 2012/19/EG o staro električnoj i elektroničkoj opremi i njoj primjeni u skladu sa nacionalnim zakonom, istrošeni električni alati moraju se sakupljati odvojeno i odvesti u posebne pogone za reciklažu
 - na to podsjeća simbol ⑥ kada se javi potreba za odlaganjem

BUKA

- Mjereno u skladu s normom EN 62841, razina zvučnog tlaka ovoga uređaja jest 100,0 dB(A), a razina zvučne snage jest 109,5 dB(A) (nesigurnost K = 3 dB)
- Razina emisije buke izmjerena je sukladno normiranom testu danom u EN 62841; može se upotrebljavati za usporedbu jednog alata s drugim te kao preliminarna procjena izloženosti buci pri uporabi alata u navedenim primjenama
 - uporaba ove alatke za druge namjene ili s drugim ili slabo održavanim nastavcima, može u značajnoj mjeri **uvećati** razinu izloženosti
 - vrijeme tokom kojega je alatka isključena, ili je

uključena ali se njome ne radi, može značajno **umanjiti** razinu izloženosti

SRB

Klizna ugaona testera

1320

UPUTSTVO

- Ovaj alat namenjen je za stacionarnu upotrebu kao alat za ravno i koso rezanje drveta po dužini i širini (moguće je horizontalno rezanje pod uglovima od -50° do +50°, kao i vertikalno koso rezanje pod uglovima od -48° do +45°)
- Pažljivo pročitajte i sačuvajte ova uputstva za rukovanje ②
- Ovaj alat nije namenjen za profesionalnu upotrebu
- **Ovaj alat koristite samo ukoliko je u potpunosti sastavljen** (vodite računa da kompanija Skil ne može da se smatra odgovornom za oštećenje alata i/ili lične ozlede uzrokovane nepravilnim sastavljanjem alata)

TEHNIČKI PODACI ①

ELEMENTI ALATA ⑧

- A Donji zaštitni mehanizam
- B Ručka sa prekidačem
- C Klin za blokadu prilikom prenošenja
- D Gornji zaštitni mehanizam
- E Ručka za prenošenje
- F Montažni otvori
- G Potporno podnožje
- H Kesa za prašinu
- J Odeljak za skupljanje prašine
- K Produžne šipke
- L Dugmad za blokadu produžnih šipki
- M Stezaljka za drvo za obradu
- N Otvor za nosač
- P Dugme za pričvršćivanje stezaljke
- Q Dugme za regulaciju stezaljke
- R Poluga za stezanje
- S Ograda
- T Šestougaoni zavrtnji za regulaciju ograde (4x)
- U Klizna vodica
- V Dugme za učvršćivanje klizne vodice
- W Dugme za blokadu (uglovi kod kosog rezanja)
- X Indikator uglova kod kosog rezanja
- Y Zavrtnj za regulaciju ugla kod kosog rezanja (desno)
- Z Zavrtnj za regulaciju ugla kod kosog rezanja (levo)
- AA Podesivi graničnik
- AB Poluga za otpuštanje kod kosog rezanja sa desne strane
- AC Laserska svetlost
- AD Prekidač za uključivanje/isključivanje lasera
- AE Ručka za blokadu (uglova)
- AF Poluga za otpuštanje zadržavanja ugla zakretanja
- AG Indikator ugla
- AH Dugme za blokadu za klizni uređaj
- AI Prekidač za uključivanje/isključivanje
- AJ Sigurnosna poluga
- AK Ograničavač dubine rezanja
- AL Merač dubine
- AM Zavrtnj merača dubine

- AN Imbus ključ
- AO Skladište za heksagonalni ključ
- AP Dugme za zaključavanje vretana
- AQ Zavrtnj sa pokrovnom pločom
- AR Reza sečiva
- AS Štitnik
- AT Umetak za sto
- AU Usmerivač prašine
- AV Stega za kabl

SIGURNOST

OPŠTA SIGURNOSNA UPOZORENJA ZA ELEKTRIČNI ALAT

⚠ UPOZORENJE Pročitajte sva bezbednosna upozorenja, uputstva, ilustracije i specifikacije priložene uz ovaj električni alat. Ukoliko se ne slede sva uputstva navedena u nastavku može doći do strujnog udara, požara i/ili ozbiljne povrede.

Sačuvajte sva upozorenja i uputstva za buduću upotrebu.

Pojam upotrebljen u upozorenjima "električni alat" odnosi se na električne alate sa radom na mreži (sa mrežnim kablom) i na električne alate sa radom na akumulator (bez mrežnog kabla).

1) SIGURNOST NA RADNOM MESTU

- a) **Držite Vaše područje rada čisto i pospremljeno.** Nered ili neosvetljena radna područja mogu voditi nesrećama.
- b) **Ne koristite električni alat tamo gde postoji opasnost od eksplozije kao npr. u prisustvu zapaljivih tečnosti, gasova ili prašine.** Električni alati proizvode varnice, koje mogu zapaliti prašinu ili isparenja.
- c) **Za vreme korišćenja električnog alata držite podalje decu i druge osobe.** Kod skretanja možete izgubiti kontrolu nad alatom.

2) ELEKTRIČNA SIGURNOST

- a) **Utikač električnog alata mora odgovarati utičnici.** Nikada nemojte modifikovati utikač. **Ne upotrebljavajte adaptore utikača sa uzemljenim električnim alatom.** Nemodifikovani utikači i odgovarajuće utičnice smanjuju rizik od električnog udara.
- b) **Izbegavajte telesni kontakt sa uzemljenim gornjim površinama, kao što su cevi, grejanja, šporeti i rashladni ormani.** Postoji povećani rizik od električnog udara, ako je Vaše telo uzemljeno.
- c) **Ne izlazite električni alat kiši ili vlažnim uslovima.** Prodor vode u električni alat povećava rizik od električnog udara.
- d) **Ne zloupotrebljavajte kabl.** Nikada nemojte koristiti kabl za nošenje i vučenje električnog alata ili za izvlačenje iz utičnice. **Držite kabl dalje od vreline, ulja, oštih ivica ili pokretnih delova.** Oštećeni ili umršeni kablovi povećavaju rizik električnog udara.
- e) **Ako sa nekim električnim alatom radite u prirodi, upotrebljavajte samo produžne kablove koji su dozvoljeni za spoljno područje.** Upotreba produžnog kabla pogodnog za spoljno područje smanjuje rizik od električnog udara.

- f) **Ako rad električnog alata ne može da se izbegne u vlažnoj okolini, koristite prekidač strujne zaštite pri kvaru.** Upotreba prekidača strujne zaštite pri kvaru smanjuje rizik od električnog udara.
- 3) SIGURNOST OSOBA**
- a) **Budite oprezni, pazite na to šta radite i razumno rukujte Vašim električnim alatom. Ne koristite električni alat dok ste umorni ili pod uticajem narkotika, alkohola ili lekova.** Momenat nepažnje kod upotrebe električnog alata može rezultirati ozbiljnim povredama.
- b) **Nosite ličnu zaštitnu opremu i uvek zaštitne naočare.** Nošenje lične zaštitne opreme, kao maske za prašinu, sigurnosne cipele koje ne klizaju, zaštitni šlem ili zaštitu za sluh, zavisno od vrste i upotrebe električnog alata, smanjujete rizik od povreda.
- c) **Sprečite nenamerno puštanje u rad. Pre priključivanja na struju i/ili na akumulatorsku bateriju, podizanja ili nošenja alata uverite se da je prekidač isključen.** Nošenje električnog alata sa prstom na prekidaču ili priključivanje na struju uključeno električnog alata vodi do nesreće.
- d) **Uklonite bilo kakve ključeve za podešavanje ili ključeve za zavrtnjeve, pre nego što uključite električni alat.** Ostavljanje ključa za zavrtnjeve ili ključa prikačene na rotirajući deo električnog alata može rezultirati ličnom povredom.
- e) **Ne zauzimajte neadekvatan položaj. Sve vreme držite ravnotežu i pravilan položaj nogu.** Ovo omogućava bolje upravljanje električnim alatom u neočekivanim situacijama.
- f) **Nosite pogodno odelo. Ne nosite široko odelo ili nakit. Držite kosu i odeću dalje od pokretnih delova.** Opušteno odelo, nakit ili duža kosa mogu biti zahvaćeni od rotirajućih delova.
- g) **Ako se mogu montirati uredjaji za usisavanje prašine i uredjaji za hvatanje prašine, uverite se da li su priključeni i ispravno koriste.** Upotreba usisavanja prašine može smanjiti opasnosti od prašine.
- h) **Ne dozvolite da pouzdanje koje ste stekli čestom upotrebom alata utiče na to da postanete neoprezni i da zanemarite sigurnosne principe za upotrebu alata.** Neoprezno delovanje može prouzrokovati teške povrede u deliću sekunde.
- 4) BRIŽLJIVO OPHODJENJE I KORIŠĆENJE ELEKTRIČNIH ALATA**
- a) **Ne preopterećujte električni alat. Koristite električni alat koji odgovara Vašoj primeni.** Sa odgovarajućim električnim alatom radite bolje i sigurnije tempom za koji je projektovan.
- b) **Ne upotrebljavajte električni alat, čiji je prekidač u kvaru.** Električni alat koji više ne može da se uključi ili isključi je opasan i mora da se popravi.
- c) **Izvucite utikač iz utičnice i/ili izvadite akumulatorsku bateriju, ukoliko je to moguće, iz električnog alata pre nego što izvršite bilo kakva podešavanja, promenu pribora ili pre nego što uskladištite električni alat.** Takve preventivne sigurnosne mere smanjuju rizik od slučajnog pokretanja električnog alata.
- d) **Čuvajte električne alate koje ne koristite izvan domašaja dece i ne dozvoljavajte osobama, koje nisu upoznate sa ovim električnim alatom ili sa ovim uputstvima, da rukuju električnim alatom.** U rukama neobučениh korisnika električni alati postaju opasni.

- e) **Održavajte električni alat i pribore. Proverite da li su pokretni delovi u ravni i da li negde zapinju, da nije došlo do lomljenja delova i svako drugo stanje koje može uticati na rad električnog alata. Ukoliko je oštećen, odnesite električni alat na popravku pre korišćenja.** Mnoge nesreće su prouzrokovane lošim održavanjem električnih alata.
- f) **Držite alate za sečenja oštre i čiste.** Brižljivo negovani alati za sečenje sa oštrim sečivima manje spleljuju i lakše se vode.
- g) **Upotrebljavajte električne alate, pribor, alate koji se umeću itd. prema ovim uputstvima. Obratite pažnju pritom na uputstva za rad i posao koji treba izvesti.** Upotreba električnih alata za druge od propisanih namena može voditi opasnim situacijama.
- h) **Održavajte drške i prihvatne površine suvim, čistim i bez ostataka ulja ili masnoće.** Klizave drške ili prihvatne površine ne omogućavaju bezbedno rukovanje i upravljanje alatom u neočekivanim situacijama.
- 5) SERVISIRANJE**
- a) **Vaš električni alat dajte na servisiranje samo kvalifikovanom licu za popravku, koristeći pritom samo identične rezervne delove.** Ovo će osigurati očuvanje bezbednosti električnog alata.

SIGURNOSNA UPUTSTVA ZA UGAONE TESTERE

- **Ugaone testere su namenjene za rezanje drveta ili proizvoda sličnih drvetu, ne mogu se koristiti sa brusnim reznim točkovima za rezanje gvozdениh materijala kao što su grede, šipke, klinovi itd.** Brusna prašina uzrokuje da se pokretni delovi kao što je donji štitnik zaglave. Varnice od brusnog rezanja će izgoreti donji štitnik, kerf uložak i druge plastične delove.
- **Kada god je to moguće, upotrebite steznice za podupiranje radnog predmeta. Ako ručno podupirete radni predmet, morate da držite ruku na najmanje 100 mm od bilo koje strane lista testere. Ne koristite ovu testeru za rezanje komada koji su premali da biste ih bezbedno stegli ili držali rukom.** Ako se ruka postavi suviše blizu lista testere, povećan je rizik od povrede zbog dodira sa listom.
- **Radni predmet mora da bude nepomičan i stegnut ili pridržavan i uz vodicu i uz sto. Ne ubacujte radni predmet na list i ne režite „slobodno“ ni na koji način.** Nekontrolisani ili pomični radni predmeti mogu biti odbačeni pri velikim brzinama, uzrokujući povrede.
- **Gurnite testeru kroz radni predmet. Ne vucite testeru kroz radni predmet. Da biste napravili rez, podignite glavu testere i izvucite je preko radnog predmeta, pokrenite motor, pritisnite glavu testere nadole i gurnite testeru kroz radni predmet.** Rezanje u potezu povlačenja će verovatno uzrokovati da se list testere popne na vrh radnog predmeta i silovito baci sklop lista prema rukovaocu.
- **Nikada ne prelazite rukom preko predviđene linije rezanja ni ispred niti iza lista testere.** Pridržavanje radnog predmeta „ukrštenih ruku“ tj. držanje radnog predmeta desno od lista testere levom rukom ili obrnuto je veoma opasno.
- **Ne posežite iza vodice bilo kojom rukom bliže od 100 mm sa bilo koje strane lista testere, da biste uklonili komadiće drveta, ili iz bilo kog drugog razloga dok se list vrti.** Blizina lista testere koji se vrti možda ne bude očigledna i možete se ozbiljno povrediti.

- **Pregledajte vaš radni komad pre rezanja. Ako je radni komad povijen ili izvitoperen, stegnite ga sa spoljašnjom povijenom stranom okrenutoj prema vodiči. Uvek se uverite da nema razmaka između radnog komada, vodice i stola duž linije reza** Povijeni ili izvitopereni radni predmeti mogu da se izviju ili pomere i mogu da uzrokuju vezivanje na listu testere koji se vrti tokom rezanja. Ne bi trebalo da bude eksera ili stranih objekata u radnom predmetu.
- **Ne koristite testeru dok se sa stola ne uklone svi alati, komadići drveta, itd, osim radnog predmeta** Male krhotine ili slobodni komadi drveta ili drugih predmeta koji dođu u dodir sa listom koji se okreće mogu biti odbačeni velikom brzinom.
- **Režite samo jedan radni predmet u jednom trenutku** Više naslaganih radnih predmeta ne može da se stegne ili učvrsti na odgovarajući način i mogu da se upletu na listu ili pomere tokom rezanja.
- **Pre upotrebe uverite se da je kružna testera postavljena i smeštena na ravnu, čvrstu radnu površinu.** Ravna i čvrsta radna površina smanjuje rizik da kružna testera bude nestabilna.
- **Isplanirajte svoj rad! Prilikom svake promene podešavanja ugla nagiba i zakretanja, uverite se da je prilagodljiva vodiča ispravno podešena da podupire radni predmet i da neće ometati list testere ili sistem zaštite** Bez uključivanja alata i bez radnog predmeta na stolu, prođite listom testere celim simuliranim rezom da biste se uverili da neće biti ometanja ili opasnosti od rezanja vodice.
- **Obezbedite odgovarajuću potporu kao što su proširenja stola, nogare za rezanje drva, itd. za radni predmet koji je širi ili duži od površine stola.** Radni predmeti duži i širi od stola kružne testere mogu da se prevrnu ako nisu bezbedno poduprti. Ako se odrezani komad ili radni predmet prevrne, on može da podigne donji štitnik ili da bude odbačen listom koji se vrti.
- **Ne koristite neku drugu osobu kao zamenu za proširenje stola ili kao dodatni podupirač** Nestabilan podupirač za radni predmet može da uzrokuje da se list testere uplete ili da se radni predmet pomeri tokom rezanja uvlačeći vas i pomagača u list testere koji se vrti.
- **Odreznani komad ne sme ni na koji način da se zaglavi ili pritisne uz list testere koji se vrti** Ako se zadrži, tj. pomoću graničnika dužine testere, odrezani komad može da se zaglavi na listu testere i bude silovito odbačen.
- **Uvek koristite stegu ili pribor za pričvršćivanje predviđene za pravilno podupiranje okruglog materijala kao što su šipke ili cevi** Šipke imaju tendenciju da se kotrljaju prilikom rezanja, uzrokujući da list testere „grize“ i povuče predmet rada sa vašom rukom u nož.
- **Neka nož postigne punu brzinu pre nego što dodirne radni predmet** Ovo će smanjiti rizik da radni predmet bude odbačen.
- **Ako se radni predmet ili list testere zaglave, isključite kružnu testeru. Sačekajte da se svi pokretni delovi zaustave i iskopčajte utikač iz izvora napajanja i/ili uklonite bateriju. Onda oslobodite zaglavljenu materijal** Dalje testiranje sa zaglavljenim radnim predmetom može da uzrokuje gubitak kontrole ili oštećenje kružne testere.
- **Kada dovršite rez, otpustite prekidač, držite testeru sa glavom dole i sačekajte da se list testere zaustavi pre uklanja odreznog komada** Posezanje rukom blizu lista testere u pokretu pod inercijom je opasno.

- **Držite dršku čvrsto prilikom pravljenja nepotpunog reza ili prilikom otpuštanja prekidača pre nego što glava testere ne bude potpuno u donjem položaju** Kočenje testere može uzrokovati da se glava testere naglo povuče nadole, uzrokujući rizik od povreda.

DODATNA UPUTSTVA O SIGURNOSTI

- Naleti struje dovode do kratkotrajnih padova napona; pod nepovoljnim uslovima napajanja može da bude pogodena druga oprema (ako je impedanca napajanja el. energijom manja od 0,219 oma, ne postoji verovatnoća da će doći do poremećaja); ako vam je potrebno dodatno objašnjenje, možete se obratiti vašem lokalnom organu za snabdevanje el. energijom

OPŠTA

- Ovaj alat koristite samo za rezanje drveta
- Uvek se uverite da je napon struje isti kao i napon naveden na pločici sa nazivom alatu
- **Nemojte stajati na alatu ili njegovom postolju** Može doći do ozbiljne povrede ako je alat nagnut ili ako se slučajno dotakne rezni alat. Ne ostavljajte materijale na alatu ili blizu njega tako da je potrebno da stanete na alat ili njegovo postolje da biste ih dohvatili.
- **Obavezno iskopčajte alat iz električne utičnice pre nego što izvršite bilo kakva podešavanja ili zamenu pribora**
- **Uvek iskopčajte utikač iz izvora napajanja pre premeštanja kružne testere** Iskopčajte, spustite sklop glave i zaključajte u položaj, koristite ručku za nošenje i jedno od udubljenja u osnovi testere.
- **Ne ostavljajte alat dok se ne zaustavi potpuno**
- **Prilikom rezanja radnih predmeta nepravilnog oblika, isplanirajte svoj rad kako vam ne bi iskliznuo i stegnuo list testere i bio istrgnut iz ruke**
- Ovaj alat ne treba da koriste osobe ispod 16 godina
- Ovaj alat nije pedesan za vlažno sečenje

KORIŠĆENJE NA OTVORENOM

- Prilikom primene alata napolju, priključite ga preko FI sklopke sa strujom isključenja od maksimalnih 30mA i koristite samo jedan produžni gajtan, koji je predviđen za korišćenje na otvorenom i koji ima utikač zaštićen od prodora vode

PRE UPOTREBE

- Produžni kabl koji koristite mora da bude sasvim odmotan i siguran, sa kapacitetom od 16 A
- Nosite zaštitne naočari, zaštitu za sluh, i zaštitne rukavice
- Prašina od materijala, kao što su boja koja sadrži olovo, neke vrste drveta, minerali i metal, može biti opasna (dodir ili udisanje prašine može prouzrokovati alergijske reakcije i/ili respiratorna oboljenja rukovaoca i lica u blizini); **nosite masku protiv prašine i radite uz uključeni uređaj za ekstrakciju prašine kada radite na mestima gde ju je moguće priključiti**
- Određene vrste prašine su klasifikovane kao kancerogene (kao što su prašina hrastovine i bukovine), posebno u sadejstvu sa aditivima za pripremu drveta; **nosite masku protiv prašine i radite uz uključeni uređaj za ekstrakciju prašine kada radite na mestima gde ju je moguće priključiti**
- Prati nacionalne propise vezane za prašinu koja se proizvodi prilikom rada na obrađivanim materijalima
- **Ne obrađujte nikakav materijal koji sadrži azbest** (azbest važi kao izazivač raka)
- Nemojte nikada da koristite električni alat bez originalnog sistema za zaštitu

- Pre svake upotrebe proverite da li je zaštitni mehanizam propisno zatvoren
- Nemojte upotrebljavati testeru ako se zaštitni mehanizam ne kreće slobodno i ako se odmah ne zatvara
- Nikada nemojte da stežete ili blokirate zaštitni mehanizam u otvorenom položaju
- Nikada nemojte da koristite alat bez umetka za sto; zamenite umetak ako je oštećen ili istrošen
- Pre nego što započnete sečenje, uklonite sve prepreke na vrhu, kao i ispod putanje sečenja
- Izbegavajte oštećenja od šrafova, eksera i drugih predmeta na vašem području rada; uklonite ih pre nego što započnete rad

PRIBOR

- Uz ovaj električni alat nikad nemojte da koristite diskove za oštrenje/sečenje
- SKIL može priznati garanciju samo ukoliko je korišćen odgovarajući pribor koji možete da nabavite kod svog SKIL prodavca
- Za postavljanje i korišćenje pribora koji nisu SKIL, pogledajte uputstva proizvođača
- Upotrebljavajte samo listove testere, koji odgovaraju karakteristikama koje su navedene u ovom uputstvu za rad i prekontrolisani prema EN 847-1 i odgovarajuće obeleženi
- Koristite samo pribor čija je dozvoljena brzina u najmanju ruku jednaka najvećoj brzini pri praznom hodu električnog alata
- Nemojte nikada da koristite testere napravljene od HSS čelika
- Ne koristite sečivo koje je napuklo, deformisano ili tupo
- Koristite samo sečiva čiji prečnik otvora odgovara vretenu alata; nikada nemojte da koristite reduktore ili adaptere
- Zaštite pribor od potresa, udara i masnih površina

TOKOM UPOTREBE

- **Ne koristite silu dok rukujete alatom** (primenite blag i kontinuiran pritisak da biste izbegli pregrevanje vrhova oštrica i, ukoliko sečete plastiku, topljenje plastičnog materijala)
- Pazite da vam sečivo tokom rada ne zahvati prste, šake ili ruke
- Ako se sečivo zaglavi, odmah isključite alat i izvucite utikač; tek posle toga izvucite zaglavljenu komad drveta
- U slučaju atipičnog ponašanja ili nepoznatih zvukova odmah isključite alat i izvucite prekidač iz struje
- Ako se kabl ošteti ili preseče u toku rada, odmah ga iskopčajte i nemojte ga dodirivati
- Nikada nemojte koristiti alat kada je kabl oštećen; on mora da se zameni posebnim kablom koji je dostupan u servisnoj organizaciji.

LASERSKA RADIJACIJA

- **Ne usmeravajte laserski zrak na osobe ili životinje i sami ne gledajte u direktan ili reflektujući laserski zrak** (na taj način možete da zaslepite lica, prouzrokujete nezgode ili da oštetite oči)
- Ako lasersko zračenje dođe u oko, morate svesno da zatvorite oko i da glavu odmah okrenete od zraka
- Nemojte da vršite promene na laserskoj opremi
- Nemojte da gledate u laserski zrak (laserska radijacija)
- Nemojte da gledate laserski zrak pomoću optičkih pomagala za uvećavanje (kao što su lupe, teleskopi ili dvogledi)
- Nemojte da koristite alatku u blizini zapaljivih tečnosti, gasova ili prašine
- Nemojte da koristite alatku ukoliko su u blizini deca
- Montirani laser nemojte da zamenjujete drugim tipom lasera

NAKON UPOTREBE

- Nakon isključivanja električnog alata, nikada nemojte da zaustavljate obrtanje pribora primenom bočne sile
- Odešene delove komada koji obrađujete uklonite iz radnog područja tek nakon što se svi pokretni delovi potpuno zaustave
- Sečivo se prilikom upotrebe zagreva; ne dodirujte ga dok se ne ohladi
- Čuvajte alat na suvom u **njegovu** i zaključanom mestu, van domašaja dece

OBJAŠNJENJE SIMBOLA NA ALATU

- ② Pročitajte uputstvo za korišćenje pre prve upotrebe
- ③ Nosite zaštitne naočari i zaštitu za sluh
- ④ **Opasna oblast! Zona zabranjena za ruke. Držite prste daleko od ove oblasti.**
- ⑤ Dvostruka izolacija (nije potrebna žica za uzemljenje)
- ⑥ Ne odlažite električne alate i baterije u kućne otpatke
- ⑦ **Laserska radijacija / Nemojte da gledate u laserski zrak / Laserski proizvod klase 2**

UPUTSTVO ZA KORIŠĆENJE

- **Montaža**
 - ručku za prenošenje E montirajte sa 2 zavrtnjima pomoću imbus ključa AN^⑨
 - sastavite okretnu ručku za blokadu AE na prednji deo stola ^⑩
 - sastavite kliznu vodicu U (pogledajte Podešavanje klizne vodice)
- **Položaj za prenošenje/rad**
Za otpuštanje alata (**radni položaj**)
 - pritisnite ručku B^③ nadole rukom istovremeno izvlačeći klin za blokadu C drugom rukom ^{⑪a}
 - polako pomerite sklop glave prema gore
 Za osiguravanje alata (**transportni položaj**)
 - pomerite sklop glave do kraja u pravcu vodice S (držite rastojanje od oko 5 cm) i zategnite dugme za blokadu AH ^{⑪b}
 - podesite ugao kod kosog rezanja na 0° (pogledajte Podešavanje uglova kod kosog rezanja)
 - podesite ugao zakretanja na 45° levo ili desno (pogledajte Podešavanje ugla zakretanja)
 - pritisnite ručku B nadole rukom istovremeno gurajući klin za blokadu C drugom rukom
 - uvijte napojni kabl
 - upotrebite ručku za prenošenje E ^⑧ za nošenje alata ^{⑪d}
 - ili, upotrebite bočne ručice za nošenje alata ^{⑪e}
- **! nikada nemojte podizati alat držeći glavnu ručku, ili strujni kabl**
- **Montaža alata na radnu površinu ^⑫**
! radi bezbednosti alat uvek montirajte na ravnu i stabilnu radnu površinu (npr. na radni sto)
 - upotrebite 4 montažna otvora F za pričvršćivanje alata na radnu površinu odgovarajućim zavrtnjima
 - alat možete i stegnuti na radnu površinu vijčanim stezaljkama koje se kupuju u maloprodaji
 - za stabilizaciju alata može da se podesi visina potpornog podnožja G
 - ili, alat može da se postavi na postolje za kružnu testeru
- **! pročitajte sva upozorenja i uputstva uključena uz postolje testere**

- Usisavanje prašine/opiljaka ¹³
 - montirajte kesu za prašinu H/usisivač kao što je ilustrirano
 - radi optimalnog usisavanja prašine redovno praznite kesu za prašinu
 - ! **nikada nemojte da dozvolite da crevo usisivača dođe u dodir sa drugim zaštitnim mehanizmom ili operacijom sečenja**
- Produžetak stola za testeru ¹⁴
 - dugmadima L učvrstite produžne šipke K (sa bilo koje strane alata)
 - dužina produžnih šipki K može da se podešava kontinuirano od minimuma do maksimuma
- Stezanje komada drveta za obradu ¹⁵
 - ! **radi optimalne bezbednosti uvek dobro stegnite komad drveta odgovarajućom stezaljkom koja se nalazi u kompletu**
 - nemojte komade drveta koji su premali za stezanje
 - **maksimalne** dimenzije komada drveta koji se mogu obrađivati možete pronaći u tabeli ¹⁶
 - pričvrstite stezaljku radnog predmeta u otvor za nosač N sa dugmetom P (sa bilo koje strane alata)
 - stezaljka radnog predmeta ima 2 žleba za lako blokiranje; 1 za tanke radne predmete (do 5 cm) i 1 za veće radne predmete (preko 5 cm)
 - čvrsto pritisnite komad drveta koji obrađujete uz ogradu S
 - odblokirajte ručicu R
 - prilagodite stezaljku radnom predmetu
 - dobro stegnite radni predmet okretanjem poluge za blokadu R
 - ! **za neke kombinacije rezanja pod zakretnim i kosim uglom, ili u zavisnosti od veličine radnog predmeta, možda će biti potrebno koristiti komercijalno dostupne stezne zavrtneve umesto stezaljke radnog predmeta**
- Podešavanje uglova ¹⁷
 - oslobodite ručku za blokiranje AE
 - povucite polugu za otpuštanje zadržavanja ugla AF
 - okrenite sto za testeru ulevo ili udesno da biste podesili ugao (od 0° do 50°) pomoću indikatora AG
 - otpustite ručicu AF
 - pritegnite ručku za blokiranje AE (**nemojte previše stezati ručku**)
 - za brzo i precizno nameštanje često korišćenih uglova zakretanja (0°, 15°, 22,5°, 31,6°, 45°) poluga za zadržavanje ugla AF seda na mesto na odgovarajućim pozicijama; da bi se ovo spoločilo, poluga AF može da se blokira u otpuštenom položaju ^{17b}
- Podešavanje uglova kod kosog rezanja ¹⁸
 - otpustite trgoro dugme W
 - okrećite glavu testere ulevo dok indikator ugla kod kosog rezanja X ne pokaže na željeni ugao
 - podesivi graničnik za koso rezanje AA (45°) može da se koristi za zaustavljanje pod uglom od 45° ili da nastavi sve do 48° ^{18b}
 - zadržite glavu testere u tom položaju i pritegnite dugme W
 - za koso rezanje na desno prvo nagnite glavu testere malo na levo, okrenite dugme za otpuštanje kod kosog rezanja na desnu stranu AB (pribl. 60°), onda zakrenite glavu testere u željeni ugao kosog rezanja na desnu stranu ^{18c}
- kada prebacite glavu testere nazad na levu stranu dugme za otpuštanje kod kosog rezanja na desnu stranu AB će se automatski vratiti u početni 0° graničnika; to može da se spreči obrtanjem dugmeta na pribl. 90° umesto 60° ^{18d}
- Kombinovano rezanje ¹⁹
 - kombinovano rezanje iskazuje podešavanje ugla rezanja i ugla zakošenja
 - ! **nemojte rukovati testerom u određenim kombinacijama zakretnog ugla i nagiba, jer može dovesti do smetnji između kliznih i nepokretnih delova testere ili između kliznih delova i radnog predmeta - da biste izrezali uklonite kliznu vođicu, dugme za blokiranje klizne vođice i dugme za pritezanje prema potrebi.**
 - ! **uvek izvršite probu na višku materijala**
- Podešavanje kliznih vođica ²⁰
 - otpustite dugme V da bi se vođica pomerila U
 - otpustite dugme V još više da bi se omogućilo skidanje/sklapanje vođice
 - pričvrstite dugme V da biste osigurali željeni položaj
 - ! **proverite da li su klizne vođice čvrsto pritegnute pre rukovanja alatom**
 - ! **za neke kombinacije rezanja pod zakretnim i kosim uglom može biti potrebno da se ukloni dugme**
- Laserski zrak ²¹
 - za vođenje električnog alata duž željene linije označene na području rada
 - uključiti/isključiti laserski zrak pritiskom prekidača AD
 - ! **pre početka rada, proveriti da li je laserski zrak poravnat sa pravom linijom sečenja tako što se izvrši probno sečenje na komadu otpadnog materijala**
- Testerisanje bez kliznog pokreta (mali radni predmeti)
 - otpustite dugme za blokadu AH ako je pričvršćeno
 - glavu testere pomerite u pravcu vođice S i ponovo pritegnite dugme za blokadu AH
 - ! **ukoliko se mehanizam ne blokira, list testere može iznenada se popne na vrh radnog predmeta i naglo krene prema vama**
 - postavite alat u radni položaj
 - ! **pazite da komad drveta koji obrađujete bude čvrsto stegnut uz sto i ogradu S**
 - uključite alat otpuštanjem blokade AJ i povlačenjem glavnog prekidača AI
 - ! **nemojte da ukrštate vaše ruke dok rukujete glavom testere ^{23a}**
 - ravnomerno gurajte komad drveta kroz testeru
 - ! **električni alat bi trebalo da bude u punoj brzini pre nego što sečivo dodirne područje rada**
 - isključite alat otpuštanjem prekidača AI
 - sačekajte dok se list testere savim ne zaustavi pre nego polaganom pomerite glavu testere prema gore
- Testerisanje sa kliznim pokretom (**široki** radni predmeti)
 - ! **vodite račun da je niže opisana metoda jedina bezbedna**
 - ne vučite testeru kroz radni predmet
 - otpustite dugme za blokadu AH ako je pričvršćeno
 - ! **pazite da komad drveta koji obrađujete bude čvrsto stegnut uz sto i ogradu S**
 - povucite glavu testere od vođice S dovoljno daleko tako da se sečivo testere nalazi ispred radnog predmeta ²⁴
 - uključite alat otpuštanjem blokade ²² i povlačenjem glavnog prekidača

! nemojte da ukrštate vaše ruke dok rukujete glavom testere 23a

- gurajte glavu testere u pravcu vođice S i ravnomerno sečite kroz radni predmet 24

! električni alat bi trebalo da bude u punoj brzini pre nego što sečivo dodirne područje rada

! ako se donji štitnik ne otvori automatski do čega može doći pod određenim okolnostima (npr. radni predmet je suviše blizu maksimalnom kapacitetu), onda ćete možda morati rukom da otvorite štitnik 23b

- isključite alat otpuštanjem prekidača AI
- sačekajte dok se list testere sasvim ne zaustavi pre nego polagano pomerite glavu testere prema gore

• Rezanje žlebova 25

- sa meraćem dubine namestite željenu dubinu AK i blokirajte ga na mesto pričvršćivanjem zavrtnja AM
- drveni razdelnik treba da se stavi između radnog predmeta i vođice da bi se dobila ujednačena dubina celom dužinom žleba

**! pazite da se sečivo ne zaglavi u radnom predmetu
! uvek izvršite probu na višku materijala**

• Zamena sečiva testere 26

! iskopčajte utikač

- izvadite imbus ključ AN iz skladišta AO
- zaštitni mehanizam držite A u otvorenom položaju
- olabavite zavrtnj sa pokrovnom pločom AQ (**nemojte odvijati zavrtnj do kraja**) 26a
- rotirajte zaštitni mehanizam A sasvim unazad 26b
- pritisnite dugme za blokiranje vretena AP i zadržite ga dok vadite zavrtnj sečiva AR okretanjem imbus ključa AN **U PRAVCU SKAZALJKE NA SATU** (= u istom pravcu kao strelice na sečivu)

! dugme za zaključavanje vretena AP pritisnite kada se električni alat sasvim zaustavi

- otpustite dugme za zaključavanje vretena AP
- skinite flanšu AS i sečivo

! zamenite sečivo testere; zupci i strelica utisnuta na sečivu moraju da budu okrenuti u istom pravcu kao i strelica na donjem zaštitnom mehanizmu A

- postavite štitnik AS 26c
- pritisnite dugme za zaključavanje vretena AP i držite ga pritisnuto dok pričvršćujete rezu lista testere pomoću imbus ključa AN SUPROTNO SMERU KRETANJA KAZALJKI NA SATU 1/8 okreta nakon što zategnete prstima (tako se osigurava klizanje lista testere kada dođe do prekomernog otpora i zbog toga opterećenja motora i trzanja testere)
- stegnite zavrtnj sa pokrovnom pločom AQ

• Zamena umetka za sto AT 28

Oštećen ili istrošen umetak za sto zamenite na sledeći način:

! iskopčajte utikač

- izvadite imbus ključ AN iz skladišta AO
- odvijte sva 6 zavrtnja prema ilustraciji
- izvadite stari umetak tako da ga prvo podignete sa prednje strane, a zatim ga potpuno izvucite
- stavite novi umetak za sto

! dobro stegnite sva 6 zavrtnja

• Provera/regulacija poravnanja sečiva pod uglom od 90° 28

! iskopčajte utikač

- okrenite sto sa testerom u zakretni položaj 0° i blokirajte ga

- zakrenite glavu testere u kosi položaj 0°

- spustite glavu testere i blokirajte je

- uglomerom proverite da li je ugao između sečiva i stola 90°

- po potrebi podesite poravnanje od 90° na sledeći način:

1. otpustite trorogo dugme W
 2. podesite zavrtnj Y sa imbus ključem od 4 mm (nije uključen u standardnu ponudu) 28b
 3. ponovo proverite sa uglomerom
4. resetujte indikator za koso sečenje na 0° 28c

• Provera/regulacija poravnanja sečiva pod uglom od 45° 29

! iskopčajte utikač

- okrenite sto sa testerom u zakretni položaj 0° i blokirajte ga

- otpustite trorogo dugme W

- podesite podesivi graničnik za koso sečenje AA na 45° 29b

- okrenite glavu testere ulevo

- uglomerom proverite da li je ugao između sečiva i stola 45° 29a

- proverite da li je indikator nakošenja X na oznaci 45°
- po potrebi podesite poravnanje od 45° na sledeći način:

1. podesite zavrtnj Z ključem 10 (nije uključen u standardnu ponudu)
2. ponovo proverite sa ugaonim meraćem

- ako je potrebno, ponovite za podešavanje ugla od 45° udesno

- spustite glavu testere i blokirajte je

• Provera/regulacija poravnanja ograde pod uglom od 90° 30

! iskopčajte utikač

- okrenite sto sa testerom u zakretni položaj 0° i blokirajte ga

- spustite glavu testere i blokirajte je

- uglomerom proverite da li je između sečiva i ograde S 90° (uglomer mora da bude u kontaktu sa glavnim delom sečiva, a ne sa zupcima)

- po potrebi podesite poravnanje od 90° na sledeći način:

1. odvijte 4 šestougaona zavrtnja T
2. podešavajte ogradu dok sečivo i ograde ne budu potpuno u kontaktu sa uglomerom
3. stegnite 4 šestougaona zavrtnja T
4. resetujte mitre indikator na 0° 30c

• Stega za kabl 31

- upotrebite stezaljku za kabl AV da biste sprečili da se strujni kabl ne bi zaglavio između pokretnih i fiksnih delova alata

SAVETI ZA PRIMENU

• Posebni komadi drveta

- uvek poduprite slobodne krajeve dužakih komada drveta

- zaobljeni ili okrugli delovi drveta moraju biti posebno učvršćeni i osigurani od proklizavanja 33

- na liniji rezanja ne sme da bude slobodnog prostora između komada koji se obrađuje i ograde ili stola

- ako je potrebno, napravite pomoćnu vođicu; otvori na kliznoj vođici treba da se koriste za učvršćivanje pomoćne vođice 34

! pomoćna vođica može da se koristi samo kod nagiba od 0°

- Kod rada sa podnim letvicama kao referencu možete da iskoristite ilustraciju 35
- Dobru stranu područja rada uvek okrenite nadole, da biste osigurali minimalno cepanje
- Koristite samo oštra sečiva, pravog tipa
 - kvalitet sečenja se poboljšava sa brojem zubaca
 - sečiva sa karbidnim vrhom ostaju oštra 30 puta duže od običnih sečiva

ODRŽAVANJE / SERVIS

- Alat i kabl uvek moraju da budu čisti (posebno otvori za ventilaciju sa zadnje strane kućišta motora)
- Redovno proveravajte da biste bili sigurni da donji štitnik pravilno funkcioniše. Očistite donji štitnik od nakupljene piljevine vlažnom krpom.
 - pre čišćenja iskopčajite kabl iz utičnice
 - podignite donji štitnik u potpuno otvoreni položaj i otpustite ga; ako se on odmah i potpuno ne zatvori, postprodajni servisni centar za SKIL električne alate treba da ga proveri
- Sečivo testere očistite neposredno posle upotrebe (posebno od smole i lepka)
 - sečivo se prilikom upotrebe zagreva; ne dodirujte ga dok se ne ohladi
- Očistite lasersko svetlo AC mekom četkom nakon svake upotrebe da biste zadržali dobru vidljivost laserske linije (pazite da ne promenite podešavanje lasera)
- Ako bi alat i pored brižljivog postupka izrade i kontrole nekada otkazao, popravku mora vršiti neki autorizovani servis za SKIL-električne alate
 - pošaljite **nerastavljeni** alat zajedno sa potvrdom o kupovini vašem nabavljaču ili najbližem SKIL servisu (adrese i oznake rezervnih delova možete naći na www.skil.com)
- Imajte na umu da za oštećenja nastala usled preopterećivanja ili nepravilnog rukovanja neće važiti garancija (za uslove SKIL garancije posetite www.skil.com ili pitajte svog prodavca)

ZAŠTITA OKOLINE

- **Električne alate, baterije, pribora i ambalaže ne odlažite u kućne otpatke** (samo za EU-države)
 - prema Evropskoj direktivi 2012/19/EG o staroj električnoj i elektronskoj opremi i njenoj upotrebi u skladu sa nacionalnim pravom, električni alati koji su istrošeni moraju biti sakupljeni odvojeno i dostavljeni pogonu za reciklažu
 - simbol ♻️ će vas podsetiti na to

BUKA

- Izmeren u skladu sa standardom EN 62841 nivo pritiska zvuka ovog alata je 100,0 dB(A) a nivo jačine zvuka 109,5 dB(A) (neizvesnost K = 3 dB)
- Nivo emisije vibracija izmeren je u skladu sa standardizovanim testom datim u EN 62841; on se može koristiti za upoređenje jedne alatke sa drugom, kao i za preliminarnu procenu izloženosti vibracijama pri korišćenju ove alatke za pomenute namene
 - korišćenje alatke u drugačije svrhe ili sa drugačijim ili slabo održavanim nastavcima može značajno **povećati** nivo izloženosti

- vreme kada je alatka isključena ili kada je uključena, ali se njome ne radi, može značajno **smanjiti** nivo izloženosti

(SLO)

Potezna zajeralna žaga

1320

UVOD

- To orodje je stacionarni stroj za vzdolžno in prečno rezanje lesa, ravno ali pod kotom (vodoravni koti lahko znašajo od -50° do 50°, navpični pa od -48 do +45°)
- Preberite in shranite navodila za uporabo ②
- Orodje ni namenjeno profesionalni uporabi
- **Orodje uporabljajte samo takrat, ko je pravilno in v celoti sestavljeno** (ne pozabite, da družba Skil ne more biti odgovorna za škodo na orodju in/ali telesne poškodbe, ki bi nastale zaradi nepravilnega sestavljanja orodja)

TEHNIČNI PODATKI ①

DELI ORODJA ⑧

- A** Gibljivi ščit
- B** Ročaj s stikalom
- C** Blokirni zatič za prevažanje
- D** Zgornje varovalo
- E** Transportni ročaj
- F** Montažne luknje
- G** Podporna noga
- H** Vrečka za prah
- J** Vrata za prah
- K** Razširitvene palice
- L** Gumbi za zaklepanje razširitvenih palic
- M** Spona za vpenjanje obdelovanca
- N** Podporna luknja
- P** Gumb za pritrditev spone
- Q** Gumb za nastavljanje spone
- R** Pritrdilna ročica
- S** Ograja
- T** Šestrobri vijaki za nastavitev ograje (4x)
- U** Drсни prislon
- V** Gumb za pritrditev drsnega prislona
- W** Blokirni gumb (za navpične kote rezanja)
- X** Skala kota navpičnega reza
- Y** Vijak za nastavitev skale kota navpičnega reza (desno)
- Z** Vijak za nastavitev skale kota navpičnega reza (levo)
- AA** Nastavljivo končno omejevalo
- AB** Ročica za sprostitve desnega naklona
- AC** Laserska svetloba
- AD** Stikalo za vklop/izklop laserja
- AE** Blokirni ročaj (za kote rezanja)
- AF** Ročica za sprostitve blokade zajere
- AG** Skala kota reza
- AH** Blokirni gumb za drsno napravo
- AI** Stikalo vklopi/izklopi
- AJ** Varnostni vzvod
- AK** Omejevalnik globine reza
- AL** Globinski naslon
- AM** Matica globinskega naslona
- AN** Imbus ključ

- AO** Mesto za shranjevanje šestkotnega ključa
- AP** Gumb za blokado vretena
- AQ** Pokrov za rezilo
- AR** Vijak lista
- AS** Prirobnica
- AT** Vstavek mize
- AU** Protiprašna zaščita
- AV** Sponka za kabel

VARNOST

SPLOŠNA VARNOSTNA OPOZORILA ZA ELEKTRIČNA ORODJA

⚠ OPOZORILO Preberite vsa varnostna opozorila, navodila in tehnične podatke ter si ogledite slike, ki so priložene temu električnemu orodju. Neupoštevanje spodaj navedenih navodil se lahko odrazi v električnem udaru, požaru in/ali hudih poškodbah.

Vsa opozorila in navodila shranite, saj jih boste v prihodnosti morda potrebovali.

Pojem "električno orodje", ki se pojavlja v nadaljnjem besedilu, se nanaša na električna orodja z električnim pogonom (z električnim kablom) in na akumulatorska električna orodja (brez električnega kabla).

1) VARNOST NA DELOVNEM MESTU

- a) **Poskrbite, da bo Vaše delovno mesto vedno čisto in urejeno.** Nered ali neosvetljena delovna področja lahko povzročijo nezgode.
- b) **Prosimo, da orodja ne uporabljate v okolju, kjer je nevarnost za eksplozije in v katerem se nahajajo gorljive tekočine, plini in prah.** Električna orodja povzročajo iskenje, zato se gorljivi prah ali pare lahko vnamejo.
- c) **Ne dovolite otrokom in drugim osebam, da bi se medtem ko delate, približali električnemu orodju.** Druge osebe lahko odvrnejo Vašo pozornost drugim in izgubili boste nadzor nad orodjem.

2) ELEKTRIČNA VARNOST

- a) **Vtič mora ustrezati električni vtičnici in ga pod nobenim pogojem ne smete spreminjati.** Uporaba adapterskih vtičev v kombinaciji z ozemljena orodja ni dovoljena. Originalni oziroma nespremenjeni vtiči in ustrezne vtičnice zmanjšujejo tveganje električnega udara.
- b) **Izogibajte se telesnemu stiku z ozemljenimi površinami, na primer s cevmi, grelci, štedilniki in hladilniki.** Če je ozemljeno tudi vaše telo, obstaja povečano tveganje električnega udara.
- c) **Zavarujte orodje pred dežjem ali vlago.** Vdor vode v električno orodje povečuje tveganje električnega udara.
- d) **Električnega kabla ne uporabljajte za prenašanje ali obešanje orodja in ne vlečite vtič iz vtičnice tako, da vlečete za kabel.** Zavarujte kabel pred vročino, oljem, ostrimi robovi in premikajočimi se deli orodja. Poškodovani ali prepletani kabli povečujejo tveganje električnega udara.
- e) **Če z električnim orodjem delate na prostem, uporabljajte izključno kabelski podaljšek, ki je atestiran za delo na prostem.** Uporaba kabelskega podaljška, primerne za delo na prostem, zmanjšuje tveganje električnega udara.

- f) **Če je uporaba električnega orodja v vlažnem okolju neizogibna, uporabljajte prekinjevalec električnega tokokroga.** Prekinjevalca električnega tokokroga zmanjšuje tveganje električnega udara.

3) OSEBNA VARNOST

- a) **Bodite zbrani in pazite, kaj delate. Dela z električnim orodjem se lotite razumno. Nikoli ne uporabljajte orodja, če ste utrujeni in če ste pod vplivom mamil, alkohola ali zdravil.** En sam trenutek nepazljivosti pri uporabi orodja ima lahko za posledico resne telesne poškodbe.
 - b) **Uporabljajte osebna zaščitna sredstva in vedno nosite zaščitna očala.** Uporaba osebnih zaščitnih sredstev, na primer maske proti prahu, nedrsečih zaščitnih čevljev, zaščitne čelade in glušnikov, odvisno od vrste in uporabe električnega orodja, zmanjšuje tveganje telesnih poškodb.
 - c) **Izogibajte se nenamernemu zagonu. Pred priključitvijo električnega orodja na električno omrežje in/ali na akumulator in pred dviganjem ali nošenjem se prepričajte, če je električno orodje izklopljeno.** Prenašanje naprave s prstom na stikalu ali priključitev vklopljenega električnega orodja na električno omrežje je lahko vzrok za nezgodo.
 - d) **Pred vklopom orodja odstranite z nje nastavitvena orodja ali vijačni ključ.** Orodje ali ključ, ki se nahajata na vrtečem se delu električnega orodja, lahko povzročita nezgodo.
 - e) **Ne precenjujte se in poskrbite za varno stojišče in stalno ravnotežje.** Tako boste lahko v nepričakovani situaciji bolje obvladali orodje.
 - f) **Oblecite se primerno. Ne nosite ohlapnih oblačil ali nakita. Las in oblačil ne približujte premikajočim se delom.** Ohlapna oblačila, nakit ali dolgi lasje se lahko ujamejo v premikajoče se dele.
 - g) **Če je možno na orodje namestiti priprave za odsesavanje in prestrezanje prahu, prepričajte se, ali so le-te priključene in, če jih pravilno uporabljate.** Uporaba priprave za odsesavanje prahu zmanjšuje zdravstveno ogroženost zaradi prahu.
 - h) **Naj seznanjenost z orodjem, ki jo pridobite s pogosto uporabo, ne bo razlog za to, da postanete lahkomišeln in ignorirate varnostna načela.** V delčku sekunde lahko nepozorno dejanje pripelje do hude poškodbe.
- #### 4) RAVNANJE IN NEGA ROČNEGA ORODJA
- a) **Ne preobremenjujte orodja. Za določeno delo uporabljajte električno orodje, ki je predvideno za opravljanje tega dela.** Ustreznim električnim orodjem boste delo opravili bolje in varneje, ker je bilo v ta namen tudi konstruirano.
 - b) **Električno orodje, ki ima pokvarjeno stikalo, ne uporabljajte.** Električno orodje, ki ga ni možno vklopiti ali izklopiti, je nevarno in ga je potrebno popraviti.
 - c) **Izvlčite vtič iz vtičnice in/ali odstranite akumulatorsko baterijo, če jo je mogoče izvzeti, še preden orodje popravljate, menjate pribor ali ga shranite.** Ti preventivni varnostni ukrepi zmanjšajo tveganje za nenamenski zagon orodja.
 - d) **Kadar orodja ne uporabljate ga shranjujte izven dosega otrok.** Osebam, ki orodja ne poznajo ali niso prebrale teh navodil, orodja ne dovolite uporabljati. Električna orodja so nevarna, če jih uporabljajo neizkušene osebe.

- e) Vzdržujte električna orodja in pribor. Preverite, če premikajoči se deli orodja delujejo brezhibno in če se ne zatikajo, oziroma, če kakšen del orodja ni zlomljen ali poškodovan do te mere, da bi ovirali njegovo delovanje. Pred nadaljnjo uporabo je potrebno poškodovani del popraviti. Vzrok za številne nezgode so ravno slabo vzdrževana električna orodja.
 - f) **Rezalna orodja naj bodo ostrá in čista.** Skrbno negovana rezalna orodja z ostrimi rezili se manj zatikajo in so boljje vodljiva.
 - g) **Električna orodja, pribor, nastavke in podobno uporabljajte v skladu s temi navodili. Pri tem upoštevajte delovne pogoje in vrsto dela, ki ga nameravate opraviti.** Zaradi uporabe električnega orodja v druge, nepredvidene namene, lahko nastanejo nevarne situacije.
 - h) **Ročaji in površine za prijetanje naj bodo suhe, čiste in brez olja ali maščobe.** Gladki ročaji in površine za prijetanje ne omogočajo varne uporabe in nadzora orodja v nepričakovanih situacijah.
- 5) SERVISIRANJE**
- a) **Popravilo orodja lahko opravi samo usposobljena strokovna oseba in to izključno z originalnimi nadomestnimi deli.** Le tako bo ohranjena nadaljnja varnost orodja.

VARNOSTNA NAVODILA ZA ZAJERALNE ŽAGE

- **Zajeralne žage se uporabljajo za žaganje lesa ali lesu podobnih izdelkov in niso primerne za žaganje železnih materialov, kot so palice, cevi, zatiči itd., z brusnimi/rezalnimi koluti** Zaradi prahu, ki nastane pri brušenju, lahko pride do zaskočitve premičnih delov, kot je spodnje varovalo. Iskre, ki nastanejo pri brušenju/rezanju, lahko uničijo spodnje varovalo, klinasti vstavek ali druge plastične dele.
- **Če je mogoče, obdelovanec podprite s primeži. Če obdelovanec podprete z roko, poskrbite, da je vaša dlan vedno vsaj 100 mm oddaljena od katere koli strani žaginega lista. Te žage ne uporabljajte za žaganje predmetov, ki so premajhni, da bi jih bilo mogoče varno vpeti ali pridržati z roko** Če dlan postavite preblizu žaginega lista, obstaja povečano tveganje pred osebnimi poškodbami, nastalimi zaradi stika z rezilom žage.
- **Obdelovanec se ne sme premikati in mora biti vpet oz. pridržan ob prislon ter mizo. Obdelovanca ne usmerjajte v rezilo in ga ne režite »prostorčno«** Nevpete ali premikajoče se obdelovance lahko izvrže pri visoki hitrosti in lahko povzročijo telesne poškodbe.
- **Žago potisnite skozi obdelovanec. Žage ne vlecite skozi obdelovanec. Če želite zarezati, dvignite glavo žage in jo povlecite nad obdelovanec brez reza. Nato vklopite motor, glavo žage pritisnite navzdol in potisnite žago skozi obdelovanec** Če rez izvedete ob vlečenju rezila, se žagin list lahko zareže v vrh obdelovanca in sestav rezila na silo izvrže v smeri upravljalca.
- **Roke nikoli ne pomaknite čez namenjeno črto za žaganje – ne pred in ne za žaginem rezilom** Če obdelovanec podprete »navzkrižno« – pridržite ga torej desno od žaginega lista z levo roko ali obratno –, je izjemno nevarno.
- **Ne segajte z roko za prislon bližje kot 100 mm do katere koli strani žaginega lista, da bi odstranili**

lesene ostružke oz. zaradi poljubnega razloga, ko se rezilo vrti Bližina vrtečega se žaginega lista do vaše dlani morda ni takoj očitna in lahko povzroči hujše telesne poškodbe.

- **Pred žaganjem preglejte obdelovanec, ali je morda ukrivljen. Vpnite ga z zunanjo ukrivljeno stranjo, obrnjeno proti prislonu. Vedno se prepričajte, da ni vrzeli med obdelovancem, prislonom in mizo vzdolž linije za rezanje** Upognjeni ali zviti obdelovanci se lahko zvijejo ali premaknejo ter povzročijo upogibanje rezila med žaganjem. Poskrbite, da obdelovanec ne vsebuje nobenih žebeljev ali tujkov.
- **Žage ne uporabljajte, če so na mizi odstavljena orodja, ostanki lesa itd. Na mizi je lahko prisoten samo obdelovanec** Majhne ostanke ali druge predmete, ki pridejo v stik z vrtečim se rezilom, lahko izvrže pri visoki hitrosti.
- **Režete lahko samo en obdelovanec hkrati** Če naložite več obdelovancev, jih ni mogoče ustrezno vpeti ali pridržati, zaradi česar se lahko ukrivi rezilo med žaganjem.
- **Pred uporabo zagotovite, da je zajeralna žaga vgrajena ali postavljena na ravni, trdni površini.** Ravna in trdna površina zmanjša tveganje, da bi zajeralna žaga postala nestabilna.
- **Načrtujte delo! Vsakokrat ko spremenite nastavitve naklona ali kota zajere, se prepričajte, da je prilagodljiv prislon nastavljen pravilno, da lahko podpre obdelovanec in ni na poti rezila oz. sistema varoval** Ko je orodje izklopljeno in ko na mizi ni nobenega obdelovanca, žagin list pomaknite po celotnem navideznem rezu, da zagotovite, da ne bo prišlo do ovir oz. nevarnosti zarezave v ograjo.
- **Zagotovite ustrezno podporo, npr. podaljške mize, koze za žaganje itd., za vsak obdelovanec, ki je širši ali daljši od vrhnjega dela mize.** Obdelovanci, ki so daljši ali širši od mize z zajeralno žago, se lahko prevrnejo, če niso ustrezno podprti. Če se prevrne odrezan del ali obdelovanec, lahko dvigne spodnje varovalo ali ga izvrže vrteče se rezilo.
- **Za dodatno podporo ali podaljšek mize ne uporabite druge osebe** Nestabilna opora obdelovanca lahko povzroči, da se rezilo upogne oz. obdelovanec premakne med žaganjem, vas oz. vašega pomočnika pa lahko vptegne v žago z vrtečim se rezilom.
- **Odžagani del se ne sme zagoditi ali ga pritisniti ob vrteči se žagin list** Ob prekinitvah po dolžini se odžagan del lahko zagodí ob rezilo, ki ga nato na silo izvrže.
- **Vedno uporabite primež ali ustrezno pritrjevalo za oporo materiala, kot so palice ali cevi** Palice se med žaganjem rade zvijajo, zaradi česar se rezilo lahko »zareže« in obdelovanec skupaj z vašo roko vptegne v rezilo.
- **Počakajte, da rezilo razvije polno hitrost, preden ga zarezete v obdelovanec** Na ta način boste zmanjšali tveganje pred izvrženjem obdelovanca.
- **Če se zatakne obdelovanec ali razlilo, izklopite zajeralno žago. Počakajte, da se ustavijo vrteči se deli, in vtíči izključite iz napajanja in/ali odstranite akumulator. Nato sprostite zagoden material** Če nadaljujete žaganje z zagozdenim materialom, lahko izgubite nadzor ali poškodujete zajeralno žago.
- **Ko končate rez, spustite stikalo, glavo žage pridržite navzdol in počakajte, da se rezilo ustavi, preden odstranite obdelovanec** Seganje z dlanjo v bližino še vrtečega se rezila je nevarno.

- **Pri nedokončanem rezu ali ko spustite stikalo, preden se glava žage pomakne v spodnji položaj, trdno poprimite za ročaj** Zaradi preklicanega dejanja žage lahko glavo žage nenadoma vptegnemo navzdol, kar lahko predstavlja tveganje pred telesnimi poškodbami.

DODATNA VARNOSTNA NAVODILA

- Navalni tokovi povzročajo kratkotrajne padce napetosti; v slabih pogojih oskrbe z električno energijo se lahko poškoduje ostala oprema (če je impedanca oskrbe z električno energijo nižja od 0,219 ohma, do motenj verjetno ne bo prišlo); če potrebujete nadaljnja pojasnila, se lahko obrnete na vašega lokalnega dobavitelja električne energije

SPOŠNO

- Orodje uporabljajte samo za rezanje lesa
- Vedno preverite, če je napetost omrežja enaka napetosti, ki je navedena na tablici orodja
- **Ne stojte na orodju ali stojalu** Če se orodje prevrne ali če se po nesreči dotaknete rezalnega orodja, lahko pride do hujših telesnih poškodb. Materiala ne shranjujte na ali v bližini orodja na način, da morate stati na orodju ali stojalu, da ga lahko dosežete.
- **Vedno izvlecite električni vtičak iz vtičnice preden spreminjate nastavite ali menjate pribor**
- **Pred premikanjem zajeralne žage vedno izključite vtič iz napajanja** Izključite vtič, spustite sestav glave in ga zaklenite na položaj, uporabite ročaj za transport ter eno od udrtin za roko na ohišju žage.
- **Orodja ne pustite nenadzorovanega, preden se ne zaustavi v celoti**
- **Pri žaganju obdelovancev nepravilnih oblik načrtujte svoje delo, tako da vam obdelovanec ne bo zdrsnil in se dotaknil rezila ter posledično iztrgal iz rok**
- Orodja naj ne bi uporabljale osebe mlajše od 16 let
- To orodje ni primerno za mokro rezanje

ZUNANJA UPORABA

- Pri zunanji uporabi priključite orodje preko tokovnega zaščitnega stikala (FID) z občutljivostjo toka največ 30 mA; vedno uporabljajte podaljšek, ki je namenjen za zunanjo uporabo in z zaščito proti vlagi

PRED UPORABO

- Uporabljajte povsem iztegnjene in varne električne podaljške, z jakostjo 16 amperov
- Uporabljajte zaščitna očala, zaščito sluha, in zaščitne rokavice
- Prah materialov, kot so barve, ki vsebujejo svinec, nekatere vrste lesa, mineralov ali kovin so lahko škodljivi (ob stiku ali vdihavanju lahko prah pri delavcu ali pri drugih prisotnih povzroči alergijsko reakcijo in/ali boleznih dihal); **nosite masko za prah in pri delu uporabljajte napravo za odsesavanje prahu, kjer je le-to možno priključiti**
- Nekatere vrste prahu so klasificirane kot kancerogene (kot npr. prah hrasta in bukve) še posebno ob sočasnih uporabi z dodatki za obdelavo lesa; **nosite masko za prah in pri delu uporabljajte napravo za odsesavanje prahu, kjer je le-to možno priključiti**
- Upoštevajte nacionalne zahteve glede prahu za materiale katere želite obdelovati
- **Ne obdelujte materiala, ki vsebuje azbest** (azbest povzroča rakasta obolenja)
- Nikoli ne uporabljajte orodja brez originalnega sistema zaščite

- Pred vsako uporabo preverite, ali se zaščitno varovalo pravilno zapira
- Žage ne uporabljajte, če se zaščitno varovalo ne premika zlahka ali se ne zapre takoj
- Zaščitnega varovala nikoli ne pripnite ali privežite v odprtem položaju
- Orodja nikoli ne uporabljajte brez vstavka mize; zamenjajte pokvarjen ali obrabljen vstavek mize
- Odstranite ovire nad in pod linijo reza že pred začetkom žaganja
- Izogibajte se poškodb zaradi vijakov, žebeljev ali drugih elementov v obdelovancu; odstranite jih pred začetkom dela

PRIBOR

- S tem orodjem nikoli ne uporabljajte brusilnih ali rezalnih plošč
- SKIL zagotavlja brezhibno delovanje orodja le z uporabo pravega dodatnega pribora, ki ga dobite pri SKIL-ovih trgovcih
- Pri uporabi in montaži ne SKIL-ovega pribora upoštevajte navodila proizvajalca uporabljenega pribora
- Uporabite samo žagine liste, ki ustrezajo karakteristikam, navedenim v teh navodilih za uporabo, in ki so preizkušeni po EN 847-1 ter ustrezno označeni
- Uporabljajte lahko dodatni pribor, katerega dovoljena hitrost je najmanj enaka največji hitrosti orodja
- Nikoli ne uporabljajte žaginih listov, ki so izdelani iz hitroreznega jekla (HSS)
- Ne uporabljajte poškodovanih, deformiranih ali topih žaginih listov
- Uporabljajte izključno žagine liste, ki imajo takšno luknjo, da se na vreteno orodja prilega brez zračnosti; žaginih listov z veliko luknjo nikoli ne pritrdite z reduciranimi deli ali prilagodilniki
- Zaščitite dodatno opremo pred udarci, sunki in maščobami

MED UPORABO

- **Z orodjem ne ravajte nasilno** (pritisčajte rahlo in neprekinjeno, da se izognete pregrevanju konic rezila, v primeru rezanja umetne mase pa tudi topljenju umetne mase)
- Prste, dlani in roke varujte pred stikom z vrtečim se žaginin listom
- Če se žagin list zatakne, orodje takoj izključite in odklopite vtič; šele takrat odstranite zatakneni obdelovanec
- V primeru električnih ali mehanskih motenj takoj izključite orodje in izvlecite vtičak iz vtičnice
- Če je priključni kabel poškodovan ali se med delom pretрга se ga ne dotikajte, temveč takoj potegnite električni vtičak iz vtičnice
- Orodja ne smete nikoli uporabljati s poškodovanim kablom. Kabel morate zamenjati s posebej pripravljenim kablom, ki je na voljo pri servisnem podjetju.

SEVANJE LASERJA

- **Laserskega žarka ne usmerjajte v osebe ali živali in tudi sami ne glejte neposredno v laserski žarek ali njegov odsev** (s tem lahko zaslepite ljudi, povzročite nesrečo ali poškodbe oči)
- Če laserski žarek usmerite v oči, le-te zaprite in glavo takoj obrnite stran od žarka
- Ne spreminjajte laserske naprave
- Ne glejte v laserski žarek (sevanje laserja)
- Za opazovanje laserskega žarka ne uporabljajte nobenih optičnih povečevalnih orodij (povečevalno steklo, teleskop ali daljnogled)

- Ne uporabljajte orodja v bližini vnetljivih tekočin, plinov ali prahu
- Ne uporabljajte orodja, ko so v bližini otroci
- Vgrajenega laserja ne zamenjajte z drugo vrsto

PO UPORABI

- Po izključitvi stikala orodja nikoli ne ustavljajte vrtenja plošče s stranskim pritiskanjem
- Odrezke ali druge dele obdelovanca iz območja rezanja odstranite šele takrat, ko se vsi gibljivi deli popolnoma ustavijo
- Med uporabo se žagin list močno segreje; dokler se ne ohladi, se ga ne dotikajte
- Shranjujte orodje v **zaprtem prostoru** na suhem mestu in izven dosega otrok

POJASNILNO OZNAK NA ORODJU

- 2 Pred uporabo preberite navodila za uporabo
- 3 Uporabljajte zaščitna očala in zaščito sluha
- 4 **Območje nevarnosti! Nedovoljeno območje za roke. Zagotovite, da z dlanimi, prsti ali rokami ne segate na to območje.**
- 5 Dvojna izolacija (ozemljitveni kabel ni potreben)
- 6 Ne odstranjujte električnega orodja in baterije s hišnimi odpadki
- 7 **Lasersko sevanje / Ne glejte v žarek / Razred laserja 2 izdelek**

UPORABA

- Montaža
 - sestavite transportno ročico E z vijaki 2 tako, da uporabite imbus ključ AN^③
 - sestavite gumb za zaklep jerale AE na sprednjem delu mize ^⑩
 - sestavite drsni prislon U (preberite razdelek o prilagoditvi drsnega prislona)
- Položaj za transport/delo

Za sprostitvev orodja (**delovni položaj**)

 - ročico B^⑧ pritisnite navzdol z eno roko in pri tem izvlecite zaklepni zatič C z drugo roko ^{⑪a}
 - sestav glave počasi pomaknite navzgor

Za pritrditvev orodja (**transportni položaj**)

 - sestav glave podrsnite do ustavitve v smeri prislona S (pustite pribl. 5 cm razdalje) in privijte zaklepni gumb AH ^{⑪b}
 - kot naklona nastavite na 0° (glejte razdelek o nastavitvi kota roba)
 - kot jerala nastavite na 45° na levi ali desni (glejte razdelek o nastavitvi kota jerala)
 - ročico B pritisnite navzdol z eno roko in pri tem potisnite zaklepni zatič C z drugo roko
 - navijte napajalni kabel
 - ročaj za transport E ^⑧ uporabite za prenašanje orodja ^{⑪d}
 - lahko pa za prenašanje orodja uporabite tudi stranska ročaja ^{⑪e}

! orodja nikoli ne dvignite tako, da ga pridržite za glavni ročaj ali napajalni kabel
- Vgradnja orodja na delovno površino ^⑫

! za varno delo orodje vedno namestite na ravno in stabilno delovno površino (npr. delovno mizo)

 - uporabite 4 montažne luknje F, s katerimi lahko orodje z ustreznimi vijaki pritrдите na delovno površino
 - orodje lahko na delovno površino vpenete tudi z običajnimi vijaknimi sponami

- za stabilizacijo orodja lahko nastavite višino podperne noge G
- lahko pa orodje vgradite na stojalo za zajeralno žago
- ! preberite vsa opozorila in navodila, priložena stojalu za žago**
- Odstranjevanje prahu/žagovine ^⑬
 - namestite vrečko za prah H/vakuumski sesalnik, kot je prikazano na sliki
 - redno praznite vrečko za prah za najboljše delovanje
 - ! cev sesalnika ne sme nikoli ovirati gibljivega ščita ali samega rezanja**
- Podaljšek mize z žago ^⑭
 - Z gumbi L pritrđite razširitvene palice K (na obeh straneh orodja)
 - dolžina razširitvenih palic K je brezstopensko nastavljiva od najmanjše do največje vrednosti
- Vpenjanje obdelovanca ^⑮

! za najboljšo varnost pri delu vedno dobro vpnite obdelovanec s priloženo nastavljlivo spono

 - ne delajte z obdelovanci, ki so premajhni za vpenjanje
 - za **maksimalne** dimenzije obdelovanca glejte tabelo ^⑯
 - spono obdelovanca pritrđite v luknjo opornika N z gumbom P (na vsaki strani orodja)
 - spona obdelovanca ima dva utora za lažje zaklepanje; enega za ozke obdelovance (do 5 cm) in enega za večje obdelovance (nad 5 cm)
 - obdelovanec trdno vpnite proti ograji S
 - odklenite ročico R
 - spono prilagodite obdelovancu
 - obdelovanec trdno vpnite s privijanjem gumba R

! pri nekaterih kombinacijah jerala in naklona oz. odvisno od velikosti obdelovanca bo treba namesto spono obdelovanca treba uporabiti vijakne spone, ki so na voljo na trgu
- Nastavitev kota reza ^⑰
 - popustite zaklepni ročaj AE
 - povlecite ročico za sprostitvev blokade zajere AF
 - zavrtite mizo z žago v levo ali desno in nastavite želeni kot zajere (od 0° do 50°) s pomočjo skale AG
 - sprostite ročico AF
 - sprostite zaklepno ročico AE (**ročaja ne zategnite preveč**)
 - za hitro in natančno nastavitev pogostih kotov zajere (0°, 15°, 22.5°, 31.6°, 45°) se ročica za zaklep zajere AF zaskoči na mestu ustreznega položaja; to lahko preprečite tako, da ročico AF zaklenete v sproščenem položaju ^{⑰b}
- nastavitev kotov naklona ^⑱
 - popustite trinožni gumb W
 - roko orodja zavrtite v levo, dokler skala naklona X ne kaže želenega kota naklona
 - prilagodljiv naklon in končno ustavitvev AA (45°) lahko uporabite za ustavitvev pri 45° oz. lahko nadaljujete do 48° ^{⑱b}
 - roko orodja držite v tem položaju in zategnite gumb W
 - če želite določiti naklon v desno, glavo žage nekoliko nagnite v levo, zasukajte desni gumb za sprostitvev kota AB (za pribl. 60°) in nato glavo zasukajte v želeni desni kot naklona ^{⑱c}
 - ko glavo žage zasučete nazaj, bo levi ali desni gumb za sprostitvev naklona AB samodejno ponastavljen na končno ustavitvev pri 0°; to lahko preprečite tako, da gumb zavrtite za pribl. 90° in ne za 60° ^{⑱d}

- Sestavljeni rezi ¹⁹
 - sestavljeni rezi zahtevajo nastavitev kota rezanja in nastavitve navpičnega kota
 - ! **žage ne upravljajte v določenih kombinacijah jerala in naklona, ker lahko pride do prekrivanja med drsnimi in nepremičnimi deli žage ali med drsnimi deli in obdelovancem – če želite zarezati, po potrebi odstranite drsno ograjo, gumb za zaklep drsnega prislona in gumb za vpetje obdelovanca.**
 - ! **vedno napravite test na odpadnem materialu**
 - Prilagoditev desnih prislonov ²⁰
 - odvijte gumb V, da omogočite drsenje prislonov U
 - še bolj odvijte gumb V, da omogočite odstranitev/ sestavljanje prislonov
 - privijte gumb V, da pritrдите na zelenem mestu
 - ! **pred upravljanjem orodja se prepričajte, da so drsni prisloni varno pritrjeni**
 - ! **pri nekaterih kombinacijah jerala in naklona boste morali odstraniti tudi gumb**
 - Laserski žarek ²¹
 - pri vodenju orodja po črti reza na obdelovancu
 - vklopite/izklopite laserski žarek s pritiskom stikala AD
 - ! **pred začetkom dela preverite, da je laserski žarek vzporeden z dejansko črto reza, tako da naredite poskusni rez na odpadnem materialu**
 - Žaganje brez drsenja (majhni obdelovanci)
 - če je zategnjen, odvijte zaklepni gumb AH
 - glavo žage premaknite do naslona v smeri prislona S in znova zategnite zaklepni gumb AH
 - ! **če ne zaklenete mehanizma, se rezilo lahko nenadoma povzpne na vrh obdelovanca in usmeri proti vam**
 - orodje nastavite v delovni položaj
 - ! **poskrbite, da je obdelovanec trdno vpet proti žagini mizi in ograji S**
 - spustite zaklep AJ in povlecite glavno stikalo AI, da vklopite orodje
 - ! **pri upravljanju glave žage ^{23a} ne prekrizajte rok**
 - skozi obdelovanec žagajte enakomerno
 - ! **orodje naj doseže polno hitrost, preden list žage zareže v obdelovanec**
 - orodje izključite tako, da spustite stikalo AI
 - prepričajte se, da rezilo žage popolnoma miruje, preden glavo orodja počasi premaknete navzgor
 - Žaganje z drsnim mehanizmom (široki obdelovanci)
 - ! **ne pozabite, da je edini varen način ta, ki je opisan v nadaljevanju**
 - žage ne vlecite skozi obdelovanec
 - če je zategnjen, odvijte zaklepni gumb AH
 - ! **poskrbite, da je obdelovanec trdno vpet proti žagini mizi in ograji S**
 - glavo žage potegnite dovolj stran od prislona S, da je žagin list pred obdelovancem ²⁴
 - spustite zaklep ²² in povlecite glavno stikalo, da vklopite orodje
 - ! **pri upravljanju glave žage ^{23a} ne prekrizajte rok**
 - glavo žage potisnite v smeri prislona S in enakomerno prežagajte obdelovanec ²⁴
 - ! **orodje naj doseže polno hitrost, preden list žage zareže v obdelovanec**
 - ! **če se spodnje varovalo ne odpre samodejno, kar se lahko pripeti v določenih okoliščinah (npr.**
- pri obdelovancu, ki je po vrednostih zelo blizu največji zmogljivosti), boste morda varovalo morali odpreti ročno ^{23b}**
- orodje izključite tako, da spustite stikalo AI
 - prepričajte se, da rezilo žage popolnoma miruje, preden glavo orodja počasi premaknete navzgor
- Žaganje utorov ²⁵
 - zeleno globino nastavite z naslonom za globino AK, ki ga pritrдите z zategovanjem matice AM
 - lesen distančnik vstavite med obdelovanec in prislon, da boste zagotovili enakomerno globino po celotni dolžini utora
 - ! **pazite, da se žagin list ne zatakne v obdelovancu**
 - ! **vedno napravite test na odpadnem materialu**
- Menjava žaginega lista ²⁶
 - ! **izključite vtičič**
 - vzemite inbus ključ AN, ki je shranjen v ležišču AO
 - zaščitno varovalo A pridržite v odprtem položaju
 - odvijte vijak prekrivne plošče AQ (vijaka ne odvijte v celoti) ^{28a}
 - zaščitno varovalo A do konca zasukajte nazaj ^{28b}
 - pritisnite gumb za blokado vretena AP in ga držite, medtem ko odstranjujete vijak rezila AR, tako da inbus ključ AN v DESNO (= v isto smer, kot kaže puščica na žaginem listu)
 - ! **gumb za blokado vretena AP pritisnite, ko je orodje popolnoma zaustavljeno**
 - sprostite gumb za blokado vretena AP
 - odstranite prirobnico AS in žagin list
 - ! **zamenjajte žagin list, tako da zobje in natisnjena puščica kažejo v isto smer kot puščica na zaščitnem varovalu A**
 - namestite prirobnico AS ^{28c}
 - pritisnite gumb za zaklep vretena AP in ga držite, medtem z inbus ključem AN pritegnite vijak lista za 1/8 vrtljaja več kot z roko V NASPROTNI SMERI URINEGA KAZALCA (to zagotavlja zdrs lista, če le ta naleti na premočno oviro; tako se zmanjša preobremenitev motorja in povratni sunek žage)
 - zategnite vijak plošče AQ
- Zamenjava vstavka mize AT ²⁶

Pokvarjen ali obrabljen vstavek mize zamenjajte takole:

 - ! **izključite vtičič**
 - vzemite inbus ključ AN, ki je shranjen v ležišču AO
 - odstranite vse 6 vijake, kot kaže slika
 - odstranite stari vstavek mize, tako da ga najprej dvignete spredaj, potem pa v celoti izvlačete
 - namestite novi vstavek mize
 - ! **trdno privijte vse 6 vijake**
- Preverjanje/nastavitev 90° izravnave rezila ²⁸
 - ! **izključite vtičič**
 - mizo z žago zavrtite v položaj 0° in jo blokirajte
 - glavo žage zasukajte v položaj naklona 0°
 - spustite glavo žage in jo blokirajte
 - s kotnikom preverite, če kot med žaginim listom in mizo ustreza 90°
 - po potrebi nastavite izravnavo rezila na 90° na naslednji način:
 1. popustite trinožni gumb W
 2. nastavite vijak Y s 4-mm inbus ključem (ni standardno priložen) ^{28b}
 3. znova preverite s kvadratom
 4. indikator naslona ponastavite na 0° ^{28c}

- Preverjanje/nastavitev 45° izravnave rezila ②9
 - ! **izključite vtikač**
 - mizo z žago zavrtite v položaj 0° in jo blokirajte
 - popustite trinožni gumb W
 - nastavite prilagodljiv končni naslon naklona AA na 45° ②9b
 - glavo žage zasukajte v levo
 - s kotnikom preverite, če kot med žaginim listom in mizo ustreza 45° ②9a
 - preverite, ali je skala za navpični kot X na oznaki 45°
 - po potrebi nastavite izravnavo rezila na 45° na naslednji način:
 1. vijak Z nastavite z viličastim ključem 10 (ni standardno priložen)
 2. znova preverite s kvadratom jerala
 - po potrebi nastavite 45° ponovite na desni
 - spustite glavo žage in jo blokirajte
- Preverjanje/nastavitev 90° izravnave ograje ③0
 - ! **izključite vtikač**
 - mizo z žago zavrtite v položaj 0° in jo blokirajte
 - spustite glavo žage in jo blokirajte
 - s kotnikom preverite, če kot med žaginim listom in ograjo S ustreza 90° (poskrbite, da se kotnik dotika žaginega lista in ne zob)
 - po potrebi nastavite 90° izravnavo ograje na naslednji način:
 1. popustite 4 šestrobe vijake T
 2. nastavite ograjo, dokler se žagin list in ograja v celoti ne dotikata kotnika
 3. zategnite 4 šestrobe vijake T
 4. indikator jerala ponastavite na 0° ③0c
- Sponka za kabel ③1
 - s kabelsko sponko AV preprečite zagozdenje napajalnega kabla med premikajočimi se in fiksnimi deli orodja

UPORABNI NASVETI

- Posebni obdelovanci
 - vedno podprite proste konce dolgega obdelovanca
 - poskrbite, da so zaobljeni ali okrogli obdelovanci še posebej dobro zavarovani pred zdrsom ③3
 - na črti reza ne sme biti reže med obdelovancem in ograjo ali žagino mizo
 - po potrebi izdelajte pomožno ograjo; odprtine v drsnem prislonu uporabite za pritrditev pomožnega prislona ③4
- ! **pomožni prislon lahko uporabite samo pri naklonu 0°**
- Za delo s talnimi oblogami lahko za referenco uporabite sliko ③5
- Vedno obrnite boljšo stran obdelovanca navzdol, da zagotovite minimalno trganje obdelovanca
- Uporabljajte le ostre žagine liste pravih tipov
 - kvaliteta reza se izboljša z večjim številom zob lista
 - karbidne konice lista ostanejo ostre 30 krat dlje kot običajne konice

VZDRŽEVANJE/SERVISIRANJE

- Priključni kabel in orodje naj bosta vedno čista (še posebej prezračevalne odprtine na zadnji strani ohišja motorja)
- Redno preverjajte, ali spodnje varovalo deluje pravilno. Z vlažno krpo očistite morebitno žaganje s spodnjega

varovala.

- izvlecite vtikač iz vtičnice pred čiščenjem
- spodnje varovalo dvignite v popolnoma odprt položaj in ga sprostite; če se ne zaprete takoj in v celoti, naj varovalo preverijo v poprodajnem servisnem centru za električna orodja SKIL
- Po uporabi takoj očistite žagin list (posebno od smol in lepil)
 - med uporabo se žagin list močno segreje; dokler se ne ohladi, se ga ne dotikajte
- Po vsaki uporabi očistite lučko laserja AC z mehkim čopičem, da zagotovite dobro vidljivost laserske črte (zagotovite, da ne spremenite nastavitve laserja)
- Če bi kljub skrbnim postopkoma izdelave in preizkušanja prišlo do izpada delovanja orodja, naj popravilo opravi servisna delavnica, pooblaščen za popravila SKILevih električnih orodij
 - pošljite **nerazstavljeno** orodje skupaj s potrdilom o nakupu pri vašemu prodajalcu v najbližjo SKIL servisno delavnico (naslovi, kot tudi spisek rezervnih delov se nahaja na www.skil.com)
- Zavedajte se, da garancija ne vključuje poškodb zaradi preobremenitve orodja ali nepravilne rabe (glede SKILovih garancijskih pogojev obiščite www.skil.com ali povprašajte prodajalca)

OKOLJE

- **Električnega orodja, baterije, pribora in embalaže ne odstranjujte s hišnimi odpadki** (samo za države EU)
 - v skladu z Evropsko direktivo 2012/19/EG o odpadni električni in elektronski opremi in z njenim izvajanjem v nacionalni zakonodaji je treba električna orodja ob koncu njihove življenjske dobe ločeno zbirati in jih predati v postopek okolju prijaznega recikliranja
 - ko je potrebno odstranjevanje, naj vas o načinu spomni simbol ⑥

HRUP

- Izmerjena raven zvočnega tlaka tega orodja je 100,0 dB(A), raven zvočne moči pa 109,5 dB(A) (odstopanje K = 3 dB), kar je v skladu s standardom EN 62841
- Raven oddajanja hrupa je bila izmerjena v skladu s standardiziranimi testi, navedenimi v standardu EN 62841;; uporabiti jo je mogoče za primerjavo različnih orodij med seboj in za predhodno primerjavo izpostavljenosti vibracijam pri uporabi orodja za namene, ki so omenjeni
- uporaba orodja za drugačne namene ali uporaba skupaj z drugimi, slabo vzdrževanimi nastavki lahko znatno **poveča** raven izpostavljenosti
- čas, ko je orodje izklopljeno ali ko teče, vendar z njim ne delamo, lahko znatno **zmanjša** raven izpostavljenosti

EST

Liugsiinidega järkamissaag

1320

SISSEJUHATUS

- Käesolev seade on mõeldud stationsaarse töövahendina piki- ja ristlõigete tegemiseks puidus otse või nurga all (võimalikud on horisontaalsed kalded vahemikus -50° kuni +50° ning vertikaalsed kalded vahemikus -48° kuni +45°)

- Palun lugege käesolev kasutusjuhend hoolikalt läbi ja hoidke alles ②
- Tööriist pole mõeldud professionaalseks kasutamiseks
- **Kasutage ainult õigesti ja täielikult monteeritud tööriista** (pidage meeles, et Skil ei vastuta valesti monteeritud tööriistaga põhjustatud kahjude ja/või vigastuste eest)

TEHNILISED ANDMED ①

SEADME OSAD ⑧

- A** Alumine kettakaitse
- B** Lülitiga käepide
- C** Lukustustihvt transpordi ajal kasutamiseks
- D** Ülemine kaitse
- E** Transpordikäepide
- F** Paigaldusaugud
- G** Tugijalg
- H** Tolmukott
- J** Tolmu äratõmbeava
- K** Pikenduslatid
- L** Pikenduslattice lukustusnupud
- M** Töödeldava detaili paigaldusklamber
- N** Tugiava
- P** Klambri kinnitusnupp
- Q** Klambri reguleerimisnupp
- R** Kinnitushoob
- S** Juhik
- T** Tähtkruid juhiku regleerimiseks (4x)
- U** Liugjuhik
- V** Liugjuhiku fikseerimise nupp
- W** Lukustusnupp (vertikaalsed kaldenurgad)
- X** Vertikaalse kaldenurga indikaator
- Y** Krui vertikaalse kaldenurga indikaatori reguleerimiseks (parem)
- Z** Krui vertikaalse kaldenurga indikaatori reguleerimiseks (vasak)
- AA** Reguleeritav otsmine tõkesti
- AB** Parema kalde vabastushoob
- AC** Laservalgus
- AD** Laseri sisse/välja lülitamise nupp
- AE** Lukustuskäepide (kaldenurgad)
- AF** Nurgasae lukustamise vabastushoob
- AG** Horisontaalse kaldenurga indikaator
- AH** Liugseadme lukustusnupp
- AI** Töölülit (sisse/välja)
- AJ** Ohutusvang
- AK** Lõikesügavuse piiraja
- AL** Sügavuse stopper
- AM** Sügavuse stoppermutter
- AN** Kuuskantvõtme
- AO** Kuuskantvõtme hoidik
- AP** Spindli lukustusnupp
- AQ** Katteplaadi krui
- AR** Ketta polt
- AS** Flanš
- AT** Pingi vahesii
- AU** Tolmudeflekto
- AV** Juhtmehoidik

OHUTUS

ÜLDISED OHUTUSNÕUDED ELEKTRILISTE TÕÖRIISTADE KASUTAMISEL

⚠ HOIATUS Lugege kõiki hoiatusi, juhiseid, kirjeldusi ja spetsifikatsioone, mis käivad tööriistaga kaasas.

Kui kõiki allpool loetletud juhiseid ei õnnestu järgida, võite saada elektrilöögi, võib tekkida tulekahju ja/või saada raskelt vigastada.

Hoidke kõik ohutusnõuded ja juhised edaspidiseks alles.

Allpool kasutatud mõiste "elektriline tööriist" käib võrgutoitega (toitejuhtmega) elektriliste tööriistade ja akutoitega (ilma toitejuhmata) elektriliste tööriistade kohta.

1) OHUTUSNÕUDED TÕÕPIIRKONNAS

- a) **Hoidke töökoht puhas ja korras.** Segadus või valgustamata tööpiirkonnad võivad põhjustada õnnetusi.
- b) **Ärge kasutage seadet plahvatusohtlikus keskkonnas, kus leidub tuleohtlikke vedelikke, gaase või tolmu.** Elektrilistest tööriistadest lööb sädemeid, mis võivad tolmu või aurud süüdata.
- c) **Kui kasutate elektrilist tööriista, hoidke lapsed ja teised isikud töökohast eemal.** Kui Teie tähelepanu kõrvale juhitakse, võib seade Teie kontrolli alt väljuda.

2) ELEKTRIOHUTUS

- a) **Seadme pistik peab pistikupesaga sobima. Pistiku kallal ei tohi teha mingeid muudatusi. Ärge kasutage kaitsemaandusega seadmete puhul adapterpistikuid.** Muutmata pistikud ja sobivad pistikupesad vähendavad elektrilöögi saamise riski.
- b) **Vältige kehakontakti maandatud pindadega, nagu torud, radiaatorid, pliidid ja külmikud.** Kui Teie keha on maandatud, on elektrilöögi risk suurem.
- c) **Hoidke seadet vihma ja niiskuse eest.** Kui elektriseadmesse on sattunud vett, on elektrilöögi saamise risk suurem.
- d) **Ärge kasutage toitejuhet selleks mitte ettenähtud otstarbel seadme kandmiseks, ülesriputamiseks ega pistiku pistikupesast väljatõmbamiseks. Hoidke toitejuhet kuumuse, õli, teravate servade ja seadme liikuvate osade eest.** Kahjustatud või keerdulainud toitejuhtmed suurendavad elektrilöögi saamise riski.
- e) **Kui töötate elektrilise tööriistaga vabas õhus, kasutage ainult selliseid pikendusjuhtmeid, mida on lubatud kasutada ka välistingimustes.** Välistingimustes kasutamiseks sobiva pikendusjuhtme kasutamine vähendab elektrilöögi saamise riski.
- f) **Kui elektrilise tööriista kasutamine niiskes keskkonnas on vältimatu, kasutage maandusega lekkevoolukaitset.** Maandusega lekkevoolukaitsme kasutamine vähendab elektrilöögi ohtu.

3) INIMESTE TURVALISUS

- a) **Olge tähelepanelik, jälgige, mida Te teete, ning toimige elektrilise tööriistaga töötades mõistlikult. Ärge kasutage seadet, kui olete väsinud või uimastite, alkoholi või ravimite mõju all.** Hetkeline tähelepanematus seadme kasutamisel võib põhjustada tõsisid vigastusi.
- b) **Kandke isikukaitsevahendeid ja alati kaitseprille.** Isikukaitsevahendite, nagu tolmu mask, libisemiskindlad

turvajalatsid, kaitsekiiver või kuulmiskaitsevahendid, kandmine – sõltuvalt elektrilise tööriista tüübist ja kasutusala – vähendab vigastuste riski.

- c) **Vältige seadme tahtmatut käivitamist. Enne pistiku ühendamist pistikupesassa, aku ühendamist seadme külge, seadme ülestõstmist ja kandmist veenduge, et elektriline tööriist on välja lülitatud.** Kui hoiate elektrilise tööriista kandmisel sõrme lülilil või ühendate vooluvõrku sisselülitatud seadme, võivad tagajärjeks olla õnnetused.
- d) **Enne seadme sisselülitamist eemaldage selle küljest reguleerimis- ja nutrivõtmed.** Seadme pöörleva osa küljes olev reguleerimis- või nutrivõti võib põhjustada vigastusi.
- e) **Ärge hinnake end üle. Võtke stabiilne tööasend ja hoidke kogu aeg tasakaalu.** Nii saate seadet ootamatutes olukordades paremini kontrollida.
- f) **Kandke sobivat rõivastust. Ärge kandke laiu riideid ega ehteid. Hoidke juuksed ja rõivad seadme liikuvatest osadest eemal.** Lotendavad riided, ehted või pikad juuksed võivad sattuda seadme liikuvate osade vahele.
- g) **Kui on võimalik paigaldada tolmuemaldus- ja tolmu kogumisseadiseid/seadmeid, veenduge, et need oleksid seadmega ühendatud ja et neid kasutatakse õigesti.** Tolmuemaldusseadise kasutamine vähendab tolmu põhjustatud ohte.
- h) **Ärge muutuge tööriista sagedasest kasutamisest hooletuks ja ärge eirake ohutusnõudeid.** Hooletus võib sekundi murdosa jooksul kaasa tuua raskeid vigastusi.

4) ELEKTRILISTE TÖÖRIISTADE HOOLIKAS KÄSITSEMINE JA KASUTAMINE

- a) **Ärge koormake seadet üle. Kasutage töö tegemiseks selleks ettenähtud elektrilist tööriista.** Sobiva elektrilise tööriistaga töötate paremini ja turvalisemalt ettenähtud võimsusvahemikus.
- b) **Ärge kasutage elektrilist tööriista, mille lüliti on rikkis.** Elektriline tööriist, mida ei ole enam võimalik sisse ja välja lülitada, on ohtlik ning seda tuleb remontida.
- c) **Tõmmake pistik pistikupesast välja ja/või eemaldage seadmest aku, kui on eemaldatav, enne seadme reguleerimist, tarvikute vahetamist ja seadme ärapanekut.** See ettevaatusabinõu väldib seadme tahtmatut käivitamist.
- d) **Kasutusvälisel ajal hoidke elektrilisi tööriistu lastele kättesaamatult. Ärge laske seadet kasutada isikutel, kes seda ei tunne või pole siintoodud juhiseid lugenud.** Kogenematute kasutajate käes kujutavad elektrilised tööriistad ohtu.
- e) **Hoolitsege elektriliste tööriistade ja tarvikute eest korralikult. Kontrollige, kas seadme liikuvad osad funktsioneerivad korralikult ja ei kiildu kinni, ning ega mõned osad ei ole katki või sel määral kahjustatud, et võiksid mõjutada seadme töökindlust. Laske kahjustatud osad enne seadme kasutamist parandada.** Paljude õnnetuste põhjuseks on halvasti hooldatud elektrilised tööriistad.
- f) **Hoidke lõiketarvikud teravad ja puhtad.** Hoolikalt hoitud, teravate lõikeservadega lõiketarvikud kiilduvad harvemini kinni ja neid on lihtsam juhtida.
- g) **Kasutage elektrilist tööriista, lisavarustust, tarvikuid jne vastavalt siintoodud juhiste.**

Arvestage seejuures töötingimuste ja teostatava töö iseloomuga. Elektriliste tööriistade kasutamine mitte ettenähtud otstarbel võib põhjustada ohtlikke olukordi.

- h) **Hoidke käepidemed ja haardepinnad kuiva ja puhtana ning vabana õlist ja määrdeainetest.** Libedad käepidemed ja haardepinnad ei luba tööriista ohutult käitseda ja ootamatutes olukordades kontrolli all hoida.
- 5) **TEENINDUS**
- a) **Laske seadet parandada ainult kvalifitseeritud spetsialistidel ja ainult originaalvaruosadega.** Nii tagate seadme püsimise turvalisena.

NURGASAAGIDE OHUTUSJUHISED

- **Nurgasaad on mõeldud puidu või puidusarnaste toodete lõikamiseks, neid ei saa kasutada lõike- ja lihvketastega raudmaterjali nagu lattide, varraste, tihvite jms lõikamiseks.** Abrasiivne tolm põhjustab liikuvate osade (nagu alumine kaitsekate) ummistumist. Abrasiivlõikamisest tekkinud sädemed põletavad alumist kaitsekate, sisselõiget ja muid plastikosid.
- **Kasutage töödeldava detaili fikseerimiseks võimalusel fiksaatoreid.** Kui teostatav töödeldavat detaili käega, peate hoidma kätt vähemalt 100 mm kaugusel saetera mõlemast küljest. Ärge kasutage seda saagi, et lõigata tükke, mis on liiga väikesed, et neid kindlalt fikseerida või käega kinni hoida. Kui teie käsi on saeterale liiga lähedal, suureneb teraga kokkupuutest tekkiva vigastuse oht.
- **Töödeldav detail peab olema paigal ja fikseeritud või hoitud vastu juhikut ja lauda.** Ärge sõotke töödeldavat detaili terale ega lõigake mingil juhul „vabakäega“ Fikseerimata või liikuvad töödeldavad osad võivad suurel kiirusel lahti paiskuda ja vigastusi põhjustada.
- **Vajutage saag läbi töödeldava detaili. Ärge tõmmake saagi läbi töödeldava detaili. Lõikamiseks tõstke saepea üles ja tõmmake see lõikamata töödeldava detaili kohale, käivitage mootor, vajutage saepea alla ja vajutage saag läbi töödeldava detaili** Tõmbeliigutusega lõikamine võib põhjustada saetera liikumist töödeldava detaili peale ja terakoostu jõulise viskumise operaatori poole.
- **Ärge pange oma kätt üle ettenähtud lõikejoone ei saetera ees ega taga** Töödeldava detaili toestamine „ristuvate kätega“, st kui hoiate töödeldavat detaili vasaku käega saeterast paremal pool või vastupidi, on väga ohtlik.
- **Ärge künitage kummagi käega juhiku taha, lähemale kui 100 mm kummaltki saetera poolelt puidulaastude eemaldamiseks või mis tahes muul põhjusel, kui tera keerleb** Pöörleva saetera lähedus teie käele ei pruugi olla ilmne ja te võite tõsiselt viga saada.
- **Kontrollige töödeldavad detailid enne lõikamist. Kui töödeldav detail on kaardus või moonunud, fikseerige see kaardus osaga juhiku poole. Veenduge alati, et töödeldava detaili, juhiku ja pingi vahel ei ole lõikejoonel vahet** Kaardunud või moonunud töödeldavad detailid võivad keerduda või nihkuda ning põhjustada pöörleva saetera kinniilumist. Töödeldavas detailis ei tohi olla naelu ega võõrkehi.
- **Ärge kasutage saagi enne kui pink on kõigist tööriistadest, puidujääkidest jne puhas (v.a**

töödeldav detail) Pöörleva teraga kokku puutuv praht või lahtised puutükid või muud esemed võivad suure kiirusega laiali paiskuda.

- **Lõigake korraga ainult ühte töödeldavat detaili** Mitut töödeldavat detaili ei saa vrnastatult piisavalt hästi kinnitada või kinni hoida ja need võivad kettal kinni kiiluda või lõikamise ajal paigast nihkuda.
- **Veenduge enne kasutamist, et nurgasaag on paigaldatud tasasele ja tugevale pinnale.** Tasane ja tugev tööpinna vähendab nurgasae ebasabiilsuse ohtu.
- **Planeerige oma tööd! Veenduge kaldenurga või nurga seadistamisel, et reguleeritav juhik toetab nõuetekohaselt töödeldavat detaili ega sega tera või kaitseseadist** Lülitamata tööriista asendile "ON" ning ilma, et töödeldav detail oleks pingil, liigutage saetera täielikult läbi lõikamisliigutuse, veendumaks, et ei esine takistusi ega ohtu lõigata juhikult.
- **Kui töödeldav detail on laiem või pikem kui laua ülaosa, tagage piisav toetus, nt pikempikendused, saagimispukid jne..** Nurgasae pingist pikemad või laiemad töödeldavad detailid võivad vajuda, kui neid kindlalt ei toestata. Kui lõigatav osa või töödeldav detail kaldub, võib see alumise kettakaitsme üles tõsta või pöörlev tera võib selle eemale paisata.
- **Ärge kasutage pingi pikenduse või täiendava toena teist inimest** Ebasabiilne tugi võib põhjustada ketta kinnikiilumise või töödeldava detaili paigalt nihkumise lõikamise ajal, tõmmates teie ja teie abilise pöörleva tera suunas.
- **Lõigatav osa ei tohi pöörleva saetera külge kinni jääda ega seda sinna vajutada** Piiramiselt, nt pikkuse stopperite kasutamisel, võib lõigatav osa tera vastu kiiluda ja ootamatult eemale lennata.
- **Kasutage alati klambrit või kinnitusvahendit, mis on mõeldud ümara materjali (nt vardad või torud) õigeks toetamiseks** Vardad kipuvad lõikamisel pöörlema, põhjustades tera „hammustamist“ ja töö teie käega terale tõmbamist.
- **Laske teral enne töödeldava detailiga kokkupuutumist täiskirrus saavutada** See vähendab töödeldava detaili eemalepaiskamise ohtu.
- **Kui töödeldav osa või tera jääb kinni, lülitage nurgasaag välja.** Oodake kuni kõik liukuvad osad seiskuvad ja eemaldage toiteallikas vooluvõrgust ja/või eemaldage akukomplekt. Seejärel püüdke kinni jäänud materjal vabastada Kui jätkate saagimist kinni jäänud töödeldava detailiga, võib see põhjustada kontrolli kaotamise või nurgasaagi kahjustada.
- **Pärast lõikamise lõpetamist vabastage lüliti, hoidke käepidet all ja oodake enne lõigatud tüki eemaldamist tera seiskumiseni** Järelpöörleva tera poole käe küünitamine on ohtlik.
- **Hoidke käepidet tugevalt kui teete lõpetamata lõiget või kui vabastate lüliti enne kui saepea on täielikult alumises asendis** Sae pidurdustegevus võib põhjustada saepea äkilisi allapoole liikumise, mis võib vigastusi põhjustada.

TÄIENDAVAD OHUTUSJUHISED

- Äkilised sissevoolud põhjustavad lühiajalisi pingelangusi; ebasobivate toiteallikate tingimustes võib muu varustus saada mõjutatud (kui toiteallika takistusüsteem on madalam kui 0,219 Ohm, on ebatõenäoline, et esineb häirimist); kui soovite edasist selgust, võite kontakteeruda oma kohaliku vooluallika asutusega

ÜLDIST

- Kasutage seadet ainult puidu lõikamiseks
- Kontrollige alati, kas võrgupinge ühtib tööriista andesildil toodud pingega
- **Ärge seiske tööriistal ega selle alusel** Tööriista ümberminemisel või juhuslikul kokkupuutel lõiketeraga, võib saada raskeid vigastusi. Ärge ladustage materjale tööriistal või selle lähedal nii, et nende kättesaamiseks tuleb tööriistale või selle alusele seista.
- **Enne seadme reguleerimist või tarviku vahetust eemaldage seade vooluvõrgust (tõmmake pistik pistikupesast välja)**
- **Ühendage pistik alati nurgasae transportimisel vooluvõrgust lahti** Ühendage lahti, langetage ja lukustage peakomplekt asendisse, kasutage käepidet ja ühte käelohkudest sae alusel.
- **Ärge lahkuge tööriistast enne selle täielikku seiskumist**
- **Korrapärast kujuga töödeldavate detailide lõikamisel planeerige oma tööd nii, et see ei libiseks ega suruks tera ning ei paiskuks teie käte vahelt välja**
- Tööriista kasutaja peab olema vähemalt 16 aastat vana
- Tööriist ei sobi märglõigete tegemiseks

KASUTAMINE VÄLTINGIMUSTES

- Tööde teostamisel välitingimustes tuleb kasutada rikkevoolu-kaitseliitit (FI max 30 mA käivitusvool) ning ainult välitingimustes kasutamiseks ette nähtud ja veepritsmete eest kaistud pistikupesaga pikendusjuhet

ENNE KASUTAMIST

- Pikendusjuhtmete kasutamisel jälgige, et juhe oleks lõpuni lahti keritud ja vastaks 16 A voolutugevusele
- Kandke kaitseprille, kõrvaoklappi, ja kaitsekindaid
- Värvida kaetud juhtmed, mõned puiduliigid, mineraalid ja metall eraldavad tolm, mis võib olla kahjulik (kokkupuude tolmuga või selle sissehingamine võib seadme kasutajal või läheduses viibivatel inimestel põhjustada allergilisi reaktsioone ja/või hingamisteede haigusi); **kandke tolmumaski ja vajaduse korral töötage külgeühendatava tolmueemaldusseadmega**
- Teatud tüüpi tolm on klassifitseeritud kantserogeensena (nt tammest ja kasesst eralduv tolm), eriti koos puidu niiskuse reguleerimiseks kasutatavate lisanditega; **kandke tolmumaski ja vajaduse korral töötage külgeühendatava tolmueemaldusseadmega**
- Erinevate materjalide töötlemisel tekkinga tolm käitlemisel tuleb järgida kehtivaid nõudeid
- **Asbestisisaldava materjali töötlemine on keelatud** (asbest võib tekitada vähki)
- Ärge kunagi kasutage tööriista ilma originaalkaitseseadisteta
- Enne igat käitamist kontrollige, kas kaitseseadis sulgub korralikult
- Ärge käitage saagi, kui kaitseseadis ei liigu vabalt ega sulgu koheselt
- Ärge kunagi kinnitage ega siduge kaitseseadist avatud positsiooni
- Ärge kunagi kasutage seadet ilma pingi vahesiiluta; vahetage katkine või kulunud vahesiil välja
- Enne saagimise alustamist eemaldage kõik nii töödeldava materjali peal- kui allpool lõikejoonel asuvad takistused
- Vältige töödeldavas esemes olevatest kruvidest, naeltest vms põhjustatud kahjustusi; eemaldage need enne töö alustamist

TARVIKUD

- Ärge kunagi kasutage selles tööriistas lihvimis-/ lõikekettaid
- SKIL tagab seadme häireteta töö üksnes sobivate tarvikute kasutamisel, mis on saadaval meie edasimüüjate juures või SKILL lepingulistest töökodades
- Teiste tootjate tarvikute kasutamisel järgige valmistaja antud juhiseid
- Kasutage üksnes saekettaid, mis vastavad käesolevas kasutusjuhendis esitatud andmetele ja mis on kontrollitud ja tähistatud vastavalt standardile EN 847-1
- Kasutage vaid neid tarvikuid, mille lubatud pöörete arv on vähemalt sama suur nagu maksimaalsed tühikäigupöörded
- Kiirlõiketerasest (HSS) saeketaste kasutamine on keelatud
- Keelatud on kasutada rebenenud või nürisid, samuti deformeerunud saelehti
- Kasutage ainult saelehti, mille augu diameeter vastab võlli diameetritele ilma lõtkuta; ärge kunati kasutage diameetri vähendajaid või adaptereid, mis võimaldaks paigaldada suurema auguga saelehti
- Kaitske tarvikuid löökide, põrutuste ja määrdeainete eest

KASUTAMISE AJAL

- **Ärge koormake tööriista üle** (jälgige, et surve oleks kerge ja pidev, et vältida lõiketera otste ülekuumenemist ja plasti lõikamise korral plastmaterjali sulamist)
- Hoidke sõrmed, käed ja käevarred eemal liikuvast saelehest
- Kui saeleht blokeerub, lülitage seade kohe välja ja eemaldage vooluvõrgust; ainult seejärel eemaldage kinnikilunud töödeldav detail
- Tööriista blokeerimisel või elektrilise või mehhaanilise tõrke korral lülitage see viivitamatult välja ning eemaldage pistik vooluvõrgust
- Kui toitejuhe saab töötamisel ajal kahjustada või see lõigatakse läbi, ärge toitejuhet puutuge, vaid eemaldage koheselt pistik vooluvõrgust
- Ärge kasutage kunagi tööriista, kui juhe on kahjustatud; see tuleb välja vahetada spetsiaalse juhtme vastu, mille saate hooldusteenust osutavalt ettevõttelt.

LASERKIIRGUS

- **Ärge juhtige laserkiirt inimeste ega loomade suunas ja ärge viige ka ise pilku otsese või peegelduva laserkiire suunas** (vastasel korral võite inimesi pimestada, põhjustada õnnetusi või kahjustada silmi)
- Kui laserkiir tabab silma, tuleb silmad teadlikult sulgeda ja pea laserkiire tasandilt viivitamatult välja viia
- Ärge tehke laserseadmes mingeid muudatusi
- Ärge vaadake laserkiire sisse (laserkiirgus)
- Ärge kasutage laserkiire nähtavuse parendamiseks suurendavaid optilisi seadmeid (nt luupi, teleskoopi, binokliit)
- Ärge kasutage seadet tuleohtlike vedelike, gaaside või tolmu läheduses
- Seadme kasutamisel hoidke lapsed seadmest eemal
- Ärge vahetage paigaldatud laserit muu laseri vastu

PÄRAST KASUTAMIST

- Keelatud on pidurdada tarvikuid pärast tööriista väljalülitamist külgsurvega
- Eemaldage töötemisjäädgi või muud töödeldavate detailide osad lõikamispiirkonnas ainult siis, kui liikuvad osad on täielikult seiskunud
- Kasutamisel muutub saeleht väga kuumaks: ärge katsuge seda enne, kui see on maha jahtunud

- Hoidke seadet **sisetingsimustes**, kuivas ja suletud kohas, lastele kättesaamatult

TÖÖRIISTAL OLEVATE SÜMBOLITE SELGITUS

- ② Enne kasutamist tutvuge kasutusjuhendiga
- ③ Kandke kaitseprille ja kõrvaklappe
- ④ **Ohtlik piirkond!** Käte keelutsoon. **Hoidke käed, sõrmed või käsivarred sellest piirkonnast eemal.**
- ⑤ Topeltisolatsioon (maandusjuhe pole vajalik)
- ⑥ Ärge visake kasutuskölbmatuks muutunud elektrilisi tööriistu ja patareisid ära koos olmejäätmetega
- ⑦ **Laserkiirgus / Ärge vaadake laserkiire sisse / Lasertoodet klassist 2**

KASUTAMINE

- Montaaž
 - pange transpordikäepide kokku E 2 poltide ja kuuskantvõtmega AN ⑨
 - kinnitage nurgasae lukustusnupp AE pingi esiossa ⑩
 - kinnitage juhik U (vt Liugjuhu(k)te reguleerimise)
- Transpordi/töösasend
 - Seadme vabastamiseks (**töö asend**)
 - vajutage käepide B ⑧ ühe käega alla, tõmmates samal ajal teise käega C lukustustihvti ⑪a
 - viige peakomplekt aeglaselt üles
 - Seadme kinnitamiseks (**transpordi asend**)
 - libistage peakomplekt juhiku suunas piirkuni S (säilitage ligikaudu 5 cm vahe) ja pingutage lukustusnuppu AH ⑪b
 - reguleerige vertikaalnurk väärtusele 0° (vt Vertikaalnurkade reguleerimine)
 - reguleerige horisontaalnurk väärtusele 45° vasakule või paremale (vt Horisontaalnurkade reguleerimine)
 - vajutage käepide B ühe käega alla, vajutades teise käega C lukustustihvti
 - elektrijuhtme üleskeeramine
 - kasutage transpordikäepidet E ⑧ tööriista kandmiseks ⑪d
 - teise võimalusena kandke tööriista külgmiste käepidemetega ⑪e
- ! **ärge tõstke kunagi tööriista põhikäepidemest või toitejuhtmest**
- Seadme paigaldamine tööpinna ⑫
 - ! **ohutuks käitamiseks paigaldage seade alati tasasele kindlale tööpinna (nt tööpingile)**
 - kasutage 4 paigaldusauku F seadme kinnitamiseks tööpingile sobivate kruvide abil
 - seadet on võimalik tööpingile kinnitada ka poest saadaolevate kruviklambrite abil
 - tööriista stabiliseerimiseks saab tugijalga G reguleerida
 - teise võimalusena saab tööriista kinnitada nurgasae alusele
- ! **lugege kõiki sae alusega seotud hoiatusi ja juhiseid**
- Tolmu/laastude eemaldamine ⑬
 - kinnitage tolmu kott H/tolmuimeja vastavalt joonisele
 - tühjendage tolmu kotti regulaarselt tagab optimaalse tolmuimevõimsuse säilimise
- ! **jälgige, et tolmuimeja voolik ei tõkestaks kunagi alusele kettakaitse funktsioneerimist ega takistaks saagimistööd**
- Saepingi pikendus ⑭
 - Kasutage nuppe L pikendusvarraste kinnitamiseks K (tööriista mõlemal küljel)

- pikendusvarraste K pikkust saab sammudeta minimaalse ja maksimaalse asendi vahel reguleerida
- Töödeldava detaili kinnitamine ¹⁵
 - ! **parima tööohutuse saamiseks kinnitake töödeldav detail alati kindlalt kaasasoleva reguleeritava klambri abil**
 - ärge töödelge detaile, mis on kinnitamiseks liiga väikesed
 - töödeldavate detailide **maksimumaalsed** mõõtmed on antud tabelis ¹⁶
 - kinnitage töödeldava detaili klamber kinnitusavasse N nupuga P (tööriista mõlemal küljel)
 - töödeldava detaili klambriil on hõlpsaks lukustamiseks kaks soont; üks õhukeste töödeldavate detailide jaoks (kuni 5 cm) ja üks suuremate jaoks (üle 5 cm)
 - suruge töödeldav detail kindlalt vastu juhikut S
 - lukustage hoob lahti R
 - kohaldage klamber vastavalt töödeldavale detailile
 - kinnitage töödeldav detail kindlalt lukustuskäepidemega R
 - ! **Teatud horisontaal- ja vertikaalnurkade puhul või sõltuvalt töödeldava detaili suurusest võib olla töödeldava detaili klambri asemel vaja kasutada kaubanduslikult kättesaadavaid kruviklambreid**
- Horisontaalnurkade reguleerimine ¹⁷
 - lödvendage lukustuskäepidet AE
 - tõmmake horisontaalnurga piiriku vabastushooba AF
 - liigutage saepinki kas vasakule või paremale ning seadistage soovitud horisontaalne kaldenurk (vahemikus 0° kuni 50°), kasutades indikaatorit AG
 - vabastage hoob AF
 - pingutage lukustuskäepidet AE (**ärge pingutage käepidet liialt**)
 - sageli kasutatavate horisontaalnurkade (0°, 15°, 22,5°, 31,6°, 45°) kiireks ja täpseks seadistamiseks klõpsab horisontaalnurga piirik AF vastavates asendites oma kohale, hooba AF saab lukustada vabastatud asendis ¹⁷b
- Vertikaalnurkade reguleerimine ¹⁸
 - lödvendage kolmejalgne nupp W
 - kallutage saepead vasakule kuni vertikaalnurga indikaator X on soovitud vertikaalnurga asendis
 - reguleeritavat vertikaalnurga tõkestit AA (45°) saab kasutada peatumiseks kraadil 45° või kraadil 48° ¹⁸b
 - hoidke saepead selles positsioonis ning pingutage nupp W
 - paremale seadistamiseks kallutage kõigepealt saepea kergelt vasakule, pöörake paremat vertikaalnurga vabastusnuppu AB (ligikaudu 60°), seejärel liigutage saepea soovitud paremasse vertikaalnurga asendisse ¹⁸c
 - kui liigutage saepea tagasi vasakule, lähtestatakse parem vertikaalnurga vabastusnupp AB automaatselt 0° tõkestini; seda saab vältida, keerates nupu 60° asemel ligikaudu 90° ¹⁸d
- Komplekslõigete ¹⁹
 - komplekslõigete puhul on vajalik seadistada nii horisontaal- kui vertikaalnurgad
 - ! **ärge käituge saagi teatud horisontaal- ja vertikaalnurga kombinatsioonides, mis võivad põhjustada häireid sae libisevate ja paigalseivate osade vahel või libisevate osade ja töödeldava detaili vahel – lõike tegemiseks eemaldage**

- vastavalt vajadusele liugjuhik, liugjuhiku lukustusnupp ja tööklambri nupp.**
- ! **katsetage tööriista alati algal proovituikil**
- Liugjuhikute reguleerimine ²⁰
 - lödvendage nuppu V juhiku(te) liuglemise lubamiseks U
 - lödvendage nuppu V veelgi, et lubada juhiku(te) eemaldamine/kinnitamine
 - pingutage nuppu V soovitud asendisse kinnitamiseks
 - ! **veenduge enne seadme kasutamist, et liugjuhikud on kindlalt kinnitatud**
 - ! **mõne horisontaal- ja vertikaalnurga kombinatsiooni puhul võib samuti olla vaja liug nupp eemaldada**
- Laserjoone ²¹
 - tööriista täpseks juhtimiseks mööda töödeldavale esemele märgitud lõikejoont
 - laserjoone sisse-/väljalülitamiseks vajutage lülileite AD
 - ! **enne töö alustamist kontrollige laserjoone joondust tegeliku lõikejoone peal, tehke mõne praaktüki sisse proovilõike**
- Saagimine ilma liuguri liigutamiset (väikesed töödeldavad detailid)
 - vabastage lukustusnupp AH, kui see on kinni keeratud
 - libistage saepea seiskamiseks juhiku suunas S ja pingutage uuesti lukustusnuppu AH
 - ! **mehhanismi lukustamata jätmine võib tera äkiliselt töödeldava detaili peale tuua ning teie poolse suunata**
 - asetage seade tööasendisse
 - ! **veenduge, et töödeldav detail on kindlalt klambriga kinnitatud saepingi ja juhiku vastu S**
 - lülitage tööriist sisse, vabastades lukustuse AJ ja tõmmates toitelüliti AI
 - ! **ärge ristake saepea kasutamisel käsi ²³a**
 - saagige töödeldavat detaili ühtlases tempos
 - ! **enne saeketta viimist töödeldavasse materjali peab saag saavutama täiskiiruse**
 - lülitage seade välja, vabastades lüliti AI
 - enne saepea aeglaselt ülespoole suunamist oodake, kuni saetera on täielikult seiskunud
- Saagimine koos liuguri liikumisega (laiad töödeldavad detailid)
 - ! **pidage meeles, et ohutult võib kasutada ainult allpool kirjeldatud meetodit**
 - ärge tõmmake saagi läbi töödeldava detaili
 - vabastage lukustusnupp AH, kui see on kinni keeratud
 - ! **veenduge, et töödeldav detail on kindlalt klambriga kinnitatud saepingi ja juhiku vastu S**
 - tõmmake saepea juhikust eemale S nii kaugele, et saetera on otse töödeldava detaili ees ²⁴
 - lülitage tööriist sisse, vabastades lukustuse ²² ja tõmmates toitelüliti
 - ! **ärge ristake saepea kasutamisel käsi ²³a**
 - lükake saepead juhiku poole S ja saagige töödeldavat detaili ühtlases tempos ²⁴
 - ! **enne saeketta viimist töödeldavasse materjali peab saag saavutama täiskiiruse**
 - ! **kui alumine kettakaitse ei avane automaatselt, mida võib teatud tingimustes juhtuda (nt töödeldava detaili puhul, mis on maksimumsuurusele väga lähedal), tuleb teil kettakaitse käsitsi avada ²³b**

- lülitage seade välja, vabastades lüliti AI
- enne saepea aeglaselt ülespoole suunamist oodake, kuni saetera on täielikult seisunud
- Soonte saagimine ²⁵
 - määrake sügavuspiirikuga AK soovitud lõikesügavus ja lukustage mutriga AM
 - kogu soone ulatuses ühtlase sügavuse tagamiseks tuleb töödeldava detaili ja juhiku vahele asetada puidust vahepuks
- ! **veenduge, et saeleht ei kiiluks töödeldavasse detaili**
- ! **katsetage tööriista alati algul proovitükil**
- Saeketta vahetus ²⁶
 - ! **eemaldage seade vooluvõrgust**
 - võtke hoidikust AO välja kuuskantvõti AN
 - hoidke kaitset A avatud asendis
 - lõdvendage katteplaadi kruvi AQ (**ärge keerake kruvi täiesti otsast**) ^{26a}
 - keerake kaitse A täielikult tagurpidi ^{26b}
 - vajutage võlli lukustusnuppu AP ja hoidke see all, kui te eemaldate saelehte poldi AR, keerates kuuskantvõti AN **KELLAOSUTI SUUNAS** (= samas suunas nagu näitab saelehele trükitud nool)
- ! **spindililukustusnupule AP tohib vajutada ainult siis, kui seade ei tööta**
- vabastage spindililukustusnupp AP
- vabastage võlli lukustusnupp AS eemaldage äärik
- ! **vahetage välja hammastega aseketas, jälgides, et kettal oleva noole suund ühtiksid kettakaitsele oleva noole suunaga A**
- paigaldage flanš AS ^{26c}
- vajutage spindililukustusnupule AP ja hoidke seda all, samal ajal pingutage ketta polti kuuskantvõtmega AN 1/8 pööret VASTUPÄEVA (tagab saeketta libisemise kokkupuutel suure takistusega, vähendades mootori ülekoormust ja sae tagasilööki)
- pingutage katteplaadi kruvi AQ
- Saepingi vaheliistu väljavahetamine AT ²⁶
 - Kahjustunud või kulunud saepingi vaheliistu väljavahetamiseks toimige järgmiselt:
 - ! **eemaldage seade vooluvõrgust**
 - võtke hoidikust AO välja kuuskantvõti AN
 - eemaldage kõik 6 kruvi vastavalt joonisele
 - eemaldage vana saepingi vaheliist esmalt seda eestpoolt tõstes ja seejärel täielikult välja tõmmates
 - asetage kohale uus saepingi vaheliist
 - ! **pingutage kindlalt kõik 6 kruvi**
- Saelehe 90° joonduse kontrollimine/seadistamine ²⁸
 - ! **eemaldage seade vooluvõrgust**
 - viige saepink 0° horisontaalnurga asendisse ja lukustage paigale
 - viige saepea 0° vertikaalnurga asendisse
 - langetage saepea ja lukustage paigale
 - kontrollige 90° nurka saeketta ja pingi vahel nurgamõõdikuga
 - vajadusel reguleerige saeketta 90° joondust järgmiselt
 1. lõdvendage kolmejalgne nupp W
 2. keerake kruvi Y 4 mm kuuskantvõtmega (ei kuulu standardkomplekti) ^{28b}
 3. kontrollige nurgaga üle
 4. lähtestage vertikaalnurga näidik väärtusele 0° ^{28c}
- Saelehe 45° joonduse kontrollimine/seadistamine ²⁹
 - ! **eemaldage seade vooluvõrgust**

- viige saepink 0° horisontaalnurga asendisse ja lukustage paigale
- lõdvendage kolmejalgne nupp W
- seadistage reguleerivat vertikaalnurga tõkesti AA väärtusele 45° ^{29b}
- keerake saepea vasakule
- kontrollige 45° nurka saeketta ja pingi vahel horisontaalse nurgamõõdikuga ^{29a}
- kontrollige, et vertikaalnurga indikaator X on 45° juures
- vajadusel reguleerige saeketta 45° joondust järgmiselt"
 1. keerake kruvi Z saeketta võtmega 10 (ei kuulu standardkomplekti)
 2. kontrollige lõikenurgaga üle
 - vajaduse korral korrae 45° seadistust paremale
 - langetage saepea ja lukustage paigale
- Juhiku 90° joonduse kontrollimine/seadistamine ³⁰
 - ! **eemaldage seade vooluvõrgust**
 - viige saepink 0° horisontaalnurga asendisse ja lukustage paigale
 - langetage saepea ja lukustage paigale
 - kontrollige 90° nurka saeketta ja juhiku vahel S nurgamõõdikuga (veenduge, et nurgamõõdik on kontaktis saelehe kere, mitte selle hammastega)
 - vajadusel reguleerige saeketta 90° joondust järgmiselt:
 1. lõdvendage 4 tähtkruvi T
 2. reguleerige juhikut, kuni saeleht ja juhik puutuvad täielikult kokku nurgamõõdikuga
 3. pingutage 4 tähtkruvi T
 4. lähtestage horisontaalnurga näidik väärtusele 0° ^{30c}
- Juhtmeheidid ³¹
 - kasutage juhtmeheidikut AV, et toitejuhe ei jääks tööriista liikuvate ja paigalolevate osade vahele kinni

TÖÖJUHISED

- Eriomased töödeldavad detailid
 - toestage alati pika töödeldava detaili vabasid otsi
 - veenduge, et kumerad või ümmargused töödeldavad detailid oleks kindlalt kinnitatud, et vältida nende libisemist ³³
 - lõikejoonel ei tohi esineda vaba ruumi töödeldava detaili ja juhiku või saepingi vahel
 - vajaduse korral kasutage täiendavat juhikut; liugjuhiku avasid saab kasutada täiendava juhiku ³⁴ kinnitamiseks
- ! **täiendavat juhikut saab kasutada ainult 0° vertikaalnurgaga**
- Põrandale paigaldatavate vormide töötlemiseks võib juhisenä ³⁵ kasutada joonist
- Asetage töödeldav ese alati ilusama poolega allapoole, et viia materjalikahjustused miinimumini
- Kasutage üksnes õiget tüüpi teravaid saekettaid
 - lõikevaliteet paraneb saeketta hammaste arvu suurenedes
 - kõvasulam-saeketaste kasutusiga on võrreldes tavaliste saeketastega kuni 30 korda pikem

HOOLDUS/TEENINDUS

- Hoidke seade ja toitejuhe alati puhtad (eriti õhutusavad, mis asuvad mootorikorpuse tagaosas)
- Töötage välja regulaarne kontrolli veendumaks, et alumine kettakaitse töötab nõuetekohaselt. Puhastage alumist kettakaitset saetolmust niiske lapiga.
- enne puhastamist eemaldage seade vooluvõrgust

- Tõstke alumine kettakaitse täielikult avatud asendisse ja vabastage; kui see ei sulgu kohe ja täielikult, tuleb seda kontrollida SKIL-i elektritööriistade remonditöökojas
- Puhastage saeketas kohe pärast kasutamist (eelkõige vaigu- ja liimijääkidest)
 - kasutamisel muutub saeleht väga kuumaks: ärge katsuge seda enne, kui see on maha jahtunud
- Puhastage laservalgustit AC iga kasutuskorra järel pehme harjaga, et säilitada laserijoone hea nähtavus (ärge muutke laseri seadistust)
- Tööriist on hoolikalt valmistatud ja testitud; kui tööriist sellest hoolimata rikki läheb, tuleb see lasta parandada SKIL-i elektriliste käsitööriistade volitatud remonditöökojas
 - toimetage **lahtimonteerimata** seade koos ostukviitungiga tarnijale või lähimasse SKIL-i lepinguliselt töökotta (aadressid ja tööriista varuosade joonise leiata aadressil www.skil.com)
- Arvestage sellega, et garantii ei hõlma seadme ülekoormamisest või ebaõigest käsitsemisest tulenevaid kahjustusi (teavet SKIL-i garantiitingimuste kohta vaadake veebilehelt www.skil.com või küsige kohalikult müügiesindajalt)

KESKKOND

- **Ärge visake kasutuskõlbmatuks muutunud elektrilisi tööriistu, patareid, lisatarvikuid ja pakendeid ära koos olmejäätmetega** (Üksnes EL liikmesriikidele)
 - vastavalt Euroopa Parlamendi ja nõukogu direktiivile 2012/19/EÜ elektri- ja elektroonikaseadmete jäätmete kohta ning direktiivi nõuete kohaldamisele liikmesriikides tuleb kasutuskõlbmatuks muutunud elektrilised tööriistad koguda eraldi ja keskkonnasäästlikult korduvkasutada või ringlusse võtta
 - seda meenutab Teile sümbol ⑥

MÜRA

- Standardi EN 62841 järgi mõõdetud tööriista helirõhu tase on 100,0 dB(A) ja helivõimsuse tase on 109,5 dB(A) (määramatus K = 3 dB)
- Mürasõnaga tase on mõõdetud vastavalt standardile EN 62841; seda võib kasutada tööriistade võrdlemiseks ja tööriista kasutamisel ettenähtud töödeks esineva müra esialgseks hindamiseks
 - tööriista kasutamisel muudeks rakendusteks või teiste/halvasti hooldatud tarvikute kasutamisel võib vibratsioon märkimisväärselt **suurened**
 - ajal, kui tööriist on väljalülitatud või on küll sisselülitatud, kuid tegelikult seda ei kasutata, võib vibratsioon märkimisväärselt **vähened**

LV

Leņķzāģis ar asmens pārbīdi 1320 IEVADS

- Šo instrumentu ir paredzēts lietot kā stacionāru darbašīnu kokmateriālu garenzāģēšanai un šķērszāģēšanai, veidojot tajos taisnos zāģējuma, kā arī

slīpos zāģējuma (horizontālā zāģējuma leņķi no -50° līdz +50° kā arī slīpie zāģējumi ar leņķi no -48° līdz +45° arī ir iespējami)

- Izlasiet un saglabājiet šo pamācību ②
- Šis darbarīks nav paredzēts profesionālai lietošanai
- **Izmantojiet instrumentu tikai, kad tas ir pareizi un pilnībā samontēts** (ņemiet vērā, ka Skil nevar būt atbildīgs par instrumenta bojājumiem un/vai personīgiem savainojumiem, kas radušies nepareizas instrumenta montāžas rezultātā)

TEHNISKIE PARAMETRI ①

INSTRUMENTA ELEMENTI ⑧

- A** Apakšējais aizsargs
- B** Slēdža rokturis
- C** Fiksējoša tapa transportēšanai
- D** Augšējais aizsargs
- E** Transportēšanas rokturis
- F** Atveres uzstādīšanai
- G** Atbalsta pamatne
- H** Putekļu maisis
- J** Putekļu izvadatvere
- K** Pagarinājuma stienis
- L** Skrūves pagarinājuma stienī fiksēšanai
- M** Spaiļes detaļas fiksēšanai
- N** Atbalsta atvere
- P** Skrūve spaiļes nostiprināšanai
- Q** Skrūve spaiļes noregulēšanai
- R** Piestiprināšanas svira
- S** Vadotne
- T** Sešstūra skrūves vadotnes noregulēšanai (4x)
- U** Bīdāmā vadotne
- V** Bīdāmās vadotnes piestiprināšanas poga
- W** Fiksējošs uzgrieznis (slīpuma leņķim)
- X** Slīpuma leņķa indikators
- Y** Skrūve slīpuma leņķa noregulēšanai (labā puse)
- Z** Skrūve slīpuma leņķa noregulēšanai (kreisā puse)
- AA** Regulējama gala atdure
- AB** Labās puses slīpuma leņķa atlaišanas svira
- AC** Lāzera gaismā
- AD** Lāzera ieslēgšanas/izslēgšanas slēdzis
- AE** Fiksējošais rokturis (zāģējumiem leņķī)
- AF** Zāģēšanas ripas sprūda atlaišanas svira
- AG** Zāģējuma leņķa indikators
- AH** Bīdņa fiksējošā skrūve
- AI** Ieslēgšanas/izslēgšanas slēdzis
- AJ** Drošības svira
- AK** Zāģēšanas dziļuma ierobežotājs
- AL** Dziļuma atdure
- AM** Dziļuma atdures uzgrieznis
- AN** Sešstūra stienātslēga
- AO** Nodalījums sešstūra stienātslēgas glabāšanai
- AP** Darbvārpstas fiksācijas poga
- AQ** Pārsedzošās plāksnes skrūve
- AR** Zāģa asmens stiprinošā skrūve
- AS** Paplāksne
- AT** Galda starplika
- AU** Putekļu novadītājs
- AV** Vada skava

DROŠĪBA

VISPĀRĒJIE NOTEIKUMI ELEKTROINSTRUMENTU DROŠAI LIETOŠANAI

▲ BRĪDINĀJUMS Iepazīstieties ar visiem šī elektroinstrumenta drošas lietošanas noteikumiem, norādījumiem, attēliem un specifikācijām. Visu turpmāk sniegto norādījumu neizpildes rezultātā lietotājs var ciest no elektrošoka, var izvērsties ugunsnelaime un/vai rasties smagi ievainojumi.

Saglabājiet visus noteikumus un norādījumus turpmākai atsaucei.

Noteikumos minētais termins "elektroinstruments" nozīmē ar strāvu darbināmu (ar vadu aprīkotu) vai ar akumulatoru darbināmu (bezvadu) elektroinstrumentu.

1) DROŠĪBA DARBA VIETĀ

- Sekojiēt, lai darba vieta būtu tīra un sakārtota.**
Nekārtīgā darba vietā vai sliktā apgaismojumā var viegli notikt nelaimes gadījums.
- Nelietojiet elektroinstrumentu eksplozīvu vai ugunsnedrošu vielu tuvumā un vietās ar paaugstinātu gāzes vai putekļu saturu gaisā.** Darba laikā instruments nedaudz dzirksto, un tas var izsaukt viegli degošu putekļu vai tvaiku aizdegšanos.
- Lietojot elektroinstrumentu, neļaujiet nepiederošām personām un jo īpaši bērniem tuvoties darba vietai.** Citu personu klātbūtnē var novērst uzmanību, un tā rezultātā jūs varat zaudēt kontroli pār instrumentu.

2) ELEKTRODROŠĪBA

- Elektroinstrumenta kontaktdakšai jābūt piemērotai elektrotilka kontaktilgzdai. Kontaktdakšas konstrukciju nedrīkst nekādā veidā mainīt.** Nelietojiet kontaktdakšas salāgotājus, ja elektroinstruments caur kabeli tiek savienots ar aizsargzēmējuma ķēdi. Neizmainītas konstrukcijas kontaktdakša, kas piemērota kontaktilgzdai, ļauj samazināt elektriskā trieciena saņemšanas risku.
- Darba laikā nepieskarieties sazēmētiem priekšmetiem, piemēram, caurulēm, radiatoriem, plītiņiem vai ledusskapjiem.** Pieskaroties sazēmētiem virsmām, pieaug risks saņemt elektrisko triecienu.
- Nelietojiet elektroinstrumentu lietus laikā, neturiet to mitrumā.** Mitrumam iekļūstot instrumentā, pieaug risks saņemt elektrisko triecienu.
- Nenesiet un nepiekariet elektroinstrumentu aiz elektrokabeļa. Neraujiet aiz kabeļa, ja vēlaties atvienot instrumentu no elektrotilka kontaktilgzdas. Sargājiet elektrokabeli no karstuma, eļļas, asām šķautnēm un instrumenta kustīgajām daļām.** Bojāts vai samezģlojies elektrokabelis var būt par cēloni elektriskajam triecienam.
- Darbinot elektroinstrumentu ārpus telpām, izmantojiet tā pievienošanai vienīgi tādus pagarinātājkabeļus, kuru lietošana ārpus telpām ir atļauta.** Lietojot elektrokabeli, kas piemērots darbam ārpus telpām, samazinās risks saņemt elektrisko triecienu.
- Ja elektroinstrumentu tomēr nepieciešams lietot vietās ar paaugstinātu mitrumu, izmantojiet tā pievienošanai noplūdes strāvas aizsargreleju.**

Lietojot noplūdes strāvas aizsargreleju, samazinās risks saņemt elektrisko triecienu.

3) PERSONISKĀ DROŠĪBA

- Darba laikā saglabājiet paškontroli un rīkojieties saskaņā ar veselo saprātu. Pārtrauciet darbu, ja jūtaties noguris vai atrodaties alkohola, narkotiku vai medikamentu izraisītā reibumā.** Strādājot ar elektroinstrumentu, pat viens neuzmanības mirklis var būt par cēloni nopietnam savainojumam.
 - Izmantojiet individuālos darba aizsardzības līdzekļus un darba laikā vienmēr nēsājiet aizsargbrilles.** Individuālo darba aizsardzības līdzekļu (putekļu maskas, neslidošu apavu un aizsargķiveres vai ausu aizsargu) pielietošana atbilstoši elektroinstrumenta tipam un veicamā darba raksturam ļauj izvairīties no savainojumiem.
 - Nepieļaujiet elektroinstrumenta patvaļīgu ieslēgšanos. Pirms elektroinstrumenta pievienošanas elektrotilklam, akumulatora ievietošanas vai izņemšanas, kā arī pirms elektroinstrumenta pārnesšanas pārliecinieties, ka tas ir izslēgts.** Pārnesot elektroinstrumentu, ja pirksts atrodas uz ieslēdzēja, kā arī pievienojot to elektrobarošanas avotam laikā, kad elektroinstruments ir ieslēgts, var viegli notikt nelaimes gadījums.
 - Pirms instrumenta ieslēgšanas neaizmirstiet izņemt no tā regulējošos instrumentus vai skrūvjatslēgas.** Patronatslēga vai skrūvjatslēga, kas instrumenta ieslēgšanas brīdī nav izņemta no tā, var radīt savainojumu.
 - Strādājot ar elektroinstrumentu, ieturiet stingru stāju. Darba laikā vienmēr saglabājiet līdzsvaru un centieties nepaslidēt.** Tas atvieglos instrumenta vadību neparedzētās situācijās.
 - Izvēlieties darbam piemērotu apģērbu. Darba laikā nenēsājiet brīvi plandošas drēbes un rotaslietas. Netuviniet garus matus un drēbes elektroinstrumenta kustīgajām daļām.** Vaļīgas drēbes, rotaslietas un gari mati var iekerties instrumenta kustīgajās daļās.
 - Ja elektroinstrumenta konstrukcija ļauj tam pievienot ārējo putekļu uzsūkšanas vai savākšanas/uzkrāšanas ierīci, sekojiēt, lai tā tiktu pievienota elektroinstrumentam un pareizi darbotos.** Pielietojot putekļu uzsūkšanu vai savākšanu/uzkrāšanu, samazinās to kaitīgā ietekme uz strādājošās personas veselību.
 - Nepaļaujieties uz lemaņām, kas tiek iegūtas, bieži lietojot instrumentus, neieslīgstiet pašapmierinātībā un neignorējiet instrumenta drošas lietošanas principus.** Neuzmanīgas rīcības dēļ dažās sekundēs daļās var gūt nopietnu savainojumu.
- ### 4) ELEKTROINSTRUMENTU LIETOŠANA UN APKOPE
- Nepārslogojiet elektroinstrumentu. Katram darbam izvēlieties piemērotu instrumentu.** Elektroinstruments darbosies labāk un drošāk pie nominālās slodzes.
 - Nelietojiet elektroinstrumentu, ja ir bojāts tā ieslēdzējs.** Elektroinstruments, ko nevar ieslēgt un izslēgt, ir bīstams lietošanai un to nepieciešams remontēt.
 - Pirms elektroinstrumenta apkopes, regulēšanas vai darbinstrumenta nomaīņas atvienojiet tā kontaktdakšu no barojošā elektrotilka vai izņemiet no tā akumulatoru, ja tas ir izņemams.** Šādi

iespējams samazināt elektroinstrumenta nejaušas ieslēgšanas risku.

- d) **Elektroinstrumentu, kas netiek darbināts, uzglabāiet piemērotā vietā, kur tas nav sasniedzams bērniem un personām, kuras neprot rīkoties ar instrumentu.** Ja elektroinstrumentu lieto nekompententas personas, tas var apdraudēt cilvēku veselību.
 - e) **Savlaicīgi apkalpojiet elektroinstrumentus un to piederumus.** Pārbaudiet, vai kustīgās daļas darbojas bez traucējumiem un nav iespīlētas, vai kāda no daļām nav salauzta vai bojāta, vai katra no tām pareizi funkcionē un pilda tai paredzēto uzdevumu. Nodrošiniet, lai bojātās daļas tiktu savlaicīgi nomainītas vai remontētas pilnvarotā remontu darbnīcā. Daudzi nelaimes gadījumi notiek tāpēc, ka elektroinstruments pirms lietošanas nav pienācīgi apkalpots.
 - f) **Savlaicīgi notīriet un uzasiniet griezošos darbinstrumentus.** Rūpīgi kopti instrumenti, kas apgādāti ar asiem griezējinstrumentiem, ļauj strādāt daudz ražīgāk un ir vieglāk vadāmi.
 - g) **Lietojiet vienīgi tādus elektroinstrumentus, papildpiederumus, darbinstrumentus utt., kas paredzēti attiecīgajam pielietojuma veidam. Bez tam jāņem vērā arī konkrētie darba apstākļi un pielietojuma īpatnības.** Elektroinstrumentu lietošana citiem mērķiem, nekā to ir paredzējusi ražotājfirma, ir bīstama un var novest pie neparedzamām sekām.
 - h) **Uzturiet elektroinstrumenta rokturus un noturvirsmas sausas un tīras, sargājiet tās no eļļas un smērvielām.** Slideni rokturi un noturvirsmas traucē efektīvi rīkoties ar elektroinstrumentu un to droši vadīt neparedzētās situācijās.
- 5) APKALPOŠANA**
- a) **Nodrošiniet, lai Instrumenta remontu veiktu kvalificēti personāls, nomaīnai izmantojot oriģinālās rezerves daļas un piederumus.** Tikai tā iespējams panākt instrumenta ilgstošu un nevainojamu darbību bez atteikumiem.

LEŅĶZĀĢU DROŠĪBAS INSTRUKCIJAS

- **Leņķzāģi ir paredzēti koka vai koksnes izstrādājumu zāģēšanai, tos nevar izmantot, lai piestiprinātu abrazīvas griešanas ripas un ar tām zāģētu metāla materiālus, piemēram, stienus, latas, spraišļus utt.** Abrazīvu putekļu dēļ var iesprūst kustīgās detaļas, piemēram, apakšējais aizsargs. Abrazīvas griešanas rezultātā radušās dzirksteles apdedzinās apakšējo aizsargu, ielocīto aizsargu un citas plastmasas detaļas.
 - **Kad vien iespējams, sagataves nostiprināšanai izmantojiet spaiļes.** Ja sagatavi turat ar roku, tai vienmēr jāatrodas vismaz 100 mm attālumā no zāģa asmens. Neizmantojiet šo zāģi tādu gabalu nozāģēšanai, kas ir pārāk mazi, lai tos varētu droši nostiprināt vai turēt ar roku. Ja jūsu roka atrodas pārāk tuvu zāģa asmenim, paaugstinās risks gūt savainojumu, rokai saskaroties ar asmeni.
 - **Sagatavei jābūt nekustīgai un piestiprinātai vai tā jātur, piespiesta pie vadotnes un darbagalda.** Nevirziet sagatavi virzienā uz asmeni un nezāģējiet to, brīvi turēt rokās. Nenofiksētas vai kustīgas sagataves var tikt mestas lielā ātrumā, izraisot savainojumus.
- **Bīdīet zāģi cauri sagatavei. Nevelciet zāģi cauri sagatavei. Lai zāģētu, paceliet zāģa galvu un izvelciet to virs sagataves, neveicot zāģēšanu, ieslēdziet motoru, pabīdīet zāģa galvu uz leju un izspiediet zāģi cauri sagatavei.** Zāģējot ar vilkšanas kustību, ļoti iespējams, ka zāģa asmens nonāks uz sagataves virsmas un strauji trieksies operatora virzienā.
 - **Nekad nelieciet roku krusteniski zāģa asmens priekšā vai aiz tā vietā, kurā ir plānots veikt zāģējumu.** Sagataves balstīšana "krusteniski", t.i., turēšana pa labi no zāģa ar kreiso roku vai otrādi, ir ļoti bīstama.
 - **Nesniedzieties ar roku pāri vadotnei tuvāk par 100 mm no zāģa asmens, lai aizvāktu koksnes atgriezumus vai jebkāda cita iemesla dēļ, kamēr griežas asmens.** Kustīgā zāģa asmens rotas roki var nebūt acīmredzams, un jūs varat gūt smagus savainojumus.
 - **Pirms zāģēšanas pārbaudiet sagatavi.** Ja sagatave ir saliekusies vai savijusies, nostipriniet to ar ārējo izliekto virsmu pret vadotni. Vienmēr pārliecinieties, ka starp sagatavi, vadotni un darbagalda zāģēšanas līnijā nav spraugas. Saliekta vai savīta sagataves var sagriezties vai nobīdīties un zāģēšanas laikā pieķerties rotējošam zāģa asmenim. Sagatavē nedrīkst būt naglas vai svešķermeņi.
 - **Neizmantojiet zāģi, kamēr no darbagalda nav noņemti visi instrumenti, aizvākti koksnes atgriezumus utt., atstājot tikai sagatavi.** Sīki gruzi vai nepiestiprināti koksnes gabali, vai citi priekšmeti, kas nonāk saskarē ar rotējošo asmeni, var lidot ļoti lielā ātrumā.
 - **Vienlaicīgi grieziet tikai vienu sagatavi.** Vairākas vienlaikus kopā saliktas sagataves nav iespējams atbilstoši nofiksēt vai sastiprināt, un tās griešanas laikā var pieķerties asmenim vai izkustēties.
 - **Leņķzāģis pirms izmantošanas uzstādiet uz līdzenas, stingras darba virsmas.** Līdzena un stingra darba virsma samazina risku, ka leņķzāģis varētu kļūt nestabils.
 - **Plānojiēt savu darbu! Katru reizi, kad maināt slīpuma vai ripas leņķa iestatījumu, pārliecinieties, ka regulējamā vadotne tiek iestatīta pareizi, lai atbalstītu sagatavi, un ka tā netraucē asmenim vai aizsargalemeņiem.** Neieslēdzot iekārtu un nenovietojot uz darbagalda sagatavi, veiciet pilnu simulētu zāģēšanas kustību, lai pārliecinātos, ka nebūs nekādu šķēršļu vai vadotnes sazāģēšanas riska.
 - **Sagatavēm, kas ir platākas vai garākas par darbagalda virsmu, nodrošiniet piemērotus balstus, piemēram, darbagalda pagarinājumus, materiālu atbalstus u.c..** Sagataves, kas ir platākas vai garākas par darbagalda virsmu, drošas nenostiprināšanas gadījumā var sašķiebties. Ja nogriežamais gabals vai sagatave sašķiebtas, tā var pacelt apakšējo aizsargu vai arī to var aizsviest pa gaisu rotējošais asmens.
 - **Darbagalda pagarinājumu vai papildu atbalstu neizstājiet ar citu cilvēku.** Nestabils sagataves atbalsts zāģēšanas laikā var izraisīt asmens pieķeršanos vai sagataves izkustēšanos, ievēkot jūs un palīgu rotējošajā asmenī.
 - **Nogriežamais gabals nekādā veidā nedrīkst iesprūst vai tikt piespiests pie rotējošā zāģa asmens.** Ja tas tiek ierobežots ar garuma atduriem, nogriežamais gabals var saskarties ar asmeni un var tikt strauji aizsviests pa gaisu.

- **Vienmēr izmantojiet spaili vai armatūru, kas īpaši paredzēta, lai atbilstoši turētu apaļus materiālus, piemēram, stienus vai caurules.** Stieņi zāgēšanas laikā mēdz veļties, kā dēļ asmens var tajos "ieķerties" un kopā ar darba materiālu var vilkt jūsu roku virzienā uz asmeni.
- **Pirms asmens saskars ar sagatavi, ļaujiet tam uzņemt maksimālos apgrīzienus.** Tādējādi tiks samazināts sagataves aizsviešanas risks.
- **Ja sagatave vai asmens iesprūst, izslēdziet leņķzāģi. Pagaidiet, līdz apstājas visas kustīgās detaļas, un tad atvienojiet spraudni no elektrības avota un/vai izņemiet akumulatoru. Pēc tam atbrīvojiet iesprūdušo materiālu.** Zāģējot ar iesprūdušu sagatavi, varat zaudēt kontroli pār leņķzāģi vai to sabojāt.
- **Pēc zāgēšanas pabeigšanas atlaižiet slēdzi, turiet zāģi ar galvu uz leju, pagaidiet, līdz pārstāj griezties asmens, un tikai tad paņemiet nozāģēto gabalu.** Rokas tuvināšana rotējošam asmenim ir bīstama.
- **Stingri turiet rokturi, kad veicat tikai iezāģēšanu vai kad atlaižat slēdzi, pirms zāģa galva nonāk zemākajā pozīcijā.** Zāģa bremzēšanas darbība var izvairīt tā galvas pēkšņu vilšanu uz leju, radot savainojuma risku.

PAPILDUS DARBA DROŠĪBAS NOTEIKUMI

- Strāvas pieaugums ķēdē rada īslaicīgus sprieguma kritumus; ja ir nelabvēlīgi strāvas padeves nosacījumi, var tikt ietekmēts cits aprīkojums (traucējumi parasti nav novērojami, ja elektroapgādes sistēmas pilna iekšējā pretestība nepārsniedz 0,219 omus); ja Jums ir nepieciešams sīkāks skaidrojums, varat sazināties ar vietējo elektroapgādes iestādi

VISPĀRĒJA INFORMĀCIJA

- Instrumentu izmantotiet tikai kokmateriālu zāgēšanai
- Vienmēr pārlicinieties, ka spriegums, kas uzrādīts uz instrumenta marķējuma plāksnītes, atbilst padeves spriegumam elektrotīklā
- **Nestāviet uz instrumenta vai tā statīva.** Instrumentam sašķieboties vai nejauši pieskaroties zāgēšanas rikam, var gūt smagus savainojumus. Neuzglabājiet materiālus uz instrumenta vai tā tuvumā tādā veidā, lai to aizsniegšanai būtu jākāpj uz instrumenta vai tā statīva.
- **Pirms instrumenta regulēšanas vai piederumu nomainīšanas atvienojiet to no barojošā elektrotīkla**
- **Pirms leņķzāģa pārvietošanas vienmēr atvienojiet spraudni no elektrības avota.** Atvienojiet, nolaidiet zemāk galvas bloku un nofiksējiet to pozīcijā, izmantojot pārnēsāšanas rokturi un vienu no zāģa pamatnē esošajiem ierobežojumiem.
- **Neatstājiet instrumentu bez uzraudzības, pirms tā darbība pilnībā beigusies**
- **Zāģējot neregulāras formas sagataves, plānoiet darbu tā, lai tās neizkustētos un nepiespiestos asmenim, tādējādi tīkot izrautas no jūsu rokām**
- Šo instrumentu nedrīkst izmantot personas, kas jaunākas par 16 gadiem
- Šis ripzāģis nav paredzēts mitru priekšmetu zāgēšanai

STRĀDĀJOT ĀRPUS TĒLPĀM

- Ja instrumentu tiek izmantots ārpus telpām, pievienojiet to elektriskajam spriegumam izmantojot noplūdes strāvas releju - pārtraucēju, kas nostrādā, ja strāva instrumenta aizsargzēmējuma ķēdē pārsniedz 30 mA; ārpus telpām izmantojiet tikai šādai lietošanai paredzētus elektrotīkla pagarinātājkaabeļus, kuri ir apgādāti ar ūdensdrošu kontaktlīdzkudu

PIRMS DARBA UZSĀKŠANAS

- Lietojiet pilnīgi atīttus un drošus pagarinātājkaabeļus, kas paredzēti 16 A strāvai
- Darba laikā uzvelciet aizsargbrilles, ausu aizsargus, un aizsargcimdus
- Materiāla (piemēram, svinu saturošas krāsas, dažu koka šķirņu, minerālu un metālu) putekļi var būt kaitīgi (saskare ar putekļiem vai to ieelpošana var izraisīt alerģiskas reakcijas un/vai elpošanas ceļu saslimšanas operatoram vai klātesošajiem); **izmantojiet putekļu masku un putekļsūcēju, ja to iespējams pievienot**
- Dažu veidu putekļi ir klasificēti kā kancerogēni (piemēram, ozola vai dižskābarža putekļi), jo īpaši apvienojumā ar koksnes kondicionēšanas piedevām; **izmantojiet putekļu masku un putekļsūcēju, ja to iespējams pievienot**
- Ievērojiet ar putekļu savākšanu saistītos nacionālos noteikumus, kas attiecas uz apstrādājamajiem materiāliem
- **Neapstrādājiet materiālus, kas satur azbestu** (azbestam piemīt kancerogēnas īpašības)
- Nelietojiet ripzāģi, ja uz tā nav nostiprināti visi paredzētie asmens aizsargi
- Pirms katras lietošanas reizes pārbaudiet vai aizsargs ir atbilstoši aizvērts
- Nedarbiniet zāģi, ja aizsargs brīvi nekustas un momentāni neaizveras
- Nekad nesastipriniet vai nesavienojiet aizsargu atvērtā stāvoklī
- Nekad nelietojiet instrumentu bez galda starplikas; nomainiet bojātu vai nodilušu galda starpliku
- Pirms zāgēšanas nodrošiniet, lai zāģējuma trase no abām zāģejamā priekšmeta pusēm tiktu atbrīvota no jebkāda veida šķēršļiem
- Izvairieties no instrumenta bojājumiem, ko var radīt apstrādājamajā priekšmetā esošās skrūves, naglas vai citi līdzīgi objekti; pirms darba uzsākšanas atbrīvojiet apstrādājamo materiālu no šādiem priekšmetiem

PIEDERUMI

- Neiestipriniet ripzāģī slīpēšanas vai griešanas diskus ar šo instrumentu
- SKIL garantē instrumenta nevainojamu darbību tikai tad, ja tiek lietoti pareizi izvēlēti papildpiederumi, kas iegādāti pie SKIL oficiālā izplatītāja
- Uzstādot/izmantojot citu firmu papildpiederumus, ievērojiet to ražotāju sniegtās instrukcijas
- Izmantojiet tikai zāģa asmeņus, kas atbilst šajā lietošanas pamācībā noteiktajiem parametriem, ir pārbaudīti atbilstoši standarta EN 847-1 prasībām un attiecīgi marķēti
- Lietojiet tikai tādus darbinstrumentus, kuru pielājamais darbības ātrums ir vismaz tikpat liels, kā instrumenta maksimālais brīvgaitas ātrums
- Neiestipriniet zāģī asmeņus, kas izgatavoti no ātrgriezējtaura (HSS)
- Neizmantojiet ieplaisājušus, deformētus vai neasus zāģa asmeņus
- Lietojiet tikai zāģa asmeņus ar atveres diametru, kas pielāgojas instrumenta darbvārpstai bez spēles; nekad nelietojiet palīgpiederumus vai adapterus, lai pielāgotu zāģa asmeņus ar lielāku atveri
- Sargājiet darbinstrumentus no triecieniem, sitieniem un smērvielām

DARBA LAIKĀ

- **Nemēģiniet darbinstrumentam piemērot spēku** (piemērojiet vieglu un nepārtrauktu spiedienu, lai

izvairītos no asmens galu pārkaršanas, vai, ja tiek griezta plastmasa, no plastmasas materiāla kušanas)

- Neturiet pirkstus, rokas un plaukstas rotējošā zāģa asmens tuvumā
- Ja zāģa asmens tiek bloķēta, nekavējoties izslēdziet instrumentu un atvienojiet elektrības vadu; tikai pēc tam izņemiet iekļēto zāģmateriālu
- Ja iestrēgst ripzāģa asmens vai notiek jebkura cita mehāniska vai elektriska rakstura kļūme, nekavējoties izslēdziet instrumentu un atvienojiet to no barojošā elektrotilkla
- Ja darba laikā tiek pārgriezts vai citādi mehāniski bojāts instrumenta elektrokabelis, nepieskarieties tam, bet nekavējoties atvienojiet elektrokabeļa kontaktdakšu no barojošā elektrotilkla
- Nekad neizmantojiet instrumentu, ja bojāts tā vads; tas jānomaina pret speciāli sagatavotu kabeli, kas pieejams servisa uzņēmumā.

LĀZERA IZSTAROJUMS

- **Nevērsiet lāzera staru citu personu vai mājdzīvnieku virzienā un neskatieties tiešajā vai atstarotajā lāzera starā** (šāda rīcība var apzīlbināt tuvumā esošās personas, izraisīt nelaimes gadījumus vai pat bojāt redzi)
- Ja lāzera starojums nokļūst acīs, nekavējoties aizveriet tās un pārvietojiet galvu tā, lai tā atrastos ārpus lāzera stara
- Neveiciet nekādas izmaiņas ar lāzera ierīci
- Neskatieties lāzera starā (lāzera izstarojums)
- Nelietojiet nekādus palielinošos optiskos instrumentus (piemēram, palielinošos stiklus, teleskopus vai binokļus), lai vērotu lāzera staru
- Nedarbiniet instrumentu, ja darba vietas tuvumā atrodas viegli degoši šķidrums, gāzes vai putekļi
- Nedarbiniet instrumentu, ja tuvumā atrodas bērni
- Neaizvietojiet uzstādīto lāzēri ar cita tipa lāzēri

PĒC DARBA PABEIGŠANAS

- Pēc instrumenta izslēgšanas nebremzējiet rotējošo darbinstrumentu ar sānspeidienu
- Atgrieziet un citas zāģmateriāla daļas noņemiet no zāģēšanas zonas tikai tad, kad visas kustīgās detaļas ir pilnībā apstājušās
- Darba gaitā zāģa asmens stipri sakarst; tāpēc nepieskarieties tam, pirms tas nav atdzisis
- Uzglabāiet instrumentu **teļpās** sausā, augstu izvietotā vietā, kur tas nav pieejams bērniem

UZ INSTRUMENTA ATTĒLOTO SIMBOLU SKAIDROJUMS

- 2 Pirms izstrādājuma lietošanas izlasiet tā lietošanas pamācību
- 3 Darba laikā uzvelciet aizsargbrilles un ausu aizsargus
- 4 **Bīstamā zona! Rokas ievietot aizliegts. Šajā zonā neievietojiet plaukstas, pirkstus vai rokas.**
- 5 Divkārsā izolācija (nav jālieto zemējuma vads)
- 6 Neizmetiet elektroiekārtas un baterijas ar sadzīves materiālus atkritumu
- 7 **Lāzera starojums / Neskatieties lāzera starā / 2. Klases lāzera izstrādājums**

DARBS

- Montāža
 - piestipriniet transporta rokturi E, izmantojot 2 skrūves un sešstūru atslēgu AN⁹
 - piestipriniet ripas fiksēšanas pogu AE darbāgaldā priekšdaļā ¹⁰
 - piestipriniet bīdāmo vadotni U (skatīt Bīdāmās vadotnes-(r)u) regulēšana)

- Transportēšanas/darba stāvoklis
Lai atbrīvotu instrumentu (**darba** stāvoklis)
 - ar vienu roku nospiediet uz leju rokturi B⁸, ar otru roku vienlaikus izvelkt fiksatoru C ^{11a}
 - lēnām virziet galvas bloku uz augšuLai nostiprinātu instrumentu (**transportēšanas** stāvoklis)
 - pabīdiet galvas bloku līdz galam vadotnes virzienā S (ievērojiet aptuveni 5 cm attālumu) un pievelciet fiksējošo skrūvi AH ^{11b}
 - iestatiet slīpuma leņķi uz 0° (skatīt Slīpuma leņķa iestatīšana)
 - iestatiet ripas leņķi uz 45° virzienā pa kreisi vai pa labi (skatīt Ripas leņķa iestatīšana)
 - ar vienu roku nospiediet uz leju rokturi B, ar otru roku vienlaikus nospiežot fiksatoru C
 - satiniet barošanas vadu
 - instrumenta pārnēsāšanai izmantojiet transporta rokturi E ⁸ ^{11d}
 - vai arī instrumenta pārnēsāšanai izmantojiet sānu rokturus ^{11e}
- ! **nekad neeliet instrumentu, turot to aiz galvenā roktura vai barošanas vada**
- Instrumenta uzstādīšana uz darba virsmas ¹²
 - ! **drošai ekspluatācijai instrumentu vienmēr uzstādīt uz līdzenas un stabilas darba virsmas (piemēram, uz skrūvgalda)**
 - lietojiet 4 uzstādīšanas atveres F, lai instrumentu ar atbilstošām skrūvēm pievienotu darba virsmai
 - varat arī piestiprināt instrumentu pie darba virsmas ar tirdzniecībā pieejamām skrūvju spailēm
 - lai padarītu instrumentu stabilāku, varat pieregulēt atbalsta kāju augstumu G
 - vai arī instrumentu varat piestiprināt leņķzāģa statīvam
- ! **izlasiet visus zāģa statīva komplektā esošos brīdinājumus un norādes**
- Putekļu/skaidu uzsūkšanas ierīce ¹³
 - piestipriniet putekļu maisu H/putekļu sūcēju, kā parādīts attēlā
 - lai nodrošinātu optimālu putekļu uzsūkšanu, regulāri iztukšojiet putekļu savācējmais
- ! **darba laikā vadiet ripzāģi tā, lai putekļsūcēja caurule netraucētu apakšējā asmens aizsarga pārvietošanos vai zāģēšanas procesu**
- Zāģa galda pagarinājums ¹⁴
 - lai atvienotu pagarinājuma stienus K, izmantojiet pogas L (abās instrumenta pusēs)
 - pagarinājuma stienus K garumu iespējams bezpakāpju veidā regulēt no minimālā uz maksimālo
- Priekšmeta nostiprināšana ¹⁵
 - ! **optimālai darba drošībai, vienmēr stingri nostipriniet zāģmateriālu ar komplektā esošo regulējamo spaili**
 - nestrādājiet ar priekšmetiem, kuri ir pārāk maza izmēra, lai tos nostiprinātu
 - **maksimālu** priekšmetu izmēru noteikšanai, izmantojiet tabulu ¹⁶ kā uziņu avotu
 - nostipriniet sagataves spaili atbalsta atverē N, izmantojot pogu P (abās instrumenta pusēs)
 - sagataves spaiļi ir divas gropes, lai to varētu viegli nofiksēt; viena plānām sagatavēm (līdz 5 cm) un viena lielākām sagatavēm (biezākām par 5 cm)
 - stingri spiediet zāģmateriālu pret vadotni S
 - atbrīvojiet sviru R

- pielāgojiet spaili sagatavei
- ar fiksēšanas spaili stingri nostipriniet zāgmateriālu R
- ! dažās ripas un slīpuma kombinācijās vai atkarībā no sagataves lieluma sagataves spailis vietā var būt nepieciešams izmantot komerciāli pieejamās skrūvju spailis**
- Zāģējuma leņķu iestatīšana ①7
 - atlaidiet vaļīgāk fiksējošo rokturi AE
 - pavelciet zāģēšanas ripas sprūda atlaišanas sviru AF
 - pagrieziet zāģa galdu pa kreisi vai pa labi un, izmantojot indikatoru, iestatiet vēlamo zāģējuma leņķi (no 0° līdz 50°) AG
 - atlaidiet sviru AF
 - pievelciet fiksēšanas rokturi AE (**nepievelciet rokturi pārāk cieši**)
 - lai ātri un precīzi iestatītu bieži izmantotos zāģējuma leņķus (0°, 15°, 22,5°, 31,6°, 45°), zāģēšanas ripas sprūda svira AF ar klikšķi tiek nofiksēta attiecīgās pozīcijās; lai to nefiksētu, sviru AF var nofiksēt atlaista stāvoklī ①7b
- Slīpuma leņķu iestatīšana ①8
 - atbrīvojiet trīsstatņu uzgriezni W
 - pabīdiet zāģa galvu pa kreisi, līdz slīpuma leņķa indikatoru X norāda uz vēlamo slīpuma leņķi
 - regulējamu slīpuma gala atduri AA (45°) var izmantot, lai veiktu iestatījumu pie 45° vai 48° ①8b
 - turiet zāģa galvu šādā stāvoklī un pievelciet pogu W
 - lai iestatītu slīpumu pa labi, vispirms paceliet zāģa galvu pa kreisi, pagrieziet labās puses slīpuma atlaišanas pogu AB (aptuveni 60°), pēc tam pabīdiet zāģa galvu līdz vēlamajam slīpuma leņķim pa labi ①8c
 - kad zāģa galvu atbīdāt atpakaļ pa kreisi, labās puses slīpuma atlaišanas poga AB automātiski tiks atiestatīta pie 0° gala atdures; lai tā nenotiktu, pagrieziet pogu nevis līdz 60°, bet līdz aptuveni 90° ①8d
- Kombinētie zāģējumi ①9
 - kombinētiem zāģējiem nepieciešams gan zāģējuma leņķa iestatīšana, gan slīpuma leņķa iestatīšana
 - ! neekspluatējiet zāģi noteiktās ripas un slīpuma kombinācijās, kad iespējams darbības pārtraukums starp zāģa bīdāmajām un nekustīgajām detaļām vai starp bīdāmajām detaļām un sagatavi – lai veiktu zāģējumu, noņemiet bīdāmo vadotni, bīdāmās vadotnes fiksēšanas pogu un darba spailis pogu, kā noteikts instrukcijā.**
 - ! pirms darba vienmēr veiciet apstrādes mēģinājumu uz materiāla atgriezumā**
- Bīdāmo vadotņu regulēšana ②0
 - atlaidiet vaļīgāk pogu V, lai pabīdītu vadotni(-es) U
 - atlaidiet pogu vēl vaļīgāk V, lai noņemtu / piestiprinātu vadotni(-es)
 - pievelciet pogu V, lai veiktu fiksēšanu vajadzīgajā stāvoklī
 - ! pārliecinieties, ka bīdāmā vadotne pirms instrumenta ekspluatācijas ir stingri piestiprināta**
 - ! noteiktās ripas un slīpuma kombinācijās var būt nepieciešams pogu noņemt**
- Lāzera līnija ②1
 - kalpo, lai atvieglotu instrumenta vadīšanu pa iepriekš iezīmētu zāģējuma līniju
 - ieslēdziet/izslēdziet lāzera līniju nospiežot slēdzi AD
 - ! pirms darba uzsākšanas pārbaudiet lāzera**
- līnijas atbilstību reālajai zāģējuma līnijai, veicot izmēģinājuma zāģējumu ar atgriezumā**
- Zāģēšana bez bīdīšanas kustības (**nelielas sagataves**)
 - ja fiksējošā skrūve AH ir pievilktā, atlaidiet to vaļīgāk
 - bīdīet zāģa galvu vadotnes virzienā līdz atdurei S un no jauna pievelciet fiksējošo skrūvi AH
 - ! nenofiksējot mehānismu, asmens var pēkšņi nonākt uz sagataves virsmas un pārvietoties jūsu virzienā**
 - iestatiet instrumentu darba stāvoklī
 - ! pārliecinieties, ka zāgmateriāls ir stingri nostiprināts pret zāģa galdu un vadotni S**
 - ieslēdziet instrumentu, atbrīvojot atbloķēšanas pogu AJ un pavelkot galveno slēdzi AI
 - ! zāģa galvas ②3a ekspluatācijas laikā nekustojiet rokas**
 - zāģējiet priekšmetu, vienmērīgi virzoties
 - ! kontaktējiet instrumenta asmeni ar zāģējamo priekšmetu tikai pēc tam, kad tā asmens griešanās ātrums ir sasniedzis nominālo vērtību**
 - lai izslēgtu instrumentu, atbrīvojiet slēdzi AI
 - nogaidiet, līdz zāģa asmens ir pilnībā apstājies, un tad lēnām pavirziet zāģa galvu uz augšu
- Zāģēšana ar plūstošu kustību (**platas sagataves**)
 - ! nemiet vērā, ka šī metode, kas aprakstīta zemāk, ir vienīgā metode, kas ir droša**
 - nevelciet zāģi cauri sagatavei
 - ja fiksējošā skrūve AH ir pievilktā, atlaidiet to vaļīgāk
 - ! pārliecinieties, ka zāgmateriāls ir stingri nostiprināts pret zāģa galdu un vadotni S**
 - atvelciet zāģa galvu no vadotnes S tik tālu, lai zāģa asmens atrastos sagataves priekšā ②4
 - ieslēdziet instrumentu, atbrīvojot atbloķēšanas pogu ②2 un pavelkot galveno slēdzi
 - ! zāģa galvas ②3a ekspluatācijas laikā nekustojiet rokas**
 - bīdīet zāģa galvu vadotnes virzienā S un vienmērīgi zāģējiet sagatavi ②4
 - ! kontaktējiet instrumenta asmeni ar zāģējamo priekšmetu tikai pēc tam, kad tā asmens griešanās ātrums ir sasniedzis nominālo vērtību**
 - ! ja apakšējais aizsargu automātiski neatveras, kas noteiktos apstākļos ir iespējams (piemēram, ja sagatave aizņem gandrīz maksimālo ietilpību), jūs aizsargu varat noņemt ar roku ②3b**
 - lai izslēgtu instrumentu, atlaidiet slēdzi AI
 - nogaidiet, līdz zāģa asmens ir pilnībā apstājies, un tad lēnām pavirziet zāģa galvu uz augšu
- Zāģēšanas gropes ②5
 - iestatiet vēlamo dziļumu, izmantojot dziļuma atduri AK un nofiksējiet to, izmantojot pievilktas uzgriezni AM
 - lai visā gropes garumā tiktu nodrošināts vienmērīgs dziļums, starp sagatavi un vadotni jāievieto koka starplika
 - ! nodrošiniet, lai zāģa asmens neiesprūst sagatavē**
 - ! pirms darba vienmēr veiciet apstrādes mēģinājumu uz materiāla atgriezumā**
- Zāģa asmens nomaiņa ②6
 - ! atvienojiet instrumentu no elektrotīkla**
 - izņemiet sešstūra stienātslēgu AN no ripzāģa nodalījuma AO
 - turiet aizsargu A atvērtā stāvoklī
 - atlaidiet vaļīgāk pārsega plāksnes skrūvi AQ (**neatskrūvējiet skrūvi pilnībā**) ②6a

- līdz galam pagrieziet aizsargu A atpakaļ ²⁸b
- nospiediet darbvārpstas bloķēšanas pogu AP un turiet to, kamēr izskrūvējiet asmeņa skrūvi, AR pagriezot sešstūra stienatslēgu AN **PULKSTENRĀDĪTĀJU VIRZIENĀ** (= tajā pašā virzienā, kā to norāda uz zāģa asmens attēlotā bultiņā)

! darbvārpstas fiksējošo pogu AP drīkst nospiegt tikai tad, kad instruments atrodas miera stāvoklī

- atlaidiet fiksējošo pogu AP

- noņemiet uzgriezni AS un zāģa asmeni

! nomainiet zāģa asmeni, sekojot, lai zāģa asmens zobu vērsums un uz zāģa asmens attēlotās bultas virziens sakristu ar bultas virzienu, kas attēlota uz aizsarga A

- novietojiet paplākšni AS uz zāģa asmens ²⁶c

- nospiediet vārpstas fiksējošo pogu AP un, turot to, ar sešstūra atslēgu AN pievelciet asmens skrūvi PRETĒJI PULKSTENĀ RĀDĪTĀJA GRIEŠANĒS VIRZIENAM par 1/8 apgriezīgu papildus ar rokām pievilktajam spēkam (šādi tiek nodrošināta zāģa asmens slīdēšana pārmerģas pretestības gadījumā, tādējādi samazinot motora pārslodzi un zāģa atsitieni)

- pievelciet pārsedzošās plāksnes skrūvi AQ

- Galda starplikas nomaini AT ²⁸

Nomainiet bojāto vai nodilušo galda starpliku šādā secībā:

! atvienojiet instrumentu no elektrotīkla

- izņemiet sešstūra stienatslēgu AN no ripzāģa nodalījuma AO

- izskrūvējiet visas 6 skrūves, kā parādīts attēlā

- izņemiet esošo galda starpliku, vispirms paceļot to no priekšpuses un pēc tam pilnībā izvelkot to ārā

- ievietojiet jauno galda starpliku

! stingri pievelciet visas 6 skrūves

- 90° Asmeņa izlīdzināšanas pārbaudīšana/noregulēšana ²⁸

! atvienojiet instrumentu no elektrotīkla

- pagrieziet zāģa galdu ripas 0° leņķa stāvoklī un nofiksējiet to

- pabīdīet zāģa galvu 0° slīpuma stāvoklī

- nolaidiet zāģa galvu zemāk un nofiksējiet to

- ar stūreņa palīdzību pārbaudiet 90° zāģa asmens perpendikularitāti pret galdu

- ja nepieciešams, noregulējiet 90° asmens izlīdzināšanu šādā veidā:

1. atbrīvojiet trīsstatņņu uzgriezni W

2. noregulējiet skrūvi Y, izmantojot 4 mm sešstūru (standarta komplektā nav iekļauta) atslēgu ²⁸b

3. atkārtoti pārbaudiet ar stūreni

4. atiestatiet slīpuma indikatoru uz 0° ²⁸c

- 45° Asmeņa izlīdzināšanas pārbaudīšana/noregulēšana ²⁸

! atvienojiet instrumentu no elektrotīkla

- pagrieziet zāģa galdu ripas 0° leņķa stāvoklī un nofiksējiet to

- atbrīvojiet trīsstatņņu uzgriezni W

- iestatiet regulējamo slīpuma galdā atduri AA uz 45° ²⁸b

- pabīdīet zāģa galvu pa kreisi

- ar zāģējuma stūreņa palīdzību pārbaudiet 45° leņķi starp zāģa asmeni un galdu ²⁸a

- pārbaudiet, vai slīpuma indikators X atrodas uz 45° atzīmes

- ja nepieciešams, noregulējiet 45° asmens izlīdzināšanu šādā veidā:

1. noregulējiet skrūvi Z ar 10. izmēra asmens atslēgu (standarta komplektā nav iekļauta)

2. atkārtoti pārbaudiet ar zāģējuma stūreni

- ja nepieciešams, atkārtojiet minētās darbības 45° iestatījuma veikšanai pa labi

- nolaidiet zāģa galvu zemāk un nofiksējiet to

- 90° Vadotnes izlīdzināšanas pārbaudīšana/noregulēšana ³⁰

! atvienojiet instrumentu no elektrotīkla

- pagrieziet zāģa galdu ripas 0° leņķa stāvoklī un nofiksējiet to

- nolaidiet zāģa galvu zemāk un nofiksējiet to

- pārbaudiet zāģa asmens perpendikularitāti pret vadotni S izmantojot stūreni (pārliecinieties, ka stūrenis saskaras ar zāģa asmens korpusu, bet ne ar tā zobiem)

- ja nepieciešams, noregulējiet 90° vadotnes izlīdzināšanu šādā veidā:

1. atskrūvējiet 4 sešstūra skrūves T

2. noregulējiet vadotni līdz zāģa asmens un vadotne pilnībā saskaras ar stūreni

3. pievelciet 4 sešstūra skrūves T

4. atiestatiet zāģējuma leņķa indikatoru uz 0° ³⁰c

- Vada skava ³¹

- lai barošanas vads netiktu iespiests starp instrumenta kustīgajām un nekustīgajām detaļām, izmantojiet vada spaili AV

PRAKTISKI PADOMI

- Īpaši zāģmateriāli

- vienmēr novietojiet uz atbalsta gara zāģmateriāla brīvos galus

- pārliecinieties, ka izliekti vai apaļi zāģmateriāli ir īpaši droši nostiprināti, lai izvairītos no izslīdēšanas ³³

- pie griezuma līnijās nedrīkst būt atstarpe starp zāģmateriālu un vadotni vai zāģa galdu

- ja nepieciešams, izveidojiet papildu vadotni; bīdāmās vadotnes caurumi jāizmanto, lai piestiprinātu papildu vadotni ³⁴

! papildu vadotni var izmantot tikai 0° slīpumā

- Strādājot ar grīdlīstēm, attēlu ³⁵ var lietot uzzīņai

- Lai novērstu zāģējamā priekšmeta virsmas plaisāšanu, to ieteicams novietot tā, lai priekšmeta dekoratīvā puse (virspuse) būtu vērstā lejup

- Lietojiet tikai asus zāģa asmeņus, kuru tips atbilst zāģējamā materiāla īpašībām un apstrādes veidam

- zāģējuma kvalitāti iespējams uzlabot, lietojot zāģa asmeni ar palielinātu zobu skaitu

- zāģa asmeņi ar cietmetāla zobiem saglabā darbam nepieciešamo asumu līdz 30 reizēm ilgāk, nekā parastā tipa zāģa asmeņi

APKALPOŠANA / APKOPE

- Vienmēr raugieties, lai instruments un vads būtu tīri (it īpaši, gaisa atveres motora korpusa aizmugures daļā)

- Regulāri veiciet pārbaudi, lai pārliecinātos, ka apakšējais aizsargs darbojas pareizi. Notīriet no apakšējā aizsarga zāģu skaidas, izmantojot mitru drānu.

- pirms instrumenta tīrīšanas atvienojiet to no elektrotīkla

- Paceliet apakšējo aizsargu līdz galam atvērtā stāvoklī un atlaidiet to; ja tas uzreiz un pilnībā netiek aizvērts, tas jāpārbauda SKIL elektroinstrumentu

- pārbauda SKIL elektroinstrumentu

- pēc pārdošanas servisa centrā

- Pēc ripzāga lietošanas nekavējoties atīriet tā asmeni (īpaši no sveķiem un līmes paliekām)
 - darba gaitā zāga asmens stipri sakarst; tāpēc nepieskarieties tam, pirms tas nav atdzisis
- Pēc katras lietošanas reizes ar mīkstu suku noīriet lāzera lēcu AC, lai nodrošinātu labu lāzera līnijas redzamību (nemainiet lāzera iestatījumus)
- Ja, neraugoties uz augsto izgatavošanas kvalitāti un rūpīgo pērcaražošanas pārbaudi, instrumentus tomēr sabojājas, tas jānogādā remontam firmas SKIL pilnvarotā elektroinstrumentu remonta darbnīcā
 - nogādājiet instrumentu **neizjauktā veidā** kopā ar iegādes dokumentiem tuvākajā tirdzniecības vietā vai firmas SKIL pilnvarotā pēciegādes apkalpošanas un remonta iestādē (adreses un instrumenta apkalpošanas shēma ir sniegta interneta vietnē www.skil.com)
- Ievērojiet, ka garantijā neietilpst pārslodzes vai nepareizas instrumenta ekspluatācijas izraisītie bojājumi (SKIL garantijas noteikumus skatiet www.skil.com vai vērsieties pie izplatītāja)

APKĀRTĒJĀS VIDES AIZSARDZĪBA

- **Neizmetiet elektroiekārtas, baterijas, piederumus un iesaiņojuma materiālus sadzīves atkritumos** (tikai ES valstīm)
 - saskaņā ar Eiropas Savienības direktīvu 2012/19/ES par nolietotajām elektriskajām un elektroniskajām iekārtām un tās atspoguļojumiem nacionālajā likumdošanā, nolietotās elektroiekārtas ir jāsavāc, jāizjauc un jānogādā otrreizējai pārstrādei apkārtējai videi nekaitīgā veidā
 - Īpašs simbols  atgādina par nepieciešamību izstrādājumus izmantot videi nekaitīgā veidā


TROKSNIS

- Mērot saskaņā ar EN 62841, šī instrumenta skaņas spiediena līmenis ir 100,0 dB(A), bet skaņas jaudas līmenis 109,5 dB(A) (mainīgums K = 3 dB)
- Trokšņa emisijas līmenis ir izmērīts saskaņā ar standartizētu pārbaudi, kas dota EN 62841; to var izmantot, lai savstarpēji salīdzinātu instrumentus un lai veiktu sākotnējo trokšņa iedarbības novērtējumu, izmantojot instrumentu minētajiem pielietojuma veidiem
 - instrumenta izmantošana citiem mērķiem vai ar citiem vai nepietiekami koptiem piederumiem var ievērojami **palielināt** kopējo vibrācijas iedarbības pakāpi
 - laika periodi, kad instruments ir izslēgts vai arī ir ieslēgts, taču darbs ar to nenotiek, var ievērojami **samazināt** kopējo vibrācijas iedarbības pakāpi

LT

Slankusis skersavimo pjūklas 1320

ĪVADAS

- Šī jrankņ numatyta naudoti kaip stacionarias stakles, skirtas pjauštyti medieną skersai ir išilgai tiesiais bei įstrižais kampais (galima pjauti horizontaliais nuožambiais, -50°- +50° kampais ir vertikaliais įstrižais, -48°- +45° kampais)
- Perskaitykite ir išsaugokite šią naudojimo instrukciją 
- Šis jranknis nesiktas profesionaliam naudojimui

- **Prietaisą naudokite tik tinkamai ir iki galo jį surinkę** (turėkite omenyje, kad bendrovė Skil negali prisiminti atsakomybės už sugadintą prietaisą ar asmens sužeidimus, kilusius netinkamai surinkus prietaisą)


TECHNINIAI DUOMENYS

PRIETAISO ELEMENTAI

- A** Apatinis apsauginis gaubtas
- B** Rankena su jungikliu
- C** Fiksavimo kaištis gabenimui
- D** Viršutinė apsauga
- E** Rankena, skirta jrankiui nešti
- F** Montavimo angos
- G** Atraminis flanšas
- H** Dulkių maišelis
- J** Dulkių išmetimo atvamzdis
- K** Ilginamieji strypai
- L** Rankenos ilginamiesiems strypams fiksuoti
- M** Spaustukas ruošiniui tvirtinti
- N** Atramos anga
- P** Spaustuko fiksavimo rankena
- Q** Spaustuko reguliavimo rankena
- R** Tvirtinimo svirtis
- S** Kreiptuvas
- T** Šešiabriauniai varžtai kreiptuvui reguliuoti (4x)
- U** Slankusis kreipiklis
- V** Slankiojo kreipiklio rankenėlė
- W** Fiksavimo rankena (įstrižiams kampams)
- X** Įstrižo kampo rodiklis
- Y** Įstrižų kampų reguliavimo varžtas (dešinėje)
- Z** Įstrižų kampų reguliavimo varžtas (kairėje)
- AA** Reguluojamoji galinė atrama
- AB** Dešinioji įstrižojo pjūvio kampo vertikaloje plokštumoje fiksatoriaus atlaisvinimo svirtis
- AC** Lazerio spindulys
- AD** Lazerio įjungimo/išjungimo jungiklis
- AE** Fiksavimo rankena (nuožambiams kampams)
- AF** Įstrižojo pjūvio kampo horizontalioje plokštumoje fiksatoriaus atlaisvinimo svirtis
- AG** Nuožambaus kampo rodiklis
- AH** Slankiojo prietaiso fiksavimo rankena
- AI** Įjungimo/išjungimo jungiklis
- AJ** Apsauginė svirtis
- AK** Pjovimo gylio ribotuvas
- AL** Gylio kaištis
- AM** Gylio kaiščio veržlė
- AN** Šešiabriaunis raktas
- AO** Dėklas veržliarakčiui
- AP** Suklio blokavimo mygtukas
- AQ** Dangtelio plokštės varžtas
- AR** Disko varžtas
- AS** Flanšas
- AT** Įstatoma plokštelė
- AU** Dujų deflektorius
- AV** Kabelio apkaba

SAUGA

BENDRIEJI ELEKTRINIŲ ĮRANKIŲ SAUGOS ĮSPĖJIMAI

-  **ĮSPĖJIMAS** Perskaitykite visus su šiuo elektriniu prietaisu pateiktus saugos perspėjimus, instrukcijas,

paveikslėlius ir specifikacijas. Nepaisant toliau pateiktų instrukcijų galite patirti elektros smūgį, įvykti gaisras ir / ar patirti rimtų sužalojimų.

Išsaugokite visus įspėjimus ir instrukcijas ateičiai.

Terminas „elektros įrankis“ įspėjimuose reiškia jūsų iš elektros tinklo (laidais) maitinamus įrankius arba elektros įrankius, veikiančius nuo baterijų (beleidžius).

1) DARBO VIETOS SAUGUMAS

- a) Darbo vieta turi būti švari ir tvarkinga. Tinkama ar blogai apšviesta darbo vieta gali tapti nelaimingų atsitikimų priežastimi.
- b) Nedirbkite tokioje aplinkoje, kur yra degių skysčių, dujų ar dulkių. Elektriniai įrankiai gali kibirkščiuoti, o nuo kibirkščių dulkės arba susikaupę garai gali užsidegti.
- c) Dirbdami su elektriniu įrankiu neleiskite šalia būti žiūrovams, vaikams ir lankytojams. Nukreipę dėmesį į kitus asmenis galite nebesuvaldyti prietaiso.

2) ELEKTROSAUGA

- a) Maitinimo laido kištukas turi atitikti tinklo rozetės tipą. Kištuko jokių būdu negalima modifikuoti. Nenaudokite jokių kištuko adapterių su žemintais prietaisais. Originalūs kištukai, tiksliai tinkantys elektros tinklo rozetei, sumažina elektros smūgio pavojų.
- b) Venkite kūno kontakto su žemintais paviršiais, tokiais kaip vamzdžiai, šildytuvai, viryklės ar šaldytuvai. Egzistuoja padidinta elektros smūgio rizika, jei Jūsų kūnas bus žemintas.
- c) Saugokite prietaisą nuo lietaus ir drėgmės. Jei vanduo patenka į elektrinį prietaisą, padidėja elektros smūgio rizika.
- d) Nenaudokite maitinimo laido ne pagal paskirtį, t. y. neneškite prietaiso paėmę už laido, nekabinkite prietaiso už laido, netraukite už jo, norėdami išjungti kištuką iš rozetės. Laidą klokite taip, kad jo neveiktų karštis, jis neišsitemptų alyva ir jo nepažeistų aštrios detalės ar judančios prietaiso dalys. Pažeisti arba susipynę laidai gali tapti elektros smūgio priežastimi.
- e) Jei su elektriniu įrankiu dirbate lauke, naudokite tik tokius ilginimo kabelius, kurie tinka lauko darbams. Naudojant lauko darbams pritaikytus ilginimo kabelius, sumažinamas elektros smūgio pavojus.
- f) Jei su elektriniu įrankiu neišvengiamai reikia dirbti drėgnoje aplinkoje, naudokite žeminimo grandinės pertraukiklį. Naudojant žeminimo grandinės pertraukiklį, sumažėja elektros smūgio pavojus.

3) ŽMONIŲ SAUGA

- a) Būkite atidūs, sutelkite dėmesį į tai, ką Jūs darote ir, dirbdami su elektriniu įrankiu, vadovaukitės sveiku protu. Nedirbkite su prietaisu, jei esate pavargę arba vartojate narkotikus, alkoholį ar medikamentus. Akimirksniu neatidumas naudojant prietaisą gali tapti rimtų sužalojimų priežastimi.
- b) Naudokite asmenines apsaugos priemones ir visuomet užsidėkite apsauginius akinius. Naudojant asmenines apsaugos priemones, pvz., respiratorių ar apsauginę kaukę, neslystančius batus, apsauginį šalną, klausos apsaugos priemones ir kt., rekomenduojamas dirbant su tam tikros rūšies įrankiais, sumažėja rizika susižeisti.
- c) Saugokitės, kad neįjungtumėte prietaiso atsitiktinai. Prieš prijungdami elektrinį įrankį prie elektros tinklo

ir/arba akumulatoriaus, prieš pakeldami ar nešdami įsitinkite, kad jis yra išjungtas. Jeigu nešdami elektrinį įrankį pirštą laikysite ant jungiklio arba prietaisą jungsite į elektros tinklą, kai jungiklis yra įjungtas, gali įvykti nelaimingas atsitikimas.

- d) Prieš įjungdami prietaisą pašalinkite reguliavimo įrankius arba veržlių raktus. Prietaiso besisukančioje dalyje esantis įrankis ar raktas gali tapti sužalojimų priežastimi.
 - e) Nepervertinkite savo galimybių. Dirbdami atsisotokite patikimai ir visada išlaikykite pusiausvyrą. Patikima stovėseną ir tinkama kūno laikysena leis geriau kontroliuoti prietaisą netikėtose situacijose.
 - f) Dėvėkite tinkamą aprangą. Nedėvėkite plačių drabužių ir papuošalų. Saugokite plaukus ir drabužius nuo besisukančių elektrinio įrankio dalių. Laisvus drabužius, papuošalus bei ilgus plaukus gali įtraukti besisukančios dalys.
 - g) Jei yra numatyta galimybė prijungti dulkių nusiurbimo ar surinkimo įrenginius, visada įsitinkite, ar jie yra prijungti ir ar teisingai naudojami. Naudojant dulkių nusiurbimo įrenginius sumažėja kenksmingas dulkių poveikis.
 - h) Dažnai naudodami įrankį ir gerai su juo susipažinę pernelyg neatsipalaiduokite ir nepradėkite nepaisyti įrankio saugos principų. Neatidus veiksmas gali sukelti sunkią traumą per sekundės dalį.
- ### 4) RŪPĖSTINGA ELEKTRINIŲ ĮRANKIŲ PRIEŽIŪRA IR NAUDOJIMAS
- a) Neperkraukite prietaiso. Naudokite Jūsų darbui tinkamą elektrinį įrankį. Su tinkamu elektriniu įrankiu Jūs dirbsite geriau ir saugiau, jei neviršysite nurodyto galimumo.
 - b) Nenaudokite elektrinio įrankio su sugedusiu jungikliu. Elektrinis įrankis, kurio nebegalima įjungti ar išjungti, yra pavojingas ir jį reikia remontuoti.
 - c) Prieš reguliuodami prietaisą, keisdami darbo įrankius ar prieš valydami prietaisą, iš elektros tinklo lizdo ištraukite kištuką ir/arba išimkite akumulatorių, jeigu jis išimamas. Ši saugumo priemonė apsaugos jus nuo netikėto prietaiso įsijungimo.
 - d) Nenaudojamą prietaisą sandėliuokite vaikams ir nemokantiems juo naudotis asmenims neprieinamoje vietoje. Elektriniai įrankiai yra pavojingi, kai juos naudoja nepatyrę asmenys.
 - e) Prižiūrėkite elektrinį įrankį ir priedus. Tikrinkite, ar besisukančios prietaiso dalys tinkamai veikia ir niekur nekliūva, ar nėra sulūžusių ar šiaip pažeistų dalių, kurios įtakotų prietaiso veikimą. Prieš vėl naudojant prietaisą pažeistos prietaiso dalys turi būti suremontuotos. Daugelio nelaimingų atsitikimų priežastis yra blogai prižiūrimi elektriniai įrankiai.
 - f) Pjovimo įrankiai turi būti aštrūs ir švarūs. Rūpestingai prižiūrėti pjovimo įrankiai su aštriomis pjaujamosiomis braiunomis mažiau stringa ir juos yra lengviau valdyti.
 - g) Elektrinį įrankį, papildomą įrangą, darbo įrankius ir t. t. naudokite taip, kaip nurodyta šioje instrukcijoje. Taip pat atsižvelkite į darbo sąlygas bei atliekamo darbo pobūdį. Naudojant elektrinius įrankius ne pagal jų paskirtį galima sukelti pavojingas situacijas.
 - h) Rankenos ir suėmimo paviršiai turi būti sausi, švarūs, ant jų neturi būti alyvos ir tepalų. Dėl slidžių

rankenų ir suėmimo paviršių negalėsite saugiai išlaikyti ir suvaldyti įrankio netikėtose situacijose.

5) APTARNAVIMAS

- a) **Prietaisą turi remontuoti tik kvalifikuotas specialistas ir naudoti tik originalias atsargines dalis.** Taip galima garantuoti, jog prietaisas išliks saugus.

SAUGOS NURODYMAI ASMENIMS, DIRBANTIEMS SU SKERSAVIMO IR SULEIDIMO PJŪKLAIS

- **Skersavimo ir suleidimo pjūklai skirti medienai ir kitoms panašioms medžiagoms pjauti; juos draudžiama naudoti su abrazyviniais šlifavimo diskais metalo ruošiniams, pvz., metalo sijoms, strypams, vinims ir pan., pjauti** Dėl dulkių, susidaranciu veikiant trinciai, gali strigti judamosios dalys, pvz., apatinis apsaugas. Pjaunant tokias medžiagas dėl kylančių kibirkščių apdegs apatinis apsaugas, įstatomoji plokštelė ir kitos plastikinės dalys.
- **Jeį įmanoma, ruošinį visada pritvirtinkite spaustuvais. Jei ruošinį laikote ranka, ją visada laikykite bent 100 mm atstumu nuo bet kurios pjūklo disko pusės. Šiuo pjūklų nepjaukite ruošinių, kurie yra per smulkūs, kad juos būtų galima saugiai prispausti spaustuvais ar laikyti ranka.** Jei ranką laikysite per arti pjūklo disko, prie jo prisilietę galite susižeisti.
- **Ruošinys turi nejudėti ir būti prispaustas spaustuvais arba laikomas prispaustas prie atramos ir stalo. Ruošinio nestumkite pjūklo disko link ir jokiū būdu nepjaukite nepritvirtintų ruošinių.** Nepriveržti ar judantys ruošiniai gali būti išsviesti dideliu greičiu ir gali sužeisti.
- **Pjūklą per ruošinį stumkite. Pjūklo per ruošinį netraukite. Norėdami pjauti, pakelkite pjūklo galvą ir padėkite ją ant ruošinio nepjudami, įjunkite variklį, paspauskite pjūklo galvą žemyn ir stumkite pjūklą per ruošinį.** Jei pjaunant pjūklas per ruošinį traukiamas pirmyn atgal, pjūklo diskas gali įstrigti ruošinio paviršiuje ir pjūklo disko mazgas gali būti didele jėga atmetas operatoriaus link.
- **Niekada nelaikykite rankos skersai numatomos pjovimo linijos – nesvarbu, priešais ar už pjūklo disko.** Ruošinį prispausti ranką laikant skersai, t. y. ruošinį laikyti kaire ranką į dešinę nuo pjūklo disko arba priešingai yra labai pavojinga.
- **Kol pjūklas sukasi, prireikus nuvalyti pjūvenas ar atlikti kitą veiksmą nę viena ranka nebandykite siekti už atramos ir neikiškite rankų arčiau nei 100 mm atstumu iki pjūklo disko iš bet kurios pusės.** Atstuma nuo rankos iki besisukančio pjūklo disko įvertinti sunku, todėl galite sunkiai susižeisti.
- **Prieš pjudami, apžiūrėkite ir patikrinkite ruošinį. Jei ruošinys išlinkęs ar deformuotas, prispauskite jį išorinę išlinkimo pusę dėdami prie atramos. Visada įsitinkinkite, kad tarp ruošinio, atramos ir stalo išilgai pjovimo linijos nėra tarpo.** Išlinkę ar deformuoti ruošiniai gali pasisukti ar pasislinkti, todėl pjaunant besisukantis pjūklo diskas gali užstrigti. Ruošinyje neturi nebūti vinių ar kitų pašaliniių objektų.
- **Prieš naudodami pjūklą, nuimkite nuo stalo visus įrankius, nuvalykite medžio drožles ir pan., palikite tik ruošinį.** Besisukančiam pjūklo diskui prisilietus prie smulkių skiedrų, medienos nuolaužų ar kitų objektų, jie gali būti dideliu greičiu nusviesti.

- **Vienu metu pjaukite tik vieną ruošinį.** Keli vienas ant kito sudėti ruošiniai negali būti tinkamai prispausti ar įtvirtinti, todėl pjaunant pjūklo diskas gali juose užstrigti arba ruošiniai gali pasislinkti.
- **Prieš naudodami skersavimo ir suleidimo pjūklą, jį būtina pritvirtinkite arba padėkite ant lygaus, tvirto darbinio paviršiaus.** Lygus ir tvirtas darbinis paviršius mažina pavojų, kad skersavimo ir suleidimo pjūklas taps nestabilus.
- **Planuokite numatomus darbus! Kaskart keisdami įstrižojo pjūvio kampo vertikalioje plokštumoje ar įstrižojo pjūvio kampo horizontalioje plokštumoje nustatymą, įsitinkinkite, kad tinkamai nustatėte reguliuojamąjį kreiptuvą, jis yra prispaustas prie ruošinio ir netrukdo pjūklo diskui ar apsaugos sistemai.** Neįjungę įrankio ir nepadėję ant stalo ruošinio, perstumkite pjūklo diską išilgai visos numatomos pjovimo linijos, kad įsitikintumėte, jog nėra jokių trukdžių ir nekyla pavojus perpjauti atramą.
- **Jeį ruošinys yra platesnis ar ilgesnis nei stalviršis, pasirūpinkite tinkama atrama, pavyzdžiui, stalo ilginamąja dalimi, pjovimo ožiais ar pan.** Jei ilgesnių ar platesnių nei skersavimo ir suleidimo pjūklo stalas ruošinį patikimai neparemsite, jie gali apvirsti. Nupjauta ruošinio dalis ar virstantis ruošinys gali pakelti apatinį apsauginį gaubtą ar ruošinį gali išsviesti besisukantis pjūklo diskas.
- **Neprašykite kito asmens, kad palaikytų ruošinį, užuot naudotų stalo ilginamąją dalį ar papildomą atramą.** Dėl nestabilios ruošinio atramos pjaunant diskas gali užstrigti arba ruošinys gali pasislinkti ir pastumti jus ar jūsų pagalbininką besisukančio pjūklo disko link.
- **Būtina užtikrinti, kad nupjauta ruošinio dalis neužstrigtų ar nebūtų spaudžiama prie besisukančio pjūklo disko.** Jei yra nedaug vietos, pvz., naudojamos išilginės atramos, tai nupjauta dalis gali įstrigti ties pjūklo disku ir gali būti didele jėga išsviesta.
- **Visada naudokite spaustuvas ar fiksavimo priemones, skirtas tinkamai pritvirtinti apvaliems ruošiniams, pvz., strypus ar vamzdžius.** Pjaunant strypai gali riedėti, o pjūklo diskas į juos įsikirsti, ir dėl to ruošinys su jūsų ranka gali būti įtrauktas į diską.
- **Prieš pradėdami pjauti palaukite, kol pjūklas pasieks reikiamą sukimosi greitį.** Taip sumažinsite ruošinio išsviedimo pavojų.
- **Jeį ruošinys ar diskas užstringa, skersavimo ir suleidimo pjūklą išjunkite. Palaukite, kol sustos visos besisukančios dalys, iš maitinimo lizdo ištraukite laido kištuką ir (arba) išimkite akumuliatorių. Tada pašalinkite įstrigusią medžiagą.** Jei įstrigus ruošiniui pjausite toliau, gali nepavykti suvaldyti skersavimo ir suleidimo pjūklo, ir jis gali sugesti.
- **Baigę pjauti, atleiskite jungiklį, palaikykite pjūklą nuleidę, kol jis nustos suktis, tada patraukite nupjautą dalį.** Laikyti ranką prie stojančio pjūklo yra pavojinga.
- **Jeį norite įpjauti arba atleisti jungiklį prieš visiškai nuleisdami pjūklo galvą, tvirtai laikykite rankena.** Jei pjūklą bandysite stabdyti, jo galva gali staiga nusileisti žemyn ir sukelti sužeidimo pavojų.

PAPILDOMOS DARBO SAUGOS INSTRUKCIJOS

- **Jeįnančios srovės sukelia trumpus įtampos kritimus; netinkamos elektos energijos tiekimo sąlygos gali turėti įtakos jūsų įrangai (jei sistemos srovės tiekimo suminė**

varža yra mažesnė kaip 0,219 omai, gali atsirasti trukdžiai); jei reikia išsamesnio paaiškinimo, kreipkitės į savo vietinę elektros energijos tiekimo įstaigą

BENDROJI DALIS

- Įrankį naudokite tik medienai pjauti
- Visada patikrinkite, ar elektros tinklo įtampa sutampa su įtampos dydžiu, nurodytu prietaiso vardinėje lentelėje
- Nestovėkite ant įrankio ar jo stovo.** Įrankiui pakrypus ar netyčia prie jo prisilietus, kyla pavojus sunkiai susižeisti. Nelaikykite medžiagų ant įrankio ar šalia jo taip, kad joms pasiekti reiktų užlipti ant įrankio ar jo stovo.
- Prieš reguliuojant prietaisą arba keičiant darbo įrankius, ištraukite kištuką iš el. tinklo lizdo**
- Prieš transportuojami skersavimo ir suleidimo pjūklą, visada nuo maitinimo šaltinio atjunkite kištuką.** Atjungę nuleiskite galvos mazgą ir užfiksuokite toje padėtyje, naudokite nešimo rankeną ir vieną iš pjūklų pagrinde esančių rankos išėmų.
- Nepalikite įrankio be priežiūros, kol jis visiškai nesustos**
- Prieš pjaudami netaisyklingos formos ruošinius, savo darbą suplanuokite taip, kad jie nenuslystų, neištrigtų diske ir neištruktų iš jūsų rankos**
- Šį prietaisą turėtų naudoti tik asmenys, kuriems 16 ir daugiau metų
- Šis prietaisas netinka pjovimui šlapioju būdu

EKSPLOATACIJA LAUKE

- Jei su prietaisu dirbate lauke, jis turi būti prijungtas per nuotėkio srovės apsauginį išjungiklį (FI-), kurio suveikimo srovė yra ne didesnė, kaip 30 mA; naudokite tik lauko darbams skirtus prailginimo kabelius su hermetiškomis jungtimis

PRIEŠ EKSPLOATACIJĄ

- Naudodami ilginamuosius kabelius atkreipkite dėmesį į tai, kad kabelis būtų iki galo išvyniotas ir būtų pritaikytas 16 A elektros srovei
- Užsidėkite apsauginius akinius, klausos apsaugos priemonės, ir apsaugines pirštines
- Kai kurių medžiagų, kaip antai dažų, kurių sudėtyje yra švino, kai kurių medžių rūšių medienos, mineralų ir metalo dulksės gali būti kenksmingos (kontaktas su šiomis dulksėmis arba įkvėptos dulksės gali sukelti operatoriui arba šalia esantiems žmonėms alergines reakcijas ir/arba kvėpavimo sistemos susirgimus); **mūvėkite priešdulkinę puskaukę arba dirbdami naudokite dulkių ištraukimo įrenginį, jei jį galima prijungti**
- Kai kurių rūšių dulksės priskiriamos kancerogeninėms (pvz., ažuolo arba buko medienos dulksės), ypač susimaišiusios su medienos tauriniam naudojimais priedais; **mūvėkite priešdulkinę puskaukę arba dirbdami naudokite dulkių ištraukimo įrenginį, jei jį galima prijungti**
- Vadovaukitės Jūsų šalyje taikomų direktyvų reikalavimais, skirtais medžiagoms, su kuriomis norite dirbti
- Dirbdama apdirbti medžiagas, kurių sudėtyje yra asbesto** (asbestas pasižymi vėžį sukeliančiu poveikiu)
- Niekuomet nenaudokite prietaiso be originalios apsauginės įrangos
- Kiekvieną kartą prieš naudodami, patikrinkite, ar tinkamai uždarytas apsauginis gaubtas
- Nedirbkite su pjūklų, jei apsauginis gaubtas negali laisvai judėti ir akimirksniu užsidaryti
- Niekada netvirtinkite ir neužfiksuokite apsauginio gaubto atviroje padėtyje
- Niekada nenaudokite staklių be įstatomos plokštelės; pakeiskite nusidėvėjusią ar pažeistą įstatomą plokštelę

- Prieš pradėdami pjauti pašalinkite visas pjūvio linijoje esančias kliūtis tiek ruošinio viršuje, tiek ir apačioje
- Saugokitės, kad nepažeistumėte prietaiso į ruošinyje esančius varžtus, vinius ir pan; prieš pradėdami darbą juos pašalinkite

PIEDIAMI

- Nenaudokite abrazyvinių pjovimo diskų dirbdami su šiuo prietaisu
- SKIL gali garantuoti nepriekiaštingą prietaiso veikimą tik tuo atveju, jei naudojama tinkama papildoma įranga ir priedai, kuriuos galite įsigyti įgaliotųjų SKIL atstovų parduotuvėse
- Naudodami kitur pagamintą papildomą įrangą vadovaukitės gamintojo pateiktomis nurodymais
- Naudokite tik tokias pjūklų diskus, kurie atitinka šioje naudojimo instrukcijoje pateiktus duomenis ir yra patikrinti pagal EN 847-1 bei atitinkamai paženklinėti
- Leidžiama naudoti tik tokius įrankius, kurių maksimalus leistinas apsisukimų skaičius yra ne mažesnis, nei maksimalus Jūsų prietaiso sukūpi skaičius
- Neleidžiama naudoti diskų iš aukštai legiruoto greitapjovio plieno (HSS)
- Nenaudokite įtrūkusių, sulenktų ar atšipusių pjūklelių
- Naudokite tik tokias pjūklų diskus, kurių angos spindulys atitinka staklių veleno spindulį; niekada nenaudokite reduktorių ar adapterių pjūklų diskams su didesne anga pritaikyti
- Papildomą įrangą saugokite nuo smūgių, sutrenkimų bei riebalų poveikio

EKSPLOATACIJA

- Nespauskite įrankio** (kad neperkaistų pjūklų dantys ir, pjaustant plastiką, pastarasis nesilydytų, spauskite lengvai ir nuolat)
- Saugokitės pirštus, plaštakas ir rankas nuo besisukančio pjūklų disko
- Jei pjūklų diskas užstrigo, iš karto išjunkite stakles ir ištraukite iš lizdo kištuką; tik tada atlaisvinkite ruošinį, į kurį įstrigo diskas
- Jeigu pjūklas užsiblokavo arba pajutote, kad prietaisas veikia ne taip, kaip visada, arba girdisi nebūdingi garsai, tuojau pat jį išjunkite ir ištraukite kištuką iš elektros tinklo lizdo
- Jei dirbant bus pažeistas ar nutrauktas kabelis, būtina noliečiant kabelio tuojau pat ištraukti kištuką iš elektros tinklo lizdo
- Niekada nenaudokite įrankio, jei laidas pažeistas; jį reikia pakeisti specialiu laidu remonto įmonėje.

LAZERIO RADIACIJA

- Nenukreipkite lazerio spindulio į žmones ar gyvūnus ir patys nežiūrėkite į tiesioginį ar atspindėtą lazerio spindulį** (lazeriniais spinduliais galite apakinti kitus žmones, sukelti nelaimingus atsitikimus arba pakenkti akims)
- Jei į akis buvo nukreipta lazerio spinduliuotė, akis reikia sąmoningai užmerkti ir nedelsiant patraukti galvą iš spindulio kelio
- Nedarykite jokių lazerinio įtaiso pakeitimų
- Nežiūrėkite į lazerio spindulį (lazerio spinduliuotė)
- Nežiūrėkite į lazerio spindulį per kokius nors vaizdą padidinančius optinius įtaisus (pvz., didinamąjį stiklą, teleskopą ar žiūronus)
- Nenaudokite prietaiso tokioje aplinkoje, kur yra degių skysčių, dujų ar dulkių
- Nenaudokite prietaiso, jei netoliese yra vaikų
- Nekeiskite įmontuoto lazerio kito tipo lazeriu

PO EKSPLOATACIJOS

- Išjungę prietaisą, besisukančių darbo įrankių nestabdykite šoniniu prispaudimu
- Nupjautas dalis ar nuopjovas nuo ruošinio pašalinkite tik tada, kai visos judančios pjūklo dalys visiškai sustoja
- Darbo metu pjūklo diskas labai įkaista; nelieskite jo rankomis, kol neatauš
- Laikykite prietaisą **patalpoje**, sausoje ir rakinamoje, vaikams neprieinamoje vietoje

ANT PRIETAISO ESANČIŲ SIMBOLIŲ REIKŠMĖS

- ② Prieš naudodami įrankį perskaitykite instrukcijų vadovą
- ③ Užsidėkite apsauginius akinius ir klausos apsaugos priemones
- ④ **Pavojinga zona! Nekiškite rankų į šią zoną. Rankas laikykite toliau nuo šios zonos.**
- ⑤ Dviguba izoliacija (žemtinimo laido nereikia)
- ⑥ Nemeskite elektrinių įrankių ir baterijos į buitinių atliekų konteinerius
- ⑦ **Lazerio spinduliavimas / Nežiūrėkite į spindulį / 2 Klasės lazerio gaminys**

NAUDOJIMAS

- Montavimas
 - Sumontuokite transportavimo rankeną E naudodami 2 varžtus ir šešiakampį raktą AN ⑨
 - Sumontuokite fiksavimo rankenėlę AE įstrižojo pjūvio kampui užfiksuoti (horizontalioje plokštumoje) stalo ⑩ priekyje
 - Sumontuokite slankųjį kreiptuvą U (žr. „Slankiojo (-iųjų) kreiptuvo (-ų) reguliavimas“)
- Transportavimo / darbinė padėtis Įrankiui atlaisvinti (**darbinė padėtis**)
 - Paspauskite į apačią rankeną B ⑧ viena ranka, ištraukdami fiksavimo kaištį C kita ranka ⑪a
 - Lėtai nukreipkite galvos mazgą aukštyn Įrankiui užfiksuoti (**transportavimo padėtyje**)
 - Stumkite galvos mazgą atramos S kryptimi, kol sustos (laikykites maždaug 5 cm atstumo) ir priveržkite fiksavimo rankenėlę AH ⑪b
 - Nustatykite įstrižojo pjūvio kampą vertikaloje plokštumoje ties 0° (žr. „Įstrižojo pjūvio kampo vertikaloje plokštumoje nustatymas“)
 - Nustatykite įstrižojo pjūvio kampą horizontalioje plokštumoje ties 45° (žr. „Įstrižojo pjūvio kampo horizontalioje plokštumoje nustatymas“)
 - Paspauskite rankenėlę B viena ranka į apačią, kita ranka stumdami fiksavimo kaištį C
 - Suvyniokite maitinimo laidą
 - Įrankiui ⑪d nešti naudokite transportavimo rankeną E ⑧
 - arba įrankį ⑪e neškite, paėmę už šoninių rankenų
- **! Niekada nekelkite įrankio laikydami už pagrindinės rankenos ar maitinimo laido**
- Įrankio montavimas ant darbinio paviršiaus ⑫
 - **! saugos sumetimais visada statykite stakles ant stabilaus ir plokščio darbinio paviršiaus (pvz., darbatalio)**
 - įrankį prie darbinio paviršiaus pritvirtinkite tinkamais varžtais, juos įsriegdami į 4 montavimo angas F
 - taip pat galite pritvirtinti įrankį prie darbinio paviršiaus parduodamaisis sriegiamaisiais spausdukais
 - Norėdami įrankį išlygiuoti, galite reguliuoti atraminę koją G

- Įrankį taip pat galite montuoti ant skersavimo ir suleidimo pjūklo stovo
- **! Perskaitykite visus įspėjimus ir nurodymus, pridedamus prie pjūklo stovo**
- Dulkių ir skiedrų nuvalymas ⑬
 - Sumontuokite dulkių surinkimo maišelį H / dulkių ištraukimo įtaisą, kaip pavaizduota
 - reguliariai išvalykite dulkių surinkimo maišelį, tuomet dulkių nusiurbimas bus optimalus
- **! pasirūpinkite, kad nusiurbimo žarna nesudarytų kliūties apatiniam apsauginiam gaubtui ir netrukdytų dirbti**
- Pjūklo stalo pailginimas ⑭
 - Rankenėlemis L užfiksuokite ilginamuosius strypus K (abiejuose įrankio pusėse)
 - Ilginamųjų strypų K ilgis gali būti reguliuojamas nuo mažiausio iki didžiausio
- Ruošinio prispaudimas ⑮
 - **! optimaliai darbų saugai užtikrinti visada tvirtai prispauskite ruošinį su pateikiamu reguliuojamu spausuku**
 - nedirbkite su ruošiniais, kurie yra per maži ir jų prispausti negalima
 - **maksimaliems** ruošinio išmatavimams nustatyti naudokitės nuorodine lentele ⑯
 - Pritvirtinkite ruošinio spaustuvą atramos angoje N, naudodami rankenėlę P (abiejuose įrankio pusėse)
 - Ruošinio spaustuvė yra 2 grioveliai, leidžiantys patogiai užfiksuoti; vienas skirtas ploniems (iki 5 cm), o kitas – didesniems (daugiau kaip 5 cm) ruošiniams
 - tvirtai prispauskite ruošinį prie kreiptuvo S
 - Atfiksuokite svirtį R
 - Pritaikykite spaustuvą ruošiniui
 - Tvirtai užfiksuokite ruošinį fiksavimo svirtimi R
- **Esant tam tikriems įstrižojo pjūvio kampo horizontalioje plokštumoje ir įstrižojo pjūvio kampo vertikaloje plokštumoje deriniamis arba ruošinio dydžiu, vietoj ruošinio spaustuvo gali tecti naudoti prekyboje esančius sraiginius veržtuvus**
- Nuožambių kampų nustatymas ⑰
 - Atlaisvinkite fiksavimo rankenėlę AE
 - Patraukite įstrižojo pjūvio kampo horizontalioje plokštumoje fiksatoriaus atlaisvinimo svirtį AF
 - Pasukite pjovimo stalą į kairę arba į dešinę ir, vadovaudamiesi indikatoriumi AG, nustatykite norimą įstrižojo pjūvio kampą horizontalioje plokštumoje (nuo 0° iki 50°)
 - Atlaisvinkite svirtį AF
 - Priveržkite fiksavimo rankeną AE (**nepriveržkite jos per stipriai**)
 - Kad būtų galima greitai ir tiksliai nustatyti dažnai naudojamus įstrižojo pjūvio kampus horizontalioje plokštumoje (0°, 15°, 22,5°, 31,6°, 45°), kampo fiksatoriaus svirtis AF užsifiksuoja atitinkamos vietose; kad to išvengtumėte, svirtis AF gali būti užfiksuota atlaisvinimo padėtyje ⑰b
- Įstrižojo pjūvio kampų vertikaloje plokštumoje nustatymas ⑱
 - atleiskite rankeną ant trijų laikiklių W
 - Sukite pjūklo galvą į kairę tol, kol įstrižojo pjūvio kampo vertikaloje plokštumoje žymeklis X parodys pageidaujamą įstrižojo pjūvio kampą vertikaloje plokštumoje

- Reguluojamąją įstrižojo pjūvio kampo vertikalioje plokštumoje galinę atramą AA (45°) galima naudoti norinti sustoti ties 45° arba tęsti iki 48° 18b
- Laikydami pjūklo galvą šioje padėtyje, užfiksuokite rankeną W
- Norėdami nustatyti įstrižojo pjūvio kampą vertikalioje plokštumoje dešinėje pusėje, pirmiausia šiek tiek pakreipkite pjūklo galvą į kairę, pasukite dešiniajį įstrižojo pjūvio kampo vertikalioje plokštumoje atlaisvinimo rankenėlę AB (maždaug 60°), sukite pjūklo galvą dešinėn iki pageidaujamo įstrižojo pjūvio kampo vertikalioje plokštumoje 18c
- Pasukus pjūklo galvą atgal į kairę, dešinė įstrižojo pjūvio kampo vertikalioje plokštumoje atlaisvinimo rankenėlė AB automatiškai nustatoma į 0° padėtį ties galine atrama; to galima išvengti pasukus rankeną maždaug 90° vietoj 60° 18d
- Sudėtiniai pjūviai 19
 - sudėtiniais pjūviams reikia kartu nustatyti ir nuožambų kampa, ir įstrižą kampa
 - ! **Nenaudokite pjūklo tam tikrų įstrižojo pjūvio kampo horizontalioje plokštumoje ir įstrižojo pjūvio kampo vertikalioje plokštumoje derinių, dėl kurių gali atsirasti trukdžių tarp slankių ir stacionarių pjūklo dalių arba tarp slankių dalių ir ruošinio; norėdami atlikti pjūvį, jei reikia, nuimkite slankųjį kreiptuvą, slankiojo kreiptuvo prispaudimo rankenėlę ir darbinę fiksavimo rankeną.**
 - ! **visuomet pirmiausia išbandykite pjovimo greitį, pjudami bandomąjį ruošinio gabalėlį**
- Slankiųjį kreiptuvų reguliavimas 20
 - Atlaisvinkite rankenėlę V, kad būtų galima slinkti kreiptuvą (-us) U
 - Dar labiau atlaisvinkite rankenėlę V, kad būtų galima nuimti / sumontuoti kreiptuvą (-us)
 - Užveržkite rankenėlę V, kad užfiksuotumėte norimoje padėtyje
 - ! **Prieš pradėdami naudoti įrankį, įsitinkinkite, kad slankieji kreiptuvai yra tvirtai užfiksuoti**
 - ! **Esant tam tikriems įstrižojo pjūvio kampo horizontalioje plokštumoje ir įstrižojo pjūvio kampo vertikalioje plokštumoje deriniams taip pat gali prireikti nuimti rankenėlę**
- Lazerio spinduliai 21
 - padeda tiksliai vesti prietaisą pagal ant ruošinio užbrėžtą liniją
 - lazerio spindulius įjungiamas/išjungiamas perstumiant jungiklį AD
 - ! **prieš pradėdami darbą, patikrinkite, ar lazerio spinduliai sureguliuoti pagal tikrąją pjūvio liniją, atlikdami ruošinio dalies bandomąjį pjūvį**
- Pjovimas be slenkamųjų judesių (maži ruošiniai)
 - Atlaisvinkite fiksavimo rankenėlę AH, jei ji užfiksuota
 - Pjūklo galvą slinkite iki atramos kreiptuvo S kryptimi ir vėl užfiksuokite rankenėlę AH
 - ! **Nesugebėjus užfiksuoti mechanizmo, diskas gali staiga užvažiuoti ant ruošinio viršaus ir būti didele jėga atmetas jūsų link**
 - nustatykite įrankį į darbinę padėtį
 - ! **patikrinkite, kad ruošinys būtų patikimai prispaustas prie pjūklo pagrindo ir kreiptuvo S**
 - Įjunkite įrankį atleisdami įjungimo blokatorių AJ ir patraukdami pagrindinį jungiklį AI

- ! **Dirbdami su pjūklo galva 23a nelaikykite rankų skersai**
- pjaukite ruošinį tolygiai judėdami į priekį
- ! **pjūklo diskas pirmiausia turi pilnai įsibėgėti, tik po to jį galima glausti prie ruošinio**
- įrankis išjungiamas atleidžiant jungiklį AI
- Palaukite, kol pjovimo diskas visiškai sustos, tada lėtai pakreipkite pjūklo galvą į viršų
- Pjovimas su slenkamaisiais judesiais (dideli ruošiniai)
 - ! **Nepamiškite, kad tik aprašytasis darbo metodas yra saugus**
 - Netraukite pjūklo per ruošinį
 - Atlaisvinkite fiksavimo rankenėlę AH, jei ji užfiksuota
 - ! **patikrinkite, kad ruošinys būtų patikimai prispaustas prie pjūklo pagrindo ir kreiptuvo S**
 - Patraukite pjūklo galvą nuo kreiptuvo S tiek, kad pjovimo diskas atsidurtų priešais ruošinį 24
 - Įjunkite įrankį atleisdami įjungimo blokatorių 22 ir patraukdami pagrindinį jungiklį
 - ! **Dirbdami su pjūklo galva 23a nelaikykite rankų skersai**
 - Pjūklo galvą stumkite kreiptuvo kryptimi S ir pjaukite ruošinį tolygiai judėdami į priekį 24
 - ! **pjūklo diskas pirmiausia turi pilnai įsibėgėti, tik po to jį galima glausti prie ruošinio**
 - ! **Jei apatinis gaubtas neatsidaro automatiškai, o taip gali būti tam tikromis sąlygomis (pvz., kai naudojamas beveik didžiausias leidžiamas ruošinys), gali tekti atidaryti gaubtą ranka 23b**
 - įrankis išjungiamas atleidžiant jungiklį AI
 - Palaukite, kol pjovimo diskas visiškai sustos, tada lėtai pakreipkite pjūklo galvą į viršų
- Griovelijų pjovimas 25
 - Gylio kaiščių nustatykite norimą gylį AK ir užfiksuokite jį fiksuojamąja veržle AM
 - Tarp ruošinio ir kreiptuvo turi būti dedamas medinis tarpiklis, kad gylis būtų vienodas per visą griovelio ilgį
 - ! **Stebėkite, kad pjūklo diskas neįstrigtų ruošinyje**
 - ! **visuomet pirmiausia išbandykite pjovimo greitį, pjudami bandomąjį ruošinio gabalėlį**
- Pjūklo disko pakeitimas j
 - ! **ištraukite kištuką iš elektros lizdo**
 - iš lizdo AO atraminėje plokštėje išimkite šešiabriaunį raktą AN
 - Palikite apsauginį gaubtą A atidarytą
 - Atlaisvinkite dangtelio plokštės varžtą AQ (neišsukite varžto iki galo) ja
 - Pasukite apsauginį gaubtą A atgal iki galo jB
 - nuspauskite veleno blokavimo mygtuką AP ir laikykite nuspaudę, kol išimsite disko varžtą AR, pasukdami šešiabriaunį raktą AN LAIKRODŽIO RODYKLĖS KRYPTIMI (= ant pjūklo disko pažymėtos rodyklės kryptimi)
 - ! **suklio blokavimo mygtuką AP spauskite tik prietaisui sustojus**
 - atleiskite suklio blokavimo mygtuką AP
 - nuimkite flanšą AS ir pjūklo diską
 - ! **pakeiskite pjūklo diską, kad pjūklo dantukai ir rodyklė ant pjūklo disko būtų nukreipti ta pačia kryptimi, kaip ir rodyklė ant apsauginio gaubto A**
 - uždėkite flanšą AS jc
 - Suklio blokavimo mygtuką AP paspauskite ir laikykite, kol šešiabriauniu raktu AN PRIEŠ LAIKRODŽIO

RODYKLĘ užveršite disko prispaudimo varžtą iki galo, o po to atsukite jį 1/8 sukio (užtikrina disko praslydimą pjūklo dantims sutikus didelį pasipriešinimą; taip sumažėja variklio perkrova ir atitransko pavojus)

- priveržkite dangtelio plokštelės varžtą AQ

- Įstatomos plokštelės keitimas AT į Nusedėvėjusią ar pažeistą įstatomą plokštelę pakeiskite taip:

! **ištraukite kištuką iš elektros lizdo**

- iš lizdo AO atraminėje plokštėje išimkite šešiabriaunį raktą AN

- išsukite visus 6 varžtus, kaip parodyta

- išimkite seną įstatomą plokštelę, iš pradžių pakeldami ją iš priekio ir tada ištraukdami

- įstatykite naują įstatomą plokštelę

! **tvirtai priveržkite visus 6 varžtus**

- 90° Disko išlyginimo patikrinimas ir reguliavimas ②⑧

! **ištraukite kištuką iš elektros lizdo**

- Pasukite pjovimo stalą į 0° įstrižojo pjūvio kampo horizontalioje plokštumoje padėtį ir užfiksukite

- Pasukite pjūklo galvą į 0° įstrižojo pjūvio kampo vertikalioje plokštumoje padėtį

- Nuleiskite pjūklo galvą ir užfiksukite

- naudodami kampainį, patikrinkite, ar kampas tarp disko ir pagrindo sudaro 90°

- jei reikia, pakoreguokite 90° disko išlyginimą taip:

1. atleiskite rankeną ant trijų laikiklių W
2. Reguliuokite varžtą Y 4 mm šešiabriauniu raktu (nėra standartiniame komplekte) ②⑧b
3. Dar kartą patikrinkite kampainiu
4. Įstrižojo pjūvio kampo vertikalioje plokštumoje žymeklį iš naujo nustatykite ties 0° ②⑧c

- 45° Disko išlyginimo patikrinimas ir reguliavimas ②⑧

! **ištraukite kištuką iš elektros lizdo**

- Pasukite pjovimo stalą į 0° įstrižojo pjūvio kampo horizontalioje plokštumoje padėtį ir užfiksukite

- atleiskite rankeną ant trijų laikiklių W

- Reguluojamąją įstrižojo pjūvio kampo vertikalioje plokštumoje galinę atramą AA nustatykite ties 45° ②⑧b

- Pasukite pjūklo galvą į kairę

- naudodami nuožambų kampainį, patikrinkite, ar kampas tarp disko ir pagrindo sudaro 45° ②⑧a

- patikrinkite, ar įstrižių kampų rodiklis X yra ties 45° žyme

- jei reikia, pakoreguokite 45° disko išlyginimą taip:

1. Sureguliuokite varžtą Z disko veržliarakčiu Nr. 10 (standartiniame komplekte nėra)
2. Dar kartą patikrinkite nuožambio kampainiu
- Jei reikia, pakartokite 45° nustatymą dešinėje
- Nuleiskite pjūklo galvą ir užfiksukite

- 90° Kreiptuvo išlyginimas patikrinimas ir koregavimas ③⑨

! **ištraukite kištuką iš elektros lizdo**

- Pasukite pjovimo stalą į 0° įstrižojo pjūvio kampo horizontalioje plokštumoje padėtį ir užfiksukite

- Nuleiskite pjūklo galvą ir užfiksukite

- kampainiu patikrinkite, kad tarp disko ir kreiptuvo būtų 90° S (įsitikinkite, kad kampainis liestų pjūklo disko korpusą, o ne dantukus)

- jei reikia, pakoreguokite 90° kreiptuvo išlyginimą taip:

1. atsukite 4 šešiabriaunius varžtus T
2. pakoreguokite kreiptuvą taip, kad ir diskas, ir kreiptuvus visiškai liestų kampainį
3. priveržkite 4 šešiabriaunius varžtus T
4. Įstrižojo pjūvio kampo horizontalioje plokštumoje žymeklį iš naujo nustatykite ties 0° ③⑨c

- Kabelio apkaba ③①

- Naudokite laido apkabą AV, kad maitinimo laidas nebūtų suspaustas tarp judančių ir nejudančių įrankio dalių

NAUDOJIMO PATARIMAI

- Specifiniai ruošiniai

- visada prilaikykite arba į ką nors atremkite ilgo ruošinio laisvuosius galus

- patikrinkite, kad išlenkti ar apvalūs ruošiniai būtų prispausti tinkamai ir neslystų ③③

- ties pjovimo linija tarp ruošinio ir kreiptuvo ar pjūklo pagrindo negali būti jokio tarpo

- Jei reikia, pagaminkite pagalbinį kreiptuvą; angos slankiajame kreiptuve turi būti naudojamos pagalbiniam kreiptuvui ②④ pritvirtinti

! **Pagalbinį kreiptuvą galima naudoti tik esant 0° kampui**


- Kaip nuorodą dirbant su grindlentėmis galima naudoti pav. ③⑤
- Visuomet guldykite ruošinį gerąja puse į apačią, taip bus žymiai mažiau atplaišų
- Naudokite tik aštirus, tinkamos rūšies pjūklo diskus - geresnė pjūvio kokybė gaunama naudojant pjūklo diskus su didesniu dantų skaičiumi
- pjūklo diskai su kietlydinio plokštelėmis tarnauja iki 30 kartų ilgiau, nei įprastiniai pjūklo diskai

PRIEŽIŪRA / SERVISAS

- Visada valykite įrankį ir laidą, kad jie būtų švarūs (ypač ventilacijos angos variklio korpuso galinėje dalyje)
- Reguliariai tikrinkite, ar apatinis gaubtas veikia tinkamai. Susikaupusias pjūvenas nuo apatinio gaubto valykite drėgna šluoste.
- prieš valydami ištraukite kištuką iš elektros tinklo lizdo
- Kelkite apatinį gaubtą, kol jis visiškai atsidarys, ir jį paleiskite; jei jis iš karto visiškai neužsidaro, jį reikia patikrinti SKIL elektrinių įrankių remonto dirbtuvėse
- Po pjovimo iš karto nuvalykite pjūklo diską (ypač nuo dervų bei lakų liekanų)
- darbo metu pjūklo diskas labai įkaista; nelieskite jo rankomis, kol neatauš
- Kiekvieną kartą po naudojimo minkštu šepetėliu nuvalykite lazerio lęšį AC, kad lazerio linija būtų gerai matoma (įsitikinkite, kad nepakeitėte lazerio nustatymo)
- Jeigu prietaisas, nepaisant gamykloje atliktamo kruopštaus gamybos ir kontrolės proceso, vis dėlto sugestų, jo remontas turi būti atliktamas įgaliojose SKIL elektrinių įrankių remonto dirbtuvėse
- **neišardytą** prietaisą kartu su pirkimo čekiu siųskite tiekėjui arba į artimiausią SKIL firmos įgaliojotą elektros prietaisų techninio aptarnavimo tarnybą (adresus bei atsarginių dalių brėžinius rasite www.skil.com)
- Turėkite omeny, kad garantija netaikoma, jei gedimas atsiranda dėl perkrovo ar netinkamo naudojimo (dėl SKIL garantijos sąlygų žr. www.skil.com arba kreipkitės į jus aptarnaujantį prekybos atstovą)

APLINKOSAUGA

- **Nemeskite elektrinių įrankių, baterijos, papildomos įrangos ir pakuotės į buitinių atliekų konteinerius** (galioja tik ES valstybėms)
- pagal ES Direktyvą 2012/19/EG dėl naudotų elektrinių

- ir elektroninių prietaisų atliekų utilizavimo ir pagal vietinius valstybės įstatymus atitarnavę elektriniai įrankiai turi būti surenkami atskirai ir gabenami į antrinių žaliavų tvarkymo vietas, kur jie turi būti sunaikinami ar perdirstami aplinkai nekenksmingu būdu
- apie tai primins simbolis , kai reikės išmesti atitarnavusį prietaisą

TRIUKŠMINGUMAS


- Pagal EN 62841 išmatuotas šio prietaiso 100,0 garso slėgio lygis yra dB(A), o garso galios lygis – 109,5 dB(A) (neapibrėžtis K = 3 dB)
- Triukšmo sklaidos lygis išmatuotas pagal standarte EN 62841 išdėstytus standartizuoto bandymo reikalavimus; ši vertė gali būti naudojama vienam įrankiui palyginti su kitu ir išankstiniams triukšmo poveikiui įvertinti, kai įrankis naudojamas minėtais būdais
 - naudojant įrankį kitokiais būdais arba su kitokiais bei netinkamai prižiūrimais priedais, gali žymiai **padidėti** poveikio lygis
 - laikotarpiais, kai įrankis išjungtas arba yra įjungtas, tačiau juo nedirbama, gali žymiai **sumažėti** poveikio lygis

МК

Циркулар на лизгање

1320

УПАТСТВО

- Овој алат е наменет да се користи како стационарна машина за пресеци на дрво по должина и попреку со прави засекувања, но и за пресеци под агол (можни се хоризонтални засеци од -50° до $+50^\circ$, како и вертикални засеци под агол од -48° до $+45^\circ$)
- Внимателно прочитајте го и зачувајте го ова упатство за ракување 
- Овој алат не е наменет за професионална употреба
- **Користете го алатот само ако е правилно и целосно составен** (имајте предвид дека Skil не може да биде одговорен за оштетување на алатот и/или лични поведни коишто потекнуваат од неправилно составување на алатот)

ТЕХНИЧКИ ПОДАТОЦИ


ЕЛЕМЕНТИ НА АЛАТОТ

- A Долен штитник
- B Рачка на прекинувачот
- C Клин за заклучување при транспорт
- D Горен штитник
- E Рачка за транспорт
- F Отвори за поставување
- G Потпорна подлога
- H Кеса за прашина
- J Отвор за пилевина
- K Продолжителни шипки
- L Копчиња за заклучување на продолжителните шипките
- M Стегалка за поставување парче за обработка
- N Потпорен отвор
- P Регулатор за прицврстување на стегалката
- Q Регулатор за прилагодување на стегалката
- R Рачка за стегање

- S Заштитник
- T шестоаголни шрафови за прилагодување на заштитникот (4x)
- U Лизгачка ограда
- V Копче за прицврстување на лизгачката ограда
- W Регулатор за заклучување (закосени агли)
- X Индикатор за аголот на сечењето
- Y Шраф за прилагодување за конусен агол (оддесно)
- Z Шраф за прилагодување за конусен агол (одлево)
- AA Прилагодлив краен ограничувач
- AB Десна рачка за ослободување на агол на закосеност
- AC Ласерско осветлување
- AD Безбедносен ласер за вклучување/исклучување
- AE Рачка за заклучување (закосени агли)
- AF Рачка за задржување на агли за сечење
- AG Индикатор за аголот на сечењето
- AH Копче за заклучување за лизгачки уред
- AI Прекинувач за вклучување/исклучување
- AJ Безбедносна рачка
- AK Ограничувач на длабочина на сечење
- AL Ограничувач на длабочината
- AM Навртка на ограничувачот на длабочината
- AN Хексагонален клуч
- AO Лежиште за хексагонален клуч
- AP Копче за заклучување на вретеното
- AQ Шраф за плочата на капакот
- AR Завртка за сечивото
- AS Штитник
- AT Вметнување на масата
- AU Дефлектор за пилевина
- AV Стега за кабелот

БЕЗБЕДНОСТ

ОПШТИ ПРЕДУПРЕДУВАЊА ЗА БЕЗБЕДНОСТ НА ЕЛЕКТРИЧНИТЕ АЛАТИ

 **ПРЕДУПРЕДУВАЊЕ** Прочитајте ги сите безбедносни предупредувања, упатства, слики и спецификации што се обезбедуваат со овој алат. Непочитувањето на сите упатства подолу може да доведе до електричен удар, пожар и/или сериозна повреда..

Чувајте ги сите предупредувања и упатства за понатамошно упатување.

Поимот “електричен алат”, кој се користи во понатамошниот текст, се однесува на вашиот електричен алат (со приклучен кабел) и на електрични алати со погон на батерија (без приклучен кабел).

1) БЕЗБЕДНОСТ НА РАБОТНОТО МЕСТО

- a) **Одржувајте го вашето работно место чисто и уредно.** Неуреден или темен работен простор може да предизвикаат незгоди.
- b) **Немојте да работите со уредот во средина во која има опасност од експлозија, во која има запалливи течности, гасови и прашина.** Електричните алати произведуваат искри кои можат да запалат прашина или пареа.
- c) **За време на употребата на електричниот алат, децата и останатите лица држете ги подалеку од местото наде работите.** Одвркање, би можеле да изгубите контрола врз уредот.

2) ЕЛЕКТРИЧНА СИГУРНОСТ

- a) **Утикач мора да одговара на приклучокот. Никако не смее да се прават измени на штекерот. Не користете адаптерски штекер заедно со уредот кој е заштитно заземјен.** Не променети штекери и соодветни приклучоци го намалуваат ризикот од електричен удар.
 - b) **Избегнувајте допир на телото со заземјени површини, како што се цевки, радијатори, рерни и фрижидери.** Постои зголемена опасност од струен удар, доколку Вашето тело е заземјено.
 - c) **Чувајте го уредот подалеку од дожд и влага.** Продирањето на вода во електричниот уред ја зголемува опасноста од струен удар.
 - d) **Не злоупотребувајте го приклучниот кабел за носење, бесење на уредот или за извлекување на штекерот од мрежниот приклучок.** Чувајте го кабелот подалеку од топлина, масло, остри рабови или деловите на апаратот кои се движат. Оштетени или заплеткани кабли ја зголемуваат опасноста од струен удар.
 - e) **Кога го употребувате полначот надвор, користете продолжен кабел кој е соодветен за употреба на отворен простор.** Примената на продолжен кабел соодветен за работа на отворен простор ја намалува опасноста од струен удар.
 - f) **Доколку не може да се избегне работа со електричниот алат во влажна средина, користете прекинувач за струјна заштита при технички проблеми.** Употребата на прекинувачот за струјна заштита при технички проблеми го намалува ризикот од електричен удар.
- ### 3) ЛИЧНА ЗАШТИТА
- a) **Бидете внимателни, внимавајте што правите и постапувајте внимателно додека работите со електричниот алат. Не работете со уредот доколку сте уморни или под дејство на дрога, алкохол или лекови.** Еден момент на невнимание при употребата може да доведе до сериозни повреди.
 - b) **Носете ја личната заштитна опрема и секогаш носете заштитни очила.** Носењето на личната заштитна опрема, како што е маската за прашина, безбедносната облека која не се лизга, заштитен шлем или штитник за слух, зависно од видот и примената на електричниот алат, ја намалува опасноста од повреда.
 - c) **Избегнувајте невнимателно вклучување за време на работата. Осигурајте се прекинувачот да биде во "OFF" позиција пред да го ставите штекерот во приклучокот.** Доколку го носите електричниот алат со прстот на прекинувачот или го приклучувате апаратот кој е приклучен со напојување на струја, може да предизвикате незгода.
 - d) **Пред вклучување на уредот, тргнете ги алатите за подесување или клучот за вртнување.** Алатот или клучот кој се наоѓа во вртливост дел на уредот, може да предизвика незгода.
 - e) **Не ги преценувајте своите способности.** Завземете сигурен и стабилен став и во секој момент одржувајте рамнотежа. На тој начин можете подобро да го контролирате уредот во неочекувани ситуации.
 - f) **Носете соодветна облека. Не носете широка**

- облена или накит. Косата и алиштата треба да бидат подалеку од подвижните делови. Широката облека, накитот или долгата коса може да се закачат за подвижните делови.
- g) **Доколку може да се монтираат направи за вшмукување и фаќање прашина, проверете дали се вклучени и дали можат исправно да се користат.** Примената на овие направи ја намалува опасноста од прашината.
 - h) **Не дозволувајте искуството стенкато со честа употреба на алатите да ве направи спокојни и да ги игнорирате безбедносните принципи при неговото користење.** Невнимателно движење може да предизвика сериозни повреди во дел од секунда.
- ### 4) ВНИМАТЕЛНА УПОТРЕБА И РАКУВАЊЕ СО ЕЛЕКТРИЧНИТЕ АЛАТИ
- a) **Не го преоптеретувајте уредот.** При вашата работа користете го предвидениот електричен алат за таа употреба. Со соодветниот електричен алат ќе работите подобро и посигурно во наведената функционална област.
 - b) **Не користете електричен алат чиј прекинувач е неисправен.** Електричниот алат кој повеќе не може да се вклучува и исклучува е опасен и мора да се поправи.
 - c) **Исклучете го електричниот алат од струја и/или извадете го комплетот со батери, ако се одделува, пред да правите некакви прилагодувања, менувате дополнителна опрема или да го складирате електричниот алат.** Со овие мерки на внимателност ќе се избегне невнимателното вклучување на уредот.
 - d) **Тргнете го електричниот алат кој не го користите од допирот на децата. Не допуштајте работа со уредот на лица кои не се запознаени со него или кои го немаат прочитано ова упатство.** Електричните алати се опасни доколку со нив работат неискусни лица.
 - e) **Одржувајте го електричниот алат и дополнителната опрема.** Имајте контрола околу тоа дали движечките делови на уредот работат беспрекорно и дали не се заглавени, дали деловите се скршени или оштетени до таа мерка што не може да се обезбеди функционирање на уредот. Пред примената, овие оштетени делови треба да се поправат. Причина за многу незгоди е лошо одржуваниот електричен алат.
 - f) **Алатите за сечење одржувајте ги остри и чисти.** Внимателно одржуваните алати за сечење со остри отчртици помалку ќе се заглавуваат и со нив работата ќе биде полесна.
 - g) **Електричниот алат, прибор, работни алати итн., треба да ги користите според овие упатства, и на начин кој е опишан за соодветниот тип на уред.** При тоа, земете ги предвид работните услови и работата која се извршува. Употребата на електричните алати за други цели кои не се предвидени, може да предизвика опасни ситуации.
 - h) **Рачните и површините за држење одржувајте ги суви, чисти и неизмастени.** Рачките и површините за држење што се лизгаат не овозможуваат безбедно ракување и контрола на алатот во неочекувани ситуации.

5) СЕРВИСИРАЊЕ

- a) **Електричниот алат сервисирајте го нај квалификувано лице кое користи само идентични резервни делови.** Со ова се обезбедува безбедно одржување на електричниот алат.

БЕЗБЕДНОСНИ УПАТСТВА ЗА АГОЛНИ ПИЛИ

- **Аголните пили се наменети за сечење дрво или производи слични на дрво, тие не можат да се користат со абразивни тркала за сечење на материјали што содржат железо, како што се решетки, прачки, столпчиња, итн.** Абразивната прашина предизвикува заглавување на подвижните делови, како што е долниот штитник. Искрите од абразивно сечење ќе го изгорат долниот штитник, делот што се отсекува и другите пластични делови.
- **Користете стеги за парчето за обработка сеногаш кога тоа е можно. Ако го држите работното парче со рака, сеногаш мора раната да ви биде најмалку 100 mm оддалечена од двете страни на сечилото на пилата. Не користете ја оваа пила за сечење парчиња што се премногу мали и не можат безбедно да се стегнат или да се држат со рака.** Ако вашата рака е поставена премногу близу до сечилото на пилата, постои зголемен ризик од повреда при контакт со сечилото.
- **Работното парче мора да биде статично и фатено со стега или да се држи потпрено и на оградата и на масата. Не ставајте го работното парче за обработка во сечилото или немојте „слободно“ да го сечете на кој било начин.** Неприцврстените или подвижните работни парчиња може да бидат отфрлени со голема брзина, предизвикувајќи повреда.
- **Туркајте ја пилата напред низ работното парче. Не повлекувајте ја пилата наназад низ работното парче. За да направите рез, подигнете ја главата на пилата и поставете ја над работното парче без сечење, вклучете го моторот, притиснете ја главата на пилата надолу и туркајте ја пилата напред низ работното парче.** Ударот при сечење со повлекување наназад најверојатно ќе предизвика сечилото на пилата да се качи на горниот дел од работното парче и насилно да го отфрли склопот на сечилото кон операторот.
- **Никогаш поставувајте ја раката прену предвидената линија за сечење или пред или зад сечилото на пилата.** „Врктеното“ држење на работното парче, т.е. држењето на работното парче на десно од сечилото на пилата со левата рака или обратно е многу опасно.
- **Не посегнувајте зад оградата со ниту една рака поблиску од 100 mm од која било страна на сечилото на пилата за да отстраните остатоци од дрво или заради која било друга причина додека сечилото се врти.** Близината на сечилото на пилата што се врти до вашата рака може да не е очигледна и можете да бидете сериозно повредени.
- **Проверете го вашето работно парче пред да го исечете.** Ако работното парче е свиено или искривено, затегнете го со надворешното свиено лице кон оградата. Сеногаш осигурите се дена нема празнина помеѓу работното парче, оградата и масата по должината на линијата на сечење. Свиените или искривените работни парчиња

можат да се извртат или да се поместат и може да предизвикаат врзување за сечилото на ротирачката пила при сечење. Не треба да има шајки или страни предмети во работното парче.

- **Не користете ја пилата сè додека не ги тргнете од масата сите алатки, остатоци од дрво и сл., освен работното парче.** Малите остатоци или лабавите парчиња дрво или другите предмети што имаат контакт со ротирачното сечило може да бидат отфрлени со голема брзина.
- **Сечете само едно работно парче во исто време.** Повеќе работни парчиња поставени едно врз друго не можат да бидат соодветно стегнати или ограничени и може да се врзат со сечилото или да се поместуваат за време на сечењето.
- **Осигурете се дена аголната пила е монтирана или поставена на нивелирана, цврста работна површина пред употреба.** Нивелираната и цврста работна површина го намалува ризикот аголната пила да стане нестабилна.
- **Планирајте ја вашата работа! Сеној пат кога ќе го промените аголот на сечење или поставувањето на аголот на заносеност, проверете дали е правилно прилагодена прилагодливата ограда за да го поддржува работното парче и дена нема да го попречува сечилото или системот на штитници.** Без вклучување на алатката на „ON“ и без работно парче на масата, поместете го сечилото на пилата за целосно симулиран рез за да се осигурате дека нема да има попреченост или опасност од сечење на оградата.
- **Обезбедете соодветна поддршка како што се проширувања на масата, потпорни конструкции и сл. за работно парче кое е пошироко или подолго од горниот дел од масата.** Работните парчиња подолги или пошироки од масата за аголна пила може да се превртат ако не се безбедно прицврстени. Ако се превртат отсечените парчиња или работното парче, може да го подигнат долниот штитник или да бидат отфрлени од ротирачното сечило.
- **Не користете друго лице како замена за продолжеток на масата или како дополнителна поддршка.** Нестабилната поддршка на работното парче може да предизвика врзување на сечилото или поместување на работното парче за време на операцијата за сечење, повлекувајќи ве вас и помошникот во ротирачното сечилото.
- **Отсеченото парче не смее да се заглави или да биде притиснато со што било врз ротирачното сечилото на пилата.** Ако е заробено, т.е. со употреба на ограничувачи за должината, отсеченото парче може да се залепи на сечилото и да биде насилно отфрлено.
- **Сеногаш користете стега или прицврстувач дизајниран за правилно поткрепување на кружен материјал, како што се прачки или цевки.** Прачките имаат тенденција да се тркалаат додека се сечат, предизвикувајќи сечилото да „гризе“ и да го влече работното парче со раката во сечилото.
- **Оставете го сечилото да достигне целосна брзина пред да има контакт со работното парче.** Ова ќе го намали ризикот од отфрлање на работното парче.
- **Ако работното парче или сечилото се заглават, исклучете ја аголната пила. Поченајте сите**

подвижни делови да застанат и исклучете го приклучокот од изворот на напојување и/или извадете ја батеријата. Потоа, работете на ослободување на заглавениот материјал Продолженото сечење со пилата со заглавено работно парче може да предизвика губење на контролата или оштетување на аголната пила.

- **По завршување на сечењето, ослободете го прекинувачот, држете ја главата на пилата надолу и почекајте да се запре сечилото пред да го отстраните отсеченото парче.** Опасно е да допосегувате со раката во близина на сечилото.
- **Држете ја рачната цврсто кога правите погледување или кога го ослободувате прекинувачот пред главата на пилата да биде целосно во спуштена положба** Дејството на сопирање на пилата може да предизвика главата на пилата одеднаш да се повлече надолу, предизвикувајќи ризик од повреда.

ДОПОЛНИТЕЛНИ УПАТСТВА ЗА БЕЗБЕДНОСТ

- Налети на струја доведуваат до краткотрајни падови на напонот; под неповолни услови на напојување може да биде оштетена другата опрема (доколку имоенданцијата на напојување со електрична енергија е помала од 0,219 ома, не постои можност да дојде до нарушувања); доколку ви е потребно дополнително објаснување, можете да се обратите до локалната служба за снабдување со електрична енергија

ОПШТИ

- Користете го овој алат само за сечење дрво
- Секогаш проверувајте напонот да е ист со оној кој е назначен на плочката на алатот
- **Немојте да стоите на алатот или на неговата подлога** Може да дојде до сериозна повреда ако алатката се преврти или ако случајно дојде до контакт со алатката за сечење. Не чувајте материјали на алатката или во нејзина близина доколку е потребно да стоите на алатот или на неговата подлога за да ги достигнете.
- **Обезбедете се алатот да е исклучен од струја пред да вршите било какво подесување или замена на приборот**
- **Секогаш исклучувајте го приклучокот од изворот на напојување пред да ја транспортирате аголната пила** Исклучете го приклучокот, спуштете го склопот на долниот дел на главата и заклучете го во положба, користете ја рачката за носење и една од вдлабнатините за раката во основата на пилата.
- **Не оставајте ја алатката додена не запре целосно** **Кога сечете работни парчиња со неправилна форма, испланирајте ја вашата работа за парчето да не се лизне и да не го притисне сечилото и да не ви биде истргнато од рачката**
- Овој алат не треба да го користат лица под 16 години
- Овој алат не е подесен за сечење во присуство на влага

КОРИСТЕЊЕ НА ОТВОРЕНО

- Кога го користите на отворено, поврзете го алатот преку осигурувач за струја (FI) за погрешно напојување во струја за прекинување со максимум 30 mA и користете продолжен кабел којшто е наменет за употреба на отворено и опремен со водостопорен приклучок

ПРЕД УПОТРЕБА

- Продолжениот кабел кој го користите, мора да биде сосема одмотан и безбеден, со капацитет од 16 A
- Носете заштитни очила, заштита за ушите, и заштитни ракавици
- Прашината од материјали како боја која содржи олово, некои видови дрво, минерали и метали, може да биде штетна за здравјето (контактот со прашина или нејзиното вдишување може да шредизвика алергии и/или болести на дишните органи за оној кој работи со алатот или луѓето во близина); **носете маска за прашина и работете со правосмукални доколку можете да ги поврзете**
- Некои видови на прашина се канцерогени (како на пример прашина од даб или бука), особено заедно со адитиви за одржување на дрвото; **носете маска за прашина и работете со правосмукални доколку можете да ги поврзете**
- Следете ги процедурите на вашата земја за прашина која се јавува како резултат од материјалите со кои работите
- **Не обработувајте никаков материјал кој содржи азбест** (азбестот важи за предизвикувач на рак)
- Никогаш не користете електричен алат без оригинален систем за заштита
- Проверете ја заштитата дали е правилно затворена пред секоја употреба
- Не вклучувајте го циркуларот ако заштитата не се движи слободно и веднаш се затвора
- Никогаш не стегајте ниту не врзувајте за заштитата во отворена позиција
- Никогаш не користете го алатот без подметок за масата. Заменете оштетен или изабен подметок за масата
- Пред да почнете со сечење, отстранете ги сите пречки на и под местото каде сечете
- Избегнувајте оштетувања од штрафови, шајки и други предмети во местото каде работите; тргнете ги пред да почнете со работа

ПРИБОР

- Никогаш не користете дискови за оштрење/сечење со овој електричен алат
- SKIL може да признае гаранција само доколку е користен соодветен прибор кој може да се набаво во сите SKIL продавници
- За поставување и користење на приборите кои не се SKIL погледнете го упатството на производителот
- Користете само листови за пила, кои одговараат на наведените податоци во ова упатство за употреба или се проверени според EN 847-1 и се соодветно означени
- Користете само прибор чија дозволена брзина е во најмала рака еднаква на најголемата брзина при празен од на електричниот алат
- никогаш не користете сечила за пили направени од брзоротирачки челик (HSS)
- Не користете сечиво што е напукнато, деформирано или тапо
- Користете ги само сечивата за пили со дијаметар на отворот којшто се вклопува на ободот на алатот без да се мрда; никогаш не користете редуктори или адаптери за сечива од пили за големи отвори
- Заштитете го приборот од потреси, удари и масни површини

ВО ТЕХОТ НА УПОТРЕБАТА

- **Не применувајте сила врз алатот** (применете

лесен и континуиран притисок за да избегнете прегревање на врвовите на сечивата и во случај на сечење пластика, топење на пластичниот материјал)

- Чувајте ги прстите, дланките и рацете подалеку од ротирачкото сечиво на циркуларот
- Ако се блокира сечивото, веднаш исклучете го алатот и прекинете го напојувањето; дури тогаш извадете го парчето што го пробивате
- Во случај на атипично однесување или непознати звуци, веднаш исклучете го алатот и извлечете го штекерот од електричниот приклучок
- Ако кабелот се оштети или пресече за време на работата, веднаш исклучете го и не го допирајте
- Никогаш не користете го алатот кога кабелот е оштетен; тој мора да се замени со специјално подготвен кабел достапен преку организацијата на услуги.

РАДИЈАЦИЈА НА ЛАСЕРОТ

- **Не го насочувајте ласерскиот зрак на лица или животи и не погледнувајте директно во него или неговата рефлексја** (така може да ги заслепите лицата, да предизвикате несреќи или да ги оштетите очите)
- Доколку ласерскиот зрак досее до очите, веднаш треба да ги затворите и да ја тргнете главата од ласерскиот зрак
- Не вршете никакви промени на ласерскиот уред
- Не гледајте во зракот на ласерот (радијација на ласерот)
- Не користете оптички алати за аголемување (нако што се лупа, телескоп или двоглед) за да го гледате зракот на ласерот
- Не вклучувајте го алатот во присуство на запаливи течности, гасови или прашина
- Не вклучувајте го алатот ако во близина има деца
- Не заменувајте го инсталираниот ласер со друг вид ласер

ПО УПОТРЕБА

- По исклучувањето на електричниот алат, никогаш не го запирајте вртењето на приборот со користење на странична сила
- Трагајте ги отсечените делови или другите парчиња од работниот материјал кога деловите што се движат ќе се смират сосема
- Сечивото многу се вжештува во текот на работата. Не допирајте го пред да се излади
- Чувајте ја машината **во затворен простор** на суво и затворено место и подалеку од дофат на деца

ОБЈАСНУВАЊЕ ЗА СИМБОЛИТЕ ЗА АЛАТОТ

- ② Пред употреба прочитајте го прирачникот за употреба
- ③ Носете заштитни очила и заштита за ушите
- ④ **Опасна област! Зона каде не се ставаат рацете. Држете ги дланките, прстите или рацете подалеку од оваа област.**
- ⑤ Двојна изолација (не е потребна заземна жица)
- ⑥ Не се ослободувајте од електрични алати и батерии во домашниот отпад
- ⑦ **Ласерско зрачење / Не гледајте во зракот/ Ласерски производ класа 2**

УПОТРЕБА

- Составување
 - склопете ја рачката за транспорт E со 2 завртки со инбус AN^⑨

- склопете го копчето за заклучување на аголот AE во предниот дел на масата ^⑩
- склопете ја лизгачката ограда U (видете Прилагодување на лизгачката ограда(и))
- **Позиција при транспорт/работа**
За ослободување на алатот (**работна позиција**)
 - Притиснете ја рачката B^⑥ надолу со едната рака додека ја извлекувате иглата за заклучување C со другата рака ^{⑪а}
 - водете го склопот на главата полека нагоре за обезбедување на алатот (**позиција** за транспорт)
 - лизнете го склопот на главата до ограничувачот во насока на оградата S (држете приб. 5 cm растојание) и затегнете го копчето за заклучување AN ^{⑪b}
 - поставете го аголот на закосеност на 0 ° (видете Поставување агол на закосеност)
 - Поставете го аголот на сечење на 45 ° лево или десно (видете Поставување на аголот на сечење)
 - притиснете ја рачката B надолу со едната рака додека со другата рака ја притискате иглата за заклучување C
 - намотајте го кабелот за напојување
 - користете ја рачката за транспорт E ^⑧ за носење на алатката ^{⑪d}
 - алтернативно, користете ги страничните рачки за носење на алатката ^{⑪e}
- ! **никогаш не кревајте ја алатката држејќи ја главната рачка или кабелот за напојување**
- Поставување на алатот на работната површина ^⑫
! **за безбедно ракување, секогаш поставувајте го алатот врз рамна и стабилна работна површина (на пр. работна подлога)**
 - употребете ги 4 отвори за поставување F за прикачување на алатот и соодветните шrafoви на работната површина
 - може и да го стегнете алатот за работната површина со комерцијално достапни стегалки со шrafoви
 - за стабилизирање на алатот може да се прилагоди висината на потпорната ногарка G
 - алтернативно, алатот може да се монтира на држач за аголна пила
- ! **прочитајте ги сите предупредувања и упатства вклучени во држачот за пила**
- Вадење прашина/честички ^⑬
 - поставете вреќа за пилевина H/правосмукалка како што е илустрирано
 - празнете ја редовно кесата за прашина за да постигнете оптимално собирање на прашината
- ! **никогаш не дозволувајте цревето на правосмукалната да дојде во допир со долниот заштитен механизам или со операцијата на сечење**
- Продолжеток на масата за пила ^⑭
 - користете ги копчињата L за прицврстување на продолжителните шипки K (од двете страни на алатот)
 - должината на продолжителните шипки K е прилагодлива без чекори од минимална до максимална
- Стегање на парчето за обработка ^⑮
! **за оптимално безбедна работна средина,**

секогаш цврсто стегнете го парчето за обработка со доставените прилагодливи стеги

- не работете со парчиња што се премногу мали за стегање
- за **максималните** димензии на парчето, користете ја масата ⑩ како референца
- прицврстете ја стегата на работното парче во потпорната дупка N со копчето P (од двете страни на алатот)
- стегата на работното парче има 2 жлеба за лесно заклучување; 1 за тенки работни парчиња (до 5 cm) и 1 за поголеми работни парчиња (над 5 cm)
- притиснете го работното парче цврсто до заштитата S
- отклучете ја рачката R
- прилагодете ја стегата на работното парче
- цврсто затегнете го работното парче со заклучување на рачката R

! за некои комбинации на агол на сечење и агол на законеност, или во зависност од големината на работното парче, може да биде потребно да се користат комерцијално достапни стеги со завртки наместо стегата на работното парче

- Поставување агли за засекување ⑦
 - олабавете ја рачката за заклучување AE
 - повлечете ја рачката за ослободување на агли за сечење AF
 - завртете ја табелата за пила на лево или на десно и поставете го саканиот агол на сечење (од 0° до 50°) со употребата на индикаторот AG
 - рачка за ослободување AF
 - затегнете ја рачката за заклучување AE (**не ја затегнувајте рачката премногу цврсто**)
 - за брзо и прецизно поставување на често користените агли на сечење (0°, 15°, 22,5°, 31,6°, 45°), рачката за задржување на агли за сечење AF кликнува на место во соодветните позиции; за да се спречи ова, рачката AF може да се заклучи во ослободена положба ⑦b
 - Поставување агли на законеност ⑧
 - разлабавете го регулаторот со три крака W
 - вртете ја главата на пилата на лево додека индикаторот за агол на законеност X не покаже кон посакуваниот агол на законеност
 - прилагодливиот краен ограничувач на законеност AA (45°) може да се користи за запирање на 45° или за продолжување до 48° ⑧b
 - држете ја главата на пилата во оваа положба и затегнете го копчето W
 - за закосување на десно, прво навалете ја главата на пилата малку на лево, завртете го копчето за ослободување на десниот агол на законеност AB (приб. 60°), а потоа поместете ја главата на пилата до посакуваниот десен агол на законеност ⑧c
 - кога ќе ја свртите главата на пилата на лево, десното копче за ослободување на законеност AB автоматски ќе се врати на 0° од крајниот ограничувач; ова може да се спречи со вртење на копчето приб. 90° наместо 60° ⑧d
 - Сложени пресеци ⑨
 - сложените пресеци се прават и со поставување на агол на засекување и на аголот за забодување
- ! не ракувајте со пилата во одредени**

комбинации на агол на сечење и агол на законеност што може да резултираат со пречки помеѓу лизгачките и фиксните делови на пилата или помеѓу лизгачните делови и работното парче - за да го направите сечењето, отстранете ја лизгачната ограда, копчето за заклучување на лизгачната ограда и копчето за заклучување на стегата по потреба.

! секогаш прво испробајте на парче стар материјал

- Прилагодување на лизгачните огради ⑫
 - олабавете го копчето V за да се овозможи лизгање на оградата(-ите) U
 - дополнително олабавете го копчето V за да се овозможи отстранување/монтажа на оградата(-ите)
 - затегнете го копчето V за да ја обезбедите посакуваната позиција
 - ! проверете дали лизгачните огради се цврсто прицврстени пред да ракувате со алатката**
 - ! за некои комбинации на агол на сечење и агол на законеност може исто така да биде потребно да се отстрани копчето**
 - Линија на ласерот ⑬
 - за водење на електричниот алат низ саканата линија означена на местото на работата
 - вклучете/исклучете ја линијата на ласерот со притискање на прекинувачот AD
 - ! пред да започнете со работа, проверете го порамнување на линијата на ласерот со вистинската линија на пресенот така што ќе направите пробен засек во отпаден материјал**
 - Пила без лизгачно движење (мали работни парчиња)
 - олабавете го копчето за заклучување AH во случај да е затегнато
 - лизнете ја главата на пилата до ограничувачот во насока на оградата S и повторно затегнете го копчето за заклучување AH
 - ! незакончувањето на механизмот може да предизвика сечилото одеднаш да се искачи на врвот на работното парче и насилно да се насочи кон вас**
 - поставете го алатот во работната положба
 - ! проверете дали парчето за обработка е цврсто стегнато на таблата за сечење и до заштитата S**
 - вклучете ја алатката со ослободување на заклучувањето AJ и повлекување на главниот прекинувач AI
 - ! не прекрстувајте ги рацете кога ракувате со главата на пилата ⑬a**
 - сечете низ парчето за обработка со еднакво напредување
 - ! електричниот алат би требало да се наоѓа во полна брзина пред сечилото да дојде во допир со местото каде се работи**
 - исклучете го алатот со пуштање на прекинувачот AI
 - почекајте додека пилата не дојде до целосен застој пред да ја насочите главата на пилата полека нагоре
- Пила со лизгачно движење (широки работни парчиња)
 - ! бидете свесни дека методот опишан подолу е единствениот безбеден метод**

- не влечете ја пилата низ работното парче
- олабавете го копчето за заклучување АН во случај да е затегнато
- ! **проверете дали парчето за обработна е цврсто стегнато на таблата за сечење и до заштитата S**
- повлечете ја главата на пилата далеку од оградата S доволно, така што сечилото на пилата е пред работното парче 24
- вклучете ја алатката со ослободување на заклучувањето 22 и повлекување на главниот прекинувач
- ! **не прекрстувајте ги рацете кога ракувате со главата на пилата 23a**
- турнете ја главата на пилата во насока на оградата S и сечете низ работното парче со рамномерно напредување 24
- ! **електричниот алат би требало да се наоѓа во полна брзина пред сечилото да дојде во допир со местото каде се работи**
- ! **ако долниот штитник не се отвори автоматски, што може да се случи под одредени услови (на пр. работно парче кое е многу близу до максималниот капацитет), можеби ќе треба да го отворите штитникот рачно 23b**
- исклучете го алатот со пуштање на прекинувачот AI
- почекајте додека пилата не дојде до целосен застој пред да ја насочите главата на пилата полека нагоре
- Сечење жлебови 25
 - поставете ја саканата длабочина со ограничувач на длабочината АК и заклучете го на место со затегнување на завртката AM
 - треба да се постави дрвен дистанцер помеѓу работното парче и оградата за постојана длабочина врз целата должина на жлебот
 - ! **осигурите се сечилото на пилата да не се заглави во работното парче**
 - ! **секогаш прво испробајте на парче стар материјал**
- Замена на сечилата на пилата 26
 - ! **извлечете го приклучокот ако набелот**
 - земете хексагонален клуч AN од складот АО
 - држете го штитникот А во отворена положба
 - олабавете ја завртката на табличката за покривање AQ (не одвртувајте ја завртката целосно) 26a
 - ротирајте го штитникот А целосно наназад 26b
 - притиснете го копчето за заклучување AP и држете го додека ја отстранувате навртката за разлабавување на сечивото AR еден круг со инбус AN **ВО ПРАВЕЦ НА СТРЕЛКИТЕ НА ЧАСОВНИКОТ** (= во истиот правец како и стрелката отпечатена на сечивото)
 - ! **копчето за заклучување на вретеното AP притиснете го кога електричниот алат целосно ќе застане**
 - пуштете го копчето за заклучување на вретеното AP
 - извадете ги крилцето AS и сечивото
 - ! **сменете го сечивото за циркуларот со запците и стрелката отпечатена на сечивото насочени во ист правец како и стрелката на штитникот А**
 - поставете штитник AS 26c
- притиснете го копчето за заклучување на вретеното AP и држете го притиснато додека ја приврстувате завртката на сечилото со вртење на инбусот AN НА ЛЕВО за 1/8 вртења по што треба да затегнете со прстите (така се осигурува лизгањето на сечилото на пилата кога ќе дојде до прекумерен отпор и оптеретување на моторот и повратен удар на пилата)
- затегнете го шрафот за плочата на капакот AQ
- Замена на додаток за масата AT 26
 - Заменете оштетен или изабен додаток за масата како што следи:
 - ! **извлечете го приклучокот ако набелот**
 - земете хексагонален клуч AN од складот АО
 - извадете ги сите 6 шрафови како што е посочено
 - извадете го стариот додаток за таблата прво со подигање однапред и потоа со комплетно извлекување
 - ставете го новиот додаток за масата
 - ! **цврсто затегнете ги сите 6 шрафови**
 - Проверка/прилагодување за 90° на сечивото 28
 - ! **извлечете го приклучокот ако набелот**
 - завртете ја масата за пила во положба од 0° спрема аголот за сечење и заклучете ја на место
 - завртете ја главата на пилата во положба на агол на закосеност од 0°
 - спуштете ја главата на пилата и заклучете ја на место
 - проверете го аголот од 90° меѓу сечивото и масата со квадрат
 - ако е неопходно, прилагодете го порамнувањето на сечивото на 90° како што следи:
 1. разлабавете го регулаторот со три крака W
 2. прилагодете ја завртката Y со инбус од 4 mm (не е вклучен стандардно) 28b
 3. повторно проверете со квадрат
 4. ресетирајте го индикаторот за агол на закосеност на 0° 28c
 - Проверка/прилагодување за 45° на сечивото 29
 - ! **извлечете го приклучокот ако набелот**
 - завртете ја масата за пила во положба од 0° спрема аголот за сечење и заклучете ја на место
 - разлабавете го регулаторот со три крака W
 - поставете го прилагодилиот краен ограничувач на аголот на закосеност AA на 45° 29b
 - свртете ја главата на пилата на лево
 - проверете го аголот од 45° меѓу сечивото и масата со квадрат за засекнување 29a
 - проверете дали индикаторот за забодување X е на обележувањето за 45°
 - ако е неопходно, прилагодете го порамнувањето на сечивото на 45° како што следи:
 1. прилагодете ја завртката Z со клуч за сечилото 10 (не е вклучен стандардно)
 2. повторно проверете со квадрат за агол на сечење
 - доколку е потребно, повторете за поставката од 45° на десно
 - спуштете ја главата на пилата и заклучете ја на место

- Проверка/прилагодување за 90° на порамнувањето за заштитата ⁽³⁰⁾
- ! **извлечете го приклучокот ако кабелот**
- завртете ја масата за пила во положба од 0° спрема аголот за сечење и заклучете ја на место
- спуштете ја главата на пилата и заклучете ја на место
- проверете го аголот од 90° меѓу сечивото и заштитникот S со квадратот (проверете дали квадратот допира до самиот носач на сечивото, а не до запците)
- ако е неопходно, прилагодете го порамнувањето на заштитата од 90° како што следи:
 1. разлабавете ги 4 шестоаголни шrafoви T
 2. прилагодете ја заштитата така што сечивото и заштитата целосно да се допираат со квадратот
 3. затегнете ги 4 шестоаголни шrafoви T
 4. ресетирајте го индикаторот за агол на сечење на 0° ^(30c)
- Стега за кабелот ⁽³¹⁾
 - користете го клипот за кабелот AV за да спречите кабелот за напојување да биде стегнат помеѓу подвижните и фиксирани делови на алатот

СОВЕТИ ЗА ПРИМЕНА

- Специјални парчиња за работа
 - секогаш потпирајте ги слободните краеве на долгото парче за работа
 - проверете дали закосените или тркалезните парчиња за работа се особено обезбедени од лизгање ⁽³³⁾
 - не смее да има процеп кај линијата за сечење меѓу парчето за обработка и заштитата или масата со циркуларот
 - доколку е потребно, фабрикувајте помошна ограда; дупките во лизгачката ограда ќе се користат за обезбедување на помошната ограда ⁽³⁴⁾
- ! **помошната ограда може да се користи само на агол на закосеност од 0°**
- При работа со подни шаблони, сликата ⁽³⁵⁾ може да се користи како референца
- Добрата страна на обработката секогаш вртете ја надолу, за да обезбедите минимално кршење на материјалот
- Користете само остри сечила, од соодветен вид
 - квалитетот на сечењето се подобрува со бројот на запците
 - сечилата со карбиден врв остануваат остри 30 пати подолго од обичните сечила

ОДРЖУВАЊЕ/СЕРВИСИРАЊЕ

- Секогаш чувајте ги алатот и кабелот чисти (особено отворите за вентилација одзади на крај од куќиштето на моторот)
- Развијте редовна проверка за да бидете сигурни дека долниот штитник работи правилно. Исклучете го долниот штитник од наталожена пилевина со влажна крпа.
 - пред чистење извадете го алатот од приклучокот
 - подигнете го долниот штитник во целосно отворена позиција и ослободете го; доколку не се затвори веднаш и целосно, треба да се провери во сервисен центар за електрични алати на SKIL

- Сечилото на пилата исчистете го непосредно по користењето (особено од смола и лепак)
 - сечивото многу се вжештува во текот на работата. Не допирајте го пред да се излади
- Исклучете го ласерското светло AC со мека четка по секоја употреба за да ја задржите добрата видливост на ласерската линија (осигурете се дека не ја менувате поставката на ласерот)
- Доколку алатот и покрај внимателното работење и контрола некогаш откжане, поправката мора да ја изврши невој овластен SKIL сервис за електрични алати
 - во случај на примедба, испратете го алатот **нерасклопен**, заедно со сметкопотврдата, до вашиот продавач или најблискиот SKIL сервис (адресите се наведени на www.skil.com)
- Имајте предвид дека оштетувањето настанато заради преоптоварување или неправилно ракување со алатот ја отфрла гаранцијата (видете на www.skil.com или прашајте го продавачот за условите на гаранцијата на SKIL)

ЗАШТИТА НА ЖИВОТНАТА СРЕДИНА

- **Не се ослободувајте од електрични алати, батерии, уреди или амбалажа преку нивно фрлање во домашното губре** (само за земјите на ЕУ)
 - според Европската Директива 2012/19/ЕС за ослободување од електрична и електронска опрема и нејзина имплементација во согласност со националните закони, електричните алати кои го достигнале крајот на својот животен век мора да бидат собрани посебно и да бидат вратени во соодветен објект за рециклирање
 - симболот ⁽⁶⁾ ќе ве потсетува на ова кога ќе дојде време алатот да го фрлите

БУЧАВА

- Измерено според EN 62841, нивото на звучен притисок кај овој алат е 100,0 dB(A) и нивото на звучна моќност е 109,5 dB(A) (променливост K = 3 dB)
- Нивото на емитување на бучава кое е наведено на задниот дел на ова упатство е измерено во согласност со стандардизираниот тест даден во EN 62841; може да се користи за да се спореди еден алат со друг, и како првична оценка за изложеноста на бучава кога се користи алатот за споменатите примени
 - користењето на алатот за разни примени, или со различни или неправилно чувани делови, може да доведе до значајно **зголемување** на нивото на изложеност
 - кога алатот е исклучен или кога алатот е вклучен но не врши некаква работа, може да дојде до значително **намалување** на нивото а изложеност

AL

Sharrë kornizash teleskopike 1320
HVRJE

- Kjo pajisje është projektuar si një vegël e palëvizshme për prerje gjatësore dhe tërthore në dru me prerje të

drejta si dhe prerje këndore (mund të realizohen kënde horizontale me kllapë nga -50° deri në +50°, si dhe kënde të pjerrëta vertikale nga -48° deri në +45°)

- Lexoni dhe ruani këtë manual të përdorimit ②
- Kjo vegël nuk është e projektuar për përdorim profesional
- **Përdoreni veglën vetëm kur të jetë e montuar me saktësi dhe plotësisht** (kini parasysh se Skil nuk mund të jetë përgjegjës për dëmtime të veglës dhe/ose dëmtime personale që shkaktohen nga montimi i gabuar i veglës)

TË DHËNAT TEKNIKE ①

ELEMENTET E VEGËL ⑧

- A** Mbrojtësja e poshtme
- B** Doreza e çelësit
- C** Kunja bllokuese për transportin
- D** Mbrojtësja e sipërme
- E** Doreza transportuese
- F** Vrimat e montimit
- G** Këmba mbështetëse
- H** Qesja e pluhurave
- J** Porta e pluhurave
- K** Shufrat e zgjatimit
- L** Dorezat për bllokimin e shufrave të zgjatimit
- M** Kllapa për montimin e materialit të punës
- N** Vrima mbështetëse
- P** Doreza për shtrëngimin e kllapës
- Q** Doreza për rregullimin e kllapës
- R** Levë kapëse
- S** Guida
- T** Vidhat heksagonale për rregullimin e guidës (4x)
- U** Bordura rrëshqitëse
- V** Doreza për fiksimin e bordurës rrëshqitëse
- W** Doreza e bllokimit (këndet e pjerrëta)
- X** Treguesi i këndit të pjerrët
- Y** Vidha për rregullimin e këndit të pjerrët (djathtas)
- Z** Vidha për rregullimin e këndit të pjerrët (majtas)
- AA** Bllokuesi i rregullueshëm
- AB** Leva e djathtë e lirimit e pjerrësisë vertikale
- AC** Drita e laserit
- AD** Lazeri i çelësit të ndezjes/fikjes
- AE** Doreza e bllokimit (këndet me kllapë)
- AF** Leva e lirimit për bllokimin e pjerrësisë horizontale
- AG** Treguesi i këndit me kllapë
- AH** Doreza e bllokimit për pajisjen rrëshqitëse
- AI** Çelësi i ndezjes/fikjes
- AJ** Leva e sigurisë
- AK** Kufizuesi i thellësisë së prerjes
- AL** Bllokuesi i thellësisë
- AM** Dadoja e bllokuesit të thellësisë
- AN** Çelësi heksagonal
- AO** Vendi i ruajtjes së çelësit heksagonal
- AP** Butoni i bllokimit të boshtit
- AQ** Vidha e pllakës së kapakut
- AR** Buloni i thikës
- AS** Filanxha
- AT** Vendosja e planit të tavolinës
- AU** Deflektori i pluhurit
- AV** Kapësja e kabllos

SIGURIA

PARALAJMËRIME TË PËRGJITHSHME TË SIGURISË PËR PAJISJET ELEKTRIKE

⚠ PARALAJMËRIM: Lexoni të gjitha paralajmërimet, udhëzimet, ilustrimet dhe specifikimet e dhëna me këtë mjet pune. Mosrespektimi i të gjitha udhëzimeve të renditura më poshtë mund të rezultojnë në goditje elektrike, zjarr dhe/ose dëmtime të rënda.

Ruani të gjitha paralajmërimet dhe udhëzimet për referencë në të ardhmen.

Termi "pajisje elektrike" në paralajmërimi i referohet pajisjes elektrike që përdoret nga priza (me kablllo) ose pajisjes elektrike me bateri (pa kablllo).

1) SIGURIA E ZONËS SË PUNËS

- a) **Mbajeni zonën e punës të pastër dhe të ndriçuar mirë.** Zonat e çrregullta ose të errëta janë një ftesë për aksidente.
- b) **Mos i përdorni pajisjet elektrike në situata me mundësi shpërthimi, si në prani të lëngjeve, gazeve ose pluhurave të djegshëm.** Pajisjet elektrike shkaktojnë shkëndija që mund të ndezin pluhurat ose avujt.
- c) **Mbajini fëmijët dhe personat e tjerë larg gjatë përdorimit të veglës së punës.** Tërheqja e vëmendjes mund të shkaktojë humbjen e kontrollit.

2) SIGURIA ELEKTRIKE

- a) **Siguria e veglës së punës duhet të përpunet me prizën. Mos modifikoni kurrë spinën në asnjë mënyrë. Mos përdorni asnjë spinë përshtatëse me veglat e punës me tokëzim.** Spinat e pamodifikuara dhe prizat përshtatëse do të zvogëlojnë rrezikun e goditjes elektrike.
 - b) **Shmangni kontaktin trupor me sipërfaqe të tokëzuara si tuba, radiatorë, soba dhe frigoriferë.** Ka një rrezik më të madh të goditjeve elektrike nëse trupi është i tokëzuar.
 - c) **Mos ekspozoni veglat e punës në shi ose në kushte me lagështi.** Uji që hyn në veglën e punës do të rritë rrezikun e goditjes elektrike.
 - d) **Mos abuzoni me kordonin. Mos e përdorni kurrë kordonin për transportin, tërheqjen ose heqjen e spinës së veglës së punës. Mbajeni kordonin larg nga nxehtësia, vaji, anët e mprehta ose pjesët që lëvizin.** Kordonët e dëmtuar ose e bllokuar rrisin rrezikun e goditjes elektrike.
 - e) **Kur përdorni një vegël pune në mjedise të jashtme, përdorni një kordon zgjatues të përshtatshëm për përdorim në mjedise të jashtme.** Përdorimi i një kordonit të përshtatshëm për përdorime në mjedise të jashtme zvogëlon rrezikun e goditjes elektrike.
 - f) **Nëse përdorimi i veglës së punës në një vend me lagështi është i pashmangshëm, përdorni një automat qarku me shkarkesë me tokëzim.** Përdorimi i një automati me shkarkesë me tokëzim zvogëlon rrezikun e goditjes elektrike.
- #### 3) SIGURIA PERSONALE
- a) **Qëndroni në gatishmëri, shikoni se çfarë po bëni dhe përdorni gjykimin kur përdorni një vegël pune. Mos e përdorni një vegël pune kur jeni i lodhur ose**

nën ndikimin e ilaçeve, alkoolit ose mjekimit. Një moment humbje e vëmendjes gjatë përdorimit të veglave të punës mund të shkaktojë dëmtime të rënda personale.

- b) **Përdorni pajisje personale mbrojtëse. Mbani gjithmonë pajisje për mbrojtjen e syve.** Pajisjet mbrojtëse si maska kundër pluhurit, këpucët që nuk rrëshqasin, kaskat ose pajisjet për mbrojtjen e veshëve për kushtet përkatëse do të zvogëlojnë dëmtimet personale.
- c) **Parandaloni ndezjen e rastësishme. Sigurohuni që çelësi është në pozicionin fikur para se të lidhni burimin e energjisë dhe/ose baterinë, para se të merrni ose të transportoni pajisjen.** Transportimi i veglave të punës me gishtin në çelës ose aktivizimi i veglave të punës që kanë çelësin të ndezur është një ftesë për aksidente.
- d) **Hiqni çdo çelës ose çelës përshtatës para ndezjes së veglës së punës.** Një çelës i lënë i lidhur me një pjesë rrotulluese të veglës së punës mund të shkaktojë dëmtime personale.
- e) **Mos u zgjasni. Mbani një vendosje të mirë të këmbëve dhe një ekuilibër të mirë në çdo moment.** Kjo gjë bën të mundur një kontroll më të mirë të veglës së punës në situata të papritura.
- f) **Vishuni në mënyrën e duhur. Mos vishni veshje të gjera ose bizhuteri. Mbani flokët, veshjet dhe dorashkat larg nga pjesët lëvizëse.** Veshjet e gjera, bizhuteritë ose flokët e gjatë mund të kapen nga pjesët në lëvizje.
- g) **Nëse janë ofruar pajisje për lidhjen e pajisjeve të mbledhjes dhe nxjerrjes së pluhurave, sigurohuni që ato të jenë të lidhura dhe të përdoren si duhet.** Përdorimi i mbledhjes së pluhurave mund të zvogëlojë rreziqet në lidhje me pluhurat.
- h) **Mos lejoni që familjarizimi i fituar nga përdorimi i shpeshtë i veglave t'ju lejojë të tregoheni të vetëkënaqur dhe të shpërfillni parimet e sigurisë për pajisjet.** Një veprim i pakujdesshëm mund të shkaktojë dëmtime të rënda në më pak se një sekondë.
- 4) **PËRDORIMI DHE KUJDESI PËR VEGLËN E PUNËS**
- a) **Mos ushtroni forcë mbi veglën e punës. Përdorni veglën e punës të duhur për përdorimin tuaj.** Vegla e punës e duhur do të realizojë një punë më të mirë dhe më të sigurt dhe me shpejtësinë që ajo është e projektuar.
- b) **Mos përdorni veglën e punës nëse çelësi nuk e ndez apo e fik.** Çdo vegël pune që nuk mund të kontrollohet me anë të çelësit është e rrezikshme dhe duhet të riparohet.
- c) **Shkëputni spinën nga burimi i energjisë dhe/ose baterinë nga vegla e punës para se të bëni rregullime të tjera, të ndryshoni aksesorët ose të ruani veglat e punës.** Këto masa parandaluese të sigurisë ulin rrezikun e ndezjes aksidentale të veglës së punës.
- d) **Mbani veglat e punës larg fëmijëve dhe mos lejoni personat e pamësuar me veglën e punës ose këto udhëzime për përdorimin e pajisjes.** Veglat e punës janë të rrezikshme në duart e përdoruesve të patrajnuar.
- e) **Mirëmbani veglat e punës. Kontrolloni për mospërshtatje ose bllokim të pjesëve lëvizëse, thyerje të pjesëve dhe gjendje të tjera që mund të ndikojnë në funksionimin e veglës së punës.**

Nëse dëmtohet, riparojeni veglën e punës para përdorimit. Shumë aksidente shkaktohen nga veglat e punës jo të mirëmbajtura si duhet.

- f) **Mbajini pajisjet prerëse të pastra dhe të mprehta.** Pajisjet e prerjes të mirëmbajtura dhe me anë të mprehta kanë më pak mundësi për t'u bllokuar dhe janë më të lehta për t'u kontrolluar.
- g) **Përdorni veglat e punës, aksesorët dhe puntot, etj. në përputhje me këto udhëzime, duke marrë parasysh kushtet e punës dhe punën që do të kryhet.** Përdorimi i veglave për përdorime të ndryshme nga ato të përcaktuara mund të shkaktojë rreziqe.
- h) **Mbajini dorezat dhe sipërfaqet ku mbaheni të thata, të pastra dhe pa vajra ose graso.** Dorezat dhe sipërfaqet ku mbaheni, kur janë të rrëshqitshme, nuk ju lejojnë ta menaxhoni dhe ta kontrolloni në mënyrë të sigurt pajisjen në situata të papritura.
- 5) **SHËRBIMI**
- a) **Shërbimi i veglës së punës duhet të kryhet nga një person i kualifikuar për riparimet duke përdorur vetëm pjesë ndërrimi identike.** Kjo gjë do të sigurojë ruajtjen e sigurisë së veglave të punës.

UDHËZIMET E SIGURISË PËR SHARRAT BANGO

- **Sharrat bango janë të projektuara për prerjen e produkteve të drurit dhe të ngjashme me drurin; ato nuk mund të përdoren me disqe prerëse smeriluese për prerjen e materialeve si shina, shufra, gozhde etj.** Pluhuri i smerilimit shkakton bllokimin e pjesëve lëvizëse, si p.sh. të mbrojtëses së poshtme. Shkëndijat nga prerja me smerilim do të djegin mbrojtësen e poshtme, elementin e prerjes dhe pjesët e tjera plastike.
- **Përdorni kllapa për të mbështetur materialin e punës sa herë që është e mundur. Nëse e mbështetni materialin e punës me dorë, duhet ta mbani gjithmonë dorën të paktën 100 mm nga çdo anë e diskut të sharrës. Mos e përdorni këtë sharrë për të prerë materiale që janë shumë të vogla për t'u vendosur në mënyrë të sigurt në kllapa, apo për t'u mbajtur me dorë** Nëse dora është vendosur shumë afër diskut të sharrës, ekziston një rrezik më i madh i dëmtimit nga kontakti me diskut.
- **Materiali i punës duhet të jetë e palëvizshëm dhe i kapur me kllapa, ose i mbajtur mes bordurës dhe bangos. Mos e futni materialin e punës te disku ose mos prisni "me dorë të lirë" në asnjë mënyrë** Materialet e punës që nuk janë kapur ose që lëvizin mund të kërcejnë me shpejtësi të lartë, duke shkaktuar dëmtime.
- **Shtyjeni sharrën në materialin e punës. Mos e tërhiqni sharrën përgjatë materialit të punës. Për të bërë një prerje, ngrini kokën e sharrës dhe tërhiqeni atë mbi materialin e punës pa prerë, ndizni motorin, shtypni poshtë kokën e sharrës dhe shtyjeni sharrën përgjatë materialit të punës** Prerja me tërheqje mund të bëjë që disku i sharrës të ngjitet mbi materialin e punës dhe ta hedhë njësinë e diskut me forcë drejt operatorit.
- **Mos e kryqëzoni kurrë dorën me vijën e planifikuar të prerjes përpara ose prapa diskut të sharrës** Mbështetja e materialit të punës "me dorën të kryqëzuar" d.m.th. mbajtja e materialit të punës në të djathtë të diskut me dorën tuaj të majtë ose anasjelltas është shumë e rrezikshme.

- **Mos e zgjatni dorën prapa bordurës më afër se 100 mm nga të dyja anët e diskut të sharrës për të hequr copat e drurit, ose përdonjë arsye tjetër, kur disku është duke u rrotulluar** Afërsia e diskut të sharrës me diskut që rrotullohet mund të mos jetë e dukshme dhe mund të lëndohet rëndë.
- **Kontrolloni materialin e punës para prerjes** Nëse materiali i punës është i harkuar ose i deformuar, kapeni atë me pjesën e jashtme të harkimit drejt bordurës. Sigurohuni gjithmonë që të mos ketë hapësirë mes materialit të punës, bordurës dhe bangos përgjatë vijës së prerjes. Materialet e punës që janë të përkulura ose të deformuara mund të përdridhen ose të lëvizin dhe mund të shkaktojnë bllokimin në diskut e sharrës gjatë prerjes. Në materialin e punës nuk duhet të ketë gozhdë apo objekte të tjera të huaja.
- **Mos e përdorni sharrën derisa bangoja të jetë e pastër nga të gjitha veglat, copëzat e drurit, etj., përveç materialit të punës** Copëzat e vogla, copat e lira të drurit ose sende të tjera që bien në kontakt me diskut rrotullues mund të kërcejnë me shpejtësi të lartë.
- **Prisni vetëm një material në të njëjtën kohë** Shumë materiale pune në stivë nuk mund të kapen ose fiksohen si duhet dhe mund të përkulen ndaj diskut ose të lëvizin gjatë prerjes.
- **Sigurohuni që sharra bangoje të jetë e montuar ose e vendosur në një sipërfaqe pune të qëndrueshme dhe në nivel para përdorimit.** Një sipërfaqe pune e qëndrueshme dhe në nivel zvogëlon rrezikun për humbjen e stabilitetit të sharrës bango.
- **Planifikoni punën që do të kryeni! Sa herë që të ndryshoni përcaktimin e këndit 45-gradësh ose të pjerrët, sigurohuni që bordura e rregullueshme të jetë caktuar si duhet për mbështetjen e materialit të punës dhe që nuk do të shkaktojë ndërhyrje me diskut ose sistemin mbrojtës** Pa e ndezur veglën dhe pa materialin e punës në bango, lëvizini diskutin e sharrës për një simulim të plotë të prerjes për të siguruar që nuk ka asnjë ndërhyrje ose rrezik për prerjen e bordurës.
- **Siguroni mbështetjen e duhur, p.sh. me zgjatues të bangos, këmbalecë etj. për një material pune që është më i gjerë ose më i gjatë se pjesa e sipërme e bangos.** Materialet e punës që janë më të gjata ose më të gjera se bangoja e sharrës mund të humbasin ekuilibrin nënë nuk kanë një mbështetje të sigurt. Nëse materiali i punës ose pjesa e prerë bien, ato mund të ngrënë lart mbrojtësen e poshtme ose të hidhen drejt diskut rrotullues.
- **Mos përdorni një person tjetër për të zëvendësuar një zgjatues bangoje ose për më shumë mbështetje** Mbështetja e paqëndrueshme për materialin e punës mund të shkaktojë përkuljen e diskut ose lëvizjen e materialit të punës, duke ju tërhequr ju dhe personin që ju ndihmon drejt diskut rrotullues.
- **Njësa e prerë nuk duhet të bllokohet ose të shtypet me asnjë mënyrë drejt diskut rrotullues të sharrës** Nëse e kufizoni, d.m.th. përdorni bllokues të gjatësisë, pjesa e prerë mund të shtrengohet ndaj diskut dhe të hidhet në forcë.
- **Përdorni gjithmonë një kllapë ose një fiksues të projektuar për të mbështetur si duhet materialet e rrumbullakëta, si shufrat ose tubat** Shufrat kanë tendencën të rrotullohen gjatë prerjes, duke bërë që disku "të kafshojë" dhe ta tërheqë materialin e dorën tuaj drejt diskut.

- **Lëri diskutin të arrijë shpejtësinë e tij të plotë para se të bjerë në kontakt me materialin e punës** Kjo do të zvogëlojë rrezikun e hedhjes së materialit të punës.
- **Nëse materiali i punës ose disku bllokohen, fikeni sharrën e bangos. Prisni që të ndalojnë të gjitha pjesët lëvizëse dhe hiqni spinën nga burimi i energjisë elektrike dhe/ose hiqni njësinë e baterisë.** Më pas punoni për të çliuar materialin e bllokuar. Nëse vazhdoni sharrimin me një material të bllokuar, kjo mund të shkaktojë humbjen e kontrollit ose dëmtimin e sharrës bango.
- **Pasi të përfundoni prerjen, lëshoni çelësin, mbajeni sharrën të ulur dhe prisni që disku të ndalojë para se të hiqni pjesën e prerë** Futja e dorës afër diskut para se të ndalojë është e rrezikshme.
- **Mbajeni dorëzën fort kur kryeni një prerje jo të plotë ose kur lëshoni çelësin para se koka e sharrës të jetë plotësisht në pozicionin e ulur** Veprimi frenues i sharrës mund të bëjë që koka e sharrës të tërhiqet papritur poshtë, duke sjellë një rrezik për lëndime.

UDHËZIMET E SHITESË PËR SIGURINË

- **Korenti gjatë kohës së pikut shkakton rënie të shkurtra të voltazhit; në kushtet të pafavorshme të furnizimit me energji, pajisjet e tjera mund të preken (nëse rezistenca e sistemit për furnizimin elektrik është më e ulët se 0,219 Ohm, dhe mund të ndodhin çrregullime); nëse keni nevojë për më shumë sqarime, mund të kontaktoni me autoritetin e furnizimit me energji**

TË PËRGJITHSHME

- Përdoreni këtë pajisje vetëm për prerjen e drurit
- Kontrolloni gjithmonë që voltazhi i energjisë është i njëjtë me voltazhin e treguar në etiketën e veglës
- **Mos qëndroni mbi veglën ose bazamentin e saj** Mund të ndodhin lëndime serioze nëse vegla përmbysset ose nëse bini aksidentalisht në kontakt me pajisjen prerëse. Mos ruani materialet mbi ose pranë veglës që të jetë e nevojshme të qëndroni mbi veglën ose bazamentin e saj për t'i marrë ato.
- **Shkëputni gjithmonë spinën nga burimi i energjisë para kryerjes së rregullimeve ose ndryshimeve të aksesorëve**
- **Hiqni gjithmonë spinën nga burimi i energjisë para se ta transportoni sharrën bango** Hiqeni nga priza, ulni njësinë e kokës dhe bllokoheni në pozicion, përdorni dorëzën e transportit dhe një nga kllapat e dorës në bazën e sharrës.
- **Mos e lini pajisjen derisa të ndalojë plotësisht**
- **Mos prisni materialet pune me formë të çrregullt, planifikoni punën që të mos rrëshqasë dhe të kapet te disku dhe të tërhiqet me forcë nga dora juaj**
- Kjo pajisje nuk duhet të përdoret nga personat nën moshën 16 vjeç
- Kjo vegël nuk është e përshtatshme për prerje në lagështi

PËRDORIMI NË AMBIENTE TË JASHTME

- Kur e përdorni në ambiente të jashtme, lidhni pajisjen me një automat të korrentit të defektit (FI) me rrymë aktivizuese maksimumi 30 mA, dhe përdorni vetëm një kordon zgjatues të projektuar për përdorim në ambiente të jashtme me një prizë kundër ujit

PARA PËRDORIMIT

- Përdorni kordonin të pahapur dhe të sigurt për zgjatime, me një kapacitet 16 amper

- Mbani syze mbrojtëse, mbrojtëse për veshët dhe doreza mbrojtëse
- Pluhurat nga materialet si boja me plumb, disa lloje drurësh, mineralesh dhe metalesh mund të jenë të dëmshme (kontakti ose thithja e pluhurave mund të shkaktojë reagime alergjike dhe/ose sëmundje respiratore për përdoruesin ose personat përreth); **mbani një maskë për pluhurat dhe punoni me një pajisje për heqjen e pluhurave kur mund të lidhet**
- Disa lloje pluhurash kanë klasifikuar si kancerogjene (si pluhuri i lisit dhe i ahut) veçanërisht në ndërthurje me lëndët shtesë për kondicionimin e drurit; **mbani një maskë për pluhurat dhe punoni me një pajisje për heqjen e pluhurave kur mund të lidhet**
- Respektoni kërkesat kombëtare në lidhje me pluhurat për materialet me të cilat dëshironi të punoni
- **Mos punoni me materiale që përmbajnë asbest** (asbesti konsiderohet kancerogjen)
- Mos e përdorni kurrë pajisjen pa sistemin origjinal mbrojtës
- Kontrolloni mbrojtësen që të mbyllet si duhet para çdo përdorimi
- Mos e përdorni sharrën nëse mbrojtësja nuk lëviz lirshëm dhe nuk mbyllet menjëherë
- Mos e shtrëngoni apo lidhni asnjëherë mbrojtësen në pozicionin e hapur
- Mos e përdorni kurrë pajisjen pa elementin e planit të tavolinës; zëvendësoni elementin e planit të tavolinës nëse ka defekt ose konsumohet
- Hiqni të gjitha pengesat mbi si dhe poshtë në rrugën e prerjes para se të filloni prerjen
- Shmangni dëmtimet që mund të shkaktohen nga vidat, gozhdët dhe elementet e tjera në materialin e punës; hiqni ato para se të filloni punën

AKSESORËT

- Mos përdorni kurrë disqe mpresës/prerës me këtë vegël
- SKIL mund të garantojë funksionimin pa probleme të veglës vetëm kur përdoren aksesorët e duhur që mund të merren nga shitësi i SKIL
- Për montimin/përdorimin e aksesorëve jo nga SKIL, ndiqni udhëzimet e prodhuesit përkatës
- Përdorni vetëm tehe të sharrës që përputhen me të dhënat e karakteristikave të dhëna në këto udhëzime përdorimi dhe që janë testuar dhe shënuar si në përputhje me EN 847-1
- Përdorni vetëm aksesorë me një shpejtësi të lejuar që përshtatet të paktën me shpejtësinë më të lartë pa ngarkesë të pajisjes
- Mos përdorni kurrë lama të sharrës të bëra me çelik të shpejtë (HSS)
- Mos përdorni një thika sharre që është e krisur, e deformuar ose jo e mprehtë
- Përdorni vetëm thika sharre me diametër vrime që përshtatet me boshtin kryesor të pajisjes pa e lëvizur; mos përdorni kurrë minimizues ose adaptorë për të përshtatur thika sharre me vrime të madhe
- Mbrojini aksesorët nga goditja, tronditja dhe grasoja

GJATË PËRDORIMIT

- **Mos e sforconi pajisjen** (ushtroni trysni të lehtë dhe në vazhdim për të shmangur mbinxehjen e majave të thikave dhe, në rast të prerjes së plastikës, shkrirjen e materialit plastik)
- Mbajini gishtat, duart dhe krahët larg nga thika e sharrës që rrotullohet
- Nëse thika e sharrës bllokohet, fikeni menjëherë pajisjen dhe hiqeni nga prizja; vetëm atëherë mund të hiqni materialin e çarë

- Në rast bllokimi ose defekti elektrik ose mekanik, fikeni menjëherë veglën dhe hiqni spinën
- Nëse kordoni dëmtohet ose pritet gjatë punës, mos e prekni kordonin por hiqni menjëherë spinën
- Asnjëherë mos e përdorni mjetin kur kordoni është dëmtuar; ai duhet të ndërrohet me një kordon të përgatitur në mënyrë të veçantë përmes organizatës së shërbimit.

RREZATIMI I LAZERIT

- **Mos e drejtoni rrezet e laserit drejt personave ose kafshëve dhe mos shikoni vetë në rrezet e drejtpërdrejtë ose të reflektuar të laserit, aq edhe në distancë** (mund ta verboni dikë, të shkaktoni aksidente ose dëmtime të syve tuaj)
- Nëse rrezatimi i laserit ju godet në sy, duhet t'i mbyllni me kujdes sytë dhe të ktheni menjëherë kokën larg nga rrezja
- Mos bëni asnjë modifikim të pajisja e laserit
- Mos e shikoni drejt në rrezet e laserit (rrezatimi i laserit)
- Mos përdorni mjete optike për zmadhim (si lupë, teleskop ose dylibi) për të parë rrezet e laserit
- Mos e përdorni pajisjen në praninë e lëngjeve të djegshme, gazeve ose pluhurave të tillë
- Mos e përdorni pajisjen kur ka fëmijë përreth
- Mos e zëvendësoni lazerin e instaluar me një lloj tjetër lazeri

PAS PËRDORIMIT

- Pas fikjes së veglës, mos e ndaloni kurrë rrotullimin e aksesorit duke ushtruar një forcë anësore
- Hiqni copat e prera ose copat e tjera të materialit të punës nga zona e prerjes vetëm kur të gjitha pjesët lëvizëse të kenë ndaluar plotësisht
- Thika e sharrës nxehet shumë gjatë përdorimit; mos e prekni para se të jetë ftohur
- Magazinojeni pajisjen **në ambiente të brendshme** në një vend të thatë dhe të mbyllur, larg nga fëmijët

SHPJEGIMI I SIMBOLEVE NË VEGËL

- Lexoni manualin e udhëzimeve para përdorimit
- Mbani syze mbrojtëse dhe pajisje mbrojtëse për dëgjimin
- Zona e rrezikut! Zona larg duart. Mbajini duart, gishtat ose krahët larg nga kjo zonë.**
- Izolimi i dyfishtë (nuk kërkohet tokëzim)
- Mos i hidhni veglat elektrike dhe bateritë së bashku me materialet e mbeturinave familjare
- Rrezatimi laser / Mos shikoni në rrezet / Klasë laser 2 produkt**

PËRDORIMI

- Montimi
 - montoni dorezën e transportit E me bulona 2 duke përdorur çelësin heksagonal AN ⑨
 - montoni çelësin e bllokimit të bangos AE në pjesën e përparme të bangos ⑩
 - montoni bordurën rrëshqitëse U (shikoni Rregullimi i bordurave rrëshqitëse)
- Pozicioni i transportit/punës
 - Për lëshimin e pajisjes (pozicioni i **punës**)
 - shtypni poshtë dorezën B ⑧ me njërën dorë ndërsa nxirrni kunjin e bllokimit C me dorën tjetër ⑪a
 - drejtoni ngadalë lart njësinë e kokës
- Për sigurimin e pajisjes (pozicioni i **transportit**)
 - rrëshqisni njësinë e kokës të bllokuesit në drejtim të bordurës S (mbani rreth, 5 cm distancë) dhe shtrëngoni dorezën bllokuese AH ⑪b

- vendosni këndin vertikal në 0° (shikoni Vendosja e këndit vertikal)
- vendosni këndin horizontal në 45° majtas ose djathtas (shikoni Vendosja e këndit horizontal)
- shtypni poshtë dorezën B poshtë me njërën dorë ndërsa shtyni kunjën e bllokimit C me dorën tjetër
- mblidhni kabllon elektrike
- përdorni dorezën e transportit E ⑧ për transportin e pajisjes ⑪d
- si alternativë, përdorni dorezat anësore për transportin e pajisjes ⑪e
- ! **mos e ngrini kurrë veglën duke mbajtur dorezën kryesore ose kordonin elektrik**
- Montimi i pajisjes në sipërfaqen e punës ⑫
 - ! **për manovrim të sigurt, montojni pajisjen gjithmonë mbi një sipërfaqe pune të rrafshët dhe të qëndrueshme (p.sh. bango pune)**
 - përdorni 4 vrimat e montimit F për vendosjen e pajisjes me vidha të përshtatshme mbi sipërfaqen e punës
 - mund ta kapni po ashtu pajisjen në sipërfaqen e punës me kllapa vidhash që gjenden në treg
 - për stabilizimin e veglës mund të rregullohet lartësia e këmbës mbështetëse G
 - si alternativë, vegla mund të montohet në një bazament sharrë bango
 - ! **lexoni të gjitha paralajmërimet dhe udhëzimet e përfshira me bazamentin e sharrës**
- Nxjerrja e pluhurave/ashklave ⑬
 - montoni qese pluhuri H/fshesë me korrent si në ilustrim
 - boshatisni rregullisht qesen e pluhurave për një rendiment optimal në mblidhjen e pluhurave
 - ! **mos lejoni kurrë që tubi i fshesës me korrent të ndërhyjë në mbrojtësen e poshtme ose gjatë veprimit të prerjes**
- Zgjatja e bangos së sharrës ⑭
 - përdorni dorezat L për të fiksuar shinat zgjatuese K (në të dyja anët e veglës)
 - gjatësia e shinave zgjatuese K rregullohet në vazhdimësi nga minimumi në maksimum
- Shtërngimi i materialit të punës ⑮
 - ! **për një siguri optimale gjatë punës kapeni gjithmonë mirë materialin e punës me anë të kllapës së rregullueshme të përfshirë**
 - mos punoni me materiale që janë shumë të vogla për t'i kapur
 - për përmasat maksimale të materialeve të punës përdorni tabelën ⑮ si referencë
 - mbërtheni kapësen e materialit në vrimën e mbështetjes N me anë të dorezës P (në njërën anë të pajisjes)
 - kllapa e materialit të punës ka 2 kanale për kapjen me lehtësi; 1 për materiale të holla (deri në 5 cm) dhe 1 për materiale më të mëdha (mbi 5 cm)
 - shtypni materialin e punës fort mbi guidë S
 - leva e zhblokimit R
 - përshtateni kllapën me materialin
 - fiksoni fort materialin e punës duke bllokuar levën R
 - ! **për disa kombinime të këndit horizontal dhe vertikal, ose në varësi të madhësisë së materialit të punës, mund të jetë e nevojshme të përdorni kapëse me vidhosje që gjenden në treg në vend të kllapës së materialit të punës**
- Përcaktimi i këndeve me kllapa ⑰
 - lironi dorezën e bllokimit AE
 - tërhiqni levën e lëshimit të këndit horizontal AF
 - rrotulloni bangon majtas ose djathtas dhe vendosni këndin horizontal të dëshiruar (nga 0° deri në 50°) duke përdorur treguesin AG
 - leva e lëshimit AF
 - shtrëngoni dorezën e bllokimit AE (**mos e shtrëngoni dorezën shumë fort**)
 - për vendosjen e shpejtë dhe precize të këndeve horizontale të përdorura shpesh (0°, 15°, 22,5°, 31,6°, 45°), leva e ndalimit të këndit horizontal AF kërcet në pozicionin përkatëse; për të parandaluar këtë, leva AF mund të bllokohet në pozicionin e lëshuar ⑰b
- Vendosja e këndeve vertikale ⑱
 - lironi dorezën me tre këmbë W
 - rrotulloni kokën e sharrës në të majtë deri sa treguesi i këndit të pjerrët X të tregojë këndin e pjerrët që dëshironi
 - bllokuesi i rregullueshëm i këndit vertikal AA (45°) mund të përdoret për të ndaluar në 45° ose për të vazhduar deri në 48° ⑱b
 - mbajeni kokën e sharrës në këtë pozicion dhe shtrëngoni dorezën W
 - për pjerrësi në të djathtë, fillimisht ktheni sharrën pak në të majtë, rrotulloni dorezën e djathtë të lirim të pjerrësisë vertikale AB (rreth 60°), pastaj lëvizni kokën e sharrës në këndin e duhur të pjerrët vertikal ⑱c
 - kur e ktheni kokën e sharrës majtas, çelësi i djathtë i lirim të pjerrësisë vertikale AB do të rivendoset automatikisht në ndalesën 0°; kjo mund të parandalohet duke e rrotulluar dorezën në afërsisht 90° në vend të 60° ⑱d
- Prerjet e përbëra ⑲
 - prerjet e përbëra kërkojnë një përcaktim të këndit me kllapa si dhe një përcaktim të këndit të pjerrët
 - ! **mos e përdorni sharrën në kombinime të caktuara të këndeve horizontale dhe vertikale që mund të shkaktojnë ndërhyrje midis pjesëve rrëshqitëse të të palëvizshme të sharrës ose midis pjesëve rrëshqitëse dhe materialit të punës - për të bërë prerjen hiqi bordurën rrëshqitëse, dorezën bllokuese të bordurës rrëshqitëse dhe dorezën e kllapës së materialit siç kërkohet.**
 - ! **gjithmonë provojeni në fillim në një material të padobishëm**
- Rregullimi i bordurave rrëshqitëse ⑳
 - lironi dorezën V për të lejuar rrëshqitjen e bordurave U
 - lironi më tej dorezën V për të lejuar heqjen / montimin e bordurave
 - shtrëngoni butonin V për të siguruar pozicionin e dëshiruar
 - ! **sigurohuni që bordurat rrëshqitëse të jenë siguruar mirë para se të përdorni pajisjen**
 - ! **për disa kombinime të këndeve vertikale dhe horizontale, mund të jetë gjithashtu e nevojshme ta hiqni dorezën**
- Vija e lazerit ㉑
 - për drejtimin e veglës në vijën e dëshiruar të prerjes të shënuar në materialin e punës
 - fikeni/ndizeni vijën e lazerit duke shtypur çelësin AD
 - ! **para se të filloni një punë, kontrolloni përputhjen e vijës së lazerit me vijë aktuale të prerjes duke bërë një prerje provë në një copë materiali që nuk ju duhet**

- Prerja **pa** lëvizje rëshqitëse (**materiale** të vogla)
 - lironi dorezën e bllokimit AH në rast se shtrëngohet
 - rrëshqisni kokën e sharrës te ndalesa në drejtim të bordurës S dhe shtrëngoni dorezën e bllokimit AH
 - ! **mosbllokimi i mekanizmit mund të shkaktojë ngjitjen e papritur të diskut mbi materialin e punës dhe të drejtohet drejt jush**
 - vendoseni pajisjen në pozicionin e punës
 - ! **sigurohuni që materiali i punës është i kapur fort me tavolinën e sharrës dhe me guidën S**
 - ndizni pajisjen duke liruar bllokuesin AJ dhe duke tërhequr çelësin kryesor AI
 - ! **mos i kryqëzoni krahët kur përdorni kokën e sharrës** 23a
 - sharroni materialin e punës me një progres uniform
 - ! **vegla duhet të arrijë shpejtësinë e plotë para të lama të hyjë në materialin e punës**
 - fiken pajisjen duke lëshuar çelësin AI
 - prisni derisa disku të ketë ndaluar plotësisht përpara se ta drejtoni kokën e sharrës ngadalë lart
- Prerja **pa** lëvizjen me rëshqitje (**materiale** të gjera)
 - ! **kini parasysh se metoda e përshkruar më poshtë është e vetmja metodë e sigurt**
 - mos e tërhiqni sharrën përgjatë materialit të punës
 - lironi dorezën e bllokimit AH në rast se shtrëngohet
 - ! **sigurohuni që materiali i punës është i kapur fort me tavolinën e sharrës dhe me guidën S**
 - tërhiqeni dhe largojeni mjaftueshëm kokën e sharrës nga bordura S që disku i sharrës të jetë përpara materialit të punës 24
 - ndizni pajisjen duke liruar bllokuesin 22 dhe duke tërhequr çelësin kryesor
 - ! **mos i kryqëzoni krahët kur përdorni kokën e sharrës** 23a
 - shtypni kokën e sharrës në drejtim të bordurës S dhe pritni materialin me lëvizje uniforme 24
 - ! **vegla duhet të arrijë shpejtësinë e plotë para të lama të hyjë në materialin e punës**
 - ! **nëse mbrojtësja e poshtme nuk hapet automatikisht, gjë që mund të ndodhë në kushte të caktuara (p.sh. një material që është shumë afër kapacitetit maksimal), mund t'ju duhet ta hapni mbrojtësen me dorë** 23b
 - fiken pajisjen duke lëshuar çelësin AI
 - prisni derisa disku të ketë ndaluar plotësisht përpara se ta drejtoni kokën e sharrës ngadalë lart
- Prerja e kanaleve 25
 - vendosni thellësinë e dëshiruar me ndalesën e thellësisë AK dhe bllokujeni atë në vendin përkatës me dadon e shtrëngimit AM
 - një distancator druri duhet të vendoset midis materialit të punës dhe bordurës për një thellësi uniforme mbi të gjithë gjatësinë e kanalit
 - ! **sigurohuni që disku i sharrës të mos bllokohet në materialin e punës**
 - ! **gjithmonë provojeni në fillim në një material të padobishëm**
- Ndërimi i thikës së sharrës 26
 - ! **hiqeni spinën**
 - merrni çelësin heksagonal AN nga vendi i mbajtjes AO
 - mbajeni mbrojtësen A në pozicionin e hapur
 - lironi vidën e pllakës së kapakut AQ (**mos e hiqni plotësisht vidën**) 26a
 - rrotulloni mbrojtësen A plotësisht prapa 26b
 - shtypni butonin e bllokimit të boshtit rrotullues AP dhe mbajeni ndërsa hiqni bulonin e thikës AR duke rrotulluar çelësin heksagonal AN në drejtim **ORAR** (= në të njëjtin drejtim me shigjetën e printuar në thikën e sharrës)
 - ! **shtypni butonin e bllokimit të boshtit rrotullues AP vetëm kur vegla të jetë e palëvizshme**
 - lëshoni butonin e bllokimit të boshtit rrotullues AP
 - hiqni flanaxhën AS dhe thikën e sharrës
 - ! **ndërroni thikën e sharrës me dhëmbëzat e sharrës dhe shigjetën e printuar mbi të me të njëjtin drejtim si shigjeta në mbrojtëse A**
 - montoni flanaxhën AS 26c
 - shtypni butonin e bllokimit të boshtit rrotullues AP dhe mbajeni ndërsa shtrëngoni bulonin e lamës me çelësin heksagonal AN me 1/8 rrotullim ANTIORAR pas shtrëngimit me dorë (siguron rëshqitjen e lamës së sharrës kur ndesh rezistencë të madhe duke zvogëluar mbingarkesën e motorit dhe goditjen e kthimit të sharrës)
 - shtrëngoni vidhën e pllakës së kapakut AQ
- Zëvendësimi i elementit të planit të tavolinës AT 26
 - Zëvendësoni një element plani të tavolinës me defekt ose të konsumuar si më poshtë:
 - ! **hiqeni spinën**
 - merrni çelësin heksagonal AN nga vendi i mbajtjes AO
 - hiqni të 6 vidhat si në ilustrim
 - hiqni elementin e vjetër të planit të tavolinës duke e ngritur në fillim përpara dhe më pas duke e nxjerrë plotësisht
 - vendosni një element të ri të planit të tavolinës
 - ! **shtrëngoni fort të 6 vidhat**
 - Kontrolli/rregullimi i përputhjes së thikës në 90° 26
 - ! **hiqeni spinën**
 - rrotulloni bangon në pozicionin 0° horizontal dhe bllokujeni në vend
 - lëvizni kokën e sharrës në pozicionin e pjerrët vertikal 0°
 - ulni kokën e sharrës dhe bllokujeni në vend
 - kontrolloni për një kënd 90° mes thikës dhe tavolinës me anë të një plani
 - nëse është e nevojshme, rregulloni drejtimin e thikës në 90° si më poshtë:
 - 1. lironi dorezën me tre këmbë W
 - 2. rregulloni vidën Y me një çelës heksagonal 4 mm (nuk përfshihet në paketimin standard) 26b
 - 3. rikontrolloni me çelësin kator
 - 4. rivendosni treguesin e pjerrësisë vertikale në 0° 26c
 - Kontrolli/rregullimi i përputhjes së thikës në 45° 26
 - ! **hiqeni spinën**
 - rrotulloni bangon në pozicionin 0° horizontal dhe bllokujeni në vend
 - lironi dorezën me tre këmbë W
 - vendosni ndalesën e rregullueshme të pjerrësisë vertikale AA në 45° 26b
 - lëvizni kokën e sharrës në të majtë
 - sigurori për një kënd 45° mes thikës dhe tavolinës me një plan këndor 26a
 - kontrolloni që treguesi i pjerrësisë X të jetë në shenjë e këndit 45°
 - nëse është e nevojshme, rregulloni drejtimin e thikës në 45° si më poshtë:

- 1. rregulloni vidën Z me një çelës pllakë 10 (nuk përfshihet në paketimin standard)
- 2. rikontrolloni me çelësin katror të pjerrësisë horizontale
- nëse është e nevojshme, përsëriteni për vendosjen në 45° në të djathtë
- ulni kokën e sharrës dhe bllokojeni në vend
- Kontrolli rregullimi i përputhjes së guidës në 90° ³⁰
- ! hiqeni spinën**
- rrotulloni bangon në pozicionin 0° horizontal dhe bllokojeni në vend
- ulni kokën e sharrës dhe bllokojeni në vend
- kontrolloni për një kënd 90° mes thikës dhe guidës S me një plan (sigurohuni që instrumenti të prekë trupin e thikës së sharrës dhe jo dhëmbët)
- nëse është e nevojshme, rregulloni drejtimin e guidës në 90° si më poshtë:
 1. lironi 4 vidhat heksagonale T
 2. rregulloni guidën deri sa thika dhe guida të prekin plotësisht planin
 3. shtrëngoni 4 vidhat heksagonale T
 4. rivendosni treguesin e pjerrësisë horizontale në 0° ^{30c}
- Kapësja e kabllos ³¹
 - përdorni kapësen e kabllos AV për të parandaluar që kordonit elektrik të mos mbërthehet midis pjesëve lëvizëse dhe të palëvizshme të pajisjes

KËSHILLË PËR PËRDORIMIN

- Materialet e veçanta të punës
 - mbështetni gjithmonë skajet e lirshme të materialit të punës kur është i gjatë
 - sigurohuni që materialet e punës me harqe ose të rumbullakëta të jenë të siguruar shumë mirë për të shmangur rrëshqitjen ³³
 - në vijën e prerjes, nuk duhet të ketë hapësirë mes materialit të punës dhe guidës ose tavolinës së sharrës
 - nëse është e nevojshme, përdorni një bordurë ndihmëse; vrimat në bordurën rrëshqitëse do të përdoren për të siguruar bordurën ndihmëse ³⁴
- ! bordura ndihmëse mund të përdoret vetëm në pjerrësi vertikale 0°**
- Për të punuar me dekorimet e dyshemeve, mund të përdorni për referencë ilustrimin ³⁵
- Vendoseni gjithmonë poshtë anën më të mirë të materialit për të siguruar krijimin minimal të ashklave
- Përdorni vetëm lama të mprehta si dhe të llojit të duhur
 - cilësia e prerjes rritet sipas numrit të dhëmbëzave
 - lamat me maja karbidi qëndrojnë të mprehta deri 30 herë më shumë se sa lamat e zakonshme

MIRËMBAJTJA / SHËRBIMI

- Mbajni gjithmonë të pastra pajisjen dhe kordonin (sidomos vrimat e ajrimit në anën e pasme të kasës së motorit)
- Kryeni kontrolle të rregullta për t'u siguruar që mbrojtësja e poshtme punon si duhet. Pastroni mbrojtësen e poshtme nga tallashi i mbledhur me një pecetë të njomë.
 - shkëputni spinën para pastrimit
 - ngrijeni mbrojtësen e poshtme në pozicionin plotësisht të hapur dhe lironi atë; nëse nuk mbyllet menjëherë dhe plotësisht, duhet të kontrollohet nga një qendër e shërbimit pas shitjes për veglat elektrike të SKIL

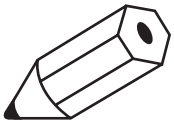
- Pastroni lamën e sharrës menjëherë pas përdorimit (veçanërisht nga ngjitësi me përzjerje apo i thjeshtë)
 - thika e sharrës nxeht shumë gjatë përdorimit; mos e prekni para se të jetë ftohur
- Pastroni dritën e lazerit AC me një fuqë të butë pas çdo përdorimi për të siguruar një dukshmëri të mirë të vijës së lazerit (sigurohuni që të mos e ndryshoni vendosjen e lazerit)
- Nëse pajisja ka defekt pavarësisht kujdesit në prodhim dhe procedurat e provave, riparimi duhet të kryhet nga një qendër e shërbimit pas shitjes për veglat e punës të SKIL
 - dërgoni veglën të çmontuar së bashku me vërtetimin e blerjes te shitësi ose te qendra më e afërt e shërbimit e SKIL (adresat si dhe diagrami i shërbimit i veglës janë të paraqitura në www.skil.com)
- Kini parasysh se dëmtimet për shkak të mbingarkesës ose manovrimit të papërshtatshëm të veglës janë të përjashtuara nga garancia (për kushtet e garancisë së SKIL vizitoni www.skil.com ose pyetni shitësin tuaj)

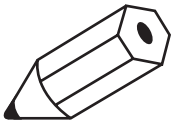
MJEDISI

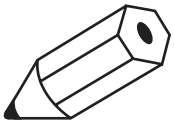
- **Mos i hidhni veglat elektrike, bateritë, aksesorët dhe paketimin së bashku me materialet e mbeturinave familjare** (vetëm për vendet e BE-së)
 - në respektim të Direktivës evropiane 2012/19/EC për pajisjet elektrike dhe elektronike si mbetje dhe zbatimin e saj në përputhje me ligjet kombëtare, pajisjet elektrike që kanë arritur në fund të jetëgjatësisë së tyre duhet të mblidhen të ndara dhe të kthehen në një objekt riciklimi në përputhje me mjedisin.
 - simboli ³⁶ do t'ju kujtojë për këtë gjë kur të jetë nevojta për t'i hedhur

ZHURMA

- Matur në përputhje me EN 62841, niveli i presionit të tingullit të kësaj vegle është 100,0 dB (A) dhe niveli i fuqisë së tingullit 109,5 dB (A) (pasiguria K = 3 dB)
- Niveli i emetimit të zhurmës është matur në përputhje me një provë të standardizuar të dhënë në EN 62841; ajo mund të përdoret për të krahasuar një vegël me një tjetër dhe si një vlerësim paraprak i ekspozimit ndaj zhurmës kur përdorni pajisjen për proceset e përmendura
 - përdorimi i pajisjes për procese të ndryshme, ose me aksesorë të ndryshëm dhe të mirëmbajtur keq, mund të rritë ndjeshëm nivelin e ekspozimit
 - kohët kur pajisja është e fikur dhe kur është e ndezur por jo në punë, mund të zvogëlojnë ndjeshëm nivelin e ekspozimit







- اگر ابزار علیرغم تمام دقت و مراقبتی که در فرایندهای تولید و تست بکار برده شده از کار افتاد، تعمیرات باید فقط در مراکز خدمات پس از فروش ابزارهای برقی SKIL انجام شود.
- ابزار را بصورت پانزنده همراه با رسید خرید به فروشنده یا نزدیک ترین مرکز خدمات رسانی SKIL بفرستید (آدرسها به همراه نموده‌ازنقشه های سرویس ابزار در www.skil.com موجود است).
- توجه داشته باشید که خرابی و خسارت ناشی از اضافه بار یا کار کردن نادرست یا ابزار مشمول ضمانت نخواهند بود (برای آگاهی از شرایط ضمانت SKIL به نشانی www.skil.com مراجعه کرده یا از فروشنده خود سوال کنید).

محیط زیست

- ابزارهای برقی، باتری ها، لوازم و بسته بندی آنها را نباید همراه با زباله های عادی خانگی دور انداخت (فقط مخصوص کشورهای عضو اتحادیه اروپا)
- با توجه به مصوبه اروپایی EC/19/2012 اروپا درباره لوازم برقی و الکترونیکی مستعمل و اجرای این مصوبه مطابق با قوانین کشوری، ابزارهای برقی که به پایان عمر مفید خود رسیده اند باید جداگانه جمع آوری شده و به یک مرکز بازیافت مناسب و سازگار با محیط زیست انتقال یابند
- نمادعلامت ① یادآور این مسئله در هنگام دور انداختن است

صدا

- اندازه گیری ها بر اساس استاندارد EN ۱۲۸۴۱ و اندازه گیری های انجام شده انجام و مشخص شد که میزان فشار صوتی این ابزار ۱۰۰،۰ dB(A) و میزان توان صوتی آن ۱۰۹،۵ dB(A) (عدم قطعیت $K = 3$ dB)
- میزان انتشار ارتعاشات بر اساس تست استاندارد شده ای که در EN ۱۲۸۴۱ معرفی شده است اندازه گیری گردید: از این ارقام می توان برای مقایسه یک ابزار با دیگری و بعنوان ارزیابی اولیه در معرض قرارگیری ارتعاشات هنگام کار با ابزار در کاربری های فوق استفاده کرد
- استفاده کردن از ابزار برای کاربردهای متفاوت، یا با لوازم و ملتهلحات متفاوتتفرقه یا لوازم و ملتهلحاتی که بد نگهداری شده اند، می تواند میزان در معرض قرارگیری را بطور قابل ملاحظه ای افزایش دهد
- مواقعی که ابزار خاموش است یا روشن است ولی کاری با آن انجام نمی شود، میزان در معرض قرارگیری بطور قابل توجهی کاهش می یابد

- ! اگر حفاظ ختانی بطور خودکار باز می شود که این امر در برخی شرایط خاص امکان وقوع دارد (مانند قطعه کاری که به حداکثر ظرفیت بسپار نزدیک است) شاید لازم باشد حفاظ را با دست باز کنید (b)
- با رها کردن اسنارت AI ابزار را خاموش کنید
- قبل از اینکه سر آره را آرام بالا بیاورید. منتظر شوید تا تیغه آره به توقف کامل برسد
- شیار زدن (10)
 - عمق دخواه را با تنظیم عمق AK تنظیم کرده و با سفت کردن مهره AM آترا در جای خود قفل کنید
 - برای حفظ پیوستگی عمق در تمام طول شیار یک فاصله دهنده چوبی باید بین قطعه کار و راهنما قرار داده شود
 - ! دقت کنید که تیغه آره در قطعه کار گیر نکند
 - ! همیشه اول روی یک تکه بدره-آزمایش کنید
 - عوض کردن تیغه آره (11)
 - ! سیم برق را از برق جدا کنید
 - آچار آلن AN را از محفظه نگهداری AO آن بردارید
 - حفاظ A را در موقعیت نگه دارید
 - پیچ صفحه رویی را شل کنید AQ کنید (پیچ را کامل باز نکنید) (12a)
 - حفاظ A را کامل به عقب بچرخانید (12b)
 - ضامن قفل کننده شفت AP را فشار داده و آترا در حین باز کردن پیچ تیغه-AR را با چرخاندن آچار آلن آن در جهت حرکت عقربه های ساعت (= در همان جهتی که پیکان چاپ شده روی تیغه آره نشان می دهد) تکه دارید
 - ! ضامن قفل کننده شفت PA را فقط زمانی که ابزار به توقف کامل رسیده است فشار دهید
 - ضامن قفل کننده شفت AP را آزاد کنید
 - فلنج AS و تیغه آره را بردارید
 - ! تیغه آره جدید را طوری قرار دهید که دندانهای تیغه و پیکان چاپ شده روی تیغه آره با پیکان روی محافظ هم جهت باشد A
 - فلنج AS را سوار کنید (12c)
 - ضامن قفل کننده شفت AP را فشار داده و ضمن اینکه پیچ تیغه را با چرخاندن آچار آلن آن به اندازه 1/1 دور در جهت خلاف حرکت عقربه های ساعت بیشتر از حدی که با دست سفت می شود سفت می کنید. آترا نگهدارید (با اینکار از لغزش تیغه آره هنگام روبرو شدن با مقاومت زیاد جلوگیری شده و بار وارده بر موتور و پس زدن آره کاهش داده می شود)
 - پیچ صفحه رویی AQ را سفت کنید
 - عوض کردن بلوک میز (11) AT
 - ! بلوک میز معیوب یا فرسوده را به ترتیب زیر عوض کنید:
 - ! سیم برق را از برق جدا کنید
 - آچار آلن آن را از محفظه نگهداری AO آن بردارید
 - هر 1 پیچ را مطابق شکل باز کنید
 - بلوک میز قدیمی را بردارید. برای این کار ابتدا از جلو آترا بلند کرده و سپس بطور کامل بیرون بکشید
 - بلوک میز جدید را قرار دهید
 - ! هر 1 پیچ را کاملاً سفت کنید
 - بازیابی/تنظیم انطباق ۹۰ درجه ای تیغه (18)
 - ! سیم برق را از برق جدا کنید
 - میز آره را بچرخانید تا در وضعیت ۰° فارسی قرار گرفته و سپس آترا در جا قفل کنید
 - سر آره را به موقعیت زاویه برش مورب ۰° ببرید
 - سر آره را پایین آورده و آترا در جا قفل کنید
 - با یک گونیا زاویه ۹۰ درجه بین تیغه و میز را کنترل کنید
 - در صورت لزوم، انطباق ۹۰ درجه ای تیغه را به ترتیب زیر تنظیم کنید:
 1. کلید گردان سه پر W را شل کنید
 2. پیچ Y را با یک آچار آلن ۵ میلیمتری تنظیم کنید (بطور استاندارد ارائه نشده است) (19a)
 3. مجدداً با گونیا کنترل کنید
 4. نشانگر زاویه برش مورب را روی ۰° بازیابی کنید (19b)
 - بازیابی/تنظیم انطباق ۴۵ درجه ای تیغه (19)
 - ! سیم برق را از برق جدا کنید
 - میز آره را بچرخانید تا در وضعیت ۰° فارسی قرار گرفته و سپس آترا در جا قفل کنید

- کلید گردان سه پر W را شل کنید
- توقف انتهای قابل تنظیم برش مورب AA را روی ۴۵° تنظیم کنید (19b)
- سر آره را به سمت چپ ببرید
- با یک گونیا فارسی زاویه ۴۵ درجه بین تیغه و میز را کنترل کنید (19a)
- کنترل کنید که نشانگر پخ X روی علامت ۴۵ درجه باشد
- در صورت لزوم، انطباق ۴۵ درجه ای تیغه را به ترتیب زیر تنظیم کنید:
 1. پیچ Z را با یک آچار تیغه نمرد ۰۱ تنظیم کنید (بطور استاندارد ارائه نشده است)
 2. مجدداً با گونیا فارسی کنترل کنید
 - در صورت نیاز برای تنظیم ۴۵° به راست تکرار کنید
 - سر آره را پایین آورده و آترا در جا قفل کنید
 - بازیابی/تنظیم انطباق ۹۰ درجه ای حصار (20)
 - ! سیم برق را از برق جدا کنید
 - میز آره را بچرخانید تا در وضعیت ۰° فارسی قرار گرفته و سپس آترا در جا قفل کنید
 - سر آره را پایین آورده و آترا در جا قفل کنید
 - زاویه ۹۰ درجه میان تیغه و حصار S را با یک گونیا کنترل کنید (دقت کنید که گونیا با بدنه تیغه آره و نه دندانهای آن تماس داشته باشد)
 - در صورت لزوم، انطباق ۹۰ درجه ای حصار را به ترتیب زیر تنظیم کنید:
 1. پیچ آلن را شل کنید T
 2. حصار را طوری تنظیم کنید که تیغه و حصار کاملاً با گونیا تماس داشته باشند
 3. پیچ آلن را سفت کنید T
 4. نشانگر فارسی بر روی روی ۰° بازیابی کنید (20)
 - گیرسیم (21)
 - از گیره کابل AV برای جلوگیری از گیر کردن سیم برق در بین قسمت های ثابت ابزار استفاده کنید

توصیه های کاربردی

- قطعات کاری ویژه
 - همیشه برای سر آزاد قطعات کاری بلند، تکیه گاه بگذارید
 - دقت کنید که قطعات کاری منحنی یا گرد بخوبی ثابت شده باشند تا تکان نخورند (22)
 - در خط برش نباید هیچ فاصله ای بین قطعه کاری و حصار یا میز آره وجود داشته باشد
 - در صورت نیاز یک راهنمای کمکی درست کنید: سوراخ های راهنمای کنشویی را می توان برای محکم کردن راهنمای کمکی استفاده کرد (24)
 - ! راهنمای کمکی را فقط می توان در زاویه برش مورب ۰° استفاده کرد
 - برای کار با فریزهای کمپوش می توانید از شکل (25) بعنوان مرجع استفاده کنید
 - همیشه سمت خوب قطعه کاری را پایین قرار دهید تا جدا شدن تراشه ها از آن به حداقل ممکن برسد
 - فقط از تیغه آره های تیز از نوع مناسب استفاده کنید
 - کیفیت برش به تعداد دندانهای تیغه بستگی دارد
 - تیغه های با لبه کاری ۳۰ برابر بیشتر از تیغه های عادی تیزی خود را حفظ می کنند
- نگهداری / سرویس- خدمات
 - همیشه ابزار و سیم برق را تمیز نگهدارید (بخصوص منافذ تهویه واقع در پشت محافظه موتور)
 - مرتباً کارکرد صحیح حفاظ ختانی را کنترل کنید. هرگونه خاک آره جمع شده در حفاظ ختانی را با یک دستمال تر پاک کنید.
 - پیش از تمیز کردن سیم برق را از برق بکشید
 - حفاظ ختانی را بالا و به وضعیت کاملاً باز آورده و رها کنید؛ اگر فوراً بطور کامل بسته نشد باید آترا برای کنترل به یک مرکز خدمات پس از فروش ابزارآلات SKIL ببرید
 - تیغه آره را فوراً بعد از استفاده تمیز کنید (بخصوص رزین و چسب ها را از آن پاک کنید)
 - تیغه آره ها در حین استفاده بسیار داغ می شوند؛ قبل از خنک شدن به آنها دست نزنید
 - خط لیزر AC را بعد از استفاده با یک برس نرم تمیز کنید تا کیفیت رویت خط لیزر در حد مطلوب حفظ شود (دقت کنید که تنظیم لیزر را عوض نکنید)

- مجموعه سر را آرام به بالا هدایت کنید
- برای ثابت کردن ابزار (وضعیت جابجایی)
- مجموعه سر را در جهت راهنما S به سمت توقف بلغزانید (حدود ۵ سانتیمتر فاصله) AH (b)
- زاویه برش مورب را روی ۰° تنظیم کنید (به بخش تنظیم زاویه برش مورب رجوع کنید)
- زاویه برش فارسی را روی ۴۵° چپ یا راست تنظیم کنید (به بخش تنظیم زاویه برش فارسی رجوع کنید)
- دسته B را با یک دست در حالی به پایین فشار دهید که همزمان ضامن قفل C را با دست دیگر بیرون می کشید
- سیم برق را جمع کنید
- از دسته حمل (A) برای حمل ابزار استفاده کنید (b)
- یا اینکه می توانید از دسته های جانبی برای حمل ابزار استفاده نمایید (e)
- ! هرگز ابزار را با گرفتن دسته اصلی یا سیم برق بلند نکنید
- نصب ابزار روی میز کار (f)
- ! برای رعایت ایمنی در کار باید همیشه ابزار را روی سطحی صاف و مستحکم (مانند یک میز کار) نصب کرد
- از ۴ سوراخ نصب F برای نصب و محکم کردن ابزار روی میز کار از چهار سوراخ نصب و با پیچ های مناسب روی میز کار استفاده کنید
- همچنین می توانید تعدادی گیره پیچی نیز از بازار تهیه کرده و ابزار را با گیره روی میز کار محکم کنید
- ارتفاع پایه تکمیل گاه G را می توان برای متعادل سازی ابزار تنظیم کرد
- یا اینکه می توانید ابزار را روی پایه اره فارسی بر سوار کنید
- ! تمام هندسارها و دستورات عملی های همراه پایه ابزار را مطالعه کنید
- مکش گرد و غبار/خارده چوب (g)
- کیسه جمع آوری گرد و غبار H/جوربفری را مطابق شکل سوار کنید
- به منظور حفظ کیفیت بهینه جمع آوری باید کیسه جمع آوری گرد و غبار را بطور مرتب خالی کنید
- ! هرگز نگذارید جاروبرقی یا محافظ پایین یا عملکرد برش درگیر شود
- بخش الحاقی میز اره (h)
- از کلیدهای گردان L برای سفت کردن میله های الحاقی K استفاده کنید (در هر طرف ابزار)
- طول میله های الحاقی K از حداقل تا حداکثر بصورت آزاد و غیر به ای قابل تنظیم است
- گیره زدن قطعه کاری (i)
- ! برای حفظ ایمنی بهینه در طول کار، همیشه قطعه کاری را با گیره قابل تنظیم ارائه شده سفت کنید
- با قطعه های کاری که برای گیره زدن زیادی کوچک هستند کار نکنید
- برای حداکثر ایمنی و قطع کاری از جدول (i) به عنوان مرجع استفاده کنید
- گیره قطعه کار سوار شده را با کلید گردان P در سوراخ تکیه گاه N محکم کنید (در هر طرف ابزار)
- گیره قطعه کار دارای ۲ شیار برای قفل کردن آسان است؛ ۱ برای قطعات کار باریک (تا ۵ سانتیمتر) و ۱ برای قطعات کار ضخیم (بیشتر از ۵ سانتیمتر) قطعه کاری را محکم به حصار S تکیه دهید
- قفل اهرم را باز کنید R
- اندازه گیره را برای قطعه کاری تنظیم کنید
- حالا با اهرمی قفلی R قطعه کاری را محکم گیره بزنید
- ! برای برخی از ترکیب های فارسی بر و برش مورب، یا بسته به اندازه قطعه کار شاید لازم باشد بجای گیره قطعه کار از گیره های پیچی موجود در بازار استفاده کرد
- تنظیم زوایای فارسی بر (j)
- دستگیره قفلی را شل کنید AE
- اهرم رها سازی دندان فارسی بر را بکشید AF
- میز اره را به چپ یا راست بچرخانید و زاویه فارسی بر بخواب (از ۰° تا ۳۵°) را با نشانگر تنظیم کنید AG
- اهرم را آزاد کنید AF
- دستگیره قفلی AE را سفت کنید (دسته را بیش از اندازه سفت نکنید)
- برای تنظیم سریع و دقیق زوایای فارسی بر پرکاربرد (۰°، ۱۵°، ۳۰°، ۴۵°، ۶۰°، ۷۵°، ۹۰°) اهرم دندان فارسی بر AF بر نقاط متناسب با کلید در جای خود قرار می گیرد؛ برای جلوگیری از این امر می توان اهرم AF را در حالت آزاد قفل کرد (b)
- تنظیم زوایای برش مورب (k)
- کلید گردان سه پر W را شل کنید
- سر اره را به چپ ببرد تا نشانگر زاویه برش مورب X به زاویه دلخواه اشاره کند

- زاویه برش مورب و توقف قابل تنظیم AA (۴۵°) برای توقف در ۴۵° یا ادامه تا ۹۰° (b) قابل استفاده است
- سر اره در این وضعیت نگه داشته و کلید گردان W را سفت کنید
- برای برش مورب به سمت راست، ابتدا سر ابزار را کمی به سمت چپ متمایل کرده و کلید گردان آزادسازی برش مورب راست را بچرخانید AB (حدوداً ۳۰°) سپس سر اره را روی زاویه برش مورب دلخواه قرار دهید (a)
- هنگامی که سر اره را به چپ بر می گردانید، کلید گردان آزادسازی برش مورب AB بطور خودکار روی توقف انتهایی ۹۰° بازنشانی می شود؛ با چرخاندن کلید گردان حدوداً ۹۰° برای ۶۱° می توان از این امر جلوگیری کرد (d)
- برش های مرکب (l)
- برای اجرای برشهای مرکب باید هم زاویه فارسی بر و هم زاویه یخ تنظیم شوند
- ! اره را در برخی ترکیب های خاص فارسی بر و برش مورب که امکان دارد باعث اختلال بین بخش های لغزان و ثابت اره یا بین بخش های لغزان و قطعه کار شوند، بکار نبرید - برای اجرای برش راهنمای کشویی، کلید گردان قفلی راهنمای کشویی و کلید گردی گیره را بر حسب نیاز بزنید.
- ! همیشه اول روی یک تکه ببردنخور آزمایش کنید
- تنظیم راهنماهای کشویی (m)
- کلید گردان V را شل کنید تا راهنماها (ها) U بتوانند بلغزند
- کلید گردان V را بیشتر شل کنید تا بتوان راهنماها (ها) را برداشت/سوار کرد
- برای حفظ موقعیت دلخواه، کلید گردان V را سفت کنید
- ! پیش از کار با ابزار اطمینان حاصل کنید که راهنماهای کشویی محکم بسته شده باشند
- ! برای برخی از ترکیب های فارسی بر و برش مورب شاید لازم باشد کلید گردان را بردارید
- خطکش لیزری (n)
- برای هدایت ابزار روی خط دلخواه علامت گذاری شده روی قطعه کاری با فشار دادن کلید AD خطکش لیزری را روشن/خاموش کنید
- ! پیش از شروع کار، ابتدا روی یک تکه ببردنخور برش آزمایشی بزنید تا امتداد خطکش لیزری را با خط واقعی برش مطابقت دهید
- اره کاری بدون حرکت کشویی (قطعه های کاری کوچک)
- اگر کلید گردان قفلی AH خیلی سفت شده است آنرا شل کنید
- سر اره را در جهت راهنما S جلو ببرید تا به نقطه توقف برسد و سپس کلید گردان قفلی AH را مجدداً سفت کنید
- ! قفل نکردن مکانیسم باعث بالا رفتن ناگهانی تیغه روی قطعه کار و حرکت آن به سمت شما خواهد شد
- ابزار را در وضعیت کار تنظیم کنید
- ! مطمئن شوید که قطعه کاری نسبت به میز اره و حصار، محکم گیره زده شده باشد S
- ابزار را با آزاد کردن کلید قفلی AL و فشار دادن کلید روشن/خاموش AI روشن کنید
- ! هنگام کار با سر اره نباید دستهای خود را بطور ضریبری حرکت دهید (n)
- قطعه کاری را بطور یکنواخت جلو برده و اره کنید
- ! اول اجازه دهید ابزار به دور کامل خود برسد و بعد تیغه را وارد قطعه کاری کنید
- با رها کردن استارت AI ابزار را خاموش کنید
- قبل از اینکه سر اره را آرام بالا بیاورید، منتظر شوید تا تیغه اره به توقف کامل برسد
- اره کاری با حرکت کشویی (قطعات کاری عرضی)
- ! لطفاً دقت داشته باشید که تنها روش کار ایمن روشی است که در ادامه توضیح داده می شود
- از کشیدن اره در قطعه کار جلوگیری کنید
- اگر کلید گردان قفلی AH خیلی سفت شده است آنرا شل کنید
- ! مطمئن شوید که قطعه کاری نسبت به میز اره و حصار، محکم گیره زده شده باشد S
- سر اره را به اندازه کافی از راهنما S دور کنید تا تیغه اره جلوی قطعه کاری قرار بگیرد (l)
- ابزار را با آزاد کردن کلید قفلی (m) و فشار دادن کلید روشن/خاموش روشن کنید
- ! هنگام کار با سر اره نباید دستهای خود را بطور ضریبری حرکت دهید (n)
- سر اره را در جهت راهنما S فشار داده و با حرکت های پیشرونده یکنواخت قطعه کاری را ببرید (l)
- ! اول اجازه دهید ابزار به دور کامل خود برسد و بعد تیغه را وارد قطعه کاری کنید

هشدارهای ایمنی اضافی

- جریانهای ناگهانی باعث افت موقتی ولتاژ می گردند؛ در شرایطی که وضعیت تغذیه برق نامناسب است امکان دارد سایر تجهیزات تأثیر بینند (اگر امکانسنجی سیستم منبع تغذیه کمتر از ۱۹، ۰ اهم باشد، احتمال روی دادن اختلالات وجود دارد)؛ اگر نیاز به توضیح بیشتر دارید، می توانید با شرکت برق منطقه ای خود تماس بگیرید

عمومی

- از این ابزار فقط برای بریدن چوب استفاده کنید
- همیشه مطمئن شوید که ولتاژ ورودی دستگاه برابر ولتاژی باشد که روی پلاک دستگاه نوشته شده است
- روی ابزار یا پایه آن نایستید اگر ابزار کج شود و یا بطور اتفاقی با ابزار برش تماس پیدا کنید. خطر بروز جراحت های شدید وجود خواهد داشت. مواد مختلف را بطوری روی ابزار یا در مجاورت آن نگهداری نکنید که مجبور باشید برای دست یافتن به آنها روی ابزار یا پایه آن نایستید.
- قبل از هرگونه تنظیم یا تعوض کردن لوازم و ملحقات حتماً باید سیم برق دستگاه را از پریز بکشید
- همیشه باید قبل از حمل آره فارسی بر پریز آنرا از برق بکشید پریز را از برق بکشید. مجموعه سدر را پایین آورده و در محل آن قفل کنید. از دسته حمل و یکی از دندانه های آره دست روی پایه آره استفاده کنید.
- تا قبل از اینکه ابزار به توقف کامل نرسیده است آنرا ترک نکنید
- هنگام برش قطعات کار یا شکل های نامنظم، کار خود را از قبل برنامه ریزی کنید تا قطعه کار سبز نخورده و در تیغه گیر نکند و از دست تان جدا شود
- افراد کمتر از ۱۶ سال نباید با این دستگاه کار کنند
- این ابزار برای برش جنس مناسب نیست

استفاده در فضای آزاد

- اگر می خواهید از ابزار در فضای آزاد استفاده کنید، باید ابزار را حتماً با یک مدارشکن جریان خطا (FI) با سقف جریان حداکثر ۳۰ میلی آمپر وصل کرده و فقط از سیم رابط هایی استفاده کنید که مخصوص فضای آزاد بوده و دارای پریز-اتصال ضد ریزش آب می باشند
- پیش از استفاده
- سیم های رابط برق باید کاملاً باز شده و ایمن باشند. از سیم هایی با رده بندی ۱۶ آمپر
- از عینک محافظ، گوشی ایمنی و دستکش محافظ استفاده کنید
- گرد و خاکی که از موادی مانند رنگ های حاوی سرب، برخی گونه های چوب، مواد معدنی و فلزات بلند می شود می تواند خطرناک باشد (ماس با این گرد و خاکیها و یا تنفس آنها می تواند در کاربران ابزار یا افراد نزدیک به محل کار واکنش های حساسیتی و/یا بیماری های تنفسی ایجاد کند)؛ یک ماسک مخصوص گرد و خاک بزنید و در صورت امکان از یک وسیله مکش گرد و خاک استفاده کنید
- برخی از گرد و خاکیها (مانند گرد و خاکی که از چوب بلوط یا راش بلند می شود) علی الخصوص در مجاورت آفرودنی های مخصوص چوب، سرطان زا هستند؛ یک ماسک مخصوص گرد و خاک بزنید و در صورت امکان از یک وسیله مکش گرد و خاک استفاده کنید

- از مقررات ملی مربوط به گرد و خاک موادی که می خواهید با آنها کار کنید پیروی نمایید
- یا موادی حاوی آزیست کار نکنید (آزیست سرطان زا است)
- هرگز بدون محافظ ایمنی اصلی از این ابزار استفاده نکنید
- پیش از هر بار استفاده، محافظ را کنترل کنید تا درست بسته شده باشد
- اگر محافظ آزادانه حرکت نمی کند و ببردگ بسته نمی شود یا آره کار نکنید
- هرگز محافظ را در وضعیت باز گیره زده یا ننمید
- هرگز از آره بدون بلوک میز استفاده نکنید؛ بلوک های میز میباید فرسوده را عوض کنید
- پیش از شروع برش تمام موانع موجود در بالا یا زیر مسیر برش را بردارید
- پیچ ها، میخ ها و سایر اجزا دیگر می توانند به قطعه کاری شما آسیب بزنند؛ بنابراین پیش از شروع کار آنها را بردارید

متعلقات

- هرگز با این ابزار از سنگ های فرز استفاده نکنید
- SKIL فقط در صورتی کارکردی بی عیب و نقص ابزار را تضمین می کند که از لوازم و متعلقات مناسب استفاده شده باشد و از نمایندگان رسمی SKIL تهیه شده باشد
- برای سوار کردن/استفاده از متعلقاتی که توسط SKIL ساخته نشده، همیشه باید دستورالعملهای سازنده مربوطه را دنبال کنید
- فقط از تیغه آره هالی استفاده کنید که با مشخصات فنی ارائه شده در این دستورالعمل های کاری مطابقت داشته و بر اساس ۱۰۸۷ EN مورد آزمایش قرار گرفته و دارای علامت مربوطه باشند
- متعلقات باید فقط با سرعت های چرخش مجاز که معادل بالاترین سرعت بدون بار ابزار هستند به کار برده شوند

- هرگز از تیغه آره های ساخته شده از فولاد برای کار در سرعت بالا استفاده نکنید (HSS) استفاده کنید
- اگر تیغه آره ترک دارد، تغییر شکل یافته یا کند شده است از آن استفاده نکنید
- فقط از تیغه آره هایی استفاده کنید که قطر سوراخ آنها بدون هیچگونه لقی یا شفت دستگاه مطابقت داشته باشد؛ هرگز از کاهنده یا تبدیل برای اجزای تیغه های یا سوراخ بزرگتر استفاده کنید
- متعلقات را در معرض ضربه، شوک یا گریس و چربی قرار ندهید

در حین استفاده

- به ابزار فشار نیاورید (فشار آرام و پیوسته وارد کنید تا از داغ شدن نوک تیغه و در صورت برش پلاستیک، ذوب شدن مواد پلاستیکی جلوگیری گردد)
- انگشتان، دست ها و بازوهای خود را دور از تیغه آره در حال چرخش نگه دارید
- اگر تیغه آره گیر کرد، ابزار را فوراً خاموش کرده و دوشاخه آنرا بکشید؛ فقط بعد از آن می توانید قطعه کاری گیر کرده را خارج کنید
- در صورت گیر کردن یا بروز اشکالات برقی یا مکانیکی، فوراً ابزار را خاموش کرده و سیم برق آنرا از پریز بکشید
- اگر سیم برق آسیب دیده یا بریده شده باشد، هرگز به سیم دست نزنید، اما فوراً آنرا از پریز بکشید
- وقتی که سیم آسیب دیده است هرگز نباید از ابزار استفاده کنید؛ باید با یک سیم از پیش آماده شده مخصوص که از طریق سازمان های خدماتی در دسترس است تعویض گردد

پرتوی لیزر

- پرتو لیزر را به سمت افراد یا حیوانات نگرفته و خودتان به پرتوی مستقیم یا بازتابیده لیزر حتی از دور خیره نشوید (مکن است باعث نابینایی دیگران شوید. ایجاد حادثه کرده و یا به چشمان خود آسیب بزنید)
- اگر پرتوی لیزر یا چشمان شما برخورد کرد، باید چشمان خود را بسته و فوراً سر خود را از طرف پرتو برگردانید
- نباید هیچگونه تغییری در تجهیزات لیزری بدهید
- به اشعه لیزر (پرتوی لیزر) نگاه نکنید
- برای مشاهده اشعه لیزر از هیچگونه وسیله بزرگنمایی نوری (مانند ذره بین، تلسکوپ یا دوربین دوچشمی) استفاده نکنید
- اگر مایعات قابل اشتعال، گاز یا گرد و غبار در محیط وجود دارد از ابزار استفاده نکنید
- اگر کودکان در محیط کاری حضور دارند از ابزار استفاده نکنید
- لیزر نصب شده را از هیچ نوع لیزر دیگری جایگزین نکنید

بعد از استفاده

- بعد از خاموش کردن ابزار، هرگز سعی نکنید با وارد آوردن فشار جانبی چرخش متعلقات را متوقف کنید
- فقط زمانی که تمام قسمت های متحرک به توقف کامل رسیده باشند می توانید برده ها و سایر تکه های قطعه کاری را از قسمت برش خارج کنید
- تیغه آره ها در حین استفاده بسیار داغ می شوند؛ قبل از خنک شدن به آنها دست نزنید
- ابزار را در داخل ساختمان و مکانی خشک و محفوظ، دور از دسترس کودکان نگهدارید

شرح علائم و نمادهای روی ابزار

- 1 پیش از کار حتماً فترجه راهنما را مطالعه کنید
- 2 از عینک محافظ و محافظ گوش استفاده کنید
- 3 ناحیه خطر! ناحیه بدون دست، دست ها، انگشتان یا بازوهای خود را در این ناحیه دور نگه دارید
- 4 عایق دوگانه (نیازی به سیم اتصال به زمین - ارت نیست)
- 1 ابزارهای برقی، باتری ها، آنها را نباید همراه با زباله های عادی خانگی دور انداخت
- 2 اشعه لیزر / نگاه نکنید پرتوی لیزر! کلاس لیزر ۲

#alleen_engels

استفاده

- سوار کردن
- دسته حمل E را با ۲ پیچ با استفاده از آچار آلن ۹ سوار کنید
- کلید گردان آره فارسی بر AE را در جلوی میز ۱۰ سوار کنید
- راهنمای کشویی U را سوار کنید (به بخش تنظیم راهنماها/ای کشویی رجوع کنید)
- وضعیت چابجایی/کار ابزار
- برای آزاد کردن ابزار (وضعیت کار)
- دسته A/B را با یک دست در حالی به پایین فشار دهید که همزمان ضامن قفل C را با دست دیگر بیرون می کشید 11

ج) بیش از حد به آنها نزدیک نشود. برای کار جای مطمئن روی خود انتخاب کرده و تعادل خود را همواره حفظ کنید. به این ترتیب می توانید ابزار الکتریکی را در وضعیت های غیر منتظره بهتر تحت کنترل داشته باشید.

ح) لباس مناسب بپوشید. از پوشیدن لباس های فراخ و حتماً زینت آلات خود داری کنید. موها، دستکش ها را از بخش های درحال چرخش دستگاه دور نگهدارید. لباس های فراخ، موی بلند و زینت آلات ممکن است در قسمت های درحال چرخش دستگاه گیر کنند.

خ) در صورتیکه می توانید وسایل مکش گرد و غبار و یا وسیله جذب زائده را به دستگاه نصب کنید. باید مطمئن شوید که این وسایل نصب و درست استفاده می شوند. استفاده از وسایل مکش گرد و غبار موصلیت شما را در برابر گرد و غبار زیاد تر می کند.

د) اجازه ندهید آشنایی و تسلط حاصل از استفاده مکرر از ابزارها باعث شود احساس نیاز به رعایت قواعد نکرده و به قوانین ایمنی ابزار بی توجهی کنید یک عمل از روی بی فکری می تواند در کسری از ثانیه موجب جراحات شدید شود (4) استفاده صحیح از ابزار الکتریکی و مراقبت از آن

ا) از وارد کردن فشار زیاد روی دستگاه خود داری کنید. برای هر کاری، از ابزار الکتریکی مناسب با آن استفاده کنید. بکار گرفتن ابزار الکتریکی مناسب باعث می شود که بتوانید از توان دستگاه بهتر و با اطمینان بیشتر استفاده کنید.

ب) در صورت ابزار در کلیلد قطع و وصل ابزار برقی، از دستگاه استفاده نکنید. ابزار الکتریکی که نمی توان آنها را قطع و وصل کرد، خطرناک بوده و باید تعمیر شوند.

ت) قبل از تنظیم ابزار الکتریکی، تعویض متعلقات و یا کنار گذاشتن آن، پوشاخشه از برق کشیده و یا باطری آنرا خارج کنید. رعایت این اقدامات پیشگیری ایمنی از راه افتادن ناخواسته ابزار الکتریکی جلوگیری می کند.

ث) ابزار الکتریکی را در صورت عدم استفاده، از دسترس کودکان دور نگهدارید. اجازه ندهید که افراد نا آوار و یا اشخاصی که این دفترچه راهنما را نخوانده اند، با این دستگاه کار کنند. فراد گرفتن ابزار الکتریکی در دست افراد ناآوار و بی تجربه خطرناک است.

ج) از ابزار الکتریکی خوب مراقبت کنید. مواظب باشید که قسمت های متحرک دستگاه خوب کار کرده و گیر نکنند. همچنین دقت کنید که قطعات ابزار الکتریکی شکسته و یا آسیب دیده نباشند. قطعات آسیب دیده را قبل از شروع به کار تعمیر کنید. علت بسیاری از سوانح کاری، عدم مراقبت کامل از ابزارهای الکتریکی می باشد.

ح) ابزار برش را تیز و تمیز نگهدارید. ابزار برشی که خوب مراقبت شده و از لبه های تیز برخوردارند، کمتر درقطع کار گیر کرده و بهتر قابل هدایت می باشند.

خ) ابزارهای الکتریکی، متعلقات، ابزارها که روی دستگاه نصب می شوند و غیره را مطابق دستورالعمل این جزوه همواره بطوری به کار کنید که با مدل این دستگاه تناسب داشته باشند. همچنین به شرایط کاری و نوع کار توجه کنید. کاربرد ابزار برقی برای موارد کاری که برای آن در نظر گرفته نشده است، میتواند شرایط خطرناکی را منجر شود.

د) دسته ها و سطوح دستگیره ها را خشک، تمیز و عاری از روغن و گریس نگه دارید با دسته ها و سطوح دستگیره های لیز نمی توان در شرایط غیرمنتظره بطور ایمن با ابزار کار کرد و کنترل آنها داشت.

ه) سرویس

ا) برای تعمیر ابزار الکتریکی فقط به متخصصین حرفه ای رجوع کرده و از وسایل بدکی اصل استفاده کنید. این باعث خواهد شد که ایمنی دستگاه شما تضمین گردد.

دستورالعمل های ایمنی برای اهرای های فارسی بر

- اهرای های فارسی بر جهت بریدن چوب یا محصولات مشابه چوب طراحی شده اند. از آنها نمی توان برای بریدن اقلام فلزی مانند پایه ها، میله ها، پروفیل ها و غیره با ضخامت سنگین برش استفاده کرد. گرد و غبار حاصل از سنگ برش باعث گیر کردن بخش های متحرک مانند حفاظ ختانی خواهد شد. جرقه های ناشی از سنگ برش باعث سوختن حفاظ ختانی، بلوک شکاف برش و سایر قطعات پلاستیکی خواهد شد.
- در صورت امکان از گیره برای محکم کردن قطعه کاری استفاده کنید. اگر قطعه کار را با دست می گیرید، باید همیشه دست خود را ۱۰۰ میلیمتر از دو طرف تیغه اهرای فارسی بدهید. از اهرای برای بریدن قطعات بسیار کوچک که قابل گیره زدن یا نگه داشتن نیستند استفاده نکنید. اگر دست خود را خیلی نزدیک به تیغه اهرای گیرید، خطر جراحات دین بر اثر تماس با تیغه افزایش خواهد یافت.
- قطعه کار باید ثابت بوده و گیره زده شده یا در برابر راهنمای برش و میز محکم شده باشد. هرگز قطعه کار را به طرف اهرای نزدیک و هیچوقت بدون دست کار نکنید. قطعه کارهای شل و متحرک می توانند با سرعت بالا پرتاب شوند و باعث جراحات گردند.

• اهرای اهرای فارسی بر فشار داده و جلو ببرید. از کشیدن اهر در قطعه کار جلوگیری کنید. برای انجام یک برش، سر اهر را بالا آورده و آنرا بدون بریدن از روی قطعه کار بکشید. موتور را روشن کنید. سر اهر را به پایین فشار داده و قطعه کار را اهره کنید در صورت برش همراه با کشیدن. این خطر وجود دارد که تیغه اهر روی قطعه کار بلند شده و مجموعه کشیدنی فشار به طرف ابزار پرتاب شود.

• هرگز دست خود را روی خط برش مورد نظر، به چوب یا پشت تیغه اهره نبرید. محکم گرفتن قطعه کار بصورت "مقاطع" یعنی گرفتن قطعه کار در سمت راست تیغه اهر یا با دست چپ یا برعکس بسیار خطرناک است.

• هیچ یک از دست های خود را برای برداشتن تراشه های چوب یا هر دلیل دیگر، در حالی که تیغه می چرخد به طرف راهنمای برش نزدیک نکنید نزدیک بودن دستتان شما به تیغه اهر در حال چرخش قابل تشخیص نیست و از این رو ممکن است خود را به شدت مجروح کنید.

• قبل از برش کاری، قطعه کار خود را کنترل کنید در صورت کج بودن یا به قرار گرفتن قطعه کار، آن را با گیره یا دست دانه به طرف راهنما تثبیت کنید. همیشه اطمینان حاصل کنید که هیچ فاصله ای بین قطعه کار، راهنمای برش و میز در طول خط برش وجود نداشته باشد قطعات کام خم شده یا تغییر شکل یافته ممکن است بهم پیچیده یا جابجا شوند و می توانند در طول برش باعث گیر کردن در تیغه اهر در حال چرخش شوند. در قطعه کار نباید میخ یا اجسام خارجی وجود داشته باشند.

• تا زمانی که تمام ابزارها، تراشه های چوب و غیر، بجز قطعه کار را از روی میز برداشته اید نباید از اهر استفاده کنید ضایعات کوچک یا تکه های محکم نشده چوب یا سایر اجسام که با تیغه چرخان تماس پیدا کنند ممکن است با سرعت زیاد پرتاب شوند.

• هر بار فقط یک قطعه کار را برش بزنید اگر چند قطعه کار را روی هم قرار دهید نمی توان آنها را بطور مناسب گیره زه یا محکم کرد و امکان دارد در طول برش روی تیغه اهر یا جابجا شوند.

• پیش از استفاده اطمینان حاصل کنید که اهر فارسی بر روی سطحی تراز و محکم سوار شده یا قرار داده شده باشد. یک سطح کار تراز و محکم خطر خارج شدن اهر فارسی بر می کنترل را کاهش می دهد.

• کار خود را برنامه ریزی کنید؛ هر بار که تنظیم زاویه برش مورب یا فارسی را تغییر می دهید، باید اطمینان حاصل کنید که راهنمای برش قابل تنظیم درست تنظیم شده باشد تا قطعه کار را گرفته و با کار تیغه یا سیستم حفاظ داخلی نماید بدون اینکه ابزار را "روشن" کنید و بدون اینکه قطعه کار روی میز باشد. تیغه اهر را در طول کامل برش شبیه سازی شده حرکت دهید تا مطمئن شوید هیچگونه تداخلی وجود ندارد و یا خطر بریده شدن راهنما پیش نخواهد آمد.

• برای قطعه کاری که عرضش تری بلندتر از میز کار هستند، با وسایلی مانند بخش الحاقی میز، پایه و غیره حائل و تکیه گاه مناسب فراهم کنید. مراقبت کار بلندتر یا عرضش تری از میز اهر فارسی بر در صورتی که درست حائل نشده باشند و تکیه گاه برای آنها فراهم نشده باشد، ممکن است بلغزند. اگر قطعه بریده شده یا قطعه کار بلغرد، می تواند حفاظ ختانی را بلند کرده یا توسط تیغه در حال چرخش پرتاب شود.

• هرگز از یک نفر دیگر بجای بخش الحاقی میز یا حائل مکمل برای ایمنی قطعه کار استفاده نکنید. حائل یا قطعه جای ناپایدار برای قطعه کار می تواند باعث گیر کردن تیغه یا جابجا شدن قطعه کار در طول عملیات برش شده و شما و نفر کمک کننده را به سمت تیغه در حال چرخ بکشند.

• قطعه بریده شده نباید گیر کند یا به هیچ ترتیبی در برابر تیغه اهر در حال چرخش فشار داده شود قطعه بریده شده در صورتی که فراموش شده باشد، مثلاً با تنظیم های طول، ممکن است در برابر تیغه گیر کرده و با شدت پرتاب شود.

• همواره از گیره یا تجهیزات مهار مناسب جهت ثابت نگه داشتن درست میله ها، لوله ها و اجسام گرد استفاده کنید میله ها در حین برش میل به چرخیدن دارند و ممکن است باعث "گیر" کردن تیغه شده و قطعه کار را با دست شما به سمت تیغه بکشند.

• اجازه دهید تیغه قبل از تماس یافتن با قطعه کار به سرعت کامل برسد این کار خطر پرتاب شدن قطعه کار را کاهش می دهد.

• اگر قطعه کاری که تیغه گیر کرده، اهر فارسی بر را خاموش کنید. تا متوقف شدن همه قسمتهای متحرک صبر کنید. کابل از برق بکشید و ایا باتری را بیرون آورید، سپس جسم گیر کرده را درآورید ادامه اهره کردن با یک قطعه کار گیر کرده می تواند باعث از دست رفتن کنترل و یا آسیب دیدن اهر فارسی بر شود.

• بعد از پایان برش، کلید قطع و وصل را رها کنید. سر اهر را پایین نگه داشته و قبل از برداشتن قطعه بریده شده منتظر شوید تا تیغه متوقف شود نزدیک بردن دست به تیغه در حال حرکت خطرناک است.

• هنگام اجرای اهر برش نامعول یا موهف رها کردن کلید قطع و وصل قبل از اینکه سر اهر بطور کامل در وضعیت پایین قرار گرفته باشد باید دسته را محکم بگیرد و عملکرد ترمز اهر می تواند باعث کشیدن شدن ناگهانی سر اهر به پایین شده و خطر جراحات ایجاد نماید.

رب یسراف ن کرود هرا

۱۳۴۰

مقدمه

- این ابزار به‌عنوان یک دستگاه ثابت رومیزی برای اجرای برش های طولی و عرضی روی چوب به‌صورت صاف و زاویه ای (زاوایای فارسی بر ۰-۵۰ تا +۵۰ درجه و نیز زاوایای برش پخ ۴۸۰ تا ۵۰۰ درجه) طراحی شده است
- لطفاً این دفترچه راهنما را مطالعه کرده و نگهدارید ①
- این ابزار برای مصارف حرفه ای مناسب نیست
- ابزار را فقط زمانی به کار ببرید که بطور صحیح و کامل سوار شده باشد (لطفاً توجه داشته باشید که اسکیل هیچ مسئولیتی را بابت آسیب وارد شدن به ابزار و/یا جراحات های فردی ناشی از سوار کردن نادرست ابزار نمی پذیرد)

اطلاعات فنی ①

اجزای ابزار ⑧

- A حفاظ پایین
- B دستگیره استنارت
- C پین ضامن برای جابجایی ابزار
- D حفاظ فوقانی
- E دستگیره جابجایی ابزار
- F سوراخ های محل استقرار
- G پایه تکیه گاه
- H کیسه جمع آوری گرد و غبار
- J درجه تخلیه خاک اهر
- K میله های الحاقی
- L کلیه‌های گردان برای قفل کردن میله های الحاقی
- M گیره سوار کردن قطعه کاری
- N سوراخ تکیه گاه اگیره عمودی
- P کلید گردان سفت کردن گیره
- Q کلید گردان تنظیم گیره
- R اهرم گیره
- S حصار
- T پیچ های آلن تنظیم حصار (x۴)
- U راهنمای کشویی
- V کلید گردان برای سفت کردن راهنمای کشویی
- W کلید گردان فقلی (زاوایای پخ)
- X نشانگر زاویه پخ
- Y پیچ تنظیم زاویه پخ (راست)
- Z پیچ تنظیم زاویه پخ (چپ)
- AA توقف قابل تنظیم انتها
- BA اهرم آزادسازی مورب راست
- CA چراغ لیزری
- DA کلید روشن/خاموش کردن لیزر
- EA دستگیره فقلی (زاوایای فارسی بر ۰-۵۰)
- FA اهرم آزادسازی دندان فارسی بر
- GA نشانگر زاویه فارسی بر
- HA کلید گردان فقلی برای وسیله کشویی
- IA کلید روشن/خاموش
- JA اهرم ضامن
- KA محدودکننده عمق برش
- LA تنظیم عمق
- MA مهره تنظیم عمق
- NA آچار آلن
- OA محل نگهداری آچار آلن
- PA ضامن قفل کننده سفت
- QA پیچ صفحه رویی
- RA پیچ تیغه
- SA فلنج
- TA بلوک میز
- UA منحرف کننده گرد و غبار
- VA گیره سیم

ایمنی

راهنمایی های ایمنی عمومی برای ابزارهای الکتریکی
⚠ هشدارهای اساسی هشدارهای ایمنی، دستورالعمل ها، تصاویر و مشخصات فنی ارائه شده همراه با این ابزار الکتریکی را مطالعه کنید در صورت عدم رعایت هشدارهای زیر خطر برق گرفتگی، آتش سوزی و/یا بروز جراحات های شدید وجود خواهد داشت.

همه هشدارها و راهنمایی ها را برای استفاده آتی نگهداری کنید.

- در این هشدارها عبارت "ابزار الکتریکی" به معنی ابزارهای الکتریکی فاقد باتری (با سیم برق) و یا ابزارهای الکتریکی باتری دار (شارژی) است
- (۱) ایمنی محل کار
- (أ) محل کار خود را تمیز مرتب و مجهز به نور کافی نگهدارید. محیط کار نامرتب و کم نور نمیتواند باعث سوانح کاری شود.
- (ب) با ابزار الکتریکی در محیط هایی که در آن خطر انفجار وجود داشته و حاوی مایعات، گازها و غبارهای متحرکه باشد، کار نکنید. ابزارهای الکتریکی جرقه های ایجاد می کنند که می توانند باعث آتش گرفتن گرد و بخار های موجود در هوا شوند.
- (ت) هنگام کار با ابزار الکتریکی، کودکان و سایر افراد را از دستگاه دور نگهدارید. در صورتیکه حواس شما پرت شود، ممکن است کنترل دستگاه از دست شما خارج شود.
- (۲) ایمنی الکتریکی
- (أ) دوشاخه ابزار الکتریکی باید با پریز برق تناسب داشته باشد. هیچگونه تغییری در دوشاخه ندهید. میبدل دوشاخه نباید همراه با ابزار الکتریکی دارای اتصال به زمین (ارت شده) استفاده شود. میبدل دوشاخه نباید همراه با ابزار الکتریکی دارای اتصال به زمین (ارت شده) استفاده شود.
- (ب) از تماس بدنی با قطعات دارای سیم اتصال به زمین (ارت شده) مانند لوله، شوفاژ، اجاق برقی و یخچال خود داری کنید. در صورتیکه بدن شما با سیم دارای اتصال به زمین (ارت نشده) تماس پیدا کند، خطر برق گرفتگی بیشتر خواهد شد.
- (ت) دستگاه را از باران و رطوبت دور نگهدارید. نفوذ آب به ابزار الکتریکی، خطر شوک الکتریکی را افزایش می دهد.
- (ث) از سیم به درستی استفاده کنید. از سیم دستگاه برای کارهایی چون حمل ابزار الکتریکی، آویزان کردن آن و یا خارج کردن دوشاخه از برق استفاده نکنید. دستگاه را در مقابل حرارت، روشن، لبه های تیز و بخش های متحرک دستگاه دور نگهدارید. کابل های آسیب دیده و یا گره خورده خطر شوک الکتریکی را افزایش می دهد.
- (ج) در صورتیکه با ابزار الکتریکی در محیط باز کار می کنید، تنها از کابل را بطی استفاده کنید که برای محیط باز نیز مناسب باشد. کابل های رابط مناسب برای محیط باز، خطر برق گرفتگی را کم می کنند.
- (ح) در صورت لزوم کار با ابزار الکتریکی در محیط و اماکن مرطوب، در اینصورت باید از یک کلید حفاظتی جریان خطا و نشستی زمین (کلید قطع کننده اتصال با زمین) استفاده کنید. استفاده از کلید حفاظتی جریان خطا و نشستی زمین خطر برق گرفتگی را کم می کند.
- (۳) رعایت ایمنی اشخاص
- (أ) حواس خود را خوب جمع کنید، به کار خود دقت کنید و با فکر و هوش کامل با ابزار الکتریکی کار کنید. در صورت خستگی و یا در صورتیکه مواد مخدر، الکل و دارو استفاده کرده اید، با ابزار الکتریکی کار نکنید. یک خطه بی توجهی هنگام کار با ابزار الکتریکی، میتواند جراحات های شدیدی به همراه داشته باشد.
- (ب) همواره از تجهیزات ایمنی شخصی استفاده کنید. همواره از عینک ایمنی استفاده کنید. استفاده از تجهیزات ایمنی مانند ماسک ایمنی، کفش های ایمنی ضد لغزش، کلاه ایمنی و گوشی ایمنی متناسب با نوع کار با ابزار الکتریکی، خطر مجروح شدن را تقلیل می دهد.
- (ت) مواظب باشید که ابزار الکتریکی بطور ناخواسته بکار نیفتد. قبل از وارد کردن دوشاخه دستگاه در پریز برق، اتصال آن به باطری، برداشتن آن و یا حمل دستگاه، باید دقت کنید که ابزار الکتریکی خاموش باشد. در صورتیکه هنگام حمل دستگاه انگشت شما روی دکمه قطع و وصل باشد و یا دستگاه را در حالت روشن به برق بزنید، ممکن است سوانح کاری پیش آید.
- (ث) قبل از روشن کردن ابزار الکتریکی، باید همه ابزار های تنظیم کننده و آچار ها را از روی دستگاه بردارید. ابزارو آچارهایی که روی بخش های چرخنده دستگاه قرار دارند، می توانند باعث ایجاد جراحات شوند.

- ادفع زر قفل عمود الدوران AP وثبته أثناء إحكام ربط مسمار النصل من خلال إدارة المفتاح المسدس AN بمقدار $\frac{1}{4}$ لفة باليد عكس عقارب الساعة (مع التأكد من انزلاق نصل المنشار عندما يتعرض لقواصة هائلة. الأمر الذي يخفض التحميل الزائد على المحرك وارتداد المنشار)

- احكم ربط البرغي لوجحة القطع AO:
- استبدال وليجة المنضدة (1) AT

قم باستبدال وليجة المنضدة الثالثة أو البالية على النحو التالي:

- ! **افصل القابس:**
- تناول المفتاح المسدس AN من موضع التخزين AO;
- فك كل البرا 11 الأربعة كما هو موضح في الشكل:
- فك وليجة المنضدة القديمة عن طريق رفعها أولاً من المقدمة ثم سحبها بالكامل للخارج:
- ضع وليجة منضدة جديدة:
- ! **احكم ربط كل البراغي 11 بثبات:**
- التحقق من/اضبط محاذاة النصل بزواية ٩٠ درجة (18)
- ! **افصل القابس:**

- أدر منضدة النشر لموضع الزاوية المفصلي ٠ درجة وأقلها في موضعها
- أدر رأس المنشار إلى وضع زاوية الميل ٠ درجة
- اخفض رأس المنشار وأقله في موضعه
- خفف من توتر زاوية قدرها ٩٠ درجة بين النصل والمنضدة باستخدام زاوية قائمة:
- وإذا لزم الأمر، اضبط محاذاة النصل بزواية ٩٠ درجة كما يلي:
- ١. حرر الميخض ثلاثي القوائم W:
- ٢. اضبط البرغي Y باستخدام مفتاح مسدس ٤ م (غير مضمن بشكل قياسي) (18b)
- ٣. خفف مرة أخرى باستخدام زاوية قائمة
- ٤. أعد ضبط مؤشر الميل على ٠ درجة (18a)

- التحقق من/اضبط محاذاة النصل بزواية ٤٥ درجة (19)
- ! **افصل القابس:**

- أدر منضدة النشر لموضع الزاوية المفصلي ٠ درجة وأقلها في موضعها
- حرر الميخض ثلاثي القوائم W:
- اضبط أداة التوقيف الطرفي للميل القابلة للضغط AA على زاوية ٤٥ درجة (19b)
- أدر رأس المنشار إلى اليسار
- خفف من توتر زاوية قدرها ٤٥ درجة بين النصل والمنضدة باستخدام زاوية نصف قائمة: (19a)

- خفف من وجود المؤشر المائل X على علامة ٤٥ درجة:
- وإذا لزم الأمر، اضبط محاذاة النصل بزواية ٤٥ درجة كما يلي:
- ١. اضبط البرغي Z باستخدام مفتاح ربط النصل ٠١ (غير مضمن بشكل قياسي)
- ٢. خفف مرة أخرى باستخدام زاوية نصف قائمة

- إذا لزم الأمر، كرر الإعداد عند الزاوية ٤٥ درجة إلى اليمين
- اخفض رأس المنشار وأقله في موضعه
- التحقق من/اضبط محاذاة الحاجز بزواية ٩٠ درجة (20)
- ! **افصل القابس:**

- أدر منضدة النشر لموضع الزاوية المفصلي ٠ درجة وأقلها في موضعها
- اخفض رأس المنشار وأقله في موضعه
- خفف من توتر زاوية قدرها ٩٠ درجة بين النصل والحاجز S باستخدام زاوية قائمة (تأكد من أن الزاوية القائمة تلامس جسم نصل المنشار وليس سنونه).
- وإذا لزم الأمر، اضبط محاذاة الحاجز بزواية ٩٠ درجة كما يلي:
- ١. حرر البراغي السادسة الأربعة T:
- ٢. اضبط الحاجز حتى يحدث تلامس تام بين النصل والحاجز من جهة والزاوية القائمة من جهة أخرى:
- ٣. احكم ربط البراغي السادسة الأربعة T:
- ٤. أعد ضبط المؤشر المفصلي على ٠ درجة (20c)

- مشبك الكابل (21)
- استخدم مشبك الكابل AV لمنع تثبيت سلك الطاقة بين الأجزاء المتحركة والناطقة من الأداة

توصيات الاستخدام

- قطع عمل خاصة
- قم دائماً بدمج الأطراف حرة الحركة لقطعة عمل طويلة:
- تأكد من أن قطع العمل المقوسة أو المستديرة مؤمنة ضد الانزلاق خصيصاً. (22)
- على طول خط القطع يجب ألا يوجد أي فجوات بين قطعة العمل والحاجز أو منفذة النشر:
- إذا لزم الأمر، قم بتزييت الحاجز الإضافي: يجب استخدام الفحناح الموجودة في الحاجز المنزلق لتثبيت الحاجز الإضافي (23)
- ! **يمكن استخدام الحاجز الإضافي فقط عند زاوية الميل ٠ درجة**
- للعمل باستخدام أفراز الأضية، يمكن الاستعانة بالشكل (24) كمرجع:
- وجه الجانب الجيد من قطعة العمل للأسفل دائماً لضمان أقل كمية من الشظايا
- لا تستخدم سوى أوصال منشار حادة من النوع الصحيح:
- تحسن جودة القطع تبعاً لعدد السنون
- تبقى الشفرات ذات السنون المصنوعة من مادة الكريبد حادة حتى ٣٠ مرة أكثر من الشفرات العادية

الصيانة / الخدمة

- حافظ دائماً على نظافة الأداة والسلك (خاصة فحناح التهوية الموجودة في الجزء الخلفي من ميبت المحرك):
- قم بإجراء فحص منتظم للتأكد من أن الواقي السفلي يعمل بشكل صحيح.
- نظف الواقي السفلي من أي نشارة متراكمة باستخدام قطعة قماش رطبة.
- افصل القابس قبل التنظيف
- ارفع الواقي السفلي إلى وضع الفتح الكامل ثم حرره: وإذا لم يتم إغلاقه على الفور بالكامل، فيجب فحصه بواسطة مركز خدمة ما بعد البيع لأدوات الطاقة من SKIL
- نظف ريش المنشار بعد الاستخدام مباشرة (خاصة من الصمغ والغراء)
- يصبح نصل المنشار شديد الحرارة أثناء الاستخدام، فلا تلمسه حتى يبرد:
- قم بتنظيف مصباح ضوء الليزر AC باستخدام فرشاة ناعمة بعد كل استخدام للحفاظ على رؤية جيدة لخط الليزر (تأكد من عدم تغيير إعداد الليزر)
- إذا تعذر تشغيل الأداة على الرغم من الحذر الشديد في إجراءات التشغيل والاختبار، فيجب القيام بالإصلاحات بواسطة مركز خدمة ما بعد البيع لأدوات الطاقة التابع لشركة SKIL:
- قم بإرسال الأداة دون تفكيكها بالإضافة إلى إثبات الشراء إلى البائع أو أقرب محطة خدمة SKIL (العناوين بالإضافة إلى مخطط الخدمة متاحان على www.skil.com)
- كن على علم بأن التلف الناتج عن زيادة التحميل أو التعامل مع الأداة بطريقة خاطئة سيتم استثنائه من الضمان (لعرفة شروط ضمان SKIL انظر www.skil.com أو قم بسؤال بائع المعدات)

البيئة المحيطة

- لا تتخلص من الأدوات الكهربائية والبطاريات والمحقات ومواد التغليف مع النفايات المنزلية (الدول الاتحاد الأوروبي فقط):
- وفقاً للتوجيه الأوروبي 2012/19/EC حول نفايات المعدات الكهربائية والإلكترونية وتطبيقه بالتوافق مع القانون المحلي، يجب تجميع الأدوات الكهربائية منتبهة للصحة البيئية بشكل منفصل وإرسالها إلى أحد منشآت إعادة التصنيع المتوافقة مع البيئة:
- سيذكرك الرمز (1) بهذا عند الحاجة إلى التخلص من أية أداة:

الضوضاء

- عند القياس بالتوافق مع EN 12٨٤1 يكون مستوى ضغط صوت هذه الأداة هو 1٠٠٠ ديسيبل (أ) ومستوى طاقة الصوت 1٠٩,٥ ديسيبل (أ) الاحتمالية K = ٣ ديسيبل)
- تم قياس مستوى انبعاث الضوضاء بالتوافق مع الاختبار المعياري المحدد في EN 1٢٨٤1: يمكن استخدامه لمقارنة أداة بأداة أخرى وكتقييم تمهيدى للتعرض للضوضاء عند استخدام الأداة في التطبيقات الموصحة
- قد يؤدي استخدام الأداة في تطبيقات مختلفة أو مع ملحقات مختلفة أو ذات صيانة رديئة إلى زيادة مستوى التعرض بصورة كبيرة:
- إن الفترة الزمنية التي يتم خلالها إيقاف تشغيل الأداة أو عندما تكون قيد التشغيل لكنها لا تؤدي أية مهام، تؤدي إلى تقليل مستوى التعرض بصورة كبيرة:

- ! يمكن ضبط ارتفاع قدم الدعم G لتثبيت الأداة
- بدلاً من ذلك، يمكن تركيب الأداة على حامل منشار التلسين
- ! اقرأ جميع التحذيرات والتعليمات المرفقة مع حامل المنشار
- شطف الغبار/رقائق الشنارة (13)
- ركب كيس الغبار V/المكنسة الكهربائية كما هو موضح
- قم بتفريغ صندوق الغبار بانتظام للحصول على أفضل أداء لالتقاط الغبار
- ! لا تسمح مطلقاً بتداخل خرطوم المكنسة الكهربائية مع الواقى السفلي أو عميلة القطع
- إطفاء منضدة النشر (14)
- استخدم المقابض L لتثبيت قضبان الإطفاء K (بجانبي الأداة)
- يمكن ضبط طول قضبان الإطفاء K على نحو غير متدرج من الحد الأدنى إلى الحد الأقصى
- قم بقطع قطعة العمل (15)
- ! للحصول على أعلى مستويات أمان العمل، قم دائماً بإحكام قمط قطعة العمل باستخدام القامطة القابلة للضغط المرفقة:
- لا تتعامل مع قطع العمل الصغيرة التي لا يمكن تثبيتها
- لتعرف على الحد الأقصى لإبعاد قطع العمل استخدم الجدول (11) كمرجع
- ! ثبت قامطة قطع العمل في فتحة الداعم N باستخدام المقبض P (على أي جانب من جانبي الأداة)
- ختوي قامطة قطعة العمل على جوفين لسهولة القفل: أحدهما ليقطع العمل الرفيعة (حتى 5 سم) والآخر لقطع العمل الأكبر (أكبر من 5 سم)
- اضغط قطعة العمل بإحكام مقابل الحاجز S.
- ألق قفل الذراع R
- قم بلامتة القامطة مع قطعة العمل
- أحكم قمط قطعة العمل عن طريق ذراع القفل R
- ! بالنسبة لبعض مجموعات القطع المائل أو بزوايا مفصلة، أو وفقاً لحجم قطعة العمل، قد يكون من الضروري استخدام القامطات اللولبية المتاحة تجارياً بدلاً من قامطة قطعة العمل
- إعداد الزوايا المفصلة (16)
- حرر مقبض القفل AE
- اسحب ذراع خريز حابس منشار التلسين AF
- أدر منضدة النشر لليسار أو اليمين واضبط الزاوية المفصلة المطلوبة (من ٠° إلى ٩٠°) باستخدام المؤشر AG
- حرر الذراع AF
- أحكم ربط مقبض القفل AE (لا تفرط في إحكام ربط المقبض)
- للحصول على إعداد سريع و دقيق للزوايا المفصلة كثيرة الاستخدام (٠ و ١ و ١٥ و ٢٢،٥ و ٣١ و ٤٥ درجة)، أدخل ذراع حابس منشار التلسين AF في مكانه في المواضع المقابلة محدثاً صوّماً، ولتغ ذلك، يمكن قفل الذراع AF في وضع التحرير (16b)
- إعداد زوايا مائلة (17)
- حرر المقبض ثلاثي القوائم W:
- أدر رأس المنشار لليسار حتى يشير مؤشر الزاوية المائلة X إلى الزاوية المائلة المطلوبة
- يمكن استخدام أداة التوقيف الطرقي المائل القابلة للضغط AA (٤٥ درجة) للتوقف عند ٤٥ درجة أو التتابع حتى ٤٨ درجة (17a)
- ثبت رأس المنشار في هذا الوضع وأحكم ربط المقبض W
- لتجليب إلى اليمين أو لقم بإمالة رأس المنشار قليلاً إلى اليسار، أدر مقبض خريز الميل الأيمن AB (١٠ درجة تقريباً)، ثم أدر رأس المنشار إلى الزاوية المائلة اليمنى المطلوبة (17c)
- عندما تقوم بإدارة رأس المنشار مرة أخرى إلى اليسار، سيتم إعادة تعيين مقبض خريز الميل الأيمن AB تلقائياً إلى أداة التوقيف ٠°، ويمكن منع ذلك عن طريق تدوير المقبض إلى ٩٠° تقريباً بدلاً من ١٠° (17d)
- قسوط مركبة (18)
- تنظبل القسوط المركبة كلا من إعدادي الزاوية المفصلة والزاوية المائلة:
- ! لا تقم بتشغيل المنشار في تلك المجموعات المعينة من مجموعات القطع المائل وبزوايا مفصلة التي قد تؤدي إلى تداخل بين الأجزاء المنزلفة والثابتة من المنشار أو بين الأجزاء المنزلفة وقطعة العمل – لجعل القطع يزيل الحاجز المنزلق ومقبض قفل الحاجز المنزلق ومقبض قامطة العمل حسب الحاجة.
- ! قم دائماً في البداية بإجراء اختبار على قطعة من الخرقة
- ضبط الحواجز المنزلفة (19)
- قم بإبراء المقبض V للسماح بتحريك الحاجز (الحواجز) U
- قم بإبراء المقبض V أكثر للسماح بإزالة / تركيب الحاجز (الحواجز)
- أحكم ربط المقبض V لتثبيت الوضع المطلوب

- ! تأكد من تثبيت الحواجز المنزلفة بإحكام قبل تشغيل الأداة
- ! بالنسبة لبعض مجموعات القطع المائل وبزوايا مفصلة، قد يكون من الضروري أيضاً إزالة المقبض
- شعاع الليزر (20)
- لتوجيه الأداة على امتداد خط القطع المطلوب المبين على قطعة العمل
- قم بتشغيل/إيقاف تشغيل شعاع الليزر بالضغط على المفتاح AD
- ! قبل بدء العمل بهيئة، تحقق من محاذاة خط شعاع الليزر مع الخط الفعلي للقطع من خلال إجراء تجربة قطع لإحدى القطع من الشفريات
- النشر بدون حركة انزلاقية (قطع عمل صغيرة)
- حرر مقبض القفل AH في حالة ربطه
- حرك ذراع رأس المنشار حتى المُحدّد في اتجاه الحاجز S وأحكم ربط مقبض القفل AH أخرى
- ! قد يؤدي الفشل في قفل الآلية إلى صعود نصل المنشار فوق قطعة العمل فجأةً وتتدفق جهات
- اضبط الأداة في وضع العمل:
- ! تأكد من إحكام قمط قطعة العمل على منضدة النشر والحاجز S:
- قم بتشغيل الأداة من خلال خريز القفل A₁ وسحب المفتاح الرئيسي A₁
- ! لا تضع ذراعك في وضع متقاطع عند تشغيل رأس المنشار (21a)
- قم بالنشر خلال قطعة العمل بتقدم منتظم:
- ! يجب أن تعمل الأداة بسرعة كاملة قبل أن تدخل الشفرة في قطعة العمل
- أوقف تشغيل الأداة عن طريق خريز المفتاح A₁.
- انتظر حتى يتوقف نصل المنشار تماماً قبل أن تقوم بتوجيه المنشار السلسلي لأعلى ببضع
- النشر مع حركة انزلاقية (قطع عمل عريضة)
- ! انتبه إلى أن الطريقة الموصحة فيما يلي هي الطريقة الوحيدة الآمنة
- لا تجذب المنشار عبر قطعة العمل
- حرر مقبض القفل AH في حالة ربطه
- ! تأكد من إحكام قمط قطعة العمل على منضدة النشر والحاجز S:
- اسحب رأس المنشار بعيداً عن الحاجز S مسافة كافية بحيث يكون نصل المنشار أمام قطعة العمل (21b)
- قم بتشغيل الأداة من خلال خريز القفل (21) وسحب المفتاح الرئيسي
- ! لا تضع ذراعك في وضع متقاطع عند تشغيل رأس المنشار (21a)
- اضغط رأس المنشار في اتجاه الحاجز S وقم بالنشر عبر قطعة العمل بتقدم منتظم (21b)
- ! يجب أن تعمل الأداة بسرعة كاملة قبل أن تدخل الشفرة في قطعة العمل
- ! إذا لم يفتح الواقى السفلي تلقائياً والذي يمكن أن يحدث في ظروف معينة (على سبيل المثال قطعة عمل قريبة جداً من الحد الأقصى للسمعة)، فقد تضطر إلى فتح الواقى يدوياً (21b)
- أوقف تشغيل الأداة عن طريق خريز المفتاح A₁.
- انتظر حتى يتوقف نصل المنشار تماماً قبل أن تقوم بتوجيه المنشار السلسلي لأعلى ببضع
- نشر الجانوي (22)
- اضبط العمق المطلوب باستخدام محدد العمق AK واقفله في موضعه عن طريق إحكام ربط الصامولة AM
- يجب وضع مبادع خشبي بين قطعة العمل والحاجز لعمق ثابت على طول التجويب بالكامل
- ! تأكد من عدم تعرض نصل المنشار للانحناء في قطعة العمل
- ! قم دائماً في البداية بإجراء اختبار على قطعة من الخرقة
- تعيين نصل المنشار (22)
- ! أفضل القابض:
- تناول المفتاح السدس AN من موضع التخزين AO
- ثبت الحاجز الواقى A في وضع الفتح
- حرر برغي لوحة الغطاء AQ (لا تقم بفلك البرغي تماماً) a (22)
- أدر الحاجز الواقى A للخلف تماماً (22b)
- اضغط على زر قفل عمود الدوران AP ويثته أثناء فلّك برغي النصل AR عن طريق تدوير المفتاح السدس AN في اتجاه عقارب الساعة (= في نفس اتجاه السهم المطبوع على نصل المنشار)
- ! لا تقم برفع زر القفل الغزلي PA إلا والأداة متوقفة تماماً عن الحركة
- اغلق زر القفل الغزلي AP
- قم بإزالة حافة التثبيت AS ونصل المنشار:
- ! قم بتغيير نصل المنشار وسننول المنشار السهم المطبوع على نصل
- المنشار يشير إلى نفس اتجاه السهم الموجود على الحاجز الواقى A:
- قم بتركيب الفلنجة (22c) AS

- لا تترك الأداة حتى تتوقف تمامًا
- عند قطع العمل ذات الشكل غير المنتظم، قم بتخطيط عملك بحيث لا تنزلق وينجح النصل وتتصقق من يدك
- لا يجب استخدام هذه الأداة من قبل الأشخاص الأقل من 16 عام؛
- هذه الأداة غير ملائمة للقطع المبلل
- الاستخدام في مناطق مفتوحة
- عند استخدام الأداة في مناطق مفتوحة، قم بتوصيل الأداة عبر قاطع تيار دائرة التيار (F) باستخدام تيار بدء الإشعال بمقداره 30 مللي أمبير بحد أقصى. ولا تستخدم إلا السلك التمديد المخصص للاستخدام في المناطق المفتوحة والمزود بمقبس وصل مقاوم للرش

- قبل الاستخدام
- استخدم أسلاك تمديد مفكوكة تمامًا وأمنة سعة 16 أمبير (13 أمبير في بريطانيا العظمى)
- ارتد نظارات الأمان وواقبات السمع وقفازات الواقية؛
- الغبار الناتج من المواد كالمطال الذي يحتوي على رصاص وبعض أنواع الأخشاب والمعادن والكيونات المعدنية قد يكون ضارًا (ملاصقة أو استنشاق الغبار قد تتسبب في إصابة المنشفل أو من يجاوره بأمراض الحساسية وأو أمراض الجهاز التنفسي)؛
- قم بإرتداء قناع للغبار مع العمل باستخدام جهاز شفط للغبار. طالما أمكن توصيله
- ثمة أنواع معينة من الغبار تُصنّف على أنها مواد مسببة للسرطان (مثل غبار خشب البلووط والزان) خاصة عند استخدامها مع مواد مضافة لمعالجة الخشب؛ قم بإرتداء قناع للغبار مع العمل باستخدام جهاز شفط للغبار، طالما أمكن توصيله
- التزم بالمتطلبات الوطنية الخاصة للغبار عند العمل باستخدام المواد المطلوبة
- لا تعمل باستخدام مواد تشتمل على الأسبستوس (يعتبر الأسبستوس مادة مسرطنة)؛
- يحظر نهائيًا استخدام الأداة بدون نظام الحماية الأصلي للوقاية
- خُفّق من الغلق التام للحاجز الواقي قبل كل استخدام؛
- لا تقم بتشغيل المشطار إذا لم يتحرك الحاجز الواقي بحرية ولم ينغلق فورًا؛
- يُحظر نهائيًا قِطْط أو ربط الحاجز الواقي في وضع الفتح؛
- يُحظر نهائيًا استخدام الأداة بدون وليجة المنضدة، لذا قم باستبدال وليجة المنضدة التالفة أو البالية؛
- قبل بدء القطع قم بإزالة جميع العوائق التي توجد أعلى وأسفل مسار القطع
- خُتّب التلف الذي قد تتسبب فيه البراغي والمسامير والعناصر الأخرى الموجودة في القطعة التي تعمل بها، قم بفكهم قبل بدء العمل.

الملحقات

- يحظر نهائيًا استخدام أقراص خليج/قطع مع هذه الأداة
- تضمن SKIL التشغيل السليم للأداة عند استخدام الملحقات الصحيحة، والتي يمكن الحصول عليها من البائع فقط SKIL
- لتزكيب/استخدام ملحقات من إنتاج شركات أخرى بخلاف SKIL يجب الانتباه جيدًا إلى تعليمات الشركة المنتجة،
- استخدم فقط النصال المشطار التي تتوافق مع بيانات المواصفات المزودة في تعليمات التشغيل هذه والتي تم اختبارها وتمييزها بالتوافق مع EN 84٧-1؛
- استخدم فقط الملحقات بالسرعة المسموح بها، والتي تتوافق على الأقل أعلى سرعة للأداة بدون حمل؛
- يحظر نهائيًا استخدام شفرة مشطار مصنوعة من الفولاذ عالي السرعة (HSS)
- لا تستخدم نصل مشطار يحتوي على شقوق أو مِعْوَج أو غير حاد؛
- لا تستخدم نصل اتصال مشطار بفتحته ملامح بلامب عمود دوران الأداة بدون مسافة خلوص، ويُحظر نهائيًا استخدام مُصغرات أو قطع مهائية لتزكيب أنصال مشطار كبيرة الفتحته؛
- قم بحماية الملحقات من التصادم والاهتزاز والشحج؛

أثناء الاستخدام

- لا تستخدم الأداة قسرًا (اضغط برفق وباستمرار لتجنب تعرض أطراف الأنصال السددة للسحونة المفرطة، وفي حالة تقطيع البلاستيك، لتجنب ذوبان المواد البلاستيكية)؛
- حافظ على يديك وأصابعك وذراعيك بعيدًا عن نصل المشطار الدوار
- في حالة تعرض نصل المشطار للتشويش، أوقف تشغيل الأداة فورًا وافصل القابض. وعندما فقط قم بإخراج قطعة العمل المحشورة؛
- في حالة حدوث احتسار أو خلل كهربائي أو ميكانيكي، أوقف تشغيل الأداة فورًا وافصل القابض
- في حالة تعرض السلك للتلف أو لقطع أثناء العمل، لا تلمس السلك وافصل القابض فورًا
- خُتّب تمامًا استخدام الأداة عند تلف السلك؛ فيجب استبداله بسلك معد خصيصًا متاح من خلال منظمة الخدمة.

إشعاع الليزر

- لا تقم بتوجيه شعاع الليزر نحو الأشخاص أو الحيوانات ولا خُذَق في شعاع الليزر المباشر أو العكس بنفسك، ولا حتى من على مسافة (قد تتسبب في إصابة أحد الأشخاص بالعمى أو وقوع حوادث أو تلف عينيك)
- إذا اصطدم إشعاع الليزر بعينيك، فيجب أن تقوم عمدًا بغلق عينيك وإدارة رأسك بعيدًا عن الشعاع
- لا تقوم بإجراء أي تعديلات على معدات الليزر
- لا تنظر إلى شعاع الليزر (إشعاع الليزر)
- لا تستخدم أي معدات بصرية مكبرة (مثل العدسات المكبرة أو التلسكوبات أو المكبرات ثنائية العينين) لتعرض شعاع الليزر
- لا تقم بتشغيل الأداة في وجود سائل أو غازات أو غبار أي منهم قابل للاشتعال
- لا تقم بتشغيل الأداة مع وجود أطفال في المنطقة المحيطة
- لا تستخدم الليزر المتوفر بنوع ليزر آخر

بعد الاستخدام

- بعد إيقاف تشغيل الأداة، امتنع نهائيًا عن إيقاف دوران الملحق باستخدام قوة جانبية
- تعرضت:
- قم بإزالة الأجزاء المقطعة أو الأجزاء الأخرى من قطعة العمل من منطقة القطع عندما تتوقف كل الأجزاء المتحركة عن الحركة تمامًا.
- يصبح نصل المشطار شديد الحرارة أثناء الاستخدام، فلا تلمسه حتى يبرد؛
- خُزّن الأداة في مكان داخلي جاف ومحكم الغلق بعيدًا عن متناول الأطفال

شرح الرموز الموجودة على الأداة

- 1) قم بقراءة دليل الإرشادات قبل الاستخدام
- 2) ارتد نظارات الأمان وواقبات السمع؛
- 3) منطقة الخطر ليست مناسبة للأيدي. احفظ يديك أو أصابعك أو ذراعيك بعيدًا عن هذه المنطقة.
- 4) العزل المزدوج (لا يلزم سلك أرضي)
- 5) لا تتصلخ مع الأدوات الكهربائية والبطاريات مع النفايات المنزلية
- 6) إشعاع الليزر، لا تنظر إلى شعاع الليزر، فئة ليزر 2

#allen_engels#

الاستخدام

التجميع

- قم بتجميع مقبض النقل E بواسطة مسامير ٢ باستخدام المفتاح المسدس AN 4
- قم بتجميع مقبض قفل التسليخ AE في مقدمة المنضدة ١٠
- قم بتجميع الحاجز المنزلق U (انظر ضبط الحاجز (الحواجر) المنزلق) وضع النقل/العمل
- لتحرير الأداة (وضع العمل):
- اضغط على المقبض B A لأسفل بإحدى يديك أثناء سحب مسمار القفل C باليد الأخرى a 11
- وجه مجموعة الرأس لأعلى ببطء لتأمين الأداة (وضع النقل)؛
- حرك مجموعة الرأس إنزلاقًا حتى المحدد الموجود في اتجاه الحاجز S (واترك مسافة ٥ سم تقريبًا) وأحكم ربط مقبض القفل B 11 AH
- اضبط الزاوية المائلة على ٠ درجة (انظر ضبط الزاوية المائلة)،
- اضبط الزاوية المفصلية على ٥ درجة لليسار أو اليمين (انظر ضبط الزاوية المفصلية)
- اضغط على المقبض B لأسفل بإحدى اليدين أثناء دفع مسمار القفل C باليد الأخرى
- لف سلك الطاقة
- استخدم مقبض النقل A حمل الأداة d 11
- بدلًا من ذلك، استخدم المقابض الجانبية حمل الأداة e 11
- ! لا تقم مطلقًا برفع الأداة عن طريق الإرسامك بالمقبض الرئيسي أو سلك الطاقة
- تركيب الأداة على سطح العمل 14
- ! لضمان التعامل الآمن، احرص دائمًا على تركيب الأداة على سطح عمل مسطح ومستقر (مثل، منصة العمل)
- استخدم 4 فتحات تركيب F تثبيت الأداة بسطح العمل باستخدام براغي مناسبة
- يمكنك أيضًا تثبيت الأداة على سطح العمل باستخدام أية براغي لولبية متوفرة في الأسواق

د) لا تدع اعتبارك على الاستمرار المتكرر للأدوات يسمح لك بتجاهل مبادئ سلامة الآداة، قد يتسبب الاستخدام بدون احتياطات في حدوث إصابة بالغة في غضون ثواني.

هـ) حسن معاملة واستخدام العدد الكهربائي
أ) لا تفرط في تحميل الجهاز؛ استخدم لتفديم أشغالك العدد الكهربائي المخصصة لذلك. إنك تعمل بشكل أفضل وأكثر أماناً بواسطة العدد الكهربائي الملائمة في مجال الأداة المذكور.

ب) لا تستخدم العدد الكهربائي إن كان مفتاح تشغيلها تالف. العدد الكهربائي التي لم تعد تسمح بتشغيلها أو بإطافئها خطيرة ويجب أن يتم تصليحها.

ت) اسحب القابض من القميص و / أو انزع المرمك قبل ضبط الجهاز وقبل إستبدال التوابع أو قبل وضع الجهاز جانباً. تمنع إجراءات الاحتياط هذه تشغيل العدد الكهربائي بشكل غير مقصود.

ث) احتفظ بالعدد الكهربائي التي لا يتم إستخدامها بعيداً عن مثال الأطفال. لا تسمح باستخدام العدد الكهربائي لمن لاخبرة له بها أو لمن لم يقرأ تلك التعليمات.

ج) اعتن بالعدد الكهربائي بشكل جيد. تخلص عما إذا كانت أجزاء الجهاز المتحركة تعمل بشكل سليم وبأنها غير مستعصبة عن الحركة أو إن كانت هناك أجزاء مكسورة أو تالفة لدرجة تؤثر فيها على حسن أداء العدد الكهربائي.

د) ينبغي تصليح هذه الأجزاء التالفة قبل إعادة تشغيل الجهاز. الكثير من الحوادث مصدرها العدد الكهربائي التي تم صيانتها بشكل ردي.

ح) حافظ على إبقاء عدد القطع نظيفة وواحدة. إن عدد القطع ذات حواف القطع الحادة التي تم صيانتها بعناية تنكليس بشكل أقل ولكن توجيهها بشكل أيسر.

خ) استخدم العدد الكهربائي والتوابع وعدد الشغل والبخ حسب هذه التعليمات. تراعى أثناء ذلك شروط التشغيل والعمل المراد تنفيذها. استخدام العدد الكهربائي لغير الأشغال المخصصة لأجلها قد يؤدي إلى حدوث الحالات الخطيرة.

د) احرص على خفاف المقابض وأسطح الإمساك ونظافتها ومولها من الزيت والشحوم؛ لا تسمح للقابض وأسطح الإمساك الزلقة بالاستخدام والتحكم الأيمن في الآداة في الحالات غير المتوقعة؛

هـ) الخدمة

أ) اسمح بتصليح عدتك الكهربائي فقط من قبل المتخصصين فقط بإستعمال قطع الغيار الأصلية. يؤمن ذلك المحافظة على أمان الجهاز.

تعليمات الأمان لمناشير التلسين

• مناشير التلسين مخصصة لقطع الأخشاب أو المنتجات الشبيهة بالأخشاب، ولا يمكن استخدامها مع أفراس القطع السحجية لقطع المواد الحديدية مثل القضبان والسيقان والجوهرات المعدنية وخلافه. حيث إن القبار الخشن يتسبب في حدوث انحسار للأجزاء المتحركة مثل الواقية السفلية. كما أن الشرر الناتج عن القطع السحجية يؤدي لاحتراق الواقية السفلية. ومعدل نصل القطع والأجزاء البلاستيكية الأخرى.

• استخدم القامطات لدعم قطعة العمل كلما أمكن. وفي حالة تدعيم قطعة العمل بيدك، فيجب أن تبعد يدك دائماً عن جانبي نصل النشار لسمافة لا تقل عن 100 م. لا تستخدم هذا النشار لقطع قطع صغيرة للغاية بحيث لا يمكن تثبيتها بإحكام أو تثبيتها باليد إذا وضعت يدك على مسافة قريبة للغاية من نصل النشار. فيسبكون هناك خطر متزايد للتعرض للإصابة من جراء ملامسة النصل.

• يجب أن تكون قطعة العمل ثابتة ومحكمة التثبيت بقامطة أو مثبتة باتجاه كل من الحاجز والمنضدة. لا تقم بتمزيق قطعة العمل على النصل ولا تقطع بأي حال من الأحوال "بوقود" فقاطع العمل غير الثبته أو للمتحركة قد تندفع عند

العمل بالسرعات العالية. بما يتسبب في التعرض لإصابات.

• ادفع المنشار عبر قطعة العمل ولا تجذب المنشار عبر قطعة العمل. لعمل قطع. ارفع رأس المنشار واسحبها فوق قطعة العمل دون إجراء قطع. ثم أدر المحرك.

• واضغط على رأس المنشار لأسفل وادفع المنشار عبر قطعة العمل أما القطع من خلال شقوق سحب فسوف يتسبب في صعود المنشار فوق قطعة العمل واندفاع مجموعة النصل بعنف باتجاه المشغل.

• لا تضع يدك في وضع متقاطع فوق خط القطع الممرس سواء أمام أو خلف نصل المنشار حيث إن تدعيم قطعة العمل "بيد في وضع متقاطع" أي تثبيت قطعة العمل بيدك اليسرى على نصل المنشار أو العكس بعد أمراً خطيراً للغاية.

• لا تمد إحدى يديك خلف الحاجز لمسافة تقل عن 100 م من جانبي نصل المنشار. لإزالة نشارة الخشب أو لأي سبب آخر أثناء دوران المنشار حيث إن اقتراب نصل المنشار الدوار من يدك قد لا يكون واضحاً وقد تتعرض لإصابة خطيرة.

• افحص قطعة العمل الخاصة بك قبل القطع. فإذ كانت قاطعة العمل مقوسة أو ملتوية، قم بتمطيطها باستخدام المقوس الجانب للخارج لقطع الحاجز وتأكد دائماً من عدم وجود فجوة بين قطعة العمل والحاجز والمنضدة على طول خط

القطع قطع العمل المثنية أو الملتوية يمكن أن تنحرف أو تنحرف وقد تتسبب في إعاقة حركة نصل المنشار الدوار أثناء القطع. وينبغي ألا يكون هناك أية مسامير أو أجسام غريبة في قطعة العمل.

• لا تستخدم المنشار على يتم إرخاء المنضدة من جميع الأدوات ونشارة الخشب وخلافه. بحيث لا يبقى سوى قطعة العمل المفلخات الصغيرة أو القطع الخشبية السائبة أو الأجسام الأخرى التي تتلامس مع النصل الدوار يمكن أن تنطيار بسرعة عالية.

• اقطع قطعة عمل واحدة فقط في المرة فإن قطع العمل العديدة المتراكمة لا يمكن قطعها أو تدعيمها كما ينبغي وقد تتسبب في إعاقة حركة نصل المنشار أو قد تنحرف أثناء القطع.

• تأكد من منشأ التلسين مركب أو موضوع على سطح عمل مستوي وثابت قبل الاستخدام. فسطح العمل المستوي والثابت يقلل من خطر عدم التزان منشأ التلسين.

• خطط لعملك! كل مرة تقوم فيها بتغيير وضع ضبط الزاوية المائلة أو المفصلية، تأكد أن الحاجز القابل للضبط مضبوط بشكل صحيح لتدعيم

قطعة العمل ولكي لا يتداخل مع النصل أو نظام الحمل "تشغيل" الجهاز ويؤمن وضع قطعة عمل التي يزيد عرضها أو طولها عن سطح المنضدة. قطع كاملة وذلك لضمان عدم حدوث داخل أو خطر تعرض الحاجز للقطع

• قم بتوفير وسيلة تدعيم مناسبة مثل تطويلات المنضدة وحوامل المنشار وخلافه لتدعيم العمل التي يزيد عرضها أو طولها عن سطح المنضدة. قطع العمل التي يزيد طولها أو عرضها عن منضدة منشأ التلسين يمكن أن تنقلب إذا

لم يتم تدعيمها بإحكام. في حالة انقلاب القطعة المقطوعة أو قطعة العمل. فإنها قد تتسبب في رفع الواقية السفلية أو تطايرها بفعل النصل الدوار.

• لا تستخدم شخصاً آخر كبدائل لتطويلة المنضدة أو كتدعيم إضافي فالتدعيم غير المنزن لقطعة العمل يمكن أن يتسبب في إعاقة حركة النصل أو انحراف قطعة العمل أثناء عملية القطع ومن ثم سحب أنت ومعاونك نحو النصل الدوار.

• يجب ألا يتم زلق أو ضغط القطعة المقطوعة بأية وسائل في مواجهة نصل المنشار الدوار. فإذا كانت المسافة محدودة، أي في حالة استخدام حواجز طول، فقد تنحسر القطعة المقطوعة بمواجهة النصل وتندفع بقوة.

• استخدم دائماً قاططة أو وسيلة تثبيت مصممة لتدعيم المواد المستديرة بشكل صحيح مثل القضبان أو الأنابيب حيث عمل القضبان للندرج أثناء قطعها. بما يتسبب في قيام النصل "بعضبات" ومن ثم سحب قطعة العمل بيدك نحو النصل.

• اترك النصل يصل إلى السرعة الكاملة قبل ملامسة قطعة العمل فهذا يقلل من خطر تعرض قطعة العمل للاندفاع.

• وإذا تعرضت قطعة العمل أو النصل للانحسار، فأوقف منشأ التلسين. وانتظر حتى تتوقف جميع الأجزاء المتحركة والفصل القابض عن مصدر الإمداد بالكهرباء وألأخرج البطارية. ثم اعمل على تحرير المادة المنحسرة فمواصلة النشر بينما قطعة العمل منحسرة قد يتسبب في فقدان السيطرة على منشأ التلسين أو حدوث ضرر به.

• بعد انتهاء القطع، حرك المفاح وبقم بإنزال رأس المنشار لأسفل وانتظر حتى يتوقف النصل قبل إزالة القطعة المقطوعة فتقريب يدك من النصل المستمر في الدوار بعد أمراً خطيراً.

• أمسك المقبض جيداً عند عمل قطع غير كامل أو عند تحرير المفاح قبل أن تصبح رأس المنشار بالكامل في الوضع السفلي فقد تتسبب حركة كبح المنشار في جذب رأس المنشار بشكل مفاجئ لأسفل. بما يتسبب في خطر التعرض للإصابة.

تخيرات السلامة الإضافية

• يؤدي اندفاع التيار إلى حدوث انخفاض الفولتية لفترة قصيرة قد تتأثر معدات أخرى في طرف إمداد الطاقة غير المناسبة (إذا كانت مقاومة النظام لإمداد الطاقة أقل من 100 أوم). فمن غير المحتمل حدوث انقطاع في الطاقة، إذا أريد الحصول على المزيد من الإيضاح بإمكانك الاتصال بهيئة إمداد الطاقة المحلية لديك

• معلومات عامة

• لا تستخدم الآداة إلا لقطع الأخشاب فقط؛

• تأكد دائماً من أن الفولت المرزوه هو نفسه المنشار اليه على اللوحة الخاصة بالأداة

• لا تقف على الآداة أو الحامل الخاص بها فقد حدث إصابة خطيرة إذا انقلبت الآداة أو في حالة ملامسة أداة القطع عن غير قصد. لا تقم بتخزين المواد على الآداة أو بالقرب منها. بحيث يكون من الضروري الوقوف على الآداة أو على الحامل الخاص بها للوصول إليها.

• احرص دائماً على فصل القابض من مصدر الطاقة قبل القيام بأية عمليات ضبط أو تغيير أية ملحقات؛

• احرص دائماً على فصل القابض من مصدر الطاقة قبل نقل منشأ التلسين

• افصل مجموعة الرأس السفلية وقم بقلها في موضعها. واستخدم مقبض الحمل وأحد سننات اليد في قاعدة المنشار.

قل زنم يل صقم راشنم

1320

مقدمة

- تم تصميم هذه الأداة كجهاز ثابت للقطع الطولي والمستعرض للأخشاب بقطع مستقيمة وقطع بزوايا (يمكن القطع بزوايا مفضلية أفقية تتراوح بين 0- إلى 50+ درجة وزوايا مائلة رأسية تتراوح بين 48- إلى 45+ درجة).
- اقرأ دليل التعليمات هذا واحتفظ به ①
- لم يتم تصميم هذه الأداة للاستخدام الاحترافي.
- لا تقم باستخدام الأداة إلا بعد استكمال التجميع بطريقة صحيحة (انتهى إلى أن Skill لا يمكنها حمل مسؤولة أي تلف في الأداة وأو إصابات شخصية ناتجة عن خطأ في جميع الأداة).

البيانات الفنية ①

مكونات الأداة ⑧

- | | |
|----|-----------------------------------|
| A | واقي سفلي |
| B | مقبض تبديل |
| C | مسمار القفل للتحريك |
| D | واقي علوي |
| E | مقبض النقل |
| F | فتحات التركيب |
| G | قدم الدعم |
| H | كيس غبار |
| J | فتحة الغبار |
| K | قضبان التمديد |
| L | مفايض لقفل قضبان الإطالة |
| M | قامطة لتركيب قطعة العمل |
| N | فتحة الدعم / قمع رأسي |
| P | مقبض لضبط القامطة |
| Q | مقبض لضبط القامطة |
| R | ذراع تثبيت |
| S | حاجز |
| T | براغي سداسية لضبط الحاجز (x4) |
| U | الحاجز المنزلق |
| V | مقبض لتثبيت الحاجز المنزلق |
| W | مقبض القفل (زوايا مائلة) |
| X | مؤشر زوايا مائلة |
| Y | برغي لضبط زاوية مائلة (يمينًا) |
| Z | برغي لضبط زاوية مائلة (يسارًا) |
| AA | أداة التوقيف الطرفي القابلة للضبط |
| BA | ذراع خريز ليليل الإيثرن |
| CA | ضوء الليزر |
| DA | مفتاح تشغيل/إيقاف تشغيل الليزر |
| EA | مقبض القفل / زوايا مفضلية |
| FA | ذراع خريز حابيس منتشر التلسين |
| GA | مؤشر الزوايا المفضلية |
| HA | مقبض قفل للجهاز المنزلق |
| IA | مفتاح التشغيل/إيقاف |
| JA | ذراع الأمان |
| KA | موقف عمق القطع |
| LA | محدد العمق |
| MA | صامولة محدد العمق |
| NA | مفتاح مسدس |
| OA | موضع تخزين المفتاح المسدس |
| PA | قفل مغزلي |
| QA | برغي لوجة الغطاء |
| RA | برغي الشفرة |
| SA | فلنجة |
| TA | ولجة المنضدة |
| UA | عاكس الأثرية |
| VA | مشبك الكابل |

أمان

خُذتير السلامة العامة للأداة الكهربائية

خُذتير أقرأ كل خُذتير السلامة والتعليمات والأشكال الإيضاحية والمواصفات المرفقة مع هذه الأداة الكهربائية فهد يؤدي الإخفاق في الالتزام بكل التعليمات البيئية فيما يلي إلى التعرض لصدمة كهربائية وأو حريق وأو إصابة خطيرة:

احتفظ بكل التحذيرات للرجوع إليها في المستقبل

التحذيرات إلى الأداة الكهربائية الخاصة بك التي « الأداة الكهربائية » بشير المصطلح تعمل بطاقة المأخذ الرئيسي باستخدام سلك (أو بطاقة البطارية) بدون سلك:

- الآمان يمكن الشغل
- أ) حافظ على نظافة وحسن إضاءة مكان شغلك. الفوضى في مكان الشغل ومجالات العمل الغير مضاءة قد تؤدي إلى حدوث الحوادث.
- ب) لا تشغل بالعدة الكهربائية في محيط معرض لخطر الإنفجار والذي تتوفر فيه السوائل أو الغازات أو الأغبرة القابلة للإشتعال. العدد الكهربائية تشكل الشرر الذي قد يتطاير فيشعل الأغبرة والأخرة.
- ت) حافظ على مباء الأطفال وغيرهم من الأشخاص على بعد عندما تستعمل العدة الكهربائية. قد تفقد السيطرة على الجهاز عند التلهي.

الآمان الكهربي

أ) يجب أن يتلامس قابس وصل العدة الكهربائية مع المقبس. لا يجوز تغيير القابس بأي حال من الأحوال. لا تستعمل القوايس المهادية مع العدد الكهربائية المؤرضة تاريض وقائي. تخفض القوايس التي لم يتم تغييرها والمقابس الملائمة من خطر الصدمات الكهربائية.

ب) جُنب ملامسة السطوح المؤرضة كالأنابيب وارايتورات التدفئة والمدافئ أو البروات بواسطة جسمك. يزداد خطر الصدمات الكهربائية عندما يكون جسمك مؤرض.

ت) أبعد العدة الكهربائية عن الأمطار أو الرطوبة. يزداد خطر الصدمات الكهربائية إن تسرب الماء إلى داخل العدة الكهربائية.

ث) يجب عدم إسائة استخدام الكابل. لا تسن استعمال الكابل حمل العدة الكهربائية أو لتعليقها أو لسحب القوايس من المقبس. حافظ على إبعاد الكابل عن الحرارة والزيت والحواف الحادة أو عن أجزاء الجهاز المتحركة. تزيد الكابلات التالفة أو المشابكة من خطر الصدمات الكهربائية.

ج) استخدم فقط كابلات التمديد الصالحة للإستعمال الخارجي أيضا عندما تشغل بالعدة الكهربائية في الخلاء. يخفض استعمال كابل تمديد مخصص للإستعمال الخارجي من خطر الصدمات الكهربائية.

ح) إن لم يكن بالإمكان عدم تشغيل العدة الكهربائية في الأجواء الرطبة. فاستخدم مفتاح للوقاية من التيار المتردد. إن استخدام مفتاح للوقاية من التيار المتردد يقلل خطر الصدمات الكهربائية.

آ) آمان الأشخاص

أ) كن يقظا وأنتبه إلى ما تفعله وقم بالعمل بواسطة العدة الكهربائية بتعقل.. لا تستخدم عدة كهربائية عندما تكون متعب أو عندما تكون تحت تأثير الخدترات أو الكحول أو الأدوية. عدم الإنتباه للحظة واحدة عند إستخدام العدة الكهربائية قد يؤدي إلى إصابة خطيرة.

ب) ارتد عتاد الوقاية الخاص وارتد دائما نظارات واقية. يجب إرتداء عتاد الوقاية الخاص كفتاح الوقاية من الغبار وأحذية الأمان الواقية من الإنزلاق والحوذ واقية الأذنين حسب نوع وإستعمال العدة الكهربائية. من خطر الإصابة بجروح.

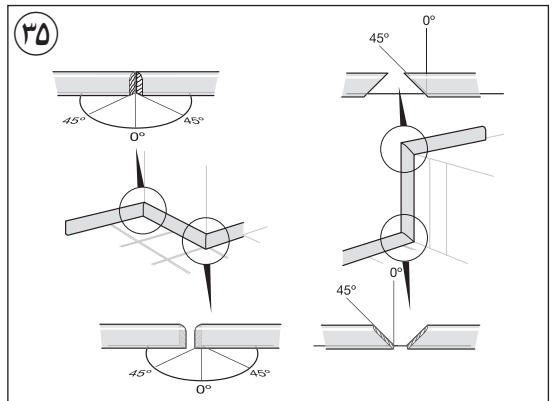
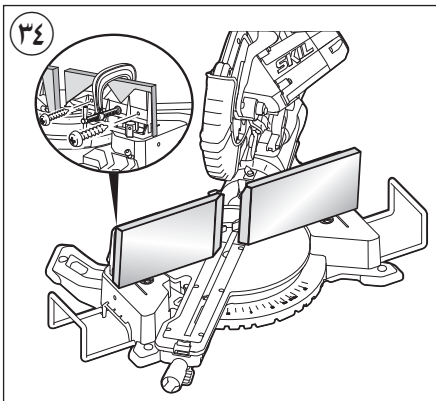
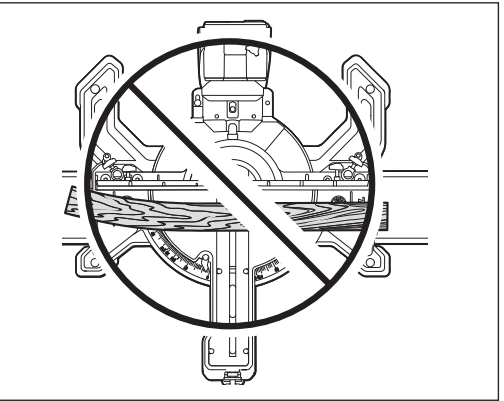
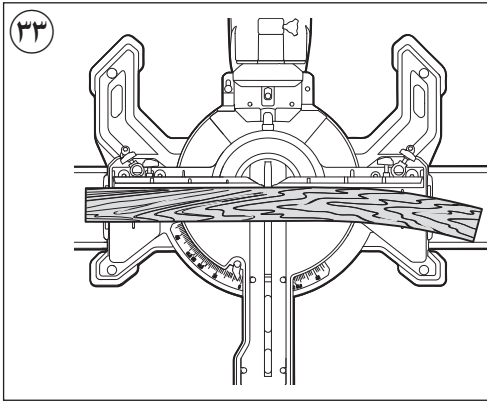
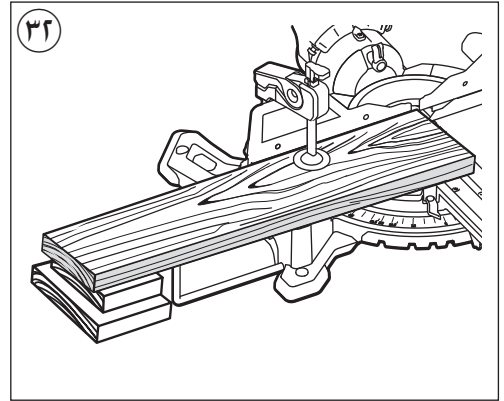
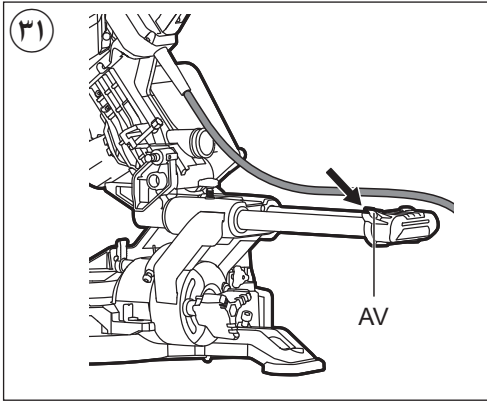
ت) جُنب التمشيق بتشكيل غير مقصود. تأكد من كون العدة الكهربائية مطفاة قبل وصلها بإعادة التيار الكهربائي و/ أو بالمركم، وقيل رفعها أو حملها. إن كنت تضع إصبعك على المفتاح أثناء حمل العدة الكهربائية أو إن وصلت الجهاز بالشبكة الكهربائية عندما يكون قيد التشغيل. فقد يؤدي ذلك إلى حدوث الحوادث.

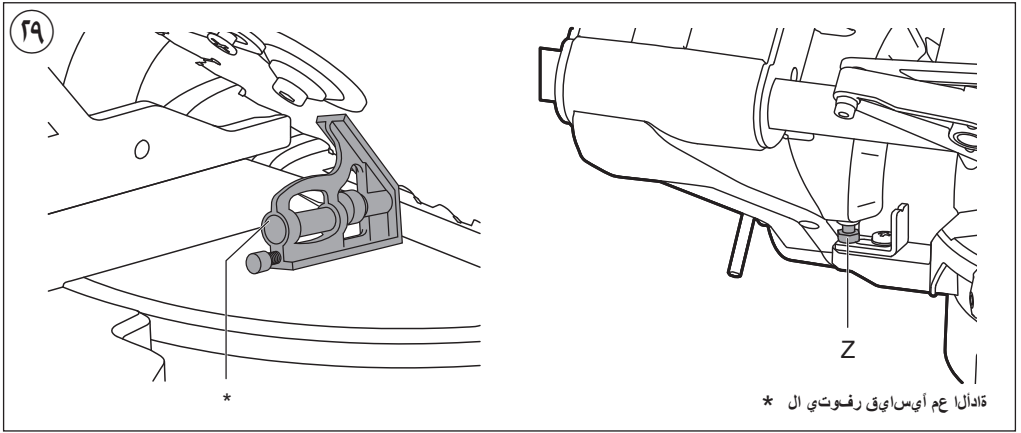
ث) انزع عدد الضبط أو مفتاح الربط قبل تشغيل العدة الكهربائية. قد تؤدي العدة أو المفتاح المتواجد في جزء دوار من الجهاز إلى الإصابة بجروح.

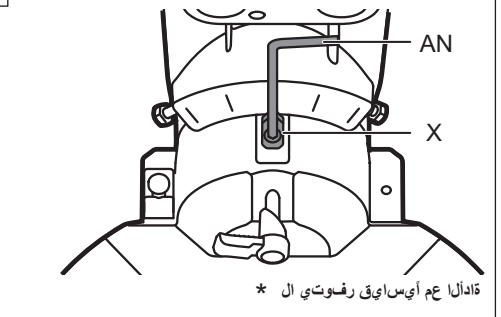
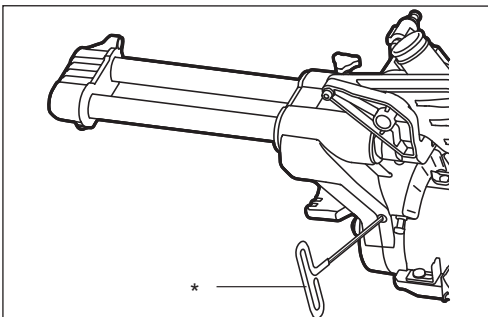
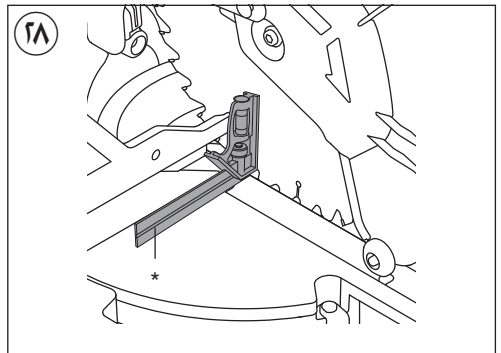
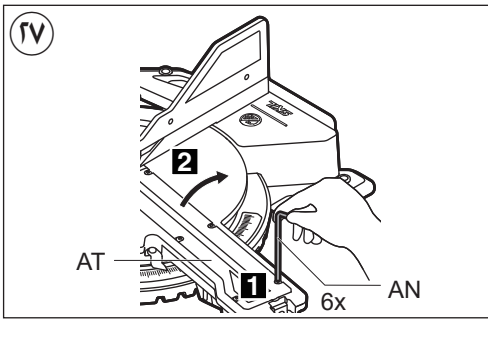
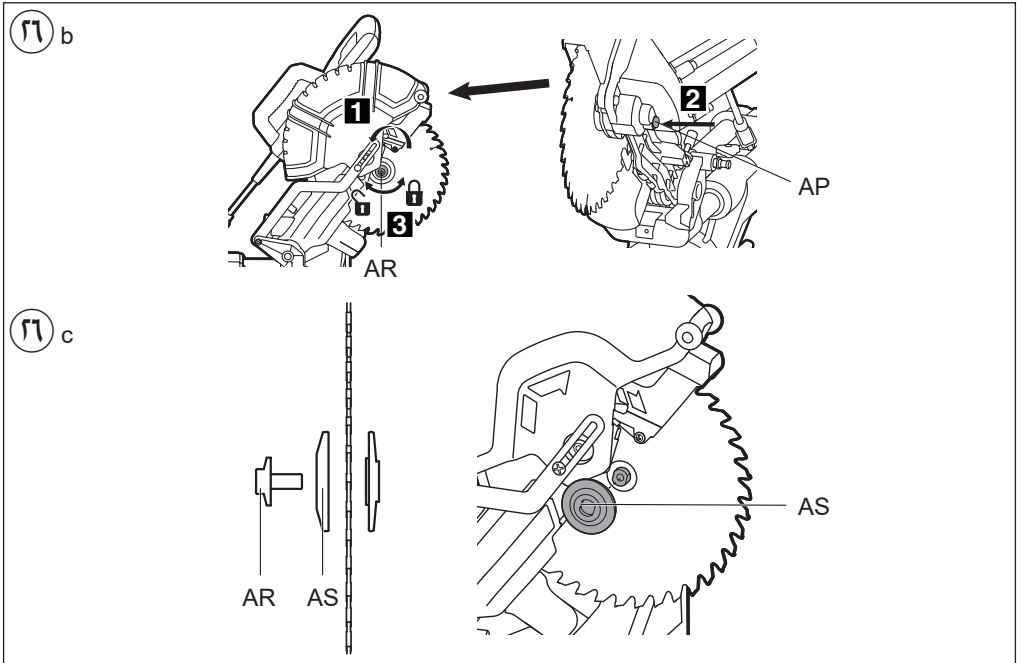
ج) جُنب أوضاع الجسم غير الطبيعية. قف بأمان وحافظ على توازنك دائما. سيسمح لك ذلك من السيطرة على الجهاز بشكل أفضل في المواقف غير المتوقعة.

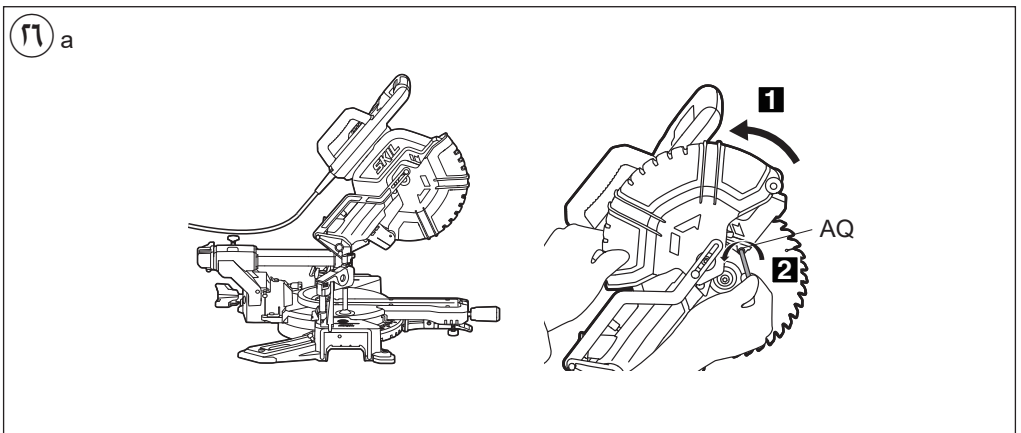
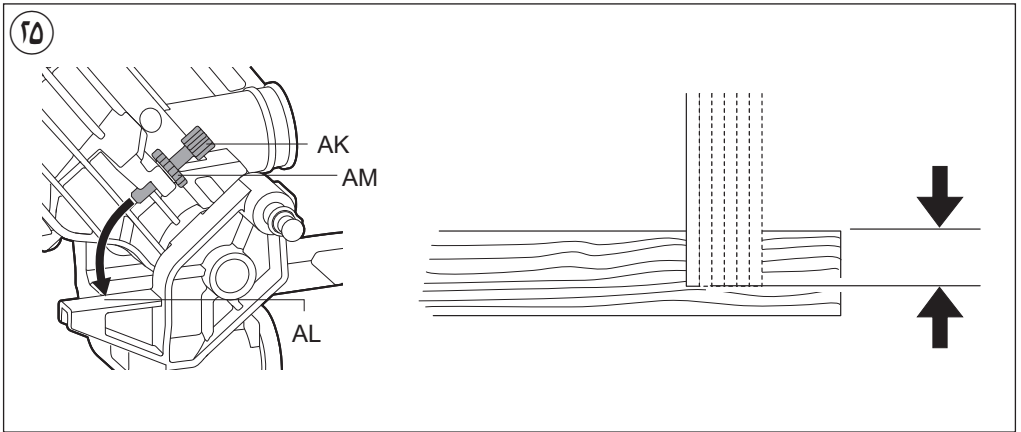
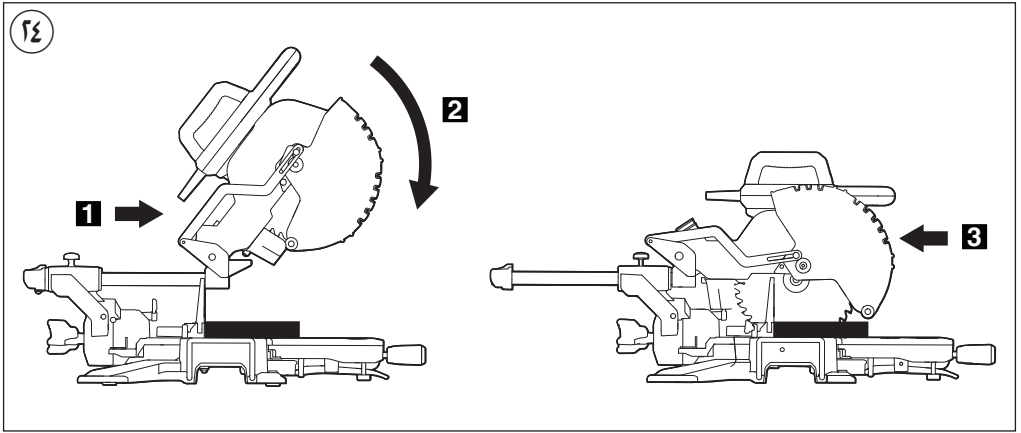
ح) ارتد ملابس مناسبة. لا ترتدي الثياب الفضفاضة أو الخلي. حافظ على إبقاء الشعر والثياب والقفازات على بعد عن أجزاء الجهاز المتحركة. قد تتشابك الثياب الفضفاضة والخلي والشعر الطويل بالأجزاء المتحركة.

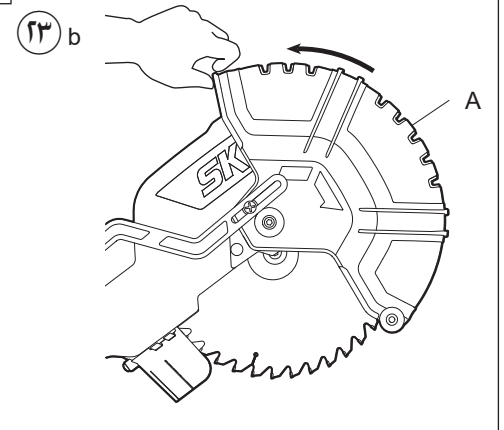
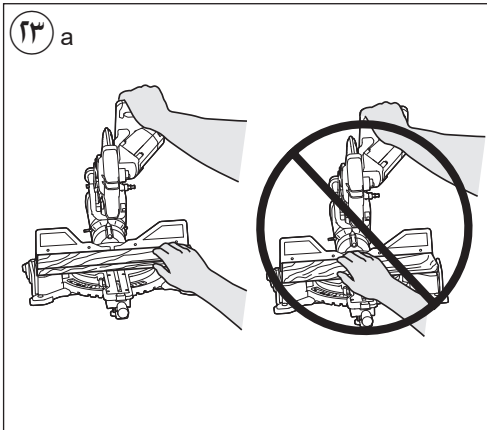
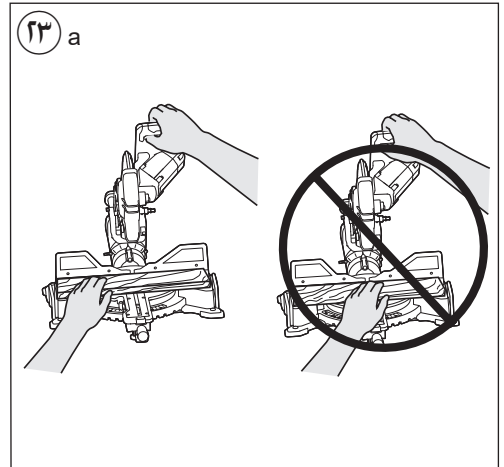
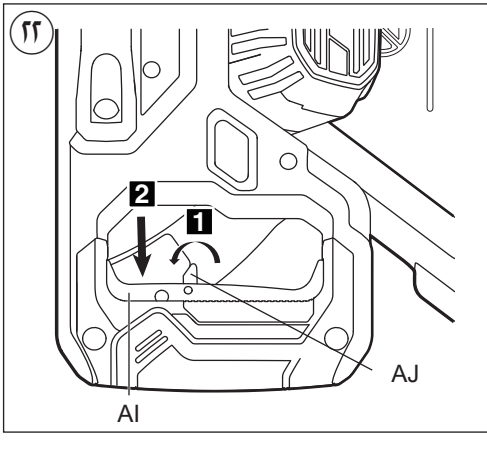
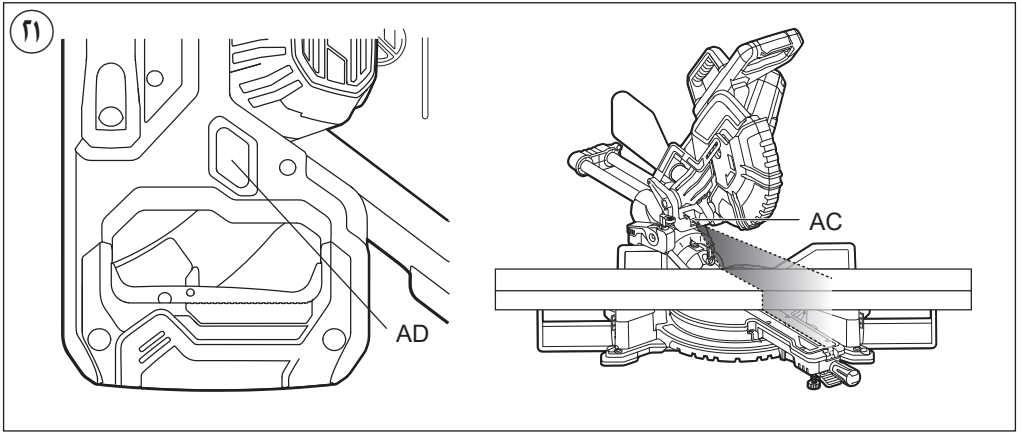
خ) إن جاز تركيب جهاز شفط وجميع الغبار. تتأكد من أنها موصولة و بأنه يتم استخدامها بشكل سليم. قد يقلل إستخدام جُهيرات لشفط الأغبرة من الخطر الناتجة عن الأغبرة.

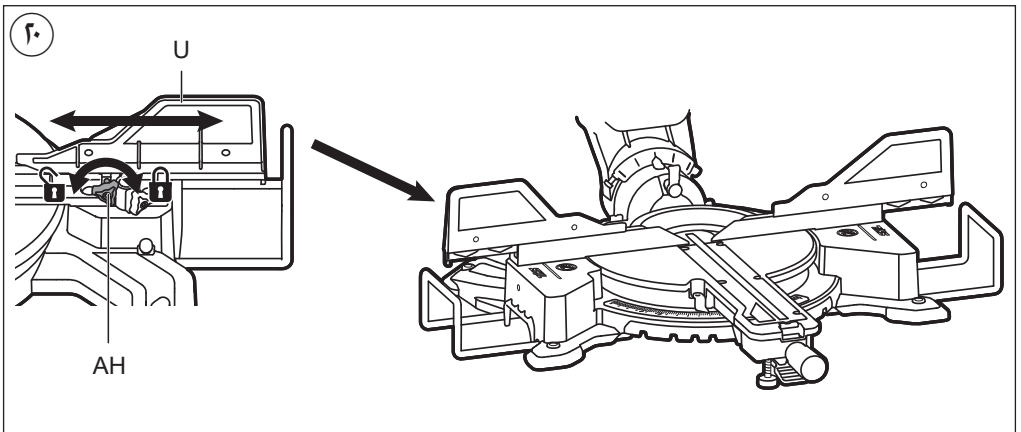
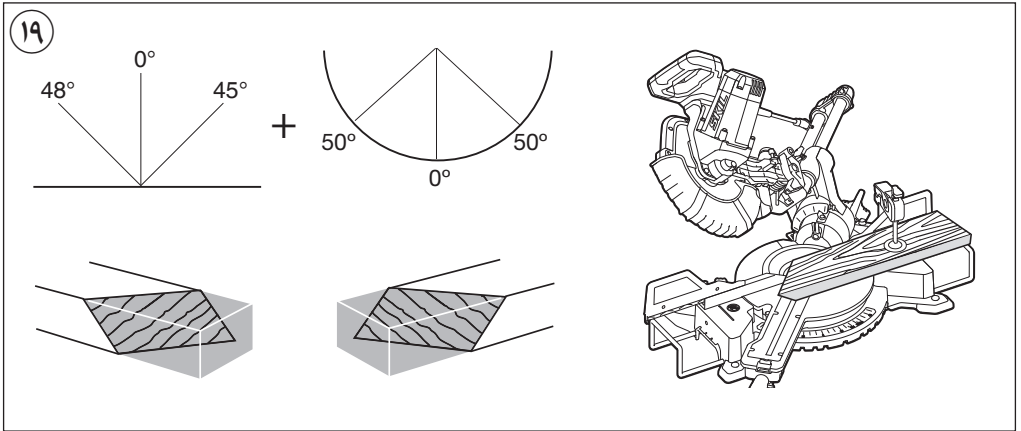
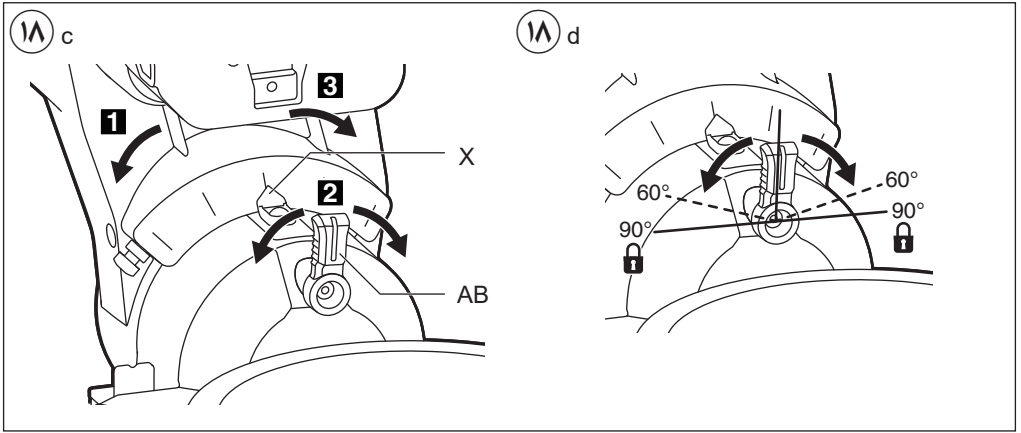




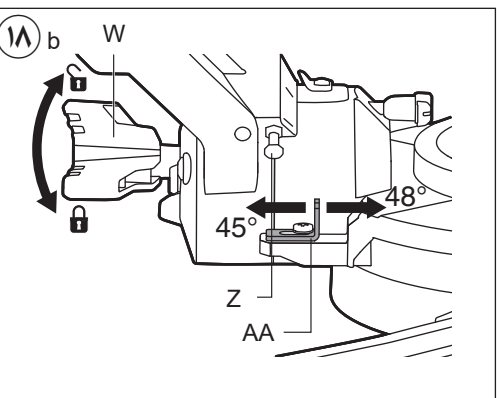
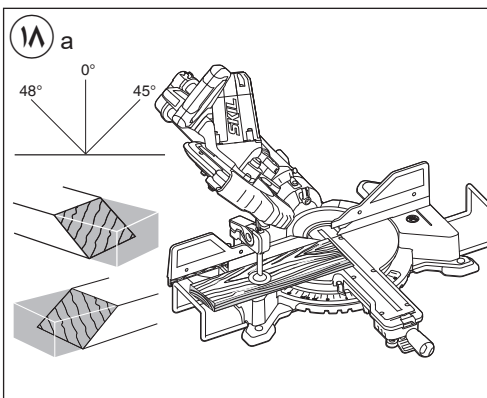
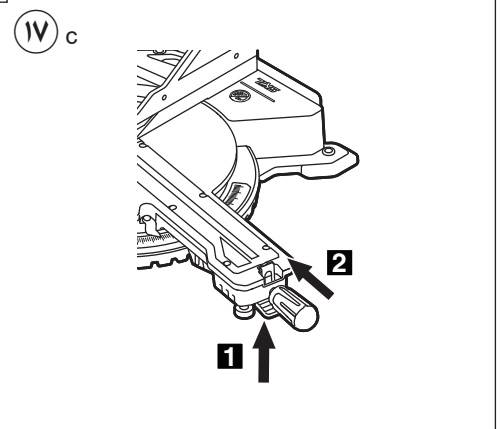
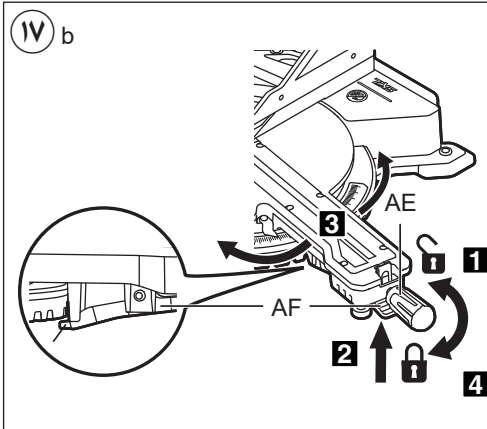
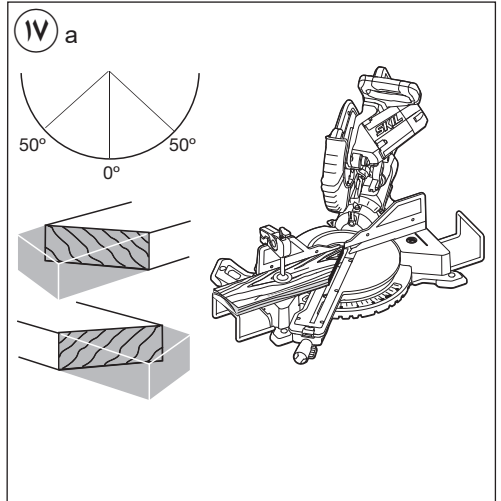


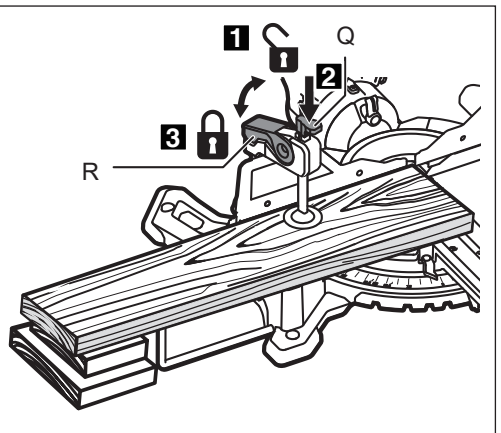
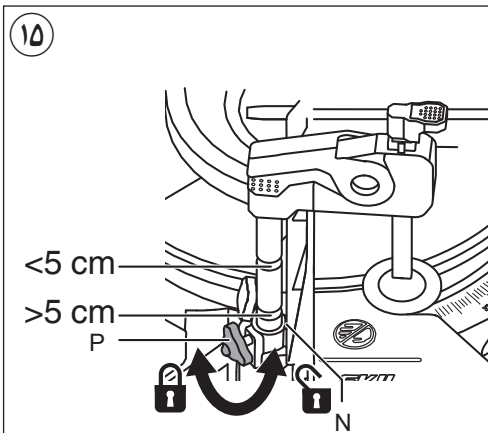
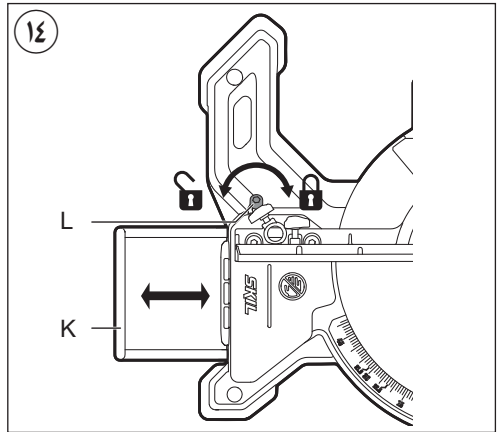
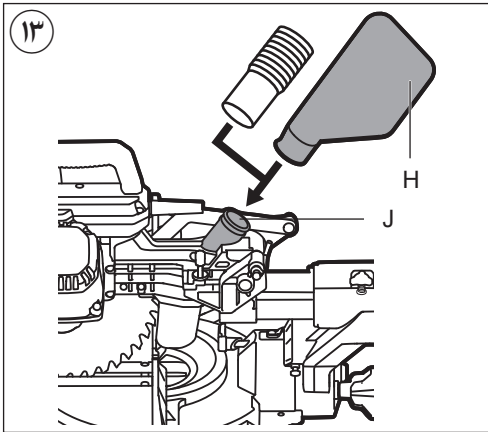
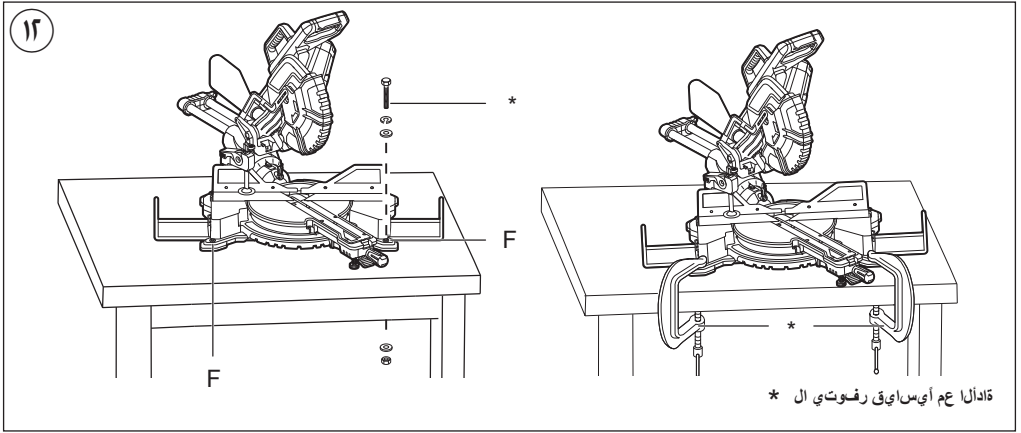


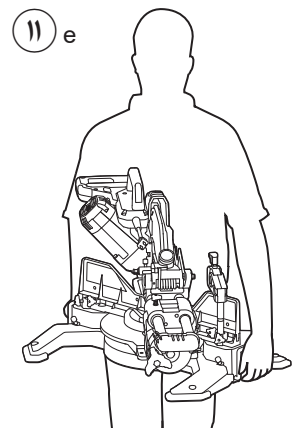
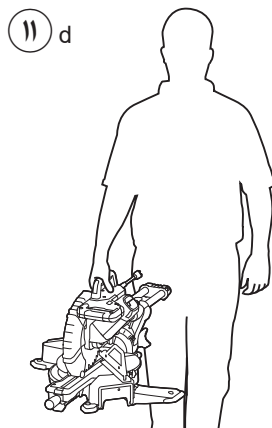
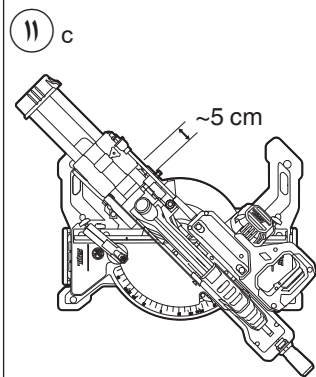
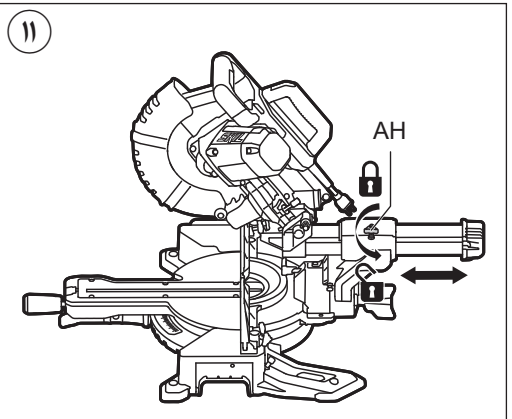
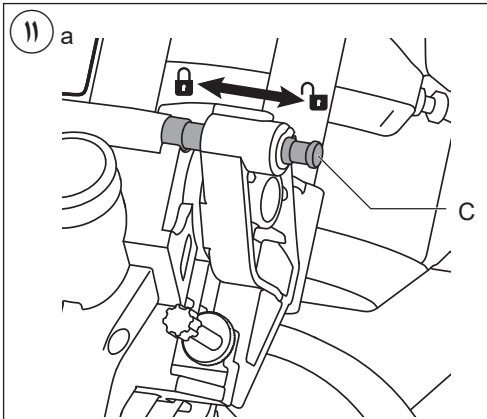
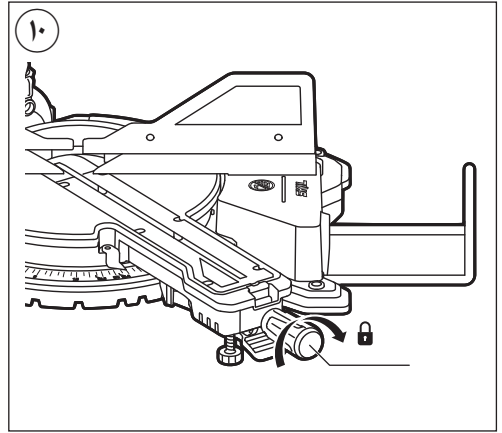
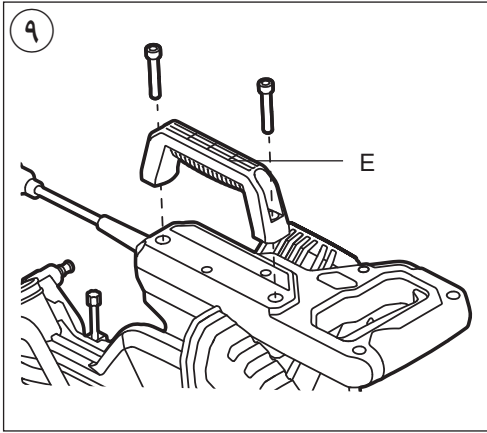


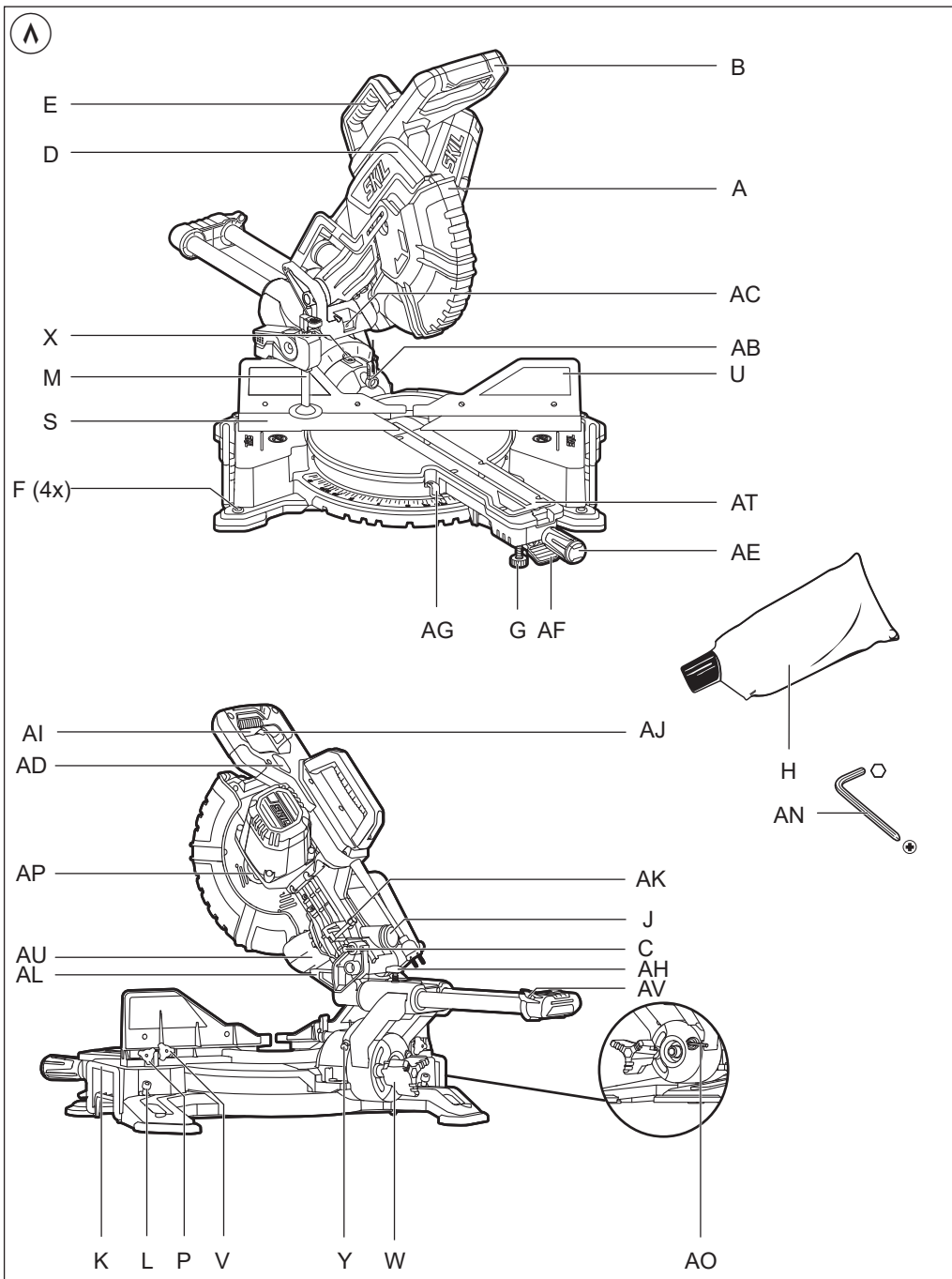


0°	0°		0°	Max A x Max B 90 x 300 mm
45°	0°		45°	40 x 300 mm
0°	45°		0°	90 x 210 mm
45°	45°		45°	40 x 210 mm
45°	0°		45°	25 x 300 mm
45°	45°		45°	25 x 210 mm









1

1320

2000 Watt
S6 (20% 5min)

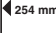

1800 Watt
S1

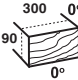

17,8 kg

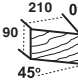

 n_0
5000 /min

220 - 240 V
~
50-60 Hz


2,0 - 3,2 mm


254 mm

30 mm

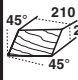

300 0°
90° 0°
MAX mm


210 0°
90° 45°
MAX mm


300 45°
40° 0°
MAX mm


45° 300
0° 25
MAX mm


210 45°
40° 45°
MAX mm


45° 210
45° 25
MAX mm

2



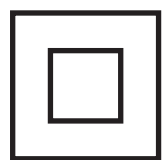
3



4



5



6



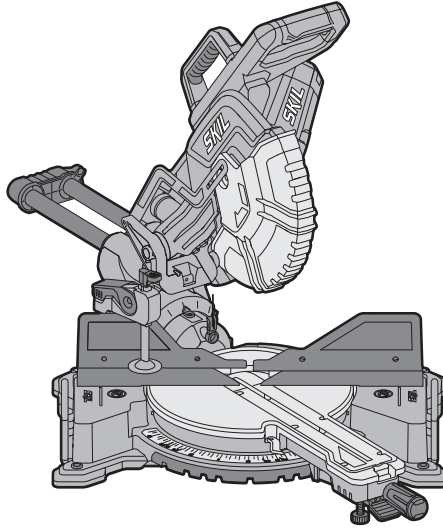
V

	LASER 2	
P max <1mW , λ=650nm IEC/EN 60825-1:2014		

منشار مفصلي منزلق

1320

SKIL®



دليل الاستعمال

AR

راهنمای اصلی

FA

