

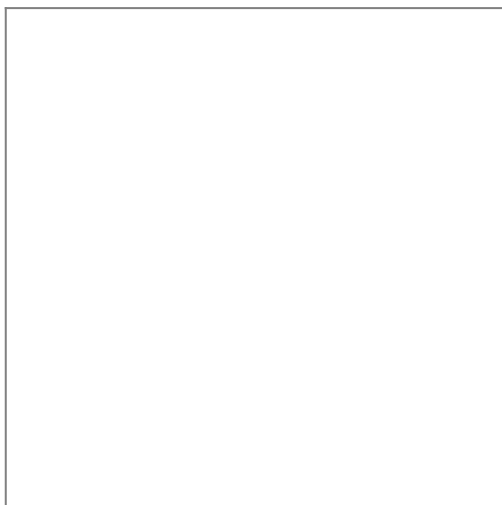
Sensor-switched LED floodlight

XLED curved S

V2 Anthracite

EAN 4007841 012076

Article number 012076



LED

3000 K



infrared sensor
160°



max. 8 m



IP44



2 - 1000 lux



2 sec - 70 min



Light source not
exchangeable



Control gear not
exchangeable



ideal 2 m

Function description

Illuminating compact model. Sensor LED floodlight XLED curved S with 9,3 W, compact and discreet lighting solution for building entrances, pathways and co., attractive luminous efficiency (862 lm) requiring very little energy, sensor reach of up to 8 m, tilting range of +30°.

Technical specifications

Dimensions (L x W x H)	120 x 160 x 107 mm
With lamp	Yes, STEINEL LED system
With motion detector	Yes
Manufacturer's Warranty	3 years
Version	Anthracite
PU1, EAN	4007841012076
Application, place	Outdoors
Application, room	outdoors, all round the building, terrace / balcony
Installation site	wall
Installation	Wall, Surface wiring
Impact resistance	IK03
IP-rating	IP44
Protection class	II
Ambient temperature	-20 – 40 °C
Housing material	Plastic
Cover material	Plastic, opal
Mains power supply	220 – 240 V / 50 – 60 Hz

Mechanical scalability	No
Photo-cell controller	Yes
Luminous flux total product	862 lm
Measured luminous flux (360°)	862 lm
Total product efficiency	93 lm/W
Colour temperature	3000 K
Lamp	LED cannot be replaced
LED life expectancy (max. °C)	50000 h
Service life LED L70B50 (25°)	> 60000 h
Drop in luminous flux in accordance with LM80	L70B10
LED cooling system	Passive Thermo Control
Soft light start	No
Twilight setting	2 – 1000 lx
Time setting	2 s – 70 Min.
Basic light level function	No
Twilight setting TEACH	No
Interconnection	No

<https://www.steinell.de>

Subject to technical modifications

10.2023 Page 1 from 2

Sensor-switched LED floodlight

XLED curved S

V2 Anthracite

EAN 4007841 012076

Article number 012076

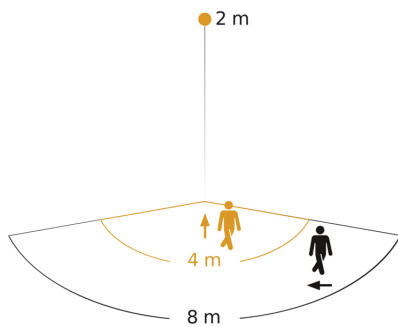


Technical specifications

Power consumption	0,5 W
Mounting height max.	4,00 m
Sneak-by guard	Yes
Capability of masking out individual segments	No
Electronic scalability	No

Output	9,3 W
Colour Rendering Index CRI	= 82
Optimum mounting height	2 m
Detection angle	160 °

Detection Zone

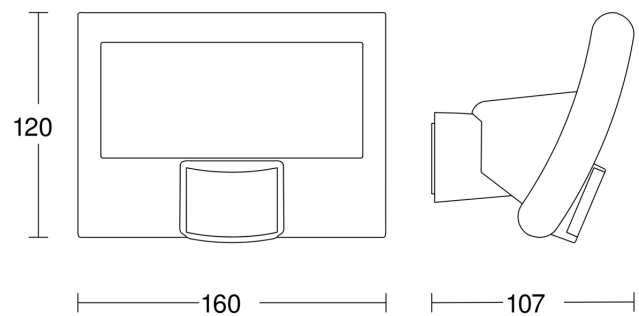


Possible mounting height: 1,80 m - 4,00 m

Orange: radial

Black: tangential

Dimension Drawing



Circuit diagram 1

