

# HARVIA HSW

HSW450400

*Harvia The Wall heater was created with a focus on functionality. Illuminated operating switches, easy installation, and durable structure make The Wall heater versatile in its features.*

## Advantages

- Compact, stylish and reliable heater for medium-sized sauna rooms
- The space-saving heater fits in a great variety of saunas
- Illuminated operating switches
- Option to choose right and lefthanded installation
- Option to integrate heater in the sauna bench



## Features

Main material : Steel

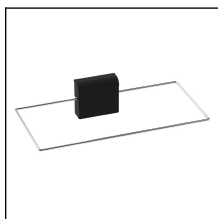
H x W x D : 610.0 x 430.0 x 260.0 mm

Net weight (kg) : 11.7

Installation type : Wall

ID	GTIN	Output (kW)	Sauna room size min - max m3
HSW450400	6410082660254	4.5 kW	3.0-6.0

## Related products



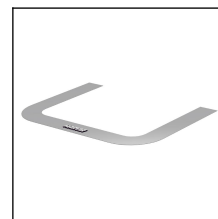
SFE-220400



HSW5



HSW5L



HSW1



HSW5

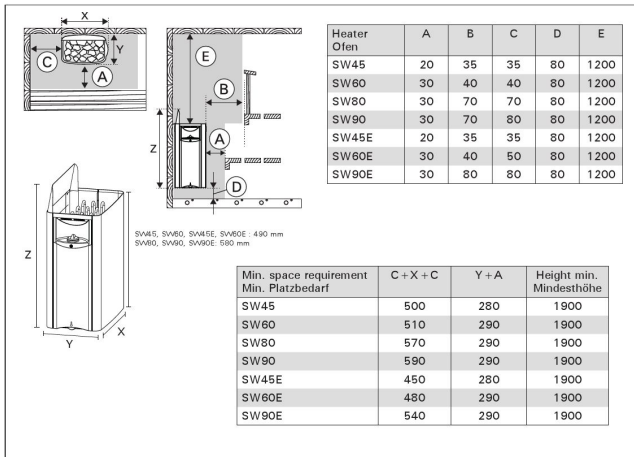
## Spare parts

Product	ID	Pcs
Timer + axel lock	WX641	1
	ZWA-007	1
Axle, short, The Wall	ZWA-041	1
Timer knob, The Wall	ZWA-011	1
Heating element, The Wall 1500W / 230V	Y10-0016	3
Thermostat/overheating limiter switch	ZSK-520	1
Thermostat knob, The Wall	ZWA-021	1
Wall indicator lights	ZWA-061	1
Axle inlet rubber seal, The Wall	ZWA-022	1
	ZWA-023	1
Air flow spoiler Wall	ZWA-009	1
Wall mounting bracket, Wall all models	ZWA-058	1

## Technical details

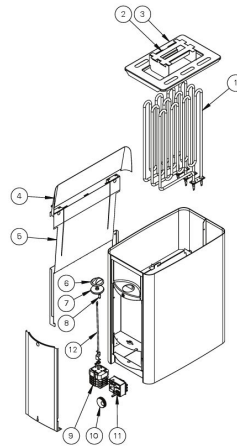
Technical data	Type / attribute	HSW450400
	Color	Stainless Steel
	Power output	4.5 kW
	Stone sizes	5-10 cm
	Stone amount (kg)	20
Dimensions	Product width (mm)	430
	Product height (mm)	610
	Product depth (mm)	260
	Net weight (kg)	11.7
	Gross weight	13.4
	Package width	460
	Package height	540
	Package depth	265
Safety and installation dimensions	Safety distance front (non-combustible materials)	20
	Safety distance front (combustible materials)	20
	Safety distance right side (combustible materials)	35
	Safety distance right side non-combustible materials	35
	Safety distance left side (combustible materials)	35
	Safety distance left side non-combustible materials	35
	Safety distance side (non-combustible materials)	35
	Safety distance side (combustible materials)	35
	Safety distance (Ceiling) (depends on connections and therefore from output, star/delta)	1200
	Room min. height(depends on connections and therefore from output, star/delta)	1900
	Installation opening height	1900
Installation opening width	500	
Installation opening depth	280	

Technical images

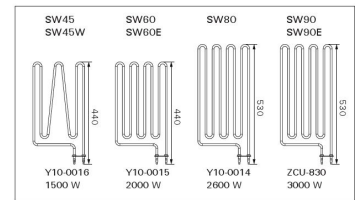


Minimum safety distances (all measurements in millimeters)

30



#	Part number Teil nr.	Name	Pcs St.
1	SW45/E SW60/E SW80 SW90-E	Y10-0016 Y10-0015 Y10-0014 ZCU-830	3
2	ZWA-007	Heizer Element 1500W Heizer Element 2000W Heizer Element 2600W Heizer Element 3000W Heizer Element	1
3	ZWA-023 ZWA-077	Element support Halterung	1
4	ZWA-009 ZWA-059	Grid / Rost Schutzblende	1
5	ZWA-058	Steam guide	1
6	ZWA-011	Wall mount / Wandhalterung	1
7	ZWA-022	Timer knob Knopf für Zeitschaltuhr	1
8	ZWA-022	Axle inlet rubber seal Gummidurchführung der Achse	1
9	ZWA-081	Indicator lights Kontrollleuchte	1
10	WX841	Clock + star lock washer Zeitschaltuhr + Zahnscheibe	1
11	ZWA-021	Thermostat knob Knopf für Thermostat	1
12	ZSK-520	Thermostat	1
12	ZWA-041 ZWA-041 ZWA-016 ZWA-016	Axle Achse	1



We recommend to use only the manufacturer's spare parts.

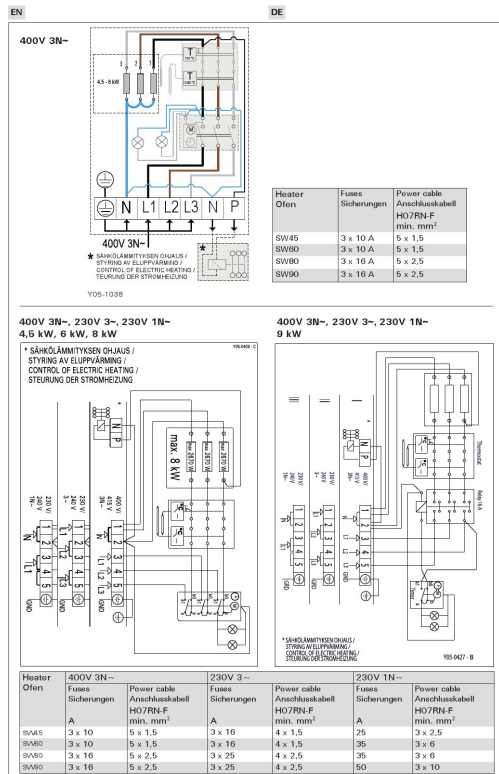


Figure 11a. Electrical connections (SW45, SW60, SW80, SW90)  
Abbildung 11a. Anschlussplan (SW45, SW60, SW80, SW90)

36