



User Manual EN (2-11)
Betjeningsvejledning DA (12-21)



Aduro Bio Stoves

Aduro B1 & Aduro B2

EN 16647:2015

aduro.dk / adurofire.com

Congratulations on your new Aduro Bio stove!

To get the best possible experience and benefit from your new Aduro Bio stove, it is important that you read the user manual thoroughly before you install the stove and start using it. Errors or incorrect settings can cause hazardous conditions and/or poor operation. Please keep the user manual in a safe place for future reference.

For further information, please go to www.adurofire.com.

Production number

The bio stove has a production number on the rating plate under the stove. For the purposes of the guarantee and for other enquiries, it is important that you can quote this number.

1. General

1.1 Compliance

All Aduro Bio stoves comply with the European Standard EN16647:2015 and is thereby approved for installation and use in Europe. At the same time, the manufacturing process is subject to external quality control.

1.2 Warnings and safety precautions

Remember that safety is first priority, and therefore the stove must be used with care and respect. Do not use the stove before the following warnings have been read:

- Examine local legislation before using the stove.
- Never change the construction of the bioethanol burner.
- Always place the bio stove in a well-ventilated, draft-free room. The room should have a minimum of 80 m³.
- Bioethanol is a hazardous material with hazard level UN1987, level 3.
- Bioethanol is extremely flammable and must be handled with care.
- Never place anything on top of the stove.
- Never move the stove while in use.
- Never leave the stove unattended and keep children and pets at a safe distance.
- Outer surfaces and materials near the burner become hot when the stove is in use.
- Only use bioethanol intended for bio stoves. We recommend using bioethanol with 93-96.5 %.
- Bioethanol should be stored in a safe location, away from fire and out of reach of children and pets.
- Any stove featuring naked flames or using flammable liquids has a potential risk of burns or injury.
- Never overfill the burner with bioethanol. The bioethanol must be completely absorbed in the ceramic material in the burner and must never exceed the arrows which indicate the maximum fuel level. Lighting an overfilled burner is unsafe.
- Remove the burner from the bio stove when filling with bioethanol. If the bioethanol burner is overfilled or bioethanol is spilt, the excess bioethanol should be removed before ignition. Spilt bioethanol can be removed with an absorbent cloth before ignition.
- Avoid physical contact with the bioethanol.



Never pour fuel into a hot or burning stove.



Do not position the stove near combustible materials.



Only use in draft-free surroundings.



No smoking



Keep pets and children at a safe distance.



Never move the stove while in operation.



Never (re)ignite a hot stove.



Never overfill the stove.



A fire blanket is recommended.



A fire extinguisher is recommended.



Only use fuel according to the user manual.



For decorative and domestic use only.



Only use in a ventilated room.

Aduro A/S declines all responsibility for any direct or indirect damages to persons, animals, or objects due to non-compliance with the provisions in this user guide, especially warnings regarding installation, use, and maintenance of the stove.

The responsibility for improper use of the product is entirely borne by the user and relieves the manufacturer from any civil and criminal liability. Tampering with or unauthorized replacement of non-original spare parts could be hazardous for the operator's safety and relieves the company from any civil and criminal liability.

1.3 Technical data

Aduro Bio stoves	
Capacity, burner	1.2 L (we recommend 1 L)
Weight, stove	26 kg
Burn time	3-4 hours
Heat efficiency	1.8 – 3 kW/h
Burner function	Manual

Material, stove	Black powder-coated steel and 4 mm ceramic glass
Material, burner	Brushed stainless steel
Fuel	Bioethanol (UN:1170, 93-96.5 %)
Outer dimensions (ØxHxD)*	48 x 47.65 x 35.05 cm

*See illustrations on adurofire.com

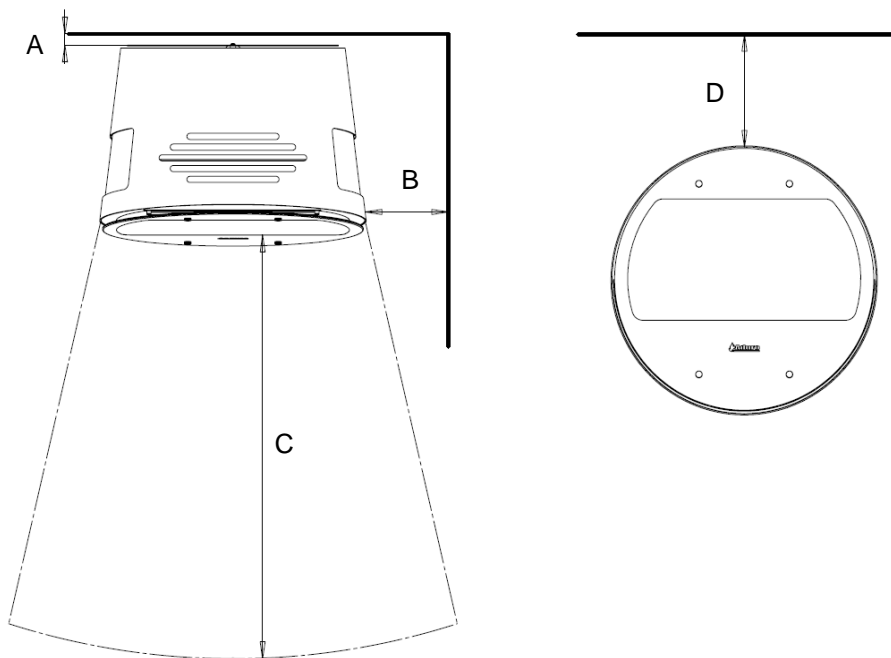
2. Installation of the stove

You can install the stove yourself. Aduro Bio stoves are easy to mount, and no chimney is required. You can use the stove both indoors and outdoors. However, be aware that the stove is not rust protected and must therefore be moved inside when the stove is cold. If stored outdoors, corrosion on the stove will occur.

2.1 Position of the stove and distance requirements

If the stove is placed near combustible material, specific distance requirements apply. See table and illustrations below:

Distance to combustible material	Mounted on foot/legs	Mounted on wall bracket
Behind the stove (A)	2 cm	-
To the sides (B)	15 cm	15 cm
In front of the stove (C)	75 cm	75 cm
Above the stove (D)	20 cm	20 cm



If the stove is being wall-mounted, it can only be mounted on a non-flammable wall. If the stove is placed on the metal foot, it should be placed on a non-flammable material. If the stove is positioned against a brick wall or other non-flammable material, there are no minimum distance requirements.

The stove must be installed on a floor/wall/material with an adequate load-bearing capacity. Make sure that the bio stove is installed in level, both horizontally and vertically. Do not place the stove in a room with a constant high humidity level. The room must be well-ventilated and should have a minimum of 80 m³.

2.2 Mounting options

The Aduro Bio stoves can be mounted on wooden legs, a metal foot, or hung on the wall. See the back of this manual for installation instructions.

2.3 Wall-mounted stove

If the stove is to be mounted on the wall, it must be installed on a non-flammable wall. The wall bracket must be properly mounted to the wall before mounting the stove (find instructions for mounting the bracket at the back of this user manual). You may consult your normal supplier of building materials about suitable attachment materials for the stove/wall before the mounting. **ONLY USE FIXING MATERIALS WHICH CANNOT MELT.**



The lower edge of the stove must be minimum 15 cm above the floor.

3. Firing in the bio stove

Important safety information

- Never ignite the stove if it is filled past the "MAX" fuel sign.
- The stove gets hot during use and therefore it should be treated with all necessary caution.
- Do not keep bioethanol and other easily combustible fluids near the stove.
- The room must be well-ventilated, draft-free, and should have a minimum volume of 80 m³.
- Do not place anything on top of the stove while it is in use.
- Do not cover up ventilation grids in the front and in the back of the stove.
- Do not place ceramic decoration logs, stones, or other things inside the stove. The flames must not touch decorative material.
- Never leave the stove unattended when in use.
- Keep children and pets at a safe distance.
- Use of several stoves is only allowed if the power output is equal or lower than 4.5 kW/h. An additional ventilation of the room is then required.
- The stove is not suitable for continuous operation.

3.1 Filling

Before filling the stove, the burner must be cooled down. The burner must not be removed from the stove until the temperature is below 40 degrees, meaning that the temperature indicator is in the blue area. When the stove is too hot, the temperature indicator will be in the red area and the spring blocks the attachment of the Aduro funnel:

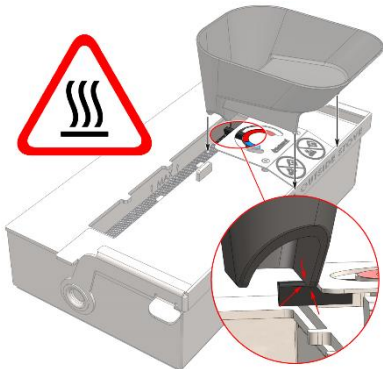


Illustration 1 – Placing the Aduro funnel

Follow this procedure when filling:

1. Make sure that the stove is turned off and that the temperature indicator is in the blue area.
2. Remove the burner from the stove to fill it with bioethanol wherever you store it (safe location). Depending on the type of stove you have, follow the steps below to remove the burner:

Applies to Aduro B1:

- Slide the front glass to the side. The integrated handle will now tilt upwards by 10 degrees:

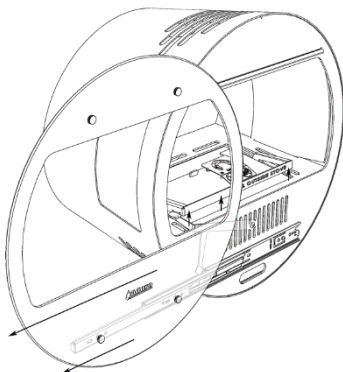


Illustration 2 – Slide the front glass to the side

- Raise the handle fully, lift the burner and remove it from the stove with one hand as shown below. When the handle is fully raised, the latch for the burner will automatically cover the burner opening.

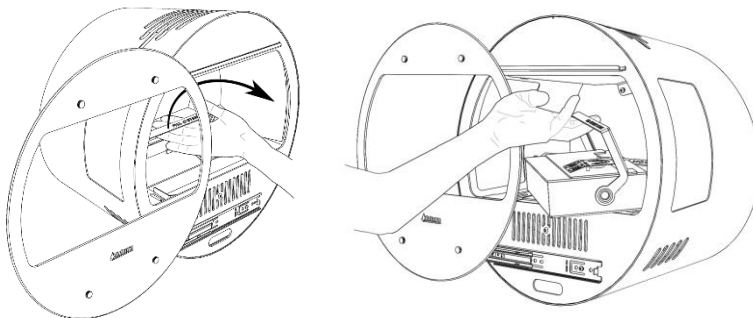


Illustration 3 – Raise the handle and remove the burner

Applies to Aduro B2:

- Raise the handle fully, lift the burner and remove it from the stove with one hand as shown below. When the handle is fully raised, the latch for the burner will automatically cover the burner opening.

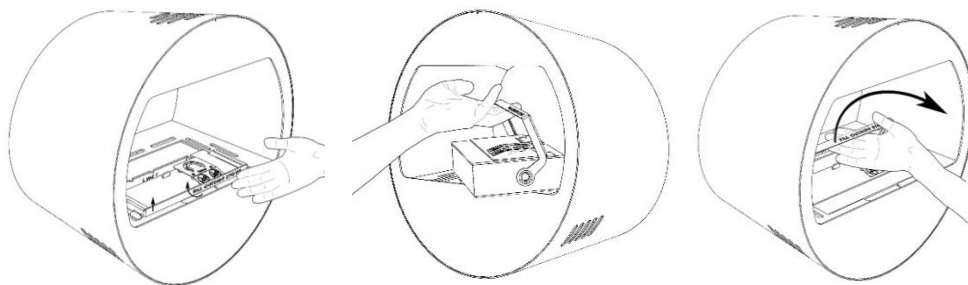


Illustration 4 – Raise the handle and remove the burner

3. Fold the burner handle back down and use the Aduro handle to pull the slider back to open the burner:

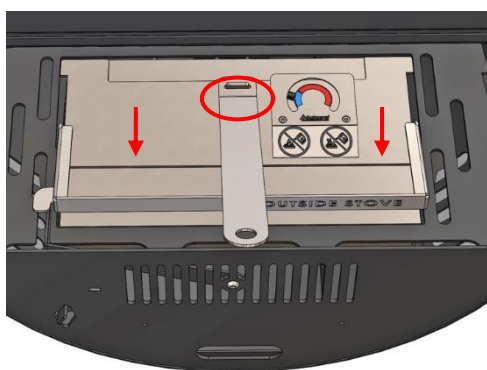


Illustration 5 – Use the Aduro handle to open the burner

4. Place the Aduro funnel as shown in illustration 1 above and fill with bioethanol in accordance with these safety instructions:
 - Use good quality bioethanol. See section 3.4.
 - The stove has a fuel capacity of 1,20 litres. However, we recommend that you fill the burner with 1 litre of bioethanol. If you buy bottles larger than 1 litre, we recommend that you use a 1 litre jug to fill the stove as they are easier to handle.
 - Pour bioethanol in both sides of the burner opening.
 - Pour slowly to avoid overfilling and spilling. If you do spill, clean up immediately and don't light the stove until the area is dry. See section 3.1.1.
 - Do not exceeded the MAX fuel level with bioethanol.
5. Remove the Aduro funnel.
6. To return the burner to the stove, place your hand under the burner handle and lift it fully upwards. The burner is filled with ceramic fibres that absorb the bioethanol like a sponge, preventing it from spilling on the floor when you carry the burner.
7. Place the burner in the stove and use the Aduro handle to pull the slider back and open the burner. See illustration 5 above.
8. You can now light the stove. See section 3.3.



Never overfill the burner. The fuel must be completely absorbed by the ceramic material. It is dangerous to light the stove with too much fuel.

3.1.1 Overfilling the burner

If the burner is accidentally overfilled, do not return it to the stove. Follow one of the instructions below:

Option 1: The burner is overfilled (above the MAX level) but not completely over the edge of the burner:

- Spilled bioethanol can be removed with an absorbent cloth until the fibres in the burner can absorb all the liquid again.
- Wipe off any excess fuel that may have dripped on the outside of the burner and allow any remaining fuel to evaporate.
- Leave the burner to stand for 1 hour.
- You can now return the burner to the stove.

Option 2: The burner is overfilled (above the MAX level) and the bioethanol flows outside the burner:

- Empty the excess fuel into a suitable container.
- Wipe off any excess fuel that may have dripped on the outside of the burner during emptying and allow any remaining fuel to evaporate.
- Leave the burner to stand for 1 hour.
- You can now return the burner to the stove.

3.2. The first time a fire is lit

The first few times the bio stove is used, there may be some unpleasant odours from the stove, which is completely normal. This is due to the hardening of the heat-resistant paint. Make sure that the stove is placed in a well-ventilated room and that there is adequate ventilation during this period.

It is also important to fire cautiously the first 2-3 times to allow the steel to expand slowly.



During the first few ignitions, ONLY 700 ml of bioethanol should be poured into the burner. After that, the stove can be used with the recommended 1,000 ml.

If you overfire the bio stove and burn more than the recommended amount of bioethanol, there is a risk that the paint on the stove will discolour. This cannot be repainted.

Also note that the stove may make 'clicking' noises during heating and cooling, similar to the sound of boiling water being poured into a sink. These noises are caused by the large temperature differences the material is exposed to.

3.3 Lighting the stove

Before lighting the stove, always make sure that no bioethanol fuel has spilled into the outer tray of the burner (look through the hole in the front of the stove or through the holes next to the burner) and remove any spilled fuel. See section 3.1.1.

Ensure that the burner is cold and that the latch for the burning area is fully open. When relighting the stove, make sure that the temperature is below 40 degrees C, i.e. that the temperature indicator is in the blue range.

Use the Aduro handle to open and close the burner opening and to avoid injury. See illustration below for use.



Always use a long lighter to light the stove so that your hands are not directly over the burning area. Ignite the fibres in the burner.

The flame size is not adjustable. The full flame will appear within 10-15 minutes of ignition.



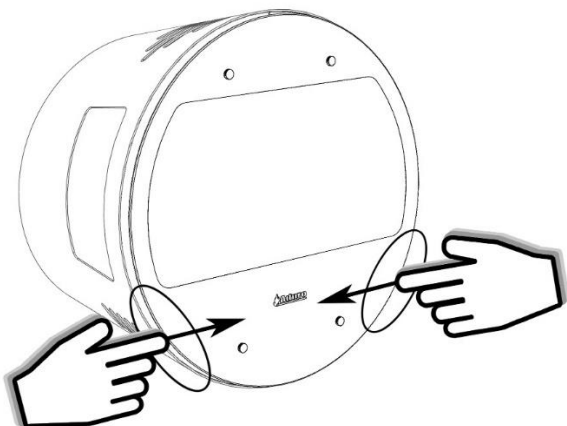
Stay at least 1 metre away from the stove when it is in use.

To switch off the stove, close the latch all the way and make sure the flame goes out. See illustration below. Do not open the latch for 3 minutes after closing it. This will allow time for the flame inside the burner to completely extinguish. Always ensure that the stove is switched off and the latch is closed before leaving the room.



Applies to Aduro B1:

Aduro B1 has a ceramic glass door on the front which gets warm during use. Please open and close the door as shown below:



3.3 Emergency extinguish instructions

In case of fire, place a fire blanket over the burner, and leave it there for at least 30 seconds before removing it again. If you do not have access to a fire blanket, you can use an ordinary towel soaked in water.

3.4 Recommended fuels

Only use bioethanol with the UN:1170 label, which is recommended for bioethanol burners. We recommend the use of 93-96.5% bioethanol fuel. Be aware that there are products on the market that contain oil and petroleum. These CANNOT be used in Aduro bio stoves.

Bioethanol is a hazardous material with UN1987 hazard level 3. It is highly flammable and must be handled with care. Bioethanol should be stored in a safe place, away from fire and out of the reach of children and pets.

4. Cleaning and maintenance



All cleaning and maintenance of the stove should be carried out when the stove is cold.

Aduro Bio stoves do not require much cleaning or maintenance. However, there are a few of things that should be checked regularly.

The burner

Check the burner regularly for signs of deformation or leaks. Ensure that the burner is empty of fuel before cleaning. Do not clean the burner with water or put in a dishwasher.

The burner may discolour over time. This is a natural reaction to the high heat generated. It can be removed by using an approved stainless steel cleaner. Simply rub in the direction of the “grain” of the steel. You can also use the [Aduro Easy Clean cleaning pad](#).

Always ensure that the burner is dry after cleaning before lighting the stove.

The bimetallic spring

Regularly check that the bimetallic spring is working properly and that the arrow/temperature indicator is always in the red area when the stove is so hot that you cannot put your hand in the area of the flame opening (temperature is above 40 degrees C).

The stove's surface

Check the stove regularly for any signs of deformation or leaks.

Temporary discolouration may occur on the surface of the stove. This is harmless residue from the combustion of the bioethanol fuel and can be removed with a non-scratching scouring pad and washing-up liquid.



Never use chemicals, steel wool, or abrasive cleaners, as these can scratch the surface.

Glass

Use the [Aduro Easy Clean](#) or [Aduro Glass Cleaner](#) to clean the glass.

5. Right of complaint

The right to complain is in accordance with the sales law of the country where the stove was purchased. The dated receipt is sufficient proof.

The right of complaint does not cover:

- Damage resulting from incorrect installation and use of the stove, overheating, and incorrect or lack of maintenance of the stove etc.
- Consumable service parts (front glass, side glass, sliders, funnel, gasket) that are subject to normal wear and tear. These parts can be purchased from our online shop www.aduroshop.com.
- Damage to the stove caused by external influences or damage caused by the stove to other objects.

Read more at www.adurofire.com/warranty

6. Disposing of your Aduro bio stove

When disposing of your stove, metal, burner, and glass must be sorted separately. Dispose of the materials in accordance with the regulations at your nearest recycling centre.

Tillykke med din nye Aduro Biopejs!

For at få mest mulig glæde og nytte af din nye biopejs er det vigtigt, at du læser betjeningsvejledningen grundigt igennem, inden pejsen installeres og tages i brug. Fejl eller forkerte indstillinger kan forårsage farlige forhold og/eller dårlig drift.

Har du brug for yderligere informationer, kan du læse meget mere på www.aduro.dk.

Produktionsnummer

På biopejsen er der angivet et produktionsnummer på typeskiltet under pejsen. Af hensyn til garantien og ved øvrige henvendelser er det vigtigt, at du kan oplyse dette nummer.

1. Generelt

1.1 Godkendelser

Alle Aduro Biopejse er testet efter den europæiske norm EN16647:2015 og er dermed godkendt til montering og brug i Europa. Produktionen er samtidig underlagt ekstern kvalitetskontrol.

1.2 Advarsler og sikkerhedsforanstaltninger

Husk, at sikkerhed er første prioritet. Biopejsen skal derfor bruges med omtanke og respekt. Tag ikke pejsen i brug, før du har læst følgende advarsler:

- Undersøg den lokale lovgivning, inden pejsen tages i brug.
- Du må ikke ændre konstruktionen af bioethanol-brænderen.
- Anbring altid pejsen i et velventileret, trækfrit rum. Rummet skal være minimum 80 m³.
- Bioethanol er et farligt materiale med fareniveau UN1987, niveau 3.
- Bioethanol er ekstremt brandfarligt og skal håndteres med forsigtighed.
- Du må ikke sætte noget oven på pejsen.
- Du må ikke flytte pejsen, mens den er i brug, og hold børn og kæledyr på sikker afstand.
- Ydre overflader og materialer i nærheden af brænderen bliver varme, når pejsen er i brug.
- Brug kun bioethanol beregnet til biopejse. Vi anbefaler at bruge bioethanol med 93-96,5 %.
- Bioethanol skal opbevares et sikkert sted væk fra ild og utilgængeligt for børn og kæledyr.
- Enhver brug af pejs med åben ild og flydende, brændbare væsker har en potentiel risiko for forbrændinger eller skader.
- Overfyld aldrig brænderen med bioethanol. Bioethanolen skal absorberes helt i det keramiske materiale i brænderen og må aldrig overstige pilene, som angiver det maksimale brændstofniveau.
- Tag brænderen ud af biopejsen, når du skal påfylde bioethanol. Hvis brænderen er overfyldt eller der er spildt bioethanol, skal overskydende bioethanol fjernes inden optænding. Spildt bioethanol tørres af med en tør klud inden optænding.
- Undgå fysisk kontakt med bioethanolen.



Hæld aldrig brændsel i en varm eller tændt pejs.



Placer aldrig pejsen tæt på brændbare materialer.



Brug kun i trækfrie omgivelser.



Ingen rygning



Hold børn og kæledyr på sikker afstand.



Flyt aldrig pejsen, når den er i brug.



Tænd aldrig en varm pejs.



Overfyld aldrig pejsen.



Et brandtæppe er anbefalet.



En brandslukker er anbefalet.



Brug kun brændsel i henhold til denne betjeningsvejledning.



Kun til dekorativ og privat brug.



Må kun bruges i velventilerede rum.

Aduro A/S afviser ethvert ansvar for skader, direkte eller indirekte, på personer, dyr eller genstande - som følge af manglende overholdelse af bestemmelserne i denne betjeningsvejledning, især advarsler vedrørende installation, brug og vedligeholdelse af pejsen.

Ansvar for ukorrekt brug af biopejsen bæres fuldstændigt af brugeren og fratager producenten ethvert civilretligt og strafferetligt ansvar. Ændring af biopejsen eller uautoriseret udskiftning af reservedele kan være farlig for din sikkerhed og fratager Aduro A/S ethvert civilretligt og strafferetligt ansvar.

1.3 Tekniske data

Aduro Biopejse	
Maks. brændstofkapacitet	1,2 L (vi anbefaler 1 L)
Vægt, pejs	26 kg
Brændetid	3-4 timer
Varmeeffekt	1,8 – 3 kW/h
Brænderens funktion	Manuel
Materiale, pejs	Sort pulverlakeret stål og 4 mm keramisk glas
Materiale, brænder	Børstet rustfrit stål
Brændsel	Bioethanol (UN:1170, 93-96,5 %)
Ydre dimensioner (ØxHxD)*	48 x 47,65 x 35,05 cm

*Se måltegninger på aduro.dk

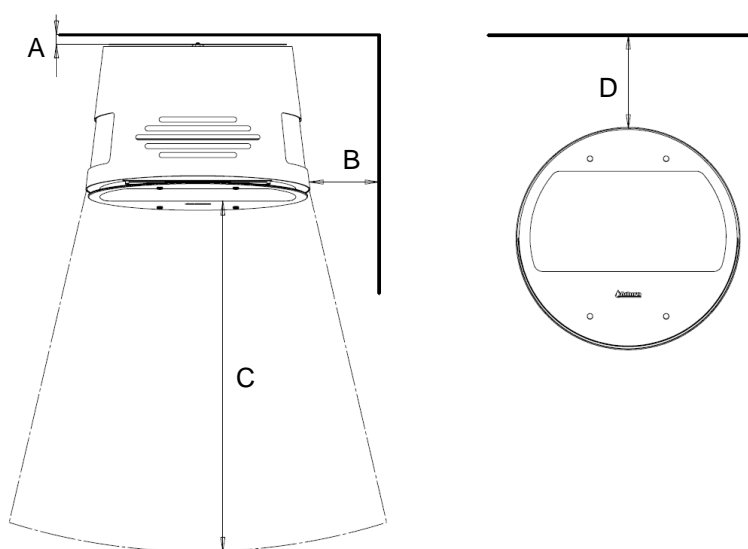
2. Installation af biopejsen

Du må gerne selv installere din biopejs. Aduro Biopejse er nemme at montere, og der kræves ingen skorsten. Du kan bruge pejsen både indendørs og udendørs. Vær dog opmærksom på, at pejsen ikke er rustbeskyttet og derfor skal flyttes indenfor, når pejsen er kold. Ved udendørs opbevaring vil der opstå korrosion på pejsen.

2.1 Biopejsens placering og afstandskrav

Hvis biopejsen placeres op ad brændbart materiale, stilles der krav til afstand. Se nedenstående skema og illustration:

Afstand til brændbart materiale (cm)	Monteret på fod/ben	Monteret på vægbeslag
Bag pejs (A)	2 cm	-
Ved siden af pejs (B)	15 cm	15 cm
Foran pejs (C)	75 cm	75 cm
Over pejs (D)	20 cm	20 cm



Hvis pejsen vægmonteres, skal den monteres på en ikke-brændbar væg, og placeres den på metal fod, skal den placeres på et ikke-brændbart materiale. Står biopejsen derimod op ad en murstensvæg eller andre ikke-brændbare materialer, er der ingen minimumskrav til afstand.

Biopejsen skal installeres på gulv/væg/materiale med tilstrækkelig bæreevne. Sørg for, at biopejsen står i niveau, både vandret og lodret. Placer ikke pejsen i et rum med konstant høj luftfugtighed. Rummet skal være godt ventileret og skal være minimum 80 m³.

2.2 Monteringsmuligheder

Aduro Biopejse kan monteres på egestræsben, en metal fod eller hænges på væggen. Se vejledning til montering af pejsen bagerst i betjeningsvejledningen.

2.3 Væghængt pejs

Hvis pejsen skal vægmonteres, skal den monteres på en ikke-brændbar væg. Vægbeslaget skal fastgøres forsvarligt til væggen, inden pejsen monteres (se vejledning til montering heraf bagerst i betjeningsvejledningen). Spørg din byggematerialeleverandør til råds om velegnet fastgørelsesmateriale til pejsen/væggen inden montagen. DER MÅ KUN ANVENDES BEFÆSTIGELSESMATERIALE, SOM IKKE KAN SMELTE.



Underkanten af pejsen skal være mindst 15 cm over gulvet.

3. Fyring i biopejsen

Vigtige sikkerhedsoplysninger

- Tænd aldrig op i pejsen, hvis den er fyldt over MAX brændstofftegnet.
- Biopejsen bliver varm under brug, og der skal derfor udvises nødvendig forsigtighed.
- Opbevar ikke bioethanol og andre letantændelige væsker i nærheden af pejsen.
- Rummet skal være godt ventileret, trækfrit og være minimum 80 m³.
- Anbring ikke noget oven på pejsen, mens den er i brug.
- Tildæk ikke ventilationsgitre foran og bag på pejsen.
- Placer ikke keramisk dekorationsbrænde, sten eller andre ting inde i pejsen. Flammerne må ikke røre dekorativt materiale.
- Efterlad aldrig pejsen uden opsyn, når den er i brug.
- Hold børn og kæledyr på sikker afstand.
- Brug af flere pejse er kun tilladt, hvis effekten er lig med eller lavere end 4,5 kW/h. I tilfælde af flere pejse, kræves ekstra ventilation af rummet.
- Pejsen er ikke egnet til kontinuerlig drift.

3.1 Påfyldning

Inden du påfylder bioethanol, skal brænderen være kølet af. Brænderen må ikke fjernes, før temperaturen er under 40 grader. Dette betyder, at temperaturindikatoren skal være i det blå område. Når brænderen er for varm, vil temperaturindikatoren være i det røde område, og fjederen vil blokere for påsætning af Aduro-tragten:

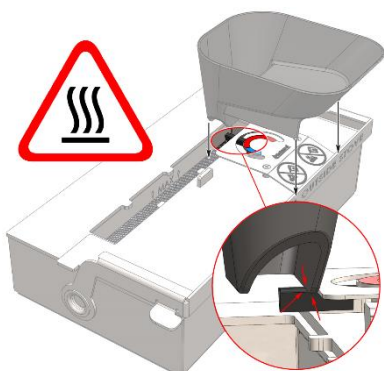


Illustration 1 – Placering af Aduro-tragten

Sådan påfylder du bioethanol:

1. Sørg for at pejsen er slukket, og at temperaturindikatoren er i det blå område.
2. Tag brænderen ud af pejsen for at påfylde bioethanol der, hvor du opbevarer det (et sikkert sted). Afhængigt af, hvilken type pejs du har, skal du følge følgende nedenstående trin for at tage brænderen ud af pejsen:

Gældende for Aduro B1:

- Skub frontglasset til siden. Det integrerede håndtag vil nu vippe 10 grader opad:

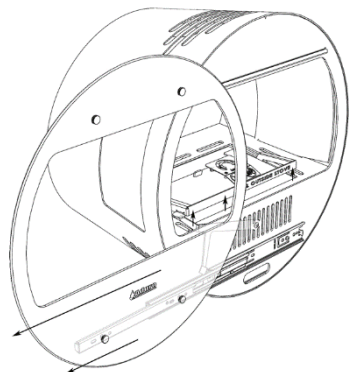


Illustration 2 – Skub frontglasset til siden

- Løft håndtaget helt op, løft brænderen, og tag den ud af pejsen med én hånd som vist nedenfor. Når håndtaget er løftet helt op, vil slideren på brænderen automatisk dække brænderåbningen.

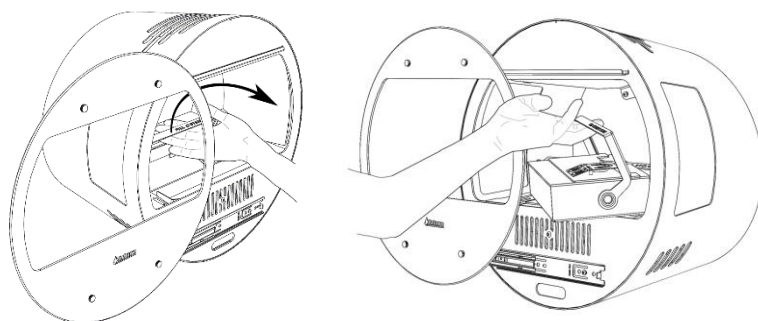


Illustration 3 – Løft håndtaget og fjern brænderen

Gældende for Aduro B2:

- Løft håndtaget helt op, løft brænderen, og tag den ud af pejsen med én hånd som vist nedenfor. Når håndtaget er løftet helt op, vil slideren på brænderen automatisk dække brænderåbningen.

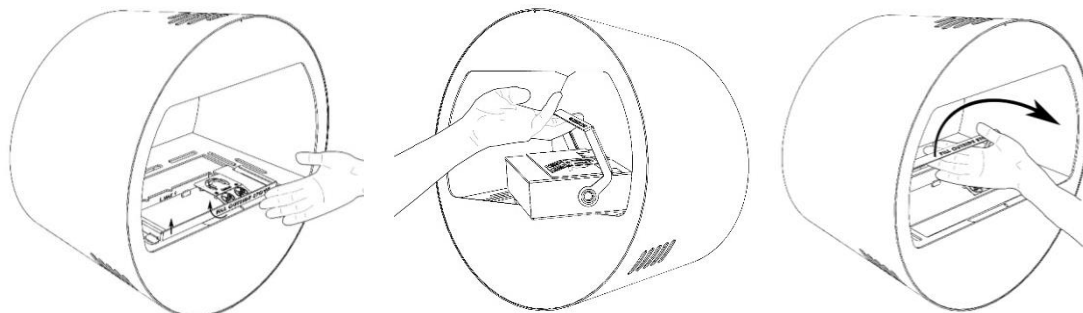


Illustration 4 – Løft håndtaget og fjern brænderen

3. Fold brænderens håndtag ned igen, og brug Aduro-håndtaget til at trække slideren tilbage for at åbne brænderen:

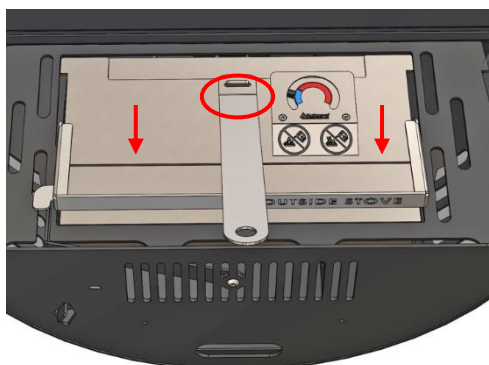


Illustration 5 – Brug Aduro-håndtaget til at åbne brænderen

4. Placer Aduro-tragten som vist i illustration 1 ovenfor, og påfyld bioethanol i henhold til følgende sikkerhedsanvisninger:
 - a. Brug bioethanol af god kvalitet. Se punkt 3.4.
 - b. Pejsen har en kapacitet på 1,20 liter. Vi anbefaler dog at påfylde 1 liter. Hvis du køber dunke med bioethanol, der er større end 1 liter, anbefaler vi, at du bruger en 1 liters kande til at påfylde bioethanolen.
 - c. Hæld langsomt for at undgå overfyldning og spild. Hvis du spilder, rengør det omgående og vent med at tænde, indtil området er helt tørt. Se punkt 3.1.1.
 - d. Fyld på i begge sider af brænderens åbning.
 - e. Overskrid ikke MAX-indikatoren.
5. Fjern Aduro-tragten.
6. Når du skal sætte brænderen tilbage i pejsen, skal du placere hånden under brænderens håndtag og løfte det helt op. Brænderen indeholder keramiske fibre, der effektivt absorberer bioethanolen som en svamp, så du undgår at spilde på gulvet, når du bærer brænderen.
7. Placer brænderen i pejsen, og brug Aduro-håndtaget til at trække slideren tilbage og åbne brænderen. Se illustration 5 ovenfor.
8. Du kan nu tænde pejsen. Se punkt 3.3.

3.1.1 Overfyldning af brænderen

I tilfælde af utilsigtet overfyldning af brænderen må pejsen ikke antændes. Følg venligst en af følgende vejledninger:

Mulighed 1: Brænderen er overfyldt (over MAX-linjen), men ikke helt ud over brænderens kant:

- Spildt bioethanol kan fjernes med en absorberende klud, indtil fibrene i brænderen kan optage al væske igen.
- Tør alt overskydende brændstof af, der kan være dryppet på ydersiden af brænderen, og lad eventuelt resterende brændstof fordampe.
- Lad brænderen stå i 1 time.
- Du kan nu sætte brænderen tilbage i pejsen.

Mulighed 2: Brænderen er overfyldt (over MAX-tegnet), og bioethanolen flyder uden for brænderen:

- Tøm det overskydende brændstof over i en passende beholder.
- Tør alt overskydende brændstof af, der kan være dryppet på ydersiden af brænderen under tømning, og lad eventuelt resterende brændstof fordampe.
- Lad brænderen stå i 1 time.
- Du kan nu sætte brænderen tilbage i pejsen.

3.2 Første optænding

De første gange, biopejsen anvendes, kan der forekomme lugtgener fra biopejsen, hvilket er ganske normalt. Dette skyldes, at den varmfaste maling hærdner. Sørg derfor for, at biopejsen er placeret i et velventileret rum, og at der er tilstrækkelig udluftning i denne periode.

Det er ligeledes vigtigt at fyre forsigtigt de første 2-3 gange, da stålet herved kan udvide sig langsomt.



Under de første optændinger må der KUN hældes 700 ml bioethanol på brænderen. Herefter kan pejsten benyttes med de anbefalede 1.000 ml.

Hvis du overfylder biopejsen og afbrænder mere end den anbefalede mængde bioethanol, er der risiko for, at lakken på biopejsen misfarves. Dette kan ikke efterlakeres.

Vær desuden opmærksom på, at biopejsen under opvarmning og nedkøling kan give "klikkelyde", ligesom når du hældes kogende vand i en vask. Disse lyde skyldes de store temperaturforskelle, som materialet udsættes for.

3.3 Korrekt optænding af biopejsen

Inden brænderen tændes, skal du altid sikre dig, at der ikke er spildt bioethanol i den ydre bakke på brænderen (kig gennem hullet foran på brænderen eller gennem hullerne ved siden af brænderen) og fjern eventuelt spild. Se afsnit 3.1.1.

Sørg for, at brænderen er kold, og at slideren til det brændende område er helt åben. Hvis pejsten tændes igen, efter at den tidligere har været tændt, skal du sørge for, at temperaturen er under 40 grader. Dette betyder, at temperaturindikatoren skal være i det blå område.

Brug Aduro-håndtaget for åbne og lukke brænderen og for at undgå skader. Se billedet nedenfor vedrørende brug.



Brug en lang lighter til at tænde pejsten, så dine hænder ikke er direkte over det brændende område. Antænd fibrene i brænderen.

Det er ikke muligt at justere flammens størrelse. Du vil opnå det fulde flammebillede inden for 10-15 minutter efter optænding.



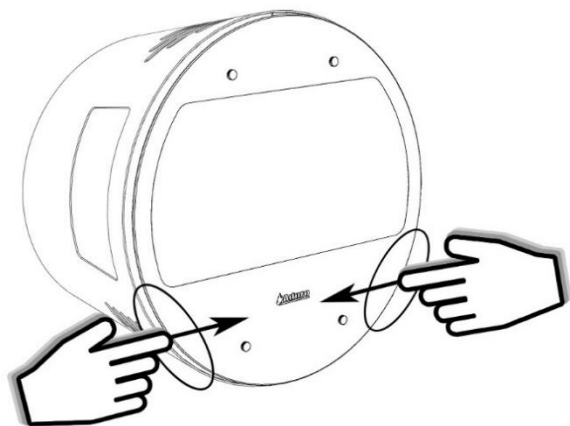
Hold dig altid mindst 1 meter fra biopejsen, når den er i brug.

For at slukke for pejsen skal du lukke pladen helt og sørge for, at flammen går ud. Se billedet nedenfor. Åbn ikke pladen inden for de første 3 minutter efter at have lukket den. Dette vil give tid til at sikre, at flammen inde i brænderen er helt slukket. Sørg altid for, at pejsen er slukket og pladen er lukket, før du forlader rummet.



Gældende for Aduro B1:

Aduro B1 har en låge i keramisk glas, der dækker fronten. Denne glaslåge bliver varm under brug. Åbn og luk lågen som vist nedenfor:



3.4 Nødslukning

I tilfælde af brand, læg et brandtæppe over brænderen, og lad det stå i mindst 30 sekunder, før du fjerner tæppet igen. Har du ikke adgang til et brandtæppe, kan du bruge et almindeligt håndklæde opblødt i vand.

3.5 Anbefalet brændstof

Brug kun bioethanol mærket UN:1170, som er anbefalet til bioethanolbrændere. Vi anbefaler at bruge bioethanol med 93-96,5 %. Vær opmærksom på, at der findes produkter på markedet, der indeholder olie og petroleum. Disse må IKKE bruges i Aduro Biopejse.

Bioethanol er et farligt materiale med fareniveau UN1987, niveau 3. Det er yderst brandfarligt og skal håndteres med varsomhed. Bioethanol skal opbevares på et sikkert sted, væk fra ild og utilgængeligt for børn og kæledyr.

4. Rengøring og vedligeholdelse



Al rengøring og vedligeholdelse af pejsen skal foretages, når pejsen er kold.

Aduro Biopejse kræver ikke meget rengøring og vedligeholdelse. Der er dog ting, du løbende bør tjekke.

Brænderen

Tjek jævnligt brænderen for tegn på fejl eller lækage. Sørg for, at brænderen ikke er fyldt med brændstof før rengøring. Brænderen må ikke rengøres med vand, og den må ikke kommes i opvaskemaskinen.

Over tid kan brænderen blive misfarvet. Dette er en naturlig reaktion på den høje varme, den udsættes for. Det kan fjernes ved at bruge et godkendt rengøringsmiddel til rustfrit stål. Gnid cremen i retning af stålets "korn". Du kan også bruge [Aduro Easy Clean-svampen](#).

Sørg altid for, at brænderen er tør efter rengøring, inden pejsen antændes.

Den bimetalliske fjeder

Tjek jævnligt, at den bimetalliske fjeder fungerer, og at pilen/temperaturindikatoren altid er i det røde område, når pejsen er så varm, at du ikke kan holde hånden i området omkring flammeåbningen (temperatur >40 grader C).

Pejsens overflade

Tjek jævnligt pejsen for tegn på fejl eller lækage.

Det kan forekomme, at pejsens overflade misfarves. Dette er harmløse rester fra afbrændingen af bioethanol og kan fjernes ved at bruge en ridsefri skuresvamp med opvaskemiddel.

Sørg altid for, at pejsen er tør efter rengøring, inden pejsen antændes.



Brug aldrig kemikalier, ståluld eller syreholdige rengøringsmidler da disse kan ridse overfladen.

Glas

Brug [Aduro Easy Clean](#) eller [Aduro Glasrens](#) til at rengøre glasset.

Reservedele og uautoriseret ændring

Der må kun anvendes originale reservedele til biopejsen. Enhver uautoriseret ændring af pejsen er forbudt, da pejsen derved ikke længere opfylder de godkendte specifikationer. På www.aduroshop.dk kan du købe originale reservedele til din biopejs.

5. Reklamationsret

Reklamationsretten gælder i henhold til købeloven i det land, hvor biopejsen er købt. Købskvittering med dato gælder som bevis.

Reklamationsretten dækker ikke:

- Skader forårsaget af forkert installation og forkert brug af biopejsen, som fx overophedning samt manglende vedligeholdelse af pejsen.
- Løsdele og sliddele (frontglas, sideglas, skinner, tragt, pakning), da de slides ved almindelig brug. Disse dele kan købes i vores webshop www.aduroshop.dk.
- Skader på pejsen opstået ved ydre påvirkninger eller skader forårsaget af pejsen på andre genstande.

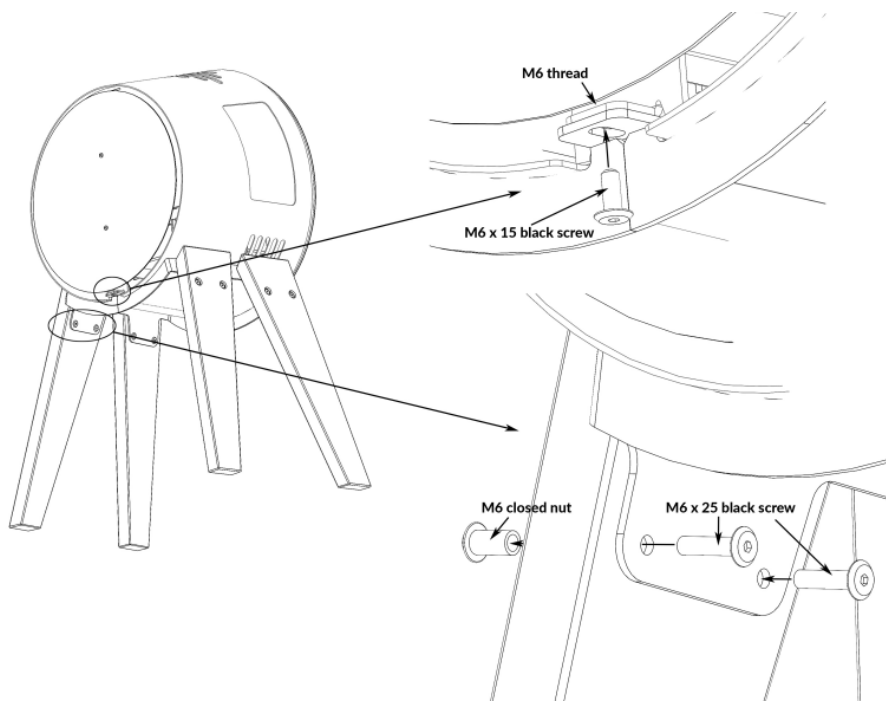
Læs mere på www.aduro.dk/garanti/

6. Deponering af din Aduro Biopejs

Når du deponerer din biopejs, skal metal, brænder og glas sorteres for sig. Deponer derefter materialerne efter reglementet på din nærmeste genbrugsplads.

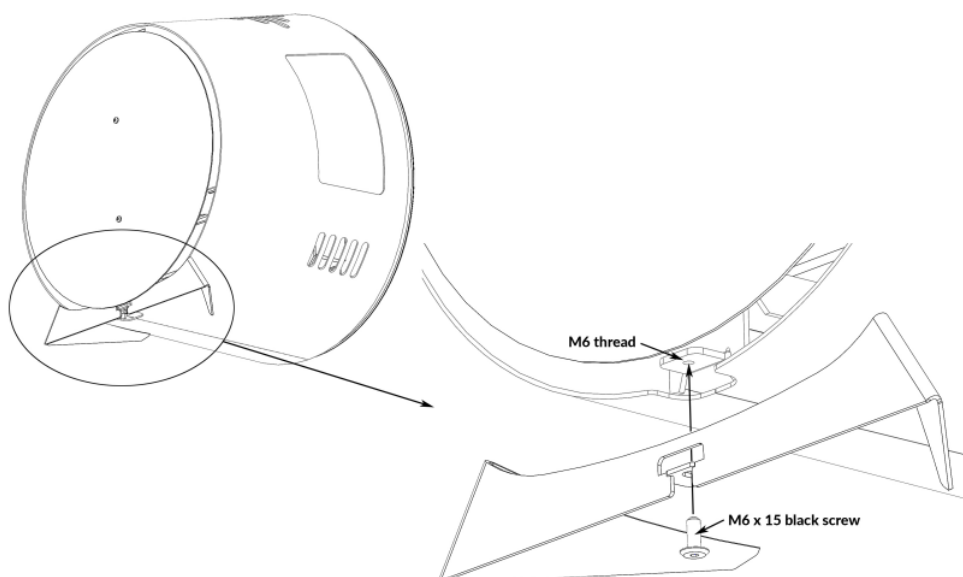
Mounting the stove on wooden legs

1. Assemble the legs by attaching each leg to the frame. Tighten the screws from the inside of the leg and tighten the nuts on the screws from the outside.
2. Place the stove on the legs and secure by tightening the screw.



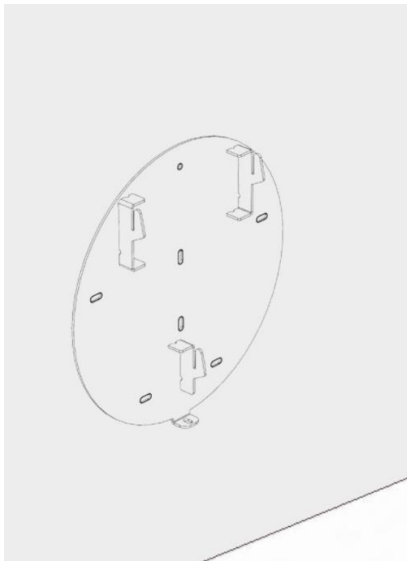
Mounting the stove on metal foot

1. Place the stove on the metal foot.
2. Tighten the screw to secure the stove.

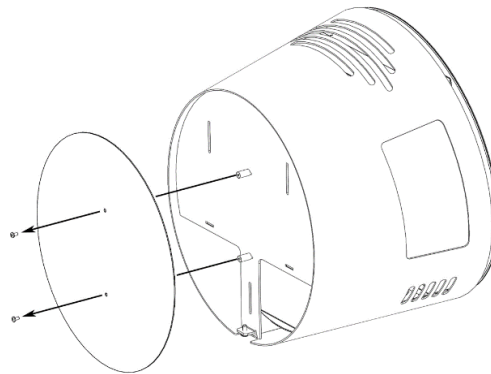


Wall-mounting the stove

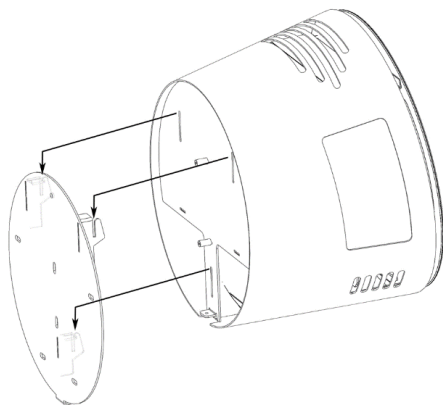
1. Mount the wall bracket to the wall:



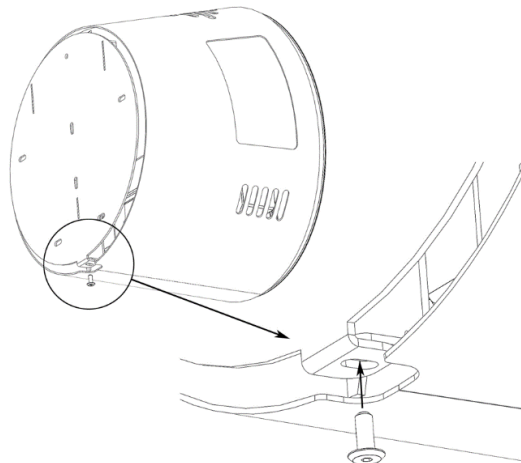
2. Remove the stove's backplate:



3. Attach the stove to the wall bracket:



4. Secure the stove to the wall bracket with the screw under the bottom:



PLEASE NOTE: If the stove is placed close to a wall at the side of the stove, the stove must be mounted with a minimum distance of 300 mm due to the movement of the side glass:

