

# OPERATOR'S MANUAL

MODEL #93001i-EU  
3000W PORTABLE INVERTER GENERATOR



REGISTER YOUR PRODUCT ONLINE

at [championpowerequipment.eu](http://championpowerequipment.eu)



ENGLISH

SVENSKA

SUOMI

EESTI



[TAKEYOURGENERATOROUTSIDE.COM](http://TAKEYOURGENERATOROUTSIDE.COM)

**SAVE THESE INSTRUCTIONS.** This manual contains important safety precautions which should be read and understood before operating the product. Failure to do so could result in serious injury. This manual should remain with the product.

Specifications, descriptions and illustrations in this manual are as accurate as known at the time of publication, but are subject to change without notice.

This product meets the requirements of the PGMA (Portable Generator Manufacturers' Association) standard ANSI/PGMA G300-2018 (Safety and Performance of Portable Generators).

Covered by one or more of the following U.S. Patent Numbers: 10,862,414 and other U.S. and foreign patents pending.

**TAKE IT  
OUTSIDE™**



**CARBON MONOXIDE KILLS**

## CARBON MONOXIDE SAFETY: THE BIG PICTURE

As the only safe way to use a portable generator, taking your generator outside is absolutely mandatory to keep your family safe from carbon monoxide. But there's even more you can do. By educating yourself about all carbon monoxide risks, you'll be better prepared to protect your family from this colorless, odorless threat.



**ALWAYS READ  
THE OPERATOR'S  
MANUAL FIRST**



### KNOW THE SYMPTOMS

- Headache
- Nausea
- Shortness of breath
- Dizziness
- Fatigue

**STAY ALERT WITH CARBON  
MONOXIDE DETECTORS**

**KEEP IT OUTSIDE AND AWAY FROM  
DOORS, WINDOWS, AND GARAGES**

**IF YOU FEEL SYMPTOMS,  
LEAVE RIGHT AWAY**

**POINT FUMES AWAY FROM  
NEARBY PEOPLE**

[www.TakeYourGeneratorOutside.com](http://www.TakeYourGeneratorOutside.com)

## INTRODUCTION

Congratulations on your purchase of a Champion Power Equipment (CPE) product. CPE designs, builds, and supports all of our products to strict specifications and guidelines. With proper product knowledge, safe use, and regular maintenance, this product should bring years of satisfying service.

Every effort has been made to ensure the accuracy and completeness of the information in this manual at the time of publication, and we reserve the right to change, alter and/or improve the product and this document at any time without prior notice.

CPE highly values how our products are designed, manufactured, operated, and serviced as well as providing safety to the operator and those around the generator. Therefore, it is **IMPORTANT** to review this product manual and other product materials thoroughly and be fully aware and knowledgeable of the assembly, operation, dangers and maintenance of the product before use. Fully familiarize yourself, and make sure others who plan on operating the product fully familiarize themselves too, with the proper safety and operation procedures before each use. Please always exercise common sense and always err on the side of caution when operating the product to ensure no accident, property damage, or injury occurs. We want you to continue to use and be satisfied with your CPE product for years to come.

When contacting CPE about parts and/or service, you will need to supply the complete model and serial numbers of your product. Transcribe the information found on your product's nameplate label to the table below

<b>CPE TECHNICAL SUPPORT TEAM</b>
<b>MODEL NUMBER</b>
93001i-EU
<b>SERIAL NUMBER</b>
<b>DATE OF PURCHASE</b>
<b>PURCHASE LOCATION</b>

## SAFETY DEFINITIONS

The purpose of safety symbols is to attract your attention to possible dangers. The safety symbols, and their explanations, deserve your careful attention and understanding. The safety warnings do not by themselves eliminate any danger. The instructions or warnings they give are not substitutes for proper accident prevention measures.

### **DANGER**

DANGER indicates a hazardous situation which, if not avoided, will result in death or serious injury.

### **WARNING**

WARNING indicates a hazardous situation which, if not avoided, could result in death or serious injury.

### **CAUTION**

CAUTION indicates a hazardous situation which, if not avoided, could result in minor or moderate injury.

### **NOTICE**

NOTICE indicates information considered important, but not hazard-related (e.g., messages relating to property damage).

EN

## IMPORTANT SAFETY INSTRUCTIONS

### DANGER

Generator exhaust contains carbon monoxide, a colorless, odorless, poisonous gas. Breathing carbon monoxide will cause nausea, dizziness, fainting or death. If you start to feel dizzy or weak, get to fresh air immediately.

#### **OPERATE GENERATOR OUTDOORS ONLY IN A WELL VENTILATED AREA AND POINT EXHAUST AWAY.**

DO NOT operate the generator inside building, including garages, basements, crawlspaces, sheds or enclosure or compartment, vehicles and(or) including the generator compartment of a recreational vehicle.

DO NOT allow exhaust fumes to enter a confined area through windows, doors, vents or other openings.

### DANGER

Using a generator indoors **CAN KILL YOU IN MINUTES.** Generator exhaust contains carbon monoxide. This is a poison you cannot see or smell.

**NEVER** use inside a home or garage or any out buildings, **EVEN IF** doors and windows are open.

**ONLY** use **OUTSIDE** and far away from windows, doors, and vents.



Install battery-operated carbon monoxide alarms or plug-in carbon monoxide alarms with battery back-up according to the manufacturer's instructions.

### WARNING

Although the generator contains a spark arrester, maintain a minimum distance of 5 ft. (1.5 m) from dry vegetation to prevent fires.

### DANGER

Operate equipment with guards in place.

Rotating parts can entangle hands, feet, hair, clothing and/or accessories. Traumatic amputation or severe laceration can result.

Keep hands and feet away from rotating parts.

Tie up long hair and remove jewelry.

DO NOT wear loose-fitting clothing, dangling drawstrings or items that could become caught.

### DANGER

Generator produces powerful voltage.

DO NOT touch bare wires or live sockets.

DO NOT use electrical cords that are worn, damaged or frayed. Use only Champion electrical cords for proper application.

DO NOT operate generator in wet weather including rain or snow.

DO NOT allow children or unqualified persons to operate or service the generator.

Use a ground fault circuit interrupter (GFCI) in damp areas and areas containing conductive material such as metal decking.

Connection to your home's electrical system requires a listed 100A transfer switch installed by a licensed electrician and approved by the local authority having jurisdiction. The connection must isolate the generator from the utility power and must comply with all applicable laws and electrical codes.

### WARNING

Do not use generator for medical and life support uses.

In case of emergency, call emergency services immediately.

**NEVER** use this product to power life support devices or life support appliances.

**NEVER** use this product to power medical devices or medical appliances.

Inform your electricity provider immediately if you or anyone in your household depends on electrical equipment to live.

Inform your electrical provider immediately if a loss of power would cause you or anyone in your household to experience a medical emergency.



**⚠ WARNING**

Spark from removed spark plug wire can result in fire or electrical shock.

**When servicing the generator:**

Disconnect the spark plug wire and place it where it cannot contact the plug or any other metal object.

DO NOT check for spark with the plug removed.

Use only approved spark plug testers.

**⚠ WARNING**

Running engines produce heat. Severe burns can occur on contact. Combustible material can catch fire on contact.

DO NOT touch hot surfaces always allow to cool minimum 30 mins.

Avoid contact with hot exhaust gases.

Allow equipment to cool min 30 mins before touching or handling.

Maintain at least 3 ft. (91.4 cm) of clearance on all sides to ensure adequate cooling.

Maintain at least 5 ft. (1.5 m) of clearance from combustible materials.

**⚠ WARNING**

Rapid retraction of the recoil cord will pull hand and arm towards the engine faster than you can let go. Broken bones, fractures, bruises or sprains could result. Unintentional startup can result in entanglement, traumatic amputation or laceration.

**⚠ CAUTION**

When starting the engine, pull the recoil cord slowly until resistance is felt, release cord back and with one strong rapid pull to start, this avoids any kickback or damage to the recoil assembly. Rigorously pulling will result in damage to the recoil assembly and void any warranty.

**⚠ CAUTION**

Exceeding the generator's running capacity can damage the generator and/or electrical devices connected to it.

DO NOT overload the generator.

DO NOT tamper with the governed speed.

DO NOT modify the generator in any way.

DO NOT install or modify the exhaust/muffler with any extension or extraction, by doing so will void any warranty offered.

**⚠ CAUTION**

Start the generator and allow the engine to stabilize before connecting electrical loads.

Connect electrical equipment in the off position, and then turn them on for operation.

Turn electrical equipment off and disconnect before stopping the generator.

**⚠ CAUTION**

Improper treatment or use of the generator can damage it, shorten its life or void the warranty.

Use the generator only for intended uses.

Operate only on Flat level surfaces.

DO NOT expose generator to excessive moisture, dust, or dirt.

DO NOT allow any material to block the cooling slots.

If connected devices overheat, turn them off and disconnect them from the generator.

**DO NOT use the generator if:**

- Electrical output is lost
- Equipment sparks, smokes or emits flames
- Equipment vibrates excessively

## Fuel Safety

### DANGER

**PETROL AND PETROL VAPORS ARE HIGHLY FLAMMABLE AND EXPLOSIVE.**

Fire or explosion can cause severe burns or death.

#### **Petrol and petrol vapors:**

- Petrol is highly flammable and explosive.
- Petrol can cause a fire or explosion if ignited.
- Petrol is a liquid fuel but it's vapors can ignite.
- Petrol is a skin irritant and needs to be cleaned up immediately if spilled on skin or clothes.
- Petrol has a distinctive odor, this will help detect potential leaks quickly.
- Petrol expands or contracts with ambient temperatures. Never fill the petrol tank to full capacity, as petrol needs room to expand when temperatures rise.
- In the case of any petroleum petrol fire, flames should never be extinguished unless the fuel supply valve can be turned OFF. By not doing so, if a fire is extinguished and the supply of fuel is not turned OFF, an explosion hazard could be created.

#### **When adding or removing petrol:**

DO NOT light or smoke cigarettes.

Turn the generator off and let cool for at least two minutes before removing the petrol cap. Always loosen the cap slowly to relieve pressure in the tank.

Only fill or drain petrol outdoors in a well-ventilated area.

DO NOT pump petrol directly into the generator at the gas station. Always use an approved container to transfer the fuel to the generator.

DO NOT overfill the fuel tank.

Always keep petrol away from sparks, open flames, pilot lights, heat and other sources of ignition.

#### **When starting the generator:**

DO NOT attempt to start a damaged generator.

Always check that the petrol cap, air filter, spark plug, fuel lines and exhaust system are properly in place.

Always allow spilled petrol to evaporate fully before attempting to start the engine.

Always be certain that the generator is resting firmly on level ground.

#### **When operating the generator:**

DO NOT move, angle or tip the generator during operation.

#### **When transporting or servicing the generator:**

Always check that the fuel valve is in the OFF position and the petrol tank is empty.

For LPG compatible models, check that the LPG cylinder is disconnected and stored securely away from the generator.

Disconnect the spark plug wire.

#### **When storing the generator:**

Store away from sparks, open flames, pilot lights, heat and other sources of ignition.

Do not store generator, petrol or LPG cylinders near furnaces, water heaters, or any other appliances that produce heat or have automatic ignitions.

### DANGER

NEVER place a petrol container, fuel tank, LPG cylinder or any combustible material in the path of the exhaust stream during operation of the engine.

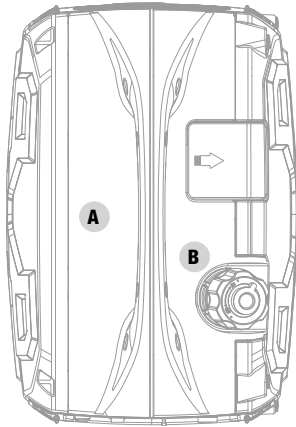
### WARNING

Never use a petrol container, fuel tank, or any other fuel item that is broken, cut, torn or damaged.

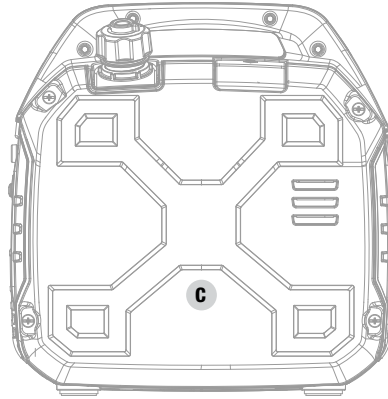
Safety and Dataplate Labels

These labels warn you of potential hazards that can cause serious injury. Read them carefully.

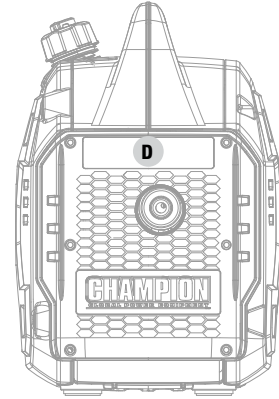
If a label comes off or becomes hard to read, contact Technical Support Team for possible replacement.



Top



Side






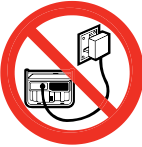





Muffler

EN

	LABEL	DESCRIPTION
A		Safety Symbols/ CO Danger CO Shield® Action – automatic shutoff *See CO Shield® section
B		Fuel
C		Dataplate
D		Hot Surface







## Safety Symbols



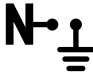



Some of the following symbols may be used on this product. Please study them and learn their meaning. Proper interpretation of these symbols will allow you to more safely operate the product.

SYMBOL	MEANING
	<b>Caution.</b>
	<b>Read The Operator's Instruction Manual Before Use.</b> To reduce the risk of injury, user must read and understand operator's manual before using this product.
	<b>Not For General Waste Disposal.</b>
	The generating set must not be connected to other power sources, such as the power company supply mains.
	<b>Electric Hazard.</b> Failure to use in dry conditions and to observe safe practices can result in electric shock. Improper connections to a building can allow current to backfeed into utility lines, creating an electrocution hazard. A transfer switch must be used when connecting to a building.
	<b>Fire Hazard.</b> Fuel and its vapors are extremely flammable and explosive. Fire or explosion can cause severe burns or death. Keep generator at least 5 feet (1.5m) from all objects to prevent combustion.
	<b>Risk Of Being Burnt.</b> To reduce the risk of injury or damage, avoid contact with any hot surface.
	<b>Carbon Monoxide(co) Danger.</b>
	<b>Wet Conditions Alert.</b> Do not expose to rain or use in damp locations except as follows: If you must operate in rain or damp locations, DO NOT operate without proper protection of the electrical components. Use of a safety canopy that is fire retardant and will provide proper air ventilation for the engines exhaust stream can be used. Keep all objects a minimum of 5 feet (1.5m) away from the generator at all times. Heat from the muffler surface and exhaust stream can ignite combustible materials.

## Operation Symbols

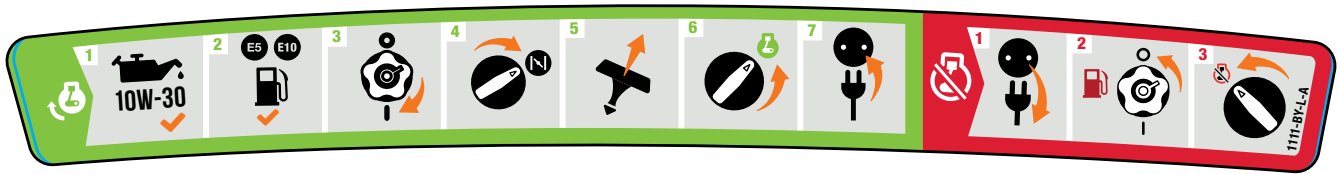
Some of the following symbols may be used on this product. Please study them and learn their meaning. Proper interpretation of these symbols will allow you to more safely operate the product.

SYMBOL	MEANING
	Run
	Stop
	Fuel Off
	Choke
	12V Direct Current
	Circuit Breaker Reset: Push

SYMBOL	MEANING
	Parallel Connection(s)
	Ground Terminal
	<b>Neutral Floating.</b> Neutral circuit <b>IS NOT</b> electrically connected to the frame/ground of the generator.
	Overload Reset Button
	Low Oil
	Economy Mode Button

## Quickstart Label Symbols

Some of the following symbols may be used on this product. Please study them and learn their meaning. Proper interpretation of these symbols will allow you to more safely operate the product.



### Starting the Engine

**⚠ DANGER**

Move generator outside and far away from windows, doors and intake ventilation covers.

1. **Check oil level.**  
Recommended oil is 10W-30.
2. **Check petrol level.**  
When adding petrol, use a minimum octane rating of 85 and an ethanol content of 10% or less by volume. **E5 E10**
3. Turn the **fuel cap vent lever** to the “ON” position.
4. Turn **EZ Start dial** to the full “CHOKE” position.
5. Pull the recoil cord.
6. Turn the **EZ Start dial** to the “RUN” position.
7. Plug in desired device.

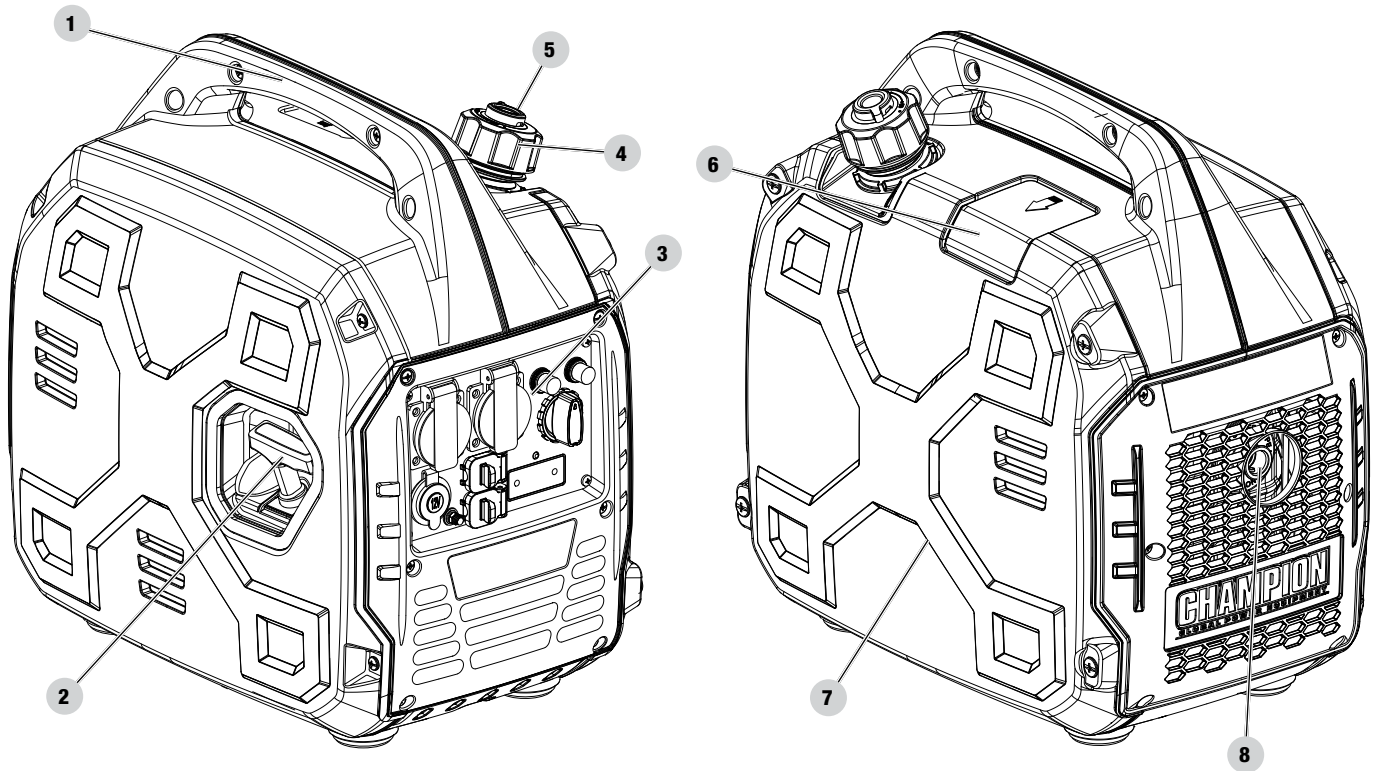
### Stopping the Engine

1. Turn off and unplug all connected electrical loads.
2. Turn the **fuel cap vent lever** to the “OFF” position.
3. Turn the **EZ Start dial** to the “STOP” position.

## CONTROLS AND FEATURES

Read this operator's manual before operating your generator. Familiarize yourself with the location and function of the controls and features. Save this manual for future reference.

### Generator

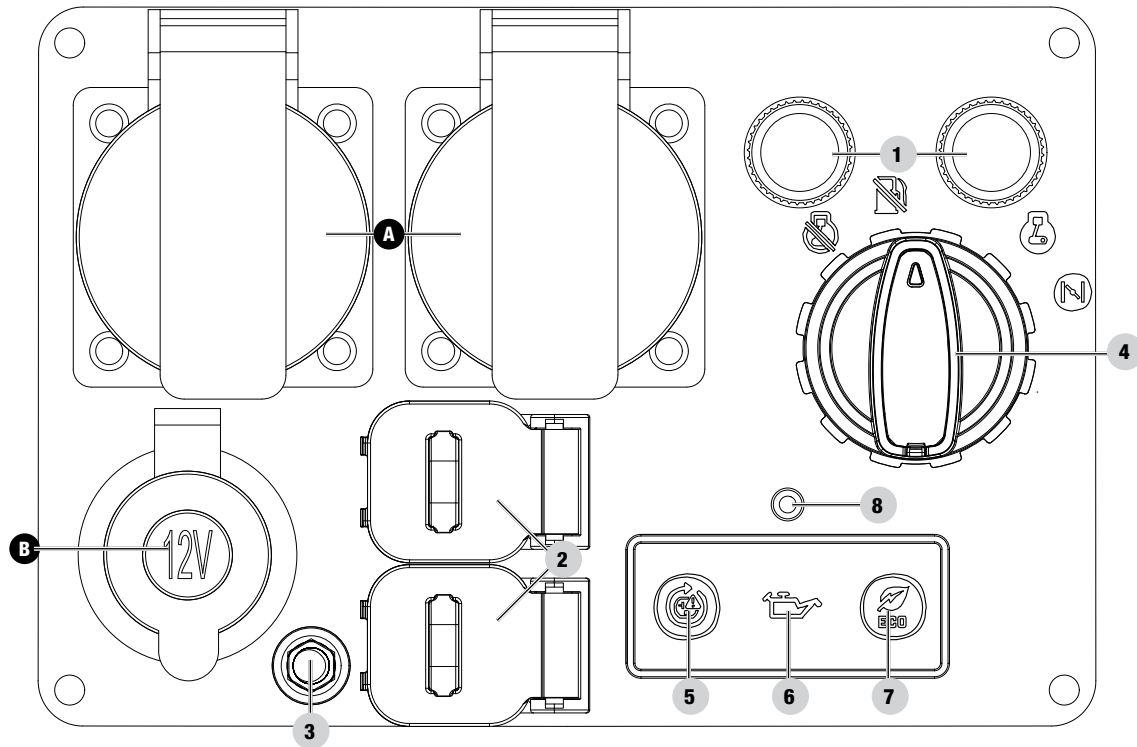


1. **Carrying Handle** – Used to lift or carry the unit.
2. **Recoil Starter** – Used to manually start the engine
3. **Control Panel** – See *Control Panel* section.
4. **Fuel Cap** – Remove to add fuel.
5. **Fuel Lever Vent** – Turn this valve to the “ON” position to supply air to the tank.



6. **Spark Plug Access Cover**
7. **Maintenance Cover**
8. **Muffler**



## Control Panel



- Circuit Breakers (Push Reset)** – Protects the generator against electrical overloads.
- Parallel Outlets** – Used to parallel two inverters together for increased power output. (parallel kit sold separately).
- Ground Terminal** – Consult an electrician for local grounding regulations.
- EZ Start Dial** – Used to start, stop and choke the generator.
- AC Overload Reset Button** – Used to re-energize receptacles after overload fault.
- Low Oil Warning Indicator Light** – When ON, engine will shut down and not run. Check oil level.
- Economy Mode Button** – Enables/disables automatic idle control.
- CO Shield® LED** – The CO Shield® technology monitors for accumulation of poisonous carbon monoxide (CO) gas produced by engine exhaust when the generator is running. If CO Shield® detects elevated levels of CO gas, it automatically shuts off the engine.

RECEPTACLES	
A	 <p><b>(2×) 220V AC, 16A</b> May be used to supply electrical power for operation of 220 Volt AC, 16 Amp, single phase, 50 Hz electrical loads.</p>
B	 <p><b>12V DC, 8A (Regulated Automotive)</b> May be used to supply electrical power for operation of 12 Volt DC, 8 Amp electrical loads.</p>

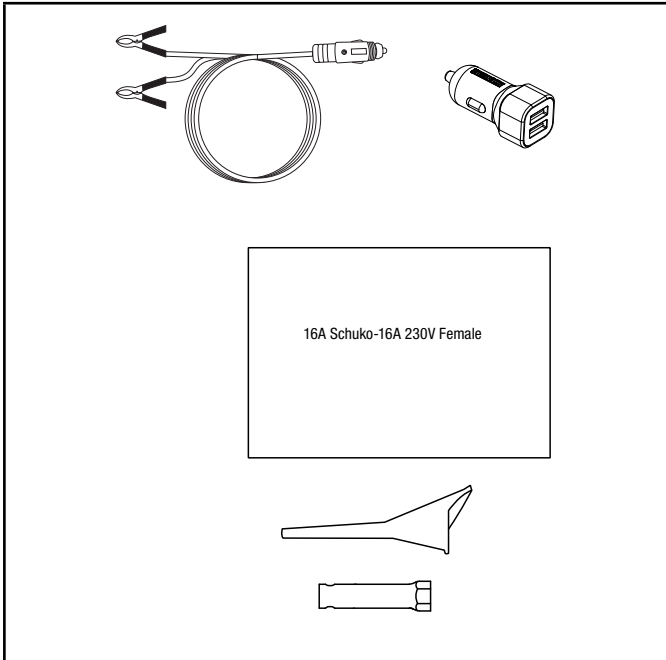
### WARNING

When charging a device, do not place near on the exhaust side of the generator. Extreme heat caused by exhaust can damage the device and cause a potential fire hazard. Prolonged exposure to engine exhaust can cause serious injury or death.

## Parts Included

### Accessories

12VDC Battery Charging Cable .....	1
12VDC USB Adapter .....	1
16A Schuko-16A 230V Female .....	1
Spark Plug Socket .....	1
Oil Funnel .....	1



EN

## ASSEMBLY

Your generator requires some assembly. This unit ships from our factory without oil. It must be properly serviced with fuel and oil before operation.

If you have any questions regarding the assembly of your generator, call our Technical Support Team at +44(0)-1942-715-407. Please have your serial number and model number available.

### Unpacking

1. Set the shipping carton on a solid, flat surface.
2. Remove everything from the carton except the generator.
3. Using the carrying handles of the unit, carefully remove the generator from the box (two people lifting is recommended).

### Add Engine Oil



#### CAUTION

DO NOT attempt to crank or start the engine before it has been properly filled with the recommended type and amount of oil. Damage to the generator as a result of failing to follow these instructions will void your warranty.

#### NOTICE

The generator rotor has a sealed, pre-lubricated ball bearing that requires no additional lubrication for the life of the bearing.

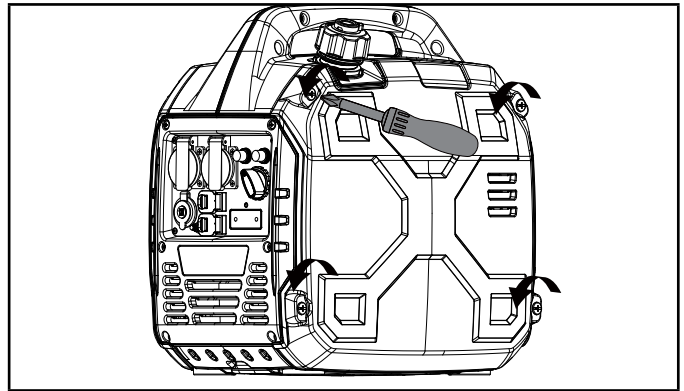
#### NOTICE

The recommended oil type for typical use is **10W-30 automotive oil**. However, using the listed conventional oils shown in the “Recommended Engine Oil Type” chart may be used for typical use including the first 5 hours of the break-in run time period of the engine.

If running generator in extreme temperatures, refer to the “Recommended Engine Oil Type” chart.

Recommended Engine Oil Type	
°F	-20 0 20 40 60 80 100 120
°C	-28.9 -17.8 -6.7 4.4 15.6 26.7 37.8 48.9
Ambient temperature	

1. Place the generator on a flat level surface. Do Not angle or tip the generator when adding oil.
2. Loosen the four cover screws and remove the maintenance cover.

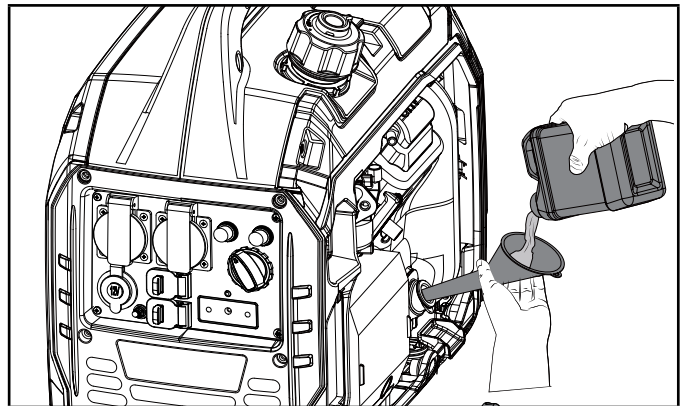


3. Remove oil fill cap/dipstick to add oil.
4. Using a funnel, add up to 16.9 fl. oz. (500 ml) of oil and replace oil fill cap/dipstick and secure maintenance cover. DO NOT OVERFILL.

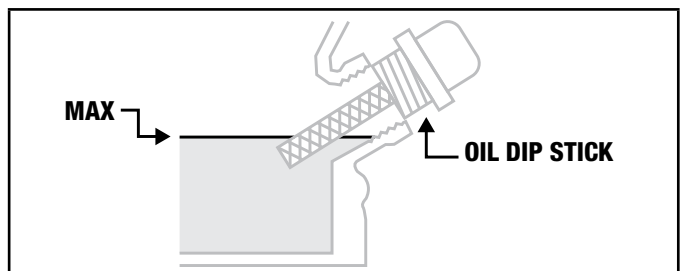
#### NOTICE

When using the dipstick to check oil level, DO NOT screw in the dipstick while checking, simply rest it against the top of the port.

As a general rule oil is full when it can be seen visually on the middle to upper threads of the port. Do Not angle or tip the generator when adding oil.



5. Check engine oil level before each use and add as needed.



**NOTICE**

When using the dipstick to check oil level, DO NOT screw in the dipstick while checking, simply rest it against the top of the port.

As a general rule oil is full when it can be seen visually on the middle to upper threads of the port. Do Not angle or tip the generator when adding oil.

**NOTICE**

Check oil level often during the break-in period. Refer to the Maintenance section for recommended service intervals.

**CAUTION**

This engine is equipped with a low oil shut-off and will stop when the oil level in the crankcase falls below the threshold level.

**NOTICE**

The first 5 hours of run time are the break-in period for the unit. During the break in period stay at or below 50% of the running watt rating and vary the load occasionally to allow stator windings to heat and cool. Adjusting the load will also cause engine speed to vary slightly and help seat piston rings. After the 5 hour break-in period, change the oil.

**NOTICE**

Synthetic oil may be used after the 5 hour initial break-in period. Using synthetic oil does not decrease the recommended oil change interval. Full synthetic 5W-30 oil will aid in starting in cold ambient < 41° F (5° C) temperatures.

**Add Fuel** **DANGER**

Petrol vapors are highly flammable and extremely explosive.

DO NOT light or smoke cigarettes. Fire or explosion can cause severe burns or death.

Only fill or drain fuel outdoors in a well-ventilated area. DO NOT pump petrol directly into the generator. Use an approved container to transfer the fuel to the generator.

Never use a petrol container, fuel tank, or any other fuel item that is broken, cut, torn or damaged.

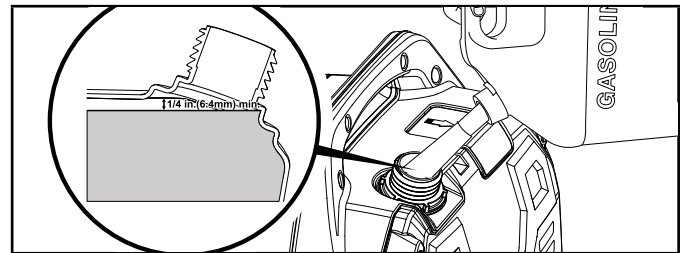
DO NOT overfill the fuel tank. Always keep fuel away from sparks, open flames, pilot lights, heat and other sources of ignition.

Use clean, fresh, regular unleaded petrol with a minimum octane rating of 85 and an ethanol content of 10% or less by volume.

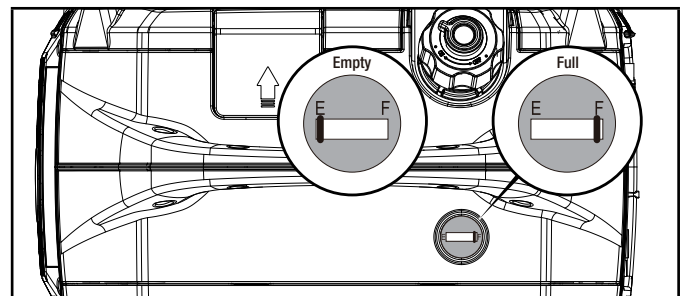


DO NOT mix oil with petrol.

1. Remove the petrol cap.
2. Slowly add petrol to the tank. DO NOT OVERFILL. Petrol can expand after filling. A minimum of ¼ in. (6.4 mm) of space left in the tank is required for petrol expansion, although more than ¼ in. (6.4 mm) is recommended. Petrol can be forced out of the tank as a result of expansion if overfilled, and can affect the stable running condition of the generator.



3. The approximate fuel level is shown on the fuel gauge on top of the fuel tank.



4. Screw on the fuel cap and wipe away any spilled fuel.

**CAUTION**

Use unleaded petrol with a minimum octane rating of 85 and an ethanol content of 10% or less by volume.

DO NOT light cigarettes or smoke when filling the tank.

DO NOT mix oil and petrol, this is a four stroke engine with separate oil and petrol.

DO NOT overfill the tank. Fill tank to approximately ¼ in. (6.4 mm) below the top of the tank to allow for petrol expansion.

DO NOT pump petrol directly into the generator at the pump. Use an approved fuel container to transfer the petrol to the generator.

DO NOT fill fuel tank indoors, in garages, in sheds or in any out building.

DO NOT fill tank when the engine is running or hot, always allow engine to cool minimum 30 mins before refueling.

**⚠ WARNING**

Pouring petrol too fast through the fuel screen may result in petrol splashing over the generator and operator while filling.

**🗨 NOTICE**

The generator engine works well with 10% or less ethanol blended petrol. When using ethanol-petrol blends there are some issues worth noting:

- Ethanol-petrol blends can absorb more water than petrol alone.
- These ethanol blends can eventually separate, leaving water or a watery goo in the tank, fuel valve and carburetor. The compromised petrol can be drawn into the carburetor and cause damage to the engine and/or create potential hazards.
- If a fuel stabilizer is used, confirm that it is formulated to work with ethanol-petrol blends.
- Any damages or hazards caused by using ethanol blended petrol higher than 10% by volume, improperly stored petrol, and/or improperly formulated stabilizers, are not covered by manufacturer’s warranty.

It is advisable to always shut off the petrol supply and run the engine to starvation after each use. See Storage instructions for extended non-use.

**Grounding**

It is recommended your generator is properly connected to an appropriate ground to help prevent electric shock.

**⚠ WARNING**

Failure to properly ground the generator can result in electric shock.

A ground terminal connected to the panel of the generator has been provided (see Controls and Features for terminal location). For remote grounding, connect a length of heavy gauge (12 AWG minimum) copper wire between the generator ground terminal and a copper rod driven into the ground. We strongly recommend that you consult with a qualified electrician to ensure compliance with local electrical codes.

**Neutral Floating\*(This Generator)**

- Neutral circuit **IS NOT** electrically connected to the frame/ground of the generator.
- The generator (stator winding) is isolated from the frame and from the AC receptacle ground pin.
- Electrical devices that require a grounded receptacle pin connection will not function if the receptacle ground pin is not functional.

**Neutral Bonded to Frame\***

- Neutral circuit **IS** electrically connected to the frame/ground of the generator.
- The generator system ground connects lower frame cross-member below the alternator. The system ground is connected to the AC neutral wire.

\*See your Specifications section for specified type of grounding.

**OPERATION**

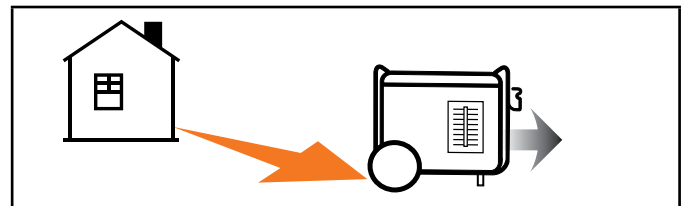
**CO Shield® - Carbon Monoxide (CO) Detection and Auto-shutoff System**

CO Shield® technology monitors the accumulation of carbon monoxide (CO), a poisonous gas produced by engine exhaust when the generator is running. If CO Shield® detects unsafe elevated levels of CO gas, it automatically shuts off the engine.

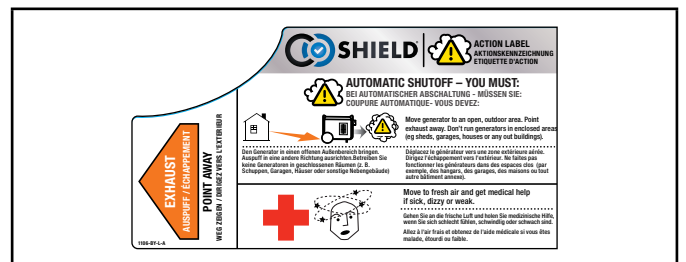
**CO SHIELD® IS NOT A SUBSTITUTE FOR AN INDOOR CARBON MONOXIDE ALARM OR FOR INDOOR OPERATION.**

DO NOT allow engine exhaust fumes to enter a confined area through windows, doors, vents or other openings.

Generators must ALWAYS be used outdoors, far away from occupied buildings with engine exhaust pointed away from people and buildings.



If misused and operated in an unapproved and unsafe location that results in the accumulation of poisonous CO gas inside an enclosed or partially enclosed space, for example a house, garage or a garage with the door partially open, CO Shield® will automatically shut off the generator and then will illuminate a blinking red LED light. Read the action label for next steps.



In the event of an engine shut off, when you approach the generator to investigate, a blinking red LED light in the CO Shield® area provides notification that the generator shut off due to an accumulating CO hazard. The red LED light will blink for at least five (5) minutes after an engine shut off event.



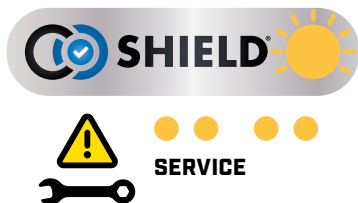
Move the generator far away to an open, outdoor area and point the exhaust away from people and buildings. Once relocated to a safe area, the generator can be restarted, and the proper electrical connections made. Introduce fresh air and ventilate the location where the generator shut off.

When restarting, the red and yellow LED will blink ten (10) times simultaneously to indicate the LED is working.

### NOTICE

This blinking LED light does not indicate CO Shield® is working, as CO Shield® is working at all times when the generator is running. Also, the LED light will not blink (10) times if the generator was restarted within 1 minute after it was manually shut off. This does not occur if generator shut off from a high CO event.

If CO Shield® system experiences a fault and no longer provides protection, the generator is shutoff automatically and the yellow LED light will blink for at least five (5) minutes to notify you of the fault.



Contact our Technical Support Team at [service@bpeholdings.co.uk](mailto:service@bpeholdings.co.uk) for repair. The generator can be restarted, but will continue to shutoff.

### NOTICE

CO Shield® will detect the accumulation of carbon monoxide (CO) from other fuel burning sources such as engine powered equipment, or propane heaters used in the area of operation. If another generator is used and the exhaust stream is pointed at a CO Shield® equipped generator, the CO Shield® may initiate a shutoff due to rising carbon monoxide (CO) levels. This is not a fault. Poisonous carbon monoxide (CO) has been detected. You must take action to move and direct the generator exhaust stream to better disperse carbon monoxide (CO) far away from people or buildings.

### ⚠ DANGER

Tampering with the CO Shield® system will result in a hazardous condition and will void your warranty. Removing the CO Shield® module will not allow the generator to start.

## Generator Location

### ⚠ WARNING

NEVER operate the generator inside any building, garage, basement, crawlspace, shed, enclosure or compartment, including a generator compartment of a recreational vehicle.

NEVER operate or start the generator in the back of an SUV, camper, trailer, truck bed (regular sides, flat or other configuration), under staircases, stairwells, next to walls or buildings or in any other location that will not allow for adequate cooling of the generator or for the proper exit of the exhaust flow from the muffler system.

DO NOT operate or store the generator in wet weather conditions such as rain or snow. Using a generator in wet conditions could result in serious injury or death due to electrocution.

In some state's generators may be required to be registered with the local utility company when used at construction sites and may be subject to additional rules and regulations, consult your local municipal authority.

Generators should always be operated on a flat, level surface at all times (even when not in operation).

Generators must have a minimum of 5 feet (1.5 m) of clearance from all combustible material.

Generators must also have a minimum of 3 feet (91.4 cm) of air flow clearance on all sides to allow for adequate performance cooling, maintenance and servicing.

Always place the generator in a well-ventilated area. NEVER place the generator near air intake vents or where exhaust fumes could be drawn into occupied or confined spaces.

Always carefully consider wind and air currents when positioning generator.

Always allow generators to properly cool before transport or for storage purposes.

Failure to follow proper safety precautions may result in personal injury, damage to the generator and void the manufacturer's warranty.

### ⚠ WARNING

During operation the muffler and exhaust fumes will become hot. If adequate cooling and breathing space are not supplied, or if the generator is blocked or enclosed, temperatures can become extremely heated and may lead to fire.



**⚠ CAUTION**

Do Not modify or install any extensions or extraction to the exhaust/muffler, by doing so will void any warranty.

**Wet Conditions Alert:** Do not expose to rain or use in damp locations except as follows:

If you must operate in rain or damp locations, DO NOT operate without proper protection of the electrical components.

Use of a safety canopy that is fire retardant and will provide proper air ventilation for the engines exhaust stream can be used. Keep all objects a minimum of 5 feet (1.5m) away from the generator at all times. Heat from the muffler surface and exhaust stream can ignite combustible materials.

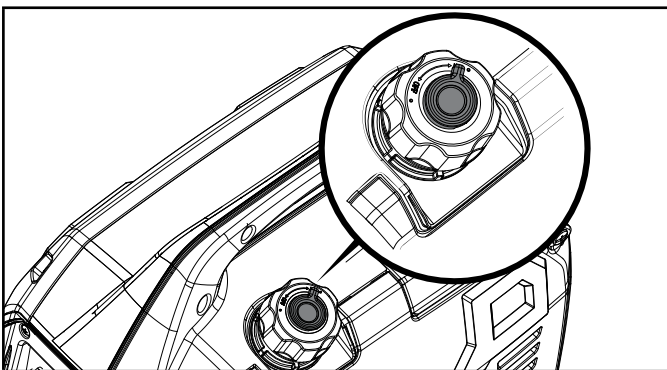
**Surge Protection**

Electronic devices, including computers and many programmable appliances use components that are designed to operate within a narrow voltage range and may be affected by momentary voltage fluctuations. While there is no way to prevent voltage fluctuations, you can take steps to protect sensitive electronic equipment.

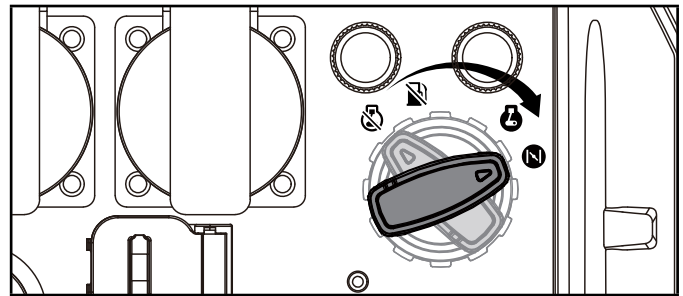
- Install UL1449, CSA-listed, plug-in surge suppressors on the outlets feeding your sensitive equipment. Surge suppressors come in single- or multi-outlet styles. They're designed to protect against virtually all short-duration voltage fluctuations.

**Starting the Engine**

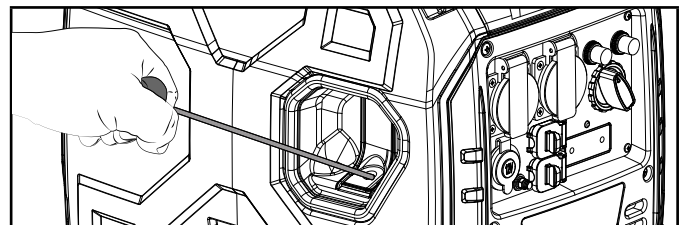
1. Make certain the generator is on a flat, level surface.
2. Disconnect all electrical loads from the generator. Never start or stop the generator with electrical devices plugged in or turned on.
3. Turn the fuel cap vent lever to the "ON" position.



4. Turn EZ Start dial clockwise to the full "CHOKE" position.

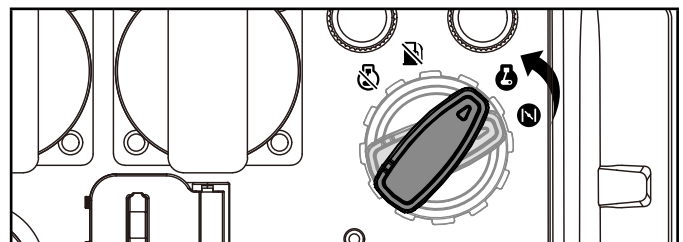


5. When starting the engine, pull the recoil cord slowly until resistance is felt, release cord back and with one strong rapid pull to start, this avoids any kickback or damage to the recoil assembly. If the engine doesn't start repeat this process

**⚠ CAUTION**

Rigorously or aggressively pulling the recoil cord will result in damage to the recoil assembly and void any warranty.

6. As the engine warms up, move the EZ Start dial to the "RUN" position.

**🗨 NOTICE**

**For petrol restarts with hot engine and(or) in hot ambient temperature >86°F (30°C):** Rotate the EZ Start dial to the "CHOKE" position for only one pull of the recoil cord. If generator does not start after first pull, rotate the dial to the "RUN" position for the next three pulls. Too much choke leads to spark plug fouling and engine flooding. This will cause the engine not to start.

**🗨 NOTICE**

**For petrol starting in standard ambient temperature >59°F (15°C):** Keep EZ Start dial in "CHOKE" position for three pulls of the recoil cord. If generator does not start after three pulls, rotate the EZ Start dial to the "RUN" position for the next three pulls. Too much choke leads to spark plug fouling and engine flooding. This will cause the engine not to start.



**NOTICE**

**For petrol starting in cold ambient temperature < 59°F (15°C):** Keep the EZ Start dial in the “CHOKE” position until engine starts. As soon as the engine starts and runs smoothly turn the EZ Start dial to the “RUN” position. In extreme cold temperatures, this may take several seconds.

**NOTICE**

If the engine starts but does not continue to run make certain that the generator is on a flat, level surface. The engine is equipped with a low oil sensor that will prevent the engine from running when the oil level falls below a critical threshold.

**Connecting Electrical Loads**

Let the engine stabilize and warm up for a few minutes after starting.

Plug in and turn on the desired 220 Volt AC single phase, 50 Hz electrical loads.

- DO NOT connect 3-phase loads to the generator.
- DO NOT overload the generator.

**WARNING**

Always remember to plug your appliances directly into the generator and do not plug the generator power cord into any electrical outlet or connect to the circuit breaker panel in your home. Connecting a generator to your home's electric utility company's power lines, or to another power source, called 'backfeeding' is a dangerous practice that is illegal in many states and municipalities.

This action if done incorrectly could damage your generator, appliances and could cause serious injury or death to you or a utility worker when attempting to restore power during an outage occurrence in the neighborhood who may then unexpectedly encounter high voltage on the utility line and suffer a fatal shock.

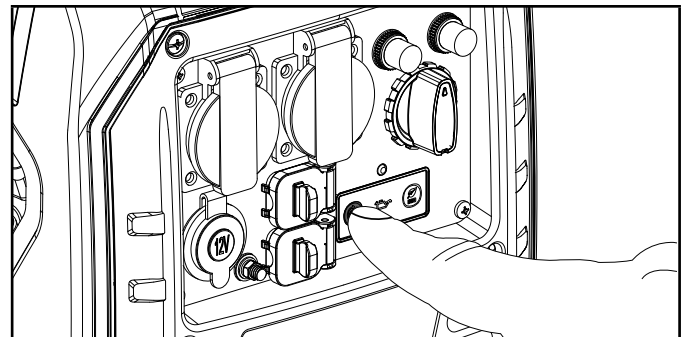
Whether injuries occur or not, if installed incorrectly and not to applicable laws and codes, you may be subject to fines or the utility company may disconnect your home power should this practice be found in your home.

If the generator will be connected to a building electrical system, these connections must isolate the generator power from the utility power. You are responsible for ensuring your generator's electricity does not backfeed into the electric utility power lines. These connections must comply with all applicable laws and codes – Consult your local utility company or a qualified electrician to properly install this connection.

**Do Not Overload Generator****Capacity**

Follow these simple steps to calculate the running and starting watts necessary for your purposes:

1. Select the electrical devices you plan on running at the same time.
2. Total the running watts of these items. This is the amount of power you need to keep your items running.
3. Identify the highest starting wattage of all devices identified in step 1. Add this number to the number calculated in step 2. Starting wattage is the surge of power needed to start some electric driven equipment. Following the steps listed under “Power Management” will guarantee that only one device will be starting at a time.
4. If the generator power output is cut off due to an overload condition indicated by the AC overload blinking light, lower the load by unplugging one or more items, then press the AC overload reset button before restarting the generator for continued normal operation.

**Power Management**

Use the following formula to convert voltage and amperage to watts:

$$\text{Volts} \times \text{Amps} = \text{Watts}$$

To prolong the life of your generator and attached devices, follow these steps to add electrical load:

1. Start the generator with no electrical load attached.
2. Allow the engine to run for several minutes to get up to temperature.
3. Plug in and turn on the first item. It is best to attach the item with the largest load first.
4. Allow the engine to stabilize.
5. Plug in and turn on the next item.
6. Allow the engine to stabilize.
7. Repeat steps 5-6 for each additional item.

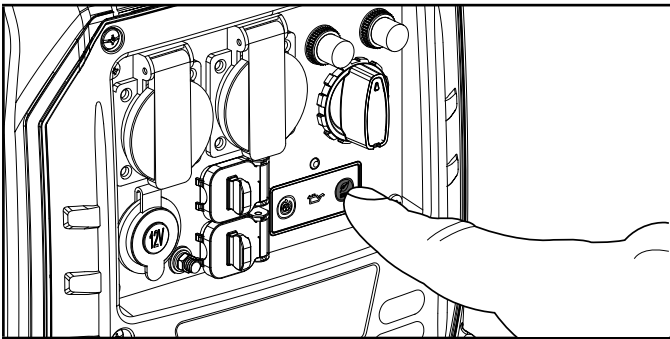
**NOTICE**

Never exceed the specified capacity when adding loads to the generator.

**Eco (Economy) Mode**

The Eco Mode button can be activated to turn on economy control in order to minimize fuel consumption and noise while operating the unit during times of reduced electrical output. Eco Mode allows the engine speed to idle during periods of non-use.

The engine speed returns to normal when an electrical load is connected. When the economy switch is off, the engine runs at normal speed continuously.

**CAUTION**

For periods of high electrical load or momentary fluctuations, the Eco Mode should be off.

**12V DC Regulated Automotive Style Outlet**

The 12V DC outlet(s) can be used with supplied accessories and other commercially available 12V DC automotive style plugs. Confirm the input voltage range of your item is at least 12-24V DC.

**WARNING**

When charging a device, do not place near or on the exhaust side of the generator. Extreme heat caused by exhaust can damage the device and cause a potential fire hazard. Prolonged exposure to engine exhaust can cause serious injury or death.

**Battery Charging**

1. Before connecting the battery charging cable to a battery that is installed in a vehicle, disconnect the vehicle battery ground cable from the negative (-) battery terminal.
2. Plug the battery charging cable into the 12V DC receptacle of the generator.
3. Connect the red (+) battery charger lead to the red (+) battery terminal.

4. Connect the black (-) battery charger lead to the black (-) battery terminal.
5. Start the generator.

**Important:** The 12V DC outlet is ONLY to be used with supplied accessories and other commercially available 12V DC automotive style plugs. Be sure all electric devices including the lines and plug connections are in good condition before connection to the generator.

**CAUTION**

Do Not use both 230v AC and 12v DC at the same time otherwise you could damage the generator or equipment resulting in voiding your warranty.

**WARNING**

Do not start the vehicle while the battery charging cable is connected and the generator is running. It will not give the battery a boost of power. The vehicle or the generator may be damaged. Charge only vented wet lead acid batteries. Other types of batteries may burst, causing personal injury or damage.

**NOTICE**

Be sure all electric devices including the lines and plug connections are in good condition before connection to the generator.

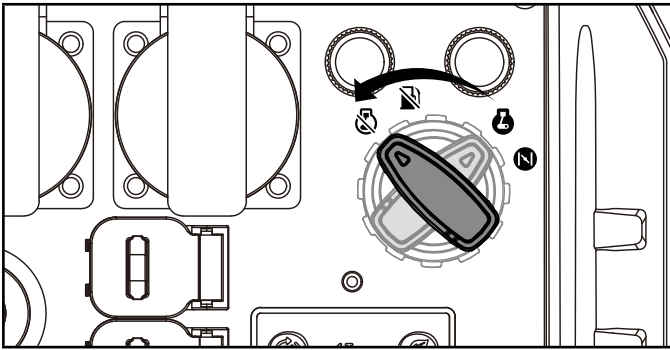
**Parallel Operation**

The Champion model 93001i-EU is parallel ready and can be operated in parallel with another Champion unit to increase the total available electrical power. A Champion parallel kit (optional equipment) is required for parallel operation. Model 500740-WL-EU is the recommended model for this unit. For a list of compatible models or to order a parallel kit, please call customer service at +44(0)-1942-715-407 or visit [www.championpowerequipment.co.uk](http://www.championpowerequipment.co.uk)

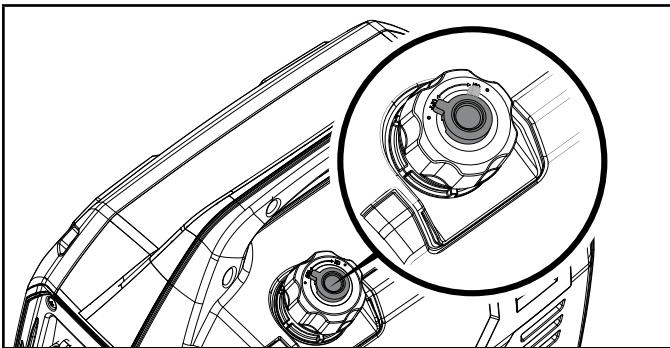
Detailed instructions for parallel kit installation and operation of the connected generators are provided in the parallel kit operator's manual.

**Stopping the Engine**

1. Turn off and unplug all electrical loads. Never start or stop the generator with electrical devices plugged in or turned on.
2. Let the generator run at no-load for several minutes to stabilize internal temperatures of the engine and generator.
3. Turn the EZ Start dial counter clockwise to the STOP position.



4. Turn the fuel cap vent lever to the “OFF” position.



**Important:** Always ensure that the EZ Start dial and fuel lever vent are in the “STOP” and “OFF” position, respectively, position when the generator is not in use.

**NOTICE**

If the generator will not be used for a period of two (2) weeks or longer, please see the Storage section for proper engine and fuel storage.

**Moving the Generator**

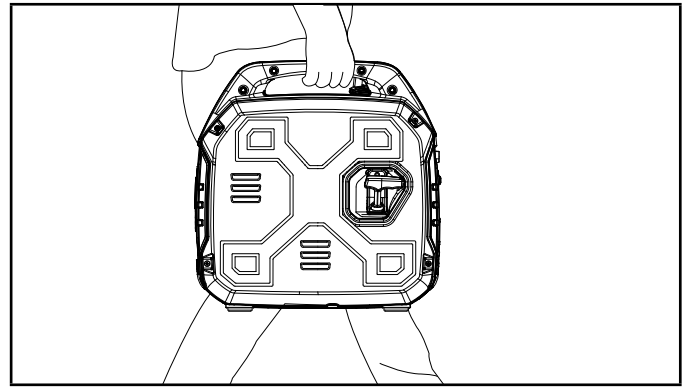
**CAUTION**

- ALWAYS turn the generator off and ensure the fuel valve is closed.
- ALWAYS make sure engine and muffler are cooled down before the generator can be handled safely (typically 15-30 minutes).
- Do not drop or strike unit or place under heavy objects.

**WARNING**

Failure to follow these instructions carefully could result in personal injury or damage to the generator resulting in voiding your warranty

Lift unit up by the carrying handle and move to the desired location.



**Operation at High Altitude**

The density of air at high altitudes is lower than at sea level. Engine power is reduced as the air mass and air-fuel ratio decrease. Engine power and generator output will be reduced approximately 3½% for every 1000 ft. of elevation above sea level. At high altitudes increased exhaust emissions can also result due to the increased enrichment of the air fuel ratio. Other high altitude issues can include hard starting, increased fuel consumption and spark plug fouling.

To alleviate high altitude issues other than the natural power loss, CPE can provide a high altitude carburetor main jet. The alternative main jet and installation instructions can be obtained by contacting our Technical Support Team. Installation instructions are also available in the Technical Bulletin area of the CPE website.

The part number and recommended minimum altitude for the application of the high altitude carburetor main jet is listed in the following table.

In order to select the correct high altitude main jet it is necessary to identify the carburetor model. For this purpose, a code is stamped on the side of the carburetor. Select the correct high altitude jet part number corresponding to the carburetor code found on your particular carburetor.

Carb. Code	High Alt. Jet Part Number	Min. Altitude
XXXXXXX	XXXXXXX	3000 ft. (914 m)
	XXXXXXX	6000 ft. (1829 m)

**WARNING**

Operation using the alternative main jet at elevations lower than the recommended minimum altitude can damage the engine. For operation at lower elevations, the originally supplied standard main jet must be used. Operating the engine with the wrong engine configuration at a given altitude may increase its emissions and decrease fuel efficiency and performance.

EN

## MAINTENANCE

Make certain that the generator is kept clean and stored properly. Only operate the unit on a flat, level surface in a clean, dry operating environment. DO NOT expose the unit to extreme conditions, excessive dust, dirt, moisture or corrosive vapors.

### WARNING

Never operate a damaged or defective generator.

### WARNING

Your generator needs regular servicing and maintenance, failure to properly maintain and service your generator regularly will result in voiding any warranty. For clear guidance read and understand this section.

### NOTICE

For Emission control devices and systems, read and understand your responsibilities for service as stated in the Emission Control Warranty Statement of this manual.

The owner/operator is responsible for all periodic servicing and maintenance.

Complete all scheduled maintenance in a timely manner.

Correct any issue before operating the generator.

For service or parts assistance, contact our Technical Support Team at [service@bpeholdings.co.uk](mailto:service@bpeholdings.co.uk).

## Cleaning the Generator

### CAUTION

DO NOT spray, jet, power wash generator directly with water.

Water can enter the generator through the cooling slots and damage the generator windings. It can also contaminate the fuel system.

1. Use a damp cloth to clean exterior surfaces of the generator.
2. Use a soft bristle brush to remove dirt and oil.
3. Use an air compressor (25 PSI) to clear dirt and debris from the generator.
4. Inspect all air vents and cooling slots to ensure that they are clean and unobstructed.

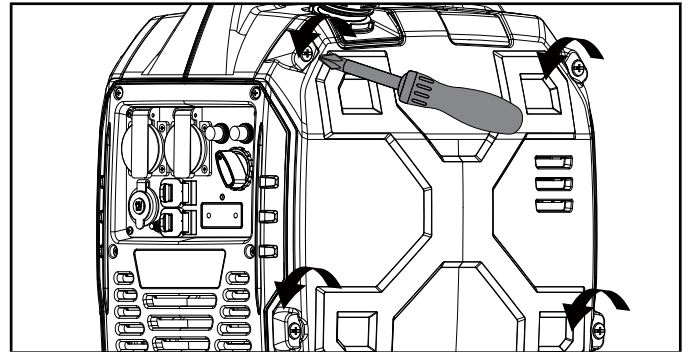
To prevent accidental starting, remove and ground the spark plug wire before performing any service.

## Changing the Engine Oil

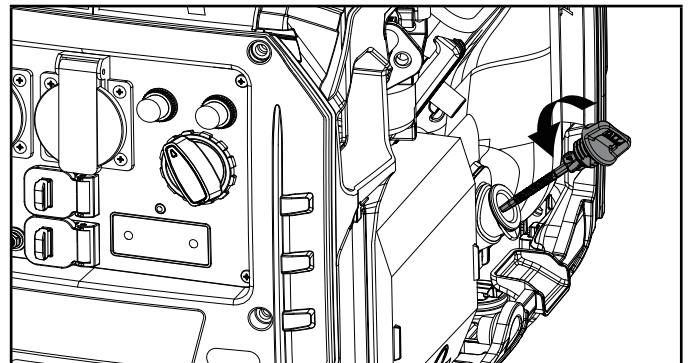


Recommended every 100 hours or annually Change oil when the engine is warm. Refer to the oil specification to select the proper grade for your operating environment.

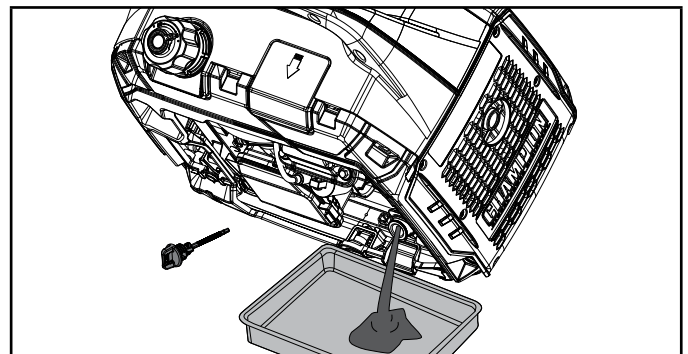
1. Set the generator on top of a work bench or table.
2. Loosen the four cover screws and remove the maintenance cover



3. Remove oil fill cap/dipstick.



4. Tilt the generator on its side and allow the oil to drain completely.



5. Add oil according to *Add Engine Oil in Assembly* section. Recommended 10W30 DO NOT OVERFILL. Oil not included for routine maintenance.
6. Reinstall the oil fill cap/dipstick and maintenance cover.



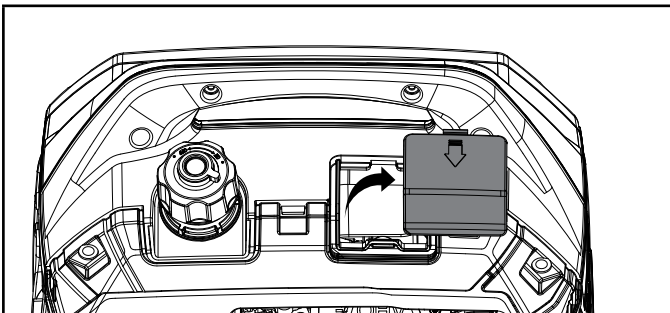
- Dispose of used oil at an approved waste management facility.

**NOTICE**

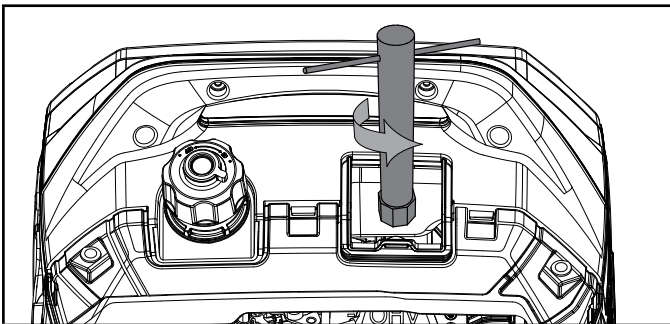
Once oil has been added, on flat level surface as a general rule oil should be visible about 1-2 threads from top of the oil port hole. If using the dipstick to check oil level, DO NOT screw in the dipstick while checking simply rest it against the top of the port and take reading.

**Cleaning and Adjusting the Spark Plug**

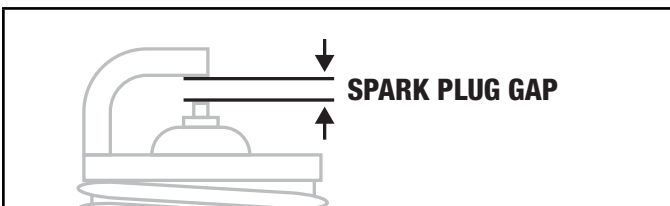
- Remove the spark plug access cover.



- Remove the spark plug cable from the spark plug.
- Use a spark plug socket tool, or a 13/16 in. (21 mm) socket to remove the plug.



- Inspect the electrode on the plug. It must be clean and not worn to produce the spark required for ignition.
- Make certain the spark plug gap is 0.024-0.031 in. (0.6-0.8 mm).

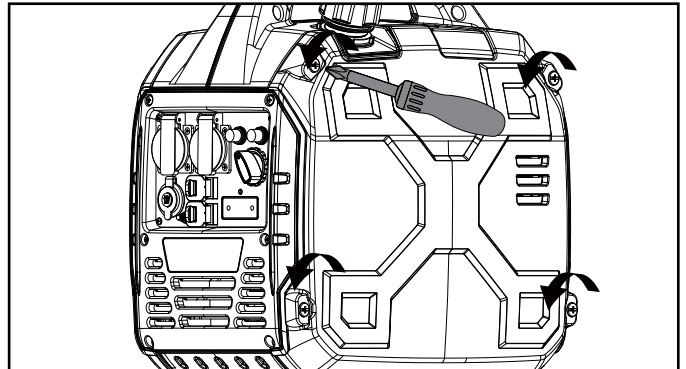


- Refer to the spark plug types in *Specifications* when replacing the plug.

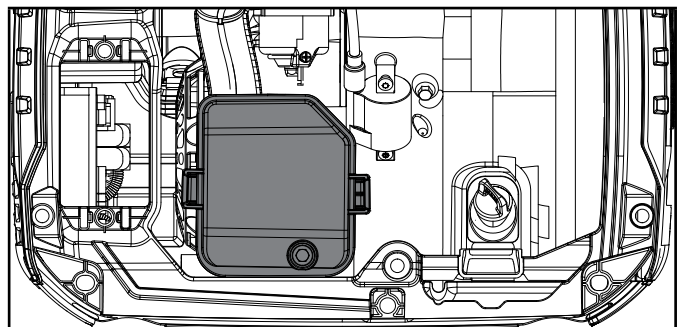
- Firmly re-install the plug.
- Attach the spark plug cable to the spark plug.
- Reinstall the spark plug access cover.

**Cleaning the Air Filter**

- Recommended every 50 hours use or annually. Remove the maintenance cover.



- Locate the air filter plastic cover and remove by pinching the clips together and pulling the cover off.



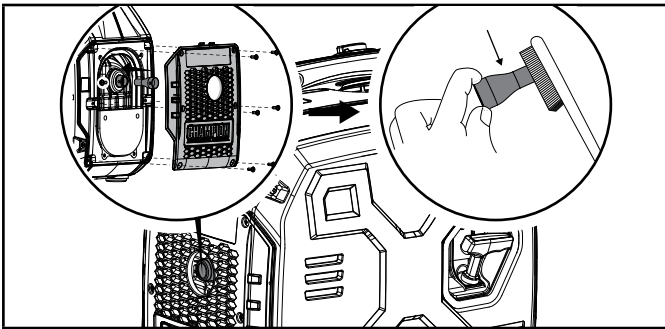
- Remove the foam element.
- Wash in liquid detergent and water. Squeeze thoroughly dry in a clean cloth.
- Saturate in clean engine oil.
- Squeeze in a clean, absorbent cloth to remove all excess oil.
- Place the filter in the assembly.
- Reattach the air filter cover.
- Reinstall the maintenance cover and tighten the cover screws securely.

**Cleaning the Spark Arrestor**

- Recommended every 100 hours use or 1 month. Allow the engine to cool completely before servicing the spark arrestor.
- Remove the 6 screws holding the cover plate on the muffler side of the generator.
- Remove the screw which retains the spark arrestor to the muffler.

EN

4. Remove the spark arrestor.
5. Carefully remove the carbon deposits from the spark arrestor with a wire brush.



6. Replace the spark arrestor if it is damaged.
7. Position the spark arrestor on the muffler and attach the spark arrestor and muffler cover by reversing the steps from above.

### **CAUTION**

Failure to clean the spark arrestor regularly will result in degraded engine performance and may damage engine resulting in voiding any warranty.

### **NOTICE**

Federal and local laws and administrative requirements indicate when and where spark arrestors are required. When ordered, spark arrestors are required for operation of this generator in National Forest lands. In California, this generator must not be used on any forest-covered land, brush-covered land, or grass-covered land unless the engine is equipped with a spark arrestor.

## Adjusting the Governor

### **WARNING**

Tampering with the factory set governor will void your warranty.

The air-fuel mixture is not adjustable. Tampering with the governor can damage your generator and your electrical devices and will void your warranty. Contact our Technical Support Team at [service@bpeholdings.co.uk](mailto:service@bpeholdings.co.uk) for all other service and/or adjustment needs.

## Maintenance Schedule

Follow the service intervals indicated in the following maintenance schedule.

Service your generator more frequently when operating in adverse conditions.

Contact our Technical Support Team at [service@bpeholdings.co.uk](mailto:service@bpeholdings.co.uk) to locate the nearest CPE certified service dealer for your generator or engine maintenance needs.

### **EVERY 8 HOURS OR PRIOR TO EACH USE**

- ☐ Check oil level
- ☐ Clean around air intake and muffler

### **FIRST 5 HOURS (BREAK IN)**

- ☐ Change oil

### **EVERY 50 HOURS OR ANNUALLY**

- ☐ Clean air filter
- ☐ Change oil if operating under heavy load or in hot environments

### **EVERY 100 HOURS OR ANNUALLY**

- ☐ Change oil
- ☐ Clean/adjust spark plug
- ☐ Clean spark arrestor
- ☐ Clean fuel valve filter\*

### **EVERY 250 HOURS**

- ☐ Clean combustion chamber\*
- ☐ Check/adjust valve clearance\*

### **EVERY 3 YEARS**

- ☐ Replace fuel line\*

\*To be performed by knowledgeable, experienced owners or CPE certified service centers.

## STORAGE

### **WARNING**

To avoid accidental or unintended ignition of your generator during periods of storage, the following precautions should be followed:

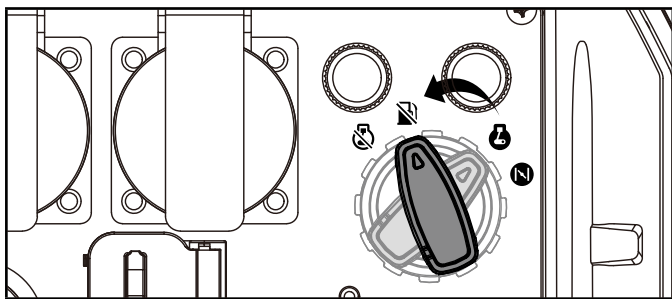
- When storing the generator make sure the EZ Start dial is set to the “STOP” position.

### Short Term Storage (up to 30 days)

Ethanol blended petrol in the fuel tank has a maximum shelf life of up to 1 year with the addition of properly formulated fuel stabilizers and if stored in a cool, dry place. Petrol in the carburetor, however, may gum up and clog the carburetor if it isn't used or drained within 2-4 weeks.

If using the generator within 2 weeks, follow the steps according to *Stopping the Engine* section.

1. If not using the generator for 2-4 weeks, begin by making sure all appliances are disconnected from the generator.
2. Start the generator as instructed in *Starting the Engine* section.
3. Turn the EZ Start dial to the RUN OUT OF FUEL position.

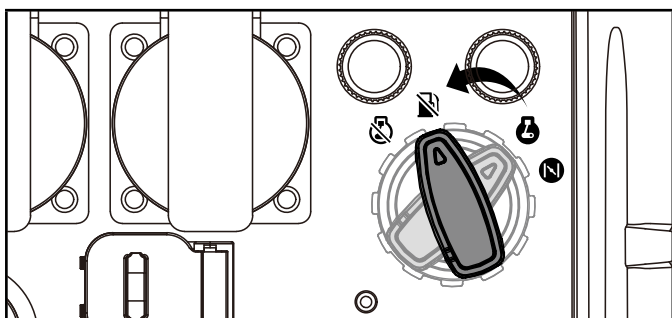


4. Let the engine run until fuel starvation has stopped the engine.
5. Turn the EZ Start dial to the "STOP" position

### Mid Term Storage (30 days – 1 year)

Ethanol blended petrol in the tank has a maximum shelf life of up to 1 year with the addition of a properly formulated fuel stabilizer and stored in a cool, dry place.

1. Be sure all appliances are disconnected from the generator.
2. Add a properly formulated fuel stabilizer to the fuel tank.
3. Start engine by following directions in the *Starting the Engine* section.
4. Run the generator for 10 minutes so the treated petrol cycles through the fuel system and carburetor.
5. Stop engine by turning the EZ Start dial to the RUN OUT OF FUEL position.

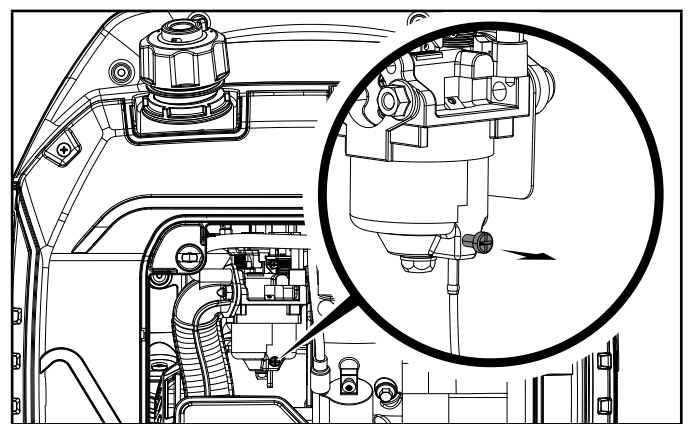


6. After fuel has run out and the engine has stopped, allow the engine to cool.
7. Turn the EZ Start dial to "STOP" position
8. Remove maintenance cover.
9. Remove the spark plug and pour about a tablespoon of oil into the cylinder.
10. SLOWLY pull the recoil to rotate the engine to distribute and lubricate the cylinder.
11. Re-install the spark plug and spark plug wire.
12. Re-install the maintenance cover.
13. Clean the generator according to *Cleaning the Generator*.
14. Store the generator in a cool, dry place out of direct sunlight.

### Long Term Storage (more than 1 year)

For storage over 1 year, the fuel tank and carburetor must be completely drained of petrol.

1. Be sure all appliances are disconnected from generator.
2. Place inverter on blocks to allow appropriate petrol container or pan to slide under inverter.
3. Remove the maintenance cover.
4. Turn the EZ Start dial to the RUN position.
5. Using a Phillips screwdriver, rotate drain screw counterclockwise (3) full turns. Petrol will drain through clear tubing out underneath the inverter. Make sure draining petrol empties into an appropriate container.



6. When petrol stops flowing from the clear tube, rotate drain screw clockwise until tight. Properly dispose of the drained petrol according to local regulations or guidelines.
7. Turn the EZ Start dial to the "STOP" position.
8. Follow steps 8-12 according to Short Term Storage.



## Removing from Storage

### NOTICE

If the generator has been improperly stored for a period longer than 30 days with ethanol blended petrol in the fuel tank and/or carburetor, all fuel must be drained and the carburetor must be thoroughly cleaned of ethanol build up. This process involves technically advanced tasks. For assistance please call our Technical Support Team at [service@bpeholdings.co.uk](mailto:service@bpeholdings.co.uk).

If the fuel tank and carburetor were properly emptied of all ethanol blended petrol prior to the generator being stored, follow the below steps when removing from storage.

1. Be sure the EZ Start dial is in the “STOP” position.
2. Add petrol to the generator according to *Add Fuel: Petrol*.
3. Move the EZ Start dial to the “START” position.
4. After 5 minutes check the carburetor and air filter areas for any leaking petrol. If any leaks are found, the carburetor will need to be disassembled and cleaned or replaced. If no petrol leaks are found, turn the EZ Start dial to the “STOP” position.
5. Check engine oil level and add clean, fresh oil if needed. See Oil Specifications for proper oil type.
6. Check and clear air filter of any obstructions such as bugs or cobwebs. If necessary, clean air filter according to *Cleaning the Air Filter*.

# SPECIFICATIONS

## Generator Specifications

Generator Model .....	93001i-EU
Start Type .....	Manual
Watts (Max/Running) .....	3000/2800
Volts AC .....	220
AC Amps .....	12.7
Volts DC .....	12
DC Amps .....	8
Frequency .....	50 Hz
Phase .....	Single
Grounding Type .....	Neutral Floating
Weight .....	39 lb. (17.5 kg)
Length .....	17.3 in. (44 cm)
Width .....	12 in. (30.4 cm)
Height .....	17.7 in. (45 cm)
Max site altitude of installation .....	1500m
Measured sound pressure level (7m) .....	58dB(A)
Measured sound pressure level (4m) .....	72dB(A)
Noise measurement uncertainty .....	≤1.5 dB(A)
Guaranteed sound power level .....	93 dB(A)

## Engine Specifications

Model .....	165F-B
Displacement .....	149 cc
Type .....	4-Stroke OHV

### Spark Plug

OEM Type .....	E6RTC
Replacement Type .....	NGK BPR5HS or equivalent
Gap .....	0.024-0.031 in. (0.6-0.8 mm)

### Valve

Intake Clearance .....	0.004-0.006 in. (0.10-0.15 mm)
Exhaust Clearance .....	0.004-0.006 in. (0.10-0.15 mm)

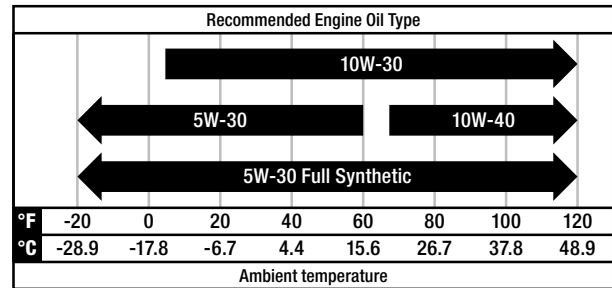
**NOTICE**

A technical bulletin regarding valve adjustment procedures is available at [www.championpowerequipment.com](http://www.championpowerequipment.com)

## Oil Specifications

DO NOT OVERFILL.

Type .....	*See following chart
Capacity .....	16.9 fl. oz. (500 ml)



**NOTICE**

Temperature will affect engine oil and engine performance. Change the type of engine oil used based on temperature conditions shown in "Recommended Engine Oil Type" table.

EN

## Fuel Specifications <sup>E5</sup> <sup>E10</sup>

Use unleaded petrol with a minimum octane rating of 85 and an ethanol content of 10% or less by volume. DO NOT USE E15 or E85. DO NOT OVERFILL.

Fuel Capacity .....	1.2 gal. (4.5 L)
---------------------	------------------

## Temperature Specifications

Starting Temperature Range (°F/°C) .....	5 to 104/-15 to 40
--	--------------------

**NOTICE**

**An important message about temperature:** Your product is designed and rated for continuous operation at ambient temperatures up to 104°F (40°C). When needed, it may be operated at temperatures ranging from 5°F (-15°C) to 122°F (50°C) for short periods of time. If exposed to temperatures outside this range during storage, it should be brought back within this range before operation. In any event, the product must always be operated outdoors, in a well-ventilated area and away from doors, windows and vents.

## TROUBLESHOOTING

Problem	Cause	Solution
Engine will not start.	No fuel.	Add fuel.
	Faulty spark plug.	Clean and adjust spark plug or replace.
	Low oil level.	Fill crankcase to the proper level.
		Place generator on a flat, level surface.
	Spark plug wire loose.	Attach wire to spark plug.
	Fuel valve is closed.	Open fuel valve.
	EZ Start dial OFF.	Turn EZ Start dial ON.
	Old fuel or water in fuel.	Drain fuel and replace with fresh fuel.
	Flooded with fuel.	Let unit stand for 10 mins.
CO Shield® module has been removed or tampered with.	Re-install module or contact technical support.	
Engine starts but runs roughly.	Choke in the wrong position.	Move EZ Start Dial to the RUN position.
	Dirty air filter.	Clean or replace air filter.
	Dirty fuel valve.	Clean the fuel valve.
	Clogged spark arrestor.	Clean spark arrestor.
Engine shuts down during operation.	Out of fuel.	Fill fuel tank.
	Low oil level.	Fill crankcase to the proper level. Place generator on a flat, level surface.
	If equipped, when CO Shield® shutoffs occur due to accumulating carbon monoxide (CO) and if the red LED light blinks on the panel.	Move generator to an open, outdoor area. Point exhaust away from people and buildings. Move to fresh air and get medical help if sick, dizzy, or weak.
		Make sure there are no objects creating obstructions within 5 feet of the generator. Obstructions in the vicinity of the generator may trap carbon monoxide emissions near the generator and cause the engine to shutoff.  If the generator's exhaust is facing into the wind, the exhaust may be blown back into the generator's operating area, creating an accumulation of CO emissions and triggering an engine shutoff. To avoid an engine shutoff, turn the generator 45° in either direction to allow the exhaust emissions to blow away from the generator. If engine shutoff events continue, readjust and align the exhaust with the wind direction to blow away from the generator.
	If equipped, when CO Shield® shutoffs occur due to system fault and if the yellow LED light blinks on the panel.	Start by confirming yellow LED light blinks when/if generator shuts off. If CO Shield continues to sense the fault and shuts off, contact technical support.
Clogged spark arrestor.	Clean spark arrestor.	

Problem	Cause	Solution
Engine starts and shuts off right away.	If equipped, when CO Shield® shutoffs occur due to accumulating carbon monoxide (CO) and if the red LED light blinks on the panel.	<p>Move generator to an open, outdoor area. Point exhaust away from people and buildings. Move to fresh air and get medical help if sick, dizzy, or weak.</p> <p>Make sure there are no objects creating obstructions within 5 feet of the generator. Obstructions in the vicinity of the generator may trap carbon monoxide emissions near the generator and cause the engine to shutoff.</p> <p>If the generator's exhaust is facing into the wind, the exhaust may be blown back into the generator's operating area, creating an accumulation of CO emissions and triggering an engine shutoff. To avoid an engine shutoff, turn the generator 45° in either direction to allow the exhaust emissions to blow away from the generator. If engine shutoff events continue, readjust and align the exhaust with the wind direction to blow away from the generator.</p>
	If equipped, when CO Shield® shutoffs occur due to system fault and if the yellow LED light blinks on the panel.	Start by confirming yellow LED light blinks when/if generator shuts off. If CO Shield® continues to sense the fault and shuts off, contact technical support.
Both CO Shield® LEDs not blinking 10 times upon start up.	Starting the generator within 1 minute after being manually shutoff, not a CO shutoff event.	Wait 1 minute before trying to restart the generator. The LEDs should then blink ten (10) times.
Generator cannot supply enough power or overheating.	Generator is overloaded.	Review load and adjust. See "Connecting Electrical Loads."
	Dirty air filter.	Clean or replace air filter.
	Choke in wrong position.	Move EZ Start Dial to the RUN position.
Engine is running but no AC output.	Poor cord connection.	Check all connections.
	Circuit breaker is open.	Reset circuit breaker. Check all circuit breakers.
	Faulty brush assembly.	Replace brush assembly (Service Center).
	Loose wiring.	Inspect and tighten wiring connections.
	AC Overload: Button illuminated red	Reduce AC load and press Overload Reset Button until illuminated green.
	Other.	Contact the help line.
Engine hunts or falters.	Engine governor defective.	Contact the help line.
	Dirty fuel valve.	Clean the fuel valve.
	Carburetor is dirty and running lean.	Contact the help line.
	Choke in wrong position.	Move EZ Start Dial to the RUN position.
Repeated circuit breaker tripping.	Overload.	Review load and adjust. See "Connecting Electrical Loads."
	Faulty power cords or device.	Check for damaged, bare or frayed wires. Replace defective device.
	Circuit breaker still too hot.	Let unit sit for 5 mins.

**For other issues and technical support:**

Technical Support Team  
 service@bpeholdings.co.uk

## WARRANTY\*

CHAMPION POWER EQUIPMENT  
3 YEAR LIMITED WARRANTY

### Warranty Qualifications

To register your product for warranty and FREE lifetime call center technical support please visit:

<https://www.championpowerequipment.eu>

To complete registration you will need to include a copy of the purchase receipt as proof of original purchase. Proof of purchase is required for warranty service. Please register within ten (10) days from date of purchase.

### Repair/Replacement Warranty

CPE warrants to the original purchaser that the mechanical and electrical components will be free of defects in material and workmanship for a period of three (3) years for domestic usage or 1000 hours which comes first and One (1) Year for commercial and industrial use or 1000 hours which ever comes first. Transportation charges on product submitted for repair or replacement under this warranty are the sole responsibility of the purchaser. This warranty only applies to the original purchaser and is not transferable. For full T&C's please visit [www.championpowerequipment.co.uk](http://www.championpowerequipment.co.uk).

### Do Not Return The Unit To The Place Of Purchase

Contact CPE's Technical Service and CPE will troubleshoot any issue via phone or e-mail. If the problem is not corrected by this method, CPE will, at its option, authorize evaluation, repair or replacement of the defective part or component at a CPE Service Center. CPE will provide you with a case number for warranty service. Please keep it for future reference. Repairs or replacements without prior authorization, or at an unauthorized repair facility, will not be covered by this warranty.

### Warranty Exclusions

This warranty does not cover the following repairs and equipment:

#### Normal Wear

Products with mechanical and electrical components need periodic parts and service to perform well. This warranty does not cover repair when normal use has exhausted the life of a part or the equipment as a whole.

#### Installation, Use and Maintenance

This warranty will not apply to parts and/or labor if the product is deemed to have been misused, neglected, involved in an accident, abused, loaded beyond the product's limits, modified, installed improperly or connected incorrectly to any electrical component. Normal maintenance is not covered by this warranty and is not required to be performed at a facility or by a person authorized by CPE.

### Other Exclusions

This warranty excludes:

- Cosmetic defects such as paint, decals, etc.
- Wear items such as filter elements, o-rings, etc.
- Accessory parts such as starting batteries, piston rings and storage covers.
- Failures due to acts of God and other force majeure events beyond the manufacturer's control.
- Problems caused by parts that are not original Champion Power Equipment parts.

Any part(s) deemed to be damaged by the user. When applicable, this warranty does not apply to products used for prime power in place of a utility.

### Limits of Implied Warranty and Consequential Damage

Champion Power Equipment disclaims any obligation to cover any loss of time, use of this product, freight, or any incidental or consequential claim by anyone from using this product. THIS WARRANTY AND THE ATTACHED UK EPA and/or CARB EMISSION CONTROL SYSTEM WARRANTIES (WHEN APPLICABLE) ARE IN LIEU OF ALL OTHER WARRANTIES, EXPRESS OR IMPLIED, INCLUDING WARRANTIES OF MERCHANTABILITY OR FITNESS FOR A PARTICULAR PURPOSE.

A unit provided as an exchange will be subject to the warranty of the original unit. The length of the warranty governing the exchanged unit will remain calculated by reference to the purchase date of the original unit.

This warranty gives you certain legal rights which may change from state to state or province to province. Your state or province may also have other rights you may be entitled to that are not listed within this warranty.

## INLEDNING

Grattis till ditt köp av denna invertergenerator. Följ dessa anvisningar och serva den korrekt.

## DENNA BROSCHYR

Vi förbehåller oss rätten att ändra, anpassa eller förbättra produkten eller denna bruksanvisning utan vidare förvarning.

Anteckna modell- och serienumren samt datumet och inköpsstället för framtida behov. Ha denna information tillgänglig vid beställning av reservdelar och vid tekniska frågor eller garantiärenden.

### CPE TEKNISKT SUPPORTTEAM

### MODELLNUMMER

93001i-EU

### SERIENUMMER

### FÖRSÄLJNINGSDATUM

### FÖRSÄLJNINGSTÄLLE

## SÄKERHETSDEFINITIONER

Bekanta dig med följande symboler. Säkerhetssymbolen och nyckelorden är säkerhetsvarningar. Följ alla säkerhetsmeddelanden för att undvika olyckor eller personskador.

### ⚠ FARA

FARA betecknar en farlig situation som, om den inte undviks, kommer att leda till dödsfall eller allvarliga personskador.

### ⚠ VARNING

VARNING betecknar en farlig situation som, om den inte undviks, kan leda till dödsfall eller allvarliga personskador.

### ⚠ FÖRSIKTIGHET

FÖRSIKTIGHET betecknar en farlig situation som, om den inte undviks, kan leda till mindre eller måttliga personskador.

### 🗨 OBSERVERA

OBSERVERA används för att uppmärksamma om förlopp som inte är relaterad till fysisk skada.

## VIKTIGA SÄKERHETSANVISNINGAR

### ⚠ FARA

Generatoravgaser innehåller kolmonoxid som är en färglös, doftfri, giftig gas. Att andas in kolmonoxid leder till illamående, yrsel, svimning eller död. Om du börjar känna dig yr eller svag måste du omedelbart få friskluft.

### ANVÄND GENERATORN UTOMHUS OCH PÅ EN VÄL VENTILERAD PLATS.

Använd **INTE** generatoren inomhus, inklusive garage, källare, kryputrymmen, förråd, inhägnader eller utrymmen samt generatorutrymmen i husbilar eller husvagnar.

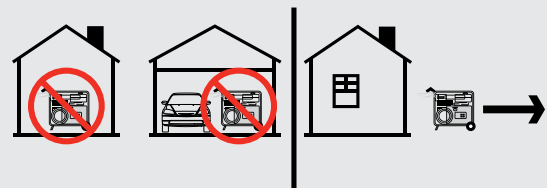
Låt **INTE** avgaser tränga in i stängda utrymmen genom fönster, dörrar, ventiler eller andra öppningar.

### ⚠ FARA

Om en generator används inomhus **KAN DU DÖ INOM NÅGRA MINUTER**. Generatoravgaserna innehåller kolmonoxid. Du kan varken se eller känna lukten av giftet.

Använd **ALDRIG** generatoren i en bostad eller ett garage, **ÄVEN OM** dörrarna och fönstren är öppna.

Använd **ENDAST** generatoren **UTOMHUS** och med säkerhetsavstånd från fönster, dörrar och ventiler.



Installera batteriförsörjda kolmonoxidlarm eller jackbara kolmonoxidlarm med reservbatteri enligt tillverkarens anvisningar.

### ⚠ FARA

Händer, fötter, hår, kläder och/eller accessoarer kan fastna i roterande delar. Traumatiska amputationer eller allvarliga skärsår kan bli följden.

Se till att hålla händer och fötter borta från roterande delar.

Sätt upp långt hår och ta av smycken.

Använd utrustningen med monterade skydd.

Använd **INTE** löst sittande kläder, hängande snören eller andra saker som kan fastna.

**⚠ VARNING**

Användning av den här utrustningen kan orsaka gnistor som kan orsaka eldsvåda i torr vegetation.

Ett gnistskydd kan krävas. Användaren ska höra av sig till den lokala brandskyddsmyndigheten för att få information om lagar eller bestämmelser beträffande gällande brandskyddsbestämmelser.

**⚠ FARA**

Generatorn genererar hög spänning.

Rör INTE frilagda sladdar eller uttag.

Använd INTE elkablar som är slitna, skadade eller trasiga. Använd endast Champion-elkablar för att utrustningen ska fungera ordentligt.

Använd INTE generatorn i våt väderlek.

Tillåt INTE att barn eller obehöriga använder eller genomför underhåll på generatorn

Använd en jordfelsbrytare (GFCI) på fuktiga platser eller i områden med ledande material såsom metallunderlag.

För att ditt hems elsystem ska kunna anslutas ska en behörig elektriker installera en godkänd 30 A nätomkopplare. Dessutom ska installationen godkännas av den lokala behöriga myndigheten. Anslutningen måste isolera generatorn från kraften i elnätet och ska följa alla gällande lagar och elsäkerhetsregler.

**⚠ VARNING**

Gnistor kan orsaka eldsvåda eller ge elstötar.

**Vid underhåll av generatorn:**

Dra ur sladden till tändstiftet och lägg den där den inte kan komma i kontakt med tändstiftet eller andra metallföremål.

Undersök INTE om det bildas gnistor när tändstiftet är borttaget.

Använd endast godkända tändstiftsprovare.

**⚠ VARNING**

När motorer är i drift bildas värme. Allvarliga brännskador kan uppstå vid kontakt. Brännbart material kan fatta eld vid kontakt.

Rör INTE varma ytor.

Undvik kontakt med varma avgaser.

Låt utrustningen svalna innan den vidrörs.

Se till att hålla ett avstånd på minst 91,4 cm (ca 3 ft.) på alla sidor för att säkerställa tillräcklig avkylning.

Se till att hålla ett avstånd på minst 1,5 meter (ca 5 ft.) från brännbart material.

**⚠ VARNING**

Startsnörets snabba upprullning kan dra handen och armen mot motorn snabbare än du hinner släppa taget. Oavsiktlig start kan resultera i intrassling, traumatisk amputation eller skärsår. Brutna ben, frakturer, blåmärken eller stukningar kan bli resultatet.

För att starta motorn dra du startsnöret långsamt tills det börjar ta emot. Dra sedan snabbt för att undvika rekyl.

Starta eller stanna INTE motorn när elektrisk utrustning är ansluten och påslagen.

**⚠ FÖRSIKTIGHET**

Starta motorn genom att dra långsamt i startsnöret tills du känner ett motstånd, släpp snöret och dra kraftigt och snabbt en gång för att starta. Då undviker du bakslag och skador på startsnörmontering. Att dra ihärdigt skadar startsnörmonteringen och gör försäkringen ogiltig.

**⚠ FÖRSIKTIGHET**

Att överstiga generatorns driftkapacitet kan skada generatorn och/eller den elektriska utrustning som är ansluten till den.

Överbelasta INTE generatorn. Ändra INTE med den reglerade hastigheten. Modifiera INTE generatorn på något sätt.

**⚠ FÖRSIKTIGHET**

Starta generatorn och låt motorn stabiliseras innan du ansluter någon elektrisk last.

Anslut elektrisk utrustning när generatorn är avstängd och sätt sedan på den efter anslutning.

Stäng av och koppla ur elektrisk utrustning innan du stänger av generatorn.

**⚠ FÖRSIKTIGHET**

Olämplig hantering eller användning av generatorn kan skada den, förkorta dess livslängd och göra garantin ogiltig.

Använd endast generatorn på avsett sätt. Använd endast på jämnt underlag.

Utsätt INTE generatorn för onormalt mycket fukt, damm eller smuts.

Låt INTE något material blockera ventilationsöppningarna.

Om anslutna enheter överhettas ska de stängas av och kopplas bort från generatorn.

**Använd INTE generatorn om:**

- Den inte alstrar någon elektricitet
- Utrustningen ger gnistor, rök eller eld
- Utrustningen vibrerar överdrivet



**⚠ VARNING**

Medicinsk och livsuppehållande användning.

Kontakta larmassistans omedelbart i händelse av en olycka.

Använd ALDRIG den här produkten för att driva livsuppehållande enheter eller apparater.

Använd ALDRIG den här produkten för att driva medicinska enheter eller apparater.

Informera din elleverantör omedelbart om någon i ditt hushåll är beroende av elektrisk utrustning för att överleva.

Informera din elleverantör omedelbart om någon i ditt hushåll drabbas av en medicinsk kris utan tillgänglig elektricitet.

**Bränslesäkerhet****⚠ FARA**

**BENSIN OCH BENSINÅNGOR ÄR MYCKET BRANDFARLIGA OCH EXPLOSIVA.**

Brand eller explosion kan orsaka allvarliga brännskador eller dödsfall.

**Bensin och bensinångor:**

- Bensin är mycket brandfarlig och explosiv.
- Bensin kan orsaka eldsvåda eller explosion vid antändning.
- Bensin är ett flytande bränsle men dess ångor kan antändas.
- Bensin är irriterande för huden och måste tvättas bort omedelbart om den spillts på hud eller kläder.
- Bensin har en distinkt lukt, vilket hjälper till att upptäcka potentiella läckor snabbt.
- Vid petroleumgasbrand får flammorna inte släckas om man inte först kan stänga AV bränsleförsörjningsventilen. Detta beror på att det kan föreligga explosionsrisk om en eldsvåda släcks utan att bränsleförsörjningen stängts av.
- Bensin expanderar eller dras ihop beroende på omgivningstemperaturen. Fyll aldrig bensintanken helt, eftersom bensin behöver utrymme att expandera om temperaturen stiger.

**Vid påfyllning eller avtappning av bensin:**

Stäng av generatoren och låt den svalna i minst två minuter innan bensinlocket tas av. Lossa försiktigt på locket för att släppa ut trycket ur tanken.

Fyll eller tappa endast av bensin utomhus på en väl ventilerad plats.

Pumpa INTE in bensin direkt i generatoren på bensinstationen. Använd en godkänd behållare för att fylla på bränslet i generatoren.

Överfyll INTE bensintanken.

Se alltid till att hålla bensin borta från gnistor, öppen eld, glöd, hetta eller andra antändningskällor.

Tänd INTE eller rök cigaretter.

**När generatoren startas:**

Försök INTE att starta en skadad generator.

Se till att bensinlocket, luftfiltret, tändstiftet, bränsleslangarna och avgassystemet sitter ordentligt på plats.

Låt utspilld bensin dunsta bort ordentligt innan du försöker starta motorn.

Se till att generatoren står stadigt på ett plant underlag.

**Vid användning av generatoren:**

Flytta eller tippa INTE generatoren under användning.

Tippa INTE generatoren och låt inte bränsle eller olja spillas ut.

**Vid transport eller underhåll av generatoren:**

Se till att bränsleventilen är stängd och att bensintanken är tom.

Koppla loss sladden till tändstiftet.

**Vid förvaring av generatoren:**

Förvara skyddad från gnistor, öppen eld, glöd, hetta eller andra antändningskällor.

Förvara inte generatoren eller bensin nära ugnar, varmvattenberedare eller andra apparater som alstrar värme eller som tänds automatiskt.

**⚠ FARA**

Placera ALDRIG en bensindunk, bränsletank, gasolflaska eller annat brännbart material där avgaserna från motorn passerar då den används.

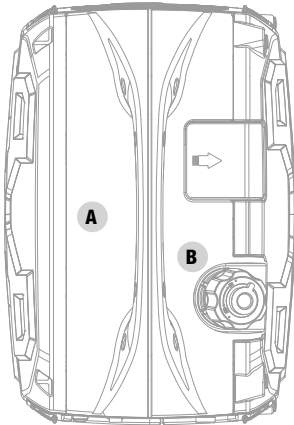
**⚠ VARNING**

Använd aldrig en bensinbehållare, bensintank eller annan bränslebehållare som är skadad eller verkar vara skadad.

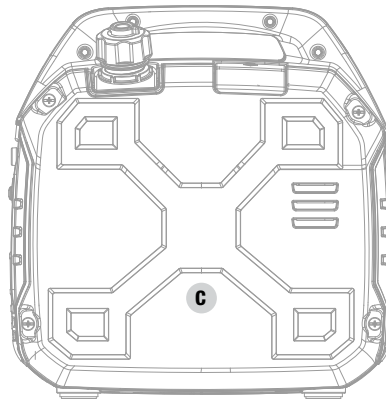
### Dekaler om säkerhet och dataplåtar

Dessa dekaler varnar dig för potentiella faror som kan leda till allvarliga skador. Läs dem noga.

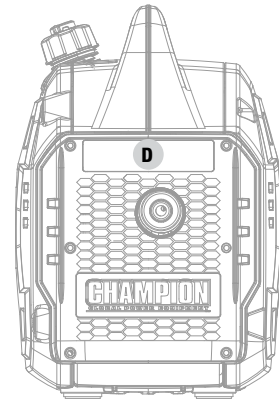
Om en dekal lossnar eller blir svårsläslig ska du kontakta Technical Support Team för att få en ny om möjligt.



Uppifrån



Sida





Ljuddämpare

	DEKAL	BESKRIVNING
A		<p>Säkerhetssymboler/ kolmonoxidfara</p> <p>CO Shield® Action – automatisk avstängning</p> <p>*Se avsnittet CO Shield®</p>
B		<p>Bränsle</p>
C		<p>Dataplåt</p>
D		<p>Het yta</p>







## Säkerhetssymboler





Några av följande symboler kan finnas på denna produkt. Studera dem och lär dig vad de betyder. Korrekt tolkning av dessa symboler gör att du kan använda produkten på ett säkrare sätt.

SYMBOL	BETYDELSE
	<b>Försiktighet.</b>
	<b>Läs bruksanvisningen före användning.</b> För att minska risken för skador måste användaren läsa och förstå bruksanvisningen innan han eller hon använder produkten.
	<b>Får ej kastas i de vanliga soporna.</b>
	Generatoraggregatet får inte anslutas till andra strömkällor, till exempel elbolagets elnät.
	<b>Elektrisk fara.</b> Underlåtenhet att använda produkten i torra förhållanden och följa säker praxis kan leda till elektrisk stöt. Felaktiga anslutningar till en byggnad kan göra att strömmen bakmatas ut i elledningarna och då uppstår en risk för dödliga elstötar. En nätomkopplare måste användas vid anslutning till en byggnad.
	<b>Eldfara.</b> Bränsle och bränsleångor är mycket brandfarliga och explosiva. Brand eller explosion kan orsaka allvarliga brännskador eller död. Håll generatoren på ett avstånd på minst 1,5 m (5 fot) från alla föremål för att förhindra förbränning.
	<b>Risk för brännskador.</b> För att minska risken för kropps- eller egendomsskada ska kontakt med heta ytor undvikas.
	<b>Kolmonoxidfara.</b>
	<b>Varning för våta förhållanden.</b> Får inte utsättas för regn eller användas i fuktiga platser förutom enligt följande: Om du måste använda generatoren i regn eller på fuktiga platser får den INTE användas utan att de elektriska komponenterna har skyddats ordentligt. Ett brandhärdigt regnskydd som ger ordentlig ventilation för motoravgaserna kan användas. Håll alltid alla föremål på ett minsta avstånd på 1,5 m (5 fot) från generatoren. Värme från ljuddämparen och avgaserna kan antända brännbara material.

## Användningssymboler

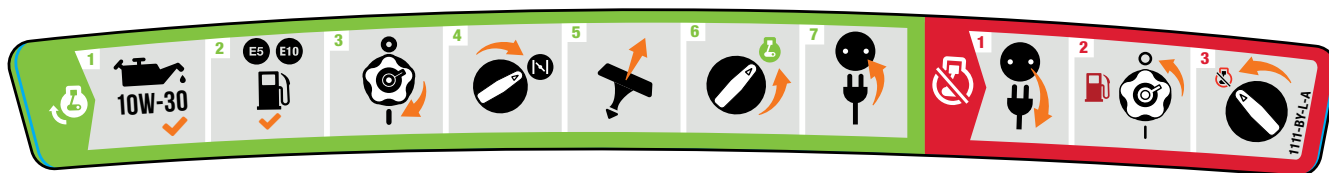
Några av följande symboler kan finnas på denna produkt. Studera dem och lär dig vad de betyder. Korrekt tolkning av dessa symboler gör att du kan använda produkten på ett säkrare sätt.

SYMBOL	BETYDELSE
	Drift
	Stopp
	Bränslet avstängt
	Choke
	12 V likström
	Återställning av kretsbrytaren: Tryck

SYMBOL	BETYDELSE
	Parallellkoppling(ar)
	Jordanslutning
	Flytande neutral krets. Den neutrala kretsen är <b>INTE</b> elektriskt ansluten till generatorns ram/jord.
	Återställningsknapp för överlast
	Låg oljenivå
	Ekonomilägesknapp

## Dekalsymboler för snabbstart

Några av följande symboler kan användas på denna produkt. Studera dem och lär dig vad de betyder. Korrekt tolkning av dessa symboler gör att du kan använda produkten på ett säkrare sätt.



### Starta motorn

#### **FARA**

Flytta ut generatoren utomhus och långt bort från fönster, dörrar och luftintagsgaller.

- Kontrollera oljenivån.**  
Rekommenderad olja är 10W-30.
- Kontrollera bensinnivån.**  
Vid påfyllning av bensin ska bensin med ett oktantal på minst 85 och en etanolhalt på högst 10 volymprocent eller mindre användas **E5 E10**.
- Vrid **bränslelockets ventilationsspak** till läget "ON".
- Vrid **EZ Start-vredet** till fullt CHOKE-läge.
- Dra i startsnöret.
- Vrid vredet **EZ Start** till läget RUN.
- Koppla in önskad enhet.

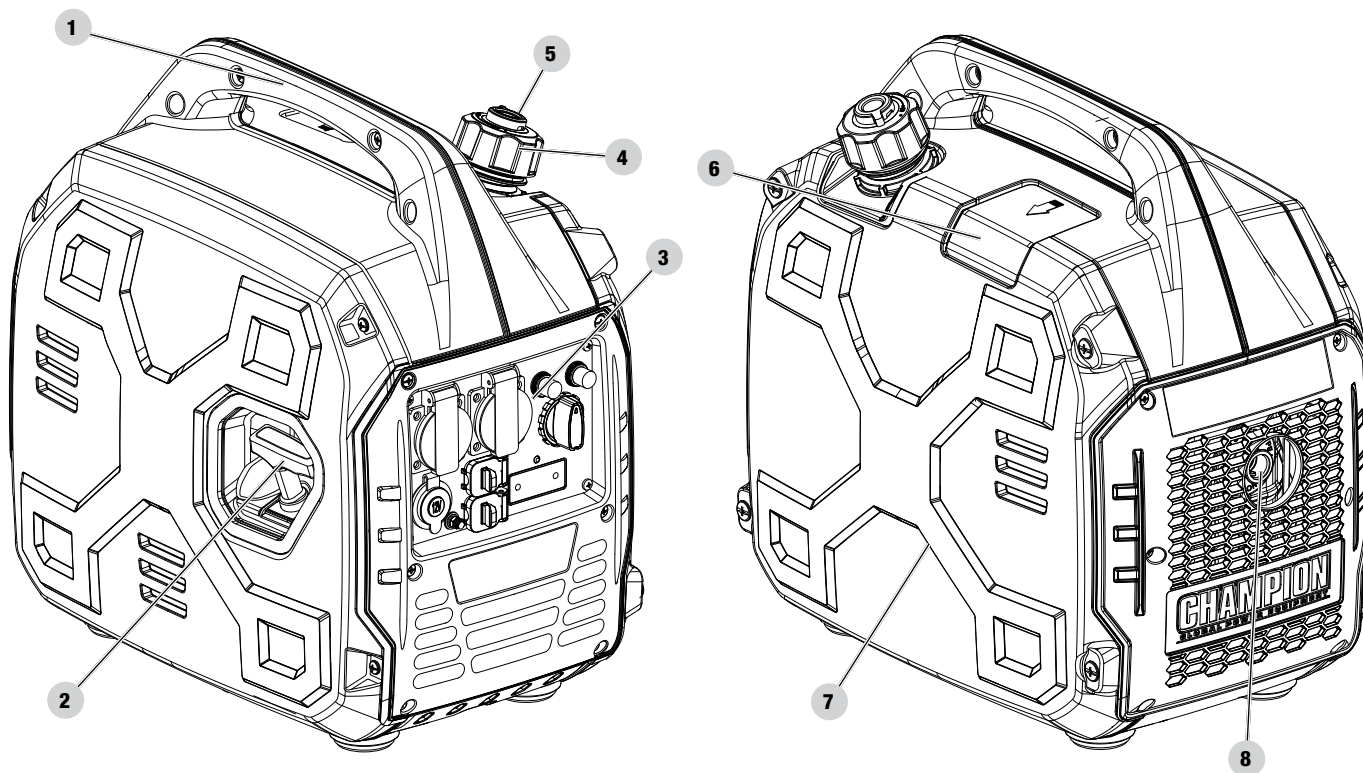
### Stänga av motorn

- Stäng av och koppla bort alla anslutna elektriska laster.
- Vrid **bränslelockets ventilationsspak** till läget "OFF".
- Vrid vredet **EZ Start** till läget "STOP".

## KONTROLLER OCH FUNKTIONER

Läs denna bruksanvisning innan du använder generatoren. Bekanta dig med kontrollernas och funktionernas placering och funktion. Spara denna bruksanvisning för framtida behov.

### Generator

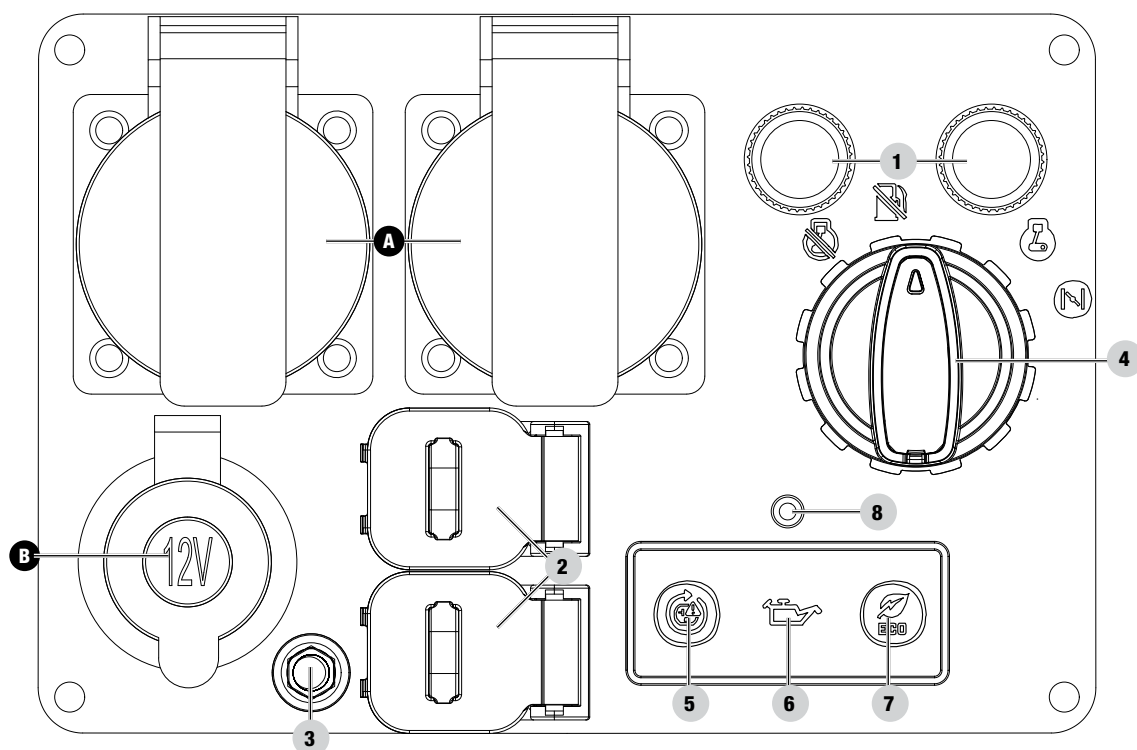


1. **Bärhandtag** – Används för att lyfta eller bära enheten.
2. **Start med dragsnöre** – Används för att starta motorn
3. **Kontrollpanel** – Se avsnittet *Kontrollpanel*.
4. **Bränslelock** – Tas bort när bränsle ska fyllas på.
5. **Bränslepaksventil** – Vrid ventilen till läget "ON" för att tillföra luft till tanken.

6. **Åtkomstskydd för tändstift**
7. **Underhållsskydd**
8. **Ljuddämpare**



## Kontrollpanel



- Krets brytare (tryckåterställning)** – skyddar generatormot elektrisk överlast.
- Parallella utgångar** – används för att göra två växelriktare parallella tillsammans för att öka uteffekten (parallelsats säljs separat).
- Jordanslutning** – Konsultera en elektriker om lokala bestämmelser för jordning.
- EZ Start-vredet** – Används för att starta, stoppa och choka generatormotorn.
- Återställningsknapp för växelströmsöverbelastning** – Används för att åter strömsätta uttag efter överbelastningsfel.
- Varningslampa för låg oljenivå** – När den lyser stängs motormotorn av. Kontrollera oljenivån.
- Knapp för ekonomiläge** – aktiverar/inaktiverar automatisk tomgångsreglering.
- CO Shield® LED** – CO Shield®-tekniken övervakar om det sker en ackumulering av giftig kolmonoxidgas från avgasröret när motorn är igång. Om CO Shield® upptäcker förhöjda nivåer av kolmonoxidgas stänger det automatiskt av motorn.

UTTAG	
A	 <p><b>(2×) 220 V AC, 16 A</b> Kan användas för att ge elström för drift på 220 Volt AC, 16 Amp, enfas, 50 Hz elektriska laster.</p>
B	 <p><b>12 V DC, 8 A (bilar)</b> Får användas för matning av elström för drift av 12 V DC, 8 A elektriska laster.</p>

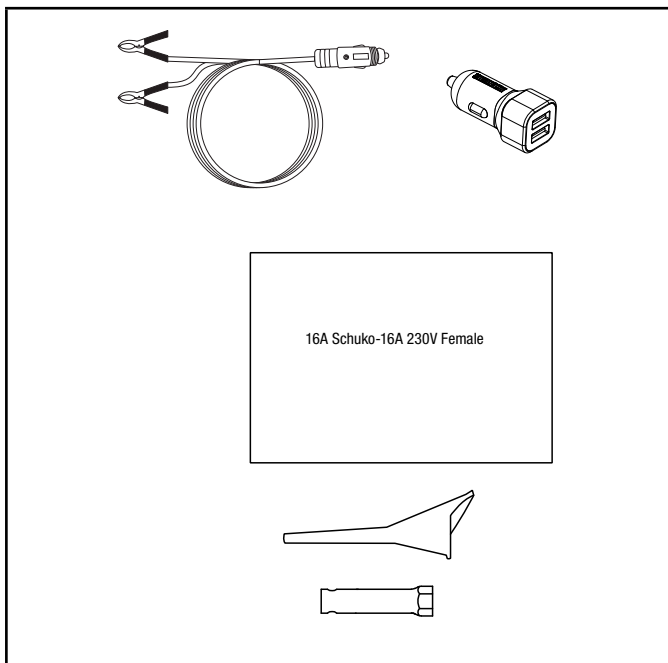
 **VARNING**

När en enhet laddas ska den inte placeras på generatormotorns avgassida. Extrem hetta som orsakas av avgaser kan skada enheten och utgöra en möjlig brandrisk. Långvarig exponering för motoravgaser kan orsaka allvarliga skador och död.

## Delar som ingår

### Tillbehör

12 V DC batteriladdningskabel .....	1
12 V DC USB-adapter .....	1
16 A Schuko-16 A 230 V honkontakt .....	1
Tändstiftsuttag .....	1
Oljetratt .....	1



## MONTERING

Generatoren kräver en viss montering. Denna enhet levereras från vår fabrik utan olja. Den måste fyllas på ordentligt med bränsle och olja innan den används.

Om du har några frågor om monteringen av generatoren, vänligen kontakta Technical Support Team. Se till att ha ditt serienummer och modellnummer till hands.

### Uppackning

1. Lägg leveransförpackningen på ett stabilt och plant underlag.
2. Ta bort allting ur kartongen förutom generatoren.
3. Använd bärhandtagen på enheten för att försiktigt lyfta ut generatoren ur lådan. Det rekommenderas att två personer lyfter samtidigt.

### Fylla på motorolja



#### ⚠ FÖRSIKTIGHET

Försök INTE starta eller dra igång motorn innan den har fyllits på ordentligt med rekommenderad mängd och typ av olja. Skador på generatoren till följd av att dessa instruktioner inte har följts gör garantin ogiltig.

#### 🗨 OBSERVERA

Generators rotor har ett förseglat, smörjt kullager som inte kräver någon ytterligare smörjning under kullagrets hela livslängd.

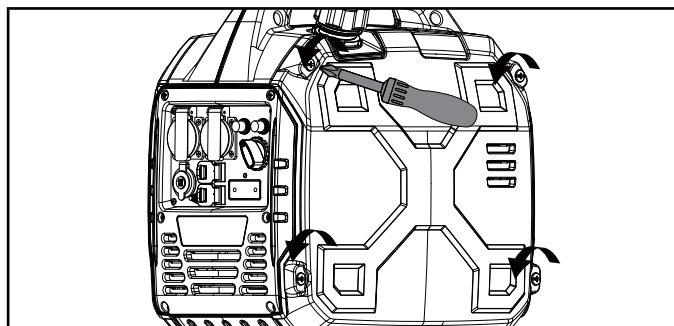
#### 🗨 OBSERVERA

Rekommenderad oljetyp för vanlig drift är **10 W-30-motorolja**. Dock går det bra att använda de konventionella oljorna som listas i tabellen "Rekommenderad motoroljetyp" för vanlig användning, även under de första fem timmarna av motorns inkörningsperiod.

Om generator körs i extrema temperaturer, se tabellen "Rekommenderad motoroljetyp".

Recommended Engine Oil Type	
°F	-20 0 20 40 60 80 100 120
°C	-28.9 -17.8 -6.7 4.4 15.6 26.7 37.8 48.9
Ambient temperature	

1. Placera generatoren på en plan yta. Generatoren får inte vinklas eller lutas vid påfyllning av olja.
2. Lossa på skyddets fyra skruvar och ta bort underhållsskyddet.

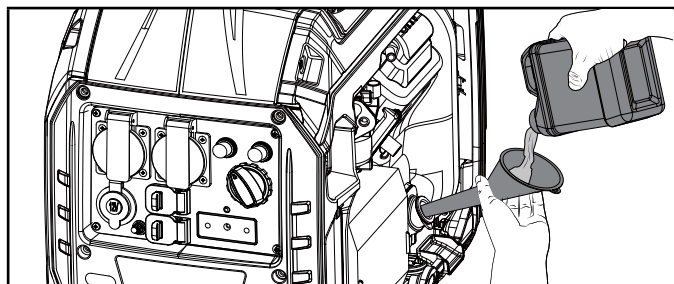


3. Ta bort oljepåfyllningslocket/oljestickan när olja ska fyllas på.
4. Använd en tratt och fyll på upp till 16.9 fl. oz. (500 ml) med olja och sätt tillbaka oljepåfyllningslocket/oljestickan och sätt fast underhållsskyddet. ÖVERFYLL INTE.

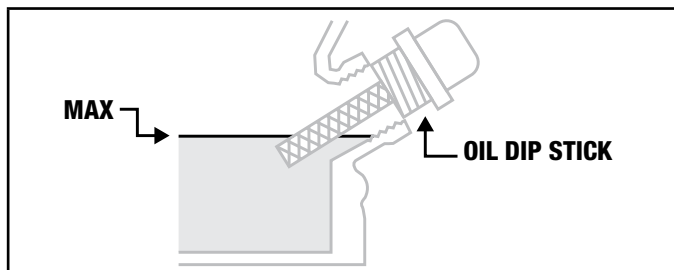
#### 🗨 OBSERVERA

Om du använder en oljesticka för att kontrollera oljenivån ska du INTE skruva in oljestickan när du gör kontrollen. Låt den vila mot toppen på porten.

Som en allmän regel gäller att oljan är full när den syns på de mellersta eller övre gängorna på stickan. Generatoren får inte vinklas eller lutas vid påfyllning av olja.



5. Kontrollera motoroljenivån före varje användning och tillsätt vid behov.



**OBSERVERA**

Om du använder en oljesticka för att kontrollera oljenivån ska du **INTE** skruva in oljestickan när du gör kontrollen. Låt den vila mot toppen på porten.

Som en allmän regel gäller att oljan är full när den syns på de mellersta eller övre gängorna på porten. Generatoren får inte vinklas eller lutas vid påfyllning av olja.

**OBSERVERA**

Kontrollera oljenivån ofta under inkörningsperioden. Se avsnittet Underhåll för rekommenderat underhållsintervall.

**FÖRSIKTIGHET**

Motorn är försedd med en lågnivåavstängning och kommer att stanna när oljenivån i växellådan kommer under gränsnivån.

**OBSERVERA**

De första 5 körtimmarna är enhetens inkörningsperiod. Kör på eller under 50 % av den nominella effekten under inkörningsperioden och variera lasten då och då så att statorlindningen blir varm och svalnar. Genom att variera lasten alterneras motorvarvet aningen, vilket hjälper kolringarna att sätta sig. Byt olja efter de första 5 timmarnas inkörningsperiod.

**OBSERVERA**

Syntetisk olja får användas efter de första fem timmarnas inkörningsperiod. Användning av syntetisk olja minskar inte det rekommenderade intervallet för oljebyte. Helsyntetisk 5W-30-olja underlättar start i kalla miljöer < 5 °C (41 °F).

**Fyll på bränsle****FARA**

Bensinångor är mycket brandfarliga och extremt explosiva.

Att tända eller röka cigaretter är **INTE** tillåtet. Brand eller explosion kan orsaka allvarliga brännskador eller död.

Bränsle får endast fyllas på och tappas av utomhus på en väl ventilerad plats. Pumpa **INTE** bensin direkt i generatoren. Använd en godkänd behållare för att fylla på bränslet i generatoren.

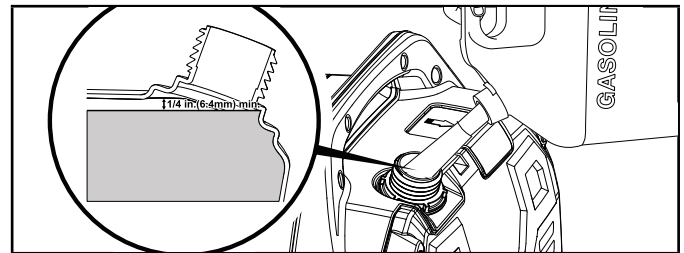
Använd aldrig en bensindunk, bensintank eller någon annan bränsleutrustning som är trasig, skuren, sprucken eller skadad.

ÖVERFYLL **INTE** bränsletanken. Se alltid till att hålla bränsle borta från gnistor, öppen eld, glöd, hetta eller andra antändningskällor.

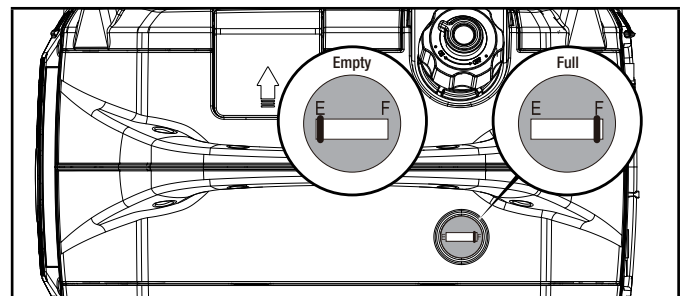
Använd ren, ny, blyfri bensin av standardtyp med ett lägsta oktantal på 85 och en etanolhalt på högst 10 volymprocent. **E5 E10**

Blanda **INTE** olja i bensinen.

1. Ta bort bensinlocket.
2. Fyll långsamt på bensin i tanken. ÖVERFYLL **INTE**. Bensin kan expandera efter påfyllning. Minst 6,4 mm (1/4 tum) fritt utrymme i tanken krävs för expansion, även om 6,4 mm. (1/4 tum) rekommenderas. Bensin kan strömma ut ur tanken till följd av expansion om tanken överfylls, vilket kan påverka generatorens driftstabilitet.



3. Ungefärlig bränslenivå visas på bränslemätaren ovanpå bränsletanken.



4. Skruva på bränslelocket och torka bort eventuellt spillt bränsle.

**FÖRSIKTIGHET**

Använd vanlig blyfri bensin med ett lägsta oktantal på 85 och en etanolhalt på högst 10 volymprocent.

Tänd **INTE** cigaretter och rök inte när du fyller tanken.

Blanda **INTE** olja och bensin; detta är en fyrtaktsmotor där olja och bensin är åtskilda.

Överfyll **INTE** tanken. Fyll upp tanken till ca 6,4 mm (1/4 tum) från tankens överdel så att bränslet kan expandera.

Pumpa **INTE** bensin direkt in i generatoren på bensinstationen. Använd en godkänd bränslebehållare för att fylla på bensin i generatoren.

Fyll **INTE** på bränsletanken inomhus, i garage, skjul eller andra byggnader.

Fyll **INTE** tanken när motorn är igång eller varm; låt alltid motorn svalna i minst 30 minuter för påfyllning.

**⚠ VARNING**

Att fylla på bensin för fort genom bränslesilen kan leda till att bensin sprutar ut på generatoren och användaren under påfyllningen.

**🗨 OBSERVERA**

Generatoren fungerar bra med 10 % eller mindre etanolblandad bensin. Vid användning av etanolbensinblandningar finns det några saker som är värda att notera:

- Etanol- och bensinblandningar kan absorbera mer vatten än endast bensin.
- Dessa etanolblandningar kan efter ett tag separeras och lämna vatten eller en vattnig gegga i tanken, bränsleventilen och förgasaren. Den förorenade bensinen kan sugas in i förgasaren och orsaka skada på motorn och/eller orsaka potentiell fara.
- Om en bränslestabilisator används måste den vara gjord för att fungera med etanolbensinblandningar.
- Tillverkarens garanti täcker inte skador eller faror som uppkommit genom användning av etanolblandad bensin med högre än 10 volymprocent, felaktigt förvarad bensin och/eller olämpligt sammansatta stabilisatorer.

Efter varje användning bör bensintillförseln alltid stängas av och motorn köras tills bensinen är slut. Se Förvaringsinstruktioner vid längre period utan användning.

**Jordning**

Din generator måste vara korrekt ansluten till lämplig jordning för att förhindra elektriska stötar.

**⚠ VARNING**

Om generatoren inte jordas ordentligt kan det leda till elstötar.

Det finns en jordanslutning som är ansluten till generators panel (se Reglage och funktioner för information om var anslutningen sitter). Vid fjärrjordning ska en kraftig koppartråd (minst 12 AWG) anslutas mellan generators jordanslutning och en kopparstång nerkörd i marken. Vi rekommenderar starkt att du anlitar en behörig elektriker för att säkerställa att lokala elektriska standarder följs.

**Neutral flytande krets\*(denna generator)**

- Den neutrala kretsen **ÄR INTE** elektriskt ansluten till generators ram/jord.
- Generatoren (statorlindningen) är isolerad från ramen och från växelströmsuttagets jordningsstift.
- Elektriska enheter som kräver en anslutning med jordningsstift kommer inte att fungera om jordningsstiftet inte fungerar.

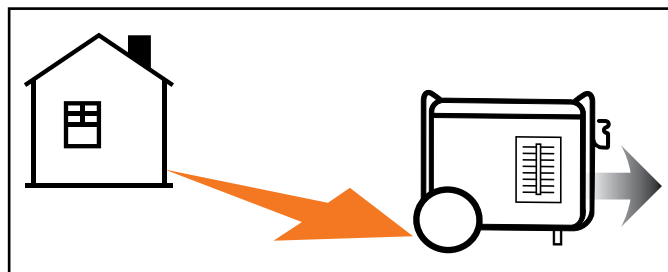
**Neutral kopplad till ramen\***

- Den neutrala kretsen **ÄR** elektriskt ansluten till generators ram/jord.
- Generators systemjord kopplas till det nedre tvärstaget under växelströmsgeneratoren. Systemjorden är ansluten till AC-neutralledaren.

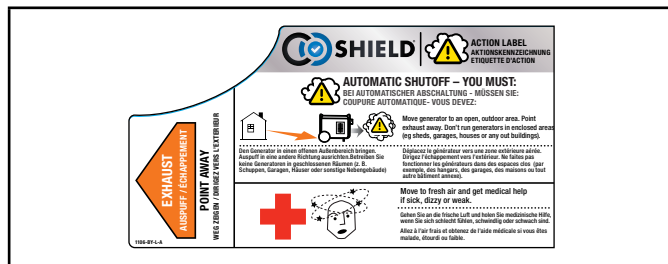
\*Se avsnittet för specifikationer avseende typ av jordning.

**DRIFT****CO Shield® – system för kolmonoxidupptäckt (CO) och automatisk avstängning**

CO Shield®-tekniken övervakar om det sker en ackumulering av giftig kolmonoxidgas från avgasröret när motorn är igång. Om CO Shield® upptäcker förhöjda nivåer av kolmonoxidgas stänger det automatiskt av motorn. Generatorer ska användas utomhus långt från bebodda byggnader, och avgasröret ska peka bort från människor och byggnader.



Vid felanvändning på en plats som leder till kolmonoxidackumulering inuti ett slutet eller delvis slutet utrymme, exempelvis ett hus, garage eller ett garage med dörren delvis öppen kommer CO Shield® att automatiskt stänga av generatoren och sedan tända en röd LED-lampa. Läs på åtgärdsetiketten om vilka steg du ska vidta. **CO Shield® är inte en ersättning för ett inomhuslarm för kolmonoxid.**



När du går fram till generatoren för att undersöka en avstängning, innebär en blinkande **röd** LED-lampa i CO Shield®-området att avstängningen av generatoren beror på en risk för kolmonoxidackumulering. Den röda LED-lampan blinkar i minst fem (5) minuter efter en avstängning.



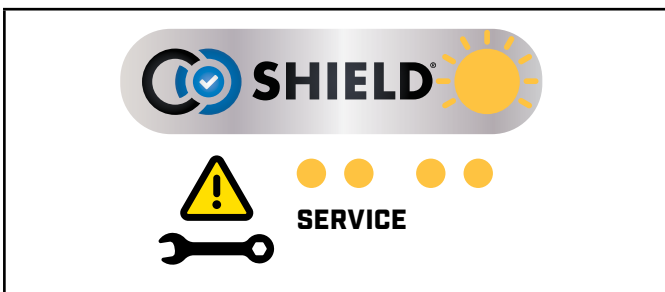
Flytta generatoren till en öppen yta utomhus och rikta avgasröret bort från människor och byggnader. När väl generatoren har flyttats till en säker plats kan den startas om och de korrekta elektriska anslutningarna göras. Vädra ut platsen där generatoravstängningen skedde.

Vid start blinkar den röda och gula LED-lamporna tio (10) gånger samtidigt för att visa att de fungerar.

### OBSERVERA

Blinkandet visar inte att CO Shield® fungerar, eftersom CO Shield alltid fungerar när utrustningen körs. LED-lampan blinkar inte heller tio (10) gånger om generatoren startades om inom en minut efter att den stängdes av manuellt. Detta sker inte vid en generatoravstängning beroende på för mycket kolmonoxid.

Om det är fel på CO Shield®-systemet och det inte längre ger något skydd stängs generatoren av automatiskt och den **gula** LED-lampan blinkar i minst fem (5) minuter för att visa att det finns ett fel.



Ring vårt tekniska supportteam på [service@bpeholdings.co.uk](mailto:service@bpeholdings.co.uk) för reparationer. Generatoren kan startas om, men avstängningarna kommer att fortsätta.

### OBSERVERA

CO Shield® upptäcker kolmonoxidackumulering från andra bränslekällor, som motordrivna verktyg eller propanvärmare som används där driften sker. Om en annan generator används och avgasröret pekar mot en generator med CO Shield® kan detta starta en avstängning på grund av ökande kolmonoxidnivåer. Det är inget fel. Farlig kolmonoxid har upptäckts. Du måste rikta om utrustningen så att kolmonoxiden skingras och inte når människor och byggnader på samma sätt.

### FARA

Att mixtra med CO Shield®-systemet kan leda till ett farligt tillstånd och göra garantin ogiltig.

Om CO Shield-modulen avlägsnas kan inte generatoren startas.

## Placering av generatoren

### VARNING

Använd ALDRIG generatoren inomhus. Detta innefattar alla byggnader, garage, källare, kryputrymmen, förråd, inhägnader eller båsar, inklusive generatorutrymmen i husbilar eller husvagnar.

Generatoren får ALDRIG startas eller användas baktill på en SUV, husbil, släpvagn, lastbilsflak (vanligt, platt eller på annat sätt), under trappor, i trapphus, bredvid väggar eller byggnader eller på någon annan plats som inte möjliggör tillräcklig kylning av generatoren och/eller att avgaser från ljuddämparen har fritt utlopp.

Generatoren får INTE användas eller förvaras under våta väderförhållanden som regn eller snö. Om en generator används i våta förhållanden kan det leda till allvarlig skada eller döden på grund av dödlig elstöt.

I en del länder måste generatoren registreras hos det lokala energibolaget om den används på byggarbetsplatser och den kan behöva uppfylla fler regler och förordningar. Hör därför med de kommunala myndigheterna om vad som gäller där du bor.

Generatorer ska alltid stå på en plan och jämn yta (även om de inte är i drift).

Generatorer måste ha minst 1,5 m (5 fot) fritt avstånd från allt brännbart material.

Generatorer måste även ha minst 91,4 cm (3 fot) fritt luftflöde på alla sidor för att tillräcklig kylning, underhåll och service ska kunna ske/ges.

Ställ alltid generatoren på en välventilerad plats. Placera ALDRIG generatoren nära ventiler eller insug där avgaser kan sugas in i bebodda eller slutna utrymmen.

Ta alltid hänsyn till vind- och luftströmmar när du placerar generatoren.

Låt alltid generatorer svalna ordentligt före transport eller förvaring.

Om inte säkerhetsåtgärderna följs ordentligt kan det leda till personskador, skador på generatoren och göra tillverkarens garanti ogiltig.



**⚠ VARNING**

Under användning kommer ljuddämparen och avgaserna att bli varma. Om avkylningen och luftutrymmet inte är tillräckligt eller om generatoren är blockerad eller instängd kan temperaturerna bli extremt höga och orsaka eldsvåda.

**⚠ VARNING**

Modifiera eller installera inte några förlängningar eller utsug till avgasröret/ljuddämparen. Om så sker blir garantin ogiltig.

**Varning för våta förhållanden:** Får inte utsättas för regn eller användas i fuktiga platser förutom enligt följande:

Om du måste använda generatoren i regn eller på fuktiga platser får den INTE användas utan att de elektriska komponenterna har skyddats ordentligt.

Ett brandhärdigt regnskydd som ger ordentlig ventilation för motoravgaserna kan användas. Håll alltid alla föremål på ett minsta avstånd på 1,5 m (5 fot) från generatoren. Värme från ljuddämparen och avgaserna kan antända brännbara material.

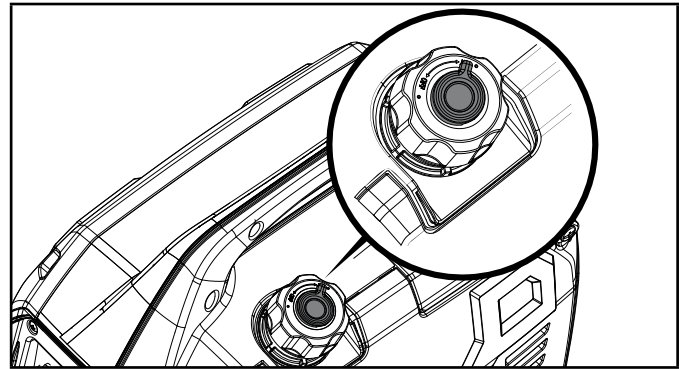
**Överspänningsskydd**

Elektroniska enheter, inklusive datorer och många programmerbara apparater, använder komponenter som är utformade för att fungera inom ett begränsat spänningsintervall, och de kan påverkas av tillfälliga variationer i spänningen. Trots att det inte finns något sätt att förhindra tillfälliga variationer i spänningen finns det sätt att skydda känslig utrustning.

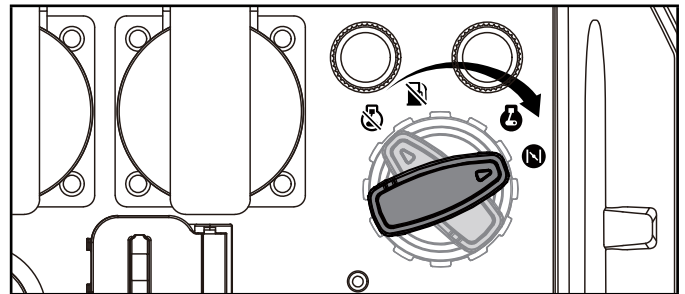
- Installera ett UL1449-godkänt (SS-EN 61643-11) överspänningsskydd på de uttag som matar ström till känslig utrustning. Överspänningsskydd finns som enkeluttag eller multiuttag. De är konstruerade för att skydda mot i princip alla kortvariga spänningsvariationer.

**Starta motorn**

1. Se till att generatoren står på ett plant och jämnt underlag.
2. Koppla ur alla elektrisk laster från generatoren. Starta eller stanna inte generatoren när elektrisk utrustning är ansluten och påslagen.
3. Vrid bränslelockets ventilationsspak till läge "ON".



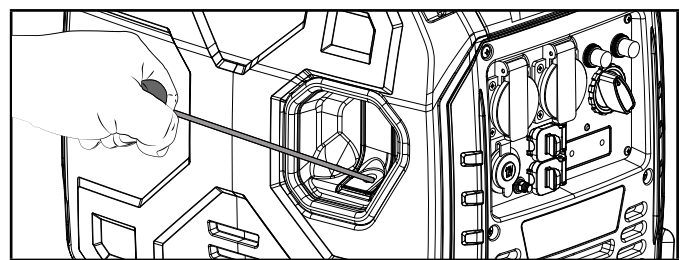
4. Vrid vredet EZ Start medurs till läget full CHOKE.



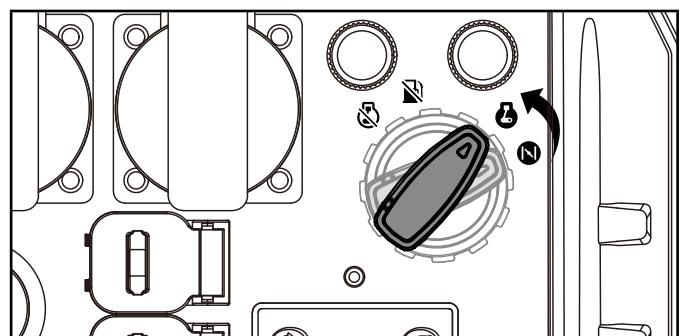
5. Starta motorn genom att dra långsamt i startsnöret tills du känner ett motstånd, släpp snöret och dra kraftigt och snabbt en gång för att starta. Då undviker du bakslag och skador på startsnörmontering. Om motorn inte startar upprepar du förfarandet.

**⚠ VARNING**

Att dra ihärdigt eller aggressivt i startsnöret skadar startsnöremontering och gör försäkringen ogiltig.



6. När motorn varmkörs ska vredet EZ Start vridas till läget RUN.



**OBSERVERA**

**Vid bensinstart med varm motor och(eller) i varm omgivningstemperatur som är högre än 30 °C (86 °F):** Vrid vredet EZ Start till CHOKE-läget för endast ett drag med dragsnöret. Om generatormotorn inte startar vid första försöket ska vredet vridas till läget RUN under de nästföljande tre startförsöken. För mycket choke leder till problem med tändstiftet och att motorn flödas för mycket. Det leder till att motorn inte startar.

**OBSERVERA**

**För bensinstart vid vanlig omgivningstemperatur som är högre än 15 °C (59 °F):** Håll vredet EZ Start i läget CHOKE för tre dragningar med startsnöret. Om generatormotorn inte startar efter tre försök ska vredet EZ Start vridas till läget RUN under de nästföljande tre försöken. För mycket choke leder till problem med tändstiftet och att motorn flödas för mycket. Det leder till att motorn inte startar.

**OBSERVERA**

**För bensinstart vid kall omgivningstemperatur som är lägre än 15 °C (59 °F):** Behåll vredet EZ Start i läget CHOKE tills motorn startar. Så snart motorn startat och körs smidigt ska vredet EZ Start vridas till läget RUN. Vid extremt låga temperaturer kan detta ta flera sekunder.

**OBSERVERA**

Om motorn startar men inte fortsätter att gå, ska du kontrollera att generatormotorn verkligen står på ett plant och jämnt underlag. Motorn är försedd med en sensor för låg oljenivå som förhindrar att motorn körs när oljenivån kommer under den kritiska nivån.

**Anslutning av elektriska laster**

Låt motorn stabiliseras och varmköras i några minuter efter start.

Koppla in och starta de önskade elektriska lasterna på 220 V AC, enkelfas, 50 Hz.

- Anslut INTE trefaslaster till generatormotorn.
- Överbelasta INTE generatormotorn.

**! VARNING**

Glöm inte att apparaterna ska kopplas direkt till generatormotorn och att generatormotorns elkabel aldrig får kopplas till ett eluttag eller anslutas till strömbrytarpanelen i ditt hem. Att ansluta en generator till ditt hems elbolags elledning eller till en annan kraftkälla, vilket kallas "bakmatning", är ett farligt tillvägagångssätt som är olagligt i många länder.

Om detta görs på felaktigt sätt kan det skada generatormotorn och apparaterna samt orsaka att du eller elbolagets arbetare får allvarliga skador eller dör när de försöker återställa strömmen under ett driftsavbrott i grannskapet och då oväntat kan stöta på högspänning i ledningen och få en dödlig elstöt.

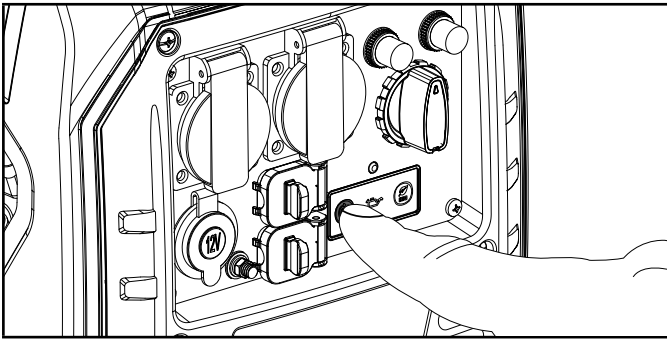
Oavsett om några skador uppstår eller inte kan du få böter och elbolaget kan stänga av elleveranserna till ditt hem om det visar sig att detta tillvägagångssätt eller annan felaktig installation har skett i ditt hem utan att gällande lagar och regler följts.

Om generatormotorn ansluts till en byggnads elsystem måste dessa anslutningar isolera generatormotorns el från elbolagets el. Du är ansvarig för att se till att din generators elektricitet inte bakmatas in i elbolagets elledning. Dessa anslutningar måste uppfylla alla gällande lagar och regler – rådgör med ditt elbolag eller en behörig elektriker om vad som gäller vid installation av denna anslutning.

**Överlasta inte generatormotorn****Kapacitet**

Följ dessa enkla steg för att räkna ut vilken mängd watt som krävs för drift och start av den utrustning du vill köra:

1. Välj de elektriska enheter som du tänker köra samtidigt.
2. Summera effektvärdena för dessa enheter. Detta är den effekt du behöver för att hålla dina enheter igång.
3. Fastställ den högsta starteffekten för alla enheter som identifierades under steg 1. Lägg till detta tal till summan du fick ihop i steg 2. Starteffekten är den extra effekt som behövs för att starta viss elektriskt driven utrustning. Följ stegen i stycket "Effekthantering" för att säkerställa att endast en enhet i taget startas.
4. Om generatormotorns uteffekt bryts på grund av en överlast som indiceras av att växelströmsöverbelastningen blinkar, ska du sänka lasten genom att koppla ur en eller flera enheter och sedan trycka på knappen för återställning av överlast innan du startar generatormotorn för fortsatt normal drift.



### Effekthantering

Använd följande formel för att omvandla spänning och strömstyrka till watt:

$$\text{Volt} \times \text{ampere} = \text{watt}$$

Följ dessa steg för att förlänga livslängden på din generator och på inkopplade enheter när du ökar på den elektriska lasten:

1. Starta generatoren utan någon elektrisk last inkopplad.
2. Låt motorn gå i några minuter för att bli varm.
3. Koppla in och starta den första enheten. Det är bäst att ansluta den enhet som ger störst last först.
4. Låt motorn stabilisera sig.
5. Koppla in och starta nästa enhet.
6. Låt motorn stabilisera sig.
7. Upprepa steg 5–6 för varje extra enhet.

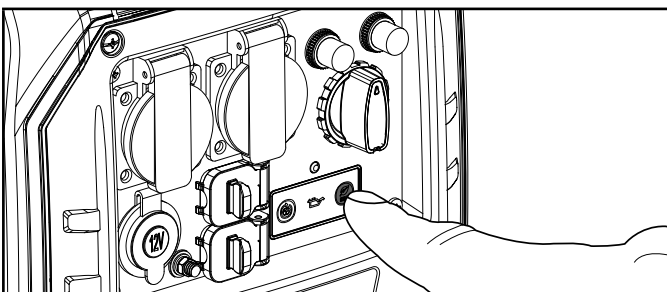
### OBSERVERA

Överskrid aldrig den angivna kapaciteten när du kopplar in laster till generatoren.

### Ekonomiläge (ECO)

Knappen för ekoläget kan aktiveras för att slå på ekonomikontrollen för att minimera bränsleförbrukning och buller när du använder enheten under perioder med minskad elektrisk uteffekt. Med ekoläget går motorn på tomgång under perioder då den inte används.

Motorvarvtalet återgår till normal nivå när en elektrisk last ansluts. När omkopplaren för ekoläge stängs av går motorn kontinuerligt med normalt varvtal.



### FÖRSIKTIGHET

Under perioder med hög elektrisk belastning eller tillfälliga strömvariationer ska ekoläget vara avstängt.

### Reglerat 12 V DC-uttag av biltyp

12 V DC-uttaget/uttagen kan användas med tillhandahållna tillbehör och andra 12 V DC-kontakter för bilar som finns i handeln. Kontrollera att enhetens inspänningsintervall är minst 12–24 V DC.

### VARNING

När en enhet laddas ska den inte placeras på generatorns avgassida. Extrem hetta som orsakas av avgaser kan skada enheten och utgöra en möjlig brandrisk. Långvarig exponering för motoravgaser kan orsaka allvarliga skador och död.

### Batteriladdning

1. Innan batteriladdningskabeln ansluts till ett batteri som är installerat i ett fordon ska fordonets batterijordkabel kopplas bort från den negativa (-) batteripolen.
2. Anslut batteriladdningskabeln till generatorns 12 V DC-uttag.
3. Anslut den röda (+) batteriladdningskabeln till den röda (+) batteripolen.
4. Anslut den svarta (-) batteriladdningskabeln till den svarta (-) batteripolen.
5. Starta generatoren.

**Viktigt:** 12 V DC-uttaget/uttagen får ENDAST användas med tillhandahållna tillbehör och andra 12 V DC-kontakter för bilar som finns i handeln. Se till att alla elektriska enheter inklusive ledningarna och kontaktanslutningarna är i gott skick innan de ansluts till generatoren.

### FÖRSIKTIGHET

Använd inte både 230 V AC och 12 V DC samtidigt eftersom det kan skada generatoren eller utrustningen och göra garantin ogiltig.

### VARNING

Starta inte fordonet medan batteriladdningskabeln är ansluten och generatoren är igång. Batteriet får inte ett effekttillskott. Fordonet eller generatoren kan skadas. Ladda endast ventilerade våta blysyrbatterier. Andra typer av batterier kan spricka och orsaka personskador eller materiella skador.

### OBSERVERA

Se till att alla elektriska enheter inklusive ledningarna och kontaktanslutningarna är i gott skick innan de ansluts till generatoren.

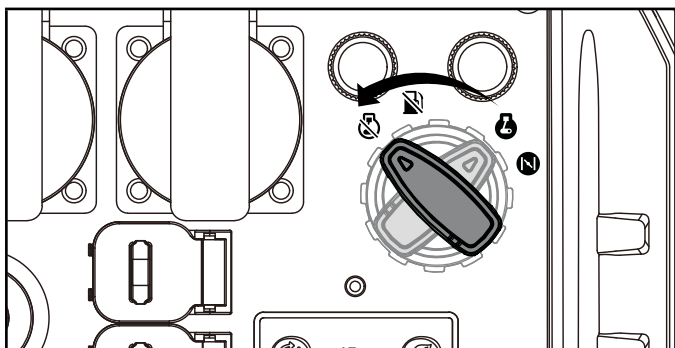
## Parallell användning

Denna Champion-modell 93001i-EU är redo för parallell användning och kan användas parallellt med en annan Champion-enhet för att öka den sammanlagda tillgängliga effekten. Ett Champion-parallellpaket (valfri extrautrustning) krävs för parallell användning. Modell 500740-WL-EU är den modell som rekommenderas för denna enhet. Om du vill få en lista över kompatibla modeller eller beställa ett parallellpaket kan du ringa kundtjänst på +44(0)-1942-715-407 eller besöka [www.championpowerequipment.co.uk](http://www.championpowerequipment.co.uk)

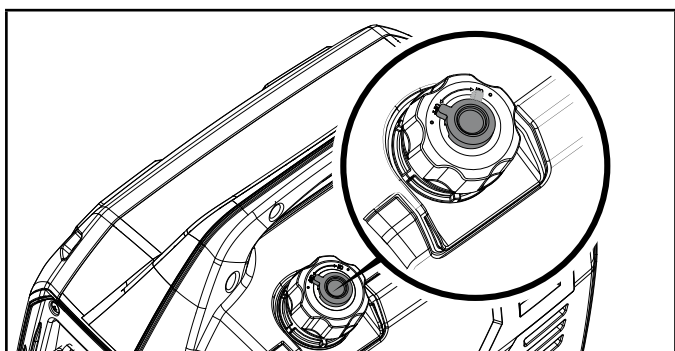
Detaljerade anvisningar för installation av parallellpaket och drift av de anslutna generatorerna finns i parallellpaketets bruksanvisning.

## Stänga av motorn

1. Stäng av och koppla ur alla elektriska laster. Starta eller stanna inte generatormotorn när elektrisk utrustning är ansluten och påslagen.
2. Låt generatormotorn köras utan last i några minuter för att stabilisera den interna temperaturen i motorn och generatormotorn.
3. Vrid vredet EZ Start moturs till läget STOP.



4. Vrid bränslelogets ventilationsspak till läget "OFF".



**Viktigt:** Se alltid till att vredet EZ Start och bränslespaksventilen är i läget STOP respektive OFF när generatormotorn inte används.

## OBSERVERA

Se avsnittet Förvaring för information om korrekt förvaring av motor och bränsle om motorn inte ska användas under period på två (2) veckor eller längre.

## Att flytta generatormotorn

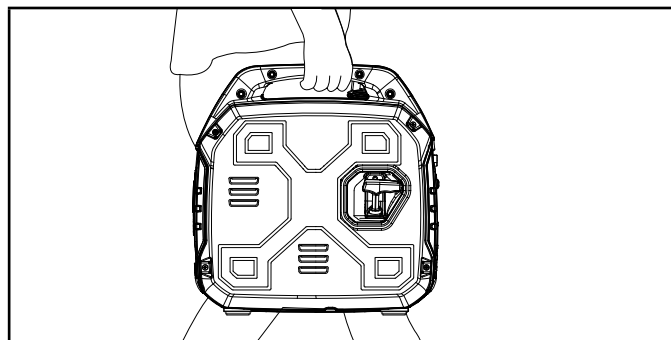
### FÖRSIKTIGHET

- Slå ALLTID av generatormotorn och se till att bränsleventilen är stängd.
- För att generatormotorn ska kunna hanteras säkert ska du ALLTID se till att motorn och ljuddämparen får svalna först (oftast 15–30 minuter).
- Se till att du inte tappar enheten eller slår till den. Den får inte heller placeras under tunga föremål.

### VARNING

Om inte dessa instruktioner följs kan det leda till personskada eller att generatormotorn skadas samt garantin göras ogiltig.

Lyft upp enheten i bärhandtaget och flytta den till önskad plats.



## Drift på hög höjd

Lufttätheten vid hög höjd är lägre än vid havsnivån. Motoreffekten minskar när luftmassan och luftbränsleförhållandet minskar. Motoreffekten och generatormotorns uteffekt minskar med cirka 3,5 % för varje höjddökning om 300 meter (1 000 fot) över havet. På höga höjder kan även avgasutsläppen öka på grund av det förändrade luft-bränsleförhållandet. Andra effekter av hög höjd kan vara svår start, ökad bränsleförbrukning och nedsmutsade tändstift.

För att mildra andra problem med hög höjd än den naturliga effektförlusten kan CPE tillhandahålla ett förgasarhuvudmunstycke för höga höjder. Du kan få de alternativa installationsinstruktionerna för huvudmunstycket genom att kontakta vår Technical Support Team. Installationsinstruktionerna finns också på CPE:s webbplats på hjälpsidorna (Technical Bulletin).

Artikelnummer och rekommenderad lägsta höjd för användningen av förgasarhuvudmunstycket för hög höjd listas i följande tabell.

För att kunna välja rätt huvudmunstycke för höga höjder måste förgasarmodellen kunna identifieras. Därför finns en kod stämplad på förgasarens sida. Välj rätt artikelnummer för munstycke på hög nivå som motsvarar den förgasarkod som finns just på din förgasare.

Förgasar-kod	Hög höjd Munstyckets artikelnummer	Minimi- höjd
XXXXXXX	XXXXXXX	914 m (3 000 fot)
	XXXXXXX	1829 m (6000 fot)

### ⚠ VARNING

Att använda det alternativa huvudmunstycket vid höjder som är lägre än den rekommenderade minimihöjden kan skada motorn. För användning vid lägre höjder måste det levererade huvudmunstycket användas. Att använda motorn med fel motorkonfiguration på en given höjd kan öka dess utsläpp och minska bränsleeffektivitet och prestanda.

## UNDERHÅLL

Se till att generatoren hålls ren och att den förvaras på lämpligt sätt. Använd endast enheten på ett plant, jämnt underlag i en ren, torr användningsmiljö. Utsätt INTE enheten för extrema förhållanden, onormalt mycket damm, smuts, fukt eller korrosiva ångor.

### ⚠ VARNING

Använd eller kör aldrig en skadad eller trasig generator.

### ⚠ VARNING

Generatoren behöver regelbunden service och underhåll. Om du brister i detta blir garantin ogiltig. Tydlig vägledning finns i detta avsnitt.

### 🗨 OBSERVERA

När det gäller utsläppskontrollenheter och -system ska du läsa och förstå ditt ansvar för service enligt med vad som anges i garantivillkoren för utsläppskontroll i denna bruksanvisning.

Ägaren/användaren är ansvarig för allt periodiskt underhåll och service.

Genomför allt underhåll på utsatt tid.

Åtgärda alla problem innan generatoren används.

För service av eller hjälp med delar kan du kontakta vår Technical Support Team på [service@bpeholdings.co.uk](mailto:service@bpeholdings.co.uk).

## Rengöring av generatoren

### ⚠ FÖRSIKTIGHET

Rengör ALDRIG generatoren genom att spreja eller spruta/spola vatten direkt på den.

Vatten kan komma in i generatoren via kylöppningarna och skada generators lindningar. Vatten kan även förorena bränslesystemet.

1. Använd en fuktig trasa för att rengöra utsidan av generatoren.
2. Använd en mjuk borste för att ta bort smuts och olja.
3. Använd en luftkompressor (25 PSI) för att ta bort smuts och skräp från generatoren.
4. Inspektera alla luftventiler och kylöppningarna för att säkerställa att de är rena och inte är blockerade.

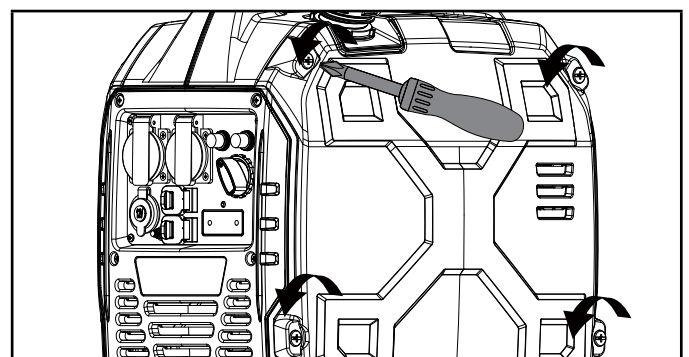
För att förebygga oavsiktlig start av motorn, ta bort och jorda sladden till tändstiftet innan underhåll genomförs.



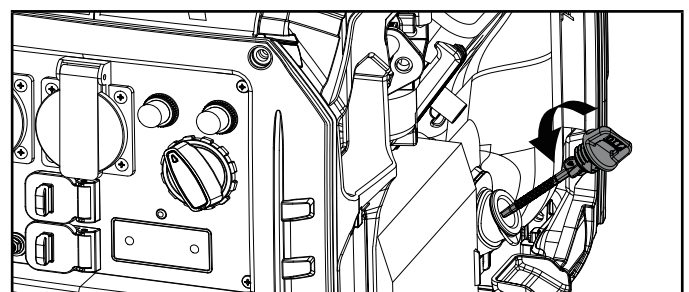
## Byte av motorolja

Oljebyte rekommenderas efter 100 timmar eller årligen när motorn är varm. Se oljespecifikationen för att välja rätt oljekvalitet för din användningsmiljö.

1. Ställ generatoren på en arbetsbänk eller ett bord.
2. Lossa på skyddets fyra skruvar och ta bort underhållsskyddet.

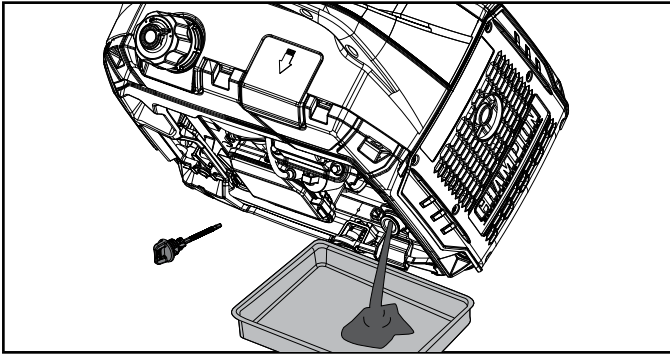


3. Ta bort oljelocket/oljesticken.





4. Luta generatorm åt ena sidan och låt all olja rinna ut.



5. Fyll på olja enligt *Fylla på motorolja* i avsnittet *Montering*. Rekommenderad 10W30 ÖVERFYLL INTE. Olja för rutinunderhåll ingår inte.
6. Sätt tillbaka oljelocket/oljestickan och underhållsskyddet.
7. Avfallshandtera använd olja vid en godkänd avfallshandteringsstation.

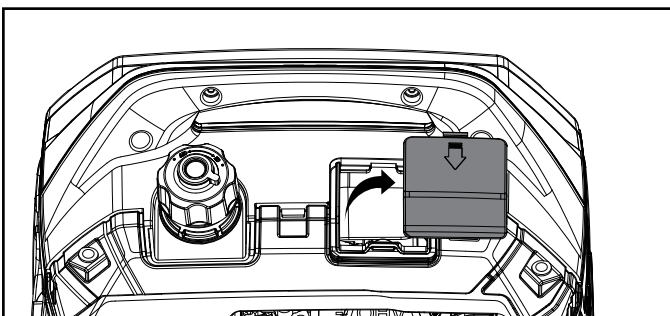
### **OBSERVERA**

När väl olja har fyllts på, på en jämn yta som generell regel, ska oljan synas en till två gånger från toppen på oljeporthålet. Om oljestickan används

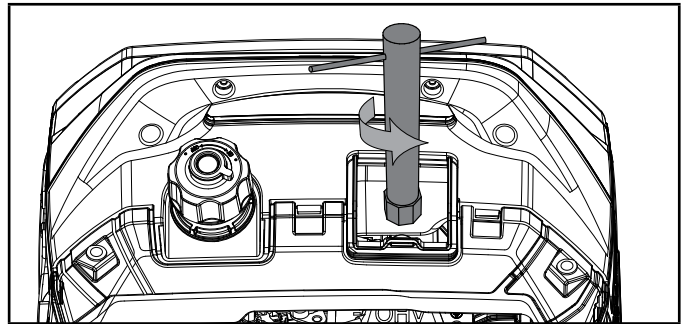
för att kontrollera oljenivån ska den INTE skruvas in vid kontrollen utan låt den vila mot den övre delen på porten och gör en avläsning.

## Rengöring och justering av tändstift

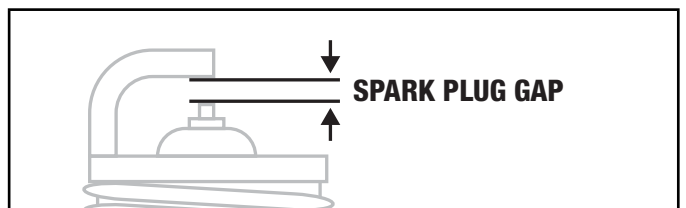
1. Ta bort tändstiftets åtkomstskydd



2. Ta bort tändstiftskabeln från tändstiftet.
3. Använd en tändstiftsnyckel eller en 13/16 in. (21 mm) nyckel för att ta bort tändstiftet.



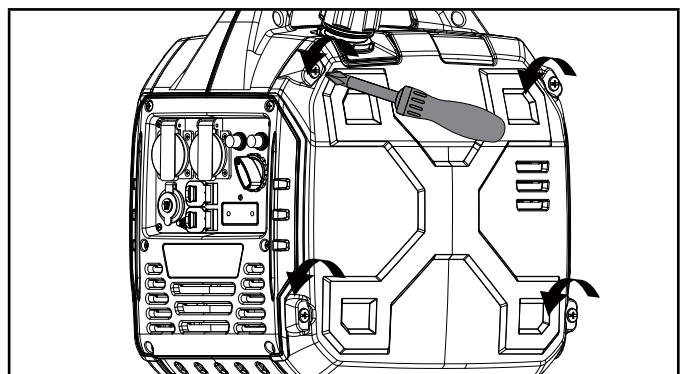
4. Kontrollera elektroden på tändstiftet. Den måste vara ren och får inte vara sliten för att kunna alstra den gnista som krävs för tändning.
5. Kontrollera att tändstiftsgapet är 0.024-0.031 in. (0.6-0.8 mm).



6. Se typer av tändstift i Specifikationer vid byte av tändstift.
7. Dra åt tändstiftet ordentligt igen.
8. Fäst tändstiftskabeln på tändstiftet.
9. Sätt tillbaka tändstiftets åtkomstskydd

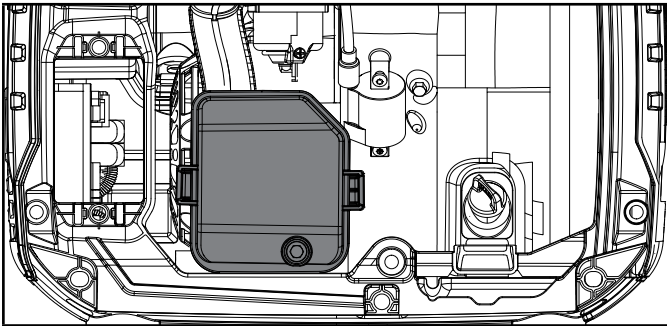
## Rengöring av luftfilter

1. Rekommenderas efter 50 timmars användning eller årligen. Ta bort underhållsskyddet.



2. Hitta luftfiltrets plastskydd och ta bort det genom att nypa samman klämmorna och dra av skyddet.

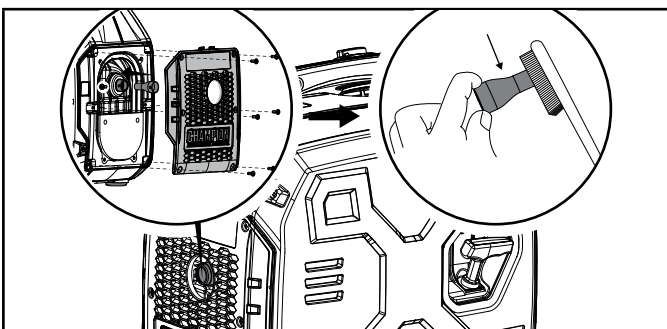




3. Ta bort skumelementet.
4. Tvätta i flytande rengöringsmedel och vatten. Vrid ur ordentligt i en torr trasa.
5. Dränk i ren motorolja.
6. Kläm ihop i en torr, sugande trasa för att ta bort all överflödig olja.
7. Sätt tillbaka filtret i komponenten.
8. Montera luftfilterlocket igen.
9. Sätt tillbaka underhållsskyddet och dra åt skyddets skruvar ordentligt.

## Rengöring av gnistskyddet

1. Rekommendera efter 100 timmars användning eller en månad. Låt motorn svalna helt innan underhåll görs på gnistskyddet.
2. Skruva ur de sex skruvar som håller locket på generatorns ljuddämparsida.
3. Skruva ur skruven som håller fast gnistskyddet vid ljuddämparen.
4. Ta bort gnistskyddet.
5. Ta försiktigt bort kolrester från gnistskyddet med en stålborste.



6. Ersätt gnistskyddet om det är skadat.
7. Sätt gnistskyddet på ljuddämparen och sätt fast dem genom att utföra ovanstående steg i omvänd ordning.

## ⚠ FÖRSIKTIGHET

Om gnistskyddet inte rengörs regelbundet leder det till försämrad motorprestanda och eventuellt skada på motorn, vilket gör garantin ogiltig.

## 🗨 OBSERVERA

Federala och lokala lagar och administrativa krav anger när och var gnistskydd ska användas. Om en order utfärdas om det så krävs gnistskydd om den här generatoren används i naturskyddsområden. I Kalifornien får denna generator inte användas på platser med skog, buskar eller gräs om inte motorn är utrustad med gnistskydd.

## Justering av regulatorn

### ⚠ VARNING

Om den fabriksinställda regulatorn manipuleras slutar garantin att gälla.

Luft-/bränsleblandningen är inte justerbar. Om regulatorn manipuleras kan det skada din generator och dina elektriska apparater och det gör garantin ogiltig. Kontakta vår Technical Support Team på [service@bpeholdings.co.uk](mailto:service@bpeholdings.co.uk) för alla övriga service- och/eller justeringsbehov.

## Underhållsschema

Följ de underhållsintervall som anges i följande underhållsschema. Genomför underhåll på din generator oftare om den används under ogynnsamma förhållanden.

Kontakta vår Technical Support Team på [service@bpeholdings.co.uk](mailto:service@bpeholdings.co.uk) för att få reda på vara närmaste CPE-certifierad servicesäljare finns för de underhållsbehov som din generator eller motor har.

### VAR ÅTTONDE TIMME ELLER FÖRE VARJE ANVÄNDNING

- ☐ Kontrollera oljenivån
- ☐ Rengör runt luftintaget och ljuddämparen

### FÖRSTA FEM TIMMARN (INKÖRNING)

- ☐ Byt olja

### VAR 50:E TIMME ELLER ÅRLIGEN

- ☐ Rengör luftfiltret
- ☐ Byt olja om generatoren används med kraftig last eller i varma miljöer

**VAR 100:E TIMME ELLER ÅRLIGEN**

- ☐ Byt olja
- ☐ Rengör/justera tändstiftet
- ☐ Rengör gnistskyddet
- ☐ Rengör bränsleventilens filter\*

**VAR 250:E TIMME**

- ☐ Rengör förbränningskammaren\*
- ☐ Kontrollera/justera ventilspelet\*

**VART TREDJE ÅR**

- ☐ Byt ut bränsleslangen\*

\*Ska utföras av kunniga, rutinerade ägare eller av CPE-certifierade serviceverkstäder.

**FÖRVARING****⚠ VARNING**

För att undvika oavsiktlig tändning av generatoren under förvaring ska följande försiktighetsåtgärder vidtas:

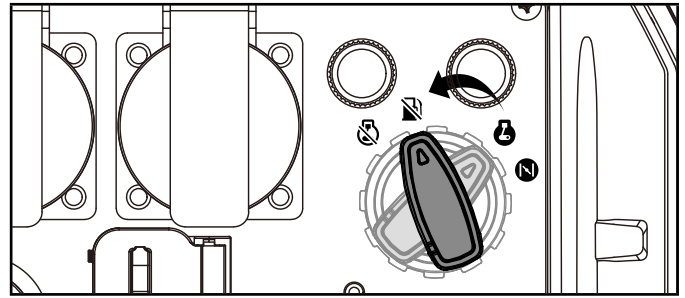
- När generatoren förvaras måste du se till att vredet EZ Start är i läget STOP.

**Kortvarig förvaring (upp till 30 dagar)**

Etanolblandad bensin i bensintanken har en maximal livslängd på ett år om man tillsätter lämpliga bränslestabilisatorer och vid förvaring på en sval och torr plats. Bensin i förgasaren kan emellertid stelna och sätta igen den om den inte används eller töms inom två till fyra veckor.

Om generatoren ska användas inom två veckor ska följande steg enligt avsnittet *Stänga av motorn* följas.

1. Om generatoren inte ska användas under två till fyra veckor ska du börja med att kontrollera att alla apparater är frånkopplade från generatoren.
2. Starta generatoren enligt instruktionerna i avsnittet *Starta motorn*.
3. Vrid vredet EZ Start till läget RUN OUT OF FUEL.

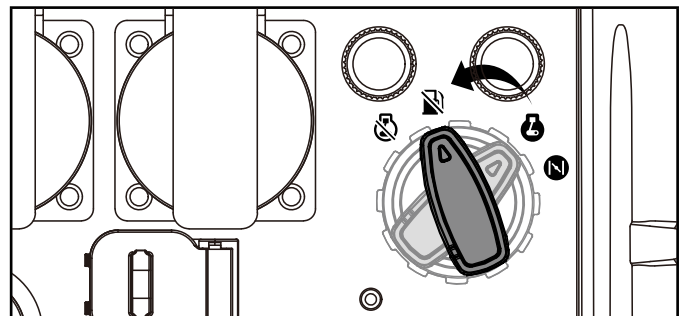


4. Låt motorn gå tills bristen på bränsle stoppar motorn.
5. Vrid vredet EZ Start till läget STOP.

**Medellång förvaring (30 dagar till ett år)**

Etanolblandad bensin i tanken har en maximal hållbarhet på ett år vid tillsättning av lämpliga bränslestabilisatorer och vid förvaring på en sval och torr plats.

1. Se till att alla apparater är frånkopplade från generatoren.
2. Fyll på en lämplig bränslestabilisator i bränsletanken.
3. Starta motorn enligt anvisningarna i avsnittet *Starta motorn*.
4. Kör generatoren i 10 minuter så att den behandlade bensinen cirkulerar i bränslesystemet och förgasaren.
5. Stoppa motorn genom att vrida vredet EZ Start till läget RUN OUT OF FUEL.

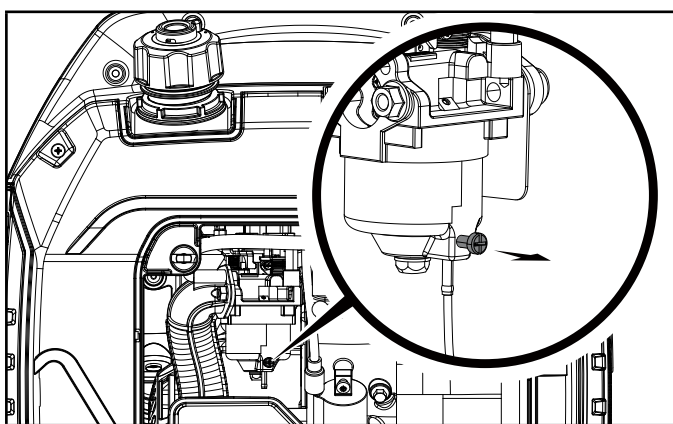


6. När bränslet har tagit slut och motorn har stannat ska den få svalna.
7. Vrid vredet EZ Start till läget STOP.
8. Ta bort underhållsskyddet.
9. Ta bort tändstiftet och håll i ca en matsked olja i cylindern.
10. Dra LÅNGSAMT i dragnöret för att motorn ska rotera och fördela smörjmedel och smörja cylindern.
11. Sätt tillbaka tändstiftet och tändstiftskabeln.
12. Sätt tillbaka underhållsskyddet.
13. Rengör generatoren enligt avsnittet *Rengöra generatoren*.
14. Förvara generatoren på en sval och torr plats där den inte utsätts för direkt solljus.

## Långvarig förvaring (mer än ett år)

Vid förvaring i mer än ett år ska bensintanken och förgasaren tömmas helt på bensen.

1. Se till att alla apparater är frånkopplade från generatoren.
2. Sätt växelriktaren på block så att en lämplig bensenbehållare eller ett tråg kan skjutas in under växelriktaren.
3. Ta bort underhållsskyddet.
4. Vrid vredet EZ Start till läget RUN.
5. Skruva avtappningsskruven moturs (3) hela varv med en stjärnskruvmejsel. Bensen rinner ut ur den genomskinliga slangen under växelriktaren. Se till att den uttrinnande bensen samlas upp i en lämplig behållare.



6. När bensen slutar att rinna ur den genomskinliga slangen ska avtappningsskruven vridas medurs tills den sitter tätt. Avtappad bensen ska avfallshanteras enligt lokala bestämmelser eller riktlinjer.
7. Vrid vredet EZ Start till läget STOP.
8. Följ steg 8–12 enligt Kortvarig lagring.

## Drifttagning efter förvaring

### OBSERVERA

Om generatoren har varit felaktigt förvarad under en tid längre än 30 dagar med etanolblandad bensen i bensintanken och/eller förgasaren måste allt bränsle tappas av och förgasaren rengöras noggrant från etanolavlagringar. Denna process innefattar tekniskt avancerade arbetsuppgifter. Om du behöver hjälp kan du ringa vår Technical Support Team på [service@bpeholdings.co.uk](mailto:service@bpeholdings.co.uk).

Om bensintanken och förgasaren har tömmts ordentligt på all etanolblandad bensen innan generatoren ställdes undan för förvaring ska nedanstående steg utföras när utrustningen ska börja användas igen.

1. Se till att vredet EZ Start är i läget STOP.

2. Fyll på bensen i generatoren enligt avsnittet *Fylla på bränsle. Bensen*.
3. Vrid vredet EZ Start till läget START.
4. Efter fem minuter ska området vid förgasaren och luftfiltret kontrolleras avseende bensenläckage. Om läckage konstateras ska förgasaren tas isär och rengöras eller bytas. Om inga bensenläckor konstateras ska vredet EZ Start vridas till läget STOP.
5. Kontrollera motoroljenivån och fyll på ren, ny olja vid behov. Se Oljespecifikationer för att se vilken typ av olja som behövs.
6. Kontrollera och rengör luftfiltret beträffande igensättning genom till exempel skalbaggar eller spindelnät. Vid behov ska luftfiltret rengöras enligt Rengöring av luftfiltret.

## FELSÖKNING

Problem	Orsak	Lösning
Motorn startar inte.	Inget bränsle.	Fyll på bränsle.
	Defekt tändstift.	Rengör och justera tändstiftet eller byt ut det.
	Låg oljenivå.	Fyll på vevhuset till lämplig nivå.
		Ställ generatoren på ett plant och jämnt underlag.
	Tändstiftskabeln sitter löst.	Fäst kabeln på tändstiftet.
	Bränsleventilen är stängd.	Öppna bränsleventilen.
	Vredet EZ Start i OFF.	Vrid vredet EZ Start till ON.
	Gammalt bränsle eller vatten i bränslet.	Tappa av bränslet och byt ut till nytt bränsle.
	För mycket bränsle.	Låt enheten stå 10 minuter.
CO Shield®-modulen har avlägsnats eller mixtrats med.	Återinstallera modulen eller kontakta teknisk support.	
Motorn startar men går ojämnt.	Choken står i fel läge.	Vrid vredet EZ Start till läget RUN.
	Smutsigt luftfilter.	Rengör eller byt ut filtret.
	Smutsig bränsleventil.	Rengör bränsleventilen.
	Igensatt gnistskydd.	Rengör gnistskyddet.
Motorn stängs av under drift.	Slut på bränsle.	Fyll bränsletanken.
	Låg oljenivå.	Fyll på vevhuset till lämplig nivå. Ställ generatoren på ett plant och jämnt underlag.
	Om den är utrustad, när CO Shield®-avstängningar sker på grund av kolmonoxidackumulering (CO) och om de röda LED-lamporna blinkar på panelen.	Flytta generatoren till en öppen yta utomhus. Rikta avgasröret bort från människor och byggnader. Förflytta dig dit där det finns frisk luft och sök läkarvård om du känner dig sjuk, yr eller svag.
		Se till att det inte finns några hinder inom 1,5 meter från generatoren. Hinder i närheten av generatoren kan stänga in kolmonoxidutsläpp nära generatoren och göra att motorn stängs av.
	Om generatorns avgasrör är riktat mot vinden kan avgaserna blåsa tillbaka in i generatorns driftsområde, skapa en ackumulering av kolmonoxidutsläpp och utlösa en motoravstängning. För att undvika en motoravstängning ska generatoren vridas 45° i endera riktningen så att avgasutsläppen kan blåsa bort från generatoren. Om motoravstängningar ändå sker ska avgasröret åter justeras och linjeras med vindriktningen så att avgaserna blåser bort från generatoren.	
Om den är så utrustad, när CO Shield®-avstängningar sker på grund av systemfel och om de gula LED-lamporna blinkar på panelen.	Starta genom att bekräfta att gula LED-lampor blinkar när/om generatoren stängs av. Om CO Shield fortsätter att känna av felet och stänger av ska du kontakta teknisk support.	
Igensatt gnistskydd.	Rengör gnistskyddet.	

Problem	Orsak	Lösning
Motorn startar men stängs genast av.	Om den är utrustad, när CO Shield®-avstängningar sker på grund av kolmonoxidackumulering (CO) och om de röda LED-lamporna blinkar på panelen.	Flytta generatoren till en öppen yta utomhus. Rikta avgasröret bort från människor och byggnader. Förflytta dig dit där det finns frisk luft och sök läkarvård om du känner dig sjuk, yr eller svag.  Se till att det inte finns några hinder inom 1,5 meter från generatoren. Hinder i närheten av generatoren kan stänga in kolmonoxidutsläpp nära generatoren och göra att motorn stängs av.  Om generatorns avgasrör är riktat mot vinden kan avgaserna blåsa tillbaka in i generatorns driftsområde, skapa en ackumulering av kolmonoxidutsläpp och utlösa en motoravstängning. För att undvika en motoravstängning ska generatoren vridas 45° i endera riktningen så att avgasutsläppen kan blåsa bort från generatoren. Om motoravstängningar ändå sker ska avgasröret åter justeras och linjeras med vindriktningen så att avgaserna blåser bort från generatoren.
	Om den är så utrustad, när CO Shield®-avstängningar sker på grund av systemfel och om de gula LED-lamporna blinkar på panelen.	Starta genom att bekräfta att gula LED-lampor blinkar när/om generatoren stängs av. Om CO Shield® fortsätter att känna av felet och stänger av ska du kontakta teknisk support.
Ingen av de två CO Shield®-LED-lamporna blinkar tio gånger vid start.	Starta generatoren inom en minut efter att den stängts av manuellt, men inte vid en avstängning på grund av kolmonoxid.	Vänta en minut innan du gör ett nytt försök att starta om generatoren. Därefter ska LED-lamporna blinka tio (10) gånger.
Generatoren alstrar inte tillräckligt med ström eller överhettas.	Generatoren är överbelastad.	Kontrollera lasten och justera. Se "Anslutning av elektriska laster".
	Smutsigt luftfilter.	Rengör eller byt ut filtret.
	Choken står i fel läge.	Vrid vredet EZ Start till läget RUN.
Motorn går men ingen växelströmsutmatning.	Dålig kabelanslutning.	Kontrollera alla anslutningar.
	Kretsbrytaren är öppen.	Återställ kretsbrytaren. Kontrollera alla kretsbrytare.
	Felaktigt borstaggreat	Byt ut borstaggreatet (service center)
	Lösa kablar.	Kontrollera och sätt fast kabelanslutningarna.
	Överlast växelström: Knappen lyser röd	Minska växelströmslasten och tryck på återställningsknappen för överlast tills den lyser grön.
	Övrigt.	Kontakta hjälplinjen.
Motorn svänger och hackar.	Motorregulatorn är defekt.	Kontakta hjälplinjen.
	Smutsig bränsleventil.	Rengör bränsleventilen.
	Förgasaren är smutsig och bränsleblandningen till motorn är mager.	Kontakta hjälplinjen.
	Choken står i fel läge.	Vrid vredet EZ Start till läget RUN.
Kretsbrytaren utlöses upprepade gånger.	Överlast.	Kontrollera lasten och justera. Se "Anslutning av elektriska laster".
	Defekta elkablar eller defekt enhet.	Kontrollera om det finns skadade, frilagda eller fransiga kablar. Byt ut den defekta enheten.
	Kretsbrytaren är fortfarande för varm.	Låt enheten stå i fem minuter.

För andra problem ska teknisk support kontaktas

SE

## SPECIFIKATIONER

### Specifikationer för generatorn

Generatormodell	93001i-EU
Starttyp	Manual
Watt (Max/drifteffekt)	3000/2800
AC volt	220
AC ampere	14.2
DC volt	12
DC ampere	8
Frekvens	50 Hz
Högsta höjdmeter	1500m
Ljudnivå	58dB(A)
Högsta höjdmeter	1500m
Uppmätt ljudtrycksnivå (7m)	58dB(A)
Uppmätt ljudtrycksnivå (4m)	72dB(A)
Osäkerhet om bullermätning	≤1.5 dB(A)
Garanterad ljudeffektnivå	93 dB(A)
Max omgivningstemperatur	40°C /104°F
Fas	Single
Jordningstyp	Flytande neutral
Bruttovikt	39 lb. (17.5 kg)
Längd	17.3 in. (44 cm)
Bredd	11.5 in. (29.2 cm)
Höjd	17.7 in. (45 cm)

### Motorspecifikationer

Modell	165F-B
Cylindervolym	149 cc
Typ	fyrtakts OHV

### Tändstiftsspecifikationer

OEM-typ	E6RTC
Replacement Type	NGK BPR5HS or equivalent
Gap	0.024-0.031 in. (0.6-0.8 mm)

### Ventilspecifikationer

Insugsspel	0.004-0.006 in. (0.10-0.15 mm)
Avgasspel	0.004-0.006 in. (0.10-0.15 mm)

#### OBSERVERA

En teknisk bulletin angående ventiljusteringsförfaranden finns på [www.championpowerequipment.com](http://www.championpowerequipment.com).

### Oljespecifikationer

ÖVERFYLL INTE.

Typ	*Se nedanstående tabell
Kapacitet	16.9 fl. oz. (500 ml)

Recommended Oil Type / Tipo de aceite recomendado / Type d'huile recommandé								
°F	-20	0	20	40	60	80	100	120
°C	-28.9	-17.8	-6.7	4.4	15.6	26.7	37.8	48.9
Ambient temperature / Temperatura ambiente / Température ambiante								

#### OBSERVERA

Vädret påverkar motoroljan och dess prestanda. Byt motoroljetyp efter väderleken för att passa motorns behov.

### Bränslespecifikationer

Använd vanlig blyfri bensin med ett lägsta oktantal på 85 och en etanolhalt på högst 10 % per volym. ANVÄND INTE E15 eller E85. ÖVERFYLL INTE.

Bensinkapacitet	1.2 gal. (4.5 L)
-----------------	------------------

### Temperaturspecifikationer

Starttemperaturintervall (°F/°C)	5 to 104/-15 to 40
----------------------------------	--------------------

#### OBSERVERA

**Viktig information om temperatur:** Din produkt är konstruerad och klassad för kontinuerlig drift vid omgivningstemperaturer upp till 40 °C (104 °F). Vid behov kan din enhet användas vid temperaturer från -15 °C (5 °F) till 50 °C (122 °F) under korta tidsperioder. Om den utsätts för temperaturer utanför detta intervall under förvaring ska den återföras till detta temperaturintervall före drift. Produkten ska alltid användas utomhus, på en välventilerad plats och på avstånd från dörrar, fönster och ventiler.



## GARANTI\*

CHAMPION POWER EQUIPMENT TREÅRIG  
BEGRÄNSAD GARANTI

### Garantikvalifikationer

För att registrera produkten för garanti och GRATIS teknisk support via ett call center under dess livstid kan du besöka:

<https://www.championpowerequipment.co.uk>

För att slutföra registreringen måste du bifoga en kopia av inköpskvittot som bevis på ursprungsköpet. För att få garantiservice krävs ett inköpsbevis. Registrera inom tio (10) dagar från inköpsdatumet.

### Reparations-/bytesgaranti

CPE garanterar den ursprungliga köparen att de mekaniska och elektriska komponenterna är fria från defekter i material och utförande under en period av tre (3) år för hemmabruk eller 1000 drifttimmar (beroende på vad som kommer först) och 1 år för kommersiellt och industriellt bruk eller 1000 drifttimmar (beroende på vad som kommer först). Transportkostnaderna för en produkt som lämnas in för reparation eller byte enligt denna garanti är köparens ansvar. Denna garanti gäller endast den ursprungliga köparen och kan inte överföras. Fullständiga villkor finns på [www.championpowerequipment.co.uk](http://www.championpowerequipment.co.uk).

### Returnera inte enheten till inköpsplatsen

Kontakta CPE:s tekniska service så kommer CPE att felsöka eventuella problem via telefon eller e-post. Om problemet inte kan åtgärdas på detta sätt kommer CPE själv avgöra om den defekta delen eller komponenten ska utvärderas, repareras eller bytas på ett CPE-servicecenter. CPE kommer att ge dig ett ärendenummer för garantiservice. Behåll detta för framtida referens. Reparationer eller byten som görs utan föregående godkännande eller hos en obehörig reparationsverkstad täcks inte av denna garanti.

### Garantiundantag

Denna garanti täcker inte följande reparationer och utrustning:

#### Normalt slitage

Produkter med mekaniska och elektriska komponenter behöver byte av delar och service regelbundet för att fungera väl. Denna garanti täcker inte reparationer när normal användning har förbrukat en dels eller hela utrustningens livstid.

#### Installation, användning och underhåll

Denna garanti täcker inte delar och/eller arbete om denna produkt anses vara felanvänd, försummad, inblandad i en olycka, missbrukat, lastad utöver produktens gränser, modifierad, felaktigt installerad eller felaktigt ansluten till en elektrisk komponent. Normalt underhåll täcks inte av denna garanti och behöver inte utföras på någon anläggning eller person som CPE har godkänt.

### Övriga undantag

Denna garanti täcker inte:

- Kosmetiska defekter som färg, dekaler, etc.
- Slitagedelar, exempelvis filterelement, o-ringar etc.
- Tillbehördelar som startbatterier, kolvringar och förvaringsöverdrag.
- Fel på grund av force majeure som är bortom tillverkarens kontroll.
- Problem orsakade av delar som inte är originaldelar från Champion Power Equipment.

Alla delar som anses vara skadade av användaren.

I förekommande fall gäller denna garanti inte för produkter som använts som primär strömkälla i stället för elnätet.

### Begränsningar av underförstådd garanti och följdskada

Champion Power Equipment fransäger sig all skyldighet att täcka förlust av tid, användning av denna produkt, frakt eller krav avseende en oavsiktlig skada eller en följdskada från någon som använder denna produkt. DENNA GARANTI OCH DEN BIFOGADE UK EPA och/eller CARB:S UTSLÄPPSKONTROLLSYSTEMSGARANTI (I TILLÄMPLIGA FALL) GÄLLER I STÄLLET FÖR ALLA ANDRA GARANTIER (UTTRYCKLIGA ELLER UNDERFÖRSTÅDDA), INKLUSIVE GARANTIER FÖR SÄLJBARHET ELLER LÄMPLIGHET FÖR ETT SÄRSKILT ÄNDAMÅL.

En enhet som tillhandahålls som byte omfattas av samma garanti som den ursprungliga enheten. Garantiperioden för den utbytta enheten kommer att beräknas från inköpsdatumet för den ursprungliga enheten.

Denna garanti ger dig vissa lagliga rättigheter som kan skifta från land till land. I ditt land kan det också finnas andra rättigheter som du kanske har rätt till och som inte nämns i denna garanti.

## JOHDANTO

Onnittelut Champion Power Equipment (CPE) -tuotteen ostosta. CPE suunnittelee, valmistaa ja tukee kaikkia tuotteitamme tiukkojen eritelmien ja ohjeiden mukaisesti. Asianmukaisella tuotetiedolla, turvallisella käytöllä ja säännöllisellä kunnossapidolla tämän tuotteen pitäisi palvella vuosien ajan.

Tämän oppaan tietojen paikkansapitävyyden ja täydellisyyden varmistamiseksi julkaisemishetkellä on pyritty tekemään kaikki mahdollinen. Pidätämme kuitenkin oikeuden muuttaa ja/tai parantaa tuotetta ja tätä asiakirjaa milloin tahansa ilman erillistä ilmoitusta.

CPE arvostaa sitä, kuinka tuotteemme suunnitellaan ja valmistetaan, kuinka niitä käytetään ja huolletaan samalla, kun varmistetaan käyttäjän ja muiden generaattorin ympärillä olevien turvallisuus. Siksi on TÄRKEÄÄ lukea tämä käyttöohje ja muut tuotemateriaalit perusteellisesti ja olla täysin tietoinen ja perehtynyt tuotteen kokoonpanoon, käyttöön, vaaroihin ja kunnossapitoon ennen käyttöä. Tutustu ohjeeseen ja varmista, että muutkin, jotka suunnittelevat tuotteen käyttöä, perehtyvät myös asianmukaisiin turvallisuus- ja käyttömenettelyihin ennen jokaista käyttökertaa. Käytähän aina tervettä järkeä ja varovaisuutta tuotetta käytettäessä, jotta ei aiheutuisi onnettomuuksia, omaisuusvahinkoja tai loukkaantumisia. Haluamme, että käytät ja olet tyytyväinen CPE-tuotteeseesi tulevinakin vuosina.

Kun otat yhteyttä CPE:hen osia ja/tai huoltoa tilataksesi, sinun on ilmoitettava tuotteen koko malli- ja sarjanumero. Kirjoita tuotteen tyyppikilven etiketissä olevat tiedot alla olevaan taulukkoon

<b>CPE TEKNINEN TUKITIIMI</b>
<b>MALLINUMERO</b>
<b>93001i-EU</b>
<b>SARJANUMERO</b>
<b>OSTOPÄIVÄ</b>
<b>OSTOPAIKKA</b>

## TURVALLISUUSMERKINNÄT

Turvasymbolien tarkoituksena on kiinnittää huomio mahdollisiin vaaroihin. Turvasymbolit ja niiden selitykset ansaitsevat täyden huomion, ja ne on ymmärrettävä täysin. Turvavaroitukset eivät sinänsä poista vaaraa. Niiden antamat ohjeet tai varoitukset eivät korvaa asianmukaisia onnettomuuksien ehkäisytoimenpiteitä.

### VAARA

VAARA tarkoittaa vaaratilannetta, joka johtaa kuolemaan tai vakavaan loukkaantumiseen, jos sitä ei vältetä.

### VAROITUS

VAROITUS tarkoittaa vaaratilannetta, joka voi johtaa kuolemaan tai vakavaan loukkaantumiseen.

### HUOMAUTUS

HUOMAUTUS tarkoittaa vaaratilannetta, joka voi johtaa lievään tai kohtalaiseen loukkaantumiseen.

### HUOMIO

HUOMIO antaa tärkeinä pidettyjä, mutta ei vaaroihin liittyviä tietoja (esim. omaisuusvahinkoihin liittyvät viestit).



**VAROITUS**

Johdosta irrotetusta sytytystulpasta tuleva kipinä voi aiheuttaa tulipalon tai sähköiskun.

**Generaattoria huollettaessa:**

Irrota sytytystulpan johto ja pistoke ja kaikki metalliset esineet.

ÄLÄ tarkista kipinää tulpan ollessa irrotettuna.

Käytä vain hyväksytyjä sytytystulppien testilaitteita.

**VAROITUS**

Käynnissä olevat moottorit tuottavat lämpöä. Kosketus voi aiheuttaa vakavia palovammoja. Palava materiaali voi syttyä kosketuksesta.

ÄLÄ kosketa kuumia pintoja.

Vältä kosketusta kuumien pakokaasujen kanssa.

Anna laitteen jäähtyä ennen sen koskettamista.

Jätä vähintään 3 jalan (noin 90 cm:n) etäisyys laitteen ympärille ilmankierron varmistamiseksi.

Jätä vähintään 5 jalan (1,5 metrin) etäisyys syttyviin materiaaleihin.

**VAROITUS**

Käynnistysnarun nopea vetäminen vetää käsiä ja käsivarsia moottoria kohti nopeammin kuin pystyt vapauttamaan narun. Tahaton käynnistys voi johtaa kiinni takertumiseen, raajojen irtoamiseen tai avohaavoihin. Seurauksena voi olla luunmurtumia, mustelmia tai nyrjähdyksiä.

Käynnistäessäsi moottoria vedä käynnistysnarusta hitaasti, kunnes tuntuu vastusta, ja vedä sitten narusta nopeasti välttääksesi takapotkun.

ÄLÄ käynnistä tai pysäytä moottoria, joka on kytkettynä sähkölaitteisiin ja päällä.

**HUOMAUTUS**

Kun käynnistät moottoria, vedä vetonarusta hitaasti, kunnes tunnet vastusta. Vapauta naru ja tee yksi voimakas, nopea veto käynnistääkseen. Tämä estää takapotkun tai vetokokoonpanon vaurioitumisen. Voimakas vetäminen johtaa rekylykokoonpanon vaurioitumiseen ja mitätöi takuun.

**HUOMAUTUS**

Generaattorin käyttökapasiteetin ylittäminen voi vaurioittaa generaattoria ja/tai siihen kytkettyjä sähkölaitteita.

ÄLÄ ylikuormita generaattoria.

ÄLÄ peukaloi säädelyä nopeutta.

ÄLÄ muuta generaattoria millään tavalla.

**HUOMAUTUS**

Käynnistä generaattori ja anna moottorin vakautua ennen sähkökuormien kytkemistä.

Kytke sähkölaitteet pois päältä ja kytke ne sitten takaisin päälle.

Sammuta sähkölaitteet ja kytke ne irti ennen generaattorin sammuttamista.

**HUOMAUTUS**

Virheellinen käsittely tai generaattorin käyttö voi vahingoittaa sitä, lyhentää sen käyttöikää ja mitätöidä takuun.

Käytä generaattoria vain sille osoitettuihin käyttötarkoituksiin.

Käytä vain tasaisilla pinnoilla.

ÄLÄ altista generaattoria liialliselle kosteudelle, pölylle tai lialle.

ÄLÄ anna minkään materiaalin tukkia jäähdytysaukkoja.

Jos kytketyt laitteet ylikuumentuvat, sammuta ne ja irrota ne generaattorista.

**ÄLÄ käytä generaattoria, jos:**

- Sähköä ei synny
- Laite kipinöi, savua tai liekehtii
- Laite tärisee voimakkaasti

**Polttoaineturvallisuus****VAARA****POLTTOAINE JA POLTTOAINEHÖYRYT OVAT HELPOSTI SYTTYVIÄ JA RÄJÄHTÄVIÄ.**

Tulipalo tai räjähdys voi aiheuttaa vakavia palovammoja tai kuoleman.

**Bensiini ja bensiinihöyryt:**

- Bensiini on erittäin syttyvää ja räjähdysherkkää.
- Bensiini voi aiheuttaa tulipaloon tai räjähdykseen syttyessään.

- Bensiini on nestemäinen polttoaine, mutta sen höyryt voivat syttyä.
- Bensiini on ihoa ärsyttävää, ja se on poistettava heti, jos sitä pääsee iholle tai vaatteisiin.
- Bensiinillä on selkeä hajunsa, mikä auttaa havaitsemaan mahdolliset vuodot nopeasti.
- Bensiini laajenee tai supistuu ympäristön lämpötilojen mukaan. Älä koskaan täytä bensiinisäiliötä aivan täyteen, koska bensiinillä on oltava tilaa laajentua lämpötilan noustessa.
- Missä tahansa bensiinikaasupalossa liekkiä ei tule sammuttaa ennen kuin polttoaineen syöttöventtiili on kiinni. Jos näin ei toimita ja kun tulipalo sammuu mutta polttoaineen syöttöä ei sammuteta, räjähdysvaara on suuri.

#### **Kun lisää tai poistat polttoainetta:**

ÄLÄ sytytä tai polta savukkeita.

Sammuta generaattori ja anna sen jäähtyä aina vähintään kaksi minuuttia ennen bensiinisäiliön korkin irrottamista. Tämän jälkeen avaa bensiinin korkkia paineen vähentämiseksi bensiinisäiliöstä.

Täytä tai tyhjennä bensiiniä vain ulkona hyvin tuulettuvassa tilassa.

ÄLÄ pumpppaa bensiiniä huoltoasemalla suoraan generaattoriin. Käytä aina hyväksyttyä polttoainesäiliötä polttoaineen siirtämiseksi generaattoriin.

ÄLÄ täytä polttoainesäiliötä liikaa.

Pidä bensiini aina suojassa kipinöiltä, avotulelta, merkkivaloilta, lämmöltä ja muista syttymislähteistä.

#### **Generaattoria käynnistettäessä:**

ÄLÄ yritä käynnistää vaurioitunutta generaattoria.

Varmista aina, että bensiinikorkki, ilmansuodatin, sytytystulppa, polttoaineletkut ja pakojärjestelmä ovat kiinnitettynä ja kunnolla paikoillaan.

Anna aina läikkyneen bensiinin haihtua kokonaan ennen moottorin käynnistämistä.

Varmista, että generaattori lepää tiukasti tasaisella pinnalla.

#### **Generaattoria käytettäessä:**

ÄLÄ siirrä tai kallista generaattoria käytön aikana.

ÄLÄ kallista generaattoria tai anna polttoaineen tai öljyn vuotaa ulos.

#### **Generaattoria kuljettaessa tai huollettaessa:**

Varmista, että polttoaineen sulkuventtiili on kiinni ja polttoainesäiliö on tyhjä.

Irrota sytytystulpan johto.

#### **Generaattoria varastoitaessa:**

Varastoi suojassa kipinöiltä, avotulelta, merkkivaloilta, lämmöltä ja muista syttymislähteistä.

Älä säilytä generaattoria tai bensiiniä uunien, boilerien tai muiden laitteiden lähellä, jotka tuottavat lämpöä tai joissa on automaattinen sytytys.

### **VAARA**

ÄLÄ KOSKAAN aseta bensiinikanisteria, polttoainesäiliötä, nestekaasusylinteriä tai palavaa materiaalia pakokaasuvirran reitille moottorin käytön aikana.

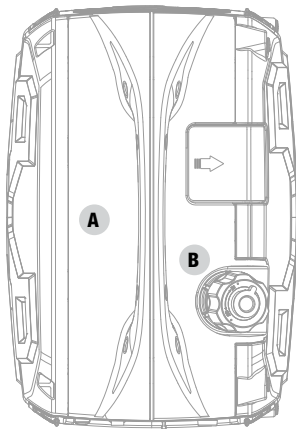
### **VAROITUS**

Älä koskaan käytä bensiinisäiliötä, bensiinisäiliötä tai muita rikkiäisiä, repeytyneitä tai muuten vaurioituneita varusteita.

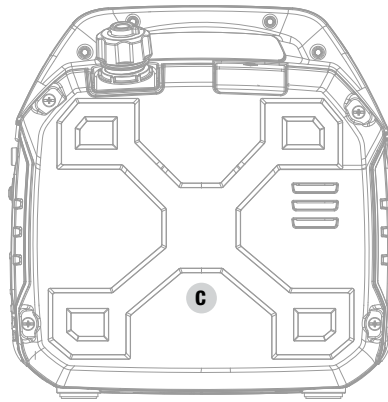
### Turva- ja tietokilpitarrat

Nämä merkinnät varoittavat mahdollisista vaaroista, jotka voivat aiheuttaa vakavia vammoja. Lue ne huolellisesti.

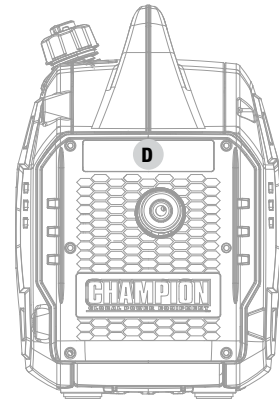
Jos etiketti irtoaa tai siitä tulee vaikea lukea, Technical Support Team vaihda se uuteen.



Yläpuoli



Sivu






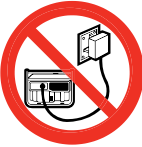





Äänenvaimennin

	MERKINTÄ	KUVAUS																																										
A	<p><b>CO SHIELD</b> ACTION LABEL Aktionsschild / ÉTIQUETTE D'ACTION</p> <p><b>AUTOMATIC SHUTOFF – YOU MUST:</b> BEI AUTOMATISCHER ABSCHALTUNG - MÜSSEN SIE: COUPURE AUTOMATIQUE- VOUS DEVEZ:</p> <p>Move generator to an open, outdoor area. Point exhaust away. Don't run generators in enclosed areas (eg sheds, garages, houses or any out buildings). Déplacez le générateur vers une zone extérieure aérée. Dirigez l'échappement vers l'extérieur. Ne faites pas fonctionner les générateurs dans des espaces clos (garage, hangar, maison ou autres habitations fermées). Move to fresh air and get medical help if sick, dizzy or weak. Gehen Sie an die frische Luft und holen Sie medizinische Hilfe, wenn Sie sich schwindel fühlen, schwindelig oder schwach sind. Allez à l'air frais et obtenez de l'aide médicale si vous êtes malade, étourdi ou faible.</p> <p><b>EXHAUST AVOIDANCE / ÉCHAPPEMENT À ÉVITER</b> WEG ZUHILFE / ÉLOIGNER DES VENTS EXTERIEUR</p> <p><b>DANGER / GEFAHR</b> Using a generator indoors <b>CAN KILL YOU IN MINUTES</b>. Generator exhaust contains carbon monoxide. This is a poison you cannot see or smell. <b>NEVER</b> use inside a home or garage or any out building, <b>EVEN IF</b> doors and windows are open. <b>ONLY</b> use <b>OUTSIDE</b> and far away from windows, doors, and vents.</p> <p>Die Verwendung eines Stromerzeugers in geschlossenen Räumen kann Sie innerhalb weniger Minuten töten. Die Stromerzeuger-Abgase enthalten Kohlenmonoxid. Dieses Gift kann nicht gesehen noch riechen. <b>NIEMALS</b> im Haus oder in der Garage verwenden - <b>AUCH NICHT</b> bei geöffneten Türen und Fenstern. <b>AUSSERWECHSELN</b> im gut belüfteten Zonen verwenden.</p> <p>Utiliser un générateur à l'intérieur <b>PEUT VOUS TIRER EN QUELQUES MINUTES</b>. L'échappement du générateur contient du monoxyde de carbone. Il s'agit d'un poison que vous ne pouvez ni voir ni sentir. <b>JAMAIS</b> dans la maison ou le garage <b>MÊME</b> si les portes et les fenêtres sont ouvertes. Utilisez le <b>SEULEMENT</b> A L'EXTÉRIEUR, loin des fenêtres, portes et trappes de ventilation.</p>	<p>Turvallisuussymbolit/ CO Vaara CO Shield® -toiminto – automaattinen sammutus *Katso kohta CO Shield®</p>																																										
B	<p><b>UNLEADED FUEL ONLY.</b> Minimum octane rating of 85. Maximum 10% ethanol. <b>NUR BLEIFREIES BENZIN.</b> Mindest-Oktananzahl 85. Maximal 10% Ethanol. <b>ESSENCE SANS PLOMB SEULEMENT.</b> Indice octane minimal de 85. Maximum 10 % 'éthanol.</p> <p>E45 E5 E85 E10 100-151P-L-C</p>	<p>Polttoaine</p>																																										
C	<p>CHAMPION POWER EQUIPMENT, INC. 12039 SMITH AVENUE SANTA FE SPRINGS, CA 90670 USA / E.-U. MADE IN CHINA</p> <p>Low Power Generating Set</p> <table border="1"> <tr> <td>MODEL</td> <td>93001i-EU</td> <td>FREQUENCY (Hz)</td> <td>50</td> <td>Net Weight</td> <td>XXXkg</td> </tr> <tr> <td>SERIAL NO.</td> <td>XXXXXXXXXXXX</td> <td>RPM</td> <td>4600</td> <td>Quality Class</td> <td>A</td> </tr> <tr> <td>Year of Manufacture</td> <td>xxxx</td> <td>PHASE</td> <td>1</td> <td>MAX AMBIENT TEMP</td> <td>104°F/40°C</td> </tr> <tr> <td>IP Grade</td> <td>IP23M</td> <td>POWER FACTOR</td> <td>1.0</td> <td>INSULATION CLASS</td> <td>F</td> </tr> <tr> <td></td> <td></td> <td>RATED VOLTAGE</td> <td>220V/50Hz</td> <td>Rated Output</td> <td>COP:2.8kW</td> </tr> <tr> <td></td> <td></td> <td>AC AMPS</td> <td>12.7A</td> <td>Max Power</td> <td>2.98kW @ 5min</td> </tr> <tr> <td></td> <td></td> <td>Performance Class</td> <td>G2</td> <td>PROPANE WATTS</td> <td></td> </tr> </table>	MODEL	93001i-EU	FREQUENCY (Hz)	50	Net Weight	XXXkg	SERIAL NO.	XXXXXXXXXXXX	RPM	4600	Quality Class	A	Year of Manufacture	xxxx	PHASE	1	MAX AMBIENT TEMP	104°F/40°C	IP Grade	IP23M	POWER FACTOR	1.0	INSULATION CLASS	F			RATED VOLTAGE	220V/50Hz	Rated Output	COP:2.8kW			AC AMPS	12.7A	Max Power	2.98kW @ 5min			Performance Class	G2	PROPANE WATTS		<p>Tietokilpi</p>
MODEL	93001i-EU	FREQUENCY (Hz)	50	Net Weight	XXXkg																																							
SERIAL NO.	XXXXXXXXXXXX	RPM	4600	Quality Class	A																																							
Year of Manufacture	xxxx	PHASE	1	MAX AMBIENT TEMP	104°F/40°C																																							
IP Grade	IP23M	POWER FACTOR	1.0	INSULATION CLASS	F																																							
		RATED VOLTAGE	220V/50Hz	Rated Output	COP:2.8kW																																							
		AC AMPS	12.7A	Max Power	2.98kW @ 5min																																							
		Performance Class	G2	PROPANE WATTS																																								
D	<p><b>WARNING</b> DO NOT TOUCH! Hot engine, muffler and engine compartment are extremely HOT and cause burns. Operation of this equipment may create sparks that can start fires in dry vegetation. A spark arrester may be required. This generator should conform local fire agencies for laws and regulations regarding fire prevention equipment. If installed, clean every 100 hours or every season.</p> <p><b>ADVERTENCIA</b> ¡NO TOQUE! Los partes del motor, el silenciador y los compartimentos del motor están extremadamente CALIENTES y pueden quemar. La operación de este equipo puede producir chispas que pueden provocar incendios alrededor de la vegetación seca. Un supresor de chispas puede ser necesario. El operador debe consultarse con los organismos locales de bomberos para las leyes y regulaciones relativas a los requisitos de prevención de incendios. Si está instalado, limpie cada 100 horas o cada temporada.</p>	<p>Kuuma pinta</p>																																										









## Turvallisuussymbolit



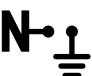



Joitakin seuraavista symboleista on voitu käyttää tässä tuotteessa. Tutustu niihin ja opettele niiden merkitys. Näiden symbolien oikea tulkinta mahdollistaa tuotteen käytön turvallisemmin.

SYMBOLI	MERKITYS
	<b>Huomautus.</b>
	<b>Lue käyttöopas ennen käyttöä.</b> Loukkaantumisen riskin vähentämiseksi käyttäjän on luettava ja ymmärrettävä käyttöohje ennen tämän tuotteen käyttöä.
	<b>Älä hävitä sekajätteen mukana.</b>
	Generaattoria ei saa kytkeä muihin virtalähteisiin, kuten sähköyhtiön verkkovirtaan.
	<b>Sähköinen vaara.</b> Käyttö muissa kuin kuivissa olosuhteissa ja turvaohjeiden laiminlyönti voi johtaa sähköiskuun. Virheelliset kytkennät ja liitännät voivat syöttää takaisin sähkölinjoihin aiheuttaen sähköiskuvaaran. Kytkemisessä rakennukseen on käytettävä siirtokytkintä.
	<b>Tulipalovaara.</b> Polttoaine ja polttoainehöyryt ovat helposti syttyviä ja räjähtäviä. Tulipalo tai räjähdys voi aiheuttaa vakavia palovammoja tai kuoleman. Pidä generaattori vähintään 1,5 metrin (5 jalan) päässä kaikista esineistä syttymisen estämiseksi.
	<b>Palovammavaara.</b> Vähennä loukkaantumisen- tai vammautumisen riskiä välttämällä koskemasta kuumiin pintoihin.
	<b>Hiilimonoksidin (CO) vaara.</b>
	<b>Märkien olosuhteiden vaara.</b> Älä altista sateelle tai käytä kosteissa tiloissa paitsi seuraavissa tapauksissa: Jos joudut työskentelemään sateessa tai kosteissa tiloissa, ÄLÄ käytä ilman sähkökomponenttien asianmukaista suojausta. Voidaan käyttää turvakattoa, joka on palosuojattu ja tarjoaa asianmukaisen ilmanvaihdon moottorin pakokaasuvirralle. Pidä kaikki esineet aina vähintään 1,5 metrin (5 jalan) päässä generaattorista. Äänenvaimentimen pinnasta ja pakokaasuvirrasta tuleva lämpö voi sytyttää palavat materiaalit.

## Käyttöä koskevat symbolit

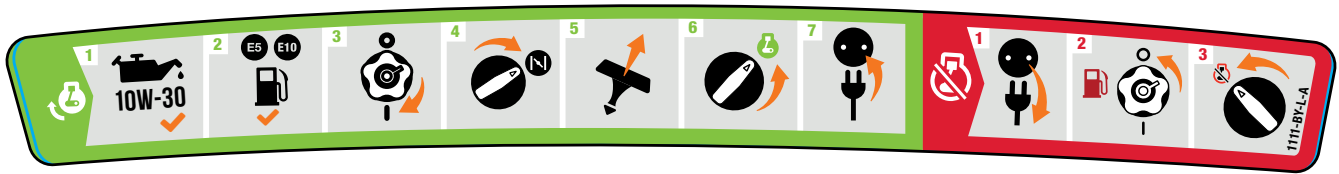
Joitakin seuraavista symboleista on voitu käyttää tässä tuotteessa. Tutustu niihin ja opettele niiden merkitys. Näiden symbolien oikea tulkinta mahdollistaa tuotteen käytön turvallisemmin.

SYMBOLI	MERKITYS
	Käynnistys
	Pysäytys
	Polttoaine pois päältä
	Rikastin
	12 V tasavirta
	Vikavirtasuojan nollaus: Paina

SYMBOLI	MERKITYS
	Rinnakkaisliitännät
	Maadoitusliitin
	Kelluva nolla. Nollapiiriä <b>EI OLE</b> kytketty sähköisesti generaattorin runkoon/maahan.
	Ylikuormituksen palautuspainike
	Öljy vähissä
	Säästötilan painike

## Pikäkäynnistystä koskevat symbolit

Joitakin seuraavista symboleista on voitu käyttää tässä tuotteessa. Tutustu niihin ja opettele niiden merkitys. Näiden symbolien oikea tulkinta mahdollistaa tuotteen käytön turvallisemmin.



### Moottorin käynnistäminen

#### VAARA

Siirrä generaattori ulos ja kauas ikkunoista, ovista ja imuilmanvaihtoista.

- Tarkista öljyn määrä.**  
Suosittelemme 10W-30-öljyä.
- Tarkista bensiinin määrä.**  
Kun lisäät bensiiniä, käytä vähintään oktaaniarvoa 85, jossa on etanolia enintään 10 tilavuusprosenttia. **E5 E10**
- Käännä **polttoainesäiliön korkin vipu** asentoon "ON".
- Käännä **EZ Start -valitsin** myötäpäivään "CHOKE"-asentoon.
- Vedä käynnistysnarusta.
- Käännä **EZ Start -valitsin** "RUN"-asentoon.
- Kytke haluamasi laite.

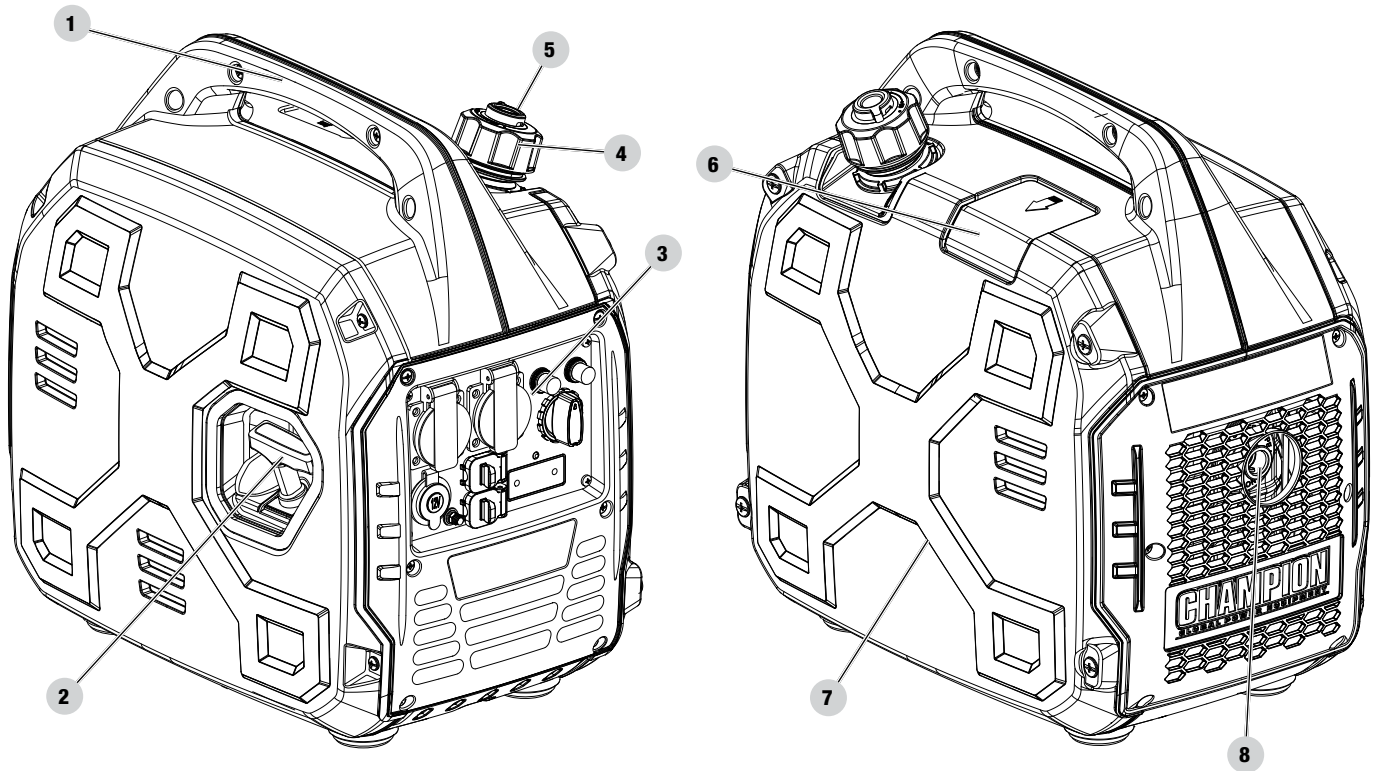
### Moottorin pysäyttäminen

- Sammuta ja irrota kaikki kytketyt sähkökuormat.
- Käännä **polttoainesäiliön korkin vipu** "OFF"-asentoon.
- Käännä **EZ Start -valitsin** "STOP"-asentoon.

## SÄÄTIMET JA OMINAISUUDET

Lue tämä opas huolellisesti ennen generaattorin käyttöä. Tutustu hallintalaitteiden ja ominaisuuksien sijaintiin ja toimintaan. Tallenna tämä käyttöohje tulevaa käyttöä varten.

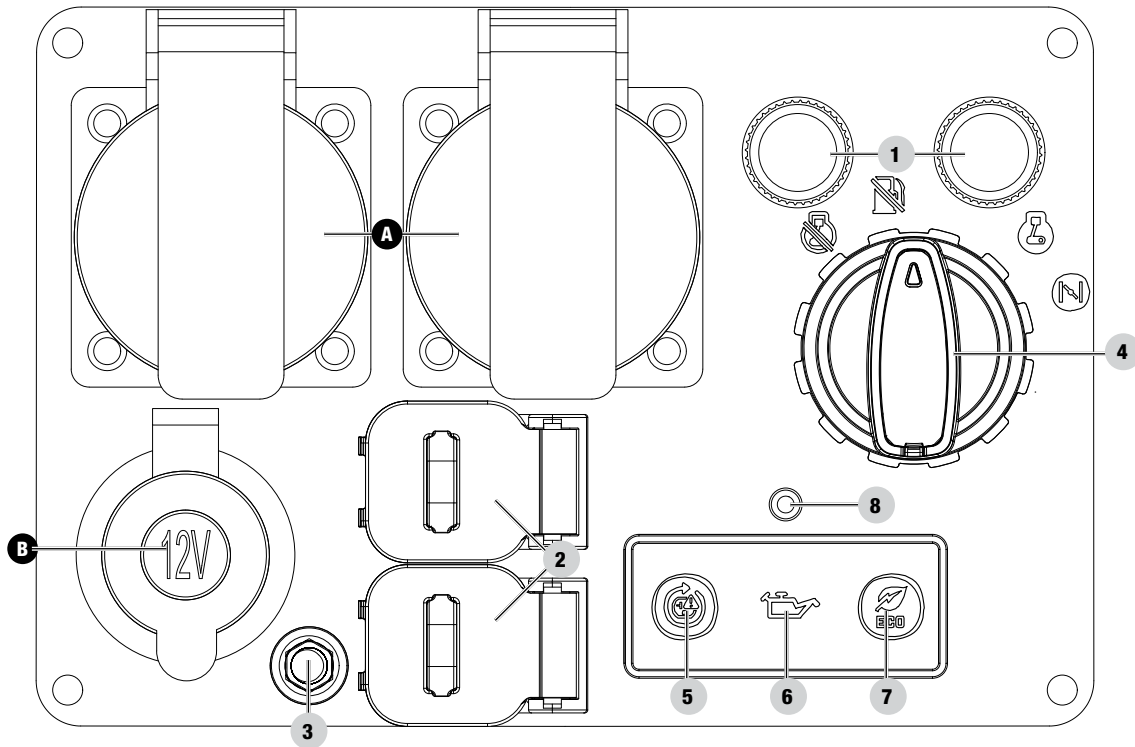
### Generaattori



1. **Kantokahva** – Käytetään laitteen nostamiseen tai kantamiseen.
2. **Vetonaru** – Käytetään moottorin manuaaliseen käynnistämiseen
3. **Ohjauspaneeli** - Katso kohta *Ohjauspaneeli*.
4. **Polttoainekorkki** – Irrotetaan lisättäessä polttoainetta.
5. **Polttoainesäiliön vipu** – Käännä tämä ”ON”-asentoon ilman päästämiseksi säiliöön.

6. **Sytytystulpan kansi**
7. **Huoltokansi**
8. **Äänenvaimennin**

## Ohjauspaneeli



- Katkaisijat (Nollaus painamalla)** – Suojaa generaattoria sähköisiltä ylikuormituksilta.
- Rinnakkaisliitännät** – Käytetään kahden rinnakkaisen taajuusmuuttajan kanssa lisäämään tehoa (rinnakkaissarja myydään erikseen).
- Maadoitusliitin** – Kysy sähköasentajalta paikallisista maadoitusmääräyksistä.
- EZ Start -valitsin** – Käytetään generaattorin käynnistämiseen ja pysäyttämiseen.
- AC Overload Reset -painike** – Käytetään pistorasioiden kytkemiseen uudelleen päälle ylikuormitusvian jälkeen.
- Öljyn varoitusvalo** – Kun PÄÄLLÄ, moottori sammuu eikä käy. Tarkista öljyn määrä.
- Säästötilan painike** – Ottaa käyttöön / poistaa käytöstä automaattisen joutokäynnin ohjauksen.
- CO Shield® -LED** – CO Shield® -tekniikka valvoo myrkyllisen hiilimonoksidikaasun (CO) kerääntymistä moottorin pakokaasuista generaattorin käydessä. CO Shield® havaitsee kohonneen hiilimonoksidipitoisuuden ja sammuttaa moottorin automaattisesti.

## PISTORASIA

A		<b>(2x) 220 V AC, 16 A</b> Voidaan käyttää sähkön syöttämiseen 220 V AC 16 A vaihtovirtaa varten yksivaiheisille 50 Hz kuormille.
B		<b>12 V DC, 8 A (säädetty automalli)</b> Voidaan käyttää sähkön syöttöön 12 V tasavirralla 8 A virtakuorman käyttämiseksi.

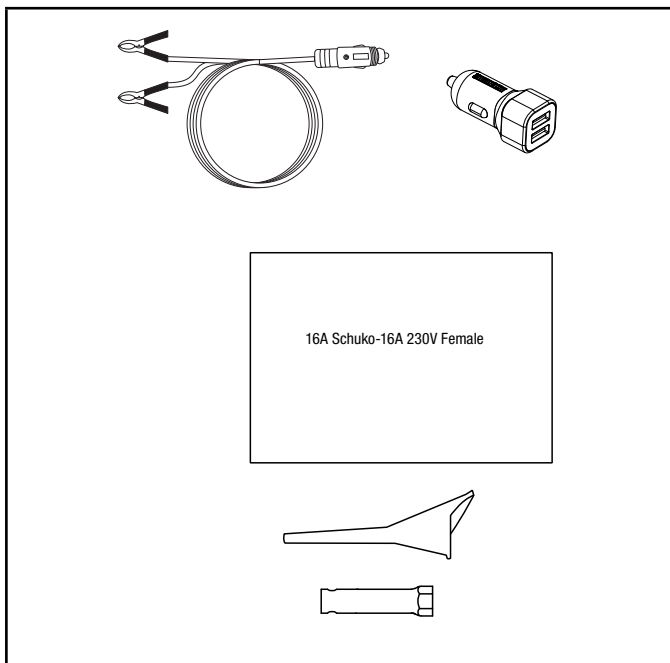
**VAROITUS**

Älä lataa laitetta generaattorin pakokaasupuolen lähellä. Pakokaasujen aiheuttama voimakas lämpö voi vahingoittaa laitetta ja aiheuttaa tulipalovaaran. Pitkäaikainen altistuminen moottorin pakokaasuille voi aiheuttaa vakavan vamman tai kuoleman.

## Mukana toimitettavat osat

### Varusteet

12 V DC akun latauskaapeli .....	1
12 V DC USB-sovitin .....	1
16 A suko-16 A 230 V naaras .....	1
Sytytystulpan kanta .....	1
Öljysuppilo .....	1





## KOKOONPANO

Generaattori vaatii jonkin verran kokoonpanoa. Tämä yksikkö toimitetaan tehtaalta ilman öljyä. Se on täytettävä asianmukaisesti polttoaineella ja öljyllä ennen käyttöä.

Jos sinulla on kysyttävää generaattorisi kokoonpanosta, ota yhteyttä: Technical Support Team. Pidä sarjanumero ja mallinumero käsillä.

### Pakkauksesta purkaminen

1. Aseta toimituspakkaus tukevalle, tasaiselle alustalle.
2. Poista pakkauksesta kaikki paitsi generaattori.
3. Poista generaattori varovasti laatikosta laitteen kantokahvoja käyttämällä. (Kahden ihmisen työpanos on suositeltavaa).

### Lisää moottoriöljyä



#### ⚠️ HUOMAUTUS

ÄLÄ yritä pyörittää tai käynnistää moottoria ennen kuin sen öljymäärä on täynnä ja oikeaa, suositeltua tyyppiä. Näiden ohjeiden laiminlyönnistä generaattorille aiheutuvat vauriot mitätöivät takuun.

#### 🗨️ HUOMIO

Generaattorin roottorissa on suljettu, esivoideltu kuulalaakeri, joka ei vaadi lisävoitelua koko laakerin eliniän aikana.

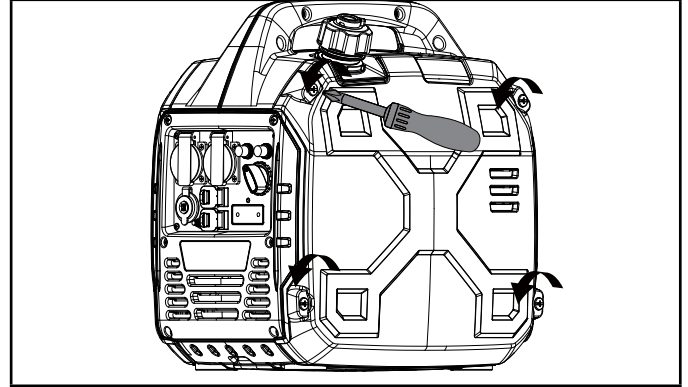
#### 🗨️ HUOMIO

Suosittelu öljytyyppi tyypilliseen käyttöön on **10W-30:n moottoriöljy**. Tästä huolimatta tyypillisessä käytössä, moottorin sisäänajojakson ensimmäiset 5 tuntia mukaan lukien, voidaan käyttää tavanomaisia öljyjä, jotka on esitetty ja lueteltu "Suositeltava moottoriöljytyyppi" -kaaviossa.

Jos generaattoria käytetään äärimmäisissä lämpötiloissa, katso ohjetta "Suositeltava moottoriöljytyyppi" kaaviosta.

Recommended Engine Oil Type	
	10W-30
	5W-30
	10W-40
	5W-30 Full Synthetic
°F	-20 0 20 40 60 80 100 120
°C	-28.9 -17.8 -6.7 4.4 15.6 26.7 37.8 48.9
Ambient temperature	

1. Sijoita generaattori tasaiselle, suorassa olevalle alustalle. Älä kallista tai kaada generaattoria, kun lisäät öljyä.
2. Avaa kannen neljä ruuvia, ja irrota huoltokansi.

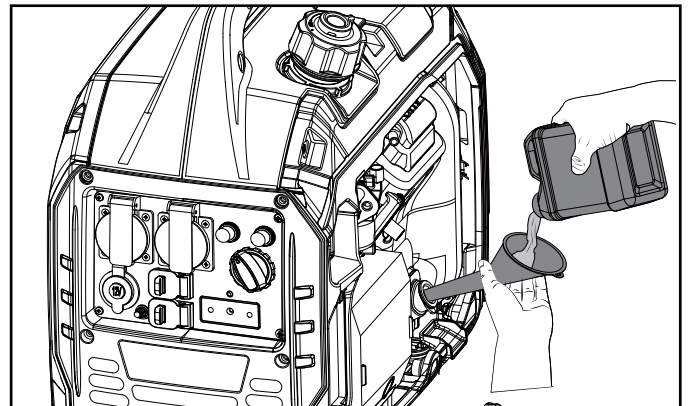


3. Irrota öljytäyttökorkki/mittatikku lisätäksesi öljyä.
4. Lisää suppilon avulla öljyä kohtaan 16.9 fl. oz. (500 ml), ja aseta öljytäyttökorkki/mittatikku takaisin paikoilleen sekä kiinnitä huoltokansi. ÄLÄ TÄYTÄ LIIKAA.

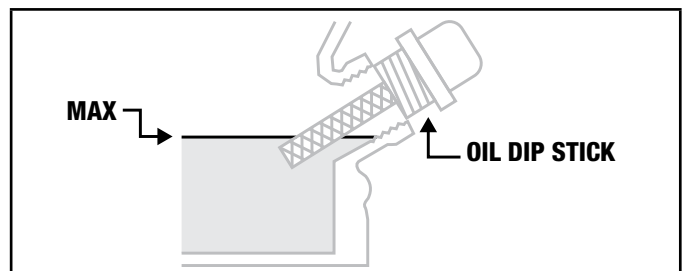
#### 🗨️ HUOMIO

Kun käytät mittatikkuja öljymäärän tarkistamiseen, ÄLÄ kierrä mittatikkuja takaisin tarkistuksen aikana, pidä sitä vain aukon yläreunaa vasten.

Yleissääntönä öljy on täytetty, kun se näkyy silmällä portin keskimmaisella-ylimmällä kierteellä. Älä kallista tai kaada generaattoria, kun lisäät öljyä.



5. Tarkista moottoriöljy ennen jokaista käyttökertaa, ja lisää öljyä tarvittaessa.



**HUOMIO**

Kun käytät mittatikkua öljymäärän tarkistamiseen, ÄLÄ kierrä mittatikkua takaisin tarkistuksen aikana, pidä sitä vain aukon yläreunaa vasten.

Yleissääntönä öljy on täytetty, kun se näkyy silmällä portin keskimmäisellä-ylimmällä kiertellä. Älä kallista tai kaada generaattoria, kun lisäät öljyä.

**HUOMIO**

Tarkista öljyt usein sisäänajon aikana. Katso huolto-osioista suositellut huoltovälit.

**HUOMAUTUS**

Tämä moottori sammuu öljyn määrän ollessa liian vähäinen, ja käynti pysähtyy, kun kampikammion öljymäärä laskee alle kynnyksarvon.

**HUOMIO**

Ensimmäiset 5 käyttötuntia ovat yksikön sisäänajojakso. Taukojakson aikana tulee käyttää 50 % tai vähemmän käyttötehosta. Vaihda kuormaa ajoittain, jotta staattorin käämit voivat kuumentua ja jäähtyä. Kuorman säätäminen muuttaa hieman myös moottorin nopeutta ja auttaa männänrenkaita asettumaan. Vaihda öljy 5 tunnin sisäänajojakson jälkeen.

**HUOMIO**

Viiden tunnin sisäänajojakson jälkeen voidaan käyttää synteettistä öljyä. Synteettisen öljyn käyttö ei pidennä suositeltua öljynvaihtoväliä. Täyssynteettinen 5W-30-öljy helpottaa käynnistystä kylmässä ympäristössä < 5 °C (41 °F).

**Polttoaineen lisääminen** **VAARA**


Polttoaine ja polttoainehöyryt ovat helposti syttyviä ja erittäin räjähtäviä.

ÄLÄ sytytä tai polta savukkeita. Tulipalo tai räjähdys voi aiheuttaa vakavia palovammoja tai kuoleman.

Täytä tai tyhjennä polttoainetta vain ulkona, hyvin tuuletetussa tilassa. ÄLÄ pumpppaa bensiiniä suoraan generaattoriin. Käytä hyväksyttyä säiliötä polttoaineen siirtämiseksi generaattoriin.

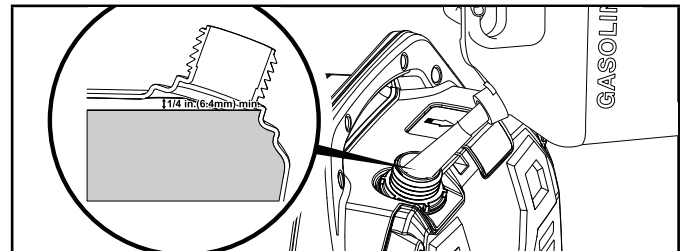
Älä koskaan käytä rikkoutunutta, leikattua, revittyä tai vaurioitunutta bensiiniastian, polttoainesäiliöt, tai mitä tahansa muuta polttoaineen käsittelyosaa.

ÄLÄ täytä polttoainesäiliötä liikaa. Pidä polttoaine aina suojassa kipinöiltä, avotulelta, merkkivaloilta, lämmöltä ja muista syttymislähteistä.

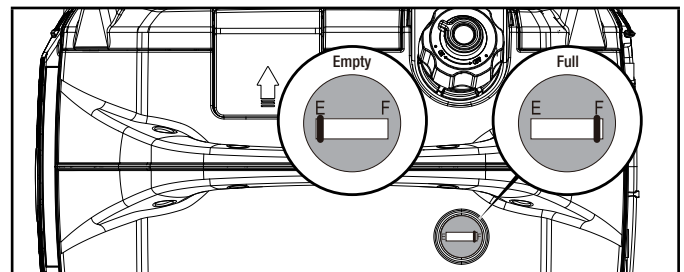
Käytä puhdasta, tuoretta, normaalia ja lyijytöntä polttoainetta, jonka oktaaniarvo on vähintään 85 ja etanolipitoisuus alle 10 tilavuusprosenttia. 

ÄLÄ sekoita öljyä polttoaineeseen.

1. Irrota bensakorkki.
2. Lisää bensiiniä hitaasti säiliöön. ÄLÄ TÄYTÄ LIIKAA. Polttoaine voi laajentua täyten jälkeen. Polttoainesäiliössä tarvitaan vähintään 6,4 mm (¼ tuumaa) tyhjää tilaa polttoaineen laajenemisen varalta. Suositus on yli 6,4 mm (¼ tuuma). Polttoaine voi tulla ulos säiliöstä laajenemisen seurauksena, jos se on liian täynnä, ja se voi vaikuttaa generaattorin käyttäytymiseen.



3. Arvioitu polttoainemäärä näkyy polttoainesäiliön päällä olevassa polttoainemittarissa.



4. Ruuvaa polttoainesäiliön korkki paikalleen ja pyyhi pois vuotanut polttoaine.

**HUOMAUTUS**

Käytä lyijytöntä polttoainetta, jonka oktaaniarvo on vähintään 85 ja etanolipitoisuus alle 10 tilavuusprosenttia.

ÄLÄ sytytä savukkeita tai tupakoi säiliötä täytettäessä.

ÄLÄ sekoita öljyä ja bensiiniä. Tämä on nelitahtimoottori, jossa öljy ja bensiini ovat erikseen.

ÄLÄ täytä säiliötä liikaa. Täytä säiliö noin 6,4 mm (¼ tuumaa) ylärajasta, jotta polttoaineelle jää tilaa laajentua.

ÄLÄ pumpppaa bensiiniä huoltoasemalla suoraan generaattoriin. Käytä hyväksyttyä polttoainesäiliötä bensiinin siirtämiseen generaattoriin.

ÄLÄ täytä polttoainesäiliötä sisätiloissa, autotalissa, vajassa tai muussa ulkorakennuksessa.

ÄLÄ täytä säiliötä, kun moottori on käynnissä tai kuuma, anna aina moottorin jäähtyä vähintään 30 minuuttia ennen tankkausta.

**VAROITUS**

Bensiinin kaataminen liian nopeasti polttoainesuodattimen läpi voi johtaa bensiinin roiskumiseen generaattorin ja käyttäjän päälle täytön aikana.

**HUOMIO**

Generaattorin moottori toimii hyvin etanoliseospolttoaineilla, joissa 10 % tai vähemmän etanolia. Etanoli-bensiiniseosta käytettäessä on huomioitava joitain asioita:

- Etanoli-bensiiniseokset voivat imeä enemmän vettä kuin pelkkä bensiini.
- Nämä seokset voivat lopulta erottua ja jättää vettä tai vetistä lietettä säiliöön, polttoaineventtiiliin ja kaasuttimeen. Pilaantunut bensiini voi imeytyä kaasuttimeen ja aiheuttaa vahinkoa moottorille ja/tai vaaratilanteita.
- Jos käytetään polttoaineen stabilointiainetta varmista, että sen koostumus soveltuu käyttöön etanoli-bensiiniseosten kanssa.
- Mahdolliset vahingot tai vaarat, jotka aiheutuvat yli 10 tilavuusprosentin etanolisekoitetun bensiinin käytöstä, väärin varastoidusta bensiinistä ja/tai koostumukseltaan väärästä stabilointiaineista, eivät kuulu valmistajan takuun piiriin.

On suositeltavaa sammuttaa bensiinin syöttö aina ja ajaa polttoaine loppuun jokaisen käytön jälkeen. Katso pidempiaikaisen varastoinnin erilliset ohjeet.

**Maadoitus**

Suosittelaa, että generaattorisi kytketään oikein asianmukaiseen maadoitukseen sähköiskun estämiseksi.

**VAROITUS**

Generaattorin maadoittamatta jättäminen voi johtaa sähköiskuun.

Maadoitusliitin, joka on kytketty generaattorin runkoon, on valmiiksi asennettuna (katso sijainti kohdasta Säätimet ja ominaisuudet). Etämaadoitusta varten tulee kytkeä vankka (vähintään 12 AWG) kuparijohdin generaattorin maadoitusliittimen ja maadoituksessa kulkevien kuparitankojen väliin. Suosittelemme, että otat yhteyttä valtuutettuun sähköasentajaan varmistaaksesi paikallisten sähkömääräysten noudattamisen.

**Kelluva nolla\*(tämä generaattori)**

- Nollapiiriä **EI OLE** kytketty sähköisesti generaattorin runkoon/maahan.

- Generaattori (staattorin käämi) on eristetty rungosta ja vaihtovirtapistokkeen maadoitustapista.
- Sähkölaitteet, jotka vaativat maadoitettua pistokeliitäntää, eivät toimi, jos pistorasian maadoitustappi ei ole toiminnassa.

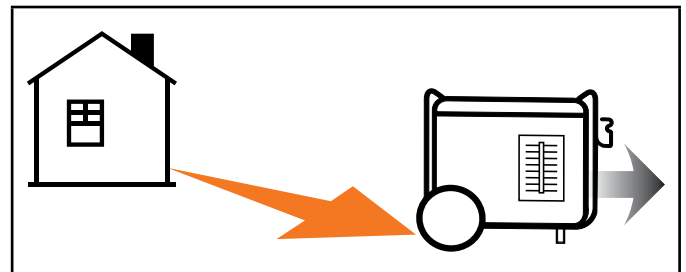
**Nolla kytketty runkoon\***

- Nollapiiri **ON** kytketty sähköisesti generaattorin runkoon/maahan.
- Generaattorijärjestelmän maa yhdistää alarungon poikkipalkin laturin alapuolelle. Järjestelmän maadoitus on kytketty AC-nollajohtimeen.

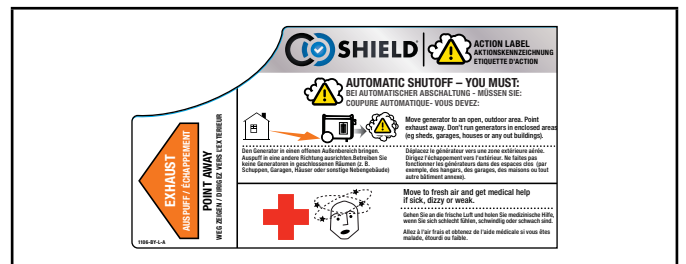
\*Katso määritetyt maadoitustyytit *Tekniset tiedot -osiosta*.

**KÄYTTÖ****CO Shield® – Hiilimonoksidin (CO) havaitsemisen ja automaattisen sammutuksen järjestelmä**

CO Shield® -tekniikka valvoo myrkyllisen CO-kaasun kerääntymistä moottorin pakokaasuista generaattorin käydessä. CO Shield havaitsee kohonneen hiilimonoksidipitoisuuden ja sammuttaa moottorin automaattisesti. Generaattorit on tarkoitettu käytettäväksi ulkona, kaukana asutuista rakennuksista ja pakoputki suunnattuna pois päin ihmisistä ja rakennuksista.

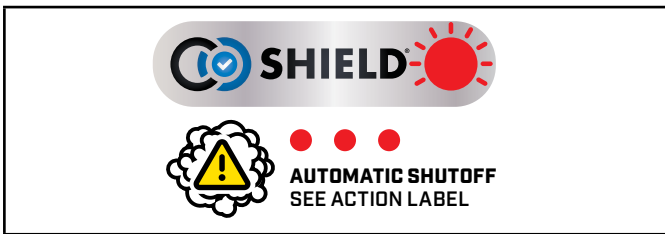


Jos sitä käytetään väärin ja sitä käytetään paikassa, joka johtaa CO:n kerääntymiseen suljettuun tai osittain suljettuun tilaan, esimerkiksi taloon, autotalliin tai autotalliin, jonka ovi on osittain auki, CO Shield® sammuttaa generaattorin automaattisesti ja syyttää sitten punaisen LED-valon. Lue toimintotarrasta, mitä toimenpiteitä sinun täytyy tehdä. **CO Shield® ei korvaa sisätiloissa käytettävää hiilimonoksidivaroitinta.**



Kun lähestyt generaattoria tutkiaksesi sen sammumista, vilkkuva **punainen LED-valo** CO Shield® -alueella ilmoittaa generaattorin

sammuneen kertyvän CO-vaaran takia. Punainen LED-valo vilkkuu vähintään viiden (5) minuutin ajan sammutuksen jälkeen.



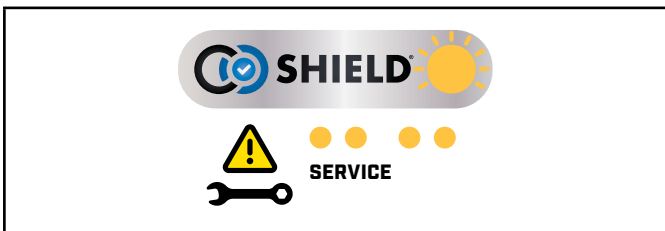
Siirrä generaattori avoimelle ulkoalueelle, ja suuntaa pakoputki pois päin ihmisistä ja rakennuksista. Kun generaattori on siirretty turvalliselle alueelle, se voidaan käynnistää uudelleen ja asianmukaiset sähkökytkennät voidaan tehdä. Ohjaa raitista ilmaa ja tuuleta paikka, jossa generaattori on sammunut.

Käynnistyksen aikana punainen ja keltainen LED vilkkuvat kymmenen (10) kertaa samanaikaisesti osoittaen, että LEDit toimivat.

### HUOMIO

Tämä vilkkuminen ei tarkoita, että CO Shield® on toiminnassa, koska CO Shield toimii koko ajan, kun generaattori on käynnissä. LED-valo ei myöskään vilku (10) kertaa, jos generaattori käynnistettiin uudelleen 1 minuutin kuluessa sen manuaalisesta sammuttamisesta. Tätä ei tapahdu, jos generaattori on sammunut korkean CO-tapahtuman takia.

Jos CO Shield® -järjestelmässä ilmenee vika eikä se enää tarjoa suojaa, generaattori sammuu automaattisesti ja **keltainen** LED-valo vilkkuu vähintään viiden (5) minuutin ajan ilmoittaen viasta.



Soita tekniselle tukitiimillemme [service@bpeholdings.co.uk](mailto:service@bpeholdings.co.uk) korjausta varten. Generaattori voidaan käynnistää uudelleen, mutta se sammuu jatkuvasti.

### HUOMIO

CO Shield® havaitsee hiilimonoksidin kerääntymisen muista polttoainetta palavista lähteistä, kuten moottorikäyttöisistä työkaluista tai käyttöalueella käytetyistä propaanilämmittimistä. Jos käytetään toista generaattoria ja pakokaasu suunnataan CO Shieldillä varustettuun generaattoriin, CO Shield® voi tehdä sammutuksen nousevan hiilimonoksidipitoisuuden takia. Tämä ei ole vika. Vaarallista hiilimonoksidia on havaittu. Sinun on ryhdyttävä toimiin laitteiden siirtämiseksi ja ohjaamiseksi, jotta häikä hajoaa paremmin pois ihmisistä tai rakennuksista.

### VAARA

CO Shield® -järjestelmän muuttaminen voi johtaa vaaralliseen tilaan ja mitätöi takuun.

CO Shield -moduulin poistaminen estää generaattorin käynnistymisen.

### Generaattorin sijoittaminen

#### VAROITUS

ÄLÄ KOSKAAN käytä generaattoria missään rakennuksessa, autotallissa, kellarissa, ryömintätallassa, vajassa, tilassa tai osastossa, mukaan lukien vapaa-ajan ajoneuvon generaattoriosasto.

ÄLÄ KOSKAAN käytä tai käynnistä generaattoria maastoauton, asuntoauton, perävaunun, kuorma-auton sängyn (säännölliset sivut, litteät tai muut kokoonpanot) takana, portaiden alla, portaissa, seinien tai rakennusten vieressä tai muussa paikassa, joka ei salli generaattorin riittävää jäähtymistä tai pakokaasun asianmukaista poistumista äänenvaimenninjärjestelmästä.

ÄLÄ käytä tai säilytä generaattoria märissä sääolosuhteissa, kuten sateessa tai lumessa. Generaattorin käyttäminen märissä olosuhteissa voi johtaa vakavaan loukkaantumiseen tai kuolemaan sähköiskun vuoksi.

Joissakin USA:n osavaltioissa voidaan vaatia, että generaattorit rekisteröidään paikalliseen sähköyhtiöön, kun niitä käytetään rakennustyömailla, ja niihin voidaan soveltaa lisäsääntöjä ja määräyksiä. Ota yhteyttä paikalliseen kuntaviranomaiseen.

Generaattoria tulee aina käyttää tasaisella, vaakasuoralla alustalla (vaikka se ei olisi käytössä).

Generaattorien tulee olla vähintään 1,5 m:n (5 jalan) etäisyydellä kaikesta palavasta materiaalista.

Generaattorien kaikilla sivuilla on oltava vähintään 91,4 cm (3 jalan) tyhjä tila ilmavirtausta varten, jotta jäähtytys, huolto ja ylläpito ovat riittävän tehokkaita.

Sijoita generaattori hyvin ilmastoituun tilaan. ÄLÄ sijoita generaattoria tuuletusaukkojen tai imuaukkojen läheisyyteen, josta pakokaasu voi imeytyä ahtaisiin tiloihin tai tiloihin, joissa on ihmisiä.

Ota huomioon tuuli- ja ilmavirrat generaattoria sijoittaessasi.

Anna generaattoreiden aina jäähtyä kunnolla ennen kuljetusta tai varastointia.

Asianmukaisten turvatoimenpiteiden noudattamatta jättäminen voi johtaa henkilövahinkoon, generaattorin vaurioitumiseen ja valmistajan takuun mitätöimiseen.

**VAROITUS**

Käytön aikana äänenvaimentimet ja pakokaasut kuumenevat. Jos riittävää jäähdytys- ja ilmankiertotilaa ei ole saatavana tai jos generaattori on tukossa tai peitetty, lämpötilat voivat kuumentua erittäin voimakkaasti ja aiheuttaa tulipalon.

**VAROITUS**

Älä muuta pakoputkea/äänenvaimenninta tai asenna niihin mitään laajennuksia tai ulosvetoja, sillä se mitätöi takuun.

**Märkien olosuhteiden aiheuttama vaara:** Älä altista sateelle tai käytä kosteissa tiloissa paitsi seuraavissa tapauksissa:

Jos joudut työskentelemään sateessa tai kosteissa tiloissa, ÄLÄ käytä ilman sähkökomponenttien asianmukaista suojausta.

Voidaan käyttää turvakattoa, joka on palosuojattu ja tarjoaa asianmukaisen ilmanvaihdon moottorin pakokaasuvirralle. Pidä kaikki esineet aina vähintään 1,5 metrin (5 jalan) päässä generaattorista. Äänenvaimentimen pinnasta ja pakokaasuvirrasta tuleva lämpö voi sytyttää palavat materiaalit.

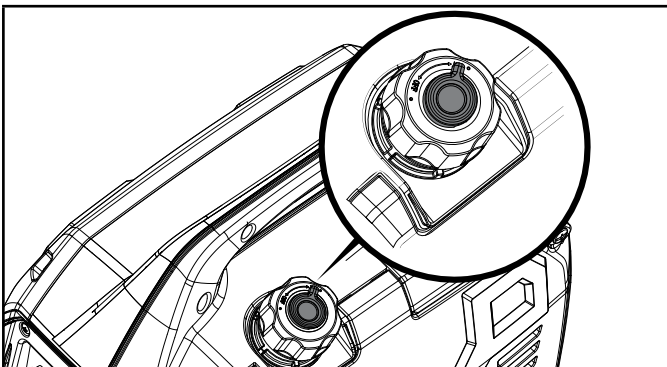
**Ylijännitesuoja**

Elektroniikkalaitteet, mukaan lukien tietokoneet ja monet ohjelmoitavat laitteet, käyttävät komponentteja, jotka on suunniteltu toimimaan kapealla jännitealueella ja joihin hetkelliset jänniteenvaihtelut voivat vaikuttaa. Jännitteen heilahteluja ei voida estää, mutta voit suojata herkkiä elektronisia laitteita.

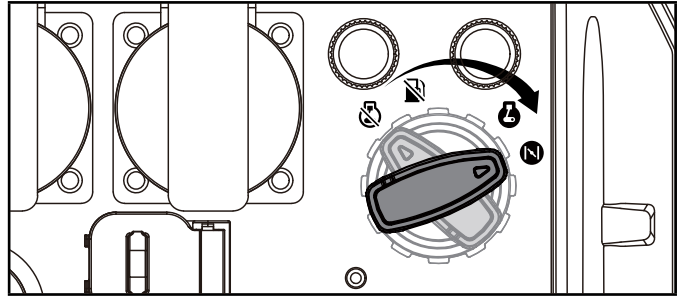
- Asenna CSA-luettelossa olevat UL1449-lisälaitteiden ylijännitesuojat herkkiä laitteita syöttäviin pistorasioihin. Ylijännitesuojat toimitetaan yhdelle tai useammalle pistorasialle. Ne on suunniteltu suojaamaan käytännöllisesti katsoen kaikilta lyhytaikaisista jänniteenvaihteluilta.

**Moottorin käynnistäminen**

1. Sijoita generaattori tasaiselle alustalle.
2. Kytke irti kaikki sähkökuormat generaattorista. Älä koskaan käynnistä tai pysäytä generaattoria, joka on kytkettynä sähköverkkoon tai päällä.
3. Käännä polttoainesäiliön korkin vipu ON-asentoon.



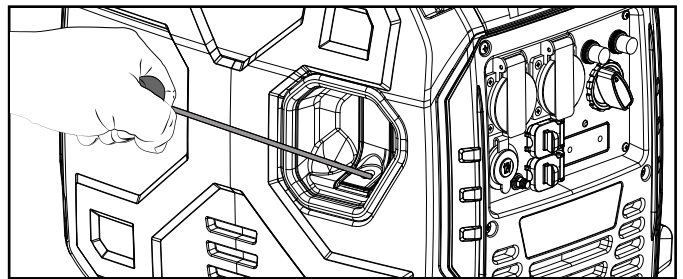
4. Käännä EZ Start -valitsin myötäpäivään "CHOKE"-asentoon.



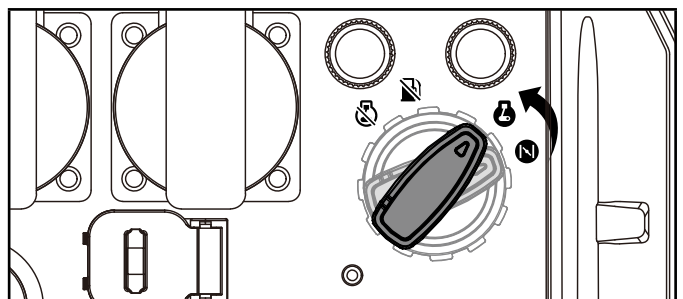
5. Kun käynnistät moottoria, vedä vetonarusta hitaasti, kunnes tunnet vastusta. Vapauta naru ja tee yksi voimakas, nopea veto käynnistäaksesi. Tämä estää takapotkun tai vetokokoonpanon vaurioitumisen. Jos moottori ei käynnisty, toista tämä prosessi

**VAROITUS**

Tiukka tai voimakas käynnistysnarun vetäminen johtaa rekylykköönpanon vaurioitumiseen ja mitätöi takuun.



6. Kun moottori on lämmennyt, siirrä EZ-Start -valitsin asentoon "RUN".

**HUOMIO**

**Uudelleenkäynnistyksissä bensiinillä kuumalla moottorilla ja/tai lämpimässä ympäristön lämpötilassa > 30 °C (86 °F):** Kierrä EZ Start -valitsin "CHOKE"-asentoon täydestä asennosta vain yhtä käynnistysvetoa varten. Jos generaattori ei käynnisty ensimmäisen vedon jälkeen, käännä valitsin "RUN"-asentoon seuraavaa kolmea vetokertaa varten. Liiallinen rikastimen käyttö johtaa sytytystulpan kastumiseen. Tämän vuoksi moottori ei käynnisty.



**HUOMIO**

**Bensiinikäynnistys normaalissa ympäristön lämpötilassa > 15 °C (59 °F):** Pidä EZ Start -valitsin "CHOKE"-asennossa kolmen käynnistysnarun vedon ajan. Jos generaattori ei käynnisty kolmen vedon jälkeen, käännä EZ Start -valitsin "RUN"-asentoon seuraavaa kolmea vetokertaa varten. Liiallinen rikastimen käyttö johtaa sytytystulpan kastumiseen. Tämän vuoksi moottori ei käynnisty.

**HUOMIO**

**Bensiinikäynnistys kylmässä ympäristön lämpötilassa < 15 °C (59 °F):** Pidä EZ Start -valitsinta "CHOKE"-asennossa, kunnes moottori käynnistyy. Kun moottori on käynnissä, käännä EZ-Start -valitsin asentoon "RUN". Äärimmäisen kylmissä lämpötiloissa tämä voi kestää useita sekunteja.

**HUOMIO**

Jos moottori käynnistyy, mutta ei jatka käymistä varmista, että generaattori on tasaisella pinnalla. Moottori on varustettu öljymäärän anturilla, joka estää moottoria käymästä, jos öljymäärä laskee kriittisen kynnyksen alapuolelle.

**Sähkökuormien kytkeminen**

Anna moottorin vakautua ja lämmitä muutama minuutti käynnistysjärjestyksen jälkeen.

Yhdistä pistoke ja kytke päälle haluamasi 220 V AC yksivaiheinen 50 Hz sähkökuorma.

- ÄLÄ kytke 3-vaiheisia kuormia generaattoriin.
- ÄLÄ ylikuormita generaattoria.

**VAROITUS**

Muista aina kytkeä laitteesi suoraan generaattoriin, äläkä kytke generaattorin virtajohtoa mihinkään pistorasiaan tai kotisi katkaisijapaneeliin. Generaattorin kytkeminen kotiin tuleviin sähköyhtiön voimalinjoihin tai toiseen, "takaisinsyötöksi" kutsuttuun virtalähteeseen, on vaarallinen käytäntö, joka on laitonta monissa USA:n osavaltioissa ja kunnissa.

Väärin toteutettuna tämä toimenpide voi vahingoittaa generaattoriasi ja laitteitasi. Lisäksi se voi aiheuttaa vakavan vamman tai kuoleman sinulle tai sähköasentajalle, joka yrittäessään korjata virtakatkoa naapurustossa saattaa yllättäen saada vastaanansa korkean jännitteen sähkölinjassa ja saada kohtalokkaan sähköiskun.

Jos asennus on tehty väärin eikä sovellettavien lakien ja sääntöjen mukaisesti, ja tällä tavalla tehty toimenpide löytyy kodistasi, saatat joutua maksamaan sakkoja, tai sähköyhtiö voi katkaista virran kodistasi, vaikka vammoja ei olisikaan aiheutettu.

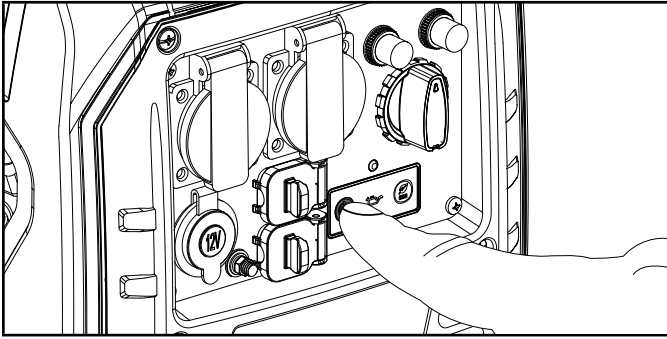
Jos generaattori kytketään rakennuksen sähköjärjestelmään, näiden liitännöiden on eristettävä generaattorin teho sähköverkosta. Olet vastuussa siitä, että generaattorisi sähkö ei johdu takaisin sähköverkkoihin. Näiden liitännöiden on oltava kaikkien sovellettavien lakien ja määräysten mukaisia – Pyydä paikallista sähköyhtiötä tai pätevää sähköasentajaa asentamaan tämä liitäntä oikein.

**Älä ylikuormita generaattoria****Kapasiteetti**

Noudata näitä yksinkertaisia ohjeita laskeaksesi käyttötarkoituksesi kannalta tarpeellinen käyttö- ja käynnistysteho:

1. Valitse sähkölaitteet, joita aiot käyttää samanaikaisesti.
2. Näiden kohteiden käytönaikainen wattien kokonaismäärä. Tämä on se määrä tehoa, joka tarvitaan niiden pitämiseen käynnissä.
3. Tunnista kaikkien vaiheessa 1 yksilöityjen laitteiden suurin lähtöteho. Lisää tämä numero vaiheessa 2 laskettuun numeroon. Käynnistysjännite on ylimääräinen virranpurkaus, jota tarvitaan joidenkin sähkökäyttöisten laitteiden käynnistämiseen. Kohdassa "Virranhallinta" lueteltujen vaiheiden noudattaminen takaa, että vain yksi laite käynnistyy kerrallaan.
4. Jos generaattorin teho katkaistaan ylikuormitustilan vuoksi, minkä vaihtovirran ylikuormituksen vilkkuva valo osoittaa, vähennä kuormaa irrottamalla yksi tai useampi laite ja jatka siten normaalia toimintaa painamalla vaihtovirran ylikuormituksen nollauspainiketta ennen generaattorin uudelleenkäynnistämistä normaalin toiminnan jatkamiseksi.





### Virranhallinta

Käytä seuraavaa kaavaa muuntaaksesi jännite ja ampeerit wateiksi:

$$\text{Voltti} \times \text{ampeeri} = \text{watti}$$

Voit pidentää generaattorisi ja siihen liitettyjen laitteiden käyttöikää lisäämällä sähkökuormaa seuraavia ohjeita noudattaen:

1. Käynnistä generaattori ilman sähkökuormaa.
2. Anna moottorin käydä useita minutteja ja lämmetä.
3. Kytke virta ja käynnistä ensimmäinen laite. On parasta kiinnittää ensin laite, jolla on suurin kuorma.
4. Anna moottorin tasaantua.
5. Kytke virta ja käynnistä seuraava laite.
6. Anna moottorin tasaantua.
7. Toista vaiheet 5-6 jokaisen uuden laitteen kohdalla.

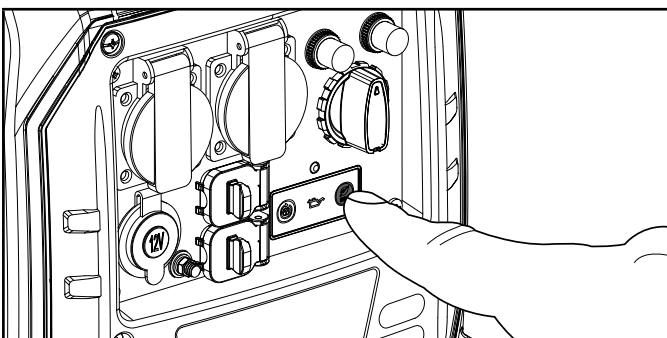
### HUOMIO

Älä koskaan ylitä määritettyä kapasiteettia lisättäessä kuormia generaattoriin.

### Säästötila (Eco)

Eco-tilan painike voidaan aktivoida polttoaineenkulutuksen ja melun minimoimiseksi, kun yksikköä käytetään pienennetyn sähkötehon aikana. Eco-tila antaa moottorin käydä joutokäynnillä, kun sitä ei käytetä.

Moottorin käyntinopeus normalisoituu, kun sähköinen kuorma kytketään. Kun säästökytkin on pois päältä, moottori käy jatkuvasti normaalilla kierrosluvulla.



### HUOMAUTUS

Jos sähkökuormitus on korkea tai hetkellinen vaihtelu suurta, Eco-tilan tulee olla kytkettynä pois päältä.

### 12 V DC säädetty automallin pistorasia

12 V DC-pistorasiaa voidaan käyttää mukana toimitettujen varusteiden sekä muiden kaupallisesti saatavien 12 V DC:n autopistokkeiden kanssa. Varmista, että tulojännitealue on vähintään 12–24 V DC.

### VAROITUS

Älä lataa laitetta generaattorin lähellä tai sen pakokaasun puolella. Pakokaasujen aiheuttama voimakas lämpö voi vahingoittaa laitetta ja aiheuttaa tulipalovaaran. Pitkäaikainen altistuminen moottorin pakokaasuille voi aiheuttaa vakavan vamman tai kuoleman.

### Akun lataaminen

1. Ennen kuin liität akun latauskaapelin ajoneuvoon asennettuun akkuun, irrota ajoneuvon akun maakaapeli akun negatiivisesta (-) navasta.
2. Kytke akun latauskaapeli generaattorin 12 V DC -pistorasiaan.
3. Kytke punainen (+) akkulaturin johto punaiseen (+) akun napaan.
4. Kytke musta (-) akkulaturin johto mustaan (-) akun napaan.
5. Käynnistä generaattori.

**Tärkeää:** 12 V DC-pistorasiaa voidaan käyttää VAIN mukana toimitettujen varusteiden sekä muiden kaupallisesti saatavien 12 V DC -autopistokkeiden kanssa. Varmista ennen kuin kytket generaattoriin kaikki sähkölaitteet, mukaan lukien johdot ja pistokeliitännät, että ne ovat hyvässä kunnossa.

### HUOMAUTUS

Älä käytä sekä 230 V AC:tä että 12 V DC:tä samaan aikaan, muuten saatat vaurioittaa generaattoria tai laitteita, ja se johtaa takuun raukeamiseen.

### VAROITUS

Älä käynnistä ajoneuvoa, kun akun latauskaapeli on kytketty ja generaattori on käynnissä. Se ei anna akulle virtaa. Ajoneuvo tai generaattori voi olla vaurioitunut. Lataa vain ilmattuja, märkiä liijyhappoakkuja. Muun tyyppiset paristot voivat räjähtää aiheuttaen henkilövahinkoja tai vaurioita.

**HUOMIO**

Varmista ennen kuin kytket generaattoriin kaikki sähkölaitteet, mukaan lukien johdot ja pistokeliitännät, että ne ovat hyvässä kunnossa.

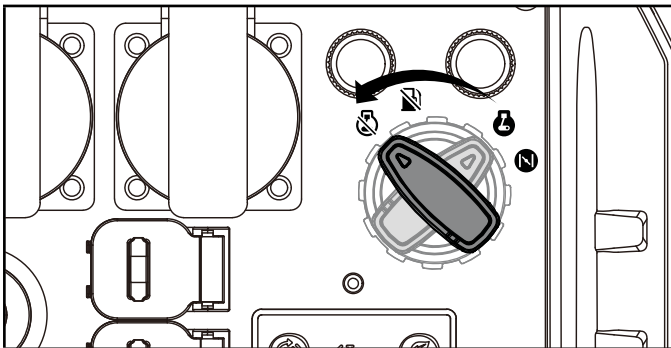
**Rinnakkaiskäyttö**

Champion-malli 93001i-EU on rinnakkaisvalmis ja sitä voidaan käyttää samanaikaisesti toisen Champion-yksikön kanssa käytettävissä olevan kokonaistehon lisäämiseksi. Rinnakkaiskäyttöä varten tarvitaan Champion- rinnakkaisarja (lisävaruste). Malli 500740-WL-EU on suositeltu malli tälle yksikölle. Tilaa yhteensopivien mallien luettelo asiakaspalvelusta soittamalla numeroon +44(0)-1942-715-407, tai käy osoitteessa [www.championpowerequipment.com](http://www.championpowerequipment.com).

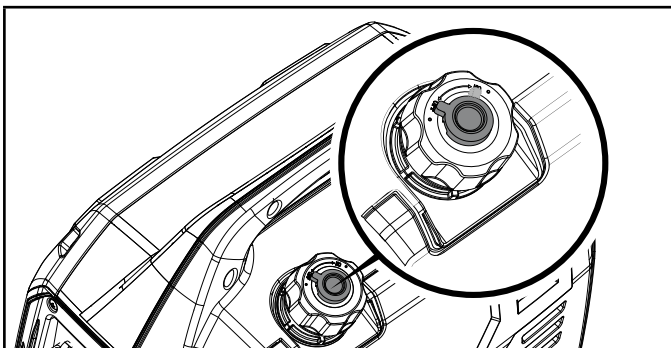
Yksityiskohtaiset ohjeet kytkettyjen generaattoreiden rinnakkaisasennuksesta ja käytöstä ovat sarjan käyttöohjeissa.

**Moottorin pysäyttäminen**

1. Sammuta ja irrota kaikki sähkökuormat. Älä koskaan käynnistä tai pysäytä generaattoria, joka on kytkettyä sähköverkkoon tai päällä.
2. Anna generaattorin käydä ilman kuormaa useita minutteja moottorin ja generaattorin sisäisten lämpötilojen tasaamiseksi.
3. Käännä EZ Start -valitsin vastapäivään STOP-asentoon.



4. Käännä polttoainesäiliön korkin vipu "OFF"-asentoon.



**Tärkeää:** Varmista aina, että EZ Start -valitsin ja polttoainesäiliön vipu ovat "STOP"- ja "OFF"-asennossa, tässä järjestyksessä, kun generaattori ei ole käytössä.

**HUOMIO**

Jos moottoria ei käytetä vähintään kahteen (2) viikkoon, katso kohdasta Varastointi lisätietoja moottorin ja polttoaineen asianmukaisesta varastoinnista.

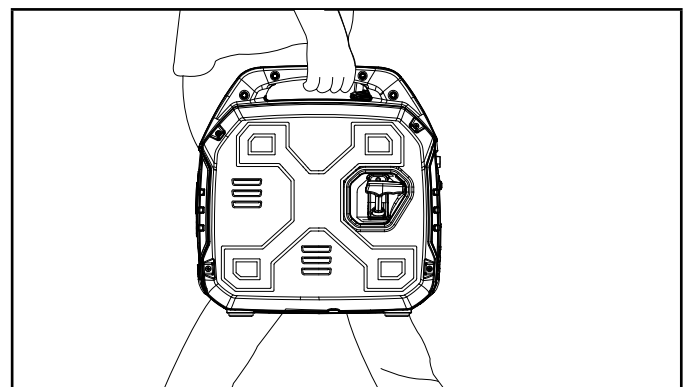
**Generaattorin siirtäminen****⚠ HUOMAUTUS**

- Sammuta AINA generaattori ja varmista, että polttoaineventtiili on kiinni.
- Varmista AINA, että moottori ja äänenvaimennin ovat jäähtyneet, jotta generaattoria voidaan käsitellä turvallisesti (yleensä 15-30 minuuttia).
- Älä pudota tai lyö yksikköä tai aseta raskaiden esineiden alle.

**⚠ VAROITUS**

Näiden ohjeiden huolellisen noudattamisen laiminlyönti voi johtaa henkilövahinkoihin tai generaattorin vaurioitumiseen mitätöiden sen takuun.

Nosta yksikköä kantokahvasta ja siirrä se haluttuun kohtaan.

**Käyttö korkealla**

Ilman tiheys korkealla on suurempi kuin merenpinnan tasolla. Moottorin teho laskee ilmassa ja ilman ja polttoaineen suhteen vähentyessä. Moottorin teho ja generaattorin teho vähenevät noin 3,5 % jokaista merenpinnan korkeuden ylittävää 300 metriä (1000 jalkaa) kohden. Suurissa korkeuksissa pakokaasupäästöjen lisääntyminen voi myös johtua ilma-polttoainesuhteen lisääntyneestä rikastumisesta. Muita korkean ongelmia voivat olla kovat käynnistykset, lisääntynyt polttoaineenkulutus ja sytytystulppien liikaantuminen.

CPE voi toimittaa suurille korkeuksille tarkoitetun kaasuttimen pääsuuttimen lievittääkseen muita korkean käytön ongelmia kuin luonnollista virtahäviötä. Vaihtoehtoinen pääsuutin ja asennusohjeet ovat saatavissa ottamalla yhteyttä Technical Support Team . Asennusohjeet ovat saatavana myös CPE-verkkosivuston teknisestä tiedotteesta.

Osanumero ja suositeltava vähimmäiskorkeus korkealla käytettävän kaasuttimen pääsuuttimen käyttämiseen on lueteltu seuraavassa taulukossa.

Oikean pääsuuttimen valintaa varten pitää tunnistaa kaasuttimen malli. Tätä tarkoitusta varten koodi on leimattu kaasuttimen sivulle. Valitse oikea suuttimen osanumero, joka vastaa kaasuttimesta löytyvää kaasuttimen koodia.

Carb. Koodi	Käyttö korkealla merenpinnasta Suuttimen osanumero	Min. Korkeus
XXXXXXX	XXXXXXX	3000 ft. (914 m)
	XXXXXXX	6000 ft. (1829 m)

### VAROITUS

Käyttö vaihtoehtoisella pääsuuttimella suositellun minimikorkeuden alapuolella olevissa korkeuksissa voi vahingoittaa moottoria. Alemmissa korkeuksissa on käytettävä alun perin toimitettua vakiomallin pääsuutinta. Moottorin käyttäminen väärällä moottorin kokoonpanolla tietyllä korkeudella voi lisätä sen päästöjä ja vähentää polttoainetehokkuutta ja suorituskykyä.

## HUOLTO

Varmista, että generaattori pysyy puhtaana ja että sitä varastoidaan oikein. Käytä laitetta vain tasaisella alustalla puhtaassa ja kuivassa käyttöympäristössä. ÄLÄ altista laitetta ääriolosuhteille, liialliselle pölylle, lialle, kosteudelle tai syövyttävälle höyrylle.

### VAROITUS

Älä koskaan käytä vaurioitunutta tai viallista generaattoria.

### VAROITUS

Generaattorisi tarvitsee säännöllistä huoltoa ja kunnossapitoa. Jos generaattoria ei huolleta oikein, se johtaa takuun raukeamiseen. Saadaksesi selkeän ohjeistuksen lue ja ymmärrä tämä osa.

### HUOMIO

Lue ja ymmärrä päästövalvontalaitteiden ja -järjestelmien huoltovastuu tämän käyttöohjeen päästöjenrajoituksen takuulausekkeessa.

Omistaja/käyttäjä on vastuussa kaikista huolloista ja kunnossapidosta.

Suorita kaikki määräaikaishuollot oikeaan aikaan.

Korjaa kaikki ongelmat ennen generaattorin käyttöä.

Ota yhteys huolto- tai varaosapalveluun Technical Support Team / service@bpeholdings.co.uk.

## Generaattorin puhdistaminen

### HUOMAUTUS

ÄLÄ pese generaattoria suoraan vesisuihkulla tai painepesurilla.

Vesi voi päästä generaattoriin jäähdytysaukkojen kautta ja vaurioittaa generaattorin käämejä. Se voi saastuttaa polttoainejärjestelmän.

1. Puhdista generaattorin ulkopinnat kostealla liinalla.
2. Poista lika ja öljy pehmeällä harjalla.
3. Puhdista lika ja roskat generaattorista kompressorilla (25 PSI).
4. Tarkasta kaikki tuuletusaukot ja jäähdytysaukot varmistaaksesi, että ne ovat puhtaat ja esteettömät.

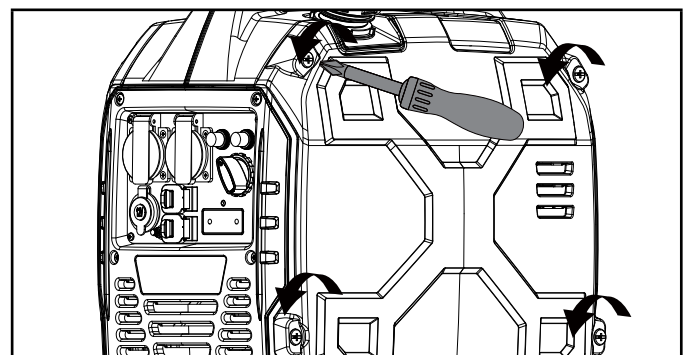
Tahattoman käynnistymisen estämiseksi pitää sytytystulpan johdin irrottaa ja maadoittaa ennen minkään huollon suorittamista.

## Moottoriöljyn vaihtaminen

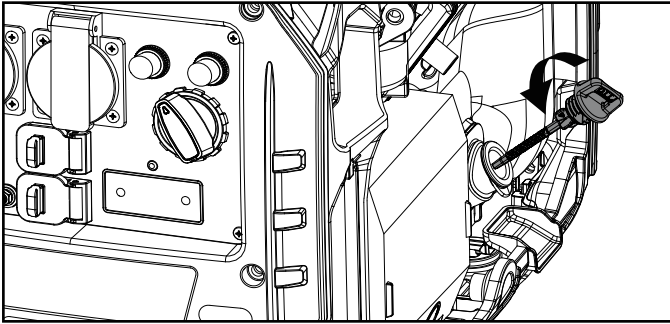


Suosittelaa aina 100 käyttötunnin välein tai vuosittain. Vaihda öljy, kun moottori on lämmin. Katso öljytiedoista sopiva öljyalaatu käyttöympäristöllesi.

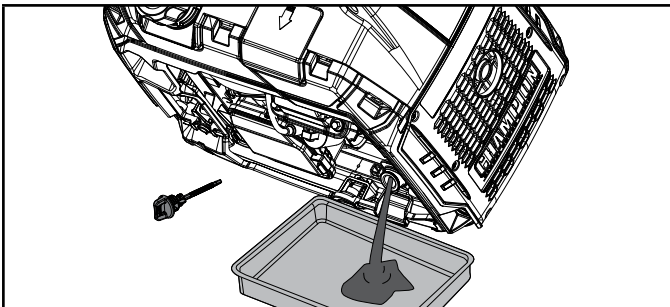
1. Aseta generaattori penkin tai pöydän päälle.
2. Löysää kannen neljä ruuvia, ja irrota huoltokansi.



3. Irrota öljytäyttökorkki/mittatikku.



4. Kallista generaattoria sivulle ja anna öljyn valua kokonaan ulos.



5. Lisää öljyä kohdan *Moottoriöljyn lisääminen* mukaisesti kohdassa *Kokoonpano*. Suositellaan 10W30 ÄLÄ YLITÄYTÄ. Öljyä ei sisälly rutiinihuoltoon.
6. Aseta öljyntäyttökorkki/mittatikku ja huoltokansi paikoilleen.
7. Hävitä käytetty öljy hyväksytyssä jätehuoltolaitoksessa.

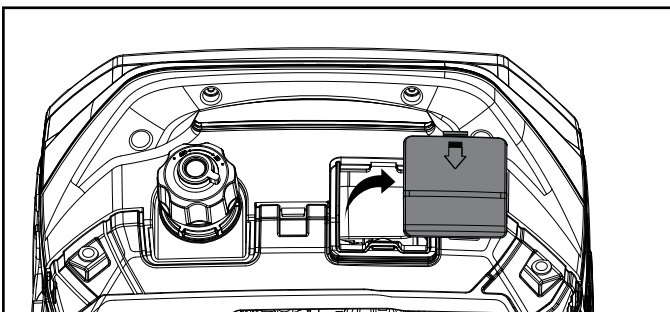
### HUOMIO

Kun öljyä on lisätty, suoralla ja tasaisella alustalla öljyn pitäisi yleensä olla näkyvissä noin 1–2 kierteen päässä öljyaukon yläosasta. Jos käytät

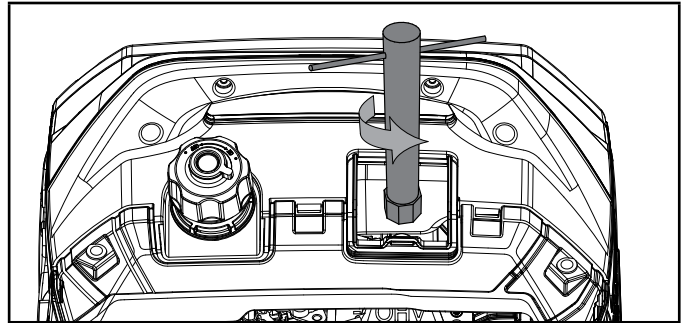
mittatikua öljyn määrän tarkistamiseen, ÄLÄ kierrä mittatikua takaisin tarkistuksen aikana, pidä sitä vain aukon yläreunaa vasten, ja katso lukema.

## Sytytystulpan puhdistaminen ja säätäminen

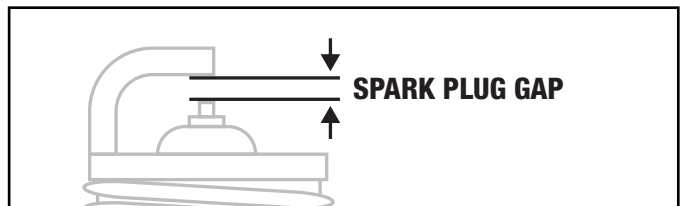
1. Irrota sytytystulpan kansi.



2. Irrota sytytystulpan johto.
3. Poista sytytystulppa tulppa-avaimella tai 13/16 in. (21 mm) sytytystulppapahlyksyllä.



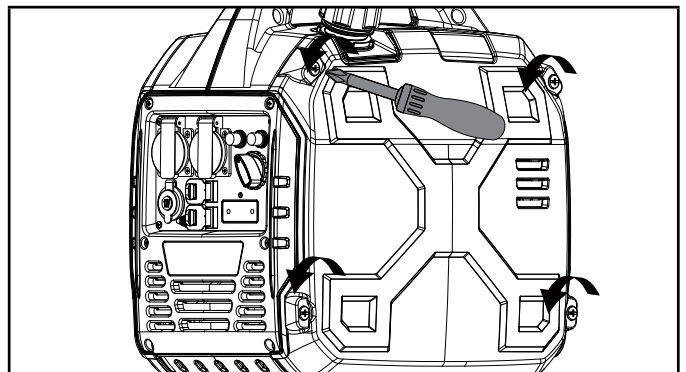
4. Tarkasta tulpan elektrodi. Sen on oltava puhdas eikä se saa olla kulunut syttymiseen tarvittavan kipinän tuottamiseksi.
5. Varmista, että sytytystulpan rako on 0.024-0.031 in. (0.6-0.8 mm).



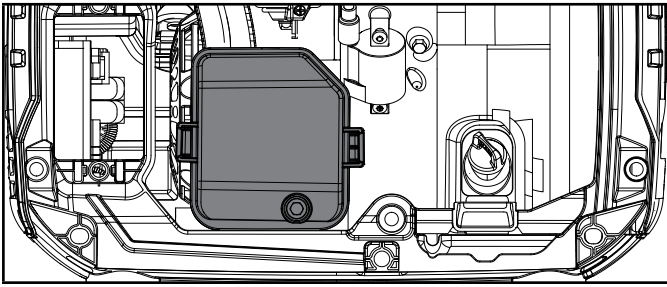
6. Katso sytytystulpan suosituksista lisätietoja tulpan vaihtamisesta.
7. Asenna pistoke kunnolla takaisin paikalleen.
8. Kiinnitä sytytystulpan johto pistokkeeseen.
9. Asenna sytytystulpan kansi takaisin.

## Ilmansuodattimen puhdistaminen

1. Suositellaan 50 käyttötunnin välein tai vuosittain. Irrota huoltokansi.



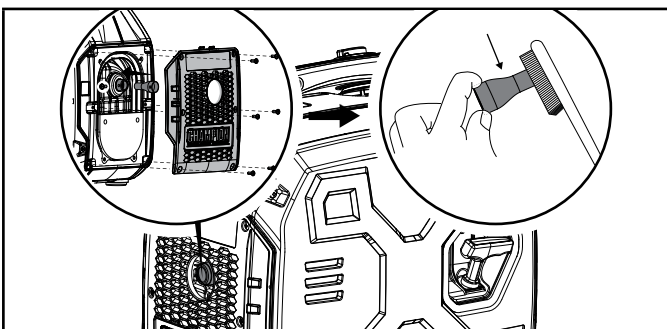
2. Paikanna ilmansuodattimen muovikansi ja poista se puristamalla pidikkeet yhteen ja vetämällä kansi pois.



3. Poista vaahtomuovielementti.
4. Pese nestemäisessä pesuaineessa ja vedessä. Kuivaa huolellisesti puhtaalla liinalla.
5. Kyllästä puhtaalla moottoriöljyllä.
6. Kuivaa huolellisesti imukykyisellä liinalla ylimääräinen öljy pois.
7. Aseta suodatin paikalleen.
8. Asenna ilmansuodattimen kansi takaisin paikalleen.
9. Asenna huoltokansi takaisin ja kiristä kannen ruuvit tiukalle.

### Kipinänestimen puhdistaminen

1. Suositellaan aina 100 käyttötunnin tai 1 kuukauden välein. Anna moottorin jäähtyä kokonaan ennen kipinänestimen huoltoa.
2. Irrota 6 ruuvia, jotka pitävät kansilevyä kiinni generaattorin äänenvaimentimen puolella.
3. Irrota ruuvi, joka kiinnittää kipinävaimentimen äänenvaimentimeen.
4. Irrota kipinänestin.
5. Poista hiilijäämät varovasti kipinänestimestä teräsharjalla.



6. Vaihda kipinänestin, jos se on vaurioitunut.
7. Aseta kipinänestin äänenvaimentimeen ja kiinnitä kipinänestin ja äänenvaimentimen kansi edellä kuvattuun käänteisessä järjestyksessä.

### HUOMAUTUS

Jos kipinänsammutinta ei puhdisteta säännöllisesti, moottorin suorituskyky heikkenee ja moottori voi vaurioitua, minkä seurauksena takuu mitätöityy.

### HUOMIO

Lainsäädännössä ja hallinnollisissa vaatimuksissa ilmoitetaan, milloin ja missä kipinänestimiä vaaditaan. Kipinänestimiä tarvitaan tämän generaattorin käyttämiseen kansallismetsäalueilla. Kaliforniassa tätä generaattoria ei saa käyttää missään metsä-, pensaikko- tai ruohopeitteisessä maastossa, paitsi jos moottori on varustettu kipinänestimellä.

### Ohjaimen säätö

#### VAROITUS

Tehdasasetusten muuttaminen mitätöi takuun.

Ilma-polttoaineseosta ei voida säätää. Säätimen muuttaminen voi vahingoittaa generaattoriasi ja sähkölaitteitasi ja mitätöidä takuun. Technical Support Team / service@bpeholdings.co.uk vastaa kaikista muista huolto- ja/tai säätötarpeista.

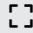
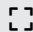
### Huoltovälit

Noudata seuraavassa huoltoaikataulussa ilmoitettuja huoltovälejä.

Huolla generaattoria useammin, jos työskentelet epäsuotuisissa olosuhteissa.

Technical Support Team / service@bpeholdings.co.uk kertoo lähimmän CPE-sertifioidun huoltoliikkeen generaattorisi tai moottorin huoltotarpeita varten.

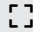
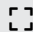
#### JOKA 8. TUNTI TAI ENNEN JOKAISTA KÄYTTÖÄ

-  Tarkista öljyn määrä
-  Puhdista ilman imuaukon ja äänenvaimentimen ympäriltä

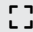
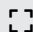


#### ENSIMMÄISET 5 KÄYTTÖTUNTIA (SISÄÄNAJO)

-  Vaihda öljy

#### 50 TUNNIN VÄLEIN TAI VUOSITTAIN

-  Puhdista ilmansuodatin
-  Vaihda öljy, jos työskentelet raskaalla kuormituksella tai kuumassa ympäristössä

#### AINA 100 KÄYTTÖTUNNIN VÄLEIN TAI PÄIVITTÄIN

-  Vaihda öljy
-  Puhdista/säädä sytytystulppa
-  Puhdista kipinänestin
-  Puhdista polttoaineventtiilin suodatin\*



**AINA 250 TUNNIN VÄLEIN**

- ☐ Puhdista palokammio\*
- ☐ Tarkista/säädä venttiilin välys \*

**AINA 3 VUODEN VÄLEIN**

- ☐ Vaihda polttoaineletku\*

\*Suorittavat asiantuntevat, kokeneet omistajat tai Champion Power Equipment -sertifioitujen jälleenmyyjät.

**VARASTOINTI****VAROITUS**

Seuraavia varotoimenpiteitä on noudatettava, jotta vältetään generaattorin vahingossa tapahtuva käynnistyminen varastoinnin aikana:

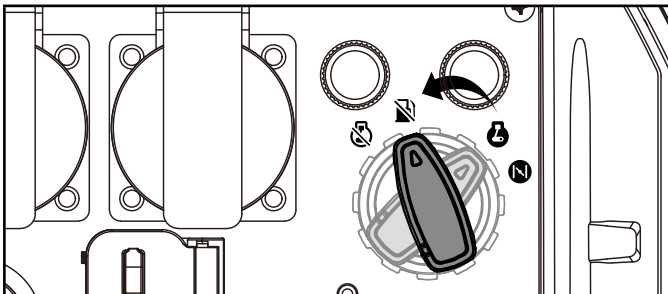
- Kun varastoit generaattoria, varmista, että EZ Start -valitsin on asennossa "STOP".

**Lyhytaikainen varastointi (korkeintaan 30 päivää)**

Polttoainesäiliössä olevan etanoliseosbenssiin enimmäissäilyvyys on enintään yksi vuosi, kun siihen on lisätty asianmukaisesti polttoaineen stabilointiaineita ja jos sitä varastoidaan viileässä, kuivassa paikassa. Kaasuttimen bensiini voi kuitenkin tukkia kaasuttimen, jos sitä ei käytetä tai tyhjennetä 2–4 viikossa.

Jos käytät generaattoria 2 viikon kuluessa, noudata kohdassa *Moottorin sammuttaminen* annettuja ohjeita.

1. Jos et käytä generaattoria 2–4 viikkoon, aloita tarkistamalla, että kaikki laitteet on irrotettu generaattorista.
2. Käynnistä generaattori kohdassa *Moottorin käynnistys* annettujen ohjeiden mukaan.
3. Käännä EZ Start -valitsin RUN OUT OF FUEL -asentoon.

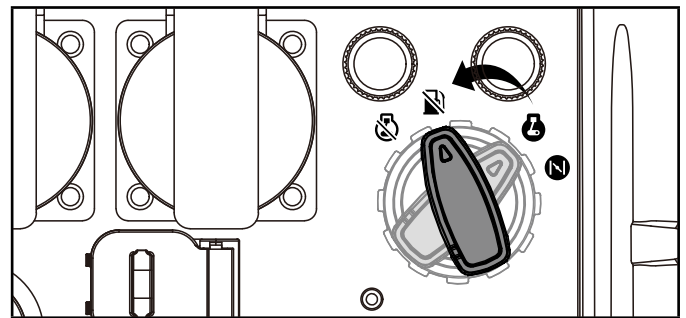


4. Anna moottorin käydä, kunnes polttoaineen puute on pysäyttänyt moottorin.
5. Käännä EZ Start -valitsin "STOP"-asentoon.

**Keskipitkä varastointi (30 päivää–1 vuosi)**

Säiliössä varastoitavan bensiinin enimmäissäilyvyys on enintään yksi vuosi, kun siihen on lisätty asianmukaista polttoaineen stabilointiaineita ja sitä varastoidaan viileässä, kuivassa paikassa.

1. Varmista, että kaikki laitteet on irrotettu generaattorista.
2. Lisää koostumukseltaan oikeaa polttoaineen vakauttajaa säiliöön.
3. Käynnistä moottori noudattamalla kohdassa *Moottorin käynnistäminen* annettuja ohjeita.
4. Käytä generaattoria 10 minuuttia, jotta käsitelty polttoaine ehtii kiertää polttoainejärjestelmän ja kaasuttimen läpi.
5. Pysäytä moottori kääntämällä EZ Start -valitsin vastapäivään RUN OUT OF FUEL -asentoon.



6. Kun polttoaine on loppunut ja moottori on pysähtynyt, anna moottorin jäähtyä.
7. Käännä EZ Start -valitsin "STOP"-asentoon.
8. Irrota huoltokansi.
9. Irrota sytytystulppa ja kaada noin ruokalusikallinen öljyä sylinteriin.
10. Vedä HITAASTI moottoria pyörittämällä moottoria sylinterin voitelemiseksi.
11. Asenna sytytystulppa ja sytytystulpan johdin takaisin.
12. Asenna huoltokansi takaisin.
13. Puhdista generaattori *puhdistusohjeiden mukaisesti*.
14. Säilytä generaattoria viileässä, kuivassa paikassa, joka ei ole suorassa auringonvalossa.

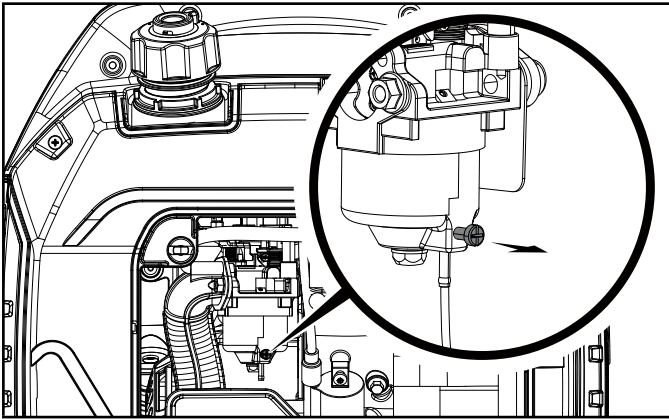
**Pitkäaikainen varastointi (yli vuosi).**

Yli vuoden varastointia varten polttoainesäiliö ja kaasutin on tyhjennettävä kokonaan bensiinistä.

1. Varmista, että kaikki laitteet on irrotettu generaattorista.
2. Aseta invertteri tukien päälle, jotta sopiva bensiinisäiliö tai astia pääsee liukumaan invertterin alle.
3. Irrota huoltokansi.
4. Käännä EZ Start -valitsin RUN-asentoon.



5. Kierrä tyhjennysruuvia vastapäivään 3 täyttä kierrosta ristipääruuvitaltalla. Bensiini valuu tyhjennysputken läpi invertterin alle. Varmista, että bensiini tyhjenee sopivaan astiaan.



6. Tarkista ja tyhjennä ilmansuodattimesta mahdolliset esteet, kuten hyönteiset tai hämähäkit. Puhdista ilmansuodatin tarvittaessa kohdan Puhdista ilmansuodatin mukaan.

6. Kun bensiini lakkaa virtaamasta kirkkaasta putkesta, kierrä tyhjennysruuvia myötäpäivään, kunnes se on tiukalla. Hävitä tyhjennetty bensiini oikein paikallisten määräysten tai ohjeiden mukaisesti.
7. Käännä EZ Start -valitsin "STOP"-asentoon.
8. Noudata lyhytaikaisen varastoinnin vaiheita 8-12.

## Käyttöönotto varastosta

### HUOMIO

Jos generaattoria on varastoitu väärin yli 30 päivän ajan, ja bensiinisäiliössä tai kaasuttimessa on ollut etanolipitoista bensiiniä, kaikki polttoaine on tyhjennettävä ja kaasutin on puhdistettava perusteellisesti etanolista. Tämä prosessi sisältää teknisesti monimutkaisia tehtäviä. Lisäohjeita antaa Technical Support Team / [service@bpeholdings.co.uk](mailto:service@bpeholdings.co.uk).

Jos polttoainesäiliö ja kaasutin tyhjennettiin kunnolla kaikista etanoliseosbensiinistä ennen generaattorin varastointia, noudata seuraavia vaiheita poistaessasi sen varastosta.

1. Käännä EZ Start -valitsin "STOP"-asentoon.
2. Lisää bensiiniä generaattoriin kohdan *Lisää polttoainetta mukaisesti: Bensiini*.
3. Käännä EZ Start -valitsin "START"-asentoon.
4. Tarkista viiden minuutin kuluttua kaasuttimesta ja ilmansuodattimista, ettei bensiiniä ole vuotanut. Jos vuotoja löytyy, kaasutin on purettava ja puhdistettava tai vaihdettava. Jos bensiinivuotoja ei löydy, käännä EZ Start -valitsin "STOP"-asentoon.
5. Tarkista moottoriöljymäärä ja lisää tarvittaessa puhdasta, tuoretta öljyä. Katso oikean tyyppiset öljyt kohdasta Öljyjen tekniset tiedot.

## VIANMÄÄRITYS

Ongelma	Syy	Ratkaisu
Moottori ei käynnisty.	Ei polttoainetta.	Lisää polttoainetta.
	Viallinen sytytystulppa.	Puhdista ja säädä tai vaihda sytytystulppa.
	Öljyn määrä alhainen.	Täytä kampikammio oikeaan määrään. Sijoita generaattori tasaiselle, vaakasuoralle alustalle.
	Sytytystulpan johdin löysällä.	Kiinnitä johdin sytytystulppaan.
	Polttoaineventtiili on kiinni.	Avaa polttoaineventtiili.
	EZ Start valitsin asennossa OFF.	Käännä EZ Start -valitsin asentoon ON.
	Vanhaa polttoainetta tai vettä polttoaineessa.	Tyhjennä polttoaineet ja korvaa uudella polttoaineella.
	Polttoainetta tulee liikaa.	Anna yksikön seistä 10 minuuttia.
	CO Shield® -moduuli on poistettu tai sitä on muutettu.	Asenna moduuli takaisin tai ota yhteyttä tekniseen tukeen.
Moottori käynnistyy, mutta käy epätasaisesti.	Rikastin on väärässä asennossa.	Käännä EZ Start -valitsin RUN-asentoon.
	Likainen ilmansuodatin.	Puhdista tai vaihda ilmansuodatin.
	Likainen polttoaineventtiili.	Puhdista polttoaineventtiili.
	Tukossa oleva kipinänestin.	Puhdista kipinänestin.
Moottori sammuu kesken käytön.	Polttoaine lopussa.	Täytä polttoainesäiliö.
	Öljyn määrä alhainen.	Täytä kampikammio oikeaan määrään. Sijoita generaattori tasaiselle, vaakasuoralle alustalle.
	Jos CO Shield® kuuluu varusteisiin, se sammuttaa laitteen, kun hiilimonoksidia (CO) kertyy ja jos punainen LED-valo vilkkuu paneelissa.	Siirrä generaattori avoimelle ulkoalueelle. Suuntaa pakokaasu pois ihmisistä ja rakennuksista. Jos sairas, huimausta tai heikkoutta, siirrä raittiiseen ilmaan ja hanki lääkinnällistä apua.  Varmista, ettei generaattorin lähellä ole esteitä aiheuttavia esineitä alle 150 cm (5 jalan) etäisyydellä. Generaattorin lähellä olevat esteet voivat vangita hiilimonoksidipäästöjä generaattorin lähelle ja saada moottorin sammumaan.  Jos generaattorin pakoputki on suunnattu tuuleen päin, pakokaasu voi puhaltua takaisin generaattorin toiminta-alueelle, jolloin aiheutuu CO-päästöjen kertymistä ja moottorin sammuminen. Vältä moottorin sammuminen kääntämällä generaattoria 45° jompaankumpaan suuntaan, jotta pakokaasupäästöt pääsevät pois läheltä generaattoria. Jos moottorin sammuminen jatkuu, säädä uudelleen ja kohdista pakoputki tuulen suunnan kanssa puhaltaaksesi pakokaasut pois generaattorista.
	Jos CO Shield® kuuluu varusteisiin, se sammuttaa laitteen järjestelmävian ilmetessä tai jos keltainen LED-valo vilkkuu paneelissa.	Aloita vahvistamalla, että keltainen LED-valo vilkkuu, jos/kun generaattori sammuu. Jos CO Shield edelleen havaitsee vian ja sammuttaa laitteen, ota yhteyttä tekniseen tukeen.
	Tukossa oleva kipinänestin.	Puhdista kipinänestin.

Ongelma	Syy	Ratkaisu
Moottori käynnistyy ja sammuu heti.	Jos CO Shield® kuuluu varusteisiin, se sammuttaa laitteen, kun hiilimonoksidia (CO) kertyy ja jos punainen LED-valo vilkkuu paneelissa.	Siirrä generaattori avoimelle ulkoalueelle. Suuntaa pakokaasu pois ihmisistä ja rakennuksista. Jos sairas, huimausta tai heikkoutta, siirrä raittiiseen ilmaan ja hanki lääkinällistä apua.  Varmista, ettei generaattorin lähellä ole esteitä aiheuttavia esineitä alle 150 cm (5 jalan) etäisyydellä. Generaattorin lähellä olevat esteet voivat vangita hiilimonoksidipäästöjä generaattorin lähelle ja saada moottorin sammumaan.  Jos generaattorin pakoputki on suunnattu tuuleen päin, pakokaasu voi puhaltua takaisin generaattorin toiminta-alueelle, jolloin aiheutuu CO-päästöjen kertymistä ja moottorin sammuminen. Vältä moottorin sammuminen kääntämällä generaattoria 45° jompaankumpaan suuntaan, jotta pakokaasupäästöt pääsevät pois läheltä generaattoria. Jos moottorin sammuminen jatkuu, säädä uudelleen ja kohdista pakoputki tuulen suunnan kanssa puhaltaaksesi pakokaasut pois generaattorista.
	Jos CO Shield® kuuluu varusteisiin, se sammuttaa laitteen järjestelmävian ilmetessä tai jos keltainen LED-valo vilkkuu paneelissa.	Aloita vahvistamalla, että keltainen LED-valo vilkkuu, jos/kun generaattori sammuu. Jos CO Shield® edelleen havaitsee vian ja sammuttaa laitteen, ota yhteyttä tekniseen tukeen.
Molemmat CO Shield® -LEDit eivät vilku 10 kertaa käynnistyksen yhteydessä.	Generaattorin käynnistäminen 1 minuutin kuluessa manuaalisesta sammutuksesta, ei hiilimonoksidisammutustapahtumasta.	Odota 1 minuutti ennen kuin yrität käynnistää generaattoria uudelleen. LEDien on sitten vilkuttava kymmenen (10) kertaa.
Generaattori ei pysty toimittamaan tarpeeksi virtaa tai ylikuumenee	Generaattori on ylikuormittunut	Tarkista kuorma ja säädä. Katso "Sähkökuormien kytkeminen".
	Likainen ilmansuodatin.	Puhdista tai vaihda ilmansuodatin.
	Kuristin väärässä asennossa.	Käännä EZ Start -valitsin RUN-asentoon.
Moottori käy, mutta vaihtovirtaa ei ole.	Huono johtoyhteys.	Tarkista kaikki liitännät.
	Vikavirtasuoja on avoinna.	Kuittaa vikavirtasuoja. Tarkista kaikki vikavirtasuojat.
	Viallinen harjakokoonpano.	Vaihddata harjakokoonpano (huollossa).
	Johdotus löysällä.	Tarkista ja kiristä johtoliitokset.
	AC-ylikuormitus: Painike palaa punaisena	Vähennä vaihtovirran kuormitusta ja paina ylikuormituksen palautuspainiketta, kunnes se palaa vihreänä.
	Muu seikka.	Ota yhteys tukeen.
Moottorin kierrokset seilaavat tai moottori pätkii.	Moottorin ohjain on viallinen.	Ota yhteys tukeen.
	Likainen polttoaineventtiili.	Puhdista polttoaineventtiili.
	Kaasutin on likainen ja käy laihalla seoksella.	Ota yhteys tukeen.
	Kuristin väärässä asennossa.	Käännä EZ Start -valitsin RUN-asentoon.
Toistuva vikavirtasuojan laukeaminen.	Ylikuorma.	Tarkista kuorma ja säädä. Katso "Sähkökuormien kytkeminen".
	Vialliset virtajohdot tai laite.	Tarkista vaurioiden, paljaiden tai kuluneiden johtojen varalta. Vaihda viallinen laite.
	Katkaisija on edelleen liian kuuma.	Anna yksikön jäähtyä 5 minuutin ajan.

Muiden kysymysten tapauksessa ota yhteyttä tekniseen tukeen

## TEKNISET TIEDOT

### Generaattorin tekniset tiedot

Generaattorin moottori	93001i-EU
Käynnistystyyppi	Manual
Watteja (Maks/käyttö)	3000/2800
Voltia AC	220
AC Amp per 220 V	12.7
Voltia DC	12
DC A	8
Taajuus	50 Hz
Laitteen enimmäiskäyttökorkeus on	1500 m
Mitattu äänenpainetaso (7m)	58 dB(A)
Mitattu äänenpainetaso (4m)	72 dB(A)
Melunmittauksen epävarmuus	≤1.5 dB(A)
Taattu äänitehotaso	93 dB(A)
Ympäristön enimmäislämpötila (°C / °F)	40°C /104°F
Vaihe	yksi
Maadoitustyyppi	Neutral Floating
Paino	39 lb. (17.5 kg)
Pituus	17.3 in. (44 cm)
Leveys	12 in. (30.4 cm)
Korkeus	17.7 in. (45 cm)

### Moottorin tekniset tiedot

Malli	165F-B
Offset	149 cc
Tyyppi	4-tahti OHV

### Sytytystulppa

OEM-tyyppi	E6RTC
Replacement Type	NGK BPR5HS or equivalent
Vällys	0.024-0.031 in. (0.6-0.8 mm)

### Venttiili

Imu, vällys	0.004-0.006 in. (0.10-0.15 mm)
Pako, vällys	0.004-0.006 in. (0.10-0.15 mm)

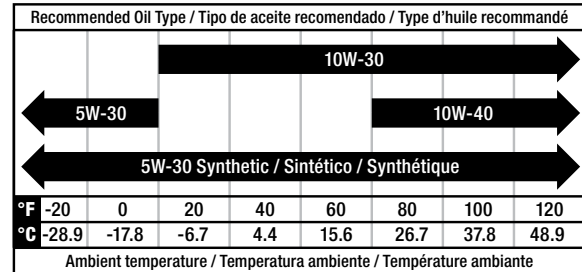
### HUOMIO

Venttiilin säätömenetelmiä koskeva tekninen tiedote on saatavana osoitteesta [www.championpowerequipment.com](http://www.championpowerequipment.com).

## Öljyn tekniset tiedot

ÄLÄ TÄYTÄ LIIKAA.

Tyyppi	*Katso seuraava kaavio
Kapasiteetti	16.9 fl. oz. (500 ml)



### HUOMIO

Lämpötila vaikuttaa moottoriöljyn ja moottorin suorituskykyyn. Vaihda käytetyn moottoriöljyn tyyppi lämpötilan perusteella moottorin tarpeisiin sopivaksi.

## Polttoaineen tekniset tiedot

Käytä liijytöntä polttoainetta, jonka oktaaniarvo on vähintään 85 ja etanolipitoisuus alle 10 tilavuusprosenttia. ÄLÄ KÄYTÄ E15 tai E85. ÄLÄ TÄYTÄ LIIKAA.

Bensiinikapasiteetti	1.2 gal. (4.5 L)
----------------------	------------------

## Lämpötilatiedot

Käynnistyksen lämpötila-alue (°F/°C)	5...104/-15...40
--------------------------------------	------------------

### HUOMIO

**Tärkeä viesti lämpötilasta:** Tuotteesi on suunniteltu ja mitoitettu jatkuvalle käytölle ympäristön lämpötilassa maks. 104 °F (40 °C). Tarvittaessa sitä voidaan käyttää lämpötiloissa, jotka vaihtelevat välillä -15 °C...50 °C lyhyen ajan. Jos se altistetaan tämän alueen ulkopuolella oleville lämpötiloille varastoinnin aikana, se tulee palauttaa tälle lämpötila-alueelle ennen käyttöä. Joka tapauksessa tuotetta on käytettävä aina ulkona, hyvin ilmastussa tilassa ja kaukana ovista, ikkunoista ja tuuletusaukoista.

## TAKUU\*

CHAMPION POWER EQUIPMENT  
3 VUODEN RAJOITETTU TAKUU

### Takuun ehdot

Rekisteröi tuotteesi takuun ja ILMAISEKSI elinikäisen puhelinkeskukseen teknisen tuen saamiseksi käymällä osoitteessa <https://www.championpowerequipment.co.uk> Rekisteröinnin viimeistelemiseksi sinun on liitettävä kopio ostokuitista todisteena alkuperäisestä ostosta. Takuuhuolto edellyttää ostotodistusta. Rekisteröidy kymmenen (10) päivän kuluessa ostopäivästä.

### Korjaus-/vaihtotakuu

CPE takaa alkuperäiselle ostajalle, että mekaanisissa ja sähköisissä osissa ei ole materiaali- ja valmistusvirheitä kolmen (3) vuoden ajan kotikäytössä tai 1 000 tunnin ajan, joka tulee ensin, ja yhden (1) vuoden ajan kaupallisessa ja teollisessa käytössä. tai 1 000 tuntia, kumpi tulee ensin. Tämän takuun nojalla korjattavaksi tai vaihdettavaksi toimitetun tuotteen kuljetuskustannukset ovat yksinomaan ostajan vastuulla. Tämä takuu koskee vain alkuperäistä ostajaa, eikä sitä voida siirtää. Katso täydelliset käyttöehdot osoitteesta [www.championpowerequipment.co.uk](http://www.championpowerequipment.co.uk).

### Älä palauta tuotetta ostopaikkaan

Ota yhteyttä CPE:n tekniseen tukeen, ja CPE ratkaisee ongelmat puhelimitse tai sähköpostitse. Jos ongelmaa ei voida korjata näin, CPE valtuuttaa valintansa mukaan viallisen osan tai komponentin arvioinnin, korjaamisen tai korvaamisen nimeämälleen huollolle. CPE antaa sinulle takuupalvelun tapausnumeron. Säilytä se tulevaa käyttöä varten. Tämä takuu ei kata korjauksia tai vaihtoa ilman ennakkolupaa tai muussa kuin valtuutetussa korjaamossa.

### Takuun rajoitukset

Tämä takuu ei kata seuraavia korjauksia ja laitteita:

#### Normaali kuluminen

Tuotteet, joissa on mekaanisia ja sähköisiä komponentteja, tarvitsevat säännöllisesti osia ja huoltoa, jotta ne toimisivat hyvin. Tämä takuu ei kata korjausta, jos normaali käyttö on kuluttanut osan tai koko laitteen.

#### Asennus, käyttö ja huolto

Tätä takuuta ei sovelleta osiin ja/tai työhön, jos tuotetta on käytetty väärin, laiminlyöty, väärinkäytetty, ladattu yli tuotteen rajojen, muutettu, asennettu väärin tai kytketty väärin mihinkään sähkökomponenttiin tai jos se on joutunut onnettomuuteen. Takuu ei kata normaalia kunnossapitoa, eikä sitä tarvitse suorittaa huollossa tai CPE:n valtuuttaman henkilön toimesta.

### Muut rajoitukset

Tämän takuun piiriin ei kuulu seuraava:

- Kosmeettiset viat, kuten maali, tarrat jne.
- Kuluvat osat, kuten suodatinelementit, o-renkaat jne.
- Lisälaitteiden osat, kuten käynnistysakut, männänrenkaat ja säilytyskotelot.
- Luonnonmullistuksista ja muista valmistajan valvonnan ulkopuolella olevista ylivoimaisista esteistä johtuvat viat.
- Ongelmat, jotka aiheutuvat osista, jotka eivät ole alkuperäisiä Champion Power Equipment -osia.

Kaikki osat, jotka käyttäjä pitää vahingoittuneena. Tämä takuu ei koske tuotteita, joita käytetään ensisijaisesti sähkön sijasta.

### Epäsuoran takuun rajat ja siitä johtuvat vahingot

Champion Power Equipment ei ole vastuussa korvauksista, jotka aiheutuvat ajan menetyksistä, tämän tuotteen käytöstä, rahdista tai kenen tahansa satunnaisista tai välillisistä vaatimuksista tämän tuotteen käyttöä koskien. YHDISTYNEIDEN KUNINGASKUNTIEN EPA- ja / tai HIILIPÄÄSTÖJEN VALVONTAJÄRJESTELMÄN (JOS SOVELTETTAVISSA) TAKUUT KORVAAVAT KAIKKI MUUT NIMENOMAISET TAI SOVELLETTAVAT TAKUUT, MUKAAN LUKIEN TAKUUT MYYNTIKELPOISUUDESTA TAI SOPIVUUDESTA TIETTYYN TARKOITUKSEEN.

Vaihtona toimitetulle yksikölle annetaan alkuperäisen laitteen takuu. Vaihtoyksikköä koskevan takuun pituus lasketaan alkuperäisen yksikön ostopäivämäärän perusteella.

Tämä takuu antaa sinulle tiettyjä laillisia oikeuksia, jotka saattavat vaihdella osavaltiota toiseen tai provinssiittain tai maakunnittain. Osavaltiolasi tai provinssillasi voi olla myös muita oikeuksia, joita sinulla voi olla, joita ei ole lueteltu tässä takuussa.

## SISSEJUHATUS

Õnnitleme Champion Power Equipment (CPE) toote ostmise puhul. CPE kujundab, valmistab ja toetab kõiki tooteid rangete tehniliste andmete ja juhiste järgi. Nõuetekohaste teadmiste, ohutu kasutamise ja korrapäraste hoolduste korral peaks see toode teid pikaajaliselt rahuldama.

Tehtud on kõik endast olenev, et tagada käesolevas juhendis sisalduva teabe täpsus ja täielikkus avaldamise ajal ning me jätame endale õiguse muuta või täiustada toodet ja käesolevat dokumenti igal ajal ilma ette teatamata.

CPE hindab kõrgelt seda, kuidas meie tooted on disainitud, toodetud, käitatavad ja hooldatud ning pakkudes ohutust nii operaatorile kui ka generaatori ümbruses olevatele inimestele. Seetõttu on oluline põhjalikult läbi lugeda see kasutusjuhend ja muud tootematerjalid ning olla teadlik montaažist, toimimisest, ohtudest ja hooldusest enne toote kasutamist. Tutvuge täielikult ise ja veenduge, et ka teised, kes plaanivad toodet kasutada, teaksid ohutusnõudeid ja tööpõhimõtteid enne igat kasutamist. Alati kasutage tervet mõistust ja opereerige masinat ettevaatlikult, et vältida õnnetusi, vigastusi ja varakahjustusi. Soovime, et oleksite oma CPE tootega igati rahul ja jätkaksite selle kasutamisega veel aastaid.

Küsimuste korral CPE poole pöördudes, peate esitama oma toote täieliku mudeli ja seerianumbri. Kirjutage oma toote nimesildil olev teave allolevasse tabelisse

<b>CPE TEHNILINE TUGI</b>
<b>MUDELI NUMBER</b>
93001i-EU
<b>SEERIANUMBER</b>
<b>OSTUKUUPÄEV</b>
<b>OSTU ASUKOHT</b>

## OHUTUSE MÕISTED

Ohutussümbolite eesmärk on juhtida teie tähelepanu võimalikele ohtudele. Ohutussümbolid ja nende selgitused nõuavad teie hoolikat tähelepanu ja mõistmist. Ohutushoiatused ei kõrvalda iseenesest mingit ohtu. Kirjeldatud juhised või hoiatused ei asenda nõuetekohaseid õnnetuste vältimise meetmeid.

### OHT

OHT tähistab ohtlikku olukorda, mille vältimise korral võib see põhjustada surma või raskeid vigastusi.

### HOIATUS

HOIATUS tähistab potentsiaalselt ohtlikku olukorda, mille vältimise korral võib tagajärjeks olla surm või tõsine vigastus.

### ETTEVAATUST

ETTEVAATUST tähistab potentsiaalselt ohtlikku olukorda, mille vältimine võib põhjustada kergeid või mõõdukaid vigastusi.

### TEATIS

TEATIS näitab teavet, mida peetakse oluliseks, kuid mitte ohtlikuks (nt varalise kahjuga seotud sõnumid).



## TÄHTSAD OHUTUSJUHISED

**⚠ OHT**

Generaatori heitgaasid sisaldavad süsinikmonoksiidi, värvitut ja lõhnatut mürgaasi. Süsinikmonoksiidi sissehingamine põhjustab iiveldust, peeringlust, minestust või surma. Kui teil hakkab pea ringi käima või tunnete end nõrgalt, minge kohe värske õhu kätte.

**KASUTAGE GENERAATORIT VÄLJAS AINULT HÄSTI VENTILEERITUD KOHAS JA SUUNAKE HEITGAASID EEMALE.**

ÄRGE kunagi kasutage generaatorit mis tahes hoones, sealhulgas garaazides, keldrites, tunnelites ja varjualustes, kambrites või ruumides, sealhulgas rahvarohketes kohtades.

VÄLTIGE heitgaaside sattumist kinnistes ruumidesse akende, uste, tuulutusavade või muude avade kaudu.

ÄRGE lisage või paigaldage sellele generaatorile summutit/heitgaasitoru või filtreerimissüsteemi, kuna siis tühistatakse kõik antud garantiid.

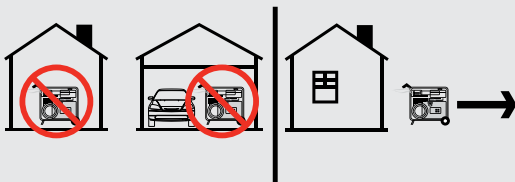
ÄRGE lisage või paigaldage sellele generaatorile summutit/heitgaasitoru või filtreerimissüsteemi, kuna siis tühistatakse kõik antud garantiid.

**⚠ OHT**

Generaatori kasutamine siseruumides või mis tahes kinnistes ruumides **VÕIB TEID MÕNE MINUTIGA TAPPA**. Generaatori väljalase sisaldab süsinikmonoksiidi. See on mürk, mida te ei näe ja mille lõhna te ei tunne.

**ÄRGE KUNAGI** kasutage masinat hoonete või sõidukite sees, **ISEGI KUI** ukсед ja aknad on avatud.

Kasutage **AINULT ÕUES** ja kaugel akendest, udest ja tuulutusavadest.



Paigaldage patareiga süsinikmonoksiidi andurid või tagavaraaku pistikmonoksiidi andurid vastavalt tootja juhisteile.

**⚠ HOIATUS**

Kuigi generaator sisaldab sädemepüüdjat, säilitage minimaalne kaugus 5 jalga. (1,5 m) kuivast taimestikust tulekahjude vältimiseks.

**⚠ OHT**

Kasutage seadmeid, millele on kohaldatud kaitsevahendid.

Käed, jalad, juuksed, riided ja tarvikud võivad takerduda pöörlevatesse osadesse. Tulemuseks võib olla traumaatiline amputatsioon või raske rebenemine.

Hoidke käed ja jalad pöörlevatest osadest eemal.

Siduge pikad juuksed kokku ja eemaldage ehted.

ÄRGE kandke lahtiseid ja rippuvaid riideid või esemeid, mis võivad kinni jääda.

**⚠ OHT**

Generaator toodab võimsat pinget.

ÄRGE puudutage lahtiseid juhtmeid ega pistikupesasid.

ÄRGE kasutage kulunud ega kahjustatud elektrijuhtmeid. Nõuetekohaseks kasutamiseks kasutage ainult Champion elektrijuhtmeid.

ÄRGE kasutage generaatorit märja ilmaga, sh vihma ja lumega.

ÄRGE lubage lastel või kvalifitseerimata isikutel generaatorit kasutada või hooldada.

Kasutage maandusvoolukatkestajat (GFCI) niisketes ruumides ja ruumides, mis sisaldavad elektrit juhtivat materjali, nagu näiteks metallplaadid.

Teie kodu elektrisüsteemiga ühendamiseks on vaja loetletud 30A ülekandelülitit, mille on paigaldanud litsentseeritud elektrik ja mille on heaks kiitnud kohalik omavalitsus. Ühendused peavad eraldama generaatori voolu elektrivõrgust ning vastama kõigile kohaldatavatele seadustele ja eeskirjadele.

**⚠ HOIATUS**

Ärge kasutage generaatorit meditsiinilistel ja elutegevust toetavatel seadmetel.

Hädaolukorras helistage otsekohe numbrile 112.

Ärge kunagi kasutage seda toodet elustamisaparaatide või elustamisseadmete toiteallikana.

Ärge kunagi kasutage seda toodet meditsiiniseadmete ja meditsiini aparaatide toiteks.

Teavitage viivitamatult oma elektritarnijat, kui teie või kellegi teie leibkonnaliikme elu sõltub elektriseadmetest.

Teavitage viivitamatult oma elektritarnijat, kui voolukatkestus põhjustab teile või mõnele teie leibkonnaliikmele hädaabi.

**⚠ HOIATUS**

Süüteküünla juhtme eemaldamisel võib tekkida säde, mis võib põhjustada tulekahju või elektrilöögi.

**Generaatori hooldamisel:**

Ühendage süüteküünla juhe lahti ja asetage see nii, et see ei saaks süüteküünlaga kokku puutuda.

ÄRGE kontrollige voolu olemasolu eemaldatud pistikuga.

Kasutage ainult heakskiidetud süüteküünla testereid.

**⚠ HOIATUS**

Töötavad mootorid toodavad soojust. Kokkupuutel võivad tekkida rasked põletused. Kergestisüttiv materjal võib kokkupuutel süttida.

ÄRGE puudutage kuumi pindu.

Vältige kokkupuudet kuumade heitgaasidega.

Laske seadmetel jahtuda, enne kui neid puudutate.

Hoidke vähemalt 3 jalga (91,4 cm) ruumi igast küljest, et tagada piisav jahutus.

Hoidke vähemalt 5 jalga (1,5 m) kaugust kergestisüttivatest materjalidest.

**⚠ HOIATUS**

Käivitusnööri tagasitõmbamine võib kätt kiiremini mootori poole tagasi tõmmata, kui olete suuteline lahti laskma. Ebateadlik käivitaminine võib põhjustada käe takerdumist, traumaatilist amputatsiooni või rebenemist. Tulemuseks võivad olla luumurrud, mõrad, verevalumid või nihestused.

Mootori käivitamisel tõmmake käivitusnööri aeglaselt, kuni tunnete vastupanu, ja tõmmake seejärel kiiresti, et vältida tagasilööki.

ÄRGE käivitage ega peatage mootorit, kui sellega on ühendatud elektriseadmed.

**⚠ ETTEVAATUST**

Mootori käivitamisel tõmmake starterinööri aeglaselt, kuni tunnete vastupanu, vabastage see siis aeglaselt ja käivitage ühe jõulise kiire tõmbega, et vältida tagasilööki või starterinööri ühenduse kahjustust. Karmikäeline tirimine võib kahjustada starterinööri ühendust ja muuta garantii kehtetuks.

**⚠ ETTEVAATUST**

Generaatori töövõimsuse ületamine võib kahjustada generaatorit ja/või sellega ühendatud elektriseadmeid.

ÄRGE koormake generaatorit üle.

ÄRGE muutke reguleeritud kiirust.

ÄRGE muutke generaatorit mingil viisil.

**⚠ ETTEVAATUST**

Käivitage generaator ja laske mootoril stabiliseeruda enne elektriliste koormuste ühendamist.

Ühendage elektriseadmed väljalülitatud asendis ja seejärel lülitage need tööks sisse.

Enne generaatori peatamist lülitage elektriseadmed välja ja ühendage need lahti.

**⚠ ETTEVAATUST**

Generaatori ebaõige modifitseerimine või kasutamine võib seda kahjustada, lühendada selle eluiga või tühistada garantii.

Kasutage generaatorit ainult ettenähtud otstarbeks.

Töötage ainult tasasel pinnal.

Hoidke generaatorit liigse niiskuse, tolmu, mustuse ja vee eest.

ÄRGE laske ühelgi materjalil blokeerida jahutusavasid.

Kui ühendatud seadmed kuumenevad üle, lülitage need välja ja ühendage generaatorist lahti.

**ÄRGE kasutage generaatorit, kui:**

- Elektriline väljund on kadunud
- Seadmetest tuleb sädemeid, suitsu või leeki
- Seade vibreerib liigselt

**Kütuse ohutus****⚠ OHT****BENSIIN JA BENSIINIAURUD ON VÄGA TULE- JA PLAHVATUSOHTLIKUD.**

Tulekahju või plahvatus võib põhjustada raskeid põletusi või surma.

**Bensiin ja bensiinaurud:**

- Bensiin on väga tule- ja plahvatusohtlik.
- Bensiin võib süütamisel põhjustada tulekahju või plahvatus.
- Bensiin on vedel kütus, kuid selle aurud võivad süttida.

- Bensiin on nahka ärritav ja see tuleb kohe ära puhastada, kui see satub nahale või riietele.
- Bensiinil on iseloomulik lõhn, mis aitab võimalikke lekkeid kiiresti avastada.
- Bensiin paisub või tõmbub kokku vastavalt ümbritsevale temperatuurile. Ärge kunagi täitke bensiinipaaki ääreni täis, sest bensiin vajab temperatuuri tõustes ruumi laienemiseks.
- Bensiinipõlengu korral ei tohi leeke kunagi kustutada, enne kui kütusevarustus on välja lülitatud. Seda seetõttu, et võib tekkida plahvatusoht.

#### **Bensiini lisamisel või eemaldamisel:**

ÄRGE süüdake lahtist tuld ega suitsetage sigarette generaatori lähedal.

Enne bensiinikorgi eemaldamist lülitage generaator alati välja ja laske vähemalt kaks minutit jahtuda. Pärast seda vabastage bensiinikork, et bensiinipaagist rõhk välja lasta.

Täitke või tühjendage bensiini ainult välitingimustes ja hästi ventileeritud kohas.

ÄRGE pumbake bensiini otse generaatorisse bensiinjaamas. Bensiini transportimiseks generaatorisse kasutage alati heakskiidetud kütusemahutit.

ÄRGE täitke bensiinipaaki üle.

Hoidke bensiini alati eemal sädemetest, lahtisest leegist, signaallampidest, kuumusest ja muudest süttimisallikatest.

#### **Generaatori käivitamisel:**

ÄRGE üritage kahjustatud generaatorit käivitada.

Alati veenduge, et gaasikork, õhufilter, süüteküünal, kütusevoolikud ja väljalaskesüsteem on korralikult paigas.

Enne mootori käivitamist laske alati välja tilkunud bensiinil täielikult aurustuda.

Veenduge, et generaator seisab kindlalt tasasel pinnal.

#### **Generaatori kasutamisel:**

Ärge liigutage ega kallutage generaatorit töö ajal.

ÄRGE kallutage generaatorit ega laske kütusel või õilil välja voolata.

#### **Generaatori transportimisel või hooldamisel:**

Veenduge, et kütuseklapp on asendis OFF ja bensiinipaak on tühi.

Ühendage süüteküünla juhe lahti.

#### **Generaatori ladustamisel:**

Hoidke eemal sädemetest, lahtisest leegist, signaallampidest, kuumusest ja muudest süüteallikatest.

Ärge hoidke generaatorit ja bensiini ahjude, veeboilerite või muude soojustekitavate või automaatse süütega seadmete läheduses.

### **⚠ OHT**

ÄRGE KUNAGI pange bensiinimahutit, kütusepaaki, gaasiballooni või muud süttivat ainet töötava mootori heitgaaside väljalasketele.

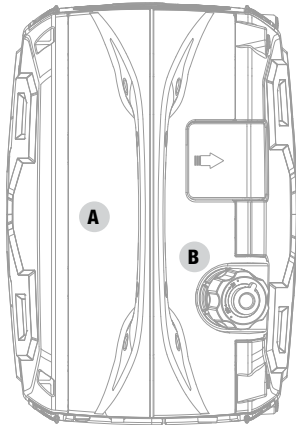
### **⚠ HOIATUS**

Ärge kunagi kasutage bensiinimahutit, bensiinipaaki või muud kütuseelementi, mis on purunenud, pragunenud, mõlakis või muul moel kahjustatud.

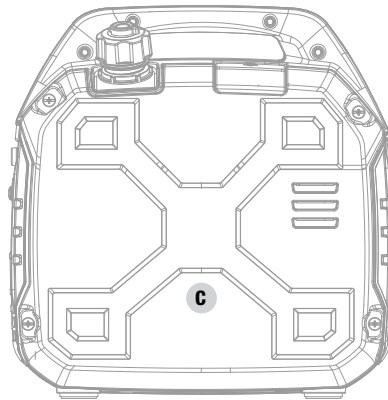
### Ohutuse ja andmesiltide etiketid

Need sildid hoiatavad teid võimalike ohtude eest, mis võivad põhjustada tõsiseid vigastusi. Lugege neid hoolikalt.

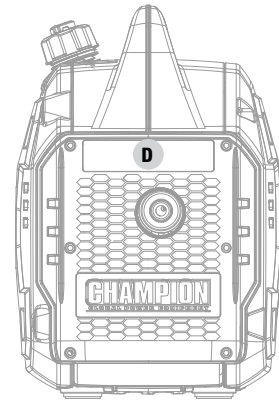
Kui silt tuleb maha või muutub raskesti loetavaks, võtke ühendust Technical Support Team, et see asendada.



Pealtvaade



Külgvaade




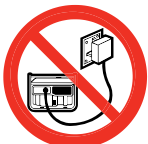







Summuti

	SILT	KIRJELDUS
A		<p>Ohutussümbolid/ CO oht</p> <p>CO Shield® toime – generaatori automaatne väljalülitumine</p> <p>*Vt CO Shield® jaotist</p>
B		<p>Kütus</p>
C		<p>Andmesilt</p>
D		<p>Kuum pind</p>

## Ohutussümbolid







Selle toote peal võidakse kasutada järgmisi sümboleid. Palun uurige neid ja tehke selgeks nende tähendus. Nende sümbolite nõuetekohane tõlgendamine võimaldab teil toodet ohutumalt kasutada.



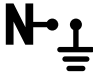



SÜMBOL	TÄHENDUS
	<b>Ettevaatust.</b>
	<b>Enne kasutamist lugege kasutusjuhendit.</b> Vigastusohu vähendamiseks peab kasutaja enne selle toote kasutamist kasutusjuhendi läbi lugema ja sellest aru saama.
	<b>Ei ole mõeldud üldiseks jäätmekäitluseks.</b>
	Generaatorit ei tohi ühendada teiste toiteallikatega, näiteks elektriettevoite toitevõrguga.
	<b>Elektriline oht.</b> Märghades tingimustes kasutamine ja ohtlike tavade järgimine võib põhjustada elektrilöögi. Ebaõiged ühendused hoonega võivad võimaldada voolul tagasivoolu elektriliinidesse, tekitades elektrilöögi ohu. Hoonega ühendamisel tuleb kasutada ülekandelülitit.
	<b>Tuleoht.</b> Kütus ja kütuseaurud on väga tule- ja plahvatusohtlikud. Tulekahju või plahvatus võib põhjustada raskeid põletusi või surma. Hoidke generaator vähemalt 5 jala (1,5 m) kaugusel teistest esemetest, et vältida süttimist.
	<b>Põletusoht.</b> Vigastuste või kahjustuste ohu vähendamiseks vältige kokkupuudet kuuma pinnaga.
	<b>Süsinikmonooksiidi (CO) oht.</b>
	<b>Märghade tingimuste hoiatus.</b> Ärge kasutage vihmastes, niisketes oludes, välja arvatud juhul, kui peate töötama vihmas või niisketes kohtades, ÄRGE kasutage generaatorit ilma elektriliste komponentide nõuetekohaste kaitsmeteta. Kasutada võib tulekindlat turvakatet, mis tagab mootori heitgaasivoolule korraliku õhuventilatsiooni. Hoidke alati kõik objektid vähemalt 5 jalga (1,5 m) generaatorist eemal. Summutist ja heitgaasitorust tulenev kuumus võib kergestisüttivad materjalid põlema panna.

EE

## Kasutamise sümbolid

Selle toote peal võidakse kasutada järgmisi sümboleid. Palun uurige neid ja tehke selgeks nende tähendus. Nende sümbolite nõuetekohane tõlgendamine võimaldab teil toodet ohutumalt kasutada.

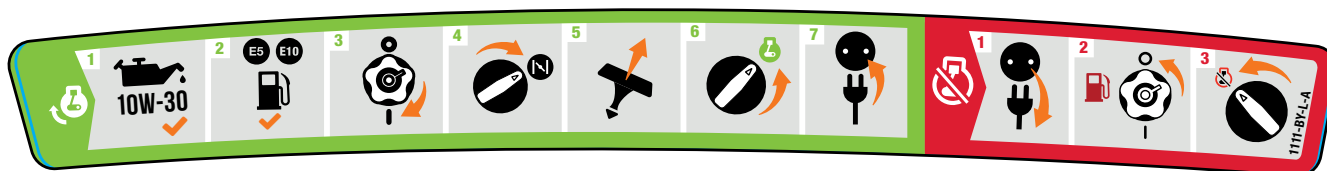
SÜMBOL	TÄHENDUS
	Töötamine
	Stop
	Puudub kütus
	Õhuklapp
	12 V alalisvool
	Kaitselüliti lähtestamine: lükka

SÜMBOL	TÄHENDUS
	Paralleelühendus(ed)
	Maandusühendus
	<b>Neutraal</b> Neutraalring EI OLE elektriliselt ühendatud generaatori raami/generaatori maandusega.
	Ülekoormuse lähtestamise lüliti
	Õlitase madal
	Säästurežiimi lüliti



## Põhilised sümbolid

Selle toote peal võidakse kasutada järgmisi sümboleid. Palun uurige neid ja tehke selgeks nende tähendus. Nende sümbolite nõuetekohane tõlgendamine võimaldab teil toodet ohutumalt kasutada.



### Mootori käivitamine



Viige generaator õue, akendest, uustest ja sissetõmbe ventilatsioonidest eemale.

- Kontrollige õli taset.**  
Soovitav õli on 10W-30.
- Kontrollige bensiini taset.**  
Bensiini lisamisel kasutage vähemalt 85 oktaanarvuga kütust ja etanoolisisaldust kuni 10% kogumahu.
- Keerake **kütusepaagi õhutushoob** asendisse „ON“.
- Keerake **starterinupp** asendisse „ÕHUKLAPP“.
- Tõmmake starterinööri.
- Keerake **starterinupp** asendisse „TÖÖTAMINE“.
- Ühendage soovitud seade.

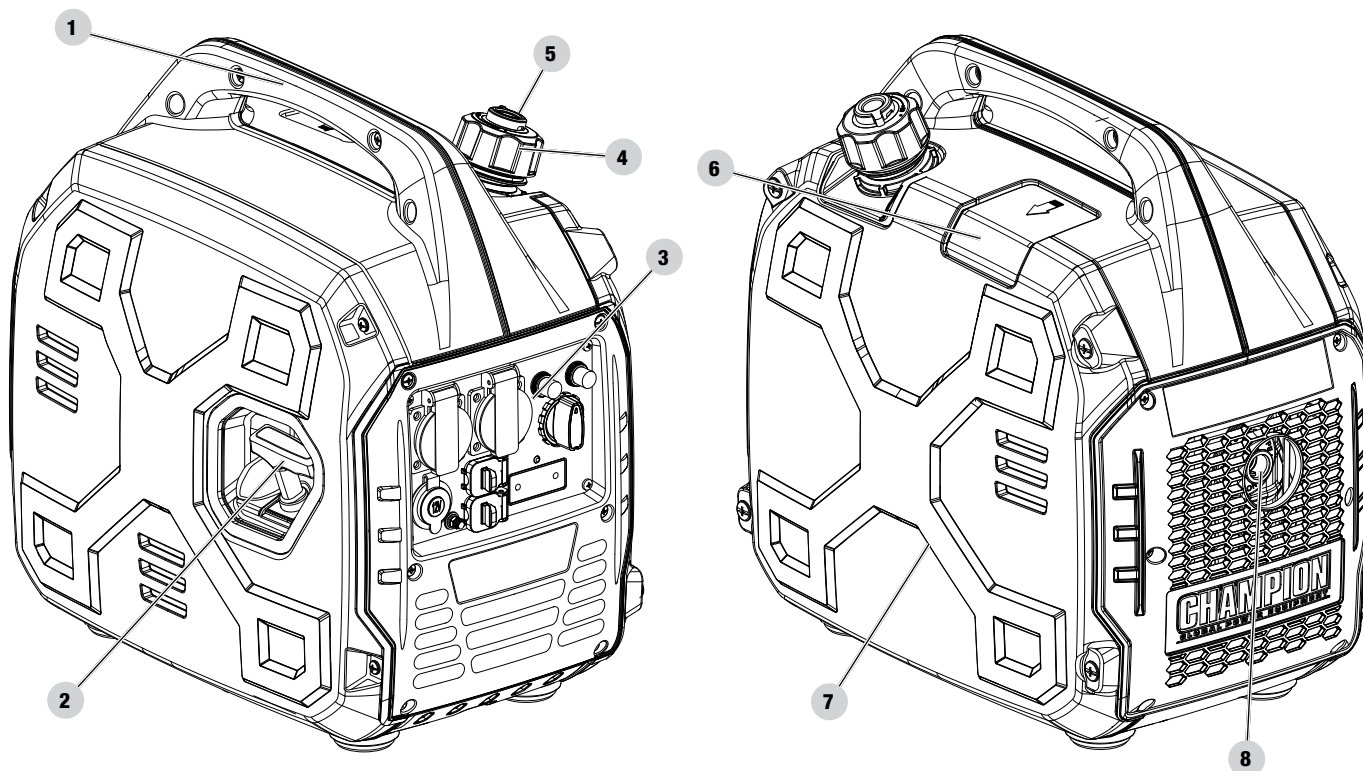
### Mootori seiskamine

- Lülitage välja ja eemaldage kõik ühendatud elektrilised koormused.
- Keerake **kütusepaagi õhutushoob** asendisse „OFF“.
- Keerake **starterinupp** asendisse „STOP“.

## JUHTELEMENDID JA OMADUSED

Enne generaatori käitamist lugege seda kasutusjuhendit. Tutvuge juhtelementide asukoha ja funktsioonidega. Hoidke see juhend edaspidiseks kasutamiseks alles.

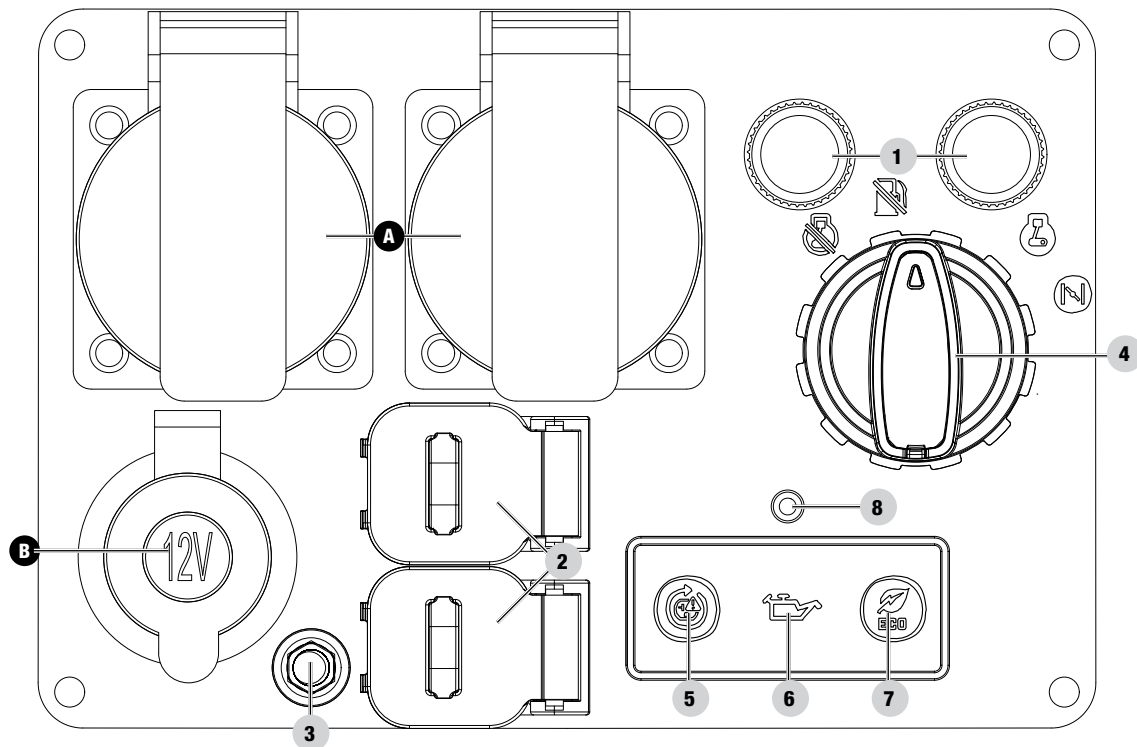
### Generaator



1. **Käepide** – kasutatakse seadme tõstmiseks või kandmiseks.
2. **Starterinöör** – kasutatakse mootori käsitsi käivitamiseks.
3. **Juhtpaneel** – vt jaotist *Juhtpaneel*.
4. **Kütusepaagi kork** – kütuse lisamiseks eemaldada.
5. **Kütusekorgi õhutushoob** – paaki õhu laskmiseks keerake hoob asendisse „ON”

6. **Süüteküünla juurdepääsukate**
7. **Hoolduskate**
8. **Summuti**

## Juhtpaneel



- Kaitseülilidid** – kaitsevad generaatorit elektrilise ülekoormuse eest.
- Paralleelväljalase** – kasutatakse kahe inverteri samaaegseks kasutamiseks suurema võimsuse saamiseks (paralleelväljalaske komplekti müüakse eraldi).
- Maandusklemm** – kohalike määrustega tutvumiseks konsulteerige elektrikuga.
- Starterinupp** – kasutatakse generaatori käivitamiseks, seiskamiseks ja õhu juurdevoolu vähendamiseks.
- Vahelduvvoolu ülekoormuse lähtestamise lüliti** – kasutatakse pärast ülekoormuse riket.
- Madala õlitaseme hoiatustuli** – kui tuli põleb, siis mootor lülitub välja ega tööta enam. Kontrollige õli taset.
- Säästurežiimi nupp** – võimaldab sisse/välja lülitada automaatset tühikäigukontrolli.
- CO Shield® LED-valgusti** – CO Shield® tehnoloogia jälgib generaatori töötamise ajal mootori heitgaasidest tekkiva ohtliku vingugaasi (CO) kogunemist. Kui CO Shield® tuvastab vingugaasi koguse tõusu, lülitab see automaatselt mootori välja.

VÄLJUNDID	
A	 <b>(2×) 220 V vahelduvvool, 16A</b> Võib kasutada 220 V, 16 A, ühefaasilise, 50 Hz vahelduvvoolu tagamiseks
B	 <b>12 V alalisvool, 8 A (reguleeritud autotööstus)</b> Võib kasutada 12 V, 8 A alalisvoolu tagamiseks.

 **HOIATUS**

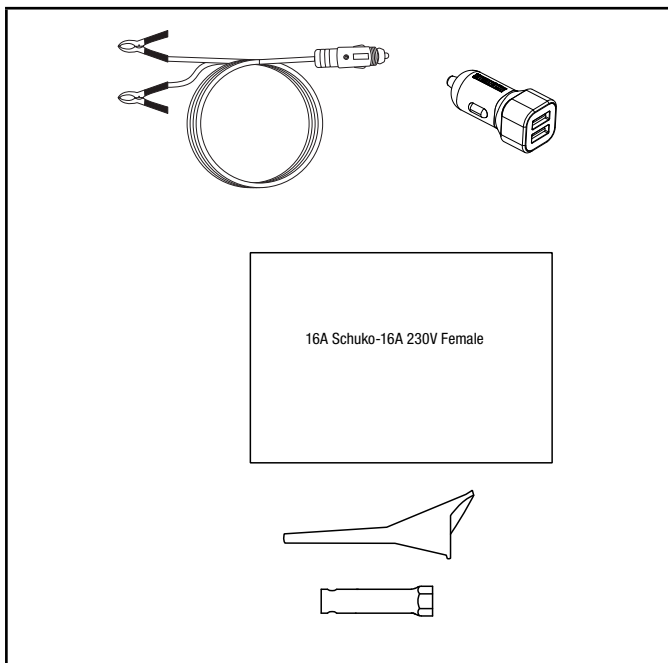
Kui laadite mingit seadet, ärge pange seda generaatori heitgaasipoolsele küljele. Heitgaasist põhjustatud ülisuur kuumus võib seadet kahjustada ja olla tuleohtlik. Pikaajaline kokkupuude mootori heitgaasiga võib põhjustada tõsiseid vigastusi või surma.

EE

## Komplekti kuuluvad osad

### Lisatarvikud

12 V alalisvoolu aku laadimise kaabel .....	1
12 V alalisvoolu USB adapter .....	1
16 A Schuko - 16 A 230 V emane .....	1
Süüteküünla pesa .....	1
Õlilehter .....	1



## KOKKUPANEK

Teie generaator nõuab mõningast kokkupanekut. See seade saadetakse meie tehastest ilma õlita. Enne kasutamist tuleb seda nõuetekohaselt kütuse ja õliga hooldada.

Kui teil on küsimusi generaatori kokkupaneku kohta, võtke ühendust Technical Support Team. Palun otsige sel juhul välja seerianumber ja mudelinumber.

## Lahtipakkimine

1. Asetage transpordikarp kindlale, tasasele pinnale.
2. Eemaldage karbist kõik peale generaatori.
3. Kasutades seadme käepidemeid, võtke generaator ettevaatlikult karbist välja (soovitav on tõsta kahe inimesega).

## Mootoriõli lisamine



### ⚠ ETTEVAATUST

ÄRGE üritage mootorit käivitada enne, kui see on eelnevalt täidetud õiget tüüpi ja õiges koguses õliga. Nende juhiste eiramisel tekkinud kahju generaatorile muudab teie garantii kehtetuks.

### MÄRKUS

Generaatori rootoril on kinnine, eelmääritud kuullaager, mis ei vaja laagri eluea jooksul täiendavat määret.

### MÄRKUS

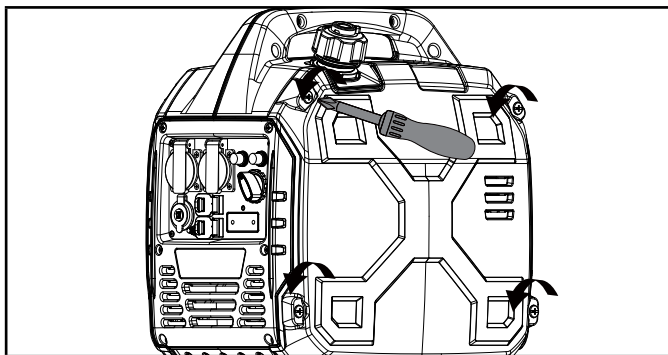
Tüüpiliseks kasutamiseks soovitav õli on **10W-30 mootoriõli**. Sellegipoolest võib tüüpiliseks kasutamiseks, sealhulgas mootori sissetöötamisperioodi esimeseks 5 tunniks kasutada ka diagrammil „Soovitav mootoriõli tüüp“ näidatud tavalisi õlisid.

Generaatori kasutamisel äärmuslikel temperatuuridel vaadake diagrammi „Soovitav mootoriõli tüüp“.

Recommended Engine Oil Type	
	10W-30
	5W-30
	10W-40
	5W-30 Full Synthetic
°F	-20 0 20 40 60 80 100 120
°C	-28.9 -17.8 -6.7 4.4 15.6 26.7 37.8 48.9
Ambient temperature	

1. Asetage generaator tasasele ja ühtlasele pinnale. Õli lisamisel ärge pange generaatorit nurga alla ega kallutage seda.

2. Keerake neli kattekrui lõdvemale ja eemaldage hoolduskate.



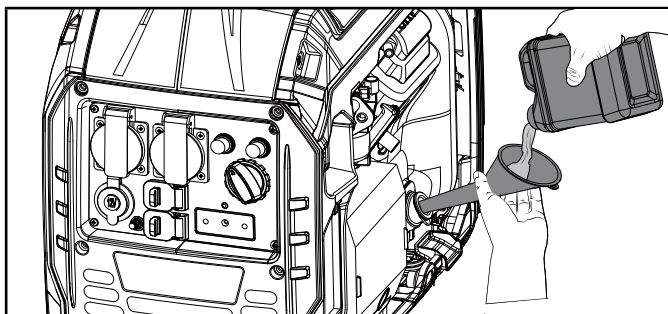
3. Õli lisamiseks eemaldage õlikork/õlimõõtevarras.
4. Kasutades letrit lisage kuni 16.9 fl. oz. (500 ml) õli ja asetage tagasi nii kork/mõõtevarras kui ka hoolduskate. ÄRGE TÄITKE ÜLE.

### MÄRKUS

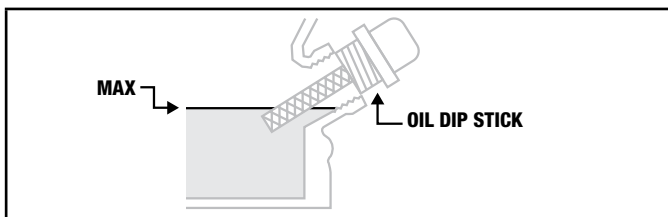
Kui kasutate õlitaseme kontrollimiseks mõõtevarrast, ÄRGE keerake

seda kontrollimiseks sisse, pange see lihtsalt vastu serva .

Üldreeglina on õli tase piisav, kui seda on visuaalselt näha avause keskmistest kuni ülemiste keermeteni. Õli lisamisel ärge pange generaatorit nurga alla ega kallutage seda.



5. Kontrollige mootoriõli taset enne igat kasutamist ja vajadusel lisage seda.



### MÄRKUS

Sissetöötamisperioodi ajal kontrollige õli sagedasti. Soovituslikke hoolduse ajavahemikke vaadake jaotisest Hooldus.

**MÄRKUS**

Kui kasutate õlitaseme kontrollimiseks mõõtevarrast, ÄRGE keerake seda kontrollimiseks sisse, pange see lihtsalt vastu avause serva.

Üldreeglina on õli tase piisav, kui seda on visuaalselt näha avause keskmistest kuni ülemiste keermeteni. Õli lisamisel ärge pange generaatorit nurga alla ega kallutage seda.

**⚠ ETTEVAATUST**

Mootor on varustatud madala õlitaseme lülitiga, mis peatab mootori, kui karteri õlitase langeb alla künnise.

**MÄRKUS**

Esimesed 5 tundi tööaega loetakse seadme sissetöötamisperioodiks. Sissetöötamisperioodi ajal hoidke 50% koormust või alla selle ja muutke aeg-ajalt koormust, et starteri mähised saaksid kuumeneda ja jahtuda. Koormuse muutmine põhjustab ka mootori pöörlemiskiiruse muutumist ja aitab kolvirõngastel kohale asetuda. Pärast 5-tunnist sissetöötamisperioodi vahetage õli.

**MÄRKUS**

Sünteeetilist õli võib kasutada pärast 5-tunnist esialgset sissetöötamisperioodi. Sünteeetilise õli kasutamine ei muuda soovitatava õlivahetuse intervalli väiksemaks. Täissünteeiline 5W-30 õli aitab külmas keskkonnas <math>< 5^{\circ}\text{C}</math> (<math>41^{\circ}\text{F}</math>) käivitada.

**Kütuse lisamine** **⚠ OHT**


Bensiinaurud on väga tule- ja plahvatusohtlikud.

ÄRGE süüdake tuld ega suitsetage sigarette generaatori lähedal. Tulekahju või plahvatus võib põhjustada raskeid põletusi või surma.

Lisage või tühjendage kütust ainult väljas, hästi ventileeritud kohas. ÄRGE pumbake bensiini otse generaatorisse bensiinijaamas. Bensiini transportimiseks generaatorini kasutage alati sobivat kütusemahutit.

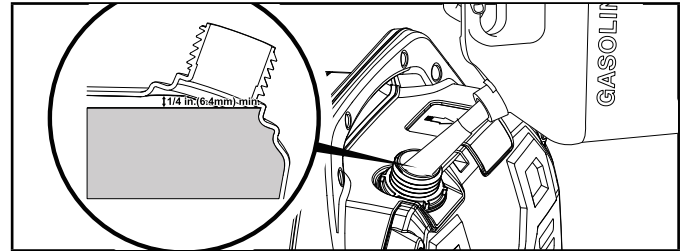
Ärge kunagi kasutage bensiinimahutit, bensiinipaaki või muud kütuselementi, mis on purunenud, pragunenud, mõlakis või muul moel kahjustatud.

ÄRGE täitke bensiinipaaki üle. Hoidke bensiini alati eemal sädemetest, lahtisest leegist, signaallampidest, kuumusest ja muudest süttimisallikatest.

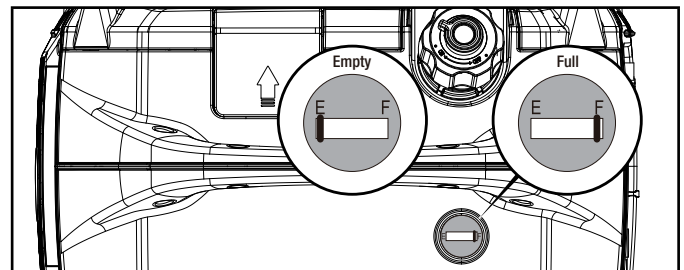
Kasutage puhast, värsket, tavalist pliivaba bensiini, mille miinimum oktaanarv on 85 ja mille etanoolisisaldus on kuni 10% kogumahust. 

ÄRGE segage õli bensiiniga.

1. Eemaldage bensiinipaagi kork.
2. Lisage aeglaselt kütust paaki. ÄRGE TÄITKE ÜLE. Bensiin võib pärast täitmist paisuda. Paisumiseks on vaja jätta vähemalt  $\frac{1}{4}$  tolli (6,4 mm) ruumi, kuigi soovitatav on jätta rohkem kui  $\frac{1}{4}$  tolli (6,4 mm). Ületäitmise korral võib bensiin paisumise tagajärjel paagist välja tungida ja mõjutada generaatori stabiilset tööd.



3. Kütuse ligikaudne tase on näha kütusepaagi peal oleval kütusenäidikul.



4. Keerake bensiinipaagi kork kinni ja pühkige ära välja tilkunud kütus.

**⚠ ETTEVAATUST**

Kasutage pliivaba bensiini, mille minimaalne oktaanarv on 85 ja mille etanoolisisaldus on kuni 10% kogumahust.

Kütusepaagi täitmise ajal ÄRGE süüdake sigarette ega suitsetage.

ÄRGE segage õli bensiiniga. See on neljataktiline mootor, kus õli ja bensiin on eraldi.

ÄRGE täitke paaki üle. Täitke paak umbes  $\frac{1}{4}$  tollini (6,4 mm) allpoole paagi ülemisest servast, et bensiin saaks paisuda.

ÄRGE pumbake bensiini otse bensiinijaamas generaatorisse. Bensiini transportimiseks generaatorini kasutage alati heakskiidetud kütusemahutit.

ÄRGE täitke kütusepaake siseruumides, garaažis, kuuris ega muudes hoonetes.

ÄRGE täitke paaki, kui mootor töötab või on kuum. Enne kütuse lisamist laske sellel vähemalt 30 minutit jahtuda.



**⚠ HOIATUS**

Kui bensiini valatakse liiga kiiresti, võib see pritsida generaatorile ja kasutajale.

**MÄRKUS**

Generaatori mootor töötab hästi 10% või vähema etanooliga segatud bensiiniga. Etanooli ja bensiini segude kasutamisel on mõned probleemid, mida tasub tähele panna.

- Etanooli ja bensiini segud võivad absorbeerida rohkem vett kui puhas bensiin.
- Need segud võivad lõpuks eralduda, jättes paaki, kütuseklapile ja karburaatorisse vett või vesist lima. Rikutud bensiin võib sattuda karburaatorisse ja põhjustada mootorikahjustusi ja/või võimalikke ohte.
- Kui kasutatakse kütuse stabilisaatorit, veenduge, et see on mõeldud etanool-bensiini segudele.
- Tootja garantii ei hõlma mis tahes kahjustusi või ohte, mis on põhjustatud kõrgema kui 10%-lise etanoolisisaldusega bensiini kasutamisest, valesti ladustatud bensiinist ja/või valesti segatud stabilisaatorite kasutamisest.

Pärast igat kasutamist on alati soovitatav sulgeda bensiini pealevool ja lasta mootoril tühjaks käia. Pikemaajalise mittekasutamise korral vaadake ladustamise juhiseid.

**Maandus**

Teie generaator peab olema korralikult ühendatud maandusega, et vältida elektrilööki.

**⚠ HOIATUS**

Kui generaator ei ole korralikult maandatud, võib see põhjustada elektrilöögi.

Generaatori külge kinnituvad maandusklemmid on komplektis kaasas (vt Juhtelemendid ja omadused). Kaugmaandamiseks ühendage suuregabariidiline (vähemalt 12 AWG) vasktraat generaatori maandusklemmide ja maapinnale paigaldatud vaskvarda vahele. Soovitame tungivalt konsulteerida kvalifitseeritud elektrikuga, et tagada vastavus kohalikele elektriseadustikele.

**Neutraal\*(generaatoril)**

- Neutraal **EI OLE** elektriliselt ühendatud generaatori raami/ generaatori maandusega.
- Generaator (staatori mähis) on isoleeritud raamist ja vahelduvvoolu maandatud pistikupesast.
- Elektriseadmed, mis nõuavad maandatud pistikupesast ühendust, ei tööta, kui pistikupesast maanduskontakt ei tööta.

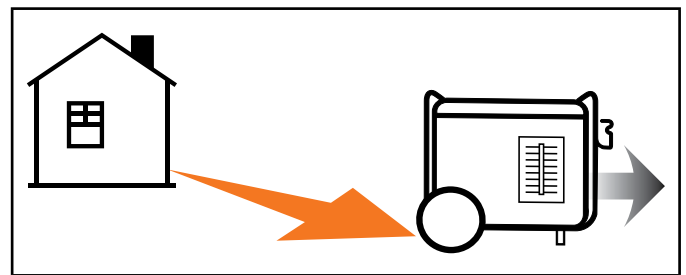
**Neutraal on raamiga ühendatud\***

- Neutraal**ON** elektriliselt ühendatud generaatori raami/ generaatori maandusega.
- Generaatorisüsteemi maandus ühendab alumise raami risttala generaatori all. Süsteemi maandus on ühendatud vahelduvvoolu neutraalse juhtmega.

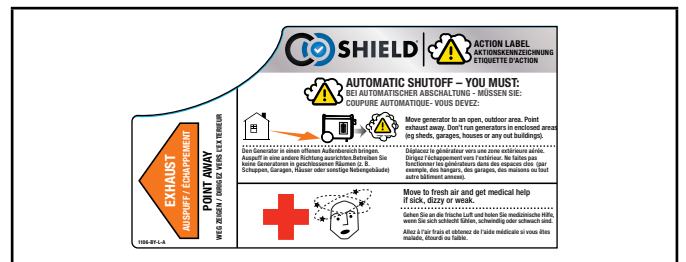
\*Teatud tüüpi maanduse kohta vaadake jaotist Tehnilised andmed.

**TÖÖTAMINE****CO Shield® - vingugaasi (CO) tuvastamise ja automaatse väljalülitumise süsteem.**

CO Shield® tehnoloogia jälgib generaatori töötamise ajal mootori heitgaasidest tekkiva ohtliku vingugaasi kogunemist. Kui vingugaasi kaitse tuvastab vingugaasi koguse tõusu, lülitab see automaatselt mootori välja. Generaatorit tuleb kasutada välitingimustes, eluhoonetest kaugel ja heitgaaside väljumine peab olema suunatud inimestest ja hoonetest eemale.



Kui seda kasutatakse valesti ja kasutatakse kohtades, kus CO koguneb suletud või osaliselt suletud ruumides, näiteks majas, garaažis või poolavatud uksega garaažis, lülitab vingugaasi kaitse generaatori automaatselt välja ja süttib vastav punane LED-tuli. Järgmiste sammude astumiseks lugege tegevusjuhiseid. **CO Shield® ei sobi siseruumide vingugaasi alarmi asendamiseks.**



Kui otsite generaatoril seiskumise põhjust, näete vilkuvat **punast** LED-tuld vingugaasi kaitse piirkonnas, mis annab teada, et generaator seiskus kogunenud vingugaasi ohu tõttu. Punane LED-tuli vilgub peale seiskumist vähemalt viis (5) minutit.



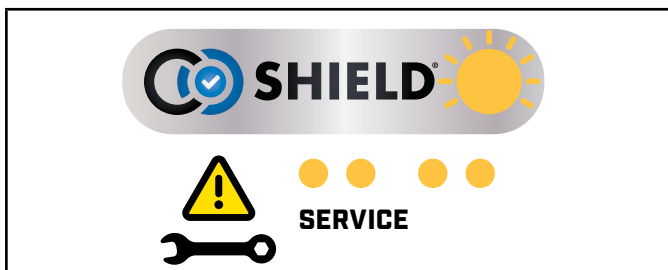
Viige generaator välja, avatud piirkonda ja suunake heitgaasid inimestest ja hoonetest eemale. Kui generaator on ohutusse piirkonda viidud, võib selle uuesti käivitada ja korralikud elektriühendused luua. Suunake ruumi, kus generaator seiskus, värsket õhku ja õhutage seda.

Kui uuesti käivitatakse, vilguvad punane ja kollane LED-tuli kümme (10) korda samal ajal, et näidata, et tuli töötab.

### MÄRKUS

Tule vilkumine ei tähenda, et vingugaasi kaitse töötab, sest see töötab alati, kui generaator töötab. LED-tuli ei vilgu kümme (10) korda, kui generaator pannakse uuesti tööle 1 minuti jooksul peale käsitsi seiskamist. Seda ei juhtu siis, kui generaator lülitus välja kõrge vingugaasi koguse tõttu.

Kui vingugaasi kaitse süsteemil on viga ja see enam kaitset ei taga, lülitub generaator automaatselt välja ja **kollane** LED-tuli vilgub vähemalt viis (5) minutit, et veast märku anda.



Võtke paranduseks ühendust meie tehnilise toe meeskonnaga numbril [service@bpeholdings.co.uk](mailto:service@bpeholdings.co.uk). Te saate generaatori küll käivitada, kuid see lülitub pidevalt välja.

### MÄRKUS

Vingugaasi kaitse tuvastab vingugaasi kogunemise ka muust kütuse põlemisest näiteks samas piirkonnas kasutatavad mootoriga tööriistad või propaanikütteseadmed. Kui kasutatakse mingit muud generaatorit ja heitgaasid on suunatud CO Shield® tehnoloogiaga generaatori poole, võib viimane seadme kogunevate vingugaaside tekkimise tõttu välja lülitada. Tegemist ei ole rikkega. Seade tuvastab ohtliku vingugaasi. Viige oma seade mujale ja suunake see nii, et vingugaas inimestest ja hoonetest kaugemale eemale leviks.

### ! OHT

CO Shield® süsteemi muutmine võib ohtliku olukorra tekitada ja muudab garantii kehtetuks.

Vingugaasi kaitse eemaldamine ei lase generaatorit käivitada.

### Generaatori asukoht

### ! HOIATUS

ÄRGE kunagi kasutage generaatorit mis tahes hoones, sealhulgas garaažides, keldrites, tunnelites, kambrites ja varjualustes, sealhulgas rahvarohketes kohtades.

ÄRGE kunagi kasutage ega käivitage generaatorit maasturite, haagiste, veoautode tagakülgedel, treppide, seinte või hoonete kõrval või muus kohas, mis ei võimalda generaatori piisavat jahutamist ega heitgaasi nõuetekohast väljutamist summuti süsteemist.

ÄRGE kasutage ega hoidke generaatorit niisketes ilmastikutingimustes, näiteks vihma või lume käes. Generaatori kasutamine niisketes tingimustes võib elektrilöögi ohu tõttu põhjustada tõsiseid vigastusi või isegi surma.

Mõnes riigis peavad generaatorid olema registreeritud kohaliku kommunaalteenuse osutaja juures, kui neid kasutatakse ehitusplatsidel. Neile võidakse kohaldada täiendavaid eeskirju ja määrusi, seega konsulteerige oma kohaliku omavalitsusega.

Generaatorid peavad alati (ka töövälisel ajal) olema tasasel ja ühtlasel pinnal.

Generaatorid peavad olema vähemalt 1,5 m (5 jala) kaugusel kergesti süttivatest materjalidest.

Generaatoritel peab olema vähemalt 91,4 cm (3 jalga) vaba ruumi igast küljest, et tagada piisav jahutamine, juurdepääs hoolduseks ja teeninduseks.

Asetage alati generaator hästi ventileeritud kohta. ÄRGE paigutage generaatorit ventilatsioonivade või sisselaskeavade lähedusse, kust heitgaasid võivad sattuda kinnistesse ruumidesse.

Generaatori paigutamisel arvestage hoolikalt tuule ja õhuvooludega.

Laske generaatoritel enne transportimist või ladustamist korralikult jahtuda.

Nõuetekohaste ohutusnõuete eiramine võib põhjustada vigastusi, generaatori kahjustamist ja tootja garantii tühistamist.

### ! HOIATUS

Töötamise ajal muutuvad nii summuti kui ka tekkivad heitgaasid kuumaks. Kui puudub piisav jahutusruum või kui generaator on kaetud või suletud, võib temperatuur väga kuumaks minna ja põhjustada tulekahju.

**⚠ HOIATUS**

ÄRGE muutke heitgaasitorude/summuti ehitust ega lisage neile mingeid pikendusi või lisaosid. See muudab garantii kehtetuks.

**Märgade tingimuste hoiatus.** Ärge kasutage vihmastes, niisketes oludes, välja arvatud juhul,

kui peate töötama vihmast või niisketes kohtades, ÄRGE kasutage generaatorit ilma elektriliste komponentide nõuetekohaste kaitsmeteta.

Kasutada võib tulekindlat turvakatet, mis tagab mootori heitgaasivoolule korraliku õhuventilatsiooni. Hoidke alati kõik objektid vähemalt 5 jalga (1,5 m) generaatorist eemal. Summutist ja heitgaasitorust tulenev kuumus võib kergestisüttivad materjalid põlema panna.

**Liigpingekaitse**

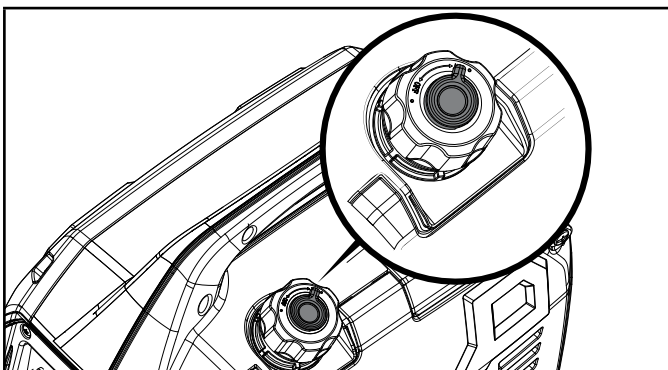
Elektroonikaseadmed, sealhulgas arvutid ja paljud teised programmeeritavad seadmed kasutavad komponente, mis on kavandatud töötama kitsas pingevahemikus ja mida võivad mõjutada hetkelised pingekõikumised. Kuigi pingekõikumisi pole võimalik vältida, võite võtta meetmeid tundlike elektroonikaseadmete kaitsmiseks.

- Paigaldage UL1449, CSA-loetletud liigpingekaitse tundlike seadmete jaoks.

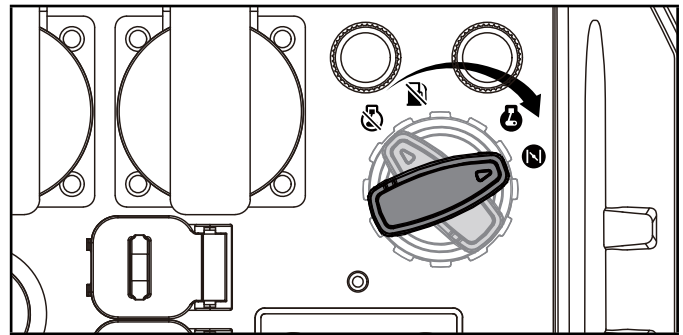
Liigpinge summutajad on saadaval ühe või mitme pistikupesaga. Need on loodud kaitsma peaaegu kõigi lühiajaliste pingekõikumiste eest.

**Mootori käivitamine**

1. Veenduge, et generaator on tasasel ja ühtlasel pinnal.
2. Ühendage kõik elektrilised koormused generaatorist lahti. ÄRGE käivitage ega peatage mootorit, kui sellega on ühendatud elektriseadmed.
3. Keerake kütusepaagi korgil õhutushoob asendisse „ON“.



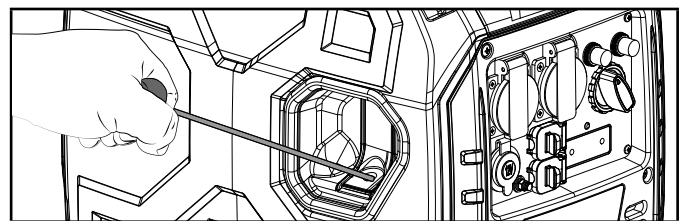
4. Keerake starterinuppu päripäeva asendisse „ÕHUKLAPP“.



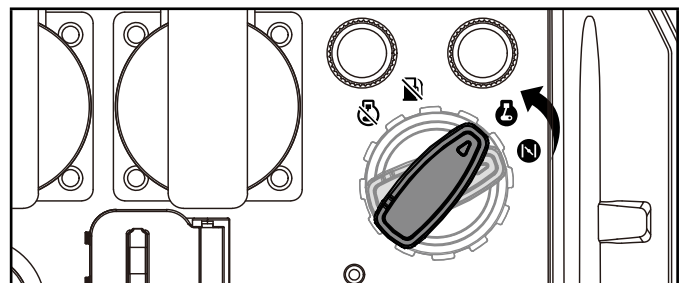
5. Mootori käivitamisel tõmmake starterinööri aeglaselt, kuni tunnete vastupanu, vabastage see siis aeglaselt ja käivitage ühe jõulise kiire tõmbega, et vältida tagasilööki või starterinööri ühenduse kahjustust. Kui mootor ei käivitu, korrake protsessi.

**⚠ HOIATUS**

Karmikäeline ja brutaalne tirimine võib kahjustada starterinööri ühendust ja muuta garantii kehtetuks.



6. Kui mootor soojeneb, keerake starterinupp „TÖÖTAMINE“ asendisse.

**MÄRKUS**

Bensiini kasutamisel ning kuumu mootori ja(või) kõrge õhutemperatuuri >30°C (86°F) korral taaskäivitamisel: keerake starterinupp asendisse „ÕHUKLAPP“, et ühe korra starterinöörist tõmmata. Kui generaator ei käivitu pärast esimest tõmmet, keerake nupp järgmiseks kolmeks tõmbeks „TÖÖTAMINE“ asendisse. Liigne õhuklapi sulgemine põhjustab süüteküünla saastumist ja mootori üleujutamist. See põhjustab mootori mitte käivitumist.

**MÄRKUS**

**Bensiini kasutamisel ja tavalisel õhutemperatuuril >15°C (59°F) käivitamisel:** Hoidke starterinupp asendis „ÕHUKLAPP“, et tõmmata starterinööri kolm korda. Kui generaator peale kolme tõmmet ei käivitu, keerake nupp järgmiseks kolmeks tõmbeks „TÖÖTAMINE“ asendisse. Liigne õhuklapi sulgemine põhjustab süüteküünla saastumise ja mootori üleujutamise. See põhjustab mootori mitte käivitumise.

**MÄRKUS**

**Bensiini kasutamisel ja külmal õhutemperatuuril <15°C (59°F) käivitamisel:** hoidke starterinupp asendis „ÕHUKLAPP“ kuni mootor käivitub. Kohe kui mootor käivitub ja sujuvalt töötab, keerake starterinupp asendisse „TÖÖTAMINE“. Eriti külmal temperatuuridel võib see võtta mitu sekundit.

**MÄRKUS**

Kui mootor käivitub, kuid ei jätka töötamist, veenduge, et generaator on tasasel ja ühtlasel pinnal. Mootor on varustatud madala õlitaseme anduriga, mis takistab mootori töötamist, kui õlitase langeb alla kriitilise piirmäära.

**Elektriliste koormuste ühendamine**

Laske mootoril pärast käivitamist paar minutit rahulikult töötada ja üles soojeneda.

Ühendage ja lülitage sisse soovitud 220 V vahelduvvoolu ühefaasiline ja 50 Hz elektrikoormusega seade.

- ÄRGE ühendage generaatoriga kolmefaasilisi koormusi.
- ÄRGE koormake generaatorit üle.

**! HOIATUS**

Oluline on ühendada seadmed otse generaatorisse ja generaatori toitejuhetele ei tohi ühegi pistikupesaga ega oma kodu kaitselüliti paneeliga ühendada. Generaatori ühendamine oma kodu elektrivõrte elektriliinidega või muu toiteallikaga on ohtlik tegevus, mis on paljudes osariikides ja omavalitsustes ebaseaduslik.

Kui seda toimingut tehakse valesti, võib see kahjustada teie generaatorit, seadmeid ja võib põhjustada tõsiseid vigastusi või surma teile või elektriliini töötajale, kes üritab naabruses voolukatkestuse ajal elektrit taastada. Elektrik võib ootamatult kokku puutuda kõrgepingega ning saada eluohtlikult kannatada ja vigastus võib lõppeda surmava šokiga.

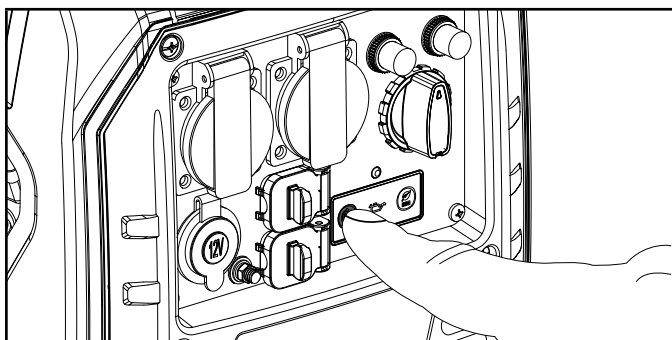
Olenemata sellest, kas vigastused tekivad või mitte, võite saada trahvi, kui generaator on paigaldatud valesti ja seadustega vastuolus, ning teie elektrivõrte võib teie kodus elektri kinni keerata.

Kui generaator ühendatakse hoone elektrisüsteemiga, peavad need ühendused isoleerima generaatori toite kommunaalvoolust. Te vastutate selle eest, et teie generaatori toodetud elekter ei satuks tagasi elektriliinidesse. Need ühendused peavad vastama kõikidele kehtivatele seadustele ja määrustele — konsulteerige oma kohaliku kommunaalvõrte või kvalifitseeritud elektrikuga, et see ühendus korralikult installida.

**Ärge koormake generaatorit üle.****Mahutavus**

Järgige järgmisi lihtsaid samme, et arvutada teie jaoks vajalikud alg- ja töövõimsused.

1. Valige elektriseadmed, mida kavatsete samaaegselt kasutada.
2. Arvutage nende seadmete töövõimsuste summa. See on energia hulk, mida vajate oma esemete töös hoidmiseks.
3. Määrake kõigi punktis 1 tuvastatud seadmete suurim algvõimsus. Lisage see arv punktis 2 arvutatud arvule. Mõne elektriga töötava seadme käivitamiseks on vaja lisavõimsust. Kui järgite jaotises „Toitejuhtimine“ loetletud samme, on tagatud, et korraga käivitub ainult üks seade.
4. Kui generaatori väljundvõimsus on katkestatud ülekoormuse tõttu, (mida näitab vahelduvvoolu ülekoormuse vilkuv tuluke), vähendage koormust ühendades ühe või mitu seadet lahti, seejärel vajutage enne taaskäivitamist vahelduvvoolu ülekoormuse lähtestamise nupule.



### Toitejuhtimine

Kasutage järgmist valemit, et teisendada pinge ja voolutugevus vattideks:

$$\text{Volt} \times \text{Amper} = \text{Vatt}$$

Et pikendada oma generaatori ja sellega ühendatud seadmete eluiga, järgige elektrilise koormuse lisamiseks järgmisi samme:

1. Käivitage generaator ilma elektrilise koormuseta.
2. Laske mootoril mitu minutit töötada, et temperatuur tõuseks.
3. Ühendage ja lülitage esimene seade sisse. Mõistlik on kõigepealt ühendada kõige suurema võimsusega seade.
4. Laske mootoril stabiliseeruda.
5. Ühendage ja lülitage järgmine seade sisse.
6. Laske mootoril stabiliseeruda.
7. Korrake samme 5-6 iga järgneva seadme puhul.

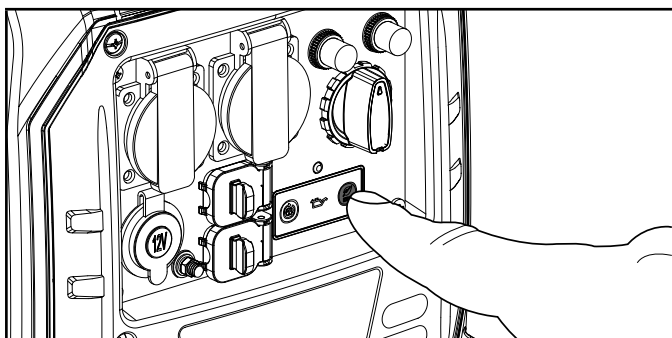
### MÄRKUS

Ärge kunagi ületage ettenähtud võimsust, kui lisate generaatorile koormusi.

### Säästurežiim (ökonoomne)

Säästurežiimi nuppu saab seadme töötamise ajal aktiveerida säästurežiimi sisselülitamiseks, et minimeerida kütusekulu ja müra, kui elektrivõimsus on vähenenud. Säästurežiim võimaldab mootoril mittekasutamise ajal töötada tühikäigul.

Mootori pöörlemiskiirus muutub taas normaalseks, kui elektriline koormus taas ühendada. Kui säästurežiimi nupp on välja lülitatud, töötab mootor pidevalt normaalpöoretel.



### ⚠ ETTEVAATUST

Suure elektri koormuse või hetkeliste kõikumiste korral tuleb säästurežiimi nupp välja lülitada.

### 12 V alalisvoolu autotüüpi toitepistik

12 V alalisvoolu pistikupes(sid) saab kasutada koos kaasasolevate tarvikute ja muude kaubanduslikult kättesaadavate 12 V alalisvoolu pistikutega. Veenduge, et teie lisaseadme sisendpinge vahemik on vähemalt 12-24 V alalisvoolu.

### ⚠ HOIATUS

Kui laadite mingit seadet, ärge pange seda generaatori heitgaasipoolsele küljele. Heitgaasist põhjustatud ülisuur kuumus võib seadet kahjustada ja olla tuleohtlik. Pikaajaline kokkupuude mootori heitgaasiga võib põhjustada tõsiseid vigastusi või surma.

### Aku laadimine

1. Enne aku laadimiskaabli (pole kaasas) ühendamist sõidukisse paigaldatud akuga ühendage sõiduki aku maanduskaabel lahti negatiivsest (-) aku klemmist.
2. Ühendage aku laadimiskaabel generaatori 12 V alalisvoolu pistikupes(sid).
3. Ühendage punane (+) akulaadija ots punase (+) aku klemmiga.
4. Ühendage must (-) akulaadija ots musta (-) aku klemmiga.
5. Käivitage generaator.

**Tähtis:** 12 V alalisvoolu pistikupes(sid) saab kasutada koos kaasasolevate tarvikute ja muude kaubanduslikult kättesaadavate 12 V alalisvoolu pistikutega. Enne generaatoriga ühendamist veenduge, et kõik elektriseadmed, kaasa arvatud juhtmed ja pistikuühendused, oleksid heas seisukorras.

### ⚠ ETTEVAATUST

Ärge kasutage korraga 230 V vahelduvvoolu ja 12 V alalisvoolu, sest nii võite generaatorit või seadmeid kahjustada ning see muudab garantii kehtetuks.

### ⚠ HOIATUS

Ärge käivitage sõidukit, kui aku laadimiskaabel on ühendatud ja generaator töötab. See ei suurenda aku võimsust. Sõiduk või generaator võib saada kahjustada. Laadige ainult pliiaakusid. Muud tüüpi akud võivad lõhkeda, põhjustades vigastusi või kahjustusi.



**MÄRKUS**

Enne generaatoriga ühendamist veenduge, et kõik elektriseadmed, kaasa arvatud juhtmed ja pistikuühendused, oleksid heas seisukorras.

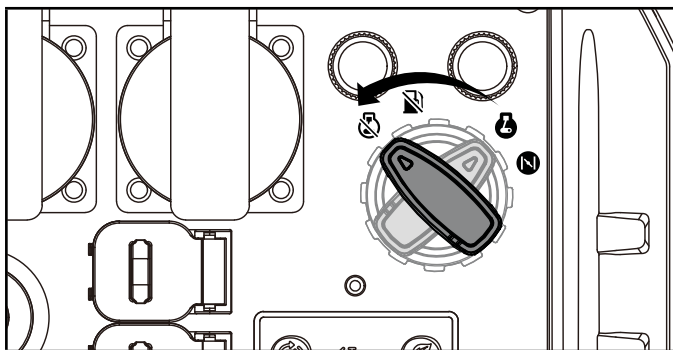
**Paralleelne ühendamine**

93001i-EU Champion mudel on ühendumisvalmis ja seda saab kasutada paralleelselt teise Champion-seadmega, et suurendada kogu olemasolevat elektrienergiat. Paralleelseks töötamiseks on vajalik Championi paralleeltöö komplekt (valikvarustus). Sellele seadmele soovitakse mudelit 500740-WL-EU. Ühilduvate mudelite nimekirja või paralleelsuse komplekti tellimiseks palun helistage klienditeenindusse +44(0)-1942-715-407 või vaadake saiti [www.championpowerequipment.co.uk](http://www.championpowerequipment.co.uk)

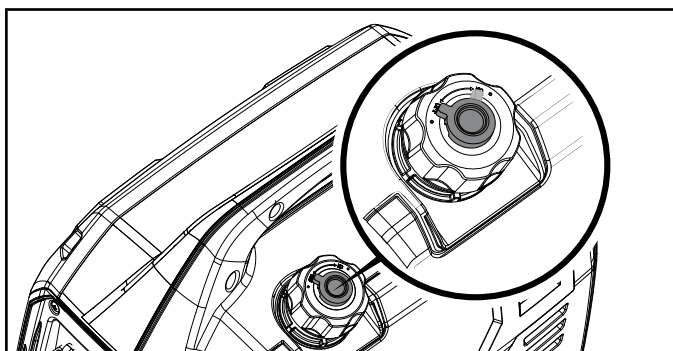
Üksikasjalikud juhised generaatorite paralleelkomplekti paigaldamiseks ja tööks on esitatud komplekti kasutusjuhendis.

**Mootori seiskamine**

1. Lülitage mootor välja ja eemaldage kõik ühendatud elektrilised koormused. ÄRGE käivitage ega seisake mootorit, kui sellega on ühendatud elektriseadmed.
2. Laske generaatoril mitu minutit ilma koormuseta töötada, et stabiliseerida mootori ja generaatori sisetemperatuur.
3. Keerake starterinupp vastupäeva asendisse „STOP“.



4. Keerake kütusepaagi korgi õhutushoob asendisse „OFF“.



**Tähtis:** Kui generaatorit ei kasutata, veenduge alati, et starterinupp ja kütusekorgi ventilatsioonihoop oleks vastavalt asendis „STOP“ ja „OFF“.

**MÄRKUS**

Kui generaatorit ei kasutata kahe (2) nädala jooksul või kauem, vaadake mootori ja kütuse nõuetekohast ladustamist jaotisest Ladustamine.

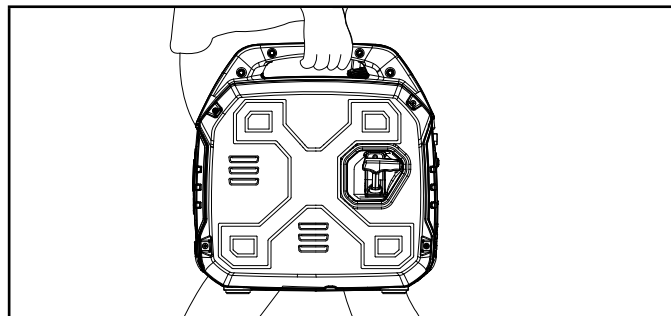
**Generaatori liigutamine****⚠ ETTEVAATUST**

- Lülitage ALATI generaator välja ja veenduge, et kütuseklapp on suletud.
- Enne generaatori ohutut käsitlemist veenduge ALATI, et mootor ja summuti on maha jahtunud (tavaliselt 15-30 minutit).
- Ärge lööge ega kukutage seadet maha ega asetage seda raskete esemete alla.

**⚠ HOIATUS**

Nende juhiste eiramine võib põhjustada kehalisi vigastusi või generaatori kahjustusi, mis muudavad garantii kehtetuks.

Tõstke generaator käepidemest üles ja viige soovitud asukohta.

**Töötamine kõrgel merepinnast**

Õhu tihedus suurtel kõrgustel on väiksem kui merepinnal. Mootori võimsus väheneb, kui õhumass ja õhu-kütuse suhe vähenevad. Mootori ja generaatori võimsus väheneb umbes 3½% iga 1000 jala kohta merepinnast kõrgemal asuva kõrguse kohta. Suurtel kõrgustel merepinnast võivad suurenenud heitgaaside kogused tuleneda ka õhu-kütuse suhte rikastumisest. Muude kõrgustes esinevate probleemide hulka võivad kuuluda raskendatud käivitamine, suurenenud kütusekulu ja süüteküünla määrdumine.

Kõrgmäestikuga seotud probleemide leevendamiseks peale loomuliku võimsuskao võib CPE pakkuda kõrgmäestiku karburaatori düüse. Alternatiivdüüside ja paigaldusjuhiste saamiseks kontakteeruge Technical Support Team.



Paigaldusjuhised on saadaval ka CPE veebisaidi jaotises Tehniline nimistu.

Varuosasa number ja soovitatav minimaalne kõrgus karburaatori düüside rakendamiseks on loetletud järgmises tabelis.

Õige kõrgusmäestiku düüsi valimiseks on vaja esmalt kindlaks teha karburaatori mudel. Selleks on karburaatori küljele trükitud kood. Valige õige kõrgmäestiku düüsi number, mis vastab teie karburaatorilt leitud karburaatori koodile.

Karb. kood	Kõrgmäest. düüsi number	Min. kõrgus
XXXXXXX	XXXXXXX	3000 ft. (914 m)
	XXXXXXX	6000 ft. (1829 m)

### ⚠ HOIATUS

Alternatiivse düüsi kasutamine soovitatavast minimaalsest kõrgusest madalamal kõrgusel võib mootorit kahjustada. Madalamatel kõrgustel töötamiseks tuleb kasutada algselt tarnitud standardset põhidüüsi. Mootori töötamine vale mootorikonfiguratsiooniga antud kõrgusel võib suurendada selle heitgaase ning vähendada kütusesäästlikkust ja jõudlust.

## HOOLDUS

Veenduge, et generaator hoitakse puhtana ja seda ladustatakse nõuetekohaselt. Kasutage seadet ainult tasasel, ühtlasel pinnal puhtas ja kuivas töökeskkonnas. ÄRGE hoidke generaatorit äärmuslikes tingimustes, liigse tolmu, mustuse, niiskuse või söövitava auru sees.

### ⚠ HOIATUS

Ärge kunagi kasutage kahjustatud või defektset generaatorit.

### ⚠ HOIATUS

Generaator vajab regulaarset teenindust ja hooldust. Ebaõige hooldus ja regulaarse teeninduse puudus muudavad garantii kehtetuks. Selgete juhiste saamiseks lugege järgmist jaotist.

### MÄRKUS

Heitgaaside kontrollimise seadmete ja süsteemide puhul lugege läbi ja mõistke oma hoolduskohustusi, mis on sätestatud käesoleva juhendi jaotises Heitmekontrolli garantiivalduses.

Omanik/kasutaja vastutab kogu perioodilise hoolduse eest.

Viige kõik kavandatud hooldustööd õigeaegselt lõpule.

Enne generaatori käivitamist kõrvaldage kõik probleemid.

Teenuse või varuosade kohta abi saamiseks võtke ühendust meie Technical Support Team aadressil [service@bpeholdings.co.uk](mailto:service@bpeholdings.co.uk).

## Generaatori puhastamine

### ⚠ ETTEVAATUST

ÄRGE pihustage, pritsige ega suunake vett otse generaatori peale.

Vesi võib siseneda generaatorisse läbi jahutusavade ja kahjustada generaatori mähiseid. See võib saastada ka kütusesüsteemi.

1. Mootori välispindade puhastamiseks kasutage niisket lappi.
2. Kasutage mustuse ja õli eemaldamiseks pehmet harja.
3. Kasutage mootorist mustuse ja tahma eemaldamiseks õhukompressorit (25 PSI).
4. Kontrollige kõiki õhu- ja jahutusavasid, et need oleksid puhtad ja takistusteta.

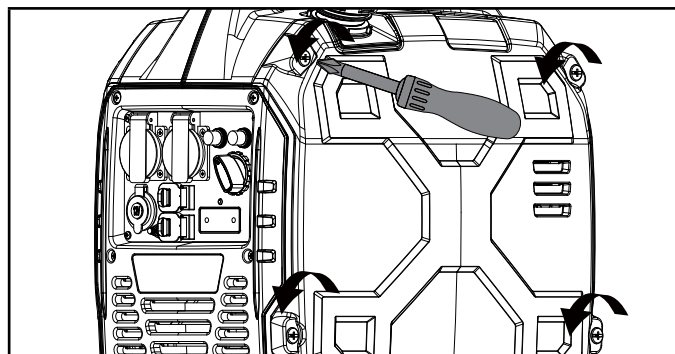
Juhusliku käivitamise vältimiseks eemaldage ja maandage süüteküünlajuhe enne mis tahes hoolustuid.



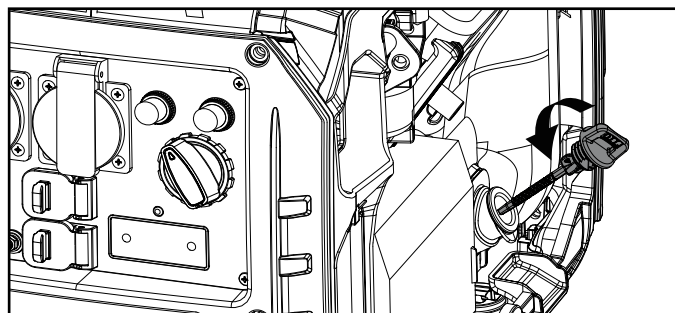
## Mootoriõli vahetamine

Soovitatav on seda teha iga 100h järel või kord aastas. Vahetage õli, kui mootor on soe. Oma töökeskkonnale sobiva kvaliteetse õli valimiseks vaadake õli tehnilisi andmeid.

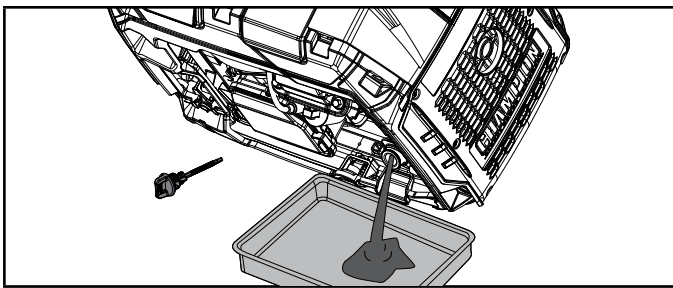
1. Asetage generaator tööpingile või lauale.
2. Laske neli hoolduskatte kruvi lõdvemaks ja eemaldage kate.



3. Õli lisamiseks eemaldage õlikork/mõõtevarras.



4. Kallutage generaator küljele ja laske õlil täielikult välja voolata.



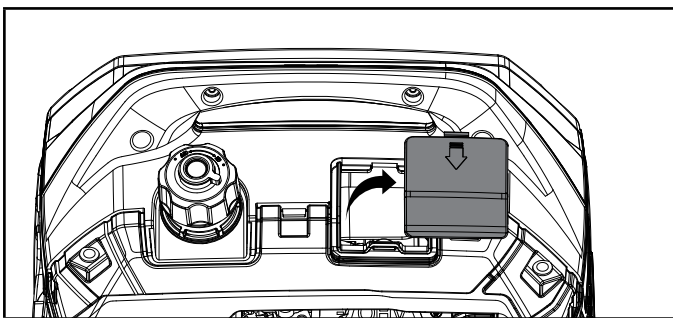
5. Lisage õli vastavalt jaotisele *Mootoriõli lisamine* peatükis *Kokkupanek*. Soovituslik õli on 10W30. ÄRGE TÄITKE ÜLE. Õli tavapäraseks hoolduseks ei ole tootega kaasas.
6. Asetage õlikork/mõõtevarras tagasi ja kinnitage hoolduskate.
7. Kõrvaldage kasutatud õli volitatud jäätmekäitluskeskuses.

### MÄRKUS

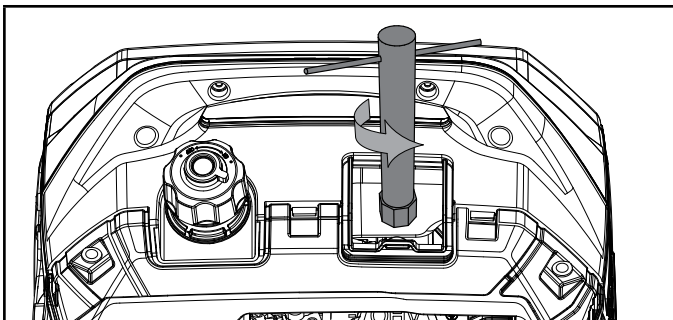
Kui õli on lisatud, peab üldreeglinas selle tase olema näha 1-2 keerme kaugusel korgi servast. Kui kasutate mõõtevarrast, ÄRGE keerake seda õlitaseme kontrollimisel avause sisse, vaid pange see lihtsalt taseme mõõtmiseks avause serva vastu.

### Süüteküünla puhastamine ja reguleerimine

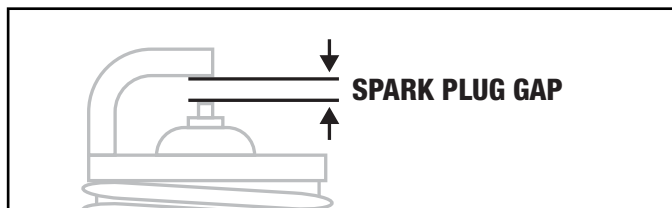
1. Eemaldage süüteküünla juurdepääsukate.



2. Eemaldage süüteküünla kaabel süüteküünalt.
3. Kasutage küünla eemaldamiseks süüteküünla tööriista või 13/16 in. (21 mm) padrunvõtit.



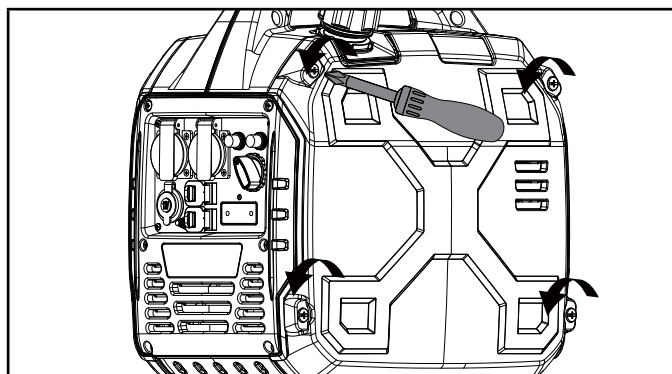
4. Kontrollige pistiku elektroodi. See peab olema puhas ja mitte kulunud, et tekitada süütamiseks vajalik säde.
5. Veenduge, et süüteküünla vahe on 0.024-0.031 in. (0.6-0.8 mm).



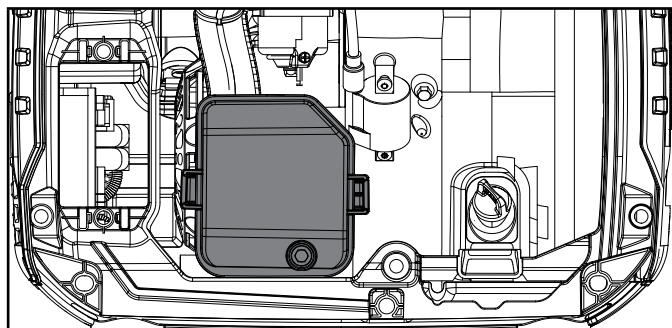
6. Küünla vahetamisel vaadake süüteküünalde tüüpe jaotises Tehnilised andmed.
7. Paigaldage küünal kindlalt.
8. Kinnitage süüteküünla kaabel süüteküünla külge.
9. Pange süüteküünla juurdepääsukate tagasi.

### Õhufiltri puhastamine

1. Soovitatav on teha seda iga 50 h järel või kord aastas. Eemaldage hoolduskate.



2. Leidke õhufiltri plastkate ja eemaldage see klambreid kokku pigistades ja katet tõmmates.

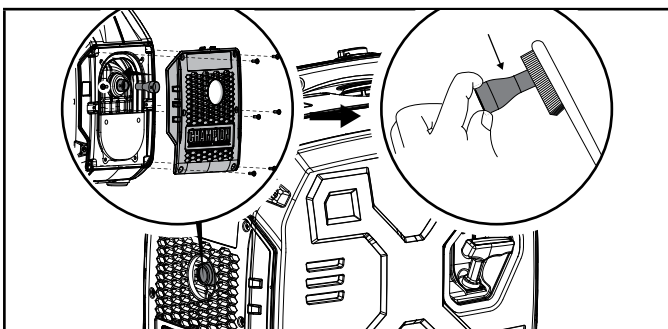


3. Eemaldage vahtelement.
4. Peske vedela pesuvahendi ja veega. Pigistage puhta lapi sees põhjalikult kuivaks.
5. Immutage puhtas mootoriõlis.
6. Üleliigse õli eemaldamiseks väänake puhta, imava lapi sees.

7. Asetage filter oma kohale.
8. Kinnitage õhufiltri kate uuesti.
9. Paigaldage hoolduskate tagasi ja keerake kruvid kindlalt kinni.

## Sädemepüüdja puhastamine

1. Soovitav on seda teha iga 100 kasutustunni või 1 kasutuskuu järel. Laske mootoril täielikult jahtuda enne sädemepüüdja hooldamist.
2. Eemaldage 6 kruvi, mis hoiavad katteplaati generaatori summuti küljes.
3. Eemaldage kruvi, mis hoiab sädemepüüdjat summuti küljes.
4. Eemaldage sädemepüüdja.
5. Eemaldage ettevaatlikult traatharjaga sädemepüüdjal süsinikujäägid.



6. Kui sädemepüüdja on kahjustatud, siis asendage see.
7. Asetage sädemepüüdja summuti külge tagasi ning kinnitage see, järgides eelpool kirjeldatud samme tagurpidi.

### ⚠ ETTEVAATUST

Kui sädemepüüdjat regulaarselt ei puhastata, väheneb mootori tõhusus ja see võib kahjustada ning garantii muutub kehtetuks.

### MÄRKUS

Kohalikud seadused ja regulatsioonid näitavad, millal ja kus sädemepüüdjad on nõutavad. Tulenevalt nõuetest on generaatori sädemepüüdjad kohustuslikud kasutamiseks looduslikel metsamaadel. Californias ei tohi seda generaatorit kasutada ühelgi metsaga, põõsastega ega rohuga kaetud alal, välja arvatud juhul, kui mootor on varustatud sädemepüüdjaga.

## Regulaatori kohandamine

### ⚠ HOIATUS

Tehases seadistatud regulaatoriga manipuleerimine muudab teie garantii kehtetuks.

Õhu ja kütuse segu ei ole reguleeritav. Regulaatoriga manipuleerimine võib kahjustada teie generaatorit ja elektriseadmeid ning muudab teie garantii kehtetuks. Kõigi muude teenuste ja/või parandamisvajaduste korral võtke ühendust meie Technical Support Team telefonil [service@bpeholdings.co.uk](mailto:service@bpeholdings.co.uk).

## Hooldusgraafik

Järgige järgmises hooldusgraafikus märgitud hooldustähtaegu.

Hooldage oma generaatorit sagedamini, kui see töötab ebasoodsates tingimustes.

Võtke ühendust meie Technical Support Team aadressil [service@bpeholdings.co.uk](mailto:service@bpeholdings.co.uk), et leida oma generaatori või mootori hooldusvajadustele lähim CPE sertifitseeritud teenuste edasimüüja.

### IGA 8 TUNNI JÄREL VÕI ENNE IGAT KASUTAMIST

- ☐ Kontrollige õlitaset
- ☐ Puhastage õhu sisselaskeava ja summuti ümbrus

### ESIMESED 5 TUNDI (SISSETÖÖTAMINE)

- ☐ Vahetage õli

### IGA 50 TUNNI JÄREL VÕI KORRA AASTAS

- ☐ Puhastage õhufilter
- ☐ Vahetage õli, kui töötate suure koormusega või kuumas keskkonnas.

### IGA 100 TUNNI JÄREL VÕI KORRA AASTAS

- ☐ Vahetage õli
- ☐ Puhastage/reguleerige süüteküünlaid
- ☐ Puhastage sädemepüüdja
- ☐ Puhastage kütuse klapi filter\*

### IGA 250 TUNNI JÄREL

- ☐ Puhastage põlemiskamber\*
- ☐ Kontrollige/reguleerige klapivaheid\*

### IGA 3 AASTA TAGANT

- ☐ Vahetage kütusevoolik

\*Oluline, et seda teostaksid asjatundlikud ja kogenud omanikud või Champion Power Equipmenti sertifitseeritud edasimüüjad.

## LADUSTAMINE

### ⚠ HOIATUS

Generaatori juhusliku või tahtmatu käivitamise vältimiseks hoiustamise ajal tuleb järgida järgmisi ettevaatusabinõusid:

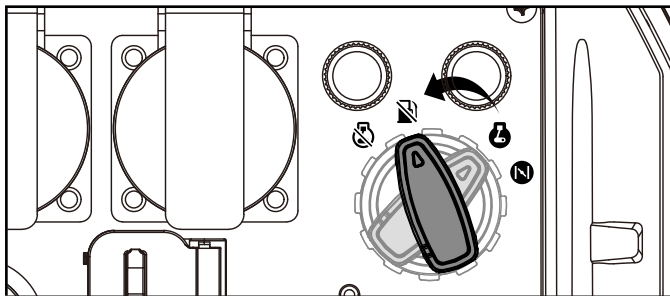
- Generaatori ladustamisel veenduge, et starterinupp on seatud asendisse „STOP“.

### Lühiajaline ladustamine (kuni 30 päeva)

Bensiinimahutis oleva bensiini maksimaalne säilivusaeg on kuni 1 aasta, kui sellele on lisatud nõuetekohaselt kütuse stabilisaatorid ja kui seda hoitakse jahedas ja kuivas kohas. Bensiin karburaatoris võib aga karburaatorit ummistada, kui seda 2-4 nädala jooksul ei kasutata või ei tühjendata.

Kui kasutate generaatorit 2 nädalaste vahedega, järgige juhiseid vastavalt jaotisele *Mootori peatamine*.

1. Kui generaatorit ei kasutata 2-4 nädala jooksul, veenduge, et kõik seadmed on generaatorist lahti ühendatud.
2. Käivitage generaator vastavalt juhisele jaotises *Mootori käivitamine*.
3. Keerake starterinupp asendisse „PUUDUB KÜTUS“.

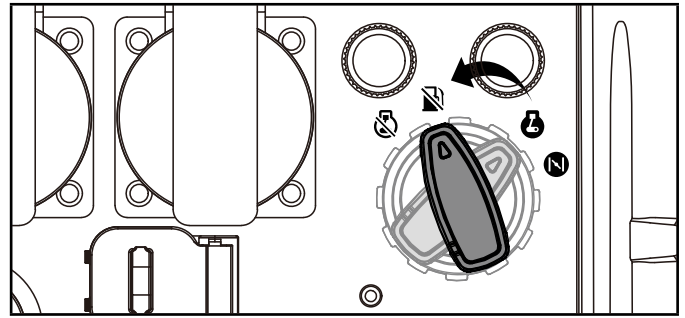


4. Laske mootoril töötada, kuni kütuse puudus mootori seiskab.
5. Keerake starterinupp asendisse „STOP“.

### Keskmise kestvusega ladustamine (30 päeva - 1 aasta)

Bensiinimahutis oleva bensiini maksimaalne säilivusaeg on kuni 1 aasta, kui sellele on lisatud nõuetekohaselt kütuse stabilisaatoreid ja kui seda hoitakse jahedas ja kuivas kohas.

1. Veenduge, et kõik seadmed on generaatorist lahti ühendatud.
2. Lisage bensiinipaaki nõuetekohane kütuse stabilisaator.
3. Käivitage mootor, järgides juhiseid jaotises *Mootori käivitamine*.
4. Laske generaatoril 10 minutit töötada, et töödeldud bensiin läbiks kütusesüsteemi ja karburaatori.
5. Seisake mootor keerates starterinupu asendisse „PUUDUB KÜTUS“.

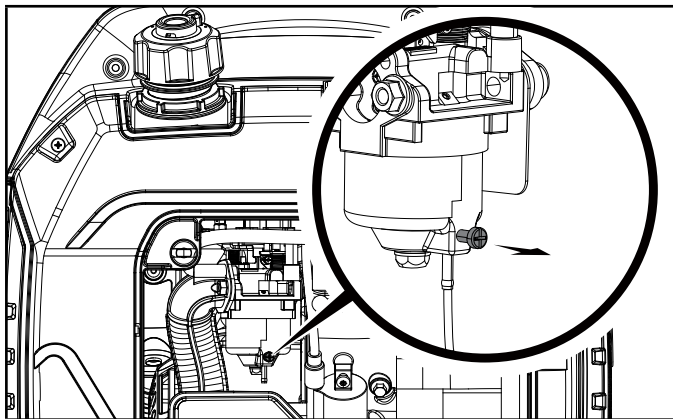


6. Kui kütus on otsa saanud ja mootor on seiskunud, laske mootoril jahtuda.
7. Keerake starterinupp asendisse „STOP“.
8. Eemaldage hoolduskate.
9. Eemaldage süüteküünl ja valage silindrisse umbes supilusikatäis õli.
10. Tõmmake AEGLASELT starterinööri, et pöörlev mootor silindri kütusega kokku määraks.
11. Paigaldage süüteküünl ja süüteküünla juhe uuesti.
12. Paigaldage hoolduskate tagasi.
13. Puhastage generaator vastavalt jaotisele *Generaatori puhastamine*.
14. Ladustage seadet puhtas ja kuivas kohas, kus ei ole otsest päikesevalgust.

### Pikaajaline ladustamine (üle 1 aasta)

Üle 1 aasta kestva ladustamise korral tuleb bensiinipaak ja karburaator täielikult tühjendada.

1. Veenduge, et kõik seadmed on generaatorist lahti ühendatud.
2. Asetage inverter plokkidele, et sobiv bensiinimahuti või -kauss saaks inverteri alla libiseda.
3. Eemaldage hoolduskate.
4. Keerake starterinupp asendisse „TÖÖTAMINE“.
5. Ristpea kruvikeeraja abil pöörake äravoolu kruvi vastupäeva (3) täispööret. Bensiin voolab läbi läbipaistvate torude välja inverteri alt. Veenduge, et tühjendades voolab bensiin sobivasse mahutisse.



6. Kui bensiin lõpetab läbipaistvast torust voolamise, keerake tühjenduskruvi päripäeva, kuni see on pingul. Hävitage tühjendatud bensiin nõuetekohaselt vastavalt kohalikele eeskirjadele või juhistele.
7. Keerake starterinupp asendisse „STOP”.
8. Järgige samme 8-12 vastavalt jaotisele Lühiajaline ladustamine.

## Taaskasutusse võtmine

### MÄRKUS

Kui generaatorit on rohkem kui 30 päeva valesti ladustatud ja bensiinipaagis ja/või karburaatoris on etanooliga segatud bensiini, tuleb kogu kütus välja lasta ja karburaator põhjalikult etanoolist puhastada. See protsess hõlmab tehniliselt raskeid ülesandeid. Abi saamiseks helistage meie Technical Support Team telefonil [service@bpeholdings.co.uk](mailto:service@bpeholdings.co.uk).

Kui bensiinipaak ja karburaator tühjendati enne generaatori ladustamist nõuetekohaselt kogu etanooliga bensiinist, järgige taaskasutusse võtmiseks alljärgnevat sammude järjekorda.

1. Veenduge, et starterinupp on asendis „STOP”.
2. Lisage generaatorisse bensiini vastavalt jaotisele *Kütuse lisamine: Bensiin*.
3. Keerake starterinupp asendisse „TÖÖTAMINE”.
4. Pärast 5 minutit kontrollige karburaatori ja õhufiltri piirkonda, et sealt ei lekiks bensiini. Kui avastate lekkeid, tuleb karburaator lahti võtta ja puhastada või asendada. Kui bensiinilekkeid ei leita, keerake starterinupp asendisse „STOP”.
5. Kontrollige mootoriõli taset ja lisage vajadusel puhast värsket õli. Õige õlitüübi kohta vaadake jaotist Õli tehnilised andmed.
6. Kontrollige ja puhastage õhufiltrit mustusest, nagu näiteks putukad või ämblikuvõrgud. Vajadusel puhastage õhufilter vastavalt jaotisele Õhufiltri puhastamine.

EE



## VEAOTSING

Probleem	Põhjus	Lahendus
Mootor ei käivitu.	Kütus puudub.	Lisage kütust.
	Vigane süüteküünal.	Puhastage ja reguleerige süüteküünal või vahetage see välja.
	Madal õlitase.	Täitke karterikamber nõuetekohase tasemeni.
		Asetage generaator tasasele, ühtlasele pinnale.
	Süüteküünla juhe lahti.	Kinnitage juhe süüteküünla külge.
	Kütuseklapp on suletud.	Avage kütuseklapp.
	Starterinupp asendis „STOP“	Keerake starterinupp asendisse „TÖÖTAMINE“
	Vana kütus või vesi kütuses.	Tühjendage kütus ja asendage värske kütusega.
	Kütusega üleujutatud.	Laske masinal 10 minutit seista.
CO Shield® moodul on eemaldatud või seda on muudetud.	Paigaldage moodul tagasi või võtke ühendust tehnilise toega.	
Generaator käivitus, kuid töötab halvasti.	Õhuklapp vales asendis.	Keerake starterinupp asendisse „TÖÖTAMINE“
	Määrduvad õhufilter.	Puhastage või vahetage õhufilter.
	Määrduvad kütuseklapp.	Puhastage kütuseklapp.
	Ummistunud sädemepüüdja.	Puhastage sädemepüüdja.
Generaator lülitub töö ajal välja.	Kütus on otsas.	Täitke kütusepaak.
	Madal õlitase.	Täitke karterikamber nõuetekohase tasemeni. Asetage generaator tasasele, ühtlasele pinnale.
	Kui on olemas CO Shield®, seiskub mootor, sest koguneb vingugaasi (CO) ja punane LED-tuli vilgub juhtpaneelil.	Viige generaator välja avatud keskkonda. Suunake heitgaasid inimestest ja hoonetest eemale. Minge värskesse õhku ja halva enesetunde, peapöörituse või nõrkuse korral pöörduge arsti poole.
		Veenduge, et ükski objekt ei tekita generaatorist vähema kui 5 jala kaugusel takistust. Generaatori läheduses olevad takistused võivad vingugaasi generaatori juures kinni hoida ja põhjustada mootori seiskumise.
	Kui generaatori heigaasitoru on vastu tuult, võib heitgaas generaatori töötamisalasse tagasi pöörduda, tekitada vingugaasi kogunemise ja see võib mootori välja lülitada. Mootori seiskumise vältimiseks keerake generaator tuule suhtes 45° nurga alla, et heitgaasid saaksid generaatorist eemale lenduda. Kui mootori ka edasi välja lülitub, keerake heitgaasitoru tuule suunas, et gaasid generaatorist eemalduksid.	
Kui on olemas CO Shield®, seiskub mootor süsteemirikke tõttu ja kollane LED-tuli vilgub juhtpaneelil.	Alustuseks veenduge, et generaatori seiskumise ajal vilkus kollane LED-tuli. Kui vingugaasi kaitse tuvastab endiselt vea ja seiskab mootori, võtke ühendust tehnilise toega.	
Ummistunud sädemepüüdja.	Puhastage sädemepüüdja.	



Probleem	Põhjus	Lahendus
Mootor läheb käima, kuid seiskub kohe.	Kui on olemas CO Shield®, seiskub mootor, sest koguneb vingugaasi (CO) ja punane LED-tuli vilgub juhtpaneelil.	Viige generaator välja avatud keskkonda. Suunake heitgaasid inimestest ja hoonetest eemale. Minge värskesse õhku ja halva enesetunde, peapöörituse või nõrkuse korral pöörduge arsti poole.  Veenduge, et ükski objekt ei tekita generaatorist vähema kui 5 jala kaugusel takistust. Generaatori läheduses olevad takistused võivad vingugaasi generaatori juures kinni hoida ja põhjustada mootori seiskumise.  Kui generaatori heitgaasitoru on vastu tuult, võib heitgaas generaatori töötamisalasse tagasi pöörduda, tekitada vingugaasi kogunemise ja see võib mootori välja lülitada. Mootori seiskumise vältimiseks keerake generaator tuule suhtes 45° nurga alla, et heitgaasid saaksid generaatorist eemale lenduda. Kui mootori ka edasi välja lülitub, keerake heitgaasitoru tuule suunas, et gaasid generaatorist eemalduksid.
	Kui on olemas CO Shield®, seiskub mootor süsteemirikke tõttu ja kollane LED-tuli vilgub juhtpaneelil.	Alustuseks veenduge, et generaatori seiskumise ajal vilkus kollane LED-tuli. Kui CO Shield® tuvastab endiselt vea ja seiskab mootori, võtke ühendust tehnilise toega.
Kumbki CO Shield® LED-tuli ei vilgu peale käivitamist 10 korda.	Generaatori käivitamine 1 minut peale selle käsitsi seiskamist ja mitte automaatselt vingugaasi tõttu.	Oodake 1 minut ja proovige generaatorit uuesti käivitada. LED-tuled peaksid nüüd kümme (10) korda vilkuma.
Generaator ei suuda anda piisavalt voolu või ülekuumeneb.	Generaator on ülekoormatud.	Vaadake koormus üle ja kohandage. Vt „Elektriliste koormuste ühendamine“.
	Määratud õhufilter.	Puhastage või vahetage õhufilter.
	Õhuklapp vales asendis.	Keerake starterinupp asendisse „TÖÖTAMINE“
Mootor töötab, kuid vahelduvvool puudub.	Kehv juhtmeühendus.	Kontrollige kõiki ühendusi.
	Kaitselüliti on sisse lülitatud.	Lähtestage kaitselüliti. Kontrollige kõiki kaitselüliteid
	Vigane harjade kokkupanek	Vahetage harjade komplekt (teeninduskeskuses)
	Lahtine juhtmestik.	Kontrollige ja pingutage juhtmestikuühendusi.
	Vahelduvvoolu ülekoormus: Tuluke põleb punaneselt.	Vähendage vahelduvvoolu (AC) koormust ja vajutage Overload Reset nuppu kuni tuluke läheb roheliseks.
	Muud.	Helistage hädaabi telefonile
Mootor võngub või puperdab.	Mootori regulaator defektne.	Helistage hädaabi telefonile
	Määratud kütuseklapp.	Puhastage kütuseklapp.
	Karburaator on määratud ja töötab kehvasti.	Helistage hädaabi telefonile
	Õhuklapp vales asendis.	Keerake starterinupp asendisse „TÖÖTAMINE“
Korduv kaitselüliti väljalöömine.	Ülekoormus.	Vaadake koormus üle ja kohandage. Vt „Elektriliste koormuste ühendamine“.
	Vigane toitejuhe või seade.	Kontrollige, kas juhtmeid on kahjustatud, katmata või kulunud. Vahetage defektne seade.
	Kaitselüliti ikka liiga kuum.	Lase seista 5 minutit.

**Muude probleemide korral võtke ühendust tehnilise toega.**

## TEHNILISED ANDMED

### Generaatori tehnilised andmed

Generaatori mudel .....	93001i-EU
Käivitamise tüüp .....	Manual
Vatt (max/nimivõimsus) .....	3000/2800
Pinge Volt AC (vahelduvvool) .....	220
AC (vahelduvvool) amprid @ 220V .....	12.7
Pinge Volt DC (alalisvool) .....	12
DC (alalisvool) Amprid .....	8
Sagedus .....	50 Hz
Maksimaalne paigalduskõrgus .....	1500m
Mõõdetud helirõhutase (7 m) .....	58 dB(A)
Mõõdetud helirõhu tase (4 m) .....	72 dB(A)
Müra mõõtmise määramatus .....	≤1,5 dB(A)
Garanteeritud helivõimsuse tase .....	93 dB(A)
Maksimaalne keskkonnatemperatuur (°C / °F) .....	40°C /104°F
.....	Ühefaasiline
Maanduse tüüp .....	Neutral Floating
Kaal .....	39 lb. (17.5 kg)
Pikkus .....	17.3 in. (44 cm)
Laius .....	12 in. (30.4 cm)
Kõrgus .....	17.7 in. (45 cm)

### Mootori tehnilised andmed

Mudel .....	165F-B
Kubatuurid .....	149 cc
Tüüp .....	4-Taktiline OHV

### Süüteküünal

OEM tüüp .....	E6RTC
Replacement Type .....	NGK BPR5HS or equivalent
Vahe .....	0.024-0.031 in. (0.6-0.8 mm)

### Klapp

Sisselasketoru kliirens .....	0.004-0.006 in. (0.10-0.15 mm)
Väljalasketoru kliirens .....	0.004-0.006 in. (0.10-0.15 mm)

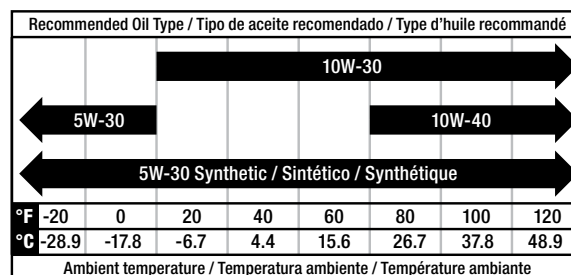
### TEATIS

Klappide reguleerimise tehniline juhis on kättesaadav aadressil [www.championpowerequipment.com](http://www.championpowerequipment.com)

## Õli Spetsifikatsioonid

ÄRGE TÄITKE ÜLE.

Tüüp .....	*Vaata järgmist joonist
Mahutavus .....	16.9 fl. oz. (500 ml)



### TEATIS

Temperatuur mõjutab mootoriõli ja mootori jõudlust. Muutke kasutatava mootoriõli tüüpi vastavalt temperatuurile, et see vastaks mootori vajadustele.

## Kütuse spetsifikatsioonid

Kasutage pliivaba bensiini, mille minimaalne oktaanarv on 85 ja mille etanoolisisaldus on kuni 10% kogumahust. ÄRGE KASUTAGE E15 ega E85. ÄRGE TÄITKE ÜLE.

Bensiinimahutavus .....	1.2 gal. (4.5 L)
-------------------------	------------------

## Temperatuuri spetsifikatsioonid

Alustamistemperatuuri vahemik (°F/°C) . 5 kuni 104/-15 kuni 40

### TEATIS

**Oluline sõnum temperatuuri kohta:** Teie toode on mõeldud pidevaks tööks õhutemperatuuril kuni 104°F (40°C). Vajadusel võib seda lühikese aja jooksul kasutada temperatuuridel vahemikus 5°F (-15°C) kuni 122°F (50°C). Kui toode puutub ladustamise ajal kokku sellest temperatuurivahemikust väljapoole jääva temperatuuriga, tuleb see enne kasutamist sellesse vahemikku tagasi viia. Igal juhul tuleb toodet alati kasutada õues, hästi ventileeritavas kohas ning eemal uuest, akendest ja muudest tuulutusavadest.

## GARANTII\*

CHAMPION ELEKTRISEADMED  
3 AASTA PIIRATUD GARANTII

### Garantii nõuded

Garantii ja TASUTA eluaegse kõnekeskuse tehnilise toe saamiseks registreerige toode lehel:

<https://www.championpowerequipment.co.uk>

Registreerimise lõpuleviimiseks peate lisama ostukviitungi koopia esialgse ostu tõendina. Ostu tõend on vajalik garantii jaoks. Palun registreeri seade kümne (10) päeva jooksul alates ostu sooritamise kuupäevast.

### Remont/Asendusgarantii

CPE garanteerib esialgsele ostjale, et mehaanilised ja elektrilised komponendid ei sisalda materjali- ja töödefekte kolme (3) aasta või 1000 tunni jooksul koduseks kasutamiseks, vastavalt sellele mis tuleb esimesena; või üks (1) aasta kaubanduslikuks ja tööstuslikuks kasutamiseks või 1000 tundi, vastavalt sellele mis tuleb esimesena. Selle garantii alusel remondiks või asendamiseks esitatud toote transpordikulud on ostja ainuvastutusel. See garantii kehtib ainult esialgse ostja kohta ja ei ole ülekantav. Täielike Garantiiingimuste vaatamiseks palun külastage [www.championpowerequipment.co.uk](http://www.championpowerequipment.co.uk).

### Ärge tagastage üksust sinna, kust te selle ostsite

Võtke ühendust CPE tehnilise toega, et CPE saaks teostada veakontrolli telefoni või e-posti teel. Kui probleemi selle meetodiga lahendatud ei saa, lubab CPE defektse osa või komponendi hindamise, parandamise või asendamise teostada CPE teeninduskeskuses. CPE annab teile garantiiteenuse juhtumi numbri. Palun hoidke seda edaspidiseks kasutamiseks. See garantii ei hõlma ilma eelneva loata või volitamata töökodadel teostada remonti ja asendusi.

### Garantii välistused

See garantii ei hõlma järgmisi remonditöid ja seadmeid:

#### Tavaline kulumine

Mehaaniliste ja elektriliste komponentidega tooted vajavad hästi toimimiseks perioodilisi osi ja teenindust. See garantii ei hõlma remonti, kui tavapärase kasutamine on olnud liigne ning seadme eluiga seetõttu tervikuna vähenenud.

#### Paigaldamine, Kasutamine ja Hooldus

See garantii ei kehti osade ja/või tööjõu suhtes, kui toodet on väärkasutatud, hooletusse jäetud, õnnetusjuhtumite korral, kuritarvitatud, üleliigselt koormatud, muudetud/ ümbertehtud, valesti paigaldatud või valesti ühendatud mis tahes elektrikomponendiga. Tavaline hooldus ei kuulu käesoleva garantii alla ja seda ei pea teostama CPE poolt volitatud isik.

### Muud erandid

See garantii välistab:

- Kosmeetilised defektid nagu värv, kleeibised jne
- Kulumiselemendid nagu filtrielemendid, o-rõngad jne.
- Lisavarustus nagu stardipatareid, kolvirõngad ja hoiustamiskatted.
- Ebaõnnestumised Jumala tegude ja muude vääramatu jõu sündmuste tõttu, mis on väljaspool tootja kontrolli.
- Probleemid põhjustatud juppidest, mis ei ole originaal Champion Power Equipment osad.

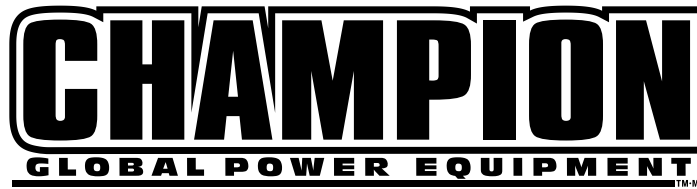
Osa (d), mis loetakse kasutaja poolt kahjustatuks. Vajadusel ei kehti see garantii toodete suhtes, mida kasutatakse majapidamises põhilise vooluallikana.

### Kaudse garantii ja sellest tulenevate kahjude piirangud

Champion Power Equipment loobub mis tahes kohustusest katta ajakadu, selle toote kasutamist, kaubavedu või mis tahes juhuslikke või sellest tulenevaid nõudeid selle toote kasutamisel. SEE GARANTII JA LISATUD ÜHENDKUNINGRIIGI EPA JA/ VÕI SÜSINIKDIOKSIIDI HEITKOGUSTE KONTROLLSÜSTEEMI GARANTIID (KUI NEED ON KOHALDATAVAD), ON KOOSKÕLAS TEISTE GARANTIIDEGA, OTSESELT VÕI KAUSELT, KAASAARVATUD KAUBANDUSLIKUD VÕI SOBILIKUD KONKREETSEKS EESMÄRGIKS.

Vahetusena pakutava üksuse suhtes kehtib esialgse üksuse garantii. Vahetatava üksuse garantii pikkus jääb arvatavaks algse üksuse ostukuupäeva alusel.

See garantii annab teile teatud seaduslikud õigused, mis võivad osariigiti või provintsi erineda. Teie osariigis või provintsis võivad olla ka muud õigused, mida käesolevas garantii ei ole loetletud.



## Champion Power Equipment Europe

**For warranty and repair enquiries, please  
contact the retailer where you purchased  
your Champion Product.**

### **United Kingdom:**

BPE Holdings  
Unit 17-18  
Bradley Hall Trading Estate  
Bradley Lane, Standish  
Wigan, WN6 0XQ, UK

### **Germany:**

BPE Solutions Deutschland GmbH  
Altrottstraße 31  
D-69190 Walldorf  
Germany

### **France:**

BPE Solutions France SAS  
3 Boulevard de Belfort  
59000 Lille  
France

### **Sweden:**

BPE Nordic AB  
Valnäsgratan 2  
44252 Ytterby  
Sweden