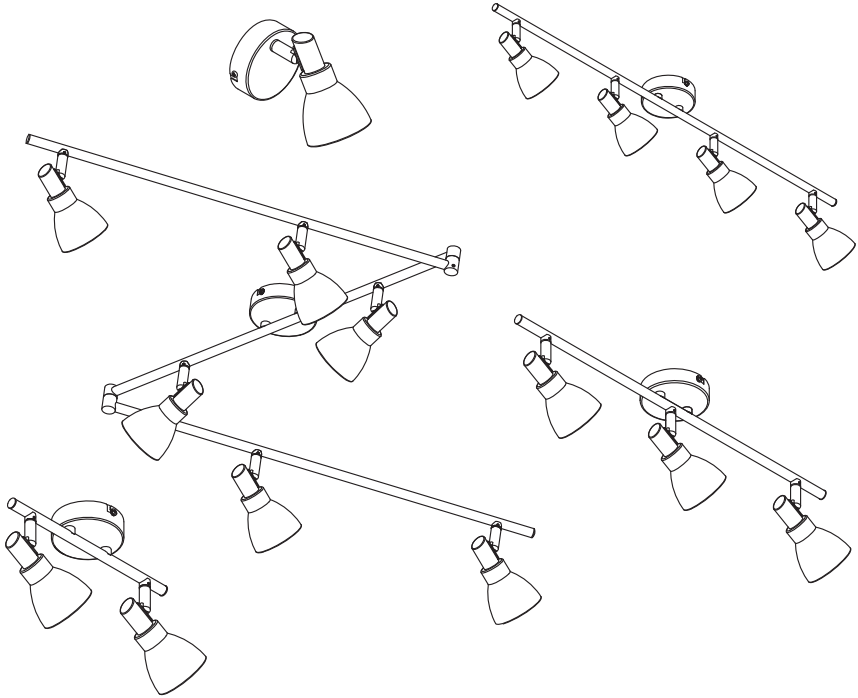


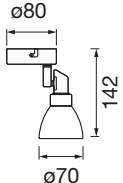






## LED SPOT G9




	EAN	W	W <sub>max.</sub> (LED)	lm Light Source	lm Output	K	°(°C)	V~	mA	Hz	PF	∇(°)	
<b>LED SPOT 1,9W 827 G9</b>	4058075540620	1x 1.9	1x 1.9	230	200	2700	-20... +40	220- 240	16	50/60	>0.4	300	10000
<b>LED SPOT 2X1,9W 827 G9</b>	4058075540644	2x 1.9	2x 1.9	460	400	2700	-20... +40	220- 240	32	50/60	>0.4	300	10000
<b>LED SPOT 3X1,9W 827 G9</b>	4058075540668	3x 1.9	3x 1.9	690	600	2700	-20... +40	220- 240	48	50/60	>0.4	300	10000
<b>LED SPOT 4X1,9W 827 G9</b>	4058075540682	4x 1.9	4x 1.9	920	800	2700	-20... +40	220- 240	64	50/60	>0.4	300	10000
<b>LED SPOT 6X1,9W 827 G9</b>	4058075540705	6x 1.9	6x 1.9	1380	1200	2700	-20... +40	220- 240	96	50/60	>0.4	300	10000

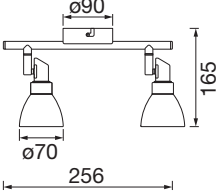
LED SPOT G9 1x1.9W  **190 g**







2x  2x  1x  1x 


mm

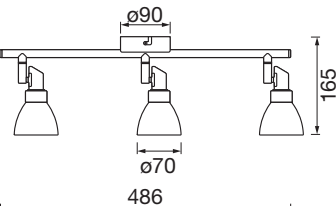
LED SPOT G9 2x1.9W  **400 g**







2x  2x  2x  1x 


mm

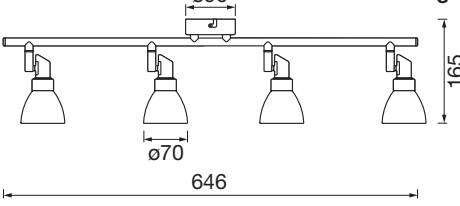
LED SPOT G9 3x1.9W  **575 g**







2x  2x  3x  1x 


mm

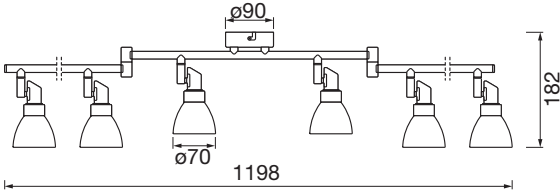
LED SPOT G9 4x1.9W  **730 g**








2x  2x  4x  1x 

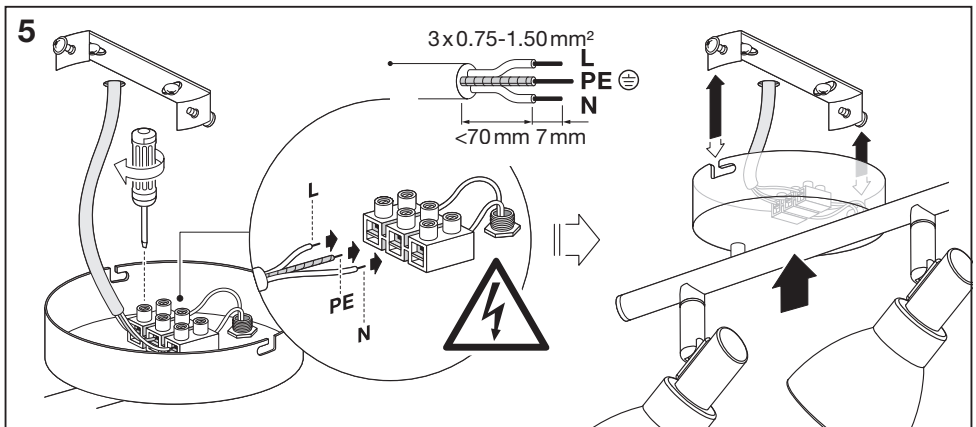
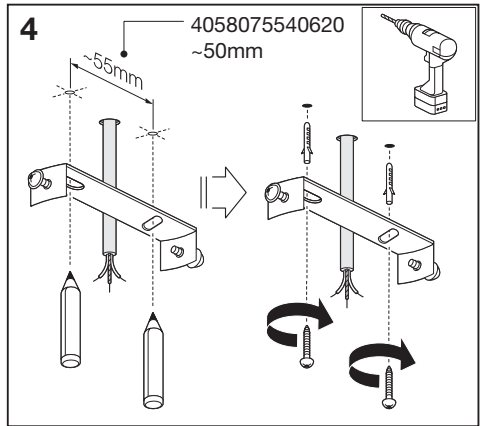
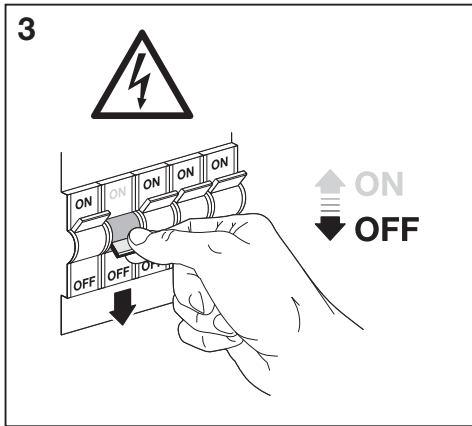
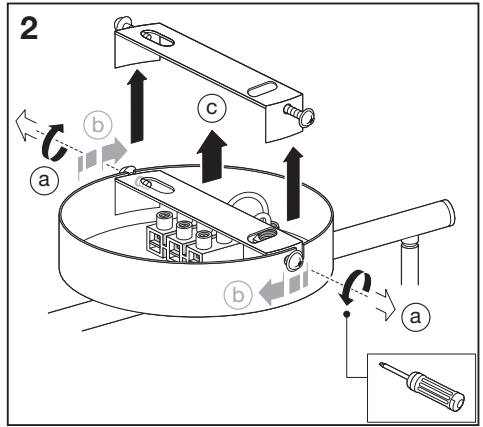
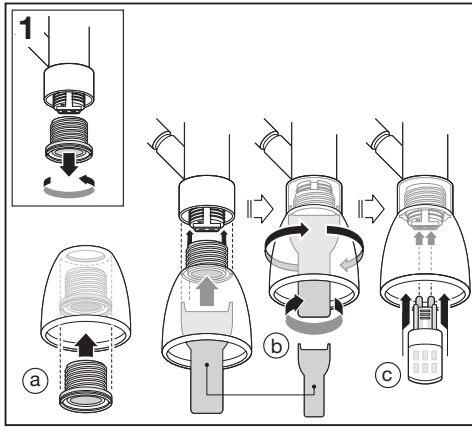
mm

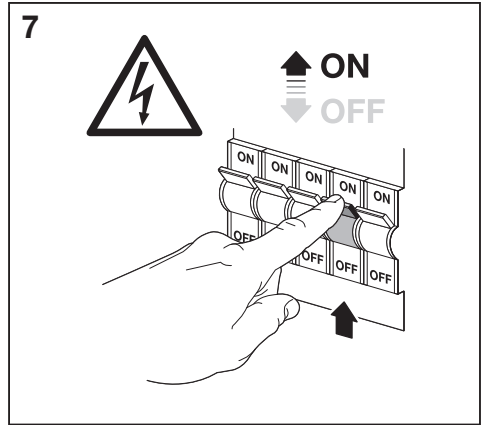
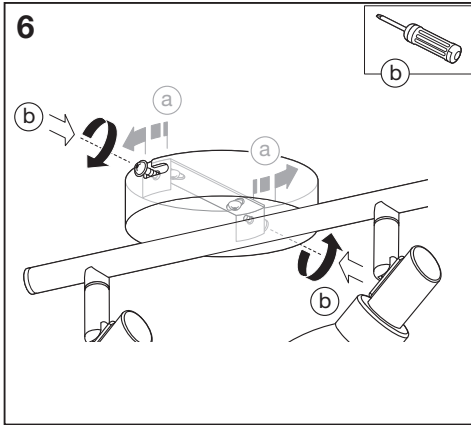
LED SPOT G9 6x1.9W  **1200 g**



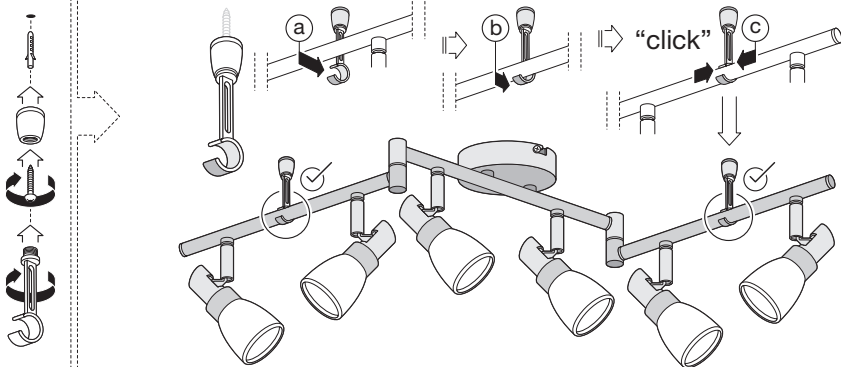
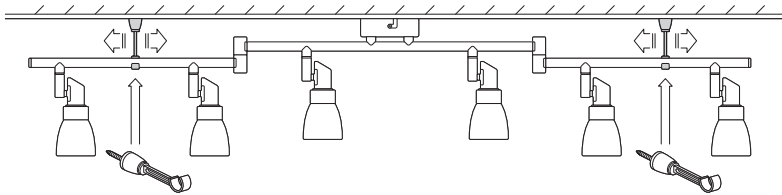
2x  2x  4x  6x  1x 






mm

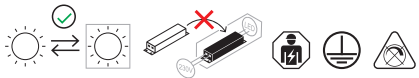




LED SPOT G9 6x1.9W



	<b>EAN</b>	<b>This product contains a light source of energy efficiency class</b>	<b>Contained Light Source</b>
<b>LED SPOT 1,9W 827 G9</b>	4058075540620	F	
<b>LED SPOT 2X1,9W 827 G9</b>	4058075540644	F	Contains 2 Light Sources 
<b>LED SPOT 3X1,9W 827 G9</b>	4058075540668	F	Contains 3 Light Sources 
<b>LED SPOT 4X1,9W 827 G9</b>	4058075540682	F	Contains 4 Light Sources 
<b>LED SPOT 6X1,9W 827 G9</b>	4058075540705	F	Contains 6 Light Sources 



**FR**  
Cet appareil  
et son ampoule  
se recyclent

À DÉPOSER  
EN MAGASIN

À DÉPOSER  
EN DÉCHÈTERIE

OU

Points de collecte sur [www.quefairedemesdechets.fr](http://www.quefairedemesdechets.fr)

C10567405  
G11146216  
05.07.2022



LEDVANCE GmbH  
Steinerne Furt 62  
86167 Augsburg, Germany  
[www.ledvance.com](http://www.ledvance.com)