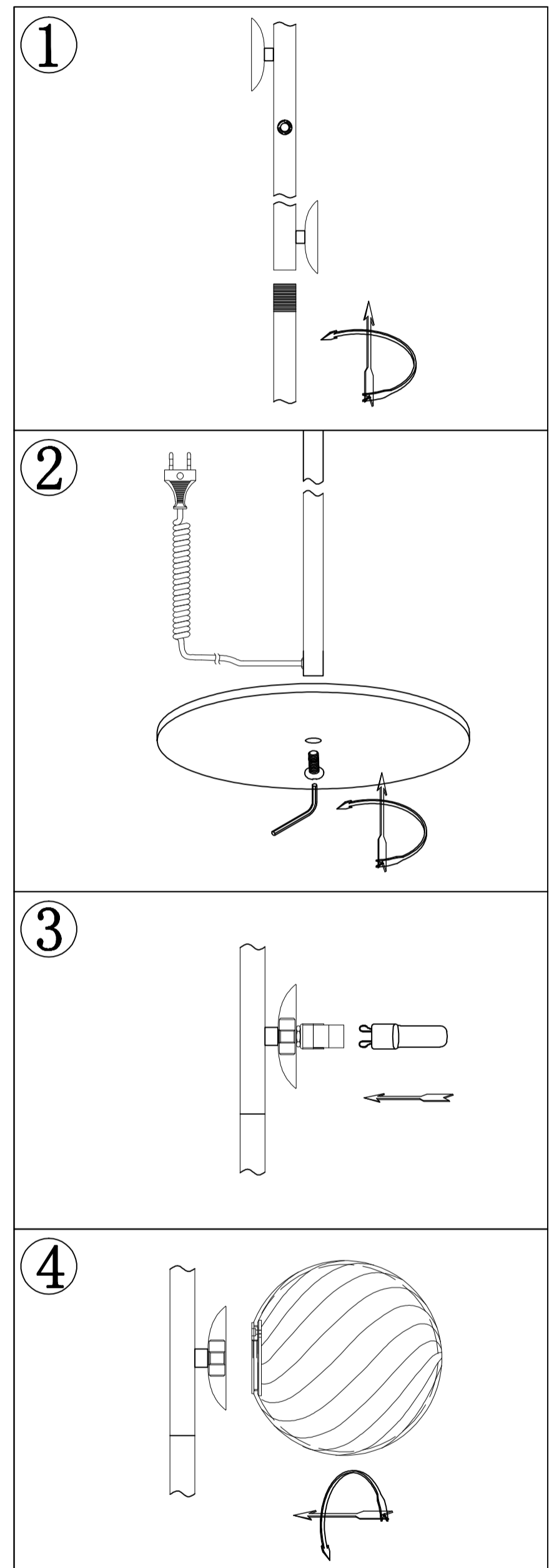
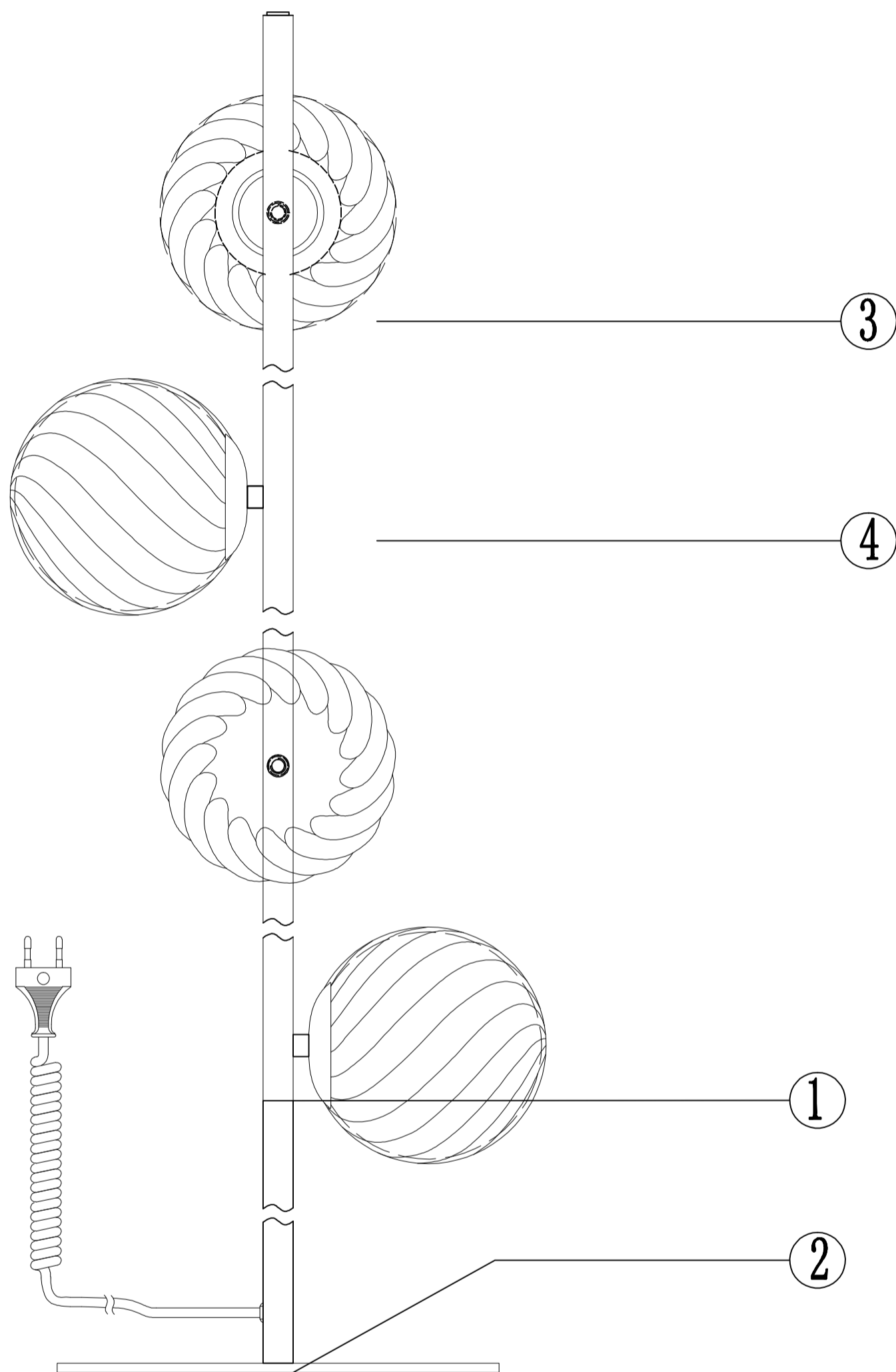


INSTRUCTION MANUAL

Model: Twist gulvlampe \varnothing 15cm

**halo
design**

COPENHAGEN



INSTRUCTION MANUAL

1 Follow the instruction sketch.

2 Make sure power is OFF on the outlet, before beginning the installation.

3 Insert the light bulb.

4 Go through point 1 to 4 before connecting the lamp to the power.

230V .4xG9 . MAX LED 10W

