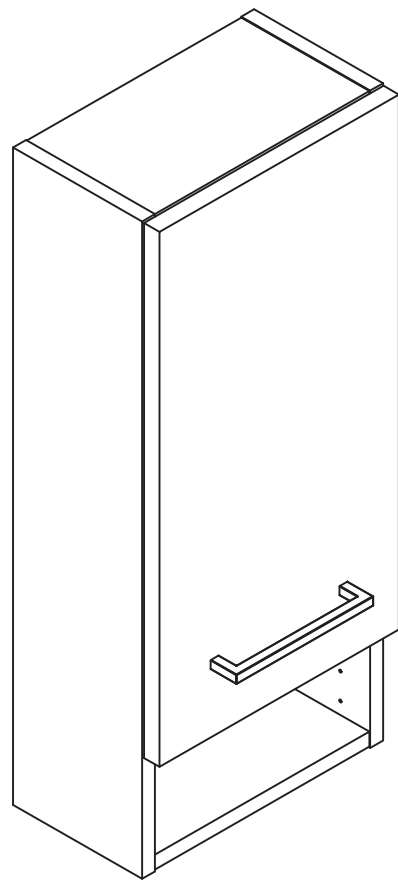
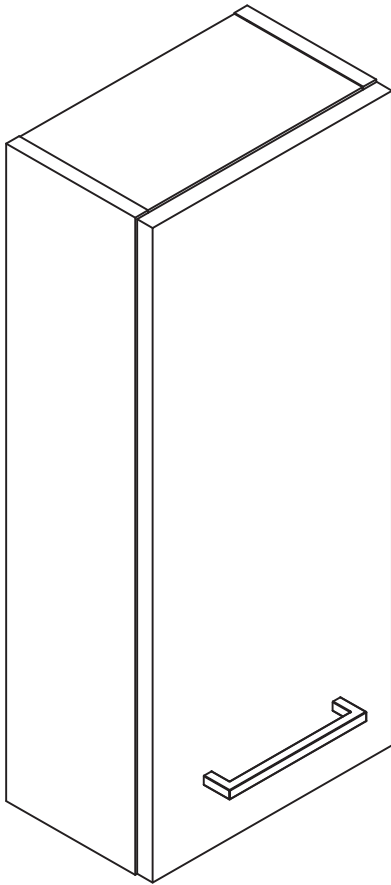




**DANSANI**  
DANISH BATHROOM DESIGN





6x  
5-500



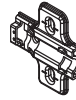
2x  
390010190



6x  
5,0-60SU



6x  
3900100xx



2x  
190300734



4x  
4,0-16LH



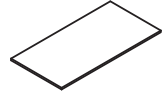
12x  
415533



2x  
19500000

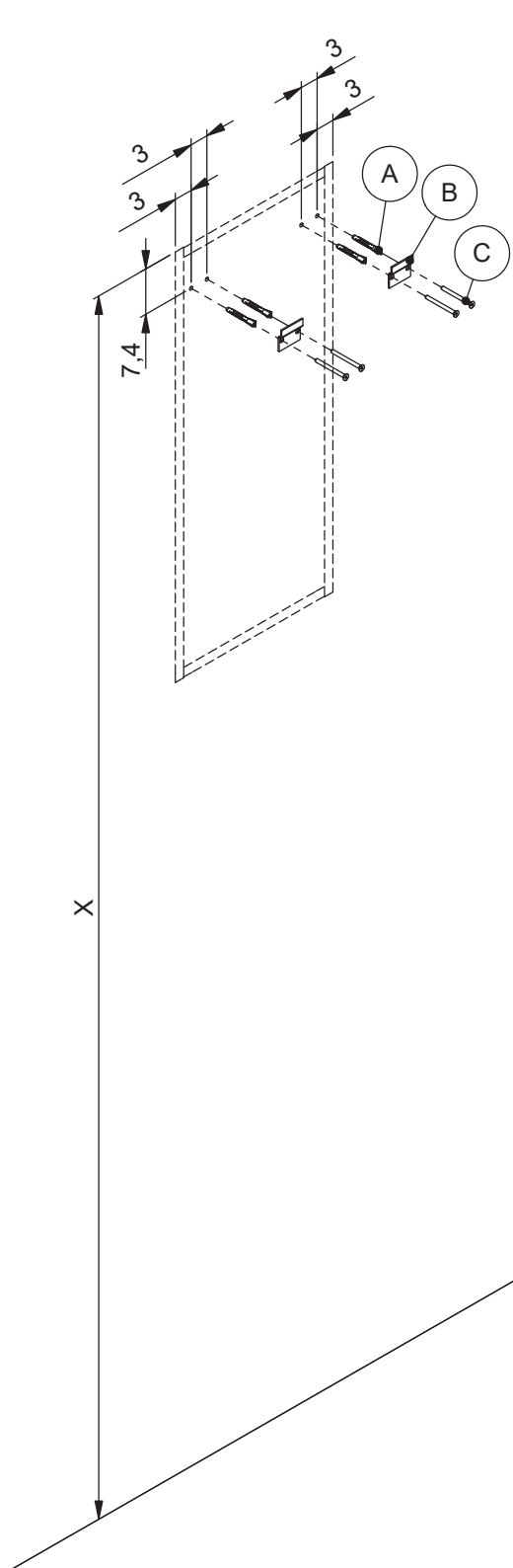


2x  
3,5-16SU



3x  
5228317

# 1



A



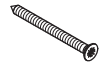
4x  
5-500

B



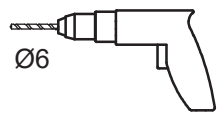
2x  
390010190

C



4x  
5,0-60SU

1



Ø6

2



SILICONE

3



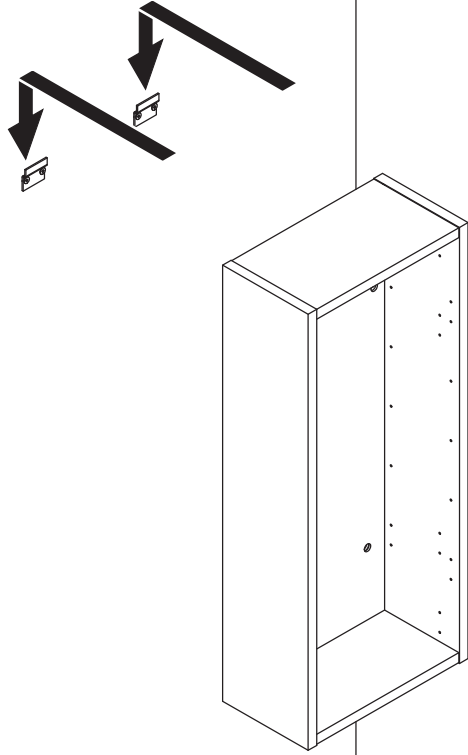
A

4

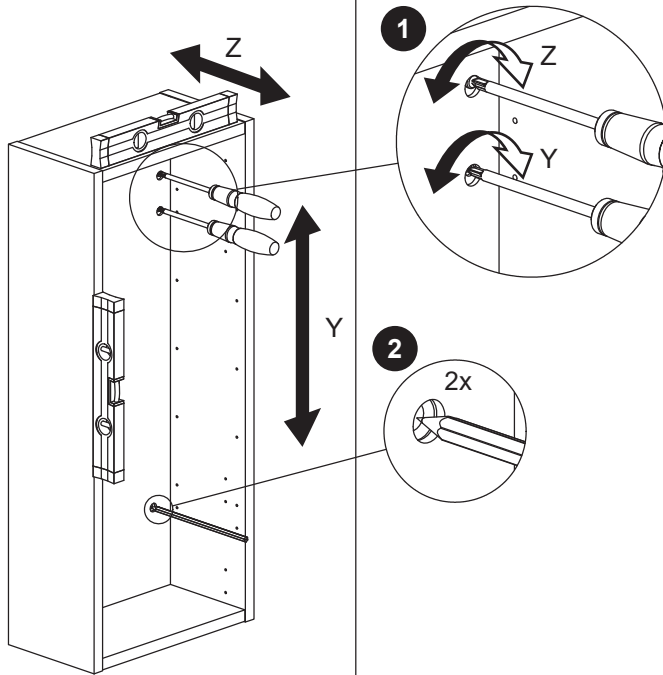


SILICONE

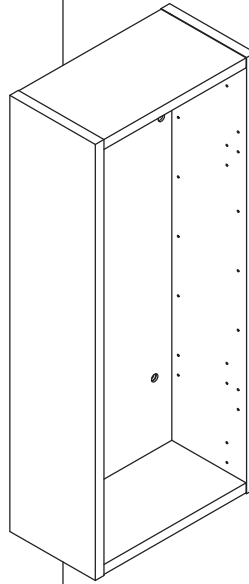
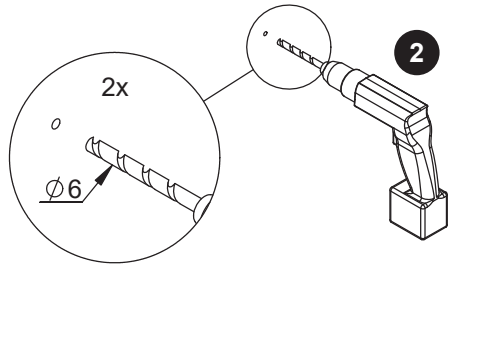
2



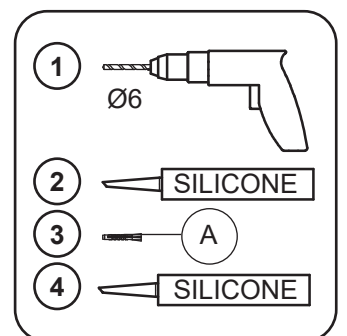
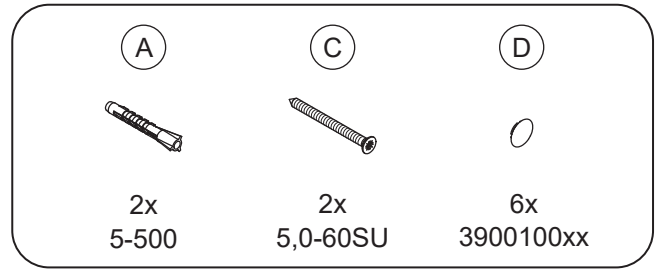
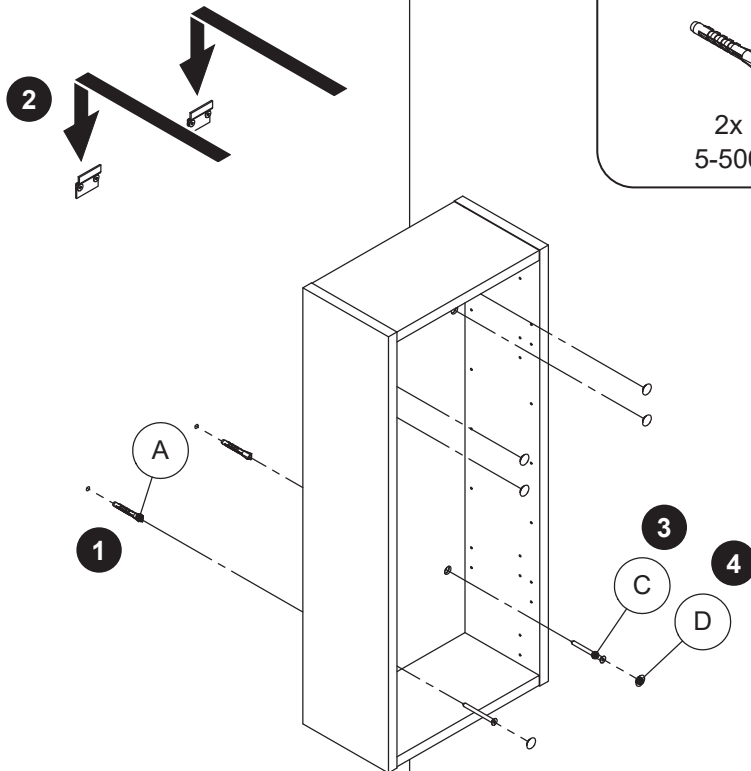
3

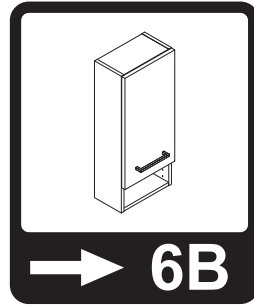
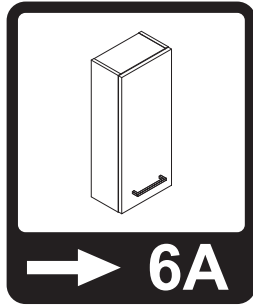


# 4

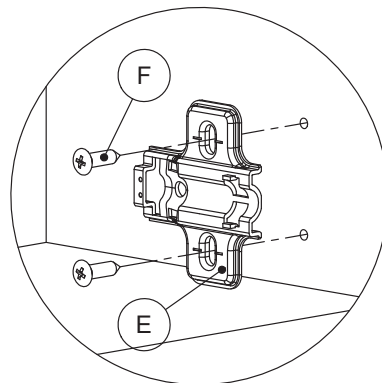
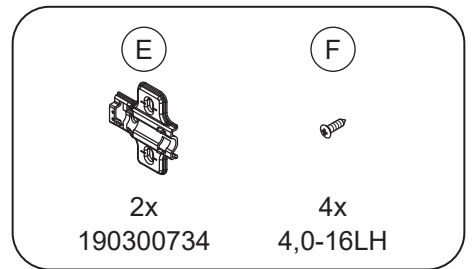
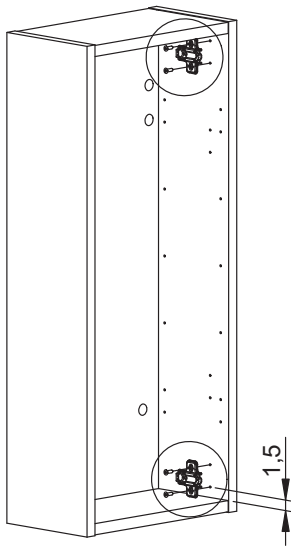


# 5

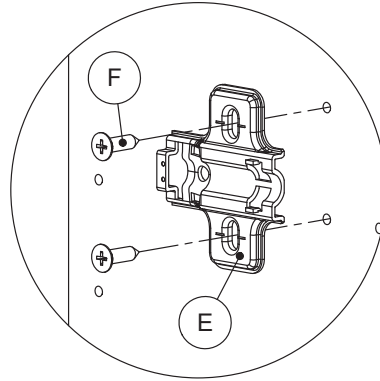
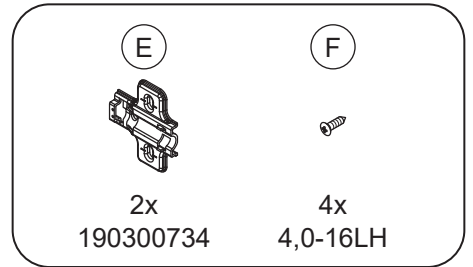
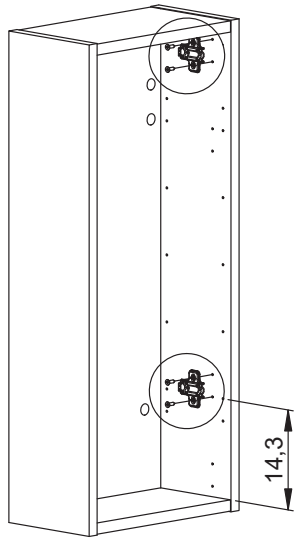




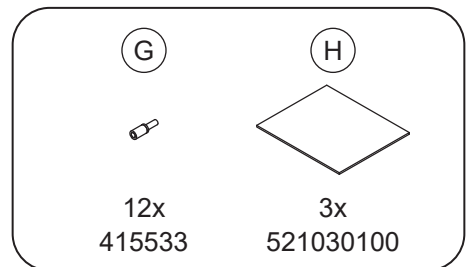
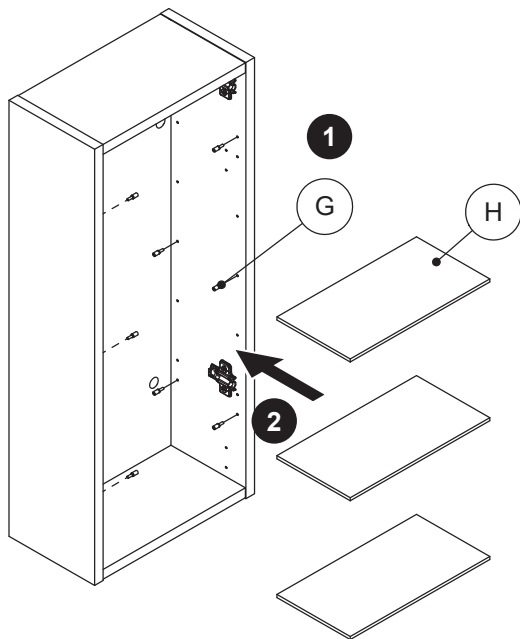
# 6A



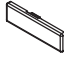


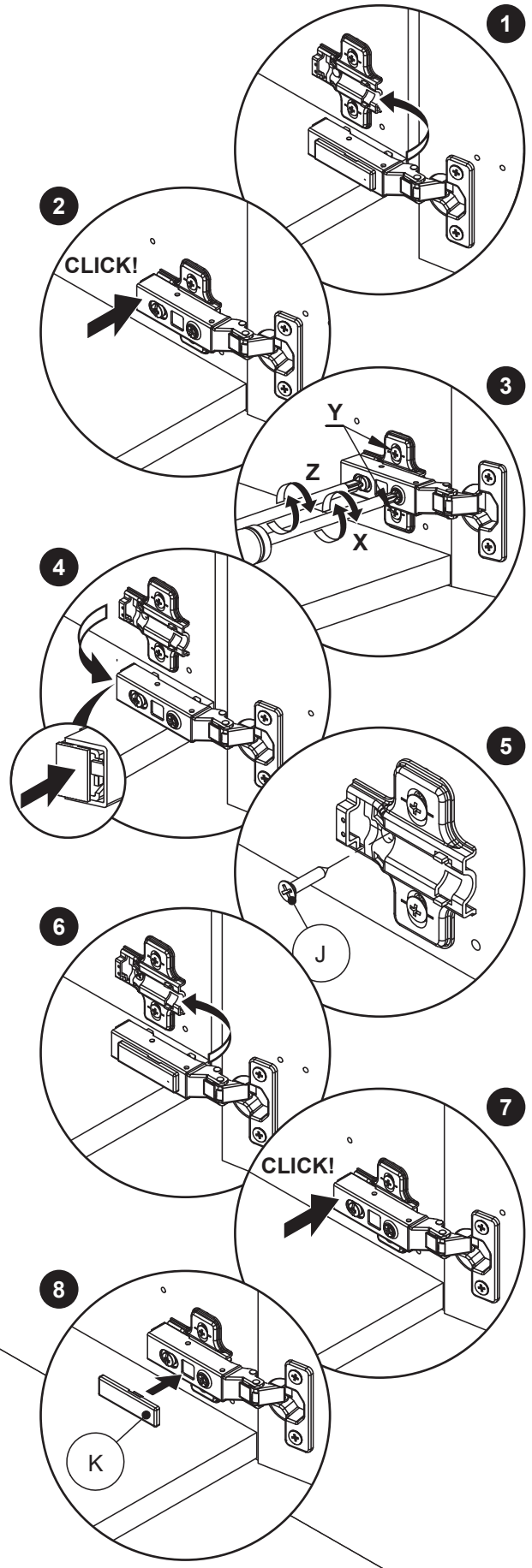
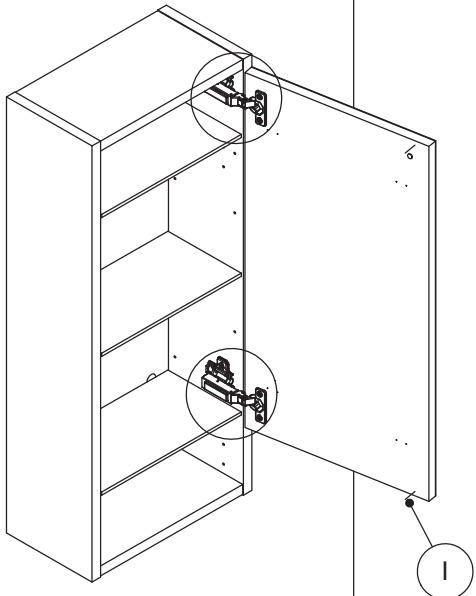
# 6B



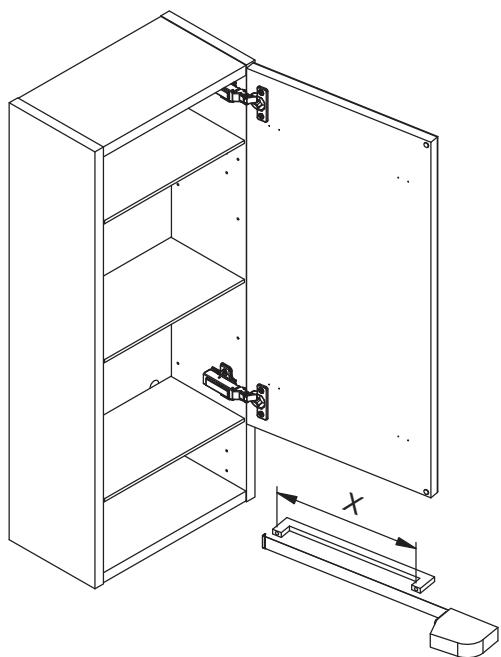
# 7



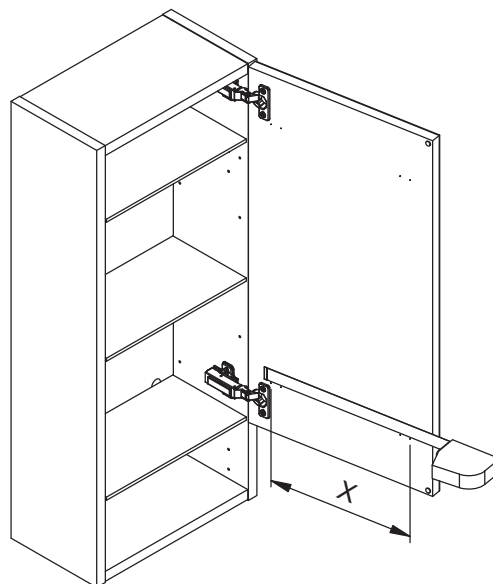
I	J	K
		
2x 19500000	2x 3,5-16SU	2x 190040735



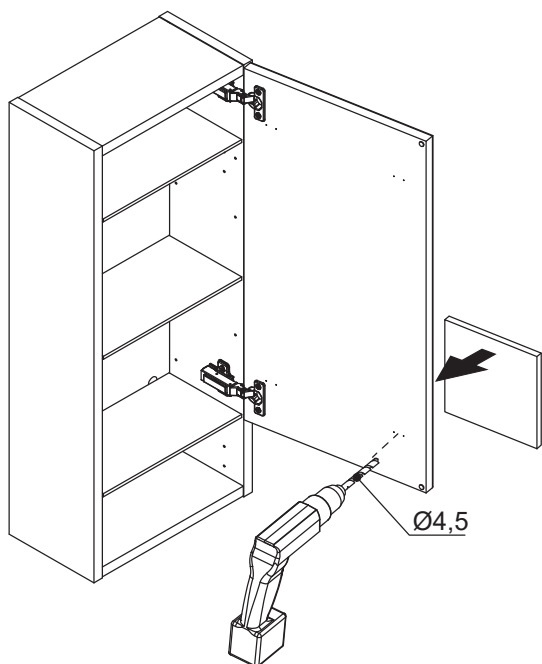
# 9A



# 9B



# 9C



# 9D

