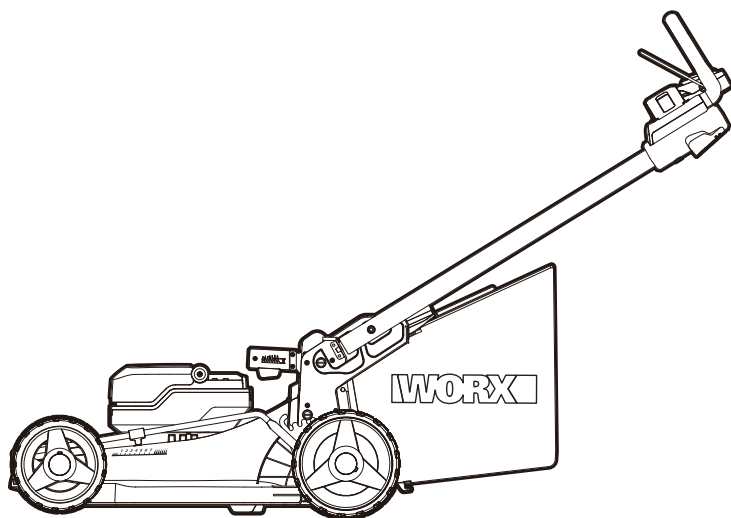


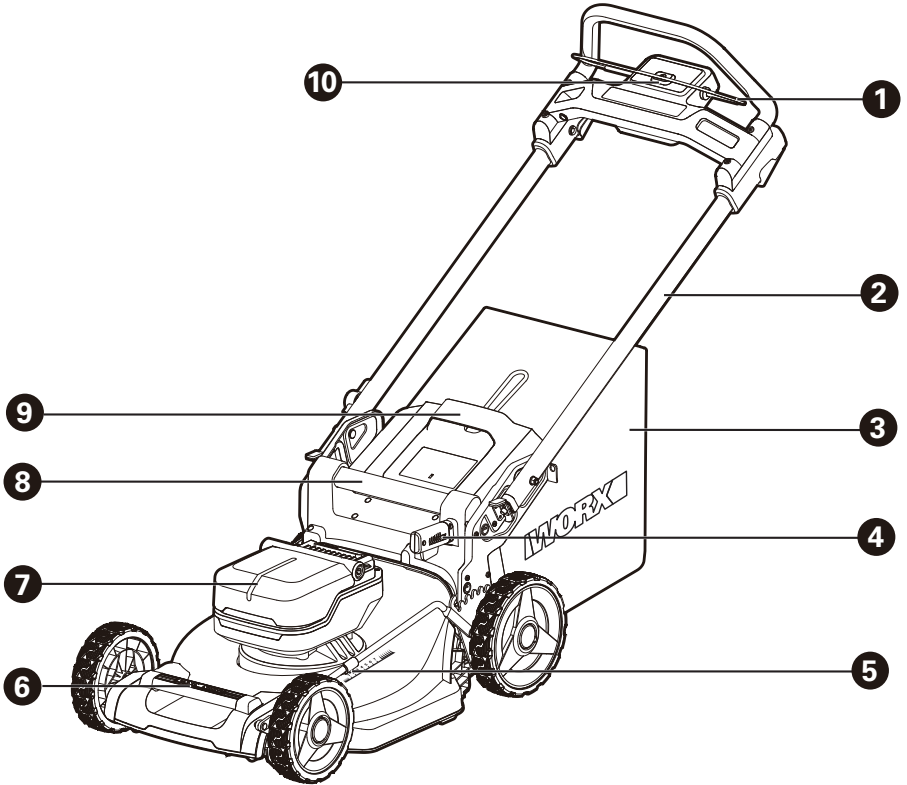
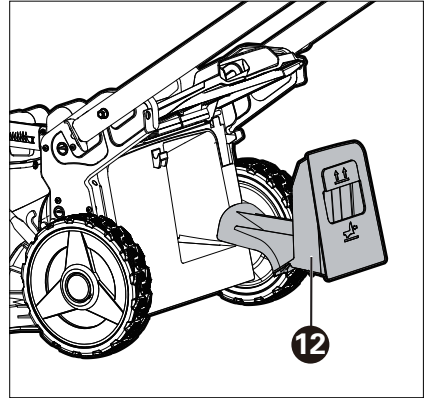
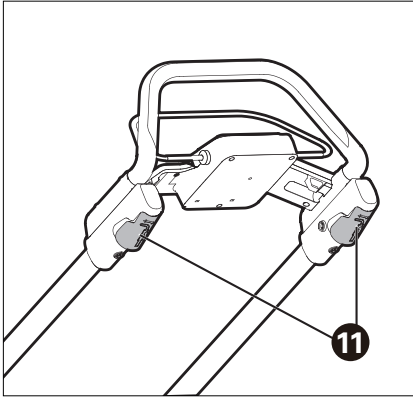
WORX NITRO

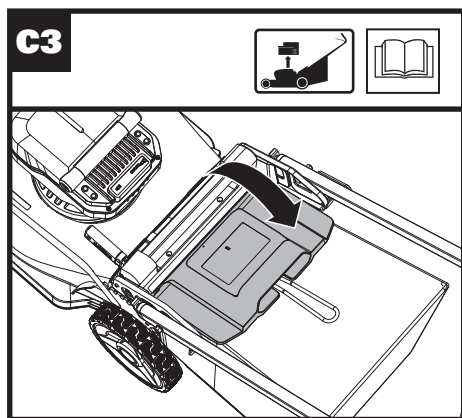
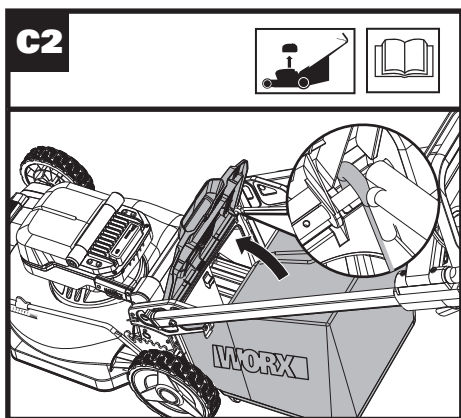
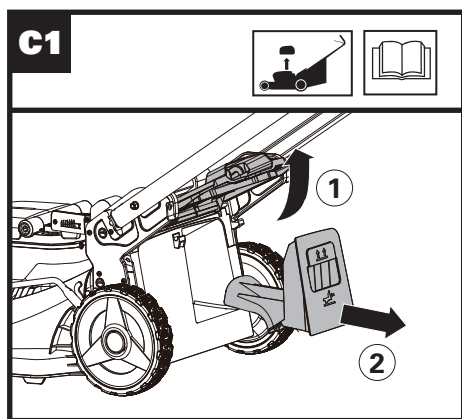
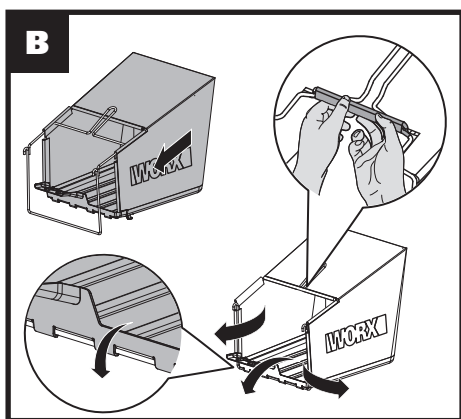
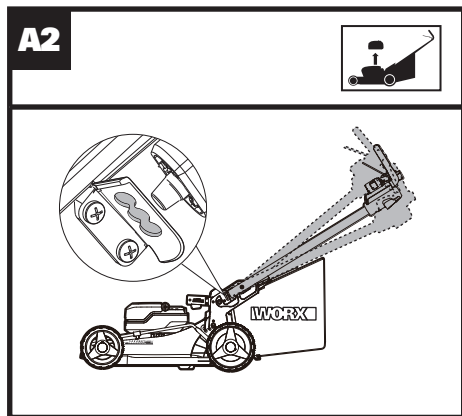
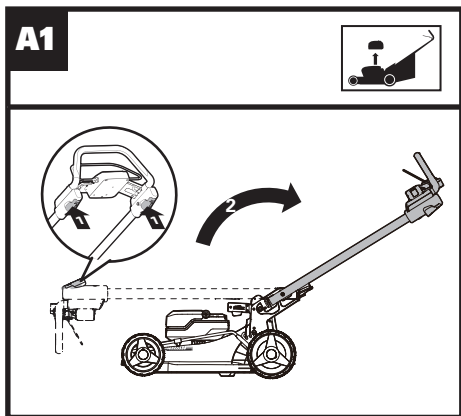


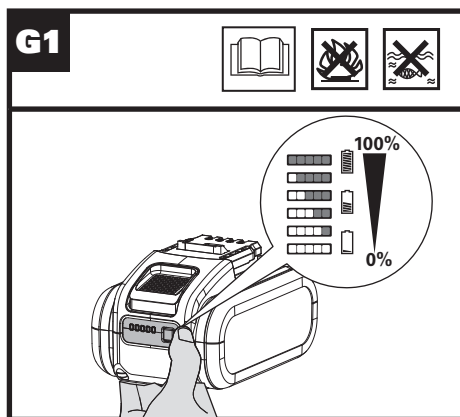
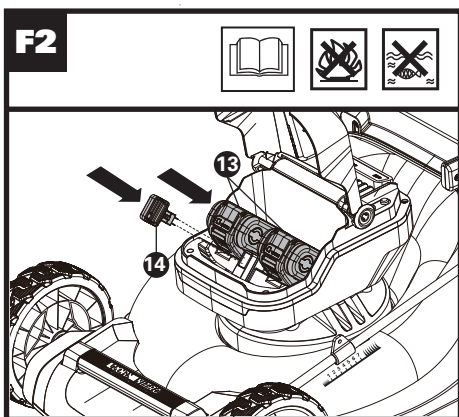
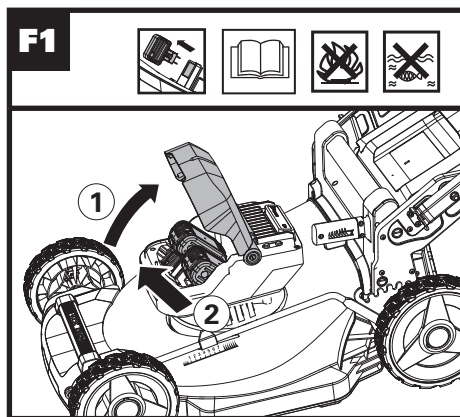
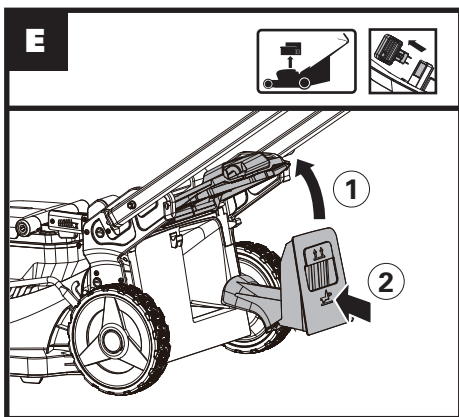
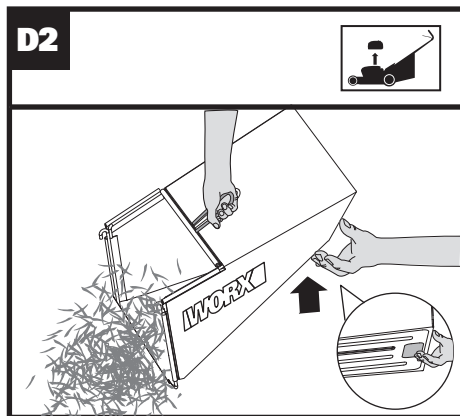
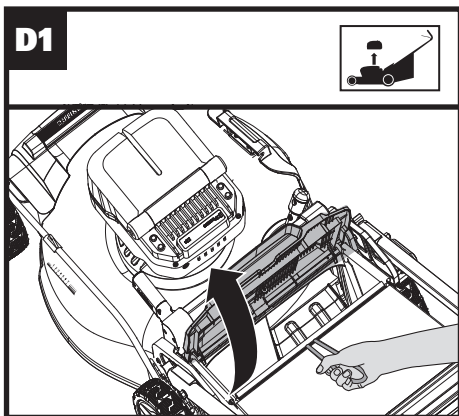
Cordless Lawn Mower	EN	P08
Schnurloser Rasenmäher	D	P18
Tondeuse à gazon sans fil	F	P29
Tosaerba senza fili	I	P40
Cortacésped a batería	ES	P51
Corta-relva sem fios	PT	P62
Snoerloze graasmaaier	NL	P73
Ledningsfri plæneklipper	DK	P84
Batteridrevet gressklipper	NOR	P94
Sladdlös gräsklippare	SV	P104
Bezprzewodowa kosiarka do trawników	PL	P113
Χλοοκοπτική μηχανή μπαταρίας	GR	P125
Vezetékmentes fűnyíró	HU	P137
Maşină de tuns iarba fără fir	RO	P148
Bezdrátová travní sekačka	CZ	P160
Akumulátorová kosačka na trávu	SK	P170
Brezžična kosilnica	SL	P181

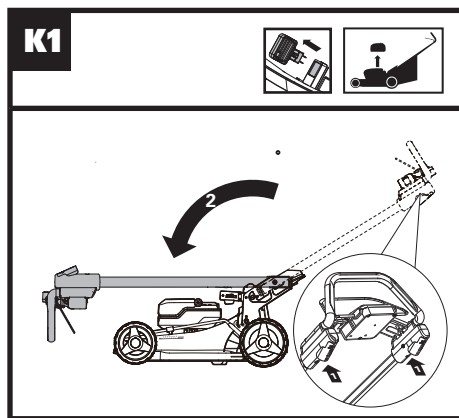
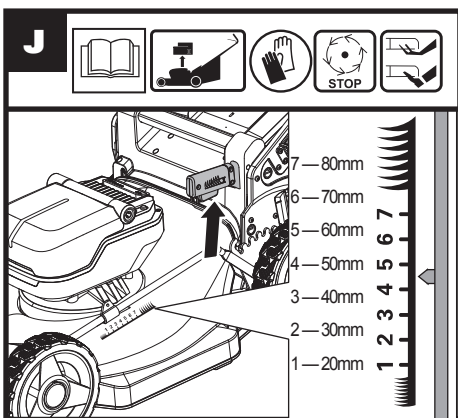
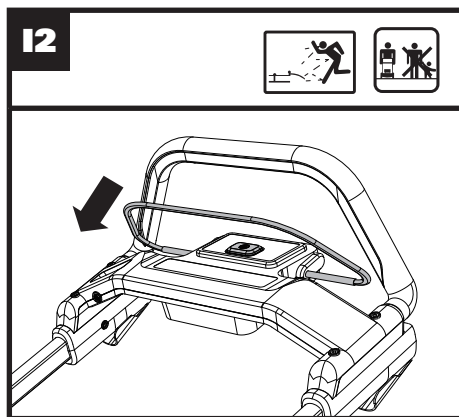
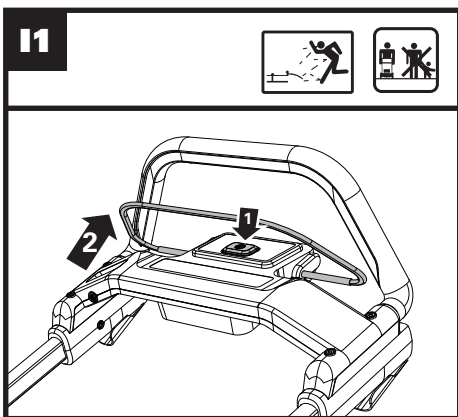
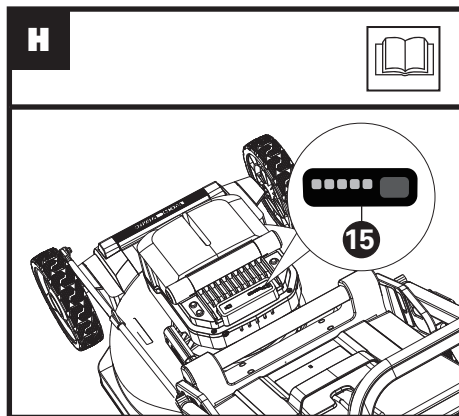
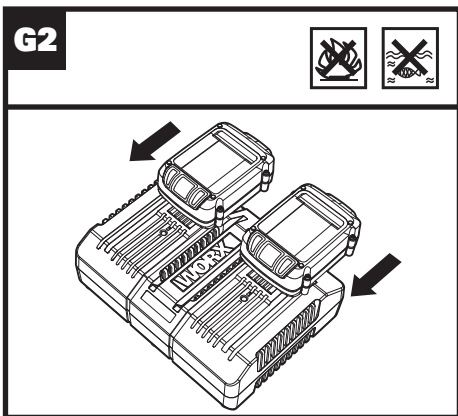
WG748E WG748E.X

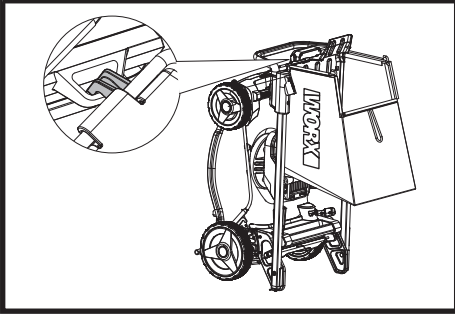
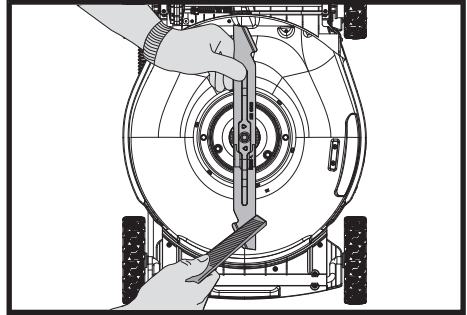
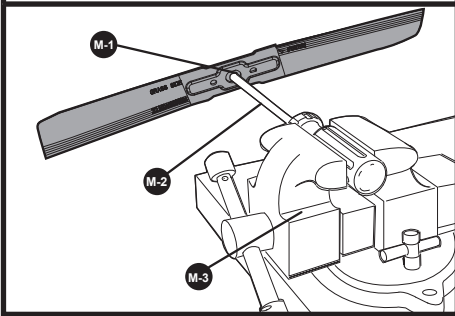
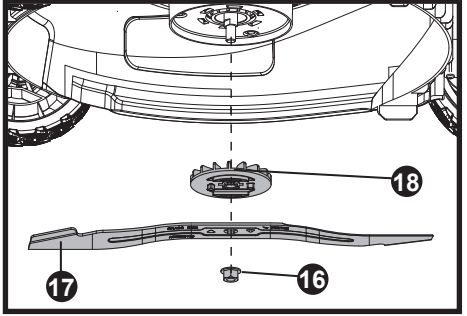
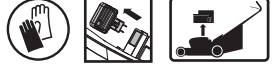
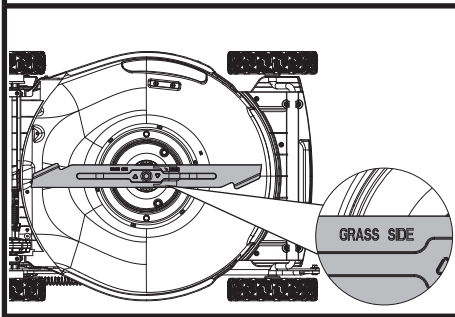
Original Instruction	EN
Originalbetriebsanleitung	D
Notice originale	F
Istruzioni originali	I
Manual original	ES
Manual original	PT
Oorspronkelijke gebruiksaanwijzing	NL
Original brugsanvisning	DK
Original driftsinstruks	NOR
Bruksanvisning i original	SV
Instrukcja oryginalna	PL
ΜΕΤΑΦΡΑΣΗ ΤΩΝ ΠΡΩΤΟΤΥΠΩΝ ΟΔΗΓΙΩΝ	GR
Eredeti használati utasítás	HU
Instrucțiuni originale	RO
Původní návod k používání	CZ
Pôvodný návod na použitie	SK
Izvirna navodila	SL










K2**L****M****N1****N2**

PRODUCT SAFETY GENERAL SAFETY WARNINGS

 **WARNING** Read all safety warnings and all instructions. Failure to follow the warnings and instructions may result in electric shock, fire and/or serious injury.

Carefully read the instructions for the safe operation of the machine. Save all warnings and instructions for future reference.

- This appliance is not intended for use by persons (including children) with reduced physical, sensory or mental capabilities, or lack of experience and knowledge, unless they have been given supervision or instruction concerning use of the appliance by a person responsible for their safety.
- Children should be supervised to ensure that they do not play with the appliance.
- The appliance is only to be used with the power supply unit provided with the appliance.

IMPORTANT READ CAREFULLY BEFORE USE KEEP FOR FUTURE REFERENCE

Safe operation practices Training

- a) read the instructions carefully. Be familiar with the controls and the proper use of the equipment;
- b) never allow children or people unfamiliar with these instructions to use the lawnmower. Local regulations can restrict the age of the operator;
- c) never mow while people, especially children, or pets are nearby;
- d) keep in mind that the operator or user is responsible for accidents or hazards occurring to other people or their property

Preparation

- a) While mowing, always wear substantial footwear and long trousers. Do not operate the equipment when barefoot or wearing open sandals;
- b) thoroughly inspect the

- area where the equipment is to be used and remove all objects which can be thrown by the machine;
- c) Before using, always visually inspect to see that the blades, blade bolts and cutter assembly are not worn or damaged. Replace worn or damaged blades and bolts in sets to preserve balance. Replace damaged and unreadable labels.

Operation

- a) mow only in daylight or in good artificial light;
- b) avoid operating the equipment in wet grass, where feasible;
- c) always be sure of your footing on slopes;
- d) walk, never run;
- e) for wheeled rotary machines, mow across the face of slopes, never up and down; mow across the face of slopes, never up and down.
- f) exercise extreme caution when changing direction on slopes;
- g) do not mow excessively steep slopes;
- h) use extreme caution when reversing or pulling the

- lawnmower towards you;
- i) stop the blade(s) if the lawnmower has to be tilted for transportation when crossing surfaces other than grass, and when transporting the lawnmower to and from the area to be mowed;
- j) never operate the lawnmower with defective guards, or without safety devices, for example deflectors and/or grass catchers, in place;
- k) switch on the motor carefully according to instructions and with feet well away from the blade(s);
- l) do not tilt the lawnmower when switching on the motor, except if the lawnmower has to be tilted for starting. In this case, do not tilt it more than absolutely necessary and lift only the part which is away from the operator;
- m) do not put hands or feet near or under rotating parts. Keep clear of the discharge opening at all times;
- n) do not touch the blades before the disabling device has been removed and the blades have come to a

complete stop;

- o) Do not start the lawnmower when standing in front of the discharge opening.
- p) Do not transport the lawnmower while the power source is running.
- q) Stop the lawnmower, and remove the disabling device. Make sure that all moving parts have come to a complete stop.
 - whenever leaving the machine unattended,
 - before clearing a blockage,
 - before checking, cleaning or working on the machine,
 - after striking a foreign object. Inspect the machine for damage and make repairs before restarting and operating the lawnmower

If the lawnmower starts to vibrate abnormally (check immediately)

- inspect for damage.
- replace or repair any damaged parts.
- check and tighten any loose parts.

Maintenance and storage

- a) keep all nuts, bolts and screws tight to be sure the equipment is in safe

working condition;

- b) check the grass catcher frequently for wear or deterioration;
- c) replace worn or damaged parts for safety. Use only genuine replacement parts and accessories.
- d) Be careful during adjusting of the lawnmower to prevent entrapment of the fingers between moving blades and fixed parts of the lawnmower.
- e) Always allow the lawnmower to cool down before storing.
- f) When servicing the blades be aware that, even though the power source is switched off, the blades can still be moved.

SAFETY WARNINGS FOR BATTERY PACK

- a) Do not dismantle, open or shred cells or battery pack.**
- b) Do not short-circuit a battery pack. Do not store battery packs haphazardly in a box or drawer where they may short-circuit each other or be short-circuited by conductive materials.**

When battery pack is not in use, keep it away from other metal objects, like paper clips, coins, keys, nails, screws or other small metal objects, that can make a connection from one terminal to another. Shorting the battery terminals together may cause burns or a fire.

c) Do not expose battery pack to heat or fire. Avoid storage in direct sunlight.

d) Do not subject battery pack to mechanical shock.

e) In the event of battery leaking, do not allow the liquid to come into contact with the skin or eyes. If contact has been made, wash the affected area with copious amounts of water and seek medical advice.

f) Keep battery pack clean and dry.

g) Wipe the battery pack terminals with a clean dry cloth if they become dirty.

h) Battery pack needs to be charged before use. Always refer to this

instruction and use the correct charging procedure.

i) Do not maintain battery pack on charge when not in use.

j) After extended periods of storage, it may be necessary to charge and discharge the battery pack several times to obtain maximum performance.

k) Do not use any battery pack which is not designed for use with the equipment.

l) Recharge only with the charger specified by WorxNITRO. Do not use any charger other than that specifically provided for use with the equipment.

m) Keep battery pack out of the reach of children.

n) Retain the original product literature for future reference.

o) Remove the battery from the equipment when not in use.

p) Dispose of properly.

q) Do not mix cells of different manufacture, capacity, size or type

within a device.
r) Keep the battery away from microwaves and high pressure.

SYMBOLS

	Read instruction handbook before operation this machine
	Keep bystanders away.
	Beware of sharp blades. Blades continue to rotate after the motor is switched off- Remove disabling device before maintenance
	Batteries may enter water cycle if disposed improperly, which can be hazardous for ecosystem. Do not dispose of waste batteries as unsorted municipal waste.
	Do not burn
	Li-Ion battery This product has been marked with a symbol relating to 'separate collection' for all battery packs and battery pack. It will then be recycled or dismantled in order to reduce the impact on the environment. Battery packs can be hazardous for the environment and for human health since they contain hazardous substances.

	Waste electrical products should not be disposed of with household waste. Please recycle where facilities exist. Check with your Local Authority or retailer for recycling advice.
	Wear protective gloves.
	Remove battery from the socket before carrying out any adjustment, servicing or maintenance.
	Remove the key
	Blade continues to rotate after the machine is switched off. Wait until all machine components have completely stopped before touching them

COMPONENT LIST

- 1. OPERATING BAIL**
- 2. HANDLE BAR**
- 3. GRASS COLLECTION BAG**
- 4. CUTTING HEIGHT ADJUSTMENT LEVER**
- 5. CUTTING HEIGHT ADJUSTMENT POINTER**
- 6. FRONT HANDLE**
- 7. BATTERY PACK COVER**
- 8. REAR HANDLE**
- 9. SAFETY FLAP**
- 10. SAFETY LOCK-OUT BUTTON**
- 11. QUICK-RELEASE BUTTON**
- 12. MULCHING INSERT**
- 13. BATTERY PACK* (SEE FIG. F2)**
- 14. SAFETY KEY (SEE FIG. F2)**
- 15. POWER INDICATOR LIGHT(SEE FIG. H)**
- 16. BLADE BOLT (SEE FIG. N1)**

17. BLADE (SEE FIG.N1)**18. SPACER (SEE FIG. N1)**

***Not all the accessories illustrated or described are included in standard delivery.**

TECHNICAL DATA

Type WG748E WG748E.X (7- designation of machinery, representative of Cordless Lawn Mower)

	WG748E WG748E .X**
Voltage	40V Max.(2x20V Max.)***
No load speed	2800/min
Deck width	48 cm
Cutting width	46 cm
Front wheel diameter	200 mm
Rear wheel diameter	230 mm
Cutting height	20 – 80 mm
Cutting height positions	7
Grass collection capacity	55 L
Machine Weight (bare tool)	25.3 kg

** X=1-999, A-Z, M1-M9 are only used for different customers, there are no safe relevant changes between these models.

*** Voltage measured without workload. Initial battery voltage reaches maximum of 20 volts. Nominal voltage is 18 volts.

Category	Type	Capacity
20V Battery	WA3014	4.0 Ah
20V Charger	WA3883	4.0 A

We recommend that you purchase your accessories from the same store that sold you the tool. Choose the type according to the work you intend to undertake. Refer to the accessory packaging for further details. Store personnel can assist you and offer advice.

NOISE DATA

A weighted sound pressure	$L_{PA} = 78.4 \text{ dB(A)}$
K_{PA}	3.0 dB (A)

A weighted sound power $L_{WA} = 91.6 \text{ dB(A)}$

K_{WA} 3.0 dB (A)

Wear ear protection



VIBRATION INFORMATION

Typical weighted vibration $a_h < 2.5 \text{ m/s}^2$

Uncertainty $K = 1.5 \text{ m/s}^2$



WARNING: The vibration emission value during actual use of the power tool can differ from the declared value depending on the ways in which the tool is used dependant on the following examples and other variations on how the tool is used:

How the tool is used and the materials being cut or drilled.

The tool being in good condition and well maintained.

Using the correct accessory for the tool and ensuring it is sharp and in good condition.

The tightness of the grip on the handles and if any anti vibration accessories are used.

And the tool is being used as intended by its design and these instructions.

This tool may cause hand-arm vibration syndrome if its use is not adequately managed



WARNING: To be accurate, an estimation of exposure level in the actual conditions of use should also take account of all parts of the operating cycle such as the times when the tool is switched off and when it is running idle but not actually doing the job. This may significantly reduce the exposure level over the total working period.

Helping to minimise your vibration exposure risk.

ALWAYS use sharp chisels, drills and blades.

Maintain this tool in accordance with these instructions and keep well lubricated (where appropriate).

If the tool is to be used regularly then invest in anti vibration accessories.

Plan your work schedule to spread any high vibration tool use across a number of days.

OPERATION INSTRUCTION




NOTE: Read instruction handbook before operation this machine.


INTENDED USE

This product is intended for domestic lawn mowing.

ASSEMBLY & OPERATION

ACTION	FIGURE
ASSEMBLY	

	Assembling the handle bar & Adjusting Handle's height NOTE: Press and hold Quick-release button during operation.	See Fig. A1, A2
	Assembling the grass collection bag	See Fig. B
	Assembling the grass collection bag to the lawn mower NOTE: Depress the grass collection bag slightly to ensure that it is completely installed. NOTE: Take the mulching insert out of the lawn mower before fitting the grass collection bag.	See Fig. C1, C2, C3
	Removing/emptying grass collection bag  WARNING! Always check the safety flap close the discharge outlet before using. Never lift the safety flap when the lawn mower is being used without fitted grass collection bag.	See Fig. D1,D2
14	Installing mulching insert	See Fig. E
	Removing /fitting the battery pack Insert the safety key before installing the battery pack. NOTE: This machine will only run when sp - batteries are installed. It is recommended to use the same AH batteries and charge the two batteries at the same time. When you use two batteries with different AH, the machine will only run to the lower common denominator.	See Fig. F1, F2
	Checking the battery charge condition NOTE: Fig. G1 only applies for the battery pack with battery indicator light.	See Fig.G1
	Charging the battery pack NOTE: The batteries are shipped uncharged. Each battery must be fully charged before the first mow. Always fully charge the two batteries at same time. More details can be found in charger's manual.	See Fig.G2

OPERATION	
Power indicator light See details in BATTERY STATUS part IMPORTANT: When only one light is illuminated, your battery is overly discharged, even though the machine may still be capable to work. Continuing to operate your machine with the battery in this discharged condition may reduce the life and performance of your battery. When no light is illuminated, at least one battery is not fully installed or battery may be defective, please double check the batteries are fully seated into position.	See Fig.H
Starting and Stopping	See Fig.I1,I2
Adjusting the cutting height  WARNING! Stop, release Operating Bail and wait until the motor stops before adjusting height. The blades continue to rotate after the machine is switched off, a rotating blade can cause injury. Do not touch rotating blades.	See Fig. J
Storage	See Fig. ,K1,K2

BATTERY STATUS (See Fig. H)

- Before starting or after use, press the button beside the power indicator light on the machine to check the battery capacity.
- During operation, the battery capacity will be indicated automatically by the battery power indicator. The indicator constantly senses and displays the battery condition as follows.
- Charge the machine with 2 battery packs with different AH, the power indicator light displays the battery condition with the lower one of the two batteries.

Battery indicator light status	Battery condition
Five green lights (●●●●●) are illuminated.	The two batteries are in a highly charged condition.
Two, three or four green lights are illuminated.	The two batteries have a remaining charge. The more lights are illuminated, the more battery capacity.

Only one green light (●○○○○) is illuminated.	The battery level of at least one battery pack is very low. Please check and charge the battery pack.
No light is illuminated.	At least one battery is not fully installed or battery may be defective.
Only one light is flashing twice per cycle.	At least one battery is over discharged (please refer to the battery charge condition), please recharge the two batteries at once before use again or storage.
Only one light is flashing three times per cycle.	At least one battery is hot, wait for them cool down before start again.
Only one light is flashing four times per cycle.	The machine is over load. Raise the cutting height or push slowly.

- Change your cutting pattern from week to week. This will help prevent matting and graining of the lawn.

CUTTING AREA

The cutting area can be affected by several factors, such as cutting height, lawn humidity, grass length and density. Besides, starting and stopping the mower too many times during operation will reduce the cutting area. The table below gives the relationship between cutting conditions and cutting area.

Cutting Height	Recommend lot size (maximum)
Cutting off 8cm to 6cm	With 2*20V / 4.0Ah batteries
	up to 500m ² *

* Used with two fully charged battery packs.

TIPS:

- It is recommended to mow your lawn more frequently, walk at normal pace, and not to start/stop the mower too often during operation.
- For best performance, please ensure use two fully charged battery packs at the same time and always cut off 1/3 or less of the grass height.
- Walk slowly when cutting long grass, so as to have more effective cutting and properly discharge the clippings.
- Avoid cutting wet grass, otherwise it will stick to the underside of the deck and the clippings cannot be collected or discharged properly.
- A higher cutting height shall be applied to new or thick grass and it will extend the battery duration.

MULCHING MOWING TIPS

While mulching, your new mower is designed to cut the grass clippings into small pieces and distribute them back into the lawn. Under normal conditions, the mulched grass will biodegrade quickly and deliver nutrients to the lawn. Please review the following recommendations for optimum mulching performance.

- Avoid mowing when the grass is wet from rain or dew. Wet grass may form clumps which interfere with the mulching action and reduce the runtime. The best time to mow the grass is in the late afternoon when the grass is dry and the newly cut area will not be exposed to direct sunlight.
- For the best mulching performance, set the cutting height to remove about one third of the grass blade length, ideally no more than 40mm at one time. If the lawn is overgrown, it may be necessary to increase the cutting height to reduce the pushing effort and prevent overloading the motor. For extremely heavy mulching, it is advisable to first cut at a high cut height setting, and then re-cut to the final cut height. Otherwise, make narrower cuts and mow slowly.
- For the best performance, keep the mower housing free of built-up grass. From time to time turn off mower and wait for the blades to come to a complete stop. Then Remove the safety key and turn mower on its side. Using an object such as a stick, wipe out any accumulation of grass around the blade area. Be careful of the sharp edges of the blade. Ensure to clean the blade area often when cutting wet or new grass and every time after the machine is used.
- Certain types of grass or grass conditions may require that an area be mulched a second time to fully disperse the grass throughout the lawn. If cutting a second time, it is advisable to cut perpendicular (across) the first cut pattern. DO NOT CHANGE CUT PATTERN IN ANY WAY THAT WOULD CAUSE MOWING DOWN A HILL.

MAINTENANCE

 **WARNING: Stop the mower, remove the safety key and batteries before removing the grass collection bag.**

Note: To ensure long and reliable service, perform the following maintenance procedures regularly. Check for obvious defects such as a loose, dislodged or a damaged blade, loose fittings, and worn or damaged components. Check that the covers and guards are all undamaged and are correctly attached to mower. Carry out any necessary maintenance or repairs before operating mower. If the mower should happen to fail despite regular maintenance, please call our customer helpline for advice.

BLADE SHARPENING

KEEP BLADE SHARP FOR BEST MOWER PERFORMANCE. A DULL BLADE DOES NOT CUT GRASS CLEANLY OR MULCH PROPERLY.

WEAR PROPER EYE PROTECTION WHILE REMOVING, SHARPENING, AND INSTALLING BLADE. ENSURE THAT SAFETY KEY AND BATTERIES ARE REMOVED.

Sharpening the blade twice during a mowing season is usually sufficient under normal circumstances. Sand causes the blade to dull quickly. If your lawn has sandy soil, more

frequent sharpening may be required.
 REPLACE BENT OR DAMAGED BLADE IMMEDIATELY.

WHEN SHARPENING THE BLADE (See Fig. L)

1. Make sure blade remains balanced.
2. Sharpen blade at the original cutting angle.
3. Sharpen cutting edges on both ends of blade to keep it balanced, removing equal amounts of material from both ends.

Note:

1. Be sure the mower is turned off . Remove the key and batteries.
2. Place the mower in stand up storage mode.

BLADE BALANCING (See Fig. M)

Check balance of blade by placing center hole in blade M-1 over a screwdriver shank M-2, clamped horizontally in a vise M-3. If either end of the blade rotates downward, file that end. Blade is properly balanced when neither end drops.


BLADE MAINTENANCE (See Fig. N1, N2)

Replace your Mower Blade after 50 hours mowing or 2 years, whichever ever is the sooner-regardless of condition. Follow these procedures to remove and replace the Blade. You will need garden gloves (not provided) and a spanner wrench (not provided) to remove the Blade. Make sure safety key and batteries are not installed. Wedge a block of wood between the blade and the mower deck to prevent the blade from turning and unscrew the Blade Bolt counter-clockwise using a spanner wrench, and then remove the Blade. To re-assemble, position the Blade with the cutting edges towards the ground. Then securely tighten the Blade Bolt.

STORAGE (See Fig. K1,K2)

Stop the mower, and always remove the Safety Key and batteries. Clean the exterior of the machine thoroughly using a soft brush and cloth. Do not use water, solvents or polishes. Remove all grass and debris, especially from the ventilation slots. Turn the machine on its side and clean the blade area. If grass cuttings are compacted in the blade area, remove with a wooden or plastic implement. Store the machine in a dry place. Do not place other objects on top of the machine. To aid storage, Press and hold Quick-release button, and fold the Handle bar.

ENVIRONMENTAL PROTECTION

 Waste electrical products must not be disposed of with household waste. Please recycle where facilities exist. Check with your local authorities or retailer for recycling advice.

TROUBLESHOOTING

PROBLEM	SOLUTION
1. Mower doesn't run when Operating Bail is activated.	A. Check to make sure safety key has been installed and is fully seated and that Safety lock-out button is completely pushed. B. Release Operating Bail to turn mower off. Remove safety key and batteries, turn mower over and check that blade is free to turn. If not free, return to an authorized servicer. Blade should turn freely. C. Has battery been fully charged? Plug in charger and wait for green light to come on.
2. Motor stops while mowing.	A. Release Operating Bail to turn mower off. Remove safety key and batteries, turn mower over and check that blade is free to turn. If not free, return to an authorized servicer. Blade should turn freely. B. Raise cutting height of wheels to highest position and start mower. C. Has battery been fully charged? Plug in charger and wait for green light to come on. D. Avoid overloading the mower. Slow down the cutting pace by pushing mower slower or raise the cut height. Or both.
3. Mower runs but cutting performance is unsatisfactory, or does not cut entire lawn.	A. Has battery been fully charged? Plug in charger and wait for green light to come on." B. Release Operating Bail to turn mower off. Remove safety key and batteries. Turn mower over and check: Blade for sharpness - Keep blade sharp. Deck and discharge chute for clogging. C. Wheel height adjustment may be set too low for grass condition. Raise cutting height.
4. Mower is too hard to push.	A. Raise cutting height to reduce deck drag on grass. Check each wheel for free rotation.

5. Mower is abnormally noisy and vibrates.	A. Release Operating Bail to turn mower off. Remove safety key and batteries. Turn mower on side and check blade to ensure it has not been bent or damaged. If blade is damaged, replace with a replacement blade. If the underside of the deck is damaged return mower to an Authorized service center. B. If there is no visible damage to the blade and the mower still vibrates: Release Operating Bail to turn mower off, Remove safety key and batteries, and remove blade. Rotate blade 180 degrees and retighten. If mower still vibrates, return the mower to an authorized service center.
6. Battery charger LED's not on.	A. Check plug connection. B. Replace charger.
7. Battery charger LED does not flip to green.	A. Battery needs to be diagnosed. Take to authorized service center.
8. Mower not picking up clippings with the Grass Collection Bag.	A. Remove mulch plate when bagging. B. Chute clogged. Release Operating Bail to turn mower off. Remove safety key and batteries. Clear chute of grass clippings. C. Too much cut grass. Raise cutting height of wheels to shorten length of the cut. D. Bag full. Empty bag more often.
9. When mulching there are clippings visible.	A. Too much cut grass. Raise cutting height of wheels to shorten length of the cut. Do not cut off more than 1/3 of total length. B. Check blade for sharpness. Always keep blade sharp.
10. Low or diminished runtime after many uses	A. Return to Authorized Service location - may need new battery.
11. The battery charger LED flashes red and the battery can't be charged.	A. The battery overheats after continuous use. Remove battery from the charger and allow it to cool to 42°C or less.

DECLARATION OF CONFORMITY

We,
Positec Germany GmbH
Postfach 32 02 16, 50796 Cologne, Germany

On behalf of Positec declare that the product
Description **WorxNITRO Cordless Lawn Mower**
Type **WG748E WG748E.X (7- designation of machinery, representative of Cordless Lawn Mower)**
Function **mowing grass**

Complies with the following Directives,
2006/42/EC, 2014/30/EU
2011/65/EU&(EU)2015/863
2000/14/EC amended by 2005/88/EC

2000/14/EC amended by 2005/88/EC
Conformity assessment procedure as per **Annex VI.**
Measured Sound Power Level **91.6 dB(A)**
Declared Guaranteed Sound Power Level **94 dB(A)**

The notified body involved
Name: Intertek, Deutschland GmbH (notified body 0905)
Address: Stangenstraße 1, 70771 LEINFELDEN-ECHTERDINGEN

Standards conform to,
EN 60335-1, EN 60335-2-77, EN 62233, EN ISO 3744, EN 55014-1, EN 55014-2

The person authorized to compile the technical file,
Name: Marcel Filz
Address Positec Germany GmbH
Postfach 32 02 16, 50796 Cologne, Germany




2021/10/11
Allen Ding
Deputy Chief Engineer, Testing & Certification
Positec Technology (China) Co., Ltd
18, Dongwang Road, Suzhou Industrial Park, Jiangsu 215123, P. R. China

PRODUKTSICHERHEIT ALLGEMEINE SICHERHEITSHINWEISE



WARNUNG Lesen Sie alle

Sicherheitshinweise und Anweisungen. Versäumnisse bei der Einhaltung der Sicherheitshinweise und Anweisungen können elektrischen Schlag, Brand und/oder schwere Verletzungen verursachen.

Lesen Sie die Bedienungsanleitung zum sicheren Betrieb des Gerätes aufmerksam durch.

Bewahren Sie alle Sicherheitshinweise und Anweisungen für die Zukunft auf.

- Dieses Gerät ist nicht dafür bestimmt, durch Personen (einschließlich Kinder) mit eingeschränkten physischen, sensorischen oder geistigen Fähigkeiten oder mangels Erfahrung und/oder mangels Wissen benutzt zu werden, es sei denn, sie werden durch eine für ihre Sicherheit zuständige Person beaufsichtigt oder erhalten

von ihr Anweisungen, wie das Gerät zu benutzen ist.

- Kinder sollten beaufsichtigt werden um sicherzustellen, dass sie nicht mit dem Ladegerät spielen.
- Das Gerät darf nur mit dem mitgelieferten Netzteil verwendet werden.

**WICHTIG
VOR GEBRAUCH BITTE
GENAU DURCHLESEN
FÜR SPÄTERE BEZUGNAHME
AUFBEWAHREN**

**Sicherer Betrieb
Training**

- a) Die Anweisungen aufmerksam durchlesen. Machen Sie sich mit den Bedienelementen und dem vorschriftsmäßigen Gebrauch des Rasenmähers vertraut.
- b) Niemals Kindern oder mit diesen Anweisungen nicht vertrauten Personen erlauben, den Rasenmäher zu benutzen. Nationale Vorschriften können das Alter der Bedienperson möglicherweise beschränken.
- c) Niemals mähen, während sich Personen, insbesondere Kinder, oder

Tiere in unmittelbarer Nähe aufhalten.

- d) Bedenken Sie, dass der Bediener oder Benutzer bei Unfällen oder Gefährdungen anderer Personen oder deren Eigentum die Verantwortung trägt!

Vorbereitung

- a) Tragen Sie beim Mähen stets festes Schuhwerk und eine lange Hose. Den Rasenmäher nicht barfuß oder mit offenen Sandalen benutzen.
- b) Inspizieren Sie die Gegend, in der die Ausrüstung eingesetzt werden soll, gründlich und entfernen Sie alle Objekte, die durch die Maschine aufgeschleudert werden könnten.
- c) Vor der Benutzung immer durch Augenschein prüfen, ob Messer, Messerschrauben und Schneidbalken abgenutzt oder beschädigt sind. Abgenutzte Messer und Schrauben nur im ganzen Satz auswechseln, um Unwuchten zu vermeiden. Tauschen Sie beschädigte und unleserliche Etiketten aus.

Betrieb

- a) Nur bei Tageslicht oder gutem künstlichen Licht mähen.
- b) Nach Möglichkeit nicht in nassem Gras arbeiten.
- c) Auf schrägen Flächen stets auf sicheren Tritt achten.
- d) Gehen Sie; rennen Sie niemals mit dem Gerät;
- e) Mähen Sie bei Rotormaschinen mit Rädern Abhänge niemals auf hinaus oder hinab, sondern immer seitlich am Hang entlang;
- f) Beim Richtungswechsel an Abhängen äußerst vorsichtig sein.
- g) Keine besonders steilen Abhänge mähen.
- h) Beim Rückwärtsgehen oder Ziehen des Rasenmähers äußerst vorsichtig sein.
- i) Die Messer müssen stehen, wenn der Rasenmäher für den Transport gekippt werden muss, wenn nicht mit Gras bepflanzte Flächen überquert werden und beim Transport vom und zu dem zu mähenden Bereich.
- j) Den Rasenmäher auf keinen Fall mit defekten Schutzvorrichtungen oder Schutzblechen, oder ohne

ordnungsgemäß montierte Sicherheitseinrichtungen wie z. B. Prallbleche und/ oder Grasfangvorrichtung betreiben.

- k) Den Motor wie in den Anweisungen beschrieben starten und dabei darauf achten, dass die Füße ausreichend weit von den Messern entfernt sind.
- l) Den Rasenmäher beim Starten des Motors nicht kippen, es sei denn, es ist für das Anlaufen erforderlich. In diesem Fall nur so weit wie nötig und nur auf der Bediener abgewandten Seite kippen.
- m) Hände und Füße nicht in die Nähe oder unter rotierende Teile bringen. Bei Rotormäher die Austragsöffnung unbedingt freihalten.
- n) Sie dürfen die Klingen nicht berühren, bevor die Sperrvorrichtung entfernt worden ist und die Klingen vollständig zum Stillstand gekommen sind;
- o) Starten Sie den Rasenmäher nicht, wenn Sie vor der Auslassöffnung stehen.
- p) Transportieren Sie den

Rasenmäher nicht, wenn die Stromquelle eingeschaltet ist.

- q) Stoppen Sie den Rasenmäher und entfernen Sie die Deaktivierungsvorrichtung. Stellen Sie sicher, dass die beweglichen Teile zum vollständigen Stillstand gekommen sind.
- Sie die Maschine unbeaufsichtigt lassen,
 - Sie ein Hindernis wegräumen,
 - Sie die Maschine überprüfen, säubern oder an der Maschine arbeiten,
 - nach der Kollision mit einem Fremdkörper. Den Rasenmäher auf Beschädigungen untersuchen und wenn notwendig instand setzen lassen
- Falls der Rasenmäher plötzlich ungewöhnlich stark zu vibrieren beginnt (sofort prüfen)
- Auf Schädenshininspizieren.
 - Beschädigte Teile austauschen oder reparieren.
 - Lose Teile überprüfen und festziehen.

Wartung und aufbewahrung

- a) Den Festsitz aller Schrauben, Muttern und Bolzen sicherstellen, um zu gewährleisten, dass sich der Rasenmäher in einem betriebssicheren Zustand befindet;
- b) Den Grasfangkorb regelmäßig auf Abnutzung überprüfen;
- c) Abgenutzte oder beschädigte Teile sicherheitshalber auswechseln. Nur echte Ersatz- und Zubehörteile benutzen.
- d) Achten Sie bei der Einstellung des Gerätes darauf, dass Ihre Finger nicht zwischen dem beweglichen Messer und feststehenden Teilen eingeklemmt werden.
- e) Lassen Sie den Rasenmäher stets auskühlen, bevor Sie ihn einlagern.
- f) Beim Warten der Messer denken Sie daran, dass sich die Klingen noch immer bewegen lassen, auch wenn die Stromquelle schon ausgeschaltet ist.

SICHERHEIT HINWEISE FÜR AKKUPACK

- a) **Zellen bzw. Akkupack nicht zerlegen, öffnen oder zerdrücken.**
- b) **Akkupack nicht kurzschließen. Akkupacks nicht wahllos in einer Schachtel oder Schublade aufbewahren, wo sie einander kurzschließen oder durch andere leitfähige Materialien kurzgeschlossen werden könnten.** Bei Nichtverwendung des Akkupacks ist dieses von Metallgegenständen fernzuhalten, wie etwa Büroklammern, Münzen, Nägeln, Schrauben oder anderen kleinen Metallgegenständen, wo sich die Batterieklemmen berühren könnten. Das Kurzschließen der Batterieklemmen kann Verbrennungen bzw. einen Brand verursachen.
- c) **Zellen bzw. Akkupacks nicht Hitze oder Feuer aussetzen. Lagerung in direktem Sonnenlicht vermeiden.**
- d) **Akkupack nicht mechanischen Stößen**

aussetzen.

e) Im Fall, dass Flüssigkeit aus dem Akku austritt, darf diese nicht in Kontakt mit der Haut oder den Augen kommen. Sollte dies dennoch geschehen, den betroffenen Bereich sofort mit viel Wasser spülen und einen Arzt aufsuchen.

f) Akkupack sauber und trocken halten.

g) Sollten die Klemmen des Akkupacks schmutzig werden, diese mit einem sauberen, trockenen Tuch abwischen.

h) Akkupack muss vor Gebrauch aufgeladen werden. Immer diese Anweisungen beachten und den korrekten Ladevorgang ausführen.

i) Akkupack bei Nichtverwendung nicht längere Zeit aufladen lassen.

j) Nach längerer Lagerung des Gerätes ist es eventuell notwendig, die Zellen oder das Akkupack mehrere Male aufzuladen und zu entladen, um eine optimale Leistung zu erhalten.

k) Nur mit dem von WorxNITRO bezeichneten Ladegerät aufladen. Kein Ladegerät verwenden, das nicht ausdrücklich für den Gebrauch mit dem Gerät vorgesehen ist.

l) Kein Akkupack verwenden, das nicht für den Gebrauch mit dem Gerät vorgesehen ist.

m) Akkupacks von Kindern fernhalten.

n) Die originalen Produktunterlagen zum späteren Nachschlagen aufbewahren.

o) Den Akku bei Nichtverwendung aus dem Gerät nehmen.

p) Ordnungsgemäß entsorgen.

q) Vermischen Sie keine Zellen verschiedener Hersteller, Kapazitäten, Größen oder Typen innerhalb eines Geräts.

r) Halten Sie den Akku von Mikrowellen und hohem Druck fern.

SYMBOLE

	Lesen Sie die Bedienungsanleitung aufmerksam durch und stellen Sie sicher
	Halten Sie einen Sicherheitsabstand zu Unbeteiligten ein.
	Vorsicht scharfe Schneidblätter. Schneidblätter haben einen Nachlauf, nachdem die Maschine ausgeschaltet ist - Trennen Sie vor einer Wartung.
	Batterien können bei falscher Entsorgung in der Wasserkreislauf gelangen und das Ökosystem bedrohen. Entsorgen Sie alte Batterien nicht im unsortierten Haushaltsabfall.
	Nicht verbrennen
	Lithium-Ionen-Akku: Dieses Produkt wurde mit einem Symbol markiert, das sich auf die 'gesonderte Sammlung' aller Akkupacks und Akkus bezieht. Es wird anschließend recycelt oder demontiert, um die Beeinträchtigung der Umwelt zu verringern. Akkupacks können die Umwelt und menschliche Gesundheit beeinträchtigen, da diese schädliche Substanzen enthalten.
	Elektroprodukte dürfen nicht mit dem normalen Haushaltsmüll entsorgt werden, sondern sollten nach Möglichkeit zu einer Recyclingstelle gebracht werden. Ihre zuständigen Behörden oder Ihr Fachhändler geben Ihnen hierzu gerne Auskunft.

	Schutzhandschuhe tragen
	Entfernen Sie den Akku aus der Halterung, bevor Sie Einstellungen, Service- oder Wartungsarbeiten durchführen.
	Ziehen Sie den Schlüssel ab
	Die Messer drehen sich nach dem Ausschalten der Maschine weiter. Warten Sie, bis alle Teile der Maschine vollkommen zur Ruhe gekommen sind, ehe Sie etwas anfassen.

KOMPONENTEN

1. **MODUSWAHLSCHALTER**
2. **GRIFSTANGE**
3. **GRAS-SAMMELBEUTEL**
4. **SCHNITTHÖHEN-EINSTELLHEBEL**
5. **ZEIGER ZUR EINSTELLUNG DER SCHNITTHÖHE**
6. **VORDERER GRIFF**
7. **AKKUPACK-ABDECKUNG**
8. **HINTERER GRIFF**
9. **SICHERHEITSKLAPPE**
10. **SICHERHEITS-SPERRTASTE**
11. **SCHNELLAUSLÖSER-TASTE**
12. **MULCHSTOPFEN**
13. **BATTERIEPACK * (SIEHE ABB. F2)**
14. **SICHERHEITSSCHLÜSSEL (SIEHE ABB. F2)**
15. **AKKU-LADESTANDSANZEIGE(SIEHE ABB. H)**
16. **KLINGENSCHRAUBE (SIEHE ABB. N1)**
17. **KLINGE (SIEHE ABB. N1)**
18. **ABSTANDHALTER (SIEHE ABB. N1)**

* Abgebildetes oder beschriebenes Zubehör gehört teilweise nicht zum Lieferumfang.

TECHNISCHE DATEN

Typ **WG748E WG748E.X (7 - Bezeichnung der Maschine, repräsentiert die Schnurloser Rasenmäher)**

WG748E WG748E.X **	
Nennspannung	40V  Max.(2x20V Max.)***
Leerlaufdrehzahl	2800/min
Deckbreite	48 cm
Schnittbreite	46 cm
Vorderrad-Durchmesser	200 mm
Hinterrad-Durchmesser	230 mm
Schnitthöhe	20 – 80 mm
Schneidehöhen-Positionen	7
Grasfangkorb	55 L
Gewicht (Bare-Tool)	25.3 kg

** X=1-999, A-Z, M1-M9 werden nur für verschiedene Kunden verwendet, es gibt keine sicherheitsrelevanten Veränderungen zwischen diesen Modellen.

*** Spannung ohne Arbeitslast gemessen.

Anfangsakkuspannung erreicht maximal 20 Volt.

Nennspannung ist 18 Volt.

Kategorie	Typ	Kapazität
20V Akkupack	WA3014	4.0Ah
20V Lader	WA3883	4.0A

Wir empfehlen Ihnen, sämtliche Zubehörteile beim selben Fachhändler zu beziehen, bei dem Sie auch Ihr Elektrowerkzeug gekauft haben. Wählen Sie den Werkzeugtyp entsprechend der Arbeit, die Sie durchführen möchten. Weitere Informationen finden Sie auf der Verpackung der Zubehörteile. Auch Ihr Fachhändler berät Sie gerne.

INFORMATIONEN ÜBER LÄRM

Gewichteter Schalldruck	$L_{DA} = 78.4 \text{ dB(A)}$
K_{DA}	3.0 dB (A)
Gewichtete Schalleistung	$L_{WA} = 91.6 \text{ dB(A)}$
K_{WA}	3.0 dB (A)

Tragen Sie einen Gehörschutz.



INFORMATIONEN ÜBER VIBRATIONEN

Typischer gewichteter Vibrationswert: $a_h < 2.5 \text{ m/s}^2$

Unsicherheit $K = 1.5 \text{ m/s}^2$

! WARNUNG: Der Vibrationsemissionswert kann während des tatsächlichen Gebrauchs des Elektrowerkzeugs vom angegebenen Wert abweichen, je nachdem, wie das Werkzeug gemäß folgenden Beispielen und weiteren Verwendungsmöglichkeiten eingesetzt wird: Die Verwendung des Werkzeugs und die Art, wie die Materialien geschnitten oder angebohrt werden. Der Pflege- und Wartungszustand des Werkzeugs. Die Verwendung des richtigen Zubehörs und dessen Schärfe und Zustand. Die Festigkeit der Handgriffe und die Benutzung von Antivibrationszubehör. Der bestimmungsgemäß eund diesen Anweisungen entsprechende Gebrauch.

Wird dieses Werkzeug nicht angemessen gehandhabt, kann es zum Auftreten des Hand-Arm-Vibrationssyndroms kommen.

! WARNUNG: Sie sollten die tatsächlichen Arbeitsabschnitte genau ermitteln, um so den Belastungsgrad abzuschätzen. Auf diese Weise kann der Belastungsgrad während der gesamten Arbeitszeit möglicherweise wesentlich gemindert werden.

So minimieren Sie das Risiko, dem Sie bei Vibrationen ausgesetzt sind.

Verwenden Sie IMMER scharfe Meißel, Bohrer und Sägeblätter.

Pflegen Sie dieses Werkzeug den Anweisungen entsprechend und achten Sie stets auf eine gutes Einfetten (wo erforderlich).

Bei regelmäßiger Verwendung von Elektrowerkzeug sollten Sie in Antivibrationszubehör investieren.

Erstellen Sie einen Arbeitsplan, um die Verwendung von hochvibrierenden Werkzeugen auf mehrere Tage zu verteilen.

HINWEISE ZUM BETRIEB





HINWEIS: Lesen Sie das Handbuch vor Inbetriebnahme des Werkzeugs sorgfältig durch.

Bestimmungsgemäßer Gebrauch

Dieses Produkt ist bestimmt für das Rasenmähen im privaten Bereich.

MONTAGE UND BETRIEBUNG

MASSNAHME	ABBILDUNG
MONTAGE	
Montage der Griffstange & Einstellung der Griffhöhe HINWEIS: Drücken und halten Sie während des Betriebs den Schnellauflöser gedrückt.	Siehe Abb.A1, A2
Montage des Gras-Sammelbeutels	Siehe Abb. B
Montage des Gras-Sammelbeutels am Rasenmäher HINWEIS: Drücken Sie den Gras-Beutel leicht ein, um sicherzugehen, dass er komplett installiert ist. HINWEIS: Nehmen Sie den Mulcheinsatz aus dem Rasenmäher heraus, bevor Sie den Gras-Sammelbeutel montieren.	Siehe Abb.C1, C2, C3
Einfärnen/Leeren des Gras-Sammelbeutels  WARNUNG! Überprüfen Sie vor der Verwendung stets, dass die Sicherheitsklappe den Auswurf verschlossen hat. Heben Sie die Sicherheitsklappe niemals an, wenn der Rasenmäher ohne montierten Gras-Sammelbeutel verwendet wird.	Siehe Abb. D1,D2
Montieren des Mulchstopfens	Siehe Abb. E
Einsetzen/ausbauen der Batterie Führen Sie den Sicherheitsschlüssel ein, bevor Sie den Akkupack einbauen. HINWEIS: Dieses Gerät läuft nur, wenn SP-Batterien installiert sind. Es wird empfohlen, die gleichen AH-Batterien zu verwenden und die beiden Batterien gleichzeitig zu laden. Wenn Sie zwei Batterien mit unterschiedlichen AH verwenden, läuft die Maschine nur bis zum niedrigeren gemeinsamen Nenner.	Siehe Abb. F1, F2
Prüfen des Akkuladestands HINWEIS: Abb. G1 gilt nur für das Akkupack mit Akkustandanzeige.	Siehe Abb.G1

Aufladen des Akkupacks HINWEIS: Das Akkupack wird ungeladen geliefert. Der Akku muss vor der ersten Nutzung vollständig geladen werden. Laden Sie die beiden Akkus stets gleichzeitig auf. Weitere Details finden Sie im Handbuch des Ladegeräts.	Siehe Abb.G2
BETRIEB	
Akku-Ladestandanzeige Details siehe Abschnitt BATTERIELADEZUSTAND WICHTIG: Wenn nur eine Lampe aufleuchtet, dann ist Ihre Batterie übermäßig entladen, auch wenn der Rasenmäher immer noch in der Lage sein könnte, Gras zu schneiden. Wenn Sie den Rasenmäher mit einer solchen entladenen Batterie weiter benutzen, könnte dies die Lebensdauer und Leistung Ihrer Batterien beeinträchtigen. Wenn keine LED leuchtet, ist mindestens ein Akku nicht vollständig installiert oder der Akku ist defekt, bitte überprüfen Sie noch einmal, dass die Akkus vollständig in Position eingesetzt sind.	Siehe Abb.H
Starten & Stoppen	Siehe Abb.I1,I2
Einstellen der Schnitthöhe  WARNUNG! Halten Sie an, lassen Sie den Bedienungsbügel los und warten Sie, bis der Motor anhält, bevor Sie die Höhe einstellen.Die Klängen drehen sich weiter, nachdem die Maschine ausgeschaltet wurde. Drehende Klängen können Verletzungen verursachen. Berühren Sie niemals rotierende Klängen!	Siehe Abb. J
Aufbewahrung	Siehe Abb.K1,K2

STATUSANZEIGEN DER BATTERIE (Siehe Abb. H)

- Drücken Sie vor dem Starten oder nach der Nutzung die Taste "POWERTEST" auf der Maschine, um die Batteriekapazität zu überprüfen.
- Während des Betriebs wird die Batteriekapazität automatisch durch die Akku-Ladestandanzeige signalisiert. Die LED-Anzeige tastet ständig den Zustand der Batterie ab und zeigt ihn wie folgt an.
- Laden Sie die Maschine mit 2 Akkupacks mit unterschiedlichem AH auf,zeigt die

Ladezustandsanzeige der Batterie den Zustand der Batterie mit dem jeweils niedrigeren Ladezustand an.

Status der Akku-Ladestandsanzeige	Batterieladezustand
Fünf grüne LEDs (●●●●●) leuchten.	Beide Akkus sind vollständig aufgeladen.
Zwei, drei oder vier grüne LEDs leuchten.	Die beiden Akkus haben eine Restladung. Je mehr LEDs leuchten, desto höher ist die Akkukapazität.
Es leuchtet nur eine grüne LED (●○○○○).	Mindestens ein Akku ist leer und muss aufgeladen werden.
Es leuchtet keine LED.	Mindestens ein Akku ist nicht vollständig installiert oder defekt.
Pro Zyklus blinkt nur eine LED zweimal.	Mindestens ein Akku ist tiefentladen (siehe Ladestatus der Batterie); bitte laden Sie die beiden Akkus auf, bevor Sie diese erneut nutzen oder lagern.
Pro Zyklus blinkt nur eine LED dreimal.	Mindestens ein Akku ist heiß gelaufen; warten Sie vor der Nutzung, bis dieser abgekühlt ist.
Pro Zyklus blinkt nur eine LED dreimal.	Die Maschine ist überlastet. Heben Sie die Schnitthöhe an oder schieben Sie langsam.

TIPPS ZUM MULCHEN

Ihr neuer Rasenmäher ist so entworfen, dass er beim Mulchen das abgeschnittene Gras in kleine Stücke schneidet und es wieder auf den Rasen verteilt. Unter normalen Umständen wird das gemulchte Gras rasch biologisch abgebaut und liefert so dem Rasen neue Nährstoffe.

Lesen Sie sich die folgenden Empfehlungen für eine optimale Mulchleistung durch.

- 1) Vermeiden Sie das Mähen, wenn das Gras von Regen oder Tau feucht ist. Feuchtes Gras kann Klumpen bilden, die den Mulchprozess beeinträchtigen und die Laufzeit reduzieren. Die beste Zeit für das Mähen von Gras ist der Spätnachmittag. Dann ist das Gras trocken und die frisch geschnittene Stelle wird nicht dem direkten Sonnenlicht ausgesetzt.
- 2) Für eine optimale Mulchleistung sollten Sie die Schnitthöhe so einstellen, dass Sie ungefähr ein Drittel der Länge der Halmhöhe abschneiden. Idealerweise nicht mehr als 40mm auf einmal. Wenn der Rasen überwuchert ist, dann kann es notwendig sein, die Schnitthöhe zu reduzieren, um den Aufwand beim Schieben zu verringern und eine Überlastung des Motors zu verhindern. Bei extrem schwerem Mulchen ist es ratsam, erst auf hoher Schnitthöhe zu schneiden und dann noch einmal auf endgültiger Schnitthöhe zu schneiden. Oder Sie können engere Schnitte machen

- 3) und langsam mähen.
- 3) Für eine optimale Leistung sollten Sie das Gehäuse des Rasenmähers frei von angesammeltem Gras halten. Stellen Sie manchmal den Rasenmäher ab und warten Sie, bis die Klingen völlig zum Stillstand gekommen sind. Stöpseln Sie den Sicherheitsschlüssel aus und drehen Sie den Rasenmäher auf die Seite. Benutzen Sie einen Gegenstand, wie z.B. einen Stock, um alle Ansammlungen von Gras im Bereich der Klingen wegzuwischen. Seien Sie vorsichtig wegen der scharfen Kanten der Klingen. Reinigen Sie oft in feuchtem Frühlingsgras und am Ende jeder Benutzung.
- 4) Einige Arten von Gras oder Zustände von Gras können es notwendig machen, dass eine Stelle ein zweites Mal gemulcht werden muss, um das Gras komplett über den Rasen zu verteilen. Wenn Sie ein zweites Mal schneiden, dann ist es ratsam, rechtwinklig zum ersten Schnittmuster zu schneiden. **WECHSELN SIE DAS SCHNITTMUSTER NIEMALS SO; DASS SIE DEN ABHANG EINES HÜGELS HINAUF- ODER HINAB-MÄHEN!**
- 5) Wechseln Sie das Schnittmuster wöchentlich. Dies verhindert Vermattierung und Körnung Ihres Rasens.

SCHNEIDEBEREICH

Der Schneidebereich kann durch mehrere Faktoren beeinträchtigt werden, beispielsweise durch die Schnitthöhe, die Feuchtigkeit des Rasens, die Graslänge und -dichte. Außerdem wird durch zu häufiges Starten und Anhalten des Rasenmähers im laufenden Betrieb der Schneidebereich verkleinert.

Die folgende Tabelle stellt den Zusammenhang zwischen Schneidbedingungen und Schneidebereich dar.

Schnitthöhe	Empfehlen Losgröße (maximal)
8cm bis 6cm abschneiden	Mit 2 * 20V / 4.0Ah Akkus
	bis zu 500m ² *

* Beim gleichzeitigen Betrieb mit 2 vollständig geladenen Akkus.

TIPPS:

- 1) Es empfiehlt sich, dass Sie Ihren Rasen häufiger mähen, mit normaler Geschwindigkeit laufen, und den Mäher während des Betriebs nicht zu oft starten bzw. anhalten.
- 2) Um optimale Leistungen zu erreichen, stellen Sie sicher, dass zwei vollständig geladene Akkupacks gleichzeitig genutzt und stets 1/3 oder weniger der Grashöhe geschnitten werden.
- 3) Gehen Sie beim Mähen von langem Gras langsam, damit das Schneiden effektiver durchgeführt und das Schnittgut ordnungsgemäß ausgeworfen werden kann.
- 4) Vermeiden Sie das Schneiden von nassem Gras; anderenfalls wird dieses auf der Unterseite des Mähwerks haften und Schnittgut kann nicht gesammelt bzw. ordnungsgemäß ausgeworfen werden.
- 5) Bei frischem oder dickem Gras sollte eine höhere Schnitthöhe eingesetzt werden, die zudem die Lebensdauer der Batterie verlängert.

WARTUNG

! WARNUNG: Schalten Sie den Rasenmäher aus, entfernen Sie den Sicherheitsschlüssel und die Batterien, bevor Sie den Grasfangsack entfernen.

HINWEIS: Folgende Wartungsarbeiten sind regelmäßig auszuführen, um den zuverlässigen und sicheren Betrieb zu gewährleisten. Den Rasenmäher auf offensichtliche Defekte wie z. B. ein lockeres, verstelltes oder beschädigtes Messer, lose Befestigungs- oder Zubehörteile und verschlissene oder beschädigte Komponenten. Die Abdeckungen und Schutzbleche müssen in einwandfreiem Zustand und richtig angebracht sein. Vor dem Betrieb des Rasenmähers die notwendigen Wartungs- und Reparaturarbeiten durchführen. Sollte der Rasenmäher trotz regelmäßiger Wartung ausfallen, Bitte rufen Sie den Kundendienst für eine Beratung an.

SCHÄRFEN DER KLINGE

HALTEN SIE DIE KLINGE FÜR EINE OPTIMALE MÄH-LEISTUNG SCHARF. EINE STUMPFE KLINGE SCHNEIDET GRAS NICHT SAUBER ODER MULCHT NICHT ORDENTLICH. TRAGEN SIE ORDENTLICHEN AUGENSCHUTZ BEIM ENTFERNEN-EN, SCHÄRFEN UND EINSETZEN DER KLINGE. VERSICHEREN SIE SICH DASS DER SICHERHEITSSCHLÜSSEL und die BATTERIEN ENTFERNT SIND.

Es ist unter normalen Umständen normalerweise ausreichend, die Klinge zweimal in der Mäh-Saison zu schärfen. Sand sorgt dafür, dass die Klinge rasch stumpf wird. Falls Ihr Rasen auf sandiger Erde wächst, dann ist es notwendig, öfter zu schärfen.

ERSETZEN SIE EINE VERBOGENE ODER BESCHÄDIGTE KLINGE SOFORT!

BEIM SCHÄRFEN DER KLINGE: (Siehe Abb. L)

1. Gehen Sie sicher, dass die Klinge ausbalanciert bleibt.
2. Schärfen Sie die Klinge am originalen Schnittwinkel.
3. Schärfen Sie die Schnittkanten an beiden Enden der Klinge und entfernen Sie von beiden Enden gleich viel Material.

HINWEIS:

1. Stellen Sie sicher, dass der Mäher ausgeschaltet ist. Entfernen Sie den Sicherheitsschlüssel und die Batterien.
2. Bringen Sie den Mäher in die senkrechte Lagerstellung.

AUSBALANCIEREN DER KLINGE (Siehe Abb. M)

Überprüfen Sie die Balance der Klinge dadurch, dass Sie das zentrale Loch in der Klinge M-1 auf einen Schraubenzieher-Schraube M-2 platzieren, der horizontal im Schraubstock M-3 eingeklemmt ist. Wenn eines der beiden Enden der Klinge nach unten hin rotiert, müssen Sie dieses Ende weiter feilen. Die Klinge ist ordentlich ausbalanciert, wenn keines der beiden Enden nach unten hängt.

KLINGEN WARTEN (Siehe Abb. N1, N2)

Erneuern Sie - unabhängig vom Zustand - Ihre Klinge, sobald Sie 50 Stunden mit Ihr gemäht haben oder spätestens nach 2 Jahren.

Je nachdem, was früher eintritt. Folgen Sie diesen Arbeitsschritten, um Ihre Klinge herauszunehmen und zu ersetzen. Sie brauchen dafür Gartenhandschuhe (nicht mitgeliefert) und einen Gabelschlüssel (nicht mitgeliefert), um die Klinge herauszunehmen. Stellen Sie sicher, dass der Sicherheitsschlüssel und die Batterien nicht installiert sind. Klemmen Sie einen Holzklötz zwischen dem Messer und dem Mähwerk ein, um das Drehen des Messers zu verhindern fest und lösen Sie die Klingenschraube mit einem Schraubenschlüssel. Nehmen Sie dann die Klinge ab.

Zum Zusammenbau setzen Sie die Klinge mit den Schneidflächen zum Boden hin an. N, danach ziehen Sie den Bolzen

fest.

AUFBEWAHRUNG (Siehe Abb. K1, K2)

Schalten Sie den Rasenmäher aus und entfernen Sie stets den Sicherheitsschlüssel und die Batterien. Das Äußere des Rasenmähers gründlich mit einer weichen Bürste und einem Tuch reinigen. Kein Wasser und keine Lösungsmittel verwenden. Anhaftendes Gras und Schmutz entfernen, insbesondere von den Lüftungsschlitzen. Den Rasenmäher auf die Seite legen und den Messerbereich reinigen. Zusammengepresstes Schnittgut im Messerbereich mit einem Holz- oder Plastikstück entfernen. Den Rasenmäher an einem trockenen Ort aufbewahren. Keine anderen Gegenstände auf die Maschine stellen. Um die Verstauung zu erleichtern, halten Sie den Schnellauflöser gedrückt und klappen Sie den Griffbügel ein.

UMWELTSCHUTZ



Elektroprodukte dürfen nicht mit dem normalen Haushaltsmüll entsorgt werden, sondern sollten nach Möglichkeit zu einer Recyclingstelle gebracht werden. Ihre zuständigen Behörden oder Ihr Fachhändler geben Ihnen hierzu zu gerne Auskunft.

STÖRUNGSBEHEBUNG

Problem	Abhilfemaßnahme
1. Der Mäher läuft nicht, wenn der Bedienungsbügel aktiviert ist.	A. Vergewissern Sie sich, dass der Sicherheitsschlüssel installiert wurde und vollständig eingerastet ist und dass der Sicherheitssperrknopf vollständig gedrückt ist. B. Lassen Sie den Bedienungsbügel los, um den Mäher auszuschalten. Entfernen Sie den Sicherheitsschlüssel und die Batterien, kippen Sie den Rasenmäher auf die Seite, und überprüfen Sie, ob sich das Messer frei drehen lässt. Ist es nicht frei beweglich, bringen Sie das Gerät in ein autorisiertes Servicezentrum. Das Messer sollte sich frei drehen lassen. C. Wurde der Akku vollständig aufgeladen? Schließen Sie das Ladegerät an und warten Sie, bis die grüne LED aufleuchtet.

<p>2. Der Motor blockiert beim Mähen.</p>	<p>A. Lassen Sie den Bedienungsbügel los, um den Mäher auszuschalten. Entfernen Sie den Sicherheitsschlüssel und die Batterien, kippen Sie den Rasenmäher auf die Seite, und überprüfen Sie, ob sich das Messer frei drehen lässt. Ist es nicht frei beweglich, bringen Sie das Gerät in ein autorisiertes Servicezentrum. Das Messer sollte sich frei drehen lassen. B. Stellen Sie die Schnitthöhe der Räder auf die höchste Position ein, und starten Sie den Rasenmäher. C. Wurde der Akku vollständig aufgeladen? Schließen Sie das Ladegerät an und warten Sie, bis die grüne LED aufleuchtet. D. Vermeiden Sie eine Überlastung des Rasenmähers. Vermeiden Sie eine Überlastung des Rasenmähers. Verlangsamen Sie die Schnittgeschwindigkeit, oder heben Sie die Schnitthöhe an. Oder beides</p>	<p>5. Der Rasenmäher ist ungewöhnlich laut und vibriert.</p>	<p>A. Lassen Sie den Bedienungsbügel los, um den Mäher auszuschalten. Entfernen Sie den Sicherheitsschlüssel und die Batterien. Kippen Sie den Rasenmäher auf die Seite, und überprüfen Sie, ob das Messer verbogen oder beschädigt ist. Ersetzen Sie ein beschädigtes Messer ggf. durch ein Ersatzmesser von. Übergeben Sie den Rasenmäher an eine Vertragswerkstatt, wenn die Unterseite des Decks beschädigt ist. B. Wenn das Messer nicht sichtlich beschädigt ist und der Rasenmäher weiterhin vibriert: Lassen Sie den Bedienungsbügel los, um den Mäher auszuschalten. Entfernen Sie den Sicherheitsschlüssel und die Batterien, und entfernen Sie das Messer. Drehen Sie das Messer um 180 Grad, und setzen Sie es wieder ein. Übergeben Sie den Rasenmäher an eine Vertragswerkstatt, wenn das Gerät weiterhin vibriert.</p>
<p>3. Der Rasenmäher läuft, aber die Schneidleistung ist unbefriedigend, oder nicht den gesamten Rasen schneidet.</p>	<p>A. Wurde der Akku vollständig aufgeladen? Schließen Sie das Ladegerät an und warten Sie, bis die grüne LED aufleuchtet. B. Lassen Sie den Bedienungsbügel los, um den Mäher auszuschalten. Entfernen Sie den Sicherheitsschlüssel und die Batterien. Kippen Sie den Rasenmäher auf die Seite, und überprüfen Sie Folgendes: Schärfe des Messers – halten Sie das Messer scharf. Das Deck und die Auswurföffnung auf Verstopfungen. C. Die Radhöhereinstellung ist möglicherweise zu niedrig für den Rasen. Heben Sie die Schnitthöhe an.</p>	<p>6. Ladestatus-LEDs leuchten nicht.</p>	<p>A. Steckverbindung prüfen. B. Tauschen Sie das Ladegerät aus.</p>
<p>28</p>	<p>28</p>	<p>7. Die LED des Akku-Ladegeräts schaltet nicht auf grün um.</p>	<p>A. Der Akku muss untersucht werden. Bringen Sie diesen zu einem autorisierten Servicezentrum.</p>
<p>4. Der Rasenmäher lässt sich nur schwer schieben.</p>	<p>A. Vergrößern Sie die Schnitthöhe, um den Widerstand durch das Gras zu verringern. Überprüfen Sie, ob sich die Räder frei drehen lassen.</p>	<p>8. Geschnittenes Gras wird vom Rasenmäher nicht im Beutel aufgesammelt.</p>	<p>A. Nehmen Sie bei Nutzung des Auffangkorbs die Mulchplatte heraus. B. Die Auswurföffnung ist verstopft. Lassen Sie den Bedienungsbügel los, um den Mäher auszuschalten. Entfernen Sie den Sicherheitsschlüssel und die Batterien. Entfernen Sie abgeschnittenes Gras aus der Auswurföffnung. C. Zu viel gemähtes Gras. Heben Sie die Schnitthöhe der Räder an, um die abgeschnittene Länge zu verkürzen. D. Der Behälter ist voll. Leeren Sie den Behälter öfter.</p>
		<p>9. Beim Mulchen sind Ablagerungen erkennbar.</p>	<p>A. Es wird zu viel Gras abgeschnitten. Heben Sie die Schnitthöhe der Räder an, um die abgeschnittene Länge zu verkürzen. Schneiden Sie nicht mehr als 1/3 der Gesamtlänge. B. Prüfen Sie das Messer auf dessen Schärfe. Halten Sie das Messer stets gut geschärft.</p>
		<p>10. Niedrige oder verringerte Laufzeit nach zahlreichen Anwendungen.</p>	<p>A. Bringen Sie das Gerät in ein autorisiertes Servicezentrum - eventuell ist ein neuer Akku erforderlich.</p>

11. Die LED des Akkuladegeräts blinkt rot und der Akku kann nicht aufgeladen werden.

A. Der Akku überhitzt nach dauerhafter Nutzung. Entnehmen Sie den Akku aus dem Ladegerät und lassen Sie diesen auf 42 °C oder weniger abkühlen.

KONFORMITÄTSERKLÄRUNG

Wir,
Positec Germany GmbH
Postfach 32 02 16, 50796 Cologne, Germany

Erklären im Namen von Positec, dass das Produkt
Beschreibung **WorxNITRO Schnurloser Rasenmäher**
Typ **WG748E WG748E.X (7 - Bezeichnung**
der Maschine, repräsentiert die Schnurloser
Rasenmäher)
Funktion **Grasschnitt**

den Bestimmungen der folgenden Richtlinien entspricht,
2006/42/EC, 2014/30/EU
2011/65/EU&(EU)2015/863
2000/14/EC geändert durch 2005/88/EC

2000/14/EC geändert durch 2005/88/EC
Konformitätsbewertungsverfahren nach **Anhang VI**
Gemessene Schallleistung **91.6 dB(A)**
Garantierte Schallleistung **94 dB(A)**

Zertifizierungsstelle
Name: Intertek, Deutschland GmbH (notifizierte
Stelle 0905)
Anschrift: Stangenstraße 1, 70771 LEINFELDEN-
ECHTERDINGEN

Normen,
EN 60335-1, EN 60335-2-77, EN 62233, EN ISO 3744, EN
55014-1, EN 55014-2

Zur Kompilierung der technischen Datei ermächtigte
Person,
Name Marcel Filz
Anschrift Positec Germany GmbH
Postfach 32 02 16, 50796 Cologne, Germany



2021/10/11
Allen Ding
Stellvertretender Cheffingenieur,
Prüfung und Zertifizierung
Positec Technology (China) Co., Ltd
18, Dongwang Road, Suzhou Industrial
Park, Jiangsu 215123, P. R. China

SÉCURITÉ DU PRODUIT AVERTISSEMENTS DE SÉCURITÉ GÉNÉRAUX



AVERTISSEMENT

Lire tous les avertissements de sécurité et toutes les instructions.

Ne pas suivre les avertissements et instructions peut donner lieu à un choc électrique, un incendie et/ou une blessure sérieuse.

Lire attentivement les instructions pour utiliser la machine en toute sécurité. Conserver tous les avertissements et toutes les instructions pour référence future.

- Cet appareil n'est pas destiné à être utilisé par des personnes (y compris les enfants) dont les aptitudes physiques, sensorielles ou mentales sont réduites, ou qui manquent d'expérience et de connaissance, à moins qu'elles ne se soient supervisées ou qu'elles n'aient reçus des instructions concernant l'utilisation de l'appareil auprès d'une personne responsable de leur sécurité.

- Surveillez les enfants afin de vous assurer qu'ils ne jouent pas avec l'appareil.
- L'appareil ne doit être utilisé qu'avec l'unité d'alimentation fournie avec l'appareil.

IMPORTANT
LISEZ ATTENTIVEMENT
AVANT UTILISATION
CONSERVEZ POUR
RÉFÉRENCE FUTURE

Pratiques de
fonctionnement en toute
sécurité
Instructions

- a) Lire attentivement les instructions, afin de connaître l'utilisation appropriée pour l'appareil;
- b) Ne permettez jamais aux enfants ou aux personnes ne connaissant pas ces instructions d'utiliser la tondeuse. Les règlements locaux peuvent limiter l'âge de l'utilisateur;
- c) Ne pas tondre à proximité des gens, particulièrement des enfants, ou des animaux;
- d) Gardez à l'esprit que l'opérateur ou l'utilisateur est responsable des accidents et des dangers

survenant à d'autres personnes ou à leurs biens.

Préparation

- a) Porter toujours des chaussures de sécurité et des pantalons longs. Ne pas utiliser a tondeuse pieds nus ou avec des chaussures ouvertes.
- b) Examinez complètement la zone où le matériel doit être utilisé et enlevez tous les objets susceptibles d'être projetés par la machine;
- c) Avant l'utilisation, vérifier que les lames et les boulons de lame ne soient pas endommagés. Remplacer les lames et les boulons cassés ou usés. Remplacez les étiquettes abimées et illisibles.

Fonctionnement

- a) Tondre uniquement de jour ou avec une bonne lumière artificielle;
- b) Évitez d'utiliser l'appareil dans l'herbe humide;
- c) S'assurer du bon équilibre sur les pentes;
- d) Marchez, ne courez jamais;
- e) Pour les machines rotatives à roues, tondez en travers des pentes, jamais vers le haut ni vers le bas;

- f) Faire extrêmement attention en changeant de direction sur les pentes;
- g) Ne pas tondre les pentes excessivement raides;
- h) Faire très attention en renversant ou en tirant l'appareil vers vous;
- i) Arrêter la lame si l'appareil doit être incliné ou transporté sur des surfaces autres que l'herbe;
- j) N'utiliser jamais l'appareil avec des protections (capots etc.) défectueuses, ou sans dispositifs de sécurité en place, par exemple volet de protection et/ou récupérateur d'herbe;
- k) Se tenir à l'écart des lames lors du branchement de la machine;
- l) Ne faites pas basculer la tondeuse à gazon lorsque vous allumez le moteur, sauf si la tondeuse à gazon doit être basculée pour le démarrage. Dans ce cas, ne la faites pas basculer plus de ce qui est absolument nécessaire et soulevez uniquement la partie distante de l'utilisateur;
- m) Ne pas mettre les mains ou les pieds près ou sous les pièces en mouvement. Pour les faucheuses rotatives, conservez clairement de l'espace à tout moment;
- n) Ne touchez pas la lame avant que le dispositif de désactivation ait été retiré, et que les lames soient à l'arrêt complet;
- o) Ne démarrez pas la tondeuse à gazon en vous tenant devant la goulotte d'éjection.
- p) Ne transportez pas la tondeuse lorsque la source d'énergie est en marche.
- q) Arrêtez la tondeuse, et retirez le dispositif de désactivation. Assurez-vous que toutes les pièces mobiles sont à l'arrêt complet.
- toutes les fois que vous laissez la machine sans surveillance,
 - avant d'éliminer un bourrage,
 - avant le contrôle, le nettoyage ou toute opération sur la machine,
 - après le choc avec un objet étranger. Inspecter l'appareil pour déceler les dommages et dépanner si besoin.
- Si l'appareil commence à vibrer anormalement

- (contrôler immédiatement)
- Recherchez les dommages.
 - remplacez ou réparez les pièces endommagées.
 - Vérifiez et resserrez toute les pièces desserrées.

Entretien

- a) Afin d'utiliser la machine en toute sécurité garder tous les écrous, boulons, et les vis serrés;
- b) Vérifier fréquemment l'usure ou la détérioration du bac récupérateur d'herbe;
- c) Par sécurité, remplacer toutes parties usées ou endommagées. N'utilisez que des accessoires et des pièces de rechange d'origine.
- d) Soyez prudent lors du réglage de la machine pour ne pas vous coincer les doigts entre les lames mobiles et les parties fixes de la machine.
- e) Laissez toujours refroidir la tondeuse avant de la ranger.
- f) Lors de l'entretien des lames sachez que, même si la source d'alimentation est coupée, les lames peuvent encore être déplacées.

MISES EN GARDE CONCERNANT LA BATTERIE

- a) La batterie et les piles secondaires ne doivent pas être ouvertes, démontées ou broyées.**
- b) La batterie ne doit pas être court-circuitée. Évitez de mettre la batterie en vrac dans une boîte ou dans un tiroir où elles risqueraient de se court-circuiter entre elles ou au contact d'autres objets métalliques.** Après usage, évitez tout contact de la batterie avec d'autres objets métalliques de petite taille (trombones, pièces, clés, clous, vis etc.) susceptibles de court-circuiter les pôles. Un court-circuit entre les pôles de la batterie peut être à l'origine de brûlures ou d'un incendie.
- c) La batterie ne doit pas être exposée au feu et à la chaleur. Évitez de la ranger à la lumière du soleil.**
- d) La batterie et les piles ne doivent pas être soumises à des chocs mécaniques.**
- e) En cas de fuite des piles, évitez tout contact du liquide avec la peau et les**

yeux. En cas de contact, rincez abondamment la surface touchée avec de l'eau et appelez les urgences.

f) La batterie et les piles doivent rester propres et sèches.

g) Si la batterie ou les piles se salissent, essuyez-les avec un chiffon propre et sec.

h) La batterie et les piles doivent être chargées avant usage. Utilisez toujours le chargeur adéquat, et respectez les instructions du fabricant ou le mode d'emploi de l'appareil concernant la procédure de recharge.

i) Évitez de laisser une batterie se charger pendant trop longtemps lorsqu'elle n'est pas utilisée.

j) Après de longues périodes d'inutilisation, il peut être nécessaire de charger et décharger la batterie et les piles à plusieurs reprises avant que celles-ci ne retrouvent leur capacité maximale.

k) N'utilisez pas d'autre chargeur que celui

spécifié par WorxNITRO. N'utilisez pas d'autre chargeur que celui spécifiquement fourni avec l'appareil.

l) N'utilisez en aucun cas une batterie autre que celle prévue pour cet appareil.

m) La batterie doit être tenue hors de portée des enfants.

n) Gardez la documentation d'origine du produit afin de pouvoir vous y référer ultérieurement.

o) Enlevez la batterie de l'appareil lorsque vous ne l'utilisez pas.

p) Respectez les procédures de mise au rebut.









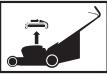
q) Ne pas mélanger des piles de fabrication, capacité, taille ou type différents dans un appareil.



r) Protégez la batterie des micro-ondes et des hautes pressions.

SYMBOLES



Lire attentivement la notice et la conserver

	Tenez vous à bonne distance.
	Prenez garde aux lames tranchantes. Les lames continuent de tourner une fois le moteur coupé- Enlevez la prise du secteur avant toute maintenance.
	Les batteries peuvent entrer dans le cycle de l'eau si elles sont éliminées de façon inappropriée, ce qui peut être dangereux pour l'écosystème. Ne pas éliminer les batteries usagées comme un déchet municipal non trié.
	Ne pas brûler
 Li-Ion 	Batterie Li-Ion Ce produit comporte un symbole de « Collecte séparée » de toutes les batteries. Il sera ensuite recyclé ou démantelé, afin de réduire l'impact sur l'environnement. Les batteries peuvent être dangereuses pour l'environnement et la santé humaine, car elles contiennent des substances dangereuses.
	Les déchets d'équipements électriques et électroniques ne doivent pas être déposés avec les ordures ménagères. Ils doivent être collectés pour être recyclés dans des centres spécialisés. Consultez les autorités locales ou votre revendeur pour obtenir des renseignements sur l'organisation de la collecte.
	Portez des gants de protection
	Retirez la batterie de la prise avant de procéder à tout ajustement, révision ou maintenance.

	Retirez la clé
	La lame continue à tourner après le relâchement de l'interrupteur. Attendre que tous les composants de la machine se soient complètement arrêtés avant de les toucher.


LISTE DES COMPOSANTS

1. **RÉGULATEUR DE FONCTIONNEMENT**
2. **GUIDON**
3. **SAC DE COLLECTE DE L'HERBE**
4. **LEVIER DE RÉGLAGE DE LA HAUTEUR DE COUPE**
5. **POINTEUR DE RÉGLAGE DE HAUTEUR DE COUPE**
6. **POIGNÉE AVANT**
7. **COUVERCLE DE LA BATTERIE**
8. **POIGNÉE ARRIÈRE**
9. **RABAT DE SÉCURITÉ**
10. **BOUTON DE VERROUILLAGE DE SÉCURITÉ**
11. **BOUTON DE DÉVERROUILLAGE RAPIDE**
12. **BOUCHON DE PAILLIS**
13. **BATTERIE * (VOIR FIG. F2)**
14. **CLÉ DE SÛRETÉ (VOIR FIG. F2)**
15. **VOYANT D'ALIMENTATION DE LA BATTERIE (VOIR FIG. H)**
16. **BOULON DE LA LAME (VOIR FIG. N1)**
17. **LAME (VOIR FIG. N1)**
18. **ENTRETOISE (VOIR FIG. N1)**

* Les accessoires reproduits ou décrits ne sont pas tous compris dans les fournitures.

CARACTERISTIQUES TECHNIQUES

Modèle **WG748E WG748E.X (7 - désignations des pièces, illustration de la Tondeuse à gazon sans fil)**

WG748E WG748E .X**	
Puissance nominale	40V  Max.(2x20V Max.)***
Vitesse à vide	2800/min
Largeur du pont	48 cm
Largeur de coupe	46 cm
Diamètre de roue avant	200 mm
Diamètre de roue arrière	230 mm
Hauteur de coupe	20 – 80 mm
Positions de hauteur de coupe	7
Capacité du bac	55 L
Poids (Outil nu)	25.3 kg

** X = 1-999, A-Z, M1-M9, la seule différence entre ces modèles est que les clients visés sont différents. Il n'y a pas de changement concernant la sécurité.

*** La tension est mesurée à vide. La tension initiale de la batterie atteint un maximum de 20 volts. La tension nominale est de 18 volts.

Catégorie	Type	Capacité
20V Batterie	WA3014	4.0 Ah
20V Chargeur	WA3883	4.0 A

Nous recommandons d'acheter tous les accessoires dans le magasin d'acquisition de la machine. Choisir la vitesse en fonction du travail à réaliser. Pour plus d'informations, se référer à l'emballage des accessoires. Le personnel du magasin est également là pour vous conseiller.

INFORMATIONS RELATIVES AU BRUIT

Niveau de pression acoustique	$L_{pA} = 78.4$ dB(A)
K_{pA}	3.0 dB (A)
Niveau de puissance acoustique	$L_{WA} = 91.6$ dB(A)
K_{WA}	3.0 dB (A)

Porter des protections auditives.



INFORMATIONS RELATIVES AUX VIBRATIONS

Valeur de vibration mesurée	$a_h < 2.5$ m/s ²
Incertitude	$K = 1.5$ m/s ²

AVERTISSEMENT: La valeur d'émission de vibrations pendant l'utilisation réelle de l'outil électrique peut différer de la valeur déclarée selon la manière dont l'outil est utilisé, selon les exemples suivants et d'autres variations sur la manière dont l'outil est utilisé:

Comment l'outil est utilisé et quels matériaux sont coupés ou percés.

L'outil est en bon état et bien entretenu.

L'utilisation du bon accessoire pour l'outil et l'assurance qu'il est affûté et en bon état.

La bonne tenue des poignées et, le cas échéant, les accessoires anti-vibrations utilisés.

L'outil est utilisé comme prévu dans sa conception et dans le présent mode d'emploi.

Cet outil peut causer un syndrome des vibrations main-bras s'il n'est pas correctement géré.

AVERTISSEMENT: Pour être précise, une évaluation du niveau d'exposition en conditions réelles d'utilisation doit également tenir compte de toutes les parties du cycle d'utilisation telles que les moments où l'outil est éteint, et ceux où il fonctionne au ralenti mais ne réalise pas réellement de tâche. Ceci peut réduire de manière significative le niveau d'exposition et la durée d'utilisation totale.

Afin de minimiser le risque d'exposition aux vibrations: Utilisez TOUJOURS des burins, des forets et des lames affûtées.

Entretenez cet outil de manière conforme au mode d'emploi et maintenez-le lubrifié (le cas échéant).

Si l'outil doit être utilisé régulièrement, investissez dans des accessoires anti-vibrations.

Planifiez votre travail pour étaler l'utilisation des outils à forte vibration sur plusieurs jours.

FONCTIONNEMENT



REMARQUE: Avant d'utiliser cet outil, lire attentivement les instructions.



UTILISATION CONFORME:

Ce produit est destiné à la tonte de pelouses de particuliers.

ASSEMBLAGE ET FONCTIONNEMENT

ACTION	FIGURE
ASSEMBLAGE	

Tondeuse à gazon sans fil F

<p>Assemblage du guidon & Réglage de la hauteur de la poignée REMARQUE : Appuyez et maintenez le bouton de déverrouillage rapide enfoncé pendant l'utilisation.</p>	<p>Voir Fig.A1, A2</p>	<p>Voyant d'alimentation de la batterie Voyez détails dans la partie ÉTAT DE LA BATTERIE</p> <p>IMPORTANT: Si seul un témoin vert s'allume, votre batterie est plus que déchargée, bien que la tondeuse puisse encore être capable de couper de l'herbe. Le fait de continuer à utiliser votre tondeuse avec la batterie dans cet état déchargé peut diminuer la durée de vie et la performance de vos batteries. Lorsqu'aucun témoin n'est allumé, au moins une batterie n'est pas complètement installée ou la batterie est défectueuse, veuillez vérifier de nouveau leur complète assise dans la position correcte.</p>	<p>Voir Fig.H</p>
<p>Installation du sac de collecte d'herbe</p>	<p>Voir Fig.B</p>		
<p>Installation du sac de collecte d'herbe sur la tondeuse à gazon REMARQUE: Enfoncez légèrement le sac à herbe pour vous assurer qu'il est complètement installé. REMARQUE: Retirez l'insert de paillage de la tondeuse à gazon avant d'installer le sac de ramassage d'herbe.</p>	<p>Voir Fig.C1, C2, C3</p>		
<p>Retrait / Vidage du sac de collecte d'herbe</p> <p> AVERTISSEMENT! Toujours vérifier que le rabat de sécurité obstrue la sortie de décharge avant utilisation. Ne jamais soulever le rabat de sécurité lorsque la tondeuse à gazon est en cours d'utilisation sans avoir installé de sac de collecte de l'herbe.</p>	<p>Voir Fig.D1,D2</p>		
<p>Installation du bouchon de paillis</p>	<p>Voir Fig. E</p>	<p>Démarrage & Arrêt</p>	<p>Voir Fig.11,12</p>
<p>Monter/retirer la batterie Insérez la clé de sécurité avant d'installer le bloc de batterie. REMARQUE: La machine ne fonctionnera que lorsque les batteries séparées sont installées. Il est conseillé d'utiliser les mêmes batteries AH et de charger les deux batteries en même temps. Lorsque vous utilisez deux batteries AH différentes, la machine ne fonctionnera que selon le dénominateur commun le plus faible.</p>	<p>Voir Fig. F1, F2</p>	<p>Réglage de la hauteur de coupe</p> <p> AVERTISSEMENT! Arrêtez, relâchez la poignée de fonctionnement et attendez que le moteur s'arrête avant de régler la hauteur. Les lames continuent à tourner une fois la machine éteinte, une lame en rotation peut provoquer des blessures. Ne touchez pas les lames en rotation.</p>	<p>Voir Fig.J</p>
<p>Vérification de l'état de charge de la batterie REMARQUE: La Fig. G1 s'applique uniquement à la batterie avec témoin lumineux de batterie.</p>	<p>Voir Fig.G1</p>	<p>Stockage</p>	<p>Voir Fig.K1,K2</p>
<p>Recharge du pack de batteries REMARQUE: Le pack de batteries est livré non chargé. La batterie doit être complètement chargée avant la première tonte. Rechargez toujours complètement les deux batteries en même temps. Pour plus d'informations, reportez-vous au manuel du chargeur.</p>	<p>Voir Fig.G2</p>	<p>LED D'ETAT BATTERIE (Voir Fig. H)</p> <ul style="list-style-type: none"> Avant de démarrer ou après utilisation, appuyez sur le bouton à côté du voyant d'alimentation sur la machine pour vérifier la capacité de la batterie. Au cours du fonctionnement, la capacité de la batterie sera indiquée automatiquement par le témoin d'alimentation de la batterie. L'indicateur détecte et affiche en permanence l'état de la batterie comme suit. Chargez la machine avec 2 blocs de batterie de différent AH, le témoin d'alimentation affiche l'état de la batterie la plus basse. 	
<p>FONCTIONNEMENT</p>		<p>État de l'indicateur d'alimentation de la batterie</p>	<p>État de la batterie</p>
		<p>Cinq voyants verts (●●●●●) sont allumés.</p>	<p>Les deux batteries sont très chargées.</p>

Deux, trois ou quatre voyants verts sont allumés.	Les deux batteries disposent d'une charge restante. Plus il y a de voyants allumés, plus la capacité de la batterie est grande.
Un seul voyant vert (■□□□□) est allumé.	Au moins une batterie est épuisée et doit être rechargée
Aucun voyant n'est allumé.	Au moins une batterie n'est pas complètement installée ou la batterie est défectueuse.
Un seul voyant clignote deux fois par cycle.	Au moins une batterie est déchargée excessivement (veuillez vous reporter à l'état de charge de la batterie), veuillez recharger les deux batteries à la fois avant de les réutiliser ou de les ranger.
Un seul voyant clignote trois fois par cycle.	Au moins une batterie est chaude, attendez qu'elle refroidisse avant de redémarrer.
Un seul voyant clignote quatre fois par cycle.	La machine est surchargée. Augmentez la hauteur de coupe ou poussez lentement.

CONSEILS POUR TONDRE AVEC PAILLAGE

Lors du paillage, votre nouvelle tondeuse est conçue pour couper les résidus d'herbe en petits morceaux et pour les redistribuer sur la pelouse. Dans des conditions normales, l'herbe paillée se biodégrade rapidement pour nourrir la pelouse.

Veuillez passer en revue les recommandations suivantes pour une utilisation optimale du paillage.

- Évitez de tondre quand l'herbe est humide à cause de la pluie ou de la rosée. L'herbe humide peut former les blocs qui gênent l'action de paillage et réduisent la durée de vie.
La meilleure heure pour tondre l'herbe est vers la fin d'un après-midi quand l'herbe est sèche et que la zone nouvellement coupée n'est pas exposée à la lumière directe du soleil.
- Pour un meilleur fonctionnement du paillage, réglez la hauteur de coupe pour enlever environ un tiers de la longueur de lame d'herbe, idéalement pas plus de 40mm à la fois. Si la pelouse est envahie, il peut être nécessaire d'augmenter la hauteur de coupe pour réduire l'effort de poussée et pour empêcher de surcharger le moteur. Pour le paillage extrêmement intense, il est recommandé de couper d'abord une première fois avec un réglage de hauteur de coupe élevé, puis de recouper ensuite à la taille finale. Autrement, faire des coupes plus étroites et tondre lentement.
- Pour un meilleur fonctionnement, maintenez la tondeuse exempte d'accumulation d'herbe. Arrêtez de

temps en temps la tondeuse et attendez que la lame parvienne à l'arrêt complet. Débranchez alors la clé de sûreté et tourner la tondeuse sur son flanc. À l'aide d'un objet tel qu'un bâton, éliminez toute accumulation d'herbe dans la zone de la lame. Faites attention aux arêtes tranchantes de la lame. Nettoyez souvent en cas d'herbe humide, de printemps, et toujours après chaque utilisation.

- Certains types d'herbe ou certains états d'herbe peuvent exiger qu'une zone soit paillée une deuxième fois pour disperser entièrement l'herbe dans toute la pelouse.
Si vous coupez une deuxième fois, il est recommandé de couper perpendiculairement (en travers) à la première configuration de coupe. NE PAS MODIFIER LE MOTIF DE COUPE EN AUCUNE FAÇON QUI VOUS FERAIT TONDRE EN DESCENTE.
- Changez votre motif de coupe de semaine en semaine. Ceci aide à empêcher les nattes et la granulation de la pelouse.

ZONE DE COUPE

La zone de coupe peut être affectée par plusieurs facteurs, tels que la hauteur de coupe, l'humidité du gazon, la longueur et la densité de l'herbe. De plus, démarrer et arrêter la tondeuse trop de fois au cours du fonctionnement réduira la zone de coupe.

Le tableau ci-dessous indique le rapport entre les conditions de coupe et la zone de coupe.

Hauteur de coupe	Taille du lot recommandée (maximum)
Coupeure 8cm à 6cm	Avec 2 * 20V / 4.0Ah batteries
	jusqu'à 500m ² *

* Utilisé avec 2 batteries complètement chargées en même temps.

CONSEILS:

- Nous vous recommandons de tondre plus fréquemment votre pelouse, de marcher à un rythme normal et de ne pas démarrer / arrêter la tondeuse trop souvent au cours de son fonctionnement. Veuillez toujours utiliser les deux mêmes batteries et les recharger en même temps.
- Pour de meilleures performances, veillez à utiliser une batterie complètement chargée et coupez toujours 1/3 ou moins de la hauteur de l'herbe.
- Marchez lentement lors de la coupe d'herbe longue, de façon à procéder à une coupe plus efficace et de décharger convenablement l'herbe coupée.
- Évitez de couper de l'herbe humide, sinon elle restera collée sous la station et ne pourra être correctement recueillie ou déchargée.
- Une hauteur de coupe plus élevée doit être appliquée à de l'herbe épaisse ou neuve et prolongera la durée de la batterie.

ENTRETIEN

 **AVERTISSEMENT: Stop the mower, remove the safety key and batteries before removing the grass collection bag.**

REMARQUE: Pour assurer une utilisation longue et sans problème, suivre les procédures d'entretien suivantes de manières régulières. Vérifier les défauts évidents tels qu'une lame endommagée, des accessoires mal ajustés, et des pièces usées ou endommagées. Vérifier que les capots et les protections soient tous intactes et correctement fixés à la tondeuse. Effectuer tout l'entretien et toutes les réparations nécessaires avant d'utiliser la tondeuse. Si la tondeuse ne fonctionne plus malgré l'entretien régulier, Veuillez appeler le service client pour tout conseil.

AFFUTAGE DE LA LAME

MAINTENEZ LA LAME AFFUTÉE POUR UNE MEILLEURE EXÉCUTION DE LA TONTE. UNE LAME ÉMOUSSÉE NE COUPE PAS L'HERBE PROPREMENT ET NE PAILLE PAS CORRECTEMENT. PORTEZ UNE PROTECTION DES YEUX APPROPRIÉE QUAND VOUS RETIREZ, AFFUTEZ, ET INSTALLEZ LA LAME. S'ASSURER QUE LA CLÉ DE SÉCURITÉ ET LES BATTERIES SONT RETIRÉES

L'affutage de la lame deux fois pendant une saison de tonte est habituellement suffisant dans des circonstances normales. Le sable émousse la lame rapidement. Si votre pelouse a un sol sablonneux, un affutage plus fréquent peut être requis.

REPLACER IMMÉDIATEMENT TOUTE LAME PLIÉE OU ENDOMMAGÉE.

EN AFFUTANT LA LAME (Voir Fig. L)

1. Assurez-vous que la lame reste équilibrée.
2. Affutez la lame à l'angle de coupe initial.
3. Affutez les tranchants sur les deux extrémités de la lame, en enlevant des quantités égales de matière aux deux extrémités.

REMARQUE:

1. Assurez-vous que la tondeuse soit éteinte. Retirez la clé et les batteries.
2. Placez la tondeuse en mode de stockage vertical.

ÉQUILIBRAGE DE LA LAME (Voir Fig. M)

Contrôlez l'équilibrage de la lame en plaçant le trou au centre de la lame M-1 au-dessus d'un tournevis M-2, maintenu horizontalement dans un étau M-3. Si l'une ou l'autre extrémité de la lame tourne vers le bas, limez cette extrémité. La lame est correctement équilibrée quand ni l'une ni l'autre extrémité ne tombe.

MAINTENANCE DE LA LAME (Voir Fig. N1, N2)

Remplacez votre lame en après 50 heures de tonte ou tous les 2 ans, selon la condition qui se réalise le plus tôt. Suivez ces procédures pour retirer et remplacer la lame. Vous avez besoin de gants de jardin (non fournis) et d'une clé à fourche (non fournie) pour retirer la lame. S'assurer que la clé de sécurité et les batteries ne sont pas insérées. Calez un bloc de bois entre la lame et le plateau de la tondeuse pour empêcher la lame de tourner et dévissez le boulon de la lame dans le sens contraire des aiguilles d'une montre à l'aide de la clé à fourche puis enlevez la lame.

Pour remonter, placez la lame avec les parties coupantes

vers le sol. Serrez alors solidement l'écrou de la lame.

STOCKAGE (Voir Fig. K1, K2)


Arrêtez la tondeuse et retirez toujours la clé de sécurité et les batteries. Nettoyer l'extérieur de la machine en utilisant une brosse douce et un chiffon. N'utiliser jamais d'eau, de produits chimiques. Enlever tous les herbes et débris et maintenir les fentes de ventilations propres.

Coucher la machine et nettoyer le secteur de la lame. Si il reste de l'herbe sous la lame, retirer la avec un instrument en bois ou en plastique.

Ranger la machine dans un endroit sec. Ne posez pas d'autres objets sur la machine.

Pour faciliter le stockage, libérez le bouton de la poignée et pliez la poignée supérieure.

PROTECTION DE L'ENVIRONNEMENT

 Les déchets d'équipements électriques et électroniques ne doivent pas être déposés avec les ordures ménagères. Ils doivent être collectés pour être recyclés dans des centres spécialisés. Consultez les autorités locales ou votre revendeur pour obtenir des renseignements sur l'organisation de la collecte.

GUIDE DE DEPANNAGE

Problème	Remède
1. La tondeuse n'avance pas quand la poignée de fonctionnement est actionnée.	A. Assurez-vous que la clé de sécurité a été installée et qu'elle est entièrement insérée et que le bouton de verrouillage de sécurité est complètement enfoncé B. Relâchez la poignée de fonctionnement pour arrêter la tondeuse Retirez la clé de sécurité et les batteries, retournez la tondeuse et vérifiez que la lame tourne librement. Si ce n'est pas le cas, renvoyez-la dans un centre technique agréé. La lame doit tourner librement. C. La batterie a-t-elle été chargée à fond? Branchez le chargeur et attendez que le voyant vert s'allume.

2. Le moteur s'arrête pendant la tonte.	<p>A. Relâchez la poignée de fonctionnement pour arrêter la tondeuse Retirez la clé de sécurité et les batteries, retournez la tondeuse et vérifiez que la lame tourne librement. Si ce n'est pas le cas, renvoyez-la dans un centre technique agréé. La lame doit tourner librement.</p> <p>B. Relevez la hauteur de coupe des roues à la position la plus haute et démarrez la tondeuse.</p> <p>C. La batterie a-t-elle été chargée à fond? Branchez le chargeur et attendez que le voyant vert s'allume.</p> <p>D. Évitez de surcharger la tondeuse. Ralentissez la cadence de tonte ou relevez la hauteur de coupe. Ou les deux.</p>	8. La tondeuse ne récupère pas les résidus de tonte dans le sac.	<p>A. Retirer la plaque de paillage lors de la mise en place du sac.</p> <p>B. La descente d'évacuation est bouchée. Relâchez la poignée de fonctionnement pour arrêter la tondeuse Retirez la clé de sécurité et les batteries. Éliminez l'herbe accumulée dans la descente d'évacuation.</p> <p>C. Trop d'herbe coupée. Augmentez la hauteur de coupe des roues afin de diminuer la longueur des résidus.</p> <p>D. Le sac est plein. Videz le sac plus fréquemment.</p>
3. La tondeuse se met en marche pour les perfor-mances de tonte ne sont pas satisfaisantes, ou toute la pelouse n'est pas coupée.	<p>A. La batterie a-t-elle été chargée à fond? Branchez le chargeur et attendez que le voyant vert s'allume.</p> <p>B. Relâchez la poignée de fonctionnement pour arrêter la tondeuse Retirez la clé de sécurité et les batteries. Retournez la tondeuse et vérifiez: L'affûtage des lames - maintenez les lames aiguisées en permanence. La présence d'un colmatage en-dessous de la tondeuse ou dans le passage d'évacuation.</p> <p>C. Le réglage de la hauteur des roues est peut-être trop bas pour la pelouse à tondre. Relevez la hauteur de coupe.</p>	9. Lors du paillage, les tontes sont visibles.	<p>A. Une quantité d'herbe excessive est tondue. Relevez la hauteur de coupe des roues afin de diminuer la hauteur de coupe. Ne coupez pas plus de 1/3 de la longueur totale.</p> <p>B. Vérifiez la précision de la lame. Gardez toujours la lame bien aiguisée.</p>
4. La tondeuse est difficile à pousser.	<p>A. Relevez la hauteur de coupe pour réduire le freinage sur l'herbe. Vérifiez la rotation libre de chaque roue.</p>	10. Temps d'exécution faible ou réduit après de nombreuses utilisations.	<p>A. Retour au centre technique agréé - peut nécessiter une nouvelle batterie.</p>
5. La tondeuse est anormalement bruyante et vibre.	<p>A. Relâchez la poignée de fonctionnement pour arrêter la tondeuse Retirez la clé de sécurité et les batteries. Retournez la tondeuse sur le côté et vérifiez la lame pour vous assurer qu'elle n'est pas endommagée ou tordue. Si la lame est endommagée, remplacez-la par une lame. Si le dessous de la tondeuse est endommagé, confiez la tondeuse à un Centre de réparation agréé.</p> <p>B. S'il n'y a pas de dommage visible sur la lame et que la tondeuse vibre encore: Relâchez la poignée de fonctionnement pour arrêter la tondeuse Retirez la clé de sécurité et les batteries. Faites pivoter la lame de 180 degrés, puis réinstallez-la. Si la tondeuse vibre toujours, confiez-la à un Centre de réparation agréé.</p>	11. Le voyant LED du chargeur de batterie clignote en rouge et la batterie ne peut pas être chargée.	<p>A. La batterie surchauffe après une utilisation continue. Retirez la batterie du chargeur et laissez-la refroidir à 42°C ou moins.</p>
6. Le voyant du chargeur de batterie ne s'allume pas.	<p>A. Vérifiez qu'il est correctement branché.</p> <p>B. Remplacez le chargeur.</p>		
7. Le voyant LED du chargeur de batterie ne devient pas vert.	<p>A. La batterie doit être diagnostiquée. Emmenez-la dans un centre technique agréé.</p>		

DECLARATION DE CONFORMITE

Nous,
Positec Germany GmbH
Postfach 32 02 16, 50796 Cologne, Germany

Positec déclare que le produit
Description **Tondeuse à gazon sans fil WorxNITRO**
Modèle **WG748E WG748E.X (7- désignations des pièces, illustration de la Tondeuse à gazon sans fil)**
Fonction **Tondeuse à gazon**

Est conforme aux directives suivantes,
2006/42/EC, 2014/30/EU
2011/65/EU&(EU)2015/863
2000/14/EC amendée par 2005/88/EC

2000/14/EC amendée par 2005/88/EC
Procédure d'évaluation de la conformité conformément à **Annex VI**

Niveau de pression acoustique l **91.6 dB(A)**
Niveau d'intensité acoustique **94 dB(A)**

Notification réalisée par

Nom: Intertek, Deutschland GmbH (Organisme notifié 0905)

Adresse: Stangenstraße 1, 70771 LEINFELDEN-ECHTERDINGEN

Et conforme aux normes,
EN 60335-1, EN 60335-2-77, EN 62233, EN ISO 3744, EN 55014-1, EN 55014-2

La personne autorisée à compiler le dossier technique,

Nom Marcel Filz

Adresse Positec Germany GmbH

Postfach 32 02 16, 50796 Cologne, Germany



2021/10/11

Allen Ding

Ingénieur en chef adjoint, Essais & Certification

Positec Technology (China) Co., Ltd

18, Dongwang Road, Suzhou Industrial

Park, Jiangsu 215123, P. R. China

SICUREZZA DEL PRODOTTO AVVISI GENERALI PER LA SICUREZZA



ATTENZIONE!

È assolutamente necessario leggere attentamente tutte le istruzioni. Eventuali errori nell'adempimento delle istruzioni qui di seguito riportate potranno causare scosse elettriche, incendi e/o lesioni gravi.

Leggere accuratamente queste istruzioni per usare la macchina in sicurezza. Conservare tutte le avvertenze e le istruzioni qualora fosse necessario consultarle in futuro.

- Questo apparecchio non è destinato all'uso da parte di persone (inclusi i bambini) con capacità fisiche, sensoriali o mentali ridotte, oppure con mancanza di esperienza e conoscenza, a meno che non agiscano sotto supervisione o abbiano ricevuto istruzioni sull'utilizzo dell'apparecchio da parte di una persona responsabile della loro sicurezza.
- I bambini devono essere supervisionati per garantire

che non giochino con l'apparecchio.

- Il dispositivo deve essere utilizzato unicamente con l'unità di alimentazione fornita in dotazione.

**IMPORTANTE
LEGGERE ATTENTAMENTE
PRIMA DELL'USO
CONSERVARE PER
RIFERIMENTO FUTURO**

**Procedure per un uso sicuro
Addestramento**

- a) Leggere con attenzione le istruzioni. Acquisire familiarità con i comandi e il corretto funzionamento dell'apparecchio.
- b) Non permettere mai ai bambini o alle persone sprovviste delle necessarie competenze di utilizzare l'attrezzo. L'età minima di utilizzo dello stesso può variare a seconda delle diverse normative locali.
- c) Non usare il tosaerba in presenza di altre persone, in particolar modo di bambini o di animali domestici.
- d) Ricordare che l'operatore o l'utente sono responsabili di incidenti o rischi che dovessero verificarsi ai danni di terzi o delle

proprietà.

Operazioni preliminari

- a) Durante il lavoro, indossare sempre calzature robuste e pantaloni lunghi. Non utilizzare l'apparecchio scalzi o indossando sandali aperti.
- b) Ispezionare con attenzione l'area in cui si deve utilizzare l'apparecchiatura e togliere tutti gli oggetti che potrebbero essere lanciati dall'apparecchiatura;
- c) Prima dell'uso, verificare visivamente che le lame, i rispettivi bulloni e il gruppo di taglio non siano usurati o danneggiati. In tal caso, sostituire le lame o i bulloni in blocco per mantenere l'equilibrio; Sostituire le etichette danneggiate e illeggibili.

Funzionamento

- a) Usare il tosaerba solo nelle ore diurne o in buone condizioni di luce artificiale.
- b) Se possibile, evitare di utilizzare l'apparecchio su erba bagnata.
- c) Sui terreni in pendenza, è necessario mantenere sempre la stabilità.
- d) Camminare, non correre

- mai;
- e) Per le apparecchiature rotative dotate di ruote, effettuare il taglio in senso trasversale a superfici inclinati, mai dall'alto verso il basso;
- f) Prestare estrema attenzione ai cambi di direzione nelle suddette condizioni di pendenza.
- g) Non usare il tosaerba su pendii estremamente scoscesi.
- h) Prestare la massima attenzione tirando a sé l'apparecchio o invertendo la direzione dello stesso.
- i) Arrestare la/e lama/e ove sia necessario inclinare l'attrezzo ai fini del trasporto da o verso un'altra area di tosatura e su superfici diverse da quelle erbose.
- j) Non utilizzare mai il tosaerba se le protezioni o i ripari sono danneggiati o senza i gli appositi apparati di sicurezza, come i deflettori e/o il dispositivo di raccolta erba.
- k) Azionare il motore attenendosi alle istruzioni e mantenendo i piedi a distanza di sicurezza dagli attrezzi da taglio.
- l) Avviando il motore, evitare di ribaltare lateralmente il tosaerba. Tuttavia, qualora ciò fosse necessario nella sola fase di partenza, evitare di inclinarlo più del necessario e sollevare solo il lato lontano dall'operatore.
- m) Non avvicinare mani o piedi accanto o sotto le parti rotanti. Nel caso di falciatrici rotative, mantenere costantemente libere le aperture di scarico.
- n) Non toccare le lame prima che il dispositivo per la disattivazione sia stato rimosso e prima del completo arresto delle lame;
- o) Non avviare il tosaerba stando in piedi davanti all'apertura di scarico.
- p) Non trasportare il tosaerba mentre la fonte di alimentazione è in esecuzione.
- q) Fermare il tosaerba e rimuovere il dispositivo di disattivazione. Assicurarsi che tutte le parti mobili si siano completamente arrestate.
- Ogni volta che si lascia l'apparecchiatura incustodita,
 - Prima di eliminare

- un'ostruzione,
- Prima di controllare, pulire o effettuare lavori sulla apparecchiatura,
- Dopo avere colpito un oggetto estraneo. Ispezionare l'apparecchio in cerca di danni ed eventualmente provvedere alle necessarie riparazioni. Qualora l'attrezzo inizi a vibrare in maniera anomala (verificare immediatamente)
- controllare i danni.
- sostituire o riparare le parti danneggiate.
- controllare e stringere le parti allentate.

Manutenzione e conservazione

- a) Ai fini della sicurezza delle operazioni, accertarsi che tutti i dadi, i bulloni e le viti dell'apparecchio siano saldamente avvitati;
- b) Controllare frequentemente il grado di usura e deterioramento del dispositivo di raccolta erba;
- c) Per maggiore sicurezza, sostituire le parti usurate o danneggiate. Utilizzare solo accessori e parti di ricambio originali.

- d) Prestare attenzione durante la regolazione della macchina per impedire che le dita rimangano incastrate tra le lame mobili e le parti fisse della macchina.
- e) Far sempre raffreddare il tosaerba prima di riporlo.
- f) Quando si fa manutenzione alle lame siate consapevoli che, anche se la corrente è spenta, le lame possono ancora muoversi.

ISTRUZIONI PER LA SICUREZZA DEL PACCO BATTERIA

- a) Non smontare, aprire o strappare le cellule secondarie o il pacco batteria.**
- b) Non cortocircuitare un pacco batteria. Non conservare un pacco batteria disordinatamente in una scatola o un cassetto in cui potrebbero cortocircuitarsi tra essi o essere cortocircuitati da altri oggetti metallici.**
Quando il pacco batteria non è in uso, tenerlo lontano da altri oggetti metallici come graffette, monete, chiavi, chiodi, viti e altri piccoli

oggetti metallici, potrebbe avverarsi un collegamento tra i due terminali. Collegare i terminali della batteria potrebbe causare incendi o ustioni.

- c) Non esporre il pacco batteria a calore o fuoco. Evitare di conservarli alla luce diretta del sole.**
- d) Non sottoporre il pacco batteria a scosse meccaniche.**
- e) In caso di perdite da una cellula, evitare che il liquido entri in contatto con la pelle o gli occhi. In caso di contatto, lavare l'area interessata con abbondante acqua e consultare un medico.**
- f) Tenere le cellule e il pacco batteria puliti e asciutti.**
- g) Pulire i terminali delle cellule e del pacco batteria con un panno pulito e asciutto nel caso in cui si sporchino.**
- h) Il pacco batteria deve essere caricato prima dell'uso. Utilizzare sempre il caricatore corretto e consultare le istruzioni.**
- i) Non lasciare un pacco batteria in carica se non in uso.**
- j) Dopo lunghi periodi di conservazione, potrebbe essere necessario caricare e scaricare le cellule o il pacco batteria diverse volte per ottenere le massime prestazioni.**
- k) Ricaricare solo con il caricatore specificato da WorxNITRO. Non utilizzare caricatori diversi da quelli forniti per l'uso specifico con l'apparecchiatura.**
- l) Non utilizzare un pacco batteria non progettato per l'uso con l'apparecchiatura.**
- m) Tenere il pacco batteria fuori dalla portata dei bambini.**
- n) Conservare i documenti originali del prodotto per riferimenti futuri.**
- o) Rimuovere la batteria dall'apparecchiatura, se non in uso.**
- p) Smaltire adeguatamente.**
- q) Non mischiare batterie di diverse marche, capacità, dimensioni o tipologia nello stesso dispositivo.**
- r) Tenere la batteria lontano da microonde e alta pressione.**

SIMBOLI

	Leggere attentamente il manuale d'istruzione ed assicurarsi di aver compreso completamente i comandi descritti e il relativo funzionamento
	Tenere gli astanti a distanza di sicurezza.
	Fare attenzione alle lame affilate. Le lame continuano a ruotare dopo che il motore è stato spento. Togliere la spina dalla rete elettrica prima di eventuali interventi di manutenzione.
	Se smaltite in maniera scorretta, le batterie potrebbero entrare nel ciclo dell'acqua, con conseguenti rischi per l'ambiente. Non smaltire le batterie esaurite nei rifiuti generici.
	Non bruciare
	Batteria agli ioni di litio (Li-Ion). Questo prodotto è stato contrassegnato con un simbolo riguardante la raccolta differenziata per tutti i pacchi batteria. La batteria sarà poi riciclata o demolita allo scopo di ridurre l'impatto ambientale. I pacchi batteria possono costituire un pericolo per l'ambiente e per la salute umana in quanto contengono sostanze pericolose.
Li-Ion 	
	I prodotti elettrici non possono essere gettati tra i rifiuti domestici. L'apparecchio da rottamare deve essere portato al centro di riciclaggio per un corretto trattamento. Controllare con le autorità locali o con il rivenditore per localizzare il centro di riciclaggio più vicino

	Indossare guanti protettivi
	Rimuovere la batteria dalla presa prima di eseguire qualsiasi regolazione, riparazione o intervento di manutenzione.
	Rimuovere la chiave
	Le lame continuano a ruotare anche dopo lo spegnimento dell'attrezzo. Prima di toccarle, attendere fino a quando le parti in movimento della macchina si sono completamente arrestate.

ELEMENTI DELL'APPARECCHIO

1. MANOPOLA DI FUNZIONAMENTO
2. MANIGLIA
3. SACCO RACCOLTA ERBA
4. LEVA DI REGOLAZIONE DELL'ALTEZZA DI TAGLIO
5. PUNTATORE DI REGOLAZIONE DELL'ALTEZZA DI TAGLIO
6. IMPUGNATURA ANTERIORE
7. COPERCHIO DEL PACCOBATTERIA
8. IMPUGNATURA POSTERIORE
9. ALETTA DI SICUREZZA
10. PULSANTE DI BLOCCO DI SICUREZZA
11. PULSANTE A SGANCIO RAPIDO
12. ATTACCO DI PACCIAMATURA
13. BATTERIA * (VEDI FIG. F2)
14. CHIAVETTA DI SICUREZZA (VEDI FIG.F2)
15. INDICATORE DI ALIMENTAZIONE DELLA BATTERIA (VEDI FIG. H)
16. BULLONE DELLA LAMA (VEDI FIG.N1)

17. LAMA (VEDI FIG.N1)**18. DISTANZIATORE (VEDI FIG.N1)**

*** Accessori illustrati o descritti non fanno necessariamente parte del volume di consegna.**

SPECIFICHE TECNICHE

Codice WG748E WG748E.X (7- designazione del macchinario rappresentativo del Tagliaerba a batteria)

	WG748E WG748E .X**
Potenza Nominale	40V  Max.(2x20V Max.)***
Velocità a vuoto	2800/min
Larghezza del ponte	48 cm
Larghezza di taglio	46 cm
Diametro ruote anteriori	200 mm
Diametro ruote posteriori	230 mm
Altezza di taglio	20 – 80 mm
Posizioni altezza di taglio	7
46 Capacità contenitore erba	55 L
Peso (Utensile nudo)	25.3 kg

** X = 1-999, A-Z, M1-M9 solo per clienti diversi, non ci sono cambiamenti rilevanti sicuri tra questi modelli.

*** Tensione misurata senza carico di lavoro. La tensione iniziale della batteria raggiunge un massimo di 20 Volt. La tensione nominale è di 18 Volt.

Categoria	Tipo	Capacità
20V Batteria	WA3014	4.0 Ah
20V Caricabatteria	WA3883	4.0 A

Si raccomanda di acquistare tutti gli accessori nello stesso negozio in cui è stato acquistato l'attrezzo. Scegliere il tipo in base al lavoro che si intende effettuare. Fare riferimento alla confezione dell'accessorio per altri dettagli. Il personale del negozio può aiutarvi e consigliarvi.

INFORMAZIONI SUL RUMORE

Pressione acustica ponderata $L_{pA} = 78.4 \text{ dB(A)}$

$K_{pA} = 3.0 \text{ dB(A)}$

Potenza acustica ponderata $L_{WA} = 91.6 \text{ dB(A)}$

$K_{WA} = 3.0 \text{ dB(A)}$

Indossare protezione per le orecchie.



INFORMAZIONI SULLA VIBRAZIONE

Vibrazione ponderata tipica $a_h < 2.5 \text{ m/s}^2$

Incertezza $K = 1.5 \text{ m/s}^2$

! AVVERTENZA: Il valore delle vibrazioni emesse durante il reale utilizzo dello strumento può differire dal valore dichiarato in base ai modi con cui viene usato lo strumento, ai seguenti esempi e ad altre variabili:

Come viene usato l'apparecchio e i materiali tagliati o forati. Le condizioni e la buona manutenzione dello strumento. L'uso dell'accessorio corretto per il taglio e la sua affilatura, nonché le sue buone condizioni.

La stretta sull'impugnatura e l'eventuale utilizzo di accessori antivibrazione.

L'adeguatezza dell'utilizzo dell'utensile rispetto a quanto previsto.

Questo strumento potrebbe causare la sindrome da vibrazioni mano-braccio se il suo utilizzo non viene gestito correttamente.

! AVVERTENZA: Per essere precisi, una stima del livello di esposizione nelle attuali condizioni di utilizzo dovrebbe anche tenere conto di tutte le parti del ciclo operativo, come le volte in cui lo strumento viene spento e il tempo in cui viene lasciato girare a vuoto senza realmente fare il suo lavoro. Questo potrebbe ridurre significativamente il livello di esposizione sul periodo di lavoro totale.

Un aiuto a minimizzare il proprio rischio di esposizione alle vibrazioni.

USARE sempre scalpelli, trapani e lame affilati.

Conservare questo strumento sempre in conformità a queste istruzioni e mantenerlo ben lubrificato (dove appropriato).

Se lo strumento deve essere usato regolarmente, investire in accessori antivibrazione.

Pianificare il programma di lavoro in modo da suddividere i lavori che implicano le maggiori vibrazioni nell'arco di più giorni.

ISTRUZIONI OPERATIVE





NOTA: Leggere scrupolosamente il manuale delle istruzioni prima di usare l'attrezzo.

Uso conforme alle norme:

Questo prodotto è stato progettato per tosare l'erba di prati domestici.

MONTAGGIO E FUNZIONAMENTO

AZIONE	FIGURA
MONTAGGIO	
Montaggio del manubrio & Regolazione dell'altezza della maniglia NOTA: Tenere premuto il pulsante di rilascio rapido durante il funzionamento.	Vedi Fig.A1, A2
Assemblaggio del sacco di raccolta della polvere	Vedi Fig.B
Assemblaggio del sacco di raccolta della polvere al tagliaerba NOTA: Rilasciare leggermente la sacca raccolta erba per controllare che sia stata installata bene. NOTA: prima di montare il sacco di raccolta dell'erba estrarre l'inserito per pacciamatura dal tosaerba.	Vedi Fig.C1, C2, C3
Rimozione/svuotamento del sacco di raccolta della polvere  AVVERTENZA! Verificare sempre che lo sportello di sicurezza chiuda la bocca di scarico prima dell'uso. Non sollevare mai lo sportello di sicurezza quando il rasaerba viene usato senza il sacco raccogliherba montato.	Vedi Fig.D1,D2
Installazione attacco di pacciamatura	Vedi Fig.E
Montaggio/smontaggio della batteria Inserire la chiave di sicurezza prima di installare il gruppo batteria. NOTA: Quest'apparecchio funziona solo quando sono installate batterie separate. Si raccomanda di utilizzare le stesse batterie AH e di caricare le due batterie contemporaneamente. Quando si utilizzano due batterie con diverso AH, l'apparecchio funziona solo al denominatore comune inferiore.	Vedi Fig. F1, F2
Controllo dello stato di carica della batteria NOTA: la Fig. G1 si riferisce solamente alla batteria con indicatore luminoso.	Vedi Fig.G1

Caricamento del pacco batteria NOTA: il pacco batteria viene spedito scarico. La batteria deve essere completamente carica prima del primo taglio. Caricare sempre completamente le due batterie nello stesso momento. È possibile trovare maggiori dettagli nel manuale del caricatore.	Vedi Fig.G2
FUNZIONAMENTO	
Indicatore Alimentazione batteria Leggere i dettagli nella sezione STATO DELLA BATTERIA IMPORTANTE: Quando è illuminata solo una luce verde, la batteria è scarica, anche se il tagliaerba potrebbe essere ancora in grado di tagliare l'erba. Se si continua ad utilizzare il tagliaerba con la batteria così scarica si rischia di ridurre la durata e le prestazioni della batteria. Quando nessuna spia è accesa, almeno una delle batterie non è correttamente installata o è difettosa, ricontrollare le batterie siano completamente inserite in sede.	Vedi Fig.H
Avvio & Arresto	Vedi Fig.I1,I2
Regolazione dell'altezza di taglio  AVVERTENZA! Arrestare, rilasciare la barra di sicurezza e attendere che il motore si arresti prima di regolare l'altezza. Le lame continuano a ruotare una volta spenta l'apparecchiatura, una lama in rotazione può provocare ferite. Non toccare le lame in rotazione.	Vedi Fig.J
Immagazzinaggio	Vedi Fig.K1,K2

LED DI STATO DELLA BATTERIA (Vedi Fig. H)

- Prima dell'avvio e dell'uso premere il pulsante accanto all'indicatore del livello di carica delle batterie sulla sega per verificare la loro capacità. Durante il funzionamento la capacità delle batterie sarà indicata in automatico dall'indicatore del livello di carica.
- L'indicatore rileva e visualizza costantemente la condizione delle batterie come descritto di seguito.
- Caricare l'apparecchio con 2 gruppi batterie con diversi AH, l'indicatore del livello di carica mostra la condizione della batteria che ha la potenza inferiore tra le due.

Stato dell'indicatore di carica	Condizione della batteria

Cinque spie verdi (●●●●●) accese	Le due batterie sono completamente cariche.
Due, tre o quattro spie verdi accese.	Le due batterie sono ancora cariche. Più spie sono accese, maggiore è la carica residua.
Solo una spia verde (●○○○○) accesa.	Almeno una delle batterie è scarica e deve essere ricaricata.
Nessuna spia accesa.	Almeno una delle batterie non è correttamente installata o è difettosa.
Una sola spia lampeggia due volte per ciclo.	Almeno una delle batterie è troppo scarica (consultare lo stato di carica della batteria): ricaricare le due batterie insieme prima dell'uso o del rimessaggio.
Una sola spia lampeggia tre volte per ciclo.	Almeno una delle batterie è surriscaldata: attendere il raffreddamento prima di ricominciare.
Una sola spia lampeggia quattro volte per ciclo.	La macchina è in sovraccarico. Aumentare l'altezza di taglio o spingere più lentamente.

SUGGERIMENTI PER IL TAGLIO CON DECESPUGLIATORE

Quando si utilizza il decespugliatore, il tagliaerba è stato realizzato per tagliare l'erba in parti molto piccolo e per distribuirla sul prato. In condizioni normali, l'erba tagliata si biodegrada rapidamente e si trasforma in concime per il prato.

Si raccomanda di seguire le raccomandazioni seguenti per avere prestazioni ottimali di taglio.

- Evitare di tagliare quando l'erba è umida per pioggia o rugiada. L'erba bagnata può formare dei grossi grumi che rendono difficoltoso il taglio e possono ridurre l'autonomia.
Il momento migliore per tagliare l'erba è il tardo pomeriggio quando l'erba è asciutta e l'area dove si è tagliata l'erba non viene esposta alla luce diretta del sole.
- Per avere le prestazioni migliori, impostare l'altezza di taglio in modo che si tagli circa un terzo della lunghezza delle foglie del prato, la situazione ideale è di non tagliare più di 40mm alla volta. Se il prato è troppo cresciuto, potrebbe essere necessario aumentare l'altezza di taglio per ridurre la spinta ed evitare di sovraccaricare il motore. Nel caso di taglio intensivo, si consiglia prima di tagliare utilizzando un'altezza maggiore e poi eseguire un secondo taglio all'altezza desiderata. Altrimenti, fare dei tagli più profondi e muoversi con lentezza.
- Per prestazioni ottimali, evitare che l'erba si accumuli nell'alloggiamento. Di tanto in tanto spegnere

il tagliaerba ed attendere che la lama si arresti completamente. Quindi togliere la chiavetta di sicurezza e capovolgere il tagliaerba. Aiutandosi con un bastoncino, eliminare eventuali accumuli di erba nell'area della lama. Fare attenzione ai bordi affilati della lama. Eseguire spesso questa pulizia in caso di prati primaverili ed umidi, e dopo ogni utilizzo.

- Alcuni tipi di prato o di condizioni del prato potrebbero rendere necessario un secondo passaggio del decespugliatore per poter disperdere completamente l'erba sul prato.

Se si rendesse necessario un secondo taglio, si raccomanda di procedere ad un taglio perpendicolare al primo taglio. **NON CAMBIARE IL TIPO/ORIENTAMENTO DEL TAGLIO SE QUESTO COSTRINGE AD EFFETTUARE UN TAGLIO VERSO IL BASSO DI UNA SUPERFICIE COLLINARE.**

- Cambiare ogni settimana il tipo di taglio. In questo modo si evita di rovinare il prato.

AREA DI TAGLIO

L'area di taglio può essere influenzata da diversi fattori, come altezza di taglio, umidità del manto erboso, lunghezza dell'erba e densità. Inoltre, avviare e arrestare il tosaerba troppe volte durante l'uso può contribuire a ridurre l'autonomia e, di conseguenza, l'area di taglio. La seguente tabella descrive il rapporto tra condizioni di taglio e area di taglio.

Altezza di taglio	Dimensione del lotto consigliata (massimo)
Tagliare da 8 cm a 6 cm	Con batterie 2 * 20 V / 4,0 Ah
	fino a 500m ² *

* Con due pacchi batterie completamente carichi utilizzati insieme.

SUGGERIMENTO:

- Si consiglia di tagliare l'erba frequentemente, procedere a un'andatura normale e non avviare/arrestare il tosaerba troppo spesso durante l'uso.
- Per ottenere prestazioni ottimali, utilizzare due pacchi batterie completamente carichi e tagliare sempre meno di un terzo della lunghezza dell'erba ad ogni passata.
- Procedere più lentamente quando si deve tagliare erba più alta, così da ottenere un taglio più efficace e consentire lo scarico dell'erba tagliata.
- Evitare di tagliare erba bagnata, in quanto potrebbe aderire alle superfici interne del piatto di taglio e ostacolare raccolta o scarico dell'erba tagliata.
- In caso di erba fresca o spessa, impostare un'altezza di taglio maggiore per prolungare la durata delle batterie.

MANUTENZIONE



AVVERTENZA: Arrestare il tosaerba, rimuovere la chiave di sicurezza e le batterie prima di rimuovere il sacchetto di raccolta dell'erba.

Note: Per garantire una vita di servizio più lunga ed affidabile, è necessario attenersi con regolarità alle seguenti

procedure di manutenzione. Verificare la presenza di difetti oggettivi, quali lame allentate, fuori sede o danneggiate, fissaggi lenti e componenti usurati o guasti. Accertarsi che tutte le coperture e le protezioni siano in buon ordine e correttamente agganciate al tosaerba. Eseguire ogni necessaria operazione di manutenzione o riparazione prima di utilizzare l'apparecchio. Qualora i problemi persistano nonostante una manutenzione regolare, rivolgersi al nostro servizio assistenza clienti per eventuali consigli e suggerimenti.

AFFILATURA DELLA LAMA

PER AVERE PRESTAZIONI OTTIMALI TENERE LA LAMA SEMPRE AFFILATA. UNA LAMA POCO AFFILATA NON CONSENTE DI TAGLIARE BENE ERBA E CESPUGLI.

QUANDO SI SMONTA, AFFILA E SI RIMONTA LA LAMA INDOSARE UNA PROTEZIONE IDONEA PER GLI OCCHI. ASSICURARSI CHE LA CHIAVE DI SICUREZZA E LE BATTERIE SIANO RIMOSSE.

L'affilatura della lama due volte nella stagione in cui si taglia l'erba è solitamente sufficiente in condizioni normali di utilizzo. La sabbia consuma rapidamente il filo della lama. Se il suo prato ha un terreno ricco di sabbia potrebbe essere necessario dover affilare la lama con una frequenza maggiore.

SOSTITUIRE IMMEDIATAMENTE LA LAMA SE PIEGATA O DANNEGGIATA.

QUANDO SI AFFILA LA LAMA (Vedi Fig. L)

1. Verificare che la lama rimanga equilibrata.
2. Affilare la lama con l'angolo di taglio originale.
3. Affilare i bordi di taglio su entrambe le estremità della lama, togliendo la stessa quantità di materiale da entrambi i lati.

NOTA:

1. Assicurarsi che il tagliaerba sia spento. Rimuovere la chiave e le batterie.
2. Riporre il tagliaerba in modalità di riposo in posizione verticale.

EQUILIBRATURA DELLA LAMA (Vedi Fig.M)

Verificare l'equilibratura della lama posizionando il foro centrale della lama M-1 su un giravite M-2, bloccati in orizzontale su una morsa M-3. Se una delle estremità della lama ruota verso il basso deve essere limata. La lama è bene equilibrata quando nessuna delle due estremità va in basso.

MANUTENZIONE DELLA LAMA (Vedi Fig. N1, N2)

Sostituire la lama dopo 50 ore di taglio o 2 anni, quale delle due condizioni si verifica prima, indipendentemente dalle condizioni.

Per smontare e rimontare la lama seguire queste procedure. Sono necessari quanti da giardinaggio (non in dotazione) ed una chiave (non in dotazione) per smontare la lama. Assicurarsi che la chiave di sicurezza e le batterie non siano installate. Incastrare un blocco di legno tra la lama e il piatto del tosaerba per evitare che la lama ruoti e svitare il bullone della lama ruotandolo in senso antiorario con la chiave, poi rimuovere la lama.

Per rimontare, mettere la lama con il lato affilato verso il basso. Serrare bene il dado della lama.


IMMAGAZZINAMENTO (Vedi Fig. K1, K2)

Arrestare il tosaerba e rimuovere sempre la chiave di sicurezza e le batterie. Pulire a fondo la parte esterna della macchina

usando un panno o una spazzola morbida. Non usare acqua, solventi o prodotti lucidanti. Rimuovere ogni traccia di grasso e detriti, soprattutto dalle fessure di ventilazione. Ribaltare lateralmente il tosaerba e procedere alla pulizia del gruppo di taglio. Rimuovere dalla lama gli eventuali accumuli di erba servendosi di un utensile di legno o plastica. Conservare la macchina in un posto asciutto. Non accatastare sopra di essa altri oggetti.

Per facilitare la conservazione, premere e tenere premuto il tasto di sgancio rapido e ripiegare la barra di comando.

TUTELA AMBIENTALE

 I prodotti elettrici non possono essere gettati tra i rifiuti domestici. L'apparecchio da rottamare deve essere portato al centro di riciclaggio per un corretto trattamento. Controllare con le autorità locali o con il rivenditore per localizzare il centro di riciclaggio più vicino.

RISOLUZIONE DEI PROBLEMI

Problema	Soluzione
1. La falciatrice non funziona quando viene attivata la barra di sicurezza.	A. Verificare che la chiave di sicurezza sia stata installata e che sia completamente inserita e che il pulsante di blocco di sicurezza sia completamente premuto. B. Rilasciare il pulsante di sicurezza per spegnere il tosaerba. Rimuovere la chiave di sicurezza e le batterie, capovolgere il tosaerba e controllare che la lama possa ruotare liberamente. In caso contrario, riportare il tosaerba a un manutentore autorizzato. La lama deve ruotare liberamente. C. La batteria è stata caricata completamente? Collegare il caricabatterie e attendere che si accenda la spia verde.
2. Il motore si spegne durante la falciatura.	A. Rilasciare il pulsante di sicurezza per spegnere il tosaerba. Rimuovere la chiave di sicurezza e le batterie, capovolgere il tosaerba e controllare che la lama possa ruotare liberamente. In caso contrario, riportare il tosaerba a un manutentore autorizzato. La lama deve ruotare liberamente. B. Regolare l'altezza di taglio delle ruote sulla posizione più alta e accendere il tosaerba. C. La batteria è stata caricata completamente? Collegare il caricabatterie e attendere che si accenda la spia verde. D. Evitare di sovraccaricare il tosaerba. Rallentare la velocità di taglio oppure aumentare l'altezza di taglio, oppure applicare entrambe le misure.

<p>3. Il motore si spegne durante la falciatura o non riesce a tagliare tutto il prato.</p>	<p>A. La batteria è stata caricata completamente? Collegare il caricabatterie e attendere che si accenda la spia verde. B. Rilasciare il pulsante di sicurezza per spegnere il tosaerba. Rimuovere la chiave di sicurezza e le batterie. Capovolgere il tosaerba e controllare: l'affilatura della lama – mantenere ben affilata la lama. Che la scocca e il condotto di scarico non siano intasati. C. Le ruote possono essere state regolate a un'altezza troppo bassa per le condizioni dell'erba. Aumentare l'altezza di taglio.</p>	<p>9. Durante la pacciamatura si vedono sfalci evidenti.</p>	<p>A. Viene tagliata troppa erba. Sollevare l'altezza di taglio delle ruote per accorciare la lunghezza del taglio. Non tagliare più di 1/3 della lunghezza totale. B. Verificare l'affilatura della lama. Mantenere la lama sempre affilata.</p>
<p>4. Il tosaerba è troppo duro da spingere.</p>	<p>A. Aumentare l'altezza di taglio per ridurre la resistenza della scocca sull'erba. Controllare che ogni ruota giri liberamente.</p>	<p>10. Tempo di funzionamento ridotto dopo molti utilizzi.</p>	<p>A. Riportare la macchina in un centro di assistenza autorizzato: potrebbe essere necessaria una nuova batteria.</p>
<p>5. Il tosaerba fa rumore e vibra più del solito.</p>	<p>A. Rilasciare il pulsante di sicurezza per spegnere il tosaerba. Rimuovere la chiave di sicurezza e le batterie. Girare di lato il tosaerba e controllare la lama per verificare che non si sia piegata o danneggiata. Se la lama è danneggiata, sostituirla con una di ricambio. Se la parte inferiore della scocca è danneggiata, portare il tosaerba presso un centro assistenza autorizzato. B. Se non vi sono danni visibili sulla lama e il tosaerba continua a vibrare: Rilasciare il pulsante di sicurezza per spegnere il tosaerba. Rimuovere la chiave di sicurezza e le batterie. Ruotare la lama di 180 gradi e rimontarla. Se il tosaerba continua a vibrare, portarlo presso un centro assistenza autorizzato.</p>	<p>11. Il LED del caricabatterie lampeggia in rosso e la batteria non si carica.</p>	<p>A. La batteria si surriscalda a seguito di un uso prolungato. Rimuovere la batteria dal caricabatterie e lasciarla raffreddare fino a 42 °C o meno.</p>
<p>6. Il LED del caricabatterie non si accendono.</p>	<p>A. Controllare la connessione. B. Sostituire il caricabatterie.</p>	<h2 style="text-align: center;">DICHIARAZIONE DI CONFORMITÀ</h2> <p>NOI, Positec Germany GmbH Postfach 32 02 16, 50796 Cologne, Germany</p> <p>A nome di Positec si dichiara che il prodotto Descrizione Tagliaerba a batteria WorxNITRO Codice WG748E WG748E.X (7- designazione del macchinario rappresentativo del Tagliaerba a batteria) Funzione Falciatura prati</p> <p>È conforme alle seguenti direttive, 2006/42/EC, 2014/30/EU 2011/65/EU&(EU)2015/863 2000/14/EC modificata dalla 2005/88/EC</p> <p>2000/14/EC modificata dalla 2005/88/EC Procedura di conformità come da Annex VI Potenza acustica pesata 91.6 dB(A) Massima potenza di rumore garantita 94 dB(A)</p> <p>L'organismo competente Nome: Intertek, Deutschland GmbH(organismo notificato 0905) Indirizzo: Stangenstraße 1, 70771 LEINFELDEN-ECHTERDINGEN</p> <p>conforme a, EN 60335-1, EN 60335-2-77, EN 62233, EN ISO 3744, EN 55014-1, EN 55014-2</p> <p>Il responsabile autorizzato alla compilazione della documentazione tecnica, Nome Marcel Filz Indirizzo Positec Germany GmbH Postfach 32 02 16, 50796 Cologne, Germany</p>	
<p>7. Il LED del caricabatterie non diventa verde.</p>	<p>A. La batteria deve essere esaminata. Portarla in un centro di assistenza autorizzato.</p>		
<p>8. Il rasaerba non raccoglie lo sfalco nel sacco.</p>	<p>A. Rimuovere la piastra di pacciamatura quando si usa il sacco. B. Condotto intasato. Rilasciare il pulsante di sicurezza per spegnere il tosaerba. Rimuovere la chiave di sicurezza e le batterie. Eliminare lo sfalco dal condotto. C. Troppa erba tagliata. Sollevare l'altezza di taglio delle ruote per accorciare la lunghezza del taglio. D. Sacco pieno. Svuotare il sacco più frequentemente.</p>		



2021/10/11

Allen Ding

Vice capo ingegnere, testing e certificazione

Positec Technology (China) Co., Ltd

18, Dongwang Road, Suzhou Industrial

Park, Jiangsu 215123, P. R. China

SEGURIDAD DEL PRODUCTO ADVERTENCIAS DE SEGURIDAD GENERALES



**¡ADVERTENCIA! Leer
todas las instrucciones.**

Si no se respetan las instrucciones, existe un riesgo de descargas eléctricas, de incendio y/o de graves heridas.

**Lea detenidamente
las instrucciones para
garantizar el uso seguro de
la máquina.**

**Conserve este manual de
consejos e instrucciones
para futuras consultas.**

- Este aparato no ha sido diseñado para su uso por personas (incluyendo niños) con capacidades físicas, sensoriales o mentales reducidas, o falta de experiencia y conocimientos, a menos que lo hagan bajo la supervisión o instrucción de una persona responsable de su seguridad.
- Los niños deberán ser vigilados para asegurar que no jueguen con el aparato.
- El aparato únicamente debe utilizarse con la fuente de alimentación suministrada.

**IMPORTANTE
LEER DETENIDAMENTE
ANTES DE UTILIZAR LA
HERRAMIENTA
CONSERVAR PARA
REFERENCIA FUTURA**

**Prácticas de uso seguro
Familiarización**

- a) Lea cuidadosamente las instrucciones. Familiarícese con los controles y el uso apropiado de la herramienta.
- b) Nunca permita que los niños o personas no familiarizadas con estas instrucciones hagan uso de la herramienta. Las regulaciones locales pueden restringir la edad del operador.
- c) Nunca corte el césped mientras otras personas, especialmente niños, o animales domésticos se encuentran en las proximidades.
- d) Recuerde que el usuario u operario es el responsable de los accidentes o riesgos a los que se sometan otras personas o propiedades.

Preparación

- a) Siempre use calzado resistente y pantalones

largos cuando efectúe el corte de césped. No utilice la herramienta cuando esté descalzo o use sandalias.

- b) Inspeccione bien toda la zona en la que desee utilizar el equipo, y retire todos los objetos que pudieran ser lanzados por la máquina;
- c) Antes del uso, siempre examine visualmente la herramienta a fin de comprobar que las cuchillas, los pernos de las cuchillas y la unidad de corte no estén desgastados o dañados. A fin de evitar posibles desequilibrios, las cuchillas y los pernos desgastados o dañados deben ser reemplazados por juegos completos; Sustituya las etiquetas dañadas o ilegibles.

Funcionamiento

- a) Trabaje únicamente de día o con buena luz artificial.
- b) Cuando sea posible, evite manejar la herramienta sobre césped mojado.
- c) Asegúrese de no perder el equilibrio en las pendientes.
- d) Camine, no corra;
- e) En máquinas giratorias con ruedas, corte en

- dirección perpendicular a la pendiente, nunca hacia arriba y hacia abajo;
- f) Observe extrema precaución al cambiar de dirección en las pendientes.
 - g) No trabaje sobre pendientes excesivamente empinadas.
 - h) Tenga mucho cuidado al invertir la marcha de la herramienta o al desplazarla hacia Ud.
 - i) Detenga la/s cuchilla/s en los casos en que la herramienta deba ser inclinada para el transporte, o para atravesar superficies donde no hay césped, o al transportar la herramienta a y desde el área a cortar.
 - j) Nunca utilice la herramienta con protectores defectuosos, o sin los dispositivos de seguridad en su lugar, por ejemplo deflectores y/o colectores de césped.
 - k) Encienda el motor según las instrucciones y con los pies bien alejados de la/s cuchilla/s.
 - l) No incline la herramienta para encender el motor, a menos que la misma requiera de ello para arrancar. En este caso, no la incline más de lo absolutamente necesario y levante únicamente la parte que está más alejada del operador.
 - m) No coloque manos ni pies cerca o bajo las piezas en rotación. En el caso de cortadoras rotatorias de césped, no se acerque a la abertura de descarga en ningún momento.
 - n) No toque la cuchilla antes de quitar el dispositivo de desactivación. Las cuchillas deben haberse detenido por completo;
 - o) No arranque el cortacésped cuando esté de pie frente a la apertura de descarga.
 - p) No transporte el cortacésped mientras la fuente de alimentación está funcionando.
 - q) Pare el cortacésped y extraiga el dispositivo de desactivación. Asegúrese de que todas las partes móviles se han detenido completamente.
 - si se deja la máquina desatendida,
 - antes de eliminar una obstrucción,
 - antes de realizar comprobaciones,

- operaciones de limpieza o trabajar con la máquina,
- Después de chocar con un objeto extraño. Examine la herramienta para comprobar si hay daño y repare si es necesario. Si comienza a vibrar en forma anormal (verifique inmediatamente)
 - Inspeccione daños.
 - Sustituya o repare cualquier parte dañada.
 - Compruebe y apuntale cualquier parte aflojada.

Mantenimiento y almacenamiento

- 54
- a) Mantenga tuercas, pernos y tornillos ajustados para cerciorarse de que la herramienta está en condiciones seguras de trabajo;
 - b) Verifique periódicamente el colector de césped para comprobar si hay desgaste o deterioro;
 - c) Para su seguridad, reemplace las piezas gastadas o dañadas. Utilice solamente partes sustituibles y accesorios genuinos.
 - d) Tenga cuidado durante el ajuste de la máquina

- para evitar que sus dedos queden atrapados entre las cuchillas móviles y las partes fijas de la máquina.
- e) Deje que el cortacésped se enfríe antes de guardarlo.
- f) Cuando revise las cuchillas tenga en cuenta que aunque la fuente de alimentación esté apagado, las cuchillas pueden aún moverse.

ADVERTENCIAS DE SEGURIDAD PARA LA BATERÍA

- a) No desmonte, abra o destruya las pilas o las baterías recargables.**
- b) No provoque un cortocircuito en la batería. No almacene las baterías de forma descuidada en una caja o cajón donde podría provocar un cortocircuito entre ellas o mediante otros objetos metálicos.** Cuando la batería no esté siendo utilizada, manténgala alejada de objetos metálicos, como clips de papel, monedas, llaves, clavos, tornillos u otros objetos metálicos pequeños, que pueden

posibilitar la conexión de un borne con otro. Al provocar un cortocircuito con los bornes de la batería se pueden sufrir quemaduras o generar un incendio.

c) No exponga las baterías al calor o al fuego. No las guarde expuestas directamente al sol.

d) No exponga las baterías a impactos mecánicos.

e) En caso de que la batería tenga fugas de líquido, no permita que el líquido entre en contacto con la piel o los ojos. Si se produce el contacto, lave la zona afectada con grandes cantidades de agua y acuda a un médico.

f) Mantenga las baterías limpias y secas.

g) Limpie los bornes de la batería con un paño limpio si se ensucian.

h) Cargue la batería antes de utilizarla. Consulte siempre estas instrucciones y aplique el procedimiento de carga adecuado.

i) No deje la batería cargándose durante prolongados períodos de tiempo cuando no se

utilice.

j) Después de prolongados períodos de almacenamiento, puede que sea necesario cargar y descargar la batería varias veces para obtener el máximo rendimiento.

k) Recargue solo con el cargador indicado por WorxNITRO. No utilice ningún otro cargador que no sea el específicamente proporcionado para el uso con este equipo.

l) No utilice ninguna batería distinta a la diseñada para utilizarse con el aparato.

m) Mantenga la batería fuera del alcance de los niños.

n) Conserve la documentación original del producto por si tuviera que consultarla en otro momento.

o) Extraiga la batería del aparato cuando no lo utilice.







p) Deshágase del producto correctamente.



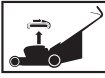
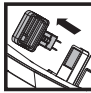

q) No se deben mezclar pilas de diferentes fabricantes, capacidad, tamaño o tipo en un mismo dispositivo.

r) Mantener la batería lejos de microondas y alta

presión.

SÍMBOLOS

	Lea cuidadosamente el manual del usuario y cerciórese de entender todos los controles y la función que cumple cada uno
	Mantenga alejados a los visitantes.
	Tenga cuidado con las cuchillas. Las cuchillas continúan rotando después de apagar el motor. Extraiga el enchufe de la toma de suministro eléctrico antes de realizar operaciones de mantenimiento.
	Si no se eliminan correctamente, las baterías podrían interferir en el ciclo del agua, una situación que pondría en riesgo el ecosistema. Por este motivo, las baterías no deben eliminarse junto con los residuos municipales sin clasificar.
	No incinerar
	Batería de iones de litio. Este producto tiene una marca que lo designa para la recogida selectiva, junto con otras pilas y baterías. Una vez recogido, se reciclará o se desmontará con el fin de reducir el impacto en el medioambiente. Las baterías contienen sustancias peligrosas y pueden ser perjudiciales para el medioambiente y para la salud de las personas.

	Los residuos de aparatos eléctricos y electrónicos no deben depositarse en la basura doméstica. Se deben reciclar en las instalaciones especializadas. Consulte a las autoridades locales o el establecimiento para saber cómo reciclar estos productos.
	Utilizar guantes de protección
	Antes de realizar cualquier trabajo de ajuste, reparación o mantenimiento, desenchufe la batería de la toma.
	Extraiga la llave
	La cuchilla continúa rotando después de apagar la máquina. Espere hasta que todos los componentes de la misma se hayan detenido antes de tocarlos.

LISTA DE COMPONENTES


1. **DIAL DE OPERACIÓN**
2. **BARRA DEL MANGO**
3. **BOLSA DE RECOLECCIÓN DE HIERBA**
4. **PALANCA DE AJUSTE DE LA ALTURA DE CORTE**
5. **PUNTERO DE AJUSTE DE ALTURA DE CORTE**
6. **ASIDERO DELANTERO**
7. **CUBIERTA DEL COMPARTIMENTO DE LA BATERÍA**
8. **ASIDERO TRASERO**
9. **COMPUERTA DE SEGURIDAD**
10. **BOTÓN DE BLOQUEO DE SEGURIDAD**
11. **BOTÓN DE LIBERACIÓN RÁPIDA**
12. **ACCESORIO DE MANTILLO**
13. **BATERÍA * (VÉASE LA FIG. F2)**
14. **LLAVE DE SEGURIDAD (VÉASE LA FIG. F2)**

15. INDICADOR DE LA BATERÍA (VÉASE LA FIG. H)**16. PERNO DE LA CUCHILLA (VÉASE LA FIG.N1)****17. CUCHILLA (VÉASE LA FIG.N1)****18. SEPARADOR (VÉASE LA FIG.N1)**

***Los accesorios ilustrados o descritos pueden no corresponder al material suministrado de serie con el aparato.**

DATOS TÉCNICOS

Modelo WG748E WG748E.X (7 - denominaciones de maquinaria, representantes de Cortacésped sin cables)

	WG748E WG748E .X**
Potencia nominal	40V  Max.(2x20V Max.)***
Velocidad sin carga	2800/min
Ancho de la cubierta	48 cm
Ancho de corte	46 cm
Diámetro de la rueda delantera	200 mm
Diámetro de la rueda trasera	230 mm
Altura de corte	20 – 80 mm
Posiciones de altura de corte	7
Capacidad de colección de césped	55 L
Peso (Sin batería)	25.3 kg

** X = 1-999, A-Z, M1-M9 solo se utilizan para diferentes clientes, no hay cambios relevantes seguros entre estos modelos

***Voltaje medido sin carga. El voltaje inicial máximo de la batería es de 20 voltios. El voltaje nominal es de 18 voltios.

** *Las salidas 1 y 2 son dos puertos con los mismos valores de tensión y corriente de salida.

Categoría	Tipo	Capacidad
20V Batería	WA3014	4.0 Ah
20V Cargador	WA3883	4..0 A

Recomendamos que adquiera todos sus accesorios en el mismo comercio donde compró la herramienta. Elija los accesorios de acuerdo con el trabajo que pretende realizar. Consulte los estuches de los accesorios para más

detalles. El personal del comercio también puede ayudar y aconsejar.

INFORMACIÓN SOBRE EL RUIDO

Nivel de presión acústica de ponderación $L_{pA} = 78.4 \text{ dB(A)}$

$K_{pA} = 3.0 \text{ dB(A)}$

Nivel de potencia acústica de ponderación $L_{WA} = 91.6 \text{ dB(A)}$

$K_{WA} = 3.0 \text{ dB(A)}$

Útilite protección auditiva.



INFORMACIÓN SOBRE LAS VIBRACIONES

Frecuencia de vibración típica $a_h < 2.5 \text{ m/s}^2$

Incertidumbre $K = 1.5 \text{ m/s}^2$

ADVERTENCIA: El valor de emisión de vibraciones durante el uso de la herramienta podría ser distinto al valor declarado dependiendo de la forma en que se use la herramienta según las condiciones siguientes, y otras variaciones sobre el uso de la herramienta:

El modo de uso de la herramienta y los materiales que se cortan o perforan.

El estado general y las condiciones de mantenimiento de la herramienta.

La utilización del accesorio correcto para la herramienta y su correcto mantenimiento afilado y en buenas condiciones.

La firme sujeción de las empuñaduras y la utilización de accesorios antivibración.

El uso de la herramienta conforme a su diseño y estas instrucciones.

Esta herramienta podría causar síndrome de vibración mano-brazo si no se utiliza correctamente.

ADVERTENCIA: Para conseguir una mayor precisión, debe tenerse en cuenta una estimación del nivel de exposición en condiciones reales de todas las partes del ciclo de uso, como los tiempos durante los que la herramienta está apagada o el tiempo que está funcionando al ralentí sin realizar ningún trabajo. Esto podría reducir notablemente el nivel de exposición durante el período completo de trabajo.

Cómo minimizar el riesgo de exposición a la vibración.

Utilice SIEMPRE cinceles, brocas y cuchillas afiladas.

Mantenga esta herramienta de acuerdo con estas instrucciones y bien lubricada (si es necesario).

Si la herramienta se utiliza regularmente, invierta en accesorios antivibración.

Planifique su programa de trabajo para distribuir el uso de la herramienta a lo largo de varios días.

INSTRUCCIONES DE FUNCIONAMIENTO





NOTA: Antes de utilizar la herramienta, lea detenidamente el manual de instrucciones

Utilización reglamentaria

Este producto ha sido proyectado para utilizarse en el área doméstica.

MONTAJE Y FUNCIONAMIENTO

ACCIÓN	ILUSTRACIÓN
MONTAJE	
Montaje de la barra del mango & Ajuste de la altura del mango NOTA: Mantener pulsado el botón de liberación rápida durante el funcionamiento.	Véase la fig. A1, A2
Montaje de la bolsa de recolección de hierba	Véase la fig.B
Montaje de la bolsa de recolección de hierba en el cortacésped NOTA: Presione ligeramente la bolsa para pasto para asegurarse de que se encuentra completamente instalada. NOTA: Antes de instalar la bolsa de recogida de hierba, extraiga la pieza de mantilla del cortacésped.	Véase la fig.C1, C2, C3
Desmontaje y vaciado de la bolsa de recolección de hierba  ¡ADVERTENCIA! Compruebe siempre que la tapa de seguridad cierre la salida de descarga antes del uso. No levante nunca la tapa de seguridad cuando se esté utilizando el cortacésped sin la bolsa de hierba instalada.	Véase la fig. D1,D2
Instalación del accesorio de mantillo	Véase la fig.E
Instalar/extraer la batería Insertar la llave de seguridad antes de instalar el grupo de baterías. NOTA: Esta máquina solo funciona cuando se instalan baterías separadas. Se recomienda usar las mismas baterías AH y cargar las dos baterías al mismo tiempo. Cuando se usan dos baterías con diferente AH, la máquina solo funcionará según el menor denominador común.	Véase la fig. F1, F2

Comprobación del nivel de carga de la batería NOTA: La Fig. G1 solo es aplicable a la batería con indicador de la batería.	Véase la fig.G1
Cargar la batería NOTA: la batería se entrega descargada y debe cargarse completamente antes de cortar el césped por primera vez. Cargue siempre las dos baterías por completo y al mismo tiempo. Encontrará más información en el manual del cargador.	Véase la fig.G2
FUNCIONAMIENTO	
Indicador de la batería en la máquina Consulte la información de ESTADO DE LA BATERÍA IMPORTANTE: Si sólo se ilumina una luz verde, la batería está descargada. Esto será así aunque el cortacésped continúe funcionando. Si continúa utilizando su cortacésped con la batería descargada, podría reducir la vida y el rendimiento de su batería. Si no se ilumina ninguna luz, significa que como mínimo una batería no está bien instalada o que tiene un fallo. Vuelva a comprobar que las baterías estén colocadas correctamente.	Vvéase la fig.H
Arranque & Parada	Véase la fig. I1,I2
Ajuste de la altura de corte  ¡ADVERTENCIA! Parar, liberar el fiador de funcionamiento y esperar a que el motor se detenga antes de ajustar la altura. Las cuchillas continuarán girando después de apagar la máquina. Una cuchilla en movimiento podría causar una lesión. No toque las cuchillas en movimiento.	Véase la fig.J
Almacenamiento	Véase la fig. K1,K2

LED DE ESTADO DE LA BATERÍA (Véase la fig. H)

- Antes de encender la máquina o cuando termine de usarla, pulse el botón que hay al lado del indicador de encendido para ver el nivel de batería. Durante el funcionamiento. El indicador de batería muestra automáticamente el nivel de batería.
- Este indicador detecta y muestra el nivel de batería constantemente, tal como se indica a continuación.
- Cargar la máquina con dos grupos de baterías con diferente AH, el indicador de alimentación muestra

el nivel de la batería con menos energía.

Estado del indicador de la batería	Estado de la batería
Se iluminan cinco luces en color verde (●●●●●)	Las dos baterías tienen mucha carga.
Se iluminan dos, tres o cuatro luces en color verde.	Hay energía en las dos baterías. Cuantas más luces se iluminen, mayor es la cantidad de energía restante.
Solo se ilumina una luz en color verde (●□□□□)	Como mínimo una batería está agotada y se tiene que cargar.
No se ilumina ninguna luz.	Como mínimo una batería no está bien instalada o tiene un fallo.
Parpadea una única luz con una frecuencia de dos veces por ciclo.	Como mínimo una batería está sobre descargada (consulte el estado de carga de la batería). Recargue las dos baterías al mismo tiempo antes de usarlas de nuevo o de guardarlas.
Parpadea una única luz con una frecuencia de tres veces por ciclo.	Como mínimo una batería está caliente. Deje enfriar las baterías antes de volver a encender la máquina.
Parpadea una única luz con una frecuencia de cuatro veces por ciclo.	La máquina está sobrecargada. Eleve la altura de corte o empuje lentamente.

SUGERENCIAS PARA CORTAR HIERBA

Mientras corta, su nuevo cortacésped ha sido diseñado para triturar los restos de hierba y distribuirlos por el jardín. En condiciones normales, la hierba triturada se biodegrada rápidamente para ofrecer nutrientes al césped. Consulte las recomendaciones siguientes para conseguir un rendimiento óptimo del abono.

- Evite cortar si la hierba está mojada por la lluvia o el rocío. La hierba mojada forma grumos que interfieren con la acción trituradora y reducen el tiempo de funcionamiento. El mejor momento para cortar la hierba es a última hora de la tarde, cuando la hierba está seca y el área recién cortada no se encuentre expuesta a la luz solar directa.
- Para conseguir el mejor abono, establezca la altura de corte para cortar un tercio de la longitud de la cuchilla, idealmente no más de 40mm cada vez. Si la hierba de su jardín ha crecido demasiado, puede que sea necesario aumentar la altura de corte para reducir la presión y no sobrecargar el motor. Si necesita triturar hierba extremadamente pesada, es aconsejable cortar primero con una altura alta de corte, y volver a cortar después a la altura de corte final. Si no lo hace así, haga cortes más estrechos y corte el césped lentamente.

- Para conseguir el mejor rendimiento, mantenga el compartimento de cortacésped libre de hierba acumulada. Apague el cortacésped cada cierto tiempo y espere a que la cuchilla se detenga por completo. Retire la llave de seguridad y vuelque el cortacésped sobre un lado. Utilizando un objeto puntiagudo, como una rama, elimine las acumulaciones de hierba del área de las cuchillas. Tenga cuidado con los bordes afilados de la cuchilla. Limpie con más frecuencia si corta hierba mojada, y siempre después de cada uso.
- Algunos tipos de hierba podrían requerir un segundo corte para dispersar la hierba por todo el jardín. Si realiza un segundo corte, es aconsejable hacerlo en dirección perpendicular al patrón del primer corte. **NO CAMBIE EL PATRÓN DE CORTE DE NINGUNA MANERA PODRÍA PROVOCAR QUE EL CORTE SE REALICE EN PENDIENTE DESCENDENTE.**
- Cambie el patrón de corte cada semana. Ello le ayudará a espesar y vigorizar la hierba de su jardín.

ZONA DE CORTE

La zona de corte puede verse afectada por varios factores, como la altura de corte, la humedad y la longitud y la densidad de la hierba. Además, encender y apagar el cortacésped demasiadas veces durante el funcionamiento también podría reducir la zona de corte.

En la siguiente tabla se indica la relación entre el estado de la hierba y la zona de corte.

Altura del corte	Recomendar tamaños del lote (máximo)
Corte de 8 cm a 6 cm	Con baterías de 2 * 20V / 4.0Ah
	Hasta 500m ² *

* Uso simultáneo de 2 baterías completamente cargadas.

CONSEJOS:

- Se recomienda incrementar la frecuencia de corte del césped, andar a velocidad normal y no encender y apagar el cortacésped demasiadas veces durante el funcionamiento.
- Para lograr el mejor rendimiento, asegúrese de que se utilicen simultáneamente dos baterías completamente cargadas y corte siempre 1/3 o menos de la altura de la hierba.
- Ande lentamente para cortar la hierba larga, con el fin de mejorar la efectividad del corte y permitir que los restos se descarguen correctamente.
- No corte la hierba cuando esté mojada, ya que se adheriría a la parte inferior y los restos no podrían recogerse o descargarse correctamente.
- Puede aumentarse la altura de corte para cortar hierba nueva o gruesa, y alargar así la duración de la batería.

MANTENIMIENTO



ADVERTENCIA: Detener la segadora, retirar la llave de seguridad y las baterías antes de retirar la bolsa de recogida de césped.

ATENCIÓN: Para asegurarse de un servicio prolongado y confiable, realice regularmente los siguientes procedimientos.

tos de mantenimiento. Verifique si hay defectos obvios tales como una cuchilla suelta, fuera de lugar o dañada, accesorios sueltos y componentes desgastados o dañados. Compruebe que las cubiertas y guardas protectoras no se hayan dañado y estén correctamente unidas a la cortadora de césped. Realice todo mantenimiento o reparación necesarios antes de utilizar la cortadora de césped. Si a pesar del mantenimiento regular la cortadora llegara a presentar fallas, por favor llame a nuestra línea de ayuda al cliente para asesoramiento.

AFILAR LA CUCHILLA

MANTENGA LAS CUCHILLAS AFILADAS PARA CONSEGUIR EL MEJOR RENDIMIENTO DEL CORTACÉSPED. A UTILICE PROTECCIÓN OCULAR AL DESINSTALAR, AFILAR E INSTALAR LA CUCHILLA. ASEGURARSE DE QUE LA LLAVE DE SEGURIDAD Y LAS BATERÍAS ESTÉN QUITADAS.

Afilar la cuchilla dos veces durante una sesión de corte suele ser suficiente en circunstancias normales. La arena hace que la cuchilla se desafilé rápidamente. Si el suelo de su jardín es arenoso, necesitará afilar las cuchillas con más frecuencia. CAMBIE INMEDIATAMENTE LAS CUCHILLAS SI ESTÁN DOBLADAS O DETERIORADAS.

AL AFILAR LA CUCHILLA (Véase la fig. L)

1. Asegúrese de que la cuchilla permanece equilibrada.
2. Afile la cuchilla con el ángulo de corte original.
3. Afile los bordes de corte a ambos extremos de la cuchilla, retirando cantidades iguales de material de ambos bordes.

NOTA:

1. Asegúrese de que el cortacésped esté apagado. Retirar la llave y las baterías.
2. Coloque el cortacésped en el modo de almacenamiento vertical.

EQUILIBRAR LA CUCHILLA (Véase la fig. M)

Compruebe que la cuchilla se encuentre equilibrada colocando el orificio central de la cuchilla M-1 sobre un destornillador M-2 sostenido horizontalmente en un tornillo M-3. Si alguno de los extremos de la cuchilla gira hacia abajo, afile ese extremo. La cuchilla se encuentra equilibrada correctamente cuando no cae ningún extremo.

MANTENIMIENTO DE LAS CUCHILLAS (Véase la fig. N1, N2)

Cambie la cuchilla después de 50 horas de corte o 2 años, lo que ocurra antes, independientemente de la condición de las mismas.

Siga el procedimiento siguiente para extraer y reemplazar la cuchilla. Necesitará guantes de jardín (no suministrados) y una llave (no suministrada) para extraer la cuchilla. Asegurarse de que la llave y las baterías no estén instaladas. Calzar un bloque de madera entre la cuchilla y la cubierta de la segadora para impedir que la cuchilla gire y desenrosque el perno de la cuchilla hacia la izquierda utilizando una llave, y extraiga la cuchilla a continuación.

Para volver a montarla, coloque la cuchilla con los bordes cortantes orientados hacia el suelo. Apriete entonces firmemente la tuerca de la cuchilla.

ALMACENAMIENTO (Véase la fig. K1, K2)

Detener la segadora, y retirar siempre la llave de seguridad y las baterías. Limpie a fondo las partes exteriores de la máquina usando una escobilla suave y un paño. No utilice agua, solventes ni lustradores. Deje su máquina libre de césped y deshechos, especialmente en las ranuras de ventilación. Coloque la máquina de costado y limpie el área de la cuchilla.

Si encuentra residuos de césped compactados en el área de la cuchilla, retírelos con un implemento de madera o plástico. Guarde la máquina en un lugar seco. No coloque otros objetos encima de la máquina.

Para ayudar al almacenamiento, mantener pulsado el botón de liberación rápida, y plegar la barra del asidero.

PROTECCIÓN AMBIENTAL



Los residuos de equipamientos eléctricos y electrónicos no deben depositarse con las basuras domésticas.

Se recogen para reciclarse en centros especializados.

Consulte las autoridades locales o su distribuidor para obtener información sobre la organización de la recogida.

SOLUCIÓN DE PROBLEMAS

Problemas	Acción correctora
1. La segadora no funciona cuando el fiador de funcionamiento está activado.	A. Asegúrese de que la llave de seguridad ha sido instalada y está completamente asentada y que el botón de bloqueo de seguridad está completamente pulsado. B. Liberar el fiador de funcionamiento para apagar la segadora. Retirar la llave de seguridad y las baterías, voltear el cortacésped y compruebe que la cuchilla gire libremente. Si no lo hace, envíe el cortacésped a un taller autorizado. La cuchilla debe girar libremente. C. ¿La batería está completamente cargada? Conecte el cargador y espere hasta que se ilumine la luz verde.
2. El motor se detiene mientras está cortando el césped.	A. Liberar el fiador de funcionamiento para apagar la segadora. Retirar la llave de seguridad y las baterías, voltear el cortacésped y compruebe que la cuchilla gire libremente. Si no lo hace, envíe el cortacésped a un taller autorizado. La cuchilla debe girar libremente. B. Eleve la altura de corte de las ruedas a la posición más alta y encienda el cortacésped. C. ¿La batería está completamente cargada? Conecte el cargador y espere hasta que se ilumine la luz verde. D. No sobrecargue el cortacésped. Disminuya la velocidad de corte o aumente la altura de corte. O ambos.

3. El cortacésped funciona pero el corte no es satisfactorio, o no se corta todo el césped.	A. ¿La batería está completamente cargada? Conecte el cargador y espere hasta que se ilumine la luz verde. B. Liberar el fiador de funcionamiento para apagar la segadora. Retirar la llave de seguridad y las baterías. Voltee el cortacésped y compruebe lo siguiente: Asegúrese de que la cuchilla esté siempre afilada. Que no haya obstrucciones en la cubierta ni en el conducto de descarga. C. Es probable que la altura de las ruedas se haya fijado en una posición demasiado baja para el estado del césped. Eleve la altura de corte.	8. El cortacésped no recoge los recortes en la bolsa.	A. Extraiga la placa de mantillo al embolsar. B. Conducto obstruido. Liberar el fiador de funcionamiento para apagar la segadora. Retirar la llave de seguridad y las baterías. Limpie el conducto de recortes de hierba. C. Demasiada hierba cortada. Eleve la altura de corte de las ruedas para reducir la longitud del corte. D. Bolsa llena. Vacíe la bolsa con más frecuencia.
4. El cortacésped resulta difícil de empujar.	A. Eleve la altura de corte para reducir el rozamiento de la cubierta contra el césped. Compruebe que cada rueda gire libremente.	9. Se ven recortes en el mantillo.	A. Se está cortando demasiado césped. Eleve la altura de corte de las ruedas para reducir la longitud del corte. No corte más de 1/3 de la longitud total. B. Compruebe que la cuchilla esté afilada. La cuchilla debe mantenerse siempre afilada.
5. El cortacésped produce vibraciones y ruidos de una manera inusual.	A. Liberar el fiador de funcionamiento para apagar la segadora. Retirar la llave de seguridad y las baterías. Voltee el cortacésped sobre uno de los lados y revise la cuchilla para asegurarse de que no esté curvada o dañada. Si la cuchilla está dañada, sustitúyala por una cuchilla de repuesto. Si la parte inferior de la cubierta está dañada, envíe el cortacésped a un centro de mantenimiento autorizado. B. Si no hay daños visibles en la cuchilla y el cortacésped todavía vibra: Liberar el fiador de funcionamiento para apagar la segadora. Retirar la llave de seguridad y las baterías. Gire la cuchilla 180 grados y vuelva a colocarla. Si el cortacésped sigue vibrando, envíelo a un centro de mantenimiento autorizado.	10. El tiempo de funcionamiento se acorta tras varios usos.	A. Lleve la máquina a un centro de servicio autorizado; es posible que se tenga que instalar una batería nueva.
6. Los LEDs del cargador de batería no se encienden.	A. Compruebe el enchufe de conexión. B. Sustituya el cargador.	11. El LED del cargador de baterías parpadea en rojo y la batería no se puede cargar.	A. La batería se sobrecalienta cuando funciona de forma continua. Extraiga la batería del cargador y deje que se enfríe a 42 °C o menos.
7. El LED de carga de la batería no se vuelve verde.	A. Es necesario revisar la batería. Llévela a un centro de servicio autorizado.		

DECLARACIÓN DE CONFORMIDAD

Los que reciben,
Positec Germany GmbH
Postfach 32 02 16, 50796 Cologne, Germany

En nombre de Positec declaran que el producto
Descripción **Cortacésped sin cables WorxNITRO**
Modelo **WG748E WG748E.X (7 - denominaciones de maquinaria, representantes de Cortacésped sin cables)**
Función **Corte de césped**

Cumple con las siguientes Directivas,
2006/42/EC, 2014/30/EU
2011/65/EU&(EU)2015/863
2000/14/EC modificada por 2005/88/EC

2000/14/EC modificada por 2005/88/EC
Procedimiento de evaluación de la conformidad de acuerdo con **Annex VI**
Nivel de presión acústica **91.6 dB(A)**
Nivel de intensidad acústica **94 (A)**

Notificación realizada por
Nombre: Intertek, Deutschland GmbH (cuerpo notificado0905)
Dirección: Stangenstraße 1, 70771 LEINFELDEN-ECHTERDINGEN

Normativas conformes a,
EN 60335-1, EN 60335-2-77, EN 62233, EN ISO 3744, EN 55014-1, EN 55014-2

La persona autorizada para componer el archivo técnico,
Firma Marcel Filz
Dirección Positec Germany GmbH
Postfach 32 02 16, 50796 Cologne, Germany



2021/10/11
Allen Ding
Ingeniero Jefe Adjunto. Pruebas y Certificación.
Positec Technology (China) Co., Ltd
18, Dongwang Road, Suzhou Industrial Park, Jiangsu 215123, P.R. China

SEGURANÇA DO PRODUTO AVISOS GERAIS DE SEGURANÇA



ATENÇÃO!

Leia atentamente as seguintes instruções. A não observância destas instruções pode causar choque eléctrico, incêndio e/ou lesões graves.

Leia atentamente as instruções para utilizar a máquina de forma segura. Guarde estas instruções para referência futura.

- Esta ferramenta não deve ser usada por pessoas (incluindo crianças) com reduzidas capacidades físicas, sensoriais ou mentais, ou com falta de experiência ou conhecimentos, a não ser que sejam devidamente supervisionadas ou tenham recebido formação dada por uma pessoa responsável pela sua segurança.
- As crianças devem ser sempre supervisionadas para ter a certeza de que não brincam com esta ferramenta.
- Este aparelho só deve ser utilizado com a fonte de alimentação fornecida com

o mesmo.

**IMPORTANTE
LEIA CUIDADOSAMENTE
ANTES DE UTILIZAR
GUARDE ESTA INFORMAÇÃO
PARA CONSULTA FUTURA**

**Práticas de utilização
segura
Treino**

- a) Leia estas instruções atentamente. Familiarize-se com os comandos e a correcta utilização deste equipamento.
- b) Não deixe que crianças ou quaisquer pessoas não familiarizadas com estas instruções utilizem o equipamento. As regras locais podem impor limites relativamente à idade do operador do equipamento.
- c) Nunca utilize a máquina, quando estiverem outras pessoas, sobretudo crianças, ou animais nas redondezas.
- d) O utilizador desta ferramenta é responsável pelos acidentes ou pelas situações de perigo que afectem outras pessoas ou os bens destas.

Preparação

- a) Ao cortar a relva, use sempre calçado forte e calças compridas. Não utilize este equipamento descalço ou com calçado aberto.
- b) Inspeccione cuidadosamente a área onde vai usar o corta-relva e remova todos os objectos que possam ser lançados pelo mesmo;
- c) Antes de usar o corta-relva, verifique sempre as lâminas, os parafusos destas e os elementos de corte para se certificar de que estes não estão gastos ou danificados. Substitua os conjuntos de lâminas e de parafusos que estejam gastos ou danificados para que o corta-relva funcione bem.

Funcionamento

- a) Utilize este equipamento apenas durante o dia ou com uma boa luz artificial.
- b) Sempre que possível, evite utilizar o corta-relva sobre relva molhada.
- c) Ao trabalhar em superfícies inclinadas certifique-se de que adopta uma posição

estável.

- d) Caminhe, não corra;
- e) Ao usar máquinas com rodas, o corte de relva em terrenos inclinados deve ser feito ao longo da face do terreno e nunca para cima e para baixo;
- f) Ao trabalhar em locais inclinados, tenha muito cuidado ao mudar de direcção.
- g) Não proceda a um corte excessivo da relva em locais inclinados.
- h) Tenha muito cuidado ao virar ou ao puxar o equipamento na sua direcção.
- i) Pare as lâminas se tiver de inclinar o equipamento para transporte ao atravessar superfícies sem relva e sempre que precisar de transportar o corta-relva de e para a área onde pretende utilizar o equipamento.
- j) Nunca utilize este equipamento caso as suas guardas ou mecanismos de segurança estejam defeituosos ou em falta como, por exemplo, se os deflectores e/ou os apanha relva não estiverem colocados no devido lugar.
- k) Ligue o motor seguindo as instruções e com os pés afastados das lâminas;
- l) Não incline o equipamento ao ligar o motor, excepto se for necessário fazê-lo para proceder ao arranque do mesmo. Neste caso, não incline o equipamento mais do que o absolutamente necessário e levante apenas a parte mais afastada do operador.
- m) Não coloque as mãos ou os pés próximo ou por baixo das peças rotativas. No caso dos corta-relvas rotativos, mantenha-se sempre afastado da abertura de descarga.
- n) Não toque na lâmina antes do dispositivo de desactivação desta ter sido removido. Aguarde até as lâminas pararem completamente
- o) Não efetue o arranque do cortador de relva quando estiver de pé em frente da abertura de descarga.
- p) Não desloque esta trituradora quando a mesma estiver em funcionamento.
- q) Efetue a paragem do cortador de relva e remova o

dispositivo de desativação. Certifique-se de que todas as peças móveis ficaram completamente imobilizadas.

- sempre que se afastar do corta-relva;
- antes de tentar eliminar a causa de qualquer encravamento;
- antes de verificar, limpar ou realizar qualquer trabalho no corta-relva;
- após bater num objecto estranho; Inspeccione o equipamento para ver se existem danos e repare se necessário.

Se o dispositivo começar a vibrar de forma anómala (verifique imediatamente)

- Verifique se existem danos;
- Substitua ou repare as peças danificadas;
- Verifique se existem peças que estejam desapertadas e aperte-as

Manutenção e armazenamento

- a) Mantenha todas as porcas, cavilhas e parafusos apertados para ter a certeza de que o equipamento está em condições de ser utilizado de forma segura;
- b) Verifique regularmente

o apanha relva para ver se este está desgastado ou apresenta alguma deterioração.

- c) Substitua as peças que estejam desgastadas ou danificadas. Utilize apenas peças de substituição e acessórios originais.
- d) Tenha cuidado ao ajustar a máquina de forma evitar que os dedos fiquem presos entre as lâminas em movimento e as peças fixas da máquina.
- e) Permita sempre que a máquina arrefeça antes de a armazenar.
- f) Quando efetuar a manutenção das lâminas tenha em atenção que, mesmo que a alimentação esteja desligada, as lâminas podem mover-se.

AVISOS DE SEGURANÇA PARA A BATERIA

- a) Não desmonte, abra ou corte as células da bateria.**
- b) Não submeta a bateria a curto-circuitos. Não armazena as baterias ao acaso numa caixa ou gaveta onde possam provocar um curto-**

circuito ou submetidas a curto-circuitos por materiais condutores.

Quando não estiver a utilizar a bateria, mantenha-a afastada de outros objectos metálicos, como cliques, moedas, chaves, pregos, parafusos ou outros pequenos objectos de metal, que possam realizar uma ligação de um terminal a outro. Um curto-circuito dos terminais da bateria pode provocar queimaduras ou um incêndio.

c) Não exponha a bateria ao calor ou a incêndios. Evite o armazenamento à exposição de luz solar directa.

d) Não exponha a bateria ao choque eléctrico.

e) Em casos de fugas na bateria, não permita que o líquido entre em contacto com a pele ou olhos. Caso entre em contacto, lave a área afectada com quantidades abundantes de água e procure aconselhamento médico.

f) Mantenha a bateria limpa e seca.

g) Limpe os terminais da bateria com um pano

limpo e seco em caso de sujidade.

h) A bateria necessita de ser carregada antes de ser utilizada. Consulte sempre estas instruções e utilize o procedimento de carga correcto.

i) Não mantenha a bateria a carregar quando não for utilizada.

j) Após longos períodos de tempos de armazenamento, pode ser necessário carregar e descarregar a bateria diversas vezes para obter o desempenho máximo.

k) Recarregue apenas com o carregador especificado pela WorxNITRO. Não utilize um carregador que não se encontra especificado para a utilização com o equipamento.






l) Não utilize uma bateria que não se encontra concebida para a utilização com o equipamento.







m) Mantenha a bateria fora do alcance das crianças.

n) Preserve as informações originais do produto para futura referência.

- o) Retire a bateria do equipamento quando não estiver em utilização.**
- p) Elimine-a de forma adequada.**
- q) Não misture pilhas de diferente fabrico, capacidade, tamanho ou tipo num dispositivo.**
- r) Mantenha a bateria longe de fornos micro-ondas e altas pressões.**

SÍMBOLOS

	Leia o manual de instruções antes de usar este equipamento
	Mantenha as outras pessoas afastadas.
	Cuidado com as lâminas. Estas continuam a rodar após desligar o motor - Remova o dispositivo de desactivação antes de qualquer operação de manutenção.
	As baterias poderão entrar no ciclo hídrico caso sejam descartadas indevidamente, o que pode representar perigo para o ecossistema. Não elimine as baterias usadas como resíduos municipais não separados.
	Não queimar

	Bateria de íões de lítio Este produto foi marcado com um símbolo relacionado com a "recolha separada" de todos os conjuntos de baterias e o conjunto de bateria. Será reciclada ou desmontada para reduzir o impacto no meio ambiente. Os conjuntos de baterias podem ser perigosos para o meio ambiente e para a saúde humana, uma vez que contêm substâncias perigosas.
	Os equipamentos eléctricos não devem ser depositados com o lixo doméstico. Se existirem instalações adequadas deve reciclá-los. Consulte a sua autoridade local para tratamento de lixos ou fornecedor para obter aconselhamento sobre reciclagem.
	Usar luvas de proteção
	Remova o conjunto de pilhas da ferramenta antes de realizar qualquer ajuste, reparação ou manutenção.
	Remova a chave
	A lâmina continua a funcionar após ter desligado o corta-relva. Aguarde até todos os componentes do corta-relva pararem completamente antes de tocar nos mesmos.

LISTA DE COMPONENTES


- 1. MOSTRADOR OPERACIONAL**
- 2. BARRA DA PEGA**
- 3. SACO DE RECOLHA DA RELVA**
- 4. ALAVANCA PARA AJUSTE DA ALTURA DO CORTE**
- 5. PONTEIRO DE AJUSTE DA ALTURA DE CORTE**
- 6. PEGA DIANTEIRA**

7. TAMPAS DO COMPARTIMENTO DA BACTÉRIA
8. PEGA TRASEIRA
9. MEMBRANA DE SEGURANÇA
10. BOTÃO DE BLOQUEIO DE SEGURANÇA
11. BOTÃO DE LIBERAÇÃO RÁPIDA
12. ACESSÓRIO PARA MULCHING
13. CONJUNTO DE BATERIAS * (VEJA FIGURA F2)
14. BOTÃO DE SEGURANÇA (VEJA FIGURA F2)
15. INDICADOR DE ALIMENTAÇÃO DA BATERIA (VEJA FIGURA H)
16. PARAFUSO DA LÂMINA (VEJA FIGURA N1)
17. LÂMINA (VEJA FIGURA N1)
18. DISTANCIADOR (VEJA FIGURA N1)

*Acessórios ilustrados ou descritos não estão totalmente abrangidos no fornecimento.

DADOS TÉCNICOS

Tipo WG748E WG748E.X (7 - designação de aparelho mecânico, representativo de Corta-relva sem fios da)

	WG748E WG748E .X**
Tensão	40V  Max.(2x20V Max.)**
Velocidade sem carga	2800 /min
Largura do convés	48 cm
Largura de corte	46 cm
Diâmetro da roda dianteira	200 mm
Diâmetro da roda traseira	230 mm
Altura do corte	20 – 80 mm
Posições para ajuste da altura de corte	7
Capacidade da caixa de recolha	55 L
Peso da máquina (Ferramenta nua)	25.3 kg

** X = 1-999, A-Z, M1-M9, são utilizados apenas para clientes diferentes, não há alterações relevantes seguras entre esses modelos.

*** Tensão medida sem carga. A tensão inicial da bateria atinge o máximo de 20 volts. A tensão nominal é de 18

volts.

Categoria	Tipo	Capacidade
20V Baterias	WA3014	4.0Ah
20V Carregador	WA3883	4.0 A

Recomendamos-lhe que compre todos os acessórios no fornecedor onde tenha adquirido a ferramenta. Escolha o grau de acordo com o trabalho que pretende empreender. Para mais pormenores, consulte a embalagem destes. Os comerciais também pode ajudar e aconselhar.

INFORMAÇÃO DE RUÍDO

Pressão de som avaliada	$L_{pA} = 78.4 \text{ dB(A)}$
K_{pA}	3.0 dB (A)
Potência de som avaliada	$L_{WA} = 91.6 \text{ dB(A)}$
K_{WA}	3.0 dB (A)

Use protecção de ouvidos.



INFORMAÇÃO DE VIBRAÇÃO

Vibração característica ponderada	$a_h < 2.5 \text{ m/s}^2$
Instabilidade	$K = 1.5 \text{ m/s}^2$

AVISO: Os valores de emissão de vibração durante a utilização da ferramenta podem divergir dos valores declarados, dependendo da forma como a ferramenta é utilizada, dependendo dos exemplos seguintes e de outros modos de utilização:

O modo como a ferramenta é utilizada, os materiais a cortar ou perfurar.

A ferramenta estar em boas condições e bem conservada. A utilização do acessório correcto para a ferramenta e a garantia de que está afiada e em boas condições.

A firmeza com que se segura nas pegadas e se quaisquer acessórios vibratórios são utilizados.

Se a ferramenta é utilizada para o objectivo para a qual foi concebida e segundo as instruções.

Esta ferramenta pode causar síndrome de vibração mão-braço, se não for adequadamente utilizada.

AVISO: Para ser preciso, uma estimativa do nível de exposição nas condições actuais de utilização devem ter em conta todas as partes do ciclo de operação, como tempos em que a ferramenta está desligada e quando está em funcionamento, mas inactiva, ou seja, não realizando o seu trabalho. Isto poderá reduzir significativamente o nível de exposição durante o período total de trabalho.

Como minimizar o seu risco de. Utilize SEMPRE formões, brocas e lâminas afiadas. Mantenha esta ferramenta de acordo com as instruções e bem lubrificada (quando aplicável). Se a ferramenta for utilizada regularmente, invista em acessórios anti-vibração. Planeie o seu horário de trabalho de forma a distribuir a utilização de ferramentas de alta vibração ao longo de vários dias.

INSTRUCCIONES DE FUNCIONAMIENTO





NOTA: Antes de utilizar a ferramenta, leia atentamente o livro de instruções.

Utilização conforme as disposições

Este produto é concebido para o corte de relva doméstico.

MONTAGEM E FUNCIONAMENTO

ACÇÃO	FIGURA
MONTAGEM	
Montagem da pega & Ajuste da altura da pega NOTA: Pressione e mantenha pressionado o botão de libertação rápida durante o funcionamento.	Veja figura A1, A2
Montagem do saco de recolha da relva	Veja figura B
Instalação do saco de recolha de relva NOTA: Exerça uma ligeira pressão sobre o saco de recolha de relva para garantir que este está correctamente colocado. NOTA: Retire a inserção para adubação verde do corta-relva antes de instalar o saco para recolha de relva.	Veja figura C1, C2, C3
Remover/Esvaziar do saco de recolha de relva  AVISO! Verifique sempre se a aba de segurança fecha a saída de descarga antes da utilização. Nunca levante a aba de segurança quando o corta-relvas estiver a ser utilizado sem o saco de recolha de relva instalado.	Veja figura D1, D2
Instalação do acessório para mulching	Veja figura E

Colocação/remoção da bateria Insira a chave de segurança antes de instalar o módulo da bateria. NOTA: Esta máquina só funciona quando as baterias separadas estiverem instaladas. Recomenda-se que use baterias com o mesmo valor de AH e que carregue as duas baterias ao mesmo tempo. Quando usa duas baterias com valores de AH diferentes, a máquina só funcionará com o menor denominador comum.	Veja figura F1, F2
Verificar o estado de carga da bateria NOTA: A Fig. G1 apenas se aplica ao conjunto de bateria com luz indicadora da bateria.	Veja figura G1
Carregamento da bactéria NOTA: a embalagem da bateria é expedida sem carga. A bateria tem de ser totalmente carregada antes de cortar a relva pela primeira vez. Carregue sempre as duas baterias até ao fim e ao mesmo tempo. Pode encontrar mais detalhes no manual do carregador.	Veja figura G2
FUNCIONAMENTO	
Indicador de Alimentação da bateria na máquina Consulte os detalhes na parte referente ao ESTADO DA BATERIA IMPORTANTE: Quando apenas o LED de cor verde é sinal de que a bateria está totalmente descarregada mesmo que o corta-relva consiga continuar a cortar relva. Se continuar a usar o corta-relva com a bateria neste estado poderá reduzir a vida útil e o desempenho desta. Quando nenhuma luz estiver acesa, pelo menos uma bateria não está totalmente instalada ou a bateria está com defeito, volte a verificar se as baterias estão totalmente colocadas na sua posição.	Veja figura H
Ligar & Parar	Veja figura I1, I2
Ajuste da altura de corte  AVISO! Pare, liberte a alça de funcionamento e espere que o motor pare antes de ajustar a altura. As lâminas continuam a funcionar após ter desligado o corta-relva podendo causar ferimentos. Não toque nas lâminas em movimento.	Veja figura J

Armazenamento	Veja figura K1,K2
---------------	-------------------

LEDS DE ESTADO DA BATERIA (Veja figura H)

- Antes de iniciar ou depois da utilização, prima o botão ao lado da luz indicadora de energia na máquina para verificar a capacidade da bateria. Durante o funcionamento, a capacidade da bateria será indicada automaticamente pelo indicador de energia da bateria.
- O indicador deteta e exibe constantemente a condição da bateria como apresentado abaixo.
- Se carregar a máquina com dois módulos de bateria com valores de AH diferentes, a luz indicadora de energia exibe a condição da bateria com menos capacidade.

Estado do indicador de alimentação da bateria	Estado da bateria
Cinco luzes verdes (●●●●●) estão acesas.	As duas baterias estão num estado totalmente carregado.
Duas ou três ou quatro luzes verdes estão acesas.	As suas baterias têm carga remanescente. Quanto mais luzes estiverem acesas, mais capacidade tem a bateria.
Apenas uma luz verde (●□□□□) está acesa.	Pelo menos uma bateria está gasta e necessita de ser carregada.
70 Nenhuma luz está acesa.	Pelo menos uma bateria não está totalmente instalada ou a bateria está com defeito.
Apenas uma luz está intermitente duas vezes por ciclo.	Pelo menos uma bateria está descarregada em excesso (por favor, consulte o estado de carga da bateria), por favor, recarregue as duas baterias de uma vez só antes de utilizar novamente ou de proceder ao armazenamento.
Apenas uma luz está intermitente três vezes por ciclo.	Pelo menos uma bateria está quente, aguarde que arrefeçam antes de iniciar novamente.
Apenas uma luz está intermitente quatro vezes por ciclo.	A máquina está sobrecarregada. Aumente a altura de corte ou empurre lentamente.

SUGESTÕES PARA O MULCHING

Durante a operação de mulching, o corta-relva corta a relva em pedaços mais pequenos espalhando-os de novo pelo relvado. Em condições normais, a relva assim cortada degrada-se mais rapidamente e ajuda a alimentar

o relvado. Consulte as recomendações seguintes para um mulching perfeito.

- 1) Evite cortar a relva quando esta estiver molhada da chuva ou devido à queda de orvalho. A relva molhada pode colar-se uma à outra e interferir com a operação de mulching reduzindo também o tempo de funcionamento do corta-relva. A melhor altura para cortar relva é ao fim do dia quando a relva está seca e a zona cortada não fica tão exposta à luz solar directa.
- 2) Para um melhor desempenho em termos do mulching, defina a altura do corte de forma a remover cerca de um terço da altura da relva. O ideal será não remover mais do que 38mm de cada vez. Se a relva estiver muito grande, pode ser necessário aumentar a altura de corte de forma reduzir o esforço necessário e evitar sobrecarregar o motor. Para um mulching mais intenso, recomendamos-lhe que faça o primeiro corte com a altura definida para um valor alto e depois volte a cortar usando a altura de corte final. Caso contrário, faça cortes menores e desloque-se a uma velocidade menor.
- 3) Para um melhor desempenho, mantenha a estrutura do corta-relva isenta de relva acumulada. De tempos a tempos desligue o corta-relva e aguarde até a lâmina parar completamente. Depois, desligue a chave de segurança e vire o corta-relva de lado. Usando um pau, por exemplo, limpe a relva acumulada na área da lâmina. Tenha cuidado com as arestas afiadas da lâmina. Limpe sempre que cortar relva molhada e sempre após cada utilização.
- 4) Alguns tipos de relva ou a condição do relvado podem exigir o mulching de uma área segunda vez de forma a dispersar totalmente a relva cortada pelo relvado. Se precisar de cortar uma segunda vez, recomendamos-lhe que faça o primeiro corte na perpendicular (através do relvado). **NÃO ALTERE O PADRÃO DE CORTE.**
- 5) Altere o padrão de corte de semana para semana. Isto ajuda a evitar que a relva fique acamada.

ÁREA DE CORTE

A área de corte pode ser afetada por diversos fatores, tais como a altura de corte, a humidade da relva, o comprimento e a densidade da relva. Além disso, efetuar o arranque e a paragem do cortador de relva demasiadas vezes durante o seu funcionamento reduz a área de corte. A tabela seguinte indica a relação entre as condições de corte e a área de corte.

Altura de corte	Recomendar tamanho do lote (máximo)
Cortando 8cm a 6cm	Com 2*20V/4.0Ah baterias
	até 500m ² *

* utilizado com 2 conjuntos de baterias totalmente carregadas simultaneamente

DICAS:

- 1) Recomendamos que corte a sua relva mais frequentemente, caminhe a um passo normal e que

- não efetue o arranque/paragem do cortador de relva demasiadas vezes durante o seu funcionamento.
- 2) Para um melhor desempenho, certifique-se de que utiliza dois conjuntos de baterias totalmente carregadas simultaneamente e que corte sempre 1/3 ou menos da altura da relva.
 - 3) Caminhe lentamente quando cortar relva comprida, de modo a obter um corte mais eficiente e a descarregar apropriadamente a relva cortada.
 - 4) Evite cortar relva molhada, pois esta ficará colada à parte inferior da base e a relva cortada não pode ser recolhida ou descarregada apropriadamente.
 - 5) Uma altura de corte superior deve ser aplicada a relva fresca ou espessa e, desse modo, a duração da bateria será prolongada.

MANUTENÇÃO



AVISO: Pare o cortador de relva, remova a cde segurança e as baterias antes de remover o saco de recolha de relva.

NOTA: Para assegurar um serviço longo e fiável, execute regularmente os seguintes procedimentos de manutenção. Verifique se detecta defeitos óbvios, tais como uma lâmina solta, deslucada ou danificada, acessórios soltos e componentes gastos ou danificados. Verifique se as coberturas e protecções estão todas livres de danos e correctamente ligados ao corta-relva. Leve a cabo quaisquer manutenções ou reparações necessárias, antes de utilizar o corta-relva. Se o corta-relva falhar, apesar da manutenção regular, queira ligar para a nossa linha de ajuda ao cliente, para obter aconselhamento.

AFIAR A LÂMINA

MANTENHA A LÂMINA AFIADA PARA UM MELHOR DESEMPENHO POR PARTE DO CORTA-RELVA. UMA LÂMINA QUE NÃO ESTEJA AFIADA NÃO CORTA A RELVA DEVIDAMENTE OU FAZ O MULCHING DE FORMA CORRECTA.

USE PROTECÇÃO OCULAR AO REMOVER, AFIAR E INSTALAR A LÂMINA. CERTIFIQUE-SE DE QUE A CHAVE DE SEGURANÇA E AS BATERIAS SÃO REMOVIDAS.

Geralmente, e em condições normais de segurança, é suficiente afiar a lâmina duas vezes durante a época de corte da relva. A areia faz com que a lâmina perca o fio rapidamente. Se o seu relvado tiver um solo arenoso, pode ser necessário afiar a lâmina mais vezes.

SUBSTITUA IMEDIATAMENTE A LÂMINA SE ESTA ESTIVER AMOLGADA OU DANIFICADA.

AO AFIAR A LÂMINA (Veja figura L)

1. Certifique-se de que esta se mantém equilibrada.
2. Afie a lâmina mantendo o ângulo de corte original.
3. Afie as arestas de corte de ambos os lados da lâmina e sempre em quantidades iguais de ambos os lados.

NOTA:

1. Certifique-se de que o cortador de relva está desligado. Remova a chave e as baterias.
2. Coloque o cortador de relva no modo de armazenamento na vertical.

CALIBRAR A LÂMINA (Veja figura M)

Verifique a calibração da lâmina colocando o orifício central

da lâmina M-1 sobre um parafuso M-2 e fixa horizontalmente em M-3. Se ambas as extremidades da lâmina rodarem para baixo, afie essa parte da mesma. A lâmina está correctamente calibrada quando nenhuma das extremidades cai.

MANUTENÇÃO DA LÂMINA (Veja figura N1, N2)

Substitua a lâmina após 50 horas de utilização ou 2 anos, conforme o período que for atingido primeiro e independentemente da condição da lâmina. Siga estes procedimentos para remover e substituir a lâmina: Para remover a lâmina irá precisar de luvas de jardinagem (não fornecidas) e de uma chave de porcas (não incluída). Certifique-se de que a chave de segurança e as baterias não estão instaladas. Entale um bloco de madeira entre a lâmina e a plataforma do cortador de relva para evitar que a lâmina rode e desaperte o respectivo parafuso no sentido contrário ao dos ponteiros do relógio usando uma chave de porcas e de seguida remova a lâmina e a ventoinha.

Para voltar a montar, comece por posicionar a lâmina com as arestas de corte viradas para o chão. Depois, aperte a porca da lâmina.

ARMAZENAMENTO (Veja figura K1, K2)

Pare o cortador de relva, e remova sempre a chave de segurança e as baterias. Limpe muito bem o exterior do corta-relva com uma escova macia e com um pano. Não utilize água, solventes ou produtos para polir. Remova toda a relva e detritos, especialmente das ranhuras de ventilação.

Vire o corta-relva de lado e limpe a zona da lâmina. Se a relva cortada ficar presa de forma compacta na zona da lâmina, remova-a com um objecto de madeira ou de plástico.

Guarde o corta-relva num local seco. Não coloque outros objectos por cima do corta-relva.

Para facilitar o armazenamento, Pressione e mantenha pressionado o botão de libertação rápida, e dobre a barra da pega.

PROTECÇÃO AMBIENTAL



Os equipamentos eléctricos não devem ser despostos com o lixo doméstico. Se existirem instalações adequadas deve reciclá-los. Consulte a sua autoridade local para tratamento de lixos ou fornecedor para obter aconselhamento sobre reciclagem.

RESOLUÇÃO DE PROBLEMAS

Problemas	Ação de correção
1. O cortador de relva não funciona quando a alça de operação é ativada.	A. Verifique se a chave de segurança foi instalada e se está totalmente encaixada e se o botão de bloqueio de segurança está completamente premido. B. Liberte a alça de operação para desligar o cortador de relva. Remova a chave de segurança e as baterias, volte o cortador e certifique-se de que a lâmina gira livremente. Se não estiver a girar livremente, devolva-a a um reparador autorizado. A lâmina deve girar livremente. C. A bateria foi completamente carregada? Insira a ficha do carregador e aguarde que a luz verde acenda.
2. O motor pára durante o corte.	A. Liberte a alça de operação para desligar o cortador de relva. Remova a chave de segurança e as baterias, volte o cortador e certifique-se de que a lâmina gira livremente. Se não estiver a girar livremente, devolva-a a um reparador autorizado. A lâmina deve girar livremente. B. Eleve a altura de corte das rodas para a posição mais elevada e ligue o cortador. C. A bateria foi completamente carregada? Insira a ficha do carregador e aguarde que a luz verde acenda. D. Evite sobrecarregar o cortador. Diminua a velocidade de corte ou eleve a altura de corte. Ou ambos.
3. O motor pára durante o corte ou não corta toda a relva.	A. A bateria foi completamente carregada? Insira a ficha do carregador e aguarde que a luz verde acenda. B. Liberte a alça de operação para desligar o cortador de relva. Remova a chave de segurança e as baterias. Volte o cortador ao contrário e verifique: A afiação da lâmina - mantenha a lâmina afiada. A estrutura e o cano de descarga relativamente a obstruções. C. O ajuste de altura das rodas poderá ser demasiado baixo para as condições da relva. Eleve a altura de corte.
4. É excessivamente difícil empurrar o cortador.	A. Eleve a altura de corte para reduzir o efeito de arrastamento da estrutura na relva. Verifique se todas as rodas giram livremente.
5. O cortador emite ruído e vibração anormais.	A. Liberte a alça de operação para desligar o cortador de relva. Remova a chave de segurança e as baterias. Coloque o cortador de lado e verifique a lâmina de modo a certificar-se de que não está dobrada ou danificada. Se a lâmina se encontrar danificada, substitua-a por uma lâmina de substituição. Se a parte inferior da estrutura se encontrar danificada, leve-o a um centro de assistência autorizado. B. Se não existirem danos visíveis na lâmina e o cortador continuar a vibrar: Liberte a alça de operação para desligar o cortador de relva. Remova a chave de segurança e as baterias. Rode a lâmina 180 graus e volte a colocá-la. Se o cortador continuar a vibrar, leve-o a um centro de assistência autorizado.
6. Os LED do carregador não acendem.	A. Verifique se a ficha está ligada. B. Volte a ligar o carregador.
7. O LED do carregador da bateria não muda para verde.	A. É necessário realizar o diagnóstico da bateria. Levar ao centro de assistência autorizado.
8. O cortador não aspira aparas com o saco.	A. Remova a placa de mulch quando colocar nos sacos. B. Cano obstruído. Liberte a alça de operação para desligar o cortador de relva. Remova a chave de segurança e as baterias. Elimine as aparas de relva no cano. C. Demasiada erva cortada. Eleve a altura de corte das rodas para diminuir o comprimento do corte. D. Saco cheio. Esvazie o saco com maior frequência.
9. Quando realiza mulching, os cortes estão visíveis.	A. Corte excessivo de relva. Eleve a altura de corte das rodas para diminuir o comprimento do corte. Não corte mais de 1/3 do comprimento total. B. Verifique se a lâmina está afiada. Mantenha sempre a lâmina afiada.
10. Tempo de funcionamento baixo ou diminuído após demasiadas utilizações.	A. Devolva ao local de Assistência Autorizada – pode necessitar de uma bateria nova.
11. O LED do carregador da bateria pisca a vermelho e a bateria não pode ser carregada.	A. A bateria sobreaquece após uso contínuo. Remova a bateria do carregador e deixe-a arrefecer até 42°C ou menos.

DECLARAÇÃO DE CONFORMIDADE

Nós,
Positec Germany GmbH
Postfach 32 02 16, 50796 Cologne, Germany

Em nome da Positec, declara que o produto
Descrição **Corta-relva sem fios da WorxNITRO**
Tipo **WG748E WG748E.X (7 - designação de aparelho mecânico, representativo de Corta-relva sem fios da)**
Função **corte de relva**

cumpra as seguintes Directivas,
2006/42/EC, 2014/30/EU
2011/65/EU&(EU)2015/863
2000/14/EC rectificada em 2005/88/EC

2000/14/EC rectificada em 2005/88/EC
Processo de Avaliação de Conformidade segundo
Annex VI
Nível de Volume de Som Medido **91,6 dB(A)**
Nível de Volume de Som Garantido **94 dB(A)**

Organismo notificado envolvido
Nome: Intertek, Deutschland GmbH (organismo notificado 0905)
Endereço: Stangenstraße 1, 70771 LEINFELDEN-ECHTERDINGEN

Normas em conformidade com:
EN 60335-1, EN 60335-2-77, EN 62233, EN ISO 3744, EN 55014-1, EN 55014-2

Pessoa autorizada a compilar o ficheiro técnico,
Nome Marcel Filz
Endereço Positec Germany GmbH
Postfach 32 02 16, 50796 Cologne, Germany



2021/10/11
Allen Ding
Engenheiro-chefe adjunto,
Teste e Certificação
Positec Technology (China) Co., Ltd
18, Dongwang Road, Suzhou Industrial
Park, Jiangsu 215123, P.R. China

PRODUCTVEILIGHEID ALGEMENE VEILIGHEIDSWAARSCHUWINGEN

 **WAARSCHUWING! Lees alle instructies zorgvuldig door.**

Indien u zich niet aan alle onderstaande instructies houdt, kan dat leiden tot een elektrische schok, brand en/of ernstig letsel.

Lees de instructies aandachtig voor een veilig gebruik van de machine. Bewaar alle veiligheidsvoorschriften en alle instructies voor toekomstig gebruik.

- Dit apparaat is niet bedoeld voor gebruik door personen (waaronder kinderen) met verminderde fysieke, zintuiglijke of mentale capaciteiten, gebrek aan ervaring en kennis, tenzij ze werken onder toezicht of instructie betreffende het gebruik van het apparaat door iemand die verantwoordelijk is voor de veiligheid.
- Kinderen moeten onder toezicht worden gehouden om te verhinderen dat ze met de machine gaan

spelen.

- Het apparaat mag slechts gebruikt worden met de netadapter die bij het apparaat geleverd wordt.

BELANGRIJK LEES DIT VOOR GEBRUIK BEWAAR DEZE INSTRUCTIES VOOR LATERE NASLAG

Veilige manier van gebruiken Opleiding

- a) Lees de instructies zorgvuldig door. Maak uzelf bekend met de bediening en het juiste gebruik van het apparaat.
- b) Laat nooit kinderen of mensen die niet bekend zijn met deze instructies het apparaat gebruiken. Plaatselijke bepalingen kunnen een minimumleeftijd vereisen van de gebruiker.
- c) Maai nooit wanneer er mensen, met name kinderen, of huisdieren in de buurt zijn.
- d) Denk eraan dat de gebruiker verantwoordelijk is voor ongevallen en schade die ontstaan met andere personen en hun eigendommen.

Vorbereiding

- a) Draag bij het maaien altijd stevige schoenen en een lange broek. Gebruik dit apparaat niet wanneer u op blote voeten of op open sandalen/slippers loopt.
- b) Inspecteer de omgeving van de gebruikte apparatuur en verwijder alle voorwerpen die door de machine weggegooid zouden kunnen worden;
- c) Controleer voor het gebruik altijd of de messen, de bouten waarmee de messen vastzitten en het snijgedeelte niet versleten of beschadigd zijn. Vervang versleten of beschadigde messen en bouten in paren om zo de balans te bewaren. Vervang beschadigde en onleesbare labels.

Bediening

- a) Maai alleen overdag of in goed kunstlicht.
- b) Gebruik het apparaat, voor zover mogelijk, niet in nat gras.
- c) Zorg er op hellingen altijd voor dat u stevig staat.
- d) Loop, ren niet;
- e) Een ronddraaiende machine

- op wielen gebruikt u evenwijdig aan hellingen, niet op en neer;
- f) Wees extra voorzichtig wanneer u op hellingen van richting verandert.
- g) Maai niet op zeer steile hellingen.
- h) Wees extra voorzichtig wanneer u het apparaat achteruit of naar u toe haalt.
- i) Stop de messen wanneer de maaier gekanteld dient te worden voor vervoer over oppervlaktes anders dan gras en wanneer het apparaat van en naar het gebied dat gemaaid wordt getransporteerd.
- j) Gebruik het apparaat nooit wanneer beschermkappen beschadigd zijn of zonder dat veiligheidsonderdelen zoals deflectors en/of grasopvanggers geplaatst zijn.
- k) Schakel de motor in volgens de instructies en houd uw voeten uit de buurt van de messen.
- l) Kantel het apparaat nooit bij het inschakelen van de motor, behalve wanneer het apparaat gekanteld moet worden om gestart te worden. Kantel het apparaat in dat geval niet meer dan absoluut noodzakelijk en til alleen het gedeelte op dat niet richting de gebruiker wijst.
- m) Plaats uw handen of voeten niet in de buurt van of onder draaiende onderdelen. Blijf bij cirkelmaaiers altijd uit de buurt van de uitwerpopening.
- n) Raak het mes niet aan voordat de machine uitgeschakeld is en de messen volledig tot stilstand zijn gekomen;
- o) Start de grasmaaier niet wanneer u voor de uitlaatopening staat.
- p) Vervoer de grasmaaier niet terwijl de stroom is ingeschakeld.
- q) Stop de grasmaaier en verwijder het vergrendelingsapparaat. Controleer of alle bewegende onderdelen volledig tot stilstand zijn gekomen.
- Als u de machine onbeheerd laat,
 - Voordat u een blokkade verwijdert,
 - Voordat u de machine controleert, schoonmaakt of eraan werkt,

- Nadat u een vreemd object heeft geraakt. Controleer het apparaat op beschadigingen en repareer deze indien nodig. Wanneer het apparaat abnormaal begint te trillen (meteen inspecteren)
- Inspecteer op schade.
- vervang of repareer eventuele beschadigde onderdelen.
- controleer en maak alle losse onderdelen vast.

Onderhoud en opslag

- a) Zorg ervoor dat alle bouten, moeren en schroeven stevig aangedraaid zijn om er zeker van te zijn dat er veilig met het apparaat gewerkt kan worden;
- b) Controleer de grasbak regelmatig op slijtage of achteruitgang;
- c) Vervang beschadigde of versleten onderdelen voor uw eigen veiligheid. Gebruik alleen originele vervangonderdelen en accessoires.
- d) Wees voorzichtig bij het instellen van de machine, zodat er geen vingers bekneld raken tussen de bewegende onderdelen

- en de vaste delen van de machine.
- e) Laat de grasmaaier volledig afkoelen voordat u deze opbergt.
- f) Wanneer u de bladen onderhoudt, moet u zich bewust zijn dat ze nog steeds kunnen bewegen, zelfs als de stroombron is uitgeschakeld.

VEILIGHEIDSINSTRUCTIES VOOR HET ACCUPACK

- a) Batterijcellen en accupacks mogen niet gedemonteerd, geopend of vernietigd worden.**
- b) Sluit accupacks niet kort. Bewaar accupacks niet willekeurig in een doos of lade waar ze elkaar kunnen kortsluiten of door geleidende voorwerpen kortgesloten kunnen worden.** Houd het accupack op een afstand van andere metalen voorwerpen als paperclips, muntstukken, sleutels, nagels, schroeven en andere kleine metalen voorwerpen die de contacten van de accupack kunnen verbinden. Kortgesloten contacten

van accupacks kunnen brandwonden of brand veroorzaken.

c) Stel accupacks niet bloot aan warmte of vuur.

Vermijd opslag in direct zonlicht.

d) Stel accupacks niet bloot aan mechanische schokken.

e) Als een accu lekt dient men voorzichtig te zijn dat de vloeistof niet in contact komt met de huid of de ogen. Als dat toch gebeurt spoelt men de huid onder stromend water en raadpleegt men een arts.

f) Houd batterijcellen en accupacks schoon en droog.

g) Veeg de aansluitingen van het accupack schoon met een droge doek als ze vuil zijn geworden.

h) Accupacks moeten voor gebruik worden opgeladen. Lees de gebruiksaanwijzing voor de juiste laadinstructies.

i) Laat accupacks niet langdurig opladen als ze niet worden gebruikt.

j) Na een lange opslagperiode kan het

nodig zijn het accupack enkele keren op te laden en te ontladen voor een optimale prestatie.

k) Laad alleen op met een lader met de technische gegevens van Worx. Gebruik geen andere lader dan de lader die specifiek voor dat doel met de apparatuur is meegeleverd.

l) Gebruikt geen accupack dat niet bedoeld is voor gebruik met deze apparatuur.

m) Houd accupacks buiten het bereik van kinderen.

n) Bewaar de oorspronkelijke instructies van het product voor latere gebruik.

o) Verwijder het batterijpakket uit de apparatuur als het niet in gebruik is.

p) Volg de juiste procedure voor afvalverwijdering na afdanken van dit apparaat.

q) Gebruik geen cellen van verschillende fabrikanten, capaciteit, afmetingen of typen binnen een apparaat.

r) Houd de accu uit de buurt van microgolven en hoge druk.

SYMBOLLEN

	Lees de gebruiksaanwijzing zorgvuldig en zorg ervoor dat u snapt hoe de bediening werkt
	Houd omstanders op afstand.
	Pas op voor scherpe messen. De messen blijven draaien als de motor uitgeschakeld is. Neem de stekker uit het stopcontact voordat u onderhoud verricht.
	Accu's kunnen in de waterkringloop terecht komen als ze op onjuiste wijze worden weggegooid, wat gevaarlijk kan zijn voor het ecosysteem. Gooi afgedankte accu's niet weg bij het ongesorteerde huishoudelijke afval.
	Niet in brand steken
 Li-Ion 	Li-Ion-accu Dit product is uitgerust met een symbool dat 'gescheiden inzameling' aanduidt voor alle accu's. Ze worden dan gerecycled of gedemonteerd om de impact op het milieu te verminderen. Accu's kunnen gevaarlijk zijn voor het milieu en de menselijke gezondheid, omdat ze gevaarlijke stoffen bevatten.

	Afgedankte elektrische producten mogen niet bij het normale huisafval terechtkomen. Breng deze producten waar mogelijk naar een recyclecentrum bij u in de buurt. Vraag de verkoper of de gemeente informatie en advies over het recyclen van elektrische apparatuur.
	Draag beschermende handschoenen
	Verwijder de batterij uit de houder voor alle instel-, service- of onderhoudswerkzaamheden.
	Verwijder de sleutel
	De messen blijven nog even doordraaien nadat de machine is uitgeschakeld. Wacht tot alle onderdelen van de machine helemaal tot stilstand zijn gekomen voor u deze aanraakt.

ONDERDELENLIJST

1. **BEDIENINGSKNOP**
2. **GEEP**
3. **GRASOPVANGZAK**
4. **INSTELHENDEL MAAIHOOGTE**
5. **WIJZER VOOR MAAIHOOGTE-INSTELLING**
6. **HANDGREEP AAN VOORKANT**
7. **AFSCHERMING ACCUPACK**
8. **HANDGREEP AAN ACHTERKANT**
9. **VEILIGHEIDSKLEP**
10. **VEILIGHEIDSVERGRENDELING-KNOP**
11. **SNELONTGRENDEL-KNOP**
12. **GRASBEMESTINGSPUG (MULCHEN)**
13. **ACCU * (ZIE FIG.F2)**

14. VEILIGHEIDSSLEUTEL (ZIE FIG.F2)

15. BATTERIJLAADINDICATIE(ZIE FIG.H)

16. BLADBOUT (ZIE FIG. N1)


17. BLAD (ZIE FIG. N1)

18. VULSTUK (ZIE FIG. N1)

***Sommige afgebeelde of beschreven toebehoren worden niet meegeleverd.**

TECHNISCHE GEGEVENS

Type **WG748E WG748E.X (7 - aanduiding van machinerie, kenmerkend voor Snoerloze grasma-ier)**

	WG748E WG748E .X**
Nominaal vermogen	40V  Max.(2x20V Max.)***
Toerental onbelast	2800 /min
Dekbreedte	48 cm
Snijbreedte	46 cm
Diameter van voorwiel	200 mm
Diameter van achterwiel	230 mm
Maaihoogte	20 – 80 mm
Hoogte-instellingen	7
Capaciteit grasbak	55 L
Gewicht machine (Kaal gereedschap)	25.3 kg

** X = 1-999, A-Z, M1-M9 zijn alleen voor verschillende klanten, er zijn geen veiligheidsgerelateerde wijzigingen tussen deze modellen.

***Spanning gemeten zonder belasting. Beginspanning batterij bereikt maximum 20 volt. Nominale spanning is 18 volt.

Categorie	Typ	Hoedanigheid
20V Accu	WA3014	4.0 Ah
20V Lader	WA3883	4.0 A

We raden u aan om accessoires te kopen in de winkel waar het gereedschap wordt verkocht. Zie het accessoirepakket voor meer informatie. Winkelpersoneel kan u helpen en adviseren.

GELUIDSPRODUCTIE

A-gewogen geluidsdruk $L_{pA} = 78.4 \text{ dB(A)}$

K_{pA} 3.0 dB (A)

A-gewogen geluidsvermogen $L_{WA} = 91.6 \text{ dB(A)}$

K_{WA} 3.0 dB (A)

Draag oorbescherming.



TRILLINGSGEGEVENS

Gewogen trillingswaarde $a_h < 2.5 \text{ m/s}^2$

Onzekerheid $K = 1.5 \text{ m/s}^2$

! **WAARSCHUWING:** De trillingsemissiewaarde tijdens het feitelijke gebruik van dit elektrisch gereedschap kan afwijken van de opgegeven waarde, afhankelijk van de wijze waarop het gereedschap wordt gebruikt, zoals in de volgende voorbeelden: Hoe het gereedschap wordt gebruikt en welk materiaal wordt gesneden of geboord. Of het gereedschap in goede staat verkeerd en correct wordt onderhouden. Gebruik van de juiste toebehoren voor het gereedschap en of deze scherp zijn en in goede staat verkeren. De stevigheid van de grip op de handgrepen en het eventuele gebruik van antivibratie-accessoires. En of het gereedschap wordt gebruikt waarvoor het ontworpen is en in overeenstemming met deze instructies.

Dit gereedschap kan een trillingsyndroom in de handen en armen veroorzaken als het niet op de juiste wijze gehanteerd wordt.

! **WAARSCHUWING:** Voor de nauwkeurigheid moet bij een schatting van het blootstellingsniveau in de feitelijke gebruiksomstandigheden rekening worden gehouden met alle delen van de bedrijfscyclus, zoals het moment waarop het gereedschap wordt uitgeschakeld en terwijl het gereedschap in werking is zonder daadwerkelijk gebruikt te worden. Dit kan het blootstellingsniveau over de totale werkperiode aanzienlijk verminderen.

Help de blootstelling aan trillingen te minimaliseren. Gebruik ALTIJD scherpe beitels, boren en messen. Onderhoud het gereedschap in overeenstemming met deze instructies en houd het goed gesmeerd (indien van toepassing). Schaf antivibratie-accessoires aan wanneer u het gereedschap geregeld gebruikt. Plan de werkzaamheden zodat de taken met veel trillingen over een aantal dagen verspreid worden.

BEDIENINGSINSTRUCTIES




OPMERKING: lees het instructieboekje aandachtig voor gebruik van het gereedschap.

Gebruik volgens bestemming

Dit product is bestemd voor het maaien van gazons (uitsluitend particulier gebruik).

ASSEMBLAGE EN BEDIENING

ACTIE	FIGUUR
MONTAGE	
Assembleren van de greepstang & Instellen van de greephoogte OPMERKING: Druk en houd de snelontgrendel-knop ingedrukt tijdens het gebruik.	Zie Fig.A1, A2
Assembleren van grasopvangzak	Zie Fig.B
Assembleren van de grasopvangzak aan de grasmaaimachine OPMERKING: Druk de graszak iets naar beneden om te controleren of hij volledig gemonteerd is. OPMERKING: Neem het inzetstuk voor mulchen uit de gazonmaaier, voordat u de grasverzamelzak plaatst.	Zie Fig.C1, C2, C3
Verwijderen/leggen van de grasopvangzak  WAARSCHUWING! Controleer altijd de veiligheidsflap, sluit de uitlaat voor gebruik. Til nooit de veiligheidsflap op wanneer de grasmaaier in gebruik is zonder de grasopvangbak.	Zie Fig..D1,D2
Installeren van grasbestedingsplug (mulchen)	Zie Fig.E
Verwijderen & Plaatsen van het accupack Plaats de veiligheidssleutel voordat u het batterijpak installeert. OPMERKING: Deze machine zal alleen werken wanneer SP-batterijen zijn geïnstalleerd. Het wordt aanbevolen om batterijen met dezelfde AH te gebruiken en de twee batterijen tegelijkertijd op te laden. Wanneer u twee batterijen met verschillende AH gebruikt, zal de machine alleen werken met de lagere gemeenschappelijke deler.	Zie Fig.F1, F2
Controleren van de laadtoestand van het accupack OPMERKING: Fig. G1 is alleen geschikt voor het accupack met indicatielampje voor de accu.	Zie Fig.G1

Laden van het accupack OPMERKING: het accupack wordt onopgeladen geleverd. Voor de eerste keer maaien moet het accupack volledig worden opgeladen. Laad de twee accu's altijd op hetzelfde moment op. U vindt meer gedetailleerde informatie in de handleiding voor het laadapparaat.	Zie Fig.G2
--	------------

BEDIENING

Batterijlaadindicatie op de machine Zie bijzonderheden in het gedeelte ACCUSTATUS	Zie Fig.H
--	-----------

BEANGRIJK:
Als slechts één licht brandt, dan is de accu te ver ontladen, zelfs al kan er nog gras gemaaid worden. Gaat u verder met grasmaaien terwijl de accu in deze toestand is, dan vermindert u de levensduur en de prestaties van de accu.
Als er geen enkel lampje brandt is minstens één lampje niet geheel geïnstalleerd of defect, controleer dan of de accu's goed zijn geplaatst.

Starten & Stoppen	Zie Fig.I1,I2
-------------------	---------------

Instellen van de maaihoogte  WAARSCHUWING Stop, laat de bedieningsbeugel los en wacht tot de motor stopt voordat u de hoogte aanpast. De messen draaien na het uitschakelen nog even door en een draaiend mes kan letsel veroorzaken. Raak de draaiende messen niet aan.	Zie Fig.J
---	-----------

Opslag	Zie Fig.K1,K2
--------	---------------

BATTERIJ STATUS (Zie Fig. H)

- Druk vóórdat u start of na gebruik de knop in naast het vermogensindicatielampje op de machine om de accucapaciteit te controleren. De accucapaciteit zal automatisch door de accuvermogensindicator worden aangegeven.
- De indicator controleert en toont de accutoestand als volgt.
- Laad de machine op met 2 batterijpakken met verschillende AH, toont het vermogensindicatielampje de accutoestand van de accu die het minste vermogen bevat.

Indicatie voor de status van het accuvermogen	Accustatus
--	-------------------

Vijf groene lampjes (●●●●●) branden.	De twee accu's zijn geheel opgeladen.
Twee, drie of vier groen lampjes branden.	De twee accu's hebben restvermogen. Hoe meer lampjes oplichten, hoe meer accuvermogen.
Er brandt maar één groen lampje (●○○○○)	Minstens één accu is leeg en moet worden opgeladen.
Er brandt geen enkel lampje.	Minstens één accu is niet geheel geïnstalleerd of de accu is defect.
Er brandt maar één lampje tweemaal per cyclus.	Tenminste één accu is te ver ontladen (raadpleeg de oplaadstatus van de accu). Laad de twee accu's tegelijk op voordat u ze opnieuw gebruikt of opslaat.
Er brandt maar één lampje driemaal per cyclus.	Minstens één accu is heet. Wacht totdat hij is afgekoeld, voordat u opnieuw opstart.
Er brandt maar één lampje viermaal per cyclus.	Het apparaat is overbelast. Vergroot de maaihogte of duw langzamer.

TIPS VOOR MAAIEN MET GRASBEMESTING

Voor grasbemesting is uw nieuwe grasmaaier ontworpen om het afgesneden gras in kleine stukjes te verdelen en over het grasveld te verspreiden. Onder normale omstandigheden zal het afgesneden gras snel vergaan en door het gras worden opgenomen.

Lees onderstaande aanbevelingen om optimale grasbemesting toe te passen.

- Maai niet als het gras nat is door regen of dauw. Nat gras vormt klompen die de grasbemesting bemoeilijken en de effectiviteit verminderen.
De beste tijd om het gras te maaien is laat in de middag als het gras droog is en het versgemaaid deel niet bloot komt te staan aan direct zonlicht.
- Voor de beste grasbemesting zet u de maaihogte zo dat ongeveer een derde van de lengte van het gras afgemaaid wordt, bij voorkeur niet meer dan 40mm tegelijk. Is het gras erg hoog, dan kan het nodig zijn de maaihogte te verhogen om minder hard te hoeven duwen en de motor niet te overbelasten. Voor extreme zware grasbemesting is het aan te bevelen eerst bij een hoge instelling te maaien en daarna op nieuw te maaien bij de gewenste hoogte. Anders maakt u smallere sneden en maait u langzaam.
- Voor de beste prestaties houdt u de behuizing van de maaier vrij van opgehoopt gras. Zet de maaier af en toe uit en laat het mes volledig tot stilstand komen. Trek daarna de veiligheidssleutel eruit en keer de maaier op zijn kant. U kunt nu met een stok al het opgehoopte gras weghalen. Pas op voor de scherpe kanten van het mes. Maak de maaier vaak schoon in vochtig lentegras en

bovendien steeds na ieder gebruik.

- Bij sommige grassoorten en sommige omstandigheden kan het nodig zijn dat een deel van het grasveld opnieuw bemest wordt om het gras volledig over het grasveld te verspreiden.
Maait u een tweede keer, doe dat dan loodrecht (dwars) op de eerste keer. VERANDER HET MAAIPATROON NIET OP ENIGE WIJZE ALS U DAARDOOR HEUVELAFWAARTS ZOU GAAN.
- Verander het maaipatroon van week tot week. Hierdoor voorkomt u dat het gras in de war raakt of korrels vormt.

MAAIGEBIED

Het maaigebied wordt beïnvloed door verscheidene factoren, zoals de maaihogte, de vochtigheid van het gazon, de graslengte en de dichtheid. Overigens wordt het maaigebied verkleind doordat de maaier tijdens het gebruik te vaak gestart en gestopt wordt.

De tabel hieronder geeft de verhouding tussen de maaioomstandigheden en het maaigebied weer.

Maaihogte	Aanbevolen batch (maximaal)
Snijd 8 cm tot 6 cm	Met 2 * 20 V / 4.0 Ah batterij
	Tot 500 m ² *

* Gebruik met 2 volledig opgeladen accu's tegelijkertijd.

TIPS:

- Aanbevolen wordt om uw gazon vaak te maaien, met normale tred te lopen, en de maaier tijdens het gebruik niet te vaak te starten/stoppen.
- Om de beste prestatie te behalen dient u voor twee volledig opgeladen accu's tegelijkertijd te zorgen en altijd 1/3 of minder van de graslengte af te maaien.
- Loop langzaam als u lang gras afmaait, zodat de maaier effectiever werkt, en verwijder het maaisel grondig.
- Vermijd maaien van nat gras, anders blijft dit aan de onderkant van de kap kleven en kan het maaisel niet worden verzameld of naar behoren worden verwijderd.
- Bij nieuw of dik gras dient een grotere maaihogte te worden gebruikt. Dit zal de levensduur van de accu verlengen.

ONDERHOUD

 **Waarschuwing: Stop de maaier, verwijder de veiligheidssleutel en batterijen voordat u de graszamelaarzak verwijderd.**

OPMERKING: Om er zeker van te zijn dat uw machine lang meegaat en betrouwbaar blijft, dient u de volgende onderhoudstaken regelmatig uit te voeren. Controleer op duidelijk zichtbare defecten, zoals een loszittend, verbogen of beschadigd mes, loszittende montages en versleten of beschadigde onderdelen. Controleer of de afdekkingen en beschermkappen onbeschadigd zijn en op de juiste wijze op de grasmaaier bevestigd zijn. Voer eventueel noodzakelijk onderhoud of noodzakelijke reparaties uit voordat u

de grasmaaier gebruikt. Wanneer de grasmaaier ondanks regelmatig onderhoud toch niet werkt, neem contact op met onze klantenservice voor advies.

HET MES SLIJPEN

HOUD HET MES SCHERP VOOR DE BESTE PRESTATIES. MET EEN BOT MES KUNT U HET GRAS NIET GOED SNIJDEN EN NIET GOED BEMESTEN.

DRAAG GOEDE OOGBESCHERMING ALS U HET MES VERWIJDERT, SLIJPT EN MONTEERT. ZORG ERVOOR DAT DE VEILIGHEIDSSLEUTEL en DE BATTERIJEN zijn VERWIJDERD.

Het is meestal voldoende het mes twee keer tijdens het maaiseizoen te slijpen. Door zand wordt het mes snel bot. Heeft het gras een zanderige bodem, dan moet het mes vaker geslepen worden.

VERVANG EEN VERBOGEN OF BESCHADIGD MES DIRECT.

ALS U HET MES SLIJPT (Zie Fig. L)

1. Zorg ervoor dat het mes gebalanceerd blijft.
2. Slijp het mes op de oorspronkelijke snijhoek.
3. Slijp de randen aan beide kanten van het mes en verwijder dezelfde hoeveelheid materiaal van weerszijden.

OPMERKING:

1. Zorg dat de maaimachine is uitgeschakeld. Verwijder de sleutel en batterijen.
2. Plaats de machine rechtop in de opslagstand.

HET MES BALANCEREN (Zie Fig. M)

Controleer de balancering van het mes door het centrale gat van het mes M-1 over schroevendraaier M-2 te zetten, horizontaal in een bankschroef geklemd M-3. Als het mes niet in elke stand blijft staan, vijl dan aan het einde dat naar beneden komt. Het mes is goed gebalanceerd als het horizontaal blijft staan.

ONDERHOUD VAN HET MES (Zie Fig. N1, N2)

Vernieuw het mes na 50 uur maaien met een minimum vanaf 2 jaar, ongeacht de conditie waarin het mes verkeert. Volg deze werkwijze voor het verwijderen en vervangen van het mes. Draag tuinhandschoenen (niet meegeleverd) en gebruik een moersleutel (niet meegeleverd) om het mes te verwijderen. Zorg ervoor dat de veiligheidssleutel en de batterijen niet zijn geïnstalleerd. Klem een blok hout vast tussen het mes en het maaidek om te voorkomen dat het mes draait en schroef de bout linksom met de moersleutel, en verwijder vervolgens het blad.

Om opnieuw te monteren, plaatst u het blad met de snijranden naar de grond gericht. Zet daarna de moer stevig vast.

OPSLAG (Zie Fig. K1, K2)

Stop de maaier en verwijder altijd de veiligheidssleutel en batterijen. Maak de buitenkant van de machine goed schoon met behulp van een zachte borstel en een doek. Gebruik geen water, oplosmiddelen of poetsmiddelen. Verwijder al het gras en andere resten, met name uit de ventilatieopeningen.

Leg de machine op zijn kant en maak de messen schoon. Wanneer grasresten vastzitten in de beschermkap van de messen, kunt u deze verwijderen met een houten of plastic voorwerp.

Berg de machine op een droge plek op. Plaats geen andere objecten op de machine.

Om het opbergen te vergemakkelijken, houdt u de snelont-

grendel-knop ingedrukt en klapt u de handgreep in.

BESCHERMING VAN HET MILIEU



Afgedankte elektrische producten kunt u niet met het normale huisafval weggooien. Breng deze producten, indien mogelijk, naar een recyclecentrum bij u in de buurt. Vraag de verkoper of de gemeente naar informatie en advies over het recyclen van elektrische producten.

PROBLEMEN OPLOSSEN

Problemen	Herstelhandeling
1. De maaier werkt niet wanneer de bedieningsbeugel is geactiveerd.	A. Controleer of de veiligheidssleutel is geïnstalleerd en volledig op zijn plaats zit en of de veiligheidsvergrendelingsknop volledig is ingedrukt. B. Laat de bedieningsbeugel los om de maaier uit te schakelen. Verwijder de veiligheidssleutel en de batterijen, keer de maaier om en controleer of het blad vrij kan draaien. Als dat niet zo is, retourneer dat dan naar een geautoriseerde onderhoudsmechanicus. Het blad moet vrij kunnen draaien. C. Is de accu volledig opgeladen? Koppel de oplader aan op de stroomtoevoer en wacht tot de groene lamp oplicht.
2. De motor stopt tijdens het maaien.	A. Laat de bedieningsbeugel los om de maaier uit te schakelen. Verwijder de veiligheidssleutel en de batterijen, keer de maaier om en controleer of het blad vrij kan draaien. Als dat niet zo is, retourneer dat dan naar een geautoriseerde onderhoudsmechanicus. Het blad moet vrij kunnen draaien. B. Verhoog de maaihogte van de wielen naar de hoogste positie en start de maaier. C. Is de accu volledig opgeladen? Koppel de oplader aan op de stroomtoevoer en wacht tot de groene lamp oplicht. D. Voorkom overbelasting van de maaier. Ga langzamer maaien of verhoog de maaihogte. Of doe beide.

3. De maaimachine werkt maar het maaien verloopt niet naar tevredenheid, of maait niet het hele gazon.	A. Is de accu volledig opgeladen? Koppel de oplader aan op de stroomtoevoer en wacht tot de groene lamp oplicht. B. Laat de bedieningsbeugel los om de maaier uit te schakelen. Verwijder de veiligheidssleutel en de batterijen. Keer de maaier om en controleer: Het blad op scherpte – houd het blad scherp. Het dek en de uitwerpgoot op blokkades. C. De aanpassing van de wielhoogte kan te laag zijn ingesteld voor de staat van het gras. Verhoog de maaihoogte.
4. De maaier is moeilijk te duwen.	A. Verhoog de maaihoogte om de wrijving tussen het dek en het gras te verminderen. Controleer of de wielen allemaal vrij kunnen draaien.
5. De maaier is abnormaal luidruchtig en trilt.	A. Laat de bedieningsbeugel los om de maaier uit te schakelen. Verwijder de veiligheidssleutel en de batterijen. Draai de maaier op zijn kant en controleer het blad om er zeker van te zijn dat het niet gebogen of beschadigd is. Als het blad beschadigd is, vervangt u het door een vervangend blad van. Als de onderzijde van het dek beschadigd is, brengt u de maaier terug naar een geautoriseerd servicecentrum van. B. Als er geen zichtbare schade aan het blad is en de maaier blijft trillen: Laat de bedieningsbeugel los om de maaier uit te schakelen. Verwijder de veiligheidssleutel en de batterijen. Draai het blad 180 graden en bevestig het weer. Als de motor nog steeds trilt, brengt u de maaier terug naar een geautoriseerd servicecentrum van.
6. LED's van de acculader branden niet.	A. Controleer dat de stekker goed in het stopcontact zit. B. Vervang de lader
7. De acculader-LED wordt niet groen.	A. De accu moet worden nagekeken. Breng hem naar een geautoriseerd onderhoudscentrum.
8. De maaier pakt het gemaaide gras niet op.	A. Verwijder de mulchplaat als u hem inpakt. B. De grasopvang zit verstopt. Laat de bedieningsbeugel los om de maaier uit te schakelen. Verwijder de veiligheidssleutel en de batterijen. Haal het gemaaide gras uit de grasopvang. C. Gras wordt teveel weggemaakt. Verhoog de maaihoogte van de wielen zodat het gras minder kort wordt gemaaid. D. De zak is vol. Leeg de zak vaker.

9. Bij mulchen zijn snoeispijlen zichtbaar.	A. Het gras wordt te kort gemaaid. Verhoog de maaihoogte van de wielen om de lengte van het maaisel te reduceren. Maai niet meer dan 1/3 van de totale lengte. B. Controleer of de bladen scherp zijn. Houd de bladen altijd scherp.
10. Laag of verminderd arbeidsvermogen na vele malen gebruik.	A. Retourneer het apparaat naar een onderhoudscentrum – misschien is een nieuwe accu nodig.
11. De LED van de accu-oplader knippert rood en de accu kan niet worden opgeladen.	A. De accu raakt na continue gebruik oververhit. Haal de accu uit de oplader en laat hem tot 42°C of minder afkoelen.

CONFORMITEITVERKLARING

Wij,
Positec Germany GmbH
Postfach 32 02 16, 50796 Cologne, Germany

Namens Positec verklaar ik dat het product
Beschrijving **WorxNITRO Snoerloze grasmaaier**
Type **WG748E WG748E.X (7 - aanduiding van**
machinerie, kenmerkend voor Snoerloze grasmaaier)
Functie **Gras maaien**

Overeenkomt met de volgende richtlijnen,
2006/42/EC, 2014/30/EU
2011/65/EU&(EU)2015/863
2000/14/EC gewijzigd door 2005/88/EC

2000/14/EC gewijzigd door 2005/88/EC
Procedure beoordeling conformiteit volgens
Annex VI
Niveau gemeten geluidsvermogen **91.6 dB(A)**
Opgegeven, gegarandeerde niveau geluidsvermogen
94 dB(A)

De betrokken aangemelde instantie
Naam: Intertek, Deutschland GmbH(aangemelde
instantie 0905)
Adres: Stangenstraße 1, 70771 LEINFELDEN-
ECHTERDINGEN

Standaards in overeenstemming met,
EN 60335-1, EN 60335-2-77, EN 62233, EN ISO 3744, EN
55014-1, EN 55014-2


De persoon die bevoegd is om het technische bestand te compileren,
Naam Marcel Filz
Adres Positec Germany GmbH
Postfach 32 02 16, 50796 Cologne, Germany



2021/10/11
Allen Ding
Plaatsvervangend Chief Ingenieur,
Testen en Certificering
Positec Technology (China) Co., Ltd
18, Dongwang Road, Suzhou Industrial
Park, Jiangsu 215123, P.R. China



PRODUKTSIKKERHED GENERELLE ADVARSLER

 **ADVARSEL:** Læs alle sikkerhedsadvarsler og alle instruktioner. Læs samtlige anvisninger. Manglende overholdelse af nedenstående anvisninger kan resultere i elektrisk stød, brand og/eller alvorlig personskade.

For at opnå sikker betjening af maskinen, skal du læse instruktionerne omhyggeligt. Gem alle advarsler og instruktioner for fremtidig reference.

- Dette redskab må ikke bruges af personer (herunder børn) med nedsatte fysiske, sensoriske eller mentale evner eller med manglende erfaring og viden, medmindre brugen foregår under opsyn, eller de er blevet instrueret i brugen af redskabet af en person, ansvarlig for deres sikkerhed.
- Børn skal være under opsyn, så de ikke leger med redskabet.
- Apparatet må kun anvendes med strømsforsyningsenheden leveret med apparatet.

**VIGTIGT
LÆS OMHYGELIGT FØR BRUG
GEM TIL FREMTIDIG
REFERENCE**

**Sikkerhedsforanstaltninger
TRÆNING**

- a) Læs instruktionerne omhyggeligt. Lær kontrollerne at kende og den korrekte brug af apparatet.
- b) Lad aldrig børn, eller folk der ikke er bekendt med instruktionerne, bruge maskinen. Lokale regulativer kan sætte begrænsninger på alderen af operatøren.
- c) Slå aldrig græs, mens mennesker, specielt børn, eller kæledyr er i nærheden.
- d) Operatøren, eller brugeren er ansvarlig for ulykker eller fare, der opstår på andre mennesker eller deres ejendom.

FORBEREDELSE

- a) Når der slås græs skal du altid bære solidt fodtøj og lange bukser. Brug ikke apparatet når du er barfodet eller bærer åbne sandaler.
- b) Gennemfør en grundig inspektion af det område, hvor maskinen skal

anvendes og fjern alle sten, pinde, tråd, ben, og andre fremmedlegemer.

- c) Før brug skal du altid udføre en visuel inspektion for at se om bladene, bladboltene og skæreenheden ikke er slidt eller beskadiget. Udskift slidte eller beskadigede blade og bolte i sæt, for at bevare balancen; Udskift beskadigede og ulæselige skilte.

DRIFT

- a) Slå kun græs i dagslys eller i god kunstigt lys.
- b) Undgå at bruge plæneklipperen i vådt græs, hvis det er muligt.
- c) Hold altid dit fodfæste på hældninger.
- d) Gå, løb aldrig;
- e) Ved brug af roterende maskiner på hjul, skal der slås på tværs af hældninger, aldrig op og ned.
- f) Udvis ekstrem forsigtighed, når du ændrer retning på hældninger.
- g) Slå ikke på ekstreme hældninger.
- h) Udvis ekstrem forsigtighed når du bakker eller trækker plæneklipperen i mod dig.
- i) Stop blade(ne) hvis

plæneklipperen skal hældes for transport når du kører over andre overflader end græs, og når du transporterer plæneklipperen til og fra det område der skal slås.

- j) Brug aldrig plæneklipperen med defekte sikkerhedsskærme, eller uden sikkerhedsanordninger, for eksempel, deflektorer og/ eller græsfangere på plads.
- k) Tænd for motoren i overensstemmelse med instruktionerne og med fødderne så langt væk fra blade(ne) som muligt.
- l) Hæld ikke plæneklipperen, når du tænder for motoren, undtagen hvis plæneklipperen skal hældes for start. I dette tilfælde, må den ikke hældes mere end absolut nødvendigt og løft kun den del som vender væk fra operatøren.
- m) Put aldrig dine hænder eller fødder under de bevægelige dele. For rotorplæneklippere, skal du altid holde dig fra udkastningsåbningen.
- n) Rør ikke ved kniven, før afmonteringsmekanismen er fjernet. Og kniven står

fuldstændigt stille.

- o) Tænd ikke plæneklipperen hvis du står foran udløbshjulen.
- p) Under opladning må maskinen ikke bevæge sig.
- q) Stop plæneklipperen og fjern det beskadigede udstyr. Vær sikker at alle bevægelige dele blev fuldt stoppet.
- Når du efterlader plæneklipperen uden opsyn,
 - Før du fjerner en blokering,
 - Før kontrol, rengøring og før der arbejdes på maskinen,
 - Efter at du har ramt et fremmedlegeme. Inspicer plæneklipperen for skader og udfør den nødvendige reparationer.
- Hvis plæneklipperen begynder at vibrere unormalt (kontroller øjeblikkelig):
- Kontroller hvis de ikke blev beskadiget.
 - Udskift el. reparer alle beskadigede dele
 - Kontroller og fastspænd alle løse dele.

VEDLIGEHOLDELSE OG OPBEVARING

- a) Hold alle møtrikker, bolte, og

- skuer spændte, for at sikre at plæneklipperen er i sikker arbejdstilstand;
- b) Kontroller græsopsamleren regelmæssigt for slid eller ældning;
 - c) Udskift slidte eller beskadigede dele for en sikkerheds skyld. Anvend udelukkende originale reservedele og udstyr.
 - d) Vær forsigtig når du justerer maskinen, så du ikke får fingrene i klemme mellem de bevægende klinger og dele på maskinen.
 - e) Før opmagasinering lad plæneklipperen altid køle ned.
 - f) Ved knives vedligeholdelse vær klar over at selvom strømforsyningen er slukket, kan knive fortsat bevæge sig.

SIKKERHEDSFORSKRIFTER TIL BATTERISÆT

- a) **Sekundærelementer eller batterisæt må ikke skilles ad, åbnes eller knuses.**
- b) **Et batterisæt må ikke kortsluttes. Batterisæt må ikke opbevares lemfældigt i en kasse eller skuffe, hvor de kan**

kortslutte hinanden eller kortsluttes af ledende genstande. Når batterisættet ikke er i brug, skal det holdes væk fra andre metalgenstande, såsom papirclips, mønter, nøgler, søm, skruer eller andre små metalgenstande, der kan skabe en forbindelse fra en pol til en anden, Kortslutning af batteripoler kan medføre forbrændinger eller brand.

c) Batterisæt må ikke udsættes for varme eller ild. Må ikke opbevares i direkte sollys.

d) Batterisæt må ikke udsættes for mekaniske stød.

e) I tilfælde af at et batteri lækker, må væsken ikke komme i kontakt med huden eller øjne. Hvis der er sket kontakt, skal det berørte område vaskes med rigelige mængder vand, hvorefter der søges lægehjælp.

f) Opbevar batterisæt på et rent og tørt sted.

g) Aftør batterisættets poler med en tør klud, hvis de bliver snavsede.

h) Batterisæt skal oplades før anvendelsen. Anvend

altid den korrekte oplader, og læs producentens anvisninger eller brugervejledning for, hvordan batterierne oplades korrekt.

- i) Et batterisæt må ikke efterlades til opladning i længere tid, hvis det ikke anvendes.
- j) Efter længere opbevaringsperioder kan det være nødvendigt at oplade eller aflade batterisættet flere gange for at op den optimale ydelse.
- k) Genoplad kun med laderen specificeret af WorxNITRO. Anvend ingen anden oplader end den, der specifikt er beregnet til brug med udstyret.
- l) Brug kun det korrekte batteri til udstyret.
- m) Batterisættet skal opbevares utilgængeligt for børn.
- n) Opbevar den originale produktlitteratur til fremtidig brug.
- o) Batterisættet skal fjernes fra udstyret, når det ikke er i brug.
- p) Bortskaffes på en miljørigtig måde.

- q) Bland ikke batterier af forskellig fremstilling, kapacitet, størrelse eller type i enheden.
- r) Hold batteriet væk fra mikrobølgeovne og højt tryk.

SYMBOLER

	<p>Læs instruktionsbogen, før denne maskine betjenes</p>
	<p>Holdts tilskuere væk.</p>
	<p>Pas på de skarpe knive. Knivene fortsætter med at rotere efter, at motoren er slukket - Fjern det beskadigede udstyr før vedligeholdelsen.</p>
	<p>Batterierne kan komme in i vattnets kretslopp om de inte kasseras korrekt och detta kan vara skadligt för EKO-systemet. Kasta inte batterier i de vanliga osorterade hushållssoporna.</p>
	<p>Må ikke brændes</p>
 <p>Li-Ion</p>	<p>Li-Ion-batteri Denna product har märkts med en symbol för sopsortering för alla batterisatser. De kommer då att återvinnas och plockas isär för att minska påverkan på miljön. Batterisatser kan vara skadliga för miljön och för människors hälsa då de innehåller farliga substanser.</p>

	Affald af elektriske produkter må ikke bortskaffes sammen med husholdningsaffald. Indlever så vidt muligt produktet til genbrug. Kontakt de lokale myndigheder eller forhandleren, hvis du er i tvivl.
	Bær beskyttelseshandsker
	Fjern batteriet fra soklen før justering, vedligeholdelse eller brug.
	Fjern nøglen
	Bladet fortsætter att rotera efter det att maskinen stängts av. Vänta till maskinens komponenter har stannat helt och hållet innan du rör vid dem.

AGGREGATELEMENTER

1. GASHÅNDTAG
2. STYR
3. POSE TIL GRÆSOPSAMLING
4. HÅNDTAG TIL INDSTILLING AF SKÆREHØJDE
5. JUSTERINGSVISER FOR KLIPPEHØJDE
6. FRONTHÅNDTAG
7. BATTERICOVER
8. BAGESTE HÅNDTAG
9. SIKKERHEDSKLAP
10. KNAK TIL SIKKERHEDSSPÆRRING
11. KNAK TIL HURTIG FRAKOBLING
12. GRÆSFILTER
13. BATTERIPAKKE * (SE FIG. F2)
14. SIKKERHEDSNØGLE (SE FIG. F2)
15. BATTERI-INDIKATORLAMPE(SE FIG. H)
16. BLADBOLT (SE FIG. N1)

17. BLAD (SE FIG. N1)

18. DELER (SE FIG. N1)

***Illustreret eller beskrevet tilbehør er kun delvis indeholdt i leverancen.**

TEKNISK DATA

Type WG74XE WG748E.X (7 - udpegning af maskiner, repræsentant for ledningsfri plæneklipper)

	WG748E WG748E .X**
Nominel Spænding	40V  Max.(2x20V Max.)***
Nominel Friløbshastighed	2800 /min
Dækbredde	48 cm
Skærebredde	46 cm
Forhjul diameter	200 mm
Baghjul diameter	230 mm
Skæredybde	20 – 80 mm
Antal stillinger til klippehøjden	7
Græsopsamlingskapacitet	55 L
Maskinens (Bare værktøjer)	25.3 kg

** X = 1-999, A-Z, M1-M9 er kun til forskellige kunder, der er ingen sikkerhedsrelaterede ændringer mellem disse modeller

***Spænding målt uden arbejdsbyrde. Startbatterispænding når et maksimum på 20 volt. Nominel spænding er 18 volt.


Kategori	typen	Kapacitet
20V batteri	WA3014	4.0 Ah
20V oplader	WA3883	4.0 A

Det anbefales, at alt udstyr købes i samme butik som maskinen. Vælg typen afhængigt af det arbejde, du vil foretage. Se på emballagen til tilbehøret for at få yderligere oplysninger. Få hjælp og råd i butikken.

STØJINFORMATION

A-vægtet lydtryksniveau

$L_{PA} = 78.4 \text{ dB(A)}$

K_{pA}	3.0 dB (A)
A-vægtet lydeffektniveau	$L_{WA} = 91.6$ dB(A)
K_{WA}	3.0 dB (A)
Bær høreværn.	

VIBRATIONSINFORMATION

Typisk, vægtet vibration	$a_h < 2.5$ m/s ²
Usikkerhed	$K = 1.5$ m/s ²

⚠ ADVARSEL: Vibrationsværdien under den faktiske brug af maskinværktøjet kan afvige fra den opgivne værdi afhængigt af måderne, værktøjet benyttes på. Se følgende eksempler på, hvad vibrationerne kan afhænge af: Hvordan værktøjet bruges og materialerne, der skæres eller bores i.

Værktøjets stand og vedligeholdelse.
Anvendelse af korrekt tilbehør og kontrol med, at det er skarpt og i en i det hele taget god tilstand.
Hvor kraftigt, der holdes fast i håndtaget og, om der benyttes antivibrationsudstyr.
Om værktøjet anvendes i henhold til dets konstruktion og nærværende anvisninger.

90 **Værktøjet kan medføre et hånd/arm-vibrationssyndrom, hvis det ikke bruges på rigtig måde.**

⚠ ADVARSEL: En vurdering af udsættelsesgraden under det aktuelle brug skal omfatte alle dele af arbejdsrytmen, herunder antallet af gange værktøjet slås til og fra, og tomgangsdriften uden for selve arbejdsopgaven. Dette kan afgørende reducere udsættelsesniveauet i den samlede arbejdsperiode.

Sådan kan du minimere risikoen for udsættelse for vibrationer:
Brug ALTID skarpe mejsler, bor og blade.
Vedligehold værktøjet i overensstemmelse med disse instruktioner og hold det korrekt smurt (hvor det er nødvendigt).
Hvis værktøjet bruges ofte, bør du anskaffe antivibrationsudstyr.
Planlæg dit arbejde, så du kan fordele arbejde med kraftige vibrationer over flere dage.

BETJENINGSVEJLEDNING


 **NOTER:** Før du bruger dette værktøj, læs instruktionsbogen omhyggeligt.

BEREGNET ANVENDELSE

Dette produkt er beregnet til privat plæneklipping.

SAMLING & BETJENING

HANDLING	BILLEDE
MONTERING	
Montering af styret & Justering af styrets højde BEMÆRK: Tryk, og hold på knappen til hurtigt frakobling under kørsel.	Se Fig.A1, A2
Montering af posen til opsamling af græs	Se Fig.B
Montering af opsamlingsposen på plæneklipperen NOTER: Tryk let på græsopsamlers for at sikre, at den er rigtigt monteret. NOTER: Tag bioklip indsatsen ud af plæneklipperen, inden du sætter græsopsamling posen i.	Se Fig.C1, C2, C3
Fjernelse/Tømning af græsopsamlingsposen ⚠ ADVARSEL! Kontroller altid, at sikkerhedsklappen kan lukke tønningsåbningen ordentligt, inden plæneklipperen tages i brug. Løft aldrig sikkerhedsklappen uden græsfangeren, når plæneklipperen bruges.	Se Fig.D1,D2
Montering af græsfilter	Se Fig.E
Isætning/fjernelse af batteriet Indsæt en sikkerhedsnøgle inden installation af batteripakken. BEMÆRK: Denne maskine vil kun køre, når sp-batterier er installeret. Det anbefales at bruge de samme AH-batterier og oplade de to batterier samtidigt. Når du bruger to batterier med forskellige AH, vil maskinen kun køre i henhold til den med lavest opladning.	Se Fig.F1, F2
Tjek af batteriniveauets tilstand NOTER: Fig. G1 gælder kun for batteripakken med batteriindikatorlampen.	Se Fig.G1
Opladning af batteriet NOTER: Batteripakken leveres uopladet. Batteriet skal være helt opladet før første brug. Oplad altid begge batterier fuldstændigt og samtidigt. Flere detaljer kan findes i manualen.	Se Fig.G2
DRIFT	

Batteri-indikatorlampe Se detaljer i BATTERI STATUS afsnittet	Se Fig.H
VIGTIGT: Når kun en lampe lyser er dit batteri afladt for meget, selv om maskinen måske stadig kan arbejde. Fortsat brug af din maskine med batteriet i afladt tilstand kan reducere batteriets levetid og ydelse. Når ingen af lamperne lyser, er mindst et batteri forkert installeret eller defekt. Kontrollér er tilsluttet og placeret korrekt.	
Opstart & Slukning	Se Fig.I1,I2
Justering af græsslåningshøjden  ADVARSEL! Stop, udløs betjeningsbøjlen, og vent indtil motoren stopper, inden højden justeres. Kniven fortsætter med at dreje rundt, efter at plæneklipperen er slukket, og derfor kan kniven forårsage personskader. Tag aldrig fat i en kniv, der roterer.	Se Fig.J
Opbevaring	Se Fig.K1,K2

BATTERIETS STATUSLAMPER (Se Fig. H)

- Før start eller efter brug trykkes knappen ved siden af batteri-indikatorlampen, for at kontrollere batterikapaciteten.
- Under drift indikeres batterikapaciteten automatisk af batteristrømindikatoren. Lamperne overvåger og viser hele tiden batteritilstanden som følger.
- Oplad maskinen med 2 batteripakker med forskellige AH, opladning viser indikatorlampen den batteritilstand med den laveste batteriopladning.

Batteriindikator status	Batteritilstand
Kun en lampe (●●●●●) lyser.	De to batterier er fuldt opladet.
To, tre eller fire lamper lyser.	De to batterier er ikke fuldt opladet. Desto flere lamper der lyser, desto bedre batterikapacitet.
Kun en lampe (●○○○○) lyser.	Opladningsniveauet på mindst et batteri er meget lavt. Kontrollér venligst, og oplad batteriet.
Ingen lamper lyser.	Mindst et batteri er ikke korrekt installeret, eller batteriet er defekt.
Kun en lampe blinker 2 gange pr. cyklus.	Mindst et batteri er overopladet (se betingelser for batteriopladning). Genoplad de to batterier inden brug eller opbevaring.

En lampe blinker 3 gange pr. cyklus.	Mindst et batteri er varmt, vent til de er kølet ned, før du starter igen.
En lampe blinker 4 gange pr. cyklus.	Maskinen er overbelastet. Hæv klippehøjden eller skub langsomt.

TIPS OM GRÆSKLIPNING MED BIOKLIP

Når der anvendes bioklip, er den nye plæneklipper beregnet til at klippe græsafsklippet i små stumper og fordele dem ud på græsplænen. Under normale forhold vil det finklippede græs hurtigt nedbrydes biologisk og gøde plænen. Følg nedenstående anbefalinger for at opnå den bedste bioklipning.

- 1) Undgå at slå græsset, når det er vådt efter regnvejrer eller morgendug. Vådt græs kan danne klumper, som kan forhindre finklipningen og mindske køretiden på batteriet.
Det bedste tidspunkt til plæneklipping er ud på eftermiddagen, når græsset er tørt og det nyklippede område ikke udsættes for direkte sollys.
- 2) Den bedste bioklipning opnås ved at indstille klippehøjden til ca. 1/3 af græslængden, og helst ikke mere end 40 mm ad gangen. Hvis græsset er groet for langt, kan det blive nødvendigt at øge klippehøjden for at mindske skubbeanstrengelsen og forhindre en overbelastning af motoren. For at opnå en ekstrakraftig bioklipning, anbefales det først at klippe med en høj indstilling og derefter at klippe igen til den endelige højde. Ellers klip smallere og klip langsomt..
- 3) For at opnå den bedste ydelse skal skjoldet holdes rent for ophobet græs. Ind imellem slukkes der for plæneklipperen, så kniven standser fuldstændigt. Derefter fjernes sikkerhedsnøglen og plæneklipperen lægges om på siden. Ved hjælp af en genstand, f.eks. en kæp, fjernes alt det ophobede græs fra knivområdet. Pas på, kniven har skarpe kanter! Rens oftere, hvis græsset er vådt eller nyt, og altid efter hver eneste anvendelse af plæneklipperen.
- 4) Visse typer græs eller græsforhold kan kræve, at græsset skal bioklippes en gang mere for at få det ordentligt spredt ud over plænen. Hvis plænen klippes en gang mere, anbefales det at klippe vinkelret på (på tværs af) den første klipning. PÅ SKRÆNTER MÅ KLIPPEMØNSTRET IKKE ÆNDRES PÅ NOGEN MÅDE. DET FORÅRSAGER BARE, AT DER KLIPPES NED AD BAKKE.
- 5) Skift klippemønster fra uge til uge. Det er med til at forhindre dannelse af en måtte og marmorering af plænen.

KLIPPEAREAL

Klippeområdet kan påvirkes af flere faktorer så som klippehøjde, fugtigheden af plænen, græssets længde og tæthed. Desuden vil for mange start og stop af plæneklipperen under drift reducere klippearealet. Tabellen nedenfor giver forholdet mellem klippebetingelser og klippeareal.

Klippehøjde	Anbefalet partistørrelse (maks.)
klip 8cm til 6cm	Med 2*20V/4.0Ah batterier
	Op til 500m ² *

* brugt med 2 fuldt opladede batteripakker på samme tid.

TIPS:

- 1) Det anbefales at klippe plænen oftere, gå med normal hastighed og ikke starte/stoppe plæneklipperen for ofte under driften.
- 2) Sørg for at bruge to fuldt opladede batteripakker på samme tid for den bedste præstation, og klip altid 1/3 eller mindre af græssets højde.
- 3) Gå langsomt når der klippes langt græs, for at få en mere effektiv klipning, og korrekt udsmidning af det afklippede.
- 4) Undgå at klippe vådt græs, eller vil det klæbe til undersiden af klippebordet, og afklippet kan ikke indsamles eller udsmidet korrekt.
- 5) Ved nyt eller tykt græs skal der anvendes en højere klippehøjde, og det vil forlænge batteriets varighed.

VEDLIGEHOVELSE

⚠ Advarsel: Stop plæneklipperen, fjern sikkerhedsnøglen og batterierne før grøpsamlingsbeholderen fjernes.

Bemærk: For at sikre en lang og pålidelig levetid, skal følgende vedligeholdelsesprocedurer udføres regelmæssigt. Kontroller for åbenlyse fejl, så som en løs, løsgjort eller beskadiget kniv, løse dele, og slidte eller beskadigede dele. Kontroller, at alle dæksler og afskærmninger er ubeskadiget og sider rigtigt på plads. Sørg for at udføre al nødvendig vedligeholdelse eller reparationer, før plæneklipperen anvendes. Hvis plæneklipperen skulle svigte trods en regelmæssig vedligeholdelse, bør du henvende dig til vor kundetjeneste for at få nærmere råd og vejledning.

SLIBNING AF KNIVEN

VED AT HOLDE KNIVEN SKARP OPNÅS DEN BEDSTE KLIPNING. EN SLØV KNIV KAN NEMLIG IKKE SKÆRE GRÆSSET RENT OG BIOKLIPPE ORDENTLIGT.

DER SKAL BÆRES KORREKT ØJENVÆRN VED FJERNELSE, SLIBNING ELLER MONTERING AF KNIVEN. SØRG FOR, AT SIKKERHEDSNØGLEN OG BATTERIERNE er FJERNET.

Normalt er det tilstrækkeligt at slibe kniven 2 gange i løbet af sæsonen. Sand sløver dog kniven meget hurtigt. Så hvis plænen er sandet i bunden, kan det være nødvendigt at slibe kniven oftere.

UDSKIFT STRAKS BUGGEDE ELLER BESKADIGEDE KNIVE.

NÅR KNIVES SLIBES (Se L)

1. Sørg for, at kniven forbliver i balance.
2. Slib kniven i den oprindelige skærevinkel.
3. Slib knivæggene, så lige meget materiale fjernes i begge ender.

Bemærk:

1. Vær sikker på, at plæneklipperen er slukket, fjern nøglen og

batterierne.

2. Placer plæneklipperen i oprejst opbevaringsposition.

AFVEJNING AF KNIVEN (Se M)

Kontroller afvejningen på kniven ved at placere midterhullet på kniven (M-1) over skruetrækkerskaf (M-2), spændt vandret op i en skruestik (M-3). Den ende, der drejer nedad, files. Kniven er ordentligt afvejet, når ingen af enderne drejer nedad.

VEDLIGEHOVELSE AF BLADET (Se N1, N2)

Udskift bladet efter 50 timers slåning eller 2 år, hvilket kommer først, uanset kondition.

Følg disse procedurer for at fjerne eller udskifte bladet. Du har brug for havehandsker (medfølger ikke) og en spændenøgle (medfølger ikke) for at fjerne bladet. Sørg for, at sikkerhedsnøglen og batterierne ikke er installeret. Kil en træblok fast mellem bladet og plæneklipperdækket for at forhindre bladet i at dreje og løsne bladbolten mod uret, ved brug af spændenøglen, og fjern derefter kniven. Genmonter kniven med skærekanterne mod jorden. Spænd derefter møtrikken forsvarligt.

OPBEVARING (Se K1, K2)

Stop plæneklipperen, og fjern altid sikkerhedsnøgle og batterier. Rengør omhyggeligt plæneklipperen udvendigt med en blød børste og en blød klud. Der må hverken anvendes vand, opløsningsmidler eller pudsemidler. Fjern al græs og snavs, specielt fra ventilationsåbningerne.

Hæld maskinen til den ene side og rengør området omkring bladene. Hvis græsrester er komprimeret i bladområdet, fjernes de med et træ- eller plastikredskab.

Opbevar maskinen på et tørt sted. Placer ikke andre objekter på toppen af maskinen.

For at gøre opmagasinering lettere, tryk og hold på knappen til hurtig frakobling, og fold håndtagsstangen.

MILJØBESKYTTELSE



Affald af elektriske produkter må ikke bortskaffes sammen med husholdningsaffald. Indlever så vidt muligt produktet til genbrug. Kontakt de lokale myndigheder eller forhandleren, hvis du er i tvivl.

FEJLFINDING

Problem	Mulig løsning
1. Plæneklipperen kører ikke, når betjeningsbøjlen er aktiveret.	A. Kontrollér, at sikkerhedsnøglen sidder rigtigt på plads, og at knappen til sikkerhedsspærringen er skubbet helt ind. B. Frigør betjeningsbøjlen for at slukke for plæneklipperen. Fjern sikkerhedsnøglen og batterierne, læg plæneklipperen på siden, og kontroller, at kniven kan dreje frit. Hvis kniven ikke kan dreje frit, skal du kontakte en autoriseret reparatør. Knivene skal kunne dreje frit. C. Er batteriet ladet helt op? Tilslut opladeren og vent til at den grønne lampe lyser.
2. Motoren stopper under slåning.	A. Frigør betjeningsbøjlen for at slukke for plæneklipperen. Fjern sikkerhedsnøglen og batterierne, læg plæneklipperen på siden, og kontroller, at kniven kan dreje frit. Hvis kniven ikke kan dreje frit, skal du kontakte en autoriseret reparatør. Knivene skal kunne dreje frit. B. Forøg klippehøjden på hjulene til den højeste position, og start plæneklipperen. C. Er batteriet ladet helt op? Tilslut opladeren og vent til at den grønne lampe lyser. D. Undgå at overbelaste plæneklipperen. Sæt farten ned, eller forøg klippehøjden. Eller gør begge dele.
3. Plæneklipperen kører, men klipningen er utilfredsstillende, eller klipper ikke helt.	A. Er batteriet ladet helt op? Tilslut opladeren og vent til at den grønne lampe lyser. B. Frigør betjeningsbøjlen for at slukke for plæneklipperen. Fjern sikkerhedsnøglen og batterierne. Læg græsslåmaskinen på siden, og kontroller: Kniven for skarphed – hold kniven skarp. Bunden og udkastet for tilstopning. C. Hjulhøjdejusteringen kan være indstillet for lavt i forhold til græssets tilstand. Forøg klippehøjden.
4. Plæneklipperen er for svær at skubbe.	A. Forøg klippehøjde for at reducere maskinens træk i græsset. Kontroller, at alle hjul drejer frit.

5. Plæneklipperen støjer unormalt meget og vibrerer.	A. Frigør betjeningsbøjlen for at slukke for plæneklipperen. Fjern sikkerhedsnøglen og batterierne. Læg plæneklipperen på siden, og kontroller, at kniven ikke er bøjet eller beskadiget. Udskift kniven med en ny fra, hvis den er beskadiget. Hvis undersiden af plæneklipperen er beskadiget, skal den indleveres til et autoriseret servicecenter. B. Hvis der ikke er synlige skader på kniven, men plæneklipperen stadig vibrerer: Frigør betjeningsbøjlen for at slukke for plæneklipperen. Fjern sikkerhedsnøglen og batterierne. Roter kniven 180 grader, og monter den igen. Hvis plæneklipperen stadig vibrerer, skal den indleveres til et autoriseret servicecenter.
6. Batteriopladerens LEDs er ikke tændt.	A. Kontrollér stikforbindelsen. B. Udskift oplader.
7. LED-lys på batterioplader skifter ikke til grøn.	A. Batteriet skal tjekkes. Tag til et autoriseret servicecenter.
8. Plæneklipperen samler ikke græsset op.	A. Afmonter udkast-dæksel når der pakkes. B. Frigør betjeningsbøjlen for at slukke for plæneklipperen. Fjern sikkerhedsnøglen og batterierne. Fjern græs fra udkastet. C. For meget afklippet græs. Forøg klippehøjden på hjulene for at afkorte klippelængden. D. Posen er fuld. Tøm posen oftere.
9. Når jorden tildækkes ses det afklippet.	A. Der klippes for meget græs. Forøg klippehøjden på hjulene for at afkorte klippelængden. Klip ikke mere end 1/3 af den totale længde. B. Kontrollér kniv for skarphed. Hold altid kniven skarp.
10. Lav eller aftaget kørselstid efter mange opladninger.	A. Kontakt et autoriseret servicecenter – der er muligvis brug for nyt batteri.
11. LED-lyset på batteriopladeren blinker rødt, og batteriet kan ikke oplades.	A. Batteriet overophedes efter kontinuerlig brug. Fjern batteriet fra opladeren og lad det køle ned til 42°C eller mindre.

KONFORMITETSERKLÆRING

Vi,
Positec Germany GmbH
Postfach 32 02 16, 50796 Cologne, Germany

På vegne af Positec erklæres at produktet
Beskrivelse **WorxNITRO ledningsfri plæneklipper**
Type **WG748E WG748E.X (7 - udpegning af maskiner, repræsentant for ledningsfri plæneklipper)**
Funktion **græsklipning**

Er i overensstemmelse med følgende direktiver:

2006/42/EC, 2014/30/EU
2011/65/EU&(EU)2015/863
2000/14/EC ændret ved 2005/88/EC

2000/14/EC ændret ved 2005/88/EC

- Konformitetstestprocedure pr.
- Målt niveau for lydeffekt
- Deklareret garanteret niveau for lydeffekt

Anneks VI
91.6 dB(A)
94 dB(A)

Afprøvningsorgan involveret

Navn: Intertek, Deutschland GmbH (notificeret myndighed 0905)

Adresse: Stangenstraße 1, 70771 LEINFELDEN-ECHTER-DINGEN

Standarder i overensstemmelse med:

EN 60335-1, EN 60335-2-77, EN 62233, EN ISO 3744, EN 55014-1, EN 55014-2

Personen, autoriseret til at udarbejde den tekniske fil,

Navn Marcel Filz

Adresse Positec Germany GmbH

Postfach 32 02 16, 50796 Cologne, Germany



2021/10/11

Allen Ding

Vicechef, Ingeniør, Test & Certificering
Positec Technology (China) Co., Ltd
18, Dongwang Road, Suzhou Industrial
Park, Jiangsu 215123, P. R. China

PRODUKTSIKKERHET GENERELLE SIKKERHETS- ADVARSLER



ADVARSEL! Les alle sikkerhetsadvarsler og alle instruksjoner. Hvis du unnlater å følge instruksjonene under, kan det resultere i elektrisk støt, brann og/eller alvorlig skade.

Les instruksjonene nøye for sikker drift av maskinen. Ta vare på advarsler og instruksjoner for fremtidig referanse.

- Denne maskinen er ikke tiltenkt brukt av personer (inkludert barn) med svekkede fysiske, sanse- eller mentale evner, eller som ikke har erfaring eller kunnskaper, med mindre de gis veiledning eller er under tilsyn når det gjelder bruk av maskinen, av en person som er ansvarlig for sikkerheten deres.
- Barn må være under tilsyn for å sikre at de ikke leker med maskinen.
- Maskinen skal bare brukes med den medleverte strømforsyningen.

VIKTIG LES OMHYGGELIG FØR BRUK BEHOLDES FOR SENERE BRUK

Sikker drift OPPLÆRING

- a) Les anvisningene grundig. Bli kjent med kontrollene og bruken av maskinen.
- b) La aldri barn eller andre som ikke har lest denne manualen bruke maskinen. Lokale forskrifter kan sette grenser for brukerens alder.
- c) Ikke bruk klipperen når spesielt barn eller husdyr er i nærheten.
- d) Operatøren eller brukeren er ansvarlig for ulykker eller farer som inntreffer i forhold til andre personer eller eiendommer.

FORBEREDELSE

- a) Ha på skikkelig skotøy og langbukser under klippingen. Ikke bruk maskinen når du er barbert eller har på deg åpne sandaler;
- b) Undersøk området hvor maskinen skal brukes grundig og fjern alle steiner, grener, bein og andre fremmedlegemer;

- c) Før bruk må du alltid undersøke maskinen for å se om skjærekniven, knivboltene og skjæremonteringene ikke er slitt eller skadet. Bytt slitte eller skadede kniver og bolter i par for å beholde balansen; Bytt ut ødelagte og uleselige etiketter.

DRIFT

- a) Klipp kun i dagslys eller ved god kunstig belysning.
- b) Unngå om mulig å bruke maskinen i våt gress.
- c) Pass alltid på at du står støtt i skråninger.
- d) Gå, løp aldri.
- e) For roteringshjul maskiner, klipp på tvers av skråningen, aldri opp eller ned;
- f) Vær ekstra forsiktig når du endrer retning i skråninger.
- g) Ikke bruk klipperen i meget bratte skråninger.
- h) Vær ekstra forsiktig når du kjører i revers, eller når du trekker maskinen mot deg.
- i) Stans kniven(e) hvis maskinen må stilles på skrå for transportering eller når du skal over et annet dekke enn gress, og når maskinen transporteres til eller fra området som skal klippes.

- j) Bruk aldri maskinen med skadede vern eller beskyttere, eller uten sikkerhetsanordninger, for eksempel deflektorer og/eller gressoppsamler.
- k) Slå på motoren ifølge bruksanvisningen og hold føttene unna kniven(e).
- l) Ikke still maskinen på skrå når du slår på motoren, untatt når maksinen må stilles litt på skrå for å starte. I dette tilfellet bør den ikke stilles mer på skrå enn absolutt nødvendig, og løft bare opp den delen som er lengst borte fra brukeren.
- m) Hold hender og føtter unna roterende deler. Ved rotasjonsgressklippere bør man alltid holde seg unna utkasteråpningen.
- n) Ta ikke på knivet før løsrivelses enheten har blitt fjernet og kniven har fullstendig stoppet;
- o) Ikke start gressklipperen når du står foran avfallsåpningen.
- p) Ikke transporter gressklipperen når strømmen er på.
- q) Stopp gressklipperen og fjern deaktiveringsenheten. Forsikre deg om at alle bevegelige deler har stoppet helt opp.
- Alltid når maskinen blir forlatt uten overvåkning,
 - Før du fjerner en blokkering,
 - Når du skal sjekke, rengjøre eller arbeide på maskinen,
 - Etter at du har kjørt på et fremmedlegeme. Undersøk maskinen på skader og reparer om nødvendig. Om maskinen begynner å riste unormalt (sjekk med en gang):
 - inspiser for skader.
 - Bytt ut eller reparer ødelagte deler.
 - Sjekk og stram til løse deler.

VEDLIKEHOLD OG LAGRING

- a) Sørg for at alle skruer, muttere og bolter sitter godt fast slik at maskinen er i god bruksmessig stand;
- b) Sjekk gressoppsamleren regelmessig for slitasje og skader;
- c) Slitte eller skadede deler skal byttes ut for sikkerhets skyld. Bruk kun originale reservedeler og tilleggsutstyr.
- d) Vær forsiktig under justering av maskinen for å unngå at fingrene blir klemt mellom de bevegelige bladene og de

faste delene av maskinen.

- e) La gressklipperen kjøle seg ned før lagring.
- f) Når du utfører service på bladene, vær oppmerksom på at bladene rører på seg selv om strømmen er av.

SIKKERHETSANVISNINGER FOR BATTERIPAKKE

- a) **Ikke demonter, åpne eller riv opp sekundære celler eller batteripakker.**
- b) **Ikke kortslutt en celle eller en batteripakke. Ikke oppbevar celler eller batteripakke løst i en boks eller skuff hvor de kan kortslutte hverandre eller bli kortsluttet av andre metallgjenstander.** Når batteripakken ikke er i bruk skal den holdes adskilt fra andre metallgjenstander som binders, mynter, nøkler, spiker, skruer eller andre små metallobjekter. Kortslutning av batteriet kan forårsake skader eller brann.
- c) **Ikke utsett celler eller batteripakke for varme eller ild. Unngå oppbevaring i direkte sollys.**

- d) **Ikke utsett celler eller batteripakke for mekanisk støt.**
- e) **Hvis du opplever cellelekkasje, ikke la væsken komme i kontakt med huden eller øynene. Dersom kontakt har oppstått, vask området med rikelige mengder vann og oppsøk medisinsk hjelp.**
- f) **Hold batteripakken ren og tørr.**
- g) **Tørk batteripakkekontaktene med en ren, tørr klut hvis de blir skitne.**
- h) **Batteripakken må lades før bruk. Bruk denne instruksjonen og korrekt ladeprosedyre.**
- i) **Ikke ha batteripakken til ladning når den ikke er i bruk.**
- j) **Etter en lang lagringsperiode kan det være nødvendig å lade og utlade batteripakken flere ganger for å oppnå maksimal ytelse.**
- k) **Bruk kun batterilader spesifisert av WorxNITRO. Bruk ikke andre ladere enn de som er levert for bruk med utstyret.**

l) Tikke bruk batteripakker som ikke er beregnet for bruk sammen med utstyret.

m) Hold batteripakken utenfor barns rekkevidde.

n) Ta vare på den originale bruksanvisningen for fremtidig bruk

o) Ta ut batteriene fra utstyret når det ikke er i bruk

p) Kvitt deg med produktet på forsvarlig måte.

q) Ikke bland batterier av forskjellig produksjon, kapasitet, størrelse eller type i enheten.

r) Hold batteriet unna mikrobølger og høyt trykk.

SYMBOLER

	Les instruksjonsveiledningen før du tar i bruk denne maskinen
	Hold tilskuere på avstand.

	Pass deg for skarpe kniver. Knivene fortsetter å rotere selv etter at motoren er slått av - Fjern deaktiveringsenheten før vedlikehold.
	Hvis det ikke håndteres riktig, kan batteriet komme inn i vannsyklusen, noe som kan forårsake skade på økosystemet. Ikke kast brukte batterier som usortert kommunalt avfall.
	Ikke brenn
	Litium-ion-batteri. Dette produktet er merket med symbolet "samlet separat" med alle batteripakker og batteripakker. Du kan deretter resirkulere eller fjerne den for å redusere påvirkningen på miljøet. Batteripakken inneholder skadelige stoffer som kan være skadelige for miljøet og menneskers helse.
	Avfall etter elektriske produkter må ikke legges sammen med husholdningsavfall. Vennligst resirkuler avfallet der dette finnes. Undersøk hos de lokale myndighetene eller en detaljist for resirkuleringsråd.
	Bruk vernehansker
	Fjern batteriet fra holderen før det utføres noen form for justering, service eller vedlikehold.
	Fjern nøkkelen
	Knivene fortsetter å rotere selv etter at motoren er slått av. Ikke berør noen av delene på hageredskapet før de er helt stanset.


APPARATELEMENTER

1.	BETJENINGSPANEL
2.	HÅNDTAK
3.	GRESSAMLEPOSE
4.	JUSTERINGSHÅNDTAK FOR KUTTEHØYDE
5.	PEKER FOR JUSTERING AV KUTTEHØYDE
6.	HÅNDTAK FORAN
7.	BATTERIDEKSEL
8.	HÅNDTAK BAK
9.	SIKKERHETSSPJELD
10.	SIKKERHETSKNAPP
11.	HURTIGUTLØSNINGSKNAPP
12.	BIOKLIPP-PLUGG
13.	BATTERIPAKKE* (SE FIGUR F2)
14.	SIKKERHETSNØKSEL (SE FIGUR F2)
15.	STRØMINDIKATORLAMPE (SE FIGUR H)
16.	BLADBOLT (SE FIGUR N1)
17.	BLAD (SE FIGUR N1)
18.	AVSTANDSSTYKKE (SE FIGUR N1)

*Ikke alt illustrert eller beskrevet tilbehør inngår i leveransen.

TEKNISKE DATA

Type **WG748E WG748E.X (7 - betegner maskin, representerer batteridrevet gressklipper)**

	WG748E WG748E.X**
Merkespenning	40V  Max.(2x20V Max.)***
Nominell Tomgangshastighet	2800 /min
Deck bredde	48 cm
Klippebredde	46 cm
Forhjuls diameter	200 mm
Bakhjuls diameter	230 mm
Klippehøyde	20 – 80 mm
Klippehøyde	7

Gressoppsamlingskapasitet	55 L
Vekt (bare verktøy)	25,3 kg

** X = 1-999, A-Z, M1-M9 er kun for forskjellige kunder, det er ingen sikkerhetsrelaterte endringer mellom disse modellene.

*** Spenning målt uten belastning. Batterispenningen når maksimum 20 V ved oppstart. Merkespenningen er 18 V.

Kategori	Type	Kapasitet
20V Batteri	WA3014	4.0 Ah
20V Lader	WA3883	4.0 A

Vi anbefaler at du kjøper alt ekstrautstyr fra butikken der du kjøpte dette verktøyet. Velg kvalitet i henhold til det arbeidet du akter å gå i gang med. Les på tilbehørspakningen for videre detaljer. Butikkpersonalet kan også gi hjelp og råd.

STØYINFORMASJON

Belastning lydtrykk	$L_{PA} = 78.4 \text{ dB(A)}$
K_{PA}	3.0 dB (A)
Belastning lydeffekt	$L_{WA} = 91.6 \text{ dB(A)}$
K_{WA}	3.0 dB (A)

Bruk hørselsvern.



VIBRASJONSINFORMASJON

Vanlig belastningsvibrasjon	$a_h < 2.5 \text{ m/s}^2$
Usikkerhet K	$K = 1.5 \text{ m/s}^2$



ADVARSEL: Vibrasjonsutslippsverdien under faktisk bruk av verktøyet kan avvike fra oppgitt verdi, avhengig av måten verktøyet brukes på og følgende eksempler og andre variasjoner i hvordan verktøyet brukes: Hvordan verktøyet brukes og hvilke materialene som blir kuttet eller drillet.

Verktøyet er i god stand og godt vedlikeholdt.

Bruk av riktig tilbehør for verktøyet, og sørg for at det er skarpt og i god stand.

Hvor stramt grepet på håndtakene er, og om det brukes antivibrasjonstilbehør.

Og at verktøyet blir brukt til det formålet det er tilsiktet i henhold til designet og disse instruksjonene.

Dette verktøyet kan forårsake hånd-arm vibrasjonsyndrom, hvis det ikke brukes riktig.

⚠ ADVARSEL: For å være nøyaktig, bør også et overslag over eksponeringsnivå under faktiske bruksforhold også tas med i betraktning i alle deler av driftssyklusen, slik som når verktøyet er skrudd av og når det går på tomgang, men ikke faktisk gjør jobben. Dette kan redusere eksponeringsnivået betraktelig over hele arbeidsperioden.

For å hjelpe til å minimere risikoen for vibrasjonseksponering. Bruk ALLTID skarpe meisler, driller og blad. Vedlikehold verktøyet i henhold til disse instruksjonene og sørg for at det er godt smurt (der det er hensiktsmessig). Hvis verktøyet skal brukes regelmessig, invester i antivibrasjonstilbehør. Planlegg arbeidstimeplanen din slik at du sprer bruk av høyvibrasjonsverktøy utover flere dager

BRUKSVEILEDNING



MERK: Les nøye gjennom instruksjonsboka før du bruker verktøyet.

FORMÅLSMESSIG BRUK

Dette produktet er beregnet for gressklipping på private eiendommer.

MONTERING & BRUK

HÅNTERING	FIGUR
MONTERING	
Montering av håndtaket & Justering av håndtakets høyde MERK: Trykk og hold inne hurtigtutløserknappen under drift.	Se figur A1, A2
Montering av gresssamleposen	Se figur B
Montering av gresssamleposen på gressklipperen MERK: Trykk lett på gressposen for å forsikre at den er fullstendig innstallert. MERK: Ta mulching innlegget ut av gressklipperen før du monterer gress oppsamlingsposen.	Se figur C1, C2, C3
Fjerning/tømming av gresssamleposen ⚠ ADVARSEL! Kontroller at sikkerhetsklaffen lukker utkastertrakten ordentlig før du bruker gressklipperen. Løft aldri sikkerhetsklaffen når gressklipperen brukes uten at gressposen er montert.	Se figur D1,D2
Montering av bioklipp-plugg	Se figur E

Tilpassing/fjerning av batteriet Sett inn sikkerhetsnøkkelen før du installerer batteripakken. MERK: Denne maskinen vil bare kjøre når det er installert sp - batterier. Det anbefales å bruke de samme AH-batteriene og lade de to batteriene samtidig. Når du bruker to batterier med forskjellig AH, vil maskinen bare gå til den nedre fellesnevneren.	Se figur F1, F2
Kontrollere batteriladingen MERK: Fig. G1 gjelder bare for batteripakken med batterilampen tent.	Se Fig.G1
Lading av batteripakken MERK: Batteripakken leveres uladet. Batteriet må lades opp helt før første klipp. Lad alltid de to batteriene samtidig. Mer detaljer finnes i håndboken.	Se figur G2
DRIFT	
Strømindikatorlampe Se detaljer i delen BATTERISTATUS VIKTIGN: Når bare én lampe lyser, er batteriet for mye utladet, selv om maskinen fortsatt kan fungere. Hvis du fortsetter å bruke maskinen med batteriet i denne utladede tilstanden, kan det redusere batteriets levetid og ytelse. Når ingen lys er tent sitter batteriet ikke riktig i, eller batteriet er defekt, og du må dobbeltsjekke at batteriene er helt på plass i posisjon.	Se figur H
Start & Stopp	Se figur I1,I2
Justering av klippehøyd ⚠ ADVARSEL! Stopp, slipp Driftsbøyle og vent til motoren stopper før du justerer høyden. Knivene fortsetter å rotere etter at maskinen er slått av, et roterende kniv kan forårsake skade. Ta ikke på de roterende knivene.	Se figur J
Lagring	Se figur K1,K2

BATTERI STATUS LED'S (Se figur H)

- Trykk på knappen ved siden av strømindikatorlampen på maskinen før du starter eller etter bruk for å kontrollere batterikapasiteten.
- Når klipperen er i bruk, vil batterikapasiteten angis automatisk av batteriindikatoren. LED's konstante sanser og viser batteri tilstand som følgende.
- Lad maskinen med 2 batteripakker med forskjellig AH,

viser strømindikatorlampen batteriets tilstand til det laveste av de to batteriene.

Indikator for batteristatus	Batteritilstand
Fem grønne lamper (●●●●●) lyser.	De to batteriene er fulladet.
To, tre eller fire grønne lamper lyser.	De to batteriene har noe energi igjen. Jo flere lamper som lyser, jo mer batterikapasitet er igjen.
Bare én grønn lampe (●○○○○) lyser.	Batterinivået på minst én batteripakke er svært lav. Kontroller og lad batteripakken.
Ingen lampe lyser.	Minst ett batteri er ikke riktig satt inn, eller batteriet er defekt.
Bare ett lys blinker to ganger pr. syklus.	Minst ett batteri er flatt (se batteritilstand), lad opp de to batteriene straks før ny bruk eller oppbevaring.
Bare ett lys blinker tre ganger pr. syklus.	Minst ett batteri er varmt, vent på at batteriene er avkjølt før du starter igjen.
Bare ett lys blinker fire ganger pr. syklus.	Maskinen er overbelastet. Hev skjærehøyden eller skyv langsomt.

KOMPOSTERING GRESSKLIPPER TIPS

Når du komposterer er din nye gressklipper utviklet for å klippe gresset til små biter og fordele dem tilbake på plenen. Under normale omstendigheter vil det komposterte gresset brytes ned og bidra med økologisk næring til plenen.

Vennligst ta til ettersyn følgende anbefalinger for optimal komposteringsytelse.

- Unngå å klippe gress som er vått fra regn eller dugg. Vått gress kan danne klumper som kan blande seg med komposterings handling og reduserer operasjonstiden. Det beste tidspunktet for å klippe gresset er sen ettermiddag når gresset er tørt og det nylig klippede området vil ikke bli eksponert for direkte sol.
- For best komposteringsytelse still inn klippehøyde på omtrent en tredjedel av gressknivens lengde, ideelt sett ikke mer enn 40mm på en gang. Hvis plenen er overgrodd kan det være nødvendig å øke klippehøyden for å redusere krefter for dytting og forhindre overbelastning av motoren. For ekstremt tung kompostering er det hensiktsmessig å først klippe på en høy klippehøyde innstilling og deretter klippe en gang til for endelig klippehøyde. Ellers, mindre og saktere klipping.
- For best ytelse, hold gressklipper housing fri fra

- gressrester. Frat id til annen skru av gressklipper og vent til kniven har fullstendig stoppet. Deretter frigjør sikkerhetsnøkkel og legg gressklipper over på en side. Ved bruk av en gjenstand som for eksempel en pinne, skrap ut eventuelle gressoppsamlinger i kniv området. Vær forsiktig med de skarpe endene til kniven. Rengjør ofte når brukt i vått, nytt gress og alltid etter hver bruk.
- Visse typer av gress og gress omstendigheter kan kreve at et område blir kompostert en gjentatt gang for å fullstendig distribuere gresset over plenen. Hvis gresset blir klippet en gang til er det hensiktsmessig å klippe perpendikulært (på tverst av) det første klippe mønsteret. ENDR IKKE KLIPPE MØNSTER PÅ NOEN MÅTE SOM KAN FORÅRSAKE KLIPPING NEDOVER EN BAKKE.
 - Endr ditt klippe mønster fra uke til uke. Dette kan hjelpe til å forhindre mattelse og frøing av plenen.

KLIPPEOMRÅDE

Klippeområdet kan påvirkes av flere faktorer, som skjærehøyde, plenens fuktighet, samt lengden og tettheten til gresset. I tillegg kan ofte start og stopp av gressklipperen for mange ganger under bruk redusere klippeområdet. Tabellen nedenfor viser forholdet mellom klippeforhold og klippeområdet.

Skjærehøyde	Anbefalt partistørrelse (maks.)
klipp 8cm til 6cm	Med 2*20V/4.0Ah batterier
	Opp til 500m ² *

* brukes med 2 fulladede batteripakker samtidig.

TIPS:

- Det anbefales at du klipper plenen oftere. Gå med normal fart, og ikke start/stopp klipperen for ofte i løpet av bruk.
- For best mulig ytelse må du bruke to fulladede batteripakker samtidig, og alltid klippe 1/3 eller mindre av gressshøyden.
- Gå sakte når du klipper langt gress slik at klippingen blir mer effektiv og det avklippede gresset kastes riktig.
- Unngå å klippe vått gress, det vil kleve seg til undersiden av maskinen og avklippet kan ikke samles eller kastes skikkelig.
- En høyere klippehøyde skal brukes på nytt eller tykt gress, og dette vil forlenge batterivarigheten.

VEDLIKEHOLD

 **Advarsel: Stopp gressklipperen, fjern sikkerhetsnøgkelen og batteriene før du fjerner oppsamlingsposen for gress.**

Merk: For å forsikre lang og pålitelig bruk, utfør følgende vedlikeholds prosedyrer med jevne mellomrom. Sjekk for åpenbare feil slik som en løs, feilplassert eller skadet kniv, løse tilbehør og utbrukte eller skadede deler. Sjekk at deksel og beskyttelse ikke er skadet og korrekt montert til gressklipper. Utfør det nødvendige vedlikehold eller reparasjoner før bruk av gressklipper. Hvis gressklipper skulle feile selv om vedlikehold har blitt utført vennligst kontakt vår kunde

hjelpline for råd.

SKARPING AV KNIV

OPPRETT HOLD KNIVEN SKARP FOR BEST MULIG GRESSKLIPPINGS YTELSE. EN SLØV KNIV KLIPPER IKKE RENT GRESSET OG KOMPOSTERER IKKE OMSTENDIG.

BRUK KORREKT ØYE BESKYTTELSE UNDER FJERNING, SKARPGING OG MONTERING AV KNIV. SØRG FOR AT SIKKERHETSNØKKELEN OG BATTERIENE er FJERNET.

Skarping av kniven to ganger under en gressklippings sesong er vanligvis tilstrekkelig under normale omstendigheter. Sand kan årsake at kniven blir hurtigere sløv. Hvis plenen din har jord med sand i kan det være nødvendig med en hyppigere skarping av kniv.

ERSTATT BØYD ELLER SKADET KNIV ØYEBLIKKEG.

UNDER SKARPING AV KNIV (Se figur L)

1. Forsikr av kniven forblir balansert.
2. Skarp kniven etter den opprinnelige klippe vinkel.
3. Skarp klippe endene på begge endene av kniven, fjern lik mengde materiale fra begge sider.

MERK:

1. Påse at klipperen er skrudd av. Fjern nøkkelen og batteriene.
2. Plasser klipperen stående i lagringsmodus.

KNIV BALANSERING (Se figur M)

Sjekk balansen til kniv ved å plassere sentrums hullet til kniv M-1 over skrujernsskafte M-2, fast spent horisontalt i en skrustikke M-3. Hvis en ende av kniven roterer nedover, fil den enden. Kniven er korrekt balansert hvis ingen av endene faller nedover.

KNIV-VEDLIKEHOLD (Se figur N1, N2)

Skift ut kniven etter 50 timers drift eller annethvert år, avhengig av hva som kommer først - uansett forfatning. For å bytte kniven kan du følge disse anvisningene. Du trenger hagehansker (medfølger ikke) og en skrunøkkel (medfølger ikke) for å fjerne kniven. Sørg for at sikkerhetsnøkkelen og batteriene ikke er satt inn. Sett inn en trekloss mellom bladet og kutteenheten for å forhindre at bladet snur og skru opp knivbolten mot klokken ved å bruke skrunøkkel, og så fjerne bladet.

For å montere igjen kan du plassere bladet med skjærekantene mot bakken. Deretter stramm forsiktig kniv mutteren

LAGRING (Se figur K1, K2)

Stopp gressklipperen, og fjern alltid sikkerhetsnøkkelen og batteriene. Rengjør utsiden av maskinen omstendig ved bruk av en myk børste eller klut. Bruk ikke vann, løsningsmiddel eller polerende midde. Fjern alt gress og annet rusk spesielt fra ventilasjons slusen.

Legg maskinen på siden og rengjør knivområdet. Hvis det finnes gress som er presset sammen i knivområdet bør du fjerne det med et redskap av tre eller plast.

Oppbevar maskinen på et tørt sted. Ikke sett andre ting oppå maskinen.

For enklere lagring, trykk og hold inne hurtigutløserknappen, og fold sammen styrestangen.

MILJØVERTILTAK



Avfall etter elektriske produkter må ikke legges sammen med husholdningsavfall. Vennligst resirkuler avfallet der dette finnes. Undersøk hos de lokale myndighetene eller en detaljist for resirkuleringsråd.

FEILSØKING

Problemer	Feilrettende tiltak
1. Gressklipperen kjører ikke når driftsbøylen er aktivert.	A. Kontroller at sikkerhetsnøkkelen er installert og at den sitter helt og at nødstopknappen er trykket helt inn. B. Slipp driftsbøylen for å slå gressklipperen av. Fjern sikkerhetsnøkkelen og batteriene, legg gressklipperen på siden, og kontroller at bladet kan rotere fritt. Hvis den ikke kan rotere fritt, lever klipperen til et autorisert verksted. Bladet skal kunne rotere fritt. C. Er batteriet ladet helt opp? Sett inn kontakten til laderen og vent til det grønne lyset tennes.
2. Motoren stopper under klipping.	A. Slipp driftsbøylen for å slå gressklipperen av. Fjern sikkerhetsnøkkelen og batteriene, legg gressklipperen på siden, og kontroller at bladet kan rotere fritt. Hvis den ikke kan rotere fritt, lever klipperen til et autorisert verksted. Bladet skal kunne rotere fritt. B. Hev hjulenes klippehøyde til høyeste posisjon, og start gressklipperen. C. Er batteriet ladet helt opp? Sett inn kontakten til laderen og vent til det grønne lyset tennes. D. Ikke overbelast gressklipperen. Senk farten, eller hev klippehøyden. Eller begge deler.
3. Gressklipperen er i gang, men klippeytelsen er utilfredstillende, eller klipper ikke hele plenen.	A. Er batteriet ladet helt opp? Sett inn kontakten til laderen og vent til det grønne lyset tennes. B. Slipp driftsbøylen for å slå gressklipperen av. Fjern sikkerhetsnøkkelen og batteriene. Legg gressklipperen på siden og kontroller: at bladet er skarpt – hold bladet skarpt om undersiden og utmatingen er tilstoppet. C. Innstillingen av hjulhøyden kan være for lav for gressforholdene. Hev klippehøyden.
4. Det er unormalt tungt å skyve gressklipperen.	A. Hev klippehøyden for å hindre at gressklipperen sleper i bakken. Kontroller at hvert hjul roterer fritt.

5. Gressklipperen bråker unormalt mye og vibrerer.	A. Slipp driftsbøylen for å slå gressklipperen av. Fjern sikkerhetsnøkkelen og batteriene. Legg gressklipperen på siden, og kontroller at bladet ikke har blitt bøyd eller skadet. Hvis bladet er skadet, skifter du det ut med et nytt blad fra. Hvis gressklipperens underside er skadet, leverer du inn gressklipperen til et autorisert servicesenter. B. Hvis det ikke er noen synlig skade på bladet og gressklipperen fremdeles vibrerer: Slipp driftsbøylen for å slå gressklipperen av. Fjern sikkerhetsnøkkelen og batteriene. Roter bladet 180 grader, og monter det igjen. Hvis gressklipperen fremdeles vibrerer, leverer du inn gressklipperen til et autorisert servicesenter.
6. Batteriladerens LED-lys er ikke på.	A. Sjekk kontaktkoblingen. B. Bytt ut laderen.
7. LED-lampen veksler ikke til grønt lys.	A. Batteriet må sjekkes. Lever klipperen til et autorisert servicesenter.
8. Gressklipperen samler ikke opp gresset.	A. Ta av oppsamlingsplaten når du samler i pose. B. Utmatingen er tilstoppet. Slipp driftsbøylen for å slå gressklipperen av. Fjern sikkerhetsnøkkelen og batteriene. Fjern gress fra utmatingen. C. For mye avklippet gress. Hev hjulenes klippehøyde for å klippe mindre gress. D. Gressoppsamleren er full. Tøm gressoppsamleren oftere.
9. Når du samler opp gress, er avklippet synlig.	A. Det klippes for mye gress. Hev hjulenes klippehøyde for å klippe mindre gress. Ikke klipp mer enn 1/3 av total lengde. B. Sjekk om bladet er skarpt. Bladet må alltid holdes skarpt.
10. Liten eller redusert kjøretid etter mye bruk.	A. Lever til autorisert serviceverksted – den kan trenge nytt batteri.
11. LED-lampen på batteriladeren blinker rødt og batteriet kan ikke lades.	A. Batteriet overopphetes etter fortsatt bruk. Ta ut batteriet fra laderen og la det avkjøles til 42°C eller lavere.

SAMSVARERKLÆRING

Vi,
Positec Germany GmbH
Postfach 32 02 16, 50796 Cologne, Germany

På vegne av Positec erklær at produktet
Beskrivelse **WorxNITRO batteridrevet gressklipper**
Type **WG748E WG748E.X (7 - betegner maskin, representerer batteridrevet gressklipper)**
Funksjon **gressklipping**

Samsvarer med følgende direktiver,
2006/42/EC, 2014/30/EU
2011/65/EU&(EU)2015/863
2000/14/EC revidert ved 2005/88/EC

2000/14/EC revidert ved 2005/88/EC
- Tilpassningsbedømmelse Utført ifølge **Anneks VI**
- Målt Lydkraftniv **91.6 dB(A)**
- Erklært Garantert Lydkraftniv **94 dB(A)**

Den notifiserte gruppen involvert
Navn: Interstek, Deutschland GmbH (teknisk kontrollorgan 0905)
Adresse: Stangenstraße 1, 70771 LEINFELDEN-ECHTERDINGEN

Standardene samsvarer med,
EN 60335-1, EN 60335-2-77, EN 62233, EN ISO 3744, EN 55014-1, EN 55014-2

Personen som er autorisert til å utarbeide den tekniske filen,
Navn Marcel Filz
Adresse Positec Germany GmbH
Postfach 32 02 16, 50796 Cologne, Germany




2021/10/11
Allen Ding
Visesjefingeniør, Testing og Sertifisering
Positec Technology (China) Co., Ltd
18, Dongwang Road, Suzhou Industrial
Park, Jiangsu 215123, P. R. China

PRODUKTSÄKERHET GENERELLA SÄKERHETSVARNINGAR

 **VARNING: Läs igenom alla säkerhetsvarningar**

och -instruktioner. Läs alla instruktioner. Följs inte alla nedanstående instruktioner kan det leda till elektriska stötar, brand och/eller allvarliga skador.

Läs noga igenom instruktionerna för säker hantering av maskinen. Spara alla varningar och instruktioner för framtida referens.

- Denna apparat är inte avsedd att användas av personer (inklusive barn) med reducerad fysisk, sensorisk eller mental förmåga, eller personer utan erfarenhet och kunskap, såvida inte de är under uppsikt eller har fått instruktioner för att använda apparaten av en person som är ansvarig för deras säkerhet.
- Barn bör övervakas så att de inte leker med apparaten.
- Apparaten bör endast användas med den strömförsörjningsenhet den har försetts med.

VIKTIG LÄS IGENOM NOGA FÖRE ANVÄNDNING SPARA FÖR KOMMANDE REFERENS

Säkerhetsövning drift UTBILDNING

- a) Läs igenom instruktionerna noggrant. Bekanta dig med kontroller och hur apparaten används korrekt.
- b) Låt aldrig barn eller personer som är obekant med dessa instruktioner använda apparaten. Lokala bestämmelser kan inskränka åldern för operatören.
- c) Klipp aldrig medan personer, särskilt barn eller djur finns i närheten.
- d) Operatören eller användaren är ansvarig för olyckor eller faror som uppstår för andra personer eller deras egendom.

FÖRBEREDELSE

- a) Vid klippning använd alltid solida skodon och långbyxor. Använd inte denna apparat när du är barfota eller använder öppna sandaler;
- b) Undersök grundligt området där apparaten ska användas

och ta bort alla stenar, pinnar, trådar, ben och andra främmande föremål;

- c) Före användning kontrollera alltid visuellt så att blad, bladbulvar och klippmontage inte är slitna eller skadade. Byt ut slitna eller skadade blad och bulvar i set för att bibehålla balansen; Byt ut skadade och oläsliga etiketter.

ANVÄNDNING

- a) Arbeta endast i dagsljus eller i bra artificiellt ljus;
- b) Undvik att använda apparaten i vått gräs då det är möjligt;
- c) Se alltid till att du är stadig på foten i slänter;
- d) Gå spring aldrig;
- e) För roterande maskiner försedda med hjul, rör dig alltid långs med lutningar aldrig uppåt och nedåt;
- f) Var extra försiktig när du byter riktning i slänter;
- g) Kör inte i mycket branta slänter;
- h) Var extra försiktig när du backar eller drar apparaten mot dig;
- i) Stoppa bladen om apparaten ska lutas för transport när andra ytor

än gräs korsas och när apparaten transporteras från ett område till ett annat som ska klippas;

- j) Använd aldrig apparaten med defekta skydd och skärmar eller utan säkerhetsenheter, exempelvis strålningsskydd och eller/gräsuppsamlare på plats;
- k) Starta motorn enligt instruktionerna och med fötterna borta från bladen;
- l) Luta inte apparaten när motorn startas förutom om apparaten måste lutas för start. I detta fall luta inte mer än nödvändigt och lyft endast den del som är längst bort från användaren;
- m) Placera inge händer eller fötter i närheten av roterande delar. För rotationsklippare håll utblåsningsöppningarna rena hela tiden;
- n) Vidrör inte bladet innan fränkopplingsenheten tagits bort. och bladen har stannat helt och hållet.
- o) Starta inte gräsklipparen när du står framför utloppsöppningen.
- p) Transportera inte

gräsklipparen när strömkällan är igång.

- q) Stanna gräsklipparen och avlägsna orsaken till stoppet. Se till att alla rörliga delar har stannat helt.
- varje gång som maskinen lämnas oövervakad,
 - Innan du rensar en blockering,
 - Före kontroller, rensning eller arbete på apparaten,
 - Efter att du kört på ett främmande föremål. Kontrollera om apparaten har skador och reparera om så behövs.

Om apparaten börjar vibrera onormalt (kontrollera omedelbart):

- Inspektera för skada.
- Ersätt eller reparera eventuella skadade delar.
- Kontrollera och dra åt eventuella lösa delar.

UNDERHÅLL OCH FÖRVARING

- a) Se till att alla skruvar, muttrar och bultar är åtdragna för att säkra att apparaten är säker att arbeta med;
- b) Kontrollera gräsuppsamlaren

regelbundet för slitage eller förslitning;

- c) Byt ut slitna eller skadade delar av säkerhetsskäl. Använd endast originalreservdelar och tillbehör.
- d) Var försiktig när du justerar gräsklipparen så att dina fingrar inte fastnar mellan rörliga blad eller fasta delar.
- e) Låt alltid gräsklipparen svalna innan du ställer undan den.
- f) Vid service av bladen måste du vara medveten om att bladen fortfarande kan flyttas, även om strömkällan är avstängd.

SÄKERHETSFÖRESKRIFTER FÖR BATTERIET

a) Ta inte isär batteriet, öppna inte heller batteriet eller sära på battericeller.

b) Kortslut inte batteriet. Förvara inte batteriet på ett slarvigt sätt i en låda där det kan kortsutas eller skadas av ledande material. När batteriet inte används, håll det borta från metallobjekt, såsom pappersgem, pengar, nycklar, naglar, skruvar eller

andra små metallobjekt som kan leda ström från en terminal till en annan. Om batteriterminalerna kortsluter varandra kan de förorsaka brandrisk.

- c) Exponera inte batteriet för eld eller värme. Undvik förvaring i direkt solljus.**
- d) Utsätt inte batteriet för mekanisk chock.**
- e) Om batteriet läcker, låt inte vätskan komma i kontakt med hud eller ögon. Om så ändå skulle hända, skölj med mycket vatten och sök läkarhjälp.**
- f) Håll batteriet rent och torrt.**
- g) Torka av batteriet om det blir smutsigt med en torr, ren trasa.**
- h) Batteriet måste laddas före användning. Använd den här bruksanvisningen för att ladda batteriet korrekt.**
- i) Låt inte batteriet stå på laddning när det inte används.**
- j) Efter lång tids användning kan det bli nödvändigt att ladda och ladda ur batteriet många gånger för att nå maximal prestanda.**

- k) Ladda endast med laddare av varumärket WorxNITRO. Använd ingen annan laddare än den som specifikt ska användas med det här batteriet.**
- l) Använd inte ett batteri som inte är avsett för användning med det här verktyget.**
- m) Håll batteriet borta från barn.**
- n) Behåll den ursprungliga bruksanvisningen för framtida användning.**
- o) Plocka ur batteriet från verktyget då det inte används.**
- p) Kassera batteriet på rätt sätt.**
- q) Blanda inte celler från olika tillverkning, kapacitet, storlek eller typ inom en enhet.**
- r) Håll batteriet borta från mikrovågor och högt tryck.**

SYMBOLER



Läs instruktionsboken innan denna maskin används



Håll kringstående undan.



Se upp med de vassa bladen. Bladen fortsätter att rotera efter det att motorns stängts av - Ta bort inaktiveringsenheten innan underhåll.



Batterierna kan komma in i vattnets kretslopp om de inte kasseras korrekt och detta kan vara skadligt för EKO-systemet. Kasta inte batterier i de vanliga osorterade hushållssoporna.



Får ej uppeldas



Li-Ion



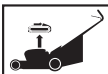
Li-Ion-batteri Denna product har märkts med en symbol för sopsortering för alla batterisatser. De kommer då att återvinnas och plockas isär för att minska påverkan på miljön. Batterisatser kan vara skadliga för miljön och för människors hälsa då de innehåller farliga substanser.



Uttjänade elektriska produkter får inte kasseras som hushållsavfall. Återanvänd där det finns anläggningar för det. Kontakta dina lokala myndigheter eller återförsäljare för återvinningsråd.



Använd skyddshandskar



Avlägsna batteriet från hylsan innan justeringar, service eller underhåll utförs.



Avlägsna nyckeln



Bladet fortsätter att rotera efter det att maskinen stängts av. Vänta till maskinens komponenter har stannat helt och hållet innan du rör vid dem.

KOMPONENTER

1. RÖRELSEVÄLJARE
2. STYRE
3. GRÄSUPPSAMLINGSSÄCK
4. JUSTERINGSSPAK FÖR KLIPPHÖJD
5. PEKARE FÖR JUSTERING AV KLIPPHÖJD
6. FRÄMRE HANDTAG
7. BATTERIHÖLJE
8. BAKRE HANDTAG
9. SÄKERHETSFLIK
10. SÄKERHETSLÅSNINGSKNAPP
11. SNABB SLÄPP KNAPP
12. MULLINSATS
13. BATTERIPAKET * (SE FIG.F2)
14. SAFETY KEY (SE FIG. F2)
15. SÄKERHETSNYCKEL(SE FIG.H)
16. BLADBULT (SE FIG. N1)
17. FLÄKT (SE FIG. N1)
18. BRICKA (SE FIG. N1)

* Alla tillbehör beskrivna eller avbildade nedan medföljer inte standardprodukten.

TEKNISKA DATA

Typ **WG748E WG748E.X (7 - maskinbeteckning, anger Sladdlös gräsklippare)**

	WG748E WG748E .X**
Effekt	40V Max.(2x20V Max.)***
Hastighet utan belastning	2800 /min
Däck bredd	48 cm
Skärbredd	46 cm

Främre hjuldiameter	200 mm
Bakre hjuldiameter	230 mm
Klipphöjd	20 – 80 mm
Klipphöjdslägen	7
Gräsuppsamlingskapacitet	55 L
Maskinens vikt (Naken verktyg)	25.3 kg


** X = 1-999, A-Z, M1-M9 är endast för olika kunder, det finns inga säkerhetsrelaterade förändringar mellan dessa modeller.

*** Spänning uppmätt utan belastning. Initial batterispanning är max. 20 V. Nominell spänning är 18 V.

Kategori	Typ	Kapacitet
20V Batteripaket	WA3014	4.0 Ah
20V Laddning	WA3883	4.0A

Vi rekommenderar att du köper dina tillbehör från samma återförsäljare som du köpte produkten från. Läs på tillbehörens förpackning för mera information. Din återförsäljare kan också hjälpa dig och ge dig råd.

BULLERINFORMATION

Uppmätt ljudtryck	$L_{DA} = 78.4 \text{ dB(A)}$
K_{DA}	3.0 dB (A)
Uppmätt ljudstyrka	$L_{WA} = 91.6 \text{ dB(A)}$
K_{WA}	3.0 dB (A)
Använd hörselskydd.	

VIBRATIONSINFORMATION

Typisk uppmätt vibrering	$a_h < 2.5 \text{ m/s}^2$
Osäkerhet	$K = 1.5 \text{ m/s}^2$

! VARNING: Vibrationsemissionsvärdet vid användning av maskinverktyg kan skilja sig åt från det deklarerade värdet beroende på hur verktyget används och beroende på följande exempel och andra variationer av hur verktyget används:
Hur verktyget används och materialet som verktyget används med.

Verktyget är i bra skick och bra underhållet. Användning av korrekt tillbehör till verktyget och säkerställandet att det är vasst och i bra skick. Beroende på hur tajt åtdraget handtaget är och om några antivibrationstillbehör används. Verktyget används som avsett enligt konstruktionen och de här instruktionerna.

Detta verktyg kan orsaka hand-arm-vibrationssyndrom om det används på felaktigt sätt.

! VARNING: För att det ska bli korrekt bör en beräkning av exponeringsnivån under verkliga förhållanden vid användning också tas med för alla delar av hanteringscykeln såsom tiden när verktyget är avstängt och när det körs på tomgång utan att utföra något arbete. Detta kan betydligt minska exponeringsnivån över den totala arbetsperioden.

Hjälp för att minimera risken för vibrationsexponering.

Använd ALLTID skarpa mejslar, borrar och blad. Underhåll verktyget i enlighet med dessa instruktioner och håll det välsmort (där det är nödvändigt). Om verktyget ska användas regelbundet, investera i antivibrationstillbehör. Planera ditt arbetsschema för att sprida ut användning av kraftigt vibrerande verktyg över flera dagar.

ANVÄNDARHANDLEDNING

 **OBS:** Innan du använder verktyget, läs noga igenom bruksanvisningen.

ÄNDAMÅLSENLIG ANVÄNDNING

Denna gräsklippare är avsedd för hemmabruk.

MONTERING & HANTERING

AKTIVITET	BILD
MONTERING	
Montagem da pega & Ajuste da altura da pega IBS: Tryck och håll ner snabbknappen under drift.	Se Fig. A1, A2
Montagem do saco de recolha da relva	Se Fig. B
Anslutning av gräsuppsamlings säcken till gräsklipparen OBS: Tryck ned gräsbehållaren lätt för att se till att den är installerad helt och hållet. OBS: Ta ut kompostering gs tillbehöret ur gräsklipparen innan gräs uppsamlingspåsén monteras.	Se Fig. C1, C2, C3

<p>Avlägsnande/Tömning av gräsupsamlings säcken</p> <p>! VARNING! Kontrollera alltid att säkerhetsklaffen stänger tömningsutloppet före användning. Lyft aldrig säkerhetsklaffen när gräsklipparen används utan monterad gräsupsamlingspåse.</p>	Se Fig. D1,D2
<p>Installation av mullinsatsen</p>	Se Fig. E
<p>Montera/borttagning av batteri</p> <p>Sätt i säkerhetsnyckeln innan du installerar batteriet.</p> <p>OBS: Denna maskin körs bara när extra batterier är installerade. Vi rekommenderar att du använder samma AH-batterier och laddar de två batterierna samtidigt.</p> <p>När du använder två batterier med olika AH, går maskinen bara till den nedre gemensamma nämaren.</p>	Se Fig. F1, F2
<p>Kontroll av batteriets laddningstillstånd</p> <p>OBS: Figur G1 gäller endast batteripack med batterilampor.</p>	Se Fig. G1
<p>Laddning av batteripaketet</p> <p>OBS: Batteripaketet levereras oladdat. Batteriet måste laddas helt innan första klippningen. Ladda alltid helt de två batterierna samtidigt. Mer information finns i bruksanvisningen till laddaren.</p>	Se Fig. G2
<p>DRIFT</p>	
<p>Strömindikator</p> <p>Se avsnittet BATTERISTATUS</p> <p>VIKTIGT</p> <p>När endast en grön lampa lyser är ditt batteri alltför urladdat även om klipparen fortfarande klarar av att klipp gräs. Om du fortsätter att använda din gräsklippare med batteriet i denna urladdade kondition kan det reducera batteriets livslängd om dess prestanda. Om ingen lampa är tänd är minst ett batteri fel isatt eller defekt. var god dubbelkolla att batterierna är helt fastsatta på plats.</p>	Se Fig. H
<p>Start & Stopp</p>	Se Fig. I1,I2

<p>Justering av klipphöjden</p> <p>! VARNING! Stoppa, släpp manöverspaken och vänta tills motorn stannar innan du justerar höjden. Bladen fortsätter att rotera efter att motorn stängts av, ett roterande blad kan orsaka skador.Vidrör inte roterande blad.</p>	Se Fig. J
<p>Förvaring</p>	Se Fig. K1,K2

BATTERI STATUS LED (Se Fig. H)

- Innan användning eller efter användning trycker du på knappen bredvid strömindikatorlampan på maskinen för att kontrollera batterikapaciteten.
- Under drift kommer batterikapaciteten automatiskt att indikeras av batteriindikatorn. Indikatorn känner av och visar batterietnivån enligt följande.
- Ladda maskinen med två batteripaket med olika AH,visar strömindikatorlampan batteriets tillstånd för den nedre av de två batterierna.

Batteristatus	Batteritillstånd
Fem gröna lampor (●●●●●) lyser.	Hög batterinivå.
Två, tre eller fyra gröna lampor lyser.	Medelhög batterinivå. Ju fler lampor som lyser, desto högre är batterinivån.
Endast en grön lampa (●○○○○) lyser.	Batterinivån på minst en av batterisatserna är mycket låg. Kontrollera och ladda batteriet.
Inga lampor lyser.	Minst ett batteri är fel isatt eller defekt.
Endast en lampa blinkar två gånger per cykel.	Minst ett batteri är urladdat (se batteriladdningstillstånd), ladda de två batterierna minst en gång innan maskinen används igen eller förvaras.
Endast en lampa blinkar tre gånger per cykel.	Minst ett batteri är hett. Låt dem svalna innan du startar maskinen igen.
Endast en lampa blinkar fyra gånger per cykel.	Maskinen är överbelastad. Höj klippningshöjden eller för fram maskinen långsammare.

MULLKLIPPNINGSTIPS

Vid mullklippning är din klippare konstruerad för att klippa gräsklippen i små bitar och fördela dessa över gräsmattan. Under normala förhållanden kommer det finfördelade gräset att brytas ned biologiskt och snabbt för att ge näring till gräsmattan. Läs igenom följande

rekommendationer för optimal mullprestanda.

1. Undvik att klippa när gräset är vått av regn eller dagg. Vått gräs kan bilda klumpar vilka påverkar mullfunktionen och påverkar körtiden. Bästa tiden att klippa gräset är sent på eftermiddagen när gräset är torrt och de nyligen klippna områdena kommer inte att utsättas för direkt solljus.
2. För bästa mullprestanda, ställ in klipphöjden på klippning av en tredjedel av gräshöjden, idealiskt inte mer än 40 mm i taget. Om gräset är för långt kan det vara nödvändigt att öka klipphöjden för att minska kraftansträngningen och förhindra överbelastning av motorn. För extremt tung mullning är det förståeligt att först klippa med en hög klippinställning och sedan klippa en gång till för den slutliga klippningen. I annat fall gör korta klippningar och rör dig sakta framåt.
3. För bästa resultat, håll klipparens hölje fritt från grässamlingar. Stäng emellanåt av klipparen och vänta tills bladet stannat helt och hållet. Koppla sedan ifrån säkerhetsnyckeln och luta klipparen på sidan. Använd ett föremål såsom en pinne och peta bort eventuellt ihopklumpat gräs i bladområdet. Var försiktig med de vassa kanterna på bladet. Rengör ofta vid vått, nytt gräs och alltid efter varje användning.
4. Vissa typer av gräs eller gräsförhållande kan kräva att ett område mullas en andra gång för att helt fördela gräset över gräsmattan. Om det klipps en andra gång är rådet att klippa vinkelrätt (tvärs över) den första klippningen. ÄNDRA INTE KLIPPVÄG PÅ NÅGOT SÄTT SOM GÖR ATT RÖRELSEN ÄR NEDFÖR EN KULLE.
5. Byt ditt klippmönster varje vecka. Detta förhindrar att matning och marmorering över gräsmattan.

KLIPPOMRÅDET

Klippområdet påverkas av flera olika faktorer såsom klipphöjd, gräsets fuktighet samt gräsets längd och täthet. Att starta och stoppa gräsklipparen alltför ofta under tiden den används leder också till minskat klippområde. Nedanstående tabell visar förhållandet mellan förutsättningar och klippområdet.

Skärhöjd	Rekommenderad partistorlek (max)
Klippa mellan 8cm och 6cm	Med 2*20V/4,0Ah batterier
	Upp till 500m ² *

* används med två fulladdade batterier samtidigt

TIPS:

- 1) Det rekommenderas att du klipper din gräsmatta oftare, att du går i normal takt och att du startar/stoppa gräsklipparen så sällan som möjligt när den används.
- 2) För maximal prestanda, säkerställ att två fulladdade batterier användas och klipp alltid ner gräsets höjd med 1/3 eller mindre.
- 3) Gå långsammare när du klipper långt gräs för att få effektivare klippning.
- 4) Undvik att klippa vått gräs då detta fastnar på

- undersidan, vilket leder till minskad effektivitet.
- 5) En högre klipphöjd bör användas på nytt eller tjockt gräs för att förlänga batteritiden.

UNDERHÅLL



Varning: Stanna gräsklipparen, ta bort säkerhetsnyckeln och batterierna innan du tar bort gräsuppsamlingspåsen.

Obs: För att garantera lång och pålitlig funktion, genomför följande underhållsprocedurer regelbundet. Leta efter tydliga defekter såsom en lös, rubbat eller ett skadat blad, lösa delar och slitna eller skadade komponenter. Kontrollera att huvar och skydd är oskadade och korrekt monterade på gräsklipparen. Utför nödvändigt underhåll eller reparationer innan gräsklipparen används. Om gräsklipparen strejkar trots regelbundet underhåll, ring vår kundtjänst för råd.

BLADSLIPNING

HÅLL BLADET VAST FÖR BÄSTA KLIPPNINGSPRESTANDA. ETT TRUBBIGT BLAD KLIPPER INTE GRÄSET RENT ELLER MULLAR ORDENTLIGT.

ANVÄND SKYDDSGLASÖGON VID BORTTAGNING, SLIPNING OCH INSTALLATION AV BLADET. KONTROLLERA ATT SÄKERHETSNYCKEN och BATTERIER ÄR BORTTAGNA.

Slipning av bladet två gånger under klippssäsongen är vanligtvis tillräckligt under normala förhållanden. Sand gör att bladet blir trubbigt snabbt. Om din gräsmatta har sandjord kan mer regelbunden slipning krävas. BYT BÖJDA ELLER SKADADE BLAD OMEDELBART.

VID SLIPNING AV BLADET (Se Fig. L)

1. Se till att bladet behåller balansen.
2. Slipa bladet i den ursprungliga vinkeln.
3. Slipa klippkanterna på båda sidor om bladet, ta bort lika mycket material från båda sidorna.

OBS:

1. Säkerställ att gräsklipparen är avstängd. Ta bort nyckeln och batterierna.
2. Placera gräsklipparen stående i förvaringsposition.

BLADBALANSERING (Se Fig. M)

Kontrollera balansen på bladet genom att placera centrumhålet M-1 på en ett skruvmejselskaft M-2, Om någon ände av bladet roterar nedåt, fila den änden. Bladet är korrekt balanserat när ingen ände roterar nedåt.

BLADUNDERHÅLL (Se Fig. N1, N2)

Förnya bladet efter 50 timmars klippning eller 2 år, vilken som inträffar först – oavsett kondition.


Följ dessa procedurer för att ta bort och byta bladet. Du behöver handskar (medföljer inte) och en skiftnyckel (medföljer inte) för att ta bort bladet. Se till att säkerhetsnyckel och batterier inte är installerade. Klyv ett träblock mellan kniven och klippaggregatet för att förhindra att bladet roterar och skruva loss bladbulnen medurs med en skiftnyckel, och ta sedan bort bladet och fläkten. Återmontera, bladet och fläkten med skärytan riktad mot marken. Sedan dra åt knivbulnen.

FÖRVARING (Se Fig. K1,K2)

Stanna gräsklipparen och ta alltid bort säkerhetsnyckeln och

batterierna.. Rengör maskinens yttre ordentligt med en mjuk borste och trasa. Använd inte vatten, lösningsmedel eller polermedel. Ta bort gräs och skräp, speciellt från ventilation-söppningarna. Vänd maskinen på sidan och gör rent bladområdet. Om gräsklippen är kompakt i bladområdet, ta bort det med en trä eller plast pinne. Förvara maskinen på en torr plats. Placera inga andra föremål ovanpå maskinen. För att underlätta lagring, tryck och håll ner snabb-släpp knappen och vik styret.

MILJÖSKYDD

 Uttjänade elektriska produkter får inte kasseras som hushållsavfall. Återanvänd där det finns anläggningar för det. Kontakta dina lokala myndigheter eller återförsäljare för återvinningsråd.

FELSÖKNING

Problem	Korrigerande åtgärd
1. Gräsklipparen går inte när manövrering är aktiverad.	A. Kontrollera för att vara säker på att säkerhetsnyckeln har installerats och är helt isatt och att säkerhetslåsknappen är helt intryckt. B. Släpp driftsreglaget för att stänga av gräsklipparen. Ta bort säkerhetsnyckeln och batterierna, stäng av gräsklipparen och kontrollera att kniven har fritt svängrum. Om den inte går att dra ut, kontaktar du en behörig servicetekniker. Bladet bör rotera fritt. C. Är batteriet fulladdat? Koppla in laddaren och vänta på att en grön lampa tänds.
2. Motorn stannar under klippning.	A. Släpp driftsreglaget för att stänga av gräsklipparen. Ta bort säkerhetsnyckeln och batterierna, stäng av gräsklipparen och kontrollera att kniven har fritt svängrum. Om den inte går att dra ut, kontaktar du en behörig servicetekniker. Bladet bör rotera fritt. B. Høj hjulen till den högsta klipphöjden och starta gräsklipparen. C. Är batteriet fulladdat? Koppla in laddaren och vänta på att en grön lampa tänds. D. Undvik att överbelasta gräsklipparen. Sänk klipp hastigheten eller öka klipphöjden, eller både och.

3. Gräsklipparen kör men klippprestandan är otillfredsställande, eller klipper inte hela gräsmattan.	A. Är batteriet fulladdat? Koppla in laddaren och vänta på att en grön lampa tänds. B. Släpp driftsreglaget för att stänga av gräsklipparen. Ta bort säkerhetsnyckeln och batterierna. Vänd på gräsklipparen och kontrollera följande: Kniven ska vara vass. Undersidan och utkastarrännan är fria från gräsrester. C. Hjulinställningen kan vara för låg för gräsförhållandena. Öka klipphöjden.
4. Gräsklipparen är för tung att skjuta framåt.	A. Öka klipphöjden för att minska undersidans motstånd mot gräset. Kontrollera att alla hjul roterar fritt.
5. Gräsklipparen bullrar och vibrerar onormalt mycket.	A. Släpp driftsreglaget för att stänga av gräsklipparen. Ta bort säkerhetsnyckeln och batterierna. Ställ gräsklipparen på sidan och säkerställ att kniven inte är böjd eller skadad. Om kniven är skadad ska den bytas mot en ersättningskniv från. Om gräsklipparens underdel är skadad ska du lämna in gräsklipparen hos en auktoriserad verkstad. B. Om det inte finns några synliga skador på kniven och gräsklipparen fortfarande vibrerar: Släpp driftsreglaget för att stänga av gräsklipparen. Ta bort säkerhetsnyckeln och batterierna, och bladet. Roter kniven 180 grader och sätt tillbaka den. Om gräsklipparens fortfarande vibrerar lämnar du in gräsklipparen hos en auktoriserad verkstad.
6. Batteriladdarens LED lyser inte.	A. Kontrollera kontaktanslutningen. B. Byte av laddare.
7. Batteriladdarens lampa går inte över till grönt.	A. Batteriet måste kontrolleras. Ta det till ett behörigt servicecenter.
8. Gräsklipparen tar inte upp klipprester.	A. Avlägsna mullningsplattan innan du sätter på påsen. B. Utkastarrännan har täppts igen. Släpp driftsreglaget för att stänga av gräsklipparen. Ta bort säkerhetsnyckeln och batterierna. Rensa bort klipprester från utkastarrännan. C. För mycket gräsklipp. Høj hjulen för att minska längden på gräset som klipps. D. Behållaren är full. Töm behållaren oftare.
9. Synligt gräsklipp vid mullning.	A. För mycket gräs klipps åt gången. Høj hjulen för att minska längden på gräset som klipps. Klipp inte mer än en tredjedel av den totala höjden. B. Kontrollera att bladet är vasst. Håll alltid bladet vasst.

10. Låg eller förkortad drifttid efter flera användningar.	A. Ta till en behörig servicestation - ett nytt batteri kan behövas.
11. Batteriladdarens lampa blinkar rött och batteriet kan inte laddas.	A. Batteriet överladdas efter kontinuerlig användning. Ta ut batteriet ur laddaren och låt det svalna till 42°C eller lägre.

DEKLARATION OM ÖVERENSSTÄMMESE

Vi,
Positec Germany GmbH
Postfach 32 02 16, 50796 Cologne, Germany

På Positecs vägnar förklara att produkten
Beskrivning **WorxNITRO Sladdlös gräsklippare**
Typ **WG748E WG748E.X (7 - maskinbeteckning, anger Sladdlös gräsklippare)**
Funktion **klippa gräs**

Uppfyller följande direktiv,
2006/42/EC, 2014/30/EU
2011/65/EU&(EU)2015/863
2000/14/EC ändrad av 2005/88/EC

2000/14/EC ändrad av 2005/88/EC
- Konformitetsvärderingsprocedur enligt **Bilaga VI**.
- Uppmätt bullernivå **91.6 dB(A)**
- Deklarerad garanterad bullernivå **94 dB(A)**

Berört notifierat organ
Namn: Intertek, Deutschland GmbH (anmält organ 0905)
Adress: Stangenstraße 1, 70771 LEINFELDEN-ECHTERDINGEN

Standarder överensstämmer med,
EN 60335-1, EN 60335-2-77, EN 62233, EN ISO 3744, EN 55014-1, EN 55014-2

Personen som godkänts att sammanställa den tekniska filen,
Namn Marcel Filz
Adress Positec Germany GmbH
Postfach 32 02 16, 50796 Cologne, Germany




2021/10/11
Allen Ding
Vice chefsingenjör, tester och certifiering
Positec Technology (China) Co., Ltd
18, Dongwang Road, Suzhou Industrial
Park, Jiangsu 215123, P.R. China

BEZPIECZEŃSTWO PRODUKTU OGÓLNE OSTRZEŻENIA DOTYCZĄCE BEZPIECZEŃSTWA



UWAGA Należy przeczytać wszystkie przepisy. Błędy w przestrzeganiu następujących przepisów mogą spowodować porażenie prądem, pożar i/lub ciężkie obrażenia ciała.

Należy uważnie przeczytać podane instrukcje dla bezpieczeństwa podczas działania maszyny. Należy dobrze przechowywać te przepisy.

- Niniejsze urządzenie nie jest przeznaczone do użytku przez osoby (wliczając w to dzieci) z obniżonymi zdolnościami fizycznymi, sensorycznymi lub umysłowymi oraz nieposiadające doświadczenia i wiedzy na temat urządzenia, chyba że zostaną będą one nadzorowane lub zostaną poinstruowane w zakresie obsługi urządzenia przez osobę odpowiedzialną za ich bezpieczeństwo.

- Należy zadbać o to, by dzieci nie bawiły się urządzeniem.
- Urządzenie może być zastosowane wyłącznie z zespołem zasilania, który był dostarczony z tym urządzeniem.

WAŻNE PRZED UŻYCIEM NALEŻY UWAŻNIE PRZECZYTAĆ NALEŻY ZACHOWAĆ DO WYKORZYSTANIA W PRZYSZŁOŚCI

Zalecenia dotyczące bezpiecznej obsługi Podstawowe szkolenie użytkownika

- a) Uważnie przeczytaj niniejszą instrukcję. Zapoznaj się z elementami sterującymi oraz zasadami prawidłowego użytkowania urządzenia.;
- b) Nie pozwalaj używać kosiarki dzieciom lub osobom, które nie zapoznały się niniejszą instrukcją. Przepisy miejscowe mogą regulować minimalny wiek użytkownika podobnych urządzeń;
- c) Zaprzesz używanie maszyny, gdy w pobliżu znajdują się ludzie, w

- szczegółności dzieci, lub zwierzęta domowe;
- d) Zapamiętaj, że operator lub użytkownik jest odpowiedzialny za wypadki lub zagrożenia dla innych ludzi lub ich mienia.

Przygotowanie

- a) Podczas koszenia należy zawsze nosić odpowiednio zakryte obuwie i spodnie z długimi nogawkami. Nie wolno kosić będąc boso lub w sandałach z odkrytymi palcami;
- b) Należy dokładnie sprawdzić teren, gdzie używane będzie urządzenie i usunąć wszystkie objekty, które mogą być wyrzucane przez maszynę;
- c) Przed uruchomieniem kosiarki należy zawsze sprawdzić, czy ostrza, śruby mocujące ostrza oraz zespół tnący nie uległy zużyciu lub uszkodzeniu. Wszystkie zużyte bądź uszkodzone ostrza i śruby należy wymieniać razem, aby zapewnić równomierną eksploatację tych elementów; Należy wymienić uszkodzone i nieczytelne etykiety.

Działanie

- a) Kosić należy wyłącznie w świetle dziennym lub przy dobrym oświetleniu sztucznym;
- b) Należy w miarę możliwości unikać koszenia wilgotnej trawy;
- c) Podczas koszenia na pochyłym terenie należy uważać, aby nie stracić równowagi;
- d) Należy chodzić, nigdy nie należy biegać;
- e) Podczas pracy z maszynami poruszającymi się na kołach, koszenie należy prowadzić w poprzek stoków, nigdy w górę i w dół;
- f) Podczas zmiany kierunku koszenia na terenie pochyłym należy zachować szczególną ostrożność;
- g) Nie wolno kosić nadmiernie nachylonych stoków;
- h) Podczas cofania lub przyciągania kosiarki do siebie należy zachować szczególną ostrożność;
- i) W przypadku konieczności nachylenia kosiarki w celu jej przeniesienia lub przekroczenia podłoża innego niż trawa, a także podczas transportu kosiarki do miejsca pracy, należy wyłączyć urządzenie;
- j) Nie wolno używać urządzenia z uszkodzonymi osłonami lub bez firmowych zabezpieczeń, np. owiewek kierunkowych i/lub odbieraków ściętej trawy;
- k) Silnik kosiarki należy uruchamiać zgodnie z instrukcją, odsuwając stopy od ostrza(-y);
- l) Nie należy nachylać kosiarki podczas włączania silnika, poza sytuacją, gdy kosiarka musi zostać przechylona podczas uruchamiania. w takim przypadku, nie należy nachylać jej bardziej niż jest to absolutnie konieczne i unieść wyłącznie część z drugiej strony operatora;
- m) Nie wolno zbliżać ani wkładać rąk bądź stóp do/pod części obrotowe kosiarki. W przypadku kosiarek obrotowych należy zawsze zachowywać odpowiednią odległość od otworu wylotowego;
- n) Nie wolno dotykać ostrzy, jeśli urządzenie jest podłączone do zasilania, a ostrza nie zostały całkowicie zatrzymane;
- o) Nie należy uruchamiać kosiarki do trawników,

stojąc przed wylotem skoszonej trawy.

- p) Nie należy przenosić kosiarki do trawy, przy uruchomionym źródle zasilania.
- q) Zatrzymaj kosiarkę do trawy i zdejmij urządzenie blokujące. Upewnij się, że zostały całkowicie zatrzymane wszystkie części ruchome.
 - po pozostawieniu maszyny bez nadzoru,
 - przed usunięciem blokady,
 - przed przeglądem, czyszczeniem lub innymi pracami,
 - po zderzeniu z twardym przedmiotem. Przed ponownym uruchomieniem i używaniem kosiarki do trawy, sprawdź maszynę pod kątem uszkodzeń gdy narzędzie ogrodowe zaczyna wibrować w nietypowy sposób (natychmiast zbadać tego przyczynę).
 - sprawdź, czy nie ma uszkodzeń.
 - wymień lub napraw wszelkie uszkodzone części.
 - sprawdź i dokręć wszelkie poluzowane części.

Konserwacja i przechowywanie

- a) Aby zachować dobry stan techniczny kosiarki i zapewnić bezpieczeństwo pracy, należy okresowo dokręcać wszystkie nakrętki i śruby;
- b) Kosiarkę należy często poddawać przeglądowi pod kątem zużycia bądź pogorszenia stanu technicznego;
- c) Dla bezpieczeństwa należy wymieniać zużyte lub uszkodzone części. Należy używać wyłącznie oryginalnych części zamiennych i akcesoriów.
- d) Podczas regulacji kosiarki do trawy należy zachować ostrożność, aby zapobiec uchwyceniu palców pomiędzy ruchomymi nożami i stałymi częściami kosiarki do trawy.
- e) Przed przechowywaniem należy poczekać na ostygnięcie kosiarki do trawy.
- f) Podczas obsługi noży należy uważać, ponieważ nawet przy wyłączonym źródle zasilania, noże mogą się nadal poruszać.

INSTRUKCJA BEZPIECZEŃSTWA DOTYCZĄCA MODUŁU AKU- MULATORA

a) Nie demontuj, nie otwieraj lub nie niszczy ogniw pomocniczych lub modułu akumulatora.

b) Nie zwieraj ogniwa lub modułu akumulatora. Nie przechowuj ogniw lub modułu akumulatora w sposób bezładny w pudle lub szufladzie, gdzie mogą się wzajemnie zewrzeć lub ulec zwarceniu przez inne metalowe przedmioty. Nie używany akumulator należy trzymać z daleka od spinaczy, monet, kluczy, gwoździ, śrub lub innych małych przedmiotów metalowych, które mogłyby spowodować zmostkowanie kontaktów. Zwarcie pomiędzy kontaktami akumulatora może spowodować oparzenia lub pożar.

c) Nie narażaj ogniw lub modułu akumulatora na działanie ciepła lub ognia. Unikaj składowania w miejscach pod bezpośrednim działaniem

światła słonecznego.
d) Nie narażaj ogniw lub modułu akumulatora na uderzenia mechaniczne.

e) W razie wycieku z ogniwa, nie dopuść, aby płyn zetknął się ze skórą lub dostał się do oczu. Jeśli już nastąpił kontakt z płynem, przemyj skażoną powierzchnię dużą ilością wody i zwróć się o pomoc medyczną.

f) Utrzymuj ogniwa i moduł akumulatora w czystości i w stanie suchym.

g) Jeśli zaciski ogniwa lub akumulatora zostały zanieczyszczone, oczyść je czystą i suchą szmatką.

h) Ogniwa pomocnicze i moduł akumulatora należy przed użyciem naładować. Zawsze używaj właściwej ładowarki i przestrzegaj instrukcji ładowania zawartej w instrukcji obsługi dostarczonej przez producenta urządzenia.

i) Nie pozostawiaj modułu akumulatora na długie ładowanie, jeśli go nie używasz.

j) Po dłuższym okresie

składowania może być niezbędne kilkakrotne naładowanie i rozładowanie ogniw lub modułu akumulatora, aby uzyskać optymalną wydajność.

k) Akumulatory należy ładować tylko w ładowarkach, które poleci producent Worx.

l) Nie używaj ogniwa lub modułu akumulatora nie przeznaczonego do pracy z danym urządzeniem.

m) Trzymaj ogniwa i moduł akumulatora poza zasięgiem dzieci.

n) Zachowaj oryginalne instrukcje produktu do wglądu.

o) Kiedy to możliwe, wyjmuj moduł akumulatora, jeśli urządzenia się nie używa.







p) Zużyte ogniwa i akumulatory utylizuj zgodnie z zasadami gospodarki odpadami.



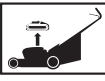


q) Nie używaj w urządzeniu ogniw różnych producentów, pojemności i wymiarów.

r) Akumulatora nie należy zbliżać do źródeł promieniowania mikrofalowego ani

narazać na wysokie ciśnienie.

SYMBOLE

	Przed rozpoczęciem używania tej maszyny należy przeczytać instrukcje obsługi
	Należy zachować bezpieczną odległość o przechodniów.
	Należy uważać na ostrza. Po wyłączeniu silnika ostrza nadal obracają się- przed rozpoczęciem prac konserwacyjnych należy wyjąć mechanizm blokujący.
	Nieprawidłowo utylizowane baterie mogą dostać się do obiegu wodnego, co jest groźne dla ekosystemu. Nie wyrzucaj baterii wraz z niesortowanymi odpadami miejskimi..
	Nie wrzucać do ognia
	Bateria litowo-jonowa. Ten produkt oznaczono symbolem „segregacji odpadów” dla zużytych baterii i akumulatorów. Umożliwia to jego recycling i demontaż, które zmniejszają negatywny wpływ na środowisko. Pakiety akumulatorów są niebezpieczne dla środowiska i dla ludzkiego życia, gdyż zawierają niebezpieczne substancje.

	Odpady wyrobów elektrycznych nie powinny być wyrzucane razem z odpadami gospodarstwa domowego. Należy korzystać z recyklingu, jeśli istnieje odpowiednia infrastruktura. Porady dotyczące recyklingu można uzyskać u władz lokalnych lub sprzedawcy detalicznego.
	Należy zakładać okulary ochronne
	Wyjąć akumulator z gniazda przed dokonaniem jakiegokolwiek regulacji, serwisowania lub konserwacji.
	Wyjąć klucz
	Noże obracają się jeszcze przez jakiś czas po wyłączeniu silnika narzędzia ogrodowego i mogą spowodować obrażenia. Przed dotknięciem elementów maszyny należy odczekać do momentu ich całkowitego zatrzymania się.

LISTA KOMPONENTÓW


1. POKRĘTŁO STEROWANIA
2. UCHWYT
3. WOREK NA TRAWĘ
4. DŹWIGNIA REGULACJI WYSOKOŚCI CIĘCIA
5. WSKAŹNIK REGULACJI WYSOKOŚCI CIĘCIA
6. PRZEDNI UCHWYT
7. POKRYWA AKUMULATORA
8. TYLNY UCHWYT
9. KLAPA BEZPIECZEŃSTWA
10. PRZYCIŚK ODCIĘCIA ZASILANIA
11. PRZYCIŚK SZYBKIEGO MOCOWANIA
12. ZAŚLEPKA DO MULCHOWANIA
13. AKUMULATOR * (PATRZ RYS. F2)

14. KLUCZ BEZPIECZEŃSTWA (PATRZ RYS. F2)
15. WSKAŹNIK NAŁADOWANIA AKUMULATORA (PATRZ RYS. H)
16. NAKRĘTKA OSTRZA (PATRZ RYS. N1)
17. OSTRZE (PATRZ RYS. N1)
18. PODKŁADKA DYSTANSOWA (PATRZ RYS.N1)

* Nie wszystkie pokazane na ilustracji akcesoria są dostarczane standardowo.

DANE TECHNICZNE

Typ WG748E WG748E.X (7 - przeznaczenie maszyny, kosiarka do trawy z zasilaniem bateryjnym)

	WG748E WG748E .X**
Napięcie znamionowe	40V  Max. (2x20V Max.)***
Prędkość na biegu jałowym	2800 /min
Szerokość pokładu	48 cm
Szerokość cięcia	46 cm
Średnica kół przednich	200 mm
Średnica kół tylnych	230 mm
Zakres wysokości cięcia	20 – 80 mm
Pozycje wysokości cięcia	7
Pojemność zbiornika na trawę	55 L
Masa urządzenia (Gołe narzędzie)	25.3 kg

** X = 1-999, A-Z, M1-M9 są tylko dla różnych klientów, nie ma żadnych zmian związanych z bezpieczeństwem między tymi modelami.

***Napięcie mierzone bez obciążenia roboczego. Początkowe napięcie akumulatora osiąga maksymalnie 20 V. Napięcie nominalne to 18 V.

Bezprzewodowa kosiarka do trawników PL

Kategoria	Rodzaj	Pojemność
20V Akumulator	WA3014	4.0 Ah
20V Ładowarki	WA3883	4.0 A

Zaleca się zakup wszystkich akcesoriów w sklepie, gdzie zakupiono narzędzie. Typ narzędzia wybierz według rodzaju pracy, którą będziesz wykonywał. Więcej szczegółów można znaleźć w dodatkowym opakowaniu. Personel sklepu może również udzielić pomocy i porad.

DANE DOTYCZĄCE HAŁASU

Ważone ciśnienie akustyczne $L_{pA} = 78.4 \text{ dB(A)}$

K_{pA} 3.0 dB (A)

Ważona moc akustyczna $L_{WA} = 91.6 \text{ dB(A)}$

K_{WA} 3.0 dB (A)

Używać ochrony słuchu.



INFORMACJE DOTYCZĄCE DRGAŃ

Typowa wibracja ważona $a_h < 2.5 \text{ m/s}^2$

Niepewność $K = 1.5 \text{ m/s}^2$

OSTRZEŻENIE: Wartość emisji wibracji w czasie rzeczywistego używania elektronarzędzia może się różnić od zadeklarowanej, w zależności od sposobu używania narzędzia w następujących przykładach i innych sposobach używania narzędzia:

Jak używane jest narzędzie oraz, czy materiał jest cięty czy wiercony.
Czy narzędzie jest w dobrym stanie i czy jest prawidłowo konserwowane.

Czy używane są prawidłowe akcesoria narzędzia i czy narzędzie jest właściwie naostrzone oraz w dobrym stanie.

Czy dokręcone są szczyki na uchwycie i czy używane są jakiegokolwiek akcesoria antywibracyjne.
Oraz, czy narzędzie jest używane zgodnie z przeznaczeniem i według instrukcji.

Nieprawidłowe prowadzenie tego narzędzia może spowodować syndrom wibracji rąk.

OSTRZEŻENIE: W szczególności, oszacowanie poziomu ekspozycji w rzeczywistych warunkach używania powinno brać także pod uwagę wszystkie elementy cyklu działania, takie jak czasy wyłączenia narzędzia i czas bezczynności, ale nie rzeczywistości wykonywaną pracę. Może to znacznie zmniejszyć poziom ekspozycji w całym okresie pracy.

Pomoc w minimalizacji narażenia na wibracje. Należy ZAWSZE używać ostrych dłut, wiertel i ostrzy. Narzędzie należy konserwować z godnie z instrukcjami i prawidłowo smarować (w odpowiednich miejscach). Jeśli narzędzie jest używane regularnie należy zakupić akcesoria antywibracyjne. Należy zaplanować harmonogram pracy w celu rozłożenia używania narzędzi wytwarzających wysoki poziom drgań na kilka dni.

INSTRUKCJE OBSŁUGI




UWAGA: Przed użyciem narzędzia należy uważnie przeczytać instrukcje.

Możliwe użycie

Ten produkt służy do koszenia trawników w domu.

DZIAŁANIE	RYSUNEK
MONTAŻ	
Montaż uchwytu i Regulacja wysokości uchwytu UWAGA: Podczas pracy należy wcisnąć i trzymać przycisk szybkoocucyjny	Patrz Rys. A1, A2
Montaż worka na trawę	Patrz Rys. B
Montaż worka na trawę w kosiarce UWAGA: Naciśnij lekko worek na trawę, aby upewnić się, że został całkowicie zainstalowany. UWAGA: Wyjmij wkładkę do mulczowania z kosiarki przed zamontowaniem worka na trawę.	Patrz Rys.C1, C2, C3
FjDemontaż/oprózniczenie worka na trawę	Patrz Rys. D1,D2
! Ostrzeżenie! Przed użyciem należy zawsze sprawdzić klapkę bezpieczeństwa przy wylocie. Nigdy nie podnosić klapki bezpieczeństwa, gdy kosiarka jest używana bez worka na trawę.	
Instalowanie zaślepki do mulczowania	Patrz Rys.E

Dopasowanie/wyjęcie baterii Przed założeniem baterii akumulatorowej należy włożyć kluczyk zabezpieczający. UWAGA: Urządzenie może pracować wyłącznie przy zasilaniu dwoma osobnymi akumulatorami. Zalecamy stosowanie akumulatorów o tej samej pojemności, oraz ładowanie ich w tym samym czasie. W przypadku zastosowania akumulatorów o różnej pojemności urządzenie będzie pracować z mocą słabszego akumulatora.	Patrz Rys. F1, F2
Sprawdzanie stanu naładowania akumulatora UWAGA: Fig. G1 dotyczy wyłącznie akumulatora wyposażonego w kontrolkę świetlną.	Patrz Rys.G1
Ładowanie akumulatora UWAGA: akumulator jest dostarczany w stanie nienaładowanym. Przed pierwszym użyciem kosiarki należy w pełni naładować akumulator. Zawsze ładować oba akumulatory jednocześnie. Więcej szczegółów znajduje się w instrukcji obsługi ładowarki.	Patrz Rys.G2
DZIAŁANIE	
Wskaźnik mocy akumulatora W celu uzyskania szczegółów należy zapoznać się z rozdziałem STAN AKUMULATORKA WAŻNE: Jedno zielone światło oznacza rozładowanie baterii, bateria jest całkowicie rozładowana nawet, jeśli kosiarka nadal może kosić trawę. Kontynuowanie używania kosiarki z rozładowaną baterią może zmniejszyć żywotność i wydajność baterii. Jeśli nie świeci żadna kontrolka oznacza to, że przynajmniej jedna bateria nie jest w pełni doładowana lub jest uszkodzona, sprawdź, czy są dobrze założone na swoim miejscu.	Patrz Rys. H
Uruchamianie & Zatrzymanie	Patrz Rys. I1,I2

Regulacja wysokości cięcia  OSTRZEŻENIE! Przed przystąpieniem do regulacji wysokości maszyną należy zatrzymać, zwolnić pałąk, oraz poczekać do całkowitego zatrzymania silnika. Noże kontynuują obracanie po wyłączeniu urządzenia, obracające się ostrze może spowodować obrażenia. Nie wolno dotykać obracających się ostrzy.	Patrz Rys. J
Przechowywanie	Patrz Rys. K1, K2

DIODY LED STANU BATERII (Patrz Rys. H)

- Przed uruchomieniem lub po eksploatacji urządzenia naciśnij przycisk znajdujący się obok kontrolki zasilania na urządzeniu, aby sprawdzić pojemność akumulatora. Podczas pracy pojemność akumulatora będzie wskazywana automatycznie przez wskaźnik naładowania akumulatora.
- Wskaźnik nieustannie mierzy i wyświetla stan akumulatora w następujący sposób.
- W przypadku założenia do urządzenia 2 baterii akumulatorowych o różnej pojemności, wskaźnik zasilania pokazuje stan naładowania akumulatora o niższym poziomie naładowania.

Stan kontrolki LED baterii	Stan baterii
Świeci pięć zielonych kontrolkek (●●●●●)	Dwie baterie są w pełni doładowane.
Świecą dwie, trzy lub cztery zielonych kontrolkek.	Dwie baterie są w czynności. Większa ilość świecących kontrolkek oznacza wyższy stan doładowania baterii.
Świeci wyłącznie jedna zielona kontrolka (●□□□□)	Przynajmniej jedna bateria jest wyładowana i należy ją doładować.
Nie świeci żadna kontrolka.	Nie zainstalowano przynajmniej jednej baterii lub jest uszkodzona.
Wyłącznie jedna kontrolka świeci dwa razy w cyklu.	Przynajmniej jedna bateria jest wyładowana (skontrolować stan naładowania), przed ponownym użyciem lub składowaniem należy naładować dwie baterie.
Wyłącznie jedna kontrolka świeci trzy razy w cyklu.	Przynajmniej jedna bateria jest gorąca, poczekać do obniżenia temperatury przed ponownym użyciem.
Wyłącznie jedna kontrolka świeci cztery razy w cyklu.	Maszyna jest obciążona. Podnieść wysokość koszenia lub zwolnić ruch.

WSKAZÓWKI DOTYCZĄCE PRZEMIESZCZANIA

Podczas rozdrabniania, nowa kosiarka umożliwiła cięcie kawałków trawy na małe cząstki i ich rozprzestrzenianie po trawniku. W normalnych warunkach, rozdrobniona trawa ulega szybkiej biodegradacji dostarczając nawozy do trawnika.

W celu zapewnienia optymalnej wydajności procesu rozdrabniania należy zastosować się do następujących zaleceń.

- 1) Nie należy wykonywać koszenia, gdy trawa jest mokra od deszczu lub rosy. Mokra trawa może zbijać się w bryły, co zakłóca rozdrabnianie i skraca czas pracy. Trawę najlepiej kosić późnym popołudniem, gdy trawa jest sucha, a nowo wykoszone miejsce można wystawić na bezpośrednie promienie słońca.
- 2) W celu uzyskania najlepszej wydajności rozdrabniania należy ustawić wysokość koszenia na jedną trzecią wysokości trawy, najlepiej nie więcej jednorazowo niż 40mm. Jeśli trawa na trawniku jest zbyt wysoka, może się okazać niezbędne zwiększenie wysokości cięcia, aby zmniejszyć opór i zabezpieczyć przed nadmiernym obciążeniem silnika. Przy ekstremalnie trudnym rozdrabnianiu, zaleca się, aby najpierw ciąć przy najwyższym ustawieniu wysokości, a następnie powtórzyć cięcie w celu uzyskania dokładnego cięcia końcowego. W przeciwnym razie należy obejmować kosiarką jak najwęższą szerokość trawnika i przesuwając się powoli.
- 3) Dla uzyskania najlepszej wydajności, należy usunąć z obudowy kosiarki resztki trawy. Od czasu do czasu należy wyłączać kosiarkę i zaczekać na całkowite zatrzymanie noża. Następnie należy odłączyć kluczyk zabezpieczający i ustawić kosiarkę na boku. Używając patyka należy usunąć nagromadzoną trawę w obszarze działania noża. Należy uważać na ostre krawędzie noża. Po skoszeniu mokrej, nowej trawy i po każdym użyciu należy wykonać czyszczenie.
- 4) Niektóre rodzaje trawy lub stan trawy wymagają przeprowadzenia kolejnego rozdrabniania w celu pełnego rozproszenia trawy po trawniku. Podczas drugiego cięcia, zaleca się koszenie w kierunku prostopadłym (poprzecznie) do pierwszego cięcia. NIE NALEŻY ZMIENIAĆ KIERUNKU CIĘCIA, JEŚLI NOWY KIERUNEK ZAKŁADA PORUSZANIE SIĘ W DÓŁ ZBOCZA.
- 5) Należy co tydzień zmieniać kierunek cięcia. Zapobiega to utrwalaniu się na trawniku wzorów.

WIELKOŚĆ POWIERZCHNI KOSZENIA

Na wielkość powierzchni koszenia ma wpływ kilka czynników, którymi są: wysokość koszenia, wilgotność trawnika, długość źdźbła trawy oraz gęstość trawy. Częste uruchamianie i wyłączenia kosiarki podczas koszenia trawnika, ma również wpływ na zmniejszenie

wielkości skoszonej powierzchni.

Wysokość koszenia	Zalecana partia (maksymalna)
Odetnij 8 cm do 6 cm	Z akumulatorem 2 * 20 V / 4.0 Ah
	Do 500 m ² *

* z jednoczesnym użyciem 2 całkowicie naładowanych akumulatorów

RADY:

- 1) Zaleca się kosić trawę, w krótszych odstępach czasu, poruszając się normalnym tempem i nie uruchamiać lub wyłączać często kosiarki.
- 2) W celu osiągnięcia maksymalnej wydajności kosiarki, prosimy o jednoczesne używanie dwóch całkowicie naładowanych akumulatorów i zawsze kosić maksymalnie do 1/3 wysokości trawnika.
- 3) Podczas koszenia wysokiej trawy należy chodzić pomału, czym zagwarantujemy skuteczne koszenie i należyte odprowadzanie skoszonej trawy.
- 4) Wystrzegaj się koszenia wigotnej trawy. Trawa w takim stanie będzie przylegać do dolnej części mechanizmu koszenia a skoszona trawa nie byłaby należycie gromadzona i odprowadzana.
- 5) Przy koszeniu nowego lub gęstszego trawnika należy zastosować większą wysokość koszenia, dzięki czemu wydłuży się zakres pracy akumulatorów.

KONSERWACJA

! OSTRZEŻENIE: Przed zdjęciem pojemnika na trawę kosiarkę należy zatrzymać, po czym wyjąć klucz zabezpieczający oraz akumulatory .

UWAGA: Aby zapewnić długie i skuteczne działanie należy regularnie przeprowadzać następujące procedury konserwacji. Należy sprawdzać widoczne defekty, takie jak luźne, nieprawidłowo ułożony lub uszkodzony nóż, luźne uszczelnienia i zużyte lub uszkodzone komponenty. Należy sprawdzić, czy pokrywy i osłony nie są uszkodzone i czy są prawidłowo zainstalowane w kosiarce. Przed rozpoczęciem używania kosiarki należy przeprowadzać wszystkie niezbędne czynności konserwacyjne lub naprawy. Jeśli nie można wykonać normalnych czynności konserwacji kosiarki w celu uzyskania porady należy zadzwonić na linię pomocy klienta.

OSTRZENIE NOŻA

ABY ZAPEWNIĆ NAJLEPSZĄ WYDAJNOŚĆ KOSIARKI, NOŻ POWINIEN BYĆ OSTRY. TĘPY NOŻ NIE ZAPEWNIĄ CZYSTEGO CIĘCIA TRAWY LUB PRAWIDŁOWEGO ROZDRABNIANIA.

PODCZAS WYJMOWANIA, OSTRZENIA I INSTALOWANIA NOŻA NALEŻY ZAKŁADAĆ ODPOWIEDNIA OSŁONĘ OCZU. NALEŻY DOPILNOWAĆ, BY KLUCZ ZABEZPIEZAJĄCY I AKUMULATORY BYŁY WYJĘTE.

W normalnych okolicznościach w ciągu sezonu wystarcza dwukrotne ostrzenie noża. Piasek może powodować szybkie tępienie noża. Jeśli trawnik jest zapiaszczony, może być wymagane częstsze ostrzenie.

WYGIĘTY LUB USZKODZONY NOŻ NALEŻY WYMIENIĆ NIEZWŁOCZNIE.

KIEDY NALEŻY OSTRZYĆ NÓZ (Patrz Rys. L)

1. Upewnij się, że nóż jest prawidłowo wyważony.
2. Naostrz nóż pod prawidłowym kątem.
3. Naostrz krawędzie tnące po obu stronach noża, zdejmując po obu stronach równą ilość materiału.

UWAGA:

1. Należy upewnić się, że kosiarka jest wyłączona. Wyjmij klucz i akumulatory.
2. Umieścić kosiarkę w pozycji pionowej do przechowywania.

ZRÓWNOWAŻENIE NOŻA (Patrz Rys. M)

Sprawdź zrównoważenie noża umieszczając centralny otwór w ostrzu M-1 nad śrubokręta M-2, zaciśniętego poziomo w imadle M-3. Jeśli jeden z końców obraca się w dół należy go podpiłować. Nóż jest prawidłowo naostrzony, jeśli ni opada żaden z jego końców.

KONSERWACJA NOŻA (Patrz Rys. N1, N2)

Nóż metalowy należy wymienić na nowy po 50 godzinach koszenia lub po 2 latach, w zależności, co wcześniej zostanie osiągnięte, niezależnie od warunków. Należy zastosować się do podanych procedur zdejmowania i zakładania noża. W celu zdjęcia noża należy założyć rękawice ogrodowe (niedostarczone) i użyć klucza (niedostarczone). Należy sprawdzić, czy klucz zabezpieczający i akumulatory są wyjęte. Pomędzy nóż a obudowę kosiarki należy włożyć drewniany klin, co zapobiegnie obracaniu się noża i odkręć kluczem nakrętkę noża w kierunku przeciwnym do wskazówek zegara, a następnie wyjmij nóż.

W celu ponownego montażu, najpierw ustaw nóż krawędziami tnącymi w kierunku ziemi. Następnie dokręć nakrętkę noża.

PRZECHOWYWANIE: (Patrz Rys. K1, K2)

Należy zatrzymać kosiarkę, pamiętając by zawsze wyjąć klucz zabezpieczający i akumulatory. Należy dokładnie oczyścić zewnętrzne części maszyny, miękką szmatką i szmatką. Nie należy używać wody, rozpuszczalników lub środków do polerowania. Należy usunąć trawę i zanieczyszczenia, szczególnie ze szczelin wentylacyjnych. Przekręć maszynę na bok i oczyść obszar noża. Jeśli w okolicy noża zbiorą się zbite cząstki trawy, usuń je drewnianym lub plastikowym narzędziem. Maszynę należy przechowywać w suchym miejscu. Nie należy umieszczać innych obiektów na maszynie. Składowanie kosiarki ułatwia przycisk szybkoomocujący, który należy wcisnąć, po czym złożyć uchwyt.

ZASADY OCHRONY ŚRODOWISKA



Nie wolno mieszać zużytych urządzeń elektrycznych z innymi odpadami domowymi. Należy je oddawać do recyklingu tam, gdzie istnieją odpowiednie zakłady bądź punkty zdawania odpadów. Porady w tym zakresie można zasięgnąć u najbliższego sprzedawcy lub w przedstawicielstwie władz lokalnych.

ROZWIĄZYWANIE PROBLEMÓW

Objawy	Możliwe rozwiązanie
1. Kosiarka nie porusza się po wciśnięciu pałaka.	A. Sprawdź, czy został zainstalowany klucz zabezpieczający i czy jest w pełni osadzony, oraz czy przycisk zwalniania blokady jest całkowicie wciśnięty. B. Należy zwolnić pałak, co spowoduje wyłączenie kosiarki. Wyjąć klucz zabezpieczający i akumulatory, przewrócić kosiarkę dołem do góry i sprawdzić, czy ostrze może obracać się swobodnie. Jeżeli nie, należy skontaktować się z punktem serwisowym. C. Czy akumulator został całkowicie naładowany? Baterię umieścić w ładowarce i poczekać do rozświecania się zielonej kontrolki.
2. Silnik zatrzymuje się podczas koszenia.	A. Należy zwolnić pałak, co spowoduje wyłączenie kosiarki. Wyjąć klucz zabezpieczający i akumulatory, przewrócić kosiarkę dołem do góry i sprawdzić, czy ostrze może obracać się swobodnie. Jeżeli nie, należy skontaktować się z punktem serwisowym. B. Zwiększyć wysokość ustawienia kół do najwyższego położenia i włączyć kosiarkę. C. Czy akumulator został całkowicie naładowany? Baterię umieścić w ładowarce i poczekać do rozświecania się zielonej kontrolki. D. Unikać przeciążenia kosiarki. Zmniejszyć prędkość lub zwiększyć wysokość koszenia. Bądź dwóch.

<p>3. Kosiarka jest włączona ale skuteczność koszenia jest niska lub nie pokosiła całego trawnika.</p>	<p>A. Czy akumulator został całkowicie naładowany? Baterię umieścić w ładowarce i poczekać do rozświecania się zielonej kontrolki. B. Należy zwolnić pałąk, co spowoduje wyłączenie kosiarki. Wyjąć klucz zabezpieczający i akumulatory, Przewrócić kosiarkę dołem do góry i sprawdzić: Ostrość ostrza - Utrzymać ostrze naostrzone. Czy spód i otwór wylotowy nie są zatkane. C. Wysokość kół może być ustawiona za nisko dla danego stanu trawy. Zwiększyć wysokość koszenia.</p>	<p>8. Kosiarka nie przemieszcza skoszonej trawy do worka.</p>	<p>A. Usunąć ściótkę mulczową podczas pakowania. B. Zsuw jest uniedrożniony. Należy zwolnić pałąk, co spowoduje wyłączenie kosiarki. Wyjąć klucz zabezpieczający i akumulatory, Opróżnić zsuw. C. Za duża ilość skoszonej trawy. Podwyższyć wysokość cięcia w celu obniżenia długości ściętej trawy. D. Worek/pojemnik jest pełny. Częściej opróżniać worek/pojemnik</p>
<p>4. Kosiarkę pcha się z nadmiernym wysiłkiem.</p>	<p>A. Zwiększyć wysokość koszenia w celu zmniejszenia oporu powodowanego przez tarcie spodem kosiarki o trawę. Sprawdzić, czy wszystkie koła obracają się swobodnie.</p>	<p>9. Widoczne są wycięcia podczas mulczowania.</p>	<p>A. Koszona jest nadmierna ilość trawy naraz. Zwiększyć wysokość kół, aby zmniejszyć długość ścinanych fragmentów. Nie kosić więcej niż 1/3 długości. B. Skontrolować stan naostrzenia noży. Ostrza zawsze utrzymywać w dobrze naostrzonym stanie.</p>
<p>5. Kosiarka pracuje nietypowo głośno i drga.</p>	<p>A. Należy zwolnić pałąk, co spowoduje wyłączenie kosiarki. Wyjąć klucz zabezpieczający i akumulatory, Przewrócić kosiarkę na bok i sprawdzić, czy ostrze nie jest wygięte lub uszkodzone. Jeśli ostrze jest uszkodzone, wymienić je na ostrze zamienne. Jeśli spód kosiarki jest uszkodzony, przekazać kosiarkę do autoryzowanego centrum serwisowego. B. Jeśli nie ma żadnych widocznych uszkodzeń ostrza, a kosiarka nadal drga: Należy zwolnić pałąk, co spowoduje wyłączenie kosiarki. Wyjąć klucz zabezpieczający i akumulatory, następnie zdemontować nóż. Obrócić ostrze o 180 stopni i założyć je na miejsce. Jeśli kosiarka nadal drga, przekazać kosiarkę do autoryzowanego centrum serwisowego.</p>	<p>10. Niski lub skrócony czas pracy po wielu zastosowaniach.</p>	<p>A. Skontaktować się z autoryzowanym punktem serwisowym – być może konieczna jest wymiana baterii.</p>
<p>6. Nie świeci LED kontrolka ładowarki.</p>	<p>A. Skontrolować podłączenie do sieci elektrycznej. B. Wymienić ładowarkę.</p>	<p>11. Kontrola LED ładowarki miga na czerwono, baterii nie można doładować.</p>	<p>A. Bateria jest przegrzana po ciągłym użyciu. Wyjąć baterię z ładowarki i poczekać na jej schłodzenie do 42°C lub mniej.</p>
<p>7. Kontrolka LED ładowarki nie świeci na zielonym światłem.</p>	<p>A. Należy skontrolować baterię. Skontaktować się z autoryzowanymi punktem serwisowym.</p>		

DEKLARACJA ZGODNOŚCI

My,
Positec Germany GmbH
Postfach 32 02 16, 50796 Cologne, Germany

W imieniu firmy Positec zaświadczam, że produkt

Nazwa **Bezprzewodowa kosiarka do trawy**

WorxNITRO

Typ **WG748E WG748E.X (7 - oznaczenie urządzenia,**

reprezentuje Bezprzewodowa kosiarka do trawy)

Funkcje **Koszenie trawy**

jest zgodny z następującymi dyrektywami,

2006/42/EC, 2014/30/EU

2011/65/EU&(EU)2015/863

2000/14/EC zmieniona dyrektywą 2005/88/EC

2000/14/EC zmieniona dyrektywą 2005/88/EC

Procedura oceny zgodności zgodna z

Aneksem VI Dyrektywy

Moc dźwięku

91.6 dB(A)

Deklarowana gwarantowana moc dźwięku **94 dB(A)**

Dane jednostki notyfikowanej

Nazwa: Intertek, Deutschland GmbH(jednostka notyfikowana 0905)

Adres: Stangenstraße 1, 70771 LEINFELDEN-ECHTERDINGEN

Normy są zgodne z,

EN 60335-1, EN 60335-2-77, EN 62233, EN ISO 3744,

EN 55014-1, EN 55014-2

Osoba upoważniona do kompilacji pliku technicznego,

Nazwa Marcel Filz

Adres Positec Germany GmbH

Postfach 32 02 16, 50796 Cologne, Germany



2021/10/11

Allen Ding

Zastępca głównego inżyniera,

testowanie i certyfikacja


Positec Technology (China) Co., Ltd

18, Dongwang Road, Suzhou Industrial

Park, Jiangsu 215123, P. R. China

ΑΣΦΑΛΕΙΑ ΠΡΟΪΟΝΤΟΣ ΓΕΝΙΚΕΣ ΥΠΟΔΕΙΞΕΙΣ ΑΣΦΑΛΕΙΑΣ ΓΙΑ ΗΛΕΚΤΡΙΚΑ ΕΡΓΑΛΕΙΑ

ΠΡΟΕΙΔΟΠΟΙΗΣΗ!

 **Διαβάστε όλες τις υποδείξεις.** Η μη τήρηση των παρακάτω υποδείξεων μπορεί να έχει σα συνέπεια ηλεκτροπληξία, κίνδυνο πυρκαγιάς ή/και σοβαρούς τραυματισμούς.

Διαβάστε προσεκτικά τις οδηγίες για την ασφαλή λειτουργία του μηχανήματος. Φυλάξτε όλες τις προειδοποιήσεις και τις οδηγίες για μελλοντική αναφορά.

- Το προϊόν αυτό δεν ενδείκνυται για χρήση από άτομα (συμπεριλαμβανομένων παιδιών) με μειωμένη σωματική, αισθητηριακή ή πνευματική ικανότητα, ή έλλειψη εμπειρίας και γνώσης, εκτός και επιτηρούνται ή έχουν λάβει οδηγίες σχετικά με τη χρήση του προϊόντος από άτομο αρμόδιο για την ασφάλειά τους.

- Τα παιδιά θα πρέπει

να επιτηρούνται για να εξασφαλιστεί ότι δεν παίζουν με τη συσκευή.

- Η συσκευή πρέπει να χρησιμοποιείται μόνο με τη μονάδα τροφοδοσίας ισχύος που παρέχεται με τη συσκευή.

**ΣΗΜΑΝΤΙΚΟ
ΠΡΙΝ ΑΠΟ ΤΗ ΧΡΗΣΗ,
ΔΙΑΒΑΣΤΕ ΠΡΟΣΕΚΤΙΚΑ
ΔΙΑΤΗΡΗΣΤΕ ΤΟ ΓΙΑ
ΜΕΛΛΟΝΤΙΚΗ ΑΝΑΦΟΡΑ**

**Πρακτικές ασφαλούς
λειτουργίας
ΕΚΠΑΙΔΕΥΣΗ**

- a) Διαβάστε προσεκτικά τις οδηγίες. Εξοικειωθείτε με τα χειριστήρια και τη σωστή χρήση της συσκευής.
- b) Μην επιτρέπετε ποτέ σε παιδιά ή άτομα μη εξοικειωμένα με τις παρούσες οδηγίες να χρησιμοποιούν τη μηχανή. Οι τοπικοί κανονισμοί ενδέχεται να επιβάλλουν περιορισμούς στην ηλικία των χειριστών.
- c) Μην κουρεύετε ποτέ το γκαζόν όταν υπάρχουν κοντά άνθρωποι, ειδικά παιδιά ή κατοικίδια ζώα.
- d) Ο χειριστής ή ο χρήστης

είναι υπεύθυνος για πιθανά ατυχήματα ή κινδύνους που συμβαίνουν σε άλλα άτομα ή στην περιουσία τους.

ΠΡΟΕΤΟΙΜΑΣΙΑ

- a) Όταν κουρεύετε το γκαζόν, να φοράτε πάντα γερά παπούτσια και μακρύ παντελόνι. Μην χρησιμοποιείτε τη μηχανή με γυμνά πόδια ή με ανοιχτά πέδιλα ή σανδάλια.
- b) Επιθεωρήστε με προσοχή την περιοχή στην οποία πρόκειται να χρησιμοποιηθεί η συσκευή και απομακρύνετε όλες τις πέτρες, κλαδάκια, σύρματα, κόκαλα και άλλα ξένα αντικείμενα.
- c) Πριν τη χρήση, να επιθεωρείτε πάντα οπτικά για να δείτε αν οι λεπίδες, τα μάνδαλα των λεπίδων και το εξάρτημα κοπής δεν έχουν υποστεί φθορά ή βλάβη. Αντικαταστήστε φθαρμένες ή κατεστραμμένες λεπίδες και μάνδαλα ταυτόχρονα ώστε να υπάρχει ισορροπία.

ΛΕΙΤΟΥΡΓΙΑ

- a) Να κουρεύετε το γκαζόν μόνο με το φως της ημέρας

- ή με καλό τεχνητό φως.
- b) Να αποφεύγετε τη λειτουργία σε υγρό γκαζόν όταν αυτό είναι δυνατόν.
- c) Να προσέχετε πάντα τα βήματα σας όταν βαδίζετε σε πλαγιές με κλίση.
- d) Να περπατάτε και να μην τρέχετε ποτέ.;
- e) Για περιστροφικές μηχανές με ροδάκια, να κουρεύετε το γκαζόν κατά μήκος όχι πάνω και κάτω.
- f) Να είστε ιδιαίτερα προσεκτικοί όταν αλλάζετε κατεύθυνση στις πλαγιές.
- g) Μην κουρεύετε πολύ απόκρημνες πλαγιές.
- h) Να είστε ιδιαίτερα προσεκτικοί όταν στρέφετε ή τραβάτε τη συσκευή προς το μέρος σας.
- i) Σταματήστε τη(τις) λεπίδα(-ες) αν η συσκευή πρέπει να λάβει κλίση για μεταφορά, όταν συναντάτε επιφάνειες άλλες από γρασίδι και όταν μεταφέρετε τη συσκευή από και προς την περιοχή προς κούρεμα.
- j) Μην λειτουργείτε ποτέ τη συσκευή με ελαττωματικά προστατευτικά ή θωρακίσεις ή χωρίς διατάξεις ασφαλείας, π.χ. αν δεν βρίσκονται στη θέση τους εκτροπείς ή/και κλείθρα χορταριών.
- k) Ανάψτε τη μηχανή σύμφωνα με τις οδηγίες και έχοντας τα πόδια σας μακριά από τις λεπίδες.
- l) Μην γέρνετε τη μηχανή όταν ανάβετε τον κινητήρα, εκτός αν η μηχανή πρέπει να γείρει για να εκκινήσει. Σε αυτήν την περίπτωση, μην τη γείρετε περισσότερο απ' όσο είναι απολύτως απαραίτητο και ανασηκώστε μόνο το τμήμα το οποίο βρίσκεται μακριά από τον χειριστή.
- m) Μην τοποθετείτε χέρια ή πόδια κοντά ή κάτω από περιστρεφόμενα μέρη. Για περιστροφικές μηχανές κουρέματος γκαζόν, να κρατάτε πάντα καθαρό το άνοιγμα αδειάσματος.
- n) Μην αγγίζετε τη λεπίδα πριν την αφαίρεση του μηχανισμού απενεργοποίησης. Και πριν οι λεπίδες σταματήσουν τελείως
- o) Μην ξεκινήσετε την χλοοκοπτική μηχανή αν στέκεστε μπροστά στο άνοιγμα εκκένωσης.
- p) Μην μετακινείτε τη μηχανή κουρέματος ενόσω η πηγή

τροφοδοσίας (κινητήρας)
βρίσκεται σε λειτουργία.

- α) Σταματήστε την χλοοκοπτική μηχανή, και αφαιρέστε το εμπόδιο. Βεβαιώνεστε ότι όλα τα κινούμενα εξαρτήματα έχουν σταματήσει τελείως,
- όποτε αφήνετε το μηχάνημα ανεπιτήρητο,
 - πριν καθαρίσετε ένα μπλοκάρισμα,
 - πριν κάνετε έλεγχο, καθαρισμό ή άλλη εργασία πάνω στο μηχάνημα,
 - σε περίπτωση που χτυπήσετε σε ξένο αντικείμενο. Επιθεωρήστε το μηχάνημα για τυχόν ζημιά και, αν χρειαστεί, επισκευάστε το πριν ξεκινήσετε πάλι τη λειτουργία της χλοοκοπτικής μηχανής και τη χρησιμοποιήσετε. Εάν η συσκευή αρχίσει να δονείται ασυνήθιστα (ελέγξτε αμέσως):
- Ελέγξτε για ζημιές,
 - Αντικαταστήστε ή επιδιορθώστε τυχόν τμήματα που έχουν υποστεί ζημιά
 - Ελέγξτε εάν υπάρχουν χαλαρά τμήματα και σφίξτε τα.

ΣΥΝΤΗΡΗΣΗ ΚΑΙ ΑΠΟΘΗΚΕΥΣΗ

- α) Να κρατάτε όλες τις βίδες και τα παξιμάδια σφιχτά ώστε να διασφαλίσετε ότι η συσκευή είναι σε ασφαλή λειτουργία.
- β) Να ελέγχετε το κλείθρο του γκαζόν συχνά για φθορές ή απώλειες.
- γ) Να αντικαταστείτε τα φθαρμένα ή με βλάβη εξαρτήματα για λόγους ασφάλειας. Να χρησιμοποιείται γνήσιος μόνο ανταλλακτικά και αξεσουάρ.
- δ) Να είστε προσεχτικοί κατά τη διάρκεια των ρυθμίσεων της χλοοκοπτικής μηχανής ώστε να μην εγκλωβιστούν τα δάχτυλά σας ανάμεσα στις κινούμενες λεπίδες κοπής και στα σταθερά εξαρτήματα της χλοοκοπτικής μηχανής.
- ε) Αφήνετε πάντοτε τη μηχανή να κρυώσει πριν την αποθήκευσή της.
- φ) Ενώσω εκτελείτε εργασίες σέρβις στις λεπίδες να έχετε υπόψη σας, ότι ακόμα και αν έχετε αποσυνδέσει τη λειτουργία του κινητήρα, οι λεπίδες μπορούν και πάλι να τεθούν σε κίνηση.

ΠΡΟΕΙΔΟΠΟΙΗΣΕΙΣ ΑΣΦΑΛΕΙΑΣ ΓΙΑ ΤΗ ΣΥΣΤΟΙΧΙΑ ΜΠΑΤΑΡΙΩΝ

a) Απαγορεύονται η αποσυναρμολόγηση, το άνοιγμα ή το κόψιμο στοιχείων μπαταριών ή συστοιχιών μπαταριών.

b) Δεν πρέπει να βραχυκυκλώνετε συστοιχίες μπαταριών.

Οι συστοιχίες μπαταριών δεν πρέπει να φυλάσσονται

ανοργάνωτα σε κουτί ή συρτάρι όπου μπορεί να βραχυκυκλώσουν

η μία την άλλη ή να βραχυκυκλωθούν από

αγώγιμα υλικά. Όταν

δεν χρησιμοποιείτε την μπαταρία, φροντίστε να τη φυλάσσετε μακριά

από άλλα μεταλλικά αντικείμενα, όπως

συνδετήρες χαρτιού, κέρματα, κλειδιά, καρφιά,

βίδες ή άλλα μικρά μεταλλικά είδη, που

μπορεί να δημιουργήσουν σύνδεση μεταξύ των

δύο ακροδεκτών. Αν τοποθετήσετε τους

ακροδέκτες της μπαταρίας τον ένα δίπλα στον άλλο,

μπορεί να προκληθούν εγκαύματα ή πυρκαγιά.

c) Μην αφήσετε τη συστοιχία μπαταριών εκτεθειμένη σε υψηλή θερμοκρασία ή φωτιά. Αποφύγετε την αποθήκευσή της σε σημείο άμεσα εκτεθειμένο στο φως του ήλιου.

d) Μην αφήσετε τη συστοιχία μπαταριών να υποστεί μηχανικό πλήγμα.

e) Σε περίπτωση διαρροής της μπαταρίας, μην αφήσετε το υγρό να έρθει σε επαφή με το δέρμα ή τα μάτια σας. Αν συμβεί κάτι τέτοιο, πλύνετε το προσβεβλημένο σημείο με άφθονο νερό και ζητήστε τη συμβουλή γιατρού.

f) Η συστοιχία μπαταριών πρέπει να είναι πάντα καθαρή και στεγνή.

g) Αν λερωθούν οι ακροδέκτες της συστοιχίας μπαταριών, σκουπίστε τους με καθαρό στεγνό πανί.

h) Η συστοιχία μπαταριών χρειάζεται φόρτιση πριν από τη χρήση της. Πρέπει

να ανατρέχετε πάντοτε στην παρούσα οδηγία και να χρησιμοποιείτε τη σωστή διαδικασία φόρτισης.

- i) Μην αφήνετε τη συστοιχία μπαταριών να φορτίζεται όταν δεν τη χρησιμοποιείτε.
- j) Μετά από παρατεταμένες περιόδους αποθήκευσης, μπορεί να χρειαστεί να φορτίσετε και να αποφορτίσετε τη συστοιχία μπαταριών αρκετές φορές για να επιτευχθούν οι μέγιστες επιδόσεις της.
- k) Για επαναφόρτιση χρησιμοποιήστε μόνο τον φορτιστή που καθορίζει η WorxNITRO. Μη χρησιμοποιήσετε άλλον φορτιστή εκτός από αυτόν που παρέχεται αποκλειστικά για χρήση μαζί με τον εξοπλισμό.
- l) Μη χρησιμοποιήσετε άλλη συστοιχία μπαταριών που δεν έχει σχεδιαστεί για χρήση μαζί με τον εξοπλισμό.
- m) Φυλάξτε τη συστοιχία μπαταριών μακριά από σημεία όπου μπορεί να τη βρουν τα παιδιά.

n) Φυλάξτε τα αρχικά ενημερωτικά έντυπα του προϊόντος γιατί μπορεί να τα χρειαστείτε στο μέλλον.

o) Όταν δεν χρησιμοποιείτε την μπαταρία, πρέπει να την αφαιρείτε από τον εξοπλισμό.

p) Η απόρριψη των μπαταριών πρέπει να γίνεται με τον ενδεδειγμένο τρόπο.

q) Μην αναμειγνύετε στοιχεία διαφορετικών κατασκευαστών, χωρητικότητας, μεγέθους ή τύπου μέσα στη συσκευή.

r) Διατηρείτε την μπαταρία μακριά από συσκευές μικροκυμάτων και υψηλή πίεση.

ΣΥΜΒΟΛΑ



Διαβάστε το βιβλίο οδηγιών πριν να λειτουργήσετε το μηχάνημα



Να κρατάτε τους ανθρώπους σε απόσταση.

	Προσέχετε τις αιχμηρές λεπίδες. Οι λεπίδες εξακολουθούν να περιστρέφονται μετά την απενεργοποίηση του μοτέρ. Αφαιρέστε το φικ από την πρίζα πριν τη συντήρηση ή αν έχει υποστεί ζημιά το καλώδιο.
	Εάν γίνει εσφαλμένη απόρριψη των μπαταριών μπορεί να εισέλθουν στον κύκλο του νερού με αποτέλεσμα να τεθεί σε κίνδυνο το οικοσύστημα. Μην απορρίπτετε τις άχρηστες μπαταρίες ως μη ταξινομημένα αστικά απορρίμματα.
	Απαγορεύεται η καύση.
	Μπαταρία ιόντων λιθίου. Το προϊόν αυτό διαθέτει επισήμανση ενός συμβόλου που αφορά την «ξεχωριστή συλλογή» για όλες τις συστοιχίες μπαταριών και για τη συστοιχία μπαταριών του προϊόντος αυτού. Στη συνέχεια θα ανακυκλωθεί ή θα αποσυναρμολογηθεί ώστε να ελαχιστοποιηθούν οι επιπτώσεις στο περιβάλλον. Οι συστοιχίες μπαταριών μπορούν να είναι επικίνδυνες για το περιβάλλον και την ανθρώπινη υγεία καθότι περιέχουν επικίνδυνες ουσίες.
	Απόβλητα σχετικά με ηλεκτρισμό δεν πρέπει να πετάνονται μαζί με τα απόβλητα του νοικοκυριού. Παρακαλούμε να τα ανακυκλώνετε εκεί όπου υπάρχουν οι απαραίτητες εγκαταστάσεις. Ελέγξτε στον τοπικό σας δήμο ή στους πωλητές για συμβουλές ανακύκλωσης.
	Φοράτε προστατευτικά γάντια.
	Βγάλτε την μπαταρία από την πρίζα πριν προβείτε σε οποιαδήποτε προσαρμογή, σε σέρβις ή σε συντήρηση.

	Αφαιρέστε το κλειδί
	Η λεπίδα συνεχίζει να περιστρέφεται και μετά τη διακοπή της μηχανής. Περιμένετε μέχρι να σταματήσουν όλα τα εξαρτήματα της μηχανής πριν τα αγγίξετε

ΛΙΣΤΑ ΣΥΣΤΑΤΙΚΩΝ


1. ΜΟΧΛΟΣ ΛΕΙΤΟΥΡΓΙΑΣ
2. ΜΠΑΡΑ ΧΕΙΡΟΛΑΒΗΣ
3. ΔΟΧΕΙΟ ΣΥΛΛΟΓΗΣ ΓΚΑΖΟΝ
4. ΜΟΧΛΟΣ ΡΥΘΜΙΣΗΣ ΥΨΟΥΣ ΚΟΠΗΣ
5. ΔΕΙΚΤΗΣ ΡΥΘΜΙΣΗΣ ΥΨΟΥΣ ΚΟΠΗΣ
6. ΜΠΡΟΣΤΙΝΗ ΛΑΒΗ
7. ΚΑΛΥΜΜΑ ΠΑΚΕΤΟΥ ΜΠΑΤΑΡΙΑΣ
8. ΟΠΙΣΘΙΑ ΛΑΒΗ
9. ΠΤΕΡΥΓΙΟ ΑΣΦΑΛΕΙΑΣ
10. ΚΟΥΜΠΙ ΑΣΦΑΛΙΣΗΣ
11. ΚΟΥΜΠΙ ΓΡΗΓΟΡΗΣ ΑΠΕΛΕΥΘΕΡΩΣΗΣ
12. ΕΝΘΕΤΟ ΣΥΓΚΕΝΤΡΩΣΗΣ ΑΧΥΡΟΥ
13. ΜΠΑΤΑΡΙΑ* (ΔΕΙΤΕ F2)
14. ΚΛΕΙΔΙ ΑΣΦΑΛΕΙΑΣ (ΔΕΙΤΕ F2)
15. ΛΥΧΝΙΑ ΕΝΔΕΙΞΗΣ ΙΣΧΥΟΣ(ΔΕΙΤΕ H)
16. ΜΠΟΥΛΟΝΙ ΛΕΠΙΔΑΣ (ΔΕΙΤΕ N1)
17. ΛΕΠΙΔΑ (ΔΕΙΤΕ N1)
18. ΑΠΟΣΤΑΤΗΣ (ΔΕΙΤΕ N1)

* Δεν περιλαμβάνονται στο βασικό εξοπλισμό όλα τα εξαρτήματα που απεικονίζονται ή περιγράφονται.

ΤΕΧΝΙΚΕΣ ΠΛΗΡΟΦΟΡΙΕΣ

Τύπος **WG748E WG748E.X** (7 -χαρακτηρισμός μηχανήματος, αντιπροσωπ. Ασύρματη μηχανή γκαζόν)

WG748E WG748E .X**

Ταξινομημένη ισχύς εισόδου	40V  Max.(2x20V Max.)***
Ονομαστική ταχύτητα χωρίς φορτίο	2800 /min
Πλάτος καταστρώματος	48 cm
Πλάτος κοπής	46 cm
Διάμετρος μπροστινού τροχού	200 mm
Διάμετρος πίσω τροχού	230 mm
Ύψος κοπής:	20 – 80 mm
Θέσεις ρύθμισης ύψους κοπής	7
Χωρητικότητα συλλογής γκαζόν:	55 L
Βάρος μηχανήματος (γυμνό εργαλείο)	25.3 kg

** Χ=1-999, A-Z, M1-M9 χρήση μόνο για διαφορετικούς πελάτες, δεν υπάρχουν ασφαλείς σχετικές διαφορές μεταξύ αυτών των μοντέλων

*** Τάση μετρηθείσα χωρίς φορτίο. Η αρχική τάση της μπαταρίας φτάνει έως 20 volt. Η ονομαστική τάση είναι 18 volt.

Κατηγορία	Μοντέλο	Χωρητικότητα
Μπαταρία 20V	WA3014	4.0 Ah
Φορτιστής 20V	WA3883	4.0 A

Προτείνουμε να αγοράσετε όλα τα αξεσουάρ από το κατάστημα που αγοράσατε το εργαλείο. Επιλέξτε τον βαθμό ποιότητας σύμφωνα με την δουλειά που σκοπεύετε να κάνετε. Ανατρέξτε στη συσκευασία του αξεσουάρ για περισσότερες πληροφορίες. Το προσωπικό του καταστήματος μπορεί επίσης να βοηθήσει και να συμβουλευτεί.

ΠΛΗΡΟΦΟΡΙΕΣ ΘΟΥΡΥΒΟΥ

Μετρημένη ηχητική πίεση	$L_{pA} = 78.4 \text{ dB(A)}$
K_{pA}	3.0 dB (A)
Μετρημένη ηχητική δύναμη	$L_{wA} = 91.6 \text{ dB(A)}$
K_{wA}	3.0 dB (A)

Φοράτε Προστατευτικά για τα Αυτιά.



ΠΛΗΡΟΦΟΡΙΕΣ ΔΟΝΗΣΕΩΝ

Τυπική μετρημένη δόνηση	$a_h < 2.5 \text{ m/s}^2$
Αβεβαιότητα	$K = 1.5 \text{ m/s}^2$

ΠΡΟΣΟΧΗ: Η τιμή εκπομπής κραδασμών κατά τη διάρκεια της ενεργούς χρήσης του εργαλείου ενδέχεται να διαφέρει από την τιμή που αναφέρεται ανάλογα με τους τρόπους με τους οποίους χρησιμοποιείται το εργαλείο, ανάλογα με τα ακόλουθα παραδείγματα και άλλες μεταβλητές στον τρόπο χρήσης του εργαλείου:

Πώς χρησιμοποιείται το εργαλείο και τα υλικά που είναι τα αντικείμενα κοπής ή διάτρησης.

Αν το εργαλείο βρίσκεται σε καλή κατάσταση και συντηρείται σωστά.

Αν χρησιμοποιείται το κατάλληλο εξάρτημα για το εργαλείο και αν είναι αχμηρό και σε καλή κατάσταση.

Πόσο σφικτή είναι η λαβή στο χερούλι και αν χρησιμοποιούνται αξεσουάρ κατά των κραδασμών.

Αν χρησιμοποιείται το εργαλείο όπως έχει προδιαγραφεί από το σχεδιασμό του και τις παρούσες οδηγίες.

Το εργαλείο αυτό ενδέχεται να προκαλέσει σύνδρομο κραδασμού χεριού-βραχίονα εάν η χρήση του δεν ελέγχεται σωστά.

ΠΡΟΣΟΧΗ: Για να υπάρχει ακρίβεια, η εκτίμηση του επιπέδου έκθεσης σε πραγματικές συνθήκες χρήσης πρέπει να λάβει επίσης υπόψη όλα τα μέρη του κύκλου λειτουργίας όπως τις φορές που το εργαλείο απενεργοποιείται καθώς και όταν λειτουργεί σε κενό αλλά δεν κάνει πραγματικά την εργασία. Αυτό μπορεί να μειώσει σημαντικά το επίπεδο έκθεσης μέσα στη συνολική περίοδο λειτουργίας.

Βοήθεια στην ελαχιστοποίηση του κινδύνου έκθεσης σε κραδασμούς.

Να συντηρείτε το εργαλείο σύμφωνα με τις παρούσες οδηγίες και να το διατηρείτε καλά γρασαρισμένο (εκεί που ισχύει).

Εάν το εργαλείο πρόκειται να χρησιμοποιείται τακτικά τότε επενδύστε σε αξεσουάρ κατά των κραδασμών.

Να αποφύγετε τη χρήση εργαλείων σε θερμοκρασίες 100C ή χαμηλότερες.

Σχεδιάστε το πρόγραμμα της εργασίας σας έτσι ώστε να διαμοιράσετε τη χρήση εργαλείων υψηλών κραδασμών μέσα σε μερικές μέρες.

ΔΙΑΔΙΚΑΣΙΑ ΦΟΡΤΙΣΗΣ



ΣΗΜΕΙΩΣΗ: Πριν χρησιμοποιήσετε το εργαλείο διαβάστε το βιβλίο οδηγιών προσεκτικά.



ΧΡΗΣΗ ΣΥΜΦΩΝΑ ΜΕ ΤΟΝ ΠΡΟΟΡΙΣΜΟ

Το προϊόν αυτό προορίζεται για την κοπή γρασιδιού στον ιδιωτικό τομέα.

ΣΥΝΑΡΜΟΛΟΓΗΣΗ ΚΑΙ ΛΕΙΤΟΥΡΓΙΑ

ΕΝΕΡΓΕΙΑ	ΣΙΚ
ΣΥΝΑΡΜΟΛΟΓΗΣΗ	

Χλοκοπτική μηχανή μπαταρίας GR

<p>ΣΥΝΑΡΜΟΛΟΓΗΣΗ ΤΟΥ ΧΕΡΟΥΛΙΟΥ&ΡΥΘΜΙΣΗ ΧΕΡΟΥΛΙΟΥ</p> <p>ΣΗΜΕΙΩΣΗ: Πατάτε και κρατάτε το κουμπί γρήγορης απελευθέρωσης κατά τη διάρκεια της λειτουργίας.</p>	<p>Δείτε A1, A2</p>	<p>ΛΥΧΝΙΑ ΕΝΔΕΙΞΗΣ ΙΣΧΥΟΣ Δείτε τις λεπτομέρειες στο απόσπασμα ΚΑΤΑΣΤΑΣΗ ΜΠΑΤΑΡΙΑΣ</p> <p>ΣΗΜΑΝΤΙΚΟ: Όταν ανάβει μόνο μια λυχνία, η μπαταρία σας έχει αποφορτιστεί υπερβολικά, παρότι το μηχάνημα έχει ακόμα δυνατότητα λειτουργίας. Εάν συνεχίσετε με τη λειτουργία του μηχανήματός σας με την μπαταρία σε αυτή την αποφορτισμένη κατάσταση, μπορεί να μειωθεί η διάρκεια ζωής και η απόδοση της μπαταρίας σας. Όταν δεν ανάβει καμία λυχνία, τουλάχιστον μια μπαταρία δεν έχει εγκατασταθεί καλά ή η μπαταρία μπορεί να είναι ελαττωματική. Βεβαιωθείτε ότι οι μπαταρίες εδράζονται καλά στη θέση τους.</p>	<p>Δείτε H</p>					
<p>ΣΥΝΑΡΜΟΛΟΓΗΣΗ ΤΟΥ ΔΟΧΕΙΟΥ ΣΥΛΛΟΓΗΣ ΓΚΑΖΟΝ</p>	<p>Δείτε B</p>							
<p>ΤΟΠΟΘΕΤΗΣΗ ΤΟΥ ΔΟΧΕΙΟΥ ΣΥΛΛΟΓΗΣ ΓΚΑΖΟΝ</p> <p>ΣΗΜΕΙΩΣΗ: Χαλαρώστε ελαφρά το δοχείο συλλογής γκαζόν για να βεβαιωθείτε ότι έχει τοποθετηθεί πλήρως.</p> <p>ΣΗΜΕΙΩΣΗ: Αφαιρέστε το ένθεμα κάλυψης εδάφους έξω από την χλοοκοπτική μηχανή προτού τοποθετήσετε το σάκο συλλογής χόρτου.</p>	<p>Δείτε C1, C2, C3</p>	<p>ΕΚΚΙΝΗΣΗ ΚΑΙ ΔΙΑΚΟΠΗ</p>	<p>Δείτε I1,I2</p>					
<p>ΑΦΑΙΡΕΣΗ/ΑΔΕΙΑΣΜΑ</p> <p> ΠΡΟΕΙΔΟΠΟΙΗΣΗ! Να ελέγχετε πάντα γιατί το πτερύγιο ασφαλείας μπορεί να κλείσει την έξοδο αποφόρτισης ερμητικά πριν τη χρήση. Μην σηκώνετε ποτέ το πτερύγιο ασφαλείας όταν η κουρευτική μηχανή χρησιμοποιείται χωρίς να έχει τοποθετηθεί η σακούλα χόρτου.</p>	<p>Δείτε D1,D2</p>	<p>ΡΥΘΜΙΣΗ ΤΟΥ ΨΦΟΥΣ ΚΟΠΗΣ</p> <p> ΠΡΟΕΙΔΟΠΟΙΗΣΗ! Σταματήστε, αποδεσμεύστε το μοχλό λειτουργίας και περιμένετε μέχρι να σταματήσει το μοτέρ προτού ρυθμίσετε το ύψος. Οι λεπίδες κοπής συνεχίζουν να περιστρέφονται και μετά την απενεργοποίηση της μηχανής και μπορεί να προκαλέσουν τραυματισμό.</p>	<p>Δείτε J</p>					
<p>ΑΦΑΙΡΕΣΗ ΕΝΘΕΤΟΥ ΣΥΓΚΕΝΤΡΩΣΗΣ ΑΧΥΡΟΥ</p>	<p>Δείτε E</p>	<p>ΑΠΟΘΗΚΕΥΣΗ</p>	<p>Δείτε K1,K2</p>					
<p>ΤΟΠΟΘΕΤΗΣΗ/ΑΦΑΙΡΕΣΗ ΤΗΣ ΜΠΑΤΑΡΙΑΣ</p> <p>Εισαγάγετε το κλειδί ασφάλειας προτού εγκαταστήσετε το πακέτο μπαταρίας.</p> <p>ΣΗΜΕΙΩΣΗ: Το μηχάνημα αυτό θα μπορέσει να λειτουργήσει μόνο εφόσον τοποθετηθούν ξεχωριστές μπαταρίες. Συστήνεται να χρησιμοποιείτε τις ίδιες μπαταρίες AH και να τις φορτίζετε ταυτόχρονα.</p> <p>Όταν χρησιμοποιείτε δύο μπαταρίες με διαφορετική τιμή AH, το μηχάνημα θα λειτουργεί μόνο στην χαμηλότερη κοινή ονομαστική τιμή.</p>	<p>Δείτε F1, F2</p>	<p>ΚΑΤΑΣΤΑΣΗ ΜΠΑΤΑΡΙΑΣ(Δείτε H)</p> <ul style="list-style-type: none"> • Πριν την εκκίνηση ή μετά τη χρήση πατήστε το κουμπί δίπλα στη λυχνία ένδειξης ισχύος στο μηχάνημα για να ελέγξετε την ισχύ μπαταρίας. • Κατά τη διάρκεια της χρήσης η ισχύς μπαταρίας θα προβάλλεται αυτόματα από την ένδειξη ισχύος μπαταρίας. Η ένδειξη ανχνεύει και προβάλλει συνεχώς την κατάσταση μπαταρίας ως εξής. • Όταν φορτίζετε το μηχάνημα με 2 πακέτα μπαταριών διαφορετικής τιμής AH, η λυχνία ένδειξης ισχύος προβάλλει την κατάσταση μπαταρίας με την χαμηλότερη ισχύ από τις δύο μπαταρίες. 						
<p>ΕΛΕΓΧΟΣ ΤΗΣ ΚΑΤΑΣΤΑΣΗΣ ΦΟΡΤΙΣΗΣ ΜΠΑΤΑΡΙΑΣ</p> <p>ΣΗΜΕΙΩΣΗ: Η Εκ. G1, ισχύει μόνο για τη συστοιχία μπαταριών με ενδεικτική λυχνία μπαταρίας.</p>	<p>Δείτε G1</p>							
<p>Φορτίση Της Μπαταρίας</p> <p>ΣΗΜΕΙΩΣΗ: Οι μπαταρίες αποστέλλονται αφόρτιστες. Κάθε μπαταρία πρέπει να φορτίζεται πλήρως πριν την πρώτη κοπή.</p> <p>Φορτίζετε πάντα και τις δύο μπαταρίες ταυτόχρονα. Μπορείτε να βρείτε περισσότερες λεπτομέρειες στο εγχειρίδιο του φορτιστή.</p>	<p>Δείτε G2</p>	<table border="1"> <thead> <tr> <th data-bbox="561 1099 738 1166">Κατάσταση λυχνίας ένδειξης μπαταρίας</th> <th data-bbox="741 1099 1022 1166">Κατάσταση μπαταρίας</th> </tr> </thead> <tbody> <tr> <td data-bbox="561 1171 738 1254">Ανάβουν πέντε πράσινες λυχνίες (■■■■■)</td> <td data-bbox="741 1171 1022 1254">Οι δύο μπαταρίες είναι πλήρως φορτισμένες.</td> </tr> <tr> <td data-bbox="561 1259 738 1359">Δύο, τρεις ή τέσσερις πράσινες λυχνίες ανάβουν.</td> <td data-bbox="741 1259 1022 1359">Οι δύο μπαταρίες έχουν λίγη εναπομείνουσα φόρτιση. Όσο περισσότερες λυχνίες ανάβουν, τόσο μεγαλύτερη είναι η χωρητικότητα της μπαταρίας.</td> </tr> </tbody> </table>	Κατάσταση λυχνίας ένδειξης μπαταρίας	Κατάσταση μπαταρίας	Ανάβουν πέντε πράσινες λυχνίες (■■■■■)	Οι δύο μπαταρίες είναι πλήρως φορτισμένες.	Δύο, τρεις ή τέσσερις πράσινες λυχνίες ανάβουν.	Οι δύο μπαταρίες έχουν λίγη εναπομείνουσα φόρτιση. Όσο περισσότερες λυχνίες ανάβουν, τόσο μεγαλύτερη είναι η χωρητικότητα της μπαταρίας.
Κατάσταση λυχνίας ένδειξης μπαταρίας	Κατάσταση μπαταρίας							
Ανάβουν πέντε πράσινες λυχνίες (■■■■■)	Οι δύο μπαταρίες είναι πλήρως φορτισμένες.							
Δύο, τρεις ή τέσσερις πράσινες λυχνίες ανάβουν.	Οι δύο μπαταρίες έχουν λίγη εναπομείνουσα φόρτιση. Όσο περισσότερες λυχνίες ανάβουν, τόσο μεγαλύτερη είναι η χωρητικότητα της μπαταρίας.							
<p>ΛΕΙΤΟΥΡΓΙΑ</p>								

Μόνο μια πράσινη λυχνία (■□□□) ανάβει.	Η ισχύς μπαταρίας τουλάχιστον μιας συστοιχίας μπαταριών είναι πολύ χαμηλή. Ελέγξτε και φορτίστε τη συστοιχία μπαταριών.
Δεν ανάβει καμία λυχνία.	Τουλάχιστον μια μπαταρία δεν έχει εγκατασταθεί καλά ή η μπαταρία μπορεί να είναι ελαττωματική.
Μόνο μια λυχνία αναβοσβήνει δύο φορές ανά κύκλο.	Τουλάχιστον μια μπαταρία έχει υπερφορτιστεί (ανατρέξτε στην κατάσταση φόρτισης μπαταρίας), επαναφορτίστε τις δύο μπαταρίες αμέσως πριν από εκ νέου χρήση ή αποθήκευση.
Μόνο μια λυχνία αναβοσβήνει τρεις φορές ανά κύκλο.	Τουλάχιστον μια μπαταρία είναι καυτή, περιμένετε να κρυώσει πριν από επανεκκίνηση.
Μόνο μια λυχνία αναβοσβήνει τέσσερις φορές ανά κύκλο.	Το μηχανήμα έχει υπερφορτωθεί. Απομακρύνετε το εργαλείο από τον τομέα κοπής και δοκιμάστε ξανά.

ΣΥΜΒΟΥΛΕΣ ΓΙΑ ΤΗΝ ΚΟΠΗ ΑΧΥΡΟΥ

Η νέα σας μηχανή κοπής γκαζόν είναι σχεδιασμένη για να κόβει το κομμένο γκαζόν σε μικρά κομμάτια και να το διασπείρει πίσω στο γκαζόν. Σε κανονικές συνθήκες το κομμένο γκαζόν θα βιοδιασπαστεί γρήγορα και θα παρέχει θρεπτικά στοιχεία στο γκαζόν.

Διαβάστε τις ακόλουθες προτάσεις για βέλτιστη απόδοση στη δημιουργία του στρώματος αχύρου.

- Αποφεύγετε την κοπή γκαζόν όταν αυτό είναι υγρό από βροχή ή υγρασία. Το υγρό γκαζόν μπορεί να δημιουργήσει μάζες οι οποίες αλληλεπιδρούν με τη δημιουργία αχύρου και μειώνουν το χρόνο λειτουργίας της μηχανής.
Η καλύτερη ώρα για να κουρέψετε το γκαζόν είναι αργά το απόγευμα όταν το γκαζόν είναι στεγνό και η περιοχή κοπής έχει εκτεθεί στο άμεσο ηλιακό φως.
- Για την καλύτερη απόδοση στη δημιουργία αχύρου, ρυθμίστε το ύψος κοπής ώστε να κόβει περίπου το ένα τρίτο του μήκους της λεπίδας, ιδανικά όχι περισσότερο από 40 mm κάθε φορά. Αν το γκαζόν έχει αναπτυχθεί πολύ, μπορεί να είναι απαραίτητο να αυξήσετε το ύψος κοπής για να μειώσετε την πίεση που ασκείτε και να προφυλάξετε το μοτέρ από υπερφόρτωση. Για μεγάλη παραγωγή αχύρου, συνιστάται πρώτα να ρυθμίζετε το ύψος κοπής υψηλά και στη συνέχεια να κόβετε ξανά στο τελικό ύψος κοπής. Αλλιώς, κόψτε σε πιο κοντό ύψος και κουρέψτε αργά.
- Για καλύτερη απόδοση, να διατηρείτε το περιβάλλον της μηχανής κοπής γκαζόν καθαρό από γκαζόν. Ανά χρονικά διαστήματα να απενεργοποιείτε τη μηχανή και περιμένετε μέχρι η λεπίδα να σταματήσει να κινείται. Στη συνέχεια απομακρύνετε το κλειδί ασφαλείας και γυρίστε τη μηχανή στο πλάι. Με ένα αντικείμενο όπως βέρονα, καθαρίστε την περιοχή της λεπίδας από συσσωρεύσεις γκαζόν. Να είστε προσεκτικοί στις ακμές της λεπίδας. Να τις καθαρίζετε συχνά σε υγρό, νέο γκαζόν και πάντα μετά από κάθε χρήση.

- Μπορεί να χρειαστεί να στρώσετε άχυρο για δεύτερη φορά σε μερικούς τύπους γκαζόν ή συνθήκες γκαζόν ώστε το άχυρο να διασπαρεί σε όλο το γκαζόν.
Αν κόβετε για δεύτερη φορά, συνιστάται να κόβετε κάθετα στο πρώτο σχέδιο κοπής. ΜΗΝ ΑΛΛΑΖΕΤΕ ΤΟ ΣΧΕΔΙΟ ΚΟΠΗΣ ΜΕ ΚΑΝΕΝΑΝ ΤΡΟΠΟ. ΑΥΤΟ ΘΑ ΠΡΟΚΑΛΕΣΕΙ ΚΛΙΣΗ ΣΤΟ ΚΟΥΡΕΜΑ.
- Αλλάζετε το σχέδιο κοπής από εβδομάδα σε εβδομάδα. Αυτό θα προστατεύσει το γκαζόν από το μπέρδεμα.

ΤΟΜΕΑΣ ΚΟΠΗΣ

Ο τομέας κοπής επηρεάζεται από διάφορους παράγοντες όπως είναι το ύψος κοπής, υγρασία στο γρασίδι, το μήκος και η πυκνότητά του. Επίσης εκκίνηση και σταμάτημα του χλοοκοπτικού πάρα πολλές φορές κατά τη διάρκεια της λειτουργίας, μειώνουν τον τομέα κοπής.

Στον πίνακα κατωτέρω εξεξηγείται η σχέση μεταξύ των συνθηκών κοπής και του τομέα κοπής.

Ύψος κοπής	Προτείνεται το μέγεθος της παρτίδας (μέγιστο)
Κοπή 8 εκ. σε 6 εκ.	Με μπαταρίες 2* 20V/4.0Ah
	έως 500m ² *

* Χρησιμοποιείται με δύο πλήρως φορτισμένα πακέτα μπαταριών.

ΥΠΟΔΕΙΞΕΙΣ:

- Συστήνεται να κουρέυετε το γρασίδι σας πιο τακτικά, να περπατάτε με κανονικό ρυθμό και να μην εκκινείτε/σταματάτε το χλοοκοπτικό πολύ συχνά κατά τη διάρκεια της λειτουργίας.
- Για καλύτερη απόδοση εξασφαλίζετε ότι χρησιμοποιείτε δύο πλήρως φορτισμένα πακέτα μπαταριών ταυτόχρονα και ότι κόβετε πάντα το 1/3 ή λιγότερο από το ύψος γρασιδιού.
- Να περπατάτε αργά όταν κόβετε μακρύ γρασίδι, έτσι ώστε η κοπή να είναι αποτελεσματικότερη και απομάκρυνση του κομμένου γρασιδιού.
- Αποφεύγετε να κουρέυετε υγρό γρασίδι, αλλιώς θα κολλήσει στην κάτω πλευρά του ντεκ και το κομμένο γρασίδι δεν θα συλλέγεται ή απομακρύνεται σωστά.
- Πρέπει να εφαρμόζεται μεγαλύτερο ύψος κοπής σε νέο ή παχύ γρασίδι και επεκτείνεται η διάρκεια λειτουργίας της μπαταρίας.

ΣΥΝΤΗΡΗΣΗ



ΠΡΟΕΙΔΟΠΟΙΗΣΗ : ΣΤΑΜΑΤΗΣΕΤΕ ΤΟ ΧΛΟΟΚΟΠΤΙΚΟ, ΑΠΟΜΑΚΡΥΝΕΤΕ ΤΟ ΚΛΕΙΔΙ ΑΣΦΑΛΕΙΑΣ ΚΑΙ ΤΙΣ ΜΠΑΤΑΡΙΕΣ ΠΡΟΤΟΥ ΑΠΟΜΑΚΡΥΝΕΤΕ ΤΟ ΣΑΚΟ ΣΥΛΛΟΓΗΣ ΓΡΑΣΙΔΙΟΥ.

Σημείωση: Για να διασφαλίσετε μακροχρόνια και αξιόπιστη χρήση, να εκτελείτε τακτικά τις ακόλουθες διαδικασίες συντήρησης. Να ελέγχετε για εμφανή ελαττώματα όπως χαλαρή, μετατοπισμένη ή χαλασμένη λεπίδα, χαλαρά εξαρτήματα και φθαρμένα ή χαλασμένα εξαρτήματα. Να ελέγχετε ότι τα καλύμματα και οι προστασίες δεν είναι χαλασμένα και

Χλοοκοπτική μηχανή μπαταρίας GR

είναι σωστά προσαρτημένα στη μηχανή. Να εκτελείτε οποιαδήποτε απαραίτητη εργασία συντήρησης ή επισκευής πριν λειτουργήσετε τη μηχανή. Εάν εμφανιστεί σφάλμα στη λειτουργία της μηχανής κούρεματος παρά την τακτική συντήρηση, καλέστε τη γραμμή εξυπηρέτησης πελατών για βοήθεια.

ΑΚΟΝΙΣΜΑ ΛΕΠΙΔΑΣ

ΝΑ ΔΙΑΤΗΡΕΙΤΕ ΤΗ ΛΕΠΙΔΑ ΑΚΟΝΙΣΜΕΝΗ ΓΙΑ ΚΑΛΥΤΕΡΗ ΑΠΟΔΟΣΗ ΤΗΣ ΜΗΧΑΝΗΣ ΚΟΠΗΣ ΓΚΑΖΟΝ. ΜΙΑ ΜΗ ΑΚΟΝΙΣΜΕΝΗ ΛΕΠΙΔΑ ΔΕΝ ΚΟΒΕΙ ΚΑΛΑ ΤΟ ΓΚΑΖΟΝ ΟΥΤΕ ΤΟ ΑΧΥΡΟ.

ΝΑ ΦΟΡΑΤΕ ΚΑΤΑΛΛΗΛΑ ΓΥΑΛΙΑ ΠΡΟΣΤΑΣΙΑΣ ΟΤΑΝ ΑΠΟΜΑΚΡΥΝΕΤΕ, ΑΚΟΝΙΖΕΤΕ ΚΑΙ ΤΟΠΟΘΕΤΕΙΤΕ ΤΗ ΛΕΠΙΔΑ. ΕΞΑΣΦΑΛΙΣΤΕ ΟΤΙ ΤΟ ΚΛΕΙΔΙ ΑΣΦΑΛΕΙΑΣ και ΟΙ ΜΠΑΤΑΡΙΕΣ Έχουν ΑΠΟΜΑΚΡΥΝΘΕΙ.

Σε κανονικές συνθήκες λειτουργίας το ακόνισμα της λεπίδας δύο φορές το χρόνο είναι συνήθως επαρκές. Η άμμος προκαλεί φθορά της λεπίδας. Αν το γκαζόν σας έχει αμμώδεις υπέδαφος, ενδέχεται να χρειάζεστε πιο συχνό ακόνισμα.

ΝΑ ΑΝΤΙΚΑΘΙΣΤΑΤΕ ΑΜΕΣΩΣ ΤΗ ΛΕΠΙΔΑ ΑΝ ΕΧΕΙ ΛΥΓΙΣΕΙ Η ΠΑΘΕΙ ΒΛΑΒΗ.

ΚΑΤΑ ΤΟ ΑΚΟΝΙΣΜΑ ΤΗΣ ΛΕΠΙΔΑΣ (Δείτε L):

1. Βεβαιωθείτε ότι η λεπίδα είναι σε οριζόντια.
2. Ακονίστε τη λεπίδα στην αρχική γωνία κοπής.
3. Ακονίστε τη λεπίδα και στις δύο ακμές κοπής, αφαιρώντας ίσα μέρη και από τις δύο πλευρές.

Σημείωση:

1. Βεβαιωθείτε ότι το χλοοκοπτικό μηχάνημα έχει απενεργοποιηθεί. Αφαιρέστε το κλειδί ασφάλειας και τις μπαταρίες.
2. Τοποθετήστε το χλοοκοπτικό όρθιο κατά την αποθήκευση.

ΙΣΟΡΡΟΠΙΑ ΛΕΠΙΔΑΣ (ΔΕΪΤΕ M)

Ελέγξτε την ισορροπία της λεπίδας τοποθετώντας την κεντρική σπη στη λεπίδα M-1 πάνω από κατασβίδι M-2, το οποίο είναι οριζόντια σφηνωμένο σε μέγγηνη M-3. Αν οποιαδήποτε από τις ακμές της λεπίδας γέρνει προς τα κάτω ακονίστε αυτήν την ακμή. Η λεπίδα είναι σε ισορροπία όταν καμία άκρη δεν γέρνει.

ΣΥΝΤΗΡΗΣΗ ΛΕΠΙΔΑΣ (Δείτε N1, N2)

Να ανανεώνετε τη λεπίδα μετά από 50 ώρες κούρεμα ή μετά από 2 χρόνια, οποιοδήποτε από τα δύο συμβεί νωρίτερα ανεξάρτητα από τις συνθήκες.

Θα χρειαστείτε γάντια κήπου (δεν παρέχονται) και κλειδί με άγκιστρο (δεν παρέχεται) για να αφαιρέσετε τη λεπίδα. Εξασφαλίστε ότι δεν έχουν τοποθετηθεί το κλειδί ασφάλειας και οι μπαταρίες. Σφηνώστε ένα κομμάτι ξύλο ανάμεσα στη λεπίδα και το ντεκ χλοοκοπτικού για να αποφύγετε την περιστροφή της λεπίδας και ξεβιδώστε το μάνδαλο της λεπίδας αριστερόστροφα χρησιμοποιώντας το κλειδί με άγκιστρο, και αφαιρέστε τη λεπίδα.

Για να τη συναρμολογήσετε ξανά, τοποθετήστε τη λεπίδα (16) μαζί με τα άκρα κοπής προς το έδαφος. Στη συνέχεια σφίξτε καλά τα παξιμάδια της λεπίδας.

ΑΠΟΘΗΚΕΥΣΗ: (ΔΕΪΤΕ K1, K2)

Σταματήστε το χλοοκοπτικό μηχάνημα και απομακρύνετε πάντα το κλειδί ασφάλειας και τις μπαταρίες. Καθαρίστε το εξωτερικό της μηχανής εξονυχιστικά με μια απαλή βούρτσα και πανί. Μην χρησιμοποιείτε νερό, διαλυτικά υγρά ή ψυαλιστικά. Αφαιρέστε όλες τις λιπαρές ουσίες και τα υπολείμματα από τις σχισμές αερισμού.

Γυρίστε τη μηχανή στο πλάι και καθαρίστε την περιοχή της λεπίδας. Εάν έχουν συσσωρευτεί υπολείμματα από

γκαζόν στην περιοχή της λεπίδας, αφαιρέστε τα με ξύλινο ή πλαστικό εργαλείο.

Αποθηκεύστε τη μηχανή σας σε ξηρό μέρος. Μην τοποθετείτε αντικείμενα πάνω στη μηχανή. Για τη διεκδίκηση της αποθήκευσης, πιέστε και κρατήστε το κουμπί γρήγορης απελευθέρωσης και διπλώστε τη μπάρα χειρολαβής.

ΠΡΟΣΤΑΣΙΑ ΤΟΥ ΠΕΡΙΒΑΛΛΟΝΤΟΣ



Απόβλητα σχετικά με ηλεκτρισμό δεν πρέπει να πετάγονται μαζί με τα απόβλητα του νοικοκυριού. Παρακαλούμε να τα ανακυκλώνετε εκεί όπου υπάρχουν οι απαραίτητες εγκαταστάσεις. Ελέγξτε στον τοπικό σας δήμο ή στους πωλητές για συμβουλές ανακύκλωσης.

ΑΝΤΙΜΕΤΩΠΙΣΗ ΠΡΟΒΛΗΜΑΤΩΝ

ΠΡΟΒΛΗΜΑ	ΛΥΣΗ
1. Το χλοοκοπτικό δεν λειτουργεί όταν είναι ενεργοποιημένος ο μοχλός λειτουργίας.	A. Βεβαιωθείτε ότι το κλειδί ασφάλειας έχει εγκατασταθεί και εδράζεται πλήρως και ότι το κουμπί ασφάλισης έχει ωθηθεί μέχρι τέρμα. B. Απελευθερώστε το μοχλό λειτουργίας για να απενεργοποιήσετε το χλοοκοπτικό. Απομακρύνετε το κλειδί ασφάλειας και τις μπαταρίες, γυρίστε ανάποδα το χλοοκοπτικό και βεβαιωθείτε ότι η λεπίδα γυρνάει ελεύθερα. Εάν δεν γυρνάει ελεύθερα, επιστρέψτε το μηχάνημα σε ένα εξουσιοδοτημένο κέντρο σέρβις. Η λεπίδα πρέπει να γυρίζει ελεύθερα. C. Έχει φορτιστεί πλήρως η μπαταρία; Συνδέστε το φορτιστή και περιμένετε να ανάψει η πράσινη λυχνία.

<p>2. Ο κινητήρας σταματάει κατά το κούρεμα.</p>	<p>A. Απελευθερώστε το μοχλό λειτουργίας για να απενεργοποιήσετε το χλοοκοπτικό. Απομακρύνετε το κλειδί ασφάλειας και τις μπαταρίες, γυρίστε ανάποδα το χλοοκοπτικό και βεβαιωθείτε ότι η λεπίδα γυρνάει ελεύθερα. Εάν δεν γυρνάει ελεύθερα, επιστρέψτε το μηχανήμα σε ένα εξουσιοδοτημένο κέντρο σέρβις. Η λεπίδα πρέπει να γυρίζει ελεύθερα. B. Αυξήστε το ύψος κοπής στους τροχούς για υψηλότερη θέση και εκκινήστε το χλοοκοπτικό. C. Έχει φορτιστεί πλήρως η μπαταρία; Συνδέστε το φορτιστή και περιμένετε να ανάψει η πράσινη λυχνία. D. Αποφεύγετε υπερφόρτωση του χλοοκοπτικού. Επιβραδύνετε το ρυθμό κοπής ωθώντας το χλοοκοπτικό πιο αργά ή αυξήστε το ύψος κοπής. Ή πραγματοποιήστε και τα δύο.</p>	<p>5. Το χλοοκοπτικό κάνει αφύσικους θορύβους και δονήσεις.</p>	<p>A. Απελευθερώστε το μοχλό λειτουργίας για να απενεργοποιήσετε το χλοοκοπτικό. Αφαιρέστε το κλειδί ασφάλειας και τις μπαταρίες. Γυρίστε στα πλάγια το χλοοκοπτικό και ελέγξτε τη λεπίδα για να εξασφαλίσετε ότι δεν έχει καμφθεί ή πάθει ζημιά. Εάν η λεπίδα έχει ζημιά, αντικαταστήστε με μια εφεδρική. Εάν η κάτω πλευρά του ντεκ έχει ζημιά, επιστρέψτε το χλοοκοπτικό μηχανήμα σε ένα εξουσιοδοτημένο κέντρο του σέρβις. B. Εάν δεν υπάρχουν ορατές ζημιές στη λεπίδα και το χλοοκοπτικό μηχανήμα συνεχίζει να δονείται: Απελευθερώστε το μοχλό λειτουργίας για να απενεργοποιήσετε το χλοοκοπτικό, απομακρύνετε το κλειδί ασφάλειας και τις μπαταρίες και αφαιρέστε τη λεπίδα. Περιστρέψτε τη λεπίδα κατά 180 μοίρες και σφίξτε ξανά. Εάν το χλοοκοπτικό συνεχίζει να δονείται, επιστρέψτε το χλοοκοπτικό μηχανήμα σε ένα εξουσιοδοτημένο κέντρο του σέρβις.</p>
<p>3. Το χλοοκοπτικό λειτουργεί αλλά η απόδοση κοπής δεν είναι ικανοποιητική ή το γρασίδι δεν κόβεται εντελώς.</p>	<p>A. Έχει φορτιστεί πλήρως η μπαταρία; Συνδέστε το φορτιστή και περιμένετε να ανάψει η πράσινη λυχνία. B. Απελευθερώστε το μοχλό λειτουργίας για να απενεργοποιήσετε το χλοοκοπτικό. Αφαιρέστε το κλειδί ασφάλειας και τις μπαταρίες. Γυρίστε ανάποδα το χλοοκοπτικό και ελέγξτε: Λεπίδα για αιχμηρότητα - Διατηρείτε τη λεπίδα αιχμηρή. Ντεκ και χοάνη εξόδου για έμφραξη. C. Η ρύθμιση ύψους τροχού μπορεί να είναι πολύ χαμηλή σε σχέση με την κατάσταση γρασιδιού. Αυξήστε το ύψος κοπής.</p>	<p>6. Οι LED του φορτιστή μπαταρίας είναι αναμμένες.</p>	<p>A. Ελέγξτε το σύνδεση βύσματος. B. Αντικαταστήστε το φορτιστή.</p>
<p>4. Το χλοοκοπτικό είναι πολύ δύσκολο να ωθηθεί.</p>	<p>A. Αυξήστε το ύψος κοπής για να μη χρειάζεται να σέρνεται τόσο το ντεκ στο γρασίδι. Ελέγξτε κάθε τροχό για ελεύθερη περιστροφή.</p>	<p>7. Η LED του φορτιστή μπαταρίας δεν αλλάζει σε πράσινο χρώμα.</p>	<p>A. Πρέπει να γίνει διάγνωση στην μπαταρία. Παραδώστε σε ένα εξουσιοδοτημένο κέντρο του σέρβις.</p>
<p>5. Το χλοοκοπτικό κάνει αφύσικους θορύβους και δονήσεις.</p>	<p>A. Απομακρύνετε την πλάκα κάλυψης εδάφους κατά τη συλλογή. B. Χοάνη μπλοκαρισμένη. Απελευθερώστε το μοχλό λειτουργίας για να απενεργοποιήσετε το χλοοκοπτικό. Αφαιρέστε το κλειδί ασφάλειας και τις μπαταρίες. Καθαρίστε τη χοάνη από κομμένο γρασίδι. C. Πολύ κομμένο γρασίδι. Αυξήστε το ύψος κοπής στους τροχούς για να μειώσετε το μήκος κοπής. D. Σάκος γεμάτος. Αδειάζετε το σάκο πιο συχνά.</p>	<p>8. Το χλοοκοπτικό δεν συλλέγει το κομμένο γρασίδι στο σάκο συλλογής γρασιδιού.</p>	<p>A. Απομακρύνετε την πλάκα κάλυψης εδάφους κατά τη συλλογή. B. Χοάνη μπλοκαρισμένη. Απελευθερώστε το μοχλό λειτουργίας για να απενεργοποιήσετε το χλοοκοπτικό. Αφαιρέστε το κλειδί ασφάλειας και τις μπαταρίες. Καθαρίστε τη χοάνη από κομμένο γρασίδι. C. Πολύ κομμένο γρασίδι. Αυξήστε το ύψος κοπής στους τροχούς για να μειώσετε το μήκος κοπής. D. Σάκος γεμάτος. Αδειάζετε το σάκο πιο συχνά.</p>
<p>6. Το χλοοκοπτικό κάνει αφύσικους θορύβους και δονήσεις.</p>	<p>A. Αυξήστε το ύψος κοπής για να μη χρειάζεται να σέρνεται τόσο το ντεκ στο γρασίδι. Ελέγξτε κάθε τροχό για ελεύθερη περιστροφή.</p>	<p>9. Κατά την κάλυψη εδάφους υπάρχει ορατό κομμένο γρασίδι.</p>	<p>A. Πολύ κομμένο γρασίδι. Αυξήστε το ύψος κοπής στους τροχούς για να μειώσετε το μήκος κοπής. Μην κόβετε περισσότερο από το 1/3 του συνολικού μήκους. B. Ελέγξτε εάν είναι αιχμηρή η λεπίδα. Διατηρείτε πάντα τη λεπίδα αιχμηρή.</p>

10. Χαμηλός ή μειωμένος χρόνος λειτουργίας μετά από πολλές χρήσεις	A. Επιστρέψτε σε ένα εξουσιοδοτημένο κέντρο του σέρβις, ενδέχεται να χρειάζεται νέα μπαταρία.
11. Η LED του φορτιστή μπαταρίας αναβοσβήνει με κόκκινο χρώμα και η μπαταρία δεν μπορεί να φορτιστεί.	A. Η μπαταρία υπερθερμαίνεται μετά από συνεχή χρήση. Απομακρύνετε την μπαταρία από το φορτιστή και αφήστε να κρυώσει στους 42°C ή λιγότερους.

ΔΗΛΩΣΗ ΣΥΜΜΟΡΦΩΣΗΣ

Εμείς,

Positec Germany GmbH
Postfach 32 02 16, 50796 Cologne, Germany

Εκ μέρους της Positec δηλώνουμε ότι το προϊόν Περιγραφή **WorxNITRO Ασύρματη μηχανή γκαζόν** Τύπος **WG748E WG748E.X (7 -χαρακτηρισμός μηχανήματος, αντιπροσωπ. Ασύρματη μηχανή γκαζόν)** Λειτουργία **Κούρεμα γρασιδιού**

Συμμορφώνεται με τις παρακάτω Οδηγίες,
2006/42/EC, 2014/30/EU
2011/65/EU&(EU)2015/863
2000/14/EC τροποποιήθηκε από την **22005/88/EC**

2000/14/EC τροποποιήθηκε από την 2005/88/EC
- Διαδικασία Αξιολόγησης Συμβατότητας σύμφωνα με Παράρτημα VI
- Μετρημένο επίπεδο τάσης ήχου **91.6 dB(A)**
- Δηλωμένο εγγυημένο επίπεδο τάσης ήχου **94 dB(A)**

Ο εμπλεκόμενος αναγνωρισμένος οργανισμός
Όνομα: Intertek Deutschland GmbH
(αναγνωρισμένος οργανισμός 0905)
**Διεύθυνση: Stangenstraße 1, 70771 LEINFELDEN-
ECHTERDINGEN**

Πρότυπα συμμόρφωσης,
EN 60335-1, EN 60335-2-77, EN 62233, EN ISO 3744, EN 55014-1, EN 55014-2

Το πρόσωπο που έχει εξουσιοδότηση να συντάξει το τεχνικό αρχείο,
Όνομα: Marcel Filz
Διεύθυνση Positec Germany GmbH
Postfach 32 02 16, 50796 Cologne, Germany




2021/10/11
Allen Ding
Βοηθός Αρχιμηχανικός, Δοκιμές & Πιστοποιήσεις
Positec Technology (China) Co., Ltd
18, Dongwang Road, Suzhou Industrial
Park, Jiangsu 215123, P.R. China

BIZTONSÁGOS TERMÉKHASZNÁLAT ÁLTALÁNOS FIGYELMEZTETÉSEK



FIGYELEM Olvasson el minden biztonsági figyelmeztetést és valamennyi utasítást.

A figyelmeztetések és utasítások figyelmen kívül hatása áramütést, tüzet és/vagy súlyos sérülést eredményezhet.

A készülék biztonságos működtetése érdekében figyelmesen olvassa el az utasításokat.

Őrizzen meg minden figyelmeztetést és utasítást, a jövőben szüksége lehet ezekre.

- Ezt a készüléket nem használhatják csökkent fizikai, érzékszervi vagy értelmi képességű személyek (ide értve a gyermekeket), illetve tapasztalatlan vagy a készüléket nem ismerő személyek, kivéve, ha a biztonságukért felelős személy felügyelete mellett teszik, vagy ha a biztonságukért felelős személy utasításokat

- ad nekik a készülék használatára vonatkozóan.
- Felügyelje a gyermekeket, hogy ne játszassanak a készülékkel.
 - A készülék kizárólag a vele együtt szállított táppal használható.

FONTOS HASZNÁLAT ELŐTT FIGYELMESEN OLVASSA EL ŐRIZZE MEG, KÉSŐBB SZÜKSÉGE LEHET RÁ

A biztonságos működtetés gyakorlata Tájékoztató

- a) figyelmesen olvassa el az utasításokat. Ismerkedjen meg a vezérlőgombokkal, és a készülék megfelelő használatával;
- b) soha ne hagyja, hogy a fűnyírót olyan gyermekek vagy felnőttek használják, akik nem ismerik ezeket az utasításokat. A helyi szabályozások korlátozhatják a működtető életkorát;
- c) soha ne nyírja a fűvet, ha a közelben emberek - különösen gyermekek - vagy állatok vannak;
- d) ne feledje, hogy a

készüléküzemeltetője vagy használója felel a másokat ért balesetek vagy az őket ért károk miatt

Előkészítés

- a) Fűnyíráshoz mindig csukott cipőt és hosszú nadrágot viseljen. Ne működtesse a készüléket mezítláb vagy nyitott szandálban;
- b) alaposan ellenőrizze a területet, ahol a készüléket használni fogja, és távolítsa el minden tárgyat, amit a fűnyíró eldobhatna;
- c) Használat előtt mindig nézze meg alaposan, hogy a kések, csavarok és a vágószerkezet nem kopottak vagy sérültek-e. A kopott vagy sérült késeket és csavarokat az egyensúly megőrzése végett mindig párban cserélje. A sérült és olvashatatlan címkéket cserélje ki.

Működtetés

- a) csak nappal vagy erős mesterséges fényben végezze a fűnyírást;
- b) ha lehetséges, a készüléket ne használja vizes fű nyírására;
- c) lejtőn mindig vigyázzon,

- hogyan lép;
- d) lépkedjen, sose szaladjon;
 - e) kerek, forgó készülékek használatakor lejtőn mindig szélkében haladjon, soha ne fel vagy lefele;
 - f) mindig legyen rendkívül óvatos, ha lejtőn irányt vált;
 - g) ne nyírja a rendkívül meredek lejtőket;
 - h) ha a fűnyírót megfordítja vagy maga felé húzza, mindig legyen rendkívül óvatos;
 - i) állítsa le a kés(ek)e)t, ha a fűnyírót szállításhoz meg kell döntenie, ha más felületen (nem fűvön) halad át, és ha a fűnyírót a nyírandó területre vagy onnan szállítja;
 - j) soha ne működtesse a fűnyírót, ha a védője megsérült, illetve a biztonsági eszközök, például terelő és/vagy fűtartályok nélkül;
 - k) a motort óvatosan, az utasításoknak megfelelően, lábfejét a kés(ek)től jó távol tartva indítsa el;
 - l) ne döntse meg a fűnyírót a motor elindítása közben, kivéve, ha a fűnyírót az indításhoz meg kell dönteni. Ebben az esetben csak annyira döntse meg, amennyire mindenképpen szükséges, és csak a működtetőtől távolabb eső részt emelje meg;
 - m) a kezét vagy a lábfejét ne tegye a forgó részek közelébe vagy azok alá. Maradjon távol az ürítőnyílástól;
 - n) ne érintse meg a késeket mindaddig, amíg ki nem veszi a blokkolóeszközt, és a kések teljesen le nem állnak;
 - o) Ne indítsa el a fűnyírót úgy, hogy az ürítőnyílás előtt áll.
 - p) Ne szállítsa bekapcsolva a fűnyírót.
 - q) Állítsa le a fűnyírót, és vegye ki a blokkolóeszközt. Bizonyosodjon meg róla, hogy minden mozgó alkatrész teljesen leállt.
 - minden olyan esetben, ha őrizet nélkül hagyja a kerti kiegészítést,
 - a beékelődések elhárítása előtt,
 - mielőtt a kerti kiegészítést ellenőrizné, megtisztítaná, vagy azon valamilyen munkát végezne,
 - egy idegen testtel való ütközés után. Ellenőrizze, hogy a készülék nem

sérült-e, és mielőtt újra elindítaná, végezze el a szükséges javításokat ha a kerti kisgép szokatlan módon rezgésbe jön (azonnal ellenőrizze).

- ellenőrizze, hogy vannak-e sérülések.
- cserélje ki vagy javítsa meg a sérült részeket.
- ellenőrizze és szorítsa meg a meglazult részeket.

Karbantartás és tárolás

- a) minden csavar és anya legyen szoros, hogy a készüléket biztonságosan működtethesse;
- b) a fűfogót ellenőrizze gyakran, hogy nem kopott vagy sérült-e;
- c) a biztonság érdekében cserélje ki a kopott vagy sérült részeket. Csak eredeti cserealkatrészeket és tartozékokat használjon.
- d) A fűnyíró beállításakor vigyázzon, nehogy az ujjá beszoruljon a mozgó kések és a rögzített részek közé.
- e) Tárolás előtt mindig várja meg, hogy a fűnyíró lehűljön.
- f) A kések kezelésekor vagy cseréjekor tartsa szem előtt, hogy a kések akkor is

mozgathatók, ha a készülék nincs áram alatt.

AZ AKKUMULÁTORRAL KAPCSOLATOS BIZTONSÁGI FIGYELMEZTETÉSEK

- a)Az akkumulátort ne szedje szét, ne nyissa fel és ne vágja meg.**
- b)Ne zárja rövidre az akkumulátort. Az akkumulátorokat ne tárolja olyan dobozban vagy fiókban, ahol rövidre zárhatják egymást, vagy valamilyen vezető anyag a rövidzárlatukat okozhatja.** Az akkumulátorokat használaton kívül tartsa a fémtárgyaktól, például gemkapcsoktól, pénzérméktől, kulcsoktól, szögektől, csavaroktól vagy más kis fémtárgyaktól távol, mert ezek összekapcsolhatják a pólusokat. Az akkumulátor pólusainak rövidzárlata égés- és tűzveszélyes.
- c)Ne tegye ki hónek vagy tűznek az akkumulátort. Ne tárolja közvetlen napfényben.**
- d)Az akkumulátort ne tegye**

ki ütésnek.

e) Ha az akkumulátor szivárog, vigyázzon, hogy a folyadék ne kerüljön a bőrre vagy szembe. Amennyiben a bőrre vagy szembe kerül, az érintett területet mossa le bő vízzel, és forduljon orvoshoz.

f) Vigyázzon, hogy az akkumulátor tiszta és száraz maradjon.

g) Ha az akkumulátor pólusaira szennyeződés kerül, azt egy tiszta, száraz ruhával törölje le.

h) Az akkumulátort használat előtt fel kell tölteni. A töltést mindig az utasításoknak megfelelően, helyes eljárást használva végezze.

i) Használaton kívül ne hagyja töltőn az akkumulátort.

j) Hosszan tartó tárolást követően a maximális teljesítmény elérése érdekében szükséges lehet, hogy az akkumulátort többször feltöltse és lemerítse.

k) Csak a WorxNITRO által javasolt töltővel

töltse fel. Kizárólag a készülékhez való használatra mellékelt töltőt használja.

l) Ne használjon a készülékkel való használatra tervezettől eltérő akkumulátort.

m) Az akkumulátor gyermekektől távol tartandó.

n) Őrizze meg a termékhez mellékelt utasításokat, a későbbiekben szüksége lehet ezekre.

o) Amikor a szerszámot nem használja, vegye ki belőle az akkumulátort.

p) Ártalmatlanításnál megfelelően járjon el.

q) Ne helyezzen be különböző gyártóktól származó, illetve eltérő kapacitású, méretű vagy típusú akkukat a készülékbe.

r) Tartsa távol az akkumulátort mikrohullámoktól és nagy nyomástól.

SZIMBÓLUMOK

	Mielőtt a készüléket működtetné, figyelmesen olvassa el a kézikönyvet
	A közelben ne állodgáljon senki
	Vigyázzon, a kések élesek! A kések a motor leállítását követően is tovább forognak - karbantartás előtt vegye ki a blokkoláscsözt.
	Az akkumulátor nem megfelelő leselejtezés esetén bekerülhet a víz körforgásba, ami veszélyes lehet az ökoszisztémára nézve. A hulladék akkumulátort ne dobja a kommunális hulladékba.
	Ne dobja tűzbe
	Lítium-ion akkumulátor. A termékén található szimbólum arra utal, hogy minden akkumulátorcsomagot külön kell gyűjteni. Ezeket aztán újrahasznosítják vagy szétszerelik, hogy csökkentsék a környezetre gyakorolt hatását. Az akkumulátorcsomag veszélyes lehet a környezetre és az emberi egészségre nézve, mivel veszélyes anyagokat tartalmaz.
	A leselejtezett elektromos készülékek nem dobhatók ki a háztartási hulladékkal. Ha van a közelben elektromos hulladék gyűjtő udvar, vigye oda a készüléket. Az újrahasznosítási lehetőségekről tájékozódjon a helyi hatóságoknál vagy a kereskedőnél.

	Viseljen védőkesztyűt.
	Mindenmű beállítás, javítás vagy karbantartás előtt vegye ki az akkut az akkuházból.
	Távolítsa el a fedelet
	A kések a kerti kiegészítő kikapcsolása után még tovább forognak és sérüléseket okozhatnak. Mielőtt az alkatrészekhez hozzátérne, várja meg, míg a berendezés minden alkatrésze leáll.


AZ ALKATRÉSZEK LISTÁJA

1. **FÉKKAR**
2. **MARKOLAT**
3. **FÜGYŰJTŐ KOSÁR**
4. **VÁGÁSI MAGASSÁG BEÁLLÍTÓ KAR**
5. **VÁGÁSI MAGASSÁG BEÁLLÍTÁS MUTATÓ**
6. **ELSŐ FOGANTYÚ**
7. **AKKUHÁZ FEDÉL**
8. **HÁTSÓ FOGANTYÚ**
9. **BIZTONSÁGI LAP**
10. **BIZTONSÁGI ZÁR GOMB**
11. **GYORSKIOLDÓ GOMB**
12. **SZÁRZÚZÓ BURKOLAT**
13. **AKKUMULÁTOR * (LÁSD AZ F2 ÁBRÁT)**
14. **BIZTONSÁGI KULCS (LÁSD AZ F2ÁBRÁT)**
15. **AKKU TÖLTÖTTSÉG JELZŐ (LÁSD AZ H ÁBRÁT)**
16. **VÁGÓKÉS CSAVAR (LÁSD AZ N1 ÁBRÁT)**
17. **KÉS (LÁSD AZ N1 ÁBRÁT)**
18. **TÁVTARTÓ GYŰRŰ (LÁSD AZ N1 ÁBRÁT)**

*Nem minden készülék tartalmazza valamennyi, a fentiekben felsorolt alkatrészt.

MŰSZAKI ADATOK

Típus WG748E WG748E.X (7 - a készülék
jelölése, akkumulátorral működtetett fűnyíró jelöl)

	WG748E WG748E.X**
Feszültség	40V  Max.(2x20V Max.)***
Terhelés nélküli sebesség	2800 /min
A fedélzet szélessége	48 cm
Vágási szélesség	46 cm
Az első kerék átmérője	200 mm
A hátsó kerék átmérője	230 mm
Vágásmagasság	20 – 80 mm
Vágásmagasság beállítások	7
Fűgyűjtő kapacitása	55 L
A készülék súlya (Meztelen eszköz)	25.3 kg

** X = 1-999, A-Z, M1-M9 csak különféle vásárlókra vonatkozik, ezek között a modellek között nincs biztonsági változás.

***Terhelés nélküli feszültség. Az akkumulátor kezdő feszültsége maximum 20 V. A névleges feszültség 18 V.

Kategória	Típus	Mapacitás
20V Akku	WA3014	4.0 Ah
20V Akkumulátortöltő	WA3883	4.0 A

Javasoljuk, hogy a tartozékokat ugyanabból a boltból vásárolja meg, ahol a szerszámot is vásárolta. A tartozék típusát az elvégzendő munkának megfelelően válassza meg. További részleteket a tartozék csomagolásán talál. Kérjen segítséget és tanácsot a bolti eladóktól.

ZAJÉRTÉKEK

A-súlyozású hangnyomásszint	$L_{PA} = 78.4$ dB(A)
K_{PA}	3.0 dB (A)
A-súlyozású hangerő	$L_{WA} = 91.6$ dB(A)
K_{WA}	3.0 dB (A)

Viseljen hallásvédőt.



REZGÉSÉRTÉKEK

Tipikus súlyozott rezgés $a_n < 2.5$ m/s²

Bizonytalanság $K = 1.5$ m/s²



FIGYELEM: Az elektromos kéziszerszám használata során a rezgés kibocsátás eltérhet a fenti értéktől attól függően, hogy a szerszámot hogyan használják. Az érték függhet az alábbiaktól:

Hogyan használják a szerszámot, milyen anyagokat vágnak vagy fúrnak.

Az eszköz jó állapotban van-e, megfelelően karbantartják-e.

Megfelelő tartozékokat használnak-e az eszközhöz, vigyáznak-e, hogy éles legyen és jó állapotban maradjon.

A fogantyú megfelelően rögzül-e, használnak-e rezgéscsillapító tartozékokat.

A szerszámot rendeltetészerűen, kialakításának és a jelen utasításoknak megfelelően használják-e.

Ha a szerszámot nem kezelik megfelelően, kéz-kar vibrációs szindrómát okozhat.



FIGYELEM: A pontosság érdekében az expozíciós szint becslést értékekhez a valós használati körülmények között figyelembe kell venni a működési ciklus valamennyi elemét, így azt az időt is, amikor a szerszám ki van kapcsolva, és amikor üresjárásban működik. Ez a teljes munkaidőszak viszonylatában jelentősen csökkentheti az expozíciós szintet.

A rezgéskockázatnak való kitettséget az alábbiakkal csökkentheti:

MINDIG éles vésőt, pengét, és hegyes fűrófejet használjon. Az eszközt jelen utasításoknak megfelelően tartsa karban, és vigyázzon a megfelelő kenésre (ahol erre szükség van). Ha rendszeresen használja az eszközt, vásároljon rezgéscsillapító tartozékokat.

Úgy tervezze meg a munkáját, hogy a magas rezgésszámú eszközök használatát igénylő feladatokat több napra ossza el.

HASZNÁLATI UTASÍTÁSOK



MEGJEGYZÉS: Mielőtt a szerszámot használná, olvassa el figyelmesen az utasításokat.

Rendeltetés


A termék háztartási használatú fűnyírásra alkalmas.


ÖSSZESZERELÉS ÉS MŰKÖDÉS

MŰVELET	ÁBRA
ÖSSZESZERELÉS	

Vezetékmentes fűnyíró

HU

A fogantyú összeszerelése & Markolat-magasság beállítása MEGJEGYZÉS: Működés közben nyomja meg és tartsa lenyomva a Gyorskioldó gombot.	Lásd a A1, A2 ábrát
Gyűjtőkosár összeállítása	Lásd a B ábrát
A gyűjtőkosár felerősítésre a fűnyíróra MEGJEGYZÉS: Kicsit nyomja le a fűgyűjtő tartályt, hogy ellenőrizze, teljesen rögzült-e. MEGJEGYZÉS: A fűgyűjtő zsák felszerelése előtt távolítsa el a talajtakaró betétet a fűnyírógépről.	Lásd a C1, C2, C3 ábrát
A gyűjtőkosár leemelése/kiürítése  Figyelmeztetés! Használat előtt mindig ellenőrizze a kibocsátó nyílás közelében található biztonsági csappantyút. Ha a fűnyírógépet fűgyűjtő zsák nélkül szándékszik használni, soha nem emelje fel a biztonsági csappantyút.	Lásd a D1,D2 ábrát
Szárazzúó burkolat telepítése	Lásd a E ábrát
Az akkumulátor behelyezése és eltávolítása Az akkumulátorcsomag behelyezése előtt helyezze be a biztonsági kulcsot. MEGJEGYZÉS: Ez a gép csak akkor működik, ha sp - akkumulátorokat helyeztek be. Javasoljuk, hogy ugyanazokat az AH akkumulátorokat használja, és a két akkumulátort egyszerre töltsse fel. Ha két különböző AH-s akkumulátort használ, akkor a gép csak az alsó közös nevezőig fut.	Lásd a F1, F2 ábrát
Akku töltöttség állapot ellenőrzés MEGJEGYZÉS: A G1 ábra csak az akku feltöltöttségi szintjét is jelző akkucsomagra vonatkozik.	Lásd a G1 ábrát
Akkutöltés MEGJEGYZÉS: A csomagolásban található elem töltetlen állapotú. Az első fűnyírás előtt az akkut teljesen fel kell tölteni. A két akkut mindig egyidőben és teljesen töltsse fel. További részletek a töltő használati útmutatójában.	Lásd a G2 ábrát
MŰKÖDÉS	

Akku töltöttségi állapot jelző a fűnyírón Lásd a részleteket az AKKU ÁLLAPOTA című fejezetben	Lásd a H ábrát
FONTOS: Ha csak egy jelzőfény világít, az akkumulátor túlságosan lemerült, bár előfordulhat, hogy még lehet fűvet vágni vele. Ha a fűnyírót lemerült akkumulátorral tovább működteti, az csökkentheti az akkumulátor élettartamát és teljesítményét. Ha egyetlen jelzőfény sem ég, minimum egy akku nincs tökéletesen behelyezve, vagy az akku hibás. Kérjük, alaposan ellenőrizze az akkuk megfelelő behelyezését és pozícionálását.	
Elindítás & Leállítás	Lásd a I1,I2 ábrát
Fűnyírási magasság beállítás  FIGYELMEZTETÉS! Állítsa le, engedje fel a Működési biztosítékot, és várjon, amíg a motor leáll, mielőtt beállítja a magasságot. A készülék kikapcsolását követően a kések tovább forognak, a forgó kések pedig sérülésveszélyesek. Mielőtt a készülék valamely alkatrészéhez érne, várja meg, hogy teljesen leálljon.	Lásd a J ábrát
Tárolás	Lásd a K1,K2 ábrát

AKKUMULÁTOR ÁLLAPOTJELZŐ LED-JE (Lásd a H ábrát)

- Az akku feltöltöttségi szintjének ellenőrzése végett, nyomja meg az akku feltöltöttségiszintjét jelző lámpa mellett található gombot a gép elindítása előtt vagy a gép használata után. A gép használata közben az akkucsomag feltöltöttségi szintje automatikusan megjelenik az akku feltöltöttségi állapotát jelző lámpán.
- A jelzőlámpa folyamatosan érzékeli, és u-csak folyamatosan jelzi ki az akkucsomag feltöltöttségi állapotát.
- Töltsse fel a gépet 2 különböző AH típusú akkumulátorral, az akku feltöltöttségi állapotát jelző lámpa az alacsonyabb feltöltöttségi szinttel rendelkező akku állapotát fogja jelezni.

Az akkumulátor feltöltöttségi szintjét jelző mutató	Az akku állapota
--	-------------------------

Mind az öt zöld fényű LED ég. (●●●●●)	Mindkét akku nagyon fel van töltve.
Két, három vagy négy zöld fényű LED ég.	A két akkuban még elegendő energia van. Minél több LED ég, az akkuk annál jobban fel vannak töltve.
Csak egy zöld fényű LED ég (●○○○○)	Minimum egy akku le van merülve, és fel kell tölteni.
Egyetlen zöld fényű LED sem ég.	Minimum egy akku nincs megfelelően behelyezve vagy valamelyik akku hibás.
Az egyik LED kétszer villog egy ciklus alatt.	Minimum egy akku teljesen lemerült (kérjük, hivatkozzon az akku feltöltöttségi állapota című fejezetre), ezért kérjük, hogy használata vagy tárolás előtt mindkét akkut egyszerre tölts fel.
Az egyik LED háromszor villog egy ciklus alatt.	Használat közben minimum egy akku felhevült, ezért várja meg a lehűlését/lehűlésüket, mielőtt ismét folytatná a munkát.
Az egyik LED négyszer villog egy ciklus alatt.	A gép túlterhelt. Állítsa magasabbra a fűnyírás magasságát, vagy tolja lassabban a gépet.

TIPPEK SZÁRZÚZÁSOS FŰNYÍRÁSHOZ

Szárzúzáskor a fűnyíró apróra vágja a lenyírt fűvet, majd szétteríti a pázsiton. Standard esetben a fűdarabkák gyorsan elbomlanak, és táplálják a pázsitot. Optimális szárzúzási eredményt az alábbi javaslatok betartása esetén kap.

- Ne nyírjon esőtől vagy harmattól nedves fűvet. A nedves fű ugyanis összetapad, és csökkenti a szárzúzás hatékonyságát, valamint az akkumulátor élettartamát.
Fűnyíráshoz a legjobb időpont késő délután, amikor a fű száraz, és a frissen lenyírt felületet nem éri közvetlen és intenzív napugárzás.
- A legjobb szárzúzási eredmény érdekében a nyírás magasságát legfeljebb 40 mm-re, azaz megközelítőleg a fűszálak hosszának egyharmadára állítsa be. Ha a fűszálak ennél hosszabbak, a motor túlterhelésének megelőzése és a könnyebb haladás érdekében állítsa magasabbra a fűnyírési magasságot. Hosszabb szálú fű szárzúzása esetén először állítsa be maximumra a fűnyírési magasságot, és csak második áthaladásakor állítsa be a végeredményként kívánt magasságot. További lehetőség csak a vágási szélesség egy részét kihasználni, és vágás közben lassan haladni.
- A legjobb teljesítmény érdekében távolítsa el a fűnyíróról a fűmaradékokat. Időnként kapcsolja ki a fűnyírót, és várja meg, amíg a kés forgása teljesen le nem áll. Ezt követően húzza ki a biztonsági

kulcsot, és fordítsa az oldalára a fűnyírót. Megfelelő segédességgel, pl. bottal, kaparja le a lerakódott fűmaradékokat a kés környékéről. Friss, nedves fű nyírásakor gyakrabban tisztítsa a fűnyírót, és ne felejtse el minden használatot követően megtisztítani.

- Egyes fűfajták vagy bizonyos fűnyírési körülmények megkövetelik, hogy a lenyírt felületen még egyszer végighaladjon, és a fűnyíró egyenletesen szétterítthesse a lenyírt fűvet.
A második áthaladás során ajánlott az eredeti haladási irányra merőlegesen haladni. SOHA SEMMILYEN KÖRÜLMÉNYEK KÖZÖTT NE VÁLTOZTASSA MEG A NYÍRÁSI IRÁNYT ÚGY, HOGY DOMBRÓL LEFELÉ KELLJEN HALADNIA.
- Minden héten kissé eltérő útvonalon haladjon, mint az előző héten. Ezzel megelőzheti, hogy rajzolatok alakuljanak ki a pázsiton.

LENYÍRT ALAPTERÜLET

A lenyírt alapterület méretét számos tényező befolyásolja, például a nyírás magasság, a nedves fű, a fűszálak hossza vagy sűrűsége. A fűnyíró használat közbeni túlságosan gyakori be- és kikapcsolása csökkenti a lenyírt alapterületet.

A fűnyírás feltételek és a lenyírt alapterület méret közti viszonyt az alábbi táblázat ismerteti.

Vágási magasság	Ajánlott tétel (legfeljebb)
Vágja 8–6 cm	2 * 20 V / 4.0 Ah akkumulátorral
	akár 500m ² *

* 2 teljesen feltöltött akku egyidejű használatát esetén

TANÁCSOK:

- Ajánlott a fűvet rövidebb intervallumokra, standard tempóban haladva, és a fűnyíró munka közbeni gyakori ki- és bekapcsolását elkerülve nyírni.
- Kérjük, hogy a fűnyíró lehető legjobb teljesítményének biztosításához minden esetben biztosítsa két teljesen feltöltött állapotú akkumulátor egyidejű használatát, valamint mindig max. 1/3 magasságáig vágja a fűvet.
- Magas fű nyírásakor a lehető leghatékonyabb fűnyírás és fűkidobás érdekében lassan haladjon.
- Kerülje a nedves vagy harmatos fű nyírását, ellenkező esetben a lenyírt fű összeragad a vágórész alján, és a nem vezethető el, nem dobható félre megfelelően.
- Fiatal vagy sűrű fű esetén használjon magasabb nyírás magasságot, ezzel is meghosszabbíthatja az akku üzemi élettartamát.

KARBANTARTÁS

 **Figyelem: A fűgyűjtő zsák eltávolítása előtt állítsa le a fűnyírót, vegye ki a biztonsági kulcsot és az akkumulátorokat.**

MEGJEGYZÉS: A hosszú élettartam és megbízható

használat érdekében rendszeresen végezze el az alábbi karbantartási műveleteket. Ellenőrizze az egyértelmű hibákat: laza, elmozdult vagy sérült késeket, meglazult csavarokat, kopott vagy sérült alkatrészeket. Ellenőrizze, hogy a fedőlapok és védőelemek sérülésmentesek legyenek, és megfelelően illeszkedjenek a fűnyíróra. Mielőtt a fűnyírót működtetné, végezzen el minden szükséges karbantartást vagy javítást. Ha a rendszeres karbantartás ellenére a fűnyíró elromlik, kérjük, hívja ügyfélszolgálati vonalunkat, és kérjen segítséget.

A KÉSEK ÉLESÍTÉSE

A KÉSEK MINDIG LEGYENEK ÉLESEK, HOGY A FŰNYÍRÓ MEGFELELŐEN MŰKÖDHESSEN. AZ ÉLETLEN KÉSEK NEM VÁGJÁK EGYENLETESEN A FŰVET.

A KÉSEK ELTÁVOLÍTÁSÁKOR, ÉLÉZÉSEKOR ÉS BEHELYEZÉSEKOR VISELJEN MEGFELELŐ SZEMVÉDŐ FELSZERELÉST. GONDOSKODJON A BIZTONSÁGI KULCS ÉS AZ ELEMÉK ELTÁVOLÍTÁSÁRÓL.

Normál körülmények között egy szezonban elég kétszer élezni a késeket. A homok hatására a kés gyorsan életlené válik. Ha homokos talajon nyír fűvet, a kések gyakoribb élezésére lehet szükség.

AZ ELHAJLÓTT VAGY SÉRÜLT KÉSEKET AZONNAL CSERÉLJE KI.

KÉSELÉZÉS KÖZBEN (Lásd az L ábrát)

1. Vigyázzon, hogy a kés egyensúlyban maradjon.
2. A kést az eredeti vágásszögben élezze.
3. A kés mindkét végén élezze meg a vágóélet, mindkét végéről egyenlő mennyiségű anyagot távolítson el.

MEGJEGYZÉS:

1. Ellenőrizze le, hogy a fűnyíró kikapcsolt állapotú, Vegye ki a kulcsot és az akkumulátorokat.
2. Tároláskor állítsa a fűnyírót függőleges állásba.

A KÉSEK EGYENSÚLYOZÁSA (Lásd az M ábrát)

A kések egyensúlyozását a következőképpen ellenőrizheti: helyezze a kés közepén található lyukat M-1 egy csavarhúzó fejére M-2, amelyet vízszintesen egy satuba rögzített M-3. Ha a kés valamelyik vége lefele fordul, csiszolja meg azt a végét. A kés akkor van megfelelő egyensúlyban, ha egyik vége sem fordul lefele.

A KÉSEK KARBANTARTÁSA (Lásd az N1 és N2 ábrákat)

50 munkaóra vagy két év elteltével (amelyik előbb bekövetkezik) az állapottól függetlenül cserélje ki a kést. A kés eltávolításához és cseréjéhez kövesse az alábbi lépéseket. A kések eltávolításához kerti kesztyűre és csavarkulcsra van szükség (nem tartozékok). Győződjön meg arról, hogy a biztonsági kulcs és az akkumulátorok nincsenek behelyezve. A fűrészlapot ékelje be a penge és a fűnyírófedél közé, hogy megakadályozza a penge elfordulását, és egy csavarkulccsal az óramutató járásával ellenkező irányba csavarja ki a csavart, majd vegye ki a kést.

A behelyezéshez tegye be a kést úgy, hogy a vágóél a talaj felé mutasson. Szorítsa meg a csavart.

TÁROLÁS (Lásd az K1 és K2 ábrákat)

Állítsa le a fűnyírót, és mindig vegye ki a biztonsági kulcsot és az akkumulátorokat. Egy puha kefével és ronggyal alaposan tisztítsa meg a készülék külsejét. Ne


használjon vizet, oldószereket vagy fényszennyezőanyagokat. Távolítsa el minden fűvet és szennyeződést, különösen a szellőzőnyílásokról.

Fordítsa az oldalára a készüléket, és tisztítsa meg a késeket és az a körüli területet. Ha a kések körül felgyülemlt a fű, ezt egy fa vagy műanyag eszközzel távolítsa el.

A készüléket száraz helyen tárolja. A készülék tetejére ne helyezzen semmilyen tárgyat.

A tárolás megkönnyítése érdekében tartsa lenyomva a Gyorskioldó gombot, és hajtsa be a fogantyút.

KÖRNYEZETVÉDELME

 A leselejtezett elektromos készülékek nem dobhatók ki a háztartási hulladékkal. Ha van a közelben elektromos hulladék gyűjtő udvar, vigye oda a készüléket. Az újrahasznosítási lehetőségekről tájékozódjon a helyi hatóságoknál vagy a kereskedőnél.

HIBAKERESÉS

Tünetek	Elhárítás módja
1. A fűnyíró nem működik, ha a Működési biztosíték be van kapcsolva.	A. Ellenőrizze, hogy a biztonsági kulcs be legyen helyezve, stabilan a helyén legyen, és hogy a Biztonsági reteszelőgomb teljesen be legyen nyomva. B. Oldja ki a Működési biztosítékot a fűnyíró kikapcsolásához. Vegye ki a biztonsági kulcsot és az akkumulátorokat, fordítsa át a fűnyírót, és ellenőrizze, hogy szabadon forgatható-e a kés. Ha a kés nem forgatható, vigye a gépet egy hivatalos márkaszervizbe. Az élnek szabadon kell forognia! C. Teljesen fel van töltve az akkumulátor? Kapcsolja be a töltőt, és várja meg a zöld fényvilágító LED felgyulladását.

<p>2. Fűnyírás közben leáll a motor.</p>	<p>A. Oldja ki a Működési biztosítékot a fűnyíró kikapcsolásához. Vegye ki a biztonsági kulcsot és az akkumulátorokat, fordítsa át a fűnyírót, és ellenőrizze, hogy szabadon forgatható-e a kés. Ha a kés nem forgatható, vigye a gépet egy hivatalos márkaszervizbe. Az élnek szabadon kell forognia! B. Állítsa a kereket a legnagyobb vágási magasságra, majd indítsa a fűnyírót. C. Teljesen fel van töltve az akkumulátor? Kapcsolja be a töltőt, és várja meg a zöld fényel világító LED felgyulladását. D. Kerülje a fűnyíró túlterhelését. Nyírjon lassabban, vagy állítson be nagyobb vágási magasságot. Vagy mindketten változtasson.</p>	<p>5. A fűnyíró rendellenes zajt kelt és rázkódik.</p>	<p>A. Oldja ki a Működési biztosítékot a fűnyíró kikapcsolásához. Vegye ki a biztonsági kulcsot és az akkumulátorokat. Fordítsa a fűnyírót az oldalára, és ellenőrizze, nem görbült-e el vagy nem sérült-e meg a kés. Ha a kés sérült, cserélje ki késsre. Ha a kesház alja sérült, juttassa el a fűnyírót egy márkaszervizbe. B. Ha a késen nincs látható sérülés, de a fűnyíró mégis rázkódik: Oldja ki a Működési biztosítékot a fűnyíró kikapcsolásához. Vegye ki a biztonsági kulcsot és az akkumulátorokat, és távolítsa el a vágóélet. Forgassa el a kést 180 fokkal, majd helyezze vissza. Ha a fűnyíró még mindig rázkódik, juttassa el egy márkaszervizbe.</p>
<p>3. A fűnyíró működik, de a teljesítménye nem felel meg az elvárásoknak, vagy nem mindenhol nyírja le a fűvet.</p>	<p>A. Teljesen fel van töltve az akkumulátor? Kapcsolja be a töltőt, és várja meg a zöld fényel világító LED felgyulladását. B. Oldja ki a Működési biztosítékot a fűnyíró kikapcsolásához. Vegye ki a biztonsági kulcsot és az akkumulátorokat. Fordítsa át a fűnyírót, majd ellenőrizze a következőket: A kés élessége – Tartsa élesen a kést. Van-e eltömődés a kesházban és a kidobó nyílásban. C. Lehet, hogy a fű jellegéhez képest túl kis magasságra vannak állítva a kerekek. Állítson be nagyobb magasságot.</p>	<p>6. Az akkutöltő LED-je nincs bekapcsolva.</p> <p>7. Az akkutöltő LED-je nem vált zöld színre.</p> <p>8. A fűnyírógép fűgyűjtő zsákja nem gyűjti össze a lenyírt fűszálakat.</p>	<p>A. Ellenőrizze a dugasz csatlakoztatását. B. Cserélje ki a töltőt.</p> <p>A. Az akkut meg kell vizsgáltatni. Vigye egy hivatalos márkaszervizbe.</p> <p>A. Zsákolás előtt távolítsa el a takaró lemezt. B. A csúszda eltömődött. Oldja ki a Működési biztosítékot a fűnyíró kikapcsolásához. Vegye ki a biztonsági kulcsot és az akkumulátorokat. Tisztítsa meg a csúszdát a fűszálaktól. C. Túl sok fűvet nyír le. Állítsa a kerekeket nagyobb magasságra, hogy kisebb legyen a vágás hossza. D. A zsák megtelt. Gyakrabban ürítse a zsákot!</p>
<p>4. Túl nehéz tolni a fűnyírót.</p>	<p>A. Állítson be nagyobb magasságot, hogy a kesház kevésbé súrolja a fűvet. Ellenőrizze, hogy minden kerék szabadon forgatható-e.</p>	<p>9. Talajtakarás közben a talajon lenyírt fűszálak láthatók.</p>	<p>A. Túl sok fűvet nyír le. Állítsa a kerekeket nagyobb magasságra, hogy kisebb legyen a vágás hossza. Csak a teljes vágáshossz maximum 1/3-ig vágjon. B. Ellenőrizze a vágóél élességét. Gondoskodjon, hogy az él mindig éles legyen.</p>
		<p>10. Rövid vagy csökkent üzemidő a gép többszöri használata után.</p>	<p>A. Térjen vissza a hivatalos márkaszervizbe – előfordulhat, hogy új akkura van szükség.</p>
		<p>11. Az akkutöltő LED-je piros fényel villog, és az akkut nem lehet feltölteni.</p>	<p>A. A folyamatos töltés miatt az akku túlhevülhet. Vegye ki az akkut a töltőből, és várja meg, amíg az akku 42°C-ra vagy annál kevesebbre hűl.</p>

MEGFELELŐSÉGI NYILATKOZAT

A gyártó,
Positec Germany GmbH
Postfach 32 02 16, 50796 Cologne, Germany

A Positec nevében kijelenti, hogy a termék
Leírás **WorxNITRO Akkumulátoros fűnyíró**
Típus **WG748E WG748E.X (7 - a készülék jelölése,
akkumulátorral működtetett fűnyírót jelöl)**
Rendeltetés **Fűnyírás**

Megfelel a következő irányelveknek,
2006/42/EC, 2014/30/EU
2011/65/EU&(EU)2015/863
2000/14/EC módosítva: 2005/88/EC

2000/14/EC módosítva:2005/88/EC
Megfelelőség-ellenőrző eljárás a

VI. függelék értelmében

Mért hangerő-szint **91.6 dB(A)**
Garantált hangerő-szint **94 dB(A)**

Tanúsítási szervezet

Név: **Intertek, Deutschland GmbH (tanúsítási
szervezet: 0905)**
Cím: **Stangenstraße 1, 70771 LEINFELDEN-
ECHTERDINGEN**

Az alábbi normáknak:
EN 60335-1, EN 60335-2-77, EN 62233, EN ISO 3744,
EN 55014-1, EN 55014-2

A műszaki dokumentáció összeállítására jogosult
személy:

Név **Marcel Filz**
Cím **Positec Germany GmbH**
Postfach 32 02 16, 50796 Cologne, Germany



2021/10/11

Allen Ding

Helyettes főmérnök, Tesztelés és minősítés
Positec Technology (China) Co., Ltd
18, Dongwang Road, Suzhou Industrial
Park, Jiangsu 215123, P. R. China

SECURITATEA PRODUSULUI AVERTISMENTE GENERALE DE SIGURANȚĂ



AVERTISMENT Citiți toate avertismentele de siguranță și toate instrucțiunile.

În caz de nerespectare
a avertismentelor și
instrucțiunilor, există riscul
electrocutării, izbucnirii
incendiilor și/sau al
accidentării grave.

Citiți cu atenție instrucțiunile pentru utilizarea în siguranță a mașinii.

Păstrați toate avertismentele și instrucțiunile pentru consultări ulterioare.

- Acest echipament nu
trebuie utilizat de persoane
(inclusiv copii) cu capacități
fizice, senzoriale sau
mentale reduse sau
care nu au experiența și
cunoștințele necesare, cu
excepția cazului când sunt
supravegheate sau au fost
instruite în ceea ce privește
utilizarea echipamentului
de către o persoană
răspunzătoare de siguranța
lor.

- Supravegheați copiii pentru a vă asigura că nu se joacă cu echipamentul.
- Această instalație poate fi utilizată doar cu unitatea de alimentare care a fost livrată cu această instalație.

IMPORTANT
CITIȚI CU ATENȚIE ÎNAINTE DE
UTILIZARE
PĂSTRAȚI PENTRU
CONSULTĂRI ULTERIOARE

Practici de utilizare în
siguranță
Instruirea

- Citiți cu atenție instrucțiunile. Familiarizați-vă cu comenzile și cu utilizarea corectă a echipamentului;
- Nu permiteți niciodată copiilor sau persoanelor nefamiliarizate cu aceste instrucțiuni să utilizeze mașina de tuns iarba. Reglementările locale pot restricționa vârsta operatorului;
- Nu tundeți niciodată iarba dacă în apropiere se află persoane, în special copii sau animale de companie;
- Rețineți că operatorul sau utilizatorul este responsabil pentru accidentele sau

pericolele care implică alte persoane sau proprietatea acestora.

Pregătirea

- În timp ce tundeți iarba, purtați întotdeauna încălțăminte solidă și pantaloni lungi. Nu acționați echipamentul cu picioarele goale sau cu sandale;
- Inspectați cu atenție zona în care va fi utilizat echipamentul și îndepărtați toate obiectele care pot fi proiectate de către mașină;
- Înainte de utilizare, inspectați întotdeauna vizual lamele, șuruburile de lamă și ansamblul de cuțite pentru a vă asigura că nu sunt uzate sau deteriorate. Înlocuiți toate lamele și șuruburile deteriorate sau uzate pentru a menține echilibrarea mașinii.; Înlocuiți etichetele deteriorate sau ilizibile.

Funcționarea

- Operați mașina doar la lumina zilei sau la o lumină artificială puternică;
- Evitați utilizarea echipamentului pe iarbă udă, dacă acest lucru este

- posibil;
- c) Acordați întotdeauna atenție atunci când vă deplasați pe suprafețe înclinate;
 - d) Mergeți, nu alergați niciodată;
 - e) În cazul mașinilor rotative cu roți, tundeți iarba de-a lungul pantei, niciodată în sus sau în jos;
 - f) Acordați atenție maximă când schimbați direcția pe pante;
 - g) Nu tundeți iarba pe pante excesiv de abrupte;
 - h) Acordați atenție maximă când vă deplasați în marșarier sau când trageți mașina de tuns iarba către dvs.;
 - i) Opriți lama(ele) dacă mașina de tuns iarba trebuie înclinată pentru transport la traversarea unor suprafețe fără iarbă și atunci când transportați mașina de tuns iarba la sau de la locul de tuns iarba;
 - j) Nu utilizați niciodată mașina de tuns iarba cu dispozitive de protecție defecte sau fără dispozitivele de siguranță, de exemplu, defletoare și/ sau separatoare de iarbă;
 - k) Porniți cu atenție motorul conform instrucțiunilor, cu picioarele la distanță de lamă;
 - l) Nu înclinați mașina de tuns iarba când porniți motorul, cu excepția situațiilor în care mașina de tuns iarba trebuie înclinată pentru a porni. În acest caz, nu înclinați mașina mai mult decât este necesar și ridicați numai partea care este la distanță de operator;
 - m) Nu așezați mâinile sau picioarele în apropierea sau sub piesele rotative. Păstrați permanent distanța față de orificiul de descărcare;
 - n) Nu atingeți lamele înainte ca dispozitivul de dezactivare să fie îndepărtat și ca lamele să se oprească de tot;
 - o) Nu porniți mașina de tuns iarba când vă aflați în fața orificiului de descărcare.
 - p) Nu transportați mașina de tuns iarba când sursa de alimentare funcționează.
 - q) Opriți mașina de tuns iarba și demontați dispozitivul de dezactivare. Asigurați-vă că toate piesele mobile s-au oprit complet.
- de fiecare dată când lăsați

- mașina nesupravegheată,
- înainte de eliberarea unui blocaj,
- înainte de a controla, curăța sau lucra cu mașina,
- după ce ați lovit un obiect străin. Verificați mașina pentru a detecta eventualele deteriorări și efectuați reparațiile necesare înainte de a o repune în funcțiune sau de a o utiliza.

Dacă mașina de tuns iarba începe să vibreze în mod neobișnuit (verificați imediat).

- verificați-o cu privire la deteriorări.
- înlocuiți sau reparați orice piese deteriorate.
- verificați și strângeți orice piese slăbite.

Întreținerea și depozitarea

- a) Mențineți toate piulițele, bolțurile și șuruburile strânse pentru a vă asigura că echipamentul este în bună stare de funcționare;
- b) Controlați frecvent ca separatorul de iarbă să nu fie uzat sau deteriorat;
- c) Pentru siguranță, înlocuiți componentele defecte sau uzate. Utilizați doar piese

de schimb și accesorii originale.

- d) Aveți grijă în timpul reglării mașinii de tuns iarba pentru a preveni prinderea degetelor între lamele în mișcare și piesele fixe ale mașinii de tuns iarba..
- e) Lăsați întotdeauna mașina de tuns iarba să se răcească înainte de a o depozita.
- f) Când efectuați operațiuni de service asupra lamelor, rețineți că, deși sursa de alimentare este oprită, lamele pot fi mișcate în continuare..

AVERTISMENTE DE SIGURANȚĂ PENTRU ACUMULATOR

- a) Nu demontați, deschideți sau rupeți celulele sau acumulatorul.**
- b) Nu scurtcircuitați un acumulator. Nu depozitați acumulatorii la întâmplare într-o cutie sau într-un sertar unde s-ar putea scurtcircuita între ele sau prin materiale conductoare.**

Când acumulatorul nu este utilizat, țineți-l la distanță de alte obiecte metalice,

precum agrafele de birou, monede, chei, cuie, șuruburi sau alte obiecte metalice mici, care pot crea contact între cele două borne. Scurtcircuitarea bornelor acumulatorului poate cauza arsuri sau incendii.

c) Nu expuneți acumulatorul la căldură sau foc. Evitați depozitarea în lumina directă a soarelui.

d) Nu supuneți acumulatorul la șocuri mecanice.

e) În cazul scurgerii acumulatorului, aveți grijă ca lichidul să nu intre în contact cu pielea sau ochii. În cazul contactului, spălați zona afectată cu apă din belșug și solicitați asistență medicală.

f) Mențineți acumulatorul curat și uscat.

g) Ștergeți bornele acumulatorului cu o cârpă curată și uscată dacă se murdăresc.

h) Acumulatorul trebuie încărcat înainte de utilizare. Consultați întotdeauna aceste instrucțiuni și utilizați procedura de încărcare

corectă.

i) Nu lăsați acumulatorul la încărcat dacă nu îl utilizați.

j) După perioade extinse de depozitare, poate fi necesară încărcarea și descărcarea acumulatorului de mai multe ori pentru a obține performanțe maxime.

k) Reîncărcați folosind doar încărcătorul specificat de WorxNITRO. Nu utilizați niciun alt încărcător în afară de cel conceput specific pentru utilizarea cu acest echipament.

l) Nu utilizați acumulatoare care nu sunt concepute pentru utilizarea cu acest echipament.

m) Nu lăsați acumulatorul la îndemâna copiilor.

n) Păstrați documentația originală a produsului pentru consultări ulterioare.

o) Scoateți acumulatorul din echipament dacă nu îl utilizați.

p) Depuneți acumulatorul la deșeurii în mod corespunzător.

q) Nu introduceți în aparat acumulatoare care

provin de la producători diferiți sau cu capacități, dimensiuni sau tipuri diferite.

r) Țineți acumulatorul departe de microunde și presiune ridicată.

SZIMBÓLUMOK

	Citiți manualul de instrucțiuni înainte de utilizarea acestei mașini
	Instruiți persoanele aflate în zonă să păstreze distanța.
	Aveți grijă la lamele ascuțite. Lamele continuă să se rotească după oprirea motorului. Îndepărtați dispozitivul de dezactivare înainte de lucrările de întreținere.
	Bateriile pot intra în circuitul apei, dacă sunt lichidate incorect, fapt ce poate fi periculos pentru ecosistem. Nu lichidați deșeurile de baterii la fel ca deșeurile comunale nesortate.
	Nu ardeți
	Baterie Li-Ion. Acest produs a fost marcat cu simbolul referitor la 'colectarea separată' a tuturor blocurilor de baterii și a carcasei de baterie. Acestea vor fi apoi reciclate sau demontate pentru a se reduce impactul asupra mediului. Blocurile de baterii pot fi periculoase pentru mediu și sănătatea umană pentru că ele conțin substanțe periculoase.

	Produsele electrice nu trebuie depuse la deșeurile împreună cu gunoii menajer. Vă rugăm să depuneți produsele electrice la unitățile de reciclare existente. Consultați-vă cu autoritățile locale sau cu distribuitorul pentru sfaturi privind reciclarea.
	Purtați mănuși de protecție
	Deconectați acumulatorul de la priza de alimentare înainte de a efectua orice operațiuni de reglare, service sau întreținere.
	Scoateți cheia
	A kések a kerti kisgép kikapcsolása után még tovább forognak és sérüléseket okozhatnak. Mielőtt az alkatrészekhez hozzáérne, várja meg, míg a berendezés minden alkatrészre leáll.

153

LISTĂ DE COMPONENTE

1. **SELECTOR OPERAȚIONAL**
2. **BARĂ DE GHIDARE**
3. **SAC DE COLECTARE IARBĂ**
4. **MANETĂ DE REGLARE ÎNĂLȚIME DE TĂIERE**
5. **INDICATOR DE REGLARE A ÎNĂLȚIMII DE TĂIERE**
6. **MÂNER FRONTAL**
7. **CAPAC CARCASĂ ACUMULATOR**
8. **MÂNER POSTERIOR**
9. **CLAPETĂ DE SIGURANȚĂ**
10. **BUTON DE BLOCARE DE SIGURANȚĂ**
11. **BUTON DE ELIBERARE RAPIDĂ**
12. **FIȘĂ DE MULCIRE**
13. **ACUMULATOR * (CONSULTAȚI FIG. F2)**

Mașină de tuns iarba fără fir

RO

14. CHEIE DE SIGURANȚĂ (CONSULTAȚI FIG. F2)**15. INDICATOR NIVEL DE ÎNCĂRCARE ACUMULATOR (CONSULTAȚI FIG.. H)****16. ȘURUB LAMĂ (CONSULTAȚI FIG. N1)****17. LAMĂ (CONSULTAȚI FIG. N1)****18. DISTANȚIER (CONSULTAȚI FIG. N1)**

* Nu toate accesoriile ilustrate sau descrise sunt incluse în livrarea standard.

DATE TEHNICE

Tip WG748E WG748E.X (7- denumirea echipamentului, reprezentând Mașină de tuns iarba cu acumulator)

	WG748E WG748E .X**
Tensiune	40V Max.(2x20V Max.)***
Turație nominală fără sarcină	2800 /min
Lățimea punții	48 cm
Lățime de tăiere	46 cm
Diametru roată față	200 mm
Diametru roată spate	230 mm
Înălțime de tăiere	20 – 80 mm
Poziții înălțime de tăiere	7
Capacitate colectare iarbă	55 L
A készülék súlya (Meztelen eszköz)	25.3 kg

** X = 1-999, A-Z, M1-M9 csak különféle vásárlókra vonatkozik, ezek között a modellek között nincs biztonsági változás.

*** Tensiune măsurată în gol. Tensiunea inițială a bateriei atinge maximum 20 volți. Tensiunea nominală este de 18 volți.

Kategória	Típus	Mapacitás
20V Akku	WA3014	4.0 Ah
20VAkkumulátortöltő	WA3883	4.0 A

Vă recomandăm să achiziționați accesoriile de la același

magazin de la care ați cumpărat unealta. Alegeți tipul în funcție de lucrarea pe care urmează să o efectuați. Consultați ambalajul accesoriului pentru detalii suplimentare. Personalul din magazin vă poate oferi asistență și sfaturi.

INFORMAȚII PRIVIND ZGOMOTUL

Presiune sonoră ponderată A $L_{DA} = 78.4\text{dB(A)}$

K_{DA} 3.0 dB (A)

Putere sonoră ponderată A $L_{WA} = 91.6\text{dB(A)}$

K_{WA} 3.0 dB (A)

Purtați echipament de protecție pentru urechi.

**INFORMAȚII PRIVIND VIBRAȚIILE**

Vibrație ponderată tipică $a_h < 2.5\text{ m/s}^2$

Marjă de eroare $K = 1.5\text{ m/s}^2$



AVERTISMENT: Valoarea emisiilor de vibrații în timpul utilizării efective a unelei electrice poate diferi de valoarea nivelului declarat, în funcție de modul în care unealta este utilizată, în funcție de următoarele exemple și alte variații privind utilizarea unelei:

Modul în care este utilizată unealta și materialele tăiate sau găurite.

Unealta să fie într-o stare bună și întreținută corespunzător.

Utilizarea accesoriului corect pentru unealtă, fiind ascuțit și în bună stare de funcționare.

Strângerea cu fermitate a mânerelor și utilizarea oricăror accesorii anti-vibrații.

Iar unealta este utilizată conform destinației de utilizare și acestor instrucțiuni.

Această unealtă poate cauza sindromul vibrației mâinii-brățului dacă nu este utilizată corespunzător.



AVERTISMENT: Pentru precizie, o estimare a nivelului de expunere în condițiile de utilizare reale trebuie de asemenea să țină cont de toate componentele ciclului de operare, precum momentele când unealta este oprită și când merge în gol, dar nu efectuează operația propriu-zisă. Acest lucru ar putea reduce semnificativ nivelul de expunere pe durata totală de lucru.

Ajută la reducerea riscului de expunere la vibrații.

Mașină de tuns iarba fără fir

RO

Utilizați ÎNTOTDEAUNA dălți, burghie și lame ascuțite. Înțrețineți unealta în conformitate cu aceste instrucțiuni și mențineți-o bine lubrifiată (dacă este cazul). Dacă unealta va fi utilizată în mod regulat, investiți în accesorii anti-vibrații. Planificați-vă lucrul pentru a desfășura utilizarea uneltelor cu nivel ridicat de vibrații de-a lungul mai multor zile.

INSTRUCȚIUNI DE




NOTĂ: Înainte de a utiliza unealta, citiți cu atenție manualul de instrucțiuni.

Destinația de utilizare

Acest produs este destinat pentru tunderea ierbiilor în sectorul domestic.

ASAMBLARE ȘI OPERARE

ACȚIUNE	FIGURA
ASAMBLARE	
Asamblarea barei de ghidare & Reglarea înălțimii mânerului NOTĂ: Țineți apăsat butonul de eliberare rapidă în timpul funcționării.n.	Consultați fig. A1, A2
Asamblarea sacului de colectare a ierbii	Consultați fig. B
Asamblarea sacului de colectare a ierbii la mașina de tuns iarba NOTĂ: Apăsați ușor sacul pentru iarbă pentru a vă asigura de instalarea sa completă. NOTĂ: Îndepărtați elementul de acoperire a solului înainte să montați sacul de colectare a ierbii.	Consultați fig. C1, C2, C3
A Îndepărtarea/golirea sacului de colectare a ierbii  Avertisment! Înainte de utilizare, verificați întotdeauna clapeta de siguranță aflată în apropierea nișei de evacuare. Nu ridicați niciodată clapeta de siguranță dacă mașina de tuns iarba este utilizată fără sacul de colectare a ierbii.	Consultați fig. D1, D2
Instalarea fișei de mulcire	Consultați fig.E

Fixarea/îndepărtarea acumulatorului Introduceți cheia de siguranță înainte de a instala acumulatorul. NOTĂ: Aparatul va funcționa numai atunci când sunt instalate baterii separate. Se recomandă utilizarea de baterii cu același amperaj AH și încărcarea celor două baterii în același timp. Când utilizați două baterii cu AH diferit, aparatul va rula doar la nivelul numitorului comun inferior.	Consultați fig. F1, F2
Verificarea stării de încărcare a acumulatorului NOTĂ: Fig. G1 se referă numai la acel pachet de acumulator care are și indicator luminos al nivelului de încărcare.	Consultați fig.G1
Încărcarea acumulatorului NOTĂ: Acumulatorul este livrat neîncărcat. Acumulatorul trebuie încărcat complet înainte de prima operație de tundere a ierbii. Încărcați complet și simultan cele două acumulatori ale mașinii. Mai multe detalii în ghidul de utilizare al încărcătorului.	Consultați fig.G2
OPERAȚIUNE	
Indicator de capacitate acumulator pe mașină Vezi detalii în paragraful: STAREA ACUMULATORULUI IMPORTANT: Când un singur bec verde este aprins, bateria este descărcată, deși mașina de cosit poate fi capabilă încă de tăierea ierbii. Continuarea acționării mașinii de cosit cu bateria în stare descărcată poate reduce durata de funcționare și performanțele bateriei. Dacă niciun un LED nu este aprins, cel puțin un acumulator este instalat greșit sau este defect. Vă rugăm să verificați cu atenție dacă acestea sunt așezate corect în locașul lor.	Consultați fig. H
Pornire & Opre	Consultați fig. I1, I2

Reglarea înălțimii de tăiere	Consultați fig.J
 AVERTISMENT! Oprii, eliberați pedica de funcționare și așteptați până când motorul se oprește înainte de a regla înălțimea.. Lamele continuă să se rotească după oprirea mașinii, o lamă în mișcare poate provoca accidente. Nu atingeți lamele în mișcare.	
Depozitare	Consultați fig. K1,K2

INDICATOARELE LED DE STARE ALE BATERIEI (Consultați fig. H)

- Dacă doriți să aflați nivelul de încărcare al pachetului de acumuloare, apăsați butonul de lângă indicatorul luminos al nivelului de încărcare al pachetului de acumuloare înainte de utilizarea sau după utilizarea mașinii. În timpul utilizării mașinii, indicatorul luminos al nivelului de încărcare al pachetului de acumuloare va indica automat nivelul de încărcare al acestuia.
- Indicatorul luminos detectează și indică în mod constant starea pachetului de acumuloare.
- Încărcați mașina cu 2 baterii cu AH diferit, indicatorul luminos al nivelului de încărcare indică nivelul de încărcare al acumulatorului cu nivelul de încărcare mai scăzut.

Indicatorul stării de încărcare a acumulatorului	Starea acumulatorului
156 Ard cinci LED-uri verzi (●●●●●)	Cele două acumuloare sunt încărcate foarte bine.
Ard două, trei sau patru LED-uri verzi.	Există energie în cele două acumuloare. Cu cât ard mai multe LED-uri verzi, acumuloarele dețin cu atât mai multă energie.
Doar un singur LED verde este aprins (●○○○○)	Cel puțin un acumulator este descărcat și trebuie reîncărcat.
Nu arde niciun LED.	Cel puțin un acumulator este instalat greșit sau este defect.
Doar un singur LED pâlpâie de două ori într-un ciclu.	Cel puțin un acumulator este complet descărcat (vă rugăm să vă referiți la paragraful care descrie starea de încărcare a acumulatorului). Vă rugăm să reîncărcați simultan cele două acumuloare înainte de o nouă utilizare a mașinii sau înainte de stocarea ei.
Doar un singur LED pâlpâie de trei ori într-un ciclu.	Cel puțin un acumulator s-a supraîncălzit, așteptați răcirea lui/lor înainte de a începe munca.

Doar un singur LED pâlpâie de patru ori într-un ciclu.	Mașina este suprasolicitată. Măriți înălțimea de tundere a ierbii sau împingeți mașina mai încet.
--	---

SFATURI PENTRU ACOPERIREA CU STRAT PROTECTOR

În timp ce acoperiți cu strat protector, mașina de cosit este proiectată să taie iarba tunsă în bucăți mici și să le distribuie înapoi pe gazon. În condiții normale, iarba astfel tăiată este biodegradabilă rapid și furnizează substanțe nutritive gazonului.

Examinați recomandările următoare pentru performanțe optime ale stratului protector.

- 1) Evitați cosirea când iarba este udă de ploaie sau de rouă. Iarba udă formează bulgări care interferează cu acțiunea stratului protector și reduce timpul de funcționare.
Perioada optimă pentru cosirea ierbii este după-amiaza târziu, când iarba este uscată și zona proaspăt tăiată nu este expusă luminii directe a soarelui.
- 2) Pentru performanțe optime ale stratului protector, setați înălțimea de tăiere pentru îndepărtarea unei treimi din lungimea lamei, în mod ideal nu mai mult de 40 mm o dată. Dacă iarba este crescută excesiv, poate fi necesară creșterea înălțimii de tăiere pentru reducerea efortului de împingere și prevenirea supraîncărcării motorului. Pentru acoperirea cu strat protector extrem de greu, se recomandă tăierea inițială la o setare ridicată a înălțimii de tăiere, iar apoi tăierea din nou la înălțimea de tăiere finală. În caz contrar, executați tăieri mai înguste și cosiți încet.
- 3) Pentru performanțe optime, păstrați carcasa mașinii de cosit lipsită de acumulări de iarbă. Oprii periodic mașina de cosit și așteptați oprirea completă a lamei. Apoi deconectați cheia de siguranță și răsturnați mașina de cosit pe o parte. Utilizând un obiect, cum ar fi un băț, îndepărtați acumularea de iarbă din zona lamei. Aveți grijă la marginile ascuțite ale lamei. Curățați des iarba udă și nouă și curățați întotdeauna după fiecare utilizare.
- 4) Anumite tipuri de iarbă sau stări ale ierbii pot nemesita un al doilea strat protector pentru împrăștierea completă a ierbii pe gazon. Dacă tăiați a doua oară, se recomandă tăierea perpendiculară (de-a lungul) pe primul model de tăiere. **NU MODIFICAȚI ÎN NICIUN FEL MODELUL DE TĂIERE CARE AR DETERMINA COSIREA ÎN JOS PE O PANTĂ.**
- 5) Modificați-vă modelul de tăiere săptămânal. Aceasta previne granulara și pierderea luciului gazonului.

MĂRIMEA SUPRAFEȚEI TUNSE

Mărimea suprafeței tunse poate fi influențată de câțiva factori, cum sunt înălțimea de tundere, umiditatea gazonului, lungimea tulpinilor ierbii și densitatea ierbii.

Pornirea și oprirea prea frecventă a mașinii de tuns gazon în cursul operației de tundere a gazonului cauzează în plus micșorarea suprafeței tunse.

Raportul între condițiile de tundere și mărimea suprafeței tunse este descris în tabelul de mai jos.

Înălțimea de tăiere	Lot recomandat (maxim)
Tăiați 8 cm până la 6 cm	Cu 2 * 20 V / 4.0 Ah baterii
	Până la 500 m ² *

* cu utilizarea simultană a 2 acumulatori încărcăți complet

SFATURI:

- 1) Vă recomandăm să efectuați tunderea gazonului la intervale scurte, pentru a putea umbla în tempoul normal și a nu porni/opri prea frecvent mașina de tuns gazon în cursul lucrului.
- 2) Vă rugăm să asigurați întotdeauna utilizarea simultană a două acumulatori încărcăți complet să și tundeți întotdeauna maximum la 1/3 din înălțimea gazonului pentru a fi asigurată puterea optimă a mașinii de tuns gazon.
- 3) În cazul cosirii ierbii înalte, umblați încet, pentru a se asigura o cosire mai eficientă și evacuarea reglementară a ierbii cosite.
- 4) Evitați cosirea ierbii umede, deoarece aceasta s-ar lipi pe partea inferioară a mecanismului de tăiere iar iarba cosită nu ar putea fi captată corect și evacuată.
- 5) În cazul unui gazon nou sau des, alegeți o înălțime de tundere mai mare, prelungind astfel durata de utilizare a bateriei.

ÎNȚREȚINEREA

⚠️ AVERTISMENT: Opriti mașina de tuns gazonul, scoateți cheia de siguranță și bateriile înainte de a scoate sacul de colectare a ierbii.

NOTĂ: Pentru asigurarea unei durate de funcționare prelungite și fiabile, efectuați următoarele proceduri de întreținere în mod regulat. Verificați existența unor defecte evidente, cum ar fi o lamă slăbită, deplasată sau deteriorată, garnituri slăbite, sau componente defecte sau uzate. Verificați ca dispozitivele de protecție și capacele să nu fie deteriorate și să fie atașate corect pe mașina de tuns iarba. Efectuați lucrările de întreținere și reparațiile necesare înainte de acționarea mașinii de tuns iarba. Dacă mașina de tuns iarba se defectează în ciuda întreținerii normale, contactați linia de asistență pentru clienți.

ASCUȚIREA LAMEI

PĂSTRAȚI LAMA ASCUȚITĂ PENTRU O PERFORMANȚĂ DE COSIRE OPTIMĂ. O LAMĂ TOCITĂ NU TĂIE IARBA CORECT ȘI NU ACOPERĂ CU UN STRAT PROTECTOR ÎN MOD ADECVAT. PURTAȚI OCHELARI DE PROTECȚIE ADECVAȚI ÎN TIMPUL ÎNDEPĂRTĂRII, ASCUȚIRII ȘI INSTALĂRII LAMEI. ASIGURAȚI ÎNDEPĂRTAREA CHEII DE SIGURANȚĂ ȘI A BATERIILOR. Ascuțirea lamei de două ori în timpul sezonului de cosire este suficientă de obicei, în circumstanțe normale. Nisipul cauzează tocirea rapidă a lamei. Dacă gazonul conține sol nisipos, poate fi necesară ascuțirea mai

frecventă.

ÎNLOCUIȚI ÎMEDIAT LAMA ÎNDOITĂ SAU DETERIORATĂ.

CÂND ASCUȚIȚI LAMA (Consultați fig. L)

1. Asigurați-vă de menținerea echilibrului lamei.
2. Ascuțiți lama la unghiul de tăiere inițial.
3. Ascuțiți marginile de tăiere de pe ambele capete ale lamei, îndepărtând cantități egale de material de pe ambele capete.

NOTĂ:

1. Asigurați-vă că ați oprit mașina de tuns iarba. Scoateți cheia și bateriile.
2. Așezați mașina în modul vertical de depozitare.

ECHILIBRAREA LAMEI (Consultați fig. M)

Verificați echilibrul lamei prin amplasarea orificiului central al lamei M-1 în mânerul unui cui unei șurubelnițe M-2, fixată orizontal într-o menghină M-3. Dacă oricare capăt al lamei se rotește în jos, piliți acel capăt. Lama este echilibrată corect atunci când nu cade niciun capăt.

ÎNȚREȚINEREA LAMEI (Consultați fig. N1, N2)

Înlocuiți lama de după 50 de ore de cosit sau după 2 ani, oricare situație survine prima – indiferent de stare. Uрмаți aceste proceduri pentru îndepărtarea și înlocuirea lamei. Aveți nevoie de mânuși de grădinărit (nu sunt furnizate) și de o cheie pentru puiițe (nu este furnizată) pentru îndepărtarea lamei. Asigurați-vă că bateriile și cheia de siguranță nu sunt instalate. Așezați un bloc de lemn între lama și puntea mașinii de tuns gazonul pentru a împiedica rotirea lamei și deșurubați puiița lamei în sens contrar acelor de ceasornic, utilizând cheia pentru puiițe.

Scoateți lama și montați una nouă pe șurubul lamei.

Asigurați-vă că lama este poziționată corect și apoi strângeți ferm șurubul.

DEPOZITAREA (Consultați fig. K1 și K2)


Opriti mașina de tuns gazonul și îndepărtați întotdeauna cheia de siguranță și bateriile. Curățați bine exteriorul mașinii utilizând o perie moale și o cârpă. Nu utilizați apă, solvenți sau substanțe de lustruit. Îndepărtați toată iarba și resturile, în special din fantele de ventilație.

Răsturnați mașina pe o parte și curățați zona lamei. Dacă iarba tunsă este acumulată în zona lamei, îndepărtați-o cu un obiect din plastic sau lemn.

Depozitați mașina într-un loc uscat. Nu amplasați alte obiecte pe mașină.

Pentru a facilita stocarea, țineți apăsat butonul de eliberare rapidă și pliați ghidonul.

PROTECȚIA MEDIULUI ÎNCONJURĂTOR

 Deșeurile produselor electrice nu se vor arunca împreună cu deșeurile menajere. Reciclați acolo unde există instalații de reciclare. Consultați autoritățile locale sau vânzătorul pentru recomandări privind reciclarea.

Mașină de tuns iarba fără fir

RO

DETECTAREA DEFECȚIUNILOR

Simptome	Remediere
1. Mașina de tuns gazonul nu funcționează când este activată pedica de funcționare.	<p>A. Verificați dacă cheia de siguranță a fost instalată și strânsă până la capăt și dacă butonul de blocare a siguranței este apăsat complet.</p> <p>B. Eliberați pedica de funcționare pentru a opri mașina de tuns gazonul. Scoateți cheia de siguranță și bateriile, răsturnați mașina și verificați dacă lama se poate roti liber. Dacă lama este blocată, duceți mașina la un service autorizat. Lama trebuie să se rotească liber.</p> <p>C. Acumulatorul a fost încărcat complet? Conectați încărcătorul și așteptați aprinderea LED-ului verde.</p>
2. Motorul se oprește în timpul operațiunii de tuns iarba.	<p>A. Eliberați pedica de funcționare pentru a opri mașina de tuns gazonul. Scoateți cheia de siguranță și bateriile, răsturnați mașina de tuns iarba și verificați dacă lama se poate roti liber. Dacă lama este blocată, duceți mașina la un service autorizat. Lama trebuie să se rotească liber.</p> <p>B. Ridicați roțile până la cea mai înaltă poziție de tăiere și porniți mașina.</p> <p>C. Acumulatorul a fost încărcat complet? Conectați încărcătorul și așteptați aprinderea LED-ului verde.</p> <p>D. Evitați suprasolicitarea mașinii. Reduceți capacitatea de tăiere a ierbii prin împingerea mai încetă a mașinii sau măriți înălțimea de tăiere. Sau efectuați ambele corecții.</p>
3. Mașina de tuns iarba funcționează, dar performanța de tundere este nesatisfăcătoare sau nu poate tunde toată iarba.	<p>A. Acumulatorul a fost încărcat complet? Conectați încărcătorul și așteptați aprinderea LED-ului verde.</p> <p>B. Eliberați pedica de funcționare pentru a opri mașina de tuns gazonul. Scoateți cheia de siguranță și bateriile. Răsturnați mașina și verificați următoarele: tăișul lamei – păstrați lama ascuțită. Verificați și destupați glisiera mașinii.</p> <p>C. Înălțimea roții nu trebuie să fie niciodată prea mică din cauza stării gazonului. Măriți înălțimea de tăiere.</p>
4. Împingerea mașinii de tuns iarba este foarte dificilă.	<p>A. Măriți înălțimea de tăiere pentru a reduce frecarea dintre puntea inferioară și iarba. Verificați rotirea liberă a fiecărei roți.</p>
5. Mașina de tuns iarba este anormal de zgomotoasă și vibrează.	<p>A. Eliberați pedica de funcționare pentru a opri mașina de tuns gazonul. Scoateți cheia de siguranță și bateriile. Răsturnați mașina pe o parte și verificați lama de tăiere pentru a vă asigura că nu este indoită sau deteriorată. Dacă lama prezintă deteriorări, înlocuiți-o cu o lamă de rezervă. Dacă partea de jos a punții inferioare este deteriorată, trimiteți/duceți mașina la un service autorizat.</p> <p>B. Dacă lama nu prezintă niciun semn vizibil de deteriorare, dar mașina de tuns continuă să vibreze: Eliberați pedica de funcționare pentru a opri mașina de tuns gazonul. Scoateți cheia de siguranță și bateriile. Rotiți lama cu 180 de grade și fixați-o din nou. Dacă mașina continuă să vibreze și acum, trimiteți mașina la un service autorizat.</p>
6. LED-ul încărcătorului acumulatorului este stins.	<p>A. Verificați conectarea ștecherului.</p> <p>B. Înlocuiți încărcătorul.</p>
7. LED-ul încărcătorului acumulatorului nu vrea să ardă cu lumină verde.	<p>A. Acumulatorul trebuie verificat. Duceți-l la un service autorizat.</p>

<p>8. Mașina de tuns iarba nu reușește să colecteze firele de iarbă tăiate cu ajutorul sacului de colectare a ierbii.</p>	<p>A. Scoateți placa de acoperire când utilizați sacul. B. Glisiera s-a înfundat. Eliberați piedica de funcționare pentru a opri mașina de tuns gazonul. Scoateți cheia de siguranță și bateriile. Curățați glisiera de firele de iarbă tăiate. C. Prea multă iarbă tăiată. Măriți înălțimea de tăiere prin înălțarea roților deoarece astfel scurțați lungimea de tăiere. D. Sacul este plin. Goliți sacul mai des.</p>
<p>9. La curățarea terenului există decupaje vizibile.</p>	<p>A. Prea multă iarbă tăiată. Măriți înălțimea de tăiere prin înălțarea roților deoarece astfel scurțați lungimea de tăiere. Nu tăiați mai mult de 1/3 din lungimea totală a firelei. B. Verificați tăișul lamei. Păstrați întotdeauna lama ascuțită.</p>
<p>10. Durată de funcționare scăzută sau redusă după mai multe utilizări.</p>	<p>A. Trimiteți/duceți mașina la un service autorizat – s-ar putea să aibă nevoie de un acumulator nou.</p>
<p>11. LED-ul încărcătorului acumulatorului pâlpâie cu lumină roșie și acumulatorul nu poate fi încărcat.</p>	<p>A. În timpul unei reincărcări neîntrerupte acumulatorul se poate supraîncălzi. Scoateți acumulatorul din încărcător și așteptați până se răcește la o temperatură de maxim 42°C sau la una mai scăzută de atât.</p>

Procedură de evaluare a conformității conformă cu **Anexa VI**

Nivel de putere sonoră măsurat **91.6 dB(A)**
Nivel de putere sonoră garantat declarat **94 dB(A)**

Organismul notificat implicat
Nume: Intertek, Deutschland GmbH(organism notificat 0905)
Adresa: Stangenstraße 1, 70771 LEINFELDEN-ECHTERDINGEN

Standardele sunt conforme cu,
EN 60335-1, EN 60335-2-77, EN 62233, EN ISO 3744, EN 55014-1, EN 55014-2

Persoana autorizată să compileze fișierul tehnic,
Denumire Marcel Filz
Adresă Positec Germany GmbH
Postfach 32 02 16, 50796 Cologne, Germany




2021/10/11
Allen Ding
Adjunct Inginer șef, Testare și certificare
Positec Technology (China) Co., Ltd
18, Dongwang Road, Suzhou Industrial
Park, Jiangsu 215123, P. R. China

159

DECLARAȚIE DE CONFORMITATE

Noi,
Positec Germany GmbH
Postfach 32 02 16, 50796 Cologne, Germany

În numele Positec declarăm că produsul
Descriere **Mașină de cosit iarba fără cordon**
WorxNITRO
Tip **WG748E WG748E.X (7 - denumirea echipamentului, reprezentând Mașină de tuns iarba cu acumulator)**
Funcție **tunderea ierbii**

Este conform cu următoarele Directive,
2006/42/EC, 2014/30/EU
2011/65/EU&(EU)2015/863
2000/14/EC modificată prin 2005/88/EC

2000/14/EC modificată prin 2005/88/EC

Mașină de tuns iarba fără fir

RO

BEZPEČNOST VÝROBKU VŠEOBECNÉ BEZPEČNOSTNÍ POKYNY



VAROVÁNÍ

Přečtěte si všechna bezpečnostní varování a všechny pokyny. Nebudete-li dodržovat uvedená varování a pokyny, může dojít k úrazu elektrickým proudem, požáru nebo vážným zraněním.

Pečlivě si přečtěte všechny uvedené pokyny, aby byla zaručena bezpečná obsluha tohoto stroje.

Uschovejte všechna varování a pokyny pro budoucí odkazy.

- Tento spotřebič není určen pro používání osobami (včetně dětí) trpící fyzickými, smyslovými či psychickými poruchami ani osobami bez náležitých znalostí a zkušeností. Pokud jej chtějí používat, musí být pod dozorem osoby odpovědné za jejich bezpečnost nebo je tato osoba musí poučit o bezpečném používání příslušenství.
- S tímto spotřebičem si nesmí hrát děti.
- Toto zařízení může být

použito pouze s napájecí jednotkou, která byla dodána s tímto zařízením.

DŮLEŽITÉ

PŘED POUŽITÍM SI PEČLIVĚ PŘEČTĚTE TENTO NÁVOD A USCHOVEJTE TYTO POKYNY PRO BUDOUCÍ ODKAZY

Pokyny pro bezpečnou obsluhu

Průprava

- a) Přečtěte si pečlivě uvedené pokyny. Seznamte se s ovládacími prvky a se správným použitím tohoto zařízení.
- b) Nikdy nedovolte dětem nebo osobám, které nejsou seznámeny s těmito pokyny, aby používaly tuto sekačku. Věk obsluhy mohou omezovat místní platné zákony.
- c) Nikdy neprovádějte sekání, jsou-li v blízkosti jiné osoby, a to zejména děti, nebo domácí zvířata.
- d) Uvědomte si, že obsluha nebo uživatel nesou odpovědnost za nehody nebo rizika, která hrozí jiným osobám nebo jejich majetku.

Příprava

- a) Při sekání vždy používejte pevnou obuv a dlouhé kalhoty. Nepracujte s tímto zařízením, jste-li bosí nebo máte-li otevřené sandály.
- b) Zkontrolujte kompletně prostor, kde budete tuto sekačku používat a odstraňte všechny předměty, které mohou být sekačkou odmrštěny.
- c) Před každým použitím proved'te vždy vizuální kontrolu, zda jsou v pořádku nože i montážní šrouby nožů a zda není opotřebováno nebo poškozeno žací ústrojí. Poškozené nebo opotřebované nože vyměňujte vždy jako sadu, aby bylo zajištěno vyvážení nožů. Nečitelné nebo poškozené nálepky vyměňte.

Použití

- a) Provádějte sečení pouze při denním světle nebo při kvalitním umělém osvětlení.
- b) Je-li to možné, vyvarujte se použití této sekačky ve vlhké trávě.
- c) Na svahu vždy udržujte pevný postoj.
- d) Chod'te, nikdy neběhejte.
- e) Při práci s rotačními sekačkami na kolečkách jezděte vždy po vrstevnici svahu, nikdy nejezděte nahoru a dolů. Jezděte vždy po vrstevnici svahu, nikdy nejezděte nahoru a dolů.
- f) Při změně směru na svahu buďte vždy velmi opatrní.
- g) Neprovádějte sekání na příliš strmém svahu.
- h) Buďte velmi opatrní při couvání nebo při přitahování sekačky směrem k sobě.
- i) Zastavte sekačku a rotující nůž (nože), musíte-li sekačku naklonit během přepravy, při přejezdění jiných než travnatých ploch a při přepravě sekačky na plochu a z plochy, která byla sekána.
- j) Nikdy nepoužívejte sekačku s poškozenými kryty nebo bez bezpečnostních zařízení, například odchylovačů nebo bez řádně nasazených sběrných košů.
- k) Zapínejte motor sekačky opatrně podle uvedených pokynů a udržujte nohy v bezpečné vzdálenosti od nože (nožů).
- l) Při zapínání motoru sekačku

nikdy nenaklánějte, mimo případy, kdy musí být sekačka při startování nakloněna. V takovém případě sekačku nenaklánějte více, než je to nezbytně nutné a zvedejte pouze tu část sekačky, která je dále od obsluhy.

- m) Nevkládejte ruce nebo nohy do blízkosti nebo pod rotující části. Stále dbejte na to, aby byl otvor pro odvod posečené trávy průchozí.
- n) Nedotýkejte se nožů před vyjmutím bezpečnostního klíče, a dokud nedojde k úplnému zastavení nožů.
- o) Nespouštějte tuto sekačku, stojíte-li přímo před otvorem pro odvod posekané trávy.
- p) Nepřepravujte sekačku, je-li k sekačce připojen napájecí zdroj.
- q) Zastavte sekačku a vyjměte bezpečnostní klíč. Ujistěte se, zda došlo k úplnému zastavení všech pohybujících částí.
- Kdykoli necháváte tento stroj bez dozoru.
 - Před odstraněním zablokování.
 - Před kontrolou, čištěním a jakoukoli prací na stroji.

- Po nárazu do cizího předmětu. Před opětovným spuštěním a obsluhou sekačky zkontrolujte tento stroj a proveďte potřebné opravy.

Začne-li sekačka nadměrně vibrovat (proved'te kontrolu ihned).

- Zkontrolujte, zda nedošlo k poškození.
- Vyměňte nebo opravte každou poškozenou část.
- Zkontrolujte a utáhněte všechny uvolněné části.

Údržba a uložení

- a) Udržujte všechny matice, šrouby a vruty řádně utaženy, abyste zajistili, že bude toto zařízení v bezvadném provozním stavu.
- b) Provádějte často kontrolu sběrného koše, zda není opotřebován nebo poškozen.
- c) Z bezpečnostních důvodů proved'te výměnu opotřebovaných nebo poškozených částí. Používejte pouze originální náhradní díly a příslušenství.
- d) Při seřizování sekačky buďte velmi opatrní, abyste

zabránili zachycení prstů mezi pohybujícími se noži a pevnými částmi sekačky.

- e) Před uložením nechejte sekačku vždy řádně vychladnout.
- f) Při údržbě nožů dávejte pozor, protože i při vypnutí napájecího zdroje sekačky mohou být nože sekačky stále v pohybu.

BEZPEČNOSTNÍ VAROVÁNÍ TÝKAJÍCÍ SE BATERIÍ

- a) **Nepokoušejte se demontovat, rozebírat nebo rozřezávat baterie nebo její články.**
- b) **Neprovádějte zkratování baterie. Neukládejte baterie nahodile v krabicích nebo v zásuvkách, kde by mohlo dojít k jejich vzájemnému zkratování nebo k zkratování způsobenému jinými předměty.** Není-li baterie používána, udržujte ji v bezpečné vzdálenosti od sponek na papíry, mincí, klíčů, hřebíků, šroubů nebo jiných malých kovových předmětů, které mohou způsobit propojení kontaktů baterie. Zkratování kontaktů

baterie může způsobit popáleniny nebo požár.

- c) **Nevystavujte baterii působení horka nebo ohně. Vyvarujte se skladování baterií na otevřeném slunci.**
- d) **Nevystavujte baterii mechanickým rázům.**
- e) **Dojde-li k úniku kapaliny z baterie, zabraňte tomu, aby se tato kapalina dostala do kontaktu s pokožkou nebo aby zasáhla oči. Dojde-li k takovému kontaktu, zasažené místo omyjte značným množstvím vody a vyhledejte lékařské ošetření.**
- f) **Udržujte baterie čisté a suché.**
- g) **Jsou-li svorky baterie znečištěny, otřete je čistým a suchým hadříkem.**
- h) **Baterie musí být před použitím nabita. Vždy postupujte podle uvedených pokynů a používejte správný postup nabíjení.**
- i) **Nenechávejte baterii nabíjet, nebude-li baterie použita.**
- j) **Po dlouhodobém uložení**

budete možná muset provést několik cyklů nabíjení a vybíjení, aby baterie dosáhla svého maximálního výkonu.

k) Provádějte nabíjení pouze v nabíječce, která je specifikovaná společností WorxNITRO. Nepoužívejte jinou nabíječku, než je nabíječka speciálně dodaná pro použití s tímto zařízením.

l) Nepoužívejte žádnou baterii, která není určena pro použití s tímto zařízením.

m) Ukládejte baterie mimo dosah dětí.

n) Uchovejte originální dokumentaci k tomuto výrobku pro budoucí odkazy.

o) Není-li zařízení používáno, vyjměte z něj baterii.

p) Provádějte řádnou likvidaci baterie.

q) V zařízení nekombinujte bateriové články různého data výroby, kapacity, velikosti nebo typu.

r) Baterii uchovávejte dále od mikrovlnných trub a vysokého tlaku.

SYMBOLY

	<p>Před použitím tohoto stroje si přečtete uživatelskou příručku.</p>
	<p>Udržujte ostatní osoby v bezpečné vzdálenosti.</p>
	<p>Používejte pouze ostré nože. Nože pokračují v otáčení i chvíli po vypnutí motoru. Před prováděním údržby vyjměte bezpečnostní klíč.</p>
	<p>Akumulátory se mohou při nesprávném způsobu likvidace dostat do systému koloběhu vody, což může ohrozit vlastní ekosystém. Dosloužilé akumulátory nelikvidujte jako netříděný komunální odpad.</p>
	<p>Nevystavujte působení ohně</p>
 <p>Li-Ion</p> 	<p>Akumulátor Li-Ion. Tento výrobek byl označen symbolem „tříděný odpad“ pro všechny jednotlivé a složené akumulátory. Proto musí být s ohledem dopadu na životní prostředí po dosloužení recyklován nebo demontován. Akumulátory obsahují nebezpečné látky, proto mohou být nebezpečné pro životní prostředí a lidské zdraví.</p>
	<p>Nepotřebné elektrické přístroje by neměly být vyhazovány společně s odpadem z domácnosti. Náradí recyklujte ve sběrnách zřízení k tomuto účelu. O možnostech recyklace se informujte na místních úřadech nebo u prodejce.</p>

	Používejte ochranné rukavice
	Před prováděním jakéhokoli seřízení, servisu nebo údržby vyjměte z úložného prostoru baterii.
	Odstraňte krytku
	Nože po vypnutí zahradního nářadí ještě dále rotují a mohou způsobit zranění. Nedotýkejte se žádné části nářadí, dokud nedojde k jejich úplnému zastavení.


SEZNAM SOUČÁSTEK

1.	OVLÁDACÍ TÁHLO POJEZDU
2.	RUKOJEŤ
3.	SBĚRNÝ KOŠ NA TRÁVU
4.	PÁKA PRO NASTAVENÍ VÝŠKY SEKÁNÍ
5.	UKAZATEL NASTAVENÍ VÝŠKY ŘEZU
6.	PŘEDNÍ MADLO
7.	KRYT ÚLOŽNÉHO PROSTORU BATERIE
8.	ZADNÍ MADLO
9.	BEZPEČNOSTNÍ KRYT
10.	TLAČÍTKO BEZPEČNÉHO POZASTAVENÍ CHODU
11.	TLAČÍTKO RYCHLÉHO UVOLNĚNÍ
12.	MULČOVACÍHO KRYTU
13.	AKUMULÁTOR * (VIZ OBR. F2)
14.	BEZPEČNOSTNÍ KLÍČ (VIZ OBR.F2)
15.	INDIKÁTOR NABÍTÍ BATERIE (VIZ OBR. H)
16.	ŠROUB NOŽE (VIZ OBR.N1)
17.	NŮŽ (VIZ OBR.N1)
18.	DÍŠTANČNÍ KROUŽEK (VIZ OBR. N1)

* Ne všechno zobrazené nebo popisované příslušenství je součástí standardní dodávky.

TECHNICKÉ ÚDAJE

Typ WG748E WG748E.X (7 označení strojního zařízení, zástupce pro akumulátorové sekačky na trávu)

	WG748E WG748E .X**
Napájecí napětí	40V  Max. (2x20V Max.)***
Otáčky naprázdno	2800 /min
Šířka paluby	48 cm
Šířka řezu	46 cm
Průměr předního kola	200 mm
Průměr zadního kola	230 mm
Výška sekání	20 – 80 mm
Počet poloh pro výšku sekání	7
Objem sběrného koše	55 L
Hmotnost	25.3 kg

** X = 1-999, A-Z, M1-M9 jsou pouze pro různé zákazníky, mezi těmito modely neexistují žádné změny související s bezpečností.

*** **Napětí měřeno bez pracovního zatížení. Původní napětí baterie dosahuje maximálně 20 V. Jmenovité napětí je 18 V.**

165

Kategorie	Typ	Kapacita
20V Baterie	WA3014	4.0 Ah
20V Nabíječka	WA3883	4.0 A

Doporučujeme vám, abyste zakoupili příslušenství ve stejném obchodě, ve kterém jste zakoupili i vaše nářadí. Vyberte si typ podle toho, jakou práci hodláte vykonávat. Další podrobnosti naleznete na obalu příslušenství. Personál prodejny vám může pomoci a také vám může poskytnout užitečnou radu.

ÚDAJE O HLUKU

Měřený akustický tlak	$L_{DA} = 78.4 \text{ dB(A)}$
K_{DA}	3.0 dB (A)
Měřený akustický výkon	$L_{WA} = 91.6 \text{ dB(A)}$
K_{WA}	3.0 dB (A)

Používejte ochranu sluchu.



Bezdrátová travní sekačka

CZ

INFORMACE O VIBRACÍCH

Typická naměřená hodnota vibrací $a_h < 2.5 \text{ m/s}^2$

Kolisání $K = 1.5 \text{ m/s}^2$

⚠ VÝSTRAHA: Hodnota vibračních emisí během praktického používání tohoto elektrického nástroje se může lišit od deklarované hodnoty v závislosti na způsobech, jakými je nástroj používán v závislosti na následujících podmínkách a dalších možnostech použití nástroje:

Způsob, jakým je nástroj používán, a povaha narušovaných nebo vrтанých materiálů.

Dobry stav nástroje a řádné provádění jeho údržby.

Používání správného příslušenství s nástrojem, ostrost a dobrý stav příslušenství.

Utažení úchopu na rukojetích a použití antivibračního příslušenství.

Používání nástroje k účelům určeným konstrukcí a v souladu s těmito pokyny.

Při nesprávném používání může tento nástroj způsobit syndrom vibrací rukou a paží.

⚠ VÝSTRAHA: Je třeba upřesnit, že při odhadu výše rizika vibrací v praxi je nutno rovněž zohlednit všechny fáze pracovního cyklu, například dobu, kdy je nástroj vypnutý a kdy běží naprázdno, ale nevykonává práci. To může podstatně snížit působení vibrací v rámci celkového pracovního času.

Zásady pro omezení rizika působení vibrací.

VŽDY používejte ostré trny, vrtáky a čepele.

Provádějte údržbu tohoto nástroje v souladu s těmito pokyny a nástroj (příslušným způsobem) dobře promazávejte.

Má-li být tento nástroj používán pravidelně, zakupte antivibrační příslušenství.

Naplánujte práci tak, aby bylo provádění úkolů, které vyžadují silné vibrace nástroje, rozloženo do několika dní.

URČENÉ POUŽITÍ



POZNÁMKA: Předtím než začnete nářadí používat, přečtěte si pečlivě manuál.

Určené použití

Tento výrobek je určen pro sečení trávniků na soukromých pozemcích.


SESTAVENÍ A POUŽÍVÁNÍ

PROVÁDĚNÝ ÚKON	OBR.
SESTAVENÍ	

Sestavení rukojeti & Nastavení výšky rukojeti POZNÁMKA: Během chodu stiskněte a přidržte tlačítko rychlého uvolnění.	Viz Obr. A1, A2
Sestavení sběrného koše	Viz Obr.B
Upevnění sběrného koše na sekačku POZNÁMKA: správnou instalaci sběrače trávy zkontrolujte mírným zatlačením na něj. POZNÁMKA: Před nasazením sběrného vaku na trávu vyjměte ze sekačky mulčovací vložku.	Viz Obr. C1, C2, C3
Sejmutí/vyprázdnění sběrného koše ⚠ VAROVÁNÍ! Před použitím vždy zkontrolujte, zda je bezpečnostní klapka výstupního otvoru uzavřena. Bezpečnostní klapku nikdy nevyveďte, pokud je sekačka používána bez nasazení sběrného vaku na trávu.	Viz Obr. D1, D2
Instalace mulčovacího krytu	Viz Obr.E
Vložení/vyjmutí akumulátoru Před instalací sady baterií vložte bezpečnostní klíč. POZNÁMKA: Tento stroj bude fungovat pouze, když budou nainstalovány samostatné baterie. Doporučujeme, abyste používali stejné AH baterie a vždy nabíjeli dvě baterie současně. Když použijete dvě baterie s různým AH, tak stroj poběží pouze do nejmenšího společného jmenovatele.	Viz Obr. F1, F2
Kontrola stavu nabití baterie POZNÁMKA: Obr. G1 platí pouze pro akumulátor s indikátorem stavu nabití.	Viz Obr.G1
Nabíjení baterie POZNÁMKA: Tato baterie je dodávána jako nenabitá. Před prvním sekaním trávniku musí být baterie zcela nabitá. Oba akumulátory dobíjejte naplnouka pacituvzdysoučasně. Další informace naleznete v návodu pro model.	Viz Obr.G2
POUŽITÍ	

Indikátor stavu nabití baterie na sekačce Podrobné informace naleznete v části STAV NABITÍ AKUMULÁTORU DŮLEŽITÉ Když svítí pouze jedno zelené světlo, je akumulátor příliš vybit, i když možná sekačka ještě dokáže sekat trávu. Dalším používáním sekačky s takto vybitým akumulátorem může dojít ke zkrácení životnosti a snížení výkonu akumulátoru. Pokud nesvítí žádná kontrolka, nejmeně jeden akumulátor není plně nasazen, nebo je vadný. Zkontrolujte prosím, zda jsou oba akumulátory usazeny v správné poloze.	Viz Obr. H
--	------------

Spuštění & Zastavení	Viz Obr. I1,I2
----------------------	----------------

Nastavení výšky sekání  UPOZORNĚNÍ! Zastavte, uvolněte spínací páčku a počkejte, dokud se motor nezastaví předtím, než upravíte výšku. Nože se otáčejí i po vypnutí sekačky a mohou způsobit poranění. Nedotýkejte se rotujících nožů.	Viz Obr. J
--	------------

Uložení	Viz Obr. K1,K2
---------	----------------

STAVOVÉ LED AKUMULÁTORU (Viz Obr. H)

- Před spuštěním nebo po použití stiskněte tlačítko umístěné na přístroji vedle kontrolky napájení, abyste zkontrolovali kapacitu akumulátoru. Během provozu je kapacita akumulátoru automaticky zobrazena na indikátoru výkonu akumulátoru.
- Indikátor neustále snímá a zobrazuje stav akumulátoru následujícím způsobem.
- Napájení stroje 2 sadami baterií s různým AH, indikuje kontrolka napájení stav spodního akumulátoru.

Indikátor stavu nabití akumulátoru	Stav akumulátoru
Svítí pět zelených kontrolkek (●●●●●)	Dva akumulátory jsou plně nabitě.
Svítí dvě, tři nebo čtyři zelené kontrolky.	Dva akumulátory jsou ještě částečně nabitě. Čím více zelených kontrolkek svítí, tím je vyšší zbývající kapacita nabití.
Svítí pouze jedna zelená kontrolka (●□□□□)	Nejméně jeden akumulátor je zcela vybit a je nutné jej znovu nabít.
Nesvítí žádná kontrolka.	Nejméně jeden akumulátor není plně nasazen, nebo je vadný.

Bliká pouze jedna kontrolka dvakrát za sebou.	Nejméně jeden akumulátor je téměř vybitý (viz indikátor stavu nabití akumulátoru). Před opětovným použitím, nebo před uskladněním nabijte současně oba akumulátory.
Bliká pouze jedna kontrolka třikrát za sebou.	Nejméně jeden akumulátor je příliš zahřátý. Před opětovným spuštěním zařízení počkejte, až vychladne.
Bliká pouze jedna kontrolka čtyřikrát za sebou.	Sekačka je přetížena. Zvyšte výšku řezu nebo na sekačku tlačte jen zvolna.

TIPY PRO SEKÁNÍ S MULČOVÁNÍM

Během mulčování sekačka drtí posekanou trávu na drobné kousky, které rozhazuje do trávníku. Za normálních okolností se tyto kousky rychle rozloží a vyživují trávník.

Optimálního výkonu mulčování dosáhnete při dodržování níže uvedených doporučení.

1. Nesekejte trávu mokrou po dešti nebo rose. Mokrá tráva může tvořit žmolky, které omezují účinnost mulčování a zkracují výdrž baterie. Nejlepší čas na sekání trávy je pozdní odpoledne, kdy je tráva vyschlá a čerstvě posekaná plocha nebude vystavena přímému slunci.
2. Chcete-li dosáhnout nejlepšího výkonu mulčování, nastavte výšku sekání tak, abyste sekali nejvýše 40 mm, přibližně třetinu délky travního listu. Pokud je trávník přerostlý, bude možná nutné nastavení větší výšky sekání, aby nedošlo k přetížení motoru a aby nebylo tlačení sekačky příliš namáhavé. Při mulčování objemné travní hmoty doporučujeme nejprve nastavit maximální výšku sekání a potom při druhém průjezdu sekat na požadovanou výšku. Další možností je využít jen část šířky záběru a sekat pomalu.
3. V zájmu dosažení nejlepšího výkonu zbavujte skříň sekačky zbytků trávy. Občas sekačku vypněte a počkejte, až se nůž úplně zastaví. Potom vytáhněte bezpečnostní klíč a otočte sekačku na bok. Vhodným předmětem, například klackem, vyškrábejte nános trávy z okolí nože. Při sekání čerstvé, mokré trávy čistěte sekačku častěji a nezapomeňte ji vyčistit po každém použití.
4. Některé typy trávy nebo určité podmínky při sekání vyžadují, abyste posekanou plochu přejeli ještě jednou a sekačka mohla posekanou trávu rovnoměrně rozprostřít.
Při druhém průjezdu doporučujeme sekat kolmo k prvnímu sekání. V ŽÁDNÉM PŘÍPADĚ NEMĚNTE SMĚR SEKÁNÍ TAK, ABYSTE MUSELI SEKAT SE SVAHU.
5. Každý týden jezděte se sekačkou po mírně odlišné trase. Tak zabráníte vytvoření obrazců v trávníku.

VELIKOST POSEKANÉ PLOCHY

Velikost posekané plochy může být ovlivněna několika faktory, jako jsou výška sekání, vlhkost trávníku, délka stébel trávy a hustota trávy. Příliš časté spouštění a zastavování sekačky během sekání trávníku navíc způsobuje zmenšení velikosti posekané plochy. Vztah mezi podmínkami pro sekání a velikostí posekané plochy je popsán v níže uvedené tabulce.

Výška řezu	Doporučená dávka (maximum)
Řez 8 až 6 cm	S 2 * 20 V / 4.0 Ah baterií
	Až 500 m ² *

* při současném použití 2 zcela nabitých baterií

RADY:

- 1) Doporučujeme vám, abyste prováděli sekání trávníku v kratších intervalech, abyste chodili normálním tempem a abyste během práce často nespouštěli/ nezastavovali tuto sekačku.
- 2) Vždy prosím zjistěte, aby byly současně používány dvě zcela nabitě baterie a vždy sekejte maximálně 1/3 výšky trávníku, aby byl zaručen co nejlepší výkon sekačky.
- 3) Při sekání vysoké trávy chodte pomalu, aby bylo zaručeno efektivnější sekání a řádné odvádění posekané trávy.
- 4) Vyvarujte se sekání vlhké trávy, protože by docházelo k jejímu nalepování na spodní část žacího ústrojí a posekaná tráva by nemohla být řádně zachycována nebo odváděna.
- 5) U nového nebo hustého trávníku používejte větší výšku sekání, čímž prodloužíte pracovní dobu baterie.

ÚDRŽBA

! **UPOZORNĚNÍ: Sekačku na trávu vypněte, vyjměte bezpečnostní klíč a baterie předtím, než vyjměte sběrný vak na trávu.**

POZNÁMKA: Z důvodu dosažení dlouhé životnosti a vysoké spolehlivosti provádějte pravidelně níže popsanou údržbu. Kontrolujte jakékoli odchylky od normálu, například uvolněné, posunutě nebo poškozené nože, povolené spojovací prvky a poškozené nebo nadměrně opotřebované součásti. Zkontrolujte, zda jsou kryty a ochrany bez poškození a zda jsou upevněny na správné místo na sekačce. Potřebnou údržbu nebo opravu proveďte ještě před použitím sekačky. Pokud sekačka nefunguje i při provádění pravidelné údržby, kontaktujte naši podporu zákazníků.

BROUŠENÍ NOŽE

Z DŮVODU DOSAŽENÍ NEJLEPŠÍHO VÝKONU SEKAČKY UDRŽUJTE NŮŽ OSTRÝ. TUPÝ NŮŽ NESEKÁ ČISTĚ A SPRÁVNĚ NEMULČUJE.

PŘI DEMONTÁŽI, BROUŠENÍ A ZPĚTNÉ MONTÁŽI NOŽE POUŽÍVEJTE OCHRANU ZRAKU. ZKONTROLUJTE, ZAJISTĚTE, ABY BYL VYJMUT KLÍČ A BATERIE.

V běžných podmínkách obvykle stačí nůž brousit dvakrát

za sezónu. Písek způsobuje rychlé ztupení nože. Pokud máte trávník na písčité půdě, může být nutné častější broušení nože.

OHNUTÝ NEBO POŠKOZENÝ NŮŽ OKAMŽITĚ VYMĚŇTE.

PŘI BROUŠENÍ NOŽE (Viz Obr. L)

1. Zkontrolujte, zda zůstalo zachováno vyvážení nože.
2. Dodržte původní úhel broušení nože.
3. Bruste břity na obou koncích nože a ubírejte stejné množství materiálů.

POZNÁMKA:

1. Ujistěte se, zda je sekačka vypnutá. Vyjměte klíč a baterie.
2. Postavte sekačku do svislé polohy pro uložení.

VYVÁŽENÍ NOŽE (Viz Obr. M)

Zkontrolujte vyvážení nože zavěšením za středový otvor M-1 na dřík šroubovák M-2 upnutý ve vodorovné poloze do svěráku M-3. Pokud jeden nebo druhý konec nože klesá dolů, obruste jej. Nůž je správně vyvážen, když ani jeden konec neklesá.

ÚDRŽBA NOŽE (Viz obr. N1, N2)


Vyměňte nůž po 50 hodinách sekání nebo po 2 letech, podle toho, co nastane dřív, a to i v případě, zdá-li se být v pořádku.

Dodržujte tento předepsaný postup demontáže a montáže nože. Budete potřebovat zahradní rukavice (nejsou součástí dodávky) a klíč (není součástí dodávky). Ujistěte se, že bezpečnostní klíč a baterie nejsou nainstalovány. Zaklinujte blokem dřeva mezi nožem a horním krytem, abyste ho zabránili v otáčení a klíčem vyšroubujte matici proti směru hodinových ručiček. Potom nůž sejměte. Zpětná montáž se provádí tak, že nejdříve nůž otočíte břity směrem k zemi. Potom pevně utáhněte upínací matici nože.

ULOŽENÍ (Viz Obr. K1, K2)

Sekačku vypněte a vždy vyjměte bezpečnostní klíč a baterie. Očistěte kompletně povrch sekačky pomocí měkkého kartáče a hadříku. Nepoužívejte vodu, rozpouštědla nebo leštící přípravky. Odstraňte všechny zbytky trávy, a to zejména z větracích drážek. Otočte sekačku na bok a očistěte pracovní prostor nože. Nachází-li se v pracovním prostoru nože zbytky trávy, odstraňte je pomocí dřevěného nebo plastového nástroje. Skladujte tento stroj na suchém místě. Nepokládejte na horní část tohoto stroje žádné další předměty. Pro usnadnění skladování stiskněte a přidržte tlačítko rychlého uvolnění a sklopte řídítka.

OCHRANA ŽIVOTNÍHO PROSTŘEDÍ

 Elektrické výrobky se nesmí likvidovat spolu s domácím odpadem. Recyklujte je v sběrnách pro tento účel zřízených. O možnostech recyklace se informujte na místních úřadech nebo u prodejce.

HLEDÁNÍ ZÁVAD

Príznamy	Náprava
1. Sekačka nebude fungovat, když bude aktivována spínací páčka.	A. Zkontrolujte, abyste se ujistili, že byl nainstalován bezpečnostní klíč a je správně usazen a že tlačítko bezpečnostního vypnutí je úplně stlačené. B. Provozní kroužkovou svorku uvolněte, abyste sekačku vypnuli. Vyjměte bezpečnostní klíč a baterie, otočte sekačku na bok a zkontrolujte, zda se volně otáčí nůž sekačky. Pokud se volně neotáčí, obraťte se na autorizovaný servis. Nůž by se měl volně otáčet. C. Byla baterie zcela nabitá? Připojte nabíječku a počkejte, až se rozsvítí zelená kontrolka.
2. Motor se během sekání zastavuje.	A. Provozní kroužkovou svorku uvolněte, abyste sekačku vypnuli. Vyjměte bezpečnostní klíč a baterie, otočte sekačku na bok a zkontrolujte, zda se volně otáčí nůž sekačky. Pokud se volně neotáčí, obraťte se na autorizovaný servis. Nůž by se měl volně otáčet. B. Zvětšete výšku sekání nastavením žacího ústrojí do nejvyšší možné polohy a spusťte sekačku. C. Byla baterie zcela nabitá? Připojte nabíječku a počkejte, až se rozsvítí zelená kontrolka. D. Vyvarujte se přetížení sekačky. Snižte rychlost sekání nebo zvyšte polohu žacího ústrojí. Nebo obojí.
3. Sekačka běží, ale výkon sečení není uspokojivý. Nebo neposeče celou rozlohu trávníku.	A. Byla baterie zcela nabitá? Připojte nabíječku a počkejte, až se rozsvítí zelená kontrolka. B. Provozní kroužkovou svorku uvolněte, abyste sekačku vypnuli. Vyjměte bezpečnostní klíč a baterie. Otočte sekačku na bok a zkontrolujte následující: Nabroušení nože - Nůž musí být ostrý. Zda nedošlo k zanesení žacího ústrojí a výstupního otvoru. C. Žací ústrojí může být nastaveno příliš nízko vzhledem k stavu trávníku. Zvětšete výšku žacího ústrojí.
4. Sekačka se těžko tlačí.	A. Zvětšete výšku žacího ústrojí, aby se snížil tlak žacího ústrojí na trávu. Zkontrolujte, zda se volně otáčí každé kolečko.

5. Sekačka je velmi hlučná a vibruje.	A. Provozní kroužkovou svorku uvolněte, abyste sekačku vypnuli. Vyjměte bezpečnostní klíč a baterie. Otočte sekačku na bok a zkontrolujte nůž, abyste se ujistili, zda není ohnutý nebo poškozený. Je-li nůž poškozen, proveďte jeho výměnu. Použijte nový originální nůž. Je-li poškozena spodní část žacího ústrojí, předejte sekačku autorizovanému servisu. B. Nejistíte-li žádné viditelné poškození nože a sekačka stále vibruje: Provozní kroužkovou svorku uvolněte, abyste sekačku vypnuli. Vyjměte bezpečnostní klíč a baterie a vyjměte sekací nůž. Obráťte nůž o 180 stupňů a znovu jej namontujte. Jestliže sekačka stále vibruje, předejte ji autorizovanému servisu.
6. LED indikátor nabíječky nesvítí.	A. Zkontrolujte připojení zástrčky. B. Nabíječku vyměňte.
7. Kontrolka LED nabíječky akumulátorů se nepřepne na zelenou.	A. Je nutné provést diagnostiku akumulátoru. Obráťte se na autorizované servisní středisko.
8. Sekačka nesbírá posečenou trávu do sběrného vaku.	A. Při ukládání do vaku odstraňte mulčovací desku. B. Svod je zanesen. Provozní kroužkovou svorku uvolněte, abyste sekačku vypnuli. Vyjměte bezpečnostní klíč a baterie. Ze svodu odstraňte travní odřezky. C. Příliš mnoho posečené trávy. Zvedněte nastavením výšky kol řez, a zkratě tak délku odřezávaných stonků. D. Zanesený svodový žlab. Vysypávání sběrného vaku provádějte častěji.
9. Při mulčování jsou useknuté části viditelné.	A. Bylo nastaveno sekání příliš velké části stonků trávy. Zvětšete výšku žacího ústrojí, aby došlo ke zkrácení ustřížených částí trávy. Nesekejte více jak 1/3 celkové délky. B. Zkontrolujte, zda jsou sekací nože ostré. Nože mějte vždy nabroušené.
10. Po více použitích nízká nebo zkrácená doba chodu.	A. Výrobek vraťte do autorizovaného servisního střediska – může být potřeba instalovat nový akumulátor.
11. Indikátor nabíječky akumulátorů bliká červeně a akumulátory nelze nabíjet.	A. Při trvalém provozu se akumulátor přehřívá. Vyjměte jej z nabíječky a nechte jej vychladnout na teplotu 42°C nebo méně.

PROHLÁŠENÍ O SHODĚ

My,
Positec Germany GmbH
Postfach 32 02 16, 50796 Cologne, Germany

Jménem společnosti Positec prohlašujeme, že výrobek
Název **Worx NITRO- Akumulátorová sekačka na trávu**
Typ **WG748E WG748E.X (7 - označení strojního zařízení, zástupce pro akumulátorové sekačky na trávu)**
Funkce **sekání trávy**

splňuje požadavky následujících směrnic,
2006/42/EC, 2014/30/EU
2011/65/EU & (EU)2015/863
2000/14/EC v novelizaci 2005/88/EC

2000/14/EC (v novelizaci 2005/88/EC
Postup posuzování shody podle **Dodatek VI.**
Měřený akustický výkon **91.6 dB(A)**
Deklarovaný zaručený akustický výkon **94 dB(A)**

Pověřený úřední orgán
Název: **Intertek, Deutschland GmbH (úřední vyhláška 0905)**
Adresa: **Stangenstraße 1, 70771 LEINFELDEN-ECHTER-DINGEN**


Splňují požadavky norem,
EN 60335-1, EN 60335-2-77, EN 62233, EN ISO 3744, EN 55014-1, EN 55014-2

Osoba odpovídající za vytvoření technické dokumentace,
170
Jméno Marcel Filz
Adresa **Positec Germany GmbH**
Postfach 32 02 16, 50796 Cologne, Germany



2021/10/11
Allen Ding
Zástupce vrchní konstrukční kanceláře,
Testování & Certifikace
Positec Technology (China) Co., Ltd
18, Dongwang Road, Suzhou Industrial
Park, Jiangsu 215123, P. R. China

BEZPEČNOST VÝROBKU VŠEOBECNÉ BEZPEČNOSTNÉ POKYNY

 **UPOZORNENIE**
Prečítajte si všetky bezpečnostné upozornenia a všetky pokyny. Ak nebudete dodržiavať uvedené bezpečnostné pokyny a upozornenia, môže dôjsť k úrazu elektrickým prúdom, požiaru alebo vážnym zraneniam.

Pozorne si prečítajte všetky uvedené pokyny, týkajúce sa bezpečnej obsluhy tohoto zariadenia. Uložte bezpečnostné pokyny na ďalšie použitie.

- Toto zariadenie nie je určené na používanie osobami (vrátane detí) so zníženými fyzickými, zmyslovými alebo mentálnymi schopnosťami alebo osobami s nedostatočnými skúsenosťami a znalosťami, a to kým nepracujú pod dozorom alebo na základe pokynov o používaní zariadenia vydaných od osoby zodpovednej za ich bezpečnosť.
- V prípade detí treba dohliadať na to, aby sa so

zariadením nehrali.

- Toto zariadenie môže byť použité iba s napájacou jednotkou, ktorá bola dodaná s týmto zariadením.

DÔLEŽITÉ PRED POUŽITÍM SI POZORNE PREČÍTAJTE NÁVOD NA OBSLUHU A USCHOVAJTE HO NA ĎALŠIE POUŽITIE.

Pokyny k bezpečnému použitiu

Výcvik

- a) Pozorne si prečítajte nasledujúce pokyny. Zoznámte sa s ovládacími prvkami a so správnym použitím tohoto zariadenia.
- b) Nikdy nedovoľte deťom alebo osobám, ktoré neboli zoznámené s týmito pokynmi, aby používali kosačku.. Vek obsluhy môžu obmedzovať miestne platné zákony.
- c) Nikdy nepracujte so zariadením, ak sú v blízkosti iné osoby, hlavne deti alebo domáce zvieratá.
- d) Pamätajte na to, že obsluha alebo používateľ zariadenia je zodpovedný za nehody alebo škody, ktoré hrozia iným osobám alebo ich majetku.

Príprava

- a) Pri kosení používajte vždy pevnú obuv a dlhé nohavice. So zariadením nepracujte, ak ste bosí, alebo nemáte vhodnú obuv.
- b) Skontrolujte priestor, v ktorom budete toto zariadenie používať a odstráňte všetky predmety, ktoré by mohli byť strojom vymrštené.
- c) Pred každým použitím preveďte vizuálnu kontrolu, či sú v poriadku nože, upevnenie nožov a či nie je opotrebovaný alebo poškodený žací mechanizmus. Poškodené alebo opotrebované nože vymeňte vždy ako sadu, aby bolo zaistené vyváženie nožov. Nečitateľné alebo poškodené nálepky vymeňte.

Použitie

- a) So zariadením pracujte iba pri dennom svetle alebo pri kvalitnom umelom osvetlení.
- b) Pokiaľ to bude možné, nepoužívajte toto zariadenie vo vlhkej tráve.
- c) Pri práci v členitom teréne udržiavajte vždy pevný

postoj.

- d) Kráčajte, nikdy nebehajte.
- e) Pri práci s rotačnými kosačkami na kolieskach jazdite vždy po vrstevnici svahu, nikdy nechod'te smerom nahor a dolu. Jazdite vždy po vrstevniciach svahu, nikdy nechod'te smerom nahor a dolu.
- f) Pri zmene smeru na svahu buďte vždy veľmi opatrní.
- g) Nekoste na príliš strmom svahu.
- h) Dávajte veľký pozor pri cúvaní alebo pri priťahovaní kosačky smerom k sebe.
- i) Zastavte nože, ak pri práci s kosačkou musíte kosačku nakloniť, pri prechádzaní z trávnatých plôch a pri preprave kosačky z plochy na plochu, ktorá bola už kosená.
- j) Nikdy nepoužívajte kosačku s poškodenými krytmi alebo bez bezpečnostného zariadenia, napríklad odhrňáčov alebo nesprávne nasadených zberných košov.
- k) Pri zapínaní motora kosačky postupujte opatrne podľa uvedených pokynov, nohy udržiavajte v bezpečnej

vzdialenosti od noža (nožov).

- l) Pri zapínaní motora kosačku nikdy nenakláňajte, okrem prípadov, keď musí byť kosačka pri štartovaní naklonená. V takom prípade nenakláňajte kosačku viac, ako je nevyhnutné a zdvíhajte iba tú časť kosačky, ktorá je ďalej od obsluhy.
- m) Nedávajte ruky alebo nohy do blízkosti alebo pod rotujúce časti kosačky. Dbajte na to, aby bol otvor na odvod pokosenej trávy neustále voľný.
- n) Nedotýkajte sa nožov pred vytiahnutím bezpečnostného kľúča, pokiaľ nedôjde k ich úplnému zastaveniu.
- o) Nezapínajte kosačku, ak stojíte priamo pred otvorom pre odvod pokosenej trávy.
- p) Neprepravujte kosačku, ak je ku kosačke pripojený zdroj napájania.
- q) Zastavte kosačku a vytiahnite bezpečnostný kľúč. Skontrolujte, či došlo k úplnému zastaveniu všetkých pohybujúcich sa častí.
 - Vždy, keď ponecháte

- zariadenie bez dozoru.
- Pred odstránením zablokovania.
 - Pred kontrolou, čistením, a každou prácou na zariadení.
 - Po náraze do cudzieho predmetu. Pred každým použitím kosačky skontrolujte, či je zariadenie v poriadku a preved'te potrebné opravy.

Ak začne kosačka nadmerne vibrovať (preved'te kontrolu okamžite).

- Skontrolujte, či nedošlo k poškodeniu.
- Vymeňte alebo opravte poškodenú časť.
- Skontrolujte a utiahnite všetky uvoľnené časti.

Údržba a uskladnenie

- a) Udržiavajte všetky matice, skrutky a upevňovacie prvky riadne utiahnuté, aby ste zaistili bezchybný prevádzkový stav zariadenia.
- b) Kontrolujte pravidelne zberný kôš, či nie je opotrebovaný alebo poškodený.
- c) Z bezpečnostných dôvodov vymeňte opotrebované alebo poškodené časti. Používajte výhradne

originálne náhradné diely a príslušenstvo.

- d) Pri nastavovaní kosačky buďte veľmi opatrní, aby ste zabránili zachyteniu prstov medzi pohybujúcimi sa nožmi a pevnými časťami kosačky.
- e) Pred uskladnením nechajte kosačku vždy riadne vychladnúť.
- f) Pri údržbe nožov dávajte pozor, pretože aj po vypnutí kosačky od zdroja napájania môžu byť nože stále v pohybe.

BEZPEČNOSTNÉ VAROVANIA TÝKAJÚCE SA BATÉRIÍ

- a) Nepokúšajte sa demontovať, rozoberať alebo rozrezávať batérie alebo jej články.**
- b) Batériu neskratujte. Neukladajte batérie náhodne v škatuliach alebo v zásuvkách, kde by mohlo dôjsť k ich vzájomnému skratovaniu alebo k skratovaniu spôsobenému inými predmetmi.** Ak sa batéria nepoužíva, udržiujte ju v bezpečnej vzdialenosti od sponiek na papieri,

mincí, kl'účov, klincov, skrutiiek alebo iných malých kovových predmetov, ktoré môžu spôsobiť prepojenie kontaktov batérie.

Skratovanie kontaktov batérie môže spôsobiť popáleniny alebo požiar.

c) Nevystavujte batériu pôsobeniu tepla alebo ohňa. Vyvarujte sa skladovania batérií na otvorenom slnku.

d) Nevystavujte batériu mechanickým rázom.

e) Ak dôjde k úniku kvapaliny z batérie, zabráňte tomu, aby sa táto kvapalina dostala do kontaktu s pokožkou alebo aby zasiahla oči. Ak dôjde k takému kontaktu, zasiahnuté miesto umyte značným množstvom vody a vyhľadajte lekárske ošetrenie.

f) Udržujte batérie čisté a suché.

g) Ak sú svorky batérie znečistené, utrite ich čistou a suchou handričkou.

h) Batéria musí byť pred použitím nabitá. Vždy postupujte podľa uvedených pokynov

a používajte správny postup nabíjania.

i) Nenechávajte batériu nabíjať, ak nebude batéria použitá.

j) Po dlhodobom uložení budete možno musieť vykonať niekoľko cyklov nabíjania a vybíjania, aby batéria dosiahla svoj maximálny výkon.

k) Vykonávajte nabíjanie iba v nabíjačke, ktorá je špecifikovaná spoločnosťou WorxNITRO. Nepoužívajte inú nabíjačku, než je nabíjačka špeciálne dodaná na použitie s týmto zariadením

l) Nepoužívajte žiadnu batériu, ktorá nie je určená na použitie s týmto zariadením.

m) Ukladajte batérie mimo dosahu detí.

n) Uschovajte originálnu dokumentáciu k tomuto výrobku na budúce odkazy.

o) Ak sa zariadenie nepoužíva, vyberte z neho batériu.

p) Vykonávajte riadnu likvidáciu batérie.

q) V zariadení nekombinujte

batériové články rôzneho dátumu výroby, kapacity, veľkosti alebo typu.

r) Batériu uchovávajte ďalej od mikrovlnných rúr a zariadení pod vysokým tlakom.

SYMBOLY

	Pred použitím zariadenia si prečítajte návod na použitie.
	Udržujte ostatné osoby v bezpečnej vzdialenosti.
	Používajte len ostré nože. Nože budú pokračovať v otáčaní aj chvíľu po vypnutí motora. Pred prevádzkaním údržby vyťahnite bezpečnostný kľúč.
	Akumulátory sa môžu pri nesprávnom spôsobe likvidácie dostať do systému kolobehu vody, čo môže ohroziť vlastný ekosystém. Doslúžile akumulátory nelikvidujte ako zmesový komunálny odpad.
	Nespaľujte ich

	Akumulátor Li-Ion. Tento výrobok bol označený symbolom "triedený odpad" pre všetky jednotlivé a zložené akumulátory. Preto musí byť s ohľadom vplyvu na životné prostredie po doslúžení recyklovaný alebo demontovaný. Akumulátory obsahujú nebezpečné látky, preto môžu byť nebezpečné pre životné prostredie a ľudské zdravie.
	Elektrické výrobky sa nesmú likvidovať spolu s domácim odpadom. Recyklujte v zberných miestach na tento účel zriadených. O možnosti recyklácie sa informujte na miestnych úradoch alebo u predajcu.
	Noste ochranné rukavice
	Pred akýmkoľvek nastavením, servisom alebo údržbou vyberte z úložného priestoru batériu.
	Odstráňte kryt
	Po vypnutí tohto záhradníckeho náradia nože ešte rotujú ďalej a mohli by Vám spôsobiť poranenie. Pred kontaktom so zariadením, počkajte, až sa všetky jeho súčasti zastavia.

175

ZOZNAM SÚČASTÍ

- OVLÁDACIE ŤAHADLO POJAZDU**
- RUKOVÄŤ**
- ZBERNÝ KÔŠ NA TRÁVU**
- PÁKA NA NASTAVENIE VÝŠKY KOSENIA**
- UKAZOVATEĽ NASTAVENIA VÝŠKY REZU**
- PREDNÁ RUKOVÄŤ**
- KRYT ÚLOŽNÉHO PRIESTORU BATÉRIE**
- ZADNÁ RUKOVÄŤ**

9. BEZPEČNOSTNÝ KRYT
10. BEZPEČNOSTNÉ TLAČIDLO VYPNUTIA
11. TLAČIDLO RÝCHLEHO UVOĽNENIA
12. MULČOVACÍ KRYT
13. AKUMULÁTOR * (POZRITE OBR.F2)
14. BEZPEČNOSTNÝ KLÚČ (POZRITE OBR.F2)
15. INDIKÁTOR NABITIA BATÉRIE(POZRITE OBR. H)
16. SKRUTKA NOŽA (POZRITE OBR.N1)
17. NŮŽ (POZRITE OBR. N1)
18. DIŠŤANČNÝ KRÚŽOK (POZRITE OBR. N1)

* Nie všetko zobrazené alebo popísané príslušenstvo je súčasťou štandardnej dodávky.

TECHNICKÉ ÚDAJE

Typ **WG748E WG748E.X (7 - označenie strojov, zástupca akumulátorových kosačiek na trávu)**

	WG748E WG748E .X**
Napájacie napätie	40V Max.(2x20V Max.)***
Otáčky naprázdno	2800 /min
Šírka paluby	48 cm
Šírka rezu	46 cm
Priemer predného kolesa	200 mm
Priemer zadného kolesa	230 mm
Výška kosenia	20 – 80 mm
Počet polôh pre výšku kosenia	7
Objem zberného koša	55 L
Hmotnosť stroja (holý nástroj)	25.3 kg

** X = 1-999, A-Z, M1-M9 sú len pre rôznych zákazníkov, medzi týmito modelmi nie sú žiadne zmeny týkajúce sa bezpečnosti.

*****Napätie merané bez pracovného zaťaženia. Pôvodné napätie batérie dosahuje maximálne 20 V. Menovité napätie je 18 V.**

Kategória	Typ	Kapacita
20V Batéria	WA3014	4.0 Ah
20V nabíjačka	WA3883	4.0 A

Odporúčame Vám, aby ste si zakúpili príslušenstvo v rovnakej predajni, v akej ste zakúpili aj vaše náradie. Typ príslušenstva zvolte podľa typu vykonávanej práce. Ďalšie podrobnosti nájdete na obale príslušenstva. Pomoc a užitočné rady vám môže poskytnúť predajca hľadania.

INFORMÁCIE O HLUKU

Meraný akustický tlak	$L_{pA} = 78.4 \text{ dB(A)}$
K_{pA}	3.0 dB (A)
Meraný akustický výkon	$L_{wA} = 91.6 \text{ dB(A)}$
K_{wA}	3.0 dB (A)

Používajte ochranu sluchu.



INFORMÁCIE O VIBRÁCIÁCH

Typická nameraná hodnota vibrácií	$a_h < 2.5 \text{ m/s}^2$
Nepresnosť	$K = 1.5 \text{ m/s}^2$



VÝSTRAHA: Hodnota emisie vibrácií počas skutočného používania elektrického náradia sa môže odlišovať od deklarovanej hodnoty, a to v závislosti od spôsobu používania náradia a v závislosti od nasledujúcich príkladov odchýlok od spôsobu používania náradia:

Akým spôsobom sa náradie používa a aké materiály budú rezané alebo vrtné.

Náradie je v dobrom stave a je dobre udržiavané.

Používanie správneho príslušenstva v spojení s náradím a zabezpečenie jeho ostroti a dobrého stavu.

Tesnosť zovretia rúkovať a používanie doplnkov proti vibráciám.

Používanie náradia na podľa konštrukcie určený účel a v súlade s pokynmi.

Toto náradie môže vyvolávať syndróm trasenia rúk a ramien, pokiaľ jeho používanie nie je správnym spôsobom riadené.



VÝSTRAHA: Kvôli presnosti by mal odhad úrovne expozície v skutočných podmienkach používania obsahovať tiež všetky súčasti prevádzkového cyklu, ako sú doby, počas ktorých je náradie vypnuté a počas ktorých beží na voľnobehu, a to mimo skutočného vykonávania práce. Tým môže dôjsť k značnému zníženiu úrovne

expozície počas celkového prevádzkového času.

Pomôžte minimalizovať riziko expozície účinkom vibrácií. VŽDY používajte ostré sekáče a čepele. Nariadenie udržiavajte v súlade s týmto návodom a udržiavajte ho dobre namazané (ak je to potrebné). Ak sa nariadenie používa často, investujte do príslušenstva zabráňujúceho vibráciám. Prácu si naplánujte tak, aby ste akékoľvek používanie nariadenia pri vysokých vibráciách rozdelili na niekoľko dní.

NÁVOD NA POUŽITIE




POZNÁMKA: Pred tým, ako nariadenie použijete, prečítajte si návod na použitie.

Určené použitie

Tento výrobok je určený na kosenie trávnikov na súkromných pozemkoch.

MONTÁŽ A OBSLUHA

VYKONÁVANÝ ÚKON	OBR.
ZOSTAVENIE	
Zostavenie rukoväti & Nastavenie výšky rukoväti POZNÁMKA: Stlačte a podržte tlačidlo rýchleho uvoľnenia počas prevádzky.	Pozrite Obr. A1, A2
Zostavenie zberného koša	Pozrite Obr.B
Upevnenie zberného koša na kosačku POZNÁMKA: Vrečko na trávu jemne zatlačte a presvedčte sa takto, že je úplne nainštalované. POZNÁMKA: Pred nasadením zberného vaku na trávu vyberte z kosačky mulčovaciu vložku.	Pozrite Obr.C1, C2, C3
Odobratie/vyprázdnenie zberného koša  VAROVANIE! Pred použitím vždy skontrolujte, či je bezpečnostná klapka výstupného otvoru uzatvorená. Bezpečnostnú klapku nikdy nezdvíhajte, ak sa kosačka po užití bez nasadeného zberného vaku unatrúva.	Pozrite Obr. D1, D2
Inštalácia mulčovacieho krytu	Pozrite Obr.E

Vložení/vytiahnutí akumulátora
Pred nainštalovaním sady batérií vložte bezpečnostný kľúč.
POZNÁMKA: Tento stroj je možné spustiť len vtedy, ak sú nainštalované samostatné batérie. Odporúčame použiť batérie s rovnakým Ah a súčasne nabiť dve batérie.
Keď používate dve batérie s rozdielnym Ah, stroj bude možné spustiť len pri nižšom spoločnom menovateli.

Pozrite Obr. F1, F2

Kontrola stavu nabitia batérie
POZNÁMKA: Obr. G1 platí len pre akumulátor s indikátorom stavu nabitia.

Pozrite Obr.G1

Nabíjanie batérie
POZNÁMKA: Táto batéria sa dodáva ako nenabitá. Pred prvým kosením trávniku musí byť batéria celkom nabitá.
Oba akumulátory nabíjajte naplnúka pacituvž súčasne. Podrobné údaje nájdete v príručke k nabíjačke.

Pozrite Obr.G2

NÁVOD NA POUŽITIE

Indikátor stavu nabitia batérie na kosačke
Podrobné informácie nájdete v časti STAV NABITIA AKUMULÁTORA

Pozrite Obr. H

DÔLEŽITÉ:

Keď svieti iba jedno zelené svetlo, váš akumulátor je takmer vybitý, a to aj napriek tomu, že kosačka dokáže kosiť trávu. Pokračujúce používanie kosačky na trávu v prípade vybitého akumulátora môže skrátiť životnosť a výkon akumulátora.
Ak nesvieti žiadna kontrolka, najmenej jeden akumulátor nie je plne nasadený, alebo je chybný. Skontrolujte, prosím, číslo akumulátora yusadené v správnej polohe.

177

Spustenie & Zastavenie

Pozrite Obr. I1,I2

Nastavenie výšky kosenia

Pozrite Obr.J



VAROVANIE! Pred nastavením výšky zastavte, uvoľnite ovládaciu páku a počkajte, kým sa motor nezastaví. Po vypnutí stroja čepele pokračujú v otáčaní; rotujúca čepeľ môže zapríčiniť poranenie. Nedotýkajte sa rotujúcich čepelí.

Uloženie

Pozrite Obr. K1,K2

ALTERNÁTOR - STAVOVÉ LED KONTROLKY (Pozrite Obr. H)

- Pred spustením alebo po použití stlačte tlačidlo umiestnené na prístroji vedľa kontrolky napájania, aby ste skontrolovali kapacitu akumulátora. Počas prevádzky je kapacita akumulátora automaticky zobrazená na indikátore výkonu akumulátora.
- Indikátor neustále sníma a zobrazuje stav akumulátora nasledujúcim spôsobom.
- elektrickým nábojom Ah, indikuje kontrolka napájania stav spodného akumulátora.

Indikátor stavu nabitia akumulátora	Stav akumulátora
Svieti päť zelených kontroliek (●●●●●)	Dva akumulátory sú úplne nabité.
Svietia dve, tri alebo štyri zelené kontrolky.	Dva akumulátory sú ešte čiastočne nabité. Čím viac zelených kontroliek svieti, tým je vyššia zostávajúca kapacita nabitia.
Svieti iba jedna zelená kontrolka (●□□□□)	Najmenej jeden akumulátor je úplne vybitý a je nutné ho znovu nabiť.
Nesvieti žiadna kontrolka.	Najmenej jeden akumulátor nie je úplne nasadený, alebo je chybný.
Bliká iba jedna kontrolka dvakrát za sebou.	Najmenej jeden akumulátor je takmer vybitý (pozri indikátor stavu nabitia akumulátora). Pred opätovným použitím, alebo pred uskladnením nabite súčasne oba akumulátory.
Bliká iba jedna kontrolka trikrát za sebou.	Najmenej jeden akumulátor je príliš zahriaty. Pred opätovným spustením zariadenia počkajte, až vychladne.
Bliká iba jedna kontrolka štyrikrát za sebou.	Kosačka je preťažená. Zvýšte výšku rezu alebo na kosačku tlačte len zvolna.

TIPY OHLADNE KOSENIA A MULČOVANIA

Vaša kosačka je navrhnutá tak, aby počas mulčovania posekala zvyšky trávy na malé kúsky a rozložila ich naspäť do trávnik. V rámci bežných podmienok sa mulčovaná tráva rýchlo rozloží a poskytne trávniku výživu. Kvôli dosiahnutiu optimálneho výkonu počas mulčovania si pozrite nasledujúce odporúčania.

- 1) Vyhňte sa koseniu ak je tráva mokrá od dažďa alebo od rosy. Mokrú trávu môže vytvárať zhluky, ktoré znemožňujú mulčovanie a znižujú chod. Najlepší čas na kosenie trávy je neskoré popoludnie,

kedy je tráva suchá a kedy čerstvo pokosená plocha nebude vystavená priamemu slnečnému žiareniu.

- 2) Pre dosiahnutie najlepšieho mulčovacieho výkonu nastavte reznú výšku tak, aby ste odsekli asi jednu tretinu výšky stebľa trávy; ideálne je naraz odseknúť nie viac ako 40 mm. Ak je trávnik prerastený, bude pravdepodobne potrebné zvýšiť reznú výšku s cieľom znížiť silu potrebnú na tlačenie a preťažovanie motora. V prípade veľmi náročného mulčovania sa odporúča najprv vykonať kosenie pri nastavenej vysokej výške rezu a následne pokosiť pri finálnej výške rezu. V opačnom prípade vykonávajte rovné zábery a pohybujte sa kosačkou pomaly.
- 3) Pre dosiahnutie najlepšieho výkonu zo skrine kosačky odstraňuje nahromadenú trávu. Z času na čas kosačku vypnite a počkajte, dokiaľ sa čepeľ úplne nezastaví. Následne vyberte bezpečnostný kľúč a otočte kosačku nabok. Pomocou predmetu ako je palička odstráňte z priestoru čepele nahromadenú trávu. Dávajte pozor na ostré hrany čepele. Čistenie vykonávajte často v prípade novej trávy a vždy po každom použití.
- 4) Určité typy trávy alebo stav trávy môže vyžadovať vykonanie druhého mulčovania s cieľom roztrúsiť trávu kompletne v rámci trávnik. V prípade druhého kosenia sa odporúča vykonať kosenie kolmo (naprieč) prvým smerom kosenia. V ŽIADNOM PRÍPADE NEMENŤ SMER KOSENIA TÝM BY MOHLO DÔJSŤ KU KOSENIU SMEROM ZO SVAHU.
- 5) Každý týždeň zmeňte svoj smer kosenia. Tým pomôžete zachovať hustotu trávnatého koberca a textúru trávnik.

VEĽKOSŤ POKOSENEJ PLOCHY

Veľkosť skosenej plochy môže byť ovplyvnená niekoľkými faktormi, ako sú výška kosenia, vlhkosť trávnik, dĺžka stebiel trávy a hustota trávy. Príliš časté zapínanie a zastavovanie kosačky počas kosenia trávnik navyš spôsobuje zmenšenie veľkosti pokosenej plochy. Vzťah medzi podmienkami pre kosenie a veľkosťou pokosenej plochy je popísaný v nižšie uvedenej tabuľke.

Výška kosenia	Odporúčaná dávka (maximum)
Strih 8 až 6 cm	S 2 * 20 V / 4.0 Ah batériou
	Do 500 m ² *

* pri súčasnom použití 2 úplne nabitých batérií

RADY:

- 1) Odporúčame vám, aby ste kosili trávnik v kratších intervaloch tak, aby ste chodili normálnym tempom a aby ste počas práce často nezapínali/nezastavovali kosačku.
- 2) Vždy prosím zaistíte, aby boli súčasne používané dve úplne nabité batérie a vždy koste maximálne 1/3 výšky trávnik, aby bol zaručený najlepší výkon

- 3) Pri kosení vysokej trávy choďte pomaly, aby bolo zaručené efektívnejšie kosenie a riadne odvádzanie pokosenej trávy.
- 4) Zabráňte koseniu vlhkej trávy, pretože by sa tráva lepila na spodnú časť žacieho ústroja a kosená tráva by nemohla byť riadne zachytená alebo odvedená.
- 5) U nového alebo hustého trávnik používajte väčšiu výšku kosenia, čím predĺžite pracovnú dobu batérie.

ÚDRŽBA



VAROVANIE: Skôr ako odstránite vrece na zber trávy, zastavte kosačku, odstráňte bezpečnostný kľúč a batérie.

POZNÁMKA: Aby ste zabezpečili dlhú a spoľahlivú prevádzku, pravidelne vykonávajte nasledujúce postupy údržby. Kontrolujte bežné poškodenia ako je uvoľnenie, zablokovanie alebo poškodenie čepele, uvoľnenie upevňovacích prvkov a opotrebovanie alebo poškodenie jednotlivých súčastí. Skontrolujte, či kryty a chrániče nie sú poškodené a skontrolujte, že sú na kosačke správne osadené. Pred prevádzkovaním kosačky vykonajte potrebnú údržbu a opravy. Ak dôjde k chybe činnosti kosačky aj napriek vykonávaniu pravidelnej údržby, o pomoc požiadať zákaznicku linku.

OSTRENIE ČEPELE

PRE ZACHOVANIE MAXIMÁLNEHO VÝKONU KOSAČKY UDRŽIAVAJTE ČEPEL NAOSTRENÚ. OTUPENÁ ČEPEL NEDOKÁŽE DOKLADNE TRÁVU POKOSIŤ ANI SPRÁVNE VYKONÁVAŤ MULČOVANIE.

POČAS DEMONTÁŽE, OSTRENIA A INŠTALÁCIE ČEPELE POUŽÍVAJTE SPRÁVNU OCHRANU OČÍ. UISTITE SA, ŽE BEZPEČNOSTNÝ KĽÚČ A BATÉRIE SÚ ODSTRÁNENÉ.

Ostrenie čepele dvakrát za sezónu je zvyčajne postačujúce v rámci bežných podmienok. Piesok spôsobuje rýchle otupenie čepele. Ak je váš trávnik založený na piesčitej pôde, možno bude potrebné ostrenie čepele vykonať častejšie. OHNUTÝ ALEBO POŠKODENÝ ČEPEL OKAMŽITE VYMEŇTE.

POČAS OSTRENIA ČEPELE (Pozrite Obr. L)

1. Čepeľ musí zostať vyvážená.
2. Čepeľ ostriete pod pôvodným uhlom rezu.
3. Ostriete hrany oboch koncov čepele a z oboch koncov odstraňuje rovnaké množstvo materiálu.

POZNÁMKA:

1. Uistite sa, či je kosačka vypnutá. Odstráňte kľúč a batérie.
2. Postavte kosačku do zvislej polohy na uloženie.

VYVÁŽENIE ČEPELE (Pozrite obr. M)

Zkontrolujte vyváženú nožu zavěšením za středový otvor M-1 na hřebík nebo dřík šroubováku M-2 upnutý ve vodorovné poloze do svéráku M-3. Ak jeden koniec čepele padá smerom nadol, opravujte pilníkom tento koniec. Čepeľ je správne vyvážená, ak ani jeden z koncov nepadá dolu.

ÚDRŽBA ČEPELE (Pozrite Obr. N1, N2)

Svoju čepeľ vymeňte po 50 hodinách prevádzky alebo po 2 rokoch; uplatnite dobu, ktorá nastane skôr, a to

bez ohľadu na podmienky. Tieto postupy dodržiavajte v prípade demontáže a výmeny čepele. Na demontáž čepele budete potrebovať záhradnícke rukavice (nie sú súčasťou) a kľúč na matice. Uistite sa, že bezpečnostný kľúč a batérie nie sú nainštalované. Zaklinujte kus dreva od medzi čepeľ a kryt kosačky, aby ste predišli otáčaniu čepele a pomocou kľúča na matice odskrutkujte maticu čepele proti smeru hodinových ručičiek., a následne čepeľ demontujte.

Opätovne nasadenie vykonáte tak, že najprv čepeľ umiestnite tak, aby jej rezné hrany smerovali smerom k zemi. Následne dôkladne utiahnite skrutku čepele.

USKLADNENIE (Pozrite Obr. K1, K2)

Zastavte kosačku a vždy odstráňte bezpečnostný kľúč a batérie. Dôkladne pomocou mäkkej kefy a tkaniny vyčistite vonkajšie plochy stroja. Nepoužívajte vodu, rozpúšťadlá alebo leštiace prostriedky. Všetku trávu a úlomky odstráňte, a to hlavne z vetracích otvorov. Otočte stroj na jednu stranu a vyčistite priestor čepele. Ak sa v priestore čepele nachádzajú zvyšky trávy, odstráňte ich pomocou dreveného alebo plastového kusa. Stroj uskladnite na suchom mieste. Na hornú plochu stroja neumiestňujte žiadne predmety. Na pomoc pri uskladnení stlačte a podržte uvoľňovacie tlačidlo a zložte rukoväť.

OCHRANA ŽIVOTNÉHO PROSTREDIA



Elektrické výrobky neslobodno likvidovať spolu s domácim odpadom. Recyklujte v zberných miestach na tento účel zariadených. O možnosti recyklácie sa informujte na miestnych úradoch alebo u predajcu.

179

ODSTRÁŇOVANIE PROBLÉMOV

Symptóm	Nápravné činnosti
1. Kosačka je vypnutá, keď je aktivovaná ovládacia páka.	A. Skontrolujte, či je vložený bezpečnostný kľúč, či je úplne zasunutý a či je úplne zatlačené tlačidlo bezpečnostného blokovania. B. Na vypnutie kosačky uvoľnite ovládaciu páku. Odstráňte bezpečný kľúč a batérie, otočte kosačku na bok a skontrolujte, či sa voľne otáča nôž kosačky. Ak sa voľne neotáča, obráťte sa na autorizovaný servis. Nôž by sa mal voľne otáčať. C. Bol akumulátor celkom nabitý? Pripojte nabíjačku a počkajte, až sa rozsvieti zelená kontrolka.

2. Motor sa počas kosenia zastavuje.	A. Na vypnutie kosačky uvoľnite ovládaci páku. Odstráňte bezpečný kľúč a batérie, otočte kosačku na bok a skontrolujte, či sa voľne otáča nôž kosačky. Ak sa voľne neotáča, obráťte sa na autorizovaný servis. Nôž by sa mal voľne otáčať. B. Zväčšite výšku kosenia nastavením žacieho ústrojenstva do najvyššej novej polohy a spustíte kosačku. C. Bol akumulátor celkom nabitý? Pripojte nabíjačku a počkajte, až sa rozsvieti zelená kontrolka. D. Vyvarujte sa preťaženia kosačky. Znížte rýchlosť kosenia alebo zvyšte polohu žacieho ústrojenstva. Alebo oboje.
3. Kosačka beží, ale výkon kosenia nie je uspokojivý. Alebo nepokosí celú rozlohu trávniku.	A. Bol akumulátor celkom nabitý? Pripojte nabíjačku a počkajte, až sa rozsvieti zelená kontrolka. B. Na vypnutie kosačky uvoľnite ovládaci páku. Odstráňte bezpečný kľúč a batérie. Otočte kosačku na bok a skontrolujte nasledujúce: Nabrušenie noža – Nôž musí byť ostrý. Či nedošlo k zaneseniu žacieho ústrojenstva a výstupného otvoru. C. Žacie ústrojenstvo môže byť nastavené príliš nízko vzhľadom na stav trávniku. Zväčšite výšku žacieho ústrojenstva.
4. Kosačka sa ťažko tlačí.	A. Zväčšite výšku žacieho ústrojenstva, aby sa znížil tlak žacieho ústrojenstva na trávu. Skontrolujte, či sa voľne otáča každé koliesko.
5. Kosačka je veľmi hlučná a vibruje.	A. Na vypnutie kosačky uvoľnite ovládaci páku. Odstráňte bezpečný kľúč a batérie. Otočte kosačku na bok a skontrolujte nôž, aby ste sa uistili, či nie je ohnutý alebo poškodený. Ak je nôž poškodený, vymeňte ho. Použite nový originálny nôž. Ak je poškodená spodná časť žacieho ústrojenstva, odovzdajte kosačku autorizovanému servisu. B. Ak nezistíte žiadne viditeľné poškodenie noža a kosačka stále vibruje: Na vypnutie kosačky uvoľnite ovládaci páku. Odstráňte bezpečný kľúč a batérie, a vyberte nôž na sekani. Obráťte nôž o 180 stupňov a znovu ho namontujte. Ak kosačka stále vibruje, odovzdajte ju autorizovanému servisu.
6. LED indikátor nabíjačky nesvieti.	A. Skontrolujte pripojenie zástrčky. B. Nabíjačku vymeňte.
7. Kontrolka LED nabíjačky akumulátorov sa neprepne na zelenú.	A. Je nutné vykonať diagnostiku akumulátora. Obráťte sa na autorizované servisné stredisko.

8. Kosačka nezberia pokosenú trávu do zberného vaku.	A. Pri ukladaní do vaku odstráňte mulčovaciu dosku. B. Zvod je zanesený. Na vypnutie kosačky uvoľnite ovládaci páku. Odstráňte bezpečný kľúč a batérie. Zo zvodu odstráňte trávne odrezky. C. Príliš veľa pokosenej trávy. Zdvihnite nastavením výšky kolies rez, a skráťte tak dĺžku odrezávaných stoniek. D. Zanesený zvodový žlab. Vysypávanie zberného vaku vykonávajte častejšie.
9. Pri mulčovaní sú useknuté časti viditeľné.	A. Bolo nastavené kosenie príliš veľkej časti stoniek trávy. Zväčšite výšku žacieho ústrojenstva, aby došlo ku skráteniu odstrihnutých častí trávy. Nekoste viac ako 1/3 celkovej dĺžky. B. Skontrolujte, či sú sekacie nože ostré. Nože majte vždy nabrušené.
10. Po viacerých použitíach nízka alebo skrátená doba chodu.	A. Výrobok vráťte do autorizovaného servisného strediska - môže byť potrebné nainštalovať nový akumulátor.
11. Indikátor nabíjačky akumulátorov blízka červeno a akumulátory nie je možné nabíjať.	A. Pri trvalej prevádzke sa akumulátor prehrieva. Vyberte ho z nabíjačky a nechajte ho vychladnúť na teplotu 42°C alebo menej.

UYHLÁSENIE O ZHODE

My,
Positec Germany GmbH
Postfach 32 02 16, 50796 Cologne, Germany

V mene spoločnosti Positec vyhlasujeme, že produkt
Popis **WorxNITRO Akumulátorová kosačka na trávu**
Typ **WG748E WG748E.X (7 - označenie zariadenia, zástupca Akumulátorová kosačka na trávu)**
Funkcie **kosenie trávy**

Zodpovedá nasledujúcim smerniciam:
2006/42/EC, 2014/30/EU
2011/65/EU & (EU) 2015/863
2000/14/EC v novelizácii 2005/88/EC

2000/14/EC v novelizácii 2005/88/EC
Postup vyhodnotenia zhody podľa **Dotatku VI.**
Meraný akustický výkon **91.6 dB(A)**
Deklarovaný zaručený akustický výkon **94 dB(A)**

Poverený úradný organ
Názov: Intertek, Deutschland GmbH (úradná vyhláška 0905)
Adresa: Stangenstraße 1, 70771 LEINFELDEN-ECHTER-DINGEN

Spĺňa posudzované normy,

Osoba oprávnená za zostavenie technického súboru,

Názov Marcel Filz

Adresa Positec Germany GmbH

Postfach 32 02 16, 50796 Cologne, Germany



2021/10/11

Allen Ding

Zástupca vrchnej konštruktívnej kancelárie,


Testovanie & Certifikácia

Positec Technology (China) Co., Ltd

18, Dongwang Road, Suzhou Industrial

Park, Jiangsu 215123, P. R. China

VARNOST IZDELKA SPLOŠNA VARNOSTNA NAVODILA

 **OPOZORILO Preberite vsa varnostna opozorila in navodila.** Neupoštevajte opozoril in navodil lahko privede do električnega udara in/ali resnih poškodb.

Pred uporabo si pazljivo preberite navodila za varno obratovanje naprave. Vsa opozorila in navodila si shranite za kasnejšo uporabo.

- Ta naprava ni namenjena za uporabo s strani oseb (vključno z otroki) z omejenimi fizičnimi, senzoričnimi ali umskimi sposobnostmi ali pomanjkljivimi izkušnjami in/ali pomanjkljivim znanjem, razen, če jih nadzoruje oseba, ki je odgovorna za varnost ali pa če dobijo s strani te odgovorne osebe navodila, kako se mora ta naprava uporabljati.
- Nadzorujte otroke in s tem zagotovite, da se ne igrajo z napravo.
- Napravo lahko uporabljate le, če imate na voljo tudi

enoto za napajanje.

**POMEMBNO
PRED UPORABO OBVEZNO
PREBERITE
SHRANITE ZA KASNEJŠO
UPORABO**

**Varna uporaba
Usposabljanje**

- a) Pazljivo preberite navodila. Pred uporabo naprave se temeljito seznanite s pravili za pravilno uporabo opreme;
 - b) Nikoli ne dovolite otrokom ali osebam, ki niso seznanjene s temi navodili, da bi uporabljale kosilnico. Lokalni predpisi lahko tudi predpisujejo starost uporabnika naprave;
 - c) Nikoli ne kosite, ko se v neposredni bližini nahajajo osebe, še posebej otroci ali domače živali;
 - d) zavedajte se, da je za nezgode ali škodo, povzročeno na drugih osebah ali njihovi lastnini, odgovoren uporabnik ali lastnik.
- Priprava**
- a) Pri košnji bodite vedno obuti v čvrsto obutev in imejte oblečene dolge hlače.

- Opreme ne uporabljajte bosi ali če imate obute odprte sandale;
- b) temeljito preglejte območje uporabe opreme in odstranite morebitne predmete, ki bi jih naprava med delovanjem lahko vrgla v zrak;
- c) Pred pričetkom uporabe pogledajte, ali so morda obrabljeni ali poškodovani noži, vijaki nožev ali rezilni skop. Da bi preprečili neuravnoteženost, morate obrabljene ali poškodovane nože ter vijake nožev zamenjati le v celotnem setu; Zamenjajte poškodovane ali nečitljive oznake.

Delovanje

- a) Kosite le pri dnevni svetlobi ali dobri umetni svetlobi.;
- b) Po možnosti ne uporabljajte vrtnega orodja, ko je trava mokra.;
- c) Na poševnih površinah ali na mokri travi pazite na varno hojo;
- d) Vedno hodite mirno, nikoli ne tekajte;
- e) Za rotacijske naprave s kolesi. Na poševnih površinah kosite vedno

- v smeri prečno in nikoli navzgor in navzdol;
- f) Bodite zelo previdni pri spremembi smeri na pobočjih;
- g) Ne kosite tam, kjer so pobočja zelo strma;
- h) Kadar s kosilnico kosite vzvratno ali jo vlečete proti sebi, bodite še posebej pozorni;
- i) Noži morajo stati, ko nagnete vrtno orodje za transport ali če prečkate netravnate površine in med transportom vrtnega orodja k površinam, ki jih želite pokositi;
- j) Kosilnice nikoli ne uporabljajte, če ima poškodovana zaščitna varovala ali nima nameščenih varnostnih komponent, kot sta deflektor in/ali košara za travo;
- k) pri ugašanju motorja upoštevajte navodila in pazite, da boste imeli stopala varno oddaljena od rezil;
- l) pri zagonu motorja kosilnice nikoli ne nagibajte, razen, če jo morate nagniti zaradi zagona. V tem primeru potisnite ročaj navzdol in dvignite od tal tisti del kosilnice, ki je obrnjen proč od vas;
- m) Poskrbite za to, da se roki in nogi ne nahajata v bližini ali pod rotirajočimi deli. Odprtine za izmetavanje naj bodo vedno čiste;
- n) ker se rezila po izklopu motorja in odstranitvi enote za blokado delovanja še nekaj časa vrtijo, se jih do popolne zaustavitve nikakor ne dotikajte;
- o) Če stojite neposredno pred odprtino za izmetavanje, kosilnice na zaganjajte.
- p) Kosilnice nikoli ne prevažajte vklopljene.
- q) Najprej jo ugasnite, nato pa odstranite enoto za blokado delovanja. Počakajte, da se vsi premikajoči se deli popolnoma zaustavijo.
- kadar boste kosilnico pustili brez nadzora,
 - pred odstranitvijo blokade delovanja,
 - med kontrolo ali čiščenjem vrtnega orodja oz. ko neposredno delate na stroju,
 - po trku s tujkom. Preverite vrtno orodje glede poškodb in pred ponovnim zagonom

odpravite morebitne okvare
Če kosilnica med delovanjem
začne neobičajno vibrirati
(obvezno preverite takoj)

- jo preverite glede morebitnih poškodb.
- odpravite okvare ali zamenjajte poškodovane dele.
- privijte morebitne odvite dele.

Vzdrževanje in shranjevanje

- a) Poskrbite, da bodo vse matice in vijaki vedno dobro priviti, saj le tako zagotovite, da je naprava v varnem stanju;
- b) Redno preverjajte stanje in obrabljenost posode za prestrezanje trave;
- c) Za zagotovitev varnosti, zamenjajte obrabljene ali poškodovane dele. Uporabljajte le originalne nadomestne dele in dodatke.
- d) Med nastavljanjem kosilnice pazite, da si prstov ne priščipnete med premikajoče se in fiksne dele kosilnice.
- e) Pred shranjevanjem naj se kosilnica vedno ohladi.
- f) Pri servisiranju rezil

upoštevajte, da se slednja, kljub temu, da je motor ugasnjen, še vedno lahko premikajo.

VARNOSTNA OPOZORILA ZA AKUMULATOR

a) Ne razstavlajte, odpirajte ali odstranjujte celic akumulatorja.

b) Pazite, da ne povzročite kratkega stika med kontaktoma akumulatorja.

Akumulatorjev nikoli ne shranjujte v škatli ali predalu, kjer bi lahko prišlo do kratkega stika zaradi stika kontaktov s prevodnimi predmeti.

Kadar akumulator ni nameščen v orodju, ga hranite proč od drugih kovinskih predmetov, kot so sponke za papir, kovanci, ključi, žblji, vijaki ali drugi drobni kovinski predmeti, ki bi lahko omogočili stik med kontaktoma. Če pride do stika med kontaktoma akumulatorja, to lahko povzroči požar.

c) Akumulatorja ne izpostavlajte vročini ali ognju. Poskrbite, da ne bo

- izpostavljen neposredni sončni svetlobi.
- d) Akumulatorja ne izpostavljajte mehanskim udarcem.
- e) Če opazite, da akumulator pušča, pazite, da tekočina ne bo prišla v stik z očmi. Če akumulatorska tekočina vseeno pride v stik z očmi, izperite prizadeto območje z obilo vode in poiščite zdravniško pomoč.
- f) Akumulator shranjujte na čistem in suhem mestu.
- g) Če se akumulator zamaže, ga takoj očistite s čisto in suho krpo.
- h) Akumulator morate pred uporabo napolniti. Pri polnjenju akumulatorja vedno upoštevajte predpisana navodila in postopke.
- i) Če akumulatorja ne polnite, ga odstranite iz polnilca.
- j) Po daljšem obdobju skladiščenja, boste za doseg maksimalne zmogljivosti akumulatorja verjetno morali slednjega nekajkrat napolniti in izprazniti.
- k) Za polnjenje uporabljajte le polnilnike, ki jih je predpisal WorxNITRO. Nikoli ne uporabljajte polnilnikov, ki niso posebej namenjeni za polnjenje vašega akumulatorja.
- l) Nikoli ne uporabljajte polnilcev, ki niso posebej zasnovani za polnjenje vašega akumulatorja.
- m) Akumulatorje shranjujte izven dosega otrok.
- n) Za podrobnosti, si oglejte gradivo, ki je bilo priloženo akumulatorju.
- o) Če orodja ne uporabljate, iz njega odstranite akumulator.
- p) Akumulatorje odlagajte skladno s predpisi.
- q) V napravi ne uporabljajte celic različnih proizvajalcev, zmogljivosti, velikosti ali tipa.
- r) Baterije držite stran od mikrovalov in visokega tlaka.

SIMBOLI

	Pred uporabo naprave, si preberite priročnik z navodili
	Prisotni naj bodo varno oddaljeni.
	Pazite se ostrih rezil. Rezila se vrtijo tudi potem, ko motor ugasnete – pred vzdrževalnim posegom odstranite enoto za blokado delovanja
	Če se baterije nepravilno odlaga, lahko vstopijo v vodni cikel, kar pa je lahko nevarno za ekosistem. Odpadnih baterij ne odlagajte v nesortirane komulane odpadke.
	Prepovedano sežiganje
	Baterije Li-Ion Ta izdelek je označen s simbolom, ki se nanaša na 'ločeno zbiranje' za vse baterijske napajalnike in baterijski napajalnik. Nato bodo reciklirane ali razstavljene, da se zmanjša škodljiv vpliv na okolje. Baterijski napajalniki vsebujejo nevarne snovi in so zato lahko nevarni za okolje in za zdravje ljudi.
	Odpadnih električnih naprav ne smete zavreči skupaj z ostalimi gospodinjstskimi odpadki. Dostavite jih na mesto za ločeno zbiranje odpadkov. Glede podrobnosti, se posvetujte z lokalno službo za ravnanje z odpadki.
	Nosite zaščitne rokavice

	Pred vsakim prilagajanjem, servisiranjem ali vzdrževanjem izvlecite akumulator iz ležišča.
	Odstranite ključ
	Noži po izklopu vrtnega orodja nadaljujejo z rotiranjem in lahko povzročijo poškodbe. Preden se boste dotikali delov naprave, počakajte, da se zaustavijo.

SESTAVNI DELI

1. RÖRELSEVÄLJARE
2. STYRE
3. GRÄSUPPSAMLINGSSÄCK
4. JUSTERINGSSPAK FÖR KLIPPHÖJD
5. KAZALEC ZA NASTAVITEV VIŠINE KOŠNJE
6. SPREDNJI ROČAJ
7. BATTERIHÖLJE
8. ZADNJI ROČAJ
9. SÄKERHETSFLIK
10. GUMB ZA VARNOSTNO ZAKLEPANJE
11. GUMB ZA HITRO SPROSTITVEJ
12. MULLINSATS
13. BATTERIPAKET * (SE FIG.F2)
14. SAFETY KEY (SE FIG. F2)
15. SÄKERHETSNYCKEL(SE FIG.H)
16. BLADBULT (SE FIG. N1)
17. FLÄKT (SE FIG. N1)
18. BRICKA (SE FIG. N1)

* Pri standardni dobavi niso vključeni vsi prikazani dodatki.

TEHNIČNI PODATKI

Tip **WG748E WG748E.X (7- oznaka naprave, predstavnik brezžične robotske kosilnice)**

WG748E WG748E.X **	
Napetost	40V  Max.(2x20V Max.)***
Št. vrt. brez obremenitve	2800 /min
Širina palube	48 cm
Širina rezanja	46 cm
Premer sprednjega kolesa	200 mm
Premer zadnjega kolesa	230 mm
Višina rezanja	20 – 80 mm
Položaji višine rezanja	7
Prostornina košare za travo	55 L
Teža strojčka (Golo orodje)	25.3 kg

** X = 1-999, A-Z, M1-M9 so samo za različne kupce, med temi modeli ni nobenih varnostnih sprememb.

*** Napetost merjena brez obremenitve. Začetna napetost akumulatorja doseže maksimum 20 V. Običajna napetost je 18 V.

Kategorija	Vtipkajte	Zmogljivost
20V baterijo	WA3014	4.0 Ah
20V Polnilnik	WA3883	4.0 A

Priporočamo vam, da dodatke vedno kupujete v isti trgovini, kot ste kupili napravo. Vedno uporabite takšen dodatek, ki ustreza vašemu delu. Za podrobnosti si ogledjte razlage na embalaži kompleta dodatkov. Pri odločanju o ustreznem dodatku, vam lahko pomaga tudi osebeje v trgovini.

PODATKI O HRUPU

Vrednotena raven zvočnega tlaka	$L_{DA} = 78.4 \text{ dB(A)}$
K_{DA}	3.0 dB (A)
Vrednotena raven zvočne moči	$L_{WA} = 91.6 \text{ dB(A)}$

K_{WA} 3.0 dB (A)

Uporabljajte zaščito za ušesa.



PODATKI O VIBRACIJAH

Tipična vrednotena raven vibracij $a_h < 2.5 \text{ m/s}^2$

Nezanesljivost meritve $K = 1.5 \text{ m/s}^2$

! **OPOZORILO:** Dejanska vrednost emisije vibracij med uporabo strojčka, se lahko razlikuje od navedene, kajti nanjo vpliva tudi način uporabe strojčka, predvsem naslednje okoliščine:

Način uporabe strojčka in materiali v katere vrtate ali vijačite.

Ali je strojček v dobrem stanju in ustrezno vzdrževan. Uporaba ustreznega dodatka in njegova brezhibnost.

Čvrstost oprijema ročajev in morebitna uporaba dodatkov za zmanjševanje vibracij.

Uporaba orodja za predviden namen, skladen s temi navodili.

Če strojčka ne uporabljate pravilno, lahko povzroči vibracijski sindrom zapestja in rok.

! **OPOZORILO:** Če želimo resnično natančno oceniti raven izpostavljenosti v dejanskih okoliščinah, moramo upoštevati tudi vse faze delovnega procesa, tudi število vklopov in izklopov strojčka ter čas, ko deluje v prostem teku in neobremenjeno. To lahko znatno zmanjša raven izpostavljenosti tekom celotnega delovnega procesa.

Pomoč pri zmanjševanju tveganja pri izpostavljenosti vibracijam.

VEDNO uporabljajte le ostra dleta, svedre in rezila.

Strojček vzdržujte skladno s temi navodili in poskrbite, da bo dobro namazan (kjer je potrebno).

Če boste strojček uporabljali redno, potem investirajte v dodatke za zmanjševanje vibracij.

Delo si organizirajte tako, da boste opravila z visoko ravno vibracij izvajali v več fazah, tekom nekaj dni.

NAVODILA ZA UPORABO



OPOMBA: Preden začnete uporabljati strojček, si pozorno preberite navodila.

NAMEN UPORABE


Ta naprava je namenjena domači uporabi.


SESTAVLJANJE IN NAČIN UPORABE

DEJANJE	SLIKA
---------	-------

Brezžična kosilnica

SL

SESTAVLJANJE	
Sestavljanje ročaja & Nastavljanje višine ročaja OPOMBA: Med delovanjem pritisnite in držite gumb za hitro sprostitiv.	Glejte Sliko A1, A2
Sestavljanje košare za travo	Glejte Sliko B
Nameščenje košare za travo na kosilnico OPOMBA: Košaro za travo poskusite premakniti, da se prepričate, če je dobro nameščena. OPOMBA: Pred nameščanjem košare za travo, izvlecite nastavek za zastiranje iz ležišča.	Glejte Sliko C1, C2, C3
Odstranjevanje/praznjenje košare za travo  Opozorilo! Pred uporabo vedno preverite, če se varnostna loputa odprtine za izmetavanje ustrezno zapira. Varnostne lopute ne dvigujte, če na kosilnici ni pritrjene vreče za zbiranje.	Glejte Sliko D1,D2
Nameščenje priklopa pripomočka za zastiranje	Glejte Sliko E
Nameščenje/odstranjevanje akumulatorja Pred namestitvijo akumulatorja vstavite varnostni ključ. OPOMBA: Ta naprava bo delovala samo, če so nameščene ločene baterije. Priporočljivo je, da uporabljate iste baterije AH in hkrati polnite obe bateriji. Ko uporabljate dve bateriji z različnimi AH, bo naprava delovala le do spodnjega skupnega imenovalca.	Glejte Sliko F1, F2
Preverjanje stanja napolnjenosti akumulatorja OPOMBA: Slika G1 se nanaša le na akumulatorje z indikatorsko lučko.	Glejte Sliko G1
Polnjenje akumulatorja OPOMBA: Akumulator je ob dobavi prazen. Pred prvo uporabo ga morate zato napolniti. Akumulatorja, ki ju polnite skupaj, vedno napolnite do konca. Več podrobnosti si lahko ogledate v priročniku za polnilnik.	Glejte Sliko G2
NAČIN UPORABE	

Indikator napolnjenosti akumulatorja na napravi Glejte podrobnosti v poglavju STANJE AKUMULATORJA	Glejte Sliko H
POMEMBNO: Kadar sveti le ena lučka, je akumulator prekomerno izpraznjen, čeprav kosilnica še lahko reže travo. Če nadaljujete z njegovo uporabo, bo to škodljivo vplivalo na stanje akumulatorja in skrajšalo njegovo življenjsko dobo ter učinkovitost. Če ne sveti nobena lučka, to pomeni, da v ležišče ni pravilno vstavljen niti en akumulator, oziroma je slednji v okviru, zato preverite stanje in ga (ju) potisnite do konca v ležišče.	
Zaganjanje & Ugašanje	Glejte Sliko I1,I2
Nastavljanje višine rezanja  Opozorilo! Ustavite, spustite upravljalni ročaj in počakajte, da se motor ustavi, preden nastavljate višino. Rezila se bodo po izklopu motorja še nekaj časa vrtela, zaradi česar se lahko poškodujete. Ne dotikajte se vrtečih se rezil.	Glejte Sliko J
Shranjevanje	Glejte Sliko K1, K2

STANJE AKUMULATORJA (Glejte Sliko H)

- Pred zagonom ali po uporabi pritisnite gumb ob indikatorski lučki napajanja na napravi, da preverite zmogljivost akumulatorja. Med uporabo indikator moči akumulatorja samodejno prikazuje zmogljivost akumulatorja.
- Indikator stalno preverja in prikazuje stanje akumulatorja tako.
- Napravo napolnite z dvema baterijama z različnima AH, indikator napajanja prikazuje stanje akumulatorja z nižjim od dveh akumulatorjev.

Indikator napolnjenosti akumulatorja	Stanje akumulatorja
Sveti pet zelenih lučk (●●●●●)	Oba akumulatorja sta popolnoma napolnjena.
Svetita dve, tri ali štiri zelene lučke.	Akumulatorja sta še vedno delno polna. Več lučk sveti, bolj sta akumulatorja napolnjena.
Sveti le ena zelena lučka (●□□□)	Vsaj en akumulator je izpraznjen in ga je potrebno napolniti.

Ne sveti nobena zelena lučka.	Najmanj eden od akumulatorjev ni do konca vstavljen ali je v okvari.
Le ena lučka utripne dvakrat na cikel.	Najmanj eden od akumulatorjev je prekomerno izprazen (preverite stanje akumulatorja), zato oba do konca napolnite in šele nato nadaljujte z delom ali ju shranite.
Le ena lučka utripne trikrat na cikel.	Najmanj eden od akumulatorjev se je pregrel, zato pred nadaljevanjem počakajte, da se ustrezno ohladi.
Le ena lučka utripne štirikrat na cikel.	Naprava je preobremenjena. Dvignite višino rezanja ali kosilnico potiskajte počasneje.

NAPOTKI ZA ZASTIRANJE IN KOŠNJO

Med zastiranjem bo naprava na tanko razrezala pokošeno travo in jo porazdelila nazaj na zelenico. V normalnih pogojih se bo ta trava hitro razgradila in zelenici dovedla ustrezna hranila. Za doseganje optimalne učinkovitosti pri zastiranju, upoštevajte naslednja priporočila.

- 1) Če je zelenica mokra od dežja ali rose, ne izvajajte postopka zastiranja. Mokra trava se bo kopicila v grude, ki bodo oteževale zastiranje in zmanjševale učinek delovanja. Najboljši čas za košnjo je pozno popoldan, ko je trava suha, hkrati pa na novo pokošena trava ne bo izpostavljena premočnemu soncu.
- 2) Za doseganje najboljše učinkovitosti, nastavite višino rezanja nad eno tretjino travne bilke, idealno je do 40 mm naenkrat. Če je trava visoka, boste morda morali postopek košnje nekajkrat ponoviti tako, da boste postopoma zniževali višino in tako tudi poskrbeli, da se motor ne bo preobremenil. Pri izjemno zahtevnem zastiranju priporočamo, da rez nekajkrat ponovite s postopnim zniževanjem višine. V nasprotnem primeru izvajajte poševne reze in se premikajte počasi.
- 3) Če želite najboljši učinek, poskrbite, da se na ohišju kosilnice ne bo kopicila pokošena trava. Občasno izklopite kosilnico in počakajte, da se rezila prenehajo vrteti. Nato izvlecite varnostni ključ in nagnite kosilnico na bok. S palico ali podobnim predmetom očistite travo, ki se je nakopila okoli rezil. Pazite na ostre robove. Če kosite mokro ali mlado travo, rezila čistite pogosteje.
- 4) Določene vrste trav ali različni pogoji zahtevajo, da zastiranje opravite v dveh fazah in tako resnično temeljito razpršite zastirko. Priporočamo, da drugi rez trave opravljate pravokotno na smer prvega. NIKOLI NE KOSITE TAKO, DA BO SE S KOSILNICO POMIKALI NAVPIČNO PO POBOČJU.
- 5) Vsak teden spreminjajte vzorec košnje. To bo preprečilo pojavljanje lis na zelenici.

OBMOČJE REZANJA

Območje rezanja vključuje več dejavnikov. Ti so predvsem višina rezanja, vlažnost zelenice, dolžina trave ter njena gostota. Hkrati pa bo prepogosto zaganjanje ter zaustavljanje kosilnice med košnjo, zmanjšalo območje rezanja.

V spodnji tabeli je predstavljeno razmerje med pogoji košnje ter območjem rezanja.

Višina reza	Priporočena serija (največ)
Odrežite 8 cm na 6 cm	Z 2 * 20 V / 4.0 Ah baterijo
	Do 500 m ² *

* sočasno sta uporabljena 2 popolnoma napolnjena akumulatorja

NAPOTKI

- 1) Priporočamo, da zelenico kosite v krajših intervalih, med košnjo hodite z običajno hitrostjo in kosilnice ne zaganjate ter zaustavljate prepogosto.
- 2) Najbolj učinkovito delovanje lahko dosežete tako, da uporabite dva popolnoma napolnjena akumulatorja hkrati, ter režete le 1/3 ali manj višine trave.
- 3) Med košnjo daljše trave se pomikajte počasi, tako, da bo kosilnica učinkoviteje kosila rezila pa bodo sproti izmetavala pokošeno travo.
- 4) Izgibajte se košnji mokre trave, sicer se bo slednja začela kopiciti pod letev in rezila ne bodo mogla učinkovito delovati.
- 5) Če kosite mlado ali tanko travo, priporočamo, da nastavite višjo višino rezanja.

VZDRŽEVANJE

! **OPOZORILO:Ustavite kosilnico, odstranite varnostni ključ in akumulatorja, preden odstranite vrečo za zbiranje trave.**

OPOMBA: Za zagotavljanje dolgega in učinkovitega delovanja, redno izvajajte naslednje vzdrževalne postopke. Preverite glede očitnih okvar, pritrjenost delov, topost ali poškodovanost rezil, ter obrabljenosti in drugih poškodb. Preverite, če so pokrovi in varovala v brezhibnem stanju in pravilno pritrjeni na kosilnico. Pred vklopom kosilnice preverite, če je slednja v brezhibnem stanju. Če spregledate priporočeni interval za vzdrževanje, se posvežite s službo za podporo kupcem.

OSTRENJE REZIL

ZA ZAGOTAVLJANJE NAJBOLJŠE UČINKOVITOSTI, NAJ BODO REZILA VEDNO OSTRA. ČE SO REZILA TOPA, TRAVE NE BODO REZALA UČINKOVITO NITI NE BODO ZAGOTAVLJALA PRAVILNEGA ZASTIRANJA. MED ODSTRANJEVANJEM, OSTRENJEM IN NAMEŠČANJEM REZIL UPORABLJAJTE ZAŠČITNA OČALA. ZAGOTOVITE, DA SO VARNOSTNI KLJUČ IN AKUMULATORJA ODSTRANJENI. Ostrenje rezil dvakrat v sezoni košnje običajno zadošča za delo v normalnih pogojih. Če je na zelenici pesek, bodo rezila postala topa hitreje. Če je zemlja vaše zelenice peščena, boste morda morali rezila ostriti pogosteje. OPOGNJENA ALI POŠKODOVANA REZILA TAKOJ ZAMENJAJTE.

PRI OSTRENU REZIL (Glejte Sliko L)

1. Poskrbite, da bodo rezila ostala uravnotežena.
2. Rezila vedno brusite pod izvornim kotom.
3. Rezila vedno brusite na obeh straneh, pri tem pa pazite, da boste na obeh koncih odstranili enako materiala.

OPOMBA:

1. Kosilnica naj bo izklopljena, Odstranite ključ in akumulatorja.
2. Kosilnico med postavite v pokončni položaj.

URAVNAVANJE REZIL (Glejte Sliko M)

Če želite preveriti uravnanost rezil, postavite rezilo M-1 z osrednjo luknjo na izvijača M-2, ki je dobro vpet v primež M-3. Če se pri tem rezilo nagne, obrustite stran, na katero se je nagnilo. Rezilo je pravilno uravnano tedaj, če se ne nagne na nobeno stran.

VZDRŽEVANJE REZIL (glejte slike N1,N2)

Rezilo zamenjajte po 50 urah uporabe ali vsaki 2 leti, kar je prej, ne glede na okoliščine.

Pri odstranjevanju in menjavi rezil upoštevajte naslednje postopke. Pri odstranjevanju rezil uporabljajte vrtno rokavice (niso priložene) in ključ (ni priložen). Prepričajte se, da ključ in akumulatorja niso nameščeni. Med rezilo in pokrov kosilnice zagostite lesen blok, s čimer preprečite, da bi se rezilo obračalo in odvijte pritrilni vijak s ključem, nato odstranite rezilo in vreteno.

Pri nameščanju rezila in vretena pazite, da ju boste obrnili tako, da bodo rezila obrnjena proti tlom. Nato trdno privijte vijak.

SHRANJEVANJE (Glejte Sliko K1, K2)

Ustavite kosilnico in vedno odstranite varnostni ključ in akumulatorja. Z mehko ščetko in krpo očistite zunanost kosilnice. Ne uporabljajte vode, raztopin ali polirnih sredstev. Odstranite vso travo in druge ostanke, še posebej iz odprtini za prezačevanje.

Nagnite kosilnico na bok in očistite predel kjer so rezila. Če so se rezanci trave trdno nakopičilo na obod okoli rezil, jih odstranite z lesenim ali plastičnim strgalom.

Kosilnico shranite na suhem in čistem mestu. Na kosilnico ne odlagajte drugih predmetov.

Za lažje shranjevanje pritisnite in držite gumb za hitro sprostitvev ter zložite ročaj.

VAROVANJE OKOLJA



Odpadnih električnih naprav ne smete zavreči skupaj z ostalimi gospodinjstvi odpadki. Dostavite jih na mesto za ločeno zbiranje odpadkov. Glede podrobnosti, se posvetujte z lokalno službo za ravnanje z odpadki.

ODPRAVLJANJE NAPAK

NAPAKE	DEJANJE ZA ODPRAVO
1. Kosilnica ne deluje, ko je upravljalni ročaj aktiviran.	A. Preverite, ali je varnostni ključ nameščen in v celoti naseda ter ali je gumb za varnostno zaklepanje popolnoma pritisnjen. B. Sprostite upravljalni ročaj, da izklopite kosilnico. Odstranite varnostni ključ in akumulatorja, obrnite kosilnico okoli ter se prepričajte, če se rezila prosto vrtijo. V nasprotnem primeru kosilnico dostavite k serviserju. Rezila se morajo prosto vrteti. C. Ali je akumulator do konca napolnjen? Priklopite polnilnik ter počakajte, da se vklopi zelena lučka.
2. Motor se med košnjo zaustavi.	A. Sprostite upravljalni ročaj, da izklopite kosilnico. Odstranite varnostni ključ in akumulatorja, obrnite kosilnico okoli ter se prepričajte, če se rezila prosto vrtijo. V nasprotnem primeru kosilnico dostavite k serviserju. Rezila se morajo prosto vrteti. B. S položajem koles povečajte višino rezanja v najvišji položaj in zaženite kosilnico. C. Ali je akumulator do konca napolnjen? Priklopite polnilnik ter počakajte, da se vklopi zelena lučka. D. Izogibajte se preobremenjevanju kosilnice. Upočasnite premikanje oziroma povečajte višino rezanja. Lahko pa oboje.
3. Kosilnica deluje, vendar ne zadosti učinkovitost, oziroma za njo ostaja del zelenice nepokošen.	A. Ali je akumulator do konca napolnjen? Priklopite polnilnik ter počakajte, da se vklopi zelena lučka. B. Sprostite upravljalni ročaj, da izklopite kosilnico. Odstranite varnostni ključ in akumulatorja. Obrnite kosilnico okoli in preverite: Če so rezila zadosti ostra - vedno morajo biti. Če na stenah ohišja ali v odprtini za izmetavanje niso ostanke pokošene trave. C. Položaj koles je, glede na stanje zelenice, morda nastavljen previsoko. Dvignite višino rezanja.
4. Kosilnico je pretežko potiskati.	A. Dvignite višino rezanja in tako zmanjšajte trenje ohišja ob zelenico. Preverite, če se vsa kolesa prosto vrtijo.

5. Kosilnica je prekomerno glasna in vibrira.	A. Sprostite upravljalni ročaj, da izklopite kosilnico. Odstranite varnostni ključ in akumulatorja. Obrnite kosilnico na bok in preverite rezilo, če morda ni ukrivljeno ali poškodovano. V primeru, da opazite poškodbe, ga zamenjajte z novim. Če opazite, da je ohišje na spodnji strani poškodovano, kosilnico dostavite k pooblaščenemu serviserju. B. Če ne opazite nobenih vidnih poškodb rezila, kosilnica pa še vedno vibrira: Sprostite upravljalni ročaj, da izklopite kosilnico. Odstranite varnostni ključ in akumulatorja. Slednjega nato obrnite za 180 stopinj in ga namestite nazaj ter dobro pritrdite. Če kosilnica še vedno vibrira, jo dostavite k pooblaščenemu serviserju.
6. LED lučka polnilnika ne sveti.	A. Preverite stanje priklopa. B. Zamenjajte polnilnik.
7. LED lučka na polnilniku se ne preklopi na zeleno.	A. Akumulator je potrebno pregledati. Dostavite ga k pooblaščenemu serviserju.
8. Kosilnica noče pobirati pokošene trave v košaro za travo.	A. Pri pobiranju trave, odstranite ploščo mulčerja. B. Odprtina za praznjenje je zamašena. Sprostite upravljalni ročaj, da izklopite kosilnico. Odstranite varnostni ključ in akumulatorja. Iz odprtine za praznjenje odstranite ostanke pokošene trave. C. Prekomerna količina pokošene trave. Dvignite višino rezanja in tako zmanjšajte količino pokošene trave. D. Košara za travo je polna. Košaro praznite pogosteje.
9. Pri mulčenju opazite prevelike kose.	A. Prekomerna količina pokošene trave. Dvignite višino rezanja in tako zmanjšajte količino pokošene trave. Ne kosite več kot 1/3 skupne višine trave. B. Preverite ostrino rezil. Poskrbite, da bodo rezila vedno ostra.
10. Po več uporabah, se čas delovanja skrajša.	A. Kosilnico dostavite k pooblaščenemu serviserju - morda bo potrebno zamenjati akumulator.
11. LED na polnilniku utripa rdeče, akumulatorja pa ni možno polniti.	A. Akumulator se po več uporabah začne pregrevati. Odstranite ga iz polnilnika ter počakajte, da se ohladi do 42°C ali manj.

IZJAVA O SKLADNOSTI

Mi,
Positec Germany GmbH
Postfach 32 02 16, 50796 Cologne, Germany

V imenu družbe Positec izjavljamo, da je izdelek
Opis izdelka **Brezžična kosilnica WorxNITRO**
Vrsta izdelka **WG748E WG748E.X (7 - oznaka naprave, predstavnik brezžične robotske kosilnice)**
Funkcija **košnja trave**

skladen z naslednjimi direktivami,
2006/42/EC, 2014/30/EU
2011/65/EU&(EU)2015/863
2000/14/EC spremenjena z 2005/88/EC

2000/14/EC spremenjena z 2005/88/EC
- Postopek za ugotavljanje skladnosti, glede na
Annex VI

- Izmerjena raven zvočne moči **91.6 dB(A)**
- Deklarirana raven zvočne moči **94 dB(A)**

Pristojni priglasitveni organ
Ime: Intertek, Deutschland GmbH pristojni priglasitveni organ0905)
Naslov: Stangenstraße 1, 70771 LEINFELDEN- ECHTERDINGEN

in izpolnjuje naslednje standarde,
EN 60335-1, EN 60335-2-77, EN 62233, EN ISO 3744, EN 55014-1, EN 55014-2

Oseba, ki je pooblaščenca za skladnost tehnične dokumentacije,
Ime Marcel Filz
Naslov Positec Germany GmbH
Postfach 32 02 16, 50796 Cologne, Germany




2021/10/11
Allen Ding
Namestnik glavnega inženirja,
Testiranje in certifikacija
Positec Technology (China) Co., Ltd
18, Dongwang Road, Suzhou Industrial
Park, Jiangsou 215123, P. R. China

WORX NITRO

www.worx.com

Copyright © 2021, Positec. All Rights Reserved.
AR01613300