



# PRESTANDEKLARATION

Nr: DoP-120257 [SV]

# ESSVE

GET IT DONE

Produkttypens unika identifikationskod:

ESSVE Golden Anchor

Tillverkare:

ESSVE Produkter AB

BOX 7091

164 07 Kista

Sweden

info@essve.se

Europeisk teknisk bedömning (ETA)	Ytbehandling	Dimension	Artikelnummer
ETA-12/0257 (2017-12-14)	Blankförzinkad	M8	306702, 306703, 306704, 306705
		M10	306711, 306713, 306714, 306715, 306717
		M12	306722, 306723, 306726, 306727
		M16	306734, 306735, 306737
	Varmförzinkad	M8	306802, 306803, 306804, 306805, 10003586, 10003587
		M10	306811, 306813, 306814, 306815, 306817, 306819, 10003588, 10003589, 10003590, 10003592
		M12	306822, 306823, 306826, 306827, 306829, 306831, 10003592
		M16	306834, 306835, 306837, 306839, 306841

Europeisk teknisk bedömning (ETA)	Avsedd användning	Betongkvalitet
ETA-12/0257 (2017-12-14)	Expander avsedd för bärande konstruktioner utsatt för statiska eller kvasi-statiska laster i osprucken betong.	Armerad och icke-armerad betong med normalvikt enligt EN 206-1:2000. <ul style="list-style-type: none"><li>Hållfasthetsklasser C20/25 till C50/60 enligt EN 206-1:2000</li></ul>

Europeisk teknisk bedömning (ETA)	System för bedömning och fortlöpande kontroll av prestanda (AVCP)	Europeiskt bedömningsdokument	Tekniskt bedömningsorgan (TAB)	Anmält organ (NB)
ETA-12/0257 (2017-12-14)	1	EAD 330232-00-0601, (2016-10)	RISE Research Institutes of Sweden AB (RISE)	1488 (FPC)



# PRESTANDEDEKLARATION

Nr: DoP-120257 [SV]

**ESSVE**  
GET IT DONE

Europeisk teknisk bedömning (ETA)	Dimension & Ytbehandling	Väsentliga egenskaper	Prestanda
ETA-12/0257 (2017-12-14)	M8 - M16 Blankförzinkad & Varmförzinkad	Characteristic resistance to tension and shear loads	ETA-12/0257 Annex 4 and 5
		Durability	ETA-12/0257 Annex 2
		Characteristic resistance and displacements for seismic performance categories C1 or C2	No Performance Declared (NPD)
		Reaction to fire	Class A1
		Resistance to fire	No Performance Declared (NPD)

Prestandan för ovanstående produkt överensstämmer med den angivna prestandan. Denna prestandadeklaration har utfärdats i enlighet med förordning (EU) nr 305/2011 på eget ansvar av den tillverkare som anges ovan.

Undertecknat på tillverkarens vägnar av:

Viktor Bukowski  
Product Developer/Technical expert – Fasteners

Kista 2023-10-18

## European Technical Assessment

**ETA 12/0257**  
of 14/12/2017

### General Part

**Technical Assessment Body issuing the European Technical Assessment:**

RISE Research Institutes of Sweden AB

**Trade name of the construction product**

Golden Anchor

**Product family to which the construction product belongs**

Torque-controlled expansion anchor of sizes M8, M10, M12 and M16 for use in non-cracked concrete

**Manufacturer**

Essve Produkter AB  
Esbogatan 14  
SE-164 74 Kista, Sweden  
[www.essve.se](http://www.essve.se)

**Manufacturing plant(s)**

Essve Produkter AB plant no 369

**This European Technical Assessment contains**

8 pages including 5 Annexes which form an integral part of this assessment.

**This European Technical Assessment is issued in accordance with regulation (EU) No 305/2011, on the basis of**

EAD 330232-00-0601 Mechanical fasteners for use in concrete

**This version is a second corrigendum to**

ETA 12/0257-2017-12-04

Translations of this European Technical Assessment in other languages shall fully correspond to the original issued document and should be identified as such.

Communication of this European Technical Assessment, including transmission by electronic means, shall be in full. However, partial reproduction may be made with the written consent of the issuing Technical Assessment Body. Any partial reproduction has to be identified as such.

Specific parts

## 1 Technical description of the product

The Golden Anchor is an anchor made of electro-galvanized steel or hot dip galvanized steel with one sleeve which is placed into a drilled hole and anchored by torque-controlled expansion. It is available in sizes of M8, M10, M12 and M16.

The installation data is shown in the figure in Annex 3.

## 2 Specification of the intended use(s) in accordance with the applicable European Assessment Document (hereinafter EAD)

The anchor is intended to be used for making structural fixings into concrete.

The anchor is for use only in structures of reinforced or unreinforced, non-cracked normal-weight concrete with a strength class in the range of C20/25 to C50/60 in accordance with EN 206:2000, and in dry, internal conditions and for anchorages subject to static or quasi-static loading.

The provisions made in this European Technical Assessment are based on an assumed working life of the anchor of 50 years. The indications given on the working life cannot be interpreted as a guarantee given by the producer, but are to be regarded only as a means for choosing the right products in relation to the expected economically reasonable working life of the works.

## 3 Performance of the product and references to the methods used for its assessment

### 3.1 Essential characteristics and their performance

		Characteristic	Performance
BWR 1	Mechanical resistance and stability	Characteristic resistance	See Annex 4 and 5
		Durability	See Annex 2
BWR 2	Safety in case of fire	Reaction to fire	Class A1

## 4 Assessment and verification of constancy of performance (hereinafter AVCP) system applied, with reference to its legal base

According to the decision 96/582/EC – of the European Commission, the system of assessment and verification of constancy of performance (see Annex V to the regulation (EU) No 305/2011) to be applied is 1.

## **5 Technical details necessary for the implementation of the AVCP system, as provided for in the applicable EAD**

Technical details necessary for the implementation of the AVCP system are laid down in the control plan deposited at RISE.

Issued in Borås on 31.10.2022  
By RISE Research Institutes of Sweden AB

A handwritten signature in blue ink, appearing to read 'Stefan Coric', is centered on the page.

Stefan Coric  
Director, Product certification



Example of marking

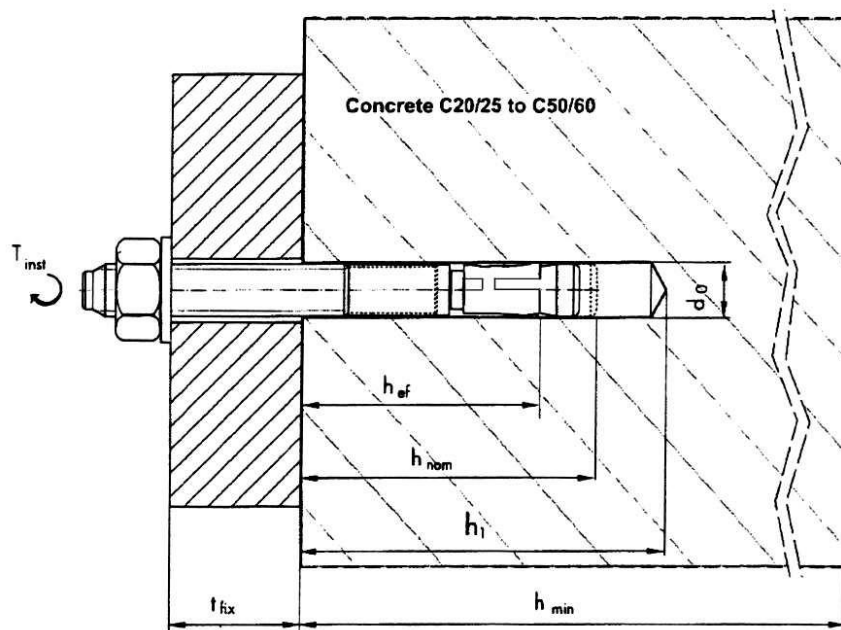
SV M12/15

Marking      Designation

SV                      Identification of producer

M12                    Nominal diameter

15                      The maximum thickness of the fixture

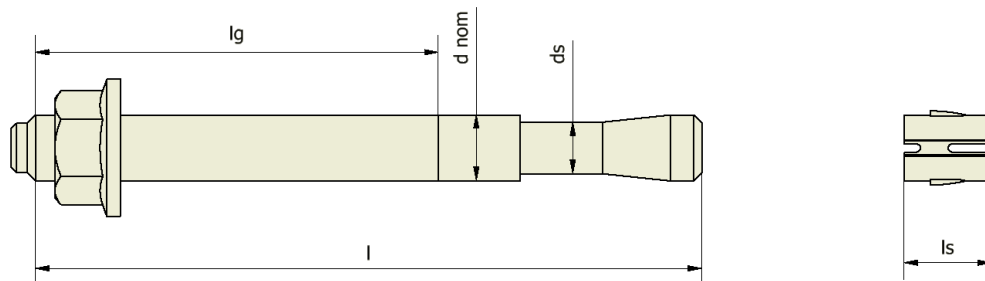


Product and intended use  
Essve Golden Anchor

Annex 1  
of European Technical Assessment  
ETA-12/0257

**Table 1 Dimensions**

				M8	M10	M12	M16
Bolt	Nominal diameter	$d_{nom}$	(mm)	8	10	12	16
	Neck diameter	$d_s$	(mm)	5,8	7,8	9,3	12,8
	Fixture thickness	$t_{fix}$ max	(mm)	35	140	150	160
	Thread length	$l_g$ min	(mm)	39	45	54	67
		$l_g$ max	(mm)	80	200	210	240
	Total length	$l$ min	(mm)	75	90	110	150
$l$ max		(mm)	150	250	300	350	
Expansion sleeve	Length	$l_s$	(mm)	11,0	13,4	16,5	18,0
Flange nut	Diameter	$d_u$	(mm)	17	21	25	34



**Table 2 Materials**

Part	Designation	Material	Coating
1	Bolt	Cold formed carbon steel, $f_{uk}$ min. 500 MPa, $f_{yk}$ min. 400 MPa	Electroplated 5 $\mu$ m or Mech. Galvanized min. 25 $\mu$ m (M8)
			Electroplated 5 $\mu$ m or Hot dip galvanized 45 $\mu$ m (M10-M16)
2	Expansion sleeve	Stainless steel A2 in accordance with EN 10088	
3	Flange nut	Property class 6 in accordance with ISO 898-2	Electroplated 5 $\mu$ m or Mech. Galvanized min. 25 $\mu$ m (M8)
			Electroplated 5 $\mu$ m or Hot dip galvanized 45 $\mu$ m (M10-M16)

**Materials and dimensions of anchors  
Essve Golden Anchor**

**Annex 2  
of European Technical Assessment  
ETA-12/0257**

**Table 3 Installation data**

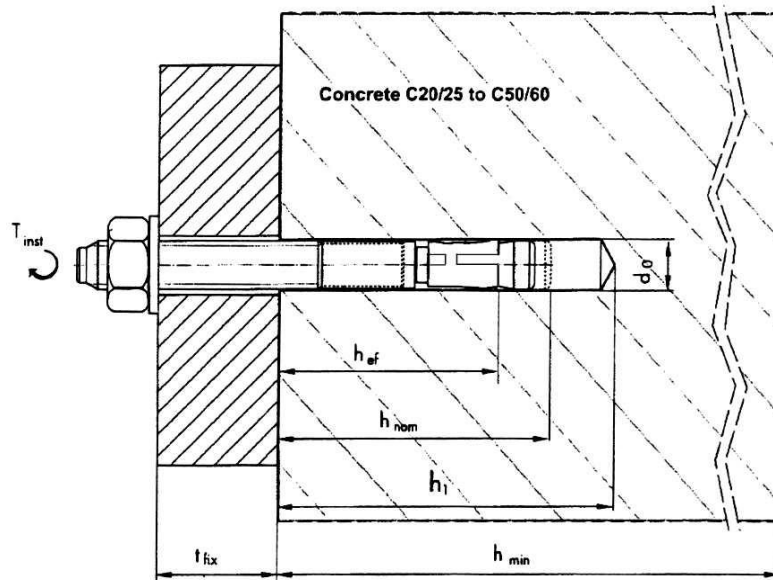
			<b>M8</b>	<b>M10</b>	<b>M12</b>	<b>M16</b>
Nominal drill hole diameter	$d_0$	(mm)	8	10	12	16
Cutting diameter of drill bit	$d_{cut} \leq$	(mm)	8,45	10,45	12,5	16,5
Torque moment	$T_{inst}$	(Nm)	23	35	55	120
Depth of drill hole	$h_1 \geq$	(mm)	70	90	100	130
Anchor embedment depth	$h_{nom}$	(mm)	66	84	96	117
Effective anchorage depth	$h_{ef}$	(mm)	55	70	80	95
Diameter of clearance hole in fixture	$d_f$	(mm)	9	12	14	18
Member thickness	$h_{min} \geq$	(mm)	110	160	160	230
Spacing	$s_{min}$	(mm)	50	60	70	90
	$s_{cr} \geq$	(mm)	165	210	240	285
Edge distance	$c_{min}$	(mm)	40	50	60	80
	$c_{cr} \geq$	(mm)	83	105	120	143

$s_{min}$  Minimum allowable spacing

$s_{cr}$  Spacing for ensuring the transmission of the characteristic resistance of a single anchor

$c_{min}$  Minimum allowable edge distance

$c_{cr}$  Edge distance for ensuring the transmission of the characteristic resistance of a single anchor



**Installation data**  
**Essve Golden Anchor**

**Annex 3**  
**of European Technical Assessment**  
**ETA-12/0257**



**Table 4 Characteristic values of resistance to tensile loads**

		M8	M10	M12	M16
<b>Steel failure</b>					
Characteristic resistance	$N_{Rk,s}$ (kN)	13,2	23,9	34,0	64,4
Partial safety factor	$\gamma_{Ms}$	1,5			
<b>Pull-out failure</b>					
Characteristic resistance in non-cracked concrete C20/25 to C50/60	$N_{Rk,p}$ (kN)	16	16	30	40
Partial safety factors	$\gamma_2$	1,4		1,0	
	$\gamma_{Mp}$	1,5			
<b>Concrete cone failure and splitting failure</b>					
Effective anchorage depth	$h_{ef}$ (mm)	55	70	80	95
Spacing	$s_{cr,N}$ (mm)	$3 \cdot h_{ef}$			
	$s_{cr,sp}$ (mm)	$6 \cdot h_{ef}$			
Edge distances	$c_{cr,N}$ (mm)	$1,5 \cdot h_{ef}$			
	$c_{cr,sp}$ (mm)	$3 \cdot h_{ef}$			
Partial safety factors	$\gamma_2$	1,4		1,0	
	$\gamma_{Mc} = \gamma_{M,sp}$	1,5			

**Table 5 Displacements under tension loads**

		M8	M10	M12	M16
Tension load in non-cracked concrete C20/25 to C50/60	(kN)	7,6	7,6	14,3	19,0
Displacement	$\delta_{N0}$ (mm)	0,3	1,6		
	$\delta_{N\infty}$ (mm)	2,1	2,9		

**Characteristic values of resistance to tensile loads;  
displacements (design method A)  
Essve Golden Anchor**

**Annex 4  
of European Technical Assessment  
ETA-12/0257**

**Table 6 Characteristic values of resistance to shear loads**

		M8	M10	M12	M16
<b>Steel failure without lever arm</b>					
Characteristic resistance	$V_{Rk,s}$ (kN)	9,2	14,5	21,1	39,2
Partial safety factor	$\gamma_{Ms}$	1,25			
<b>Steel failure with lever arm</b>					
Characteristic resistance	$M_{Rk,s}$ (Nm)	18,8	37,3	65,5	165,8
Partial safety factor	$\gamma_{Ms}$	1,25			
<b>Concrete pryout failure</b>					
Factor in Equation (5.6) of ETAG Annex C, 5.2.3.3	$k$	1,0	2,0		
Partial safety factor	$\gamma_{Mc}$	1,5			
<b>Concrete edge failure</b>					
Effective length of anchor in shear loading	$l_f$ (mm)	55	70	80	95
Diameter	$d_{nom}$ (mm)	8	10	12	16
Partial safety factor	$\gamma_{Mc}$	1,5			

**Table 7 Displacements under shear loads**

		M8	M10	M12	M16
Shear load in non-cracked concrete C20/25 to C50/60	kN	5,3	8,3	12,1	22,4
Displacement	$\delta_{V0}$ (mm)	1,0			
	$\delta_{V\infty}$ (mm)	1,5			

**Characteristic values of resistance to shear loads;  
displacements (design method A)  
Essve Golden Anchor**

**Annex 5  
of European Technical Assessment  
ETA-12/0257**