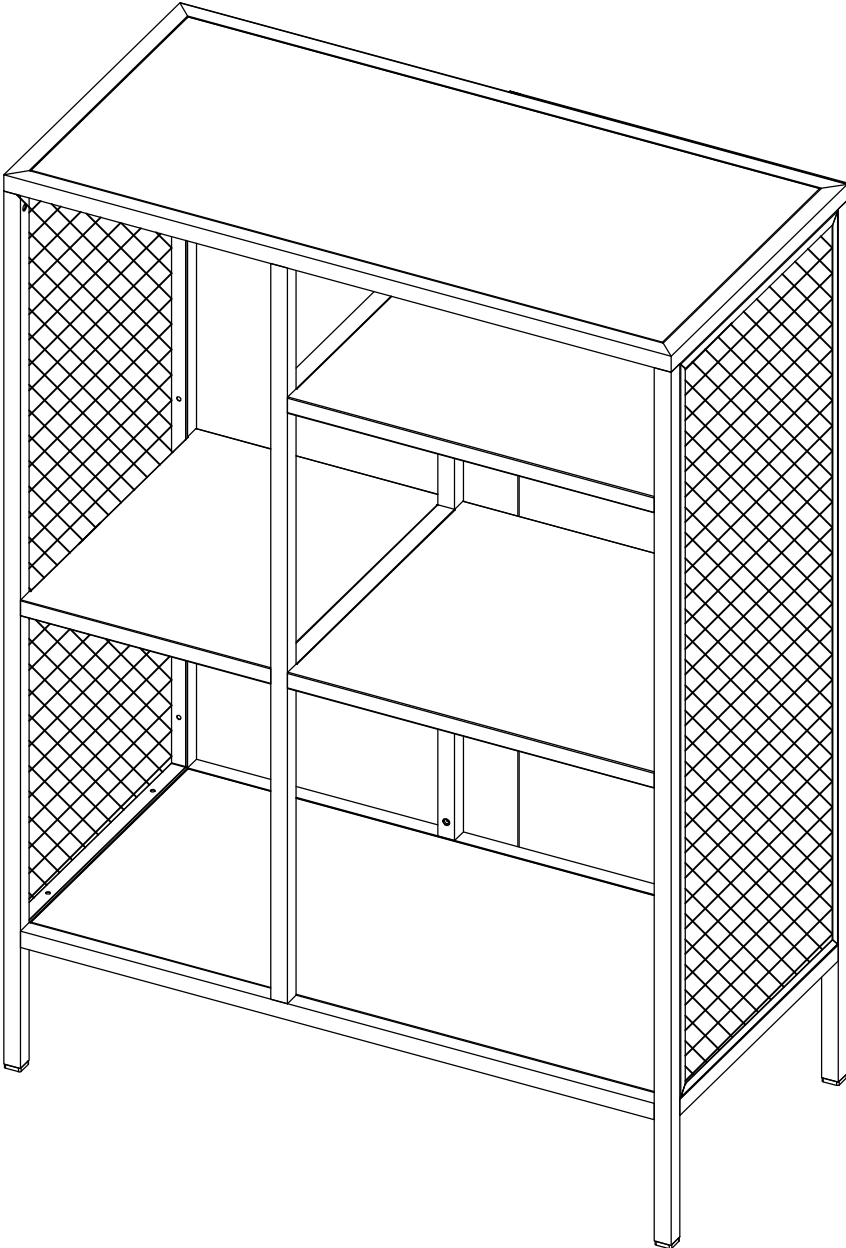
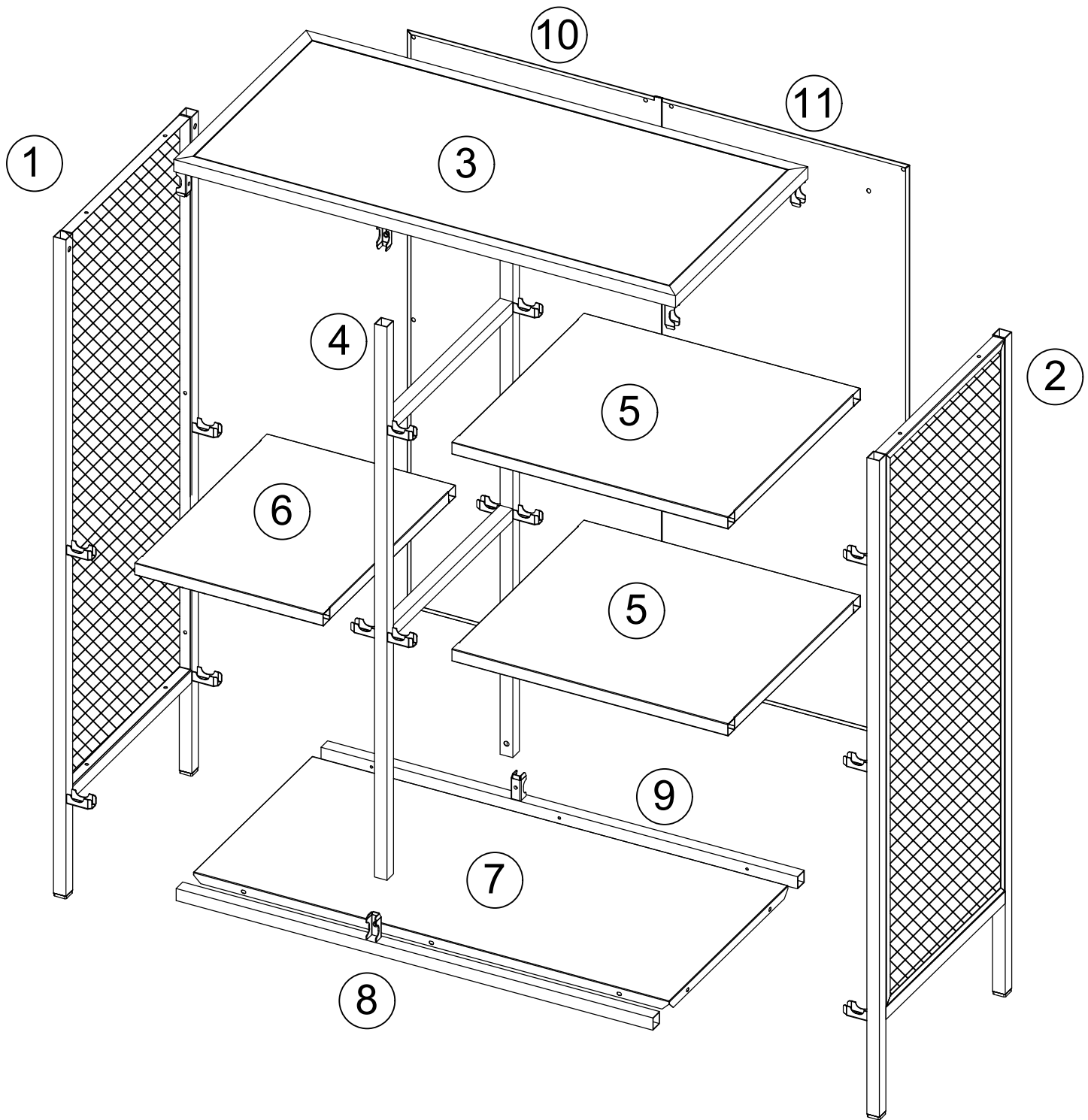

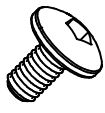
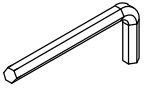
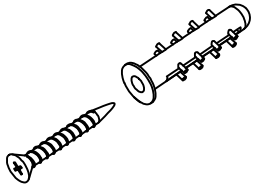
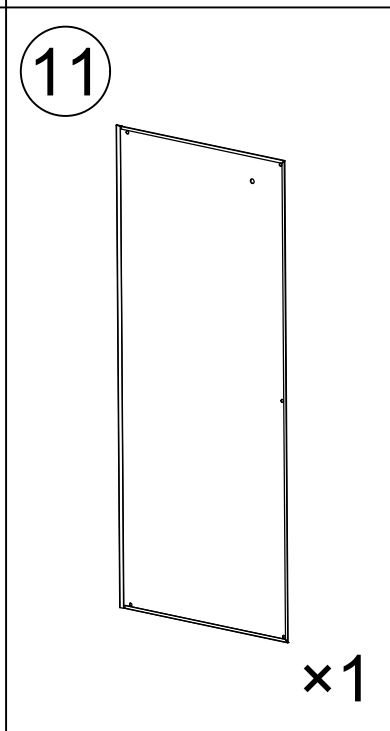
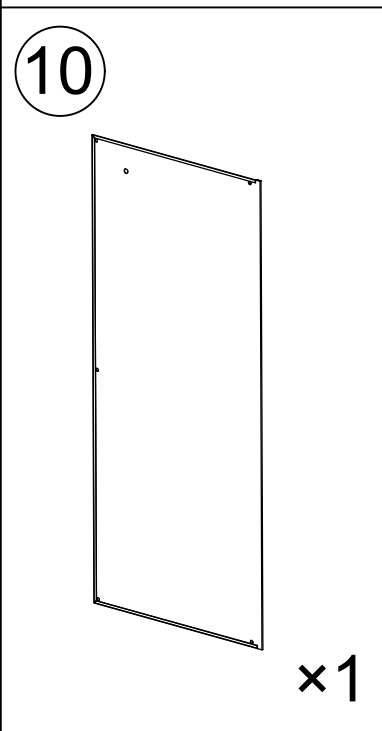
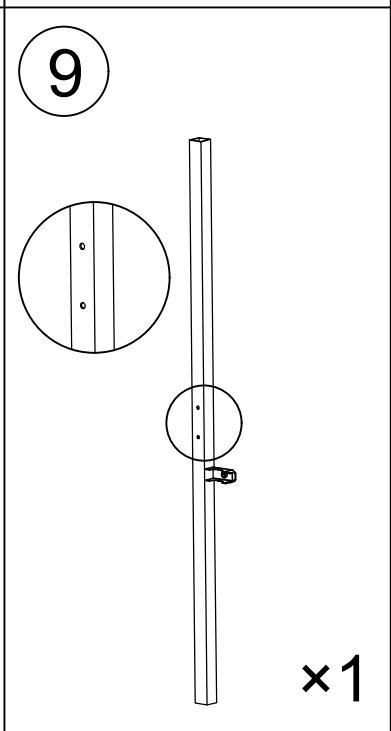
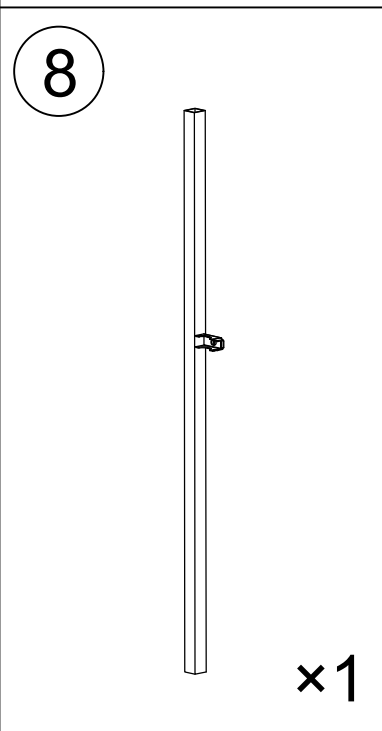
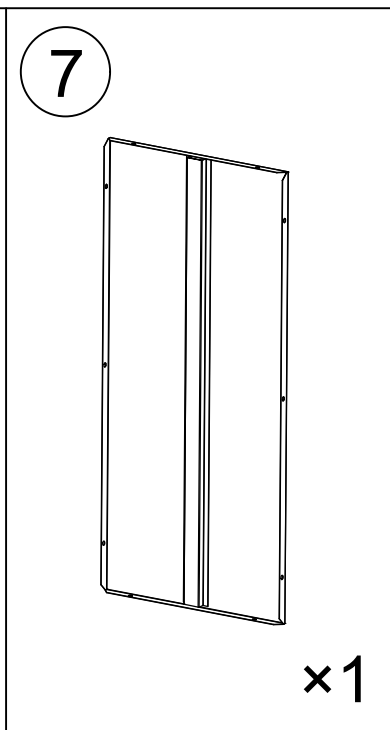
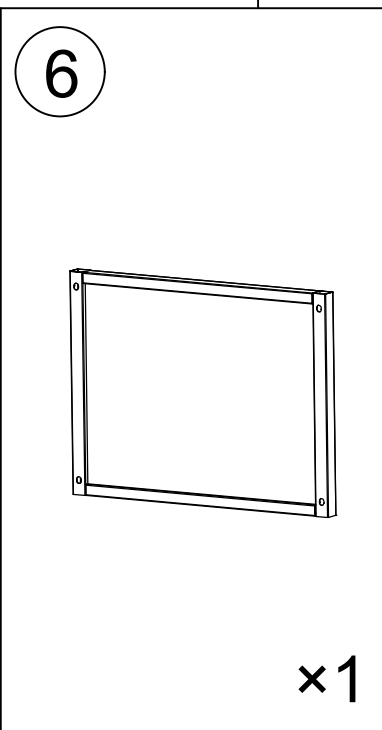
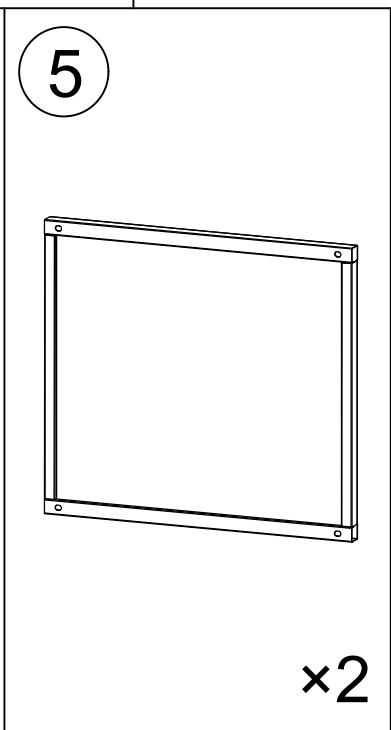
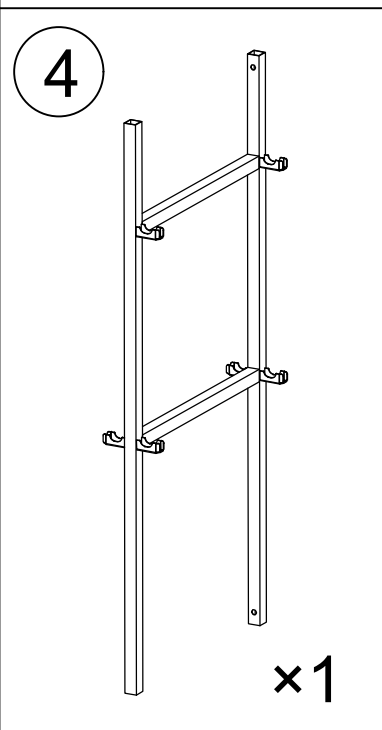
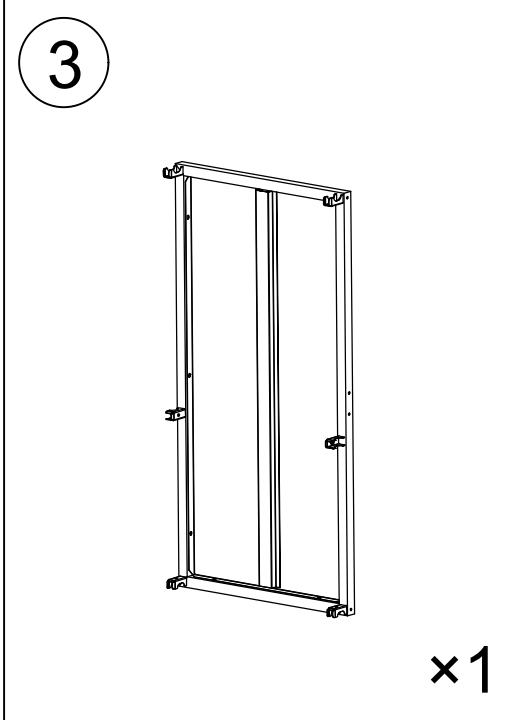
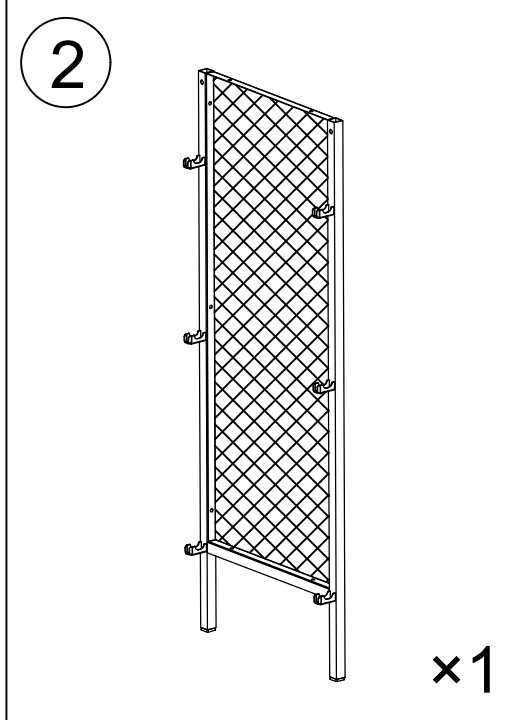
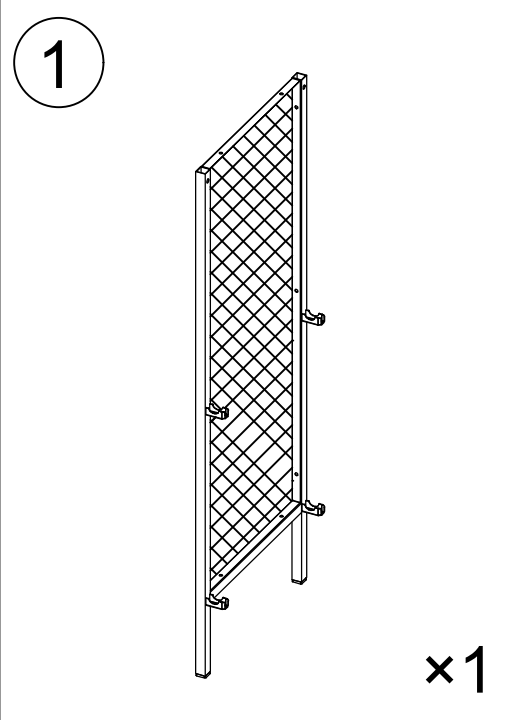


Assembly Instruction (15357 Misha Book Case Mesh)





<p>A × 16</p>  <p>M5×12 mm</p>	<p>B × 24</p>  <p>M6×10 mm</p>	<p>C × 1</p>  <p>4 mm</p>	<p>D × 2</p>  <p>M4×30mm</p>
---	---	---	---



1

B × 4

C × 1



M6×10mm

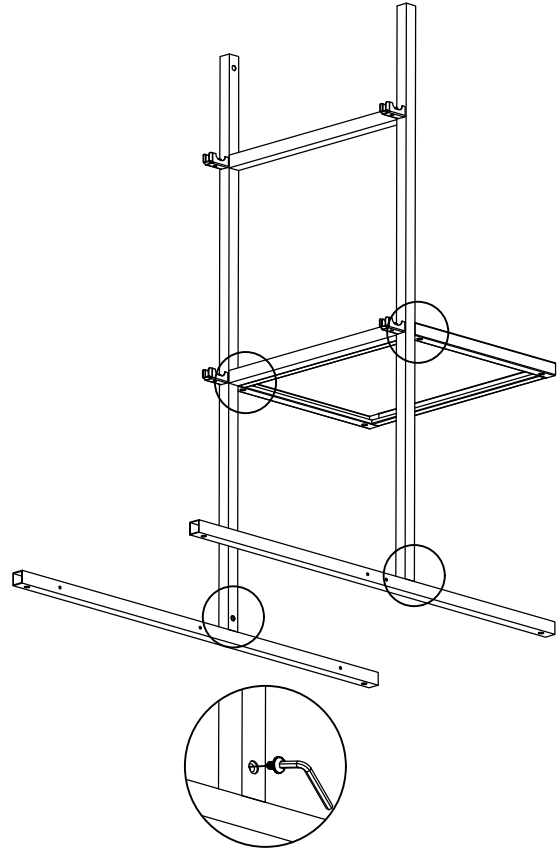
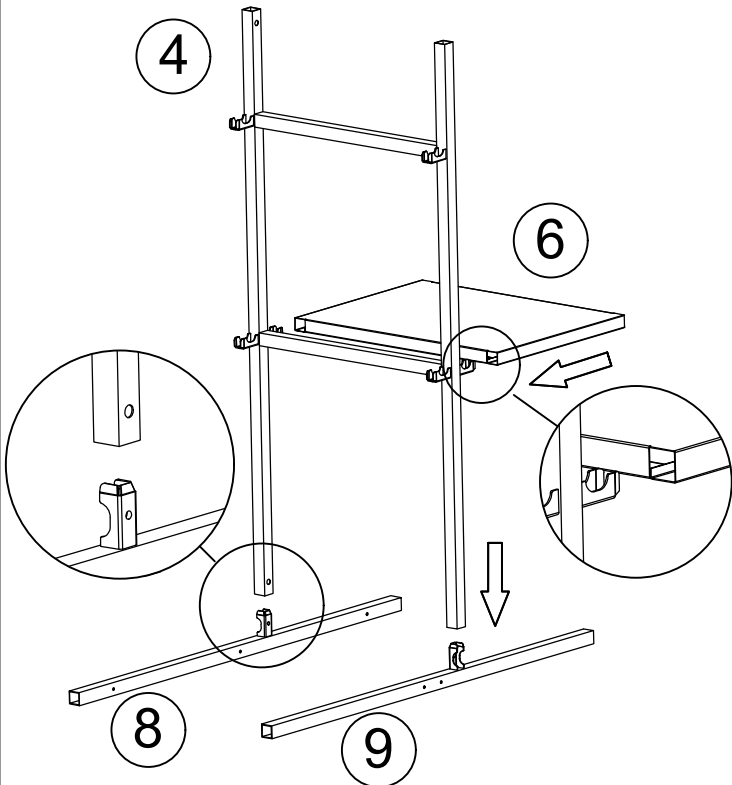
4 mm

4

6

8

9



2

B × 4

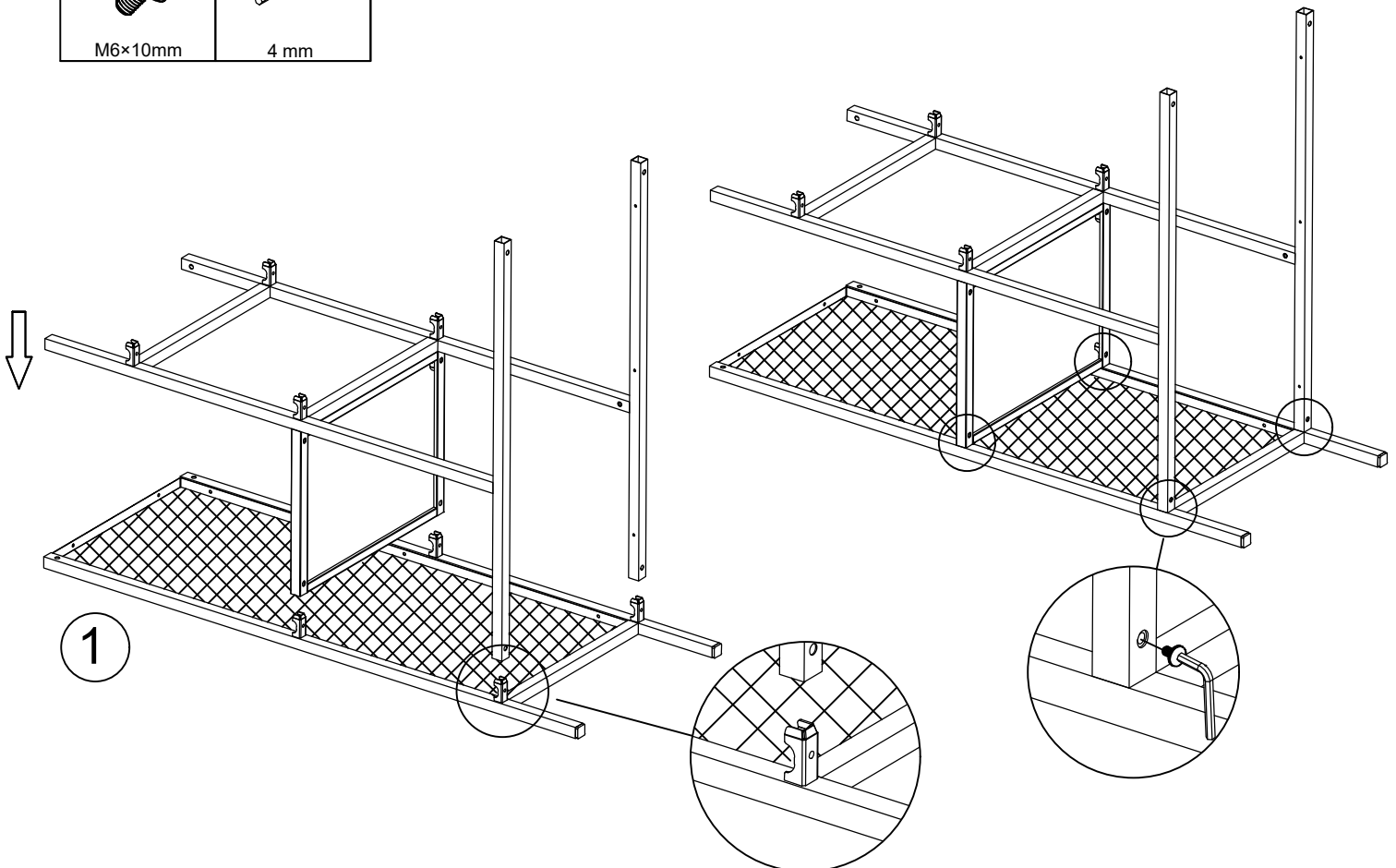
C × 1



M6×10mm

4 mm

1



3

B × 10

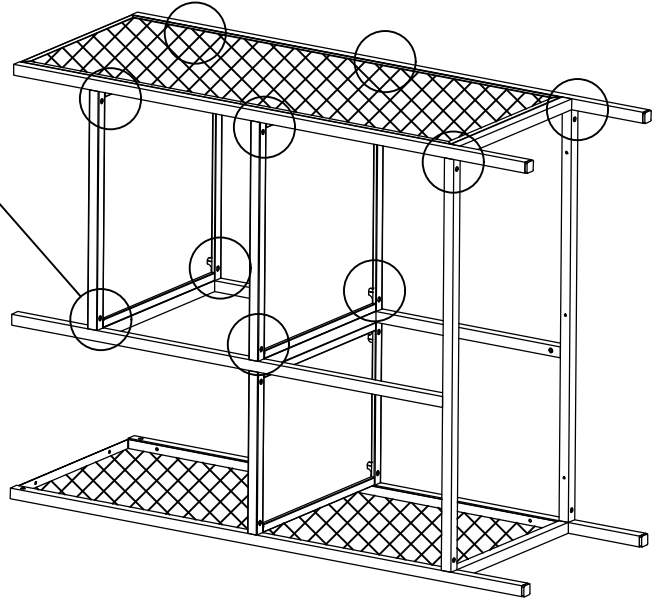
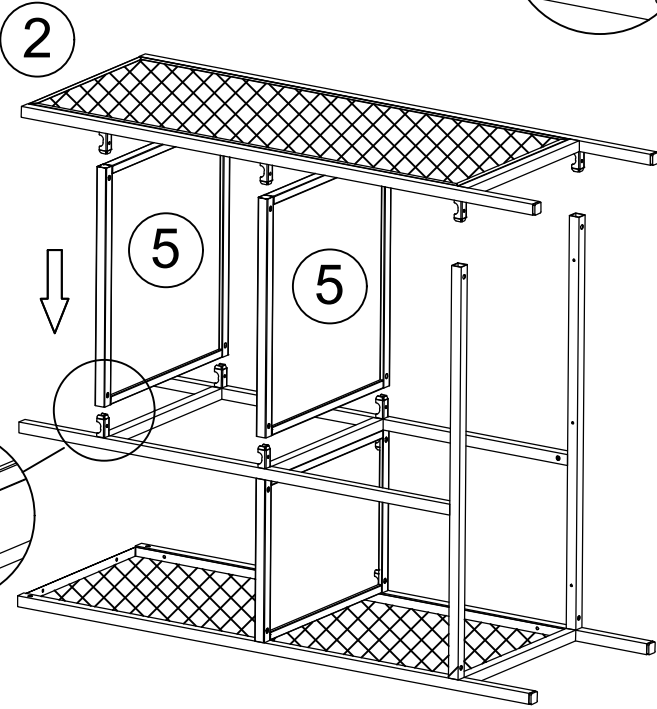
C × 1



M6×10mm



4 mm



4

A × 6

B × 6

C × 1



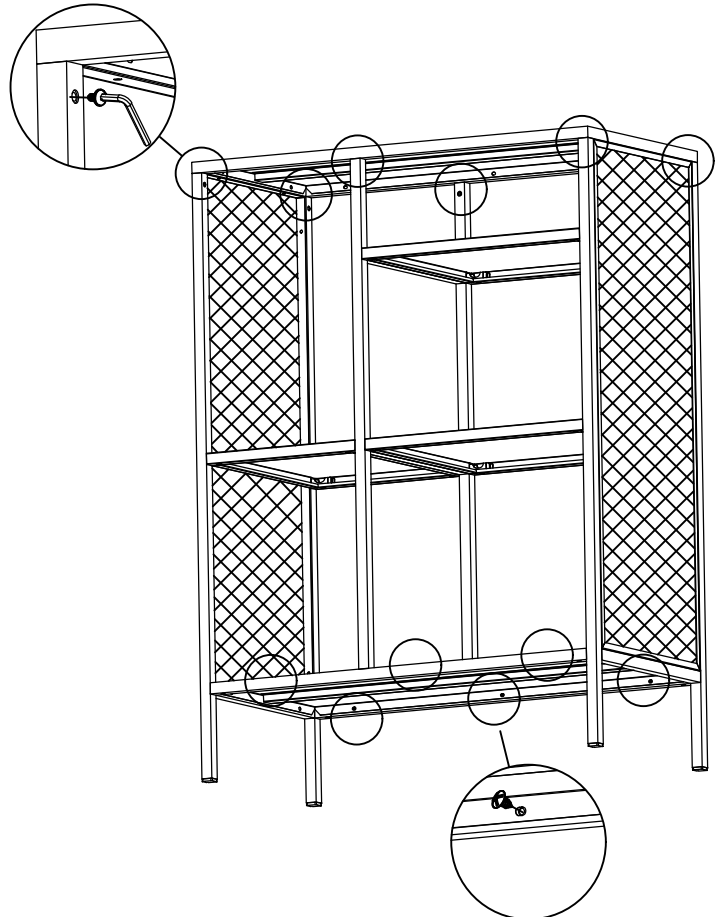
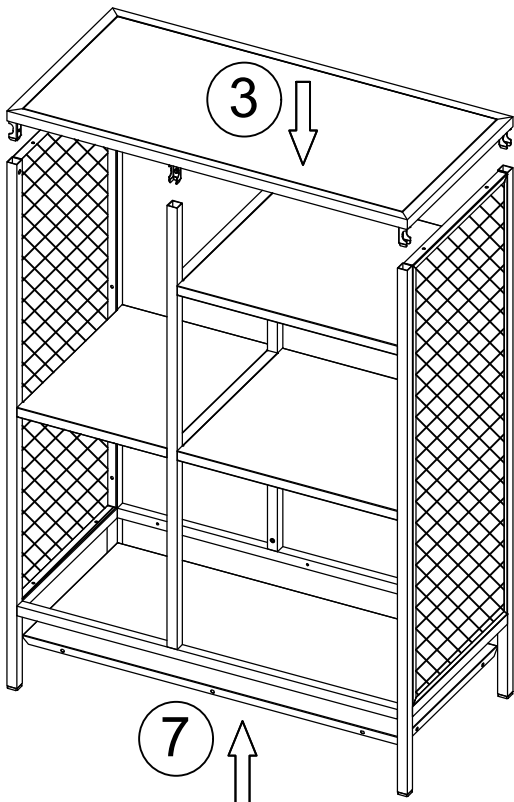
M5×12 mm



M6×10 mm



4 mm

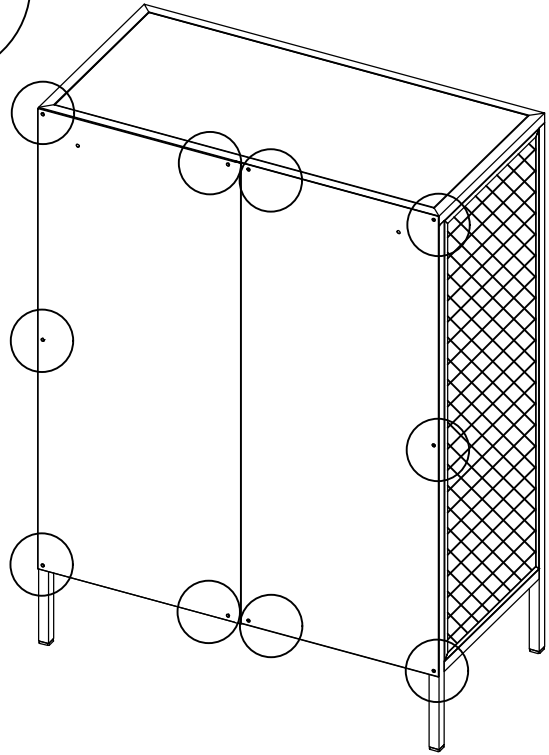
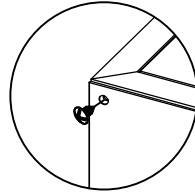
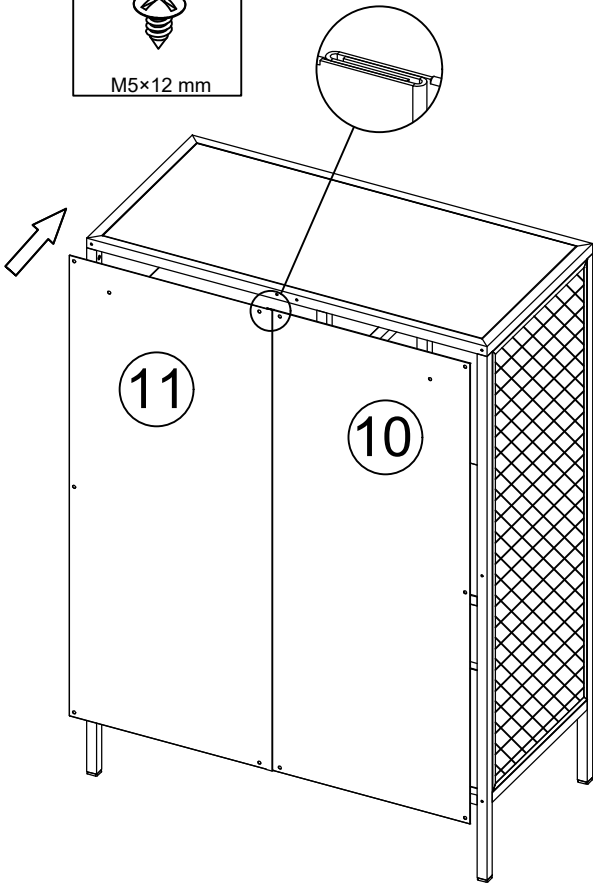


5

A × 10

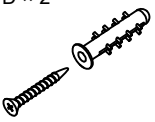


M5×12 mm



6

D × 2



M4×30mm

