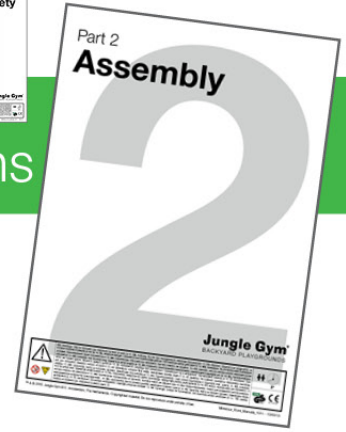


Part 2

Assembly

Instructions

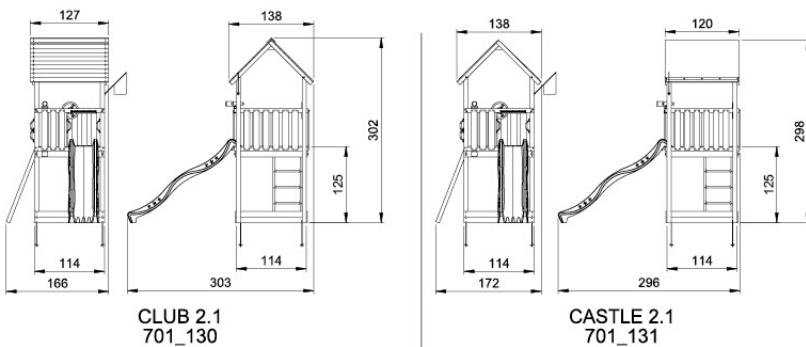
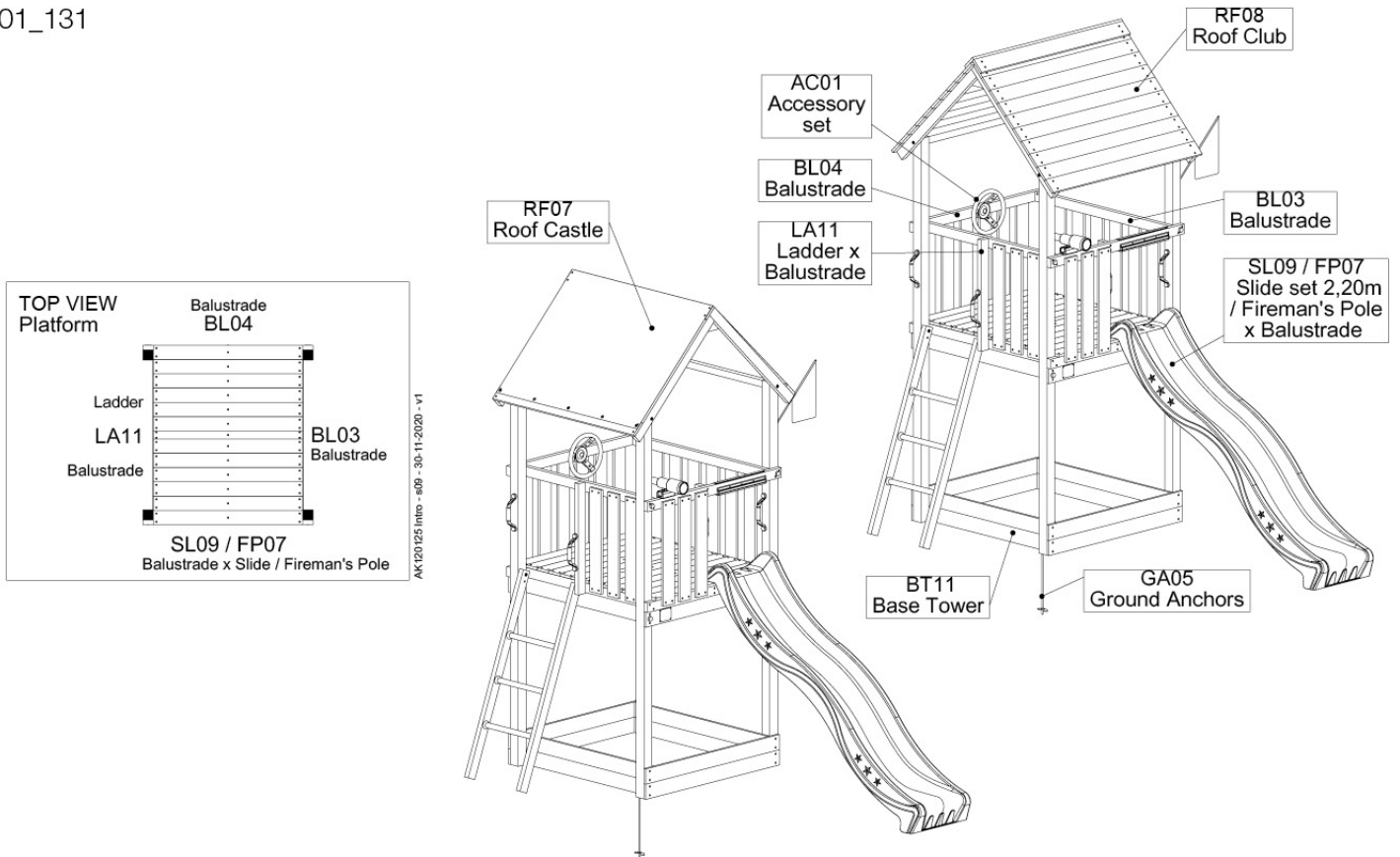


Jungle Club 2.1 &

801_130

Jungle Castle 2.1

801_131



Jungle Gym

BACKYARD PLAYGROUNDS

since 1988

	<p>EN. Warnings. Only for domestic use. Maximum number of users is 6. DE. Achtung. Nur für den Hausgebrauch. Maximale Benutzerzahl: 6. FR. Attention. Réserve à un usage familial. Le nombre maximal d'utilisateurs est de 6. NL. Waarschuwingen. Uitsluitend voor huishoudelijk gebruik. Het maximale aantal gebruikers is 6. BG. Внимание. За употреба само в домашни условия. Максималният брой потребители е 6. CS. Varování. Jen pro domácí použití. Maximální počet uživatelů je 6. DA. Advarsel. Kun til privat brug. Maksimum antal brugere er 6. EL. Προειδοποίηση. Μόνο για οικιακή χρήση. Μέγιστος αριθμός χρηστών 6. ES. Advertencias. Solo para uso doméstico. Número máximo de usuarios: 6. ET. Holatused. Ainult koduseks kasutamiseks. Maksimaalne kasutajate arv on 6. FI. Varoitukset. Ainoastaan kotikäyttöön. Käyttäjää yhteensä enintään 6. HR. Upozorenja. Samo za kućansku uporabu. Maksimalan broj korisnika je 6. HU. Figyelmeztetések. Csak otthoni használatra! A használók max. száma: 6. IS. Varnaðarorð. Engöngu fyrir einhnanotkun í heimaumum og á einaklóðum. Hámarksfjöldi notenda er 6. IT. Avvertenze. Solo per uso domestico. Massimo numero di utenti è 6. LT. Įspėjimai. Tik buitnam naudojimui. Maksimalus naudotojų skaičius 6. LV. Brīdinājumi. Izmantoj tikai mājās. Maksimālais lietotāju skaits ir 6. NO. Advarsel. Kun for privat bruk. Maksimalt antall brukere er 6. PL. Ostrzeżenia. Wyłącznie do użytku domowego. Maksymalna liczba użytkowników to 6. PT. Avisos. Apenas para uso doméstico. O número máximo de utilizadores é 6. RO. Avertismente. Numai pentru uz domestic. Numărul maxim de utilizatori este 6. RU. Предостережения. Только для домашнего использования. Максимальное количество пользователей - 6. SK. Upozornenia. Iba na domáce použitie. Maximálne množstvo osôb je 6. SL. Opozorila. Samo za domačo uporabo. Maksimalno število uporabnikov je 6. SR. Upozorenja. Samo za kućnu upotrebu. Maksimalan broj korisnika je 6. SV. Varningar. Endast för hemmabruk. Det maximala antalet användare är 6. TR. Uyarılar. Sadece ev kullanımı için. Maksimum kullanıcı sayısı 6.</p>	<p>4^h</p>
	<p>EN 71-1, 2, 3, 6A-9</p>	

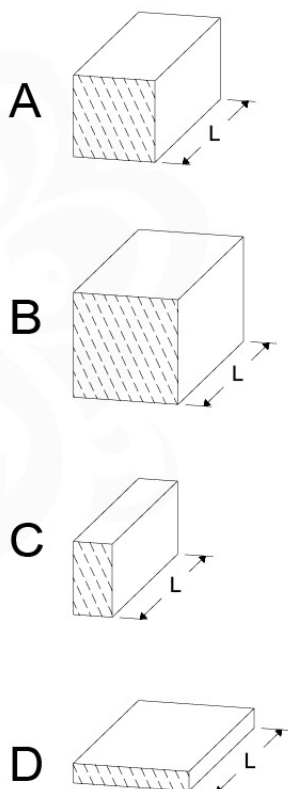
What's in the delivery?

401_125 / 123_222 (Jungle Castle 2.1)

<p>1x 040_805</p> <p>1x 040_030</p>	<p>1x 022_300</p>	<p>1x 120_024</p>	<p>2x 007_001</p>	<p>4x 022_320</p>
<p>1x 103_901</p>	<p>1x 122_302</p> <p>1x 022_800</p>	<p>1x 123_200</p>	<p>1x 104_107</p>	<p>1x 100_051</p>
<p>1x 022_910</p>	<p>3x 005_03x</p> <p>6x 022_835</p>	<p>8x 120_005</p>	<p>9x 022_845</p>	<p>(Jungle Castle 2.1) 1x 123_222</p> <p>120 cm</p> <p>Canvas</p>

Timber

Jungle Club 2.1 | Castle 2.1



L			
		601_130 Jungle Club 2.1	601_131 Jungle Castle 2.1
A240	239cm - 240cm	4 x	4 x
-	-	-	-
C130 C114 C96 C90 C70	129cm - 130cm 113cm - 114cm 95cm - 97cm 89cm - 90cm 69cm - 70cm	2 x 9 x 2 x 2 x 2 x	2 x 9 x 2 x 2 x 2 x
D127 D120 D114 D100 D65	126cm - 127cm 119cm - 120cm 113cm - 114cm 99cm - 100cm 64cm - 65cm	18 - 24 x 12 x 13 - 14 x 19 x	 3 x 12 x 13 - 14 x 19 x

output: 02/12/20

General Hardware Types

		L	
		000_101	20 mm
		001_102	30 mm
		001_404 001_406 001_411 001_417 001_422	30 mm 45 mm 60 mm 80 mm 137 mm
		002_036	16 mm
		002_041	20 mm
		002_042	13 mm
		002_301	40 mm

		L	
		002_308 002_219 002_220 002_223	20 mm 30 mm 45 mm 80 mm
		003_010	
		003_034	
		004_050	22mm
		022_845 022_846 022_847 022_848	Yellow Blue Green Red
		023_031	White
		120_005	White

output: 20/11/20

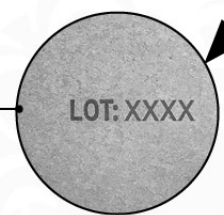
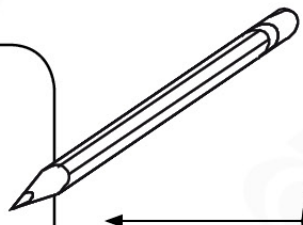
01 Product Identification



Art. Description: _____

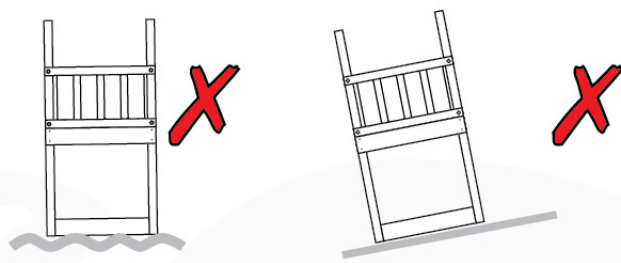
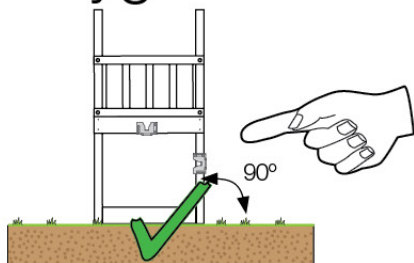
Art. Reference: _____

LOT: _____

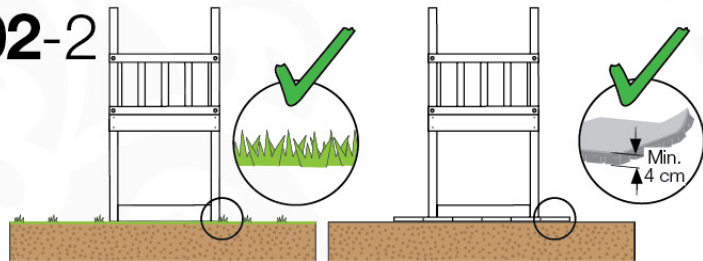


02 Safe Playground

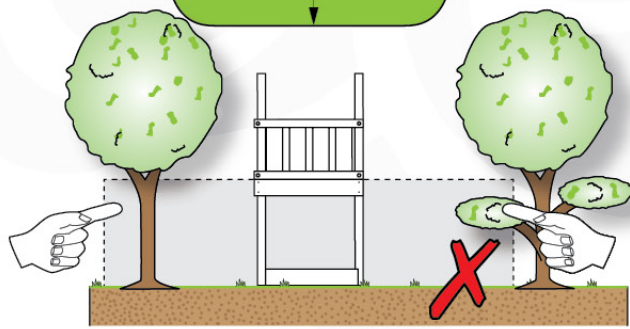
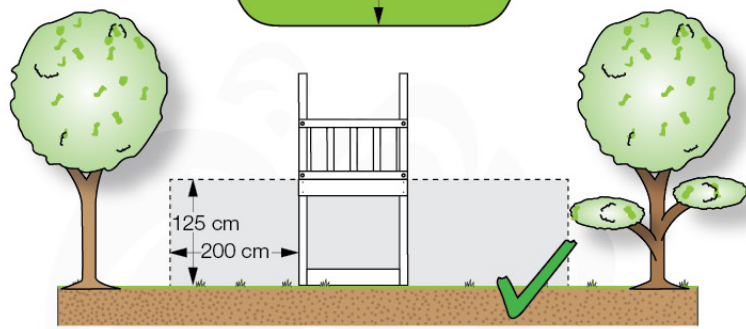
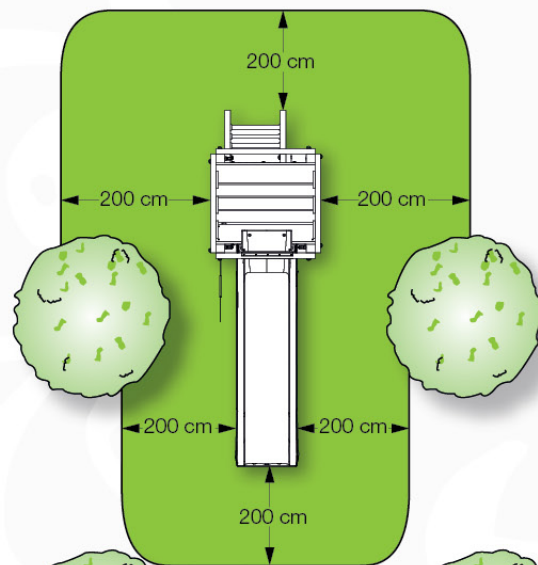
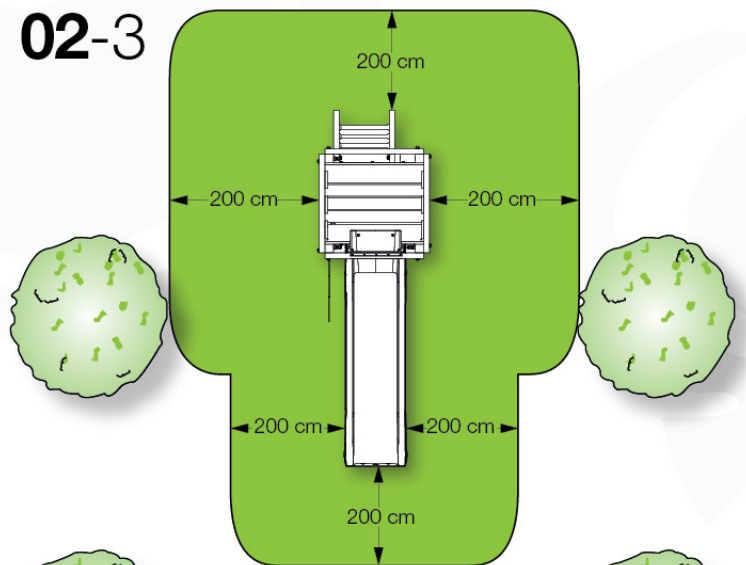
02-1



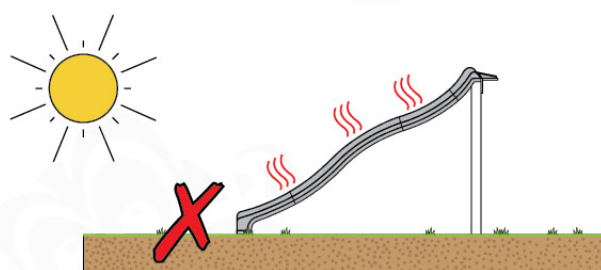
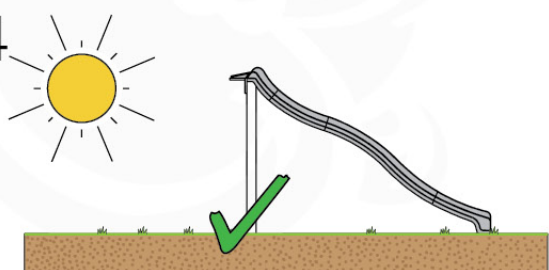
02-2



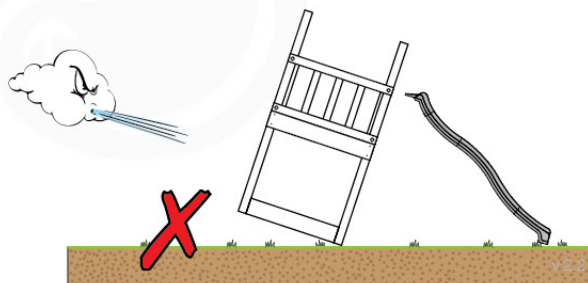
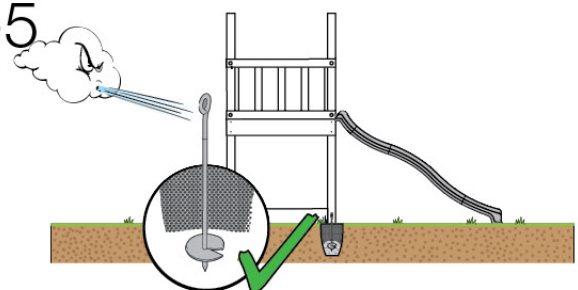
02-3



02-4



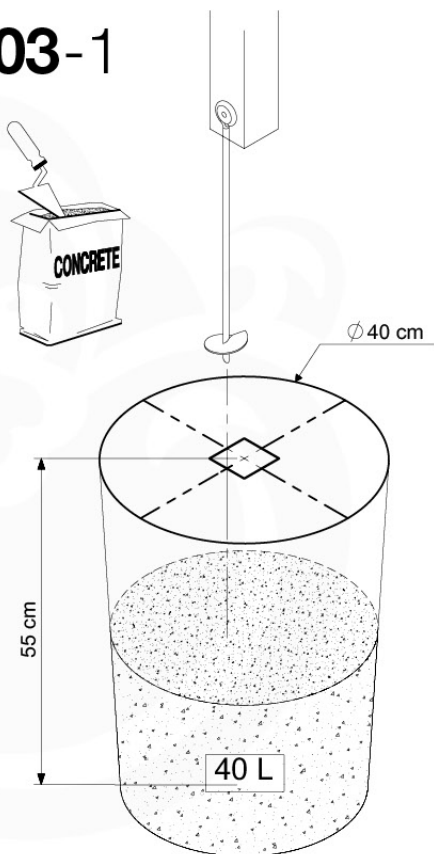
02-5



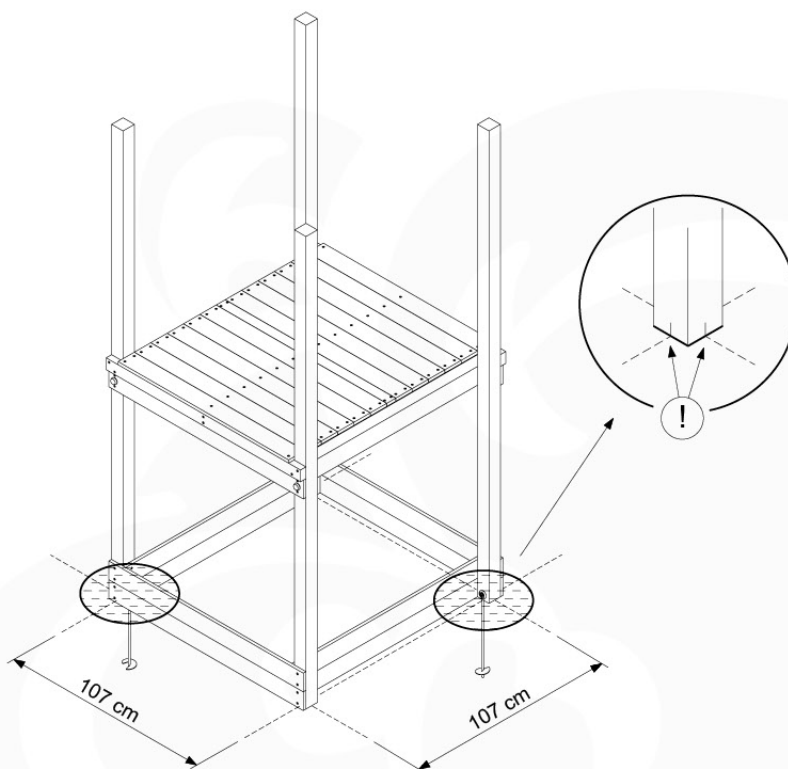
03 Playground Foundation

FD05

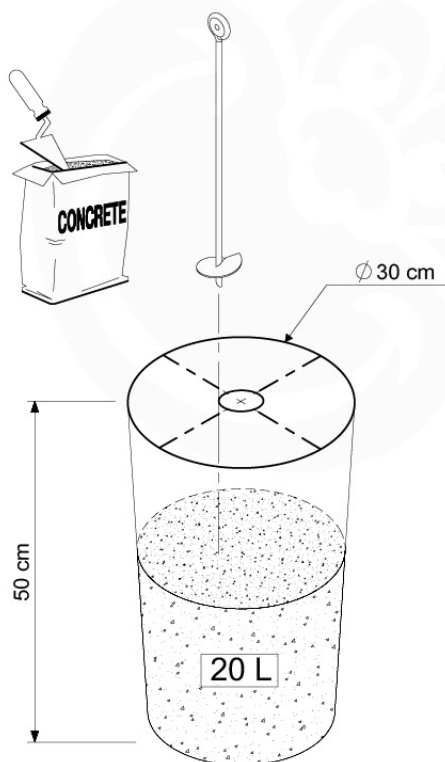
03-1



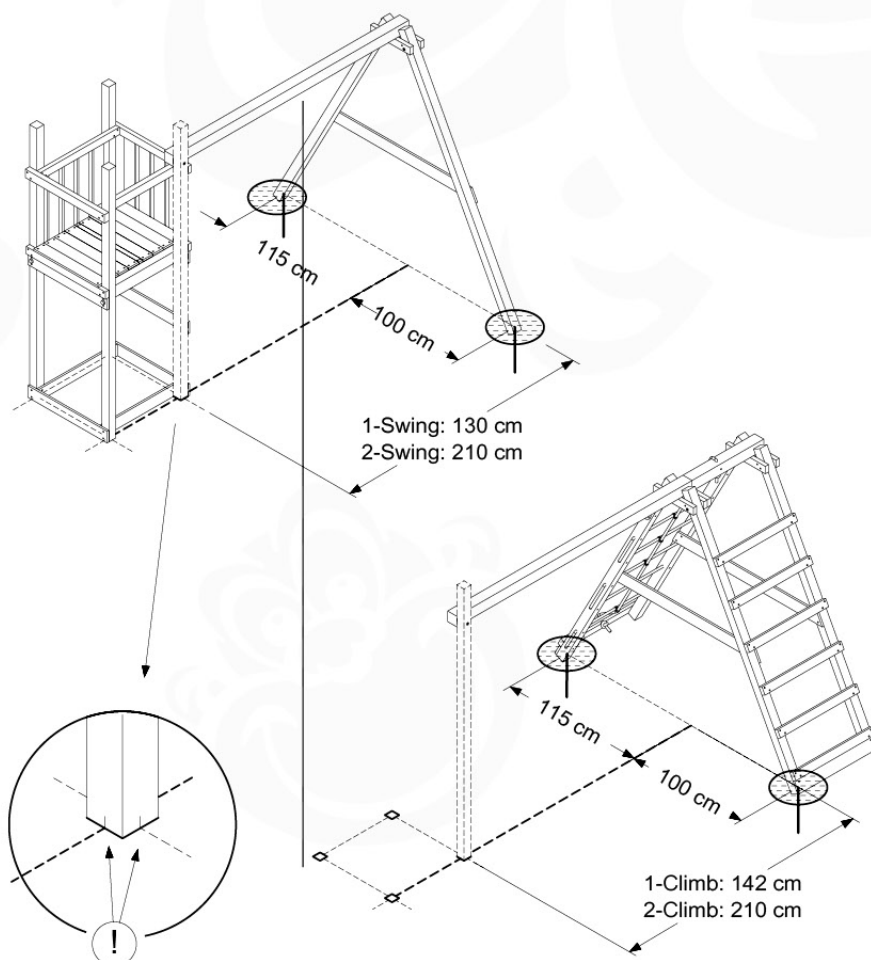
Foundation Plan - P07 - 27-11-2020 - v3



03-2



Foundation Plan - P06 - 27-11-2020 - v3

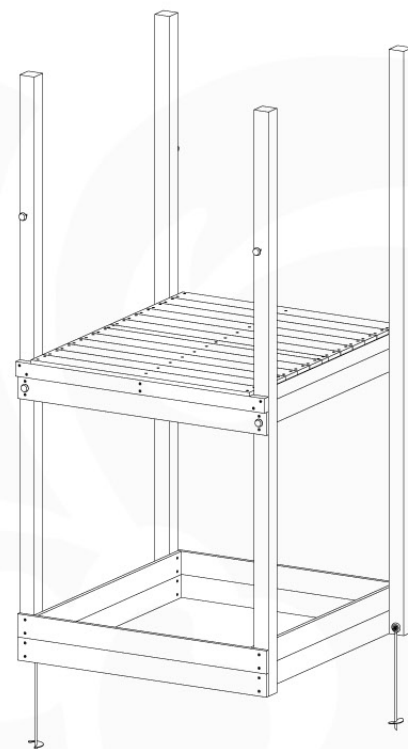


04 Base Tower

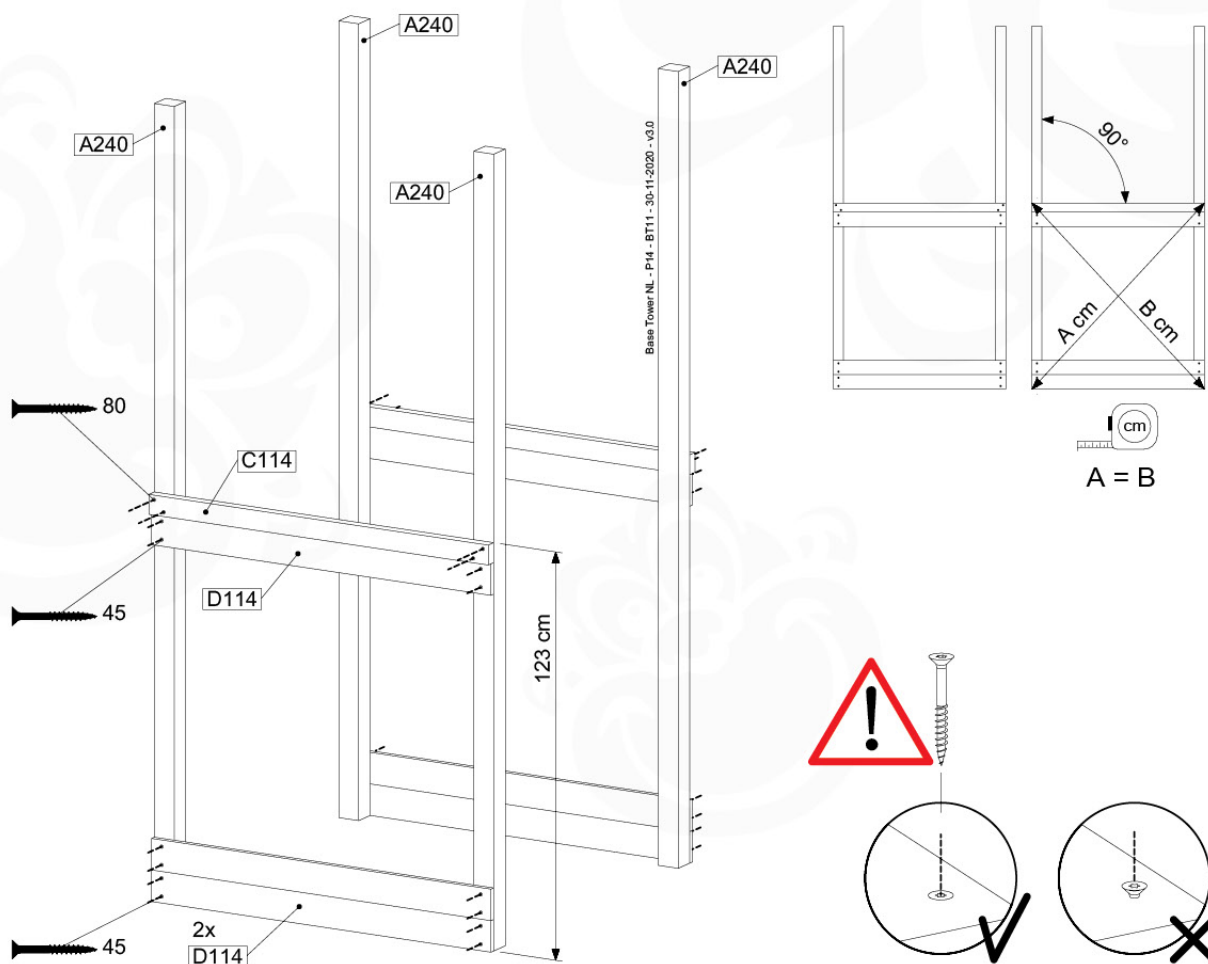
BT11

	PartNo	PartName	QTY.
Hardware Pack	001_406	Stealth Screw 8x45	10
	002_220	Gap Point Screw T25 - 5x45	118
	002_223	Gap Point Screw T25 - 5x80	20
Other	007_001	Ground-anchor	2
Hardware Pack	022_31x	bpc-base version 3	8
	022_84x	bpc cover	8
Timber	A240	Post 70x70 L2400	4
	C114	Beam 1140 mm	5
	D100	Board 1000 mm	11-14
	D114	Board 1140 mm	12

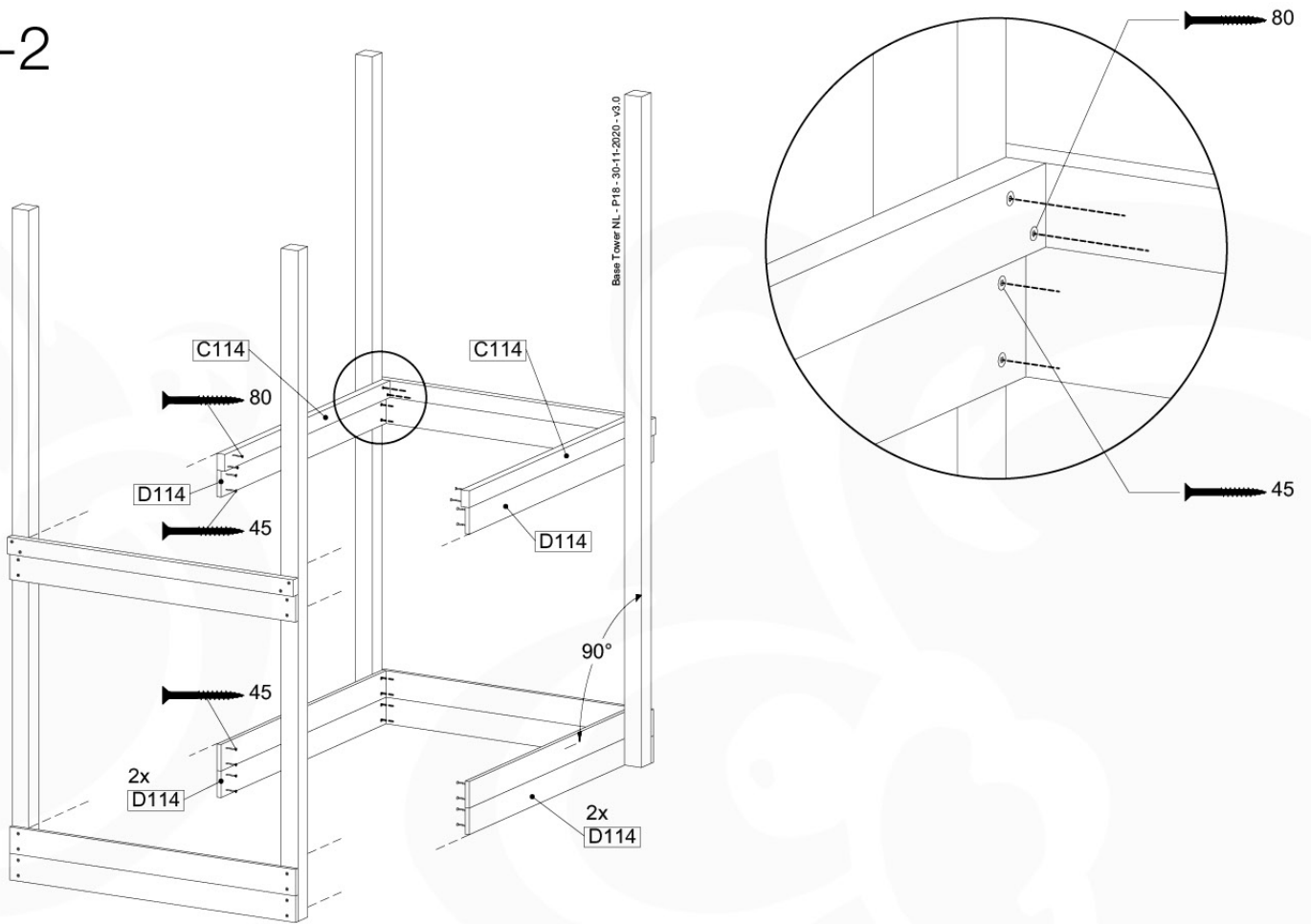
Base Tower NL - P06 - BT11 - 30-11-2020 - v3.0



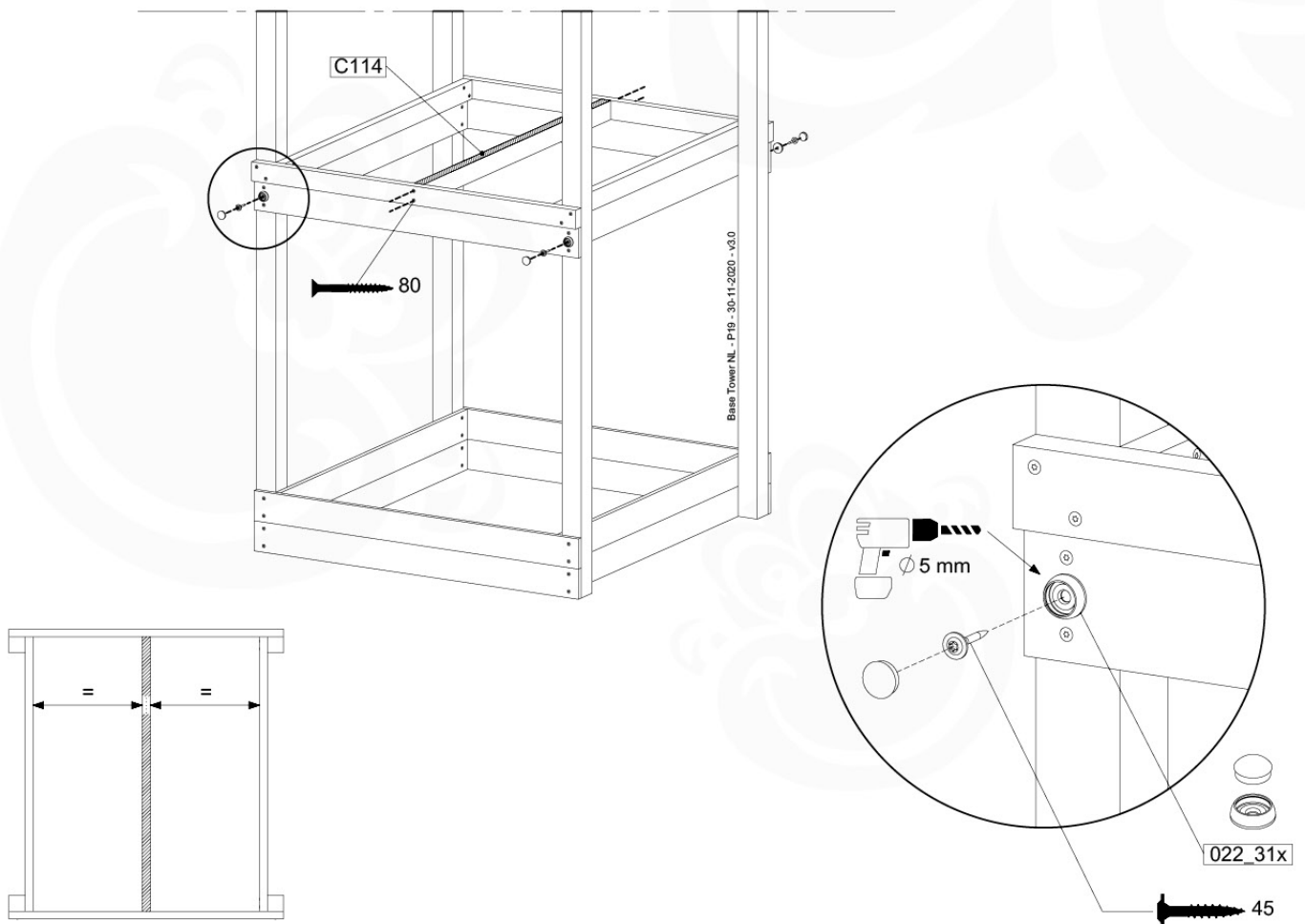
04-1



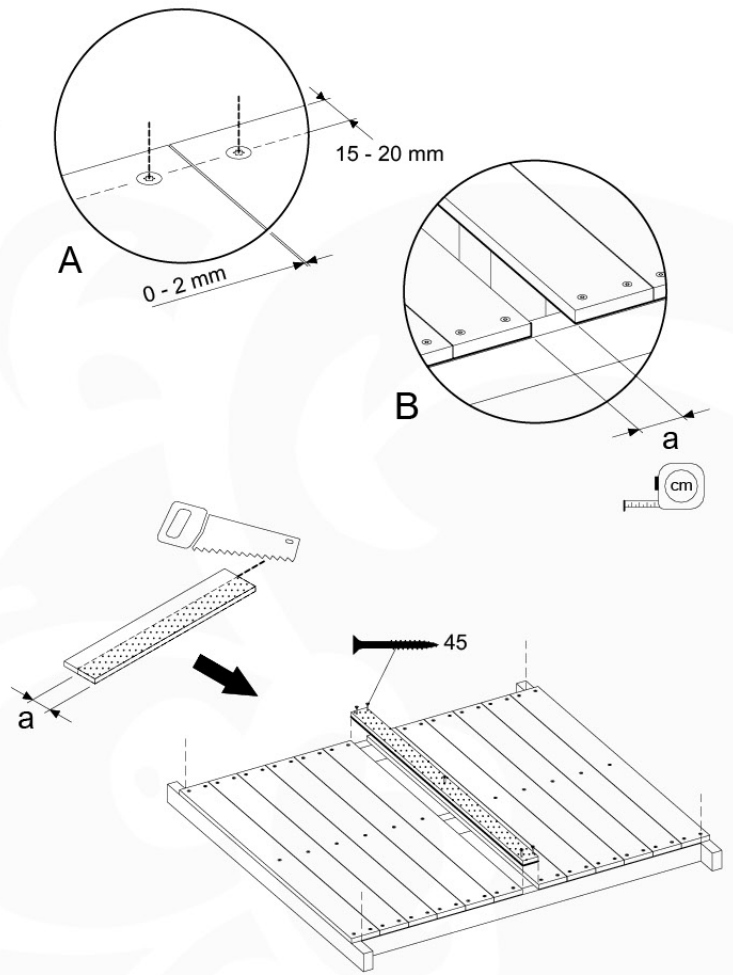
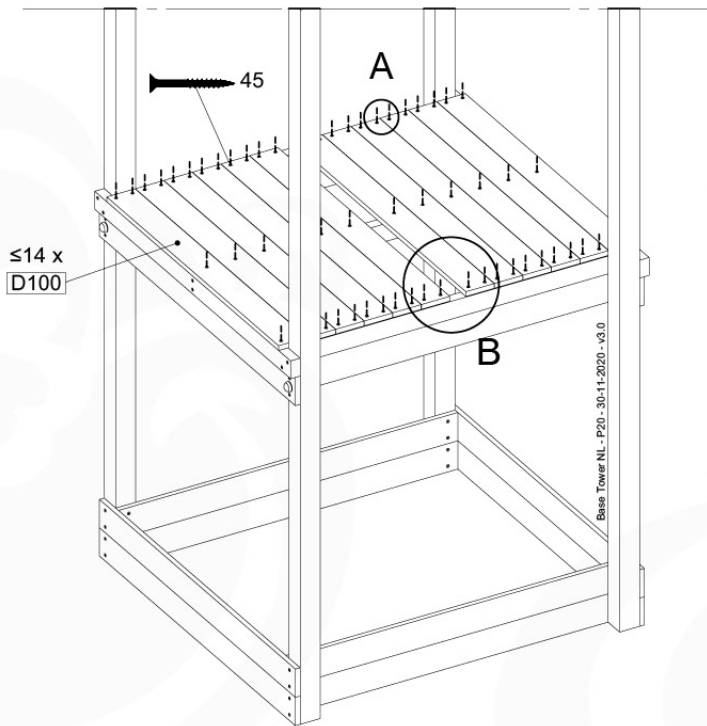
04-2



04-3

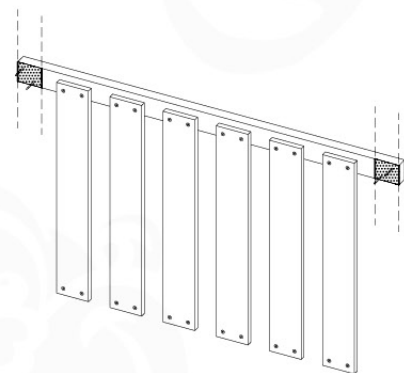


04-4



05 Balustrade (1x)

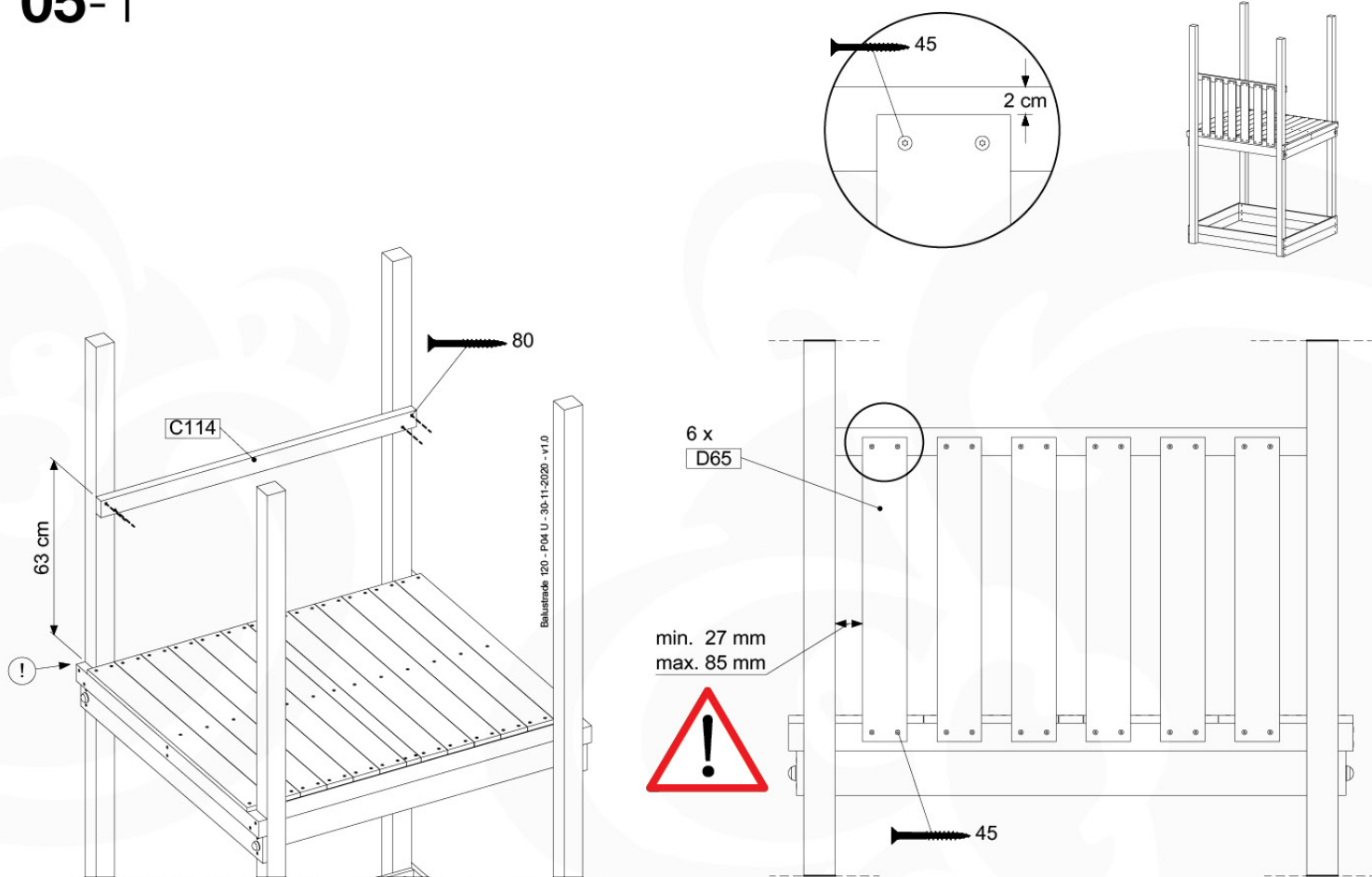
BL03



	PartNo	PartName	QTY.
Hardware Pack	002_220	Gap Point Screw T25 - 5x45	24
	002_223	Gap Point Screw T25 - 5x80	4
Timber	C114	Beam 1140 mm	1
	D65	Board 650 mm	6

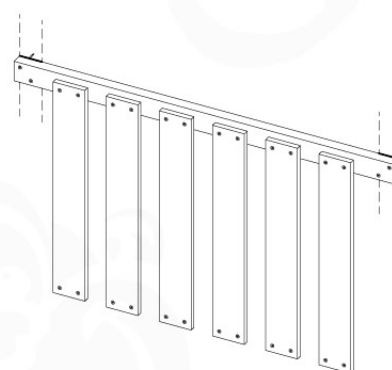
Balustrade 120 - P02 U - 30-11-2020 - v1.0

05-1



06 Balustrade (1x)

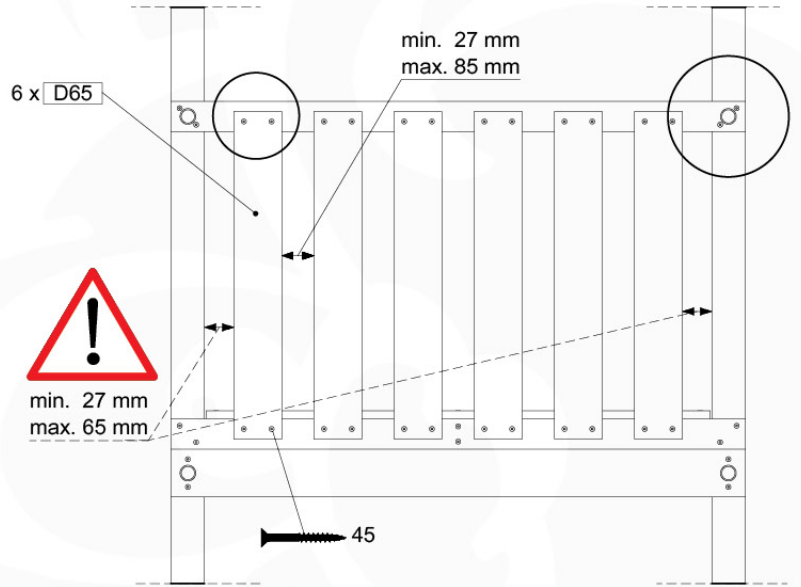
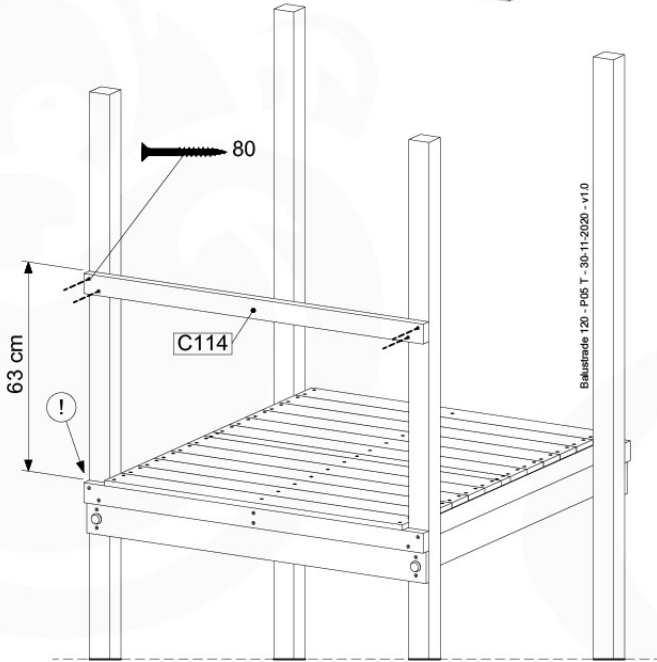
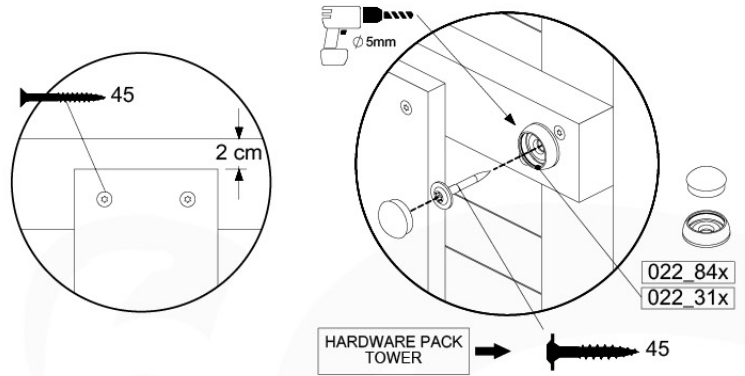
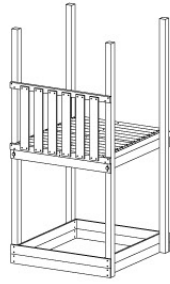
BL04



	PartNo	PartName	QTY.
Hardware Pack	002_220	Gap Point Screw T25 - 5x45	24
	002_223	Gap Point Screw T25 - 5x80	4
Timber	C114	Beam 1140 mm	1
	D65	Board 650 mm	6

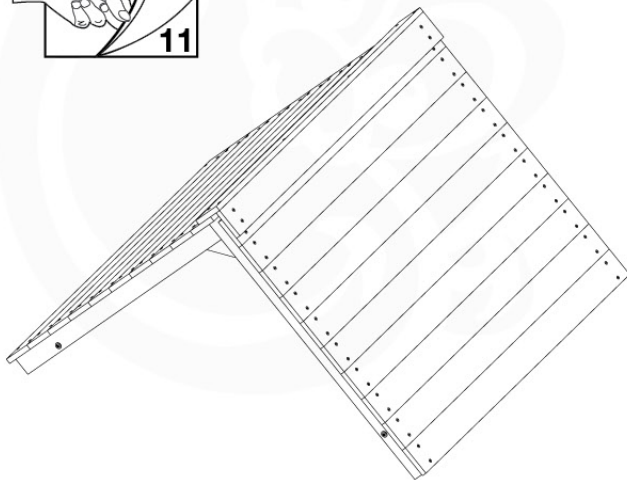
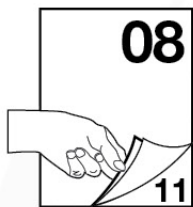
Balustrade 120 - P04 U - 30-11-2020 - v1.0

06-1

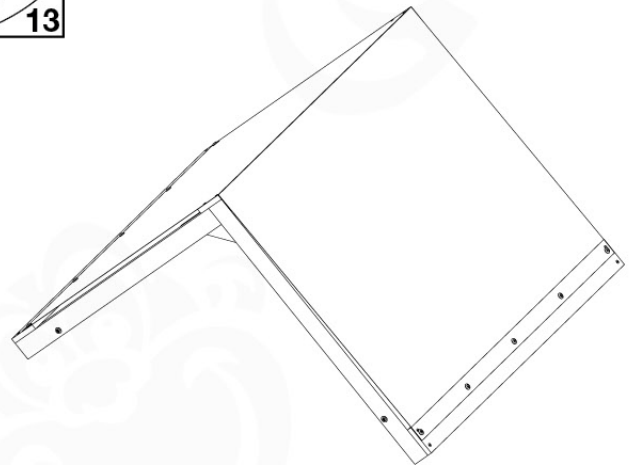
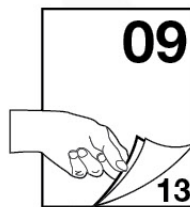


07 Roof

Club

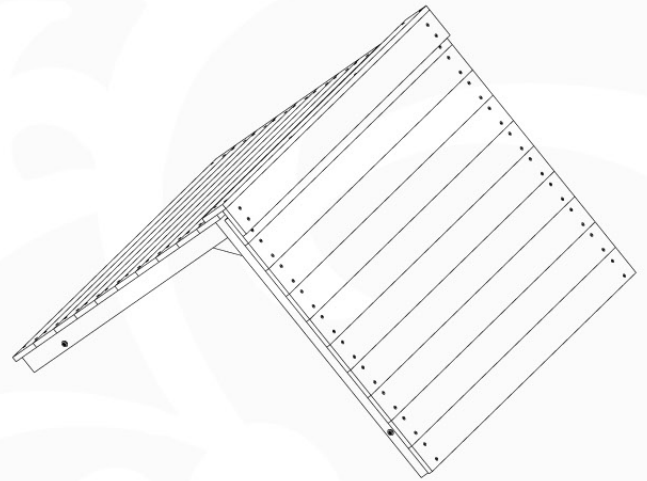


Castle



08 Roof Club

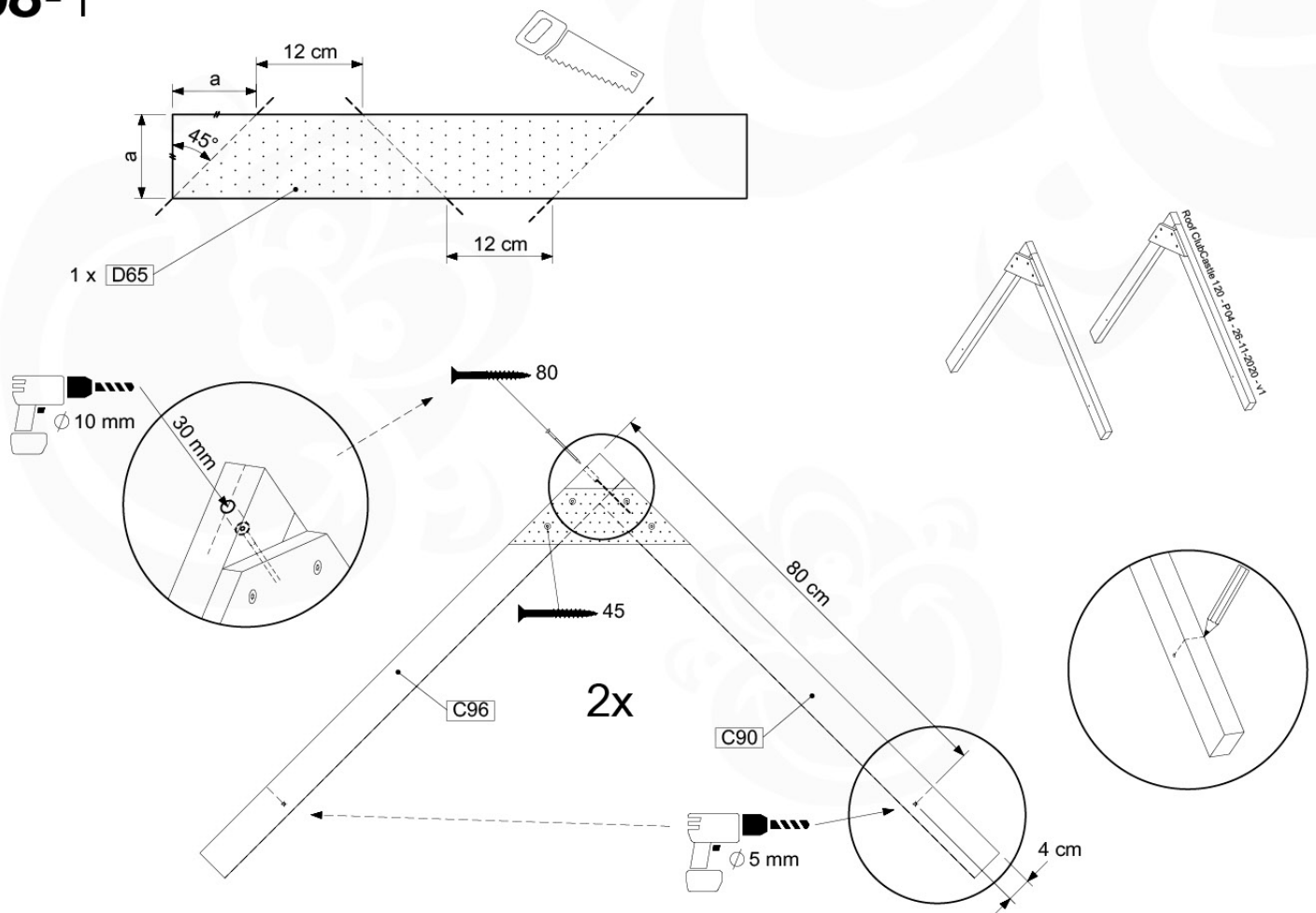
RF08



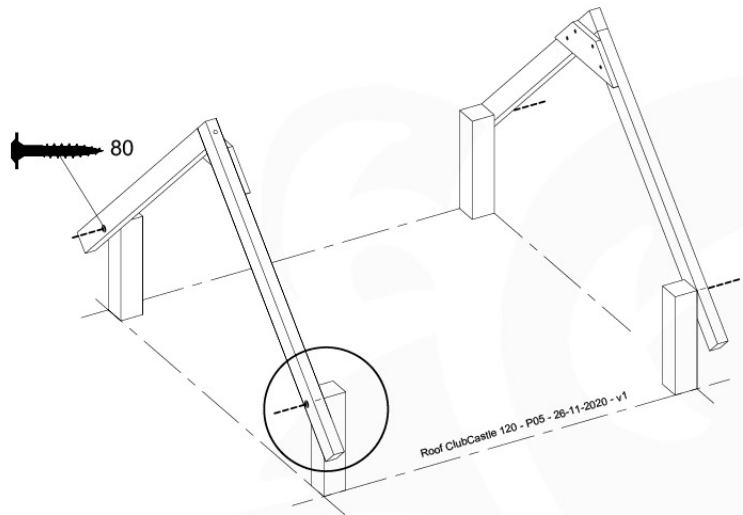
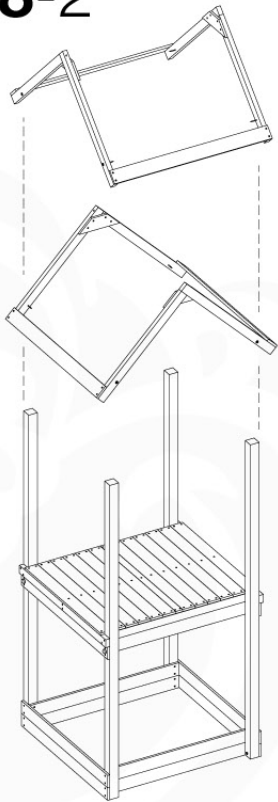
	PartNo	PartName	QTY.
Hardware Pack	001_417	Stealth Screw 8x80	4
	002_220	Gap Point Screw T25 - 5x45	100
	002_223	Gap Point Screw T25 - 5x80	8
Timber	C90	Beam 900 mm	2
	C96	Beam L=(900+beamheight) mm	2
	D65	Board 650 mm	1
	D127	Board 1270 mm	18-24

Roof Club/Castle 120 - P03 - RF08 - 26-11-2020 - v1

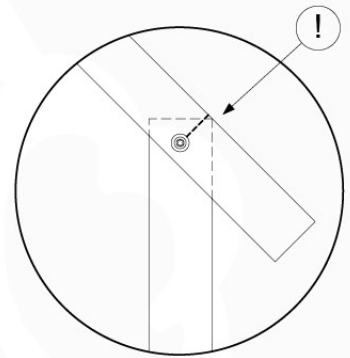
08-1



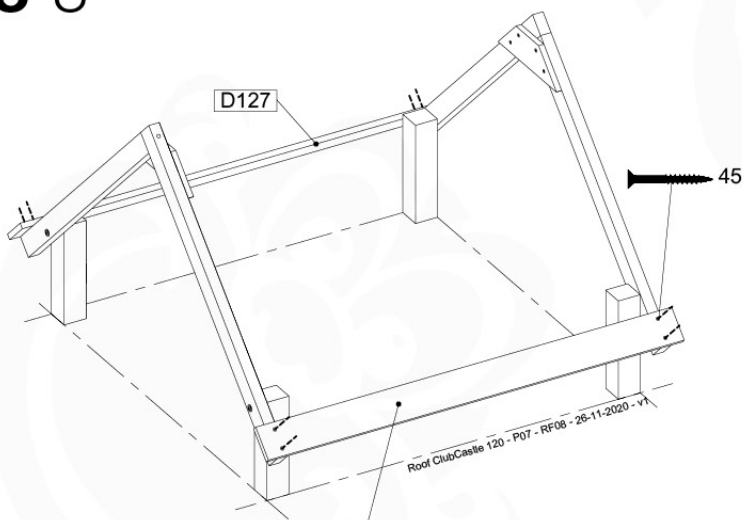
08-2



Roof ClubCastle 120 - P05 - 26-11-2020 - v1



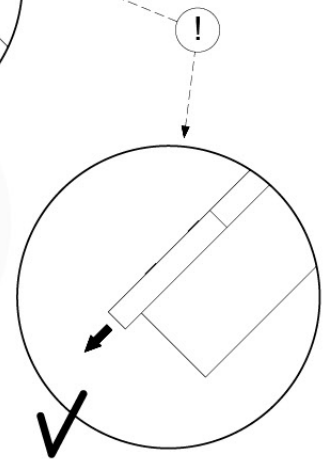
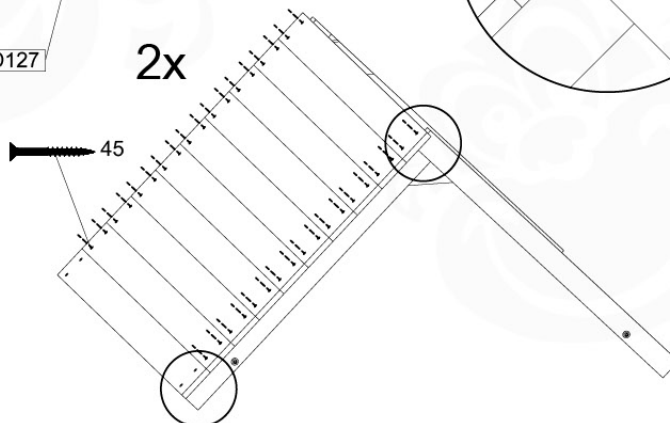
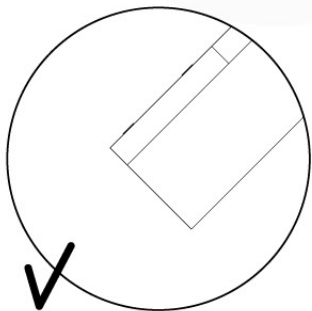
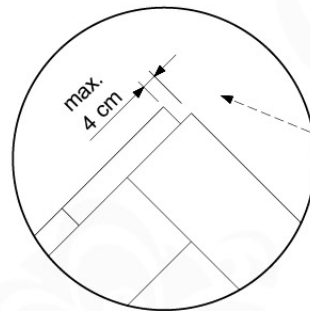
08-3



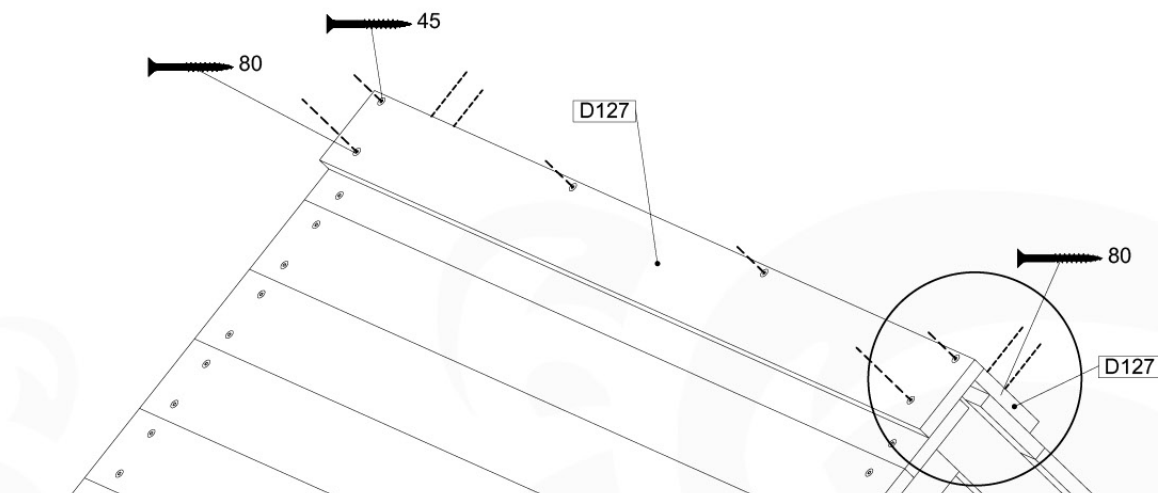
Roof ClubCastle 120 - P07 - RF06 - 26-11-2020 - v1

≤ 11 x D127

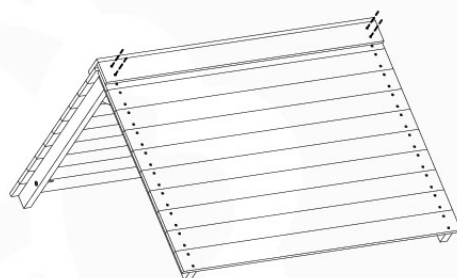
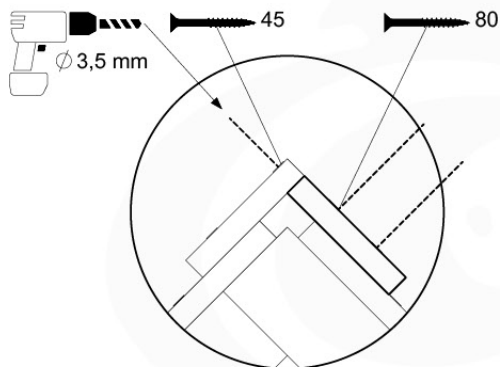
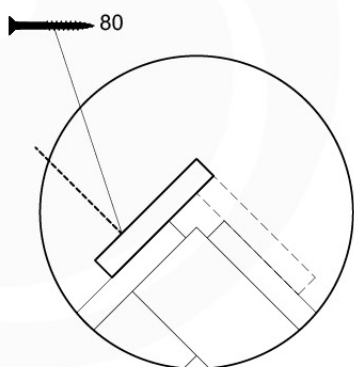
2x



08-4



Roof ClubCastle 120 - P08 - RF08 - 26-11-2020 - v1

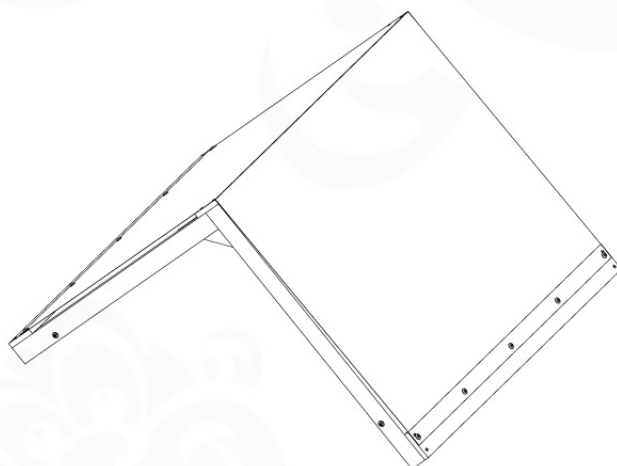


09 Roof Castle

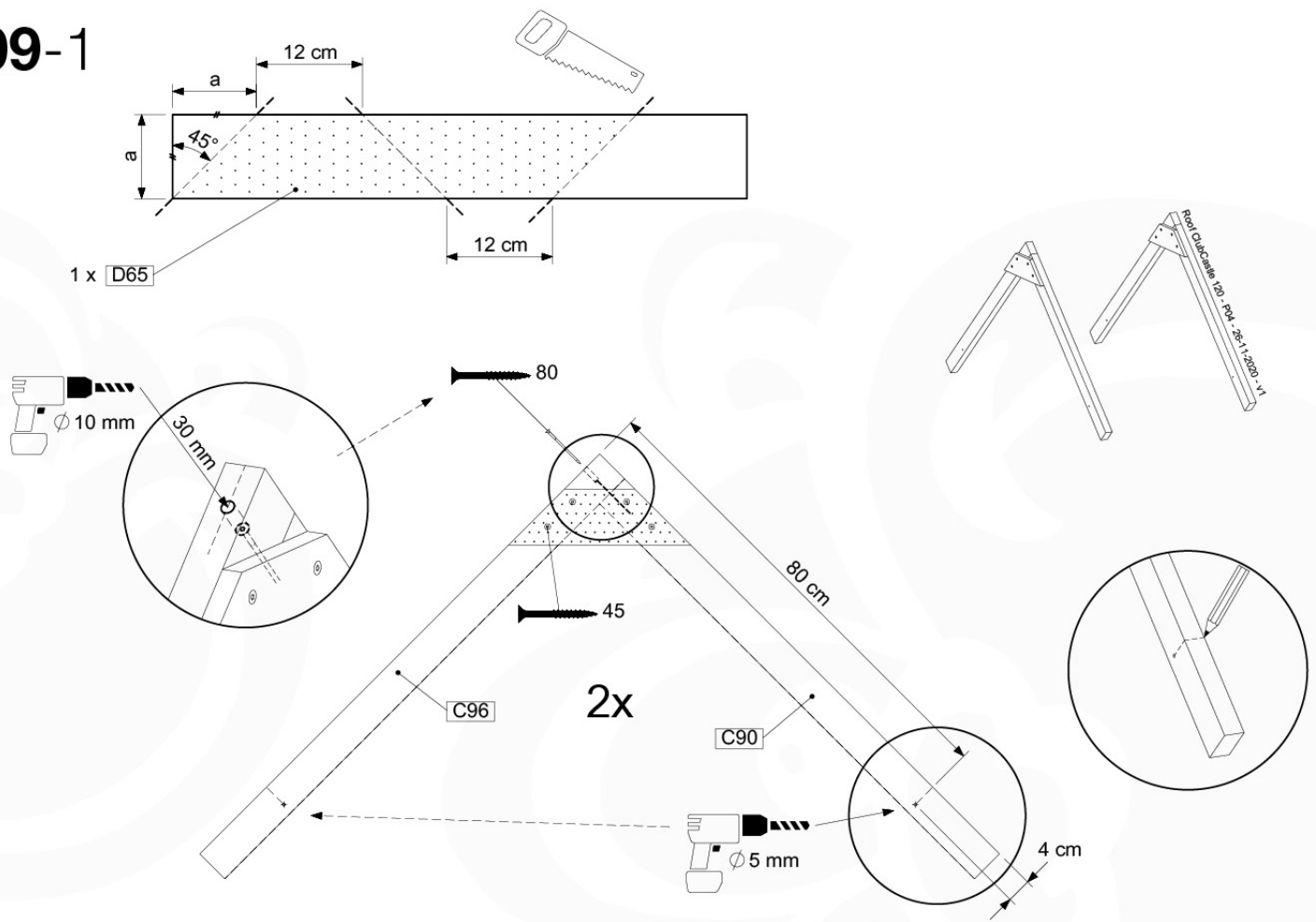
RF07

	PartNo	PartName	QTY.
Hardware Pack	001_417	Stealth Screw 8x80	4
	002_220	Gap Point Screw T25 - 5x45	20
	002_223	Gap Point Screw T25 - 5x80	2
	002_308	Gap Point Screw T25 - 5x20	10
	023_031	Finishing Washer GPS 5.0	10
Other	123_222	Sheet Canvas Navigator Line 1200x1850	1
Timber	C90	Beam 900 mm	2
	C96	Beam L=(900+beamheight) mm	2
	D65	Board 650 mm	1
	D120	Board 1200 mm	3

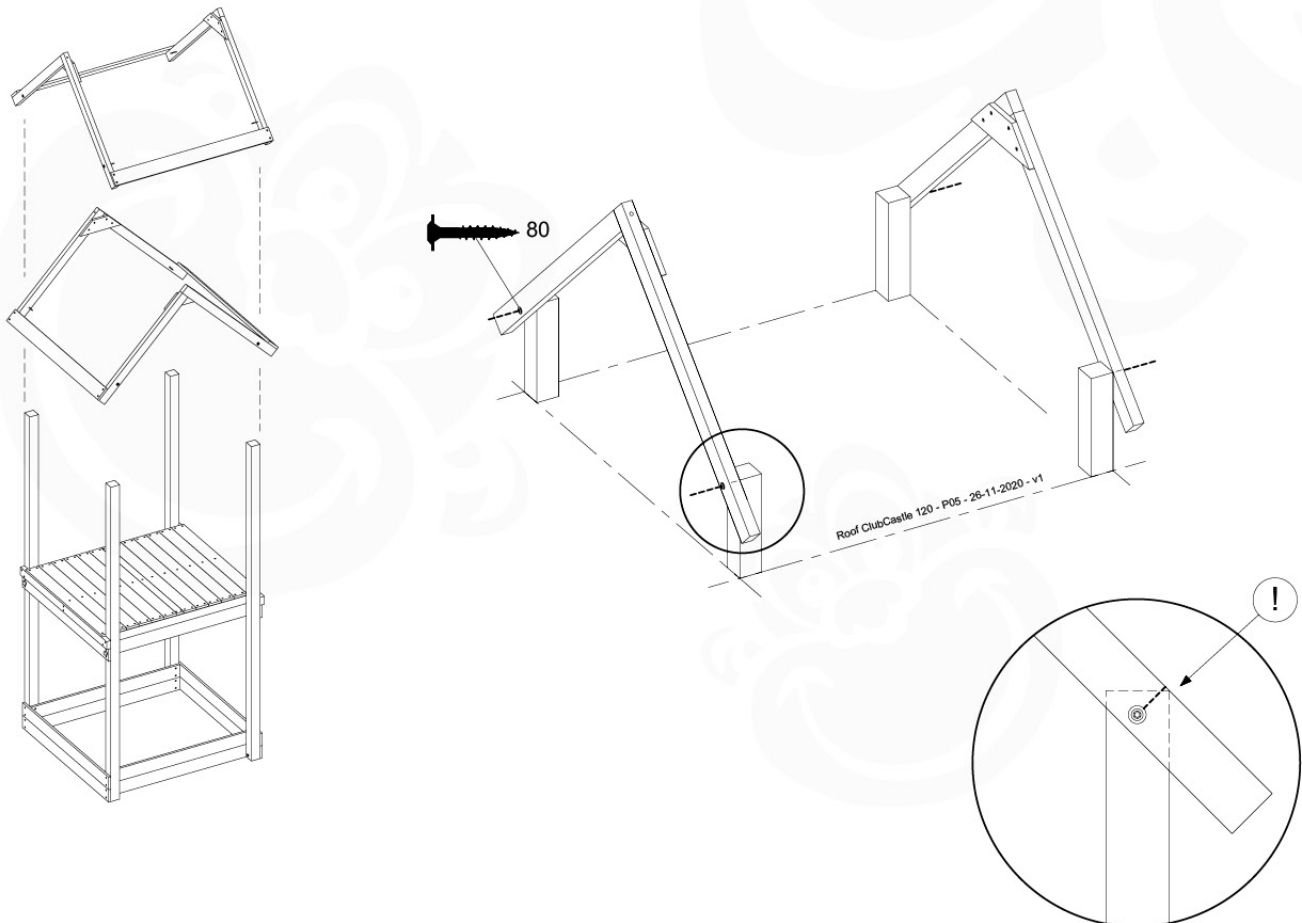
Roof ClubCastle 120 - P02 - RF07 - 26-11-2020 - v1



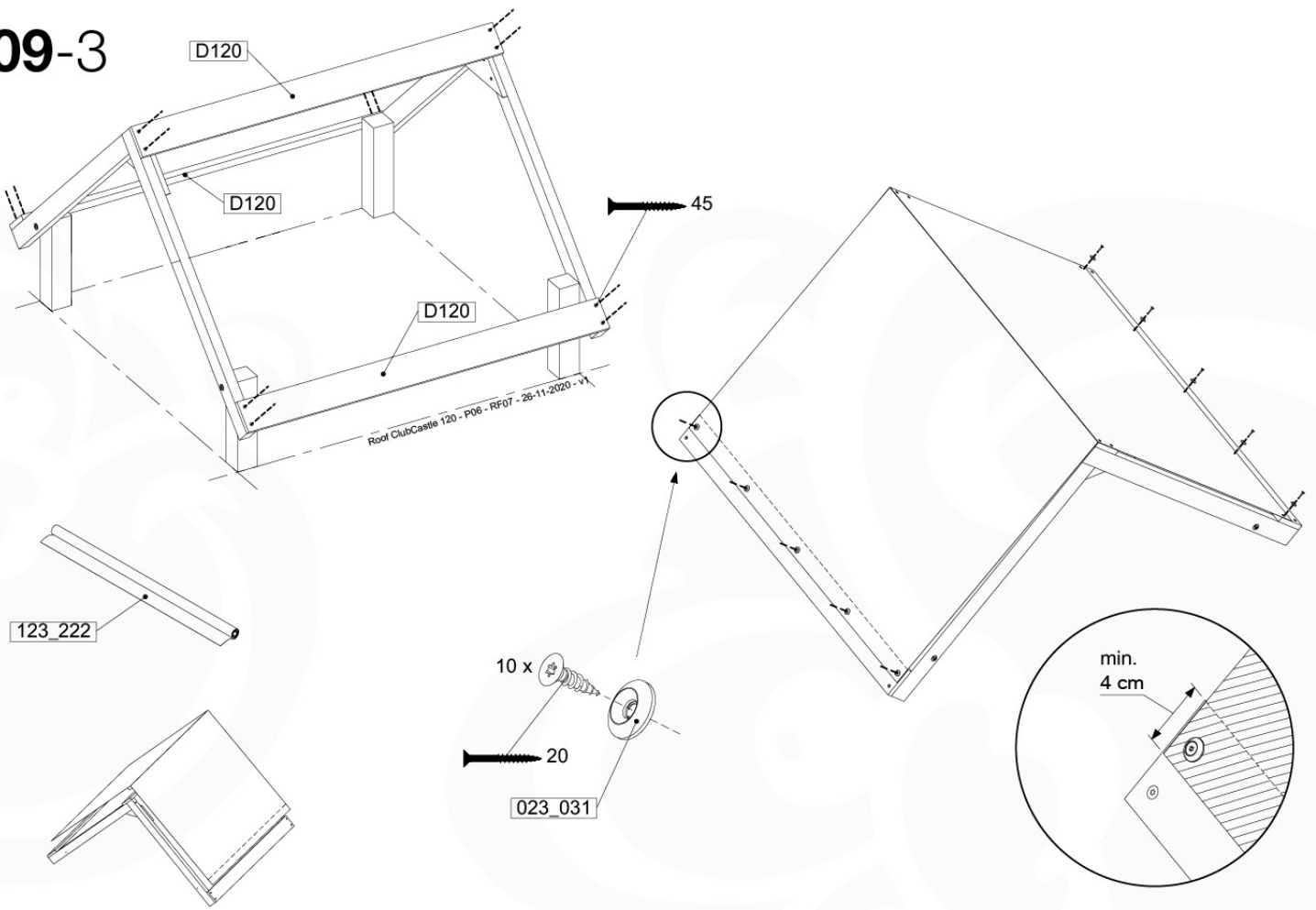
09-1



09-2



09-3

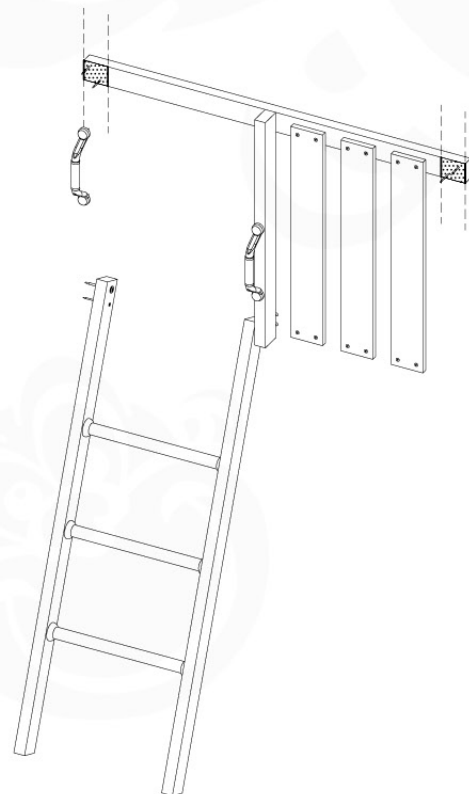


10 Ladder

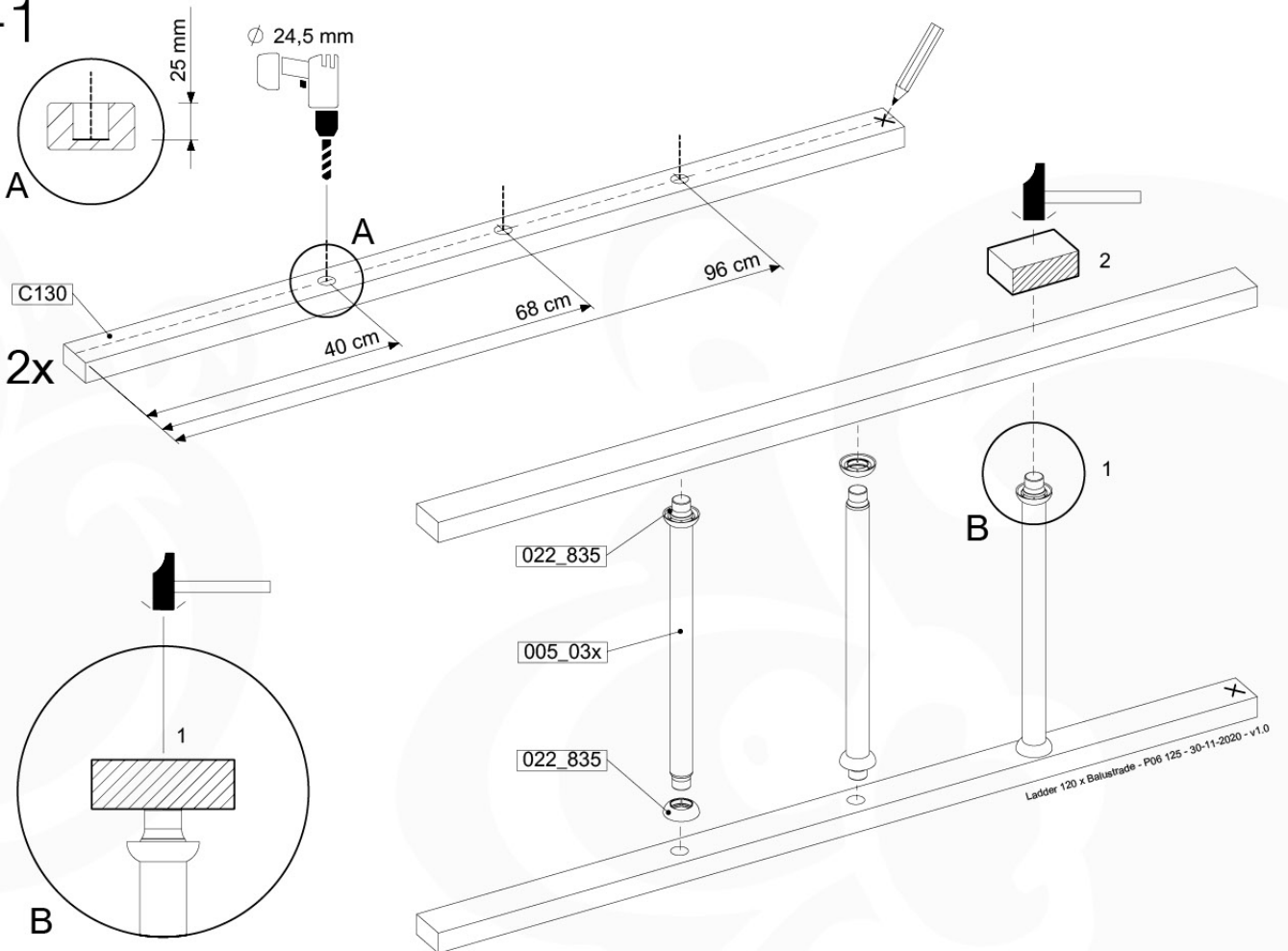
LA11

	PartNo	PartName	QTY.
Hardware Pack	001_411	Stealth Screw 8x60	2
	001_417	Stealth Screw 8x80	1
	002_220	Gap Point Screw T25 - 5x45	22
	002_223	Gap Point Screw T25 - 5x80	9
Other	005_03x	Ladder Rung Y/B/G/R	3
	022_835	Rung Cap	6
	120_102	Handgrip set (complete 2x)	1
Timber	C70	Beam 700 mm	1
	C114	Beam 1140 mm	1
	C130	Beam 1300 mm	2
	D65	Board 650 mm	3

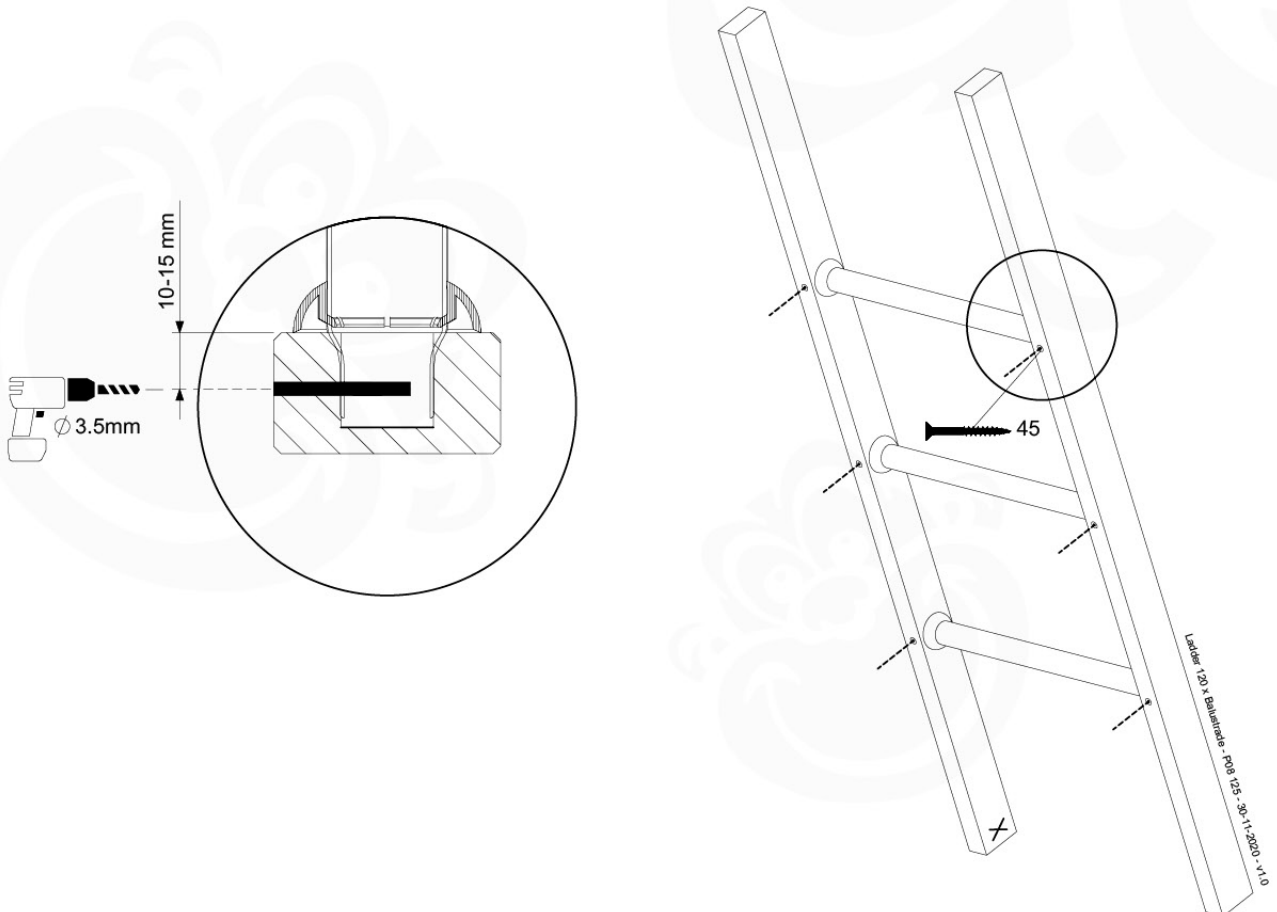
Ladder 120x Bakstrade - P02 UL - 30-11-2020 - v1.0



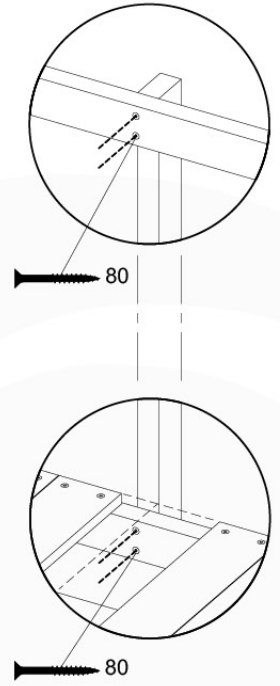
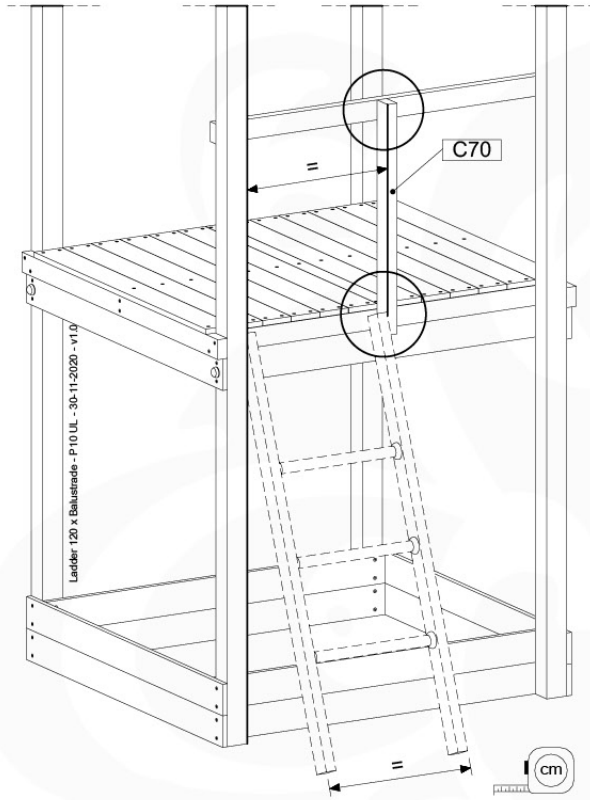
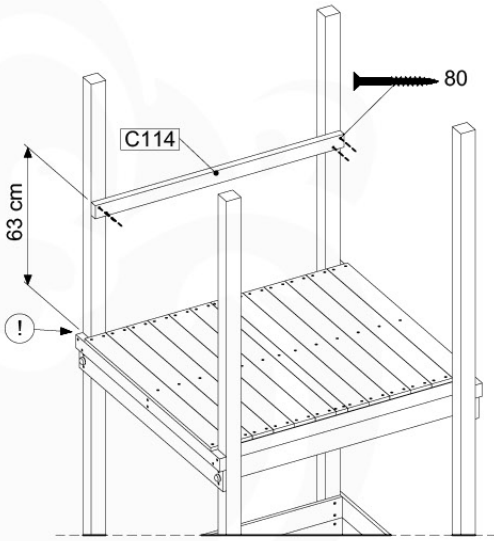
10-1



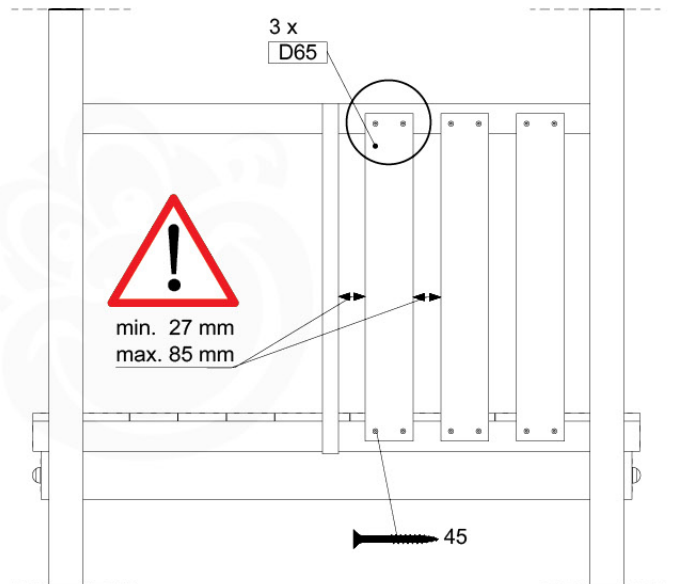
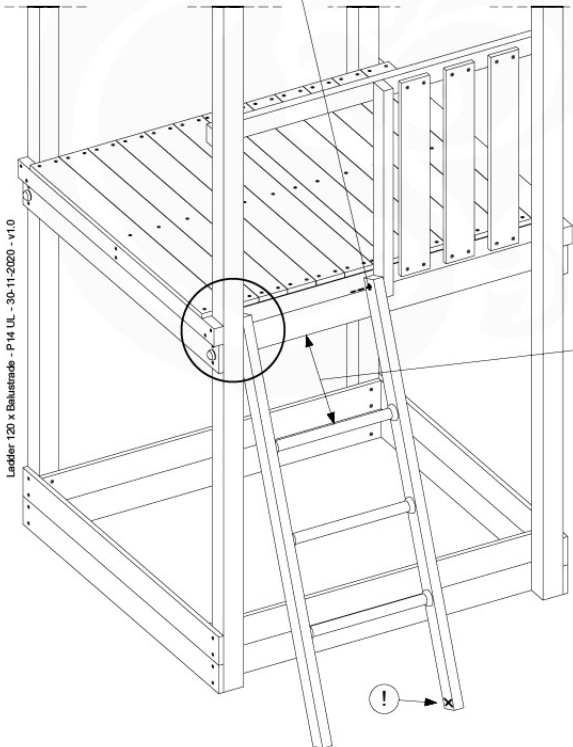
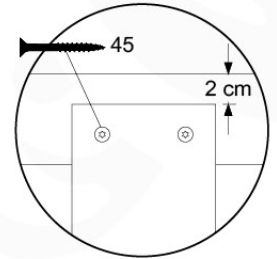
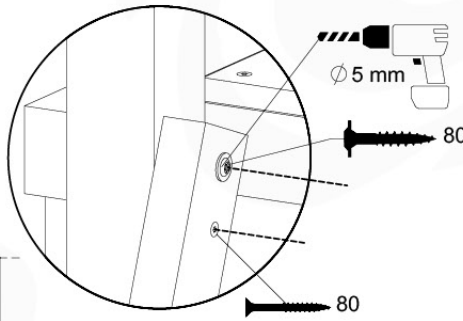
10-2



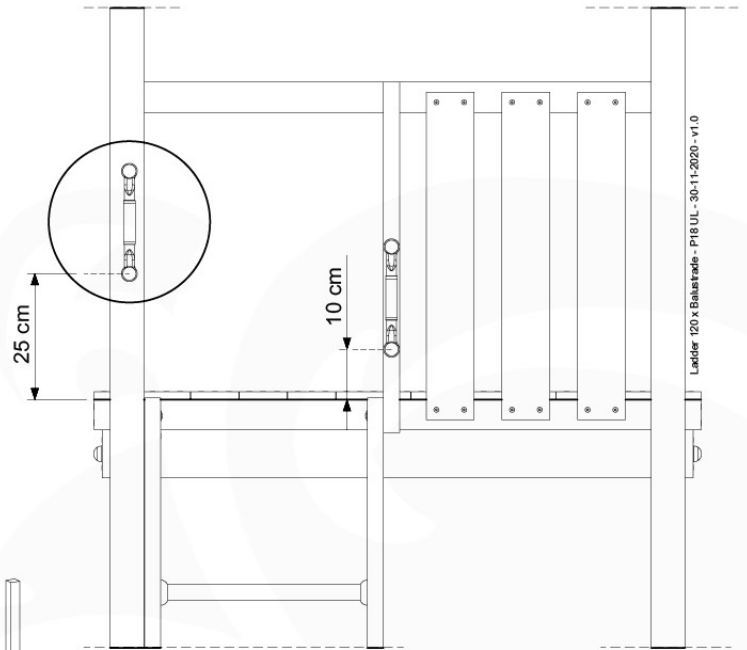
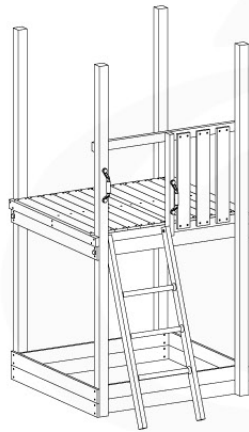
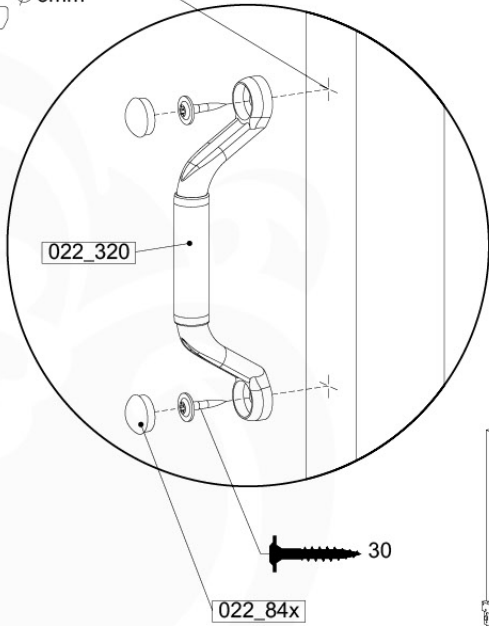
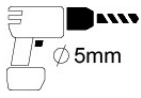
10-3



10-4



10-5



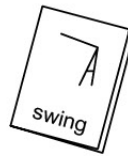
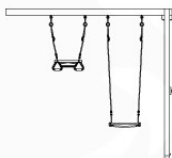
11 Swing Frame / Climb Frame



12



+

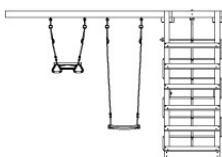


12

1-Swing frame / 2-Swing frame
457_101
457_102



+



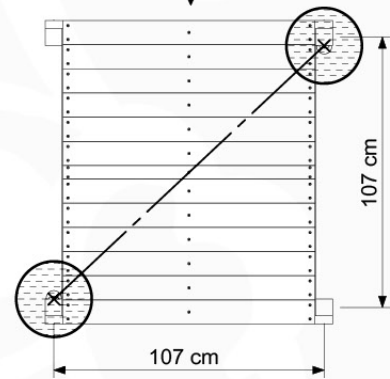
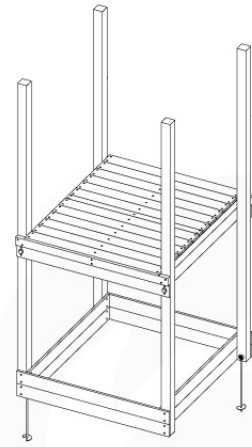
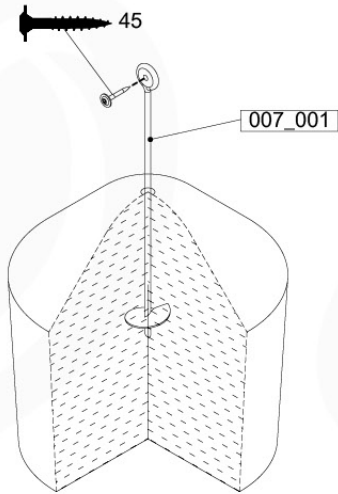
12

1-Climb frame / 2-Climb frame
457_105
457_106

12 Ground Anchors

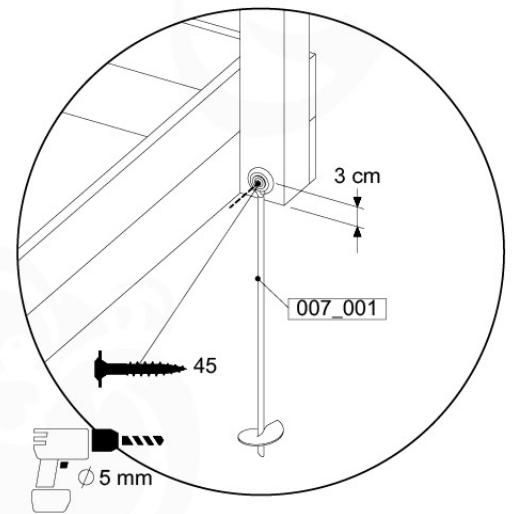
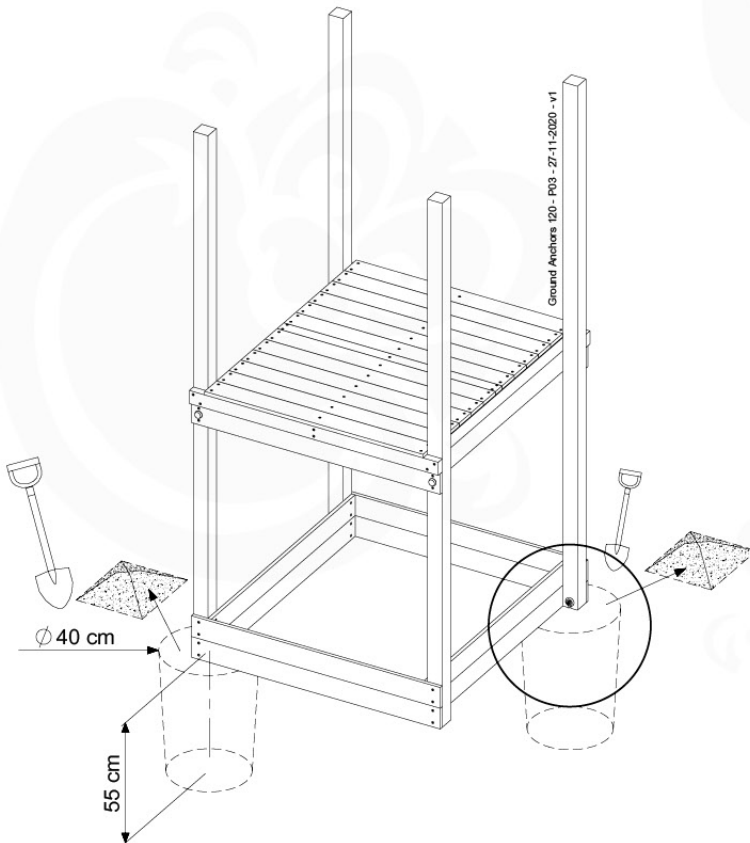
GA05

Parts:
Hardware Package Tower →



Ground Anchors 120 - P02 - 27-11-2020 - v1

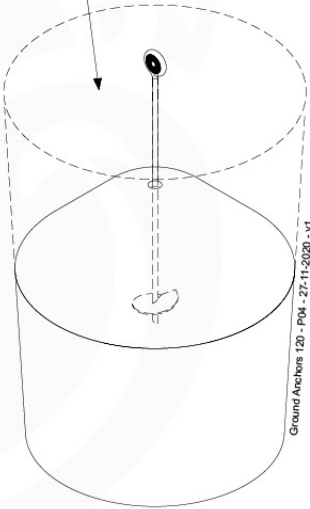
12-1



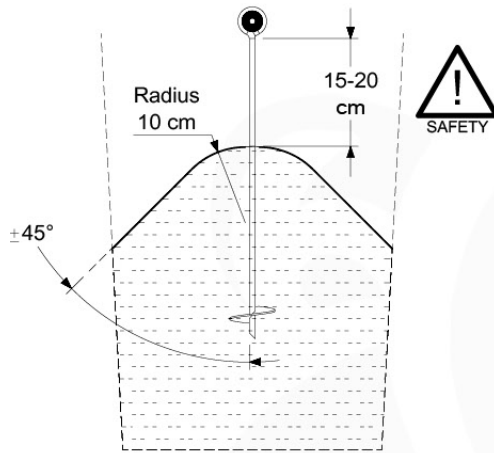
12-2



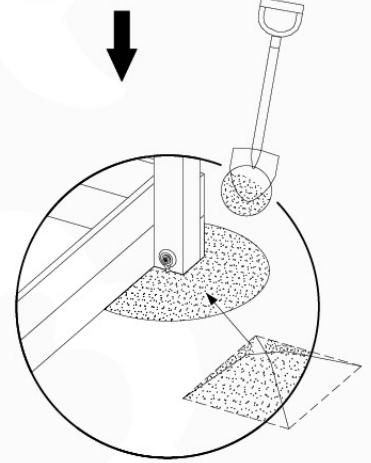
40 L / 80 kg



Grand Anchors 120 - P04 - 27-11-2020 - v1



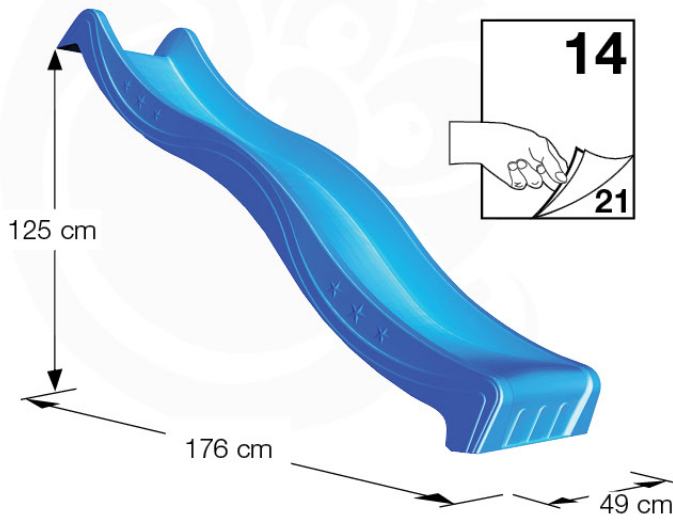
24h



13 Add-on

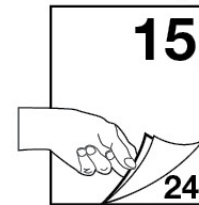
Wavy Star Slide XL

- 324_100 Yellow
- 324_200 Blue
- 324_300 Green
- 324_400 Red
- 324_500 Fuchsia
- 324_600 Dark Green



Fireman's Pole

201_275

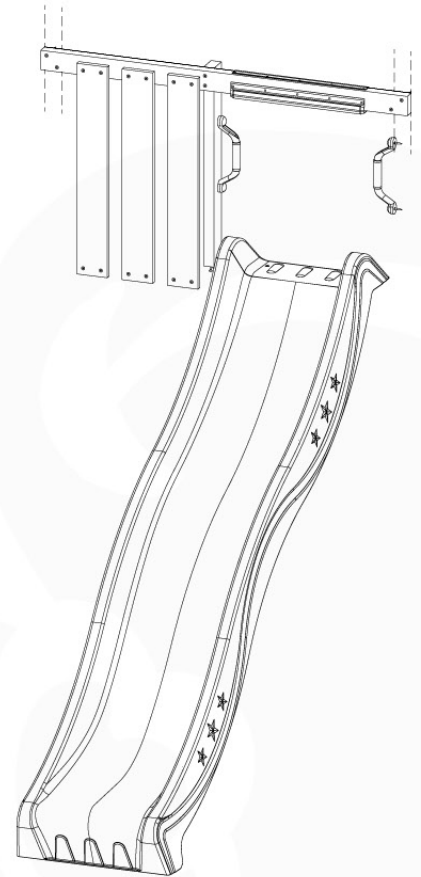


14 Slide Set

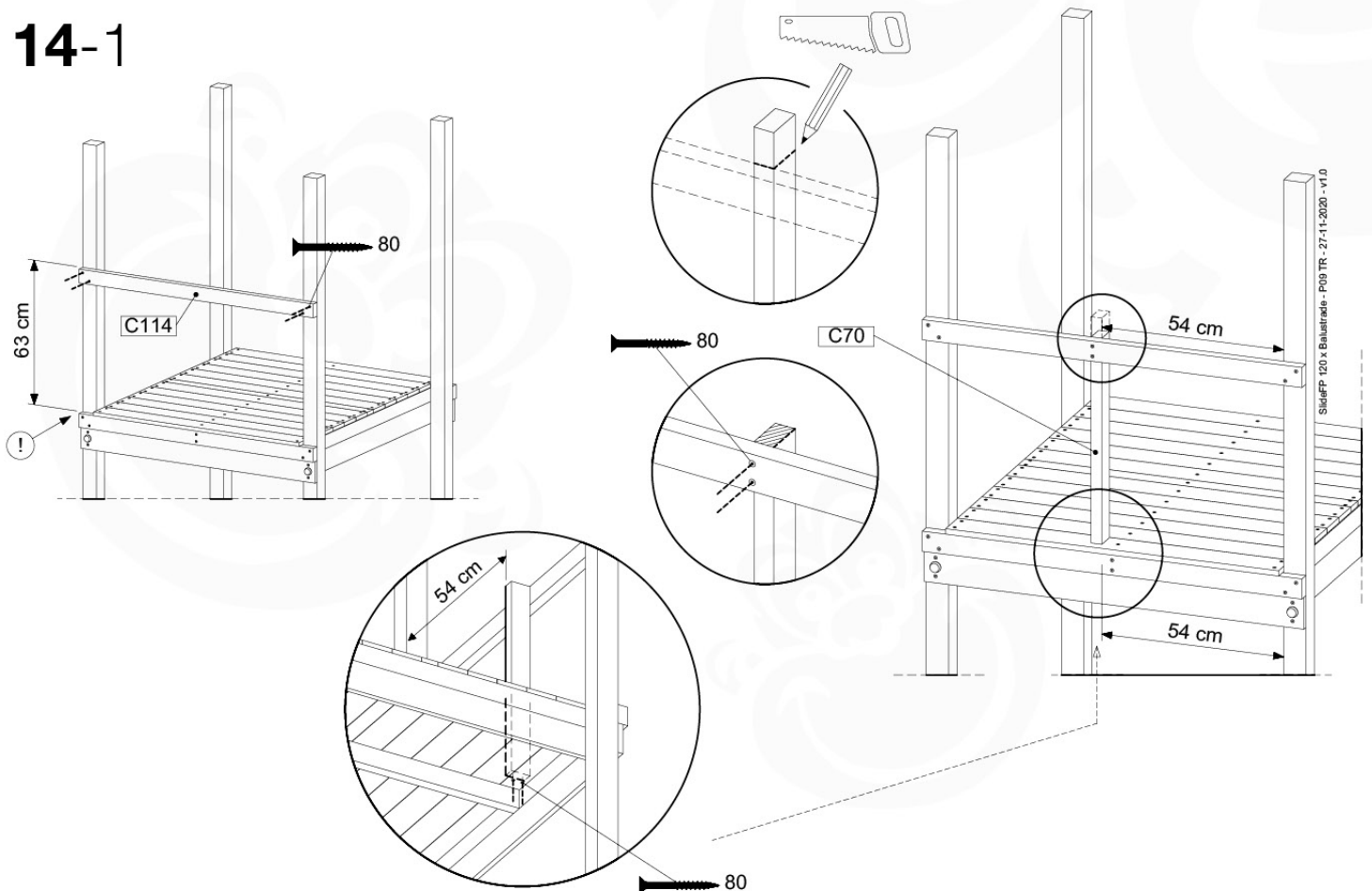
SL09

	PartNo	PartName	QTY.
Hardware Pack	000_101	Nail Pan Head	10
	002_220	Gap Point Screw T25 - 5x45	16
	002_223	Gap Point Screw T25 - 5x80	8
	002_308	Gap Point Screw T25 - 5x20	2
Other	120_102	Handgrip set (complete 2x)	1
	123_200	Bumperpad	1
	324_xxx 334_xxx	Wavy Star Slide XL 2200 mm / Wavy Star Slide XXL 2650 mm	1
Timber	C70	Beam 700 mm	1
	C114	Beam 1140 mm	1
	D65	Board 650 mm	3

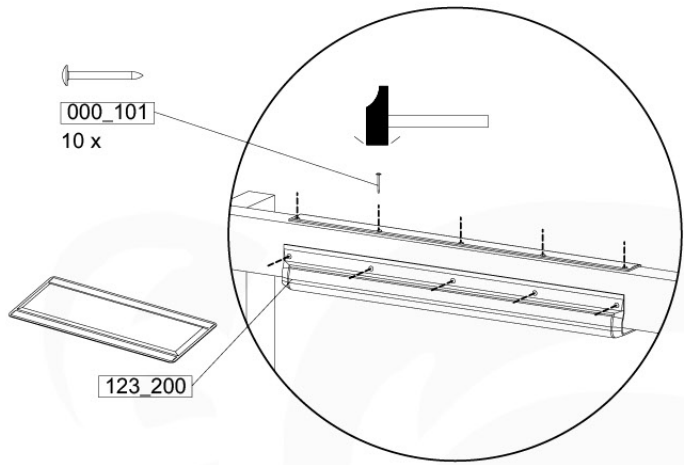
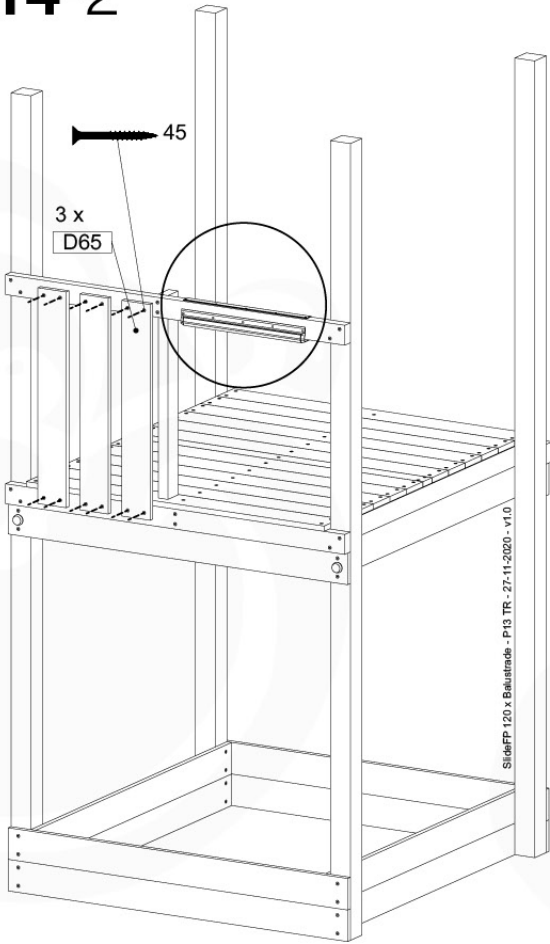
SlideFP 120 x Balustrade - P09 TR - 27-11-2020 - v1.0



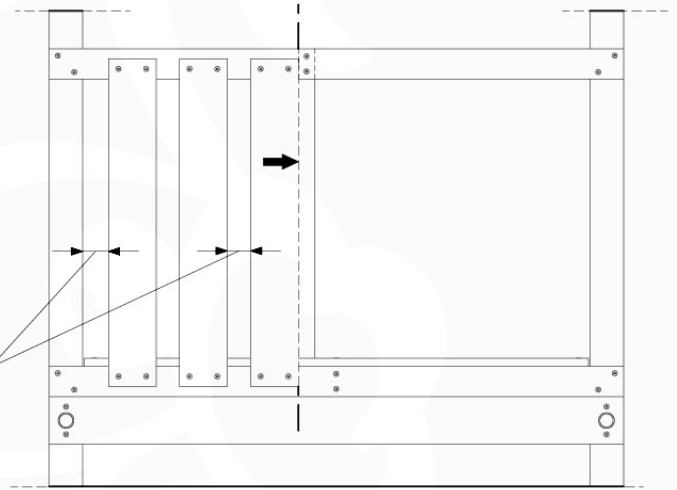
14-1



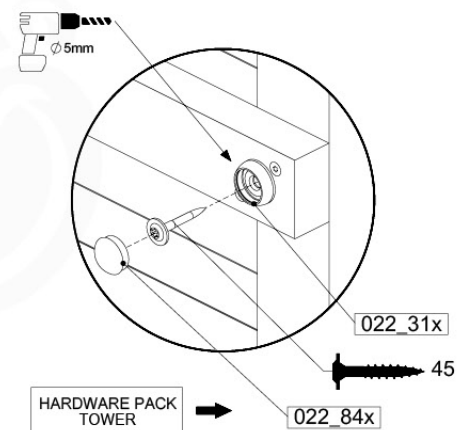
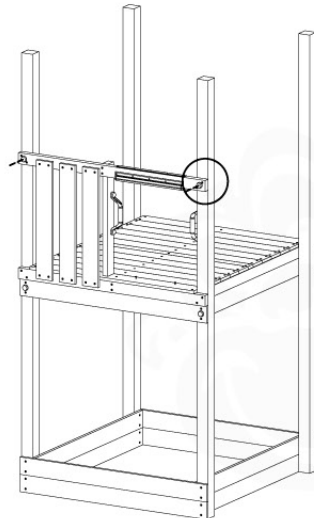
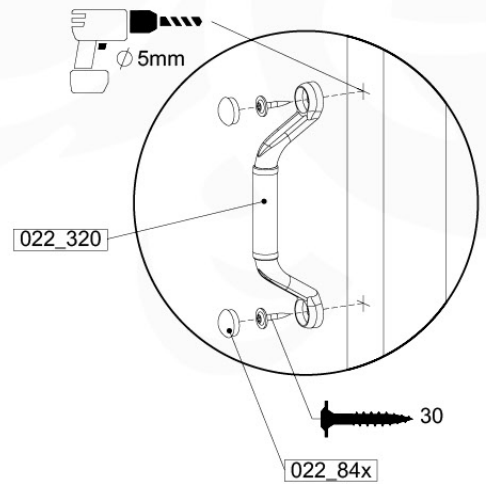
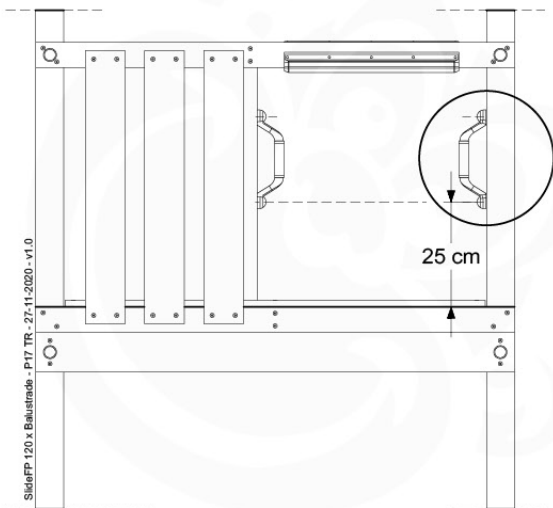
14-2



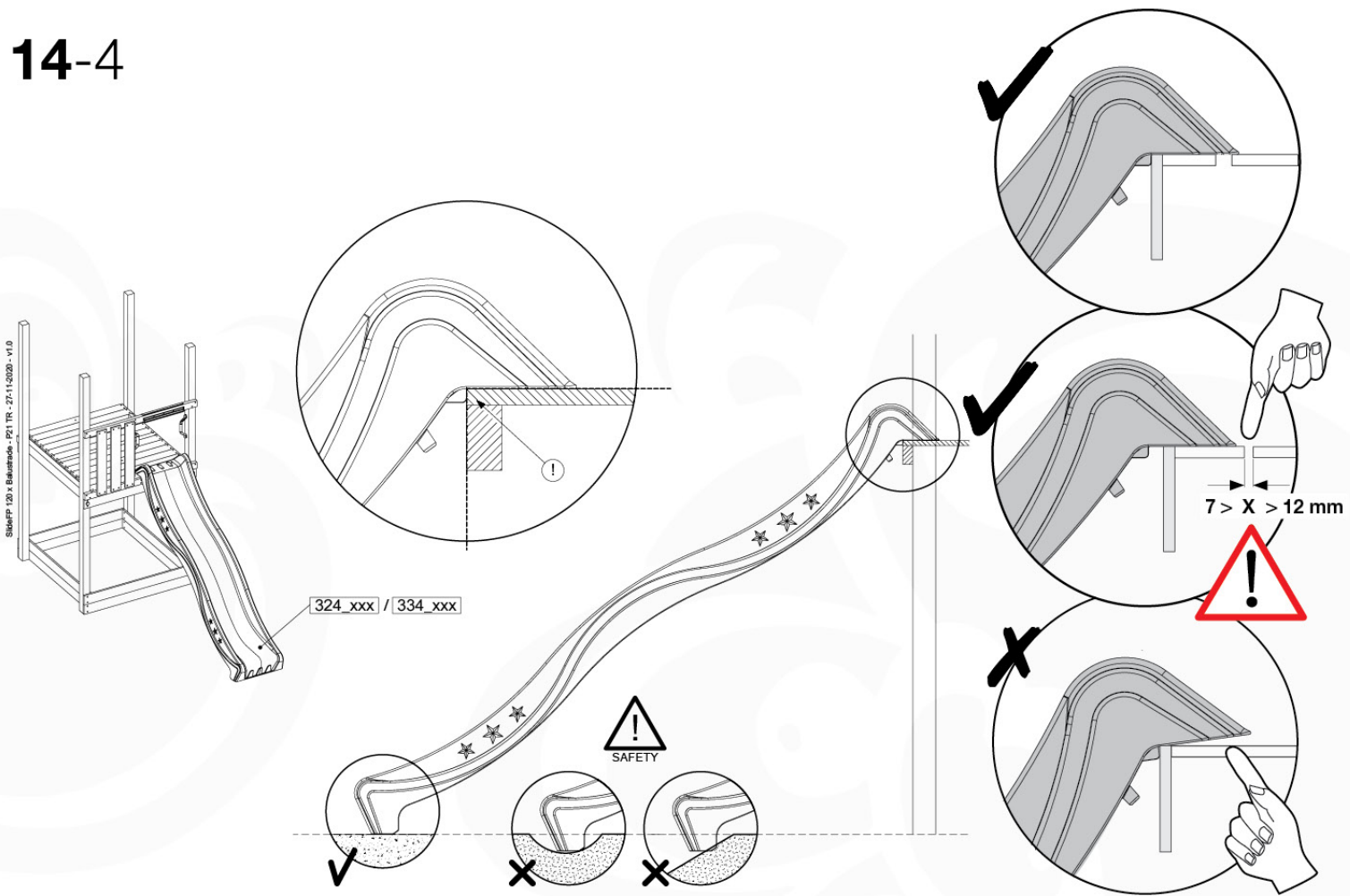
min. 26 mm
max. 65 mm



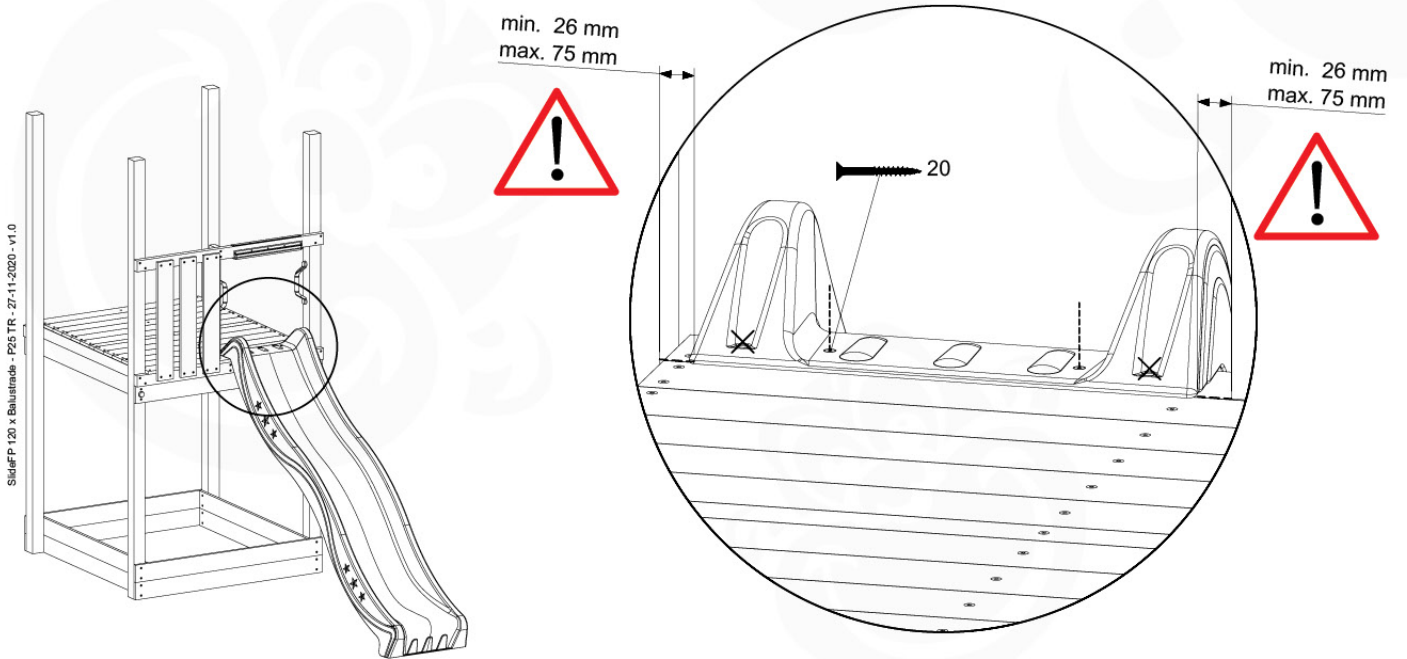
14-3



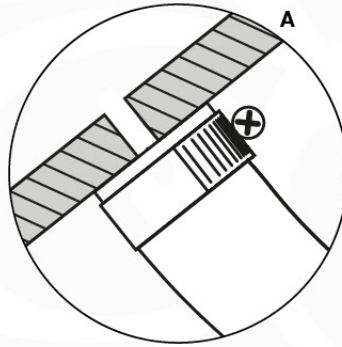
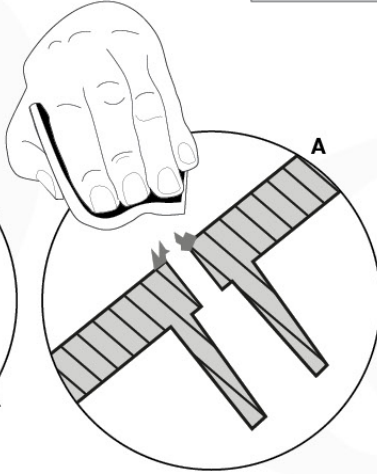
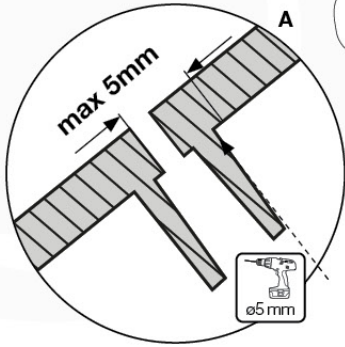
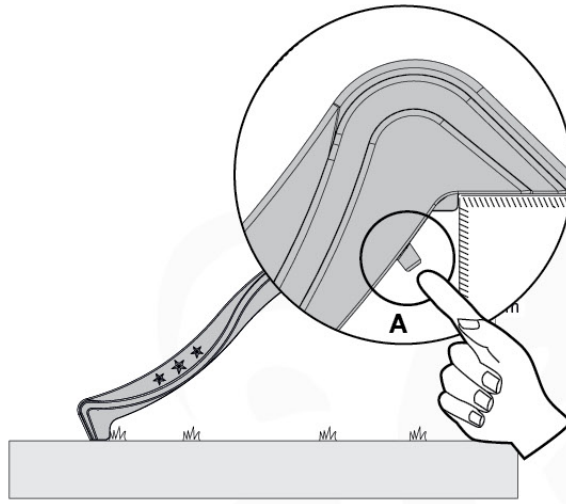
14-4



14-5

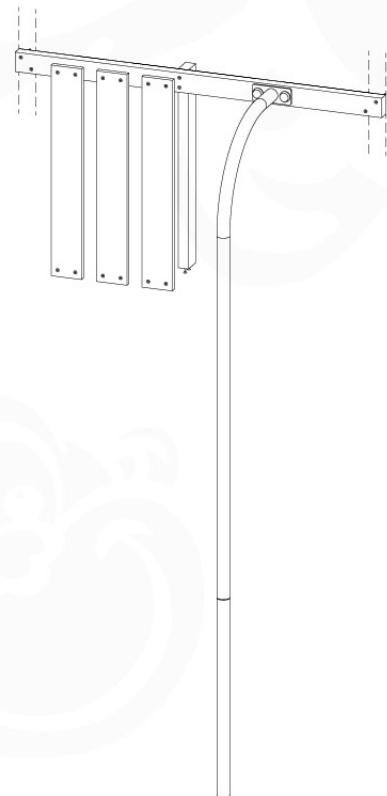


14-6



15 Firemans Pole

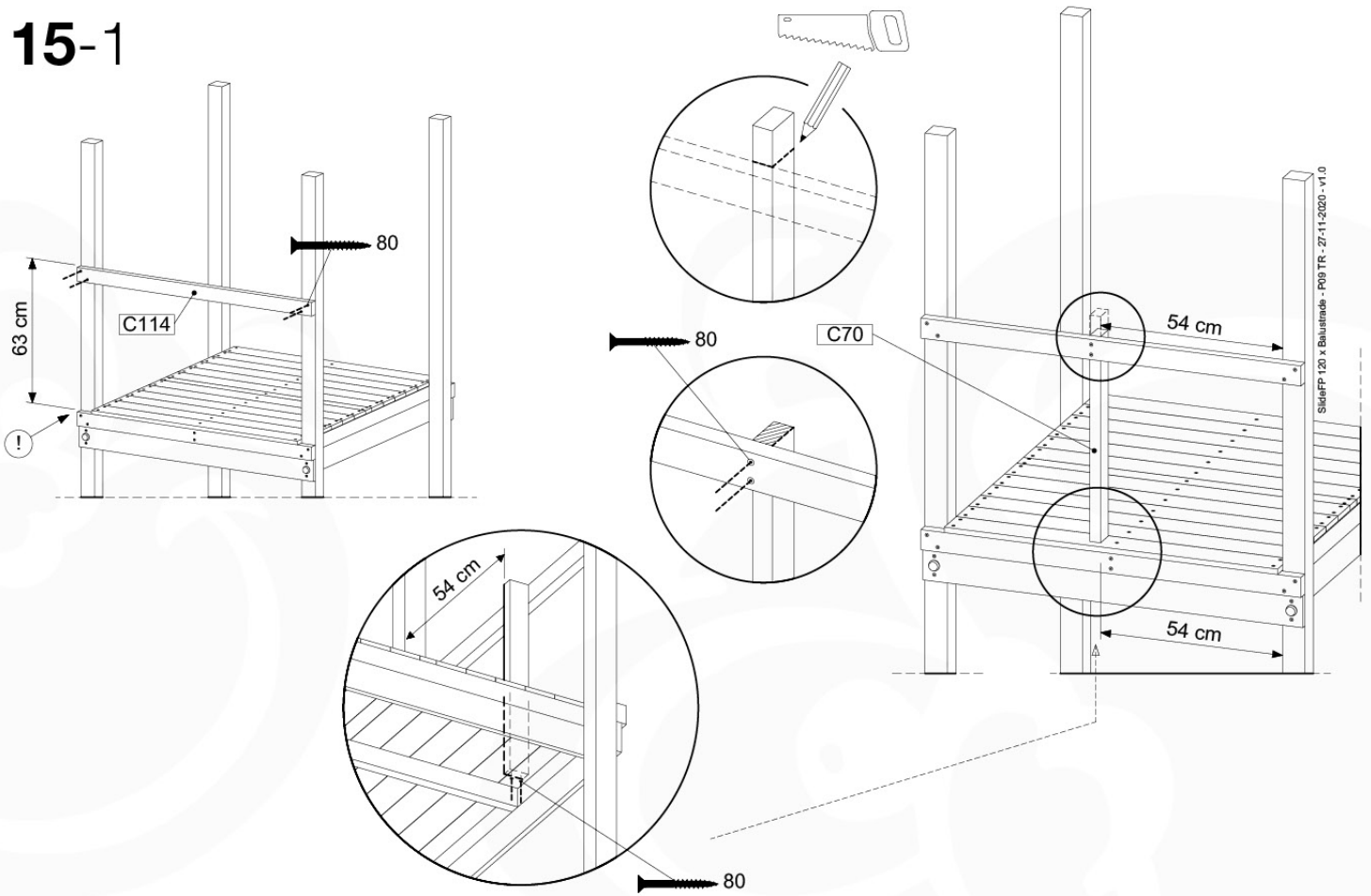
FP07



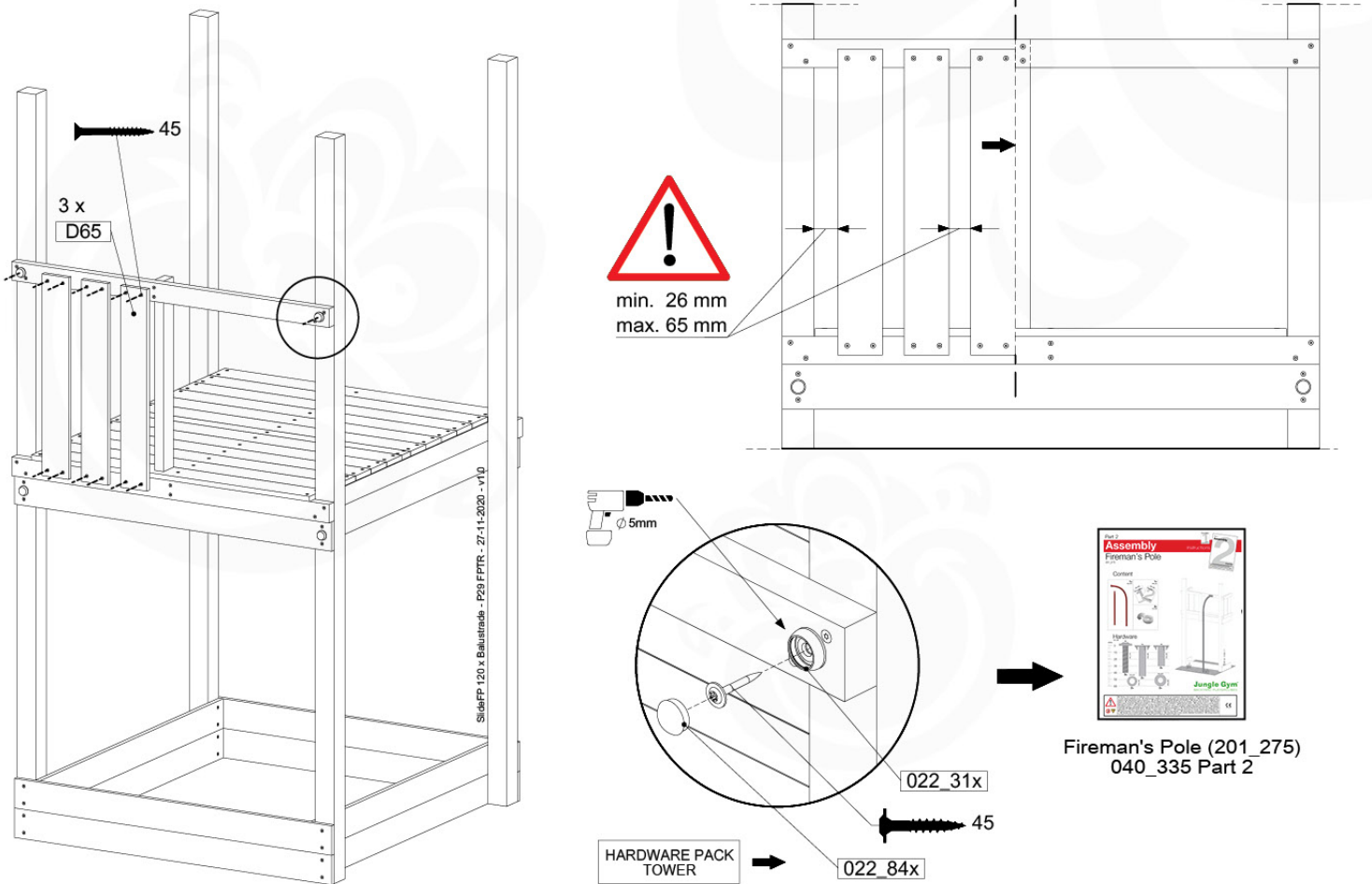
	PartNo	PartName	QTY.
Hardware Pack(s)	001_103	M8 Washer Head Screw 40mm	2
	002_220	Gap Point Screw T25 - 5x45	16
	002_223	Gap Point Screw T25 - 5x80	8
	003_010	M8 spring lock washer	2
	003_040	M8 Washer	2
	004_052	M8 Drive-in Nut 30mm	2
	004_054	M8 Drive-in Nut 45mm	2
	022_31x	bpc-base version 3	2
	022_84x	bpc cover	2
Other	102_915	Fireman's Pole	1
Timber	C70	Beam 700 mm	1
	C114	Beam 1140 mm	1
	D65	Board 650 mm	3

SlideFP 120 x Ballastende - P33 FFTR - 27-11-2020 - v1.0

15-1



15-2



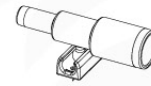
16 Accessories

AC01

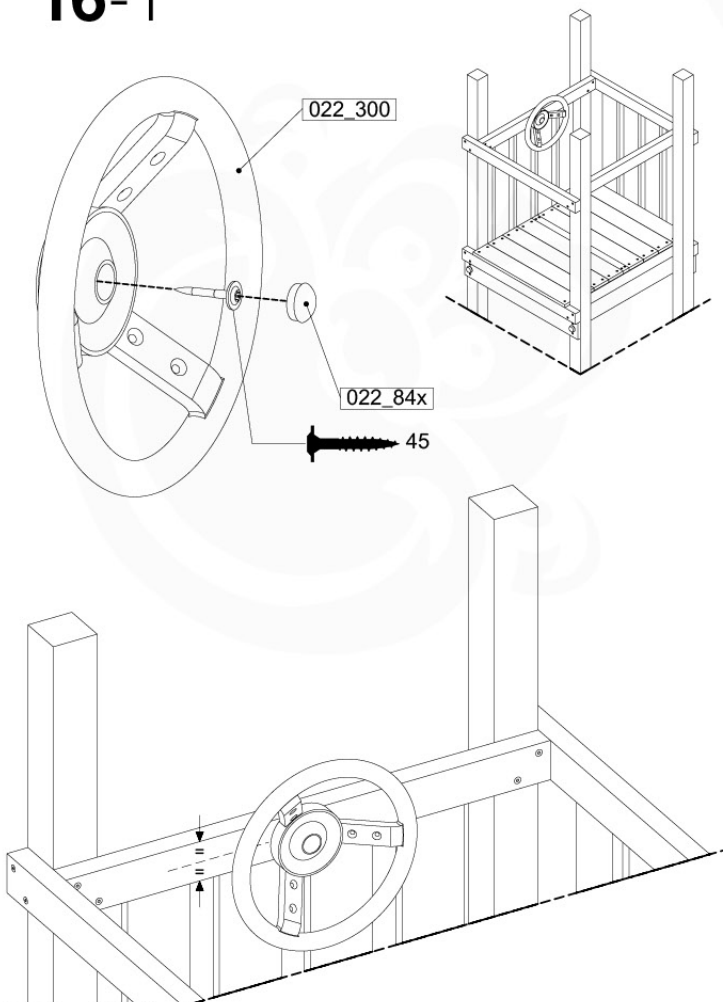
(194_119)

	PartNo	PartName	QTY.
Hardware Pack 100_617	001_406	Stealth Screw 8x45	1
	002_041	Dome head screw 4.5 x 20 mm	3
	002_042	Dome head screw 3.5 x 13mm	4
	002_219	Gap Point Screw T25 - 5x30	2
	022_84x	bpc cover	1
Other	022_300	Steering Wheel	1
	022_800	Rail P/T 105	1
	022_910	Sandpad	1
	103_901	Logo ID Plate	1
	104_107	Tool Set Climbing Units	1
	120_024	Tower Flag	1
	122_302	Telescope	1

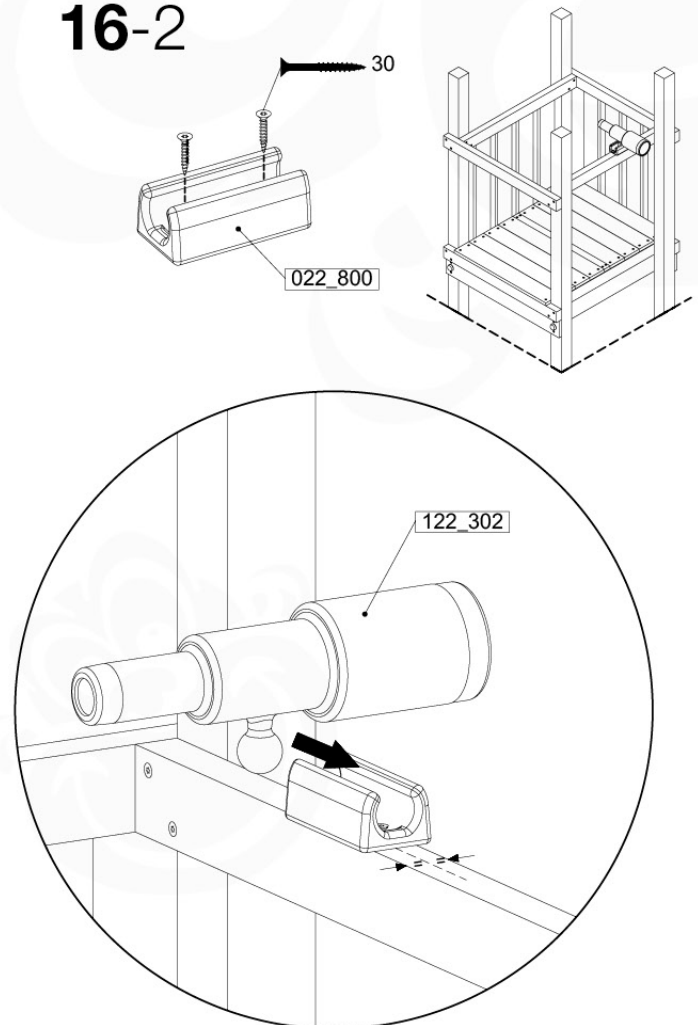
Accessory ref. - P02 - 18-11-2020 - v3



16-1

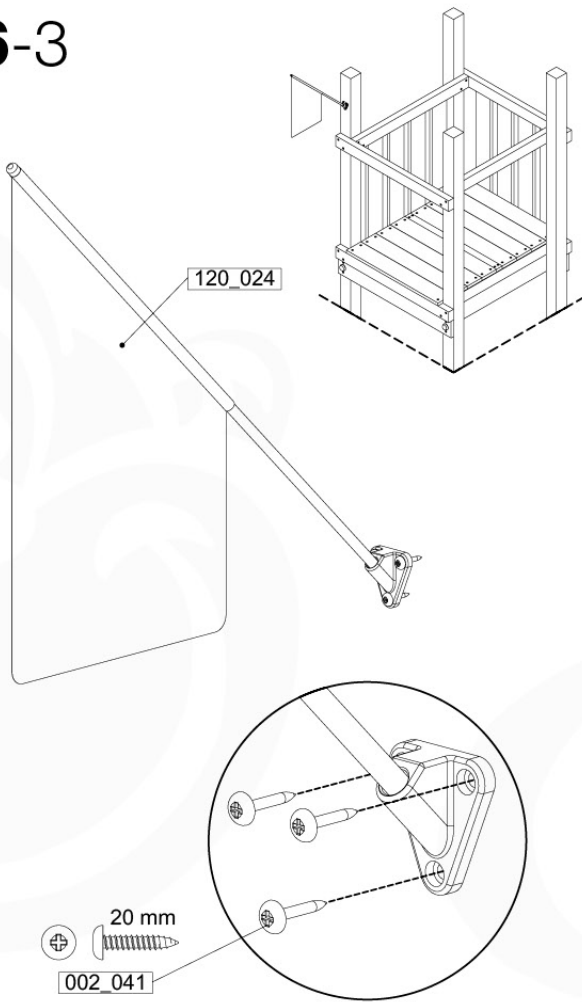


16-2

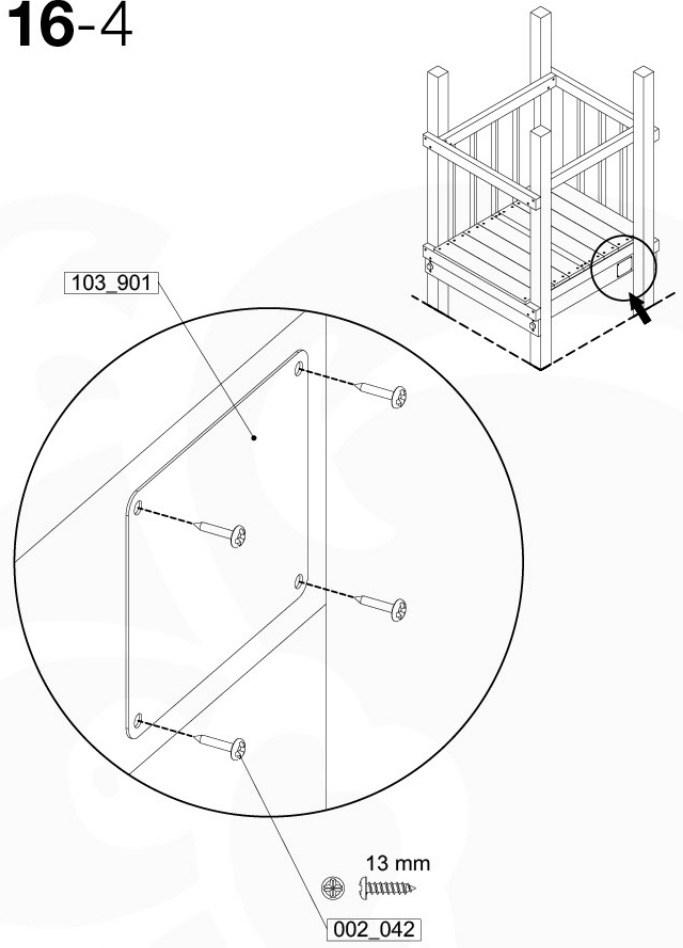


Accessory ref. - P03 - 18-11-2020 - v3

16-3

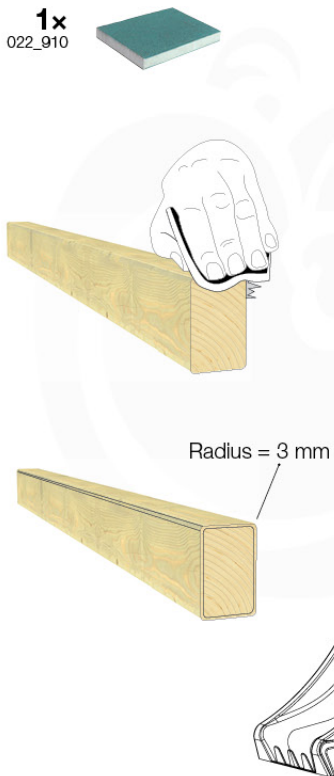


16-4

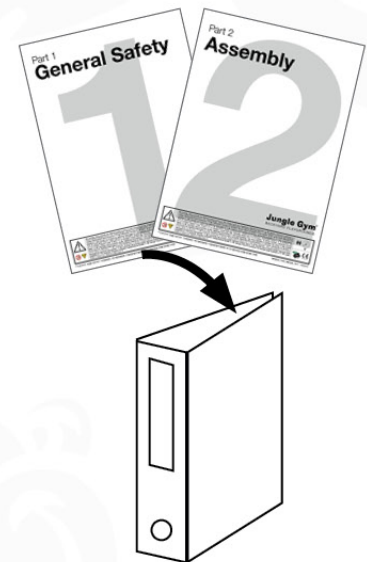


Accessory set - P04 - 16-11-2020 - v3

16-5

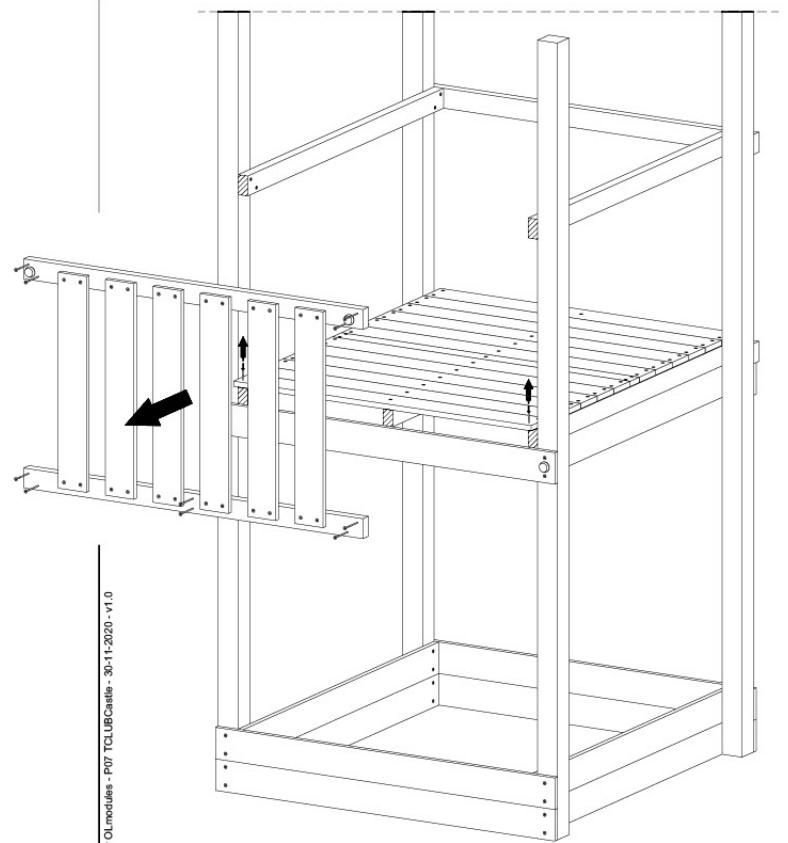
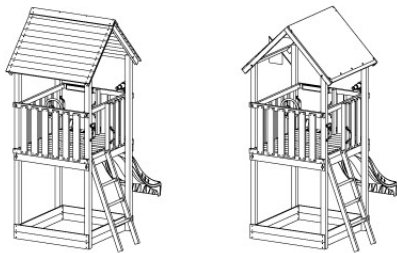


17



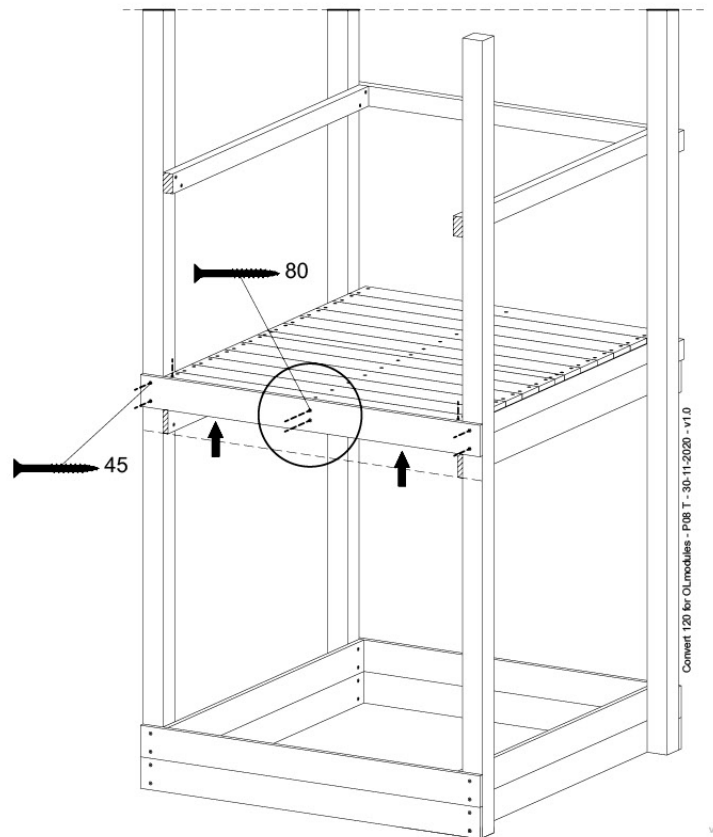
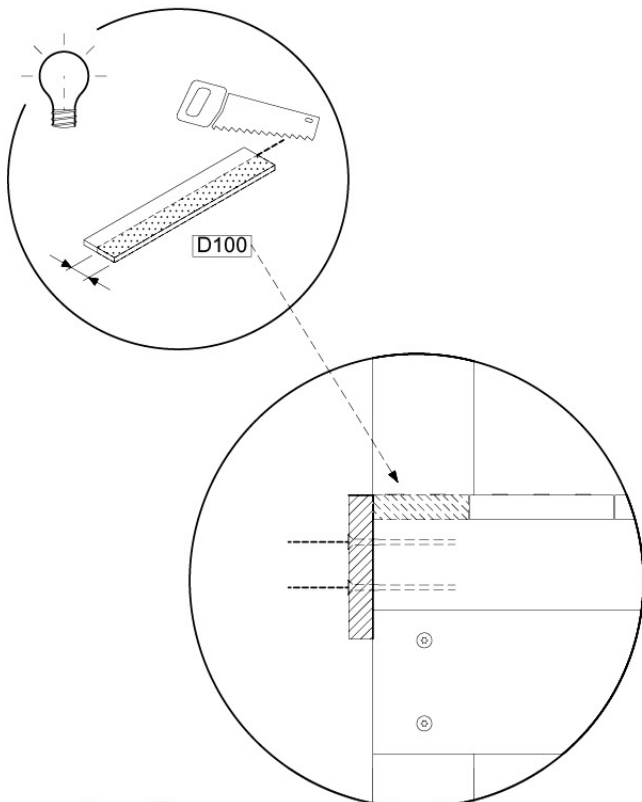
18 Tower preparation for Modules/ links

- 450_240 / 850_240 Bridge Module
- 450_255 / 850_255 Balcony Module
- 450_410 / 850_410 Boat Module
- 450_415 / 850_415 Train Module
- 470_100 / 870_100 Bridge Link
- 470_105 / 870_105 Net Link



Convert 120 for OLmodules - P07 TClubCastle - 30-11-2020 - v1.0

18-1



Convert 120 for OLmodules - P08 T - 30-11-2020 - v1.0