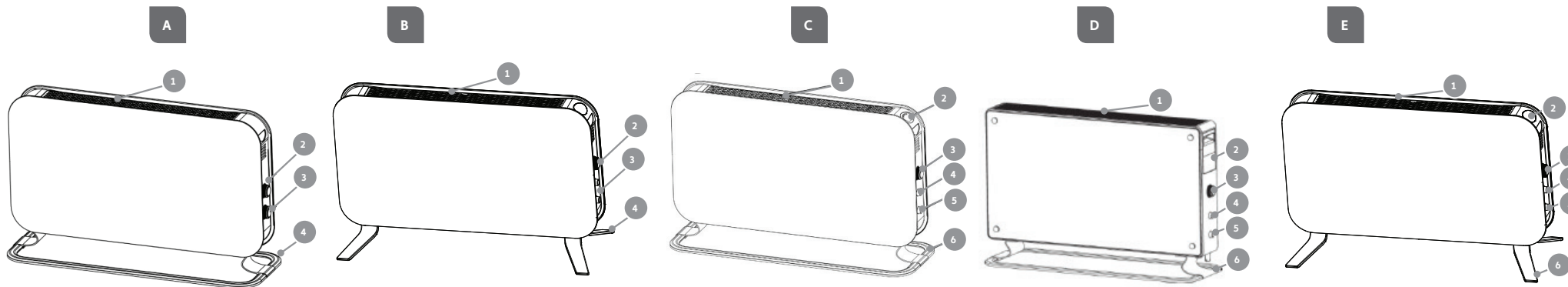




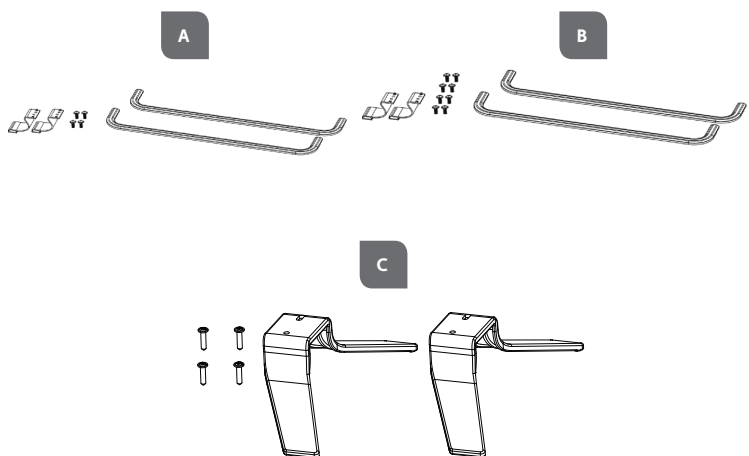
Convection Illustrations



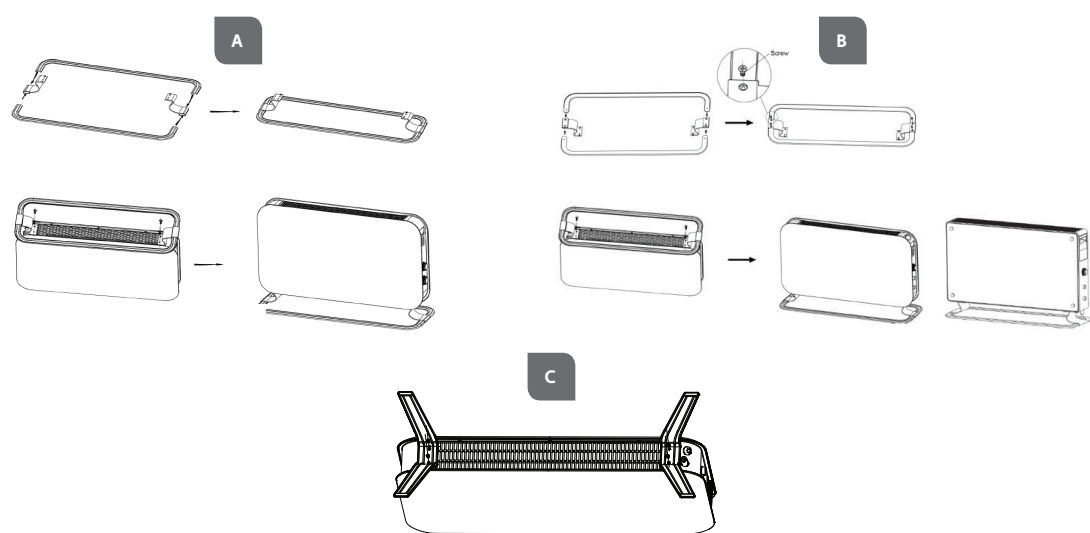
1. DESCRIPTION OF THE HEATER



2. PARTS



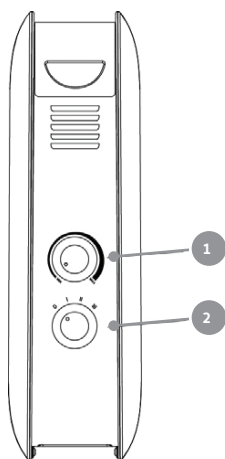
3. ASSEMBLY



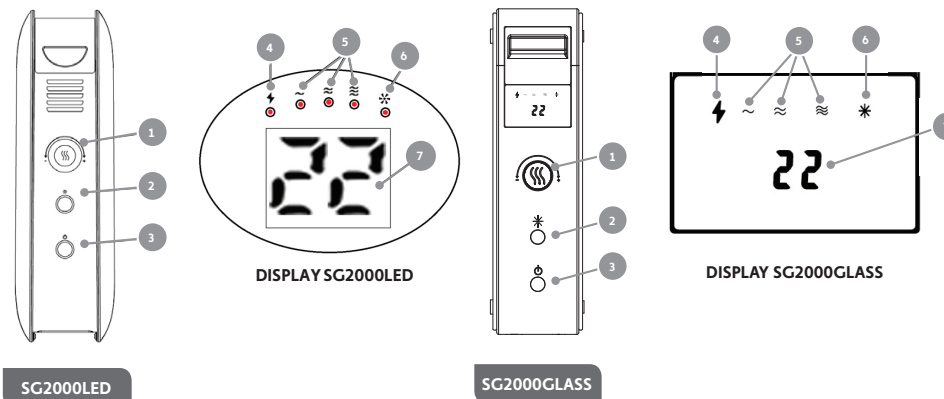


Convection Illustrations

4. CONTROL PANEL MECHANICAL THERMOSTAT



5. CONTROL PANEL ELECTRONIC THERMOSTAT



6. TEMPERATUR CALIBRATION



7. RESETTING THE HEATER

