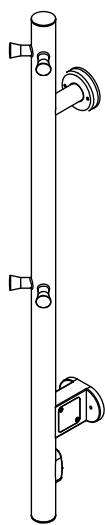
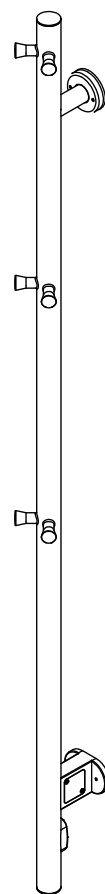




**DANSANI®**

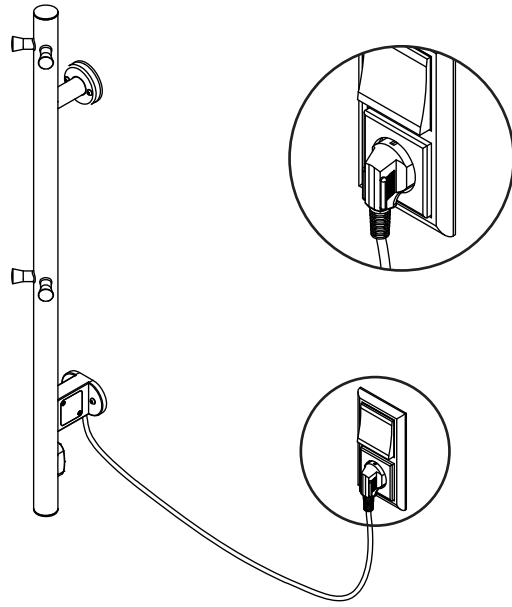
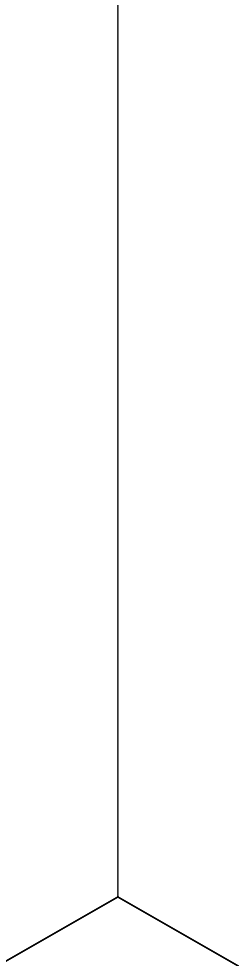


TEIDE 80



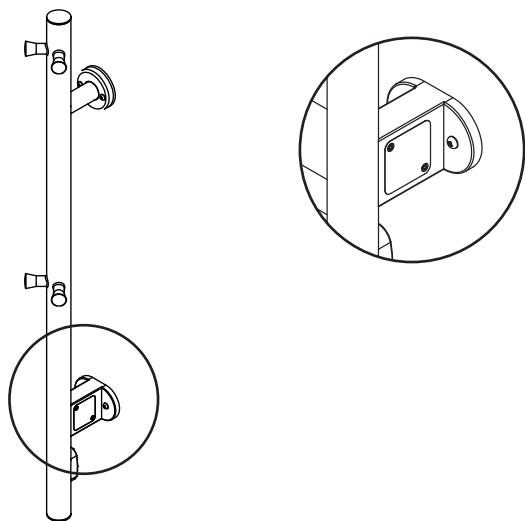
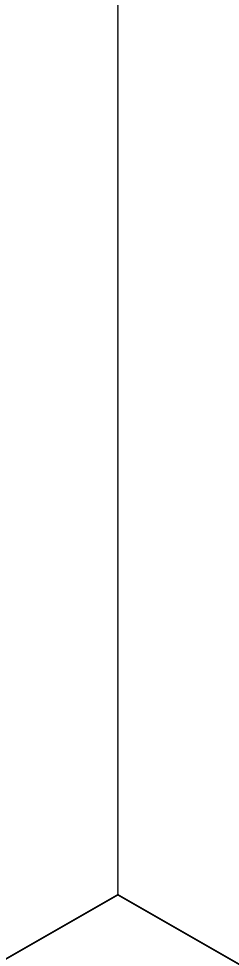
TEIDE 140

Zone 3 HD 60364-7-701



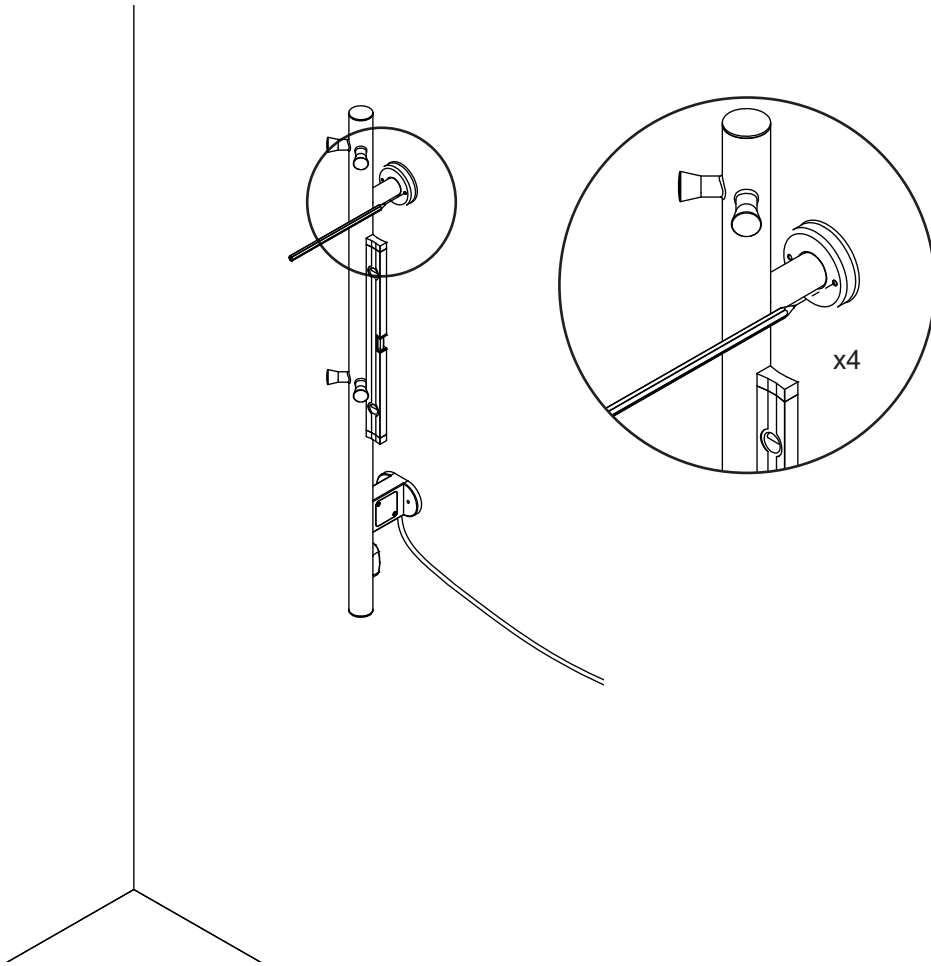
→ 1

Zone 1-2-3 HD 60364-7-701

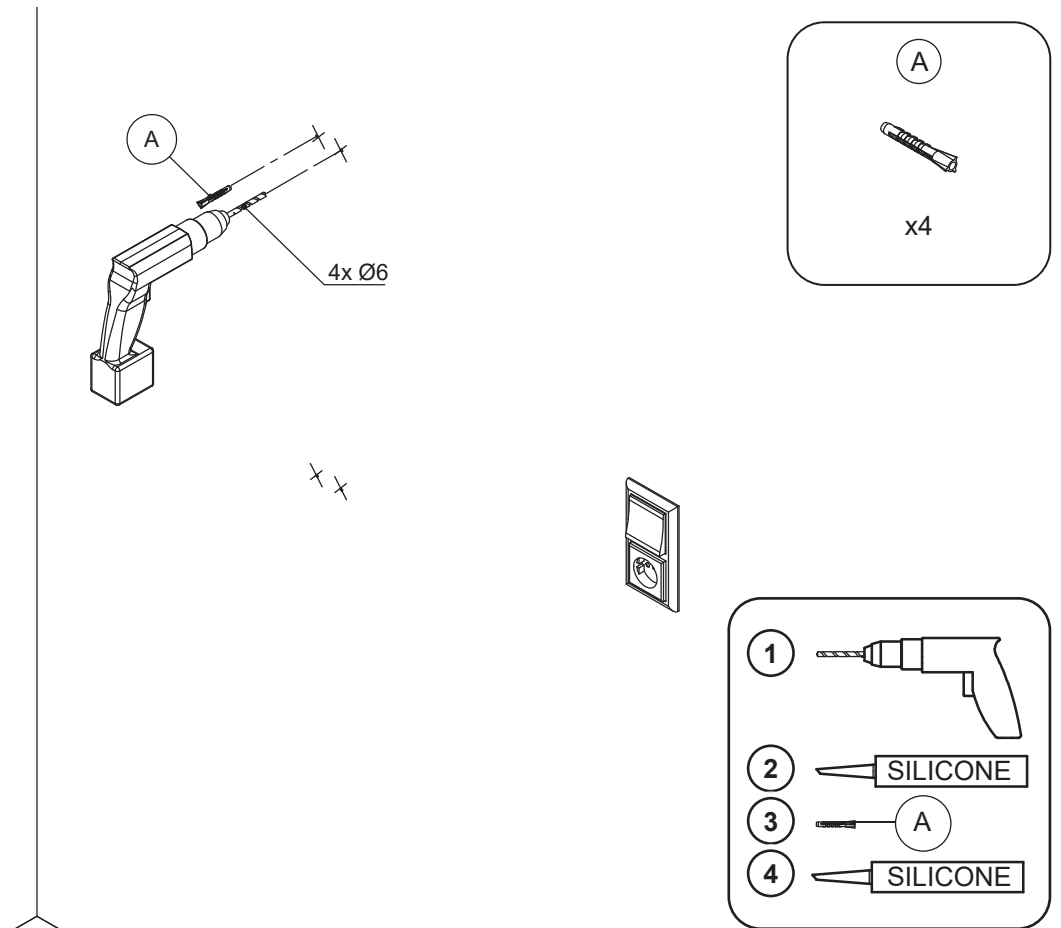


→ 5

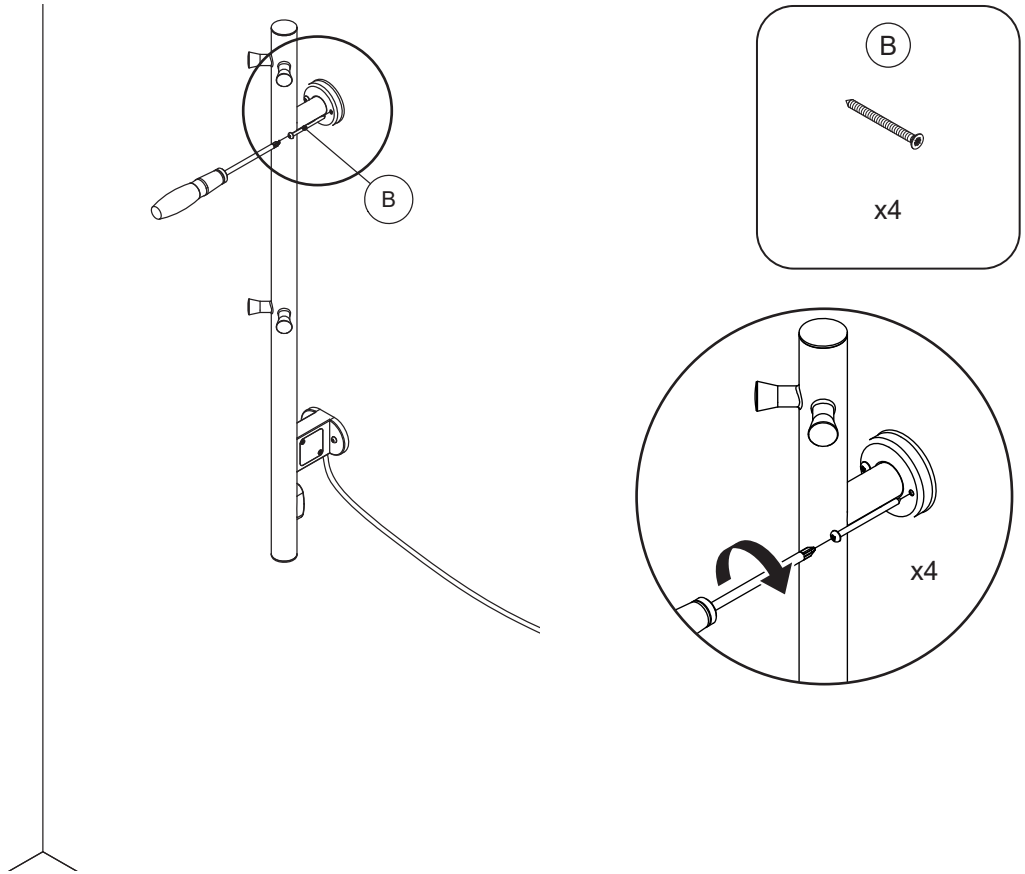
# 1



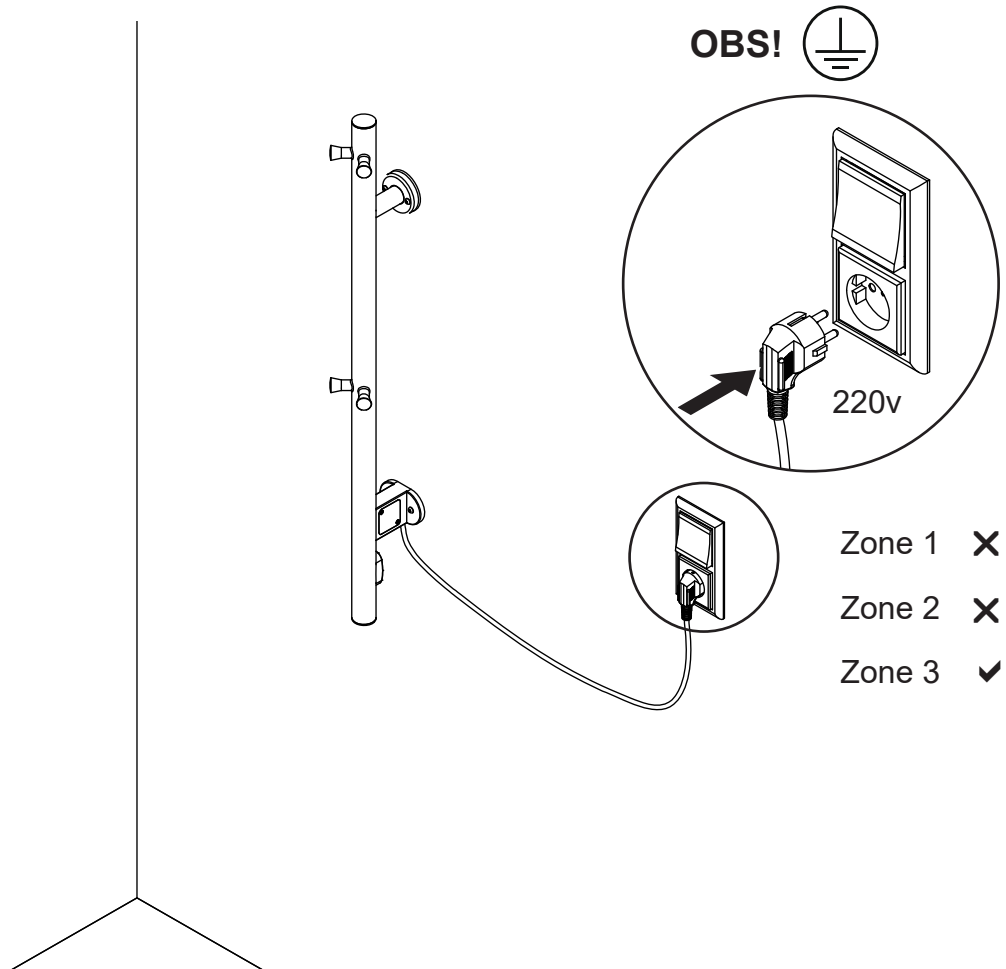
# 2



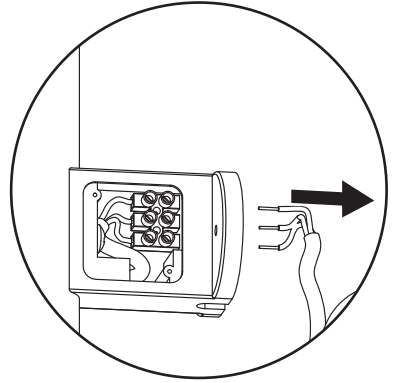
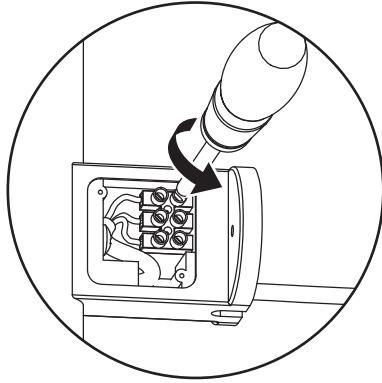
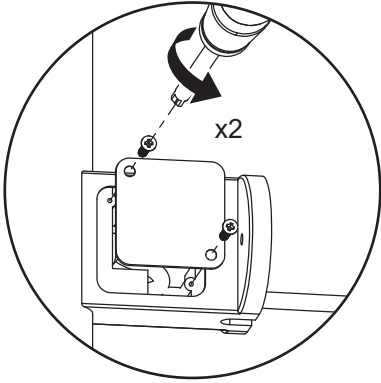
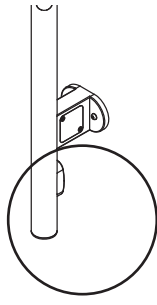
3



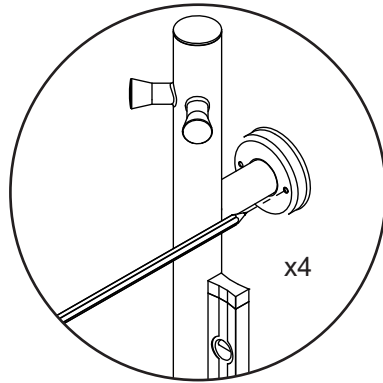
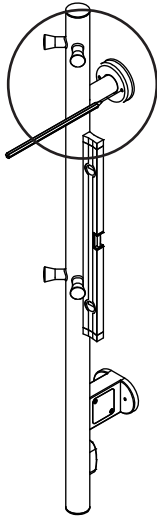
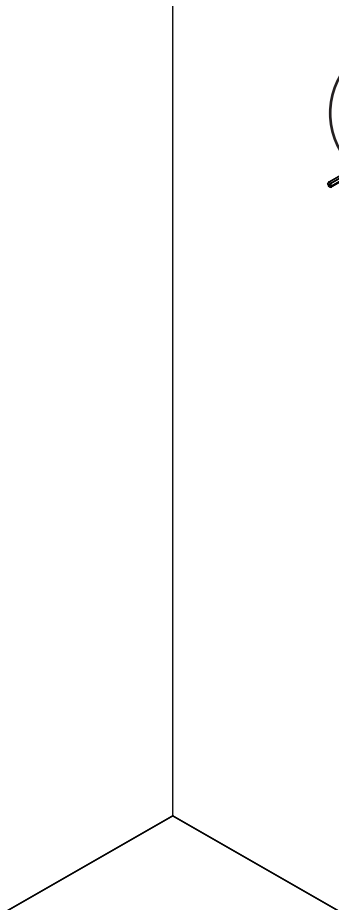
4



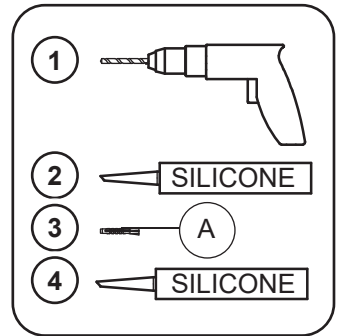
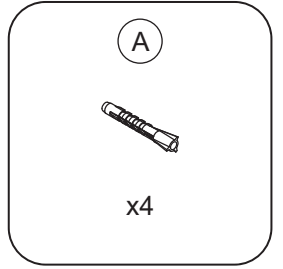
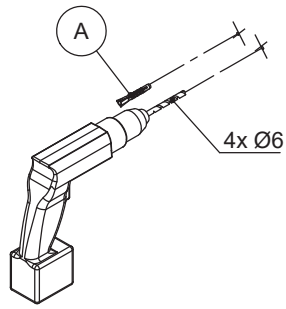
# 5



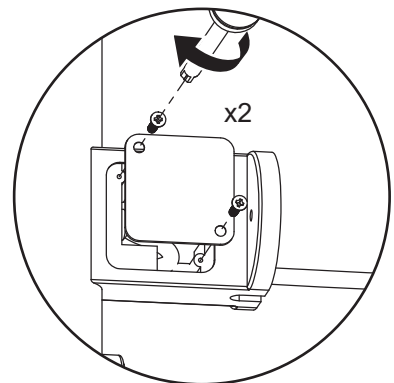
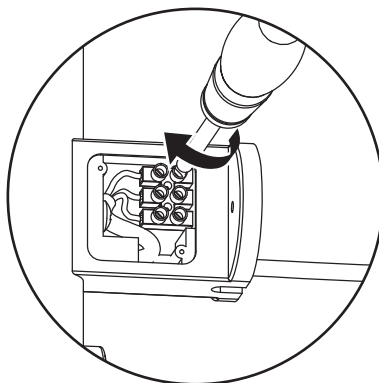
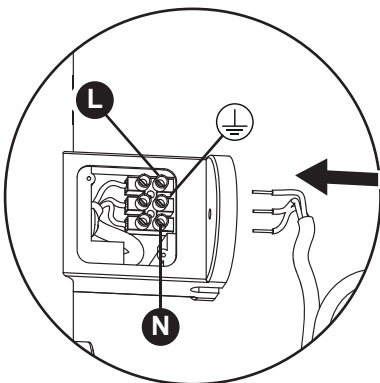
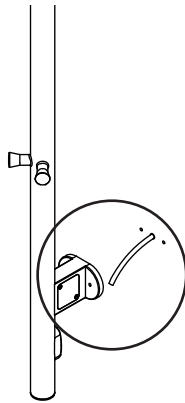
# 6



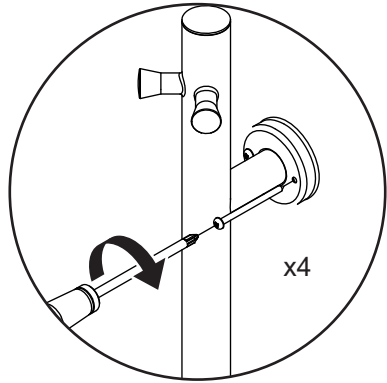
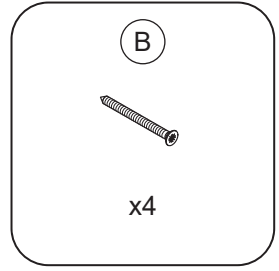
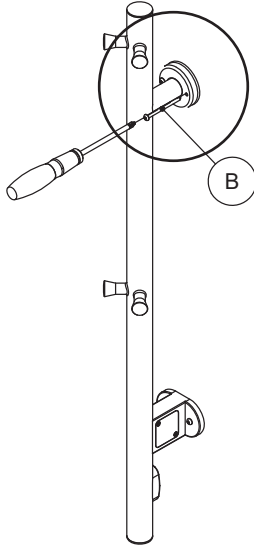
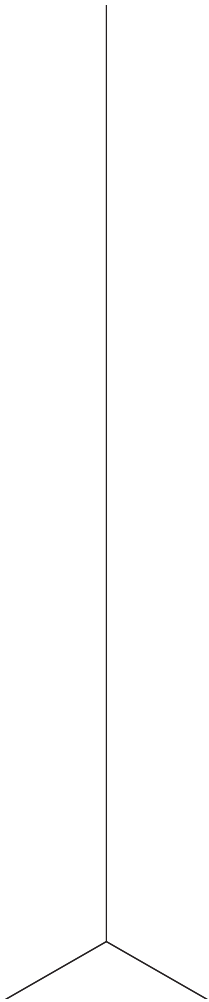
# 7



# 8



9



- Zone 1 ✓
- Zone 2 ✓
- Zone 3 ✓

