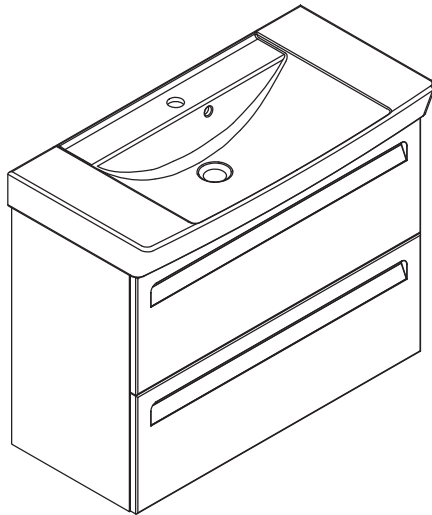
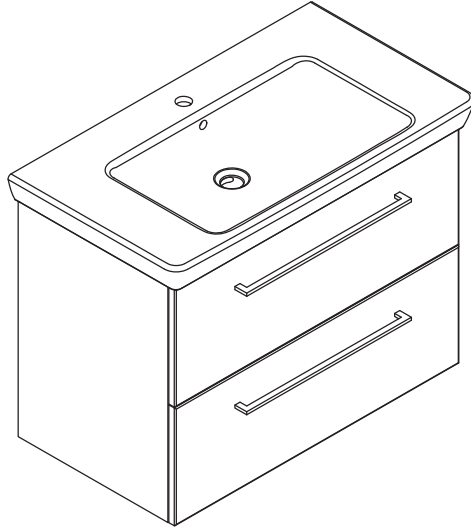




DANSANI
DANISH BATHROOM DESIGN

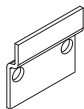


8x



5-500

2x



30010190

8x



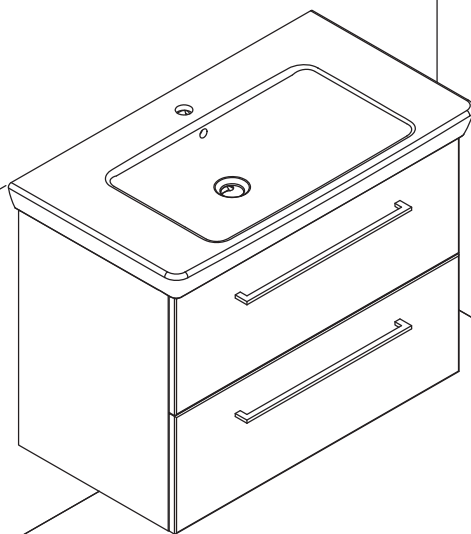
5,0-60SU

8x

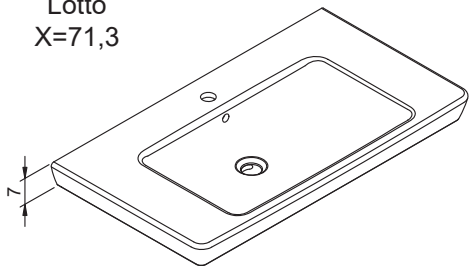


195000000

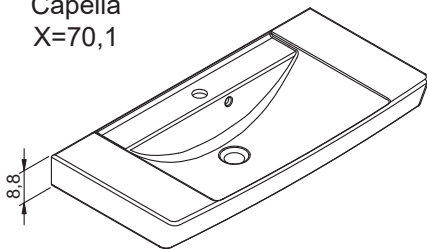
87



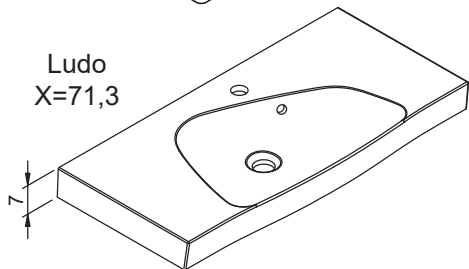
Lotto
X=71,3



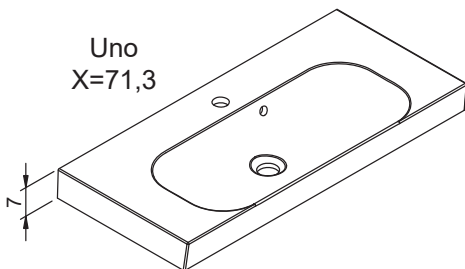
Capella
X=70,1



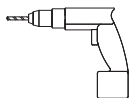
Ludo
X=71,3



Uno
X=71,3



1



4x



5-500

(A)

2x



30010190

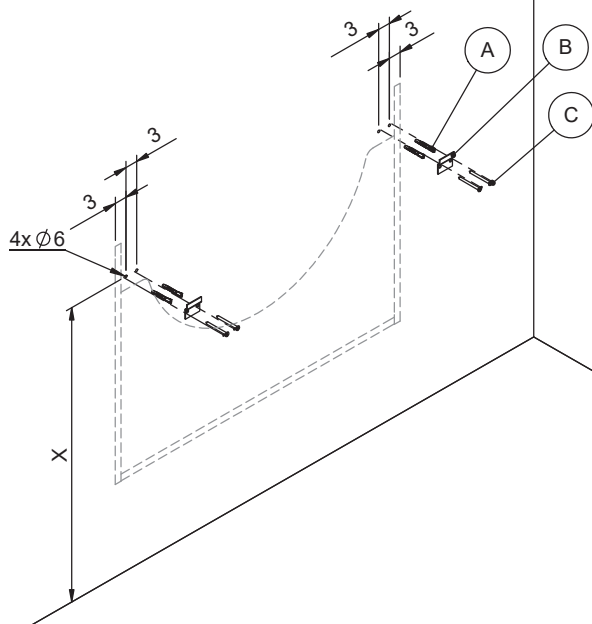
(B)

4x

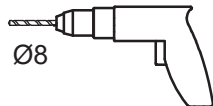


5,0-60SU

(C)



1



Ø8

2



SILICONE

3



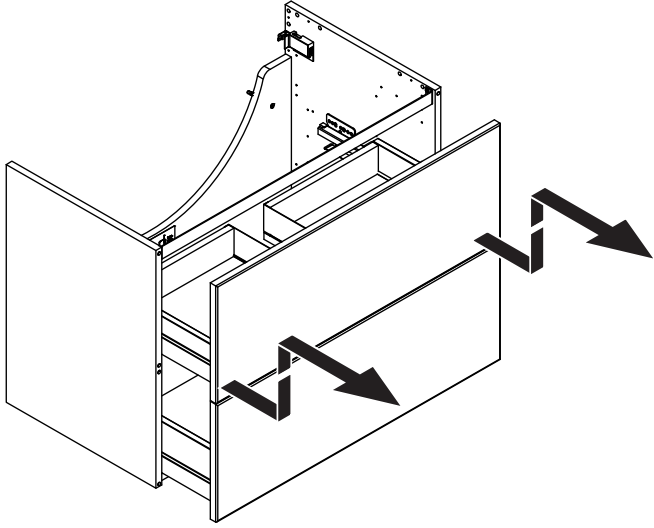
(A)

4

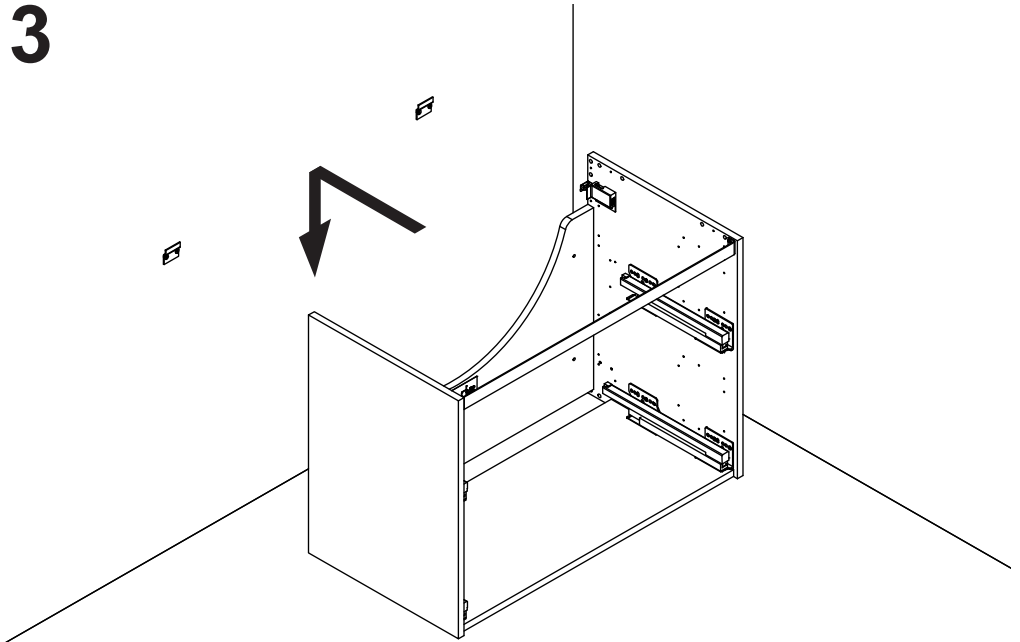


SILICONE

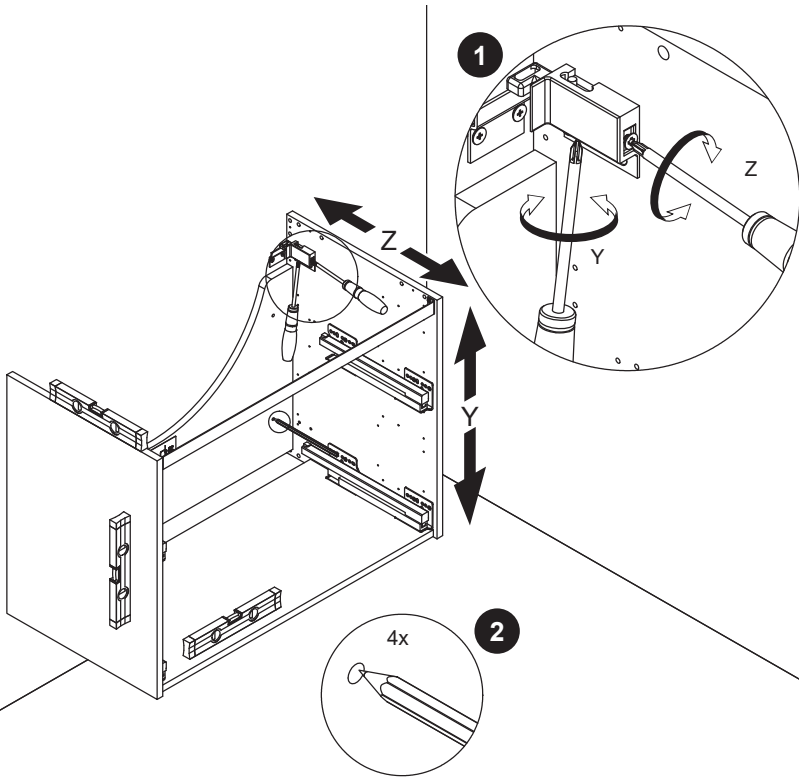
2



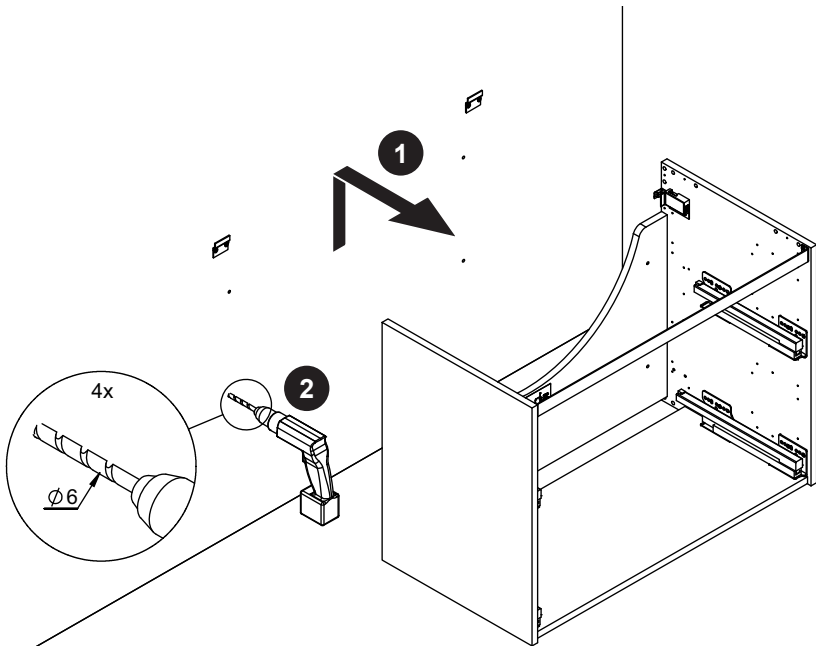
3



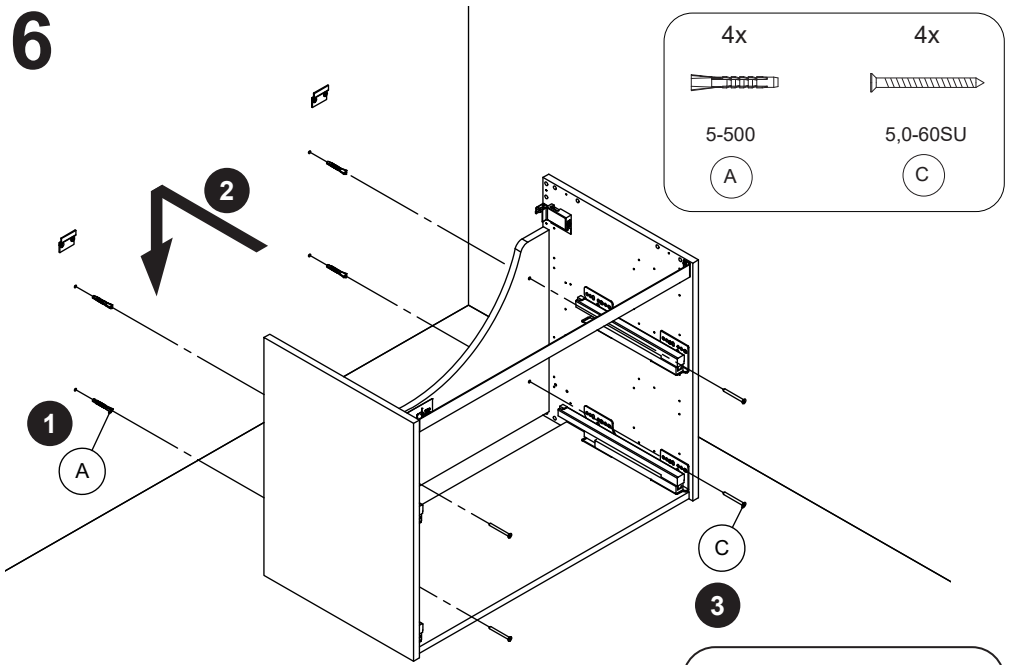
4



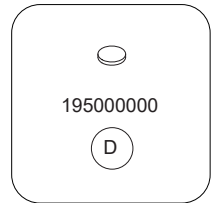
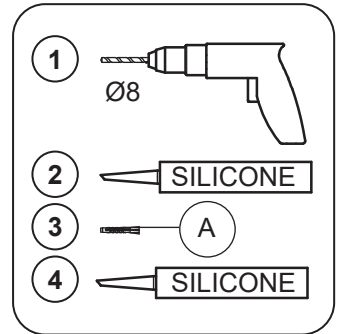
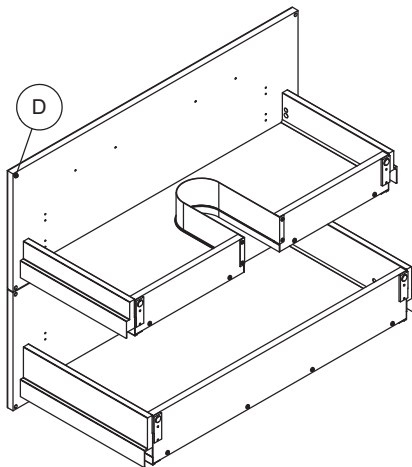
5

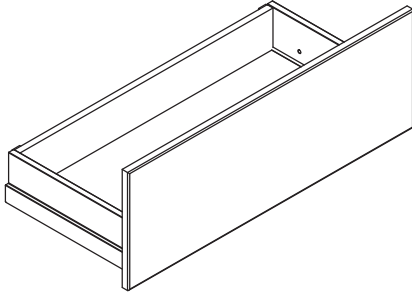


6

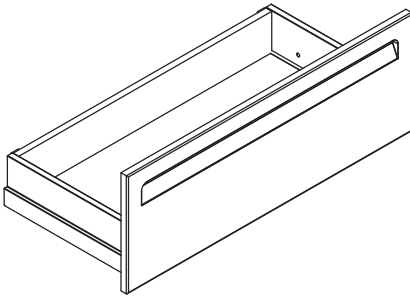


7





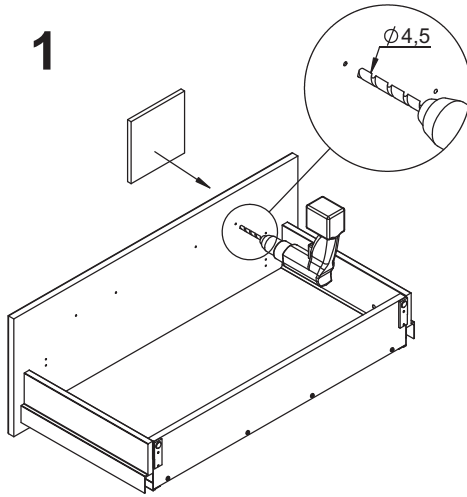
8



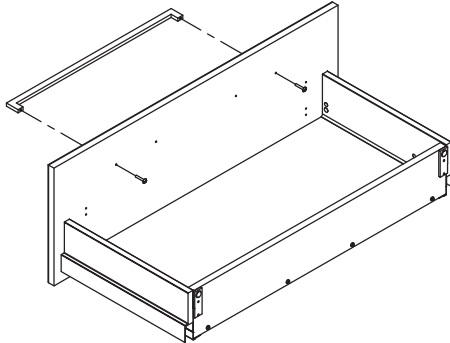
9

8

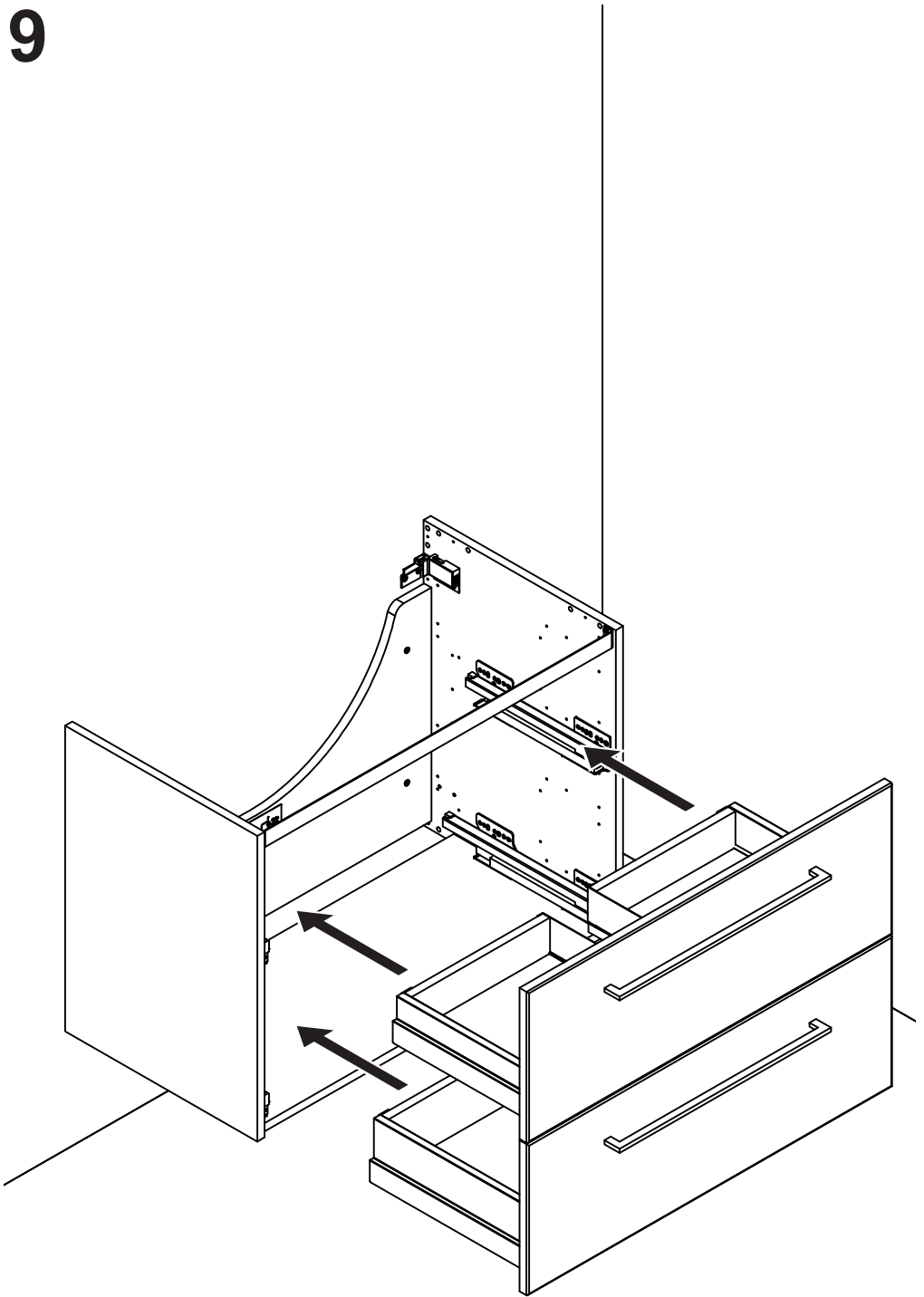
1



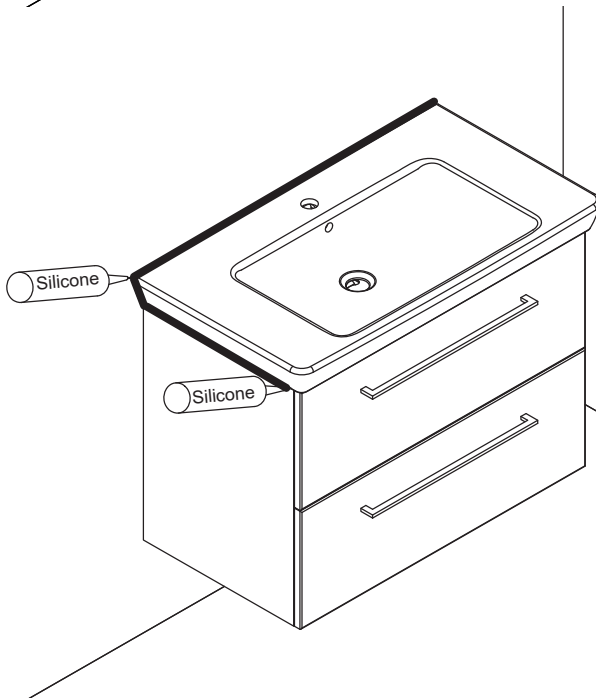
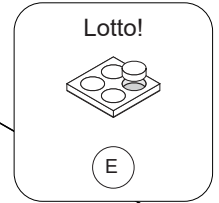
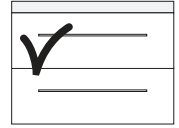
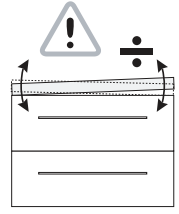
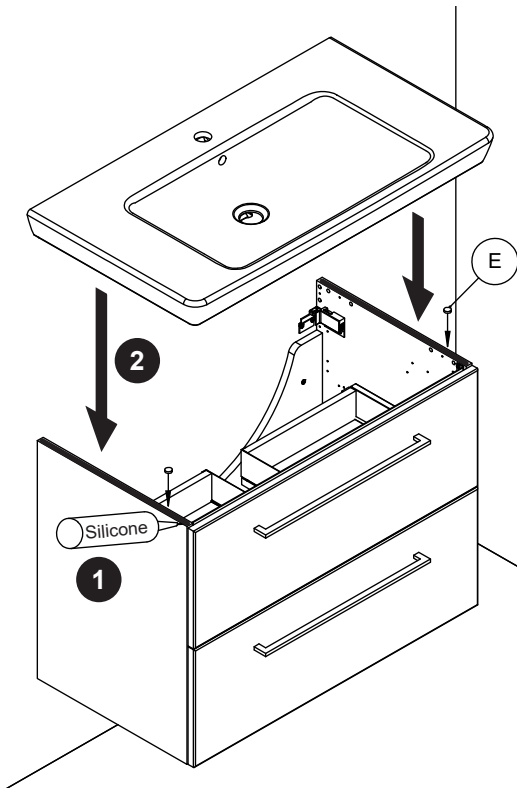
2



9



10



11

