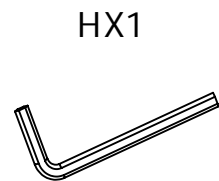
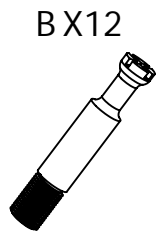
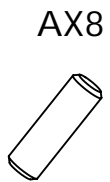
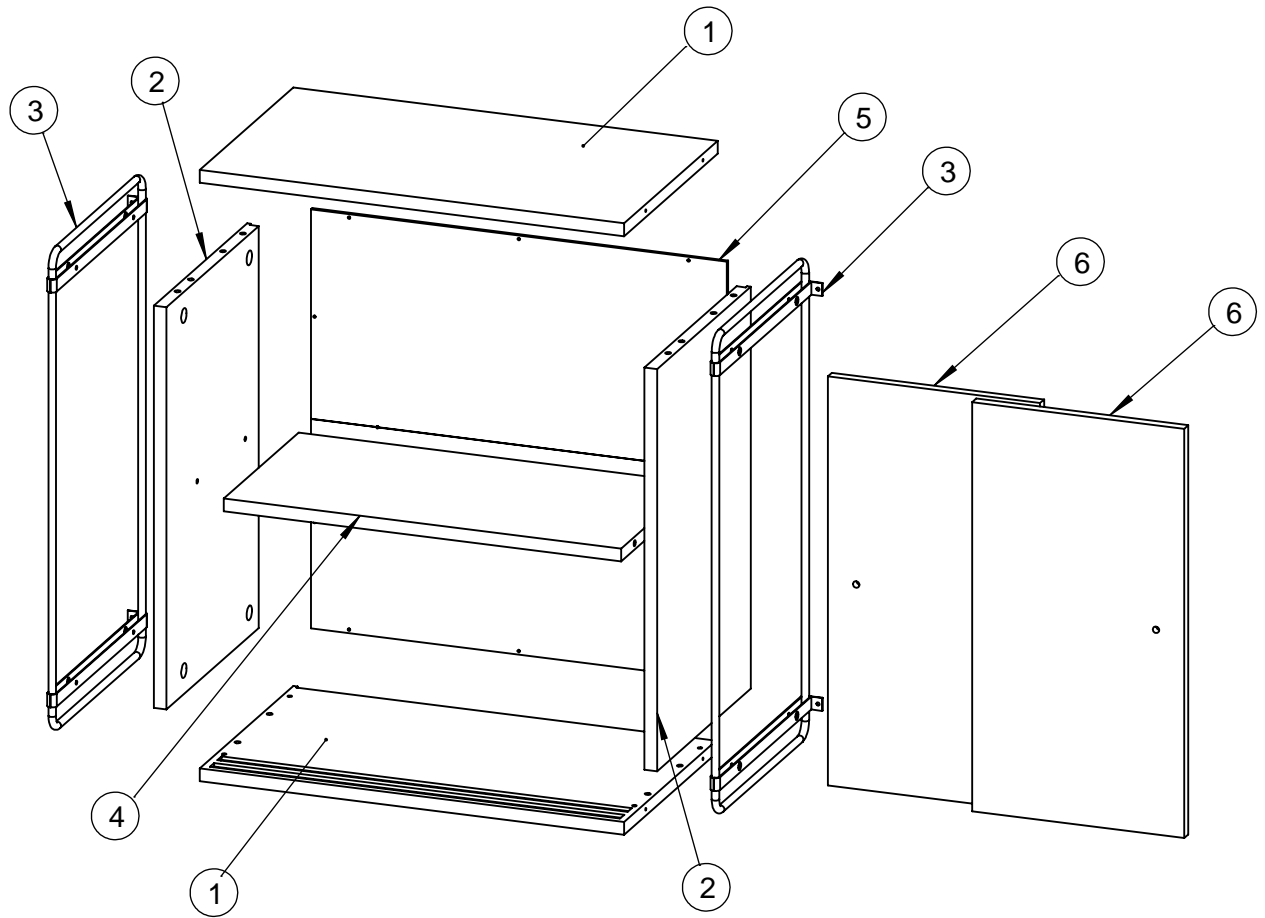


# Assembly Instruction

## 30052-125, 30052-130



# Assembly Instruction

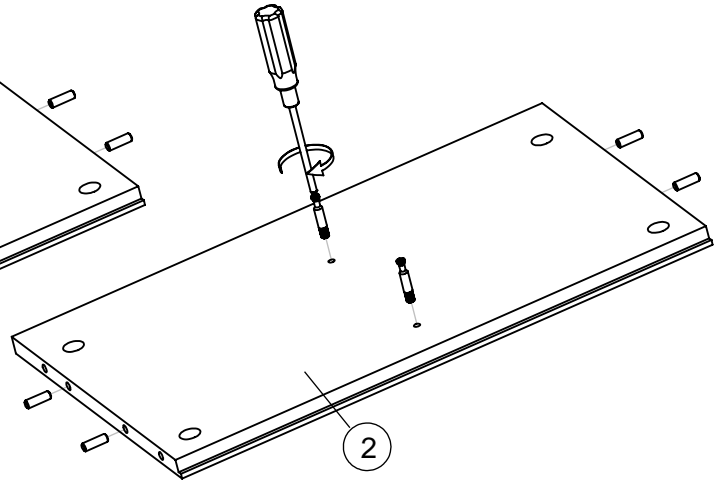
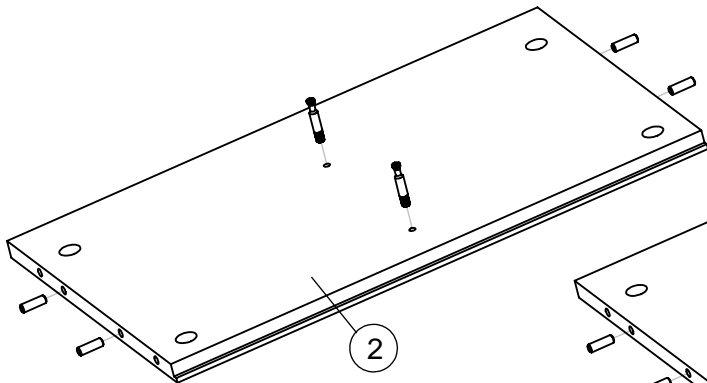
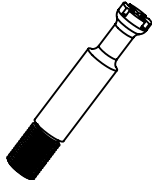
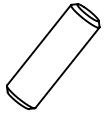
## 30052-125, 30052-130

---

1.

AX8

BX4

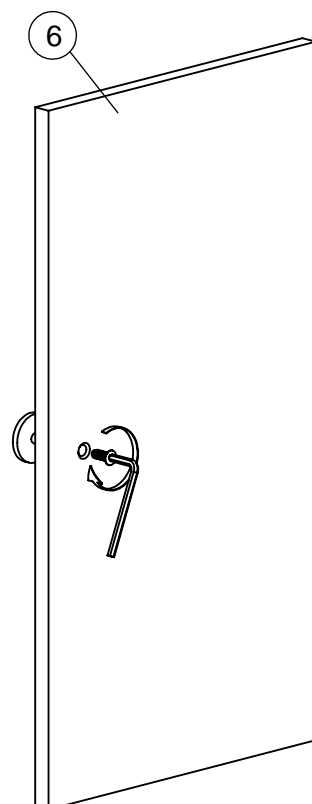
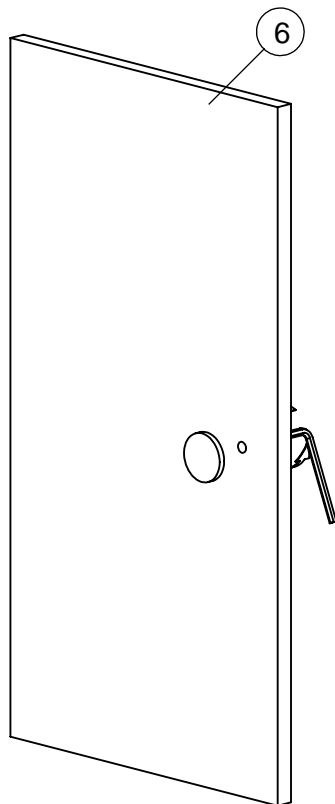
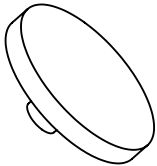


2.

CX2

DX2

HX1



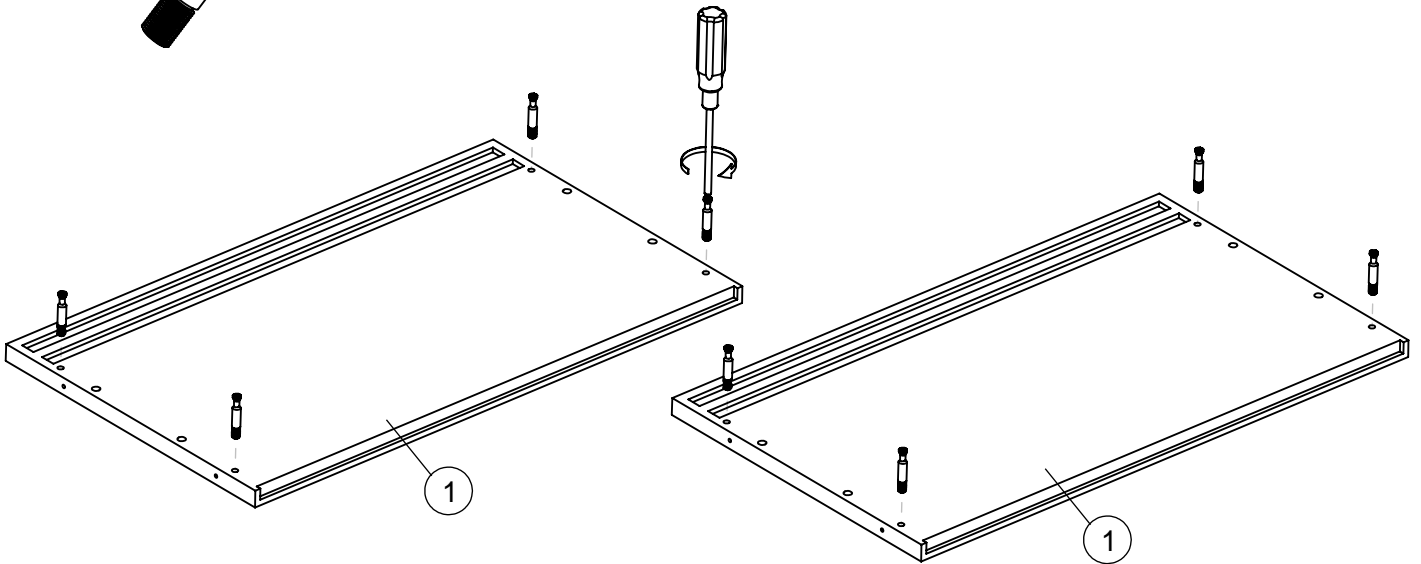
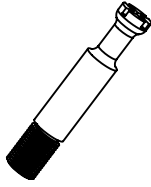
# Assembly Instruction

## 30052-125, 30052-130

---

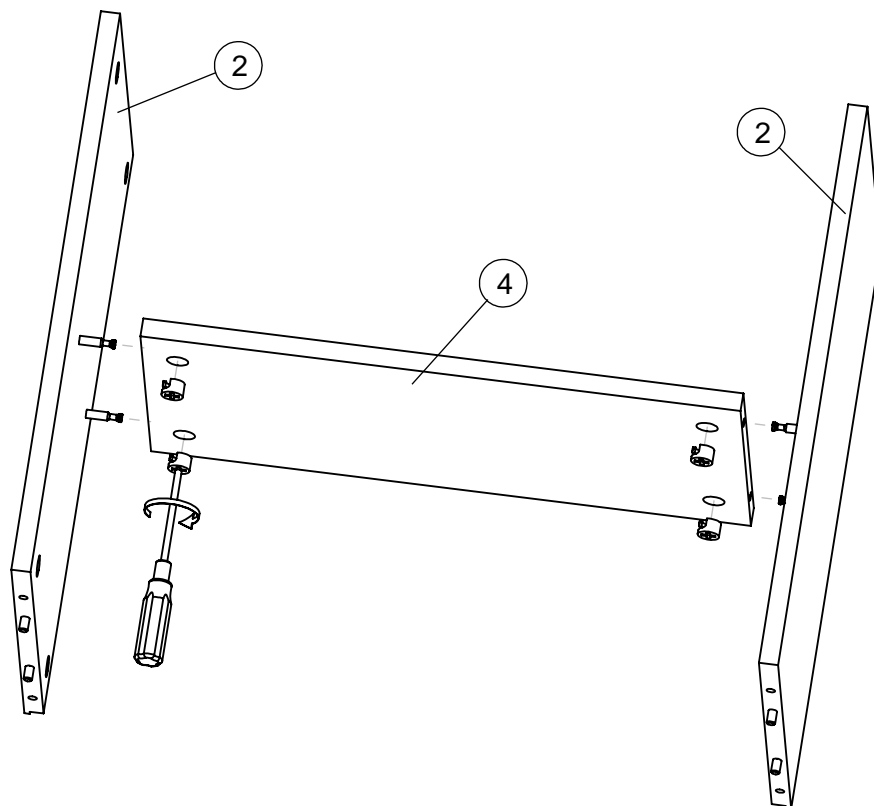
3.

B X8




4.

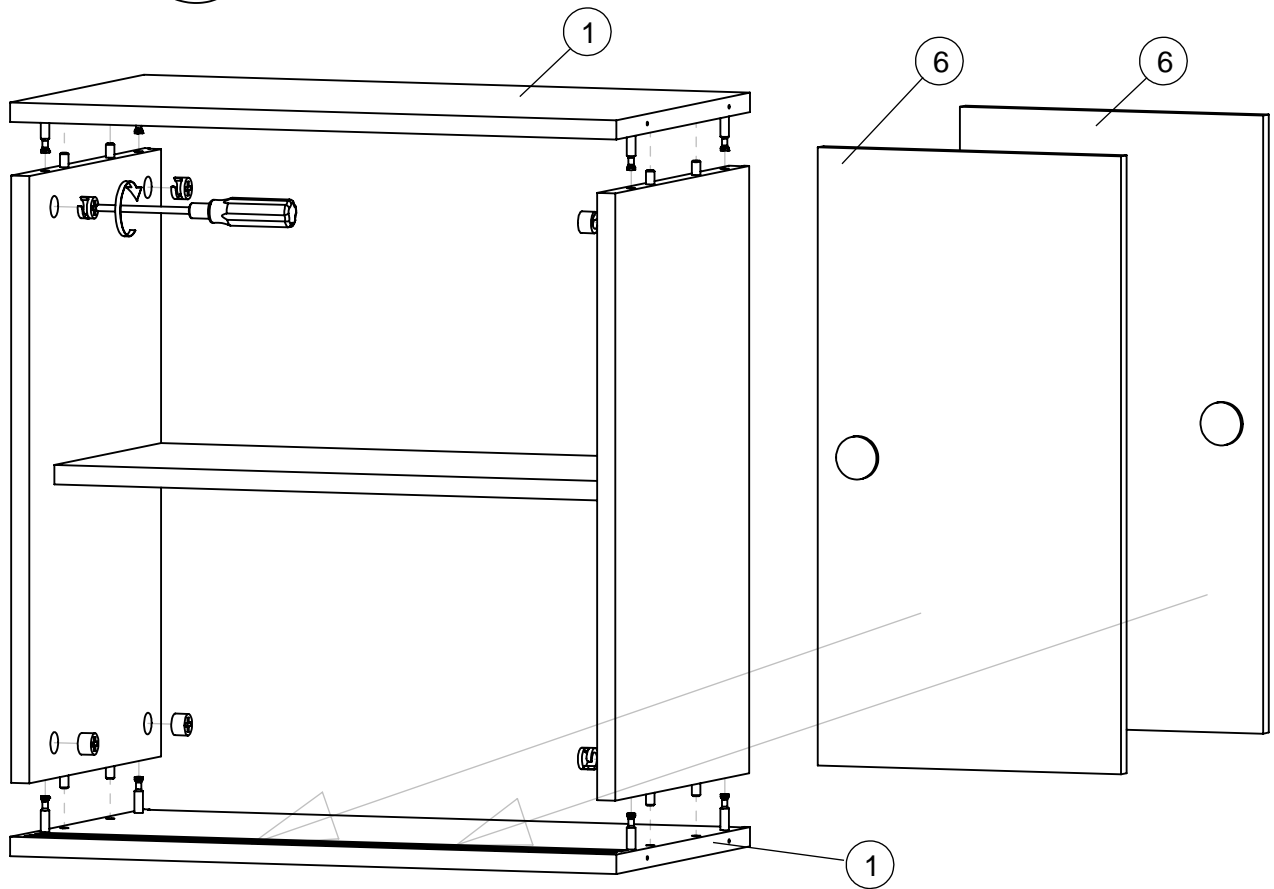
EX4




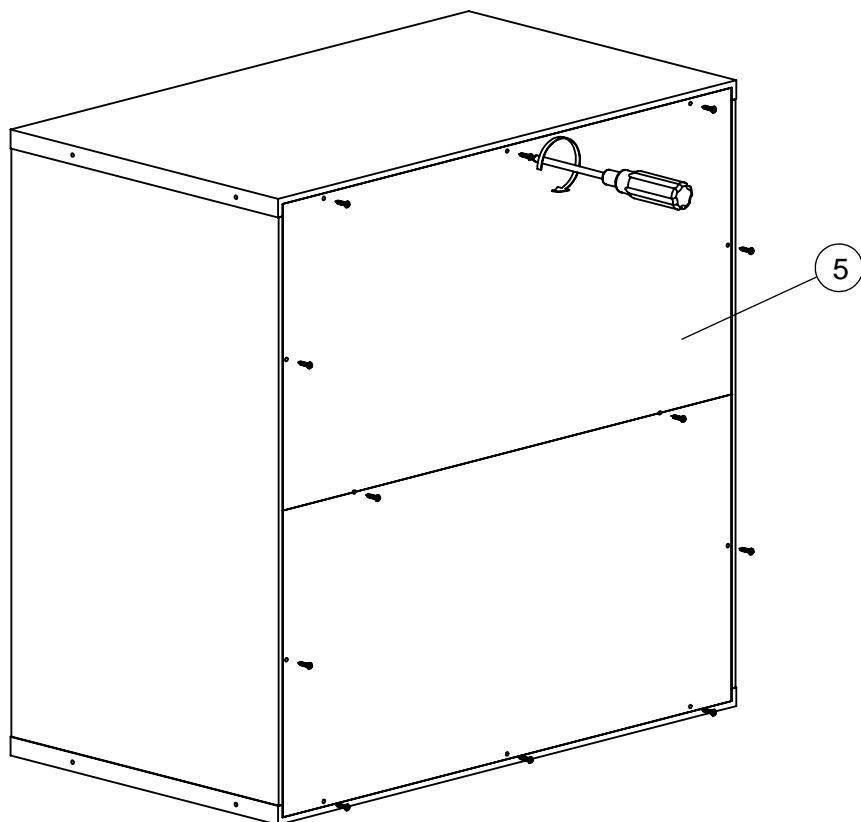
# Assembly Instruction

## 30052-125, 30052-130

5. EX8 



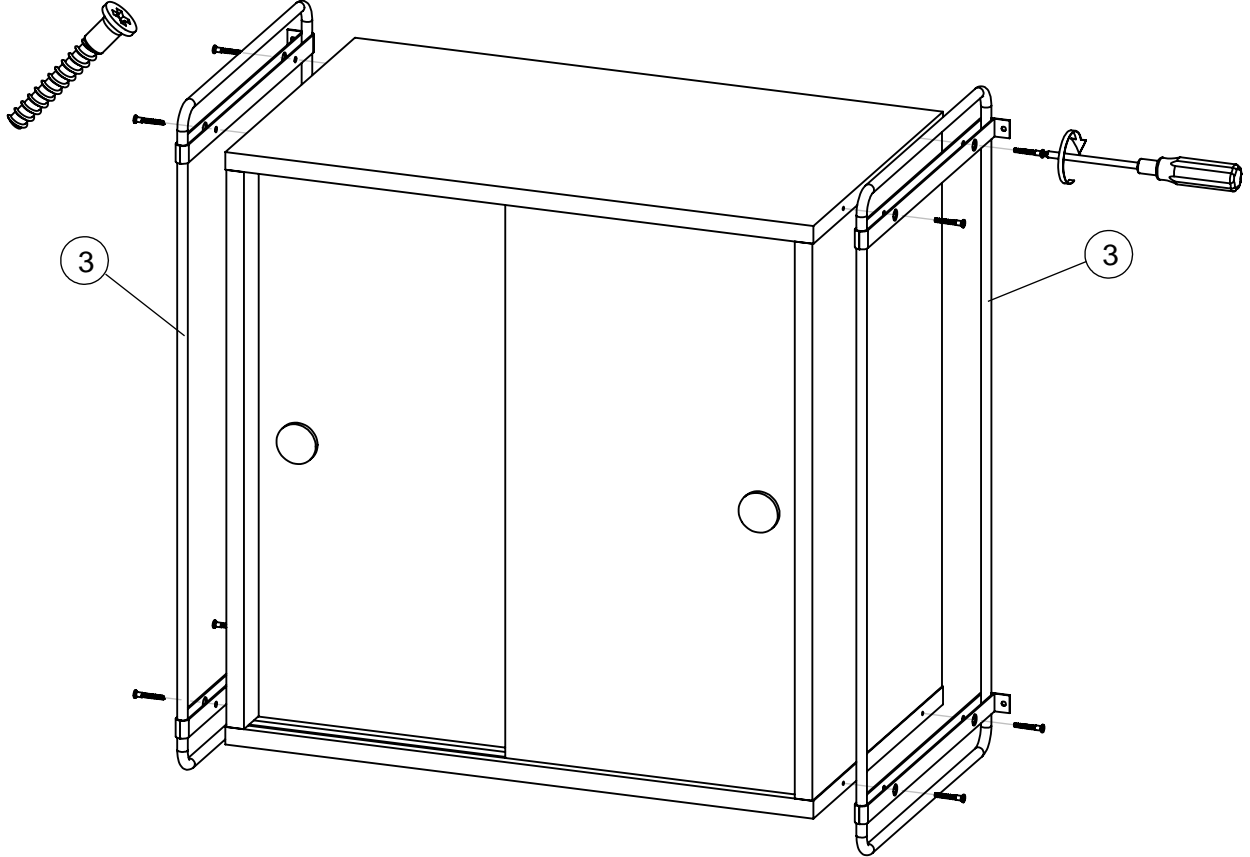
6. FX12 



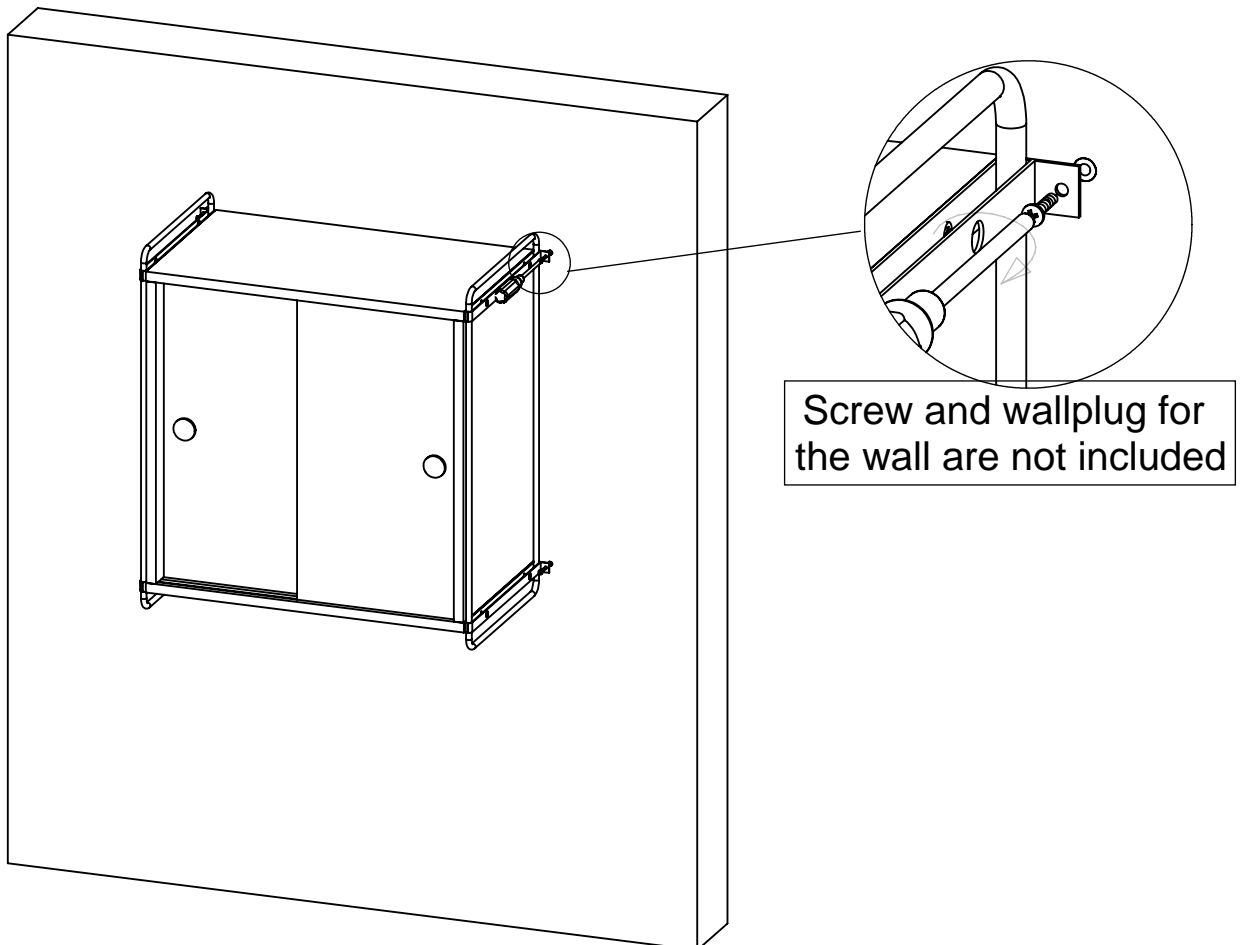
# Assembly Instruction

## 30052-125, 30052-130

7. GX8



8.



# Assembly Instruction

30052-125, 30052-130

---

