

# AC Cortina 12K AirSwitch

(WAC1205G)

+

# AC Cortina 12K AirSwitch Smart Home Duo A+

(WAC1207G)

<b>GB</b>	Instructions for use	6–13
<b>SE</b>	Bruksanvisning	14–21
<b>NO</b>	Bruksanvisning	22–29
<b>DK</b>	Betjeningsvejledning	30–37
<b>FI</b>	Käyttöohjeet	38–45
<b>FR</b>	Guide d'instructions	46–53
<b>DE</b>	Bedienungsanleitung	54–61
<b>ES</b>	Manual de instrucciones	62–69
<b>NL</b>	Gebruiksaanwijzing	70–77
<b>RO</b>	Manual utilizare	78–85
<b>PL</b>	Instrukcja obsługi	86–93
<b>LT</b>	Naudojimosi instrukcija	48–101
<b>LV</b>	Lietošanas instrukcija	102–109
<b>EE</b>	Kasutusjuhend	110–117
<b>GR</b>	Οδηγίες λειτουργίας	118–125
<b>CZ</b>	Uživatelská příručka	126–133
<b>SK</b>	Používateľská príručka	134–141
<b>HU</b>	Felhasználói kézikönyv	142–149



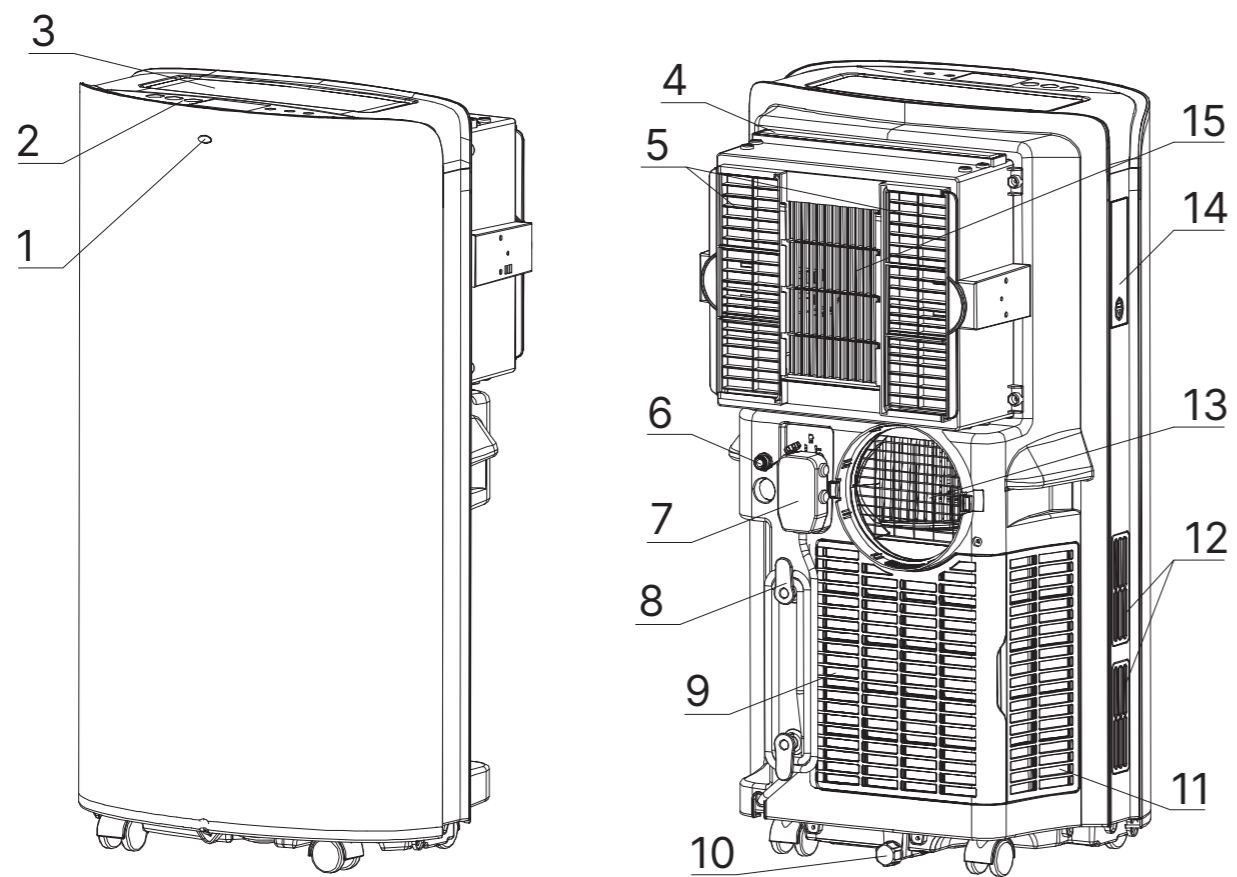
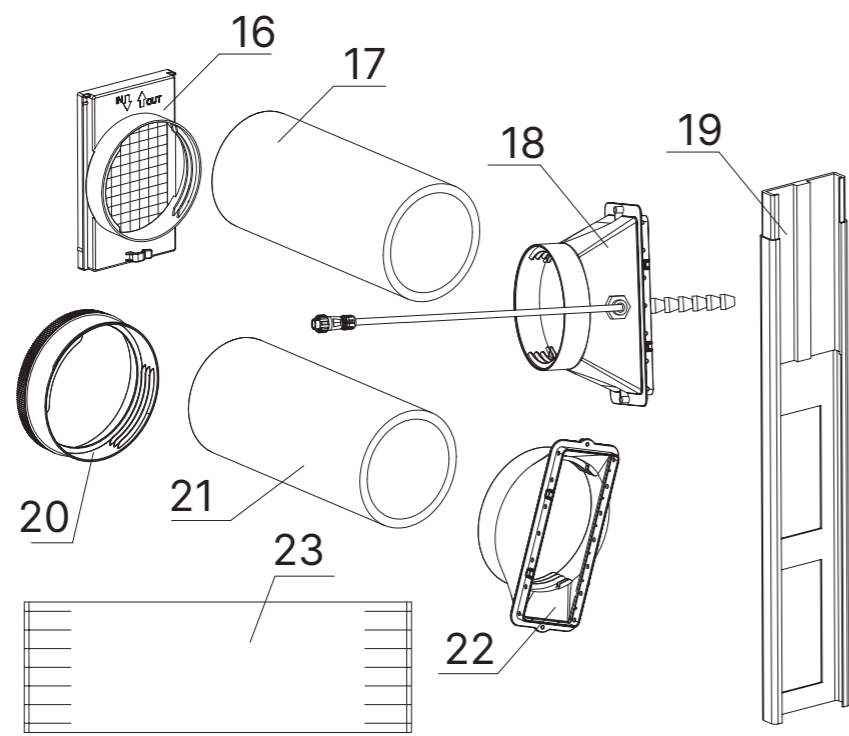
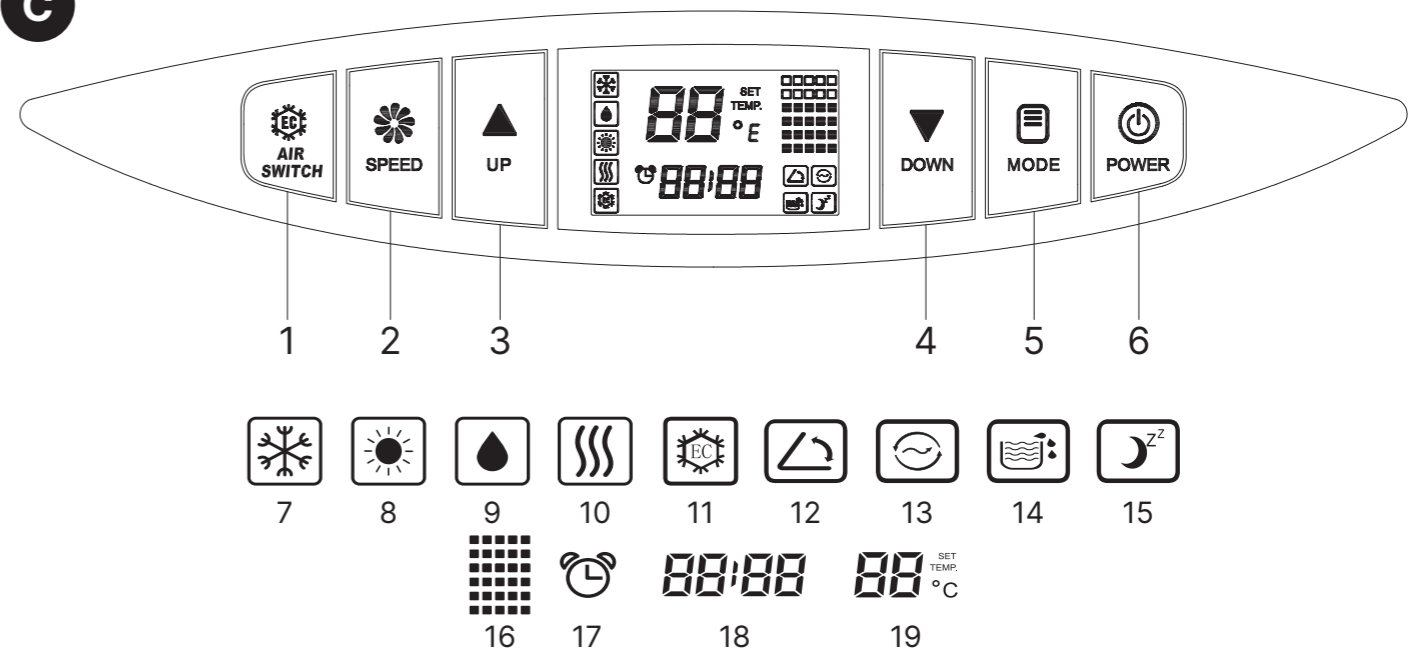
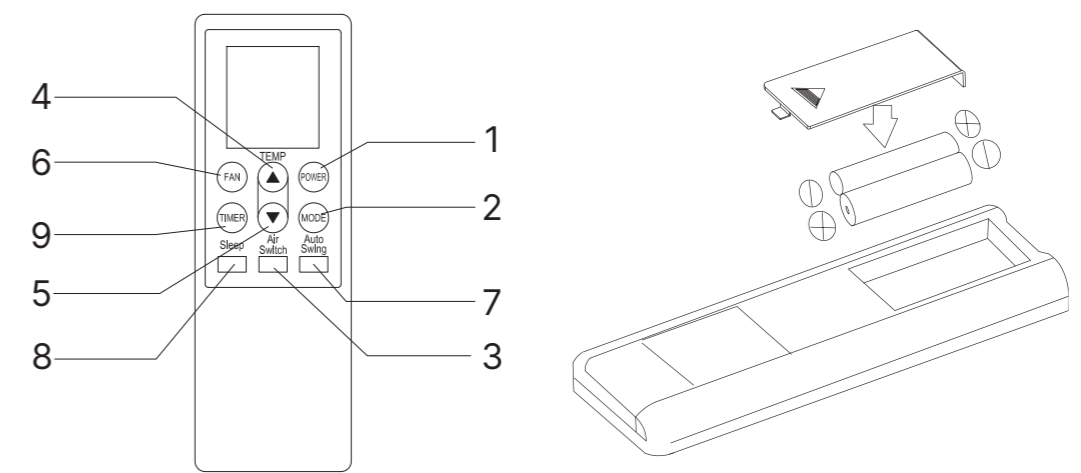
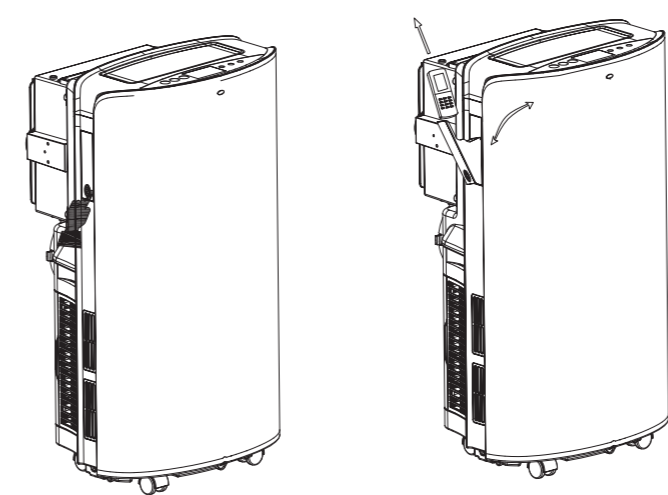
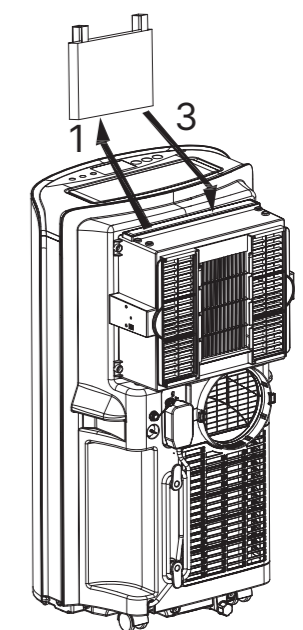
**WATCH INSTRUCTIONAL VIDEO**  
Scan to watch the AC Cortina AirSwitch instructional video.

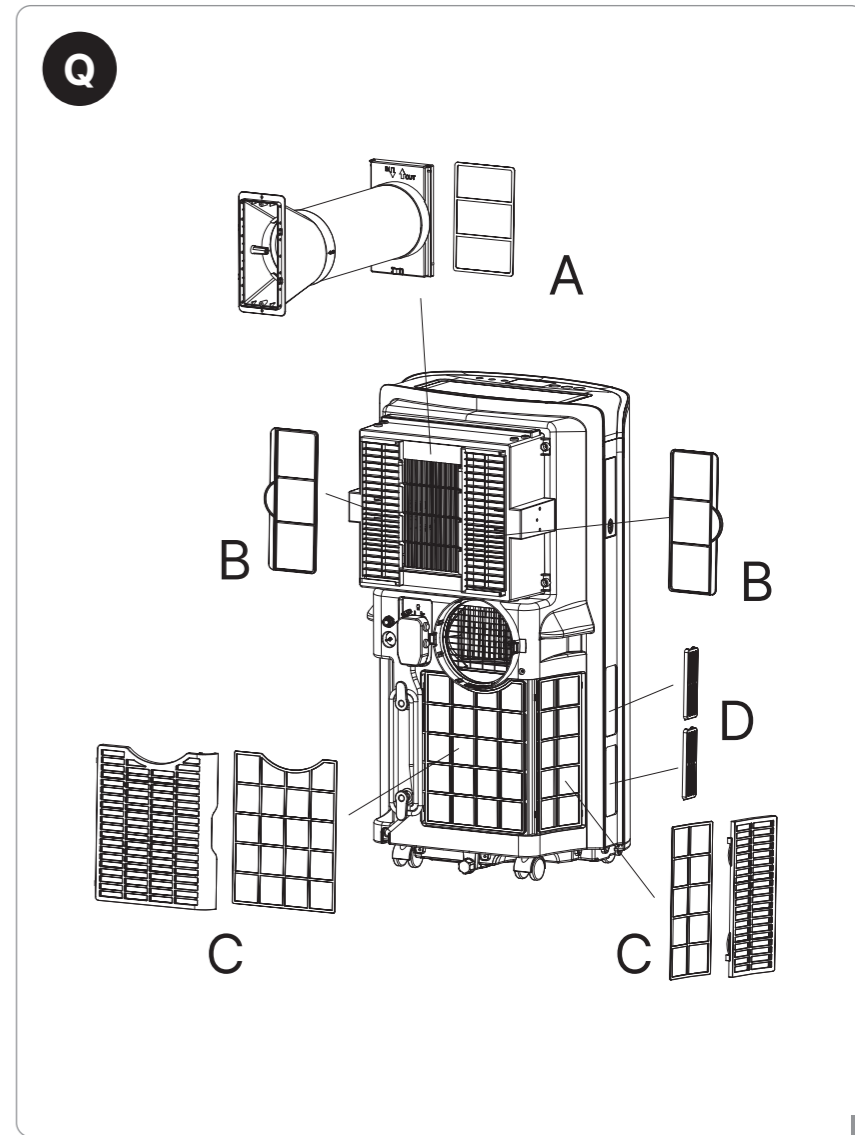
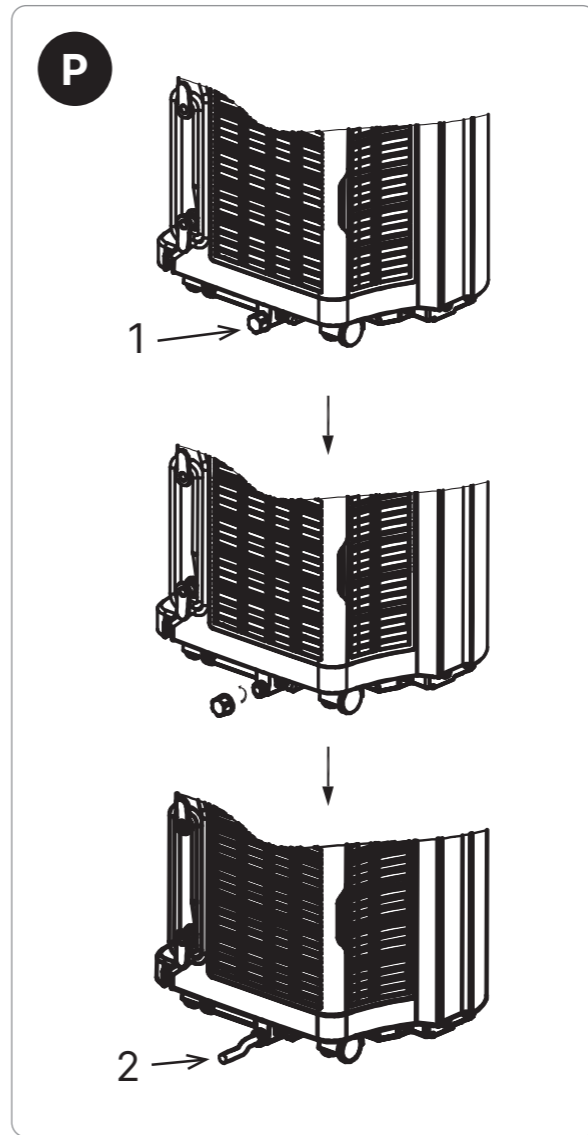
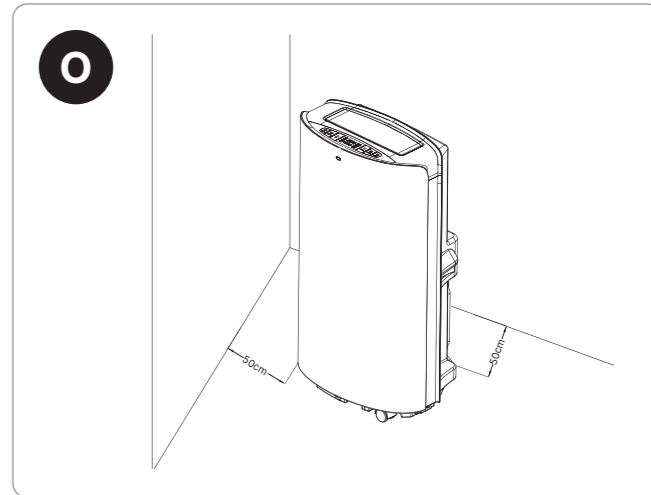
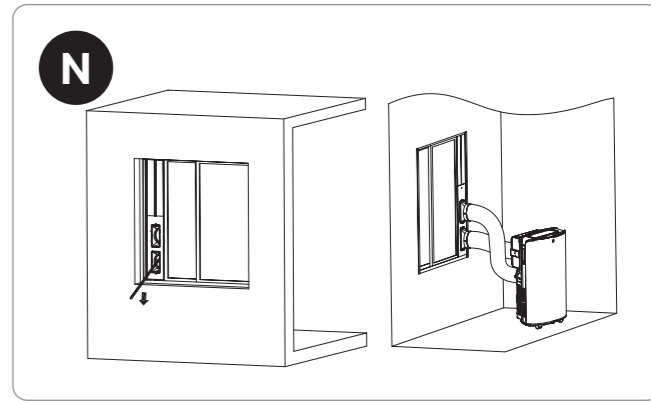
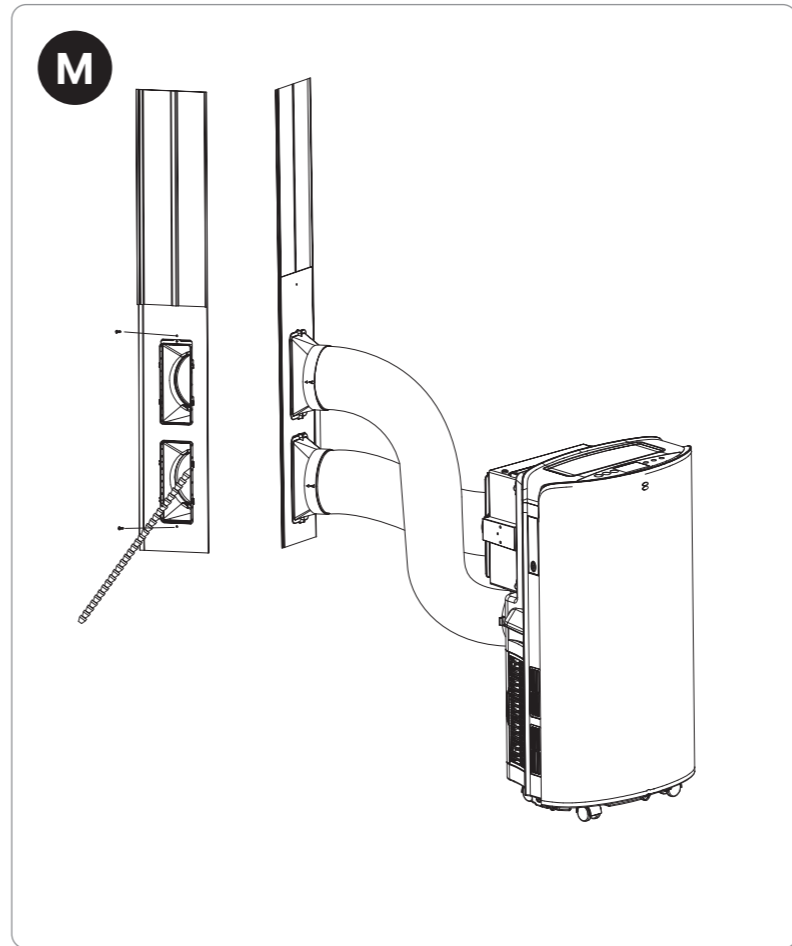
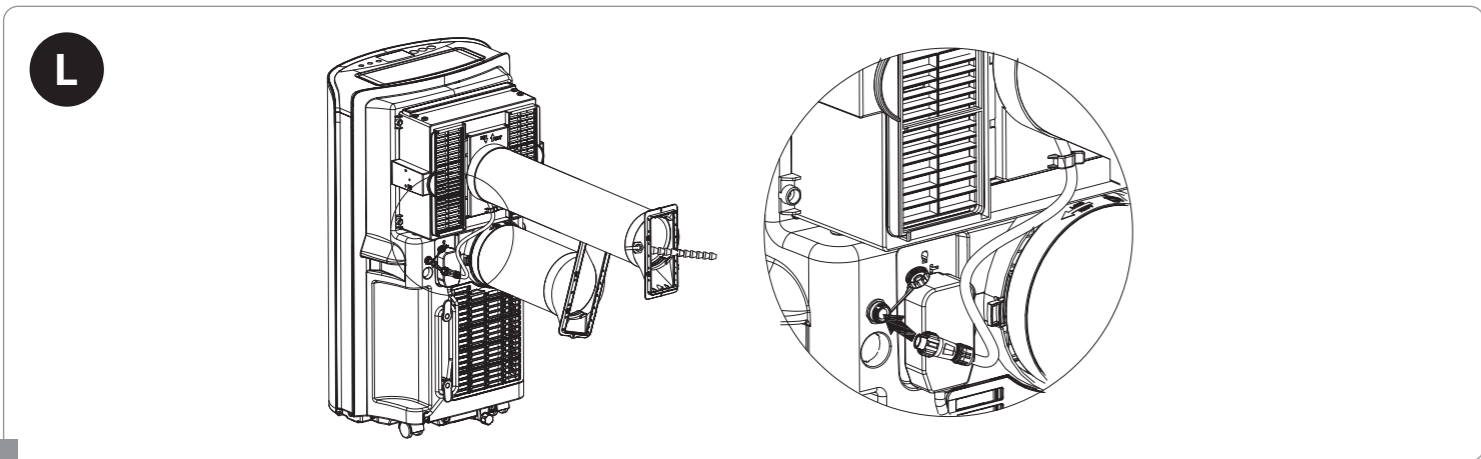
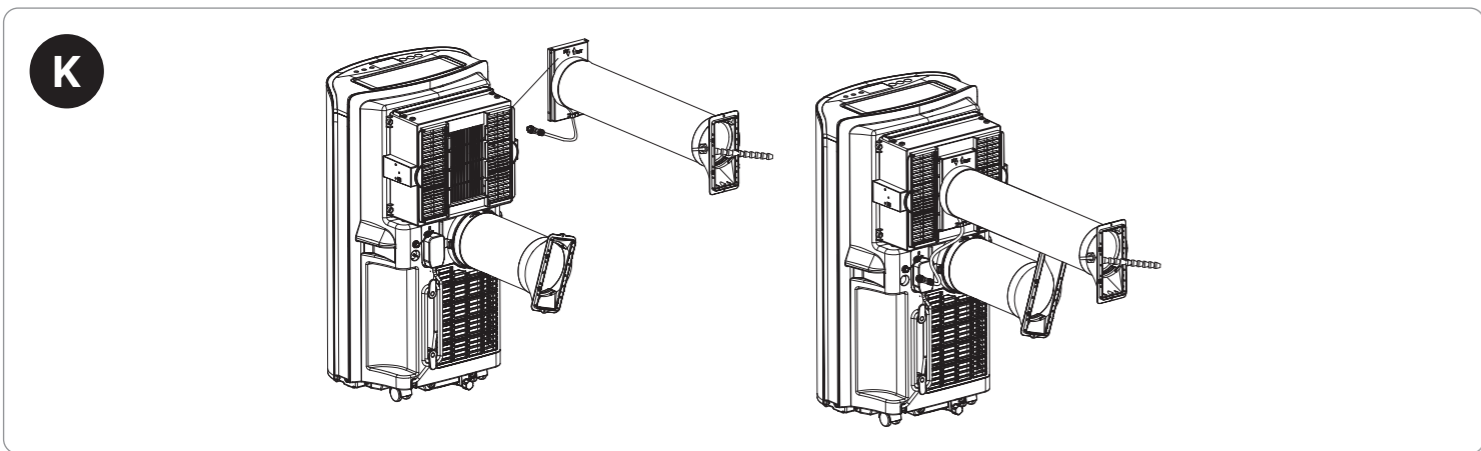
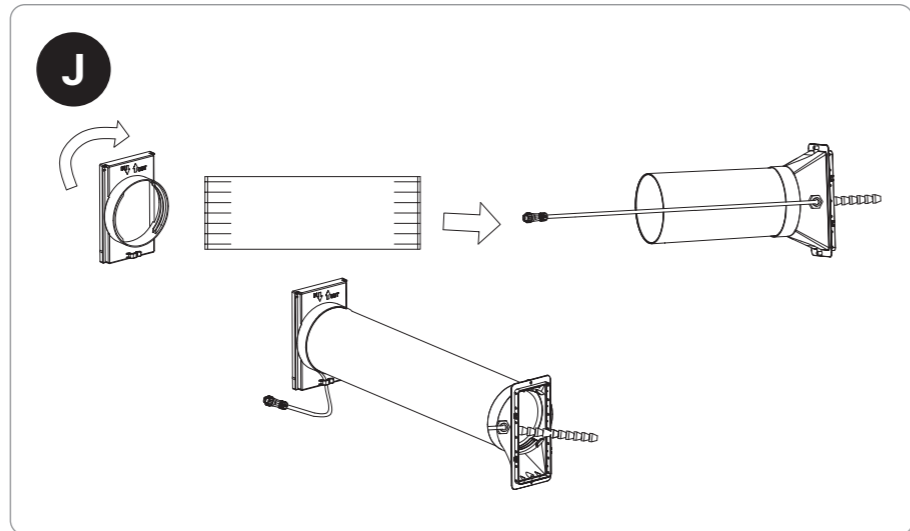
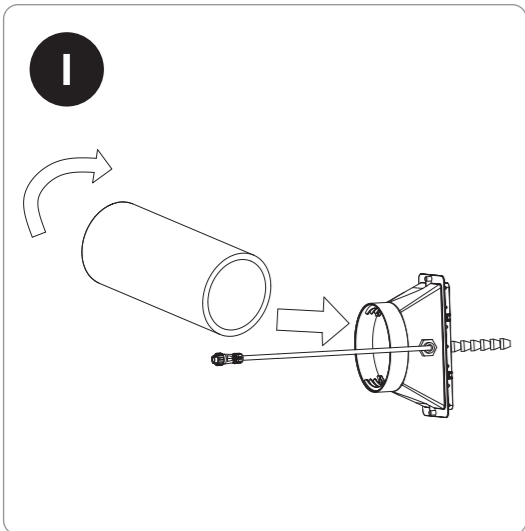
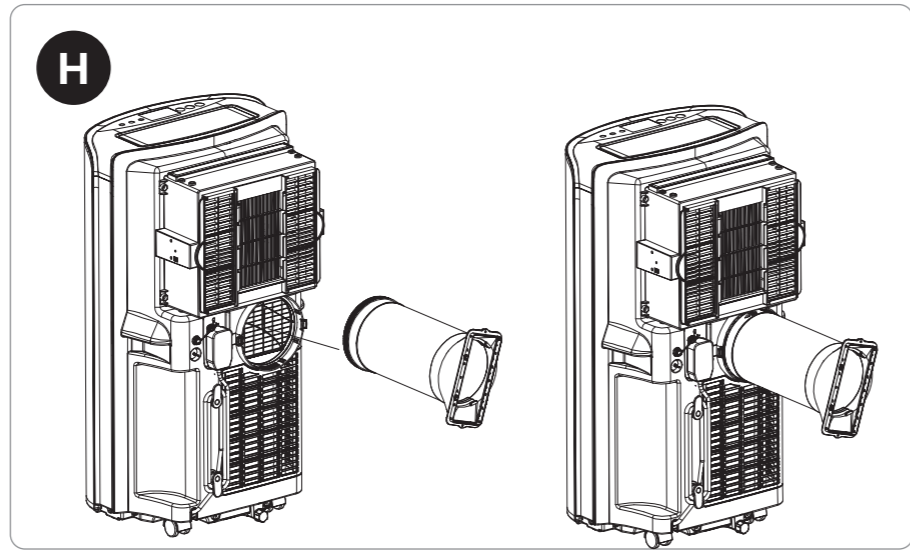
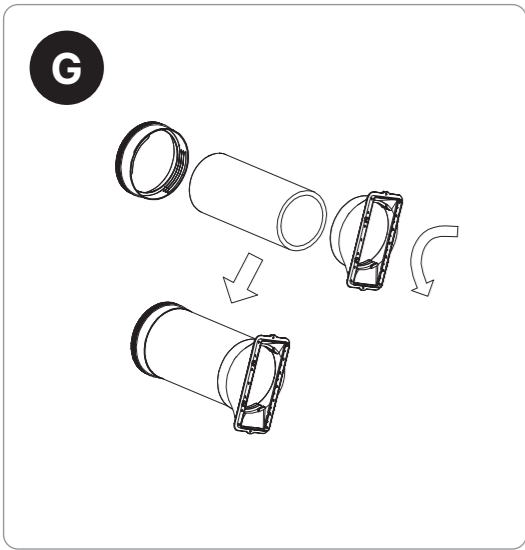


**GET EXTENDED WARRANTY**  
Scan and get a 6-year Warranty by Registering at [warranty-woods.com](http://warranty-woods.com) and replacing the filter annually.



**SEE LATEST UPDATED USER MANUAL**  
Scan the QR-code or visit [woods.se](http://woods.se)  
Revision date: 20-03-2024

**A****B****C****D****E****F**





**FLAMMABLE MATERIAL.**  
This appliance contains R290/  
Propane, a flammable refrigerant.

Refer operator's manual.

Read technical manual.

Read the operator's manual.

**SAFETY INFORMATION**

Before installing and using the appliance, carefully read the supplied instructions. The manufacturer is not responsible if an incorrect installation and use cause injuries and damages. Always keep the instructions with the appliance for future reference.

**CHILDREN AND VULNERABLE PEOPLE'S SAFETY**

**WARNING**   
Risk of injury or permanent disability.

This appliance can be used by children aged eight years and above, persons with reduced physical, sensory or mental capabilities, or lack of experience and knowledge if they have been given supervision or instruction concerning the use of the appliance safely and understand the hazards involved. Do not let children play with the appliance.

Children of less than three years should be kept away unless continuously supervised.

Keep all packaging away from children. Cleaning and user maintenance shall not be done by children without supervision.

**GENERAL SAFETY**

This appliance is intended to be

used in households and similar environments such as shops, offices, and other working environments. The rating plate is located at the side or back of the appliance. Keep ventilation openings clear of obstruction.

Other than those recommended by the manufacturer, do not use mechanical devices or other means to accelerate the defrosting process. The appliance shall not be stored in a room where ignition sources are operating continuously (open flames, working gas appliance, operation electric heater, etc.). Do not pierce or burn. Be aware that refrigerants may not have an odour. Do not use water spray and steam to clean the appliance. Clean the appliance with a moist, soft cloth. Only use neutral detergents. Do not use abrasive products, abrasive cleaning pads, solvents or metal objects. If the power cord is damaged, it must be replaced by the manufacturer, its authorized Service Centre or similarly qualified persons to avoid a hazard.

**SAFETY INSTRUCTIONS**

**WARNING**   
Only a qualified person can install this appliance.

Remove all packaging material. Do not install or use a damaged appliance. The appliance shall be installed, operated and stored in a room with a floor area larger than 12,5 m<sup>2</sup>. Strictly follow the installation instruction supplied with the appliance. Always be careful when you move the appliance because it is heavy. Always wear safety gloves.

Make sure air can circulate around the appliance. Wait at least 4 hours before connecting the appliance to the power outlet. This is to allow the oil to flow back into the compressor. Do not install the appliance close to radiators or other heat sources. Do not install the appliance in direct sunlight.

**ELECTRICAL CONNECTION**

**WARNING**   
Risk of fire and electrical shock.

The appliance must be connected to a grounded outlet. Ensure that the electrical information on the rating label is in accordance with the power supply. If not, contact an electrician. Always use a correctly

installed shockproof socket. Do not use multi-plug adapters and extension cables. Make sure not to cause damage to the electrical components (e.g. plug, cable). Contact the authorized Service Centre or an electrician to change the electrical components. The cable must stay below the level of the plug. Connect the plug to the power socket only at the end of the installation. Make sure that there is access to the plug after the installation. Do not pull the power cable to disconnect the appliance. Always unplug the power cable from the plug only.

**USE**

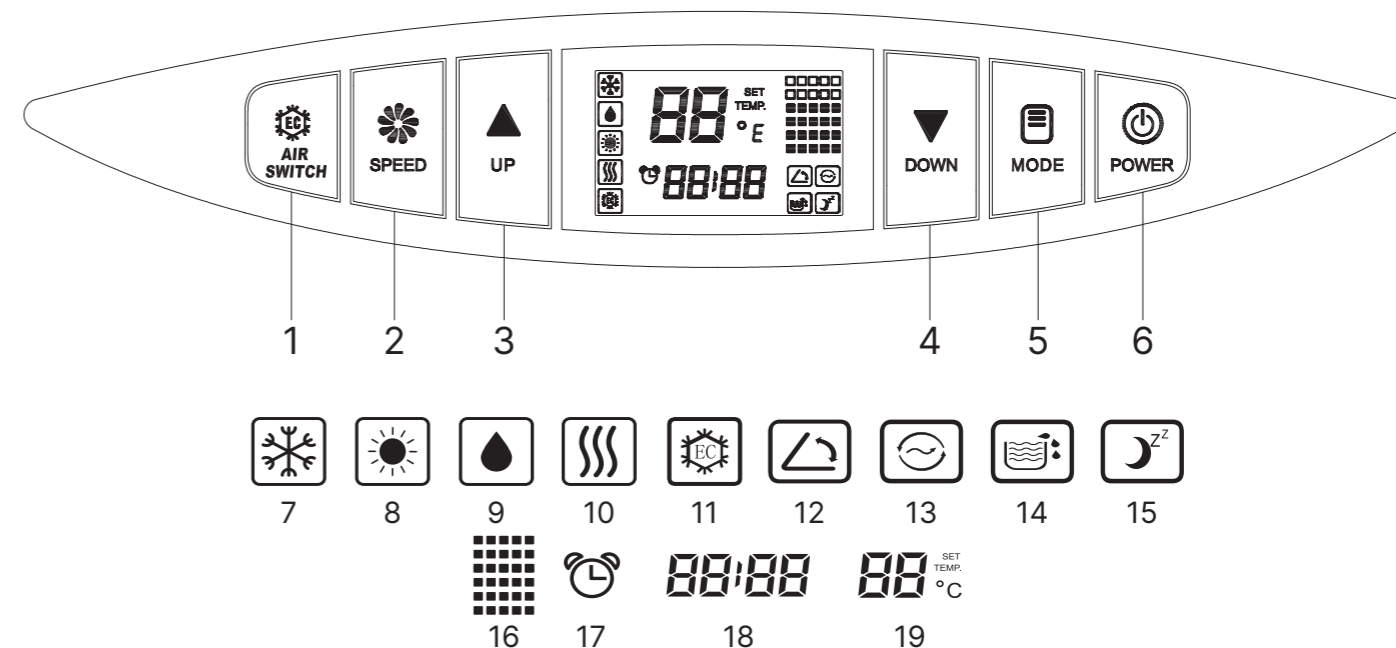
**WARNING**   
Risk of injury, burns, electrical shock or fire.

Do not change the specification of this appliance. Be careful not to cause damage to the refrigerant circuit. It contains propane (R290), a natural gas with a high level of environmental compatibility. This gas is flammable. If damage occurs to the refrigerant circuit, make sure that there are no flames and sources of ignition in the room. Ventilate the room. Do not put flammable products or wet items with flammable products near or on the appliance.

**DISPOSAL**

**WARNING**   
Risk of injury.

Disconnect the appliance from the mains supply. Cut off the mains cable and discard it. The refrigerant circuit of this appliance is ozone-friendly. Contact your local authority for information on how to discard the appliance correctly. Do not cause damage to the part of the cooling unit that is near the heat exchanger.



Thank you for your purchase and trust in Wood's. This manual introduces you to the operating modes of the AC Cortina AirSwitch. In all modes, the air is purified using HEPA technology.

**Cooling Mode:** Cools the room to the desired temperature. The optimal operating ambient temperature for cooling models is 17-35°C.

**Heating Mode:** Heats the room to the desired temperature. The optimal operating ambient temperature for both cooling and heating models is 5-35°C. (Note! This mode is only available on the AC model with Duo/heating function.)

**Dehumidification Mode:** Reduces the humidity in the room.

**Fan Mode:** Circulates and purifies the air in the room without cooling.

**AirSwitch Auto Mode:** Automatically switches between compressor cooling and AirSwitch. When the outdoor temperature is colder than the set temperature, AirSwitch is used to supply cooler and purified outdoor air without the compressor operating - quieter and more energy efficient.

**AirSwitch Mode:** Introduces cooler, purified outdoor air into the room without activating the compressor.

**OPERATING INSTRUCTIONS**

**PRODUCT PARTS (REFER IMAGE A AND B, PAGE 2)**

1. Remote control receiving window
2. Control panel
3. Air outlet
4. HEPA filter
5. Upper filter assembly of back panel
6. Connection for Outdoor temperature

7. Power cord with plug
8. Cable winding brackets
9. Lower filter assembly of back panel
10. Drain cover
11. Filter assembly of side panel
12. Filter assembly of side panel
13. Protective grid
14. Remote control compartment
15. Air inlet
16. Upper indoor connector (Including filter)
17. Air inlet hose (small)
18. Adapter to air inlet hose (small) (Including outdoor temperature sensor)
19. Window kits
20. Round connector of exhaust hose
21. Exhaust hose (big)
22. Adapter to exhaust hose (big)
23. Sealing cloth for air inlet hose

**CONTROL PANEL (REFER ABOVE OR IMAGE C, PAGE 3)**

1. AirSwitch button
2. Fan speed button
3. Up button
4. Down button
5. Mode button
6. Power button
7. Cooling Mode indicator
8. Heating Mode indicator (NOTE! This symbol is only available on the AC model with Duo/heating function.)
9. Dehumidifying Mode indicator

10. Fan mode indicator
11. AirSwitch Mode indicator
12. Auto swing function indicator
13. HEPA filter replaced indicator
14. Water full indicator
15. Sleep mode indicator
16. Fan speed indicator
17. Timer indicator (NOTE! Timer can only be set from the remote control.)
18. Outdoor ambient temperature indicator; Timer time indicator
19. Set temperature indicator. Indoor ambient temperature indicator for fan, dehumidify and AirSwitch modes.
20. Wi-Fi indicator. (NOTE! This symbol is only available on the AC model with Wi-Fi/Smart Home function.)

**WORKING MODES AND CONTROL PANEL FUNCTIONS (REFER IMAGE C, PAGE 3)**

**Power button (6):** Press this key to activate the unit; a melodic sound will play, and the unit will automatically enter cooling mode with a preset temperature of 22°C. The fan will operate at a medium speed. To deactivate the unit, touch this key again, and a melodic sound will signal its shutdown.

1. When the unit is on, the LCD window will show the set temperature in Cooling Mode and Heating Mode (NOTE! The Heating symbol is only available on the AC model with Duo/Heating function) or the ambient temperature in Dehumidifying Mode, Fan Mode, AirSwitch Auto Mode, and AirSwitch Mode. The fan will start running, and the air outlet window will open automatically.

2. All parts stop working when the unit is off, and the air outlet window will close automatically.

**Mode button (5):** Mode button (5): Press

the "Mode" button to cycle through the available modes for confirmation.

- Cooling Mode (7): Cools the room to the set temperature (17–35°C).
- Heating Mode (8): Heats the room to the set temperature (5–35°C). (NOTE! This mode is only available on the AC model with Duo/heating function.)
- Dehumidification Mode (9): Reduces the humidity in the room.
- Fan Mode (10): Circulates and purifies the air in the room without cooling.

NOTE! For AirSwitch Auto Mode and AirSwitch Mode, see separate section for "AirSwitch button (1)".

**Down button (4):** Click to decrease the set temperature or adjust the downwards.

**Up button (3):** Click the button to adjust the set temperature upwards.

NOTE! Press the Down button (4) or Up button (3) over 2 seconds to continuously increase or decrease the temperature number by 0.5-degree intervals. The temperature setting range is 17~30°C.

**Fan speed button (2):** Press the fan speed button to select the fan speed to high, medium, or low speed.

NOTE! The fan speed cannot be adjusted under the Dehumidify and Sleep modes.

**AirSwitch button (1):** Press the AirSwitch button once to enter AirSwitch Auto Mode, indicated by the flashing AirSwitch indicator (11) on the LCD. Press the AirSwitch button again to enter AirSwitch Mode, indicated by the lit but non-flashing AirSwitch indicator (11). Press the AirSwitch button for the third time to exit the AirSwitch function and return to Cooling mode by default.

## DEFINITION OF AIRSWITCH "AUTO" MODE AND AIRSWITCH MODE

**AirSwitch Auto Mode:** While cooling the room in AirSwitch Auto Mode, the unit will automatically alternate between compressor cooling and AirSwitch operation.

When the outdoor temperature is 2°C or lower than the set temperature, the air conditioner automatically transitions from compressor Cooling Mode to the AirSwitch working state, drawing in cooler outdoor air for quieter and more energy-efficient cooling. Once the room temperature reaches the set temperature, the air conditioner enters ventilation operation.

**AirSwitch Mode:** While cooling the room in AirSwitch Mode, the unit automatically switches between the AirSwitch working state and ventilation operation.

When the outdoor temperature is 2°C or lower than the room temperature, the air conditioner automatically transitions from ventilation operation to the AirSwitch working state, ensuring a continually quiet and more energy-efficient operation. Once the room temperature reaches the set

temperature, the air conditioner returns to ventilation operation. Notably, the compressor remains inactive in this mode.

## DISCLAIMER AIR SWITCH AUTO MODE AND AIRSWITCH MODE

The temperature sensor for the AirSwitch is positioned within the hose that brings outdoor air into the unit. Certain circumstances may occasionally impact the accuracy and function of the sensor during Auto Mode.

Factors Affecting Sensor Accuracy:

1. Heating by Room Air: Proximity to warm air sources within the room can influence sensor readings.

2. Plastic Housing: On rare occasions, the plastic housing of the sensor may absorb heat, affecting its performance.

3. External Environmental Elements: Sunlight and Winds: Exposure to direct sunlight or winds transferring heat may impact sensor accuracy. Reflective Surfaces: Nearby walls that reflect or absorb heat can disrupt the automatic function. In such cases, manual mode is recommended.

4. Crossing Air Streams: Wind or airflow may cause temperature variations, especially if the output hose interferes with the input hose.

Recommendations:

1. Manual Mode Usage: In challenging conditions, using the manual mode is advised for precise control.

2. Preventing Sensor Overheating: Avoid exposing the sensor to direct heat to ensure accurate temperature detection.

3. Reflective Surfaces Awareness: Consider activating manual mode if you have reflective surfaces, such as a nearby brick wall, or other potential disturbances.

4. Optimal Operating Time: Consider turning on the AirSwitch in manual mode for consistent performance, especially during bedtime.

## FUNCTIONS WHEN COMBINING BUTTONS (REFER IMAGE C, PAGE 3)

**Sleep function (15):** Initiate or cancel the SLEEP function by simultaneously pressing the AirSwitch button (1) and the Up button (3). Please note that the fan speed is not adjustable in Sleep function.

- If the Sleep function is activated in Cooling Mode, it raises the set temperature by 1°C after 2 hours and then increases it by an additional 1°C after another 2 hours, maintaining operation at this temperature.

- If the Sleep function is activated in Heating Mode (only available on the AC model with Duo/heating function), it lowers the set temperature by 1°C after 2 hours. Then it decreases it by an additional 1°C after another 2 hours, operating at this temperature thereafter. NOTE! Sleep function will be ineffective under Fan

Mode, Dehumidification Mode, AirSwitch Auto Mode, and AirSwitch Mode.

**Auto Swing function (12):** Activate or deactivate Auto-Swing by simultaneously touching the AirSwitch button (1) and the Fan speed button (2).

## OTHER CONTROL PANEL FUNCTIONS (REFER IMAGE C, PAGE 3)

**HEPA filter replaced indicator (13):** When the air conditioner operates for more than 500 hours, the corresponding icon will appear on the LCD, indicating that the HEPA filter requires replacement. To reset the timer and remove the icon, press, and hold the fan speed button for 6 seconds. This action will cancel the icon display and restart the time calculation. See replaceable HEPA filter section for information how to change your filter.

**Outdoor ambient temperature indicator and Time of timer indicator (18):** The outdoor ambient temperature is shown during regular operation. When the unit's timing function is activated, the outdoor temperature and timer duration will alternate on the display.

Please note: A fault code will be displayed in the event of an outdoor temperature sensor failure or issues with the damper on the rear side of the unit opening or closing.

## WIFI FUNCTION (20)

(Only applicable to the AC model with WiFi/Smart Home functionality.)



1. Download the Wood's Connect app from App Store or Google Play.

2. Register and follow the instructions. Accept all steps. (Carefully read the Privacy Policy and if you approve the agreements, tap the agree bottom to continue.)

3. Open Wood's Connect app and on the home screen, press "add device".

4. To enter pairing mode press and hold the AirSwitch button on the unit for 5 seconds to see that the Wi-Fi icon on the display will flash rapidly.

5. When you discover the device on the screen press add. You can also choose the model manually.

6. Fill in your Wi-Fi settings and password and press next.

7. Press + to add the unit.

8. Wait until the unit is added, then press done.

To disconnect the Wi-Fi function, press the AirSwitch button on the unit for 5 seconds.

## REMOTE CONTROL OPERATION MODES (REFER IMAGE D, PAGE 3)

**Power (1):** Press this button to start the unit when it is energized or stop the unit when it is in operation.

**Mode button (2):** Press this button to select operation mode.

**AirSwitch button (3):** Press this button to set or cancel AirSwitch mode.

1. Press the AirSwitch button once to enter AirSwitch Auto Mode, indicated by the flashing "ENERGY SAVER" symbol on the LCD display.

2. Press the AirSwitch button again to enter AirSwitch Mode. The "ENERGY SAVER" symbol will be illuminated but not flashing.

3. Press the AirSwitch button for the third time to exit the AirSwitch function and return to Cooling Mode by default.

**Up button (4):** Press the up button to increase the room temperature and timer setting.

**Down button (5):** Press the down button to decrease the room temperature and timer setting.

**Fan button (6):** Press this button to select fan speed in sequence: Low, Medium, High.

**Auto Swing button (7):** Press this button to turn on or turn off auto-swing function.

**Sleep button (8):** Press this button to select or cancel sleep mode (only effective under cooling or heating operation)

**Timer button (9):** Set AUTO-ON function in stand by state and AUTO-OFF when the unit is operating. The Time can be adjusted between 1-24 hours. To turn off the timer, press the timer button and set the timer on "0".

Before using the remote control, install the AAA batteries following these steps: (REFER IMAGE D, PAGE 3)

1. Slide and gently remove the battery cover located on the back of the remote control.

2. Insert two new alkaline AAA batteries into the designated battery compartment, ensuring correct polarity.

3. Reattach the battery cover, ensuring the locking tab securely clicks into place.

NOTE!

- Use alkaline batteries only. Do not use rechargeable batteries.

- Always replace both batteries with new ones; do not mix old and new ones.

- Remove the batteries from the remote control if the air conditioner will not be used for an extended period.

## REMOTE CONTROL STORAGE (REFER IMAGE E, PAGE 3)

1. Insert the remote control into a built-in compartment on the left side of the unit and push it gently for closure.

2. Press the lower part of the built-in compartment gently to open it and take out the remote control.

NOTE! To avoid losing the remote control, please put it inside the storage place when you are not using it.

WARNING: In the event of battery leakage onto your skin or clothing, promptly wash the affected area thoroughly with clean water. Refrain from using the remote control if there is any evidence of battery leakage. In the case of ingesting battery liquid, immediately seek medical attention. The chemicals present in batteries can pose risks such as burns and other health hazards.

## INSTALLATION

### BEFORE FIRST USE

Allow the unit to stand upright for 4 hours before operation.

This Air Conditioner is designed for convenient indoor relocation. Ensure the unit remains upright while moving. Place the Air Conditioner on a flat surface. Do not install or operate this air conditioner in bathrooms or other wet environments.

### INSTALL HEPA FILTER (REFER IMAGE F, PAGE 3)

1. Lift the HEPA filter package upward.

2. Remove the packaging bag from the HEPA filter. (NOTE! The removed packaging bag must be placed away from children)

3. Install the HEPA filter by aligning it with the screen frame slot and pressing it firmly into it. The HEPA-filter should be pressed down to the bottom.

This Wood's H11 HEPA filter serves a role in air purification. It effectively captures and removes particles such as dust, pollen, mould spores, bacteria, and even small smoke particles from the air, ensuring a cleaner and healthier indoor environment.

NOTE! Change the HEPA filter at least once a year. Register at warranty-woods.com and change the HEPA filter once a year for 6 years warranty. Only valid with a Wood's branded filter. See woods.se for retailers. SAVE YOUR RECEIPTS!

### IMPORTANT INFORMATION BEFORE INSTALLING AIR HOSES

During operation, maintain the hoses as short and with as few bends as possible to minimize pressure drop and capacity loss. The exhaust hose must remain smooth to prevent overheating and potential damage to the air conditioner. The hoses have a length of 280 mm-1500 mm. Avoid

extending the hoses or replacing it with a different hose, which may affect the operation.

### INSTALLATION OF EXHAUST HOSE ASSEMBLY AND ITS ADAPTER. (REFER IMAGE G AND H, PAGE 4)

1. Remove the plastic bag by extracting the exhaust hose (big), its connector, and adapter from the packaging.

2. Extend one end of the exhaust hose and attach the round connector by turning it in an anticlockwise direction for a minimum of three rotations.

3. Extend the other end of the exhaust hose and affix the adapter by turning it in an anticlockwise direction for at least three rotations.

4. Place the front end of the exhaust hose assembly onto the designated notch of the exhaust air outlet located on the back panel. The fasteners will securely lock the exhaust hose assembly in place.

5. Install the air exhaust hose onto the unit.

NOTE! Ensure the correct orientation of the slanted side of the adapter for easy installation of the window-seal plate. Maintain a secure and well-positioned connection of the exhaust hose.

### INSTALL THE AIR INLET HOSE (REFER IMAGE I, J, K, PAGE 4)

1. Remove the plastic bag by extracting the air inlet hose (the smaller one), its connector, and adapter from the packaging.

2. Extend one end of the air inlet hose and connect it to the connector containing a sensor by rotating it counterclockwise for a minimum of three rotations.

3. Place the sealing cloth around the air inlet hose, ensuring the temperature sensing wire is also enclosed within the sealing cloth. Extend the other end of the air inlet hose and connect it to the connector by rotating it counterclockwise (three rotations). Finally, extend the sealing cloth to cover the round connector.

4. Install the air inlet hose onto the unit, ensuring the arrow "IN" points downwards.

### FIXED TEMPERATURE SENSING LINE (REFER IMAGE L, PAGE 4)

Insert the temperature sensing wire connector into the connector of the unit. There is a white mark dot on the connector. When plugging, the two white dots should be aligned with each other, and then tighten the plug clockwise.

It should hang freely in the air.

NOTE! The voltage of the temperature sensing wire connector is a safe voltage, not greater than DC 5V.

### INSTALLATION OF WINDOW SEAL-PLATE (REFER IMAGE M, N, O, PAGE 5)

1. Install the rectangle end of hoses assembly into the corresponding rectangle holes in window seal-plate assembly, fix it with a screw.

#### NOTE!

- Slide the adapters downwards, ensuring it is securely installed.
- Confirm that the slanted panel direction aligns with the seal-plate direction.
- Make sure the hoses are as straight as possible to ensure adequate ventilation.

2. Open the window halfway and insert the seal plate into the window, positioning it either vertically or horizontally. For vertical installation, place the exhaust hose at the top so that the warm outgoing air does not interfere with the sensor on the air intake hose.

3. Extend the seal plate parts and adjust them to match the length of the window. Ensure both ends meet the window edges and secure it in place using screws.

NOTE! Confirm that both ends of the window-seal plate meet the window edges effectively for a proper seal.

Ensure the screws are tightened securely in the correct position.

4. Adjust the position of the outdoor temperature sensing head and lower the adjustment rod to the lower part of the wall step under the window.

NOTE! The sensor should hang freely in the air and as far as possible from the warm air of the exhaust hose.

5. Move the unit with the hoses mounted in front of window and keep the unit at least 50 cm away from the walls or other objects.

#### ENERGIZE THE UNIT

To power the unit, plug it in. All icons in the LCD window will illuminate for 2 seconds accompanied by a brief reminder sound. Following this, the LCD window will show the indoor ambient temperature within the range of 5°C to 35°C and the outdoor ambient temperature within the range of -9°C to 65°C. The unit will then be in standby mode and ready for operation.

*The unit is now ready for use!*

#### MAINTENANCE

NOTE! Turn off the unit and pull out the plug before maintenance.

#### DRAINAGE INSTRUCTION (REFER IMAGE P, PAGE 5)

Most of the water will be led out naturally through the exhaust hose with the hot air. If you need to empty the tank the unit will notify you. (REFER IMAGE C, PAGE 3, nr 14)

To empty the water tank: Unscrew the drain cover and unplug the water plug to allow the water to flow into the tray. NOTE: Exercise caution to prevent leakage if the unit needs to be moved. Tilt the unit slightly

backwards during draining. If the tray cannot contain all the water from the unit, promptly block the drain hole to prevent water leakage and avoid wetting the floor or carpet. Ensure the water plug and drain cover are tightly installed to prevent new condensed water from wetting the floor or carpet when the unit restarts.

Connecting a water hose for continuous drainage: Unscrew the drain cover and remove the water plug. Attach a 12 mm inner diameter water hose to the pipe on the unit. (Water hose not included). Lead the other end of the water hose to a drain. Make sure that the water can be drained downwards. NOTE: A drain hose must be installed when there is no water in the tray. It is recommended not to use continuous drainage when the unit is in Cooling mode to ensure sufficient water is recycled within the unit to enhance the cooling effects of the system. Place the drain hose in an inaccessible location, ensuring it is not positioned higher than the drainage hole, and keep the drain hose straight without any bends. Ensure the drain cover and its stopper are properly secured when continuous drainage is utilized.

#### MULTIPLE PROTECTION FUNCTIONS

Automatic defrost: The unit will automatically defrost when needed. In defrost mode, the display shows E4 and no buttons except the POWER button are active.

Compressor protection: The unit has a compressor protection function causing a 3-minute start delay after the unit is restarted.

Water-full safety alarm and shut-off protection function: When the water volume surpasses the designated alarm level within the unit's chassis, an automatic warning alert is triggered, accompanied by the illumination of the water-full icon on the LCD. In this event, it is necessary to drain the condensed water following the instructions provided in the "Drainage Instruction" section. If the unit is not manually shut down, it will automatically return to its original operating status once the condensed water is completely drained. Alternatively, reconnect the power to restart the unit.

#### SURFACE CLEANING

- Clean the unit surface with a wet, soft cloth, and do not use chemical solvents such as alcohol and gasoline to avoid any damage.
- Clean the dirty air outlet or louvres with a damp soft cloth and mild detergent.
- Any chemical solvent is prohibited from being used for unit cleaning or putting such things near the unit for a long time.
- Any thinner, alcohol-glazer or similar solvents are prohibited for unit cleaning.

#### WASHABLE FILTER CLEANING (REFER IMAGE Q, PAGE 5)

It is essential to clean the filter once every two weeks to prevent the unit's performance from being impacted by dust accumulation. Immerse and wash the filter gently in warm water (approximately 40°C) mixed with a neutral cleaner. After cleaning, reinstall it back onto the unit.

Clean the filter of the air inlet hose (A): Lift up the connector, then remove the filter frame in the connector and clean it.

Clean the left and right upper intake air filter frames (B): Pull the left and right upper intake air filter frames towards their respective sides. Clean the frame thoroughly.

Clean the lower filters (C): Pull out the lower filters, then remove the rear filter and clean it.

Clean the side filters (D): Pull out the side filters, then and clean them.

NOTE! Gently pull out the filter, prioritizing the removal of the back panel filter before the side panel filter to prevent any twisting or damage. Exercise caution not to squash the mesh and avoid hitting the mesh with sharp objects or brushes.

NOTE! Ensure that the filter is installed on the side panel before installing the filter on the back panel.

Install the filter in the opposite direction of removal.

#### REPLACEABLE HEPA-FILTER (REFER IMAGE F, PAGE 3)

This unit purifies the air with HEPA technology. The filter must be changed regularly and at least once a year.

1. Lift the HEPA filter upward.
2. Install the HEPA filter, align it with the screen frame slot, and press it down into the screen frame. The HEPA filter needs to be pressed to the bottom.

NOTE! Ensure to use a Wood's original HEPA filter to maintain warranty coverage. Visit woods.se for more information and to locate retailers.

#### END-OF-SEASON STORAGE

1. Unscrew the drain cover and remove the water plug to drain the condensed water completely. NOTE: The tilt angle of the unit must be  $\leq 30$  degrees.
2. Operate the unit in fan mode for half a day to thoroughly dry the interior and prevent mould growth.
3. Turn off the unit, unplug it, wrap the power cord around the wire-winding pillar, insert the plug into the universal fixing hole at the back panel, and reinstall the water stopper and drain cover.
4. Remove the heat exhaust hose assembly, clean it, and store it properly. NOTE: Hold the exhaust hose assembly with both hands when removing.
5. Push aside the fasteners on the exhaust air outlet using your thumbs, then pull out

the exhaust hose assembly.

6. Pack the air conditioner securely in a soft plastic bag, place it in a dry location with appropriate dust-proof measures, and keep it out of reach of children.

7. Remove the batteries from the remote control and store them properly.

NOTE: Ensure the unit is stored in a dry environment. Safeguard all unit accessories collectively to prevent damage or deterioration.

#### GUARANTEES

Two years guarantee against faults in manufacturing. Please note that the guarantee is only valid upon a purchase receipt's presentation. SAVE YOUR RECEIPTS! Receipts will be required for any warranty claim during the period.

#### GET EXTENDED WARRANTY

Get a 6-year Warranty by Registering at warranty-woods.com. Ensure the longevity of your guarantee by replacing the Woods original HEPA filter annually. Please note that the warranty is valid under specific conditions: timely product registration within 90 days, annual HEPA filter replacement, and the retention of receipts for both filters and the unit. SAVE YOUR RECEIPTS! All receipts will be required for any warranty claim during the period.



**TROUBLE SHOOTING**

Please check the unit and follow the suggestions below before requesting professional service. However, never attempt to dismantle or repair the unit yourself, as it may cause harm to you and your property. If problems not listed in the table occur or recommended solutions do not work, please contact a professional service organization.

TROUBLE	CAUSE	REMEDY
The unit fails to start up.	Power supply failure.	Connect the unit to a live socket and turn it on.
	Water tank full with corresponding illuminated icon.	Drain the water stored in the unit.
	The room temperature is lower than the set temperature in Cooling Mode or higher temperature in Heating Mode.	Ensure the unit operates within the recommended temperature range of 8-35°C. Adjust the set temperature.
Insufficient cooling.	There is direct sunlight.	Close the window curtain.
	The doors and windows are open, the room is crowded or there are other heat sources.	Close doors and windows, remove other heat sources and consider adding additional air conditioners.
	Dirty filter.	Clean or replace the filter mesh.
	Air inlet or air outlet clogged.	Remove any obstructions.
High noise level.	The unit is being placed at uneven surface.	Put the unit at a flat and firm place (may reduce noise)
The compressor does not work.	Initiation of overheat protection.	Wait until the temperature decreases, the unit will restart automatically
The remote control does not work.	Distance between unit and remote control too long.	Bring the remote control close to the air-conditioner and ensure air at signal receptor on unit.
	Remote control not aimed at signal receptor on unit.	
	Batteries depleted.	Replace the batteries
"CH01" code displays.	Room temperature sensor failure.	Check the room temperature sensor and related circuits.
"CH02" code displays.	Evaporator temperature sensor failure.	Check the evaporator temperature sensor and circuits.
"E4" code displays.	Anti-freeze protection.	Functions will restore automatically once anti-freeze protection is over.
"E5" code displays.	Outdoor temperature sensor failure.	Check the outdoor temperature sensor and related circuits.
		Verify whether the outdoor temperature sensor cable interface is plugged in properly.
"E6" code displays.	Door opening failure.	Check if the air switch damper is fully open in Cooling Mode and inspect related circuits.
"E7" code displays.	Door closing failure.	In AirSwitch mode, ensure that the damper meets the closing conditions and that the air switch damper is fully closed; inspect related circuits.
"FL" code displays.	Water tank in chassis is full.	Drain the condensate and re-start the unit.

**TECHNICAL SPECIFICATIONS**

WOOD'S MODEL NO.	AC CORTINA 12K AIRSWITCH	AC COTINA 12K AIRSWITCH SMART HOME DUO A+
Cooling capacity	3,520 W	3,500 W
Heating capacity	N/A	2,900 W
Power consumption (Cooling)	1,350 W	1,120W
Power consumption (Heating)	N/A	960 W
Power consumption (AirSwitch Mode)	56W	32W
Airflow	220-320 (m³/h)	220-320 (m³/h)
Energy class	A	A+
Dehumidification	33,6 L / 24h	33,6 L / 24h
Temperature setting	17-30°C	17-30°C
Working temperature	17-43°C	5-43°C
EER in cooling mode	2,6	3,1
EER in AirSwitch mode	5	8
Hose lengths	1,5 m	1,5 m
Refrigerant gas	R290/260g	R290/250g
Sound level in Cooling mode (LWA) (dB(A))	60-64 dB	60-64 dB
Sound level in Cooling mode (LPA) (dB(A))	49-52 dB	49-52 dB
Sound level in AirSwitch mode (LWA)(dB(A))	49,5-51 dB	49,5-51 dB
Sound level in AirSwitch mode (LPA) (dB(A))	35-38 dB	35-38 dB
Net Weight	30kg	31kg
Device Dimensions (H×W×D)	850×471×400mm	850×471×400mm

**Technical changes and improvements may occur. All values are approximate and may vary depending on external circumstances such as temperature, ventilation and humidity.**



This marking indicates that this product should not be disposed with other household wastes throughout the UK and the EU. To prevent possible harm to the environment or human health from uncontrolled waste disposal, recycle it responsibly to promote the sustainable reuse of material resources. To return your us device, please use the return and collection systems or contact the retailer where the product was purchased. They can take this product for environmental safe recycling.



Used batteries must not be disposed of through household garbage, since they might contain toxic elements and heavy metals that can be harmful to the environment and human health. Return empty batteries to an appropriate recycling facility.

**BRÄNNBART ÄMNE.**

Denna maskin innehåller R290/Propan – ett brännbart köldmedium.



Se bruksanvisning.



Läs serviceinstruktion.



Läs bruksanvisning.

**SÄKERHETSINFORMATION**

Läs den medföljande bruksanvisningen noggrant innan installation och användning av produkten. Tillverkaren är ej ansvarig för person- och egendomsskador som uppstår på grund av felaktig installation eller användning. Spara bruksanvisningen för framtida behov.

**SÄKERHET FÖR BARN OCH FUNKTIONSNEDSATTA****VARNING ⚠**

Risk för skador och permanent invaliditet.

Denna produkt kan användas av barn från 8 års ålder och uppåt och av personer med nedsatt fysisk, sensorisk eller mental förmåga samt personer med bristande erfarenhet och kunskap, om de övervakas eller instrueras beträffande hur produkten används på ett säkert sätt och förstår de risker som är förknippade med användningen. Låt inte barn leka med produkten.

Barn under 3 år ska inte vistas i närheten av produkten utan ständig uppsikt.

Håll förpackningsmaterial utom räckhåll för barn. Rengöring och användarunderhåll ska inte utföras av barn utan tillsyn.

**ALLMÄN SÄKERHET**

Denna apparat är avsedd att användas i hushåll och liknande miljöer såsom butiker, kontor och andra arbetsmiljöer. Typskylten är placerad på apparatens sida eller baksida. Håll ventilationsöppningarna fria från hinder.

Använd ej andra metoder för avfrostning eller rengöring än de som rekommenderas av tillverkaren. Produkten ska inte förvaras i ett rum där kontinuerligt använda tändkällor finns (till exempel; öppen eld, gasvärmare eller elektriska värmare). Kylkretsen får ej punkteras eller utsättas för öppen låga. Köldmediet kan vara luktlöst. Spraya inte vatten eller ånga på produkten för att rengöra den. Använd en fuktad mjuk trasa vid rengöring tillsammans med rengöringsmedel. Undvik att använda slipande medel eller metallföremål. Om nätsladden är skadad måste den bytas av tillverkaren eller, en av tillverkaren auktoriserad verkstad eller liknande kvalificerad person för att undvika framkallande av fara.

**SÄKERHETSINSTRUKTIONER****VARNING ⚠**

Endast kvalificerade personer får installera denna produkt.

Avlägsna allt förpackningsmaterial. Installera eller använd inte en skadad produkt. Produkten ska installeras, användas och förvaras i ett rum med en golvyta större än 12,5 m<sup>2</sup>. Följ den bifogade installationsanvisningen noga. Iakttag alltid försiktighet om produkten ska flyttas eftersom den är tung. Använd alltid skyddshandskar.

Se till att luft kan cirkulera runt produkten. Vänta minst 4 timmar innan produkten ansluts till nätspanning i syfte att låta kompressorns smörjmedel rinna tillbaka till kompressorn. Installera inte produkten i närheten av radiatorer eller andra värmekällor. Installera inte produkten i direkt solljus.

**ELEKTRISK ANSLUTNING****VARNING ⚠**

Risk för brand och elektriska stötar.

Produkten måste anslutas till ett jordat eluttag. Kontrollera att märkskyltens elektriska information överensstämmer med nätspänningskällan. Om så inte är fallet, kontakta en elektriker. Använd

alltid ett korrekt installerat stötsäkert och jordat eluttag. Använd inte grenuttag eller förlängningsladdar. Vid skadad anslutningsladd (t.ex. stickpropp eller nätsladd) kontakta en av tillverkaren auktoriserad verkstad eller en elektriker om en elektrisk komponent behöver bytas. Nätsladden ska befinna sig nedanför stickproppen efter installation. Anslut nätsladden sist i installationen. Tillse att nätsladdens stickpropp är åtkomlig efter installationen. Dra inte i nätsladden för att koppla loss produkten från eluttaget. Drag alltid i stickproppen.

**ANVÄNDNING****VARNING ⚠**

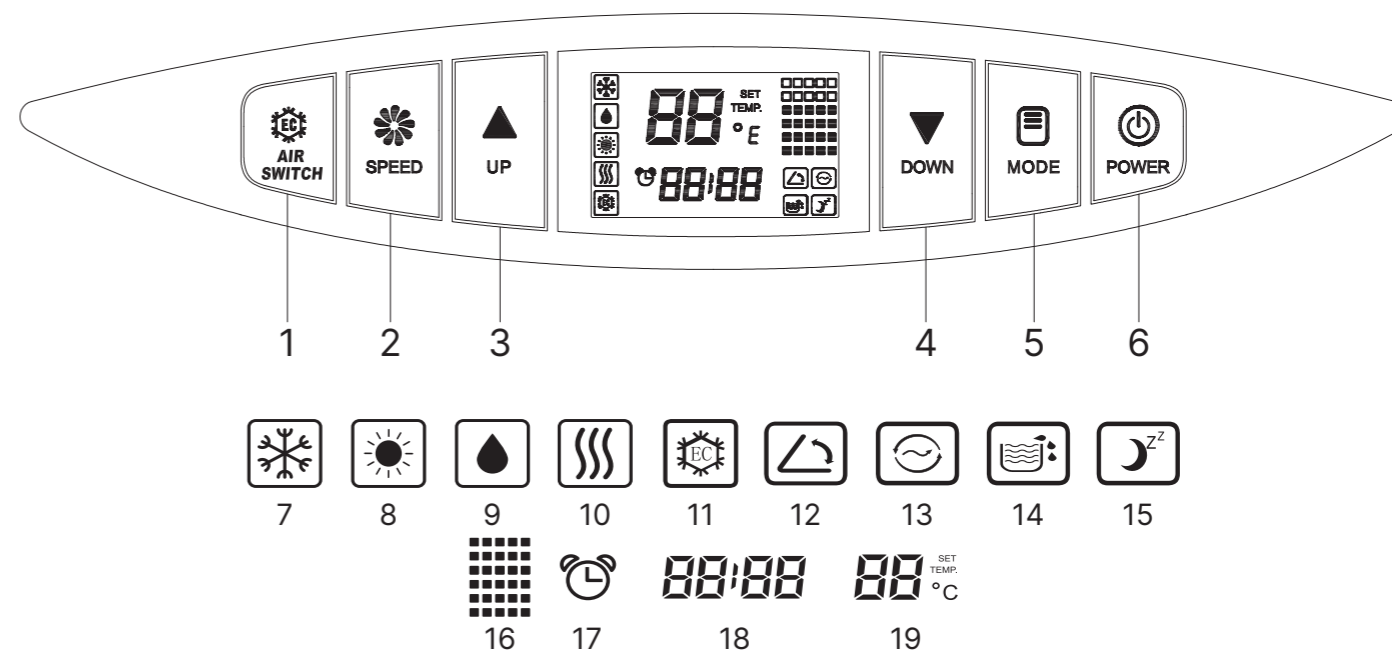
Risk för personskador, elektriska stötar eller brand.

Risk för personskador, elektriska stötar eller brand. Produktens specifikation får inte ändras. Iakttag försiktighet för att inte skada produkten kylkrets. Produkten innehåller propan (R290), ett naturligt köldmedel med låg miljöpåverkan. Köldmediegasen är brandfarlig. Om kylkretsen skadas tillse att öppen låga eller andra tändkällor inte finns i rummet. Vädra utrymmet. Placera inte brännbara ämnen eller föremål dränkta i brännbara ämnen i närheten av, eller på produkten.

**AVYTTRING****VARNING ⚠**

Risk för skador.

Koppla loss produkten från eluttaget. Klipp av nätsladden nära produkten och kassera den. Köldmediet i kylkretsen på denna produkt är miljövänligt. Kontakta de lokala myndigheterna för information angående korrekt avyttring av produkten. Skada inte kylenheten närmast förångaren då kylmedia kan läcka ut.



Tack för ditt köp och förtroende för Wood's. Denna manual introducerar dig till driftlägena för AC Cortina AirSwitch. I alla lägen renas luften med HEPA-teknik.

**Kylningsläge:** Kylar rummet till önskad temperatur. Den optimala omgivningstemperaturen vid kylning är 17–35°C.

**Uppvärmningsläge:** Värmer upp rummet till önskad temperatur. Den optimala omgivningstemperaturen för både kyl- och värmemodellerna är 5–35°C. (Obs! Detta läge är endast tillgängligt på AC-modellen med Duo/värmefunktion).

**Avfuktningläge:** Minskar luftfuktigheten i rummet.

**Fläktläge:** Cirkulerar och renar luften i rummet utan kylning.

**AirSwitch Auto-läge:** Växlar automatiskt mellan kompressor kylning och AirSwitch. När utomhustemperaturen är kallare än den inställda temperaturen används AirSwitch för att tillföra svalare och renad utomhusluft utan att kompressorn arbetar – tystare och mer energieffektivt.

**AirSwitch-läge:** För in svalare, renad utomhusluft i rummet utan att aktivera kompressorn.

**BRUKSANVISNING****PRODUKTDELAR (SE BILD A OCH B, SIDAN 2)**

1. Mottagare av fjärrkontroll
2. Kontrollpanel (LCD)
3. Svängbart luftutblås
4. HEPA-filtrer
5. Övre filter
6. Anslutning för kabel till givare för utomhustemperatur

7. Nätkabel med stickpropp
8. Fästen för kabelupprullning
9. Nedre filter
10. Avloppslock
11. Sidopanelfilter
12. Sidopanelfilter
13. Skyddande nät
14. Fack för fjärrkontroll
15. Luftintag
16. Övre inomhusanslutning (inklusive filter)
17. Luftintagsslang (liten)
18. Adapter till luftintagsslang (liten) (Inklusive utomhustemperaturgivare)
19. Fönsteranslutning
20. Rund anslutning för frånluftsslang
21. Frånluftsslang (stor)
22. Adapter till frånluftsslang (stor)
23. Tätningsduk för luftintagsslang

**KONTROLLPANEL (SE OVAN ELLER BILD C, SIDAN 3)**

1. Knapp för AirSwitch
2. Knapp för fläkthastighet
3. Upp-knapp
4. Ned-knapp
5. Knapp för val av läge
6. PÅ/AV-knapp
7. Indikator för kylningsläge
8. Indikator för värmeläge (OBS! Denna symbol är endast tillgänglig på AC-modellen med Duo/värmefunktion).
9. Indikator för avfuktningläge
10. Indikator för fläktläge

11. Indikator för AirSwitch-läge
12. Indikator för automatisk svängfunktion
13. Indikator för byte av HEPA-filtrer
14. Indikator för fullt vatten
15. Indikator för viloläge
16. Indikator för fläkthastighet
17. Timerindikator (OBS! Timer kan endast ställas in från fjärrkontrollen.)
18. Indikator för utomhustemperatur; indikator för timertid
19. Indikator för inställd temperatur plus indikator för omgivningstemperatur inomhus för lägena fläkt, avfuktning och AirSwitch.
20. Wi-Fi-indikator. (OBS! Denna symbol är endast tillgänglig på AC-modellen med Wi-Fi/Smart Home-funktion).

**ARBETSLÄGEN OCH MANÖVERPANELENS FUNKTIONER (SE BILD C, SIDAN 3)**

**På/Av-knapp (6):** Tryck på denna knapp för att aktivera enheten; ett melodiskt ljud spelas upp och enheten går automatiskt in i kylsläge med en förinställd temperatur på 22°C. Fläkten arbetar med medelhög hastighet. För att stänga av enheten, tryck på denna knapp igen, och ett melodiskt ljud kommer att signalera att enheten stängs av.

1. När enheten är påslagen visar LCD-fönstret den inställda temperaturen i kylsläge och värmeläge (OBS! Symbolen värme finns endast på AC-modellen med Duo/värme-funktion) eller omgivningstemperaturen i avfuktningläge, fläktläge, AirSwitch Auto läge och AirSwitch läge. Fläkten börjar gå och luftutloppsflödet öppnas automatiskt.
2. Alla delar slutar fungera när enheten är avstängd, och luftutloppsflödet stängs automatiskt.





### FAST TEMPERATURAVKÄNNINGSLEDNING (SE BILD L, SIDAN 4)

Sätt i kontakten för temperaturavkänningskabeln i enhetens kontakt. Det finns en vit markeringspunkt på kontakten. När du sätter i kontakten ska de två vita punkterna vara i linje med varandra, och dra sedan åt kontakten medurs.

Den ska hänga fritt i luften.

OBS! Spänningen i kontakten för temperaturavkänningskabeln är en säker spänning, DC 5V.

### INSTALLATION AV FÖNSTRETS TÄTNINGSPLATTA (SE BILD M, N, O, SIDAN 5)

1. Montera slangarnas rektangulära ändrar i motsvarande rektangulära hål i fönstrets tätningsplatta och fäst dem med en skruv.

OBS!

- Skjut adaptorn nedåt och se till att den sitter ordentligt på plats.

- Kontrollera att den snedställda panelens riktning stämmer överens med tätningsplattans riktning.

- Se till att slangarna är så raka som möjligt för att säkerställa tillräcklig ventilation.

2. Öppna fönstret halvvägs och sätt in tätningsplåten i fönstret, antingen vertikalt eller horisontellt. Vid vertikal montering ska utblåsningsslangen placeras högst upp så att den varma utblåsningssluten inte stör sensorn på lufttagsslangen.

3. Förläng tätningsplattans delar och anpassa dem till fönstrets längd. Se till att båda ändarna möter fönsterkanterna och fäst dem med skruvar.

OBS! Kontrollera att fönstertätningsplattans båda ändrar ligger an mot fönstrets kanter så att tätningen blir korrekt.

Se till att skruvarna är ordentligt åtdragna i rätt läge.

4. Justera positionen för utomhustemperaturens avkänningshuvud och sänk ned justeringsstången till den nedre delen av väggsteget under fönstret.

OBS! Givaren skall hänga fritt i luften och så långt som möjligt från den varma luften i frånluftsslangen.

5. Flytta enheten med slangarna monterade framför fönstret och håll enheten på minst 50 cm avstånd från väggar eller andra föremål.

### ANSLUTA ENHETEN

Anslut enheten till elnätet. Alla ikoner i LCD-fönstret tänds i 2 sekunder tillsammans med ett kort påminnelsejud. Därefter visar LCD-fönstret omgivningstemperaturen inomhus inom intervallet 5°C till 35°C och omgivningstemperaturen utomhus inom

intervallet -9°C till 65°C. Enheten är nu i standby-läge och klar för drift.

*Enheten är nu klar för användning!*

### DRÄNERINGSINSTRUKTION (SE BILD P, SIDAN 5)

Det mesta av vattnet leds naturligt ut genom frånluftsslangen med den varma luften. Om du behöver tömma tanken kommer enheten att meddela dig. (SE BILD C, SIDA 3, nr 14)

För att tömma vattentanken: Skruva loss avtappningslocket och dra ur vattenpluggen så att vattnet kan rinna ner i tråget. OBS: Var försiktig för att förhindra läckage om enheten behöver flyttas. Luta enheten något bakåt under tömningen. Om inte allt vatten får plats i tråget, blockera omedelbart dräneringshålet för att förhindra vattenläckage och undvika att väta golvet eller mattan. Se till att vattenpluggen och dräneringslocket är ordentligt installerade för att förhindra att nytt kondensvatten blöter ner golvet eller mattan när enheten startas om.

Anslut en vattenslang för kontinuerlig dränering: Skruva loss dräneringslocket och ta bort vattenpluggen. Anslut en vattenslang med 12 mm innerdiameter till röret på enheten. (Vattenslang ingår ej). Led den andra änden av vattenslangen till ett avlopp. Se till att vattnet kan dräneras nedåt. OBS! En dräneringsslang måste installeras när det inte finns något vatten i tråget. Det rekommenderas att inte använda kontinuerlig dränering när enheten är i kylningsläge för att säkerställa att tillräckligt med vatten återvinns i enheten för att förbättra systemets kyleffekter. Placera dräneringsslangens på en otillgänglig plats, se till att den inte är placerad högre än dräneringshålet och håll dräneringsslangens rak utan några böjar. Se till att dräneringslocket och dess propp är ordentligt fastsatta när kontinuerlig dränering används.

### FLERA SKYDDSFUNKTIONER

Automatisk avfrostning: Enheten avfrostar automatiskt vid behov. I avfrostningsläge visar displayen E4 och inga knappar förutom På/Av-knappen är aktiva.

Kompressorskydd: Enheten har en kompressorskyddsfunktion som orsakar en 3-minuters startfördröjning efter att enheten har startats om.

Säkerhetslarm för vattenfyllning och avstängningskydd: När vattenvolymen överskrider den angivna larmnivån i enhetens chassi utlöses en automatisk varning och ikonen för fullt vatten tänds på LCD-skärmen. I detta fall är det nödvändigt att tömma ut kondensvattnet enligt anvisningarna i avsnittet "Tömningsanvisningar". Om enheten inte stängs av manuellt återgår den automatiskt till sin ursprungliga driftstatus när kondensvattnet har tömts helt. Alternativt kan du återansluta strömmen för att starta om enheten.

### UNDERHÅLL

OBS! Stäng av enheten och dra ut stickkontakten före underhåll.

### RENGÖRING AV YTOR

- Rengör enhetens yta med en våt, mjuk trasa och använd inte kemiska lösningsmedel som alkohol eller bensin för att undvika skador.

- Rengör det smutsiga luftutsläppet eller lamellerna med en fuktig mjuk trasa och mildt rengöringsmedel.

- Det är förbjudet att använda kemiska lösningsmedel för rengöring av enheten eller att placera sådana saker i närheten av enheten under en längre tid.

- Förtunningsmedel, alkohol eller liknande lösningsmedel får inte användas för rengöring av enheten.

### RENGÖRING AV TVÄTTBARA FILTER (SE BILD Q, SIDAN 5)

Det är viktigt att rengöra alla filter en gång varannan vecka för att förhindra att enhetens prestanda påverkas av damm. Sänk ned och tvätta filtret försiktigt i varmt vatten (ca 40°C) blandat med ett neutralt rengöringsmedel. Sätt tillbaka filtren på enheten efter rengöringen.

Rengör filtret på luftintagsslangen (A): Lyft upp anslutningen, ta sedan bort filterramen i anslutningen och rengör den.

Rengör vänster och höger övre insugsluftfilter (B): Dra vänster och höger övre insugsluftfilterram mot respektive sida. Rengör ramen noggrant.

Rengör de nedre filtren (C): Dra ut de nedre filtren, ta sedan bort det bakre filtret och rengör det.

Rengör sidofiltren (D): Dra ut sidofiltren och rengör dem.

OBS! Dra försiktigt ut filtret och prioritera borttagningen av bakpanelsfiltret före sidopanelsfiltret för att förhindra vridning eller skador. Var försiktig så att du inte klämmer sönder nätet och undvik att träffa nätet med vassa föremål eller borstar.

OBS! Kontrollera att filtret är monterat på sidopanelen innan filtret monteras på bakpanelen.

Montera filtret i motsatt riktning mot demonteringen.

### UTBYTBART HEPA-FILTER (SE BILD F, SIDAN 3)

Denna enhet renar luften med HEPA-teknik. Filtret måste bytas regelbundet och minst en gång per år.

1. Lyft HEPA-filtret uppåt.

2. Installera HEPA-filtret, rikta in det med skärmramens spår och tryck ner det i skärmramen. HEPA-nätet måste tryckas ned till botten.

OBS! Se till att använda ett Wood's original

HEPA-filter för att upprätthålla garantin. Besök woods.se för mer information och för att hitta återförsäljare.

### FÖRVARNING EFTER SÄSONGEN

1. Skruva loss dräneringslocket och ta bort vattenpluggen för att dränera kondensvattnet helt. OBS: Enhetens lutningsvinkel måste vara ≤30 grader.

2. Kör enheten i fläktläge under en halv dag för att torka interiören ordentligt och förhindra mögeltillväxt.

3. Stäng av enheten, dra ur kontakten, linda nätkabeln runt kabelvindan, sätt i kontakten i universalhålet på bakpanelen och återmontera vattenpluggen och dräneringslocket.

4. Ta bort frånluftsslangen, rengör den och förvara den på rätt sätt. OBS: Håll i frånluftsslangen med båda händerna när du tar bort den.

5. Skjut undan fästansordningarna på frånluftsutblåset med tummarna och dra sedan ut frånluftsslangenheden.

6. Förpacka luftkonditioneringen ordentligt, placera den på en torr plats med lämpliga dammskyddsåtgärder och förvara den utom räckhåll för barn.

7. Ta ur batterierna ur fjärrkontrollen och förvara dem på rätt sätt.

OBS! Se till att enheten förvaras i en torr miljö. Förvara alla tillbehör till enheten tillsammans för att förhindra skador eller att de tappas bort.

### GARANTIER

Två års garanti mot tillverkningsfel. Observera att garantin endast gäller vid uppvisande av kvitto. SPARA DINA KVITTON! Kvitton kommer att krävas för eventuella garantianspråk under perioden.

### FÅ UTÖKAD GARANTI

Få en 6-årig garanti genom att registrera dig på warranty-woods.com. Se till att din garanti håller länge genom att byta ut Woods original HEPA-filter varje år. Observera att garantin gäller under vissa specifika förutsättningar: produktregistrering inom 90 dagar, årligt byte av HEPA-filter och sparade kvitton för både filter och enhet. SPARA DINA KVITTON! Alla kvitton kommer att krävas för eventuella garantianspråk under perioden.



## FELSÖKNING

Kontrollera enheten och följ förslagen nedan innan du kontaktar en fackman. Försök dock aldrig att demontera eller reparera enheten själv, eftersom det kan orsaka skada på dig och din egendom. Om problem som inte anges i tabellen uppstår eller om rekommenderade lösningar inte fungerar, kontakta en professionell serviceorganisation.

PROBLEM	ORSAK	ÅTGÄRD
Enheten går inte att starta.	Fel i strömförsörjningen.	Anslut enheten till ett strömförande uttag och slå på den.
	Vattentanken full med motsvarande belyst symbol.	Töm ut det vatten som lagrats i enheten.
	Rumstemperaturen är lägre än den inställda temperaturen i kylningsläget eller högre än den inställda temperaturen i uppvärmningsläget.	Kontrollera att enheten arbetar inom det rekommenderade temperaturintervallet 8-35°C. Justera den inställda temperaturen.
Otillräcklig kylning.	Det finns direkt solljus.	Dra för fönstergardinen.
	Dörrar och fönster är öppna, det är trångt i rummet eller det finns andra värmekällor.	Stäng dörrar och fönster, avlägsna andra värmekällor och överväg att installera ytterligare luftkonditioneringsapparater.
	Smutsigt filter.	Rengör eller byt ut filternätet.
	Luftintag eller luftutlopp igensatt.	Avlägsna eventuella hinder.
Hög ljudnivå.	Enheten är placerad på ojämnt underlag.	Placera enheten på en plan och fast plats (kan minska bullret)
Kompressorn fungerar inte.	Initiering av överhettningsskydd.	Vänta tills temperaturen sjunker, enheten startar om automatiskt
Fjärrkontrollen fungerar inte.	Avståndet mellan apparaten och fjärrkontrollen är för långt.	För fjärrkontrollen nära luftkonditioneringen och se till att luften når signalmottagaren på enheten.
	Fjärrkontrollen är inte riktad mot signalmottagaren på enheten.	
	Batterierna är urladdade.	Byt ut batterierna
Koden "CH01" visas.	Fel på rumstemperaturgivaren.	Kontrollera rumstemperaturgivaren och tillhörande kretsar.
Koden "CH02" visas.	Fel på temperatursensorn vid förångaren.	Kontrollera förångarens temperaturgivare och kretsar.
Koden "E4" visas.	Skydd mot frysning.	Funktionerna återställs automatiskt när frysskyddet har upphört.
Koden "E5" visas.	Fel på sensorn för utomhustemperaturen.	Kontrollera utomhustemperaturgivaren och tillhörande kretsar.
		Kontrollera att kabelgränssnittet för utomhustemperaturgivaren är korrekt inkopplat.
Koden "E6" visas.	Fel vid öppning av dörr.	Kontrollera om luftspjället är helt öppet i kylningsläge och inspektera relaterade kretsar.
Koden "E7" visas.	Fel vid dörrstängning.	I AirSwitch-läge, kontrollera att spjället uppfyller stängningsvillkoren och att luftspjället är helt stängt; inspektera relaterade kretsar.
Koden "FL" visas.	Vattentanken i chassit är full.	Töm ut kondensatet och starta om enheten.

## TEKNISK SPECIFIKATION

MODELL NR.	AC CORTINA 12K AIRSWITCH	AC COTINA 12K AIRSWITCH SMART HOME DUO A+
Kylkapacitet	3,520 W	3,500 W
Uppvärmningskapacitet	N/A	2,900 W
Strömförbrukning i kylningsläge	1,350 W	1,120W
Strömförbrukning i uppvärmningsläge	N/A	960 W
Strömförbrukning i AirSwitch-läge	56W	32W
Luftflöde	220-320 (m³/h)	220-320 (m³/h)
Energiklass	A	A+
Avfuktning	33,6 L / 24h	33,6 L / 24h
Temperaturinställning	17-30°C	17-30°C
Arbetstemperatur	17-43°C	5-43°C
EER i kylningsläge	2,6	3,1
EER i AirSwitch-läge	5	8
Slanglängder	1,5 m	1,5 m
Köldmedium	R290/260g	R290/250g
Ljudnivå i kylningsläge (LWA) (dB(A))	60-64 dB	60-64 dB
Ljudnivå i kylningsläge (LPA) (dB(A))	49-52 dB	49-52 dB
Ljudnivå i AirSwitch-läge (LWA)(dB(A))	49,5-51 dB	49,5-51 dB
Ljudnivå i AirSwitch-läge (LPA) (dB(A))	35-38 dB	35-38 dB
Nettovikt	30 kg	31 kg
Enhetens mått (H×W×D)	850×471×400mm	850×471×400mm

**Technical changes and improvements may occur. All values are approximate and may vary depending on external circumstances such as temperature, ventilation and humidity.**




Enligt livslängd för elektriska produkter (WEEE) gäller i EU med insamlingsystem på plats: Enligt Europaparlamentets och rådets direktiv 2002/96 / EG får denna produkt inte kasseras med vanligt avfall. När symbolsymbolen soptunnan med överstruken streck är placerad på produkten eller nämns i användarhandledningen är det för att indikera att produkten ska återvinnas separat vid slutet av livslängden. Detta kommer att minska miljöpåverkan av kemiska material. Det främjar också återvinning av alla delar som kan återvinnas. När produkten har förbrukats, bör du kontakta din återförsäljaren eller kommun, för att få information om hur du återvinner denna produkt.





Använda batterier får inte kastas i hushållsavfallet eftersom de kan innehålla giftiga ämnen och tungmetaller som kan skada miljön och innebära hälsorisk. Returnera urladdade batterier till lämplig återvinningsanläggning.



**BRENNBART MATERIALE.**  
Enheden inneholder R290/  
propan, et brennbart kuldemedium.

 Se brukerhåndboken.


 Les den tekniske  
håndboken.

 Les brukerhåndboken.

#### SIKKERHETSINFORMASJON

Les de vedlagte anvisningene nøye før du installerer og tar i bruk enheten. Produsenten er ikke ansvarlig hvis feilaktig installasjon og bruk forårsaker skade på personer eller eiendom. Oppbevar alltid bruksanvisningen sammen med enheten for fremtidig referanse.

#### SIKKERHETEN TIL BARN OG SÅRBARE MENNESKER

**ADVARSEL**   
Fare for personskade eller varig uferhet.

Denne enheten kan brukes av barn fra åtte år og oppover og av personer med nedsatte fysiske, sensoriske eller mentale evner eller manglende erfaring og kunnskap, så fremt de er under tilsyn eller har fått innføring i hvordan enheten brukes på en trygg og sikker måte og de er klar over farene som er involvert. Ikke la barn leke med enheten.

Barn under tre år bør holdes unna enheten med mindre de er under kontinuerlig tilsyn.


Oppbevar alt emballasjemateriale utilgjengelig for barn. Rengjøring og vedlikehold må ikke utføres av barn uten tilsyn.

#### GENERELL SIKKERHET

Dette apparatet er beregnet på bruk i husholdninger og lignende miljøer som butikker, kontorer og andre arbeidsmiljøer. Typeskiltet er plassert på siden eller baksiden av apparatet. Hold ventilasjonsåpningene frie for hindringer.

Ikke bruk mekanisk utstyr eller annet for å fremskynde avrimingsprosessen. Følg fabrikantens anvisninger. Enheden skal ikke oppbevares i et rom med kontinuerlige antennelseskilder (åpen ild, gassdrevet utstyr i drift eller elektrisk varmeovn osv.). Må ikke punkteres eller brennes. Vær oppmerksom på at kuldemedier kan være helt uten lukt. Ikke rengjør enheten med vann og damp. Rengjør enheten med en fuktet myk klut. Bruk kun nøytrale rengjøringsmidler. Ikke bruk skuremidler, skuresvamp, løsemidler eller metallgjenstander. Hvis strømledningen blir skadet, må den skiftes ut av produsenten, et godkjent servicesenter eller tilsvarende kvalifisert personell for å unngå farlige situasjoner.


#### SIKKERHETSANVISNINGER

**ADVARSEL**   
Denne enheten må kun installeres av en kvalifisert person.

Fjern all emballasje. Ikke installer eller bruk en skadet enhet. Enheten skal installeres, brukes og oppbevares i et rom med en gulvflate på mer enn 12,5 m<sup>2</sup>. Følg nøye monteringsanvisningen som leveres med enheten. Vær alltid forsiktig når du flytter enheten – den er tung! Bruk alltid vernehansker.

Forviss deg om at luften kan sirkulere rundt enheten. Vent i minst 4 timer før du kobler enheten til strømmettet. Dette er for at oljen skal kunne renne tilbake i kompressoren. Ikke installer enheten nær radiatorer eller andre varmekilder. Ikke plasser enheten i direkte sollys.


#### STRØMTILKOBLING

**ADVARSEL**   
Fare for brann og elektrisk støt.

Enheden må kobles til en jordet stikkontakt. Forviss deg om at informasjonen på merkeplaten er i samsvar med strømforsyningen. Hvis den ikke er det, må du kontakte elektriker. Bruk alltid korrekt montert stikkontakt. Ikke bruk


grenuttak og skjøteledninger. Pass på at de elektriske komponentene (f.eks. støpsele, strømledning) ikke skades. Kontakt det autoriserte servicesenteret eller en elektriker for å få skiftet de elektriske komponentene. Ledningen må ligge lavere enn støpselet. Ikke plugg støpselet i stikkontakten før installasjonen er fullført. Påse at støpselet er tilgjengelig etter at installasjonen er fullført. Ikke trekk i strømledningen for å koble fra enheten. Hold alltid i støpselet når strømledningen skal trekkes ut av kontakten.

#### BRUK

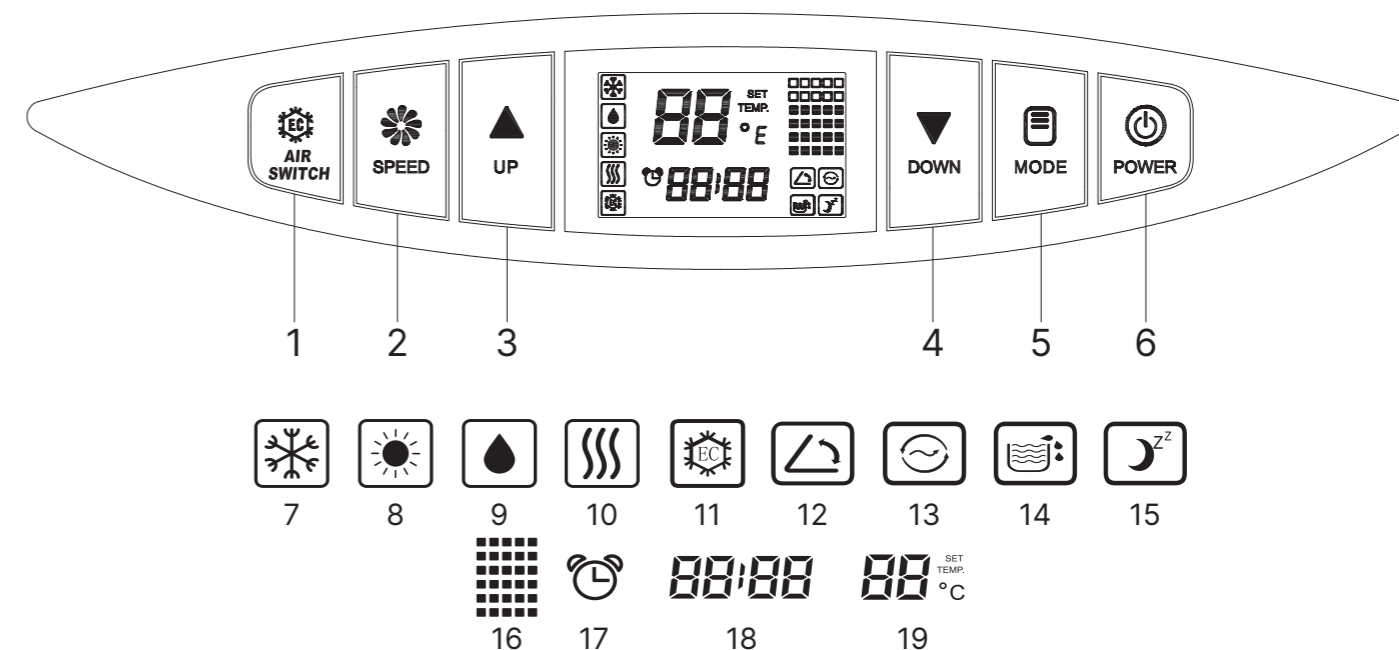
**ADVARSEL**   
Fare for personskade, brannskade, elektrisk støt eller brann.

Enhetsens spesifikasjoner må ikke endres. Pass på at kjølekretsen ikke blir skadd. Den inneholder propan (R290), en naturgass med god miljøkompatibilitet. Denne gassen er antennebar. Hvis det oppstår skade på kjølekretsen, må man påse at det ikke er flammer og antennelseskilder i rommet. Luft ut rommet. Ikke legg antennbare produkter eller gjenstander våte av antennbare produkter i nærheten av eller på enheten.

#### AVFALLSHÅNDTERING

**ADVARSEL**   
Fare for personskade.

Koble enheten fra strømmettet. Klipp av strømledningen, og kast den. Kjølekretsen til enheten er ozonvennlig. Ta kontakt med kommunen for å få informasjon om hvordan du kaster enheten på riktig måte. Unngå å skade den delen av kjøleenheten som er nærmest varmeveksleren.



Takk for du valgte en Wood's. Denne bruksanvisningen introduserer deg for driftsmodusene til AC Cortina AirSwitch. I alle modusene renses luften ved hjelp av HEPA-teknologi.

**Kjølemodus:** Kjøler ned rommet til ønsket temperatur. Den optimale omgivelsestemperaturen for kjølemodellene er 17-35 °C.

**Oppvarmingsmodus:** Varmer opp rommet til ønsket temperatur. Den optimale omgivelsestemperaturen for både kjøle- og varmemodellene er 5-35 °C. (Merk! Denne modusen er bare tilgjengelig på AC-modellen med Duo/oppvarmingsfunksjon).

**Avfuktingsmodus:** Reduserer luftfuktigheten i rommet.

**Viftemodus:** Sirkulerer og renses luften i rommet uten kjøling.

**AirSwitch Auto-modus:** Bytter automatisk mellom kompressorkjøling og AirSwitch. Når utetemperaturen er lavere enn den innstilte temperaturen, brukes en AirSwitch til å tilføre kjøligere og renses uteluft uten at kompressoren er i drift - mer stillegående og energieffektivt.

**AirSwitch-modus:** Tilfører kjøligere, renses uteluft til rommet uten å aktivere kompressoren.

#### BRUKSANVISNING

##### PRODUKTDELER (SE BILDE A OG B, SIDE 2)

1. Mottaksvindu for fjernkontroll
2. Kontrollpanel
3. Luftutløp
4. HEPA-filter
5. Øvre filterenhet på bakpanelet
6. Tilkobling for ledning til utetemperaturføler

7. Strømledning med støpsele
8. Braketter for kabelvikling
9. Nedre filterenhet på bakpanelet
10. Avløpsdeksel
11. Filtermontering av sidepanel
12. Filtermontering av sidepanel
13. Beskyttelsesgitter
14. Rom for fjernkontroll
15. Luftinntak
16. Øvre innendørs kontakt (inkludert filter)
17. Luftinntaksslange (liten)
18. Adapter til luftinntaksslange (liten) (inkludert utetemperaturføler)
19. Vindussett
20. Rund kobling på utluftningsslangen
21. Utluftningsslangen (stor)
22. Adapter til utluftningsslangen (stor)
23. Tetningsklut for luftinntaksslange

##### KONTROLLPANEL (SE OVENFOR ELLER BILDE C, SIDE 3)

1. AirSwitch-knapp
2. Knapp for vifte hastighet
3. Opp-knapp
4. Ned-knappen
5. Knapp for modus
6. Av/på-knapp
7. Indikator for kjølemodus
8. Indikator for oppvarmingsmodus (MERK! Dette symbolet er bare tilgjengelig på AC-modellen med Duo/oppvarmingsfunksjon).
9. Indikator for avfuktingsmodus
10. Indikator for viftemodus

11. AirSwitch-modusindikator
12. Indikator for automatisk svingfunksjon
13. Indikator for utskifting av HEPA-filter
14. Indikator for fullt vann
15. Indikator for hvilemodus
16. Indikator for vifte hastighet
17. Timerindikator (MERK! Timer kan kun stilles inn fra fjernkontrollen).
18. Indikator for utendørs omgivelsestemperatur; Indikator for tidsur
19. Indikator for innstilt temperatur. Indikator for innendørs omgivelsestemperatur for modusene vifte, avfuktning og AirSwitch.
20. Wi-Fi-indikator. (MERK! Dette symbolet er bare tilgjengelig på AC-modellen med Wi-Fi/Smart Home-funksjon).

##### ARBEIDSMODUSER OG FUNKSJONER PÅ KONTROLLPANELET (SE BILDE C, SIDE 3)

**Av/på-knapp (6):** Trykk på denne tasten for å aktivere enheten; en melodisk lyd spilles av, og enheten går automatisk inn i kjølemodus med en forhåndsinnstilt temperatur på 22 °C. Viften vil gå på middels hastighet. For å deaktivere enheten trykker du på denne tasten igjen, og en melodisk lyd signaliserer at enheten slås av.

1. Når enheten er på, viser LCD-vinduet den innstilte temperaturen i kjølemodus og oppvarmingsmodus (MERK! Oppvarmingsmodus er bare tilgjengelig på AC-modellen med Duo/varmefunksjon) eller omgivelsestemperaturen i avfuktingsmodus, viftemodus, AirSwitch Auto-modus og AirSwitch-modus. Viften begynner å gå, og luftutblåsningsvinduet åpnes automatisk.

2. Alle deler slutter å fungere når enheten er av, og luftutblåsningsvinduet lukkes automatisk.



kontakten med klokken.

Den skal henge fritt i luften.

MERK! Spenningen på kontakten til temperaturfølerledningen er en sikker spenning, ikke høyere enn DC 5V.

#### MONTERING AV VINDUSFORSEGLINGSPLATE (SE BILDE M, N, O, SIDE 5)

1. Monter den rektangulære enden av slangene i de tilsvarende rektangulære hullene i vinduspakningen, og fest den med en skrue.

OBS!

- Skyv adapteren nedover og sørg for at den sitter godt fast.

- Kontroller at retningen på det skrånstille panelet er på linje med retningen på tetningsplaten.

- Sørg for at slangene ikke bøyes og at bøyingsvinkelen er større enn 45° for å sikre tilstrekkelig ventilasjon.

2. Åpne vinduet halvveis og sett tetningsplaten inn i vinduet, enten vertikalt eller horisontalt. Ved vertikal montering plasseres utblåsningsslangen øverst, slik at den varme utblåsningsluften ikke forstyrrer sensoren på luftinntaksslangen.

3. Trekk ut tetningslistene og juster dem slik at de passer til lengden på vinduet. Sørg for at begge ender møter vinduskantene, og skru dem fast med skruer.

MERK: Kontroller at begge endene av vindusforseglingsplaten møter vinduskantene på en effektiv måte for å sikre riktig tetning.

Kontroller at skruene er strammet godt til i riktig posisjon.

4. Juster posisjonen til utetemperaturfølerhodet og senk justeringsstangen til den nedre delen av veggtrinnet under vinduet.

MERK: Sensoren skal henge fritt i luften og så langt som mulig fra den varme luften i utluftningsslangen.

5. Flytt enheten med slangene montert foran vinduet og hold enheten minst 50 cm fra vegg eller andre gjenstander.

#### SLÅ PÅ STRØMMEN TIL ENHETEN

Koble enheten til strømmen. Alle ikonene i LCD-vinduet lyser i 2 sekunder og det høres en kort påminnelleslyd. Deretter viser LCD-vinduet innendørs omgivelsestemperatur innenfor området 5 °C til 35 °C og utendørs omgivelsestemperatur innenfor området -9 °C til 65 °C. Enheten vil da være i standby-modus og klar til bruk.

**Enheten er nå klar til bruk!**

#### VEDLIKEHOLD

MERK: Slå av enheten og trekk ut støpselet før vedlikehold.

#### DRENERINGSINSTRUKSJON (SE BILDE P, SIDE 5)

Mesteparten av vannet ledes naturlig ut gjennom utluftningsslangen sammen med den varme luften. Hvis du trenger å tømme tanken, vil apparatet gi deg beskjed om det. (SE BILDE C, SIDE 3, nr. 14)

Slik tømmer du vanntanken: Skru av dreneringsdekelet og trekk ut vannpluggen slik at vannet kan renne ned i brettet. MERK: Vær forsiktig for å unngå lekkasje hvis enheten må flyttes. Vipp apparatet litt bakover under tømmingen. Hvis brettet ikke kan romme alt vannet fra enheten, må du umiddelbart blokkere dreneringshullet for å hindre vannlekkasje og unngå at gulvet eller teppet blir vått. Sørg for at vannpluggen og dreneringsdekelet sitter godt på plass for å hindre at nytt kondensvann gjør gulvet eller teppet vått når enheten startes på nytt.

Koble til en vannslange for kontinuerlig drenering: Skru av dreneringsdekelet og fjern vannpluggen. Koble en vannslange med 12 mm innvendig diameter til røret på enheten. (Vannslangen er ikke inkludert). Før den andre enden av vannslangen til et avløp. Sørg for at vannet kan dreneres nedover. MERK: En dreneringslange må installeres når det ikke er vann i brettet. Det anbefales å ikke bruke kontinuerlig drenering når enheten er i kjølemodus for å sikre at tilstrekkelig vann resirkuleres i enheten for å forbedre kjøleeffekten i systemet. Plasser dreneringslangan på et utilgjengelig sted, sørg for at den ikke er plassert høyere enn dreneringshullet, og sørg for at dreneringslangan er rett og uten bøyer. Sørg for at dreneringsdekelet og proppen er ordentlig festet når kontinuerlig drenering brukes.

#### FLERE BESKYTTELSESFUNKSJONER

Automatisk avriming: Apparatet avrimer automatisk ved behov. I avrimingsmodus viser displayet E4, og ingen andre knapper enn POWER-knappen er aktive.

Kompressorbeskyttelse: Aggregatet har en kompressorvernfunksjon som gir en startforsinkelse på 3 minutter etter at aggregatet er startet på nytt.

Sikkerhetsalarm for fullt vann og avstengningsbeskyttelse: Når vannmengden overskrider det angitte alarmnivået i enhetens chassis, utløses en automatisk alarm og ikonet for fullt vann tenes på LCD-skjermen. I dette tilfellet er det nødvendig å tømme kondensvannet ved å følge instruksjonene i avsnittet "Tømmeinstruksjoner". Hvis enheten ikke slås av manuelt, vil den automatisk gå tilbake til sin opprinnelige driftsstatus når kondensvannet er tømt helt ut. Alternativt kan du koble til strømmen igjen for å starte enheten på nytt.

#### RENGJØRING AV OVERFLATER

- Rengjør enhetens overflate med en våt, myk klut, og bruk ikke kjemiske løsemidler

som alkohol eller bensin for å unngå skader.

- Rengjør skitne luftutløp eller lameller med en fuktig, myk klut og et mildt rengjøringsmiddel.

- Det er forbudt å bruke kjemiske løsemidler til rengjøring av enheten eller å oppbevare slike ting i nærheten av enheten over lengre tid.

- Det er forbudt å bruke tynner, sprit eller lignende løsemidler til rengjøring av enheten.

#### VASKBAR FILTERRENGJØRING (SE BILDE Q, SIDE 5)

Det er viktig å rengjøre filteret annenhver uke for å unngå at støvansamlinger påvirker enhetens ytelse. Senk og vask filteret forsiktig i varmt vann (ca. 40 °C) blandet med et nøytralt rengjøringsmiddel. Sett det tilbake på enheten etter rengjøring.

Rengjør filteret på luftinntaksslangen (A): Løft opp koblingen, fjern filterrammen i koblingen og rengjør den.

Rengjør venstre og høyre øvre inntaksluftfilterramme (B): Trekk venstre og høyre øvre inntaksluftfilterramme mot hver sin side. Rengjør rammene grundig.

Rengjør de nedre filtrene (C): Trekk ut de nedre filtrene, fjern deretter det bakre filteret og rengjør det.

Rengjør sidefiltrene (D): Trekk ut sidefiltrene og rengjør dem.

MERK: Trekk forsiktig ut filteret, og prioriter fjerning av bakpanelets filter før sidepanelets filter for å unngå vridning eller skade. Vær forsiktig så du ikke klemmer nettet og unngå å treffe nettet med skarpe gjenstander eller børster.

MERK: Kontroller at filteret er montert på sidepanelet før du monterer filteret på bakpanelet.

Monter filteret i motsatt retning av hvordan det ble fjernet.

#### UTSKIFTBART HEPA-FILTER (SE BILDE F, SIDE 3)

Denne enheten renser luften med HEPA-teknologi. Filteret må skiftes regelmessig og minst én gang i året.

1. Løft HEPA-filteret oppover.

2. Installer HEPA-filteret, rett det inn mot sporet i silrammen og trykk det ned i silrammen. HEPA-filteret må trykkes helt ned til bunnen.

MERK: Sørg for å bruke Wood's originale HEPA-filter for å opprettholde garantien. Besøk woods.se for mer informasjon og for å finne forhandlere.

#### LAGRING VED SESONGSLUTT

1. Skru av dreneringsdekelet og fjern vannpluggen for å tømme kondensvannet helt. MERK: Enhetens helningsvinkel må være  $\leq 30$  grader.

2. Kjør apparatet i viftemodus i en halv dag for å tørke det innvendig og forhindre muggvekst.

3. Slå av enheten, trekk ut støpselet, vikle strømledningen rundt ledningssøylen, sett støpselet inn i det universelle festehullet på bakpanelet og sett på plass vannproppen og avløpsdekelet igjen.

4. Fjern varmeavtrekksslangen, rengjør den og oppbevar den på riktig måte. MERK: Hold i utluftningsslangen med begge hender når du fjerner den.

5. Skyv til side festene på avtrekksutløpet med tommelen, og trekk deretter ut utluftningsslangen.

6. Pakk klimaanlegget godt inn i en myk plastpose, plasser det på et tørt og støvtett sted og oppbevar det utilgjengelig for barn.

7. Ta ut batteriene fra fjernkontrollen og oppbevar dem på riktig måte.

MERK: Sørg for at enheten oppbevares i tørre omgivelser. Beskytt alt tilbehør til enheten samlet for å forhindre skade eller forringelse.

#### GARANTIER

To års garanti mot produksjonsfeil. Vær oppmerksom på at garantien kun gjelder ved fremvisning av kvittering. TA VARE PÅ KVITTERINGENE! Kvitteringer vil være påkrevd for eventuelle garantikrav i løpet av perioden.

#### FÅ UTVIDET GARANTI

Få 6 års garanti ved å registrere deg på warranty-woods.com. Sikre garantiens levetid ved å bytte ut det originale HEPA-filteret fra Woods hvert år. Vær oppmerksom på at garantien er gyldig under visse betingelser: rettidig produktregistrering innen 90 dager, årlig utskifting av HEPA-filteret og oppbevaring av kvitteringer for både filter og enhet. TA VARE PÅ KVITTERINGENE! Alle kvitteringer vil være nødvendige for eventuelle garantikrav i løpet av perioden.



**FEILSØKING**

Kontroller enheten og følg forslagene nedenfor før du kontakter en fagmann. Forsøk aldri å demontere eller reparere enheten selv, da det kan føre til skade på deg og dine eiendeler. Hvis det oppstår problemer som ikke er oppført i tabellen, eller hvis de anbefalte løsningene ikke fungerer, må du kontakte en profesjonell serviceorganisasjon.

PROBLEMER	ÅRSAK	LØSNING
Enheden starter ikke opp.	Feil i strømforsyningen.	Koble enheten til en strømførende stikkontakt og slå den på.
	Vanntanken er full med tilhørende opplyst ikon.	Tøm vannet som er lagret i enheten.
	Romtemperaturen er lavere enn den innstilte temperaturen i kjølemodus eller høyere enn den innstilte temperaturen i varmemodus.	Kontroller at enheten fungerer innenfor det anbefalte temperaturområdet på 8-35 °C. Juster den innstilte temperaturen.
Utilstrekkelig kjøling.	Det er direkte sollys.	Trekk for vindusgardinen.
	Dører og vinduer er åpne, rommet er fullt av folk eller det finnes andre varmekilder.	Lukk dører og vinduer, fjern andre varmekilder og vurder å installere ekstra klimaanlegg.
	Skittent filter.	Rengjør eller skift ut filternett.
	Luftinntaket eller luftutløpet er tilstoppet.	Fjern eventuelle hindringer.
Høyt støynivå.	Enheden plasseres på et ujevnt underlag.	Plasser enheten på et flatt og fast sted (kan redusere støy).
Kompressoren fungerer ikke.	Initiering av overopphetingsbeskyttelse.	Vent til temperaturen synker, så starter enheten automatisk på nytt.
Fjernkontrollen fungerer ikke.	Avstanden mellom enheten og fjernkontrollen er for stor.	Før fjernkontrollen nær klimaanlegget, og sørg for at det kommer luft til signalmottakeren på enheten.
	Fjernkontrollen er ikke rettet mot signalmottakeren på enheten.	
	Batteriene er tomme.	Skift ut batteriene
Koden "CH01" vises.	Feil på sensoren for romtemperatur.	Kontroller romtemperaturføleren og tilhørende kretser.
Koden "CH02" vises.	Feil på temperatursensoren ved fordamperen.	Kontroller fordampertemperaturføleren og kretsene.
Koden "E4" vises.	Frostbeskyttelse.	Funksjonene gjenopprettes automatisk når frostbeskyttelsen er over.
Koden "E5" vises.	Feil på sensoren for utetemperatur.	Kontroller utetemperaturføleren og tilhørende kretser.
		Kontroller at kabelgrensesnittet til utetemperaturføleren er riktig tilkoblet.
"E6"-koden vises.	Feil ved døråpning.	Kontroller om luftbryterspjeldet er helt åpent i kjølemodus, og inspiser tilhørende kretser.
Koden "E7" vises.	Feil ved lukking av døren.	I AirSwitch-modus må du kontrollere at spjeldet oppfylder lukkebetingelsene og at luftbryterspjeldet er helt lukket; inspiser tilhørende kretser.
Koden "FL" vises.	Vanntanken i chassiset er full.	Tøm kondensvannet og start aggregatet på nytt.

**TEKNISKE SPESIFIKASJONER**

MODELLNR.	AC CORTINA 12K AIRSWITCH	AC COTINA 12K AIRSWITCH SMART HOME DUO A+
Kjølekapasitet	3,520 W	3,500 W
Oppvarmingskapasitet	N/A	2,900 W
Strømforbruk i kjølemodus	1,350 W	1,120W
Strømforbruk i oppvarmingsmodus	N/A	960 W
Strømforbruk i AirSwitch-modus	56W	32W
Luftstrøm	220-320 (m³/t)	220-320 (m³/t)
Energiklasse	A	A+
Avfukting	33,6 L / 24 timer	33,6 L / 24 timer
Temperaturinnstilling	17-30°C	17-30°C
Arbeidstemperatur	17-43°C	5-43°C
EER i kjølemodus	2,6	3,1
EER i AirSwitch-modus	5	8
Slangelengder	1,5 m	1,5 m
Kjølemiddelgass	R290/260g	R290/250g
Lydnivå i kjølemodus (LWA) (dB(A))	60-64 dB	60-64 dB
Lydnivå i kjølemodus (LPA) (dB(A))	49-52 dB	49-52 dB
Lydnivå i AirSwitch-modus (LWA)(dB(A))	49,5-51 dB	49,5-51 dB
Lydnivå i AirSwitch-modus (LPA) (dB(A))	35-38 dB	35-38 dB
Netto vekt	30 kg	31 kg
Enhetens dimensjoner (HxBxD)	850x471x400 mm	850x471x400 mm

**Tekniske endringer og forbedringer kan forekomme. Alle verdier er omtrentlige og kan variere avhengig av ytre forhold som temperatur, ventilasjon og luftfuktighet.**



Denne merkingen indikerer at produktet ikke skal kastes i husholdningsavfallet innenfor EU. For å unngå mulige skader på miljø og helse som en følge av ukontrollert avfallshåndtering, skal enheten resirkuleres på en ansvarlig måte for å fremme bærekraftig gjenbruk av materialressursene. For å returnere enheten kan du bruke retur- og innsamlingsystemet eller ta kontakt med forhandleren du kjøpte produktet av. De kan resirkulere produktet på en miljøvennlig måte.



Brukte batterier må ikke kastes i husholdningsavfall, siden de kan inneholde giftige komponenter og tungmetaller som kan være skadelige for helse og miljø. Tomme batterier skal returneres til en miljøstasjon.



**BRÆNDBART MATERIALE.**  
Dette apparat indeholder R290/  
propan, som er et brændbart  
kølemiddel.



Se betjeningsvejledningen.



Læs den tekniske vejledning.



Læs betjeningsvejledningen.

#### SIKKERHEDSOPLYSNINGER

Læs de medfølgende anvisninger grundigt, inden apparatet installeres og tages i brug. Producenten er ikke ansvarlig, hvis forkert installation og brug forårsager person- og tingskade. Opbevar altid anvisningerne sammen med apparatet til fremtidig reference.

#### BØRNS OG UDSATTE PERSONERS SIKKERHED

##### ADVARSEL ⚠

Risiko for personskade eller permanent funktionsnedsettelse.

Dette apparat kan anvendes af børn på 8 år og derover samt personer med nedsatte fysiske, sensoriske eller mentale evner eller manglende erfaring og viden, hvis de superviseres eller er blevet instrueret i at bruge apparatet på en sikker måde og forstår, hvilken fare det indebærer. Lad ikke børn lege med apparatet.

Børn under 3 år skal holdes væk fra apparatet, medmindre de hele tiden overvåges.

Al emballage skal holdes væk fra børn. Rengøring og brugervedligeholdelse må ikke foretages af børn uden opsyn.

#### GENERELLESIKKERHEDSFORSKRIFTER

Dette apparat er beregnet til brug i husholdninger og lignende miljøer såsom butikker, kontorer og andre

arbejds miljøer. Typeskiltet er placeret på siden eller bagsiden af apparatet. Hold ventilationsåbningerne fri for forhindringer.

Der må ikke anvendes andre mekaniske anordninger eller metoder til fremskyndelse af afrimningsprocessen end dem, producenten anbefaler. Apparatet må ikke opbevares i et lokale, hvor der løbende anvendes antændingskilder (åben ild, gasapparater, elektriske varmeapparater mv.). Må ikke punkteres eller brændes. Vær opmærksom på, at kølemidler ikke nødvendigvis kan lugtes. Der må ikke anvendes vandspray eller damp til rengøring af apparatet. Apparatet skal rengøres med en fugtig, blød klud. Brug kun neutrale rengøringsmidler. Brug ikke slibemidler, slibende rengøringsmidler, opløsningsmidler eller metalgenstande. Hvis strømkablet er beskadiget, skal det udskiftes af fabrikanten, et autoriseret servicecenter eller en tilsvarende kvalificeret person for at undgå fare.

#### SIKKERHEDSANVISNINGER

##### ADVARSEL ⚠

Dette apparat må kun installeres af en kvalificeret person.

Fjern alt emballagemateriale. Apparatet må ikke installeres eller anvendes, hvis det er beskadiget. Apparatet skal installeres, betjenes og opbevares i et lokale med et gulvareal, der er større end 12,5 m<sup>2</sup>. Følg nøje installationsvejledningen, der følger med apparatet. Vær altid forsigtig, når du flytter apparatet, da det er tungt. Brug altid sikkerhedshandsker.

Sørg for, at luften kan cirkulere omkring apparatet. Vent mindst 4 timer, før apparatet sluttes til stikkontakten. Dette er for at give olien mulighed for at flyde tilbage i kompressoren. Apparatet må ikke installeres tæt på radiatorer eller andre varmekilder. Apparatet må ikke installeres, hvor der er direkte sollys.

#### ELEKTRISK TILSLUTNING

##### ADVARSEL ⚠

Risiko for brand og elektrisk stød.

Apparatet skal tilsluttes til en jordet stikkontakt. Kontrollér, at strømoplysningerne på mærkepladen er i overensstemmelse med strømforsyningen. Hvis ikke, skal du kontakte en elektriker. Brug altid

en korrekt installeret og stødsikker stikkontakt. Brug ikke adaptere til flere stik og forlængerkabler. Sørg for ikke at beskadige de elektriske komponenter (f.eks. stik, kabel). Kontakt et autoriseret servicecenter eller en elektriker, hvis de elektriske komponenter skal ændres. Kablet skal forblive under stikkets niveau. Tilslut først stikket til stikkontakten som det sidste i forbindelse med installationen. Sørg for, at der er adgang til stikket efter installationen. Træk ikke i strømkablet for at frakoble apparatet. Tag altid fat om selve stikket, når du frakobler strømkablet.

#### ANVENDELSE

##### ADVARSEL ⚠

Risiko for personskade, forbrændinger, elektrisk stød eller brand.

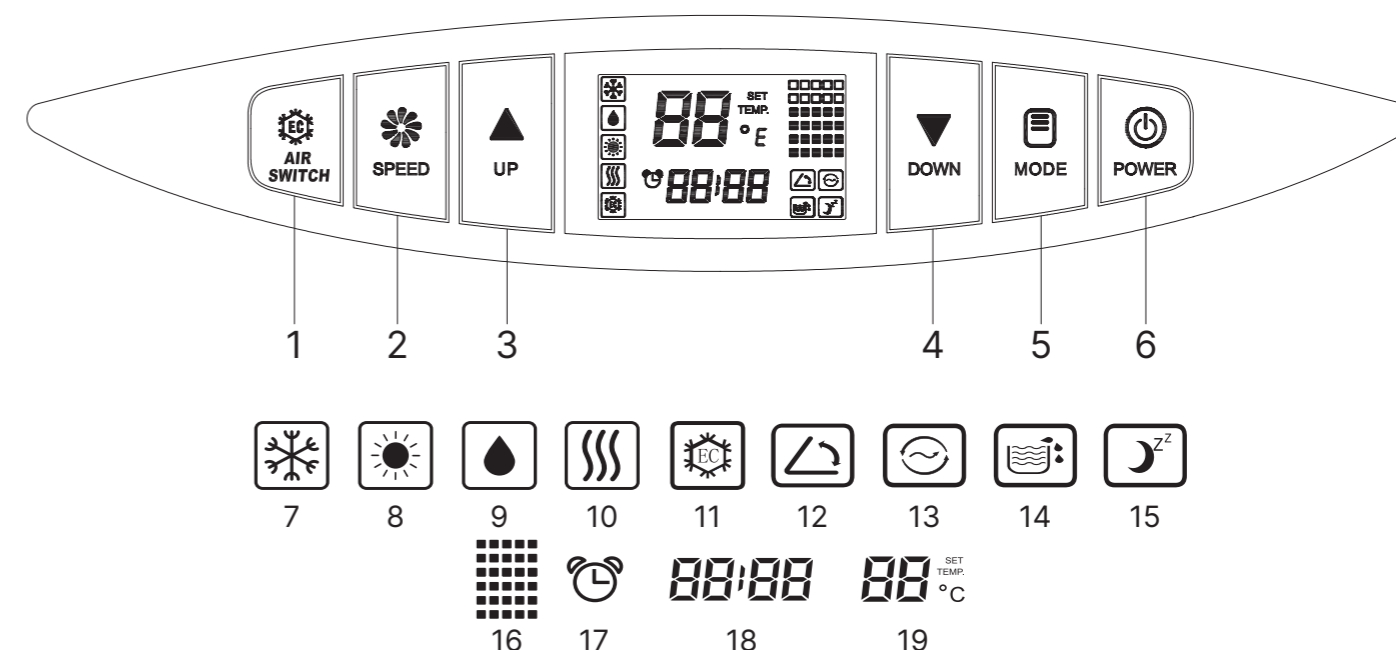
Du må ikke ændre specifikationen for dette apparat. Pas på ikke at beskadige kølemiddelkredsløbet. Det indeholder propan (R290), som er en naturgas med en høj grad af miljøvenlighed. Denne gas er brændbar. Hvis der opstår skader på kølemiddelkredsløbet, skal du sørge for, at der ikke er flammer og antændelseskilder i lokalet. Udluft lokalet. Placer ikke brændbare produkter eller genstande, der er gennemvædet med brændbare væsker, i nærheden af eller på apparatet.

#### BORTSKAFFELSE

##### ADVARSEL ⚠

Risiko for personskade.

Træk apparatets stik ud af stikkontakten. Fjern strømkablet, og kassér det. Kølemiddelkredsløbet i dette apparat er ozonvenligt. Kontakt kommunen for at få oplysninger om korrekt bortskaffelse af apparatet. Den del af køleenheden, der er i nærheden af varmeveksleren, må ikke beskadiges.



Tak for dit køb og din tillid til Wood's. Denne manual introducerer dig til driftstilstandene for AC Cortina AirSwitch. I alle tilstande renses luften ved hjælp af HEPA-teknologi.

**Køletilstand:** Køler rummet ned til den ønskede temperatur. Den optimale omgivelsestemperatur for kølemodeller er 17-35 °C.

**Opvarmningstilstand:** Opvarmer rummet til den ønskede temperatur. Den optimale omgivelsestemperatur for både køle- og varmmodeller er 5-35 °C. (Bemærk! Denne tilstand er kun tilgængelig på AC-modellen med Duo/opvarmningsfunktion).

**Affugtningstilstand:** Reducerer luftfugtigheden i rummet.

**Ventilatorstilstand:** Cirkulerer og renser luften i rummet uden at køle.

**AirSwitch Auto Mode:** Skifter automatisk mellem kompressorkøling og AirSwitch. Når udetemperaturen er koldere end den indstillede temperatur, bruges AirSwitch til at levere køligere og rensede udeluft, uden at kompressoren kører - mere støjsvagt og energieffektivt.

**AirSwitch-tilstand:** Indfører køligere, rensede udeluft i rummet uden at aktivere kompressoren.

#### BETJENINGSVEJLEDNING

##### PRODUKTDELE (SE BILLEDE A OG B, SIDE 2)

1. Modtagevindue til fjernbetjening
2. Kontrolpanel
3. Luftudtag
4. HEPA-filter
5. Øvre filtersamling på bagpanelet
6. Tilslutning af ledning til udetemperaturføler

7. Netledning med stik
8. Beslag til kabeloprulning
9. Nedre filtersamling på bagpanelet
10. Dæksel til afløb
11. Filtermontering af sidepanel
12. Filtermontering af sidepanel
13. Beskyttende gitter
14. Rum til fjernbetjening
15. Luftindtag
16. Øvre indendørs tilslutning (inkl. filter)
17. Luftindtagsslange (lille)
18. Adapter til luftindtagsslange (lille) (inkl. udetemperaturføler)
19. Vindues-sæt
20. Rund tilslutning af udstødningsslange
21. Udstødningsslange (stor)
22. Adapter til udstødningsslange (stor)
23. Tætningsklud til luftindtagsslange

##### KONTROLPANEL (SE BILLEDE C, SIDE 3)

1. AirSwitch-knap
2. Knap til blæserhastighed
3. Op-knap
4. Ned-knap
5. Tilstandsknap
6. Tænd/sluk-knap
7. Indikator for køletilstand
8. Indikator for opvarmningstilstand (BEMÆRK! Dette symbol er kun tilgængeligt på AC-modellen med Duo/opvarmningsfunktion).
9. Indikator for affugtningstilstand
10. Indikator for blæsertilstand

11. AirSwitch-tilstandsindikator
12. Indikator for automatisk svingfunktion
13. Indikator for udskiftet HEPA-filer
14. Indikator for fuldt vand
15. Indikator for dvaletilstand
16. Indikator for blæserhastighed
17. Timerindikator (BEMÆRK! Timer kan kun indstilles fra fjernbetjeningen.)
18. Indikator for udendørs omgivelsestemperatur; indikator for timertid
19. Indikator for indstillet temperatur. Indikator for indendørs omgivelsestemperatur for ventilator-, affugtning- og AirSwitch-tilstande.
20. Wi-Fi-indikator. (BEMÆRK! Dette symbol er kun tilgængeligt på AC-modellen med Wi-Fi/Smart Home-funktion).

#### ARBEJDSSTILSANDE OG KONTROLPANELETS FUNKTIONER (SE BILLEDE C, SIDE 3)

**Tænd/sluk-knap (6):** Tryk på denne knap for at aktivere enheden; der afspilles en melodisk lyd, og enheden går automatisk i køletilstand med en forudindstillet temperatur på 22°C. Ventilatoren vil køre med medium hastighed. For at deaktivere enheden skal du trykke på denne knap igen, og en melodisk lyd vil signalere, at den er slukket.

1. Når enheden er tændt, viser LCD-vinduet den indstillede temperatur i køletilstand og varmetilstand (BEMÆRK! Varmesymbolet er kun tilgængeligt på AC-modellen med Duo/Varme-funktion) eller den omgivende temperatur i affugtningstilstand, ventilatorstilstand, AirSwitch Auto Mode og AirSwitch Mode. Ventilatoren begynder at køre, og luftudtagsvinduet åbnes automatisk.

2. Alle dele holder op med at virke, når



# Betjeningsvejledning

enheden er slukket, og udluftningsvinduet lukkes automatisk.

**Tilstandsknap (5):** Tilstandsknap (5): Tryk på knappen "Mode" for at bladere gennem de tilgængelige tilstande til bekræftelse.

- Køletilstand (7): Køler rummet ned til den indstillede temperatur (17-35°C).

- Opvarmningstilstand (8): Opvarmer rummet til den indstillede temperatur (5-35°C). (BEMÆRK! Denne tilstand er kun tilgængelig på AC-modellen med Duo/ opvarmningsfunktion).

- Affugtningstilstand (9): Reducerer luftfugtigheden i rummet.

- Ventilatorstilstand (10): Cirkulerer og rensner luften i rummet uden at køle.

BEMÆRK! For AirSwitch Auto Mode og AirSwitch Mode, se separat afsnit for "AirSwitch-knap (1)".

**Ned-knap (4):** Klik for at sænke den indstillede temperatur eller justere den nedad.

**Op-knap (3):** Klik på knappen for at justere den indstillede temperatur opad.

BEMÆRK: Tryk på ned-knappen (4) eller op-knappen (3) i 2 sekunder for kontinuerligt at øge eller mindske temperaturtallet med 0,5 graders intervaller. Temperaturindstillingsområdet er 17~30°C.

**Knap til ventilatorhastighed (2):** Tryk på blæserhastighedsknappen for at vælge høj, mellem eller lav blæserhastighed.

BEMÆRK! Ventilatorhastigheden kan ikke justeres i tilstandene Affugtning og Dvale.

**AirSwitch-knap (1):** Tryk én gang på AirSwitch-knappen for at gå ind i AirSwitch Auto Mode, hvilket indikeres af den blinkende AirSwitch-indikator (11) på LCD-skærmen. Tryk på AirSwitch-knappen igen for at gå i AirSwitch-tilstand, indikeret af den tændte, men ikke blinkende AirSwitch-indikator (11). Tryk på AirSwitch-knappen for tredje gang for at afslutte AirSwitch-funktionen og vende tilbage til køletilstand som standard.

## DEFINITION AF AIRSWITCH "AUTO"-TILSTAND OG AIRSWITCH-TILSTAND

**AirSwitch Auto-tilstand:** Når rummet køles i AirSwitch Auto Mode, skifter enheden automatisk mellem kompressorkøling og AirSwitch-drift.

Når udendørstemperaturen er 2 °C eller lavere end den indstillede temperatur, skifter klimaanelægget automatisk fra kompressorkøletilstand til AirSwitch-arbejdstilstand og trækker køligere udendørsluft ind for mere støjsvag og energieffektiv køling. Når rumtemperaturen når den indstillede temperatur, går klimaanelægget i ventilationsdrift.

**AirSwitch-tilstand:** Når rummet køles i AirSwitch-tilstand, skifter enheden automatisk mellem AirSwitch-arbejdstilstand og ventilationsdrift.

Når udendørstemperaturen er 2 °C eller lavere end rumtemperaturen, skifter klimaanelægget automatisk fra ventilationsdrift til AirSwitch-arbejdstilstand, hvilket sikrer en konstant støjsvag og mere energieffektiv drift. Når rumtemperaturen når den indstillede temperatur, vender klimaanelægget tilbage til ventilationsdrift. Kompressoren forbliver inaktiv i denne tilstand.

## ANSVARSRASKRIVELSE AIR SWITCH AUTO MODE OG AIRSWITCH MODE

Temperatursensoren til AirSwitch er placeret i den slange, der fører udeluften ind i enheden. Visse omstændigheder kan lejlighedsvis påvirke sensorens nøjagtighed og funktion under Auto Mode.

Faktorer, der påvirker sensorens nøjagtighed:

1. Opvarmning med rumluft: Nærhed til varme luftkilder i rummet kan påvirke sensoraf læsningerne.

2. Plastikhush: I sjældne tilfælde kan sensorens plastikhush absorbere varme, hvilket påvirker dens ydeevne.

3. Eksterne miljøelementer: Sollys og vind: Udsættelse for direkte sollys eller vind, der overfører varme, kan påvirke sensorens nøjagtighed. Reflekterende overflader: Nærliggende vægge, der reflekterer eller absorberer varme, kan forstyrre den automatiske funktion. I sådanne tilfælde anbefales manuel tilstand.

4. Krydsning af luftstrømme: Vind eller luftstrøm kan forårsage temperaturvariationer, især hvis udgangsslangen kommer i karambolage med indgangsslangen.

Anbefalinger:

1. Brug af manuel tilstand: Under udfordrende forhold anbefales det at bruge den manuelle tilstand til præcis kontrol.

2. Forebyggelse af overophedning af sensoren: Undgå at udsætte sensoren for direkte varme for at sikre nøjagtig temperaturregistrering.

3. Opmærksomhed på reflekterende overflader: Overvej at aktivere manuel tilstand, hvis du har reflekterende overflader, såsom en murstensvæg i nærheden, eller andre potentielle forstyrrelser.

4. Optimal driftstid: Overvej at tænde AirSwitch i manuel tilstand for at få en ensartet ydeevne, især ved sengetid.

## FUNKTIONER VED KOMBINATION AF KNAPPER (SE BILLEDE C, SIDE 3)

**Dvalefunktion (15):** Start eller afbryd SLEEP-funktionen ved samtidig at trykke på AirSwitch-knappen (1) og Op-knappen (3). Bemærk, at ventilatorhastigheden ikke kan justeres i Sleep-funktionen.

- Hvis Sleep-funktionen er aktiveret i Cooling Mode, hæver den den indstillede temperatur med 1°C efter 2 timer og

derefter med yderligere 1°C efter yderligere 2 timer og opretholder driften ved denne temperatur.

- Hvis Sleep-funktionen er aktiveret i Heating Mode (kun tilgængelig på AC-modellen med Duo/heating-funktion), sænker den den indstillede temperatur med 1°C efter 2 timer. Derefter sænker den den med yderligere 1°C efter yderligere 2 timer og kører derefter på denne temperatur. BEMÆRK! Sleep-funktionen vil være ineffektiv i Fan Mode, Dehumidification Mode, AirSwitch Auto Mode og AirSwitch Mode.

**Auto Swing-funktion (12):** Aktiver eller deaktivér Auto-Swing ved samtidig at trykke på AirSwitch-knappen (1) og knappen for ventilatorhastighed (2).

## ANDRE FUNKTIONER PÅ KONTROLPANELET (SE BILLEDE C, SIDE 3)

**Indikator for udskiftet HEPA-filter (13):** Når klimaanelægget har kørt i mere end 500 timer, vises det tilsvarende ikon på LCD-skærmen, hvilket indikerer, at HEPA-filteret skal udskiftes. For at nulstille timeren og fjerne ikonet skal du trykke på knappen til blæserhastighed og holde den nede i 6 sekunder. Denne handling vil annullere ikonvisningen og genstarte tidsberegningen. Se afsnittet om udskifteligt HEPA-filter for information om, hvordan du udskifter dit filter.

**Indikator for udendørs omgivelsestemperatur og indikator for timerid (18):** Den udendørs omgivelsestemperatur vises under normal drift. Når enhedens timerfunktion er aktiveret, vil udendørstemperaturen og timerens varighed skiftevis blive vist på displayet.

BEMÆRK! Der vises en fejlkode i tilfælde af fejl i udendørstemperaturføleren eller problemer med spjældet på bagsiden af enheden, der åbner eller lukker.

## WIFI-FUNKTION (20)

(Gælder kun AC-modellen med WiFi/Smart Home-funktionalitet).



1. Download Wood's Connect-appen fra App Store eller Google Play.

2. Registrer dig, og følg instruktionerne. Accepter alle trin. (Læs privatlivspolitikken omhyggeligt, og accepter at fortsætte).

3. Åbn Wood's Connect-appen, og tilføj en

enhed.

4. For at gå i paringstilstand skal du trykke på AirSwitch-knappen på enheden og holde den nede i 5 sekunder for at se, at Wi-Fi-ikonet på displayet blinker hurtigt.

5. Når du ser enheden på skærmen, skal du tilføje den. Du kan også vælge modellen manuelt.

6. Udfyld dine Wi-Fi-indstillinger og din adgangskode.

7. Tryk på + for at tilføje enheden.

8. Vent på, at enheden bliver tilføjat. Den er nu klar til at blive styret via Wi-Fi.

For at afbryde Wi-Fi-funktionen skal du trykke på AirSwitch-knappen på enheden i 5 sekunder.

## FJERNBETJENINGENS DRIFTSTILSTANDE (SE BILLEDE D, SIDE 3)

**Strøm (1):** Tryk på denne knap for at starte enheden, når den er tændt, eller stoppe den, når den er i drift.

**Tilstandsknap (2):** Tryk på denne knap for at vælge driftstilstand.

**AirSwitch-knap (3):** Tryk på denne knap for at indstille eller annullere AirSwitch-tilstand.

1. Tryk én gang på AirSwitch-knappen for at gå ind i AirSwitch Auto Mode, som indikeres af det blinkende "ENERGY SAVER"-symbol på LCD-displayet.

2. Tryk på AirSwitch-knappen igen for at gå i AirSwitch-tilstand. Symbolet "ENERGY SAVER" vil lyse, men ikke blinke.

3. Tryk på AirSwitch-knappen for tredje gang for at afslutte AirSwitch-funktionen og vende tilbage til køletilstand som standard.

**Op-knap (4):** Tryk på op-knappen for at øge rumtemperaturen og timerindstillingen.

**Ned-knap (5):** Tryk på ned-knappen for at sænke rumtemperaturen og timerindstillingen.

**Ventilatorknop (6):** Tryk på denne knap for at vælge blæserhastighed i rækkefølge: Lav, mellem, høj.

**Auto Swing-knap (7):** Tryk på denne knap for at tænde eller slukke for auto-swing-funktionen.

**Dvale-knap (8):** Tryk på denne knap for at vælge eller annullere dvaletilstand (kun effektiv under køle- eller varmedrift).

**Timer-knap (9):** Indstil AUTO-ON-funktionen i standby-tilstand og AUTO-OFF, når enheden er i drift. Tiden kan justeres mellem 1-24 timer. For at slukke for timeren skal du trykke på timerknappen og indstille timeren på "0".

Før du bruger fjernbetjeningen, skal du installere AAA-batterierne ved at følge disse trin: (SE BILLEDE D, SIDE 3)

1. Skub og fjern forsigtigt batteridækslet, der sidder på bagsiden af fjernbetjeningen.

2. Indsæt to nye alkaliske AAA-batterier i det dertil beregnede batterirum, og sørg for korrekt polaritet.

3. Sæt batteridækslet på igen, og sørg for, at låsetappen klikker sikkert på plads.

BEMÆRK!

- Brug kun alkaliske batterier. Brug ikke genopladelige batterier.

- Udskift altid begge batterier med nye; bland ikke gamle og nye batterier.

- Tag batterierne ud af fjernbetjeningen, hvis klimaanelægget ikke skal bruges i en længere periode.

## OPBEVARING AF FJERNBETJENING (SE BILLEDE E, SIDE 3)

1. Sæt fjernbetjeningen ind i et indbygget rum på venstre side af enheden, og skub forsigtigt til den, så den lukkes.

2. Tryk forsigtigt på den nederste del af det indbyggede rum for at åbne det og tage fjernbetjeningen ud.

BEMÆRK: For at undgå at miste fjernbetjeningen, bedes du lægge den i opbevaringsrummet, når du ikke bruger den.

**ADVARSEL:** I tilfælde af batterilækage på din hud eller dit tøj skal du straks vaske det berørte område grundigt med rent vand. Undlad at bruge fjernbetjeningen, hvis der er tegn på batterilækage. I tilfælde af indtagelse af batterivæske skal du straks søge lægehjælp. De kemikalier, der findes i batterier, kan udgøre risici som forbrændinger og andre sundhedsfarer.

## INSTALLATION

### FØR FØRSTE BRUG

Lad enheden stå oprejst i 4 timer, før den tages i brug.

Dette klimaanelæg er designet til nem indendørs flytning. Sørg for, at enheden forbliver oprejst under flytningen. Placer klimaanelægget på en plan overflade. Installer eller betjen ikke dette klimaanelæg i badeværelser eller andre våde omgivelser.

### INSTALLER HEPA-FILTER (SE BILLEDE F, SIDE 3)

1. Løft HEPA-filterpakken opad.

2. Fjern emballageposen fra HEPA-filteret. (BEMÆRK! Den fjernede emballagepose skal opbevares utilgængeligt for børn).

3. Monter HEPA-filteret ved at rette det ind efter åbningen i skærmrammen og trykke det godt ned i den. HEPA-filteret skal trykkes helt i bund.

Wood's H11 HEPA-filter spiller en væsentlig rolle i luftrensningen. Det indfanger og fjerner effektivt partikler som støv, pollen, skimmelsporer, bakterier og endda små røgpartikler fra luften, hvilket sikrer et renere og sundere indeklima.

# Betjeningsvejledning

BEMÆRK: Skift HEPA-filteret mindst én gang om året. Registrer dig på warranty-woods.com og skift HEPA-filteret en gang om året for 6 års garanti. Gælder kun med et Wood's-branded filter. Se woods.se for forhandlere. GEM DINE KVITTERINGER!

## VIGTIG INFORMATION FØR MONTERING AF LUFTSLANGER

Under drift skal slangerne holdes så korte og med så få bøjninger som muligt for at minimere trykfald og kapacitetstab. Udstødningsslangen skal forblive glat for at forhindre overophedning og potentiel skade på klimaanelægget. Slangerne har en længde på 280 mm-1500 mm. Undgå at forlænge slangerne eller udskifte dem med en anden slange, da det kan påvirke driften.

## INSTALLATION AF Udstødningslangen og Dens Adapter. (SE BILLEDE G OG H, SIDE 4)

1. Fjern plastikposen ved at trække udsugningsslangen (stor), dens stik og adapteren ud af emballagen.

2. Forlæng den ene ende af udsugningsslangen, og fastgør det runde stik ved at dreje det mod uret i mindst tre omgange.

3. Forlæng den anden ende af udsugningsslangen, og fastgør adapteren ved at dreje den mod uret i mindst tre omgange.

4. Placer den forreste ende af udsugningsslangen i det dertil beregnede hak på udsugningsluftudtaget på bagpanelet. Fastgørelsesanordningerne vil låse udsugningsslangen sikkert på plads.

5. Monter luftudsugningsslangen på enheden.

BEMÆRK: Sørg for, at den skrå side af adapteren vender korrekt, så det er nemt at montere vinduespladen. Sørg for en sikker og velplaceret tilslutning af udsugningsslangen.

## MONTER LUFTINDTAGSSLANGEN (SE BILLEDE I, J, K, SIDE 4)

1. Fjern plastikposen ved at trække luftindtagsslangen (den mindste), dens stik og adapteren ud af emballagen.

2. Forlæng den ene ende af luftindtagsslangen, og tilslut den til stikket med sensoren ved at dreje den mod uret i mindst tre omgange.

3. Placer forseglingsdugen omkring luftindtagsslangen, og sørg for, at temperaturfølerledningen også er omsluttet af forseglingsdugen. Forlæng den anden ende af luftindtagsslangen, og tilslut den til konnektoren ved at dreje den mod uret (tre omgange). Træk til sidst tætningsdugen ud, så den dækker det runde stik.

4. Monter luftindtagsslangen på enheden, og sørg for, at pilen "IN" peger nedad.

**FAST TEMPERATURFØLERLINJE (SE BILLEDE L, SIDE 4)**

Sæt stikket til temperaturfølerledningen i stikket på enheden. Der er en hvid markeringsprik på stikket. Når du sætter stikket i, skal de to hvide prikker være på linje med hinanden, og stram derefter stikket med uret.

Den skal hænge frit i luften.

BEMÆRK! Spændingen på temperaturfølerens ledningsstik er en sikker spænding, ikke større end DC 5V.

**MONTERING AF VINDUESTÆTNINGSPLADE (SE BILLEDE M, N, O, SIDE 5)**

1. Monter den rektangulære ende af slangesamlingen i de tilsvarende rektangulære huller i vinduestætningspladesamlingen, og fastgør den med en skrue.

BEMÆRK!

- Skub adapteren nedad, og sørg for, at den sidder godt fast.
- Kontrollér, at det skrå panels retning flugter med tætningspladens retning.
- Sørg for, at slangerne forbliver ubøjede og opretholder en bøjningsvinkel på mere end 45° for at sikre tilstrækkelig ventilation.

2. Åbn vinduet halvvejs, og sæt tætningspladen ind i vinduet, så den enten står lodret eller vandret. Ved lodret montering skal udblæsningsslangen placeres øverst, så den varme udblæsningsluft ikke forstyrrer sensoren på luftindtagsslangen.

3. Træk tætningslisterne ud, og juster dem, så de passer til vinduets længde. Sørg for, at begge ender møder vindueskanterne, og fastgør dem med skruer.

BEMÆRK: Kontrollér, at begge ender af vinduestætningspladen møder vindueskanterne effektivt for at sikre en korrekt tætning.

Sørg for, at skrueerne er spændt godt fast i den korrekte position.

4. Juster placeringen af følerhovedet til udetemperaturen, og sænk justeringsstangen til den nederste del af vægtrinet under vinduet.

BEMÆRK: Sensoren skal hænge frit i luften og så langt væk som muligt fra den varme luft i udstødningsslangen.

5. Flyt enheden med slangerne monteret foran vinduet, og hold enheden mindst 50 cm væk fra væg eller andre genstande.

**SÆT STRØM TIL ENHEDEN**

Sæt stikket i stikkontakten for at tænde for enheden. Alle ikoner i LCD-vinduet vil lyse i 2 sekunder ledsaget af en kort påmindelseslyd. Herefter vil LCD-vinduet vise den indendørs omgivelsestemperatur inden for området 5°C til 35°C og den udendørs omgivelsestemperatur inden for området -9°C til 65°C. Enheden vil derefter

være i standbytilstand og klar til drift.

*Enheden er nu klar til brug!*

**VEDLIGEHOJDELSE**

BEMÆRK: Sluk for enheden, og træk stikket ud før vedligeholdelse.

**TØMNINGSVEJLEDNING (SE BILLEDE P, SIDE 5)**

Det meste af vandet ledes naturligt ud gennem udblæsningsslangen med den varme luft. Hvis du har brug for at tømme tanken, vil enheden give dig besked. (SE BILLEDE C, SIDE 3, nr. 14)

Sådan tømmes vandtanken: Skru afløbsdækslet af, og tag vandstikket ud, så vandet kan løbe ned i bakken. BEMÆRK: Vær forsigtig for at undgå lækage, hvis enheden skal flyttes. Vip enheden lidt bagover under tømningen. Hvis bakken ikke kan indeholde alt vandet fra enheden, skal du straks blokere afløbshullet for at forhindre vandlækage og undgå at gøre gulvet eller tæppet vådt. Sørg for, at vandproppen og afløbsdækslet er tæt monteret for at forhindre, at nyt kondensvand gør gulvet eller gulvtæppet vådt, når enheden genstartes.

Tilslutning af en vandslange til kontinuerlig dræning: Skru afløbsdækslet af, og fjern vandproppen. Fastgør en vandslange med en indvendig diameter på 12 mm til røret på enheden. (Vandslange medfølger ikke). Før den anden ende af vandslangen til et afløb. Sørg for, at vandet kan løbe nedad. BEMÆRK: Der skal installeres en afløbsslange, når der ikke er vand i bakken. Det anbefales ikke at bruge kontinuerlig dræning, når enheden er i køletilstand for at sikre, at der genbruges tilstrækkeligt vand i enheden til at forbedre systemets køleeffekt. Anbring afløbsslangen et utilgængeligt sted, så den ikke er placeret højere end afløbshullet, og hold afløbsslangen lige uden bøjninger. Sørg for, at afløbsdækslet og dets prop er ordentligt fastgjort, når der anvendes kontinuerlig dræning.

**FLERE BESKYTTELSSESFUNKTIONER**

Automatisk afrimning: Apparatet afrimer automatisk, når det er nødvendigt. I afrimningstilstand viser displayet E4, og ingen knapper undtagen POWER-knappen er aktive.

Kompressorbeskyttelse: Enheden har en kompressorbeskyttelsesfunktion, der forårsager en 3-minutters startforsinkelse, efter at enheden er genstartet.

Sikkerhedsalarm for fuld vandbeholdning og beskyttelsesfunktion for slukning: Når vandmængden overskrider det angivne alarmniveau i enhedens chassis, udløses en automatisk advarsel, ledsaget af oplysningen af vand-fuld-ikonet på LCD-skærmen. I dette tilfælde er det nødvendigt at dræne det kondenserende vand ved at følge instruktionerne i afsnittet "Dræningsinstruktion". Hvis enheden ikke

slukkes manuelt, vender den automatisk tilbage til sin oprindelige driftsstatus, når kondensvandet er drænet helt. Alternativt kan du tilslutte strømmen igen for at genstarte enheden.

**RENGØRING AF OVERFLADER**

• Rengør enhedens overflade med en våd, blød klud, og brug ikke kemiske opløsningsmidler som alkohol og benzin for at undgå skader.

• Rengør det snavsede luftudtag eller lamellerne med en fugtig, blød klud og et mildt rengøringsmiddel.

• Det er forbudt at bruge kemiske opløsningsmidler til rengøring af enheden eller at anbringe sådanne ting i nærheden af enheden i længere tid.

• Fortynder, sprit eller lignende opløsningsmidler er forbudt til rengøring af enheden.

**RENGØRING AF VASKBART FILTER (SE BILLEDE Q, SIDE 5)**

Det er vigtigt at rengøre filteret hver anden uge for at forhindre, at enhedens ydeevne påvirkes af støvophobning. Nedsenk og vask filteret forsigtigt i varmt vand (ca. 40°C) blandet med et neutralt rengøringsmiddel. Efter rengøringen sættes det tilbage på enheden.

Rengør filteret i luftindtagsslangen (A): Løft stikket op, fjern derefter filterrammen i stikket, og rengør den.

Rengør de øverste venstre og højre indtagningsfilterrammer (B): Træk den øverste venstre og højre indtagningsfilterramme mod deres respektive sider. Rengør rammen grundigt.

Rengør de nederste filtre (C): Træk de nederste filtre ud, fjern derefter det bageste filter, og rengør det.

Rengør sidefiltrene (D): Træk sidefiltrene ud, og rengør dem.

BEMÆRK: Træk forsigtigt filteret ud, og prioriter at fjerne bagpanelets filter før sidepanelets filter for at undgå vridninger eller skader. Vær forsigtig, så du ikke maser nettet, og undgå at ramme nettet med skarpe genstande eller børster.

BEMÆRK: Sørg for, at filteret er monteret på sidepanelet, før du monterer filteret på bagpanelet.

Monter filteret i den modsatte retning af, hvor det blev fjernet.

**UDSKIFTeligt HEPA-FILTER (SE BILLEDE F, SIDE 3)**

Denne enhed rensr luften med HEPA-teknologi. Filteret skal skiftes regelmæssigt og mindst en gang om året.

1. Løft HEPA-filteret opad.

2. Installer HEPA-filteret, ret det ind efter åbningen i skærmrammen, og tryk det ned i skærmrammen. HEPA-filteret skal trykkes helt i bund.

BEMÆRK: Sørg for at bruge et originalt HEPA-filter fra Wood for at opretholde garantien. Besøg woods.se for mere information og for at finde forhandlere.

**OPBEVARING VED SÆSONAFSLUTNING**

1. Skru afløbsdækslet af, og fjern vandproppen for at tømme kondensvandet helt ud. BEMÆRK: Enhedens hældningsvinkel skal være  $\approx 30$  grader.

2. Lad enheden køre i blæsertilstand i en halv dag for at tørre interiøret grundigt og forhindre skimmelvækst.

3. Sluk for enheden, tag stikket ud, vikl netledningen rundt om ledningssøjlen, sæt stikket i universalfastgørelseshullet på bagpanelet, og genmonter vandproppen og afløbsdækslet.

4. Fjern varmeudblæsningsslangen, rengør den, og opbevar den korrekt. BEMÆRK: Hold udblæsningsslangen med begge hænder, når den fjernes.

5. Skub fastgørelsesanordningerne på udblæsningsluftudtaget til side med tommelfingrene, og træk derefter udblæsningsslangen ud.

6. Pak klimaanlægget forsvarligt ind i en blød plastikpose, placer det på et tørt sted med passende støvtætte foranstaltninger, og opbevar det utilgængeligt for børn.

7. Tag batterierne ud af fjernbetjeningen, og opbevar dem korrekt.

BEMÆRK: Sørg for, at enheden opbevares i et tørt miljø. Beskyt alt tilbehør til enheden samlet for at forhindre beskadigelse eller forringelse.

**GARANTIER**

To års garanti mod fabriktionsfejl. Bemærk venligst, at garantien kun er gyldig ved fremvisning af kvittering. GEM DINE KVITTERINGER! Kvitteringer vil være påkrævet for ethvert garantikrav i perioden.

**FÅ UDVIDET GARANTI**

Få 6 års garanti ved at registrere dig på warranty-woods.com. Sørg for, at din garanti holder længe ved at udskifte Woods' originale HEPA-filter hvert år. Bemærk venligst, at garantien er gyldig under specifikke betingelser: rettidig produktregistrering inden for 90 dage, årlig udskiftning af HEPA-filter og opbevaring af kvitteringer for både filtre og enheden. GEM DINE KVITTERINGER! Alle kvitteringer vil være nødvendige for ethvert garantikrav i perioden.



**FEJLFINDING**

Kontroller venligst enheden og følg nedenstående forslag, før du anmoder om professionel service. Forsøg dog aldrig selv at skille enheden ad eller reparere den, da det kan forårsage skade på dig og din ejendom. Hvis der opstår problemer, som ikke er anført i tabellen, eller hvis de anbefalede løsninger ikke virker, bedes du kontakte en professionel serviceorganisation.

PROBLEMER	ÅRSAG	AFHJÆLPNING
Enheden kan ikke starte op.	Fejl i strømforsyningen.	Slut enheden til en strømførende stikkontakt, og tænd for den.
	Vandtank fuld med tilsvarende oplyst ikon.	Tøm det vand, der er opbevaret i enheden.
	Rumtemperaturen er lavere end den indstillede temperatur i køletilstand eller højere temperatur i varmetilstand.	Sørg for, at enheden fungerer inden for det anbefalede temperaturområde på 8-35 °C. Juster den indstillede temperatur.
Utilstrækkelig afkøling.	Der er direkte sollys.	Træk gardinet for vinduet.
	Døre og vinduer står åbne, der er mange mennesker i rummet, eller der er andre varmekilder.	Luk døre og vinduer, fjern andre varmekilder, og overvej at tilføje ekstra klima anlæg.
	Beskidt filter.	Rengør eller udskift filternettet.
	Luftindtag eller luftudtag tilstoppet.	Fjern eventuelle forhindringer.
Højt støjniveau.	Enheden er placeret på en ujævn overflade.	Stil enheden på et fladt og fast sted (kan reducere støj).
Kompressoren virker ikke.	Start af overophedningsbeskyttelse.	Vent, indtil temperaturen falder, så genstarter enheden automatisk.
Fjernbetjeningen virker ikke.	Afstand mellem enhed og fjernbetjening for stor.	Bring fjernbetjeningen tæt på klima anlægget, og sørg for luft ved signalmodtageren på enheden.
	Fjernbetjeningen er ikke rettet mod signalmodtageren på enheden.	
	Batterierne er opbrugt.	Udskift batterierne
Koden "CH01" vises.	Fejl i rumtemperaturføleren.	Kontrollér rumtemperaturføleren og de tilhørende kredsløb.
Koden "CH02" vises.	Fejl i temperatursensoren ved fordampere.	Kontrollér fordampere temperaturoføler og kredsløb.
Koden "E4" vises.	Beskyttelse mod frysning.	Funktionerne gendannes automatisk, når frostbeskyttelsen er overstået.
Koden "E5" vises.	Fejl i sensoren for udetemperatur.	Kontroller udetemperaturføleren og de tilhørende kredsløb.
		Kontrollér, om kabelinterfacet til udendørstemperaturføleren er sat korrekt i.
Koden "E6" vises.	Fejl i døråbning.	Kontrollér, om luftspjældet er helt åbent i køletilstand, og efterse de tilhørende kredsløb.
Koden "E7" vises.	Fejl i dørlukning.	I AirSwitch-tilstand skal du sikre dig, at spjældet opfylder lukkebetingelserne, og at luftafbryderspjældet er helt lukket; inspicer relaterede kredsløb.
Koden "FL" vises.	Vandtanken i chassiset er fuld.	Tøm kondensvandet, og start enheden igen.

**TEKNISK SPECIFIKATION**

MODEL NO.	AC CORTINA 12K AIRSWITCH	AC COTINA 12K AIRSWITCH SMART HOME DUO A+
Kølekapacitet	3,520 W	3,500 W
Opvarmingskapacitet	N/A	2,900 W
Strømforsøg i køletilstand	1,350 W	1,120W
Strømforsøg i opvarmningstilstand	N/A	960 W
Strømforsøg i AirSwitch-tilstand	56W	32W
Luftstrøm	220-320 (m³/t)	220-320 (m³/t)
Energiklasse	A	A+
Affugtning	33,6 L / 24 timer	33,6 L / 24 timer
Indstilling af temperatur	17-30°C	17-30°C
Arbejdstemperatur	17-43°C	5-43°C
EER i køletilstand	2,6	3,1
EER i AirSwitch-tilstand	5	8
Slangelængder	1,5 m	1,5 m
Kølemiddelgas	R290/260g	R290/250g
Lydniveau i køletilstand (LWA) (dB(A))	60-64 dB	60-64 dB
Lydniveau i køletilstand (LPA) (dB(A))	49-52 dB	49-52 dB
Lydniveau i AirSwitch-tilstand (LWA)(dB(A))	49,5-51 dB	49,5-51 dB
Lydniveau i AirSwitch-tilstand (LPA) (dB(A))	35-38 dB	35-38 dB
Nettovægt	30 kg	31 kg
Enhedens dimensioner (H×B×D)	850×471×400mm	850×471×400mm

**Tekniske ændringer og forbedringer kan forekomme. Alle værdier er omtrentlige og kan variere afhængigt af ydre omstændigheder som temperatur, ventilation og luftfugtighed.**



Denne mærkning viser, at produktet ikke må bortskaffes sammen med almindeligt husholdningsaffald i Storbritannien og EU. For at undgå eventuelle miljøskader eller sundhedsmæssige skader på grund af ukontrolleret bortskaffelse af affald skal produktet genvindes på forsvarlig vis. Dermed fremmes bæredygtig genbrug af materielle ressourcer. For at returnere apparatet til os skal du bruge returnerings- og indsamlingssystemerne eller kontakte den forhandler, hvor produktet er købt. Forhandleren kan sørge for, at produktet genvindes på miljømæssigt forsvarlig vis.



Brugte batterier må ikke bortskaffes via husholdningsaffald, da de kan indeholde giftige elementer og tungmetaller, der kan være skadelige for miljøet og menneskers sundhed. Indlever brugte batterier på en autoriseret genbrugsstation.



**TULENARKAA MATERIAALIA.**  
Laitte sisältää R290-propania, joka on helposti syttyvä kylmäaine.

Ks. käyttöohje.

Lue tekninen käsikirja.

Lue käyttöohje.

**TURVALLISUUSTIEDOT**

Lue mukana toimitetut ohjeet huolellisesti ennen laitteen asentamista ja käyttöä. Valmistaja ei ole vastuussa, jos virheellinen asennus ja käyttö aiheuttavat vammoja ja vahinkoja. Säilytä ohjeet aina laitteen kanssa myöhempää käyttöä varten.

**LASTEN JA TOIMINTAKYVYLTTÄÄN HEIKKOJEN IHMISTEN TURVALLISUUS**

**VAROITUS**   
Vamman tai pysyvän vamman riski.

Vähintään 8-vuotiaat lapset sekä henkilöt, joilla on heikentynyt fyysinen, psyykinen tai henkinen toimintakyky tai vähän kokemusta tai osaamista, voivat käyttää laitetta, jos heille on annettu ohjeet laitteen turvallisesta käytöstä ja he ymmärtävät käytön riskit. Älä anna lasten leikkiä laitteella.

Alle 3-vuotiaat lapset on pidettävä loitolla laitteesta, ellei heitä valvota jatkuvasti.

Säilytä kaikki pakkausmateriaalit poissa lasten ulottuvilta. Lapset eivät saa puhdistaa laitetta tai tehdä kunnossapitotoimia ilman valvontaa.

**YLEINEN TURVALLISUUS**

Tämä laite on tarkoitettu käytettäväksi kotitalouksissa ja vastaavissa ympäristöissä, kuten kaupoissa, toimistoissa ja muissa

työympäristöissä. Luokituskilpi sijaitsee laitteen sivulla tai takana. Pidä ilmanvaihtoaukot vapaina.

Älä nopeuta sulatusprosessia käyttämällä mekaanisia laitteita tai muita keinoja, paitsi valmistajan suosittelemia. Laitetta ei saa säilyttää huoneessa, jossa on jatkuvasti toimivia sytytyslähdeitä (avotuli, käynnissä oleva kaasulaite, sähkölämmitin tms.). Ei saa puhkaista tai polttaa. Huomaa, että kylmäaineissa ei välttämättä ole tuoksua. Älä puhdistaa laitetta vesisuihkulla tai -höyryllä. Puhdista laite kostealla pehmeällä liinalla. Käytä vain neutraaleja pesuaineita. Älä käytä hankaavia tuotteita, hankaavia puhdistusainoja, liuottimia tai metalliesineitä. Jos virtajohto vahingoittuu, valmistajan, sen valtuuttaman huollon tai vastaavan pätevän henkilön on vaihdettava johto vaaran välttämiseksi.

**TURVALLISUUSOHJEET**

**VAROITUS**   
Laitteen saa asentaa vain pätevä henkilö.

Poista kaikki pakkausmateriaalit. Älä asenna tai käytä vahingoittunutta laitetta. Laitteen asennus-, käyttö- ja varastointitilan pinta-alan on oltava suurempi kuin 12,5 m<sup>2</sup>. Noudata ehdottomasti laitteen mukana toimitettuja asennusohjeita. Ole varovainen, kun siirät laitetta, koska se on raskas. Käytä aina suojakäsineitä.

Varmista, että ilma voi vaihtua laitteen ympärillä. Odota vähintään 4 tuntia ennen kuin kytket laitteen virtalähteeseen. Odotusaikana öljy virtaa takaisin kompressorin. Älä asenna laitetta lämpöpattereiden tai muiden lämmönlähteiden lähelle. Älä asenna laitetta suoraan auringonvaloon.

**SÄHKÖLIITÄNTÄ**

**VAROITUS**   
Tulipalon ja sähköiskun vaara.

Laitte on kytkettävä maadoitettuun pistorasiaan. Varmista, että virtalähde vastaa arvokilven sähkötietoja. Jos ei, ota yhteyttä sähköasentajaan. Käytä aina oikein asennettua iskunkestävää pistorasiaa. Älä käytä monen pistorasian jakajia tai jatkojohtoja. Varmista, ettei mikään aiheuta vaurioita sähkökomponenteille (esim. pistoke, johto). Ota yhteyttä valtuutettuun

huoltoon tai sähköasentajaan, jos sähkökomponentteihin on tarpeen tehdä muutoksia. Virtajohtoon tulee olla alempana kuin pistoke. Kytke pistoke pistorasiaan vasta asennuksen jälkeen. Varmista, että pistokkeelle on vapaa pääsy asennuksen jälkeen. Älä irrota virtajohtoa vetämällä johdosta. Irrota virtajohto aina vain pistokkeesta.

**KÄYTTÖ**

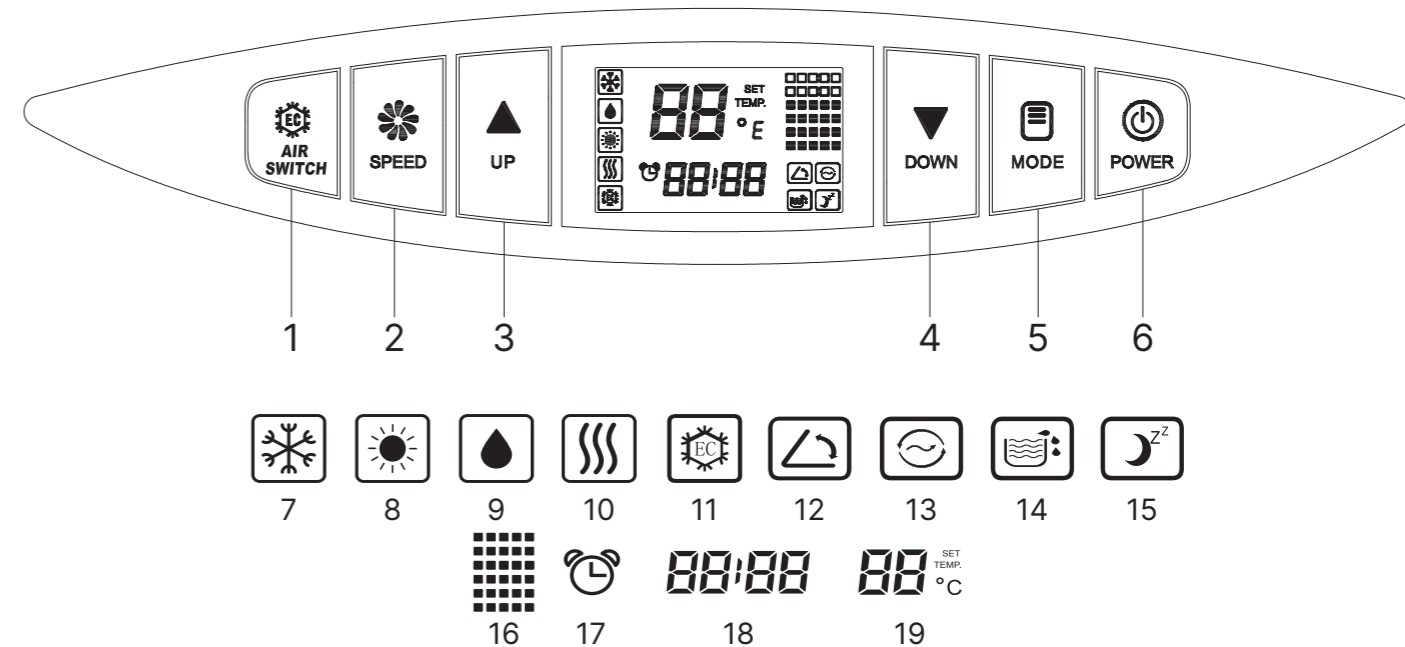
**VAROITUS**   
Vamman, palovamman, sähköiskun ja tulipalon vaara.

Älä muuta laitteen teknisiä määrittämiä. Varo vahingoittamasta kylmäainepiiriä. Se sisältää propaania (R290), luonnollista kylmäainetta, jonka ympäristövaikutukset ovat vähäiset. Kaasu on helposti syttyvä. Jos kylmäainepiiri vahingoittuu, varmista, että tilassa ei ole avotulta tai sytytyslähdeitä. Tuuleta tila. Älä laita tulenarkoja tuotteita tai helposti syttyvällä tuotteella kostutettuja esineitä laitteen lähelle tai päälle.

**HÄVITTÄMINEN**

**VAROITUS**   
Vamman vaara.

Irrota laite verkkovirrasta. Katkaise virtajohto ja hävitä se. Laitteen kylmäainepiiri ei vahingoita otsonikerrosta. Kysy paikallisilta viranomaisilta ohjeet laitteen asianmukaisesta hävittämisestä. Älä vahingoita lämmönvaihtimen lähelle olevaa jäähdytysyksikön osaa.



Kiitos ostoksestasi ja luottamuksestasi Wood'siin. Tässä käyttöoppaassa esitellään AC Cortina AirSwitchin toiminnot. Kaikissa toiminnoissa ilma puhdistetaan HEPA-tekniikalla.

**Jäähdytys:** Jäähdyttää huoneen haluttuun lämpötilaan. Jäähdytysmallien optimaalinen käyttölämpötila on 17-35 °C.

**Lämmitys:** Lämmittää huoneen haluttuun lämpötilaan. Optimaalinen käyttölämpötila sekä jäähdytys- että lämmitysmalleille on 5-35 °C. (Huom! Tämä tila on käytettävissä vain AC-mallissa, jossa on Duo/lämmitystoiminto).

**Kosteudenpoisto:** Vähentää huoneen kosteutta.

**Tuuletin:** Kierrättää ja puhdistaa huoneilmaa jäähdyttämättä.

**AirSwitch Auto Mode:** Vaihtaa automaattisesti kompressorijäähdytyksen ja AirSwitchin välillä. Kun ulkolämpötila on asetettua lämpötilaa kylmempi, AirSwitchia käytetään viileämmän ja puhdistetun ulkoilman syöttämiseen ilman kompressorin toimintaa - hiljaisempaa ja energiatehokkaampaa.

**AirSwitch-tila:** Tuo viileämpää, puhdistettua ulkoilmaa huoneeseen ilman kompressorin aktiivisuutta.

**KÄYTTÖOHJEET**

**TUOTTEEN OSAT (KATSO KUVA A JA B, SIVU 2)**

1. Kaukosäätimen vastaanotto
2. Ohjauspaneeli
3. Ilman ulostulo
4. HEPA-suodatin
5. Takapaneelin ylempi suodatinkokoonpano
6. Ulkolämpötila-anturin johtimen liitäntä

7. Virtajohto ja pistoke
8. Kaapelin käämityskiinnikkeet
9. Takapaneelin alempi suodatinkokoonpano
10. Tyhjennyskansi
11. Sivupaneelin suodatinkokoonpano
12. Sivupaneelin suodatinkokoonpano
13. Suojaverkko
14. Kaukosäätimen lokero
15. Ilman tuloaukko
16. Ylempi sisäliitin (suodatin mukaan lukien)
17. Ilman tuloilmaletku (pieni)
18. Sovitin ilman tuloilmaletkuun (pieni) (sisältää ulkolämpötila-anturin).
19. Ikkunasarjat
20. Poistoilman letkun pyöreä liitin
21. Poistoilmaletku (iso)
22. Sovitin popistoilmaletkuun (iso)
23. Ilmanottoletkun tiivistysliina

**OHJAUSPANEELI (KATSO EDELLÄ TAI KUVA C, SIVU 3).**

1. AirSwitch-painike
2. Puhaltimen nopeuspainike
3. Ylös-painike
4. Alas-painike
5. Mode-painike
6. Virtapainike
7. Jäähdytystilan merkkivalo
8. Lämmitystilän merkkivalo (HUOM! Tämä symboli on käytettävissä vain AC-mallissa, jossa on Duo/lämmitystoiminto).
9. Kosteudenpoistotilan ilmaisin

10. Tuulettimen tilan merkkivalo
11. AirSwitch-tilan ilmaisin
12. Automaattisen swing-toiminnon ilmaisin
13. HEPA-suodatin vaihdettu -ilmaisin
14. Vesi täynnä -ilmaisin
15. Lepotilan merkkivalo
16. Tuulettimen nopeuden ilmaisin
17. Ajastimen merkkivalo (HUOM! Ajastin voidaan asettaa vain kaukosäätimestä).
18. Ulkoilman lämpötilan ilmaisin; Ajastimen ajan ilmaisin
19. Aseta lämpötilan ilmaisin. Sisäilman lämpötilan ilmaisin puhallin-, kosteudenpoisto- ja AirSwitch-tiloissa.
20. Wi-Fi-ilmaisin. (HUOM! Tämä symboli on käytettävissä vain AC-mallissa, jossa on Wi-Fi/Smart Home -toiminto.)

**TOIMINNOT JA OHJAUSPANEELIN TOIMINNOT (KATSO KUVA C, SIVU 3).**

**Virtapainike (6):** Paina tätä näppäintä aktivoiaksesi laitteen; melodinen ääni soi, ja laite siirtyy automaattisesti jäähdytystilaan, jonka esiasetettu lämpötila on 22 °C. Puhallin toimii keskinopeudella. Voit poistaa laitteen käytöstä koskettamalla tätä näppäintä uudelleen, jolloin melodinen ääni ilmoittaa sen sammuttamisesta.

1. Kun laite on päällä, LCD-näyttö näkyy asetettu lämpötila jäähdytystilassa ja lämmitystilassa (HUOM! Lämmityssymboli on käytettävissä vain ilmastointimallissa, jossa on Duo/Lämmitystoiminto) tai ympäristön lämpötila kosteudenpoistotilassa, tuuletustilassa, AirSwitch Auto -tilassa ja AirSwitch-tilassa. Puhallin käynnistyy ja ilmanpoistoluukku avautuu automaattisesti.

2. Kaikki osat lakkaavat toimimasta, kun laite on sammutettu, ja poistoilmaluukku sulkeutuu automaattisesti.

**Mode-painike (5):** Mode-painike (5): Paina "Mode"-painiketta valitaksesi haluttu toiminto.

• Jäähdytystila (7): Jäähdyttää huoneen asetettuun lämpötilaan (17-35 °C).

• Lämmitystila (8): Lämmittää huoneen asetettuun lämpötilaan (5-35 °C). (HUOM! Tämä tila on käytettävissä vain AC-mallissa, jossa on Duo/lämmitystoiminto).

• Kosteudenpoistotila (9): Vähentää huoneen kosteutta.

• Puhallintila (10): Kierrättää ja puhdistaa huoneilmaa ilman jäähdytystä.

HUOMAUTUS! AirSwitch Auto Mode ja AirSwitch Mode -tilan osalta katso erillinen kohta "AirSwitch-painike (1)".

**Alas-painike (4):** Napsauttamalla tätä voit laskea asetettua lämpötilaa.

**Ylös-painike (3):** Napsauta painiketta säätääksesi asetettua lämpötilaa ylöspäin.

HUOMAUTUS! Paina Alas-painiketta (4) tai Ylös-painiketta (3) yli 2 sekunnin ajan lämpötilaluvun nostamiseksi tai laskemiseksi jatkuvasti 0,5 asteen välein. Lämpötilan asetusalue on 17~30°C.

**Puhaltimen nopeuspainike (2):** Paina tuulettimen nopeuspainiketta valitaksesi tuulettimen nopeudeksi korkean, keskinopeuden tai matalan nopeuden.

HUOMAUTUS! Tuulettimen nopeutta ei voi säätää Kuivaus- ja Lepotilassa.

**AirSwitch-painike (1):** Paina AirSwitch-painiketta kerran siirtyäksesi AirSwitch-automaattitilaan, mikä näkyy nestekidenäytössä vilkkuvana AirSwitch-ilmaisimena (11). Paina AirSwitch-painiketta uudelleen siirtyäksesi AirSwitch-tilaan, jonka ilmaisee palava mutta ei vilkkuva AirSwitch-ilmaisim (11). Paina AirSwitch-painiketta kolmannen kerran poistuaksesi AirSwitch-toiminnosta ja palataksesi oletusarvoisesti jäähdytystilaan.

## ILMAKYTKIMEN "AUTO"-TILAN JA ILMAKYTKIN-TILAN MÄÄRITELMÄ

AirSwitch Auto Mode: AirSwitch Auto Mode -tilassa huoneen jäähdytyksen aikana laite vuorottelee automaattisesti kompressorijäähdytyksen ja AirSwitch-toiminnon välillä.

Kun ulkolämpötila on 2 °C tai alhaisempi kuin asetettu lämpötila, ilmastointilaitte siirtyy automaattisesti kompressorijäähdytystilasta AirSwitch-toimintatilaan ja imee viileämpää ulkoilmaa hiljaisempaa ja energiatehokkaampaa jäähdytystä varten. Kun huonelämpötila saavuttaa asetetun lämpötilan, ilmastointilaitte siirtyy ilmanvaihtokäyttöön.

AirSwitch-tila: AirSwitch-tilassa laite vaihtaa automaattisesti AirSwitch-toimintatilan ja ilmanvaihtotoiminnon välillä.

Kun ulkolämpötila on 2 °C tai alhaisempi kuin huonelämpötila, ilmastointilaitte siirtyy automaattisesti ilmanvaihtotoiminnosta AirSwitch-

toimintatilaan, mikä takaa jatkuvasti hiljaisen ja energiatehokkaamman toiminnan. Kun huonelämpötila saavuttaa asetetun lämpötilan, ilmastointilaitte palaa ilmanvaihtokäyttöön. Huomionarvoista on, että kompressoripi pysyy tässä tilassa poissa käytöstä.

## VASTUUVAPAAUSLAUSEKE ILMAKYTKIMEN AUTOMAATTINEN TILA JA ILMAKYTKIN-TILA

AirSwitchin lämpötila-anturi on sijoitettu letkuun, joka tuo ulkoilmaa yksikköön. Tietyt olosuhteet voivat ajoittain vaikuttaa anturin tarkkuuteen ja toimintaan Auto-tilan aikana.

Anturin tarkkuuteen vaikuttavat tekijät:

1. Lämmitys huoneilmalla: Lämpimän ilman lähteiden (esim. takka) läheisyys huoneessa voi vaikuttaa anturin lukemiin.

2. Muovi Kotelo: Joskus anturin muovikoteloon voi absorboida lämpöä, mikä vaikuttaa sen suorituskykyyn.

3. Ulkoiset ympäristöelementit: Auringonvalo ja tuuli: Suora auringonvalo tai lämmin tuuli voi vaikuttaa anturin tarkkuuteen. Heijastavat pinnat: Läheiset seinät, jotka heijastavat tai imevät lämpöä, voivat häiritä automaattista toimintaa. Tällaisissa tapauksissa suositellaan manuaalista tilaa.

4. Tuuli tai ilmavirta voi aiheuttaa lämpötilavaihteluita, erityisesti jos lähtöletku on tuloletkun kanssa ristiin kytketty.

Suosituksat:

1. Manuaalinen tila Käyttö: Manuaaltilan käyttö: Haastavissa olosuhteissa on suositeltavaa käyttää manuaaltilaa tarkan ohjauksen varmistamiseksi.

2. Anturin ylikuumentamisen estäminen: Vältä anturin altistamista suoralle lämmölle tarkan lämpötilan havaitsemisen varmistamiseksi.

3. Heijastavat pinnat Tietoisuus: Harkitse manuaaltilan aktivoimista, jos lähellä on lämpöä heijastavia pintoja, kuten tiiliseinä, tai muita mahdollisia häiriötekijöitä.

4. Optimaalinen käyttöaika: Harkitse AirSwitchin kytkemistä manuaaliseen tilaan, jotta se toimisi tasaisesti erityisesti nukkumaanmenoaikana.

## PAINIKKEIDEN YHTEISTOIMINTA (KATSO KUVU C, SIVU 3).

Lepotoiminto (15): Käynnistä tai peruuta SLEEP-toiminto painamalla samanaikaisesti AirSwitch-painiketta (1) ja Up-painiketta (3). Huomaa, että puhaltimen nopeutta ei voi säätää Sleep-toiminnossa.

• Jos lepotoiminto aktivoidaan jäähdytystilassa, se nostaa asetettua lämpötilaa 1 °C:lla 2 tunnin kuluttua ja lisää sitä vielä 1 °C:lla 2 tunnin kuluttua, jolloin lämpötila pysyy tässä lämpötilassa.

• Jos Sleep-toiminto on aktivoitu

lämmitystilassa (käytettävissä vain AC-mallissa, jossa on Duo/lämmitystoiminto), se laskee asetettua lämpötilaa 1 °C:lla 2 tunnin kuluttua. Sitten se laskee sitä vielä 1 °C:lla 2 tunnin kuluttua ja toimii tämän jälkeen tässä lämpötilassa. HUOM! Lepotoiminto ei ole tehokas tuuletustilassa, kosteudenpoistotilassa, AirSwitch Auto -tilassa ja AirSwitch-tilassa.

Auto Swing -toiminto (12): Ota Auto-Swing-toiminto käyttöön tai poista se käytöstä koskettamalla samanaikaisesti AirSwitch-painiketta (1) ja tuulettimen nopeuspainiketta (2).

## MUUT OHJAUSPANEELIN TOIMINNOT (KATSO KUVU C, SIVU 3).

HEPA-suodatin vaihdettu -ilmaisim (13): Kun ilmastointilaitte on toiminut yli 500 tuntia, kuvake ilmestyy nestekidenäyttoon osoittaen, että HEPA-suodatin on vaihdettava. Voit nollata ajastimen ja poistaa kuvakkeen painamalla ja pitämällä puhaltimen nopeuspainiketta painettuna 6 sekunnin ajan. Tämä toimenpide poistaa kuvakkeen näytön ja käynnistää ajanlaskennan uudelleen. Katso vaihtokelpoinen HEPA-suodatin -osista tietoja suodattimen vaihtamisesta.

Ulkoilman lämpötilan ilmaisim ja ajastimen ajan ilmaisim (18): Ulkoilman lämpötila näytetään normaalin käytön aikana. Kun yksikön ajastintoiminto on aktivoitu, ulkolämpötila ja ajastimen aika vuorottelevat näytössä.

Huomaa: Vikakoodi tulee näyttöön, jos ulkolämpötila-anturi ei toimi tai jos yksikön takana olevan sulkuluukun avautumis- tai sulkeutumisoongelmia ilmenee.

## WiFi-TOIMINTO (20)

(Koskee vain AC-mallia, jossa on WiFi/Smart Home -toiminto.)



- Lataa Wood's Connect -sovellus App Storesta tai Google Playsta.
- Rekisteröidy ja seuraa ohjeita. Hyväksy kaikki vaiheet. (Lue huolellisesti tietosuojakäytäntö ja hyväksy jatkaminen).
- Avaa Wood's Connect -sovellus ja lisää laite.
- Siirry pariliitostilaan painamalla laitteen AirSwitch-painiketta ja pitämällä sitä painettuna 5 sekunnin ajan, jolloin Wi-Fi-kuvake näytössä vilkkuu nopeasti.
- Kun havaitset laitteen näytössä, lisää se. Voit valita mallin myös manuaalisesti.

6. Täytä Wi-Fi-asetukset ja salasana.

7. Lisää laite painamalla +.

8. Odota, että laite on lisätty. Se on nyt valmis ohjattavaksi Wi-Fi:n kautta.

Voit katkaista Wi-Fi-toiminnon painamalla laitteen AirSwitch-painiketta 5 sekunnin ajan.

## KAUKOSÄÄTIMEN TOIMINTATILAT (KATSO KUVU D, SIVU 3)

**Teho (1):** Paina tätä painiketta käynnistääksesi yksikön, kun se on kytketty virtaan, tai pysäyttääksesi yksikön, kun se on toiminnassa.

**Mode-painike (2):** Paina tätä painiketta valitaksesi toimintatilan.

**AirSwitch-painike (3):** Paina tätä painiketta asettaaksesi tai peruuttaaksesi AirSwitch-tilan.

1. Paina AirSwitch-painiketta kerran siirtyäksesi AirSwitch Auto Mode -tilaan, joka näkyy nestekidenäytössä vilkkuvana "ENERGY SAVER"-symbolina.

2. Siirry AirSwitch-tilaan painamalla AirSwitch-painiketta uudelleen. ENERGY SAVER -symboli palaa, mutta ei vilku.

3. Paina AirSwitch-painiketta kolmannen kerran poistuaksesi AirSwitch-toiminnosta ja palataksesi oletusarvoisesti jäähdytystilaan.

**Ylös-painike (4):** Paina ylös-painiketta lisätäksesi huonelämpötilaa ja ajastinasetusta.

**Alas-painike (5):** Paina alas-painiketta laskeaksesi huonelämpötilaa ja ajastinasetusta.

**Puhaltimen painike (6):** Paina tätä painiketta valitaksesi tuulettimen nopeuden peräkkäin: Alhainen, Keskisuuri, Korkea.

**Auto Swing -painike (7):** Paina tätä painiketta kytkeäksesi automaattisen swing-toiminnon päälle tai pois päältä.

**Lepopainike (8):** Paina tätä painiketta valitaksesi lepotilan tai peruuttaaksesi sen (toimii vain jäähdytys- tai lämmityskäytössä).

**Ajastinpainike (9):** Asettaa AUTO-ON-toiminnon valmiustilassa ja AUTO-OFF-toiminnon, kun laite on toiminnassa. Aikaa voidaan säätää 1-24 tunnin välillä. Voit kytkeä ajastimen pois päältä painamalla ajastinpainiketta ja asettamalla ajastimen asentoon "0".

Ennen kaukosäätimen käyttöä asenna AAA-paristot seuraavien ohjeiden mukaisesti: (KATSO KUVU D, SIVU 3)

1. Liu'uta ja irrota varovasti kaukosäätimen takaosassa oleva paristokansi.

2. Aseta kaksi uutta AAA-alkaliparistoa niille tarkoitettuun lokeroon.

3. Kiinnitä paristokansi takaisin paikalleen ja varmista, että lukituskieleke napsahtaa varmasti paikalleen.

HUOM!

• Käytä vain alkaliparistoja. Älä käytä ladattavia paristoja.

• Vaihda aina molemmat paristot uusiin; älä sekoita vanhoja ja uusia paristoja keskenään.

• Poista paristot kaukosäätimestä, jos ilmastointilaitetta ei käytetä pitkään aikaan.

## KAUKOSÄÄTIMEN SÄILYTYS (KATSO KUVU E, SIVU 3)

1. Aseta kaukosäädin laitteen vasemmalla puolella olevaan sisäänrakennettuun säilytyspaikkaan ja paina sitä varovasti kiinni.

2. Avaa sisäänrakennetun säilytyspaikan alaosa varovasti painamalla sitä ja ota kaukosäädin ulos.

HUOM! Jotta kaukosäädin ei häviäisi, laita se säilytyspaikkaan, kun et käytä sitä.

VAROITUS: Jos akku vuotaa iholle tai vaatteisiin, pese kyseinen alue välittömästi ja perusteellisesti puhtaalla vedellä. Älä käytä kaukosäädintä, jos paristovuoto on havaittavissa. Jos paristonestettä on nielty, hakeudu välittömästi lääkärin hoitoon. Paristojen sisältämät kemikaalit voivat aiheuttaa riskejä, kuten palovammoja ja muita terveysvaaroja.

## ASENNUS

### ENNEN ENSIMMÄISTÄ KÄYTTÖÄ

Anna laitteen seistä pystyssä 4 tuntia ennen käyttöönottoa.

Tämä ilmastointilaitte on suunniteltu kätevästi siirtämiseen sisätiloihin. Varmista, että laite pysyy pystyssä siirron aikana. Aseta ilmastointilaitte tasaiselle alustalle. Älä asenna tai käytä tätä ilmastointilaitetta kylpyhuoneisiin tai muihin kosteisiin tiloihin.

### ASENNA HEPA-SUODATIN (KATSO KUVU F, SIVU 3).

1. Käännä HEPA-suodatinpakettia ylöspäin.

2. Poista pakkauspuussi HEPA-suodattimesta. (HUOM! Poistettu pakkauspuussi on sijoitettava lasten ulottumattomiin).

3. Asenna HEPA-suodatin kohdistamalla se näytön kehyyksen aukkoon ja painamalla se tukevasti paikalleen. HEPA-suodatin on painettava pohjaan asti.

Tämän Wood's H11 HEPA-suodatin toimii ilmanpuhdistuksessa. Se kerää ja poistaa tehokkaasti ilmasta pölyn, siitepölyn, homeen itiöiden, bakteerien ja jopa pienten savuhiukkasten kaltaisia hiukkasia, mikä takaa puhtaamman ja terveellisemmän sisäilman.

HUOM! Vaihda HEPA-suodatin vähintään kerran vuodessa. Rekisteröidy osoitteessa warranty-woods.com ja vaihda HEPA-suodatin kerran vuodessa 6 vuoden takuuakaa varten. Voimassa vain Wood's-

merkkisen suodattimen kanssa. Katso jälleenmyyjät osoitteesta woods.se/fi. TALLENNA KUITIT!

## TÄRKEÄÄ TIETOA ENNEN ILMALETKUJEN ASENTAMISTA

Pitä letkut käytön aikana mahdollisimman lyhyinä ja mahdollisimman vähän mutkittelevina, jotta painehäviö ja kapasiteettihäviö ovat mahdollisimman pienet. Poistoletkun on pysyttävä sileänä ylikuumentumisen ja ilmastointilaitteen mahdollisen vaurioitumisen estämiseksi. Letkujen pituus on 280 mm-1500 mm. Vältä letkujen pidentämistä tai vaihtamista toisen laatuiseen letkuun, sillä se voi vaikuttaa toimintaan.

## POISTOLETKUASENNELMAN JA SEN SOVITTIMEN ASENNUS. (KATSO KUVU G JA H, SIVU 4).

1. Poista muovipussi ottamalla poistoletku (iso), sen liitin ja sovitin pakkauksesta.

2. Pidennä poistoletkun toista päätä ja kiinnitä pyöreä liitin kääntämällä sitä vastapäivään vähintään kolme kierrosta.

3. Pidennä poistoletkun toista päätä ja kiinnitä sovitin kääntämällä sitä vastapäivään vähintään kolme kierrosta.

4. Aseta nyt poistoletkun etupää takapaneelissa sijaitsevan poistoilman ulostuloaukon sille tarkoitettuun loveen. Kiinnikkeet lukitsevat poistoilmaletkun turvallisesti paikalleen.

5. Asenna poistoilmaletku laitteeseen.

HUOM! Varmista, että sovitimen vino puoli on oikeassa suunnassa, jotta ikkunan tiivistyslevy on helppo asentaa. Huolehdi siitä, että poistoletkun liitintä on turvallinen ja hyvässä asennossa.

## ASENNA ILMANOTTOLETKU (KATSO KUVU I, J, K, SIVU 4).

1. Poista muovipussi ottamalla ilmansyöttöletku (se pienempi), sen liitin ja sovitin pakkauksesta.

2. Pidennä ilmanottoletkun toista päätä ja liitä se anturin sisältävään liittimeen kiertämällä sitä vastapäivään vähintään kolme kierrosta.

3. Aseta tiivistysliina ilmanottoletkun ympärille ja varmista, että myös lämpötilan tunnistinjohto on tiivistysliinan sisällä. Pidennä ilmanottoletkun toista päätä ja liitä se liittimeen kiertämällä sitä vastapäivään (kolme kierrosta). Pujota lopuksi tiivistysliina pyöreän liittimen peittämiseksi.

4. Asenna tuloilmaletku laitteeseen siten, että nuoli "IN" osoittaa alaspäin.

## KIINTEÄ LÄMPÖTILA-ANTURILINJA (KATSO KUVU L, SIVU 4)

Työnää lämpötilan tunnistavan johtimen liitin yksikön liittimeen. Liittimessä on valkoinen merkkipiste. Kun pistotulppaa kytketään, kahden valkoisen pisteen on oltava samassa linjassa keskenään, ja

# Käyttöohjeet

kiristä sitten pistoke myötöpäivään.

Sen pitäisi roikkua vapaasti ilmassa.

HUOM! Lämpötilan tunnistavan johtimen liittimen jännite on turvallinen jännite, enintään DC 5V.

## IKKUNAN TIIVISTYSLEVYN ASENNUS (KATSO KUVA M, N, O, SIVU 5).

1. Asenna letkujen kokoonpanon suorakulmainen pää ikkunan tiivistyslevyn kokoonpanon vastaaviin suorakulmisiin reikiin ja kiinnitä se ruuvilla.

HUOM!

- Liu'uta sovittimia alaspäin ja varmista, että ne on asennettu tukevasti.

- Varmista, että vinon paneelin suunta on linjassa tiivistyslevyn suunnan kanssa.

- Varmista, että letkut pysyvät taivuttamattomina ja että niiden taivutuskulma on yli 45° riittävän ilmanvaihdon varmistamiseksi.

2. Avaa ikkuna puoliväliin ja aseta tiivistyslevy ikkunaan joko pysty- tai vaakasuoraan. Pystysuoraa asennusta varten aseta poistoletku yläreunaan niin, että lämmin poistuva ilma ei häiritse tuloilmaletkun anturia.

3. Pidennä tiivistyslevyn osia ja säädä ne ikkunan pituuden mukaisiksi. Varmista, että molemmat päät osuvat ikkunan reunoihin, ja kiinnitä se paikalleen ruuveilla.

HUOM! Varmista, että ikkunan tiivistyslevyn molemmat päät kohtaavat ikkunan reunat tehokkaasti, jotta tiivistys on kunnollinen.

Varmista, että ruuvit on kiristetty tiukasti oikeaan asentoon.

4. Säädä ulkolämpötilan mittauspään asento ja laske säätötanko ikkunan alla olevan seinäaskelman alaosaan.

HUOM! Anturin tulee roikkua vapaasti ilmassa ja mahdollisimman kaukana poistoletkun lämpimästä ilmasta.

5. Siirrä laite niin, että letkut on asennettu ikkunan eteen, ja pidä laite vähintään 50 cm:n etäisyydellä seinistä tai muista esineistä.

## KYTKE YKSIKÖ PÄÄLLE

Kytke laitteeseen virta pistorasiasta. Kaikki LCD-näytön kuvakkeet syttyvät 2 sekunnin ajaksi, minkä lisäksi kuuluu lyhyt muistutusääni. Tämän jälkeen LCD-näytössä näkyy sisäilman lämpötila alueella 5°C - 35°C ja ulkolämpötila alueella -9°C - 65°C. Tämän jälkeen LCD-näytössä näkyy sisäilman lämpötila alueella -9°C - 65°C. Tämän jälkeen laite on valmiustilassa ja käyttövalmis.

**Laite on nyt käyttövalmis!**

## HUOLTO

HUOM! Sammuta laite ja vedä pistoke ulos ennen huoltoa.

## KONDENSIVEDEN TYHJENNYSOHJEET (KATSO KUVA P, SIVU 5)

Suurin osa vedestä poistuu luonnollisesti poistoletkun kautta kuuman ilman mukana. Jos säiliö on tyhjennettävä, laite ilmoittaa siitä. (VIITTAA KUVA C, SIVU 3, nro 14).

Vesisäiliön tyhjentäminen: Irrota tyhjennyskansi ja vesitulppa, jotta vesi pääsee valumaan lokeroon. HUOM!: Ole varovainen vuotojen estämiseksi, jos laitetta on siirrettävä. Kallista laitetta hieman taaksepäin tyhjennyksen aikana. Jos lokero ei pysty pitämään kaikkea laitteesta tulevaa vettä, tuki tyhjennysaukko viipymättä, jotta estät vesivuodon ja vältät lattian tai maton kastumisen. Varmista, että vesitulppa ja tyhjennyskansi on asennettu tiiviisti, jotta uusi kondenssivesi ei kastele lattiaa tai mattoa, kun laite käynnistyy uudelleen.

Vesiletkun liittäminen jatkuvaa tyhjennystä varten: Ruuvaa tyhjennyskansi irti ja irrota vesitulppa. Kiinnitä 12 mm sisähalkaisijaltaan oleva vesiletku laitteen putkeen. (Vesiletku ei sisälly toimitukseen). Johda vesiletkun toinen pää viemäriin. Varmista, että vesi pääsee valumaan alaspäin. HUOM!: Tyhjennysletku on asennettava, kun lokerossa ei ole vettä. On suositeltavaa olla käyttämättä jatkuvaa tyhjennystä, kun yksikkö on jäähdystytilassa, jotta varmistetaan, että yksikön sisällä kierrätetään riittävästi vettä järjestelmän jäähdystytilan tehostamiseksi. Sijoita tyhjennysletku siten, että varmistat, ettei sitä aseteta tyhjennysaukkoa korkeammalle, ja pidä tyhjennysletku suorana ilman mutkia. Varmista, että tyhjennyskansi ja sen tulppa on kiinnitetty asianmukaisesti, kun käytetään jatkuvaa tyhjennystä.

## SUOJAUSTOIMINNOT

Automaattinen sulatus: Laite sulattaa automaattisesti tarvittaessa. Sulatustilassa näytössä näkyy E4, eikä mikään painike POWER-painiketta lukuun ottamatta ole aktiivinen.

Kompressorin suojaus: Yksikössä on kompressorin suojaustoiminto, joka aiheuttaa 3 minuutin käynnistysviiveen yksikön uudelleenkäynnistyksen jälkeen.

Veden täyttymisen hälytys ja sammutussuojatoiminto: Kun veden määrä ylittää laitteen rungossa määritetyn hälytystason, automaattinen varoitushälytys laukeaa ja nestekidenäytössä palaa vedentäyte-kuvake. Tässä tapauksessa kondenssivesi on tyhjennettävä kohdassa "Tyhjennysohjeet" annettujen ohjeiden mukaisesti. Jos laitetta ei sammuteta manuaalisesti, se palaa automaattisesti alkuperäiseen toimintatilaansa, kun kondenssivesi on tyhjennetty kokonaan. Vaihtoehtoisesti voit käynnistää yksikön uudelleen kytkemällä virran uudelleen.

## PINTOJEN PUHDISTUS

- Puhdista laitteen pinta märällä,

pehmeällä liinalla, äläkä käytä kemiallisia liuottimia, kuten alkoholia tai bensiiniä, jotta laite ei vahingoitu.

- Puhdista likainen ilman ulostuloaukko tai säleiköt kostealla pehmeällä liinalla ja miedolla pesuaineella.

- Mitään kemiallisia liuottimia ei saa käyttää laitteen puhdistamiseen eikä niitä saa laittaa yksikön lähelle pitkäksi aikaa.

- Laitteen puhdistuksessa ei saa käyttää ohennusaineita, alkoholia tai muita vastaavia liuottimia.

## PESTÄVÄN SUODATTIMEN PUHDISTUS (KATSO KUVA Q, SIVU 5)

Suodatin on puhdistettava kerran kahdessa viikossa, jotta pölykertymät eivät vaikuta laitteen suorituskykyyn. Upota ja pese suodatin varovasti lämpimässä vedessä (noin 40 °C), johon on sekoitettu neutraalia puhdistusainetta. Asenna se puhdistuksen jälkeen takaisin laitteeseen.

Puhdista ilmanottoletkun suodatin (A): Nosta liitin ylös, irrota sitten liittimessä oleva suodatinkehys ja puhdista se.

Puhdista vasen ja oikea ylempi imuilmansuodattimen kehys (B): Vedä vasenta ja oikeaa ylempää imuilmansuodattimen kehystä omille sivuilleen. Puhdista kehys perusteellisesti.

Puhdista alemmat suodattimet (C): Vedä alemmat suodattimet ulos, irrota sitten takasuodatin ja puhdista se.

Puhdista sivusuodattimet (D): Vedä sivusuodattimet ulos ja puhdista ne.

HUOM! Vedä suodatin varovasti ulos siten, että poistat ensisijaisesti takapaneelin suodattimen ennen sivupaneelin suodatinta, jotta vältät vääntymisen tai vahingoittumisen. Ole varovainen, ettei purista verkkoa ja vältä verkkoon osumista terävillä esineillä tai harjoilla.

HUOM! Varmista, että suodatin on asennettu sivupaneeliin ennen suodattimen asentamista takapaneeliin.

Asenna suodatin päinvastaiseen suuntaan kuin irrottaminen.

## VAIHDETTAVA HEPA-SUODATIN (KATSO KUVA F, SIVU 3)

Tämä laite puhdistaa ilman HEPA-tekniikalla. Suodatin on vaihdettava säännöllisesti ja vähintään kerran vuodessa.

1. Nosta HEPA-suodatinta ylöspäin.

2. Asenna HEPA-suodatin, kohdista se kehysten aukkoon ja paina se alaspäin kehykseen. HEPA-suodatin on painettava pohjaan asti.

HUOM! Varmista, että käytät Wood`'s alkuperäistä HEPA-suodatinta, jotta takuu säilyy. Käy osoitteessa woods.se/fi saadaksesi lisätietoja ja löytääksesi jälleenmyyjät.

## LAITTEEN VARASTOINTI

1. Ruuvaa tyhjennyskansi irti ja irrota vesitulppa, jotta kondenssivesi voidaan tyhjentää kokonaan. HUOM!: Yksikön kallistuskulma on oltava ≤30 astetta.

2. Käytä laitetta tuuletintilassa puolen päivän ajan, jotta sisätilat kuivuvat perusteellisesti ja estävät homeen kasvun.

3. Kytke laite pois päältä, irrota virtajohto, kierrä virtajohto johtopylvään ympärille, työnnä pistoke takapaneelissa olevaan yleiskiinnitysreikään ja asenna vesitulppa ja tyhjennyskansi takaisin paikalleen.

4. Irrota lämmöntalteenottoletkuyhdistelmä, puhdista se ja säilytä se asianmukaisesti. HUOM!: Pidä poistoletkuyhdistelmä kiinni molemmin käsin, kun irrotat sitä.

5. Työnnä poistoilman ulostulon kiinnikkeet sivuun peukaloilla ja vedä sitten poistoletkuyhdistelmä ulos.

6. Pakkaa ilmastointilaite tukevasti pehmeään muovipussiin, sijoita se kuivaan paikkaan ja pidä se poissa lasten ulottuvilta.

7. Poista paristot kaukosäätimestä ja säilytä ne asianmukaisesti.

HUOM!: Varmista, että laite säilytetään kuivassa ympäristössä. Säilytä kaikki yksikön lisävarusteet yhdessä, jotta ne eivät vahingoitu tai heikkene.

## TAKUUT

Kahden vuoden takuu valmistusvirheiden varalta. Huomaa, että takuu on voimassa vain ostokuitin esittämisen jälkeen. SÄÄSTÄ KUITIT! Kuitit vaaditaan takuuajan aikana esitettäviä takuuvaatimuksia varten.

## HANKI LAAJENNETTU TAKUU

Saat 6 vuoden takuun rekisteröitymällä osoitteessa warranty-woods.com. Varmista takuusi vaihtamalla Wood`'s alkuperäinen HEPA-suodatin vuosittain. Huomaa, että takuu on voimassa tietyn edellytyksin: oikea-aikainen tuoterekisteröinti 90 päivän kuluessa, HEPA-suodattimen vuosittainen vaihtaminen ja kuittien säilyttäminen sekä suodattimista että laitteesta. SÄÄSTÄ KUITIT! Kaikkia kuitteja tarvitaan takuuajan aikana mahdollisesti esitettäviä takuuvaatimuksia varten.

# Käyttöohjeet



### VIANMÄÄRITYS

Tarkista laite ja noudata alla olevia ehdotuksia, ennen kuin pyydät ammattitaitoista huoltoa. Älä kuitenkaan koskaan yritä purkaa tai korjata laitetta itse, sillä se voi aiheuttaa vahinkoa sinulle ja omaisuudellesi. Jos ilmenee ongelmia, joita ei ole lueteltu taulukossa, tai suositellut ratkaisut eivät toimi, ota yhteys ammattitaitoiseen huoltoliikkeeseen.

ONGELMIA	SYY	KORJAUS
Laite ei käynnisty.	Virransyöttöhäiriö.	Kytke laite jännitteeseen pistorasiaan ja käynnistä se.
	Vesisäiliö täynnä ja vastaava valaistu symboli.	Tyhjennä laitteeseen varastoitu vesi.
	Huoneen lämpötila on alhaisempi kuin asetettu lämpötila jäädytystilassa tai korkeampi lämpötila lämmitystilassa.	Varmista, että laite toimii suositellulla lämpötila-alueella 8-35 °C. Säädä asetettu lämpötila.
Riittämätön jäädytys.	Suora auringonvalo.	Sulje ikkunaverho.
	Ovet ja ikkunat ovat auki, huone on täynnä ihmisiä tai siellä on muita lämmönlähteitä.	Sulje ovet ja ikkunat, poista muut lämmönlähteet ja harkitse lisäilmastointilaitteiden lisäämistä.
	Likainen suodatin.	Puhdista tai vaihda suodattimen verkko.
	Ilman tuloaukko tai ilman ulostulo tukossa.	Poista mahdolliset esteet.
Korkea melutaso.	Laite on sijoitettu epätasaiselle pinnalle.	Aseta laite tasaiselle ja tukevalle paikalle (voi vähentää melua).
Kompressor ei toimi.	Ylikuumenemissuojan käynnistäminen.	Odota, kunnes lämpötila laskee, laite käynnistyy automaattisesti uudelleen.
Kaukosäädin ei toimi.	Laitteen ja kaukosäätimen välinen etäisyys liian pitkä.	Vie kaukosäädin lähelle ilmastointilaitetta ja varmista, että ilma on yksikön signaalireseptorissa.
	Kaukosäädintä ei ole suunnattu yksikön signaalireseptoriin.	
	Paristot tyhjentyneet.	Vaihda paristot
Näyttöön tulee koodi "CH01".	Huoneen lämpötila-anturin vika.	Tarkista huonelämpötila-anturi ja siihen liittyvät piirit.
Näyttöön tulee koodi "CH02".	Lämpötila-anturin vika höyrystimessä.	Tarkista höyrystimen lämpötila-anturi ja virtapiirit.
Näyttöön tulee koodi "E4".	Jäätymisenesto.	Toiminnot palautuvat automaattisesti, kun jäätymissuojaus on ohi.
Näyttöön tulee koodi "E5".	Ulkolämpötila-anturin vika.	Tarkista ulkolämpötila-anturi ja siihen liittyvät virtapiirit.
		Tarkista, onko ulkolämpötila-anturin kaapeliliitäntä kytketty oikein.
Näyttöön tulee koodi "E6".	Oven avautumisen epäonnistuminen.	Tarkista, että ilmakytkinluukku on täysin auki jäädytystilassa, ja tarkista siihen liittyvät virtapiirit.
Näyttöön tulee koodi "E7".	Oven sulkeutumisen epäonnistuminen.	Varmista AirSwitch-tilassa, että ilmanvaihtopelti täyttää sulkemisehdot ja että ilmanvaihtopelti on täysin kiinni; tarkasta siihen liittyvät virtapiirit.
"FL"-koodi tulee näkyviin.	Alustan vesisäiliö on täynnä.	Tyhjennä kondenssivesi ja käynnistä laite uudelleen.

### TEKNIikka

MALLIN NRO.	AC CORTINA 12K AIRSWITCH	AC COTINA 12K AIRSWITCH SMART HOME DUO A+
Jäädytysteho	3,520 W	3,500 W
Lämmitysteho	N/A	2,900 W
Virrankulutus jäädytystilassa	1,350 W	1,120W
Virrankulutus lämmitystilassa	N/A	960 W
Virrankulutus AirSwitch-tilassa	56W	32W
Ilmavirta	220-320 (m³/h)	220-320 (m³/h)
Energialuokka	A	A+
Kosteudenpoisto	33,6 L / 24h	33,6 L / 24h
Lämpötilan asetus	17-30°C	17-30°C
Käyttölämpötila	17-43°C	5-43°C
EER jäädytystilassa	2,6	3,1
EER AirSwitch-tilassa	5	8
Letkun pituudet	1,5 m	1,5 m
Kylmäaineena oleva kaasu	R290/260g	R290/250g
Äänitaso jäädytystilassa (LWA) (dB(A))	60-64 dB	60-64 dB
Äänitaso jäädytystilassa (LPA) (dB(A))	49-52 dB	49-52 dB
Äänitaso AirSwitch-tilassa (LWA) (dB(A))	49,5-51 dB	49,5-51 dB
Äänitaso AirSwitch-tilassa (LPA) (dB(A))	35-38 dB	35-38 dB
Nettopaino	30kg	31kg
Laitteen mitat (korkeus × leveys × syvyys)	850×471×400mm	850×471×400mm

**Teknisiä muutoksia ja parannuksia voi tapahtua. Kaikki arvot ovat suuntaa-antavia, ja ne voivat vaihdella ulkoisten olosuhteiden, kuten lämpötilan, ilmanvaihdon ja kosteuden mukaan.**



Merkin mukaisesti tuotetta ei saa hävittää talousjätteen mukana EU:n alueella. Kierrätä tuote vastuullisesti ja edistä materiaalien kestävä käyttöä. Samalla ehkäiset valvomattoman jätteen hävittämisen aiheuttamia riskejä ympäristölle ja ihmisten terveydelle. Jos haluat palauttaa laitteen, käytä palautus- ja keräysjärjestelmiä tai ota yhteyttä siihen jälleenmyyjään, jolta tuote on ostettu. He voivat kierrättää tuotteen ympäristöystävällisesti.



Käytettyjä paristoja ei saa hävittää kotitalousjätteen mukana, sillä ne saattavat sisältää myrkyllisiä elementtejä ja raskasmetalleja, jotka voivat olla haitallisia ympäristölle ja ihmisten terveydelle. Palauta tyhjät paristot asianmukaiseen kierrätyslaitokseen.

**MATÉRIAU INFLAMMABLE.**

Cet appareil contient du R290/  
Propane, un réfrigérant inflammable.



Consulter le manuel de  
l'opérateur.



Lire le manuel technique.



Lire le manuel de  
l'opérateur.

**INFORMATIONS DE SÉCURITÉ**

Avant l'installation et l'utilisation de l'appareil, lire attentivement les instructions fournies. Le fabricant n'est pas responsable en cas de blessures ou de dommages découlant d'une mauvaise installation et d'une utilisation incorrecte. Toujours conserver les instructions avec l'appareil pour s'y reporter ultérieurement.

**SÉCURITÉ DES ENFANTS ET DES PERSONNES VULNÉRABLES****AVERTISSEMENT**

Risque de blessure ou d'invalidité permanente.

Cet appareil peut être utilisé par des enfants à partir de huit ans et des personnes ayant des capacités physiques, sensorielles ou mentales réduites, ou un manque d'expérience et de connaissances, sous surveillance ou à condition d'avoir reçu des instructions concernant l'utilisation de l'appareil de manière sûre et d'avoir compris les dangers impliqués. Ne pas laisser les enfants jouer avec l'appareil.

Les enfants de moins de trois ans doivent être tenus à l'écart, à moins d'être surveillés en permanence.

Tenir tous les emballages éloignés des enfants. Le nettoyage et l'entretien ne doivent pas être effectués par des

enfants sans surveillance.

**SÉCURITÉ GÉNÉRALE**

Cet appareil est destiné à être utilisé dans les ménages et les environnements similaires tels que les magasins, les bureaux et autres environnements de travail. La plaque signalétique se trouve sur le côté ou à l'arrière de l'appareil. Veillez à ce que les ouvertures de ventilation ne soient pas obstruées.

Ne pas utiliser de dispositifs mécaniques ou d'autres moyens pour accélérer le processus de dégivrage. L'appareil ne doit pas être entreposé dans une pièce dans laquelle des sources inflammables fonctionnent en permanence (flammes nues, appareil à gaz, radiateur électrique, etc.). Ne pas percer ni brûler. Tenir compte du fait que les réfrigérants n'ont pas forcément d'odeur. Ne pas utiliser de pulvérisation d'eau ni de vapeur pour nettoyer l'appareil. Nettoyer l'appareil à l'aide d'un chiffon doux humide. Utiliser uniquement des détergents neutres. Ne pas utiliser de produits abrasifs, de tissus de nettoyage abrasifs, de solvants ou d'objets métalliques. Si le cordon d'alimentation est endommagé, il doit être remplacé par le fabricant, son centre de service agréé ou des personnes qualifiées du même type pour éviter tout danger.

**CONSIGNES DE SÉCURITÉ****AVERTISSEMENT**

Cet appareil ne doit être installé que par une personne qualifiée.

Retirer tous les emballages. Ne pas installer ni utiliser un appareil endommagé. L'appareil doit être installé, utilisé et entreposé dans une pièce d'une surface de plancher supérieure à 12,5 m<sup>2</sup>. Respecter scrupuleusement les instructions d'installation fournies avec l'appareil. Toujours déplacer l'appareil avec précaution car il est lourd. Toujours porter des gants de sécurité.

Veillez à ce que l'air puisse circuler autour de l'appareil. Attendre au moins 4 heures avant de brancher l'appareil à l'alimentation, afin de permettre à l'huile de revenir dans le compresseur. Ne pas installer l'appareil à proximité de radiateurs ou d'autres sources de chaleur. Ne pas installer l'appareil à la lumière directe du soleil.

**RACCORDEMENT ÉLECTRIQUE****AVERTISSEMENT**

Risque d'incendie et de choc électrique.

L'appareil doit être raccordé à une prise de terre. S'assurer que les informations électriques de l'étiquette signalétique sont conformes à l'alimentation électrique. Si ce n'est pas le cas, contacter un électricien. Toujours utiliser une prise antichoc correctement installée. Ne pas utiliser d'adaptateurs multi-fiches ni de rallonges. Veiller à ne pas endommager les composants électriques (p. ex. fiche secteur, câble secteur). Contacter le centre de service agréé ou un électricien pour changer les composants électriques. Le câble secteur doit rester sous le niveau de la fiche secteur. Brancher la fiche secteur à la prise secteur uniquement à la fin de l'installation. Veiller à ce qu'il soit possible d'accéder à la prise de courant après l'installation. Ne pas tirer sur le câble secteur pour débrancher l'appareil. Débranchez toujours le câble d'alimentation depuis la prise.

**UTILISATION****AVERTISSEMENT**

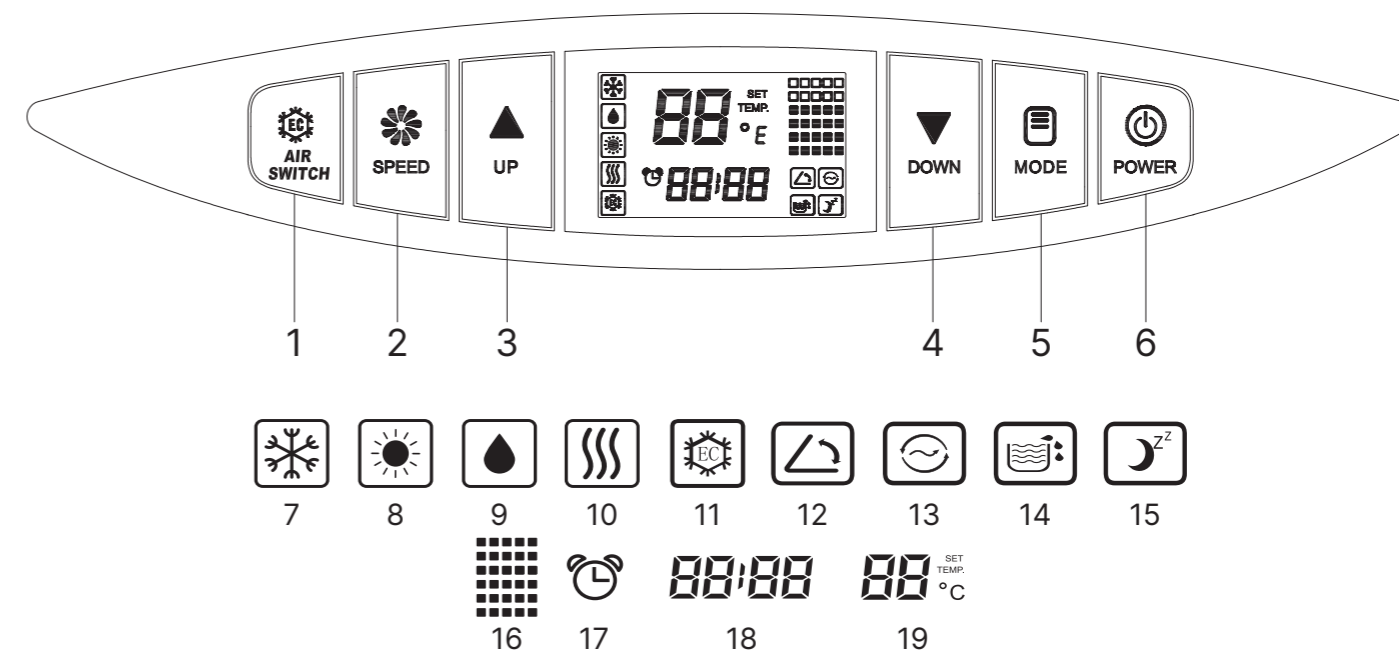
Risque de blessures, de brûlures, de chocs électriques ou d'incendie.

Ne pas changer la spécification de cet appareil. Veiller à ne pas endommager le circuit de réfrigérant. Il contient du propane (R290), un gaz naturel ayant un niveau élevé de compatibilité environnementale. Ce gaz est inflammable. Si le circuit de réfrigérant est endommagé, vérifier qu'il n'y a pas de flammes ni de sources d'inflammation dans la pièce. Ventiler la pièce. Ne pas placer de produits inflammables ou d'objets imbibés de produits inflammables près de l'appareil ou dessus.

**MISE AU REBUT****AVERTISSEMENT**

Risque de blessure.

Débrancher l'appareil de l'alimentation secteur. Couper le câble secteur et le mettre au rebut. Le circuit de réfrigérant de cet appareil est sans danger pour la couche d'ozone. Contacter l'autorité municipale pour savoir comment mettre correctement l'appareil au rebut. Ne pas endommager la partie de l'unité de réfrigération qui se trouve près de l'échangeur de chaleur.



Nous vous remercions de votre achat et de la confiance que vous accordez à Wood's. Ce manuel vous présente les modes de fonctionnement du climatiseur mobile Cortina AirSwitch. Veuillez noter que dans tous les modes, l'air est purifié à l'aide de la technologie HEPA.

**Mode climatisation :** Refroidit la pièce à la température souhaitée. La température ambiante optimale pour les climatiseurs mobiles est comprise entre 17 et 35°C.

**Mode chauffage :** Chauffe la pièce à la température souhaitée. La température ambiante optimale pour les climatiseurs mobiles réversibles est comprise entre 5 et 35 °C. (Remarque ! Ce mode n'est disponible que sur le modèle climatiseur mobile avec fonction duo/réversible : chaud et froid).

**Mode déshumidification :** Réduit l'humidité dans la pièce.

**Mode ventilateur :** Fait circuler et purifie l'air dans la pièce sans le refroidir ou le chauffer.

**Mode AirSwitch Auto :** Bascule automatiquement entre la climatisation par compresseur et l'AirSwitch. Lorsque l'air extérieur est plus froid que la température sélectionnée sur l'appareil, l'AirSwitch s'active pour introduire l'air froid et purifié de l'extérieur jusque dans la pièce sans que le compresseur ne fonctionne. L'appareil opère donc en silence et de façon économe.

**Mode AirSwitch (manuel) :** Introduit l'air extérieur purifié et plus froid dans la pièce sans activer le compresseur.

**MODE D'EMPLOI****PARTIES DU PRODUIT (VOIR IMAGES A ET B, PAGE 2)**

1. Fenêtre de réception de la télécommande

2. Panneau de contrôle
3. Sortie d'air
4. Filtre HEPA
5. Filtre supérieur du panneau arrière
6. Connexion pour le câble de la sonde de température extérieure
7. Câble d'alimentation avec fiche
8. Supports d'enroulement du câble
9. Filtre inférieur du panneau arrière
10. Couvercle de vidange
11. Assemblage du filtre du panneau latéral
12. Assemblage du filtre du panneau latéral
13. Grille de protection
14. Compartiment de la télécommande
15. Entrée d'air
16. Connecteur intérieur supérieur (filtre inclus)
17. Tuyau d'arrivée d'air (petit)
18. Adaptateur pour le tuyau d'arrivée d'air (petit) (y compris la sonde de température extérieure)
19. Kits pour fenêtres
20. Raccord rond du tuyau d'échappement
21. Tuyau d'échappement (grand)
22. Adaptateur pour tuyau d'échappement (grand)
23. Tissu d'étanchéité pour le tuyau d'entrée d'air

**PANNEAU DE CONTRÔLE (VOIR CI-DESSUS OU IMAGE C, PAGE 3)**

1. Bouton AirSwitch
2. Bouton de vitesse du ventilateur
3. Bouton haut
4. Bouton bas

5. Bouton de mode
6. Bouton d'alimentation
7. Indicateur de mode de refroidissement
8. Indicateur de mode de chauffage (NOTE ! Ce symbole n'est disponible que sur le modèle AC avec fonction Duo/chauffage).
9. Indicateur de mode de déshumidification
10. Indicateur de mode de ventilation
11. Indicateur de mode AirSwitch
12. Indicateur de la fonction de basculement automatique
13. Indicateur de remplacement du filtre HEPA
14. Indicateur d'eau pleine
15. Indicateur de mode veille
16. Indicateur de vitesse du ventilateur
17. Indicateur de minuterie (REMARQUE ! La minuterie ne peut être réglée qu'à partir de la télécommande).
18. Indicateur de température ambiante extérieure ; Indicateur de durée de la minuterie
19. Indicateur de température réglée. Indicateur de la température ambiante intérieure pour les modes ventilateur, déshumidification et AirSwitch.
20. Indicateur Wi-Fi. (REMARQUE ! Ce symbole n'est disponible que sur le climatiseur mobile avec fonction WiFi/Smart Home).

**MODES DE TRAVAIL ET FONCTIONS DU PANNEAU DE CONTRÔLE (VOIR IMAGE C, PAGE 3)**

**Bouton POWER (6) :** Appuyez sur cette touche pour allumer l'appareil ; un son mélodieux se fait entendre et l'appareil passe automatiquement en mode climatisation avec une température pré-réglée de 22°C. Le ventilateur fonctionne à vitesse moyenne. Pour



désactiver l'appareil, appuyez à nouveau sur cette touche ; un son mélodieux signale l'arrêt de l'appareil.

1. Lorsque l'appareil est en marche, la fenêtre LCD (l'écran) affiche la température programmée en mode Climatisation et en mode Chauffage (REMARQUE ! Le symbole Chauffage n'est disponible que sur le climatiseur mobile avec fonction duo/réversible) ou la température ambiante en mode Déshumidification, en mode Ventilation, en mode AirSwitch Auto et en mode AirSwitch. Le ventilateur se met en marche et la fenêtre de sortie d'air s'ouvre automatiquement.

2. Toutes les pièces s'arrêtent de fonctionner lorsque l'appareil est éteint, et la fenêtre de sortie d'air se ferme automatiquement.

**Bouton de mode (5) :** Bouton de mode (5) : Appuyez sur la touche "Mode" pour faire défiler les modes disponibles pour confirmation.

- Mode climatisation (7) : Refroidit la pièce à la température réglée (17-35°C).

- Mode chauffage (8) : Chauffe la pièce à la température réglée (5-35°C). (REMARQUE ! Ce mode n'est disponible que sur le climatiseur réversible avec fonction duo/réversible).

- Mode déshumidification (9) : Réduit l'humidité dans la pièce.

- Mode ventilateur (10) : Fait circuler et purifie l'air de la pièce sans refroidissement.

NOTE ! Pour le mode AirSwitch Auto et le mode AirSwitch, voir la section séparée "Bouton AirSwitch (1)".

**Bouton d'augmentation (4) :** Cliquez sur ce bouton pour diminuer la température de consigne ou régler la température vers le bas.

**Bouton de diminution (3) :** Cliquez sur le bouton pour ajuster la température de consigne vers le haut.

REMARQUE ! Appuyez sur le bouton Bas (4) ou Haut (3) pendant 2 secondes pour augmenter ou diminuer continuellement la température par intervalles de 0,5 degré. La plage de réglage de la température est comprise entre 17 et 30°C.

**Bouton SPEED (2) :** Appuyez sur le bouton de vitesse du ventilateur (SPEED) pour sélectionner la vitesse du ventilateur (élevée, moyenne ou faible).

REMARQUE ! La vitesse du ventilateur ne peut pas être réglée en modes Déshumidification et Sleep (mode nuit).

**Bouton AirSwitch (1) :** Appuyez une fois sur le bouton AirSwitch pour passer en mode AirSwitch Auto, indiqué par le clignotement de l'indicateur AirSwitch (11) sur l'écran LCD. Appuyez à nouveau sur le bouton AirSwitch pour passer en mode AirSwitch, indiqué par le voyant AirSwitch (11) allumé mais non clignotant. Appuyez une troisième fois sur le bouton AirSwitch pour quitter la fonction AirSwitch et revenir au mode

climatisation par défaut.

### DÉFINITION DU MODE "AUTO" DE L'AIRSWITCH ET DU MODE AIRSWITCH

Mode AirSwitch Auto : Pendant le refroidissement de la pièce en mode AirSwitch Auto, l'appareil alterne automatiquement entre le refroidissement par compresseur et le fonctionnement de l'AirSwitch.

Lorsque la température extérieure est inférieure de 2°C ou plus à la température réglée, le climatiseur passe automatiquement du mode refroidissement par compresseur au mode AirSwitch, en aspirant l'air extérieur plus frais pour un refroidissement plus silencieux et économe. Lorsque la température ambiante atteint la température programmée, le climatiseur passe en mode ventilation.

Mode AirSwitch : Pendant le refroidissement de la pièce en mode AirSwitch, l'appareil passe automatiquement de l'état de fonctionnement de l'AirSwitch à l'opération de ventilation.

Lorsque la température extérieure est inférieure de 2°C ou plus à la température ambiante, le climatiseur passe automatiquement du mode ventilation au mode AirSwitch, ce qui garantit un fonctionnement toujours silencieux et plus économe. Lorsque la température ambiante atteint la température programmée, le climatiseur repasse en mode ventilation. Il est à noter que le compresseur reste inactif dans ce mode.

### AVERTISSEMENT MODE AIR SWITCH AUTO ET MODE AIRSWITCH

Le capteur de température de l'AirSwitch est placé dans le tuyau qui amène l'air extérieur à l'appareil. Certaines circonstances peuvent occasionnellement affecter la précision et le fonctionnement du capteur en mode automatique.

Facteurs affectant la précision des capteurs :

1. Sources de chaleur : La proximité de sources d'air chaud dans la pièce peut influencer les relevés du capteur.

2. Boîtier en plastique : En de rares occasions, le boîtier en plastique du capteur peut absorber la chaleur, ce qui affecte ses performances.

3. Éléments environnementaux externes : Soleil et vent : L'exposition à la lumière directe du soleil ou à des vents chauds peut avoir un impact sur la précision du capteur. Surfaces réfléchissantes : Les murs qui réfléchissent ou absorbent la chaleur peuvent perturber la fonction automatique. Dans ce cas, il est recommandé d'utiliser le mode manuel.

4. Traversée de courants d'air : Le vent ou les courants d'air peuvent provoquer des variations de température, en particulier si le tuyau de sortie interfère avec le tuyau d'entrée.

Recommandations :

1. Utilisation du mode manuel : Dans des conditions difficiles, il est conseillé d'utiliser le mode manuel.

2. Prévention de la surchauffe du capteur : Évitez d'exposer le capteur à la chaleur directe afin de garantir une détection précise de la température.

3. Sensibilisation aux surfaces réfléchissantes : Pensez à activer le mode manuel si vous avez des surfaces réfléchissantes, comme un mur de briques à proximité, ou d'autres perturbations potentielles.

4. Durée de fonctionnement optimale : Envisagez d'allumer l'AirSwitch en mode manuel pour obtenir des performances constantes, en particulier à l'heure du coucher.

### FONCTIONS ACTIVEES PAR COMBINAISON DE BOUTONS (VOIR IMAGE C, PAGE 3)

Fonction SLEEP (sommeil) (15) : Lancez ou annulez la fonction SLEEP en appuyant simultanément sur le bouton AirSwitch (1) et sur le bouton Up (3). Veuillez noter que la vitesse du ventilateur n'est pas réglable en fonction SLEEP.

- Si la fonction SLEEP est activée en mode climatisation, elle augmente la température de consigne de 1°C au bout de 2 heures, puis de 1°C supplémentaire au bout de 2 autres heures, et maintient le fonctionnement à cette température.

- Si la fonction SLEEP est activée en mode chauffage (disponible uniquement sur le climatiseur mobile avec fonction duo/réversible), elle abaisse la température de consigne de 1°C au bout de 2 heures. Elle la diminue ensuite de 1°C supplémentaire au bout de 2 heures, puis la maintient à cette température par la suite. REMARQUE ! La fonction SLEEP est inefficace en mode Ventilation, en mode Déshumidification, en mode AirSwitch Auto et en mode AirSwitch.

Fonction Auto Swing (12) : Activez ou désactivez la fonction Auto-Swing en touchant simultanément le bouton AirSwitch (1) et le bouton Vitesse du ventilateur (SPEED) (2).

### AUTRES FONCTIONS DU PANNEAU DE CONTRÔLE (VOIR IMAGE C, PAGE 3)

Indicateur de remplacement du filtre HEPA (13) : Lorsque le climatiseur fonctionne pendant plus de 500 heures, l'icône correspondante apparaît sur l'écran LCD, indiquant que le filtre HEPA doit être remplacé. Pour réinitialiser la minuterie et supprimer l'icône, appuyez sur le bouton de vitesse du ventilateur et maintenez-le enfoncé pendant 6 secondes. Cette action annule l'affichage de l'icône et redémarre le calcul du temps. Voir la section relative au filtre HEPA remplaçable pour savoir comment remplacer le filtre.

Indicateur de la température ambiante extérieure et indicateur de l'heure de la

minuterie (18) : La température ambiante extérieure est affichée pendant le fonctionnement normal de l'appareil. Lorsque la fonction de programmation de l'appareil est activée, la température extérieure et la durée de la programmation s'affichent en alternance.

Remarque : un code d'erreur s'affiche en cas de défaillance du capteur de température extérieure ou de problèmes d'ouverture ou de fermeture du registre situé à l'arrière de l'appareil.

### FONCTION WIFI (20)

(Uniquement applicable au modèle AC avec fonctionnalité WiFi/Smart Home).



1. Téléchargez l'application Wood's Connect sur l'App Store ou Google Play.
2. Inscrivez-vous et suivez les instructions. Acceptez toutes les étapes. (Lisez attentivement la politique de confidentialité et acceptez pour continuer.)
3. Ouvrez l'application Wood's Connect et ajoutez votre appareil.
4. Pour activer le mode d'appairage, appuyez sur le bouton AirSwitch de l'appareil et maintenez-le enfoncé pendant 5 secondes pour voir l'icône Wi-Fi clignoter rapidement sur l'écran.
5. Lorsque vous détectez l'appareil sur l'écran du téléphone, ajoutez-le. Vous pouvez également sélectionner le modèle manuellement.
6. Renseignez vos paramètres Wi-Fi et votre mot de passe.
7. Appuyez sur + pour ajouter l'appareil.
8. Attendez que l'appareil soit ajouté. Il est maintenant prêt à être contrôlé par Wi-Fi.

Pour déconnecter la fonction Wi-Fi, appuyez sur le bouton AirSwitch de l'appareil pendant 5 secondes.

### MODES DE FONCTIONNEMENT DE LA TÉLÉCOMMANDE (VOIR IMAGE D, PAGE 3)

**POWER (1) :** Appuyez sur ce bouton pour démarrer l'appareil (une fois branché) ou pour l'arrêter lorsqu'il est en fonctionnement.

**MODE (2) :** Appuyez sur ce bouton pour sélectionner le mode de fonctionnement de votre choix.

**AirSwitch (3) :** Appuyez sur cette touche pour activer ou désactiver le mode AirSwitch.

1. Appuyez une fois sur le bouton AirSwitch pour passer en mode AirSwitch Auto, indiqué par le symbole clignotant "ENERGY SAVER" sur l'écran LCD.

2. Appuyez à nouveau sur le bouton AirSwitch pour passer en mode AirSwitch. Le symbole "ENERGY SAVER" s'allume mais ne clignote pas.

3. Appuyez une troisième fois sur le bouton AirSwitch pour quitter la fonction AirSwitch et revenir au mode climatisation par défaut.

**Bouton d'augmentation (4) :** Appuyez sur la touche « flèche vers le haut » pour augmenter la température de consigne et le réglage de la minuterie.

**Bouton de diminution (5) :** Appuyez sur le bouton « flèche vers le bas » pour diminuer la température de consigne et le réglage de la minuterie.

**FAN (6) :** Appuyez sur ce bouton pour sélectionner la vitesse du ventilateur, dans l'ordre : Basse, Moyenne, Haute.

**Auto Swing (7) :** Appuyez sur cette touche pour activer ou désactiver la fonction d'oscillation automatique.

**SLEEP (8) :** Appuyez sur cette touche pour sélectionner ou annuler le mode SLEEP (efficace uniquement en mode refroidissement ou chauffage).

**TIMER (9) :** Réglez AUTO-ON quand l'appareil est en veille et AUTO-OFF lorsque l'appareil fonctionne. La durée peut être réglée entre 1 et 24 heures. Pour désactiver la minuterie, appuyez sur la touche TIMER et réglez la minuterie sur "0".

Avant d'utiliser la télécommande, installez les piles AAA en suivant ces étapes : (VOIR IMAGE D, PAGE 3)

1. Faites glisser et retirez délicatement le couvercle de protection des piles situé à l'arrière de la télécommande.
2. Insérez deux nouvelles piles alcalines AAA dans le compartiment prévu à cet effet, en respectant la polarité.
3. Remettez le couvercle de protection en place, en veillant à ce que la languette de verrouillage s'enclenche fermement.

REMARQUE !

- Utiliser uniquement des piles alcalines. Ne pas utiliser de piles rechargeables.

- Remplacez toujours les deux piles par des neuves ; ne mélangez pas les anciennes et les nouvelles.

- Retirez les piles de la télécommande si le climatiseur n'est pas utilisé pendant une période prolongée.

### RANGEMENT DE LA TÉLÉCOMMANDE (VOIR IMAGE E, PAGE 3)

1. Insérez la télécommande dans le compartiment intégré sur le côté gauche de

l'appareil et poussez-la doucement pour la fermer.

2. Appuyez légèrement sur la partie inférieure du compartiment intégré pour l'ouvrir et en retirer la télécommande.

REMARQUE ! Pour éviter de perdre la télécommande, veuillez la ranger dans le compartiment de rangement lorsque vous ne l'utilisez pas.

AVERTISSEMENT : En cas de fuite de la pile sur votre peau ou vos vêtements, lavez rapidement la zone affectée à l'eau claire. N'utilisez pas la télécommande s'il y a des signes de fuite de la pile. En cas d'ingestion du liquide de la pile, consultez immédiatement un médecin. Les produits chimiques présents dans les piles peuvent présenter des risques tels que des brûlures et d'autres dangers pour la santé.

## INSTALLATION

### AVANT LA PREMIÈRE UTILISATION

Cet appareil contient du gaz R290, laissez l'appareil en position verticale pendant 4 heures avant de l'utiliser.

Ce climatiseur est conçu pour être facilement déplacé à l'intérieur. Veillez à ce que l'appareil reste droit pendant le déplacement. Placez le climatiseur sur une surface plane. N'installez pas et ne faites pas fonctionner ce climatiseur dans des salles de bains ou d'autres environnements trop humides.

### INSTALLER LE FILTRE HEPA (VOIR IMAGE F, PAGE 3)

1. Soulever l'ensemble du filtre HEPA vers le haut.
2. Retirez le sac d'emballage du filtre HEPA. (NOTE ! Le sac d'emballage retiré doit être placé hors de portée des enfants)
3. Installez le filtre HEPA en l'alignant sur la fente situé à l'arrière de l'appareil et en l'enfonçant fermement. Le filtre HEPA doit être enfoncé jusqu'au fond.

Le filtre HEPA H11 de Wood's joue un rôle dans la purification de l'air. Il capture et élimine efficacement les particules telles que la poussière, le pollen, les spores de moisissure, les bactéries et même les petites particules de fumée dans l'air, garantissant ainsi un environnement intérieur plus propre et plus sain.

REMARQUE : Changez le filtre HEPA au moins une fois par an. Enregistrez-vous sur warranty-woods.com et changez le filtre HEPA une fois par an pour bénéficier d'une garantie de 6 ans. Valable uniquement avec un filtre de marque Wood's. Retrouvez la liste des revendeurs sur woods.se. CONSERVEZ VOS REÇUS !

## INFORMATIONS IMPORTANTES AVANT L'INSTALLATION DES TUYAUX D'AIR

Pendant l'utilisation, maintenez les tuyaux aussi courts et droits que possible pour minimiser la perte de pression et la perte d'efficacité. Le tuyau d'échappement doit rester lisse pour éviter toute surchauffe et tout dommage potentiel au climatiseur. Les tuyaux ont une longueur allant de 280 mm à 1500 mm. Évitez de rallonger les tuyaux ou de les remplacer par d'autres tuyaux, car cela pourrait affecter le fonctionnement de l'appareil.

## INSTALLATION DU TUYAU D'ÉCHAPPEMENT ET DE SON ADAPTATEUR. (VOIR IMAGE G ET H, PAGE 4)

1. Retirez le sac en plastique en extrayant le tuyau d'échappement (grand), son connecteur et l'adaptateur de l'emballage.
2. Déployez une extrémité du tuyau d'échappement et fixez le raccord rond en le tournant dans le sens inverse des aiguilles d'une montre pendant au moins trois tours.
3. Déployez l'autre extrémité du tuyau d'échappement et fixez l'adaptateur en le tournant dans le sens inverse des aiguilles d'une montre pendant au moins trois tours.
4. Placez l'extrémité avant du tuyau d'échappement sur l'encoche désignée de la sortie d'air d'échappement située sur le panneau arrière de l'appareil. Les attaches verrouillent solidement le tuyau en place.
5. Installez le tuyau sur l'appareil.

NOTE ! Veillez à ce que le côté incliné de l'adaptateur soit correctement orienté pour faciliter l'installation de la plaque d'étanchéité de la fenêtre. Veillez à ce que le tuyau d'échappement soit bien positionné et solidement raccordé.

## INSTALLER LE TUYAU D'ARRIVÉE D'AIR (VOIR IMAGE I, J, K, PAGE 4)

1. Retirez le sac en plastique en extrayant le tuyau d'arrivée d'air (le plus petit), son connecteur et l'adaptateur de l'emballage.
2. Déployez une extrémité du tuyau d'arrivée d'air et raccordez-le au connecteur contenant un capteur en le faisant tourner dans le sens inverse des aiguilles d'une montre pendant au moins trois tours.
3. Placez le tissu d'étanchéité autour du tuyau d'arrivée d'air, en veillant à ce que le fil de détection de la température soit également enfoncé dans le tissu d'étanchéité. Déployez l'autre extrémité du tuyau d'arrivée d'air et raccordez-le au connecteur en le faisant tourner dans le sens inverse des aiguilles d'une montre (trois rotations). Enfin, étendez le tissu d'étanchéité pour couvrir le connecteur rond.
4. Installez le tuyau d'arrivée d'air sur l'appareil, en veillant à ce que la flèche "IN" soit orientée vers le bas.

## LIGNE DE DÉTECTION DE TEMPÉRATURE FIXE (VOIR IMAGE L, PAGE 4)

Insérez le connecteur du capteur (fil de détection de la température) dans le connecteur de l'appareil. Le connecteur comporte un point de repère blanc. Lors du branchement, les deux points blancs doivent être alignés l'un sur l'autre, puis serrer le connecteur dans le sens des aiguilles d'une montre.

Il doit pendre librement dans l'air.

REMARQUE ! La tension du connecteur du fil de détection de la température est une tension de sécurité, ne dépassant pas 5 V CC.

## INSTALLATION DU KIT FENÊTRE (VOIR IMAGE M, N, O, PAGE 5)

1. Installer l'extrémité rectangulaire des tuyaux dans les trous rectangulaires correspondants de la réglette (kit fenêtre) et la fixer à l'aide d'une vis.

REMARQUE !

- Faites glisser les adaptateurs vers le bas, en vous assurant qu'ils sont bien installés.
- Vérifier que le sens des extrémités des tuyaux est aligné sur le sens de la réglette.
- Veillez à ce que les tuyaux ne soient pas pliés et conservent un angle de flexion supérieur à 45° afin de garantir une ventilation adéquate.

2. Ouvrez la fenêtre à moitié et insérez la réglette dans la fenêtre, en la positionnant verticalement ou horizontalement. En cas d'installation verticale, placez le tuyau d'évacuation en haut afin que l'air chaud sortant n'interfère pas avec le capteur du tuyau d'admission d'air.

3. Faites coulisser les pièces de la réglette et ajustez-les selon la dimension de la fenêtre. Veillez à ce que les deux extrémités rejoignent les bords de la fenêtre et fixez-les à l'aide de vis.

REMARQUE ! Assurez-vous que les deux extrémités de la réglette rejoignent bien les bords de la fenêtre pour assurer une bonne étanchéité.

Assurez-vous que les vis sont bien serrées dans la bonne position.

4. Réglez la position de la tête de détection de la température extérieure et abaissez la tige de réglage jusqu'à la partie inférieure de la marche murale sous la fenêtre.

NOTE ! Le capteur doit pendre librement dans l'air et être le plus éloigné possible de l'air chaud du tuyau d'échappement.

5. Déplacez l'appareil avec les tuyaux montés jusque devant la fenêtre tout en maintenant l'appareil à une distance d'au moins 50 cm des murs ou d'autres objets.

## METTRE L'APPAREIL SOUS TENSION

Pour mettre l'appareil sous tension, branchez-le. Toutes les icônes de l'écran LCD s'allument pendant 2 secondes,

accompagnées d'un bref signal sonore. L'écran LCD indique ensuite la température ambiante intérieure, comprise entre 5°C et 35°C, et la température ambiante extérieure, comprise entre -9°C et 65°C. L'appareil est alors en mode veille et prêt à fonctionner.

L'appareil est maintenant prêt à l'emploi !

## ENTRETIEN

NOTE ! Éteignez l'appareil et débranchez la prise avant de procéder à l'entretien.

## INSTRUCTION DE VIDANGE (VOIR IMAGE P, PAGE 5)

La majeure partie de l'eau sera évacuée naturellement par le tuyau d'évacuation avec l'air chaud. Si vous devez vider le réservoir, l'appareil vous le signalera. (VOIR IMAGE C, PAGE 3, n° 14)

Pour vider le réservoir d'eau : Dévisser le couvercle de vidange et débrancher la prise d'eau pour permettre à l'eau de s'écouler dans le bac. REMARQUE : Soyez prudent pour éviter les fuites si l'appareil doit être déplacé. Inclinez légèrement l'appareil vers l'arrière pendant la vidange. Si le bac ne peut contenir toute l'eau de l'appareil, bloquez rapidement l'orifice de vidange afin d'éviter toute fuite d'eau et de ne pas mouiller le sol ou la moquette. Veillez à ce que le bouchon d'eau et le couvercle de vidange soient bien installés pour éviter que de l'eau de condensation ne mouille le sol ou la moquette lors du redémarrage de l'appareil.

Raccordement d'un tuyau d'eau pour une vidange continue : Dévissez le couvercle de vidange et retirez le bouchon d'eau. Fixez un tuyau d'eau de 12 mm de diamètre intérieur au tuyau de l'appareil. (Le tuyau d'arrosage n'est pas inclus). Dirigez l'autre extrémité du tuyau d'arrosage vers une bouche d'éégout. Assurez-vous que l'eau peut être évacuée vers le bas. REMARQUE : Un tuyau de vidange doit être installé lorsqu'il n'y a pas d'eau dans le bac. Il est recommandé de ne pas utiliser le drainage continu lorsque l'appareil est en mode Refroidissement afin de s'assurer qu'une quantité suffisante d'eau est recyclée dans l'appareil pour améliorer les effets de refroidissement du système. Placez le tuyau de vidange dans un endroit inaccessible, en veillant à ce qu'il ne soit pas placé plus haut que l'orifice de vidange, et veillez à ce que le tuyau de vidange soit droit, sans aucun coude. Veillez à ce que le couvercle de l'orifice de vidange et son bouchon soient correctement fixés en cas de vidange continue.

## FONCTIONS DE PROTECTION MULTIPLES

Dégivrage automatique : L'appareil dégivre automatiquement lorsque cela est nécessaire. En mode dégivrage, l'écran affiche E4 et aucune touche, à l'exception de la touche POWER, n'est active.

Protection du compresseur : L'appareil

est doté d'une fonction de protection du compresseur qui entraîne un délai de démarrage de 3 minutes après le redémarrage de l'appareil.

Alarme de sécurité en cas de manque d'eau et fonction de protection contre l'arrêt : Lorsque le volume d'eau dépasse le niveau d'alarme désigné dans le châssis de l'appareil, une alerte automatique est déclenchée, accompagnée de l'illumination de l'icône de l'eau pleine sur l'écran LCD. Dans ce cas, il est nécessaire d'évacuer l'eau de condensation en suivant les instructions fournies dans la section "Instructions d'évacuation". Si l'appareil n'est pas arrêté manuellement, il reviendra automatiquement à son état de fonctionnement initial une fois que l'eau condensée sera complètement évacuée. Il est également possible de rebrancher l'appareil pour le redémarrer.

## NETTOYAGE DE SURFACE

- Nettoyez la surface de l'appareil avec un chiffon doux et humide et n'utilisez pas de solvants chimiques tels que l'alcool ou l'essence pour éviter tout dommage.

- Nettoyez la sortie d'air ou les grilles encrassées à l'aide d'un chiffon doux humide et d'un détergent doux.

- Il est interdit d'utiliser tout solvant chimique pour le nettoyage de l'unité ou de placer de tels produits à proximité de l'unité pendant une longue période.

- Il est interdit d'utiliser des diluants, des alcools ou des solvants similaires pour le nettoyage de l'appareil.

## NETTOYAGE DU FILTRE LAVABLE (VOIR IMAGE Q, PAGE 5)

Il est essentiel de nettoyer le filtre toutes les deux semaines pour éviter que les performances de l'appareil ne soient affectées par l'accumulation de poussières. Immergez et lavez délicatement le filtre dans de l'eau chaude (environ 40°C) mélangée à un nettoyant neutre. Après le nettoyage, remettez-le en place sur l'appareil.

Nettoyez le filtre du tuyau d'arrivée d'air (A) : Soulevez le raccord, puis retirez le cadre du filtre dans le raccord et nettoyez-le.

Nettoyer les cadres des filtres à air d'admission supérieurs gauche et droit (B) : Tirez les cadres des filtres à air d'admission supérieurs gauche et droit vers leurs côtés respectifs. Nettoyez soigneusement le cadre.

Nettoyez les filtres inférieurs (C) : Tirez les filtres inférieurs, puis retirez le filtre arrière et nettoyez-le.

Nettoyer les filtres latéraux (D) : Retirez les filtres latéraux, puis nettoyez-les.

REMARQUE ! Retirez doucement le filtre, en donnant la priorité au filtre du panneau arrière avant celui du panneau latéral, afin d'éviter toute torsion ou tout dommage. Veillez à ne pas écraser les mailles et à ne

pas les heurter avec des objets pointus ou des brosses.

NOTE ! Assurez-vous que le filtre est installé sur le panneau latéral avant d'installer le filtre sur le panneau arrière.

Remonter le filtre dans le sens inverse de la dépose.

## REPLACEMENT DU FILTRE HEPA (VOIR IMAGE F, PAGE 3)

Cet appareil purifie l'air grâce à la technologie HEPA. Le filtre doit être remplacé régulièrement et au moins une fois par an.

1. Soulever le filtre HEPA vers le haut.
2. Installer le filtre HEPA, l'aligner sur la fente du cadre de l'écran et l'enfoncer dans le cadre de l'écran. Le filtre HEPA doit être enfoncé jusqu'en bas.

NOTE ! Veillez à utiliser un filtre HEPA d'origine Wood's pour conserver la couverture de la garantie. Rendez-vous sur woods.se pour plus d'informations et pour trouver des revendeurs.

## STOCKAGE DE FIN DE SAISON

1. Dévissez le couvercle de vidange et retirez le bouchon d'eau pour vidanger complètement l'eau condensée. REMARQUE : L'angle d'inclinaison de l'appareil doit être  $\leq 30$  degrés.
  2. Faites fonctionner l'appareil en mode ventilation pendant une demi-journée pour sécher complètement l'intérieur et empêcher la formation de moisissures.
  3. Éteignez l'appareil, débranchez-le, enroulez le cordon d'alimentation autour du pilier d'enroulement, insérez la fiche dans le trou de fixation universel situé sur le panneau arrière, et réinstallez le bouchon d'eau et le couvercle de vidange.
  4. Retirez le tuyau d'évacuation de l'air, nettoyez-le et rangez-le correctement. REMARQUE : Tenez le tuyau d'évacuation à deux mains lorsque vous le retirez.
  5. Écarter les fixations de la sortie d'air d'échappement à l'aide des pouces, puis retirer le tuyau d'échappement.
  6. Emballez soigneusement le climatiseur dans un sac en plastique souple, placez-le dans un endroit sec et protégé de la poussière et gardez-le hors de portée des enfants.
  7. Retirez les piles de la télécommande et rangez-les correctement.
- REMARQUE : Veillez à ce que l'appareil soit stocké dans un environnement sec. Protégez également tous les accessoires de l'appareil pour éviter qu'ils ne soient endommagés ou détériorés.

## GARANTIES

Garantie de deux ans contre les défauts de fabrication. Veuillez noter que la garantie n'est valable que sur présentation d'un reçu d'achat. CONSERVEZ VOS REÇUS ! Les reçus seront exigés pour toute réclamation au titre de la garantie pendant cette période.

## OBTENIR UNE EXTENSION DE GARANTIE

Bénéficiez d'une garantie de 6 ans en vous enregistrant sur warranty-woods.com. Assurez la longévité de votre garantie en remplaçant chaque année le filtre HEPA de chez Wood's. Veuillez noter que la garantie n'est valable que sous certaines conditions : enregistrement du produit dans les 90 jours suivant l'achat, remplacement annuel du filtre HEPA et conservation des reçus des filtres et de l'appareil. CONSERVEZ VOS REÇUS ! Tous les reçus seront exigés pour toute réclamation au titre de la garantie pendant cette période.



## RECHERCHE DE PANNES

Veillez vérifier l'appareil et suivre les suggestions ci-dessous avant de demander l'intervention d'un professionnel. Toutefois, n'essayez jamais de démonter ou de réparer l'appareil vous-même, car vous pourriez vous blesser ou endommager vos biens. Si des problèmes non répertoriés dans le tableau surviennent ou si les solutions recommandées ne fonctionnent pas, veuillez contacter un organisme de service professionnel.

PROBLÈMES	CAUSE	REMÈDE
L'appareil ne démarre pas.	Défaillance de l'alimentation électrique.	Branchez l'appareil sur une prise de courant et mettez-le en marche.
	Réservoir d'eau plein avec icône lumineuse correspondante.	Videz l'eau stockée dans l'appareil.
	La température de la pièce est inférieure à la température réglée en mode Refroidissement ou supérieure en mode Chauffage.	Assurez-vous que l'appareil fonctionne dans la plage de température recommandée de 5 à 35°C. Réglez la température de consigne.
Refroidissement insuffisant.	La lumière du soleil est directe.	Fermez le rideau de la fenêtre.
	Les portes et les fenêtres sont ouvertes, la pièce est encombrée ou il y a d'autres sources de chaleur.	Fermez les portes et les fenêtres, supprimez les autres sources de chaleur et envisagez d'ajouter des climatiseurs supplémentaires.
	Filtre encrassé.	Nettoyez ou remplacez les mailles du filtre.
	L'entrée ou la sortie d'air est obstruée.	Éliminez tout obstacle.
Niveau sonore élevé.	L'appareil est placé sur une surface irrégulière.	Placez l'appareil à un endroit plat et stable (peut réduire le bruit).
Le compresseur ne fonctionne pas.	Déclenchement de la protection contre la surchauffe.	Attendez que la température diminue, l'appareil redémarre automatiquement.
La télécommande ne fonctionne pas.	La distance entre l'appareil et la télécommande est trop longue.	Approchez la télécommande du climatiseur et veillez à ce que l'air arrive au récepteur de signal de l'appareil.
	La télécommande n'est pas orientée vers le récepteur de signal de l'appareil.	
	Les piles sont épuisées.	Remplacez les piles
Le code "CH01" s'affiche.	Défaut de la sonde de température ambiante.	Vérifiez le capteur de température ambiante et les circuits associés.
Le code "CH02" s'affiche.	Défaillance du capteur de température de l'évaporateur.	Vérifiez le capteur de température de l'évaporateur et les circuits.
Le code "E4" s'affiche.	Protection antigel.	Les fonctions se rétablissent automatiquement lorsque la protection antigel est terminée.
Le code "E5" s'affiche.	Défaut du capteur de température extérieure.	Vérifiez le capteur de température extérieure et les circuits associés.
		Vérifiez que l'interface du câble de la sonde de température extérieure est correctement branchée.
Le code "E6" s'affiche.	Défaut d'ouverture de la porte.	Vérifiez si le volet du commutateur d'air est complètement ouvert en mode refroidissement et inspecter les circuits correspondants.
Le code "E7" s'affiche.	Défaut de fermeture de la porte.	En mode AirSwitch, assurez-vous que le clapet répond aux conditions de fermeture et que le clapet du commutateur d'air est complètement fermé ; inspectez les circuits connexes.
Le code "FL" s'affiche.	Le réservoir d'eau du châssis est plein.	Vidangez le condensat et redémarrez l'appareil.

## SPÉCIFICATIONS TECHNIQUES

MODÈLE NO.	AC CORTINA 12K AIRSWITCH	AC COTINA 12K AIRSWITCH SMART HOME DUO A+
Capacité de refroidissement	3,520 W	3,500 W
Capacité de chauffage	N/A	2,900 W
Consommation électrique en mode refroidissement	1,350 W	1,120W
Consommation électrique en mode chauffage	N/A	960 W
Consommation électrique en mode AirSwitch	56W	32W
Débit d'air	220-320 (m³/h)	220-320 (m³/h)
Classe énergétique	A	A+
Déshumidification	33,6 L / 24h	33,6 L / 24h
Réglage de la température	17-30°C	17-30°C
Condition d'utilisation	17-43°C	5-43°C
EER en mode refroidissement	2,6	3,1
EER en mode AirSwitch	5	8
Longueur des tuyaux	1,5 m	1,5 m
Gaz réfrigérant	R290/260g	R290/250g
Niveau sonore en mode refroidissement (LWA) (dB(A))	60-64 dB	60-64 dB
Niveau sonore en mode refroidissement (LPA) (dB(A))	49-52 dB	49-52 dB
Niveau sonore en mode AirSwitch (LWA)(dB(A))	49,5-51 dB	49,5-51 dB
Niveau sonore en mode AirSwitch (LPA) (dB(A))	35-38 dB	35-38 dB
Poids net	30 kg	31 kg
Dimensions de l'appareil (H×L×P)	850×471×400mm	850×471×400mm

**Des modifications et des améliorations techniques peuvent survenir. Toutes les valeurs sont approximatives et peuvent varier en fonction de circonstances extérieures telles que la température, la ventilation et l'humidité.**



Ce marquage indique que ce produit ne doit pas être éliminé avec d'autres déchets ménagers au Royaume-Uni et dans l'UE. Afin d'éviter qu'une mise au rebut incontrôlée des déchets ne nuise à l'environnement ou à la santé humaine, recycler l'appareil de manière responsable afin de promouvoir la réutilisation durable des ressources matérielles. Pour retourner votre appareil, veuillez utiliser les systèmes de retour et de collecte ou contacter le détaillant chez lequel le produit a été acheté. Il peut reprendre ce produit pour un recyclage environnemental sûr.



Les piles usées ne doivent pas être jetées avec les ordures ménagères, car elles sont susceptibles de contenir des éléments toxiques et des métaux lourds nocifs pour l'environnement et dangereux pour la santé. Rapportez les piles usées à un centre de recyclage approprié.



**BRENNBARES MATERIAL.**  
Dieses Gerät enthält R290/  
Propan, ein brennbares Kältemittel.

Siehe Bedienungsanleitung.

Lesen Sie das technische Handbuch.

Lesen Sie die Bedienungsanleitung.

**SICHERHEITSINFORMATIONEN**

Lesen Sie vor der Installation und Nutzung des Geräts die Bedienungsanleitung sorgfältig durch. Bei Verletzungen oder Schäden aufgrund einer unsachgemäßen Installation bzw. Verwendung übernimmt der Hersteller keine Haftung. Die Anleitung ist zusammen mit dem Gerät aufzubewahren, damit jederzeit darauf zurückgegriffen werden kann.

**SCHUTZ VON KINDERN UND SCHUTZBEDÜRFTIGEN PERSONEN**

**WARNUNG** ⚠  
Verletzungsgefahr oder drohende Dauerinvalidität.

Dieses Gerät kann von Kindern ab acht Jahren und Personen mit eingeschränkten körperlichen, sensorischen oder geistigen Fähigkeiten oder mangelnden Erfahrungen und Kenntnissen benutzt werden, sofern sie in der sicheren Handhabung der Geräte unterwiesen wurden und die damit verbundenen Gefahren verstehen bzw. unter entsprechender Aufsicht stehen. Kinder nicht mit dem Gerät spielen lassen!

Kinder unter drei Jahren sind vom Gerät fernzuhalten, sofern sie nicht ständig beaufsichtigt werden.

Sämtliches Verpackungsmaterial von Kindern fernhalten. Kinder dürfen die Reinigung und Wartung nur unter

Aufsicht durchführen.

**ALLGEMEINE SICHERHEIT**

Dieses Gerät ist für die Verwendung in Haushalten und ähnlichen Umgebungen wie Geschäften, Büros und anderen Arbeitsumgebungen vorgesehen. Das Typenschild befindet sich an der Seite oder Rückseite des Geräts. Halten Sie die Lüftungsöffnungen frei von Hindernissen.

Als Abtauhilfen dürfen ausschließlich die vom Hersteller empfohlenen Vorrichtungen verwendet werden – keine mechanischen oder sonstigen Geräte. Das Gerät nicht in Räumen mit kontinuierlich betriebenen Zündquellen (offene Flammen, laufende Gasgeräte, im Einsatz befindliche Elektroheizgeräte usw.) lagern. Das Gerät nicht durchstechen oder in Brand setzen. Kältemittel können geruchlos sein. Gerät nicht mit Wasserstrahl oder Dampf reinigen. Gerät mit einem feuchten, weichen Tuch reinigen. Nur neutrale Reinigungsmittel benutzen. Keine Scheuermittel, Scheuerschwämme, Lösungsmittel oder Metallgegenstände verwenden. Bei einer Beschädigung des Netzkabels muss der Austausch aus Sicherheitsgründen durch den Hersteller, durch ein offizielles Servicecenter oder durch Fachpersonal erfolgen.

**SICHERHEITSHINWEISE**

**WARNUNG** ⚠  
Das Gerät darf nur von einer entsprechend qualifizierten Person installiert werden.

Das gesamte Verpackungsmaterial entfernen. Ein beschädigtes Gerät darf weder installiert noch verwendet werden. Installation, Betrieb und Lagerung des Geräts sind nur in Räumen mit einer Mindestfläche von 12,5 m<sup>2</sup> zulässig. Die beiliegende Installationsanleitung ist strikt zu befolgen. Das Gerät ist schwer – Vorsicht beim Transport und beim Umstellen. Immer Schutzhandschuhe tragen.

Darauf achten, dass um das Gerät herum unbehinderte Luftzirkulation möglich ist. Vor dem Anschließen ans Netz mindestens 4 Stunden warten. In dieser Zeit kann das Öl zurück in den Kompressor fließen. Das Gerät nicht in der Nähe von Heizkörpern oder anderen Wärmequellen aufstellen. Das Gerät nicht an einem Ort mit direkter Sonneneinstrahlung aufstellen.

**ELEKTRISCHER ANSCHLUSS**

**WARNUNG** ⚠  
Brand- und Stromschlaggefahr.

Das Gerät muss an eine geerdete

Steckdose angeschlossen werden. Darauf achten, dass die elektrischen Angaben auf dem Typenschild mit dem Netzanschluss übereinstimmen. Sollte dies nicht der Fall sein, ist eine Elektrofachkraft hinzuzuziehen. Der Anschluss muss an eine sachgerecht installierte, VDE-zugelassene Steckdose erfolgen. Mehrfachsteckdosenleisten und Verlängerungskabel sind unzulässig. Darauf achten, dass die elektrischen Komponenten (z. B. Stecker, Netzkabel) nicht beschädigt werden. Falls ein elektrisches Bauteil ausgetauscht werden muss, ein autorisiertes Servicezentrum oder einen Elektriker beauftragen. Das Kabel muss unter der Steckerhöhe verbleiben. Der Stecker darf erst am Ende der Installation an die Steckdose angeschlossen werden. Der Stecker muss nach der Installation zugänglich sein. Zum Trennen der Stromversorgung nicht am Netzkabel ziehen. Beim Ausstecken des Netzkabels immer nur am Stecker ziehen.

**BETRIEB**

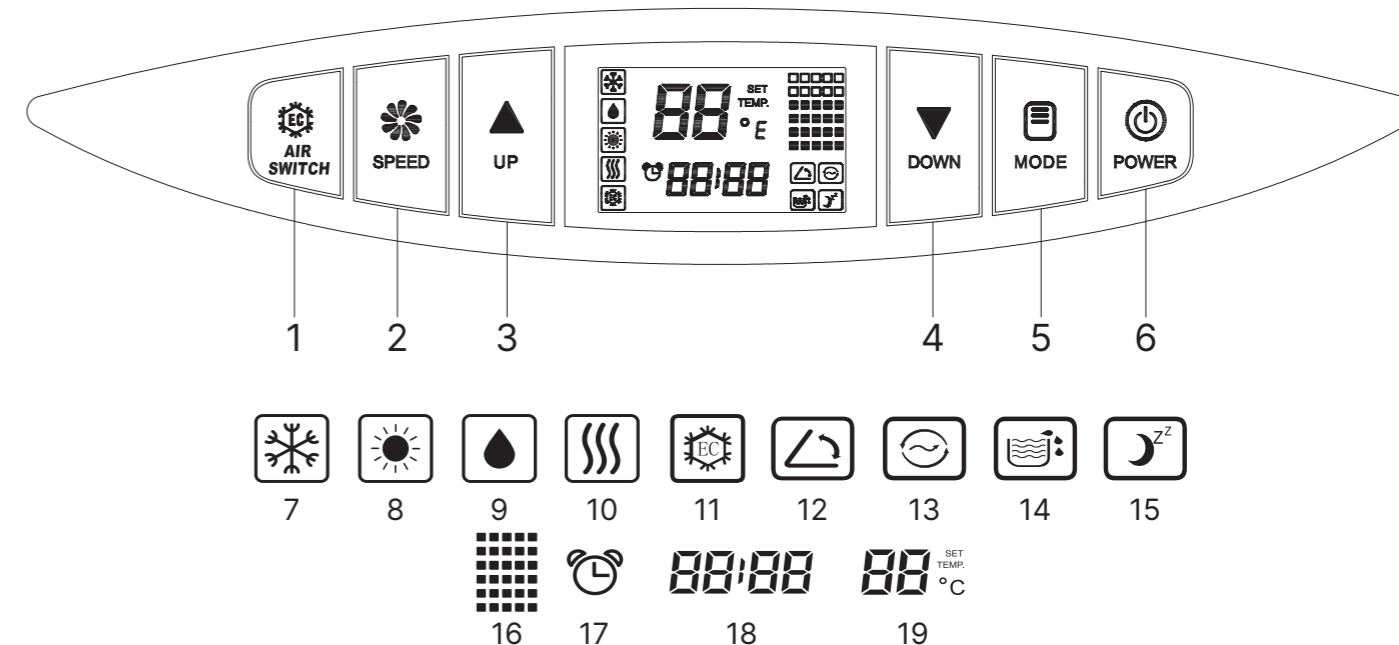
**WARNUNG** ⚠  
Verletzungs-, Verbrennungs-, Stromschlag- und Brandgefahr.

Gerät nur innerhalb der angegebenen Spezifikationen betreiben und keine Veränderungen am Gerät vornehmen. Darauf achten, dass der Kältemittelkreislauf nicht beschädigt wird. Der Kreislauf enthält das umweltverträgliche Erdgas Propan (R290). Es ist brennbar. Sollte der Kältemittelkreislauf beschädigt werden, sofort sicherstellen, dass es im Raum weder offenes Feuer noch Zündquellen gibt. Den Raum lüften. Keine entflammaren Produkte oder mit entflammaren Produkten benetzten Gegenstände auf das Gerät oder in dessen Nähe stellen.

**ENTSORGUNG**

**WARNUNG** ⚠  
Verletzungsgefahr!

Den Netzstecker des Geräts abziehen. Netzkabel abschneiden und entsorgen. Der Kältemittelkreislauf des Geräts ist ozonverträglich. Hinweise zur korrekten Entsorgung des Geräts gibt die Behörde vor Ort. Der Teil der Kühleinheit unmittelbar neben dem Wärmetauscher darf nicht beschädigt werden.



Wir danken Ihnen für Ihren Kauf und Ihr Vertrauen in Wood's. In diesem Handbuch werden Sie mit den Betriebsarten des AC Cortina AirSwitch vertraut gemacht. In allen Modi wird die Luft mit der HEPA-Technologie gereinigt.

**Modus Kühlen:** Kühlt den Raum auf die gewünschte Temperatur. Die optimale Umgebungstemperatur für Kühlmodelle liegt bei 17-35 °C.

**Heizmodus:** Erwärmt den Raum auf die gewünschte Temperatur. Die optimale Umgebungstemperatur liegt sowohl für Kühl- als auch für Heizmodelle bei 5-35°C. (Hinweis! Dieser Modus ist nur bei dem AC-Modell mit Duo/Heizfunktion verfügbar).

**Entfeuchtungsmodus:** Reduziert die Luftfeuchtigkeit im Raum.

**Ventilator-Modus:** Zirkuliert und reinigt die Luft im Raum, ohne zu kühlen.

**AirSwitch Auto-Modus:** Automatisches Umschalten zwischen Kompressorkühlung und AirSwitch. Wenn die Außentemperatur kälter als die eingestellte Temperatur ist, wird AirSwitch verwendet, um kühlere und gereinigte Außenluft zu liefern, ohne dass der Kompressor arbeitet - leiser und energieeffizienter.

**AirSwitch-Modus:** Führt kühlere, gereinigte Außenluft in den Raum ein, ohne den Kompressor zu aktivieren.

**BETRIEBSANLEITUNG**

**PRODUKTTEILE (SIEHE BILD A UND B, SEITE 2)**

- Empfangsfenster der Fernbedienung
- Bedienfeld
- Luftauslass
- HEPA-Filter
- Obere Filterbaugruppe der Rückwand

- Anschluss für das Kabel des Außentemperaturfühlers
- Netzanschluss mit Stecker
- Halterungen für die Kabelaufwicklung
- Untere Filterbaugruppe der Rückwand
- Abdeckung des Abflusses
- Filtermontage der Seitenwand
- Filtermontage der Seitenwand
- Schutzgitter
- Fach für die Fernbedienung
- Lufteinlass
- Oberer Innenanschluss (einschließlich Filter)
- Lufteinlassschlauch (klein)
- Adapter auf Lufteinlassschlauch (klein) (einschließlich Außentemperaturfühler)
- Fenster-Bausätze
- Runder Anschluss des Abgasschlauchs
- Auspuffschlauch (groß)
- Adapter auf Abgasschlauch (groß)
- Dichtungstuch für Lufteinlassschlauch

**BEDIENFELD (SIEHE BILD C, SEITE 3)**

- AirSwitch-Taste
- Taste für die Ventilatorgeschwindigkeit
- Aufwärts-Taste
- Abwärts-Taste
- Modus-Taste
- Einschalttaste
- Anzeige für den Kühlmodus
- Anzeige des Heizmodus (HINWEIS! Dieses Symbol ist nur beim AC-Modell mit Duo/Heizfunktion verfügbar).
- Anzeige des Entfeuchtungsmodus

- Anzeige des Gebläsemodus
- AirSwitch Modus-Anzeige
- Anzeige der automatischen Schwenkfunktion
- Anzeige HEPA-Filter ersetzen
- Wasser-Voll-Anzeige
- Schlafmodus-Anzeige
- Anzeige der Lüftergeschwindigkeit
- Timer-Anzeige (HINWEIS! Der Timer kann nur über die Fernbedienung eingestellt werden).
- Anzeige der Außentemperatur; Anzeige der Timerzeit
- Anzeige der eingestellten Temperatur. Anzeige der Raumtemperatur für die Modi Lüften, Entfeuchten und AirSwitch.
- Wi-Fi-Anzeige. (HINWEIS: Dieses Symbol ist nur beim AC-Modell mit Wi-Fi/ Smart Home-Funktion verfügbar).

**BETRIEBSARTEN UND BEDIENFELDFUNKTIONEN (SIEHE BILD C, SEITE 3)**

**Einschalttaste (6):** Drücken Sie diese Taste, um das Gerät einzuschalten; es ertönt ein melodischer Ton, und das Gerät schaltet automatisch in den Kühlmodus mit einer voreingestellten Temperatur von 22°C. Der Ventilator läuft mit mittlerer Geschwindigkeit. Um das Gerät auszuschalten, berühren Sie diese Taste erneut, woraufhin ein melodischer Ton das Abschalten signalisiert.

1. Wenn das Gerät eingeschaltet ist, zeigt das LCD-Fenster die eingestellte Temperatur im Kühlmodus und im Heizmodus (HINWEIS! Das Heizsymbol ist nur beim AC-Modell mit Duo/Heizfunktion verfügbar) oder die Umgebungstemperatur im Entfeuchtungsmodus, im Ventilatormodus, im AirSwitch Auto-Modus und im AirSwitch-Modus an.

Das Gebläse beginnt zu laufen, und das Luftauslassfenster öffnet sich automatisch.

2. Wenn das Gerät ausgeschaltet ist, sind alle Teile außer Betrieb, und das Luftauslassfenster schließt sich automatisch.

**Modus-Taste (5):** Taste "Modus" (5): Drücken Sie die "Mode"-Taste, um die verfügbaren Modi zur Bestätigung zu durchlaufen.

- Modus Kühlen (7): Kühlt den Raum auf die eingestellte Temperatur (17-35°C).

- Heizmodus (8): Beheizt den Raum auf die eingestellte Temperatur (5-35°C). (HINWEIS: Dieser Modus ist nur beim AC-Modell mit Duo/Heizfunktion verfügbar).

- Entfeuchtungsmodus (9): Reduziert die Luftfeuchtigkeit im Raum.

- Ventilator-Modus (10): Zirkuliert und reinigt die Luft im Raum, ohne zu kühlen.

HINWEIS: Für den AirSwitch-Auto-Modus und den AirSwitch-Modus siehe den separaten Abschnitt "AirSwitch-Taste (1)".

**Abwärts-Taste (4):** Klicken Sie darauf, um die eingestellte Temperatur zu verringern oder nach unten zu korrigieren.

**Taste Aufwärts (3):** Klicken Sie auf die Taste, um die eingestellte Temperatur nach oben zu korrigieren.

HINWEIS: Drücken Sie die Abwärts-Taste (4) oder die Aufwärts-Taste (3) über 2 Sekunden, um die Temperatur in 0,5-Grad-Schritten zu erhöhen oder zu verringern. Der Temperatureinstellbereich beträgt 17~30°C.

**Taste Gebläsegeschwindigkeit (2):** Drücken Sie die Taste für die Gebläsegeschwindigkeit, um die Gebläsegeschwindigkeit auf hohe, mittlere oder niedrige Geschwindigkeit einzustellen.

HINWEIS: Die Lüftergeschwindigkeit kann in den Modi Entfeuchten und Ruhezustand nicht eingestellt werden.

**AirSwitch-Taste (1):** Drücken Sie die AirSwitch-Taste einmal, um den AirSwitch-Automodus zu aktivieren, was durch die blinkende AirSwitch-Anzeige (11) auf dem LCD angezeigt wird. Drücken Sie die AirSwitch-Taste erneut, um den AirSwitch-Modus zu aktivieren, was durch die leuchtende, aber nicht blinkende AirSwitch-Anzeige (11) angezeigt wird. Drücken Sie die AirSwitch-Taste ein drittes Mal, um die AirSwitch-Funktion zu beenden und in den standardmäßigen Kühlmodus zurückzukehren.

#### DEFINITION DER MODI "AUTO" UND "AIRSWITCH"

AirSwitch-Auto-Modus: Während der Kühlung des Raums im AirSwitch-Auto-Modus wechselt das Gerät automatisch zwischen Kompressorkühlung und AirSwitch-Betrieb.

Wenn die Außentemperatur 2°C oder weniger als die eingestellte Temperatur beträgt, geht das Klimagerät automatisch

vom Kompressor-Kühlmodus in den AirSwitch-Betrieb über und saugt kühlere Außenluft an, um leiser und energieeffizienter zu kühlen. Sobald die Raumtemperatur die eingestellte Temperatur erreicht, schaltet das Klimagerät in den Lüftungsbetrieb.

AirSwitch-Modus: Während der Kühlung des Raums im AirSwitch-Modus schaltet das Gerät automatisch zwischen dem AirSwitch-Arbeitszustand und dem Lüftungsbetrieb um.

Wenn die Außentemperatur 2°C oder weniger als die Raumtemperatur beträgt, geht das Klimagerät automatisch vom Lüftungsbetrieb in den AirSwitch-Betriebszustand über, wodurch ein kontinuierlich leiser und energieeffizienter Betrieb gewährleistet wird. Sobald die Raumtemperatur die eingestellte Temperatur erreicht, kehrt das Klimagerät in den Lüftungsbetrieb zurück. Der Kompressor bleibt in diesem Modus jedoch inaktiv.

#### HAFTUNGSAUSSCHLUSS AIR SWITCH AUTO MODE UND AIRSWITCH MODE

Der Temperatursensor für den AirSwitch befindet sich in dem Schlauch, der die Außenluft in das Gerät leitet. Bestimmte Umstände können gelegentlich die Genauigkeit und Funktion des Sensors im Auto-Modus beeinträchtigen.

Faktoren, die die Sensorgenauigkeit beeinflussen:

1. Heizung durch Raumluft: Die Nähe zu Warmluftquellen im Raum kann die Sensormessungen beeinflussen.

2. Kunststoffgehäuse: In seltenen Fällen kann das Kunststoffgehäuse des Sensors Wärme absorbieren, was seine Leistung beeinträchtigt.

3. Externe Umweltelemente: Sonnenlicht und Winde: Direkte Sonneneinstrahlung oder wärmeübertragender Wind können die Genauigkeit des Sensors beeinträchtigen. Reflektierende Oberflächen: Wände in der Nähe, die Wärme reflektieren oder absorbieren, können die automatische Funktion stören. In solchen Fällen wird der manuelle Modus empfohlen.

4. Sich kreuzende Luftströme: Wind oder Luftströmungen können Temperaturschwankungen verursachen, insbesondere wenn der Ausgangsschlauch den Eingangsschlauch kreuzt.

Empfehlungen:

1. Verwendung des manuellen Modus: Unter schwierigen Bedingungen wird empfohlen, den manuellen Modus für eine präzise Steuerung zu verwenden.

2. Vermeiden Sie eine Überhitzung des Sensors: Vermeiden Sie es, den Sensor direkter Hitze auszusetzen, um eine genaue Temperaturerfassung zu gewährleisten.

3. Achten Sie auf reflektierende Oberflächen: Ziehen Sie die Aktivierung

des manuellen Modus in Erwägung, wenn Sie reflektierende Oberflächen, wie z. B. eine nahegelegene Ziegelwand, oder andere potenzielle Störquellen haben.

4. Optimale Betriebszeit: Erwägen Sie, den AirSwitch im manuellen Modus einzuschalten, um eine gleichbleibende Leistung zu erzielen, insbesondere während der Schlafenszeit.

#### FUNKTIONEN BEI DER KOMBINATION VON TASTEN (SIEHE BILD C, SEITE 3)

Schlaf-Funktion (15): Aktivieren oder deaktivieren Sie die SLEEP-Funktion durch gleichzeitiges Drücken der AirSwitch-Taste (1) und der Aufwärts-Taste (3). Bitte beachten Sie, dass die Ventilatorgeschwindigkeit in der Sleep-Funktion nicht einstellbar ist.

- Wenn die Sleep-Funktion im Kühlmodus aktiviert ist, wird die eingestellte Temperatur nach 2 Stunden um 1°C erhöht und nach weiteren 2 Stunden um weitere 1°C, wobei diese Temperatur beibehalten wird.

- Wenn die Sleep-Funktion im Heizmodus aktiviert ist (nur beim AC-Modell mit Duo/Heizfunktion), senkt sie die eingestellte Temperatur nach 2 Stunden um 1°C. Nach weiteren 2 Stunden wird die Temperatur um weitere 1°C gesenkt und danach auf dieser Temperatur gehalten. HINWEIS: Die Einschlaffunktion ist im Gebläsemodus, im Entfeuchtungsmodus, im AirSwitch-Auto-Modus und im AirSwitch-Modus unwirksam.

Auto-Swing-Funktion (12): Aktivieren oder deaktivieren Sie die Auto-Swing-Funktion durch gleichzeitiges Berühren der AirSwitch-Taste (1) und der Ventilatorgeschwindigkeitstaste (2).

#### ANDERE BEDIENFELDFUNKTIONEN (SIEHE BILD C, SEITE 3)

Anzeige HEPA-Filter ersetzen (13): Wenn das Klimagerät mehr als 500 Stunden in Betrieb ist, erscheint das entsprechende Symbol auf dem LCD-Bildschirm und zeigt an, dass der HEPA-Filter ausgetauscht werden muss. Um den Timer zurückzusetzen und das Symbol zu entfernen, halten Sie die Gebläsetaste 6 Sekunden lang gedrückt. Dadurch wird die Anzeige des Symbols gelöscht und die Zeitberechnung neu gestartet. Informationen zum Austausch des Filters finden Sie im Abschnitt Austauschbarer HEPA-Filter.

Anzeige der Außentemperatur und Anzeige der Timerzeit (18): Im Normalbetrieb wird die Außentemperatur angezeigt. Wenn die Timerfunktion des Geräts aktiviert ist, werden die Außentemperatur und die Timerdauer abwechselnd auf dem Display angezeigt.

Bitte beachten Sie: Ein Fehlercode wird angezeigt, wenn der Außentempatursensor ausfällt oder die Klappe auf der Rückseite des Geräts sich nicht öffnen oder schließen lässt.

#### WIFI-FUNKTION (20)

(Gilt nur für das AC-Modell mit WiFi/Smart Home-Funktionalität).



1. Laden Sie die Wood's Connect App aus dem App Store oder von Google Play herunter.

2. Registrieren Sie sich und folgen Sie den Anweisungen. Akzeptieren Sie alle Schritte. (Lesen Sie sorgfältig die Datenschutzbestimmungen und stimmen Sie zu, um fortzufahren).

3. Öffnen Sie die Wood's Connect App und fügen Sie ein Gerät hinzu.

4. Um in den Pairing-Modus zu gelangen, halten Sie die AirSwitch-Taste am Gerät 5 Sekunden lang gedrückt, bis das Wi-Fi-Symbol auf dem Display schnell blinkt.

5. Wenn Sie das Gerät auf dem Bildschirm erkennen, fügen Sie es hinzu. Sie können das Modell auch manuell auswählen.

6. Geben Sie Ihre Wi-Fi-Einstellungen und Ihr Passwort ein.

7. Drücken Sie +, um das Gerät hinzuzufügen.

8. Warten Sie, bis das Gerät hinzugefügt wird. Es ist nun bereit, über Wi-Fi gesteuert zu werden.

Um die Wi-Fi-Funktion zu deaktivieren, halten Sie die AirSwitch-Taste am Gerät 5 Sekunden lang gedrückt.

#### BETRIEBSARTEN DER FERNBEDIENUNG (SIEHE BILD D, SEITE 3)

**Strom (1):** Drücken Sie diese Taste, um das Gerät zu starten, wenn es eingeschaltet ist, oder um es zu stoppen, wenn es in Betrieb ist.

**Modus-Taste (2):** Drücken Sie diese Taste, um den Betriebsmodus auszuwählen.

**AirSwitch-Taste (3):** Drücken Sie diese Taste, um den AirSwitch-Modus zu aktivieren oder zu deaktivieren.

1. Drücken Sie die AirSwitch-Taste einmal, um in den AirSwitch-Automodus zu wechseln, der durch das blinkende Symbol "ENERGY SAVER" auf dem LCD-Display angezeigt wird.

2. Drücken Sie die AirSwitch-Taste erneut, um den AirSwitch-Modus zu aktivieren. Das Symbol "ENERGY SAVER" leuchtet, blinkt aber nicht.

3. Drücken Sie die AirSwitch-Taste zum dritten Mal, um die AirSwitch-Funktion



zu beenden und in den standardmäßigen Kühlmodus zurückzukehren.

**Aufwärts-Taste (4):** Drücken Sie die Aufwärtstaste, um die Raumtemperatur und die Timer-Einstellung zu erhöhen.

**Abwärts-Taste (5):** Drücken Sie die Abwärtstaste, um die Raumtemperatur und die Timer-Einstellung zu verringern.

**Gebläsetaste (6):** Drücken Sie diese Taste, um die Gebläsegeschwindigkeit nacheinander auszuwählen: Niedrig, Mittel, Hoch.

**Taste Auto Swing (7):** Drücken Sie diese Taste, um die Auto-Swing-Funktion zu aktivieren oder zu deaktivieren.

**Taste Sleep (8):** Drücken Sie diese Taste, um den Schlafmodus zu aktivieren oder zu deaktivieren (nur im Kühl- oder Heizbetrieb wirksam).

**Timer-Taste (9):** Zum Einstellen der Funktion AUTO-ON im Standby-Modus und AUTO-OFF, wenn das Gerät in Betrieb ist. Die Zeit kann zwischen 1-24 Stunden eingestellt werden. Um den Timer auszuschalten, drücken Sie die Timer-Taste und stellen Sie den Timer auf "0".

Legen Sie die AAA-Batterien wie folgt ein, bevor Sie die Fernbedienung verwenden: (SIEHE ABBILDUNG D, SEITE 3)

1. Schieben Sie die Batterieabdeckung auf der Rückseite der Fernbedienung vorsichtig heraus.

2. Legen Sie zwei neue AAA-Alkalibatterien in das dafür vorgesehene Batteriefach ein und achten Sie dabei auf die richtige Polarität.

3. Bringen Sie die Batterieabdeckung wieder an und achten Sie darauf, dass die Verriegelungslasche sicher einrastet.

HINWEIS!

- Verwenden Sie nur Alkalibatterien. Verwenden Sie keine wiederaufladbaren Batterien.

- Ersetzen Sie immer beide Batterien durch neue; mischen Sie nicht alte und neue Batterien.

- Nehmen Sie die Batterien aus der Fernbedienung heraus, wenn das Klimagerät längere Zeit nicht benutzt wird.

#### FERNBEDIENUNGSSPEICHER (SIEHE BILD E, SEITE 3)

1. Setzen Sie die Fernbedienung in das integrierte Fach auf der linken Seite des Geräts ein, und drücken Sie sie leicht an, um sie zu schließen.

2. Drücken Sie leicht auf den unteren Teil des eingebauten Fachs, um es zu öffnen und die Fernbedienung herauszunehmen.

HINWEIS: Um den Verlust der Fernbedienung zu vermeiden, legen Sie sie bitte in den Aufbewahrungsort, wenn Sie sie nicht benutzen.

WARNUNG: Falls eine Batterie auf Ihre

Haut oder Kleidung ausläuft, waschen Sie die betroffene Stelle sofort gründlich mit klarem Wasser. Verwenden Sie die Fernbedienung nicht mehr, wenn Anzeichen für ein Auslaufen der Batterie vorliegen. Falls Sie Batterieflüssigkeit verschluckt haben, suchen Sie sofort einen Arzt auf. Die in den Batterien enthaltenen Chemikalien können zu Verbrennungen und anderen Gesundheitsrisiken führen.

## EINRICHTUNG

### VOR DER ERSTEN BENUTZUNG

Lassen Sie das Gerät vor der Inbetriebnahme 4 Stunden lang aufrecht stehen.

Dieses Klimagerät ist für einen bequemen Standortwechsel in Innenräumen konzipiert. Stellen Sie sicher, dass das Gerät während des Transports aufrecht bleibt. Stellen Sie das Klimagerät auf eine ebene Fläche. Installieren oder betreiben Sie dieses Klimagerät nicht in Badezimmern oder anderen feuchten Umgebungen.

### HEPA-FILTER INSTALLIEREN (SIEHE BILD F, SEITE 3)

1. Heben Sie das HEPA-Filterpaket nach oben.

2. Entfernen Sie den Verpackungsbeutel vom HEPA-Filter. (HINWEIS! Der entfernte Verpackungsbeutel muss für Kinder unzugänglich aufbewahrt werden)

3. Setzen Sie den HEPA-Filter ein, indem Sie ihn auf den Schlitz des Siebrahmens ausrichten und fest hineindrücken. Der HEPA-Filter sollte bis nach unten gedrückt werden.

Der H11 HEPA-Filter dieses Woods dient der Luftreinigung. Er fängt effektiv Partikel wie Staub, Pollen, Schimmelsporen, Bakterien und sogar kleine Rauchpartikel aus der Luft auf und sorgt so für ein saubereres und gesünderes Raumklima.

HINWEIS: Wechseln Sie den HEPA-Filter mindestens einmal im Jahr. Registrieren Sie sich auf warranty-woods.com und wechseln Sie den HEPA-Filter einmal im Jahr für 6 Jahre Garantie. Nur gültig mit einem Wood's Markenfilter. Siehe woods.se für Einzelhändler. HEBEN SIE IHRE QUITTUNGEN AUF!

### WICHTIGE INFORMATIONEN VOR DER MONTAGE VON LUFTSCHLÄUCHEN

Halten Sie die Schläuche während des Betriebs so kurz und so wenig gebogen wie möglich, um den Druckabfall und den Leistungsverlust zu minimieren. Der Abgasschlauch muss glatt bleiben, um Überhitzung und mögliche Schäden an der Klimaanlage zu vermeiden. Die Schläuche haben eine Länge von 280 mm bis 1500 mm. Vermeiden Sie es, die Schläuche zu verlängern oder durch einen anderen Schlauch zu ersetzen, da dies den Betrieb beeinträchtigen kann.

**EINBAU DER ABGASSCHLAUCHLEITUNG UND DES ADAPTERS. (SIEHE BILD G UND H, SEITE 4)**

1. Entfernen Sie die Plastiktüte, indem Sie den Abgasschlauch (groß), sein Anschlussstück und den Adapter aus der Verpackung nehmen.
2. Ziehen Sie ein Ende des Abgasschlauchs heraus und befestigen Sie das runde Verbindungsstück, indem Sie es mindestens drei Umdrehungen gegen den Uhrzeigersinn drehen.
3. Ziehen Sie das andere Ende des Abgasschlauchs heraus und befestigen Sie den Adapter, indem Sie ihn mindestens drei Umdrehungen gegen den Uhrzeigersinn drehen.
4. Setzen Sie das vordere Ende des Abgasschlauches in die dafür vorgesehene Aussparung des Abluftauslasses an der Rückwand. Die Befestigungselemente arretieren die Abgasschlaucheinheit sicher an ihrem Platz.
5. Bringen Sie den Abluftschlauch am Gerät an.

HINWEIS: Achten Sie auf die korrekte Ausrichtung der abgeschrägten Seite des Adapters, um die Montage der Fensterdichtungsplatte zu erleichtern. Achten Sie auf einen sicheren und gut positionierten Anschluss des Abgasschlauches.

**INSTALLIEREN SIE DEN LUFTEINLASSSCHLAUCH (SIEHE BILD I, J, K, SEITE 4)**

1. Entfernen Sie die Plastiktüte, indem Sie den Lufteinlassschlauch (den kleineren), seinen Anschluss und den Adapter aus der Verpackung nehmen.
2. Ziehen Sie ein Ende des Lufteinlassschlauchs heraus und verbinden Sie es mit dem Anschlussstück, das einen Sensor enthält, indem Sie es mindestens drei Umdrehungen gegen den Uhrzeigersinn drehen.
3. Legen Sie das Dichtungstuch um den Lufteinlassschlauch und stellen Sie sicher, dass der Temperaturmessdraht ebenfalls von dem Dichtungstuch umschlossen ist. Ziehen Sie das andere Ende des Lufteinlassschlauchs heraus und verbinden Sie es mit dem Anschlussstück, indem Sie es gegen den Uhrzeigersinn drehen (drei Umdrehungen). Ziehen Sie abschließend das Dichtungstuch so weit auf, dass es das runde Anschlussstück bedeckt.
4. Montieren Sie den Lufteinlassschlauch am Gerät, wobei der Pfeil "IN" nach unten zeigen muss.

**FESTE TEMPERATURMESSLEITUNG (SIEHE BILD L, SEITE 4)**

Stecken Sie den Stecker des Temperatursensorkabels in den Anschluss des Geräts. Auf dem Stecker befindet sich ein weißer Markierungspunkt. Beim Einstecken sollten die beiden weißen

Punkte aufeinander ausgerichtet sein, und ziehen Sie den Stecker dann im Uhrzeigersinn fest.

Er sollte frei in der Luft hängen.

HINWEIS: Die Spannung des Temperaturmessdrahtanschlusses ist eine sichere Spannung, die nicht höher als DC 5V ist.

**EINBAU DER FENSTERDICHTUNGSPLATTE (SIEHE BILD M, N, O, SEITE 5)**

1. Setzen Sie das rechteckige Ende der Schläuche in die entsprechenden rechteckigen Löcher der Fensterdichtungsplatte ein und befestigen Sie es mit einer Schraube.
- HINWEIS!
- Schieben Sie die Adapter nach unten und vergewissern Sie sich, dass sie fest installiert sind.
  - Stellen Sie sicher, dass die Richtung der schrägen Platte mit der Richtung der Dichtungsplatte übereinstimmt.
  - Achten Sie darauf, dass die Schläuche nicht geknickt werden und einen Biegewinkel von mehr als 45° haben, um eine ausreichende Belüftung zu gewährleisten.
2. Öffnen Sie das Fenster zur Hälfte und setzen Sie die Dichtungsplatte in das Fenster ein, wobei Sie sie entweder vertikal oder horizontal positionieren. Bei vertikalem Einbau den Abluftschlauch oben anbringen, damit die warme Abluft den Sensor am Lufteinlassschlauch nicht beeinträchtigt.

3. Ziehen Sie die Teile der Dichtungsplatte aus und passen Sie sie an die Länge des Fensters an. Vergewissern Sie sich, dass beide Enden an den Fensterkanten anliegen und befestigen Sie sie mit Schrauben.
- HINWEIS: Vergewissern Sie sich, dass beide Enden der Fensterdichtungsplatte gut an den Kanten des Fensters anliegen, um eine gute Abdichtung zu gewährleisten.
- Vergewissern Sie sich, dass die Schrauben in der richtigen Position fest angezogen sind.
  4. Stellen Sie die Position des Außentemperaturfühlers ein und senken Sie die Einstellstange auf den unteren Teil der Wandstufe unter dem Fenster.

HINWEIS: Der Sensor sollte frei in der Luft hängen und so weit wie möglich von der warmen Luft des Abgasschlauchs entfernt sein.
  5. Stellen Sie das Gerät so auf, dass die Schläuche vor dem Fenster montiert sind, und halten Sie einen Abstand von mindestens 50 cm zu Wänden oder anderen Gegenständen ein.

HINWEIS: Vergewissern Sie sich, dass beide Enden der Fensterdichtungsplatte gut an den Kanten des Fensters anliegen, um eine gute Abdichtung zu gewährleisten.

Vergewissern Sie sich, dass die Schrauben in der richtigen Position fest angezogen sind.

4. Stellen Sie die Position des Außentemperaturfühlers ein und senken Sie die Einstellstange auf den unteren Teil der Wandstufe unter dem Fenster.

HINWEIS: Der Sensor sollte frei in der Luft hängen und so weit wie möglich von der warmen Luft des Abgasschlauchs entfernt sein.

5. Stellen Sie das Gerät so auf, dass die Schläuche vor dem Fenster montiert sind, und halten Sie einen Abstand von mindestens 50 cm zu Wänden oder anderen Gegenständen ein.

**DAS GERÄT EINSCHALTEN**

Um das Gerät einzuschalten, schließen

Sie es an. Alle Symbole im LCD-Fenster leuchten für 2 Sekunden auf, begleitet von einem kurzen Erinnerungston. Danach zeigt das LCD-Fenster die Innentemperatur im Bereich von 5°C bis 35°C und die Außentemperatur im Bereich von -9°C bis 65°C an. Das Gerät befindet sich dann im Standby-Modus und ist betriebsbereit.

**Das Gerät ist jetzt einsatzbereit!**

**WARTUNG**

HINWEIS: Schalten Sie das Gerät vor der Wartung aus und ziehen Sie den Stecker.

**ENTWÄSSERUNGSANLEITUNG (SIEHE BILD P, SEITE 5)**

Das meiste Wasser wird auf natürliche Weise mit der heißen Luft durch den Abluftschlauch abgeleitet. Wenn Sie den Tank entleeren müssen, wird das Gerät Sie darauf hinweisen. (BILD C, SEITE 3, Nr. 14)

So leeren Sie den Wassertank: Schrauben Sie den Ablassdeckel ab und ziehen Sie den Wasserstecker heraus, damit das Wasser in die Schale fließen kann. HINWEIS: Seien Sie vorsichtig, um ein Auslaufen zu vermeiden, wenn das Gerät bewegt werden muss. Kippen Sie das Gerät während des Entleerens leicht nach hinten. Wenn die Wanne nicht das gesamte Wasser aus dem Gerät aufnehmen kann, verschließen Sie umgehend die Abflussöffnung, um ein Auslaufen des Wassers zu verhindern und zu vermeiden, dass der Boden oder Teppich nass wird. Vergewissern Sie sich, dass der Wasserstopfen und der Ablassdeckel fest installiert sind, um zu verhindern, dass neues Kondenswasser den Boden oder den Teppich benetzt, wenn das Gerät wieder in Betrieb genommen wird.

Anschließen eines Wasserschlauchs zur kontinuierlichen Entwässerung: Schrauben Sie den Ablaufdeckel ab und entfernen Sie den Wasserstopfen. Schließen Sie einen Wasserschlauch mit 12 mm Innendurchmesser an das Rohr am Gerät an. (Wasserschlauch nicht im Lieferumfang enthalten). Führen Sie das andere Ende des Wasserschlauchs zu einem Abfluss. Achten Sie darauf, dass das Wasser nach unten abfließen kann. HINWEIS: Ein Abflussschlauch muss installiert werden, wenn sich kein Wasser in der Wanne befindet. Es wird empfohlen, keinen kontinuierlichen Abfluss zu verwenden, wenn sich das Gerät im Kühlmodus befindet, um sicherzustellen, dass genügend Wasser im Gerät umgewälzt wird, um die Kühlwirkung des Systems zu verbessern. Verlegen Sie den Abflussschlauch an einer unzugänglichen Stelle und achten Sie darauf, dass er nicht höher als die Abflussöffnung liegt, und halten Sie den Abflussschlauch gerade und ohne Biegungen. Vergewissern Sie sich, dass der Abflussdeckel und sein Stopfen ordnungsgemäß befestigt sind, wenn eine kontinuierliche Entwässerung verwendet wird.

**MEHRERE SCHUTZFUNKTIONEN**

Automatische Abtaugung: Das Gerät wird bei Bedarf automatisch abgetaut. Im Abtaubetrieb zeigt das Display E4 an und außer der POWER-Taste sind keine weiteren Tasten aktiv.

Kompressorschutz: Das Gerät verfügt über eine Kompressorschutzfunktion, die nach dem Neustart des Geräts eine 3-minütige Startverzögerung bewirkt.

Sicherheitsalarm bei vollem Wasserstand und Abschaltfunktion: Wenn das Wasservolumen im Gehäuse des Geräts den festgelegten Alarmwert überschreitet, wird automatisch ein Warnhinweis ausgelöst, und das Symbol für "Wasser voll" leuchtet auf der LCD-Anzeige auf. In diesem Fall muss das Kondenswasser gemäß den Anweisungen im Abschnitt "Anweisungen zum Ablassen" abgelassen werden. Wenn das Gerät nicht manuell abgeschaltet wird, kehrt es automatisch in seinen ursprünglichen Betriebszustand zurück, sobald das Kondenswasser vollständig abgelassen wurde. Alternativ kann das Gerät durch Wiedereinschalten der Stromversorgung neu gestartet werden.

**OBERFLÄCHENREINIGUNG**

- Reinigen Sie die Oberfläche des Geräts mit einem feuchten, weichen Tuch, und verwenden Sie keine chemischen Lösungsmittel wie Alkohol oder Benzin, um Schäden zu vermeiden.
- Reinigen Sie den verschmutzten Luftauslass oder die Lüftungsschlitze mit einem feuchten, weichen Tuch und einem milden Reinigungsmittel.
- Es ist verboten, chemische Lösungsmittel für die Reinigung des Geräts zu verwenden oder solche Dinge für längere Zeit in die Nähe des Geräts zu bringen.
- Verdünner, Spiritus oder ähnliche Lösungsmittel sind für die Reinigung des Geräts verboten.

**WASCHBARE FILTERREINIGUNG (SIEHE BILD Q, SEITE 5)**

Es ist wichtig, den Filter alle zwei Wochen zu reinigen, damit die Leistung des Geräts nicht durch Staubansammlungen beeinträchtigt wird. Tauchen Sie den Filter in warmes Wasser (ca. 40°C), das mit einem neutralen Reinigungsmittel vermischt ist, und waschen Sie ihn vorsichtig aus. Nach der Reinigung setzen Sie ihn wieder in das Gerät ein.

Reinigen Sie den Filter des Lufteinlassschlauchs (A): Heben Sie den Anschluss an, entfernen Sie den Filterrahmen im Anschluss und reinigen Sie ihn.

Reinigen Sie den linken und rechten oberen Ansaugluftfilterrahmen (B): Ziehen Sie den linken und rechten oberen Ansaugluftfilterrahmen zur jeweiligen Seite.

Reinigen Sie den Rahmen gründlich.

Reinigen Sie die unteren Filter (C): Ziehen Sie die unteren Filter heraus, entfernen Sie dann den hinteren Filter und reinigen Sie ihn.

Reinigen Sie die Seitenfilter (D): Ziehen Sie die Seitenfilter heraus, und reinigen Sie sie.

HINWEIS: Ziehen Sie den Filter vorsichtig heraus und entfernen Sie zuerst den Rückwandfilter und dann den Seitenwandfilter, um Verdrehungen oder Beschädigungen zu vermeiden. Achten Sie darauf, das Gewebe nicht zu quetschen und vermeiden Sie es, das Gewebe mit scharfen Gegenständen oder Bürsten zu berühren.

HINWEIS: Vergewissern Sie sich, dass der Filter an der Seitenwand installiert ist, bevor Sie den Filter an der Rückwand installieren.

Setzen Sie den Filter in der entgegengesetzten Richtung des Ausbaus ein.

**AUSTAUSCHBARER HEPA-FILTER (SIEHE BILD F, SEITE 3)**

Dieses Gerät reinigt die Luft mit HEPA-Technologie. Der Filter muss regelmäßig, mindestens aber einmal im Jahr, gewechselt werden.

1. Heben Sie den HEPA-Filter nach oben.
  2. Setzen Sie den HEPA-Filter ein, richten Sie ihn am Schlitz des Siebrahmens aus, und drücken Sie ihn nach unten in den Siebrahmen. Der HEPA-Filter muss bis zum Boden gedrückt werden.
- HINWEIS: Stellen Sie sicher, dass Sie einen Original-HEPA-Filter von Woods verwenden, um die Garantie zu erhalten. Besuchen Sie woods.se für weitere Informationen und um Händler zu finden.

**SAISON-ENDLAGERUNG**

1. Schrauben Sie den Ablassdeckel ab und entfernen Sie den Wasserstopfen, um das Kondenswasser vollständig abzulassen. HINWEIS: Der Neigungswinkel des Geräts muss  $\leq 30$  Grad sein.
2. Betreiben Sie das Gerät einen halben Tag lang im Lüftermodus, um den Innenraum gründlich zu trocknen und Schimmelbildung zu verhindern.
3. Schalten Sie das Gerät aus, ziehen Sie den Stecker aus der Steckdose, wickeln Sie das Netzkabel um die Kabelsäule, stecken Sie den Stecker in die Universalbefestigungsöffnung an der Rückwand und bringen Sie den Wasserstopfen und den Ablaufdeckel wieder an.
4. Entfernen Sie das Abgasschlauchsystem, reinigen Sie es und lagern Sie es ordnungsgemäß. HINWEIS: Halten Sie die Abgasschlauchleitung beim Abnehmen mit beiden Händen fest.
5. Drücken Sie die Verschlüsse

am Abluftauslass mit den Daumen zur Seite und ziehen Sie dann die Abluftschlauchleitung heraus.

6. Verpacken Sie das Klimagerät sicher in einer weichen Plastiktüte, stellen Sie es an einem trockenen Ort mit geeigneten Staubschutzmaßnahmen auf und bewahren Sie es außerhalb der Reichweite von Kindern auf.

7. Nehmen Sie die Batterien aus der Fernbedienung und bewahren Sie sie ordnungsgemäß auf.

HINWEIS: Stellen Sie sicher, dass das Gerät in einer trockenen Umgebung gelagert wird. Bewahren Sie alle Zubehörteile des Geräts gemeinsam auf, um eine Beschädigung oder Verschlechterung zu verhindern.

**GARANTIEN**

Zwei Jahre Garantie auf Herstellungsfehler. Bitte beachten Sie, dass die Garantie nur gegen Vorlage eines Kaufbelegs gültig ist. **HEBEN SIE IHRE QUITTUNGEN AUF!** Die Quittungen werden für jeden Garantieanspruch während des Zeitraums benötigt.

**GARANTIEVERLÄNGERUNG ERHALTEN**

Holen Sie sich eine 6-Jahres-Garantie, indem Sie sich unter warranty-woods.com registrieren. Stellen Sie die Langlebigkeit Ihrer Garantie sicher, indem Sie den Original-HEPA-Filter von Woods jährlich austauschen. Bitte beachten Sie, dass die Garantie unter bestimmten Bedingungen gültig ist: rechtzeitige Produktregistrierung innerhalb von 90 Tagen, jährlicher Austausch des HEPA-Filters und Aufbewahrung der Quittungen für die Filter und das Gerät. **HEBEN SIE IHRE QUITTUNGEN AUF!** Alle Quittungen werden für jeden Garantieanspruch während des Zeitraums benötigt.



**FEHLERSUCHE**

Bitte überprüfen Sie das Gerät und befolgen Sie die nachstehenden Vorschläge, bevor Sie einen professionellen Service anfordern. Versuchen Sie jedoch niemals, das Gerät selbst zu zerlegen oder zu reparieren, da dies zu Schäden an Ihnen und Ihrem Eigentum führen kann. Sollten Probleme auftreten, die nicht in der Tabelle aufgeführt sind, oder sollten die empfohlenen Lösungen nicht funktionieren, wenden Sie sich bitte an eine professionelle Serviceorganisation.

PROBLEME	URSACHE	ABHILFE
Das Gerät lässt sich nicht einschalten.	Ausfall der Stromversorgung.	Schließen Sie das Gerät an eine stromführende Steckdose an und schalten Sie es ein.
	Wassertank voll mit entsprechendem Leuchtsymbol.	Lassen Sie das im Gerät gespeicherte Wasser ab.
	Die Raumtemperatur ist niedriger als die eingestellte Temperatur im Kühlmodus oder höher als die Temperatur im Heizmodus.	Stellen Sie sicher, dass das Gerät innerhalb des empfohlenen Temperaturbereichs von 8-35°C arbeitet. Passen Sie die eingestellte Temperatur an.
Unzureichende Kühlung.	Es gibt direktes Sonnenlicht.	Schließen Sie den Fenstervorhang.
	Die Türen und Fenster sind geöffnet, der Raum ist überfüllt oder es gibt andere Wärmequellen.	Schließen Sie Türen und Fenster, entfernen Sie andere Wärmequellen und erwägen Sie den Einbau zusätzlicher Klimageräte.
	Verschmutzter Filter.	Reinigen oder ersetzen Sie das Filtergewebe.
	Lufteinlass oder Luftauslass verstopft.	Entfernen Sie alle Hindernisse.
Hoher Geräuschpegel.	Das Gerät wird auf einer unebenen Fläche aufgestellt.	Stellen Sie das Gerät an einem flachen und festen Ort auf (kann Geräusche reduzieren)
Der Kompressor funktioniert nicht.	Auslösung des Überhitzungsschutzes.	Warten Sie, bis die Temperatur gesunken ist, das Gerät startet dann automatisch neu.
Die Fernbedienung funktioniert nicht.	Abstand zwischen Gerät und Fernbedienung zu groß.	Bringen Sie die Fernbedienung in die Nähe des Klimageräts und stellen Sie sicher, dass die Luft am Signalempfänger des Geräts ankommt.
	Die Fernbedienung ist nicht auf den Signalempfänger am Gerät gerichtet.	
	Die Batterien sind erschöpft.	Ersetzen Sie die Batterien
Der Code "CH01" wird angezeigt.	Ausfall des Raumtemperatursensors.	Überprüfen Sie den Raumtemperaturfühler und die zugehörigen Schaltkreise.
Der Code "CH02" wird angezeigt.	Defekt des Temperaturfühlers am Verdampfer.	Überprüfen Sie den Verdampfer-temperaturfühler und die Schaltkreise.
Der Code "E4" wird angezeigt.	Anti-Frost-Schutz.	Die Funktionen werden nach Ablauf des Frostschutzes automatisch wiederhergestellt.
Der Code "E5" wird angezeigt.	Ausfall des Außentemperaturfühlers.	Überprüfen Sie den Außentemperaturfühler und die zugehörigen Schaltkreise.
		Überprüfen Sie, ob die Schnittstelle des Außentemperatursensorkabels richtig eingesteckt ist.
Der Code "E6" wird angezeigt.	Die Tür lässt sich nicht öffnen.	Prüfen Sie, ob die Luftklappe im Kühlbetrieb vollständig geöffnet ist, und überprüfen Sie die entsprechenden Schaltkreise.
Der Code "E7" wird angezeigt.	Die Tür schließt nicht.	Stellen Sie im AirSwitch-Modus sicher, dass die Klappe die Schließbedingungen erfüllt und dass die Luftschaltklappe vollständig geschlossen ist; überprüfen Sie die zugehörigen Schaltkreise.
Der Code "FL" wird angezeigt.	Der Wassertank im Fahrgestell ist voll.	Lassen Sie das Kondensat ab und nehmen Sie das Gerät wieder in Betrieb.

**TECHNISCHE SPEZIFIKATION**

MODELL NR.	AC CORTINA 12K AIRSWITCH	AC COTINA 12K AIRSWITCH SMART HOME DUO A+
Kühlleistung	3,520 W	3,500 W
Heizleistung	K.A.	2,900 W
Stromverbrauch im Kühlbetrieb	1,350 W	1,120W
Stromverbrauch im Heizmodus	K.A.	960 W
Stromverbrauch im AirSwitch-Modus	56W	32W
Luftstrom	220-320 (m³/h)	220-320 (m³/h)
Energieklasse	A	A+
Entfeuchtung	33,6 L / 24h	33,6 L / 24h
Einstellung der Temperatur	17-30°C	17-30°C
Arbeitstemperatur	17-43°C	5-43°C
EER im Kühlbetrieb	2,6	3,1
EER im AirSwitch-Modus	5	8
Schlauchlängen	1,5 m	1,5 m
Kältemittelgas	R290/260g	R290/250g
Schallpegel im Kühlbetrieb (LWA) (dB(A))	60-64 dB	60-64 dB
Schallpegel im Kühlbetrieb (LPA) (dB(A))	49-52 dB	49-52 dB
Schallpegel im AirSwitch-Modus (LWA)(dB(A))	49,5-51 dB	49,5-51 dB
Schallpegel im AirSwitch-Modus (LPA) (dB(A))	35-38 dB	35-38 dB
Nettogewicht	30kg	31kg
Abmessungen des Geräts (HxBxT)	850x471x400mm	850x471x400mm

**Technische Änderungen und Verbesserungen sind möglich. Alle Werte sind Näherungswerte und können je nach äußeren Umständen wie Temperatur, Belüftung und Feuchtigkeit variieren.**



Diese Kennzeichnung besagt, dass das Gerät in der EU und in Großbritannien nicht als unsortierter Siedlungsabfall entsorgt werden darf. Zur Verhinderung von Umweltschäden und Auswirkungen auf die menschliche Gesundheit durch unverantwortliche Abfallentsorgung ist das Produkt getrennt vom normalen Abfall zu entsorgen und einem sinnvollen Recycling zur nachhaltigen Wiederverwendung der Ressourcen zuzuführen. Für die Rückgabe des Geräts an uns stehen Rücksendungs- und Sammelsysteme zur Verfügung. Alternativ ist Kontakt zu dem Händler aufzunehmen, bei dem das Produkt gekauft wurde. Wenden Sie sich als Verbraucher an Ihren Händler oder die örtlichen Behörden, um Informationen zu Entsorgung/Recycling Ihres Altgerätes zu erhalten.



Gebrauchte Batterien dürfen nicht im Hausabfall entsorgt werden, weil sie giftige Bestandteile und Schwermetalle enthalten können, die umweltschädlich und gesundheitsschädlich sein können. Geben Sie leere Batterien an eine geeignete Recycling-Einrichtung.

**MATERIAL INFLAMABLE.**

Este electrodoméstico contiene R290/propano, un refrigerante inflamable.



Consulte el Manual del operador.



Lea el manual técnico.



Consulte el Manual del operador.

**INFORMACIÓN DE SEGURIDAD**

Antes de la instalación y uso del electrodoméstico, lea detenidamente las instrucciones suministradas. El fabricante no es responsable de las lesiones y los daños provocados como consecuencia de una instalación y un uso incorrectos. Guarde siempre las instrucciones con el electrodoméstico para consultarlas en el futuro.

**SEGURIDAD DE LOS NIÑOS Y DE LAS PERSONAS VULNERABLES****ADVERTENCIA**

Riesgo de lesiones o incapacidad permanente.

Este electrodoméstico puede ser utilizado por niños desde los ocho años y personas con capacidades físicas, sensoriales o mentales reducidas o falta de experiencia y conocimientos si se les ha dado supervisión o instrucciones sobre el uso del electrodoméstico de forma segura y comprenden los riesgos que implica. No permita que los niños jueguen con el electrodoméstico.

Los niños menores de tres años deben mantenerse alejados, a menos que estén continuamente supervisados.

Mantenga todo el embalaje lejos de los niños. La limpieza y las tareas de mantenimiento por parte del usuario no las deben realizar niños sin supervisión.

**SEGURIDAD GENERAL**

Este aparato está diseñado para su uso en hogares y entornos similares, como tiendas, oficinas y otros entornos de trabajo. La placa de características se encuentra en la parte lateral o posterior del aparato. Mantenga las aberturas de ventilación libres de obstrucciones.

A excepción de los recomendados por el fabricante, no utilice dispositivos mecánicos ni otros medios para acelerar el proceso de descongelación. El electrodoméstico no debe guardarse en una estancia en la que haya fuentes de ignición funcionando continuamente (llamas abiertas, un aparato de gas en funcionamiento, un calentador eléctrico en funcionamiento, etc.). No lo perfore ni lo queme. Tenga en cuenta que es posible que los refrigerantes no tengan olor. No utilice agua pulverizada ni vapor para limpiar el electrodoméstico. Limpie el electrodoméstico con un paño suave y húmedo. Utilice solo detergentes neutros. No utilice productos abrasivos, almohadillas de limpieza abrasivas, disolventes ni objetos metálicos. Si el cable de corriente está dañado, debe ser sustituido por el fabricante, por su Centro de servicio autorizado o por personas de cualificación similar a fin de evitar riesgos.

**INSTRUCCIONES DE SEGURIDAD****ADVERTENCIA**

Solo una persona cualificada puede instalar este electrodoméstico.

Retire todo el material de embalaje. No instale ni utilice un electrodoméstico dañado. El electrodoméstico debe instalarse, manejarse y guardarse en una estancia con una superficie de suelo superior a 12,5 m<sup>2</sup>. Siga rigurosamente las instrucciones de instalación suministradas con el electrodoméstico. Tenga siempre cuidado al mover el electrodoméstico porque es pesado. Use siempre guantes de seguridad.

Asegúrese de que el aire pueda circular alrededor del electrodoméstico. Espere al menos 4 horas antes de conectar el electrodoméstico a la toma de corriente. De esta manera, se permite que el aceite vuelva a entrar en el compresor. No instale el electrodoméstico cerca de radiadores ni otras fuentes de calor. No instale el electrodoméstico bajo la luz directa del sol.

**CONEXIÓN ELÉCTRICA****ADVERTENCIA**

Riesgo de incendio y de descarga eléctrica.

El electrodoméstico debe conectarse a una toma de corriente conectada a tierra. Asegúrese de que la información eléctrica de la etiqueta de clasificación coincida con la fuente de alimentación. De lo contrario, póngase en contacto con un electricista. Utilice siempre un enchufe a prueba de descargas correctamente instalado. No utilice adaptadores de enchufes múltiples ni alargadores. Asegúrese de no causar daños a los componentes eléctricos (p. ej., enchufe, cable). Póngase en contacto con el Centro de asistencia autorizado o con un electricista para cambiar los componentes eléctricos. El cable debe estar por debajo del nivel del enchufe. Conecte el enchufe a la toma de corriente solamente al final de la instalación. Asegúrese de que haya acceso al enchufe después de la instalación. No tire del cable de alimentación para desconectar el electrodoméstico. Desconecte siempre el cable de alimentación únicamente desde el enchufe.

**USO****ADVERTENCIA**

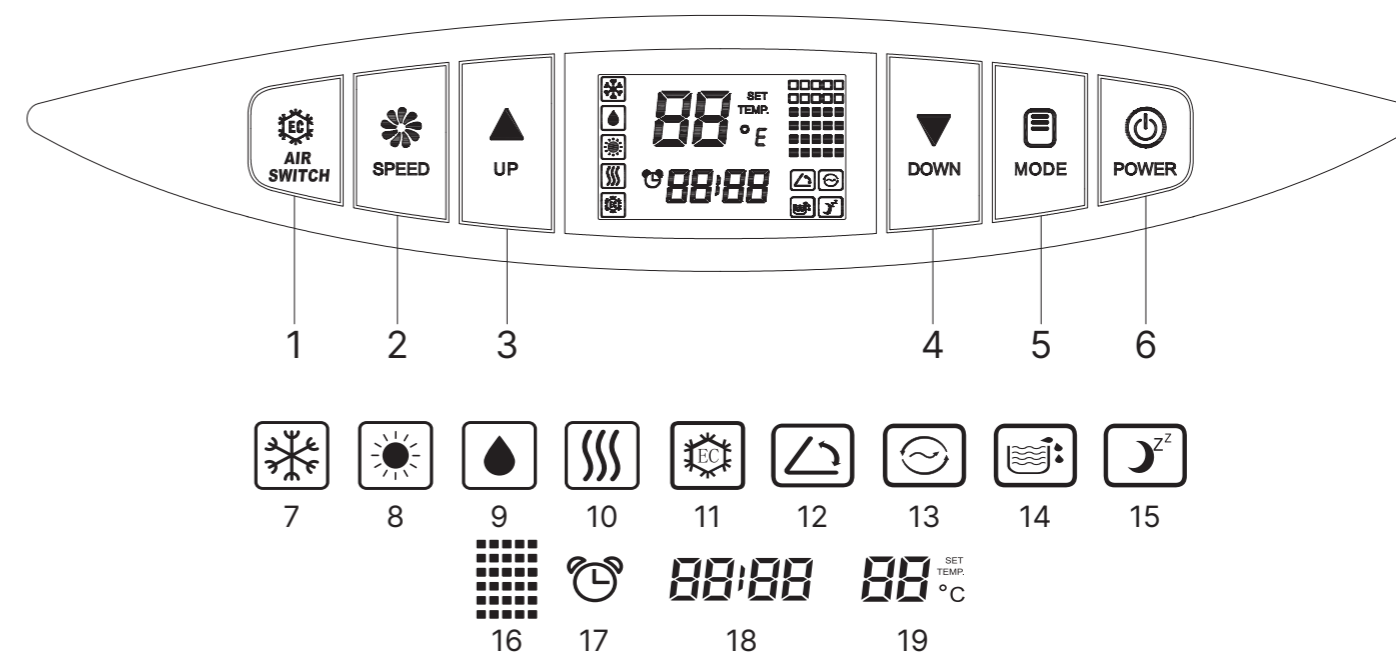
Riesgo de lesiones, quemaduras, descarga eléctrica o incendio.

No modifique las especificaciones de este electrodoméstico. Tenga cuidado de no causar daños en el circuito refrigerante. Contiene propano (R290), un gas natural con un alto nivel de compatibilidad medioambiental. Este gas es inflamable. Si se produce algún daño en el circuito del refrigerante, asegúrese de que no haya llamas y fuentes de ignición en la habitación. Ventile la habitación. No deje productos inflamables ni artículos mojados con productos inflamables cerca o sobre el electrodoméstico.

**ELIMINACIÓN****ADVERTENCIA**

Riesgo de lesiones.

Desconecte el electrodoméstico de la red eléctrica. Corte el cable de alimentación y deséchelo. El circuito refrigerante de este electrodoméstico es respetuoso con el ozono. Póngase en contacto con las autoridades locales para obtener información sobre cómo desechar el electrodoméstico correctamente. No provoque daños en la parte de la unidad de refrigeración que está cerca del intercambiador de calor.



Gracias por su compra y confianza en Wood's. Este manual le presenta los modos de funcionamiento del AC Cortina AirSwitch. En todos los modos, el aire se purifica utilizando la tecnología HEPA.

**Modo refrigeración:** Enfría la habitación a la temperatura deseada. La temperatura ambiente óptima de funcionamiento para los modelos de refrigeración es de 17-35 °C.

**Modo calefacción:** Calienta la habitación a la temperatura deseada. La temperatura ambiente óptima de funcionamiento tanto para el modelo de refrigeración como para el de calefacción es de 5-35°C. (¡Nota! Este modo sólo está disponible en el modelo AC con función Dúo/Calefacción).

**Modo deshumidificación:** Reduce la humedad de la habitación.

**Modo ventilador:** Circula y purifica el aire de la habitación sin enfriar.

**Modo AirSwitch Auto:** Alterna automáticamente entre la refrigeración por compresor y AirSwitch. Cuando la temperatura exterior es más fría que la temperatura ajustada, AirSwitch se utiliza para suministrar aire exterior más frío y purificado sin que funcione el compresor, lo que resulta más silencioso y eficiente desde el punto de vista energético.

**Modo AirSwitch:** Introduce aire exterior más frío y purificado en la habitación sin activar el compresor.

**INSTRUCCIONES DE USO****PARTES DEL PRODUCTO (CONSULTE LAS IMÁGENES A Y B, PÁGINA 2)**

- Ventana de recepción del mando a distancia
- Panel de control
- Salida de aire

- Filtro HEPA
- Conjunto de filtro superior del panel trasero
- Conexión para el cable del sensor de temperatura exterior
- Cable de alimentación con enchufe
- Soportes para enrollar cables
- Conjunto de filtro inferior del panel trasero
- Tapa del desagüe
- Conjunto del filtro del panel lateral
- Conjunto del filtro del panel lateral
- Rejilla de protección
- Compartimento para el mando a distancia
- Entrada de aire
- Conector interior superior (filtro incluido)
- Manguera de entrada de aire (pequeña)
- Adaptador a la manguera de entrada de aire (pequeño) (Incluye sensor de temperatura exterior)
- Kits de ventanas
- Conector redondo de la manguera de salida de aire
- Manguera de salida de aire (grande)
- Adaptador a la manguera de salida de aire (grande)
- Paño de sellado para manguera de entrada de aire

**PANEL DE CONTROL (CONSULTE LA IMAGEN C, PÁGINA 3)**

- Botón AirSwitch
- Botón de velocidad del ventilador
- Botón arriba

- Botón abajo
- Botón de modo
- Botón de encendido
- Indicador del modo de refrigeración
- Indicador del modo calefacción (¡NOTA! Este símbolo sólo está disponible en el modelo AC con función Duo/calefacción).
- Indicador de modo de deshumidificación
- Indicador del modo de ventilación
- Indicador de modo AirSwitch
- Indicador de función de oscilación automática
- Indicador de filtro HEPA sustituido
- Indicador de agua llena
- Indicador del modo de reposo
- Indicador de velocidad del ventilador
- Indicador del temporizador (¡NOTA! El temporizador sólo puede ajustarse desde el mando a distancia).
- Indicador de temperatura ambiente exterior; Indicador de tiempo del temporizador
- Indicador de temperatura de consigna. Indicador de temperatura ambiente interior para los modos ventilador, deshumidificación y AirSwitch.
- Indicador Wi-Fi. (¡NOTA! Este símbolo sólo está disponible en el modelo AC con función Wi-Fi/Smart Home).

**MODOS DE FUNCIONAMIENTO Y FUNCIONES DEL PANEL DE CONTROL (CONSULTE MÁS ARRIBA O LA IMAGEN C, PÁGINA 3)**

**Botón de encendido (6):** Pulse esta tecla para activar la unidad; sonará un sonido melódico y la unidad entrará automáticamente en modo refrigeración con una temperatura preestablecida de 22°C. El ventilador funcionará a velocidad



media. Para desactivar la unidad, toque esta tecla de nuevo, y un sonido melódico señalará su apagado.

1. Cuando la unidad está encendida, la ventana LCD mostrará la temperatura ajustada en los modos Refrigeración y Calefacción (¡NOTA! El símbolo Calefacción sólo está disponible en el modelo AC con función Duo/Calefacción) o la temperatura ambiente en los modos Deshumidificación, Ventilador, AirSwitch Auto y AirSwitch. El ventilador se pondrá en marcha y la ventana de salida de aire se abrirá automáticamente.

2. Todas las piezas dejan de funcionar cuando la unidad está apagada, y la ventana de salida de aire se cerrará automáticamente.

**Botón de modo (5):** Botón de modo (5): Pulse el botón "Modo" para recorrer los modos disponibles para la confirmación.

- Modo refrigeración (7): Enfría la habitación a la temperatura ajustada (17-35°C).

- Modo calefacción (8): Calienta la habitación a la temperatura ajustada (5-35°C). (¡NOTA! Este modo sólo está disponible en el modelo AC con función Duo/calefacción).

- Modo deshumidificación (9): Reduce la humedad de la habitación.

- Modo ventilador (10): Circula y purifica el aire de la habitación sin enfriar.

NOTA: para el modo AirSwitch Auto y el modo AirSwitch, consulte la sección "Botón AirSwitch (1)".

**Botón hacia abajo (4):** Pulse para disminuir la temperatura programada o ajustar la bajada.

**Botón Arriba (3):** Pulse el botón para ajustar la temperatura programada hacia arriba.

NOTA! Pulse el botón Abajo (4) o Arriba (3) durante 2 segundos para aumentar o disminuir continuamente el número de temperatura en intervalos de 0,5 grados. El rango de ajuste de temperatura es de 17~30°C.

**Botón de velocidad del ventilador (2):** Pulse el botón de velocidad del ventilador para seleccionar la velocidad del ventilador en alta, media o baja.

NOTA: La velocidad del ventilador no se puede ajustar en los modos Deshumidificación y Reposo.

**Botón AirSwitch (1):** Pulse el botón AirSwitch una vez para entrar en el Modo AirSwitch Auto, indicado por el indicador AirSwitch parpadeante (11) en la pantalla LCD. Pulse de nuevo el botón AirSwitch para entrar en el modo AirSwitch, indicado por el indicador AirSwitch (11) encendido pero sin parpadear. Pulse el botón AirSwitch por tercera vez para salir de la función AirSwitch y volver al modo Refrigeración por defecto.

## DEFINICIÓN DEL MODO "AUTO" Y DEL MODO AIRSWITCH

Modo AirSwitch Auto: Mientras enfría la habitación en el modo AirSwitch Auto, la unidad alternará automáticamente entre la refrigeración del compresor y el funcionamiento de AirSwitch.

Cuando la temperatura exterior es 2°C o inferior a la temperatura ajustada, el aire acondicionado pasa automáticamente del modo de refrigeración por compresor al estado de funcionamiento AirSwitch, aspirando aire exterior más frío para una refrigeración más silenciosa y eficiente energéticamente. Una vez que la temperatura ambiente alcanza la temperatura ajustada, el aire acondicionado entra en funcionamiento de ventilación.

Modo AirSwitch: Mientras enfría la habitación en modo AirSwitch, la unidad cambia automáticamente entre el estado de funcionamiento AirSwitch y el funcionamiento de ventilación.

Cuando la temperatura exterior es 2 °C o inferior a la temperatura ambiente, el aire acondicionado pasa automáticamente del funcionamiento de ventilación al estado de funcionamiento AirSwitch, lo que garantiza un funcionamiento silencioso y más eficiente desde el punto de vista energético. Una vez que la temperatura ambiente alcanza la temperatura ajustada, el aire acondicionado vuelve al funcionamiento de ventilación. En este modo, el compresor permanece inactivo.

## DESCARGO DE RESPONSABILIDAD AIR SWITCH AUTO MODE Y AIRSWITCH MODE

El sensor de temperatura del AirSwitch está situado dentro de la manguera que introduce el aire exterior en la unidad. Ciertas circunstancias pueden afectar ocasionalmente a la precisión y el funcionamiento del sensor durante el modo automático.

Factores que afectan a la precisión de los sensores:

1. Calefacción por aire ambiente: La proximidad a fuentes de aire caliente dentro de la habitación puede influir en las lecturas del sensor.
2. Carcasa de plástico: En raras ocasiones, la carcasa de plástico del sensor puede absorber calor, afectando a su rendimiento.
3. Elementos ambientales externos: Luz solar y viento: La exposición a la luz solar directa o a vientos que transfieran calor puede afectar a la precisión del sensor. Superficies reflectantes: Las paredes cercanas que reflejan o absorben calor pueden alterar la función automática. En tales casos, se recomienda el modo manual.
4. Cruce de corrientes de aire: El viento o las corrientes de aire pueden provocar variaciones de temperatura, especialmente si la manguera de salida interfiere con la de

entrada.

Recomendaciones:

1. Uso del modo manual: En condiciones difíciles, se aconseja utilizar el modo manual para un control preciso.
2. Evitar el sobrecalentamiento del sensor: Evite exponer el sensor al calor directo para garantizar una detección precisa de la temperatura.
3. Conciencia de superficies reflectantes: Considera activar el modo manual si tienes superficies reflectantes, como una pared de ladrillo cercana, u otras posibles perturbaciones.
4. Tiempo de funcionamiento óptimo: Considere la posibilidad de encender el AirSwitch en modo manual para obtener un rendimiento constante, especialmente a la hora de acostarse.

## FUNCIONES AL COMBINAR BOTONES (CONSULTE LA IMAGEN C, PÁGINA 3)

**Función Sleep (15):** Inicie o cancele la función SLEEP pulsando simultáneamente el botón AirSwitch (1) y el botón Up (3). Tenga en cuenta que la velocidad del ventilador no es ajustable en el funcionamiento Sleep.

- Si la función Sleep está activada en el modo refrigeración, aumenta la temperatura programada en 1°C después de 2 horas y luego la aumenta en 1°C adicional después de otras 2 horas, manteniendo el funcionamiento a esta temperatura.

- Si la función Sleep está activada en el modo Calefacción (sólo disponible en el modelo AC con función Duo/calefacción), disminuye la temperatura ajustada en 1°C después de 2 horas. A continuación, la reduce en 1°C adicional después de otras 2 horas, funcionando a esta temperatura a partir de entonces. NOTA: La función Sleep no será efectiva en los modos Ventilador, Deshumidificación, AirSwitch Auto y AirSwitch.

**Función Auto Swing (12):** Active o desactive Auto-Swing tocando simultáneamente el botón AirSwitch (1) y el botón de velocidad del ventilador (2).

## OTRAS FUNCIONES DEL PANEL DE CONTROL (CONSULTE LA IMAGEN C, PÁGINA 3)

**Indicador de sustitución del filtro HEPA (13):** Cuando el acondicionador de aire funcione durante más de 500 horas, aparecerá el icono correspondiente en la pantalla LCD, indicando que el filtro HEPA necesita ser sustituido. Para reiniciar el temporizador y eliminar el icono, pulse y mantenga pulsado el botón de velocidad del ventilador durante 6 segundos. Esta acción cancelará la visualización del icono y reiniciará el cálculo del tiempo. Consulte la sección Filtro HEPA reemplazable para obtener información sobre cómo cambiar el filtro.

Indicador de la temperatura ambiente exterior e indicador de la hora del temporizador (18): La temperatura ambiente exterior se muestra durante el funcionamiento normal. Cuando se activa la función de temporización de la unidad, la temperatura exterior y la duración del temporizador se alternan en la pantalla.

Nota: Se mostrará un código de avería en caso de fallo del sensor de temperatura exterior o problemas con la compuerta de la parte trasera de la unidad al abrirse o cerrarse.

## FUNCIÓN WIFI (20)

(Sólo aplicable al modelo AC con funcionalidad WiFi/Smart Home).



1. Descarga la aplicación Wood's Connect en App Store o Google Play.
2. Regístrate y sigue las instrucciones. Acepte todos los pasos. (Lea atentamente la Política de privacidad y acepte continuar).
3. Abre la aplicación Wood's Connect y añade un dispositivo.
4. Para entrar en el modo de emparejamiento, mantén pulsado el botón AirSwitch de la unidad durante 5 segundos hasta que el icono Wi-Fi de la pantalla parpadee rápidamente.
5. Cuando detecte el dispositivo en la pantalla, añádelo. También puedes seleccionar el modelo manualmente.
6. Introduce la configuración Wi-Fi y la contraseña.
7. Pulsa + para añadir la unidad.
8. Espere a que se añada el dispositivo. Ahora está listo para ser controlado a través de Wi-Fi.

Para desconectar la función Wi-Fi, pulse el botón AirSwitch de la unidad durante 5 segundos.

## MODOS DE FUNCIONAMIENTO DEL MANDO A DISTANCIA (CONSULTE LA IMAGEN D, PÁGINA 3)

**Encendido (1):** Presione este botón para arrancar la unidad cuando esté energizada o detener la unidad cuando esté en funcionamiento.

**Botón de modo (2):** Pulse este botón para seleccionar el modo de funcionamiento.

**Botón AirSwitch (3):** Pulse este botón para activar o desactivar el modo AirSwitch.

1. Pulse el botón AirSwitch una vez para entrar en el modo AirSwitch Auto, indicado por el símbolo "ENERGY SAVER" parpadeante en la pantalla LCD.

2. Pulse de nuevo el botón AirSwitch para entrar en el modo AirSwitch. El símbolo "ENERGY SAVER" se iluminará pero no parpadeará.

3. Pulse el botón AirSwitch por tercera vez para salir de la función AirSwitch y volver al modo refrigeración por defecto.

**Botón Arriba (4):** Pulse el botón arriba para aumentar la temperatura ambiente y el ajuste del temporizador.

**Botón abajo (5):** Pulse el botón abajo para disminuir la temperatura ambiente y el ajuste del temporizador.

**Botón del ventilador (6):** Pulse este botón para seleccionar la velocidad del ventilador en secuencia: Baja, Media, Alta.

**Botón Auto Swing (7):** Pulse este botón para activar o desactivar la función de oscilación automática.

**Botón Sleep (8):** Pulse este botón para seleccionar o cancelar el modo de reposo (sólo es efectivo en funcionamiento de refrigeración o calefacción)

**Botón temporizador (9):** Ajuste la función AUTO-ON en estado de reposo y AUTO-OFF cuando la unidad esté funcionando. El tiempo puede ajustarse entre 1-24 horas. Para apagar el temporizador, pulse el botón del temporizador y póngalo en "0".

Antes de utilizar el mando a distancia, instale las pilas AAA siguiendo estos pasos: (CONSULTE LA IMAGEN D, PÁGINA 3)

1. Deslice y retire con cuidado la tapa de las pilas situada en la parte posterior del mando a distancia.

2. Inserte dos pilas alcalinas AAA nuevas en el compartimento correspondiente, asegurándose de que la polaridad es la correcta.

3. Vuelva a colocar la tapa de la batería, asegurándose de que la lengüeta de bloqueo encaje firmemente en su lugar.

¡NOTA!

- Utilice sólo pilas alcalinas. No utilice pilas recargables.

- Sustituya siempre las dos pilas por otras nuevas; no mezcle las viejas con las nuevas.

- Retire las pilas del mando a distancia si no va a utilizar el aire acondicionado durante un periodo prolongado.

## ALMACENAMIENTO DEL MANDO A DISTANCIA (CONSULTE LA IMAGEN E, PÁGINA 3)

1. Introduzca el mando a distancia en un compartimento integrado en el lado izquierdo de la unidad y empújelo

suavemente para cerrarlo.

2. Presione suavemente la parte inferior del compartimento incorporado para abrirlo y sacar el mando a distancia.

NOTA: Para evitar la pérdida del mando a distancia, guárdelo en su sitio cuando no lo utilice.

ADVERTENCIA: En caso de fuga de la pila sobre la piel o la ropa, lave inmediatamente la zona afectada con abundante agua limpia. Absténgase de utilizar el mando a distancia si hay indicios de fuga de la pila. En caso de ingerir el líquido de las pilas, acuda inmediatamente a un médico. Las sustancias químicas presentes en las pilas pueden suponer riesgos como quemaduras y otros peligros para la salud.

## INSTALACIÓN

### ANTES DEL PRIMER USO

Deje reposar la unidad en posición vertical durante 4 horas antes de ponerla en funcionamiento.

Este Acondicionador de Aire está diseñado para una cómoda reubicación en interiores. Asegúrese de que la unidad permanece en posición vertical durante el traslado. Coloque el Aire Acondicionado sobre una superficie plana. No instale ni haga funcionar este acondicionador de aire en baños u otros ambientes húmedos.

### INSTALE EL FILTRO HEPA (CONSULTE LA IMAGEN F, PÁGINA 3)

1. Levante el paquete del filtro HEPA hacia arriba.

2. Retire la bolsa de embalaje del filtro HEPA. (¡NOTA! La bolsa de embalaje extraída debe colocarse fuera del alcance de los niños).

3. Instale el filtro HEPA alineándolo con la ranura del marco de la rejilla y presionándolo firmemente en ella. El filtro HEPA debe presionarse hasta el fondo.

El filtro HEPA H11 de este Wood cumple una función de purificación del aire. Captura y elimina eficazmente partículas como polvo, polen, esporas de moho, bacterias e incluso pequeñas partículas de humo del aire, garantizando un ambiente interior más limpio y saludable.

NOTA: Cambie el filtro HEPA al menos una vez al año. Regístrese en warranty-woods.com y cambie el filtro HEPA una vez al año para obtener 6 años de garantía. Sólo válido con un filtro de la marca Wood's. Consulte woods.se para conocer los distribuidores. ¡GUARDE SUS RECIBOS!

### INFORMACIÓN IMPORTANTE ANTES DE INSTALAR LAS MANGUERAS DE AIRE

Durante el funcionamiento, mantenga las mangueras tan cortas y con tan pocas curvas como sea posible para minimizar la caída de presión y la pérdida de

capacidad. La manguera de salida de aire debe permanecer lisa para evitar el sobrecalentamiento y posibles daños al acondicionador de aire. Las mangueras tienen una longitud de 280 mm-1500 mm. Evite alargar las mangueras o sustituirla por otra diferente, ya que podría afectar al funcionamiento.

#### INSTALACIÓN DEL CONJUNTO DE MANGUERA DE SALIDA DE AIRE Y SU ADAPTADOR. (CONSULTE LAS IMÁGENES G Y H, PÁGINA 4)

1. Retire la bolsa de plástico extrayendo del embalaje la manguera de salida de aire (grande), su conector y el adaptador.
2. Extienda un extremo de la manguera de salida de aire y acople el conector redondo girándolo en sentido contrario a las agujas del reloj durante un mínimo de tres rotaciones.
3. Extienda el otro extremo de la manguera de salida de aire y fije el adaptador girándolo en sentido contrario a las agujas del reloj durante al menos tres vueltas.
4. Coloque el extremo delantero del conjunto de la manguera de salida de aire en la muesca designada de la manguera de salida de aire situada en el panel trasero. Los sujetadores bloquearán firmemente el conjunto de la manguera de salida de aire en su lugar.
5. Instale la manguera de salida de aire en la unidad.

NOTA: Asegúrese de que el lado inclinado del adaptador está correctamente orientado para facilitar la instalación de la placa de sellado de la ventana. Mantenga una conexión segura y bien posicionada de la manguera de salida de aire.

#### INSTALE LA MANGUERA DE ENTRADA DE AIRE (CONSULTE LA IMAGEN I, J, K, PÁGINA 4)

1. Retire la bolsa de plástico extrayendo del embalaje la manguera de entrada de aire (la más pequeña), su conector y el adaptador.
2. Extienda un extremo de la manguera de entrada de aire y conéctelo al conector que contiene un sensor girándolo en sentido contrario a las agujas del reloj durante un mínimo de tres rotaciones.
3. Coloque el paño de sellado alrededor de la manguera de entrada de aire, asegurándose de que el cable sensor de temperatura también quede dentro del paño de sellado. Extienda el otro extremo de la manguera de entrada de aire y conéctelo al conector girándolo en sentido contrario a las agujas del reloj (tres vueltas). Por último, extienda el paño de sellado para cubrir el conector redondo.
4. Instale la manguera de entrada de aire en la unidad, asegurándose de que la flecha "IN" apunta hacia abajo.

#### LÍNEA DE DETECCIÓN DE TEMPERATURA FIJA (VÉASE IMAGEN L, PÁGINA 4)

Inserte el conector del cable sensor de temperatura en el conector de la unidad. Hay un punto blanco en el conector. Al enchufarlo, los dos puntos blancos deben estar alineados entre sí y, a continuación, apriete el conector en el sentido de las agujas del reloj.

Debe colgar libremente en el aire.

NOTA! El voltaje del conector del cable sensor de temperatura es un voltaje seguro, no superior a DC 5V.

#### INSTALACIÓN DE LA PLACA DE SELLADO DE LA VENTANA (CONSULTE LAS IMÁGENES M, N, O, PÁGINA 5)

1. Instale el extremo rectangular del conjunto de mangueras en los orificios rectangulares correspondientes del conjunto de la placa de sellado de la ventana, fíjelo con un tornillo.

¡NOTA!

- Deslice los adaptadores hacia abajo, asegurándose de que queden bien instalados.
- Confirme que la dirección del panel inclinado esté alineada con la dirección de la placa de sellado.
- Asegúrese de que las mangueras permanezcan sin doblar y mantengan un ángulo de flexión superior a 45° para garantizar una ventilación adecuada.
- 2. Abra la ventana hasta la mitad e inserte la placa de sellado en la ventana, colocándola en posición vertical u horizontal. Para la instalación vertical, coloque la manguera de salida de aire en la parte superior para que el aire caliente saliente no interfiera con el sensor de la manguera de entrada de aire.

3. Extienda las piezas de la placa de cierre y ajústelas para que coincidan con la longitud de la ventana. Asegúrese de que ambos extremos coincidan con los bordes de la ventana y fíjela en su sitio con tornillos.

NOTA: Compruebe que los dos extremos de la placa de sellado de la ventana coinciden con los bordes de la ventana para obtener un sellado correcto.

Asegúrese de que los tornillos estén bien apretados en la posición correcta.

4. Ajuste la posición del cabezal sensor de la temperatura exterior y baje la varilla de ajuste hasta la parte inferior del escalón de la pared situado debajo de la ventana.

NOTA! El sensor debe colgar libremente en el aire y lo más lejos posible del aire caliente de la manguera de salida de aire.

5. Mueva la unidad con las mangueras montadas delante de la ventana y mantenga la unidad a una distancia mínima de 50 cm de las paredes u otros objetos.

#### ENERGIZAR LA UNIDAD

Para encender la unidad, enchúfela. Todos los iconos de la ventana LCD se iluminarán durante 2 segundos acompañados de un breve sonido recordatorio. A continuación, la pantalla LCD mostrará la temperatura ambiente interior dentro del intervalo de 5 °C a 35 °C y la temperatura ambiente exterior dentro del intervalo de -9 °C a 65 °C. La unidad estará entonces en modo de espera y lista para funcionar.

**La unidad ya está lista para su uso.**

#### MANTENIMIENTO

NOTA: Apague el aparato y desenchúfelo antes de proceder al mantenimiento.

#### INSTRUCCIONES DE DRENAJE (CONSULTE LA IMAGEN P, PÁGINA 5)

La mayor parte del agua saldrá de forma natural a través de la manguera de salida de aire con el aire caliente. Si necesita vaciar el depósito, la unidad se lo notificará. (CONSULTE LA IMAGEN C, PÁGINA 3, n° 14)

Para vaciar el depósito de agua Desenrosque la tapa de vaciado y desenchufe el tapón de agua para permitir que el agua fluya hacia la bandeja. NOTA: Tenga cuidado para evitar fugas si es necesario mover la unidad. Inclíne la unidad ligeramente hacia atrás durante el vaciado. Si la bandeja no puede contener toda el agua de la unidad, bloquee rápidamente el orificio de drenaje para evitar fugas de agua y evitar mojar el suelo o la alfombra. Asegúrese de que el tapón de agua y la tapa de drenaje estén bien instalados para evitar que el agua condensada nueva moje el suelo o la alfombra cuando la unidad se vuelva a poner en marcha.

Conectar una manguera de agua para un drenaje continuo: Desenrosque la tapa de desagüe y retire el tapón de agua. Conecte una manguera de agua de 12 mm de diámetro interior al tubo de la unidad. (Manguera de agua no incluida). Lleve el otro extremo de la manguera de agua a un desagüe. Asegúrese de que el agua pueda drenarse hacia abajo. NOTA: Debe instalarse una manguera de desagüe cuando no haya agua en la bandeja. Se recomienda no utilizar el drenaje continuo cuando la unidad está en modo de refrigeración para garantizar que se recicle suficiente agua dentro de la unidad para mejorar los efectos de refrigeración del sistema. Coloque la manguera de drenaje en un lugar inaccesible, asegurándose de que no esté colocada a una altura superior a la del orificio de drenaje, y mantenga la manguera de drenaje recta sin dobleces. Asegúrese de que la tapa de drenaje y su tapón estén bien sujetos cuando se utilice el drenaje continuo.

#### MÚLTIPLES FUNCIONES DE PROTECCIÓN

Descongelación automática: La unidad descongelará automáticamente cuando sea

necesario. En el modo de descongelación, la pantalla muestra E4 y no se activa ningún botón excepto el botón POWER.

Protección del compresor: La unidad dispone de una función de protección del compresor que provoca un retardo de arranque de 3 minutos después de reiniciar la unidad.

Alarma de seguridad de llenado de agua y función de protección de apagado: Cuando el volumen de agua sobrepasa el nivel de alarma designado dentro del chasis de la unidad, se dispara una alerta automática de advertencia, acompañada de la iluminación del ícono de agua llena en la pantalla LCD. En este caso, es necesario drenar el agua condensada siguiendo las instrucciones proporcionadas en la sección "Instrucción de Drenaje". Si la unidad no se apaga manualmente, volverá automáticamente a su estado de funcionamiento original una vez que el agua condensada se haya drenado completamente. Como alternativa, vuelva a conectar la alimentación para reiniciar la unidad.

#### LIMPIEZA DE SUPERFICIES

- Limpie la superficie de la unidad con un paño húmedo y suave, y no utilice disolventes químicos como alcohol y gasolina para evitar cualquier daño.
- Limpie la salida de aire o las rejillas sucias con un paño suave húmedo y detergente suave.
- Se prohíbe utilizar cualquier disolvente químico para la limpieza de la unidad o poner tales cosas cerca de la unidad durante mucho tiempo.
- Queda prohibida la utilización de diluyentes, alcohol o disolventes similares para la limpieza de la unidad.

#### LIMPIEZA DEL FILTRO LAVABLE (CONSULTE LA IMAGEN Q, PÁGINA 5)

Es esencial limpiar el filtro una vez cada dos semanas para evitar que el rendimiento de la unidad se vea afectado por la acumulación de polvo. Sumerja y lave el filtro suavemente en agua tibia (aproximadamente 40°C) mezclada con un limpiador neutro. Después de limpiarlo, vuelva a instalarlo en la unidad.

Limpie el filtro de la manguera de entrada de aire (A): Levante el conector, luego retire el marco del filtro en el conector y límpielo.

Limpie los marcos izquierdo y derecho del filtro superior de aire de admisión (B): Tire de los marcos izquierdo y derecho del filtro superior de aire de admisión hacia sus respectivos lados. Limpie a fondo el marco.

Limpie los filtros inferiores (C): Extraiga los filtros inferiores y, a continuación, retire el filtro trasero y límpielo.

Limpie los filtros laterales (D): Extraiga los filtros laterales y límpielos.

NOTA: Extraiga el filtro con cuidado, dando prioridad a la extracción del filtro del panel trasero antes que al filtro del panel lateral

para evitar que se retuerza o se dañe. Tenga cuidado de no aplastar la malla y evite golpearla con objetos afilados o cepillos.

NOTA: Asegúrese de que el filtro está instalado en el panel lateral antes de instalar el filtro en el panel posterior.

Instale el filtro en la dirección opuesta a la de extracción.

#### FILTRO HEPA REEMPLAZABLE (CONSULTE LA IMAGEN F, PÁGINA 3)

Esta unidad purifica el aire con tecnología HEPA. El filtro debe cambiarse con regularidad y al menos una vez al año.

1. Levante el filtro HEPA hacia arriba.
2. Instale el filtro HEPA, alinéelo con la ranura del marco de la rejilla y presiónelo hacia abajo en el marco de la rejilla. El filtro HEPA debe presionarse hasta el fondo.

NOTA: Asegúrese de utilizar un filtro HEPA original de Wood's para mantener la cobertura de la garantía. Visite [woods.se](http://woods.se) para obtener más información y localizar distribuidores.

#### ALMACENAMIENTO DE FINAL DE TEMPORADA

1. Desenrosque la tapa de drenaje y retire el tapón de agua para drenar completamente el agua condensada. NOTA: El ángulo de inclinación de la unidad debe ser ≤30 grados.
  2. Haga funcionar la unidad en modo ventilador durante medio día para secar bien el interior y evitar la formación de moho.
  3. Apague la unidad, desenchúfela, enrolle el cable de alimentación alrededor del pilar de enrollamiento del cable, inserte el enchufe en el orificio de fijación universal del panel posterior y vuelva a instalar el tapón de agua y la tapa de desagüe.
  4. Retire el conjunto de la manguera de salida de aire, límpielo y guárdelo adecuadamente. NOTA: Sujete el conjunto de la manguera de salida de aire con ambas manos al retirarlo.
  5. Empuje hacia un lado las fijaciones de la manguera de salida de aire con los pulgares y, a continuación, extraiga el conjunto de la manguera de salida de aire.
  6. Embale el aire acondicionado de forma segura en una bolsa de plástico blando, colóquelo en un lugar seco con las medidas adecuadas contra el polvo y manténgalo fuera del alcance de los niños.
  7. Retire las pilas del mando a distancia y guárdelas correctamente.
- NOTA: Asegúrese de que la unidad se almacena en un entorno seco. Guarde todos los accesorios de la unidad de forma colectiva para evitar que se dañen o deterioren.

#### GARANTÍAS

Dos años de garantía contra defectos de fabricación. Tenga en cuenta que la garantía sólo es válida previa presentación del recibo de compra. ¡GUARDE SUS RECIBOS! Los recibos serán necesarios para cualquier reclamación de garantía durante el período.

#### AMPLIAR LA GARANTÍA

Obtenga una garantía de 6 años registrándose en [warranty-woods.com](http://warranty-woods.com). Asegure la longevidad de su garantía sustituyendo anualmente el filtro HEPA original de Woods. Tenga en cuenta que la garantía es válida bajo condiciones específicas: registro oportuno del producto en un plazo de 90 días, sustitución anual del filtro HEPA y conservación de los recibos tanto de los filtros como de la unidad. ¡GUARDE SUS RECIBOS! Todos los recibos serán necesarios para cualquier reclamación de garantía durante el período.



## RESOLUCIÓN DE PROBLEMAS

Por favor, revise la unidad y siga las siguientes sugerencias antes de solicitar servicio profesional. Sin embargo, nunca intente desmontar o reparar la unidad usted mismo, ya que podría causar daños a usted y a su propiedad. Si se producen problemas no indicados en la tabla o las soluciones recomendadas no funcionan, póngase en contacto con un servicio técnico profesional.

PROBLEMAS	CAUSA	REMEDIO
La unidad no se pone en marcha.	Fallo de alimentación.	Conecta el aparato a una toma con corriente y enciéndelo.
	Depósito de agua lleno con el correspondiente icono iluminado.	Vacíe el agua almacenada en la unidad.
	La temperatura ambiente es inferior a la temperatura ajustada en el modo refrigeración o superior en el modo calefacción.	Asegúrese de que la unidad funciona dentro del intervalo de temperatura recomendado de 8-35°C. Ajuste la temperatura de consigna.
Refrigeración insuficiente.	Hay luz solar directa.	Cierra la cortina de la ventana.
	Las puertas y ventanas están abiertas, la habitación está llena de gente o hay otras fuentes de calor.	Cierre puertas y ventanas, elimine otras fuentes de calor y considere la posibilidad de añadir más aparatos de aire acondicionado.
	Filtro sucio.	Limpie o sustituya la malla del filtro.
	Entrada o salida de aire obstruidas.	Elimine cualquier obstrucción.
Alto nivel de ruido.	La unidad se está colocando en una superficie irregular.	Coloque la unidad en un lugar plano y firme (puede reducir el ruido)
El compresor no funciona.	Activación de la protección contra sobrecalentamiento.	Espere hasta que la temperatura disminuya, la unidad se reiniciará automáticamente
El mando a distancia no funciona.	Distancia entre la unidad y el mando a distancia demasiado larga.	Acerque el mando a distancia al aparato de aire acondicionado y asegúrese de que haya aire en el receptor de señal de la unidad.
	El mando a distancia no apunta al receptor de señal de la unidad.	
	Baterías agotadas.	Cambiar las pilas
Aparece el código "CH01".	Fallo del sensor de temperatura ambiente.	Compruebe el sensor de temperatura ambiente y los circuitos relacionados.
Aparece el código "CH02".	Fallo del sensor de temperatura en el evaporador.	Compruebe el sensor de temperatura del evaporador y los circuitos.
Aparece el código "E4".	Protección anticongelante.	Las funciones se restablecerán automáticamente una vez finalizada la protección anticongelante.
Aparece el código "E5".	Fallo del sensor de temperatura exterior.	Compruebe el sensor de temperatura exterior y los circuitos relacionados.
		Compruebe si la interfaz del cable del sensor de temperatura exterior está bien enchufada.
Aparece el código "E6".	Fallo en la apertura de la puerta.	Compruebe si la compuerta del interruptor de aire está completamente abierta en el modo de refrigeración e inspeccione los circuitos relacionados.
Aparece el código "E7".	Fallo de cierre de la puerta.	En el modo AirSwitch, asegúrese de que la compuerta cumple las condiciones de cierre y que la compuerta del interruptor de aire está completamente cerrada; inspeccione los circuitos relacionados.
Aparece el código "FL".	El depósito de agua del chasis está lleno.	Drene el condensado y vuelva a poner en marcha la unidad.

## ESPECIFICACIONES TÉCNICAS

Nº DE MODELO	AC CORTINA 12K AIRSWITCH	AC CORTINA 12K AIRSWITCH SMART HOME DUO A+
Capacidad de refrigeración	3,520 W	3,500 W
Potencia calorífica	N/A	2,900 W
Consumo de energía en modo refrigeración	1,350 W	1,120W
Consumo de energía en modo calefacción	N/A	960 W
Consumo de energía en modo AirSwitch	56W	32W
Flujo de aire	220-320 (m³/h)	220-320 (m³/h)
Clase de energía	A	A+
Deshumidificación	33,6 L / 24h	33,6 L / 24h
Ajuste de la temperatura	17-30°C	17-30°C
Temperatura de trabajo	17-43°C	5-43°C
EER en modo refrigeración	2,6	3,1
EER en modo AirSwitch	5	8
Longitud de las mangueras	1,5 m	1,5 m
Gas refrigerante	R290/260g	R290/250g
Nivel sonoro en modo refrigeración (LWA) (dB(A))	60-64 dB	60-64 dB
Nivel sonoro en modo refrigeración (LPA) (dB(A))	49-52 dB	49-52 dB
Nivel sonoro en modo AirSwitch (LWA)(dB(A))	49,5-51 dB	49,5-51 dB
Nivel sonoro en modo AirSwitch (LPA) (dB(A))	35-38 dB	35-38 dB
Peso neto	30 kg	31 kg
Dimensiones del dispositivo (Al×An×F)	850×471×400mm	850×471×400mm

**Pueden producirse cambios y mejoras técnicas. Todos los valores son aproximados y pueden variar en función de circunstancias externas como la temperatura, la ventilación y la humedad.**



Este marcado indica que este producto no se debe eliminar con otros desechos domésticos en el Reino Unido y la UE. Para evitar posibles daños al medio ambiente o a la salud de las personas a raíz de la eliminación incontrolada de desechos, recíclelo de manera responsable para fomentar la reutilización sostenible de los recursos materiales. Para devolvernos su dispositivo, utilice los sistemas de devolución y recogida o póngase en contacto con el minorista donde compró el producto. Puede llevarse este producto y reciclarlo de forma segura para el medioambiente.



Las pilas usadas no deben tirarse a la basura doméstica, ya que pueden contener elementos tóxicos y metales pesados perjudiciales para el medio ambiente y la salud humana. Devuelva las pilas vacías a un centro de reciclaje adecuado.

**ONTVLAMBAAR MATERIAAL.**

Dit apparaat bevat R290/propaan, een ontvlambaar koelmiddel.



Raadpleeg de gebruikshandleiding.



Zie de technische handleiding.



Lees de gebruikshandleiding.

**VEILIGHEIDSINFORMATIE**

Lees vóór installatie en gebruik van het apparaat de bijgeleverde handleidingen aandachtig door. De fabrikant kan niet verantwoordelijk worden gehouden als onjuiste installatie en/of gebruik leiden tot letsel en schade. Houd de handleidingen altijd bij het apparaat voor toekomstig gebruik.

**VEILIGHEID KINDEREN EN KWETSBAAR PERSONEN****WAARSCHUWING ⚠**

Risico op letsel of blijvende invaliditeit.

Dit apparaat kan worden gebruikt door kinderen van acht jaar en ouder, personen met verminderde lichamelijke, zintuiglijke of mentale vermogens of gebrek aan ervaring en kennis indien zij op een veilige manier begeleid worden of instructie hebben gekregen over het gebruik van het apparaat en de gevaren begrijpen. Laat kinderen niet met het apparaat spelen.

Kinderen jonger dan drie jaar moeten van het apparaat weggehouden worden, tenzij zij onder voortdurend toezicht staan.

Houd alle verpakkingen uit de buurt van kinderen. - schoonmaken en gebruikersonderhoud mogen niet door

kinderen worden uitgevoerd zonder dat er toezicht is.

**ALGEMENE VEILIGHEID**

Dit apparaat is bedoeld voor gebruik in huishoudens en soortgelijke omgevingen zoals winkels, kantoren en andere werkomgevingen. Het typeplaatje bevindt zich aan de zijkant of achterkant van het apparaat. Houd ventilatieopeningen vrij van obstructies.

Volg uitsluitend de door fabrikant aanbevolen ontdooimethode, gebruik geen mechanische of andere hulpmiddelen om het ontdooiproces te versnellen. Het apparaat mag niet worden opgeslagen in een ruimte waar ontstekingsbronnen continu aanwezig zijn (bijv. open vuur, een gasapparaat, elektrische kachel e.d. die in gebruik zijn). Niet doorboren of branden. Let op dat koelmiddelen geurloos kunnen zijn. Maak het apparaat niet schoon met harde waterstralen of stoom. Reinig het apparaat met een vochtige, zachte doek. Gebruik alleen neutrale schoonmaakmiddelen. Gebruik geen schurende producten, schuurmiddelen, oplosmiddelen of metalen voorwerpen. Indien het netsnoer beschadigd is, moet het worden vervangen door de fabrikant, zijn geautoriseerd Service Centre of gelijkwaardig gekwalificeerde personen om problemen te voorkomen.

**VEILIGHEIDSINSTRUCTIES****WAARSCHUWING ⚠**

Dit apparaat mag alleen door een gekwalificeerd persoon geïnstalleerd worden.

Verwijder al het verpakkingsmateriaal. Installeer of gebruik geen beschadigd apparaat. Het apparaat moet geïnstalleerd, gebruikt en opgeslagen worden in een ruimte met een vloeroppervlak van ten minste 12,5 m<sup>2</sup>. Volg de installatie-instructie die bij het apparaat is meegeleverd op strikte wijze. Wees altijd voorzichtig wanneer u het apparaat verplaatst omdat het zwaar is. Draag altijd veiligheidshandschoenen.

Zorg ervoor dat er lucht rond het toestel kan circuleren. Wacht minimaal 4 uur voordat u het apparaat aansluit op het stopcontact. Zo kan de olie terugstromen naar de compressor. Installeer het toestel niet vlak bij radiatoren of andere warmtebronnen. Plaats het toestel niet in direct

zonlicht.

**ELEKTRISCHE AANSLUITING****WAARSCHUWING ⚠**

Gevaar voor brand en elektrische schokken.

Het apparaat moet op een geaard stopcontact zijn aangesloten. Controleer of de elektrische gegevens op het typeplaatje overeenstemmen met de netvoeding. Is dat niet het geval dan moet u contact opnemen met een elektricien. Gebruik altijd een correct geïnstalleerd slagvast stopcontact. Gebruik geen stekkerdozen of verlengkabels. Zorg ervoor dat u de elektrische componenten niet beschadigt (bijv. stekker, netsnoer). Neem contact op met het geautoriseerde servicecentrum of een elektricien om de elektrische componenten te vervangen. Het snoer moet lager liggen dan de stekker. Steek pas aan het einde van de installatie de stekker in het stopcontact. Controleer of u na de installatie bij de stekker kunt. Trek niet aan het netsnoer om het apparaat los te koppelen. Haal altijd de stekker uit het stopcontact.

**GEBRUIK****WAARSCHUWING ⚠**

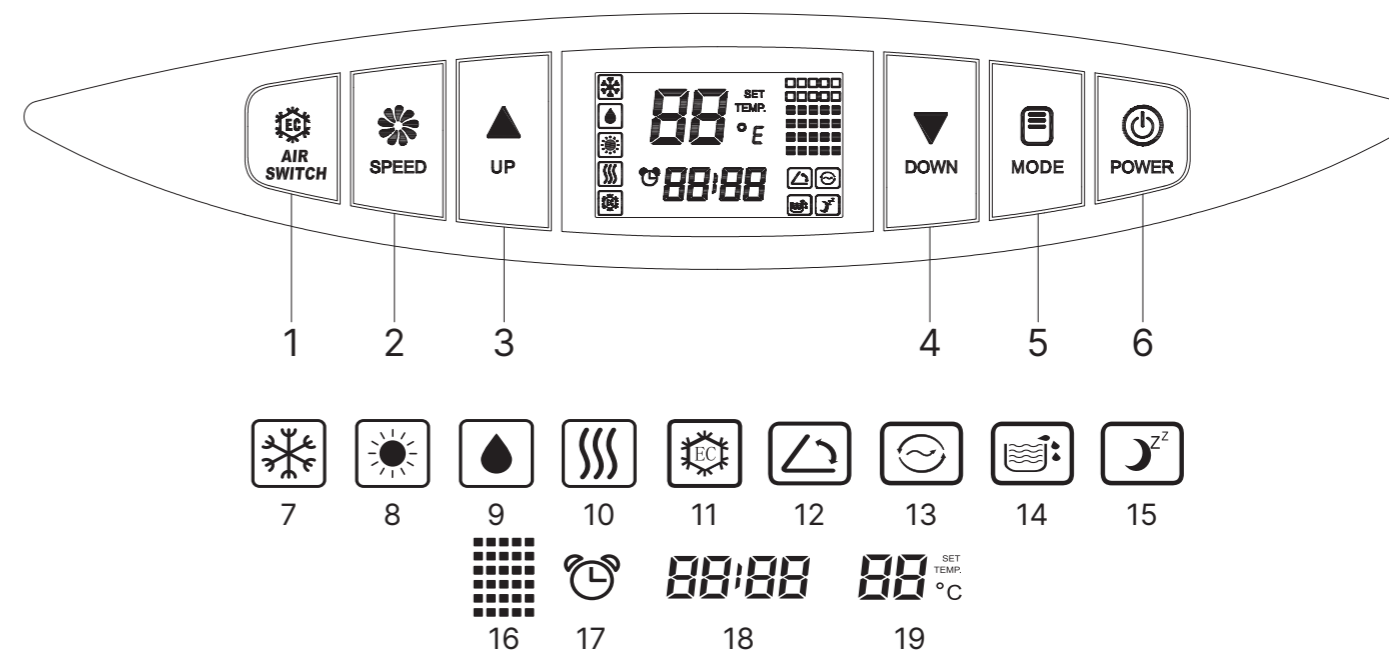
Risico op letsel, brandwonden, elektrische schokken of brand.

Wijzig de specificatie van dit toestel niet. Zorg ervoor dat u het koelcircuit niet beschadigt. Het bevat propaan (R290), een natuurlijk gas met een grote milieu-compatibiliteit. Dit gas is ontvlambaar. Als er schade aan het koelcircuit ontstaat moet u ervoor zorgen dat er geen vlammen of andere ontstekingsbronnen in de ruimte zijn. Ventileer de kamer. Zet geen brandbare producten of natte items met brandbare stoffen in de buurt van of op het apparaat.

**AFVOEREN****WAARSCHUWING ⚠**

Risico op letsel.

Koppel het apparaat los van het net. Knip het netsnoer af en gooi dit weg. Het koelcircuit van dit apparaat is ozonvriendelijk. Neem contact op met uw lokale milieustation voor informatie over hoe u het apparaat correct afvoert. Zorg dat het gedeelte van de koeleenheid dat zich in de buurt van de warmtewisselaar bevindt niet beschadigt raakt.



Bedankt voor uw aankoop en uw vertrouwen in Wood's. In deze handleiding maakt u kennis met de gebruiksstanden van de AC Cortina AirSwitch. In alle modi wordt de lucht gezuiverd met HEPA-technologie.

**Koelmodus:** Koelt de ruimte tot de gewenste temperatuur. De optimale omgevingstemperatuur voor koelmodellen is 17-35°C.

**Verwarmingsmodus:** Verwarmt de kamer tot de gewenste temperatuur. De optimale omgevingstemperatuur voor zowel koelen als verwarmen is 5-35°C. (Opmerking! Deze modus is alleen beschikbaar op het AC-model met de Duo/Verwarmingsfunctie).

**Modus Ontvochtiging:** Vermindert de vochtigheid in de kamer.

**Ventilatormodus:** Circuleert en zuivert de lucht in de kamer zonder te koelen.

**AirSwitch Auto Mode:** Schakelt automatisch tussen compressorkoeling en AirSwitch. Als de buitentemperatuur kouder is dan de ingestelde temperatuur, wordt AirSwitch gebruikt om koelere en gezuiverde buitenlucht te leveren zonder dat de compressor in werking is - stiller en energiezuiniger.

**AirSwitch Mode:** Brengt koelere, gezuiverde buitenlucht in de kamer zonder de compressor te activeren.

**GEBRUIKSAANWIJZING****PRODUCTONDERDELEN (ZIE AFBEELDING A EN B OP PAGINA 2)**

1. Ontvangstvenster afstandsbediening
2. Bedieningspaneel
3. Luchtuitlaat
4. HEPA-filter
5. Bovenste filtersamenstel van achterpaneel

6. Aansluiting voor buitentempatuursensor

7. Netsnoer met stekker

8. Kabelopwikkelbeugels

9. Onderste filtersamenstel van achterpaneel

10. Afvoer

11. Filterassemblage van zijpaneel

12. Filterassemblage van zijpaneel

13. Beschermend rooster

14. Vak voor afstandsbediening

15. Luchtinlaat

16. Bovenste binnenconnector (Inclusief filter)

17. Luchtinlaatslang (klein)

18. Adapter voor luchtinlaatslang (klein) (Inclusief buitentempatuursensor)

19. Raamsets

20. Ronde aansluiting van luchtuitlaatslang

21. Luchtuitlaatslang (groot)

22. Adapter voor luchtuitlaatslang (groot)

23. Afdichtdoek voor luchtinlaatslang

**BEDIENINGSPANEEL (ZIE AFBEELDING C OP PAGINA 3)**

1. AirSwitch-knop
2. Knop ventilatorsnelheid
3. Knop omhoog
4. Omlaag knop
5. Modusknop
6. Aan/uit-knop
7. Indicator koelmodus
8. Verwarmingsmodus indicator (OPMERKING! Dit symbool is alleen beschikbaar op het AC-model met de

Duo/Verwarmingsfunctie).

9. Indicator ontvochtigingsmodus

10. Indicator ventilatormodus

11. AirSwitch-modus-indicator

12. Indicator voor automatische zwenkfunctie

13. Indicator HEPA-filter vervangen

14. Indicator voor vol water

15. Slaapstand indicator

16. Toerentalindicator ventilator

17. Timerindicator (OPMERKING! Timer kan alleen met de afstandsbediening worden ingesteld).

18. Indicator voor buitenomgevingstemperatuur; Indicator voor timerduur

19. Ingestelde temperatuurindicator. Indicator omgevingstemperatuur binnen voor ventilator-, ontvochtigings- en AirSwitch-modi.

20. Wi-Fi-indicator. (OPMERKING! Dit symbool is alleen beschikbaar op het AC-model met Wi-Fi/Smart Home-functie).

**WERKMODI EN FUNCTIES VAN HET BEDIENINGSPANEEL (ZIE HIERBOVEN OF AFBEELDING C, PAGINA 3)**

**Aan/uit-knop (6):** Druk op deze toets om het apparaat in te schakelen; er klinkt een melodisch geluid en het apparaat schakelt automatisch over naar de koelmodus met een vooraf ingestelde temperatuur van 22°C. De ventilator draait op een gemiddelde snelheid. Druk nogmaals op deze toets om het apparaat uit te schakelen; een melodisch geluid geeft aan dat het apparaat uitgeschakeld wordt.

1. Als het apparaat aan staat, toont het LCD-scherm de ingestelde temperatuur in de Koelmodus en Verwarmingsmodus

# Gebruiksaanwijzingen

(OPMERKING! Het Verwarmingsssymbol is alleen beschikbaar op het AC-model met de Duo/Verwarmingsfunctie) of de omgevingstemperatuur in de Ontvochtigingsmodus, Ventilatormodus, AirSwitch Auto-modus en AirSwitch-modus. De ventilator begint te draaien en het uitblaasvenster gaat automatisch open.

2. Alle onderdelen stoppen met werken als het apparaat is uitgeschakeld en het luchtuitblaasvenster sluit automatisch.

**Modusknop (5):** Modusknop (5): Druk op de knop "Mode" om ter bevestiging door de beschikbare modi te bladeren.

- Koelmodus (7): Koelt de kamer tot de ingestelde temperatuur (17-35°C).

- Verwarmingsmodus (8): Verwarmt de kamer tot de ingestelde temperatuur (5-35°C). (OPMERKING! Deze modus is alleen beschikbaar op het AC-model met de Duo/Verwarmingsfunctie).

- Ontvochtigingsmodus (9): Vermindert de vochtigheid in de kamer.

- Ventilatormodus (10): Circuleert en zuivert de lucht in de kamer zonder te koelen.

OPMERKING! Voor AirSwitch Auto-modus en AirSwitch-modus, zie aparte sectie voor "AirSwitch-knop (1)".

**Knop Omlaag (4):** Klik om de ingestelde temperatuur te verlagen of naar beneden bij te stellen.

**Knop omhoog (3):** Klik op de knop om de ingestelde temperatuur naar boven bij te stellen.

OPMERKING! Druk gedurende 2 seconden op de omlaag-knop (4) of omhoog-knop (3) om de temperatuur continu te verhogen of verlagen met intervallen van 0,5 graad. Het temperatuurinstelbereik is 17~30°C.

**Knop ventilatorsnelheid (2):** Druk op de ventilatorsnelheidsknop om de ventilatorsnelheid te selecteren op hoog, medium of laag.

OPMERKING! De ventilatorsnelheid kan niet worden aangepast in de modi Ontvochtigen en Slapen.

**AirSwitch-knop (1):** Druk één keer op de AirSwitch-knop om de AirSwitch Auto-modus te activeren, aangegeven door de knipperende AirSwitch-indicator (11) op het LCD-scherm. Druk nogmaals op de knop AirSwitch om naar de AirSwitch-modus te gaan, aangegeven door de brandende maar niet-knipperende AirSwitch-indicator (11). Druk voor de derde keer op de AirSwitch-knop om de AirSwitch-functie af te sluiten en terug te keren naar de standaardmodus Koelen.

## DEFINITIE VAN AIRSWITCH "AUTO" MODUS EN AIRSWITCH MODUS

AirSwitch Auto Mode: Tijdens het koelen van de ruimte in AirSwitch Auto Mode wisselt de unit automatisch tussen koeling door de compressor en AirSwitch-werking.

Wanneer de buitentemperatuur 2°C of lager is dan de ingestelde temperatuur, schakelt de airconditioner automatisch over van de compressor koelmodus naar de AirSwitch werkmodus, waarbij koelere buitenlucht wordt aangezogen voor een stillere en energiezuinigere koeling. Zodra de kamertemperatuur de ingestelde temperatuur bereikt, schakelt de airconditioner over naar de ventilatiestand.

AirSwitch-modus: Tijdens het koelen van de ruimte in AirSwitch Mode, schakelt de unit automatisch tussen de AirSwitch werkstatus en ventilatiewerking.

Wanneer de buitentemperatuur 2°C of lager is dan de kamertemperatuur, schakelt de airconditioner automatisch over van ventilatiestand naar de AirSwitch werkstand, wat zorgt voor een continu stille en energiezuinige werking. Zodra de kamertemperatuur de ingestelde temperatuur bereikt, keert de airconditioner terug naar de ventilatiestand. De compressor blijft in deze modus inactief.

## DISCLAIMER LUCHTSCHAKELAAR AUTOMODUS EN LUCHTSCHAKELAARMODUS

De temperatuursensor voor de AirSwitch bevindt zich in de slang die buitenlucht in de unit brengt. Bepaalde omstandigheden kunnen af en toe de nauwkeurigheid en werking van de sensor beïnvloeden tijdens de automatische modus.

Factoren die de nauwkeurigheid van de sensor beïnvloeden:

1. Verwarming door kamerlucht: De nabijheid van warme luchtbronnen in de kamer kan de sensormetingen beïnvloeden.

2. Plastic behuizing: In zeldzame gevallen kan de plastic behuizing van de sensor warmte absorberen, waardoor de prestaties worden beïnvloed.

3. Externe omgevingsfactoren: Zonlicht en wind: Blootstelling aan direct zonlicht of wind die warmte overbrengt, kan de nauwkeurigheid van de sensor beïnvloeden. Reflecterende oppervlakken: Muren in de buurt die warmte reflecteren of absorberen kunnen de automatische functie verstoren. In dergelijke gevallen wordt de handmatige modus aanbevolen.

4. Luchtstromen kruisen: Wind of luchtstromen kunnen temperatuurschommelingen veroorzaken, vooral als de uitvoerslang de invoerslang hindert.

Aanbevelingen:

1. Gebruik van de handmatige modus: In moeilijke omstandigheden is het aan te raden om de handmatige modus te gebruiken voor nauwkeurige controle.

2. Oververhitting van de sensor voorkomen: Vermijd blootstelling van de sensor aan directe hitte om een nauwkeurige temperatuurdetectie te garanderen.

3. Bewustzijn van reflecterende

oppervlakken: Overweeg om de handmatige modus te activeren als je reflecterende oppervlakken hebt, zoals een bakstenen muur in de buurt, of andere mogelijke storingen.

4. Optimale bedrijfstijd: Overweeg om de AirSwitch in handmatige modus in te schakelen voor consistente prestaties, vooral tijdens het slapen gaan.

## FUNCTIES BIJ HET COMBINEREN VAN KNOPPEN (ZIE AFBEELDING C, PAGINA 3)

Slaapfunctie (15): Start of annuleer de SLEEP functie door gelijktijdig op de AirSwitch knop (1) en de Omhoog knop (3) te drukken. Let op: de ventilatorsnelheid is niet instelbaar in de slaapfunctie.

- Als de slaapfunctie is geactiveerd in de koelmodus, wordt de ingestelde temperatuur na 2 uur met 1°C verhoogd en na nog eens 2 uur met nog eens 1°C, waarbij de werking op deze temperatuur wordt gehandhaafd.

- Als de slaapfunctie is geactiveerd in de verwarmingsmodus (alleen beschikbaar op het AC-model met duo-/verwarmingsfunctie), wordt de ingestelde temperatuur na 2 uur met 1°C verlaagd. Daarna verlaagt het de temperatuur met nog eens 1°C na nog eens 2 uur en werkt het daarna op deze temperatuur. (OPMERKING! De slaapfunctie werkt niet in de ventilatormodus, ontvochtigingsmodus, AirSwitch Auto-modus en AirSwitch-modus.

Auto Swing-functie (12): Activeer of deactiveer Auto Swing door tegelijkertijd de AirSwitch-knop (1) en de ventilatorsnelheidsknop (2) aan te raken.

## ANDERE FUNCTIES VAN HET BEDIENINGSPANEEL (ZIE AFBEELDING C OP PAGINA 3)

Indicator HEPA filter vervangen (13): Als de airconditioner meer dan 500 uur werkt, verschijnt het betreffende pictogram op het LCD-scherm om aan te geven dat het HEPA-filter moet worden vervangen. Om de timer te resetten en het pictogram te verwijderen, houdt u de ventilatorsnelheidsknop 6 seconden ingedrukt. Hierdoor wordt de icoonweergave geannuleerd en wordt de tijdberekening opnieuw gestart. Zie het gedeelte Vervangbaar HEPA filter voor informatie over het vervangen van uw filter.

Indicator voor buitenomgevingstemperatuur en Tijd timer (18): De buitenomgevingstemperatuur wordt weergegeven tijdens normaal gebruik. Wanneer de timerfunctie van de unit geactiveerd is, worden afwisselend de buitentemperatuur en de timerduur op het display weergegeven.

Opmerking: Er wordt een foutcode weergegeven bij een storing in de buitentemperatuursensor of bij problemen met het openen of sluiten van de klep aan de achterkant van de unit.

## WIFI-FUNCTIE (20)

(Alleen van toepassing op het AC-model met WiFi/Smart Home-functionaliteit).



1. Download de Wood's Connect-app uit de App Store of Google Play.

2. Registreer en volg de instructies. Accepteer alle stappen. (Lees aandachtig het Privacybeleid en ga akkoord om door te gaan).

3. Open de Wood's Connect-app en voeg een apparaat toe.

4. Om de koppelmodus in te schakelen houdt u de AirSwitch-knop op het apparaat 5 seconden ingedrukt tot het Wi-Fi-pictogram op het scherm snel knippert.

5. Wanneer je het apparaat detecteert op het scherm, voeg je het toe. Je kunt het model ook handmatig selecteren.

6. Vul je Wi-Fi-instellingen en wachtwoord in.

7. Druk op + om de eenheid toe te voegen.

8. Wacht tot het apparaat is toegevoegd. Het is nu klaar om bediend te worden via Wi-Fi.

Om de Wi-Fi-functie uit te schakelen, drukt u 5 seconden op de AirSwitch-knop op het apparaat.

## AFSTANDBEDIENINGSMODI (ZIE AFBEELDING D, PAGINA 3)

**Aan/uit (1):** Druk op deze knop om het apparaat te starten wanneer het onder spanning staat of om het apparaat te stoppen wanneer het in werking is.

**Modusknop (2):** Druk op deze knop om de bedieningsmodus te selecteren.

**AirSwitch-knop (3):** Druk op deze knop om de AirSwitch-modus in te stellen of te annuleren.

1. Druk eenmaal op de AirSwitch-knop om de AirSwitch Auto-modus te activeren, aangeduid door het knipperende "ENERGY SAVER"-symbool op het LCD-scherm.

2. Druk nogmaals op de AirSwitch-knop om naar de AirSwitch-modus te gaan. Het "ENERGY SAVER"-symbool brandt, maar knippert niet.

3. Druk voor de derde keer op de AirSwitch-knop om de AirSwitch-functie af te sluiten en terug te keren naar de standaard koelmodus.

**Knop omhoog (4):** Druk op de omhoog-knop om de kamertemperatuur en de timerinstelling te verhogen.

**Omlaag knop (5):** Druk op de omlaag-knop om de kamertemperatuur en de timerinstelling te verlagen.

**Ventilatorknop (6):** Druk op deze knop om de ventilatorsnelheid in volgorde te selecteren: Laag, Gemiddeld, Hoog.

**Auto Swing-knop (7):** Druk op deze knop om de auto-swingfunctie in of uit te schakelen.

**Slaapknop (8):** Druk op deze knop om de slaapstand te selecteren of te annuleren (alleen effectief bij koelen of verwarmen)

**Timerknop (9):** AUTO-ON functie instellen in stand-by en AUTO-OFF wanneer het apparaat in werking is. De tijd kan worden ingesteld tussen 1-24 uur. Om de timer uit te schakelen, drukt u op de timerknop en zet u de timer op "0".

Voordat u de afstandsbediening gebruikt, moet u de AAA-batterijen als volgt plaatsen: (ZIE AFBEELDING D, PAGINA 3)

1. Schuif en verwijder voorzichtig het batterijklepje aan de achterkant van de afstandsbediening.

2. Plaats twee nieuwe AAA alkalinebatterijen in het daarvoor bestemde batterijvak en let op de juiste polariteit.

3. Maak het batterijklepje weer vast en zorg ervoor dat het vergrendelingslipje goed vastklikt.

## OPMERKING!

- Gebruik alleen alkalinebatterijen. Gebruik geen oplaadbare batterijen.

- Vervang altijd beide batterijen door nieuwe; gebruik geen oude en nieuwe batterijen door elkaar.

- Verwijder de batterijen uit de afstandsbediening als de airconditioner langere tijd niet wordt gebruikt.

## OPSLAG AFSTANDBEDIENING (ZIE AFBEELDING E, PAGINA 3)

1. Steek de afstandsbediening in het ingebouwde vak aan de linkerkant van het apparaat en druk het voorzichtig dicht.

2. Druk zachtjes op het onderste gedeelte van het ingebouwde compartiment om het te openen en neem de afstandsbediening eruit.

OPMERKING! Om te voorkomen dat u de afstandsbediening kwijtraakt, kunt u deze het beste opbergen wanneer u deze niet gebruikt.

WAARSCHUWING: Als de batterij op uw huid of kleding lekt, moet u het betreffende gebied onmiddellijk grondig wassen met schoon water. Gebruik de afstandsbediening niet als er sporen zijn van batterijlekkage. Als u batterijvloeistof inslikt, moet u onmiddellijk medische hulp inroepen. De chemische stoffen

# Gebruiksaanwijzingen

in batterijen kunnen risico's met zich meebrengen, zoals brandwonden en andere gevaren voor de gezondheid.

## INSTALLATIE

### VOOR HET EERSTE GEBRUIK

Laat het apparaat 4 uur recht op staan voordat u het in gebruik neemt.

Deze airconditioner is ontworpen voor gemakkelijke verplaatsing binnenshuis. Zorg ervoor dat het apparaat recht op blijft staan tijdens het verplaatsen. Plaats de airconditioner op een vlakke ondergrond. Installeer of gebruik deze airconditioner niet in badkamers of andere natte omgevingen.

### HEPA FILTER INSTALLEREN (ZIE AFBEELDING F OP PAGINA 3)

1. Til het HEPA-filterpakket omhoog.

2. Verwijder de verpakingszak van het HEPA-filter. (LET OP! De verwijderde verpakingszak moet buiten het bereik van kinderen worden geplaatst)

3. Installeer het HEPA-filter door het uit te lijnen met de sleuf in het filterframe en het er stevig in te drukken. Het HEPA-filter moet tot op de bodem worden ingedrukt.

Het H11 HEPA-filter van Wood speelt een rol bij de luchtzuivering. Het filter vangt en verwijdert effectief deeltjes zoals stof, pollen, schimmelsporen, bacteriën en zelfs kleine rookdeeltjes uit de lucht, wat zorgt voor een schoner en gezonder binnenklimaat.

LET OP! Vervang het HEPA filter minstens één keer per jaar. Registreer op warrantywoods.com en vervang het HEPA-filter eenmaal per jaar voor 6 jaar garantie. Alleen geldig met een filter van het merk Wood's. Kijk op woods.se voor verkooppunten. BEWAAR UW BONNETJES!

### BELANGRIJKE INFORMATIE VOORDAT U LUCHTSLANGEN INSTALLEERT

Houd de slangen tijdens het gebruik zo kort mogelijk en met zo min mogelijk bochten om drukverlies en capaciteitsverlies te minimaliseren. De luchtuitlaatslang moet glad blijven om oververhitting en mogelijke schade aan de airconditioner te voorkomen. De slangen hebben een lengte van 280 mm-1500 mm. Vermijd verlenging van de slangen of vervanging door een andere slang, omdat dit de werking kan beïnvloeden.

### INSTALLATIE VAN DE LUCHTUITLAATSLANG EN DE BIJBEHORENDE ADAPTER. (ZIE AFBEELDING G EN H OP PAGINA 4)

1. Verwijder de plastic zak door de luchtuitlaatslang (groot), het aansluitstuk en de adapter uit de verpakking te halen.

2. Steek een uiteinde van de

luchtuitslaatslang uit en bevestig de ronde connector door deze minimaal drie keer linksom te draaien.

3. Steek het andere uiteinde van de luchtuitslaatslang uit en bevestig de adapter door deze ten minste drie keer linksom te draaien.

4. Plaats het voorste uiteinde van de luchtuitslaatslang op de daarvoor bestemde inkeping van de luchtuitslaatslang op het achterpaneel. De bevestigingen vergrendelen de luchtuitslaatslang stevig op zijn plaats.

5. Installeer de luchtuitslaatslang op het apparaat.

OPMERKING! Zorg voor de juiste oriëntatie van de schuine kant van de adapter voor eenvoudige installatie van de raamafdichtplaat. Zorg voor een veilige en goed gepositioneerde aansluiting van de luchtuitslaatslang.

#### INSTALLEER DE LUCHTINLAATSLANG (ZIE AFBEELDING I, J, K, PAGINA 4)

1. Verwijder de plastic zak door de luchtinlaatslang (de kleinere), de connector en de adapter uit de verpakking te halen.

2. Steek een uiteinde van de luchtinlaatslang uit en sluit deze aan op de connector met een sensor door deze minimaal drie keer linksom te draaien.

3. Plaats de afsluitdoek om de luchtinlaatslang en zorg ervoor dat de temperatuurdraad ook in de afsluitdoek zit. Verleng het andere uiteinde van de luchtinlaatslang en sluit het aan op het aansluitstuk door het tegen de klok in te draaien (drie omwentelingen). Verleng ten slotte het afsluitdoek om de ronde connector te bedekken.

4. Installeer de luchtinlaatslang op het apparaat en zorg ervoor dat de pijl "IN" naar beneden wijst.

#### VASTE TEMPERATUURDETECTIELIJN (ZIE AFBEELDING L, PAGINA 4)

Steek de connector van de temperaturontdektiedraad in de connector van het apparaat. Er is een witte markeringspunt op de connector. Bij het insteken moeten de twee witte stippen met elkaar uitgelijnd zijn en draai vervolgens de stekker rechtsom vast.

Het moet vrij in de lucht hangen.

OPMERKING! De spanning van de connector van de temperaturontdektiedraad is een veilige spanning, niet hoger dan 5V DC.

#### INSTALLATIE VAN DE AFDICHTPLAAT VOOR HET VENSTER (ZIE AFBEELDING M, N, O, PAGINA 5)

1. Installeer het rechthoekige uiteinde van de slangen in de overeenkomstige rechthoekige gaten in de raamafdichtingsplaat en zet het vast met een schroef.

OPMERKING!

- Schuif de adapters naar beneden en zorg ervoor dat ze goed vastzitten.

- Controleer of de richting van het schuine paneel is uitgelijnd met de richting van de afdichtingsplaat.

- Zorg ervoor dat de slangen niet gebogen zijn en een buighoek van meer dan 45° hebben om voldoende ventilatie te garanderen.

2. Open het raam tot halverwege en plaats de afdichtplaat in het raam, verticaal of horizontaal. Plaats bij verticale installatie de luchtuitslaatslang bovenaan, zodat de warme uitgaande lucht de sensor op de luchtinlaatslang niet hindert.

3. Schuif de afdichtplaatdelen uit en pas ze aan de lengte van het raam aan. Zorg ervoor dat beide uiteinden tegen de randen van het raam komen en zet het vast met schroeven.

LET OP! Controleer of beide uiteinden van de raamafdichtingsplaat goed tegen de randen van het raam aankomen voor een goede afdichting.

Zorg ervoor dat de schroeven stevig vastzitten in de juiste positie.

4. Pas de positie van de sensorkop voor de buitentemperatuur aan en laat de aanpassingsstang zakken naar het onderste deel van het opstapje onder het raam.

OPMERKING! De sensor moet vrij in de lucht hangen en zo ver mogelijk verwijderd zijn van de warme lucht van de luchtuitslaatslang.

5. Verplaats het apparaat met de slangen voor het raam gemonteerd en houd het apparaat minstens 50 cm uit de buurt van muren of andere voorwerpen.

#### DE UNIT INSCHAKELEN

Steek de stekker in het stopcontact om het apparaat van stroom te voorzien. Alle pictogrammen in het LCD-venster zullen gedurende 2 seconden oplichten, samen met een kort herinneringsgeluid. Daarna toont het LCD-venster de binnentemperatuur binnen het bereik van 5°C tot 35°C en de buitentemperatuur buiten binnen het bereik van -9°C tot 65°C. Het apparaat staat dan in stand-by en is klaar voor gebruik.

***Het apparaat is nu klaar voor gebruik!***

#### ONDERHOUD

LET OP! Schakel het apparaat uit en trek de stekker uit het stopcontact voordat u onderhoud uitvoert.

#### AFVOERINSTRUCTIE (ZIE AFBEELDING P, PAGINA 5)

Het meeste water wordt op natuurlijke wijze via de luchtuitslaatslang met de hete lucht naar buiten geleid. Als je de tank moet

leggen, zal het apparaat je dat laten weten. (REFER AFBEELDING C, PAGINA 3, nr. 14)

Het waterreservoir legen Schroef het aftapdeksel los en haal de waterplug eruit zodat het water in de bak kan stromen. OPMERKING: Wees voorzichtig om lekkage te voorkomen als het apparaat verplaatst moet worden. Kantel het apparaat iets naar achteren tijdens het aftappen. Als de bak niet al het water uit het apparaat kan bevatten, blokkeer dan onmiddellijk het afvoergat om waterlekkage te voorkomen en te vermijden dat de vloer of het tapijt nat wordt. Zorg ervoor dat de waterstop en het afvoerdekseel stevig vastzitten om te voorkomen dat nieuw condenswater de vloer of het tapijt natmaakt wanneer het apparaat opnieuw wordt opgestart.

Een waterslang aansluiten voor continue afvoer: Schroef het afvoerdekseel los en verwijder de waterplug. Sluit een waterslang met een binnendiameter van 12 mm aan op de pijp op het apparaat. (Waterslang niet meegeleverd). Leid het andere uiteinde van de waterslang naar een afvoer. Zorg ervoor dat het water naar beneden kan worden afgevoerd. OPMERKING: Er moet een afvoerslang worden geïnstalleerd als er geen water in de bak staat. Het wordt aanbevolen om geen continue afvoer te gebruiken wanneer de unit in de koelmodus staat om ervoor te zorgen dat er voldoende water wordt gerecycleerd in de unit om de koelingseffecten van het systeem te versterken. Plaats de afvoerslang op een ontoegankelijke plaats, zorg ervoor dat hij niet hoger ligt dan het afvoergat en houd de afvoerslang recht zonder bochten. Zorg ervoor dat het afvoerdekseel en de stop goed vastzitten als continue afvoer wordt gebruikt.

#### MEERDERE BEVEILIGINGSFUNCTIES

Automatische ontdooiing: Het apparaat ontdooit automatisch wanneer dat nodig is. In de ontdooistand toont het display E4 en zijn er geen knoppen actief behalve de AAN/UIT-knop.

Compressorbeveiliging: De unit heeft een compressorbeveiligingsfunctie die zorgt voor een startvertraging van 3 minuten nadat de unit opnieuw is opgestart.

Veiligheidsalarm voor volle water en uitschakelingsfunctie: Wanneer het watervolume het aangegeven alarmniveau in het chassis van de unit overschrijdt, wordt er automatisch een waarschuwingssignaal geactiveerd, dat vergezeld gaat van het oplichten van het pictogram watervol op het LCD-scherm. In dit geval moet het gecondenseerde water worden afgevoerd volgens de instructies in het hoofdstuk "Afvoerinstructies". Als het apparaat niet handmatig wordt uitgeschakeld, keert het automatisch terug naar de oorspronkelijke werkingsstatus zodra het condenswater volledig is afgevoerd. U kunt ook de stroom weer inschakelen om de unit opnieuw op te starten.

#### OPPERVLAKTEREINIGING

- Reinig het oppervlak van de unit met een natte, zachte doek en gebruik geen chemische oplosmiddelen zoals alcohol en benzine om schade te voorkomen.

- Reinig de vuile luchtuitslaat of lamellen met een vochtige zachte doek en een mild schoonmaakmiddel.

- Chemische oplosmiddelen mogen niet worden gebruikt voor het reinigen van de unit en mogen niet gedurende lange tijd in de buurt van de unit worden geplaatst.

- Verdunner, alcohol of soortgelijke oplosmiddelen zijn verboden voor het reinigen van de unit.

#### REINIGBAAR FILTER (ZIE AFBEELDING Q, PAGINA 5)

Het is essentieel om het filter om de twee weken te reinigen om te voorkomen dat de prestaties van het apparaat worden beïnvloed door stofophoping. Dompel het filter onder in warm water (ongeveer 40°C) gemengd met een neutraal reinigingsmiddel en was het voorzichtig. Plaats het filter na het reinigen terug op het apparaat.

Reinig het filter van de luchtinlaatslang (A): Til het aansluitstuk op, verwijder vervolgens het filterframe in het aansluitstuk en maak het schoon.

Reinig het linker en rechter bovenste inlaatluchtfilerframe (B): Trek de frames van het linker en rechter bovenste inlaatluchtfiler naar hun respectieve zijden. Reinig het frame grondig.

Reinig de onderste filters (C): Trek de onderste filters eruit, verwijder dan het achterste filter en maak het schoon.

Reinig de zijfilters (D): Trek de zijfilters eruit en reinig ze.

OPMERKING Trek het filter er voorzichtig uit en verwijder eerst het achterpaneelfilter en dan pas het zijpaneelfilter om verdraaiing of beschadiging te voorkomen. Wees voorzichtig dat u het gaas niet platrukt en raak het gaas niet met scherpe voorwerpen of borstels.

LET OP! Zorg ervoor dat het filter op het zijpaneel is geïnstalleerd voordat u het filter op het achterpaneel installeert.

Installeer het filter in de tegenovergestelde richting van de verwijdering.

#### VERWISSELBAAR HEPA-FILTER (ZIE AFBEELDING F, PAGINA 3)

Dit apparaat zuivert de lucht met HEPA-technologie. Het filter moet regelmatig en minstens eenmaal per jaar worden vervangen.

1. Til het HEPA-filter omhoog.

2. Installeer het HEPA filter, lijn het uit met de sleuf in het filterframe en druk het naar beneden in het filterframe. Het HEPA-filter moet tot op de bodem worden ingedrukt.

LET OP! Zorg ervoor dat u een origineel Wood HEPA-filter gebruikt om de garantiedekking te behouden. Bezoek woods.se voor meer informatie en verkooppunten.

#### EINDE-SEIZOEN OPSLAG

1. Schroef het afvoerdekseel los en verwijder de waterplug om het gecondenseerde water volledig af te voeren. OPMERKING: De kantelhoek van de unit moet  $\leq 30$  graden zijn.

2. Laat het apparaat een halve dag in de ventilatorstand staan om het interieur grondig te drogen en schimmelvorming te voorkomen.

3. Schakel het apparaat uit, haal de stekker uit het stopcontact, wikkel het netsnoer om de draadspilaar, steek de stekker in het universele bevestigingsgat op het achterpaneel en installeer de waterstop en het afvoerdekseel opnieuw.

4. Verwijder de luchtuitslaatslang, maak hem schoon en berg hem op de juiste manier op. OPMERKING: Houd de luchtuitslaatslang met beide handen vast bij het verwijderen.

5. Duw met uw duimen de bevestigingen op de luchtuitslaatslang opzij en trek vervolgens de luchtuitslaatslang eruit.

6. Verpak de airconditioner stevig in een zachte plastic zak, plaats hem op een droge plaats met geschikte stofbeschermende maatregelen en houd hem buiten het bereik van kinderen.

7. Verwijder de batterijen uit de afstandsbediening en berg ze op de juiste manier op.

OPMERKING: Zorg ervoor dat het apparaat in een droge omgeving wordt opgeslagen. Bescherm alle accessoires van het apparaat om schade of beschadiging te voorkomen.

#### GARANTIES

Twee jaar garantie tegen fabricagefouten. Let op: de garantie is alleen geldig op vertoon van de aankoopbon. BEWAAR UW AANKOOPBEWIJZEN! Ontvangstbewijzen zijn nodig voor elke garantieclaim tijdens de periode.

#### UITGEBREIDE GARANTIE KRIJGEN

Krijg 6 jaar garantie door te registreren op warranty-woods.com. Zorg ervoor dat uw garantie lang meegaat door het originele Woods HEPA-filter jaarlijks te vervangen. Let op: de garantie is geldig onder specifieke voorwaarden: tijdige productregistratie binnen 90 dagen, jaarlijkse vervanging van het HEPA-filter en het bewaren van ontvangstbewijzen voor zowel de filters als het apparaat. BEWAAR UW ONTVANGSTBEWIJZEN! Alle ontvangstbewijzen zijn nodig voor elke garantieclaim tijdens de garantieperiode.



## PROBLEEM OPLOSSEN

Controleer het apparaat en volg de onderstaande suggesties op voordat u om professionele service vraagt. Probeer het apparaat echter nooit zelf te demonteren of te repareren, want dit kan schade aan u en uw eigendommen veroorzaken. Als er problemen optreden die niet in de tabel staan of als de aanbevolen oplossingen niet werken, neem dan contact op met een professionele serviceorganisatie.

PROBLEEM	OORZAAK	REMEDY
Het toestel start niet op.	Storing in voeding.	Sluit het apparaat aan op een werkend stopcontact en zet het aan.
	Watertank vol met overeenkomstig verlicht pictogram.	Laat het water uit het apparaat weglopen.
	De kamertemperatuur is lager dan de ingestelde temperatuur in de koelmodus of hoger in de verwarmingsmodus.	Zorg ervoor dat het apparaat werkt binnen het aanbevolen temperatuurbereik van 8-35°C. Pas de ingestelde temperatuur aan.
Onvoldoende koeling.	Er is direct zonlicht.	Doe het gordijn dicht.
	De deuren en ramen staan open, het is druk in de kamer of er zijn andere warmtebronnen.	Sluit deuren en ramen, verwijder andere warmtebronnen en overweeg om extra airconditioners toe te voegen.
	Vuil filter.	Reinig of vervang het filtergaas.
	Luchtinlaat of luchtuitlaat verstopt.	Verwijder eventuele obstructies.
Hoog geluidsniveau.	Het toestel wordt op een oneffen oppervlak geplaatst.	Zet het apparaat op een vlakke en stevige plaats (kan het geluid verminderen)
De compressor werkt niet.	Activering van de oververhittingsbeveiliging.	Wacht tot de temperatuur daalt, het apparaat start automatisch opnieuw op.
De afstandsbediening werkt niet.	Afstand tussen unit en afstandsbediening te groot.	Breng de afstandsbediening dicht bij de airconditioner en zorg voor lucht bij de signaalontvanger op de unit.
	Afstandsbediening niet gericht op signaalontvanger op unit.	
	Batterijen leeg.	Vervang de batterijen
De code "CH01" wordt weergegeven.	Storing kamertemperatuursensor.	Controleer de kamertemperatuursensor en de bijbehorende circuits.
De code "CH02" wordt weergegeven.	Storing van de temperatuursensor bij de verdamper.	Controleer de verdampertemperatuursensor en circuits.
De code "E4" wordt weergegeven.	Antivriesbescherming.	De functies worden automatisch hersteld zodra de vorstbeveiliging voorbij is.
De code "E5" wordt weergegeven.	Storing in de buitentemperatuursensor.	Controleer de buitentemperatuursensor en de bijbehorende circuits.
		Controleer of de kabelinterface van de buitentemperatuursensor correct is aangesloten.
De code "E6" wordt weergegeven.	Deuropening mislukt.	Controleer of de luchtschakelaarklep volledig open staat in de koelmodus en inspecteer de betreffende circuits.
De code "E7" wordt weergegeven.	De deur sluit niet.	Controleer in AirSwitch-modus of de klep voldoet aan de sluitvoorwaarden en of de luchtschakelklep volledig gesloten is; controleer de betreffende circuits.
De code "FL" wordt weergegeven.	De watertank in het chassis is vol.	Laat het condensaat weglopen en start de unit opnieuw.

## TECHNISCHE SPECIFICATIE

MODEL NR.	AC CORTINA 12K AIRSWITCH	AC CORTINA 12K AIRSWITCH SMART HOME DUO A+
Koelvermogen	3,520 W	3,500 W
Verwarmingscapaciteit	N.V.T.	2,900 W
Stroomverbruik in koelmodus	1,350 W	1,120W
Stroomverbruik in verwarmingsmodus	N.V.T.	960 W
Stroomverbruik in AirSwitch-modus	56W	32W
Luchtstroom	220-320 (m³/h)	220-320 (m³/h)
Energieklasse	A	A+
Ontvochtiging	33,6 L / 24u	33,6 L / 24u
Temperatuurinstelling	17-30°C	17-30°C
Bedrijfstemperatuur	17-43°C	5-43°C
EER in koelmodus	2,6	3,1
EER in AirSwitch-modus	5	8
Slanglengtes	1,5 m	1,5 m
Koelgas	R290/260g	R290/250g
Geluidsniveau in koelmodus (LWA) (dB(A))	60-64 dB	60-64 dB
Geluidsniveau in koelmodus (LPA) (dB(A))	49-52 dB	49-52 dB
Geluidsniveau in AirSwitch-modus (LWA) (dB(A))	49,5-51 dB	49,5-51 dB
Geluidsniveau in AirSwitch-modus (LPA) (dB(A))	35-38 dB	35-38 dB
Netto gewicht	30 kg	31kg
Afmetingen apparaat (H×W×D)	850×471×400mm	850×471×400mm

**Technische wijzigingen en verbeteringen zijn mogelijk. Alle waarden zijn bij benadering en kunnen variëren afhankelijk van externe omstandigheden zoals temperatuur, ventilatie en vochtigheid.**



Deze markering geeft aan dat dit product in de EU en het VK niet met andere huishoudelijke afvalstoffen mag worden verwijderd. Om eventuele schade aan het milieu of gezondheid door ongecontroleerde afvalverwijdering te vermijden, moet u het verantwoord recyclen om het duurzame hergebruik van grondstoffen te stimuleren. Als consument kunt u bij het afdanken van dit product contact opnemen met uw handelaar of uw plaatselijke autoriteiten (plaatselijk bestuur, burgemeester enz.) voor details over het recyclen van dit product. Zij kunnen dit product accepteren voor milieuvriendelijk recyclen.



Gebruikte batterijen mogen niet met het huishoudelijk afval worden weggegooid aangezien ze giftige stoffen en zware metalen bevatten die schadelijk zijn voor het milieu en de gezondheid. Breng lege batterijen naar een geschikte recycling-faciliteit terug.


**SUBSTANȚĂ INFLAMABILĂ.**

Acest aparat conține R290/propan, un agent frigorific inflamabil.



Consultați manualul operatorului.



Citiți manualul tehnic.



Citiți manualul operatorului.

**INFORMAȚII PRIVIND SIGURANȚA**

Înainte de instalarea și utilizarea aparatului, citiți cu atenție instrucțiunile furnizate. Producătorul nu își asumă nicio răspundere pentru vătămările și daunele provocate de instalarea și utilizarea incorecte. Păstrați întotdeauna instrucțiunile împreună cu aparatul, pentru referință ulterioară.

**SIGURANȚA COPIILOR ȘI A PERSOANELOR VULNERABILE**
**AVERTIZARE**

Pericol de vătămare sau handicap permanent.

Acest aparat poate fi utilizat de copiii cu vârsta de cel puțin 8 ani și de persoanele cu capacități fizice, sensoriale sau mentale reduse ori lipsite de experiență și cunoștințe, cu condiția să fie supravegheate sau instruite cu privire la utilizarea aparatului în condiții de siguranță și să înțeleagă pericolele implicate. Nu lăsați copiii să se joace cu aparatul.

Copiii cu vârsta mai mică de 3 ani trebuie să fie ținuți la distanță, cu excepția cazului în care sunt supravegheați în continuu.

Nu lăsați ambalajele la îndemâna copiilor. Curățarea și întreținerea de către utilizator nu trebuie efectuate de copii nesupravegheați.

**SIGURANȚĂ GENERALĂ**

Acest aparat este destinat utilizării în gospodării și în medii similare, cum ar fi magazine, birouri și alte medii de lucru. Plăcuța de clasificare se află pe partea laterală sau din spate a aparatului. Păstrați deschiderile de ventilație libere de obstrucții.

Nu utilizați dispozitive mecanice sau alte mijloace pentru accelerarea procesului de dezghețare, altele decât cele recomandate de producător. Aparatul nu trebuie depozitat într-o încăpăre cu surse de aprindere care funcționează în mod continuu (flăcări deschise, un dispozitiv cu gaz sau un încălzitor electric în funcțiune etc.). Nu străpungeți aparatul și nu-i dați foc. Atenție: agenții frigorifici pot fi inodori. Nu folosiți pulverizare cu apă și aburi pentru a curăța dispozitivul. Curățați aparatul cu o cârpă moale, umedă. Utilizați numai detergenți neutri. Nu folosiți produse abrazive, lavete abrazive, solvenți sau obiecte metalice. Dacă este deteriorat cablul de alimentare, acesta trebuie înlocuit de către producător, centrul autorizat de service sau persoane calificate în mod similar, pentru a se evita un pericol.

**INSTRUCȚIUNI DE SIGURANȚĂ**
**AVERTIZARE**

Numai o persoană calificată poate instala acest aparat.

Îndepărtați toate materialele de ambalare. Nu instalați și nu folosiți aparatul dacă este deteriorat. Dispozitivul trebuie să fie instalat, exploatat și depozitat într-o încăpăre cu o suprafață utilă mai mare decât 12,5 m<sup>2</sup>. Respectați cu strictețe instrucțiunile de instalare furnizate cu aparatul. Aveți întotdeauna grijă atunci când mutați dispozitivul, deoarece acesta este greu. Purtați întotdeauna mănuși de protecție.

Asigurați-vă că aerul circulă liber în jurul aparatului. Așteptați cel puțin 4 ore înainte de a conecta dispozitivul la priză. Acest lucru permite revenirea uleiului în compresor. Nu instalați dispozitivul în apropierea radiatoarelor sau a altor surse de căldură. Nu instalați aparatul în bătaia directă a razelor soarelui.

**CONEXIUNE ELECTRICĂ**
**AVERTIZARE**

Pericol de incendiu și de electrocutare.

Aparatul trebuie să fie conectat la o priză cu împământare. Asigurați-vă că sursa de curent respectă specificațiile electrice de pe plăcuța indicatoare. În caz contrar, contactați un electrician. Utilizați întotdeauna o priză rezistentă împotriva șocurilor instalată corect. Nu utilizați adaptoare pentru multi-ștechere și cabluri prelungitoare. Asigurați-vă că nu deteriorați componentele electrice (de ex. ștecher, cablu de alimentare). Contactați centrul de service autorizat sau un electrician pentru a schimba componentele electrice. Cablul de alimentare trebuie să fie sub nivelul ștecherului. Conectați ștecherul la priza electrică numai la sfârșitul instalării. Asigurați-vă că există acces la ștecher după instalare. Nu trageți cablul de alimentare pentru a deconecta dispozitivul. Cablul de alimentare se deconectează întotdeauna ținând ștecherul.

**UTILIZARE**
**AVERTIZARE**

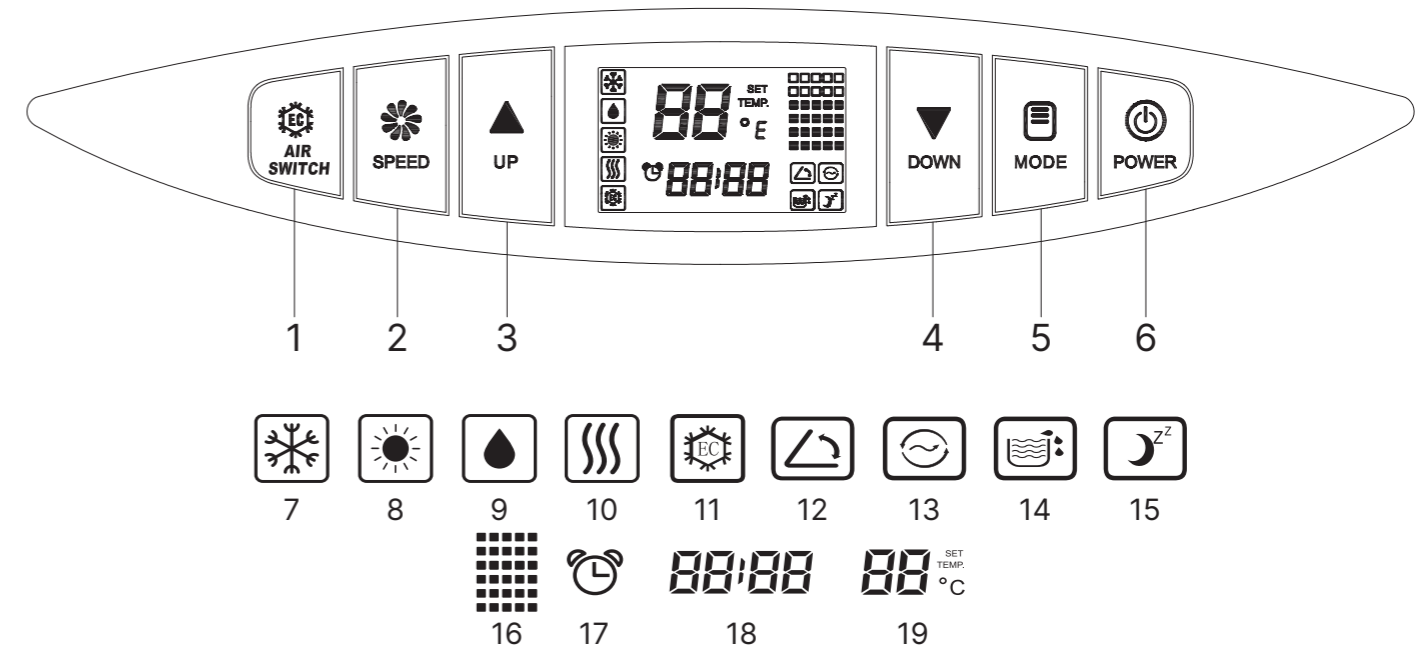
Pericol de vătămare, arsuri, electrocutare sau incendiu.

Nu modificați caracteristicile tehnice ale acestui dispozitiv. Aveți grijă să nu provocați deteriorarea circuitului de agent frigorific. Acesta conține propan (R290), un gaz natural cu un nivel ridicat de compatibilitate cu mediul. Acest gaz este inflamabil. Dacă s-a deteriorat circuitul de agent frigorific, asigurați-vă că în încăpăre nu sunt flăcări și surse de aprindere. Ventilați încăpărea. Nu puneți aproape sau pe aparat produse inflamabile sau obiecte umede cu produse inflamabile.

**ELIMINARE**
**AVERTIZARE**

Pericol de vătămare.

Deconectați aparatul de la rețeaua de alimentare. Tăiați cablul de alimentare și aruncați-l. Circuitul de agent frigorific al acestui aparat este prietenos cu stratul de ozon. Contactați autoritatea locală pentru a obține informații despre dezafectarea corectă a aparatului. Aveți grijă să nu deteriorați partea unității de răcire aflată în apropierea schimbătorului de căldură.



Vă mulțumim pentru achiziția și încrederea dumneavoastră în Wood's. Acest manual vă prezintă modulurile de funcționare ale comutatorului AC Cortina AirSwitch. În toate modurile, aerul este purificat cu ajutorul tehnologiei HEPA.

**Mod de răcire:** Răcește camera la temperatura dorită. Temperatura ambientală optimă de funcționare pentru modelele de răcire este de 17-35°C.

**Mod de încălzire:** Încălzește camera la temperatura dorită. Temperatura ambientală optimă de funcționare, atât pentru modelele de răcire, cât și pentru cele de încălzire, este de 5-35°C. (Notă! Acest mod este disponibil numai la modelul AC cu funcție Duo/încălzire).

**Mod de deumidificare:** Reduce umiditatea din încăpăre.

**Mod ventilator:** Circulă și purifică aerul din încăpăre fără a răci.

**AirSwitch Auto Mode:** Comută automat între răcirea compresorului și AirSwitch. Atunci când temperatura exterioră este mai rece decât temperatura setată, AirSwitch este utilizat pentru a furniza aer exterior mai rece și purificat fără ca compresorul să funcționeze - mai silențios și mai eficient din punct de vedere energetic.

**Mod AirSwitch:** Introduce în încăpăre aer exterior purificat, mai rece, fără a activa compresorul.

**INSTRUCȚIUNI DE UTILIZARE**
**PĂRȚI ALE PRODUSULUI (A SE VEDEA IMAGINEA A ȘI B, PAGINA 2)**

1. Fereastra de recepție a telecomenzii
2. Panou de control
3. Ieșire de aer

4. Filtru HEPA
5. Ansamblul filtrului superior al panoului din spate
6. Conexiune pentru firul senzorului de temperatură exterioră
7. Cablu de alimentare cu fișă
8. Suporturi de înfășurare a cablurilor
9. Ansamblul filtrului inferior al panoului din spate
10. Capac de scurgere
11. Ansamblul de filtrare a panoului lateral
12. Ansamblul de filtrare a panoului lateral
13. Rețea de protecție
14. Compartiment pentru telecomandă
15. Intrarea aerului
16. Conector interior superior (inclusiv filtru)
17. Furtun de admisie a aerului (mic)
18. Adapter pentru furtunul de admisie a aerului (mic) (inclusiv senzor de temperatură exterioră)
19. Kituri pentru ferestre
20. Conector rotund al furtunului de ieșire a aerului
21. Furtun de ieșire a aerului (mare)
22. Adapter pentru furtunul de ieșire a aerului (mare)
23. Țesătură de etanșare pentru furtunul de admisie a aerului

**PANOU DE CONTROL (CONSULTAȚI IMAGINEA C, PAGINA 3)**

1. Butonul AirSwitch
2. Butonul de viteză a ventilatorului
3. Butonul de sus
4. Butonul de jos

5. Butonul Mod
6. Butonul de alimentare
7. Indicatorul modului de răcire
8. Indicatorul modului de încălzire (NOTĂ! Acest simbol este disponibil numai la modelul de curent alternativ cu funcție Duo/încălzire.)
9. Indicatorul modului de deumidificare
10. Indicatorul modului de funcționare a ventilatorului
11. Indicator de mod AirSwitch
12. Indicator de funcție de balansare automată
13. Indicator de înlocuire a filtrului HEPA
14. Indicator de apă plină
15. Indicatorul modului de veghe
16. Indicator de viteză a ventilatorului
17. Indicator de temporizare (NOTĂ! Temporizatorul poate fi setat numai de la telecomandă.)
18. Indicator de temperatură ambientală exterioră; Indicator de timp al temporizatorului
19. Indicator de temperatură setată. Indicator de temperatură ambientală interioară pentru modulurile ventilator, deumidificare și AirSwitch.
20. Indicator Wi-Fi. (NOTĂ! Acest simbol este disponibil numai la modelul AC cu funcția Wi-Fi/Smart Home.)

**MODURI DE LUCRU ȘI FUNCȚII ALE PANOULUI DE COMANDĂ (A SE VEDEA MAI SUS SAU IMAGINEA C, PAGINA 3)**

**Butonul de alimentare (6):** Apăsați această tastă pentru a activa aparatul; se va auzi un sunet melodic, iar aparatul va intra automat în modul de răcire cu o temperatură presetată de 22°C. Ventilatorul va funcționa la o viteză medie. Pentru a dezactiva



unitatea, apăsați din nou această tastă și un sunet melodic va semnala oprirea acesteia.

1. Când unitatea este pornită, fereastra LCD va afișa temperatura setată în modurile Răcire și Încălzire (NOTĂ! Simbolul Încălzire este disponibil numai la modelul AC cu funcție Duo/Încălzire) sau temperatura ambientală în mod Dezumidificare, Mod Ventilator, Mod AirSwitch Auto și Mod AirSwitch. Ventilatorul va începe să funcționeze, iar fereastra de ieșire a aerului se va deschide automat.

2. Toate componentele nu mai funcționează atunci când unitatea este oprită, iar fereastra de ieșire a aerului se va închide automat.

**Butonul Mode (5):** Butonul de mod (5): Apăsați butonul "Mode" pentru a parcurge modurile disponibile pentru confirmare.

• Mod de răcire (7): Răcește camera la temperatura setată (17-35°C).

• Modul de încălzire (8): Încălzește camera la temperatura setată (5-35°C). (NOTĂ! Acest mod este disponibil numai la modelul AC cu funcție Duo/încălzire).

• Mod de dezumidificare (9): Reduce umiditatea din încăpere.

• Modul ventilator (10): Circulă și purifică aerul din încăpere fără a răci.

NOTĂ! Pentru modul AirSwitch Auto și AirSwitch Mode, consultați secțiunea separată pentru "Butonul AirSwitch (1)".

**Butonul jos (4):** Faceți clic pentru a reduce temperatura setată sau pentru a regla în jos.

**Butonul sus (3):** Faceți clic pe acest buton pentru a regla temperatura setată în sus.

NOTĂ! Apăsați butonul Jos (4) sau Sus (3) timp de 2 secunde pentru a mări sau micșora continuu numărul de temperatură la intervale de 0,5 grade. Intervalul de setare a temperaturii este de 17~30°C.

**Butonul pentru viteza ventilatorului (2):** Apăsați butonul de viteză a ventilatorului pentru a selecta viteza ventilatorului la viteză mare, medie sau mică.

NOTĂ! Viteza ventilatorului nu poate fi reglată în modurile Dezumidificare și Adormire.

**Butonul AirSwitch (1):** Apăsați butonul AirSwitch o dată pentru a intra în modul AirSwitch Auto, indicat de indicatorul AirSwitch (11) care clipește pe ecranul LCD. Apăsați din nou butonul AirSwitch pentru a intra în modul AirSwitch, indicat de indicatorul AirSwitch (11) aprins, dar care nu clipește. Apăsați butonul AirSwitch pentru a treia oară pentru a ieși din funcția AirSwitch și a reveni la modul de răcire implicit.

#### DEFINIȚIA MODULUI "AUTO" ȘI A MODULUI AIRSWITCH "AUTO" ȘI A MODULUI AIRSWITCH

AirSwitch Auto Mode: În timpul răcirii încăperii în modul AirSwitch Auto, unitatea

va alterna automat între răcirea cu compresor și funcționarea AirSwitch.

Atunci când temperatura exterioră este cu 2°C sau mai mică decât temperatura setată, aparatul de aer condiționat trece automat de la modul de răcire cu compresor la starea de lucru AirSwitch, aspirând aerul exterior mai rece pentru o răcire mai silențioasă și mai eficientă din punct de vedere energetic. Odată ce temperatura camerei atinge temperatura setată, aparatul de aer condiționat intră în modul de funcționare ventilație.

Mod AirSwitch: În timpul răcirii încăperii în modul AirSwitch, aparatul comută automat între starea de lucru AirSwitch și operațiunea de ventilație.

Atunci când temperatura exterioră este cu 2°C sau mai mică decât temperatura camerei, aparatul de aer condiționat trece automat de la funcționarea prin ventilație la starea de lucru AirSwitch, asigurând o funcționare continuă, silențioasă și mai eficientă din punct de vedere energetic. Odată ce temperatura camerei atinge temperatura setată, aparatul de aer condiționat revine la funcționarea de ventilație. În mod notabil, compresorul rămâne inactiv în acest mod.

#### DEZMINȚIRE MODUL AUTOMAT AL COMUTĂTORULUI DE AER ȘI MODUL AIRSWITCH

Senzorul de temperatură pentru AirSwitch este poziționat în furtunul care aduce aerul exterior în unitate. Anumite circumstanțe pot afecta ocazional precizia și funcționarea senzorului în timpul modului Auto.

Factori care afectează precizia senzorilor:

1. Încălzire cu aer ambiental: Proximitatea surselor de aer cald din încăpere poate influența citirile senzorilor.

2. Carcasă din plastic: În rare cazuri, carcasa din plastic a senzorului poate absorbi căldura, afectându-i performanța.

3. Elemente externe de mediu: Lumina soarelui și vânturile: Expunerea la lumina directă a soarelui sau la vânturile care transferă căldură poate afecta precizia senzorului. Suprafețe reflectorizante: Pereții apropiați care reflectă sau absorb căldura pot perturba funcția automată. În astfel de cazuri, se recomandă modul manual.

4. Traversarea fluxurilor de aer: Vântul sau fluxurile de aer pot provoca variații de temperatură, mai ales dacă furtunul de ieșire interferează cu cel de intrare.

Recomandări:

1. Modul manual Utilizare: În condiții dificile, se recomandă utilizarea modului manual pentru un control precis.

2. Prevenirea supraîncălzirii senzorului: Evitați expunerea senzorului la căldură directă pentru a asigura o detectare precisă a temperaturii.

3. Conștientizarea suprafețelor reflectorizante: Luați în considerare activarea modului manual dacă aveți suprafețe reflectorizante, cum ar fi un perete de cărămidă din apropiere, sau alte perturbări potențiale.

4. Timpul optim de funcționare: Luați în considerare pornirea AirSwitch în modul manual pentru o performanță constantă, în special în timpul somnului.

#### FUNCȚII LA COMBINAREA BUTOANELOR (CONSULTAȚI IMAGINEA C, PAGINA 3)

Funcția de somn (15): Inițiați sau anulați funcția SLEEP prin apăsarea simultană a butonului AirSwitch (1) și a butonului Up (3). Rețineți că viteza ventilatorului nu este reglabilă în funcția Sleep (Somnolență).

• Dacă funcția Sleep este activată în modul de răcire, aceasta crește temperatura setată cu 1°C după 2 ore și apoi o crește cu încă 1°C după alte 2 ore, menținând funcționarea la această temperatură.

• Dacă funcția Sleep (Adormire) este activată în modul Încălzire (disponibil numai la modelul AC cu funcție Duo/încălzire), aceasta scade temperatura setată cu 1°C după 2 ore. Apoi o scade cu încă 1°C după alte 2 ore, funcționând la această temperatură după aceea. NOTĂ! Funcția Sleep (Adormire) va fi ineficientă în modurile Fan (Ventilator), Dehumidificare, AirSwitch Auto și AirSwitch.

Funcția Auto Swing (12): Activați sau dezactivați funcția Auto-Swing prin atingerea simultană a butonului AirSwitch (1) și a butonului de viteză a ventilatorului (2).

#### ALTE FUNCȚII ALE PANOULUI DE CONTROL (CONSULTAȚI IMAGINEA C, PAGINA 3)

Indicator de înlocuire a filtrului HEPA (13): Atunci când aparatul de aer condiționat funcționează mai mult de 500 de ore, pictograma corespunzătoare va apărea pe ecranul LCD, indicând faptul că filtrul HEPA trebuie înlocuit. Pentru a reseta cronometrul și a elimina pictograma, apăsați și mențineți apăsat butonul de viteză a ventilatorului timp de 6 secunde. Această acțiune va anula afișarea pictogramei și va reporni calcularea timpului. Consultați secțiunea Filtru HEPA înlocuibil pentru informații despre cum să schimbați filtrul.

Indicatorul de temperatură ambientală exterioră și Indicatorul de timp al temporizatorului (18): Temperatura ambientală exterioră este afișată în timpul funcționării normale. Atunci când este activată funcția de temporizare a unității, temperatura exterioră și durata temporizatorului vor alterna pe afișaj.

Vă rugăm să rețineți: Un cod de eroare va fi afișat în cazul unei defecțiuni a senzorului de temperatură exterioră sau în cazul unor probleme legate de deschiderea sau închiderea clapetei din partea din spate a unității.

#### FUNCȚIA WIFI (20)

(Se aplică numai la modelul AC cu funcționalitate WiFi/Smart Home.)



1. Descărcați aplicația Wood's Connect din App Store sau Google Play.

2. Înregistrați-vă și urmați instrucțiunile. Acceptați toți pașii. (Citiți cu atenție Politica de confidențialitate și acceptați să continuați.)

3. Deschideți aplicația Wood's Connect și adăugați un dispozitiv.

4. Pentru a intra în modul de împerechere, apăsați și mențineți apăsat butonul AirSwitch de pe unitate timp de 5 secunde pentru a vedea că pictograma Wi-Fi de pe afișaj va clipi rapid.

5. Atunci când detectați dispozitivul pe ecran, adăugați-l. De asemenea, puteți selecta modelul manual.

6. Introduceți setările Wi-Fi și parola.

7. Apăsați + pentru a adăuga unitatea.

8. Așteptați ca dispozitivul să fie adăugat. Acesta este acum gata să fie controlat prin Wi-Fi.

Pentru a deconecta funcția Wi-Fi, apăsați butonul AirSwitch de pe unitate timp de 5 secunde.

#### MODURI DE FUNCȚIONARE A TELECOMENZII (CONSULTAȚI IMAGINEA D, PAGINA 3)

**Putere (1):** Apăsați acest buton pentru a porni unitatea atunci când este sub tensiune sau pentru a opri unitatea atunci când este în funcțiune.

**Butonul Mode (2):** Apăsați acest buton pentru a selecta modul de funcționare.

**Butonul AirSwitch (3):** Apăsați acest buton pentru a seta sau anula modul AirSwitch.

1. Apăsați o dată butonul AirSwitch pentru a intra în modul automat AirSwitch, indicat de simbolul intermitent "ENERGY SAVER" (Economizor de energie) de pe afișajul LCD.

2. Apăsați din nou butonul AirSwitch pentru a intra în modul AirSwitch. Simbolul "ENERGY SAVER" va fi aprins, dar nu va clipi.

3. Apăsați butonul AirSwitch pentru a treia oară pentru a ieși din funcția AirSwitch și a reveni la modul de răcire implicit.

**Butonul sus (4):** Apăsați butonul sus pentru a crește temperatura camerei și setarea

temporizatorului.

**Butonul jos (5):** Apăsați butonul de coborâre pentru a reduce temperatura camerei și setarea temporizatorului.

**Butonul ventilator (6):** Apăsați acest buton pentru a selecta succesiv viteza ventilatorului: Low, Medium, High.

**Butonul Auto Swing (7):** Apăsați acest buton pentru a activa sau dezactiva funcția de înclinare automată.

**Butonul Sleep (8):** Apăsați acest buton pentru a selecta sau a anula modul de repaus (eficient numai în cazul funcționării cu răcire sau încălzire)

**Butonul Timer (9):** Setează funcția AUTO-ON în starea de așteptare și AUTO-OFF atunci când aparatul funcționează. Timpul poate fi reglat între 1-24 ore. Pentru a opri temporizatorul, apăsați butonul de temporizare și setați temporizatorul pe "0".

Înainte de a utiliza telecomanda, instalați bateriile AAA urmând acești pași: (CONSULTAȚI IMAGINEA D, PAGINA 3)

1. Glisați și îndepărtați ușor capacul bateriei situat pe partea din spate a telecomenzii.

2. Introduceți două baterii alcaline AAA noi în compartimentul pentru baterii desemnat, asigurându-vă că polaritatea este corectă.

3. Montați din nou capacul bateriei, asigurându-vă că fila de blocare se fixează bine în poziție.

NOTĂ!

• Utilizați numai baterii alcaline. Nu utilizați baterii reincărcabile.

• Înlocuiți întotdeauna ambele baterii cu baterii noi; nu amestecați bateriile vechi cu cele noi.

• Scoateți bateriile de pe telecomandă dacă aparatul de aer condiționat nu va fi utilizat pentru o perioadă îndelungată.

#### STOCAREA TELECOMENZII (CONSULTAȚI IMAGINEA E, PAGINA 3)

1. Introduceți telecomanda într-un compartiment încorporat din partea stângă a aparatului și împingeți-o ușor pentru a o închide.

2. Apăsați ușor partea inferioară a compartimentului încorporat pentru a-l deschide și scoateți telecomanda.

NOTĂ! Pentru a evita pierderea telecomenzii, vă rugăm să o puneți în locul de depozitare atunci când nu o utilizați.

AVERTISMENT: În cazul în care bateria se scurge pe piele sau pe haine, spălați imediat zona afectată cu apă curată. Abțineți-vă de la utilizarea telecomenzii în cazul în care există urme de scurgere a bateriei. În cazul ingerării lichidului bateriei, solicitați imediat asistență medicală. Substanțele chimice prezente în baterii pot prezenta riscuri precum arsuri și alte pericole pentru sănătate.

## INSTALARE

### ÎNAINTE DE PRIMA UTILIZARE

Lăsați aparatul să stea în poziție verticală timp de 4 ore înainte de a-l pune în funcțiune.

Acest aparat de aer condiționat este proiectat pentru o relocare convenabilă în interior. Asigurați-vă că unitatea rămâne în poziție verticală în timpul mutării. Așezați aparatul de aer condiționat pe o suprafață plană. Nu instalați și nu folosiți acest aparat de aer condiționat în băi sau în alte medii umede.

### INSTALAȚI FILTRUL HEPA (CONSULTAȚI IMAGINEA F, PAGINA 3)

1. Ridicați pachetul filtrului HEPA în sus.

2. Îndepărtați punga de ambalare de pe filtrul HEPA. (NOTĂ! Punga de ambalare îndepărtată trebuie plasată departe de copii)

3. Instalați filtrul HEPA, aliniindu-l cu fanta ramei ecranului și apăsându-l ferm în ea. Filtrul HEPA trebuie să fie apăsat până la bază.

Acest filtru HEPA H11 Wood's HEPA are un rol în purificarea aerului. Acesta captează și îndepărtează eficient particule precum praful, polenul, sporii de mucegai, bacteriile și chiar particulele mici de fum din aer, asigurând un mediu interior mai curat și mai sănătos.

NOTĂ! Schimbați filtrul HEPA cel puțin o dată pe an. Înregistrați-vă la warranty-woods.com și schimbați filtrul HEPA o dată pe an pentru o garanție de 6 ani. Valabil numai cu un filtru de marcă Wood's. Consultați woods.se pentru comerțianții cu amănuntul. PĂSTRAȚI-VĂ CHITANȚELE!

### INFORMAȚII IMPORTANTE ÎNAINTE DE INSTALAREA FURTUNURILOR DE AER

În timpul funcționării, mențineți furtunurile cât mai scurte și cu cât mai puține curbe posibil pentru a minimiza căderea de presiune și pierderea de capacitate. Furtunul de ieșire a aerului trebuie să rămână neted pentru a preveni supraîncălzirea și potențiala deteriorare a aparatului de aer condiționat. Furtunurile au o lungime de 280 mm~1500 mm. Evitați să prelungiți furtunurile sau să le înlocuiți cu un alt furtun, ceea ce poate afecta funcționarea.

### INSTALAREA ANSAMBLULUI FURTUNULUI DE IEȘIRE A AERULUI ȘI A ADAPTORULUI ACESTUIA. (CONSULTAȚI IMAGINEA G ȘI H, PAGINA 4)

1. Îndepărtați punga de plastic extrăgând din ambalaj furtunul de ieșire a aerului (mare), conectorul și adaptorul acestuia.

2. Întindeți un capăt al furtunului de ieșire a aerului și atașați conectorul rotund, rotindu-l în sens invers acelor de ceasornic pentru cel puțin trei rotații.

## Instrucțiuni de utilizare

3. Întindeți celălalt capăt al furtunului de ieșire a aerului și fixați adaptorul prin rotirea acestuia în sens invers acelor de ceasornic timp de cel puțin trei rotații.

4. Așezați capătul din față al ansamblului furtunului de evacuare a aerului pe creștătura desemnată a furtunului de evacuare a aerului situată pe panoul din spate. Elementele de fixare vor bloca în siguranță ansamblul furtunului de ieșire a aerului.

5. Instalați furtunul de evacuare a aerului pe unitate.

NOTĂ! Asigurați-vă că orientarea corectă a laturii înclinate a adaptorului este corectă pentru instalarea ușoară a plăcii de etanșare a ferestrei. Mențineți o conexiune sigură și bine poziționată a furtunului de ieșire a aerului.

### INSTALAȚI FURTUNUL DE ADMISIE A AERULUI (CONSULTAȚI IMAGINEA I, J, K, PAGINA 4)

1. Îndepărtați punga de plastic extrăgând din ambalaj furtunul de admisie a aerului (cel mai mic), conectorul și adaptorul acestuia.

2. Întindeți un capăt al furtunului de admisie a aerului și conectați-l la conectorul care conține un senzor, rotindu-l în sens invers acelor de ceasornic pentru minimum trei rotații.

3. Așezați pânda de etanșare în jurul furtunului de admisie a aerului, asigurându-vă că firul de detectare a temperaturii este, de asemenea, inclus în pânda de etanșare. Prolungați celălalt capăt al furtunului de admisie a aerului și conectați-l la conector prin rotirea acestuia în sens invers acelor de ceasornic (trei rotații). În cele din urmă, întindeți pânda de etanșare pentru a acoperi conectorul rotund.

4. Instalați furtunul de admisie a aerului pe unitate, asigurându-vă că săgeata "IN" este îndreptată în jos.

### LINEI FIXĂ DE DETECTARE A TEMPERATURII (CONSULTAȚI IMAGINEA L, PAGINA 4)

Introduceți conectorul cablului de detectare a temperaturii în conectorul unității. Există un punct de marcat alb pe conector. La conectare, cele două puncte albe trebuie să fie aliniat unul cu celălalt, apoi strângeți fișa în sensul acelor de ceasornic.

Ar trebui să atârne liber în aer.

NOTĂ! Tensiunea conectorului cablului de detectare a temperaturii este o tensiune sigură, nu mai mare de 5 V c.c.

### INSTALAREA PLĂCII DE ETANȘARE A FERESTREI (A SE VEDEA IMAGINEA M, N, O, PAGINA 5)

1. Instalați capătul dreptunghiular al ansamblului de furtunuri în orificiile dreptunghiulare corespunzătoare din ansamblul placă de etanșare a ferestrei și

fixați-l cu un șurub.

NOTĂ!

- Glišați adaptoarele în jos, asigurându-vă că sunt bine instalate.

- Confirmați că direcția panoului înclinat se aliniază cu direcția plăcii de etanșare.

- Asigurați-vă că furtunurile nu sunt îndoite și că mențin un unghi de îndoire mai mare de 45° pentru a asigura o ventilație adecvată.

2. Deschideți fereastra la jumătate și introduceți placa de etanșare în fereastră, poziționând-o fie vertical, fie orizontal. Pentru instalarea verticală, plasați furtunul de ieșire a aerului în partea de sus, astfel încât aerul cald care iese să nu interfereze cu senzorul de pe furtunul de admisie a aerului.

3. Extindeți piesele plăcii de etanșare și reglați-le pentru a se potrivi cu lungimea ferestrei. Asigurați-vă că ambele capete se întâlnesc cu marginile ferestrei și fixați-o în poziție cu ajutorul șuruburilor.

NOTĂ! Confirmați că ambele capete ale plăcii de etanșare a ferestrei se întâlnesc eficient cu marginile ferestrei pentru o etanșare corespunzătoare.

Asigurați-vă că șuruburile sunt bine strânse în poziția corectă.

4. Reglați poziția capului de detectare a temperaturii exterioare și coborâți tija de reglare în partea inferioară a treptei de perete de sub fereastră.

NOTĂ! Senzorul trebuie să atârne liber în aer și cât mai departe posibil de aerul cald al furtunului de ieșire a aerului.

5. Deplasați aparatul cu furtunurile montate în fața ferestrei și păstrați aparatul la o distanță de cel puțin 50 cm de pereți sau alte obiecte.

### ENERGIZAȚI UNITATEA

Pentru a alimenta unitatea, conectați-o la priză. Toate pictogramele din fereastră LCD se vor aprinde timp de 2 secunde, însoțite de un scurt sunet de reamintire. În continuare, fereastra LCD va afișa temperatura ambientală interioară în intervalul de la 5°C la 35°C și temperatura ambientală exterioară în intervalul de la -9°C la 65°C. Unitatea se va afla apoi în modul de așteptare și va fi gata de funcționare.

**Unitatea este acum gata de utilizare!**

## ÎNTREȚINERE

NOTĂ! Opriți aparatul și scoateți ștecherul din priză înainte de întreținere.

### INSTRUCȚIUNI DE DRAJ (CONSULTAȚI IMAGINEA P, PAGINA 5)

Cea mai mare parte a apei va fi eliminată în mod natural prin furtunul de evacuare a aerului, odată cu aerul cald. Dacă trebuie

să goliți rezervorul, unitatea vă va anunța. (A se vedea IMAGINEA C, PAGINA 3, nr. 14)

Pentru a goli rezervorul de apă: Deșurubați capacul de scurgere și deconectați fișa de apă pentru a permite apei să curgă în tavă. NOTĂ: Aveți grijă pentru a preveni scurgerile dacă unitatea trebuie să fie mutată. Înclinați ușor unitatea pe spate în timpul golirii. Dacă tava nu poate conține toată apa din unitate, blocați prompt orificiul de scurgere pentru a preveni scurgerile de apă și pentru a evita umezirea podelei sau a covorului. Asigurați-vă că bușonul de apă și capacul de scurgere sunt bine instalate pentru a preveni ca apa condensată nouă să ude podeaua sau covorul la repornirea unității.

Conectarea unui furtun de apă pentru o scurgere continuă: Deșurubați capacul de scurgere și scoateți dopul de apă. Atașați un furtun de apă cu diametrul interior de 12 mm la conducta de pe unitate. (Furtunul de apă nu este inclus). Duceți celălalt capăt al furtunului de apă la o scurgere. Asigurați-vă că apa poate fi drenată în jos. NOTĂ: Trebuie instalat un furtun de scurgere atunci când nu există apă în tavă. Se recomandă să nu folosiți scurgerea continuă atunci când unitatea este în modul de răcire pentru a asigura reciclarea unei cantități suficiente de apă în interiorul unității pentru a spori efectele de răcire ale sistemului. Așezați furtunul de scurgere într-un loc inaccesibil, asigurându-vă că nu este poziționat mai sus decât orificiul de scurgere și păstrați furtunul de scurgere drept, fără coturi. Asigurați-vă că capacul de scurgere și opritorul acestuia sunt fixate corespunzător atunci când se utilizează drenajul continuu.

### FUNCȚII MULTIPLE DE PROTECȚIE

Dezghețare automată: Aparatul va dezgheța automat atunci când este necesar. În modul de dezghețare, pe afișaj apare E4 și niciun buton, cu excepția butonului POWER, nu este activ.

Protecția compresorului: Unitatea are o funcție de protecție a compresorului care determină o întârziere de 3 minute la pornire după repornirea unității.

Alarma de siguranță pentru umplerea apei și funcția de protecție la închidere: Atunci când volumul de apă depășește nivelul de alarmă desemnat în interiorul șasiului unității, se declanșează o alertă de avertizare automată, însoțită de iluminarea pictogramei de umplere a apei pe ecranul LCD. În acest caz, este necesar să se evacueze apa condensată, urmând instrucțiunile furnizate în secțiunea "Instrucțiuni de evacuare". Dacă unitatea nu este oprită manual, aceasta va reveni automat la starea inițială de funcționare odată ce apa condensată este complet drenată. Alternativ, reconectați alimentarea pentru a reporni unitatea.

### CURĂȚAREA SUPRAFEȚELOR

- Curățați suprafața unității cu o cârpă moale și umedă și nu utilizați solvenți

chimici, cum ar fi alcoolul și benzina, pentru a evita orice deteriorare.

- Curățați orificiul de evacuare a aerului sau lamelele murdare cu o cârpă moale umedă și un detergent ușor.

- Este interzisă utilizarea oricărui solvent chimic pentru curățarea unității sau plasarea unor astfel de lucruri în apropierea unității pentru o perioadă lungă de timp.

- Orice diluant, alcool-glazură sau solvenți similari sunt interzise pentru curățarea unității.

### CURĂȚAREA FILTRULUI LAVABIL (CONSULTAȚI IMAGINEA Q, PAGINA 5)

Este esențial să curățați filtrul o dată la două săptămâni pentru a preveni ca performanța unității să fie afectată de acumularea de praf. Scufundați și spălați ușor filtrul în apă caldă (aproximativ 40°C) amestecată cu un detergent neutru. După curățare, reinstalați-l din nou pe unitate.

Curățați filtrul furtunului de admisie a aerului (A): Ridicați conectorul, apoi scoateți cadrul filtrului din conector și curățați-l.

Curățați ramele superioare stânga și dreapta ale filtrului de admisie a aerului (B): Trageți cadrele filtrelor de aer de admisie superioare stânga și dreapta spre părțile lor respective. Curățați bine cadrul.

Curățați filtrele inferioare (C): Scoateți filtrele inferioare, apoi scoateți filtrul din spate și curățați-l.

Curățați filtrele laterale (D): Scoateți filtrele laterale, apoi și curățați-le.

NOTĂ! Scoateți ușor filtrul, acordând prioritate la scoaterea filtrului de pe panoul din spate înaintea celui de pe panoul lateral pentru a preveni orice răsucire sau deteriorare. Aveți grijă să nu striviți plasa și evitați să loviți plasa cu obiecte ascuțite sau perii.

NOTĂ! Asigurați-vă că filtrul este instalat pe panoul lateral înainte de a instala filtrul pe panoul din spate.

Montați filtrul în direcția opusă celei de îndepărtare.

### FILTRU HEPA ÎNLOCUIBIL (CONSULTAȚI IMAGINEA F, PAGINA 3)

Această unitate purifică aerul cu ajutorul tehnologiei HEPA. Filtrul trebuie schimbat în mod regulat și cel puțin o dată pe an.

1. Ridicați filtrul HEPA în sus.

2. Instalați filtrul HEPA, aliniați-l cu fanta cadrului de ecran și apăsați-l în jos în cadrul de ecran. Filtrul HEPA trebuie să fie apăsat până la bază.

NOTĂ! Asigurați-vă că utilizați un filtru HEPA original Wood's pentru a menține acoperirea garanției. Vizitați woods.se pentru mai multe informații și pentru a localiza comerțianții cu amănuntul.

## Instrucțiuni de utilizare



### DEPOZITARE LA SFÂRȘITUL SEZONULUI

1. Deșurubați capacul de scurgere și scoateți dopul de apă pentru a scurge complet apa condensată. NOTĂ: Unghiul de înclinare al unității trebuie să fie ≤30 de grade.

2. Acționați aparatul în modul ventilator timp de o jumătate de zi pentru a usca bine interiorul și a preveni apariția mușcăliului.

3. Opriți aparatul, scoateți-l din priză, înfășurați cablul de alimentare în jurul pilonului de înfășurare a firelor, introduceți ștecherul în orificiul universal de fixare de pe panoul din spate și reinstalați dopul de apă și capacul de scurgere.

4. Îndepărtați ansamblul furtunului de evacuare a aerului, curățați-l și depozitați-l corespunzător. NOTĂ: Țineți ansamblul furtunului de ieșire a aerului cu ambele mâini atunci când îl scoateți.

5. Împingeți deoparte elementele de fixare de pe furtunul de evacuare a aerului cu ajutorul degetelor mari, apoi scoateți ansamblul furtunului de evacuare a aerului.

6. Împachetați bine aparatul de aer condiționat într-o pungă de plastic moale, plasați-l într-un loc uscat, cu măsuri adecvate de protecție împotriva prafului și păstrați-l departe de accesul copiilor.

7. Scoateți bateriile din telecomandă și depozitați-le în mod corespunzător.

NOTĂ: Asigurați-vă că unitatea este depozitată într-un mediu uscat. Protejați toate accesoriile unității în mod colectiv pentru a preveni deteriorarea sau deteriorarea.

## GARANȚII

Garanție de doi ani împotriva defectelor de fabricație. Vă rugăm să rețineți că garanția este valabilă numai la prezentarea chitanței de cumpărare. PĂSTRAȚI-VĂ CHITANȚELE! Chitanțele vor fi necesare pentru orice solicitare de garanție în această perioadă.

### OBȚINEȚI GARANȚIE EXTINSĂ

Obțineți o garanție de 6 ani înregistrându-vă la warranty-woods.com. Asigurați longevitatea garanției dvs. prin înlocuirea anuală a filtrului HEPA original Woods. Rețineți că garanția este valabilă în anumite condiții specifice: înregistrarea la timp a produsului în termen de 90 de zile, înlocuirea anuală a filtrului HEPA și păstrarea chitanțelor atât pentru filtre, cât și pentru unitate. PĂSTRAȚI-VĂ CHITANȚELE! Toate chitanțele vor fi necesare pentru orice solicitare de garanție în această perioadă.

## REZOLVAREA PROBLEMELOR

Vă rugăm să verificați aparatul și să urmați sugestiile de mai jos înainte de a solicita asistență profesională. Cu toate acestea, nu încercați niciodată să demontați sau să reparați singur unitatea, deoarece vă puteți afecta pe dumneavoastră și bunurile dumneavoastră. Dacă apar probleme care nu sunt enumerate în tabel sau dacă soluțiile recomandate nu funcționează, vă rugăm să contactați o organizație profesională de service.

PROBLEME	CAUZA	REMEDIU
Unitatea nu reușește să pornească.	Înteruperea alimentării cu energie electrică.	Conectați aparatul la o priză sub tensiune și porniți-l.
	Rezervor de apă plin cu pictograma iluminată corespunzătoare.	Scurgeți apa stocată în unitate.
	Temperatura camerei este mai mică decât temperatura setată în modul Răcire sau mai mare în modul Încălzire.	Asigurați-vă că unitatea funcționează în intervalul de temperatură recomandat de 8-35°C. Reglați temperatura setată.
Răcire insuficientă.	Există lumină solară directă.	Închideți perdeaua de la fereastră.
	Ușile și ferestrele sunt deschise, camera este aglomerată sau există alte surse de căldură.	Închideți ușile și ferestrele, îndepărtați alte surse de căldură și luați în considerare adăugarea de aparate de aer condiționat suplimentare.
	Filtru murdar.	Curățați sau înlocuiți plasa filtrului.
	Intrarea sau ieșirea de aer este înfundată.	Îndepărtați orice obstacol.
Nivel ridicat de zgomot.	Unitatea este amplasată pe o suprafață neuniformă.	Așezați unitatea într-un loc plat și ferm (poate reduce zgomotul)
Compresorul nu funcționează.	Inițierea protecției la supraîncălzire.	Așteptați până când temperatura scade, aparatul va reporni automat
Telecomanda nu funcționează.	Distanța dintre unitate și telecomandă este prea mare.	Apropiati telecomanda de aparatul de aer condiționat și asigurați aerul la receptorul de semnal de pe unitate.
	Telecomanda nu este îndreptată spre receptorul de semnal de pe unitate.	
	Bateriile s-au epuizat.	Înlocuiți bateriile
Se afișează codul "CH01".	Defecțiune a senzorului de temperatură a camerei.	Verificați senzorul de temperatură a camerei și circuitele aferente.
Se afișează codul "CH02".	Defecțiune a senzorului de temperatură de la evaporator.	Verificați senzorul de temperatură a evaporatorului și circuitele.
Se afișează codul "E4".	Protecție anti-îngheț.	Funcțiile vor fi restabilite automat odată ce protecția anti-îngheț se termină.
Se afișează codul "E5".	Defecțiune a senzorului de temperatură exterioară.	Verificați senzorul de temperatură exterioară și circuitele aferente. Verificați dacă interfața cablului senzorului de temperatură exterioară este conectată corect.
Se afișează codul "E6".	Eșecul deschiderii ușii.	Verificați dacă clapeta de comutare a aerului este complet deschisă în modul de răcire și inspectați circuitele aferente.
Se afișează codul "E7".	Eșecul închiderii ușii.	În modul AirSwitch, asigurați-vă că clapeta îndeplinește condițiile de închidere și că clapeta comutatorului de aer este complet închisă; inspectați circuitele aferente.
Se afișează codul "FL".	Rezervorul de apă din șasiu este plin.	Scurgeți condensul și porniți din nou unitatea.

## SPECIFICAȚII TEHNICE

MODEL NO.	AC CORTINA 12K AIRSWITCH	AC COTINA 12K AIRSWITCH SMART HOME DUO A+
Capacitate de răcire	3,520 W	3,500 W
Capacitate de încălzire	N/A	2,900 W
Consumul de energie în modul de răcire	1,350 W	1,120W
Consumul de energie în modul de încălzire	N/A	960 W
Consumul de energie în modul AirSwitch	56W	32W
Fluxul de aer	220-320 (m³/h)	220-320 (m³/h)
Clasa energetică	A	A+
Dezumidificare	33,6 L / 24h	33,6 L / 24h
Setarea temperaturii	17-30°C	17-30°C
Temperatura de lucru	17-43°C	5-43°C
EER în modul răcire	2,6	3,1
EER în modul AirSwitch	5	8
Lungimi de furtun	1,5 m	1,5 m
Gaz refrigerant	R290/260g	R290/250g
Nivelul sonor în modul de răcire (LWA) (dB(A))	60-64 dB	60-64 dB
Nivelul sonor în modul de răcire (LPA) (dB(A))	49-52 dB	49-52 dB
Nivelul sonor în modul AirSwitch (LWA)(dB(A))	49,5-51 dB	49,5-51 dB
Nivelul sonor în modul AirSwitch (LPA) (dB(A))	35-38 dB	35-38 dB
Greutate netă	30kg	31 kg
Dimensiuni dispozitiv (H×L×P)	850×471×400mm	850×471×400mm

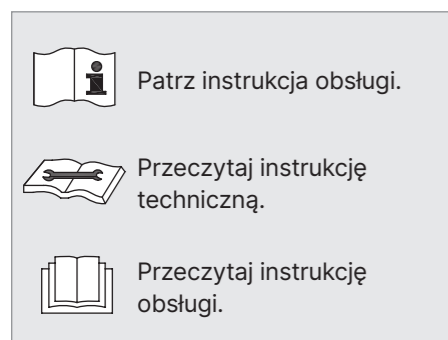
**Pot apărea modificări și îmbunătățiri tehnice. Toate valorile sunt aproximative și pot varia în funcție de circumstanțe externe, cum ar fi temperatura, ventilația și umiditatea.**



Acest marcaj indică faptul că acest produs nu trebuie eliminat cu alte deșeurii menajere, prevedere valabilă peste tot în Marea Britanie și UE. Pentru a preveni eventualele prejudicii aduse mediului sau sănătății umane din cauza eliminării necontrolate a deșeurilor, reciclați aparatul în mod responsabil pentru a promova reutilizarea durabilă a resurselor materiale. Pentru a ne returna aparatul, vă rugăm să utilizați sistemele de returnare și colectare sau să contactați distribuitorul de la care a fost achiziționat produsul. Acesta poate prelua acest produs în vederea reciclării în condiții de siguranță a mediului.



Bateriile uzate nu trebuie aruncate împreună cu gunoierul menajer, deoarece ele pot conține elemente toxice și metale grele care pot fi dăunătoare pentru mediu și pentru sănătatea umană. Returnați bateriile goale către o facilitată adecvată pentru reciclare.



## INFORMACJE DOTYCZĄCE BEZPIECZEŃSTWA

Przed zainstalowaniem i użytkowaniem urządzenia należy uważnie zapoznać się z dołączoną instrukcją obsługi. Producent nie ponosi odpowiedzialności w razie odniesienia obrażeń bądź powstania szkód na skutek nieprawidłowego montażu lub niewłaściwego użytkowania. Instrukcję obsługi urządzenia przechowuj zawsze razem z urządzeniem, żeby w razie potrzeby móc się do niej odwołać w przyszłości.

## BEZPIECZEŃSTWO DZIECI ORAZ OSÓB SZCZEGÓLNIE PODATNYCH NA ZAGROŻENIA

**OSTRZEŻENIE**  
Niebezpieczeństwo odniesienia obrażeń i trwałej utraty sprawności.

Urządzenie będące przedmiotem tej instrukcji może być używane przez dzieci w wieku od lat 8 wzwyż, przez osoby o ograniczonej sprawności ruchowej, sensorycznej bądź umysłowej oraz przez osoby niemające odpowiedniego doświadczenia tylko pod warunkiem, że podczas użytkowania pozostają pod nadzorem albo zostały uprzednio poinstruowane w zakresie bezpiecznego użytkowania urządzenia i rozumieją związane z tym zagrożenia. Nie zezwalać dzieciom na zabawę urządzeniem.

Dzieci poniżej 3. roku życia powinny przebywać z dala od urządzenia, chyba że znajdują się pod stałym

nadzorem.

Przechowywać wszystkie opakowania z dala od dzieci. Czyszczenie i konserwacja przez użytkownika nie mogą być wykonywane przez dzieci bez nadzoru.

## BEZPIECZEŃSTWO OGÓLNE

To urządzenie jest przeznaczone do użytku w gospodarstwach domowych i podobnych środowiskach, takich jak sklepy, biura i inne środowiska pracy. Tabliczka znamionowa znajduje się z boku lub z tyłu urządzenia. Otwory wentylacyjne powinny być wolne od przeszkód.

Procesu rozmrażania nie należy przyspieszać za pomocą urządzeń mechanicznych ani żadnych środków innych niż zalecane przez producenta. Urządzenie nie może być przechowywane w pomieszczeniu, w którym stale działają źródła zapłonu (otwarty ogień, pracujące urządzenie gazowe, pracujący grzejnik elektryczny itp.). Nie dziurawić i nie przypalać. Należy pamiętać, że czynniki chłodnicze mogą nie wydzielać zapachu. Nie czyścić urządzenia rozpyloną wodą ani parą. Czyścić urządzenie wilgotną, miękką ściereczką. Stosować wyłącznie deterenty obojętne. Nie używać substancji ściernych, szorstkich akcesoriów czyszczących, rozpuszczalników ani przedmiotów metalowych. Jeśli przewód zasilający jest uszkodzony, musi zostać wymieniony przez producenta, w autoryzowanym punkcie serwisowym lub przez wykwalifikowane osoby, aby uniknąć zagrożenia.

## WSKAZÓWKI BEZPIECZEŃSTWA

**OSTRZEŻENIE**  
Urządzenie może być instalowane wyłącznie przez wykwalifikowaną osobę.

Usunąć wszystkie opakowania. Urządzenia uszkodzonego nie instalować ani nie używać. Urządzenie powinno być zainstalowane, obsługiwane i przechowywane w pomieszczeniu o powierzchni podłogi większej niż 12,5m<sup>2</sup>. Należy ściśle przestrzegać instrukcji montażu dostarczonej wraz z urządzeniem. Zawsze należy zachować ostrożność podczas przenoszenia urządzenia, ponieważ jest ciężkie. Zawsze nosić rękawice ochronne.

Dopilnować, żeby powietrze mogło krążyć wokół urządzenia. Odczekać co najmniej 4 godziny przed podłączeniem urządzenia do gniazda zasilania. Ma to na celu umożliwienie powrotu oleju do sprężarki. Nie instalować urządzenia w pobliżu grzejników bądź innych źródeł ciepła. Nie należy instalować urządzenia w miejscu narażonym na bezpośrednie

działanie promieni słonecznych.

## PODŁĄCZENIE ELEKTRYCZNE

**OSTRZEŻENIE**  
Niebezpieczeństwo pożaru i porażenia prądem elektrycznym.

Urządzenie musi być podłączone do uziemionego gniazdka. Upewnić się, że informacje elektryczne na tabliczce znamionowej są zgodne z parametrami zasilania. W przeciwnym razie skontaktować się z elektrykiem. Należy zawsze używać prawidłowo zainstalowanego gniazda odpornego na wstrząsy. Nie należy używać adapterów i przedłużaczy wielogniazdowych. Należy uważać, aby nie uszkodzić elementów elektrycznych (np. wtyczki, kabla). W celu wymiany części elektrycznych należy skontaktować się z autoryzowanym punktem serwisowym lub elektrykiem. Kabel musi znajdować się poniżej poziomu wtyczki. Podłączyć wtyczkę do gniazdka elektrycznego dopiero po zakończeniu instalacji. Po zakończeniu instalacji należy upewnić się, że wtyczka jest podłączona do gniazdka. Nie ciągnąć za kabel zasilający w celu odłączenia urządzenia. Kabel zasilający należy zawsze odłączać tylko od wtyczki.

## UŻYTKOWANIE

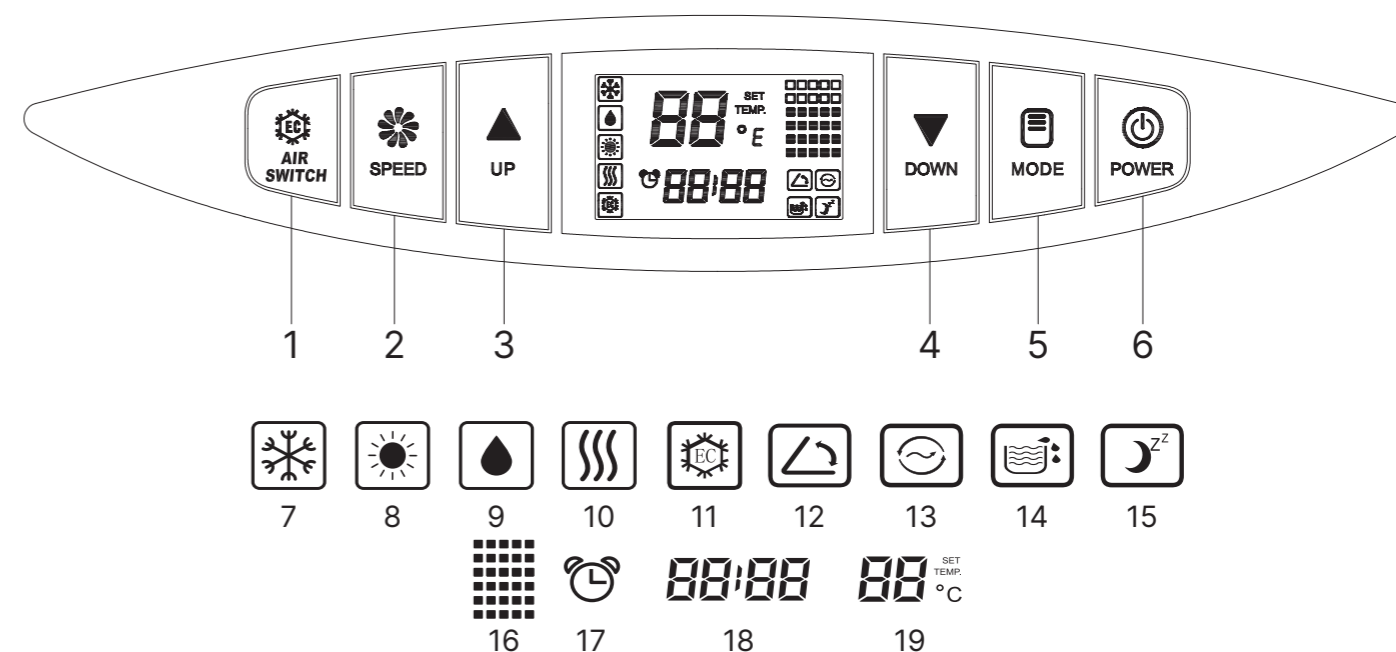
**OSTRZEŻENIE**  
Niebezpieczeństwo obrażeń, oparzeń, porażenia prądem elektrycznym lub pożaru.

Nie należy zmieniać specyfikacji urządzenia. Uważać, aby nie uszkodzić obiegu czynnika chłodniczego. Zawiera on propan (R290), gaz ziemny o wysokim poziomie ekologiczności. Gaz ten jest łatwopalny. Jeśli obieg czynnika chłodniczego ulegnie uszkodzeniu, należy upewnić się, że w pomieszczeniu nie ma płomieni ani źródeł zapłonu. Przewietrzyć pomieszczenie. Nie należy umieszczać produktów łatwopalnych lub mokrych przedmiotów z produktami łatwopalnymi w pobliżu lub na urządzeniu.

## UTYLIZACJA

**OSTRZEŻENIE**  
Niebezpieczeństwo odniesienia obrażeń.

Odłączyć urządzenie od zasilania sieciowego. Odłączyć kabel sieciowy i wyrzucić go. Obiegocynnika chłodniczego urządzenia jest przyjazny dla warstwy ozonowej. Należy skontaktować się z lokalnymi władzami, aby uzyskać informacje o tym, jak prawidłowo pozbyć się urządzenia. Nie wolno dopuścić do uszkodzenia części zespołu chłodzenia urządzenia położonej przy wymienniku ciepła.



Dziękujemy za zakup i zaufanie firmie Wood's. Niniejsza instrukcja przedstawia tryby pracy urządzenia AC Cortina AirSwitch. We wszystkich trybach powietrze jest oczyszczane przy użyciu technologii HEPA.

**Tryb chłodzenia:** Chłodzi pomieszczenie do żądanej temperatury. Optymalna temperatura otoczenia dla modeli chłodzących wynosi 17-35°C.

**Tryb ogrzewania:** Ogrzewa pomieszczenie do żądanej temperatury. Optymalna temperatura otoczenia dla obu modeli chłodzenia i ogrzewania wynosi 5-35°C. (Uwaga! Ten tryb jest dostępny tylko w modelu AC z funkcją Duo/grzania).

**Tryb osuszania:** Zmniejsza wilgotność w pomieszczeniu.

**Tryb wentylatora:** Cyrkuje i oczyszcza powietrze w pomieszczeniu bez chłodzenia.

**Tryb automatyczny AirSwitch:** Automatycznie przełącza pomiędzy chłodzeniem sprężarkowym a AirSwitch. Gdy temperatura zewnętrzna jest niższa niż ustawiona, AirSwitch jest używany do dostarczania chłodniejszego i oczyszczonego powietrza zewnętrznego bez pracy sprężarki - ciszej i bardziej energooszczędnie.

**Tryb AirSwitch:** Wprowadza chłodniejsze, oczyszczone powietrze zewnętrzne do pomieszczenia bez aktywacji sprężarki.

## INSTRUKCJA OBSŁUGI

### CZĘŚCI PRODUKTU (PATRZ ILUSTRACJE A I B, STRONA 2)

- Okno odbiorcze pilota zdalnego sterowania
- Panel sterowania
- Wylot powietrza

- Filtr HEPA
- Zespół górnego filtra panelu tylnego
- Podłączenie przewodu czujnika temperatury zewnętrznej
- Przewód zasilający z wtyczką
- Wsporniki do nawijania kabli
- Zespół dolnego filtra panelu tylnego
- Pokrywa spustu
- Zespół filtra panelu bocznego
- Zespół filtra panelu bocznego
- Siatka ochronna
- Komora pilota zdalnego sterowania
- Wlot powietrza
- Górne złącze wewnętrzne (z filtrem)
- Wąż wlotu powietrza (mały)
- Adapter do węża wlotu powietrza (mały) (w tym czujnik temperatury zewnętrznej)
- Zestawy okienne
- Okrągłe złącze węża wylotu powietrza
- Wąż wylotowy powietrza (duży)
- Adapter do węża wylotowego powietrza (duży)
- Ściereczka uszczelniająca do węża wlotu powietrza

### PANEL STEROWANIA (PATRZ ILUSTRACJA C, STRONA 3)

- Przycisk AirSwitch
- Przycisk prędkości wentylatora
- Przycisk w górę
- Przycisk w dół
- Przycisk trybu
- Przycisk zasilania

- Wskaźnik trybu chłodzenia
- Wskaźnik trybu ogrzewania (UWAGA! Ten symbol jest dostępny tylko w modelu AC z funkcją Duo/ogrzewania).
- Wskaźnik trybu osuszania
- Wskaźnik trybu wentylatora
- Wskaźnik trybu AirSwitch
- Wskaźnik funkcji automatycznego obrotu
- Wskaźnik wymiany filtra HEPA
- Wskaźnik napełnienia wodą
- Wskaźnik trybu uśpienia
- Wskaźnik prędkości wentylatora
- Wskaźnik timera (UWAGA! Timer można ustawić tylko za pomocą pilota zdalnego sterowania).
- Wskaźnik temperatury otoczenia na zewnątrz; Wskaźnik czasu timera
- Wskaźnik ustawionej temperatury. Wskaźnik temperatury otoczenia dla trybów wentylatora, osuszania i AirSwitch.
- Wskaźnik Wi-Fi. (UWAGA! Ten symbol jest dostępny tylko w modelu AC z funkcją Wi-Fi/Smart Home).

### TRYBY PRACY I FUNKCJE PANELU STEROWANIA (PATRZ POWYŻEJ LUB RYSUNEK C, STRONA 3)

**Przycisk zasilania (6):** Naciśnij ten przycisk, aby włączyć urządzenie; zostanie odtworzony melodyjny dźwięk, a urządzenie automatycznie przejdzie w tryb chłodzenia z ustawioną temperaturą 22°C. Wentylator będzie pracował ze średnią prędkością. Aby wyłączyć urządzenie, należy ponownie nacisnąć ten przycisk, co zostanie zasygnalizowane melodyjnym dźwiękiem.

1. Gdy urządzenie jest włączone, okno LCD pokaże ustawioną temperaturę w trybie

chłodzenia i trybie ogrzewania (UWAGA! Symbol ogrzewania jest dostępny tylko w modelu AC z funkcją Duo/Heating) lub temperaturę otoczenia w trybie osuszania, trybie wentylatora, trybie automatycznym AirSwitch i trybie AirSwitch. Wentylator zacznie pracować, a okno wylotu powietrza otworzy się automatycznie.

2. Wszystkie części przestają działać, gdy urządzenie jest wyłączone, a okno wylotu powietrza zamyka się automatycznie.

**Przycisk trybu (5):** Przycisk trybu (5): Naciśnij przycisk "Mode" (Tryb), aby przełączyć się między dostępnymi trybami w celu potwierdzenia.

- Tryb chłodzenia (7): Chłodzi pomieszczenie do ustawionej temperatury (17-35°C).

- Tryb ogrzewania (8): Ogrzewa pomieszczenie do ustawionej temperatury (5-35°C). (UWAGA! Ten tryb jest dostępny tylko w modelu AC z funkcją Duo/ogrzewania).

- Tryb osuszania (9): Zmniejsza wilgotność w pomieszczeniu.

- Tryb wentylatora (10): Cyrkuluje i oczyszcza powietrze w pomieszczeniu bez chłodzenia.

UWAGA: Informacje na temat trybu automatycznego AirSwitch i trybu AirSwitch znajdują się w osobnej sekcji "Przycisk AirSwitch (1)".

**Przycisk w dół (4):** Kliknij, aby zmniejszyć ustawioną temperaturę lub wyregulować ją w dół.

**Przycisk w górę (3):** Kliknij przycisk, aby wyregulować ustawioną temperaturę w górę.

UWAGA! Naciskaj przycisk w dół (4) lub w górę (3) przez 2 sekundy, aby w sposób ciągły zwiększać lub zmniejszać wartość temperatury co 0,5 stopnia. Zakres ustawień temperatury wynosi 17~30°C.

**Przycisk prędkości wentylatora (2):** Naciśnij przycisk prędkości wentylatora, aby wybrać wysoką, średnią lub niską prędkość wentylatora.

UWAGA: Prędkości wentylatora nie można regulować w trybach osuszania i uśpienia.

**Przycisk AirSwitch (1):** Naciśnij przycisk AirSwitch jeden raz, aby przejść do trybu automatycznego AirSwitch, sygnalizowanego migającym wskaźnikiem AirSwitch (11) na wyświetlaczu LCD. Naciśnij przycisk AirSwitch ponownie, aby przejść do trybu AirSwitch, wskazywanego przez świecący, ale niemigający wskaźnik AirSwitch (11). Naciśnij przycisk AirSwitch po raz trzeci, aby wyjść z funkcji AirSwitch i powrócić do domyślnego trybu chłodzenia.

#### DEFINICJA TRYBU AUTOMATYCZNEGO PRZELĄCZNIKA AIRSWITCH I TRYBU PRZELĄCZNIKA AIRSWITCH

Tryb automatyczny AirSwitch: Podczas chłodzenia pomieszczenia w trybie AirSwitch Auto urządzenie automatycznie

przełącza się między chłodzeniem sprężarki a pracą AirSwitch.

Gdy temperatura zewnętrzna jest o 2°C lub niższa od ustawionej temperatury, klimatyzator automatycznie przechodzi z trybu chłodzenia sprężarkowego do trybu pracy AirSwitch, zasysając chłodniejsze powietrze zewnętrzne w celu zapewnienia cichszego i bardziej energooszczędnego chłodzenia. Gdy temperatura w pomieszczeniu osiągnie ustaloną wartość, klimatyzator przejdzie do trybu wentylacji.

Tryb AirSwitch: Podczas chłodzenia pomieszczenia w trybie AirSwitch urządzenie automatycznie przełącza się między trybem pracy AirSwitch a trybem wentylacji.

Gdy temperatura na zewnątrz jest o 2°C lub niższa od temperatury w pomieszczeniu, klimatyzator automatycznie przechodzi z trybu wentylacji do stanu pracy AirSwitch, zapewniając stale cichą i bardziej energooszczędną pracę. Gdy temperatura w pomieszczeniu osiągnie ustaloną wartość, klimatyzator powraca do trybu wentylacji. W tym trybie sprężarka pozostaje nieaktywna.

#### WYŁĄCZENIE ODPOWIEDZIALNOŚCI TRYB AUTOMATYCZNY PRZELĄCZNIKA POWIETRZA I TRYB PRZELĄCZNIKA POWIETRZA

Czujnik temperatury AirSwitch jest umieszczony w wężu doprowadzającym powietrze zewnętrzne do urządzenia. Pewne okoliczności mogą czasami wpływać na dokładność i działanie czujnika w trybie automatycznym.

Czynniki wpływające na dokładność czujnika:

1. Ogrzewanie powietrzem w pomieszczeniu: Bliskość źródeł ciepłego powietrza w pomieszczeniu może wpływać na odczyty czujnika.

2. Plastikowa obudowa: W rzadkich przypadkach plastikowa obudowa czujnika może pochłaniać ciepło, wpływając na jego działanie.

3. Zewnętrzne elementy środowiskowe: Światło słoneczne i wiatr: Narażenie na bezpośrednie działanie promieni słonecznych lub wiatrów przenoszących ciepło może mieć wpływ na dokładność czujnika. Powierzchnie odbijające: Pobliskie ściany odbijające lub pochłaniające ciepło mogą zakłócać działanie funkcji automatycznej. W takich przypadkach zalecany jest tryb ręczny.

4. Przecinananie strumieni powietrza: Wiatr lub przepływ powietrza mogą powodować wahania temperatury, zwłaszcza jeśli wąż wyjściowy koliduje z wężem wejściowym.

Zalecenia:

1. Korzystanie z trybu ręcznego: W trudnych warunkach zaleca się korzystanie z trybu ręcznego w celu uzyskania precyzyjnej kontroli.

2. Zapobieganie przegrzaniu czujnika: Unikaj wystawiania czujnika na bezpośrednie działanie ciepła, aby zapewnić dokładne wykrywanie temperatury.

3. Świadomość powierzchni odbijających światło: Rozważ aktywację trybu ręcznego, jeśli masz odbłaskowe powierzchnie, takie jak pobliska ceglana ściana lub inne potencjalne zakłócenia.

4. Optymalny czas pracy: Rozważ włączenie AirSwitch w trybie ręcznym, aby uzyskać stałą wydajność, zwłaszcza przed snem.

#### FUNKCJE PODCZAS ŁĄCZENIA PRZYCISKÓW (PATRZ ILUSTRACJA C, STRONA 3)

Funkcja uśpienia (15): Uruchom lub anuluj funkcję SLEEP, naciskając jednocześnie przycisk AirSwitch (1) i przycisk Up (3). Należy pamiętać, że prędkość wentylatora nie jest regulowana w funkcji Sleep.

- Jeśli funkcja uśpienia jest aktywowana w trybie chłodzenia, podnosi ona ustaloną temperaturę o 1°C po 2 godzinach, a następnie podnosi ją o dodatkowy 1°C po kolejnych 2 godzinach, utrzymując działanie w tej temperaturze.

- Jeśli funkcja uśpienia jest aktywowana w trybie ogrzewania (dostępna tylko w modelu AC z funkcją Duo/ogrzewania), obniża ona ustaloną temperaturę o 1°C po 2 godzinach. Następnie obniża ją o dodatkowy 1°C po kolejnych 2 godzinach, działając w tej temperaturze przez kolejne 2 godziny. UWAGA! Funkcja uśpienia będzie nieskuteczna w trybie wentylatora, trybie osuszania, trybie automatycznym AirSwitch i trybie AirSwitch.

Funkcja Auto Swing (12): Aktywacja lub dezaktywacja funkcji Auto-Swing poprzez jednocześnie dotknięcie przycisku AirSwitch (1) i przycisku prędkości wentylatora (2).

#### INNE FUNKCJE PANELU STEROWANIA (PATRZ ILUSTRACJA C, STRONA 3)

Wskaźnik wymiany filtra HEPA (13): Gdy klimatyzator działa przez ponad 500 godzin, na wyświetlaczu LCD pojawi się odpowiednia ikona, wskazująca, że filtr HEPA wymaga wymiany. Aby zresetować timer i usunąć ikonę, naciśnij i przytrzymaj przycisk prędkości wentylatora przez 6 sekund. Ta czynność spowoduje anulowanie wyświetlania ikony i ponowne rozpoczęcie obliczania czasu. Informacje na temat wymiany filtra HEPA można znaleźć w sekcji wymienny filtr HEPA.

Wskaźnik temperatury otoczenia na zewnątrz i wskaźnik czasu timer (18): Temperatura otoczenia na zewnątrz jest wyświetlana podczas normalnej pracy. Po włączeniu funkcji timer na wyświetlaczu naprzemiennie wyświetlana jest temperatura zewnętrzna i czas działania timer.

Uwaga: Kod błędu zostanie wyświetlony

w przypadku awarii czujnika temperatury zewnętrznej lub problemów z otwieraniem lub zamykaniem przepustnicy z tyłu urządzenia.

#### FUNKCJA WIFI (20)

(Dotyczy tylko modelu AC z funkcją WiFi/Smart Home).



1. Pobierz aplikację Wood's Connect z App Store lub Google Play.

2. Zarejestruj się i postępuj zgodnie z instrukcjami. Zaakceptuj wszystkie kroki. (Uważnie przeczytaj Politykę prywatności i wyraż zgodę na kontynuowanie).

3. Otwórz aplikację Wood's Connect i dodaj urządzenie.

4. Aby wejść w tryb parowania, naciśnij i przytrzymaj przycisk AirSwitch na urządzeniu przez 5 sekund, aż ikona Wi-Fi na wyświetlaczu zacznie szybko migać.

5. Po wykryciu urządzenia na ekranie dodaj je. Model można również wybrać ręcznie.

6. Wprowadź ustawienia Wi-Fi i hasło.

7. Naciśnij +, aby dodać jednostkę.

8. Poczekaj na dodanie urządzenia. Urządzenie jest teraz gotowe do sterowania przez Wi-Fi.

Aby wyłączyć funkcję Wi-Fi, naciśnij przycisk AirSwitch na urządzeniu i przytrzymaj go przez 5 sekund.

#### TRYBY PRACY PILOTA ZDALNEGO STEROWANIA (PATRZ ILUSTRACJA D, STRONA 3)

**Zasilanie (1):** Naciśnij ten przycisk, aby uruchomić urządzenie, gdy jest pod napięciem, lub zatrzymać urządzenie, gdy jest w trakcie pracy.

**Przycisk trybu (2):** Naciśnij ten przycisk, aby wybrać tryb pracy.

**Przycisk AirSwitch (3):** Naciśnij ten przycisk, aby ustawić lub anulować tryb AirSwitch.

1. Naciśnij przycisk AirSwitch jeden raz, aby przejść do trybu automatycznego AirSwitch, sygnalizowanego migającym symbolem "ENERGY SAVER" na wyświetlaczu LCD.

2. Naciśnij ponownie przycisk AirSwitch, aby przejść do trybu AirSwitch. Symbol "ENERGY SAVER" będzie podświetlony, ale nie będzie migać.

3. Naciśnij przycisk AirSwitch po raz trzeci, aby wyjść z funkcji AirSwitch i powrócić do domyślnego trybu chłodzenia.

**Przycisk w górę (4):** Naciśnij przycisk w górę, aby zwiększyć temperaturę w pomieszczeniu i ustawienie timer.

**Przycisk w dół (5):** Naciśnij przycisk w dół, aby zmniejszyć temperaturę w pomieszczeniu i ustawienie timer.

**Przycisk wentylatora (6):** Naciśnij ten przycisk, aby wybrać prędkość wentylatora w kolejności: Niska, Średnia, Wysoka.

**Przycisk Auto Swing (7):** Naciśnij ten przycisk, aby włączyć lub wyłączyć funkcję automatycznego obrotu.

**Przycisk uśpienia (8):** Naciśnij ten przycisk, aby wybrać lub anulować tryb uśpienia (działa tylko w trybie chłodzenia lub ogrzewania).

**Przycisk wyłącznika czasowego (9):** Umożliwia ustawienie funkcji AUTO-ON w trybie gotowości i AUTO-OFF podczas pracy urządzenia. Czas można ustawić w zakresie od 1 do 24 godzin. Aby wyłączyć timer, naciśnij przycisk timer a ustaw timer na "0".

Przed użyciem pilota należy zainstalować baterie AAA, wykonując poniższe czynności: (PATRZ ILUSTRACJA D, STRONA 3)

1. Przesuń i delikatnie zdejmij pokrywę baterii znajdującą się z tyłu pilota.

2. Włóż dwie nowe baterie alkaliczne AAA do przeznaczonych na nie gniazda, zwracając uwagę na prawidłową biegunowość.

3. Ponownie załóż pokrywę baterii, upewniając się, że zatrzask blokujący zatrzasnął się na swoim miejscu.

UWAGA!

- Należy używać wyłącznie baterii alkalicznych. Nie należy używać akumulatorów.

- Zawsze wymieniaj obie baterie na nowe; nie mieszaj starych baterii z nowymi.

- Jeśli klimatyzator nie będzie używany przez dłuższy czas, należy wyjąć baterie z pilota zdalnego sterowania.

#### PRZECHOWYWANIE PILOTA ZDALNEGO STEROWANIA (PATRZ ILUSTRACJA E, STRONA 3)

1. Włóż pilota zdalnego sterowania do wbudowanego schowka po lewej stronie urządzenia i delikatnie go wciśnij, aby go zamknąć.

2. Delikatnie naciśnij dolną część wbudowanego schowka, aby go otworzyć i wyjąć pilota.

UWAGA! Aby uniknąć zgubienia pilota zdalnego sterowania, należy umieścić go w schowku, gdy nie jest używany.

OSTRZEŻENIE: W przypadku wycieku baterii na skórę lub ubranie, należy

natychmiast dokładnie umyć dotknięty obszar czystą wodą. Nie używaj pilota zdalnego sterowania, jeśli widoczne są ślady wycieku baterii. W przypadku połknięcia płynu z baterii należy natychmiast skontaktować się z lekarzem. Substancje chemiczne obecne w bateriach mogą stwarzać ryzyko, takie jak oparzenia i inne zagrożenia dla zdrowia.

## INSTALACJA

### PRZED PIERWSZYM UŻYCIEM

Przed rozpoczęciem pracy należy odstawić urządzenie na 4 godziny w pozycji pionowej.

Ten klimatyzator został zaprojektowany z myślą o wygodnym przenoszeniu w pomieszczeniach. Podczas przenoszenia urządzenie powinno pozostawać w pozycji pionowej. Klimatyzator należy umieścić na płaskiej powierzchni. Klimatyzatora nie należy instalować ani użytkować w łazienkach lub innych wilgotnych pomieszczeniach.

### ZAINSTALOWAĆ FILTR HEPA (PATRZ RYSUNEK F, STRONA 3)

1. Podnieś pakiet filtra HEPA do góry.

2. Zdejmij torebkę z opakowania filtra HEPA. (UWAGA! Zdjętą torbę należy umieścić z dala od dzieci).

3. Zainstaluj filtr HEPA, wyrównując go ze szczeliną ramki ekranu i mocno wciskając. Filtr HEPA powinien być wciśnięty do samego dołu.

Filtr HEPA H11 Wood's pełni rolę oczyszczacza powietrza. Skutecznie wychwytuje i usuwa z powietrza cząsteczki takie jak kurz, pyłki, zarodniki pleśni, bakterie, a nawet małe cząsteczki dymu, zapewniając czystsze i zdrowsze środowisko wewnętrzne.

UWAGA: Filtr HEPA należy wymieniać co najmniej raz w roku. Zarejestruj się na stronie warranty-woods.com i wymieniaj filtr HEPA raz w roku, aby uzyskać 6 lat gwarancji. Ważne tylko z filtrem marki Wood's. Zobacz woods.se dla sprzedawców detalicznych. ZACHOWAJ PARAGONY!

### WAŻNE INFORMACJE PRZED INSTALACJĄ PRZEWODÓW POWIETRZA

Podczas pracy należy utrzymywać węże jak najkrótsze i z jak najmniejszą liczbą zagięć, aby zmimalizować spadek ciśnienia i utratę wydajności. Wąż wylotu powietrza musi pozostać gładki, aby zapobiec przegrzaniu i potencjalnemu uszkodzeniu klimatyzatora. Przewody mają długość od 280 mm do 1500 mm. Należy unikać przedłużania węży lub zastępowania ich innymi, co może mieć wpływ na działanie urządzenia.

# Instrukcja obsługi

## INSTALACJA ZESPOŁU WĘŻA WYLOTU POWIETRZA I JEGO ADAPTERA. (PATRZ ILUSTRACJE G I H, STRONA 4)

- Zdejmij plastikową torbę, wyjmując z opakowania wąż wylotu powietrza (duży), jego złącze i adapter.
- Wysuń jeden koniec węża wylotu powietrza i podłącz okrągłe złącze, obracając je w kierunku przeciwnym do ruchu wskazówek zegara przez co najmniej trzy obroty.
- Wysuń drugi koniec węża wylotu powietrza i zamocuj adapter, obracając go w kierunku przeciwnym do ruchu wskazówek zegara przez co najmniej trzy obroty.
- Umieść przedni koniec zespołu węża wylotu powietrza na wyznaczonym wycięciu węża wylotu powietrza znajdującym się na panelu tylnym. Elementy mocujące bezpiecznie zablokują zespół węża wylotu powietrza na miejscu.
- Zamontuj wąż wylotu powietrza na urządzeniu.

UWAGA! Należy zapewnić prawidłową orientację skośnej strony adaptera, aby ułatwić montaż płyty uszczelniającej okno. Należy zapewnić bezpieczne i prawidłowe podłączenie węża wylotu powietrza.

## ZAINSTALOWAĆ WĄŻ WLOTU POWIETRZA (PATRZ RYSUNEK I, J, K, STRONA 4)

- Zdejmij plastikową torbę, wyjmując z opakowania wąż wlotu powietrza (mniejszy), jego złącze i adapter.
- Wysuń jeden koniec węża wlotu powietrza i podłącz go do złącza zawierającego czujnik, obracając go w kierunku przeciwnym do ruchu wskazówek zegara przez co najmniej trzy obroty.
- Umieść tkaninę uszczelniającą wokół węża wlotu powietrza, upewniając się, że przewód czujnika temperatury jest również zamknięty w tkaninie uszczelniającej. Wysuń drugi koniec węża wlotu powietrza i podłącz go do złącza, obracając go w kierunku przeciwnym do ruchu wskazówek zegara (trzy obroty). Na koniec rozciągnij tkaninę uszczelniającą, aby zakryć okrągłe złącze.
- Zamontuj wąż wlotu powietrza na urządzeniu, upewniając się, że strzałka "IN" jest skierowana w dół.

## STAŁA LINIA CZUJNIKA TEMPERATURY (PATRZ RYSUNEK L, STRONA 4)

Włóż złącze przewodu czujnika temperatury do złącza urządzenia. Na złączu znajduje się biała kropka. Podczas podłączania należy wyrównać dwie białe kropki, a następnie dokręcić wtyczkę zgodnie z ruchem wskazówek zegara.

Powinien on swobodnie wisieć w powietrzu.

UWAGA! Napięcie złącza przewodu czujnika temperatury jest napięciem bezpiecznym, nie większym niż 5 V DC.

## MONTAŻ USZCZELKI OKNA (PATRZ RYSUNEK M, N, O, STRONA 5)

1. Zamontować prostokątne końcówki wężu w odpowiednich prostokątnych otworach w zespole płyty uszczelniającej okna i przykręcić je śrubą.

UWAGA!

- Przesuń adaptery w dół, upewniając się, że są prawidłowo zainstalowane.
- Upewnij się, że kierunek nachylenia panelu jest zgodny z kierunkiem płyty uszczelniającej.
- Upewnij się, że wężę nie są zgięte i zachowują kąt zgięcia większy niż 45°, aby zapewnić odpowiednią wentylację.

2. Otwórz okno do połowy i włóż płytkę uszczelniającą do okna, ustawiając ją pionowo lub poziomo. W przypadku montażu pionowego należy umieścić wąż wylotu powietrza u góry, aby ciepłe powietrze wylotowe nie kolidowało z czujnikiem na wężu wlotu powietrza.

3. Wysuń elementy płyty uszczelniającej i dopasuj je do długości okna. Upewnij się, że oba końce stykają się z krawędziami okna i zamocuj je na miejscu za pomocą śrub.

UWAGA! Upewnij się, że oba końce płyty uszczelniającej okna stykają się z krawędziami okna, aby zapewnić prawidłowe uszczelnienie.

Upewnij się, że śruby są dokręcone we właściwej pozycji.

4. Wyreguluj położenie głowicy czujnika temperatury zewnętrznej i opuść pręt regulacyjny do dolnej części stopnia ściennego pod oknem.

UWAGA! Czujnik powinien wisieć swobodnie w powietrzu i jak najdalej od ciepłego powietrza z węża wylotu powietrza.

5. Urządzenie należy przenosić z wężami zamontowanymi przed oknem i trzymać je w odległości co najmniej 50 cm od ścian lub innych obiektów.

## WŁĄCZYĆ ZASILANIE URZĄDZENIA

Aby zasilić urządzenie, podłącz je. Wszystkie ikony w oknie LCD podświetlą się na 2 sekundy, czemu towarzyszyć będzie krótka dźwięk przypomnienia. Następnie w oknie LCD zostanie wyświetlona temperatura otoczenia wewnątrz w zakresie od 5°C do 35°C oraz temperatura otoczenia na zewnątrz w zakresie od -9°C do 65°C. Następnie urządzenie przejdzie w tryb gotowości i będzie gotowe do pracy.

**Urządzenie jest teraz gotowe do użycia!**

## KONSERWACJA

UWAGA! Przed przystąpieniem do konserwacji należy wyłączyć urządzenie i wyciągnąć wtyczkę.

## INSTRUKCJA ODWADNIANIA (PATRZ ILUSTRACJA P, STRONA 5)

Większość wody zostanie naturalnie odprowadzona przez wąż wylotu powietrza wraz z gorącym powietrzem. Jeśli konieczne będzie opróżnienie zbiornika, urządzenie powiadomi o tym użytkownika. (ODNIESIENIE DO OBRAZU C, STRONA 3, nr 14)

Aby opróżnić zbiornik na wodę: Odkręć pokrywę spustową i odłącz korek wody, aby umożliwić spłynięcie wody do tacy. UWAGA: Należy zachować ostrożność, aby zapobiec wyciekowi w przypadku konieczności przeniesienia urządzenia. Podczas opróżniania przechył urządzenie lekko do tyłu. Jeśli taca nie może pomieścić całej wody z urządzenia, należy natychmiast zablokować otwór spustowy, aby zapobiec wyciekowi wody i uniknąć zamoczenia podłogi lub dywanu. Należy upewnić się, że korek spustu wody i pokrywa spustu są szczelnie zamontowane, aby zapobiec zamoczeniu podłogi lub dywanu przez skroploną wodę po ponownym uruchomieniu urządzenia.

Podłączanie węża wodnego w celu ciągłego odprowadzania wody: Odkręć pokrywę spustową i wyjmij korek wodny. Podłącz wąż wodny o średnicy wewnętrznej 12 mm do rurki na urządzeniu. (Wąż wodny nie wchodzi w skład zestawu). Poprowadź drugi koniec węża do odpływu. Upewnij się, że woda może być odprowadzana w dół. UWAGA: Wąż spustowy musi być zainstalowany, gdy w tacy nie ma wody. Zaleca się, aby nie używać ciągłego odprowadzania wody, gdy urządzenie działa w trybie chłodzenia, aby zapewnić wystarczającą ilość wody w urządzeniu w celu zwiększenia efektów chłodzenia systemu. Umieść wąż spustowy w niedostępnym miejscu, upewniając się, że nie znajduje się on wyżej niż otwór spustowy, i utrymuj wąż spustowy prosto, bez żadnych zagięć. Upewnij się, że pokrywa spustowa i jej zatyczka są odpowiednio zabezpieczone, gdy wykorzystywany jest ciągły drenaż.

## WIELE FUNKCJI OCHRONY

Automatyczne odszranianie: Urządzenie automatycznie odszrania się w razie potrzeby. W trybie odszraniania na wyświetlaczu widoczny jest symbol E4 i nie są aktywne żadne przyciski poza przyciskiem ZASILANIE.

Zabezpieczenie sprężarki: Urządzenie posiada funkcję ochrony sprężarki powodującą 3-minutowe opóźnienie startu po ponownym uruchomieniu urządzenia.

Alarm napełnienia wodą i funkcja ochrony przed wyłączeniem: Gdy objętość wody przekroczy wyznaczony poziom alarmowy w obudowie urządzenia, uruchomiony zostanie automatyczny alarm ostrzegawczy, któremu towarzyszyć będzie podświetlenie ikony pełnej wody na wyświetlaczu LCD. W takim przypadku konieczne jest spuszczenie skroplonej wody zgodnie z instrukcjami zawartymi w sekcji "Instrukcja spuszczenia wody". Jeśli urządzenie nie zostanie wyłączone ręcznie,

automatycznie powróci do pierwotnego stanu pracy po całkowitym spuszczeniu skroplonej wody. Alternatywnie, w celu ponownego uruchomienia urządzenia należy ponownie podłączyć zasilanie.

## CZYSZCZENIE POWIERZCHNI

- Powierzchnię urządzenia należy czyścić wilgotną, miękką ściereczką i nie używać rozpuszczalników chemicznych, takich jak alkohol lub benzyna, aby uniknąć uszkodzeń.
- Wyczyść zabrudzony wylot powietrza lub żaluzję wilgotną, miękką szmatką i łagodnym detergentem.
- Zabrania się używania jakichkolwiek rozpuszczalników chemicznych do czyszczenia urządzenia lub umieszczania ich w pobliżu urządzenia przez dłuższy czas.
- Zabronione jest czyszczenie urządzenia rozcieńczalnikiem, alkoholem lub podobnymi rozpuszczalnikami.

## CZYSZCZENIE ZMYWALNEGO FILTRA (PATRZ ILUSTRACJA Q, STRONA 5)

Konieczne jest czyszczenie filtra raz na dwa tygodnie, aby zapobiec negatywnemu wpływowi nagromadzonego kurzu na wydajność urządzenia. Zanurz i delikatnie umyj filtr w ciepłej wodzie (około 40°C) zmieszanej z neutralnym środkiem czyszczącym. Po wyczyszczeniu zamontuj go z powrotem na urządzeniu.

Wyczyść filtr węża wlotu powietrza (A): Podnieś złącze, a następnie wyjmij ramkę filtra w złączu i wyczyść ją.

Wyczyść lewą i prawą górną ramę filtra powietrza dolotowego (B): Pociągnij lewą i prawą górną ramę filtra powietrza dolotowego w kierunku ich boków. Dokładnie wyczyść ramkę.

Wyczyść dolne filtry (C): Wyciągnij dolne filtry, a następnie wyjmij tylny filtr i wyczyść go.

Wyczyść filtry boczne (D): Wyciągnij filtry boczne, a następnie wyczyść je.

UWAGA! Delikatnie wyciągnij filtr, priorytetowo usuwając filtr panelu tylnego przed filtrem panelu bocznego, aby zapobiec skręceniu lub uszkodzeniu. Należy zachować ostrożność, aby nie zgnieść siatki i unikać uderzenia w nią ostrymi przedmiotami lub szczotkami.

UWAGA! Upewnij się, że filtr jest zainstalowany na panelu bocznym przed zainstalowaniem filtra na panelu tylnym.

Zamontuj filtr w kierunku przeciwnym do kierunku demontażu.

## WYMIENNY FILTR HEPA (PATRZ ILUSTRACJA F, STRONA 3)

To urządzenie oczyszcza powietrze za pomocą technologii HEPA. Filtr należy wymieniać regularnie, co najmniej raz w roku.

1. Podnieś filtr HEPA do góry.

2. Zainstaluj filtr HEPA, wyrównaj go ze szczeliną ramy ekranu i wciśnij do ramy ekranu. Filtr HEPA należy docisnąć do samego dołu.

UWAGA: Aby zachować gwarancję, należy używać oryginalnego filtra HEPA firmy Wood. Odwiedź stronę woods.se, aby uzyskać więcej informacji i znaleźć sprzedawców.

## PRZECHOWYWANIE PO ZAKOŃCZENIU SEZONU

- Odkręć pokrywę spustową i wyjmij korek spustowy, aby całkowicie spuścić skroploną wodę. UWAGA: Kąt nachylenia urządzenia musi wynosić  $\leq 30$  stopni.
- Uruchom urządzenie w trybie wentylatora na pół dnia, aby dokładnie osuszyć wnętrze i zapobiec rozwojowi pleśni.
- Wyłączyć urządzenie, odłączyć je od zasilania, owinąć przewód zasilający wokół kolumny uzwojenia, włożyć wtyczkę do uniwersalnego otworu mocującego na tylnym panelu i ponownie zamontować zatyczkę i pokrywę spustu wody.
- Wymontować zespół węża wylotu powietrza, wyczyścić go i odpowiednio przechowywać. UWAGA: Podczas demontażu należy trzymać zespół węża wylotu powietrza obiema rękami.
- Odepchnij kciukami elementy mocujące węża wylotu powietrza, a następnie wyciągnij zespół węża wylotu powietrza.
- Klimatyzator należy bezpiecznie zapakować w miękką plastikową torbę, umieścić w suchym miejscu z odpowiednimi zabezpieczeniami przed kurzem i przechowywać w miejscu niedostępnym dla dzieci.
- Wyjmij baterie z pilota i przechowuj je w odpowiedni sposób.

## GWARANCJE

Dwuletnia gwarancja na wady produkcyjne. Należy pamiętać, że gwarancja jest ważna tylko po okazaniu dowodu zakupu. ZACHOWAJ PARAGONY! Paragony będą wymagane w przypadku wszelkich roszczeń gwarancyjnych w tym okresie.

## UZYSKAJ PRZEDŁUŻONĄ GWARANCJĘ

Uzyskaj 6-letnią gwarancję, rejestrując się na stronie warranty-woods.com. Zapewnij trwałość gwarancji, wymieniając co roku oryginalny filtr HEPA Woods. Należy pamiętać, że gwarancja jest ważna pod określonymi warunkami: terminowa rejestracja produktu w ciągu

# Instrukcja obsługi

90 dni, coroczna wymiana filtra HEPA oraz zachowanie paragonów za filtry i urządzenie. ZACHOWAJ PARAGONY! Wszystkie paragony będą wymagane w przypadku jakichkolwiek roszczeń gwarancyjnych w tym okresie.



### ROZWIĄZYWANIE PROBLEMÓW

Przed wezwaniem profesjonalnego serwisu należy sprawdzić urządzenie i postępować zgodnie z poniższymi sugestiami. Nigdy jednak nie należy podejmować prób samodzielnego demontażu lub naprawy urządzenia, ponieważ może to spowodować szkody dla użytkownika i jego mienia. Jeśli wystąpią problemy niewymienione w tabeli lub zalecane rozwiązania nie zadziałają, należy skontaktować się z profesjonalnym serwisem.

KŁOPOTY	PRZYCZYNA	ŚRODEK ZARADCZY
Urządzenie nie uruchamia się.	Awaria zasilania.	Podłącz urządzenie do gniazdka pod napięciem i włącz je.
	Pełny zbiornik wody z odpowiednią podświetloną ikoną.	Spuścić wodę zgromadzoną w urządzeniu.
	Temperatura w pomieszczeniu jest niższa niż ustawiona w trybie chłodzenia lub wyższa w trybie ogrzewania.	Upewnij się, że urządzenie działa w zalecanym zakresie temperatur 8-35°C. Dostosuj ustawioną temperaturę.
Niewystarczające chłodzenie.	Jest tam bezpośrednie światło słoneczne.	Zasuń zasłonę okienną.
	Drzwi i okna są otwarte, pomieszczenie jest zatłoczone lub znajdują się w nim inne źródła ciepła.	Zamknij drzwi i okna, usuń inne źródła ciepła i rozważ dodanie dodatkowych klimatyzatorów.
	Zanieczyszczony filtr.	Wyczyść lub wymień siatkę filtra.
	Zatkany wlot lub wylot powietrza.	Usuń wszelkie przeszkody.
Wysoki poziom hałasu.	Urządzenie jest umieszczone na nierównej powierzchni.	Umieść urządzenie w płaskim i stabilnym miejscu (może to zmniejszyć hałas).
Sprężarka nie działa.	Inicjacja zabezpieczenia przed przegrzaniem.	Poczekaj, aż temperatura spadnie, a urządzenie uruchomi się ponownie automatycznie.
Pilot zdalnego sterowania nie działa.	Zbyt duża odległość między urządzeniem a pilotem.	Zbliź pilota zdalnego sterowania do klimatyzatora i zapewnij dostęp powietrza do receptora sygnału na urządzeniu.
	Pilot zdalnego sterowania nie jest skierowany na odbiornik sygnału na urządzeniu.	
	Wyczerpane baterie.	Wymień baterie
Wyświetlany jest kod "CH01".	Awaria czujnika temperatury w pomieszczeniu.	Sprawdź czujnik temperatury w pomieszczeniu i powiązane obwody.
Wyświetlany jest kod "CH02".	Awaria czujnika temperatury w parowniku.	Sprawdź czujnik temperatury parownika i obwody.
Wyświetlany jest kod "E4".	Ochrona przed zamarzaniem.	Funkcje zostaną przywrócone automatycznie po zakończeniu ochrony przed zamarzaniem.
Wyświetlany jest kod "E5".	Awaria czujnika temperatury zewnętrznej.	Sprawdź czujnik temperatury zewnętrznej i powiązane obwody.
		Sprawdź, czy interfejs kabla czujnika temperatury zewnętrznej jest prawidłowo podłączony.
Wyświetlany jest kod "E6".	Błąd otwierania drzwi.	Sprawdź, czy przepustnica przełącznika powietrza jest całkowicie otwarta w trybie chłodzenia i sprawdź powiązane obwody.
Wyświetlany jest kod "E7".	Błąd zamykania drzwi.	W trybie AirSwitch sprawdź, czy przepustnica spełnia warunki zamknięcia i czy przepustnica przełącznika powietrza jest całkowicie zamknięta; sprawdź powiązane obwody.
Wyświetlany jest kod "FL".	Zbiornik wody w podwoziu jest pełny.	Spuścić kondensat i ponownie uruchomić urządzenie.

### SPECYFIKACJA TECHNICZNA

MODEL NO.	AC CORTINA 12K AIRSWITCH	AC COTINA 12K AIRSWITCH SMART HOME DUO A+
Wydajność chłodzenia	3,520 W	3,500 W
Wydajność grzewcza	NIE DOTYCZY	2,900 W
Zużycie energii w trybie chłodzenia	1,350 W	1,120W
Zużycie energii w trybie ogrzewania	NIE DOTYCZY	960 W
Pobór mocy w trybie AirSwitch	56W	32W
Przepływ powietrza	220-320 (m³/h)	220-320 (m³/h)
Klasa energetyczna	A	A+
Osuszanie	33,6 l / 24h	33,6 l / 24h
Ustawienie temperatury	17-30°C	17-30°C
Temperatura robocza	17-43°C	5-43°C
EER w trybie chłodzenia	2,6	3,1
EER w trybie AirSwitch	5	8
Długości węży	1,5 m	1,5 m
Gaz chłodniczy	R290/260g	R290/250g
Poziom dźwięku w trybie chłodzenia (LWA) (dB(A))	60-64 dB	60-64 dB
Poziom dźwięku w trybie chłodzenia (LPA) (dB(A))	49-52 dB	49-52 dB
Poziom dźwięku w trybie AirSwitch (LWA) (dB(A))	49,5-51 dB	49,5-51 dB
Poziom dźwięku w trybie AirSwitch (LPA) (dB(A))	35-38 dB	35-38 dB
Waga netto	30 kg	31 kg
Wymiary urządzenia (wys. x szer. x głęb.)	850×471×400mm	850×471×400mm

**Mogą wystąpić zmiany techniczne i ulepszenia. Wszystkie wartości są przybliżone i mogą się różnić w zależności od warunków zewnętrznych, takich jak temperatura, wentylacja i wilgotność.**



To oznakowanie wskazuje, że produkt nie powinien być usuwany z innymi odpadami komunalnymi na terenie Wielkiej Brytanii i UE. W celu zapobieżenia ewentualnym szkodom dla środowiska lub zdrowia ludzkiego na skutek niekontrolowanej utylizacji odpadów urządzenie należy poddać recyklingowi w sposób odpowiedzialny, tak aby umożliwić ponowne wykorzystanie materiałów. Aby zwrócić urządzenie, należy skorzystać z systemu zwrotu/ odbioru albo skontaktować się ze sprzedawcą, u którego produkt został kupiony. Może on przyjąć ten produkt, aby poddać go bezpiecznemu recyklingowi.



Zużytych baterii nie wolno wyrzucać razem ze śmieciami z gospodarstwa domowego, ponieważ mogą zawierać toksyczne pierwiastki i metale ciężkie, które mogą być szkodliwe dla środowiska i zdrowia ludzkiego. Wyczerpane baterie należy zwrócić do odpowiedniego zakładu recyklingu.



**DEGIOJI MEDŽIAGA.**

Šiame prietaise yra R290 – propano, kuris yra degus šaltnešis.



Žr. operatoriaus vadovą.



Žr. techninį vadovą.



Skaitykite operatoriaus vadovą.

**SAUGOS INFORMACIJA**

Prieš įrengdami ir naudodami prietaisą, atidžiai perskaitykite pateiktus nurodymus. Gamintojas neatsako už sužalojimus ir pažeidimus, atsiradusius neteisingai įrengus ar naudojant prietaisą. Nurodymus visada laikykite prie prietaiso, kad prireikus galėtumėte pasiskaityti.

**VAIKŲ IR PAŽEIDŽIAMŲ ŽMONIŲ SAUGA**



Susižalojimo arba nuolatinio neįgalumo pavojus.

Šį prietaisą gali naudoti vaikai nuo aštuonerių metų ir asmenys, turintys psichinę, jutiminę ar fizinę negalią, arba neturintys pakankamai patirties ar žinių, jei juos prižiūri arba išmoko saugiai naudotis prietaisu kitas asmuo ir jei jie supranta su prietaiso naudojimu susijusius pavojus. Neleiskite vaikams žaisti su prietaisu.

Jaunesni kaip trejų metų vaikai turėtų būti laikomi atokiau, nebent jie būtų nuolat prižiūrimi.

Visas pakuotes laikykite atokiau nuo vaikų. Įrenginio valymo ir priežiūros darbų vaikai be priežiūros atlikti negali.

**BENDROJI SAUGA**

Šis prietaisas skirtas naudoti namų ūkiuose ir panašiose aplinkose,

pavyzdžiui, parduotuvėse, biuruose ir kitose darbo vietose. Įvertinimo lentelė yra prietaiso šone arba gale. Ventilacijos angas laikykite neuždengtas.

Nenaudokite mechaninių įtaisų ar kitų priemonių atitirpinimo procesui pagreitinti, išskyrus gamintojo rekomenduotus. Prietaiso negalima laikyti patalpoje, kurioje yra nuolat veikiančių degimo šaltinių (atvira liepsna, veikiančios dujinis prietaisas arba elektrinis šildytuvas ir pan.). Prietaiso negalima badyti ar deginti. Turėkite omenyje, kad šaltnešis gali neturėti kvapo. Prietaisui valyti nenaudokite vandens srovės ir garų. Prietaisą valykite minkšta, drėgna šluoste. Naudokite tik neutralius ploviklius. Nenaudokite abrazyvinių gaminių, abrazyvinių šluosčių, tirpiklių ar metalinių daiktų. Jei maitinimo laidas yra pažeistas, jis turi būti pakeistas gamintojo, jo įgalioto techninės priežiūros centro arba kito kvalifikuoto asmens, išvengiant galimo pavojaus.

**SAUGOS INSTRUKCIJOS**

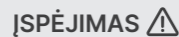


Šį prietaisą gali įrengti tik kvalifikuotas asmuo.

Pašalinkite visas pakuotės medžiagas. Neįrengkite ir nenaudokite pažeisto prietaiso. Prietaisą galima įrengti, eksploatuoti ir laikyti patalpoje, kurios grindų plotas didesnis nei 12,5 m². Atidžiai laikykitės su prietaisu pateiktų įrengimo nurodymų. Prietaisą perkeltkite atsargiai, nes jis yra sunkus. Visada mėvėkite apsaugines pirštines.

Pasirūpinkite, kad aplink prietaisą oras galėtų laisvai cirkuluoti. Prieš prijungdami prietaisą prie maitinimo šaltinio, palaukite bent 4 valandas. Per šį laiką alyva subėgs atgal į kompresorių. Neįrengkite prietaiso arti radiatorių ar kitų šilumos šaltinių. Neįrengkite prietaiso tiesioginių saulės spindulių apšviečiamoje vietoje.

**ELEKTROS MAITINIMO PRIJUNGIMAS**



Gaisro ir elektros smūgio rizika.

Prietaisas turi būti prijungtas prie įžeminto maitinimo lizdo. Įsitinkite, kad duomenų plokštelėje esanti elektros maitinimo informacija atitinka maitinimo šaltinio duomenis. Jei taip nėra, kreipkitės į elektriką. Visada naudokite tinkamai įrengtą smūgiams atsparų lizdą. Nenaudokite šakotuvų

ir ilgintuvų. Pasirūpinkite, kad nebūtų pažeisti elektros komponentai (pvz., kištukas, kabelis). Kreipkitės į įgaliotąjį techninės priežiūros centrą arba elektriką, kad pakeistų elektros komponentus. Maitinimo laidas turi būti žemiau kištuko lygio. Kištuką į maitinimo lizdą įjunkite tik pabaigę įrengimą. Pasirūpinkite, kad įrengus prietaisą kištukas būtų lengvai pasiekiamas. Norėdami išjungti prietaisą, netraukite maitinimo kabelio. Visada atjunkite maitinimo laidą laikydami tik už kištuko.

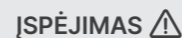
**NAUDOJIMAS**



Sužeidimų, nudegimų, elektros smūgio ar gaisro pavojus.

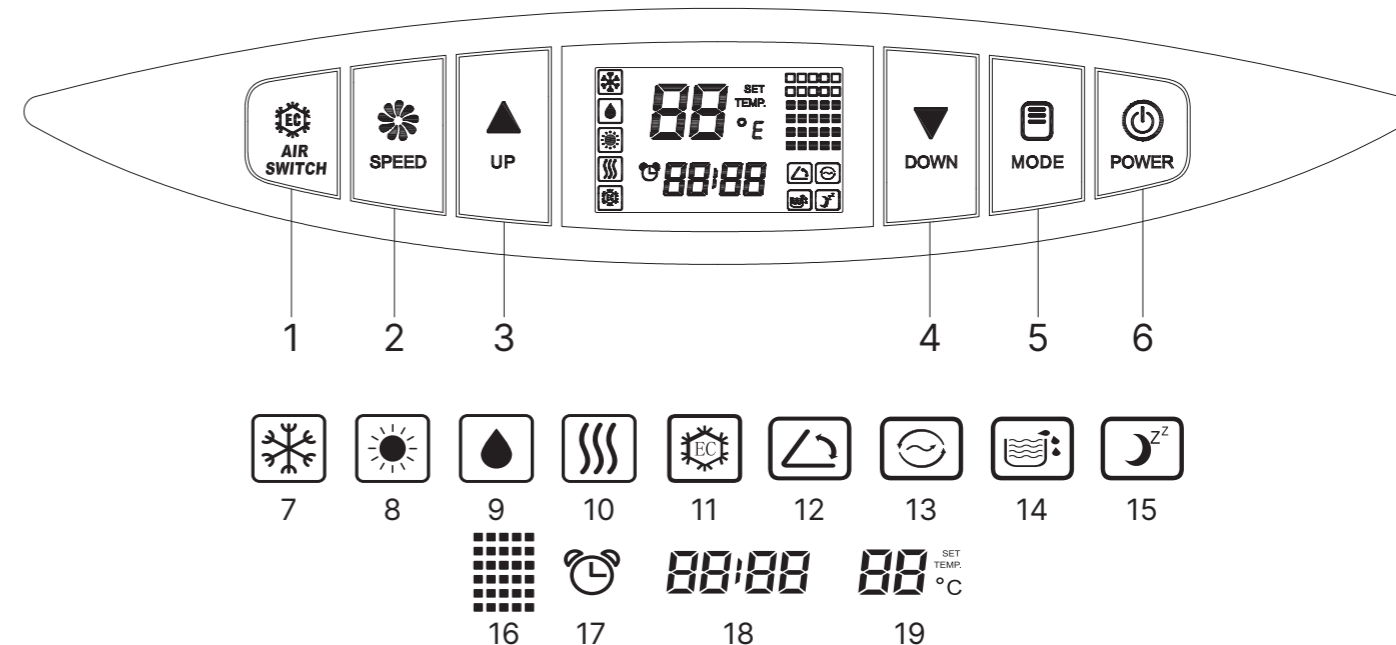
Nekeiskite šio prietaiso specifikacijos. Būkite atsargūs, kad nepažeistumėte šaltnešio kontūro. Jame yra propano (R290), aplinkoje lengvai pasklindančių gamtinių dujų. Šios dujos yra degios. Jei pažeidžiamas šaltnešio kontūras, pasirūpinkite, kad patalpoje nebūtų liepsnos ir uždegimo šaltinių. Vėdinkite patalpą. Nedėkite degių gaminių ar šlapių daiktų, persisunkusių degiaisiais gaminiais, šalia arba ant prietaiso.

**ŠALINIMAS**



Pavojus susižeisti.

Atjunkite prietaisą nuo maitinimo tinklo. Nupjaukite maitinimo laidą ir išmeskite. Šio prietaiso šaltnešio kontūras nekenkia ozonui. Informacijos apie tai, kaip tinkamai išmesti prietaisą, teiraukitės vietinėje atsakingoje įstaigoje. Nepažeiskite aušinimo įrenginio dalies, esančios šalia šilumokačio.



Dėkojame, kad įsigijote ir pasitikite "Wood's". Šiame vadove supažindinama su "AC Cortina AirSwitch" veikimo režimais. Visais režimais oras valomas naudojant HEPA technologiją.

**Aušinimo režimas:** Atvėsina patalpą iki pageidaujamos temperatūros. Optimali vėsinimo modelių aplinkos temperatūra yra 17-35 °C.

**Šildymo režimas:** Šildymo režimas: Šildo patalpą iki norimos temperatūros. Optimali darbinė aplinkos temperatūra tiek vėsinimo, tiek šildymo modeliams yra 5-35 °C. (Pastaba! Šis režimas galimas tik kintamosios srovės modelyje su "Duo" / šildymo funkcija).

**Sausinimo režimas:** Sumažina drėgmę kambaryje.

**Ventiliatoriaus režimas:** Ventiliatoriaus režimas: cirkuliuoja ir valo orą kambaryje jo nešaldydamas.

**"AirSwitch" automatinis režimas:** Automatiškai perjungia kompresoriaus aušinimą ir "AirSwitch". Kai lauko temperatūra yra žemesnė už nustatytąją, "AirSwitch" naudojama vėsesniam ir išvalytam lauko orui tiekti neveikiant kompresoriui - tyliau ir efektyviau naudojant energiją.

**"AirSwitch" režimas:** Į patalpą įleidžiamas vėsesnis, išvalytas lauko oras, neįjungiant kompresoriaus.

**NAUDOJIMO INSTRUKCIJOS**

**GAMINIO DALYS (ŽR. A IR B PAVEIKSLĖLIUS, 2 PSL.)**

1. Nuotolinio valdymo pulto priėmimo langas
2. Valdymo skydelis
3. Oro išleidimo anga

4. HEPA filtras
5. Galinio skydelio viršutinio filtro mazgas
6. Lauko temperatūros jutiklio laido jungtis
7. Maitinimo laidas su kištuku
8. Kabelių vyniojimo laikikliai
9. Apatinis galinio skydelio filtro mazgas
10. Drenažo dangtis
11. Šoninio skydelio filtro surinkimas
12. Šoninio skydelio filtro surinkimas
13. Apsauginis tinklėlis
14. Nuotolinio valdymo skyrius
15. Oro įleidimo anga
16. Viršutinė vidinė jungtis (įskaitant filtrą)
17. Oro įleidimo žarna (maža)
18. Adapteris oro įleidimo žarnai (mažas) (įskaitant lauko temperatūros jutiklį)
19. Langų rinkiniai
20. Apvali oro išleidimo žarnos jungtis
21. Oro išleidimo žarna (didelė)
22. Adapteris oro išleidimo žarnai (didelis)
23. Oro įleidimo žarnos sandarinimo audinys

**VALDYMO SKYDELIS (ŽR. PAVEIKSLĖLĮ C, 3 PSL.)**

1. "AirSwitch" mygtukas
2. Ventiliatoriaus greičio mygtukas
3. Aukštyn mygtukas
4. Mygtukas žemyn
5. Režimo mygtukas
6. Maitinimo mygtukas
7. Aušinimo režimo indikatorius
8. Šildymo režimo indikatorius (PASTABA!)

Šis simbolis yra tik AC modelyje su Duo/šildymo funkcija).

9. Sausinimo režimo indikatorius
10. Ventiliatoriaus režimo indikatorius
11. "AirSwitch" režimo indikatorius
12. Automatinio sūpynės funkcijos indikatorius
13. Pakeisto HEPA filtro indikatorius
14. Pilnas vandens indikatorius
15. Miego režimo indikatorius
16. Ventiliatoriaus greičio indikatorius
17. Laikmačio indikatorius (PASTABA! Laikmatį galima nustatyti tik nuotolinio valdymo pulteliu).
18. Lauko aplinkos temperatūros indikatorius; laikmačio laiko indikatorius
19. Nustatytos temperatūros indikatorius. Patalpų aplinkos temperatūros indikatorius ventiliatoriaus, oro sausinimo ir "AirSwitch" režimuose.
20. "Wi-Fi" indikatorius. (PASTABA! Šis simbolis yra tik AC modelyje su "Wi-Fi/ Smart Home" funkcija.)

**DARBO REŽIMAI IR VALDYMO SKYDELIO FUNKCIJOS (ŽR. AUKŠČIAU ARBA C PAVEIKSLĖLĮ, 3 PSL.)**

**Maitinimo mygtukas (6):** Paspauskite šį mygtuką, kad įjungtumėte įrenginį; pasigirs melodingas garsas ir įrenginys automatiškai įjungs vėsinimo režimą su nustatyta 22 °C temperatūra. Ventiliatorius veiks vidutiniu greičiu. Norėdami išjungti įrenginį, dar kartą palieskite šį mygtuką, ir melodingas garsas praneš apie jo išjungimą.

1. Kai įrenginys įjungtas, LCD lange bus rodoma nustatyta temperatūra vėsinimo ir šildymo režimuose (PASTABA! Šildymo simbolis yra tik AC modelyje su "Duo/Heating" funkcija) arba aplinkos temperatūra sausinimo, ventiliatoriaus,



# Naudojimo instrukcija

"AirSwitch Auto" ir "AirSwitch" režimuose. Ventilatorius pradės veikti, o oro išleidimo langelis atsідarys automatiškai.

2. Visos dalys nustoja veikti, kai įrenginys išjungtas, o oro išleidimo langelis užsidaro automatiškai.

**Režimo mygtukas (5):** Režimo mygtukas (5): Paspauskite mygtuką "Mode", kad galėtumėte patvirtinti galimus režimus.

- Vėsinimo režimas (7): Atvėsinama patalpą iki nustatytos temperatūros (17-35 °C).

- Šildymo režimas (8): Šildo patalpą iki nustatytos temperatūros (5-35 °C). (PASTABA! Šis režimas galimas tik kintamosios srovės modelyje su Duo/šildymo funkcija).

- Sausinimo režimas (9): Sumažina drėgmę kambaryje.

- Ventilatoriaus režimas (10): Ventilatoriaus režimas: cirkuliuoja ir valo orą kambaryje jo nešaldydamas.

PASTABA! Dėl "AirSwitch" automatinio režimo ir "AirSwitch" režimo žr. atskirą skyrių "AirSwitch" mygtukas (1)".

**Mygtukas žemyn (4):** Paspauskite, jei norite sumažinti nustatytą temperatūrą arba reguliuoti žemyn.

**Mygtukas aukštyn (3):** Paspauskite šį mygtuką, norėdami reguliuoti nustatytą temperatūrą aukštyn.

PASTABA! 2 sekundes spauskite mygtuką žemyn (4) arba aukštyn (3), norėdami nuolat didinti arba mažinti temperatūros skaičių 0,5 laipsnio intervalais. Temperatūros nustatymo diapazonas yra 17 ~ 30 °C.

**Ventilatoriaus greičio mygtukas (2):** Paspauskite ventilatoriaus greičio mygtuką, kad pasirinktumėte didelį, vidutinį arba mažą ventilatoriaus greitį.

PASTABA! Ventilatoriaus greičio negalima reguliuoti naudojant sausinimo ir miego režimus.

**"AirSwitch" mygtukas (1):** Paspauskite AirSwitch mygtuką vieną kartą, kad įjungtumėte AirSwitch automatinį režimą, kurį rodo mirksintis AirSwitch indikatorius (11) LCD ekrane. Paspauskite AirSwitch mygtuką dar kartą, kad pereitumėte į AirSwitch režimą, kurį rodo šviečiantis, bet nemirksintis AirSwitch indikatorius (11). Paspauskite AirSwitch mygtuką trečią kartą, kad išeitumėte iš AirSwitch funkcijos ir grįžtumėte į numatytojo režimo Cooling (vėsinimas) režimą.

**"AIRSWITCH" REŽIMO "AUTO" IR "AIRSWITCH" REŽIMO APIBRĖŽIMAS**

"AirSwitch" automatinis režimas: Vėsinant patalpą "AirSwitch Auto" režimu, įrenginys automatiškai perjungia kompresoriaus vėsinimą ir "AirSwitch" veikimą.

Kai lauko temperatūra yra 2 °C arba žemesnė už nustatytą temperatūrą, oro kondicionierius automatiškai pereina iš kompresoriaus vėsinimo režimo į

"AirSwitch" darbo režimą, įsiurbdamas vėsesnį lauko orą, kad vėsinimas būtų tylesnis ir taupiau naudotų energiją. Kai patalpos temperatūra pasiekia nustatytą temperatūrą, oro kondicionierius pereina į vėdinimo režimą.

"AirSwitch" režimas: Vėsinant patalpą "AirSwitch" režimu, įrenginys automatiškai persijungia iš "AirSwitch" darbo būsenos į vėdinimo režimą.

Kai lauko temperatūra yra 2 °C arba žemesnė už patalpos temperatūrą, oro kondicionierius automatiškai pereina nuo vėdinimo į "AirSwitch" darbo režimą, taip užtikrindamas nuolatinį tylų ir efektyvesnį energijos vartojimą. Kai patalpos temperatūra pasiekia nustatytą, oro kondicionierius grįžta į vėdinimo režimą. Pažymėtina, kad šiuo režimu kompresorius lieka neaktyvus.

## ATSAKOMYBĖS APRIBOJIMAS ORO JUNGKLIO AUTOMATINIS REŽIMAS IR ORO JUNGKLIO REŽIMAS

"AirSwitch" temperatūros jutiklis yra žarnoje, kuria į įrenginį tiekiamas lauko oras. Tam tikros aplinkybės kartais gali turėti įtakos jutiklio tikslumui ir veikimui automatinio režimo metu.

Veiksniai, turintys įtakos jutiklio tikslumui:

1. Šildymas kambario oru: Šilto oro šaltinių artumas patalpoje gali turėti įtakos jutiklio rodmenims.

2. Plastikinis korpusas: Jutiklio plastikinis korpusas retais atvejais gali sugerti šilumą ir paveikti jo veikimą.

3. Išorinės aplinkos elementai: Saulės šviesa ir vėjai: Tiesioginiai saulės spinduliai arba šilumą perduodantys vėjai gali turėti įtakos jutiklio tikslumui. Atspindintys paviršiai: Netoliese esančios sienos, atspindinčios arba sugeriančios šilumą, gali sutrikdyti automatinę funkciją. Tokiais atvejais rekomenduojama naudoti rankinį režimą.

4. Oro srautų kirtimas: Vėjas arba oro srautai gali sukelti temperatūros svyravimus, ypač jei išėjimo žarna susikerta su įėjimo žarna.

Rekomendacijos:

1. Rankinis režimas Naudojimas: Patariama naudoti rankinį režimą, kad valdymas būtų tikslus.

2. Jutiklio perkaitimo prevencija: Venkite tiesioginio jutiklio kaitinimo, kad būtų užtikrintas tikslus temperatūros nustatymas.

3. Atspindinčių paviršių žinojimas: Jei yra atspindinčių paviršių, pvz., netoliese esanti plytų siena ar kiti galimi trikdyčiai, apsvarstykite galimybę įjungti rankinį režimą.

4. Optimalus veikimo laikas: apsvastykite galimybę įjungti "AirSwitch" rankiniu režimu, kad jis veiktų nuosekliai, ypač prieš miegą.

## FUNKCIJOS DERINANT MYGTUKUS (ŽR. PAVEIKSLĖLĮ C, 3 PSL.)

Miego funkcija (15): SLEEP funkciją įjungsite arba atšauksite vienu metu paspausdami AirSwitch mygtuką (1) ir mygtuką aukštyn (3). Atkreipkite dėmesį, kad veikiant miego funkcijai ventilatoriaus greitis nereguliuojamas.

- Jei vėsinimo režime įjungama miego funkcija, po 2 valandų nustatyta temperatūra pakeliama 1 °C, o po dar 2 valandų - dar 1 °C ir toliau veikia šioje temperatūroje.

- Jei šildymo režime įjungama miego funkcija (tik AC modelyje su Duo/šildymo funkcija), po 2 valandų nustatyta temperatūra sumažinama 1 °C. Tada po dar 2 valandų ji ją sumažina dar 1 °C ir toliau veikia šioje temperatūroje. PASTABA! Miego funkcija neveiks esant ventilatoriaus režimui, oro sausinimo režimui, "AirSwitch Auto" režimui ir "AirSwitch" režimui.

Automatinio svyravimo funkcija (12): Vienu metu paliesdami AirSwitch mygtuką (1) ir ventilatoriaus greičio mygtuką (2), įjunkite arba išjunkite funkciją Auto-Swing.

## KITOS VALDYMO SKYDELIO FUNKCIJOS (ŽR. PAVEIKSLĖLĮ C, 3 PSL.)

Pakeisto HEPA filtro indikatorius (13): Kai oro kondicionierius veikia ilgiau nei 500 valandų, LCD ekrane pasirodo atitinkama piktograma, rodanti, kad HEPA filtrą reikia pakeisti. Norėdami iš naujo nustatyti laikmatį ir pašalinti piktogramą, paspauskite ir 6 sekundes palaikykite ventilatoriaus greičio mygtuką. Šis veiksmas panaikins piktogramos rodymą ir iš naujo pradės skaičiuoti laiką. Informacijos, kaip pakeisti HEPA filtrą, rasite skyriuje "Keičiamas HEPA filtras".

Lauko aplinkos temperatūros indikatorius ir laikmačio laiko indikatorius (18): Įprasto veikimo metu rodoma lauko aplinkos temperatūra. Kai įjungama įrenginio laikmačio funkcija, ekrane pakaitomis rodoma lauko temperatūra ir laikmačio trukmė.

Atkreipkite dėmesį: gedimo kodas bus rodomas, jei sugedo lauko temperatūros jutiklis arba jei įrenginio galinėje pusėje esanti sklendė atsідaro ar užsidaro.

## "WI-FI" FUNKCIJA (20)

(Taikoma tik AC modeliui su "WiFi" / "Smart Home" funkcija.)



1. Atsisiųskite programėlę "Wood's Connect" iš "App Store" arba "Google Play".

2. Užsiregistruokite ir vykdykite nurodymus. Priimkite visus veiksmus. (Atidžiai perskaitykite privatumo politiką ir sutikite tęsti.)

3. Atidarykite "Wood's Connect" programą ir pridėkite įrenginį.

4. Norėdami įjungti susiejimo režimą, paspauskite ir 5 sekundes palaikykite ant įrenginio esantį "AirSwitch" mygtuką, kad ekrane greitai pradėtų mirksėti "Wi-Fi" piktograma.

5. Kai ekrane aptiksite prietaisą, pridėkite jį. Taip pat galite pasirinkti modelį rankiniu būdu.

6. Įveskite "Wi-Fi" nustatymus ir slaptažodį.

7. Paspauskite +, kad pridėtumėte vienetą.

8. Palaukite, kol prietaisas bus pridėtas. Dabar jį galima valdyti per "Wi-Fi".

Norėdami atjungti "Wi-Fi" funkciją, 5 sekundes paspauskite ant įrenginio esantį "AirSwitch" mygtuką.

## NUOTOLINIO VALDYMO PULTO VEIKIMO REŽIMAI (ŽR. PAVEIKSLĖLĮ D, 3 PSL.)

**Galia (1):** Paspauskite šį mygtuką, kad įjungtumėte įrenginį, kai jis yra įjungtas, arba sustabdytumėte įrenginį, kai jis veikia.

**Režimo mygtukas (2):** Paspauskite šį mygtuką, kad pasirinktumėte darbo režimą.

**"AirSwitch" mygtukas (3):** Paspauskite šį mygtuką, kad nustatytumėte arba atšauktumėte "AirSwitch" režimą.

1. Vieną kartą paspauskite "AirSwitch" mygtuką, kad pereitumėte į "AirSwitch" automatinį režimą, kurį rodo LCD ekrane mirksintis simbolis "ENERGY SAVER".

2. Dar kartą paspauskite "AirSwitch" mygtuką, kad pereitumėte į "AirSwitch" režimą. Simbolis "ENERGY SAVER" šviečia, bet nemirksi.

3. Paspauskite AirSwitch mygtuką trečią kartą, kad išeitumėte iš AirSwitch funkcijos ir grįžtumėte į numatytąjį vėsinimo režimą.

**Mygtukas aukštyn (4):** Paspauskite mygtuką aukštyn, kad padidintumėte kambario temperatūrą ir laikmačio nustatymą.

**Mygtukas žemyn (5):** Paspauskite žemyn mygtuką, kad sumažintumėte kambario temperatūrą ir laikmačio nustatymą.

**Ventilatoriaus mygtukas (6):** Paspauskite šį mygtuką, kad nuosekliai pasirinktumėte ventilatoriaus greitį: (Mažas, Vidutinis, Didelis).

**Automatinio svyravimo mygtukas (7):** Paspauskite šį mygtuką, kad įjungtumėte arba išjungtumėte automatinio svyravimo funkciją.

**Miego mygtukas (8):** Paspauskite šį mygtuką, kad pasirinktumėte arba atšauktumėte miego režimą (veikia tik esant vėsinimo arba šildymo režimui).

**Laikmačio mygtukas (9):** Nustatykite automatinio įjungimo funkciją budėjimo režime ir automatinio išjungimo funkciją, kai įrenginys veikia. Laikas gali būti reguliuojamas nuo 1 iki 24 valandų. Norėdami išjungti laikmatį, paspauskite laikmačio mygtuką ir nustatykite laikmatį ant "0".

Prieš naudodami nuotolinio valdymo pultą, įdėkite AAA baterijas, atlikdami šiuos veiksmus: (ŽR. PAVEIKSLĖLĮ D, 3 PSL.)

1. Stumkite ir atsargiai nuimkite baterijos dangtelį, esantį nuotolinio valdymo pulto galinėje dalyje.

2. Įdėkite dvi naujas šarmines AAA tipo baterijas į tam skirtą baterijų skyrių, užtikrindami teisingą poliškumą.

3. Vėl uždėkite akumulatoriaus dangtelį ir įsitikinkite, kad fiksnatorius tvirtai užsifiksavo.

DĖMESIO!

- Naudokite tik šarmines baterijas. Nenaudokite įkraunamų baterijų.

- Visada pakeiskite abu akumulatorius naujais; nemaišykite senų ir naujų akumuliatorių.

- Jei oro kondicionieriaus nenaudosite ilgesnį laiką, iš nuotolinio valdymo pulto išimkite baterijas.

## NUOTOLINIO VALDYMO PULTO SAUGYKLA (ŽR. E PAVEIKSLĖLĮ, 3 PSL.)

1. Įdėkite nuotolinio valdymo pultą į kairėje įrenginio pusėje įmontuotą skyrelį ir švelniai jį paspauskite, kad užsidarytų.

2. Švelniai paspauskite apatinę integruoto skyriaus dalį, kad jį atidarytumėte ir išimtumėte nuotolinio valdymo pultą.

DĖMESIO! Kad nepamestumėte nuotolinio valdymo pulto, kai jo nenaudojate, įdėkite jį į laikymo vietą.

ĮSPĖJIMAS: jei akumulatorius patenka ant odos ar drabužių, nedelsdami kruopščiai nuplaukite pažeistą vietą švariu vandeniu. Nenaudokite nuotolinio valdymo pulto, jei yra bet kokių baterijos nuotėkio požymių. Prarijus baterijos skysčio, nedelsdami kreipkitės į gydytoją. Akumuliatoriuose esančios cheminės medžiagos gali kelti pavojų, pavyzdžiui, nudegimus ir kitą pavojų sveikatai.

## ĮRENGIMAS

### PIRŠ NAUDOJANT PIRMĄ KARTĄ

Prieš pradėdami naudoti, leiskite įrenginiui 4 valandas pastovėti vertikaloje padėtyje.

Šis oro kondicionierius skirtas patogiai perkelti į patalpą. Užtikrinkite, kad įrenginys perkeltas būtų vertikaloje padėtyje. Pastatykite oro kondicionierius ant lygaus paviršiaus. Nemontuokite ir nenaudokite šio oro kondicionieriaus vonios kambaryuose ar kitoje drėgnoje aplinkoje.

# Naudojimo instrukcija

## SUMONTUOKITE HEPA FILTRĄ (ŽR. F PAVEIKSLĖLĮ, 3 PSL.)

1. Pakelkite HEPA filtro pakuotę į viršų.

2. Nuimkite pakavimo maišėlį nuo HEPA filtro. (PASTABA! Nuimtą pakavimo maišėlį reikia padėti atokiau nuo vaikų)

3. Įdėkite HEPA filtrą sulygiuodami jį su ekrano rėmo lizdu ir tvirtai jį prispausdami. HEPA filtras turi būti prispaustas iki apačios.

Šis "Wood's H11 HEPA" filtras atlieka oro valymo funkciją. Jis veiksmingai surenka ir pašalina iš oro tokias daleles kaip dulkes, žiedadulkes, pelėsių sporos, bakterijos ir net smulkios dūmų dalelės, užtikrindamas švaresnę ir sveikesnę patalpų aplinką.

DĖMESIO! HEPA filtrą keiskite bent kartą per metus. Užsiregistruokite svetainėje warranty-woods.com ir keiskite HEPA filtrą kartą per metus, kad gautumėte 6 metų garantiją. Galioja tik su firminiu Wood's filtru. Mažmeninės prekybos atstovų ieškokite woods.se. SAUGOKITE KVITUS!

## SVARBI INFORMACIJA PRIEŠ MONTUOJANT ORO ŽARNAS

Eksplotacijos metu žarnos turi būti kuo trumpesnės ir kuo mažiau sulenktos, kad sumažėtų slėgio kritimas ir našumo nuostoliai. Oro išleidimo žarna turi išlikti lygi, kad būtų išvengta perkaitimo ir galimo oro kondicionieriaus sugadinimo. Žarnų ilgis yra 280 mm-1500 mm. Venkite žarnos ilginti arba keisti jas kitomis, nes tai gali turėti įtakos veikimui.

## ORO IŠLEIDIMO ŽARNOS MAZGO IR JOS ADAPTERIO MONTAVIMAS. (ŽR. G IR H PAVEIKSLĖLIUS, 4 PSL.)

1. Nuimkite plastikinį maišėlį ir iš pakuotės išimkite oro išleidimo žarną (didelę), jos jungtį ir adapterį.

2. Ištieskite vieną oro išleidimo žarnos galą ir pritvirtinkite apvalią jungtį, sukdami ją prieš laikrodžio rodyklę ne mažiau kaip tris kartus.

3. Ištieskite kitą oro išleidimo žarnos galą ir pritvirtinkite adapterį sukdami jį prieš laikrodžio rodyklę bent tris kartus.

4. Priekinį oro išleidimo žarnos mazgo galą uždėkite ant galiniamo skydelyje esančios oro išleidimo žarnos įpjovos. Tvirtinimo detalės patikimai užfiksuos oro išleidimo žarnos mazgą.

5. Prie įrenginio pritvirtinkite oro išleidimo žarną.

DĖMESIO! Pasirūpinkite, kad adapterio nuožulnioji pusė būtų teisingai orientuota, kad būtų lengva įstatyti lango sandarinimo plokštelę. Išlaikykite saugią ir gerai išdėstytą oro išleidimo žarnos jungtį.

## SUMONTUOKITE ORO IŠLEIDIMO ŽARNĄ (ŽR. I, J, K PAVEIKSLĖLĮ, 4 PSL.)

1. Ištraukite plastikinį maišėlį iš pakuotės ištraukdami oro išleidimo žarną (mažesnę),

## Naudojimo instrukcija

jos jungtį ir adapterį.

2. Ištieskite vieną oro įleidimo žarnos galą ir prijunkite jį prie jungties su jutikliu sukdamy prieš laikrodžio rodyklę ne mažiau kaip tris kartus.

3. Uždėkite sandarinimo audeklą aplink oro įleidimo žarną ir įsitikinkite, kad temperatūros jutiklio laidas taip pat yra uždengtas sandarinimo audeklu. Ištieskite kitą oro įleidimo žarnos galą ir prijunkite jį prie jungties sukdamy prieš laikrodžio rodyklę (trys apsisukimai). Galiausiai ištieskite sandarinimo audinį, kad uždengtumėte apvalią jungtį.

4. Uždėkite oro įleidimo žarną ant įrenginio, kad rodyklė "IN" būtų nukreipta žemyn.

### FIKSUOTA TEMPERATŪROS JUTIKLIO LINIJA (ŽR. PAVEIKSLĖLŲ 1, 4 PSL.)

Temperatūros jutiklio laido jungtį įkiškite į įrenginio jungtį. Ant jungties yra baltas žymės taškas. Prijungiant kištuką, du balti taškai turi būti sulygiuoti vienas su kitu, tada priveržkite kištuką pagal laikrodžio rodyklę.

Jis turi laisvai kaboti ore.

DĖMESIO! Temperatūros jutiklio laido jungties įtampa yra saugi, ne didesnė kaip 5 V nuolatinės srovės įtampa.

### LANGO SANDARINIMO PLOKŠTĖS MONTAVIMAS (ŽR. PAVEIKSLĖLŲ M, N, O, 5 PSL.)

1. Įstatykite stačiakampius žarnų mazgo galus į atitinkamas stačiakampės skylės lango sandarinimo plokštės mazgą ir pritvirtinkite varžtu.

DĖMESIO!

• Stumkite adapterius žemyn ir įsitikinkite, kad jie gerai pritvirtinti.

• Įsitikinkite, kad nuožulniosios plokštės kryptis sutampa su sandarinimo plokštės kryptimi.

• Užtikrinkite, kad žarnos nebūtų sulenktos ir jų sulenkimo kampas būtų didesnis nei 45°, kad būtų užtikrintas tinkamas vėdinimas.

2. Atidarykite langą iki pusės ir įstatykite sandarinimo plokštelę į langą, statydami ją vertikaliai arba horizontaliai. Montuodami vertikaliai, oro išleidimo žarną padėkite viršuje, kad šiltas išeinantis oras netrukdytų oro įsiurbimo žarnos jutikliui.

3. Ištieskite sandarinimo plokštės dalis ir pritaikykite jas prie lango ilgio. Užtikrinkite, kad abu galai atitiktų lango kraštus, ir pritvirtinkite ją varžtais.

DĖMESIO! Įsitikinkite, kad abu lango sandarinimo plokštelės galai efektyviai prilgunda prie lango kraštų, kad būtų užtikrintas tinkamas sandarumas.

Užtikrinkite, kad varžtai būtų tvirtai priveržti tinkamoje padėtyje.

4. Sureguliuokite lauko temperatūros jutiklio galvutės padėtį ir nuleiskite reguliavimo

strypą prie apatinės sieninio laiptelio dalies po langu.

DĖMESIO! Jutiklis turi laisvai kabėti ore ir būti kuo toliau nuo šilto oro išleidimo žarnos.

5. Perkelkite įrenginį su žarnomis, sumontuotomis priešais langą, ir laikykite įrenginį bent 50 cm atstumu nuo sienų ar kitų objektų.

### ĮJUNGTI ĮRENGINĮ

Norėdami įjungti įrenginį, prijunkite jį prie elektros tinklo. Visos LCD langelio piktogramos 2 sekundes užsidegs ir pasigirs trumpas pririminimo garsas. Po to LCD lange bus rodoma patalpos aplinkos temperatūra nuo 5 °C iki 35 °C ir lauko aplinkos temperatūra nuo -9 °C iki 65 °C. Tada įrenginys bus budėjimo režime ir paruoštas darbui.

### *Dabar įrenginys paruoštas naudoti!*

## PRIEŽIŪRA

DĖMESIO! Prieš atlikdami techninę priežiūrą išjunkite įrenginį ir ištraukite kištuką.

### DRENAŽO INSTRUKCIJA (ŽR. PAVEIKSLĖLŲ P, 5 PSL.)

Didžioji dalis vandens bus natūraliai išleista per oro išleidimo žarną kartu su karštu oru. Jei reikės ištuštinti baką, įrenginys jums apie tai praneš. (PASTABA C APRASAS, 3 PUSLAPIS, Nr. 14)

Vandens bako ištuštinimas: Atsukite išleidimo dangtelį ir atjunkite vandens kištuką, kad vanduo patektų į padėklą. PASTABA: Būkite atsargūs, kad išvengtumėte nuotėkio, jei įrenginį reikia perkelti. Ištuštindami šiek tiek palenkite įrenginį atgal. Jei į padėklą negali susigerti visas įrenginio vanduo, nedelsdami užkimškite nutekėjimo angą, kad išvengtumėte vandens nutekėjimo ir nesudrėkintumėte grindų ar kilimo. Įsitikinkite, kad vandens kamštis ir išleidimo dangtelis yra sandariai pritvirtinti, kad vėl paleidus įrenginį nesudrėktų grindys ar kilimas nauju kondensatu vandeniu.

Vandens žarnos prijungimas nuolatiniams drenazui: Atsukite išleidimo dangtelį ir išimkite vandens kamštį. Prijunkite 12 mm vidinio skersmens vandens žarną prie įrenginio vamzdžio. (Vandens žarna į komplektą neįeina). Kitą vandens žarnos galą nuveskite į nutekamąjį vamzį. Įsitikinkite, kad vandenį galima nuleisti žemyn. PASTABA: vandens nutekėjimo žarną reikia įrengti, kai dėkle nėra vandens. Rekomenduojama nenaudoti nuolatinio drenazo, kai įrenginys veikia vėsinimo režimu, kad būtų užtikrintas pakankamas vandens recirkuliacijos įrenginyje ir sustiprintas sistemos vėsinimo poveikis. Drenazo žarną pastatykite neprieinamoje vietoje, užtikrindami, kad ji nebūtų aukščiau nei drenazo anga, ir kad drenazo žarna būtų tiesi, be jokių sulenkimų. Užtikrinkite,

kad drenazo dangtis ir jo kamštis būtų tinkamai pritvirtinti, kai naudojamas nuolatinis drenžas.

### KELIOS APSAUGOS FUNKCIJOS

Automatinis atitirpinimas: Kai reikia, įrenginys automatiškai atitirpsta. Atšildymo režimu ekrane rodomas E4 ir jokie mygtukai, išskyrus POWER mygtuką, nėra aktyvūs.

Kompresoriaus apsauga: Įrenginys turi kompresoriaus apsaugos funkciją, dėl kurios iš naujo įjungus įrenginį, paleidimas atidedamas 3 minutėms.

Vandens pilnumo saugos signalas ir apsaugos nuo išjungimo funkcija: Kai vandens kiekis viršija nustatytą pavojaus lygį įrenginio važiuoklėje, įsijungia automatinis įspėjamasis signalas ir LCD ekrane užsidega piktograma "Pilna vandens". Tokiu atveju būtina išleisti kondensuatą vandenį, laikantis skyriuje "išleidimo instrukcija" pateiktų nurodymų. Jei įrenginys neišjungiamas rankiniu būdu, jis automatiškai grįžta į pradinę veikimo būseną, kai kondensuotas vanduo visiškai išleidžiamas. Arba iš naujo įjunkite maitinimą, kad įrenginys vėl pradėtų veikti.

### PAVIRŠIAUS VALYMAS

• Įrenginio paviršių valykite drėgna, minkšta šluoste, nenaudokite cheminių tirpiklių, tokių kaip alkoholis ir benzinas, kad jo nepažeistumėte.

• Užterštą oro išleidimo angą arba žaliuzes valykite drėgnu minkštu audiniu ir švelniu plovikliu.

• Draudžiama naudoti bet kokius cheminius tirpiklius įrenginiui valyti arba laikyti tokius daiktus prie įrenginio ilgą laiką.

• Draudžiama naudoti bet kokį skiediklį, alkoholio glazūrą ar panašius tirpiklius įrenginiui valyti.

### PLAUNAMO FILTRO VALYMAS (ŽR. PAVEIKSLĖLŲ Q, 5 PSL.)

Filtrą būtina valyti kartą per dvi savaites, kad susikaupusios dulkės neturėtų įtakos įrenginio veikimui. Filtrą švelniai panardinkite ir nuplaukite šiltame vandenyje (maždaug 40 °C), sumaišytame su neutraliu valikliu. Išvalę jį vėl sumontuokite ant įrenginio.

Išvalykite oro įleidimo žarnos filtrą (A): Pakelkite jungtį, tada išimkite jungtyje esantį filtro rėmelį ir jį išvalykite.

Išvalykite kairįjį ir dešinįjį viršutinius įsiurbiamo oro filtro rėmus (B): Patraukite kairįjį ir dešinįjį viršutinius įsiurbiamo oro filtro rėmus į atitinkamas puses. Kruopščiai išvalykite rėmelį.

Išvalykite apatinius filtrus (C): Ištraukite apatinius filtrus, tada išimkite galinį filtrą ir jį išvalykite.

Šoninių filtrų valymas (D): ištraukite šoninius filtrus, tada ir juos išvalykite.

DĖMESIO! Atsargiai ištraukite filtrą, pirmenybę teikdami galinio skydelio filtrui, o ne šoninio skydelio filtrui, kad išvengtumėte susisukimo ar sugadinimo. Būkite atsargūs, kad nesuspaustumėte tinklelio, ir venkite pataikyti į tinklelį aštriais daiktais ar šepečiais.

DĖMESIO! Prieš montuodami filtrą ant galinio skydelio, įsitikinkite, kad filtras sumontuotas ant šoninio skydelio.

Filtrą montuokite priešinga nuėmimo kryptimi.

### KEIČIAMAS HEPA FILTRAS (ŽR. PAVEIKSLĖLŲ F, 3 PSL.)

Šis įrenginys valo orą naudodamas HEPA technologiją. Filtrą reikia reguliariai keisti bent kartą per metus.

1. Pakelkite HEPA filtrą į viršų.

2. Įdėkite HEPA filtrą, sulygiuokite jį su ekrano rėmo anga ir įspauskite į ekrano rėmą. HEPA filtras turi būti prispaustas prie apačios.

DĖMESIO! Norėdami išlaikyti garantiją, naudokite originalų Wood's HEPA filtrą. Daugiau informacijos rasite woods. se, kur rasite daugiau informacijos ir mažmenininkus.

### SANDĖLIAVIMAS SEZONO PABAIGOJE

1. Atsukite išleidimo dangtelį ir išimkite vandens kamštį, kad visiškai išleistumėte kondensuatą vandenį. PASTABA: įrenginio pasvirimo kampas turi būti ≈30 laipsnių.

2. Pusę dienos naudokite įrenginį ventiliatoriaus režimu, kad gerai išdžiovinumėte vidų ir išvengtumėte pelėsio augimo.

3. Išjunkite įrenginį, atjunkite jį nuo elektros tinklo, apvyniokite maitinimo laidą aplink laidų vyniojimo stulpelį, įkiškite kištuką į universalią tvirtinimo angą galiniame skydelyje ir vėl sumontuokite vandens kamštį ir išleidimo dangtelį.

4. Nuimkite oro išleidimo žarnos mazgą, išvalykite jį ir tinkamai laikykite. PASTABA: nuimdami oro išleidimo žarnos mazgą laikykite abiem rankomis.

5. Nykščiais nustumkite į šalį oro išleidimo žarnos tvirtinimo elementus, tada ištraukite oro išleidimo žarnos mazgą.

6. Saugiai supakuokite oro kondicionierių į minkštą plastikinį maišelį, pastatykite jį sausoje vietoje su tinkamomis apsaugos nuo dulkių priemonėmis ir laikykite jį vaikams nepasiekiamoje vietoje.

7. Išimkite baterijas iš nuotolinio valdymo pulto ir tinkamai jas laikykite.

PASTABA: Įsitikinkite, kad įrenginys laikomas sausoje aplinkoje. Saugokite visus įrenginio priedus kartu, kad jie nebūtų sugadinti ar sugadinti.

## Naudojimo instrukcija

## GARANTIJOS

Dvejų metų garantija nuo gamybos defektų. Atkreipkite dėmesį, kad garantija galioja tik pateikus pirkimo kvitą. IŠSAUGOKITE KVITUS! Kvitai bus reikalingi bet kokiam garantiniam reikalavimui pareikšti per šį laikotarpį.

### GAUTI PRATĘSTĄ GARANTIJĄ

Gaukite 6 metų garantiją užsiregistruavę svetainėje warranty-woods.com. Užtikrinkite garantijos ilgaamžiškumą kasmet keisdami originalų "Woods" HEPA filtrą. Atkreipkite dėmesį, kad garantija galioja tam tikromis sąlygomis: laiku, per 90 dienų, užregistravus gaminį, kasmet keičiant HEPA filtrą ir saugant tiek filtrų, tiek įrenginio kvitus. SAUGOKITE KVITUS! Visi kvitai bus reikalingi teikiant bet kokią pretenziją dėl garantijos galiojimo laikotarpį.



## TRIKČIŲ ŠALINIMAS

Prieš kreipdamiesi į specialistus patikrinkite įrenginį ir vadovaukitės toliau pateiktais pasiūlymais. Tačiau niekada nebandykite patys ardyti ar taisyti įrenginio, nes tai gali pakenkti jums ir jūsų turtui. Jei kyla problemų, nenurodytų lentelėje, arba rekomenduojami sprendimai neveikia, kreipkitės į profesionalią aptarnavimo organizaciją.

PROBLEMAS	PRIEŽASTIS	REMEDY
Įrenginio nepavyksta įjungti.	Maitinimo šaltinio gedimas.	Prijunkite įrenginį prie elektros lizdo ir jį įjunkite.
	Pilnas vandens bakas su atitinkama šviečiančia piktograma.	Išleiskite įrenginyje laikomą vandenį.
	Patalpos temperatūra yra žemesnė už nustatytą temperatūrą vėsinimo režimu arba aukštesnė už nustatytą temperatūrą šildymo režimu.	Užtikrinkite, kad įrenginys veiktų rekomenduojamoje 8-35 °C temperatūroje. Sureguliuokite nustatytą temperatūrą.
Nepakankamas aušinimas.	Yra tiesioginių saulės spindulių.	Užtraukite lango užuolaidą.
	Durys ir langai yra atviri, patalpoje yra daug žmonių arba yra kitų šilumos šaltinių.	Uždarykite duris ir langus, pašalinkite kitus šilumos šaltinius ir apsvastykite galimybę įrengti papildomus oro kondicionierius.
	Užterštas filtras.	Išvalykite arba pakeiskite filtro tinklėlį.
	Užsikimšęs oro įsiurbimo arba išleidimo anga.	Pašalinkite visas kliūtis.
Didelis triukšmo lygis.	Įrenginys statomas ant nelygaus paviršiaus.	Padėkite įrenginį ant plokščios ir tvirtos vietos (gali sumažėti triukšmas)
Kompresorius neveikia.	Apsaugos nuo perkaitimo įjungimas.	Palaukite, kol temperatūra sumažės, įrenginys bus paleistas iš naujo automatiškai.
Nuotolinio valdymo pultas neveikia.	Per didelis atstumas tarp įrenginio ir nuotolinio valdymo pulto.	Priartinkite nuotolinio valdymo pultą prie oro kondicionieriaus ir užtikrinkite, kad oras būtų įrenginio signalo imtuve.
	Nuotolinio valdymo pultas nenukreiptas į įrenginio signalo imtuvą.	
	Baterijos išsikrovė.	Pakeiskite baterijas
Rodomas kodas "CH01".	Kambario temperatūros jutiklio gedimas.	Patikrinkite kambario temperatūros jutiklį ir susijusias grandines.
Rodomas kodas "CH02".	Garintuvo temperatūros jutiklio gedimas.	Patikrinkite garintuvo temperatūros jutiklį ir grandines.
Rodomas kodas "E4".	Apsauga nuo užšalimo.	Pasibaigus apsaugai nuo užšalimo, funkcijos bus atkurtos automatiškai.
Rodomas kodas "E5".	Lauko temperatūros jutiklio gedimas.	Patikrinkite lauko temperatūros jutiklį ir susijusias grandines.
		Patikrinkite, ar lauko temperatūros jutiklio kabelio sąsaja prijungta tinkamai.
Rodomas kodas "E6".	Durų atidarymo gedimas.	Patikrinkite, ar oro jungiklio sklendė yra visiškai atidaryta vėsinimo režimu, ir patikrinkite susijusias grandines.
Rodomas kodas "E7".	Durų uždarymo gedimas.	"AirSwitch" režimu įsitikinkite, kad sklendė atitinka uždarymo sąlygas ir kad oro jungiklio sklendė yra visiškai uždaryta; patikrinkite susijusias grandines.
Rodomas kodas "FL".	Važiuklės vandens bakas yra pilnas.	Išleiskite kondensatą ir vėl įjunkite įrenginį.

## TECHNINĖ SPECIFIKACIJA

MODELIO NR.	"AC CORTINA 12K AIRSWITCH	"AC CORTINA" 12K "AIRSWITCH SMART HOME DUO A+
Aušinimo pajėgumas	3,520 W	3,500 W
Šildymo pajėgumas	NETAIKOMA	2,900 W
Energijos suvartojimas aušinimo režimu	1,350 W	1,120W
Energijos suvartojimas šildymo režimu	NETAIKOMA	960 W
Energijos suvartojimas "AirSwitch" režimu	56W	32W
Oro srautas	220-320 (m³/h)	220-320 (m³/h)
Energijos klasė	A	A+
Oro sausinimas	33,6 l / 24 val.	33,6 l / 24 val.
Temperatūros nustatymas	17-30°C	17-30°C
Darbinė temperatūra	17-43°C	5-43°C
EER vėsinimo režimu	2,6	3,1
EER "AirSwitch" režimu	5	8
Žarnų ilgiai	1,5 m	1,5 m
Šaldymo dujos	R290/260 g	R290/250 g
Garso lygis vėsinimo režimu (LWA) (dB(A))	60-64 dB	60-64 dB
Garso lygis vėsinimo režimu (LPA) (dB(A))	49-52 dB	49-52 dB
Garso lygis "AirSwitch" režimu (LWA) (dB(A))	49,5-51 dB	49,5-51 dB
Garso lygis "AirSwitch" režimu (LPA) (dB(A))	35-38 dB	35-38 dB
Grynasis svoris	30 kg	31 kg
Įrenginio matmenys (V×Š×G×D)	850×471×400 mm	850×471×400 mm

**Gali atsirasti techninių pakeitimų ir patobulinimų. Visos vertės yra apytikslios ir gali skirtis priklausomai nuo išorinių aplinkybių, pavyzdžiui, temperatūros, ventiliacijos ir drėgmės.**



Ši žyma rodo, kad šio gaminio nereikėtų išmesti su kitomis buitinėmis atliekomis JK ir ES. Siekiant išvengti galimos nekontroliuojamo atliekų šalinimo sukeltos žalos aplinkai ar žmogaus sveikatai, jį atsakingai utilizuokite, kad būtų skatinamas tvarus pakartotinis materialų išteklių naudojimas. Jei norite įrenginį grąžinti mums, naudokitės grąžinimo ir surinkimo sistemomis arba kreipkitės į pardavėją, kur buvo įsigytas gaminys. Jie gali priimti šį gaminį, kad jis būtų perdirbtas nepakenkiant aplinkai.



Panaudotos baterijos neturi būti šalinamos kartu su buitinėmis atliekomis, nes baterijose gali būti toksiškieji elementai ir sunkiųjų metalų, kurie gali būti kenksmingi aplinkai ir žmonių sveikatai. Panaudotas baterijas pristatykite į atitinkamą perdirbimo kompleksą.



**VIEGLI UZLIESMOJOŠS MATERIĀLS.**  
Ierīcē ir R290/propāns, kas ir viegli uzliesmojošs aukstumaģents.



Skatiet operatora rokasgrāmatu.



Lasiet tehnisko rokasgrāmatu.



Lasiet operatora rokasgrāmatu.

### INFORMĀCIJA PAR DROŠĪBU

Pirms ierīces uzstādīšanas un lietošanas uzmanīgi izlasiet komplektā iekļauto instrukciju. Ražotājs neuzņemas atbildību par nepareizas uzstādīšanas un lietošanas izraisītām traumām un bojājumiem. Vienmēr glabāriet instrukciju ierīces tuvumā turpmākai uzziņai.

### BĒRŅU UN NEAIZSARGĀTU PERSONU DROŠĪBA

#### BRĪDINĀJUMS ⚠

Traumu vai neatgriezeniskas invaliditātes risks.

Šo ierīci drīkst lietot bērni vecumā virs astoņiem gadiem, personas ar ierobežotām fiziskām, maņu vai garīgām spējām vai pieredzes un zināšanu trūkumu, ja viņiem ir nodrošināta uzraudzība vai sniegti norādījumi par ierīces drošu lietošanu un viņi saprot ar to saistītos riskus. Neļaujiet bērniem spēlēties ar ierīci. Neļaujiet bērniem rotaļāties ar šo ierīci.

Bērni līdz trīs gadu vecumam nedrīkst tuvoties ierīcei, ja vien viņi netiek nepārtraukti uzraudzīti.

Sargājiet visu iepakojumu no bērniem. Bērni nedrīkst bez uzraudzības veikt tīrīšanu un lietotājam veicamu apkopi.

### VISPĀRĒJĀ DROŠĪBA

Šī ierīce ir paredzēta lietošanai

mājsaimniecībās un līdzīgās vidēs, piemēram, veikalos, birojos un citās darba telpās. Nominālvērtības plāksnīte atrodas ierīces sānos vai aizmugurē. Uzturiet ventilācijas atveres brīvas no šķēršļiem.

Atkausēšanas procesa paātrināšanai neizmantojiet mehāniskas ierīces vai citus līdzekļus, izņemot ražotāja ieteiktos. Ierīci nedrīkst uzglabāt telpā, kur nepārtraukti darbojas aizdegšanās avoti (atklāta liesma, darbojas gāzes iekārta, darbojas elektriskais sildītājs utt.). Necaurduriet un nededziniet. Ievērojiet, ka aukstumaģentiem var nebūt smaržas. Ierīces tīrīšanai neizmantojiet ūdens smidzinātāju un tvaiku. Tīriet ierīci ar mitru mīkstu drānu. Izmantojiet tikai neitrālus mazgāšanas līdzekļus. Neizmantojiet abrazīvus produktus, abrazīvus tīrīšanas spilventiņus, šķīdinātājus vai metāla priekšmetus. Ja strāvas vads ir bojāts, tas jānomaina ražotājam, tā pilnvarotam pakalpojumu centram vai līdzīgi kvalificētiem darbiniekiem, lai izvairītos no riska.

### DROŠĪBAS NORĀDĪJUMI

#### BRĪDINĀJUMS ⚠

Šo ierīci drīkst uzstādīt tikai kvalificēta persona.

Noņemiet visu iepakojuma materiālu. Neuzstādiet un nelietojiet bojātu ierīci. Ierīce ir jāuzstāda, jālieto un jāglabā telpā, kur uz grīdas ir vismaz 12,5 m<sup>2</sup> brīvas vietas. Stingri ievērojiet iekārtas uzstādīšanas instrukcijā sniegtos norādījumus. Pārvietojot ierīci, vienmēr rīkojieties piesardzīgi, jo ierīce ir smaga. Vienmēr lietojiet aizsargcimdus.

Nodrošiniet, lai ap ierīci varētu cirkulēt gaiss. Pirms ierīces pievienošanas strāvas avotam uzgaidiet vismaz 4 stundas. Tā ir jārikojas, lai eļļa varētu ieplūst atpakaļ kompresorā. Neuzstādiet ierīci radiatoru vai citu karstuma avotu tuvumā. Neuzstādiet iekārtu tiešā saules gaismā.

### ELEKTRISKAIS SAVIENOJUMS

#### BRĪDINĀJUMS ⚠

Ugunsgrēka un elektriskās strāvas trieciena risks.

Ierīce ir jāpievieno iezemētai kontaktligzdai. Nodrošiniet, lai elektriskie parametri uz nominālo datu uzlīmes atbilstu elektropadevei. Ja tā nav, sazinieties ar elektrīķi. Vienmēr izmantojiet pareizi uzstādītu

triecienizturīgu kontaktligzdu. Neizmantojiet vairāku ligzdu adapterus un pagarinātājus. Uzmanieties, lai nesabojātu elektriskās sastāvdaļas (piemēram, kontaktdakšu un kabeli). Ja ir jānomaina elektriskās sastāvdaļas, sazinieties ar pilnvaroto apkopes centru vai elektrīķi. Kabelim ir jāatrodas zemāk par kontaktdakšu. Pievienojiet kontaktdakšu kontaktligzdai tikai uzstādīšanas beigās. Pēc uzstādīšanas pārliecinieties, vai var piekļūt kontaktdakšai. Atvienojot ierīci, nevelciet aiz strāvas kabeļa. Atvienojot strāvas kabeli, vienmēr turiet tikai kontaktdakšu.

### LIETOŠANA

#### BRĪDINĀJUMS ⚠

Savainojumu, apdegumu, strāvas trieciena vai ugunsgrēka risks.

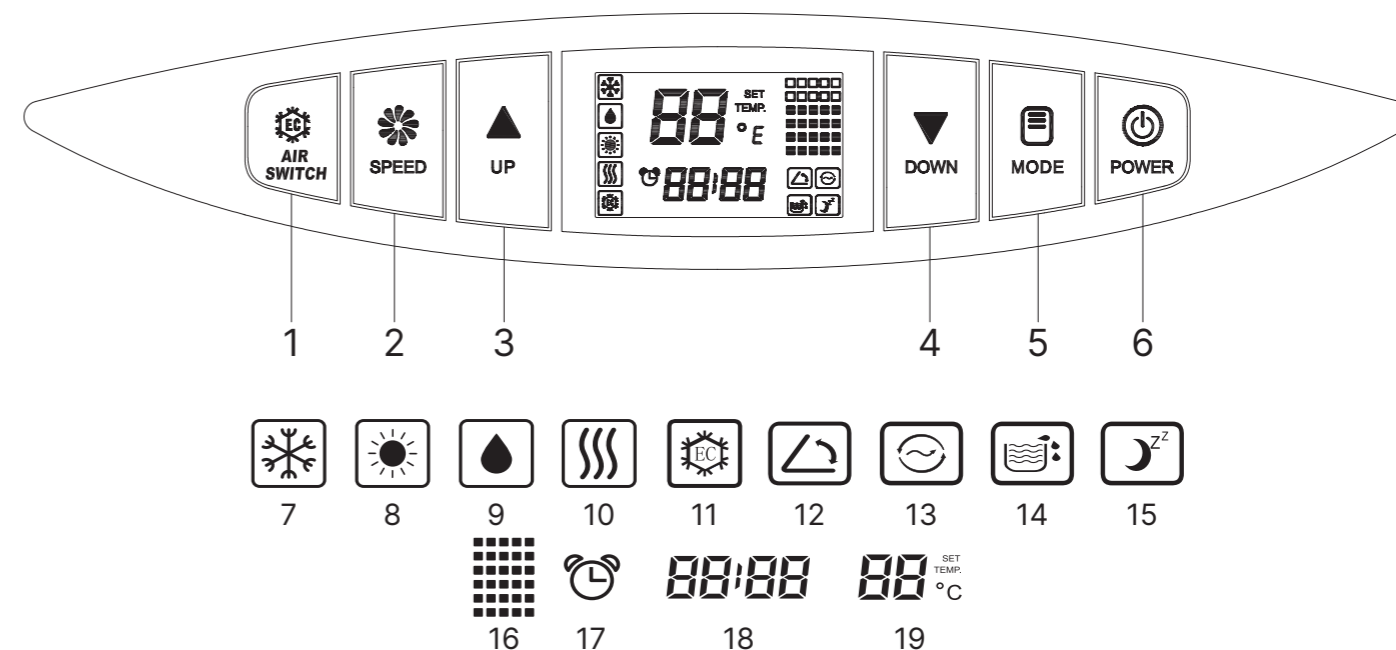
Nemainiet šīs ierīces tehniskos datus. Uzmanieties, lai nesabojātu aukstumaģenta kontūru. Tas satur propānu (R290), kas ir dabasgāze ar augsta līmeņa saderību ar vidi. Šī gāze ir viegli uzliesmojoša. Aukstumaģenta kontūra bojājumu gadījumā nodrošiniet, lai telpā nebūtu liesmu un uzliesmošanas avotu. Izvēdiniet telpu. Nenovietojiet uz ierīces vai tās tuvumā viegli uzliesmojošus produktus vai ar šādiem produktiem samitrinātus priekšmetus.

### LIKVIDĒŠANA

#### BRĪDINĀJUMS ⚠

Savainojumu risks.

Atvienojiet ierīci no strāvas avota. Nogrūziet strāvas padeves vadu un izmetiet to. Šīs ierīces aukstumaģenta kontūrs nav kaitīgs ozona slānim. Konsultējieties ar vietējām varas iestādēm, lai uzzinātu, kā pareizi likvidēt šo ierīci. Nesabojāriet siltummaiņa tuvumā esošo dzesēšanas bloka daļu.



Paldies par pirkumu un uzticēšanos uzņēmumam Wood's. Šī rokasgrāmata iepazīstina ar AC Cortina AirSwitch darbības režīmiem. Visos režīmos gaiss tiek attīrīts, izmantojot HEPA tehnoloģiju.

**Dzesēšanas režīms:** Atdzēsē telpu līdz vēlamajai temperatūrai. Optimālā darba vides temperatūra dzesēšanas modeļiem ir 17-35 °C.

**Apkures režīms:** Uzkaršē telpu līdz vēlamajai temperatūrai. Optimālā darba vides temperatūra gan dzesēšanas, gan sildīšanas modeļiem ir 5-35 °C. (Piezīme! Šis režīms ir pieejams tikai AC modelim ar Duo/apkures funkciju.)

**Izžāvēšanas režīms:** Samazina mitruma līmeni telpā.

**Ventilatora režīms:** Gaisa cirkulācija un attīrīšana telpā bez dzesēšanas.

**AirSwitch automātiskais režīms:** Automātiski pārslēdzas starp kompresora dzesēšanu un AirSwitch. Ja āra temperatūra ir zemāka par iestatīto temperatūru, AirSwitch tiek izmantots, lai piegādātu vēsāku un attīrītu āra gaisu bez kompresora darbības - klusāk un energoefektīvāk.

**AirSwitch režīms:** Gaisa režīms: telpā ieplūst vēsāks, attīrīts āra gaiss, neiedarbinot kompresoru.

### LIETOŠANAS INSTRUKCIJA

#### PRODUKTA DAĻAS (SKAT. A UN B ATTĒLU, 2. LPP.)

- Tālvadības pults saņemšanas logs
- Vadības panelis
- Gaisa izplūdes atvere
- HEPA filtrs
- Aizmugurējā paneļa augšējā filtra komplekts

6. Savienojums ārējās temperatūras sensora vadam

7. Strāvas vads ar kontaktdakšu

8. Kabeļu uztīšanas kronšteini

9. Aizmugurējā paneļa apakšējā filtra montāža

10. Drenāžas vāks

11. Sānu paneļa filtra montāža

12. Sānu paneļa filtra montāža

13. Aizsargrežģis

14. Tālvadības pults nodalījums

15. Gaisa ieplūdes atvere

16. Augšējais iekšējais savienotājs (ieskaitot filtru)

17. Gaisa ieplūdes šļūtene (mazā)

18. Gaisa ieplūdes šļūtenes adapteris (mazs) (ieskaitot āra temperatūras sensoru)

19. Logu komplekti

20. Gaisa izplūdes šļūtenes apaļais savienotājs

21. Gaisa izplūdes šļūtene (liela)

22. Adapteris gaisa izplūdes šļūtenei (liels)

23. Gaisa ieplūdes šļūtenes blīvējuma audums

#### VADĪBAS PANELIS (SKAT. ATTĒLU C, 3. LPP.)

- AirSwitch poga
- Ventilatora ātruma poga
- Augšup poga
- Poga uz leju
- Režīma poga
- Barošanas poga
- Dzesēšanas režīma indikators

8. Apkures režīma indikators (PIEZĪME! Šis simbols ir pieejams tikai AC modelim ar Duo/apkures funkciju.)

9. Gaisa mitrināšanas režīma indikators

10. Ventilatora režīma indikators

11. AirSwitch režīma indikators

12. Automātiskās šūpoles funkcijas indikators

13. HEPA filtra nomaināms indikators

14. Ūdens pilns indikators

15. Miega režīma indikators

16. Ventilatora ātruma indikators

17. Taimera indikators (PIEZĪME! Taimeri var iestatīt tikai ar tālvadības pulti.)

18. Āra apkārtējās temperatūras indikators; taimera laika indikators

19. Iestatiet temperatūras indikatoru. Iekšējai apkārtējās temperatūras indikatoram ventilatora, gaisa mitrināšanas un AirSwitch režīmiem.

20. Wi-Fi indikators. (PIEZĪME! Šis simbols ir pieejams tikai AC modelim ar Wi-Fi/Smart Home funkciju.)

#### DARBA REŽĪMI UN VADĪBAS PANEĻA FUNKCIJAS (SKATĪT IEPRIEKŠ VAI C ATTĒLU, 3. LPP.)

**Barošanas poga (6):** Nospiediet šo taustiņu, lai aktivizētu ierīci; atskanēs melodiska skaņa, un ierīce automātiski iestātos 22 °C temperatūrā. Ventilators darbosies ar vidēju ātrumu. Lai deaktivizētu ierīci, vēlreiz pieskarieties šim taustiņam, un melodiska skaņa signalizēs par ierīces izslēgšanu.

1. Kad ierīce ir ieslēgta, LCD logā tiek rādīta iestatītā temperatūra dzesēšanas režīmā un sildīšanas režīmā (PIEZĪME! Sildīšanas simbols ir pieejams tikai AC modelim ar Duo/Heating funkciju) vai apkārtējās vides

temperatūra gaisa mitrināšanas režīmā, ventilatora režīmā, AirSwitch automātiskajā režīmā un AirSwitch režīmā. Ventilators sāks darboties, un gaisa izplūdes logs atvērsies automātiski.

2. Kad ierīce ir izslēgta, visas detaļas pārtrauc darboties, un gaisa izplūdes logs automātiski aizveras.

**Režīma poga (5):** Režīma poga (5): Nospiediet pogu "Mode" (Režīms), lai apstiprinātu pieejamos režīmus.

- Dzesēšanas režīms (7): Atdzesē telpu līdz iestatītajai temperatūrai (17-35°C).

- Apkures režīms (8): Uzkarsē telpu līdz iestatītajai temperatūrai (5-35°C). (PIEZĪME! Šis režīms ir pieejams tikai AC modelim ar Duo/apkures funkciju.)

- Gaisa mitrināšanas režīms (9): Samazina mitrumu telpā.

- Ventilatora režīms (10): Gaisa cirkulācija un attīrīšana telpā bez dzesēšanas.

PIEZĪME! Par AirSwitch automātisko režīmu un AirSwitch režīmu skatiet atsevišķu sadaļu "AirSwitch poga (1)".

**Poga uz leju (4):** Noklikšķiniet, lai samazinātu iestatīto temperatūru vai pielāgotu uz leju.

**Augšup poga (3):** Noklikšķiniet uz pogas, lai iestatīto temperatūru paaugstinātu.

PIEZĪME! Nospiediet pogu Uz leju (4) vai Uz augšu (3) 2 sekunžu laikā, lai nepārtraukti palielinātu vai samazinātu temperatūras skaitli 0,5 grādu intervālos. Temperatūras iestatīšanas diapazons ir 17 ~ 30 °C.

**Ventilatora ātruma poga (2):** Nospiediet ventilatora ātruma pogu, lai izvēlētos lielu, vidēju vai mazu ventilatora ātrumu.

PIEZĪME! Ventilatora ātrumu nevar regulēt gaisa mitrināšanas un miega režīmā.

**AirSwitch poga (1):** Nospiediet AirSwitch pogu vienu reizi, lai ielietu AirSwitch automātiskajā režīmā, par ko liecina mirgojošs AirSwitch indikators (11) uz LCD. Nospiediet AirSwitch pogu vēlreiz, lai pārietu AirSwitch režīmā, ko norāda iedegts, bet nemirgojošs AirSwitch indikators (11). Nospiediet AirSwitch pogu trešo reizi, lai izietu no AirSwitch funkcijas un pēc noklusējuma atgrieztos dzesēšanas režīmā.

## AIRSWITCH "AUTO" REŽĪMA UN AIRSWITCH REŽĪMA DEFINĪCIJA

AirSwitch automātiskais režīms: Gaisa slēdža automātiskajā režīmā AirSwitch Auto, ierīce automātiski pārslēdzas starp kompresora dzesēšanu un AirSwitch darbību.

Ja āra temperatūra ir 2°C vai zemāka par iestatīto temperatūru, gaisa kondicionieris automātiski pāriet no kompresora dzesēšanas režīma uz AirSwitch darba režīmu, iesūknējot vēsāku āra gaisu, lai nodrošinātu klusāku un energoefektīvāku dzesēšanu. Kad telpas temperatūra sasniedz iestatīto temperatūru, gaisa

kondicionieris pāriet ventilācijas režīmā.

AirSwitch režīms: Ierīce automātiski pārslēdzas starp AirSwitch darba režīmu un ventilācijas režīmu, dzesējot telpu AirSwitch režīmā.

Ja āra temperatūra ir par 2°C vai zemāka par telpas temperatūru, gaisa kondicionieris automātiski pāriet no ventilācijas režīma uz AirSwitch darba režīmu, nodrošinot nepārtraukti klusu un energoefektīvāku darbību. Kad telpas temperatūra sasniedz iestatīto temperatūru, gaisa kondicionieris atgriežas ventilācijas režīmā. Jāatzīmē, ka šajā režīmā kompresors paliek neaktīvs.

## ATRUNA GAISA SLĒDŽA AUTOMĀTISKAIS REŽĪMS UN GAISA SLĒDŽA REŽĪMS

Temperatūras sensors AirSwitch ir novietots šļūtenē, pa kuru iekārtā iepļūst āra gaiss. Atsevišķi apstākļi dažkārt var ietekmēt sensora precizitāti un darbību automātiskajā režīmā.

Faktori, kas ietekmē sensoru precizitāti:

1. Apkure ar telpu gaisu: Siltā gaisa avotu tuvums telpā var ietekmēt sensoru rādījumus.

2. Plastmasas korpuss: Sensora plastmasas korpuss retos gadījumos var absorbēt siltumu, ietekmējot tā darbību.

3. Ārējās vides elementi: Saules gaisma un vējš: tiešas saules gaismas vai vēja, kas pārnes siltumu, iedarbība var ietekmēt sensora precizitāti. Atstarojošas virsmas: Tuvumā esošās sienas, kas atstaro vai absorbē siltumu, var traucēt automātisko funkciju. Šādos gadījumos ieteicams izmantot manuālo režīmu.

4. Gaisa plūsmu šķērsošana: Vējš vai gaisa plūsma var izraisīt temperatūras svārstības, jo īpaši, ja izejas šļūtene krustojas ar ieejas šļūteni.

Ieteikumi:

1. Manuālā režīma lietošana: Lai nodrošinātu precīzu kontroli, sarežģītus apstākļos ieteicams izmantot manuālo režīmu.

2. Sensoru pārkaršanas novēršana: Lai nodrošinātu precīzu temperatūras noteikšanu, izvairieties no sensora pakļaušanas tiešai karstuma iedarbībai.

3. Atstarojošo virsmu izpratne: Ja tuvumā ir atstarojošas virsmas, piemēram, kļieģeļu siena, vai citi potenciāli traucējoši faktori, apsveriet manuālā režīma aktivizēšanu.

4. Optimāls darbības laiks: apsveriet iespēju ieslēgt AirSwitch manuālajā režīmā, lai nodrošinātu vienmērīgu darbību, jo īpaši gulētiešanas laikā.

## FUNKCIJAS, KOMBINĒJOT POGAS (SKAT. ATTĒLU C, 3. LPP.).

Miega funkcija (15): SLEEP funkcija tiek ieslēgta vai atcelta, vienlaicīgi nospiežot AirSwitch pogu (1) un pogu uz augšu (3). Nemiet vērā, ka miega funkcijā ventilatora ātrums nav regulējams.

- Ja dzesēšanas režīmā ir aktivizēta miega funkcija, pēc 2 stundām tā paaugstina iestatīto temperatūru par 1°C un pēc vēl 2 stundām to paaugstina vēl par 1°C, saglabājot šo temperatūru.

- Ja sildīšanas režīmā ir aktivizēta miega funkcija (pieejama tikai AC modelim ar Duo/sildīšanas funkciju), pēc 2 stundām tā pazemina iestatīto temperatūru par 1°C. Pēc tam pēc vēl 2 stundām tā to samazina vēl par 1°C, un pēc tam darbojas šajā temperatūrā. PIEZĪME! Miega funkcija nebūs efektīva ventilatora režīmā, gaisa mitrināšanas režīmā, AirSwitch automātiskajā režīmā un AirSwitch režīmā.

Automātiskās šūpoles funkcija (12): Ieslēgt vai izslēgt automātiskās šūpoles funkciju, vienlaicīgi pieskaroties pogai AirSwitch (1) un pogai Ventilatora ātrums (2).

## CITAS VADĪBAS PANEĻA FUNKCIJAS (SKATĪT ATTĒLU C, 3. LPP.)

HEPA filtra nomaiņas indikators (13): Ja gaisa kondicionieris darbojas ilgāk par 500 stundām, uz LCD displeja parādīsies attiecīga ikona, kas norāda, ka HEPA filtrs ir jānomaina. Lai atiestatītu taimeri un noņemtu ikonu, nospiediet un turiet ventilatora ātruma pogu 6 sekundes. Šī darbība atcels ikonas rādīšanu un atsāks laika aprēķinu. Informāciju par to, kā nomainīt filtru, skatiet maināmā HEPA filtra sadaļā.

Āra vides temperatūras indikators un taimera laika indikators (18): Regulāras darbības laikā tiek rādīta āra vides temperatūra. Kad ir aktivizēta ierīces laika indikatora funkcija, uz displeja pārmaiņus tiek rādīta āra temperatūra un taimera ilgums.

Lūdzu, ņemiet vērā: Ja ārējās temperatūras sensors nedarbojas vai ir problēmas ar ierīces aizmugurējā pusē esošā aizbīdņa atvēršanos vai aizvēršanos, tiek parādīts kļūdas kods.

## WiFi FUNKCIJA (20)

(Attiecas tikai uz AC modeli ar WiFi/Smart Home funkcionalitāti.)



1. Lejupielādējiet lietotni Wood's Connect no App Store vai Google Play.

2. Reģistrējieties un izpildiet norādījumus. Apstipriniet visus soļus. (Rūpīgi izlasiet konfidencialitātes politiku un piekūrtiet turpināt.)

3. Atveriet lietotni Wood's Connect un

pievienojiet ierīci.

4. Lai ieslēgtu savienošanas režīmu, nospiediet un turiet AirSwitch pogu uz ierīces 5 sekundes, lai Wi-Fi ikona uz displeja strauji mirgo.

5. Kad ekrānā tiek atklāta ierīce, pievienojiet to. Varat arī manuāli atlasīt modeli.

6. Aizpildiet Wi-Fi iestatījumus un paroli.

7. Nospiediet +, lai pievienotu vienību.

8. Pagaidiet, līdz ierīce tiks pievienota. Tagad ierīci var vadīt, izmantojot Wi-Fi.

Lai atvienotu Wi-Fi funkciju, nospiediet AirSwitch pogu uz ierīces uz 5 sekundēm.

## TĀLVADĪBAS PULTS DARBĪBAS REŽĪMI (SKATĪT ATTĒLU D, 3. LPP.)

**Jauda (1):** Nospiediet šo pogu, lai ieslēgtu ierīci, kad tā ir zem sprieguma, vai apturētu ierīci, kad tā darbojas.

**Režīma poga (2):** Nospiediet šo pogu, lai izvēlētos darbības režīmu.

**AirSwitch poga (3):** Nospiediet šo pogu, lai iestatītu vai atceltu AirSwitch režīmu.

1. Nospiediet AirSwitch pogu vienu reizi, lai ieslēgtu AirSwitch automātisko režīmu, par ko liecina mirgojošs simbols "ENERGY SAVER" LCD displejā.

2. Vēlreiz nospiediet AirSwitch pogu, lai pārietu AirSwitch režīmā. Simbols "ENERGY SAVER" iedegas, bet nemirgo.

3. Nospiediet AirSwitch pogu trešo reizi, lai izietu no AirSwitch funkcijas un atgrieztos dzesēšanas režīmā pēc noklusējuma.

**Augšup poga (4):** Nospiediet augšupvērsto pogu, lai palielinātu telpas temperatūru un taimera iestatījumu.

**Poga uz leju (5):** Nospiediet pogu uz leju, lai samazinātu telpas temperatūru un taimera iestatījumu.

**Ventilatora poga (6):** Nospiediet šo pogu, lai secīgi izvēlētos ventilatora ātrumu: Zems, vidējs, augsts.

**Automātiskās šūpoles poga (7):** Nospiediet šo pogu, lai ieslēgtu vai izslēgtu automātiskās šūpoles funkciju.

**Miega režīms (8):** Nospiediet šo pogu, lai izvēlētos vai atceltu miega režīmu (darbojas tikai dzesēšanas vai sildīšanas režīmā).

**Taimera poga (9):** Automātiskā ieslēgšanās funkcija tiek iestatīta gaidīšanas režīmā un automātiskā izslēgšanās, kad ierīce darbojas. Laiku var iestatīt no 1 līdz 24 stundām. Lai izslēgtu taimeri, nospiediet taimera pogu un iestatiet taimeri uz "0".

Pirms tālvadības pults lietošanas instalējiet AAA tipa baterijas, izpildot šādas darbības: (SKATĪT ATTĒLU D, 3. LPP.)

1. Novietojiet un uzmanīgi noņemiet akumulatora vāciņu, kas atrodas tālvadības pults aizmugurē.

2. Ievietojiet divas jaunas sārmainas AAA baterijas paredzētajā bateriju nodalījumā,

nodrošinot pareizu polaritāti.

3. No jauna uzlieciet akumulatora vāciņu, pārļiecinoties, ka bloķēšanas cilpiņa ir droši iespiesta savā vietā.

PIEZĪME!

- Izmantojiet tikai sārma baterijas. Neizmantojiet uzlādējamās baterijas.

- Vienmēr nomainiet abas baterijas pret jaunām; nejauciet vecās un jaunās baterijas.

- Izņemiet baterijas no tālvadības pults, ja gaisa kondicionieris netiks lietots ilgāku laiku.

## TĀLVADĪBAS PULTS GLABĀŠANA (SKAT. ATTĒLU E, 3. LPP.)

1. Ievietojiet tālvadības pulti ierīces kreisajā pusē iebūvētajā nodalījumā un viegli to aizveriet, lai to aizvērtu.

2. Viegli nospiediet iebūvētā nodalījuma apakšējo daļu, lai to atvērtu un izņemtu tālvadības pulti.

PIEZĪME! Lai izvairītos no tālvadības pults pazaudēšanas, lūdzu, ievietojiet to glabāšanas vietā, kad to nelietojat.

BRĪDINĀJUMS: Ja akumulators noplūst uz ādas vai apģērba, nekavējoties rūpīgi nomazgājiet skarto vietu ar tīru ūdeni. Nelietojiet tālvadības pulti, ja ir jebkādas akumulatora noplūdes pazīmes. Baterijas šķidrums norīšanas gadījumā nekavējoties meklējiet medicīnisko palīdzību. Baterijās esošās ķīmiskās vielas var radīt risku, piemēram, apdegumus un citus veselības apdraudējumus.

## UZSTĀDĪŠANA

### PIRMS PIRMĀS LIETOŠANAS

Pirms lietošanas ļaujiet ierīcei nostāvēties 4 stundas vertikālā stāvoklī.

Šis gaisa kondicionieris ir paredzēts ērtai pārvietošanai telpās. Pārvietojot ierīci, pārļiecinieties, ka tā paliek vertikālā stāvoklī. Novietojiet gaisa kondicionieri uz līdzenas virsmas. Neuzstādiet un nelietojiet šo gaisa kondicionieri vannas istabās vai citās mitrās telpās.

### UZSTĀDIET HEPA FILTRU (SKAT. ATTĒLU F, 3. LPP.)

1. Paceliet HEPA filtra iepakojumu uz augšu.

2. Noņemiet iepakojuma maisiņu no HEPA filtra. (PIEZĪME! Noņemtais iepakojuma maisiņš jānovieto bērniem nepieejamā vietā).

3. Uzstādiet HEPA filtru, salāgojot to ar ekrāna rāmja spraugu un stingri iespiežot to tajā. HEPA filtram jābūt iespiestam līdz apakšai.

Šis Wood's H11 HEPA filtrs pilda gaisa attīrīšanas funkciju. Tas efektīvi uztver un no gaisa izvada tādas daļiņas kā putekļi, ziedputekšņi, pelējuma sporas, baktērijas

un pat mazas dūmu daļiņas, nodrošinot tīrāku un veselīgāku iekštelpu vidi.

PIEZĪME! HEPA filtru nomainiet vismaz reizi gadā. Reģistrējieties vietnē warranty-woods.com un reizi gadā nomainiet HEPA filtru, lai saņemtu 6 gadu garantiju. Derīgs tikai ar Wood's zīmola filtru. Mazumtirgotājus skatiet woods.se. SAGLABĀJIET KVĪTIS!

### SVARĪGA INFORMĀCIJA PIRMS GAISA ŠĻŪTENU UZSTĀDĪŠANAS

Ekspluatācijas laikā šļūtenes ir pēc iespējas īsākas un ar pēc iespējas mazāk līkumiem, lai samazinātu spiediena kritumu un jaudas zudumus. Gaisa izplūdes šļūtenei jābūt gludai, lai novērstu pārkaršanu un iespējamus gaisa kondicioniera bojājumus. Šļūtenē garums ir no 280 mm līdz 1500 mm. Izvairieties no šļūtenē pagarināšanas vai aizvietošanas ar citu šļūteni, jo tas var ietekmēt darbību.

### GAISA IZPLŪDES ŠĻŪTENES UN TĀS ADAPTERA MONTĀŽA. (SKAT. G UN H ATTĒLU, 4. LPP.)

1. Izņemiet plastmasas maisiņu, izņemot no iepakojuma gaisa izplūdes šļūteni (lielo), tās savienotāju un adapteri.

2. Izstiepiet vienu gaisa izplūdes šļūtenes galu un pievienojiet apaļo savienotāju, pagriežot to pretēji pulksteņrādītāja virzienam vismaz trīs apgriezienus.

3. Izstiepiet otru gaisa izplūdes šļūtenes galu un piestipriniet adapteri, pagriežot to pretēji pulksteņrādītāja virzienam vismaz trīs apgriezienus.

4. Uzlieciet gaisa izplūdes šļūtenes komplekta priekšējo galu uz norādītās gaisa izplūdes šļūtenes iegriezuma, kas atrodas uz aizmugurējā paneļa. Stiprinājumi droši nostiprinās gaisa izplūdes šļūtenes mezglu vietā.

5. Uzlieciet gaisa izplūdes šļūteni uz ierīces.

PIEZĪME! Pārļiecinieties par pareizu adaptera slipās puses orientāciju, lai atvieglotu loga blīvējuma plāksnes uzstādīšanu. Nodrošiniet drošu un labi novietotu gaisa izplūdes šļūtenes savienojumu.

### UZSTĀDIET GAISA IEPLŪDES ŠĻŪTENI (SKAT. ATTĒLU I, J, K, 4. LPP.).

1. Izņemiet plastmasas maisiņu, no iepakojuma izņemot gaisa ieplūdes šļūteni (mazāko), tās savienotāju un adapteri.

2. Izstiepiet vienu gaisa ieplūdes šļūtenes galu un pievienojiet to savienotājam ar sensoru, pagriežot to pretēji pulksteņrādītāja virzienam vismaz trīs apgriezienus.

3. Ap gaisa ieplūdes šļūteni uzlieciet blīvēšanas drānu, pārļiecinoties, ka temperatūras sensora vads arī ir ievietots blīvēšanas drānā. Izvelciet otru gaisa ieplūdes šļūtenes galu un savienojiet to ar savienotāju, pagriežot to pretēji pulksteņrādītāja rādītāja virzienam

# Lietošanas instrukcija

(trīs pagriezieni). Visbeidzot izstiepiet blīvēšanas drānu, lai tā nosegtu apaļo savienotāju.

4. Uzlieciet gaisa iepļūdes šļūteni uz ierīces, nodrošinot, ka bultiņa "IN" ir vērsta uz leju.

## FIKSĒTĀ TEMPERATŪRAS NOTEIKŠANAS LĪNIJA (SKATĪT ATTĒLU L, 4. LPP.)

Ievietojiet temperatūras sensora vadu savienotāju ierīces savienotājā. Uz savienotāja ir balts marķējuma punkts. Iespraužot kontaktdakšu, abiem baltajiem punktiem jābūt vienā līnijā, un pēc tam aizspiediet kontaktdakšu pulksteņrādītāja kustības virzienā.

Tam ir brīvi jākarājas gaisā.

PIEZĪME! Temperatūras sensora vadu savienotāja spriegums ir drošs spriegums, kas nepārsniedz 5 V līdzstrāvas spriegumu.

## LOGA BLĪVĒJUMA PLĀKSNES UZSTĀDĪŠANA (SKAT. ATTĒLU M, N, O, 5. LPP.)

1. Ievietojiet šļūteni komplekta taisnstūra galu atbilstošajos taisnstūra caurumos loga blīvējuma plāksnes komplektā, nostipriniet to ar skrūvi.

PIEZĪME!

- Novietojiet adapterus uz leju, pārliecinoties, ka tie ir droši uzstādīti.

- Pārliecinieties, ka slīpā paneļa virziens sakrīt ar blīvējuma plāksnes virzienu.

- Pārliecinieties, ka šļūtenes nav saliekts un to iieces leņķis ir lielāks par 45°, lai nodrošinātu atbilstošu ventilāciju.

2. Atveriet logu līdz pusei un ievietojiet blīvējuma plāksni logā, novietojot to vertikāli vai horizontāli. Vertikālai uzstādīšanai gaisa izplūdes šļūteni novietojiet augšpusē, lai siltā izplūstošais gaiss netraucētu sensora darbībai gaisa iepļūdes šļūtenē.

3. Pagariniet blīvējuma plāksnes daļas un noregulējiet tās atbilstoši loga garumam. Pārliecinieties, ka abi gali atbilst loga malām, un nostipriniet to vietā, izmantojot skrūves.

PIEZĪME! Pārliecinieties, ka abi loga blīvējuma plāksnes gali efektīvi saskaras ar loga malām, lai nodrošinātu pareizu blīvējumu.

Pārliecinieties, ka skrūves ir stingri pievilktas pareizajā pozīcijā.

4. Noregulējiet āra temperatūras sensora galviņas pozīciju un nolaidiet regulēšanas stieni uz sienas pakāpiena apakšējo daļu zem loga.

PIEZĪME! Sensoram ir brīvi jākarājas gaisā un pēc iespējas tālāk no gaisa izplūdes šļūtenes siltā gaisa.

5. Pārvietojiet ierīci ar šļūtenēm loga priekšā un turiet ierīci vismaz 50 cm attālumā no sienām vai citiem priekšmetiem.

## IESLĒGT IERĪCI

Lai ieslēgtu ierīci, pievienojiet to strāvas padevei. Visas ikonas LCD logā uz 2 sekundēm iedeģies un atskanēs īss atgādinājuma signāls. Pēc tam LCD logā parādīsies iekšējai apkārtējās vides temperatūra diapazonā no 5°C līdz 35°C un āra apkārtējās vides temperatūra diapazonā no -9°C līdz 65°C. Ierīce būs gaidīšanas režīmā un gatava darbam.

**Tagad ierīce ir gatava lietošanai!**

## UZTURĒŠANA

PIEZĪME! Pirms apkopes izslēdziet ierīci un izvelciet kontaktdakšu.

### DRENĀŽAS INSTRUKCIJA (SKATĪT ATTĒLU P, 5. LPP.)

Lielākā daļa ūdens tiks dabiski izvadīta caur gaisa izplūdes šļūteni kopā ar karsto gaisu. Ja nepieciešams iztukšot tvertni, ierīce jūs par to informēs. (SKATĪT C attēlā, 3. lappusē, Nr. 14)

Lai iztukšotu ūdens tvertni: Atskrūvējiet iztukšošanas vāku un atvienojiet ūdens aizbāzni, lai ūdens varētu iepļūst tehnē. PIEZĪME: Ja ierīci nepieciešams pārvietot, ievērojiet piesardzību, lai novērstu noplūdi. Iztukšošanas laikā ierīci nedaudz nolieciet uz aizmuguri. Ja paplātē nespēj iepļūst viss no ierīces izplūstošais ūdens, nekavējoties aizbloķējiet izplūdes atveri, lai novērstu ūdens noplūdi un izvairītos no grīdas vai paklāja samērcēšanas. Pārliecinieties, ka ūdens aizbāznis un iztukšošanas vāks ir cieši uzstādīti, lai novērstu jauna kondensāta ūdens samērcēšanu grīdā vai paklājā, kad ierīce tiek iedarbināta no jauna.

Ūdens šļūtenes pieslēgšana nepārtrauktai drenāžai: Atskrūvējiet drenāžas vāku un noņemiet ūdens aizbāzni. Pievienojiet 12 mm iekšējā diametra ūdens šļūteni pie ierīces caurules. (Ūdens šļūtene nav iekļauta komplektā). Otru ūdens šļūtenes galu novietojiet kanalizācijā. Pārliecinieties, ka ūdeni var novadīt uz leju. PIEZĪME: Ja tehnē nav ūdens, ir jāuzstāda izplūdes šļūtene. Ieteicams neizmantot nepārtrauktu drenāžu, ja ierīce darbojas dzesēšanas režīmā, lai nodrošinātu pietiekamu ūdens recirkulāciju ierīcē, kas pastiprina sistēmas dzesēšanas efektu. Novietojiet drenāžas šļūteni nepieciešamā vietā, nodrošinot, ka tā nav novietota augstāk par drenāžas atveri, un lai drenāžas šļūtene būtu taisna, bez līkumiem. Ja tiek izmantota nepārtraukta drenāža, pārliecinieties, ka drenāžas vāks un tā aizbāzni ir pienācīgi nostiprināti.

### VAIRĀKAS AIZSARDZĪBAS FUNKCIJAS

Automātiska atkausēšana: Ierīce automātiski atkausēsies, kad tas būs nepieciešams. Atkausēšanas režīmā uz displeja tiek rādīts E4, un nekādas pogas, izņemot POWER pogu, nav aktīvas.

Kompresora aizsardzība: Ierīcei ir kompresora aizsardzības funkcija, kas izraisa 3 minūšu starta aizkavi pēc ierīces

atkārtotas iedarbināšanas.

Pilna ūdens tūluma drošības signalizācija un izslēgšanas aizsardzības funkcija: Ja ūdens daudzums pārsniedz noteikto trauksmes līmeni ierīces šasijā, tiek iedarbināts automātisks brīdinājuma signāls, un uz LCD displeja iedegas ikona "Ūdens pilns". Šādā gadījumā ir nepieciešams iztukšot kondensēto ūdeni, ievērojot norādījumus, kas sniegti sadaļā "Iztukšošanas instrukcija". Ja ierīce nav manuāli izslēgta, tā automātiski atgriezīsies sākotnējā darbības stāvoklī, tiklīdz kondensētais ūdens būs pilnībā iztukšots. Alternatīvi, lai atkārtoti iedarbinātu ierīci, atkārtoti pievienojiet strāvas padevi.

### VIRSMU TĪRĪŠANA

- Lai izvairītos no bojājumiem, ierīces virsmu notīriet ar mitru, mīkstu drānu un nelietojiet ķīmiskus šķīdinātājus, piemēram, spirtu vai benzīnu.

- Notīriet netīro gaisa izplūdes atveri vai žalūzijas ar mitru mīkstu drānu un maigu mazgāšanas līdzekli.

- Ierīces tīrīšanai aizliegts izmantot jebkādas ķīmiskus šķīdinātājus vai ilgstoši novietot šādas lietas ierīces tuvumā.

- Ierīces tīrīšanai ir aizliegts izmantot jebkuru atšķaidītāju, spirta glazūru vai līdzīgus šķīdinātājus.

### MAZGĀJAMA FILTRA TĪRĪŠANA (SKAT. ATTĒLU Q, 5. LPP.)

Lai novērstu to, ka putekļu uzkrāšanās ietekmē ierīces darbību, ir svarīgi reizi divās nedēļās iztīrīt filtru. Iegremdējiet un uzmanīgi mazgājiet filtru siltā ūdenī (aptuveni 40 °C), kas sajaukts ar neitrālu tīrīšanas līdzekli. Pēc tīrīšanas to atkal uzstādiat atpakaļ ierīcē.

Notīriet gaisa iepļūdes šļūtenes filtru (A): Paceliet savienotāju, pēc tam noņemiet savienotājā ievietoto filtra rāmi un notīriet to.

Notīriet kreiso un labo augšējo iepļūdes gaisa filtru rāmju (B): Izvelciet kreiso un labo augšējo iepļūdes gaisa filtru rāmju uz to attiecīgajām pusēm. rūpīgi notīriet rāmi.

Notīriet apakšējos filtrus (C): Izvelciet apakšējos filtrus, pēc tam noņemiet aizmugurējo filtru un iztīriet to.

Iztīriet sānu filtrus (D): Izvelciet sānu filtrus, pēc tam un iztīriet tos.

**UZMANĪBU!** Uzmanīgi izvelciet filtru, priekšroku dodot aizmugurējā paneļa filtra izņemšanai pirms sānu paneļa filtra, lai novērstu jebkādu saskrūšanos vai bojājumus. Esiet piesardzīgi, lai nesaspiestu sietu, un izvairieties trāpīt sietam ar asiem priekšmetiem vai birstēm.

PIEZĪME! Pirms filtra uzstādīšanas uz aizmugurējā paneļa pārliecinieties, ka filtrs ir uzstādīts uz sānu paneļa.

Uzstādiat filtru pretējā virzienā, nekā tas tika noņemts.

### NOMAINĀMS HEPA FILTRS (SKAT. ATTĒLU F, 3. LPP.)

Šī ierīce attīra gaisu ar HEPA tehnoloģiju. Filtrs ir regulāri jāmaina vismaz reizi gadā.

1. Paceliet HEPA filtru uz augšu.

2. Uzstādiat HEPA filtru, salāgojiet to ar ekrāna rāmja spraugu un iespiežiet to ekrāna rāmī. HEPA filtram jābūt iespiestam apakšā.

PIEZĪME! Lai saglabātu garantijas segumu, izmantojiet Wood's oriģinālo HEPA filtru. Apmeklējiet woods.se, lai iegūtu vairāk informācijas un atrastu mazumtirgotājus.

### GLABĀŠANA SEZONAS BEIGĀS

1. Atskrūvējiet drenāžas vāku un noņemiet ūdens aizbāzni, lai pilnībā iztukšotu kondensēto ūdeni. PIEZĪME: ierīces slīpuma leņķim jābūt ≤30 grādi.

2. Izmantojiet ierīci ventilatora režīmā pusi dienas, lai pilnībā izžāvētu iekšpusi un novērstu pelējuma veidošanos.

3. Izslēdziet ierīci, atvienojiet to no tīkla, aptiniet strāvas vadu ap vadu tinuma balstu, ievietojiet kontaktdakšu universālajā stiprinājuma atverē aizmugurējā panelī un no jauna uzstādiat ūdens aizbāzni un drenāžas vāku.

4. Noņemiet gaisa izplūdes šļūtenes mezglu, notīriet to un pareizi uzglabājiet. PIEZĪME: Noņemot gaisa izplūdes šļūtenes mezglu, turiet to ar abām rokām.

5. Ar īkšķiem nospiediet malā gaisa izplūdes šļūtenes stiprinājumus, pēc tam izvelciet gaisa izplūdes šļūtenes komplektu.

6. Gaisa kondicionieri droši iesaiņojiet mīkstā plastmasas maisiņā, novietojiet to sausā vietā ar piemērotiem pretputekļu aizsardzības pasākumiem un glabājiet to bērniem nepieejamā vietā.

7. Izņemiet baterijas no tālvadības pults un pareizi tās uzglabājiet.

PIEZĪME: Pārliecinieties, ka ierīce tiek uzglabāta sausā vidē. Kopīgi sargājiet visus ierīces piederumus, lai novērstu bojājumus vai bojāšanos.

## GARANTIJAS

Divu gadu garantija pret ražošanas defektiem. Lūdzu, ņemiet vērā, ka garantija ir spēkā tikai pēc pirkuma čeka uzrādīšanas. **SAGLABĀJIET SAVUS ČEKUS!** Kvītis būs nepieciešamas, lai šajā periodā varētu iesniegt garantijas pretenzijas.

### SĀŅEMT PAGARINĀTO GARANTIJU

Iegūstiet 6 gadu garantiju, reģistrējoties vietnē warranty-woods.com. Nodrošiniat garantijas ilgumu, katru gadu nomainot Woods oriģinālo HEPA filtru. Lūdzu, ņemiet vērā, ka garantija ir spēkā ar īpašiem nosacījumiem: savlaicīga produkta reģistrācija 90 dienu laikā, ikgadēja HEPA filtra nomaiņa, kā arī kvīšu saglabāšana

# Lietošanas instrukcija

gan par filtriem, gan ierīci. **SAGLABĀJIET KVĪTIS!** Visas kvītis būs nepieciešamas, lai šajā periodā varētu iesniegt jebkuru garantijas prasību.



## PROBLĒMU NOVĒRŠANA

Pirms pieprasīt profesionālu apkopi, pārbaudiet ierīci un izpildiet tālāk sniegtos ieteikumus. Tomēr nekad nemēģiniet demontēt vai remontēt ierīci paši, jo tas var kaitēt jums un jūsu īpašumam. Ja rodas problēmas, kas nav uzskaitītas tabulā, vai ieteicamie risinājumi nedarbojas, sazinieties ar profesionālu servisa organizāciju.

PROBLĒMAS	CĒLONIS	REMEDY
Ierīci neizdodas iedarbināt.	Strāvas padeves traucējumi.	Pievienojiet ierīci strāvas kontaktligzdai un ieslēdziet to.
	Pilna ūdens tvertne ar atbilstošu izgaismotu ikonu.	Iztukšojiet ierīcē uzglabāto ūdeni.
	Telpas temperatūra ir zemāka par iestatīto temperatūru dzesēšanas režīmā vai augstāka temperatūra sildīšanas režīmā.	Pārliedzieties, ka ierīce darbojas ieteicamajā temperatūras diapazonā 8-35°C. Noregulējiet iestatīto temperatūru.
Nepietiekama dzesēšana.	Ir tieša saules gaisma.	Aizveriet loga aizkaru.
	Durvis un logi ir atvērti, telpa ir pārpildīta vai ir citi siltuma avoti.	Aizveriet durvis un logus, izņemiet citus siltuma avotus un apsveriet iespēju pievienot papildu gaisa kondicionierus.
	Netīrs filtrs.	Notīriet vai nomainiet filtra sietu.
	Aizsprostota gaisa iepļūdes vai izplūdes atvere.	Noņemiet visus šķēršļus.
Augsts trokšņa līmenis.	Ierīce tiek novietota uz nelīdzenas virsmas.	Novietojiet ierīci līdzenā un stingrā vietā (var samazināt troksni).
Kompresors nedarbojas.	Aizsardzības pret pārkaršanu iedarbināšana.	Pagaidiet, līdz temperatūra pazeminās, ierīce tiks automātiski restartēta.
Tālvadības pults nedarbojas.	Pārāk liels attālums starp ierīci un tālvadības pulti.	Pietuviniet tālvadības pulti gaisa kondicionierim un nodrošiniet, lai gaisa pie signāla uztvērēja uz iekārtas.
	Tālvadības pults nav vērsta pret signāla uztvērēju ierīcē.	
	Izsmeltas baterijas.	Bateriju nomainīšana
Tiek parādīts kods "CH01".	Telpas temperatūras sensora atteice.	Pārbaudiet telpas temperatūras sensoru un saistītās ķēdes.
Tiek parādīts kods "CH02".	Iztaicētāja temperatūras sensora atteice.	Pārbaudiet iztaicētāja temperatūras sensoru un ķēdes.
Tiek parādīts kods "E4".	Aizsardzība pret sasalšanu.	Funkcijas atjaunosies automātiski, tiklīdz beigsies aizsardzība pret sasalšanu.
Tiek parādīts kods "E5".	Āra temperatūras sensora atteice.	Pārbaudiet āra temperatūras sensoru un saistītās ķēdes.
		Pārbaudiet, vai āra temperatūras sensora kabeļa saskarne ir pareizi pievienota.
Tiek parādīts kods "E6".	Durvju atvēršanas kļūme.	Pārbaudiet, vai dzesēšanas režīmā gaisa slēdža aizbīdnis ir pilnībā atvērts, un pārbaudiet saistītās ķēdes.
Tiek parādīts kods "E7".	Durvju aizvēršanas kļūme.	AirSwitch režīmā pārliedzieties, vai aizbīdnis atbilst aizvēršanas nosacījumiem un vai gaisa slēdža aizbīdnis ir pilnībā aizvērts; pārbaudiet saistītās ķēdes.
Tiek parādīts kods "FL".	Šasijas ūdens tvertne ir pilna.	Iztukšojiet kondensātu un atkārtoti iedarbiniet ierīci.

## TEHNISKĀ SPECIFIKĀCIJA

MODELIS NR.	AC CORTINA 12K AIRSWITCH	AC COTINA 12K AIRSWITCH SMART HOME DUO A+
Dzesēšanas jauda	3,520 W	3,500 W
Sildīšanas jauda	NAV PIEMĒROJAMS	2,900 W
Enerģijas patēriņš dzesēšanas režīmā	1,350 W	1,120W
Enerģijas patēriņš sildīšanas režīmā	NAV PIEMĒROJAMS	960 W
Enerģijas patēriņš AirSwitch režīmā	56W	32W
Gaisa plūsma	220-320 (m³/h)	220-320 (m³/h)
Enerģijas klase	A	A+
Izžāvēšana	33,6 l / 24h	33,6 l / 24h
Temperatūras iestatījums	17-30°C	17-30°C
Darba temperatūra	17-43°C	5-43°C
EER dzesēšanas režīmā	2,6	3,1
EER AirSwitch režīmā	5	8
Šļūteņu garumi	1,5 m	1,5 m
Aukstumnesēja gāze	R290/260 g	R290/250 g
Skaņas līmenis dzesēšanas režīmā (LWA) (dB(A))	60-64 dB	60-64 dB
Skaņas līmenis dzesēšanas režīmā (LPA) (dB(A))	49-52 dB	49-52 dB
Skaņas līmenis AirSwitch režīmā (LWA)(dB(A))	49,5-51 dB	49,5-51 dB
Skaņas līmenis AirSwitch režīmā (LPA) (dB(A))	35-38 dB	35-38 dB
Neto svars	30 kg	31 kg
Ierīces izmēri (H×W×D)	850×471×400 mm	850×471×400 mm

**Var notikt tehniskas izmaiņas un uzlabojumi. Visas vērtības ir aptuvenas un var atšķirties atkarībā no ārējiem apstākļiem, piemēram, temperatūras, ventilācijas un mitruma.**



Šis marķējums norāda, ka šo izstrādājumu nedrīkst izmest kopā ar citiem sadzīves atkritumiem visā Apvienotajā Karalistē un ES. Lai novērstu iespējamu kaitējumu videi vai cilvēku veselībai nekontrolētas atkritumu izmešanas rezultātā, utilizējiet to atbildīgi, lai veicinātu materiālo resursu ilgtspējīgu atkārtotu izmantošanu. Lai atgrieztu izlietoto ierīci, lūdz, izmantojiet atgriešanas un savākšanas sistēmas vai sazinieties ar mazumtirgotāju, no kura prece tika iegādāta. Viņi var parūpēties par šī izstrādājuma videi nekaitīgai pārstrādi.



Izlietotās baterijas nedrīkst izmest kopā ar sadzīves atkritumiem, jo tās var saturēt toksiskas vielas un smagos metālus, kas varkaitēt videi un cilvēku veselībai. Nododiet izlietotās baterijas atbilstošam pārstrādes uzņēmumam.



**TULEOHTLIK MATERJAL.**  
See seade sisaldab R290/  
propaani, tuleohtlikku külmaainet.



Lugege operaa-  
tori kasutusjuhendit.



Lugege tehnilist juhendit.



Lugege operaa-  
tori kasutusjuhendit.

**OHUTUSALANE TEAVE**

Enne seadme paigaldamist ja kasutamist lugege kaasasolev juhend hoolikalt läbi. Tootja ei vastuta, kui vale paigaldus ja kasutus põhjustab kehavigastusi ning kahju. Hoidke kasutusjuhend tulevikus kasutamiseks alati seadme juures.

**LASTE JA HAAVATAVATE ISIKUTE OHUTUS**



**Kehavigastuste või püsiva tervisekahjustuse oht.**

Antud seadet võivad kasutada kaheksa-aastased ja vanemad lapsed ning vähenenud füüsiliste, sensoorsete või vaimsete võimetega isikud või vastavate kogemusteta ja teadmisteta isikud, kui nad teevad seda järelevalve all või neile on õpetatud seadme ohutut kasutamist ning nad mõistavad seonduvaid ohtusid. Ärge laske lastel seadmega mängida.

Alla kolmeaastasteid lapsi ei tohi seadme juurde lubada, välja arvatud pideva järelevalve korral.

Hoidke pakendi kõiki detaile lastele kättesaamatult. Ilma järelevalveta ei tohi lapsed seadet puhastada ega hooldada.

**ÜLDINE OHUTUS**

See seade on mõeldud kasutamiseks

kodumajapidamistes ja sarnastes keskkondades, nagu kauplused, kontorid ja muud töökohad. Märgistuskäsi asub seadme küljel või tagaküljel. Hoidke ventilatsiooniavad vabana.

Sulatuse kiirendamiseks ärge kasutage mehaanilisi võtteid ega muid vahendeid, vaid ainult tootja soovitatut. Seadet ei tohi hoida ruumis, kus asuvad pidevalt töötavad süüteallikad (lahtine leek, töötav gaasiseade või töötav elektriline küttekeha jne). Ärge torgake läbi ega põletage. Võtke arvesse, et külmutusagendid võivad olla lõhnutud. Ärge piserdage seadet puhastamiseks veega ega kasutage auru. Puhastage seadet niiske pehme lapiga. Kasutage ainult neutraalseid pesuvahendeid. Ärge kasutage abrasiivseid tooteid, abrasiivseid puhastuslappe, lahusteid ega metallesemeid. Kui toitekaabel on kahjustatud, peab selle ohu vältimiseks välja vahetama tootja, tema volitatud teeninduskeskus või sarnase kvalifikatsiooniga isikud.

**OHUTUSJUHISED**

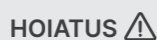


**Antud seadet võib paigaldada ainult kvalifitseeritud isik.**

Eemaldage kogu pakkematerjal. Ärge paigaldage ega kasutage kahjustatud seadet. Seade tuleb paigaldada ja seda kasutada ning hoiustada ruumis, mille pindala on suurem kui 12,5 m<sup>2</sup>. Järgige rangelt seadmega kaasas olevat paigaldusjuhendit. Olge seadme liigutamisel alati ettevaatlik, kuna see on raske. Kandke alati kaitsekindaid.

Veenduge, et õhk pääseks seadme ümber liikuma. Enne seadme elektritoitega ühendamist oodake vähemalt 4 tundi. See võimaldab õlil tagasi kompressorisse voolata. Ärge paigaldage seadet radiaatorite või muude küttekehade lähedusse. Ärge paigaldage seadet otsese päikesevalguse kätte.

**ELEKTRIÜHENDUS**

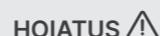


**Tulekahju- ja elektrilöögioht.**

Seade tuleb ühendada maandatud pistikupesaga. Veenduge, kas elektritoide vastab andmeplaadil esitatud elektriandmete. Kui ei vasta, võtke ühendust elektrikuga. Kasutage alati õigesti paigaldatud elektrilöögikindlat pistikupesaga. Ärge

kasutage jaoturadapteereid ega pikendusjuhtmeid. Veenduge, et ei kahjustaks elektrilisi komponente (nt pistik, kaabel). Elektriliste komponentede vahetamiseks võtke ühendust volitatud teeninduskeskuse või elektrikuga. Juhe peab jääma pistikust madalamale. Ühendage pistik pistikupesaga alles paigalduse lõpus. Veenduge, et pärast paigaldamist oleks võimalik pistikule ligi pääseda. Seadme vooluvõrgust lahti ühendamiseks toitekaablist mitte tõmmata. Eemaldage toitekaabel alati ainult pistikust.

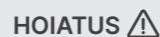
**KASUTUS**



**Kehavigastuste, põletuste, elektrilöögi või tulekahju oht.**

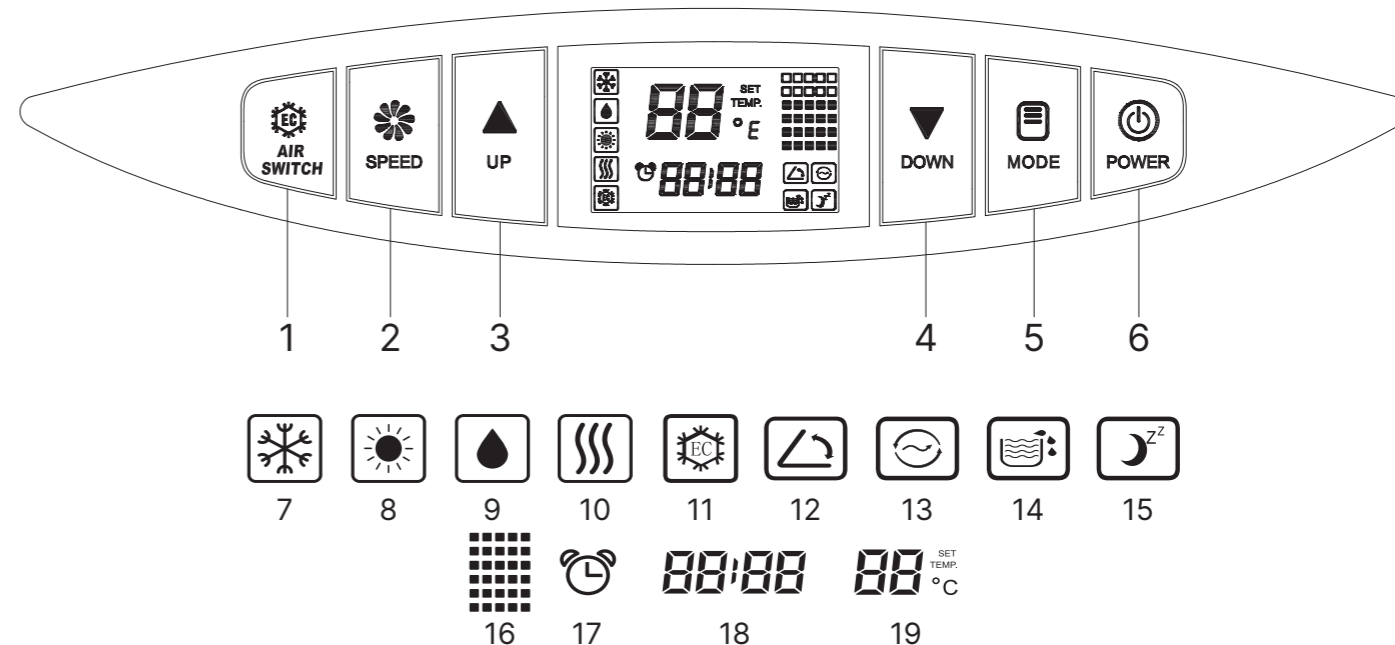
Ärge muutke selle seadme tehnilisi omadusi. Olge ettevaatlik, et mitte kahjustada külmutusagensi torustikku. See sisaldab propaani (R290), looduslikku gaasi, millele rakenduvad ranged keskkonnanõud. See gaas on kergesti süttiv. Kui külmutusagensi torustik saab vigastada, kindlustage, et ruumis ei oleks lahtist tuld ega süüteallikaid. Õhutage ruumi. Ärge pange seadme lähedale ega selle peale kergesti süttivaid tooteid ega märgasid esemeid koos kergesti süttivate vedelikuga.

**KASUTUSELT KÕRVALDAMINE**



**Kehavigastuste oht.**

Ühendage seade vooluvõrgust lahti. Eemaldage elektritoitekaabel ja kõrvaldage see kasutuselt. Antud seadme külmutusagensisüsteem on osoonisõbralik. Et saada teavet seadme nõuetekohase kasutuselt kõrvaldamise kohta, võtke ühendust vastava kohaliku asutusega. Ärge kahjustage jahutusseadme osa, mis paikneb soojusvaheti lähedal.



Täname teid teie ostu ja usalduse eest Wood's'ile. Käesolev kasutusjuhend tutvustab teile AC Cortina AirSwitch'i töörežiime. Kõigis režiimides puhastatakse õhk HEPA-tehnoloogia abil.

**Jahutusrežiim:** Jahutab ruumi soovitud temperatuurini. Jahutusmudelite optimaalne töötemperatuur on 17-35 °C.

**Kütterežiim:** Soojendab ruumi soovitud temperatuurini. Nii jahutus- kui ka soojendusmudelite optimaalne töötemperatuur on 5-35 °C. (Märkus! See režiim on saadaval ainult vahelduvvoolumudelil, millel on duo-/kuumendusfunktsioon).

**Kuivatusrežiim:** Vähendab niiskust ruumis.

**Ventilaatori režiim:** Tsirkuleerib ja puhastab ruumi õhku ilma jahutuseta.

**AirSwitch Auto Mode:** Automaatselt lülitub kompressorjohutuse ja AirSwitchi vahel. Kui välistemperatuur on seatud temperatuurist külmem, kasutatakse AirSwitch'i jahedama ja puhastatud välisõhu andmiseks ilma kompressori töötamiseta - see on vaiksem ja energiatõhusam.

**AirSwitch režiim:** Sisaldab ruumi jahedamat, puhastatud välisõhku ilma kompressorit aktiveerimata.

**KASUTUSJUHEND**

**TOOTE OSAD (VT PILT A JA B, LK 2)**

- 1. Kaugjuhtimispuldi vastuvõtuaken
- 2. Juhtpaneel
- 3. Õhu väljalaskeava
- 4. HEPA filter
- 5. Tagapaneeli ülemise filtri koost
- 6. Ühendus välistemperatuuri anduri juhtme jaoks
- 7. Pistikuga toitejuhe

- 8. Kaabli mähkimise klambrid
- 9. Tagapaneeli alumine filtri koost
- 10. Tühjenduskaate
- 11. Külgsuuna filtri kokkupanek
- 12. Külgsuuna filtri kokkupanek
- 13. Kaitsevõrk
- 14. Kaugjuhtimispuldi sektsioon
- 15. Õhu sisselaskeava
- 16. Ülemine siseruumide pistik (koos filtriga)
- 17. Õhu sisselaskevoolik (väike)
- 18. Adapter õhu sisselaskevoolikule (väike) (koos välistemperatuurianduriga)
- 19. Aknakomplektid
- 20. Õhuväljundi vooliku ümmargune pistik
- 21. Õhuväljundi voolik (suur)
- 22. Adapter õhu väljalaskevoolikule (suur)
- 23. Õhu sisselaskevooliku tihendusriie

**JUHTPANEEL (VT PILT C, LK 3)**

- 1. AirSwitch nupp
- 2. Ventilaatori kiiruse nupp
- 3. Üles nupp
- 4. Allapoole nupp
- 5. Režiimi nupp
- 6. Toitenupp
- 7. Jahutusrežiimi indikaator
- 8. Kütterežiimi indikaator (NB! See sümbol on saadaval ainult vahelduvvoolumudelil, millel on Duo/küttefunktsioon).
- 9. Kuivatusrežiimi indikaator
- 10. Ventilaatori režiimi indikaator
- 11. AirSwitch režiimi indikaator

- 12. Automaatse kiikumise funktsiooni indikaator
- 13. HEPA-filtri väljavahetamise indikaator
- 14. Vee täis indikaator
- 15. Puhkeoleku indikaator
- 16. Ventilaatori kiiruse indikaator
- 17. Taimer indikaator (NB! Taimerit saab seadistada ainult kaugjuhtimispuldiga).
- 18. Välisõhu temperatuuri indikaator; Taimer aja indikaator
- 19. Seadke temperatuuri indikaator. Siseruumi temperatuuri indikaator ventilaatori, õhukuivatuse ja AirSwitchi režiimide puhul.
- 20. Wi-Fi indikaator. (MÄRKUS! See sümbol on saadaval ainult AC-mudelil, millel on Wi-Fi/Smart Home funktsioon).

**TÖÖREŽIIMID JA JUHTPANEELI FUNKTSIOONID (VT EESPOOL VÕI PILT C, LK 3)**

**Toitenupp (6):** Seadme aktiveerimiseks vajutage seda klahvi; kõlab melodiline heli ja seade lülitub automaatselt jahutusrežiimi, mille eelseadistatud temperatuur on 22 °C. Ventilaator töötab keskmisel kiirusel. Seadme väljalülitamiseks puudutage seda klahvi uuesti ja melodiline heli annab märku seadme väljalülitamisest.

1. Kui seade on sisse lülitatud, näitab LCD-aken seatud temperatuuri jahutusrežiimis ja kütterežiimis (MÄRKUS! Küttesümbol on saadaval ainult kliimaseadme mudelil, millel on Duo/Küttefunktsioon) või ümbritseva õhu temperatuuri niiskuse eemaldamise režiimis, ventilaatorirežiimis, AirSwitch Auto režiimis ja AirSwitch režiimis. Ventilaator hakkab tööle ja õhu väljalaskeaken avaneb automaatselt.

2. Kui seade on välja lülitatud, lõpetavad kõik osad töö ja õhu väljalaskeaken sulgub automaatselt.



# Kasutusjuhend

**Režiimi nupp (5):** Režiimi nupp (5): Vajutage nuppu "Režiim", et käia kinnitamiseks läbi olemasolevad režiimid.

• Jahutusrežiim (7): Jahutab ruumi seatud temperatuuri (17-35 °C).

• Küttrežiim (8): Soojendab ruumi seatud temperatuuri (5-35 °C). (MÄRKUS! See režiim on saadaval ainult vahelduvvoolumudelil, millel on Duo/kuumutusfunktsioon).

• Kuivatusrežiim (9): Vähendab niiskust ruumis.

• Ventilatori režiim (10): Tsirkuleerib ja puhastab ruumi õhku ilma jahutuseta.

MÄRKUS! AirSwitch Auto režiimi ja AirSwitch režiimi kohta vt eraldi jaotist "AirSwitch nupp (1)".

**Nupp alla (4):** Klõpsake, et vähendada seatud temperatuuri või reguleerida seda allapoole.

**Nupp üles (3):** Vajutage nuppu, et reguleerida seatud temperatuuri ülespoole.

MÄRKUS! Vajutage 2 sekundi jooksul nuppu Alas (4) või Üles (3), et temperatuuri numbrit pidevalt 0,5-kraadiste intervallidega suurendada või vähendada. Temperatuuri seadistusvahemik on 17~30°C.

**Ventilatori kiiruse nupp (2):** Vajutage ventilatori kiiruse nuppu, et valida ventilatori kiiruseks kõrge, keskmine või madal kiirus.

MÄRKUS! Ventilatori kiirust ei saa reguleerida režiimidel Dehumidify ja Sleep.

**AirSwitch-nupp (1):** Vajutage AirSwitch-nuppu üks kord, et siseneda AirSwitch-autorežiimi, mida näitab LCD-ekraanil vilkuv AirSwitch-indikaator (11). Vajutage AirSwitch-nuppu uuesti, et siseneda AirSwitch-režiimi, mida näitab põlev, kuid mitte vilkuv AirSwitch-indikaator (11). Vajutage kolmandat korda nuppu AirSwitch, et väljuda AirSwitch-funktsioonist ja naasta vaikimisi jahutusrežiimi.

## AIRSWITCH "AUTO" REŽIIMI JA AIRSWITCH REŽIIMI MÄÄRATLUS

AirSwitch Auto Mode: AirSwitch Auto režiimis ruumi jahutamisel vaheldub seade automaatselt kompressoriga jahutamise ja AirSwitchi töö vahel.

Kui välistemperatuur on 2 °C või madalam kui seadistatud temperatuur, läheb kliimaseade automaatselt kompressori jahutusrežiimilt üle AirSwitch töörežiimile, tõmmates sisse jahedamat välisõhku, mis tagab vaiksema ja energiasäästlikuma jahutuse. Kui ruumitemperatuur jõuab seatud temperatuuri, lülitub kliimaseade ventilatsioonitegevusse.

AirSwitch režiim: AirSwitch-režiimis ruumi jahutamisel lülitub seade automaatselt AirSwitch-töörežiimi ja ventilatsiooni töörežiimi vahel.

Kui välistemperatuur on 2 °C või madalam kui toatemperatuur, läheb kliimaseade

automaatselt ventilatsioonilt üle AirSwitchi töörežiimile, tagades pidevalt vaikse ja energiatõhusa töö. Kui toatemperatuur jõuab seatud temperatuuri, lülitub kliimaseade tagasi ventilatsioonikäitusse. Tähelepanuväärset jääb kompressor selles režiimis mitteaktiivseks.

## LAHTIÜTLEMINE ÕHULÜLITI AUTOMAATNE REŽIIM JA ÕHULÜLITI REŽIIM

AirSwitch'i temperatuuriandur asub vooliku sees, mis toob välisõhu seadmesse. Teatud asjaolud võivad aeg-ajalt mõjutada anduri täpsust ja toimimist automaatrežiimi ajal.

Anduri täpsust mõjutavad tegurid:

1. Küte ruumiõhu abil: Ruumis asuvate sooja õhu allikate lähedus võib mõjutada anduri näitu.

2. Plastikust korpus: Harvadel juhtudel võib anduri plastmassist korpus absorbeerida soojust, mis mõjutab selle töövõimet.

3. Välised keskkonnaelemendid: Päikesevalgus ja tuuled: Kokkupuude otsese päikesevalguse või soojust ülekandva tuulega võib mõjutada anduri täpsust. Peegeldavad pinnad: Lähedal asuvad seinad, mis peegeldavad või neelavad soojust, võivad häirida automaatset funktsiooni. Sellistel juhtudel on soovitatav kasutada manuaalset režiimi.

4. Õhuvoolude ületamine: Tuul või õhuvool võib põhjustada temperatuuri kõikumisi, eriti kui väljundvoolik segab sisendvoolikut.

Soovitused:

1. Manuaalne režiim Kasutamine: Manuaalrežiimi kasutamine on soovitatav täpseks kontrollimiseks keerulistes tingimustes.

2. Anduri ülekuumenemise vältimine: Vältige anduri kokkupuudet otsese kuumusega, et tagada täpne temperatuuri tuvastamine.

3. Peegeldavate pindade teadlikkus: Kaaluge manuaalse režiimi aktiveerimist, kui teil on peegeldavad pinnad, näiteks lähedal asuv telliskivisein või muud võimalikud häiringud.

4. Optimaalne tööaeg: Kaaluge AirSwitchi sisselülitamist käsitsi, et tagada järjepidev töö, eriti magamamineku ajal.

## FUNKTSIOONID NUPPUDE KOMBINEERIMISEL (VT PILT C, LK 3)

Unefunktsioon (15): Algatege või tühistage funktsioon SLEEP, vajutades samaaegselt AirSwitch-nuppu (1) ja nuppu Up (3). Pange tähele, et ventilatori kiirus ei ole Sleep-funktsioonis reguleeritav.

• Kui jahutusrežiimis on aktiveeritud puhkefunktsioon, tõstab see 2 tunni pärast seadistatud temperatuuri 1 °C võrra ja suurendab seda veel 2 tunni pärast veel 1 °C võrra, säilitades selle temperatuuri.

• Kui soojendusrežiimis on aktiveeritud puhkefunktsioon (saadaval

ainult AC-mudelil, millel on duo-/kuumendusfunktsioon), alandab see seadistatud temperatuuri 2 tunni pärast 1 °C võrra. Seejärel alandab see seda veel 2 tunni pärast veel 1°C võrra, töötades seejärel selle temperatuuril. MÄRKUS! Funktsioon Sleep ei ole efektiivne ventilaatorirežiimi, õhukuiivatusrežiimi, AirSwitch Auto režiimi ja AirSwitch režiimi puhul.

Automaatne kiikumise funktsioon (12): Aktiveerige või deaktiveerige Auto-Swing, puudutades samaaegselt AirSwitch-nuppu (1) ja ventilatori kiiruse nuppu (2).

## MUUD JUHTPANEELI FUNKTSIOONID (VT PILT C, LK 3)

HEPA-filtri vahetamise indikaator (13): Kui konditsioneer töötab üle 500 tunni, ilmub vastav ikoon LCD-ekraanile, mis näitab, et HEPA-filter vajab väljavahetamist. Taimeri lähtestamiseks ja ikooni eemaldamiseks vajutage ja hoidke 6 sekundit all ventilatori kiiruse nuppu. See toiming tühistab ikooni kuvamise ja käivitab ajaarvutuse uuesti. Vaata vahetatava HEPA-filtri kohta teavet filtri vahetamise kohta.

Välisõhu temperatuuri indikaator ja taimerite aja indikaator (18): Välisõhu temperatuuri näidatakse tavapärase töö ajal. Kui seadme ajastusfunktsioon on aktiveeritud, kuvatakse ekraanil vaheldumisi välistemperatuuri ja taimer kestust.

Märkus: Rikkekode kuvatakse välistemperatuurianduri rikke või seadme tagaküljel asuva sulguri avanemise või sulgemise probleemide korral.

## WIFI FUNKTSIOON (20)

(Ainult WiFi/Smart Home-funktsiooniga AC-mudelil puhul.)



1. Lae Wood's Connect rakendus alla App Store'ist või Google Play'st.

2. Registreerige ja järgige juhiseid. Nõustuge kõigi sammudega. (Lugege hoolikalt privaatsuspoliitikat ja nõustuge jätkama.)

3. Avage rakendus Wood's Connect ja lisage seade.

4. Paaritamise režiimi sisenemiseks vajutage ja hoidke 5 sekundit all seadme AirSwitch-nuppu, et näha, et Wi-Fi ikoon ekraanil hakkab kiiresti vilkuma.

5. Kui tuvastate seadme ekraanil, lisage see. Võite valida mudeli ka käsitsi.

6. Täitke oma Wi-Fi seaded ja parool.

7. Ühiku lisamiseks vajutage +.

8. Oodake seadme lisamist. Nüüd on seade valmis Wi-Fi kaudu juhtimiseks.

Wi-Fi-funktsiooni katkestamiseks vajutage 5 sekundit seadme AirSwitch-nuppu.

## KAUGJUHTIMISPULDI TÖÖREŽIIMID (VT PILT D, LK 3)

**Võimsus (1):** Vajutage seda nuppu seadme käivitamiseks, kui see on pingestatud, või seadme seiskamiseks, kui see töötab.

**Režiimi nupp (2):** Vajutage seda nuppu töörežiimi valimiseks.

**AirSwitch-nupp (3):** Vajutage seda nuppu AirSwitch-režiimi seadistamiseks või tühistamiseks.

1. Vajutage üks kord nuppu AirSwitch, et siseneda AirSwitch automaatrežiimi, mida näitab LCD-ekraanil vilkuv sümbol "ENERGY SAVER".

2. AirSwitch-režiimi sisenemiseks vajutage uuesti nuppu AirSwitch. Sümbol "ENERGY SAVER" süttib, kuid ei vilgu.

3. Vajutage kolmandat korda nuppu AirSwitch, et väljuda funktsioonist AirSwitch ja naasta vaikimisi jahutusrežiimi.

**Nupp üles (4):** Vajutage nuppu üles, et suurendada toatemperatuuri ja taimer seadistust.

**Nupp alla (5):** Vajutage allapoole nuppu, et vähendada toatemperatuuri ja taimer seadistust.

**Ventilatori nupp (6):** Vajutage seda nuppu, et valida järjestikku ventilatori kiirust: Madal, Keskmine, Kõrge.

**Automaatne kiikumise nupp (7):** Vajutage seda nuppu automaatse kiikumise funktsiooni sisse- või väljalülitamiseks.

**Puhkenupp (8):** Vajutage seda nuppu, et valida või tühistada puhkeolek (toimib ainult jahutamise või kütmise korral).

**Taimer-nupp (9):** Seadke AUTO-ON funktsioon ooteseisundis ja AUTO-OFF, kui seade töötab. Aega saab reguleerida vahemikus 1-24 tundi. Taimeri väljalülitamiseks vajutage taimeri nuppu ja seadke taimer asendisse "0".

Enne kaugjuhtimispuldi kasutamist paigaldage AAA-patareid, järgides järgmisi juhiseid: (VT PILTI D, LK 3)

1. Libistage ja eemaldage ettevaatlikult puldi tagaküljel asuv patareikate.

2. Asetage kaks uut AAA-aluselist patareid selleks ettenähtud patareipessa, tagades õige polaarsuse.

3. Kinnitage akukate uuesti, tagades, et lukustussambad lukustuvad kindlalt.

MÄRKUS!

• Kasutage ainult leelispatareisid. Ärge kasutage laetavaid patareisid.

• Asendage alati mõlemad patareid

uutega; ärge segage vanu ja uusi patareisid.

• Eemaldage patareid kaugjuhtimispuldist, kui kliimaseadet ei kasutata pikema aja jooksul.

## KAUGJUHTIMISPULDI HOIDMINE (VT PILT E, LK 3)

1. Sisestage kaugjuhtimispult seadme vasakul küljel asuvasse sisseehitatud lahtrisse ja vajutage seda ettevaatlikult sulgemiseks.

2. Vajutage ettevaatlikult sisseehitatud sektsiooni alumist osa, et avada see ja võtta välja kaugjuhtimispult.

MÄRKUS! Puldi kaotamise vältimiseks pange see hoiukohta, kui te seda ei kasuta.

HOIATUS: Kui aku lekitab nahale või riietele, peske kahjustatud piirkonda viivitamatult ja põhjalikult puhta veega. Hoiduge kaugjuhtimispuldi kasutamisest, kui on tõendeid patarei lekke kohta. Patareivedeliku allaneelamise korral pöörduge viivitamatult arsti poole. Patareides sisalduvad kemikaalid võivad põhjustada selliseid ohte nagu põletused ja muud terviseohud.

## INSTALLATSIOON

### ENNE ESMAKORDSET KASUTAMIST

Laske seadmel enne kasutamist 4 tundi püsti seista.

See kliimaseade on mõeldud mugavaks ümberpaigutamiseks siseruumidesse. Veenduge, et seade jääb teisaldamise ajal püsti. Asetage kliimaseade tasasele pinnale. Ärge paigaldage ega kasutage seda kliimaseadet vannitubades või muudes niisketes keskkondades.

### PAIGALDADA HEPA-FILTER (VT PILT F, LK 3)

1. Tõstke HEPA-filtri pakett ülespoole.

2. Eemaldage HEPA-filtri pakendikott. (MÄRKUS! Eemaldatud pakendikott tuleb panna laste eest eemale)

3. Paigaldage HEPA-filter, joondades selle ekraani raami pessa ja surudes selle kindlalt sisse. HEPA-filter tuleb alla suruda.

See Woodi H11 HEPA-filter täidab oma rolli õhupuhasust. See püüab ja eemaldab tõhusalt sellised osakesed nagu tolm, õietolm, hallituseente eosed, bakterid ja isegi väikesed suitsuosakesed õhust, tagades puhtama ja tervislikuma sisekeskkonna.

MÄRKUS! Vahetage HEPA-filtrit vähemalt kord aastas. Registreerige end aadressil guarantee-woods.com ja vahetage HEPA-filtri kord aastas, et saada 6-aastane garantii. Kehtib ainult koos Wood's kaubamärgiga filtriga. Vaata woods.se jaemüüjate kohta. SALVESTAGE OMA KVIITUNGID!

# Kasutusjuhend

### OLULINE TEAVE ENNE ÕHUVOOLIKUTE PAIGALDAMIST

Töötamise ajal hoidke voolikud võimalikult lühikesed ja võimalikult vähest kurrvidega, et vähendada rõhulangust ja võimsuskadu. Õhu väljalaskevoolik peab jääma sujuvaks, et vältida ülekuumenemist ja kliimaseadme võimalikku kahjustamist. Voolikute pikkus on 280 mm-1500 mm. Vältige voolikute pikendamist või asendamist teise voolikuga, mis võib mõjutada tööd.

### ÕHUVÄLJUNDI VOOLIKU JA SELLE ADAPTERI PAIGALDAMINE. (VT PILTI G JA H, LK 4)

1. Eemaldage kilekott, võttes pakendist välja õhu väljalaskevooliku (suur), selle pistiku ja adapteri.

2. Pikendage õhu väljalaskevooliku ühte otsa ja kinnitage ümmargune pistik, keerates seda vähemalt kolm korda vastupäeva.

3. Pikendage õhu väljalaskevooliku teist otsa ja kinnitage adapter, keerates seda vähemalt kolm korda vastupäeva.

4. Asetage õhu väljalaskevooliku komplekti esiosa tagapaneelil asuva õhu väljalaskevooliku ettenähtud süvendisse. Kinnitusdetailid lukustavad õhu väljalaskevooliku komplekti kindlalt oma kohale.

5. Paigaldage õhu väljalaskevoolik seadmele.

MÄRKUS! Veenduge, et adapteri kaldus külg on õiges suunas, et aknatihendusplaat oleks hõlpsasti paigaldatav. Hoidke õhu väljalaskevooliku turvaline ja hästi asetatud ühendus.

### PAIGALDAGE ÕHU SISSELASKEVOOLIK (VT PILTI I, J, K, LK 4).

1. Eemaldage kilekott, võttes pakendist välja õhu sisselaskevoolik (see väiksem), selle pistiku ja adapteri.

2. Pikendage õhu sisselaskevooliku ühte otsa ja ühendage see andurit sisaldava pistiku külge, keerates seda vähemalt kolm korda vastupäeva.

3. Asetage tihendusriie ümber õhu sisselaskevooliku, tagades, et ka temperatuurianduri juhe on suletud tihendusriide sisse. Pikendage õhu sisselaskevooliku teist otsa ja ühendage see pistiku külge, keerates seda vastupäeva (kolm pöört). Lõpuks pikendage tihendusriiet, et katta ümmargune pistik.

4. Paigaldage õhu sisselaskevoolik seadme külge, jälgides, et nool "IN" näitaks allapoole.

### FIKSEERITUD TEMPERATUURIANDURI LIIN (VT JOONIS L, LK 4)

Sisestage temperatuurianduri juhtmeühendus seadme ühendusse. Pistikupesal on valge märgipunkt. Pistiku ühendamisel peavad kaks valget punkti

olema üksteisega ühel joonel ja seejärel pingutage pistikut päripäeva.

See peaks vabalt õhus rippuma.

MÄRKUS! Temperatuurianduri juhtme pistiku pinge on ohutu pinge, mis ei ületa 5 V alalisvoolu.

#### AKNATIHENDI PLAADI PAIGALDAMINE (VT PILT M, N, O, LK 5)

1. Paigaldage voolikute koostu ristkülikukujuline ots vastavasse ristkülikukujulisse auku aknatihendusplaadi koostus, kinnitage see kruviga.

MÄRKUS!

- Libistage adapterid allapoole, tagades, et need on kindlalt paigaldatud.

- Veenduge, et paneeli kaldpaneeli suund langeb kokku tihendusplaadi suunaga.

- Veenduge, et voolikud ei jääks painutamata ja nende paindumisnurk oleks suurem kui 45°, et tagada piisav ventilatsioon.

2. Avage aken pooleks ja sisestage tihendusplaat aknasse, asetades selle kas vertikaalselt või horisontaalselt. Vertikaalse paigalduse korral asetage õhu väljavooluvoolik ülesse, et soe väljuv õhk ei segaks õhu sissevooluvoolikul asuvat andurit.

3. Pikendage tihendusplaadi osad ja kohandage need akna pikkusele vastavaks. Veenduge, et mõlemad otsad kohtuvad aknaservadega ja kinnitage see kruvidega.

MÄRKUS! Veenduge, et aknatihendusplaadi mõlemad otsad kohtuvad aknaservadega tõhusalt, et tagada nõuetekohane tihendus.

Veenduge, et kruvid on õiges asendis kindlalt kinni keeratud.

4. Reguleerige välistemperatuuri anduri pea asendit ja laske reguleerimisvarras alla akna all oleva seina astangu alumisele osale.

MÄRKUS! Andur peaks rippuma vabalt õhus ja võimalikult kaugel õhu väljalaskevooliku soojast õhust.

5. Liigutage seadet nii, et voolikud on paigaldatud akna ette ja hoidke seade vähemalt 50 cm kaugusel seintest või muudest objektidest.

#### SEADME SISSELÜLITAMINE

Seadme toitmiseks ühendage see vooluvõrku. Kõik LCD-akna ikoonid põlevad 2 sekundiks, millele lisandub lühike meeldetuletus heli. Seejärel kuvatakse LCD-aknas siseruumi temperatuur vahemikus 5°C kuni 35°C ja välistemperatuur vahemikus -9°C kuni 65°C. Seade on seejärel ooterežiimis ja töövalmis.

**Seade on nüüd kasutusvalmis!**

## HOOLDUS

MÄRKUS! Enne hooldust lülitage seade välja ja tõmmake pistik välja.

#### DRENAAZIJUHEND (VT PILT P, LK 5)

Suurem osa veest juhitakse koos kuuma õhuga loomulikult teel õhuväljundi vooliku kaudu välja. Kui teil on vaja paaki tühjendada, teavitab seade teid sellest. (vt PILDID C, LEHT 3, nr 14)

Veepaagi tühjendamine: Keerake äravoolukate lahti ja tõmmake veepistik välja, et vesi saaks voolata salve. MÄRKUS: Olge ettevaatlik, et vältida lekkeid, kui seadet tuleb liigutada. Kallutage seadet tühjendamise ajal veidi tahapoole. Kui salv ei suuda kogu seadme vett mahutada, blokeerige viivitamatult äravooluava, et vältida vee lekkimist ja põranda või vaiba märjaks saamist. Veenduge, et veekork ja äravoolukate on tihedalt paigaldatud, et vältida uue kondenseerunud vee põranda või vaiba märjaks saamist seadme taaskäivitamisel.

Veevooliku ühendamine pidevaks äravooluks: Keerake äravoolukate lahti ja eemaldage veepistik. Ühendage 12 mm siseläbimõõduga veevoolik seadme torusse. (Veevoolik ei kuulu komplekti). Viige veevooliku teine ots äravoolu. Veenduge, et vesi saaks äravoolu allapoole. MÄRKUS: äravooluvoolik tuleb paigaldada, kui salve ei ole vett. Kui seade on jahutusrežiimis, ei ole soovitatav kasutada pidevat äravoolu, et tagada piisav vee ringlusse laskmine seadmes, et suurendada süsteemi jahutusmõju. Paigutage äravooluvoolik ligipääsmatus kohas, tagades, et see ei asu äravooluaukust kõrgemal, ja hoidke äravooluvoolik sirge, ilma kõverusteta. Veenduge, et äravoolukate ja selle sulgur on korralikult kinnitatud, kui kasutatakse pidevat äravoolu.

#### MITMEKORDNE KAITSEFUNKTSIOON

Automaatne sulatamine: Seade sulatab vajaduse korral automaatselt. Sulatamisrežiimis kuvatakse ekraanil E4 ja ükski nupp peale nupu POWER ei ole aktiivne.

Kompressori kaitse: Seadmel on kompressori kaitsefunktsioon, mis põhjustab 3-minutilise käivitamisviivituse pärast seadme taaskäivitamist.

Vee täisoleku häire ja väljalülitamise kaitsefunktsioon: Kui veekogus ületab seadme korpuses määratud häiretaseme, käivitub automaatne hoiatussignaal, millega kaasneb vee täisoleku ikooni valgustus LCD-ekraanil. Sellisel juhul tuleb kondenseerunud vesi tühjendada, järgides jaotises "Tühjendusjuhised" esitatud juhiseid. Kui seadet ei lülitata käsitsi välja, taastub see automaatselt algseesse tööseisundisse, kui kondenseerunud vesi on täielikult tühjendatud. Alternatiivselt ühendage seadme taaskäivitamiseks uuesti vooluvõrk.

#### PINNA PUHASTAMINE

- Puhastage seadme pinda märja pehme lapiga ja ärge kasutage keemilisi lahusteid, nagu alkohol ja bensiin, et vältida kahjustusi.

- Puhastage määratud õhu väljalaskeava või lamellid niiske pehme lapiga ja kerge pesuvahendiga.

- Keelatud on kasutada seadme puhastamiseks mis tahes keemilisi lahusteid või panna selliseid asju seadme lähedusse pikemaks ajaks.

- Seadme puhastamiseks on keelatud kasutada lahjendajaid, alkoholi-glaseerijaid või muid sarnaseid lahusteid.

#### PESTAVA FILTRI PUHASTAMINE (VT PILT Q, LK 5)

On oluline puhastada filtrit iga kahe nädala tagant, et tolmu kogunemine ei mõjutaks seadme jõudlust. Uputage ja peske filtrit ettevaatlikult sooja vees (umbes 40 °C), mis on segatud neutraalse puhastusvahendiga. Pärast puhastamist paigaldage see uuesti seadmesse.

Puhastage õhu sisselaskevooliku filter (A): Tõstke pistikupesa üles, seejärel eemaldage pistikupesas olev filtriraam ja puhastage see.

Puhastage vasak ja parem ülemine sisselaskeõhufiltri raam (B): Tõmmake vasak ja parem ülemine sisselaskeõhufiltri raam vastavate külgedele poole. Puhastage raam põhjalikult.

Puhastage alumised filtrid (C): Tõmmake alumised filtrid välja, seejärel eemaldage tagumine filter ja puhastage see.

Puhastage külgfiltrid (D): Tõmmake külgfiltrid välja ja puhastage need.

MÄRKUS! Tõmmake filtrit ettevaatlikult välja, eelistades tagapaneeli filtri eemaldamist enne külgpaneeli filtri eemaldamist, et vältida väändumist või kahjustusi. Olge ettevaatlik, et mitte muljuda võrku ja vältige võrku teravate esemete või harjadega löömist.

MÄRKUS! Enne filtri paigaldamist tagapaneelile veenduge, et filter on paigaldatud küljepaneelile.

Paigaldage filter eemaldamisele vastupidises suunas.

#### VAHETATAV HEPA-FILTER (VT PILT F, LK 3)

See seade puhastab õhu HEPA-tehnoloogia abil. Filtrit tuleb vahetada regulaarselt ja vähemalt kord aastas.

1. Tõstke HEPA-filter ülespoole.

2. Paigaldage HEPA-filter, joondage see ekraani raami pessa ja vajutage see ekraani raami. HEPA-filter tuleb suruda põhja.

MÄRKUS! Garantii säilitamiseks kasutage kindlasti Woodi originaal HEPA-filtrit. Lisateabe saamiseks ja jaemüüjate leidmiseks külastage veebisaiti woods.se.

#### HOOAJA LÖPU LADUSTAMINE

1. Keerake äravoolukate lahti ja eemaldage veekork, et kondenseeritud vesi täielikult ära lasta. MÄRKUS: Seadme kaldenurk peab olema ≤30 kraadi.

2. Kasutage seadet poole päeva jooksul ventilaatori režiimis, et sisemus kuivataks põhjalikult ja vältiks hallituse teket.

3. Lülitage seade välja, tõmmake pistik välja, keerake toitejuhe ümber juhtmepooliku, sisestage pistik tagapaneelil asuvasse universaalsesse kinnitusavasasse ning paigaldage uuesti veekork ja äravoolukate.

4. Eemaldage õhu väljalaskevoolik, puhastage see ja ladustage nõuetekohaselt. MÄRKUS: Hoidke õhu väljalaskevooliku koostu eemaldamisel mõlema käega kinni.

5. Lükake pöidlaga õhu väljalaskevooliku kinnitused kõrvale ja tõmmake seejärel õhu väljalaskevooliku koost välja.

6. Pakendage konditsioneer kindlalt pehmesse kilekotti, asetage see kuiva ja tolmukindlasse kohta ning hoidke seda lastele kättesaamatus kohas.

7. Eemaldage patareid kaugjuhtimispuldist ja hoidke neid nõuetekohaselt.

MÄRKUS: Veenduge, et seadet hoitakse kuivas keskkonnas. Hoidke kõiki seadme lisaseadmeid ühiselt, et vältida kahjustusi või rikkumist.

## GARANTID

Kaks aastat garantiid tootmisvigade vastu. Pange tähele, et garantii kehtib ainult ostukviitungi esitamisel. SÄILITAGE OMA KVIITUNGID! Kviitungid on nõutavad mis tahes garantiinõude esitamiseks selle aja jooksul.

#### SAADA LAIENDATUD GARANTII

Saate 6-aastase garantii, registreerides end aadressil [guarantee-woods.com](http://guarantee-woods.com). Tagage oma garantii pikaajalisus, vahetades igal aastal välja Woodsi originaal HEPA-filtri. Pange tähele, et garantii kehtib eritingimustel: õigeaegne toote registreerimine 90 päeva jooksul, HEPA-filtri iga-aastane vahetus ning nii filtrite kui ka seadme kviitungite säilitamine. SÄILITAGE OMA KVIITUNGID! Kõik kviitungid on nõutavad mis tahes garantiinõude esitamiseks selle perioodi jooksul.



## TÕRKEOTSING

Palun kontrollige seadet ja järgige alljärgnevat soovitusi, enne kui taotle professionaalset hooldust. Ärge kunagi püüdke seadet siiski ise lahti võtta või parandada, sest see võib teile ja teie varale kahju tekitada. Kui tekivad probleemid, mida tabelis ei ole loetletud, või kui soovitatud lahendused ei toimi, võtke ühendust professionaalse teenindusorganisatsiooniga.

PROBLEEMID	PÕHJUS	ABINÕU
Seade ei käivitu.	Toiteallika rike.	Ühendage seade vooluvõrku ja lülitage see sisse.
	Veepaak on täis ja vastav ikoon on valgustatud.	Tühjendage seadmesse ladustatud vesi.
	Ruumi temperatuur on jahutusrežiimil madalam kui seatud temperatuur või kütterežiimil kõrgem temperatuur.	Veenduge, et seade töötab soovitatud temperatuurivahemikus 8-35 °C. Reguleerige seadistatud temperatuur.
Ebapiisav jahutus.	Seal on otsene päikesevalgus.	Sulgege aknakardinad.
	Uksed ja aknad on avatud, ruumis on palju rahvast või on muid soojusallikad.	Sulgege uksed ja aknad, eemaldage muud soojusallikad ja kaaluge täiendavate kliimaseadmete lisamist.
	Määratud filter.	Puhastage või vahetage filtri võrk välja.
	Õhu sisselaskeava või õhu väljalaskeava ummistunud.	Eemaldage kõik takistused.
Kõrge müratase.	Seade on paigutatud ebatasasele pinnale.	Asetage seade tasasele ja kindlale kohale (võib vähendada müra).
Kompressor ei tööta.	Ülekuumenemiskaitse käivitamine.	Oodake, kuni temperatuur langeb, seade käivitub automaatselt uuesti.
Kaugjuhtimispult ei tööta.	Seadme ja kaugjuhtimispuldi vaheline kaugus on liiga pikk.	Viige kaugjuhtimispult kliimaseadme lähedale ja veenduge, et seadme signaalireseptoril on õhku.
	Kaugjuhtimispult ei ole suunatud seadme signaalireseptorile.	
	Patareid on tühjad.	Vahetage patareid välja
Kuvatakse kood "CH01".	Ruumi temperatuurianduri rike.	Kontrollige ruumitemperatuuriandurit ja sellega seotud vooluahelaid.
Kuvatakse kood "CH02".	Temperatuurianduri rike aurustaja juures.	Kontrollige aurusti temperatuuriandurit ja ahelaid.
Kuvatakse kood "E4".	Külmumisvastane kaitse.	Funktsioonid taastuvad automaatselt, kui jäätumiskaitse on lõppenud.
Kuvatakse kood "E5".	Välitemperatuurianduri rike.	Kontrollige välitemperatuuriandurit ja sellega seotud vooluahelaid. Kontrollige, kas välitemperatuurianduri kaabli liides on korralikult ühendatud.
Kuvatakse kood "E6".	Ukse avamise tõrge.	Kontrollige, kas õhulüliti klapp on jahutusrežiimil täielikult avatud ja kontrollige sellega seotud ahelad.
Kuvatakse kood "E7".	Ukse sulgemise tõrge.	AirSwitch-režiimil veenduge, et klapp vastab sulgemistingimustele ja et õhulüliti klapp on täielikult suletud; kontrollige sellega seotud ahelad.
Kuvatakse kood "FL".	Šassii veepaak on täis.	Tühjendage kondensaat ja käivitage seade uuesti.

## TEHNILINE KIRJELDUS

MUDEL NO.	AC CORTINA 12K AIRSWITCH	AC COTINA 12K AIRSWITCH SMART HOME DUO A+
Jahutusvõimsus	3,520 W	3,500 W
Küttevõimsus	EI KOHALDATA	2,900 W
Energiatarve jahutusrežiimis	1,350 W	1,120W
Energiatarbimine kütmisrežiimil	EI KOHALDATA	960 W
Energiatarve AirSwitch režiimis	56W	32W
Õhuvool	220-320 (m³/h)	220-320 (m³/h)
Energiaklass	A	A+
Kuivatamine	33,6 L / 24h	33,6 L / 24h
Temperatuuri seadistus	17-30°C	17-30°C
Töötemperatuur	17-43°C	5-43°C
EER jahutusrežiimis	2,6	3,1
EER AirSwitch-režiimis	5	8
Voolikute pikkused	1,5 m	1,5 m
Külmutusgaas	R290/260g	R290/250g
Helitase jahutusrežiimil (LWA) (dB(A))	60-64 dB	60-64 dB
Helitase jahutusrežiimil (LPA) (dB(A))	49-52 dB	49-52 dB
Helitase AirSwitch-režiimis (LWA) (dB(A))	49,5-51 dB	49,5-51 dB
Helitase AirSwitch režiimis (LPA) (dB(A))	35-38 dB	35-38 dB
Netokaal	30kg	31kg
Seadme mõõtmed (kõrgus × laius × paksus)	850×471×400mm	850×471×400mm

**Võib toimuda tehnilisi muudatusi ja täiustusi. Kõik väärtused on ligikaudsed ja võivad erineda sõltuvalt välistest asjaoludest, nagu temperatuur, ventilatsioon ja niiskus.**



See märgistus näitab, et seda toodet ei tohi kogu Euroopa Liidus ega Ühendkuningriigis ära visata koos muude olmejäätmetega. Et vältida jäätmete kontrollimata kõrvaldamisest keskkonnale või inimeste tervisele tekkida võivat kahju, viige toode vastutustundlikult ringlussevõttu, et edendada oluliste ressursside säästvat taaskasutamist. Meile seadme tagastamiseks kasutage tagastamis- ja kogumissüsteeme või võtke ühendust jaemüüjaga, kellelt toode osteti. Nemed oskavad selle toote keskkonnale ohutult ringlussevõttu suunata.



Kasutatud patareid ei tohi visata olmejäätmete hulka, sest need võivad sisaldada mürgiseid aineid ja raskemetalle, mis võivad olla kahjulikud keskkonnale ning inimeste tervisele. Tagastage tühjad patareid sobivasse ringlussevõtukohhta.

**ΕΥΦΛΕΚΤΟ ΥΛΙΚΟ.**

Η συσκευή περιέχει R290/  
Προπάνιο, ένα εύφλεκτο ψυκτικό μέσο.

Ανατρέξτε στο εγχειρίδιο  
του χειριστή.

Διαβάστε το τεχνικό  
εγχειρίδιο.

Διαβάστε το εγχειρίδιο του  
χειριστή.

**ΠΛΗΡΟΦΟΡΙΕΣ ΑΣΦΑΛΕΙΑΣ**

Πριν από την εγκατάσταση και τη χρήση της συσκευής, διαβάστε προσεκτικά τις παρεχόμενες οδηγίες. Ο κατασκευαστής δεν ευθύνεται σε περίπτωση πρόκλησης τραυματισμού και ζημιών λόγω εσφαλμένης εγκατάστασης και χρήσης. Να φυλάσσετε πάντα τις οδηγίες μαζί με τη συσκευή για μελλοντική αναφορά.

**ΑΣΦΑΛΕΙΑ ΠΑΙΔΙΩΝ ΚΑΙ ΕΥΑΛΩΤΩΝ ΑΤΟΜΩΝ**

**ΠΡΟΕΙΔΟΠΟΙΗΣΗ ⚠**  
Κίνδυνος τραυματισμού ή μόνιμης αναπηρίας.

Αυτή η συσκευή μπορεί να χρησιμοποιηθεί από παιδιά ηλικίας οκτώ ετών και άνω και άτομα με μειωμένη σωματική, αισθητηριακή ή διανοητική ικανότητα ή με έλλειψη εμπειρίας και γνώσης, αν έχουν λάβει οδηγίες σχετικά με τη χρήση της συσκευής με ασφάλεια και έχουν κατανοήσει τους κινδύνους που σχετίζονται με τη χρήση της. Μην αφήνετε τα παιδιά να παίζουν με τη συσκευή.

Τα παιδιά ηλικίας κάτω των τριών ετών θα πρέπει να παραμένουν σε απόσταση, εκτός εάν εποπτεύονται συνεχώς.

Κρατήστε όλες τις συσκευασίες μακριά από τα παιδιά. Ο καθαρισμός και η συντήρηση δεν θα πρέπει να γίνονται από παιδιά χωρίς επίβλεψη.

**ΓΕΝΙΚΗ ΑΣΦΑΛΕΙΑ**

Αυτή η συσκευή προορίζεται για χρήση σε νοικοκυριά και παρόμοια περιβάλλοντα, όπως καταστήματα, γραφεία και άλλα

εργασιακά περιβάλλοντα. Η πινακίδα τύπου βρίσκεται στο πλάι ή στο πίσω μέρος της συσκευής. Διατηρείτε τα ανοίγματα εξαερισμού ελεύθερα από εμπόδια.

Εκτός από αυτά που συνιστώνται από τον κατασκευαστή, μη χρησιμοποιείτε μηχανικές συσκευές ή άλλα μέσα για να επιταχύνετε τη διαδικασία απόψυξης. Η συσκευή δεν πρέπει να αποθηκεύεται σε χώρο όπου λειτουργούν συνεχώς πηγές ανάφλεξης (ανοικτές φλόγες, συσκευή αερίου που βρίσκεται σε λειτουργία, ηλεκτρικός θερμαντήρας λειτουργίας κ.λπ.). Μην τρυπάτε και μην καίτε τη συσκευή. Πρέπει να γνωρίζετε ότι τα ψυκτικά μέσα μπορεί να μην γίνουν αντιληπτά μέσω της οσμής. Μην χρησιμοποιείτε ψεκαστήρες νερού και ατμού για τον καθαρισμό της συσκευής. Καθαρίζετε τη συσκευή με ένα υγρό μαλακό πανί. Χρησιμοποιείτε μόνο ουδέτερα απορρυπαντικά. Μην χρησιμοποιείτε διαβρωτικά προϊόντα, καθαριστικά σφουγγαράκια λείανσης, διαλύτες ή μεταλλικά αντικείμενα. Αν το καλώδιο τροφοδοσίας έχει φθαρεί, πρέπει να αντικατασταθεί από τον κατασκευαστή, το εξουσιοδοτημένο κέντρο σέρβις ή άτομα με κατάλληλη εξειδίκευση, προκειμένου να αποφευχθεί οποιοσδήποτε κίνδυνος.

**ΟΔΗΓΙΕΣ ΑΣΦΑΛΕΙΑΣ**

**ΠΡΟΕΙΔΟΠΟΙΗΣΗ ⚠**  
Η εγκατάσταση αυτής της συσκευής επιτρέπεται μόνο από ειδικευμένο άτομο.

Αφαιρέστε όλο το υλικό της συσκευασίας. Μην εγκαθιστάτε και μην χρησιμοποιείτε τυχόν κατεστραμμένες συσκευές. Η συσκευή πρέπει να εγκαθίσταται, να λειτουργεί και να φυλάσσεται σε χώρους με εμβαδόν δαπέδου μεγαλύτερο από 12,5 m<sup>2</sup>. Τηρήστε αυστηρά τις οδηγίες εγκατάστασης που παρέχονται με τη συσκευή. Να είστε πάντα προσεκτικοί όταν μετακινείτε τη συσκευή επειδή είναι βαριά. Πάντα να φοράτε γάντια ασφαλείας.

Βεβαιωθείτε ότι ο αέρας μπορεί να κυκλοφορεί γύρω από τη συσκευή. Περιμένετε τουλάχιστον 4 ώρες πριν συνδέσετε τη συσκευή στην πρίζα. Αυτό πρέπει να τηρηθεί ώστε να επιστρέψει το λάδι στον συμπιεστή. Μην εγκαθιστάτε τη συσκευή κοντά σε θερμαντικά σώματα ή άλλες πηγές θερμότητας. Μην εγκαθιστάτε τη συσκευή σε σημείο άμεσα εκτεθειμένο στο ηλιακό φως.

**ΗΛΕΚΤΡΙΚΗ ΣΥΝΔΕΣΗ**

**ΠΡΟΕΙΔΟΠΟΙΗΣΗ ⚠**  
Κίνδυνος πυρκαγιάς και ηλεκτροπληξία.

Η συσκευή πρέπει να συνδέεται σε γειωμένη πρίζα. Βεβαιωθείτε ότι οι ηλεκτρολογικές πληροφορίες στην πινακίδα των τεχνικών χαρακτηριστικών συμφωνούν με την τροφοδοσία ρεύματος. Αν όχι, επικοινωνήστε με ηλεκτρολόγο. Να χρησιμοποιείτε πάντα μια σωστά εγκατεστημένη αντικραδασμική πρίζα.

Μην χρησιμοποιείτε πολύμπριζα και καλώδια επέκτασης. Φροντίστε να μην προκαλέσετε βλάβη στα ηλεκτρικά εξαρτήματα (π.χ. βύσμα, καλώδιο). Επικοινωνήστε με το εξουσιοδοτημένο κέντρο σέρβις ή έναν ηλεκτρολόγο για να αλλάξετε τα ηλεκτρικά εξαρτήματα. Το καλώδιο πρέπει να παραμένει κάτω από το επίπεδο του βύσματος. Συνδέστε το βύσμα τροφοδοσίας στην πρίζα τροφοδοσίας μόνο στο τέλος της διαδικασίας εγκατάστασης. Βεβαιωθείτε ότι το βύσμα είναι προσβάσιμο μετά την εγκατάσταση. Μην τραβάτε το καλώδιο τροφοδοσίας για να αποσυνδέσετε τη συσκευή. Να αποσυνδέετε πάντα το καλώδιο τροφοδοσίας μόνο από το βύσμα.

**ΧΡΗΣΗ**

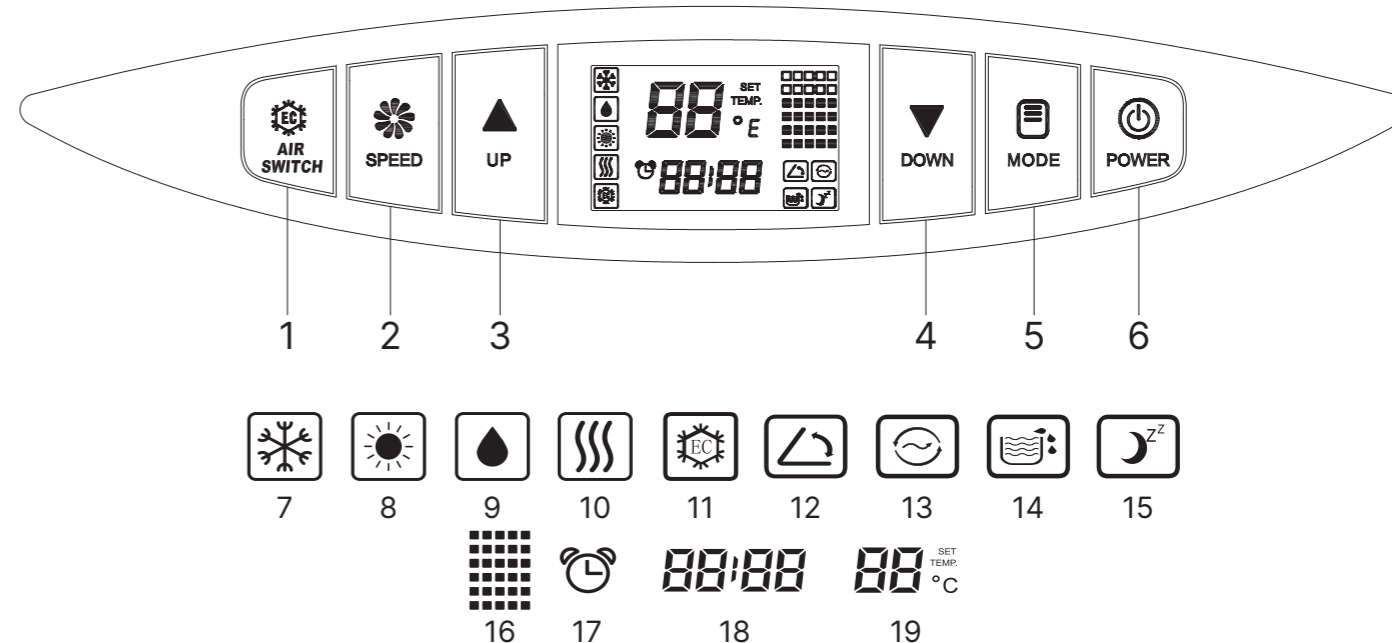
**ΠΡΟΕΙΔΟΠΟΙΗΣΗ ⚠**  
Κίνδυνος τραυματισμού, εγκαυμάτων, ηλεκτροπληξίας ή πυρκαγιάς.

Μην αλλάξετε την προδιαγραφή αυτής της συσκευής. Προσέξτε να μην προκαλέσετε βλάβη στο κύκλωμα του ψυκτικού μέσου. Περιέχει προπάνιο (R290), ένα φυσικό αέριο με υψηλό επίπεδο περιβαλλοντικής συμβατότητας. Το αέριο αυτό είναι εύφλεκτο. Εάν προκληθεί ζημιά στο κύκλωμα του ψυκτικού μέσου, βεβαιωθείτε ότι δεν υπάρχουν φλόγες και άλλες πηγές ανάφλεξης στο χώρο. Αερίστε τον χώρο. Μην τοποθετείτε εύφλεκτα προϊόντα ή υγρά αντικείμενα μαζί με εύφλεκτα προϊόντα, κοντά ή πάνω στη συσκευή.

**ΑΠΟΡΡΙΨΗ**

**ΠΡΟΕΙΔΟΠΟΙΗΣΗ ⚠**  
Κίνδυνος τραυματισμού.

Αποσυνδέστε τη συσκευή από την τροφοδοσία ρεύματος. Κόψτε το καλώδιο ρεύματος και απορρίψτε το. Το κύκλωμα του ψυκτικού μέσου αυτής της συσκευής είναι φιλικό προς το όζον. Επικοινωνήστε με τη δημοτική αρχή για πληροφορίες σχετικά με τη σωστή απόρριψη της συσκευής. Μην προκαλείτε βλάβη στο τμήμα της ψυκτικής μονάδας που βρίσκεται κοντά στον εναλλάκτη θερμότητας.



Σας ευχαριστούμε για την αγορά και την εμπιστοσύνη σας στη Wood's. Το παρόν εγχειρίδιο σας εισάγει στους τρόπους λειτουργίας του AC Cortina AirSwitch. Σε όλες τις λειτουργίες, ο αέρας καθαρίζεται με τη χρήση της τεχνολογίας HEPA.

**Λειτουργία ψύξης:** ψύχει το δωμάτιο στην επιθυμητή θερμοκρασία. Η βέλτιστη θερμοκρασία περιβάλλοντος λειτουργίας για τα μοντέλα ψύξης είναι 17-35°C.

**Λειτουργία θέρμανσης:** Θερμαίνει το δωμάτιο στην επιθυμητή θερμοκρασία. Η βέλτιστη θερμοκρασία περιβάλλοντος λειτουργίας τόσο για τα μοντέλα ψύξης όσο και για τα μοντέλα θέρμανσης είναι 5-35°C. (Σημείωση! Αυτή η λειτουργία είναι διαθέσιμη μόνο στο μοντέλο AC με λειτουργία Duo/θέρμανσης).

**Λειτουργία αφύγρανσης:** Μειώνει την υγρασία στο δωμάτιο.

**Λειτουργία ανεμιστήρα:** Κυκλοφορεί και καθαρίζει τον αέρα στο δωμάτιο χωρίς ψύξη.

**Αυτόματη λειτουργία AirSwitch:** AirSwitch. Όταν η εξωτερική θερμοκρασία είναι ψυχρότερη από τη ρυθμισμένη θερμοκρασία, το AirSwitch χρησιμοποιείται για την παροχή ψυχρότερου και καθαρισμένου εξωτερικού αέρα χωρίς τη λειτουργία του συμπιεστή - πιο αθόρυβο και πιο αποδοτικό στην κατανάλωση ενέργειας.

**Λειτουργία AirSwitch:** Εισάγει ψυχρότερο, καθαρισμένο εξωτερικό αέρα στο δωμάτιο χωρίς να ενεργοποιεί το συμπιεστή.

**ΟΔΗΓΙΕΣ ΛΕΙΤΟΥΡΓΙΑΣ****ΜΕΡΗ ΤΟΥ ΠΡΟΪΟΝΤΟΣ (ΒΛ. ΕΙΚΟΝΑ Α ΚΑΙ Β, ΣΕΛΙΔΑ 2)**

1. Παράθυρο λήψης τηλεχειριστηρίου
2. Πίνακας ελέγχου
3. Εξοδος αέρα
4. Φίλτρο HEPA
5. Συγκρότημα άνω φίλτρου του πίσω πίνακα
6. Σύνδεση για καλώδιο αισθητήρα εξωτερικής θερμοκρασίας
7. Καλώδιο τροφοδοσίας με φις
8. Βραχίονες περιέλιξης καλωδίων

9. Κάτω συγκρότημα φίλτρου του πίσω πίνακα
10. Κάλυμμα αποστράγγισης
11. Συναρμολόγηση φίλτρου του πλευρικού πίνακα
12. Συναρμολόγηση φίλτρου του πλευρικού πίνακα
13. Προστατευτικό πλέγμα
14. Θήκη τηλεχειριστηρίου
15. Είσοδος αέρα
16. Πάνω εσωτερικός σύνδεσμος (συμπεριλαμβανομένου του φίλτρου)
17. Εύκαμπτος σωλήνας εισαγωγής αέρα (μικρός)
18. Προσαρμογέας στον εύκαμπτο σωλήνα εισαγωγής αέρα (μικρός) (συμπεριλαμβανομένου του αισθητήρα εξωτερικής θερμοκρασίας)
19. Κιτ παραθύρων
20. Στρογγυλός σύνδεσμος του σωλήνα εξόδου αέρα
21. Εύκαμπτος σωλήνας εξόδου αέρα (μεγάλος)
22. Προσαρμογέας στον εύκαμπτο σωλήνα εξόδου αέρα (μεγάλος)
23. Πανί σφράγισης για τον εύκαμπτο σωλήνα εισαγωγής αέρα

**ΠΙΝΑΚΑΣ ΕΛΕΓΧΟΥ (ΒΛ. ΕΙΚΟΝΑ Γ, ΣΕΛΙΔΑ 3)**

1. Κουμπί AirSwitch
2. Κουμπί ταχύτητας ανεμιστήρα
3. Πάνω κουμπί
4. Κάτω κουμπί
5. Κουμπί λειτουργίας
6. Κουμπί λειτουργίας
7. Ένδειξη λειτουργίας ψύξης
8. Ένδειξη λειτουργίας θέρμανσης (ΣΗΜΕΙΩΣΗ! Αυτό το σύμβολο είναι διαθέσιμο μόνο στο μοντέλο AC με λειτουργία Duo/θέρμανσης).
9. Ένδειξη λειτουργίας αφύγρανσης
10. Ένδειξη λειτουργίας ανεμιστήρα

11. Ένδειξη λειτουργίας AirSwitch
12. Ένδειξη λειτουργίας αυτόματης ταλάντευσης
13. Ένδειξη αντικατάστασης φίλτρου HEPA
14. Ένδειξη πλήρους νερού
15. Ένδειξη λειτουργίας ύπνου
16. Ένδειξη ταχύτητας ανεμιστήρα
17. Ένδειξη χρονοδιακόπτη (ΣΗΜΕΙΩΣΗ! Ο χρονοδιακόπτης μπορεί να ρυθμιστεί μόνο από το τηλεχειριστήριο).
18. Ένδειξη εξωτερικής θερμοκρασίας περιβάλλοντος; Ένδειξη χρόνου χρονοδιακόπτη
19. Ένδειξη ρυθμισμένης θερμοκρασίας. Ένδειξη θερμοκρασίας εσωτερικού περιβάλλοντος για τις λειτουργίες ανεμιστήρα, αφύγρανσης και AirSwitch.
20. Ένδειξη Wi-Fi. (ΣΗΜΕΙΩΣΗ! Αυτό το σύμβολο είναι διαθέσιμο μόνο στο μοντέλο AC με λειτουργία Wi-Fi/Smart Home).

**ΤΡΟΠΟΙ ΛΕΙΤΟΥΡΓΙΑΣ ΚΑΙ ΛΕΙΤΟΥΡΓΙΕΣ ΤΟΥ ΠΙΝΑΚΑ ΕΛΕΓΧΟΥ (ΒΛ. ΠΑΡΑΠΑΝΩ Η ΕΙΚΟΝΑ Γ, ΣΕΛΙΔΑ 3)**

**Κουμπί λειτουργίας (6):** Πατήστε αυτό το πλήκτρο για να ενεργοποιήσετε τη μονάδα-θα ακουστεί ένας μελωδικός ήχος και η μονάδα θα εισέλθει αυτόματα σε λειτουργία ψύξης με προκαθορισμένη θερμοκρασία 22°C. Ο ανεμιστήρας θα λειτουργήσει σε μεσαία ταχύτητα. Για να απενεργοποιήσετε τη μονάδα, αγγίξτε ξανά αυτό το πλήκτρο και ένας μελωδικός ήχος θα σηματοδοτήσει την απενεργοποίησή της.

1. Όταν η μονάδα είναι ενεργοποιημένη, το παράθυρο LCD θα εμφανίζει τη ρυθμισμένη θερμοκρασία στη λειτουργία ψύξης και θέρμανσης (ΣΗΜΕΙΩΣΗ! Το σύμβολο θέρμανσης είναι διαθέσιμο μόνο στο μοντέλο AC με λειτουργία Duo/Heating) ή τη θερμοκρασία περιβάλλοντος στη λειτουργία αφύγρανσης, στη λειτουργία ανεμιστήρα, στη λειτουργία AirSwitch Auto και στη λειτουργία AirSwitch. Ο ανεμιστήρας θα αρχίσει να λειτουργεί και το παράθυρο εξόδου αέρα θα ανοίξει αυτόματα.

2. Όλα τα εξαρτήματα σταματούν να λειτουργούν όταν η μονάδα είναι απενεργοποιημένη και το παράθυρο εξόδου

# Οδηγίες λειτουργίας

αέρα κλείνει αυτόματα.

**Κουμπί λειτουργίας (5):** Πατήστε το κουμπί "Mode" (Λειτουργία) για να κάνετε κύκλο στις διαθέσιμες λειτουργίες για επιβεβαίωση.

- Λειτουργία ψύξης (7): Ψύξη του χώρου στη ρυθμισμένη θερμοκρασία (17-35°C).

- Λειτουργία θέρμανσης (8): Θερμαίνει το δωμάτιο στη ρυθμισμένη θερμοκρασία (5-35°C). (ΣΗΜΕΙΩΣΗ! Αυτή η λειτουργία είναι διαθέσιμη μόνο στο μοντέλο AC με λειτουργία Duo/θέρμανσης).

- Λειτουργία αφύγρανσης (9): Μειώνει την υγρασία στο δωμάτιο.

- Λειτουργία ανεμιστήρα (10): Κυκλοφορεί και καθαρίζει τον αέρα στο δωμάτιο χωρίς ψύξη.

**ΣΗΜΕΙΩΣΗ!** Για την αυτόματη λειτουργία AirSwitch και τη λειτουργία AirSwitch, ανατρέξτε στην ξεχωριστή ενότητα για το "Κουμπί AirSwitch (1)".

**Κάτω κουμπί (4):** Κάντε κλικ για να μειώσετε τη ρυθμισμένη θερμοκρασία ή να ρυθμίσετε την προς τα κάτω.

**Πάνω κουμπί (3):** Κάντε κλικ στο κουμπί για να ρυθμίσετε τη ρυθμισμένη θερμοκρασία προς τα πάνω.

**ΣΗΜΕΙΩΣΗ!** Πατήστε το κουμπί Down (4) ή το κουμπί Up (3) επί 2 δευτερόλεπτα για να αυξάνετε ή να μειώνετε συνεχώς τον αριθμό της θερμοκρασίας κατά διαστήματα 0,5 βαθμών. Το εύρος ρύθμισης της θερμοκρασίας είναι 17~30°C.

**Κουμπί ταχύτητας ανεμιστήρα (2):** Πατήστε το κουμπί ταχύτητας ανεμιστήρα για να επιλέξετε την ταχύτητα του ανεμιστήρα σε υψηλή, μεσαία ή χαμηλή ταχύτητα.

**ΣΗΜΕΙΩΣΗ!** Η ταχύτητα του ανεμιστήρα δεν μπορεί να ρυθμιστεί στις λειτουργίες αφύγρανσης και ύπνου.

**Κουμπί AirSwitch (1):** Πατήστε το κουμπί AirSwitch μία φορά για να εισέλθετε στην αυτόματη λειτουργία AirSwitch, η οποία υποδεικνύεται από την ένδειξη AirSwitch που αναβοσβήνει (11) στην οθόνη LCD. Πιέστε ξανά το κουμπί AirSwitch για να εισέλθετε στη λειτουργία AirSwitch Mode, η οποία υποδεικνύεται από την αναμμένη αλλά μη αναβοσβήνουσα ένδειξη AirSwitch (11). Πατήστε το κουμπί AirSwitch για τρίτη φορά για να εξέλθετε από τη λειτουργία AirSwitch και να επιστρέψετε στην προεπιλεγμένη λειτουργία ψύξης.

### ΟΡΙΣΜΟΣ ΤΗΣ ΛΕΙΤΟΥΡΓΙΑΣ AIRSWITCH "ΑΥΤΟ" ΚΑΙ ΤΗΣ ΛΕΙΤΟΥΡΓΙΑΣ AIRSWITCH

Αυτόματη λειτουργία AirSwitch: AirSwitch Auto Mode, η μονάδα θα εναλλάσσεται αυτόματα μεταξύ της ψύξης με συμπιεστή και της λειτουργίας AirSwitch.

Όταν η εξωτερική θερμοκρασία είναι 2°C ή χαμηλότερη από τη ρυθμισμένη θερμοκρασία, το κλιματιστικό μεταβαίνει αυτόματα από τη λειτουργία ψύξης με συμπιεστή στην κατάσταση λειτουργίας AirSwitch, αντλώντας ψυχρότερο εξωτερικό αέρα για πιο αθόρυβη και ενεργειακά αποδοτική ψύξη. Μόλις η θερμοκρασία του χώρου φτάσει τη ρυθμισμένη θερμοκρασία, το κλιματιστικό μπαίνει σε λειτουργία εξαερισμού.

Λειτουργία AirSwitch: AirSwitch Mode, η μονάδα αλλάζει αυτόματα μεταξύ της κατάστασης λειτουργίας AirSwitch και της λειτουργίας εξαερισμού.

Όταν η εξωτερική θερμοκρασία είναι 2°C ή χαμηλότερη από τη θερμοκρασία δωματίου,

το κλιματιστικό μεταβαίνει αυτόματα από τη λειτουργία εξαερισμού στην κατάσταση λειτουργίας AirSwitch, εξασφαλίζοντας μια συνεχώς αθόρυβη και πιο ενεργειακά αποδοτική λειτουργία. Μόλις η θερμοκρασία δωματίου φτάσει τη ρυθμισμένη θερμοκρασία, το κλιματιστικό επιστρέφει στη λειτουργία εξαερισμού. Αξίζει να σημειωθεί ότι ο συμπιεστής παραμένει ανενεργός σε αυτή τη λειτουργία.

### ΑΠΟΠΟΙΗΣΗ ΕΥΘΥΝΩΝ ΑΥΤΟΜΑΤΗ ΛΕΙΤΟΥΡΓΙΑ ΔΙΑΚΟΠΤΗ ΑΕΡΑ ΚΑΙ ΛΕΙΤΟΥΡΓΙΑ ΔΙΑΚΟΠΤΗ ΑΕΡΑ

Ο αισθητήρας θερμοκρασίας για το AirSwitch είναι τοποθετημένος εντός του σωλήνα που εισάγει τον εξωτερικό αέρα στη μονάδα. Ορισμένες περιστάσεις ενδέχεται περιστασιακά να επηρεάσουν την ακρίβεια και τη λειτουργία του αισθητήρα κατά τη διάρκεια της αυτόματης λειτουργίας.

Παράγοντες που επηρεάζουν την ακρίβεια των αισθητήρων:

1. Θέρμανση με αέρα δωματίου: Η εγγύτητα σε πηγές θερμού αέρα μέσα στο δωμάτιο μπορεί να επηρεάσει τις ενδείξεις του αισθητήρα.

2. Πλαστικό περίβλημα: Σε σπάνιες περιπτώσεις, το πλαστικό περίβλημα του αισθητήρα μπορεί να απορροφήσει θερμότητα, επηρεάζοντας την απόδοσή του.

3. Εξωτερικά περιβαλλοντικά στοιχεία: Ανεμοί: Η έκθεση σε άμεσο ηλιακό φως ή ανέμους που μεταφέρουν θερμότητα μπορεί να επηρεάσει την ακρίβεια του αισθητήρα. Αντανakaστικές επιφάνειες: Κοινοί τοίχοι που αντανακλούν ή απορροφούν θερμότητα μπορεί να διαταράξουν την αυτόματη λειτουργία. Σε τέτοιες περιπτώσεις συνιστάται η χειροκίνητη λειτουργία.

4. Διασχίζοντας ρεύματα αέρα: Ειδικά αν ο σωλήνας εξόδου παρεμβάλλεται με τον σωλήνα εισόδου.

Συστάσεις:

1. Χειροκίνητη λειτουργία Χρήση: Σε δύσκολες συνθήκες, συνιστάται η χρήση της χειροκίνητης λειτουργίας για ακριβή έλεγχο.

2. Πρόληψη της υπερθέρμανσης του αισθητήρα: Αποφύγετε την έκθεση του αισθητήρα σε άμεση θερμότητα για να διασφαλίσετε την ακριβή ανίχνευση της θερμοκρασίας.

3. Συνειδητοποίηση ανακλαστικών επιφανειών: Εξετάστε το ενδεχόμενο να ενεργοποιήσετε τη χειροκίνητη λειτουργία αν έχετε ανακλαστικές επιφάνειες, όπως ένας κοινοίς τοίχος από τούβλα, ή άλλες πιθανές διαταραχές.

4. Βέλτιστος χρόνος λειτουργίας: Εξετάστε το ενδεχόμενο να ενεργοποιήσετε το AirSwitch στη χειροκίνητη λειτουργία για σταθερή απόδοση, ειδικά κατά τη διάρκεια του ύπνου.

### ΛΕΙΤΟΥΡΓΙΕΣ ΚΑΤΑ ΤΟ ΣΥΝΔΥΑΣΜΟ ΚΟΥΜΠΙΩΝ (ΒΛ. ΕΙΚΟΝΑ C, ΣΕΛΙΔΑ 3)

Λειτουργία ύπνου (15): Ξεκινήστε ή ακυρώστε τη λειτουργία SLEEP πατώντας ταυτόχρονα το κουμπί AirSwitch (1) και το κουμπί Up (3). Λάβετε υπόψη ότι η ταχύτητα του ανεμιστήρα δεν είναι ρυθμιζόμενη στη λειτουργία Sleep (Ύπνος).

- Εάν η λειτουργία Sleep ενεργοποιηθεί στη λειτουργία ψύξης, αυξάνει τη ρυθμισμένη θερμοκρασία κατά 1°C μετά από 2 ώρες και στη συνέχεια την αυξάνει κατά επιπλέον 1°C μετά από άλλες 2 ώρες, διατηρώντας τη λειτουργία σε αυτή τη θερμοκρασία.

- Εάν η λειτουργία Sleep ενεργοποιηθεί στη λειτουργία θέρμανσης (διαθέσιμη μόνο στο

μοντέλο AC με λειτουργία Duo/θέρμανσης), μειώνει τη ρυθμισμένη θερμοκρασία κατά 1°C μετά από 2 ώρες. Στη συνέχεια, τη μειώνει κατά επιπλέον 1°C μετά από άλλες 2 ώρες, λειτουργώντας στη συνέχεια σε αυτή τη θερμοκρασία. **ΣΗΜΕΙΩΣΗ!** Η λειτουργία ύπνου δεν θα είναι αποτελεσματική στη λειτουργία ανεμιστήρα, στη λειτουργία αφύγρανσης, στη λειτουργία AirSwitch Auto Mode και στη λειτουργία AirSwitch Mode.

Λειτουργία Auto Swing (12): Ενεργοποιήστε ή απενεργοποιήστε τη λειτουργία Auto-Swing αγγίζοντας ταυτόχρονα το κουμπί AirSwitch (1) και το κουμπί ταχύτητας ανεμιστήρα (2).

### ΑΛΛΕΣ ΛΕΙΤΟΥΡΓΙΕΣ ΤΟΥ ΠΙΝΑΚΑ ΕΛΕΓΧΟΥ (ΒΛ. ΕΙΚΟΝΑ Γ, ΣΕΛΙΔΑ 3)

Ένδειξη αντικατάστασης φίλτρου HEPA (13): Όταν το κλιματιστικό λειτουργεί για περισσότερες από 500 ώρες, το αντίστοιχο εικονίδιο θα εμφανιστεί στη οθόνη LCD, υποδεικνύοντας ότι το φίλτρο HEPA χρειάζεται αντικατάσταση. Για να επαναφέρετε το χρονοδιακόπτη και να αφαιρέσετε το εικονίδιο, πατήστε και κρατήστε πατημένο το κουμπί ταχύτητας ανεμιστήρα για 6 δευτερόλεπτα. Αυτή η ενέργεια θα ακυρώσει την εμφάνιση του εικονιδίου και θα επανεκκινήσει τον υπολογισμό του χρόνου. Ανατρέξτε στην ενότητα αντικαθιστώμενο φίλτρο HEPA για πληροφορίες σχετικά με τον τρόπο αλλαγής του φίλτρου.

Ένδειξη εξωτερικής θερμοκρασίας περιβάλλοντος και ένδειξη ώρας χρονοδιακόπτη (18): Η εξωτερική θερμοκρασία περιβάλλοντος εμφανίζεται κατά τη διάρκεια της κανονικής λειτουργίας. Όταν ενεργοποιείται η λειτουργία χρονοδιακόπτη της μονάδας, η εξωτερική θερμοκρασία και η διάρκεια του χρονοδιακόπτη εναλλάσσονται στην οθόνη.

Σημείωση: Θα εμφανιστεί ένας κωδικός σφάλματος σε περίπτωση βλάβης του αισθητήρα εξωτερικής θερμοκρασίας ή προβλημάτων με το άνοιγμα ή το κλείσιμο του ρυθμιστή στην πίσω πλευρά της μονάδας.

#### ΛΕΙΤΟΥΡΓΙΑ WIFI (20)

(Ισχύει μόνο για το μοντέλο AC με λειτουργία WiFi/Smart Home.)



1. Κατεβάστε την εφαρμογή Wood's Connect από το App Store ή το Google Play.

2. Εγγραφείτε και ακολουθήστε τις οδηγίες. Αποδεχτείτε όλα τα βήματα. (Διαβάστε προσεκτικά την Πολιτική Απορρήτου και συμφωνήστε να συνεχίσετε).

3. Ανοίξτε την εφαρμογή Wood's Connect και προσθέστε μια συσκευή.

4. Για να εισέλθετε στη λειτουργία σύζευξης πατήστε παρατεταμένα το κουμπί AirSwitch στη μονάδα για 5 δευτερόλεπτα, ώστε να δείτε ότι το εικονίδιο Wi-Fi στην οθόνη θα αναβοσβήνει γρήγορα.

5. Όταν εντοπίσετε τη συσκευή στην οθόνη, προσθέστε την. Μπορείτε επίσης να επιλέξετε το μοντέλο χειροκίνητα.

6. Συμπληρώστε τις ρυθμίσεις Wi-Fi και τον κωδικό πρόσβασής σας.

7. Πατήστε + για να προσθέσετε τη μονάδα.

8. Περιμένετε να προστεθεί η συσκευή. Τώρα είναι έτοιμη να ελεγχθεί μέσω Wi-Fi.

Για να αποσυνδέσετε τη λειτουργία Wi-Fi, πατήστε το κουμπί AirSwitch στη μονάδα για 5 δευτερόλεπτα.

### ΤΡΟΠΟΙ ΛΕΙΤΟΥΡΓΙΑΣ ΤΟΥ ΤΗΛΕΧΕΙΡΙΣΤΗΡΙΟΥ (ΒΛ. ΕΙΚΟΝΑ Δ, ΣΕΛΙΔΑ 3)

**Ισχύς (1):** Πατήστε αυτό το κουμπί για να εκκινήσετε τη μονάδα όταν είναι υπό τάση ή να σταματήσετε τη μονάδα όταν είναι σε λειτουργία.

**Κουμπί λειτουργίας (2):** Πατήστε αυτό το κουμπί για να επιλέξετε τον τρόπο λειτουργίας.

**Κουμπί AirSwitch (3):** Πατήστε αυτό το κουμπί για να ρυθμίσετε ή να ακυρώσετε τη λειτουργία AirSwitch.

1. Πατήστε το κουμπί AirSwitch μία φορά για να εισέλθετε στην αυτόματη λειτουργία AirSwitch, η οποία υποδεικνύεται από το σύμβολο "ENERGY SAVER" που αναβοσβήνει στην οθόνη LCD.

2. Πατήστε ξανά το κουμπί AirSwitch για να εισέλθετε στη λειτουργία AirSwitch. Το σύμβολο "ENERGY SAVER" θα είναι αναμμένο αλλά δεν θα αναβοσβήνει.

3. Πατήστε το κουμπί AirSwitch για τρίτη φορά για να εξέλθετε από τη λειτουργία AirSwitch και να επιστρέψετε στην προεπιλεγμένη λειτουργία ψύξης.

**Πάνω κουμπί (4):** Πατήστε το κουμπί επάνω για να αυξήσετε τη θερμοκρασία δωματίου και τη ρύθμιση του χρονοδιακόπτη.

**Κάτω κουμπί (5):** Πατήστε το κουμπί κάτω για να μειώσετε τη θερμοκρασία δωματίου και τη ρύθμιση του χρονοδιακόπτη.

**Κουμπί ανεμιστήρα (6):** Πατήστε αυτό το κουμπί για να επιλέξετε την ταχύτητα του ανεμιστήρα διαδοχικά: Χαμηλή, Μέτρια, Υψηλή.

**Κουμπί αυτόματης περιστροφής (7):** Πατήστε αυτό το κουμπί για να ενεργοποιήσετε ή να απενεργοποιήσετε τη λειτουργία αυτόματης περιστροφής.

**Κουμπί ύπνου (8):** Πατήστε αυτό το κουμπί για να επιλέξετε ή να ακυρώσετε τη λειτουργία αναστολής λειτουργίας (ισχύει μόνο κατά τη λειτουργία ψύξης ή θέρμανσης)

**Κουμπί χρονοδιακόπτη (9):** Ρύθμιση της λειτουργίας AUTO-ON σε κατάσταση αναμονής και AUTO-OFF όταν η μονάδα λειτουργεί. Ο χρόνος μπορεί να ρυθμιστεί μεταξύ 1-24 ωρών. Για να απενεργοποιήσετε τον χρονοδιακόπτη, πατήστε το κουμπί χρονοδιακόπτη και ρυθμίστε τον χρονοδιακόπτη στο "0".

Πριν χρησιμοποιήσετε το τηλεχειριστήριο, τοποθετήστε τις μπαταρίες AAA ακολουθώντας τα παρακάτω βήματα: (ΑΝΑΤΡΕΪΤΕ ΣΤΗΝ ΕΙΚΟΝΑ D, ΣΕΛΙΔΑ 3)

1. Σύρετε και αφαιρέστε απαλά το κάλυμμα της μπαταρίας που βρίσκεται στο πίσω μέρος του τηλεχειριστηρίου.

2. Τοποθετήστε δύο νέες αλκαλικές μπαταρίες AAA στην προβλεπόμενη θήκη μπαταριών, διασφαλίζοντας τη σωστή πολικότητα.

3. Επανατοποθετήστε το κάλυμμα της μπαταρίας, εξασφαλίζοντας ότι η γλωττίδα ασφάλισης ασφαλώς ασφαλίζει στη θέση της.

#### ΣΗΜΕΙΩΣΗ!

- Χρησιμοποιήστε μόνο αλκαλικές μπαταρίες. Μην χρησιμοποιείτε επαναφορτιζόμενες μπαταρίες.

- Να αντικαθιστάτε πάντα και τις δύο μπαταρίες με καινούργιες- μην αναμειγνύετε παλιές και καινούργιες.

- Αφαιρέστε τις μπαταρίες από το τηλεχειριστήριο εάν το κλιματιστικό δεν θα χρησιμοποιηθεί για μεγάλο χρονικό διάστημα.

### ΑΠΟΘΗΚΕΥΣΗ ΤΗΛΕΧΕΙΡΙΣΤΗΡΙΟΥ (ΒΛ. ΕΙΚΟΝΑ Ε, ΣΕΛΙΔΑ 3)

1. Τοποθετήστε το τηλεχειριστήριο σε μια ενσωματωμένη θήκη στην αριστερή πλευρά της μονάδας και πιέστε το απαλά για να κλείσει.

2. Πιέστε απαλά το κάτω μέρος της ενσωματωμένης θήκης για να την ανοίξετε και να βγάλετε το τηλεχειριστήριο.

**ΣΗΜΕΙΩΣΗ!** Για να μην χάσετε το τηλεχειριστήριο, παρακαλούμε τοποθετήστε το μέσα στο χώρο αποθήκευσης όταν δεν το χρησιμοποιείτε.

**ΠΡΟΕΙΔΟΠΟΙΗΣΗ:** Σε περίπτωση διαρροής της μπαταρίας στο δέρμα ή στα ρούχα σας, πλύνετε αμέσως την πληγείσα περιοχή σχολαστικά με καθαρό νερό. Αποφύγετε τη χρήση του τηλεχειριστηρίου εάν υπάρχουν ενδείξεις διαρροής μπαταρίας. Σε περίπτωση κατάποσης υγρού μπαταρίας, αναζητήστε αμέσως ιατρική βοήθεια. Οι χημικές ουσίες που υπάρχουν στις μπαταρίες μπορεί να προκαλέσουν κινδύνους όπως εγκαύματα και άλλους κινδύνους για την υγεία.

## ΕΓΚΑΤΑΣΤΑΣΗ

#### ΠΡΙΝ ΑΠΟ ΤΗΝ ΠΡΩΤΗ ΧΡΗΣΗ

Αφήστε τη μονάδα να σταθεί όρθια για 4 ώρες πριν από τη λειτουργία.

Αυτό το κλιματιστικό είναι σχεδιασμένο για άνετη μετεγκατάσταση σε εσωτερικούς χώρους. Βεβαιωθείτε ότι η μονάδα παραμένει όρθια κατά τη μετακίνηση. Τοποθετήστε το κλιματιστικό σε μια επίπεδη επιφάνεια. Μην εγκαθιστάτε και μη λειτουργείτε αυτό το κλιματιστικό σε μπάνια ή άλλα υγρά περιβάλλοντα.

### ΕΓΚΑΤΑΣΤΗΣΤΕ ΤΟ ΦΙΛΤΡΟ HEPA (ΒΛ. ΕΙΚΟΝΑ F, ΣΕΛΙΔΑ 3)

1. Ανασηκώστε τη συσκευασία του φίλτρου HEPA προς τα πάνω.

2. Αφαιρέστε τη σακούλα συσκευασίας από το φίλτρο HEPA. (ΣΗΜΕΙΩΣΗ! Η αφαιρεθείσα σακούλα συσκευασίας πρέπει να τοποθετηθεί μακριά από παιδιά)

3. Τοποθετήστε το φίλτρο HEPA ευθυγραμμίζοντάς το με την οδοχή του πλαίσιού της οθόνης και πιέζοντας το σταθερά σε αυτό. Το φίλτρο HEPA θα πρέπει να πιέζεται προς τα κάτω.

Το φίλτρο H11 HEPA αυτού του Wood χρησιμεύει στον καθαρισμό του αέρα. Συλλαμβάνει και απομακρύνει αποτελεσματικά σωματίδια όπως σκόνη, γύρη, σπόρους μούχλας, βακτήρια, ακόμη και μικρά σωματίδια καπνού από τον αέρα, εξασφαλίζοντας ένα καθαρότερο και υγιέστερο εσωτερικό περιβάλλον.

**ΣΗΜΕΙΩΣΗ!** Αλλάξτε το φίλτρο HEPA τουλάχιστον μία φορά το χρόνο. Εγγραφείτε στο warranty-woods.com και αλλάξτε το φίλτρο HEPA μία φορά το χρόνο για 6 χρόνια εγγύηση.

# Οδηγίες λειτουργίας

Ισχύει μόνο με ένα φίλτρο με την επωνυμία Wood's. Ανατρέξτε στο woods.se για τους εμπόρους λιανικής πώλησης. ΦΥΛΑΞΤΕ ΤΙΣ ΑΠΟΔΕΙΞΕΙΣ ΣΑΣ!

### ΣΗΜΑΝΤΙΚΕΣ ΠΛΗΡΟΦΟΡΙΕΣ ΠΡΙΝ ΑΠΟ ΤΗΝ ΕΓΚΑΤΑΣΤΑΣΗ ΤΩΝ ΣΩΛΗΝΩΝ ΑΕΡΑ

Κατά τη διάρκεια της λειτουργίας, διατηρήστε τους εύκαμπτους σωλήνες όσο το δυνατόν πιο κοντούς και με όσο το δυνατόν λιγότερες στροφές για να ελαχιστοποιήσετε την πτώση πίεσης και την απώλεια χωρητικότητας. Ο εύκαμπτος σωλήνας εξόδου αέρα πρέπει να παραμένει λείος για να αποφευχθεί η υπερθέρμανση και η πιθανή βλάβη του κλιματιστικού. Οι εύκαμπτοι σωλήνες έχουν μήκος 280 mm-1500 mm. Αποφύγετε την επιμήκυνση των σωλήνων ή την αντικατάστασή τους με διαφορετικό σωλήνα, γεγονός που μπορεί να επηρεάσει τη λειτουργία.

### ΕΓΚΑΤΑΣΤΑΣΗ ΤΟΥ ΣΥΓΚΡΟΤΗΜΑΤΟΣ ΣΩΛΗΝΑ ΕΞΟΔΟΥ ΑΕΡΑ ΚΑΙ ΤΟΥ ΠΡΟΣΑΡΜΟΓΕΑ ΤΟΥ. (ΒΛ. ΕΙΚΟΝΑ Z ΚΑΙ H, ΣΕΛΙΔΑ 4)

1. Αφαιρέστε την πλαστική σακούλα βγάζοντας από τη συσκευασία τον εύκαμπο σωλήνα εξόδου αέρα (μεγάλος), τον σύνδεσμο του και τον προσαρμογέα.

2. Τεντώστε το ένα άκρο του σωλήνα εξόδου αέρα και συνδέστε το στρογγυλό σύνδεσμο περιστρέφοντάς τον αριστερόστροφα για τουλάχιστον τρεις περιστροφές.

3. Τεντώστε το άλλο άκρο του σωλήνα εξόδου αέρα και στερεώστε τον προσαρμογέα περιστρέφοντάς τον αριστερόστροφα για τουλάχιστον τρεις περιστροφές.

4. Τοποθετήστε το μπροστινό άκρο του συγκροτήματος του σωλήνα εξόδου αέρα στην καθορισμένη εγκοπή του σωλήνα εξόδου αέρα που βρίσκεται στον πίσω πίνακα. Οι συνδετήρες θα ασφαλισουν με ασφάλεια το συγκρότημα σωλήνα εξόδου αέρα στη θέση του.

5. Τοποθετήστε τον εύκαμπο σωλήνα εξόδου αέρα στη μονάδα.

**ΣΗΜΕΙΩΣΗ!** Βεβαιωθείτε για τον σωστό προσανατολισμό της κεκλιμένης πλευράς του προσαρμογέα για την εύκολη τοποθέτηση της πλάκας στεγανοποίησης του παραθύρου. Διατηρήστε μια ασφαλή και καλά τοποθετημένη σύνδεση του εύκαμπτου σωλήνα εξόδου αέρα.

### ΕΓΚΑΤΑΣΤΗΣΤΕ ΤΟΝ ΕΥΚΑΜΠΤΟ ΣΩΛΗΝΑ ΕΙΣΑΓΩΓΗΣ ΑΕΡΑ (ΒΛ. ΕΙΚΟΝΑ I, J, K, ΣΕΛΙΔΑ 4)

1. Αφαιρέστε την πλαστική σακούλα βγάζοντας από τη συσκευασία τον εύκαμπο σωλήνα εισαγωγής αέρα (τον μικρότερο), το βύσμα και τον προσαρμογέα του.

2. Τεντώστε το ένα άκρο του σωλήνα εισαγωγής αέρα και συνδέστε το με τον σύνδεσμο που περιέχει αισθητήρα, περιστρέφοντάς τον αριστερόστροφα για τουλάχιστον τρεις περιστροφές.

3. Τοποθετήστε το πανί στεγανοποίησης γύρω από τον εύκαμπο σωλήνα εισαγωγής αέρα, διασφαλίζοντας ότι το καλώδιο ανίχνευσης θερμοκρασίας περικλείεται επίσης μέσα στο πανί στεγανοποίησης. Τεντώστε το άλλο άκρο του σωλήνα εισαγωγής αέρα και συνδέστε το με τον σύνδεσμο περιστρέφοντάς τον αριστερόστροφα (τρεις περιστροφές). Τέλος, επεκτείνετε το πανί στεγανοποίησης για να καλύψετε τον στρογγυλό σύνδεσμο.

4. Τοποθετήστε τον εύκαμπο σωλήνα εισαγωγής αέρα στη μονάδα, διασφαλίζοντας

ότι το βέλος "IN" δείχνει προς τα κάτω.

#### ΣΤΑΘΕΡΗ ΓΡΑΜΜΗ ΑΝΙΧΝΕΥΣΗΣ ΘΕΡΜΟΚΡΑΣΙΑΣ (ΒΛ. ΕΙΚΟΝΑ L, ΣΕΛΙΔΑ 4)

Τοποθετήστε τον σύνδεσμο του καλωδίου ανίχνευσης θερμοκρασίας στον σύνδεσμο της μονάδας. Στο βύσμα υπάρχει μια λευκή κουκκίδα σήμανσης. Κατά την τοποθέτηση του βύσματος, οι δύο λευκές τελείες πρέπει να ευθυγραμμίζονται μεταξύ τους και, στη συνέχεια, σφίξτε το βύσμα δεξιόστροφα.

Θα πρέπει να κρέμεται ελεύθερα στον αέρα.

ΣΗΜΕΙΩΣΗ! Η τάση του συνδέσμου του καλωδίου ανίχνευσης θερμοκρασίας είναι μια ασφαλής τάση, όχι μεγαλύτερη από DC 5V.

#### ΤΟΠΟΘΕΤΗΣΗ ΤΗΣ ΠΛΑΚΑΣ ΣΤΕΓΑΝΟΠΟΙΗΣΗΣ ΠΑΡΑΘΥΡΟΥ (ΒΛ. ΕΙΚΟΝΑ M, N, O, ΣΕΛΙΔΑ 5)

1. Εγκαταστήστε το ορθογώνιο άκρο του συγκροτήματος σωληνών στις αντίστοιχες ορθογώνιες οπές στο συγκρότημα στεγανοποιητικής πλάκας παραθύρου και στερεώστε το με μια βίδα.

ΣΗΜΕΙΩΣΗ!

- Σύρτε τους αντάπτορες προς τα κάτω, εξασφαλίζοντας ότι έχουν τοποθετηθεί με ασφάλεια.

- Βεβαιωθείτε ότι η κατεύθυνση του κεκλιμένου πίνακα ευθυγραμμίζεται με την κατεύθυνση της πλάκας στεγανοποίησης.

- Βεβαιωθείτε ότι οι εύκαμπτοι σωλήνες παραμένουν χωρίς κάμψη και ότι διατηρούν γωνία κάμψης μεγαλύτερη από 45° για να εξασφαλίζεται επαρκής αερισμός.

2. Ανοίξτε το παράθυρο μέχρι τη μέση και τοποθετήστε την πλάκα στεγανοποίησης στο παράθυρο, τοποθετώντας την είτε κάθετα είτε οριζόντια. Για κατακόρυφη τοποθέτηση, τοποθετήστε τον εύκαμπτο σωλήνα εξόδου αέρα στο επάνω μέρος, ώστε ο θερμός εξερχόμενος αέρας να μην παρεμποδίζει τον αισθητήρα στον εύκαμπτο σωλήνα εισαγωγής αέρα.

3. Τεντώστε τα μέρη της πλάκας στεγανοποίησης και προσαρμόστε τα ώστε να ταιριάζουν με το μήκος του παραθύρου. Βεβαιωθείτε ότι και τα δύο άκρα συναντούν τις άκρες του παραθύρου και στερεώστε το στη θέση του με βίδες.

ΣΗΜΕΙΩΣΗ! Βεβαιωθείτε ότι και τα δύο άκρα της πλάκας στεγανοποίησης του παραθύρου συναντούν αποτελεσματικά τις άκρες του παραθύρου για σωστή στεγανοποίηση.

Βεβαιωθείτε ότι οι βίδες είναι καλά σφιγμένες στη σωστή θέση.

4. Ρυθμίστε τη θέση της κεφαλής ανίχνευσης της εξωτερικής θερμοκρασίας και κατεβάστε τη ράβδο ρύθμισης στο κάτω μέρος του σκαλοπατιού του τοίχου κάτω από το παράθυρο.

ΣΗΜΕΙΩΣΗ! Ο αισθητήρας πρέπει να κρέμεται ελεύθερα στον αέρα και όσο το δυνατόν πιο μακριά από τον θερμό αέρα του σωλήνα εξόδου αέρα.

5. Μετακινήστε τη μονάδα με τους εύκαμπτους σωλήνες τοποθετημένους μπροστά από το παράθυρο και κρατήστε τη μονάδα τουλάχιστον 50 cm μακριά από τους τοίχους ή άλλα αντικείμενα.

#### ΕΝΕΡΓΟΠΟΙΗΣΤΕ ΤΗ ΜΟΝΑΔΑ

Για να τροφοδοτήσετε τη μονάδα, συνδέστε την

στην πρίζα. Όλα τα εικονίδια στο παράθυρο LCD θα ανάψουν για 2 δευτερόλεπτα συνοδευόμενα από έναν σύντομο ήχο υπενθύμισης. Στη συνέχεια, στο παράθυρο LCD θα εμφανιστεί η εσωτερική θερμοκρασία περιβάλλοντος εντός του εύρους 5°C έως 35°C και η εξωτερική θερμοκρασία περιβάλλοντος εντός του εύρους -9°C έως 65°C. Στη συνέχεια, η μονάδα θα βρίσκεται σε κατάσταση αναμονής και θα είναι έτοιμη για λειτουργία.

**Η μονάδα είναι τώρα έτοιμη για χρήση!**

## ΣΥΝΤΗΡΗΣΗ

ΣΗΜΕΙΩΣΗ! Απενεργοποιήστε τη μονάδα και βγάλτε το φισ από την πρίζα πριν από την συντήρηση.

#### ΟΔΗΓΙΕΣ ΑΠΟΣΤΡΑΓΓΙΣΗΣ (ΒΛ. ΕΙΚΟΝΑ Ρ, ΣΕΛΙΔΑ 5)

Το μεγαλύτερο μέρος του νερού θα απομακρυνθεί με φυσικό τρόπο μέσω του σωλήνα εξόδου του αέρα με τον θερμό αέρα. Εάν χρειαστεί να αδειάσετε τη δεξαμενή, η μονάδα θα σας ειδοποιήσει. (ΑΝΑΦΕΡΤΕ ΕΙΚΟΝΑ Γ, ΣΕΛΙΔΑ 3, αρ. 14)

Για να αδειάσετε τη δεξαμενή νερού: Ξεβιδώστε το κάλυμμα αποστράγγισης και αποσυνδέστε το βύσμα νερού για να αφήσετε το νερό να ρέει μέσα στο δίσκο. ΣΗΜΕΙΩΣΗ: Να είστε προσεκτικοί για να αποφύγετε τη διαρροή εάν η μονάδα πρέπει να μετακινήθει. Γείρετε τη μονάδα ελαφρώς προς τα πίσω κατά τη διάρκεια της αποστράγγισης. Εάν ο δίσκος δεν μπορεί να συγκρατήσει όλο το νερό από τη μονάδα, φράξτε αμέσως την οπή αποστράγγισης για να αποτρέψετε τη διαρροή νερού και να αποφύγετε τη διαβροχή του δαπέδου ή του χαλιού. Βεβαιωθείτε ότι η τάπα νερού και το κάλυμμα αποστράγγισης είναι καλά τοποθετημένα για να αποτρέψετε το νέο συμπυκνωμένο νερό από το να βρέξει το δάπεδο ή το χαλί όταν η μονάδα επανεκκινηθεί.

Σύνδεση σωλήνα νερού για συνεχή αποστράγγιση: Ξεβιδώστε το κάλυμμα αποστράγγισης και αφαιρέστε την τάπα νερού. Συνδέστε έναν σωλήνα νερού εσωτερικής διαμέτρου 12 mm στον σωλήνα της μονάδας. (Ο σωλήνας νερού δεν περιλαμβάνεται). Οδηγήστε το άλλο άκρο του σωλήνα νερού σε μια αποχέτευση. Βεβαιωθείτε ότι το νερό μπορεί να αποστραγγιστεί προς τα κάτω. ΣΗΜΕΙΩΣΗ: Ο σωλήνας αποστράγγισης πρέπει να εγκατασταθεί όταν δεν υπάρχει νερό στο δίσκο. Συνιστάται να μην χρησιμοποιείτε συνεχή αποστράγγιση όταν η μονάδα βρίσκεται σε λειτουργία ψύξης, ώστε να διασφαλίζεται η ανακύκλωση επαρκούς ποσότητας νερού εντός της μονάδας για την ενίσχυση των αποτελεσμάτων ψύξης του συστήματος. Τοποθετήστε το σωλήνα αποστράγγισης σε μη προσβάσιμο σημείο, διασφαλίζοντας ότι δεν είναι τοποθετημένος ψηλότερα από την οπή αποστράγγισης, και διατηρήστε το σωλήνα αποστράγγισης ευθύγραμμο χωρίς καμπύλες. Βεβαιωθείτε ότι το κάλυμμα αποστράγγισης και το πώμα του είναι σωστά ασφαλισμένα όταν χρησιμοποιείται συνεχής αποστράγγιση.

#### ΠΟΛΛΑΠΛΕΣ ΛΕΙΤΟΥΡΓΙΕΣ ΠΡΟΣΤΑΣΙΑΣ

Αυτόματη απόψυξη: Απόψυξη: Η μονάδα θα ξεπαγώσει αυτόματα όταν χρειάζεται. Στη λειτουργία απόψυξης, στην οθόνη εμφανίζεται η ένδειξη E4 και κανένα κουμπί εκτός από το κουμπί POWER δεν είναι ενεργό.

Προστασία συμπιεστή: Η μονάδα διαθέτει μια λειτουργία προστασίας του συμπιεστή που προκαλεί μια καθυστέρηση εκκίνησης 3 λεπτών μετά την επανεκκίνηση της μονάδας.

Συναγερμός ασφαλείας πλήρους νερού και λειτουργία προστασίας διακοπής λειτουργίας: Όταν ο όγκος του νερού ξεπεράσει το καθορισμένο επίπεδο συναγερμού εντός του πλαισίου της μονάδας, ενεργοποιείται μια αυτόματη προειδοποιητική ειδοποίηση, συνοδευόμενη από τον φωτισμό του εικονιδίου πλήρους νερού στην οθόνη LCD. Σε αυτή την περίπτωση, είναι απαραίτητο να αποστραγγίσετε το συμπυκνωμένο νερό ακολουθώντας τις οδηγίες που παρέχονται στην ενότητα "Οδηγίες αποστράγγισης". Εάν η μονάδα δεν απενεργοποιηθεί χειροκίνητα, θα επανέλθει αυτόματα στην αρχική κατάσταση λειτουργίας της μόλις αποστραγγιστεί πλήρως το συμπυκνωμένο νερό. Εναλλακτικά, επανασυνδέστε το ρεύμα για να επανεκκινήσετε τη μονάδα.

#### ΚΑΘΑΡΙΣΜΟΣ ΕΠΙΦΑΝΕΙΩΝ

- Καθαρίστε την επιφάνεια της μονάδας με ένα υγρό, μαλακό πανί και μην χρησιμοποιείτε χημικούς διαλύτες, όπως οινόπνευμα και βενζίνη, για να αποφύγετε τυχόν ζημιές.

- Καθαρίστε τη βρώμικη έξοδο αέρα ή τις περσίδες με ένα υγρό μαλακό πανί και ήπιο απορρυπαντικό.

- Απαγορεύεται η χρήση οποιουδήποτε χημικού διαλύτη για τον καθαρισμό της μονάδας ή η τοποθέτηση τέτοιων αντικειμένων κοντά στη μονάδα για μεγάλο χρονικό διάστημα.

- Απαγορεύεται ο καθαρισμός της μονάδας με οποιοδήποτε διαλυτικό, οινόπνευμα ή παρόμοιοι διαλύτες.

#### ΠΛΕΝΕΤΑΙ ΤΟ ΦΙΛΤΡΟ ΚΑΘΑΡΙΣΜΟΥ (ΒΛ. ΕΙΚΟΝΑ Q, ΣΕΛΙΔΑ 5)

Είναι σημαντικό να καθαρίζετε το φίλτρο μία φορά κάθε δύο εβδομάδες, ώστε να μην επηρεάζεται η απόδοση της μονάδας από τη συσσώρευση σκόνης. Βυθίστε και πλύνετε απαλά το φίλτρο σε ζεστό νερό (περίπου 40°C) αναμειγμένο με ένα ουδέτερο καθαριστικό. Μετά τον καθαρισμό, επανατοποθετήστε το στη μονάδα.

Καθαρίστε το φίλτρο του εύκαμπτου σωλήνα εισαγωγής αέρα (A): Ανασηκώστε τον σύνδεσμο, στη συνέχεια αφαιρέστε το πλαίσιο του φίλτρου στον σύνδεσμο και καθαρίστε το.

Καθαρίστε το αριστερό και το δεξιό επάνω πλαίσιο του φίλτρου αέρα εισαγωγής (B): Τραβήξτε το αριστερό και το δεξιό επάνω πλαίσιο του φίλτρου αέρα εισαγωγής προς τις αντίστοιχες πλευρές τους. Καθαρίστε καλά το πλαίσιο.

Καθαρίστε τα κάτω φίλτρα (C): Τραβήξτε έξω τα κάτω φίλτρα, στη συνέχεια αφαιρέστε το πίσω φίλτρο και καθαρίστε το.

Καθαρίστε τα πλευρικά φίλτρα (D): Τραβήξτε έξω τα πλευρικά φίλτρα και καθαρίστε τα.

ΣΗΜΕΙΩΣΗ! Τραβήξτε απαλά το φίλτρο, αφαιρώντας κατά προτεραιότητα το φίλτρο της πίσω πλευράς πριν από το φίλτρο της πλαϊνής πλευράς για να αποφύγετε τυχόν συστροφές ή ζημιές. Να είστε προσεκτικοί για να μην συνθλίψετε το πλέγμα και να αποφύγετε να χτυπήσετε το πλέγμα με αιχμηρά αντικείμενα ή βούρτσες.

ΣΗΜΕΙΩΣΗ! Βεβαιωθείτε ότι το φίλτρο έχει τοποθετηθεί στην πλαϊνή πλευρά πριν από την τοποθέτηση του φίλτρου στην πίσω πλευρά.

Τοποθετήστε το φίλτρο προς την αντίθετη κατεύθυνση της αφαίρεσης.

#### ΑΝΤΙΚΑΤΑΣΤΑΣΙΜΟ ΦΙΛΤΡΟ HEPA (ΒΛ. ΕΙΚΟΝΑ F, ΣΕΛΙΔΑ 3)

Αυτή η μονάδα καθαρίζει τον αέρα με τεχνολογία HEPA. Το φίλτρο πρέπει να αλλάζεται τακτικά και τουλάχιστον μία φορά το χρόνο.

- Ανασηκώστε το φίλτρο HEPA προς τα πάνω.
- Τοποθετήστε το φίλτρο HEPA, ευθυγραμμίστε το με την υποδοχή του πλαισίου της οθόνης και πιέστε το προς τα κάτω στο πλαίσιο της οθόνης. Το φίλτρο HEPA πρέπει να πιεστεί προς τα κάτω.

ΣΗΜΕΙΩΣΗ! Βεβαιωθείτε ότι χρησιμοποιείτε το αυθεντικό φίλτρο HEPA της Wood για να διατηρήσετε την κάλυψη της εγγύησης. Επισκεφθείτε την ιστοσελίδα woods.se για περισσότερες πληροφορίες και για να εντοπίσετε τα καταστήματα λιανικής πώλησης.

#### ΑΠΟΘΗΚΕΥΣΗ ΣΤΟ ΤΕΛΟΣ ΤΗΣ ΣΕΖΟΝ

- Ξεβιδώστε το κάλυμμα αποστράγγισης και αφαιρέστε την τάπα νερού για να αποστραγγίσετε πλήρως το συμπυκνωμένο νερό. ΣΗΜΕΙΩΣΗ: Η γωνία κλίσης της μονάδας πρέπει να είναι  $\leq 30$  μοίρες.

- Λειτουργήστε τη μονάδα σε λειτουργία ανεμιστήρα για μισή ημέρα για να στεγνώσει καλά το εσωτερικό και να αποτραπεί η ανάπτυξη μούχλας.

- Απενεργοποιήστε τη μονάδα, αποσυνδέστε την από την πρίζα, τυλίξτε το καλώδιο τροφοδοσίας γύρω από τον πυλώνα περιέλιξης καλωδίων, εισάγετε το φισ στην οπή καθολικής στερέωσης στον πίσω πίνακα και επανατοποθετήστε το πώμα νερού και το κάλυμμα αποστράγγισης.

- Αφαιρέστε το συγκρότημα του σωλήνα εξόδου αέρα, καθαρίστε το και αποθηκεύστε το σωστά. ΣΗΜΕΙΩΣΗ: Κρατήστε το συγκρότημα του σωλήνα εξόδου αέρα και με τα δύο χέρια κατά την αφαίρεση.

- Σπρώξτε στην άκρη τους συνδετήρες του σωλήνα εξόδου αέρα χρησιμοποιώντας τους αντίχειρές σας και, στη συνέχεια, τραβήξτε προς τα έξω το συγκρότημα του σωλήνα εξόδου αέρα.

- Συσκευάστε το κλιματιστικό με ασφάλεια σε μια μαλακή πλαστική σακούλα, τοποθετήστε το σε ξηρό μέρος με κατάλληλα μέτρα προστασίας από τη σκόνη και φυλάξτε το μακριά από παιδιά.

- Αφαιρέστε τις μπαταρίες από το τηλεχειριστήριο και αποθηκεύστε τις σωστά.

ΣΗΜΕΙΩΣΗ: Βεβαιωθείτε ότι η μονάδα αποθηκεύεται σε ξηρό περιβάλλον. Φυλάσσετε συλλογικά όλα τα εξαρτήματα της μονάδας για να αποφύγετε ζημιές ή αλλοιώσεις.

## ΕΓΓΥΗΣΕΙΣ

Δύο έτη εγγύησης έναντι ελαττωμάτων κατά την κατασκευή. Παρακαλείστε να σημειώσετε ότι η εγγύηση ισχύει μόνο με την προσκόμιση της απόδειξης αγοράς. ΦΥΛΑΞΤΕ ΤΙΣ ΑΠΟΔΕΙΞΕΙΣ ΣΑΣ! Οι αποδείξεις θα απαιτούνται για οποιαδήποτε αξίωση εγγύησης κατά τη διάρκεια της περιόδου.

#### ΝΑ ΑΠΟΚΤΗΣΕΤΕ ΕΚΤΕΤΑΜΕΝΗ ΕΓΓΥΗΣΗ

Αποκτήστε εγγύηση 6 ετών με την εγγραφή σας στο warranty-woods.com. Εξασφαλίστε τη μακροβιότητα της εγγύησής σας αντικαθιστώντας το αρχικό φίλτρο HEPA της Woods ετησίως. Λάβετε υπόψη ότι η εγγύηση ισχύει υπό συγκεκριμένες προϋποθέσεις:

έγκαιρη εγγραφή του προϊόντος εντός 90 ημερών, ετήσια αντικατάσταση του φίλτρου HEPA και διατήρηση των αποδείξεων τόσο για τα φίλτρα όσο και για τη μονάδα. ΦΥΛΑΞΤΕ ΤΙΣ ΑΠΟΔΕΙΞΕΙΣ ΣΑΣ! Όλες οι αποδείξεις θα απαιτηθούν για οποιαδήποτε αξίωση εγγύησης κατά τη διάρκεια της περιόδου.



## ΑΝΤΙΜΕΤΩΠΙΣΗ ΠΡΟΒΛΗΜΑΤΩΝ

Ελέγξτε τη μονάδα και ακολουθήστε τις παρακάτω υποδείξεις πριν ζητήσετε επαγγελματική επισκευή. Ωστόσο, μην επιχειρήσετε ποτέ να αποσυναρμολογήσετε ή να επισκευάσετε τη μονάδα μόνοι σας, καθώς μπορεί να προκληθεί βλάβη σε εσάς και την περιουσία σας. Εάν παρουσιαστούν προβλήματα που δεν αναφέρονται στον πίνακα ή οι συνιστώμενες λύσεις δεν λειτουργούν, επικοινωνήστε με έναν επαγγελματικό οργανισμό σέρβις.

ΠΡΟΒΛΗΜΑ	ΑΙΤΙΑ	ΑΝΤΙΜΕΤΩΠΙΣΗ
Η μονάδα δεν μπορεί να εκκινήσει.	Διακοπή παροχής ρεύματος.	Συνδέστε τη μονάδα σε μια πρίζα υπό τάση και ενεργοποιήστε την.
	Η δεξαμενή νερού είναι γεμάτη με το αντίστοιχο φωτιζόμενο εικονίδιο.	Αποστραγγίστε το νερό που είναι αποθηκευμένο στη μονάδα.
	Η θερμοκρασία δωματίου είναι χαμηλότερη από τη ρυθμισμένη θερμοκρασία στη λειτουργία ψύξης ή υψηλότερη θερμοκρασία στη λειτουργία θέρμανσης.	Βεβαιωθείτε ότι η μονάδα λειτουργεί εντός του συνιστώμενου εύρους θερμοκρασίας 8-35°C. Ρυθμίστε τη ρυθμισμένη θερμοκρασία.
Ανεπαρκής ψύξη.	Υπάρχει άμεσο ηλιακό φως.	Κλείστε την κουρτίνα του παραθύρου.
	Οι πόρτες και τα παράθυρα είναι ανοιχτά, το δωμάτιο είναι γεμάτο ή υπάρχουν άλλες πηγές θερμότητας.	Κλείστε πόρτες και παράθυρα, απομακρύνετε άλλες πηγές θερμότητας και εξετάστε το ενδεχόμενο προσθήκης πρόσθετων κλιματιστικών.
	Βρώμικο φίλτρο.	Καθαρίστε ή αντικαταστήστε το πλέγμα του φίλτρου.
	Φραγμένη είσοδος ή έξοδος αέρα.	Αφαιρέστε τυχόν εμπόδια.
Υψηλό επίπεδο θορύβου.	Η μονάδα τοποθετείται σε ανώμαλη επιφάνεια.	Τοποθετήστε τη μονάδα σε επίπεδο και σταθερό μέρος (μπορεί να μειώσει το θόρυβο).
Ο συμπιεστής δεν λειτουργεί.	Έναρξη προστασίας από υπερθέρμανση.	Περιμένετε μέχρι να μειωθεί η θερμοκρασία, η μονάδα θα επανεκκινήσει αυτόματα.
Το τηλεχειριστήριο δεν λειτουργεί.	Η απόσταση μεταξύ της μονάδας και του τηλεχειριστηρίου είναι πολύ μεγάλη.	Φέρτε το τηλεχειριστήριο κοντά στο κλιματιστικό και βεβαιωθείτε ότι ο αέρας βρίσκεται στον υποδοχέα σήματος της μονάδας.
	Το τηλεχειριστήριο δεν στοχεύει στον υποδοχέα σήματος της μονάδας.	Αντικαταστήστε τις μπαταρίες
Εμφανίζεται ο κωδικός "CH01".	Βλάβη του αισθητήρα θερμοκρασίας δωματίου.	Ελέγξτε τον αισθητήρα θερμοκρασίας χώρου και τα σχετικά κυκλώματα.
Εμφανίζεται ο κωδικός "CH02".	Βλάβη του αισθητήρα θερμοκρασίας στον εξατμιστή.	Ελέγξτε τον αισθητήρα θερμοκρασίας εξατμιστή και τα κυκλώματα.
Εμφανίζεται ο κωδικός "E4".	Αντιψυκτική προστασία.	Οι λειτουργίες θα αποκατασταθούν αυτόματα μόλις λήξει η αντιψυκτική προστασία.
Εμφανίζεται ο κωδικός "E5".	Βλάβη του αισθητήρα εξωτερικής θερμοκρασίας.	Ελέγξτε τον αισθητήρα εξωτερικής θερμοκρασίας και τα σχετικά κυκλώματα. Ελέγξτε αν η διασύνδεση του καλωδίου του αισθητήρα εξωτερικής θερμοκρασίας είναι σωστά συνδεδεμένη.
Εμφανίζεται ο κωδικός "E6".	Αποτυχία ανοίγματος πόρτας.	Ελέγξτε αν ο αεροδιακόπτης είναι πλήρως ανοικτός στη λειτουργία ψύξης και επιθεωρήστε τα σχετικά κυκλώματα.
Εμφανίζεται ο κωδικός "E7".	Αποτυχία κλεισίματος πόρτας.	Στη λειτουργία AirSwitch, βεβαιωθείτε ότι ο αεροφράκτης πληροί τις συνθήκες κλεισίματος και ότι ο αεροφράκτης του αεροδιακόπτη είναι πλήρως κλειστός-επιθεωρήστε τα σχετικά κυκλώματα.
Εμφανίζεται ο κωδικός "FL".	Η δεξαμενή νερού στο πλαίσιο είναι γεμάτη.	Αποστραγγίστε το συμπύκνωμα και επανεκκινήστε τη μονάδα.

## ΤΕΧΝΙΚΕΣ ΠΡΟΔΙΑΓΡΑΦΕΣ

ΑΡΙΘΜΟΣ ΜΟΝΤΕΛΟΥ.	AC CORTINA 12K AIRSWITCH	AC COTINA 12K AIRSWITCH SMART HOME DUO A+
Ικανότητα ψύξης	3,520 W	3,500 W
Ικανότητα θέρμανσης	N/A	2,900 W
Κατανάλωση ισχύος σε λειτουργία ψύξης	1,350 W	1,120W
Κατανάλωση ισχύος σε λειτουργία θέρμανσης	N/A	960 W
Κατανάλωση ισχύος στη λειτουργία AirSwitch	56W	32W
Ροή αέρα	220-320 (m³/h)	220-320 (m³/h)
Ενεργειακή κλάση	A	A+
Αφύγρανση	33,6 L / 24h	33,6 L / 24h
Ρύθμιση θερμοκρασίας	17-30°C	17-30°C
Θερμοκρασία εργασίας	17-43°C	5-43°C
EER σε λειτουργία ψύξης	2,6	3,1
EER σε λειτουργία AirSwitch	5	8
Μήκη σωλήνων	1,5 m	1,5 m
Ψυκτικό αέριο	R290/260g	R290/250g
Στάθμη ήχου σε λειτουργία ψύξης (LWA) (dB(A))	60-64 dB	60-64 dB
Στάθμη ήχου σε λειτουργία ψύξης (LPA) (dB(A))	49-52 dB	49-52 dB
Στάθμη ήχου στη λειτουργία AirSwitch (LWA) (dB(A))	49,5-51 dB	49,5-51 dB
Στάθμη ήχου στη λειτουργία AirSwitch (LPA) (dB(A))	35-38 dB	35-38 dB
Καθαρό βάρος	30kg	31kg
Διαστάσεις συσκευής (Υ×Π×Β)	850×471×400mm	850×471×400mm

**Ενδέχεται να υπάρξουν τεχνικές αλλαγές και βελτιώσεις. Όλες οι τιμές είναι κατά προσέγγιση και ενδέχεται να διαφέρουν ανάλογα με τις εξωτερικές συνθήκες, όπως η θερμοκρασία, ο αερισμός και η υγρασία.**



Η σήμανση αυτή υποδεικνύει ότι το προϊόν αυτό δεν πρέπει να απορρίπτεται με άλλα οικιακά απόβλητα σε ολόκληρο το Ηνωμένο Βασίλειο και την ΕΕ. Για αποφυγή πιθανής βλάβης του περιβάλλοντος ή της ανθρώπινης υγείας από την ανεξέλεγκτη διάθεση αποβλήτων, ανακυκλώστε τη συσκευή με υπευθυνότητα για την πρόωξη της βιώσιμης επαναχρησιμοποίησης των υλικών πόρων. Για να μας επιστρέψετε τη συσκευή σας, παρακαλούμε χρησιμοποιήστε τα συστήματα επιστροφής και συλλογής ή επικοινωνήστε με το κατάστημα λιανικής πώλησης όπου αγοράσατε το προϊόν. Μπορούν να παραλάβουν αυτό το προϊόν για περιβαλλοντικά ασφαλή ανακύκλωση.



Οι χρησιμοποιημένες μπαταρίες δεν πρέπει να απορρίπτονται μέσω οικιακών απορριμμάτων, καθώς ενδέχεται να περιέχουν τοξικά στοιχεία και βαρέα μέταλλα, τα οποία μπορούν να είναι επιβλαβή για το περιβάλλον και την ανθρώπινη υγεία. Να επιστρέψετε τις άδεις μπαταρίες σε κατάλληλη μονάδα ανακύκλωσης.

**HOŘLAVÉ CHLADIVO.**

Tento spotřebič obsahuje R290/ propan, hořlavé chladivo.



Viz návod pro obsluhu.



Přečtěte si technický manuál.



Přečtěte si návod pro obsluhu.

**BEZPEČNOSTNÍ INFORMACE**

Před instalací a používáním spotřebiče si důkladně přečtěte dodané pokyny. Výrobce není zodpovědný za případná zranění a škody způsobené nesprávnou instalací a používáním. Pokyny si vždy ponechte spolu se spotřebičem pro budoucí použití.

**BEZPEČNOST DĚTÍ A ZRANITELNÝCH OSOB****VAROVÁNÍ**

Risk of injury or permanent disability.

Riziko zranění nebo trvalého postižení. Tento spotřebič mohou používat děti ve věku od osmi let a starší, osoby se sníženou fyzickou, sensorickou nebo duševní schopností nebo nedostatkem zkušeností a znalostí, jsou-li pod dozorem, nebo dostaly pokyny o bezpečném používání spotřebiče a rozumějí souvisejícím rizikům.

Nedovolte dětem hrát si se spotřebičem.

Děti do tří let nenechávejte v blízkosti zařízení, pokud nejsou pod neustálým dozorem.

Udržujte obalový materiál mimo dosah dětí.

Čištění a údržbu mohou provádět děti pouze pod dozorem.

**OBEČNÁ BEZPEČNOST**

Tento spotřebič je určen pro použití v domácnostech a podobných prostředích, jako jsou obchody, kanceláře a jiná pracovní prostředí. Výrobní štítek je umístěn na boční nebo zadní straně spotřebiče. Udržujte větrací otvory bez překážek.

Nepoužívejte mechanická zařízení nebo jiné prostředky k urychlení odmrazování, kromě těch, které doporučuje výrobce. Spotřebič nesmí být skladován v místnosti, kde jsou neustále provozovány zdroje zapálení (otevřené plameny, pracující plynové spotřebiče, elektrické ohřívače atd.). Nevrtějte ani nezapalujte. Mějte na paměti, že chladivo je bez zápachu. Nepoužívejte vodu ani páru k čištění spotřebiče. Spotřebič čistěte vlhkým měkkým hadříkem. Používejte pouze neutrální čistič. Nepoužívejte abrazivní výrobky, brusné vložky, rozpouštědla ani kovové předměty. Pokud je napájecí kabel poškozen, musí jej vyměnit výrobce, jeho autorizované servisní středisko nebo jiná kvalifikovaná osoba, aby se předešlo nebezpečí.

**BEZPEČNOSTNÍ POKYNY****VAROVÁNÍ**

Spotřebič může opravovat pouze kvalifikovaná osoba.

Odstraňte veškerý obalový materiál. Neinstalujte ani nepoužívejte poškozený spotřebič. Spotřebič se má instalovat, provozovat a skladovat v místnosti o ploše větší než 12,5 m<sup>2</sup>. Přísně dodržujte instalační pokyny dodané se spotřebičem. Při pohybu se spotřebičem buďte vždy opatrní, protože je těžký.

Ujistěte se, že vzduch může cirkulovat kolem spotřebiče. Po dodání přístroje, počkejte nejméně 4 hodiny, než připojíte spotřebič k elektrické zásuvce. Tím se zajistí, že olej se dostane zpět do kompresoru. Neinstalujte spotřebič blízko radiátorů nebo jiných zdrojů tepla. Neinstalujte spotřebič na přímé slunce.

**ELEKTRICKÉ PŘIPOJENÍ****VAROVÁNÍ**

Riziko požáru a úrazu elektrickým proudem.

Spotřebič musí být připojen k dobře uzemněné zásuvce. Ujistěte se, že elektrické informace na štítku s hodnocením jsou v souladu s

dodávaným napájením. V opačném případě kontaktujte elektrikáře. Vždy používejte správně instalovanou ochrannou zástrčku. Nepoužívejte vícepolohové adaptéry a prodlužovací kabely. Dávejte si pozor, abyste nepoškodili elektrické komponenty (například zástrčku, kabel). Pokud je nutná výměna elektrických komponentů, obraťte se na autorizované servisní středisko nebo elektrikáře. Kabel musí zůstat pod úrovní zástrčky. Zástrčku připojte k elektrické zásuvce až po dokončení instalace. Ujistěte se, že po instalaci je přístup k zástrčce. Netahejte napájecí kabel, abyste odpojili spotřebič. Vždy odpojte napájecí kabel od zástrčky.

**POUŽITÍ****VAROVÁNÍ**

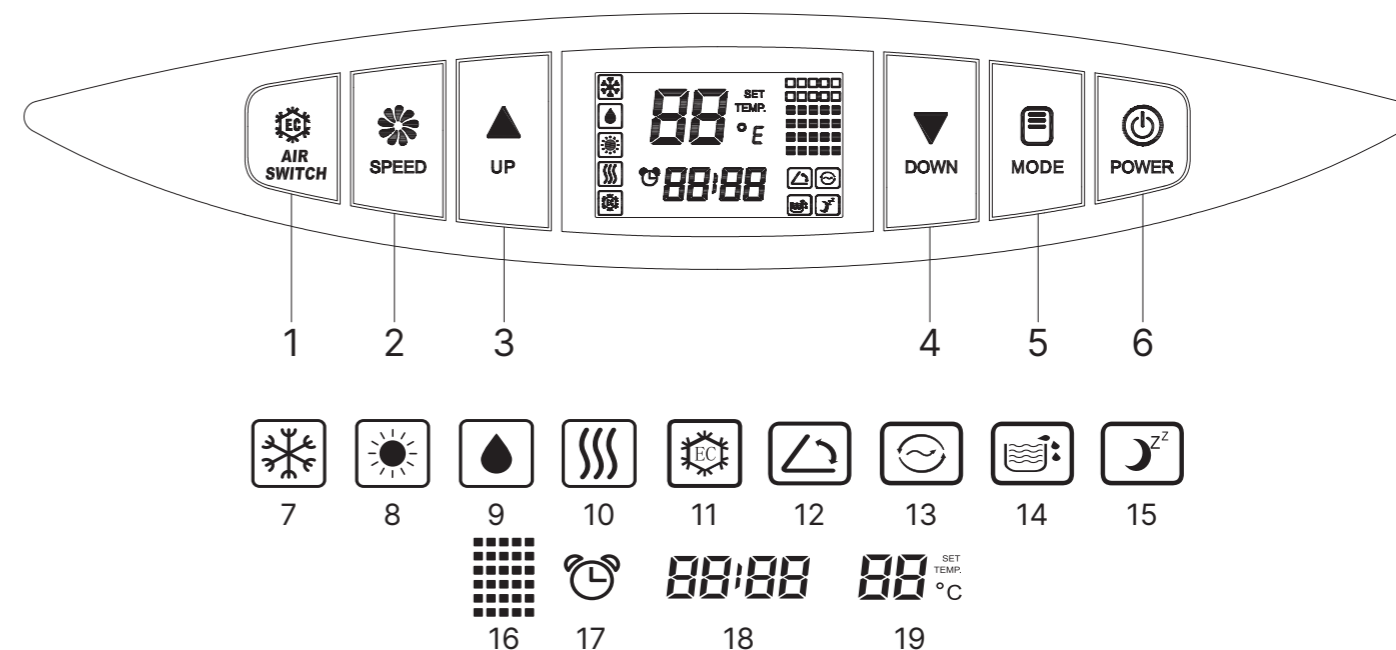
Riziko zranění, popálení, úrazu elektrickým proudem nebo požáru.

Neměňte specifikaci tohoto spotřebiče. Dávejte si pozor, abyste nepoškodili chladicí okruh. Obsahuje propan (R290), přírodní plyn s vysokou mírou environmentální kompatibility. Tento plyn je hořlavý. Dojde-li k poškození chladicího okruhu, ujistěte se, že v místnosti nejsou žádné plameny a zdroje zapálení. Vyvětrejte místnost. Neumisťujte hořlavé produkty ani mokré předměty s hořlavými produkty blízko nebo na spotřebič.

**LIKVIDACE****VAROVÁNÍ**

Riziko zranění.

Odpojte spotřebič od elektrické sítě. Odstraňte napájecí kabel a zahodte ho. Chladicí okruh tohoto spotřebiče je šetrný k ozonové vrstvě. Kontaktujte místní úřad pro informace o správném způsobu likvidace spotřebiče. Nepoškozuje část chladicí jednotky, která je poblíž výměníku tepla.



Děkujeme vám za váš nákup a důvěru ve společnost Wood's. Tato příručka vás seznámí s provozními režimy přepínače AC Cortina AirSwitch. Ve všech režimech je vzduch čištěn pomocí technologie HEPA.

Režim chlazení: Chladicí režim: ochladí místnost na požadovanou teplotu. Optimální provozní teplota okolí pro modely s chlazením je 17-35 °C.

Režim vytápění: Vyhřívá místnost na požadovanou teplotu. Optimální provozní teplota okolí pro modely chlazení i vytápění je 5-35 °C. (Poznámka! Tento režim je k dispozici pouze u modelu AC s funkcí Duo/topení).

Režim odvlhčování: Snižuje vlhkost v místnosti.

Režim ventilátoru: Cirkuluje a čistí vzduch v místnosti bez chlazení.

Automatický režim AirSwitch: Automatické přepínání mezi chlazením kompresorem a AirSwitch. Když je venkovní teplota nižší než nastavená teplota, použije se AirSwitch k přívodu chladnějšího a vyčištěného venkovního vzduchu bez provozu kompresoru - tišší a energeticky účinnější.

Režim AirSwitch: Do místnosti se přivádí chladnější, vyčištěný venkovní vzduch, aniž by se aktivoval kompresor.

**NÁVOD K OBSLUZE****ČÁSTI VÝROBKU (VIZ OBRÁZEK A A B, STRANA 2)**

- Okno pro příjem dálkového ovládání
- Ovládací panel
- Výstup vzduchu
- HEPA filtr
- Sestava horního filtru zadního panelu
- Připojení pro vodič venkovního teplotního čidla

- Napájecí kabel se zástrčkou
- Držáky pro navíjení kabelů
- Sestava spodního filtru zadního panelu
- Kryt odtoku
- Sestava filtru bočního panelu
- Sestava filtru bočního panelu
- Ochranná mřížka
- Příhrádka pro dálkové ovládání
- Přívod vzduchu
- Horní vnitřní konektor (včetně filtru)
- Přívodní hadice vzduchu (malá)
- Adaptér na přívodní hadici vzduchu (malý) (včetně čidla venkovní teploty)
- Sady oken
- Kulatá spojka hadice pro výstup vzduchu
- Výstupní hadice vzduchu (velká)
- Adaptér na výstupní hadici vzduchu (velký)
- Těsnící tkanina pro přívodní hadici vzduchu

**OVLÁDACÍ PANEL (VIZ OBRÁZEK C, STRANA 3)**

- Tlačítko AirSwitch
- Tlačítko rychlosti ventilátoru
- Tlačítko nahoru
- Tlačítko dolů
- Tlačítko režimu
- Tlačítko napájení
- Indikátor režimu chlazení
- Indikátor režimu vytápění (POZNÁMKA! Tento symbol je k dispozici pouze u modelu AC s funkcí Duo/vyhřívání.)
- Indikátor režimu odvlhčování

- Indikátor režimu ventilátoru
- Indikátor režimu AirSwitch
- Indikátor funkce automatického kývání
- Indikátor výměny filtru HEPA
- Indikátor plné vody
- Indikátor režimu spánku
- Indikátor časovače (POZNÁMKA! Časovač lze nastavit pouze z dálkového ovladače).
- Indikátor venkovní teploty; indikátor času časovače
- Indikátor nastavené teploty. Indikátor vnitřní teploty pro režimy ventilátoru, odvlhčování a AirSwitch.
- Indikátor Wi-Fi. (POZNÁMKA! Tento symbol je k dispozici pouze u modelu AC s funkcí Wi-Fi/Smart Home.)

**PRACOVNÍ REŽIMY A FUNKCE OVLÁDACÍHO PANELU (VIZ VÝŠE NEBO OBRÁZEK C, STRANA 3)**

Tlačítko napájení (6): Stisknutím tohoto tlačítka se přístroj aktivuje; ozve se melodický zvuk a přístroj automaticky přejde do režimu chlazení s přednastavenou teplotou 22 °C. Ventilátor bude pracovat při středních otáčkách. Chcete-li jednotku deaktivovat, dotkněte se tohoto tlačítka znovu a melodický zvuk bude signalizovat její vypnutí.

1. Když je jednotka zapnutá, zobrazí se v okně LCD nastavená teplota v režimu chlazení a topení (POZNÁMKA! Symbol topení je k dispozici pouze u modelu AC s funkcí Duo/Heating) nebo okolní teplota v režimu odvlhčování, režimu ventilátoru, automatickém režimu AirSwitch a režimu AirSwitch. Ventilátor se spustí a automaticky se otevře okno pro výstup vzduchu.



2. Když je jednotka vypnutá, všechny části přestanou pracovat a okénko pro výstup vzduchu se automaticky zavře.

Tlačítko režimu (5): Tlačítko režimu (5): Stisknutím tlačítka "Mode" můžete pro potvrzení procházet dostupné režimy.

• Režim chlazení (7): Ochladí místnost na nastavenou teplotu (17-35 °C).

• Režim vytápění (8): Vyhřívá místnost na nastavenou teplotu (5-35 °C). (POZNÁMKA! Tento režim je k dispozici pouze u modelu AC s funkcí Duo/topení.)

• Režim odvlhčování (9): Snižuje vlhkost v místnosti.

• Režim ventilátoru (10): Cirkuluje a čistí vzduch v místnosti bez chlazení.

POZNÁMKA! Pro režim AirSwitch Auto a režim AirSwitch viz samostatná část "Tlačítko AirSwitch (1)".

Tlačítko dolů (4): Klepnutím na tlačítko snížíte nastavenou teplotu nebo ji nastavíte směrem dolů.

Tlačítko nahoru (3): Klepnutím na tlačítko nastavíte nastavenou teplotu směrem nahoru.

POZNÁMKA! Stisknutím tlačítka dolů (4) nebo nahoru (3) po dobu 2 sekund plynule zvyšujete nebo snižujete číslo teploty v intervalech po 0,5 stupně. Rozsah nastavení teploty je 17~30 °C.

Tlačítko rychlosti ventilátoru (2): Stisknutím tlačítka rychlosti ventilátoru zvolíte rychlost ventilátoru na vysokou, střední nebo nízkou.

POZNÁMKA! V režimech odvlhčování a spánku nelze nastavit rychlost ventilátoru.

Tlačítko AirSwitch (1): Stisknutím tlačítka AirSwitch jednou přejdete do automatického režimu AirSwitch, který je indikován blikajícím indikátorem AirSwitch (11) na displeji LCD. Dalším stisknutím tlačítka AirSwitch přejdete do režimu AirSwitch, který je indikován svítícím, ale neblinkajícím indikátorem AirSwitch (11). Třetím stisknutím tlačítka AirSwitch ukončíte funkci AirSwitch a vrátíte se do výchozího režimu chlazení.

#### DEFINICE REŽIMU AIRSWITCH "AUTO" A REŽIMU AIRSWITCH

Automatický režim AirSwitch: Při chlazení místnosti v režimu AirSwitch Auto bude jednotka automaticky střídat chlazení kompresorem a provoz AirSwitch.

Pokud je venkovní teplota o 2 °C nebo nižší než nastavená teplota, klimatizace automaticky přejde z režimu chlazení kompresorem do pracovního stavu AirSwitch, kdy nasává chladnější venkovní vzduch a zajišťuje tišší a energeticky účinnější chlazení. Jakmile teplota v místnosti dosáhne nastavené teploty, klimatizace přejde do režimu větrání.

Režim AirSwitch: Při chlazení místnosti v režimu AirSwitch jednotka automaticky přepíná mezi pracovním stavem AirSwitch a ventilací.

Pokud je venkovní teplota o 2 °C nebo nižší než teplota v místnosti, klimatizace automaticky přejde z režimu větrání do pracovního stavu AirSwitch, čímž je zajištěn trvale tichý a energeticky účinnější provoz. Jakmile pokojová teplota dosáhne nastavené teploty, klimatizace se vrátí do provozu větrání. Pozoruhodné je, že kompresor zůstává v tomto režimu nečinný.

#### ZŘEKnutí SE ODPOVĚDNOSTI AUTOMATICKÝ REŽIM PŘEPÍNAČE VZDUCHU A REŽIM PŘEPÍNAČE VZDUCHU

Čidlo teploty pro AirSwitch je umístěno v hadici, která přivádí venkovní vzduch do jednotky. Určité okolnosti mohou občas ovlivnit přesnost a funkci čidla během automatického režimu.

Faktory ovlivňující přesnost senzorů:

1. Vytápění vzduchem v místnosti: Blízkost zdrojů teplého vzduchu v místnosti může ovlivnit údaje čidla.

2. Plastové pouzdro: V ojedinělých případech může plastové pouzdro snímače absorbovat teplo, což ovlivňuje jeho výkon.

3. Prvky vnějšího prostředí: Sluneční světlo a vítr: Vystavení přímému slunečnímu záření nebo větru, který přenáší teplo, může ovlivnit přesnost snímače. Reflexní povrchy: Blízké stěny, které odrážejí nebo pohlcují teplo, mohou narušit automatickou funkci. V takových případech se doporučuje použít manuální režim.

4. Křížení vzdušných proudů: Vítr nebo proud vzduchu může způsobit kolísání teploty, zejména pokud výstupní hadice zasahuje do vstupní hadice.

Doporučení:

1. Použití manuálního režimu: V náročných podmínkách se pro přesné ovládání doporučuje použít manuální režim.

2. Prevence přehřátí snímače: Aby byla zajištěna přesná detekce teploty, nevystavujte snímač přímému teplu.

3. Povědomí o reflexních plochách: V případě odrazivých povrchů, jako je například blízká cihlová zeď, nebo jiných potenciálních rušivých vlivů zvažte aktivaci manuálního režimu.

4. Optimální provozní doba: Zvažte zapnutí přepínače AirSwitch v manuálním režimu, abyste dosáhli konzistentního výkonu, zejména během spánku.

#### FUNKCE PŘI KOMBINACI TLAČÍTEK (VIZ OBRÁZEK C, STRANA 3).

Funkce spánku (15): Stisknutím tlačítka AirSwitch (1) a tlačítka nahoru (3) spustíte nebo zrušíte funkci SLEEP. Upozorňujeme, že ve funkci Sleep nelze nastavit rychlost ventilátoru.

• Pokud je v režimu chlazení aktivována funkce Spánek, zvyšší po 2 hodinách nastavenou teplotu o 1 °C a po dalších 2 hodinách ji zvýší o další 1 °C a udržuje provoz na této teplotě.

• Pokud je v režimu vytápění aktivována funkce Spánek (k dispozici pouze u modelu AC s funkcí Duo/vyhřívání), sníží po 2 hodinách nastavenou teplotu o 1 °C. Poté ji sníží o další 1 °C po dalších 2 hodinách a poté pracuje při této teplotě. POZNÁMKA! Funkce spánku nebude účinná v režimu ventilátoru, režimu odvlhčování, režimu AirSwitch Auto a režimu AirSwitch.

Funkce Auto Swing (12): Funkce Auto-Swing se aktivuje nebo deaktivuje současným dotykem tlačítka AirSwitch (1) a tlačítka rychlosti ventilátoru (2).

#### DALŠÍ FUNKCE OVLÁDACÍHO PANELU (VIZ OBRÁZEK C, STRANA 3)

Indikátor výměny HEPA filtru (13): Pokud je klimatizace v provozu déle než 500 hodin, zobrazí se na LCD displeji příslušná ikona, která signalizuje, že HEPA filtr vyžaduje výměnu. Chcete-li vynulovat časovač a odstranit ikonu, stiskněte a podržte tlačítko rychlosti ventilátoru po dobu 6 sekund. Tato akce zruší zobrazení ikony a znovu spustí výpočet času. Informace o tom, jak vyměnit filtr, naleznete v části Vyměnitelný HEPA filtr.

Ukazatel venkovní teploty a ukazatel času časovače (18): Během běžného provozu se zobrazuje venkovní teplota okolí. Když je aktivována funkce časovače jednotky, na displeji se střídavě zobrazuje venkovní teplota a doba trvání časovače.

Upozornění: V případě poruchy čidla venkovní teploty nebo problémů s otevíráním nebo zavíráním klapky na zadní straně jednotky se zobrazí chybový kód.

#### FUNKCE WIFI (20)

(Platí pouze pro model AC s funkcí WiFi/Smart Home.)

Wood's



1. Stáhněte si aplikaci Wood's Connect z App Store nebo Google Play.

2. Zaregistrujte se a postupujte podle pokynů. Přijměte všechny kroky. (Pečlivě si přečtěte zásady ochrany osobních údajů a souhlasíte s pokračováním.)

3. Otevřete aplikaci Wood's Connect a přidejte zařízení.

4. Pro vstup do režimu párování stiskněte a podržte tlačítko AirSwitch na jednotce po dobu 5 sekund, aby se na displeji rychle rozblikala ikona Wi-Fi.

5. Po zjištění zařízení na obrazovce jej přidejte. Model můžete vybrat také ručně.

6. Vyplňte nastavení Wi-Fi a heslo.

7. Stisknutím tlačítka + přidáte jednotku.

8. Počkejte na přidání zařízení. Nyní je zařízení připraveno k ovládní přes Wi-Fi.

Chcete-li funkci Wi-Fi odpojit, stiskněte na 5 sekund tlačítko AirSwitch na jednotce.

#### PROVOZNÍ REŽIMY DÁLKOVÉHO OVLÁDÁNÍ (VIZ OBRÁZEK D, STRANA 3)

Výkon (1): Stisknutím tohoto tlačítka spustíte jednotku, když je pod napětím, nebo ji zastavíte, když je v provozu.

Tlačítko režimu (2): Stisknutím tohoto tlačítka zvolíte provozní režim.

Tlačítko AirSwitch (3): Stisknutím tohoto tlačítka nastavíte nebo zrušíte režim AirSwitch.

1. Jedním stisknutím tlačítka AirSwitch přejdete do automatického režimu AirSwitch, který je indikován blikajícím symbolem "ENERGY SAVER" na LCD displeji.

2. Opětovným stisknutím tlačítka AirSwitch přejdete do režimu AirSwitch. Symbol "ENERGY SAVER" bude svítit, ale nebude blikat.

3. Třetím stisknutím tlačítka AirSwitch ukončíte funkci AirSwitch a vrátíte se do výchozího režimu chlazení.

Tlačítko nahoru (4): Stisknutím tlačítka nahoru zvýšíte teplotu v místnosti a nastavení časovače.

Tlačítko dolů (5): Stisknutím tlačítka dolů snížíte teplotu v místnosti a nastavení časovače.

Tlačítko ventilátoru (6): Stisknutím tohoto tlačítka se postupně volí rychlost ventilátoru: Nízká, Střední, Vysoká.

Tlačítko Auto Swing (7): Stisknutím tohoto tlačítka zapnete nebo vypnete funkci automatického kývání.

Tlačítko Spánek (8): Stisknutím tohoto tlačítka zvolíte nebo zrušíte režim spánku (účinný pouze při chlazení nebo vytápění).

Tlačítko časovače (9): Nastavte funkci AUTO-ON v pohotovostním stavu a AUTO-OFF, když je přístroj v provozu. Čas lze nastavit v rozmezí 1-24 hodin. Chcete-li časovač vypnout, stiskněte tlačítko časovače a nastavte časovač na "0".

Před použitím dálkového ovládní nainstalujte baterie AAA podle následujících pokynů: (VIZ OBRÁZEK D, STRANA 3)

1. Posuňte a opatrně sejměte kryt baterie umístěný na zadní straně dálkového ovladače.

2. Do určeného prostoru pro baterie vložte dvě nové alkalické baterie AAA a dbejte na správnou polaritu.

3. Znovu nasad'te kryt baterie a ujistěte se, že zajišťovací jazýček bezpečně zapadl na své místo.

POZOR!

• Používejte pouze alkalické baterie. Nepoužívejte dobíjecí baterie.

• Vždy vyměňte obě baterie za nové; nemíchejte staré a nové baterie.

• Pokud nebudete klimatizaci delší dobu používat, vyjměte z dálkového ovládní baterie.

#### ULOŽENÍ DÁLKOVÉHO OVLÁDÁNÍ (VIZ OBRÁZEK E, STRANA 3)

1. Vložte dálkový ovladač do vestavěné přihrádky na levé straně přístroje a jasně ji zatlačte, aby se uzavřela.

2. Jemným stisknutím spodní části vestavěné přihrádky ji otevřete a vyjměte dálkové ovládní.

POZNÁMKA! Abyste zabránili ztrátě dálkového ovladače, uložte jej, pokud jej nepoužíváte, do úložného prostoru.

UPOZORNĚNÍ: V případě, že dojde k vytečení baterie na kůži nebo oděv, postižené místo ihned důkladně omyjte čistou vodou. Pokud se objeví známky úniku baterie, dálkový ovladač nepoužívejte. V případě požití kapaliny z baterie okamžitě vyhledejte lékařskou pomoc. Chemické látky obsažené v bateriích mohou představovat riziko, například popáleniny a další zdravotní rizika.

## INSTALACE

#### PŘED PRVNÍM POUŽITÍM

Před zahájením provozu nechte přístroj stát 4 hodiny ve svislé poloze.

Tato klimatizace je navržena pro pohodlné přemístění v interiéru. Zajistěte, aby jednotka zůstala při stěhování ve vzpřímené poloze. Umístěte klimatizační jednotku na rovný povrch. Tuto klimatizaci neinstalujte ani neprovazujte v koupelnách nebo jiných vlhkých prostředích.

#### NAINSTALUJTE HEPA FILTR (VIZ OBRÁZEK F, STRANA 3)

1. Zvedněte obal filtru HEPA směrem nahoru.

2. Odstraňte obalový sáček z filtru HEPA. (UPOZORNĚNÍ! Vyjmutý obalový sáček musí být umístěn mimo dosah dětí.)

3. Filtr HEPA nainstalujte tak, že jej zarovnáte s otvorem v rámu síta a pevně jej do něj zatlačíte. HEPA filtr by měl být přitlačen až ke dnu.

Tento filtr H11 HEPA společnosti Wood slouží k čištění vzduchu. Účinně zachycuje a odstraňuje ze vzduchu částice, jako je prach, pyl, spory plísní, bakterie, a dokonce i malé částice kouře, čímž zajišťuje čistší a zdravější vnitřní prostředí.

POZNÁMKA! Filtr HEPA vyměňte alespoň jednou ročně. Zaregistrujte se na stránkách warranty-woods.com a měňte HEPA filtr

jednou ročně, abyste získali 6 let záruky. Platí pouze se značkovým filtrem Wood's. Informace o prodejcích naleznete na woods.se. UKLÁDEJTE SI ÚČTENKY!

#### DŮLEŽITÉ INFORMACE PŘED INSTALACÍ VZDUCHOVÝCH HADIC

Během provozu udržujte hadice co nejkratší a s co nejmenším počtem ohybů, abyste minimalizovali pokles tlaku a ztrátu kapacity. Výstupní hadice vzduchu musí zůstat hladká, aby se zabránilo přehřátí a případnému poškození klimatizace. Délka hadic je 280-1500 mm. Vyvarujte se prodloužení hadic nebo jejich nahrazování jinými hadicemi, které by mohly ovlivnit provoz.

#### INSTALACE SESTAVY HADICE PRO VÝSTUP VZDUCHU A JEJÍHO ADAPTÉRU. (VIZ OBRÁZEK G A H, STRANA 4)

1. Vyjměte plastový sáček tak, že z obalu vyjměte hadici pro výstup vzduchu (velkou), její konektor a adaptér.

2. Vysuňte jeden konec hadice pro výstup vzduchu a připojte kulatý konektor otáčením proti směru hodinových ručiček minimálně po třech otáčkách.

3. Natáhněte druhý konec hadice pro výstup vzduchu a upevněte adaptér otáčením proti směru hodinových ručiček nejméně po třech otáčkách.

4. Umístěte přední konec sestavy hadice výstupu vzduchu na určený zářez hadice výstupu vzduchu umístěný na zadním panelu. Upevňovací prvky bezpečně zajistí sestavu hadice výstupu vzduchu na místě.

5. Nainstalujte hadici pro výstup vzduchu na jednotku.

POZNÁMKA! Dbejte na správnou orientaci šikmé strany adaptéru pro snadnou instalaci těsnicí desky okna. Dbejte na bezpečně a dobře umístěné připojení hadice pro výstup vzduchu.

#### NAINSTALUJTE HADICI PŘÍVODU VZDUCHU (VIZ OBRÁZEK I, J, K, STRANA 4).

1. Vyjměte plastový sáček tak, že z obalu vyjměte hadici přívodu vzduchu (tu menší!), její konektor a adaptér.

2. Vysuňte jeden konec hadice přívodu vzduchu a připojte jej ke konektoru obsahujícímu snímač otáčením proti směru hodinových ručiček minimálně po třech otáčkách.

3. Umístěte těsnicí tkaninu kolem hadice přívodu vzduchu a dbejte na to, aby byl v těsnicí tkanině umístěn i vodič pro snímání teploty. Prodloužte druhý konec hadice přívodu vzduchu a připojte ji ke konektoru otočením proti směru hodinových ručiček (tři otočení). Nakonec roztáhněte těsnicí tkaninu tak, aby zakrývala kulatý konektor.

4. Nasad'te hadici přívodu vzduchu na jednotku tak, aby šipka "IN" směřovala dolů.

**PEVNÉ VEDENÍ PRO SNÍMÁNÍ TEPLOTY (VIZ OBRÁZEK L, STRANA 4)**

Zasuňte konektor vodiče pro snímání teploty do konektoru jednotky. Na konektoru je bílá tečka. Při zapojování by měly být obě bílé tečky zarovnané proti sobě a poté konektor utáhněte ve směru hodinových ručiček.

Měla by volně viset ve vzduchu.

POZNÁMKA! Napětí na konektoru vodiče pro snímání teploty je bezpečné napětí, ne vyšší než 5 V DC.

**MONTÁŽ TĚSNICÍ DESKY OKNA (VIZ OBRÁZEK M, N, O, STRANA 5)**

1. Nainstalujte obdélníkový konec hadic do odpovídajících obdélníkových otvorů v sestavě okenní těsnicí desky a upevněte jej šroubem.

POZOR!

- Adaptéry posuňte směrem dolů a zajistěte jejich pevnou instalaci.
- Zkontrolujte, zda je směr šikmého panelu v souladu se směrem těsnicí desky.
- Dbejte na to, aby hadice zůstaly neohnuté a udržovaly úhel ohybu větší než 45°, aby byla zajištěna dostatečná ventilace.

2. Otevřete okno do poloviny a vložte těsnicí desku do okna ve svislé nebo vodorovné poloze. Při svislé instalaci umístěte hadici pro výstup vzduchu nahoře tak, aby teplý vycházející vzduch nezasahoval do čidla na hadici pro přívod vzduchu.

3. Rozšiřte díly těsnicí desky a upravte je podle délky okna. Ujistěte se, že oba konce splývají s okrajem okna, a zajistěte je na místě pomocí šroubů.

UPOZORNĚNÍ! Zkontrolujte, zda se oba konce těsnicí desky okna účinně dotýkají okrajů okna, aby bylo zajištěno správné utěsnění.

Ujistěte se, že jsou šrouby pevně utaženy ve správné poloze.

4. Nastavte polohu hlavice pro snímání venkovní teploty a spusťte nastavovací tlačítko do spodní části stěnového schůdku pod oknem.

POZNÁMKA! Snímač by měl viset volně ve vzduchu a co nejdále od teplého vzduchu z výstupní hadice.

5. Přemístěte jednotku s hadicemi namontovanými před oknem a udržujte jednotku ve vzdálenosti nejméně 50 cm od stěn nebo jiných předmětů.

**ZAPNĚTE JEDNOTKU POD NAPĚTÍM**

Chcete-li jednotku napájet, zapojte ji do zásuvky. Všechny ikony v okně LCD se na 2 sekundy rozsvítí a zazní krátká zvuková připomínka. Poté se v okně LCD zobrazí vnitřní teplota v rozsahu 5 °C až 35 °C a venkovní teplota v rozsahu -9 °C až 65 °C. Poté se jednotka přepne do pohotovostního

režimu a bude připravena k provozu.

*Jednotka je nyní připravena k použití!*

**ÚDRŽBA**

UPOZORNĚNÍ! Před údržbou přístroj vyprázdněte a vytáhněte zástrčku ze zásuvky.

**POKYNY PRO ODVODNĚNÍ (VIZ OBRÁZEK P, STRANA 5)**

Většina vody bude přirozeně odváděna hadicí pro odvod vzduchu spolu s horkým vzduchem. Pokud potřebujete nádrž vyprázdnit, přístroj vás na to upozorní. (ODKAZ NA OBRÁZEK C, STRANA 3, č. 14)

Vyprázdnění nádrže na vodu: Odšroubujte vypouštěcí kryt a odpojte zástrčku, aby voda mohla vytékat do zásobníku. POZNÁMKA: Dbejte zvýšené opatrnosti, aby nedošlo k úniku vody, pokud je třeba přístroj přemístit. Během vypouštění přístroj mírně nakloňte dozadu. Pokud vanička nemůže pojmout veškerou vodu z jednotky, okamžitě ucpěte vypouštěcí otvor, abyste zabránili úniku vody a zabránili namočení podlahy nebo koberce. Ujistěte se, že jsou vodní zátka a kryt vypouštěcího otvoru pevně nainstalovány, aby nedošlo k navlhčení podlahy nebo koberce novou z kondenzovanou vodou při opětovném spuštění jednotky.

Připojení vodní hadice pro průběžné vypouštění vody: Odšroubujte kryt vypouštěcího otvoru a vyjměte zátka na vodu. Připojte vodní hadici o vnitřním průměru 12 mm k trubce na jednotce. (Vodní hadice není součástí dodávky). Druhý konec vodní hadice zaveďte k odtoku. Ujistěte se, že voda může být odváděna směrem dolů. POZNÁMKA: Odtoková hadice musí být nainstalována, když ve vaničce není voda. Doporučuje se nepoužívat nepřetržitě vypouštění, když je jednotka v režimu chlazení, aby se zajistila dostatečná recyklace vody v jednotce a zvýšily se tak chladicí účinky systému. Vypouštěcí hadici umístěte na nepřístupné místo, dbejte na to, aby nebyla umístěna výše než vypouštěcí otvor, a udržujte vypouštěcí hadici rovnou bez ohybů. Při použití průběžného vypouštění zajistěte, aby byl kryt vypouštěcí hadice a její zátka řádně zajištěny.

**VÍCE OCHRANNÝCH FUNKCÍ**

Automatické odmrazování: Přístroj se v případě potřeby automaticky odmrazí. V režimu odmrazování se na displeji zobrazí E4 a žádná tlačítka kromě tlačítka POWER nejsou aktivní.

Ochrana kompresoru: Jednotka je vybavena funkcí ochrany kompresoru, která způsobuje 3minutové zpoždění startu po opětovném spuštění jednotky.

Bezpečnostní alarm při plném zásobníku vody a funkce ochrany proti vypnutí: Pokud objem vody v šasi jednotky překročí určenou úroveň alarmu, spustí se automatické varování doprovázené rozsvícením ikony plného zásobníku

vody na LCD displeji. V takovém případě je nutné vypustit zkondenzovanou vodu podle pokynů uvedených v části "Pokyny pro vypouštění". Pokud není jednotka ručně vypnuta, automaticky se vrátí do původního provozního stavu, jakmile je kondenzovaná voda zcela vypuštěna. Případně znovu připojte napájení, aby se jednotka znovu spustila.

**ČIŠTĚNÍ POVRCHU**

- Povrch jednotky čistěte vlhkým měkkým hadříkem a nepoužívejte chemická rozpouštědla, jako je alkohol nebo benzín, aby nedošlo k poškození.

- Znečištěný výstup vzduchu nebo žaluzie vyčistěte vlhkým měkkým hadříkem a jemným čistícím prostředkem.

- K čištění jednotky je zakázáno používat jakákoliv chemická rozpouštědla nebo je dlouhodobě odkládat do blízkosti jednotky.

- Při čištění jednotky je zakázáno používat ředidla, lihový lesk nebo podobná rozpouštědla.

**ČIŠTĚNÍ OMYVATELNÉHO FILTRU (VIZ OBRÁZEK Q, STRANA 5)**

Filtr je nutné čistit jednou za dva týdny, aby nedocházelo k ovlivňování výkonu jednotky nahromaděným prachem. Filtr ponořte a jemně omyjte v teplé vodě (přibližně 40 °C) smíchané s neutrálním čistícím prostředkem. Po vyčištění jej opět namontujte na jednotku.

Vyčistěte filtr přívodní hadice vzduchu (A): Zvedněte konektor, vyjměte rámeček filtru v konektoru a vyčistěte jej.

Vyčistěte levý a pravý horní rám sacího vzduchového filtru (B): Vytáhněte levý a pravý horní rámeček filtru nasávaného vzduchu směrem k jejich stranám. Rámeček důkladně vyčistěte.

Vyčistěte spodní filtry (C): Vyjměte spodní filtry, poté vyjměte zadní filtr a vyčistěte jej.

Čištění bočních filtrů (D): Vytáhněte boční filtry a poté je vyčistěte.

POZNÁMKA: Opatrně vytáhněte filtr a přednostně odstraňte filtr zadního panelu před filtrem bočního panelu, aby nedošlo k jeho zkroutení nebo poškození. Dbejte zvýšené opatrnosti, abyste sítku nepomačkali, a vyhněte se úderům ostrými předměty nebo kartáči.

POZNÁMKA! Před instalací filtru na zadní panel se ujistěte, že je filtr nainstalován na bočním panelu.

Filtr namontujte v opačném směru, než byl vyjmut.

**VYMĚNITELNÝ HEPA-FILTR (VIZ OBRÁZEK F, STRANA 3)**

Tato jednotka čistí vzduch pomocí technologie HEPA. Filtr je třeba pravidelně měnit, a to nejméně jednou ročně.

1. Zvedněte HEPA filtr nahoru.

2. Nainstalujte HEPA filtr, zarovnejte jej s otvorem v rámu síta a zatlačte jej dolů do rámu síta. Filtr HEPA je třeba přitlačit ke dnu.

UPOZORNĚNÍ! Pro zachování záruky používejte originální HEPA filtr Wood. Další informace a informace o prodejcích naleznete na stránkách woods.se.

**SKLADOVÁNÍ NA KONCI SEZÓN**

1. Odšroubujte vypouštěcí kryt a vyjměte vodní zátka, abyste kondenzovanou vodu zcela vypustili. POZNÁMKA: Úhel sklonu jednotky musí být ≤30 stupňů.

2. Provozujte jednotku v režimu ventilátoru po dobu půl dne, abyste důkladně vysušili vnitřní prostor a zabránili vzniku plísní.

3. Vypněte přístroj, odpojte jej ze zásuvky, omotejte napájecí kabel kolem sloupku pro navíjení vodičů, zasuňte zástrčku do univerzálního upevňovacího otvoru na zadním panelu a znovu nainstalujte vodní uzávěr a vypouštěcí kryt.

4. Sejměte sestavu hadice výstupu vzduchu, vyčistěte ji a řádně uložte. POZNÁMKA: Při demontáži držte sestavu hadice výstupu vzduchu oběma rukama.

5. Palci odsuňte upevňovací prvky na hadici výstupu vzduchu a vytáhněte sestavu hadice výstupu vzduchu.

6. Klimatizaci bezpečně zabalte do měkkého plastového sáčku, umístěte ji na suché místo s vhodnými protiprachovými opatřeními a uchovávejte ji mimo dosah dětí.

7. Vyjměte baterie z dálkového ovládání a řádně je uložte.

POZNÁMKA: Zajistěte, aby byl přístroj uložen v suchém prostředí. Chraňte veškeré příslušenství jednotky společně, aby nedošlo k jeho poškození nebo znehodnocení.

**ZÁRUKY**

Dvouletá záruka na výrobní vady. Upozorňujeme, že záruka je platná pouze po předložení dokladu o koupi. USCHOVEJTE SI ÚČTENKY! Účtenky budou vyžadovány pro případnou reklamaci v průběhu záruční doby.

**ZÍSKEJTE PRODLOUŽENOU ZÁRUKU**

Získejte 6letou záruku registrací na stránkách warranty-woods.com. Dlouhou životnost záruky zajistíte každoroční výměnou originálního HEPA filtru Woods. Upozorňujeme, že záruka platí za určitých podmínek: včasná registrace výrobku do 90 dnů, každoroční výměna HEPA filtru a uchování účtenek za filtry i přístroj. USCHOVEJTE SI ÚČTENKY! Všechny účtenky budou vyžadovány pro případnou reklamaci v průběhu záruční doby.



## ODSTRAŇOVÁNÍ POTÍŽÍ

Než požádáte o odborný servis, zkontrolujte jednotku a postupujte podle níže uvedených pokynů. Nikdy se však nepokoušejte jednotku rozebrat nebo opravovat sami, protože by mohlo dojít k poškození vás a vašeho majetku. Pokud se vyskytnou problémy, které nejsou uvedeny v tabulce, nebo doporučená řešení nefungují, obraťte se na odbornou servisní organizaci.

POTÍŽE	PŘÍČINA	NÁPRAVA
Jednotka se nespustí.	Výpadek napájení.	Připojte přístroj do zásuvky pod napětím a zapněte jej.
	Plná nádrž na vodu s příslušnou svítilicí ikonou.	Vypusťte vodu uloženou v jednotce.
	Teplota v místnosti je nižší než nastavená teplota v režimu chlazení nebo vyšší v režimu vytápění.	Zajistěte, aby jednotka pracovala v doporučeném teplotním rozmezí 8-35 °C. Upravte nastavenou teplotu.
Nedostatečné chlazení.	Je zde přímé sluneční světlo.	Zatáhněte okenní závěs.
	Dveře a okna jsou otevřená, místnost je přeplněná nebo jsou v ní jiné zdroje tepla.	Zavřete dveře a okna, odstraňte další zdroje tepla a zvažte přidání dalších klimatizačních zařízení.
	Znečištěný filtr.	Vyčistěte nebo vyměňte filtrační sítku.
	Přívod nebo výstup vzduchu je ucpaný.	Odstaňte všechny překážky.
Vysoká hladina hluku.	Jednotka je umístěna na nerovném povrchu.	Umístěte jednotku na rovné a pevné místo (může snížit hluchnost).
Kompresor nefunguje.	Spuštění ochrany proti přehřátí.	Počkejte, dokud se teplota nesníží, jednotka se automaticky restartuje.
Dálkové ovládání nefunguje.	Příliš velká vzdálenost mezi jednotkou a dálkovým ovladačem.	Přiblížte dálkový ovladač ke klimatizační jednotce a zajistěte, aby byl vzduch na receptoru signálu na jednotce.
	Dálkový ovladač není namířen na přijímač signálu na jednotce.	
	Baterie jsou vybité.	Výměna baterií
Zobrazí se kód "CH01".	Porucha čidla pokojové teploty.	Zkontrolujte čidlo pokojové teploty a související obvody.
Zobrazí se kód "CH02".	Porucha teplotního čidla na výparníku.	Zkontrolujte čidlo teploty výparníku a obvody.
Zobrazí se kód "E4".	Ochrana proti zamrznutí.	Po skončení ochrany proti zamrznutí se funkce automaticky obnoví.
Zobrazí se kód "E5".	Porucha čidla venkovní teploty.	Zkontrolujte čidlo venkovní teploty a související obvody.
		Zkontrolujte, zda je kabelové rozhraní čidla venkovní teploty správně zapojeno.
Zobrazí se kód "E6".	Porucha otevírání dveří.	Zkontrolujte, zda je klapka spínače vzduchu v režimu chlazení zcela otevřená, a zkontrolujte související obvody.
Zobrazí se kód "E7".	Porucha zavírání dveří.	V režimu AirSwitch zkontrolujte, zda klapka splňuje podmínky pro uzavření a zda je klapka vzduchového spínače zcela uzavřena; zkontrolujte související obvody.
Zobrazí se kód "FL".	Nádrž na vodu v podvozku je plná.	Vypusťte kondenzát a jednotku znovu spusťte.

## TECHNICKÁ SPECIFIKACE

MODEL Č.	AC CORTINA 12K AIRSWITCH	AC COTINA 12K AIRSWITCH SMART HOME DUO A+
Chladicí kapacita	3,520 W	3,500 W
Topný výkon	NEUPLATŇUJE SE	2,900 W
Spotřeba energie v režimu chlazení	1,350 W	1,120W
Spotřeba energie v režimu vytápění	NEUPLATŇUJE SE	960 W
Spotřeba energie v režimu AirSwitch	56W	32W
Proudění vzduchu	220-320 (m³/h)	220-320 (m³/h)
Energetická třída	A	A+
Odvhlčování	33,6 l / 24 h	33,6 l / 24 h
Nastavení teploty	17-30°C	17-30°C
Pracovní teplota	17-43°C	5-43°C
EER v režimu chlazení	2,6	3,1
EER v režimu AirSwitch	5	8
Délky hadic	1,5 m	1,5 m
Chladicí plyn	R290/260g	R290/250g
Hladina hluku v režimu chlazení (LWA) (dB(A))	60-64 dB	60-64 dB
Hladina hluku v režimu chlazení (LPA) (dB(A))	49-52 dB	49-52 dB
Hladina zvuku v režimu AirSwitch (LWA)(dB(A))	49,5-51 dB	49,5-51 dB
Hladina hluku v režimu AirSwitch (LPA) (dB(A))	35-38 dB	35-38 dB
Čistá hmotnost	30 kg	31 kg
Rozměry zařízení (V × Š × H)	850×471×400 mm	850×471×400 mm

**Může dojít k technickým změnám a vylepšením. Všechny hodnoty jsou přibližné a mohou se lišit v závislosti na vnějších podmínkách, jako je teplota, větrání a vlhkost.**



Likvidace použitých elektrických a elektronických zařízení (platí v členských zemích EU a dalších evropských zemích se zavedeným systémem třídění odpadu). Vyobrazený symbol na produktu nebo na obalu znamená, že s produktem by se nemělo nakládat jako s domovním odpadem. Produkt odevzdejte na místo určené k recyklaci elektrických a elektronických zařízení. Správnou likvidací produktu zabráníte negativním vlivům na lidské zdraví a životní prostředí. Recyklace materiálů přispívá k ochraně přírodních zdrojů. Více informací o recyklaci tohoto produktu vám poskytne obecní úřad, organizace na zpracování domovního odpadu nebo prodejní místo, kde jste produkt koupili tento výrobek



Použité baterie se nesmí vyhazovat do domovního odpadu, protože mohou obsahovat toxické prvky a těžké kovy škodlivé pro životní prostředí a lidské zdraví. Vybité baterie odevzdejte do příslušného recyklačního zařízení.

**HORĽAVÉ CHLADIVO.**

Tento spotrebič obsahuje R290/  
propán, horľavé chladivo.



Pozri prevádzkový manuál.



Prečítajte si technický  
manuál.



Prečítajte si prevádzkový  
manuál.

**BEZPEČNOSTNÉ INFORMÁCIE**

Pred inštaláciou a používaním spotrebiča si dôkladne prečítajte dodané pokyny. Výrobca nie je zodpovedný za prípadné zranenia a škody spôsobené nesprávnou inštaláciou a používaním. Pokyny si vždy ponechajte spolu so spotrebičom pre budúce použitie.

**BEZPEČNOSŤ DETÍ A ZRANITELNÝCH OSÔB****VAROVANIE**

Riziko zranenia alebo trvalého postihnutia.

Tento spotrebič môžu používať deti vo veku od osem rokov a staršie, osoby so zníženou fyzickou, senzorickou alebo duševnou schopnosťou alebo nedostatkom skúseností a znalostí, ak sú pod dozorom, alebo dostali pokyny o bezpečnom používaní spotrebiča a rozumejú súvisiacim rizikám.

Nedovoľte deťom hrať sa so spotrebičom.

Deti do troch rokov nenechávajte v blízkosti zariadenia, pokiaľ nie sú pod neustálym dozorom.

Udržujte obalový materiál mimo dosahu detí.

Čistenie a údržbu môžu vykonávať deti len pod dozorom.

**VŠEOBECNÁ BEZPEČNOSŤ**

Tento spotrebič je určený na používanie v domácnostiach a podobných prostrediach, ako sú obchody, kancelárie a iné pracovné prostredia. Výrobný štítok sa nachádza na bočnej alebo zadnej strane spotrebiča. Udržujte vetracie otvory bez prekážok.

Nepoužívajte mechanické zariadenia alebo iné prostriedky na urýchlenie odmrazovania, okrem tých ktoré odporúča výrobca. Spotrebič nesmie byť skladovaný v miestnosti, kde sú neustále prevádzkované zdroje zapálenia (otvorené plamene, pracujúce plynové spotrebiče, elektrické ohrievače atď.). Nevráťajte ani nezapaľujte. Majte na pamäti, že chladivo je bez zápachu. Nepoužívajte vodu ani paru na čistenie spotrebiča. Spotrebič čistíte vlhkou mäkkou handričkou. Používajte iba neutrálne čistidlá. Nepoužívajte abrazívne výrobky, brúsne vložky, rozpúšťadlá ani kovové predmety. Ak je napájací kábel poškodený, musí ho vymeniť výrobca, jeho autorizované servisné stredisko alebo iná kvalifikovaná osoba, aby sa predišlo nebezpečenstvu.

**BEZPEČNOSTNÉ POKYNY****VAROVANIE**

Spotrebič môže opravovať len kvalifikovaná osoba.

Odstráňte všetok obalový materiál. Neinštalujte ani nepoužívajte poškodený spotrebič. Spotrebič sa má inštalovať, prevádzkovať a skladovať v miestnosti s plochou väčšou ako 12,5 m<sup>2</sup>. Prísne dodržiavajte inštalčné pokyny dodané so spotrebičom. Pri pohybe so spotrebičom buďte vždy opatrní, pretože je ťažký.

Uistite sa, že vzduch môže cirkulovať okolo spotrebiča. Po dodaní prístroja, počkajte najmenej 4 hodiny, než pripojíte spotrebič k elektrickej zásuvke. Tým sa zabezpečí, že olej sa dostane späť do kompresora. Neinštalujte spotrebič blízko radiátorov alebo iných zdrojov tepla. Neinštalujte spotrebič na priame slnko.

**ELEKTRICKÉ PRIPOJENIE****VAROVANIE**

Riziko požiaru a úrazu elektrickým prúdom.

Spotrebič musí byť pripojený k

dobře uzemnenej zásuvke. Uistite sa, že elektrické informácie na štítku s hodnotením sú v súlade s dodávaným napájaním. V opačnom prípade kontaktujte elektrikára. Vždy používajte správne inštalovanú ochrannú zástrčku. Nepoužívajte viacpolohové adaptéry a predĺžovacie káble. Dávajte si pozor, aby ste nepoškodili elektrické komponenty (napríklad zástrčku, kábel). Ak je potrebná výmena elektrických komponentov, obráťte sa na autorizované servisné stredisko alebo elektrikára. Kábel musí zostať pod úrovňou zástrčky. Zástrčku pripojte k elektrickej zásuvke až po dokončení inštalácie. Uistite sa, že po inštalácii je prístup k zástrčke. Neťahajte napájací kábel, aby ste odpojili spotrebič. Vždy odpojte napájací kábel od zástrčky.

**POUŽITIE****VAROVANIE**

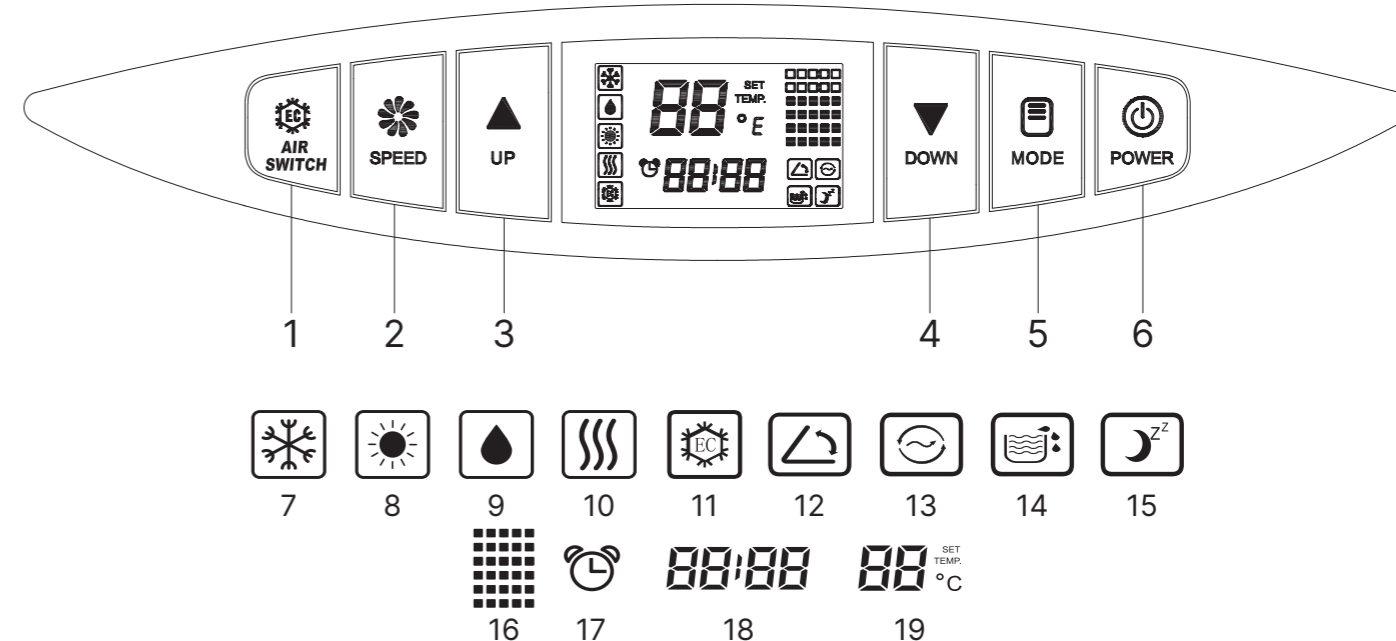
Riziko zranenia, popálenia, úrazu elektrickým prúdom alebo požiaru.

Nemeňte špecifikáciu tohto spotrebiča. Dávajte si pozor, aby ste nepoškodili chladiaci okruh. Obsahuje propán (R290), prírodný plyn s vysokou mierou environmentálnej kompatibility. Tento plyn je horľavý. Ak dôjde k poškodeniu chladiaceho okruhu, uistite sa, že v miestnosti nie sú žiadne plamene a zdroje zapálenia. Vyvetrajte miestnosť. Neumiestňujte horľavé produkty ani mokré predmety s horľavými produktmi blízko alebo na spotrebič.

**DISPOSAL****VAROVANIE**

Riziko zranenia.

Odpojte spotrebič od elektrickej siete. Odrežte napájací kábel a zlikvidujte ho. Chladičový okruh tohto spotrebiča je šetrný k ozónu. Obráťte sa na miestne úrady, aby ste získali informácie o správnej likvidácii spotrebiča. Nepoškodzuje časť chladiacej jednotky, ktorá je blízko tepelného výmenníka.



Ďakujeme vám za váš nákup a dôveru v spoločnosť Wood's. Táto príručka vás oboznámi s prevádzkovými režimami prepínača AC Cortina AirSwitch. Vo všetkých režimoch sa vzduch čistí pomocou technológie HEPA.

**Režim chladenia:** Chladenie: ochladí miestnosť na požadovanú teplotu. Optimálna prevádzková teplota okolia pre modely s chladením je 17-35 °C.

**Režim vykurovania:** Vyhrieva miestnosť na požadovanú teplotu. Optimálna prevádzková teplota okolia pre modely chladenia aj vykurovania je 5-35 °C. (Poznámka! Tento režim je k dispozícii len pri modeli AC s funkciou Duo/vykurovanie).

**Režim odvlhčovania:** Znižuje vlhkosť v miestnosti.

**Režim ventilátora:** Cirkuluje a čistí vzduch v miestnosti bez chladenia.

**Automatický režim AirSwitch:** Automatické prepínanie medzi chladením kompresorom a AirSwitch. Keď je vonkajšia teplota nižšia ako nastavená teplota, AirSwitch sa použije na dodávku chladnejšieho a vyčisteného vonkajšieho vzduchu bez toho, aby pracoval kompresor - tichšie a energeticky účinnejšie.

**Režim AirSwitch:** Do miestnosti sa privádza chladnejší, vyčistený vonkajší vzduch bez aktivácie kompresora.

**NÁVOD NA OBSLUHU****ČASTI VÝROBKU (POZRI OBRÁZOK A A B, STRANA 2)**

1. Okno pre príjem diaľkového ovládania
2. Ovládací panel
3. Výstup vzduchu
4. Filter HEPA
5. Horná zostava filtra zadného panelu

6. Pripojenie pre vodič snímača vonkajšej teploty
7. Napájací kábel so zástrčkou
8. Držiaky na navíjanie káblov
9. Zostava spodného filtra zadného panelu
10. Kryt odtoku
11. Montáž filtra bočného panelu
12. Montáž filtra bočného panelu
13. Ochranná mriežka
14. Priehradka na diaľkové ovládanie
15. Prívod vzduchu
16. Horný vnútorný konektor (vrátane filtra)
17. Hadica na prívod vzduchu (malá)
18. Adaptér na prívodnú hadicu vzduchu (malý) (vrátane snímača vonkajšej teploty)
19. Súpravy okien
20. Okrúhly konektor hadice na výstup vzduchu
21. Hadica na výstup vzduchu (veľká)
22. Adaptér na výstupnú hadicu vzduchu (veľký)
23. Tesniaca tkanina pre prívodnú hadicu vzduchu

**OVLÁDACÍ PANEL (POZRI OBRÁZOK C, STRANA 3)**

1. Tlačidlo AirSwitch
2. Tlačidlo rýchlosti ventilátora
3. Tlačidlo nahor
4. Tlačidlo nadol
5. Tlačidlo režimu
6. Tlačidlo napájania
7. Indikátor režimu chladenia
8. Indikátor režimu vykurovania

(POZNÁMKA! Tento symbol je k dispozícii len na modeli AC s funkciou Duo/vykurovanie.)

9. Indikátor režimu odvlhčovania
10. Indikátor režimu ventilátora
11. Indikátor režimu AirSwitch
12. Indikátor funkcie automatického výkyvu
13. Indikátor vymeneného filtra HEPA
14. Indikátor plnej vody
15. Indikátor režimu spánku
16. Indikátor rýchlosti ventilátora
17. Indikátor časovača (POZNÁMKA! Časovač je možné nastaviť len z diaľkového ovládača).
18. Indikátor vonkajšej teploty; indikátor času časovača
19. Indikátor nastavenej teploty. Indikátor vnútornej teploty pre režimy ventilátora, odvlhčovania a AirSwitch.
20. Indikátor Wi-Fi. (POZNÁMKA! Tento symbol je k dispozícii len na modeli AC s funkciou Wi-Fi/Smart Home.)

**PRACOVNÉ REŽIMY A FUNKCIE OVLÁDACIEHO PANELA (POZRI VYŠŠIE ALEBO OBRÁZOK C, STRANA 3)**

**Tlačidlo napájania (6):** Stlačením tohto tlačidla sa prístroj aktivuje; zaznie melodický zvuk a prístroj automaticky prejde do režimu chladenia s prednastavenou teplotou 22 °C. Ventilátor bude pracovať pri stredných otáčkach. Ak chcete jednotku deaktivovať, znova sa dotknite tohto tlačidla a melodický zvuk bude signalizovať jej vypnutie.

1. Keď je jednotka zapnutá, v okne LCD sa zobrazí nastavená teplota v režime chladenia a vykurovania (POZNÁMKA! Symbol vykurovania je k dispozícii len na modeli AC s funkciou Duo/Heating) alebo teplota okolia v režime odvlhčovania,

režime ventilátora, automatickom režime AirSwitch a režime AirSwitch. Ventilátor sa spustí a okno na výstupe vzduchu sa automaticky otvorí.

2. Všetky časti prestanú pracovať, keď je jednotka vypnutá, a okienko na výstup vzduchu sa automaticky zatvorí.

**Tlačidlo režimu (5):** Tlačidlo režimu (5): Stlačeníím tlačidla "Mode" (Režim) môžete prechádzať dostupné režimy na potvrdenie.

- Režim chladenia (7): Ochladí miestnosť na nastavenú teplotu (17-35 °C).

- Režim vykurovania (8): Vyhrieva miestnosť na nastavenú teplotu (5-35 °C). (POZNÁMKA! Tento režim je k dispozícii len pri modeli AC s funkciou Duo/vykurovanie.)

- Režim odvlhčovania (9): Znižuje vlhkosť v miestnosti.

- Režim ventilátora (10): Cirkuluje a čistí vzduch v miestnosti bez chladenia.

**POZNÁMKA!** Pre režim AirSwitch Auto a režim AirSwitch si pozrite samostatnú časť "Tlačidlo AirSwitch (1)".

**Tlačidlo nadol (4):** Kliknutím znížite nastavenú teplotu alebo ju nastavte smerom nadol.

**Tlačidlo nahor (3):** Kliknutím na tlačidlo nastavíte nastavenú teplotu smerom nahor.

**POZNÁMKA!** Stlačeníím tlačidla nadol (4) alebo nahor (3) počas 2 sekúnd môžete plynulo zvyšovať alebo znižovať číslo teploty v intervaloch po 0,5 stupňa. Rozsah nastavenia teploty je 17 ~ 30 °C.

**Tlačidlo rýchlosti ventilátora (2):** Stlačeníím tlačidla rýchlosti ventilátora môžete zvoliť vysokú, strednú alebo nízku rýchlosť ventilátora.

**POZNÁMKA!** V režimoch odvlhčovania a spánku nie je možné nastaviť rýchlosť ventilátora.

**Tlačidlo AirSwitch (1):** Stlačeníím tlačidla AirSwitch jedenkrát vstúpite do automatického režimu AirSwitch, ktorý je indikovaný blikajúcim indikátorom AirSwitch (11) na LCD displeji. Opätovným stlačeníím tlačidla AirSwitch vstúpite do režimu AirSwitch Mode, ktorý je indikovaný rozsvieteným, ale neblíkajúcim indikátorom AirSwitch (11). Tretím stlačeníím tlačidla AirSwitch ukončíte funkciu AirSwitch a vrátite sa do predvoleného režimu chladenia.

#### DEFINÍCIA REŽIMU AIRSWITCH "AUTO" A REŽIMU AIRSWITCH

Automatický režim AirSwitch: Pri chladení miestnosti v režime AirSwitch Auto sa automaticky strieda chladenie kompresorom a prevádzka AirSwitch.

Keď je vonkajšia teplota o 2 °C alebo nižšia ako nastavená teplota, klimatizácia automaticky prejde z kompresorového režimu chladenia do pracovného stavu AirSwitch, čím nasáva chladnejší vonkajší vzduch na tichšie a energetickejšie chladenie. Keď teplota v miestnosti

dosiahne nastavenú teplotu, klimatizácia prejde do prevádzky vetrania.

Režim AirSwitch: Počas chladenia miestnosti v režime AirSwitch jednotka automaticky prepína medzi pracovným stavom AirSwitch a prevádzkou vetrania.

Keď je vonkajšia teplota o 2 °C alebo nižšia ako teplota v miestnosti, klimatizácia automaticky prejde z ventilačnej prevádzky do pracovného stavu AirSwitch, čím sa zabezpečí nepretržitá tichá a energeticky účinnejšia prevádzka. Keď teplota v miestnosti dosiahne nastavenú teplotu, klimatizácia sa vráti do prevádzky vetrania. Pozoruhodné je, že kompresor zostáva v tomto režime neaktívny.

UPOZORNENIE NA AUTOMATICKÝ REŽIM PREPÍNAČA VZDUCHU A REŽIM PREPÍNAČA VZDUCHU

Snímač teploty pre AirSwitch je umiestnený v hadici, ktorá privádza vonkajší vzduch do jednotky. Určité okolnosti môžu príležitostne ovplyvniť presnosť a funkciu snímača počas automatického režimu.

Faktory ovplyvňujúce presnosť senzorov:

1. Vykurovanie vzduchom v miestnosti: Blízkosť zdrojov teplého vzduchu v miestnosti môže ovplyvniť údaje snímača.
2. Plastové puzdro: V zriedkavých prípadoch môže plastové puzdro snímača absorbovať teplo, čo ovplyvňuje jeho výkon.
3. Prvky vonkajšieho prostredia: Slnčné svetlo a vietor: Vystavenie priamemu slnečnému žiareniu alebo vetru prenášajúcemu teplo môže ovplyvniť presnosť snímača. Odrazivé povrchy: Blízke steny, ktoré odrážajú alebo absorbujú teplo, môžu narušiť automatickú funkciu. V takýchto prípadoch sa odporúča manuálny režim.

4. Prechod cez vzdušné prúdy: Vietor alebo prúd vzduchu môže spôsobiť kolísanie teploty, najmä ak výstupná hadica zasahuje do vstupnej hadice.

Odporúčania:

1. Používanie manuálneho režimu: V náročných podmienkach sa odporúča používať manuálny režim na presné ovládanie.
2. Zabránenie prehriatiu snímača: Zabráňte vystaveniu snímača priamemu teplu, aby sa zabezpečila presná detekcia teploty.
3. Poznanie reflexných povrchov: Zvážte aktiváciu manuálneho režimu, ak sa v blízkosti nachádzajú reflexné povrchy, napríklad tehlová stena, alebo iné potenciálne rušivé prvky.

4. Optimálny čas prevádzky: Zvážte zapnutie AirSwitch v manuálnom režime pre konzistentný výkon, najmä počas spánku.

#### FUNKCIE PRI KOMBINÁCIÍ TLAČIDIEL (POZRI OBRÁZOK C, STRANA 3)

Funkcia spánku (15): Stlačeníím tlačidla

AirSwitch (1) a tlačidla nahor (3) súčasne spustíte alebo zrušíte funkciu SLEEP. Upozorňujeme, že vo funkcii Sleep nie je možné nastaviť rýchlosť ventilátora.

- Ak je v režime chladenia aktivovaná funkcia spánku, po 2 hodinách zvýši nastavenú teplotu o 1 °C a po ďalších 2 hodinách ju zvýši o ďalší 1 °C, pričom udržiava prevádzku na tejto teplote.

- Ak je v režime vykurovania aktivovaná funkcia spánku (dostupná len v modeli AC s funkciou Duo/vykurovanie), po 2 hodinách zníži nastavenú teplotu o 1 °C. Potom ju zníži o ďalší 1 °C po ďalších 2 hodinách a následne pracuje pri tejto teplote. **POZNÁMKA!** Funkcia spánku bude neúčinná v režime ventilátora, režime odvlhčovania, režime AirSwitch Auto a režime AirSwitch.

Funkcia Auto Swing (12): Aktivácia alebo deaktivácia funkcie Auto-Swing súčasným dotykom tlačidla AirSwitch (1) a tlačidla rýchlosti ventilátora (2).

#### ĎALŠIE FUNKCIE OVLÁDACIEHO PANELA (POZRI OBRÁZOK C, STRANA 3)

Indikátor vymeneného HEPA filtra (13): Ak je klimatizácia v prevádzke viac ako 500 hodín, na LCD displeji sa zobrazí príslušná ikona, ktorá signalizuje, že HEPA filter si vyžaduje výmenu. Ak chcete vynulovať časovač a odstrániť ikonu, stlačte a podržte tlačidlo rýchlosti ventilátora na 6 sekúnd. Táto akcia zruší zobrazenie ikony a znovu spustí výpočet času. Informácie o tom, ako vymeniť filter HEPA, nájdete v časti Vymeniteľný filter HEPA.

Indikátor vonkajšej teploty a indikátor času časovača (18): Vonkajšia teplota okolia sa zobrazuje počas bežnej prevádzky. Keď je aktivovaná funkcia časovača jednotky, na displeji sa striedavo zobrazuje vonkajšia teplota a trvanie časovača.

Poznámka: Kód poruchy sa zobrazí v prípade poruchy snímača vonkajšej teploty alebo problémov s otváraním alebo zatváraním klapy na zadnej strane jednotky.

#### FUNKCIA WIFI (20)

(Platí len pre model AC s funkciou WiFi/Smart Home.)



1. Stiahnite si aplikáciu Wood's Connect z App Store alebo Google Play.
2. Zaregistrujte sa a postupujte podľa pokynov. Prijmite všetky kroky. (Pozorne si

prečítajte Zásady ochrany osobných údajov a súhlaste s pokračovaním.)

3. Otvorte aplikáciu Wood's Connect a pridajte zariadenie.

4. Ak chcete vstúpiť do režimu párovania, stlačte a podržte tlačidlo AirSwitch na jednotke na 5 sekúnd, aby sa na displeji rýchlo rozblíkala ikona Wi-Fi.

5. Keď na obrazovke zistíte zariadenie, pridajte ho. Model môžete vybrať aj manuálne.

6. Vyplňte nastavenia Wi-Fi a heslo.

7. Stlačeníím tlačidla + pridáte jednotku.

8. Počkajte, kým sa zariadenie pridá. Teraz je zariadenie pripravené na ovládanie cez Wi-Fi.

Ak chcete odpojiť funkciu Wi-Fi, stlačte tlačidlo AirSwitch na jednotke na 5 sekúnd.

#### PREVÁDZKOVÉ REŽIMY DIAĽKOVÉHO OVLÁDANIA (POZRI OBRÁZOK D, STRANA 3)

**Výkon (1):** Stlačeníím tohto tlačidla spustíte jednotku, keď je pod napätím, alebo zastavíte jednotku, keď je v prevádzke.

**Tlačidlo režimu (2):** Stlačeníím tohto tlačidla vyberte prevádzkový režim.

**Tlačidlo AirSwitch (3):** Stlačeníím tohto tlačidla nastavíte alebo zrušíte režim AirSwitch.

1. Stlačeníím tlačidla AirSwitch jedenkrát vstúpte do automatického režimu AirSwitch, ktorý je indikovaný blikajúcim symbolom "ENERGY SAVER" na LCD displeji.

2. Opätovným stlačeníím tlačidla AirSwitch vstúpite do režimu AirSwitch. Symbol "ENERGY SAVER" bude svietiť, ale nebude blikať.

3. Tretím stlačeníím tlačidla AirSwitch ukončíte funkciu AirSwitch a vrátite sa do predvoleného režimu chladenia.

**Tlačidlo nahor (4):** Stlačeníím tlačidla nahor zvýšite teplotu v miestnosti a nastavenie časovača.

**Tlačidlo nadol (5):** Stlačeníím tlačidla nadol znížite teplotu v miestnosti a nastavenie časovača.

**Tlačidlo ventilátora (6):** Stlačte toto tlačidlo na postupnú voľbu rýchlosti ventilátora: Nízka, Stredná, Vysoká.

**Tlačidlo Auto Swing (7):** Stlačeníím tohto tlačidla zapnete alebo vypnete funkciu automatického hojdaní.

**Tlačidlo spánku (8):** Stlačeníím tohto tlačidla zvoľte alebo zrušíte režim spánku (účinný len pri prevádzke chladenia alebo vykurovania)

**Tlačidlo časovača (9):** Nastavte funkciu AUTO-ON v pohotovostnom stave a AUTO-OFF, keď je zariadenie v prevádzke. Čas je možné nastaviť v rozsahu 1-24 hodín. Ak chcete časovač vypnúť, stlačte tlačidlo časovača a nastavte časovač na "0".

3. Filter HEPA nainštalujte tak, že ho zarovnáte so štrbinou rámu obrazovky a pevne ho do nej zatlačíte. HEPA-filter by mal byť priláčený až na dno.

Tento filter H11 HEPA spoločnosti Wood plní úlohu pri čistení vzduchu. Účinne zachytáva a odstraňuje zo vzduchu častice, ako sú prach, peľ, spóry plesní, baktérie a dokonca aj malé častočky dymu, čím zabezpečuje čistejšie a zdravšie vnútorné prostredie.

**POZNÁMKA!** Filter HEPA vymieňajte aspoň raz ročne. Zaregistrujte sa na stránke warranty-woods.com a raz ročne vymeňte HEPA filter, aby ste získali 6 rokov záruky. Platí len s filtrom značky Wood's. Informácie o predajcoch nájdete na woods.se. ULOŽTE SI ÚČTENKY!

#### DÔLEŽITÉ INFORMÁCIE PRED INŠTALÁCIOU VZDUCHOVÝCH HADÍC

Počas prevádzky udržiavajte hadice čo najkratšie a s čo najmenším počtom ohybov, aby sa minimalizoval pokles tlaku a strata kapacity. Hadica na výstupe vzduchu musí zostať hladká, aby sa zabránilo prehriatiu a možnému poškodeniu klimatizácie. Hadice majú dĺžku 280 mm - 1500 mm. Vyhnite sa predlžovaniu hadíc alebo ich výmene za iné hadice, čo môže ovplyvniť prevádzku.

#### MONTÁŽ ZOSTAVY HADICE NA VÝSTUP VZDUCHU A JEJ ADAPTÉRA. (POZRI OBRÁZOK G A H, STRANA 4)

1. Plastové vrecko odstráňte tak, že z obalu vyberiete hadicu na výstup vzduchu (veľkú), jej konektor a adaptér.
2. Vysuňte jeden koniec hadice na výstup vzduchu a pripojte okrúhly konektor otáčaním proti smeru hodinových ručičiek minimálne na tri otáčky.
3. Predĺžte druhý koniec hadice na výstup vzduchu a upevnite adaptér otáčaním proti smeru hodinových ručičiek najmenej na tri otáčky.
4. Umiestnite predný koniec zostavy hadice výstupu vzduchu na určený zárez hadice výstupu vzduchu, ktorý sa nachádza na zadnom paneli. Upevňovacie prvky bezpečne zaistia zostavu hadice výstupu vzduchu na mieste.
5. Nainštalujte hadicu na výstup vzduchu na jednotku.

**UPOZORNENIE!** Dbajte na správnu orientáciu šikmej strany adaptéra, aby ste mohli ľahko namontovať dosku s okenným tesnením. Dbajte na bezpečné a dobre umiestnené pripojenie hadice na výstup vzduchu.

#### NAINŠTALUJTE HADICU PRÍVODU VZDUCHU (POZRI OBRÁZOK I, J, K, STRANA 4)

1. Plastové vrecko odstráňte tak, že z obalu vyberiete hadicu na prívod vzduchu (tú menšiu), jej konektor a adaptér.

Pred použitím diaľkového ovládania nainštalujte batérie AAA podľa nasledujúcich krokov: (POZRI OBRÁZOK D, STRANA 3)

1. Posuňte a opatrne odstráňte kryt batérie, ktorý sa nachádza na zadnej strane diaľkového ovládača.

2. Do určeného priestoru na batérie vložte dve nové alkalické batérie AAA a dbajte na správnu polaritu.

3. Znovu nasadte kryt batérie a uistite sa, že poistka bezpečne zapadla na svoje miesto.

**POZOR!**

- Používajte len alkalické batérie. Nepoužívajte nabíjateľné batérie.

- Obe batérie vždy vymeňte za nové; nemiešajte staré a nové batérie.

- Ak klimatizáciu nebudete dlhší čas používať, vyberte z diaľkového ovládača batérie.

#### UKLADANIE DIAĽKOVÉHO OVLÁDANIA (POZRI OBRÁZOK E, STRANA 3)

1. Vložte diaľkový ovládač do zabudovanej priehradky na ľavej strane prístroja a jemne ju zatlačte, aby sa uzavrela.

2. Jemným stlačeníím spodnej časti zabudovanej priehradky ju otvoríte a vyberte diaľkové ovládanie.

**POZNÁMKA!** Aby ste predišli strate diaľkového ovládača, odložte ho do úložného priestoru, keď ho nepoužívate.

**VAROVANIE:** V prípade vytečenia batérie na pokožku alebo odev si postihnuté miesto okamžite dôkladne umyte čistou vodou. Ak sa objavia akékoľvek stopy po úniku batérie, diaľkový ovládač nepoužívajte. V prípade požitia kvapaliny z batérie okamžite vyhľadajte lekársku pomoc. Chemikálie obsiahnuté v batériách môžu predstavovať riziko, napríklad popáleniny a iné zdravotné riziká.

## INŠTALÁCIA

### PRED PRVÝM POUŽITÍM

Pred prevádzkou nechajte prístroj stáť 4 hodiny vo vzpriamenej polohe.

Táto klimatizácia je navrhnutá na pohodlné premiestnenie v interiéri. Zabezpečte, aby jednotka zostala pri premiestňovaní vo vzpriamenej polohe. Klimatizačnú jednotku umiestnite na rovný povrch. Túto klimatizáciu neinštalujte ani neprevádzkujte v kúpeľniach alebo iných vlhkých prostrediach.

### NAINŠTALUJTE HEPA FILTER (POZRI OBRÁZOK F, STRANA 3)

1. Zdvihnite obal filtra HEPA smerom nahor.
2. Odstráňte obalové vrecko z filtra HEPA. (POZNÁMKA! Odstránené baliace vrecko musí byť umiestnené mimo dosahu detí)

2. Vysušte jeden koniec hadice na prívod vzduchu a pripojte ho ku konektoru so snímačom otáčaním proti smeru hodinových ručičiek minimálne na tri otáčky.

3. Umiestnite tesniacu tkaninu okolo hadice prívodu vzduchu a dbajte na to, aby bol v tesniacej tkanine uzavretý aj vodič na snímanie teploty. Predĺžte druhý koniec hadice prívodu vzduchu a pripojte ju ku konektoru otáčaním proti smeru hodinových ručičiek (tri otáčky). Nakoniec rozťahnite tesniacu tkaninu tak, aby zakryla okrúhly konektor.

4. Nainštalujte hadicu prívodu vzduchu na jednotku tak, aby šípka "IN" smerovala nadol.

## PEVNÉ VEDENIE NA SNÍMANIE TEPLoty (POZRI OBRÁZOK L, STRANA 4)

Zasuňte konektor vodiča na snímanie teploty do konektora jednotky. Na konektore je biela bodka. Pri zapájaní by mali byť obe biele bodky zarovnané a potom zástrčku utiahnite v smere hodinových ručičiek.

Mal by voľne visieť vo vzduchu.

POZNÁMKA! Napätie na konektore vodiča na snímanie teploty je bezpečné napätie, nie vyššie ako 5 V DC.

## MONTÁŽ TESNIAČEJ DOSKY OKNA (POZRI OBRÁZOK M, N, O, STRANA 5)

1. Nainštalujte obdĺžnikové konce hadíc do príslušných obdĺžnikových otvorov v zostave okenného tesnenia a upevnite ich pomocou skrutky.

POZOR!

- Posuňte adaptéry smerom nadol a uistite sa, že sú bezpečne nainštalované.

- Skontrolujte, či je smer šikmého panelu v súlade so smerom tesniacej dosky.

- Dbajte na to, aby hadice zostali neohnuté a udržiavali uhol ohybu väčší ako 45°, aby sa zabezpečilo dostatočné vetranie.

2. Otvorte okno do polovice a vložte tesniacu dosku do okna, pričom ju umiestnite vertikálne alebo horizontálne. Pri vertikálnej inštalácii umiestnite hadicu na výstup vzduchu hore, aby teplý vychádzajúci vzduch nezasahoval do snímača na hadici na vstup vzduchu.

3. Rozťahnite časti tesniacej dosky a prispôbte ich dĺžke okna. Zabezpečte, aby sa oba konce dotýkali okrajov okna, a zaistite ich na mieste pomocou skrutiek.

UPOZORNENIE! Skontrolujte, či sa obidva konce tesniaceho plechu okna účinne dotýkajú okrajov okna, aby bolo správne utesené.

Uistite sa, že sú skrutky pevne dotiahnuté v správnej polohe.

4. Nastavte polohu hlavice snímača vonkajšej teploty a spustite nastavovaciu tyč do spodnej časti stenového schodíka pod oknom.

POZNÁMKA! Snímač by mal visieť voľne vo vzduchu a čo najďalej od teplého vzduchu z hadice výstupu vzduchu.

5. Jednotku premiestňujte s hadicami namontovanými pred oknom a udrzte ju vo vzdialenosti najmenej 50 cm od stien alebo iných predmetov.

## ZAPNITE JEDNOTKU

Ak chcete zariadenie napájať, zapojte ho do zásuvky. Všetky ikony v okne LCD sa na 2 sekundy rozsvietia a zaznie krátka zvuková pripomienka. Následne sa v okne LCD zobrazí vnútorná teplota prostredia v rozsahu od 5 °C do 35 °C a vonkajšia teplota prostredia v rozsahu od -9 °C do 65 °C. Jednotka bude potom v pohotovostnom režime a pripravená na prevádzku.

*Jednotka je teraz pripravená na použitie!*

## ÚDRŽBA

UPOZORNENIE! Pred údržbou vypnite zariadenie a vyťahnite zástrčku zo zásuvky.

## NÁVOD NA ODVODNENIE (POZRI OBRÁZOK P, STRANA 5)

Väčšina vody sa prirodzene odvedie cez hadicu na výstup vzduchu spolu s horúcim vzduchom. Ak je potrebné nádrž vyprázdniť, zariadenie vás na to upozorní. (ODKAZ NA OBRÁZOK C, STRANA 3, č. 14)

Vyprázdnenie nádrže na vodu: Odskrutkujte vypúšťací kryt a odpojte zástrčku na vodu, aby voda mohla vyteciť do zásobníka. POZNÁMKA: Dbajte na opatrnosť, aby ste zabránili úniku vody, ak je potrebné zariadenie premiestniť. Počas vypúšťania vody jednotku mierne nakloňte dozadu. Ak vanička nedokáže pojať všetku vodu z jednotky, okamžite zablokujte vypúšťací otvor, aby ste zabránili úniku vody a zabránili namočeniu podlahy alebo koberca. Uistite sa, že zátka na vodu a kryt vypúšťacieho otvoru sú pevne nainštalované, aby sa zabránilo zmáčaniu podlahy alebo koberca novou skondenovanou vodou pri opakovanom spustení jednotky.

Pripojenie vodnej hadice na priebežné vypúšťanie vody: Odskrutkujte vypúšťací kryt a vyberte vodnú zátku. Pripojte vodnú hadicu s vnútorným priemerom 12 mm k rúrke na jednotke. (Vodná hadica nie je súčasťou dodávky). Druhý koniec vodnej hadice vyvedte do odtoku. Uistite sa, že vodu je možné odvádzať smerom nadol. POZNÁMKA: Odtokovú hadicu je potrebné nainštalovať, keď v zásobníku nie je voda. Odporúča sa nepoužívať nepretržité vypúšťanie, keď je jednotka v režime chladenia, aby sa zabezpečila dostatočná recyklácia vody v jednotke na zvýšenie chladiacich účinkov systému. Vypúšťaciu hadicu umiestnite na neprístupné miesto, pričom dbajte na to, aby nebola umiestnená vyššie ako vypúšťací otvor, a aby bola vypúšťacia hadica rovná bez akýchkoľvek ohybov. Ak sa používa

priebežné vypúšťanie, uistite sa, že je správne zaistený kryt vypúšťacej hadice a jej zátka.

## VIACERO OCHRANNÝCH FUNKCIÍ

Automatické odmrazovanie: Prístroj sa v prípade potreby automaticky odmrazí. V režime rozmrazovania sa na displeji zobrazí E4 a okrem tlačidla POWER nie sú aktívne žiadne tlačidlá.

Ochrana kompresora: Jednotka má funkciu ochrany kompresora, ktorá spôsobuje 3-minútové oneskorenie štartu po opakovanom spustení jednotky.

Bezpečnostný alarm pri plnej vode a funkcia ochrany proti vypnutiu: Keď objem vody v šasi jednotky prekročí určenú úroveň alarmu, spustí sa automatické varovanie sprevádzané rozsvietením ikony plnej vody na LCD displeji. V tomto prípade je potrebné vypustiť skondenovanú vodu podľa pokynov uvedených v časti "Pokyny na vypúšťanie". Ak sa jednotka manuálne nevypne, po úplnom vypustení kondenzovanej vody sa automaticky vráti do pôvodného prevádzkového stavu. Prípadne opätovne pripojte napájanie, aby ste jednotku reštartovali.

## ČISTENIE POVRCHU

- Povrch jednotky čistite vlhkou, mäkkou handričkou a nepoužívajte chemické rozpúšťadlá, ako je alkohol a benzín, aby nedošlo k jej poškodeniu.

- Znečistený výstup vzduchu alebo žalúzie vyčistite vlhkou mäkkou handričkou a jemným čistiacim prostriedkom.

- Na čistenie jednotky je zakázané používať akékoľvek chemické rozpúšťadlá alebo dlhodobu umiestňovať takéto veci do blízkosti jednotky.

- Na čistenie jednotky je zakázané používať akékoľvek riedidlo, alkoholový lesk alebo podobné rozpúšťadlá.

## ČISTENIE UMÝVATEĽNÉHO FILTRA (POZRI OBRÁZOK Q, STRANA 5)

Filter je potrebné čistiť raz za dva týždne, aby sa zabránilo ovplyvneniu výkonu jednotky nahromadeným prachom. Filter ponorte a jemne umyte v teplej vode (približne 40 °C) zmiešanej s neutrálnym čistiacim prostriedkom. Po vyčistení ho opäť namontujte na jednotku.

Vyčistite filter prírodnej hadice vzduchu (A): Zdvihnite konektor, potom vyberte rám filtra v konektore a vyčistite ho.

Vyčistite ľavý a pravý horný rám filtra nasávaného vzduchu (B): Potiahnite ľavý a pravý horný rám filtra nasávaného vzduchu smerom k ich príslušným stranám. Rám dôkladne vyčistite.

Vyčistite spodné filtre (C): Vytiahnite spodné filtre, potom vyberte zadný filter a vyčistite ho.

Čistenie bočných filtrov (D): Vytiahnite bočné filtre, potom a vyčistite ich.

UPOZORNENIE! Filter vyťahnite opatrne, pričom uprednostnite odstránenie filtra na zadnom paneli pred filtrom na bočnom paneli, aby nedošlo k jeho prekrúteniu alebo poškodeniu. Dbajte na to, aby ste sieťku nepomáčali, a vyhýbajte sa úderom ostrými predmetmi alebo kefami do sieťky.

POZNÁMKA! Pred inštaláciou filtra na zadný panel sa uistite, že je filter nainštalovaný na bočnom paneli.

Filter nainštalujte v opačnom smere, ako bol odstránený.

## VYMENITELNÝ HEPA-FILTER (POZRI OBRÁZOK F, STRANA 3)

Táto jednotka čistí vzduch pomocou technológie HEPA. Filter sa musí pravidelne vymieňať, a to najmenej raz ročne.

1. Zdvihnite filter HEPA smerom nahor.

2. Nainštalujte filter HEPA, zarovnajme ho so štrbinou rámu obrazovky a zatlačte ho do rámu obrazovky. Filter HEPA musí byť zatlačený až na dno.

UPOZORNENIE! Uistite sa, že používate originálny HEPA filter Wood, aby ste zachovali záruku. Ďalšie informácie a informácie o predajcoch nájdete na stránke woods.se.

## SKLADOVANIE NA KONCI SEZÓNY

1. Odskrutkujte vypúšťací kryt a odstráňte vodnú zátku, aby ste úplne vypustili skondenovanú vodu. POZNÁMKA: Uhol sklonu jednotky musí byť ≤30 stupňov.

2. Prístroj prevádzkujte pol dňa v režime ventilátora, aby sa dôkladne vysušil interiér a zabránilo sa vzniku plesní.

3. Vypnite prístroj, odpojte ho zo zásuvky, oviňte napájací kábel okolo stĺpika navijania drôtov, zasuňte zástrčku do univerzálneho upevňovacieho otvoru na zadnom paneli a znovu nainštalujte zátku na vodu a kryt odtoku.

4. Odstráňte zostavu hadice výstupu vzduchu, vyčistite ju a riadne uložte. POZNÁMKA: Pri odstraňovaní držte zostavu hadice výstupu vzduchu oboma rukami.

5. Palcami odsuňte upevňovacie prvky na hadici výstupu vzduchu a potom vyťahnite zostavu hadice výstupu vzduchu.

6. Klimatizáciu bezpečne zabaľte do mäkkého plastového vrečka, umiestnite ju na suché miesto s vhodnými protiprachovými opatreniami a uchovávajte ju mimo dosahu detí.

7. Vyberte batérie z diaľkového ovládača a správne ich uložte.

POZNÁMKA: Zabezpečte, aby bola jednotka skladovaná v suchom prostredí. Všetko príslušenstvo jednotky chráňte spoločne, aby nedošlo k jeho poškodeniu alebo znehodnoteniu.



## ZÁRUKY

Dvojiročná záruka na výrobné chyby. Upozorňujeme, že záruka je platná len po predložení dokladu o kúpe. ULOŽTE SI ÚČTENKY! Účtenky sa budú vyžadovať pri akejkoľvek reklamácií počas záručného obdobia.

## ZÍSKAJTE PREDĹŽENÚ ZÁRUKU

Registráciou na stránke warranty-woods.com získate 6-ročnú záruku. Zabezpečte si dlhú životnosť záruky každoročnou výmenou originálneho HEPA filtra Woods. Upozorňujeme, že záruka je platná za špecifických podmienok: včasná registrácia výrobku do 90 dní, každoročná výmena filtra HEPA a uchovávanie dokladov o kúpe filtrov aj zariadenia. UCHOVÁVAJTE SI ÚČTENKY! Všetky účtenky sa budú vyžadovať pri akejkoľvek reklamácií počas záručného obdobia.

## RIEŠENIE PROBLÉMOV

Skôr ako požiadate o odborný servis, skontrolujte jednotku a postupujte podľa nižšie uvedených odporúčaní. Nikdy sa však nepokúšajte jednotku demontovať alebo opravovať sami, pretože by to mohlo spôsobiť škodu vám a vášmu majetku. Ak sa vyskytnú problémy, ktoré nie sú uvedené v tabuľke, alebo odporúčané riešenia nefungujú, obráťte sa na odbornú servisnú organizáciu.

PROBLÉMY	PRÍČINA	NÁPRAVA
Jednotka sa nespustí.	Výpadok napájania.	Pripojte jednotku k zásuvke pod napätím a zapnite ju.
	Plná nádrž na vodu s príslušnou svietiacou ikonou.	Vypustite vodu uloženú v jednotke.
	Teplota v miestnosti je nižšia ako nastavená teplota v režime chladenia alebo vyššia teplota v režime vykurovania.	Zabezpečte, aby jednotka pracovala v odporúčanom teplotnom rozsahu 8-35 °C. Nastavte nastavenú teplotu.
Nedostatočné chladenie.	Je tam priame slnečné svetlo.	Zatiahnite záves na okne.
	Dvere a okná sú otvorené, miestnosť je preplnená alebo sú v nej iné zdroje tepla.	Zatvorte dvere a okná, odstráňte iné zdroje tepla a zvážte prídanie ďalších klimatizačných zariadení.
	Znečistený filter.	Vyčistite alebo vymeňte sieťku filtra.
	Prívod alebo výstup vzduchu je upchatý.	Odstráňte všetky prekážky.
Vysoká hladina hluku.	Jednotka je umiestnená na nerovnom povrchu.	Jednotku umiestnite na rovné a pevné miesto (môže znížiť hluk)
Kompresor nefunguje.	Spustenie ochrany proti prehriatiu.	Počkajte, kým sa teplota zníži, jednotka sa automaticky reštartuje
Diaľkové ovládanie nefunguje.	Príliš veľká vzdialenosť medzi jednotkou a diaľkovým ovládaním.	Priblížte diaľkový ovládač ku klimatizačnému zariadeniu a zabezpečte prívod vzduchu na receptor signálu na jednotke.
	Diaľkové ovládanie nie je nasmerované na prijímač signálu na jednotke.	
	Batérie sú vyčerpané.	Výmena batérií
Zobrazí sa kód "CH01".	Porucha snímača teploty v miestnosti.	Skontrolujte snímač izbovej teploty a súvisiace obvody.
Zobrazí sa kód "CH02".	Porucha snímača teploty na výparníku.	Skontrolujte snímač teploty výparníka a obvody.
Zobrazí sa kód "E4".	Ochrana proti zamrznutiu.	Funkcie sa obnovia automaticky po skončení ochrany proti zamrznutiu.
Zobrazí sa kód "E5".	Porucha snímača vonkajšej teploty.	Skontrolujte snímač vonkajšej teploty a súvisiace obvody.
		Skontrolujte, či je káblové rozhranie snímača vonkajšej teploty správne zapojené.
Zobrazí sa kód "E6".	Porucha otvárania dverí.	Skontrolujte, či je klapka spínača vzduchu v režime chladenia úplne otvorená, a skontrolujte súvisiace obvody.
Zobrazí sa kód "E7".	Porucha zatvárania dverí.	V režime AirSwitch skontrolujte, či klapka spĺňa podmienky zatvárania a či je klapka vzduchového spínača úplne zatvorená; skontrolujte súvisiace obvody.
Zobrazí sa kód "FL".	Nádrž na vodu v podvozku je plná.	Vypustite kondenzát a znovu spustite jednotku.

## TECHNICKÁ ŠPECIFIKÁCIA

MODEL Č.	AC CORTINA 12K AIRSWITCH	AC COTINA 12K AIRSWITCH SMART HOME DUO A+
Chladiaci výkon	3,520 W	3,500 W
Vykurovací výkon	NEUPLATŇUJE SA	2,900 W
Spotreba energie v režime chladenia	1,350 W	1,120W
Spotreba energie v režime vykurovania	NEUPLATŇUJE SA	960 W
Spotreba energie v režime AirSwitch	56W	32W
Prúdenie vzduchu	220-320 (m³/h)	220-320 (m³/h)
Energetická trieda	A	A+
Odvlhčovanie	33,6 l / 24h	33,6 l / 24h
Nastavenie teploty	17-30°C	17-30°C
Pracovná teplota	17-43°C	5-43°C
EER v režime chladenia	2,6	3,1
EER v režime AirSwitch	5	8
Dĺžky hadíc	1,5 m	1,5 m
Chladiaci plyn	R290/260g	R290/250g
Hladina hluku v režime chladenia (LWA) (dB(A))	60-64 dB	60-64 dB
Hladina hluku v režime chladenia (LPA) (dB(A))	49-52 dB	49-52 dB
Hladina zvuku v režime AirSwitch (LWA) (dB(A))	49,5-51 dB	49,5-51 dB
Hladina zvuku v režime AirSwitch (LPA) (dB(A))	35-38 dB	35-38 dB
Čistá hmotnosť	30 kg	31 kg
Rozmery zariadenia (V × Š × H)	850×471×400 mm	850×471×400 mm

**Môže dôjsť k technickým zmenám a vylepšeniam. Všetky hodnoty sú približné a môžu sa líšiť v závislosti od vonkajších okolností, ako je teplota, vetranie a vlhkosť.**



Likvidácia použitých elektrických a elektronických zariadení (platí v členských krajinách EÚ a ďalších európskych krajinách so zavedeným systémom triedenia odpadu). Vyobrazený symbol na produkte alebo na obale znamená, že s produktom by sa nemalo nakladať ako s domovým odpadom. Produkt odovzdajte na miesto určené na recykláciu elektrických a elektronických zariadení. Správnou likvidáciou produktu zabránite negatívnym vplyvom na ľudské zdravie a životné prostredie. Recyklácia materiálov prispieva k ochrane prírodných zdrojov. Viac informácií o recyklácii tohto produktu vám poskytne obecný úrad, organizácia na spracovanie domového odpadu alebo predajné miesto, kde ste produkt kúpili tento výrobok



Použitie batérie sa nesmú vyhadzovať do domáceho odpadu, pretože môžu obsahovať toxické prvky a ťažké kovy škodlivé pre životné prostredie a ľudské zdravie. Vybité batérie odovzdajte do príslušného recyklačného zariadenia.

**GYÚLÉKONY ANYAG.**

Ez a készülék R290/propán gyúlékony hűtőanyagot tartalmaz.



Olvasd el a kezelési útmutatót.



Olvasd el a műszaki kézikönyvet.



Olvasd el a kezelési útmutatót.

**BIZTONSÁGI INFORMÁCIÓK**

Mielőtt telepítené és használná a készüléket, gondosan olvassa el a mellékelt utasításokat. A gyártó nem vállal felelősséget a helytelen telepítés és használatból eredő sérülésekért és károkért. Mindig tartsa meg az utasításokat a készülékhez, hogy később hivatkozhatson rájuk.

**GYERMEKEK ÉS VESZÉLYEZTETETT SZEMÉLYEK BIZTONSÁGA****FIGYELMEZTETÉS**

Sérülés vagy tartós fogyatékos kockázata.

Ezt a készüléket 8 évesnél idősebb gyermekek, csökkent fizikai, érzékelési vagy szellemi képességekkel rendelkező személyek vagy tapasztalat és ismeret hiányában is használhatják, ha felügyeletet vagy utasítást kaptak a készülék biztonságos használatával kapcsolatban, és megértik a vele járó veszélyeket. Ne engedje, hogy a gyermekek játszanak a készülékkel.

Három évnél fiatalabb gyermekeket folyamatos felügyelet nélkül kell tartani.

Tartsa távol a csomagolást a gyermekektől. A tisztítást és a felhasználói karbantartást csak felügyelet nélküli gyermekek ne végezzék.

**ÁLTALÁNOS BIZTONSÁG**

Ezt a készüléket háztartásokban és hasonló környezetben, például üzletekben, irodákban és más munkakörnyezetekben való használatra szánták. A készülék oldalán vagy hátulján található a címtábla. Tartsa szabadon a szellőzőnyílásokat.

A gyártó által nem ajánlott mechanikus eszközöket vagy más módszereket ne használjon a leolvasztási folyamat felgyorsítására. A készüléket ne tárolja olyan helyiségben, ahol folyamatosan működnek gyújtóforrások (nyílt lángok, gázkészülékek, elektromos fűtőberendezések stb.). Ne szúrja át vagy égesse meg. Tartsa szem előtt, hogy a hűtőközegeknek lehet, hogy nincs szaga. Ne használjon vízsugarat és gőzt a készülék tisztítására. A készüléket tisztítsa meg nedves, puha ruhával. Csak semleges tisztítószereket használjon. Ne használjon súroló termékeket, súroló tisztítópárnákat, oldószereket vagy fém tárgyakat. Ha a hálózati kábel sérült, azt a gyártónak, az engedélyezett szervizközpontnak vagy hasonlóan képzett személynek kell kicserélnie, hogy elkerülje a veszélyt.

**BIZTONSÁGI UTASÍTÁSOK****FIGYELMEZTETÉS**

Csak képzett személy szerelheti fel ezt a készüléket.

Távolítsa el az összes csomagolóanyagot. Ne telepítse vagy használjon sérült készüléket. A készüléket olyan helyiségben kell telepíteni, üzemeltetni és tárolni, amelynek alapterülete nagyobb, mint 12,5 m<sup>2</sup>. Szigorúan tartsa be a készülékkel szállított telepítési utasítást. Mindig legyen óvatos, amikor mozgatja a készüléket, mert nehéz. Mindig viseljen biztonsági kesztyűt.

Győződjön meg arról, hogy a környezetben keringhet a levegő a készülék körül. Várjon legalább 4 órát, mielőtt csatlakoztatná a készüléket az elektromos hálózathoz. Ez azért szükséges, hogy az olaj visszafolyhasson a kompresszorba. Ne telepítse a készüléket radiátorok vagy más hőforrások közelébe. Ne telepítse a készüléket közvetlen napsütésbe.

**ELEKTROMOS CSATLAKOZÁS****FIGYELMEZTETÉS**

Tűz- és áramütés veszélye.

A készüléket földelt csatlakozóaljzathoz kell csatlakoztatni. Győződjön meg arról, hogy a névjegy címken található elektromos információ megfelel az áramforrásnak. Ha nem, forduljon egy villanyszerelőhöz. Mindig használjon megfelelően felszerelt ütészálló aljzathoz. Ne használjon többszörös duguljat és hosszabbítókábelt. Győződjön meg róla, hogy nem okoz kárt az elektromos alkatrészekben (pl. dugó, kábel). Forduljon az engedélyezett szervizközpontnak vagy villanyszerelőhöz, hogy megváltoztassa az elektromos alkatrészeket. A kábelnek a dugó szintje alatt kell lennie. A dugót csak a telepítés végén csatlakoztassa a konnektorhoz. Győződjön meg arról, hogy a telepítés után hozzáférhető a dugóhoz. Ne húzza ki a hálózati kábelt a készülék kikapcsolásához. Mindig csak a dugóból húzza ki a hálózati kábelt.

**HASZNÁLAT****FIGYELMEZTETÉS**

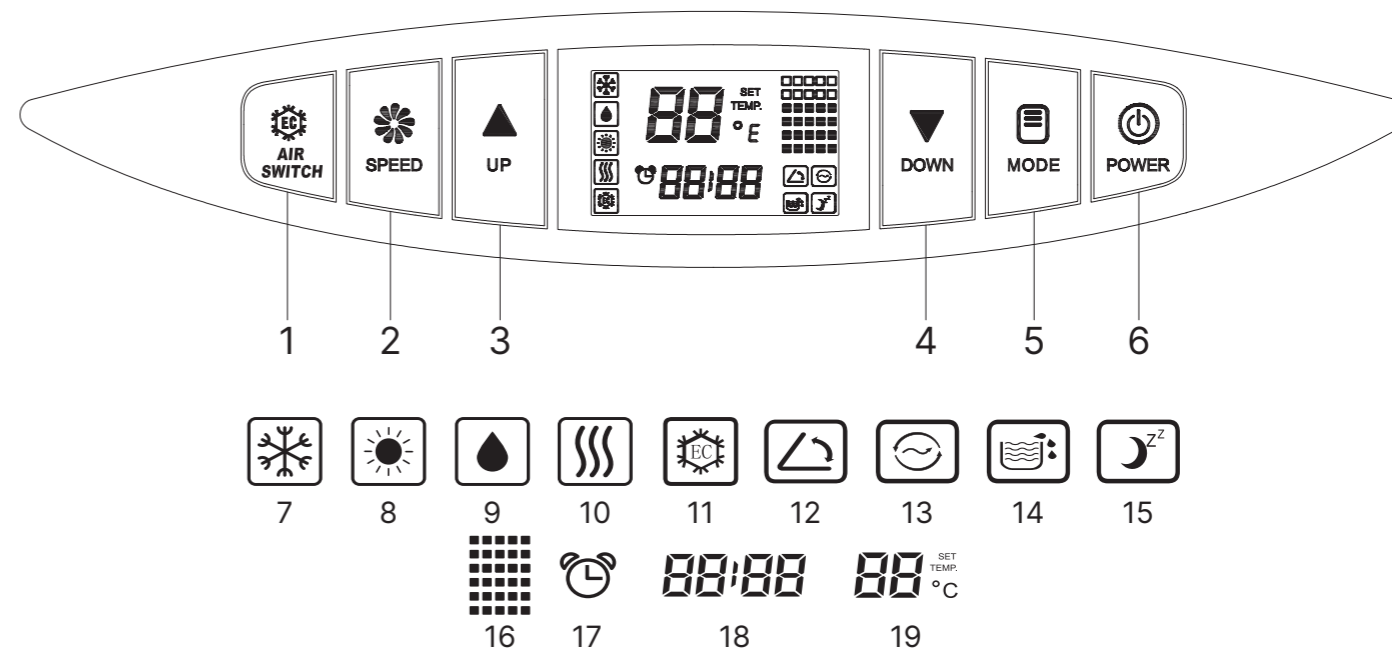
Sérülés, égés, áramütés vagy tűzveszély.

Ne változtassa meg a készülék műszaki adatait. Ügyeljen arra, hogy ne okozzon kárt a hűtőkör rendszerben. Ez a gázpropán (R290), egy természetes gáz magas szintű környezeti kompatibilitással. Ez a gáz gyúlékony. Ha károsodás történik a hűtőkör rendszerben, győződjön meg arról, hogy nincsenek lángok és gyújtóforrások a helyiségben. Szellőztesse ki a helyiséget. Ne helyezzen gyúlékony termékeket vagy nedves tárgyakat gyúlékony anyagokkal a készülék közelébe vagy rá.

**HULLADÉKKEZELÉS****FIGYELMEZTETÉS**

Sérülésveszély.

Húzza ki a készüléket a hálózati tápellátásból. Vágja le a hálózati kábelt és dobja el. Ez a készülék környezetbarát hűtőkör rendszerrel rendelkezik. Tájékozódjon a helyi hatóságnál arról, hogyan kell megfelelően eltávolítani a készüléket. Ne okozzon kárt a hűtőegység közelében lévő részeknek.



Köszönjük a vásárlását és a Wood's-ba vetett bizalmát. Ez a kézikönyv bemutatja Önnek az AC Cortina AirSwitch működési módjait. Minden üzemmódban a levegő tisztítása HEPA technológiával történik.

Hűtési mód: A helyiséget a kívánt hőmérsékletre hűti. A hűtő modellek optimális üzemi környezeti hőmérséklete 17-35°C.

Fűtési mód: A helyiséget a kívánt hőmérsékletre fűti. Az optimális üzemi környezeti hőmérséklet mind a hűtő, mind a fűtő modellek esetében 5-35°C. (Megjegyzés! Ez az üzemmód csak a Duo/fűtés funkcióval rendelkező AC modellnél érhető el).

Párátlanítási mód: Csökkenti a helyiség páratartalmát.

Ventilátor üzemmód: Keringeti és tisztítja a helyiség levegőjét hűtés nélkül.

AirSwitch automatikus üzemmód: Automatikusan vált a kompresszor hűtés és az AirSwitch között. Ha a külső hőmérséklet hidegebb a beállított hőmérsékletnél, az AirSwitch a kompresszor működése nélkül hűvösebb és tisztított külső levegőt szolgáltat - csendesebb és energiatakarékosabb.

AirSwitch üzemmód: Hűvösebb, tisztított kültéri levegőt juttat a helyiségbe a kompresszor aktiválása nélkül.

**HASZNÁLATI UTASÍTÁS****A TERMÉK ALKATRÉSZEI (LÁSD A ÉS B KÉP, 2. OLDAL)**

1. Távirányító fogadóablak
2. Vezérlőpanel
3. Levegő kimenet
4. HEPA szűrő
5. A hátsó panel felső szűrőszerelvénye

6. Kültéri hőmérséklet-érzékelő vezeték csatlakoztatása

7. Tápkábel dugóval

8. Kábeltekerccselő konzolok

9. A hátsó panel alsó szűrőszerelvénye

10. Lefolyófedél

11. Az oldalsó panel szűrőszerelvénye

12. Az oldalsó panel szűrőszerelvénye

13. Védőrács

14. Távirányító rekesz

15. Légszűrőnyílás

16. Felső beltéri csatlakozó (szűrővel együtt)

17. Légszűrő tömlő (kicsi)

18. Adapter a légszűrő tömlőhöz (kicsi) (beleértve a kültéri hőmérséklet-érzékelőt)

19. Ablak készletek

20. A levegő kimeneti tömlő kerek csatlakozója

21. Levegő kimeneti tömlő (nagy)

22. Adapter a levegő kimeneti tömlőhöz (nagy)

23. Tömítő ruha a levegőbeömlő tömlőhöz

**VEZÉRLŐPANEL (LÁSD A C KÉPET, 3. OLDAL)**

1. AirSwitch gomb
2. Ventilátor sebesség gomb
3. Fel gomb
4. Le gomb
5. Mód gomb
6. Bekapcsológomb
7. Hűtési mód kijelző
8. Fűtési üzemmód jelző (MEGJEGYZÉS! Ez

a szimbólum csak a Duo/fűtés funkcióval rendelkező AC modellnél érhető el.)

9. Páramentesítő üzemmód kijelző

10. Ventilátor üzemmód jelző

11. AirSwitch üzemmódjelző

12. Automatikus swing funkció kijelző

13. HEPA-szűrő cseréjének jelzője

14. Víz tele jelzés

15. Alvó üzemmód kijelző

16. A ventilátor sebességének kijelzője

17. Időzítő kijelző (MEGJEGYZÉS! Az időzítő csak a távirányítóról állítható be.)

18. Kültéri környezeti hőmérséklet kijelző; időzítő időjelző

19. Beállított hőmérsékletjelző. Beltéri környezeti hőmérsékletjelző a ventilátor, a párátlanítás és az AirSwitch üzemmódok esetében.

20. Wi-Fi jelző. (MEGJEGYZÉS! Ez a szimbólum csak a Wi-Fi/Smart Home funkcióval rendelkező AC modellnél érhető el.)

**MUNKAMÓDOK ÉS A KEZELŐPANEL FUNKCIÓI (LÁSD FENT VAGY A C KÉPEN, 3. OLDAL)**

Bekapcsológomb (6): Ezt a gombot megnyomva aktiválja a készüléket; egy dallamos hang szólal meg, és a készülék automatikusan hűtő üzemmódba lép, a beállított 22°C-os hőmérsékleten. A ventilátor közepes sebességgel fog működni. A készülék kikapcsolásához érintse meg ismét ezt a gombot, és egy dallamos hang jelzi a készülék kikapcsolását.

1. Amikor a készülék be van kapcsolva, az LCD-ablakon a beállított hőmérsékletet mutatja a Hűtés üzemmódban és a Fűtés üzemmódban (MEGJEGYZÉS! A Fűtés szimbólum csak a Duo/Fűtés funkcióval



# Felhasználói kézikönyv

rendelkező AC modellnél érhető el), illetve a környezeti hőmérsékletet páramentesítő üzemmódban, ventilátor üzemmódban, AirSwitch Auto üzemmódban és AirSwitch üzemmódban. A ventilátor elindul, és a légkifúvó ablak automatikusan kinyílik.

2. A készülék kikapcsolt állapotában minden alkatrész leáll, és a légkivezető ablak automatikusan bezáródik.

Mód gomb (5): Mód gomb (5): Nyomja meg a "Mode" gombot a megerősítéshez rendelkezésre álló üzemmódok váltogatásához.

- Hűtési mód (7): A helyiséget a beállított hőmérsékletre (17-35 °C) hűti.

- Fűtési üzemmód (8): A helyiséget a beállított hőmérsékletre (5-35°C) fűti. (MEGJEGYZÉS! Ez az üzemmód csak a Duo/fűtés funkcióval rendelkező AC modellnél érhető el.)

- Párátlanítási mód (9): Csökkenti a helyiség páratartalmát.

- Ventilátor üzemmód (10): Keringeti és tisztítja a helyiség levegőjét hűtés nélkül.

MEGJEGYZÉS! Az AirSwitch Auto Mode és AirSwitch Mode üzemmódokhoz lásd a "AirSwitch gomb (1)" külön fejezetét.

Lefelé gomb (4): Kattintson a gombra a beállított hőmérséklet csökkentéséhez vagy lefelé történő beállításához.

Fel gomb (3): Kattintson a gombra a beállított hőmérséklet felfelé történő beállításához.

MEGJEGYZÉS! Nyomja meg a Lefelé (4) vagy Fel (3) gombot 2 másodpercen keresztül a hőmérsékletszám 0,5 fokos intervallumokban történő folyamatos növeléséhez vagy csökkentéséhez. A hőmérséklet beállítási tartománya 17~30°C.

Ventilátor sebesség gomb (2): Nyomja meg a ventilátor sebességgombot a ventilátor sebességének magas, közepes vagy alacsony sebességre történő beállításához.

MEGJEGYZÉS! A ventilátor sebessége nem állítható a párátlanítás és az alvó üzemmódban.

AirSwitch gomb (1): Nyomja meg egyszer az AirSwitch gombot az AirSwitch automatikus üzemmódba való belépéshez, amit az LCD kijelzőn villogó AirSwitch jelző (11) jelez. Nyomja meg újra az AirSwitch gombot az AirSwitch üzemmódba való belépéshez, amelyet a világító, de nem villogó AirSwitch jelző (11) jelez. Nyomja meg harmadszor az AirSwitch gombot az AirSwitch funkcióból való kilépéshez és az alapértelmezett hűtési üzemmódba való visszatéréshez.

## A LÉGKAPCSOLÓ "AUTO" ÜZEMMÓD ÉS A LÉGKAPCSOLÓ ÜZEMMÓD MEGHATÁROZÁSA

AirSwitch automatikus üzemmód: AirSwitch Auto módban a készülék automatikusan váltogatja a kompresszoros hűtést és az AirSwitch működést.

Ha a külső hőmérséklet 2°C-kal vagy

a beállított hőmérséklet alatt van, a légkondicionáló automatikusan átvált a kompresszoros hűtési üzemmódból az AirSwitch működési állapotba, és a csendesebb és energiatakarékosabb hűtés érdekében hűvösebb külső levegőt szív be. Amint a helyiség hőmérséklete eléri a beállított hőmérsékletet, a légkondicionáló szellőztető üzemmódba lép.

AirSwitch üzemmód: AirSwitch üzemmódban a készülék automatikusan vált az AirSwitch működési állapot és a szellőztetés között.

Ha a külső hőmérséklet 2°C-kal vagy alacsonyabb a szobahőmérsékletnél, a légkondicionáló automatikusan átvált a szellőztető üzemmódról az AirSwitch munkaállapotra, így folyamatosan csendesebb és energiatakarékosabb működést biztosít. Amint a helyiség hőmérséklete eléri a beállított hőmérsékletet, a légkondicionáló visszatér a szellőztető üzemmódba. Figyelemre méltó, hogy a kompresszor ebben az üzemmódban inaktív marad.

## KIZÁRÓ NYILATKOZAT LÉGKAPCSOLÓ AUTOMATIKUS ÜZEMMÓD ÉS LÉGKAPCSOLÓ ÜZEMMÓD

Az AirSwitch hőmérséklet-érzékelője a kültéri levegőt a készülékbe juttató tömlőben van elhelyezve. Bizonyos körülmények alkalmanként befolyásolhatja az érzékelő pontosságát és működését az Auto üzemmódban.

Az érzékelő pontosságát befolyásoló tényezők:

- Fűtés szobai levegővel: A helyiségen belüli meleg levegőforrások közelsége befolyásolhatja az érzékelő leolvasását.

- Műanyag ház: Ritkán előfordulhat, hogy az érzékelő műanyag háza elnyeli a hőt, ami befolyásolja a teljesítményét.

- Külső környezeti elemek: Napfény és szél: A közvetlen napfénynek vagy a hőt átadó szélnek való kitettség befolyásolhatja az érzékelő pontosságát. Fényviszaverő felületek: A közeli falak, amelyek visszaverik vagy elnyelik a hőt, megzavarhatják az automatikus működést. Ilyen esetekben a manuális üzemmód használata ajánlott.

- Légáramlatok keresztjezése: A szél vagy a légáramlat hőmérséklet-ingadozást okozhat, különösen, ha a kimeneti tömlő a bemeneti tömlővel ütközik.

Ájánlások:

- Kézi üzemmód Használat: Kihívást jelentő körülmények között a kézi üzemmód használata javasolt a pontos vezérlés érdekében.

- Az érzékelő túlmelegedésének megakadályozása: Kerülje az érzékelő közvetlen hőhatásnak való kitételét a pontos hőmérséklet-érzékelés biztosítása érdekében.

- Fényviszaverő felületek tudatossága: Fontolja meg a kézi üzemmód aktiválását,

ha vannak fényviszaverő felületek, például egy közeli téglafal, vagy más potenciális zavaró tényezők.

- Optimális üzemidő: A következetes teljesítmény érdekében fontolja meg az AirSwitch kézi üzemmódban történő bekapcsolását, különösen lefekvéskor.

## FUNKCIÓK A GOMBOK KOMBINÁLÁSAKOR (LÁSD A C KÉPET, 3. OLDAL)

Alvási funkció (15): A SLEEP funkció elindítása vagy megszüntetése az AirSwitch gomb (1) és a Fel gomb (3) egyidejű megnyomásával. Felhívjuk a figyelmet arra, hogy a ventilátor sebessége Sleep funkcióban nem állítható.

- Ha az alvó funkciót hűtési üzemmódban aktiválja, akkor 2 óra elteltével 1°C-kal megemeli a beállított hőmérsékletet, majd további 2 óra elteltével további 1°C-kal növeli azt, és ezen a hőmérsékleten tartja a működést.

- Ha a Fűtés üzemmódban aktiválódik az Alvás funkció (csak a Duo/fűtés funkcióval rendelkező AC modellnél), akkor 2 óra elteltével 1°C-kal csökkenti a beállított hőmérsékletet. Ezután további 2 óra elteltével további 1°C-kal csökkenti azt, és ezután ezen a hőmérsékleten működik. MEGJEGYZÉS! Az alvó funkció nem lesz hatékony ventilátor üzemmódban, párátlanítási üzemmódban, AirSwitch Auto üzemmódban és AirSwitch üzemmódban.

Auto Swing funkció (12): Aktiválja vagy deaktiválja az Auto-Swing funkciót az AirSwitch gomb (1) és a ventilátorsebesség gomb (2) egyidejű megérintésével.

## EGYÉB VEZÉRLŐPANEL FUNKCIÓK (LÁSD A C KÉPET, 3. OLDAL)

HEPA-szűrő kicserélésének jelzője (13): Ha a légkondicionáló több mint 500 órán keresztül üzemel, a megfelelő ikon megjelenik az LCD kijelzőn, jelezve, hogy a HEPA-szűrő cserére szorul. Az időzítő visszaállításához és az ikon eltávolításához nyomja meg, és tartsa lenyomva 6 másodpercig a ventilátorsebesség gombot. Ez a művelet megszünteti az ikon megjelenítését és újraindítja az időszámítást. A szűrő cseréjével kapcsolatos információkat lásd a cserélhető HEPA-szűrő szakaszban.

Kültéri környezeti hőmérsékletjelző és az időzítő időjelzője (18): A kültéri környezeti hőmérsékletet mutatja a normál üzemmódban. Amikor a készülék időzítő funkciója aktiválva van, a kijelzőn a kültéri hőmérséklet és az időzítő időtartama váltakozik.

Megjegyzés: A kültéri hőmérséklet-érzékelő meghibásodása vagy a készülék hátsó oldalán lévő csappantyú nyitási vagy zárási problémái esetén hibakód jelenik meg.

## WIFI FUNKCIÓ (20)

(Csak a WiFi/Smart Home funkcióval rendelkező AC modellre alkalmazható.)



- Töltse le a Wood's Connect alkalmazást az App Store-ból vagy a Google Play-ről.

- Regisztráljon és kövesse az utasításokat. Fogadja el az összes lépést. (Olvassa el figyelmesen az Adatvédelmi szabályzatot, és járuljon hozzá a folytatáshoz.)

- Nyissa meg a Wood's Connect alkalmazást, és adjon hozzá egy eszközt.

- A párosítási módba való belépéshez nyomja meg és tartsa lenyomva az AirSwitch gombot a készüléken 5 másodpercig, mire a kijelzőn a Wi-Fi ikon gyorsan villogni kezd.

- Amikor a képernyőn észleli az eszközt, adja hozzá. A modellt manuálisan is kiválaszthatja.

- Adj a Wi-Fi beállításait és jelszavát.

- Nyomja meg a + gombot az egység hozzáadásához.

- Várjon a készülék hozzáadására. Most már készen áll a Wi-Fi-n keresztüli vezérlésre.

A Wi-Fi funkció kikapcsolásához nyomja meg 5 másodpercig a készülék AirSwitch gombját.

## TÁVIRÁNYÍTÓ MŰKÖDÉSI MÓDJAI (LÁSD A D KÉPET, 3. OLDAL)

Teljesítmény (1): Ezt a gombot megnyomva indíthatja el a készüléket, ha az feszültség alatt van, vagy állíthatja le a készüléket, ha az működésben van.

Mód gomb (2): Nyomja meg ezt a gombot a működési mód kiválasztásához.

AirSwitch gomb (3): Nyomja meg ezt a gombot az AirSwitch üzemmód beállításához vagy megszüntetéséhez.

- Nyomja meg egyszer az AirSwitch gombot az AirSwitch automatikus üzemmódba való belépéshez, amit az LCD kijelzőn villogó "ENERGY SAVER" szimbólum jelez.

- Nyomja meg újra az AirSwitch gombot az AirSwitch üzemmódba való belépéshez. Az "ENERGY SAVER" szimbólum világítani fog, de nem villog.

- Nyomja meg harmadszor az AirSwitch gombot az AirSwitch funkcióból való kilépéshez és az alapértelmezett hűtési

üzemmódba való visszatéréshez.

Fel gomb (4): Nyomja meg a felfelé gombot a szobahőmérséklet és az időzítő beállításának növeléséhez.

Lefelé gomb (5): Nyomja meg a lefelé gombot a szobahőmérséklet és az időzítő beállításának csökkentéséhez.

Ventilátor gomb (6): Ezt a gombot megnyomva a ventilátor sebességének sorrendben történő kiválasztásához: Alacsony, Közepes, Magas.

Auto Swing gomb (7): Ezt a gombot megnyomva kapcsolja be vagy ki az automatikus lengés funkciót.

Alvás gomb (8): Nyomja meg ezt a gombot az alvó üzemmód kiválasztásához vagy megszüntetéséhez (csak hűtési vagy fűtési üzemmódban működik).

Időzítő gomb (9): AUTO-ON funkció beállítása készenléti állapotban és AUTO-OFF funkció beállítása, amikor a készülék működik. Az idő 1-24 óra között állítható be. Az időzítő kikapcsolásához nyomja meg az időzítő gombot, és állítsa az időzítőt "0"-ra.

A távirányító használata előtt helyezze be az AAA elemeket az alábbi lépések szerint: (LÁSD A D. KÉPET, 3. OLDAL)

- Csúsztassa el és óvatosan távolítsa el a távirányító hátulján található elemfedelet.

- Helyezzen be két új AAA alkáli elemet a kijelölt elemtartóba, ügyelve a helyes polarításra.

- Illessze vissza az akkumulátor fedelét, ügyelve arra, hogy a reteszelő fül biztosan a helyére kattanjon.

MEGJEGYZÉS!

- Csak alkáli elemeket használjon. Ne használjon újratölthető elemeket.

- Mindig cserélje ki mindkét akkumulátort újakra; ne keverje össze a régit és az újat.

- Vegye ki az elemeket a távirányítóból, ha a légkondicionálót hosszabb ideig nem használja.

## TÁVIRÁNYÍTÓ TÁROLÁSA (LÁSD E KÉP, 3. OLDAL)

- Helyezze a távirányítót a készülék bal oldalán található beépített rekeszbe, és óvatosan nyomja be a lezáráshoz.

- Nyomja meg óvatosan a beépített rekesz alsó részét, hogy kinyissa azt, és vegye ki a távirányítót.

MEGJEGYZÉS! A távirányító elvesztésének elkerülése érdekében, kérjük, tegye a tárolóhelyre, amikor nem használja.

FIGYELMEZTETÉS: Ha az akkumulátor a bőrre vagy a ruházatára szivárog, azonnal mossa le az érintett területet alaposan tiszta vízzel. Ne használja a távirányítót, ha az elem szivárgásának bármilyen nyoma van. Az akkumulátor folyadékának lenyelése esetén azonnal forduljon orvoshoz. Az akkumulátorokban lévő vegyi

anyagok veszélyt jelenthetnek, például égési sérüléseket és egyéb egészségügyi kockázatokat.

## BEÁLLÍTÁS

### AZ ELSŐ HASZNÁLAT ELŐTT

Működés előtt hagyja a készüléket 4 órán át függőlegesen állni.

Ezt a légkondicionálót a kényelmes beltéri áthelyezéshez tervezték. Ügyeljen arra, hogy a készülék mozgítás közben függőlegesen maradjon. Helyezze a légkondicionálót sík felületre. Ne telepítse vagy üzemeltesse ezt a légkondicionálót fürdőszobában vagy más nedves környezetben.

### HEPA-SZÜRŐ FELSZERELÉSE (LÁSD AZ F KÉPET, 3. OLDAL)

- Emelje felfelé a HEPA-szűrőcsomagot.

- Vegye le a HEPA-szűrőről a csomagolózacskót. (MEGJEGYZÉS! Az eltávolított csomagolózacskót gyermekektől távol kell elhelyezni)

- Szerelje be a HEPA-szűrőt a szűrőkeret nyílásához igazítva és erősen belenyomva. A HEPA-szűrőt az aljáig kell lenyomni.

Ez a Wood H11 HEPA-szűrő a légtisztításban tölt be szerepet. Hatékonyan felfogja és eltávolítja a levegőből az olyan részecskéket, mint a por, a pollen, a penészspórák, a baktériumok és még a kis füstreszcscské is, így biztosítva tisztább és egészségesebb beltéri környezetet.

MEGJEGYZÉS! A HEPA-szűrőt legalább évente egyszer cserélje ki. Regisztráljon a warranty-woods.com oldalon, és cserélje ki a HEPA-szűrőt évente egyszer a 6 év garanciához. Csak Wood's márkájú szűrővel érvényes. A kiskereskedőket lásd a woods.se oldalon. MENTSD EL A SZÁMLÁKAT!

### FONTOS INFORMÁCIÓK A LÉGTÖMLŐK FELSZERELÉSE ELŐTT

A működés során a tömlőket a lehető legrövidebbre és a lehető legkevesebb kanyarral tartsa a nyomásesés és a kapacitásvesztés minimalizálása érdekében. A levegő kimeneti tömlőjének simának kell maradnia a túlmelegedés és a légkondicionáló esetleges károsodásának elkerülése érdekében. A tömlők hossza 280 mm-1500 mm. Kerülje a tömlők meghosszabbítását vagy más tömlőre cserélését, mert ez befolyásolhatja a működést.

### A LÉGKIVEZETŐ TÖMLŐEGYSÉG ÉS ADAPTERÉNEK FELSZERELÉSE. (LÁSD A G ÉS H KÉPET, 4. OLDAL)

- Vegye ki a műanyag zacskót úgy, hogy kiveszi a csomagolásból a (nagy) légkivezető tömlőt, annak csatlakozóját és az adaptert.

## Felhasználói kézikönyv

2. Húzza ki a levegő kimeneti tömlő egyik végét, és csatlakoztassa a kerek csatlakozót az óramutató járásával ellentétes irányban legalább három fordulatot elforgatva.

3. Húzza ki a légkivezető tömlő másik végét, és rögzítse az adaptert az óramutató járásával ellentétes irányban legalább három fordulaton keresztül.

4. Helyezze a légkivezető tömlőegység elülső végét a légkivezető tömlőnek a hátlapon található, erre a célra kijelölt bevágására. A kötélemek biztonságosan rögzítik a légkivezető tömlőegységet a helyén.

5. Szerelje fel a légkivezető tömlőt a készülékre.

MEGJEGYZÉS! Ügyeljen az adapter ferde oldalának helyes tájolására az ablakzáró lemez könnyű felszerelése érdekében. Ügyeljen a légkivezető tömlő biztonságos és jól pozícionált csatlakoztatására.

### SZERELJE FEL A LÉGBESZÍVÓ TÖMLŐT (LÁSD I, J, K KÉP, 4. OLDAL)

1. Vegye ki a műanyag zacskót úgy, hogy kiveszi a légbeszívó tömlőt (a kisebbet), annak csatlakozóját és az adaptert a csomagolásból.

2. Húzza ki a levegőbevezető tömlő egyik végét, és csatlakoztassa az érzékelőt tartalmazó csatlakozóhoz az óramutató járásával ellentétes irányba történő legalább három fordulatot elforgatással.

3. Helyezze a tömítőrongyot a légbeszívó tömlő köré, ügyelve arra, hogy a hőmérséklet-érzékelő vezeték is a tömítőrongyba kerüljön. Húzza ki a levegőbevezető tömlő másik végét, és csatlakoztassa a csatlakozóhoz az óramutató járásával ellentétes irányba történő elforgatással (három fordulat). Végül húzza ki a tömítő ruhát, hogy a kerek csatlakozót befedje.

4. Szerelje fel a légbeszívó tömlőt a készülékre, ügyelve arra, hogy a "IN" nyíl lefelé mutasson.

### RÖGZÍTETT HŐMÉRSÉKLET-ÉRZÉKELŐ VONAL (LÁSD L. KÉP, 4. OLDAL)

Helyezze be a hőmérséklet-érzékelő vezeték csatlakozóját a készülék csatlakozójába. A csatlakozón egy fehér jelzőpont található. A csatlakoztatáskor a két fehér pontnak egy vonalban kell lennie egymással, majd húzza meg a csatlakozót az óramutató járásával megegyező irányba.

Szabadon kell lógnia a levegőben.

MEGJEGYZÉS! A hőmérséklet-érzékelő vezeték csatlakozójának feszültsége biztonságos feszültség, nem nagyobb, mint DC 5V.

### AZ ABLAKTÖMÍTŐ LEMEZ BEÉPÍTÉSE (LÁSD AZ M, N, O KÉPET, 5. OLDAL)

1. Szerelje be a tömlők négyszögletes végét a megfelelő négyszögletes lyukakba

az ablak tömítőlemez szerelvényében, rögzítse csavarral.

MEGJEGYZÉS!

- Csúsztassa lefelé az adaptereket, és győződjön meg arról, hogy biztonságosan rögzítve vannak.

- Ellenőrizze, hogy a ferde panel irányba megegyezik-e a tömítőlemez irányával.

- A megfelelő szellőzés biztosítása érdekében győződjön meg arról, hogy a tömlők nem hajlanak meg, és a hajlítási szögük 45°-nál nagyobb marad.

2. Nyissa ki félig az ablakot, és helyezze be a tömítőlemez az ablakba, függőlegesen vagy vízszintesen. Függőlegesen beépítés esetén a levegő kimeneti tömlőjét helyezze felülre, hogy a kifelé áramló meleg levegő ne zavarja a légbeszívó tömlőn lévő érzékelőt.

3. Húzza ki a tömítőlemez részeket, és igazítsa őket az ablak hosszának megfelelően. Győződjön meg róla, hogy mindkét vége az ablakszélekkel találkozik, és csavarokkal rögzítse a helyére.

MEGJEGYZÉS! A megfelelő tömítés érdekében győződjön meg arról, hogy az ablaktömítő lemez mindkét vége hatékonyan találkozik az ablakszélekkel.

Győződjön meg róla, hogy a csavarok a megfelelő helyzetben vannak-e biztonságosan meghúzva.

4. Állítsa be a kültéri hőmérséklet-érzékelő fej helyzetét, és engedje le a beállító rudat az ablak alatti fallépcső alsó részéhez.

MEGJEGYZÉS! Az érzékelőnek szabadon kell lógnia a levegőben, és a lehető legtávolabb kell lennie a levegő kilépő tömlőjének meleg levegőjétől.

5. A készüléket az ablak elé szerelt tömlőkkel helyezze el, és tartsa a készüléket legalább 50 cm távolságra a falaktól vagy más tárgyaktól.

### KAPCSOLJA BE A KÉSZÜLÉKET

A készüléket a tápellátáshoz csatlakoztassa be. Az LCD-ablak összes ikonja 2 másodpercre kigyullad egy rövid emlékeztető hang kíséretében. Ezt követően az LCD ablakban megjelenik a beltéri környezeti hőmérséklet 5°C és 35°C közötti tartományban, valamint a kültéri környezeti hőmérséklet -9°C és 65°C közötti tartományban. A készülék ezután készenléti üzemmódba kerül, és készen áll a működésre.

**A készülék most már használatra kész!**

## KARBANTARTÁS

MEGJEGYZÉS! Karbantartás előtt kapcsolja ki a készüléket, és húzza ki a dugót.

### VÍZELVEZETÉSI UTASÍTÁS (LÁSD P KÉP, 5. OLDAL)

A víz nagy része a forró levegővel együtt

természetes módon távozik a légkivezető tömlőn keresztül. Ha ki kell üríteni a tartályt, a készülék értesíti Önt. (Hivatkozzon a C. KÉPRE, 3. OLDAL, 14. szám)

A víztartály kiürítése: Csavarja le a leeresztőfedelelet, és húzza ki a vízdugót, hogy a víz a tálcába folyhasson. MEGJEGYZÉS: Legyen óvatos a szivárgás elkerülése érdekében, ha a készüléket mozgatni kell. Úrítás közben döntse a készüléket kissé hátrafelé. Ha a tálca nem tudja a készülékből származó összes vizet felfogni, azonnal tömítse el a leeresztőnyílást, hogy megakadályozza a vízszivárgást, és elkerülje a padló vagy a szőnyeg nedvesedését. Győződjön meg arról, hogy a vízdugó és a leeresztőfedél szorosan van felszerelve, hogy a készülék újraindításakor az új kondenzvíz ne nedvesítse a padlót vagy a szőnyeget.

Víztömlő csatlakoztatása a folyamatos vízelvezetéshez: Csavarja le a leeresztőfedelelet, és vegye ki a vízdugót. Csatlakoztasson egy 12 mm belső átmérőjű víztömlőt a készüléken lévő csőhöz. (A víztömlő nem tartozék). Vezesse a víztömlő másik végét a lefolyóba. Ügyeljen arra, hogy a víz lefelé tudjon lefolyni. MEGJEGYZÉS: A lefolyótömlőt akkor kell felszerelni, ha nincs víz a tálcában. Javasoljuk, hogy ne használjon folyamatos vízelvezetést, amikor a készülék Hűtés üzemmódban van, hogy elegendő víz kerüljön vissza a készülékbe a rendszer hűtőhatásának fokozása érdekében. Helyezze a leeresztőtömlőt egy nehezen hozzáférhető helyre, ügyelve arra, hogy ne legyen a leeresztőnyílásnál magasabban elhelyezve, és a leeresztőtömlő legyen egyenes, kanyarodás nélkül. Folyamatos vízelvezetés esetén gondoskodjon a leeresztőfedél és annak dugója megfelelő rögzítéséről.

### TÖBB VÉDELMI FUNKCIÓ

Automatikus leolvasztás: A készülék szükség esetén automatikusan leolvaszt. Leolvasztási üzemmódban a kijelzőn E4 jelenik meg, és a POWER gombon kívül egyetlen gomb sem aktív.

Kompresszorvédelem: A készülék kompresszorvédelmi funkcióval rendelkezik, amely a készülék újraindítása után 3 perces indítási késleltetést okoz.

Vízrel teli biztonsági riasztás és elzárásvédelmi funkció: Amikor a vízmennyiség meghaladja a készülék alvázán belül a kijelölt riasztási szintet, automatikus figyelmeztető riasztás lép életbe, amelyet az LCD kijelzőn a vízrel teli ikon világítása kísér. Ebben az esetben a kondenzvíz leeresztése szükséges a "Leeresztési utasítás" fejezetben megadott utasítások szerint. Ha a készüléket nem kapcsolják le manuálisan, a készülék automatikusan visszatér az eredeti működési állapotába, amint a kondenzvíz teljesen leürült. Alternatív megoldásként a készülék újraindításához csatlakoztassa újra a tápellátást.

### FELÜLETTISZTÍTÁS

- A készülék felületét nedves, puha ruhával tisztítsa meg, és ne használjon kémiai oldószereket, például alkoholt és benzint, hogy elkerülje a károsodást.

- Tisztítsa meg a szennyezett légkivezető nyílást vagy lamellákat nedves, puha ruhával és enyhe tisztítószerral.

- Tilos bármilyen kémiai oldószert használni a készülék tisztításához, vagy ilyen dolgokat hosszabb időre a készülék közelébe helyezni.

- A készülék tisztításához tilos bármilyen hígítót, alkoholos lakkot vagy hasonló oldószert használni.

### MOSHATÓ SZŰRŐ TISZTÍTÁSA (LÁSD Q KÉP, 5. OLDAL)

A szűrő kéthetenkénti tisztítása elengedhetetlen, hogy a készülék teljesítményét ne befolyásolja a porfelhalmozódás. A szűrőt merítse be és óvatosan mossa ki meleg vízben (kb. 40°C), amelyet semleges tisztítószerral kevert. A tisztítás után szerelje vissza a készülékre.

Tisztítsa meg a légbeszívó tömlő szűrőjét (A): Emelje fel a csatlakozót, majd vegye ki a csatlakozóban lévő szűrőkeretet, és tisztítsa meg.

Tisztítsa meg a bal és a jobb felső beszívólevegő-szűrőkeretet (B): Húzza a bal és a jobb felső beszívólevegő-szűrőkeretet a saját oldaluk felé. Alaposan tisztítsa meg a keretet.

Tisztítsa meg az alsó szűrőket (C): Húzza ki az alsó szűrőket, majd vegye ki a hátsó szűrőt és tisztítsa meg.

Tisztítsa meg az oldalsó szűrőket (D): Húzza ki az oldalsó szűrőket, majd tisztítsa meg őket.

MEGJEGYZÉS! Óvatosan húzza ki a szűrőt, a csavarodás vagy sérülés elkerülése érdekében a hátlapi szűrő eltávolítását az oldalsó szűrő elé helyezve. Legyen óvatos, hogy ne nyomja össze a hálót, és kerülje a háló éles tárgyakkal vagy kefékkel való ütközését.

MEGJEGYZÉS! Győződjön meg róla, hogy a szűrő az oldalsó panelre van felszerelve, mielőtt a szűrőt a hátlapra szerelné.

Szerelje be a szűrőt az eltávolítással ellentétes irányban.

### CSERÉLHETŐ HEPA-SZŰRŐ (LÁSD F KÉP, 3. OLDAL)

Ez a készülék HEPA-technológiával tisztítja a levegőt. A szűrőt rendszeresen, de legalább évente egyszer cserélni kell.

1. Emelje felfelé a HEPA-szűrőt.
2. Szerelje be a HEPA-szűrőt, igazítsa a szűrőkeret nyílásához, és nyomja be a szűrőkeretbe. A HEPA-szűrőt az aljára kell nyomni.

MEGJEGYZÉS! A garanciális fedezet fenntartása érdekében mindenképpen a Wood eredeti HEPA-szűrőjét használja. További információkért és a kiskereskedők

## Felhasználói kézikönyv

megkereséséhez látogasson el a woods.se weboldalra.



**SZEZON VÉGI TÁROLÁS**

1. Csavarja le a leeresztőfedelelet, és távolítsa el a vízdugót a kondenzvíz teljes leeresztéséhez. MEGJEGYZÉS: A készülék dőlésszögének ≤30 fokosnak kell lennie.

2. Fél napig működtesse a készüléket ventilátoros üzemmódban, hogy a belső tér alaposan megszáradjon, és megakadályozza a penészesedés kialakulását.

3. Kapcsolja ki a készüléket, húzza ki a hálózati csatlakozót, tekerje a tápkábelt a vezetéktekercselő oszlop köré, dugja be a dugót a hátlapon lévő univerzális rögzítőnyílásba, és szerelje vissza a vízzáró és a lefolyófedelelet.

4. Távolítsa el a légkivezető tömlőegységet, tisztítsa meg és tárolja megfelelően. MEGJEGYZÉS: Levételkor mindkét kezével fogja meg a légkivezető tömlőegységet.

5. Nyomja félre a hüvelykujjával a légkivezető tömlő rögzítőelemeit, majd húzza ki a légkivezető tömlőegységet.

6. A légkondicionált biztonságosan csomagolja be egy puha műanyag zacskóba, helyezze száraz helyre, megfelelő porvédő intézkedésekkel, és tartsa gyermekek elől elzárva.

7. Vegye ki az elemeket a távirányítóból, és tárolja azokat megfelelően.

MEGJEGYZÉS: Biztosítsa, hogy a készüléket száraz környezetben tárolja. A készülék összes tartozékát együttesen őrizze meg a sérülések vagy károsodások elkerülése érdekében.

### KITERJESZTETT GARANCIA

A warranty-woods.com oldalon történő regisztrációval 6 év garanciát kaphat. Biztosítsa a garancia hosszú élettartamát a Woods eredeti HEPA-szűrőjének éves cseréjével. Felhívjuk figyelmét, hogy a garancia meghatározott feltételek mellett érvényes: a termék 90 napon belüli időben történő regisztrálása, a HEPA-szűrő éves cseréje, valamint a szűrőkre és a készülékre vonatkozó bizonylatok megőrzése. ŐRIZZE MEG A NYUGTÁKAT! Az összes nyugtára szükség lesz az időszak alatt bármilyen garanciális igény érvényesítéséhez.

## HIBAELHÁRÍTÁS

Kérjük, ellenőrizze a készüléket, és kövesse az alábbi javaslatokat, mielőtt szakszervizt kérne. Soha ne próbálja meg azonban saját maga szétszerelni vagy megjavítani a készüléket, mert kárt okozhat Önnek és a tulajdonának. Ha a táblázatban nem szereplő problémák merülnek fel, vagy az ajánlott megoldások nem működnek, kérjük, forduljon szakszervizhez.

TROUBLE	OK	JOGORVOSLAT
A készülék nem indul el.	Áramellátás meghibásodása.	Csatlakoztassa a készüléket egy feszültség alatt álló aljzathoz, és kapcsolja be.
	A víztartály megtelt a megfelelő világító ikonnal.	Engedje le a készülékben tárolt vizet.
	A helyiség hőmérséklete alacsonyabb, mint a beállított hőmérséklet Hűtés üzemmódban, vagy magasabb hőmérséklet Fűtés üzemmódban.	Ügyeljen arra, hogy a készülék az ajánlott 8-35 °C-os hőmérséklet-tartományban működjön. Állítsa be a beállított hőmérsékletet.
Elégtelen hűtés.	Közvetlen napfény van.	Húzza be az ablakfüggönyt.
	Az ajtók és ablakok nyitva vannak, a helyiség zsúfolt, vagy más hőforrások is vannak.	Zárja be az ajtókat és ablakokat, távolítsa el az egyéb hőforrásokat, és fontolja meg további légkondicionáló beszerzését.
	Koszor szűrő.	Tisztítsa meg vagy cserélje ki a szűrőhálót.
	A levegő be- vagy kimeneti nyílása eltömődött.	Távolítsa el minden akadályt.
Magas zajszint.	A készüléket egyenetlen felületen helyezik el.	Helyezze a készüléket lapos és szilárd helyre (csökkentheti a zajt).
A kompresszor nem működik.	A túlmelegedés elleni védelem beindítása.	Várjon, amíg a hőmérséklet csökken, a készülék automatikusan újraindul.
A távirányító nem működik.	Túl nagy a távolság a készülék és a távirányító között.	Vigye a távirányítót a légkondicionáló közelébe, és biztosítsa a levegőt a készülék jelfogójánál.
	A távirányító nem a készülék jelfelvevőjére irányul.	
	Az akkumulátorok lemerültek.	Cserélje ki az elemeket
"CH01" kód jelenik meg.	A szobahőmérséklet-érzékelő hibája.	Ellenőrizze a szobahőmérséklet-érzékelőt és a kapcsolódó áramköröket.
"CH02" kód jelenik meg.	A hőmérséklet-érzékelő meghibásodása a párologtatónál.	Ellenőrizze az elpárologtató hőmérséklet-érzékelőjét és az áramköröket.
"E4" kód jelenik meg.	Fagyásgátló védelem.	A funkciók automatikusan helyreállnak, amint a fagyvédelem megszűnik.
"E5" kód jelenik meg.	Kültéri hőmérséklet-érzékelő hibája.	Ellenőrizze a kültéri hőmérséklet-érzékelőt és a kapcsolódó áramköröket.
		Ellenőrizze, hogy a kültéri hőmérséklet-érzékelő kábelcsatlakozója megfelelően van-e csatlakoztatva.
"E6" kód jelenik meg.	Ajtónyitás meghibásodása.	Ellenőrizze, hogy a légkapcsoló csappantyúja teljesen nyitva van-e hűtési üzemmódban, és vizsgálja meg a kapcsolódó áramköröket.
"E7" kód jelenik meg.	Ajtócsukási hiba.	AirSwitch üzemmódban győződjön meg arról, hogy a csappantyú megfelel a zárési feltételeknek, és hogy a légkapcsoló csappantyú teljesen zárva van; ellenőrizze a kapcsolódó áramköröket.
"FL" kód jelenik meg.	Az alváz víztartálya megtelt.	Engedje le a kondenzátumot, és indítsa újra a készüléket.

## MŰSZAKI LEÍRÁS

MODELL SZÁM.	AC CORTINA 12K AIRSWITCH	AC COTINA 12K AIRSWITCH SMART HOME DUO A+
Hűtési kapacitás	3,520 W	3,500 W
Fűtési teljesítmény	N/A	2,900 W
Energiafogyasztás hűtési üzemmódban	1,350 W	1,120W
Energiafogyasztás fűtési üzemmódban	N/A	960 W
Energiafogyasztás AirSwitch üzemmódban	56W	32W
Légáramlás	220-320 (m³/h)	220-320 (m³/h)
Energiaosztály	A	A+
Párátlanítás	33,6 L / 24h	33,6 L / 24h
Hőmérséklet beállítása	17-30°C	17-30°C
Munkahőmérséklet	17-43°C	5-43°C
EER hűtési üzemmódban	2,6	3,1
EER AirSwitch üzemmódban	5	8
Tömlők hossza	1,5 m	1,5 m
Hűtőgáz	R290/260g	R290/250g
Hangszint hűtési üzemmódban (LWA) (dB(A))	60-64 dB	60-64 dB
Hangszint hűtési üzemmódban (LPA) (dB(A))	49-52 dB	49-52 dB
Hangszint AirSwitch üzemmódban (LWA) (dB(A))	49,5-51 dB	49,5-51 dB
Hangszint AirSwitch üzemmódban (LPA) (dB(A))	35-38 dB	35-38 dB
Nettó súly	30kg	31kg
Készülék méretei (H×S×D)	850×471×400mm	850×471×400mm

**Előfordulhatnak technikai változások és fejlesztések. Minden érték hozzávetőleges, és a külső körülményektől, például a hőmérséklettől, a szellőzéstől és a páratartalomtól függően változhat.**



Az elektromos termékek élettartamára vonatkozó európai uniós előírások (WEEE) szerint: Az Európai Parlament és a Tanács 2002/96 / EK irányelvének értelmében ez a termék nem helyezhető közös közönséges háztartási hulladékba. Amikor a terméken vagy a használati útmutatóban áthúzott vonalakkal jelölt kukázásák jelölés jelenik meg, az azt jelzi, hogy a terméket a használati idő végén külön kell gyűjteni és újra kell hasznosítani. Ez csökkenti a kémiai anyagok környezetre gyakorolt hatását és elősegíti az újrahasznosítást. Amikor a termék használatát befejezte, kérjük, lépjen kapcsolatba az eladóval vagy a települési önkormányzattal, hogy információt kapjon a termék újrahasznosításával kapcsolatban.



A használt elemeket nem szabad a háztartási szemétként dobni, mivel a környezetre és az emberi egészségre káros mérgező elemeket és nehézfémeket tartalmazhatnak. Az üres elemeket vigye vissza a megfelelő újrahasznosító létesítménybe.





Register and find the latest updated user manual, usage advice, updated brochures, troubleshooting, and service information at **woods.se**

#### **CUSTOMER CARE AND SERVICE**

Always use original spare parts. When contacting our authorized service centre, ensure that you have the following data available: Model number, receipt, and serial number.

Warning / Caution-Safety information. General information and tips.  
Environmental information. Subject to change without notice.

# **Wood's<sup>®</sup>**

**Wood's is marketed and distributed by:**

Woods Production Sweden AB Maskingatan 2-4, 441 27 Alingsås, Sweden  
info@woods.se +46 (0)31 761 36 10 **woods.se**