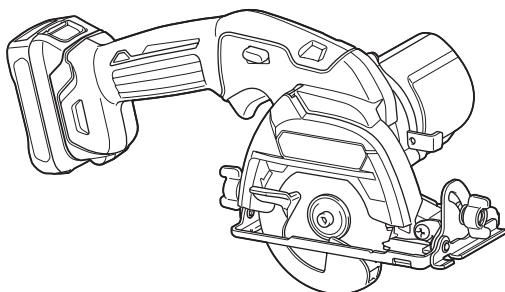




EN	Cordless Circular Saw	INSTRUCTION MANUAL	5
SV	Sladdlös cirkelsåg	BRUKSANVISNING	11
NO	Batteridrevet sirkelsag	BRUKSANVISNING	17
FI	Akkukäyttöinen pyörösaha	KÄYTTÖOHJE	23
LV	Bezvadu ripzāģis	LIETOŠANAS INSTRUKCIJA	29
LT	Belaidis diskinis pjūklas	NAUDOJIMO INSTRUKCIJA	35
ET	Juhtmeta ketassaag	KASUTUSJUHEND	41
RU	Аккумуляторная циркулярная пила	РУКОВОДСТВО ПО ЭКСПЛУАТАЦИИ	47

HS301D



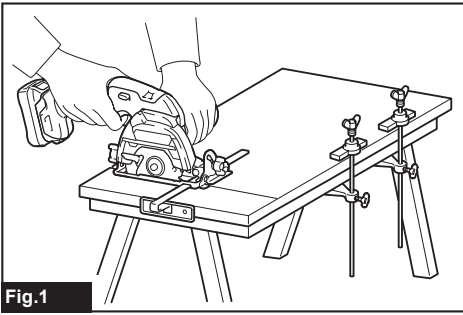


Fig.1

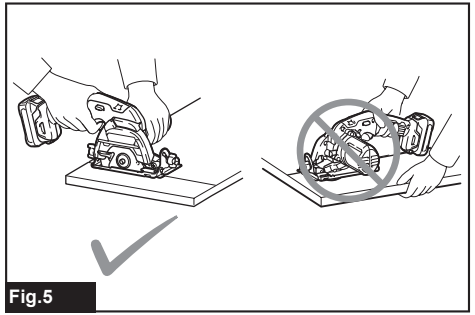


Fig.5

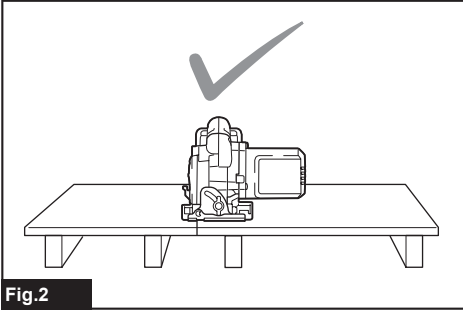


Fig.2



Fig.6

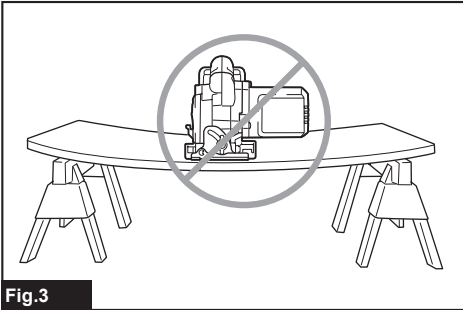


Fig.3

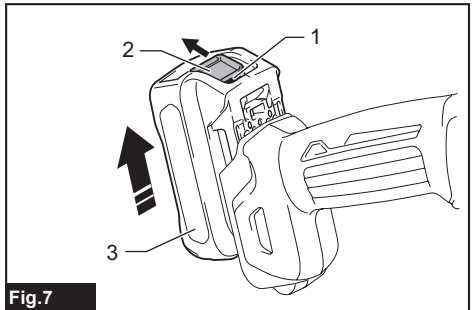


Fig.7

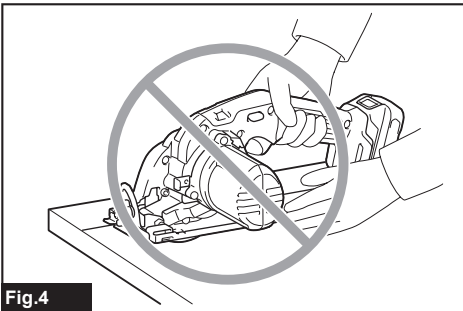


Fig.4

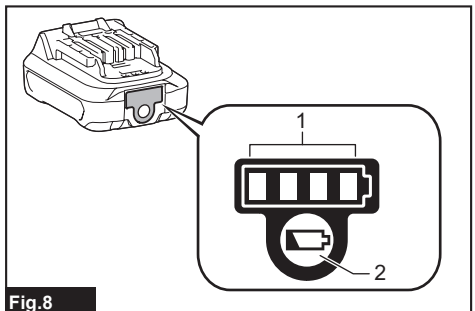


Fig.8

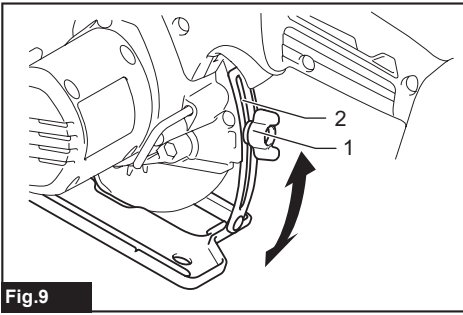


Fig.9

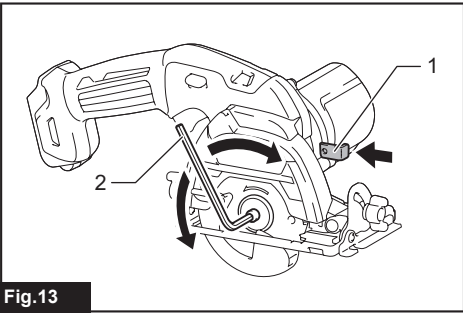


Fig.13

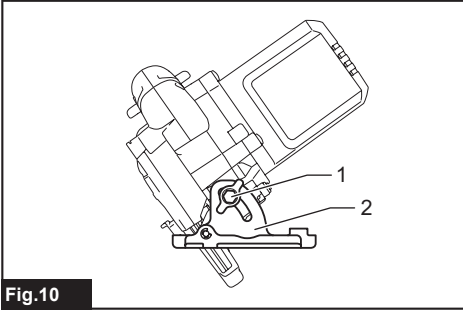


Fig.10

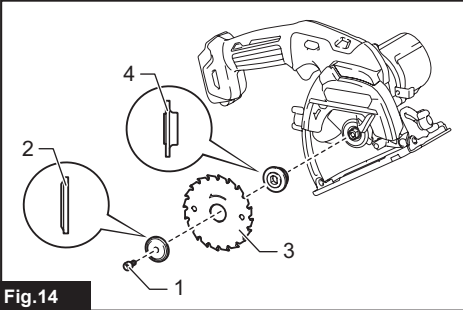


Fig.14

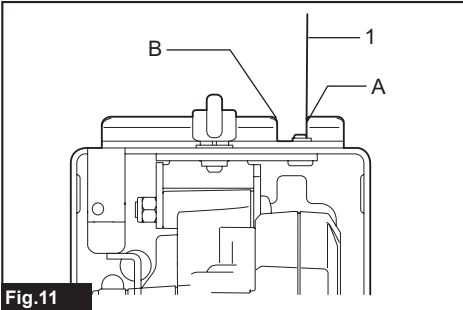


Fig.11

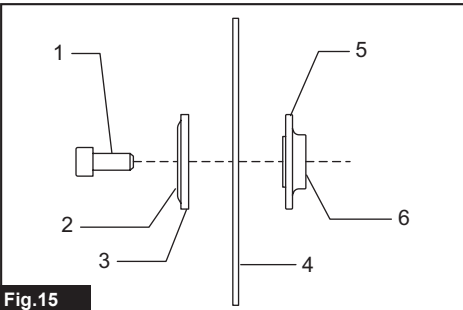


Fig.15

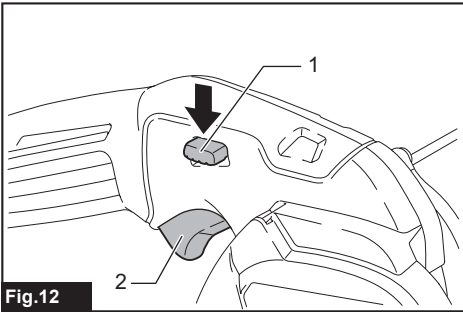


Fig.12

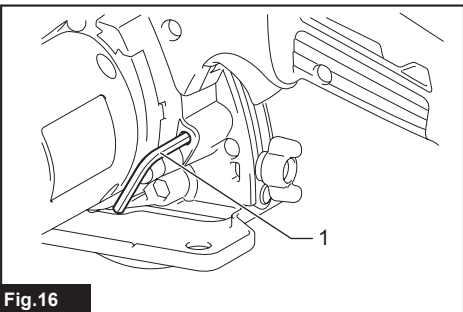


Fig.16

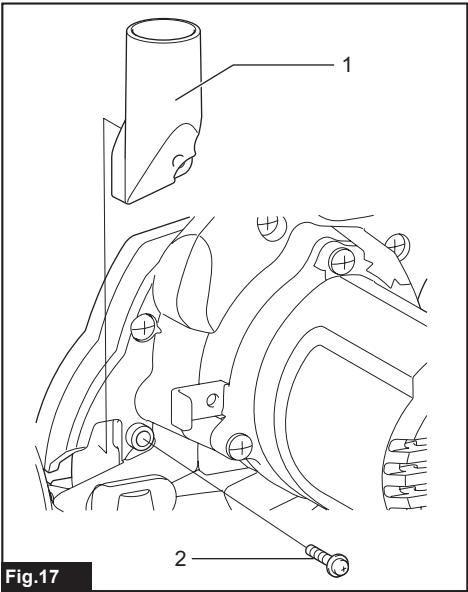


Fig.17

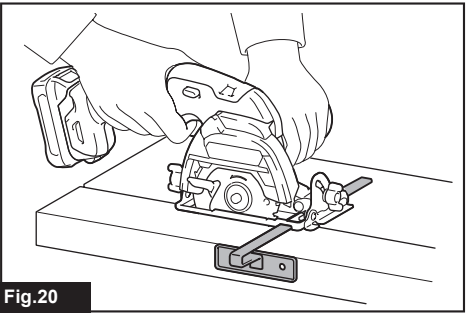


Fig.20

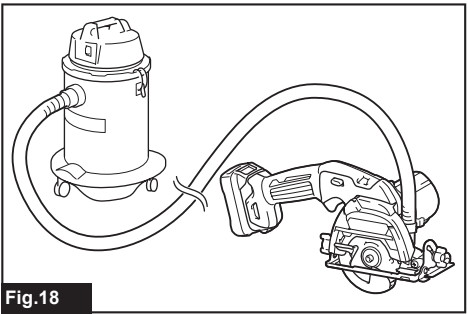


Fig.18

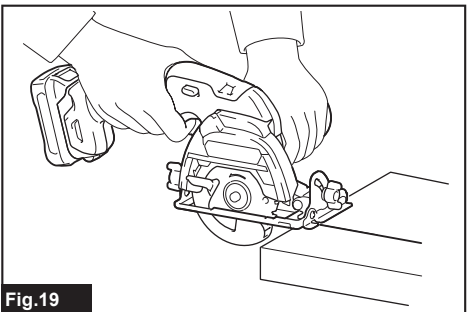


Fig.19

SPECIFICATIONS

Model:		HS301D	
Blade diameter		85 mm	
Max. Cutting depth	at 0°	25.5 mm	
	at 45°	16.5 mm	
No load speed		1,500 min ⁻¹	
Overall length		313 mm	331 mm
Rated voltage		D.C. 10.8 V	
Battery cartridge		BL1015, BL1020B	BL1040B
Net weight		1.6 kg	1.8 kg

- Due to our continuing program of research and development, the specifications herein are subject to change without notice.
- Specifications and battery cartridge may differ from country to country.
- Weight, with battery cartridge, according to EPTA-Procedure 01/2003

Intended use

The tool is intended for performing lengthways and crossways straight cuts and mitre cuts with angles in wood while in firm contact with the workpiece.

Noise

The typical A-weighted noise level determined according to EN60745:

Sound pressure level (L_{pA}) : 71 dB(A)

Uncertainty (K) : 3 dB(A)

The noise level under working may exceed 80 dB (A).

⚠ WARNING: Wear ear protection.

Vibration

The vibration total value (tri-axial vector sum) determined according to EN60745:

Work mode: cutting wood

Vibration emission ($a_{h,w}$) : 2.5 m/s² or less

Uncertainty (K) : 1.5 m/s²

NOTE: The declared vibration emission value has been measured in accordance with the standard test method and may be used for comparing one tool with another.

NOTE: The declared vibration emission value may also be used in a preliminary assessment of exposure.

⚠ WARNING: The vibration emission during actual use of the power tool can differ from the declared emission value depending on the ways in which the tool is used.

⚠ WARNING: Be sure to identify safety measures to protect the operator that are based on an estimation of exposure in the actual conditions of use (taking account of all parts of the operating cycle such as the times when the tool is switched off and when it is running idle in addition to the trigger time).

EC Declaration of Conformity

For European countries only

Makita declares that the following Machine(s):
Designation of Machine: Cordless Circular Saw
Model No./ Type: HS301D

Conforms to the following European Directives:
2006/42/EC

They are manufactured in accordance with the following standard or standardized documents: EN60745

The technical file in accordance with 2006/42/EC is available from:

Makita, Jan-Baptist Vinkstraat 2, 3070, Belgium
9.4.2015



Yasushi Fukaya

Director

Makita, Jan-Baptist Vinkstraat 2, 3070, Belgium

General power tool safety warnings

⚠ WARNING: Read all safety warnings and all instructions. Failure to follow the warnings and instructions may result in electric shock, fire and/or serious injury.

Save all warnings and instructions for future reference.

The term "power tool" in the warnings refers to your mains-operated (corded) power tool or battery-operated (cordless) power tool.

Cordless circular saw safety warnings

Cutting procedures

1. **⚠ DANGER:** Keep hands away from cutting area and the blade. Keep your second hand on auxiliary handle, or motor housing. If both hands are holding

the saw, they cannot be cut by the blade.

2. **Do not reach underneath the workpiece.** The guard cannot protect you from the blade below the workpiece.
3. **Adjust the cutting depth to the thickness of the workpiece.** Less than a full tooth of the blade teeth should be visible below the workpiece.
4. **Never hold piece being cut in your hands or across your leg. Secure the workpiece to a stable platform.** It is important to support the work properly to minimize body exposure, blade binding, or loss of control.

► Fig.1

5. **Hold the power tool by insulated gripping surfaces only, when performing an operation where the cutting tool may contact hidden wiring.** Contact with a “live” wire will also make exposed metal parts of the power tool “live” and could give the operator an electric shock.
6. **When ripping, always use a rip fence or straight edge guide.** This improves the accuracy of cut and reduces the chance of blade binding.
7. **Always use blades with correct size and shape (diamond versus round) of arbour holes.** Blades that do not match the mounting hardware of the saw will run eccentrically, causing loss of control.
8. **Never use damaged or incorrect blade washers or bolt.** The blade washers and bolt were specially designed for your saw, for optimum performance and safety of operation.

Kickback causes and related warnings

- kickback is a sudden reaction to a pinched, bound or misaligned saw blade, causing an uncontrolled saw to lift up and out of the workpiece toward the operator;
- when the blade is pinched or bound tightly by the kerf closing down, the blade stalls and the motor reaction drives the unit rapidly back toward the operator;
- if the blade becomes twisted or misaligned in the cut, the teeth at the back edge of the blade can dig into the top surface of the wood causing the blade to climb out of the kerf and jump back toward the operator.

Kickback is the result of saw misuse and/or incorrect operating procedures or conditions and can be avoided by taking proper precautions as given below.

1. **Maintain a firm grip with both hands on the saw and position your arms to resist kickback forces. Position your body to either side of the blade, but not in line with the blade.** Kickback could cause the saw to jump backwards, but kickback forces can be controlled by the operator, if proper precautions are taken.
2. **When blade is binding, or when interrupting a cut for any reason, release the trigger and hold the saw motionless in the material until the blade comes to a complete stop. Never attempt to remove the saw from the work or pull the saw backward while the blade is in motion or kickback may occur.** Investigate and take corrective actions to eliminate the cause of blade binding.

3. **When restarting a saw in the workpiece, centre the saw blade in the kerf and check that saw teeth are not engaged into the material.** If saw blade is binding, it may walk up or kickback from the workpiece as the saw is restarted.
4. **Support large panels to minimise the risk of blade pinching and kickback.** Large panels tend to sag under their own weight. Supports must be placed under the panel on both sides, near the line of cut and near the edge of the panel.

► Fig.2

► Fig.3

5. **Do not use dull or damaged blades.** Unsharpened or improperly set blades produce narrow kerf causing excessive friction, blade binding and kickback.
6. **Blade depth and bevel adjusting locking levers must be tight and secure before making cut.** If blade adjustment shifts while cutting, it may cause binding and kickback.
7. **Use extra caution when sawing into existing walls or other blind areas.** The protruding blade may cut objects that can cause kickback.
8. **ALWAYS hold the tool firmly with both hands. NEVER place your hand or fingers behind the saw.** If kickback occurs, the saw could easily jump backwards over your hand, leading to serious personal injury.

► Fig.4

9. **Never force the saw. Push the saw forward at a speed so that the blade cuts without slowing.** Forcing the saw can cause uneven cuts, loss of accuracy, and possible kickback.

Lower guard function

1. **Check lower guard for proper closing before each use. Do not operate the saw if lower guard does not move freely and close instantly. Never clamp or tie the lower guard into the open position.** If saw is accidentally dropped, lower guard may be bent. Raise the lower guard with the retracting handle and make sure it moves freely and does not touch the blade or any other part, in all angles and depths of cut.
2. **Check the operation of the lower guard spring. If the guard and the spring are not operating properly, they must be serviced before use.** Lower guard may operate sluggishly due to damaged parts, gummy deposits, or a build-up of debris.
3. **Lower guard may be retracted manually only for special cuts such as “plunge cuts” and “compound cuts”. Raise lower guard by retracting handle and as soon as blade enters the material, the lower guard must be released.** For all other sawing, the lower guard should operate automatically.
4. **Always observe that the lower guard is covering the blade before placing saw down on bench or floor.** An unprotected, coasting blade will cause the saw to walk backwards, cutting whatever is in its path. Be aware of the time it takes for the blade to stop after switch is released.

- To check lower guard, open lower guard by hand, then release and watch guard closure. Also check to see that retracting handle does not touch tool housing. Leaving blade exposed is VERY DANGEROUS and can lead to serious personal injury.

Additional safety warnings

- Use extra caution when cutting damp wood, pressure treated lumber, or wood containing knots. Maintain smooth advancement of tool without decrease in blade speed to avoid overheating the blade tips.
- Do not attempt to remove cut material when blade is moving. Wait until blade stops before grasping cut material. Blades coast after turn off.
- Avoid cutting nails. Inspect for and remove all nails from lumber before cutting.
- Place the wider portion of the saw base on that part of the workpiece which is solidly supported, not on the section that will fall off when the cut is made. If the workpiece is short or small, clamp it down. **DO NOT TRY TO HOLD SHORT PIECES BY HAND!**

► Fig.5

- Before setting the tool down after completing a cut, be sure that the guard has closed and the blade has come to a complete stop.
- Never attempt to saw with the circular saw held upside down in a vise. This is extremely dangerous and can lead to serious accidents.

► Fig.6

- Some material contains chemicals which may be toxic. Take caution to prevent dust inhalation and skin contact. Follow material supplier safety data.
- Do not stop the blades by lateral pressure on the saw blade.
- Do not use any abrasive wheels.
- Only use the saw blade with the diameter that is marked on the tool or specified in the manual. Use of an incorrectly sized blade may affect the proper guarding of the blade or guard operation which could result in serious personal injury.
- Keep blade sharp and clean.** Gum and wood pitch hardened on blades slows saw and increases potential for kickback. Keep blade clean by first removing it from tool, then cleaning it with gum and pitch remover, hot water or kerosene. Never use gasoline.
- Wear a dust mask and hearing protection when use the tool.

SAVE THESE INSTRUCTIONS.

▲WARNING: DO NOT let comfort or familiarity with product (gained from repeated use) replace strict adherence to safety rules for the subject product. MISUSE or failure to follow the safety rules stated in this instruction manual may cause serious personal injury.

Important safety instructions for battery cartridge

- Before using battery cartridge, read all instructions and cautionary markings on (1) battery charger, (2) battery, and (3) product using battery.
- Do not disassemble battery cartridge.
- If operating time has become excessively shorter, stop operating immediately. It may result in a risk of overheating, possible burns and even an explosion.
- If electrolyte gets into your eyes, rinse them out with clear water and seek medical attention right away. It may result in loss of your eyesight.
- Do not short the battery cartridge:
 - Do not touch the terminals with any conductive material.
 - Avoid storing battery cartridge in a container with other metal objects such as nails, coins, etc.
 - Do not expose battery cartridge to water or rain. A battery short can cause a large current flow, overheating, possible burns and even a breakdown.
- Do not store the tool and battery cartridge in locations where the temperature may reach or exceed 50 °C (122 °F).
- Do not incinerate the battery cartridge even if it is severely damaged or is completely worn out. The battery cartridge can explode in a fire.
- Be careful not to drop or strike battery.
- Do not use a damaged battery.
- Follow your local regulations relating to disposal of battery.

SAVE THESE INSTRUCTIONS.

▲CAUTION: Only use genuine Makita batteries. Use of non-genuine Makita batteries, or batteries that have been altered, may result in the battery bursting causing fires, personal injury and damage. It will also void the Makita warranty for the Makita tool and charger.

Tips for maintaining maximum battery life

- Charge the battery cartridge before completely discharged. Always stop tool operation and charge the battery cartridge when you notice less tool power.
- Never recharge a fully charged battery cartridge. Overcharging shortens the battery service life.
- Charge the battery cartridge with room temperature at 10 °C - 40 °C (50 °F - 104 °F). Let a hot battery cartridge cool down before charging it.

FUNCTIONAL DESCRIPTION

CAUTION: Always be sure that the tool is switched off and the battery cartridge is removed before adjusting or checking function on the tool.

Installing or removing battery cartridge

CAUTION: Always switch off the tool before installing or removing of the battery cartridge.

CAUTION: Hold the tool and the battery cartridge firmly when installing or removing battery cartridge. Failure to hold the tool and the battery cartridge firmly may cause them to slip off your hands and result in damage to the tool and battery cartridge and a personal injury.

► **Fig.7:** 1. Red indicator 2. Button 3. Battery cartridge

To remove the battery cartridge, slide it from the tool while sliding the button on the front of the cartridge.

To install the battery cartridge, align the tongue on the battery cartridge with the groove in the housing and slip it into place. Insert it all the way until it locks in place with a little click. If you can see the red indicator on the upper side of the button, it is not locked completely.

CAUTION: Always install the battery cartridge fully until the red indicator cannot be seen. If not, it may accidentally fall out of the tool, causing injury to you or someone around you.

CAUTION: Do not install the battery cartridge forcibly. If the cartridge does not slide in easily, it is not being inserted correctly.

Battery protection system

The tool is equipped with a battery protection system. This system automatically cuts off power to the motor to extend battery life.

The tool will automatically stop during operation if the tool and/or battery are placed under one of the following conditions:

Overloaded:

The tool is operated in a manner that causes it to draw an abnormally high current.

In this situation, release the switch trigger on the tool and stop the application that caused the tool to become overloaded. Then pull the switch trigger again to restart. If the tool does not start, the battery is overheated.

In this situation, let the battery cool before pulling the switch trigger again.

Low battery voltage:

The remaining battery capacity is too low and the tool will not operate. If you pull the switch trigger, the motor runs again but stops soon. In this situation, remove and recharge the battery.

Indicating the remaining battery capacity

Only for battery cartridges with "B" at the end of the model number

► **Fig.8:** 1. Indicator lamps 2. Check button

Press the check button on the battery cartridge to indicate the remaining battery capacity. The indicator lamps light up for few seconds.

Indicator lamps		Remaining capacity
Lighted	Off	
■ ■ ■ ■	□	75% to 100%
■ ■ ■ □	□	50% to 75%
■ ■ □ □	□	25% to 50%
■ □ □ □	□	0% to 25%

NOTE: Depending on the conditions of use and the ambient temperature, the indication may differ slightly from the actual capacity.

Adjusting depth of cut

► **Fig.9:** 1. Clamping screw 2. Depth guide

CAUTION: After adjusting the depth of cut, always tighten the clamping screw securely.

Loosen the clamping screw on the depth guide and move the base up or down. At the desired depth of cut, secure the base by tightening the clamping screw. For cleaner, safer cuts, set cut depth so that no more than one blade tooth projects below workpiece. Using proper cut depth helps to reduce potential for dangerous KICKBACKS which can cause personal injury.

Bevel cutting

► **Fig.10:** 1. Clamping screw 2. Bevel scale plate

Loosen the clamping screw on the bevel scale plate on the front of the base. Set for the desired angle (0° - 45°) by tilting accordingly, then tighten the clamping screw securely.

Sighting

► **Fig.11:** 1. Cutting line

For straight cuts, align the A position on the front of the base with your cutting line. For 45° bevel cuts, align the B position with it.

Switch action

► Fig.12: 1. Lock-off lever 2. Switch trigger

⚠ CAUTION: Before inserting the battery cartridge into the tool, always check to see that the switch trigger actuates properly and returns to the "OFF" position when released.

⚠ CAUTION: Do not pull the switch trigger hard without pressing the lock-off lever. This can cause switch breakage.

To prevent the switch trigger from being accidentally pulled, a lock-off lever is provided. To start the tool, slide the lock-off lever and pull the switch trigger. Release the switch trigger to stop.

⚠ WARNING: For your safety, this tool is equipped with lock-off lever which prevents the tool from unintended starting. NEVER use the tool if it runs when you simply pull the switch trigger without pressing the lock-off lever. Return tool a MAKITA service center for proper repairs BEFORE further usage.

⚠ WARNING: NEVER tape down or defeat purpose and function of lock-off lever.

ASSEMBLY

⚠ CAUTION: Always be sure that the tool is switched off and the battery cartridge is removed before carrying out any work on the tool.

Removing or installing circular saw blade

► Fig.13: 1. Shaft lock 2. Hex wrench

⚠ CAUTION: Be sure the circular saw blade is installed with teeth pointing up at the front of the tool.

⚠ CAUTION: Use only the Makita wrench to install or remove the circular saw blade.

To remove the circular saw blade, press the shaft lock fully so that the circular saw blade cannot revolve and use the wrench to loosen the hex bolt counterclockwise. Then remove the hex bolt, outer flange and circular saw blade.

► Fig.14: 1. Hex bolt 2. Outer flange 3. Circular saw blade 4. Inner flange

To install the circular saw blade, follow the removal procedure in reverse. BE SURE TO TIGHTEN THE HEX BOLT CLOCKWISE SECURELY.

► Fig.15: 1. Hex bolt 2. Protrusion 3. Outer flange 4. Circular saw blade 5. Inner flange 6. Protrusion (bigger side)

NOTE: If an inner flange is removed by chance, install the inner flange so that its protrusion (bigger side) faces inside as shown in the figure.

When changing the circular saw blade, make sure to also clean the upper and lower blade guards of accumulated sawdust as discussed in the Maintenance section. Such efforts do not replace the need to check lower guard operation before each use.

Hex wrench storage

► Fig.16: 1. Hex wrench

When not in use, store the hex wrench as shown in the figure to keep it from being lost.

Connecting a vacuum cleaner

Optional accessory

► Fig.17: 1. Dust nozzle (optional accessory)
2. Screw (optional accessory)

► Fig.18

When you wish to perform clean cutting operation, connect a Makita vacuum cleaner to your tool. Install the dust nozzle (optional accessory) on the tool using the screw. Then connect a hose of the vacuum cleaner to the dust nozzle as shown in the figure.

OPERATION

⚠ CAUTION: Be sure to move the tool forward in a straight line gently. Forcing or twisting the tool will result in overheating the motor and dangerous kickback, possibly causing severe injury.

NOTE: When the battery cartridge temperature is low, the tool may not work to its full capacity. At this time, for example, use the tool for a light-duty cut for a while until the battery cartridge warms up as high as room temperature. Then, the tool can work to its full capacity.

► Fig.19

Hold the tool firmly. The tool is provided with both a front grip (motor housing) and rear handle. Use both to best grasp the tool. If both hands are holding saw, they cannot be cut by the circular saw blade. Set the base on the workpiece to be cut without the circular saw blade making any contact. Then turn the tool on and wait until the circular saw blade attains full speed. Now simply move the tool forward over the workpiece surface, keeping it flat and advancing smoothly until the sawing is completed.

To get clean cuts, keep your sawing line straight and your speed of advance uniform. If the cut fails to properly follow your intended cut line, do not attempt to turn or force the tool back to the cut line. Doing so may bind the circular saw blade and lead to dangerous kickback and possible serious injury. Release switch, wait for circular saw blade to stop and then withdraw tool. Realign tool on new cut line, and start cut again. Attempt to avoid positioning which exposes operator to chips and wood dust being ejected from saw. Use eye protection to help avoid injury.

Rip fence (Guide rule)

Optional accessory

► Fig.20

The handy rip fence allows you to do extra-accurate straight cuts. Simply slide the rip fence up snugly against the side of the workpiece and secure it in position with the screw on the front of the base. It also makes repeated cuts of uniform width possible.

MAINTENANCE

⚠CAUTION: Always be sure that the tool is switched off and the battery cartridge is removed before attempting to perform inspection or maintenance.

⚠CAUTION: Clean out the upper and lower guards to ensure there is no accumulated sawdust which may impede the operation of the lower guarding system. A dirty guarding system may limit the proper operation which could result in serious personal injury. The most effective way to accomplish this cleaning is with compressed air. **If the dust is being blown out of the guards be sure the proper eye and breathing protection is used.**

NOTICE: Never use gasoline, benzine, thinner, alcohol or the like. Discoloration, deformation or cracks may result.

To maintain product SAFETY and RELIABILITY, repairs, any other maintenance or adjustment should be performed by Makita Authorized or Factory Service Centers, always using Makita replacement parts.

OPTIONAL ACCESSORIES

⚠CAUTION: These accessories or attachments are recommended for use with your Makita tool specified in this manual. The use of any other accessories or attachments might present a risk of injury to persons. Only use accessory or attachment for its stated purpose.

If you need any assistance for more details regarding these accessories, ask your local Makita Service Center.

- Circular saw blade
- Rip fence (Guide rule)
- Hex wrench
- Dust nozzle
- Makita genuine battery and charger

NOTE: Some items in the list may be included in the tool package as standard accessories. They may differ from country to country.

SPECIFIKATIONER

Modell:		HS301D	
Klingans diameter		85 mm	
Max. sågdjup	vid 0°	25,5 mm	
	vid 45°	16,5 mm	
Hastighet utan belastning		1 500 min ⁻¹	
Total längd		313 mm	331 mm
Märkspänning		10,8 V likström	
Batterikassett		BL 1015, BL 1020B	BL 1040B
Nettovikt		1,6 kg	1,8 kg

- På grund av vårt pågående program för forskning och utveckling kan dessa specifikationer ändras utan föregående meddelande.
- Specifikationer och batterikassett kan variera mellan olika länder.
- Vikt, med batterikassett, i enlighet med EPTA-procedure 01/2003

Avsedd användning

Verktyget är avsett för att utföra raka snitt längs och tvärs arbetsstycken i trä samt för vinkelsågning i trä med god kontakt med arbetsstycket.

Buller

Den normala bullernivån för A-belastning är bestämd enligt EN60745:

Ljudtrycksnivå (L_{pA}): 71 dB (A)

Mätrollerans (K): 3 dB (A)

Bullernivån vid arbete kan överstiga 80 dB (A).

⚠ VARNING: Använd hörselskydd.

Vibration

Det totala vibrationsvärdet (treaxlad vektorsumma) bestämt enligt EN60745:

Arbetsläge: sågning i trä

Vibrationsemission ($a_{h,w}$): 2,5 m/s² eller lägre

Mätrollerans (K): 1,5 m/s²

OBS: Det deklarerade vibrationsemissionsvärdet har uppmätts i enlighet med standardtestmetoden och kan användas för att jämföra en maskin med en annan.

OBS: Det deklarerade vibrationsemissionsvärdet kan också användas i en preliminär bedömning av exponering för vibration.

⚠ VARNING: Vibrationsemissionen under faktisk användning av maskinen kan skilja sig från det deklarerade emissionsvärdet, beroende på hur maskinen används.

⚠ VARNING: Var noga med att identifiera säkerhetsåtgärder för att skydda användaren, vilka är grundade på en uppskattning av graden av exponering för vibrationer under de faktiska användningsförhållandena, (ta, förutom avtryckartiden, med alla delar av användarcykeln i beräkningen, som till exempel tiden då maskinen är avstängd och när den går på tomgång).

EU-konformitetsdeklaration

Gäller endast inom EU

Makita försäkras att följande maskiner:

Maskinbeteckning: Sladdlös cirkelsåg

Modellnr./-typ: HS301D

Följer följande EU-direktiv: 2006/42/EC

De är tillverkade i enlighet med följande standard eller

standardiseringsdokument: EN60745

Den tekniska dokumentationen i enlighet med 2006/42/EC finns tillgänglig från:

Makita, Jan-Baptist Vinkstraat 2, 3070, Belgium
9.4.2015



Yasushi Fukaya

Direktör

Makita, Jan-Baptist Vinkstraat 2, 3070, Belgium

Allmänna säkerhetsvarningar för maskiner

⚠ VARNING: Läs igenom alla säkerhetsvarningar och anvisningar. Underlåtenhet att följa varningar och instruktioner kan leda till elstöt, brand och/eller allvarliga personskador.

Spara alla varningar och instruktioner för framtida referens.

Termen "maskin" som anges i varningarna hänvisar till din eldrivna maskin (sladdansluten) eller batteridrivna maskin (sladdlös).

Säkerhetsvarningar för sladdlös cirkelsåg

Sågningsförfarande

1. **⚠ FARA:** Håll alltid händerna borta från sågningsområdet. Håll den andra handen på det

- extra handtaget eller motorhuset.** Om du håller i sågen med båda händerna kan de inte skadas av klingan.
- Sträck dig inte in under arbetsstycket.** Skyddet har ingen skyddsfunktion under arbetsstycket.
 - Ställ in sågdupet efter arbetsstyckets tjocklek.** Mindre än en hel sågtand får synas under arbetsstycket.
 - Håll aldrig arbetsstycket i händerna eller i knäet. Fäst arbetsstycket på ett stabilt underlag.** Det är viktigt att arbetsstycket stöds ordentligt för att minimera risken för skador, undvika att klingan fastnar eller att något oväntat inträffar.

► Fig.1

- Håll verktyget endast i de isolerade handtagen om det finns risk för att det kan komma i kontakt med en dold elkabel.** Om verktyget kommer i kontakt med en strömförande ledning blir dess metalldelar strömförande och kan ge användaren en elektrisk stöt.
- Vid klyvsågning ska alltid ett parallell- eller sidoanslag användas.** Detta förbättrar noggrannheten vid sågningen och minskar risken för att klingan nyper fast.
- Använd alltid en sågklinga med rätt storlek och form (diamant respektive rund) på styrhålen.** Klingor som inte passar monteringsfästet i sågen löper ojämnt, vilket ger en okontrollerbar sågning.
- Använd aldrig en klingbricka eller bult som på något sätt är felaktig eller skadad.** Klingbrickorna och bulten är specialtillverkade till sågen för optimal prestanda och säkerhet.

Orsaker till bakåtkast och relaterade varningar

- Bakåtkast är en plötslig reaktion när en sågklinga har fastnat eller är felriktad och innebär att sågen kastas upp ur arbetsstycket.
- Om klingan kläms eller fastnar och sågskåret därmed stoppas, driver motorkraften sågen mot användaren i hög hastighet.
- Om klingan böjs eller blir felriktad i sågskåret kan sågtänderna på klingans bakkant gräva sig in på ytan av arbetsstycket, driva klingan ur skåret och kasta sågen bakåt mot användaren.

Bakåtkast beror på ovarsamhet och/eller felaktiga arbetsrutiner och kan undvikas genom att vidta nedanstående förebyggande åtgärder.

- Håll sågen stadigt med båda händerna och placera armarna så att de kan ta emot kraften från ett bakåtkast. Stå vid sidan av klingan och aldrig i dess linje.** Vid ett bakåtkast kastas sågen bakåt, men kraften i bakåtkastet kan kontrolleras av användaren om rätt försiktighetsåtgärder vidtas.
- Om klingan kläms eller av annan orsak hindras i skåret ska du släppa avtryckaren och hålla sågen stilla i skåret tills klingan har stannat. För att undvika bakåtkast ska du aldrig försöka ta bort sågen från arbetsstycket eller dra sågen bakåt när klingan är i rörelse.** Undersök och åtgärda orsaken till att klingan fastnar.
- När sågen startas igen i arbetsstycket ska du centrera sågklingan i skåret och kontrollera att ingen sågtand är i ingrepp i materialet.** Om sågklingan sitter fast i materialet kan sågen klättra upp eller medföra bakåtkast när sågen startas på nytt.

- Stötta långa arbetsstycken för att minimera risken för att klingan nyper fast och ger bakåtkast.** Långa arbetsstycken böjs av sin egen tyngd. Placera stöd på båda sidorna, både nära såglinjen och vid kanten på arbetsstycket.

► Fig.2

► Fig.3

- Använd aldrig slöa eller skadade klingor.** En oskarp eller felinställd klinga ger ett trångt sågskär som orsakar onödig friktion och klingan kan lättare fastna och ge bakåtkast.
- Klingdjup och nivåinställda låsspakar måste vara åtdragna och låsta innan sågning.** Om klingans justering skiftar under sågning kan det orsaka att den nyper fast och ger bakåtkast.
- Var extra uppmärksam vid sågning i väggar eller andra dolda utrymmen.** Den utskjutande klingan kan såga av föremål som kan orsaka bakåtkast.
- Håll ALLTID verktyget stadigt med båda händerna. Håll ALDRIG handen eller fingrarna bakom sågen.** Vid eventuella bakåtkast kan sågen lätt kastas bakåt över handen och orsaka allvarliga personskador.

► Fig.4

- Forcera aldrig sågen. Skjut sågen framåt med en sågningshastighet som låter klingan såga utan att tappa fart.** En såg som forceras ger ojämma skär, är svårare att styra och ger risk för bakåtkast.

Funktion för nedre skydd

- Kontrollera att det nedre skyddet är stängt före varje sågning. Använd inte sågen om det nedre skyddet kärvar och inte stängs omedelbart. Kila aldrig fast eller bind det nedre skyddet i öppet läge.** Om du tappar sågen kan det nedre skyddet böjas. Hög det nedre skyddet med handtaget och se till att det rör sig fritt och inte vidrör klingan eller någon annan del under någon såginkel eller något sågdjup.
- Kontrollera funktionen hos det nedre skyddets fjäder. Om skyddet eller fjädern inte fungerar på avsett vis ska sågen underhållas innan den används.** Det nedre skyddet kan fungera ojämnt på grund av skadade delar, gummiavlagringar eller andra ansamlingar.
- Det nedre skyddet får endast dras tillbaka manuellt inför specialsågningar som "insticks-sågning" och "geringsågning". Hög det nedre skyddet med hjälp av handtaget och släpp det nedre skyddet så snart klingan går in i materialet.** Under alla andra typer av sågning ska det nedre skyddets automatiska funktion användas.
- Kontrollera alltid att det nedre skyddet täcker klingan innan du ställer ned sågen på ett arbetsbordet eller på golvet.** En oskyddad klinga som roterar medför att sågen vandrar bakåt och sågar i allt som kommer i dess väg. Tänk på att det tar en stund innan klingan stannar efter att du har släppt avtryckaren.
- Kontrollera det nedre skyddet genom att öppna det manuellt och sedan släppa det och observera skyddets stängning. Kontrollera**

även att handtaget inte vidrör verktygshuset. Att lämna klingan oskyddad är MYCKET FARLIGT och kan leda till allvarliga personskador.

Ytterligare säkerhetsvarningar

1. **Var extra försiktig vid sågning i fuktigt, tryckbehandlat och kvistigt trä.** Bibehåll mjuk rörelse framåt med maskinen, utan att klingans hastighet minskar, för att undvika överhettning av klingspetsarna.
2. **Ta aldrig bort sågat material medan klingan rör sig.** Vänta tills klingan har stannat innan du tar bort det sågade materialet. Klingan stannar inte omedelbart när maskinen stängs av.
3. **Undvik att såga i spik. Kontrollera arbetsstycket och ta bort alla spikar innan du börjar såga.**
4. **Placera större delen av sågbordet på den del av arbetsstycket som har ett fast stöd och inte på den del som ska sågas bort. Kläm fast arbetsstycket som är små eller korta. FÖRSÖK INTE ATT HÅLLA SMÅ ARBETSSTYCKEN I HANDE!**

► Fig.5

5. **Kontrollera att skyddet är stängt och att klingan har stannat innan du ställer ifrån dig sågen.**
6. **Använd aldrig cirkelsågen upp-och-nedvänd i ett skruvstöd. Det är extremt farligt och kan leda till allvarliga olyckor.**

► Fig.6

7. **Vissa material kan innehålla giftiga kemikalier. Se till att du inte andas in damm eller får det på huden. Följ anvisningarna i leverantörens materialsäkerhetsblad.**
8. **Försök inte stoppa klingorna genom att trycka på dem.**
9. **Använd inte slipskivor.**
10. **Använd endast sågklingor med den diameter som finns markerad på verktyget eller angiven i bruksanvisningen.** Om en klinga med fel storlek används kan det påverka klingans skydd eller skyddets funktion, vilket kan leda till allvarlig personskada.
11. **Håll klingan vass och ren.** Gummi- och trärester på klingan hindrar sågningen och ökar risken för bakåtkast. Ta bort klingan från sågen och gör rent den med ett borttagningsmedel för gummi- och trärester, varmt vatten och fotogen. Använd aldrig bensin.
12. **Använd alltid andningsmask och hörselskydd när du arbetar med verktyget.**

SPARA DESSA ANVISNINGAR.

▲ VARNING: GLÖM INTE att också fortsättningsvis strikt följa säkerhetsanvisningarna för maskinen även efter att du blivit van att använda den. Vid FELAKTIG HANTERING av maskinen eller om inte säkerhetsanvisningarna i denna bruksanvisning följs kan följden bli allvarliga personskador.

Viktiga säkerhetsanvisningar för batterikassetten

1. **Innan batterikassetten används ska alla instruktationer och varningsmärken på (1) batteriladdaren, (2) batteriet och (3) produkten läsas.**
2. **Montera inte isär batterikassetten.**
3. **Om drifttiden blivit avsevärt kortare ska användningen avbrytas omedelbart. Det kan uppstå överhettning, brännskador och t o m en explosion.**
4. **Om du får elektrolyt i ögonen ska de sköljas med rent vatten och läkare uppsökas omedelbart. Det finns risk för att synen förloras.**
5. **Kortslut inte batterikassetten.**
 - (1) Rör inte vid polerna med något strömförande material.
 - (2) Undvik att förvara batterikassetten tillsammans med andra metallobjekt som t.ex. spikar, mynt o.s.v.
 - (3) Skydda batteriet mot vatten och regn. En batterikortslutning kan orsaka ett stort strömflöde, överhettning, brand och maskinhaveri.
6. **Förvara inte maskinen och batterikassetten på platser där temperaturen kan nå eller överstiga 50 °C.**
7. **Bränn inte upp batterikassetten även om den är svårt skadad eller helt utsletten. Batterikassetten kan explodera i öppen eld.**
8. **Var försiktig så att du inte råkar tappa batteriet och utsätt det inte för stötar.**
9. **Använd inte ett skadat batteri.**
10. **Följ lokala föreskrifter beträffande avfallshandling av batteriet.**

SPARA DESSA ANVISNINGAR.

▲ FÖRSIKTIGT: Använda endast äkta Makita-batterier. Användning av oäkta Makita-batterier eller batterier som har manipulerats kan leda till person- och utrustningsskador eller till att batteriet fattar eld. Det upphäver också Makitas garanti för verktyget och laddaren.

Tips för att uppnå batteriets maximala livslängd

1. **Ladda batterikassetten innan den är helt urladdad. Stanna alltid maskinen och ladda batterikassetten när du märker att maskinen blir svagare.**
2. **Ladda aldrig en fulladdad batterikasset. Överladdning förkortar batteriets livslängd.**
3. **Ladda batterikassetten vid en rumstemperatur på 10 °C - 40 °C. Låt en varm batterikasset svalna innan den laddas.**

FUNKTIONSBESKRIVNING

⚠ FÖRSIKTIGT: Se alltid till att maskinen är avstängd och batterikassetten borttagen innan du justerar maskinen eller kontrollerar dess funktioner.

Montera eller demontera batterikassetten

⚠ FÖRSIKTIGT: Stäng alltid av maskinen innan du monterar eller tar bort batterikassetten.

⚠ FÖRSIKTIGT: Håll stadigt i maskinen och batterikassetten när du monterar eller tar bort batterikassetten. I annat fall kan det leda till att de glider ur dina händer och orsakar skada på maskinen och batterikassetten samt personskada.

► Fig. 7: 1. Röd indikator 2. Knapp
3. Batterikasset

Ta bort batterikassetten genom att skjuta ner knappen på kassetten framsida samtidigt som du drar ut batterikassetten.

Sätt i batterikassetten genom att rikta in tungan på batterikassetten mot spåret i höljet och skjut den på plats. Tryck in batterikassetten ordentligt tills den låser fast med ett klick. Om du kan se den röda indikatorn på knappens ovansida är den inte låst ordentligt.

⚠ FÖRSIKTIGT: Sätt alltid i batterikassetten helt tills den röda indikatorn inte längre syns.

I annat fall kan den oväntat falla ur maskinen och skada dig eller någon annan.

⚠ FÖRSIKTIGT: Montera inte batterikassetten med våld. Om kassetten inte lätt glider på plats är den felinsatt.

Skyddssystem för batteri

Maskinen är utrustad med ett batteriskyddssystem. Detta system bryter automatiskt strömmen till motorn för att förlänga batteriets livslängd.

Maskinen stoppas automatiskt under pågående användning om någon av följande situationer uppstår:

Överbelastning:

Maskinen används på ett sätt som gör att den förbrukar onormalt mycket ström.

I detta läge ska du släppa maskinens avtryckare och avbryta arbetet som ledde till att maskinen blev överbelastad. Tryck sedan in avtryckaren igen för att starta om. Om maskinen inte startar är batteriet överhettat. Låt då batteriet svalna innan du trycker in avtryckaren igen.

Batterispänningen faller:









Den kvarvarande batterikapaciteten är för låg och maskinen fungerar inte. Om du trycker in avtryckaren går motorn igång men stannar snart igen. I detta läge tar du bort batteriet och laddar det.

Indikerar kvarvarande batterikapacitet

Gäller endast för batterikassetter med ett "B" på slutet i modellnumret

► Fig. 8: 1. Indikatorlampor 2. Kontrollknapp

Tryck på kontrollknappen på batterikassetten för att se kvarvarande batterikapacitet. Indikatorlamporna lyser i ett par sekunder.

Indikatorlampor		Återstående kapacitet
Upplyst	Av	
		75% till 100%
		50% till 75%
		25% till 50%
		0% till 25%

OBS: Beroende på användningsförhållanden och den omgivande temperaturen kan indikationen skilja sig lätt från den faktiska batterikapaciteten.

Justera sågdjupet

► Fig. 9: 1. Låsskruv 2. Djupanslag

⚠ FÖRSIKTIGT: Dra alltid åt låsskraven ordentligt efter att sågdjupet justerats.

Lossa låsskraven på djupanslaget och flytta bottenplattan uppåt eller nedåt. Lås bottenplattan med låsskraven när du har ställt in sågdjupet.

Bästa sågresultat och säkraste sågning erhålls om sågdjupet ställs in så att endast en sågtand syns på arbetsstyckets undersida. Rätt inställning av sågdjupet bidrar till att minska risken för BAKÅTKAST, som kan medföra allvarliga personskador.

Vinkelsågning

► Fig. 10: 1. Låsskruv 2. Platta med vinkelskala

Lossa låsskraven på vinkelskalan på den främre delen av bottenplattan. Ställ in lämplig vinkel (0° - 45°) genom att luta verktyget i motsvarande mån och dra sedan åt låsskraven.

Inriktning

► Fig. 11: 1. Säglinje

För raka skär används position A fram till på bottenplattan för att rikta in såglinjen. För 45° vinkelsågning används position B.

Avtryckarens funktion

► **Fig.12:** 1. Säkerhetsspärr 2. Avtryckare

⚠ FÖRSIKTIGT: Innan du sätter i batterikassetten i maskinen ska du kontrollera att avtryckaren fungerar och återgår till läget "OFF" när du släpper den.

⚠ FÖRSIKTIGT: Tryck inte in avtryckaren utan att ha tryckt in säkerhetsspärren. Det kan skada avtryckaren.

Säkerhetsspärrns funktion är att förhindra att avtryckaren trycks in oavsiktligt. Tryck in säkerhetsspärren och sedan avtryckaren för att starta verktyget. Släpp avtryckaren för att stoppa verktyget.

⚠ VARNING: Detta verktyg är utrustat med en säkerhetsspärr som förhindrar oavsiktlig start. Använd ALDRIG verktyget om det startar när du trycker in avtryckaren utan att ha tryckt in säkerhetsspärren. Lämna tillbaka verktyget till MAKITAs servicecenter för reparation INNAN du fortsätter att använda det.

⚠ VARNING: Sätt ALDRIG säkerhetsspärren ur funktion genom att t.ex. tejpa över den.

MONTERING

⚠ FÖRSIKTIGT: Se alltid till att maskinen är avstängd och batterikassetten borttagen innan du underhåller maskinen.

Demontering eller montering av cirkelsågklinga

► **Fig.13:** 1. Spindellås 2. Insexnyckel

⚠ FÖRSIKTIGT: Se till att montera cirkelsågklingan med sågtänderna uppåt i verktygets framkant.

⚠ FÖRSIKTIGT: Använd endast medföljande insexnyckel från Makita för att montera eller demontera cirkelsågklingan.

Ta bort cirkelsågklingan genom att trycka på axelbromsen så att cirkelsågklingan inte kan rotera och lossa sexkantbulten moturs med insexnyckeln. Ta sedan bort sexkantbulten, den yttre flänsen och klingan.

► **Fig.14:** 1. Sexkantbult 2. Yttre fläns
3. Cirkelsågklinga 4. Inre fläns

Följ demonteringsproceduren i omvänd ordning för att montera cirkelsågklingan. SE TILL ATT DRA ÅT SEXKANTBULTEN MEDURS ORDENTLIGT.

► **Fig.15:** 1. Sexkantbult 2. Utsprång
3. Yttre fläns 4. Cirkelsågklinga 5. Inre fläns
6. Utsprång (större sida)

OBS: Om en inre fläns tas bort av misstag ska du montera den så att dess utsprång (större sidan) riktas inåt, såsom visas i figuren.

När du byter cirkelsågklinga bör du även se till att rengöra de övre och nedre klingskydden från sågspån enligt beskrivningen i avsnittet om underhåll. Detta ersätter inte den nödvändiga kontrollen av att det nedre skyddet fungerar som det ska före varje användning.

Förvaring av insexnyckel

► **Fig.16:** 1. Insexnyckel

Förvara insexnyckeln enligt figuren när den inte används, så att du alltid har den till hands.

Ansluta en dammsugare

Valfria tillbehör

► **Fig.17:** 1. Dammunestycke (valfritt tillbehör)
2. Skruv (valfritt tillbehör)

► **Fig.18**

Anslut en dammsugare från Makita till verktyget när du vill ha rent under sågningen. Montera dammunestycket (valfritt tillbehör) på verktyget med hjälp av skruven. Anslut sedan dammsugarslangen till dammunestycket enligt figuren.

ANVÄNDNING

⚠ FÖRSIKTIGT: Se till att verktyget förs framåt varsamt i en rät linje. Om du tvingar eller vrider sågen överhettas motorn och det finns risk för kraftiga bakåtkast som kan medföra allvarliga skador.

OBS: När batterikassetten temperatur är låg kan det hända att verktyget inte arbetar med full styrka. Använd då exempelvis verktyget för ett lätt sågarbete ett tag tills batterikassetten värms upp till rumstemperatur. Sedan kan verktyget arbeta med full styrka.

► **Fig.19**

Håll stadigt i verktyget. Verktyget är utrustat med handtag både fram (motorhuset) och bak. Använd båda handtagen för att hålla verktyget stadigt. Om du håller sågen med båda händerna kan de inte skadas av cirkelsågklingan. Placera bottenplattan på arbetsstycket utan att cirkelsågklingan kommer i kontakt med det. Starta sedan verktyget och vänta tills cirkelsågklingan uppnått full hastighet. För sedan sågen framåt över arbetsstyckets yta. Håll sågen plant och för den varsamt framåt tills sågningen är klar.

För att uppnå rena snitt måste du hålla en rak såglinje och en jämn hastighet framåt. Försök inte att vrida eller tvinga verktyget tillbaka i såglinjen om den avsedda såglinjen inte kan följas. Cirkelsågklingan kan då fastna, vilket kan leda till farliga bakåtkast med risk för allvarliga skador som följd. Släpp avtryckaren, vänta tills cirkelsågklingan har stannat och ta sedan bort verktyget. Rikta in verktyget mot en ny såglinje och starta sågningen på nytt. Undvik att stå så att du utsätts för spån och damm som kastas ut från sågen. Använd skyddsglasögon för att undvika skador.

Parallellanslag (anslagsskena)

Valfria tillbehör

► Fig.20

Ett praktiskt parallellanslag möjliggör extra noggrann, rak sågning. Placera parallellanslaget tätt mot arbetsstyckets sida och lås fast det med skruven framtill på bottenplattan. Parallellanslaget kan också användas när du vill såga flera arbetsstycken med samma bredd.

UNDERHÅLL

⚠ FÖRSIKTIGT: Se alltid till att maskinen är avstängd och batterikassetten borttagen innan inspektion eller underhåll utförs.

⚠ FÖRSIKTIGT: Rensa ut de övre och nedre skydden för att se till inga sågspån har samlats där som kan hämma det nedre skyddssystemets funktion. Ett smutsigt skyddssystem kan leda till att verktyget inte fungerar som det ska, vilket kan leda till allvarliga personskador. Det effektivaste rengörings-sättet är med tryckluft. **Om du blåser ut sågspån från skyddet ska du se till att ha ordentliga ögon- och andningskydd.**

OBSERVERA: Använd inte bensin, förtunningsmedel, alkohol eller liknande. Missfärgning, deformation eller sprickor kan uppstå.

För att upprätthålla produktens SÄKERHET och TILLFÖRLITLIGHET bör allt underhålls- och justeringsarbete utföras av ett auktoriserat Makita servicecenter och med reservdelar från Makita.

VALFRIA TILLBEHÖR

⚠ FÖRSIKTIGT: Följande tillbehör eller tillsatser rekommenderas för användning med den Makita-maskin som denna bruksanvisning avser. Om andra tillbehör eller tillsatser används kan det uppstå risk för personskador. Använd endast tillbehören eller tillsatserna för de syften de är avsedda för.

Kontakta ditt lokala Makita servicecenter om du behöver ytterligare information om dessa tillbehör.

- Cirkelsågklinga
- Parallellanslag (anslagsskena)
- Insexnyckel
- Dammunstycke
- Makitas originalbatteri och -laddare

OBS: Några av tillbehören i listan kan vara inkluderade i maskinpaketet som standardtillbehör. De kan variera mellan olika länder.

TEKNISKE DATA

Modell:		HS301D	
Bladdiameter		85 mm	
Maks. skjæredybde	ved 0°	25,5 mm	
	ved 45°	16,5 mm	
Hastighet uten belastning		1 500 min ⁻¹	
Total lengde		313 mm	331 mm
Nominell spenning		DC 10,8 V	
Batteriinnsett		BL 1015, BL 1020B	BL 1040B
Nettovekt		1,6 kg	1,8 kg

- På grunn av vårt kontinuerlige forsknings- og utviklingsprogram kan spesifikasjonene som oppgis i dette dokumentet endres uten varsel.
- Spesifikasjoner og batteriinnsett kan variere fra land til land.
- Vekt, med batteriinnsett, i henhold til EPTA-prosedyre 01/2003

Riktig bruk

Verktøyet er beregnet på saging av langsgående og tversgående rette snitt og gjæringsnitt med vinkler i tre, mens det er i tett kontakt med arbeidsemnet.

Støy

Typisk A-vektet lydtryknivå er bestemt i henhold til EN60745:

Lydtryknivå (L_{pA}): 71 dB (A)

Usikkerhet (K): 3 dB (A)

Støynivået under arbeid kan overskride 80 dB (A).

⚠ ADVARSEL: Bruk hørselsvern.

Vibrasjoner

Den totale vibrasjonsverdien (triaksial vektorsum)

bestemt i henhold EN60745:

Arbeidsmodus: saging av tre

Genererte vibrasjoner ($a_{h,w}$): 2,5 m/a² eller mindre

Usikkerhet (K): 1,5 m/a²

MERK: Den angitte verdien for de genererte vibrasjonene er målt i samsvar med standardtestmetoden og kan brukes til å sammenlikne et verktøy med et annet.

MERK: Den angitte verdien for de genererte vibrasjonene kan også brukes til en foreløpig vurdering av eksponeringen.

⚠ ADVARSEL: De genererte vibrasjonene ved faktisk bruk av elektroverktøyet kan avvike fra den angitte vibrasjonsverdien, avhengig av hvordan verktøyet brukes.

⚠ ADVARSEL: Sørg for å identifisere vernetiltak for å beskytte operatøren, som er basert på et estimat av eksponeringen under de faktiske bruksforholdene (idet det tas hensyn til alle deler av driftssyklusen, dvs. hvor lenge verktøyet er slått av, hvor lenge det går på tomgang og hvor lenge startbryteren faktisk holdes trykket).

EF-samsvarserklæring

Gjelder kun for land i Europa

Makita erklærer at følgende maskin(er):

Maskinens bruksområde: Batteridrevet sirkelsag

Modellnr./type: HS301D

Samsvarer med følgende europeiske direktiver:

2006/42/EC

De er produsert i henhold til følgende standarder eller standardiserte dokumenter: EN60745

Den tekniske filen i samsvar med 2006/42/EC er tilgjengelig fra:

Makita, Jan-Baptist Vinkstraat 2, 3070, Belgia
9.4.2015



Yasushi Fukaya

Direktør

Makita, Jan-Baptist Vinkstraat 2, 3070, Belgia

Generelle advarsler angående sikkerhet for elektroverktøy

⚠ ADVARSEL: Les alle sikkerhetsadvarslene og alle instruksjonene. Hvis du ikke følger alle advarslene og instruksjonene som er oppført nedenfor, kan det føre til elektriske støt, brann og/eller alvorlige helseskader.

Oppbevar alle advarsler og instruksjoner for senere bruk.

Uttrykket «elektrisk verktøy» i advarslene refererer både til elektriske verktøy (med ledning) tilkoblet strømmenett, og batteridrevne verktøy (uten ledning).

Sikkerhetsadvarsler for batteridrevet sirkelsag

Skjæreprosedyrer

1. **FARE:** Hold hendene unna kappeområdet og bladet. Hold den andre hånden på hjelpehåndtaket eller motorhuset. Hvis du holder sagen med begge hendene, risikerer du ikke at de blir skåret av bladet.
2. **Ikke strekk deg under arbeidsstykket.** Bladvernet kan ikke beskytte deg mot bladet under arbeidsemnet.
3. **Juster dybden på kutt til tykkelsen på arbeidsstykket.** Mindre enn en hel sagtann skal være synlig nedenfor arbeidsemnet.
4. **Du må aldri holde arbeidsemnet med hendene eller la det ligge tvers over bena dine. Sikre arbeidsstykket på en stabil plattform.** Det er viktig å støtte arbeidsemnet ordentlig for å gjøre risikoen minst mulig for å få skader, for at bladet skal sette seg fast, eller for at du skal miste kontrollen.

► Fig.1

5. **Hold maskinen bare i det isolerte håndtaket når skjærende verktøy kan komme i kontakt med skjulte ledninger under arbeidet.** Kontakt med en strømførende ledning kan føre til at metalldelene på det elektriske verktøyet blir strømførende og gi brukeren elektrisk støt.
6. **Ved kløyving må du alltid bruke et parallellanlegg eller en føring med rett kant.** Dette forbedrer nøyaktigheten av kuttet og reduserer risikoen for at bladet skal sette seg fast.
7. **Det må alltid brukes blader med riktig størrelse og form (diamant eller rund) på akselhullet.** Blader som ikke passer til monteringsmekanismen på sagen vil rotere med kast, og bli umulige å kontrollere.
8. **Bruk aldri mellomleggsskiver til bladet eller en bolt som er skadd eller ikke passer.** Mellomleggsskivene for bladet og boltene er spesielt utformet for sagen, for optimal ytelse og sikker drift.

Tilbakeslag oppstår og relaterte advarsler

- Tilbakeslag er en plutselig reaksjon på et klemt, festsittende eller feiljustert sagblad, som kan føre til at en sag som ikke holdes godt fast blir løftet opp og ut av arbeidsemnet, og mot operatøren.
- Når bladet kommer i klem eller setter seg fast ved at snittet lukker seg, stopper bladet, og motoren driver enheten hurtig tilbake mot operatøren.
- Hvis bladet blir vridd eller feiljustert i snittet, vil tennene i bakkant av bladet grave seg inn i den øvre kanten av arbeidsemnet, slik at bladet arbeider seg ut av snittet og spretter tilbake mot operatøren.

Tilbakeslag er et resultat av feil bruk av sagen og/eller feilaktige arbeidsprosedyrer eller arbeidsforhold, og kan unngås hvis man tar de rette forholdsregler (se nedenfor).

1. **Hold sagen i et fast grep med begge hender, og hold armene dine slik at de kan motstå kraften fra sagen i tilfelle den slår tilbake mot deg. Posisjoner kroppen på den ene siden av bladet, men ikke på linje med det.** Tilbakeslag kan føre til at sagen hopper bakover. Tilbakeslagene kan imidlertid kontrolleres av brukeren, hvis brukeren tar de rette forholdsreglene.

2. **Når bladet setter seg fast, eller når du av en eller annen grunn vil avbryte sagingen, må du slippe startbryteren og holde sagen i ro i materialet inntil bladet har stoppet helt. Du må aldri forsøke å fjerne sagen fra arbeidsemnet eller å trekke den bakover mens bladet er i bevegelse, da dette kan få sagen til å slå tilbake.** Undersøk hvorfor bladet setter seg fast og sett i verk avhjelpende tiltak.
3. **Når du starter sagen i arbeidsemnet igjen, må du sentrere sagbladet i snittet og kontrollere at sagtennene ikke sitter i materialet.** Hvis sagbladet sitter fast, kan det komme opp eller føre til at sagen slår tilbake mot deg når den startes igjen.
4. **Støtt opp større plater for å redusere risikoen så mye som mulig for at bladet kommer i beknip, og for tilbakeslag.** Større plater har en tendens til å bøye seg under sin egen vekt. Støttene må plasseres under platen på begge sider, nær kappelinjen og nær kantene av platen.

► Fig.2

► Fig.3

5. **Ikke bruk sløve eller ødelagte blad.** Uskarpe eller feilaktig innstilte blad gir trangt snitt, noe som forårsaker kraftig friksjon, får bladet til å sette seg fast og resulterer i at sagen slår tilbake mot operatøren.
6. **Dette kan medføre tilbakeslag (kickback) som kan gi alvorlige personskader.** Bladdybden og låsehendene for avfasingjusteringen må være strammet og festet før snittet gjøres.
7. **Vær ekstra forsiktig når du sager i eksisterende vegger eller andre områder uten innsyn.** Det fremstikkende bladet kan treffe gjenstander som kan forårsake tilbakeslag.
8. **Verktøyet MÅ ALLTID holdes fast med begge hender. Du må ALDRI plassere hånden din eller fingrene dine bak sagen.** Hvis det skjer et tilbakeslag, kan sagen lett komme til å hoppe bakover over hånden din og forårsake alvorlige helseskader.

► Fig.4

9. **Bruk aldri makt på sagen. Skyv sagen fremover med en slik hastighet at bladet skjærer uten å miste fart.** Hvis du bruker makt på sagen, kan det gi ujevne snitt, unøyaktighet og muligheter for tilbakeslag.

Nedre vernfunksjon

1. **Sjekk at det nedre vernet er ordentlig lukket før hver gang maskinen tas i bruk. Ikke begynn å bruke sagen hvis det nedre vernet ikke beveger seg fritt og lukker seg momentant. Det nedre vernet må aldri klemmes fast eller bindes opp i åpen stilling.** Hvis sagen ved et ulykkestilfelle skulle falle ned, kan det nedre vernet bli bøyd. Løft det nedre vernet med hevehendelen og forsvinn deg om at det beveger seg fritt og ikke berører bladet eller andre deler, uansett snittvinkel eller -dybde.
2. **Kontroller at fjæren til det nedre vernet virker som den skal. Hvis vernet og fjæren ikke fungerer som de skal, må de etteres før bruk.** Det nedre vernet kan gå tregt pga. ødelagte deler, gummiavleiringer eller opphopning av spon.

3. Det nedre vernet kan trekkes tilbake manuelt bare i forbindelse med spesielle typer snitt, som f.eks. innstikk og kombinasjonssaging. Hev det nedre vernet ved hjelp av hevehendelen og slipp det så snart bladet går inn i materialet. For all annen saging bør det nedre vernet få lov til å fungere automatisk.
4. Pass på at det nedre vernet alltid dekker bladet før du setter sagen ned på benken eller gulvet. Et ubeskyttet, roterende blad vil få sagen til å bevege seg bakover mens bladet kapper alt som kommer i dets vei. Vær oppmerksom på at bladet trenger en viss tid for å stoppe etter at bryteren er sluppet.
5. Kontroller det nedre vernets funksjon ved å åpne det for hånd, slippe det og kontrollere at det lukkes. Kontroller også at hevehendelen ikke berører verktøyhuset. Et eksponert blad er SVÆRT FARLIG og kan føre til alvorlig personskade.

Flere sikkerhetsadvarsler

1. Vær ekstra forsiktig ved skjæring i fuktig tre, trykkbehandlet tømmer eller tømmer med kvist. Unngå overoppheting av bladspissene ved å bevege bladet jevnt fremover uten reduksjon i bladhastigheten.
2. Ikke forsøk å fjerne kapp mens bladet er i bevegelse. Vent til bladet stopper før du griper det materialet som er kappet. Bladene roterer fritt etter at maskinen er slått av.
3. Unngå å skjære i spiker. Se etter og fjern all spiker fra arbeidsemnet før arbeidet påbegynnes.
4. Sett den bredeste delen av sagfoten på den delen av arbeidsemnet som er godt støttet opp, ikke på den delen som kommer til å falle av når snittet er fullført. Hvis arbeidsemnet er kort eller lite, må det klemmes fast. **IKKE FORSØK Å HOLDE KORTE STYKKER MED HÅNDEN!**

► Fig.5

5. Før du setter verktøyet ned etter å ha fullført et kutt, må du forvise deg om at vernet er lukket og at bladet har stoppet helt.
6. Forsøk aldri å sage mens sirkelsagen holdes opp ned i en skrustikke. Dette er ekstremt farlig og kan forårsake alvorlige ulykker.

► Fig.6

7. Enkelte materialer inneholder kjemikalier som kan være giftige. Treff tiltak for å hindre hudkontakt og innånding av støv. Følg leverandørens sikkerhetsanvisninger.
8. Ikke stopp bladene ved å presse sideveis på sagbladet.
9. Ikke bruk slipeskiver.
10. **Bruk bare sagbladet med diameter som er merket på verktøyet eller spesifisert i håndboken.** Bruk av et blad med feil størrelse kan påvirke riktig beskyttelse av bladet eller bruk av bladvernet, som kan resultere i alvorlig personskade.
11. **Hold bladet skarpt og rent.** Harpiks og bek som størkner på bladene reduserer turtallet på sagen og øker risikoen for tilbakeslag. Hold bladet rent ved først å ta det av verktøyet og deretter gjøre det rent med en harpiks- og bekfjerner, varmt vann eller parafin. Du må aldri bruke bensin.

12. Bruk en støvmaske og hørselsvern når du bruker verktøyet.

TA VARE PÅ DISSE INSTRUKSENE.

⚠ADVARSEL: IKKE LA HØRSYNET til hva som er "behagelig" eller det faktum at du kjenner produktet godt (etter mange gangers bruk) gjøre deg mindre oppmerksom på sikkerhetsreglene for bruken av det aktuelle produktet. Ved MISBRUK eller hvis ikke sikkerhetsreglene i denne bruksanvisningen følges, kan det oppstå alvorlig personskade.

Viktige sikkerhetsanvisninger for batteriinnsetts

1. Før du begynner å bruke batteriet, må du lese alle anvisninger og forsiktighetsregler på (1) batteriladeren, (2) batteriet og (3) det produktet batteriet skal brukes i.
2. Ikke ta fra hverandre batteriet.
3. Hvis driftstiden er blitt vesentlig kortere, må du omgående slutte å bruke maskinen. Hvis ikke kan resultatet bli overoppheting, mulige forbrenninger eller til og med en eksplosjon.
4. Hvis du får elektrolytt i øynene, må du skylle dem med store mengder rennende vann og oppsøke lege med én gang. Denne typen uhell kan føre til varig blindhet.
5. Ikke kortslutt batteriet:
 - (1) De kan være ekstremt varme og du kan brenne deg.
 - (2) Ikke lagre batteriet i samme beholder som andre metallgjenstander, som for eksempel spiker, mynter osv.
 - (3) Ikke la batteriet komme i kontakt med vann eller regn.
 En kortslutning av batteriet kan føre til et kraftig strømstøt, overoppheting, mulige forbrenninger og til og med til at batteriet går i stykker.
6. Ikke lagre maskinen og batteriet på steder hvor temperaturen kan komme opp i eller overskride 50 °C.
7. Ikke sett fyr på batteriet, ikke engang om det er sterkt skadet eller helt utslitt. Batteriet kan eksplodere hvis det begynner å brenne.
8. Vær forsiktig så du ikke mister batteriet eller utsetter det for slag.
9. Ikke bruk batterier som er skadet.
10. Følg lokale bestemmelser for avhending av batterier.

TA VARE PÅ DISSE INSTRUKSENE.

⚠ADVARSEL: Bruk kun originale Makita-batterier. Bruk av batterier som har endret seg, eller som ikke er originale Makita-batterier, kan føre til at batteriet sprekker og forårsaker brann, personskader og andre skader. Det vil også ugyldiggjøre garantien for Makita-verktøyet og -laderen.

Tips for å opprettholde maksimal batterilevetid

1. **Lad batteriinnsetsen før den er helt utladet. Stopp alltid driften av verktøyet og lad batteriinnsetsen når du merker at effekten reduseres.**
2. **Lad aldri en batteriinnsetts som er fulladet. Overopplading forkorter batteriets levetid.**
3. **Lad batteriet i romtemperatur ved 10 °C - 40 °C. Et varmt batteri må kjøles ned før lading.**

FUNKSJONSBSKRIVELSE

⚠ ADVARSEL: Forviss deg alltid om at maskinen er slått av og batteriet tatt ut før du justerer maskinen eller kontrollerer dens mekaniske funksjoner.

Sette inn eller ta ut batteri

⚠ ADVARSEL: Slå alltid av verktøyet før du setter inn eller fjerner batteriet.

⚠ ADVARSEL: Hold verktøyet og batteripatronen i et fast grep når du monterer eller fjerner batteripatronen. Hvis du ikke holder verktøyet og batteripatronen godt fast, kan du miste grepet, og dette kan føre til skader på verktøyet og batteripatronen samt personskaader.

- Fig.7: 1. Rød indikator 2. Knapp
3. Batteriinnsetts

For å ta ut batteriet må du skyve på knappen foran på batteriet og trekke det ut.

Når du skal sette inn batteriet, må du plassere tungen på batteriet på linje med sporet i huset og skyve batteriet på plass. Skyv det helt inn til det går i inngrep med et lite klikk. Hvis du kan se den røde anviseren på oversiden av knappen, er det ikke fullstendig låst.

⚠ ADVARSEL: Batteriet må alltid settes helt inn, så langt at den røde anviseren ikke lenger er synlig. Hvis dette ikke gjøres, kan batteriet komme til å falle ut av maskinen og skade deg eller andre som oppholder seg i nærheten.

⚠ ADVARSEL: Ikke bruk makt når du setter i batteriet. Hvis batteriet ikke gir lett inn, er det fordi det ikke settes inn på riktig måte.

Batteribeskyttelsessystem

Verktøyet er utstyrt med et batterivernssystem. Dette systemet slår automatisk av strømmen til motoren for å forlenge batteriets levetid.

Verktøyet stopper automatisk ved drift hvis det og/eller batteriet utsettes for en av følgende tilstander:

Overbelastning:

Verktøyet brukes på en måte som gjør at det trekker uvanlig mye strøm.

I så fall, slipp startbryteren på verktøyet og hold opp med det arbeidet som førte til at verktøyet ble overbelastet. Trekk deretter i startutløseren igjen for å starte på nytt.

Hvis verktøyet ikke starter, er batteriet overbelastet. I dette tilfellet, la batteriet kjøle seg ned før du drar i startbryteren igjen.

Lav batterispenning:

Gjenværende batterikapasitet er for lav og verktøyet vil ikke fungere. Når du trykker på startutløseren, starter motoren, men stopper like etterpå. I dette tilfellet, fjern og lad batteriet opp igjen.

Indikere gjenværende batterikapasitet

Kun for batterier med «B» sist i modellnummeret

► Fig.8: 1. Indikatorlamper 2. Kontrollknapp

Trykk på sjekk-knappen på batteriet for vise gjenværende batterikapasitet. Indikatorlampene lyser i et par sekunder.

Indikatorlamper		Gjenværende batterinivå
Tent	Av	
		75% til 100%
		50% til 75%
		25% til 50%
		0% til 25%

MERK: Det angitte nivået kan avvike noe fra den faktiske kapasiteten alt etter bruksforholdene og den omgivende temperaturen.

Justere skjæredybden

► Fig.9: 1. Klemskrue 2. Dybdeføring

⚠ ADVARSEL: Når du har justert skjæredybden, må du alltid stramme klemskruen godt.

Løsne klemskruen på dybdeføringen og beveg foten opp eller ned. Fest foten ved ønsket skjæredybde ved å stramme hendelen.

For at kuttene skal bli renere og sikrere må du stille inn skjæredybden slik at ikke mer enn én sagtann stikker ut under arbeidsemnet. Hvis skjæredybden er riktig, reduseres risikoen for farlige TILBAKESLAG som kan forårsake helseskader.

Skråskjæring

► Fig.10: 1. Klemskrue 2. Skråskalaplate

Løsne klemskruen på skråskalaplatten foran på foten. Still inn ønsket vinkel (0° - 45°) ved å vippe på maskinen, og stram deretter klemskruen forsvarlig.

Sikting

► Fig.11: 1. Skjærelinje

Ved skjæring av rette linjer, må A-merket foran på foten rettes inn mot skjærelinjen på arbeidsemnet. For 45° skråskjæring må B-merket rettes inn mot skjærelinjen.

Bryterfunksjon

► Fig.12: 1. Sperrehendel 2. Utløser

⚠ ADVARSEL: Før du setter batteriet inn i maskinen, må du alltid kontrollere at startbryteren aktiverer maskinen på riktig måte og går tilbake til «AV»-stilling når den slippes.

⚠ ADVARSEL: Ikke trykk hardt på utløseren uten å trykke på AV-sperrehendelen. Dette kan få bryteren til å bryte.

Maskinen er utstyrt med en sperrehendel som sikrer at utløseren ikke kan trykkes inn ved en feiltakelse. For å starte maskinen må du skyve AV-sperrehendelen og trykke på utløseren. Slipp opp utløseren for å stanse verktøyet.

⚠ ADVARSEL: Av hensyn til sikkerhet er denne sagen utstyrt med en AV-sperrehendel som forhindrer utilsiktet start av maskinen. Sagen må ALDRI brukes hvis den går bare du trykker på utløseren, uten at du også må trykke på AV-sperrehendelen. Ta med maskinen til et MAKITA-servicesenter for å få den reparert FØR videre bruk.

⚠ ADVARSEL: AV-sperrehendelen må ALDRI holdes inne med tape, og den må ALDRI settes ut av funksjon.

MONTERING

⚠ ADVARSEL: Forviss deg alltid om at maskinen er slått av og batteriet tatt ut før du utfører noe arbeid på maskinen.

Demontere eller monter sirkelsagbladet

► Fig.13: 1. Spindellås 2. Sekskantnøkkel

⚠ ADVARSEL: Sørg for at sirkelsagbladet monteres med tennene pekende opp foran på verktøyet.

⚠ ADVARSEL: Bruk bare Makita-nøkkelen til å montere eller fjerne sirkelsagbladet.

For å ta av sirkelsagbladet, må du trykke på spindellåsen så sirkelsagbladet ikke kan rotere, og bruke nøkkelen til å løsne sekskantskruen mot klokken. Fjern så sekskantskruen, den ytre flensen og sirkelsagbladet.

► Fig.14: 1. Sekskantskrue 2. Ytre flens
3. Sirkelsagblad 4. Indre flens

Monter sirkelsagbladet ved å følge fremgangsmåten for demontering i motsatt rekkefølge. PASS PÅ Å STRAMME SEKSKANTSKRUEEN GODT I RETNING MED KLOKKEN.

► Fig.15: 1. Sekskantskrue 2. Sperrehake
3. Ytre flens 4. Sirkelsagblad 5. Indre flens
6. Sperrehake (den største siden)

MERK: Hvis en indre flens fjernes ved en feiltakelse, monterer du den indre flensen slik at sperrehaken (den største siden) er vendt utover som vist på figuren.

Når du skifter sirkelsagblad, må du også rengjøre de øverste og nederste bladvernene for akkumulert sagflis, som nevnt i avsnittet Vedlikehold. Du må imidlertid fortsatt kontrollere at nedre bladvern virker før hver gangs bruk.

Oppbevare sekskantnøkkel

► Fig.16: 1. Sekskantnøkkel

Når sekskantnøkkelen ikke er i bruk, må du oppbevare den som vist i figuren slik at du ikke mister den.

Koble til støvsuger

Valgfritt tilbehør

► Fig.17: 1. Munnstykke (valgfritt ekstrautstyr)
2. Skruer (valgfritt ekstrautstyr)

► Fig.18

Hvis du vil sage så rent som mulig, kan du koble en Makita-støvsuger til verktøyet. Monter munnstykket (valgfritt ekstrautstyr) ved hjelp av skruen. Koble deretter støvsugerslangen til munnstykket, som vist på figuren.

BRUK

⚠ ADVARSEL: Sørg for å bevege verktøyet pent fremover i en rett linje. Hvis du bruker makt på eller vrir verktøyet, vil motoren bli overopphetet og maskinen kan slå tilbake mot brukeren. Dette er farlig og kan gi alvorlige personskader.

MERK: Maskinen fungerer ikke som tiltenkt når batteritemperaturen er for lav. Bruk maskinen til lett saging inntil batteriet er oppvarmet til romtemperatur. Deretter kan maskinen brukes med full kapasitet.

► Fig.19

Hold verktøyet godt fast. Maskinen leveres både med fremre (på motorhuset) og bakre håndtak. Bruk begge for å få best mulig tak på verktøyet. Hvis du holder sagen med begge hendene, unngår du å skjære deg på sirkelsagbladet. Sett foten på det arbeidsstykket som skal kappes, uten at sirkelsagbladet kommer borti arbeidsstykket. Slå deretter på maskinen, og vent til sirkelsagbladet oppnår full hastighet. Nå kan du ganske enkelt bevege sagen over overflaten på arbeidsemnet, holde den flatt og bevege den langsomt forover til sagingen er ferdig.

For å få rene kutt, må du sage i rett linje og med jevn hastighet. Hvis kuttet ikke følger skjærelinjen helt, må du ikke forsøke å dreie eller tvinge verktøyet tilbake til skjærelinjen. Hvis du gjør det, kan sirkelsagbladet sette seg fast og gi farlige tilbakeslag som kan føre til alvorlige skader. Slipp bryteren, vent til sirkelsagbladet stopper og trekk ut verktøyet. Still inn verktøyet på en ny skjærelinje og begynn sagingen på nytt. Forsøk å unngå en plassering som utsetter brukeren for sprut av flis og sagmugg fra sagen. Bruk vernebriller for å redusere risikoen for skader.

Parallellanlegg (føringslinjal)

Valgfritt tilbehør

► Fig.20

Det praktiske parallellanlegget gjør det mulig å foreta ekstra nøyaktige rette kutt. Skyv ganske enkelt parallellanlegget tett opp til siden av arbeidsemnet og fest det med skruen foran på foten. Med parallellanlegget kan du dessuten skjære gjentatte ganger med samme bredde.

VEDLIKEHOLD

⚠ADVARSEL: Forviss deg alltid om at maskinen er slått av og batteriet tatt ut før du foretar inspeksjon eller vedlikehold.

⚠ADVARSEL: Rengjør øvre og nedre vern for å sikre at det ikke finnes oppsamlet sagsspon som kan hindre betjening av nedre beskyttelsessystem. Et skittent beskyttelsessystem kan begrense forsvarlig drift og føre til alvorlig personskade. Den mest effektive måten å foreta denne rengjøringen på, er ved bruk av trykkluft. Hvis støvet blåses ut av vernene, pass på at det riktige øye- og åndedrettsvernet brukes.

OBS: Aldri bruk gasolin, bensin, tynner alkohol eller lignende. Det kan føre til misfarging, deformering eller sprekkdannelse.

For å opprettholde produktets SIKKERHET og PÅLITELIGHET, må reparasjoner, vedlikehold og justeringer utføres av autoriserte Makita servicesentre eller fabrikk-servicesentre, og det må alltid brukes reservedeler fra Makita.

VALGFRITT TILBEHØR

⚠ADVARSEL: Det anbefales at du bruker dette tilbehøret eller verktøyet sammen med den Makita-maskinen som er spesifisert i denne håndboken. Bruk av annet tilbehør eller verktøy kan forårsake personskader. Tilbehør og verktøy må kun brukes til det formålet det er beregnet på.

Ta kontakt med ditt lokale Makita-servicesenter hvis du trenger mer informasjon om dette tilbehøret.

- Sirkelsagblad
- Parallellanlegg (føringslinjal)
- Sekskantnøkkel
- Støvmunnstykke
- Makita originalbatteri og lader

MERK: Enkelte elementer i listen kan være inkludert som standardtilbehør i verktøypakken. Elementene kan variere fra land til land.

TEKNISET TIEDOT

Malli:		HS301D	
Terän halkaisija		85 mm	
Suurin leikkuusyvyyys	kulmassa 0°	25,5 mm	
	kulmassa 45°	16,5 mm	
Kuormittamaton kierrosnopeus		1 500 min ⁻¹	
Kokonaispituus		313 mm	331 mm
Nimellisjännite		DC 10,8 V	
Akkupaketti		BL1015, BL1020B	BL1040B
Nettopaino		1,6 kg	1,8 kg

- Jatkuvasta tutkimus- ja kehitystyöstämme johtuen esitetyt tekniset tiedot saattavat muuttua ilman erillistä ilmoitusta.
- Tekniset tiedot ja akkupaketti voivat vaihdella maittain.
- Paino akkupaketilla, EPTA-menettelyn 01/2003 mukaan

Käyttötarkoitus

Työkalu on tarkoitettu puun pitkittäiseen, poikittaiseen ja jiirisahaukseen siten, että saha on koko ajan välittömässä kosketuksessa työkappaleeseen.

Melutaso

Tyypillinen A-painotettu melutaso määräytyy standardin EN60745 mukaan:

Äänenpainetaso (L_{pA}): 71 dB (A)

Virhemarginaali (K): 3 dB (A)

Työskentelyn aikana melutaso voi ylittää 80 dB (A).

VAROITUS: Käytä kuulosuojaimia.

Tärinä

Kokonaistärinä (kolmen akselin vektorien summa)

määräytyy standardin EN60745 mukaan:

Työtöila: puun leikkaaminen

Tärinäpäästö ($a_{h,w}$): 2,5 m/s² tai alhaisempi

Virhemarginaali (K): 1,5 m/s²

HUOMAA: Ilmoitettu tärinäpäästöarvo on mitattu standarditestausmenetelmän mukaisesti, ja sen avulla voidaan vertailla työkaluja keskenään.

HUOMAA: Ilmoitettua tärinäpäästöarvoa voidaan käyttää myös altistumisen alustavaan arviointiin.

VAROITUS: Työkalun käytön aikana mitattu todellinen tärinäpäästöarvo voi poiketa ilmoitetusta tärinäpäästöarvosta työkalun käyttötavan mukaan.

VAROITUS: Selvitä käyttäjän suojaamiseksi tarvittavat varoitukset todellisissa käyttöolosuhteissa tapahtuvan arvioidun altistumisen mukaisesti (ottaen huomioon käyttöjakso kokonaisuudessaan, myös jaksot, joiden aikana työkalu on sammutettuna tai käy tyhjäkäynnillä).

VAKUUTUS EC-VASTAAVUUDESTA

Koskee vain Euroopan maita

Makita ilmoittaa, että seuraava(t) kone(et):

Koneen tunnistetiedot: Akkukäyttöinen pyörösaha

Mallinumero/tyyppi: HS301D

Täyttävät seuraavien eurooppalaisten direktiivien vaatimukset: 2006/42/EC

On valmistettu seuraavien standardien tai standardoitujen asiakirjojen mukaisesti: EN60745

Direktiivin 2006/42/EC mukaiset tekniset tiedot ovat saatavissa seuraavasta osoitteesta:

Makita, Jan-Baptist Vinkstraat 2, 3070, Belgia
9.4.2015



Yasushi Fukaya

Johtaja

Makita, Jan-Baptist Vinkstraat 2, 3070, Belgia

Sähkötyökalujen käyttöä koskevat yleiset varoitukset

VAROITUS: Lue huolellisesti kaikki turvallisuusvaroitukset ja käyttöohjeet. Jos varoitusten ja ohjeiden noudattaminen laiminlyödään, seurauksena voi olla sähköisku, tulipalo ja/tai vakava vammautuminen.

Säilytä varoitukset ja ohjeet tulevaa käyttöä varten.

Varoituksissa käytettävällä termillä "sähkötyökalu" tarkoitetaan joko verkkovirtaa käyttävää (johdollista) työkalua tai akkukäyttöistä (johdotonta) työkalua.

Akkukäyttöisen pyörösa- han turvallisuusohjeet

Sahausohjeet

- VAARA:** Pidä kädet loitolla sahauslinjalta ja terästä. Pidä toista kättä apukahvalta tai moottorin kotelon päällä. Jos pidät kiinni sahasta molemmin käsin, terä ei voi vahingoittaa käsiä.
- Älä korota työkappaleen alapuolelle.** Suojus ei suojaa terältä työkappaleen alapuolella.
- Säädä leikkaussyvyys työkappaleen paksuuden mukaan.** Pienempi osa kuin terän täysi hammas tulee olla näkyvillä työkappaleen alapuolella.
- Älä koskaan pidä sahattavaa kappaletta käsissä tai polvilla.** Kiinnitä työkappale tukevaan jalustaan. Työkappale on tuettava kunnolla loukkaantumisriskin, terän jumiumutuksen ja sahan hallinnan menettämisen ehkäisemiseksi.

► Kuva 1

- Kun suoritat toimintaa, jossa työkalu voi joutua kosketukseen piilossa olevien johtojen kanssa, pidä kiinni työkalusta sen eristetyn pinnan kohdalta.** Jos sähkötyökalun metalliosa joutuu kosketukseen virrallisen johdon kanssa, työkalun sähköä johtavat metalliosat voivat aiheuttaa käyttäjälle sähköiskun.
- Käytä halkaisuun aina halkaisu- tai sivuohjainta.** Se parantaa sahaustarkkuutta ja vähentää terän juuttumista.
- Käytä aina oikeankokoista ja -muotoista terää (timantti vs. pyöreä).** Terät, jotka eivät sovi työkalun kiinnittimiin, pyörivät epäkeskeisesti ja aiheuttavat sahan ohjauksen menetyksen.
- Älä koskaan käytä viallisia tai vääriä terän aluslevyjä tai pultteja.** Terän aluslaatat ja pultit on suunniteltu erityisesti tälle sahalle ja takaavat parhaan suorituskyvyn ja turvallisuuden.

Takapotku ja siihen liittyvät varoitukset

- takapotkun aiheuttama kiinni juuttunut, vääntynyt tai vääriin kohdistettu terä, joka saa sahan hypähtämään irti työkappaleesta kohti käyttäjää;
- jos terä juuttuu tiukkaan sahausuraan, terä pysähtyy ja moottori suojaus kääntää sen pyörimään taaksepäin kohti käyttäjää;
- jos terä vääntyy tai sen kohdistus muuttuu saha-essa, terän takaosan hampaat voivat pureutua puun pintakerrokseen, jolloin terä nousee ylös urasta ja saha ponnahtaa käyttäjään kohti.

Takapotku johtuu sahan virheellisestä käytöstä ja/tai vääristä käyttöolosuhteista. Takapotku voidaan välttää noudattamalla seuraavia varotoimia.

- Ota sahasta tukeva ote molemmin käsin ja pidä käsiä sellaisessa asennossa, että voit ottaa vastaan mahdollisen takapotkun aiheuttamat voimat.** Sijoita vartalo jommallekummalle puolelle terää, mutta ei terän suuntaisesti. Takapotku voi aiheuttaa sahan ponnahtamisen taaksepäin, mutta käyttäjä voi hallita sen voimat, jos takapotkuun varaudutaan asianmukaisin varotoimin.
- Jos terä jumittaa tai jos keskeytät leikkaamisen jostakin muusta syystä, vapauta liipaisinnytkin ja pidä saha paikoillaan työkappaleessa, kunnes terä on täysin pysähtynyt.** Älä koskaan yritä poistaa sahaa työkalusta tai vetää sahaa taaksepäin, kun terä liikkuu tai

seurauksena voi olla takapotku. Tutki ja korjaa mahdolliset syyt, jotka aiheuttavat terän jumiumutuksen.

- Kun saha käynnistetään uudelleen työkalupaleessa, keskitä sahanterä sahausuraan ja tarkista, että sahan hampaat eivät ole kiinni materiaalissa.** Jos terä jumiuutuu, se saattaa hypähtää työkappaleesta tai aiheuttaa takapotkun, kun saha käynnistetään uudelleen.
- Tue suuria paneeleja, jotta minimoit terien jumiumutuksen ja takapotkujen riskin.** Suurilla paneeleilla on tapana taipua oman painonsa vaikutuksesta. Levy on tuettava molemmilta puolilta sahauslinjan vierestä ja reunoilta.

► Kuva 2

► Kuva 3

- Älä käytä tylsiä tai vioittuneita teriä.** Tylsät tai vääriin asetetut terät tekevät kapean sahausuran, josta on seurauksena ylimääräistä kitkaa, terän taipuminen ja takapotku.
- Terän syvyys ja viisteen säädön lukitusvivut on oltava tiukalla ennen leikkauksen suoritusta.** Jos terän asetus siirtyy leikkauksen aikana, seurauksena voi olla terän jumiumutuminen ja takapotku.
- Ole erityisen varovainen, kun sahaat umpinaisia seinäpintoja tai jos et muuten näe sahattavaa kohdetta.** Läpituoneutuva terä voi leikata kohteita, jotka saattavat aiheuttaa takapotkun.
- PIDÄ AINA koneesta tukevasti molemmin käsin. ÄLÄ KOSKAAN aseta kättä tai sormia sahan taakse.** Jos saha potkaisee takaisin, se voi helposti ponnahtaa taakse käsille ja aiheuttaa vakavia vammoja.

► Kuva 4

- Älä koskaan sahaa väkisin. Työnnä sahaa eteenpäin sellaisella nopeudella, että terä leikkaa hidastumatta.** Sahan pakottaminen voi aiheuttaa epätasaista leikkauksjälkeä, tarkkuuden vähenemistä ja mahdollisesti takapotkun.

Alasuojuksen toiminta

- Varmista alasuojuksen sulkeutuminen ennen jokaista käyttökertaa. Älä käytä sahaa, jos alasuojuus ei liiku vapaasti ja sulkeudu heti. Älä koskaan sido alasuojusta auki-asentoon.** Jos saha putoaa vahingossa, alasuojuus voi taittua. Nosta alasuojusta sisään vedettävästä kahvasta ja varmista, että suojuus liikkuu vapaasti eikä kosketa terää tai muita osia missään leikkaukskulmassa tai -syvyydessä.
- Tarkista alasuojuksen jousen toiminta. Jos suojuus ja jousi eivät toimi oikein, ne tulee huoltaa ennen käyttöä.** Alasuojuus saattaa toimia hitaasti johtuen vioittuneista osista, tahmeasta karstasta tai jäännösten kasautumisesta.
- Alasuojuus voidaan vetää taakse käsin vain silloin, kun sahataan umpinaisia pintoja. Nosta alasuojuus vedettävästä kahvasta ja heti, kun terä leikkaa materiaalin, alasuojuus tulee vapauttaa.** Kaikessa muussa sahauksessa alasuojuksen tulee antaa toimia automaattisesti.
- Huomioi aina, että alasuojuus peittää terän ennen kuin asetat sahan penkille tai lattialle.** Suojaamaton ja vapaasti liikkuva terä voi

aiheuttaa sahan siirtymisen taaksepäin leikaten mitä sen eteen tulee. Ota huomioon se aika, jonka terän pysähtyminen sahan sammuttamisen jälkeä vaatii.

5. Voit tarkistaa alasuojuksen avaamalla sen käsin ja sitten vapauttamalla seuraten samalla, miten se sulkeutuu. Varmista myös, ettei sisään vedettävä kahva osu leikkurin koteloon. Terän jättäminen ilman suojusta on ERITTÄIN VAARALLISTA ja voi johtaa vakaviin vammoihin.

Turvallisuutta koskevia lisävaroituksia

1. Ole erityisen varovainen, jos sahaat kosteaa, painekyllästettyä tai oksaista puuta. Vältä terän ylikuumentamista säätämällä terän nopeus sellaiseksi, että sahaus etenee sujuvasti terän nopeuden hidastumatta.
2. Älä yritä poistaa leikattua materiaalia, kun terä on vielä liikkeessä. Odota, kunnes terä pysähtyy, ennen kuin tartut sahattuun kappaleeseen. Terä pyörii vielä jonkin aikaa sen jälkeen, kun saha on sammutettu.
3. Vältä naulojen sahaamista. Tarkista puutavara ja poista kaikki naulat ennen sahausta.
4. Aseta sahan alustan leveämpi puoli työkap-paleen tuetun osan päälle, älä sahattaessa irtoavan osan päälle. Jos työkappale on lyhyt tai pieni, kiinnitä se ruuvipenkkiin. **ÄLÄ YRITÄ PITÄÄ LYHYTTÄ TYÖKAPPALETTA PAIKOILLAAN KÄSIN!**

► Kuva 5

5. Ennen sahan laskemista käsistäsi, varmista, että suojuksen sulkeutunut ja terä on täysin pysähtynyt.
6. Älä koskaan yritä leikata sirkkelillä, joka on ylösalaisin viilapenkillä. Tämä on erittäin vaarallista ja voi johtaa vakaviin vammoihin.

► Kuva 6

7. Jotkin materiaalit sisältävät kemikaaleja, jotka voivat olla myrkyllisiä. Huolehdi siitä, että pölyn sisäänhengittäminen ja ihokosketus estetään. Noudata materiaalin toimittajan turvaohjeita.
8. Älä pysäytä teriä painamalla sivusta sahanterää.
9. Älä käytä minkäänlaisia hiomalaikkoja.
10. Käytä vain sahanterää, joiden halkaisija on sama kuin työkaluun merkitty tai ohjekirjassa mainittu. Vääränkokoisien terien käyttäminen voi vaikuttaa terän suojuksen tai itse terän toimivuuteen ja aiheuttaa vakavia vammoja.
11. Pidä terät terävinä ja puhtaina. Terään kovetunut pihka hidastaa sahaamista ja lisää takapotkun vaaraa. Pidä terä puhtaana irrottamalla se sahasta ja puhdistamalla pihkanpoistoaineella, kuumalla vedellä tai petroliilla. Älä käytä koskaan puhdistukseen bensiiniä.
12. Käytä työkalua käyttäessäsi hengitys- ja kuulosuojaimia.

SÄILYTÄ NÄMÄ OHJEET.

VAROITUS: ÄLÄ anna työkalun helppokäyttöisyyden (toistuvan käytön aikaansaama) johtaa sinua väärään turvallisuuden tunteeseen niin, että laiminlyöt työkalun turvaohjeiden noudattamisen. **VÄÄRINKÄYTTÖ** tai tässä käyttöohjeessa ilmoitettujen turvamääräysten laiminlyönti voi aiheuttaa vakavia henkilövahinkoja.

Akkupakettia koskevia tärkeitä turvaohjeita

1. Ennen akun käyttöönottoa tutustu kaikkiin laturissa (1), akussa (2) ja akkukäyttöisessä tuotteessa (3) oleviin varoitusteksteihin.
2. Älä pura akkua.
3. Jos akun toiminta-aika lyhenee merkittävästi, lopeta akun käyttö. Seurauksena voi olla ylikuumentuminen, palovammoja tai jopa räjähdys.
4. Jos akkunestettä pääsee silmiin, huuhtele puhtaalla vedellä ja hakeudu välittömästi lääkärin hoitoon. Akkuneste voi aiheuttaa näön menetyksen.
5. Älä oikosulje akkua.
 - (1) Älä koske akun napoihin millään sähköä johtavalla materiaalilla.
 - (2) Vältä akun oikosulkemista äläkä säilytä akkua yhdessä muiden metalliesineiden, kuten naulojen, kolikoiden ja niin edelleen kanssa.
 - (3) Älä aseta akkua alttiiksi vedelle tai sateelle.
6. Oikosulku voi aiheuttaa virtapiikin, ylikuumentumista, palovammoja tai laitteen rikkoontumista.
7. Älä säilytä työkalua ja akkua paikassa, jossa lämpötila voi nousta 50 °C:een tai sitäkin korkeammaksi.
8. Älä hävitä akkua polttamalla, vaikka se olisi pahoin vaurioitunut tai täysin loppuun kulunut. Avotuli voi aiheuttaa akun räjähtämisen.
9. Varo kolhimasta tai pudottamasta akkua.
10. Älä käytä viallista akkua.
11. Hävitä akku paikallisten määräysten mukaisesti.

SÄILYTÄ NÄMÄ OHJEET.

HUOMIO: Käytä vain alkuperäisiä Makita-akkuja. Muiden kuin aitojen Makita-akkujen, tai mahdollisesti muutettujen akkujen käyttö voi johtaa akun murtumiseen ja aiheuttaa tulipaloja, henkilö- ja omaisuusvahinkoja. Se mitätöi myös Makita-työkalun ja -laturin Makita-takuun.

Vihjeitä akun käyttöön pidentämiseksi

1. Lataa akku ennen kuin se purkautuu täysin. Lopeta aina työkalun käyttö ja lataa akku, jos huomaat työkalun tehon vähenevän.
2. Älä koskaan lataa uudestaan täysin ladattua akkua. Ylilataaminen lyhentää akun käyttöikää.
3. Lataa akku huoneen lämpötilassa välillä 10 °C - 40 °C. Anna kuuman akun jäähtyä ennen lataamista.

TOIMINTOJEN KUVAUS

▲HUOMIO: Varmista aina ennen säätöjä ja tarkastuksia, että työkalu on sammutettu ja akkupaketti irrotettu.

Akun asentaminen tai irrottaminen

▲HUOMIO: Sammuta työkalu aina ennen akun kiinnittämistä tai irrottamista.

▲HUOMIO: Pidä työkalusta ja akusta tiukasti kiinni, kun irrotat tai kiinnität akkua. Jos akkupaketti tai työkalu putoaa, ne voivat vaurioitua tai aiheuttaa tapaturman.

- **Kuva7:** 1. Punainen merkkivalo 2. Painike
3. Akkupaketti

Irrota akku painamalla akun etupuolella olevaa painiketta ja vetämällä akku ulos työkalusta.

Akku liitetään sovitamalla akun kieleke rungon uraan ja työntämällä se sitten paikoilleen. Työnnä akku pohjaan asti niin, että kuulet sen napsahdavan paikoilleen. Jos painikkeen yläpuolella näkyy punainen ilmaisin, akku ei ole lukkiutunut täysin paikoilleen.

▲HUOMIO: Työnnä akku aina pohjaan asti, niin että punainen ilmaisin ei enää näy. Jos akku ei ole kunnolla paikallaan, se voi pudota työkalusta ja aiheuttaa vammoja joko sinulle tai sivullisille.

▲HUOMIO: Älä käytä voimaa akun asennuksessa. Jos akku ei liu'u paikalleen helposti, se on väärässä asennossa.

Akun suojausjärjestelmä

Työkalu on varustettu akun suojausjärjestelmällä. Tämä järjestelmä pidentää akun käyttöikää katkaisemalla moottorin virran automaattisesti.

Työkalu pysähtyy automaattisesti kesken käytön, jos työkalussa tai akussa ilmenee jokin seuraavista tilanteista:

Ylikuormitus:

Työkalua käytetään tavalla, joka saa sen kuluttamaan epätavallisen paljon virtaa.

Vapauta silloin työkalun liipaisinkytkin ja lopeta ylikuormitustilan aiheuttanut käyttö. Käynnistä sitten työkalu uudelleen painamalla liipaisinkytkintä.

Jos työkalu ei käynnisty, akku on ylikuumentunut. Anna silloin akun jäähtyä, ennen kuin painat liipaisinkytkintä uudelleen.

Alhainen akun jännite:

Akun varaus ei riitä työkalun käyttämiseen. Jos painat liipaisinkytkintä, moottori alkaa toimia, mutta pysähtyy pian. Irrota silloin akku ja lataa se.

Akun jäljellä olevan varaustason ilmaisin

Vain akkupaketeille, joiden mallinumeron lopussa on "B"

- **Kuva8:** 1. Merkkivalot 2. Tarkistuspainike

Painamalla tarkistuspainiketta saat näkyviin akun jäljellä olevan varauksen. Merkkivalot palavat muutaman sekunnin ajan.

Merkkivalot		Akussa jäljellä olevan varaus
Palaa	Pois päältä	
		75% - 100%
		50% - 75%
		25% - 50%
		0% - 25%

HUOMAA: Ilmoitettu varaustaso voi erota hieman todellisesta varaustasosta sen mukaan, millaisissa oloissa ja missä lämpötilassa laitetta käytetään.

Leikkaussyvyyden säätäminen

- **Kuva9:** 1. Kiristysruuvi 2. Syvyystulkki

▲HUOMIO: Kiristä kiristysruuvi aina leikkaussyvyyden säätämisen jälkeen.

Löysennä syvyystulkissa olevaa kiristysruuvia ja siirrä pohjaa ylös tai alas. Kun olet säätänyt sahaussyvyyden sopivaksi, lukitse pohja kiristämällä kiristysruuvi. Aseta syvyys niin, että vain yksi terän hammas ulottuu työkappaleen alapinnan ulkopuolelle, jolloin leikkausjäljestä tulee siisti ja itse leikkaus on turvallisempaa. Oikea leikkaussyvyys vähentää mahdollisen vammautumisriskin aiheuttavan TAKAPOTKUN vaaraa.

Viistosahaus

- **Kuva10:** 1. Kiristysruuvi 2. Viistosahauksen asteikkolevy

Löysennä kiristysruuvia pohjan etuosassa olevassa viistosahauksen asteikkolevyssä. Aseta haluttu kulma (0° - 45°) kallistamalla ja kiristä kiristysruuvi lujasti.

Tähtäys

- **Kuva11:** 1. Sahauslinja

Kun haluat leikata suoraan, kohdistaa pohjan etuosan piste A leikkauslinjaan. Kun haluat tehdä 45° viistosahauksia, kohdistaa piste B leikkauslinjaan.

Kytkimen käyttäminen

- **Kuva12:** 1. Lukituksen vapautusvipu
2. Liipaisinkytkin

▲HUOMIO: Tarkista aina ennen akkupaketin asettamista työkaluun, että liipaisinkytkin kytkeytyy oikein ja palaa ”OFF”-asentoon, kun se vapautetaan.

▲HUOMIO: Älä vedä liipaisinkytkimestä voimakkaasti, ellet samalla paina lukituksen vapautusvivusta. Kytkin voi rikkoutua.

Laitteessa on lukituksen vapautusvipu, joka estää liipaisinkytkimen vahingossa painamisen. Käynnistä työkalu siirtämällä lukituksen vapautusvipua ja vetämällä liipaisinkytkimestä. Pysäytä työkalu vapauttamalla liipaisin.

▲VAROITUS: Käyttäjän turvallisuuden vuoksi työkalussa on lukituksen vapautusvipu, joka estää sen käynnistämisen vahingossa. **ÄLÄ KOSKAAN** käytä työkalua, jos se käynnistyy pelkästään liipaisinkytkintä painamalla painamatta lukituksen vapautusvipua. Toimita työkalu MAKITA-huoltoon korjattavaksi kunnolla ENNEN käytön jatkamista.

▲VAROITUS: ÄLÄ koskaan teippaa tai ohita lukitusvipua.

KOKOONPANO

▲HUOMIO: Varmista aina ennen mitään työkalulle tehtäviä toimenpiteitä, että se on sammutettu ja akku irrotettu.

Pyörösahanterän irrotus ja kiinnitys

- **Kuva13:** 1. Akselilukko 2. Kuusioavain

▲HUOMIO: Varmista, että terä on asennettu hampaat sahan etuosassa osoittamaan ylöspäin.

▲HUOMIO: Käytä terän irrottamiseen ja kiinnittämiseen vain Makitan kiintoavainta.

Terä irrotetaan painamalla karalukitusta täysin niin, ettei terä pääse pyörimään ja löysäämällä sitten kuusiopulttia kiintoavaimella vastapäivään kiertämällä. Irrota sitten kuusiopultti, ulkolaippa ja pyörösahanterä.

- **Kuva14:** 1. Kuusiopultti 2. Ulkolaippa
3. Pyörösahanterä 4. Sisälaippa

Pyörösahanterä kiinnitetään päinvastaisessa järjestyksessä. MUISTA KIRISTÄÄ KUUSIOPULTTI TIUKASTI.

- **Kuva15:** 1. Kuusiopultti 2. Uloke
3. Ulkolaippa 4. Pyörösahanterä 5. Sisälaippa
6. Uloke (paksumpi puoli)

HUOMAA: Jos sisälaippa irtoaa vahingossa, aseta se paikalleen siten, että sen ulkonema (paksumpi puoli) on sisäänpäin kuvassa esitetyllä tavalla.

Muista pyörösahanterän vaihdon yhteydessä puhdistaa terän ylä- ja alasuojus niihin kertyneestä sahanpurusta Kunnossapito-kohdassa kuvatulla tavalla. Tarkista näistä toimenpiteistä huolimatta aina alasuojuksen toiminta ennen jokaista käyttökertaa.

Kuusioavaimen varastointi

- **Kuva16:** 1. Kuusioavain

Säilytä kuusioavainta kuvan osoittamassa paikassa, ettei se pääse katoamaan.

Pölynimurin kytkeminen

Lisävaruste

- **Kuva17:** 1. Pölysuutin (lisävaruste) 2. Ruuvi (lisävaruste)

- **Kuva18**

Jos haluat tehdä sahaustyön siististi, kytke työkaluusi Makita-pölynimuri. Kiinnitä pölysuutin (lisävaruste) työkaluun ruuvilla. Kytke sitten pölynimurin letku pölysuuttimeen kuvan osoittamalla tavalla.

TYÖSKENTELY

▲HUOMIO: Työnnä työkalua kevyesti suoraan eteenpäin. Työkalun pakottaminen tai vääntäminen johtaa moottorin ylikuumentumiseen ja voi aiheuttaa vaarallisen takapotkun ja vakavia vammoja.

HUOMAA: Jos akku on kylmä, työkalu ei ehkä toimi täydellä teholla. Silloin voit esimerkiksi käyttää työkalua kevyisiin tehtäviin, kunnes akku lämpenee huoneenlämpöiseksi. Tämän jälkeen työkalua voi taas käyttää täydellä teholla.

- **Kuva19**

Ota koneesta tukeva ote. Laitteessa on sekä etukahva (moottorin kotelo) että takakahva. Tartu sahaan molemmista. Jos pidät työkalua molemmin käsin, et voi loukata käsiäsi terällä. Aseta leikkurin pohja leikattavan työkappaleen päälle niin, ettei terä kosketa työkappaleeseen. Käynnistä sitten työkalu ja odota, kunnes terä saavuttaa täyden nopeuden. Siirrä nyt työkalua eteenpäin työkappaleen pinnan yli pitämällä sitä suorassa ja edeten tasaisesti, kunnes sahaus on valmis. Saat siistin leikkaustuloksen pitämällä sahauslinja suorana ja etenemisnopeutesi tasaisena. Jos sahaus menee vinoon, älä yritä vääntää tai pakottaa leikkuria takaisin oikeaan linjaan. Terä voi vääntyä ja aiheuttaa vaarallisen takapotkun ja mahdollisesti vakavia vammoja. Vapauta liipaisinkytkin, odota, kunnes pyörösahanterä pysähtyy ja nosta sen jälkeen saha pois. Kohdistaa saha uuteen linjaan ja aloita uusi sahaaminen. Yritä asettaa sellaiseen kohtaan, jossa et joudu alttiiksi sahasta lentävälle purulle ja lastuille. Käytä suojalaseja vammojen välttämiseksi.

Halkaisuohjain (ohjaustulkki)

Lisävaruste

► Kuva20

Kätevän halkaisuohjaimen (ohjaustulkin) avulla voit leikata tarkasti suorassa linjassa. Siirrä halkaisuohjain tiukasti kiinni työkappaleen reunaa vasten ja kiristä se paikoilleen pohjan etuosassa olevalla ruuvilla. Näin voit myös leikata peräkkäin useita saman levyisiä kappaleita.

KUNNOSSAPITO

⚠HUOMIO: Varmista aina ennen tarkastusta tai huoltoa, että työkalu on sammutettu ja akku irrotettu.

⚠HUOMIO: Puhdista ylä- ja alasuojukset ja varmista, ettei niihin ole kertynyt sahanpurua, joka voisi estää alasuojusjärjestelmän toiminnan. Jos suojujärjestelmä on likainen, se ei ehkä toimi asianmukaisesti, mikä voi aiheuttaa vakavia vammoja. Tehokkain puhdistustapa on käyttää paineilmaa. Jos suojuksista lentää pölyä, muista aina käyttää asianmukaisia silmä- ja hengityssuojaimia.

HUOMAUTUS: Älä koskaan käytä bensiiniä, ohenteita, alkoholia tai tms. aineita. Muutoin pinta voi halkeilla tai sen värit ja muoto voivat muuttua. Muutoin laitteeseen voi tulla värjäytymiä, muodon vääristymiä tai halkeamia.

Tuotteen TURVALLISUUDEN ja LUOTETTAVUUDEN takaamiseksi korjaukset, muut huoltotyöt ja säädöt on teetettävä Makitan valtuutetussa huoltopisteessä Makitan varaosia käyttäen.

LISÄVARUSTEET

⚠HUOMIO: Seuraavia lisävarusteita tai laitteita suositellaan käytettäväksi tässä ohjeessa kuvatun Makita-työkalun kanssa. Muiden lisävarusteiden tai laitteiden käyttö voi aiheuttaa henkilövahinkoja. Käytä lisävarusteita ja -laitteita vain niiden käyttötarkoituksen mukaisesti.

Jos tarvitset apua tai yksityiskohtaisempia tietoja seuraavista lisävarusteista, ota yhteys paikalliseen Makitan huoltoon.

- Pyörösahanterä
- Halkaisuohjain (ohjaustulkki)
- Kuusioavain
- Pölysuutin
- Aito Makitan akku ja laturi

HUOMAA: Jotkin luettelossa mainitut varusteet voivat sisältyä työkalun toimitukseen vakiovarusteina. Ne voivat vaihdella maittain.

SPECIFIKĀCIJAS

Modelis:		HS301D	
Asmens diametrs		85 mm	
Maks. zāģēšanas dziļums	pie 0°	25,5 mm	
	pie 45°	16,5 mm	
Ātrums bez slodzes		1 500 min ⁻¹	
Kopējais garums		313 mm	331 mm
Nominālais spriegums		Līdzstrāva 10,8 V	
Akumulatora kasetne		BL 1015, BL 1020B	BL 1040B
Tīrsvars		1,6 kg	1,8 kg

- Nepārtrauktās izpētes un izstrādes programmas dēļ šeit uzrādītās specifikācijas var tikt mainītas bez brīdinājuma.
- Specifikācijas un akumulatora kasetne var atšķirties dažādās valstīs.
- Svārs ar akumulatora kasetni saskaņā ar EPTA-Procedure 01/2003

Paredzētā lietošana

Šis darbarīks paredzēts kokmateriālu taisnvirziena un leņķveida zāģēšanai gareniski un šķērseniski, cieši saskaroties ar apstrādājamo materiālu.

Trokšņa līmenis

Tipiskais A svērtais trokšņa līmenis noteikts saskaņā ar EN60745:

Skaņas spiediena līmeni (L_{pA}): 71 dB (A)

Mainīgums (K): 3 dB (A)

Darbības laikā trokšņa līmenis var pārsniegt 80 dB (A).

▲BRĪDINĀJUMS: Lietojiet ausu aizsargus.

Vibrācija

Vibrācijas kopējā vērtība (trīsasu vektora summa)

noteikta atbilstoši EN60745:

Darba režīms: koksnes zāģēšana

Vibrācijas izmēte ($a_{h,w}$): 2,5 m/s² vai mazāk

Mainīgums (K): 1,5 m/s²

PIEZĪME: Paziņotā vibrācijas emisijas vērtība noteikta atbilstoši standarta pārbaudes metodei un to var izmantot, lai salīdzinātu vienu darbarīku ar citu.

PIEZĪME: Paziņoto vibrācijas emisijas vērtību arī var izmantot iedarbības sākotnējā novērtējumā.

▲BRĪDINĀJUMS: Reāli lietojot elektrisko darbarīku, vibrācijas emisija var atšķirties no paziņotās emisijas vērtības atkarībā no darbarīka izmantošanas veida.

▲BRĪDINĀJUMS: Lai aizsargātu lietotāju, nosakiet drošības pasākumus, kas pamatoti ar iedarbību reālos darba apstākļos (ņemot vērā visus ekspluatācijas cikla posmus, piemēram, laiku, kamēr darbarīks ir izslēgts un kad darbojas tukšgaitā, kā arī palaides laiku).

EK Atbilstības deklarācija

Tikai Eiropas valstīm

Makita paziņo, ka šāds instruments(-i):

Mašīnas nosaukums: Bezvadu rīpžāģis

Modeļa Nr./tips: HS301D

Atbilst sekojošām Eiropas Direktīvām: 2006/42/EC

Ražots saskaņā ar šādu standartu vai normatīvajiem dokumentiem: EN60745

Tehniskā lieta saskaņā ar 2006/42/EC ir pieejama:

Makita, Jan-Baptist Vinkstraat 2, 3070, Beļģija
9.4.2015



Yasushi Fukaya

Direktors

Makita, Jan-Baptist Vinkstraat 2, 3070, Beļģija

Vispārīgi elektrisko darbarīku drošības brīdinājumi

▲BRĪDINĀJUMS: Izlasiet visus drošības brīdinājumus un visus norādījumus. Brīdinājumu un norādījumu neievērošanas gadījumā var rasties elektriskās strāvas trieciens, ugunsgrēks un/vai nopietnas traumas.

Glabājiet visus brīdinājumus un norādījumus, lai varētu tajos ieskatīties turpmāk.

Termins „elektrisks darbarīks” brīdinājumos attiecas uz tādu elektrisko darbarīku, ko darbina ar elektrību (ar vadu), vai tādu, ko darbina ar akumulatoru (bez vada).

Drošības brīdinājumi par bezvadu riņķa lietošanu

Zāgēšanas procedūras

1. **⚠️BĪSTAMI:** Netuviniet rokas griešanas zonai un asmenim. Otru roku turiet uz palīgrokura vai motora korpusa. Ja turat zāģi ar abām rokām, asmens tās nevar sagriezt.
2. **Nesniedzieties zem apstrādājamā materiāla.** Aizsargs neaizsargā no asmens zem apstrādājamā materiāla.
3. **Noregulējiet griešanas dziļumu atbilstoši apstrādājamā materiāla biežumam.** Zem apstrādājamā materiāla jābūt redzamiem nedaudz mazāk nekā veselam zāģa zobam.
4. **Apstrādājamo gabalu nekad neturiet rokās vai pār kāju. Apstrādājamo materiālu piestipriniet stabīlai platformai.** Materiālu ir svarīgi nostiprināt, lai mazinātu apdraudējumu ķermeņim, asmens iekļīšanās vai kontroles zuduma risku.

► Att.1

5. **Ja griešanas darbarīks varētu saskarties ar neredzamu elektroinstalāciju, strādājot turiet mehānisko darbarīku aiz izolētajām satveršanas virsmām.** Saskaņā ar vadu zem sprieguma elektrizēs arī mehāniskā darbarīka nesegtais metāla daļas, un operators var saņemt elektriskās strāvas triecienu.
6. **Zāģējot gareniski, vienmēr izmantojiet garenzāģēšanas ierobežotāju vai aizsargu ar taisnām malām.** Tas uzlabo zāģēšanas precizitāti un mazina asmens iekļīšanās iespēju.
7. **Vienmēr izmantojiet asmeņus jeb zāģripas ar pareiza izmēra un formas (romba vai apaļas) vārpstas stiprinājuma atverēm.** Asmeņi, kas neatbilst zāģa uzstādīšanas sastāvdaļām, darboies nepareizi, izraisot kontroles zudumu.
8. **Nekādā gadījumā nelietojiet bojātas vai neatbilstošas asmens starplikas vai skrūvi.** Asmens paplāksnes un skrūves ir speciāli paredzētas konkrētajam zāģim, lai sniegtu optimālu darba izpildi un drošību.

Atsitiens iemesli un ar to saistīti brīdinājumi

- atsitiens ir pēkšņa pretkustība pēc zāģa asmens iesprūšanas, iekļīšanās vai nepareizas novietošanās, liekot zāģim nekontrolēti pacelties un izvīzīties no apstrādājamā materiāla operatora virzienā;
- kad asmens cieši iesprūst vai iekļījas starp iezāģējumu, kas sakļaujas, asmens apstājas, un dzinēja pretkustība liek aparātam strauji atlēkt atpakaļ operatora virzienā;
- ja asmeni iezāģējumā spiež vai nepareizi novieto, zobi asmens aizmugurējā malā var ieurbties koka virsmā, liekot asmenim izvīzīties no iezāģējuma un atlēkt atpakaļ operatora virzienā.

Atsitiens rodas zāģa nepareizas lietošanas un/vai nepareizas darbības vai apstākļu rezultātā, un no tā var izvairīties, veicot piemērotus drošības pasākumus, kā tālāk norādīts.

1. **Ar abām rokām spēcīgi turiet zāģi, rokas novietojot tā, lai spētu pretoties atsitiens spēkam.** Turiet asmeni vienā ķermeņa pusē, bet neturiet vienā līnijā ar ķermeņa vidusdaļu. Atsitiens var likt zāģim atlēkt atpakaļ, taču atsitiens spēku operators var kontrolēt, ja veic piemērotus drošības pasākumus.

2. **Ja asmens iekļījas vai kāda iemesla dēļ neļauj pabeigt zāģēšanu, atlaidiet mēlīti un nekustini turiet zāģi materiālā, kamēr asmens pilnībā apstājas.** Nekad neņemiet zāģi ārā no materiāla un nevirziet to atpakaļ, ja asmens kustas, jo tā var izraisīt atsitienu. Pārbaudiet un koriģējiet, lai novērstu asmens iekļīšanās cēloņus.
3. **Atsākot zāģa darbību apstrādājamajā materiālā, novietojiet asmeni iezāģējuma centrā un pārbaudiet, vai zāģa zobi nesaskaras ar materiālu.** Ja zāģa asmens ir iekļījies, tas var palēkties vai atsīties no apstrādājamā materiāla, atsākot zāģa darbību.
4. **Atbalstiet lielus gabalus, lai samazinātu asmens iesprūšanu vai atsitienu.** Lielī gabali bieži vien zem sava svāra ieliecas. Atbalsti jānovieto abās pusēs zem gabala, blakus griezumam līnijai un blakus gabala malai.

► Att.2

► Att.3

5. **Neizmantojiet neasus vai bojātus asmeņus.** Neuzasināts vai nepareizi uzstādīts asmens veido šauru iezāģējumu, kas rada pārmērīgu berzi, asmens iekļīšanās vai atsitienu.
6. **Pirms sākt zāģēt pārliecinieties, vai asmens dziļuma un slīpuma regulēšanas sviras ir ciešas un nostiprinātas.** Ja noregulētais asmens griešanas laikā pārvietojas, tas var iekļīties un izraisīt atsitienu.
7. **Īpaši uzmanieties, zāģējot jau esošās sienās vai citās aizsegētās vietās.** Caurejošais asmens var ietriekties priekšmetos, kas var izraisīt atsitienu.
8. **VIENMĒR stingri turiet darbarīku ar abām rokām. NEKAD nelieciet rokas vai pirkstus aiz zāģa.** Ja notiek atsitiens, zāģis var atlēkt atpakaļ virs jūsu rokas, radot smagu traumu.

► Att.4

9. **Nekad nespiediet zāģi. Virziet zāģi uz priekšu tādā ātrumā, lai asmens zāģētu bez palēnināšanās.** Ja spēcīgi spiedīsiet zāģi, zāģējumi būs nevienmērīgi, neprecīzi un radīsies atsitiens risks.

Apakšējā aizsarga darbība

1. **Pirms katras lietošanas reizes pārbaudiet, vai apakšējais aizsargs aizveras pareizi. Nelietojiet zāģi, ja apakšējais aizsargs nevirzās brīvi un nekavējoties neaizveras.** Nekad nepiestipriniet un nepiesieniet apakšējo aizsargu atvērtā stāvoklī. Ja zāģis neļauši nokrīt, apakšējais aizsargs var salocīties. Paceliet apakšējo aizsargu ar ievilkšanas rokturi un pārliecinieties, ka tas virzās brīvi un nepieskaras asmenim vai citai daļai visos griezumma leņķos un dziļumos.
2. **Pārbaudiet apakšējā aizsarga atsperes darbību. Ja aizsargs un atspere nedarbojas pareizi, tie pirms lietošanas jāsalabo.** Apakšējais aizsargs var darboties lēni bojātu daļu, sveķu nosēdumu vai uzkrājušos grūžu dēļ.
3. **Apakšējais aizsargs jāizvelk manuāli tikai īpašas zāģēšanas nolūkā, piemēram, „iezāģējumu” un „kombinētu zāģējumu” gadījumā.** Paceliet apakšējo aizsargu ar ievilkšanas rokturi un, tiklīdz asmens nokļūst materiālā, atlaidiet apakšējo aizsargu. Visu citu zāģēšanas darbu gadījumā apakšējam aizsargam jādarbojas automātiski.

4. **Pirms novietot zāģi uz sola vai grīdas, vienmēr pārbaudiet, vai apakšējais aizsargs nosedz asmeni.** Neaizsargāts asmens, kas kustas pēc inerces, virzīs zāģi atpakaļ, sagriežot visu, kas ir tā ceļā. Atcerieties, ka pēc slēdža atlaišanas asmenim nepieciešams laiks, lai apstātos.
5. **Lai pārbaudītu apakšējo aizsargu, atveriet to ar roku, tad atlaidiet un novērojiet, kā tas aizveras.** Pārbaudiet arī, vai ievilkšanas rokturis nepieskaras darbarīka korpusam. Neaizsegts asmens ir ĻOTI BĪSTAMS un var radīt smagas traumas.

Papildu drošības brīdinājumi

1. **Ievērojiet sevišķu piesardzību, zāģējot mitru koksni, ar spiedienu apstrādātu zāģmateriālu vai zarus.** Neregulējiet zāģēšanas ātrumu tā, lai darbarīks vienmērīgi palielinātu ātrumu, nesamazinot asmens ātrumu un nepieļaujot asmens malu pārkaršanu.
2. **Neņemiet nost sagriezto materiālu, kamēr asmens griežas. Pirms sazāģētā materiāla satveršanas nogaidiet, līdz asmens apstājas.** Asmeņi pēc darbarīka izslēgšanās turpina kustēties pēc inerces.
3. **Negrieziet naglas. Pirms zāģēšanas pārbaudiet, vai zāģmateriālā nav naglu, un tās izņemiet.**
4. **Zāģa pamata platāko daļu novietojiet uz tās apstrādājamā materiāla daļas, kas ir cieši atbalstīta, nevis uz daļas, kas pēc nogriešanas nokrītīs. Ja apstrādājamais materiāls ir īss vai mazs, piestipriniet to. NETURIET ĪSOS GABALUS ROKĀS!**

► Att.5

5. **Pirms nolaist darbarīku, pabeidzot zāģēšanu, pārliecinieties, ka apakšējais aizsargs ir aizvēries un asmens ir pilnībā apstājies.**
6. **Nekad nezāģējiet, ja ripzāģis skrūvspilēs iestiprināts otrādi. Tas ir ārkārtīgi bīstami un var izraisīt smagus negadījumus.**

► Att.6

7. **Daži materiāli satur ķīmiskas vielas, kas var būt toksiskas. Izvairieties no putekļu ielpošanas un to nokļūšanas uz ādas. Ievērojiet materiāla piegādātāja drošības datus.**
8. **Nemēģiniet apstādināt asmeņus, no sāniem spiežot uz zāģa asmens.**
9. **Neizmantojiet abrazīvās ripas.**
10. **Izmantojiet zāģa asmeņus tikai ar tādu diametru, kāds norādīts uz darbarīka vai rokasgrāmatā.** Izmantojot nepareiza izmēra asmeni, var tikt ietekmēta asmens pienācīga aizsardzība vai aizsarga darbība, un tas var izraisīt smagas traumas.
11. **Uzturiet asmeni asu un tīru.** Ja asmeņiem pielipuši sveķi un koka darva, zāģa darbība kļūst lēnāka un atsietena risks palielinās. Rūpējieties, lai asmens būtu tīrs, vispirms to noņemot nost no darbarīka, tad notīrot ar sveķu un darvas tīrītāju, karstu ūdeni vai petroleju. Nekad neizmantojiet benzīnu.
12. **Lietojot darbarīku, izmantojiet putekļu masku un ausu aizsargus.**

SAGLABĀJIET ŠOS NORĀDĪJUMUS.

▲BRĪDINĀJUMS: NEPIEĻAUJIET to, ka labu iemaņu vai izstrādājuma labas pārzināšanas (darbarīku atkārtoti ekspluatējot) rezultātā vairs stingri neievērojat šī izstrādājuma drošības noteikumus. **NEPAREIZI LIETOJOT** darbarīku vai neievērojot šajā instrukciju rokasgrāmatā minētos drošības noteikumus, var tikt gūtas smagas traumas.

Svarīgi drošības norādījumi par akumulatora kasetni

1. **Pirms akumulatora lietošanas izlasiet visus norādījumus un brīdinājumus, kuri attiecas uz (1) akumulatora lādētāju, (2) akumulatoru un (3) ierīci, kurā tiek izmantots akumulators.**
 2. **Neizjauciet akumulatoru.**
 3. **Ja akumulatora darbības laiks kļūva ievērojami īsāks, nekavējoties pārtrauciet to izmantot. Citādi, tas var izraisīt pārkaršējumu, uzliesmojumu vai pat sprādzienu.**
 4. **Ja elektrolīts nonāk acīs, izskalojiet tās ar tīru ūdens un nekavējoties griezieties pie ārsta. Tas var izraisīt redzes zaudēšanu.**
 5. **Neradiet īssavienojumu akumulatora kasetnē:**
 - (1) Nepieskarieties spaiļiem ar elektrību vadošiem materiāliem.
 - (2) Neuzglabājiet akumulatoru kasetni kopā ar citiem metāla priekšmetiem, tādiem kā naglas, monētas u. c.
 - (3) **Nepakļaujiet akumulatora kasetni ūdens vai lietus iedarbībai.**
- Akumulatora īssavienojums var radīt spēcīgu strāvas plūsmu, pārkaršanu, uzliesmojumu un pat sabojāt akumulatoru.
6. **Neglabājiet darbarīku un akumulatora kasetni vietās, kur temperatūra var sasniegt vai pārsniegt 50 °C (122 °F).**
 7. **Nededziniet akumulatora kasetni, pat ja tā ir stipri bojāta vai pilnībā nolietota. Akumulatora kasetne ugunī var eksplodēt.**
 8. **Uzmanieties, lai neļautu akumulatoram nokrist un nepakļautu to sītienam.**
 9. **Neizmantojiet bojātu akumulatoru.**
 10. **Ievērojiet vietējos noteikumus par akumulatora likvidēšanu.**

SAGLABĀJIET ŠOS NORĀDĪJUMUS.

▲UZMANĪBU: Lietojiet tikai oriģinālos Makita akumulatorus. Ja lietojat neoriģinālus Makita akumulatorus vai pārveidotus akumulatorus, tie var uzsprāgt un izraisīt aizdegšanos, traumas un materiālos zaudējumus. Tikas anulēta arī Makita darbarīka un lādētāja garantija.

Ieteikumi akumulatora kalpošanas laika pagarināšanai

1. **Uzlādējiet akumulatora kasetni, pirms tā ir pilnībā izlādējusies. Vienmēr, kad ievērojat, ka darbarīka darba jauda zudusi, apturiet darbarīku un uzlādējiet akumulatora kasetni.**

2. Nekad neuzlādējiet pilnībā uzlādētu akumulatora kasetni. Pārmērīga uzlāde saīsina akumulatora kalpošanas laiku.
3. Uzlādējiet akumulatora kasetni istabas temperatūrā 10 °C - 40 °C. Karstai akumulatora kasetnei pirms uzlādes ļaujiet atdzist.

FUNKCIJU APRAKSTS

⚠UZMANĪBU: Pirms darbarīka regulēšanas vai tā darbības pārbaudes vienmēr pārlicinieties, ka darbarīks ir izslēgts un akumulatora kasetne ir izņemta.

Akumulatora kasetnes uzstādīšana un izņemšana

⚠UZMANĪBU: Vienmēr pirms akumulatora kasetnes uzstādīšanas vai noņemšanas izslēdziet darbarīku.

⚠UZMANĪBU: Uzstādot vai izņemot akumulatora kasetni, darbarīku un akumulatora kasetni turiet cieši. Ja darbarīku un akumulatora kasetni netur cieši, tie var izkrist no rokām un radīt bojājumus darbarīkam un akumulatora kasetnei, kā arī izraisīt ievainojumus.

- **Att.7:** 1. Sarkanās krāsas indikators 2. Poga
3. Akumulatora kasetne

Lai izņemtu akumulatora kasetni, izvelciet to no darbarīka, pārīdodot kasetnes priekšpusē esošo pogu.

Lai uzstādītu akumulatora kasetni, salāgojiet mēlīti uz akumulatora kasetnes ar rievu ietvarā un iebīdīet to vietā. Ievietojiet to līdz galam, līdz tā ar klikšķi nofiksējas. Ja pogas augšējā daļā redzams sarkanais krāsas indikators, tas nozīmē, ka tā nav pilnīgi fiksēta.

⚠UZMANĪBU: Vienmēr ievietojiet akumulatora kasetni tā, lai sarkanais indikators nebūtu redzams. Pretējā gadījumā tā var nejauši izkrist no darbarīka un izraisīt jums vai apkārtējiem traumas.

⚠UZMANĪBU: Neievietojiet akumulatora kasetni ar spēku. Ja kasetne neslīd ietvarā viegli, tā nav pareizi ielikta.

Akumulatora aizsardzības sistēma

Darbarīks ir aprīkots ar akumulatora aizsardzības sistēmu. Šī sistēma automātiski izslēdz jaudas padevi motoram, lai pagarinātu akumulatora kalpošanas laiku. Darbarīks automātiski pārstās darboties ekspluatācijas laikā, ja darbarīku un/vai akumulatoru pakļaus kādam no tālāk minētajiem apstākļiem:

Pārslodze:

Darbarīku ekspluatācijas laikā lieto tādā veidā, ka tas saista pārmērīgu strāvu. Šādā gadījumā atļaidiet darbarīka slēdža mēlīti un pārtrauciet darbību, kas izraisīja darbarīka pārslodzi. Pēc tam vēlreiz nospiediet slēdža mēlīti, lai atsāktu. Ja darbarīks nesāk darboties, akumulators ir pārkarsis. Šādā gadījumā ļaujiet akumulatoram atdzist pirms vēlreiz nospiegt slēdža mēlīti.

Zema akumulatora jauda:

Akumulatora atlikusī jauda ir pārāk zema, un darbarīks nedarbosies. Ja nospiedīsiet slēdža mēlīti, motors vēlreiz sāks darboties, taču drīz apstāsies. Šādā gadījumā akumulatoru noņemiet un uzlādējiet.

Atlikušās akumulatora jaudas indikators

Tikai akumulatoru kasetnēm, kuru modeļa numura beigās ir burts „B”

- **Att.8:** 1. Indikatora lampas 2. Pārbaudes poga

Nospiediet akumulatora kasetnes pārbaudes pogu, lai pārbaudītu akumulatora atlikušo uzlādes līmeni. Indikatori iedegsies uz dažām sekundēm.

Indikatora lampas		Atlikusī jauda
Iededzies	Izslēgts	
■ ■ ■ ■	□	No 75% līdz 100%
■ ■ ■ □	□	No 50% līdz 75%
■ ■ □ □	□	No 25% līdz 50%
■ □ □ □	□	No 0% līdz 25%

PIEZĪME: Reālā jauda var nedaudz atšķirties no norādītās atkarībā no lietošanas apstākļiem un apkārtējās temperatūras.

Griezuma dziļuma regulēšana

- **Att.9:** 1. Spilējuma skrūve 2. Dziļuma vadotne

⚠UZMANĪBU: Pēc griešanas dziļuma regulēšanas vienmēr cieši pievelciet spilējuma skrūvi.

Atļaidiet dziļuma vadotnes spilējuma skrūvi un pārvietojiet pamatni uz augšu vai leju. Nostipriniet pamatni vēlāmajai griešanas dziļumam, pievelkot spilējuma skrūvi. Lai zāģējums būtu tīrāks un drošāks, iestatiet zāģēšanas dziļumu tā, lai zem apstrādājamā materiāla būtu redzams ne vairāk kā viens asmens zobs. Izmantojot pareizu zāģēšanas dziļumu, iespējams samazināt bīstamus ATSIETIENUS, kas var radīt traumas.

Slīpā zāģēšana

- **Att.10:** 1. Spilējuma skrūve 2. Slīpļeņķa skalas plāksne

Atskrūvējiet slīpļeņķa skalas plāksnes spilējuma skrūvi pamatnes priekšējā daļā. Iestatiet vēlamo leņķi (no 0° līdz 45°), attiecīgi sasverot, tad cieši pievelciet spilējuma skrūvi.

Mērķēšana

- **Att.11:** 1. Griešanas līnija

Lai zāģētu taisni, salāgojiet A stāvokli uz pamatnes priekšējās daļas ar vajadzīgo zāģēšanas līniju. Lai zāģētu 45° slīpā leņķī, salāgojiet ar to B stāvokli.

Slēdža darbība

► **Att.12:** 1. Atbloķēšanas svira 2. Slēdža mēlīte

⚠UZMANĪBU: Pirms akumulatora kasetnes uzstādīšanas darbarīkā vienmēr pārbaudiet, vai slēdža mēlīte darbojas pareizi un pēc atlaišanas atgriežas stāvoklī „OFF” (Izslēgts).

⚠UZMANĪBU: Nevelciet slēdža mēlīti ar spēku, nenospiežot atbloķēšanas sviru. Citādi var sabojāt slēdzi.

Lai nepieļautu slēdža mēlītes nejašu nospiešanu, darbarīks ir aprīkots ar atbloķēšanas sviru. Lai ieslēgtu darbarīku, pārbidiet atbloķēšanas sviru un pavelciet slēdža mēlīti. Lai apturētu darbarīku, atlaidiet slēdža mēlīti.

⚠BRĪDINĀJUMS: Drošības nolūkos šis darbarīks ir aprīkots ar atbloķēšanas sviru, kas nepieļauj darbarīka nejašu ieslēgšanu. **NEKĀDĀ GADĪJUMĀ** nelietojiet darbarīku, ja tas darbojas, pavelkot slēdža mēlīti un nenospiežot atbloķēšanas sviru. **PIRMS** turpmākas ekspluatācijas nododiet darbarīku MAKITA apkopes centrā, lai to atbilstīgi salabotu.

⚠BRĪDINĀJUMS: NEKAD nenovērtējiet par zemu un neignorējiet atbloķēšanas sviras mērķi un funkcijas.

MONTĀŽA

⚠UZMANĪBU: Pirms darbarīka regulēšanas vai apkopes vienmēr pārliecinieties, ka darbarīks ir izslēgts un akumulatora kasetne ir izņemta.

Ripzāga asmens noņemšana vai uzstādīšana

► **Att.13:** 1. Vārpstas bloķētājs 2. Sešstūru uzgriežņu atslēga

⚠UZMANĪBU: Pārbaudiet, vai ripzāga asmens ir uzstādīts tā, ka tā zobi vērsti augšup pret darbarīka priekšpusi.

⚠UZMANĪBU: Uzstādiet vai noņemiet ripzāga asmeni tikai ar Makita uzgriežņu atslēgu.

Lai noņemtu ripzāga asmeni, nospiediet vārpstas bloķētāju līdz galam, lai asmens nevarētu griezties, un ar uzgriežņu atslēgu pretēji pulksteņrādītāju kustības virzienam atskrūvējiet sešstūru galvas skrūvi. Pēc tam izņemiet sešstūru galvas skrūvi, ārējo atloku un ripzāga asmeni.

► **Att.14:** 1. Sešstūru galvas skrūve 2. Ārējais atloks 3. Ripzāga asmens 4. Iekšējais atloks

Lai uzstādītu ripzāga asmeni, izpildiet noņemšanas darbības pretējā secībā. SEŠSTŪRU GALVAS SKRŪVI NOTEIKTI CIEŠI PIEVELCIET PULKSTĒNRĀDĪTĀJU KUSTĪBAS VIRZIENĀ.

► **Att.15:** 1. Sešstūru galvas skrūve 2. Izvirzījums 3. Ārējais atloks 4. Ripzāga asmens 5. Iekšējais atloks 6. Izvirzījums (lielākā daļa)

PIEZĪME: Ja iekšējais atloks tiek nejaši noņemts, uzstādiet iekšējo atloku tā, lai tā izvirzījums (lielākā daļa) būtu vērsts uz iekšpusi, kā redzams attēlā.

Nomainot ripzāga asmeni, noteikti notīriet arī uzkrājušās zāģu skaidas no augšējā un apakšējā asmens aizsarga, kā aprakstīts sadaļā „Apkope”. Šīs darbības nevar aizvietot apakšējā aizsarga darbības pārbaudi pirms katras ekspluatācijas reizes.

Sešstūru uzgriežņu atslēgas uzglabāšana

► **Att.16:** 1. Sešstūru uzgriežņu atslēga

Kad sešstūru uzgriežņu atslēga netiek lietota, uzglabājiet to, kā parādīts zīmējumā, lai nepazaudētu.

Putekļsūcēja pievienošana

Papildu piederumi

► **Att.17:** 1. Putekļu uzgalis (papildu piederums) 2. Skrūve (papildu piederums)

► **Att.18**

Ja zāģējot vēlaties saglabāt tīrību, pievienojiet darbarīkam Makita putekļsūcēju. Ar skrūvēm pie darbarīka pieskrūvējiet putekļu uzgali (papildu piederums). Tad pie putekļu uzgala pievienojiet putekļsūcēja šūteni, kā attēlots zīmējumā.

EKSPLUATĀCIJA

⚠UZMANĪBU: Vienmēr saudzīgi virziet darbarīku uz priekšu taisnā līnijā. Ja darbarīku spēcīgi spiedīsīt vai grozīsīt, motors var pārkarst un iespējams radīt bīstamu atsitieni, kas var izraisīt smagas traumas.

PIEZĪME: Ja akumulatora kasetnes temperatūra ir zema, darbarīks var neizmantot pilnu akumulatora nominālo ietilpību. Tādā gadījumā izmantojiet darbarīku nelielām zāģēšanas darbībām, kamēr akumulatora kasetne uzsilst līdz istabas temperatūrai. Tad darbarīks varēs izmantot pilnu akumulatora ietilpību.

► **Att.19**

Turiet darbarīku cieši. Darbarīks ir aprīkots gan ar priekšējo (motora korpusu), gan aizmugurējo rokturi. Izmantojiet abus, lai labāk satvertu darbarīku. Ja zāģi tur ar abām rokām, ripzāga asmens nevar tās sagriezt. Novietojiet pamatni uz apstrādājamā materiāla, ripzāga asmenim ar to nesaskaroties. Tad ieslēdziet darbarīku un nogaidiet, līdz ripzāga asmens sasniedz pilnu ātrumu. Pēc tam virziet darbarīku pāri apstrādājamā materiāla virsmai, turot to līdzēni un vienmērīgi virzot uz priekšu, kamēr zāģēšana ir pabeigta. Lai zāģēšana būtu precīza, saglabājiet taisnu zāģēšanas līniju un vienmērīgu virzīšanas ātrumu. Ja zāģis nezāģē paredzētajā zāģēšanas līnijā, nemēģiniet darbarīku pagriezt vai ar spēku aizstumt atpakaļ uz zāģēšanas līniju. Šādi rīkojoties, var saliekt ripzāga asmeni un tādējādi izraisīt bīstamu atsitieni un potenciāli bīstamu traumu. Atlaidiet slēdzi, nogaidiet, līdz ripzāga asmens pārstāj darboties, tad izņemiet darbarīku no zāģējuma. Uzstādiet uz jaunās zāģējuma līnijas un sāciet zāģēt vēlreiz. Centieties izvairīties no tāda zāģa stāvokļa,

kad no zāģa izmestās skaidas un koksnes putekļus izsviež pret operatoru. Lai izvairītos no traumām, izmantojiet acu aizsarglīdzekļus.

Garenzāģēšanas ierobežotājs (vadotnes lineāls)

Papildu piederumi

► Att.20

Parocīgais garenzāģēšanas ierobežotājs ļauj zāģēt ļoti precīzi. Piebīdīet garenzāģēšanas ierobežotāju cieši pie apstrādājamā materiāla malas un nostipriniet to paredzētajā vietā ar pamatnes priekšējā daļā esošo skrūvi. Tas arī ļauj veikt vairākus zāģējumus vienādā platumā.

APKOPE

⚠UZMANĪBU: Pirms darbarīka pārbaudes vai apkopes vienmēr pārlicinieties, ka darbarīks ir izslēgts un akumulatora kasetne ir izņemta.

⚠UZMANĪBU: Notīriet arī uzkrājušās zāģskaidas no augšējā un apakšējā asmens aizsarga, jo tās var traucēt apakšējās aizsargsistēmas darbību. Netīra aizsargsistēma var traucēt pareizai lietošanai, un tas var izraisīt smagas traumas. Visefektīvāk šo tīrīšanu var veikt ar saspiestu gaisu. Ja putekļi tiek izpūsti ārā pa aizsargu, noteikti izmantojiet piemērotus acu un elpceļu aizsarglīdzekļus.

IEVĒRĪBAI: Nekad neizmantojiet gazolīnu, benzīnu, atšķaidītāju, spirtu vai līdzīgus šķidrumus. Tas var radīt izbalēšanu, deformāciju vai plaisas.

Lai saglabātu izstrādājuma DROŠU un UZTICAMU darbību, remontdarbus, apkopi un regulēšanu uzticiet veikt tikai Makita pilnvarotam vai rūpnīcas apkopes centram, un vienmēr izmantojiet tikai Makita rezerves daļas.

PAPILDU PIEDERUMI

⚠UZMANĪBU: Šādi piederumi un papildierīces tiek ieteiktas lietošanai ar šajā rokasgrāmatā aprakstīto Makita darbarīku. Izmantojot citus piederumus vai papildierīces, var tikt radīta traumu gūšanas bīstamība. Piederumu vai papildierīci izmantojiet tikai paredzētajam mērķim.

Ja jums vajadzīga palīdzība vai precīzāka informācija par šiem piederumiem, vērsieties savā tuvākajā Makita apkopes centrā.

- Ripzāģa asmens
- Garenzāģēšanas ierobežotājs (vadotnes lineāls)
- Sešstūru uzgriežņu atslēga
- Putekļu uzgalis
- Makita oriģinālais akumulators un lādētājs

PIEZĪME: Daži sarakstā norādītie izstrādājumi var būt iekļauti instrumenta komplektācijā kā standarta piederumi. Tie dažādās valstīs var būt atšķirīgi.

SPECIFIKACIJOS

Modelis:		HS301D	
Disko skersmuo		85 mm	
Maks. pjovimo gylis	0° kampu	25,5 mm	
	45° kampu	16,5 mm	
Be apkrovos		1 500 min ⁻¹	
Bendrasis ilgis		313 mm	331 mm
Vardinė įtampa		Nuol. sr. 10,8 V	
Akumuliatoriaus kasetė		BL1015, BL1020B	BL1040B
Grynasis svoris		1,6 kg	1,8 kg

- Atliekame tęstinius tyrimus ir nuolatos tobuliname savo gaminius, todėl čia pateikiamos specifikacijos gali būti keičiamos be įspėjimo.
- Įvairiose šalyse specifikacijos ir akumuliatoriaus kasetė gali skirtis.
- Svoris su akumuliatoriaus kasete pagal 2003-01 EPTA procedūrą

Numatytoji naudojimo paskirtis

Šis įrankis skirtas tiesiems ir nuožambiams pjūviams įvairiais kampais išilgai ir skersai pjauti, įrankiu tvirtai spaudžiant ruošinį.

Triukšmas

Įprastas triukšmo A lygis, nustatytas pagal EN60745:
Garso slėgio lygis (L_{pA}): 71 dB (A)
Paklaida (K): 3 dB (A)
Dirbant triukšmo lygis gali viršyti 80 dB (A).

▲ĮSPĖJIMAS: Dėvėkite ausų apsaugą.

Vibracija

Vibracijos bendroji vertė (triasio vektorius suma) nustatyta pagal EN60745 standartą:
Darbo režimas: medžio pjovimas
Vibracijos emisija ($a_{h,w}$): 2,5 m/s² arba mažiau
Paklaida (K): 1,5 m/s²

PASTABA: Paskelbtasis vibracijos emisijos dydis nustatytas pagal standartinį testavimo metodą ir jį galima naudoti vienam įrankiui palyginuti su kitu.

PASTABA: Paskelbtasis vibracijos emisijos dydis taip pat gali būti naudojamas preliminariai įvertinti vibracijos poveikį.

▲ĮSPĖJIMAS: Faktiškai naudojant elektrinį įrankį, keliamos vibracijos dydis gali skirtis nuo paskelbtojo dydžio, priklausomai nuo būdų, kuriais yra naudojamas šis įrankis.

▲ĮSPĖJIMAS: Siekdami apsaugoti operatorių, būtina įvertinkite saugos priemones, remdamiesi vibracijos poveikio įvertinimu esant faktinėms naudojimo sąlygoms (atsižvelgdami į visas darbo ciklo dalis, pavyzdžiui, ne tik kiek laiko įrankis veikia, bet ir kiek kartų jis yra išjungiamas bei kai jis veikia be apkrovų).

ES atitikties deklaracija

Tik Europos šalims

Bendrovė „Makita“ atsakingai pareiškia, kad šis įrenginys (-iai):
Mechanizmo pavadinimas: Belaidis diskinis pjūklas
Modelio Nr. / tipas: HS301D
Atitinka šias Europos direktyvas: 2006/42/EC
Yra pagaminti pagal šį standartą arba normatyvinius dokumentus: EN60745
Techninį dokumentą pagal 2006/42/EC galima gauti iš:
Makita, Jan-Baptist Vinkstraat 2, 3070, Belgium (Belgija)
9.4.2015

Yasushi Fukaya

Yasushi Fukaya
Direktorius
Makita, Jan-Baptist Vinkstraat 2, 3070, Belgium (Belgija)

Bendrieji įspėjimai dirbant elektriniais įrankiais

▲ĮSPĖJIMAS: Perskaitykite visus saugos įspėjimus ir visą instrukciją. Nesilaikydami toliau pateiktų įspėjimų ir instrukcijų galite patirti elektros smūgį, gaisrą ir (arba) sunkų sužeidimą.

Išsaugokite visus įspėjimus ir instrukcijas, kad galėtumėte jas peržiūrėti ateityje.

Terminas „elektrinis įrankis“ pateiktuose įspėjimuose reiškia į maitinimo tinklą jungiamą (laidinį) elektrinį įrankį arba akumuliatoriaus maitinamą (belaidį) elektrinį įrankį.

Ispėjimai dėl akumuliatorinio diskinio pjūklų saugos

Pjovimo darbų tvarka

1. **⚠️ PAVOJUS:** rankas laikykite kuo toliau nuo pjovimo vietos ir geležtės. Kitą ranką laikykite ant pagalbines rankenas arba variklio korpuso. Jei pjūklą laikysite abiem rankomis, geležtė negalės jų įpjauti.
2. **Nekiškite rankų po ruošiniu.** Po ruošiniu apsauginis įtaisas negali apsaugoti jūsų nuo geležtės.
3. **Pjovimo gylį sureguliuokite pagal ruošinio storį.** Po ruošiniu turi matytis mažiau nei vienas visas geležtės dantis.
4. **Pjaunamo daikto jokiū būdu nelaikykite rankose ar tarp kojų. Ruošinį prtvirtinkite prie stabiliaus darbstačio.** Labai svarbu tinkamai paremti ruošinį, kad kiltų kuo mažiau pavojų kūnui, kad nelinktų geležtė ir kad neprarastumėte kontrolės.

► Pav.1

5. **Laikykite elektrinį įrankį tik už izoliuotų paviršių, jei pjovimo įrankis gali paliesti nematomus laidus.** Prisiilietus prie laido, kuriuo teka elektros srovė, įtampa bus perduota neizoliuotoms metalinėms elektrinio įrankio dalims ir operatorius patirs elektros smūgį.
6. **Darydami prapjovimo darbus, visuomet naudokite prapjovos kreiptuvą arba tiesią krašto kreipiamąją.** Taip pjūvis bus tikslesnis ir sumažės tikimybė, kad geležtė užstrigs ruošinyje.
7. **Geležtes naudokite tik su tinkamo dydžio ir formos (deimantinėmis ar apvaliomis) angomis.** Geležtės, kurios netinka montavimo pjūklei įtaisams, slinks į šalį, todėl nesuvaldysite įrankio.
8. **Niekada nenaudokite apgadintų arba netinkamų geležtės poveržlių arba varžto.** Geležtės poveržlės ir varžtai specialiai pagaminti šiam pjūklui, kad jis būtų optimaliai našus ir saugus.

Atatrankos priežastys ir su ja susiję išpėjimai

- Atatranka yra staigi reakcija į pjūklą geležtės įstrigimą, sulinkimą ar išsiderinimą, dėl kurių nevaldomas pjūklas pakyla ir iššoka iš ruošinio operatoriaus link;
- Jei geležtė įstringa arba smarkiai sulinksta užsidarant įpjovai, geležtė stringa, o variklio reakcija staigiai nukreipia įrankį operatoriaus link;
- Jei geležtė susisuka arba išsiderina įpjovoje, galinėje geležtės briaunoje esantys dantukai gali įlįsti į medienos paviršių ir todėl geležtė iššoks iš įpjovos operatoriaus link.

Atatranka yra piktnaudžiavimo pjūklų ir (arba) netinkamų darbo procedūrų ar sąlygų rezultatas, jos galima išvengti vadovaujantis toliau nurodytomis atsargumo priemonėmis.

1. **Tvirtai laikykite pjūklą abiem rankomis, rankas laikykite taip, kad jos atlaikytų atatrankos jėgą. Stovėkite bet kurioje geležtės pusėje, bet ne vienoje linijoje su ja.** Dėl atatrankos pjūklas gali atšokti atgal, bet operatorius gali valdyti atatrankos jėgą, jei imasi reikiamų atsargumo priemonių.
2. **Jei geležtė sulinksta arba pjovimas pertraukiamas dėl kitos priežasties, atleiskite gaiduką ir nejudinkite pjūklą ruošinyje, kol geležtė visiškai nesustos.** Jokiū būdu nemėginkite ištraukti pjūklą iš ruošinio arba traukti pjūklą atgal, kol geležtė juda, antraip įvyks atatranka. Apžiūrėkite ir imkitės priemonių

geležtės sulinkimo priežastiai pašalinti.

3. **Išstatydami pjūklą atgal į ruošinį, pjovimo geležtę įstatykite įpjovos centre ir patikrinkite, ar pjūklą dantukai nėra įstrigę ruošinyje.** Jei pjūklą geležtė linksta, ji gali pakilti arba iššokti iš ruošinio vėl įjungus pjūklą.
4. **Didelės plokštės paremkite ir taip sumažinkite pavojų, kad geležtė bus suspausta ir iššoks.** Didelės plokštės linksta dėl savo pačių svorio. Atramas reikia dėti po plokštę iš abiejų pusių, netoli pjovimo linijos ir greta plokštės briaunos.

► Pav.2

► Pav.3

5. **Nenaudokite atšipusių ar sugadintų geležčių.** Naudojant nepagaląstas arba netinkamai nustatytas geležtes gaunama siaura įpjova, dėl to padidėja trintis, linksta geležtė ir kyla atatranka.
6. **Prieš atliekant pjūvį, geležtės gylis ir nuožulnumo reguliavimo-fiksavimo svirtys turi būti gerai prtvirtintos ir priveržtos.** Jei geležtės reguliavimas pasikeis pjaunant, geležtė gali sulinkti ar iššokti.
7. **Būkite ypač atsargūs, kai darote pjūvius sienose arba kitose aklinese vietose.** Išsikišusi geležtė gali pataikyti į objektus ir nuo jų atšokti.
8. **VISUOMET tvirtai laikykite įrankį abiem rankomis. NEDĖKITE rankų ar pirštų už pjūklą.** Įvykus atatrankai, pjūklas gali atšokti atgal per jūsų ranką, todėl galima patirti sunkių sužalojimų.

► Pav.4

9. **Nedirbkite pjūklų per jėgą. Stumkite pjūklą tokiu greičiu, kad geležtė pjautų nelėtėdama.** Spaudžiant pjūklą, galimi nelygūs pjūviai, tikslumo sumažėjimas ir atatranka.

Apatinio apsaugos įtaiso veikimas

1. **Prieš kiekvieną naudojimą patikrinkite, ar apatinis apsauginis įtaisas tinkamai užsidaro. Nenaudokite pjūklų, jei apatinis apsauginis įtaisas nejuda laisvai ir neužsidaro iš karto.** Jokiū būdu neįtvirtinkite ir nepriirškite apatinio apsauginio įtaiso atviroje padėtyje. Jei pjūklas netyčia išmetamas, apatinis apsauginis įtaisas gali sulinkti. Pakelkite apatinį apsauginį įtaisą atitraukiami rankena ir įsitinkite, ar jis laisvai juda ir neliečia geležtės ar kitos dalies, esant bet kokiam pjūvio kampui ir gyliui.
2. **Patikrinkite apatinio apsauginio įtaiso spyruoklės veikimą. Jei apsauginis įtaisas ir spyruoklė neveikia tinkamai, prieš naudojimą juos reikia sustvarkyti.** Apatinis apsauginis įtaisas gali veikti lėtai dėl pažeistų dalių, lipnių nuosėdų ar susikaupusių nešvarumų.
3. **Apatinį apsauginį įtaisą galima įtraukti ranka, bet tik atliekant specialius pjovimo darbus, pvz., gilius pjūvius arba sudėtinis pjūvius.** Nuleiskite apatinį apsauginį įtaisą įtraukimo rankena, o kai tik diskas įpjaua medžiagą, paleiskite apatinį apsauginį įtaisą. Darant kitus pjūvius, apatinė apsauga turi veikti automatiškai.
4. **Prieš dėdami pjūklą ant suolo ar grindų, patikrinkite, ar apatinis apsaugos įtaisas uždengia geležtę.** Neapsaugota iš inercijos judanti geležtė privers pjūklą važiuoti atgal, pjaunant viską savo kelyje. Atkreipkite dėmesį į laiką, kurio reikia, kad

geležtė sustotų atleidus jungiklį.

5. Norėdami patikrinti apatinį apsaugos įtaisą, atidarykite apatinį apsaugos įtaisą ranka, tuomet atleiskite ir stebėkite, kaip jis užsidaro. Taip pat patikrinkite, ar atitraukimo rankenėlė neliečia įrankio korpuso. Palikite diską atvirą LABAI PAVOJINGA, galima sunkiai susižaloti.

Papildomi įspėjimai dėl saugos

1. Būkite ypač budrūs, kai pjaunate drėgną medieną, suslėgtus rąstus arba medį su šakomis. Vienodu greičiu stumkite įrankį pirmyn, nemažindami pjūklo greičio, kad neperkaistų pjūklo galiukai.
2. Nemėginkite nuimti atpjautos medžiagos geležtei judant. Prieš imdami nupjautą medžiagą, palaukite, kol geležtė sustos. Išjungus įrankį, geležtės dar sukasi iš inercijos.
3. Nepjunkite vinių. Prieš pjudami apžiūrėkite medieną ir išimkite visas vinis.
4. Pletesnę pjūklo pagrindo dalį dėkite ant tos ruošinio dalies, kuri gerai paremta, o ne ant tos, kuri nukris baigus pjauti. Jei ruošinys trumpas arba smulkus, spaustuvais. NEMĖGINKITE LAIKYTI TRUMPO RUOŠINIO RANKA!

► Pav.5

5. Prieš pastatydami įrankį, kai baigėte pjauti, įsitikinkite, ar apatinis apsauginis įtaisas užsidarė, o geležtė visiškai sustojė.
6. Nemėginkite pjauti apskritu pjūklų apvertę jį spaustuvuose. Tai ypač pavojinga, todėl gali įvykti sunkus nelaimingas atsitikimas.

► Pav.6

7. Kai kuriose medžiagose esama cheminių medžiagų, kurios gali būti nuodingos. Saugokitės, kad neįkvėptumėte dulkių ir nesiliestumėte oda. Laikykites medžiagų tiekėjo saugos duomenų.
8. Nestabdykite spausdami pjūklo geležtę iš šono.
9. Nenaudokite šlifuojamųjų diskų.
10. Naudokite tik tokio skersmens pjovimo diską, koks yra nurodytas ant įrankio arba naudojimo instrukcijoje. Naudojant netinkamo dydžio diską, diskas gali būti netinkamai apsaugotas arba netinkamai veiks apsauginis disko gaubtas, todėl galima sunkiai susižeisti.
11. Geležtė turi būti aštri ir švari. Ant geležtės esantys sukietėję sakai ar derva sulėtina pjovimą ir didina atitrunkos pavojų. Valykite geležtę pirmiausia išimdami ją iš įrankio, tada nuvalydami sakų ir dervos šalinimo priemone, karštu vandeniu ar žibalu. Nenaudokite benzino.
12. Naudodami įrankį, užsidėkite kaukę, saugančią nuo dulkių, ir klausos apsaugines priemones.

SAUGOKITE ŠIAS INSTRUKCIJAS.

▲ PERSPĖJIMAS: NELEISKITE, kad patogumas ir gaminio pažinimas (įgyjamas pakartotinai naudojant) susilpnintų griežtą saugos taisyklių, taikytinų šiam gaminiui, laikymąsi. Dėl NETINKAMO NAUDOJIMO arba saugos taisyklių, kurios pateiktos šioje instrukcijoje, nesilaikymo galima rimtai susižeisti.

Svarbios saugos instrukcijos, taikomos akumuliatoriaus kasetei

1. Prieš naudodami akumuliatoriaus kasetę, perskaitykite visas instrukcijas ir perspėjimus ant (1) akumuliatorių įkroviklio, (2) akumuliatorių ir (3) akumuliatorių naudojančio gaminio.
2. Neardykite akumuliatoriaus kasetės.
3. Jei įrankio darbo laikas žymiai sutrumpėjo, nedelsdami nutraukite darbą su įrankiu. Tai gali kelti perkaitimo, nudegimų ar net sprogdimo pavojų.
4. Jei elektrolitas pateko į akis, plaukite jas tyru vandeniu ir nedelsdami kreipkitės į gydytoją. Gali kilti regėjimo praradimo pavojus.
5. Neužtrumpinkite akumuliatoriaus kasetės:
 - (1) Nelieskite kontaktų degiomis medžiagomis.
 - (2) Venkite laikyti akumuliatoriaus kasetę kartu su kitais metaliniais daiktais, pavyzdžiui, vinimis, monetomis ir pan.
 - (3) Saugokite akumuliatoriaus kasetę nuo vandens ir lietaus.Trumpasis jungimas akumuliatoriuje gali sukelti stiprią srovę, perkaitimą, galimus nudegimus ar net akumuliatoriaus gedimą.
6. Nelaikykite įrankio ir akumuliatoriaus kasetės vietoje, kur temperatūra gali pasiekti ar viršyti 50 °C.
7. Nedeginkite akumuliatoriaus kasetės, net jei yra stipriai pažeista ar visiškai susidėvėjusi. Ugnyje akumuliatoriaus kasetė gali sprogti.
8. Saugokite akumuliatorių nuo kritimo ir smūgių.
9. Nenaudokite pažeisto akumuliatoriaus.
10. Vadovaukitės vietos įstatymais dėl akumuliatorių išmetimo.

SAUGOKITE ŠIAS INSTRUKCIJAS.

▲ PERSPĖJIMAS: Naudokite tik originalų „Makita“ akumuliatorių. Neoriginalaus „Makita“ arba pakeisto akumuliatoriaus naudojimas gali nulemti gaisrą, asmens sužalojimą ir pažeidimą. Tai taip pat panaikina „Makita“ suteikiamą „Makita“ įrankio ir įkroviklio garantiją.

Patarimai, ką daryti, kad akumuliatorius veiktų kuo ilgiau

1. Pakraukite akumuliatoriaus kasetę prieš jai visiškai išsikraunant. Visuomet nustokite naudoti įrankį ir pakraukite akumuliatoriaus kasetę, kai pastebite, kad įrankio galia sumažėjo.
2. Niekada nekraukite iki galo įkrautos akumuliatoriaus kasetės. Perkraunant trumpėja akumuliatoriaus eksploatacijos laikas.
3. Akumuliatoriaus kasetę kraukite esant kambario temperatūrai 10 - 40 °C. Prieš pradėdami krauti, leiskite įkaitusiai akumuliatoriaus kasetei atvėsti.

VEIKIMO APRAŠYMAS

▲PERSPĖJIMAS: Prieš pradėdami reguliuoti arba tikrinti įrankio veikimą, visuomet būtinai išjunkite įrankį ir išimkite akumuliatoriaus kasetę.

Akumuliatoriaus kasetės uždėjimas ir nuėmimas

▲PERSPĖJIMAS: Prieš įdėdami arba išimdami akumuliatoriaus kasetę, visada išjunkite įrankį.

▲PERSPĖJIMAS: Įdėdami arba išimdami akumuliatoriaus kasetę, tvirtai laikykite įrankį ir akumuliatoriaus kasetę. Jeigu įrankį ir akumuliatoriaus kasetę laikysite netvirtai, jie gali išslysti iš jūsų rankų, todėl įrankis ir akumuliatoriaus kasetė gali būti sugadinti, o naudotojas sužalotas.

► **Pav.7:** 1. Raudonas indikatorius 2. Mygtukas
3. Akumuliatoriaus kasetė

Jei norite išimti akumuliatoriaus kasetę, ištraukite ją iš įrankio, stumdami mygtuką, esantį kasetės priekyje.

Jei norite įdėti akumuliatoriaus kasetę, sulygiuokite liežuvėlį ant akumuliatoriaus kasetės su grioveliu korpuse ir įstumkite į jai skirtą vietą. Įdėkite iki galo, kol spragtelėdama užsifiksuos. Jeigu matote raudoną indikatorių viršutinėje mygtuko pusėje, ji nėra visiškai užfiksuota.

▲PERSPĖJIMAS: Akumuliatoriaus kasetę visada įkiškite iki galo, kol nebematysite raudono indikatoriaus. Priešingu atveju ji gali atsitiktinai iškristi iš įrankio, sužeisti jus arba aplinkinius.

▲PERSPĖJIMAS: Nekiškite akumuliatoriaus kasetės įėga. Jeigu kasetė sunkiai lenda, ją kišate netinkamai.

Akumuliatoriaus apsaugos sistema

Įrankyje įrengta akumuliatoriaus apsaugos sistema. Ši sistema automatiškai atjungia variklio maitinimą, kad pailgėtų akumuliatoriaus naudojimo laikas. Įrankis automatiškai išsijungs darbo metu, esant vienai iš šių įrankio ir (arba) akumuliatorių darbo sąlygai:

Perkrautas:

įrankis naudojamas taip, kad jame neįprastai padidėja elektros srovė.

Tokiu atveju atleiskite įrankio gaiduką ir nutraukite darbą, dėl kurio kilo įrankio perkrova. Po to vėl paspauskite gaiduką, kad vėl įjungtumėte įrankį. Jeigu įrankis neįsijungia, reiškia perkaito akumuliatorius. Tokiu atveju palaukite, kol akumuliatorius atvės, paskui vėl paspauskite gaiduką.

Žema akumuliatoriaus įtampa:









Likusi akumuliatoriaus energija per maža ir įrankis negali veikti. Patraukus svirtinį jungiklį, variklis pradeda veikti, bet netrukus vėl išsijungia. Tokiu atveju išimkite akumuliatorių ir įkraukite jį.

Likusios akumuliatoriaus galios rodymas

Taikoma tik akumuliatorių kasetėms, kurių modelio numerio gale yra „B“

► **Pav.8:** 1. Indikatorių lemputės 2. Tikrinimo mygtukas

Paspauskite akumuliatoriaus kasetės tikrinimo mygtuką, kad būtų rodoma likusi akumuliatoriaus energija. Maždaug trims sekundėms užsidegs indikatorių lemputės.

Indikatorių lemputės		Likusi galia
Šviečia	Nešviečia	
		75% - 100%
		50% - 75%
		25% - 50%
		0% - 25%

PASTABA: Rodmuo gali šiek tiek skirtis nuo faktinės energijos lygio – tai priklauso nuo naudojimo sąlygų ir aplinkos temperatūros.

Pjovimo gylio reguliavimas

► **Pav.9:** 1. Suveržimo varžtas 2. Gylio kreiptuvas

▲PERSPĖJIMAS: Nustatę pjovimo gylį, visada saugiai užtvirtinkite suveržimo varžtą.

Atlaisvinkite ant gylio kreiptuvo esantį suveržimo varžtą ir slinkite pagrindą aukštyn arba žemyn. Nustatę norimą pjovimo gylį, užtvirtinkite pagrindą, užverždami suveržimo varžtą.

Norėdami pjauti švariau ir saugiau, nustatykite tokį pjovimo gylį, kad į ruošinį įeitų tik vienas disko dantis. Tinkamai pasirinkus pjovimo gylį, gali sumažėti ATATRANKOS, dėl kurios galima susižeisti, pavojus.

Įstrižųjų pjūvių darymas

► **Pav.10:** 1. Suveržimo varžtas 2. Įstrižų kampų plokštelė

Atlaisvinkite pagrindo priekyje, ant įstrižos skalės plokštelės esantį suveržimo varžtą. Atitinkamai pakreipdami, nustatykite norimą kampą (nuo 0° iki 45°), tada saugiai užveržkite suveržimo varžtą.

Nutaikymas

► **Pav.11:** 1. Pjovimo linija

Tiesiems pjūviams sulygiuokite pagrindo priekyje pažymėtą „A“ padėtį su pjovimo linija. Atlikdami įstrižus 45° pjūvius, su pjovimo linija sulygiuokite „B“ padėtį.

Jungiklio veikimas

► **Pav.12:** 1. Atlaisvinimo svirtelė 2. Gaidukas

▲ PERSPĖJIMAS: Prieš montuodami akumulatoriaus kasetę įrankyje, visuomet patikrinkite, ar gaidukas tinkamai veikia ir atleistas grįžta į išjungimo padėtį „OFF“.

▲ PERSPĖJIMAS: Negalima stipriai spausti gaiduko, nenuspaudus atlaisvinimo svirtelės. Taip galima sugadinti jungiklį.

Kad gaidukas nebūtų atsitiktinai nuspaustas, yra įrengta atlaisvinimo svirtis. Norėdami įjungti įrankį, paspauskite atlaisvinimo svirtelę ir nuspauskite gaiduką. Norėdami išjungti, atleiskite svirtinį gaiduką.

▲ JSPĖJIMAS: Jūsų pačių saugumui šiame įrankyje įrengta atlaisvinimo svirtelė, kuri neleidžia netyčia įjungti įrankio. NIEKADA nenaudokite veikiančio įrankio, jeigu nuspaudėte tik gaiduką, nenuspaudę atlaisvinimo svirtelės. PRIEŠ pradėdami naudoti įrankį, atiduokite jį suremontuoti į „MAKITA“ techninės priežiūros centrą.

▲ JSPĖJIMAS: NIEKADA neužklijuokite lipnia juostele ir nepanaikinkite atlaisvinimo svirtelės paskirties bei funkcijos.

SURINKIMAS

▲ PERSPĖJIMAS: Prieš darydami ką nors įrankiui visada patikrinkite, ar įrenginys išjungtas, o akumuliatorių kasetė – nuimta.

Apvalaus pjovimo disko sumontavimas arba nuėmimas

► **Pav.13:** 1. Ašies fiksatorius 2. Šešiakampis veržliaraktis

▲ PERSPĖJIMAS: Patikrinkite, ar sumontuoto apvalaus pjovimo disko dantys įrankio priekyje nukreipti aukštyn.

▲ PERSPĖJIMAS: Apvaliam pjovimo diskui sumontuoti arba nuimti naudokite tik „MAKITA“ veržliaraktį.

Norėdami nuimti apvalų pjovimo diską, iki galo nuspauskite veleno fiksatorių, kad diskas negalėtų sukis, veržliarakčiu sukdami prieš laikrodžio rodyklę atsukite šešiakampį varžtą. Tada nuimkite šešiabriaunį varžtą, išorinę jungę ir apvalų pjovimo diską.
► **Pav.14:** 1. Šešiakampis varžtas 2. Išorinė jungė
3. Apvalus pjovimo diskas 4. Vidinė jungė

Jei norite sumontuoti apvalų pjovimo diską, vykdykite nuėmimo procedūrą atvirkščia tvarka. BŪTINAI TVIRTAI UŽVERŽKITE VARŽTĄ ŠEŠIAKAMPE GALVUTE, SUKMDAMI JĮ PRIEŠ LAIKRODŽIO RODYKLĘ.

► **Pav.15:** 1. Šešiakampis varžtas 2. Iškyša
3. Išorinė jungė 4. Apvalus pjovimo diskas
5. Vidinė jungė 6. Iškyša (didesnė pusė)

PASTABA: Jeigu vidinė jungė būtų netyčia nuimta, sumontuokite ją taip, kad jos iškyša (didesnė pusė) būtų nukreipta į vidų, kaip parodyta paveikslėlyje.

Keisdami apvalų pjovimo diską, būtinai išvalykite ir viršutiniame bei apatiniame apsauginiuose disko gaubtuose susikaupusias pjūvenas, kaip nurodyta techninės priežiūros skyriuje. Visgi prieš kiekvieną naudojimą būtinai patikrinkite, ar tinkamai veikia apatinis apsauginis gaubtas.

Šešiabriaunio veržliarakčio laikymas

► **Pav.16:** 1. Šešiakampis veržliaraktis

Nenaudojamą šešiabriaunį veržliarakčių laikykite taip, kaip parodyta paveikslėlyje, kad nepamestumėte.

Dulkių siurblio prijungimas

Pasirenkamas priedas

► **Pav.17:** 1. Dulkių antgalis (pasirenkamas priedas)
2. Varžtas (papildomas priedas)

► **Pav.18**

Norėdami nupjauti švariai, prie šio įrankio prijunkite „Makita“ dulkių siurbį. Varžtu prie įrankio prisukite dulkių antgalį (papildomą priedą). Tuomet prie dulkių antgalio prijunkite dulkių siurblio žarną, kaip parodyta paveikslėlyje.

NAUDOJIMAS

▲ PERSPĖJIMAS: **Atsargiai tiesiai traukite įrankį į priekį.** Traukiant jėga arba sukant įrankį, variklis gali perkaisti, atsirasti pavojinga atatranka, kuri kelia pavojų sunkiai susižeisti.

PASTABA: Kai akumulatoriaus kasetė yra šalta, įrankis gali veikti ne visu pajėgumu. Tokiu atveju kurį laiką naudokite įrankį, pavyzdžiui, nedideliems pjovimo darbams, kol akumulatoriaus kasetė sušils iki kambario temperatūros. Tuomet įrankis galės veikti visu pajėgumu.

► **Pav.19**

Tvirtai laikykite įrenginį. Įrankyje įrengta priekinė (variklio korpuso) ir galinė rankenos. Kad geriausiai išlaikytume įrenginį, naudokites abejomis rankenomis. Jei pjūklą laikote abiem rankomis, apvalus pjovimo diskas jų nesužeis. Padėkite ruošinio pagrindą taip, kad jis nesiliestų su apvaliu pjovimo disku. Tuomet įjunkite įrenginį ir palaukite, kol apvalus pjovimo diskas įgaus maksimalų greitį. Tada tiesiog slinkite įrenginį į priekį ruošinio paviršiumi, laikykite jį lygiai ir švelniai stumkite pirmyn, kol bus baigta pjauti.

Kad išgautumėte dailų pjūvį, išlaikykite tiesią pjovimo liniją ir vienodai didėjančią greitį. Jei pjaunama ne pagal jūsų norimą liniją, nesistenkite kreipti ar jėga stumti įrenginio atgal į pjovimo liniją. Tai gali stabdyti apvalų pjovimo diską ir sukelti pavojingą atatranką bei rimtą sužalojimą. Atleiskite jungiklį, palaukite, kol apvalus pjovimo diskas sustos ir attraukite įrenginį. Sulyginkite įrankį pagal naują pjovimo liniją ir vėl pradėkite pjauti.

Stenkitės išvengti tokios padėties, kurioje į įrenginio valdytoją nuo pjūklo kelia atplaišos ir medžio dulkės. Kad išvengtumėte sužalojimų, naudokitės apsauginiais akiniais.

PASTABA: Kai kurie sąrašė esantys priedai gali būti pateikti įrankio pakuotėje kaip standartiniai priedai. Jie įvairiose šalyse gali skirtis.

Prapjovos kreiptuvas (kreipiamoji liniuotė)

Pasirenkamas priedas

► Pav.20

Patogus prapjovos kreiptuvas leidžia padaryti labai tikslūs tiesius pjūvius. Tiesiog priglauskite prapjovos kreiptuvą prie ruošinio šono ir pagrindo priekyje esančiu varžtu užtvirtinkite jį tokioje padėtyje. Šis įrenginys taip pat leidžia atlikti vienodo pločio pjūvius.

TECHNINĖ PRIEŽIŪRA

▲PERSPĖJIMAS: Visuomet įsitikinkite, ar įrankis yra išjungtas ir akumulatoriaus kasetė yra nuimta prieš atlikdami apžiūrą ir priežiūrą.

▲PERSPĖJIMAS: Išvalykite viršutinį ir apatinį apsauginius gaubtus, kad neliktų susikaupusių pjūvenų, kurios gali trukdyti veikti apatinei apsaugos sistemai. Nešvari apsaugos sistema gali tinkamai neveikti ir dėl to galima sunkiai susižaloti. Norint išvalyti efektyviausiai, reikia naudoti suslėgtą orą. Pučiant pjūvenas iš apsauginių gaubtų, būtina naudoti tinkamą akių ir kvėpavimo organų apsaugą.

PASTABA: Niekada nenaudokite gazolino, benzino, tirpiklio, spirito arba panašių medžiagų. Gali atsirasti išblukimų, deformacijų arba įtrūkimų.

Kad gaminys būtų SAUGUS ir PATIKIMAS, jį taisyti, apžiūrėti ar vykdyti bet kokią kitą priežiūrą ar derinimą turi įgaliotasis kompanijos „Makita“ techninės priežiūros centras; reikia naudoti tik kompanijos „Makita“ pagamintas atsargines dalis.

PASIRENKAMI PRIEDAI

▲PERSPĖJIMAS: Šiuos papildomus priedus arba įtaisus rekomenduojama naudoti su šioje instrukcijoje nurodytu „Makita“ bendrovės įrankiu. Naudojant bet kokius kitus papildomus priedus arba įtaisus, gali kilti pavojus sužeisti žmones. Naudokite tik nurodytam tikslui skirtus papildomus priedus arba įtaisus.

Jeigu norite daugiau sužinoti apie tuos priedus, kreipkitės į artimiausią „Makita“ techninės priežiūros centrą.

- Apvalus pjovimo diskas
- Prapjovos kreiptuvas (kreipiamoji liniuotė)
- Šešiakampis veržliaraktis
- Dulkių surenkamasis antgalis
- Originalus „Makita“ akumulatorius ir įkroviklis

TEHNILISED ANDMED

Mudel:		HS301D	
Tera läbimõõt		85 mm	
Max. lõikesügavus	0° juures	25,5 mm	
	45° juures	16,5 mm	
Koormuseta kiirus		1 500 min ⁻¹	
Üldpikkus		313 mm	331 mm
Nimipinge		Alalisvool 10,8 V	
Akukassett		BL 1015, BL 1020B	BL 1040B
Netokaal		1,6 kg	1,8 kg

- Meie pideva uuringu- ja arendusprogrammi tõttu võidakse tehnilisi andmeid muuta ilma sellest ette teatamata.
- Tehnilised andmed ja akukassett võivad riigiti erineda.
- Kaal koos akukassetiga, EPTA-protseduuri 01/2003 kohaselt

Kavandatud kasutus

Tööriist on ette nähtud puidust piki- ja ristsuunaliste sirgjooneliste lõigete ja erineva nurga all faaside lõikamiseks tihedas kokkupuutes töödeldava detailiga.

Müra

Tüüpiline A-korrigeeritud müratase, määratud standardi EN60745 kohaselt:

Helirõhutase (L_{pA}): 71 dB (A)

Määramatus (K): 3 dB (A)

Töötamisel võib müratase ületada 80 dB (A).

⚠ HOIATUS: Kasutage kõrvakaitsmeid.

Vibratsioon

Vibratsiooni koguväärtus (kolmeteljeliste vektorite summa) määratud standardi EN60745 kohaselt:

Töörežiim: puidu saagimine

Vibratsiooniindeksi ($a_{h,w}$): 2,5 m/s² või vähem

Määramatus (K): 1,5 m/s²

MÄRKUS: Deklareeritud vibratsiooniindeksi väärtus on mõeldud kooskõlas standardse testimismeetodiga ning seda võib kasutada ühe seadme võrdlemiseks teisega.

MÄRKUS: Deklareeritud vibratsiooniindeksi väärtust võib kasutada ka mürataseme esmaseks hindamiseks.

⚠ HOIATUS: Vibratsioonitase võib elektritööriista tegelikuses kasutamise ajal erineda deklareeritud väärtusest olenevalt tööriista kasutamise viisidest.

⚠ HOIATUS: Rakendage operaatori kaitsmiseks kindlasti piisavaid ohutusabinõusid, mis põhinevad hinnangulisel müratasemel tegelikus tööolukorras (võttes arvesse tööperioodi kõiki osasid, nagu näiteks korrad, kui seade lülitatakse välja ja seade töötab tühikäigul, lisaks tööajale).

EÜ vastavusdeklaratsioon

Ainult Euroopa riikide puhul

Makita deklareerib, et alljärgnev(ad) masin(ad):

Masina nimetus: Juhtmeta ketassaag

Mudeli nr/tüüp: HS301D

Vastavad alljärgnevatele Euroopa Parlamendi ja

Nõukogu direktiividele: 2006/42/EC

Need on toodetud järgmistele standarditele või standardi-

seriitide dokumentide kohaselt: EN60745

Tehniline fail, mis on kooskõlas direktiiviga 2006/42/EC, on saadaval ettevõttes:

Makita, Jan-Baptist Vinkstraat 2, 3070, Belgia
9.4.2015



Yasushi Fukaya

Direktor

Makita, Jan-Baptist Vinkstraat 2, 3070 Belgia

Üldised elektritööriistade ohutushoiatused

⚠ HOIATUS: Lugege läbi kõik ohutushoiatused ja juhtnõid. Hoiatuste ja juhtnõude mittejärgmine võib põhjustada elektrišokki, tulekahju ja/või tõsisid vigastusi.

Hoidke edaspidisteks viide- teks alles kõik hoiatused ja juhtnõid.

Hoiatuses kasutatud termini „elektritööriist“ all peetakse silmas elektriga töötavaid (juhtmega) elektritööriistu või akuga töötavaid (juhtmeta) elektritööriistu.

Juhtmeta ketassaag ohutusnõuded

Lõikamine

1. **⚠ OHT:** Hoidke käed lõikepiirkonnast ja -terast eemal. Hoidke oma teist kätt abikäepidemel või mootori korpusel. Kui tööriista hoitakse mõlema

käega, siis ei satu need lõiketera ette.

2. **Ärge kummardage töödeldava detaili alla.** Piire ei kaitse teid lõiketera eest töödeldava detaili all.
3. **Reguleerige lõikesügavust vastavalt töödeldava detaili paksusele.** Töödeldava detaili all peavad olema näha lõiketera hambad vähem kui terve hamba kõrguse ulatuses.
4. **Mitte kunagi ärge hoidke lõigatavat detaili käes ega põlve peal. Kinnitage töödeldav detail stabiilsele alusele.** Oluline on tööd õigesti toetada, et minimeerida keha kaitseta jätmist, lõiketera kinnikiilumist või kontrolli kaotust.

► Joon.1

5. **Hoidke elektritööriista ainult isoleeritud käepidemetest, kui töötate kohtades, kus lõiketera võib kokku puutuda peidatud juhtmetega.** Kokkupuude voolu all oleva juhtmega võib pingestada ka elektritööriista katmata metallosad ning operaator võib saada elektrilöögi.
6. **Pikilõikamisel kasutage alati piiret või sirge serva juhikut.** See parandab lõike täpsust ja vähendab lõiketera kinnikiilumise võimalust.
7. **Kasutage alati õige suuruse ja kujuga (teemant tavalise asemel) võlliaukudega lõiketerasid.** Tööriista konstruktsiooniga mitteühitvad lõiketerad hakkavad liikuma ekstsentriliselt ja põhjustavad sae üle kontrolli kaotuse.
8. **Ärge kasutage kahjustunud ega nõuetele mittevastavaid lõiketera seibe ega polti.** Optimaalse töövõime ja -ohutuse tagamiseks on lõiketera seibid ja polt spetsiaalselt välja töötatud teie saele.

Tagasilöögi põhjused ja sellega seotud hoiatused

- Tagasilöök on äkiline reaktsioon kinnikiilunud, kinnipigistatud või orientatsiooni kaotanud saeterale, mis põhjustab tööriista üleskerkimist ja väljumist töödeldavast detailist operaatori poole;
 - kui lõiketera on sisselõikesse tihedalt kinni pigistatud või kinni kiilunud, siis lõiketera seiskub ja mootori reaktsiooni tõttu liigub mehhanism kiiresti tagasi operaatori poole;
 - kui lõiketera on sisselõikesse väänunud või orientatsiooni kaotanud, võivad lõiketera tagumise serva hambad kaevuda puidu pealispinda ning põhjustada lõiketera ülespoole tõusmise sisselõikest ja pörkumise tagasi operaatori poole.
- Tagasilöök on sae väärkasutuse ja/või ebaõigete tööoperatsioonide või -tingimuste tulemus, mida on võimalik vältida, kui järgitakse alljärgnevat asjakohaseid ettevaatusabinõusid.

1. **Hoidke saest mõlema käega kindlalt kinni ja seadke käsivarred asendisse, et vastu panna tagasilöögi jõududele. Olge ükskõik kummal pool lõiketera, kuid mitte otse selle taga.** Tagasilöök võib põhjustada tööriista järsu tahapoole liikumise, kuid asjakohaseid ettevaatusabinõusid järgides saab operaator tagasilöögi jõudusid kontrolli all hoida.
2. **Kui lõiketera kiilub kinni või katkestab mingil põhjusel lõikamise, vabastage päästik ja hoidke tööriista liikumatult materjalis, kuni tera on täielikult seiskunud. Ärge kunagi püüdke saagi eemaldada töödeldavast detailist ega tõmmake saagi tahapoole, kui lõiketera liigub või esineb tagasilöögihoht. Tehke kindlaks lõiketera kinnikiilumise põhjus ja kõrvaldage see.**

3. **Sae taaskäivitamisel töödeldavas detailis tsentreerige saetera sisselõikes ja jälgige, et saehambad ei lõikuks materjali sisse.** Kui saetera on materjali sisse surutud, võib see sae taaskäivitamisel kerkida või töödeldavast detailist tagasilöögi anda.
4. **Lõiketera kinnikiilumise ja tagasilöögiriski minimeerimiseks toetage suured paneelid.** Suured paneelid kalduvad omaenese raskuse all painduma. Toed tuleb paigutada paneeli mõlema külje alla lõikekoha ja paneeliserva lähedale.

► Joon.2

► Joon.3

5. **Ärge kasutage nürsid ega vigastatud lõiketerasid.** Teritamata või vääralt paigaldatud lõiketerade kasutamise tulemuseks on kitsas sisselõige, mis põhjustab liigset hõõrdumist, lõiketera kinnikiilumist ja tagasilööki.
6. **Lõiketera sügavuse ja faasi reguleerimise lukustushoovad peavad olema enne lõikamist pinguldatud ja kindlalt kinnitatud.** Kui lõiketera seadistus lõikamise ajal nihkub, võib see põhjustada kinnikiilumise ja tagasilöögi.
7. **Olge eriti ettevaatlik, kui teostate lõikeid olemasolevatesse seintesse või muudes varjatud piirkondades.** Väljalauatav lõiketera võib lõikuda objektidesse, mis võivad põhjustada tagasilöögi.
8. **Hoidke ALATI tööriista kindlalt kahe käega. ÄRGE KUNAGI asetage kätt ega sõrmi sae taha.** Kui tekib tagasilöök, võib saag hõlpsasti hüpata tahapoole üle teie käe, põhjustades tõsise kehavigastuse.

► Joon.4

9. **Ärge kunagi kasutage sae suhtes jõudu. Lükake saagi ettepoole sellise kiirusega, et tera lõikab kiirust vähendamata.** Jõu kasutamine võib põhjustada lõigete ebatasasuse, täpsuse kaotuse ja võimaliku tagasilöögi.

Alumise piirde funktsioneerimine

1. **Enne igakordset kasutamist kontrollige alumise piirde õiget sulgemist. Ärge käivitage saagi, mille alumine piire ei liigu vabalt ja ei sulgu kohe. Ärge kunagi kinnitage alumist piiret klambriga ega siduge seda avatud asendisse.** Kui saag on juhuslikult maha kukkunud, võib alumine piire olla paindunud. Tõstke alumist piiret väljatõmmatava käepideme abil ja veenduge, et see liiguks vabalt ega puudutaks lõiketera ning muid osi lõikamise kõigi nurkade ja sügavuste korral.
2. **Kontrollige, kas alumise piirde vedru on töökorras. Kui piire ja vedru ei tööta korrektselt, tuleb neid enne tööriista kasutamist hooldada.** Alumine piire võib töötada aeglaselt kahjustunud osade, kummisette või lõikamisjääkide kogunemise tõttu.
3. **Alumise piirde võib käsitsi tagasi tõmmata ainult teatud lõikamiste puhul, nagu „sukelduslõikamised“ ja „kombineeritud lõikamised“.** Tõstke alumist piiret väljatõmmatava käepideme abil ja niipea kui lõiketera siseneb materjali, tuleb alumine piire vabastada. Igasuguse muu saagimise puhul peab alumine juhik automaatselt töötama.

4. Enne sae asetamist pingile või põrandale jälgige alati, et alumine piire kataks lõiketera. Kaitsmata, vabalt liikuv tera võib põhjustada sae tahapoolse liikumise ja lõikumise ükskõik millesse oma liikumisteel. Olge teadlik ajast, mis kuulub lõiketera seiskumiseks pärast tööriista väljalülitamist.
5. Alumise piirde kontrollimiseks avage alumine piire käega, seejärel vabastage see ja jälgige piirde sulgumist. Kontrollige ka seda, et väljatõmmatav käepide ei puudutaks tööriista korpusi. Lõiketera katmata jätmine on VÄGA OHTLIK ning võib põhjustada tõsiseid kehavigastusi.

Lisaohutusnõuded

1. Olge eriti ettevaatlik märja puidu, survetöötlemise läbinud saematerjali või oksakohtadega puidu lõikamisel. Tagage tööriista sujuv liikumine lõiketera kiirust vähendamata, et vältida lõiketera tippude ülekuumenemist.
2. Ärge püüdke eemaldada lõigatavat materjali lõiketera liikumise ajal. Enne lõigatavast materjalist kinni haaramist oodake, kuni lõiketera seiskub. Terad liiguvad peale sae väljalülitamist vabakäiguga edasi.
3. Vältige naeltesse sisselõikamist. Enne lõikamist kontrollige saematerjali ja eemaldage sellest kõik naelad.
4. Asetage saekorpuse laiem osa töödeldava detaili selle poole peale, mis on kindlalt toetatud, mitte sinna, mis pärast lõikamist küljest ära kukub. Kui töödeldav detail on lühike või väike, tuleb see pitskruiudega kinnitada. **ÄRGE PÜÜDKE HOIDA LÜHIKESI TÜKKE KÄEGA!**

►Joon.5

5. Enne tööriista maha asetamist pärast lõikamise lõpetamist veenduge, et piire oleks sulatud ja lõiketera täielikult seiskunud.
6. Ärge kunagi püüdke saagida rakises tagurpidi asendis hoitava ketassaega. See on väga ohtlik ja võib põhjustada tõsiseid õnnetusi.

►Joon.6

7. Mõned materjalid võivad sisaldada mürgiseid aineid. Võtke meetmed tolmu sissehingamise ja nahaga kokkupuute vältimiseks. Järgige materjali tarnija ohutusteavet.
8. Ärge püüdke lõiketerasid seisata neid külgsuunas surudes.
9. Ärge kasutage abrasiivkettaid.
10. Kasutage saetera puhul ainult sellist läbimõõtu, mis on märgitud tööriistale või määratud kindlaks kasutusjuhendis. Vale suurusega lõiketera kasutamine võib negatiivselt mõjutada lõiketera nõuetekohast kaitses või kaitsespiirde funktsioneerimist, mille tagajärjeks võib olla raske kehavigastus.
11. Hoidke lõiketera terava ja puhtana. Kõvastunud kumm ja puuvaik lõiketeradel aeglustab sae tööd ning suurendab tagasilöögi tekkimise võimalust. Hoidke lõiketera puhtana, eemaldage see esmalt tööriista küljest, seejärel puhastage seda kummi- ja puuvaigu eemaldusvahendi, kuuma vee või petrooleumiga. Ärge kunagi kasutage bensini.

12. Tööriista kasutamisel kandke tolmumaski ja kuulmiskaitsevahendeid.

HOIDKE JUHEND ALLES.

⚠HOIATUS: ÄRGE UNUSTAGE järgida toote ohutusnõudeid mugavuse või toote (korduskasutamisega saavutatud) hea tundmise tõttu. VALE KASUTUS võib kasutusjuhendi ohutusekirjade eiramine võib põhjustada tervisekahjustusi.

Akukassetiga seotud olulised ohutusjuhised

1. Enne akukasseti kasutamist lugege (1) akulaadidajal, (2) akul ja (3) seadmel olevad juhtnõidid ja hoiatused läbi.
2. Ärge võtke akukassetti lahti.
3. Kui tööaeg järsult lüheneb, siis lõpetage kohe kasutamine. Edasise kasutamise tulemuseks võib olla ülekuumenemisoht, võimalikud põletused või isegi plahvatus.
4. Kui elektrolüüti satub silma, siis loputage silma puhta veega ja pöörduge koheselt arsti poole. Selline õnnetus võib põhjustada pimedaksjäämist.
5. Ärge tekitage akukassetis lühist:
 - (1) Ärge puutuge klemme elektrijuhtidega.
 - (2) Ärge hoidke akukassetti tööriistakassis koos metallsemetega, nagu naelad, mündid jne.
 - (3) Ärge tehke akukassetti märjaks ega jätke seda vihma kätte.
 Aku lühis võib põhjustada tugevat elektri-voolu, ülekuumenemist, põletusi ning ka seadet tõsiselt kahjustada.
6. Ärge hoidke tööriista ja akukassetti kohtades, kus temperatuur võib tõusta üle 50 °C.
7. Ärge põletage akukassetti isegi siis, kui see on saanud tõsiselt vigastada või on täiesti kulu- nud. Akukassett võib tules plahvatada.
8. Olge ettevaatlik, ärge laske akul maha kukkuda ja vältige lööke.
9. Ärge kasutage kahjustatud akut.
10. Järgige kasutuskõlbatuks muutunud aku käitlemisel kohalikke eeskirju.

HOIDKE JUHEND ALLES.

⚠ETTEVAATUST: Kasutage ainult Makita originaalalakesid. Mitte Makita originaalalake või muudetud akude kasutamine võib põhjustada akude süttimise, keha- vigastuse ja kahjustuse. Samuti muudab see kehtetuks Makita tööriista ja laadija Makita garantii.

Vihjeid aku maksimaalse kasutuse tagamiseks

1. Laadige akukassetti enne selle täielikku tühjenemist. Kui märkate, et tööriist töötab väiksema võimsusega, peatage töö ja laadige akukassetti.
2. Ärge laadige täielikult laetud akukassetti. Ülelaadimine lühendab akude kasutusiga.
3. Laadige akukassetti toatemperatuuril 10 °C - 40 °C. Enne laadimist laske kuunenud akukassetil maha jätuda.

FUNKSIONAALNE KIRJELDUS

⚠ETTEVAATUST: Kandke alati hoolt selle eest, et tööriist oleks enne reguleerimist ja kontrollimist välja lülitatud ja akukassett eemaldatud.

Akukasseti paigaldamine või eemaldamine

⚠ETTEVAATUST: Lülitage tööriist alati enne akukasseti paigaldamist või eemaldamist välja.

⚠ETTEVAATUST: Akukasseti paigaldamisel või eemaldamisel tuleb tööriista ja akukassetti kindlalt paigal hoida. Kui tööriista ja akukassetti ei hoita kindlalt paigal, võivad need käest libiseda ning kahjustada tööriista ja akukassetti või põhjustada kehavigastusi.

► **Joon.7:** 1. Punane näidik 2. Nupp
3. Akukassett

Akukasseti eemaldamiseks libistage see tööriista küljest lahti, vajutades kasseti esiküljel paiknevat nuppu alla.

Akukasseti paigaldamiseks joondage akukasseti keel korpuse soonega ja libistage kassett oma kohale. Paigaldage akuadapter alati nii kaugele, et see lukustus klõpsatusega oma kohale. Kui näete nupu ülaosas punast osa, pole kassett täielikult lukustunud.

⚠ETTEVAATUST: Paigaldage akukassett alati täies ulatuses nii, et punast osa ei jääks näha.

Muidu võib adapter juhuselikult tööriistast välja kukkuda ning põhjustada teile või läheduses viibivatele isikutele vigastusi.

⚠ETTEVAATUST: Ärge rakendage akukasseti paigaldamisel jõudu. Kui kassett ei lähe kergesti sisse, pole see õigesti paigaldatud.

Aku kaitsesüsteem

Tööriist on varustatud aku kaitsesüsteemiga. Süsteem lülitab mootori automaatselt välja, et pikendada aku tööiga.

Tööriist seiskub käitamise ajal automaatselt, kui tööriista ja/või aku kohta kehtivad järgmised tingimused:

Ülekoormus:

Tööriista kasutatakse viisil, mis põhjustab toitevoolu tugevuse tõusu lubatust kõrgemale.

Sellises olukorras vabastage tööriistal olev päästiklülit ja peatage tegevus, mis põhjustaks tööriista ülekoormust. Seejärel tõmmake päästiklülit uuesti, et taaskäivitada.

Kui tööriist ei käivitu, on aku üle kuumenenud. Sellisel juhul laske akul maha jahtuda, enne kui päästiklülit uuesti tõmbate.

Madal akupinge:

Aku jääkmahutavus on liiga väike ja tööriist ei hakka tööle. Kui tõmbate päästiklülit, käivitub mootor uuesti, kuid seiskub peagi. Sellisel juhul eemaldage aku ja laadige seda.

Aku jääkmahutavuse näit

Ainult akukassetid, mille mudelinumber lõppeb tähega „B”

► **Joon.8:** 1. Märgulambid 2. Kontrollimise nupp

Akukasseti järelejäädud mahutavuse kontrollimiseks vajutage kontrollimise nuppu. Märgulambid süttivad mõneks sekundiks.

Märgulambid		Jääkmahutavus
Pöleb	Ei pöle	
■ ■ ■ ■	□	75–100%
■ ■ ■ □	□	50–75%
■ ■ □ □	□ □	25–50%
■ □ □ □	□ □ □ □	0–25%

MÄRKUS: Näidatud mahutavus võib veidi erineda tegelikust mahutavusest olenevalt kasutustingimustest ja ümbritseva keskkonna temperatuurist.

Lõikesügavuse reguleerimine

► **Joon.9:** 1. Pitskruvi 2. Sügavusjuhik

⚠ETTEVAATUST: Pärast lõikesügavuse reguleerimist pingutage pitskruvi alati korralikult.

Lõdvendage sügavusjuhikul olevat pitskruvi ning nihutage alust üles või alla. Soovitud lõikesügavuse juures kinnitage alus, pingutades pitskruvi. Puhtamate ja ohutamate lõigete tegemiseks seadke lõikesügavus selliselt, et töödeldavast detailist allapoole ei ulatuks rohkem kui üks terahammas. Õige lõikesügavuse kasutamine aitab vähendada kehavigastusi põhjustada võivate ohtlike TAGASILÖÖKIDE võimalust.

Kaldlõikamine

► **Joon.10:** 1. Pitskruvi 2. Kaldenurga skaala

Lõdvendage aluse esiosas kaldenurga skaalaplaadil olevat pitskruvi. Seadke kallutamise teel soovitud kaldenurk (0° - 45°), seejärel kinnitage pitskruvi korralikult.

Sihtimine

► **Joon.11:** 1. Lõikejoon

Sirglõigete tegemiseks seadke punkt A aluse esiküljel lõikejoonega kohakuti. 45° kaldlõigete tegemiseks seadke sellega kohakuti punkt B.

Lüliti funktsioneerimine

► **Joon.12:** 1. Lahtilukustushoob 2. Lüliti päästik

⚠ETTEVAATUST: Kontrollige alati enne akukasseti tööriista külge paigaldamist, kas lüliti päästik funktsioneerib nõuetekohaselt ja liigub lahtilaskmisel tagasi väljalülitatud asendisse.

⚠ETTEVAATUST: Ärge tõmmake lüliti päästikut jõuga ilma lahtilukustuse hooba vajutamata. See võib põhjustada lüliti purunemise.

Selleks et lüliti päästikut poleks võimalik juhuslikult tõmmata, on tööriist varustatud lahtilukustuse hoovaga. Tööriista käivitamiseks lükake lahtilukustuse hooba ning tõmmake lüliti päästikut. Vabastage lüliti päästik tööriista seiskamiseks.

⚠HOIATUS: Ohutuse huvides on sellel tööriistal lahtilukustuse hoob, mis hoiab ära tööriista ootamatu käivitumise. **ÄRGE KUNAGI** kasutage tööriista, kui see hakkab tööle lihtsalt lüliti päästiku tõmbamisel, lahtilukustuse hooba vajutamata. **ENNE** edasist kasutamist toimetage tööriist nõuetekohaste remonttööde tegemiseks MAKITA teeninduskeskusesse.

⚠HOIATUS: **ÄRGE KUNAGI** teipige lahtilukustuse hooba kinni ega üritage selle funktsiooni blokeerida.

KOKKUPANEK

⚠ETTEVAATUST: Kandke alati hoolt selle eest, et tööriist oleks enne igasuguseid hooldustöid välja lülitatud ja akukassett eemaldatud.

Ketassaetera eemaldamine või paigaldamine

► **Joon.13:** 1. Võllilukk 2. Kuuskantvõti

⚠ETTEVAATUST: Ketassaetera peab olema paigaldatud selliselt, et hambad on suunatud tööriista esiosas üles.

⚠ETTEVAATUST: Kasutage ketassaetera paigaldamiseks ja eemaldamiseks ainult Makita mutrivõtit.

Ketassaetera eemaldamiseks vajutage võllilukk lõpuni alla, et ketassaetera ei saaks pöörelda, ning keerake kuuskantpolt mutrivõtmega vastupäeva lahti. Seejärel eemaldage kuuskantpolt, välisäärik ja ketassaetera.

► **Joon.14:** 1. Kuuskantpolt 2. Välisäärik
3. Ketassaetera 4. Siseäärik

Ketassaetera paigaldamiseks järgige eemaldamise protseduuri vastupidises järjekorras. **KEERAKE KUUSKANTPOLT KINDLASTI KORRALIKULT PÄRIPÄEVA KINNI.**

► **Joon.15:** 1. Kuuskantpolt 2. End
3. Välisäärik 4. Ketassaetera 5. Siseäärik
6. End (suurem külg)

MÄRKUS: Kui sisemine äärik juhuslikult eemaldatakse, paigaldage see tagasi nii, et ääriku väljaulatav osa (suurem külg) jääks sissepoole, nagu on joonisel näidatud.

Ketassaetera vahetamisel puhastage kindlasti ka ülemine ja alumine lõiketera kaitsepiire neile kogunenud saepurust, nagu on kirjeldatud peatükis „Hooldus“. See ei tähenda, et võiks loobuda alumise kaitsepiirde töökorras oleku kontrollimisest enne iga kasutuskorda.

Kuuskantvõtme hoiolepanek

► **Joon.16:** 1. Kuuskantvõti

Kui kuuskantvõtit ei kasutata, siis pange see joonisel näidatud moel hoiele, et vältida selle ära kadumist.

Tolmuimeja ühendamine

Valikuline tarvik

► **Joon.17:** 1. Tolmuotsak (lisatarvik) 2. Kruvi (lisatarvik)

► **Joon.18**

Kui soovite puhtamalt lõigata, ühendage tööriista külge Makita tolmuimeja. Paigaldage tolmuotsak (lisatarvik) krui abil tööriista külge. Seejärel ühendage tolmuimeja voolik tolmuotsakuga, nagu on joonisel näidatud.

TÖÖRIISTA KASUTAMINE

⚠ETTEVAATUST: Liigutage tööriista kindlasti ettevaatlikult sirgjooneliselt ettepoole. Tööriistale surve avaldamisel või selle väänamisel kuumeneb mootor üle ja tekib ohtlik tagasilöökk, mis võib põhjustada tõsiseid vigastusi.

MÄRKUS: Kui akukasseti temperatuur on madal, ei pruugi tööriist töötada täisvõimsusel. Sellisel juhul kasutage tööriista mõnda aega näiteks kergemal režiimil lõikamiseks, kuni akukassett soojeneb toatemperatuurini. Pärast seda saab tööriist töötada täisvõimsusel.

► **Joon.19**

Hoidke tööriistast kindlalt kinni. Tööriistal on nii eesmine (mootori korpus) kui ka tagumine käepide. Kasutage mõlemat, et tööriista parimal moel hoida. Kui hoiate saagi mõlema käega, ei saa ketassaetera neisse lõigata. Asetage saeraam töödeldavale esemele nii, et ketassaetera seda ei puudutaks. Siis lülitage saag sisse ja oodake, kuni ketassaetera saavutab täiskiruse. Nüüd lükake saagi sujuvalt ettepoole, üle töödeldava eseme pinna, hoides tööriista vastu eseme pinda. Puhastalõigete saamiseks hoidke saejoont sirgena ja töökiirust ühtlasena. Kui lõige ei järgi planeeritud lõikejoont täpselt, ärge proovige seda pöörata ja ärge suruge tööriista lõikejoonele tagasi. Kui te nii teete, võib ketassaetera kinni kiiluda ja tekitada ohtlikku tagasilööki ning tõsiseid kehavigastusi. Vabastage lüliti, oodake kuni ketassaetera seisma jääb, ja siis eemaldage saag. Reastage tööriist uuele lõikejoonele ja hakake uuesti lõikama. Püüdke vältida asetust, mis jätab operaatori saest paiskuvate laastude ja saepuru eest kaitsetuks. Kasutage silmakaitset, et vigastusi vältida.

Piire (juhtjoonlaud)

Valikuline tarvik

► Joon.20

Käepärane piire võimaldab teha eriti täpseid ja sirgeid lõikeid. Libistage lihtsalt piire tihedalt vastu töödeldava detaili külge üles ja kinnitage see aluse esiosas oleva kruviga kohale. Samuti võimaldab see ühesuguse laiusega korduslõigete tegemist.

HOOLDUS

⚠ETTEVAATUST: Enne kontroll- või hooldustoimingute tegemist kandke alati hoolt selle eest, et tööriist oleks välja lülitatud ja akukassett korpuse küljest eemaldatud.

⚠ETTEVAATUST: Puhastage ülemisi ja alumisi kaitsepiire neile kogunenud saepurust, mis võib takistada alumise kaitseüsteemi toimimist. Määratud kaitseüsteem võib piirata nõuetekohast talitlust, mille tagajärjeks võib olla tõsine kehavigastus. Kõige tõhusam on kasutada puhastamiseks suruõhku. **Toimu väljapuhumisel kaitsepiiretest kasutage kindlasti nõuetekohaseid silmade ja hingamisteede kaitsevahendeid.**

TÄHELEPANU: Ärge kunagi kasutage bensiini, vedeldit, alkoholi ega midagi muud sarnast. Selle tulemuseks võib olla luitumine, deformatsioon või pragunemine.

Toote OHUTUSE ja TÖÖKINDLUSE tagamiseks tuleb vajalikud remonttööd ning muud hooldus- ja reguleerimistööd lasta teha Makita volitatud teeninduskeskustes või tehase teeninduskeskustes. Alati tuleb kasutada Makita varuosi.

VALIKULISED TARVIKUD

⚠ETTEVAATUST: Neid tarvikuid ja lisaseadiseid on soovitatav kasutada koos Makita tööriistaga, mille kasutamist selles kasutusjuhendis kirjeldatakse. Muude tarvikute ja lisaseadiste kasutamisega kaasneb vigastada saamise oht. Kasutage tarvikuid ja lisaseadiseid ainult otstarbekohaselt.

Saate vajaduse korral kohalikust Makita teeninduskeskusest lisataevat nende tarvikute kohta.

- Ketassaetera
- Piire (juhtjoonlaud)
- Kuuskantvõti
- Tolmuotsak
- Makita algupärane aku ja laadija

MÄRKUS: Mõned nimekirjas loetletud tarvikud võivad kuuluda standardvarustusse ning need on lisatud tööriista pakendisse. Need võivad riigiti erineda.

ТЕХНИЧЕСКИЕ ХАРАКТЕРИСТИКИ

Модель:		HS301D	
Диаметр диска		85 мм	
Макс. глубина пропила	при 0°	25,5 мм	
	при 45°	16,5 мм	
Число оборотов без нагрузки		1 500 мин ⁻¹	
Общая длина		313 мм	331 мм
Номинальное напряжение		10,8 В пост. тока	
Блок аккумулятора		BL1015, BL1020B	BL1040B
Масса нетто		1,6 кг	1,8 кг

- Благодаря нашей постоянно действующей программе исследований и разработок указанные здесь технические характеристики могут быть изменены без предварительного уведомления.
- Технические характеристики и аккумуляторный блок могут отличаться в зависимости от страны.
- Масса (с аккумуляторным блоком) в соответствии с процедурой EPTA 01.2003

Назначение

Данный инструмент предназначен для прямолинейного продольного и поперечного пиления, а также для пиления древесины под углом при наличии надежного контакта с распиливаемой деталью.

Шум

Типичный уровень взвешенного звукового давления (A), измеренный в соответствии с EN60745:
Уровень звукового давления (L_{pA}): 71 дБ (A)
Погрешность (K): 3 дБ (A)

Уровень шума при выполнении работ может превышать 80 дБ (A).

⚠ ОСТОРОЖНО: Используйте средства защиты слуха.

Вибрация

Суммарное значение вибрации (сумма векторов по трем осям), определенное в соответствии с EN60745:
Рабочий режим: распиливание древесины
Распространение вибрации ($a_{h,v}$): 2,5 м/с² или менее
Погрешность (K): 1,5 м/с²

ПРИМЕЧАНИЕ: Заявленное значение распространения вибрации измерено в соответствии со стандартной методикой испытаний и может быть использовано для сравнения инструментов.

ПРИМЕЧАНИЕ: Заявленное значение распространения вибрации можно также использовать для предварительных оценок воздействия.

⚠ ОСТОРОЖНО: Распространение вибрации во время фактического использования электроинструмента может отличаться от заявленного значения в зависимости от способа применения инструмента.

⚠ ОСТОРОЖНО: Обязательно определите меры безопасности для защиты оператора, основанные на оценке воздействия в реальных условиях использования (с учетом всех этапов рабочего цикла, таких как выключение инструмента, работа без нагрузки и включение).

Декларация о соответствии ЕС

Только для европейских стран

Makita заявляет, что следующее устройство (устройства):

Обозначение устройства: Аккумуляторная циркулярная пила

Модель / тип: HS301D

Соответствует(-ют) следующим директивам ЕС: 2006/42/ЕС

Изготовлены в соответствии со следующим стандартом или нормативными документами: EN60745
Технический файл в соответствии с документом 2006/42/ЕС доступен по адресу: Makita, Jan-Baptist Vinkstraat 2, 3070, Belgium 9.4.2015



Ясуси Фукайа (Yasushi Fukaya)

Директор

Makita, Jan-Baptist Vinkstraat 2, 3070, Belgium

Общие рекомендации по технике безопасности для электроинструментов

⚠ ОСТОРОЖНО: Ознакомьтесь со всеми инструкциями и рекомендациями по технике безопасности. Невыполнение инструкций и рекомендаций может привести к поражению электротоком, пожару и/или тяжелым травмам.

Сохраните брошюру с инструкциями и рекомендациями для дальнейшего использования.

Термин "электроинструмент" в предупреждениях относится ко всему инструменту, работающему от сети (с проводом) или на аккумуляторах (без провода).

Правила техники безопасности при эксплуатации аккумуляторной циркулярной пилы

Процедуры резки

- ⚠ ОПАСНО:** Держите руки на расстоянии от места распила и пилы. Держите вторую руку на дополнительной ручке или корпусе двигателя. Удержание инструмента обеими руками позволит избежать попадания рук диск пилы.
- Не наклоняйтесь под обрабатываемую деталь.** Защитный кожух не защитит вас от диска под обрабатываемой деталью.
- Отрегулируйте глубину распила в соответствии с толщиной детали.** Под распиливаемой деталью должен быть виден почти весь зуб пилы.
- Запрещается держать распиливаемую деталь руками и ставить ее поперек ноги. Закрепите обрабатываемую деталь на устойчивом основании.** Важно обеспечить правильную фиксацию детали для снижения до минимума риска получения травм, заклинивания диска или потери контроля.

► Рис.1

- Если при выполнении работ существует риск контакта режущего инструмента со скрытой электропроводкой, держите электроинструмент только за специально предназначенные изолированные поверхности.** Контакт с проводом под напряжением приведет к тому, что металлические детали инструмента также будут под напряжением, что приведет к поражению оператора электрическим током.
- Обязательно пользуйтесь направляющей планкой или направляющей с прямым краем при продольной распиловке.** Это повышает точность распила и снижает риск изгиба диска.
- Обязательно используйте диски соответствующего размера и формы отверстий для оправки (ромбовидные или круглые).** Диски с несоответствующим креплением будут работать эксцентрически, что приведет к потере контроля над инструментом.

- Запрещается использовать поврежденные или несоответствующие пиле шайбы или болт крепления.** Шайбы и болт крепления диска были специально разработаны для данной пилы с целью обеспечения оптимальных эксплуатационных характеристик и безопасности работы.

Причины отдачи и соответствующие предупреждения

- отдача - это мгновенная реакция на защемление, изгиб или нарушение соосности пильного диска, приводящая к неконтролируемому подъему пилы и ее движению из детали по направлению к оператору;
 - если диск защемлен или жестко ограничивается пропилом снизу, он прекратит вращаться и реакция двигателя приведет к тому, что инструмент начнет быстро двигаться в сторону оператора;
 - если диск становится изогнутым или неправильно ориентированным в распиле, зубья на задней стороне диска могут цепляться за верхнюю поверхность распиливаемой древесины, что приведет к выскакиванию диска из пропила и его движению в сторону оператора.
- Отдача - это результат неправильного использования пилы и/или неправильных процедур или условий эксплуатации. Ее можно избежать, соблюдая меры предосторожности, указанные ниже.

- Крепко держите пилу обеими руками и располагайте руки так, чтобы они могли справиться с отдачей.** Располагайтесь с боковой стороны циркулярной пилы, а не на одной линии с ней. Отдача может привести к отскакиванию дисковой пилы назад, однако силы отдачи могут контролироваться оператором при условии соблюдения соответствующих мер предосторожности.
- При изгибании пилы или прекращении пиления по какой-либо причине отпустите триггерный переключатель и держите пилу без ее перемещения в детали до полной остановки вращения диска.** Не пытайтесь вытащить пилу из распиливаемой детали или потянуть пилу назад, когда пила продолжает вращаться. Это может привести к отдаче. Проверьте и выполните действия по устранению причины заклинивания диска.
- При повторном включении пилы, когда она находится в детали, отцентрируйте диск пилы в пропиле и убедитесь, что зубья пилы не касаются распиливаемой детали.** Если диск пилы изогнется, пила может приподняться или возникнет обратная отдача при повторном запуске пилы.
- Поддерживайте большие панели для снижения риска заклинивания и отдачи диска.** Большие панели провисают под собственным весом. Опоры необходимо располагать под панелью с обеих сторон, около линии распила и около края панели.

► Рис.2

► Рис.3

- Не используйте тупые или поврежденные диски.** Незаточенные или неправильно установленные диски приведут к узкому распилу, что вызовет чрезмерное трение, заклинивание диска и отдачу.

6. **Перед резкой необходимо крепко затянуть блокирующие рычаги глубины распила и регулировки скоса.** Если при резке регулировка диска нарушится, это может привести к заклиниванию диска и возникновению отдачи.
7. **Будьте особенно осторожны при распиливании уже имеющих стен или иных поверхностей, недоступных для осмотра.** Выступающий диск пилы может столкнуться с предметами, которые могут вызвать отдачу инструмента.
8. **ВСЕГДА держите инструмент крепко обеими руками. НИКОГДА не помещайте руки или пальцы за пилой.** В случае отдачи пила может легко отскочить назад на вашу руку, что приведет к серьезной травме.

► **Рис.4**

9. **Никогда не прилагайте повышенных усилий к пиле. Двигайте пилу вперед со скоростью, которая позволяет дисковой пиле пилить без снижения скорости.** Приложение повышенных усилий к дисковой пиле может привести к неравномерному распилу, снижению точности и возможной отдаче.

Функция нижнего защитного кожуха

1. **Перед каждым использованием убедитесь в том, что нижний защитный кожух надежно закрыт. Не эксплуатируйте пилу, если нижний защитный кожух не перемещается свободно и мгновенно не закрывается. Запрещается фиксировать нижний защитный кожух в открытом положении каким бы то ни было способом.** При случайном падении пилы кожух может погнуться. Поднимите нижний защитный кожух при помощи ручки подъема и убедитесь в его свободном перемещении и в том, что он не касается пилы или других деталей при любом угле и глубине распила.
2. **Проверьте работу пружины нижнего защитного кожуха. Если щиток и пружина не работают надлежащим образом, их необходимо отремонтировать перед использованием пилы.** Нижний защитный кожух может работать медленно из-за поврежденных деталей, отложения смол или скопления мусора.
3. **Нижний защитный кожух можно поднимать вручную только при специальных распилах, таких как “врезание” или “комплексная резка”.** Поднимите нижний кожух, отодвинув рукоятку назад; как только диск войдет в материал, нижний защитный кожух обязательно нужно вернуть на место. При осуществлении любых других распилов нижний защитный кожух должен работать автоматически.
4. **Перед тем как положить пилу на верстак или на пол, обязательно убедитесь, что нижний защитный кожух закрывает режущий диск.** Незащищенный, вращающийся по инерции диск пилы может непреднамеренно двинуться назад, распиливая все, что попадется на пути. Помните о времени, необходимом для полной остановки пилы после отключения выключателя.

5. **Для проверки нижнего кожуха вручную откройте нижний защитный кожух, затем отпустите и убедитесь, что он закрылся. Также убедитесь в том, что убирающаяся ручка не касается корпуса.** Открытая пила **ОЧЕНЬ ОПАСНА** и может привести к серьезной травме.

Дополнительные предупреждения о безопасности

1. **Будьте особенно осторожны при распиливании сырой, прессованной или сучковатой древесины.** Сохраняйте постоянную скорость подачи без снижения оборотов диска, чтобы избежать перегрева кромок диска.
2. **Не пытайтесь убирать отрезанные детали при вращении диска. Перед удалением распиленных деталей дождитесь полной остановки пилы.** После выключения диск будет вращаться еще некоторое время.
3. **Избегайте попадания режущего инструмента на гвозди.** Перед распиливанием осмотрите деталь и удалите из нее все гвозди.
4. **Устанавливайте более широкую часть основания пилы на ту часть обрабатываемой детали, которая имеет хорошую опору, а не на ту часть, которая упадет после отпиливания.** Если распиливаемая деталь короткая или маленькая, ее необходимо закрепить. **НЕ ПЫТАЙТЕСЬ УДЕРЖИВАТЬ КОРОТКИЕ ДЕТАЛИ РУКОЙ!**

► **Рис.5**

5. **Перед размещением пилы после завершения распила убедитесь, что нижний защитный кожух закрылся и пила полностью прекратила вращаться.**
6. **Никогда не пытайтесь осуществлять распиливание, закрепив циркулярную пилу в перевернутом виде.** Это очень опасно и может привести к серьезным травмам.

► **Рис.6**

7. **Некоторые материалы могут содержать токсичные химические вещества.** Примите соответствующие меры предосторожности, чтобы избежать вдыхания или контакта с кожей таких веществ. Соблюдайте требования, указанные в паспорте безопасности материала.
8. **Не пытайтесь остановить пилу путем бокового давления на пильный диск.**
9. **Не используйте абразивные круги.**
10. **Разрешается использовать только пильные диски с диаметром, соответствующим указанному на инструменте или в руководстве.** Применение диска неверного размера может препятствовать надлежащей защите диска или мешать работе защитного кожуха, что, в свою очередь, может стать причиной серьезных травм.
11. **Пилы должны быть острыми и чистыми.** Смола и древесный пек, затвердевшие на пильных дисках, снижают производительность пилы и повышают потенциальный риск отдачи. Содержите пилу в чистоте. Для этого снимите ее с инструмента и очистите растворителем смолы и древесного пекса, горячей водой или керосином. Запрещается использовать бензин.

12. При использовании инструмента надевайте пылезащитную маску и используйте средства защиты слуха.

СОХРАНИТЕ ДАННЫЕ ИНСТРУКЦИИ.

⚠ОСТОРОЖНО: НЕ ДОПУСКАЙТЕ, чтобы удобство или опыт эксплуатации данного устройства (полученный от многократного использования) доминировали над строгим соблюдением правил техники безопасности при обращении с этим устройством. **НЕПРАВИЛЬНОЕ ИСПОЛЬЗОВАНИЕ** инструмента или несоблюдение правил техники безопасности, указанных в данном руководстве, может привести к тяжелой травме.

Важные правила техники безопасности для работы с аккумуляторным блоком

1. Перед использованием аккумуляторного блока прочитайте все инструкции и предупреждающие надписи на (1) зарядном устройстве, (2) аккумуляторном блоке и (3) инструменте, работающем от аккумуляторного блока.
2. Не разбирайте аккумуляторный блок.
3. Если время работы аккумуляторного блока значительно сократилось, немедленно прекратите работу. В противном случае, может возникнуть перегрев блока, что приведет к ожогам и даже к взрыву.
4. В случае попадания электролита в глаза промойте их обильным количеством чистой воды и немедленно обратитесь к врачу. Это может привести к потере зрения.
5. Не замыкайте контакты аккумуляторного блока между собой:
 - (1) Не прикасайтесь к контактам какими-либо токопроводящими предметами.
 - (2) Не храните аккумуляторный блок в контейнере вместе с другими металлическими предметами, такими как гвозди, монеты и т. п.
 - (3) Не допускайте попадания на аккумуляторный блок воды или дождя.Замыкание контактов аккумуляторного блока между собой может привести к возникновению большого тока, перегреву, возможным ожогам и даже поломке блока.
6. Не храните инструмент и аккумуляторный блок в местах, где температура может достигать или превышать 50 °C (122 °F).
7. Не бросайте аккумуляторный блок в огонь, даже если он сильно поврежден или полностью вышел из строя. Аккумуляторный блок может взорваться под действием огня.
8. Не роняйте и не ударяйте аккумуляторный блок.
9. Не используйте поврежденный аккумуляторный блок.

10. Выполняйте требования местного законодательства относительно утилизации аккумуляторного блока.

СОХРАНИТЕ ДАННЫЕ ИНСТРУКЦИИ.

⚠ВНИМАНИЕ: Используйте только фирменные аккумуляторные батареи Makita. Использование аккумуляторных батарей, не произведенных Makita, или батарей, которые были подвергнуты модификациям, может привести к взрыву аккумулятора, пожару, травмам и повреждению имущества. Это также автоматически аннулирует гарантию Makita на инструмент и зарядное устройство Makita.

Советы по обеспечению максимального срока службы аккумулятора

1. Заряжайте блок аккумуляторов перед его полной разрядкой. Обязательно прекратите работу с инструментом и зарядите блок аккумуляторов, если вы заметили снижение мощности инструмента.
2. Никогда не подзаряжайте полностью заряженный блок аккумуляторов. Перезарядка сокращает срок службы аккумулятора.
3. Заряжайте блок аккумуляторов при комнатной температуре в 10 - 40 °C (50 - 104 °F). Перед зарядкой горячего блока аккумуляторов дайте ему остыть.

ОПИСАНИЕ РАБОТЫ

⚠ВНИМАНИЕ: Перед регулировкой или проверкой функций инструмента обязательно убедитесь, что он выключен и его аккумуляторный блок снят.

Установка или снятие блока аккумуляторов

⚠ВНИМАНИЕ: Обязательно выключайте инструмент перед установкой и извлечением аккумуляторного блока.

⚠ВНИМАНИЕ: При установке и извлечении аккумуляторного блока крепко удерживайте инструмент и аккумуляторный блок. Если не соблюдать это требование, они могут выскользнуть из рук, что приведет к повреждению инструмента, аккумуляторного блока и травмированию оператора.

- **Рис.7:** 1. Красный индикатор 2. Кнопка
3. Блок аккумулятора

Для снятия аккумуляторного блока нажмите кнопку на лицевой стороне и извлеките блок.

Для установки аккумуляторного блока совместите выступ аккумуляторного блока с пазом в корпусе

и задвиньте его на место. Устанавливайте блок до упора так, чтобы он зафиксировался на месте с небольшим щелчком. Если вы можете видеть красный индикатор на верхней части клавиши, адаптер аккумулятора не полностью установлен на месте.

⚠ВНИМАНИЕ: Обязательно устанавливайте аккумуляторный блок до конца, чтобы красный индикатор не был виден. В противном случае аккумуляторный блок может выпасть из инструмента и нанести травму вам или другим людям.

⚠ВНИМАНИЕ: Не прилагайте чрезмерных усилий при установке аккумуляторного блока. Если блок не двигается свободно, значит он вставлен неправильно.

Система защиты аккумулятора

На инструменте предусмотрена система защиты аккумулятора. Она автоматически отключает питание двигателя для продления срока службы аккумулятора.

Инструмент автоматически остановится во время работы при возникновении указанных ниже ситуаций.

Перегрузка:

Из-за способа эксплуатации инструмент потребляет очень большое количество тока.

В этом случае отпустите триггерный переключатель на инструменте и прекратите использование, повлекшее перегрузку инструмента. Затем снова нажмите на триггерный переключатель для перезапуска.

Если инструмент не включается, значит перегрелся аккумуляторный блок. В этом случае дайте ему остыть перед повторным нажатием на триггерный переключатель.

Низкое напряжение аккумуляторной батареи:

Уровень оставшегося заряда аккумулятора слишком низкий, и инструмент не работает. При нажатии триггерного переключателя электродвигатель включается и сразу отключается. В этом случае снимите и зарядите аккумулятор.

Индикация оставшегося заряда аккумулятора

Только для аккумуляторных блоков, номер модели которых заканчивается на "B"

► Рис.8: 1. Индикаторы 2. Кнопка проверки

Нажмите кнопку проверки на аккумуляторном блоке для проверки заряда. Индикаторы загорятся на несколько секунд.

Индикаторы		Уровень заряда
Горит	Выкл.	
■	□	
■ ■ ■ ■		от 75 до 100%
■ ■ ■ □		от 50 до 75%
■ ■ □ □		от 25 до 50%

Индикаторы		Уровень заряда
Горит	Выкл.	
■	□	
■ □ □ □		от 0 до 25%

ПРИМЕЧАНИЕ: В зависимости от условий эксплуатации и температуры окружающего воздуха индикация может незначительно отличаться от фактического значения.

Регулировка глубины пропила

► Рис.9: 1. Зажимной винт 2. Направляющая глубины

⚠ВНИМАНИЕ: После регулировки глубины пропила всегда крепко затягивайте зажимной винт.

Ослабьте зажимной винт на направляющей глубины и переместите основание вверх или вниз. Установив необходимую глубину резки, закрепите основание, затянув зажимной винт.

Для чистого и безопасного распиливания установите глубину пропила так, чтобы под распиливаемой деталью дисковая пила выступала не более чем на один зуб. Установка надлежащей глубины пропила снижает вероятность опасных ОТСКОКОВ, которые могут причинить травму.

Резка под углом

► Рис.10: 1. Зажимной винт 2. Пластина индикатора наклона

Ослабьте зажимной винт на пластине индикатора наклона на лицевой стороне основания. Установите желаемый угол (0° - 45°), соответственно наклоняя основание, и затем надежно затяните зажимной винт.

Наведение

► Рис.11: 1. Линия отреза

Для осуществления прямых распилов совместите положение А в передней части основания с линией отреза. Для резки под углом в 45° совместите положение В с линией отреза.

Действие выключателя

► Рис.12: 1. Рычаг разблокировки 2. Триггерный переключатель

⚠ВНИМАНИЕ: Перед установкой аккумуляторного блока в инструмент обязательно убедитесь, что его триггерный переключатель нормально работает и возвращается в положение "OFF" (ВЫКЛ) при отпускании.

⚠ВНИМАНИЕ: Не давите сильно на триггерный переключатель, не нажав на рычаг разблокировки. Это может привести к поломке переключателя.

Для предотвращения случайного нажатия триггерного переключателя инструмент оборудован рычагом разблокировки. Для включения инструмента сдвиньте рычаг разблокировки и потяните триггерный переключатель. Отпустите триггерный переключатель для остановки.

⚠ОСТОРОЖНО: В целях безопасности инструмент оснащен рычагом разблокировки, который предотвращает случайное включение инструмента. **ЗАПРЕЩАЕТСЯ** использовать инструмент после нажатия триггерного переключателя без включения рычага разблокировки. **ПЕРЕД** дальнейшим использованием отремонтируйте инструмент в сервисном центре компании MAKITA.

⚠ОСТОРОЖНО: ЗАПРЕЩЕНО фиксировать рычаг разблокировки при помощи липкой ленты и вносить изменения в его конструкцию.

СБОРКА

⚠ВНИМАНИЕ: Перед проведением каких-либо работ с инструментом обязательно убедитесь, что инструмент отключен, а блок аккумулятора снят.

Снятие или установка диска циркулярной пилы

► **Рис.13:** 1. Фиксатор вала 2. Шестигранный ключ

⚠ВНИМАНИЕ: Обязательно проверяйте правильность установки диска циркулярной пилы. Зубья должны смотреть вверх в передней части инструмента.

⚠ВНИМАНИЕ: Для снятия или установки диска циркулярной пилы пользуйтесь только ключом Makita.

Для снятия диска циркулярной пилы полностью нажмите на замок вала, чтобы диск не вращался, и ослабьте шестигранный болт, повернув его ключом против часовой стрелки. Затем снимите болт с шестигранной головкой, внешний фланец и диск циркулярной пилы.

► **Рис.14:** 1. Болт с шестигранной головкой
2. Наружный фланец 3. Диск циркулярной пилы
4. Внутренний фланец

Установка диска циркулярной пилы выполняется в порядке, обратном процедуре снятия. **ОБЯЗАТЕЛЬНО ЗАТЯНИТЕ ШЕСТИГРАННЫЙ БОЛТ ПО ЧАСОВОЙ СТРЕЛКЕ.**

► **Рис.15:** 1. Болт с шестигранной головкой
2. Выступ 3. Наружный фланец 4. Диск циркулярной пилы 5. Внутренний фланец
6. Выступ (большая часть)

ПРИМЕЧАНИЕ: При случайном снятии внутреннего фланца установите его таким образом, чтобы его выступ (большая часть) был обращен внутрь, как показано на рисунке.

При замене диска циркулярной пилы убедитесь, что вы почистили верхнее и нижнее ограждение диска от скопившихся опилок в соответствии с инструкциями в разделе "Техническое обслуживание". Подобные меры не заменяют необходимость проверки нижнего защитного кожуха перед каждым использованием.

Хранение шестигранного ключа

► **Рис.16:** 1. Шестигранный ключ

Когда шестигранный ключ не используется, храните его, как показано на рисунке, чтобы не потерять.

Подключение пылесоса

Дополнительные принадлежности

► **Рис.17:** 1. Противопылевые насадки (приобретаются отдельно) 2. Винт (дополнительная принадлежность)

► **Рис.18**

При необходимости выполнения чистого распиливания подключите к вашему инструменту пылесос Makita. Установите противопылевую насадку (приобретается отдельно) на инструмент при помощи винта. Затем подсоедините шланг пылесоса к противопылевой насадке, как показано на рисунке.

ЭКСПЛУАТАЦИЯ

⚠ВНИМАНИЕ: Осторожно перемещайте инструмент вперед по прямой линии.

Применение силы или кручение инструмента приводят к перегреву двигателя и опасному отскоку, результатом чего может стать серьезная травма.

ПРИМЕЧАНИЕ: При низкой температуре блока аккумуляторов инструмент может работать не в полную мощность. В это время инструмент рекомендуется использовать для резания в легких режимах, пока блок аккумуляторов не нагреется до комнатной температуры. Затем инструмент может работать в полную мощность.

► **Рис.19**

Крепко держите инструмент. Инструмент снабжен передней (корпус мотора) и задней ручками. Используйте обе ручки для удержания инструмента. Если вы держите пилу обеими руками, вы исключаете риск их травмирования пыльным диском. Установите основание циркулярной пилы на распиливаемую деталь так, чтобы пыльный диск не касался детали. Затем включите инструмент и дождитесь набора полной скорости диска циркулярной пилы. Теперь просто перемещайте инструмент вперед по распиливаемой детали, ровно держа пилу и аккуратно подавая ее вперед до полного

распиливания детали.

Для чистого распиливания перемещайте инструмент вперед строго по прямой линии и с постоянной скоростью. Если при распиливании произошло отклонение от намеченной линии, не пытайтесь принудительно вернуть инструмент на линию распиливания. Это может вызвать изгиб диска циркулярной пилы и возникновение опасной отдачи, которая может привести к травме. Отпустите выключатель, дождитесь остановки диска циркулярной пилы и вытащите его из распила. Заново совместите инструмент с новой линией пропила и начните распиливание снова. Старайтесь избегать положений, при которых отбрасываемые пилой опилки и древесная пыль попадут на оператора. Во избежание получения травм используйте защитные очки.

Направляющая планка (направляющая линейка)

Дополнительные принадлежности

► Рис.20

Удобная направляющая планка помогает вам делать исключительно точные прямые пропилы. Просто придвиньте направляющую планку к боковой поверхности обрабатываемой детали и закрепите ее в таком положении с помощью винта в передней части основания. Она позволяет также осуществлять повторное отпиливание деталей одинаковой ширины.

ОБСЛУЖИВАНИЕ

ВНИМАНИЕ: Перед проведением проверки или работ по техобслуживанию всегда проверяйте, что инструмент выключен, а блок аккумулятора снят.

ВНИМАНИЕ: Очистите верхний и нижний кожухи, чтобы удалить скопившиеся опилки, так как они могут ухудшить работу нижней защитной системы. Загрязнение защитной системы может помешать ее работе и привести к тяжелым травмам. Самый эффективный способ очистки – это очистка с использованием сжатого воздуха. При удалении пыли из кожухов с помощью сжатого воздуха обязательно используйте надлежащие средства защиты органов зрения и дыхания.

ПРИМЕЧАНИЕ: Запрещается использовать бензин, растворители, спирт и другие подобные жидкости. Это может привести к обесцвечиванию, деформации и трещинам.

Для обеспечения БЕЗОПАСНОСТИ и НАДЕЖНОСТИ оборудования ремонт, любое другое техобслуживание или регулировку необходимо производить в уполномоченных сервис-центрах Makita или сервис-центрах предприятия с использованием только сменных частей производства Makita.

ДОПОЛНИТЕЛЬНЫЕ ПРИНАДЛЕЖНОСТИ

ВНИМАНИЕ: Данные принадлежности или приспособления рекомендуются для использования с инструментом Makita, указанным в настоящем руководстве. Использование других принадлежностей или приспособлений может привести к получению травмы. Используйте принадлежность или приспособление только по указанному назначению.

Если вам необходимо содействие в получении дополнительной информации по этим принадлежностям, свяжитесь с вашим сервис-центром Makita.

- Диск циркулярной пилы
- Направляющая планка (направляющая линейка)
- Шестигранный ключ
- Противопылевая насадка
- Оригинальный аккумулятор и зарядное устройство Makita

ПРИМЕЧАНИЕ: Некоторые элементы списка могут входить в комплект инструмента в качестве стандартных приспособлений. Они могут отличаться в зависимости от страны.

Makita Jan-Baptist Vinkstraat 2, 3070, Belgium
Makita Corporation Anjo, Aichi, Japan

www.makita.com

885447-982
EN, SV, NO, FI,
LV, LT, ET, RU
20150630